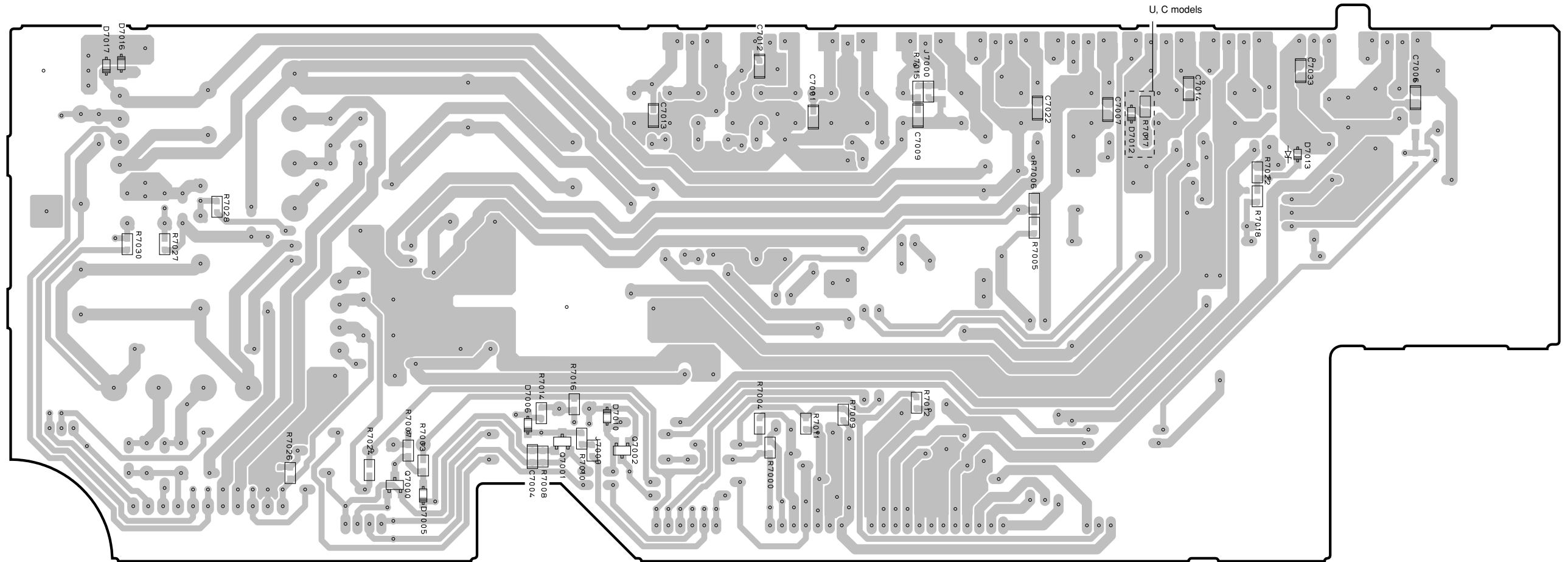


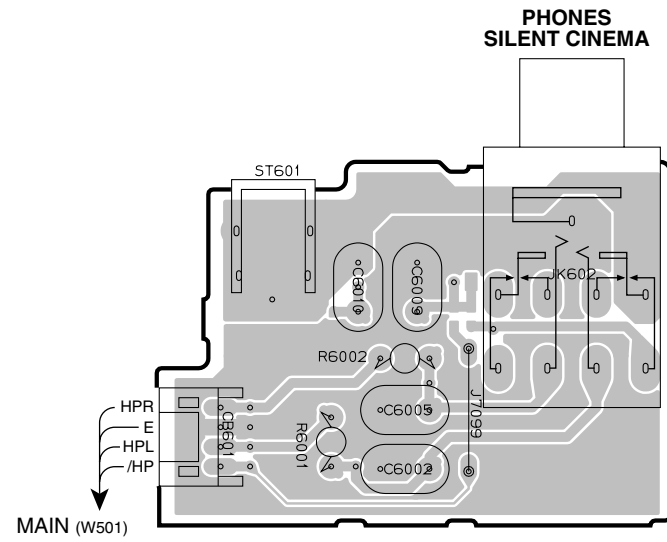
OPERATION (2) P.C.B. (Side B)



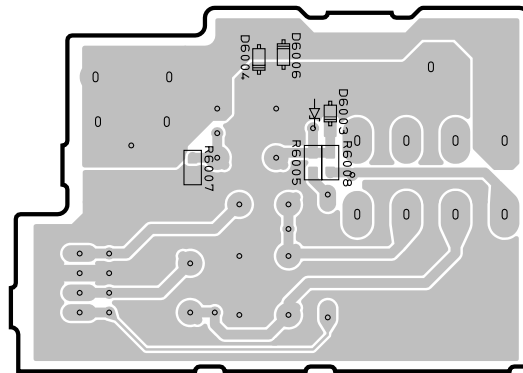
• **Semiconductor Location**

Ref no.	Location	Ref no.	Location
D7005	D5	D7016	B3
D7006	D4	D7017	B3
D7010	E4	Q7000	D5
D7012	H3	Q7001	E5
D7013	I3	Q7002	E5

OPERATION (3) P.C.B. (Side A)

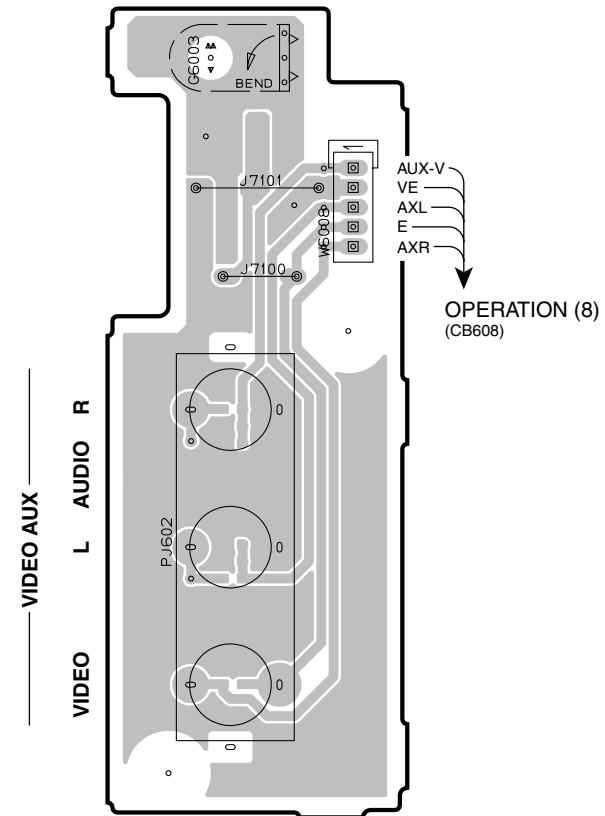


OPERATION (3) P.C.B. (Side B)



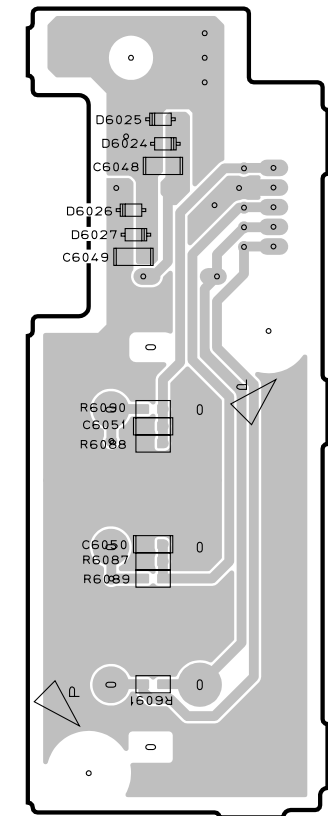
OPERATION (4) P.C.B. (Side A)

R, T, K, A, B, G, E, F, L models



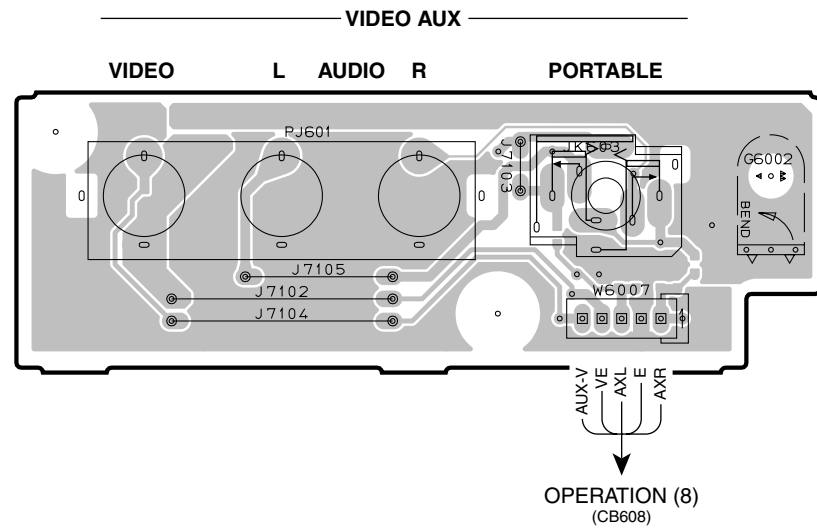
OPERATION (4) P.C.B. (Side B)

R, T, K, A, B, G, E, F, L models



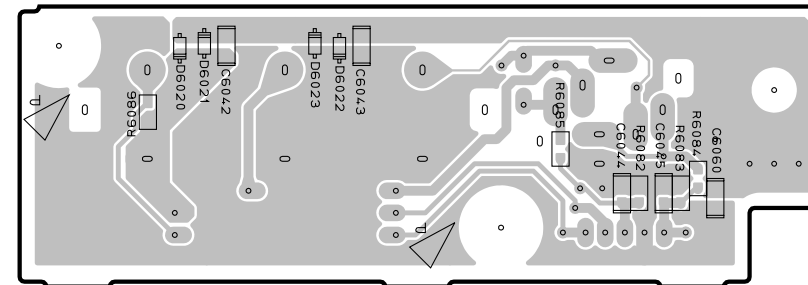
OPERATION (5) P.C.B. (Side A)

U, C models



OPERATION (5) P.C.B. (Side B)

U, C models



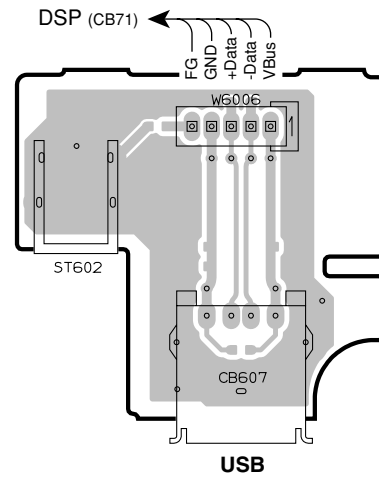
• **Semiconductor Location**

Ref no.	Location	Ref no.	Location
D6003	E2	D6023	F5
D6004	E2	D6024	I2
D6006	E2	D6025	I2
D6020	F5	D6026	I2
D6021	F5	D6027	I2
D6022	F5		

1
2
3
4
5
6
7

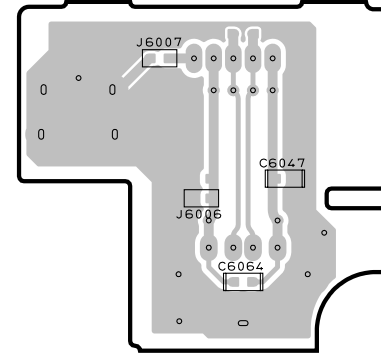
OPERATION (6) P.C.B. (Side A)

R, T, K, A, B, G, E, F, L models



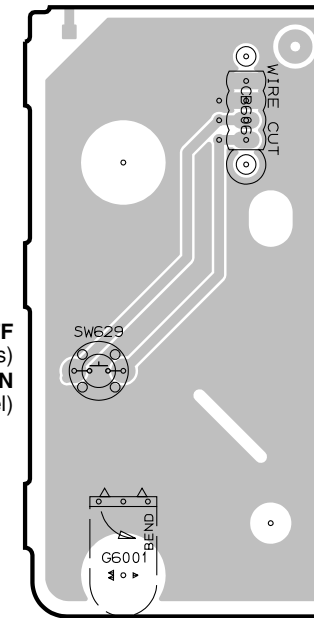
OPERATION (6) P.C.B. (Side B)

R, T, K, A, B, G, E, F, L models



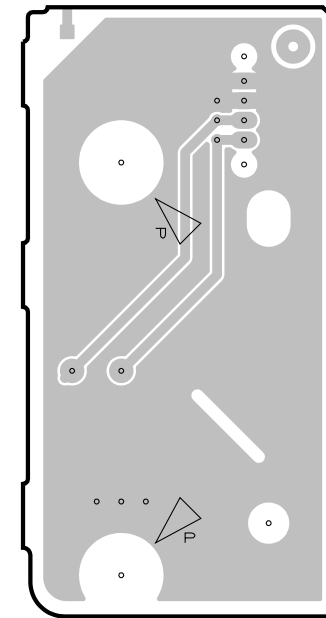
OPERATION (7) P.C.B. (Side A)

MAIN ZONE ON/OFF
(U, C, R, T, K, A, G, E, F, L models)
STANDBY/ON
(B model)



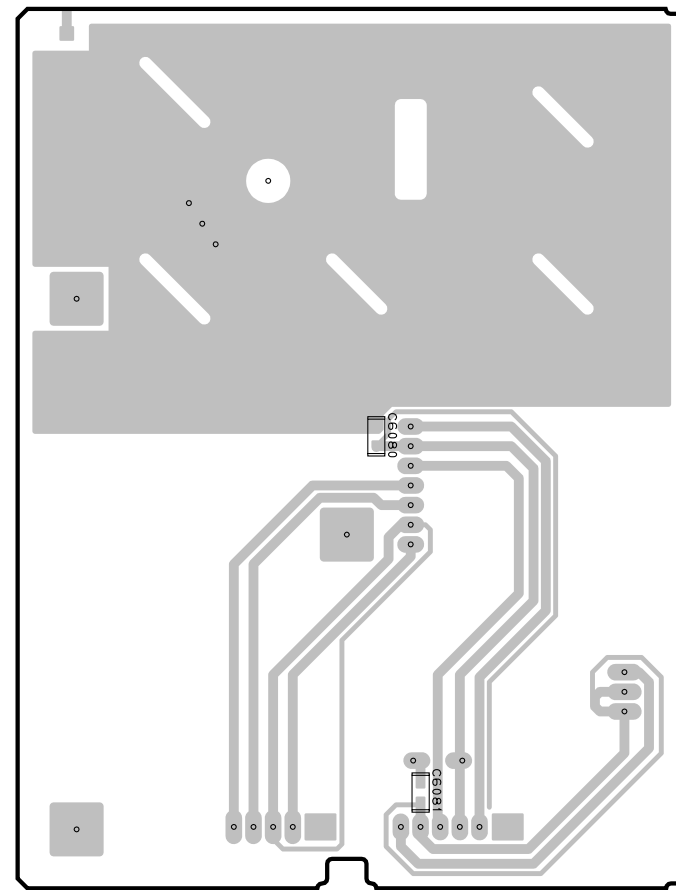
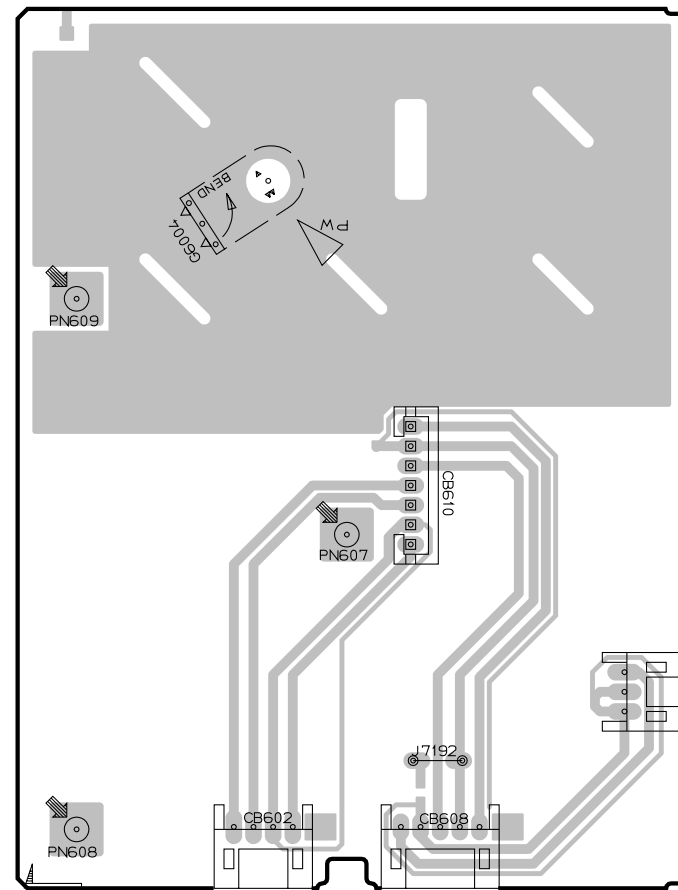
OPERATION (7) P.C.B. (Side B)

OPERATION (1)
(CB605)



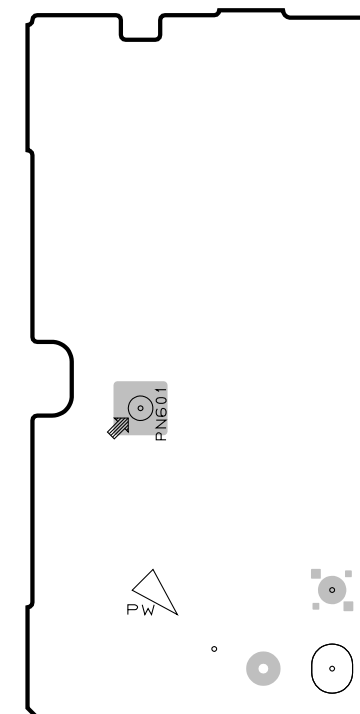
OPERATION (8) P.C.B. (Side A)

OPERATION (8) P.C.B. (Side B)



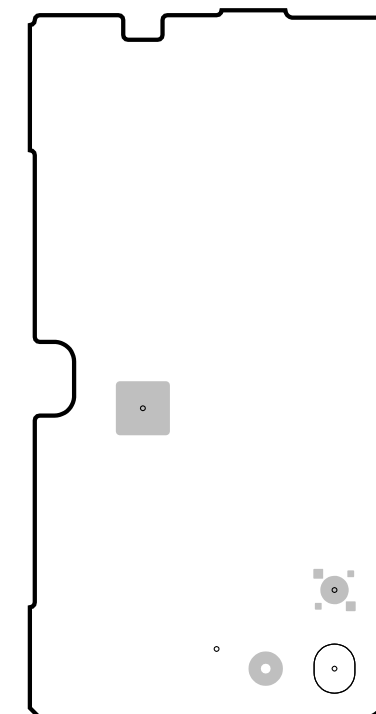
OPERATION (9) P.C.B.

(Side A)



OPERATION (9) P.C.B.

(Side B)

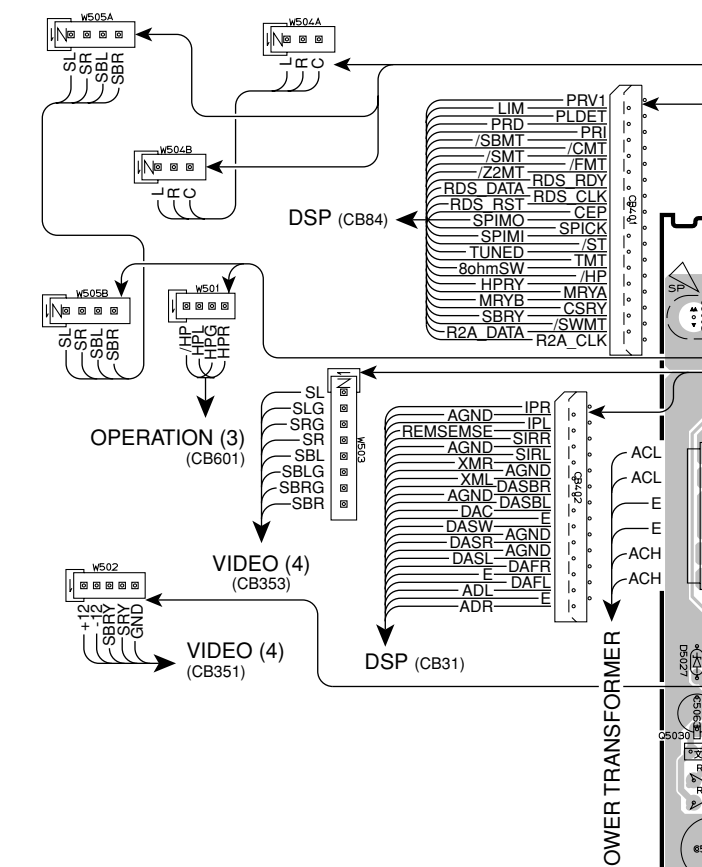


Circuit No.	U, C, R, T, K, A, L	G, E, F	B
C4037	O	O	X
C4109, 4123, 4126	X	O	X
Q4012	X	O	X
L4001	X	O	X
XL401	X	O	X

MAIN (1) P.C.B. (Side A)

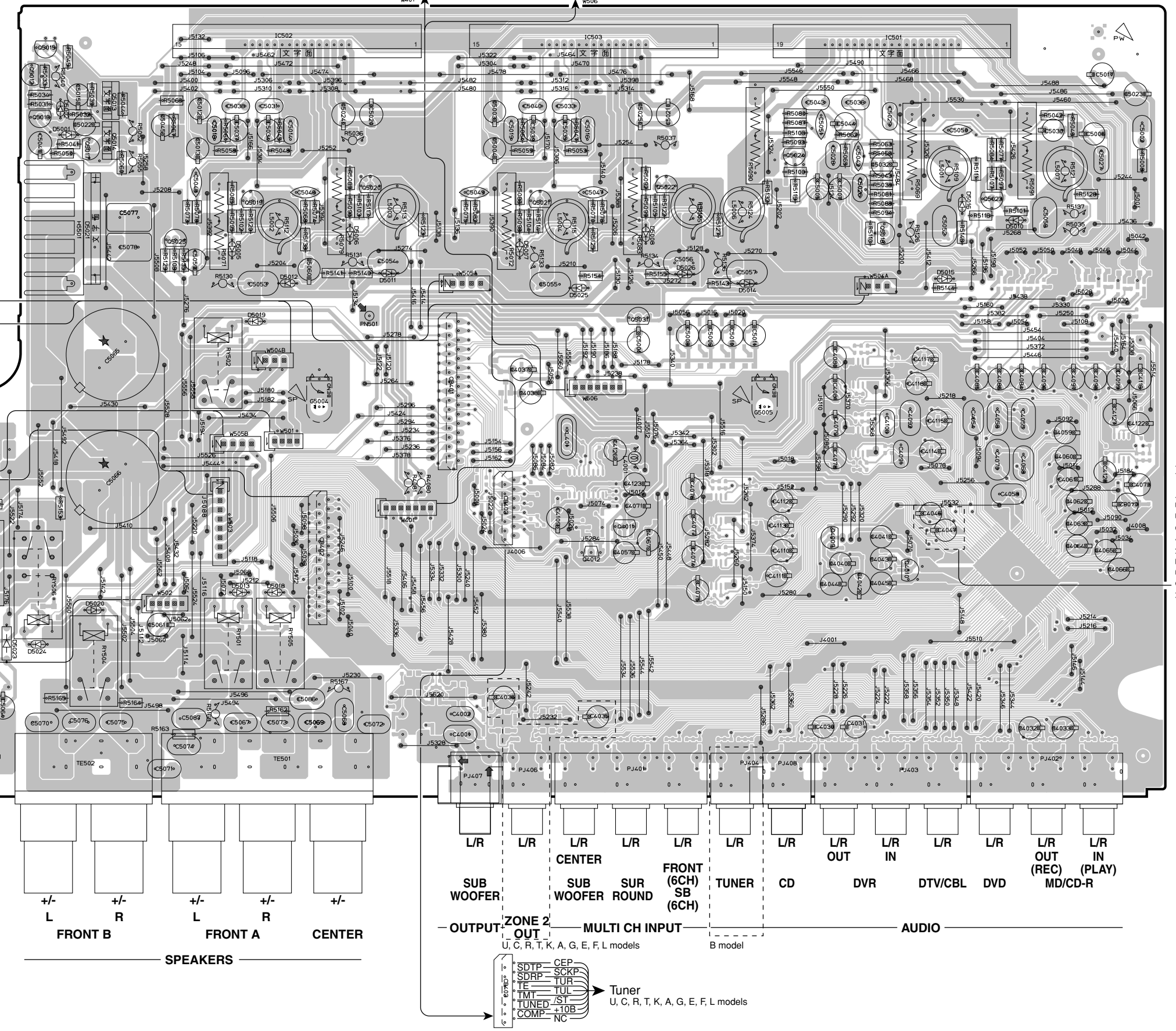
• Semiconductor Location

Ref no.	Location	Ref no.	Location	Ref no.	Location	Ref no.	Location	Ref no.	Location
D5001	D2	D5014	H3	D5024	D5	Q4012	G5	Q5021	G3
D5002	D2	D5015	I3	D5025	G3	Q5012	D2	Q5022	G2
D5005	E3	D5016	I3	D5026	G3	Q5013	D2	Q5023	I3
D5006	F3	D5017	C5	D5027	C5	Q5014	D2	Q5024	H2
D5007	G3	D5018	E5	IC501	I2	Q5015	D2	Q5025	E3
D5008	G3	D5019	E3	IC502	E2	Q5016	D2	Q5030	C5
D5010	I3	D5020	D5	IC503	G2	Q5017	D2	Q5031	G3
D5011	F3	D5021	D3	Q4009	H4	Q5018	I3		
D5012	E3	D5022	D5	Q4010	I5	Q5019	E3		
D5013	E5	D5023	D5	Q4011	G4	Q5020	F2		



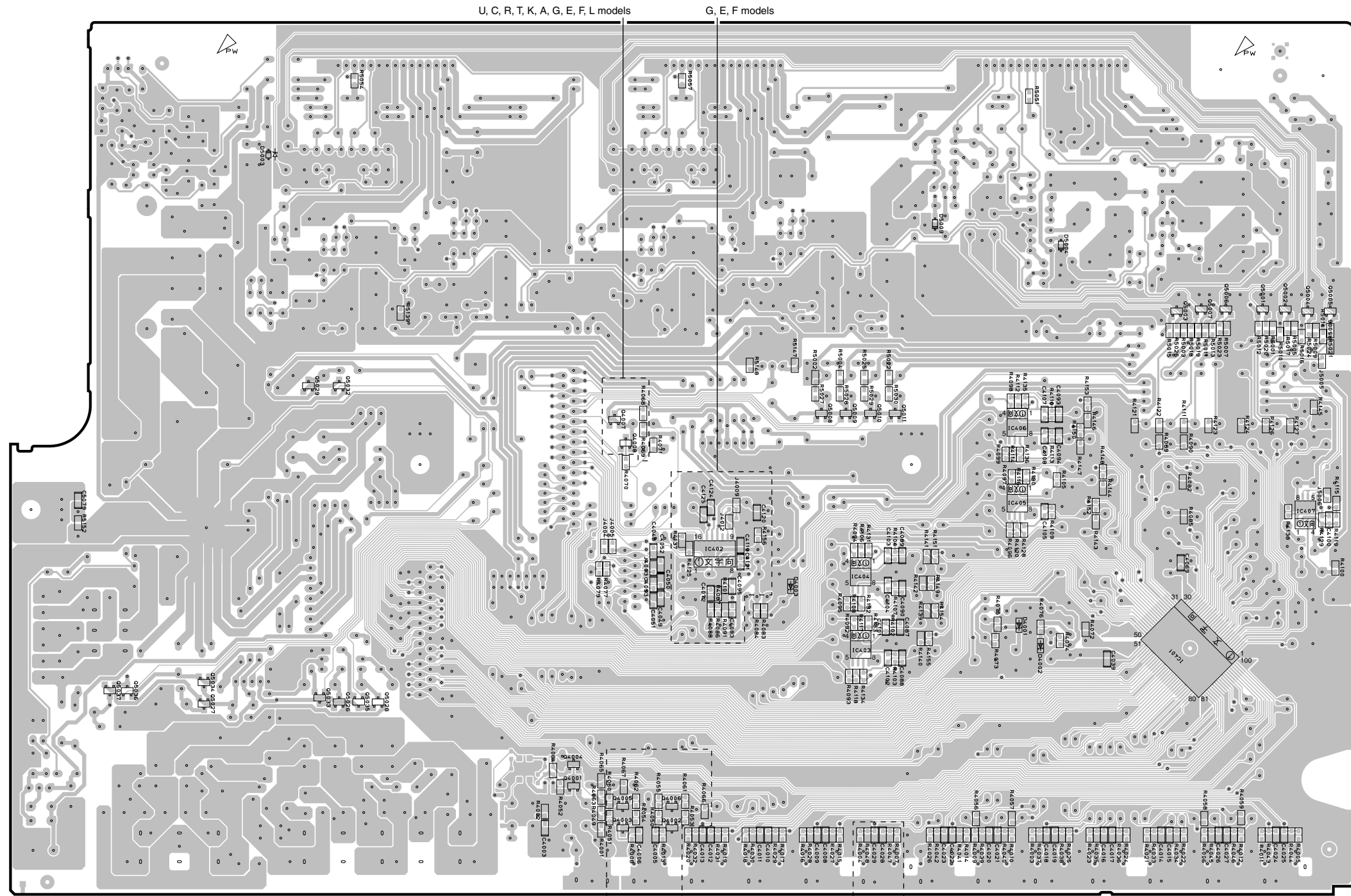
MAIN (2) P.C.B. (Side A)

CAUTION:
 REPLACE FUSIBLE RESISTOR R7025 WITH SAME TYPE RNF1FB 1W 1.0Ω.
CAUTION:
 REPLACE FUSIBLE RESISTOR R7029, R7031 WITH SAME TYPE RS1BSJR 1W 0.15Ω.
 X9591-2 GCI 1V0ASZ

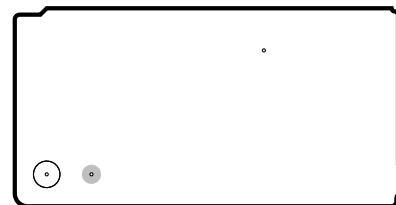


U, C, R, T, K, A, G, E, F, L models

MAIN (1) P.C.B. (Side B)



MAIN (2) P.C.B. (Side B)

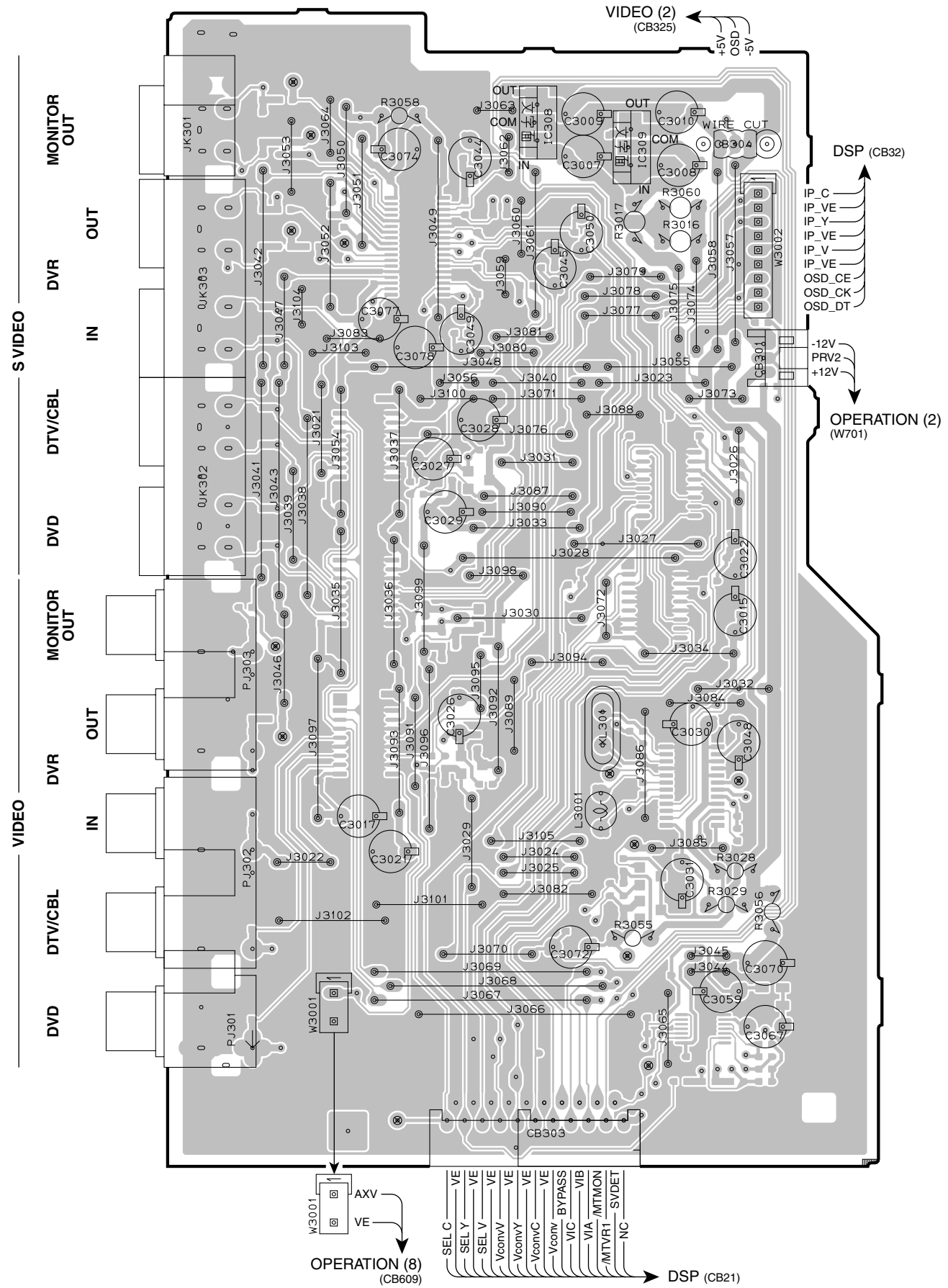


U, C, R, T, K, A, G, E, F, L models B model

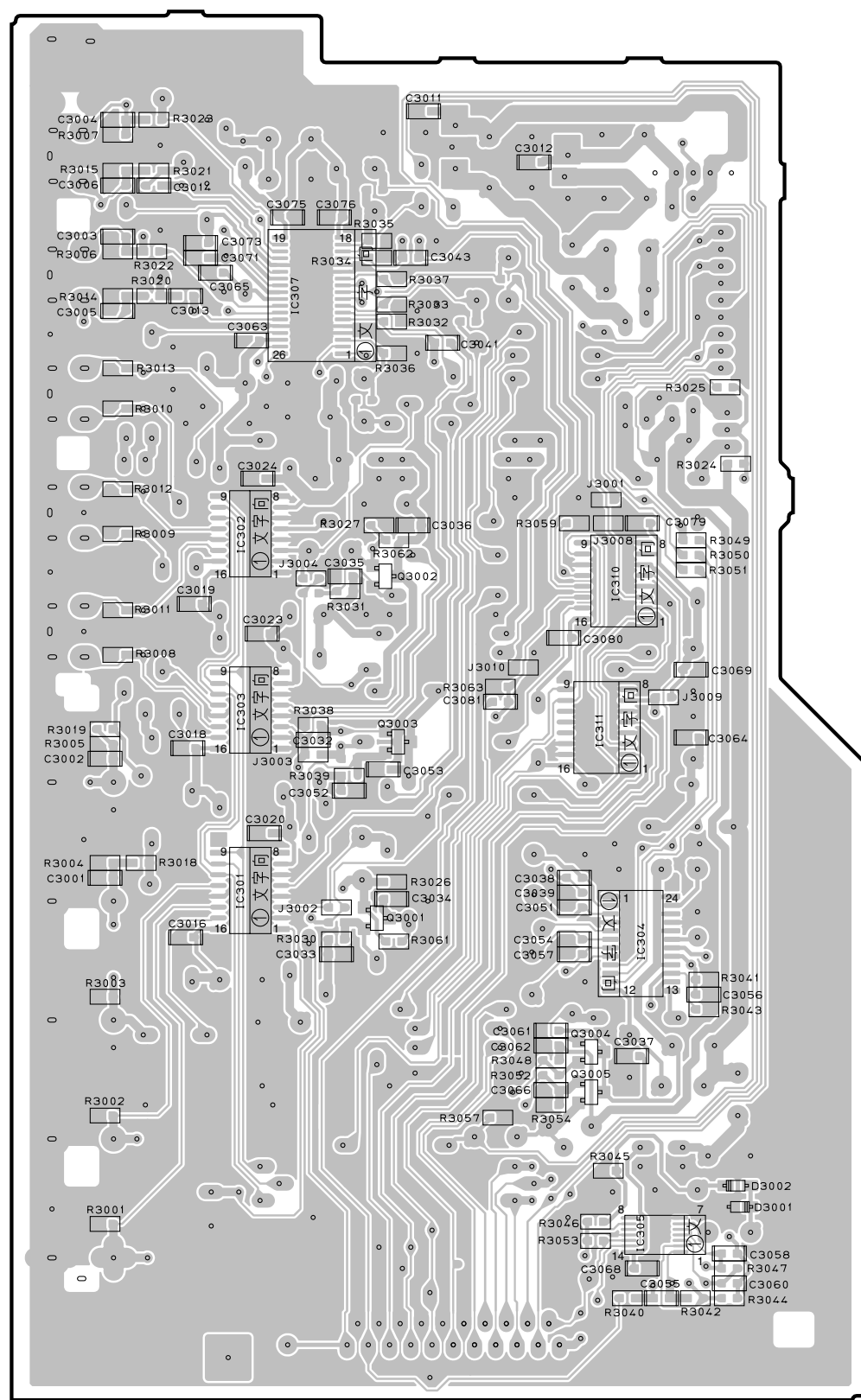
• **Semiconductor Location**

Ref no.	Location	Ref no.	Location	Ref no.	Location	Ref no.	Location	Ref no.	Location
D4001	H5	IC404	G4	Q4006	F5	Q5007	H3	Q5032	D3
D4002	H5	IC405	H4	Q4007	E3	Q5008	G3	Q5033	D5
D4003	F4	IC406	H3	Q4008	E4	Q5009	G3	Q5034	C5
D5003	D2	IC407	I4	Q5001	I3	Q5010	G3	Q5035	D5
D5004	H3	Q4001	E5	Q5002	I3	Q5011	G3	Q5036	C5
D5009	G2	Q4002	F6	Q5003	H3	Q5026	D5	Q5037	C5
IC401	H5	Q4003	E6	Q5004	I3	Q5027	C5		
IC402	F4	Q4004	E5	Q5005	I3	Q5028	D5		
IC403	G5	Q4005	E5	Q5006	I3	Q5029	D3		

VIDEO (1) P.C.B. (Side A)



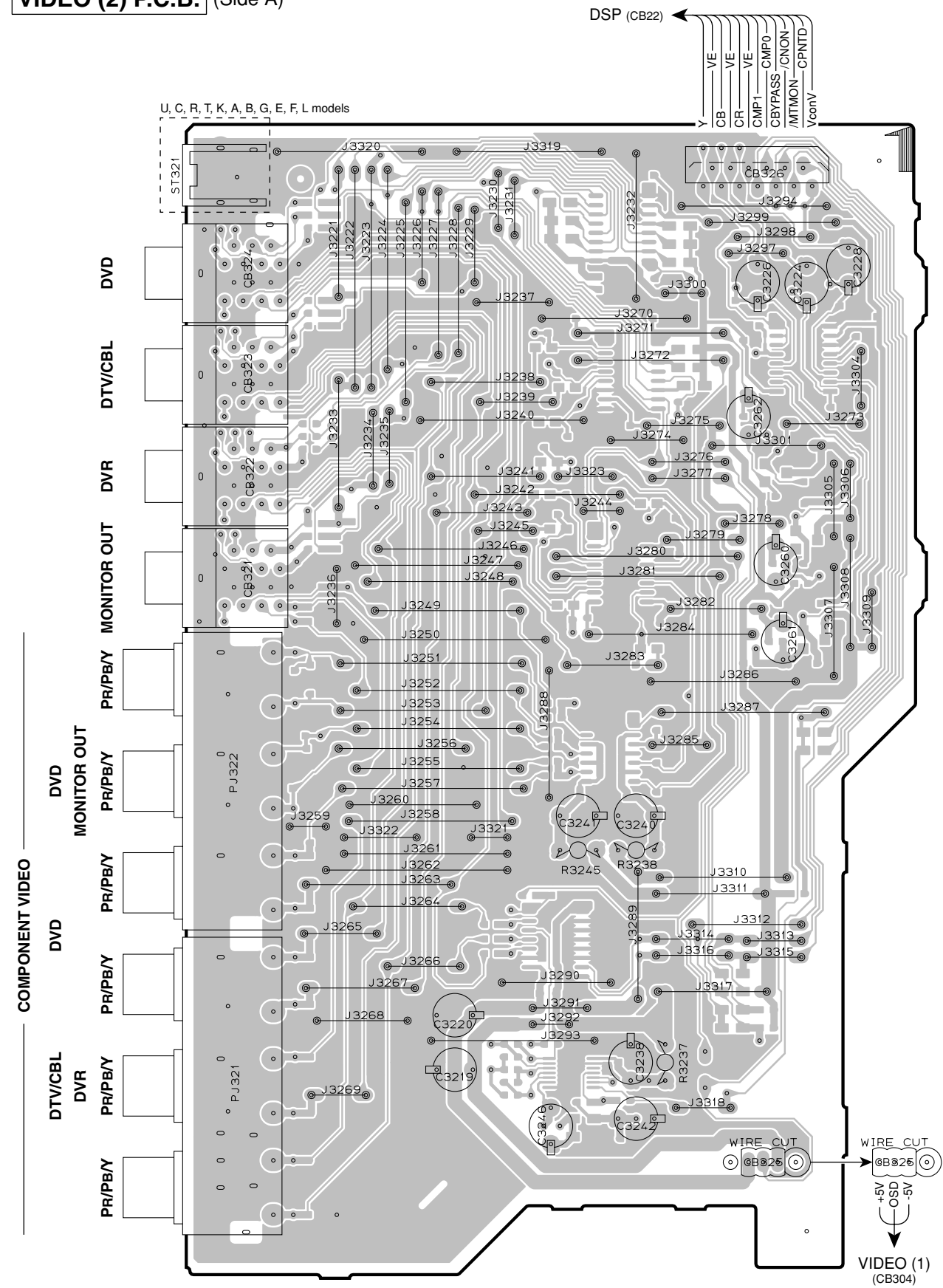
VIDEO (1) P.C.B. (Side B)



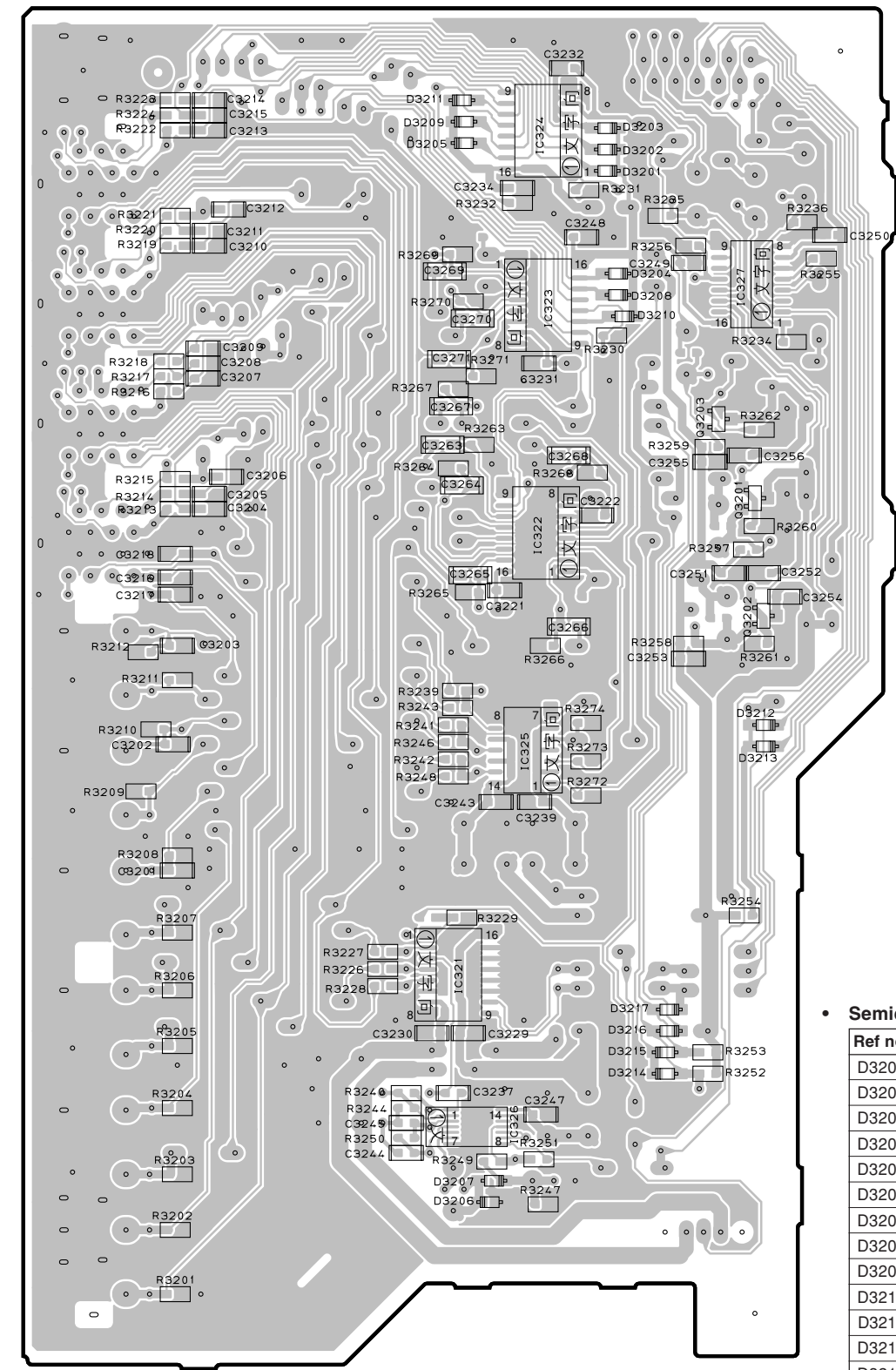
• Semiconductor Location

Ref no.	Location
D3001	I6
D3002	I6
IC301	G5
IC302	G3
IC303	G4
IC304	H5
IC305	I6
IC307	G2
IC308	D2
IC309	D2
IC310	H4
IC311	H4
Q3001	G5
Q3002	G3
Q3003	H4
Q3004	H5
Q3005	H5

VIDEO (2) P.C.B. (Side A)



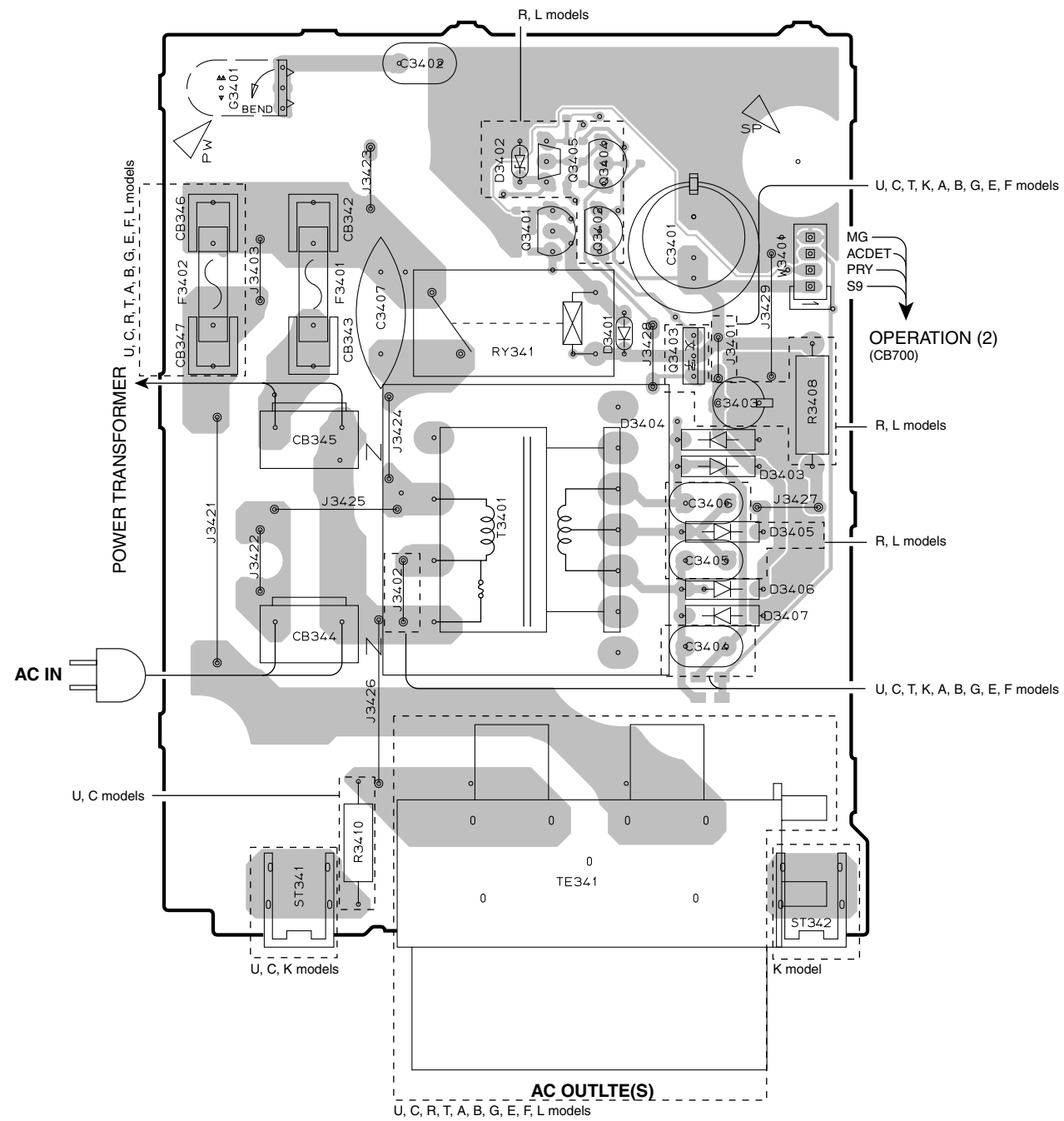
VIDEO (2) P.C.B. (Side B)



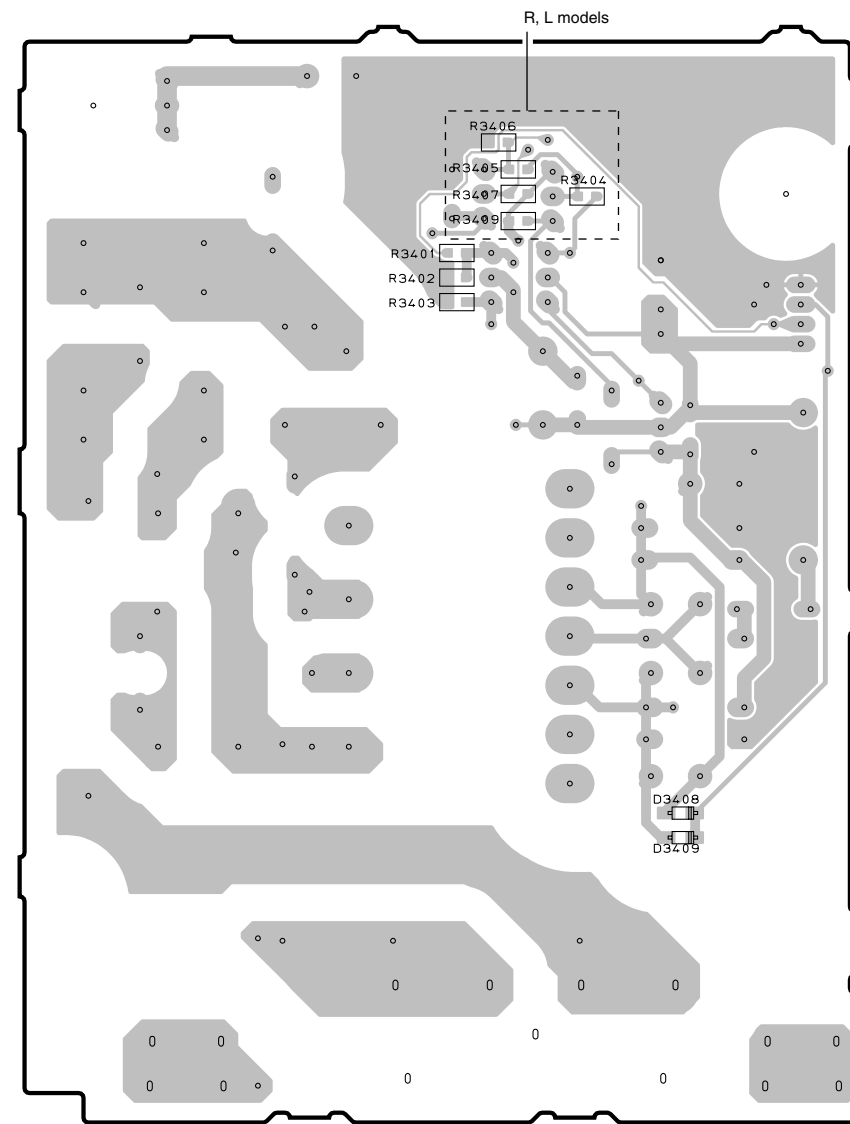
• Semiconductor Location

Ref no.	Location	Ref no.	Location
D3201	H2	D3215	I6
D3202	H2	D3216	I6
D3203	H2	D3217	I6
D3204	H3	IC321	H6
D3205	H2	IC322	H4
D3206	H6	IC323	H3
D3207	H6	IC324	H2
D3208	H3	IC325	H5
D3209	H2	IC326	H6
D3210	H3	IC327	I3
D3211	H2	Q3201	I4
D3212	I5	Q3202	I4
D3213	I5	Q3203	I3
D3214	I6		

VIDEO (3) P.C.B. (Side A)



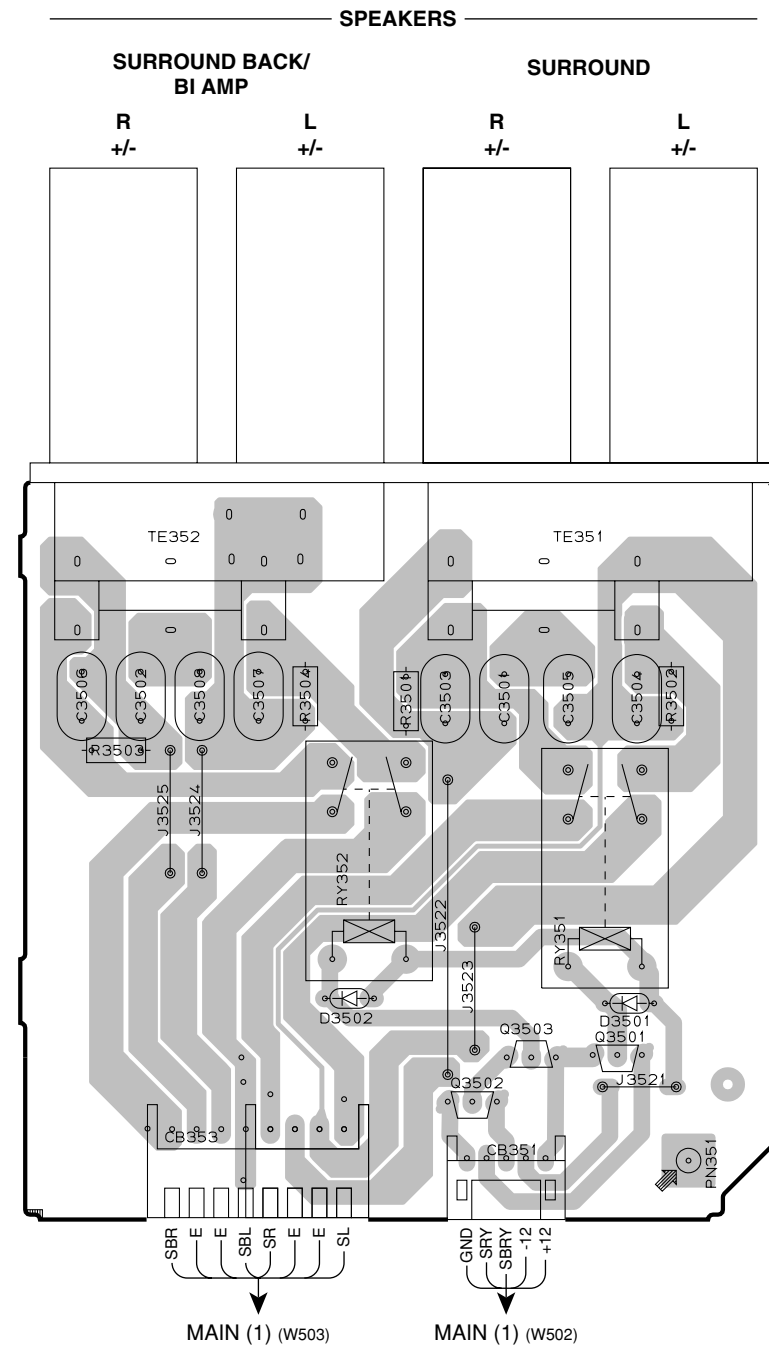
VIDEO (3) P.C.B. (Side B)



• **Semiconductor Location**

Ref no.	Location	Ref no.	Location
D3401	D3	D3408	H5
D3402	C2	D3409	H5
D3403	D4	Q3401	C3
D3404	D4	Q3402	D3
D3405	D4	Q3403	D3
D3406	D4	Q3404	D2
D3407	D4	Q3405	C2

VIDEO (4) P.C.B. (Side A)

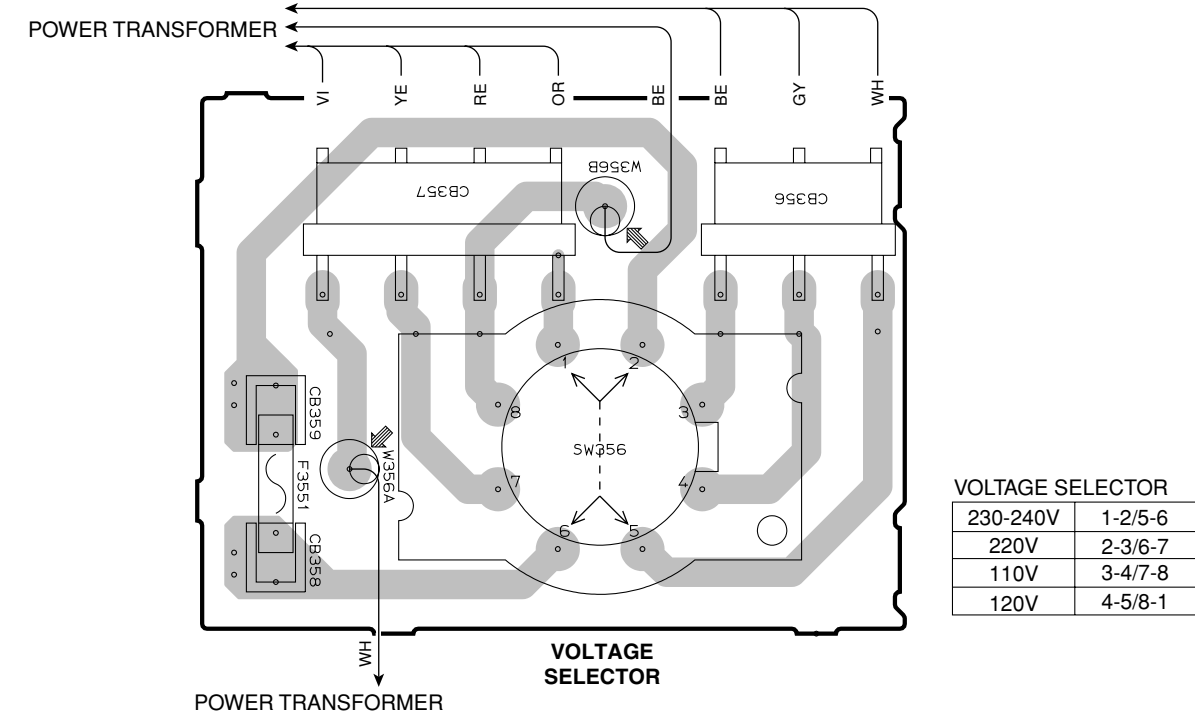


• **Semiconductor Location**

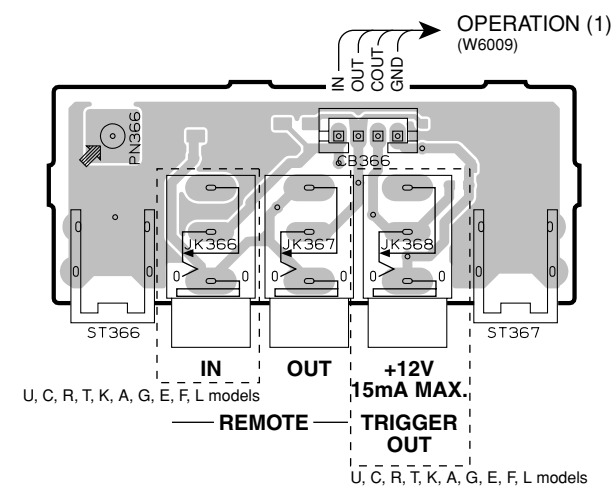
Ref no.	Location
D3501	D5
D3502	C5
D3651	H5
D3652	I5
Q3501	D5
Q3502	C6
Q3503	C5

VIDEO (5) P.C.B. (Side A)

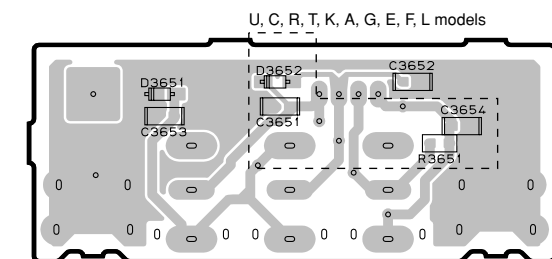
R, L models



VIDEO (6) P.C.B. (Side A)

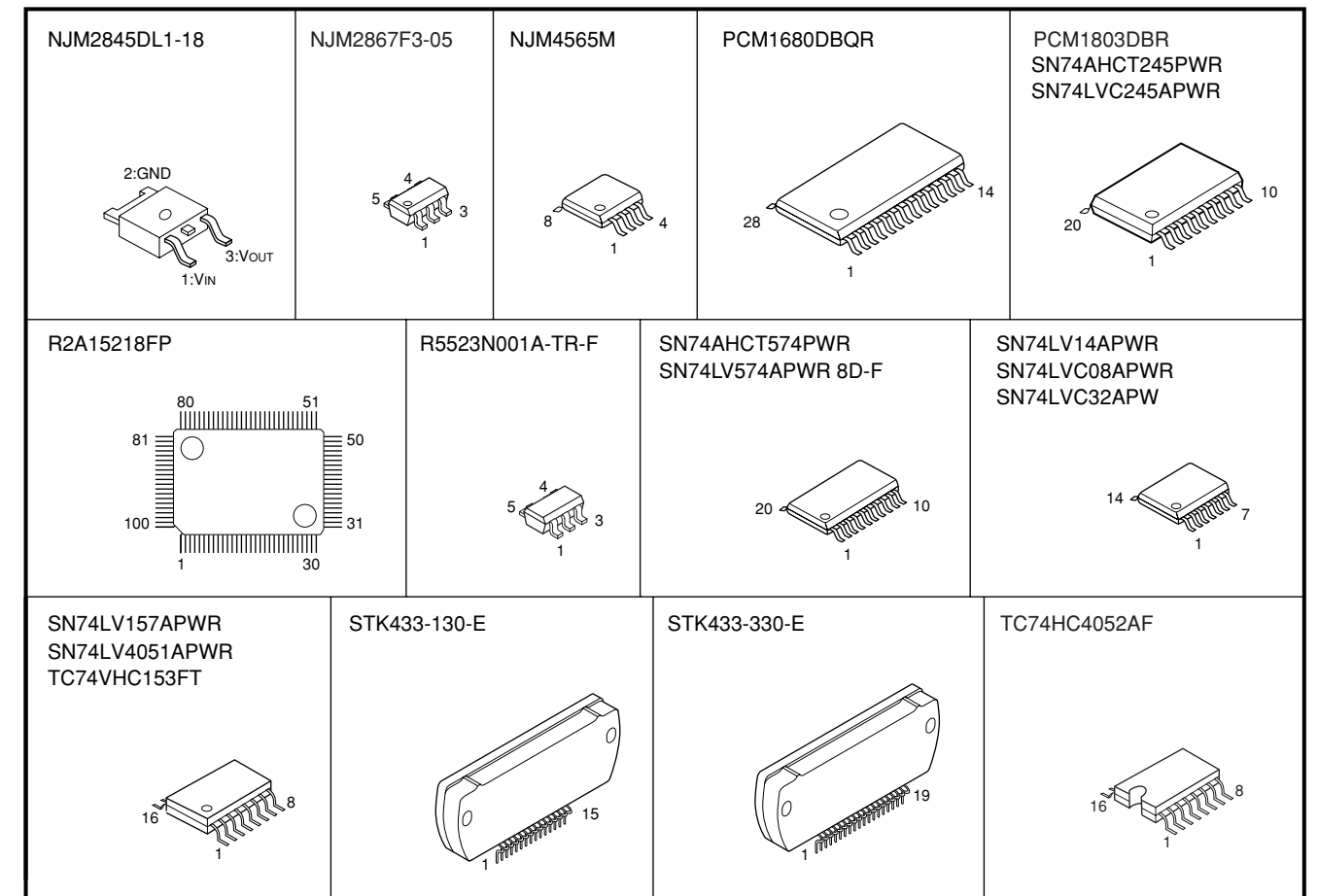
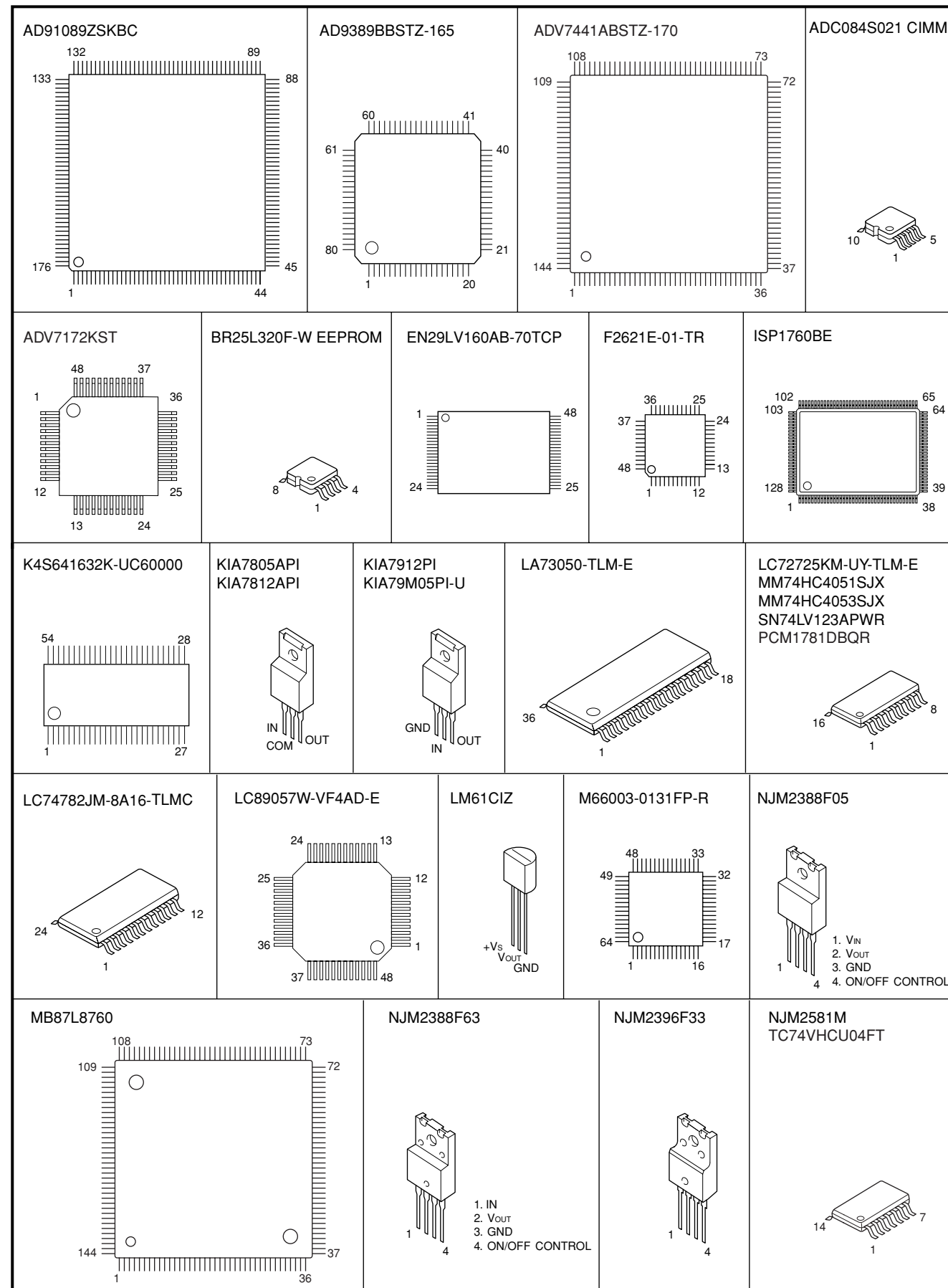


VIDEO (6) P.C.B. (Side B)

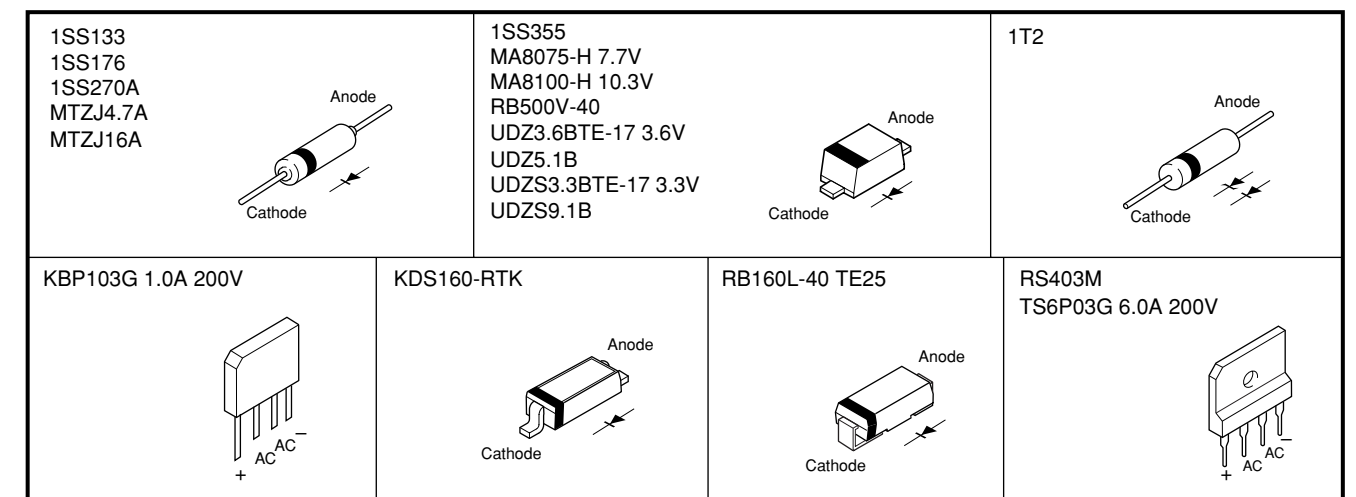


■ PIN CONNECTION DIAGRAMS

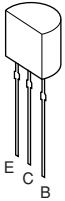
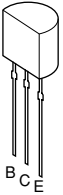
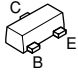
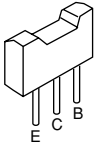
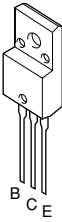

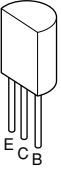
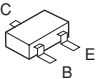
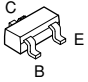
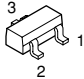
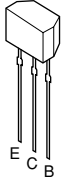
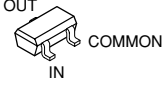
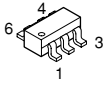
ICs



Diodes



Transistors

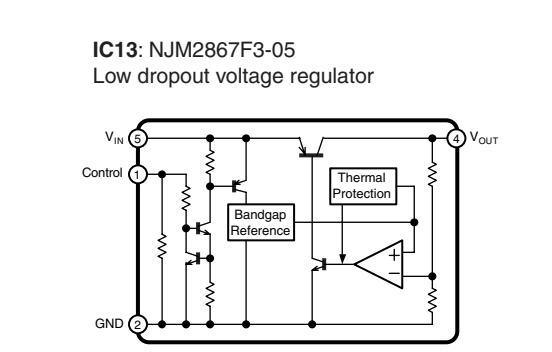
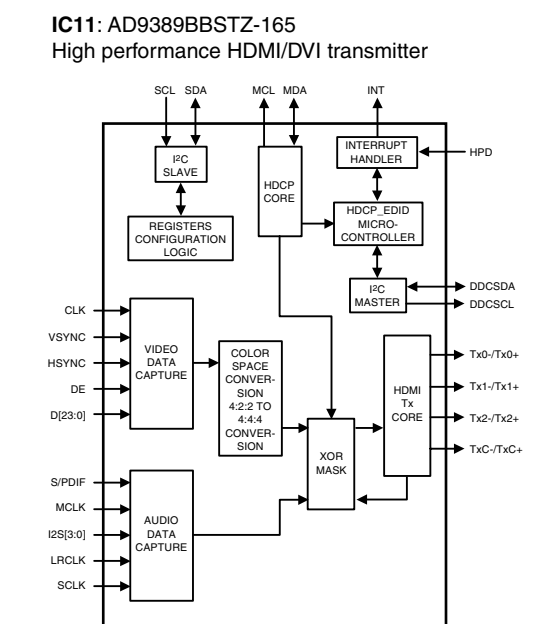
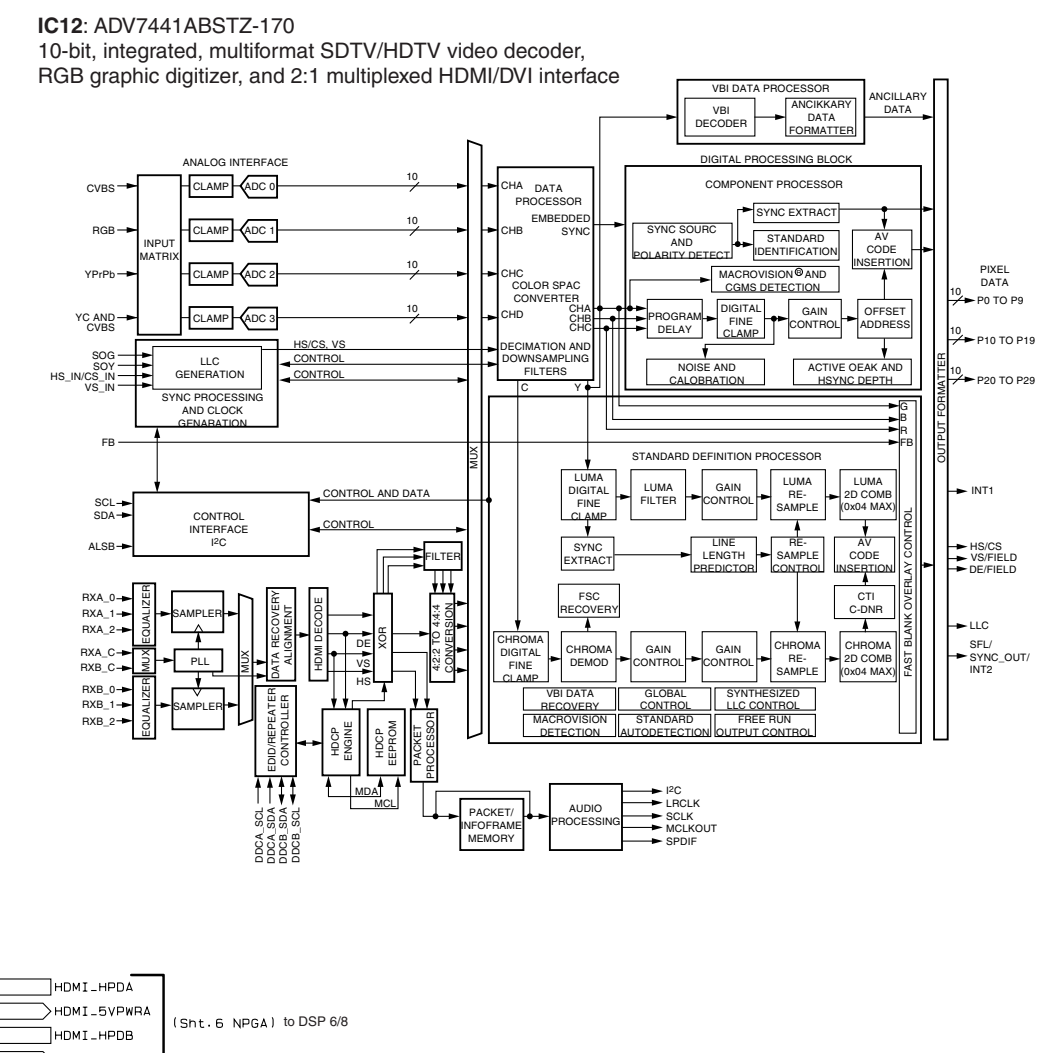
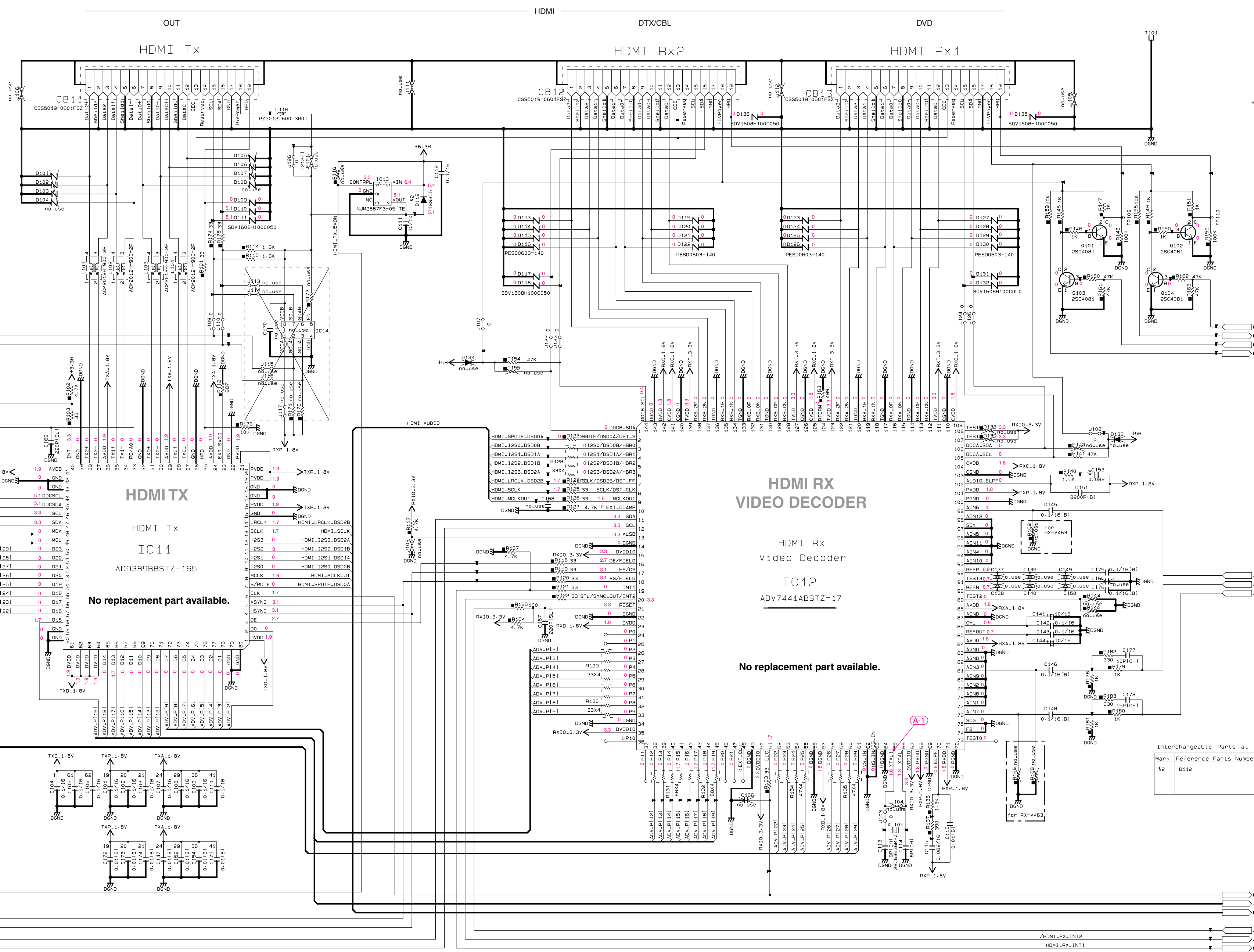
<p>2N5401C-AT/P 2SA1015-Y 2SC2705</p> 	<p>2N5551C-AT</p> 	<p>2SA1037K</p> 	<p>2SA1708</p> 	<p>2SB1274</p> 	<p>2SC1740S</p> 	<p>2SC1815 Y</p> 
<p>2SC2412K</p> 	<p>2SC3326-A (TE85R, F) 2SC3326-B (TE85R, F) 2SC4081 T106 2SD1938F</p> 	<p>DTA143EKA DTC114EKA</p>  <p>1: GND 2: IN 3: OUT</p>	<p>KRA102M-AT/P KRC102M-AT</p> 	<p>KRA102S-RTK/P KRA104S-RTK KRC102S-RTK KRC104S-RTK</p> 	<p>RTQ040P02</p>  <p>1. Drain 2. Drain 3. Gate 4. Source 5. Drain 6. Drain</p>	

MEMO



RX-V563/HTR-6150/
DSP-AX563





Interchangeable Parts at Manufacture-Stage

Mark	Reference Parts Number	Parts Name
42	D152	155395
		MA2J1100L

RESISTOR

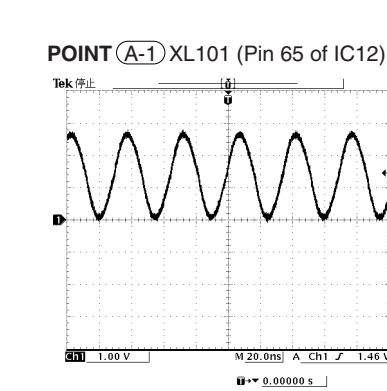
REMARKS	PARTS NAME
NO MARK	CARBON FILM RESISTOR (P=5)
□	CARBON FILM RESISTOR (P=10)
△	METAL OXIDE FILM RESISTOR
▽	METAL FILM RESISTOR
□	METAL PLATE RESISTOR
▽	FIRE PROOF CARBON FILM RESISTOR
□	CEMENT MOLDED RESISTOR
□	SEMI VARIABLE RESISTOR
■	CHIP RESISTOR

CAPACITOR

REMARKS	PARTS NAME
NO MARK	ELECTROLYTIC CAPACITOR
⊗	TANTALUM CAPACITOR
●	CERAMIC CAPACITOR
○	POLYESTER FILM CAPACITOR
○	POLYSTYRENE FILM CAPACITOR
⊖	MICA CAPACITOR
●	POLYPROPYLENE FILM CAPACITOR
●	SEMICONDUCTIVE CERAMIC CAPACITOR

NOTICE (mode11)

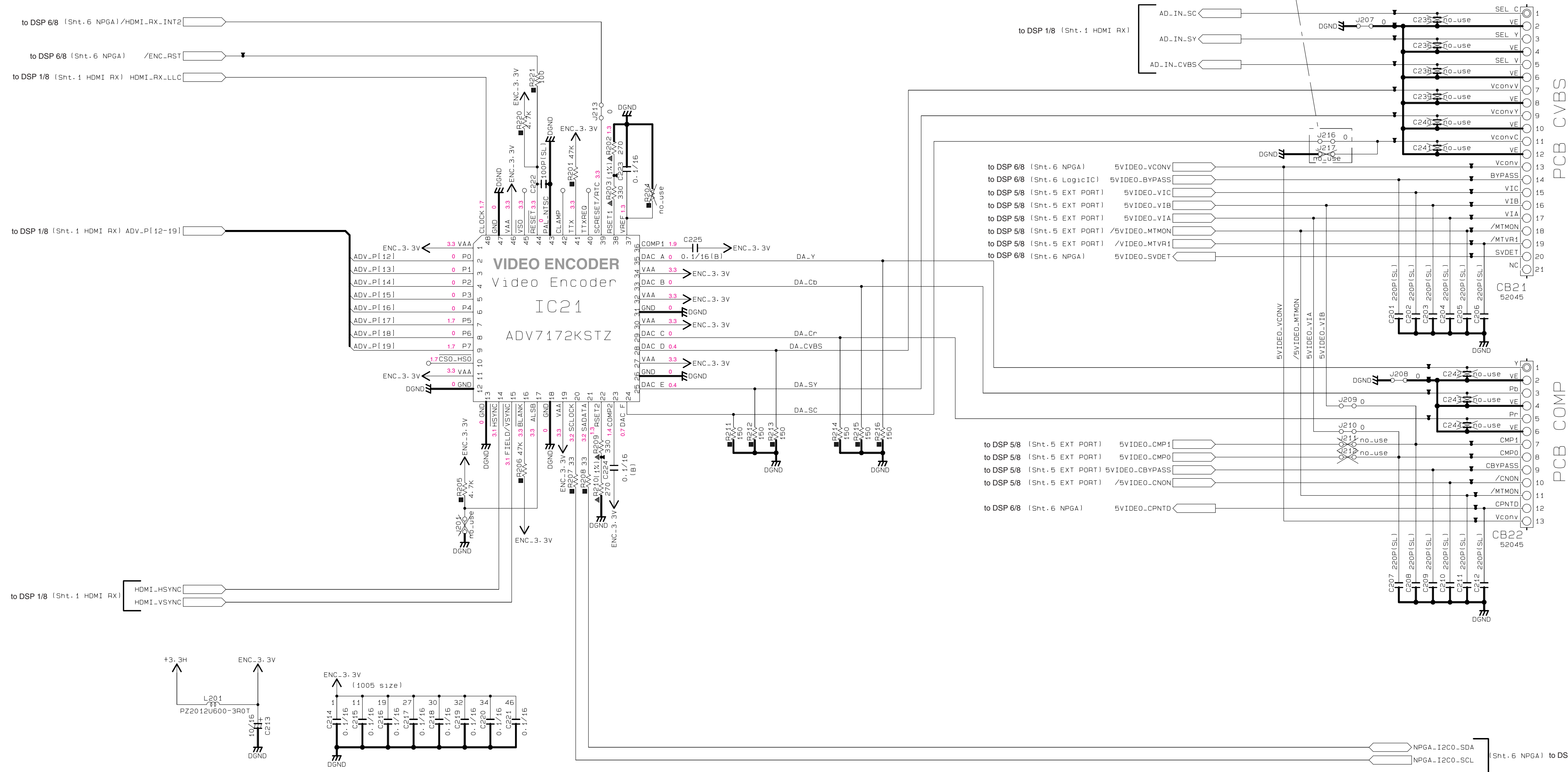
(J)..... JAPAN
(U)..... U.S.A.
(C)..... CANADA
(R)..... GENERAL
(T)..... CHINA
(K)..... KOREA
(A)..... AUSTRALIA
(B)..... BRITISH
(G)..... EUROPE
(L)..... SINGAPORE
(E)..... SOUTH EUROPE
(V)..... TAIWAN
(F)..... RUSSIAN



* All voltages are measured with a 10MΩ/V DC electronic voltmeter.
* Components having special characteristics are marked !, and must be replaced with parts having specifications equal to those originally installed.
* Schematic diagram is subject to change without notice.

DSP 2/8

	RX-V563	RX-V463
J216	mount	no mount
J217	no mount	mount



PCB CVBS

PCB COMP

Page 95 [K4]
to VIDEO (1)_CB303

Page 96 [D1]
to VIDEO (2)_CB326

Interchangeable Parts at Manufacture-Stage

Mark	Reference Parts Number	Parts Name
k2	D201	1SS355
		MA2J1110GL

RESISTOR

REMARKS	PARTS NAME
NO MARK	CARBON FILM RESISTOR (P=5)
□	CARBON FILM RESISTOR (P=10)
△	METAL OXIDE FILM RESISTOR
⊗	METAL FILM RESISTOR
⊙	METAL PLATE RESISTOR
⊚	FIRE PROOF CARBON FILM RESISTOR
⊞	CEMENT MOLDED RESISTOR
⊠	SEMI VARIABLE RESISTOR
■	CHIP RESISTOR

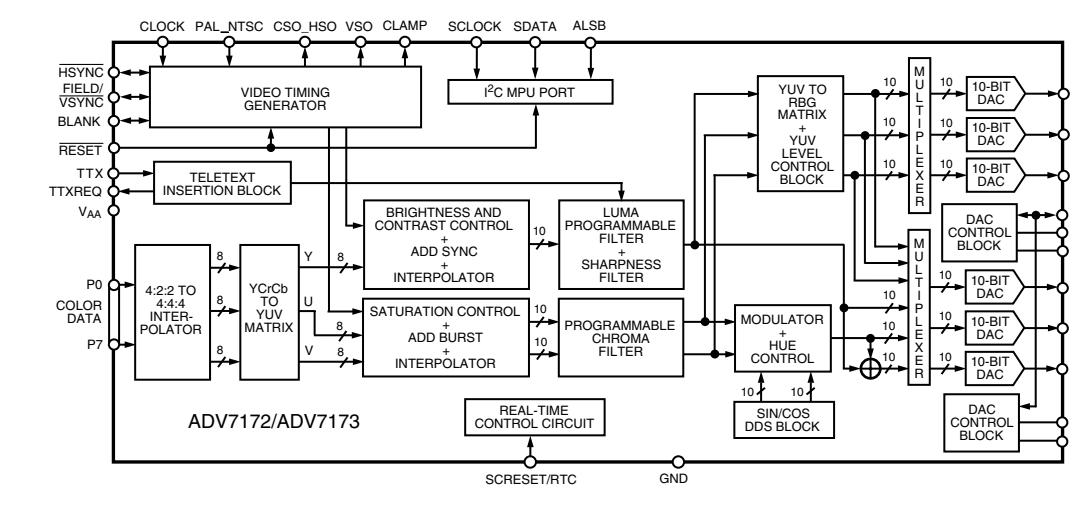
CAPACITOR

REMARKS	PARTS NAME
NO MARK	ELECTROLYTIC CAPACITOR
⊗	TANTALUM CAPACITOR
NO MARK	CERAMIC CAPACITOR
⊙	CERAMIC TUBULAR CAPACITOR
⊚	POLYESTER FILM CAPACITOR
⊞	POLYSTYRENE FILM CAPACITOR
⊠	MICA CAPACITOR
⊚	POLYPROPYLENE FILM CAPACITOR
⊙	SEMICONDUCTIVE CERAMIC CAPACITOR

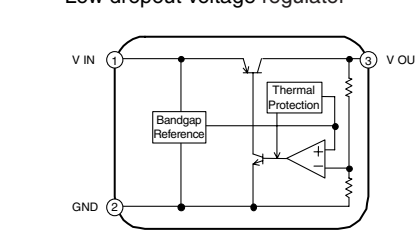
NOTICE [mode1]

- (J)..... JAPAN
- (U)..... U.S.A
- (C)..... CANADA
- (R)..... GENERAL
- (T)..... CHINA
- (K)..... KOREA
- (A)..... AUSTRALIA
- (B)..... BRITISH
- (G)..... EUROPE
- (L)..... SINGAPORE
- (E)..... SOUTH EUROPE
- (V)..... TAIWAN
- (F)..... RUSSIAN

IC21: ADV7172KSTZ
Digital PAL/NTSC video encoder



IC22: NJM2845DL1-18
Low dropout voltage regulator



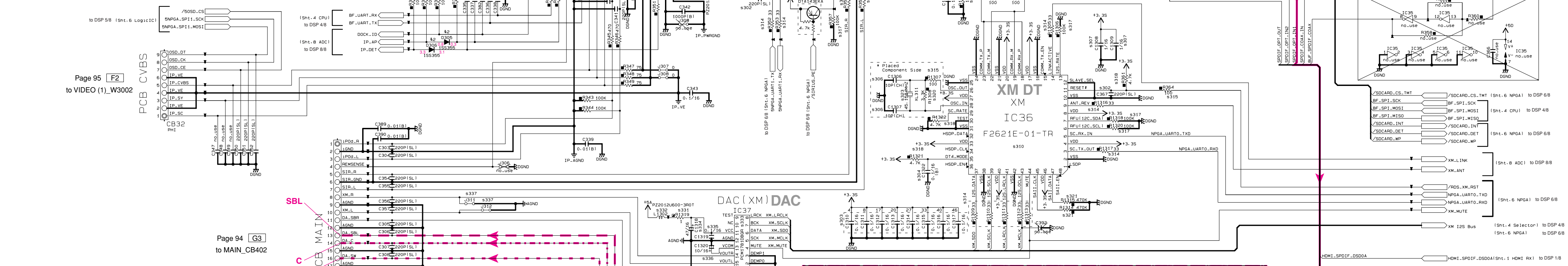
* All voltages are measured with a 10MΩ/V DC electronic voltmeter.
* Components having special characteristics are marked ⚡, and must be replaced with parts having specifications equal to those originally installed.
* Schematic diagram is subject to change without notice.

DSP 3/8

REMARKS	PARTS NAME	REMARKS	PARTS NAME
NO MARK	CARBON FILM RESISTOR (P-5)	NO MARK	ELECTROLYTIC CAPACITOR
□	METAL OXIDE FILM RESISTOR (P-10)	⊗	TANTALUM CAPACITOR
△	METAL FILM RESISTOR	⊙	CERAMIC TUBULAR CAPACITOR
▴	METAL PLATE RESISTOR	⊖	POLYESTER FILM CAPACITOR
▾	FIRE PROOF CARBON FILM RESISTOR	⊕	POLYSTYRENE FILM CAPACITOR
⊖	CEMENT MOLDED RESISTOR	⊗	MICA CAPACITOR
⊕	SEMI VARIABLE RESISTOR	⊙	POLYPROPYLENE FILM CAPACITOR
■	CHIP RESISTOR	⊗	SEMICONDUCTIVE CERAMIC CAPACITOR

NOTICE (model1)
 (J)..... JAPAN
 (U)..... U.S.A
 (C)..... CANADA
 (R)..... GENERAL
 (T)..... CHINA
 (K)..... KOREA
 (A)..... AUSTRALIA
 (B)..... BRITISH
 (G)..... EUROPE
 (L)..... SINGAPORE
 (E)..... SOUTH EUROPE
 (V)..... TAIWAN
 (F)..... RUSSIAN

No replacement part available.

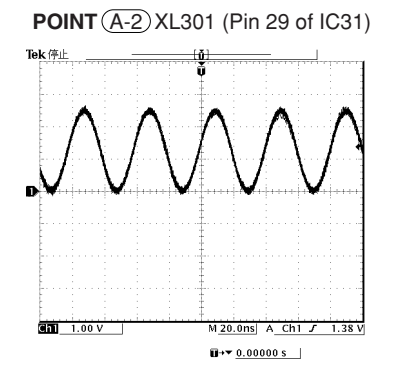
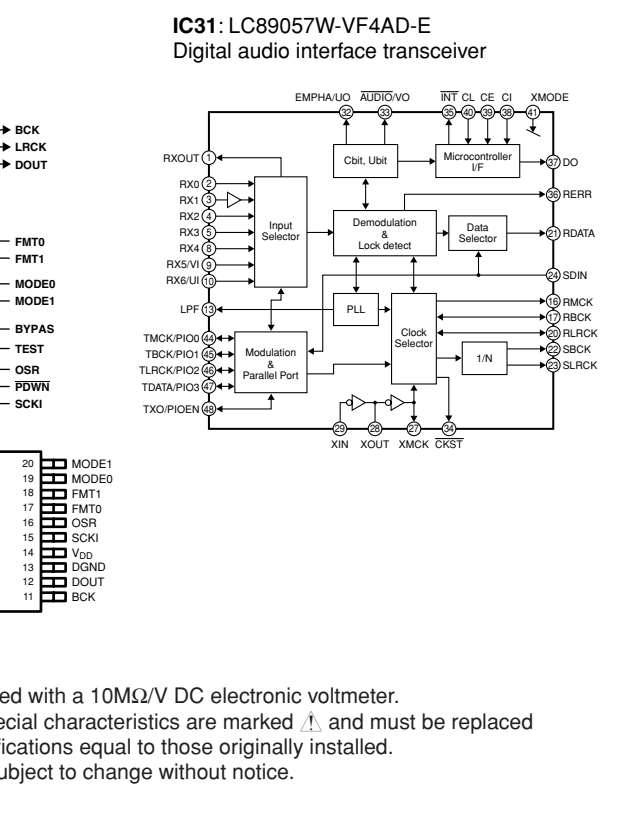
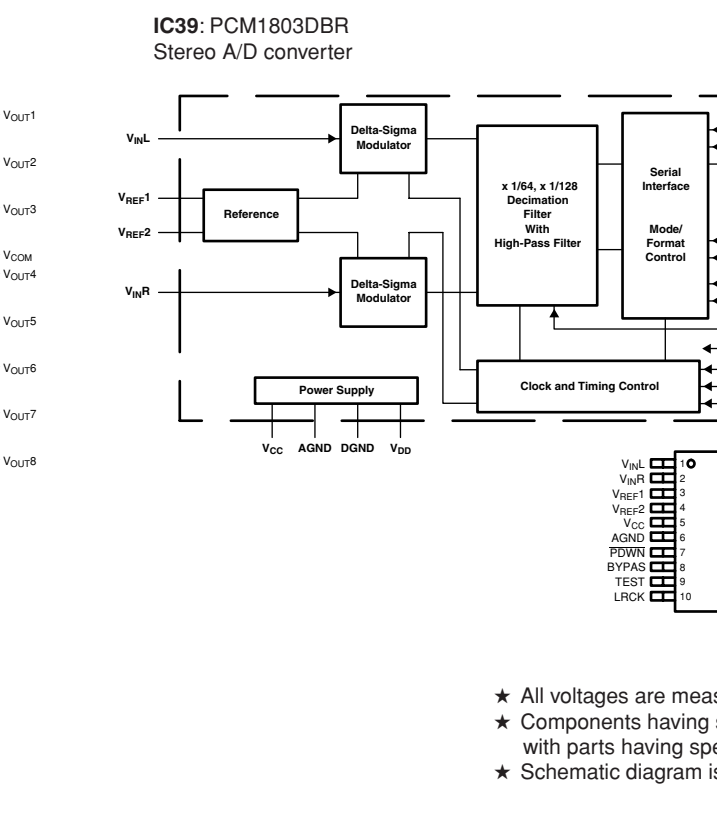
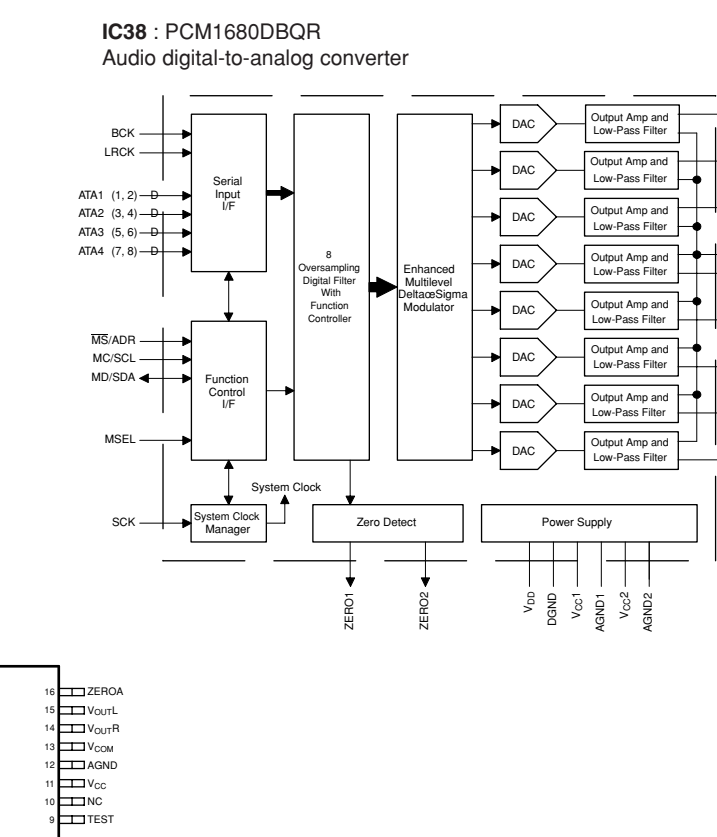
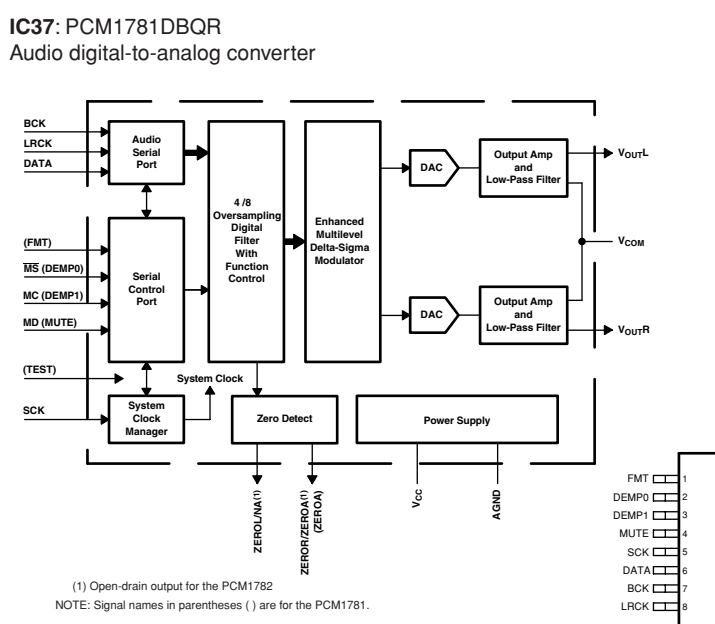
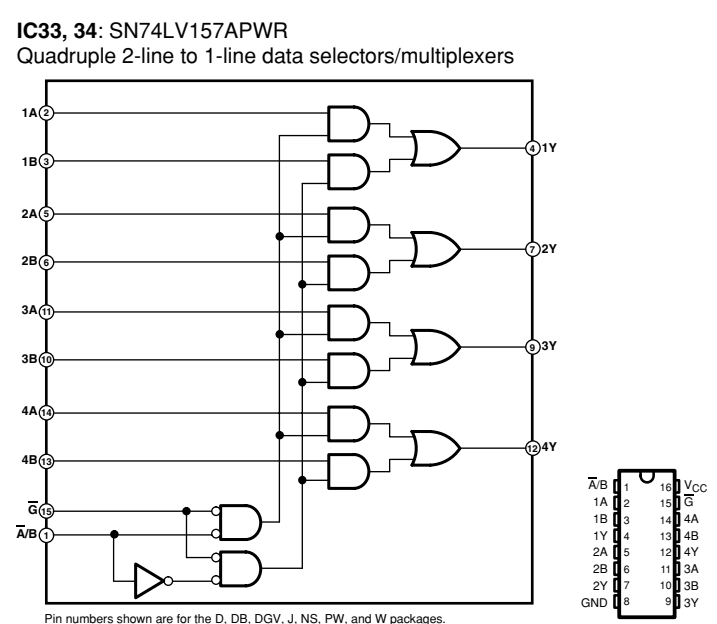


Interchangeable Parts at Manufacture-Stage

Mark	Reference Parts Number	Parts Name
□2	D305-306	MAJ11100L

Destination Part List

Part No.	LOC	QTY	UC	R	TA	X	B	DEF	L
3301	C353	X	US06310	X	X	X	X	X	X
3302	C362	X	US06309	X	X	X	X	X	X
3303	C313	X	US19510	X	X	X	X	X	X
3304	C330	X	US09510	X	X	X	X	X	X
3305	C330	X	US06310	X	X	X	X	X	X
3306	C307	X	US06307	X	X	X	X	X	X
3307	C1309	X	US44610	X	X	X	X	X	X
3308	C835	X	W44670	X	X	X	X	X	X
3309	C1302	X	W44670	X	X	X	X	X	X
3310	C336	X	X810240	X	X	X	X	X	X
3311	JK31	X	F2621E-01-TR	X	X	X	X	X	X
3312	L1301	X	WD37370	X	X	X	X	X	X
3313	G301	X	D143834	X	X	X	X	X	X
3314	R1313	X	RD35433	X	X	X	X	X	X
3315	R1307	X	RD35433	X	X	X	X	X	X
3316	R1304	X	RD35433	X	X	X	X	X	X
3317	R1300	X	RD35433	X	X	X	X	X	X
3318	R1301	X	RD35433	X	X	X	X	X	X
3319	R1302	X	RD35433	X	X	X	X	X	X
3320	R1309	X	RD35433	X	X	X	X	X	X
3321	R1315	X	RD35433	X	X	X	X	X	X
3322	S131	X	W566800	X	X	X	X	X	X
3323	X1311	X	W44670	X	X	X	X	X	X
3324	R1319	X	HV76310	X	X	X	X	X	X
3325	L1302	X	WD37370	X	X	X	X	X	X
3326	IC37	X	Y73730	X	X	X	X	X	X
3327	C1318	X	US19510	X	X	X	X	X	X
3328	C1319	X	US19510	X	X	X	X	X	X
3329	C1320	X	US19510	X	X	X	X	X	X
3330	C1320	X	US19510	X	X	X	X	X	X
3331	C344	X	US19510	X	X	X	X	X	X
3332	L302	X	W44670	X	X	X	X	X	X
3333	U31	X	GP1F4V1TK0F	X	X	X	X	X	X



* All voltages are measured with a 10MΩ/V DC electronic voltmeter.
 * Components having special characteristics are marked !, and must be replaced with parts having specifications equal to those originally installed.
 * Schematic diagram is subject to change without notice.

DSP 4/8

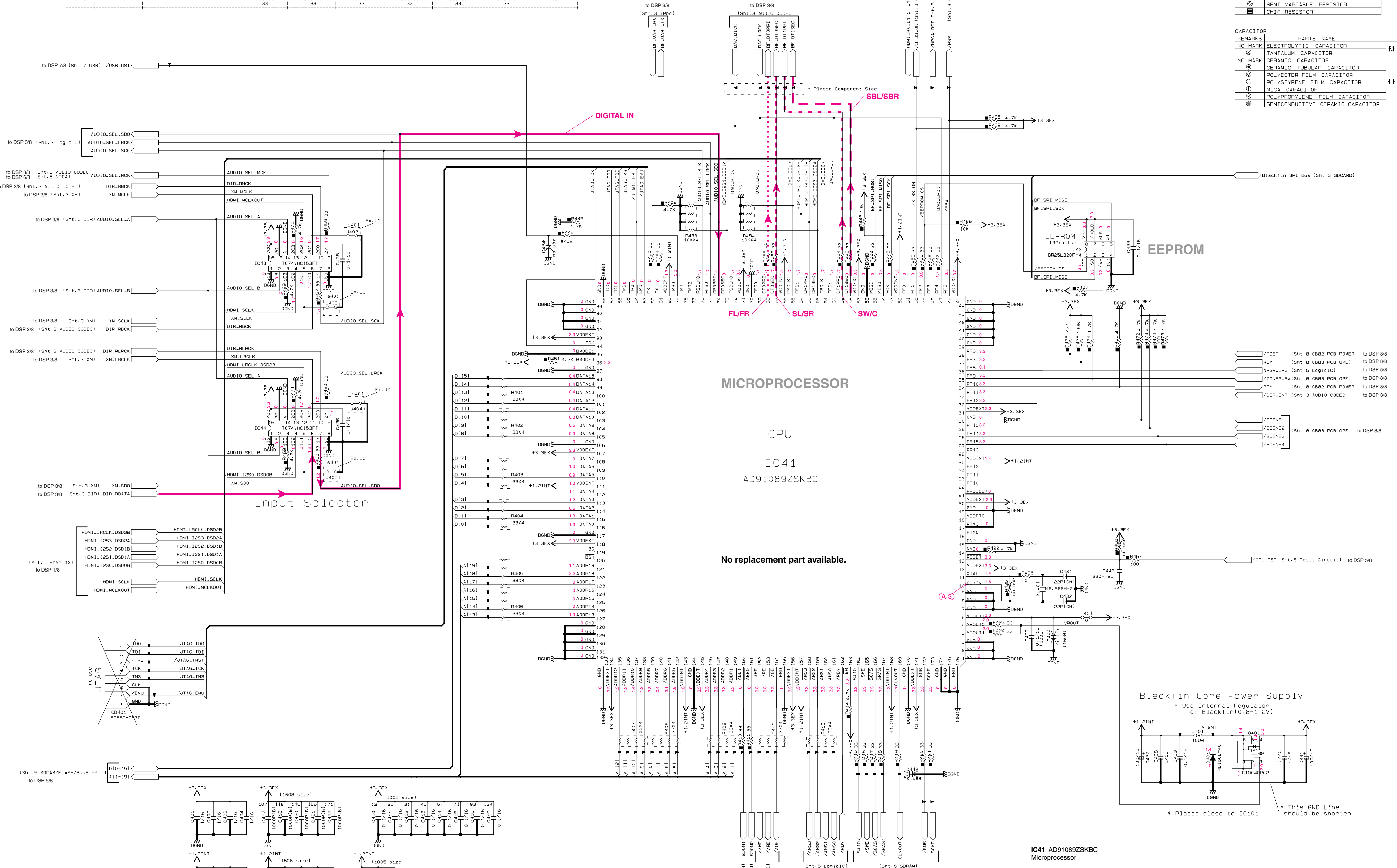
Part No.	LOC	J	UC	R	TA	K	B	GEF	L	XM
s401	J404	R03000	X	R03000	R03000	R03000	R03000	R03000	R03000	XM
s402	R408	X	X	R03043	R03043	R03043	R03043	R03043	R03043	USB

REMARKS	PARTS NAME
NO MARK	CARBON FILM RESISTOR [P=5]
NO MARK	CARBON FILM RESISTOR [P=10]
NO MARK	METAL OXIDE FILM RESISTOR
NO MARK	METAL FILM RESISTOR
NO MARK	METAL PLATE RESISTOR
NO MARK	FINE PROOF CARBON FILM RESISTOR
NO MARK	CEMENT MOLDED RESISTOR
NO MARK	SEMI VARIABLE RESISTOR
NO MARK	CHIP RESISTOR

REMARKS	PARTS NAME
NO MARK	ELECTROLYTIC CAPACITOR
NO MARK	TANTALUM CAPACITOR
NO MARK	CERAMIC CAPACITOR
NO MARK	CERAMIC TUBULAR CAPACITOR
NO MARK	POLYESTER FILM CAPACITOR
NO MARK	POLYETHYLENE FILM CAPACITOR
NO MARK	MICA CAPACITOR
NO MARK	POLYPROPYLENE FILM CAPACITOR
NO MARK	SEMICONDUCTIVE CERAMIC CAPACITOR

NOTICE (model)

(J)..... JAPAN
 (U)..... U.S.A
 (C)..... CANADA
 (R)..... GENERAL
 (T)..... CHINA
 (K)..... KOREA
 (A)..... AUSTRALIA
 (B)..... BRITISH
 (G)..... EUROPE
 (L)..... SINGAPORE
 (E)..... SOUTH EUROPE
 (V)..... TAIWAN
 (F)..... RUSSIAN



MICROPROCESSOR
 CPU
 IC41
 AD91089ZSKBC

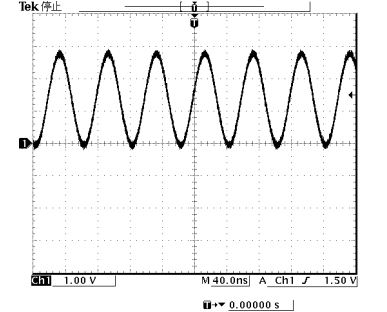
No replacement part available.

Blackfin Core Power Supply
 * Use Internal Regulator of Blackfin(0.8-1.2v)

IC43: 44: TC74VHC153FT
 Dual 4-channel multiplexer

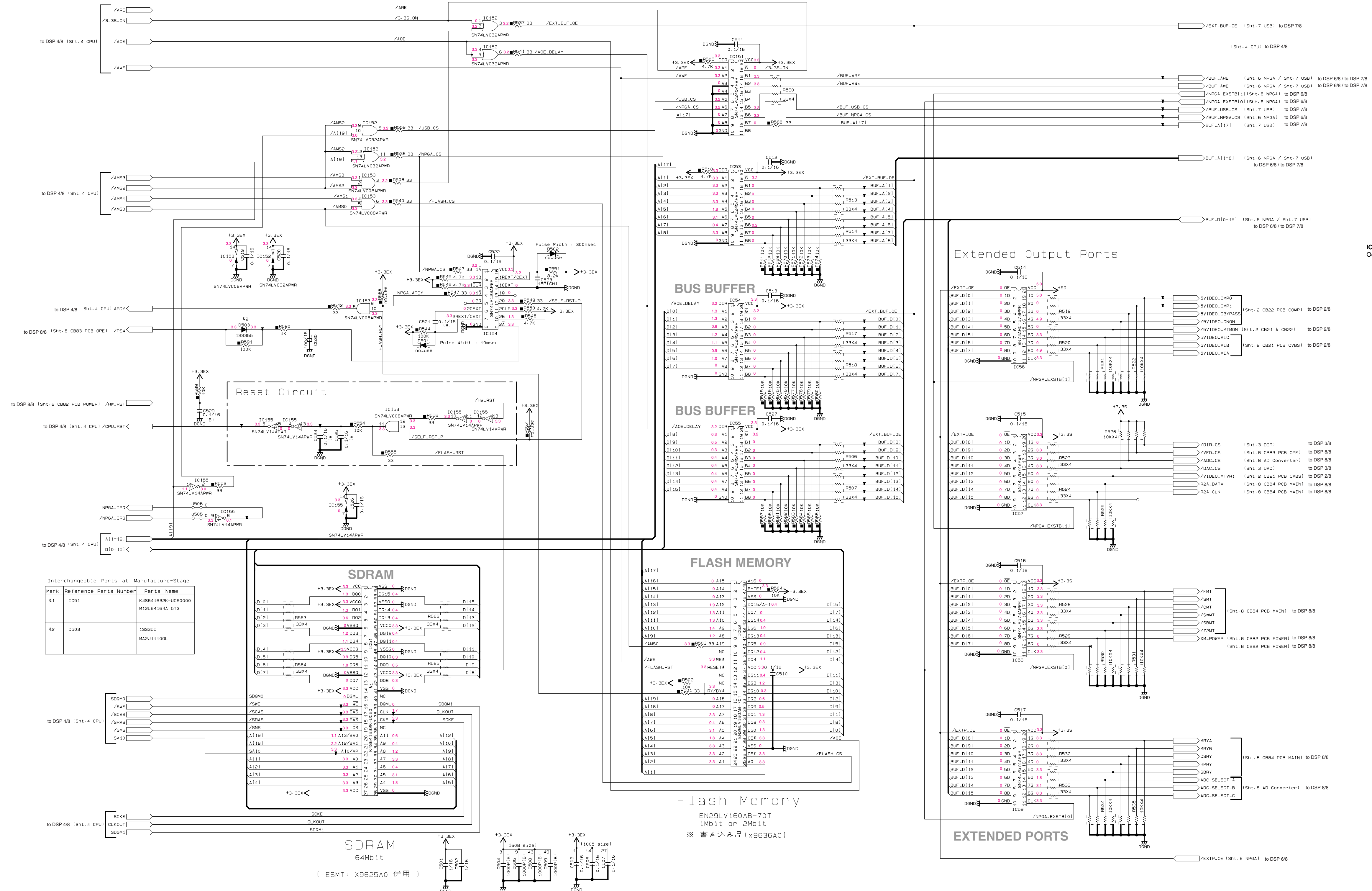
IC42: BR25L320F-W EEPROM
 SPI BUS 32 k-bits (4,096 x 8-bit) EEPROM

POINT (A-3) XL401 (Pin 10 of IC41)



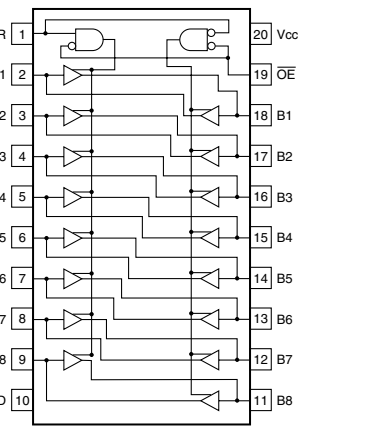
* All voltages are measured with a 10MΩ/V DC electronic voltmeter.
 * Components having special characteristics are marked with a triangle and must be replaced with parts having specifications equal to those originally installed.
 * Schematic diagram is subject to change without notice.

DSP 5/8

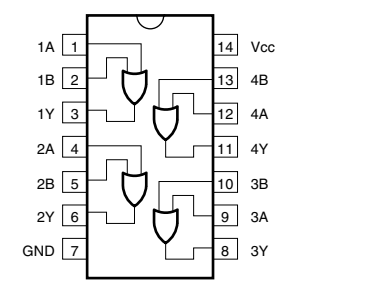


NOTICE (mode1)
 (J)..... JAPAN
 (U)..... U.S.A
 (C)..... CANADA
 (R)..... GENERAL
 (T)..... CHINA
 (K)..... KOREA
 (A)..... AUSTRALIA
 (B)..... BRITISH
 (G)..... EUROPE
 (L)..... SINGAPORE
 (E)..... SOUTH EUROPE
 (V)..... TAIWAN
 (F)..... RUSSIAN

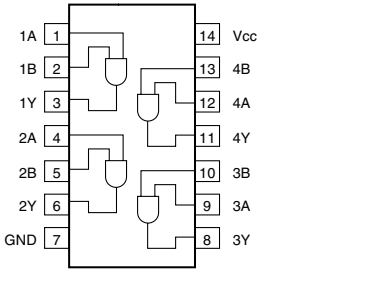
IC55-55: SN74VLC245APWR
 Octal bus transceivers with 3-state outputs



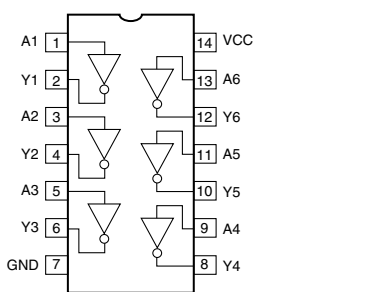
IC152: SN74VLC32APWR
 Quadrate 2-input positive-OR gates



IC153: SN74VLC08APWR
 Quadrate 2-input positive-AND gate



IC155: SN74V14APWR
 Hex schmitt trigger inverters



Interchangeable Parts at Manufacture-Stage

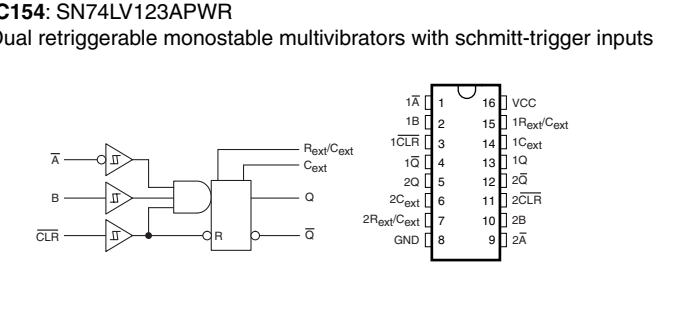
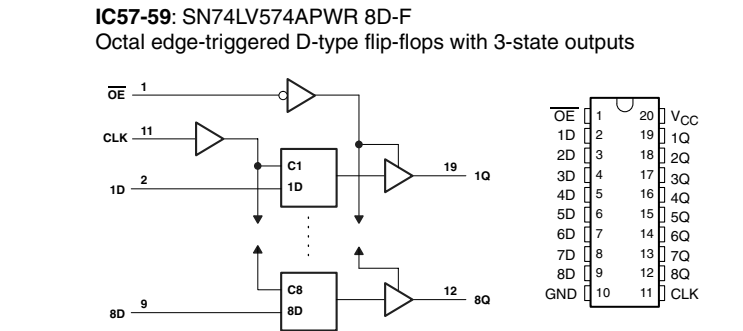
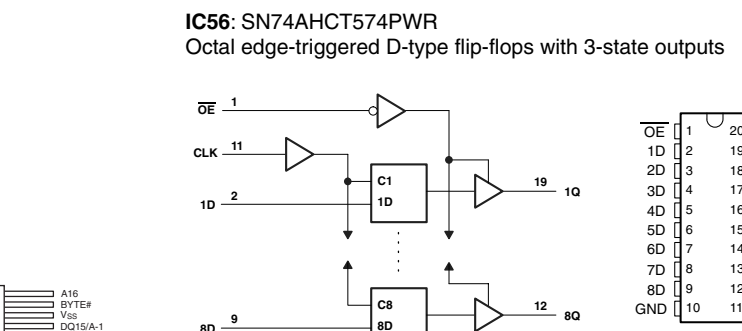
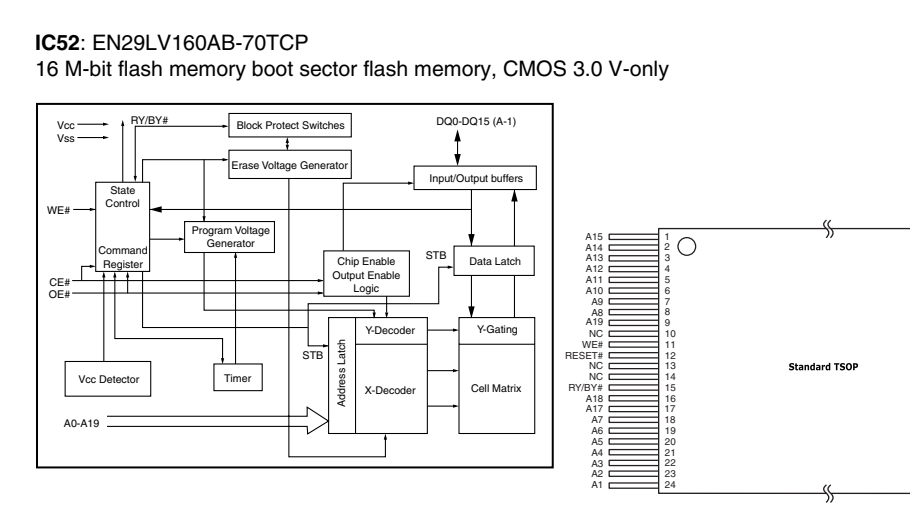
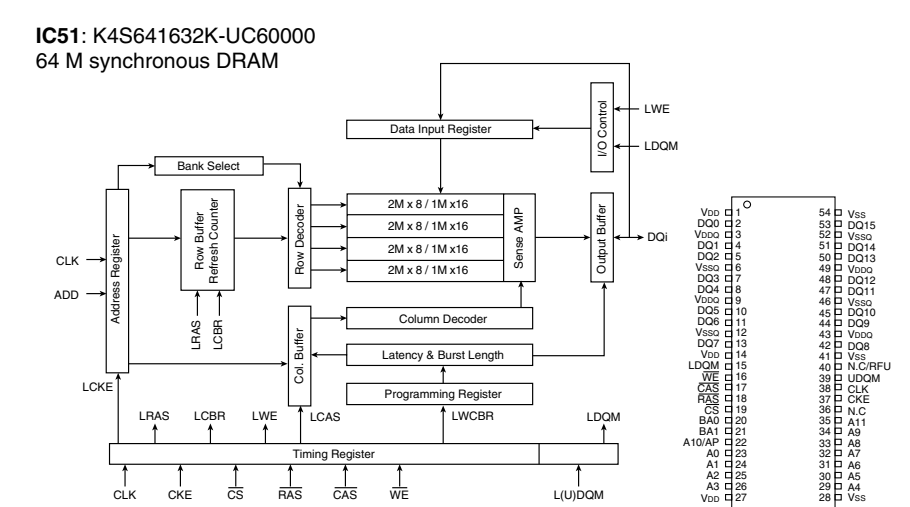
Mark	Reference Parts Number	Parts Name
k1	IC51	K4S641632K-UC60000 M12L64164A-5TG
k2	D603	1S5395 MA2J1110GL

RESISTOR

REMARKS	PARTS NAME
NO MARK	CARBON FILM RESISTOR (P=5)
□	CARBON FILM RESISTOR (P=10)
△	METAL OXIDE FILM RESISTOR
▲	METAL FILM RESISTOR
○	METAL PLATE RESISTOR
◇	FINE PROOF CARBON FILM RESISTOR
□	CEMENT MOLDED RESISTOR
□	SEMI VARIABLE RESISTOR
■	CHIP RESISTOR

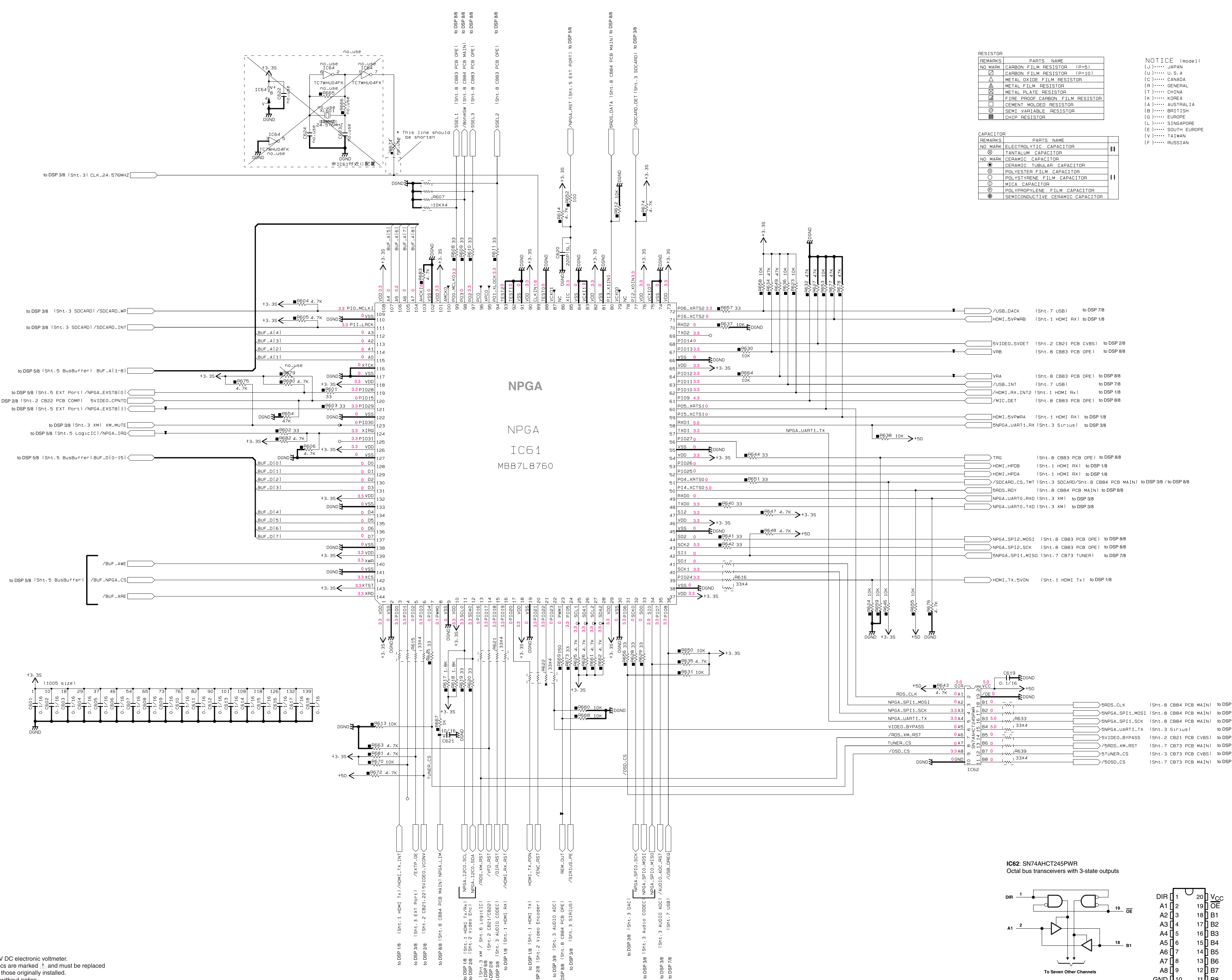
CAPACITOR

REMARKS	PARTS NAME
NO MARK	ELECTROLYTIC CAPACITOR
○	TANTALUM CAPACITOR
NO MARK	CERAMIC CAPACITOR
●	CERAMIC TUBULAR CAPACITOR
○	POLYESTER FILM CAPACITOR
○	POLYSTYRENE FILM CAPACITOR
○	MICA CAPACITOR
○	POLYPROPYLENE FILM CAPACITOR
○	SEMICONDUCTIVE CERAMIC CAPACITOR



* All voltages are measured with a 10MΩ/V DC electronic voltmeter.
 * Components having special characteristics are marked !, and must be replaced with parts having specifications equal to those originally installed.
 * Schematic diagram is subject to change without notice.

DSP 6/8



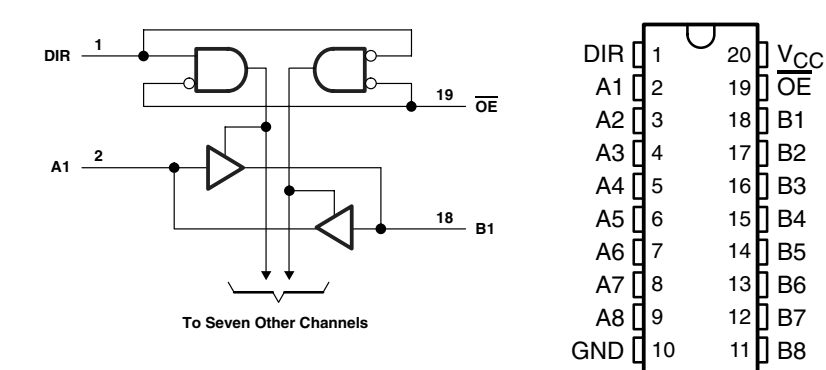
REMARKS	PARTS_NAME
NO MARK	CARBON FILM RESISTOR (P=5)
□	CARBON FILM RESISTOR (P=10)
△	METAL OXIDE FILM RESISTOR
▲	METAL FILM RESISTOR
■	METAL PLATE RESISTOR
▨	FIRE PROOF CARBON FILM RESISTOR
□	CEMENT MOLDED RESISTOR
⊗	SMT VARIABLE RESISTOR
■	CHIP RESISTOR

REMARKS	PARTS_NAME
NO MARK	ELECTROLYTIC CAPACITOR
□	TANTALUM CAPACITOR
○	CERAMIC TUBULAR CAPACITOR
⊙	POLYESTER FILM CAPACITOR
○	POLYSTYRENE FILM CAPACITOR
○	MICA CAPACITOR
⊙	POLYPROPYLENE FILM CAPACITOR
⊙	SEMICONDUCTIVE CERAMIC CAPACITOR

NOTICE (model)

(J) JAPAN
 (U) U.S.A
 (C) CANADA
 (R) GENERAL
 (T) CHINA
 (K) KOREA
 (A) AUSTRALIA
 (B) BRITISH
 (G) EUROPE
 (L) SINGAPORE
 (E) SOUTH EUROPE
 (V) TAIWAN
 (F) RUSSIAN

IC62: SN74AHCT245PWR
Octal bus transceivers with 3-state outputs



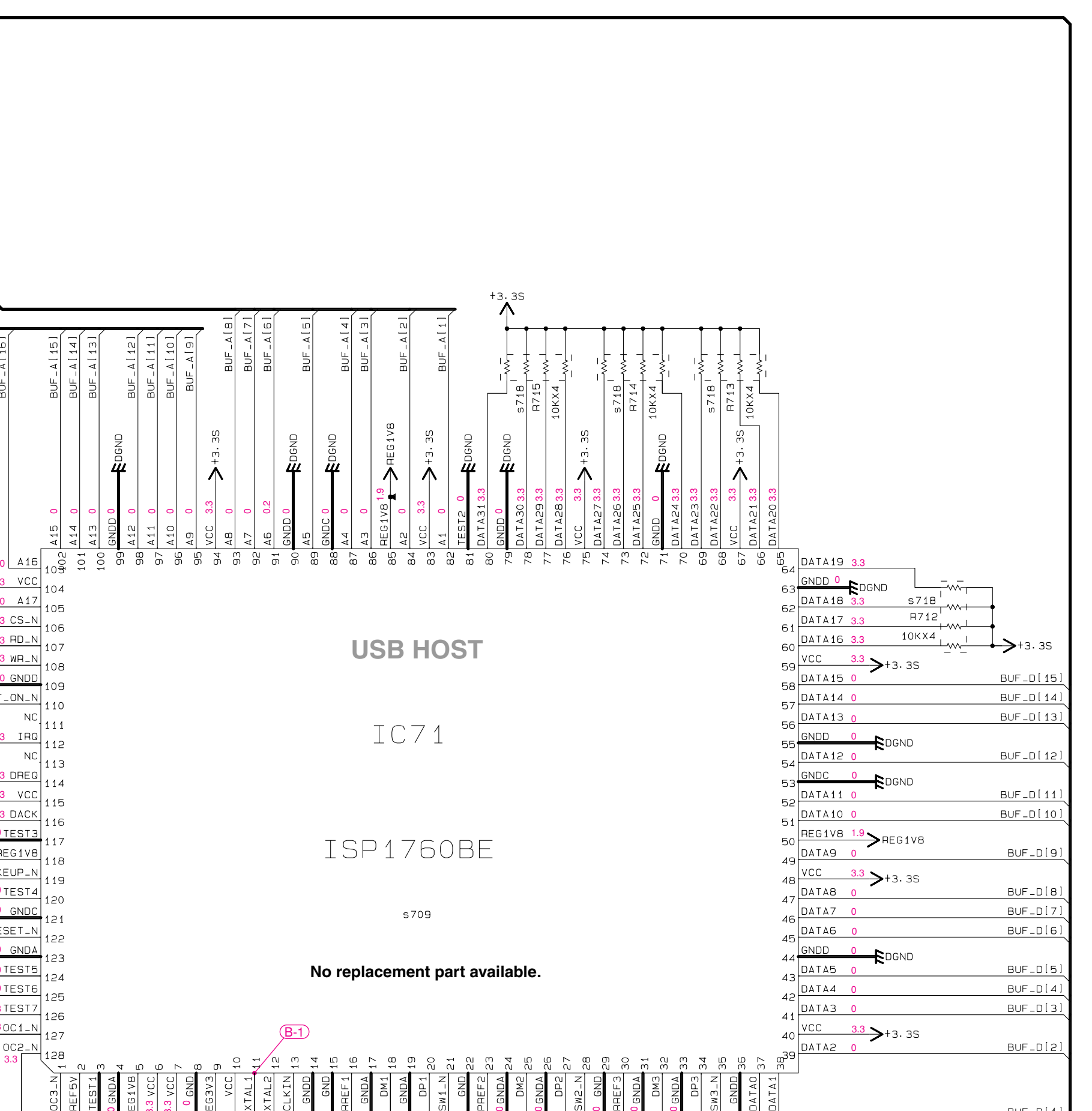
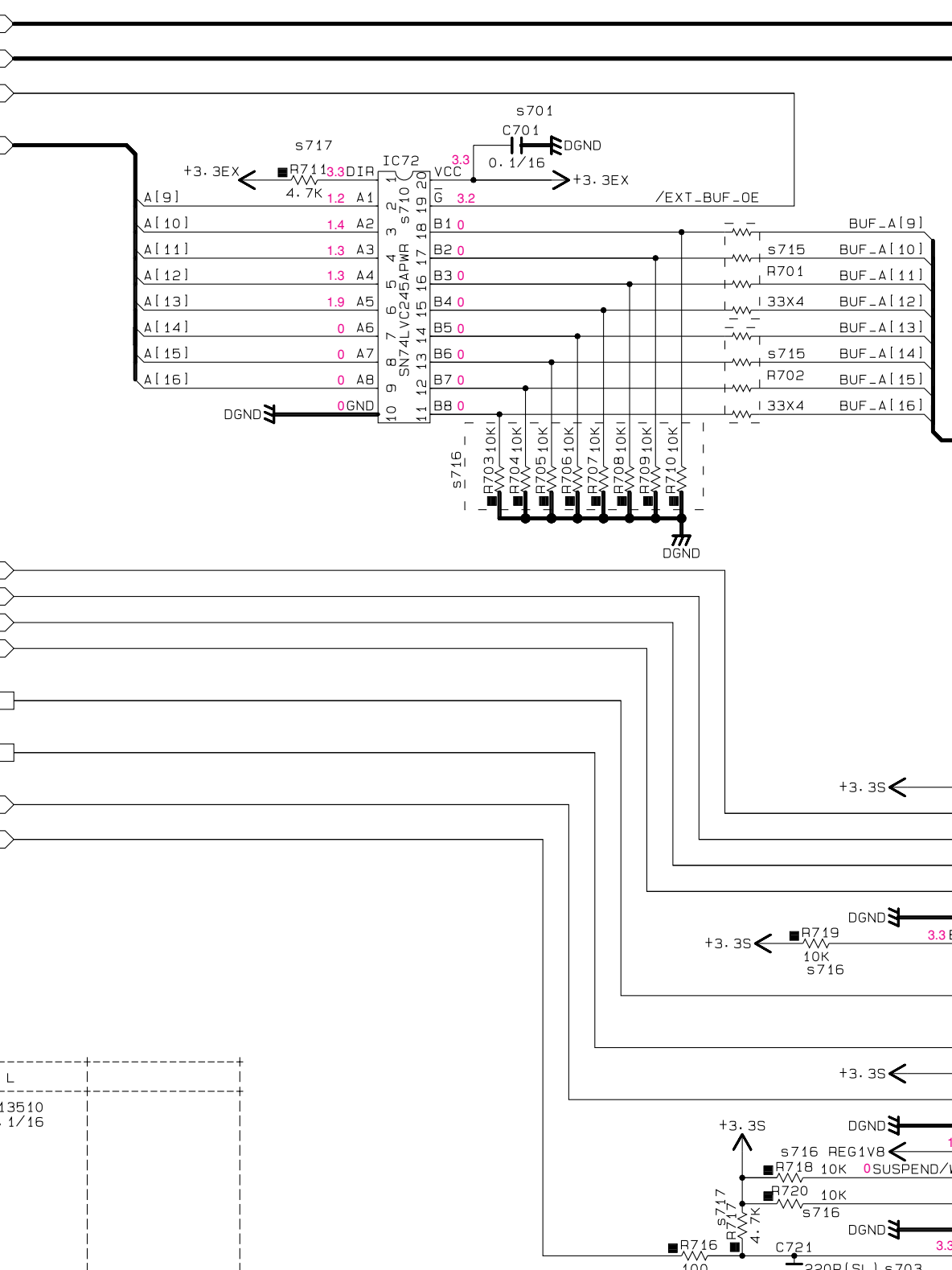
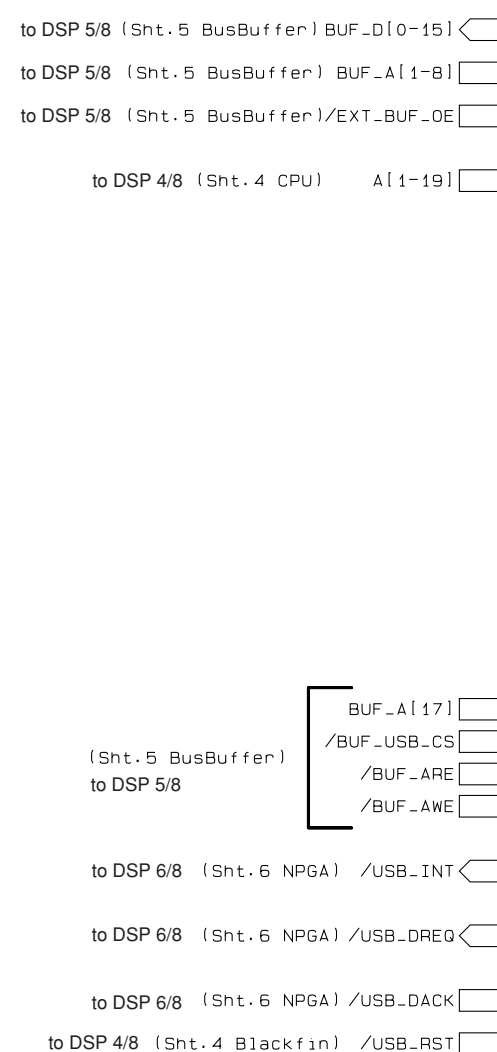
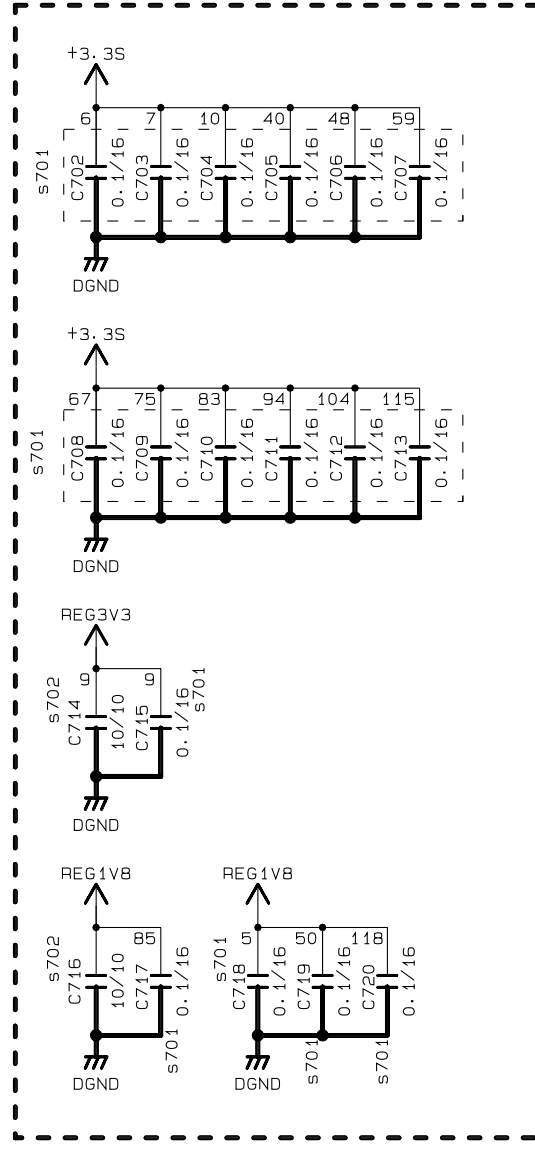
* All voltages are measured with a 10MΩ/V DC electronic voltmeter.
 * Components having special characteristics are marked ▲, and must be replaced with parts having specifications equal to those originally installed.
 * Schematic diagram is subject to change without notice.

DSP 7/8

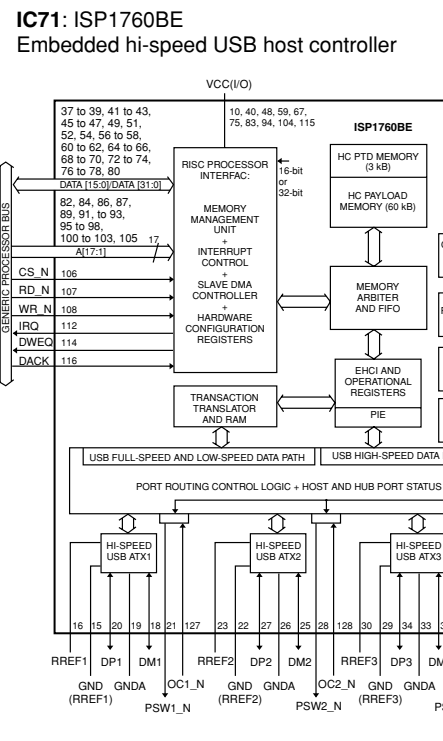
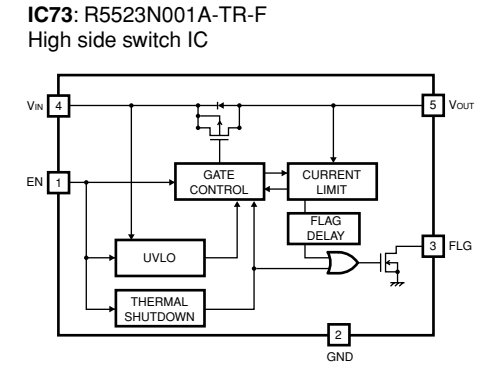
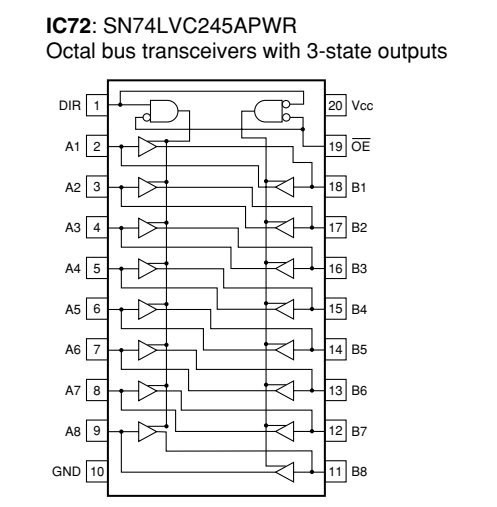
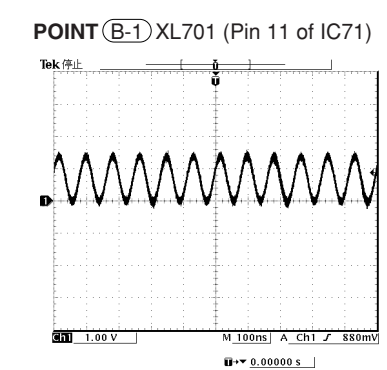
REMARKS	PARTS NAME
NO MARK	CARBON FILM RESISTOR (P=5)
□	CARBON FILM RESISTOR (P=10)
△	METAL OXIDE FILM RESISTOR
⊠	METAL FILM RESISTOR
⊡	METAL PLATE RESISTOR
▣	FIRE PROOF CARBON FILM RESISTOR
⊞	CEMENT MOLDED RESISTOR
⊚	SEMI VARIABLE RESISTOR
⊛	CHIP RESISTOR

REMARKS	PARTS NAME
NO MARK	ELECTROLYTIC CAPACITOR
⊙	TANTALUM CAPACITOR
NO MARK	CERAMIC CAPACITOR
⊖	CERAMIC TUBULAR CAPACITOR
⊕	POLYESTER FILM CAPACITOR
⊖	POLYESTER FILM CAPACITOR
⊕	MICA CAPACITOR
⊖	POLYPROPYLENE FILM CAPACITOR
⊕	SEMICONDUCTIVE CERAMIC CAPACITOR

NOTICE (model)
 (J)..... JAPAN
 (U)..... U.S.A
 (C)..... CANADA
 (R)..... GENERAL
 (T)..... CHINA
 (K)..... KOREA
 (A)..... AUSTRALIA
 (B)..... BRITISH
 (G)..... EUROPE
 (L)..... SINGAPORE
 (E)..... SOUTH EUROPE
 (V)..... TAIWAN
 (F)..... RUSSIAN



sxx	LOC	J	UC	R	TA	K	B	GEF	L
s701	C705	X	X	US13510 0.1/16	US13510 0.1/16	US13510 0.1/16	US13510 0.1/16	US13510 0.1/16	US13510 0.1/16
s702	C714	X	X	WD75830	WD75830	WD75830	WD75830	WD75830	WD75830
s703	C721	X	X	US06222 200P(SL)	US06222 200P(SL)	US06222 200P(SL)	US06222 200P(SL)	US06222 200P(SL)	US06222 200P(SL)
s704	C723	X	X	US03510 0.1/16	US03510 0.1/16	US03510 0.1/16	US03510 0.1/16	US03510 0.1/16	US03510 0.1/16
s705	C731	X	X	US06410 0.01(B)	US06410 0.01(B)	US06410 0.01(B)	US06410 0.01(B)	US06410 0.01(B)	US06410 0.01(B)
s706	C727	X	X	US06120 20P(CH)	US06120 20P(CH)	US06120 20P(CH)	US06120 20P(CH)	US06120 20P(CH)	US06120 20P(CH)
s707	C729	X	X	UR83810 100/16	UR83810 100/16	UR83810 100/16	UR83810 100/16	UR83810 100/16	UR83810 100/16
s708	CB71	X	X	VB85850 PHL	VB85850 PHL	VB85850 PHL	VB85850 PHL	VB85850 PHL	VB85850 PHL
s709	IC71	X	X	XB288A0 ISP1760BE	XB288A0 ISP1760BE	XB288A0 ISP1760BE	XB288A0 ISP1760BE	XB288A0 ISP1760BE	XB288A0 ISP1760BE
s710	IC72	X	X	XZ287A0 SN74LVC245APWR	XZ287A0 SN74LVC245APWR	XZ287A0 SN74LVC245APWR	XZ287A0 SN74LVC245APWR	XZ287A0 SN74LVC245APWR	XZ287A0 SN74LVC245APWR
s711	IC73	X	X	XB096A0 R5523N001A-TR-F	XB096A0 R5523N001A-TR-F	XB096A0 R5523N001A-TR-F	XB096A0 R5523N001A-TR-F	XB096A0 R5523N001A-TR-F	XB096A0 R5523N001A-TR-F
s712	J701	X	X	RD35000	RD35000	RD35000	RD35000	RD35000	RD35000
s713	L704	X	X	WG83480 DLW21HN9005Q2L	WG83480 DLW21HN9005Q2L	WG83480 DLW21HN9005Q2L	WG83480 DLW21HN9005Q2L	WG83480 DLW21HN9005Q2L	WG83480 DLW21HN9005Q2L
s714	L702	X	X	WG83480 DLW21HN9005Q2L	WG83480 DLW21HN9005Q2L	WG83480 DLW21HN9005Q2L	WG83480 DLW21HN9005Q2L	WG83480 DLW21HN9005Q2L	WG83480 DLW21HN9005Q2L
s715	R701	X	X	WH20580 33X4	WH20580 33X4	WH20580 33X4	WH20580 33X4	WH20580 33X4	WH20580 33X4
s716	R718	X	X	RD35710 10K	RD35710 10K	RD35710 10K	RD35710 10K	RD35710 10K	RD35710 10K
s717	R711	X	X	RD35647 4.7K	RD35647 4.7K	RD35647 4.7K	RD35647 4.7K	RD35647 4.7K	RD35647 4.7K
s718	R715	X	X	WH21180 10KX4	WH21180 10KX4	WH21180 10KX4	WH21180 10KX4	WH21180 10KX4	WH21180 10KX4
s719	R722	X	X	RD35647 470	RD35647 470	RD35647 470	RD35647 470	RD35647 470	RD35647 470
s720	R727	X	X	RF45712 12K	RF45712 12K	RF45712 12K	RF45712 12K	RF45712 12K	RF45712 12K
s721	R734	X	X	RF45715 15K	RF45715 15K	RF45715 15K	RF45715 15K	RF45715 15K	RF45715 15K
s722	XL701	X	X	VS29490 12MHZ	VS29490 12MHZ	VS29490 12MHZ	VS29490 12MHZ	VS29490 12MHZ	VS29490 12MHZ
s723	C726	X	X	US06112 10P	US06112 10P	US06112 10P	US06112 10P	US06112 10P	US06112 10P
s724	R716	X	X	RD35510 100	RD35510 100	RD35510 100	RD35510 100	RD35510 100	RD35510 100

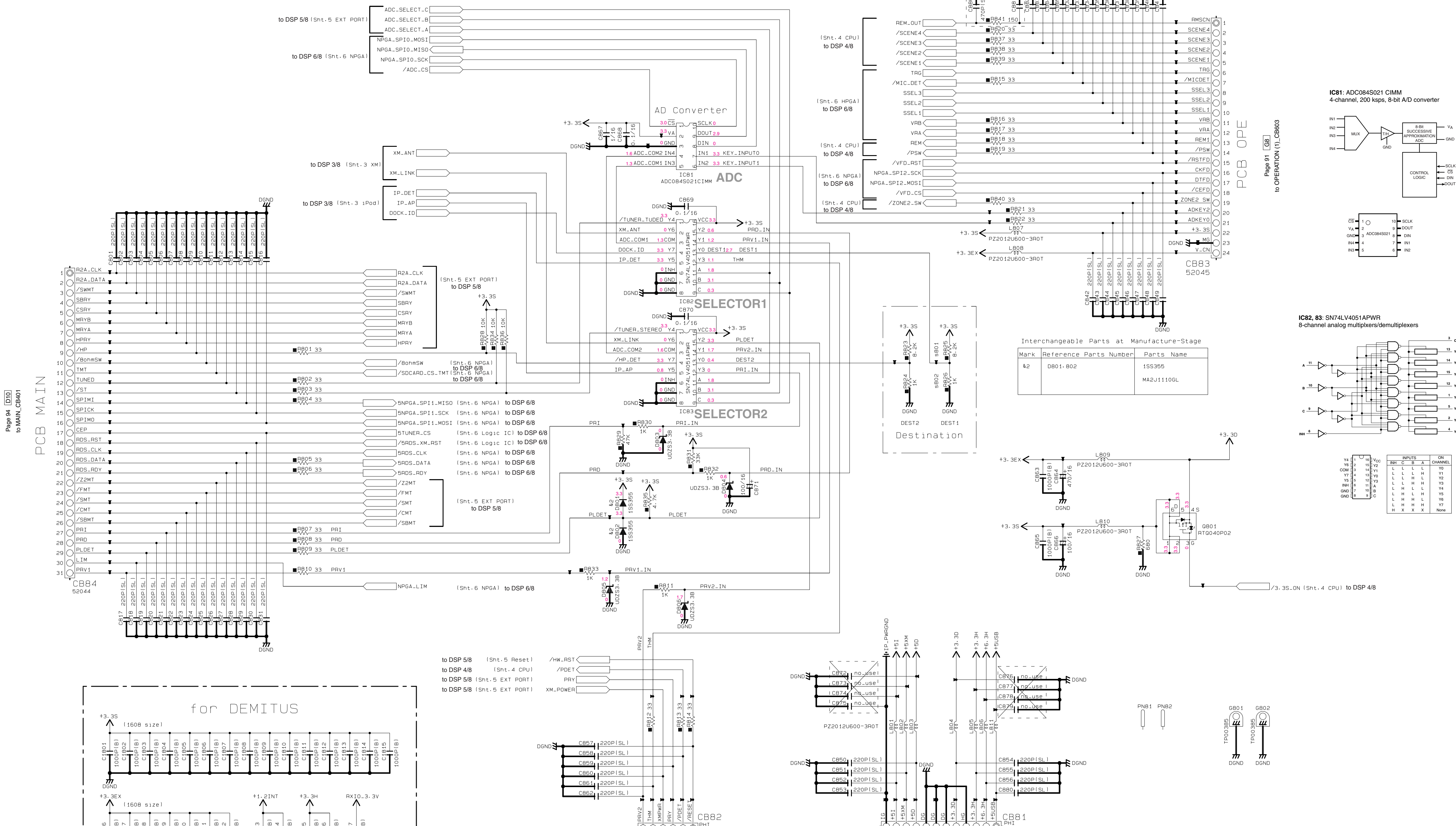


Page 91 [L] to OPERATION (6), W6006 (R, T, K, A, B, G, E, F, L models)

* All voltages are measured with a 10MQ/V DC electronic voltmeter.
 * Components having special characteristics are marked with a triangle and must be replaced with parts having specifications equal to those originally installed.
 * Schematic diagram is subject to change without notice.

DSP 8/8

sxx	LOC	J	UC	R	TA	K	B	GEF	L	DESTINATION
s001	R025	RD35602 8.2K	RD35602 8.2K	RD35600 8.2K	RD35606 5.6K	RD35647 4.7K	RD35633 3.3K	RD35618 1.8K	RD35608 6.8K	DESTINATION
s002	R026	RD35610 1K	RD35622 2.2K	RD35633 3.3K	RD35656 5.6K	RD35668 6.8K	RD35682 8.2K	RD35682 8.2K	RD35647 4.7K	DETECTION

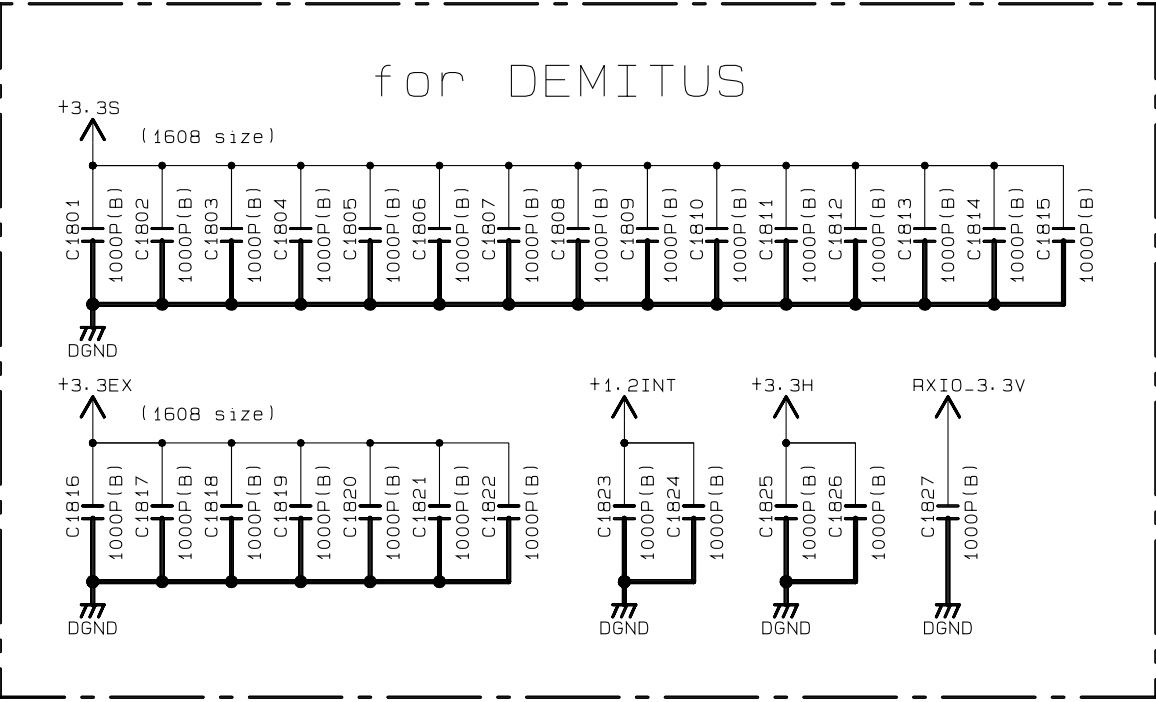


Page 94 [D10] to MAIN_CB401

PCB MAIN

Page 81 [C8] to OPERATION (1)_CB803

PCB OPE



PCB POWER

Page 92 [B7] to OPERATION (2)_W700

PCB POWER

Page 92 [B6] to OPERATION (2)_W702

REMARKS	PARTS NAME	REMARKS	PARTS NAME
NO MARK	CARBON FILM RESISTOR (P=5)	NO MARK	ELECTROLYTIC CAPACITOR
□	CARBON FILM RESISTOR (P=10)	⊗	TANTALUM CAPACITOR
△	METAL OXIDE FILM RESISTOR	NO MARK	CERAMIC CAPACITOR
▲	METAL FILM RESISTOR	⊙	CERAMIC TUBULAR CAPACITOR
⊠	METAL PLATE RESISTOR	⊖	POLYESTER FILM CAPACITOR
⊞	FIRE PROOF CARBON FILM RESISTOR	⊕	POLYSTYRENE FILM CAPACITOR
⊚	CEMENT MOLDED RESISTOR	⊖	MICA CAPACITOR
⊛	SEMI VARIABLE RESISTOR	⊖	POLYPROPYLENE FILM CAPACITOR
■	CHIP RESISTOR	⊖	SEMICONDUCTIVE CERAMIC CAPACITOR

REMARKS	PARTS NAME	REMARKS	PARTS NAME
NO MARK	CARBON FILM RESISTOR (P=5)	NO MARK	ELECTROLYTIC CAPACITOR
□	CARBON FILM RESISTOR (P=10)	⊗	TANTALUM CAPACITOR
△	METAL OXIDE FILM RESISTOR	NO MARK	CERAMIC CAPACITOR
▲	METAL FILM RESISTOR	⊙	CERAMIC TUBULAR CAPACITOR
⊠	METAL PLATE RESISTOR	⊖	POLYESTER FILM CAPACITOR
⊞	FIRE PROOF CARBON FILM RESISTOR	⊕	POLYSTYRENE FILM CAPACITOR
⊚	CEMENT MOLDED RESISTOR	⊖	MICA CAPACITOR
⊛	SEMI VARIABLE RESISTOR	⊖	POLYPROPYLENE FILM CAPACITOR
■	CHIP RESISTOR	⊖	SEMICONDUCTIVE CERAMIC CAPACITOR

NOTICE (mode)
 (J)..... JAPAN
 (U)..... U.S.A
 (C)..... CANADA
 (R)..... GENERAL
 (T)..... CHINA
 (K)..... KOREA
 (A)..... AUSTRALIA
 (B)..... BRITISH
 (G)..... EUROPE
 (L)..... SINGAPORE
 (E)..... SOUTH EUROPE
 (V)..... TAIWAN
 (F)..... RUSSIAN

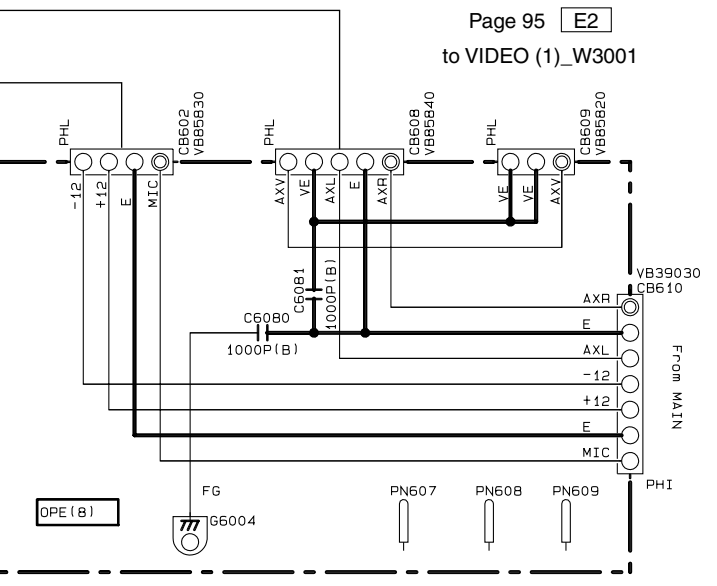
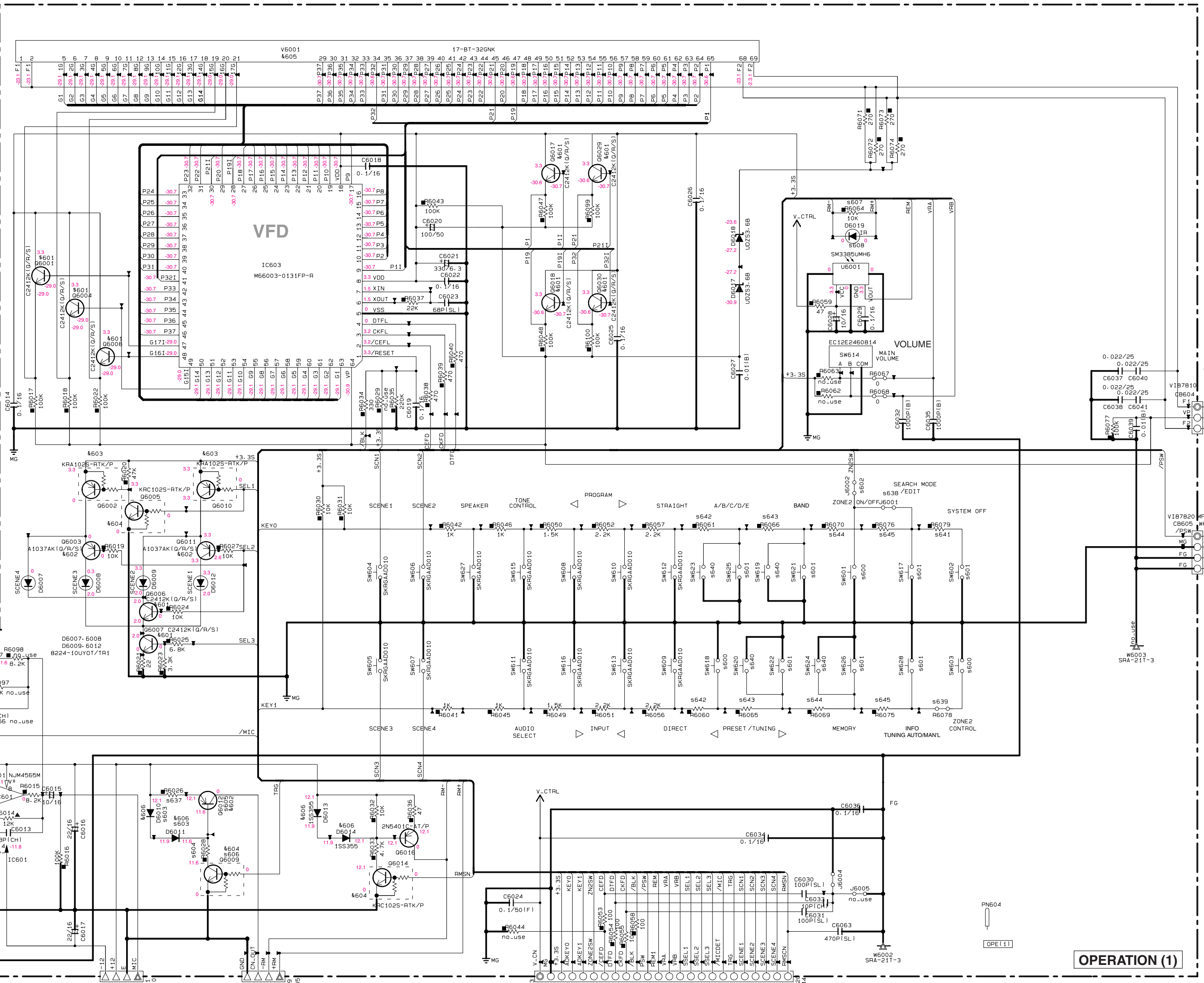
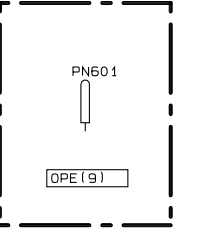
* All voltages are measured with a 10MΩ/V DC electronic voltmeter.
 * Components having special characteristics are marked with a triangle and must be replaced with parts having specifications equal to those originally installed.
 * Schematic diagram is subject to change without notice.

OPERATION 1/2

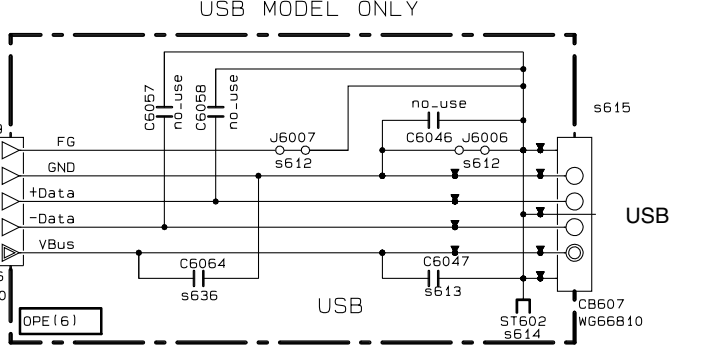
REMARKS	PARTS NAME
NO MARK	CARBON FILM RESISTOR (P=5)
□	CARBON FILM RESISTOR (P=10)
△	METAL OXIDE FILM RESISTOR
▲	METAL FILM RESISTOR
▴	METAL PLATE RESISTOR
■	FIRE PROOF CARBON FILM RESISTOR
□	CEMENT MOLDED RESISTOR
○	SEMI VARIABLE RESISTOR
■	CHIP RESISTOR

REMARKS	PARTS NAME
NO MARK	ELECTROLYTIC CAPACITOR
○	TANTALUM CAPACITOR
NO MARK	CERAMIC CAPACITOR
●	CERAMIC TUBULAR CAPACITOR
○	POLYESTER FILM CAPACITOR
○	POLYSTYRENE FILM CAPACITOR
○	MICA CAPACITOR
○	POLYPROPYLENE FILM CAPACITOR
○	SEMICONDUCTIVE CERAMIC CAPACITOR
○	POLYBENZENE SULFIDE FILM CAPACITOR

OPERATION (9)

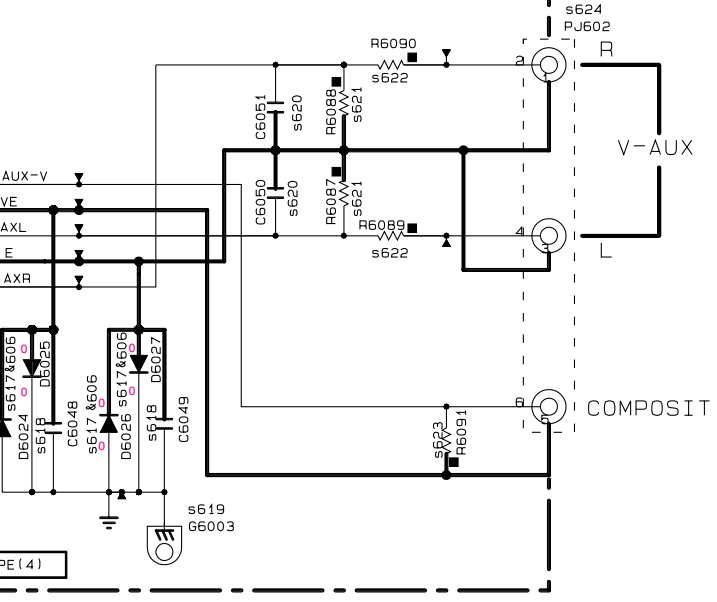


OPERATION (8)



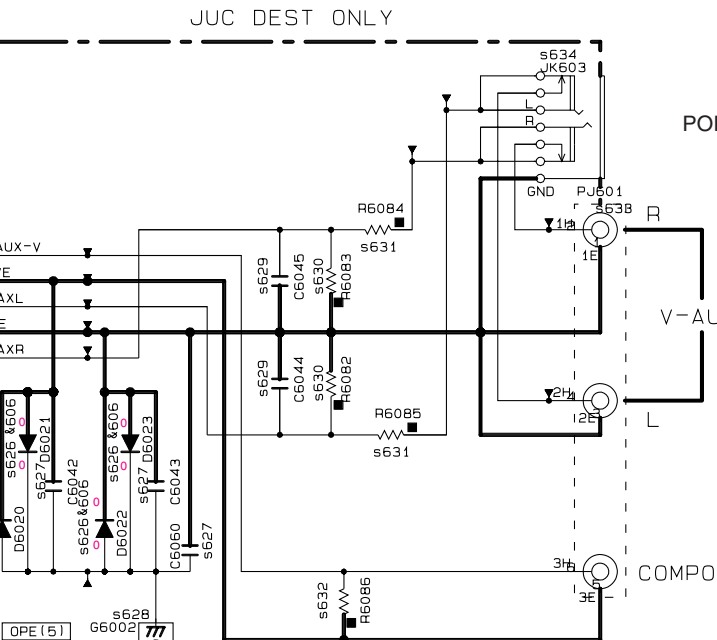
OPERATION (6)

R, T, K, A, B, G, E, F, L models



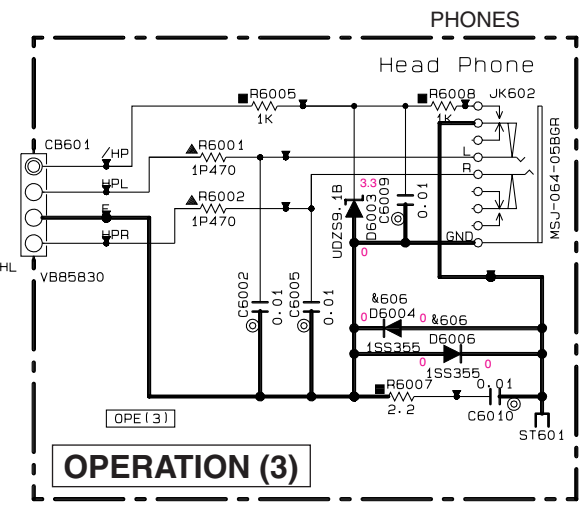
OPERATION (4)

R, T, K, A, B, G, E, F, L models

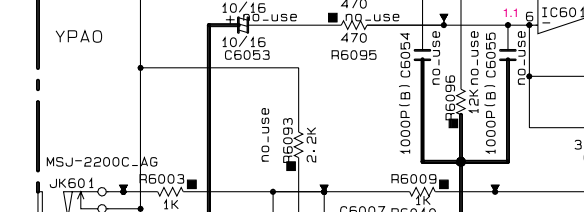


OPERATION (5)

U, C models

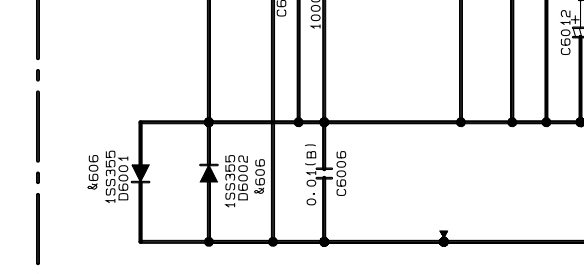


OPERATION (3)



OPERATION (7)

MAIN ZONE ON/OFF (U, C, R, T, K, A, G, E, F, L models) STANDBY/ON (B model)



OPERATION (1)

Interchangeable Parts at Manufacture-Stage

Mark	Reference Parts Number	Parts Name
6601	06001-6004-6006-6008	25C2412K1G/R/S1
	6017-6018-6020-6030	28NH4H/4H/4V/S1
		KTC3875S-V-GR-RTK/P
6602	06003-6011-6012	25A1037AK1G/R/S1
		KT41504S-V-GR-RTK/P
6603	06002-6010	KR4102S-RTK/P
		DT1414EXA
6604	06005-6009-6014	KRC102S-RTK/P
		DT114EXA
6605	V6001	17-B1-329NK
		HNA-17M006T
6606	06001-6002-6004-6006	15S39S
	6010-6011-6013-6014	M42J11109L
	6020-6027	

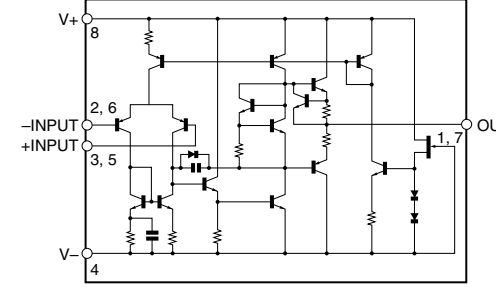
NOTICE (mode1)

(J)..... JAPAN
 (U)..... U. S. A
 (C)..... CANADA
 (R)..... GENERAL
 (T)..... CHINA
 (K)..... KOREA
 (A)..... AUSTRALIA
 (B)..... BRITISH
 (L)..... EUROPE
 (G)..... SINGAPORE
 (E)..... SOUTH EUROPE
 (V)..... TAIWAN
 (F)..... RUSSIAN

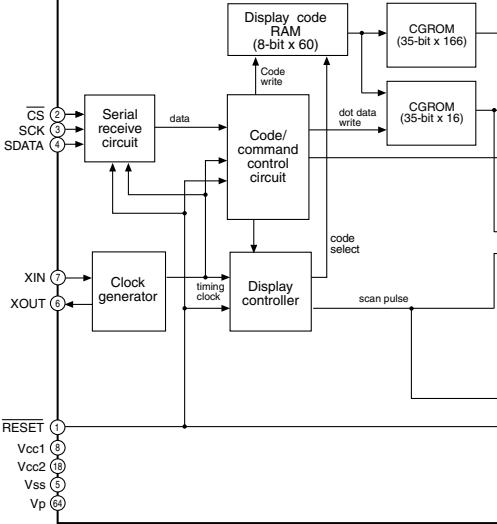
Key detection for A/D port
 Key input (A/D) pull-up resistance 10 k-ohms
 U, C, R, T, K, A, G, E, F, L models

Ohm	0	+1.0k	+1.5k	+2.2k	+2.2k	+3.3k	+4.7k	+6.8k	+10.0k	+22.0k
V	0-0.2	0.2-0.4	0.4-0.7	0.7-1.0	1.0-1.3	1.3-1.6	1.6-1.9	1.9-2.1	2.1-2.4	2.4-2.7
KEY	-	SPEAKERS	AB/D/FF	CONTROL	PROGRAM	PROGRAM	PROGRAM	STRAIGHT	EFFECT	CONTROL
INPUT 0 (7 pin)	-	-	-	-	-	-	-	-	-	-
INPUT 1 (6 pin)	-	-	-	-	-	-	-	-	-	-

IC601: NJM4558M Dual operational amplifier



IC603: M66003-0131FP-R 18 digit 5 x 7 segment VFD controller/driver

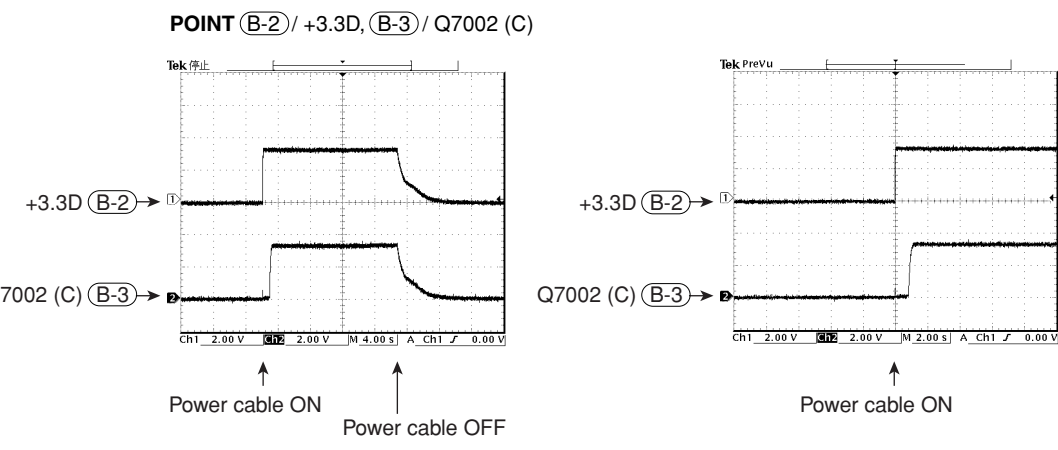


* All voltages are measured with a 10MΩ/V DC electronic voltmeter.
 * Components having special characteristics are marked with a triangle and must be replaced with parts having specifications equal to those originally installed.
 * Schematic diagram is subject to change without notice.

OPERATION 2/2

Interchangeable Parts at Manufacture-Stage

Mark	Reference Parts Number	Parts Name
&700	Q7000-7002	DTC114EKA KRC104S-RTK/P
&701	D7005-7006, 7010-7016	1S5355 MA2J1110GL
&702	D7014, 7015	KBP1036 RS103
&703	D7018, 7019	RS403M-B-C-JB0 TS4B03G-07
&704	Q7001	2SC2413K (Q/R/S) KTC3B755-Y, GR-RTK/P 2SD6014RL/AOL (Q/R/S)



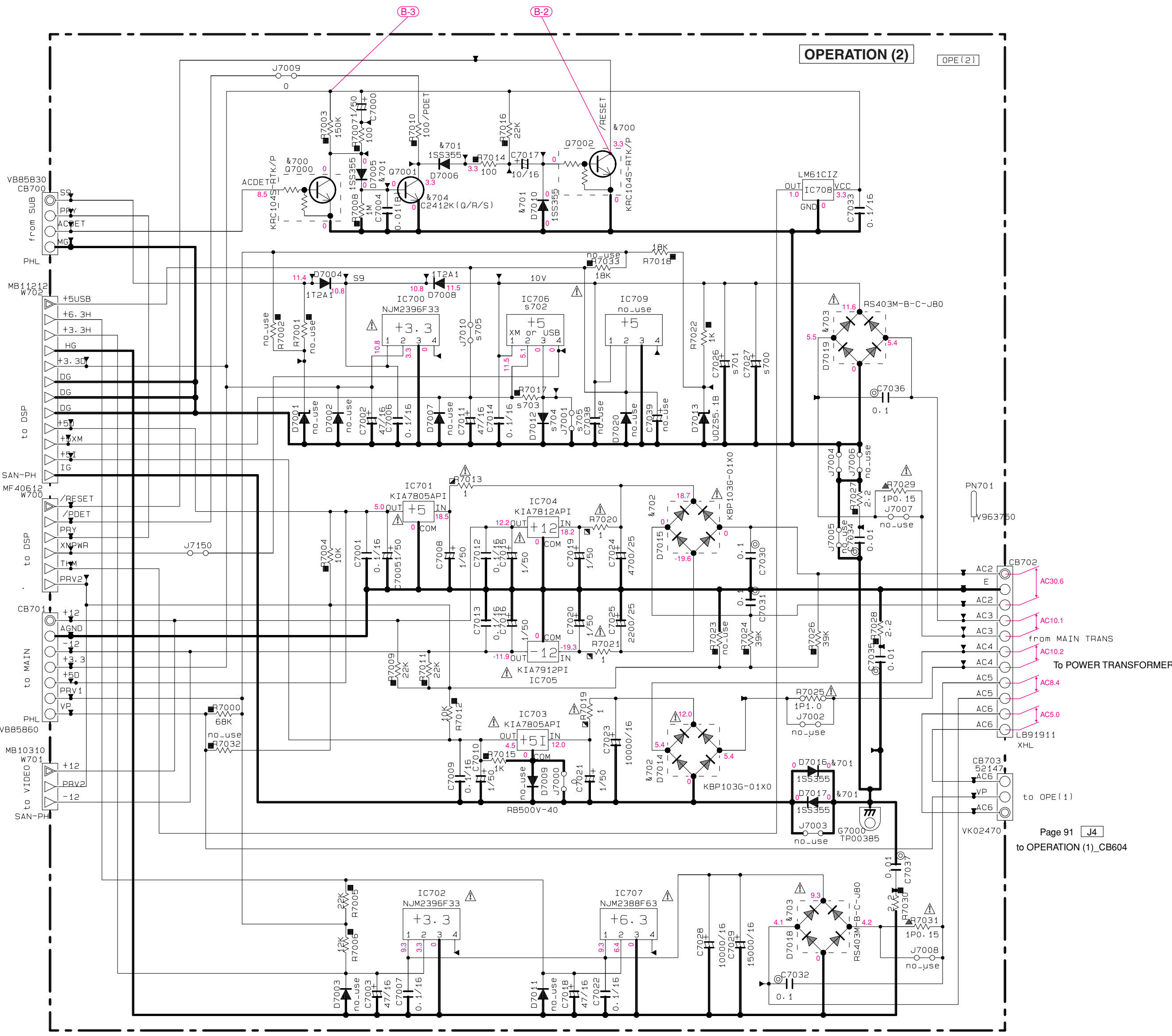
Page 96 [G9] to VIDEO (3)_W3401

Page 90 [J9] to DSP_CB81

Page 90 [G9] to DSP_CB82

Page 93 [I6] to MAIN_W506

Page 95 [B2] to VIDEO (1)_CB301



Page 91 [J4] to OPERATION (1)_CB604

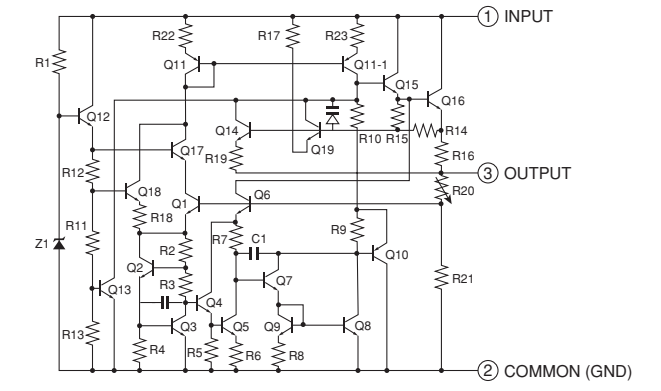
REMARKS	PARTS NAME	REMARKS	PARTS NAME
ND MARK	CARBON FILM RESISTOR (P=5)	ND MARK	ELECTROLYTIC CAPACITOR
△	CARBON FILM RESISTOR (P=10)	⊗	TANTALUM CAPACITOR
▲	METAL OXIDE FILM RESISTOR	ND MARK	CERAMIC CAPACITOR
⊠	METAL FILM RESISTOR	⊙	CERAMIC TUBULAR CAPACITOR
⊞	METAL PLATE RESISTOR	⊚	POLYESTER FILM CAPACITOR
⊟	FINE PROOF CARBON FILM RESISTOR	⊛	POLYSTYRENE FILM CAPACITOR
⊠	CEMENT MOUNTED RESISTOR	⊜	MICA CAPACITOR
⊡	SEMI VARIABLE RESISTOR	⊝	POLYPROPYLENE FILM CAPACITOR
■	CHIP RESISTOR	⊞	SEMICONDUCTIVE CERAMIC CAPACITOR

* All voltages are measured with a 10MΩ/V DC electronic voltmeter.
 * Components having special characteristics are marked with a triangle and must be replaced with parts having specifications equal to those originally installed.
 * Schematic diagram is subject to change without notice.

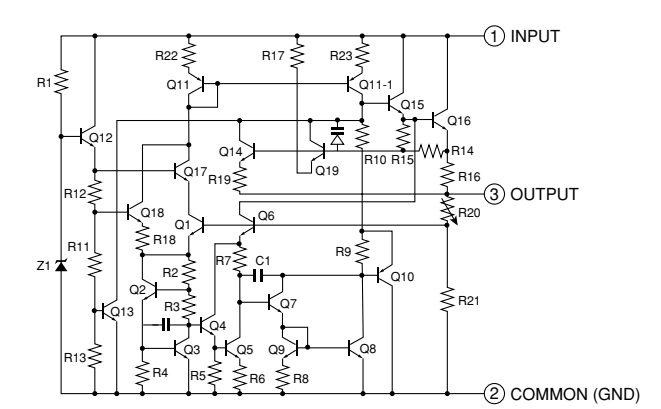
sXX	LOC	UC	RTKAGEFL	B
s600	SW601 SW618 SW603	WD48310 SKRGAAD010	WD48310 SKRGAAD010	X
s601	SW602 SW617 SW621 SW625 SW622	WD48310 SKRGAAD010	WD48310 SKRGAAD010	X
s602	J6002	VN50000 0	VN50000 0	X
s603	D6010 D6011	VT33290 1S5355	VT33290 1S5355	X
s604	R6028	RD35647 4.7K	RD35647 4.7K	X
s605	Q6012	VV56540 A1037AK (Q/R/S)	VV56540 A1037AK (Q/R/S)	X
s606	Q6009	VV65540 DTC114EKA	VV65540 DTC114EKA	X
s607	R6054	RD35710 10K	RD35710 10K	X
s608	D6019	V256820 SIR-505STA47	V256820 SIR-505STA47	X
s609	W6006	X	WN02170 WN02170	
s612	J6007 J6006	X	RD35000 0	RD35000 0
s613	C6047	X	US06210 100P (SL)	US06210 100P (SL)
s614	ST602	X	WA78970 WA78970	
s615	CB607	X	WG56810 UBA-4R-D141T-4D	WG56810 UBA-4R-D141T-4D
s616	W6008	X	WJ52450 SAN-PH	WJ52450 SAN-PH
s617	D6026 D6027 D6024	X	VT33290 1S5355	VT33290 1S5355
s618	C6049 C6048	X	US13510 0.1/16	US13510 0.1/16
s619	G6003	X	VR46340 TP00385	VR46340 TP00385
s620	C6050 C6051	X	US06222 220P (SL)	US06222 220P (SL)
s621	R6088 R6087	X	RD35847 470K	RD35847 470K
s622	R6090 R6089	X	RD35547 470	RD35547 470
s623	R6091	X	RD35475 75	RD35475 75
s624	PJ602	X	WJ11750 MSP-303H-BBB-11	WJ11750 MSP-303H-BBB-11
s625	W6007	X	WJ62450 SAN-PH	WJ62450 SAN-PH
s626	D6020 D6021 D6022 D6023	X	VT33290 1S5355	VT33290 1S5355
s627	C6043 C6042 C6060	X	US13510 0.1/16	US13510 0.1/16
s628	G6002	X	VR46340 TP00385	VR46340 TP00385
s629	C6045 C6044	X	US06368 6800P (B)	US06368 6800P (B)
s630	R6082 R6083	X	RD35847 470K	RD35847 470K
s631	R6085 R6084	X	RD35547 470	RD35547 470
s632	R6086	X	RD35475 75	RD35475 75
s633	PJ601	X	WJ11750 MSP-303H-BBB-11	WJ11750 MSP-303H-BBB-11
s634	JK603	X	WJ11740 MSJ-035-05A	WJ11740 MSJ-035-05A
s636	C6054	X	US12510 1/10	US12510 1/10
s637	R6026	X	RD35427 27	RD35427 27
s638	J6001	X	X	X
s639	R6078	X	RD35722 22K	RD35722 22K
s640	SW619 SW624 SW620 SW623	X	X	X
s641	R6079	X	RD35722 22K	RD35722 22K
s642	R6060 R6061	X	RD35633 3.3K	RD35633 3.3K
s643	R6065 R6066	X	RD35647 4.7K	RD35647 4.7K
s644	R6069 R6070	X	RD35668 6.8K	RD35668 6.8K
s645	R6076 R6075	X	RD35710 10K	RD35710 10K
s700	C7027	WG60200 15000/16	WG60200 15000/16	WG60200 15000/16
s701	C7026	UR03947 4700/16	UR03947 4700/16	UR03947 4700/16
s702	IC706	X6143A0 NJM238BF05	X6143A0 NJM238BF05	X6143A0 NJM238BF05
s703	R7017	RD35610 1K	X	X
s704	D7012	V237660 RB500V-40	X	X
s705	J7001 J7010	X	VN50000	VN50000

NOTICE (model)
 (J)..... JAPAN
 (U)..... U.S.A
 (C)..... CANADA
 (R)..... GENERAL
 (T)..... CHINA
 (K)..... KOREA
 (A)..... AUSTRALIA
 (B)..... BRITISH
 (G)..... EUROPE
 (L)..... SINGAPORE
 (E)..... SOUTH EUROPE
 (V)..... TAIWAN
 (F)..... RUSSIAN

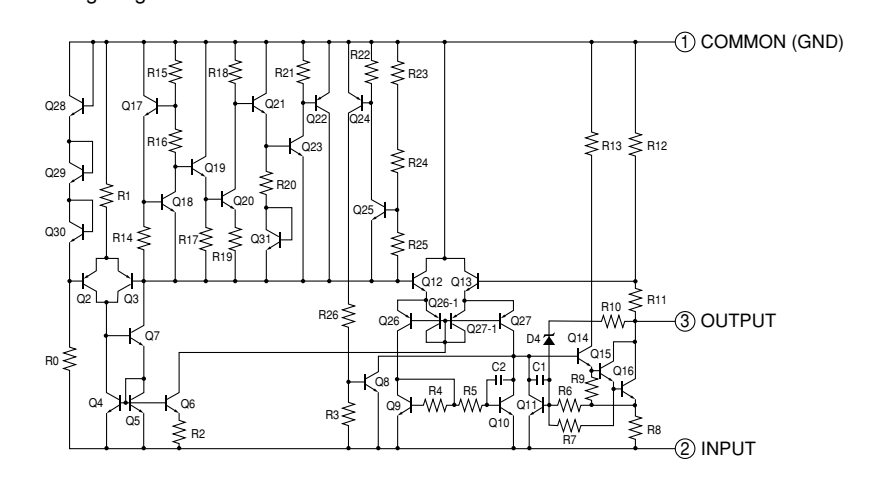
IC701, 703: KIA7805API



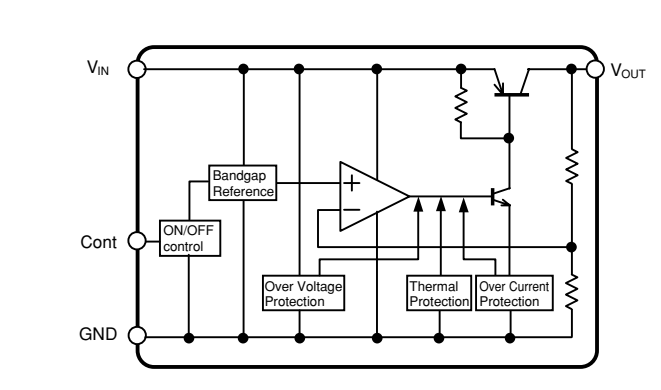
IC704: KIA7812API



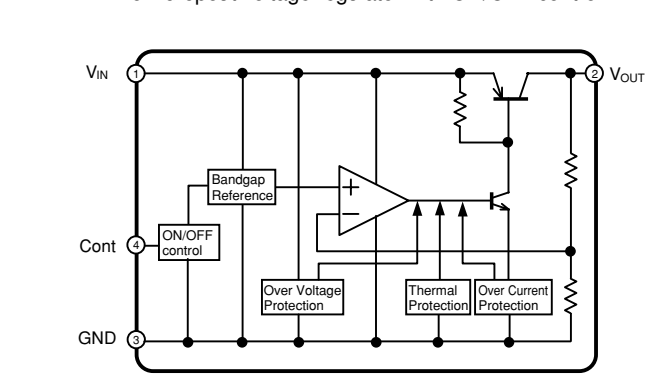
IC705: KIA7912PI



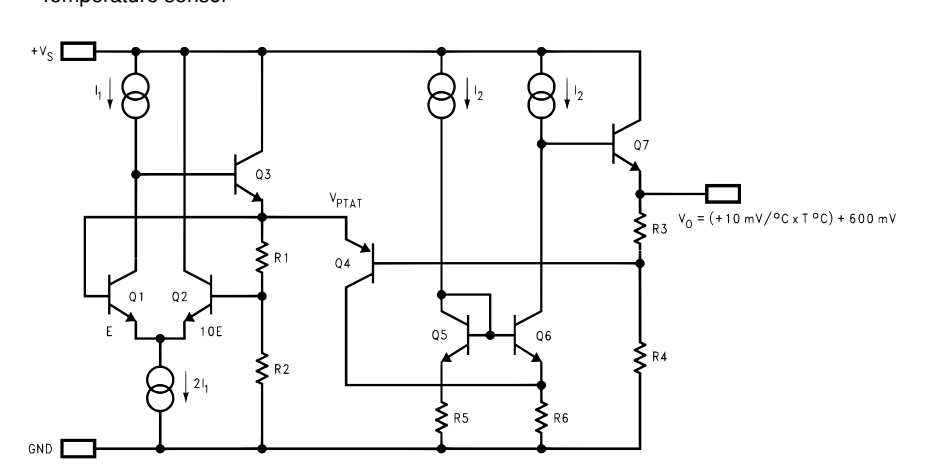
IC706: NJM238F05



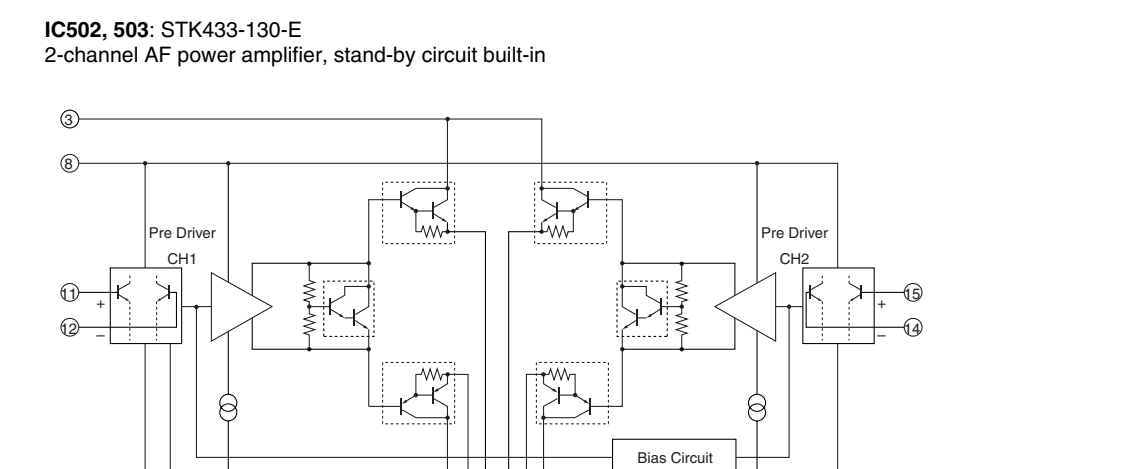
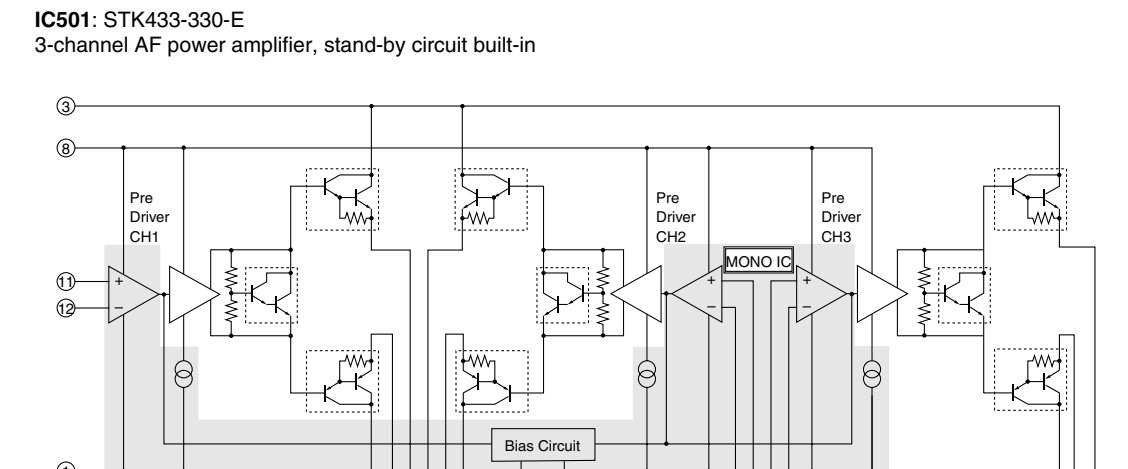
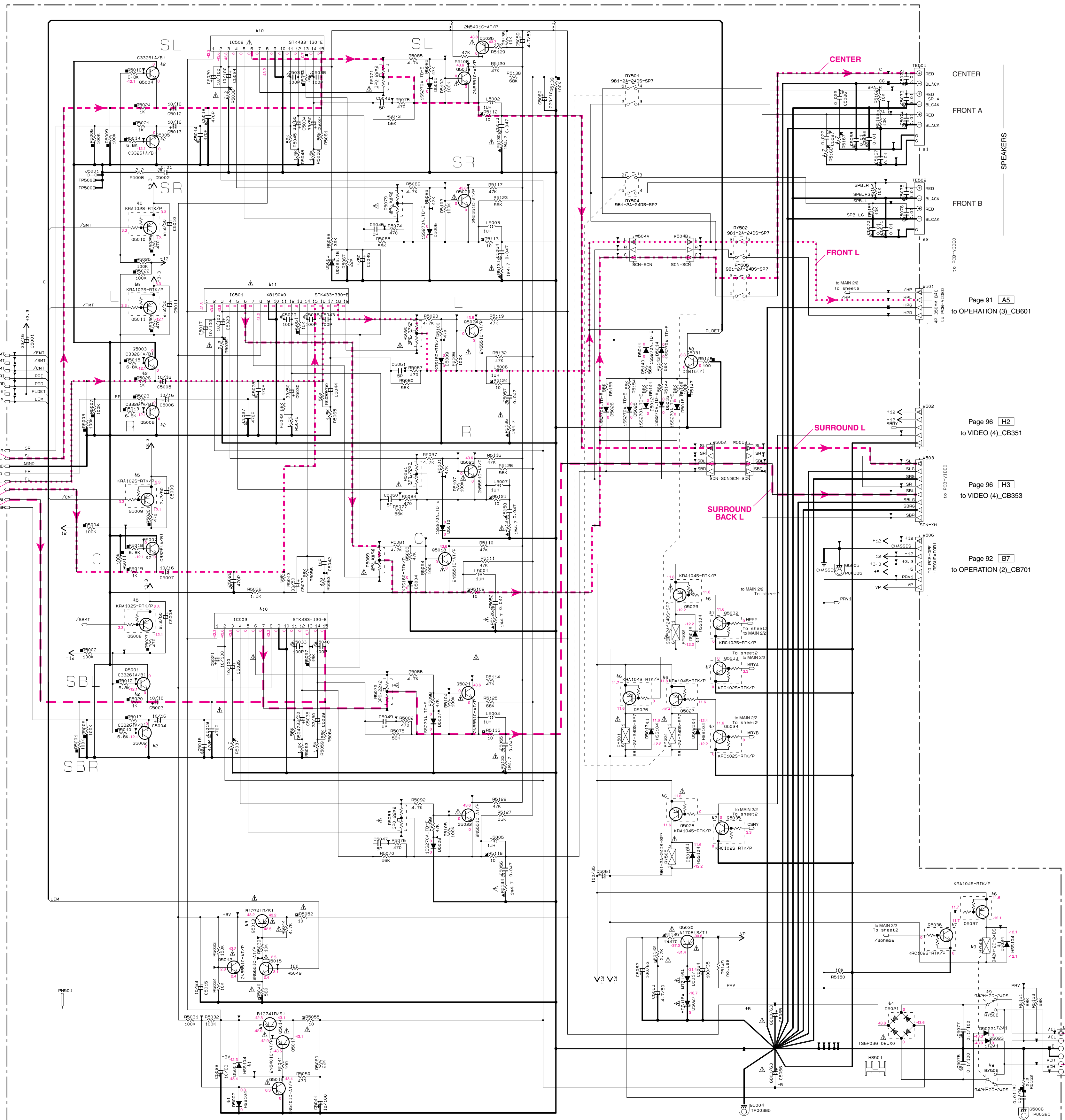
IC707: NJM238F63



IC708: LM61CIZ



MAIN 1/2



Page 91 [A5]
to OPERATION (3)_CB601

Page 96 [H2]
to VIDEO (4)_CB351

Page 96 [H3]
to VIDEO (4)_CB353

Page 92 [B7]
to OPERATION (2)_CB701

Interchangeable Parts at Manufacture-Stage

Mark	Reference Parts Number	Parts Name
41	05001-5002-5013 5018-5020-5024	RES104 155133 155176
42	05001-5007	25C33261A/B1 25C33261B1 25C593841A/B1 25C19381F15/1 25C2724K
43	05013-5014	25H12741H/S1 25H15551E/F1 K1A1046-Y-U/P
44	05021	T5P0330-08-X0 R5603W-B-C-J80
45	05008-5011	KRA1025-RTK/P DTA114EK4
46	05020-5029-5037	KRA1045-RTK/P DTA144EK4
47	05032-5036	KRC1025-RTK/P DTC114EK4
48	05031	25C18101Y1 K1C3196 Y-A1
49	RY506	942H-2C-2405 DH2402-O-G
410	IC502-503	STK-433-130-E 1X7427A01 STK-433-130-E 1X7427B01
411	IC501	STK-433-330-E 1X8190A01 STK-433-330-E 1X8190B01

REMARKS PARTS NAME

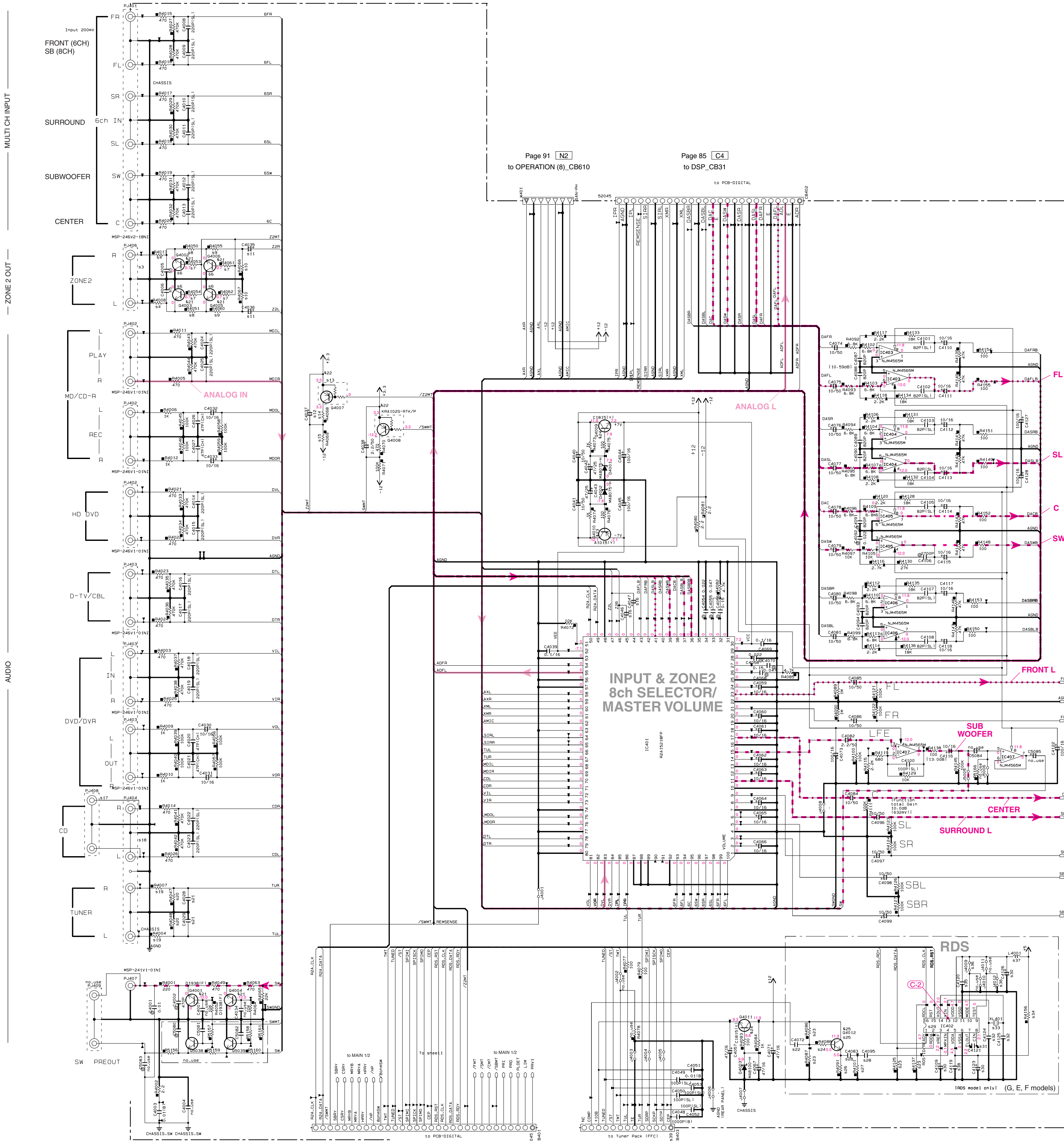
REMARKS	PARTS NAME
NO MARK	ELECTROLYTIC CAPACITOR
⊗	TANTALUM CAPACITOR
NO MARK	CERAMIC CAPACITOR
⊙	CERAMIC TUBULAR CAPACITOR
⊕	POLYESTER FILM CAPACITOR
⊖	POLYSTYRENE FILM CAPACITOR
⊗	MICA CAPACITOR
⊙	POLYPROPYLENE FILM CAPACITOR
⊕	SEMICONDUCTIVE CERAMIC CAPACITOR
⊖	POLYPHENYLENE SULFIDE FILM CAPACITOR
NO MARK	CARBON FILM RESISTOR [D=5]
⊕	CARBON FILM RESISTOR [D=10]
Δ	METAL OXIDE FILM RESISTOR
⊗	METAL FILM RESISTOR
⊕	METAL PLATE RESISTOR
⊖	FIRE PROOF CARBON FILM RESISTOR
⊗	CEMENT MOLDED RESISTOR
⊕	SEMI-VARIABLE RESISTOR
■	CHIP RESISTOR

NOTICE [mode1]

(J)..... JAPAN
(U)..... U.S.A
(C)..... CANADA
(R)..... GENERAL
(T)..... CHINA
(K)..... KOREA
(A)..... AUSTRALIA
(B)..... BRITISH
(G)..... EUROPE
(L)..... SINGAPORE
(E)..... SOUTH EUROPE
(V)..... TAIWAN
(F)..... RUSSIAN

* All voltages are measured with a 10MΩ/V DC electronic voltmeter.
* Components having special characteristics are marked !, and must be replaced with parts having specifications equal to those originally installed.
* Schematic diagram is subject to change without notice.

MAIN 2/2

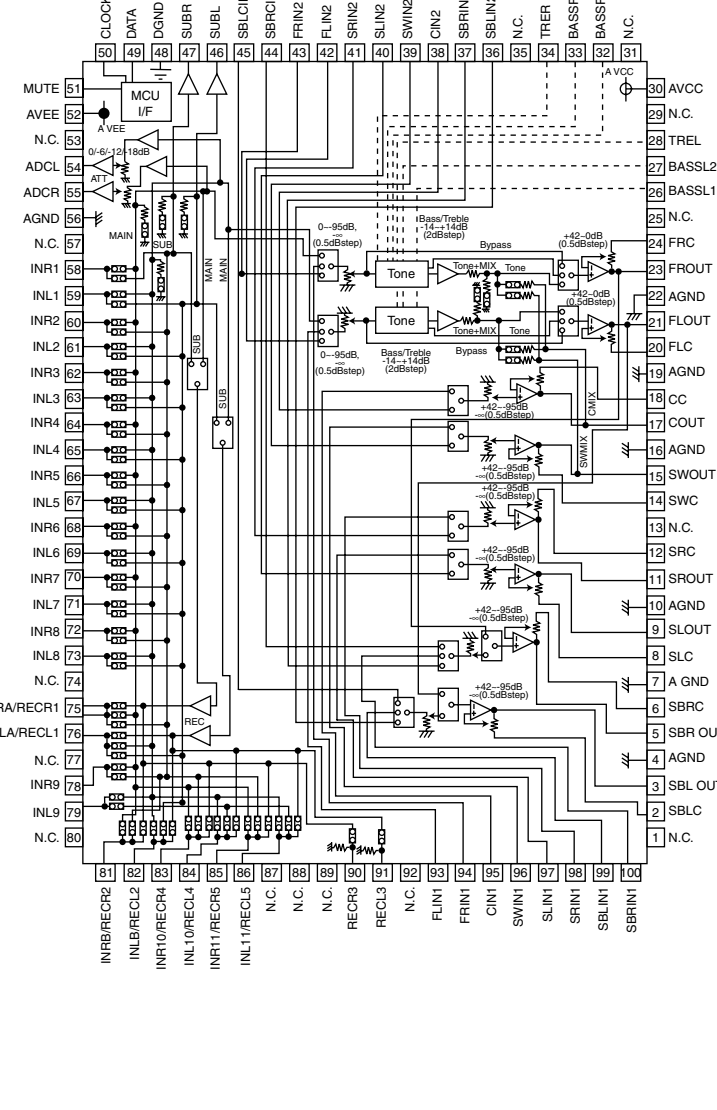


Interchangeable Parts at Manufacture-Stage

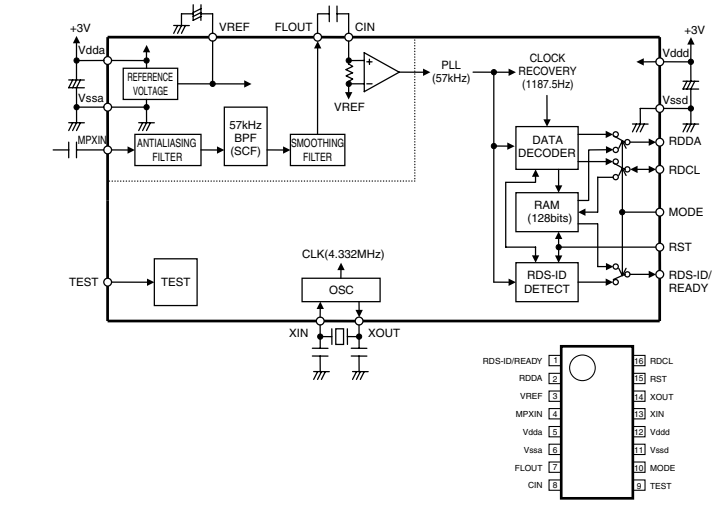
Mark	Reference Parts Number	Parts Name
421	04001-4006	25D1938(F) 25C5938(A1A/B1) 25D270-4K
422	04007-4008	KRA1025-RTK/P DTA114EK4
423	04010	25A1015(Y1) KTA1266 Y-AT
424	04009-4011	25C1815(Y1) KTC398 Y-AT
425	04012	25C14051(R/S1) 25C3114(RA1B/R/S1)

DEFINITION	Part List	LOC	J	UCR1A	KL	B	SEP
91	TE001	W56100	W56100	W56110	W56110	W56110	W56110
92	TE002	W56080	W56080	W56090	W56090	W56090	W56090
93	PL400	W56170	W56170	W56170	W56170	W56170	W56170
94	R4008	R03522	R03522	R03522	R03522	R03522	R03522
95	C4006	U50547	U50547	U50547	U50547	U50547	U50547
96	C4005	V72990	V72990	V72990	V72990	V72990	V72990
97	R4001	R03510	R03510	R03510	R03510	R03510	R03510
98	R4002	R03533	R03533	R03533	R03533	R03533	R03533
99	R4005	R03568	R03568	R03568	R03568	R03568	R03568
100	R4007	R035810	R035810	R035810	R035810	R035810	R035810
101	C4008	U50510	U50510	U50510	U50510	U50510	U50510
102	C4009	U50510	U50510	U50510	U50510	U50510	U50510
103	C4037	U50510	U50510	U50510	U50510	U50510	U50510
104	04007	KC4380	KC4380	KC4380	KC4380	KC4380	KC4380
105	R4008	R03547	R03547	R03547	R03547	R03547	R03547
106	R4009	R03547	R03547	R03547	R03547	R03547	R03547
107	C4009	U50510	U50510	U50510	U50510	U50510	U50510
108	PL404	W56170	W56170	W56170	W56170	W56170	W56170
109	R4001	R03510	R03510	R03510	R03510	R03510	R03510
110	R4002	R03533	R03533	R03533	R03533	R03533	R03533
111	C4008	U50510	U50510	U50510	U50510	U50510	U50510
112	C4009	U50510	U50510	U50510	U50510	U50510	U50510
113	C4037	U50510	U50510	U50510	U50510	U50510	U50510
114	R4008	R03547	R03547	R03547	R03547	R03547	R03547
115	R4009	R03547	R03547	R03547	R03547	R03547	R03547
116	C4009	U50510	U50510	U50510	U50510	U50510	U50510
117	PL408	W56170	W56170	W56170	W56170	W56170	W56170
118	PL404	W56170	W56170	W56170	W56170	W56170	W56170
119	R4001	R03510	R03510	R03510	R03510	R03510	R03510
120	R4002	R03533	R03533	R03533	R03533	R03533	R03533
121	C4008	U50510	U50510	U50510	U50510	U50510	U50510
122	C4009	U50510	U50510	U50510	U50510	U50510	U50510
123	R4008	R03547	R03547	R03547	R03547	R03547	R03547
124	R4009	R03547	R03547	R03547	R03547	R03547	R03547
125	04012	W56250	W56250	W56250	W56250	W56250	W56250
126	R4001	R03510	R03510	R03510	R03510	R03510	R03510
127	C4009	U50510	U50510	U50510	U50510	U50510	U50510
128	C4009	U50510	U50510	U50510	U50510	U50510	U50510
129	IC402	LC72725K	LC72725K	LC72725K	LC72725K	LC72725K	LC72725K
130	C4037	U50510	U50510	U50510	U50510	U50510	U50510
131	C4038	U50510	U50510	U50510	U50510	U50510	U50510
132	C4039	U50510	U50510	U50510	U50510	U50510	U50510
133	XL401	U50510	U50510	U50510	U50510	U50510	U50510
134	R4156	R03510	R03510	R03510	R03510	R03510	R03510
135	C4120	U512510	U512510	U512510	U512510	U512510	U512510
136	4009	U50510	U50510	U50510	U50510	U50510	U50510
137	L4001	WJ78730	WJ78730	WJ78730	WJ78730	WJ78730	WJ78730
138	C4119	U512510	U512510	U512510	U512510	U512510	U512510
139	04003	W50250	W50250	W50250	W50250	W50250	W50250

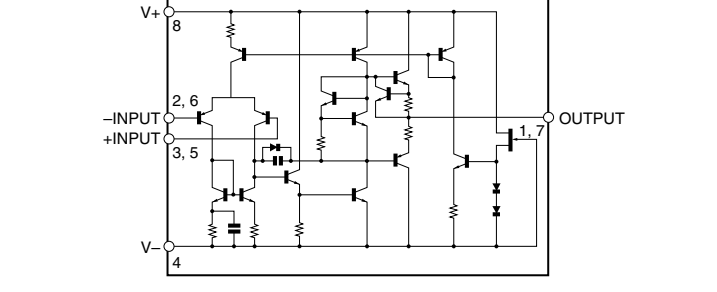
IC401: R2A15218FP
8-channel electronic volume with 11 input selector and tone control



IC402: LC72725KM-UY-TLM-E
RDS signal demodulation IC



IC403-407: NJM4565M
Dual operational amplifier



CAPACITOR

REMARKS	PARTS NAME	UNIT
NO MARK	ELECTROLYTIC CAPACITOR	μF
NO MARK	TANTALUM CAPACITOR	μF
NO MARK	CERAMIC CAPACITOR	μF
NO MARK	CERAMIC TUBULAR CAPACITOR	μF
NO MARK	POLYESTER FILM CAPACITOR	μF
NO MARK	POLYPROPYLENE FILM CAPACITOR	μF
NO MARK	MICA CAPACITOR	μF
NO MARK	POLYPROPYLENE FILM CAPACITOR	μF
NO MARK	SEMICONDUCTIVE CERAMIC CAPACITOR	μF

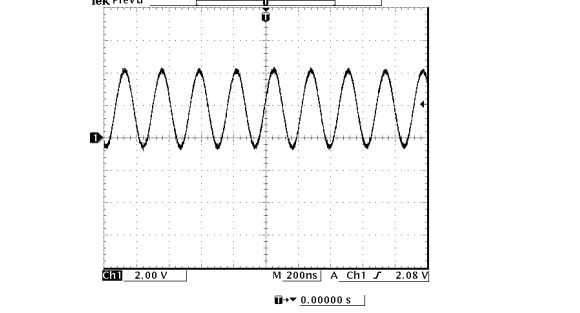
NOTICE (mode)

(J) JAPAN
(U) U.S.A.
(C) CANADA
(R) GENERAL
(T) CHINA
(K) KOREA
(A) AUSTRALIA
(B) BRITISH
(E) EUROPE
(L) SINGAPORE
(S) SOUTH EUROPE
(V) TAIWAN
(F) RUSSIAN

RESISTOR

REMARKS	PARTS NAME	UNIT
NO MARK	CARBON FILM RESISTOR (P=5)	Ω
NO MARK	CARBON FILM RESISTOR (P=10)	Ω
NO MARK	METAL OXIDE FILM RESISTOR	Ω
NO MARK	METAL FILM RESISTOR	Ω
NO MARK	METAL PLATE RESISTOR	Ω
NO MARK	FIRE PROOF CARBON FILM RESISTOR	Ω
NO MARK	CEMENT MOLDED RESISTOR	Ω
NO MARK	SEMI-VARIABLE RESISTOR	Ω
NO MARK	CHIP RESISTOR	Ω

POINT (C2) XL401 (Pin 13 of IC402)



* All voltages are measured with a 10MΩ DC electronic voltmeter.
* Components having special characteristics are marked with a triangle and must be replaced with parts having specifications equal to those originally installed.
* Schematic diagram is subject to change without notice.

VIDEO 1/2

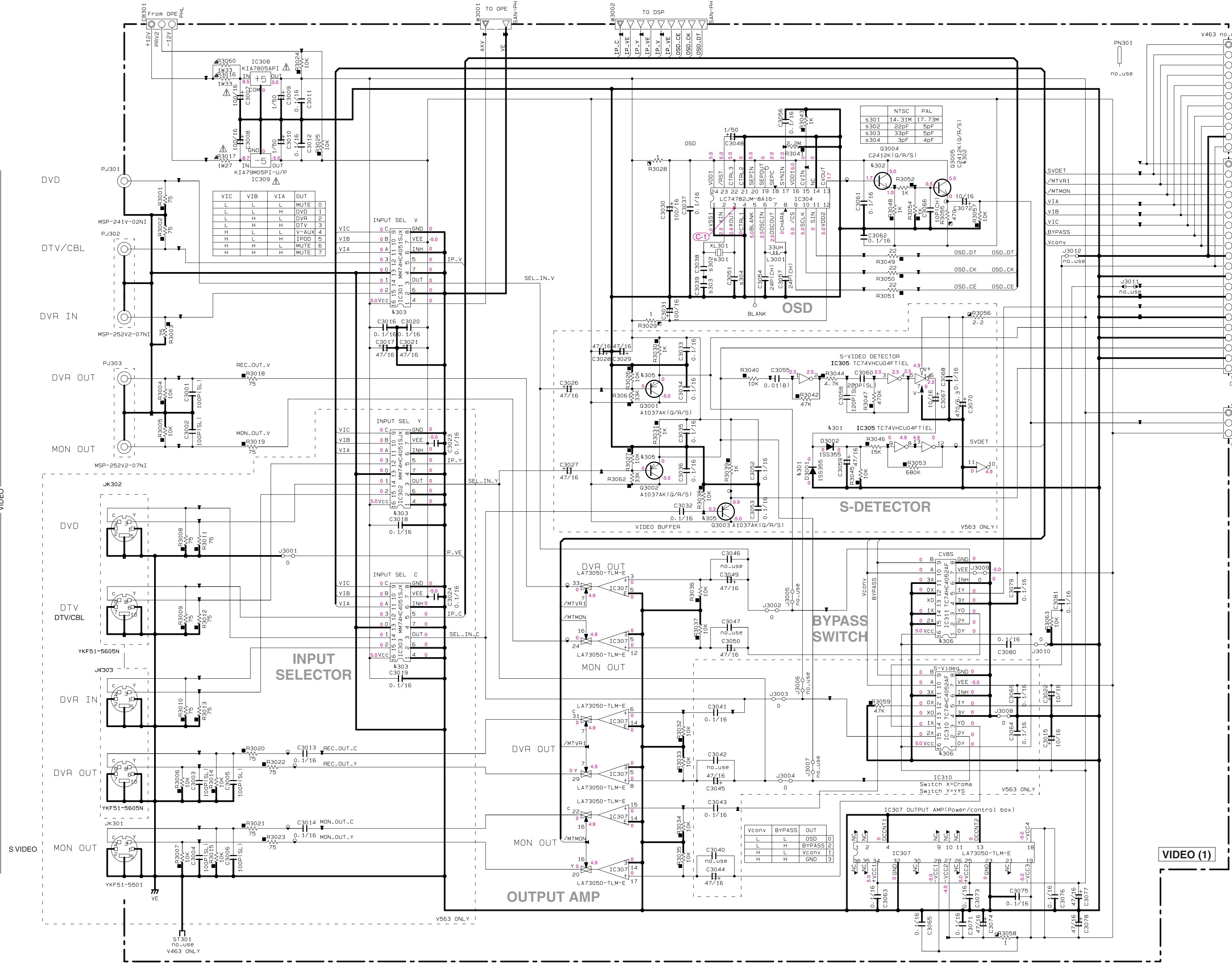
Page 92 [B3] to OPERATION (2)_W701

Page 91 [M2] to OPERATION (8)_CB609

Page 85 [B3] to DSP_CB32

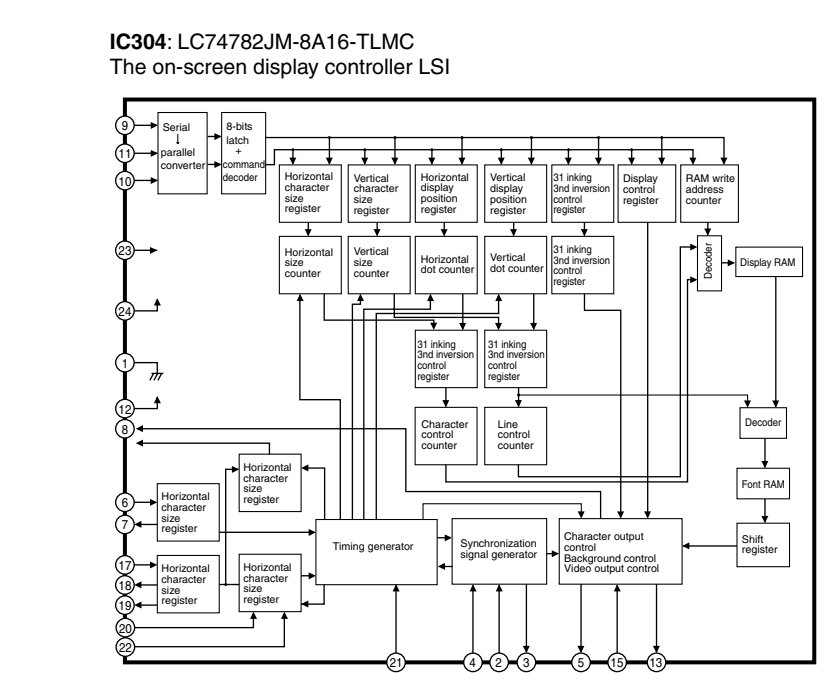
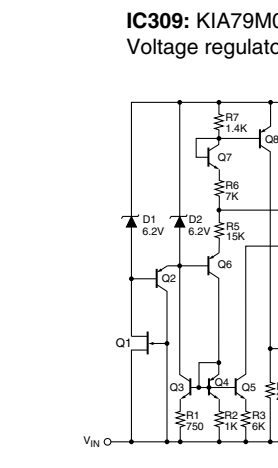
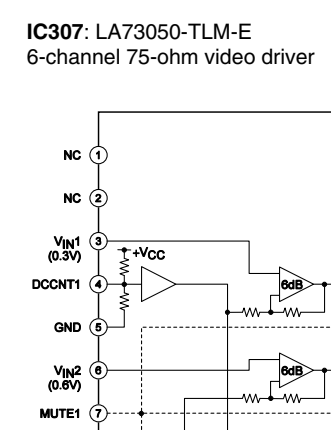
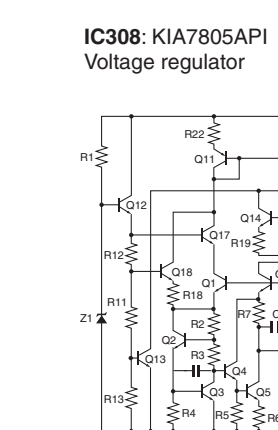
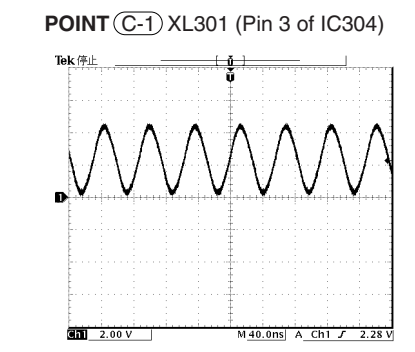
Interchangeable Parts at Manufacture-Stage

Mark	Reference Parts Number	Parts Name
4301	D3001-3002-3201-3217 D3651-3652	1SS395 MA2J1110GL
4302	Q3004-3005	2SC2412K (Q/R/S) 2SD691ARL/AQL (Q/R/S) KT3C8795-Y-GR-RTK/P
4303	IC301-303	MM74HC4051SJX.NL TC74HC4051AF [EL.F]
4304	IC327	MM74HC4053SJX.NL TC74HC4053AF [EL.F]
4305	Q3001-3003-3201-3203	2SA1037AK (Q/R/S) KTA1504S-Y-GR-RTK/P
4306	IC310-311-321-324	TC74HC4052AF [EL.F] MM74HC4052SJX.NL
4307	D3401-3501-3502	H5S104 1SS133 1SS176
4308	Q3402-3404	2SA1015(Y) KTA1266(Y)
4309	D3501-3503	DTA114ESA KRA102M-AT



Page 84 [M3] to DSP_CB21

Page 96 [C1] to VIDEO (2)_CB325

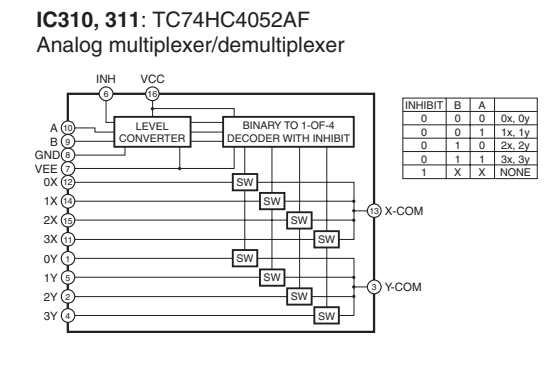
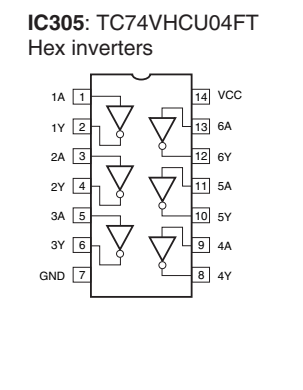
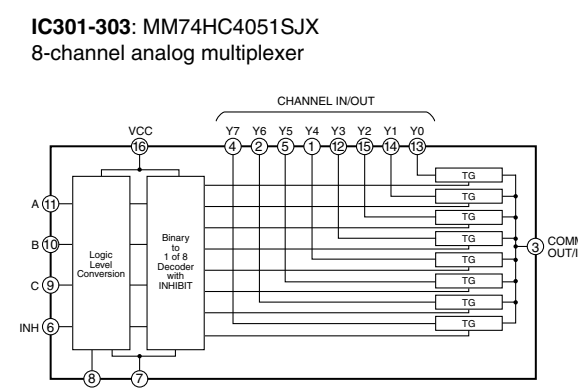


NOTICE (model1)

(J)..... JAPAN
 (U)..... U.S.A
 (C)..... CANADA
 (R)..... GENERAL
 (T)..... CHINA
 (K)..... KOREA
 (A)..... AUSTRALIA
 (B)..... BRITISH
 (G)..... EUROPE
 (L)..... SINGAPORE
 (E)..... SOUTH EUROPE
 (V)..... TAIWAN
 (F)..... RUSSIAN

REMARKS	PARTS NAME
NO MARK	CARBON FILM RESISTOR (P=5)
□	CARBON FILM RESISTOR (P=10)
△	METAL OXIDE FILM RESISTOR
T	METAL FILM RESISTOR
⊠	METAL PLATE RESISTOR
⊞	FIRE PROOF CARBON FILM RESISTOR
□	CEMENT MOLDED RESISTOR
⊞	SEMI VARIABLE RESISTOR
■	CHIP RESISTOR

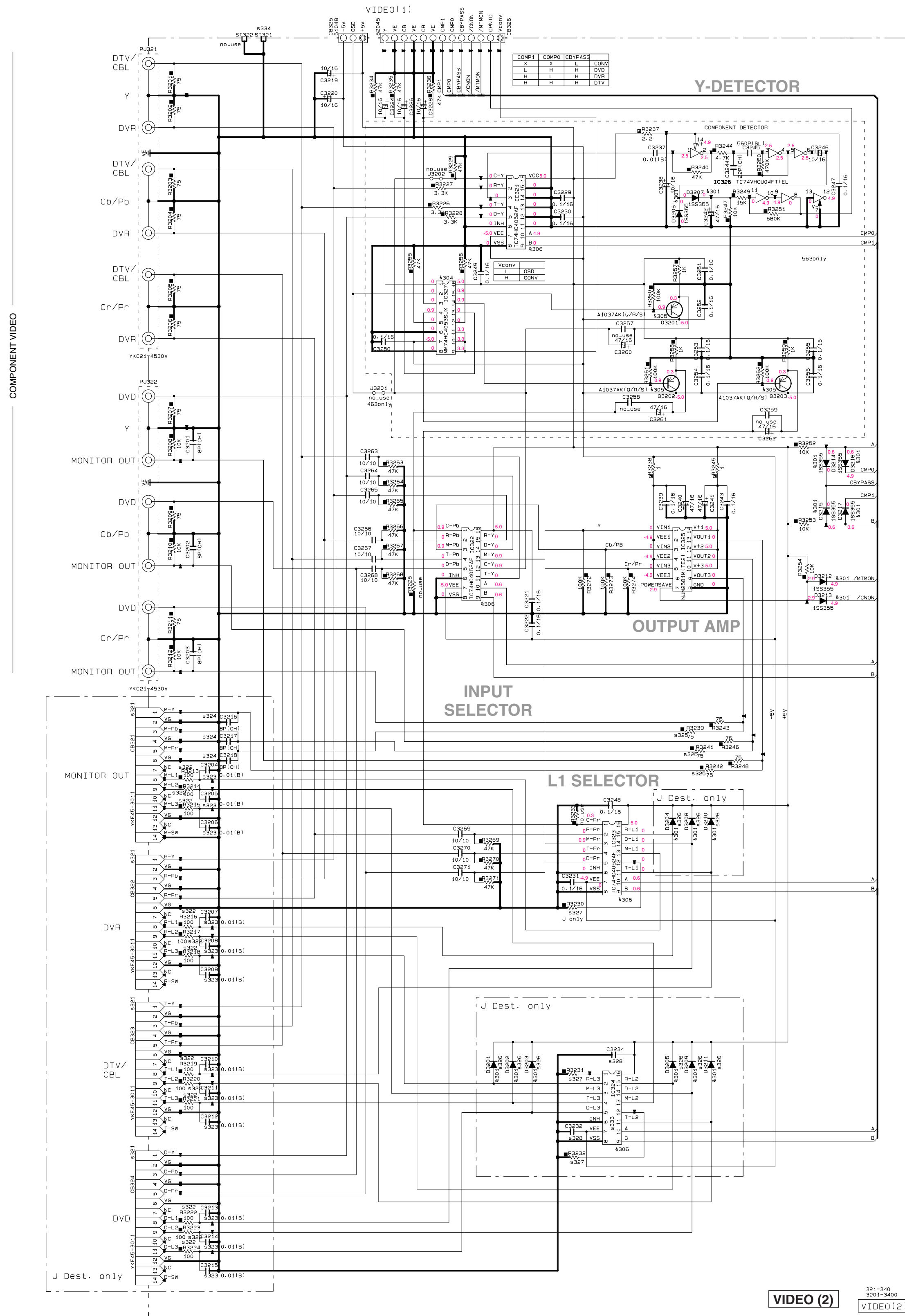
REMARKS	PARTS NAME
NO MARK	ELECTROLYTIC CAPACITOR
⊗	TANTALUM CAPACITOR
NO MARK	CERAMIC CAPACITOR
⊞	CERAMIC TUBULAR CAPACITOR
⊙	POLYESTER FILM CAPACITOR
○	POLYSTYRENE FILM CAPACITOR
⊖	MICA CAPACITOR
⊞	POLYPROPYLENE FILM CAPACITOR
⊙	SEMICONDUCTIVE CERAMIC CAPACITOR



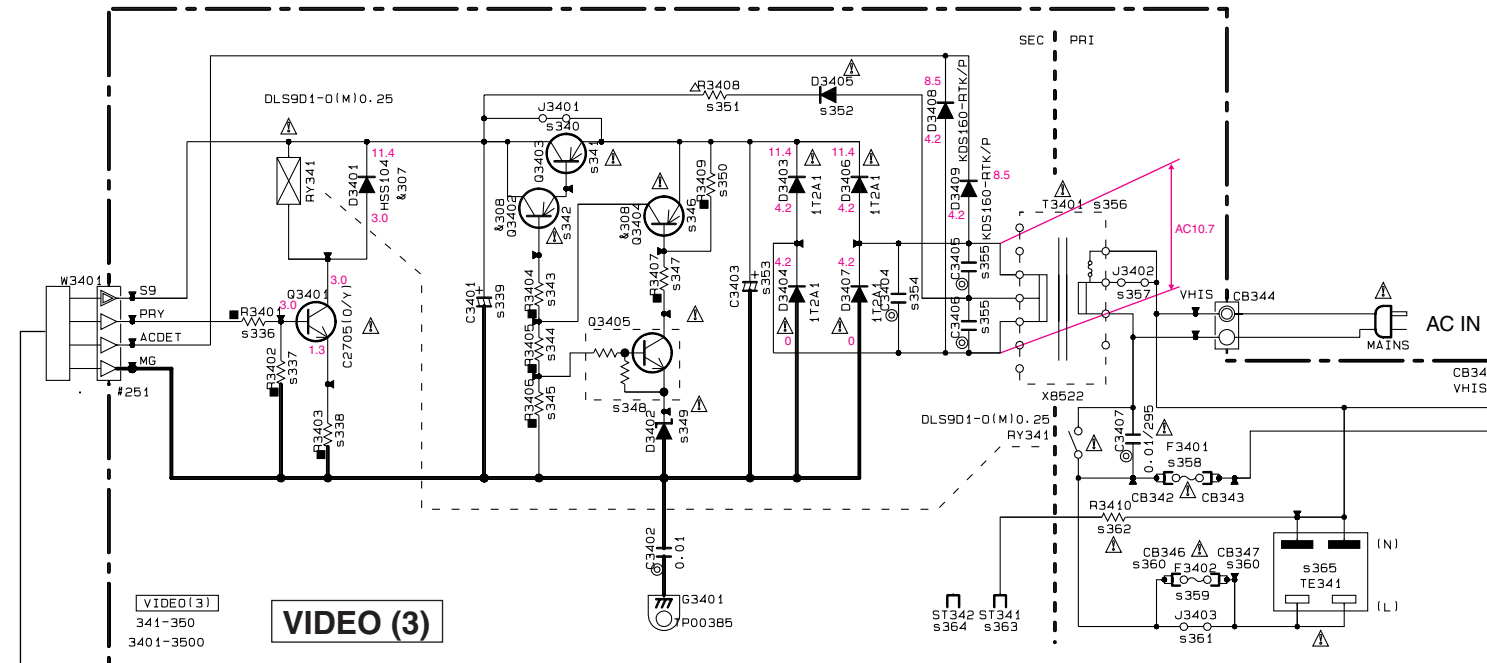
* All voltages are measured with a 10MΩ/V DC electronic voltmeter.
 * Components having special characteristics are marked !, and must be replaced with parts having specifications equal to those originally installed.
 * Schematic diagram is subject to change without notice.

VIDEO 2/2

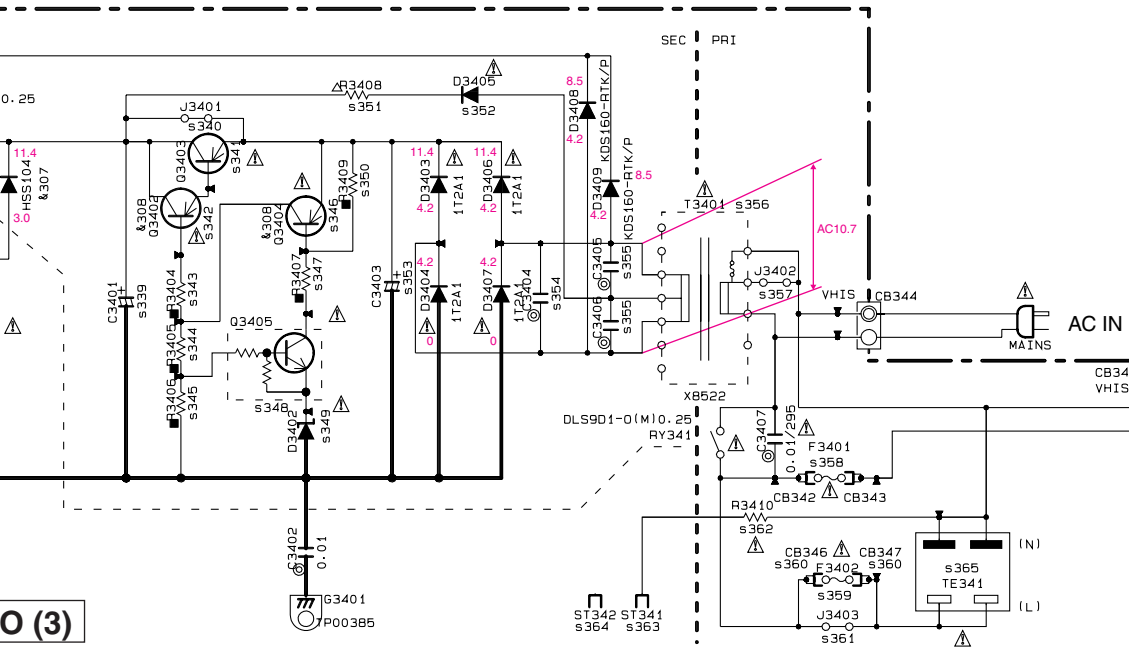
Page 95 [K5] Page 84 [M5]
to VIDEO (1)_CB304 to DSP_CB22



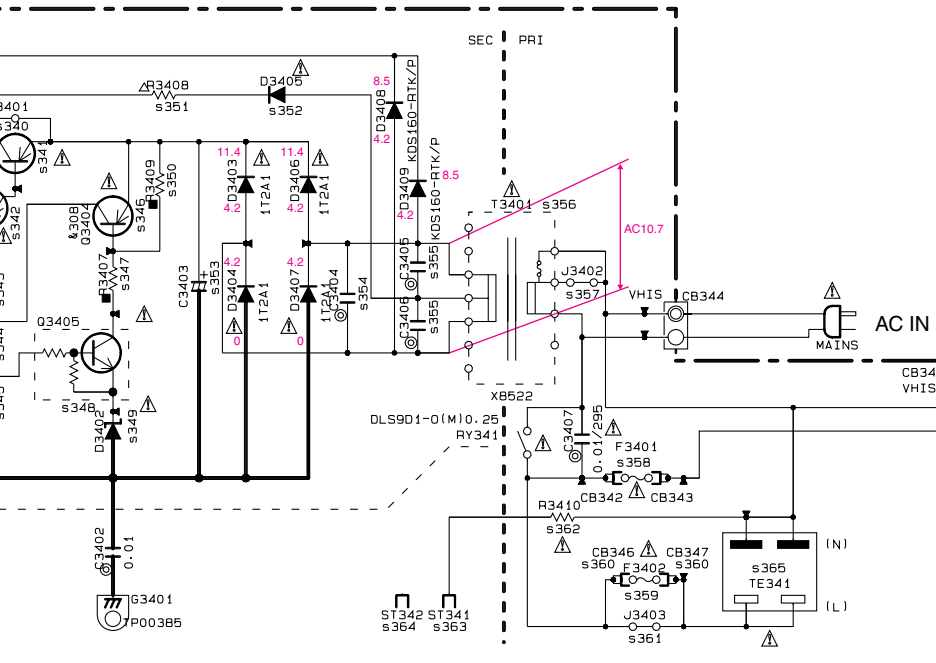
Page 92 [B5]
to OPERATION (2)_CB700



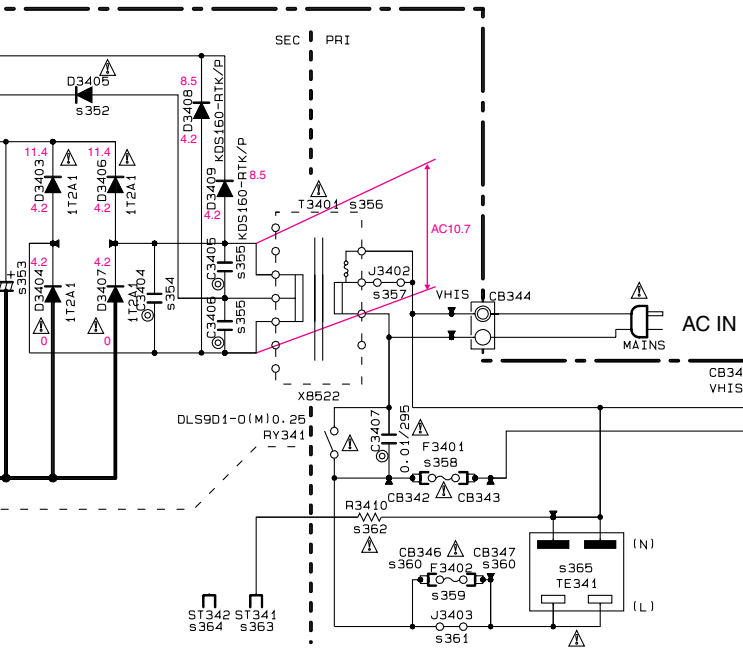
Page 93 [L5]
to MAIN_W502



Page 93 [M5]
to MAIN_W503



Page 91 [D8]
to OPERATION (1)_W6009

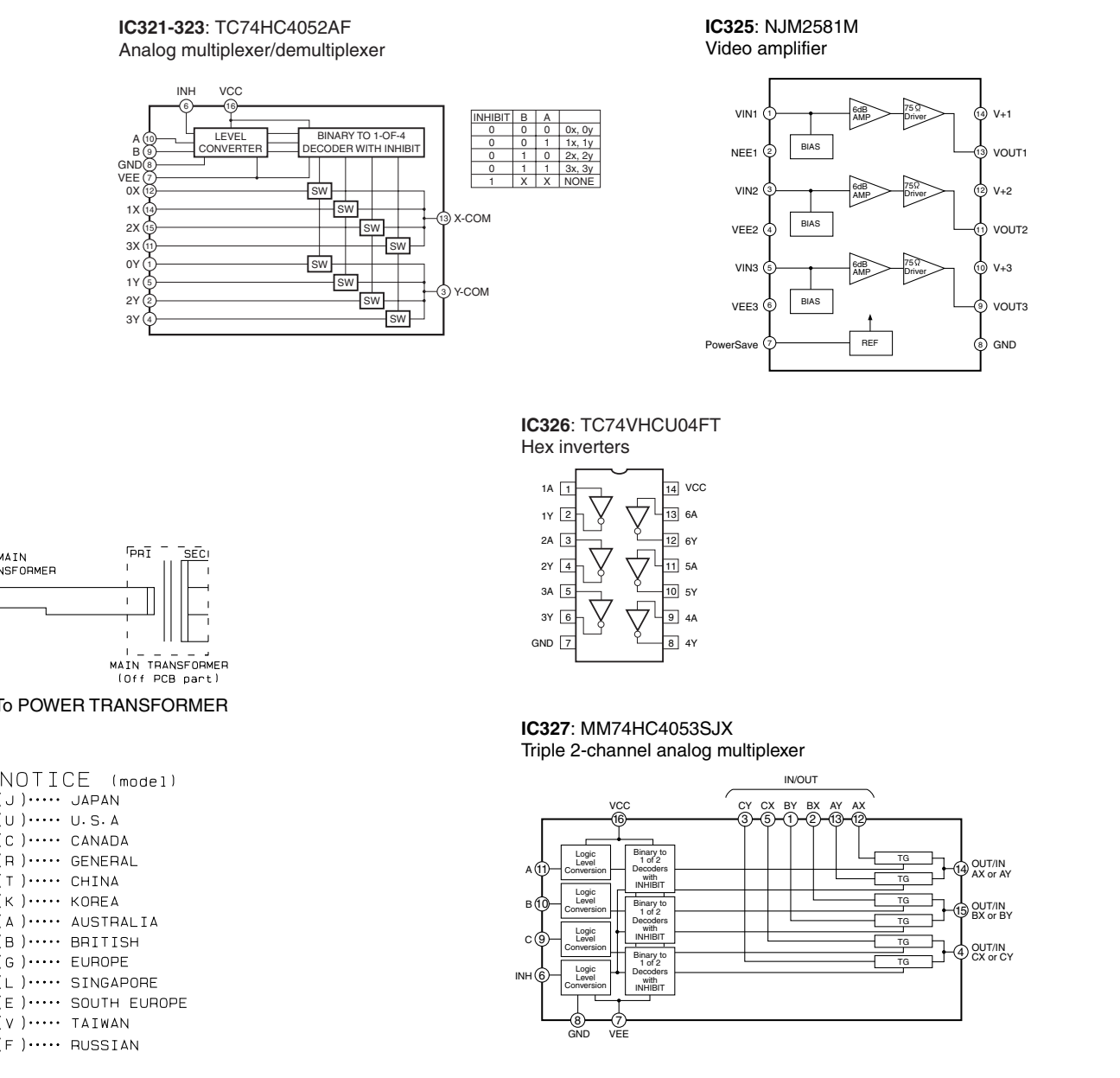


★ All voltages are measured with a 10MΩ/V DC electronic voltmeter.
★ Components having special characteristics are marked with a star and must be replaced with parts having specifications equal to those originally installed.
★ Schematic diagram is subject to change without notice.

Page 92 [B5]
to OPERATION (2)_CB700

Table with 2 columns: RESISTOR and CAPACITOR. Lists various electronic components like carbon film resistors, metal film resistors, tantalum capacitors, ceramic capacitors, etc.

Detailed parts list table with columns: SXX, LDC, IC, D, T, K, A, B, SFF, L. Lists various electronic components like resistors, capacitors, and integrated circuits.



NOTICE (model)
(J)..... JAPAN
(U)..... U.S.A.
(C)..... CANADA
(E)..... GENERAL
(T)..... CHINA
(K)..... KOREA
(A)..... AUSTRALIA
(B)..... BRITISH
(G)..... EUROPE
(L)..... SINGAPORE
(E)..... SOUTH EUROPE
(Y)..... TAIWAN
(F)..... RUSSIAN

■ REPLACEMENT PARTS LIST

• ELECTRICAL COMPONENT PARTS

WARNING

- Components having special characteristics are marked \triangle and must be replaced with parts having specifications equal to those originally installed.
- The chip resistor is not supplied as a replacement part.
 - * When a chip resistor is necessary, use the following part.
AAX60720: CHIP RESISTOR SAMPLE BOOK

ABBREVIATIONS IN THIS LIST ARE AS FOLLOWS:

C.A.EL.CHP	: CHIP ALUMI.ELECTROLYTIC CAP	L.EMIT	: LIGHT EMITTING MODULE
C.CE	: CERAMIC CAP	LED.DSPLY	: LED DISPLAY
C.CE.ARRAY	: CERAMIC CAP ARRAY	LED.INFRD	: LED,INFRARED
C.CE.CHP	: CHIP CERAMIC CAP	MODUL.RF	: MODULATOR,RF
C.CE.ML	: MULTILAYER CERAMIC CAP	PHOT.CPL	: PHOTO COUPLER
C.CE.M.CHP	: CHIP MULTILAYER CERAMIC CAP	PHOT.INTR	: PHOTO INTERRUPTER
C.CE.SAFTY	: RECOGNIZED CERAMIC CAP	PHOT.RFLCT	: PHOTO REFLECTOR
C.CE.TUBLR	: CERAMIC TUBULAR CAP	PIN.TEST	: PIN,TEST POINT
C.CE.SMI	: SEMI CONDUCTIVE CERAMIC CAP	PLST.RIVET	: PLASTIC RIVET
C.EL	: ELECTROLYTIC CAP	R.ARRAY	: RESISTOR ARRAY
C.MICA	: MICA CAP	R.CAR.	: CARBON RESISTOR
C.ML.FLM	: MULTILAYER FILM CAP	R.CAR.CHP	: CHIP RESISTOR
C.MP	: METALLIZED PAPER CAP	R.CAR.FP	: FLAME PROOF CARBON RESISTOR
C.MYLAR	: MYLAR FILM CAP	R.FUS	: FUSABLE RESISTOR
C.MYLAR.ML	: MULTILAYER MYLAR FILM CAP	R.MTL.CHP	: CHIP METAL FILM RESISTOR
C.PAPER	: PAPER CAPACITOR	R.MTL.FLM	: METAL FILM RESISTOR
C.PLS	: POLYSTYRENE FILM CAP	R.MTL.OXD	: METAL OXIDE FILM RESISTOR
C.POL	: POLYESTER FILM CAP	R.MTL.PLAT	: METAL PLATE RESISTOR
C.POLY	: POLYETHYLENE FILM CAP	RSNR.CE	: CERAMIC RESONATOR
C.PP	: POLYPROPYLENE FILM CAP	RSNR.CRYS	: CRYSTAL RESONATOR
C.TNTL	: TANTALUM CAP	R.TW.CEM	: TWIN CEMENT FIXED RESISTOR
C.TNTL.CHP	: CHIP TANTALUM CAP	R.CEMENT	: CEMENT RESISTOR
C.TRIM	: TRIMMER CAP	SCR.BND.HD	: BIND HEAD B-TIGHT SCREW
CN	: CONNECTOR	SCR.BW.HD	: BW HEAD TAPPING SCREW
CN.BS.PIN	: CONNECTOR,BASE PIN	SCR.CUP	: CUP TIGHT SCREW
CN.CANNON	: CONNECTOR,CANNON	SCR.TERM	: SCREW TERMINAL
CN.DIN	: CONNECTOR,DIN	SCR.TR	: SCREW,TRANSISTOR
CN.FLAT	: CONNECTOR,FLAT CABLE	SUPRT.PCB	: SUPPORT,P.C.B.
CN.POST	: CONNECTOR,BASE POST	SURG.PRTCT	: SURGE PROTECTOR
COIL.MX.AM	: COIL,AM MIX	SW.TACT	: TACT SWITCH
COIL.AT.FM	: COIL,FM ANTENNA	SW.LEAF	: LEAF SWITCH
COIL.DT.FM	: COIL,FM DETECT	SW.LEVER	: LEVER SWITCH
COIL.MX.FM	: COIL,FM MIX	SW.MICRO	: MICRO SWITCH
COIL.OUTPT	: OUTPUT COIL	SW.PUSH	: PUSH SWITCH
DIOD.ARRAY	: DIODE ARRAY	SW.RT.ENC	: ROTARY ENCODER
DIODE.BRG	: DIODE BRIDGE	SW.RT.MTR	: ROTARY SWITCH WITH MOTOR
DIODE.CHP	: CHIP DIODE	SW.RT	: ROTARY SWITCH
DIODE.VAR	: VARACTOR DIODE	SW.SLIDE	: SLIDE SWITCH
DIOD.Z.CHP	: CHIP ZENER DIODE	TERM.SP	: SPEAKER TERMINAL
DIODE.ZENR	: ZENER DIODE	TERM.WRAP	: WRAPPING TERMINAL
DSCR.CE	: CERAMIC DISCRIMINATOR	THRMST.CHP	: CHIP THERMISTOR
FER.BEAD	: FERRITE BEADS	TR.CHP	: CHIP TRANSISTOR
FER.CORE	: FERRITE CORE	TR.DGT	: DIGITAL TRANSISTOR
FET.CHP	: CHIP FET	TR.DGT.CHP	: CHIP DIGITAL TRANSISTOR
FL.DSPLY	: FLUORESCENT DISPLAY	TRANS	: TRANSFORMER
FLTR.CE	: CERAMIC FILTER	TRANS.PULS	: PULSE TRANSFORMER
FLTR.COMB	: COMB FILTER MODULE	TRANS.PWR	: POWER TRANSFORMER ASS'Y
FLTR.LC.RF	: LC FILTER,EMI	TUNER.AM	: TUNER PACK,AM
GND.MTL	: GROUND PLATE	TUNER.FM	: TUNER PACK,FM
GND.TERM	: GROUND TERMINAL	TUNER.PK	: FRONT-ENDTUNER PACK
HOLDER.FUS	: FUSE HOLDER	VR	: ROTARY POTENTIOMETER
IC.PRTCT	: IC PROTECTOR	VR.MTR	: POTENTIOMETER WITH MOTOR
JUMPER.CN	: JUMPER CONNECTOR	VR.SW	: POTENTIOMETER WITH ROTARY SW
JUMPER.TST	: JUMPER,TEST POINT	VR.SLIDE	: SLIDE POTENTIOMETER
L.DTCT	: LIGHT DETECTING MODULE	VR.TRIM	: TRIMMER POTENTIOMETER

P.C.B. DSP

*
*
*
*
*
*
*
*
*
*

Ref. No.	Part No.	Description	Markets
	WN276000	P. C. B. DSP	UC
	WN276100	P. C. B. DSP	R
	WN276200	P. C. B. DSP	TA
	WN276300	P. C. B. DSP	K
	WN276400	P. C. B. DSP	B
	WN276500	P. C. B. DSP	GEF
	WN276600	P. C. B. DSP	L
CB11-13	WM462600	CN. HDMI 19P SE	
CB21	VQ047600	CN. BS. PIN 21P	
CB22	VM923600	CN. BS. PIN 13P	
CB31	VQ045500	CN. BS. PIN 26P	
CB32	VB390500	CN. BS. PIN 9P	
CB34	VQ044400	CN. BS. PIN 9P	
CB35	WJ458700	CN. XM 4P CAM-D96	UC
CB71	VB858500	CN. BS. PIN 6P	RTKABGEFL
CB81	VB390800	CN. BS. PIN 12P	
CB82	VB390200	CN. BS. PIN 6P	
CB83	VP127700	CN 24P	
CB84	VQ046000	CN. BS. PIN 31P	
C101-110	US135100	C. CE. CHP 0.1uF 16V	
C111	WD758300	C. CE. CHP 10uF 10V	
C112	US135100	C. CE. CHP 0.1uF 16V	
C113	US060900	C. CE. CHP 9pF 50V D	
C114	US060800	C. CE. CHP 8pF 50V B	
C115	US034820	C. CE. CHP 0.082uF 16V K	
C116	US064100	C. CE. CHP 0.01uF 50V B	
C117-136	US135100	C. CE. CHP 0.1uF 16V	
C141	UR837100	C. EL 10uF 16V	
C142-143	US135100	C. CE. CHP 0.1uF 16V	
C144	UR837100	C. EL 10uF 16V	
C145-146	US035100	C. CE. CHP 0.1uF 16V B	
C147	US064100	C. CE. CHP 0.01uF 50V B	
C148	US035100	C. CE. CHP 0.1uF 16V B	
C151	US063820	C. CE. CHP 8200pF 50V B	
C152	US064100	C. CE. CHP 0.01uF 50V B	
C153	WJ606100	C. MYLAR 0.082uF 50V	
C154	US064100	C. CE. CHP 0.01uF 50V B	
C156-157	WD758300	C. CE. CHP 10uF 10V	
C158	UR037100	C. EL 10uF 16V	
C159	US135100	C. CE. CHP 0.1uF 16V	
C160	UR037100	C. EL 10uF 16V	
C161	WD758300	C. CE. CHP 10uF 10V	
C162	UR037100	C. EL 10uF 16V	
C163	WD758300	C. CE. CHP 10uF 10V	
C164	UR037100	C. EL 10uF 16V	
C165	US135100	C. CE. CHP 0.1uF 16V	
C167	US062220	C. CE. CHP 220pF 50V B	
C169	US062220	C. CE. CHP 220pF 50V B	
C171-174	US064100	C. CE. CHP 0.01uF 50V B	
C175-176	US035100	C. CE. CHP 0.1uF 16V B	
C177	US061100	C. CE. CHP 10pF 50V B	
C178	US061150	C. CE. CHP 15pF 50V B	
C201-212	US062220	C. CE. CHP 220pF 50V B	
C213	UR037100	C. EL 10uF 16V	
C214-221	US635100	C. CE. CHP 0.1uF 16V	
C222	US062100	C. CE. CHP 100pF 50V B	
C223-225	US035100	C. CE. CHP 0.1uF 16V B	
C227-228	US135100	C. CE. CHP 0.1uF 16V	
C229	UR237220	C. EL 22uF 16V	
C301	UR038100	C. EL 100uF 16V	

* New Parts

Ref. No.	Part No.	Description	Markets
C302	US135100	C. CE. CHP 0.1uF 16V	
C303-314	US062220	C. CE. CHP 220pF 50V B	
C315-316	UR037100	C. EL 10uF 16V	
C319	UR037100	C. EL 10uF 16V	
C320	US035100	C. CE. CHP 0.1uF 16V B	
C321	UR067100	C. EL 10uF 50V	
C322-323	US126100	C. CE. CHP 1uF 10V	
C324	UU238100	C. EL 100uF 16V	
C325	US135100	C. CE. CHP 0.1uF 16V	
C326	US064100	C. CE. CHP 0.01uF 50V B	
C328-329	US061200	C. CE. CHP 20pF 50V B	
C330-331	US135100	C. CE. CHP 0.1uF 16V	
C332	US061220	C. CE. CHP 22pF 50V B	
C334	US035100	C. CE. CHP 0.1uF 16V B	
C335-338	US062220	C. CE. CHP 220pF 50V B	
C339	US064100	C. CE. CHP 0.01uF 50V B	
C340-341	US062220	C. CE. CHP 220pF 50V B	
C342	US063100	C. CE. CHP 1000pF 50V B	
C343	US135100	C. CE. CHP 0.1uF 16V	
C344	US135100	C. CE. CHP 0.1uF 16V	RTKABGEFL
C345-346	US135100	C. CE. CHP 0.1uF 16V	
C350-352	US062220	C. CE. CHP 220pF 50V B	
C353	US063100	C. CE. CHP 1000pF 50V B	UC
C354-357	US062220	C. CE. CHP 220pF 50V B	
C359	US135100	C. CE. CHP 0.1uF 16V	
C360-365	US062220	C. CE. CHP 220pF 50V B	UC
C367	US062220	C. CE. CHP 220pF 50V B	UC
C368	US062220	C. CE. CHP 220pF 50V B	
C369-375	US135100	C. CE. CHP 0.1uF 16V	
C376	US062220	C. CE. CHP 220pF 50V B	
C377	US035100	C. CE. CHP 0.1uF 16V B	
C378	UR037100	C. EL 10uF 16V	
C379	UR237470	C. EL 47uF 16V	
C380	WJ606200	C. MYLAR 0.1uF 50V	
C381	WJ605400	C. MYLAR 0.022uF 50V J	
C382	US062220	C. CE. CHP 220pF 50V B	
C384	US135100	C. CE. CHP 0.1uF 16V	
C385	US064100	C. CE. CHP 0.01uF 50V B	
C386	US135100	C. CE. CHP 0.1uF 16V	
C387	US126100	C. CE. CHP 1uF 10V	
C388	UR037100	C. EL 10uF 16V	
C389-391	US064100	C. CE. CHP 0.01uF 50V B	
C401-408	UB446100	C. CE. CHP 1uF 16V	
C409-416	US635100	C. CE. CHP 0.1uF 16V	
C417-418	US063100	C. CE. CHP 1000pF 50V B	
C419	US635100	C. CE. CHP 0.1uF 16V	
C420-422	US063100	C. CE. CHP 1000pF 50V B	
C423-424	US635100	C. CE. CHP 0.1uF 16V	
C425	US063100	C. CE. CHP 1000pF 50V B	
C426	US635100	C. CE. CHP 0.1uF 16V	
C427-430	US063100	C. CE. CHP 1000pF 50V B	
C431-432	US061220	C. CE. CHP 22pF 50V B	
C433	US135100	C. CE. CHP 0.1uF 16V	
C435-436	US135100	C. CE. CHP 0.1uF 16V	
C437	WH771300	C. EL 100uF 10V	
C438	UB446100	C. CE. CHP 1uF 16V	
C439	US135100	C. CE. CHP 0.1uF 16V	
C440	UB446100	C. CE. CHP 1uF 16V	
C441	WH771300	C. EL 100uF 10V	
C443	US062220	C. CE. CHP 220pF 50V B	

* New Parts

RX-V563/HTR-6150/
DSP-AX563

P.C.B. DSP

Ref. No.	Part No.	Description	Markets
C501-502	UB446100	C. CE. CHP 1uF 16V	
C503	US635100	C. CE. CHP 0.1uF 16V	
C504-505	US063100	C. CE. CHP 1000pF 50V B	
C506-507	US635100	C. CE. CHP 0.1uF 16V	
C508-509	US063100	C. CE. CHP 1000pF 50V B	
C510-517	US135100	C. CE. CHP 0.1uF 16V	
C519-520	US135100	C. CE. CHP 0.1uF 16V	
C521	US035100	C. CE. CHP 0.1uF 16V B	
C522	US135100	C. CE. CHP 0.1uF 16V	
C523	US061180	C. CE. CHP 18pF 50V B	
C524-525	US035100	C. CE. CHP 0.1uF 16V B	
C526-527	US135100	C. CE. CHP 0.1uF 16V	
C529	US035100	C. CE. CHP 0.1uF 16V B	
C530	UR038100	C. EL 100uF 16V	
C601-618	US635100	C. CE. CHP 0.1uF 16V	
C619	US135100	C. CE. CHP 0.1uF 16V	
C620	US062220	C. CE. CHP 220pF 50V B	
C621	UR837100	C. EL 10uF 16V	
C701-713	US135100	C. CE. CHP 0.1uF 16V	RTKABGEFL
C714	WD758300	C. CE. CHP 10uF 10V	RTKABGEFL
C715	US135100	C. CE. CHP 0.1uF 16V	RTKABGEFL
C716	WD758300	C. CE. CHP 10uF 10V	RTKABGEFL
C717-720	US135100	C. CE. CHP 0.1uF 16V	RTKABGEFL
C721	US062220	C. CE. CHP 220pF 50V B	RTKABGEFL
C722-723	US035100	C. CE. CHP 0.1uF 16V B	RTKABGEFL
C724-725	US064100	C. CE. CHP 0.01uF 50V B	RTKABGEFL
C726	US061120	C. CE. CHP 12pF 50V B	RTKABGEFL
C727	US061200	C. CE. CHP 20pF 50V B	RTKABGEFL
C729	UR838100	C. EL 100uF 16V	RTKABGEFL
C730-731	US064100	C. CE. CHP 0.01uF 50V B	RTKABGEFL
C801-862	US062220	C. CE. CHP 220pF 50V B	
C863	US063100	C. CE. CHP 1000pF 50V B	
C864	UR038470	C. EL 470uF 16V	
C865	US063100	C. CE. CHP 1000pF 50V B	
C866	UR238100	C. EL 100uF 16V	
C867	UB446100	C. CE. CHP 1uF 16V	
C868-870	US135100	C. CE. CHP 0.1uF 16V	
C871	UR038100	C. EL 100uF 16V	
C880	US062220	C. CE. CHP 220pF 50V B	
C881	US062100	C. CE. CHP 100pF 50V B	
C882-885	US062220	C. CE. CHP 220pF 50V B	
C886	US062470	C. CE. CHP 470pF 50V B	
C1301	US135100	C. CE. CHP 0.1uF 16V	UC
C1302-1303	US035100	C. CE. CHP 0.1uF 16V B	UC
C1304	US135100	C. CE. CHP 0.1uF 16V	UC
C1305	US063100	C. CE. CHP 1000pF 50V B	UC
C1306-1307	US061100	C. CE. CHP 10pF 50V B	UC
C1308-1309	UB446100	C. CE. CHP 1uF 16V	UC
C1310-1317	US135100	C. CE. CHP 0.1uF 16V	UC
C1318	UR237470	C. EL 47uF 16V	UC
C1319	US135100	C. CE. CHP 0.1uF 16V	UC
C1320	UR837100	C. EL 10uF 16V	UC
C1321	US064100	C. CE. CHP 0.01uF 50V B	
C1322	US035100	C. CE. CHP 0.1uF 16V B	UC
C1801-1827	US063100	C. CE. CHP 1000pF 50V B	
D109-111	WJ586300	VARI STOR SDV1608H100C050YPT	
D112	VT332900	DIODE 1SS355	
D113-116	WH641900	ESD PESD0603-140	
D117-118	WJ586300	VARI STOR SDV1608H100C050YPT	
D119-130	WH641900	ESD PESD0603-140	

* New Parts

Ref. No.	Part No.	Description	Markets
D131-132	WJ586300	VARI STOR SDV1608H100C050YPT	
D135-136	WJ586300	VARI STOR SDV1608H100C050YPT	
D201	VT332900	DIODE 1SS355	
D305-306	VT332900	DIODE 1SS355	
D401	VS597600	DIODE. CHP RB160L-40 TE25	
D503	VT332900	DIODE 1SS355	
D801-802	VT332900	DIODE 1SS355	
D803-806	VU171400	DIODE. ZENR UDZS3.3BTE-17 3.3V	
D1301-1303	WJ586300	VARI STOR SDV1608H100C050YPT	UC
IC13	X7741A00	IC NJM2867F3-05 (TE1)	
IC21	X6671A00	IC ADV7172KSTZ	
IC22	X7907A00	IC NJM2845DL1-18	
IC31	X7746A00	IC LC89057W-VF4AD-E	
IC33-34	X6123A00	IC SN74LV157APWR	
IC36	X8192A00	IC F2621E-01-TR	UC
IC37	X7375A00	IC PCM1781DBQR	UC
IC38	X7355A00	IC PCM1680DBQR	
IC39	X7357A00	IC PCM1803DBR	
IC42	X8653A00	IC BR25L320F-W EEPROM	
IC43-44	XV894A00	IC TC74VHC153FT MULTI	
IC51	X9626A00	IC. MEMORY K4S641632K-UC60000	
IC52	X9636A00	IC. MEMORY EN29LV160AB-70TCP	(written)
IC53-55	XZ287A00	IC SN74LVC245APWR	
IC56	X9439A00	IC SN74AHCT574PWR	
IC57-59	X5135A00	IC SN74LV574APWR 8D-F	
IC61	X8813A00	IC MB87L8760	
IC62	X2709A00	IC SN74AHCT245PWR	
IC72	XZ287A00	IC SN74LVC245APWR	RTKABGEFL
IC73	X8096A00	IC R5523N001A-TR-F	RTKABGEFL
IC81	X6905A00	IC ADC08AS021CIMM	
IC82-83	X5875A00	IC SN74LV4051APWR	
IC151	XZ287A00	IC SN74LVC245APWR	
IC152	X5405A00	IC SN74LVC32APWR OR	
IC153	X5404A00	IC SN74LVC08APWR AND	
IC154	X6611A00	IC SN74LV123APWR	
IC155	X6688A00	IC SN74LV14APWR INV	
JK31	VV269500	CN 8P DIN	UC
PJ31	V8795700	JACK. PIN 1P	
PN81-82	V9637500	PIN L=70 #18	
Q101-104	V0986700	TR 2SC4081 T106	
Q301	VV655200	TR. DGT DTA143EKA	UC
Q401	WE736300	FET RTQ040P02	
Q801	WE736300	FET RTQ040P02	
R217-218	WJ682800	R. MTL. FLM 2.2Ω 1W	
R328	HV753100	R. CAR. FP 1Ω 1/4W	
R1319	HV753100	R. CAR. FP 1Ω 1/4W	UC
T101	WA789600	SCR. TERM M3	
T301	WA789600	SCR. TERM M3	
U31	WH536900	CN. PHOTO. T 1P GP1FAV51TKOF	RTKABGEFL
U32-33	WH169900	CN. PHOTO. R 1P GP1FAV51RKOF	
XL31	WJ625200	RSNR. CRY 24.576MHz	
XL101	VZ772700	RSNR. CRY 28.63636MHz	
XL311	WH455300	RSNR. CRY 45.1584MHz	UC
XL401	WB551700	RSNR. CRY 16.666MHz SMD-49	
XL701	VS294900	RSNR. CRY 12MHz SMD-49	RTKABGEFL

* New Parts

P.C.B. OPERATION

*
*
*

Ref. No.	Part No.	Description	Markets
	WN278000	P. C. B. OPERATION	UC
	WN278100	P. C. B. OPERATION	RTKAGEFL
	WN278200	P. C. B. OPERATION	B
CB601-602	VB858300	CN. BS. PIN 4P	
CB603	VP798200	CN. BS. PIN 24P	
CB607	WG668100	CN. USB USB 4P SE	RTKABGEFL
CB608	VB858400	CN. BS. PIN 5P	
CB609	VB858200	CN. BS. PIN 3P	
CB610	VB390300	CN. BS. PIN 7P	
CB700	VB858300	CN. BS. PIN 4P	
CB701	VB858600	CN. BS. PIN 7P	
CB702	LB919110	CN. BS. PIN 11P SE	
CB703	VK024700	CN. BS. PIN 3P	
C6001	US063100	C. CE. CHP 1000pF 50V B	
C6002	WJ605000	C. MYLAR 0.01uF 50V J	
C6003-6004	US063100	C. CE. CHP 1000pF 50V B	
C6005	WJ605000	C. MYLAR 0.01uF 50V J	
C6006	US064100	C. CE. CHP 0.01uF 50V B	
C6007	UM397100	C. EL 10uF 16V	
C6008	UM397220	C. EL 22uF 25V	
C6009-6010	WJ605000	C. MYLAR 0.01uF 50V J	
C6011	US062100	C. CE. CHP 100pF 50V B	
C6012	UM387470	C. EL 47uF 16V	
C6013	US061330	C. CE. CHP 33pF 50V B	
C6014	US135100	C. CE. CHP 0.1uF 16V	
C6015	UM397100	C. EL 10uF 16V	
C6016-6017	UM397220	C. EL 22uF 25V	
C6018-6019	US135100	C. CE. CHP 0.1uF 16V	
C6020	UR868100	C. EL 100uF 50V	
C6021	UM388330	C. EL 330uF 6.3V	
C6022	US135100	C. CE. CHP 0.1uF 16V	
C6023	US061680	C. CE. CHP 68pF 50V B	
C6024	US065100	C. CE. CHP 0.1uF 50V B	
C6025-6026	US135100	C. CE. CHP 0.1uF 16V	
C6027	US064100	C. CE. CHP 0.01uF 50V B	
C6028	UM397100	C. EL 10uF 16V	
C6029	US135100	C. CE. CHP 0.1uF 16V	
C6030-6031	US062100	C. CE. CHP 100pF 50V B	
C6032	US063100	C. CE. CHP 1000pF 50V B	
C6033	US061100	C. CE. CHP 10pF 50V B	
C6034	US135100	C. CE. CHP 0.1uF 16V	
C6035	US063100	C. CE. CHP 1000pF 50V B	
C6036	US135100	C. CE. CHP 0.1uF 16V	
C6037-6038	US044220	C. CE. CHP 0.022uF 25V B	
C6039	US064100	C. CE. CHP 0.01uF 50V B	
C6040-6041	US044220	C. CE. CHP 0.022uF 25V B	
C6042-6043	US135100	C. CE. CHP 0.1uF 16V	UC
C6044-6045	US063680	C. CE. CHP 6800pF 50V B	UC
C6047	US062100	C. CE. CHP 100pF 50V B	RTKABGEFL
C6048-6049	US135100	C. CE. CHP 0.1uF 16V	RTKABGEFL
C6050-6051	US062220	C. CE. CHP 220pF 50V B	RTKABGEFL
C6060	US135100	C. CE. CHP 0.1uF 16V	UC
C6063	US062470	C. CE. CHP 470pF 50V B	
C6064	US126100	C. CE. CHP 1uF 10V	RTKABGEFL
C6080-6081	US063100	C. CE. CHP 1000pF 50V B	
C6082	US135100	C. CE. CHP 0.1uF 16V	
C7000	UR866100	C. EL 1uF 50V	
C7001	US135100	C. CE. CHP 0.1uF 16V	
C7002-7003	UR837470	C. EL 47uF 16V	
C7004	US064100	C. CE. CHP 0.01uF 50V B	

* New Parts

Ref. No.	Part No.	Description	Markets
C7005	UR866100	C. EL 1uF 50V	
C7006-7007	US135100	C. CE. CHP 0.1uF 16V	
C7008	UR866100	C. EL 1uF 50V	
C7009	US135100	C. CE. CHP 0.1uF 16V	
C7010	UR866100	C. EL 1uF 50V	
C7011	UR837470	C. EL 47uF 16V	
C7012-7014	US135100	C. CE. CHP 0.1uF 16V	
C7015-7016	UR866100	C. EL 1uF 50V	
C7017	UR837100	C. EL 10uF 16V	
C7018	UR837470	C. EL 47uF 16V	
C7019-7021	UR866100	C. EL 1uF 50V	
C7022	US135100	C. CE. CHP 0.1uF 16V	
C7023	UR73A100	C. EL 10000uF 16V	
C7024	UR749470	C. EL 4700uF 25V	
C7025	UR749220	C. EL 2200uF 25V	
C7026	UR039470	C. EL 4700uF 16V	
C7027	WG602000	C. EL 15000uF 16V	
C7028	UR73A100	C. EL 10000uF 16V	
C7029	WG602000	C. EL 15000uF 16V	
C7030-7032	VE326000	C. MYLAR 0.1uF 50V	
C7033	US135100	C. CE. CHP 0.1uF 16V	
C7034-7035	WJ605000	C. MYLAR 0.01uF 50V J	
C7036	VE326000	C. MYLAR 0.1uF 50V	
C7037	WJ605000	C. MYLAR 0.01uF 50V J	
D6001-6002	VT332900	DIODE 1SS355	
D6003	VU172500	DIODE. ZENR UDZS9.1B	
D6004	VT332900	DIODE 1SS355	
D6005	VU171900	DIODE. ZENR UDZ5.1B 5.1V	
D6006	VT332900	DIODE 1SS355	
D6007-6009	WJ249600	LED ORANGE	
D6010-6011	VT332900	DIODE 1SS355	UCRTKAGEFL
D6011	VT332900	DIODE 1SS355	
D6012	WJ249600	LED ORANGE	
D6013-6014	VT332900	DIODE 1SS355	
D6017-6018	VU171500	DIODE. ZENR UDZ 3.6BTE-17 3.6V	
D6019	V2598200	LED SIR-50SST	UCRTKAGEFL
D6020-6023	VT332900	DIODE 1SS355	UC
D6024-6027	VT332900	DIODE 1SS355	RTKABGEFL
D7004	VS997800	DIODE 1T2	
D7005-7006	VT332900	DIODE 1SS355	
D7008	VS997800	DIODE 1T2	
D7010	VT332900	DIODE 1SS355	
D7012	V2376600	DIODE. SHOT RB500V-40	UC
D7013	VU171900	DIODE. ZENR UDZ5.1B 5.1V	
D7014-7015	WA653100	DIODE. BRG KBP103G 1A 200V	
D7016-7017	VT332900	DIODE 1SS355	
D7018-7019	WJ286700	DIODE. BRG RS403M 4A 140V	
IC601	X7378A00	IC NJM4565M(Te1)	
IC603	X6386A00	IC M66003-0131FP	
IC700	X4419A00	IC NJM2396F33 3.3V	
IC701	X4928A00	IC K1A7805API 5V	
IC702	X4419A00	IC NJM2396F33 3.3V	
IC703	X4928A00	IC K1A7805API 5V	
IC704	X4153A00	IC K1A7812API	
IC705	X4154A00	IC K1A7912PI	
IC706	X6143A00	IC NJM2388F05 5.0V	
IC707	X7976A00	IC NJM2388F63	
IC708	X0515A00	IC LM61C1Z THERMAL	
JK601	WJ117300	JACK. PHONE PHONES	
JK602	V9408200	JACK. PHONE MSJ-064-05B GR	

* New Parts

RX-V563/HTR-6150/
DSP-AX563

P.C.B. OPERATION and P.C.B. MAIN

Ref. No.	Part No.	Description	Markets	
JK603	WJ117400	JACK. MNI	OPTIMIZER MIC	UC
PJ601	WJ117500	JACK. PIN	3P	UC
PJ602	WJ117500	JACK. PIN	3P	
PJ602	WJ117500	JACK. PIN	3P	RTKABGEFL
PN601	V9637500	PIN	L=70 #18	
PN604	V9637500	PIN	L=70 #18	
PN607-609	V9637500	PIN	L=70 #18	
PN701	V9637500	PIN	L=70 #18	
Q6001	VV556400	TR	2SC2412K Q, R, S	
Q6002	WC434800	TR. DGT	KRA102S-RTK/P	
Q6003	VV556500	TR	2SA1037K Q, R, S	
Q6004	VV556400	TR	2SC2412K Q, R, S	
Q6005	WC435000	TR. DGT	KRC102S-RTK	
Q6006-6008	VV556400	TR	2SC2412K Q, R, S	
Q6009	VV655400	TR. DGT	DTC114EKA	UCRTKAGEFL
Q6010	WC434800	TR. DGT	KRA102S-RTK/P	
Q6011	VV556500	TR	2SA1037K Q, R, S	
Q6012	VV556500	TR	2SA1037K Q, R, S	UCRTKAGEFL
Q6012	VV556500	TR	2SA1037K Q, R, S	
Q6014	WC435000	TR. DGT	KRC102S-RTK	
Q6016	WC397700	TR	2N5401C-AT	
Q6017-6018	VV556400	TR	2SC2412K Q, R, S	
Q6029-6030	VV556400	TR	2SC2412K Q, R, S	
Q7000	WC435100	TR. DGT	KRC104S-RTK	
Q7001	VV556400	TR	2SC2412K Q, R, S	
Q7002	WC435100	TR. DGT	KRC104S-RTK	
R6001-6002	WJ685600	R. MTL. FLM	470 Ω 1W J	
R7013	HV753100	R. CAR. FP	1 Ω 1/4W	
R7019-7021	HV753100	R. CAR. FP	1 Ω 1/4W	
R7025	WH820300	R. FUSE	1 Ω 1W J	
R7029	WJ681400	R. MTL. FLM	0.15 Ω 1W	
R7031	WJ681400	R. MTL. FLM	0.15 Ω 1W	
ST601	WA789700	SCR. TERM	D3.5	
ST602	WA789700	SCR. TERM	D3.5	RTKABGEFL
SW601-603	WD483100	SW. TACT	SKRGAAD010	UCRTKAGEFL
SW604-613	WD483100	SW. TACT	SKRGAAD010	
SW614	V9597100	SW. RT. ENC	EC12E2460802	
SW615-616	WD483100	SW. TACT	SKRGAAD010	UCRTKAGEFL
SW617-618	WD483100	SW. TACT	SKRGAAD010	UCRTKAGEFL
SW621-622	WD483100	SW. TACT	SKRGAAD010	UCRTKAGEFL
SW625-626	WD483100	SW. TACT	SKRGAAD010	UCRTKAGEFL
SW627	WD483100	SW. TACT	SKRGAAD010	UCRTKAGEFL
SW628	WD483100	SW. TACT	SKRGAAD010	UCRTKAGEFL
SW629	WD483100	SW. TACT	SKRGAAD010	
U6001	WJ645300	L. DTCT	SM3385UMH6	
V6001	WN049000	FL. DSPLY	17-BT-32GNK	
	WA790900	SPACER	4.6/10/32	
	WN272300	P. C. B.	MAIN	UCRTA
	WN272400	P. C. B.	MAIN	KL
	WN272500	P. C. B.	MAIN	B
	WN272600	P. C. B.	MAIN	GEF
CB401	V0048000	CN. BS. PIN	31P	
CB402	VN520900	CN. BS. PIN	52045 26P TE	
CB403	VM923600	CN. BS. PIN	13P	UCRTKAGEFL
CB502	LB932060	CN. BS. PIN	6P	
C4001	WJ605000	C. MYLAR	0.01uF 50V J	
C4002	WJ603300	C. MYLAR	470pF 50V J	

* New Parts

Ref. No.	Part No.	Description	Markets	
C4003	US064100	C. CE. CHP	0.01uF 50V B	
C4005-4006	US061470	C. CE. CHP	47pF 50V B	UCRTKAGEFL
C4008-4019	US062220	C. CE. CHP	220pF 50V B	
C4020-4021	US061470	C. CE. CHP	47pF 50V B	
C4022-4025	US062220	C. CE. CHP	220pF 50V B	
C4026-4027	US061470	C. CE. CHP	47pF 50V B	
C4028-4029	US062220	C. CE. CHP	220pF 50V B	B
C4030-4033	UR837100	C. EL	10uF 16V	
C4035-4036	UR837100	C. EL	10uF 16V	UCRTKAGEFL
C4037	UR866220	C. EL	2.2uF 50V	UCRTKAGEFL
C4038	UR866220	C. EL	2.2uF 50V	
C4039	US135100	C. CE. CHP	0.1uF 16V	
C4040-4041	UR067100	C. EL	10uF 50V	
C4042-4043	UR847470	C. EL	47uF 25V	
C4044-4045	UR038100	C. EL	100uF 16V	
C4046-4047	UR837100	C. EL	10uF 16V	UCRTKAGEFL
C4048	US063100	C. CE. CHP	1000pF 50V B	
C4049-4050	US062100	C. CE. CHP	100pF 50V B	
C4051	US064100	C. CE. CHP	0.01uF 50V B	
C4052-4053	US062100	C. CE. CHP	100pF 50V B	
C4054	WJ605400	C. MYLAR	0.022uF 50V J	
C4055	WJ605800	C. MYLAR	0.047uF 50V J	
C4056	VE326200	C. MYLAR	0.15uF 50V	
C4057	UR837470	C. EL	47uF 16V	
C4058	WJ605400	C. MYLAR	0.022uF 50V J	
C4059-4066	UR837100	C. EL	10uF 16V	
C4067	UR837470	C. EL	47uF 16V	
C4068	VE326200	C. MYLAR	0.15uF 50V	
C4069	US135100	C. CE. CHP	0.1uF 16V	
C4070	WJ605800	C. MYLAR	0.047uF 50V J	
C4071	UR837470	C. EL	47uF 16V	
C4072	US135100	C. CE. CHP	0.1uF 16V	GEF
C4073	UR038100	C. EL	100uF 16V	
C4074-4081	UR067100	C. EL	10uF 50V	
C4082	UR866220	C. EL	2.2uF 50V	
C4083	US062330	C. CE. CHP	330pF 50V B	GEF
C4084-4086	UR067100	C. EL	10uF 50V	
C4087-4090	US162820	C. CE. CHP	820pF 50V J	
C4091	WJ603600	C. MYLAR	820pF 50V J	
C4092	WJ605400	C. MYLAR	0.022uF 50V J	
C4093-4094	US162820	C. CE. CHP	820pF 50V J	
C4095	US062330	C. CE. CHP	330pF 50V B	GEF
C4096-4099	UR067100	C. EL	10uF 50V	
C4100	US062100	C. CE. CHP	100pF 50V B	
C4101-4105	US061820	C. CE. CHP	82pF 50V B	
C4106	WJ604200	C. MYLAR	2700pF 50V	
C4107-4108	US061820	C. CE. CHP	82pF 50V B	
C4109	UR837470	C. EL	47uF 16V	GEF
C4110-4118	UR837100	C. EL	10uF 16V	
C4119-4120	US135100	C. CE. CHP	0.1uF 16V	GEF
C4121	US062560	C. CE. CHP	560pF 50V B	GEF
C4122	UR038100	C. EL	100uF 16V	
C4123	UR837470	C. EL	47uF 16V	GEF
C4124-4125	US061270	C. CE. CHP	27pF 50V B	GEF
C4126	UR837470	C. EL	47uF 16V	GEF
C4127-4128	UR038100	C. EL	100uF 16V	
C5001	UR837330	C. EL	33uF 16V	
C5002	WJ605000	C. MYLAR	0.01uF 50V J	
C5003-5007	UR037100	C. EL	10uF 16V	
C5008-5011	UR866220	C. EL	2.2uF 50V	

* New Parts

RX-V563/HTR-6150/
DSP-AX563

P.C.B. MAIN

Ref. No.	Part No.	Description	Markets
C5012-5013	UR037100	C. EL 10uF 16V	
C5014	WJ603300	C. MYLAR 470pF 50V J	
C5015	UR277220	C. EL 22uF 63V	
C5016	WJ603300	C. MYLAR 470pF 50V J	
C5017	UR297100	C. EL 10uF 100V	
C5018-5019	WJ603300	C. MYLAR 470pF 50V J	
C5020-5021	UR297100	C. EL 10uF 100V	
C5022	UR277220	C. EL 22uF 63V	
C5023-5025	UR297100	C. EL 10uF 100V	
C5026-5028	WJ603300	C. MYLAR 470pF 50V J	
C5029	WJ602900	C. MYLAR 100pF 50V K	
C5030	UR067330	C. EL 33uF 50V	
C5031	WJ602900	C. MYLAR 100pF 50V K	
C5032	UR067330	C. EL 33uF 50V	
C5033	WJ602900	C. MYLAR 100pF 50V K	
C5034-5035	UR067330	C. EL 33uF 50V	
C5036	WJ602900	C. MYLAR 100pF 50V K	
C5037	UR067330	C. EL 33uF 50V	
C5038	WJ602900	C. MYLAR 100pF 50V K	
C5039	UR067330	C. EL 33uF 50V	
C5040	WJ602900	C. MYLAR 100pF 50V K	
C5041	UR897100	C. EL 10uF 100V	
C5042	FG651100	C. CE 10pF 50V	
C5043	WJ602900	C. MYLAR 100pF 50V K	
C5044	UR067330	C. EL 33uF 50V	
C5045	UR866100	C. EL 1uF 50V	
C5046-5051	FG650500	C. CE 5pF 50V	
C5052-5058	WJ605800	C. MYLAR 0.047uF 50V J	
C5059	UR866470	C. EL 4.7uF 50V	
C5060	UR828220	C. EL 220uF 10V	
C5061	UR858100	C. EL 100uF 35V	
C5062	UR278100	C. EL 100uF 63V	
C5063	UR866470	C. EL 4.7uF 50V	
C5064	UR058100	C. EL 100uF 35V	
C5065-5066	WN524400	C. EL 6800uF 63V	
C5067-5076	WJ605000	C. MYLAR 0.01uF 50V J	
C5077-5078	WJ611400	C. MYLAR 0.1uF 100V J	
C5079	US064100	C. CE. CHP 0.01uF 50V B	
C5086-5087	WJ605400	C. MYLAR 0.022uF 50V J	
C5088-5089	UR837100	C. EL 10uF 16V	UCRTA
D4001-4002	VJ994300	DIODE. ZENR MA8075-H 7.7V	
D4003	VJ995500	DIODE. ZENR MA8100-H 10.3V	
D5001-5002	VD631600	DIODE 1SS133, 176	
D5003	VU171900	DIODE. ZENR UDZ5.1B 5.1V	
D5004	WC398800	DIODE KDS160-RTK	
D5005-5008	VN008700	DIODE 1SS270A	
D5009	WC398800	DIODE KDS160-RTK	
D5010-5012	VN008700	DIODE 1SS270A	
D5013	VD631600	DIODE 1SS133, 176	
D5014-5016	VN008700	DIODE 1SS270A	
D5017	VG441000	DIODE. ZENR MTZJ16A 16V	
D5018-5020	VD631600	DIODE 1SS133, 176	
D5021	WA653200	DIODE. BRG TS6P03G 6A 200V	
D5022-5023	VS997800	DIODE 1T2	
D5024	VD631600	DIODE 1SS133, 176	
D5025-5026	VN008700	DIODE 1SS270A	
D5027	VG441000	DIODE. ZENR MTZJ16A 16V	
IC401	X8155B00	IC R2A15218FP	
IC402	X8235A00	IC LC72725KM	GEF
IC403-407	X7378A00	IC NJM4565M(Te1)	

* New Parts

Ref. No.	Part No.	Description	Markets
IC501	X8190A00	IC STK433-330-E	
IC502-503	X7427A00	IC STK433-130-E	
PJ401	V7190400	JACK. PIN 6P	
PJ402-403	V7046800	JACK. PIN 6P MSP-246V1-01NI	
PJ404	V7046700	JACK. PIN 4P MSP-244V1-01NI	B
PJ406	WC612700	JACK. PIN 2P	UCRTKAGEFL
PJ407	V7189700	JACK. PIN 1P	
PJ408	WC612700	JACK. PIN 2P	UCRTKAGEFL
PN501	V9637500	PIN L=70 #18	
Q4001	VZ725900	TR 2SD1938F S, T	
Q4002-4003	VZ725900	TR 2SD1938F S, T	UCRTKAGEFL
Q4004	VZ725900	TR 2SD1938F S, T	
Q4005-4006	VZ725900	TR 2SD1938F S, T	UCRTKAGEFL
Q4007	WC434800	TR. DGT KRA102S-RTK/P	UCRTKAGEFL
Q4008	WC434800	TR. DGT KRA102S-RTK/P	
Q4009	iC181510	TR 2SC1815 Y	
Q4010	iA101510	TR 2SA1015 Y	
Q4011	iC181510	TR 2SC1815 Y	
Q4012	iC174020	TR 2SC1740S ORS	GEF
Q5001-5007	VD303700	TR 2SC3326 A, B	
Q5008-5011	WC434800	TR. DGT KRA102S-RTK/P	
Q5012	WC398400	TR 2N5551C-AT	
Q5013-5014	VC614000	TR 2SB1274 Q, R, S	
Q5015	WC398400	TR 2N5551C-AT	
Q5016-5017	WC397700	TR 2N5401C-AT	
Q5018-5024	WC398400	TR 2N5551C-AT	
Q5025	WC397700	TR 2N5401C-AT	
Q5026-5029	WC434900	TR. DGT KRA104S-RTK	
Q5030	VP872600	TR 2SA1708 S, T	
Q5031	iC181510	TR 2SC1815 Y	
Q5032-5036	WC435000	TR. DGT KRC102S-RTK	
Q5037	WC434900	TR. DGT KRA104S-RTK	
R4080-4081	HV753220	R. CAR. FP 2.2Ω 1/4W	
R5035-5037	HV753220	R. CAR. FP 2.2Ω 1/4W	
R5040	HV755560	R. CAR. FP 560Ω 1/4W	
R5052	HV754100	R. CAR. FP 10Ω 1/4W	
R5055	HV754100	R. CAR. FP 10Ω 1/4W	
R5069	WM216400	R. WW 0.22Ω 3W (RF-3EGKR22)	
R5071-5072	WM216400	R. WW 0.22Ω 3W (RF-3EGKR22)	
R5079	WM216400	R. WW 0.22Ω 3W (RF-3EGKR22)	
R5083	WM216400	R. WW 0.22Ω 3W (RF-3EGKR22)	
R5090-5091	WM216400	R. WW 0.22Ω 3W (RF-3EGKR22)	
R5109	HV754100	R. CAR. FP 10Ω 1/4W	
R5112-5113	HV754100	R. CAR. FP 10Ω 1/4W	
R5115	HV754100	R. CAR. FP 10Ω 1/4W	
R5118	HV754100	R. CAR. FP 10Ω 1/4W	
R5121	HV754100	R. CAR. FP 10Ω 1/4W	
R5124	HV754100	R. CAR. FP 10Ω 1/4W	
R5126	WB625100	R. MTL. FLM 4.7Ω 1W J	
R5130-5131	WB625100	R. MTL. FLM 4.7Ω 1W J	
R5133-5134	WB625100	R. MTL. FLM 4.7Ω 1W J	
R5136-5137	WB625100	R. MTL. FLM 4.7Ω 1W J	
R5142	HV756270	R. CAR. FP 2.7KΩ 1/4W	
R5145	WB627300	R. MTL. OXD 470Ω 1W	
R5167-5168	HV753470	R. CAR. FP 4.7Ω 1/4W	
RY501-502	WJ122400	RELAY 981-2A-24DS-SP7	
RY504-505	WJ122400	RELAY 981-2A-24DS-SP7	
RY506	WJ117200	RELAY DC24V 942H-2C-24DS	
TE501	WK561000	TERM. SP 6P MST-207V1-01 NC	UCRTA
TE501	WK561100	TERM. SP 6P MST-207V1-01 WC	KBGEFL

* New Parts

RX-V563/HTR-6150/
DSP-AX563

P.C.B. MAIN and P.C.B. VIDEO

Ref. No.	Part No.	Description	Markets
TE502	WK560800	TERM. SP 4P MST-204V1-01 NC	UCRTA
TE502	WK560900	TERM. SP 4P MST-204V1-01 WC	KBGEFL
XL401	WJ588000	RSNR. CRYST 4. 332MHz	GEF
	WE774200	SCR. BND. HD 3x10 MFZN2W3	
	WN273300	P. C. B. VIDEO	UC
	WN273400	P. C. B. VIDEO	R
	WN273500	P. C. B. VIDEO	T
	WN273600	P. C. B. VIDEO	K
	WN273700	P. C. B. VIDEO	A
	WN273800	P. C. B. VIDEO	B
	WN273900	P. C. B. VIDEO	GEF
	WN274000	P. C. B. VIDEO	L
CB301	VB858200	CN. BS. PIN 3P	
CB303	VQ045100	CN. BS. PIN 21P	
CB326	VM923600	CN. BS. PIN 13P	
CB342-343	WN077700	CLIP. FUSE CLIP PFC5000-0202F	
CB344-345	VG879900	CN. BS. PIN 2P	
CB346-347	WN077700	CLIP. FUSE CLIP PFC5000-0202F	UCRTABGEFL
CB351	VB858400	CN. BS. PIN 5P	
CB353	LB919080	CN. BS. PIN 8P	
CB356	V9377800	CN. BS. PIN 3P	RL
CB357	V9377900	CN. BS. PIN 4P	RL
CB358-359	WN077700	CLIP. FUSE CLIP PFC5000-0202F	RL
CB366	VB390000	CN. BS. PIN 4P	
C3001-3006	US062100	C. CE. CHP 100pF 50V B	
C3007-3008	WG218100	C. EL 100uF 16V	
C3009-3010	V7887800	C. EL 1uF 50V	
C3011-3014	US135100	C. CE. CHP 0.1uF 16V	
C3015	UR837100	C. EL 10uF 16V	
C3016	US135100	C. CE. CHP 0.1uF 16V	
C3017	UR837470	C. EL 47uF 16V	
C3018-3020	US135100	C. CE. CHP 0.1uF 16V	
C3021	UR837470	C. EL 47uF 16V	
C3022	UR837100	C. EL 10uF 16V	
C3023-3024	US135100	C. CE. CHP 0.1uF 16V	
C3026-3029	UR837470	C. EL 47uF 16V	
C3030-3031	UR838100	C. EL 100uF 16V	
C3032-3037	US135100	C. CE. CHP 0.1uF 16V	
C3038	US061220	C. CE. CHP 22pF 50V B	UCRK
C3038	US060500	C. CE. CHP 5pF 50V B	TABGEFL
C3039	US061330	C. CE. CHP 33pF 50V B	UCRK
C3039	US060500	C. CE. CHP 5pF 50V B	TABGEFL
C3041	US135100	C. CE. CHP 0.1uF 16V	
C3043	US135100	C. CE. CHP 0.1uF 16V	
C3044-3045	UR837470	C. EL 47uF 16V	
C3048	UR866100	C. EL 1uF 50V	
C3049-3050	UR837470	C. EL 47uF 16V	
C3051	US060300	C. CE. CHP 3pF 50V B	UCRK
C3051	US060400	C. CE. CHP 4pF 50V B	TABGEFL
C3052-3053	US135100	C. CE. CHP 0.1uF 16V	
C3054	US061240	C. CE. CHP 24pF 50V B	
C3055	US064100	C. CE. CHP 0.01uF 50V B	
C3056	US135100	C. CE. CHP 0.1uF 16V	
C3057	US061240	C. CE. CHP 24pF 50V B	
C3058	US062120	C. CE. CHP 120pF 50V B	
C3059	UR837470	C. EL 47uF 16V	
C3060	US062220	C. CE. CHP 220pF 50V B	

* New Parts

Ref. No.	Part No.	Description	Markets
C3061-3065	US135100	C. CE. CHP 0.1uF 16V	
C3066	US061100	C. CE. CHP 10pF 50V B	
C3067	UR837100	C. EL 10uF 16V	
C3068-3069	US135100	C. CE. CHP 0.1uF 16V	
C3070	UR818470	C. EL 470uF 6.3V	
C3071	US135100	C. CE. CHP 0.1uF 16V	
C3072	UR837100	C. EL 10uF 16V	
C3073	US135100	C. CE. CHP 0.1uF 16V	
C3074	UR837470	C. EL 47uF 16V	
C3075-3076	US135100	C. CE. CHP 0.1uF 16V	
C3077-3078	UR837470	C. EL 47uF 16V	
C3079-3081	US135100	C. CE. CHP 0.1uF 16V	
C3201-3203	US060800	C. CE. CHP 8pF 50V B	
C3219-3220	UR837100	C. EL 10uF 16V	
C3221-3222	US135100	C. CE. CHP 0.1uF 16V	
C3224	UR837100	C. EL 10uF 16V	
C3226	UR837100	C. EL 10uF 16V	
C3228	UR837100	C. EL 10uF 16V	
C3229-3231	US135100	C. CE. CHP 0.1uF 16V	
C3237	US064100	C. CE. CHP 0.01uF 50V B	
C3238	UR837100	C. EL 10uF 16V	
C3239	US135100	C. CE. CHP 0.1uF 16V	
C3240-3242	UR837470	C. EL 47uF 16V	
C3243	US135100	C. CE. CHP 0.1uF 16V	
C3244	US061220	C. CE. CHP 22pF 50V B	
C3245	US062560	C. CE. CHP 560pF 50V B	
C3246	UR837100	C. EL 10uF 16V	
C3247-3256	US135100	C. CE. CHP 0.1uF 16V	
C3260-3262	UR837470	C. EL 47uF 16V	
C3263-3271	WD758300	C. CE. CHP 10uF 10V	
C3401	UR749220	C. EL 2200uF 25V	UCTKABGEF
C3401	UR759220	C. EL 2200uF 35V	RL
C3402	WJ605000	C. MYLAR 0.01uF 50V J	
C3403	UR897100	C. EL 10uF 100V	RL
C3404	WJ605000	C. MYLAR 0.01uF 50V J	UCTKABGEF
C3405-3406	WJ605000	C. MYLAR 0.01uF 50V J	RL
C3407	WB121400	C. CE. SAFETY 0.01uF 295V	
C3501-3508	WJ605000	C. MYLAR 0.01uF 50V J	
C3651	US063100	C. CE. CHP 1000pF 50V B	UCRTKAGEFL
C3652	US063100	C. CE. CHP 1000pF 50V B	
C3653	US064100	C. CE. CHP 0.01uF 50V B	
C3654	US064100	C. CE. CHP 0.01uF 50V B	UCRTKAGEFL
D3001-3002	VT332900	DIODE 1SS355	
D3206-3207	VT332900	DIODE 1SS355	
D3212-3217	VT332900	DIODE 1SS355	
D3401	VD631600	DIODE 1SS133, 176	
D3402	YG437000	DIODE. ZENR MTZJ4. 7A 4.7V	RL
D3403-3404	VS997800	DIODE 1T2	
D3405	VS997800	DIODE 1T2	RL
D3406-3407	VS997800	DIODE 1T2	
D3408-3409	WC398800	DIODE KDS160-RTK	
D3501-3502	VD631600	DIODE 1SS133, 176	
D3651	VT332900	DIODE 1SS355	
D3652	VT332900	DIODE 1SS355	UCRTKAGEFL
F3401	WB221200	FUSE T6A 125V	UCRL
F3401	VV071700	FUSE 3.15A 250V	TKABGEF
F3402	WB221200	FUSE T6A 125V	UC
F3402	VT942900	FUSE T2.5A 250V	RTABGEFL
F3551	VV071700	FUSE 3.15A 250V	RL
IC301-303	XY550A00	IC MM74HC4051SJX	

* New Parts

RX-V563/HTR-6150/DSP-AX563

P.C.B. VIDEO

Ref. No.	Part No.	Description	Markets
IC304	X7818A00	IC LC74782JM-8A16-TLM	
IC305	XZ509A00	IC TC74VHCU04FT INVER	
IC307	X6742A00	IC LA73050-TLM-E	
△ IC308	X4928A00	IC KIA7805API 5V	
△ IC309	X7973A00	IC KIA79M05PI-U	
IC310-311	XS790A00	IC TC74HC4052AF MPX	
IC321-323	XS790A00	IC TC74HC4052AF MPX	
IC325	X2904A00	IC NJM2581M VIDEO AMP	
IC326	XZ509A00	IC TC74VHCU04FT INVER	
IC327	XY877A00	IC MM74HC4053SJX	
JK301	VS867300	CN. DIN 4P YKF51-5501	
JK302-303	V9273500	CN. DIN 2P YKF51-5605	
JK366	V9435700	JACK. MNI MSJ-035-12APC	UCRTKAGEFL
JK367	V9435700	JACK. MNI MSJ-035-12APC	
JK368	V9435700	JACK. MNI MSJ-035-12APC	UCRTKAGEFL
PJ301	V7189800	JACK. PIN 1P	
PJ302-303	V7190000	JACK. PIN 2P	
PJ321-322	WG471900	JACK. PIN 6P	
PN351	V9637500	PIN L=70 #18	
PN366	V9637500	PIN L=70 #18	
Q3001-3003	VV556500	TR 2SA1037K Q, R, S	
Q3004-3005	VV556400	TR 2SC2412K Q, R, S	
Q3201-3203	VV556500	TR 2SA1037K Q, R, S	
△ Q3401	VE198800	TR 2SC2705 O, Y	
△ Q3402	iA101510	TR 2SA1015 Y	RL
△ Q3403	VP872600	TR 2SA1708 S, T	RL
△ Q3404	iA101510	TR 2SA1015 Y	RL
△ Q3405	WC529200	TR. DGT KRC102M-AT	RL
Q3501	WC398500	TR. DGT KRA102M-AT	
Q3502	WC529200	TR. DGT KRC102M-AT	
Q3503	WC398500	TR. DGT KRA102M-AT	
R3016	WB625900	R. MTL. OXD 33Ω 1W	
△ R3017	WB625800	R. MTL. OXD 27Ω 1W	
R3028-3029	HV753100	R. CAR. FP 1Ω 1/4W	
R3055	HV755470	R. CAR. FP 470Ω 1/4W	
R3056	HV753220	R. CAR. FP 2.2Ω 1/4W	
R3058	HV753100	R. CAR. FP 1Ω 1/4W	
R3060	WB625900	R. MTL. OXD 33Ω 1W	
R3237	HV753220	R. CAR. FP 2.2Ω 1/4W	
R3238	HV753100	R. CAR. FP 1Ω 1/4W	
R3245	HV753100	R. CAR. FP 1Ω 1/4W	
R3408	VC757900	R. MTL. OXD 47Ω 2W	RL
△ R3410	V6730000	R. CAR. 2.2MΩ 1/2W	UC
△ RY341	V9366900	RELAY DLS9D1-0(M) 0.25W	
RY351-352	WJ122400	RELAY 981-2A-24DS-SP7	
ST321	WA789600	SCR. TERM M3	UCRTKABGEFL
ST341	WA789600	SCR. TERM M3	UCK
ST342	WA789600	SCR. TERM M3	K
ST366-367	WA789600	SCR. TERM M3	
△ SW356	WB493700	VOLT. SELCT R8140246	R
△ SW356	WD073700	VOLT. SELCT R8140254	L
△ T3401	X8521A00	TRANS. PWR	UC
△ T3401	X8522A00	TRANS. PWR	RL
△ T3401	X8523A00	TRANS. PWR	T
△ T3401	X8523A00	TRANS. PWR	TKABGEF
△ TE341	WJ583000	AC. OUTLET 2P AC-182-UL	UC
△ TE341	V5867400	OUTLET. AC 2P	RT
△ TE341	VT915000	OUTLET. AC 1P	A
△ TE341	VU543300	OUTLET. AC 1P	B
△ TE341	VU543400	OUTLET. AC 2P	GEFL

* New Parts

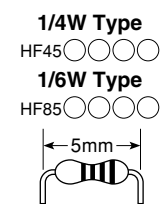
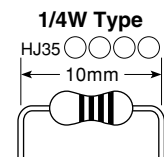
Ref. No.	Part No.	Description	Markets
* TE352	WNO45900	TERM. SCR 8P	UCRTA
* TE352	WNO46300	TERM. SCR 8P	KBGEFL
* XL301	WN380400	RSNR. CRY 14.3181MHz AT-49	UCRK
* XL301	WN380500	RSNR. CRY 17.7344MHz AT-49	TABGEFL

* New Parts

RX-V563/HTR-6150/
DSP-AX563

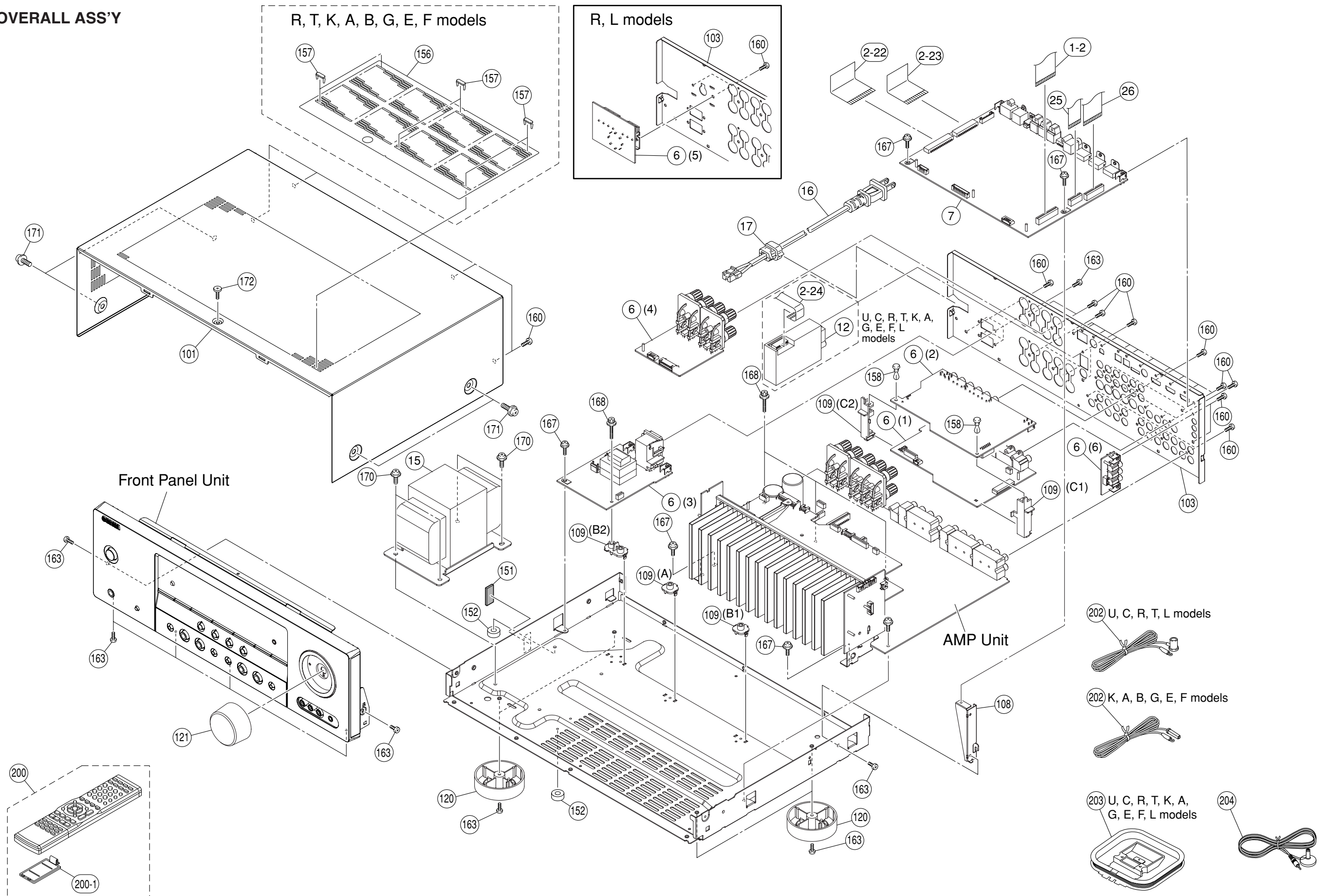
Chip Resistors

Value	1/4W Type Part No.	1/6W Type Part No.	Value	1/4W Type Part No.	1/6W Type Part No.
1.0 Ω	HJ35 3100	HF85 3100	10 kΩ	HF45 7100	HF45 7100
1.8 Ω	HJ35 3180	*	11 kΩ	HF45 7110	HF45 7110
2.2 Ω	HJ35 3220	HF85 3220	12 kΩ	HJ35 7120	HF85 7120
3.3 Ω	HJ35 3330	HF85 3330	13 kΩ	HF45 7130	HF45 7130
4.7 Ω	HJ35 3470	HF85 3470	15 kΩ	HF45 7150	HF45 7150
5.6 Ω	HJ35 3560	HF85 3560	18 kΩ	HF45 7180	HF45 7180
10 Ω	HF45 4100	HF45 4100	22 kΩ	HF45 7220	HF45 7220
15 Ω	HJ35 4150	HF85 4150	24 kΩ	HF45 7240	HF45 7240
22 Ω	HF45 4220	HF45 4220	27 kΩ	HJ35 7270	HF85 7270
27 Ω	HJ35 4270	HF85 4270	30 kΩ	HF45 7300	HF45 7300
33 Ω	HF45 4330	HF45 4330	33 kΩ	HF45 7330	HF45 7330
39 Ω	HJ35 4470	HF85 4390	36 kΩ	HF45 7360	HF45 7360
47 Ω	HF45 4470	HF45 4470	39 kΩ	HF45 7390	HF45 7390
56 Ω	HF45 4560	HF45 4560	47 kΩ	HF45 7470	HF45 7470
68 Ω	HF45 4680	HF45 4680	51 kΩ	HF45 7510	HF45 7510
75 Ω	HF45 4750	HF45 4750	56 kΩ	HF45 7560	HF45 7560
82 Ω	HF45 4820	HF45 4820	62 kΩ	HF45 7620	HF45 7620
91 Ω	HF45 4910	HF45 4910	68 kΩ	HF45 7680	HF45 7680
100 Ω	HF45 5100	HF45 5100	82 kΩ	HF45 7820	HF45 7820
110 Ω	HJ35 5110	HF85 5110	91 kΩ	HF45 7910	HF45 7910
120 Ω	HF45 5120	HF45 5120	100 kΩ	HF45 8100	HF45 8100
150 Ω	HF45 5150	HF45 5150	110 kΩ	HF45 8110	HF45 8110
160 Ω	HJ35 5160	*	120 kΩ	HF45 8120	HF45 8120
180 Ω	HF45 5180	HF45 5180	150 kΩ	HF45 8150	HF45 8150
200 Ω	HF45 5200	HF45 5200	180 kΩ	HF45 8180	HF45 8180
220 Ω	HF45 5220	HF45 5220	220 kΩ	HJ35 8220	HF85 8220
270 Ω	HF45 5270	HF45 5270	270 kΩ	HF45 8270	HF45 8270
330 Ω	HF45 5330	HF45 5330	300 kΩ	HF45 8300	HF45 8300
390 Ω	HF45 5390	HF45 5390	330 kΩ	HF45 8330	HF45 8330
430 Ω	HF45 5430	HF45 5430	390 kΩ	HJ35 8390	HF85 8390
470 Ω	HF45 5470	HF45 5470	470 kΩ	HF45 8470	HF45 8470
510 Ω	HF45 5510	HF45 5510	560 kΩ	HJ35 8560	HF85 8560
560 Ω	HF45 5560	HF45 5560	680 kΩ	HJ35 8680	HF85 8680
680 Ω	HF45 5680	HF45 5680	820 kΩ	HJ35 8820	HF85 8820
820 Ω	HF45 5820	HF45 5820	1.0 MΩ	HF45 9100	HF45 9100
910 Ω	HF45 5910	HF45 5910	1.2 MΩ	HJ35 9120	*
1.0 kΩ	HF45 6100	HF45 6100	1.5 MΩ	HJ35 9150	HF85 9150
1.2 kΩ	HF45 6120	HF45 6120	1.8 MΩ	HJ35 9180	HF85 9180
1.5 kΩ	HF45 6150	HF45 6150	2.2 MΩ	HJ35 9220	HF85 9220
1.8 kΩ	HF45 6180	HF45 6180	3.3 MΩ	HJ35 9330	HF85 9330
2.0 kΩ	HJ35 6200	HF85 6200	3.9 MΩ	HJ35 9390	*
2.2 kΩ	HF45 6220	HF45 6220	4.7 MΩ	HJ35 9470	HF85 9470
2.4 kΩ	HJ35 6240	HF85 6240			
2.7 kΩ	HF45 6270	HF45 6270			
3.0 kΩ	HF45 6300	HF45 6300			
3.3 kΩ	HF45 6330	HF45 6330			
3.6 kΩ	HJ35 6360	HF85 6360			
3.9 kΩ	HF45 6390	HF45 6390			
4.7 kΩ	HF45 6470	HF45 6470			
5.1 kΩ	HF45 6510	HF45 6510			
5.6 kΩ	HF45 6560	HF45 6560			
6.8 kΩ	HF45 6680	HF45 6680			
8.2 kΩ	HF45 6820	HF45 6820			
9.1 kΩ	HF45 6910	HF45 6910			



* : Not available

• OVERALL ASS'Y



Ref. No.	Part No.	Description	Remarks	Markets
1-2	MF124250	FLEXIBLE FLAT CABLE	24P 250mm P=1.25	
2-22	MF131120	FLEXIBLE FLAT CABLE	31P 120mm P=1.25	
2-23	MF126100	FLEXIBLE FLAT CABLE	26P 100mm P=1.25	
2-24	MF113160	FLEXIBLE FLAT CABLE	13P 160mm P=1.25	
*	6	WN273300	P. C. B. ASS' Y	VIDEO UC
*	6	WN273400	P. C. B. ASS' Y	VIDEO R
*	6	WN273500	P. C. B. ASS' Y	VIDEO T
*	6	WN273600	P. C. B. ASS' Y	VIDEO K
*	6	WN273700	P. C. B. ASS' Y	VIDEO A
*	6	WN273800	P. C. B. ASS' Y	VIDEO B
*	6	WN273900	P. C. B. ASS' Y	VIDEO GEF
*	6	WN274000	P. C. B. ASS' Y	VIDEO L
*	7	WN276000	P. C. B. ASS' Y	DSP UC
*	7	WN276100	P. C. B. ASS' Y	DSP R
*	7	WN276200	P. C. B. ASS' Y	DSP TA
*	7	WN276300	P. C. B. ASS' Y	DSP K
*	7	WN276400	P. C. B. ASS' Y	DSP B
*	7	WN276500	P. C. B. ASS' Y	DSP GEF
*	7	WN276600	P. C. B. ASS' Y	DSP L
	12	WB424000	AM/FM TUNER	ENG06709Q UCRL
	12	WB877300	AM/FM TUNER	FAE381-A07F T
	12	WB424100	AM/FM TUNER	ENG07711Q KA
	12	WB877400	AM/FM TUNER	FAE481-E07F GEF
*	15	X9539A00	POWER TRANSFORMER	UC
*	15	X9540A00	POWER TRANSFORMER	RL
*	15	X9541A00	POWER TRANSFORMER	TK
*	15	X9542A00	POWER TRANSFORMER	A
*	15	X9543A00	POWER TRANSFORMER	BGEF
	16	WB120500	POWER CABLE	2m UC
	16	WC992700	POWER CABLE	2m R
	16	WB120600	POWER CABLE	2m T
	16	WC753000	POWER CABLE	2m K
	16	WC743700	POWER CABLE	2m A
	16	WB212200	POWER CABLE	2m B
	16	WB212300	POWER CABLE	2m GEFL
	17	V2438700	CORD STOPPER	10P1
	25	MF113100	FLEXIBLE FLAT CABLE	13P 100mm P=1.25
	26	MF121120	FLEXIBLE FLAT CABLE	21P 120mm P=1.25
*	101	WM744900	TOP COVER	GD
*	101	WM744800	TOP COVER	BL
*	101	WM745000	TOP COVER	TI
*	101	WM745100	TOP COVER	SI
*	103	WM745300	REAR PANEL	V563 UC
*	103	WM745500	REAR PANEL	V563 R
*	103	WM745600	REAR PANEL	V563 T
*	103	WM745700	REAR PANEL	V563 K
*	103	WM745800	REAR PANEL	V563 A
*	103	WM745900	REAR PANEL	AX563 B
*	103	WM746000	REAR PANEL	V563 GEF
*	103	WM746100	REAR PANEL	V563 L
*	103	WM746300	REAR PANEL	6150 UC
*	103	WM746800	REAR PANEL	6150 F
*	109	WM749300	SUPPORT PCB	
	120	WA790600	LEG	D60/H21 GD
	120	WA790500	LEG	D60/H21 HS
*	121	WM749500	KNOB D48	GD
*	121	WM749400	KNOB D48	BL
*	121	WM749600	KNOB D48	TI
*	121	WM749700	KNOB D48	SI

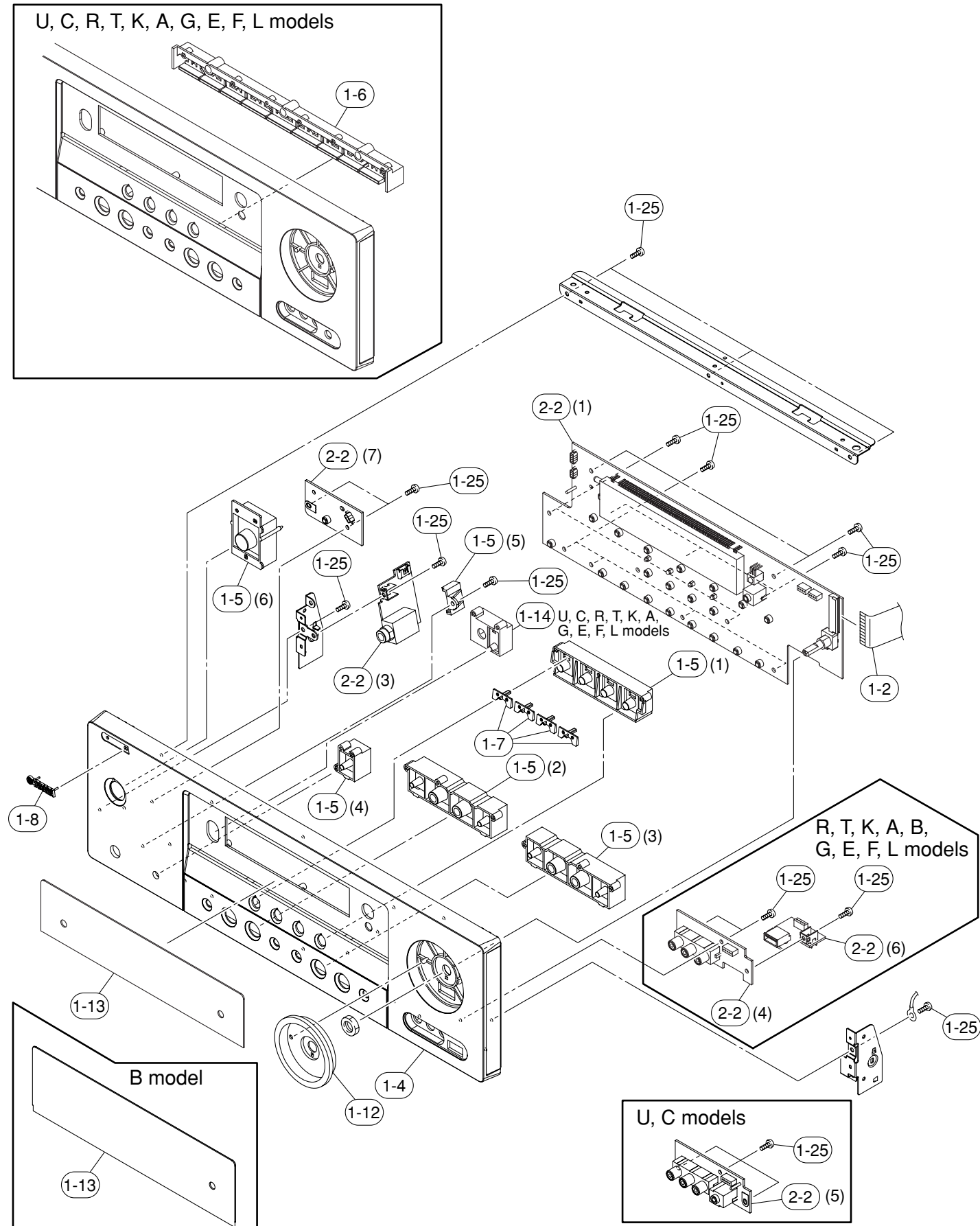
* New Parts

Ref. No.	Part No.	Description	Remarks	Markets
151	WB408400	DAMPER	10x30 t=4	
152	WB484700	DAMPER	SCREW MASK	
156	WJ589800	SHEET TOP		RTKABGEF
157	WJ323900	RIVET TOP		RTKABGEF
158	VQ368600	PUSH RIVET	P3555-B	
160	WE774100	BIND HEAD BONDING B-T. SCREW	3x8 MFZN2B3	
163	WE774300	BIND HEAD B-TIGHT SCREW	3x8 MFZN2W3	
167	WF002600	PW HEAD B-TIGHT SCREW	3x8 MFZN2W3	
168	WE774600	SCREW IC	3x18 MFZN2W3	
170	WE774700	BIND HEAD S-TIGHT SCREW	4x10 MFZN2W3	
171	VD069600	PW HEAD S-TIGHT SCREW	4x8-10 MFN133	GD, TI, SI
171	VH313200	PW HEAD S-TIGHT SCREW	4x8-10 MFN13BL	BL
172	WE200400	DISH HEAD B-TIGHT SCREW	3x6 MFN133	GD, TI, SI
172	WE200500	DISH HEAD B-TIGHT SCREW	3x6 MFN13BL	BL
		ACCESSORIES		
*	200	WN057800	REMOTE CONTROL	RAV280 UC
*	200	WN058000	REMOTE CONTROL	RAV282 RTKABGEFL
	200-1	AAX82380	BATTERY COVER	CG-2209
	202	WB212500	INDOOR FM ANTENNA	1.4m 1pc UCRTL
	202	WB212400	INDOOR FM ANTENNA	1.4m 1pc KAGEF
	203	WB212600	AM LOOP ANTENNA	1.0m 1pc UCRTKAGEFL
*	204	WN649600	OPTIMIZER MICROPHONE BATTERY	6.0m 1pc EM6022L-HN1700
			RO3, AAA, UM-4 2pcs	
		SERVICE TOOLS		

* New Parts

• FRONT PANEL UNIT

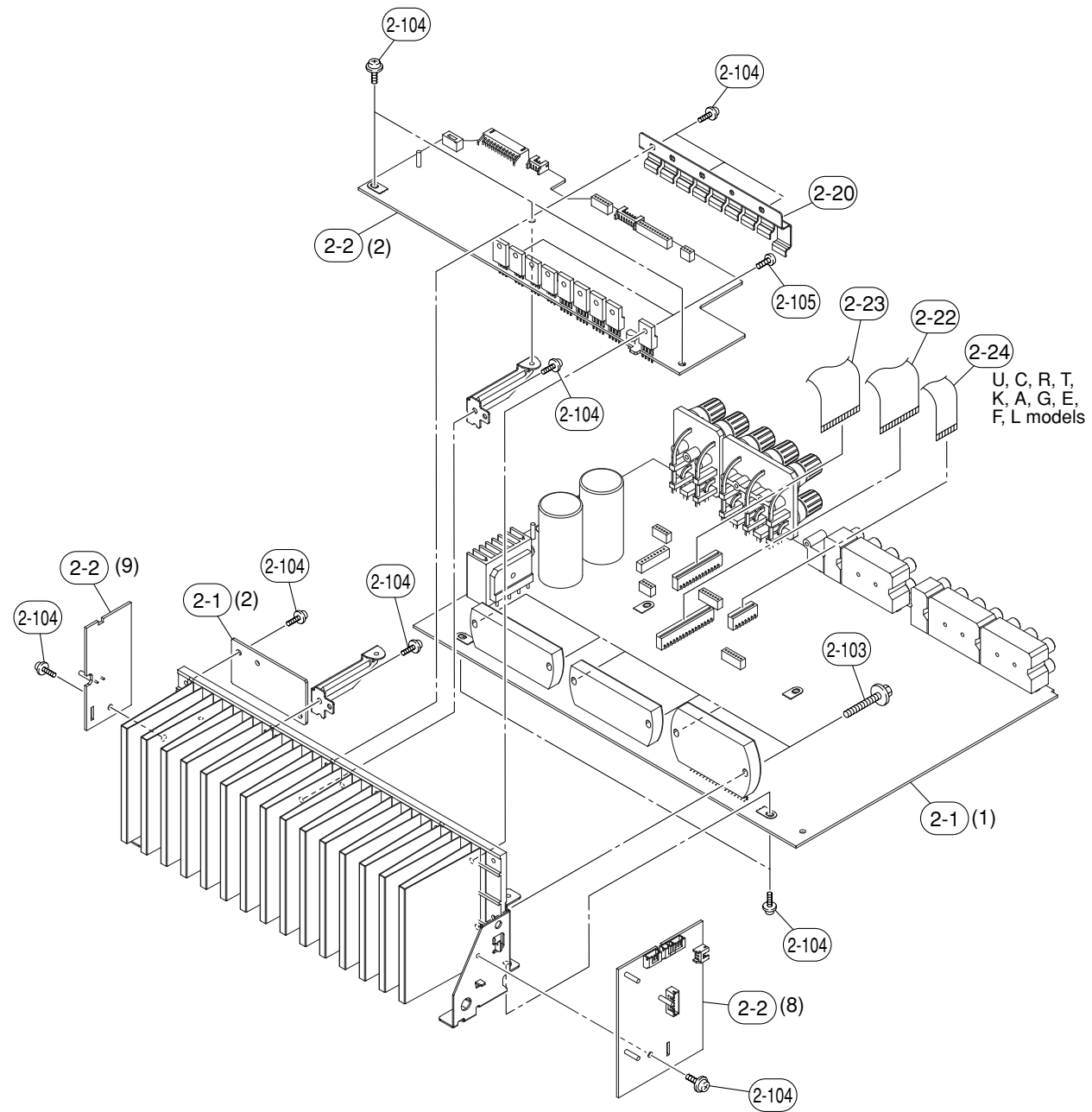
U, C, R, T, K, A, G, E, F, L models



Ref. No.	Part No.	Description	Remarks	Markets
1-2	MF124250	FLEXIBLE FLAT CABLE	24P 250mm P=1.25	
* 1-4	WM752400	FRONT PANEL	GD	
* 1-4	WM751100	FRONT PANEL	V563BL	UC
* 1-4	WM751200	FRONT PANEL	V563BL	RAGEF
* 1-4	WM994500	FRONT PANEL	AX563BL	B
* 1-4	WM753600	FRONT PANEL	TI	KGEFL
* 1-4	WM994700	FRONT PANEL	TI	B
* 1-4	WM994800	FRONT PANEL	V563SI	
* 1-4	WM751400	FRONT PANEL	6150BL	UC
* 1-4	WM751500	FRONT PANEL	6150BL	F
* 1-4	WM754300	FRONT PANEL	6150SI	
* 1-5	WM808800	BUTTON CASE	GD	
* 1-5	WM808600	BUTTON CASE	BL	UCRAGEF
* 1-5	WJ192300	BUTTON CASE	BL	B
* 1-5	WM809000	BUTTON CASE	TI	KGEFL
* 1-5	WJ192700	BUTTON CASE	TI	B
* 1-5	WM808900	BUTTON CASE	SI	
* 1-6	WM749900	BUTTON TUNER		UCRTKAGEFL
* 1-7	WJ193200	LENS BUTTON	SCENE	
* 1-8	WJ193400	EMBLEM GD	GD	
* 1-8	WJ193300	EMBLEM BL	BL, TI, SI	
* 1-12	WM750100	ESCUTCHEON VOL	GD	
* 1-12	WM750000	ESCUTCHEON VOL	BL	
* 1-12	WM750200	ESCUTCHEON VOL	TI	
* 1-12	WM750300	ESCUTCHEON VOL	SI	
* 1-13	WM761200	SHEET WINDOW		UC
* 1-13	WM761300	SHEET WINDOW		RTKAGEFL
* 1-13	WM750400	SHEET WINDOW		B
* 1-14	WM749800	BUTTON SYSTEM OFF		UCRTKAGEFL
* 1-22	WA790900	SPACER FL	4, 6/10/32	
* 1-25	WE774800	BIND HEAD P-TIGHT SCREW	3x8 MFZN2W3	
* 1-26	WF268000	BIND HEAD P-TIGHT SCREW	3x10 MFZN2B3	RTKABGEFL
* 2-2	WN278000	P.C.B. ASS'Y	OPERATION	UC
* 2-2	WN278100	P.C.B. ASS'Y	OPERATION	RTKAGEFL
* 2-2	WN278200	P.C.B. ASS'Y	OPERATION	B

* New Parts

• AMP UNIT



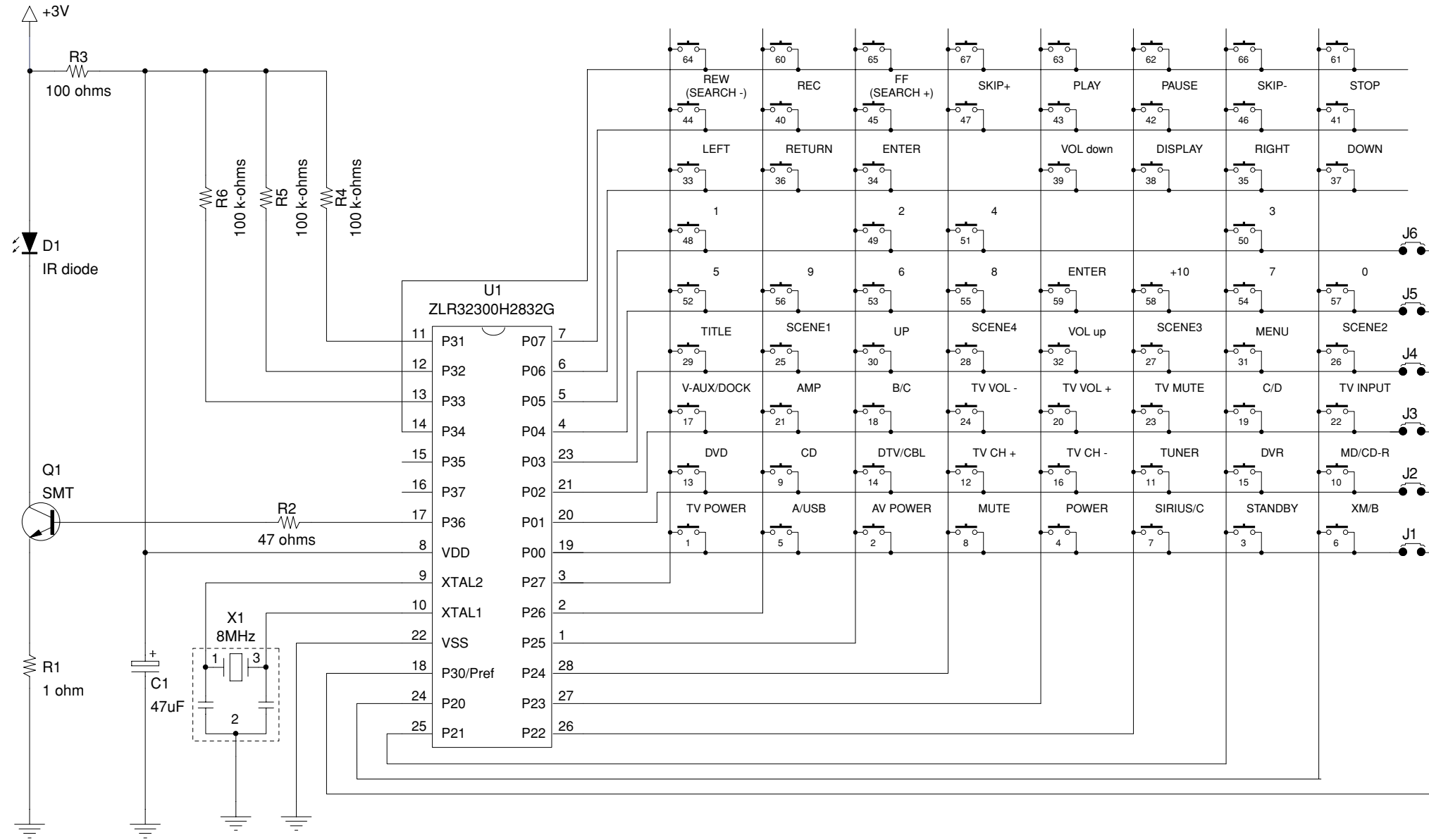
Ref. No.	Part No.	Description	Remarks	Markets	
*	2-1	WN272300	P. C. B. ASS'Y	MAIN	UCRTA
*	2-1	WN272400	P. C. B. ASS'Y	MAIN	KL
*	2-1	WN272500	P. C. B. ASS'Y	MAIN	B
*	2-1	WN272600	P. C. B. ASS'Y	MAIN	GEF
*	2-2	WN278000	P. C. B. ASS'Y	OPERATION	UC
*	2-2	WN278100	P. C. B. ASS'Y	OPERATION	RTKAGEFL
*	2-2	WN278200	P. C. B. ASS'Y	OPERATION	B
*	2-20	WM749200	SUPPORT TR-8P		
	2-22	MF131120	FLEXIBLE FLAT CABLE	31P 120mm P=1.25	
	2-23	MF126100	FLEXIBLE FLAT CABLE	26P 100mm P=1.25	
	2-24	MF113160	FLEXIBLE FLAT CABLE	13P 160mm P=1.25	UCRTKAGEFL
	2-103	WE774600	SCREW IC	3x18 MFZN2W3	
	2-104	WF002600	PW HEAD B-TIGHT SCREW	3x8 MFZN2W3	
	2-105	WE774300	BIND HEAD B-TIGHT SCREW	3x8 MFZN2W3	

* New Parts

REMOTE CONTROL

● RAV280 (U, C models), RAV282 (R, T, K, A, B, G, E, F, L models)

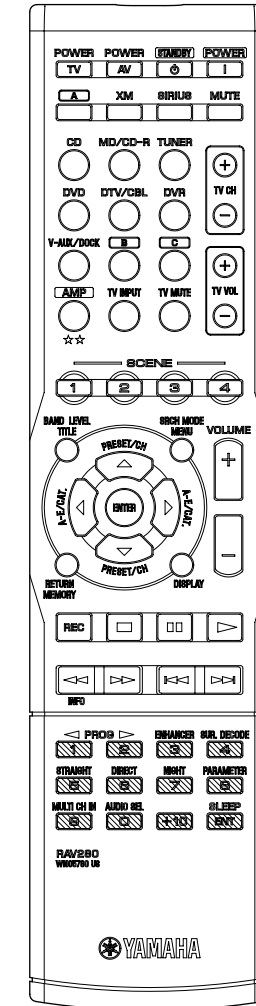
• SCHEMATIC DIAGRAM



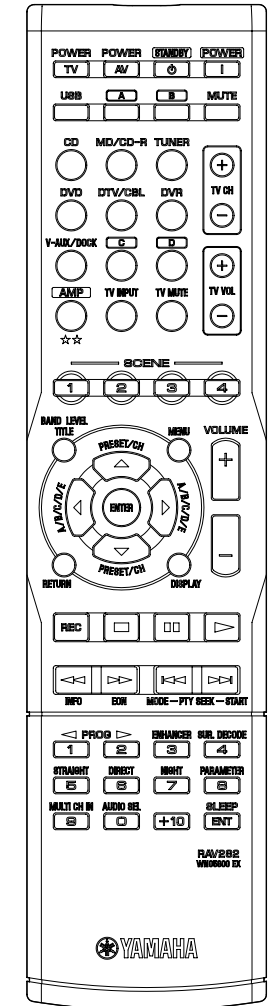
	RAV280	RAV282
J1	O	X
J2	X	X
J3	X	O
J4	X	X
J5	X	X
J6	X	X

• PANELS

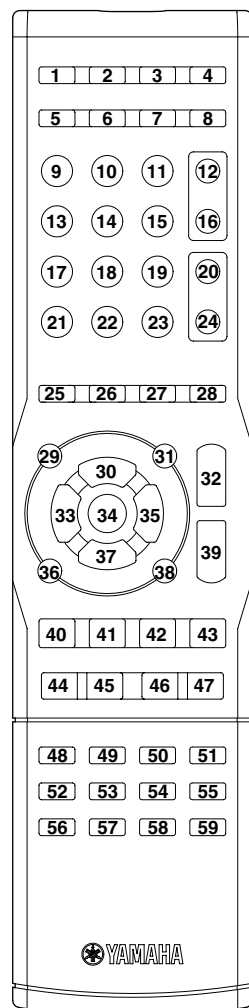
RAV280
(U, C models)



RAV282
(R, T, K, A, B, G, E, F, L models)



• FUNCTION CHART



Key no.	Label	K21 [AMP]	K5 [USB] RAV282	K6 [XM] RAV280	K7 [SIRIUS] RAV280	K9 [CD]	K10 [MD/CD-R]	K11 [TUNER]	K13 [DVD]	K14 [DTV/CBL]	K15 [DVR]	K17 [V-AUX]	K18 [VCR]	K19 [PHONO]
1	POWER_TV	(TV POWER)	(TV POWER)	(TV POWER)	(TV POWER)	(TV POWER)	(TV POWER)	(TV POWER)	(TV POWER)	TV POWER	(TV POWER)	(TV POWER)	(TV POWER)	TV POWER
2	POWER_AV	(device)	POWER	POWER	POWER	POWER	POWER	POWER	POWER	(DVR POWER)	POWER	POWER	POWER	(DVR POWER)
12	TV CH +	(TV CH +)	(TV CH +)	(TV CH +)	(TV CH +)	(TV CH +)	(TV CH +)	(TV CH +)	(TV CH +)	(TV CH +)	(TV CH +)	(TV CH +)	(TV CH +)	(TV CH +)
16	TV CH -	(TV CH -)	(TV CH -)	(TV CH -)	(TV CH -)	(TV CH -)	(TV CH -)	(TV CH -)	(TV CH -)	(TV CH -)	(TV CH -)	(TV CH -)	(TV CH -)	(TV CH -)
20	TV VOL +	(TV VOL +)	(TV VOL +)	(TV VOL +)	(TV VOL +)	(TV VOL +)	(TV VOL +)	(TV VOL +)	(TV VOL +)	(TV VOL +)	(TV VOL +)	(TV VOL +)	(TV VOL +)	(TV VOL +)
22	TV INPUT	(TV INPUT)	(TV INPUT)	(TV INPUT)	(TV INPUT)	(TV INPUT)	(TV INPUT)	(TV INPUT)	(TV INPUT)	(TV INPUT)	(TV INPUT)	(TV INPUT)	(TV INPUT)	(TV INPUT)
23	TV MUTE	(TV MUTE)	(TV MUTE)	(TV MUTE)	(TV MUTE)	(TV MUTE)	(TV MUTE)	(TV MUTE)	(TV MUTE)	(TV MUTE)	(TV MUTE)	(TV MUTE)	(TV MUTE)	(TV MUTE)
24	TV VOL -	(TV VOL -)	(TV VOL -)	(TV VOL -)	(TV VOL -)	(TV VOL -)	(TV VOL -)	(TV VOL -)	(TV VOL -)	(TV VOL -)	(TV VOL -)	(TV VOL -)	(TV VOL -)	(TV VOL -)
25	SCENE 1	SCENE 1												
26	SCENE 2	SCENE 2												
27	SCENE 3	SCENE 3												
28	SCENE 4	SCENE 4												
29	BAND LEVEL / TITLE	LEVEL	TITLE	BAND	TITLE	-	-	BAND	TITLE	TITLE	TITLE	BAND	TITLE	TITLE
30	PRESET/CH ▲ (UP)	MENU UP	UP	PRESET (+)	UP	-	-	PRESET (+)	MENU UP	MENU UP	MENU UP	PRESET (+)	-	MENU UP
31	SRCH MODE / MENU	MENU	MENU	SRCH MODE	SRCH MODE	-	-	SRCH MODE	MENU	MENU	MENU	SRCH MODE	-	MENU
32	VOLUME +	VOLUME (+)												
33	A-E/CAT. / A/B/C/D/E ◀ (LEFT)	MENU LEFT	LEFT	A-E/CAT. (-)	LEFT	-	-	A-E/CAT. (-)	MENU LEFT	MENU LEFT	MENU LEFT	A-E/CAT. (-)	-	MENU LEFT
34	ENTER	MENU SELECT	ENTER	ENTER	ENTER	-	-	ENTER	MENU ENTER	MENU ENTER	MENU ENTER	ENTER	-	MENU ENTER
35	A-E/CAT. / A/B/C/D/E ▶ (RIGHT)	MENU RIGHT	RIGHT	A-E/CAT. (+)	RIGHT	-	-	A-E/CAT. (+)	MENU RIGHT	MENU RIGHT	MENU RIGHT	A-E/CAT. (+)	-	MENU RIGHT
36	RETURN / MEMORY	RETURN	RETURN	MEMORY	MEMORY	-	-	MEMORY	RETURN	RETURN	RETURN	MEMORY	RETURN	RETURN
37	PRESET/CH ▼ (DOWN)	MENU DOWN	DOWN	PRESET (-)	DOWN	-	-	PRESET (-)	MENU DOWN	MENU DOWN	MENU DOWN	PRESET (-)	-	MENU DOWN
38	DISPLAY	SUB MENU	DISPLAY	DISPLAY	DISPLAY	DISPLAY	DISPLAY	DISPLAY	DISPLAY	DISPLAY	DISPLAY	DISPLAY	-	DISPLAY
39	VOLUME -	VOLUME (-)												
40	REC	(device)	-	-	REC	DISC SKIP	REC	-	DISC SKIP	(DVR REC)	REC	-	REC	(DVR REC)
41	■ (STOP)	(device)	STOP	-	STOP	STOP	STOP	-	STOP	(DVR STOP)	STOP	-	STOP	(DVR STOP)
42	■ (PAUSE)	(device)	PAUSE	-	PAUSE	PAUSE	PAUSE	-	PAUSE	(DVR PAUSE)	PAUSE	-	PAUSE	(DVR PAUSE)
43	▶ (PLAY)	(device)	PLAY	-	PLAY	PLAY	PLAY	-	PLAY	(DVR PLAY)	PLAY	-	PLAY	(DVR PLAY)
44	◀◀ (REW) INFO	(device)	-	INFO	REW	REW	REW	INFO	REW	(DVR REW)	REW	INFO	REW	(DVR REW)
45	▶▶ (FF)	(device)	-	EON	FF	FF	FF	EON	FF	(DVR FF)	FF	EON	FF	(DVR FF)
46	◀◀ (SKIP -) _PTY SEEK-MODE	(device)	SKIP (-)	PTY MODE	SKIP (-)	SKIP (-)	SKIP (-)	PTY MODE	SKIP (-)	(DVR SKIP -)	SKIP (-)	PTY MODE	-	(DVR SKIP -)
47	▶▶ (SKIP +) _PTY SEEK-START	(device)	SKIP (+)	PTY START	SKIP (+)	SKIP (+)	SKIP (+)	PTY START	SKIP (+)	(DVR SKIP +)	SKIP (+)	PTY START	-	(DVR SKIP +)
48	1 ◀ PRG	PROG (-)	P1	P1	1	1	1	P1	1	1	1	P1	1	1
49	2 ▶ PRG	PROG (+)	P2	P2	2	2	2	P2	2	2	2	P2	2	2
50	3 ENHANCER	ENHANCER	P3	P3	3	3	3	P3	3	3	3	P3	3	3
51	4 SUR. DECODE	SUR.DECODE	P4	P4	4	4	4	P4	4	4	4	P4	4	4
52	5 STRAIGHT	STRAIGHT	P5	P5	5	5	5	P5	5	5	5	P5	5	5
53	6 DIRECT	(PURE) DIRECT	P6	P6	6	6	6	P6	6	6	6	P6	6	6
54	7 NIGHT	NIGHT	P7	P7	7	7	7	P7	7	7	7	P7	7	7
55	8 PARAMETER	PARAMENTER	P8	P8	8	8	8	P8	8	8	8	P8	8	8
56	9 MULTI CH IN	MULTI CH IN	P9	P9	9	9	9	P9	9	9	9	P9	9	9
57	0 AUDIO SEL	AUDIO SEL	P10	P0	10	0/10	0/10	P0	0	0/10	0	P0	0/10	0/10
58	+10	-	-	-	11	+10	+10	-	+10	/...11	+10	-	>10	/...11
59	ENT_SLEEP	SLEEP	P.ENTER	P.ENTER	12	INDEX	INDEX	P.ENTER	TITLE/INDEX	ENTER/12	TITLE/INDEX	P.ENTER	ENTER	ENTER/12

Advanced setup

Advanced setup

This unit has additional menus that are displayed in the front panel display. The advanced setup menu offers additional operations to adjust and customize the way this unit operates. Change the initial settings (indicated in bold under each parameter) to reflect the needs of your listening environment.

Notes

- Only **MAIN ZONE ON/OFF PROGRAM** </> and **STRAIGHT** are effective while you are using the advanced setup menu.
- No other operations can be made while you are using the advanced setup menu.
- The advanced setup menu is only available in the front panel display.

1 Press SYSTEM OFF to set this unit to the standby mode.

2 Press and hold TONE CONTROL and then press MAIN ZONE ON/OFF to turn on this unit.
This unit turns on, and the advanced setup menu appears in the front panel display.

3 Press PROGRAM </>/> to select the parameter you want to adjust.
The name of the selected parameter appears in the front panel display.

4 Press STRAIGHT repeatedly to change the selected parameter setting.

5 Press MAIN ZONE ON/OFF to confirm your selection and set this unit to the standby mode.

*The settings you made are reflected next time you turn on this unit.

■ **Speaker impedance SP IMP. (U.S.A. and Canada models only)**
Use this feature to set the speaker impedance of this unit so that it matches that of your speakers.

- Choices: **8Ω MIN**, 6Ω MIN
- Select "8Ω MIN" to set the speaker impedance to 8 Ω.
- Select "6Ω MIN" to set the speaker impedance to 6 Ω.

SP IMP.	Speaker	Impedance level
8Ω MIN	Front (A or B)	The impedance of each speaker must be 8 Ω or higher.
	Center	
	Surround	
6Ω MIN	Front (A or B)	The impedance of each speaker must be 6 Ω or higher.
	Center	
	Surround	

■ **SIRIUS Satellite Radio Parental Lock code number reset SSR PIN**
Use this feature to set the code number for the SIRIUS Satellite Radio Parental Lock feature to the initial factory setting.

- Choices: **RESET**, **CANCEL**
- Select "RESET" to set the code number to the initial factory setting.
- Select "CANCEL" to set the code number to the initial factory setting.

Note

Even if you set "SSR PIN" to "RESET", this unit does not unlock the locked channels. The initial factory setting of the Parental Lock code number is "0000".

■ **Bi-amplifier setting BI-AMP**
Use this feature to activate or deactivate the bi-amplifier function.

- Choices: **ON**, **OFF**
- Select "ON" if you want to activate the bi-amplifier function. "SUR.B L/R SP" is set to "NONE" automatically, and this unit outputs the front channel audio signals at the SURROUND BACK/BI-AMP speaker terminals.
- Select "OFF" if you want to deactivate the bi-amplifier function.

■ **SCENE IR code setting SCENE IR**
Use this feature to output the remote control signals at the REMOTE OUT jack automatically when this unit is in the SCENE mode.

- Choices: **ON**, **OFF**
- Select "ON" when the component connected to the REMOTE OUT jack is the Yamaha component and has the capability of the SCENE control signals. This unit automatically sends the remote control signals to the component.
- Select "OFF" when the component connected to the REMOTE OUT jack is not the Yamaha component and does not have the capability of the SCENE control signals.

Note

If noises are output when you operate the SCENE function, set "SCENE IR" to "OFF".

■ **Tuner frequency step TU (Asia and General models only)**
Use this feature to set the tuner frequency step according to the frequency spacing in your area.

- Choices: **AM10/FM100**, **AM9/FM50**
- Select "AM10/FM100" for North, Central and South America.
- Select "AM9/FM50" for all other areas.

■ **Initializing INIT.**

Use this feature to reset all the parameters of this unit to the initial factory settings.

- Choices: **CANCEL**, **RESET**
- Select "CANCEL" not to reset any parameters of this unit.
- Select "RESET" to reset the parameters of this unit.

Notes

- This setting completely resets all the parameters of this unit including the "SET MENU" parameters. However, the advanced setup menu parameters will not be initialized.
- The initial factory settings are activated next time you turn on this unit.

RX-V563/HTR-6150/ DSP-AX563

