

AV RECEIVER/AV AMPLIFIER RX-V765/HTR-6270/ AX-V765 SERVICE MANUAL

IMPORTANT NOTICE

This manual has been provided for the use of authorized YAMAHA Retailers and their service personnel.

It has been assumed that basic service procedures inherent to the industry, and more specifically YAMAHA Products, are already known and understood by the users, and have therefore not been restated.

WARNING: Failure to follow appropriate service and safety procedures when servicing this product may result in personal injury, destruction of expensive components, and failure of the product to perform as specified. For these reasons, we advise all YAMAHA product owners that any service required should be performed by an authorized YAMAHA Retailer or the appointed service representative.

IMPORTANT: The presentation or sale of this manual to any individual or firm does not constitute authorization, certification or recognition of any applicable technical capabilities, or establish a principle-agent relationship of any form.

The data provided is believed to be accurate and applicable to the unit(s) indicated on the cover. The research, engineering, and service departments of YAMAHA are continually striving to improve YAMAHA products. Modifications are, therefore, inevitable and specifications are subject to change without notice or obligation to retrofit. Should any discrepancy appear to exist, please contact the distributor's Service Division.

WARNING: Static discharges can destroy expensive components. Discharge any static electricity your body may have accumulated by grounding yourself to the ground buss in the unit (heavy gauge black wires connect to this buss).

IMPORTANT: Turn the unit OFF during disassembly and part replacement. Recheck all work before you apply power to the unit.

CONTENTS

TO SERVICE PERSONNEL	2
FRONT PANELS	3-4
REAR PANELS	5-8
REMOTE CONTROL PANEL	9
SPECIFICATIONS / 参考仕様	10-16
INTERNAL VIEW	17
SERVICE PRECAUTIONS / サービス時の注意事項	17
DISASSEMBLY PROCEDURES / 分解手順	18-20
UPDATING FIRMWARE / ファームウェアの書き込み	21-31
SELF-DIAGNOSTIC FUNCTION / ダイアグ (自己診断機能)	32-64

CONFIRMATION OF IDLING CURRENT OF AMP UNIT / アンプユニットのアイドリング電流の確認	65
DISPLAY DATA	66-67
IC DATA	68-86
PIN CONNECTION DIAGRAMS	87-89
BLOCK DIAGRAMS	90-93
PRINTED CIRCUIT BOARDS	94-111
SCHEMATIC DIAGRAMS	113-124
REPLACEMENT PARTS LIST	125-147
REMOTE CONTROL	148-150
ADVANCED SETUP	151-152
本機の基本設定 / 初期化を行う	153-154



このサービスマニュアルは、エコマーク認定の再生紙を使用しています。
This Service Manual uses recycled paper.

■ TO SERVICE PERSONNEL

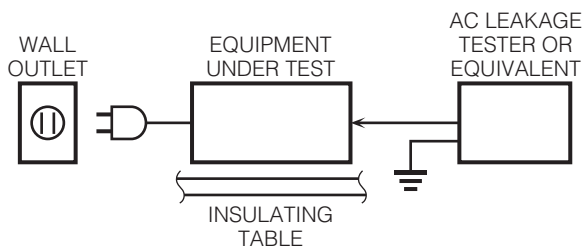
1. Critical Components Information

Components having special characteristics are marked Δ and must be replaced with parts having specifications equal to those originally installed.

2. Leakage Current Measurement (For 120V Models Only)

When service has been completed, it is imperative to verify that all exposed conductive surfaces are properly insulated from supply circuits.

- Meter impedance should be equivalent to 1500 ohms shunted by 0.15 μ F.



- Leakage current must not exceed 0.5mA.
- Be sure to test for leakage with the AC plug in both polarities.



For U model

“CAUTION”

“F3701: FOR CONTINUED PROTECTION AGAINST RISK OF FIRE, REPLACE ONLY WITH SAME TYPE 10A, 125V FUSE.”

For C model

CAUTION

F3701: REPLACE WITH SAME TYPE 10A, 125V FUSE.

ATTENTION

F3701: UTILISER UN FUSIBLE DE RECHANGE DE MÊME TYPE DE 10A, 125V.

WARNING: CHEMICAL CONTENT NOTICE!

This product contains chemicals known to the State of California to cause cancer, or birth defects or other reproductive harm.

DO NOT PLACE SOLDER, ELECTRICAL/ELECTRONIC OR PLASTIC COMPONENTS IN YOUR MOUTH FOR ANY REASON WHATSOEVER!

Avoid prolonged, unprotected contact between solder and your skin! When soldering, do not inhale solder fumes or expose eyes to solder/flux vapor!

If you come in contact with solder or components located inside the enclosure of this product, wash your hands before handling food.

About lead free solder / 無鉛ハンダについて

All of the P.C.B.s installed in this unit and solder joints are soldered using the lead free solder.

Among some types of lead free solder currently available, it is recommended to use one of the following types for the repair work.

- Sn + Ag + Cu (tin + silver + copper)
- Sn + Cu (tin + copper)
- Sn + Zn + Bi (tin + zinc + bismuth)

Caution:

As the melting point temperature of the lead free solder is about 30°C to 40°C (50°F to 70°F) higher than that of the lead solder, be sure to use a soldering iron suitable to each solder.

本機に搭載されているすべての基板およびハンダ付けによる接合部は無鉛ハンダでハンダ付けされています。

無鉛ハンダにはいくつかの種類がありますが、修理時には下記のような無鉛ハンダの使用を推奨します。

- Sn+Ag+Cu (錫 + 銀 + 銅)
- Sn+Cu (錫 + 銅)
- Sn+Zn+Bi (錫 + 亜鉛 + ビスマス)

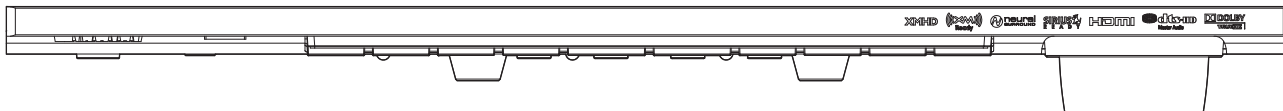
注意：

無鉛ハンダの融点温度は通常の鉛入りハンダに比べ 30 ~ 40°C程度高くなっていますので、それぞれのハンダに合ったハンダごてをご使用ください。

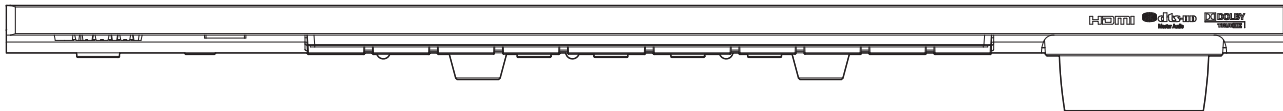
FRONT PANELS

Top view

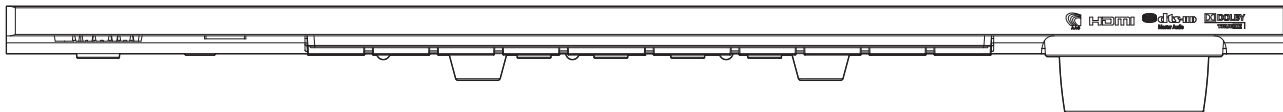
U model



C, R, T, K, A, B, G, E, F, L models

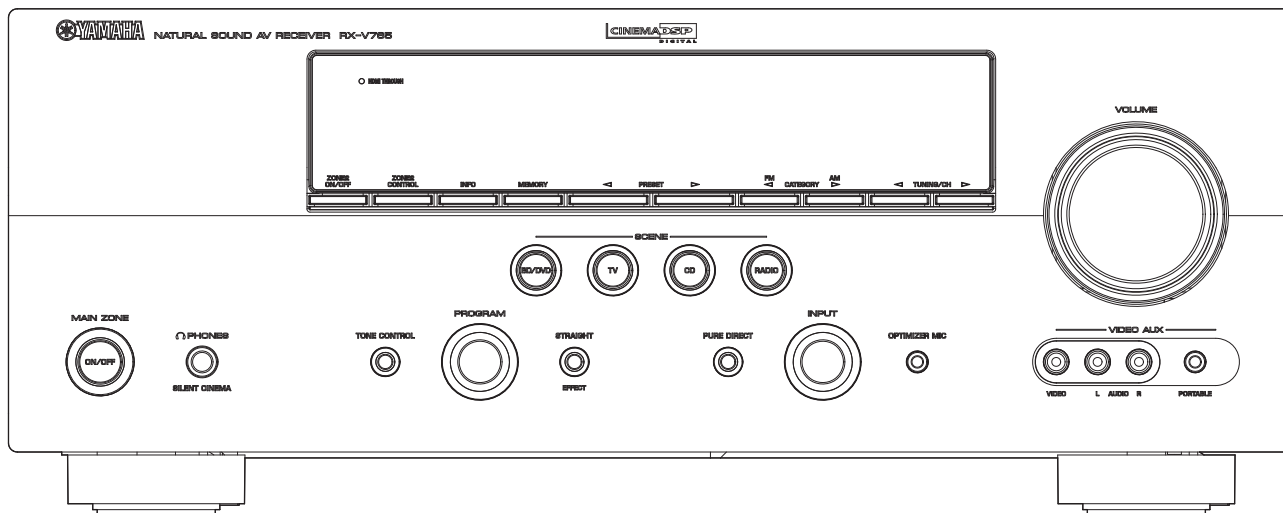


J model

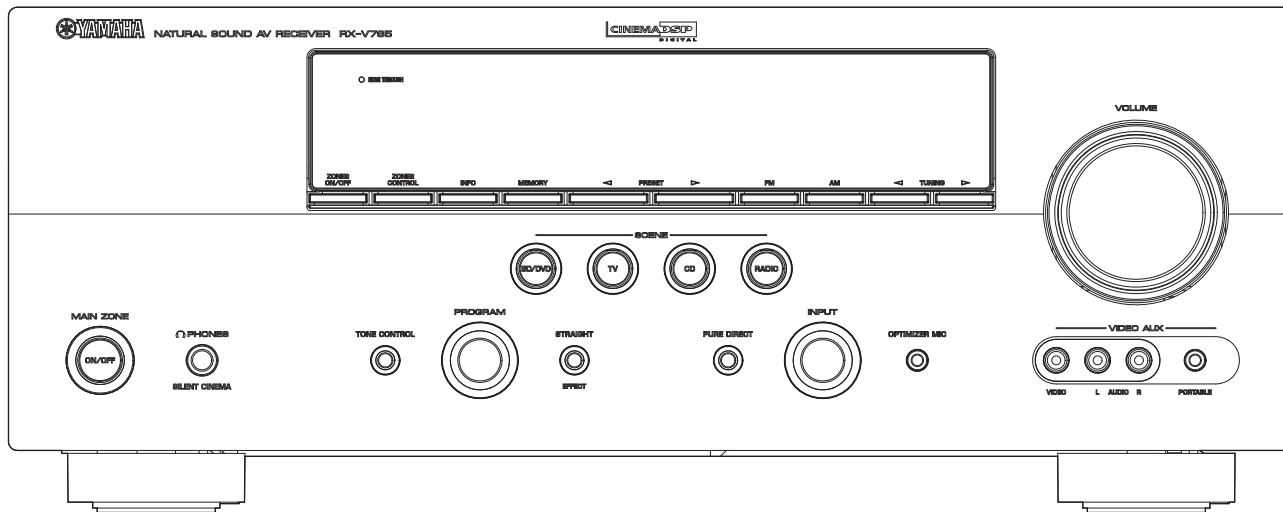


Front view

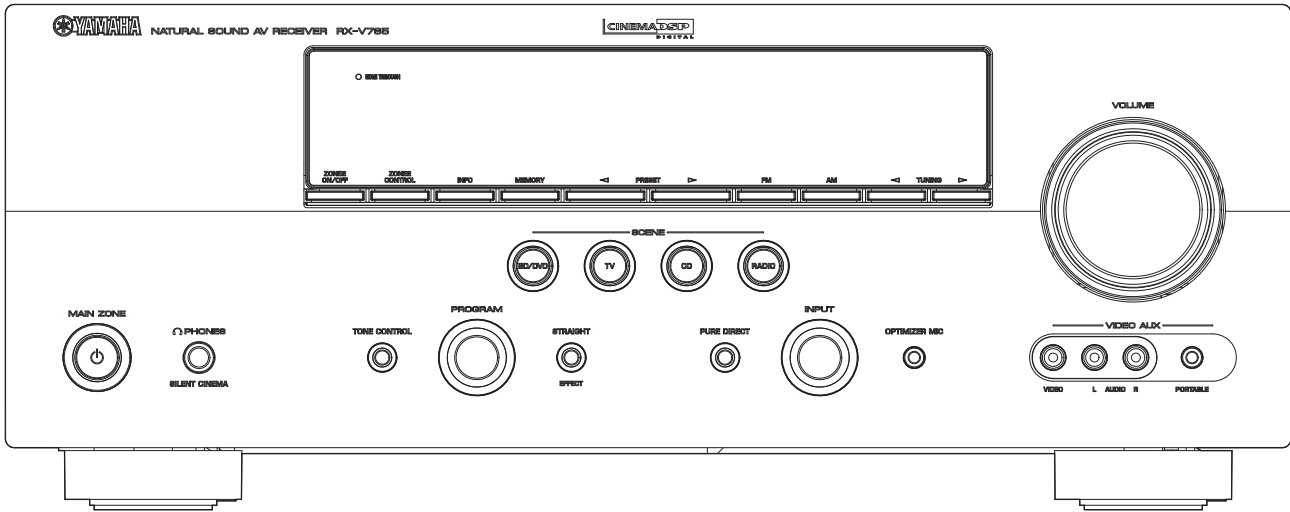
RX-V765 (U model)



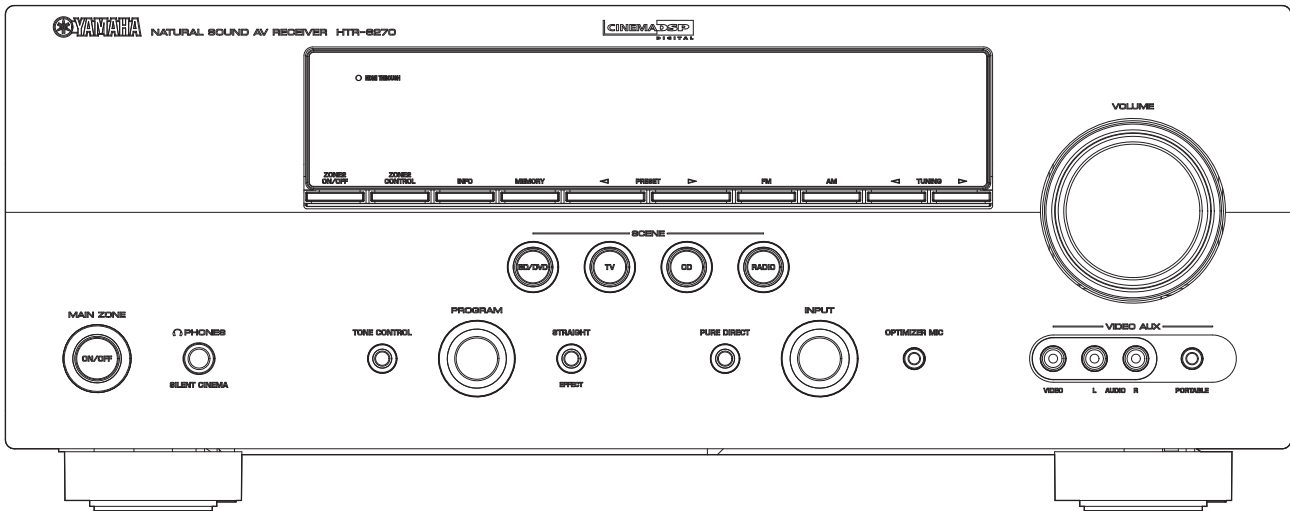
RX-V765 (C, R, K, A, B, G, E, F, L models)



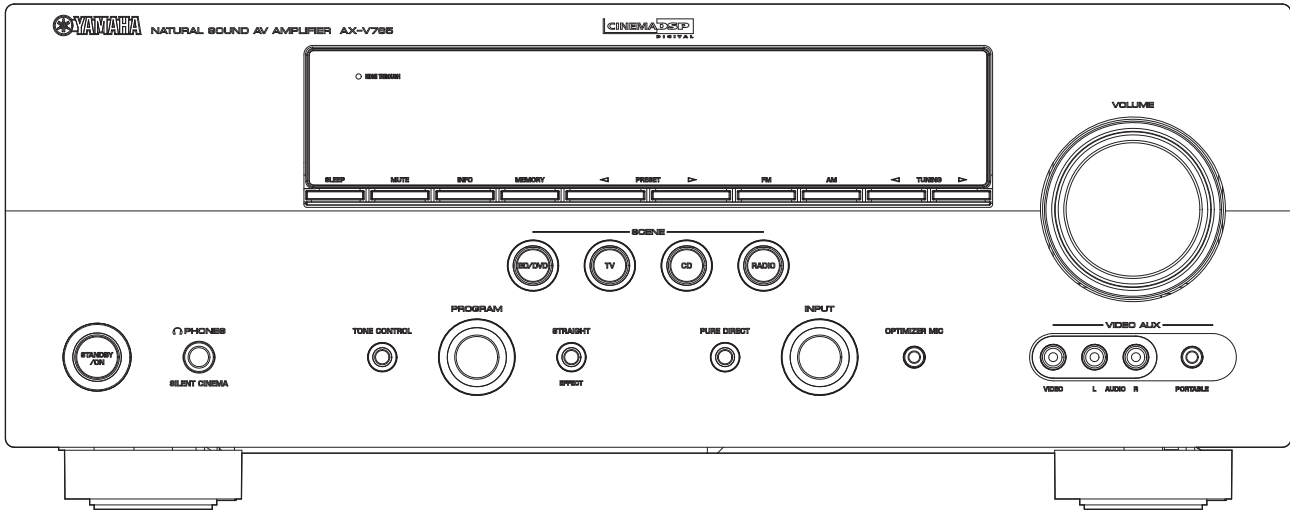
RX-V765 (T model)



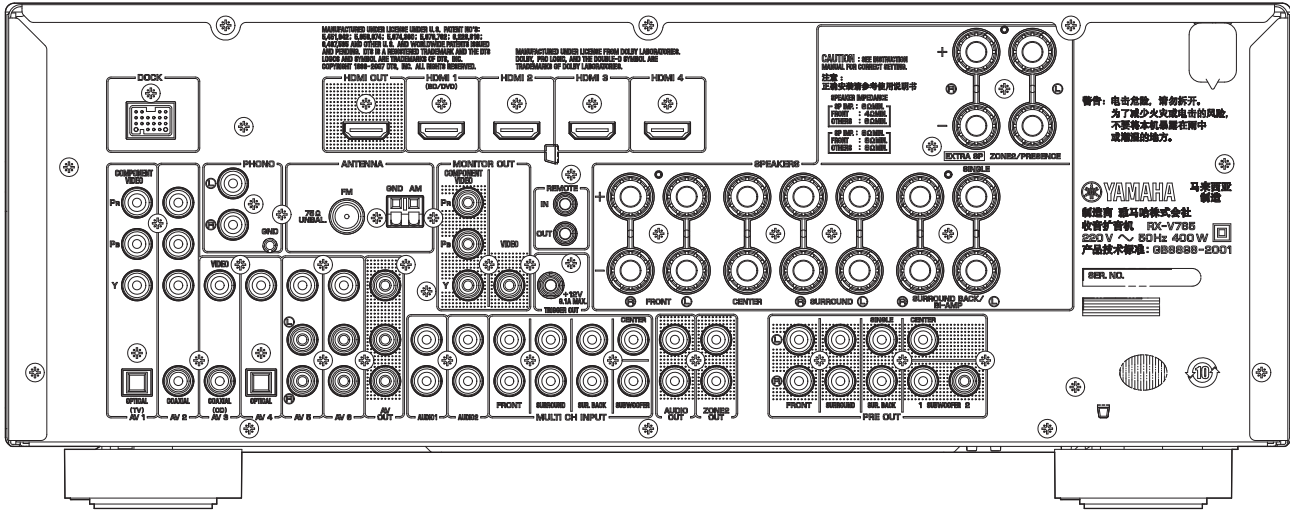
HTR-6270 (C, F models)



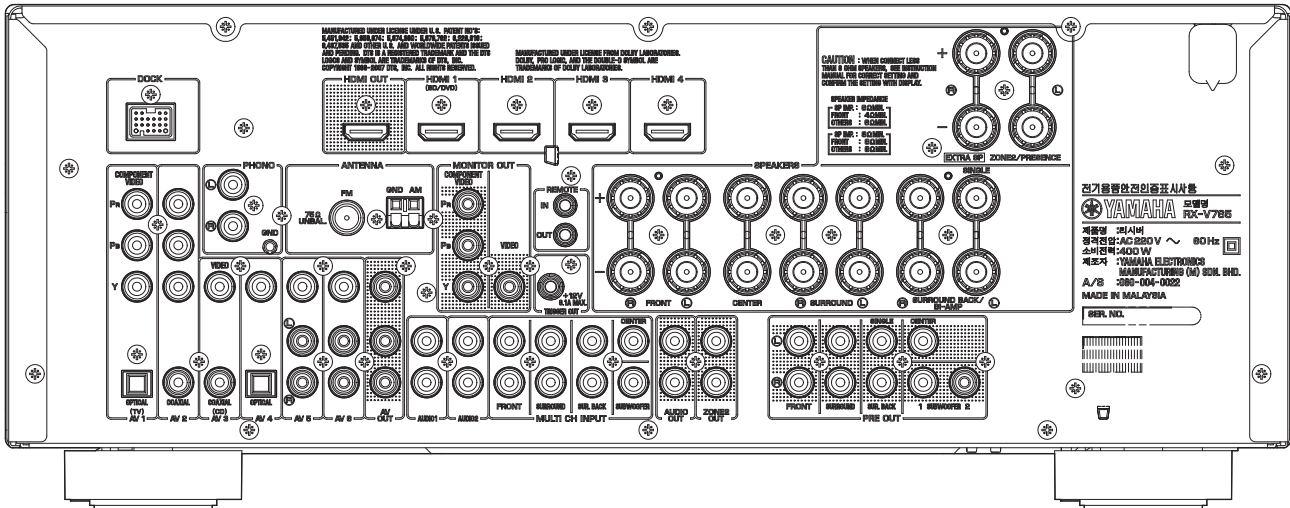
AX-V765 (J model)



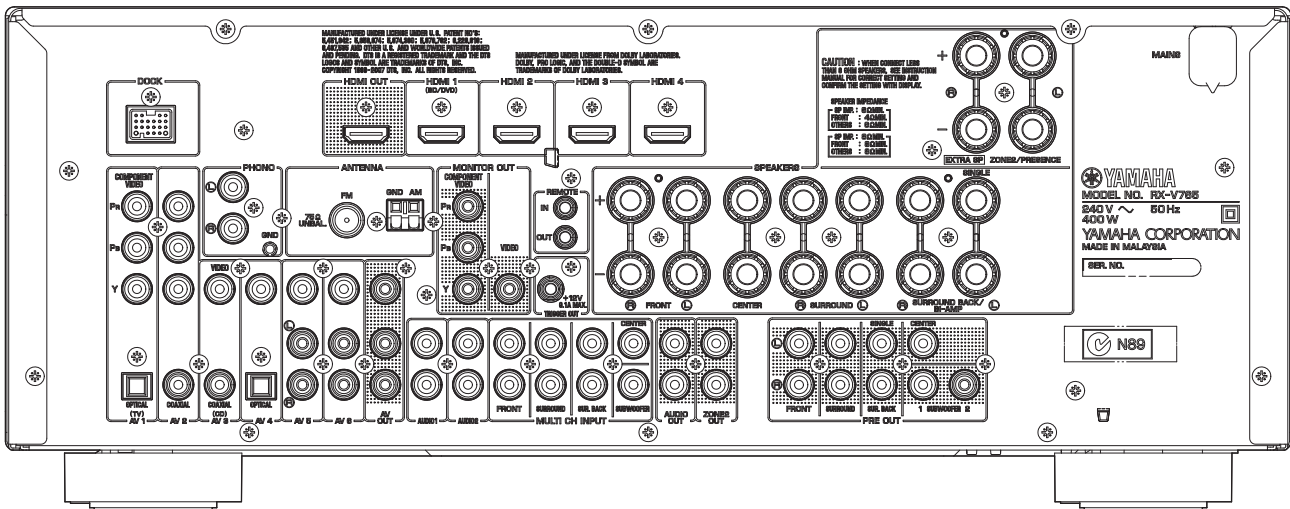
RX-V765 (T model)



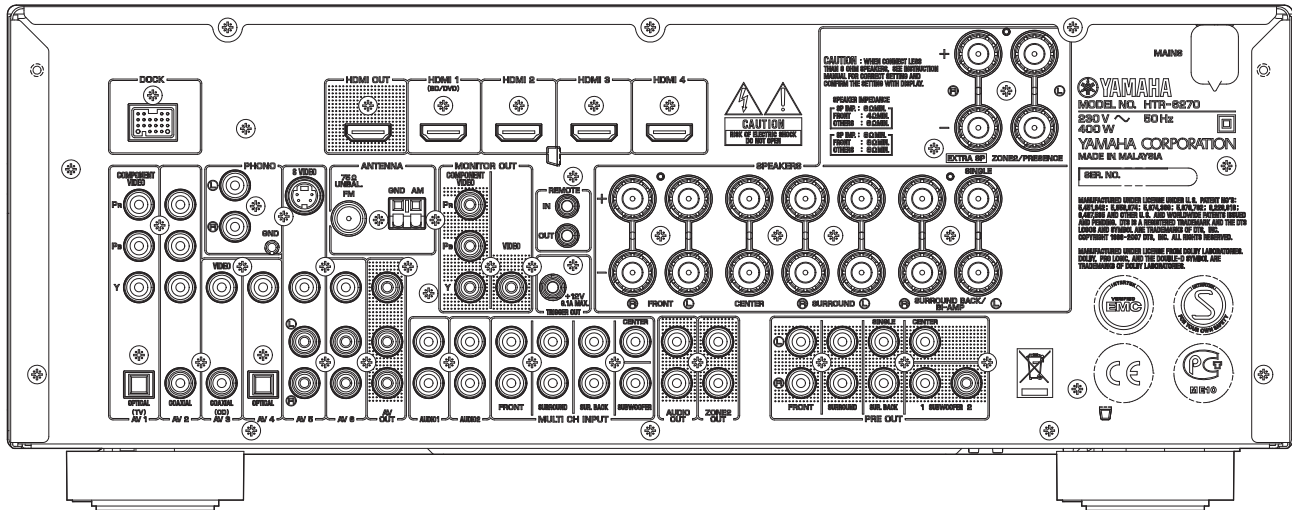
RX-V765 (K model)



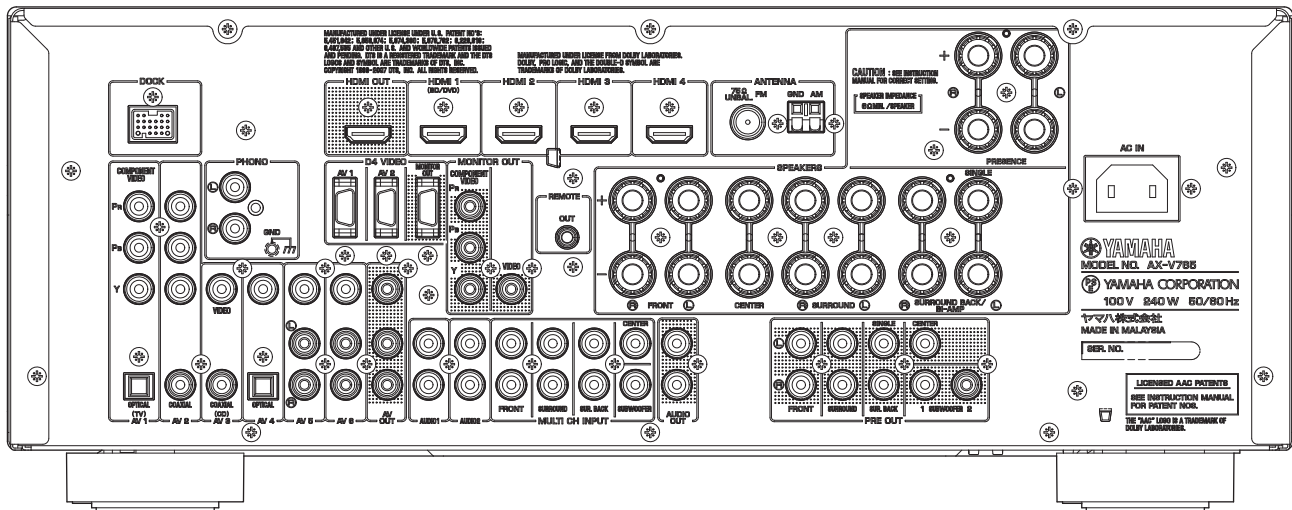
RX-V765 (A model)



HTR-6270 (F model)

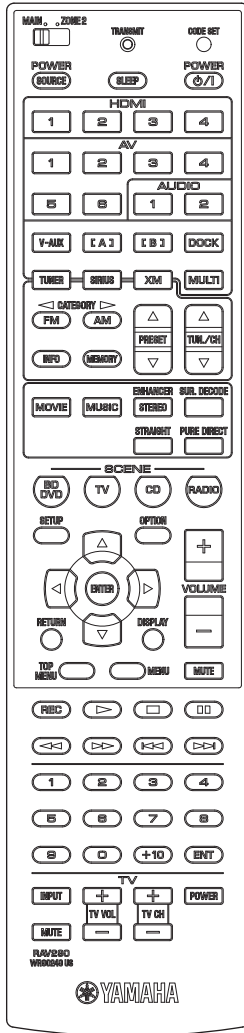


AX-V765 (J model)

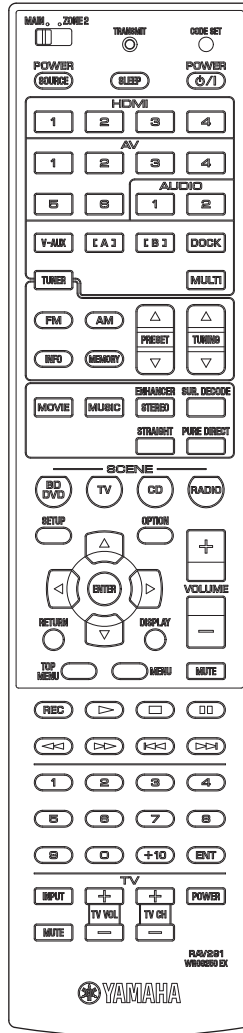


REMOTE CONTROL PANELS

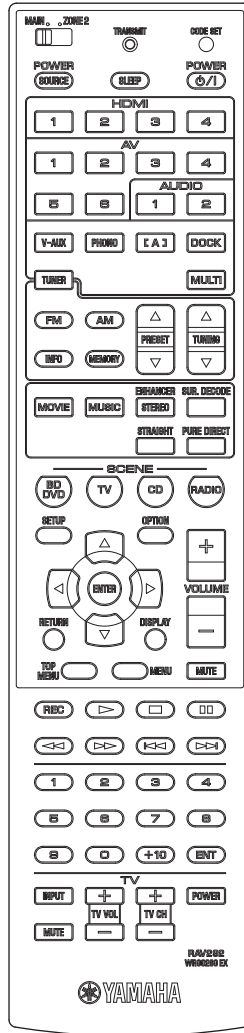
RAV290
(U model)



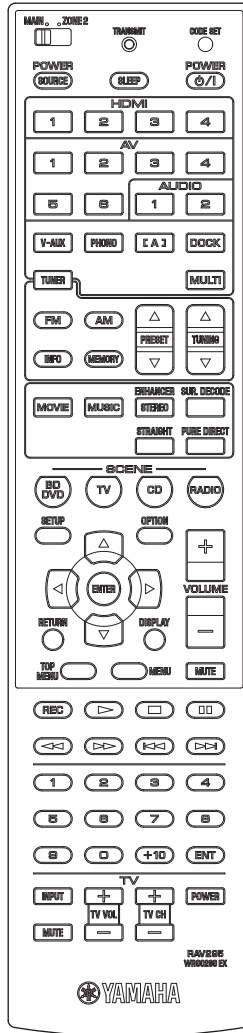
RAV291
(C model)



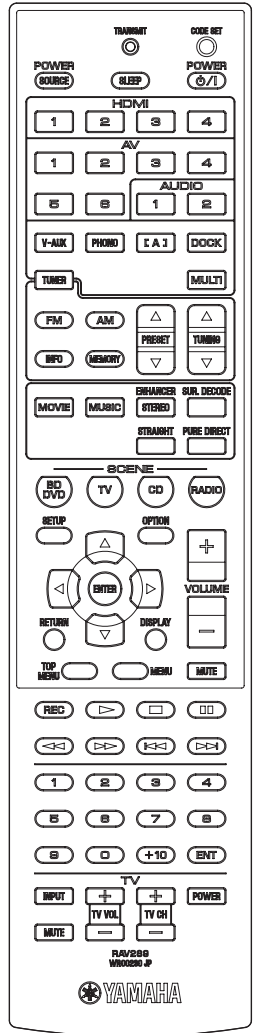
RAV292
(R, A, L models)



RAV295
(T, K, B, G, E, F models)



RAV289
(J model)



■ SPECIFICATIONS / 参考仕様

■ Audio Section / オーディオ部

Minimum RMS Output Power (Power Amp. Section) / 定格出力 (パワーアンプ部)

[RX-V765]

(20 Hz to 20 kHz, 0.08 % THD, 8 ohms)

FRONT L/R	95 W + 95 W
CENTER	95 W
SURROUND L/R	95 W + 95 W
SURROUND BACK L/R	95 W + 95 W

[HTR-6270] (1 kHz, 0.7 % THD, 8 ohms)

FRONT L/R	110 W + 110 W
CENTER	110 W
SURROUND L/R	110 W + 110 W
SURROUND BACK L/R	110 W + 110 W

[AX-V765] (20 Hz to 20 kHz, 0.09 % THD, 6 ohms)

FRONT L/R	95 W + 95 W
CENTER	95 W
SURROUND L/R	95 W + 95 W
SURROUND BACK L/R	95 W + 95 W

Maximum Power / 実用最大出力 (JEITA) (1 kHz, 10 % THD)

[R, T, K, L, J models]

FRONT L/R

R, T, K, L models (8 ohms)	135 W + 135 W
J model (6 ohms)	135 W + 135 W

CENTER

R, T, K, L models (8 ohms)	135 W
J model (6 ohms)	135 W

SURROUND L/R

R, T, K, L models (8 ohms)	135 W + 135 W
J model (6 ohms)	135 W + 135 W

SURROUND BACK L/R

R, T, K, L models (8 ohms)	135 W + 135 W
J model (6 ohms)	135 W + 135 W

MAX. Power Per Channel (1 kHz, 0.7 % THD, 4 ohms)

[B, G, E, F, L models]

FRONT L/R	145 W + 145 W
CENTER	145 W
SURROUND L/R	145 W + 145 W
SURROUND BACK L/R	145 W + 145 W

IEC Power (1 kHz, 0.08 % THD, 8 ohms) [B, G, E, F, L models]

FRONT L/R 105 W + 105 W

Dynamic Power Per Channel / ダイナミックパワー (IHF)

FRONT L/R drive

U, C, R, T, K, A, B, G, E, F, L models (8 / 6 / 4 / 2 ohms)	130 / 165 / 195 / 240 W
J model (6 / 4 / 2 ohms)	135 / 165 / 210 W

Dynamic Headroom [U, C models]

8 ohms 1.4 dB

Damping Factor / ダンピングファクタ

(20 Hz to 20 kHz, 8 ohms, SPEAKER-A)

FRONT L/R 100 or more

Input Sensitivity/Input Impedance / 入力感度 / 入力インピーダンス

(1 kHz, 100 W/8 ohms)

PHONO (MM)	3.5 mV / 47 k-ohms
AV5 etc.	200 mV / 47 k-ohms
MULTI CH INPUT	
FRONT L/R, CENTER, SURROUND L/R, SURROUND BACK L/R, SUBWOOFER	200 mV / 47 k-ohms

Maximum Input Signal / 最大許容入力 (1 kHz)

PHONO (MM) (0.1 % THD)	60 mV or more
AV5 etc. (Effect ON) (0.5 % THD)	2.3 V or more

Output Level/Output Impedance / 出力電圧 / 出力インピーダンス

REC OUT	200 mV/1.2 k-ohms
PRE OUT	1 V/1.2 k-ohms
SUBWOOFER (2 ch stereo and FRONT SP: small)	1 V/1.2 k-ohms
ZONE2 OUT	
U, C, R, T, K, A, B, G, E, F, L models	200 mV/1.2 k-ohms

Headphone Jack Rated Output/Output Impedance /

ヘッドホン出力 / 出力インピーダンス

AV5 etc. input (1 kHz, 50 mV, 8 ohms) 100 mV/470 ohms

Frequency Response / 再生周波数帯域

AV5 etc., FRONT (10 Hz to 100 kHz) +0/-3 dB

RIAA Equalization Deviation / RIAA 偏差

PHONO (MM) 0 ±0.5 dB

Total Harmonic Distortion / 全高調波歪率

PHONO (MM) to REC OUT (20 Hz to 20 kHz, 1 V)	0.02 % or less
AV5 etc. (PURE DIRECT) to FRONT SP OUT (20 Hz to 20 kHz, 50 W)	
U, C models (8 ohms)	0.08 % or less
R, A, B, G, E, F, L models (6 ohms)	0.08 % or less

Signal to Noise Ratio / 信号対雑音比 (IHF-A network)

PHONO (MM) to REC OUT (Input shorted 5 mV)	
U, C, R, T models	86 dB or more
K, A, B, G, E, F, L models	81 dB or more
PHONO (MM) to REC OUT (Input shorted 2.5 mV)	
J model	80 dB or more
AV5, etc. (PURE DIRECT) to SP OUT (Input shorted 250 mV)	100 dB or more

Residual Noise / 残留ノイズ (IHF-A Network)

FRONT L/R to SP OUT 150 µV or less

Channel Separation / チャンネルセパレーション (1 kHz / 10 kHz)

PHONO (Input shorted)	60 dB or more / 55 dB or more
AV5, etc. (Input 5.1 k-ohms shorted)	60 dB or more / 45 dB or more

Volume Control / 可変範囲 / ステップ

..... MUTE / -80 dB to +16.5 dB / 0.5 dB step

Tone Control Characteristics / トーンコントロール特性

FRONT L/R

Bass

Boost/Cut	±10 dB/2 dB, step 50 Hz
Turnover frequency	350 Hz

Treble

Boost/Cut	±10 dB/2 dB, step 20 kHz
Turnover frequency	3.5 kHz

Filter Characteristics / フィルタ特性

FRONT, CENTER, SURROUND, SURROUND BACK small (H.P.F.)	fc=40/60/80/90/100/110/120/160/200 Hz, 12 dB/oct.
SUBWOOFER small (L.P.F.)	fc=40/60/80/90/100/110/120/160/200 Hz, 24 dB/oct.

■ Video Section / ビデオ部

Video Signal Type (Gray back) / ビデオ信号方式 (グレーバック)

U, C, R, K, J models	NTSC
T, A, B, G, E, F, L models	PAL

Composite Video Signal Level / コンポジットビデオ信号

..... 1 Vp-p / 75 ohms

S-Video Signal Level [B, G, E, F models]

Y	1 Vp-p / 75 ohms
C	0.286 Vp-p / 75 ohms

Component Video Signal Level / コンポーネントビデオ信号

Y 1 Vp-p / 75 ohms
Cb/Cr 0.7 Vp-p / 75 ohms

D4 Video Signal / D4 ビデオ信号 [J model]

Y 1 Vp-p / 75 ohms
Cb/Cr 0.7 Vp-p / 75 ohms

Video Maximum Input Level / ビデオ最大許容入力

VIDEO CONVERSION OFF 1.5 Vp-p or more

Video Signal to Noise Ratio / ビデオ信号対雑音比

..... 50 dB or more

Monitor Out Frequency Response / モニター出力周波数帯域

(VIDEO CONVERSION OFF)

Component video signal level 5 Hz to 60 MHz, -3 dB

D4 video signal / D4 ビデオ信号 [J model]

..... 5 Hz to 60 MHz, -3 dB

FM Section / FM 部**Tuning Range / 受信周波数範囲**

U, C models 87.5 to 107.9 MHz

R, L models 87.5 to 108.0 MHz / 87.50 to 108.00 MHz

T, K, A, B, G, E, F models 87.50 to 108.00 MHz

J model 76.0 to 90.0 MHz

50 dB Quieting Sensitivity (IHF) (1 kHz, 100 % MOD.)

Mono/Stereo 3 µV (20.8 dBf)

Signal to Noise Ratio / 信号対雑音比 (IHF)

Mono 74 dB

Stereo 70 dB

Harmonic Distortion / 歪率 (1 kHz)

Mono 0.3 %

Stereo 0.3 %

Antenna Input / アンテナ入力

..... 75 ohms unbalanced

AM Section / AM 部**Tuning Range / 受信周波数範囲**

U, C models 530 to 1,710 kHz

R, L models 530 to 1,710 kHz / 531 to 1,611 kHz

T, K, A, B, G, E, F, J models 531 to 1,611 kHz

Antenna / アンテナ

..... Loop antenna

General / 総合**Power Supply / 電源電圧**

U, C models AC 120 V, 60 Hz

R model AC 110/120/220/230-240 V, 50/60 Hz

T model AC 220 V, 50 Hz

K model AC 220 V, 60 Hz

A model AC 240 V, 50 Hz

B, G, E, F models AC 230 V, 50 Hz

L model AC 220/230-240 V, 50/60 Hz

J model AC 100 V, 50/60 Hz

Power Consumption / 消費電力

U, C models 400 W / 500 VA

R, T, K, A, B, G, E, F, L models 400 W

J model 240 W

Standby Power Consumption (reference data) /**待機時消費電力 (参考値)**

HDMI control: OFF / Standby through: OFF 0.2 W or less

HDMI control: ON / Standby through: ON 1.2 W or less

HDMI control: ON / Standby through: ON / Repeat 3.0 W or less

Maximum Power Consumption [R, L models]

..... 590 W

Dimensions (W x H x D) / 寸法 (幅 × 高さ × 奥行き)

..... 435 x 171 x 365 mm (17-1/8" x 6-3/4" x 14-3/8")

Weight / 質量

..... 11.0 kg (24.3 lbs.)

Finish / 仕上げ

[RX-V765]

Gold color T model

Black color U, C, R, T, A, B, G, E, F, L models

Titanium color K, G, E, F, L models

[HTR-6270]

Black color C, F models

[AX-V765]

Black color J model

Accessories / 付属品

Remote control x 1

Battery (R03, AAA, UM-4) x 2

Indoor FM antenna (1.4 m) x 1

AM loop antenna (1.0 m) x 1

Optimizer microphone (6.0 m) x 1

Power cable (2 m) (J model) x 1

* Specifications are subject to change without notice due to product improvements.

※ 参考仕様および外観は予告なく変更されることがあります。

U U.S.A. model

B British model

C Canadian model

G European model

R General model

E South European model

T Chinese model

F Russian model

K Korean model

L Singapore model

A Australian model

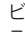
J Japanese model

 DOLBY

TRUEHD

Manufactured under license from Dolby Laboratories.

Dolby, Pro Logic and the double-D symbol are trademarks of Dolby Laboratories.

ドルビーラボラトリーズからの実施権に基づき製造されています。「ドルビー」、「PRO LOGIC」、「Surround EX」およびダブルD記号は、ドルビーラボラトリーズの商標です。

 dts-hd
Master Audio

DTS is a registered trademark and the DTS logos, Symbol, DTS-HD and DTS-HD Master Audio are trademark of DTS, Inc. © 1996-2007 DTS, Inc. All Rights Reserved.

DTSはDTS社の登録商標です。また、DTSロゴ、記号、およびDTS-HD、DTS-HD Master AudioはDTS社の商標です。

著作権 1996-2007年 DTS社。不許複製。

 neural
SURROUND

Neural Surround™ name and related logos are trademarks owned by Neural Audio Corporation.

iPod™

“iPod” is a trademark of Apple Inc., registered in the U.S. and other countries.

iPodは、米国およびその他の国々で登録されたApple Inc.の商標または登録商標です。

Bluetooth™

Bluetooth is a registered trademark of Bluetooth SIG and is used by Yamaha in accordance with a license agreement.

Bluetoothは、Bluetooth SIGの登録商標でありヤマハはライセンスに基づき使用しています。

HDMI

“HDMI,” the “HDMI” logo and “High-Definition Multimedia Interface” are trademarks, or registered trademarks of HDMI Licensing LLC.

HDMI、HDMI ロゴ、および High-Definition Multimedia Interface は、HDMI Licensing, LLC の商標または登録商標です。

x.v.Color™

“x.v.Color” is a trademark of Sony Corporation.

「x.v.Color」は、ソニー株式会社の商標です。

SILENT™ CINEMA

“SILENT CINEMA” is a trademark of Yamaha Corporation.

「サイレントシネマ™ SILENT CINEMA™」はヤマハ株式会社の登録商標です。

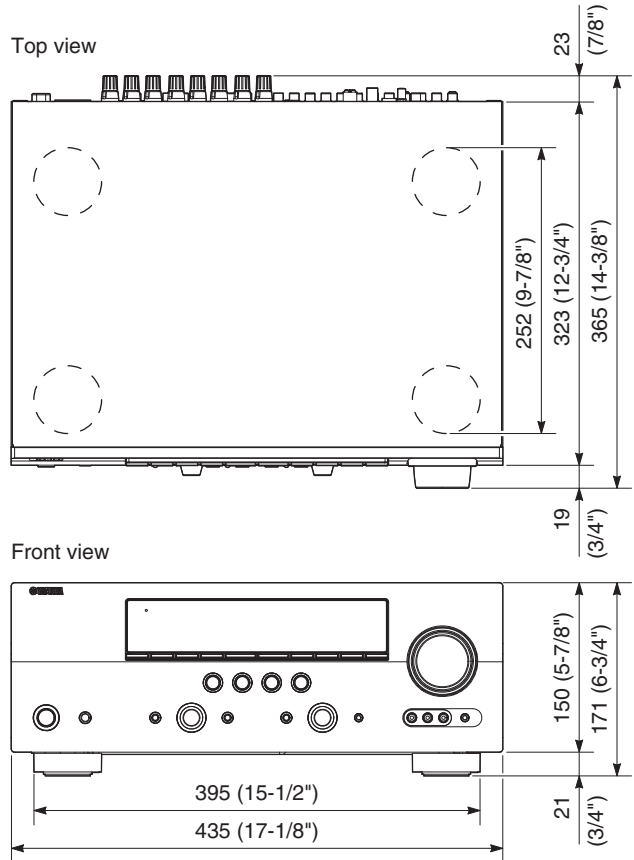


SIRIUS, XM and all related marks and logos are trademarks of Sirius XM Radio Inc. and its subsidiaries. All rights reserved. **Service not available in Alaska and Hawaii.**



AAC ロゴマークはドルビーラボラトリーズの商標です。

• DIMENSIONS



Unit: mm (inch)
単位: mm (インチ)

• SCENE TEMPLATE

Name	BD/DVD	TV	CD	RADIO
INPUT	HDMI1	AV-1 (Component / Optical)	AV-3 (Video / Coaxial)	TUNER
Sound field mode	STRAIGHT	STRAIGHT	STRAIGHT	MUSIC ENHANCER 7ch Enhancer
IR code output	DVD Play	None	CD Power On / Play	None

• SOUND FIELD PARAMETERS

Category	Program	Parameter																															
		Decode Type	3D DSP: ON/OFF	DSP Level: -6dB to +3dB	Init. Delay: 1 to 99ms	Room Size: 0.1 to 2.0	Liveness: 0 to 10	Sur. Init. Delay: 1 to 49ms	Sur. Room Size: 0.1 to 2.0	Sur. Liveness: 0 to 10	SB. Init. Delay: 1 to 49ms	SB. Room Size: 0.1 to 2.0	SB. Liveness: 0 to 10	Rev. Time: 1.0 to 5.0s	Rev. Delay: 0 to 250ms	Rev. Level: 0 to 100%	Dialogue Lift: 0 to 5	Center Level: 0 to 100%	Surround L Level: 0 to 100%	Surround R Level: 0 to 100%	Sur.Back Level: 0 to 100%	Presence L Level: 0 to 100%	Presence R Level: 0 to 100%	Direct: Auto/Off	Effect Level: High/Low	Panorama: On/Off	Center Width: 0 to 7	Dimension: -3 to +3	Center Image: 0.0 to 1.0	FOCUS: 0 to 8	TruBass: 0 to 8	Initialize	
MOVIE	Standard	● *1	●	●			●	●	●	●	●	●					●																●
	Spectacle	● *1	●	●	●	●	●	●	●	●	●	●					●															●	
	Sci-Fi	● *1	●	●	●	●	●	●	●	●	●	●					●															●	
	Adventure	● *1	●	●	●	●	●	●	●	●	●	●					●															●	
	Drama	● *1	●	●	●	●	●	●	●	●	●	●					●															●	
	Mono Movie		●	●	●	●	●							●	●	●	●															●	
	Sports		●	●	●	●	●	●	●	●	●	●					●															●	
	Action Game		●	●	●	●	●	●	●	●	●	●					●															●	
	Roleplaying Game		●	●	●	●	●	●	●	●	●	●					●															●	
MUSIC	Hall in Munich		●	●	●	●	●									●															●		
	Hall in Vienna		●	●	●	●	●									●															●		
	Chamber		●	●	●	●	●						●	●	●	●															●		
	Cellar Club		●	●	●	●	●						●	●	●	●															●		
	The Roxy Theatre		●	●	●	●	●						●	●	●	●															●		
	The Bottom Line		●	●	●	●	●						●	●	●	●															●		
	Music Video		●	●	●	●	●	●	●	●	●	●					●														●		
STEREO	2ch Stereo																						●								●		
	7ch Stereo																●	●	●	○	●	●								●			
MUSIC ENHANCER	Straight Enhancer																								●						●		
	7ch Enhancer																								●						●		
SUR. DECODE	Surround Decoder	● *2																								△	△	△	▲	■	■	●	
STRAIGHT																																	

- : The parameter to be used varies between when there is one surround pack and when there are two. On the display, the parameter value varies accordingly while the same parameter name appears. / サラウンドバックの数が1つの場合と2つの場合で使用するパラメータは変わるが、パラメータ名は同じ表示でパラメータ値のみを切替えて表す
- △ : Setting is possible only when Pro Logic II x Music (Pro Logic II Music) is selected using decode type. / Decode Type で Pro Logic II x Music (Pro Logic II Music) を選択時のみ設定可
- ▲ : Setting is possible only when Neo:6 Music is selected using decode type. / Decode Type で Neo:6 Music を選択時のみ設定可
- : Setting is possible only when CS II Cinema/Music is selected using decode type. / Decode Type で CS II Cinema/Music を選択時のみ選択可

*1 Decode Type

Decode Type	PL II x Movie	PL II when Surround Back is None. / Surround Back が None の場合は PL II
	Neo:6 Cinema	

*2 Decode Type

Decode Type	Pro Logic	PL II when Surround Back is None. / Surround Back が None の場合は PL II
	PL II x Movie	
	PL II x Music	
	PL II x Game	
	Pro Logic II z	
	Neo:6 Cinema	
	Neo:6 Music	
	Neural Sur.	

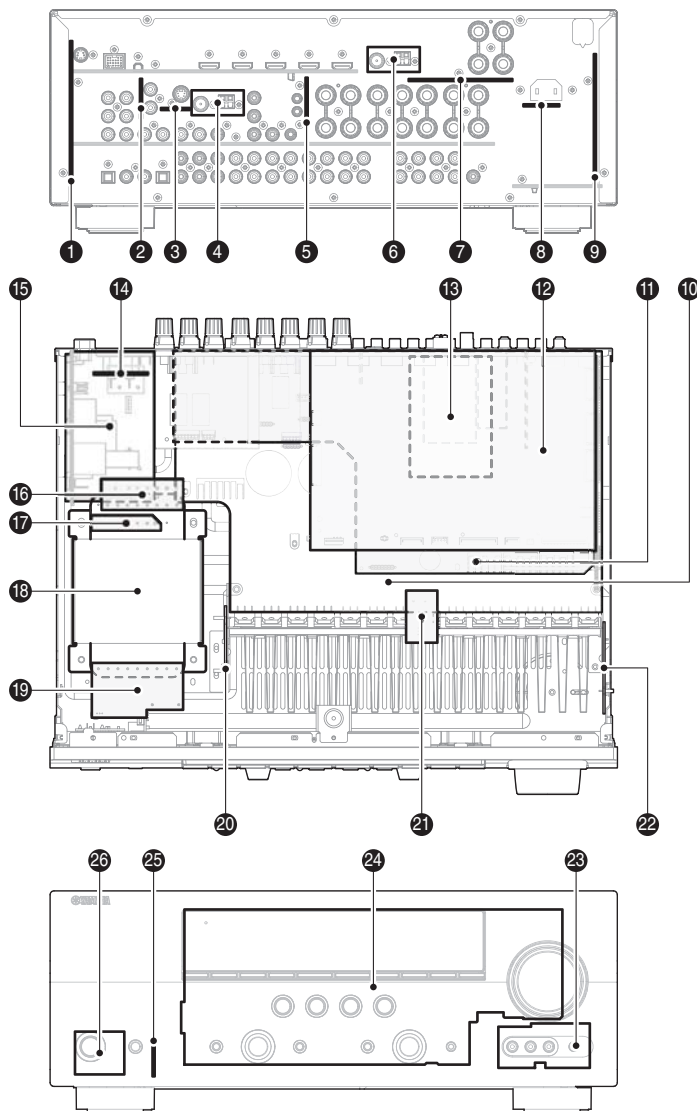
• SET MENU TABLE / セットメニュー

MAIN MENU	SUB-MENU	PARAMETER	VALUE [INITIAL VALUE]	
1 • Speaker Setup				
1 Auto Setup (YPAO)	Extra SP Assign		[Zone2] / Presence / None	
	EQ Type		[Natural] / Flat / Front	
Start			[ENTER]: Start	
2 Manual Setup	A) Config	Extra SP Assign	Zone2 / Presence / [None]	
		LFE/Bass Out	SWFR / Front / [Both]	
		Front SP	Small / [Large]	
		Center SP	None / [Small] / Large	
		Sur. L/R SP	None / SMLx1 / [SMLx2] / LRGx1 / LRGx2	
		Sur. B L/R SP	None / SMLx1 / [SMLx2] / LRGx1 / LRGx2	
		Crossover Freq. Freq.	40 / 60 / [80] / 90 / 100 / 110 / 120 / 160 / 200 Hz	
		Subwoofer Phase	[Normal] / Reverse	
		Zone2 Menu		Not Available / [Available]
		B) Level	FR. L	-10.0 to +10.0 dB, [0 dB], 0.5 dB step
	FR. R			
	CNTR			
	SUR. L			
	SUR. R		-10.0 to +10.0 dB, [-1.0 dB], 0.5 dB step	
	SBL			
	SBR			
	C) Distance	SWFR	-10.0 to +10.0 dB, [0 dB], 0.5 dB step	
		Unit	meters (m) / [feet (ft)]	
		Front L	0.30 to 24.00 m, [3.00 m]	
		Front R		
		Center	0.30 to 24.00 m, [2.60 m]	
		Sur. L	0.30 to 24.00 m, [2.40 m]	
		Sur. R		
		Sur. B L		
		Sur. B R		
		SWFR	0.30 to 24.00 m, [3.00 m]	
		PRNS L		
PRNS R				
Front L		1.0 to 80.0 ft, [10.0 ft]		
Front R		1.0 to 80.0 ft, [8.5 ft]		
Center		1.0 to 80.0 ft, [8.5 ft]		
Sur. L		1.0 to 80.0 ft, [8.0 ft]		
Sur. R				
Sur. B L				
Sur. B R				
SWFR		1.0 to 80.0 ft, [10.0 ft]		
PRNS L				
PRNS R				
PRNS R				
D) Equalizer	EQ Type Select	Auto PEQ / [GEQ] / Off		
	GEQ		* "GEQ" is available only when "EQ Type Select" is set to "GEQ". / "GEQ" 選択時のみ設定可能	
	Front L	63 Hz 0 dB	-6.0 to +6.0 dB, [0 dB], 0.5 dB step	
	Front R	160 Hz 0 dB		
	Center	400 Hz 0 dB		
	Sur. L	1 kHz 0 dB		
	Sur. R	2.5 kHz 0 dB		
	SBL	6.3 kHz 0 dB		
	SBR	16 kHz 0 dB		
	E) Test Tone			[Off] / On
2 • Sound Setup				
1 Dynamic Range				Min/Auto / STD / [Max]
2 Lipsync	HDMI Auto	[Off] / On		
	Auto Delay	0 to 240 ms, [0 ms], 1 ms step		
	Manual Delay			
3 • Function Setup				
1 HDMI	Control	On / [Off]		
	Standby Through	On / [Off] (* This menu is available only when "Control" is set to "Off". / "Control : Off" 選択時のみ設定可能)		
	Audio Output	[Amp] / TV / Amp+TV (* This menu is available only when "Control" is set to "Off". / "Control : Off" 選択時のみ設定可能)		

MAIN MENU	SUB-MENU	PARAMETER	VALUE [INITIAL VALUE]
	Resolution		[*Through] / *480p / *720p / *1080i / *1080p
	Aspect		[Thrhg] / 16:9 / Smart
2 Display	Dimmer		-4 to 0, [0]
	FL Scroll		[Continue] / Once
	OSD Shift		-5 to +5, [0]
3 Volume	Adaptive DRC		Auto / [Off]
	Max Volume		-30.0 dB to +15.0 dB / [+16.5 dB], 5.0 dB step
	Init. Volume		[Off] / Mute / -80.0 to +16.5 dB, 0.5 dB step
4 Input Rename			Input is possible to 9 characters / 9文字まで入力可能 Input possible Character type / 入力可能文字 Capital / 英大文字 : A to Z Small / 英小文字 : a to z Figure / 数字 : 0 to 9 Space / 空白 Marks / 記号 : # * + , - . / : < > ? etc.
5 Zone2	Max Volume		-30.0 dB to +15.0 dB / [+16.5 dB], 5.0 dB step
	Init. Volume		[Off] / Mute / -30.0 to +16.5 dB, 0.5 dB step
4 • DSP Parameter			
STEREO	7ch Stereo	CT Level SL Level SR Level SB Level Initialize	0 to 100 %
MUSIC ENHANCER	Straight Enhancer	Effect Level · High Initialize	[High] / Low
	7ch Enhancer	Effect Level · High Initialize	[High] / Low
SUR. DECODE	Sur. Decoder	SUR. Pro Logic Pro Logic Initialize PL Ilx Movie Initialize PL Ilx Music Panorama Center Width Dimension Initialize PL Ilx Game Initialize Neo:6 Cinema Initialize Neo:6 Music C. Image Initialize Neural Sur. Initialize	Pro Logic / PL Ilx Movie / PL Ilx Music / PL Ilx Game / Neo:6 Cinema / Neo:6 Music / Neural Sur. (U model) [Off] / On 0 to 7, [3] -3 to [STD] to +3 0.0 to 1.0, [0.3]
MOVIE	Standard	SUR. PL Ilx Movie PL Ilx Movie [1], [4], [8], [11], [16] Neo:6 Cinema [1], [4], [8], [11], [16]	PL Ilx Movie / Neo:6 Cinema
	Spectacle	SUR. PL Ilx Movie PL Ilx Movie [1], [3], [4], [7], [8], [16] Neo:6 Cinema [1], [4], [8], [11], [16]	PL Ilx Movie / Neo:6 Cinema
	Sci-Fi	SUR. PL Ilx Movie PL Ilx Movie [1], [3], [4], [7], [8], [16] Neo:6 Cinema [1], [3], [4], [7], [8], [16]	PL Ilx Movie / Neo:6 Cinema
	Adventure	SUR. PL Ilx Movie PL Ilx Movie [1], [3], [4], [7], [8], [16] Neo:6 Cinema [1], [3], [4], [7], [8], [16]	PL Ilx Movie / Neo:6 Cinema
	Drama	SUR. PL Ilx Movie PL Ilx Movie [1], [3], [4], [7], [8], [16] Neo:6 Cinema [1], [3], [4], [7], [8], [16]	PL Ilx Movie / Neo:6 Cinema
	Mono Movie	[1], [2], [6], [10], [13], [14], [15], [16]	
	Sports	[1], [3], [4], [7], [8], [16]	
	Action Game	[1], [3], [4], [7], [8], [16]	
	Roleplaying Game	[1], [3], [4], [7], [8], [16]	

MAIN MENU	SUB-MENU	PARAMETER	VALUE [INITIAL VALUE]
MUSIC	Hall in Munich	[1], [2], [6], [10], [16]	
	Hall in Vienna	[1], [2], [6], [10], [16]	
	Chamber	[1], [2], [10], [13], [14], [15], [16]	
	Cellar Club	[1], [2], [6], [10], [16]	
	The Roxy Theatre	[1], [2], [6], [10], [13], [14], [15], [16]	
	The Bottom Line	[1], [2], [6], [10], [16]	
	Music Video	[1], [3], [4], [7], [8], [16]	
STEREO	2ch Stereo	Direct	[Auto] / Off
		Initialize	
	[1]	DSP Level	-6 to +3 dB, [0 dB]
	[2]	Init. Delay	1 to 99 ms
	[3]	P. Init. Dly	
	[4]	S. Init. Dly	1 to 49 ms
	[6]	Room Size	0.1 to 2.0
	[7]	P. Room Size	
	[8]	S. Room Size	
	[10]	Liveness	0 to 10
	[11]	S. Liveness	
	[13]	Rev. Time	1.0 to 5.0 s
	[14]	Rev. Delay	0 to 250 ms
	[15]	Rev. Level	0 to 100 %
	[16]	Initialize	
5 • Memory Guard			[Off] / On

INTERNAL VIEW



- ① OPERATION (2) P.C.B.
- ② OPERATION (9) P.C.B.
(R, T, K, A, B, G, E, F, L, J models)
- ③ VIDEO (9) P.C.B. (B, G, E, F models)
- ④ AM/FM TUNER
(U, C, R, T, K, A, B, G, E, F, L models)
- ⑤ VIDEO (4) P.C.B.
- ⑥ AM/FM TUNER (J model)
- ⑦ OPERATION (8) P.C.B.
- ⑧ OPERATION (11) P.C.B. (J model)
- ⑨ VIDEO (2) P.C.B.
- ⑩ MAIN (1) P.C.B.
- ⑪ VIDEO (1) P.C.B.
- ⑫ DIGITAL P.C.B.
- ⑬ VIDEO (8) P.C.B. (J model)
- ⑭ MAIN (3) P.C.B. (R, L models)
- ⑮ VIDEO (3) P.C.B.
- ⑯ MAIN (2) P.C.B.
- ⑰ VIDEO (7) P.C.B.
(U, C, T, K, A, B, G, E, F, J models)
MAIN (4) P.C.B. (R, L models)
- ⑱ POWER TRANSFORMER
- ⑲ VIDEO (6) P.C.B.
- ⑳ MAIN (6) P.C.B.
- ㉑ MAIN (5) P.C.B.
- ㉒ OPERATION (10) P.C.B.
- ㉓ OPERATION (7) P.C.B.
- ㉔ OPERATION (1) P.C.B.
- ㉕ OPERATION (3) P.C.B.
- ㉖ OPERATION (6) P.C.B.

SERVICE PRECAUTIONS / サービス時の注意事項

Safety measures

- Some internal parts in this product contain high voltages and are dangerous.
Be sure to take safety measures during servicing, such as wearing insulating gloves.
- Note that positions indicated below are dangerous even after the power is turned off because an electric charge remains and a high voltage continues to exist there.
Before starting any repair work, perform discharge by connecting a discharge resistor (5k-ohms/10W) between terminals at following positions.
The time required for discharging is about 30 seconds.
C3703 on VIDEO (2) P.C.B.
Refer to "PRINTED CIRCUIT BOARDS: VIDEO (2) P.C.B."

安全対策

- この製品の内部には高電圧部分があり危険です。修理の際は、絶縁性の手袋を使用するなどの安全対策を行ってください。
- 下記箇所には電源を OFF にした後も電荷が残り、高電圧が維持されており危険です。
修理作業前に放電用抵抗 (5kΩ/10W) を下記箇所の端子間に接続して放電してください。
放電所用時間は約 30 秒間です。
VIDEO (2) P.C.B. の C3703
"PRINTED CIRCUIT BOARDS : VIDEO (2) P.C.B." を参照してください。

■ DISASSEMBLY PROCEDURES / 分解手順

(Remove parts in the order as numbered.)
Disconnect the power cable from the AC outlet.

1. Removal of Top Cover

- a. Remove 4 screws (①), 5 screws (②) and screw (③). (Fig. 1)
- b. Slide the top cover rearward to remove it. (Fig. 1)

2. Removal of Front Panel and Sub-Chassis Unit

- a. Remove screw (④) and then remove the support top. (Fig. 1)
- b. Remove 2 knobs. (Fig. 1)
- c. Remove 6 screws (⑤) and then remove the front panel. (Fig. 1)
- d. Remove 2 push rivets and then remove the plate side (L) and (R). (Fig. 1)
- e. Remove CB20, CB461 and CB477. (Fig. 1)
- f. Remove 2 screws (⑥) and then pull out the sub-chassis unit. (Fig. 1)
- g. Unlock and remove CB333. (Fig. 1)
- h. Remove the sub-chassis unit. (Fig. 1)

(番号順に部品を取り外してください。)
AC電源コンセントから、電源コードを抜いてください。

1. トップカバーの外し方

- a. ①のネジ4本、②のネジ5本、③のネジ1本を外します。(Fig. 1)
- b. トップカバーを後方へスライドさせ、取り外します。(Fig. 1)

2. フロントパネル、サブシャーシユニットの外し方

- a. ④のネジ1本を外し、サポートトップを取り外します。(Fig. 1)
- b. ノブ2個を取り外します。(Fig. 1)
- c. ⑤のネジ6本を外し、フロントパネルを取り外します。(Fig. 1)
- d. プッシュリベット2個を外し、プレートサイド(L)、(R)を取り外します。(Fig. 1)
- e. CB20、CB461、CB477を外します。(Fig. 1)
- f. ⑥のネジ2本を外し、サブシャーシユニットを引き出します。(Fig. 1)
- g. ロックを外し、CB333を外します。(Fig. 1)
- h. サブシャーシユニットを取り外します。(Fig. 1)

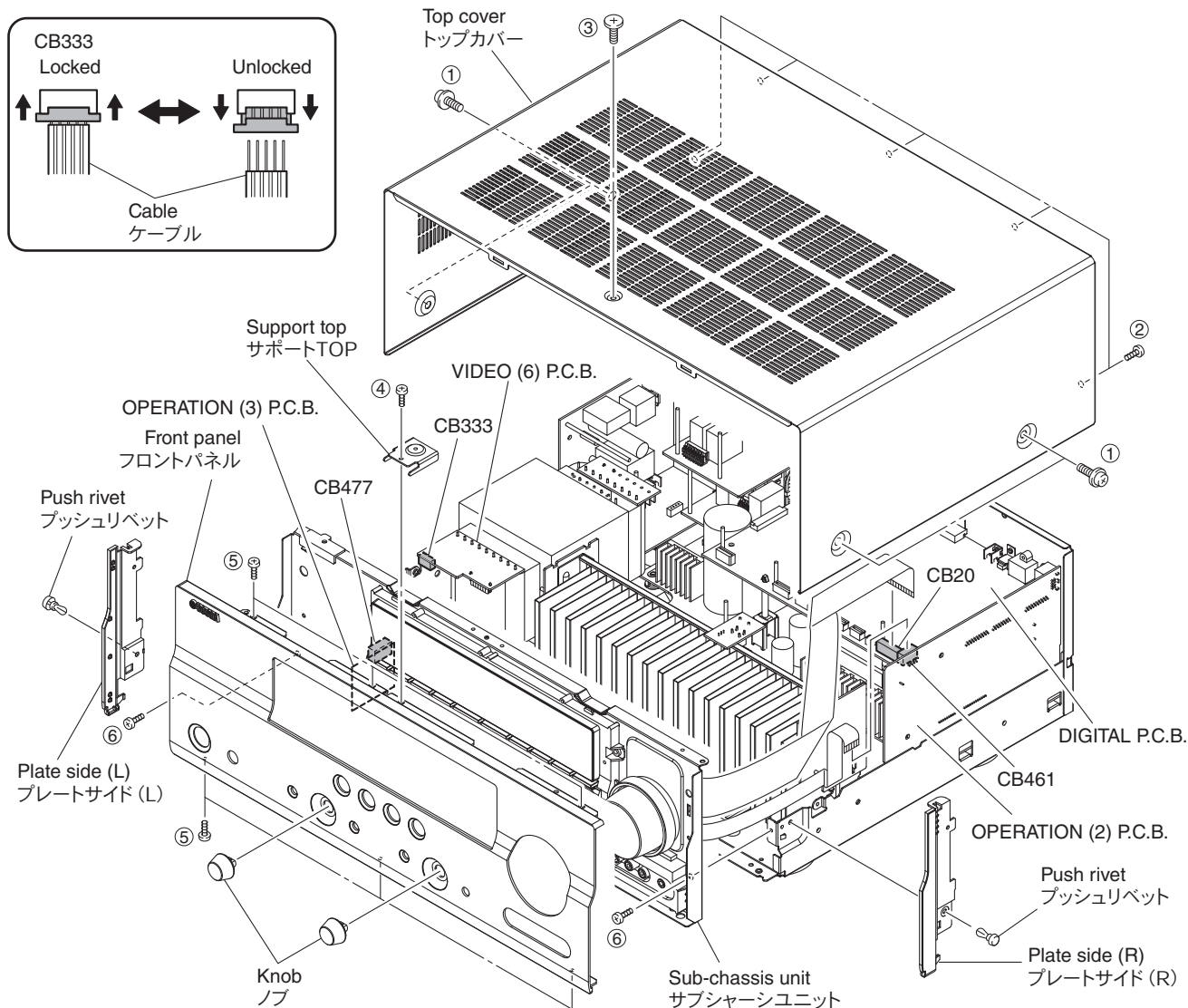


Fig. 1

3. Removal of DIGITAL P.C.B.

- Remove 3 screws (U model) / 2 screws (C, R, T, K, A, B, G, E, F, L models) (⑦) and 5 screws (⑧). (Fig. 2)
- Remove screw (⑨). (Fig. 2)
- Remove CB7, CB21, CB25, CB72 and CB73 (B, G, E, F models). (Fig. 2)
- Unlock and remove CB22~24. (Fig. 2)
- Release hook. (Fig. 2)
- Remove the DIGITAL P.C.B. which is connected directly to the OPERATION (2) P.C.B. with board-to-board connectors. (Fig. 2)

4. Removal of AMP Unit

- Remove 3 screws (⑩) and 4 screws (⑪). (Fig. 2)
- Remove 3 screws (⑫). (Fig. 2)
- Remove the amp unit. (Fig. 2)

3. DIGITAL P.C.B. の外し方

- ⑦のネジ2本、⑧のネジ5本を外します。(Fig. 2)
- ⑨のネジ1本を外します。(Fig. 2)
- CB7、CB21、CB25、CB72を外します。(Fig. 2)
- ロックを外し、CB22～24を外します。(Fig. 2)
- フック1箇所を外します。(Fig. 2)
- DIGITAL P.C.B.を取り外します。ただし、DIGITAL P.C.B.はOPERATION (2) P.C.B.に基板対基板コネクタで直接接続されています。(Fig. 2)

4. アンプユニットの外し方

- ⑩のネジ3本、⑪のネジ4本を外します。(Fig. 2)
- ⑫のネジ3本を外します。(Fig. 2)
- アンプユニットを取り外します。(Fig. 2)

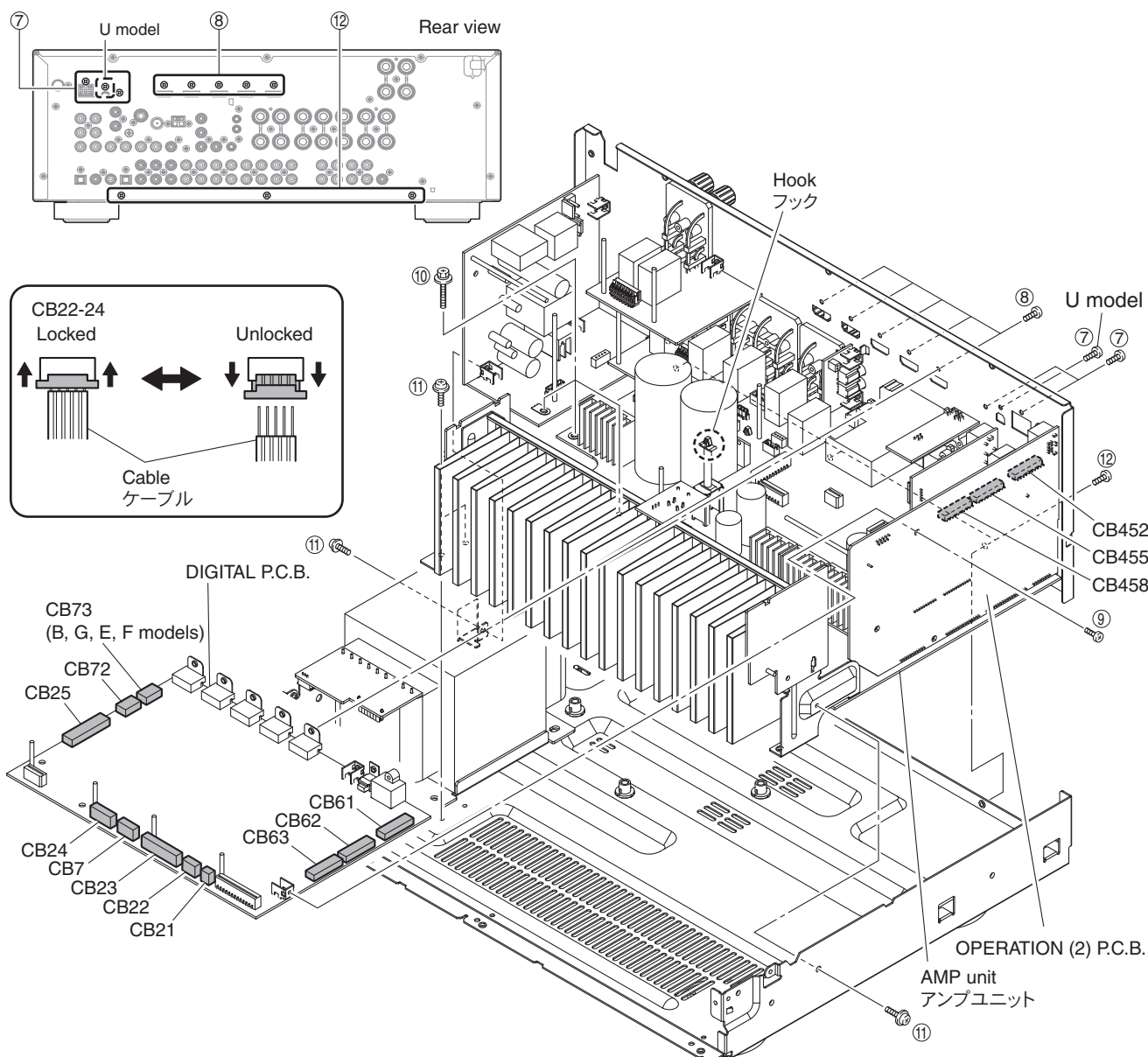


Fig. 2

When checking the P.C.B.s:

- Place the P.C.B.s (with rear panel) upright. (Fig. 3)
- Connect the ground points of the heatsink, rear panel and MAIN (1) P.C.B. (G1000) to the chassis with a ground lead or the like. (Fig. 3)
- When connecting the flexible flat cable, be careful with polarity.
- Reconnect all cables (connectors) that have been disconnected.

Be sure to use the extension cable for servicing for the following section.

DIGITAL P.C.B. CB20 to OPERATION (1) P.C.B. CB401:
MF125400 (25P, 400mm, P=1.25)

OPERATION (1) P.C.B. CB402 to OPERATION (2) P.C.B.
CB461:
MF109400 (9P, 400mm, P=1.25)

P.C.B. をチェックする場合には：

- リアパネルと一緒に P.C.B. を立ち上げて置きます。(Fig. 3)
- ヒートシンク、リアパネル、MAIN (1) P.C.B. の G1000 のアースをリード線等でシャーシに接続してください。(Fig. 3)
- フラットケーブルを接続する際、極性に注意してください。
- 外したケーブル (コネクタ) をすべて接続します。ただし次の区間は、サービス用延長ケーブルを使用してください。

DIGITAL P.C.B. CB20 ~ OPERATION (1) P.C.B. CB401 :
MF125400 (25P、400mm、P=1.25)

OPERATION (1) P.C.B. CB402 ~ OPERATION (2) P.C.B.
CB461 :
MF109400 (9P、400mm、P=1.25)

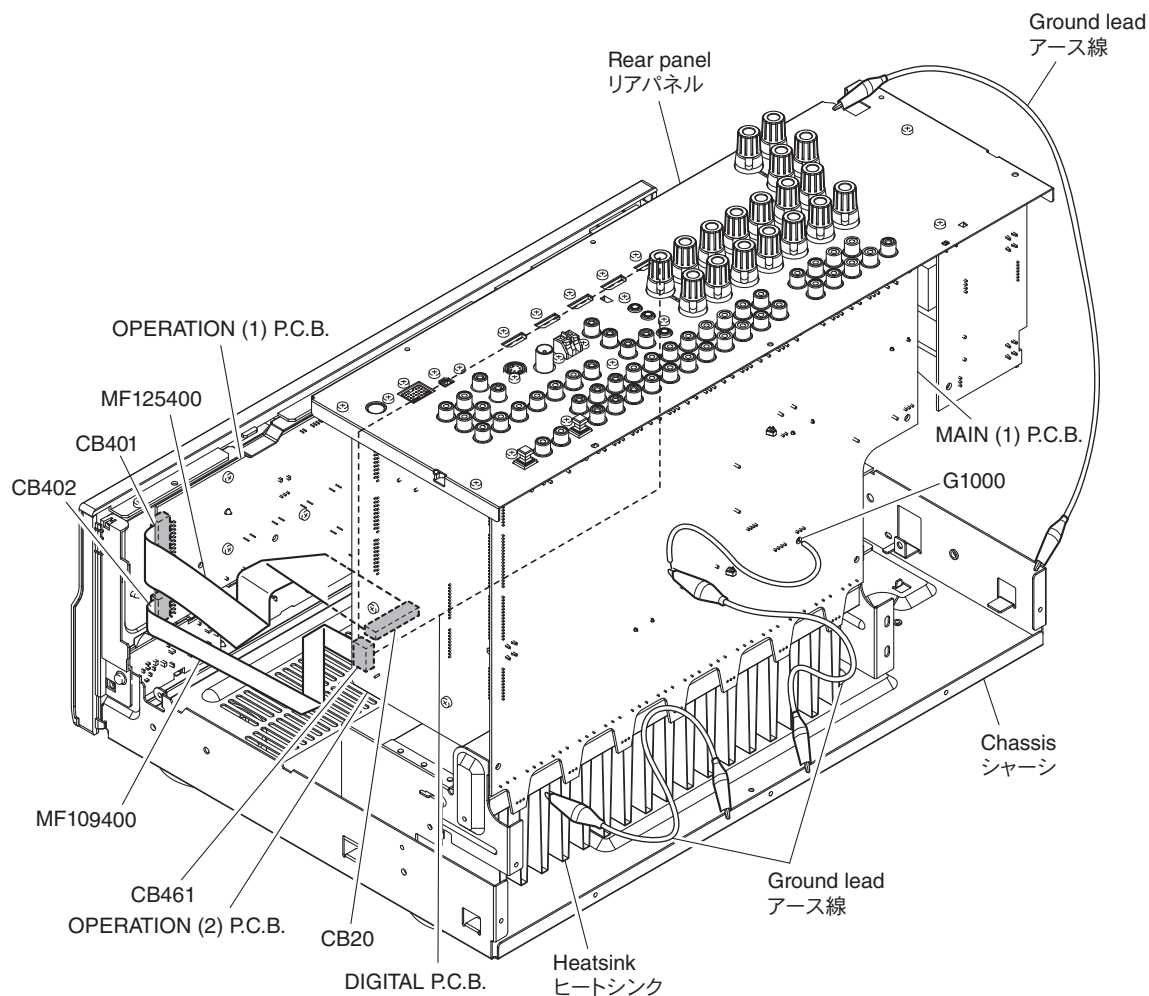


Fig. 3

■ UPDATING FIRMWARE / ファームウェアの書き込み

Note) The user memories (sound field parameters, system memory, tuner presetting, etc.) are kept stored even when you write the firmware.

注意) ファームウェアの書き込みを行っても、ユーザーメモリー（音場プログラムのパラメーターやシステムメモリー、チューナープリセット等）は保持されます。

When replacing the following parts, be sure to write the latest firmware.

下記の部品をサービス部品に交換した場合、最新のファームウェアの書き込みを行ってください。

Replaced parts	Writing method using the CD / CD を使用して書き込む方法	Writing method using PC (RS232C) / PC (RS232C) を使用して書き込む方法
DIGITAL P.C.B.	yes	yes
IC20 (Main microprocessor) of DIGITAL P.C.B.	no	yes
IC49 (TI (DSP) flash ROM) of DIGITAL P.C.B.	yes	yes

● Confirmation of firmware version and checksum

Before and after writing firmware, check the firmware version and checksum by using the self-diagnostic function menu.

Start up the self-diagnostic function and select "25. ROM VER/SUM/PORT" menu. (See "SELF DIAGNOSTIC FUNCTION")

Using the sub-menu, have the firmware version and checksum displayed, and note down them.

● ファームウェアのバージョンとチェックサムの確認

ファームウェアの書き込みの前後に、ファームウェアのバージョンとチェックサムをダイアグメニューで確認します。

ダイアグを起動し、“25. ROM VER/SUM/PORT”メニューを選択します。（ダイアグ（自己診断機能）参照）

サブメニューでファームウェアのバージョンとチェックサムを表示し、それらを書きとめます。

25. ROM VER/SUM/PORT

Firmware version

Ver: H029

The firmware version of microprocessor (IC20 DIGITAL P.C.B.) is displayed.
マイコン（IC20 DIGITAL P.C.B.）のファームウェアバージョンが表示されます。

All checksum

Sum: 5F96

The checksum value of microprocessor (IC20 DIGITAL P.C.B.) is displayed.
マイコン（IC20 DIGITAL P.C.B.）のチェックサムが表示されます。

TI (DSP) FLASH ROM version

TiVer:02.06r1

The firmware version of TI (DSP) FLASH ROM (IC49 DIGITAL P.C.B.) is displayed.
TI (DSP) FLASH ROM（IC49 DIGITAL P.C.B.）のファームウェアバージョンが表示されます。

TI (DSP) FLASH ROM checksum

TiSum:46C49F69

The checksum value of TI (DSP) FLASH ROM (IC49 DIGITAL P.C.B.) is displayed.
TI (DSP) FLASH ROM（IC49 DIGITAL P.C.B.）のチェックサムが表示されます。

Writing method using the CD

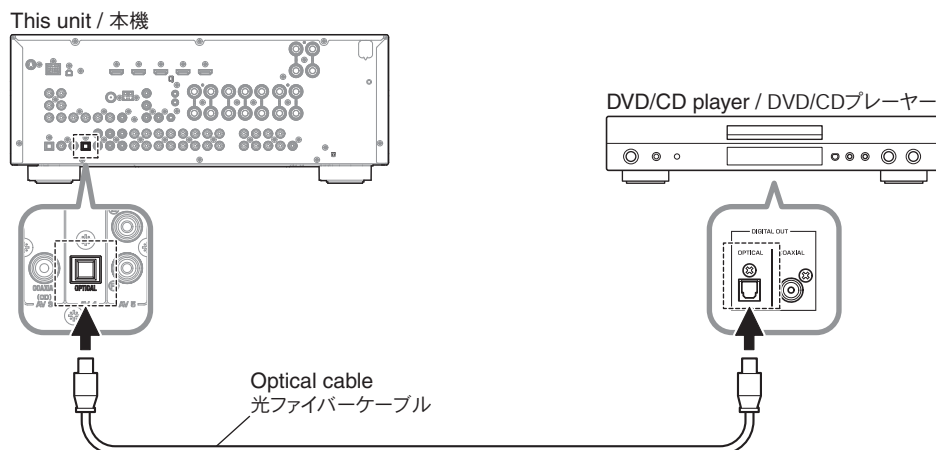
● Required Tools

- DVD or CD player (with DIGITAL OUTPUT (OPTICAL or COAXIAL) jack)
- Optical cable (when OPTICAL jack is used)
- Digital audio pin cable (when COAXIAL jack is used)
- Firmware CD
 - * To make the firmware CD, download the latest firmware from the specified download source.

● Connection

Connect this unit and DVD/CD player as shown below. (Fig. 1)

Example of OPTICAL jack / OPTICAL 端子使用例



Example of COAXIAL jack / COAXIAL 端子使用例

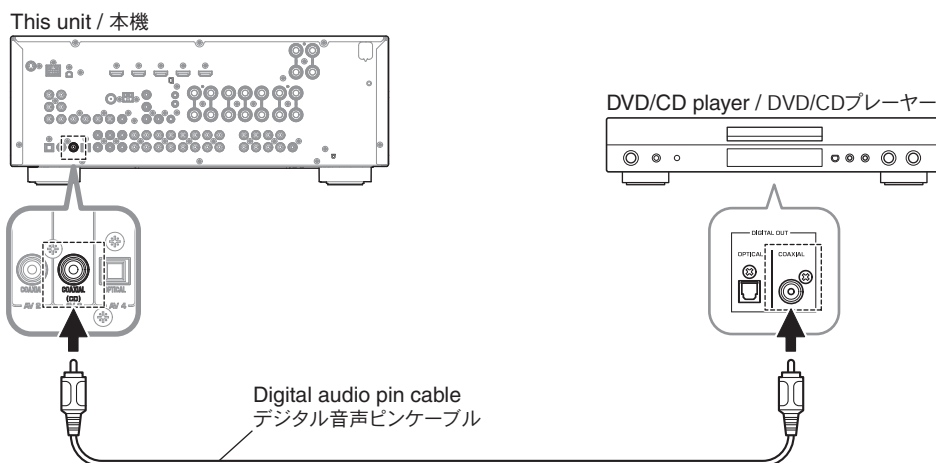


Fig. 1

CD を使用して書き込む方法

● 必要なツール

- DVD または CD プレーヤー (DIGITAL OUTPUT (OPTICAL または COAXIAL) 端子付き)
- 光ファイバーケーブル (OPTICAL 端子使用時)
- デジタル音声ピンケーブル (COAXIAL 端子使用時)
- ファームウェア CD
 - ※ ファームウェア CD は、最新のファームウェアを指定のダウンロード先からダウンロードして製作してください。

● 接続

本機と DVD/CD プレーヤーを下記のように接続します。(Fig. 1)

● Operation Procedures

1. While pressing the "STRAIGHT" key of this unit, connect the power cable of this unit to the AC outlet. (Fig. 2)

The FIRMWARE UPDATE mode is activated and "CDDA Upgrader" is displayed. (Fig. 2)

● 操作手順

1. 本機の "STRAIGHT" キーを押しながら、本機の電源コードを AC コンセントに接続します。(Fig. 2)
FIRMWARE UPDATE モードが起動し、"CDDA Upgrader" が表示されます。(Fig. 2)

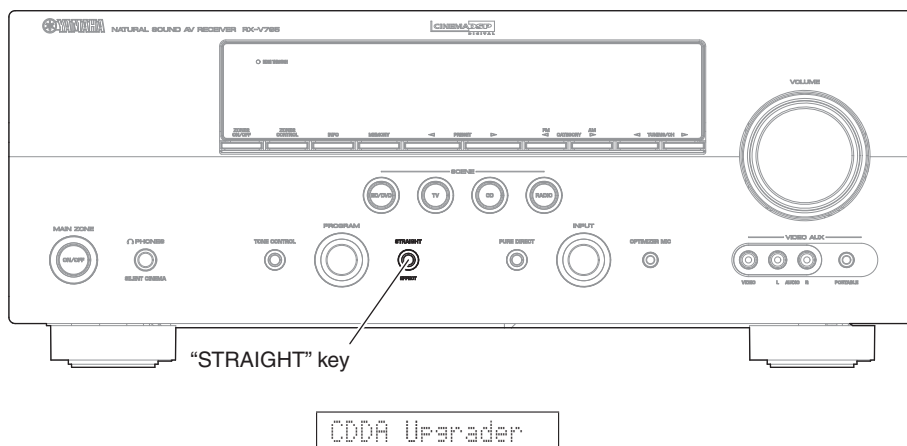


Fig. 2

- | | |
|--|---|
| <ol style="list-style-type: none"> 2. Connect the power cable of DVD/CD player to the AC outlet. 3. Press the "STANDBY/ON" key of the DVD/CD player to turn on the power. 4. Press the "EJECT" key of the DVD/CD player to open the disc tray. 5. Put the firmware CD on the disc tray and close the disc tray. 6. Press the "PLAY" key of the DVD/CD player. Then writing of the firmware is started. (Fig. 3) 7. When writing of the firmware is completed, "Update Success", "Please..." and "Power off!!" are displayed repeatedly. (Fig. 3) | <ol style="list-style-type: none"> 2. DVD/CD プレーヤーの電源コードを AC コンセントに接続します。 3. DVD/CD プレーヤーの "STANDBY/ON" キーを押して電源を入れます。 4. DVD/CD プレーヤーの "EJECT" キーを押し、ディスクトレイを開きます。 5. ファームウェア CD をディスクトレイに載せ、ディスクトレイを閉じます。 6. DVD/CD プレーヤーの "PLAY" キーを押します。ファームウェアの書き込みが開始されます。(Fig. 3) 7. ファームウェアの書き込み完了後、"Update Success"、"Please..."、"Power off!!" が繰り返し表示されます。(Fig. 3) |
|--|---|

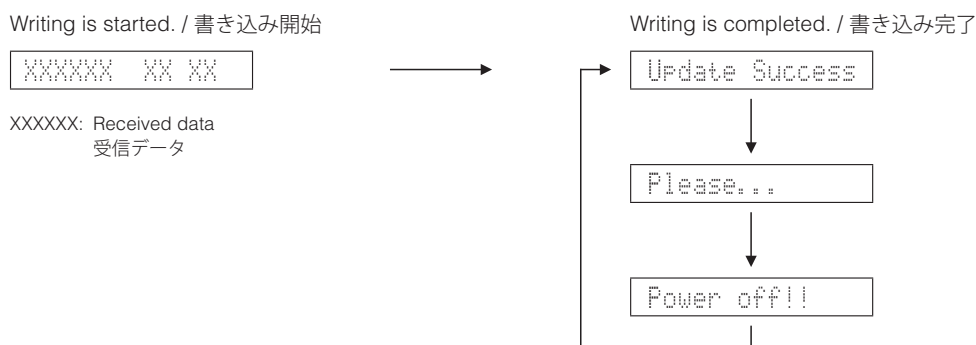


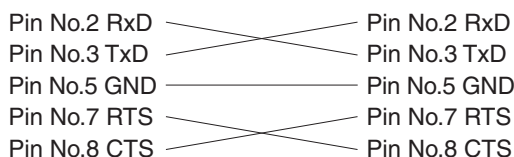
Fig. 3

- * If the display remains unchanged for longer than 10 seconds after starting the firmware CD play procedure, perform the firmware CD play procedure again from the beginning.
If "FILE CORRUPTED" is displayed after "XXXXXX", make sure that the written data is not corrupted and perform Steps 1 to 7 of "Writing method using the CD" again.
If "Upgrade Failed" is displayed, perform Steps 1 to 7 of "Operation Procedures" again.
8. Press the "STOP" key of the DVD/CD player.
 9. Press the "EJECT" key of the DVD/CD player to open the disc tray.
 10. Remove the firmware CD from the disc tray and close the disc tray.
 11. Press the "STANDBY/ON" key of the DVD/CD player to turn off the power.
 12. Press the "MAIN ZONE ON/OFF" key of this unit to turn off the power.
 13. Start up the self-diagnostic function and select "25. ROM VER/SUM/PORT" menu.
Using the sub-menu, have the firmware version and checksum displayed, and then check that they are the same as written ones.
 - * When the displayed firmware version and checksum are different from written ones, perform the "Writing method using the CD" all over again.
 14. Press the "MAIN ZONE ON/OFF" key of this unit to turn off the power.
- ※ ファームウェア CD の再生開始後、10 秒以上経過してもディスプレイ表示が変わらない場合、ファームウェア CD の再生を最初からやり直してください。
"XXXXXX" の後に、"FILE CORRUPTED" が表示された場合、書き込みデータが破損していないかを確認し、"CD を使用して書き込む方法" の 1 から 7 までをもう一度やり直してください。
"Upgrade Failed" が表示された場合、"操作手順" の 1 から 7 までをもう一度やり直してください。
8. DVD/CD プレーヤーの "STOP" キーを押します。
 9. DVD/CD プレーヤーの "EJECT" キーを押し、ディスクトレイを開きます。
 10. ファームウェア CD をディスクトレイから取り出し、ディスクトレイを閉じます。
 11. DVD/CD プレーヤーの "STANDBY/ON" キーを押して電源を切ります。
 12. 本機の "STANDBY/ON" キーを押して電源を切ります。
 13. ダイアグを起動し、"25. ROM VER/SUM/PORT" メニューを選択します。
サブメニューでファームウェアのバージョンとチェックサムを表示し、それらが書き込んだものと同じであることを確認します。
※ 表示されたファームウェアのバージョンとチェックサムが、書き込まれたものと異なる場合、「CD を使用して書き込む方法」をもう一度やり直してください。
 14. 本機の "STANDBY/ON" キーを押して電源を切ります。

Writing method using PC (RS232C)

● Required Tools

- Firmware downloader program
For microprocessor: DSP_FLASHER_v3.0.exe
For DSP (TI flash ROM):
DSP_FLASHER Ver2.7.exe
- Firmware
For microprocessor: VX65xxxx.mot
For DSP (TI flash ROM):
Vx65_data1_verxxxxr.hex
- RS232C cross cable "D-sub 9 pin female"
(Specifications)



- RS232C conversion adaptor (Part No.: WR492800)

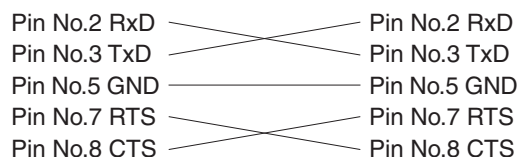
● Preparation and precautions

- Download the firmware downloader program and the firmware from the specified source to the same folder of the PC.
- Prepare the above specified RS232C cross cable.
- While writing the firmware, keep the other application software on the PC closed.
It is also recommended to keep the software on the task tray closed as well.

PC (RS232C) を使用して書き込む方法

● 必要なツール

- ファームウェア書き込み用プログラム
マイコン用: DSP_FLASHER_v3.0.exe
DSP (TI flash ROM) 用:
DSP_FLASHER Ver2.7.exe
- ファームウェア
マイコン用: VX65xxxx.mot
DSP (TI flash ROM) 用:
Vx65_data1_verxxxxr.hex
- RS232C クロスケーブル "D-sub 9pin メス"
(仕様)



- RS232C 変換アダプター (部品番号: WR492800)

● 準備と注意

- 指定のダウンロード先から、ファームウェア書き込み用プログラムとファームウェアを、PCの同じフォルダへダウンロードしてください。
- RS232C クロスケーブルは必ず上記仕様のものを用意してください。
- 書き込み時は、PC上の他のアプリケーションソフトは閉じてください。
さらに、タスクトレイ上にあるソフトも閉じておくことを推奨します。

● **Connection**

1. Remove the top cover. (See “DISASSEMBLY PROCEDURES”)
2. Connect the writing port (CB27 of DIGITAL P.C.B.) of this unit to the serial port (RS232C) of the PC with RS232C cross cable, RS232C conversion adaptor and flexible flat cable as shown below. (Fig. 1)
3. Set the switch (SW7) of RS232C conversion adaptor as shown below. (Fig. 1)

● **接続**

1. トップカバーを取り外します。(“分解手順” 参照)
2. 本機の書き込み用ポート (DIGITAL P.C.B. CB27) と PC のシリアルポート (RS232C) を下記のように接続します。(Fig. 1)
3. RS232C 変換アダプターのスイッチ (SW7) を下記のように設定します。(Fig. 1)

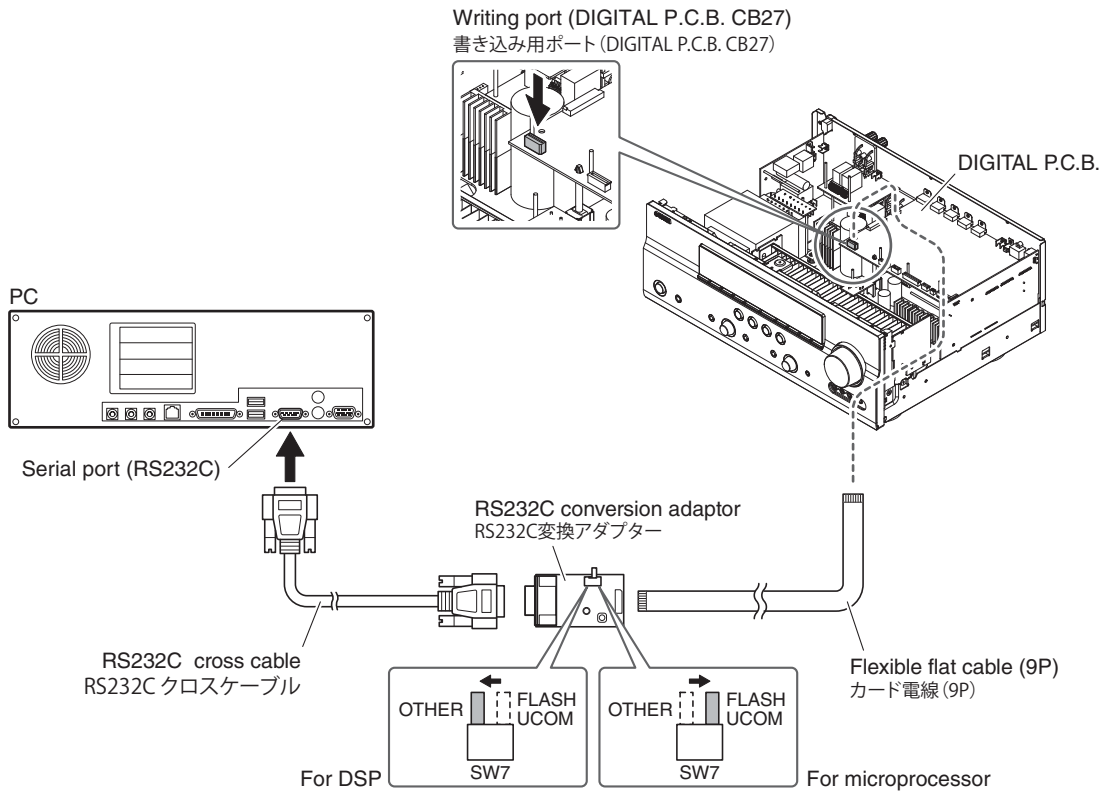
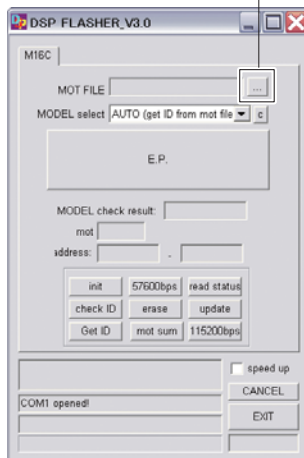


Fig. 1

● Operation Procedures

Writing to the microprocessor

1. With the power cable of this unit disconnected to the AC outlet, start up DSP_FLASHER_v3.0.exe.
The screen appears as shown below. (Fig. 2)
2. Click [...] and select the firmware name. (Fig. 2)



● 操作手順

マイコンへの書き込み

1. 本機の電源コードを AC コンセントに接続していない状態で、DSP_FLASHER_v3.0.exe を起動します。
下記の画面が表示されます。(Fig. 2)
2. [...] をクリックし、書き込むファームウェアを選択します。(Fig. 2)

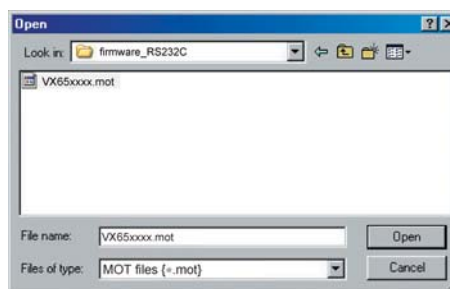


Fig. 2

- | | |
|--|--|
| <p>3. Connect the power cable of this unit to the AC outlet.</p> <p>4. Click [E.P.] to start writing. (Fig. 3)</p> <p>5. When writing of the firmware is completed, "Program Finished!" is displayed. (Fig. 3)
Click [OK]. (Fig. 3)</p> <p>6. Click [EXIT] to end DSP_FLASHER_v3.0.exe. (Fig. 3)</p> | <p>3. 本機の電源コードを AC コンセントに接続します。</p> <p>4. [E.P.] をクリックして書き込みを開始します。(Fig. 3)</p> <p>5. ファームウェアの書き込みが完了すると、“Program Finished!” が表示されます。(Fig. 3)
[OK] をクリックします。(Fig. 3)</p> <p>6. [EXIT] をクリックして DSP_FLASHER_v3.0.exe を終了します。(Fig. 3)</p> |
|--|--|

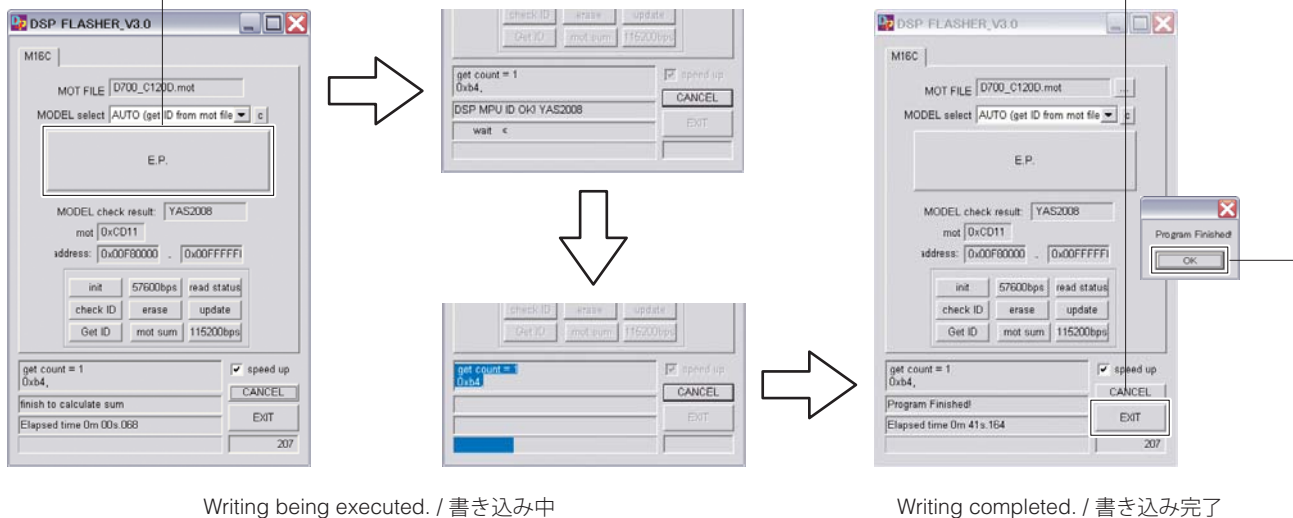


Fig. 3

- | | |
|--|--|
| <p>7. Start up the self-diagnostic function and select "25. ROM VER/SUM/PORT" menu.</p> <p>Using the sub-menu, have the firmware version and checksum displayed, and then check that they are the same as written ones.</p> <p>* When the firmware version and checksum are different from written ones, perform the "Writing to the microprocessor" all over again.</p> <p>8. Disconnect the power cable of this unit from the AC outlet.</p> | <p>7. ダイアグを起動し、“25. ROM VER/SUM/PORT”メニューを選択します。</p> <p>サブメニューでファームウェアのバージョンとチェックサムを表示し、それらが書き込んだものと同じであることを確認します。</p> <p>※ ファームウェアのバージョンとチェックサムが、書き込まれたものと異なる場合、“マイコンへの書き込み”をもう一度やり直してください。</p> <p>8. 本機の電源コードを AC コンセントから抜きます。</p> |
|--|--|

Writing to DSP

1. With the power cable of this unit disconnected to the AC outlet, start up DSP_FLASHER Ver2.7.exe.
The screen appears as shown below. (Fig. 4)
2. Click [Vx61 DSP]. (Fig. 4)

DSP への書き込み

1. 本機の電源コードを AC コンセントに接続していない状態で、DSP_FLASHER Ver2.7.exe を起動します。
下記の画面が表示されます。(Fig. 4)
2. [Vx61 DSP] をクリックします。(Fig. 4)



Fig. 4

3. Click [...] and select the firmware name. (Fig. 5)

3. [...] をクリックし、書き込むファームウェアを選択します。(Fig. 5)

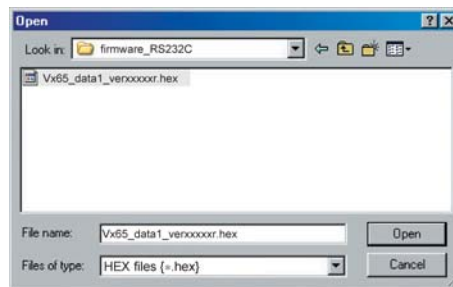
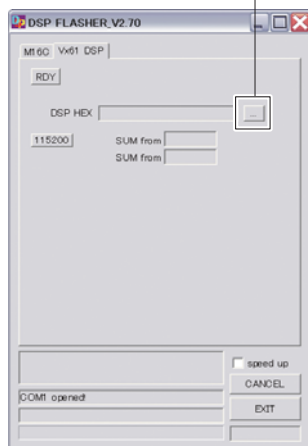


Fig. 5

4. Click [RDY]. (Fig. 6)

4. [RDY] をクリックします。(Fig. 6)



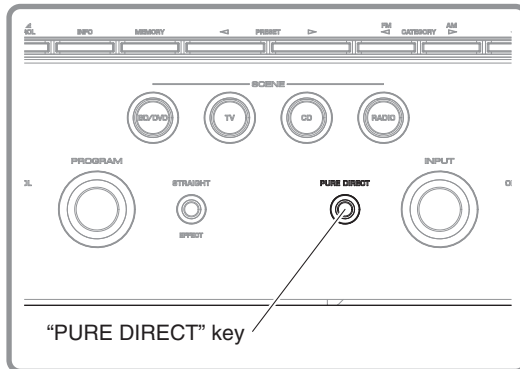
Fig. 6

5. While pressing the "PURE DIRECT" key of this unit, connect the power cable of this unit to the AC outlet. (Fig. 7)

5. 本機の "PURE DIRECT" キーを押しながら、本機の電源コードを AC コンセントに接続します。(Fig. 7)
自動的に書き込みを開始します。(Fig. 7)

Writing is started automatically. (Fig. 7)

This unit / 本機



Writing being executed. /
書き込み中

Fig. 7

6. When writing of the firmware is completed, "Vx61 DSP Flash finished!" is displayed. (Fig. 3)
7. Click [EXIT] to end DSP_FLASHER_v2.7.exe. (Fig. 8)
6. ファームウェアの書き込みが完了すると、「Vx61 DSP Flash finished!」が表示されます。(Fig. 3)
7. [EXIT] をクリックして DSP_FLASHER_v2.7.exe を終了します。(Fig. 8)

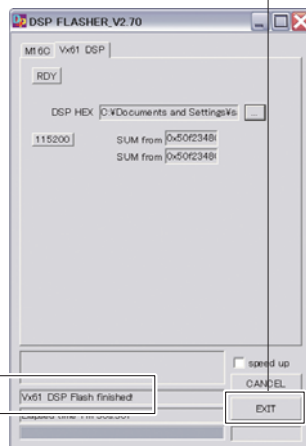


Fig. 8

8. Start up the self-diagnostic function and select "25. ROM VER/SUM/PORT" menu.
- Using the sub-menu, have the firmware version and checksum displayed, and then check that they are the same as written ones.
- * When the firmware version and checksum are different from written ones, perform the "Writing to DSP" all over again.
9. Disconnect the power cable of this unit from the AC outlet.
8. ダイアグを起動し、「25. ROM VER/SUM/PORT」メニューを選択します。
- サブメニューでファームウェアのバージョンとチェックサムを表示し、それらが書き込んだものと同じであることを確認します。
- ※ ファームウェアのバージョンとチェックサムが、書き込まれたものと異なる場合、「DSP への書き込み」をもう一度やり直してください。
9. 本機の電源コードを AC コンセントから抜きます。

■ SELF-DIAGNOSTIC FUNCTION / ダイアグ (自己診断機能)

This unit has self-diagnostic functions that are intended for inspection, measurement and location of faulty point.

There are 25 main menu items, each of which has sub-menu items.

Listed in the table below are main menu items and sub-menu items.

Note that not all menu items listed will apply to the models covered in this service manual.

本機には、検査、測定、不良個所の発見を目的にしたダイアグ (自己診断機能) があります。

メインメニューは25個あり、そのそれぞれにサブメニューがあります。

下表はダイアグメニュー一覧です。

下表の全ダイアグメニュー項目が、このサービスマニュアル記載のモデルに適用されるとは限りません。

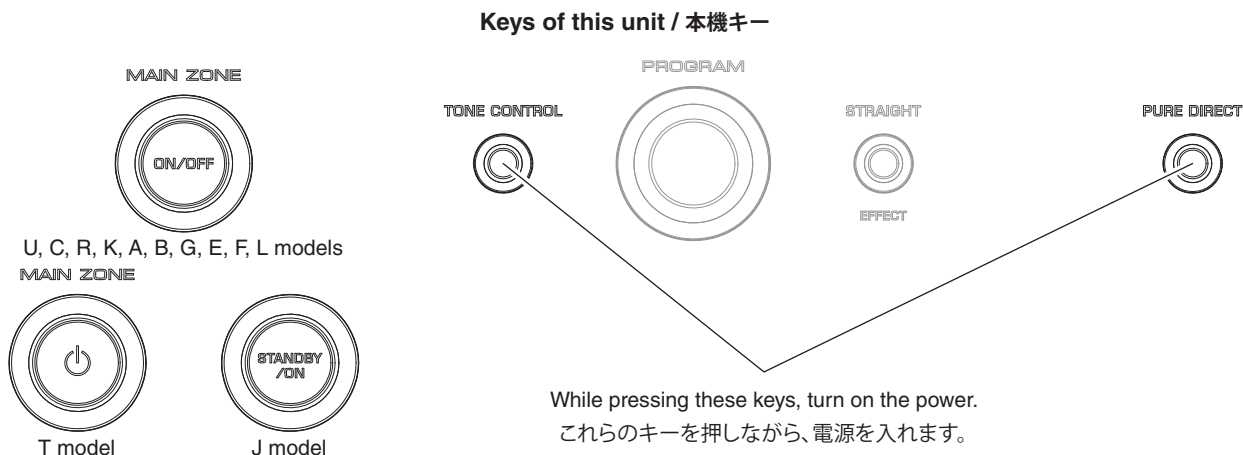
No.	Main menu	Sub-menu
1	BYPASS	1 ANALOG BYPASS
		2 DSP BYPASS
2	RAM THROUGH	1 RAM MARGIN
		2 RAM FULL ALL
		3 RAM FULL CENTER
		4 RAM FULL SURROUND
		5 RAM FULL SURROUND BACK
3	HDMI AUDIO	1 SPDIF
		2 Multi
		3 DSD
4	SPEAKERS SET	1 FRNT: SML 0dB
		2 CENTER: NONE
		3 LFE/B: FRNT
		4 Zone2 Amp ON
		5 Bi-AMP
		6 TONE: MAX
		7 TONE: MIN
		8 SPEAKER 6 ohms
5	MULTI CH-INPUT	1 8ch INPUT 6 ohms
		2 8ch INPUT 8 ohms
		3 LIM/PLDET/THM
6	MIC CHECK	1 MIC CHECK
7	FL/OSD CHECK	1 VFD CHECK
		2 VFD DISP OFF / MONITOR MUTE
		3 VFD DISP ALL / COMPONENT MUTE
		4 VFD DIMMER / OSD CHARACTER PATTERN
		5 CHECK PATTERN / OSD CHARACTER PATTERN
8	MANUAL TEST	1 TEST ALL
9	A/D DATA CHECK	1 PS1/PS2
		2 DC/TH
		3 IMP/PL
		4 DST/DK
		5 K0/K1
10	VIDEO CHECK	1 I2C
		2 DIGITAL COMPONENT
		3 DIGITAL CVBS
		4 DIGITAL Y/C (B, G, E, F models)
		5 ANALOG BYPASS
		6 TEST PATTERN (Not applied to these models. / このモデルには適用されません。)
		7 VIDEO INFORMATION
11	XM STATUS (U model)	1 1k -1dB /44kHz
		2 1k -61dB /44kHz
		3 Mute /44kHz

No.	Main menu	Sub-menu		
11	XM STATUS (U model)	4 XM Tone /44kHz		
		5 ISO Tone /44kHz		
		6 1k -1dB /32kHz		
		7 1k -61dB /32kHz		
		8 Mute /32kHz		
		9 XM Tone /32 kHz		
		10 ISO Tone /32 kHz		
		11 Bus Power: OFF		
		12	SIRIUS (U model)	1 SIRIUS: OK (NG)
				2 SR
				3 SSP (SIRIUS #0 VERSION)
4 MAC (SIRIUS #1 VERSION)				
5 ADP (SIRIUS #2 VERSION)				
6 PRDID				
7 SEQID				
13	HD RADIO (Not applied to these models. / このモデルには適用されません。)	1 HD CPU VERSION		
		2 D: xxxxxxxxxxxxxx		
14	DOCK	1 DOCK		
		2 BT VERSION		
15	HDMI INFO	1 HMN		
		2 HPI		
		3 HVN		
16	HDMI SELECT	1 HDMI NONE		
		2 HDMI IN 1		
		3 HDMI IN 2		
		4 HDMI IN 3		
		5 HDMI IN 4		
		6 HDMI UP CONVERSION		
		7 HDMI UP THROUGH		
17	USB (Not applied to these models. / このモデルには適用されません。)	1 USB File 1		
		2 USB File 2		
18	IF STATUS (Not applied to these models. / このモデルには適用されません。)	1 DSP STATUS		
19	BUS CHECK	1 TI BUS		
		2 BF LOOP (Not applied to these models. / このモデルには適用されません。)		
20	NO MENU	Invalidity		
21	PROTECTION HISTORY	1 HISTORY 1		
		2 HISTORY 2		
		3 HISTORY 3		
		4 HISTORY 4		
22	NO MENU	Invalidity		
23	UPDATE	1 TI FLASH BOOT (Not applied to these models. / このモデルには適用されません。)		
24	FACTORY PRESET	1 PRESET INHI		
		2 PRESET RSRV		
25	ROM VER/SUM/PORT	1 VERSION		
		2 ALL SUM		
		3 TI (DSP) FLASH VERSION		
		4 TI (DSP) FLASH SUM		
		5 XM VERSION		
		6 SIRIUS VERSION		
		7 MODEL/DESTINATION		
		8 Verify (Not applied to these models. / このモデルには適用されません。)		

● Starting Self-Diagnostic Function

While pressing those 2 keys of this unit as shown in the figure below, press the “MAIN ZONE ON/OFF” key to turn on the power.

The self-diagnostic function mode is activated.



● Starting Self-Diagnostic Function in the protection cancel mode

If the protection function works and causes hindrance to trouble shoot, cancel the protection function as described below, and it will be possible to enter the self-diagnostic function mode.

(The protection functions other than the excess current detect function will be disabled.)

While pressing those 2 keys as shown in the figure above, press the “MAIN ZONE ON/OFF” key to turn on the power and keep pressing those 2 keys and “MAIN ZONE ON/OFF” key for 3 seconds or longer.

The self-diagnostic function mode is activated with the protection functions disabled.

In this mode, the SLEEP segment of the FL display of this unit flashes to indicate that the mode is self-diagnostic function mode with the protection functions disabled.

CAUTION!

Using this product with the protection function disabled may cause damage to itself. Use special care when using this mode.

● ダイアグの起動

本機の下図に示す2つのキーを押しながら“STANDBY/ON”キーを押して電源を入れます。

ダイアグが起動します。

● プロテクション解除モードでの起動

プロテクションが動作することにより、故障箇所の診断に支障をきたすような場合は、次の方法によりプロテクションを解除した状態でダイアグモードに入ることができます。

(過電流検出以外のプロテクション動作を解除する)

上図に示す2つのキーを押しながら“STANDBY/ON”キーを押して電源を入れ、2つのキーと“STANDBY/ON”キーを3秒以上押し続けます。

プロテクション解除モードでダイアグが起動します。

このモードでは本機FLの“SLEEP”セグメントが点滅し、プロテクションを解除した状態でのダイアグモードであることを知らせます。

注意!

プロテクションを解除した状態でのダイアグモードは、危険な状態でもプロテクションが作動しないため、動作させると、機器を破壊することがあります。このモードを使用する場合は十分注意してください。

● Canceling Self-Diagnostic Function

- Before canceling self-diagnostic function, execute setting for FACTORY PRESET of main menu No. 24 (Memory initialization inhibited or Memory initialized).
 - * In order to keep the user memory stored, be sure to select PRESET INHIBITED (Memory initialization inhibited).
- Press the “MAIN ZONE ON/OFF” key of this unit to turn off the power.

● ダイアグの解除

- ダイアグを解除する前に、メインメニュー No. 24 の FACTORY PRESET (メモリーの初期化禁止 / またはメモリーの初期化) の設定をします。
 - ※ ユーザーメモリーを保持したい場合は、必ず PRESET INHIBIT (メモリー初期化禁止) を選択してください。
- 本機の“STANDBY/ON”キーを押して電源を切ります。

● Display provided when Self-Diagnostic Function started

The display is as described below depending on the situation when the last time the power to this unit is turned off.

1. When the power is turned off by usual operation:

The FL display of this unit displays "NO PROTECT" then the main menu (sub-menu "1. ANALOG BYPAS" of main menu No. 1 BYPASS) a few seconds later.

Opening message / オープニング表示

Main menu display / メインメニュー表示

After a few seconds / 数秒後



2. When the protection function worked to turn off the power:

The FL display of this unit displays the data of protection function which worked at that time then the main menu (sub-menu "1. ANALOG BYPAS" of main menu No. 1 BYPASS) a few seconds later.

Note: At that time if you reactivate the self-diagnostic function after turning off the power once by pressing the "MAIN ZONE ON/OFF" key, "NO PROTECT" will be displayed because that situation is equal to "1. When the power is turned off by usual operation:" described above. However the protection function history is stored in memory with a backup. For details, refer to main menu No. 21 PROTECTION HISTORY.

2-1. When the protection function worked due to excess current.

Cause: An excessive current flowed through the power amplifier.

Supplementary information: As current of the power amplifier is detected, the abnormal channel can be identified by checking the current detect transistor.

Turning on the power without correcting the abnormality will cause the protection function to work immediately and the power supply will instantly be shut off.

● ダイアグ起動時の表示

最後に本機の電源が切れたときの状況により、下記のように表示されます。

1. 通常の操作で電源を切った場合：

本機の FL ディスプレイに "NO PROTECT" が表示されます。数秒後、メインメニュー No. 1 BYPASS のサブメニュー "1. ANALOG BYPAS" が表示されます。

2. プロテクションが働いて電源が切れた場合：

本機の FL ディスプレイにそのときに働いたプロテクションの情報が表示されます。数秒後、メインメニュー No. 1 BYPASS のサブメニュー "1. ANALOG BYPAS" が表示されます。

注) このときに "STANDBY/ON" キーを押して一旦電源を切った後にダイアグを再起動すると、上述の「1. 通常の操作で電源を切った場合」に相当するので、"NO PROTECT" が表示されます。

ただし、プロテクションの履歴はメモリーにバックアップして記憶されます。詳細は、メインメニュー No. 21 PROTECTION HISTORY を参照してください。

2-1. 過電流によりプロテクションが働いた場合

PRI PRT:xxx

AD value when the protection function is working
電圧の A/D 変換値

原因： パワーアンプに過電流が流れた。

補足： パワートランジスタの電流を検出していますので、電流検出トランジスタをチェックすれば異常チャンネルが特定できます。

異常状態のまま電源を入れると、瞬時にプロテクションが働き、すぐに電源が切れます。

Note)

- Applying the power to this unit without correcting the abnormality can be dangerous and cause additional circuit damage. To avoid this, if protection function has been activated 3 times continuously, the power will not turn on even when the “MAIN ZONE ON/OFF” key is pressed. In order to turn on the power again, disconnect the power cable of this unit from the AC outlet once and then reconnect it again.
- The output transistors in each amplifier channel should be checked for damage before applying power of this unit.
- Amplifier current should be monitored by measuring DC voltage across the emitter resistors for each channel.

注意！

- 異常状態のまま本機の電源を入れると、危険な状態になり、さらに回路が損傷を受ける原因になります。それを避けるために、プロテクションが連続して3回働いた場合、それ以降“STANDBY ON”キーを押しても電源が入らなくなります。再度電源を入れる場合、一度本機の電源コードをAC電源コンセントから抜いて接続し直してください。
- 本機の電源をいれる前に、各アンプのチャンネル内の出力トランジスタに損傷がないかチェックしてください。
- アンプの電流は、各チャンネルのエミッターの抵抗器間電圧を測定することによりモニターしてください。

2-2. When the protection function worked due to a short between speaker terminals.**2-2. スピーカー端子間のショートによりプロテクションが働いた場合**

I PROTECT:xxxx

AD value when the protection function is working
電圧の A/D 変換値

Cause: The line between speaker terminals is shorted.

Supplementary information: As the excess current is detected after operation of the speaker relay, the shorted speaker terminal and the connected speaker can be identified.

Turning on the power without correcting the abnormality will cause the protection function to work immediately and the power supply will instantly be shut off.

原因：スピーカー端子間がショートしている。

補足：スピーカーリレー動作後に過電流を検出しているので、スピーカー端子および接続しているスピーカーのショートが特定できます。

異常状態のまま電源を入れると、瞬時にプロテクションが働き、すぐに電源が切れます。

2-3. When the protection function worked due to abnormal DC output.**2-3. DC 出力異常によりプロテクションが働いた場合**

PRD PRT:xxxx

AD value when the protection function is working
電圧の A/D 変換値

Cause: DC output from the power amplifier is abnormal.

Supplementary information: The protection function worked due to a DC voltage appearing at the speaker terminal. A cause could be a defect in the amplifier.

Turning on the power without correcting the abnormality will cause the protection function to work in 3 seconds and the power supply will be shut off.

原因：パワーアンプからの DC 出力が異常。

補足：パワーアンプの不具合により、スピーカー端子に直流電圧が加えられたために、プロテクションが働いたことを示します。

異常状態のまま電源を入れると、3秒後にプロテクションが働き、電源が切れます。

2-4. When the protection function worked due to abnormal voltage in the power supply section.

PRV PRT:xxx

AD value when the protection function is working
電圧の A/D 変換値

Cause: The voltage in the power supply section is abnormal.

Supplementary information: The protection function worked due to a defect or overload in the power supply.

Turning on the power without correcting the abnormality will cause the protection function to work in 1 second and the power supply will be shut off.

2-4. 電源部の電圧異常によりプロテクションが働いた場合

原因: 電源部の電圧が異常。

補足: 電源部の不具合により、電源電圧が正常な範囲から外れたために、プロテクションが働いたことを示します。

異常状態のまま電源を入れると、1秒後にプロテクションが働き、電源が切れます。

2-5. When the protection function worked due to excessive heatsink temperature.

THM PRT:xxx

AD value when the protection function is working
電圧の A/D 変換値

Cause: The temperature on the heatsink is excessive.

Supplementary information: The protection function worked due to the temperature limit being exceeded.

Causes could be poor ventilation or a defect related to the thermal sensor.

Turning on the power without correcting the abnormality will cause the protection function to work in 1 second and the power supply will be shut off.

* For detection of each protection function, refer to main menu described later.

2-5. ヒートシンクの異常温度によりプロテクションが働いた場合

原因: ヒートシンクの温度が異常。

補足: ヒートシンクの温度が制限値を超えたために、プロテクションが働いたことを示します。

異常状態のまま電源を入れると、1秒後にプロテクションが働き、電源が切れます。

※ 各プロテクションの検出に関しては、後述のメインメニューを参照してください。

● History of protection function

When the protection function has worked, its history is stored in memory with a backup.

Even if no abnormality is noted while servicing the unit, an abnormality which has occurred previously can be defined as long as the backup data has been stored.

For details of the history of protection function, refer to main menu No. 21 PROTECTION HISTORY.

The history of the protection function is cleared when self-diagnostic function is cancelled by selecting PRESET RESERVED (Memory initialized) of main menu No. 24 or when the backup data is erased.

● プロテクションの履歴

プロテクションが働いた場合、その履歴をバックアップして記憶しています。サービスのときに異常が認められなくても、バックアップが残っていれば、お客様のところで起きた異常を区別できます。

プロテクション履歴の詳細は、メインメニュー No. 21 PROTECTION HISTORY を参照してください。

メインメニュー No. 24 PRESET RESERVED (メモリーの初期化) を選んでダイアグを解除した場合、またはバックアップが消えた場合にプロテクションの履歴はクリアされます。

● Operation procedure of Main menu and Sub-menu

There are 25 main menu items, each of them having sub-menu items.

Main menu selection

Select the main menu using "PROGRAM" knob.

Sub-menu selection

Select the sub-menu using "SCENE RADIO" (forward) and "SCENE CD" (reverse) keys.

● メインメニューとサブメニューの操作

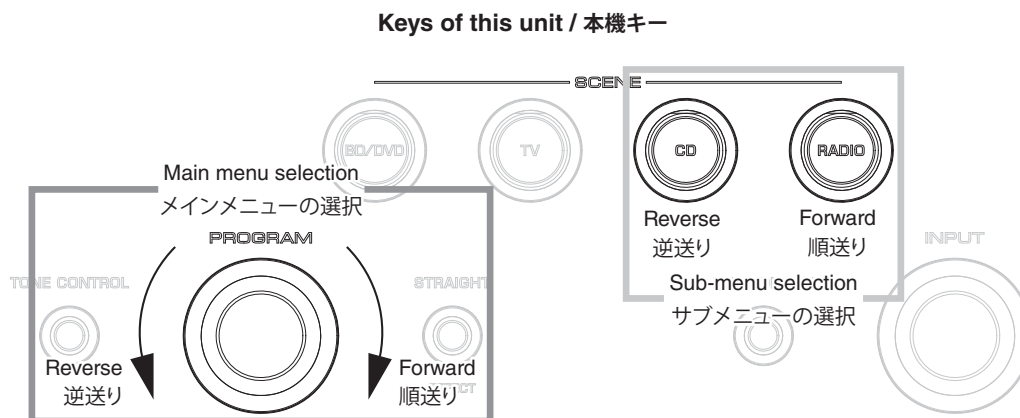
ダイアグには No. 1 ~ 25 のメインメニューがあり、それぞれにサブメニューがあります。

メインメニューの選択

"PROGRAM" ノブで選択します。

サブメニューの選択

"SCENE RADIO" (順送り)、"SCENE CD" (逆送り) キーで選択します。



● Functions in Self-Diagnostic Function mode

In addition to the self-diagnostic function menu items, functions as listed below are available.

- Power ON/OFF
- Master volume
- Muting
- Input select
- Audio select
- PROGRAM select
- Tone control
- PURE DIRECT ON/OFF
- ZONE2 ON/OFF

* Functions related to the tuner and the set menu are not available.

● ダイアグ中の機能

ダイアグメニューの他に、以下の機能が動作します。

- 電源 オン/オフ
- マスターボリューム
- ミューティング
- インプットセレクト
- オーディオセレクト
- プログラムセレクト
- トーンコントロール
- PURE DIRECT ON/OFF

※ チューナー関連、セットメニュー関連は機能しません。

● Initial settings used to start Self-Diagnostic Function

The following initial settings are used when starting self-diagnostic function.

When self-diagnostic function is canceled, these settings are restored to those before starting self-diagnostic function.

- Master volume: -20 dB
- Zone2 Volume: +2.5 dB
- Input: AV5 (MAIN ZONE) / AUDIO1 (ZONE2)
- Main menu: 1. ANALOG BYPASS
- Speaker setting: LARGE, Bass out to SWFR (All channels)
- Speaker impedance: 8 ohms position
- OSD: ON
- XM Power: ON (U model)

● ダイアグ開始時の初期設定

ダイアグ開始時に以下のような設定になります。ダイアグ解除時にはダイアグ開始前の状態に戻ります。

- マスターボリューム：-20 dB
- インプット：AV5
- メインメニュー：1. ANALOG BYPASS
- スピーカー設定：LARGE、Bass out to SWFR (すべてのチャンネル)
- スピーカーインピーダンス：8 オーム
- OSD：オン

● Details of Self-Diagnostic Function menu

1. BYPASS

Using the sub-menu, it is possible to select ANALOG BYPASS output or DSP BYPASS output.

ANALOG BYPASS

The analog input audio signal is output to FRONT L/R in PURE DIRECT.

1. ANALOG BYPASS

INPUT: AV5 ANALOG
SPEAKER OUT: 1 kHz, SUBWOOFER OUTPUT: 50 Hz

Input level	Volume	SPEAKER OUT						SUB-WOOFER OUTPUT
		FRONT	CENTER	SURROUND	SURROUND BACK	PRESENCE	ZONE2	
Both ch, -20 dBm	+6.5 dB	+13.0 dBm	-∞	-∞	-∞	-∞	-∞	-∞

DSP BYPASS

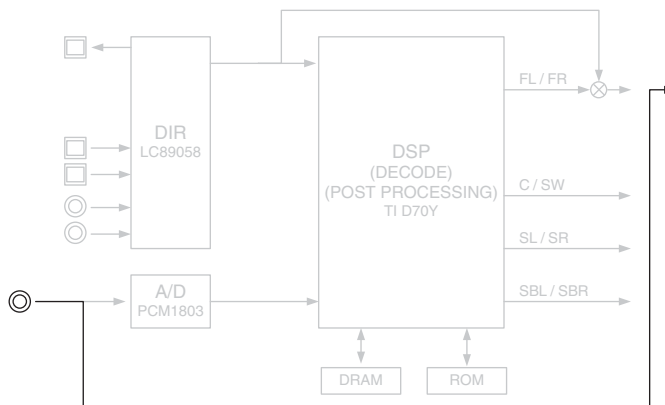
The digital input audio signal is output to FRONT L/R in PURE DIRECT.

1. DSP BYPASS

INPUT: AV5 ANALOG
SPEAKER OUT: 1 kHz, SUBWOOFER OUTPUT: 50 Hz

Input level	Volume	SPEAKER OUT						SUB-WOOFER OUTPUT
		FRONT	CENTER	SURROUND	SURROUND BACK	PRESENCE	ZONE2	
Both ch, -20 dBm	+6.5 dB	-∞	-∞	-∞	-∞	-∞	-∞	-∞

ANALOG BYPASS



(Shaded items not used in this example)

● ダイアグメニュー詳細

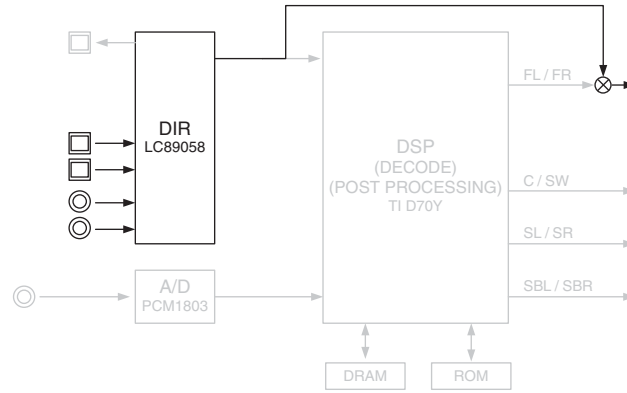
1. BYPASS

サブメニューにより、ANALOG BYPASS/DSP BYPASSが選択可能です。

ANALOG BYPASS

アナログ入力の音声信号が PURE DIRECT で FRONT L/R へ出力されます。

DSP BYPASS



(Shaded items not used in this example)

2. RAM THROUGH

Using the sub-menu, it is possible to select MARGIN output or FULL BIT output.

RAM MARGIN

The audio signal is output including the head margin.

2. RAM THROUGH

サブメニューにより、MARGIN/FULL BIT が選択可能です。

RAM MARGIN

音声信号がヘッドマージンを含んで出力されます。

2. RAM MARGIN

INPUT: AV5 ANALOG

SPEAKER OUT: 1 kHz, SUBWOOFER OUTPUT: 50 Hz

Input level	Volume	SPEAKER OUT						SUB-WOOFER OUTPUT
		FRONT	CENTER	SURROUND	SURROUND BACK	PRESENCE	ZONE2	
Both ch, -20 dBm	+6.5 dB	+13.0 dBm	+13.0 dBm	+13.0 dBm	+13.0 dBm	-∞	-∞	-6.5 dBm

RAM FULL BIT

The audio signal is output in digital full bit without including the head margin.

The SUBWOOFER signal is output but not in digital full bit.

RAM FULL BIT

音声信号がヘッドマージンを含まず、デジタルフルビットで出力されます。

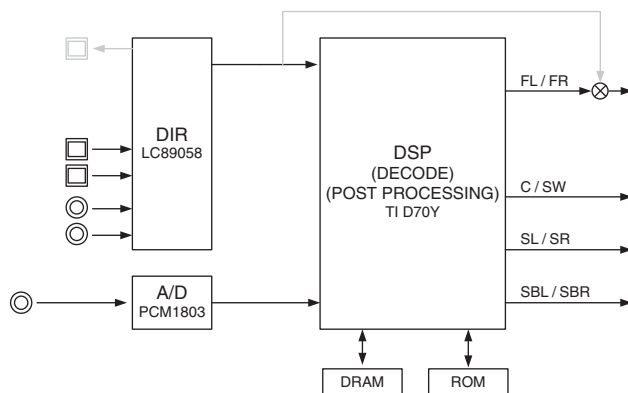
SUBWOOFERは出力されますが、デジタルフルビットではありません。

2. RAM FULL ALL

INPUT: AV5 ANALOG

SPEAKER OUT: 1 kHz, SUBWOOFER OUTPUT: 50 Hz

Input level	Volume	SPEAKER OUT						SUB-WOOFER OUTPUT
		FRONT	CENTER	SURROUND	SURROUND BACK	PRESENCE	ZONE2	
Both ch, -20 dBm	+6.5 dB	+13.0 dBm	+13.0 dBm	+13.0 dBm	+13.0 dBm	-∞	-∞	-6.5 dBm



(Shaded items not used in this example)

When input source is stereo, signal is assigned as below.

2 ch 信号入力時、以下のように信号が振り分けられて出力されます。

- Front L → Front L / Center / Surround L / Surround Back L, R
- Front R → Front R / Surround R
- Front L +10 dB → SWFR

RAM FULL CENTER

The audio signal is output to only CENTER in digital full bit without including the head margin.

RAM FULL CENTER

音声信号がヘッドマージンを含まず、デジタルフルビットでCENTERのみへ出力されます。

2. RAM FULL C

INPUT: AV5 ANALOG

SPEAKER OUT: 1 kHz, SUBWOOFER OUTPUT: 50 Hz

Input level	Volume	SPEAKER OUT						SUB- WOOFER OUTPUT
		FRONT	CENTER	SURROUND	SURROUND BACK	PRESENCE	ZONE2	
Both ch, -20 dBm	+6.5 dB	-∞	+13.0 dBm	-∞	-∞	-∞	-∞	-∞

RAM FULL SURROUND

The audio signal is output to only SURROUND L/R in digital full bit without including the head margin.

RAM FULL SURROUND

音声信号がヘッドマージンを含まず、デジタルフルビットでSURROUND L/Rのみへ出力されます。

2. RAM FULL SUR

INPUT: AV5 ANALOG

SPEAKER OUT: 1 kHz, SUBWOOFER OUTPUT: 50 Hz

Input level	Volume	SPEAKER OUT						SUB- WOOFER OUTPUT
		FRONT	CENTER	SURROUND	SURROUND BACK	PRESENCE	ZONE2	
Both ch, -20 dBm	+6.5 dB	-∞	-∞	+13.0 dBm	-∞	-∞	-∞	-∞

RAM FULL SURROUND BACK

The audio signal is output to only SURROUND BACK L/R in digital full bit without including the head margin.

RAM FULL SURROUND BACK

音声信号がヘッドマージンを含まず、デジタルフルビットでSURROUND BACK L/Rのみへ出力されます。

2. RAM FULL SB

INPUT: AV5 ANALOG

SPEAKER OUT: 1 kHz, SUBWOOFER OUTPUT: 50 Hz

Input level	Volume	SPEAKER OUT						SUB- WOOFER OUTPUT
		FRONT	CENTER	SURROUND	SURROUND BACK	PRESENCE	ZONE2	
Both ch, -20 dBm	+6.5 dB	-∞	-∞	-∞	+13.0 dBm	-∞	-∞	-∞

3. HDMI AUDIO

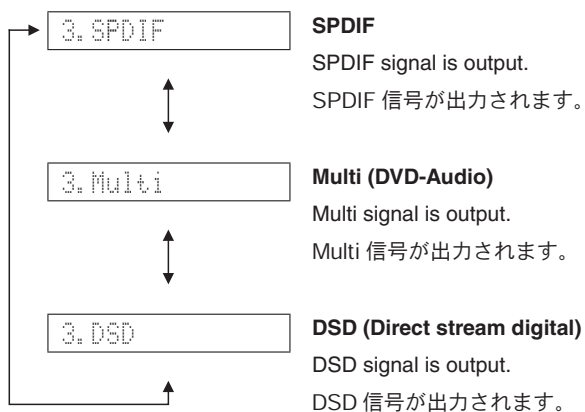
Using the sub-menu, the audio signals input to HDMI IN are selected and output.

- * When selecting "DSD", be sure to connect an HDMI unit equipped with DSD output function to this unit.

3. HDMI AUDIO

サブメニューにより、HDMI IN に入力された音声信号が選択、出力されます。

- ※ "DSD" を選択する場合、必ず DSD 出力が可能な HDMI 機器を接続してください。



4. SPEAKER SET

The analog switch settings for each sub-menu are as shown in the table below.

	FRONT	CENTER	SURROUND	SURROUND BACK	SUBWOOFER
FRNT : SML 0dB	SMALL	LARGE	LARGE	LARGE	SWFR
CENTER : NONE	LARGE	NONE	LARGE	LARGE	SWFR
LFE/B : FRNT	LARGE	SMALL	SMALL	SMALL	FRONT
Zone2 Amp ON	LARGE	LARGE	LARGE	-(*)1	SWFR
Bi-AMP	LARGE	LARGE	LARGE	LARGE (*2)	SWFR
TONE : MAX	LARGE	LARGE	LARGE	LARGE	SWFR
TONE : MIN	LARGE	LARGE	LARGE	LARGE	SWFR
SPEAKER 6 ohms	LARGE	LARGE	LARGE	LARGE	SWFR

(*1) ZONE2 L/R (EXTRA SP L/R): LARGE

(*2) Bi-AMP: LARGE

LARGE: This mode is used for a speaker with high bass reproduction performance (a large unit).
Full bandwidth signals are output.

SMALL: This mode is used for a speaker with low bass reproduction performance (a small unit).
The signals of 90 Hz or less are mixed into the channel specified by LFE/BASS.

NONE: This mode is used for no center speaker.
The center content is reduced by 3 dB and distributed to FRONT L/R.

SWFR: LFE of 5.1 ch signal or LFE/BASS lower than 90 Hz is output through SUBWOOFER OUT.

FRONT: LFE of 5.1 ch signal or LFE/BASS lower than 90 Hz is distributed to FRONT L/R.

4. SPEAKER SET

各サブメニューにおけるアナログスイッチの設定は以下の通りです。

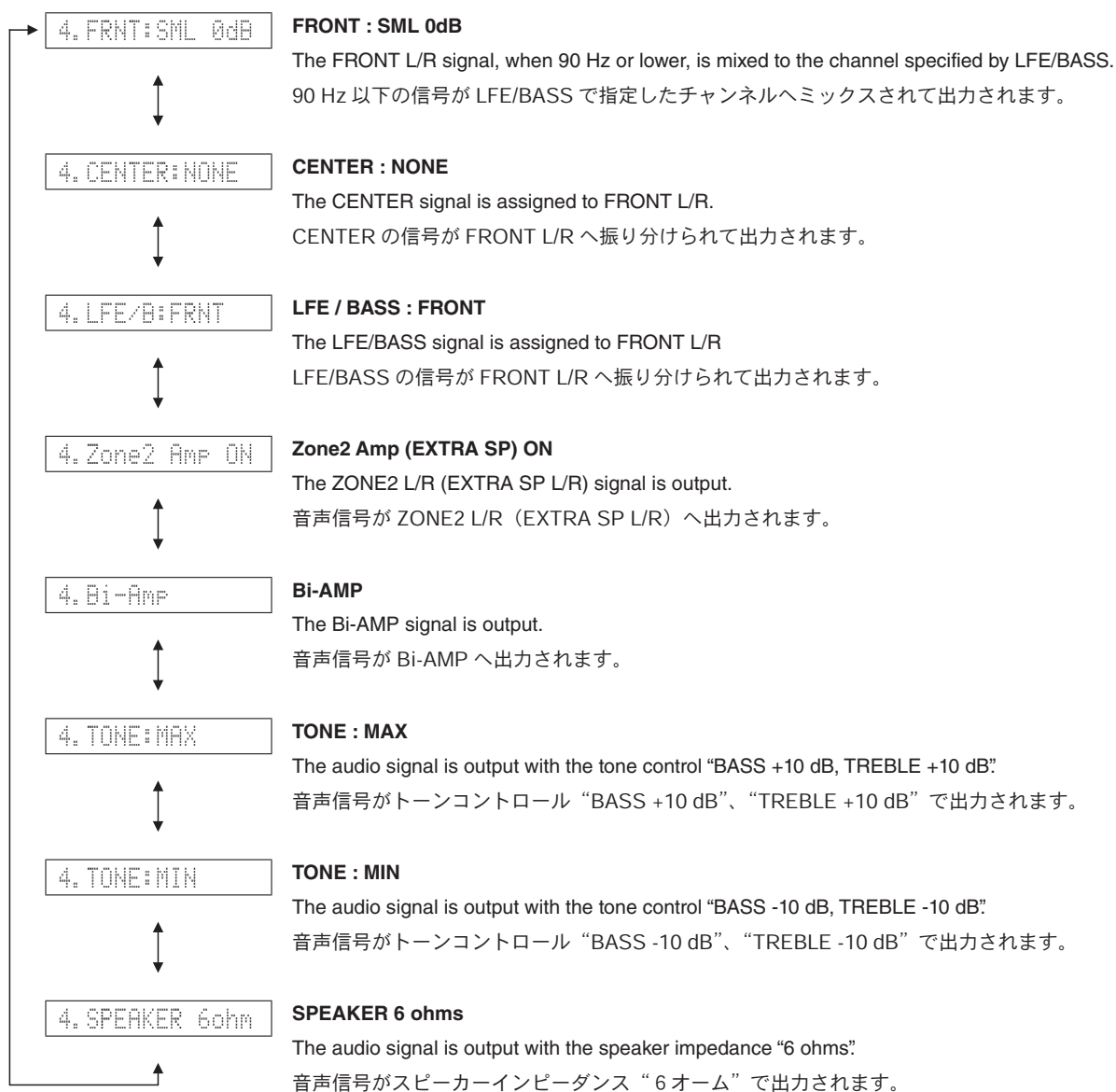
LARGE : 低音再生能力の高い（ユニットの大きい）スピーカーを使用するモードです。
全帯域が出力されます。

SMALL : 低音再生能力の低い（ユニットの小さい）スピーカーを使用するモードです。
90 Hz 以下が LFE/BASS で指定したチャンネルへミックスされます。

NONE : センタースピーカーを使用しないモードです。
センター成分は -3 dB されて、FRONT L/R へ振り分けられます。

SWFR : 5.1 ch 信号の LFE または 90 Hz 以下の LFE/BASS が SUBWOOFER OUT へ出力されます。

FRONT : 5.1 ch 信号の LFE または 90 Hz 以下の LFE/BASS を FRONT L/R へ振り分けます。



INPUT: AV5 ANALOG

SPEAKER OUT: 1 kHz, SUBWOOFER OUTPUT: 50 Hz

Sub-menu	Input level	Volume	SPEAKER OUT				SUBWOOFER OUTPUT
			FRONT L/R	CENTER	SURROUND L/R	SURROUND BACK L/R	
FRNT : SML 0dB	Both ch, -20 dBm	+6.5 dB	+13.0 dBm	+13.0 dBm	+13.0 dBm	+13.0 dBm	-3.0 dBm
CENTER : NONE	Both ch, -20 dBm	+6.5 dB	+18.0 dBm	-∞	+13.0 dBm	+13.0 dBm	-7.5 dBm
LFE/B : FRNT (50 Hz)	Both ch, -20 dBm	+6.5 dB	-∞	+13.0 dBm	+13.0 dBm	+13.0 dBm	-∞
Zone2 Amp ON	Both ch, -20 dBm	+6.5 dB	+13.0 dBm	+13.0 dBm	+13.0 dBm	-∞ (*)	-7.5 dBm
Bi-AMP	Both ch, -20 dBm	+6.5 dB	+13.0 dBm	+13.0 dBm	+13.0 dBm	+13.0 dBm	-7.5 dBm
TONE : MAX	Both ch, -20 dBm	+6.5 dB	+14.0 dBm	+13.0 dBm	+13.0 dBm	+13.0 dBm	-7.5 dBm
TONE : MIN	Both ch, -20 dBm	+6.5 dB	+12.0 dBm	+13.0 dBm	+13.0 dBm	+13.0 dBm	-7.5 dBm
SPEAKER 6 ohms	Both ch, -20 dBm	+6.5 dB	+13.0 dBm	+13.0 dBm	+13.0 dBm	+13.0 dBm	-7.5 dBm

(*) ZONE2 L/R (EXTRA SP L/R) SPEAKER OUT: +13.0 dBm

5. MULTI CH-INPUT

The input source "MULTI CHANNEL INPUT" is selected.

Using the sub-menu, it is possible to select the 6 ohms/8 ohms.

8 ch INPUT 6 ohms

5.8ch INPUT_60

INPUT: MULTI CH INPUT

SPEAKER OUT: 1 kHz, SUBWOOFER OUTPUT: 50 Hz

Input level	Volume	SPEAKER OUT						SUB- WOOFER OUTPUT
		FRONT	CENTER	SURROUND	SURROUND BACK	PRESENCE	ZONE2	
Both ch, -20 dBm	+6.5 dB	+13.0 dBm	+13.0 dBm	+13.0 dBm	+13.0 dBm	-∞	-∞	-16.5 dBm

5. MULTI CH-INPUT

入力ソース"MULTI CHANNEL INPUT"が選択されます。

サブメニューにより、6 オーム / 8 オームが選択可能です。

8 ch INPUT 6 ohms

8 ch INPUT 8 ohms

5.8ch INPUT_80

INPUT: MULTI CH INPUT

SPEAKER OUT: 1 kHz, SUBWOOFER OUTPUT: 50 Hz

Input level	Volume	SPEAKER OUT						SUB- WOOFER OUTPUT
		FRONT	CENTER	SURROUND	SURROUND BACK	PRESENCE	ZONE2	
Both ch, -20 dBm	+6.5 dB	+13.0 dBm	+13.0 dBm	+13.0 dBm	+13.0 dBm	-∞	-∞	-16.5 dBm

LIM / PLDET / THM**LIM:** Setting value of LIM (Limiter control)

- * Do not change the value settings because this menu is only for the use of development staff.

PLDET: Power limiter detection

The A/D conversion value during operation is displayed.

(Reference voltage: 3.3 V=255)

THM: Temperature protection detection

The A/D conversion value during operation is displayed.

(Reference voltage: 3.3 V=255)

LIM / PLDET / THM**LIM :** LIM (リミッター制御) の設定値

- ※ 開発スタッフ専用メニューですので、設定値の変更は行わないでください。

PLDET : パワーリミッターの検出

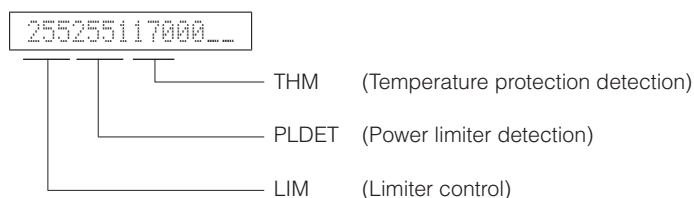
動作時の A/D 変換値が表示されます。

(基準電圧：3.3 V = 255)

THM : 温度プロテクションの検出

動作時の A/D 変換値が表示されます。

(基準電圧：3.3 V = 255)

**6. MIC CHECK**

The signals input through the microphone are output to only FRONT L via A/D and D/A.

6. MIC CHECK

マイクから入力された信号が A/D - D/A 経由で FRONT L のみへ出力されます。

6.MIC CHK

Segment conditions of the FL driver and the FL tube are checked by turning ON and OFF all segments. Next, the operation of the FL driver is checked by using the dimmer control. Then a short between segments next to each other is checked by turning ON and OFF all segments alternately (in lattice).

(In the above example, the segments in the second row from the top are shorted.)

全セグメント消灯・全セグメント点灯により FL ドライバー、FL 管のセグメントの不良を確認します。

次に、ディマーコントロールによって FL ドライバーの動作チェックを行います。

さらに全セグメントを交互（格子状）に点灯／消灯することで、隣り合うセグメントのショートをチェックします。

（前記の例は、上から 2 列目のセグメントがショートしています。）

8. MANUAL TEST

The built-in noise generator of DSP outputs the test noise through the channels specified by using the sub-menu.

The noise frequency for LFE is 30 to 80 Hz. Other than that, the noise frequency is 500 Hz to 2 kHz.

TEST ALL

The test noise is output from all channels.

8. MANUAL TEST

DSP 内蔵のノイズ発生回路によって、サブメニューで指定したチャンネルへテストノイズが出力されます。

LFE 用のノイズ周波数は 30 ～ 80 Hz、それ以外はノイズ周波数 500 Hz ～ 2 kHz となります。

TEST ALL

全チャンネルからテストノイズが出力されます。

8. TEST ALL

9. A/D DATA CHECK

This menu is used to display the A/D conversion value of the microprocessor which detects panel keys of this unit and protection functions by using the sub-menu.

When K0/K1 menu is selected, keys become non-operable due to detection of the values of all keys.

However, it is possible to advance to the next main menu by turning the "PROGRAM" knob of this unit.

- * The figures in the diagram are given as reference only.

PS1/PS2

PSx: Power supply voltage protection detection

PS1

Voltage detects: AC_BL, AC_12, AC_5, ± 12 and +5V

Normal value: 38 to 128
(Reference voltage: 3.3 V=255)

PS2

Voltage detects: -5 and +5I

Normal value: 31 to 125
(Reference voltage: 3.3 V=255)

- * If PS1 or PS2 becomes out of the normal value range, the protection function works to turn off the power.

PS1:089 2:078

DC/TH

DC: Power amplifier DC (DC voltage) output is detected.

Normal value: 23 to 70
(Reference voltage: 3.3 V=255)

TH: Temperature on the heatsink is detected.

Normal value: 0 to 124
(Reference voltage: 3.3 V=255)

- * If DC or TH becomes out of the normal value range, the protection function works to turn off the power.

DC:046 TH:111

9. A/D DATA CHECK

本機パネルキー、プロテクションなどを検出しているマイコンのA/D変換値を、サブメニューで表示します。

K0/K1のメニューにすると、全キーの値を検出するためキー操作はできなくなりますが、本機の"PROGRAM"ツマミを回すことにより、次のメインメニューに進めることができます。

- ※ 図中の数値は参考例です。

PS1/PS2

PSx: 電源電圧プロテクションの検出

PS1

検出電圧: AC_BL, AC_12, AC_5, ± 12 , +5V

正常値: 38 ~ 128
(基準電圧: 3.3 V = 255)

PS2

検出電圧: -5V, +5I

正常値: 31 ~ 125
(基準電圧: 3.3 V = 255)

- ※ PS1 または PS2 が正常値を外れるとプロテクションが働き、電源が切れます。

DC/TH

DC: パワーアンプ DC (直流電圧) 出力の検出

正常値: 23 ~ 70
(基準電圧: 3.3 V = 255)

TH: ヒートシンク温度の検出

正常値: 0 ~ 124
(基準電圧: 3.3 V = 255)

- ※ DC または TH が正常値を外れるとプロテクションが働き、電源が切れます。

IMP/PL**IMP:** 8 or 6 ohms impedance setup detection

IMP 8: 8 ohms setting

IMP 6: 6 ohms setting

PL: PLDET (Power amplifier output voltage detection)

The power amplifier output voltage is detected and the power amplifier input voltage is controlled according to the detected output voltage.

(Reference voltage: 3.3 V=255)

TH/PL**IMP :** インピーダンス設定の検出

(このモデルには適用されません。)

PL : PLDET (パワーアンプ出力電圧の検出)

パワーアンプ出力電圧を検出して、パワーアンプ入力電圧を制御します。

(基準電圧：3.3 V = 255)

IMP:8 PL:255

U, C, T, K, A, B, G, E, F models (Reference voltage: 3.3 V=255)

	During normal operation	Value for starting limiter operation	Value for canceling limiter operation
PLDET (8 ohms/6 ohms)	255 / 255	87 / 146	125 / 171
LIM (Limiter control)	H	L	H

R, L models (Reference voltage: 3.3 V=255)

	During normal operation	Value for starting limiter operation	Value for canceling limiter operation
PLDET (8 ohms/6 ohms)	255 / 255	100 / 100	131 / 131
LIM (Limiter control)	H	L	H

J model (基準電圧：3.3 V = 255)

	通常値	リミッタ動作開始値	リミッタ動作解除値
PLDET (8 ohms/6 ohms)	255 / 255	100 / 100	131 / 131
LIM (リミッター制御)	H	L	H

DST/DK**DST:** Destination detection

(Reference voltage: 3.3 V=255)

DK: DOCK type detection

(Reference voltage: 3.3 V=255)

DST/DK**DST :** 仕向け先の検出

(基準電圧：3.3 V = 255)

DK : DOCK タイプの検出

(基準電圧：3.3 V = 255)

DST:027 DK:255

Destination detection for AD port

Pull-up resistance 10 k-ohms

Ohm (R3809 VIDEO P.C.B.)	0.0 k	1.2 k	2.7 k	4.7 k	6.8 k	10.0 k	15.0 k	47.0 k	100.0 k
A/D value (3.3 V=255)	0 – 15	15 – 46	46 – 69	69 – 92	92 – 115	115 – 139	139 – 177	185 – 224	224 – 247
DEST (139 pin)	J	U	C	R	T	K	A	B, G, E, F	L

DOCK detection for AD port (IC20 Microprocessor pin no. 128)

Pull-up resistance 10 k-ohms

DOCK type (DKID 141 pin)	Bluetooth	iPod	No connect
A/D value (3.3 V=255)	5 – 25	120 – 140	255

K0/K1**K0/K1:** KEY0/KEY1 (Panel key of this unit)

When the A/D conversion value of the panel key becomes out of the specified range (standard value ± 4), normal operation will not be available.

In this case, check the constant of voltage dividing resistor, solder condition, etc. Refer to the table below.

(Reference voltage: 3.3 V=255)

K0:255 K1:255

K0/K1**K0/K1:** KEY0/KEY1 (本機/パネルキー)

パネルキーの A/D 値が規定範囲 (基準値 ± 4) から外れると、正常な動きをしません。

下表をご覧になり、各キーの分圧抵抗の定数、ハンダ不良等の確認をしてください。

(基準電圧: 3.3 V = 255)

RX-V765/HTR-6270

Displayed / 表示	K0
0 - 11	SCENE RADIO
12 - 32	SCENE CD
33 - 54	SCENE TV
55 - 75	SCENE BD/DVD
76 - 95	ZONE2 ON/OFF
96 - 118	ZONE2 CONTROL
119 - 142	—
143 - 162	—
181 - 197	MAIN ZONE ON/OFF
198 - 229	TONE CONTROL
255	KEY OFF

Displayed / 表示	K1
0 - 11	PURE DIRECT
12 - 32	STRAIGHT / EFFECT
33 - 54	INFO
55 - 77	MEMORY
78 - 98	PRESET ◀
99 - 120	PRESET ▶
121 - 143	CATEGORY ◀ FM
144 - 165	CATEGORY ▶ AM
166 - 185	TUNING CH ◀
186 - 205	TUNING CH ▶
206 - 225	—
226 - 245	—
255	KEY OFF

AX-V765

Displayed / 表示	K0
0 - 11	SCENE RADIO
12 - 32	SCENE CD
33 - 54	SCENE TV
55 - 75	SCENE BD/DVD
76 - 95	SLEEP
96 - 118	MUTE
119 - 142	—
143 - 162	—
181 - 197	STANDBY/ON
198 - 229	TONE CONTROL
255	KEY OFF

Displayed / 表示	K1
0 - 11	PURE DIRECT
12 - 32	STRAIGHT / EFFECT
33 - 54	INFO
55 - 77	MEMORY
78 - 98	PRESET ◀
99 - 120	PRESET ▶
121 - 143	FM
144 - 165	AM
166 - 185	TUNING ◀
186 - 205	TUNING ▶
206 - 225	—
226 - 245	—
255	KEY OFF

10. VIDEO CHECK

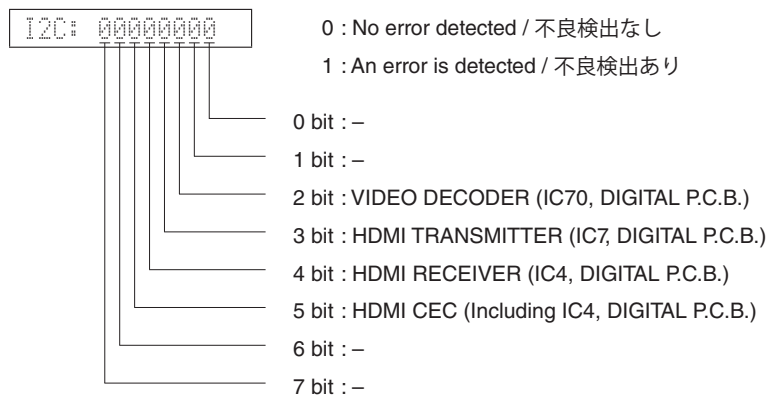
I2C check

The I2C (Inter integrated circuit) bus line connection is checked.

10. VIDEO CHECK

I2C check

I2C (Inter integrated circuit) バスラインの接続をチェックします。

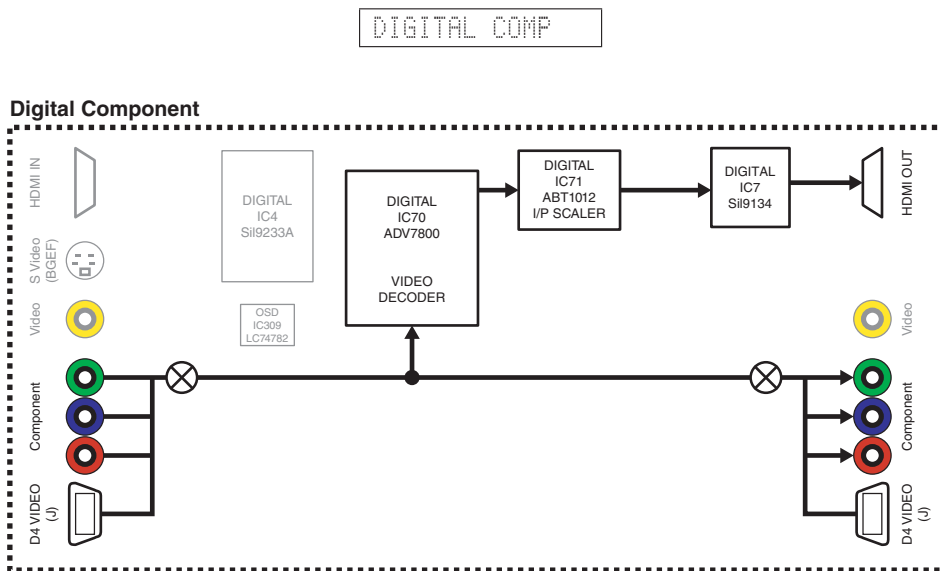


Digital component

The video signal is converted and output as shown below.

Digital component

映像信号が以下のように変換され、出力されます。



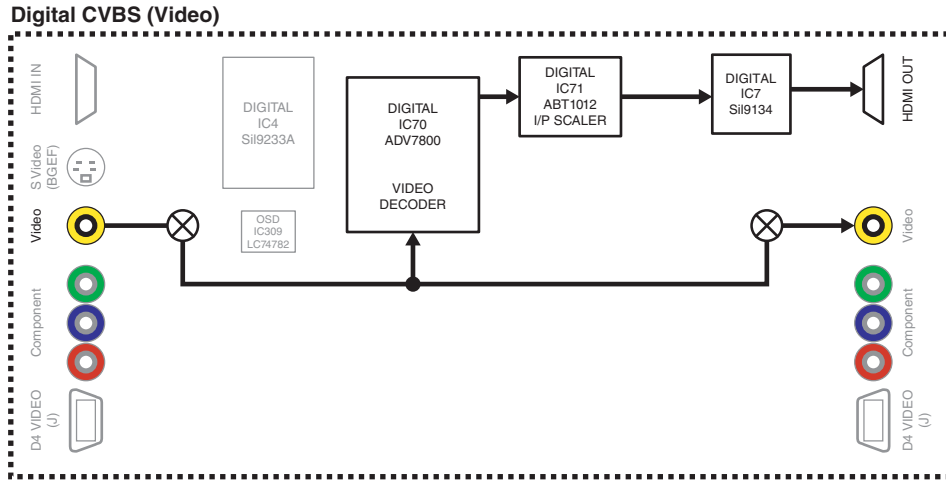
Digital CVBS (Video)

The video signal is converted and output as shown below.

Digital CVBS (Video)

映像信号が以下のように変換され、出力されます。

DIGITAL CVBS

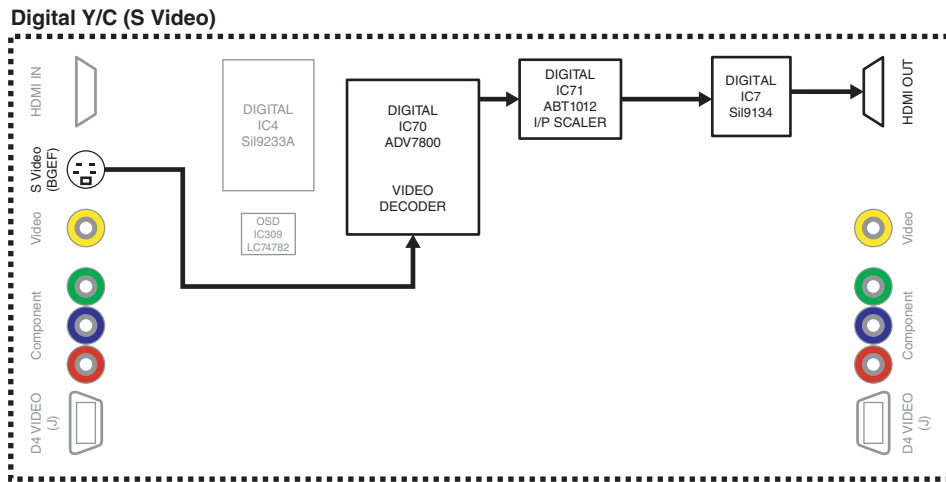


Digital Y/C (S-Video) (B, G, E, F models)

The video signal is converted and output as shown below.

Digital Y/C (S-Video) (B, G, E, F models)

DIGITAL Y/C



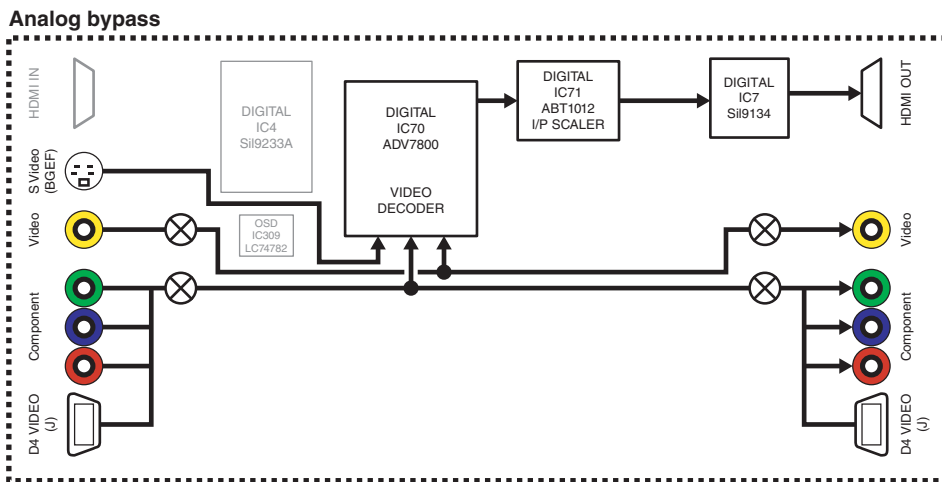
Analog bypass

The video signal is converted and output as shown below.

Analog bypass

映像信号が以下のように変換され、出力されます。

ANALOG BYPASS



Test pattern

Not applied to these models.

Test pattern

このモデルには適用されません。

TEST PATTERN

Video information

The information of input video signal is displayed.

Video information

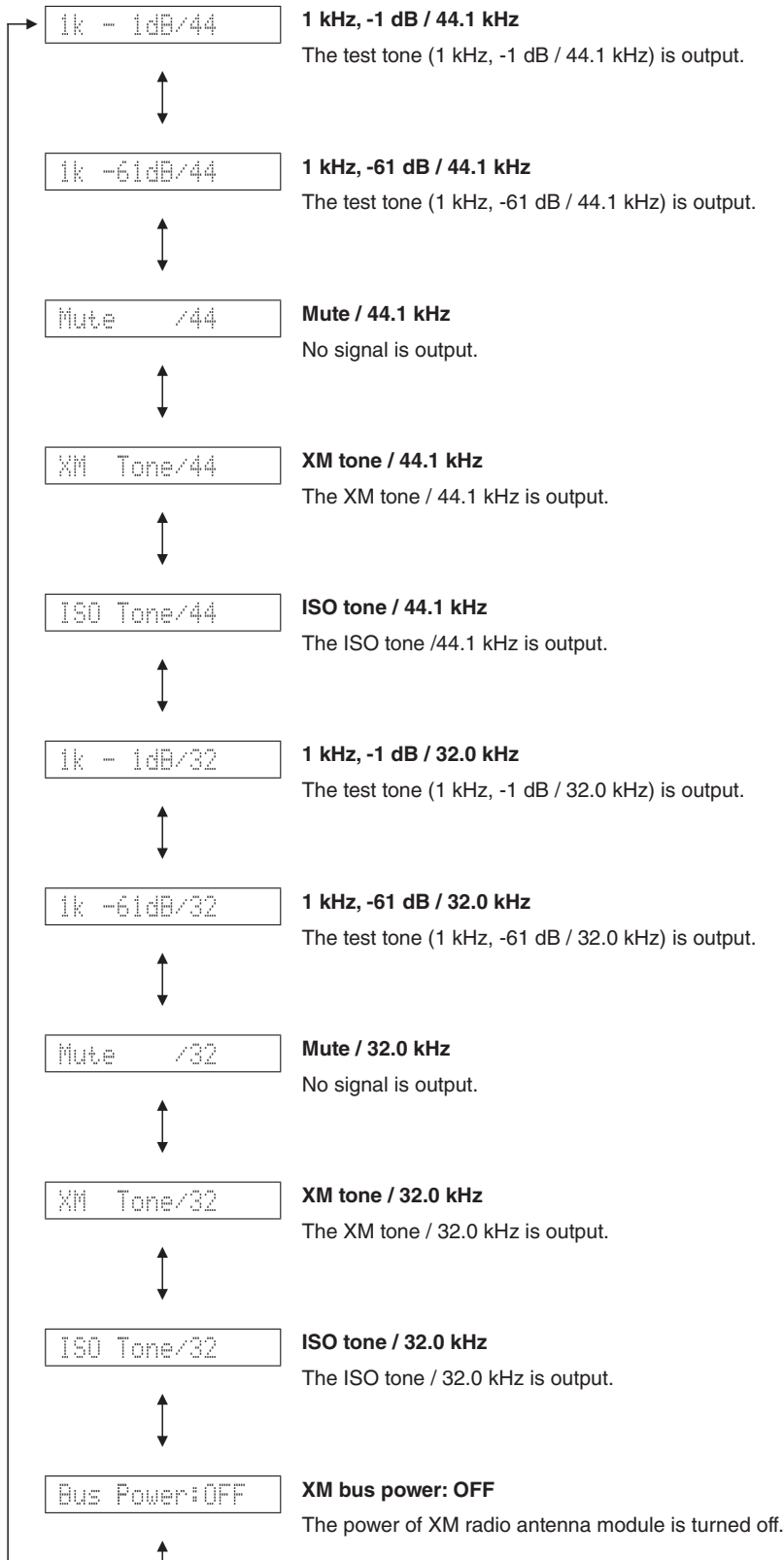
入力されている映像信号の情報が表示されます。

Example / 例

VIDEO IN 480i

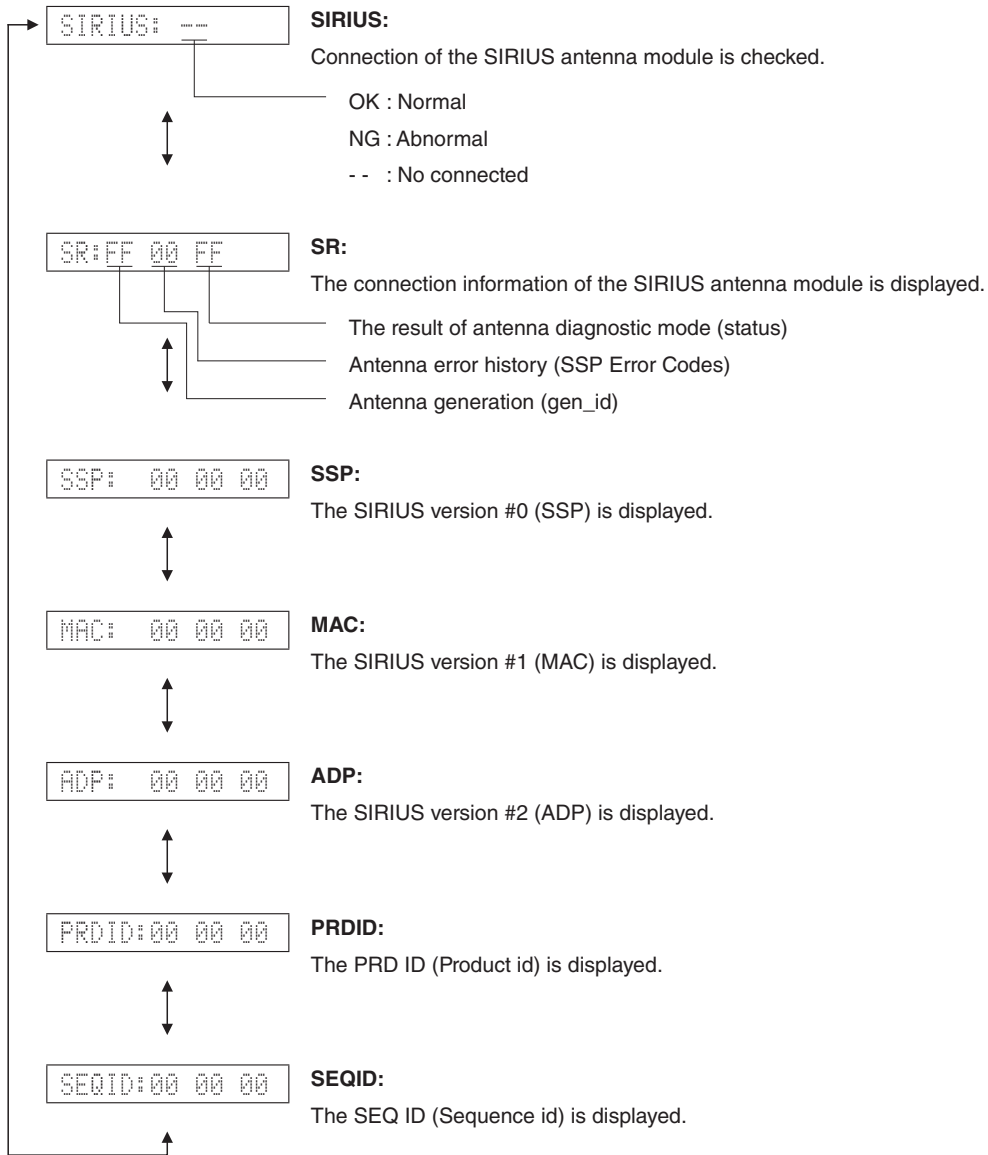
11. XM STATUS (U model)

This menu is used to check the output of XM Radio Antenna.



12. SIRIUS (U model)

The SIRIUS information are displayed.



13. HD RADIO (U model)

Not applied to these models.

CPU version

HD CPU V:

DSP version

D:

14. DOCK

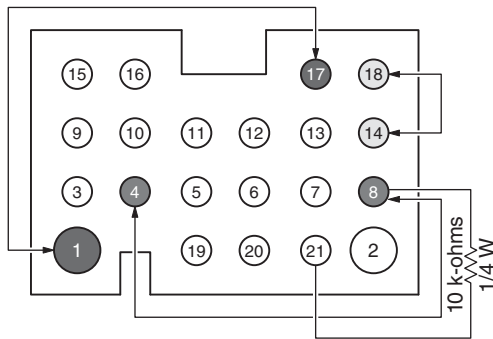
This menu is used to check the DOCK connector without the iPod itself.

With the power to this unit turned off, short between pins No. 14 (TX) and No. 18 (RX), between pins No. 1 (PWR) and No. 17 (ACCPOW), between pins No. 4 (iPDET) and No. 8 (DGND). Also, connect a 10 k-ohms, 1/4 W resistor between pins NO. 21 (DKID) and No. 8 (DGND). (Make sure that the power is turned off when shorting pins.)

Start up the self-diagnostic function and select this menu.

The check result is displayed according to the following display specifications.

Note) Be sure to return the shorted pins to their original condition after executing this test.



DOCK CONNECTOR

14. DOCK

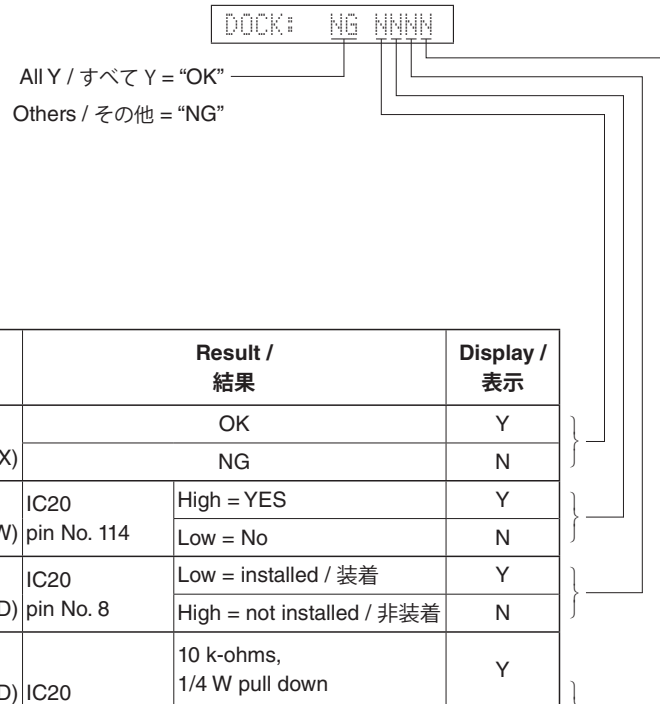
iPod 本体無しで、DOCK コネクタの検査を行うメニューです。

本機の電源を切った状態で、DOCK コネクタの 14 ピン (TX) と 18 ピン (RX)、1 ピン (PWR) と 17 ピン (ACCPOW)、4 ピン (iPDET) と 8 ピン (DGND) をショートさせます。また、21 ピン (DKID) と 8 ピン (DGND) の間に 10 k Ω、1/4 W 抵抗を接続します。(ショートさせる時は、必ず電源を切ってください。)

ダイアグを起動して本メニューを選択します。

下記表示仕様に従って、チェック結果が表示されます。

注意) 検査後、ショートしたピンを必ず元の状態に戻してください。



Check item / チェック項目	Short pins / ショートピン	Result / 結果	Display / 表示
UART loop back test / UART ループバックテスト	Pins No.14 (TX) - No.18 (RX)	OK	Y
		NG	N
iPAP (iPod accessory power) detection / iPAP (iPod accessory power) 検出	Pins No.1 (PWR) - No.17 (ACCPOW)	IC20 pin No. 114 High = YES	Y
		Low = No	N
iPDET (iPod installation to DOCK) detection / iPDET (iPod installation to DOCK) 検出	Pins No.4 (iPDET) - No.8 (DGND)	IC20 pin No. 8 Low = installed / 装着	Y
		High = not installed / 非装着	N
DKID (DOCK ID) detection / DKID (DOCK ID) 検出	Pins No.21 (DKID) - No.8 (DGND) * 10 k-ohms, 1/4 W pull down	IC20 pin No. 141 10 k-ohms, 1/4 W pull down	Y
		Other	N

BT VERSION

The DOCK (Bluetooth module) version is displayed.

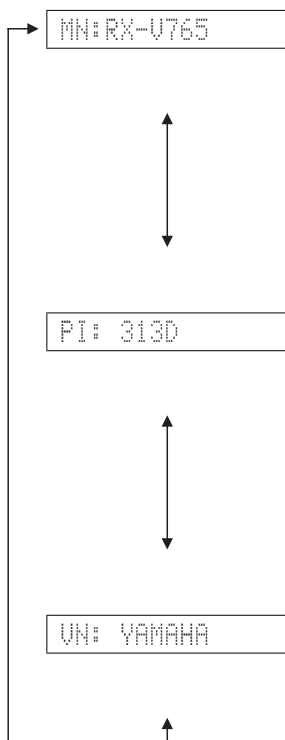
BT VERSION

DOCK (Bluetooth module) のバージョンが表示されます。



15. HDMI INFORMATION

The HDMI informations are displayed.



HDMI model name

The model name of this unit written in HDMI module is displayed.
HDMI モジュールに書き込まれている本機のモデル名が表示されます。

RX-V765
HTR-6270
AX-V765

HDMI product ID

The product ID of this unit written in HDMI module is displayed.
HDMI モジュールに書き込まれている本機のプロダクト ID が表示されます。

313D: RX-V765
313E: HTR-6270
313F: AX-V765

HDMI vendor name

The vendor name "YAMAHA" of this unit written in HDMI module is displayed.
HDMI モジュールに書き込まれている本機のベンダー名 "YAMAHA" が表示されます。

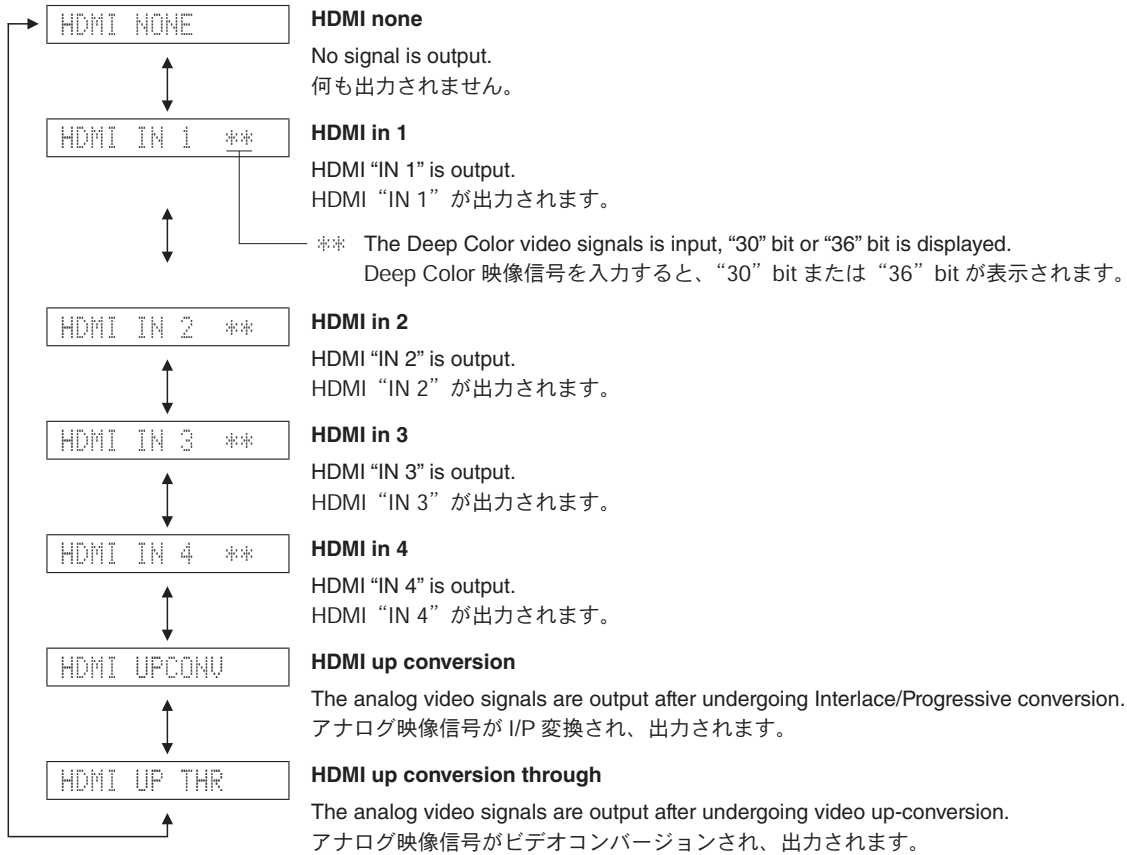
15. HDMI INFORMATION

HDMI の情報が表示されます。

16. HDMI SELECT

Using the sub-menu, the selected input signal is output to HDMI OUT.

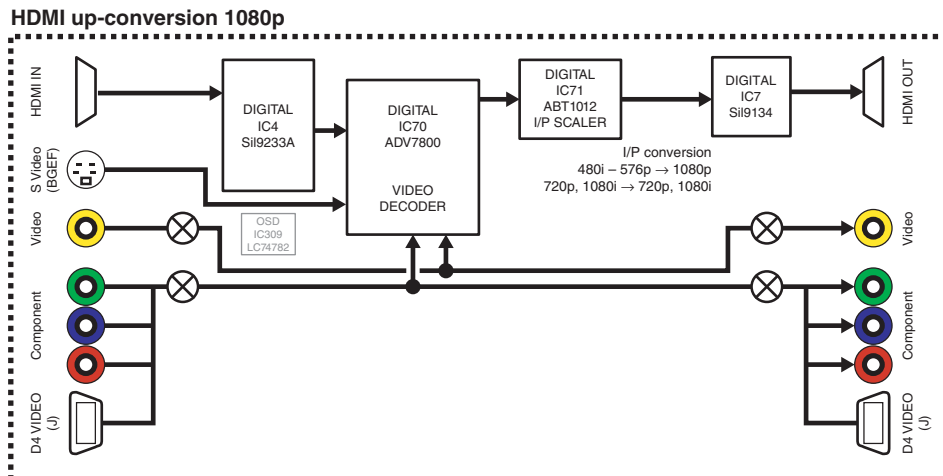
* Support audio is set to "OTHER".

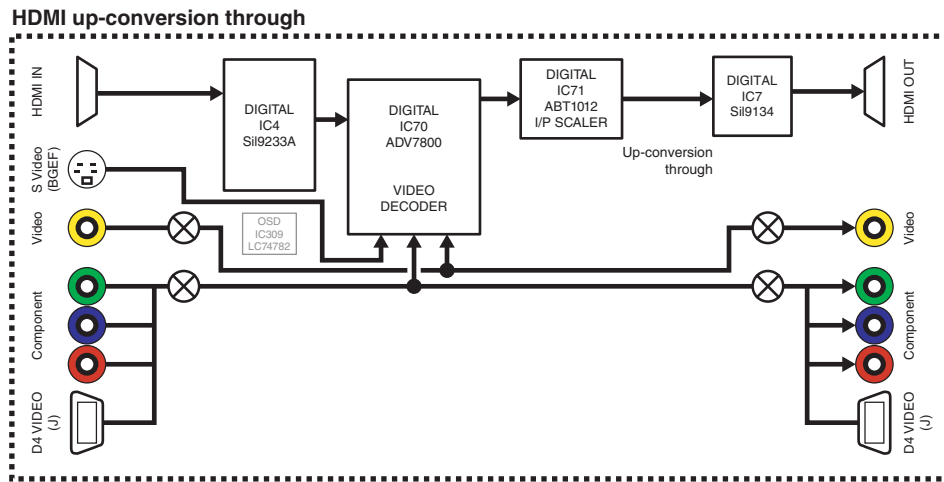


16. HDMI SELECT

サブメニューにより、選択された入力信号が HDMI OUT へ出力されます。

※ SUPPORT AUDIO は "OTHER" に設定されます。





17. USB

Not applied to these models.

USB file 1

USB file 2

17. USB

このモデルには適用されません。

USB file 1

17:USB file 1

USB file 2

17:USB file 2

18. IF STATUS (Input function status)

Not applied to these models.

DSP status

18. IF STATUS (Input function status)

このモデルには適用されません。

DSP status

DST:7700020000

19. BUS CHECK

Communication and bus line connection between devices on the DSP P.C.B. are checked.

TI (DSP) BUS check

Communication and bus line connection between microprocessor (IC20) and TI (DSP, IC44) are checked.

TI BUS:NoEr

NoEr : No error detected.

Boot : When "Boot" is displayed for a few seconds or "Boot" and "NoEr" are displayed alternately, there is possibility that an error occurs.

BF LOOP :

Not applied to these models.

BF LOOP:

20. NO MENU (Invalidity)

Invalidity

21. PROTECTION HISTORY

The history of protection function is displayed.

Select this menu and press the "STRAIGHT" key, and the history will be erased.

Example / 例

21-1. Dc xxxL

History 1 / 履歴 1

H : When the upper limit of the protection function is exceeded.
プロテクションの上限を超えた場合

L : When the lower limit of the protection function is exceeded.
プロテクションの下限を超えた場合

A/D value when the protection function is activated. (Reference voltage: 3.3 V=255)
プロテクション動作時の A/D 値 (基準値 : 3.3 V=255)

Example / 例

21-2. NoPRT

History 2 / 履歴 2

Example / 例

21-3. NoPRT

History 3 / 履歴 3

Example / 例

21-4. NoPRT

History 4 / 履歴 4

19. BUS CHECK

DSP P.C.B. 内のデバイス間の通信とバスラインの接続をチェックします。

TI (DSP) BUS check

マイコン (IC20) と TI (DSP, IC44) の通信・バスラインの接続をチェックします。

NoEr : 不良検出なし

Boot : "Boot" が数秒間表示されるまたは "Boot" と "NoEr" が交互に表示される場合、異常が発生している可能性があります。

BF LOOP :

このモデルには適用されません。

20. NO MENU (Invalidity)

21. PROTECTION HISTORY

過去のプロテクション履歴が表示されます。

サブメニューを選んだ後、"STRAIGHT" キーを押すと履歴は消去されます。

22. NO MENU (Invalidity)**22. NO MENU (Invalidity)**

Invalidity

23. UPDATE

Not applied to these models.

UPDATE TI**23. UPDATE**

このモデルには適用されません。

UPDATE TI

23.UPDATE TI

24. FACTORY PRESET

This menu is used to reserve and inhibit initialization of the back-up IC.

24. FACTORY PRESET

バックアップ用 IC（音場プログラムのパラメーターやセットメニュー内容等）の初期化を予約／禁止します。

24.PRESET INHI



24.PRESET RSRV

PRESET INHIBIT (Initialization inhibited) / PRESET INHIBIT（初期化禁止）

Back-up IC initialization is not executed. Select this sub-menu to protect the values set by the user.

バックアップ IC の初期化は行われません。ユーザーの設定値を保護するときは、こちらを選択してください。

PRESET RESERVED (Initialization reserved) / PRESET RESERVED（初期化予約）

Initialization of the back-up IC is reserved. (Actually, initialization is executed the next time that the power is turned on.) Select this sub-menu to reset to the original factory settings or to reset the back-up IC. Any protection history will be cleared.

バックアップ IC の初期化が予約されます。（実際に初期化されるのは、次回の電源投入時です。）工場出荷時やバックアップ IC をリセットしたいときは、こちらを選択してください。このとき、プロテクション履歴も初期化されます。

CAUTION: Before setting to the PRESET RESERVED, write down the existing preset memory content of the tuner.

(This is because setting to the PRESET RESERVED will cause the user memory content to be erased.)

注意： PRESET RESERVED を選んで初期化をする前に、チューナーのユーザーメモリー内容を書き写してください。

(初期化をすると、ユーザーメモリーの内容は消えてしまいます。)

25. ROM VER/SUM/PORT

The firmware version, checksum values, model name and destination are displayed.

The checksum is obtained by adding the data at every 8-bit for each program area and expressing the result as a 4-figure hexadecimal data.

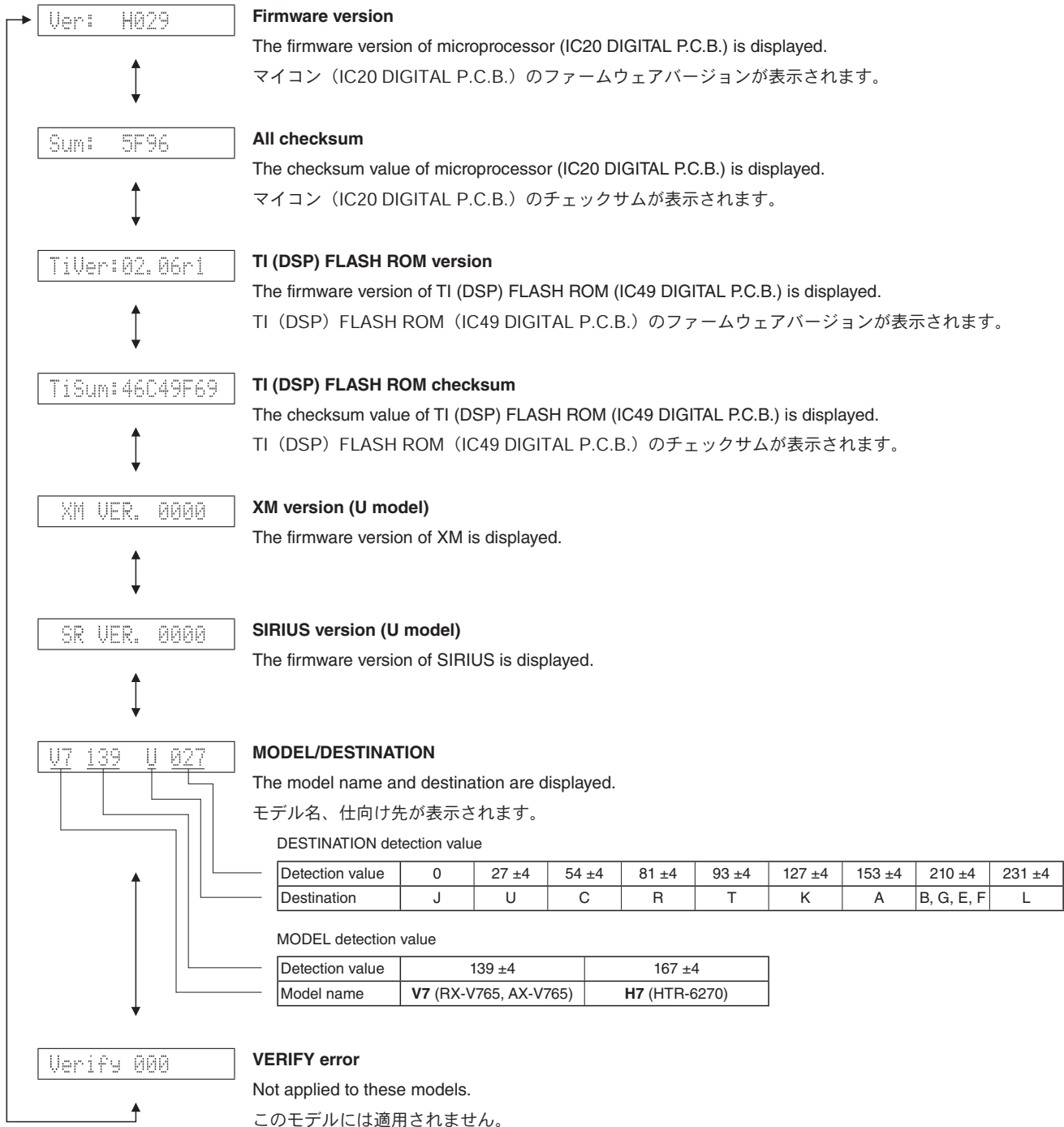
* The figures in the diagram are given as reference only.

25. ROM VER/SUM/PORT

ファームウェアのバージョン、チェックサム、モデル名、仕向け先が表示されます。

チェックサムは、プログラムエリア別にデータを8ビットごとに加算していき、4桁の16進データで現したものです。

※ 図中の数値は参考例です。



■ CONFIRMATION OF IDLING CURRENT OF AMP UNIT / アンプユニットのアイドル電流の確認

- Right after power is turned on, confirm that the voltage across the terminals of R1152 (SURROUND BACK Rch), R1154 (SURROUND Rch), R1150 (FRONT Rch), R1148 (CENTER), R1149 (FRONT Lch), R1153 (SURROUND Lch), R1151 (SURROUND BACK Lch) are between 0.1mV and 10.0mV.
- If it exceeds 10.0 mV, open (cut off) R1104 (SURROUND BACK Rch), R1106 (SURROUND Rch), R1102 (FRONT Rch), R1100 (CENTER), R1101 (FRONT Lch), R1105 (SURROUND Lch), R1103 (SURROUND BACK Lch) and reconfirm the voltage.

Attention

If the measured voltage exceeds 10.0mV after an amplifier repair, first check for a defective component before cutting the bias resistor.

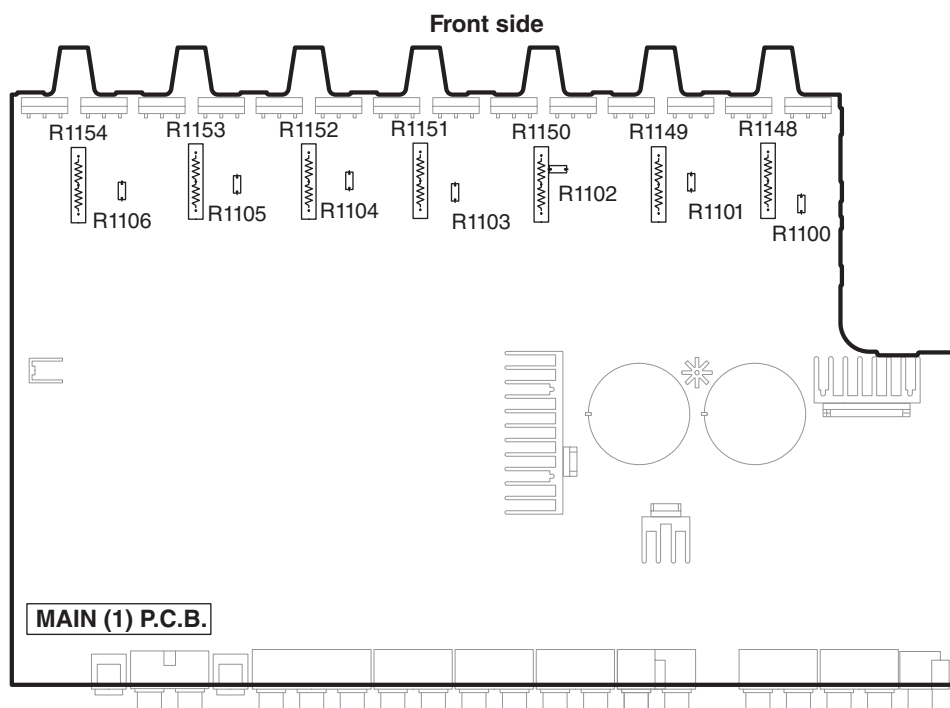
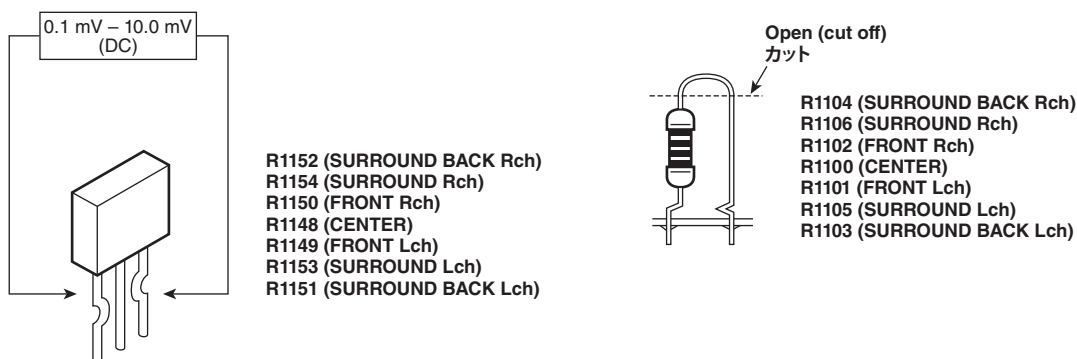
- Confirm that the voltage is 0.2 mV to 15.0 mV after 60 minutes.

- 電源投入直後、R1152 (SURROUND BACK Rch)、R1154 (SURROUND Rch)、R1150 (FRONT Rch)、R1148 (CENTER)、R1149 (FRONT Lch)、R1153 (SURROUND Lch)、R1151 (SURROUND BACK Lch) の端子間電圧を測定し、0.1 mV から 10.0 mV の間であることを確認してください。
- 電圧が 10 mV を超えている場合は、R1104 (SURROUND BACK Rch)、R1106 (SURROUND Rch)、R1102 (FRONT Rch)、R1100 (CENTER)、R1101 (FRONT Lch)、R1105 (SURROUND Lch)、R1103 (SURROUND BACK Lch) をカットし、電圧を再確認してください。

注意

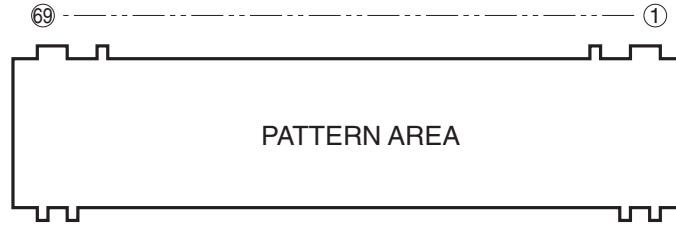
パワーアンプ修理後に 10.0mV を超えている場合は、抵抗をカットする前に故障箇所を調べてください。

- 60 分後、電圧が 0.2 mV ~ 15.0 mV であることを確認してください。



■ DISPLAY DATA

● V4001 : 18-MT-09GNK (OPERATION P.C.B.)



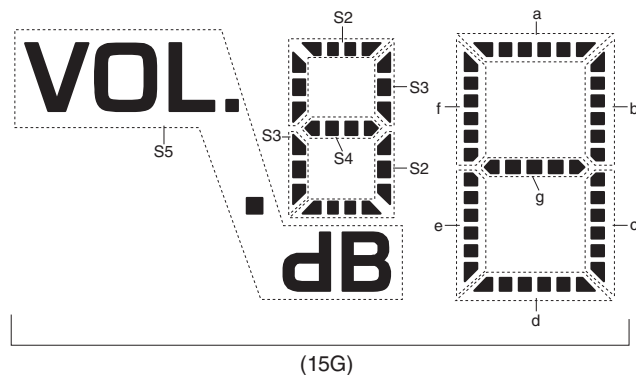
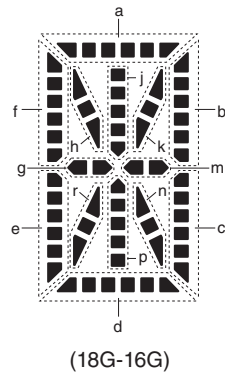
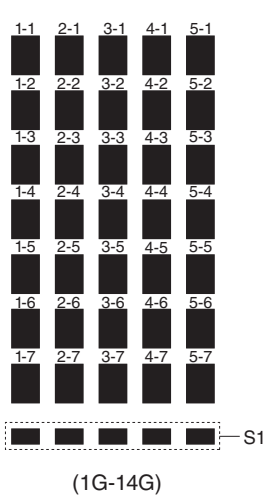
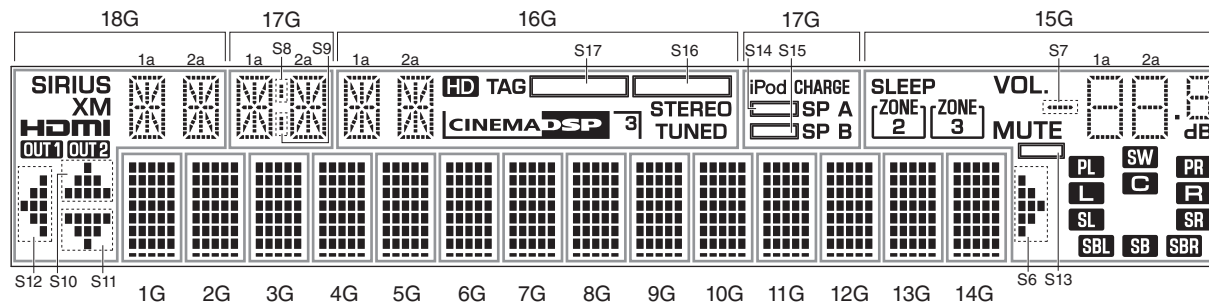
● PIN CONNECTION

Pin No.	69	68	67	66	65	64	63	62	61	60	59	58	57	56	55	54	53	52	51	50	49	48	47	46	45	44	43	42	41	40	39	38	37	36	35
Connection	F2	NX	NP	NP	P1	P2	P3	P4	P5	P6	P7	P8	P9	P10	P11	P12	P13	P14	P15	P16	P17	P18	P19	P20	P21	P22	P23	P24	P25	P26	P27	P28	P29	P30	P31

Pin No.	34	33	32	31	30	29	28	27	26	25	24	23	22	21	20	19	18	17	16	15	14	13	12	11	10	9	8	7	6	5	4	3	2	1
Connection	P32	P33	P34	P35	P36	NX	NX	NX	NX	NX	NX	NX	18G	17G	16G	15G	14G	13G	12G	11G	10G	9G	8G	7G	6G	5G	4G	3G	2G	1G	NP	NP	NX	F1

Note : 1) F1, F2 Filament pin 2) NP No pin 3) NX No extend pin 4) 1G-18G Grid pin

● GRID ASSIGNMENT



● ANODE CONNECTION

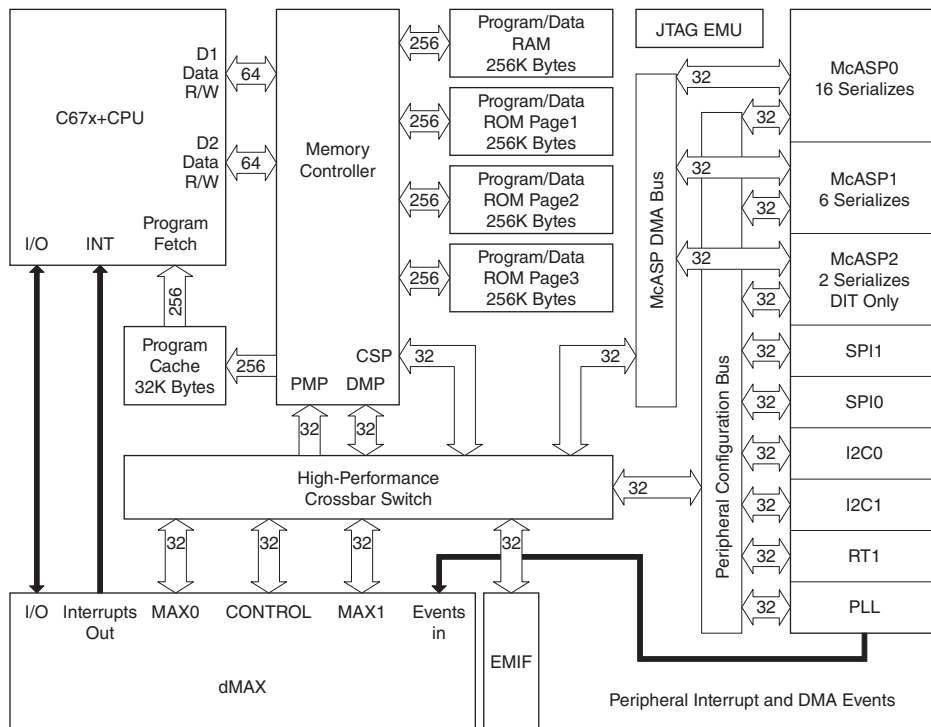
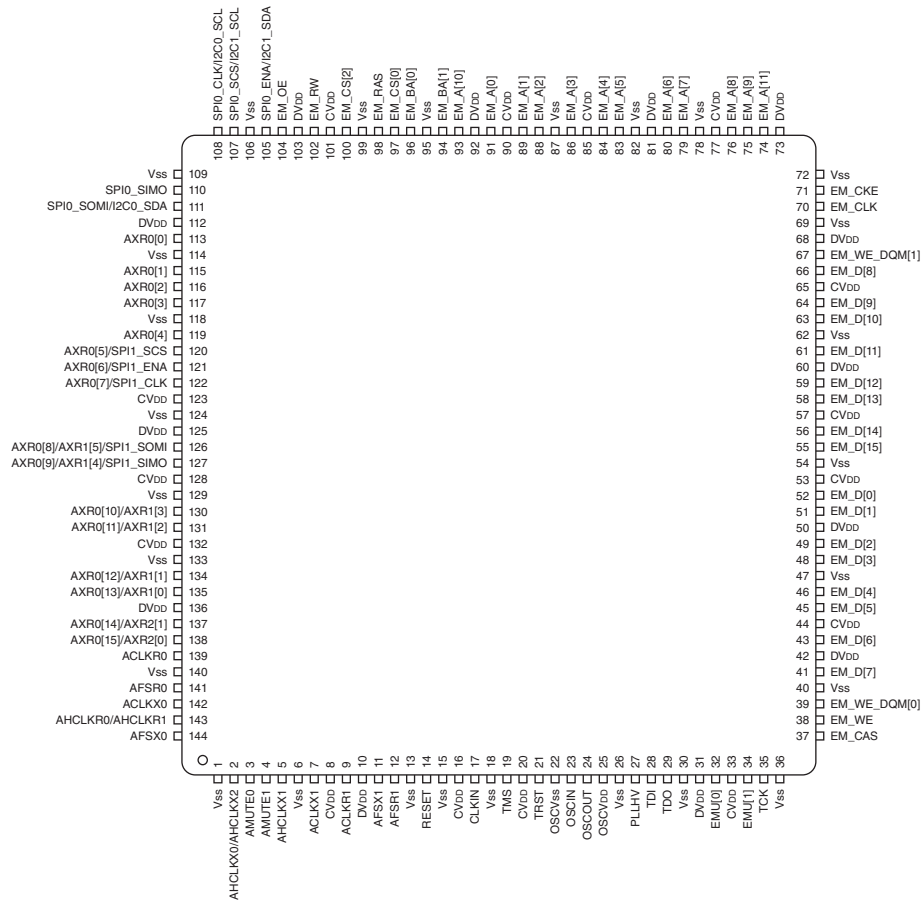
	18G	17G	16G	15G	1G-14G
P1	1a	1a	1a	S5	1-1
P2	1h	1h	1h	S7	2-1
P3	1j	1j	1j	1d	3-1
P4	1k	1k	1k	2d	4-1
P5	1b	1b	1b	S2	5-1
P6	1f	1f	1f	1e	1-2
P7	1m	1m	1m	2e	2-2
P8	1g	1g	1g	S3	3-2
P9	1c	1c	1c	1c	4-2
P10	1e	1e	1e	2c	5-2
P11	1r	1r	1r	S4	1-3
P12	1p	1p	1p	1g	2-3
P13	1n	1n	1n	2g	3-3
P14	1d	1d	1d	1f	4-3
P15	2a	2a	2a	2f	5-3
P16	2h	2h	2h	1b	1-4
P17	2j	2j	2j	2b	2-4
P18	2k	2k	2k	1a	3-4
P19	2b	2b	2b	2a	4-4
P20	2f	2f	2f	PL	5-4
P21	2m	2m	2m	SW	1-5
P22	2g	2g	2g	PR	2-5
P23	2c	2c	2c	L	3-5
P24	2e	2e	2e	C	4-5
P25	2r	2r	2r	R	5-5
P26	2p	2p	2p	SL	1-6
P27	2n	2n	2n	SR	2-6
P28	2d	2d	2d	SBL	3-6
P29	SIRIUS	S8	HD	SB	4-6
P30	XM	S9	TAG	SBR	5-6
P31	HDMI	iPod CHARGE	CINEMA DSP	S6	1-7
P32	OUT1	SP B	3	S13	2-7
P33	OUT2	S15	STEREO	MUTE	3-7
P34	S12	SP A	TUNED	ZONE 2	4-7
P35	S10	S14	S17	ZONE 3	5-7
P36	S11	—	S16	SLEEP	S1

IC DATA

IC44: D70YE101BRFP266 (DIGITAL P.C.B.)

Decoder/Post processor

* No replacement part available.

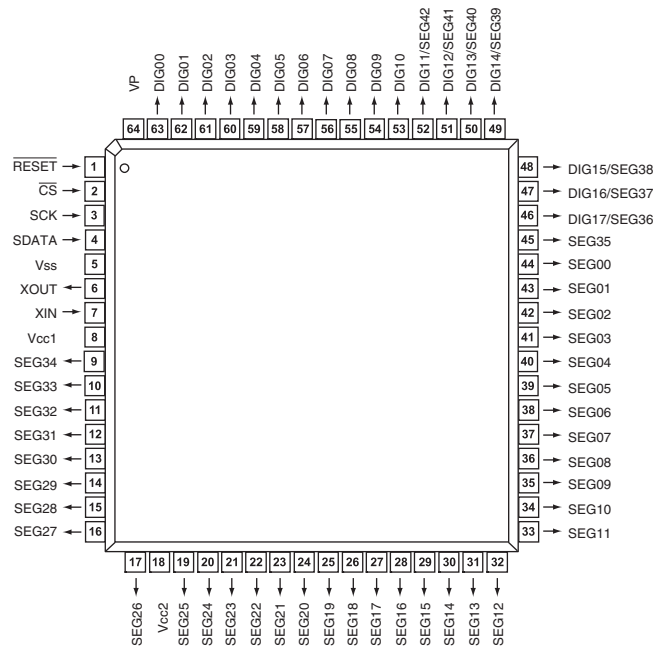
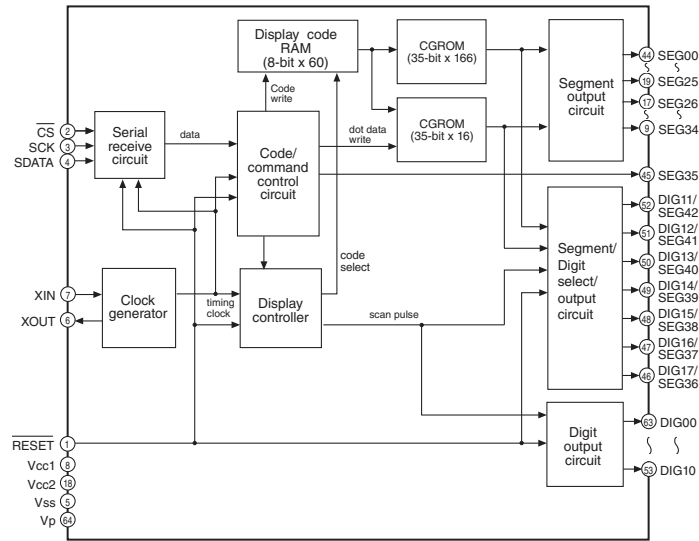


No.	Function Name (P.C.B.)	TYPE ⁽¹⁾	PULL ⁽²⁾	GPIO ⁽³⁾	Detail of Function
1	VSS				
2	AHCLKX0/AHCLKX2	IO	–	Y	McASP0 and McASP2 transmit master clock
3	AMUTE0	IO	–	Y	McASP0 mute output
4	AMUTE1	IO	–	Y	McASP1 mute output
5	AHCLKX1	IO	–	Y	McASP1 transmit master clock
6	VSS				
7	ACLKX1	IO	–	Y	McASP1 transmit bit clock
8	CVDD				
9	ACLKR1	IO	–	Y	McASP1 receive bit clock
10	DVDD				
11	AFSX1	IO	–	Y	McASP1 transmit frame Sync (L/R clock)
12	AFSR1	IO	–	Y	McASP1 receive frame Sync (L/R clock)
13	VSS				
14	RESET	IO	–	N	Device reset pin
15	VSS				
16	CVDD				
17	CLKIN	IO	–	N	Alternate clock input (3.3-V LVCMOS input)
18	VSS				
19	TMS	IO	IPU	N	Test mode select
20	CVDD				
21	TRST	IO	IPU	N	Test reset
22	OSCVSS	PWR	–	N	Oscillator Vss tap point (for filter only)
23	OSCIN	IO	–	N	1.2-V oscillator input
24	NC	O	–	N	
25	OSCVDD	PWR	–	N	Oscillator 1.2-V Vpp tap point (for filter only)
26	VSS				
27	PLLHV	PWR	–	N	PLL 3.3-V supply input (requires external filter)
28	TDI	IO	IPU	N	Test data in
29	TDO	OZ	IPU	N	Test data out
30	VSS				
31	DVDD				
32	EMU[0]	IO	IPU	N	Emulation pin 0
33	CVDD				
34	EMU[1]	IO	IPU	N	Emulation pin 1
35	TCK	IO	IPU	N	Test clock
36	Ground(Vss)				
37	EM_CAS	O	–	N	SDRAM column address strobe
38	EM_WE	O	–	N	SDRAM write enable
39	EM_WE_DQM[0]	O	–	N	Write enable or byte enable for EM_D [7:0]
40	VSS				
41	EM_D[7]	IO	–	N	EMIF data bus [lower 16-bits]
42	DVDD				
43	EM_D[6]	IO	–	N	EMIF data bus [lower 16-bits]
44	CVDD				
45	EM_D[5]	IO	–	N	EMIF data bus [lower 16-bits]
46	EM_D[4]	IO	–	N	EMIF data bus [lower 16-bits]
47	VSS				
48	EM_D[3]	IO	–	N	EMIF data bus [lower 16-bits]
49	EM_D[2]	IO	–	N	EMIF data bus [lower 16-bits]
50	DVDD				
51	EM_D[1]	IO	–	N	EMIF data bus [lower 16-bits]
52	EM_D[0]	IO	–	N	EMIF data bus [lower 16-bits]
53	CVDD				
54	VSS				
55	EM_D[15]	IO	–	N	EMIF data bus [lower 16-bits]
56	EM_D[14]	IO	–	N	EMIF data bus [lower 16-Bits]
57	CVDD				
58	EM_D[13]	IO	–	N	EMIF data bus [lower 16-Bits]
59	EM_D[12]	IO	–	N	EMIF data bus [lower 16-Bits]
60	DVDD				
61	EM_D[11]	IO	–	N	EMIF data bus [lower 16-Bits]

No.	Function Name (P.C.B.)	TYPE ⁽¹⁾	PULL ⁽²⁾	GPIO ⁽³⁾	Detail of Function
62	VSS				
63	EM_D[10]	IO	–	N	EMIF data bus [lower 16-Bits]
64	EM_D[9]	IO	–	N	EMIF data bus [lower 16-Bits]
65	CVDD				
66	EM_D[8]	IO	–	N	EMIF data bus [lower 16-bits]
67	EM_WE_DQM[1]	O	–	N	Write enable or byte enable for EM_D [15:8]
68	DVDD				
69	VSS				
70	EM_CLK	O	–	N	SDRAM clock
71	EM_CKE	O	–	N	SDRAM clock enable
72	VSS				
73	DVDD				
74	EM_A[11]	O	–	N	EMIF address bus
75	EM_A[9]	O	–	N	EMIF address bus
76	EM_A[8]	O	–	N	EMIF address bus
77	CVDD				
78	VSS				
79	EM_A[7]	O	–	N	EMIF address bus
80	EM_A[6]	O	–	N	EMIF address bus
81	DVDD				
82	VSS				
83	EM_A[5]	O	–	N	EMIF address bus
84	EM_A[4]	O	–	N	EMIF address bus
85	CVDD				
86	EM_A[3]	O	–	N	EMIF address bus
87	VSS				
88	EM_A[2]	O	–	N	EMIF address bus
89	EM_A[1]	O	–	N	EMIF address bus
90	CVDD				
91	EM_A[0]	O	–	N	EMIF address bus
92	DVDD				
93	EM_A[10]	O	–	N	EMIF address bus
94	EM_BA[1]	O	–	N	SDRAM bank address and asynchronous memory Low-Order address
95	VSS				
96	EM_BA[0]	O	–	N	SDRAM bank address and asynchronous memory Low-Order address
97	EM_CS[0]	O	–	N	SDRAM chip select
98	EM_RAS	O	–	N	SDRAM row address strobe
99	VSS				
100	EM_CS[2]	O	–	N	Asynchronous memory chip Select
101	CVDD				
102	NC	O	–	N	Asynchronous memory read/not write
103	DVDD				
104	EM_OE	O	–	N	SDRAM output enable
105	SPI0_ENA/I2C1_SDA	IO	–	Y	SPI0 enable (ready) or I2c1 serial data
106	VSS				
107	SPI0_ENA/I2C1_SCL	IO	–	Y	SPI0 enable (ready) or I2c1 serial clock
108	SPI0_CLK/I2C0_SCL	IO	–	Y	SPI0 serial clock or I2c0 serial clock
109	VSS				
110	SPI0_SIMO	IO	–	Y	SPI0 data pin slave in master out
111	SPI0_SOMI/I2C0_SDA	IO	–	Y	SPI0 data pin slave out master in or I2C0 serial data
112	DVDD				
113	AXR0[0]	IO	–	Y	McASP0 serial data 0
114	VSS				
115	AXR0[1]	IO	–	Y	McASP0 serial data 1
116	AXR0[2]	IO	–	Y	McASP0 serial data 2
117	AXR0[3]	IO	–	Y	McASP0 serial data 3
118	VSS				
119	AXR0[4]	IO	–	Y	McASP0 serial data 4
120	SPI1_SCS	IO	–	Y	McASP0 serial data 5 or SPI1 slave chip select
121	SPI1_ENA	IO	–	Y	McASP0 serial data 6 or SPI1 enable (ready)
122	SPI1_CLK	IO	–	Y	McASP0 serial data 7 or SPI1 serial clock

No.	Function Name (P.C.B.)	TYPE ⁽¹⁾	PULL ⁽²⁾	GPIO ⁽³⁾	Detail of Function
123	CVDD				
124	VSS				
125	DVDD				
126	/SPI1_SOMI	IO	–	Y	McASP0 serial data 8 or McASP1 serial data 5 or SPI1 data pin slave out master in
127	/SPI1_SIMO	IO	–	Y	McASP0 serial data 9 or McASP1 serial data 4 or SPI1 data pin slave in master out
128	CVDD				
129	VSS				
130	AXR0[10]	IO	–	Y	McASP0 serial data 10 or McASP1 serial data 3
131	AXR0[11]	IO	–	Y	McASP0 serial data 11 or McASP1 serial data 2
132	CVDD				
133	VSS				
134	AXR0[12]	IO	–	Y	McASP0 serial data 12 or McASP1 serial data 1
135	AXR0[13]	IO	–	Y	McASP0 serial data 13 or McASP1 serial data 0
136	DVDD				
137	AXR0[14]	IO	–	Y	McASP0 serial data 14 or McASP2 serial data 1
138	AXR0[15]	IO	–	Y	McASP0 serial data 15 or McASP2 serial data 0
139	ACLKR0	IO	–	Y	McASP0 receive bit clock
140	VSS				
141	AFSR0	IO	–	Y	McASP0 receive frame Sync (L/R clock)
142	ACLKX0	IO	–	Y	McASP0 transmit bit clock
143	AHCLKR0/AHCLKR1	IO	–	Y	McASP0 and McASP1 receive master clock
144	AFSX0	IO	–	Y	McASP0 transmit frame Sync (L/R clock)

IC402: M66003-0131FP (OPERATION P.C.B.)
FL display driver



Pin No.	Port Name	Function Name	I/O	Detail of Function
1	RESET	/RESET	Reset input	When "L" M66003 is initialized.
2	CS	/CEFL	Chip select input	When "L" communication with the MCU is possible.
3	SCK	CKFL	Shift clock input	When "H", any instruction from the MCU is neglected.
4	SDATA	DTFL	Serial data input	Serial input data is taken and shifted by the positive edge of SCK.
5	Vss	VSS		GND (0V)
6	XOUT	XOUT	Clock out	When use as a CR oscillator, connect external resistor and capacitor.
7	XIN	XIN	Clock in	When use an external clock input external clock to XIN, and XOUT must be opened.

Pin No.	Port Name	Function Name	I/O	Detail of Function
8	Vcc1	VDD		Positive power supply for internal logic.
9	SEG34	P11	Segment output	Connect to segment (anode) pins of VFD.
10	SEG33	P2		
11	SEG32	P3		
12	SEG31	P4		
13	SEG30	P5		
14	SEG29	P6		
15	SEG28	P7		
16	SEG27	P8		
17	SEG26	P9		
18	Vcc2	VDD		Positive power supply for DIG and SEG outputs.
19	SEG25	P10	Segment output	Connect to segment (anode) pins of VFD.
20	SEG24	P11		
21	SEG23	P12		
22	SEG22	P13		
23	SEG21	P14		
24	SEG20	P15		
25	SEG19	P16		
26	SEG18	P17		
27	SEG17	P18		
28	SEG16	P19		
29	SEG15	P20		
30	SEG14	P21		
31	SEG13	P22		
32	SEG12	P23		
33	SEG11	P24		
34	SEG10	P25		
35	SEG09	P26		
36	SEG08	P27		
37	SEG07	P28		
38	SEG06	P29		
39	SEG05	P30		
40	SEG04	P31		
41	SEG03	P32		
42	SEG02	P33		
43	SEG01	P34		
44	SEG00	P35		
45	SEG35	P36		
46	SEG36	P37		
47	DIG16/SEG37	G17	Digital output	Connect to digit (grid) pins of VFD.
48	DIG15/SEG38	G16		
49	DIG14/SEG39	G15		
50	DIG13/SEG40	G14		
51	DIG12/SEG41	G13		
52	DIG11/SEG42	G12		
53	DIG10	G11		
54	DIG09	G10		
55	DIG08	G9		
56	DIG07	G8		
57	DIG06	G7		
58	DIG05	G6		
59	DIG04	G5		
60	DIG03	G4		
61	DIG02	G3		
62	DIG01	G2		
63	DIG00	G1		
64	VP	VP		Negative power supply to pull down.

Pin No.	Function Name	I/O	Detail of Function
1	RXOUT1	O	RX0-6 input S/PDIF through output pin 1
2	RX0	I _s (pd)	5V withstand voltage TIL input level compatible S/PDIF input pin (connected to GND when RX1 is set)
3	RX1	I(pd)	Co-axial compatible S/PDIF input pin (supported demodulation sampling frequency of up to 96 kHz)
4	RX2	I _s (pd)	5V withstand voltage TIL input level compatible S/PDIF input pin (connected to GND when RX1 is set)
5	RX3	I _s (pd)	5V withstand voltage TIL input level compatible S/PDIF input pin
6	DGND		Digital GND
7	DVDD		Digital power supply (3.3V)
8	RX4	I _s (pd)	5V tolerable TIL input level compatible S/PDIF input pin
9	RX5	I _s (pd)	5V tolerable TIL input level compatible S/PDIF input pin
10	RX6	I _s (pd)	5V tolerable TIL input level compatible SIPDIF input pin
11	DVDD		Digital power supply (3.3V)
12	DGND		Digital GND
13	LPF	O	PLL loop filter connection pin
14	AVDD		Analog power supply (3.3V)
15	AGND		Analog GND
16	RMCK	O	R system clock output pin (VCO, 512fs, XIN)
17	RBCK	O/I	R system bit clock 1/0 pin (64fs)
18	DGND		Digital GND
19	DVDD		Digital power supply (3.3V)
20	RLRCK	O/I	R system LR clock 1/0 pin (fs)
21	RDATA	O	Serial audio data output pin
22	SBCK	O	S system bit clock output pin (16fs, 32fs, 64fs, 128fs)
23	SLRCK	O	S system LR clock output pin (fs/4, fs/2, fs, 2fs)
24	SDIN	I _s	External serial audio data input pin
25	DGND		Digital GND
26	DVDD		Digital power supply (3.3V)
27	XMCK	O	Oscillation amplifier clock output pin
28	XOUT	O	Output pin connected to the resonator
29	XIN	I	External clock input pin. connected to the resonator (12.288 MHz or 24.576 MHz)
30	DVDD		Digital power supply (3.3V)
31	DGND		Digital GND
32	MOUT	I/O	Emphasis information II input fs monitor output II chip address setting input pin
33	AUDIO	I/O	Channel status bit 1 output II chip address setting input pin
34	CKST	I/O	Clock switching transition period signal output II master/slave setting input pin
35	INT	I/O	Microcontroller interrupt signal output II pins 44-48 I/O setting input pin
36	RERR	O	PLL lock error and data error flag output pin
37	DO	O	CCB microcontroller I/F, read data output pin (3-state)
38	DI	I _s	CCB microcontroller I/F, write data input pin
39	CE	I _s	CCB microcontroller I/F, chip enable input pin
40	CL	I _s	CCB microcontroller I/F, clock input pin
41	XMODE	I _s	System reset input pin
42	DGND		Digital GND
43	DVDD		Digital power supply (3.3V)
44	GPI00	O/I	General-purpose I/O pin II selector input pin (output referred to RMCK pin)
45	GPI01	O/I	General-purpose I/O pin II selector input pin (output referred to RBCK pin)
46	GPI02	O/I	General-purpose I/O pin II selector input pin (output referred to RLRCK pin)
47	GPI03	O/I	General-purpose I/O pin II selector input pin (output referred to RDATA pin)
48	RXOUT2	O	RX0-6 input S/PDIF through output pin 2

* Input voltage: 1= -0.3 to 3.6V, I_s = -0.3 to 5.5V

* Output voltage: 0= -0.3 to 3.6V

* Pins 2, 4, 5, 8, 9, 10, 24, 38, 39, 40, and 41 have an internal pull-down resistor (Pd).

Their level is fixed when they are unselected.

* Pins 32 and 33 are input pins for chip address setting when pin 41 is held at the low level.

* Pin 34 serves as the input pin for designating as the master or slave when pin 41 is held at the low level.

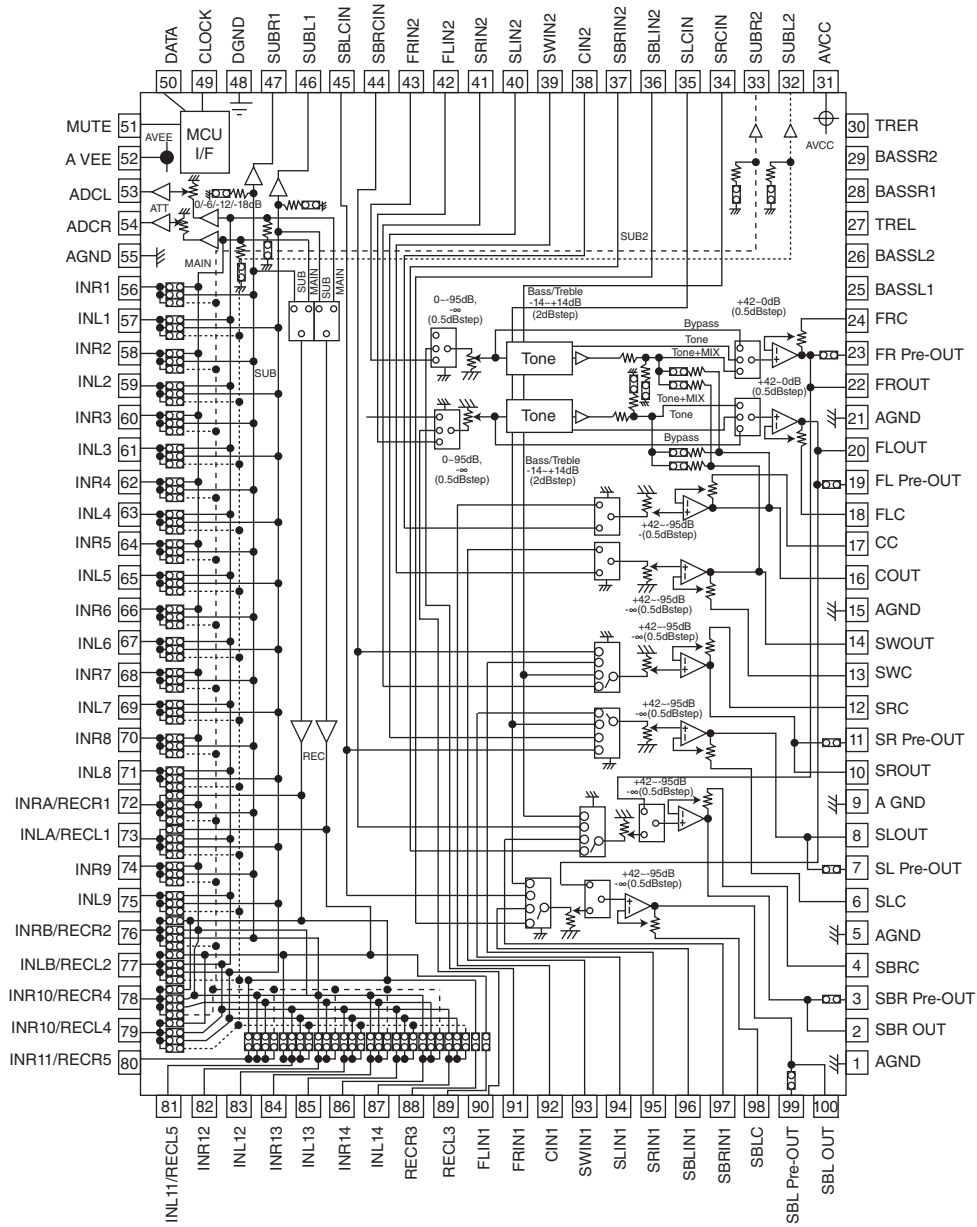
* Pin 35 serves as the input pin for configuring the I/O of pins 44 to 47 when pin 41 is held at the low level.

* The DVDD and AVDD pins must be held at the same level and turned on and off at the same timing to preclude latch-up conditions.

RX-V765/HTR-6270/AX-V765

IC153: R2A15220FP (MAIN P.C.B.)

8-channel electronic volume with 11 input selector and tone control

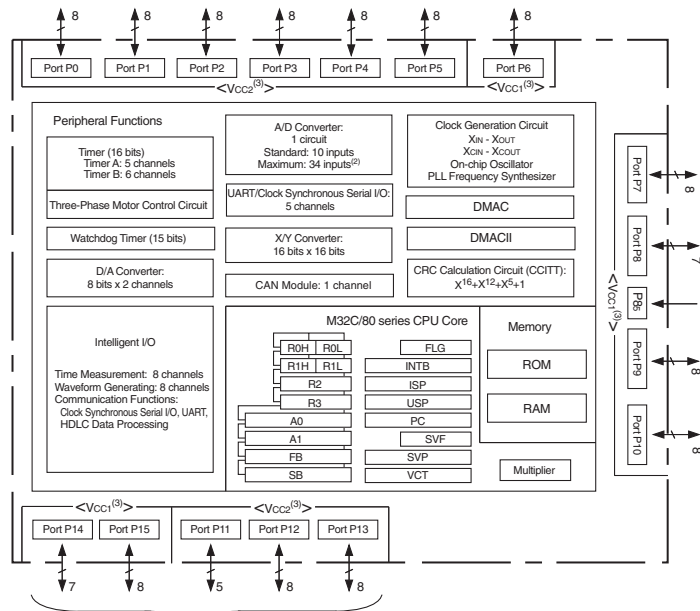


Pin No.	Port name	Function Name	Detail of Function
1	AGND	AE	Analog ground of internal circuit
2	SBROUT	VOSBL	Output pin of FL/FR/C/SW/SL/SR/SBL/SBR channel
3	SBR Pre-OUT	VOPSBL	Pre-output pin of FL/FR/SL/SR/SBL/SBR channel
4	SBRC	AE	Connects capacitor for reducing click noise of L/R/C/SW/SL/SR/SBL/SBR channel volume
5	AGND	AE	Analog ground of internal circuit
6	SLC	VOPSR	Connects capacitor for reducing click noise of L/R/C/SW/SL/SR/SBL/SBR channel volume
7	SL Pre-OUT	VOSR	Pre-output pin of FL/FR/SL/SR/SBL/SBR channel
8	SLOUT	AE	Output pin of FL/FR/C/SW/SL/SR/SBL/SBR channel
9	AGND	AE	Analog ground of internal circuit
10	SROUT	VOSL	Output pin of FL/FR/C/SW/SL/SR/SBL/SBR channel
11	SR Pre-OUT	VOPSL	Pre-output pin of FL/FR/SL/SR/SBL/SBR channel
12	SRC	AE	Connects capacitor for reducing click noise of L/R/C/SW/SL/SR/SBL/SBR channel volume
13	SWC	AE	Connects capacitor for reducing click noise of L/R/C/SW/SL/SR/SBL/SBR channel volume
14	SWOUT	VOSW	Output pin of FL/FR/C/SW/SL/SR/SBL/SBR channel
15	AGND	AE	Analog ground of internal circuit
16	COUT	VOC	Output pin of FL/FR/C/SW/SL/SR/SBL/SBR channel
17	CC	AE	Connects capacitor for reducing click noise of L/R/C/SW/SL/SR/SBL/SBR channel volume
18	FLC	AE	Connects capacitor for reducing click noise of L/R/C/SW/SL/SR/SBL/SBR channel volume
19	FL Pre-OUT	VOPFR	Pre-output pin of FL/FR/SL/SR/SBL/SBR channel
20	FLOUT	VOFR	Output pin of FL/FR/C/SW/SL/SR/SBL/SBR channel
21	AGND	POE	Analog ground of internal circuit
22	FROUT	VOFL	Output pin of FL/FR/C/SW/SL/SR/SBL/SBR channel
23	FR Pre-OUT	VOPFL	Pre-output pin of FL/FR/SL/SR/SBL/SBR channel
24	FRC	AE	Connects capacitor for reducing click noise of L/R/C/SW/SL/SR/SBL/SBR channel volume
25	BASSL1	AE	Frequency characteristic setting pin of L/R channel tone control (Bass)
26	BASSL2	AE	Frequency characteristic setting pin of L/R channel tone control (Bass)
27	TREL	AE	Frequency characteristic setting pin of L/R channel tone control (Treble)
28	BASSR1	AE	Frequency characteristic setting pin of L/R channel tone control (Bass)
29	BASSR2	AE	Frequency characteristic setting pin of L/R channel tone control (Bass)
30	TRER	AE	Frequency characteristic setting pin of L/R channel tone control (Treble)
31	AVCC	VCC	Positive power supply to internal circuit
32	SUBL1	N.C.	Output pin for L/R channel SUB1/SUB2 output
33	SUBL2	N.C.	Output pin for L/R channel SUB1/SUB2 output
34	SRCIN	N.C.	3rd multi input pin for SBL/SBR/SL/SR channel volume that is able to swap SBR/SBL with SR/SL
35	SLCIN	N.C.	3rd multi input pin for SBL/SBR/SL/SR channel volume that is able to swap SBR/SBL with SR/SL
36	SBLIN2	8SBR	Multi input pin of L/R/C/SW/SL/SR/SBL/SBR channel (Multi IN 1/2)
37	SBRIN2	8SBL	Multi input pin of L/R/C/SW/SL/SR/SBL/SBR channel (Multi IN 1/2)
38	CIN2	8C	Multi input pin of L/R/C/SW/SL/SR/SBL/SBR channel (Multi IN 1/2)
39	SWIN2	8SW	Multi input pin of L/R/C/SW/SL/SR/SBL/SBR channel (Multi IN 1/2)
40	SLIN2	8SR	Multi input pin of L/R/C/SW/SL/SR/SBL/SBR channel (Multi IN 1/2)
41	SRIN2	8SL	Multi input pin of L/R/C/SW/SL/SR/SBL/SBR channel (Multi IN 1/2)
42	FLIN2	8FR	Multi input pin of L/R/C/SW/SL/SR/SBL/SBR channel (Multi IN 1/2)
43	FRIN2	8FL	Multi input pin of L/R/C/SW/SL/SR/SBL/SBR channel (Multi IN 1/2)
44	SBRCIN	Z2L	3rd multi input pin for SBL/SBR/SL/SR channel volume that is able to swap SBR/SBL with SR/SL
45	SBLCIN	Z2R	3rd multi input pin for SBL/SBR/SL/SR channel volume that is able to swap SBR/SBL with SR/SL
46	SUBL1	Z2R	Output pin for L/R channel SUB1/SUB2 output
47	SUBR1	Z2L	Output pin for L/R channel SUB1/SUB2 output
48	DGND	MG	Digital ground of internal circuit
49	DATA	VOL_SCK	Input pin of control data
50	CLOCK	VOL_MOSI	Input pin of control clock
51	MUTE	AE	Outside mute control pin
52	AVEE	-	Negative power supply to internal circuit
53	ADCL	ADR	Output pin for L/R channel ADC
54	ADCR	ADL	Output pin for L/R channel ADC
55	AGND	AE	Analog ground of internal circuit
56	INR1	AU2L	Input pin of L/R channel (Input selector)
57	INL1	AU2R	Input pin of L/R channel (Input selector)

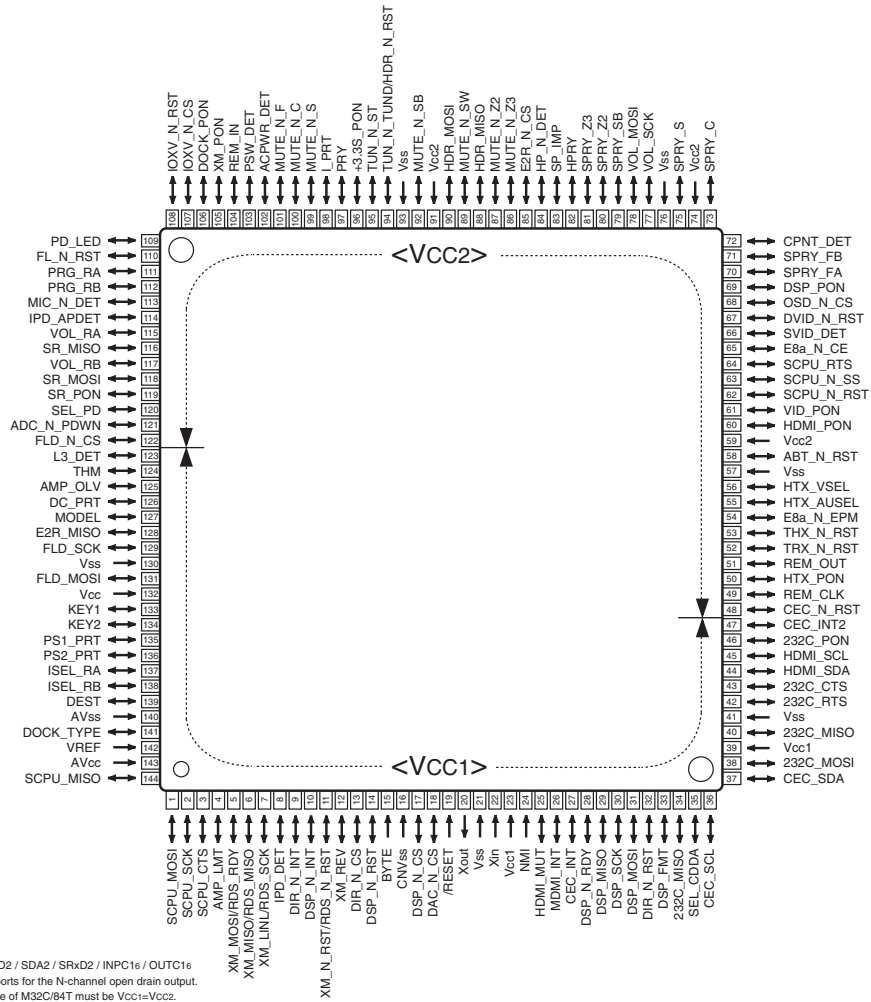
RX-V765/HTR-6270/AX-V765

Pin No.	Port name	Function Name	Detail of Function
58	INR2	AU1L	Input pin of L/R channel (Input selector)
59	INL2	AU1R	Input pin of L/R channel (Input selector)
60	INR3	AV-6L	Input pin of L/R channel (Input selector)
61	INL3	AV-6R	Input pin of L/R channel (Input selector)
62	INR4	AV-5L	Input pin of L/R channel (Input selector)
63	INL4	AV-5R	Input pin of L/R channel (Input selector)
64	INR5	PHL	Input pin of L/R channel (Input selector)
65	INL5	PHR	Input pin of L/R channel (Input selector)
66	INR6	SRL	Input pin of L/R channel (Input selector)
67	INL6	SRR	Input pin of L/R channel (Input selector)
68	INR7	IPL	Input pin of L/R channel (Input selector)
69	INL7	IPR	Input pin of L/R channel (Input selector)
70	INR8	XML	Input pin of L/R channel (Input selector)
71	INL8	XMR	Input pin of L/R channel (Input selector)
72	INRA/RECR1	AV-OUT_L	Output pin for L/R channel (input selector)/Output pin for L/R channel REC output
73	INLA/RECL1	AV-OUT_R	Output pin for L/R channel (input selector)/Output pin for L/R channel REC output
74	INR9	USBL	Input pin of L/R channel (Input selector)
75	INL9	USBR	Input pin of L/R channel (Input selector)
76	INRB/RECR2	AOL	Output pin for L/R channel (input selector)/Output pin for L/R channel REC output
77	INLB/RECL2	AOR	Output pin for L/R channel (input selector)/Output pin for L/R channel REC output
78	INR10/RECR4	TUL	Output pin for L/R channel (input selector)/Output pin for L/R channel REC output
79	INL10/RECL4	TUR	Output pin for L/R channel (input selector)/Output pin for L/R channel REC output
80	INR11/RECR5	MIC	Output pin for L/R channel (input selector)/Output pin for L/R channel REC output
81	INL11/RECL5	AE	Output pin for L/R channel (input selector)/Output pin for L/R channel REC output
82	INR12	AUXL	Input pin of L/R channel (Input selector)
83	INL12	AUXR	Input pin of L/R channel (Input selector)
84	INR13	AE	Input pin of L/R channel (Input selector)
85	INL13	AE	Input pin of L/R channel (Input selector)
86	INR14	AE	Input pin of L/R channel (Input selector)
87	INL14	AE	Input pin of L/R channel (Input selector)
88	RECR3	N.C.	Output pin for L/R channel REC output
89	RECL3	N.C.	Output pin for L/R channel REC output
90	FLIN1	DAFR	Multi input pin of L/R/C/SW/SL/SR/SBL/SBR channel (Multi IN 1/2)
91	FRIN1	DAFL	Multi input pin of L/R/C/SW/SL/SR/SBL/SBR channel (Multi IN 1/2)
92	CIN1	DAC	Multi input pin of L/R/C/SW/SL/SR/SBL/SBR channel (Multi IN 1/2)
93	SWIN1	DASW	Multi input pin of L/R/C/SW/SL/SR/SBL/SBR channel (Multi IN 1/2)
94	SLIN1	DASR	Multi input pin of L/R/C/SW/SL/SR/SBL/SBR channel (Multi IN 1/2)
95	SEIN1	DASL	Multi input pin of L/R/C/SW/SL/SR/SBL/SBR channel (Multi IN 1/2)
96	SBLIN1	DASBR	Multi input pin of L/R/C/SW/SL/SR/SBL/SBR channel (Multi IN 1/2)
97	SBRIN1	DASBL	Multi input pin of L/R/C/SW/SL/SR/SBL/SBR channel (Multi IN 1/2)
98	SBLC	AE	Connects capacitor for reducing click noise of L/R/C/SW/SL/SR/SBL/SBR channel volume
99	SBL Pre-OUT	VOPSBR	Pre-output pin of FL/FR/SL/SR/SBL/SBR channel
100	SBL OUT	VOSBR	Output pin of FL/FR/C/SW/SL/SR/SBL/SBR channel

IC20: M3087BFK BGP (DIGITAL P.C.B.)
Microprocessor



- NOTES:
1. Ports P11 to P15 are provided in the 144-pin package only.
 2. Included in the 144-pin package only.
 3. The supply voltage of M32C/84T (High-reliability version) must be Vcc1=Vcc2.



- NOTES:
1. P70 / TA0out / Tx2 / SDA2 / SRxD2 / INPC16 / OUTC16
 2. P70 and P71 are ports for the N-channel open drain output.
 3. The supply voltage of M32C/84T must be Vcc1=Vcc2.

RX-V765/HTR-6270/AX-V765

Pin No.	Port Name	Function Name (P.C.B.)	I/O						Detail of Function
			Power On	Stby Thrh	Standby	Stby Sleep	Sleep	MCU Sleep	
1	TXD4 P96/ANEX1/TXD4/ SDA4/SRXD4	IPD_MOSI	SO	O	O	O		O	Asynchronous data output for iPod
2	P95	SCPU_SCK	O	O	O	O		O	
3	P94 P94/DA1/TB4in/ CTS4/RTS4/SS4	SCPU_CTS	SI	I	I	O		O	Input for transmission control for sub-microprocessor (clear to send)
4	DA0 P93/DA0/TB3in/ CTS3/RTS3/SS3	AMP_LMT	DA	I	I	I		I	Limiter control output
5	TXD3 P92/TB2in/TXD3/ SDA3/SRXD3/ OUTC20/IEout/ ISTXD2	XM_MOSI	SO	O	O	O	O		Asynchronous data output for XM (U model)
	P92		O	O	O	O	O		(C, R, T, K, A, B, E, F, L, J models)
	TB2in	RDS_RDY	TMR	O	O	O	O		RDS RRADY input (G model)
6	RXD3 P91/TB1in/RXD3/ SCL3/STXD3/IEin/ ISRXD2	XM_MISO	SI	O	O	O	O		Asynchronous data input for XM (U model)
	P91		O	O	O	O	O		(C, R, T, K, A, B, E, F, L, J models)
	RXD3	RDS_MISO	SI	O	O	O		O	Synchronous data input for RDS (G model)
7	P90 P90/TB0in/CLK3	XM_LINK	I	O	O	O		O	XM LINK detection (U model)
	P90		O	O	O	O		O	(C, R, T, K, A, B, E, F, L, J models)
	LCK3	RDS_SCK	SO	O	O	O		O	Synchronous clock output for RDS IC (G model)
8	INT8 P146/INT8	IPD_DET	IRQ	IRQ	IRQ	IRQ		O	iPod detection When inserting an iPod into the DOCK H → L Restriction of port: INT is high edge or low edge only
9	P145 P145/INT7	DIR_N_INT	IRQ	O	O	O		O	DIR interrupt Restriction of port: INT is high edge or low edge only
10	P144 P144/INT6	DSP_N_INT	IRQ	O	O	O		O	DA70Y interrupt Restriction of port: INT is high edge or low edge only
11	P143 P143/INPC17/ OUTC17	XM_N_RST	O	O	O	O	O		XM reset (U model)
	P143		O	O	O	O	O		(C, R, T, K, A, B, E, F, L, J models)
		RDS_N_RST	O	O	O	O	O		RDS reset (G model)
12	P142 P142/INPC16/OUTC16	XM_REV	I	O	O	O		O	XM antenna revision detection (U model)
	P142		O	O	O	O		O	H: An compatibility antenna (C, R, T, K, A, B, G, E, F, L, J models)
13	P141 P141/INPC15/ OUTC15	DIR_N_CS	CS	O	O	O		O	DIR chip select
14	P140 P140/INPC14/ OUTC14	DSP_N_RST	O	O	O	O		O	DA70Y reset
15	BYTE BYTE	BYTE	MCU	MCU	MCU	MCU		MCU	Switch of width of data bus input When set to single chip mode: L (16 bit)
16	CNVss CNVss	CNVss	MCU	MCU	MCU	MCU		MCU	Processor mode select Low: single chip mode High: To Flash included boot mode To boot mode with hardware resetting of P50=H, P55=L, CNVss=H
17	P87 P87/Xcin	DSP_N_CS	CS	O	O	O		O	DA70Y chip select
18	P86 P86/Xcout	DAC_N_CS	CS	O	O	O		O	DAC chip select
19	/RESET /RESET	/RESET	MCU	MCU	MCU	MCU		MCU	Reset
20	Xout Xout	Xout	MCU	MCU	MCU	MCU		MCU	20 MHz Ceramic resonator
21	Vss Vss	Vss	MCU	MCU	MCU	MCU		MCU	GND

Pin No.	Port Name	Function Name (P.C.B.)	I/O						Detail of Function
			Power On	Stby Thrh	Standby	Stby Sleep	Sleep	MCU Sleep	
22	Xin Xin	Xin	MCU	MCU	MCU	MCU		MCU	20 MHz ceramic resonator
23	Vcc1 Vcc1	Vcc1	MCU	MCU	MCU	MCU		MCU	Microprocessor power supply
24	/NMI P85/NMI	/NMI	MCU	MCU	MCU	MCU		MCU	Unused, pull up to Vcc
25	INT2 P84/INT2	HDMI_MUT	IRQ	IRQ	O	O		O	HDMI mute input Act H: Mute
26	INT1 P83/INT1	HDMI_INT	IRQ	IRQ	O	O		O	Interrupt from HDMI RX
27	INT0 P82/INT0	CEC_N_INT	IRQ	IRQ	O	O		O	CEC microprocessor interrupt
28	P81 P81/TA4in/U/INPC15/ OUTC15/CTS5/ RTS5/RTP23	DSP_N_RDY	I	O	O	O		O	DA70Y RDY
	P81	DIR_WCK	I	O	O	O		O	CDDA writing DIR_WCK input
29	RXD5 P80/TA4out/U/ ISRXD0/RXD5	DSP_MISO	SI	O	O	O		O	Synchronous data input for DIR, DA70Y, DAC
30	CLK5 P77/TA3in/INPC14/ OUTC14/ISCLK0/ CLK5/RTP22	DSP_SCK	SO	O	O	O		O	Synchronous clock output for DIR, DA70Y, DAC
31	TXD5 P76/TA3out/INPC13/ OUTC13/ISTXD0/ TXD5	DSP_MOSI	SO	O	O	O		O	Synchronous data output for DIR, DA70Y, DAC
32	P75 P75/TA2in/W/ INPC12/OUTC12/ ISRXD1/RTP21	DIR_N_RST	O	O	O	O		O	DIR reset
33	P74 P74/TA2out/W/ INPC11/OUTC11/ ISCLK1/RTP20	DSP_FMT	O	O	O	O		O	DA70Y full mute output H: Mute
34	P73	232C_MISO	O	O	O	O		O	
35	P72 P72/TA1out/V/CLK2	SEL_CDDA	O	O	O	O		O	CDDA writing route select H: CDDA writing mode, L: Operational mode usually
36	SCL2 P71/TA0in/TB5in/ RXD2/SCL2/STXD2/ INPC17/OUTC17/ OUTC22/ISRXD2/ IEin/RTP03	CEC_SCL	SO	SO	O	O		O	CEC microprocessor, Tuner, HDMI_EQ (SiI9185A) I2C SCL output (100 kHz device) U-com block then +3.3S, 3.3k then pull up
37	SDA2 P70/TA0out/TXD2/ SDA2/SRXD2/ INPC16/OUTC16/ OUTC20/ISTXD2/ IEout/RTP02	CEC_SDA	SIO	SIO	O	O		O	CEC microprocessor, Tuner, HDMI_EQ (SiI9185A) I2C SDA input (100 kHz device) U-com block then +3.3S, 3.3k then pull up
38	TxD1 P67/TXD1/SDA1/ SRXD1	232C_MOSI	SO	SO	SO	O		O	RS232C data output Pull up at 100 k-ohms
	TxD1	TXD	SO						E8a, ICP (In-circuit programmer) data output
39	Vcc1 Vcc1	Vcc1	MCU	MCU	MCU	MCU		MCU	Microprocessor power supply
40	RxD1 P66/RXD1/SCL1/ STXD1	232C_MISO	SI	SI	SI	I		I	RS232C data input Pull up at 100 k-ohms
	RxD1	RXD	SI						E8a, ICP (In-circuit programmer) data input
41	Vss Vss	Vss	MCU	MCU	MCU	MCU		MCU	Microprocessor GND

RX-V765/HTR-6270/AX-V765

Pin No.	Port Name	Function Name (P.C.B.)	I/O						Detail of Function
			Power On	Stby Thrh	Standby	Stby Sleep	Sleep	MCU Sleep	
42	P65 P65/CLK1	232C_RTS	SO	SO	SO	O		O	RS232C RTS output
	CLK1	E8a_SCLK	SI						E8a, ICP (In-circuit programmer) clock input Pull up at 100 k-ohms
43	CTS1 P64/CTS1/RTS1/ SS1/OUTC21/ ISCLK2	232C_CTS	SI	SI	SI	I		I	RS232C CTS input Pull down at 100 k-ohms
	RTS1	E8a_BUSY	SO						E8a, ICP (In-circuit programmer) BUSY output
44	SDA0 P63/TXD0/SDA0/ SRXD0/IrDAout	HDMI_SDA	SIO	SIO	O	O		O	HDMI RX/TX, Video Enc/Dec I2C SCL output (400 kHz device) Pull up at HDMI block HDMI RX/TX: 5V tolerant
	SCL0 P62/RXD0/SCL0/ STXD0/IrDAin	HDMI_SCL	SIO	SIO	O	O		O	HDMI RX/TX, Video Enc/Dec I2C SDA input/output (400 kHz device) Pull up at HDMI block HDMI RX/TX: 5V tolerant
46	P61	232C_PON	O	O	O	O		O	H: ON, L: OFF
47	P60 P60/CTS0/RTS0/ SS0/RTP00	CEC_INT2	I	I	O	O		O	CEC microprocessor interrupt
48	P137 P137/OUTC27	CEC_N_RST	O	O	O	O		O	CEC microprocessor reset
49	ISCLK2 P136/OUTC21/ ISCLK2	REM_CLK	SO	O	O	O		O	Clock output for remote control code generation No connection
50	P135 P135/OUTC22/ ISRXD2/IEin	HTX_PON	O	O	O	O		O	No use (HDMI_PON common)
51	P134 P134/OUTC20/ ISTXD0/Ieout	REM_OUT							
52	P57 P57/RDY	HRX_N_RST	O	O	O	O		O	HDMI TX reset output L: Reset Pull down at HDMI block
53	P56 P56/ALE	HTX_N_RST	O	O	O	O		O	HDMI TX reset output L: Reset Pull down at HDMI block
54	P55 P55/HOLD	E8a_N_EPM	I	I	I	I		I	E8a writing mode enable input 10 k-ohms pull down
55	P54 P54/HLDA/ALE	HTX_AUSEL	O	O	O	O		O	No use (HDMI Rx GPIO use)
56	P133 P133/OUTC23	HTX_VSEL	O	O	O	O		O	No use (HDMI Rx GPIO use)
57	Vss Vss	Vss	MCU	MCU	MCU	MCU		MCU	Microprocessor GND
58	P132 P132/OUTC26	ABT_N_RST	O	O	O	O		O	Video I/P & Scaler IC reset L: reset VID_PON=L: Low fix
59	Vcc2 Vcc2	Vcc2	MCU	MCU	MCU	MCU		MCU	Microprocessor power supply
60	P131 P131/OUTC25	HDMI_PON	O	O	O	O		O	HDMI power supply ON/OFF control H: ON, L: OFF When V2065 uses CEC microprocessor, HDMI EQ (CXB1442, Sil9185A) reset may be used
	P130 P130/OUTC24	VID_PON	O	O	O	O		O	Video power supply ON/OFF control H: ON, L: OFF Configured based on the Pure Direct specification
62	P53	SCPU_N_RST	O	O	O	O		O	
63	P52	SCPU_N_SS	O	O	O	O		O	
64	P51	SCPU_RTS	O	O	O	O		O	
65	P50 P50/WRL/WR	E8a_N_CE	I	I	I	I		I	E8a enable input 10 k-ohms pull up
66	P127 P127	SVID_DET	I	O	O	O		O	S video detection VID_PON=L: Low fix

Pin No.	Port Name	Function Name (P.C.B.)	I/O						Detail of Function	
			Power On	Stby Thrh	Standby	Stby Sleep	Sleep	MCU Sleep		
67	P126 P126	DVID_N_RST	O	O	O	O		O	Video Enc/Dec reset VID_PON=L: Low fix	
68	P125 P125	OSD_N_CS	CS	O	O	O		O	OSD chip select VID_PON=L: Low fix	
69	P47 P47/SC0/A23	DSP_PON	O	O	O	O		O	DSP power supply ON/OFF control H: ON, L: OFF	
70	P46 P46/SC1/A22	SPRY_FA	O	O	O	O		O	Front A speaker relay control H: ON, L: OFF	
71	P45 P45/SC2/A21	SPRY_FB	O	O	O	O		O	Front B speaker relay control H: ON, L: OFF	
72	P44 P44/SC3/A20	CPNT_DET	O	O	O	O		O	No use	
73	P43 P43/A19	SPRY_C	O	O	O	O		O	Center speaker relay control	
74	Vcc2 Vcc2	Vcc2	MCU	MCU	MCU	MCU		MCU	Microprocessor power supply	
75	P42 P42/A18	SPRY_S	O	O	O	O		O	Surround speaker relay control	
76	Vss Vss	Vss	MCU	MCU	MCU	MCU		MCU	Microprocessor GND	
77	P41 P41/A17	VOL_SCK	O	O	O	O		O	Electronic volume Flip-flop synchronous clock output	
78	P40 P40/A16	VOL_MOSI	O	O	O	O		O	Electronic volume Flip-flop synchronous data output	
79	P37 P37/A15/(D15)	SPRY_SB	O	O	O	O		O	Surround back/Bi-AMP relay control	
80	P36 P36/A14/(D14)	SPRY_Z2	O	O	O	O		O	Zone2/Presence Speaker relay control SPRY_Z and SPRY_FB do not become High at the same time	
81	P35 P35/A13/(D13)	SPRY_Z3	O	O	O	O		O	Zone3 speaker relay control	
82	P34 P34/A12/(D12)	HPRY	O	O	O	O		O	Head phone relay control	
83	P33 P33/A11/(D11)	SP_IMP	O	O	O	O		O	Speaker impedance relay control Set to 8 ohms: Low (Relay OFF, B voltage High) Set to 6 ohms plus during rising temperature: High (Relay ON, B voltage Low)	
84	P32 P32/A10/(D10)	HP_N_DET	I	O	O	O		O	Headphone detection L: Headphone +3.3S pull up	
85	P31 P31/A9/(D9)	E2R_N_CS	CS	CS	CS	I		I	EEPROM chip select At 10 k-ohms pull up to EEPROM power	
86	P124 P124	MUTE_N_Z3	O	O	O	O		O	Zone3 line out mute control L: Mute	
87	P123 P123/CTS6/RTS6	MUTE_N_Z2	O	O	O	O		O	Zone2 line out mute control L: Mute	(U, C, R, T, K, A, G, E, F, L models)
88	P122	HDR_MISO	O	O	O	O		O		(B, J models)
89	P121 P121/CLK6	MUTE_N_SW	O	O	O	O		O	Subwoofer mute control L: Mute	
90	P120	HDR_MOSI	O	O	O	O		O		
91	Vcc2 Vcc2	Vcc2	MCU	MCU	MCU	MCU		MCU	Microprocessor power supply	
92	P30 P30/A8/(D8)	MUTE_N_SB	O	O	O	O		O	Surround back/Bi-AMP/Zone2 mute control L: Mute	
93	Vss Vss	Vss	MCU	MCU	MCU	MCU		MCU	Microprocessor GND	
94	P27 P27/A7/(D7)/AN27	TUN_N_TUND	I	O	O	O		O	FM/AM tuner TUNED input +3.3S to 47k then pull up	
95	P26 P26/A6/(D6)/AN26	TUN_N_ST	I	O	O	O		O	FM/AM tuner STEREO detection input +3.3S to 47k then pull up	

RX-V765/HTR-6270/AX-V765

Pin No.	Port Name	Function Name (P.C.B.)	I/O						Detail of Function
			Power On	Stby Thrh	Standby	Stby Sleep	Sleep	MCU Sleep	
96	P25 P25/A5/(/D5)/AN25	+3.3S_PON	O	O	O	O		I	+3.3S power supply ON/OFF control H: ON, L: OFF At standby sleep, becomes L [to avoid unnecessary power consumption (Mute, pull Up)] Input (HiZ) then mechanically +3.3S power switches on (to function Mute, when power down is detected)
97	P24 P24/A4/(/D4)/AN24	PRY	O	O	O	O		O	Power relay ON/OFF control H: ON, L: OFF
98	P23 P23/A3/(/D3)/AN23	I_PRT	I	I	O	O		O	Overcurrent protection detection
99	P22 P22/A2/(/D2)/AN22	MUTE_N_S	O	O	O	O		O	Surround mute control L: Mute
100	P21 P21/A1/(/D1)/AN21	MUTE_N_C	O	O	O	O		O	Center mute control L: Mute
101	P20 P20/A0/(/D0)/AN20	MUTE_N_F	O	O	O	O		O	Front (Headphone is contained) mute control L: Mute
102	INT5 P17/D15/INT5	ACPWR_DET	IRQ	IRQ	IRQ	IRQ		O	AC power detection L: Power down
103	INT4 P16/D14/INT4	PSW_DET	IRQ	IRQ	IRQ	IRQ		O	Main/Zone/Input key interrupt KEY1 port distinguishes the pressed keys
104	INT3 P15/D13/INT3	REM_IN	IRQ	IRQ	IRQ	IRQ		O	Remote control pulse input
105	P14 P14/D12	XM_PON	O	O	O	O		O	XM power supply ON/OFF control H: ON, L: OFF
	P14		O	O	O	O		O	
106	P13 P13/D11	DOCK_PON	O	O	O	O		O	DOCK power supply ON/OFF control H: ON, L: OFF
107	P12 P12/D10	IOXV_N_CS	CS	O	O	O		O	IO extended IC (for video) chip select
108	P11 P11/D9	IOXV_N_RST	O	O	O	O		O	IO extended IC (for video) reset
109	P10 P10/D8	PD_LED	O	O	O	O		O	Pure Direct LED ON/OFF control H: ON, L: OFF
110	P07 P07/D7/AN07	FLD_N_RST	O	O	O	O		O	FL driver reset
111	P06 P06/D6/AN06	PRG_RA	I	O	O	O		O	Program rotary A
112	P05 P05/D5/AN05	PRG_RB	I	O	O	O		O	Program rotary B
113	P04 P04/D4/AN04	MIC_N_DET	I	O	O	O		O	MIC detection L: MIC
114	P114 P114	IPD_APDET	I	I	I	I		I	iPod accessory power detection While iPod boots up (about two seconds) it is set at Low after the boot, it identifies To prevent pulling of iPod High output and microprocessor Low Fix output, switch to constant input
115	P113	VOL_RA	I	O	O	O		O	Volume rotary A
116	ISRXD1 P112/INPC12/ OUTC12/ISRXS1	SR_MISO	SI	I	I	I		I	Asynchronous data input for SIRIUS Serial communication is 5V TTL/CMOS logic level Pull up at 100 k-ohms To prevent pulling of SIRIUS tuner's High output and microcomputer's Low Fix output, switch to constant input
	P112		O	O	O	O		O	
117	P111 P111/INPC11/ OUTC11/ISCLK1	VOL_RB	I	O	O	O		O	Volume rotary B
118	ISTXD1 P110/INPC10/ OUTC10/ISTXD1	SR_MOSI	SO	O	O	O		O	Asynchronous data output for SIRIUS Serial communication is 5V TTL/CMOS logic level
	P110		O	O	O	O		O	
119	P03 P03/D3/AN03	SR_PON	O	O	O	O		O	SIRIUS radio power supply ON/OFF control H: Power ON, L: Power OFF
	P03		O	O	O	O		O	

Pin No.	Port Name	Function Name (P.C.B.)	I/O						Detail of Function
			Power On	Stby Thrh	Standby	Stby Sleep	Sleep	MCU Sleep	
120	P02 P02/D2/AN02	SEL_PD	O	O	O	O		O	DSP Pure Direct route select H: Pure Direct ON
121	P01 P01/D1/AN01	ADC_N_PDWN	O	O	O	O		O	ADC power down L: Power down
122	P00 P00/D0/AN00	FLD_N_CS	CS	O	O	O		O	FL driver chip select
123	AN157 P157/AN157/CTS6/ RTS6	L3_DET	AD	O	O	O		O	Component video aspect detection
124	AN156 P156/AN156/CLK6	THM	AD	AD	O	O		O	Temperature detection
125	AN155 P155/AN155/RXD6	AMP_OLV	AD	AD	O	O		O	Power AMP output level detection
126	AN154 P154/AN154/TXD6	DC_PRT	AD	AD	O	O		O	Power AMP DC detection
127	AN153 P153/AN153/CTS5/ RTS5	MODEL	AD	AD	O	O		O	Destination discrimination by AD value When AD is taken in at power on, there is 1m sec waiting time after AD input port setting
128	ISRXD0 P152/AN152/ ISRXD0/RXD5	E2R_MISO	SI	SI	SI	O		O	Synchronous data input for EEPROM
129	ISCLK0 P151/AN151/ISCLK0/ CLK5	FLD_SCK	SO	SO	SO	O		O	FL driver, OSD, IO extended IC (Video), series 1 k-ohms go into synchronous clock output for EEPROM FL driver
130	Vss Vss	Vss	MCU	MCU	MCU	MCU		MCU	Microprocessor GND
131	ISTXD0 P150/AN150/ISTXD0/ TXD5	FLD_MOSI	SO	SO	SO	O		O	FL driver, OSD, IO extended IC (Video), series 1 k-ohms go into synchronous data output for EEPROM FL driver
132	Vcc1 Vcc1	Vcc1	MCU	MCU	MCU	MCU		MCU	Microprocessor power supply
133	AN7 P107/AN7/KI3/RTP33	KEY1	AD	AD	AD	I		O	KEY1 AD value taken in During PSW_DET interruption, distinguishes the used keys which are switched to AD
134	AN6 P106/AN6/KI2/RTP32	KEY2	AD	AD	AD	I		O	KEY2 AD value taken in During PSW_DET interruption, distinguishes the used keys which are switched to AD
135	AN5 P105/AN5/KI1/RTP31	PS1_PRT	AD	AD	O	O		O	PS protection detection 1
136	AN4 P104/AN4/KI0/RTP30	PS2_PRT	AD	AD	O	O		O	PS protection detection 2
137	P103	ISEL_RA	O	O	O	O		O	
138	P102	ISEL_RB	O	O	O	O		O	
139	AN1 P101/AN1/RTP11	DEST	AD	AD	AD	O		O	AD destination discrimination Data is taken in when resetting is cancelled
140	AVss AVss	AVss	MCU	MCU	MCU	MCU		MCU	Microprocessor GND
141	AN0 P100/AN0/RTP10	DOCK_TYPE	AD	AD	AD	I		O	DOCK discriminate Identifies the connected DOCK type, then switches the action During IPD_DET interruption, switches to AD, make a distinction based on post-10 ms A/D value Make a distinction from IPD_DET Low edge through post-10ms A/D value
142	Vref Vref	VREF	MCU	MCU	MCU	MCU		MCU	Microprocessor power supply
143	AVcc AVcc	AVcc	MCU	MCU	MCU	MCU		MCU	Microprocessor power supply
144	RXD4 P97/ADTRG/RXD4/ SCL4/STXD4	IPD_MISO	SI	I	I	I		O	Asynchronous data input for iPod To prevent pulling of iPod High output and microprocessor Low Fix output, input setup

RX-V765/HTR-6270/AX-V765

Key detection for A/D port

Key input (A/D) pull-up resistance 10 k-ohms

RX-V765/HTR-6270

Ohm	0	+1.0k	+1.0k	+1.5k	+1.5k	+2.2k	+3.3k	+4.7k	+22.0k	+33.0k
V	0 – 0.15	0.15 – 0.42	0.43 – 0.70	0.71 – 0.97	0.98 – 1.24	1.25 – 1.53	1.54 – 1.84	1.84 – 2.1	2.34 – 2.55	2.55 – 2.97
A/D value (3.3 V=255)	0 – 11	12 – 32	33 – 54	55 – 75	76 – 95	96 – 118	119 – 142	143 – 162	181 – 197	198 – 229
KEY1 (133 pin)	SCENE RADIO	SCENE CD	SCENE TV	SCENE BD/DVD	ZONE2 ON/OFF	ZONE2 CONTROL	—	—	MAIN ZONE ON/OFF	ZONE CONTROL

Ohm	0	+1.0k	+1.0k	+1.5k	+1.8k	+2.2k	+3.3k	+4.7k	+6.8k	+10.0k	+22.0k	+68.0k
V	0 – 0.15	0.15 – 0.42	0.43 – 0.70	0.71 – 0.99	1.0 – 1.27	1.28 – 1.56	1.57 – 1.86	1.86 – 2.14	2.14 – 2.4	2.4 – 2.65	2.66 – 2.91	2.92 – 3.17
A/D value (3.3 V=255)	0 – 11	12 – 32	33 – 54	55 – 77	78 – 98	99 – 120	121 – 143	144 – 165	166 – 185	186 – 205	206 – 225	226 – 245
KEY2 (134 pin)	PURE DIRECT	STRAIGHT / EFFECT	INFO	MEMORY	PRESET <	PRESET >	CATEGORY < FM	CATEGORY > AM	TUNING CH <	TUNING CH >	—	—

AX-V765

Ohm	0	+1.0k	+1.0k	+1.5k	+1.5k	+2.2k	+3.3k	+4.7k	+22.0k	+33.0k
V	0 – 0.15	0.15 – 0.42	0.43 – 0.70	0.71 – 0.97	0.98 – 1.24	1.25 – 1.53	1.54 – 1.84	1.84 – 2.1	2.34 – 2.55	2.55 – 2.97
A/D value (3.3 V=255)	0 – 11	12 – 32	33 – 54	55 – 75	76 – 95	96 – 118	119 – 142	143 – 162	181 – 197	198 – 229
KEY1 (133 pin)	SCENE RADIO	SCENE CD	SCENE TV	SCENE BD/DVD	SLEEP	MUTE	—	—	STANDBY/ ON	ZONE CONTROL

Ohm	0	+1.0k	+1.0k	+1.5k	+1.8k	+2.2k	+3.3k	+4.7k	+6.8k	+10.0k	+22.0k	+68.0k
V	0 – 0.15	0.15 – 0.42	0.43 – 0.70	0.71 – 0.99	1.0 – 1.27	1.28 – 1.56	1.57 – 1.86	1.86 – 2.14	2.14 – 2.4	2.4 – 2.65	2.66 – 2.91	2.92 – 3.17
A/D value (3.3 V=255)	0 – 11	12 – 32	33 – 54	55 – 77	78 – 98	99 – 120	121 – 143	144 – 165	166 – 185	186 – 205	206 – 225	226 – 245
KEY2 (134 pin)	PURE DIRECT	STRAIGHT / EFFECT	INFO	MEMORY	PRESET <	PRESET >	FM	AM	TUNING <	TUNING >	—	—

Destination detection for A/D port

Destination input (A/D) pull-up resistance 10 k-ohms

Ohm (R3809 VIDEO P.C.B.)	0	1.2 k	2.7 k	4.7 k	6.8 k	10.0 k	15.0 k	47.0 k	100.0 k
V	0 – 0.2	0.2 – 0.6	0.6 – 0.9	0.9 – 1.2	1.2 – 1.5	1.5 – 1.8	1.8 – 2.3	2.4 – 2.9	2.9 – 3.2
A/D value (3.3V=255)	0 – 15	15 – 46	46 – 69	69 – 92	92 – 115	115 – 139	139 – 177	185 – 224	224 – 247
DEST (139 pin)	J	U	C	R	T	K	A	B, G, E, F	L

Model detection for A/D port

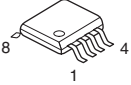
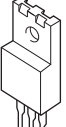
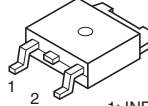
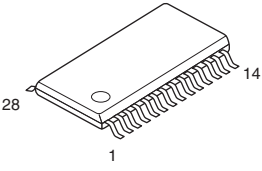
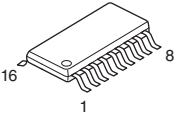
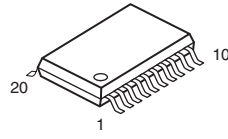
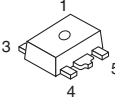
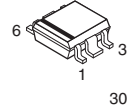
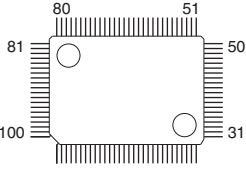
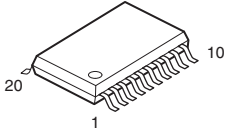
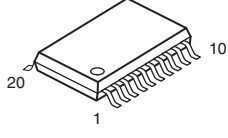
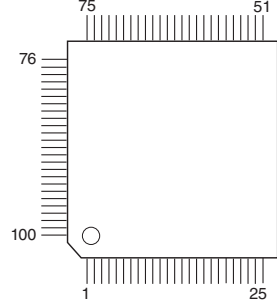
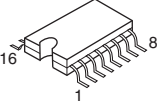
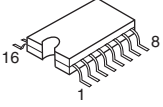
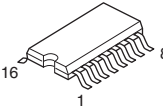
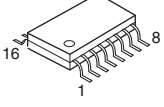
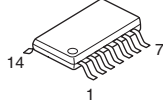
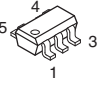
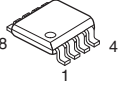
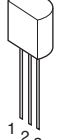
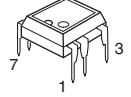
Model input (A/D) pull-up resistance 10 k-ohms

Ohm (R201 DIGITAL P.C.B.)	12.0k	18.0k
V	1.6-2.0	2.0-2.3
A/D value (3.3V=255)	123-154	155-178
MODEL (127pin)	RX-V765/AX-V765	HTR-6270

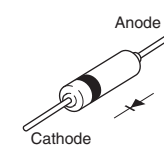
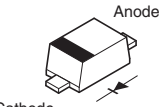
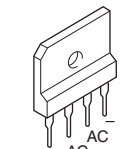

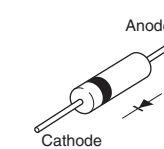

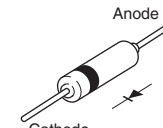
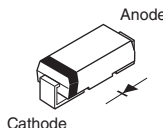
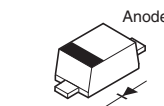

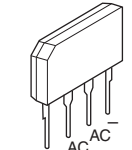
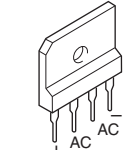
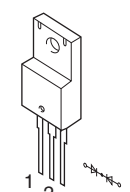
PIN CONNECTION DIAGRAMS

• ICs

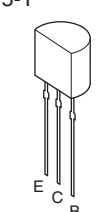
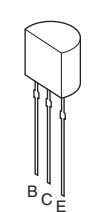
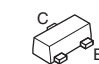
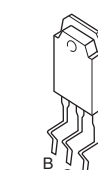
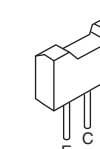
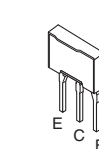
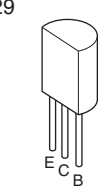
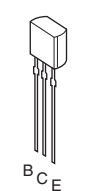
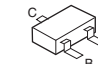
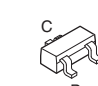
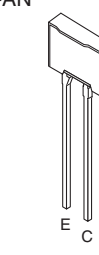
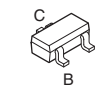
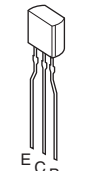
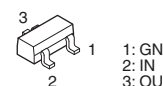
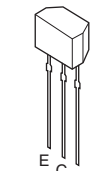
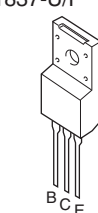
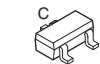
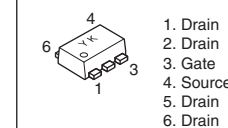
<p>ABT1012Q100</p>	<p>ADV7800BSTZ-80</p>	<p>BA00JC5WT-V5</p>	<p>BD9323EFJ-E2</p>		
<p>D70YE101BRFP266 M30878JBGP SiI9233ACTU</p>	<p>FHP3350IM14X</p>	<p>K4S641632N-LC60000</p>			
<p>KIA7912PI</p>	<p>LA73050-TLM-E</p>	<p>LC709004A-TLM-E LC74782JM-8A16-TLMC</p>	<p>LC72725KM-UY-TLM-E</p>		
<p>LC89058WD-E</p>	<p>LE25LA322M-TLM-E</p>	<p>LM19CIZ/LF</p>	<p>M66003-0131FP-R</p>	<p>MX29LV160DBTI-70G</p>	
<p>NE5532DR</p>	<p>NJM2068MD-TE2</p>	<p>NJM2388F05</p> <p>1. V_{IN} 2. V_{OUT} 3. GND 4. ON/OFF CONTROL</p>	<p>NJM2396F05</p> <p>1. IN 2. V_{OUT} 3. GND 4. ON/OFF CONTROL</p>	<p>NJM2581M</p>	<p>NJM2867F3-05</p>

<p>NJM4565M (TE1)</p> 	<p>NJM7812FA</p>  <p>3: IN 2: COM 1: OUT</p>	<p>NJM78M05DL1A (TE1)</p>  <p>1: INPUT 2: GND 3: OUTPUT</p>	<p>PCM1680DBQR</p> 	
<p>PCM1781DBQR</p> 	<p>PCM1803DBR</p> 	<p>R1172H181B-T1-F R1172H331D-T1-F R1172H501D-T1-F</p>  <p>1: CE 2: GND 3: NC 4: V_{DD} 5: V_{OUT}</p>	<p>R1172S121D-E2-F</p> 	<p>R2A15220FP</p> 
<p>SN74LVC245APWR</p> 	<p>SN74LVTH245APW</p> 	<p>SiI9134CTU</p> 	<p>TC74HC4051AFEL</p> 	
<p>TC74HC4052AF</p> 	<p>TC74HC4053AF</p> 	<p>TC74VHC157FT</p> 	<p>TC74VHCT08AFT TC74VHCU04FT</p> 	<p>TC7SH04FU-TE85L TC7SH08FU</p> 
<p>TC7WZ32FK (TE85L, F)</p> 	<p>TL431ACLPR</p>  <p>1: CATHODE 2: ANODE 3: REF</p>	<p>TOP254PN</p> 		

• Diodes

<p>1N4002S 1SS133 1SS176</p> 	<p>1SS355</p> 	<p>D6SBN20</p> 	<p>DB105</p> 	
<p>HT18G P6KE200ARL</p> 	<p>MAZ8033GHL 3.4V MAZ8036GLL 3.5V</p> 	<p>MTZJ10B MTZJ12B MTZJ13B MTZJ2.4B MTZJ22C MTZJ3.3B MTZJ39D</p> 	<p>RB051L-40 UDZ5.1B</p> 	
<p>MA111 RB501V-40</p> 	<p>RLZ7.5B 7.5V</p> 	<p>RS203M-B-C-J80</p> 	<p>RS603M-B-C-J80</p> 	
<p>SG10SC4M</p> 				

• Transistors

<p>2N5401C-AT/P 2SA1015-Y</p> 	<p>2N5551C-AT</p> 	<p>2SA1576A</p> 	<p>2SA1695 O,P,Y 2SC4468 O,P,Y</p> 	<p>2SA1708</p> 	<p>2SA1770S/T-AN</p> 
<p>2SA949 2SC1815 Y 2SC2229</p> 	<p>2SC1740S</p> 	<p>2SC2412K</p> 	<p>2SC4081 T106</p> 	<p>2SC4614S/T-AN</p> 	<p>2SD1938F</p> 
<p>2SD1915F</p> 	<p>DTA114EKA DTA143EKA DTA144EKA DTC114EKA DTC144EKA</p> 	<p>KRA102M-AT/P</p> 	<p>KTA1046-Y-U/P KTA1837-U/P</p> 	<p>KTA1517S KTC3875S KTC3911S</p> 	<p>MCH6336-TL-E</p> 

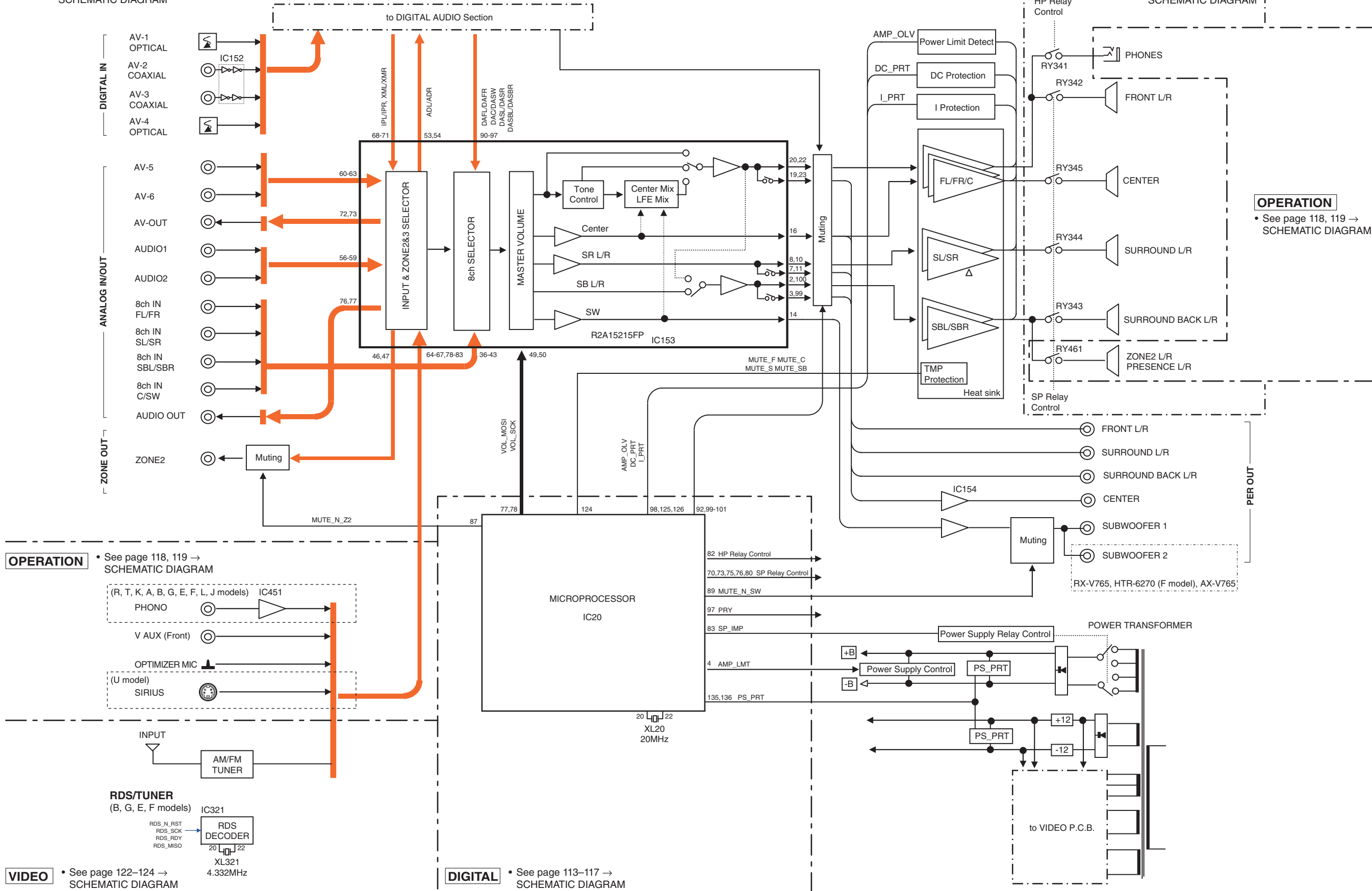
BLOCK DIAGRAMS

ANALOG AUDIO Section Block Diagram

MAIN • See page 120, 121 → SCHEMATIC DIAGRAM

VIDEO • See page 122-124 → SCHEMATIC DIAGRAM

OPERATION • See page 118, 119 → SCHEMATIC DIAGRAM



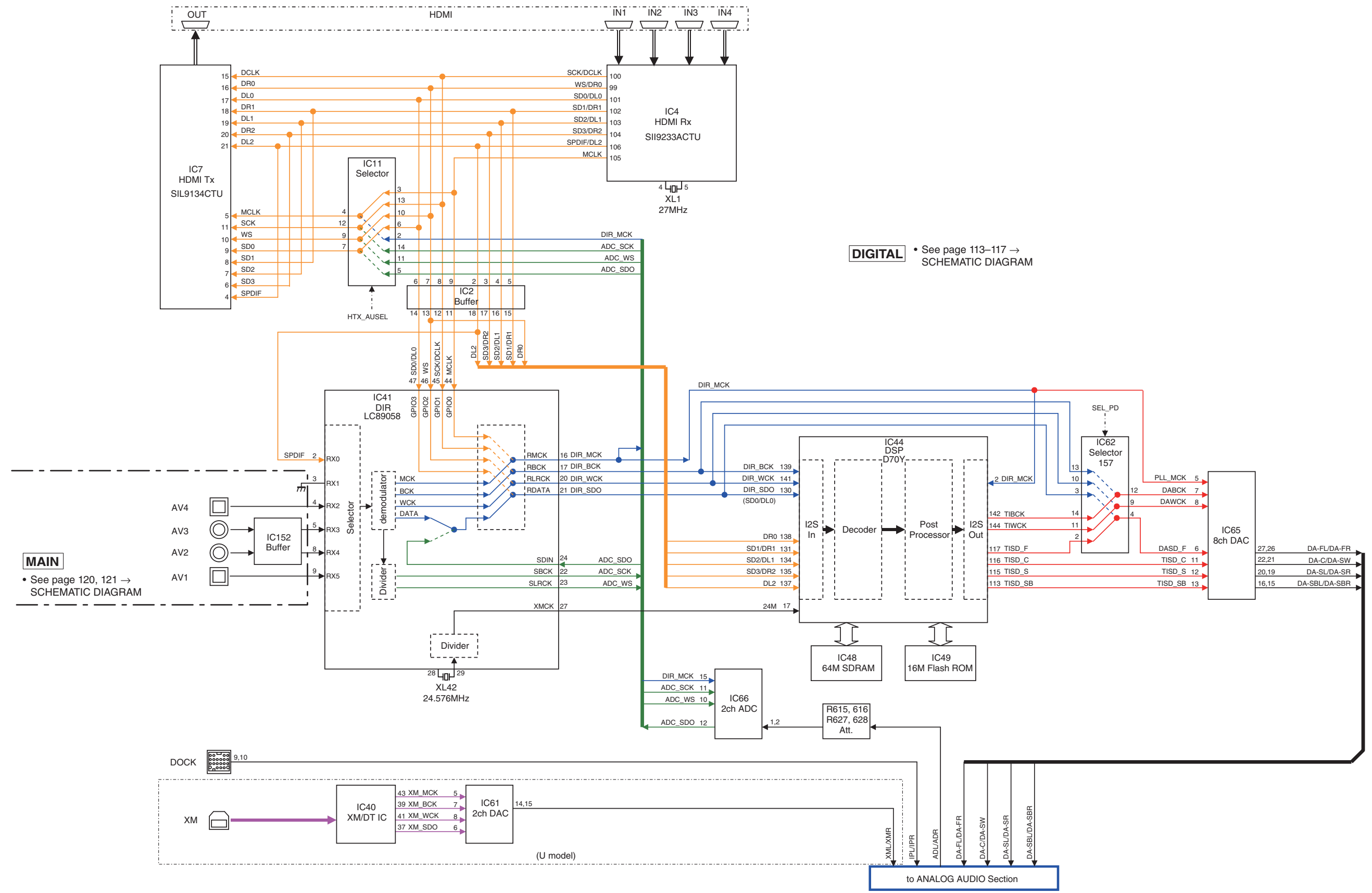
OPERATION • See page 118, 119 → SCHEMATIC DIAGRAM

VIDEO • See page 122-124 → SCHEMATIC DIAGRAM

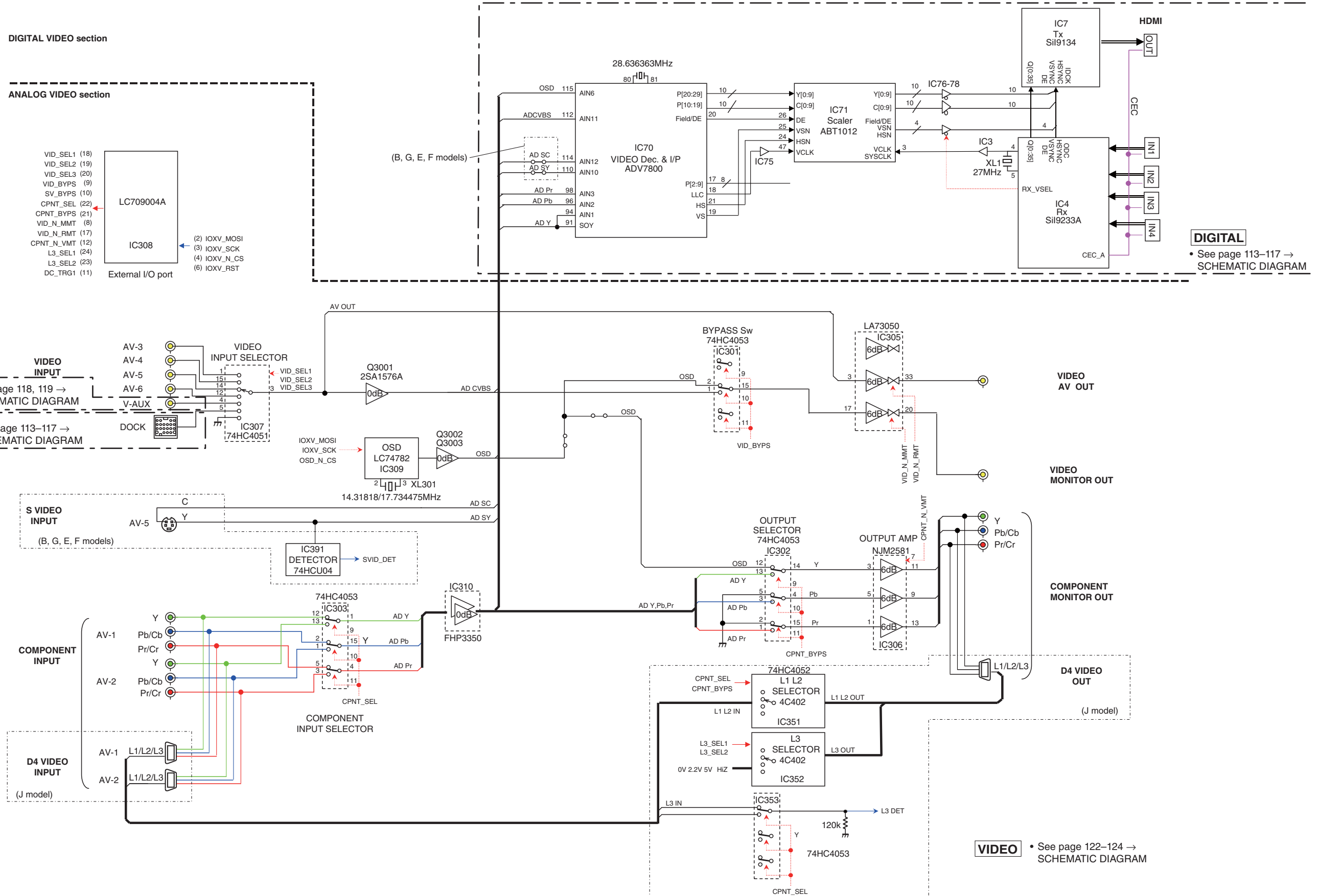
DIGITAL • See page 113-117 → SCHEMATIC DIAGRAM

DIGITAL AUDIO Section Block Diagram

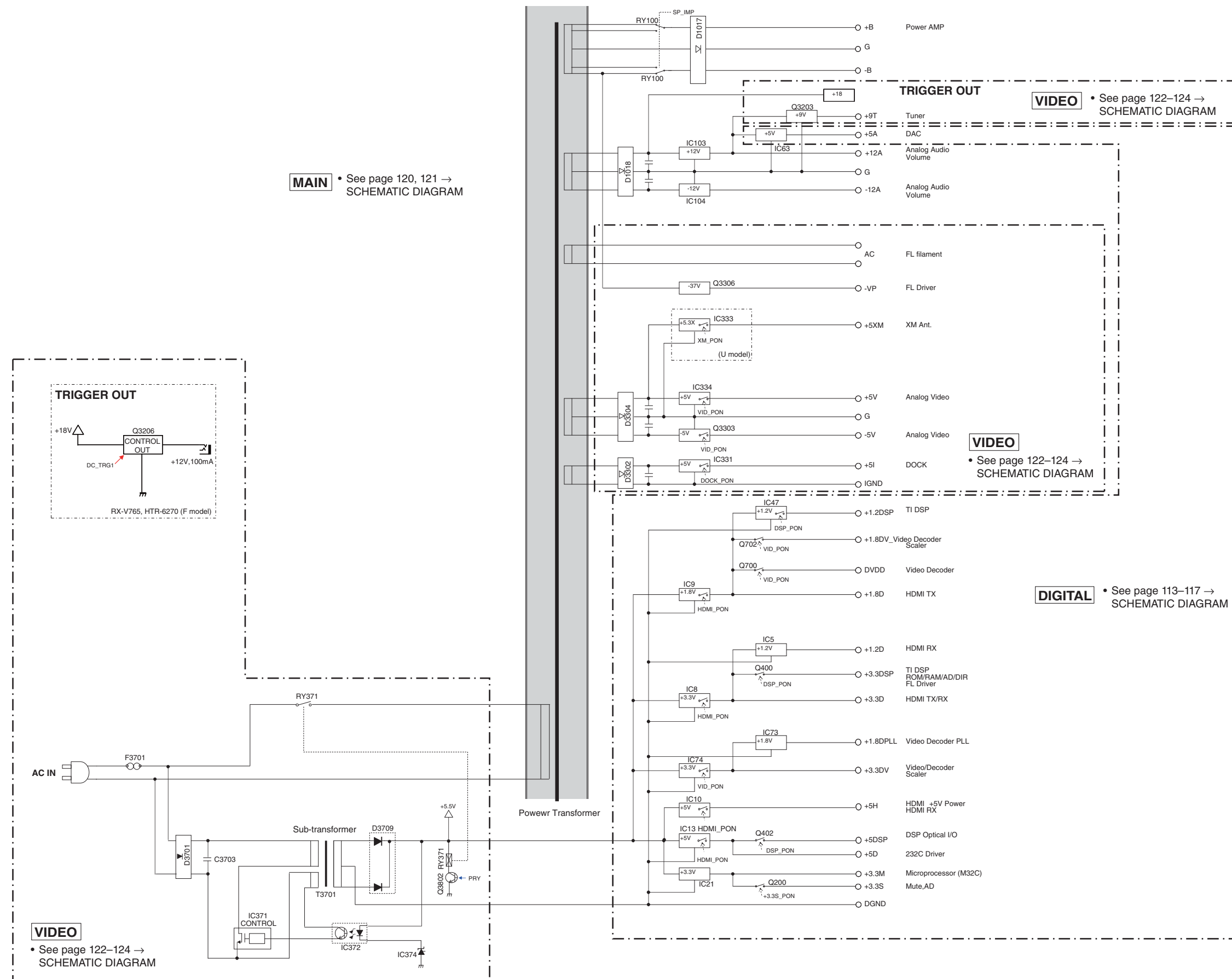
1
2
3
4
5
6
7



VIDEO Section Block Diagram



Power Supply Section Block Diagram



MAIN • See page 120, 121 → SCHEMATIC DIAGRAM

VIDEO • See page 122-124 → SCHEMATIC DIAGRAM

VIDEO • See page 122-124 → SCHEMATIC DIAGRAM

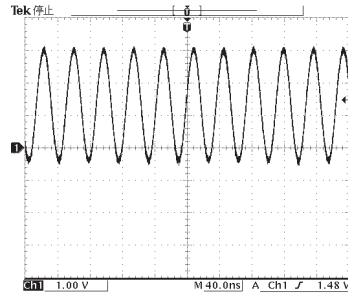
DIGITAL • See page 113-117 → SCHEMATIC DIAGRAM

VIDEO • See page 122-124 → SCHEMATIC DIAGRAM

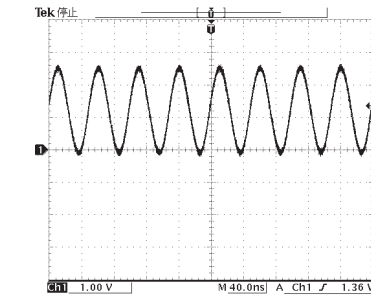
PRINTED CIRCUIT BOARDS

DIGITAL P.C.B. (Side A)

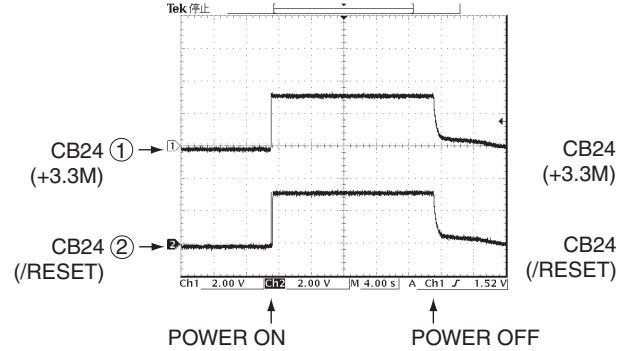
POINT (A) XL1 (Pin 5 of IC4)



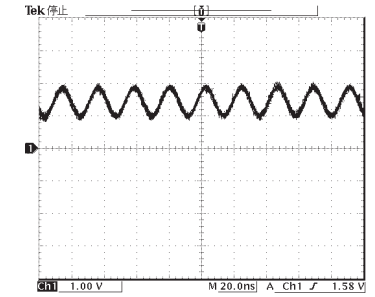
POINT (B) XL20 (Pin 20 of IC20)



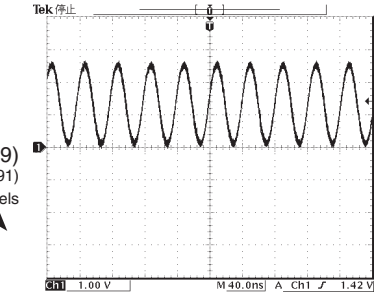
POINT (C) ①/ CB24 (+3.3M), ②/ CB24 (/RESET)



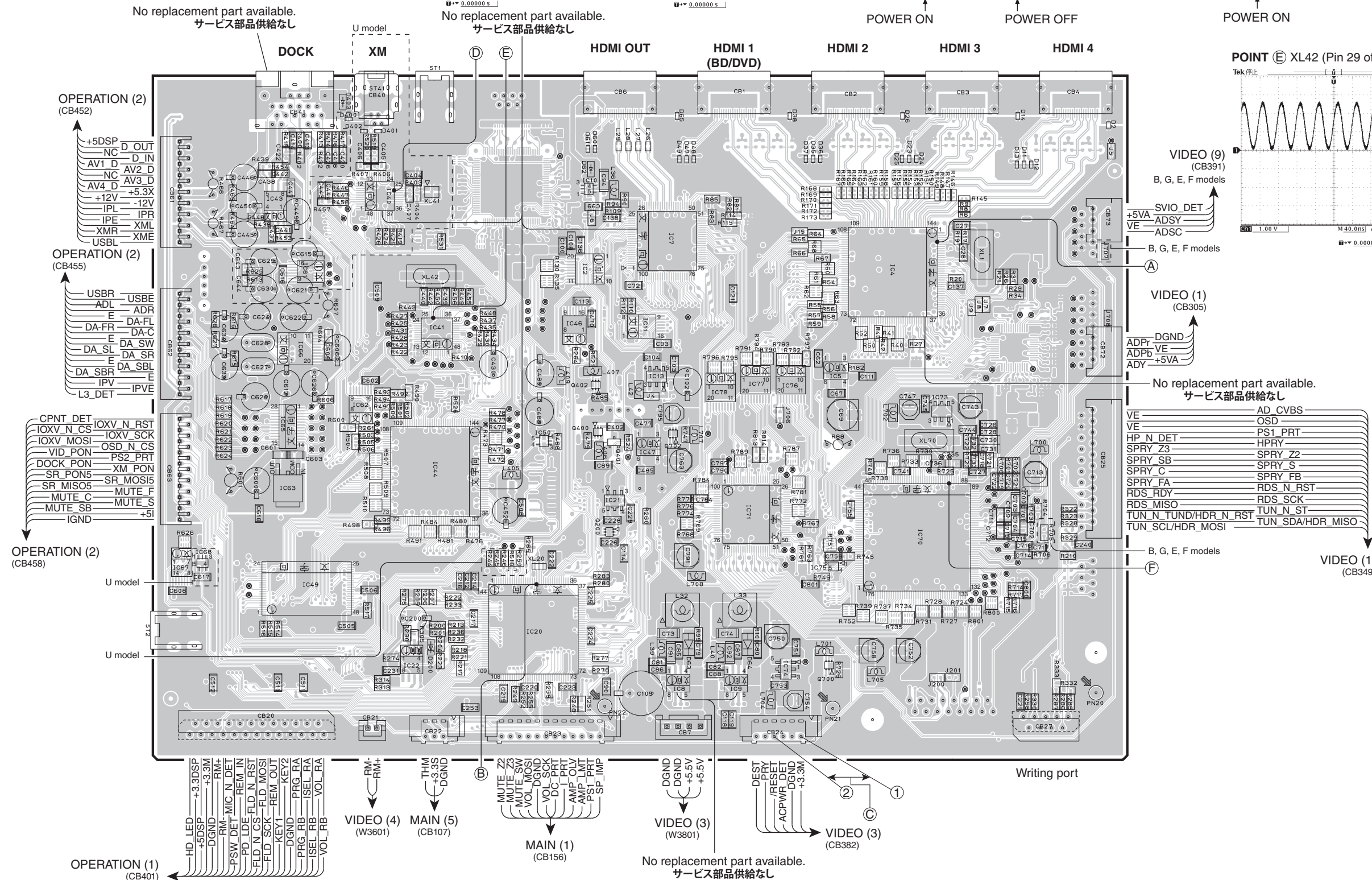
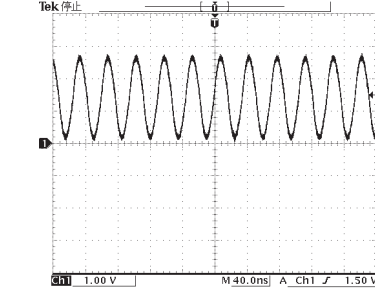
POINT (D) XL41 (Pin 28 of IC40)



POINT (E) XL42 (Pin 29 of IC41)



POINT (F) XL70 (Pin 81 of IC70)



No replacement part available. サービス部品供給なし

No replacement part available. サービス部品供給なし

No replacement part available. サービス部品供給なし

No replacement part available. サービス部品供給なし

- OPERATION (2) (CB452)
- +5DSP D_OUT
 - NC D_IN
 - AV1 D AV2 D
 - NC AV3 D
 - AV4 D AV3 D
 - +12V +5.3X
 - 12V
 - IPE IPR
 - XMR XML
 - USBL XME

- OPERATION (2) (CB455)
- USBR USBE
 - ADL ADR
 - E DA-FL
 - DA-FR DA-C
 - E DA-SL
 - DA-SW DA-SR
 - DA-SBL
 - IPV
 - IPVE
 - L3_DET

- OPERATION (2) (CB458)
- CPNT_DET IOXV N_RST
 - IOXV N_CS IOXV_SCK
 - IOXV_MOSI OSD N_CS
 - VID_PON PS2_PRT
 - DOCK_PON XM_PON
 - SR_PON5 SR_MOSI5
 - MUTE_C MUTE_F
 - MUTE_SB MUTE_S
 - IGND +5I

- VIDEO (9) (CB391)
B, G, E, F models
- SVIO_DET
 - +5VA AD5Y
 - VE AD5C

- VIDEO (1) (CB305)
- ADPr DGND
 - ADPr VE
 - ADY +5VA

- VIDEO (1) (CB349)

- VIDEO (4) MAIN (5) (CB107)
- HD_LED +3.3DSP
 - +5DSP +3.3M
 - DGND RM+
 - PSW_DET MIC N_DET
 - RM- RM+
 - PD_LDE REM_IN
 - FLD_N_CS FLD_N_RST
 - FLD_SCK FLD_MOSI
 - KEY1 REM_OUT
 - DGND KEY2
 - PRG_RA PRG_RA
 - ISEL_RB ISEL_RA
 - VOL_RB VOL_RA

- MAIN (1) (CB156)
- MUTE_Z3
 - MUTE_SW
 - VOL_MOSI
 - VOL_SCK
 - DC_PRT
 - AMP_OLV
 - AMP_LMT
 - SP1_PRT

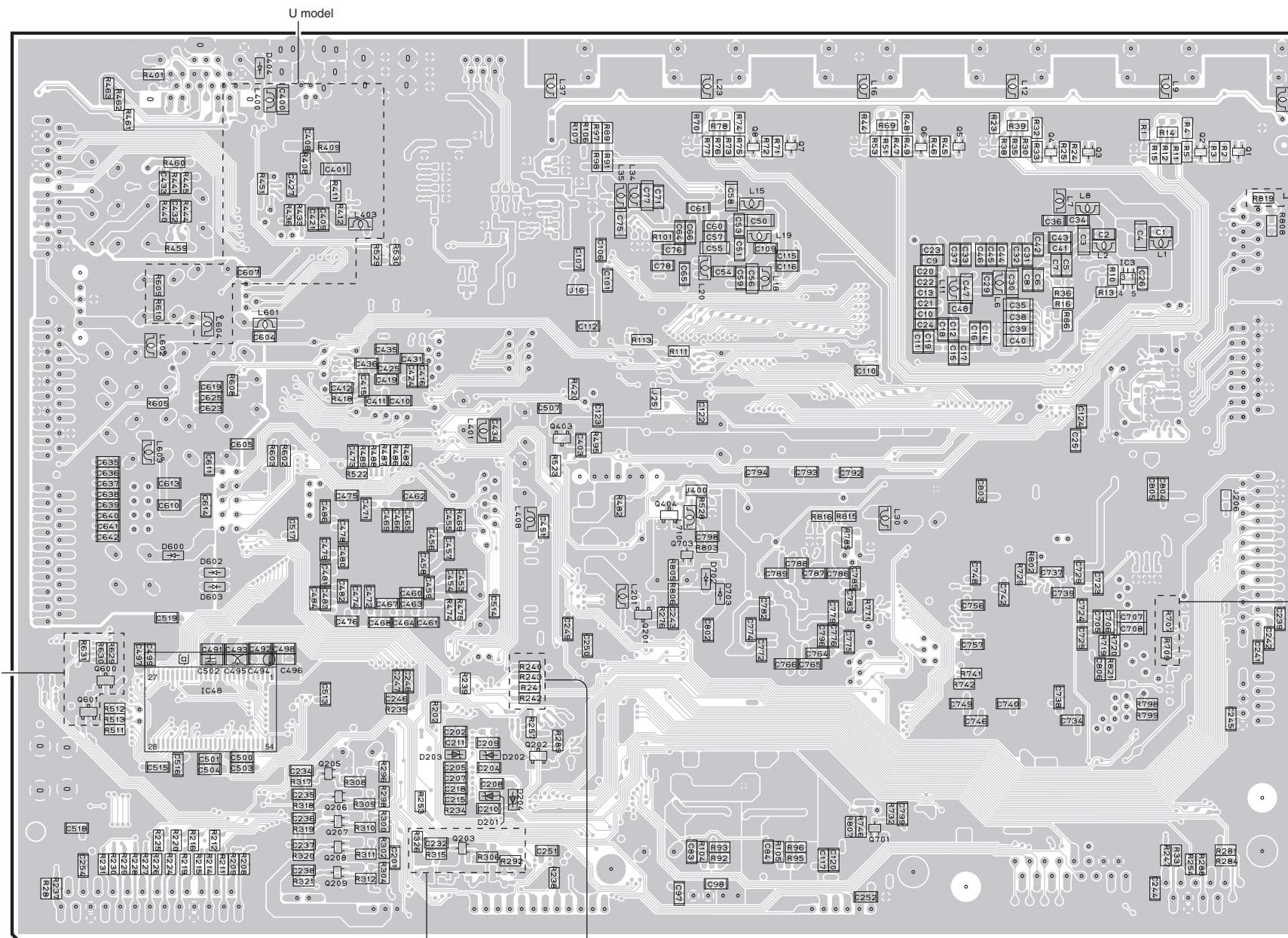
- VIDEO (3) (W3801)
- DGND
 - DGND +5.5V
 - +5.5V

- VIDEO (3) (CB382)
- DEST
 - PRY
 - /RESET
 - ACPWDR_DET
 - DGND
 - +3.3M

• Semiconductor Location

Ref No.	Location	Ref No.	Location
D2	G3	IC11	E4
D11	G3	IC13	E4
D12	G3	IC20	D6
D13	G3	IC21	D5
D14	G3	IC22	C6
D23	F3	IC40	C3
D24	F3	IC41	C4
D25	F3	IC43	B3
D26	F3	IC44	C5
D35	F3	IC46	D4
D36	F3	IC47	E5
D37	F3	IC49	C5
D38	E3	IC50	D5
D47	E3	IC61	C4
D48	E3	IC62	C4
D49	E3	IC63	C5
D60	D3	IC65	C5
D61	D3	IC66	C4
D62	D3	IC67	B5
D63	E6	IC68	B5
D64	E6	IC70	F5
D65	E3	IC71	E5
D200	C6	IC73	F4
D400	C3	IC74	E6
D401	C3	IC75	F5
D402	C3	IC76	E4
D403	C3	IC77	E4
IC2	D4	IC78	E4
IC4	F4	Q200	D5
IC5	F4	Q400	D5
IC7	E3	Q401	D5
IC8	E6	Q402	D4
IC9	E6	Q700	F6
IC10	D3	Q702	E5

DIGITAL P.C.B. (Side B)



• Semiconductor Location

Ref No.	Location
D201	D6
D202	D6
D203	D6
D204	D6
D404	C3
D600	C5
D602	C5
D702	F5
D703	F5
IC3	G4
IC48	C5
Q1	G3
Q2	G3
Q3	G3
Q4	F3
Q5	F3
Q6	F3
Q7	E3
Q8	E3
Q201	F5
Q202	D6
Q203	D6
Q205	C6
Q206	C6
Q207	C6
Q208	C6
Q209	C6
Q403	D4
Q404	F5
Q600	B5
Q601	B5
Q701	F6
Q703	F5

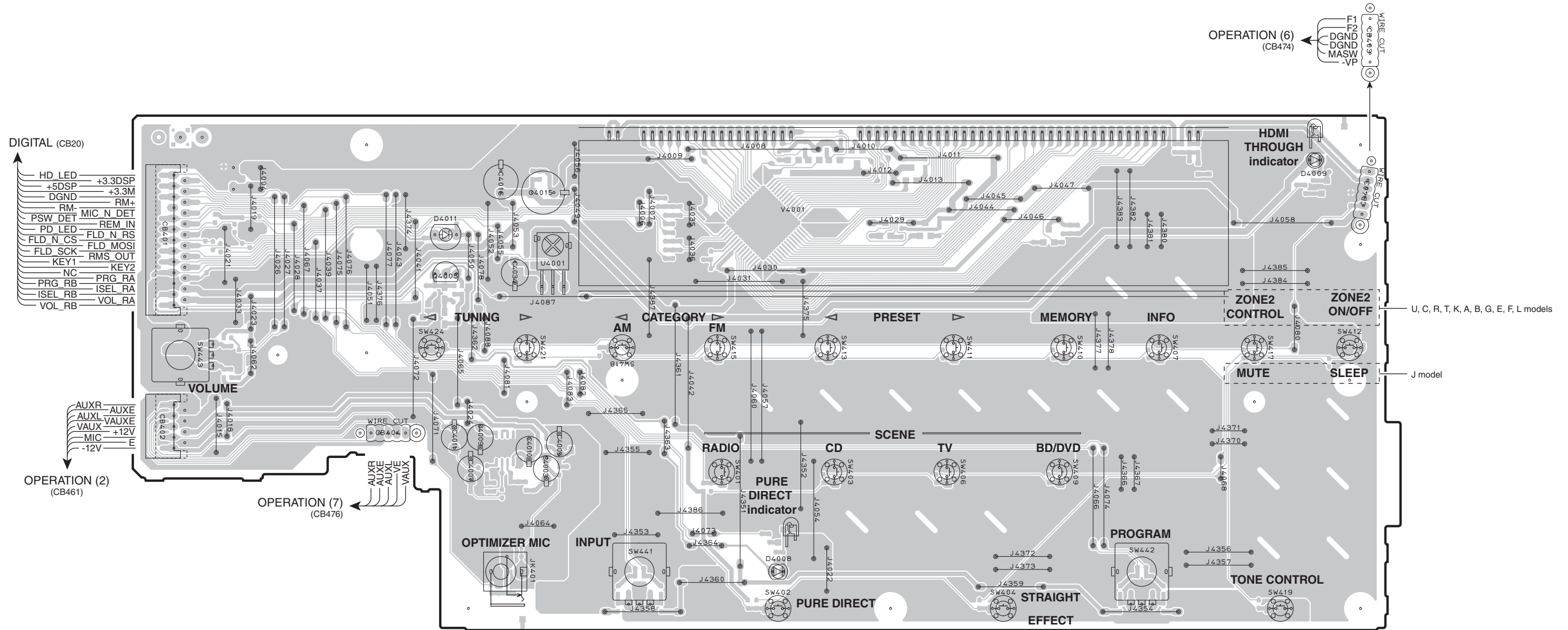
B, G, E, F models

U, C, R, T, K, A, L, J models

U, C, R, T, K, A, L models B, G, E, F models

1
2
3
4
5
6
7

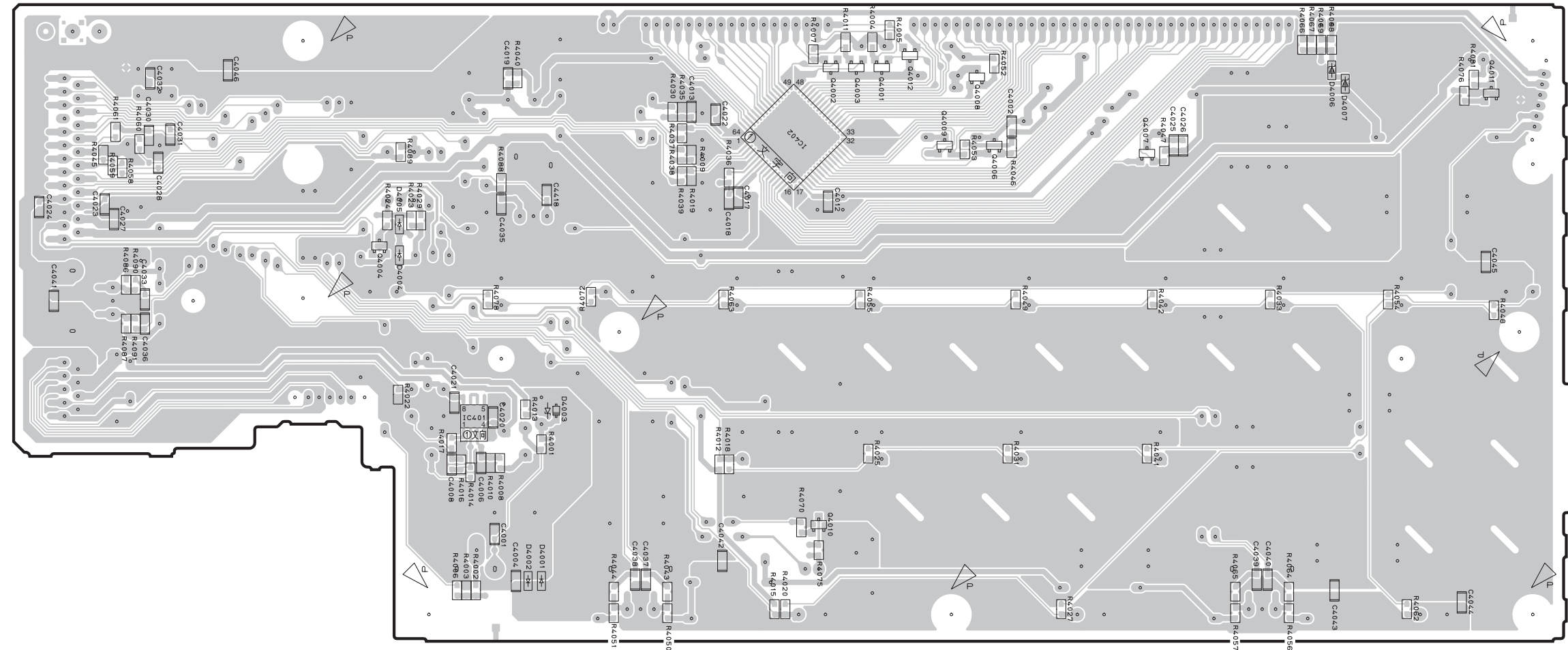
OPERATION (1) P.C.B. (Side A)



• Semiconductor Location

Ref No.	Location
D4008	F5
D4009	I3
D4011	D3
Q4005	D3

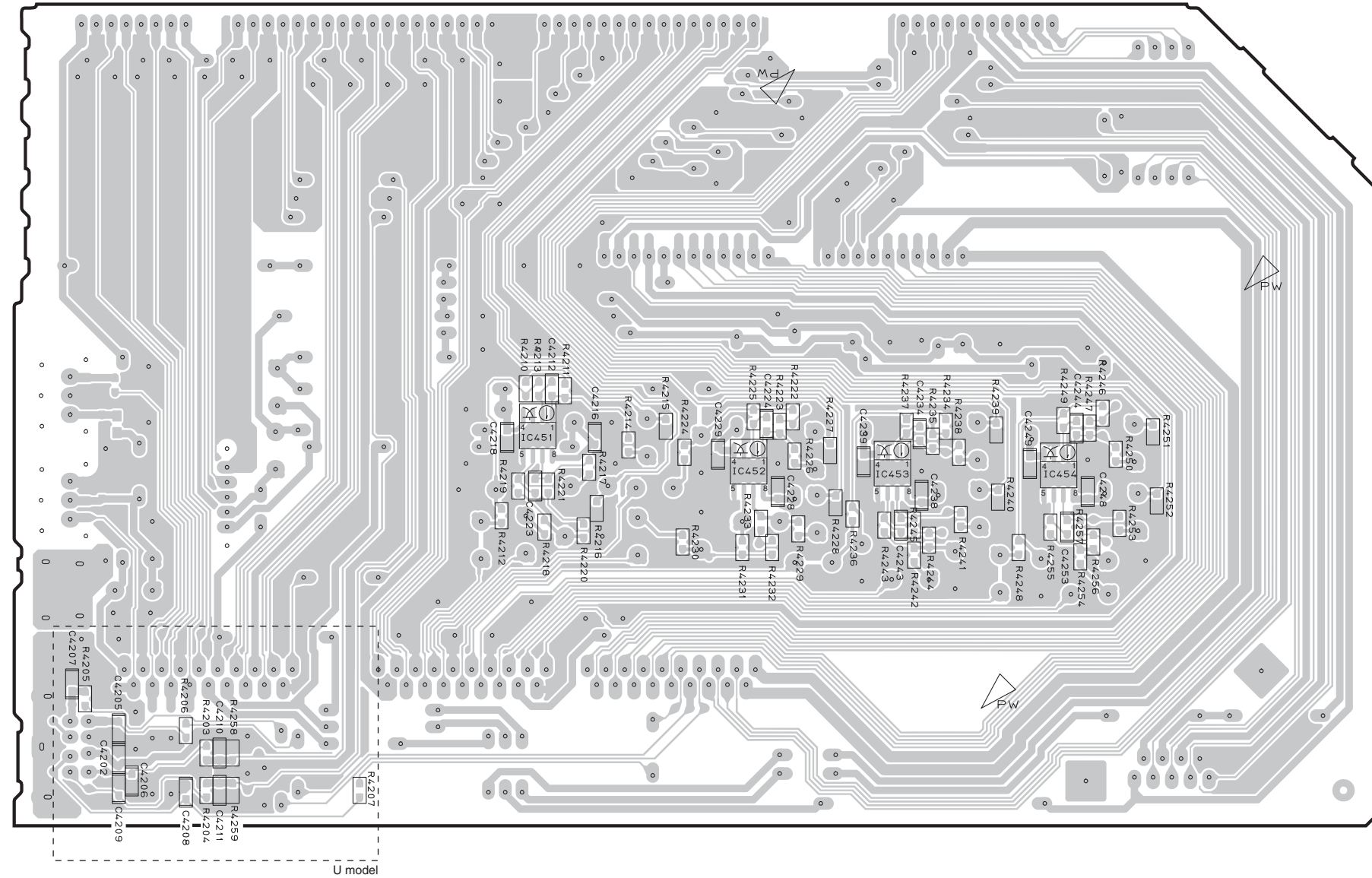
OPERATION (1) P.C.B. (Side B)



• Semiconductor Location

Ref No.	Location	Ref No.	Location	Ref No.	Location
D4001	D5	IC401	D5	Q4007	G3
D4002	D5	IC402	E3	Q4008	F3
D4003	D5	Q4001	F3	Q4009	F3
D4004	C4	Q4002	F3	Q4010	E5
D4005	C4	Q4003	F3	Q4011	I3
D4006	H3	Q4004	C4	Q4012	F3
D4007	H3	Q4006	F3		

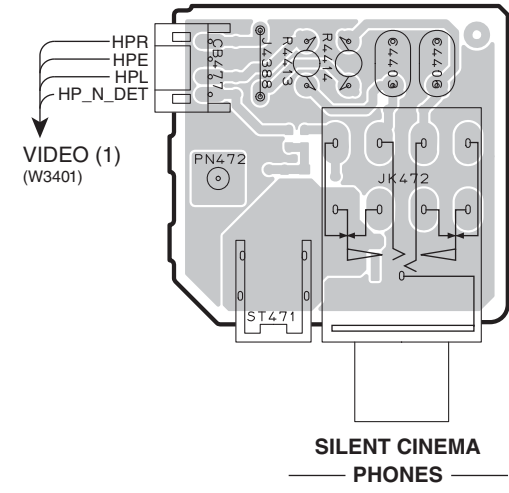
OPERATION (2) P.C.B. (Side B)



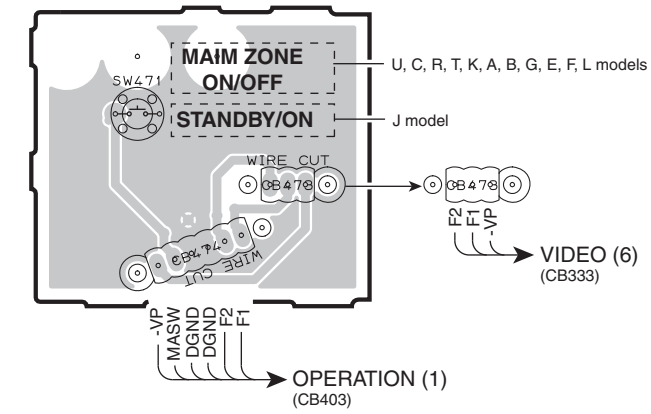
• Semiconductor Location

Ref No.	Location
IC451	D4
IC452	D4
IC453	E4
IC454	F4

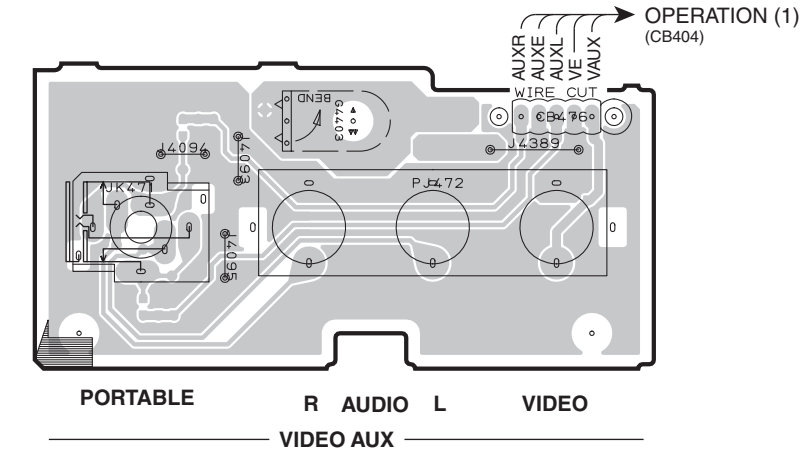
OPERATION (3) P.C.B. (Side A)



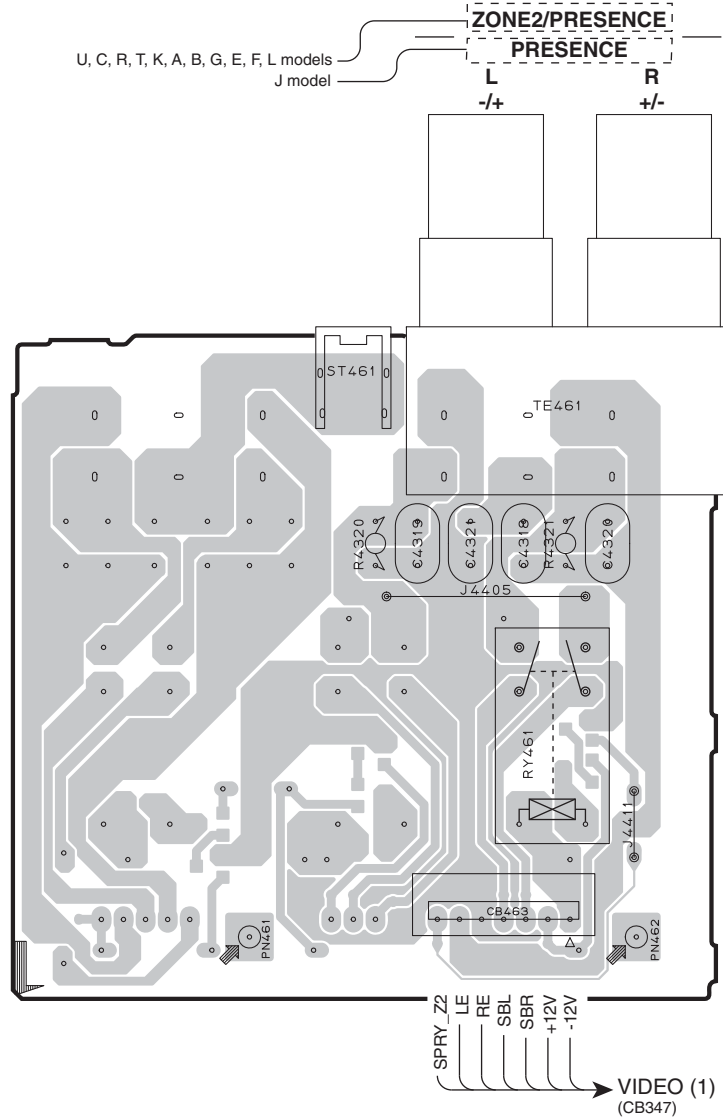
OPERATION (6) P.C.B. (Side A)



OPERATION (7) P.C.B. (Side A)

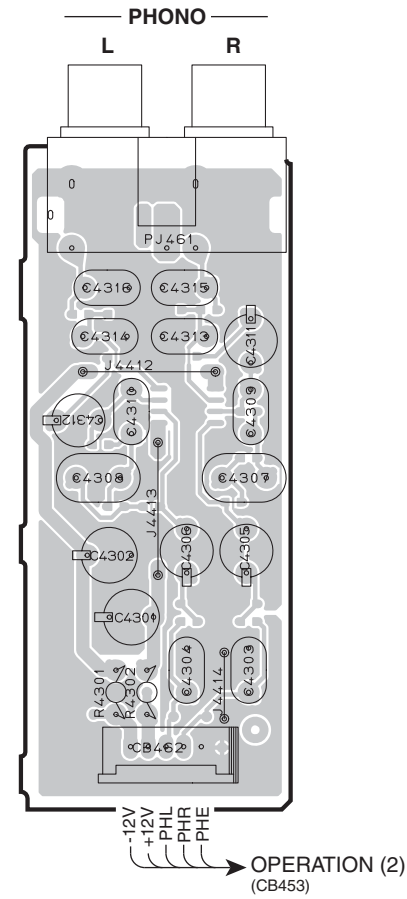


OPERATION (8) P.C.B. (Side A)

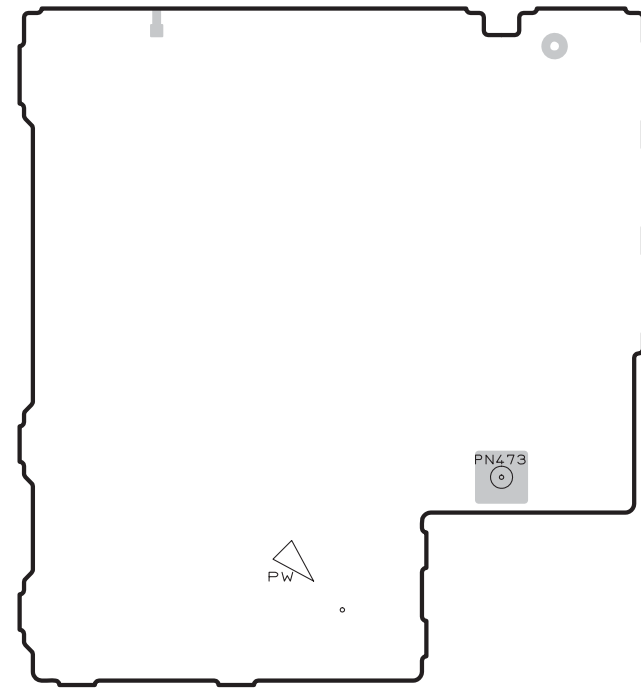


OPERATION (9) P.C.B. (Side A)

R, T, K, A, B, G, E, F, L, J models

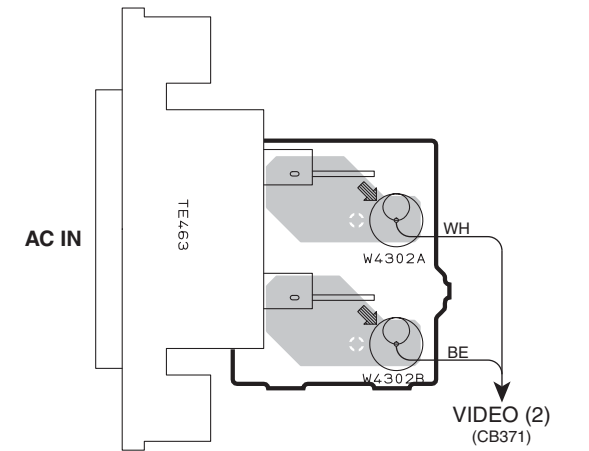


OPERATION (10) P.C.B. (Side A)

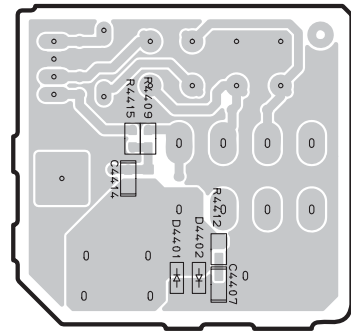


OPERATION (11) P.C.B. (Side A)

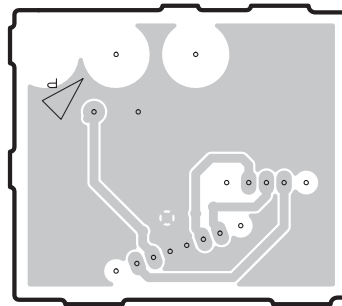
J model



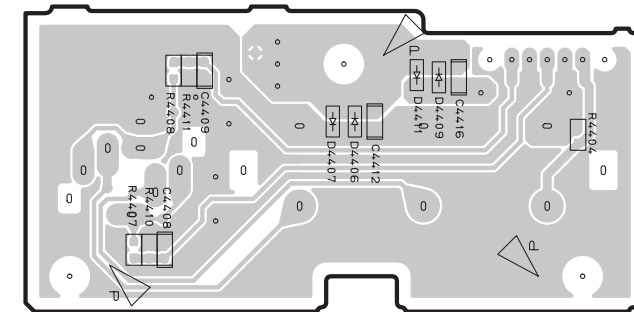
OPERATION (3) P.C.B. (Side B)



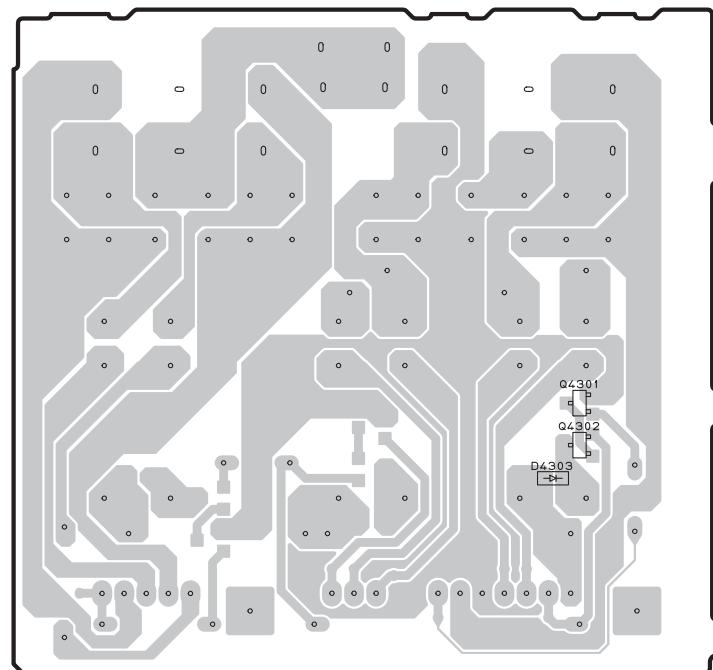
OPERATION (6) P.C.B. (Side B)



OPERATION (7) P.C.B. (Side B)

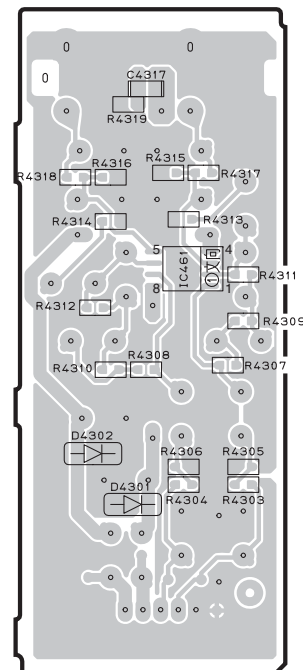


OPERATION (8) P.C.B. (Side B)

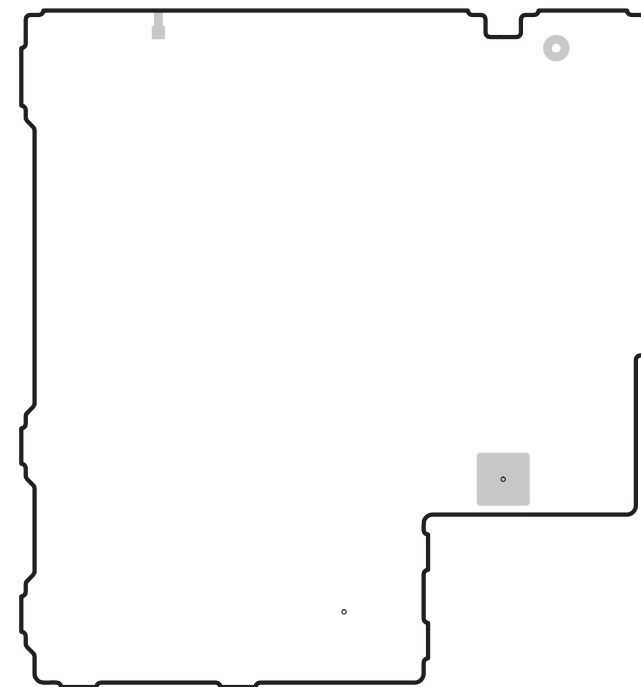


OPERATION (9) P.C.B. (Side B)

R, T, K, A, B, G, E, F, L, J models

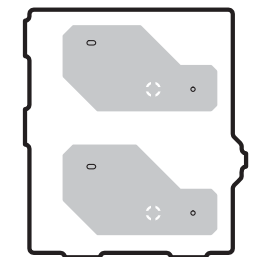


OPERATION (10) P.C.B. (Side B)



OPERATION (11) P.C.B. (Side B)

J model



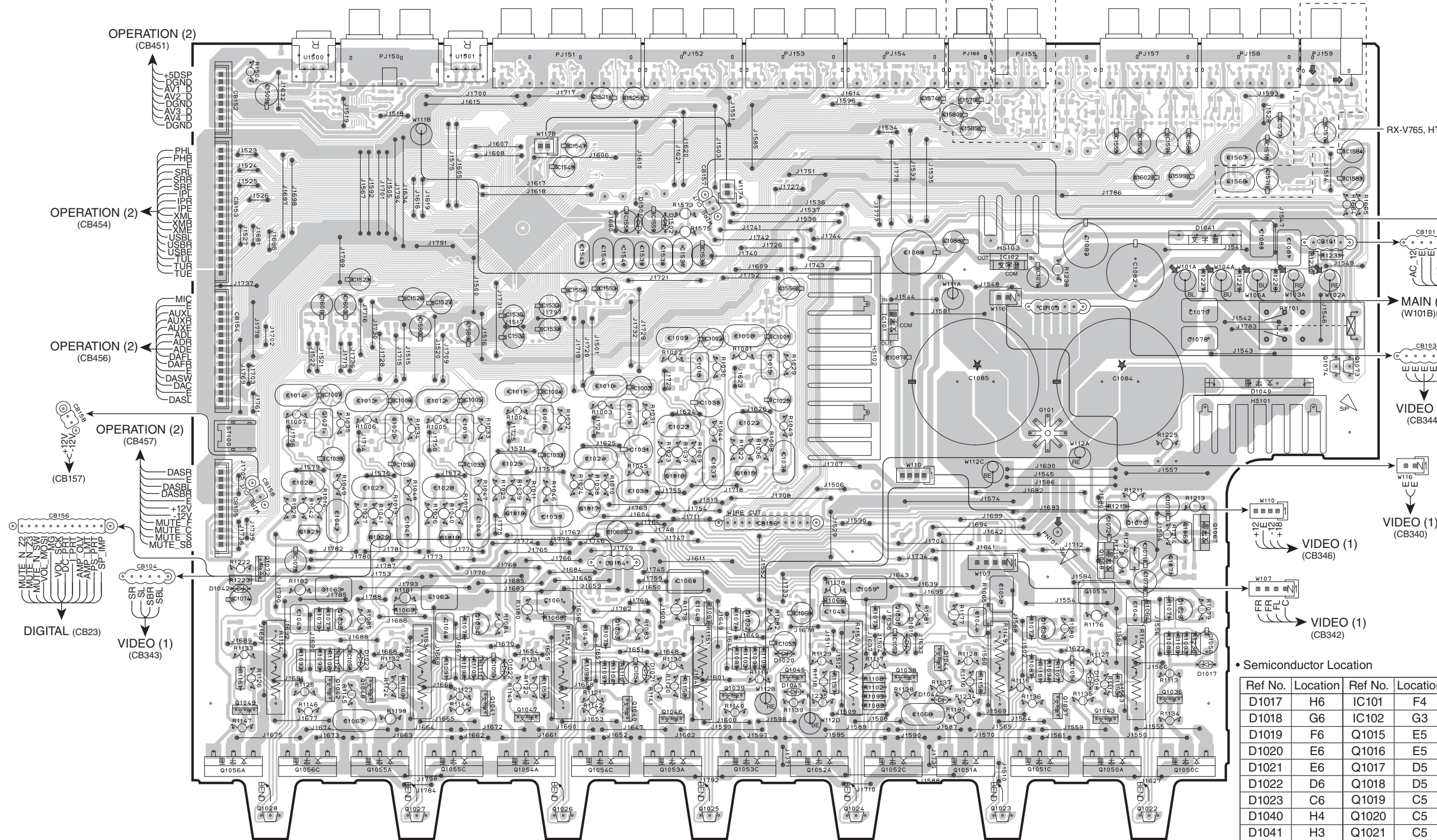
• Semiconductor Location

Ref No.	Location
D4301	D6
D4302	D6
D4303	C6
D4401	B2
D4402	B2
D4406	H2
D4407	H2
D4409	H2
D4411	H2
IC461	D5
Q4301	C6
Q4302	C6

MAIN (1) P.C.B. (Side A)

— AV1 — AV2 — AV3 — AV4 — AV5 — AV6 — AV — AUDIO1 — AUDIO2 — MULTI CH INPUT — AUDIO OUT — ZONE2 OUT — PRE OUT —

OPTICAL COAXIAL COAXIAL OPTICAL FRONT SURROUND SUR. SUBWOOFER BACK L/R L/R L/R CENTER L/R L/R FRONT SURROUND SUR. BACK SUBWOOFER 1 2 L/R L/R L/R CENTER



J model U, C, R, T, K, A, B, G, E, F, L models

RX-V765, HTR6270 (F model), AX-V765

OPERATION (2) (CB451)

OPERATION (2) (CB454)

OPERATION (2) (CB456)

OPERATION (2) (CB457)

DIGITAL (CB23)

VIDEO (1) (CB343)

MAIN (2) (CB102)

VIDEO (1) (CB344)

VIDEO (1) (CB340)

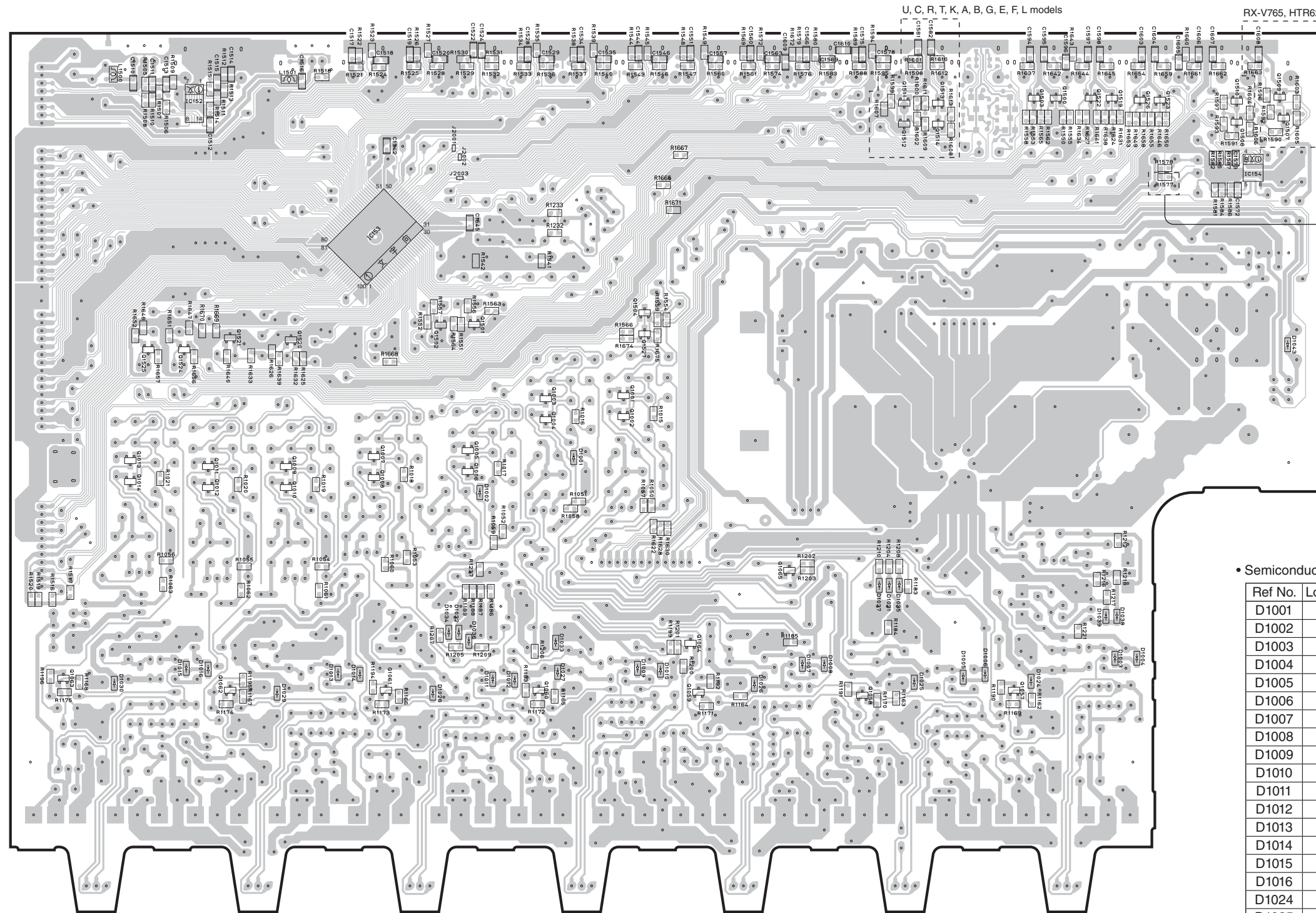
VIDEO (1) (CB346)

VIDEO (1) (CB342)

• Semiconductor Location

Ref No.	Location	Ref No.	Location	Ref No.	Location
D1017	H6	Q1015	E5	Q1035	C5
D1018	G6	Q1016	E5	Q1036	H6
D1019	F6	Q1017	D5	Q1037	G6
D1020	E6	Q1018	D5	Q1038	F6
D1021	E6	Q1019	C5	Q1039	E6
D1022	D6	Q1020	C5	Q1040	E6
D1023	C6	Q1021	C5	Q1041	D6
D1040	H4	Q1022	H7	Q1042	C6
D1041	H3	Q1023	G7	Q1043	G6
D1042	B5	Q1024	F7	Q1044	F6
D1044	F6	Q1025	E7	Q1045	F6
D1045	F6	Q1026	D7	Q1046	E6
D1501	E3			Q1047	D6
D1502	E3			Q1048	C6
				Q1049	B6
				Q1050A	G6
				Q1050C	H6
				Q1051A	G6
				Q1051C	G6
				Q1052A	F6
				Q1052C	F6
				Q1053A	E6
				Q1053C	E6
				Q1054A	D6
				Q1054C	D6
				Q1055A	C6
				Q1055C	D6
				Q1056A	B6
				Q1056C	C6
				Q1067	H5
				Q1068	G5
				Q1069	H5
				Q1070	H5
				Q1071	H5
				Q1072	B5
				Q1073	I4
				Q1074	I4

MAIN (1) P.C.B. (Side B)



U, C, R, T, K, A, B, G, E, F, L models

RX-V765, HTR6270 (F model), AX-V765

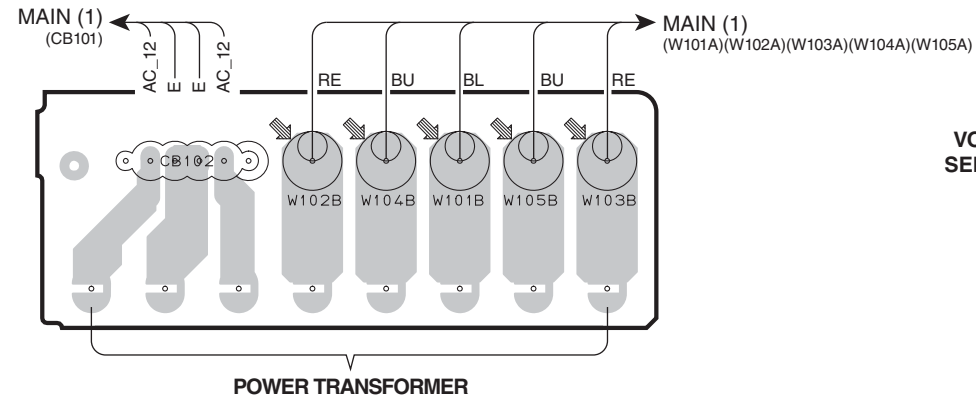
RX-V765, HTR6270 (F model), AX-V765

Ref No.	Location
Q1009	C4
Q1010	C4
Q1011	C4
Q1012	C4
Q1013	C4
Q1014	C4
Q1057	G6
Q1058	F6
Q1059	F6
Q1060	E6
Q1061	D6
Q1062	C6
Q1063	B5
Q1064	F5
Q1065	F5

• Semiconductor Location

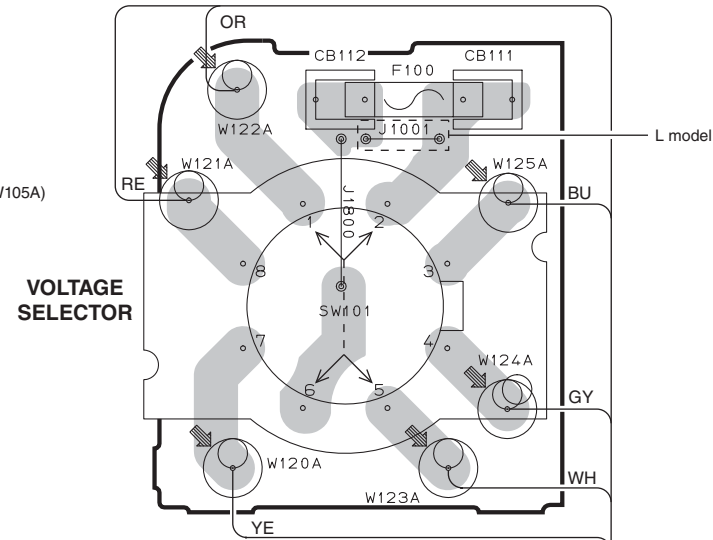
Ref No.	Location	Ref No.	Location	Ref No.	Location
D1001	E4	D1030	C5	Q1500	H2
D1002	D4	D1031	G5	Q1501	D4
D1003	H5	D1032	D5	Q1502	D4
D1004	H5	D1033	E5	Q1503	G2
D1005	G5	D1034	D5	Q1504	E4
D1006	G5	D1035	G5	Q1507	I2
D1007	F5	D1036	D5	Q1508	H3
D1008	F5	D1037	G5	Q1509	I2
D1009	E5	D1038	H5	Q1510	H2
D1010	E5	D1039	H5	Q1511	G2
D1011	E5	D1043	I4	Q1512	G3
D1012	E5	IC152	C2	Q1513	G2
D1013	D5	IC153	D3	Q1514	G3
D1014	D5	IC154	I3	Q1519	H2
D1015	C5	Q1001	E4	Q1520	C4
D1016	C5	Q1002	E4	Q1521	C4
D1024	G5	Q1003	E4	Q1522	H2
D1025	G5	Q1004	E4	Q1523	H2
D1026	F5	Q1005	D4	Q1524	C4
D1027	E5	Q1006	D4	Q1525	C4
D1028	D6	Q1007	D4	Q1526	H2
D1029	C6	Q1008	D4	Q1527	E4

MAIN (2) P.C.B. (Side A)



MAIN (3) P.C.B. (Side A)

R, L models



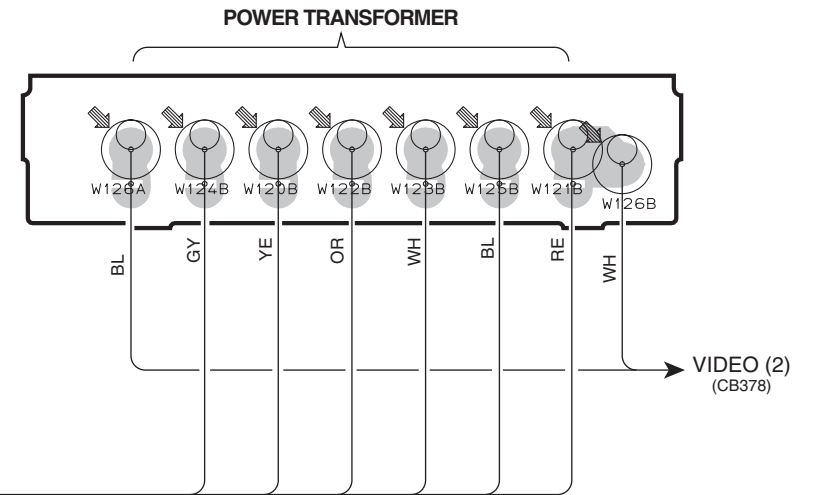
VOLTAGE SELECTOR

VOLTAGE SELECTOR

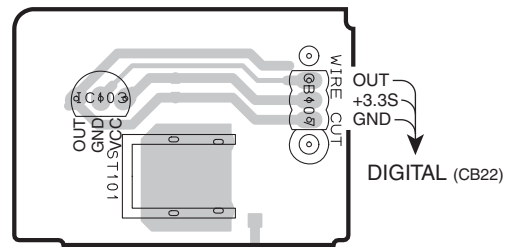
230-240V	1-2/5-6
220V	2-3/6-7
110V	3-4/7-8
120V	4-5/8-1

MAIN (4) P.C.B. (Side A)

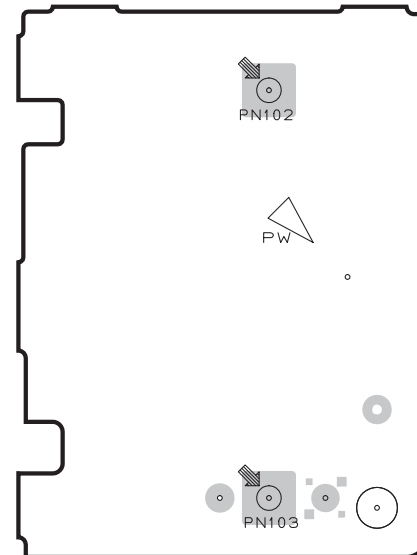
R, L models



MAIN (5) P.C.B. (Side A)



MAIN (6) P.C.B. (Side A)

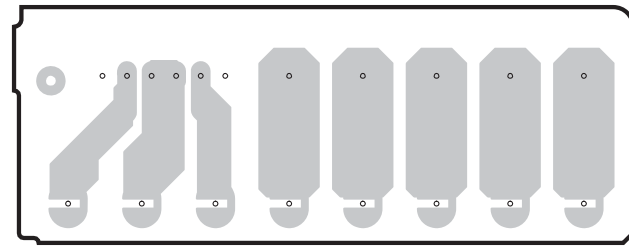


• Semiconductor Location

Ref No.	Location
IC103	C5

1

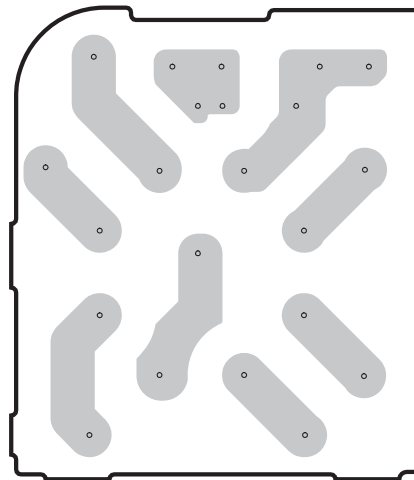
MAIN (2) P.C.B. (Side B)



2

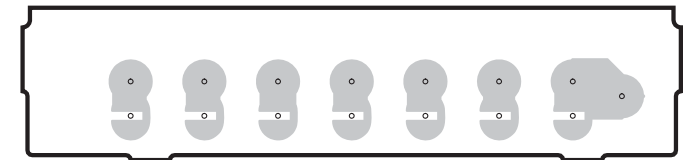
MAIN (3) P.C.B. (Side B)

R, L models



MAIN (4) P.C.B. (Side B)

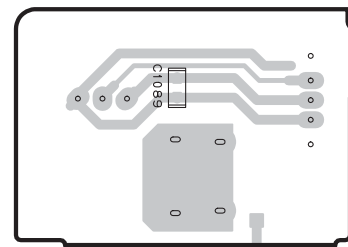
R, L models



3

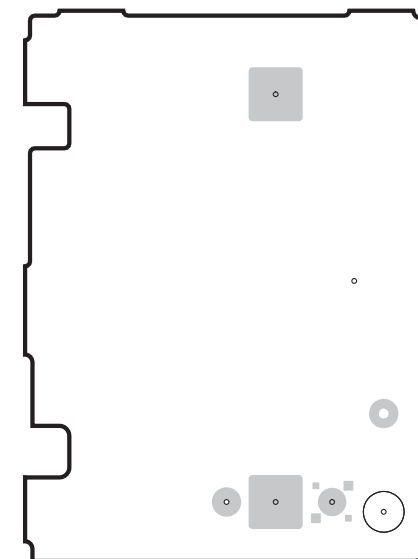
4

MAIN (5) P.C.B. (Side B)



5

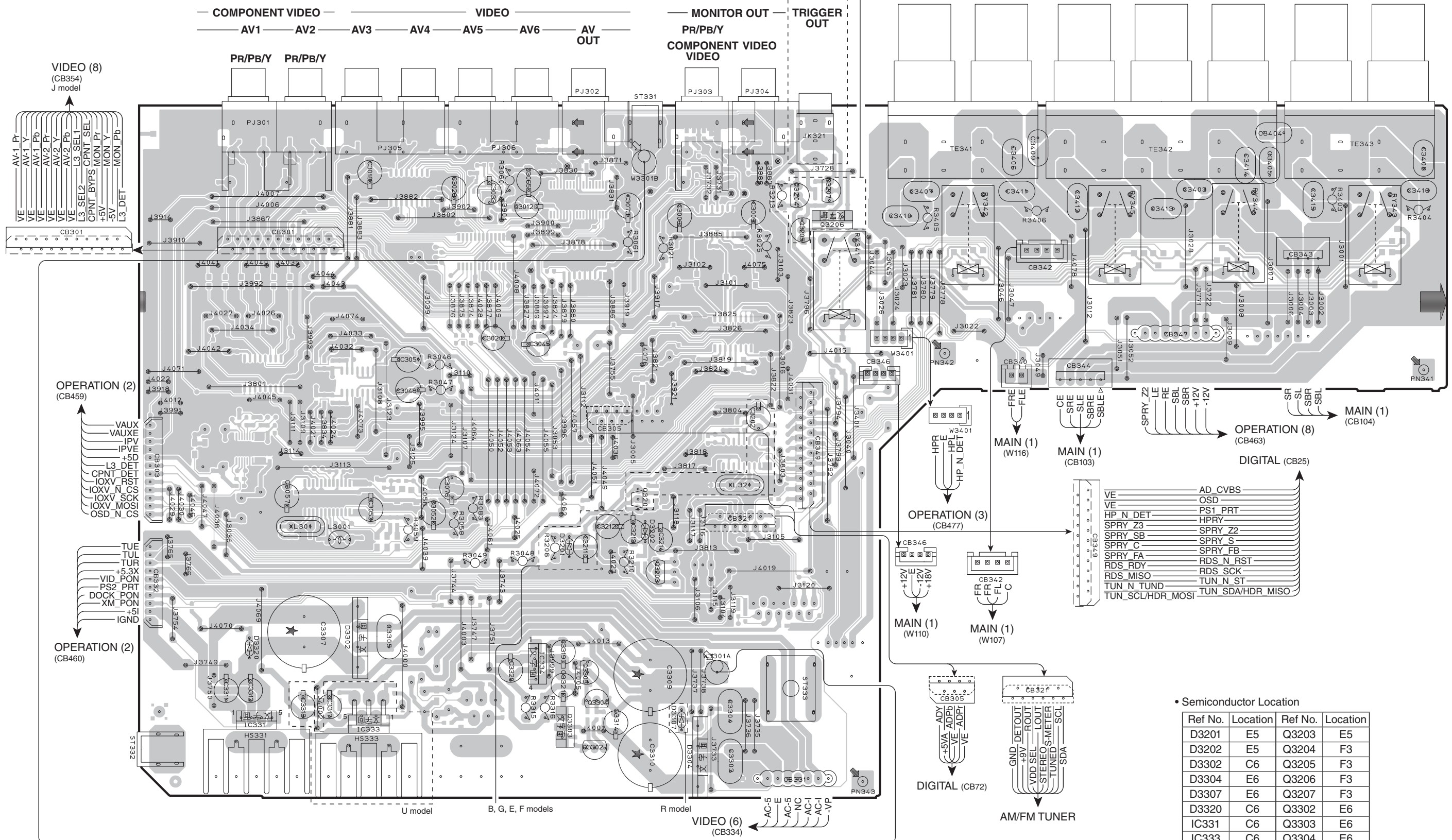
MAIN (6) P.C.B. (Side B)



6

7

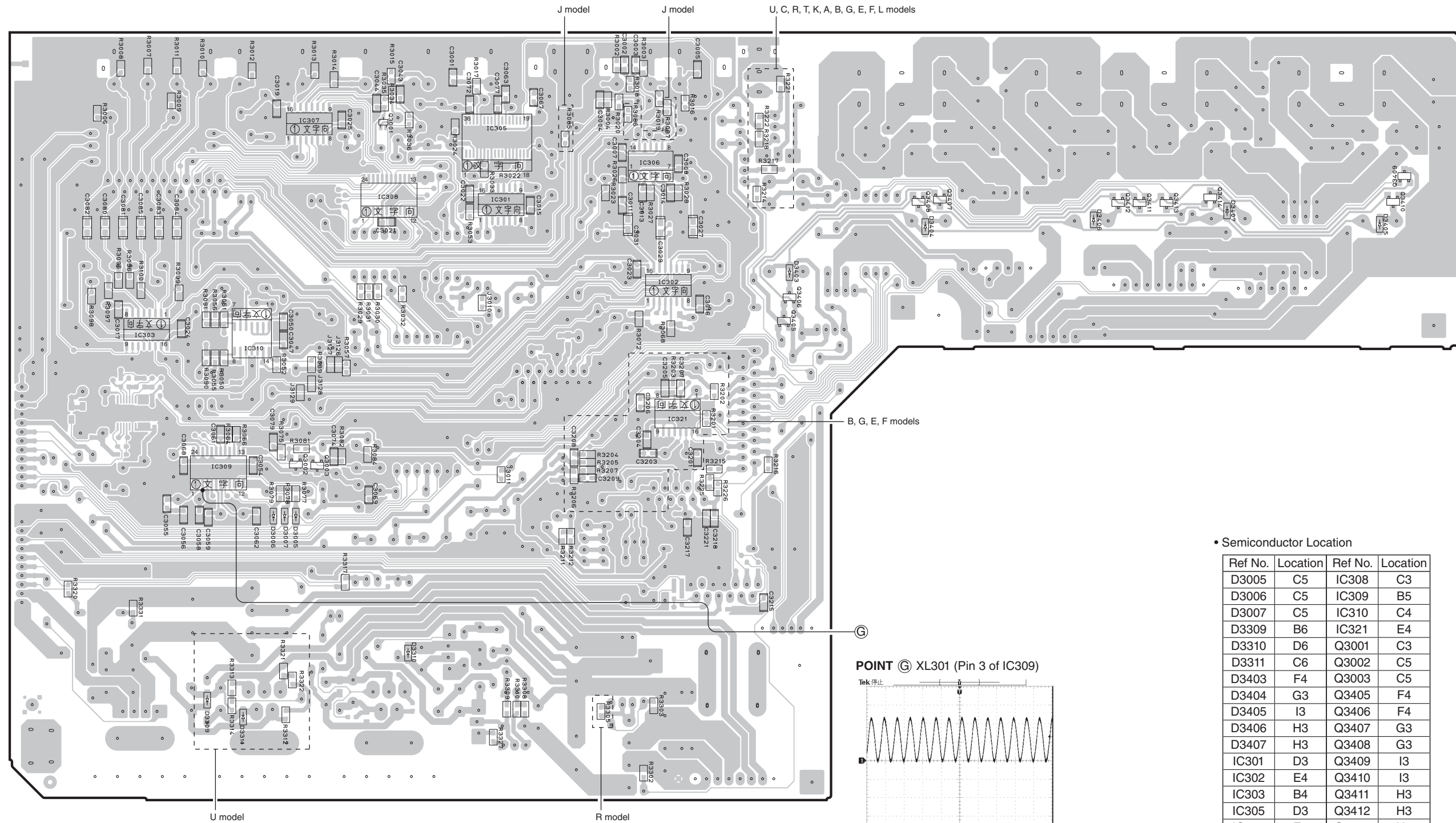
VIDEO (1) P.C.B. (Side A)



• Semiconductor Location

Ref No.	Location	Ref No.	Location
D3201	E5	Q3203	E5
D3202	E5	Q3204	F3
D3302	C6	Q3205	F3
D3304	E6	Q3206	F3
D3307	E6	Q3207	F3
D3320	C6	Q3302	E6
IC331	C6	Q3303	E6
IC333	C6	Q3304	E6
IC334	D6	Q3305	E6
Q3201	E5		

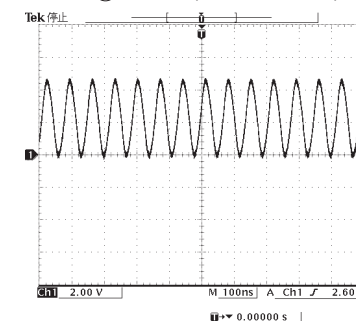
VIDEO (1) P.C.B. (Side B)



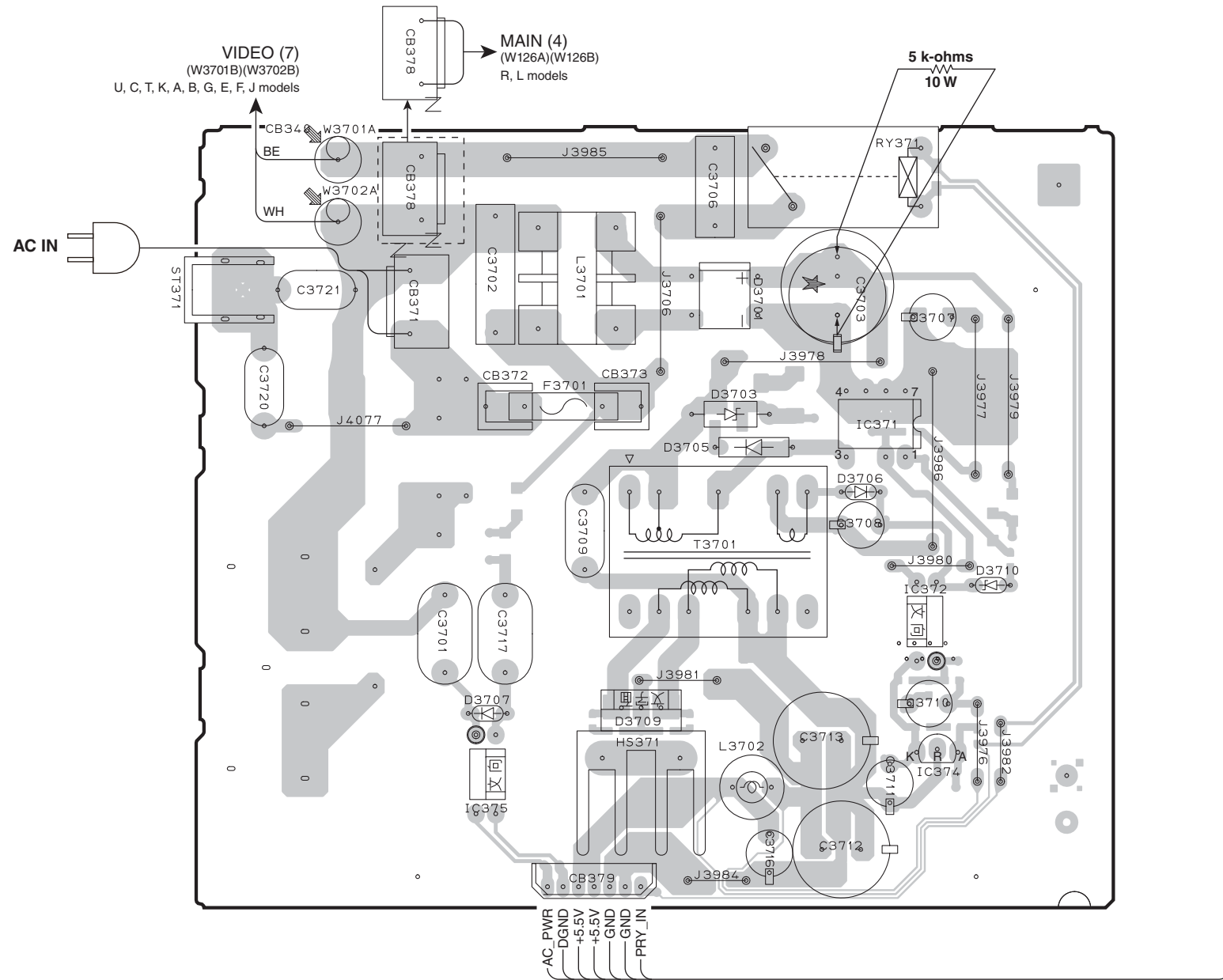
• Semiconductor Location

Ref No.	Location	Ref No.	Location
D3005	C5	IC308	C3
D3006	C5	IC309	B5
D3007	C5	IC310	C4
D3309	B6	IC321	E4
D3310	D6	Q3001	C3
D3311	C6	Q3002	C5
D3403	F4	Q3003	C5
D3404	G3	Q3405	F4
D3405	I3	Q3406	F4
D3406	H3	Q3407	G3
D3407	H3	Q3408	G3
IC301	D3	Q3409	I3
IC302	E4	Q3410	I3
IC303	B4	Q3411	H3
IC305	D3	Q3412	H3
IC306	E3	Q3413	H3
IC307	C3	Q3414	H3

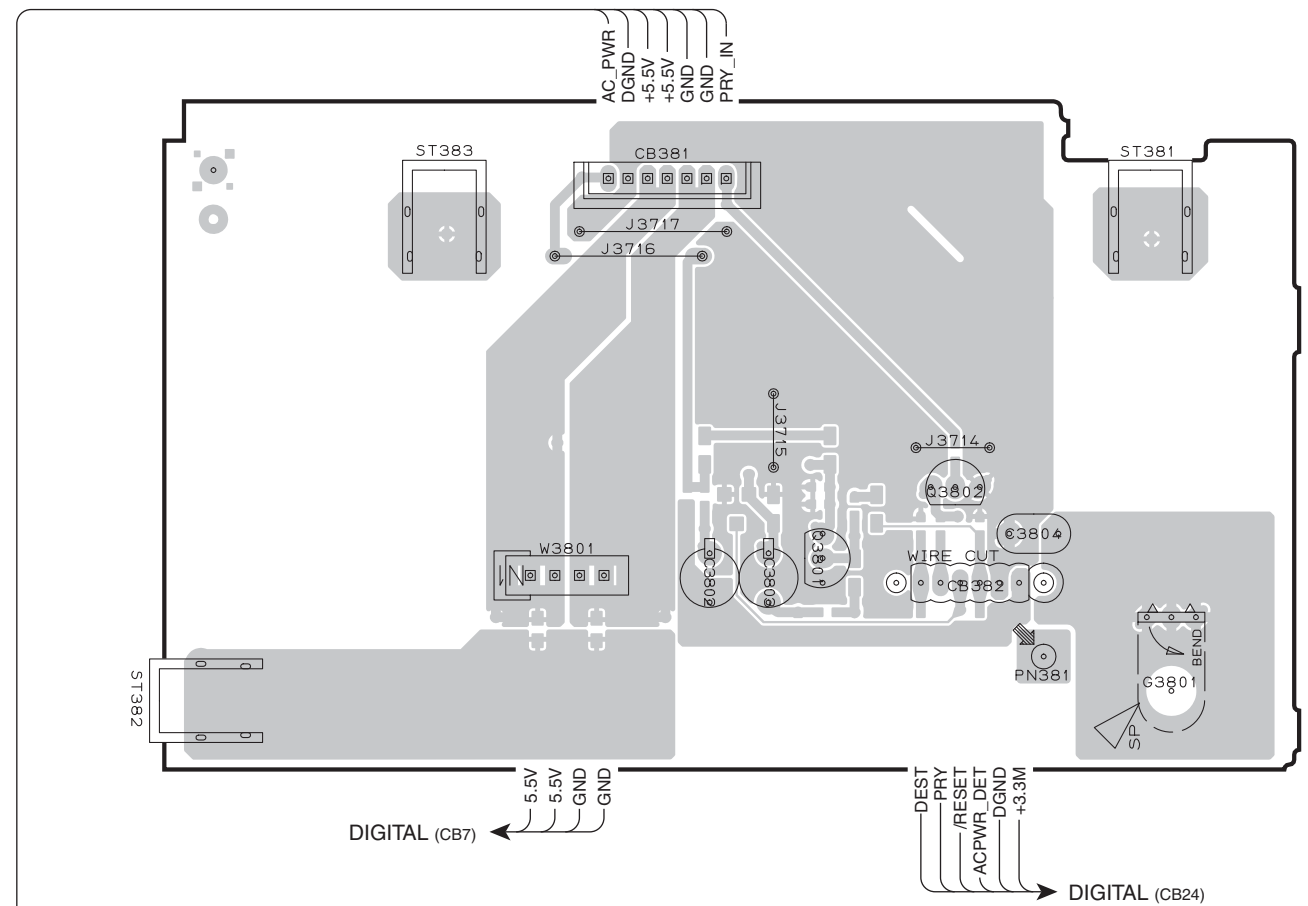
POINT ③ XL301 (Pin 3 of IC309)



VIDEO (2) P.C.B. (Side A)



VIDEO (3) P.C.B. (Side A)



• Semiconductor Location

Ref No.	Location	Ref No.	Location	Ref No.	Location
D3701	D3	D3709	D4	IC374	E5
D3703	D3	D3710	E4	IC375	C5
D3705	D3	IC371	E3	Q3801	I4
D3706	E4	IC372	E4	Q3802	I4
D3707	C4				

Notes)

Safety measures

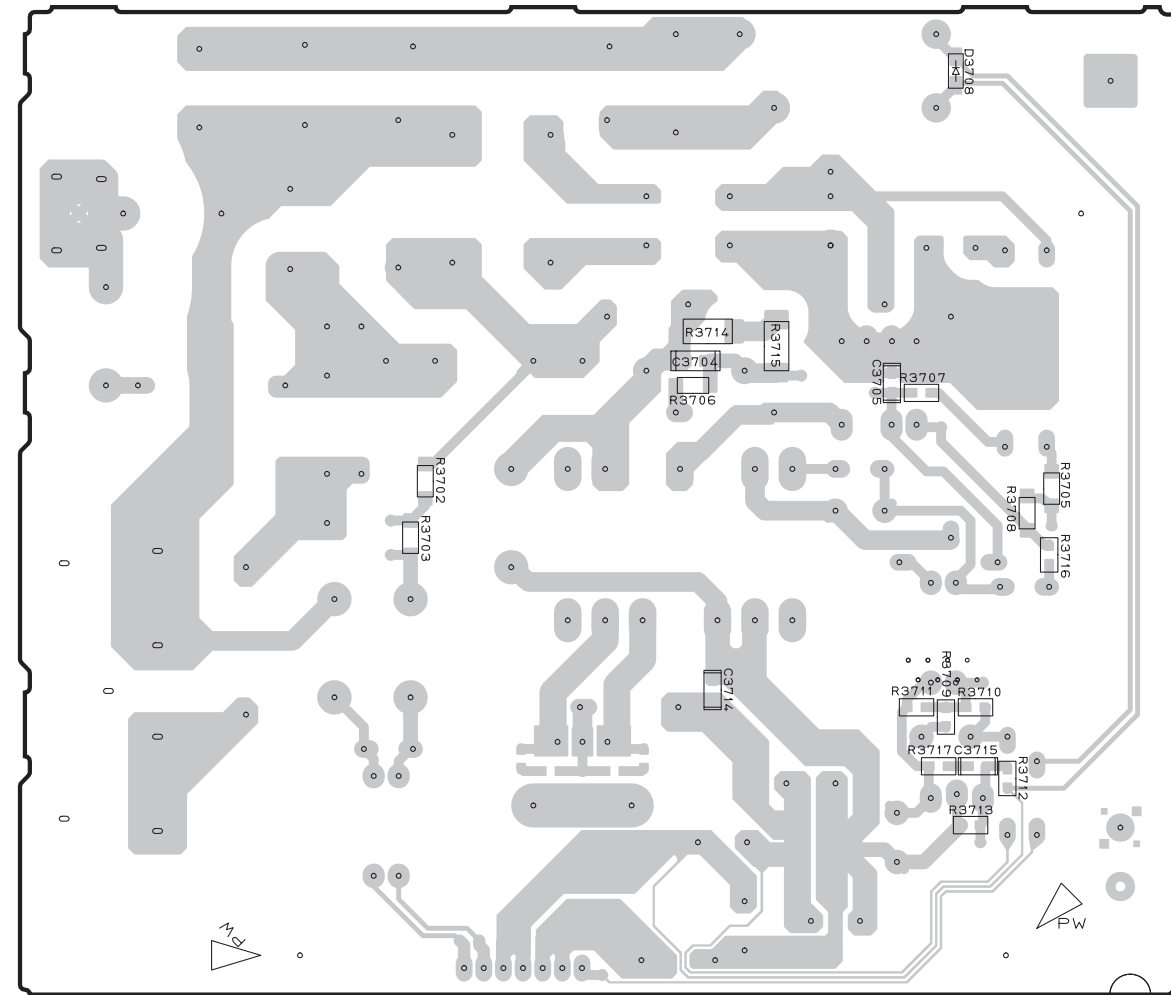
- Some internal parts in this product contain high voltages and are dangerous. Be sure to take safety measures during servicing, such as wearing insulating gloves.
- Note that positions indicated below are dangerous even after the power is turned off because an electric charge remains and a high voltage continues to exist there. Before starting any repair work, perform discharge by connecting a discharge resistor (5k-ohms/10W) between terminals at following positions. The time required for discharging is about 30 seconds.
C3703 on VIDEO (2) P.C.B.

注意)

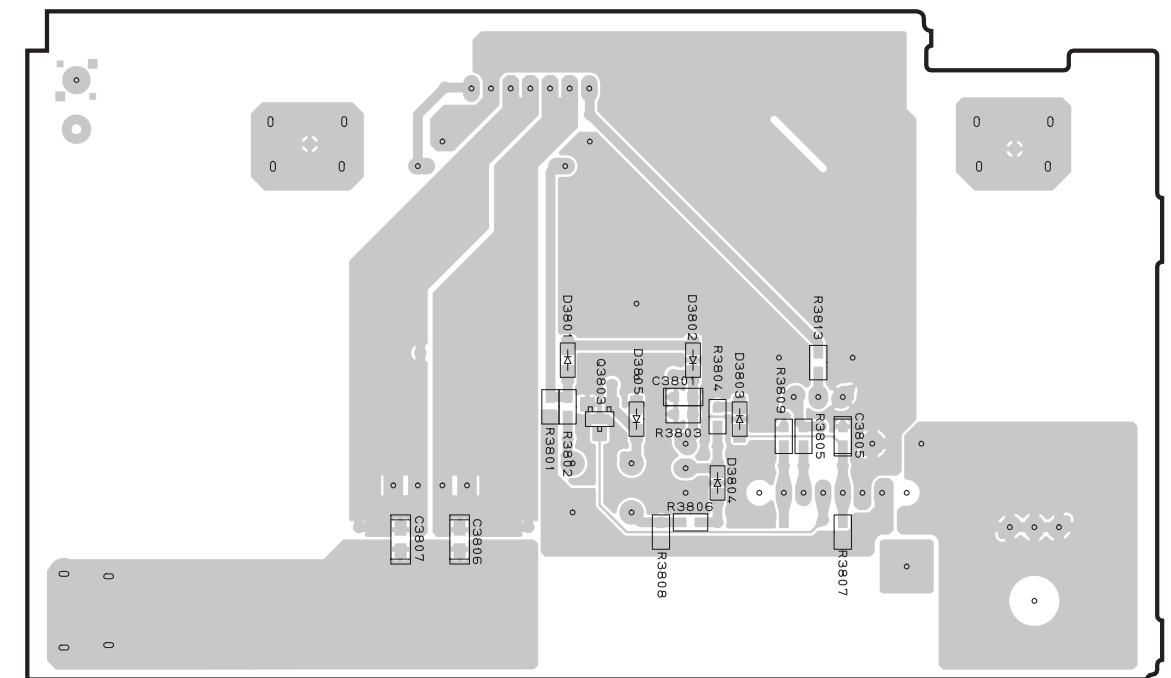
安全対策

- この製品の内部には高電圧部分があり危険です。修理の際は、絶縁性の手袋を使用するなどの安全対策を行ってください。
- 下記箇所には電源を OFF にした後も電荷が残り、高電圧が維持されており危険です。修理作業前に放電用抵抗 (5 kΩ/10W) を下記箇所の端子間に接続して放電してください。放電所用時間は約 30 秒間です。
VIDEO (2) P.C.B. の C3703

VIDEO (2) P.C.B. (Side B)



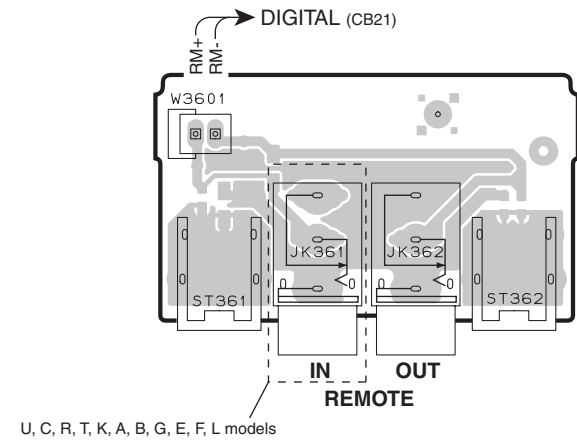
VIDEO (3) P.C.B. (Side B)



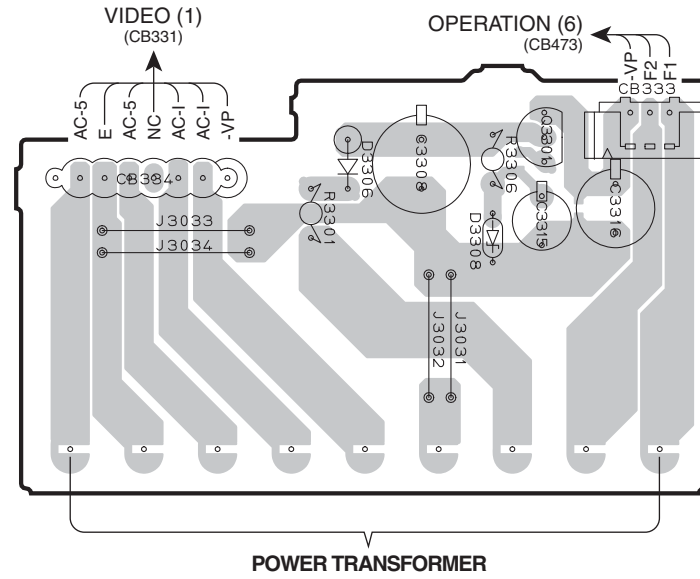
• Semiconductor Location

Ref No.	Location
D3708	D2
D3801	H4
D3802	H4
D3803	H4
D3804	H4
D3805	H4
Q3803	H4

VIDEO (4) P.C.B. (Side A)

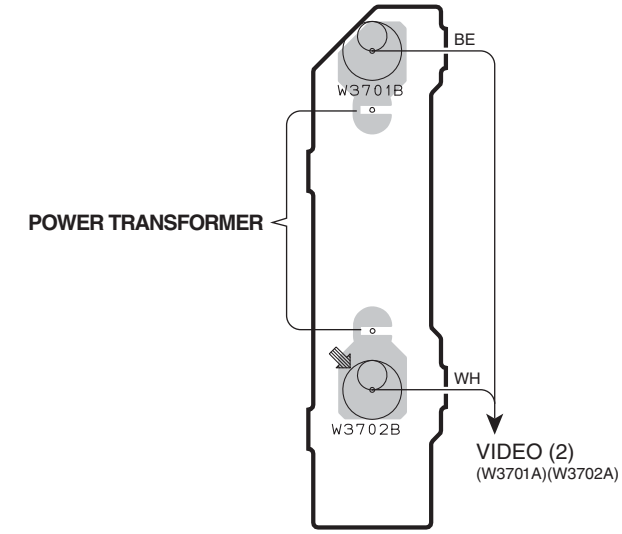


VIDEO (6) P.C.B. (Side A)



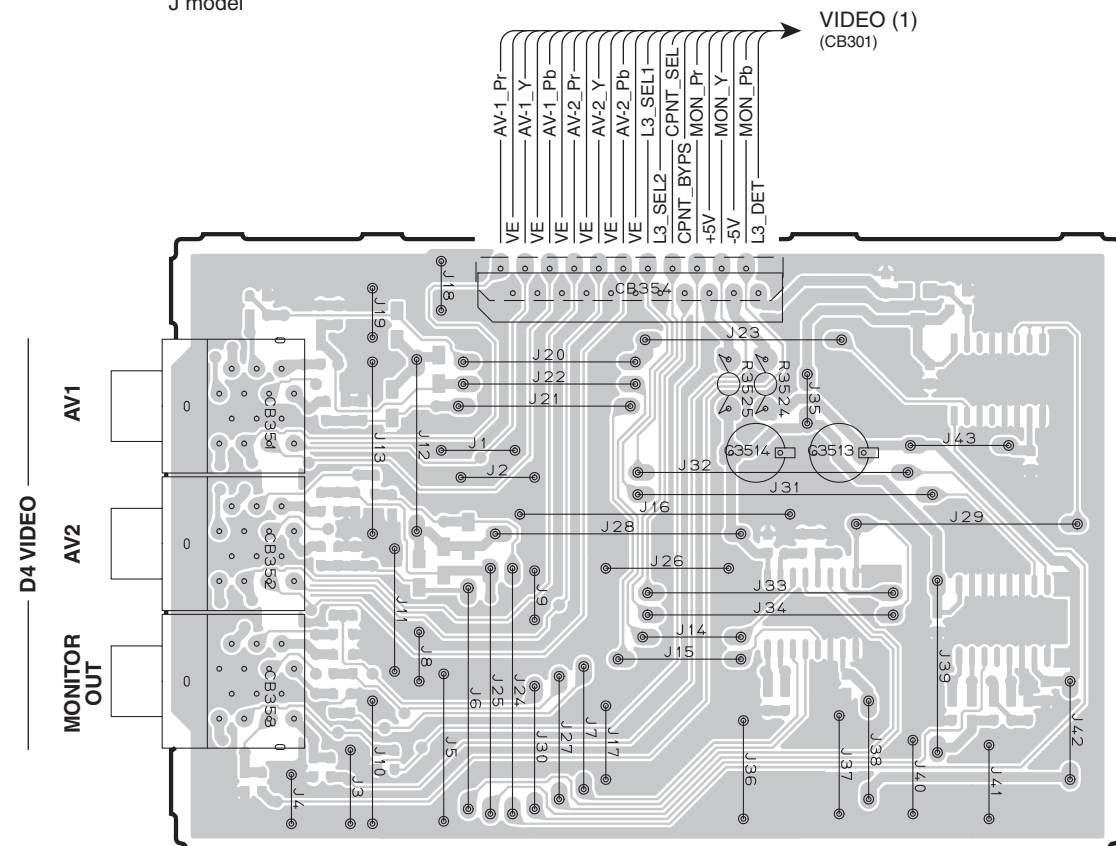
VIDEO (7) P.C.B. (Side A)

U, C, T, K, A, B, G, E, F, J models



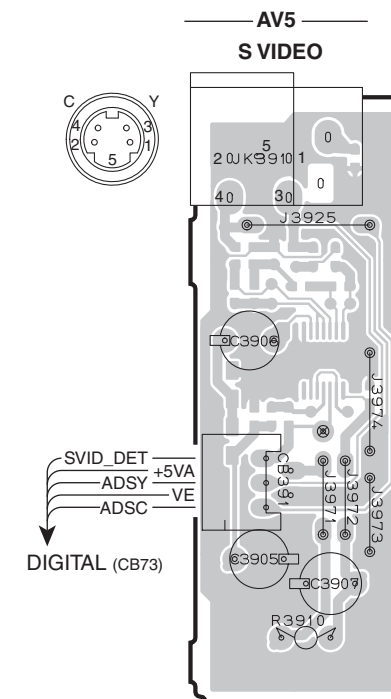
VIDEO (8) P.C.B. (Side A)

J model



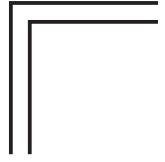
VIDEO (9) P.C.B. (Side A)

B, G, E, F models

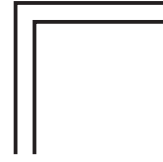
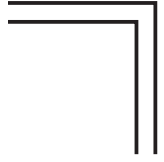


• Semiconductor Location

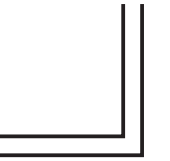
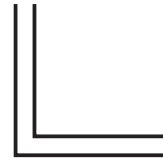
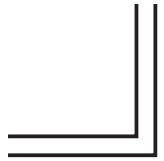
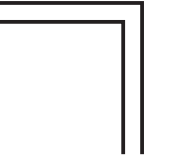
Ref No.	Location
D3306	E3
D3308	F3
Q3301	F3



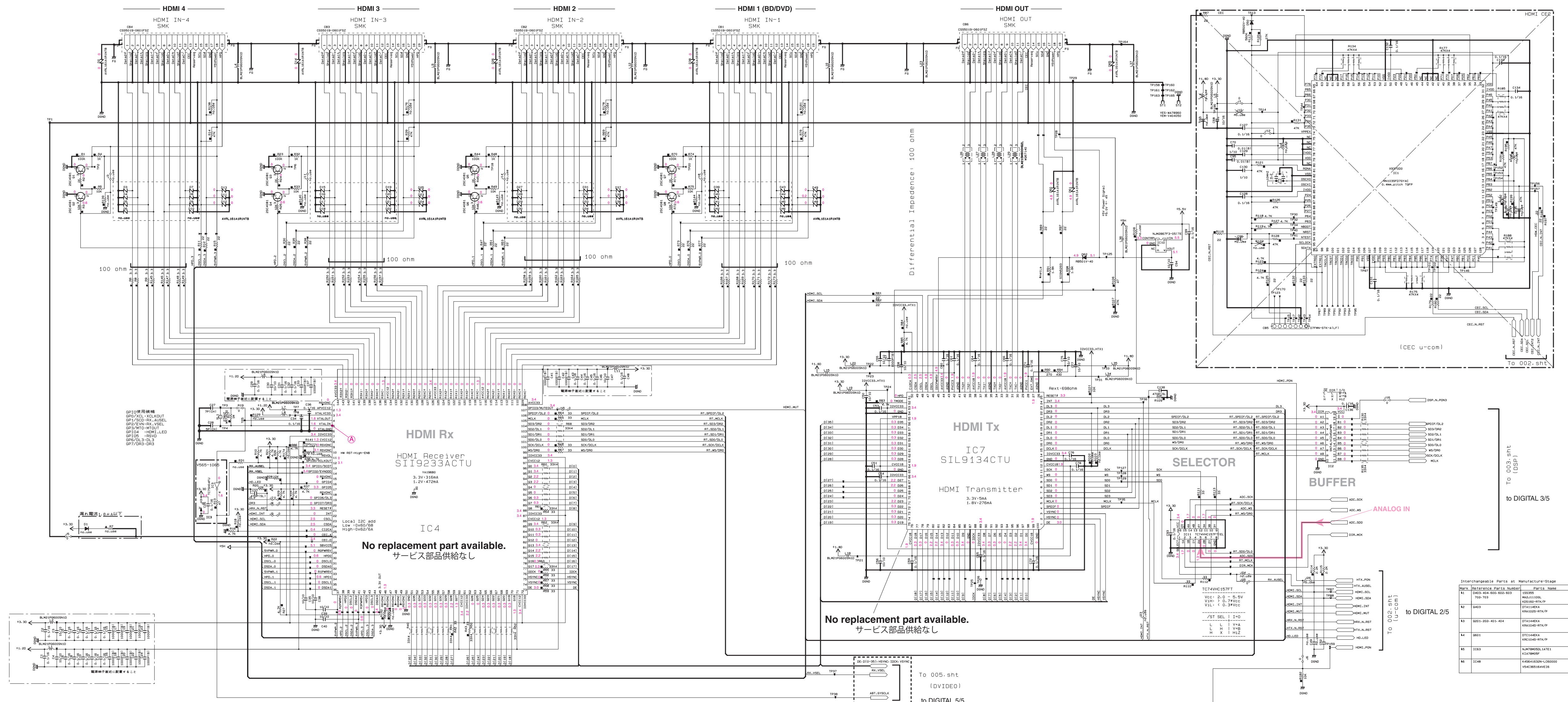
MEMO



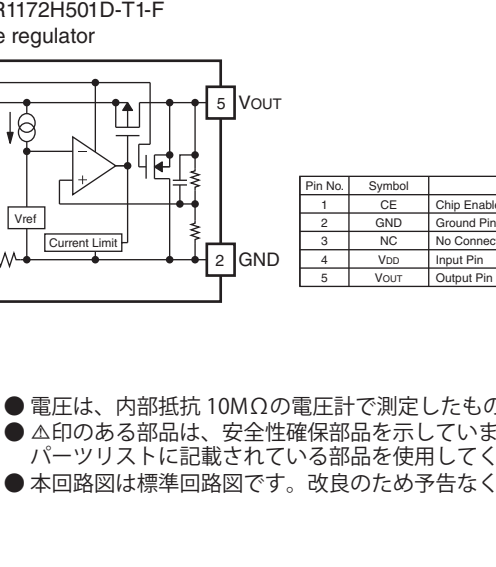
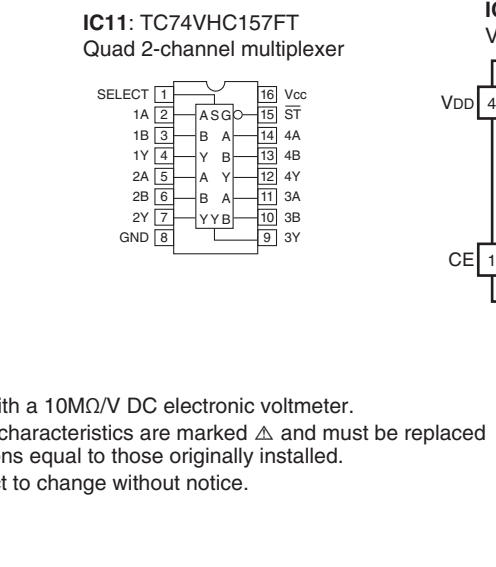
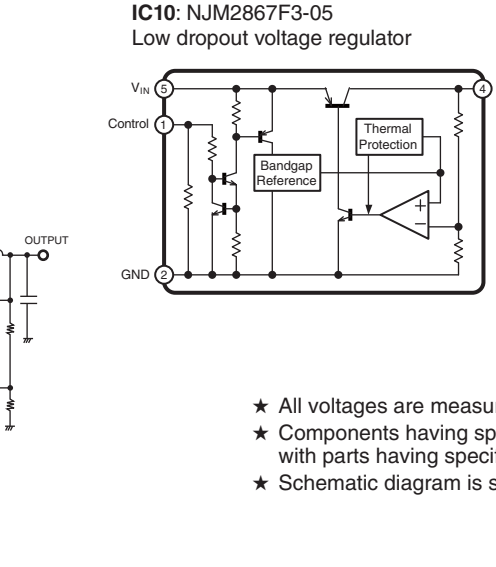
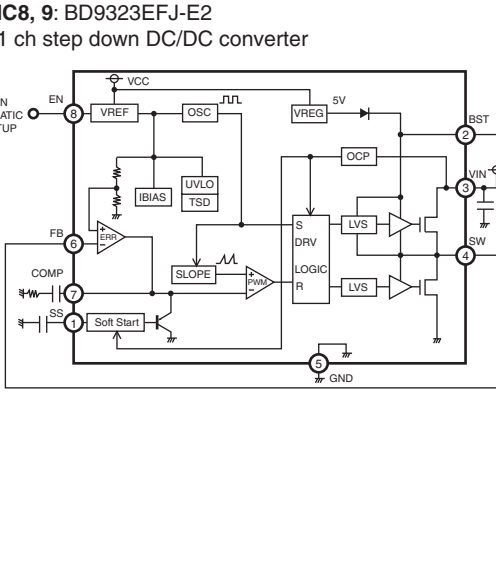
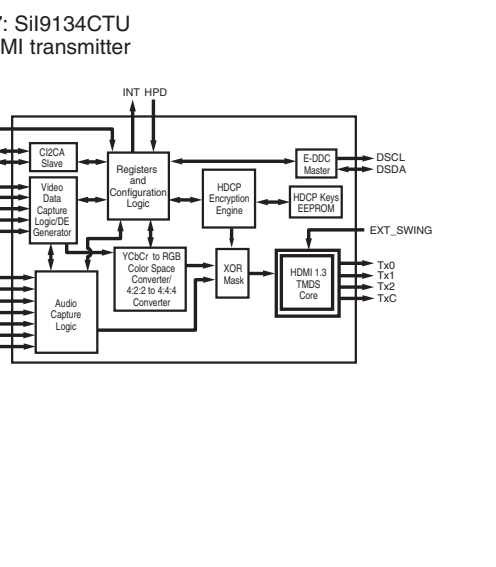
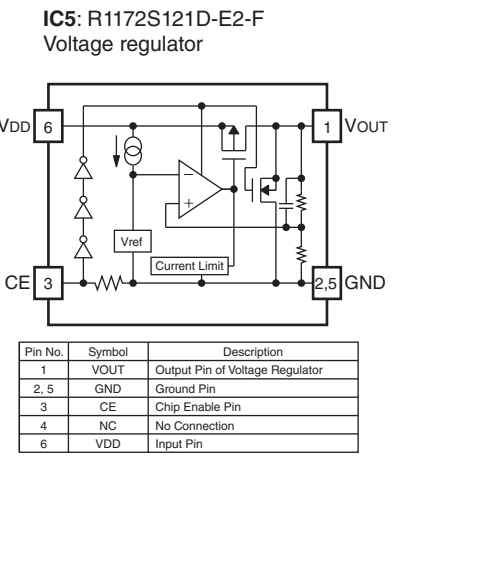
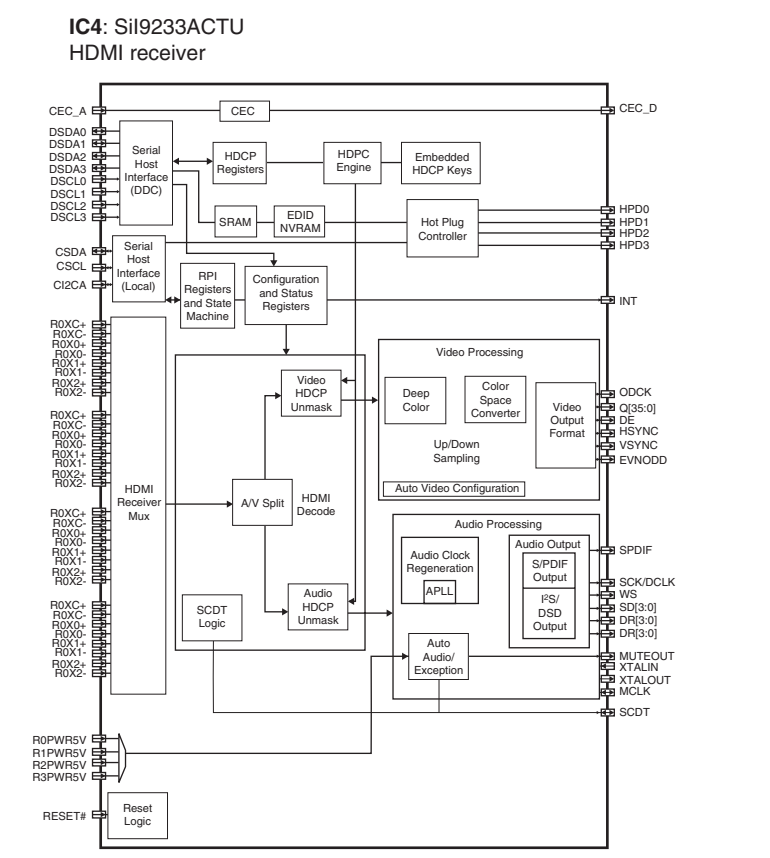
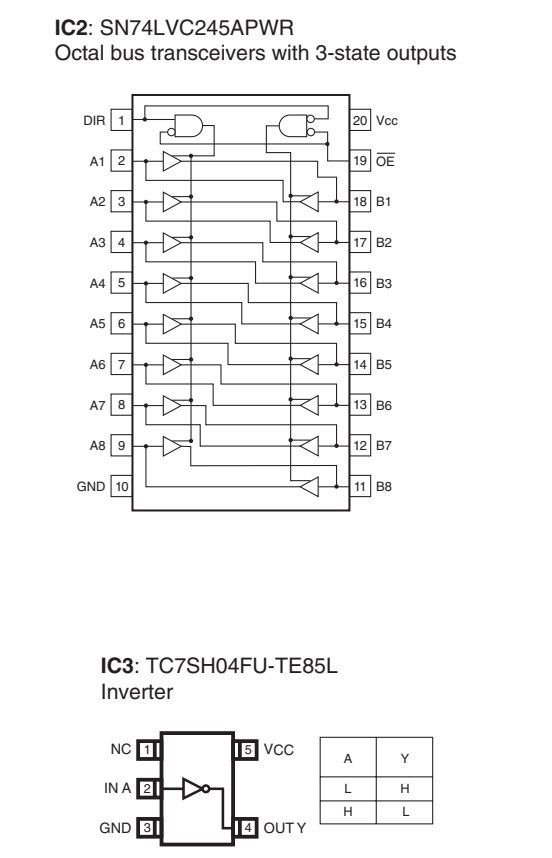
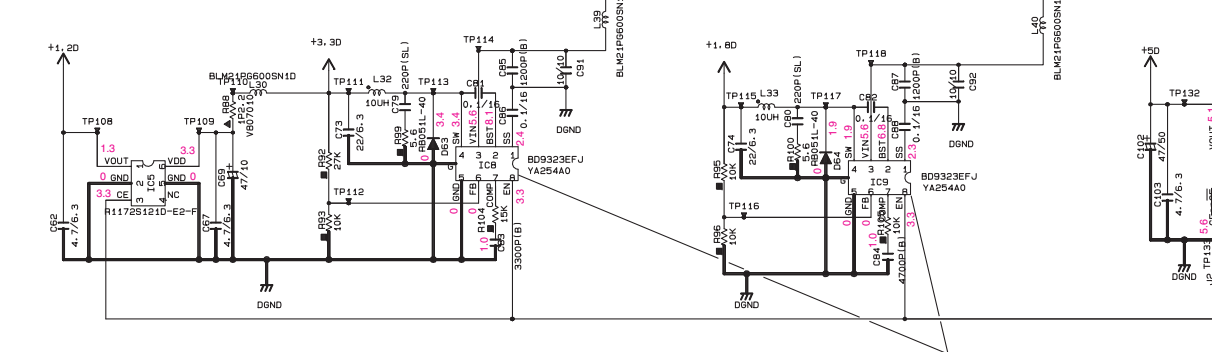
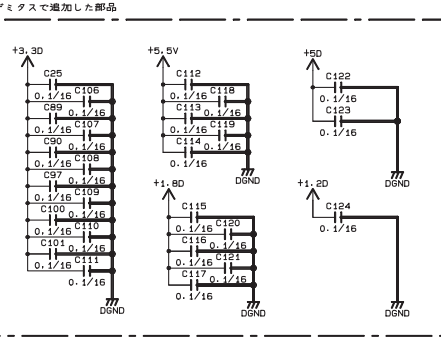
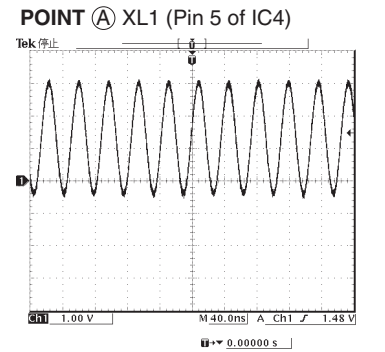
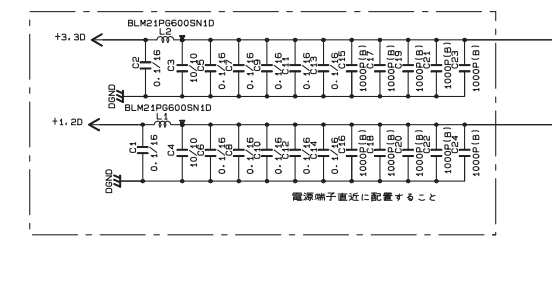
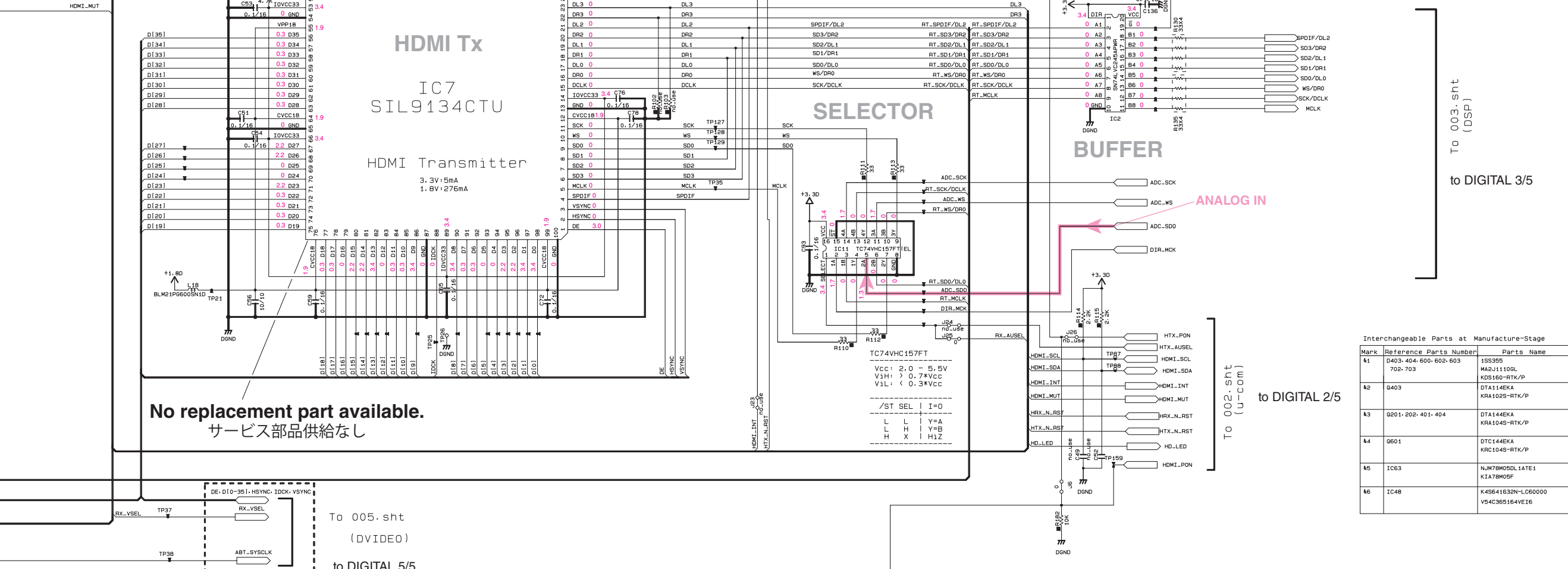
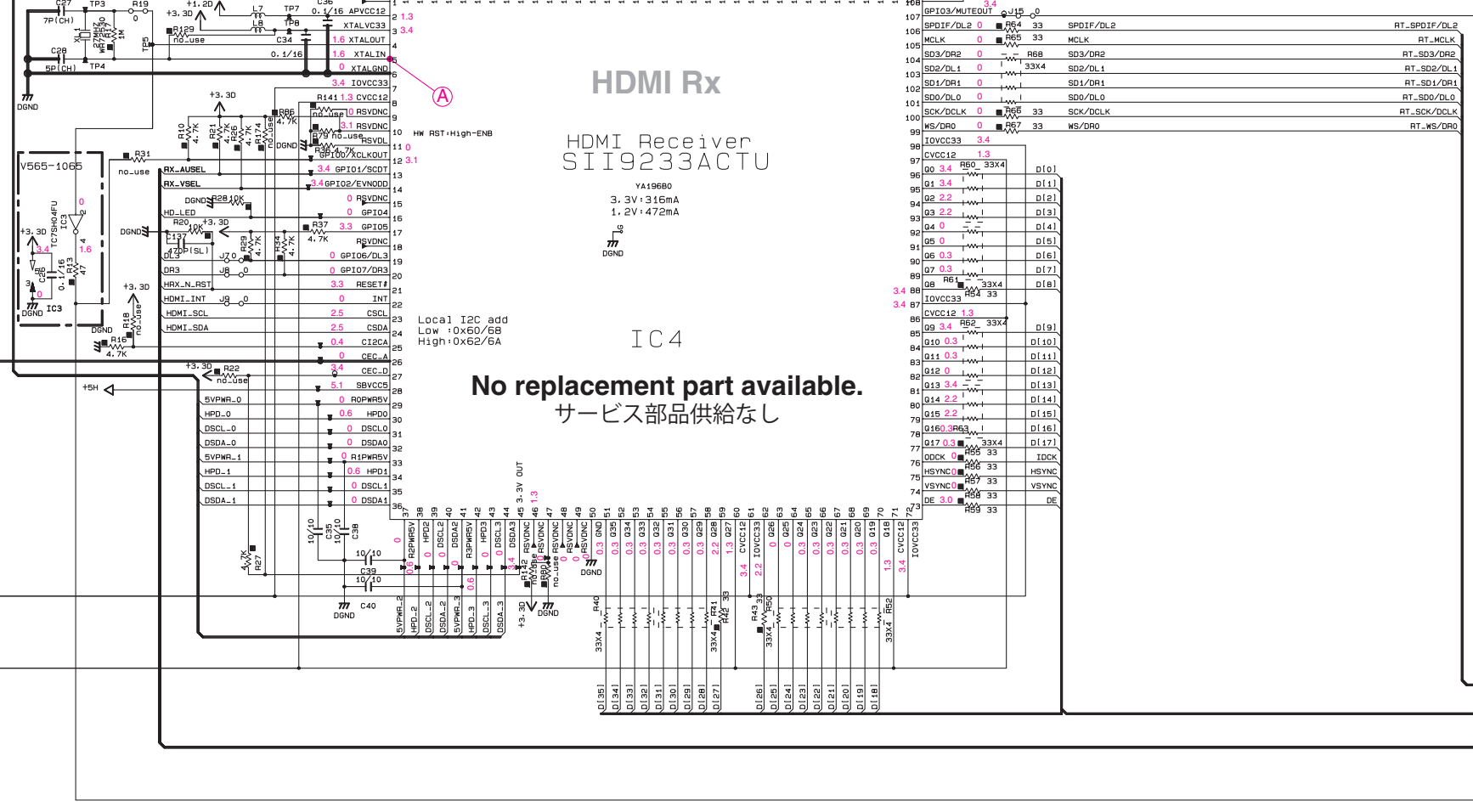
MEMO



SCHEMATIC DIAGRAMS
DIGITAL 1/5



GP70使用機構
GP70/LCL/KLK/OUT
GP70/SG/TK/AUSEL
GP70/VIN/PA/VSEL
GP70/PTD/HOLD
GP70/CLK/TPMT/LED
GP70/IR/3-1
GP70/DR3/DR5



Part No.	Part Name	Manufacturer	Notes
M1	SI9233ACTU	ROHM	Replace with SI9233ACTU
M2	SI9134CTU	ROHM	Replace with SI9134CTU
M3	BD9323EF-E2	ROHM	Replace with BD9323EF-E2
M4	NJM2867F3-05	ROHM	Replace with NJM2867F3-05
M5	TC74VHC157FT	ROHM	Replace with TC74VHC157FT
M6	R1172H501D-T1-F	ROHM	Replace with R1172H501D-T1-F

Page 124 | 18
to VIDEO (3)_W3801

★ All voltages are measured with a 10MΩ DC electronic voltmeter.
★ Components having special characteristics are marked Δ, and must be replaced with parts having specifications equal to those originally installed.
★ Schematic diagram is subject to change without notice.

● 電圧は、内部抵抗 10MΩの電圧計で測定したものです。
● Δ印のある部品は、安全性確保部品を使用しています。部品の交換が必要な場合、パーツリストに記載されている部品を使用してください。
● 本回路図は標準回路図です。改良のため予告なく変更することがございます。

DIGITAL 2/5

Page 118 [E10] to OPERATION (1)_CB401

Page 124 [C2] to VIDEO (4)_W3601 to MAIN (5)_CB107

Page 120 [I7] to MAIN (1)_CB156

Page 121 [K6] to MAIN (1)_CB156

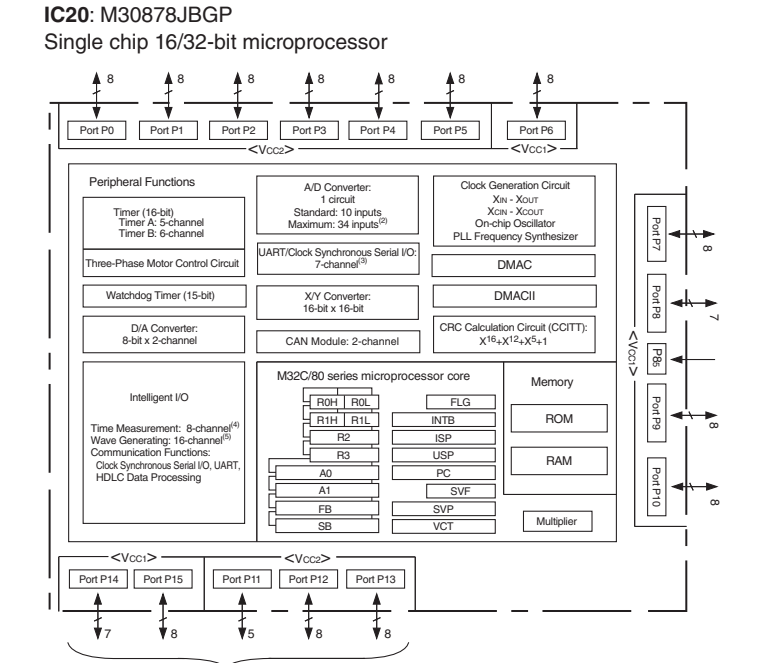
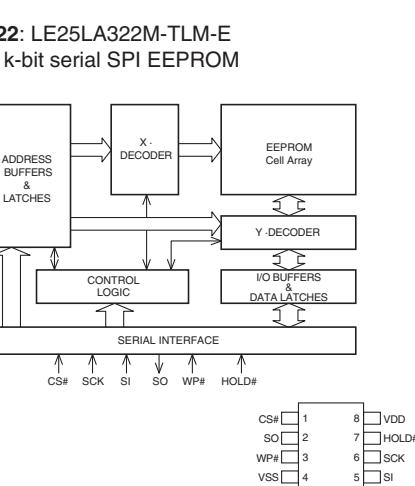
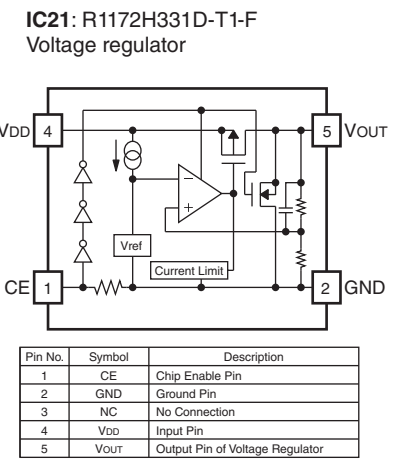
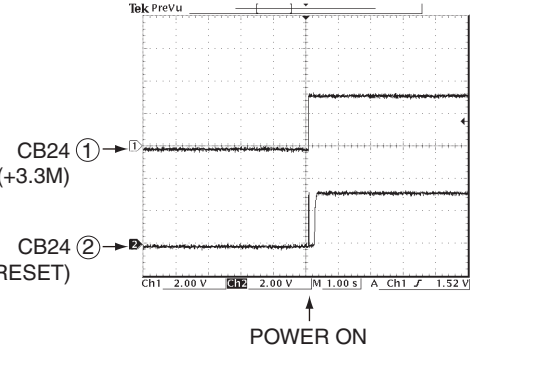
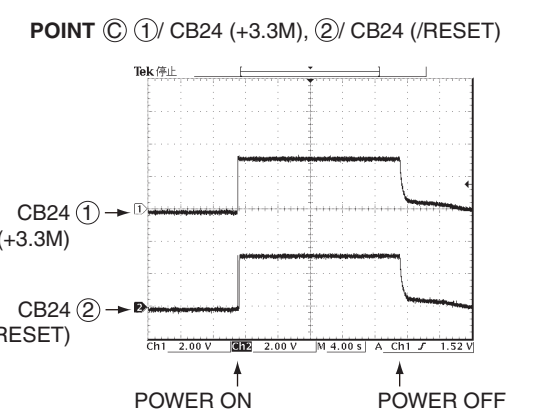
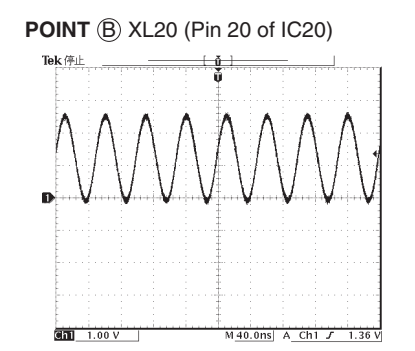
Page 124 [I9] to VIDEO (3)_CB382

Page 123 [F6] to VIDEO (1)_CB349

RESISTOR	REMARKS	PARTS NAME	VALUE	UNIT
NO MARK	CARBON FILM RESISTOR (F=5)			
LA	CARBON FILM RESISTOR (F=10)			
AL	METAL SHIELD FILM RESISTOR			
ML	METAL PLATE RESISTOR			
PL	THIN PROOF CARBON FILM RESISTOR			
PC	TEMPERATURE VARIABLE RESISTOR			
MP	IMP. RESISTOR			

CAPACITOR	REMARKS	PARTS NAME	VALUE	UNIT
NO MARK	ELECTROLYTIC CAPACITOR			
TA	TANTALUM CAPACITOR			
NO MARK	CERAMIC CAPACITOR			
PO	POLYESTER FILM CAPACITOR			
PF	POLYPROPYLENE FILM CAPACITOR			
PE	POLYETHYLENE FILM CAPACITOR			
SC	SEMICONDUCTIVE CERAMIC CAPACITOR			

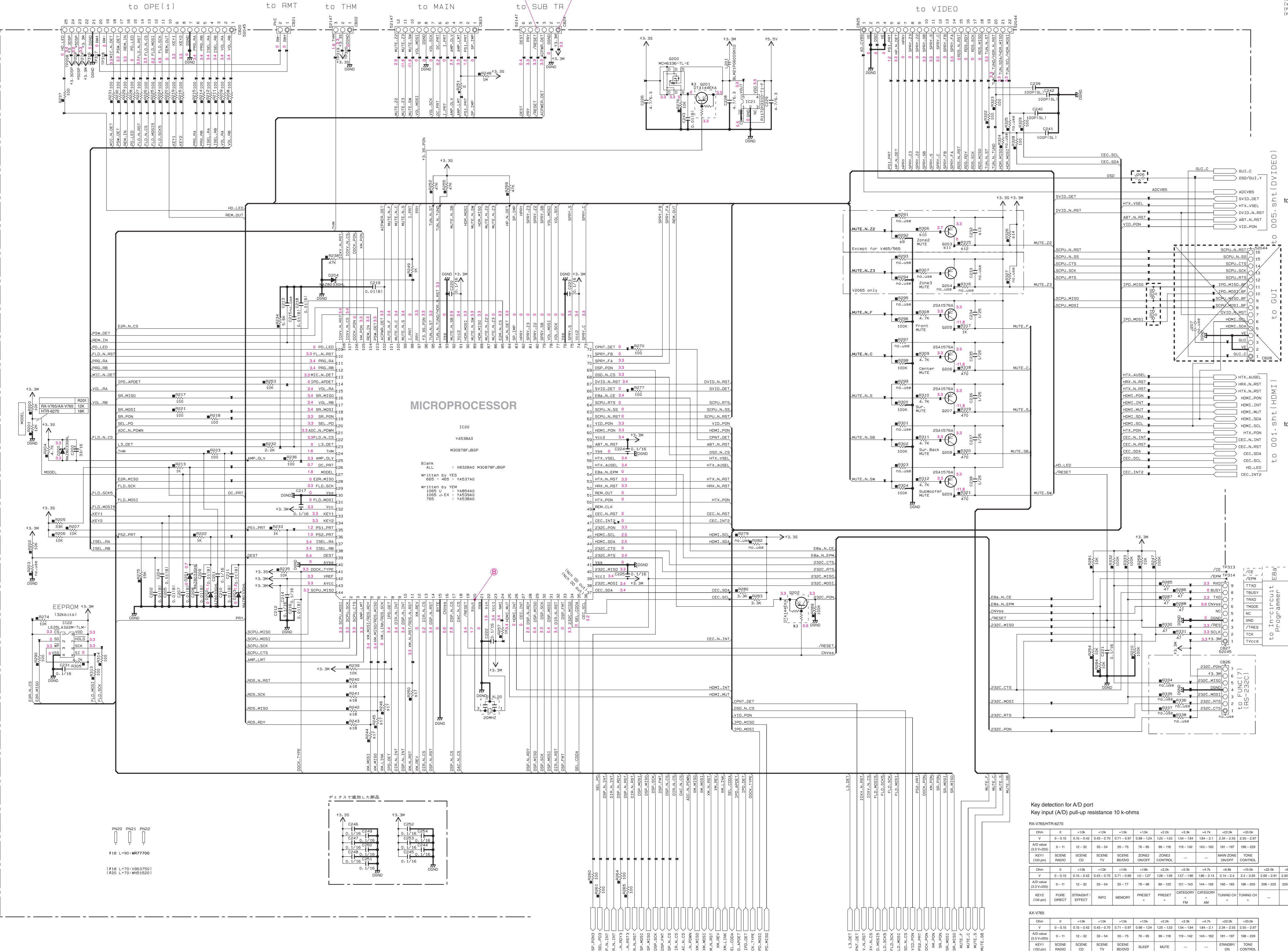
NOTICE	Japan
(J)	JAPAN
(U)	U.S.A.
(C)	CANADA
(I)	GENERAL
(T)	TAIWAN
(K)	KOREA
(A)	AUSTRALIA
(B)	BRITISH
(G)	EUROPE
(L)	SINGAPORE
(S)	SOUTH AFRICA
(V)	TAIWAN
(F)	RUSSIAN
(R)	LATIN AMERICA



Key detection for A/D port
Input (A/D) pull-up resistance 10 k-ohms

Pin	0	+10k	+10k	+10k	+10k	+20k	+30k	+47k	+220k	+330k
AD in0 (0.3V-2.5V)	0-11	12-32	33-54	55-75	76-95	96-118	119-142	143-162	163-197	198-229
AD in1 (0.3V-2.5V)	0-11	12-32	33-54	55-75	76-95	96-118	119-142	143-162	163-197	198-229
AD in2 (0.3V-2.5V)	0-11	12-32	33-54	55-75	76-95	96-118	119-142	143-162	163-197	198-229
KEY1 (100pF)	SCENE	SCENE	SCENE	SCENE	ZONE2	ZONE2	TV	CONTROL	MAIN ZONE	ZONE CONTROL
KEY2 (100pF)	PURE DIRECT	STRAIGHT DIRECT	INFO	MEMORY	PRESET	PRESET	FM	AM	TUNING CH	TUNING CONTROL

Pin	0	+10k	+10k	+10k	+10k	+20k	+30k	+47k	+68k	+100k	+220k	+330k
AD in0 (0.3V-2.5V)	0-11	12-32	33-54	55-75	76-95	96-118	119-142	143-162	163-197	198-229	230-245	246-270
AD in1 (0.3V-2.5V)	0-11	12-32	33-54	55-75	76-95	96-118	119-142	143-162	163-197	198-229	230-245	246-270
AD in2 (0.3V-2.5V)	0-11	12-32	33-54	55-75	76-95	96-118	119-142	143-162	163-197	198-229	230-245	246-270
KEY1 (100pF)	SCENE	SCENE	SCENE	SCENE	ZONE2	ZONE2	TV	CONTROL	MAIN ZONE	ZONE CONTROL		
KEY2 (100pF)	PURE DIRECT	STRAIGHT DIRECT	INFO	MEMORY	PRESET	PRESET	FM	AM	TUNING CH	TUNING CONTROL		

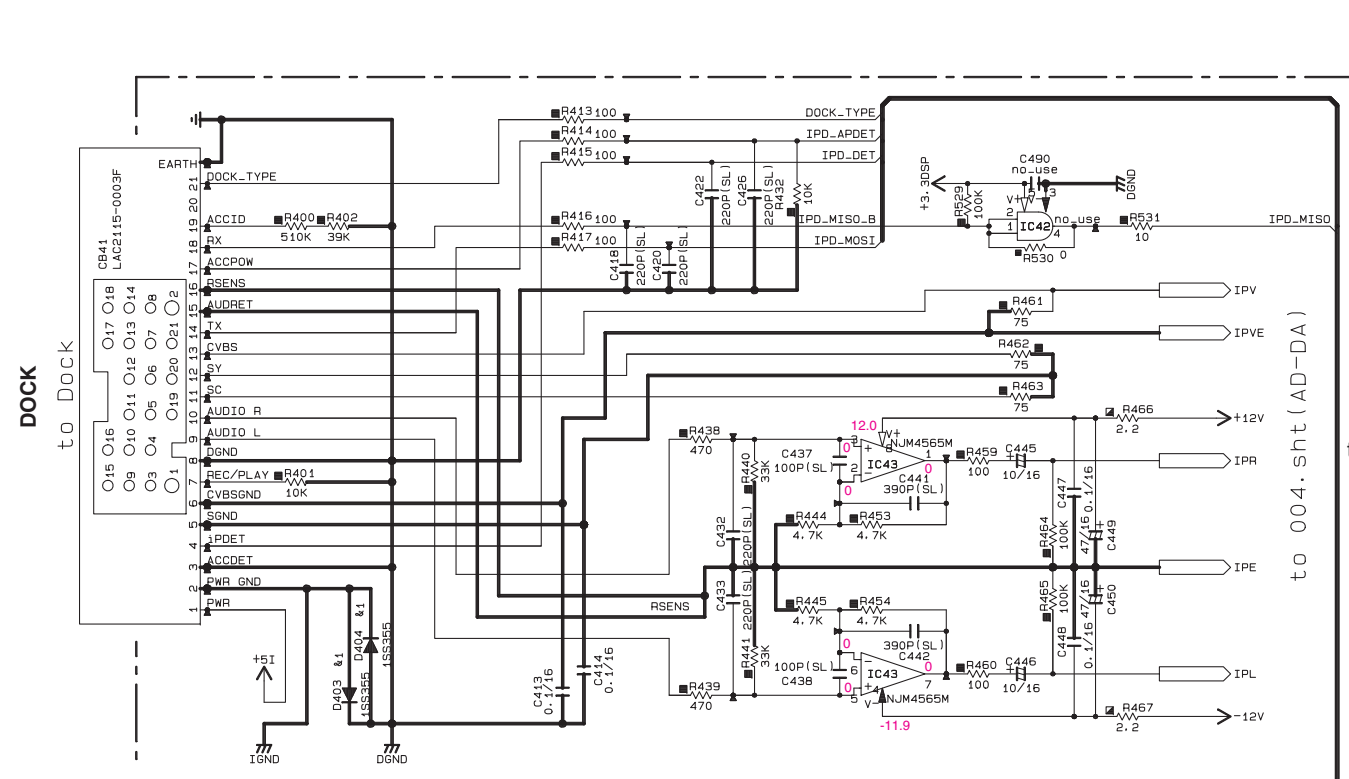


★ All voltages are measured with a 10MΩ/V DC electronic voltmeter.
 ★ Components having special characteristics are marked Δ and must be replaced with parts having specifications equal to those originally installed.
 ★ Schematic diagram is subject to change without notice.

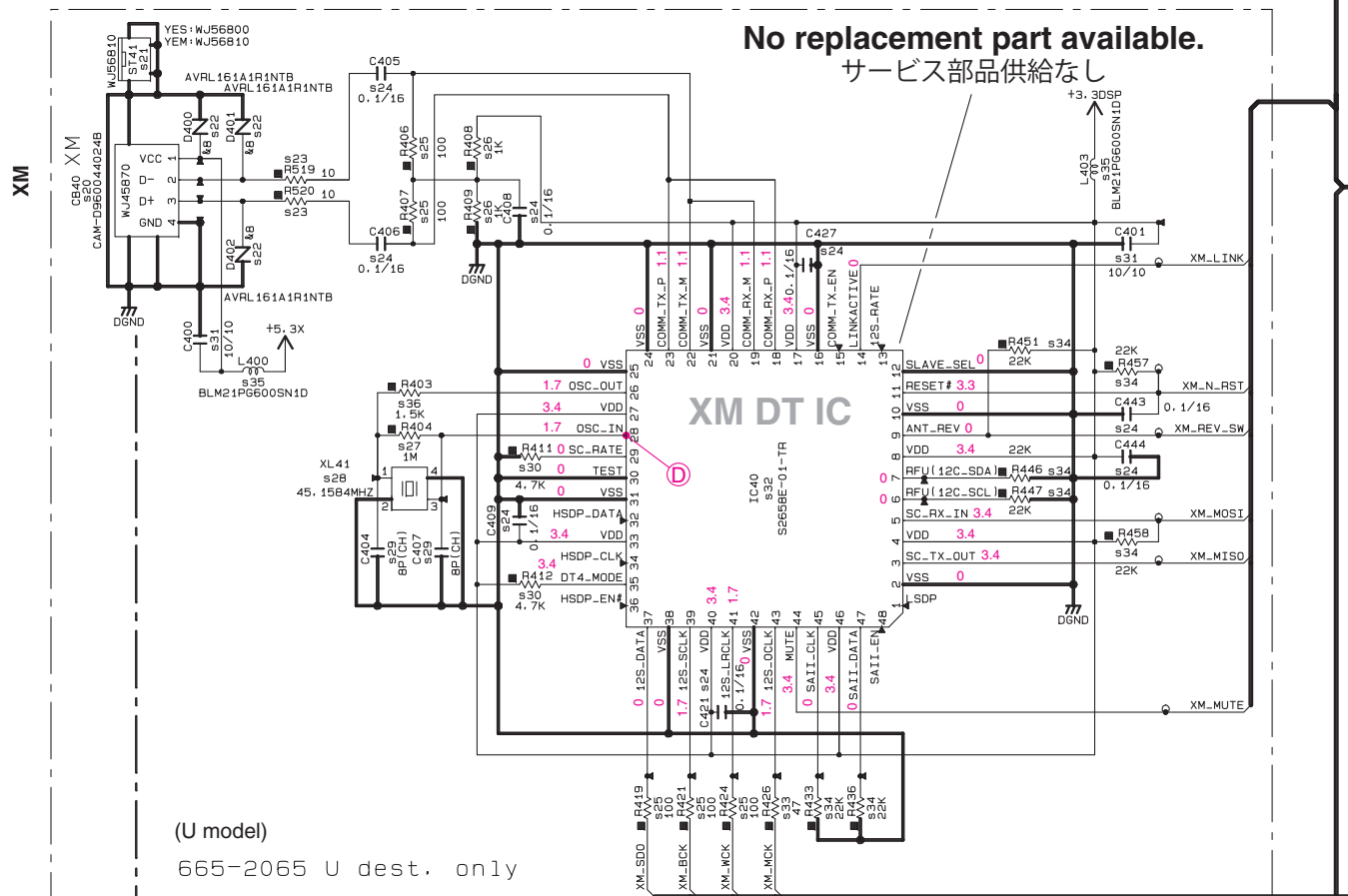
● 電圧は、内部抵抗 10MΩの電圧計で測定したものです。
 ● Δ印のある部品は、安全確保部品を示しています。部品の交換が必要な場合、パーツリストに記載されている部品を使用してください。
 ● 本回路図は標準回路図です。改良のため予告なく変更することがございます。

DIGITAL 3/5

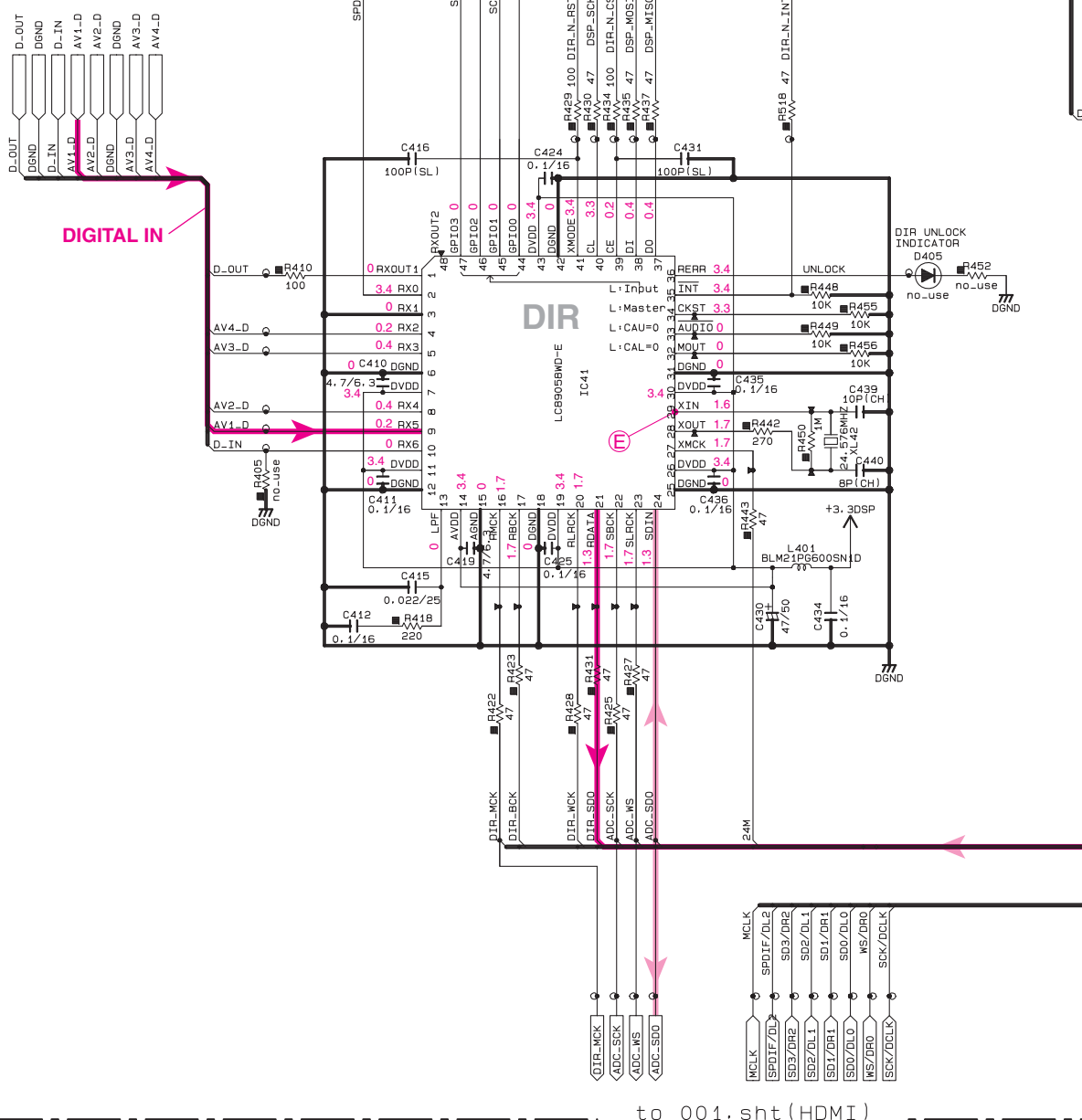
No replacement part available. サービス部品供給なし



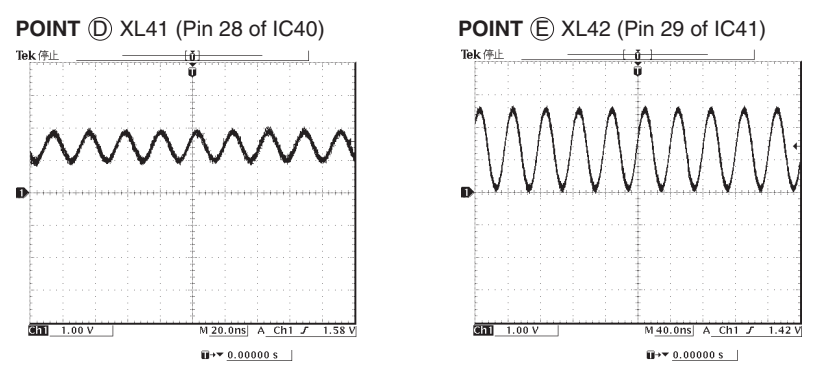
No replacement part available. サービス部品供給なし



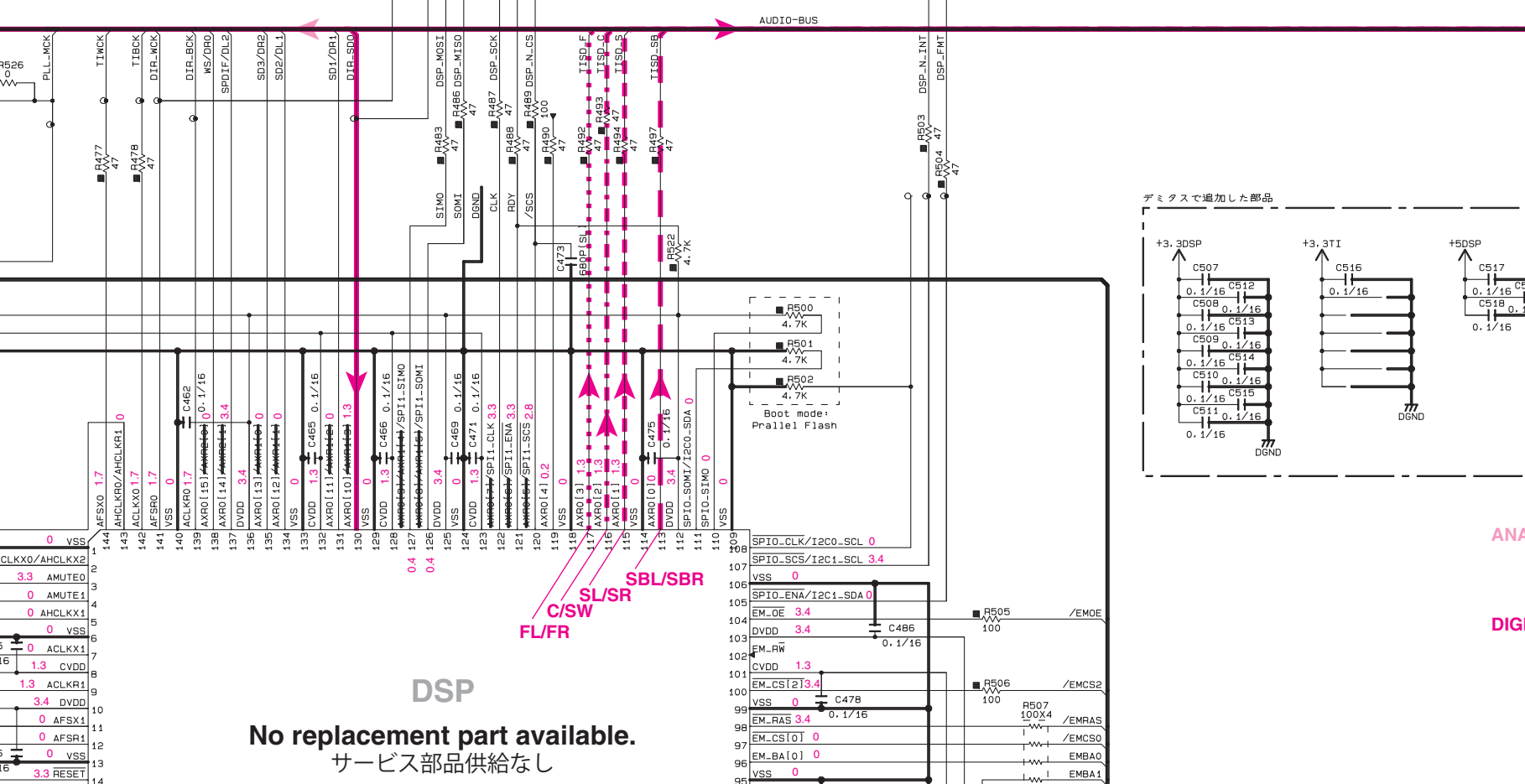
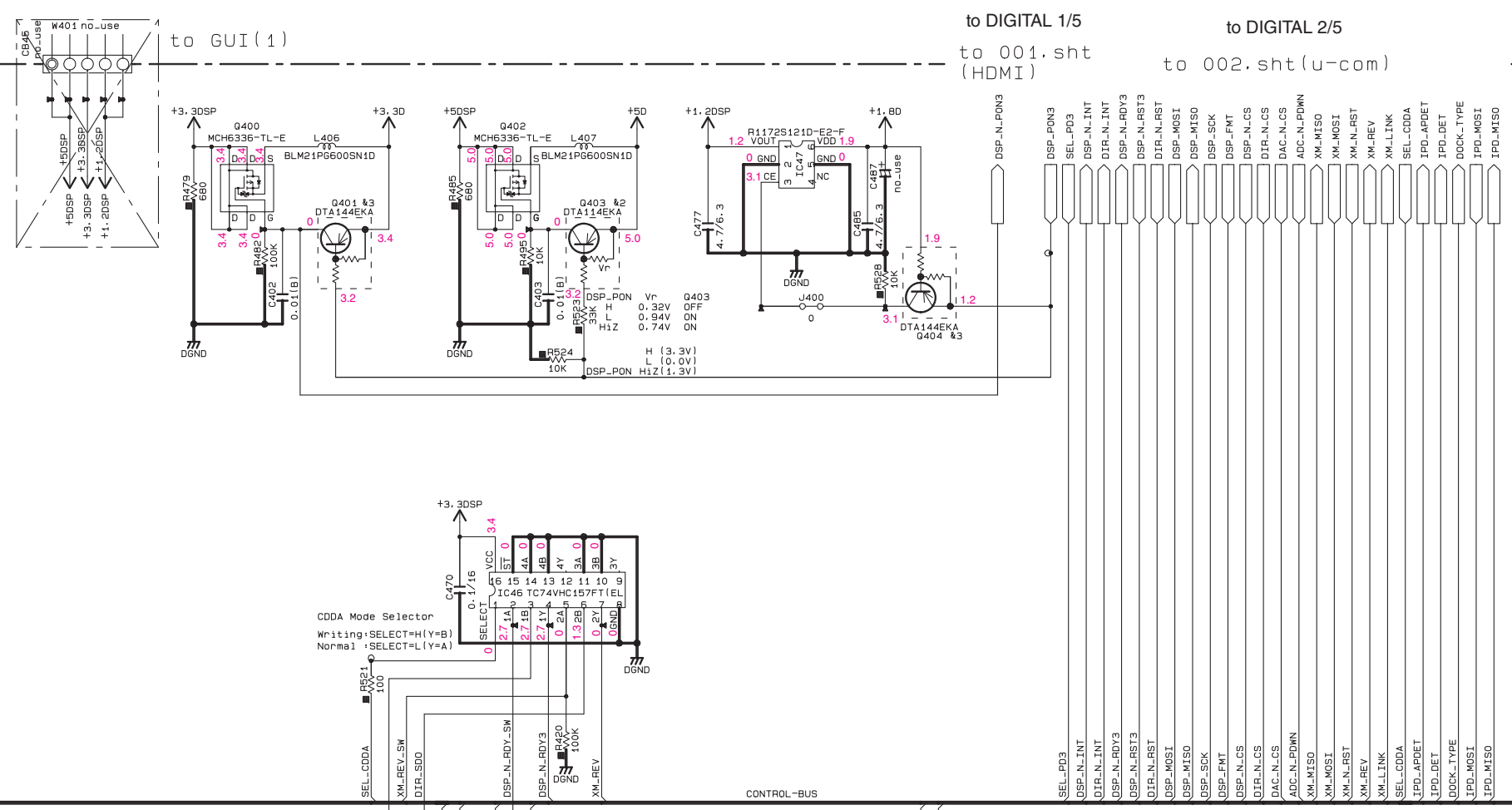
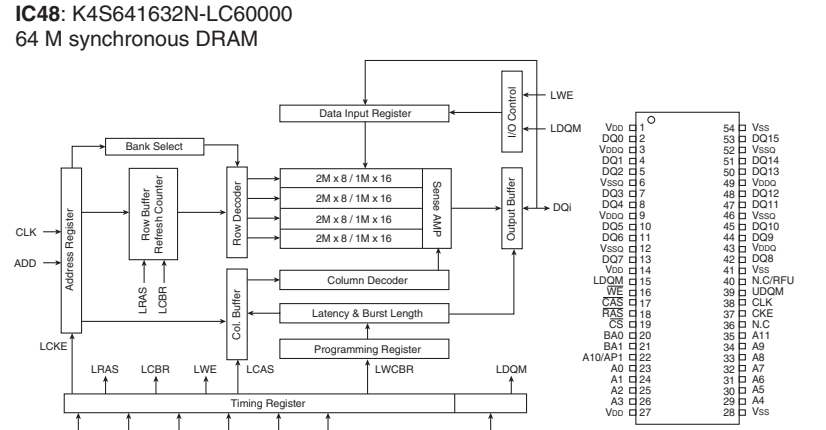
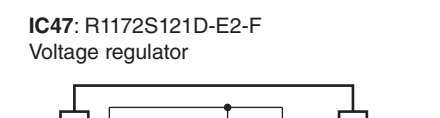
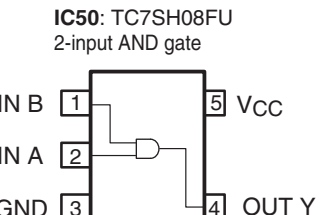
to DIGITAL 4/5 to 004.sht (AD-DA)



to 001.sht (HDMI) to DIGITAL 1/5

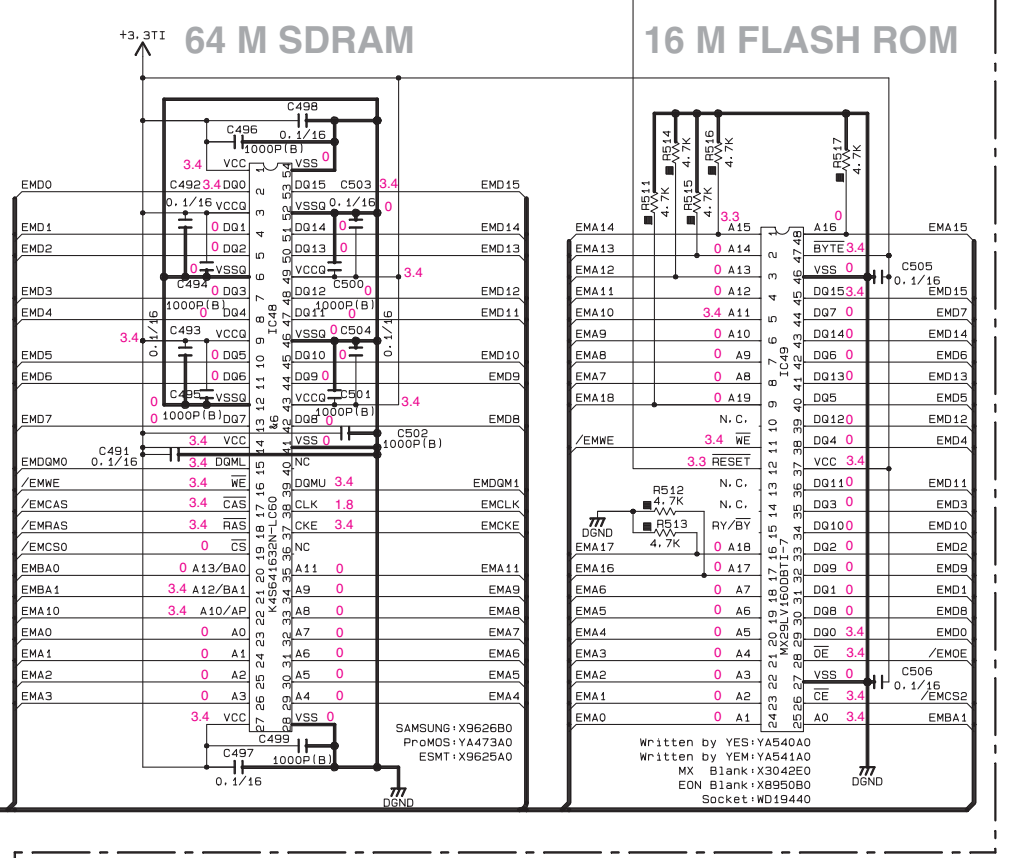
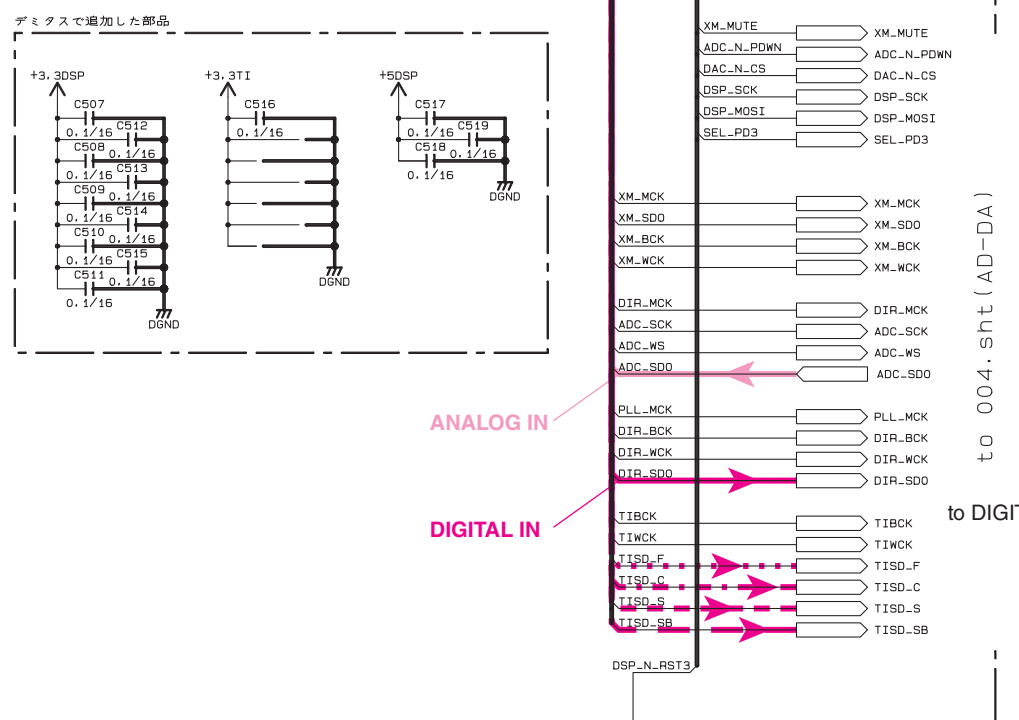


POINT D XL41 (Pin 28 of IC40) POINT E XL42 (Pin 29 of IC41)

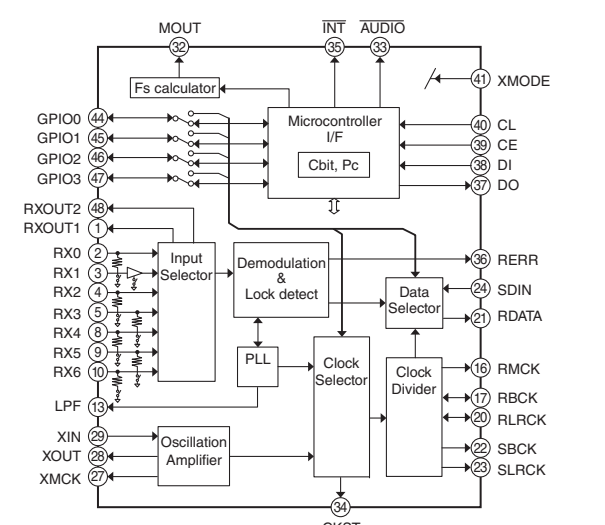


No replacement part available. サービス部品供給なし

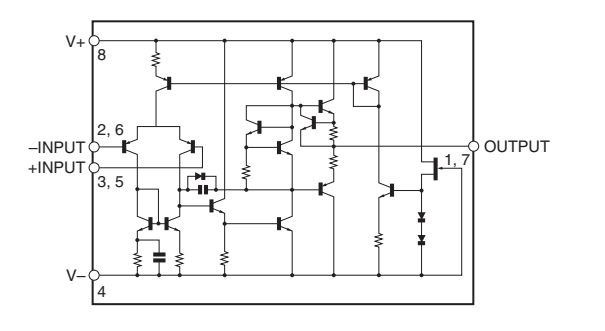
DSP



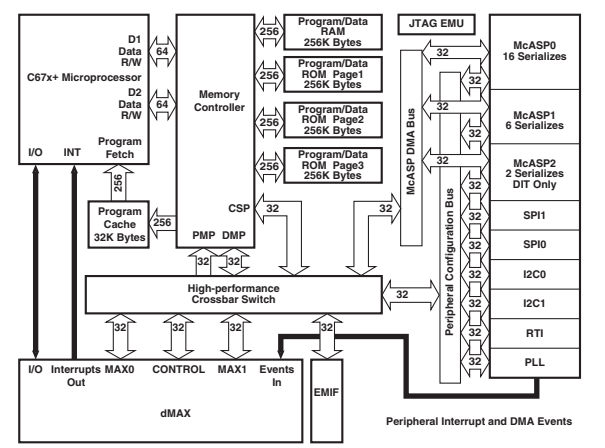
IC41: LC89058WD-E Digital audio interface receiver



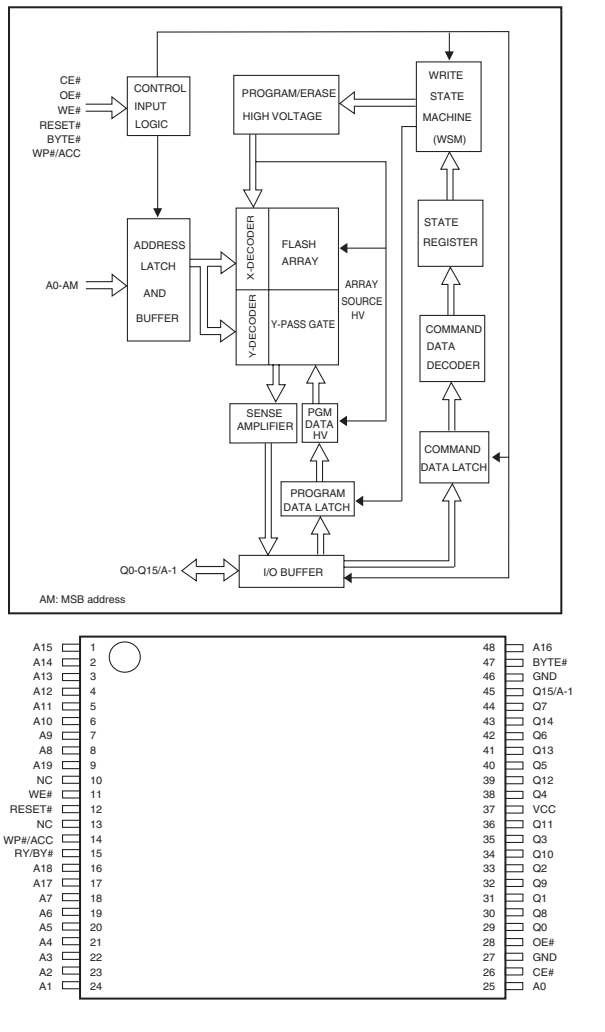
IC43: NJM4565M Dual operational amplifier



IC44: D70VE101BRFP266 Floating-point digital signal processors



IC49: MX29LV160BT1-70G 16M-bit 3V supply flash memory



IC46: TC74VHC157FT Quad 2-channel multiplexer

IC47: R1172S121D-E-2F Voltage regulator

IC48: K45641632N-LC60000 64 M synchronous DRAM

All voltages are measured with a 10MΩ DC electronic voltmeter. Components having special characteristics are marked Δ and must be replaced with parts having specifications equal to those originally installed. Schematic diagram is subject to change without notice.

電圧は、内部抵抗 10MΩの電圧計で測定したものです。●印のある部品は、安全性確保部品を示しています。部品の交換が必要な場合、パーツリストに記載されている部品を使用してください。●本回路図は標準回路図です。改良のため予告なく変更することがございます。

Table with columns for RESISTOR, CAPACITOR, and NOTICE (model) with various part numbers and specifications.

Table with columns for RESISTOR, CAPACITOR, and NOTICE (model) with various part numbers and specifications.

Table with columns for RESISTOR, CAPACITOR, and NOTICE (model) with various part numbers and specifications.

Table with columns for RESISTOR, CAPACITOR, and NOTICE (model) with various part numbers and specifications.

Table with columns for RESISTOR, CAPACITOR, and NOTICE (model) with various part numbers and specifications.

Table with columns for RESISTOR, CAPACITOR, and NOTICE (model) with various part numbers and specifications.

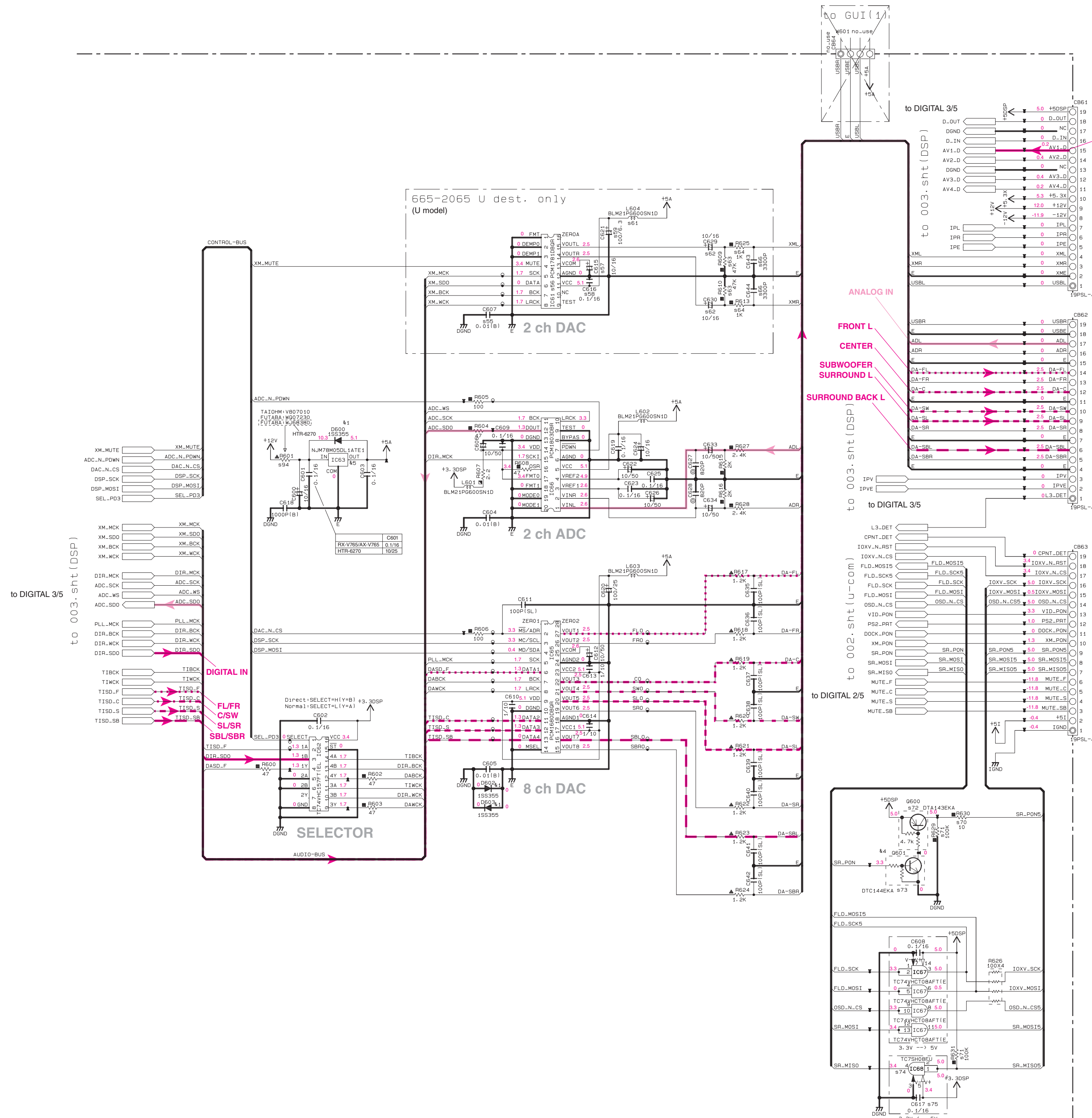
Table with columns for RESISTOR, CAPACITOR, and NOTICE (model) with various part numbers and specifications.

Table with columns for RESISTOR, CAPACITOR, and NOTICE (model) with various part numbers and specifications.

Table with columns for RESISTOR, CAPACITOR, and NOTICE (model) with various part numbers and specifications.

Table with columns for RESISTOR, CAPACITOR, and NOTICE (model) with various part numbers and specifications.

DIGITAL 4/5



Destination Part List

sXX	LOC	J	U	CRITICAL	6E6F
99	R92	X	RD35810	RD35810	RD35810
100	R306	X	RD35647	RD35647	RD35647
110	G203	X	V993630	V993630	V993630
112	R215	X	RD35547	RD35547	RD35547
113	C232	X	US04610	US04610	US04610
114	R226	X	RD35547	RD35547	RD35547
117	R250	X	RD35510	X	X
118	R240	X	X	X	RD35510
119	R243	X	X	X	RD35510
120	CB40	X	KJ45970	X	X
121	ST41	X	KJ556810	X	X
122	D400	X	ME6748	X	X
123	R19	X	RD35410	X	X
124	C409	X	US03510	X	X
126	R409	X	RD35410	X	X
127	R404	X	RD35510	X	X
128	X41	X	W8488	X	X
129	C404	X	US06080	X	X
130	R412	X	RD35647	X	X
131	C400	X	W07930	X	X
132	TC40	X	Y40740	X	X
133	R426	X	RD35447	X	X
134	R447	X	RD372	X	X
135	L403	X	V244990	X	X
136	R403	X	RD35515	X	X
137	C607	X	US06410	X	X
138	IC61	X	K737640	X	X
139	C615	X	UR23710	X	X
140	C616	X	US13510	X	X
141	C621	X	UR21810	X	X
142	C630	X	UR23710	X	X
143	R610	X	RD35747	X	X
144	R613	X	RD35610	X	X
145	C643	X	US03335	X	X
146	R630	X	RD35410	X	X
147	R629	X	RD35510	X	X
148	G600	X	V993520	X	X
149	G601	X	DT1448KA	X	X
150	IC68	X	X98840	X	X
151	C617	X	US13510	X	X
152	R705	X	X	X	RD35000
153	R707	X	X	X	RD35000
154	R709	X	RD35000	X	X
155	R819	X	X	X	RD35618
156	W07230	X	W07230	X	W07230
157	W07230	X	W07230	X	W07230
158	W07230	X	W07230	X	W07230
159	W07230	X	W07230	X	W07230

CAPACITOR

REMARKS	PARTS NAME
NO MARK	ELECTROLYTIC CAPACITOR
⊗	TANTALUM CAPACITOR
NO MARK	CERAMIC CAPACITOR
⊙	CERAMIC TUBULAR CAPACITOR
○	POLYESTER FILM CAPACITOR
○	POLYSTYRENE FILM CAPACITOR
○	MICA CAPACITOR
⊙	POLYPROPYLENE FILM CAPACITOR
⊙	SEMICONDUCTIVE CERAMIC CAPACITOR
⊙	POLYPHENYLENE SULFIDE FILM CAPACITOR

RESISTOR

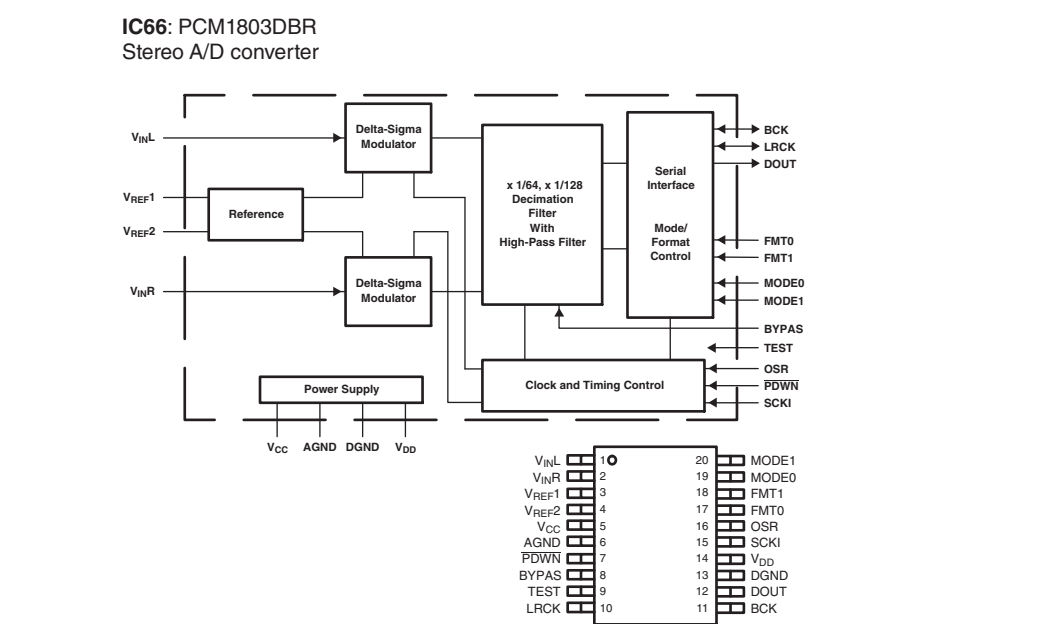
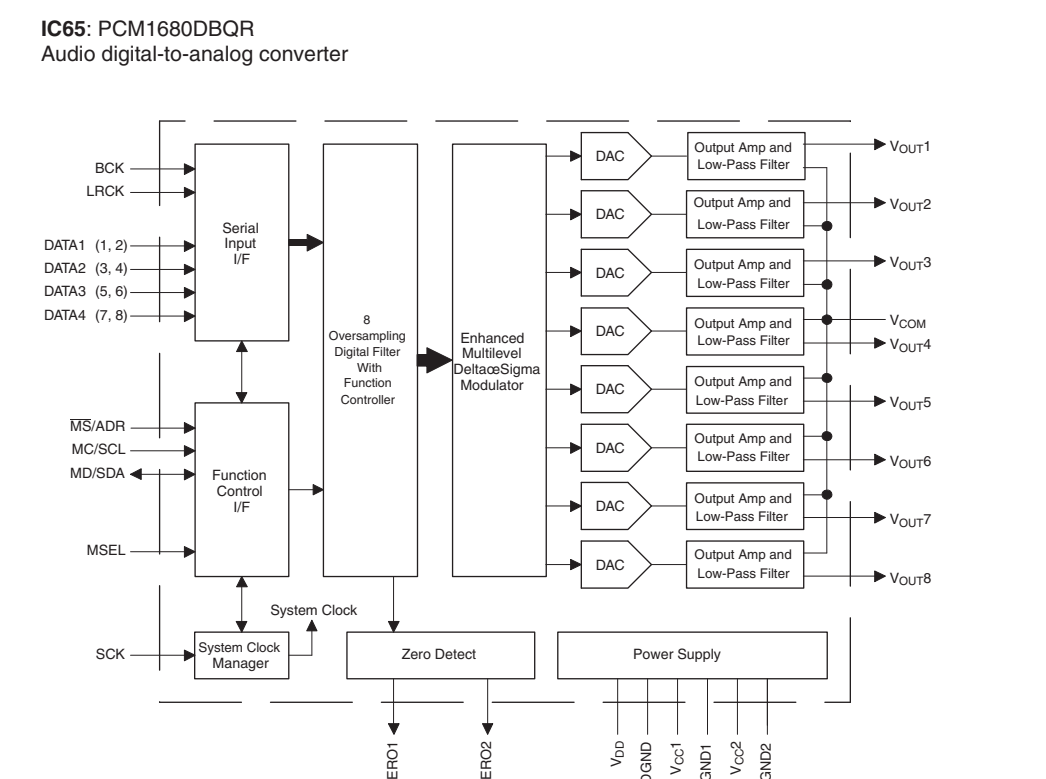
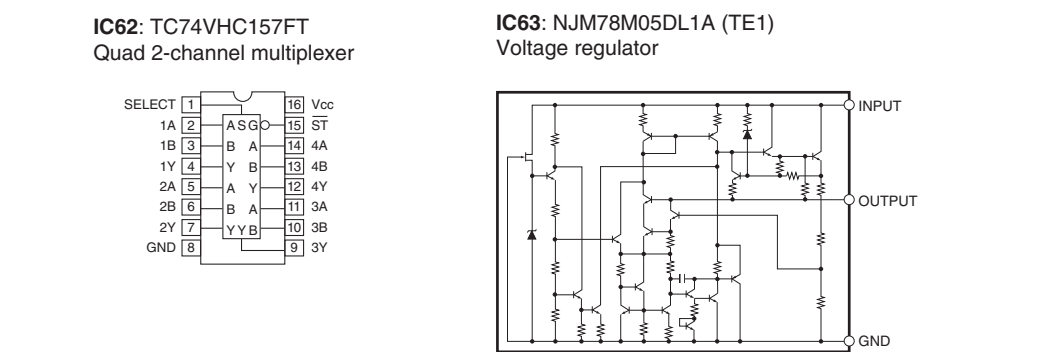
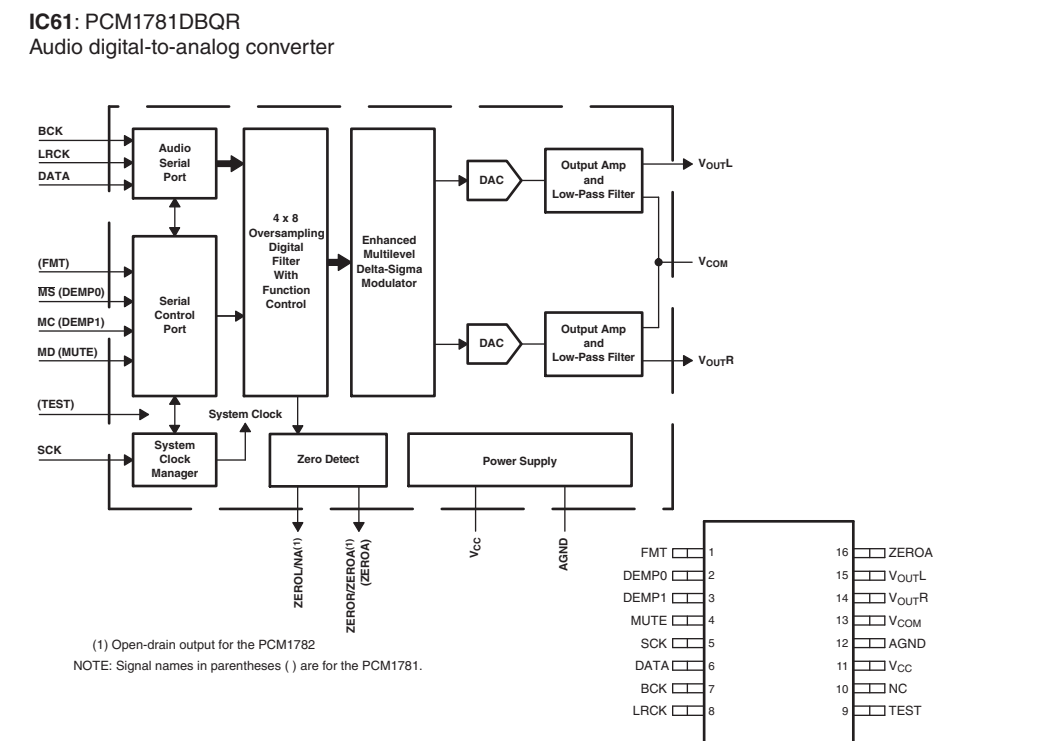
REMARKS	PARTS NAME
NO MARK	CARBON FILM RESISTOR (P=5)
⊗	CARBON FILM RESISTOR (P=10)
△	METAL OXIDE FILM RESISTOR
⊙	METAL FILM RESISTOR
⊙	METAL PLATE RESISTOR
○	FIRE PROOF CARBON FILM RESISTOR
□	CEMENT MOLDED RESISTOR
⊙	SEMI VARIABLE RESISTOR
■	CHIP RESISTOR

NOTICE (model)

(J)..... JAPAN
 (U)..... U.S.A
 (C)..... CANADA
 (R)..... GENERAL
 (T)..... CHINA
 (K)..... KOREA
 (A)..... AUSTRALIA
 (B)..... BRITISH
 (G)..... EUROPE
 (L)..... SINGAPORE
 (E)..... SOUTH EUROPE
 (V)..... TAIWAN
 (F)..... RUSSIAN
 (P)..... LATIN AMERICA

All voltages are measured with a 10MΩ DC electronic voltmeter.
 Components having special characteristics are marked Δ and must be replaced with parts having specifications other to those originally installed.
 Schematic diagram is subject to change without notice.

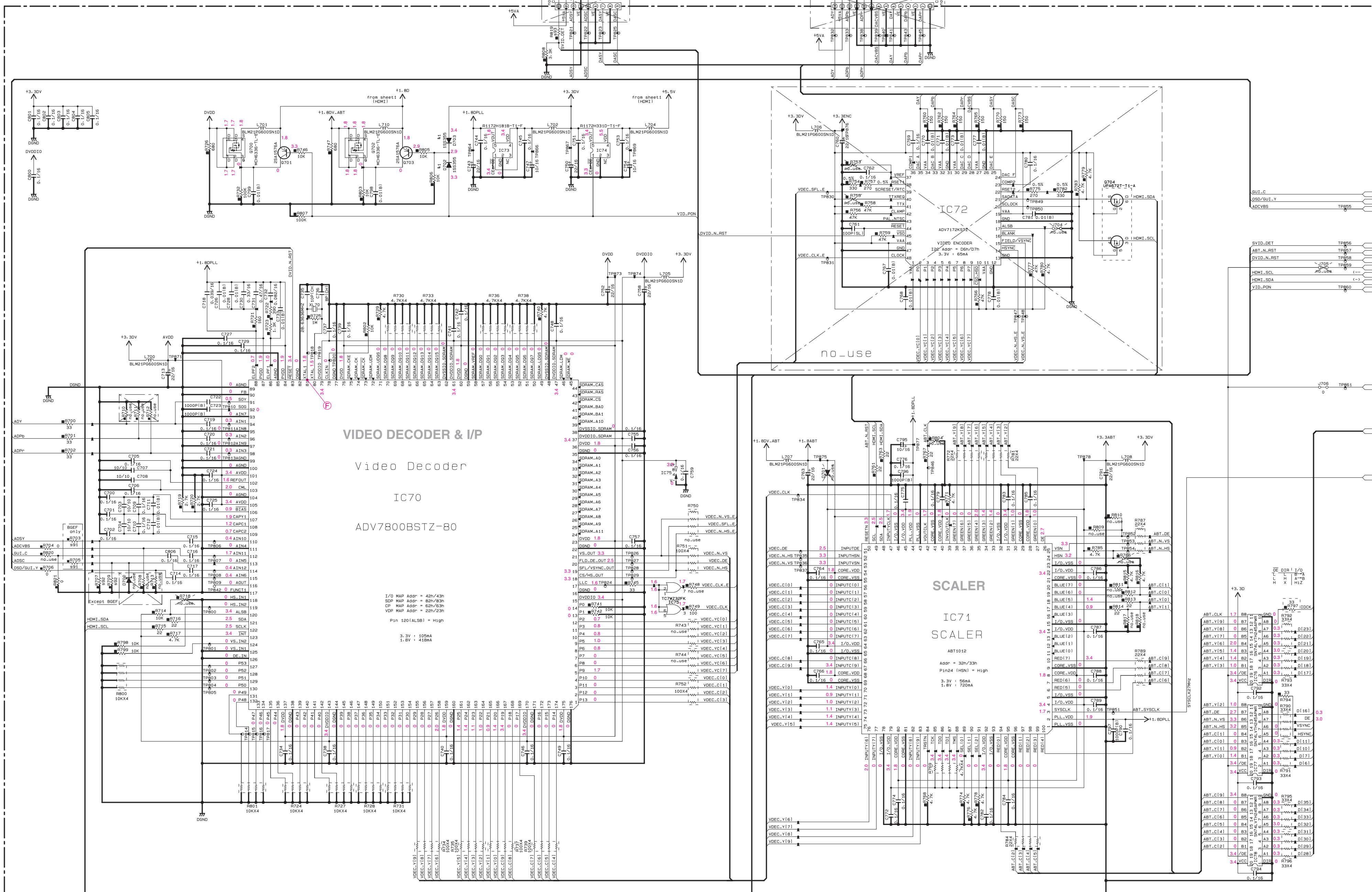
電圧は、内部抵抗 10MΩの電圧計で測定したものです。
 ●印のある部品は、安全性確保部品を示しています。部品の交換が必要な場合、パーツリストに記載されている部品を使用してください。
 ●本回路図は標準回路図です。改良のため予告なく変更することがございます。



DIGITAL 5/5

Page 124 [C3] to VIDEO (9)_CB391 (B, G, E, F models)

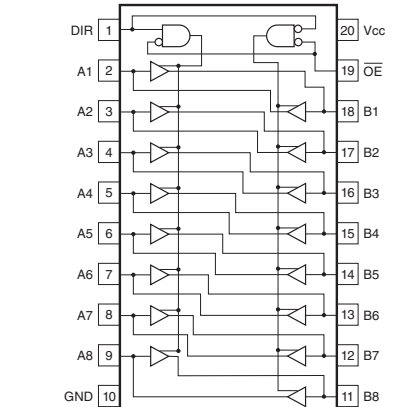
Page 122 [K9] to VIDEO (1)_CB305



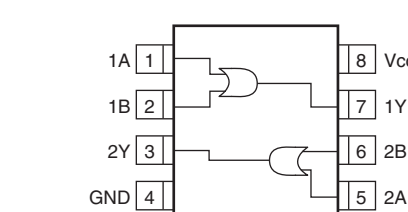
VIDEO DECODER & I/P Video Decoder IC70 ADV7800BSTZ-80

SCALER IC71 SCALER

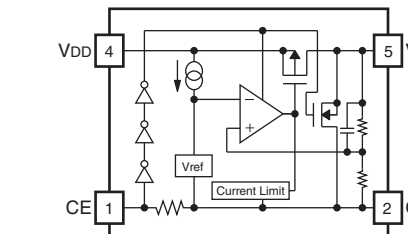
IC76-78: SN74LVTH245APW 3.3 V ABT octal bus transceivers with 3-state outputs



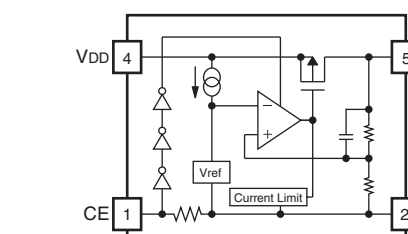
IC75: TC7W32FK (TE8SL, F) Dual 2-input OR gate



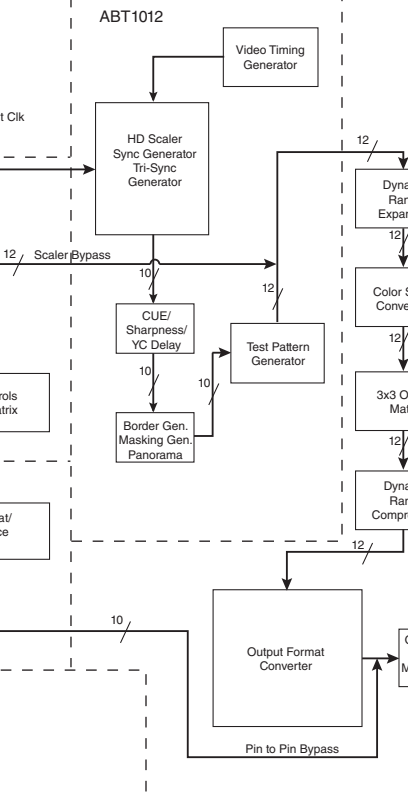
IC74: R1172H33D-T1-F Voltage regulator



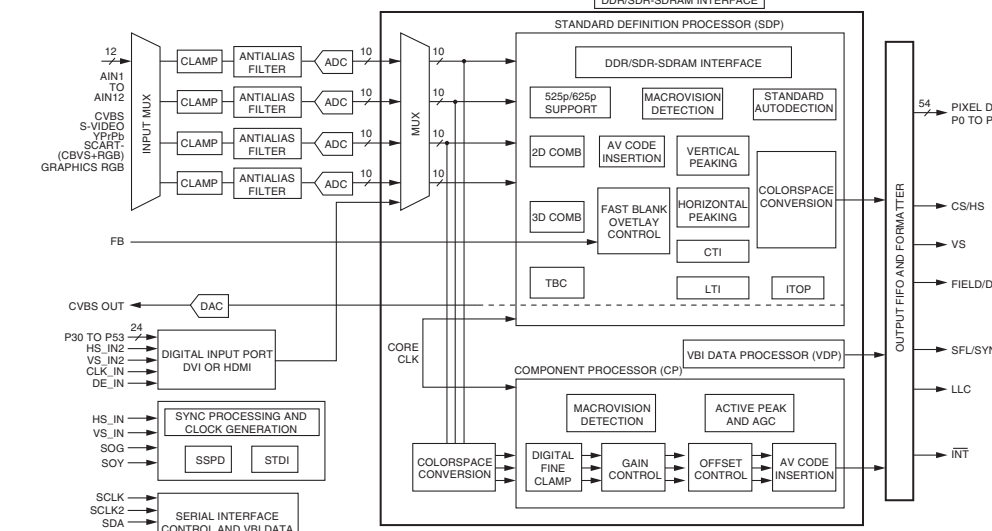
IC73: R1172H181B-T1-F Voltage regulator



IC71: ABT1012Q100 Advanced video processor device



IC70: ADV7800BSTZ-80 10-bit, SDTV/HDTV 3D comb filter, video decoder and graphics digitizer



DVIDEO CB/1C/XL:70-84 OTHER :700-849

DIGITAL (5)

POINT (XL70 (Pin 81 of IC70))

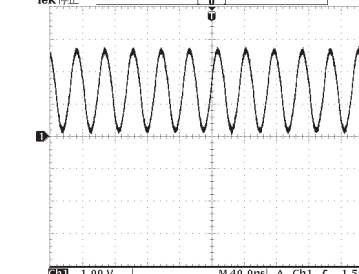


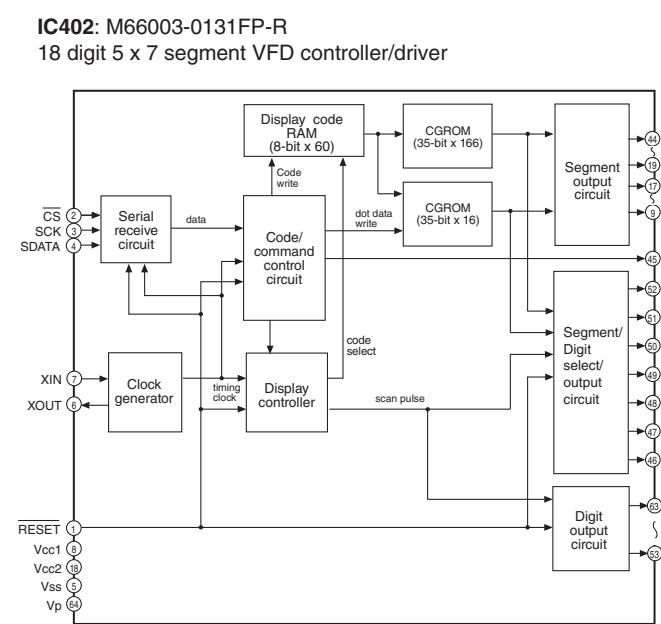
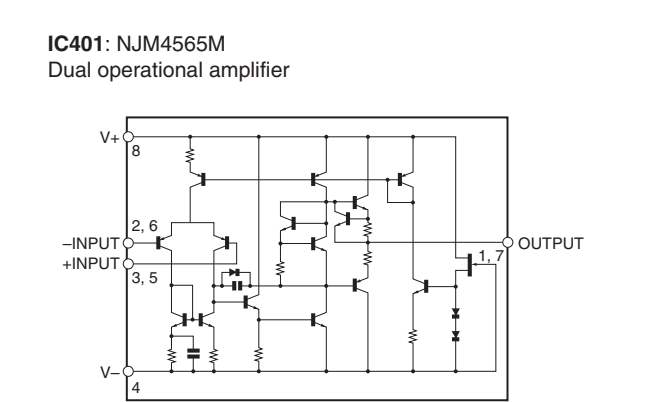
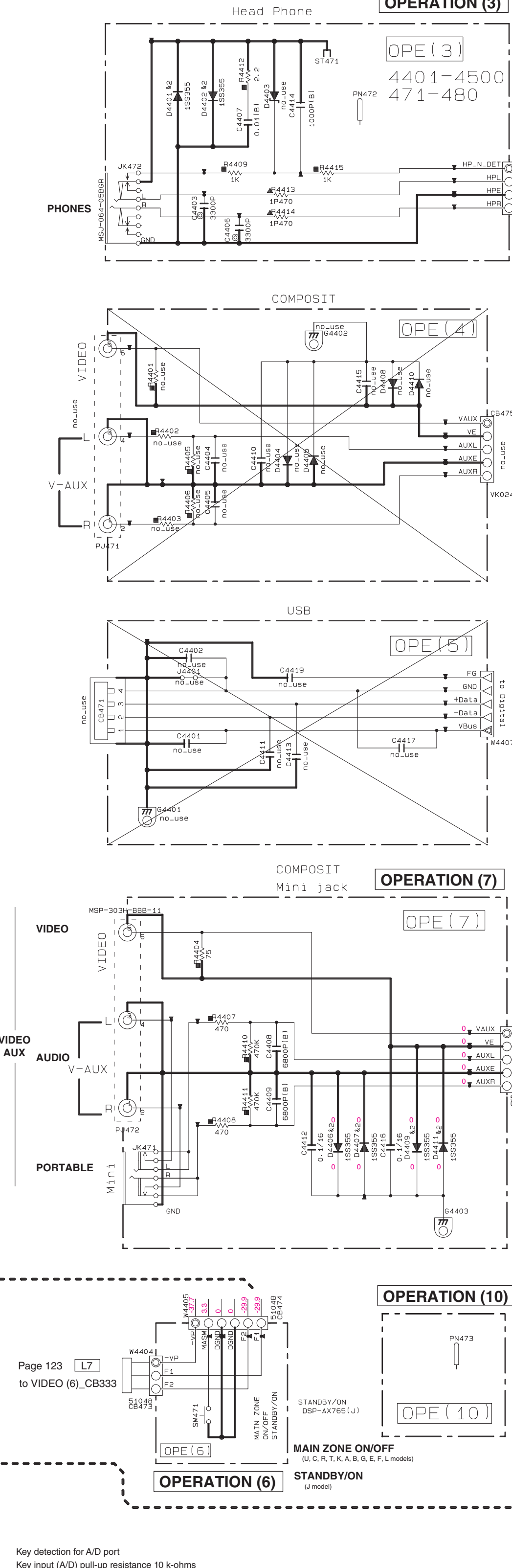
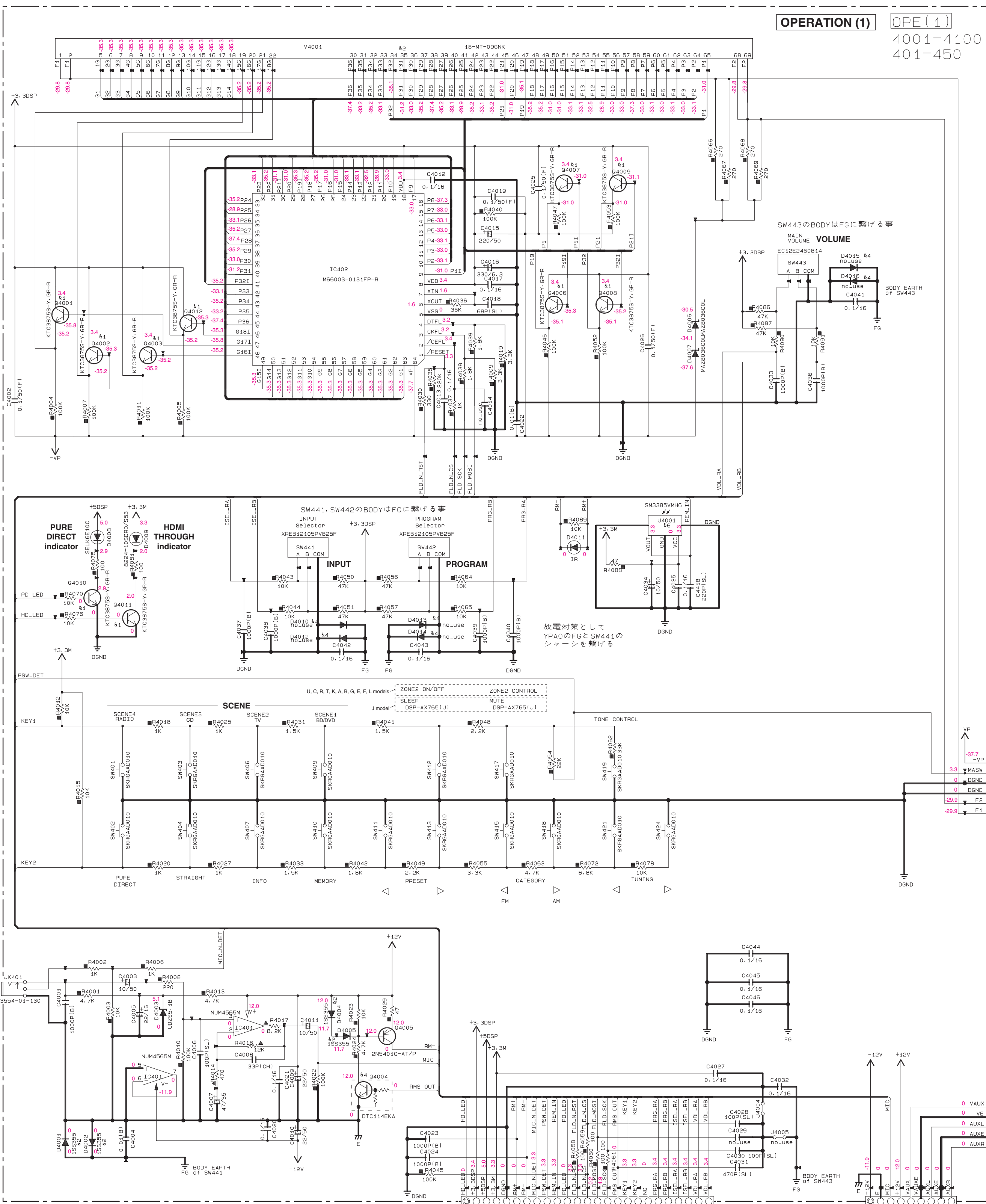
Table with 2 columns: CAPACITOR and RESISTOR. Lists part names and values for various components on the board.

NOTICE (model) (J) JAPAN (U) U.S.A (C) CANADA (R) GENERAL (T) CHINA (A) AUSTRALIA (B) BRITISH (G) EUROPE (L) SINGAPORE (E) SOUTH EUROPE (V) TAIWAN (F) RUSSIAN (P) LATIN AMERICA

* All voltages are measured with a 10MΩ DC electronic voltmeter. * Components having special characteristics are marked Δ and must be replaced with parts having specifications equal to those originally installed. * Schematic diagram is subject to change without notice.

● 電圧は、内部抵抗 10MΩ の電圧計で測定したものです。 ● Δ印のある部品は、安全性確保部品を示しています。部品の交換が必要な場合、パーツリストに記載されている部品を使用してください。 ● 本回路図は標準回路図です。改良のため予告なく変更することがございます。

OPERATION 1/2



Interchangeable Parts at Manufacture-Stage

Mark	Reference Parts Number	Parts Name
4.1	04001-4003-4006-4012	KTC38755-Y GR-RTK/P 25006014R/AB/LG/R/S/1 250C415K(LG/R/S)
4.2	04001-4002-4004-4005 4303-4401-4402-4406 4407-4409-4411	1S9305 MAZ11100L KDS160-RTK/P
4.3	04302	DTA114EKA KRA102S-RTK/P
4.4	04004-4301	DTA114EKA KRC102S-RTK/P

RESISTOR

REMARKS	PARTS NAME
NO MARK	CARBON FILM RESISTOR (P=5)
△	CARBON FILM RESISTOR (P=10)
□	METAL OXIDE FILM RESISTOR
⊠	METAL FILM RESISTOR
⊞	METAL PLATE RESISTOR
⊚	FIRE PROOF CARBON FILM RESISTOR
⊛	CEMENT MOLDED RESISTOR
⊜	SEMI VARIABLE RESISTOR
⊝	CHIP RESISTOR

CAPACITOR

REMARKS	PARTS NAME
NO MARK	ELECTROLYTIC CAPACITOR
⊕	TANTALUM CAPACITOR
⊖	CERAMIC CAPACITOR
⊙	CERAMIC TUBULAR CAPACITOR
⊚	POLYESTER FILM CAPACITOR
⊛	POLYSTYRENE FILM CAPACITOR
⊜	MICA CAPACITOR
⊝	POLYPROPYLENE FILM CAPACITOR
⊞	SEMICONDUCTIVE CERAMIC CAPACITOR
⊟	POLYPHENYLENE SULFIDE FILM CAPACITOR

NOTICE (mode1)
(J)..... JAPAN
(U)..... U.S.A
(C)..... CANADA
(#)..... GENERAL
(T)..... CHINA
(K)..... KOREA
(A)..... AUSTRALIA
(B)..... BRITISH
(G)..... EUROPE
(L)..... SINGAPORE
(E)..... SOUTH EUROPE
(Y)..... TAIWAN
(F)..... RUSSIAN
(P)..... LATIN AMERICA

★ All voltages are measured with a 10MΩ DC electronic voltmeter.
★ Components having special characteristics are marked Δ and must be replaced with parts having specifications equal to those originally installed.
★ Schematic diagram is subject to change without notice.

● 電圧は、内部抵抗 10MΩ の電圧計で測定したものです。
● Δ印のある部品は、安全確保部品を示しています。部品の交換が必要な場合、パーツリストに記載されている部品を使用してください。
● 本回路図は標準回路図です。改良のため予告なく変更することがございます。

Page 114 [B2] to DIGITAL_CB20
Page 119 [L5] to OPERATION (2)_CB461

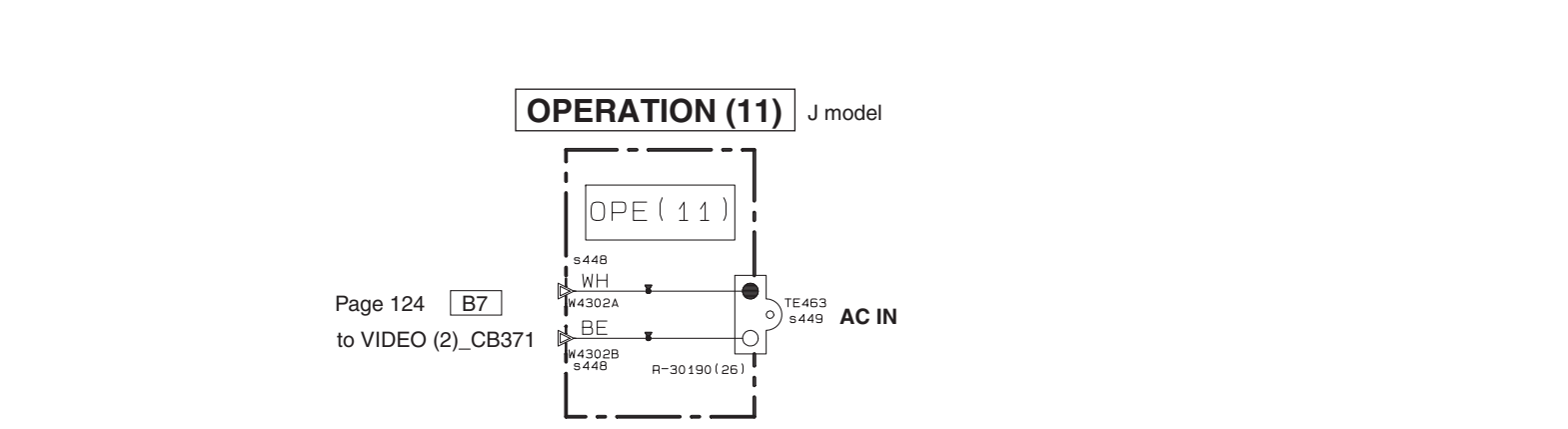
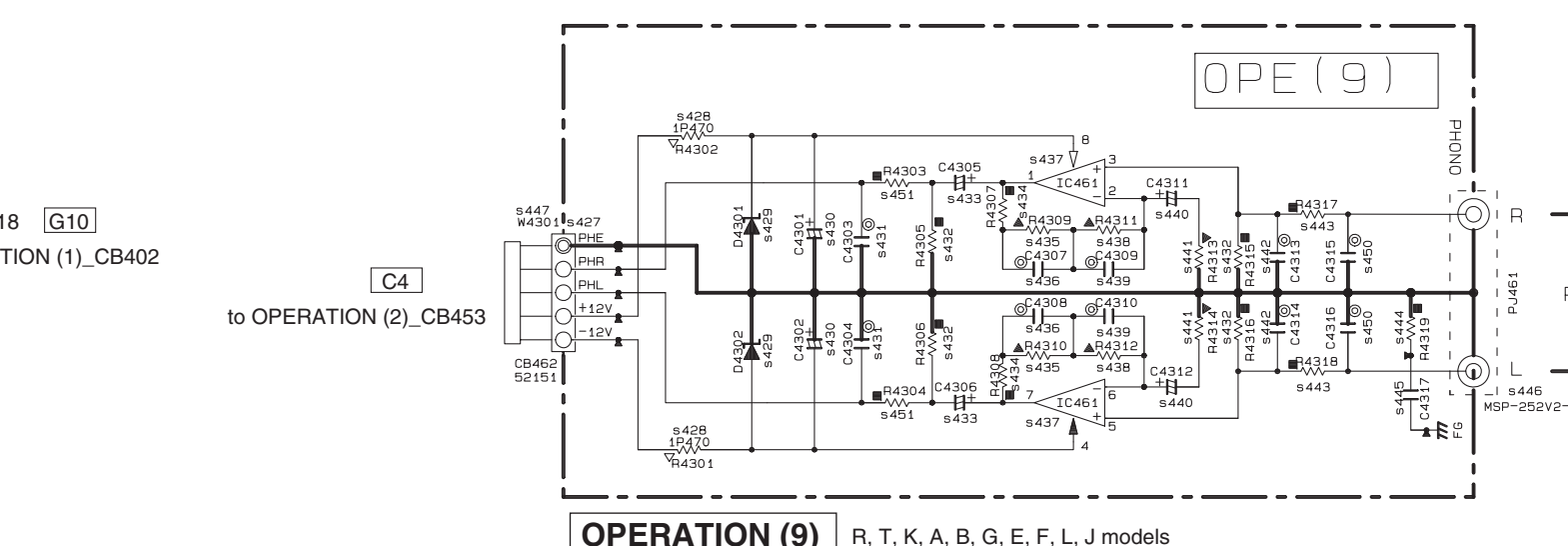
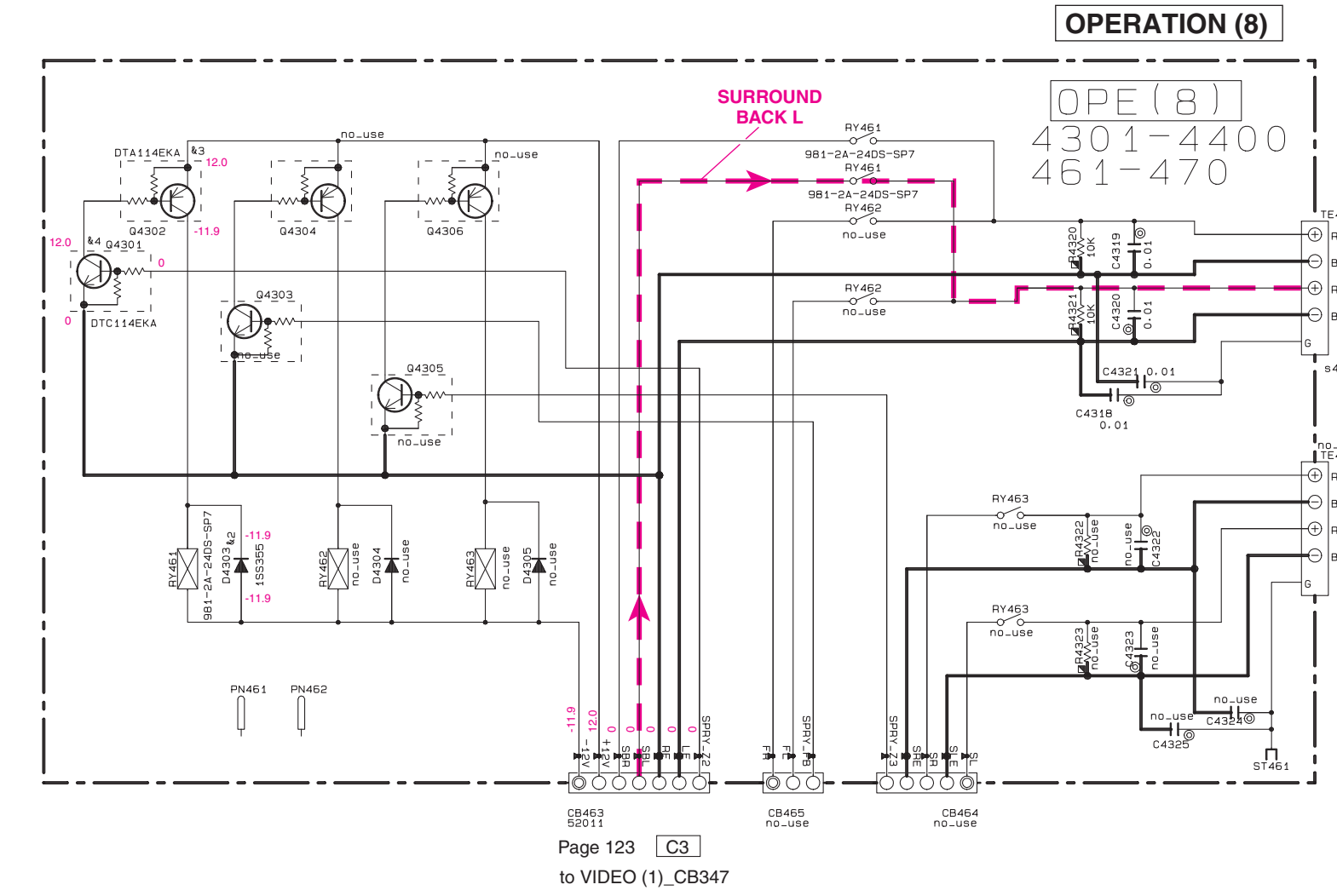
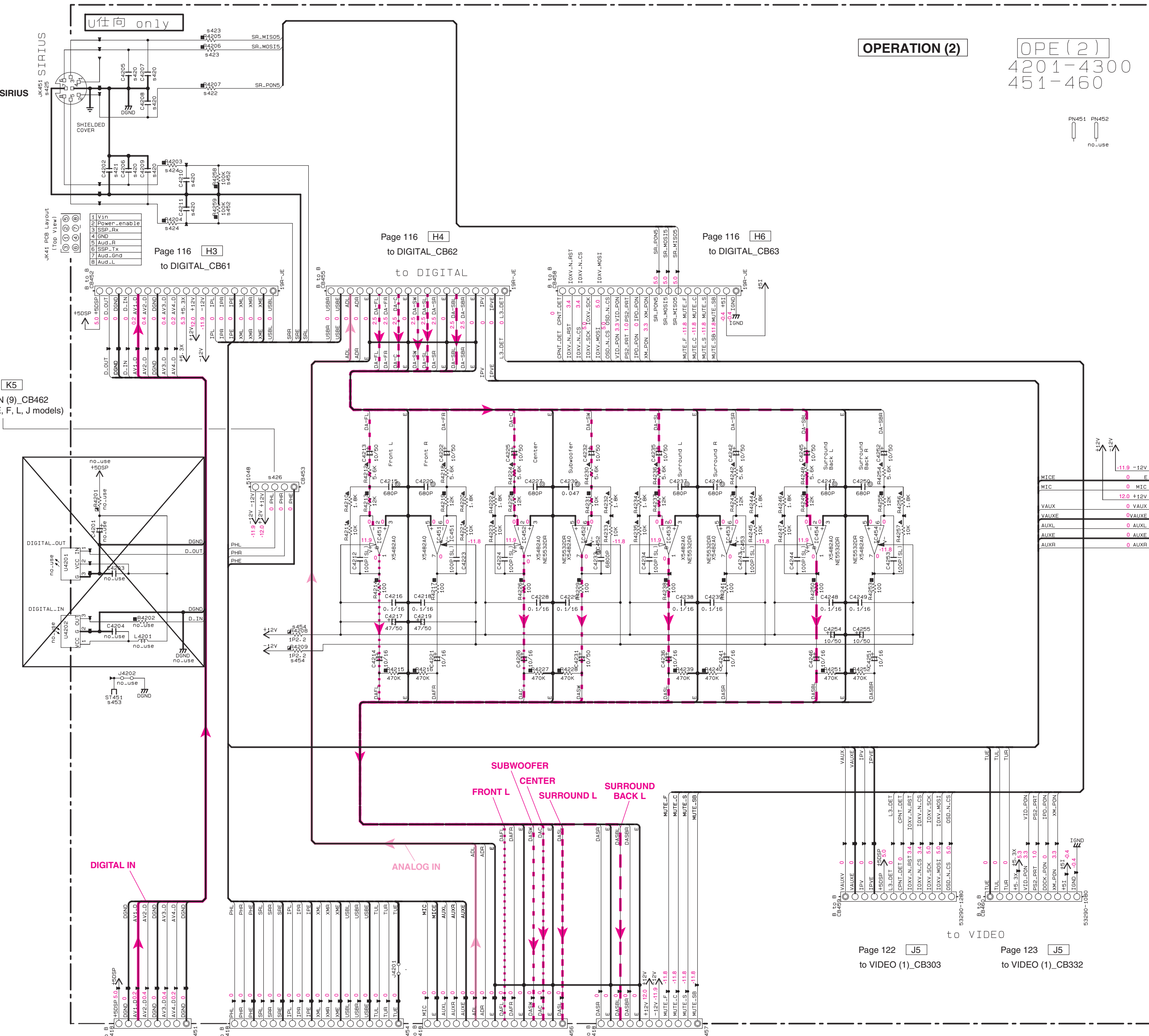
Key detection for A/D port
Key input (A/D) pull-up resistance 10 k-ohms

Dim	0	+10k	+15k	+15k	+15k	+20k	+30k	+4%	+20%	+30%
AD_VREF (0.3V-0.5V)	0-11	12-32	33-54	55-75	76-95	96-118	119-142	143-162	163-197	198-229
KEY1 (150 pin)	SCENE RADIO	SCENE CD	SCENE TV	BEHAV	ZONE2 ON/OFF	ZONE2 CONTROL	---	MAIN ZONE ON/OFF	ZONE CONTROL	---
AD_VREF (0.3V-0.5V)	0	+10k	+15k	+15k	+15k	+20k	+30k	+4% <td>+20% <td>+30%</td> </td>	+20% <td>+30%</td>	+30%
V	0-0.15	0.15-0.42	0.43-0.70	0.71-0.97	0.98-1.24	1.25-1.53	1.54-1.84	1.84-2.1	2.14-2.55	2.55-2.97
KEY2 (150 pin)	PURE DIRECT	STRAIGHT	INFO	MEMORY	PRESET	PRESET	FM	TUNING CH	TUNING	---
AD_VREF (0.3V-0.5V)	0	+10k	+15k	+15k	+15k	+20k	+30k	+4% <td>+20% <td>+30% </td></td>	+20% <td>+30% </td>	+30%
V	0-0.15	0.15-0.42	0.43-0.70	0.71-0.97	0.98-1.24	1.25-1.53	1.54-1.84	1.84-2.1	2.14-2.55	2.55-2.97
KEY2 (150 pin)	PURE DIRECT	STRAIGHT	INFO	MEMORY	PRESET	PRESET	FM	TUNING CH	TUNING	---

AX-V765

Dim	0	+10k	+15k	+15k	+15k	+20k	+30k	+4%	+20%	+30%
AD_VREF (0.3V-0.5V)	0-11	12-32	33-54	55-75	76-95	96-118	119-142	143-162	163-197	198-229
KEY1 (150 pin)	SCENE RADIO	SCENE CD	SCENE TV	BEHAV	ZONE2 ON/OFF	ZONE2 CONTROL	---	MAIN ZONE ON/OFF	ZONE CONTROL	---
AD_VREF (0.3V-0.5V)	0	+10k	+15k	+15k	+15k	+20k	+30k	+4% <td>+20% <td>+30% </td></td>	+20% <td>+30% </td>	+30%
V	0-0.15	0.15-0.42	0.43-0.70	0.71-0.97	0.98-1.24	1.25-1.53	1.54-1.84	1.84-2.1	2.14-2.55	2.55-2.97
KEY2 (150 pin)	PURE DIRECT	STRAIGHT	INFO	MEMORY	PRESET	PRESET	FM	TUNING CH	TUNING	---

OPERATION 2/2

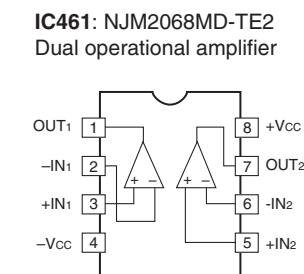
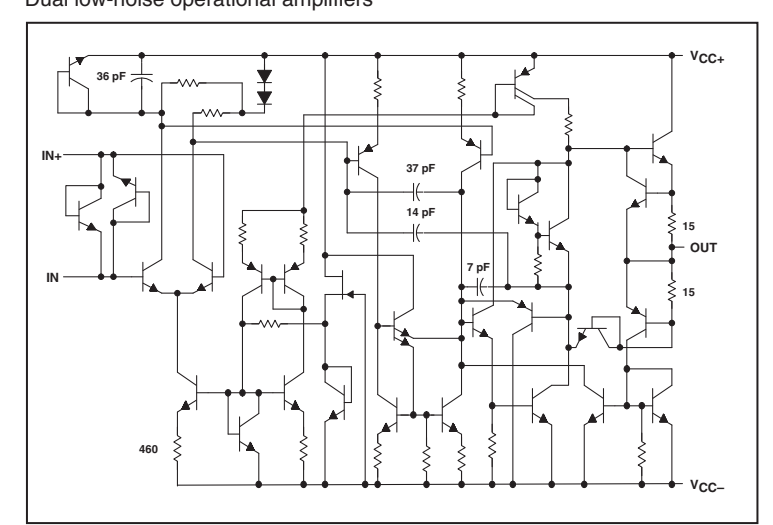


Destination Part List	Part List	Destination Part List	Part List										
QXX	LOC	J	U	C	RTA	K8LEF	QXX	LOC	J	U	C	RTA	K8LEF
9400	C4210	X	US06222	X	X	X	9440	C4310	UR21822	X	X	UR21822	UR21822
	C4209	X	220P15L	X	X	X		C4311	220/6.3	X	X	220/6.3	220/6.3
	C4208	X		X	X	X	9441	R4314	RF35518	X	X	RF35518	RF35518
	C4207	X		X	X	X		R4313	180	X	X	180	180
	C4206	X		X	X	X	9442	C4314	NJ60310	X	X	NJ60310	NJ60310
	C4205	X		X	X	X		C4313	200P	X	X	200P	200P
	C4204	X		X	X	X	9443	R4317	RD35447	X	X	RD35447	RD35447
	C4203	X		X	X	X		R4316	47	X	X	47	47
	C4202	X		X	X	X	9444	R4319	RD35322	X	X	RD35322	RD35322
	C4201	X		X	X	X		R4308	100	X	X	100	100
	C4200	X		X	X	X	9445	C4317	US06410	X	X	US06410	US06410
	C4199	X		X	X	X		C4316	0.01181	X	X	0.01181	0.01181
	C4198	X		X	X	X	9446	R4401	WD09960	X	X	WD09960	WD09960
	C4197	X		X	X	X		R4400	MSP-252V2-06N1	X	X	MSP-252V2-06N1	MSP-252V2-06N1
	C4196	X		X	X	X	9447	W4301	MF00514	X	X	MF00514	MF00514
	C4195	X		X	X	X		W4302	V041150	X	X	V041150	V041150
	C4194	X		X	X	X	9448	W4303	W4303	X	X	W4303	W4303
	C4193	X		X	X	X	9449	TE463	MF76800	X	X	MF76800	MF76800
	C4192	X		X	X	X		R4315	P-301901261	X	X	P-301901261	P-301901261
	C4191	X		X	X	X	9450	C4315	X	X	X	NJ60310	NJ60310
	C4190	X		X	X	X		C4314	X	X	X	200P	200P
	C4189	X		X	X	X	9451	R4303	RD35447	X	X	RD35447	RD35447
	C4188	X		X	X	X		R4304	470	X	X	470	470
	C4187	X		X	X	X	9452	R4309	100K	X	X	100K	100K
	C4186	X		X	X	X		R4308	X	X	X	X	X
	C4185	X		X	X	X	9453	W4451	V404050	X	V404050	V404050	V404050
	C4184	X		X	X	X	9454	R4208	HV75322	X	HV75322	HV75322	W007230
	C4183	X		X	X	X		R4209	1P2.2	X	1P2.2	1P2.2	1P2.2
	C4182	X		X	X	X	9455	TE461	MST-204V1-01	X	MST-204V1-01	MST-204V1-01	MST-204V1-01
	C4181	X		X	X	X		W4300	W4300	X	W4300	W4300	W4300
	C4180	X		X	X	X		W4301	MST-204V1-01	X	MST-204V1-01	MST-204V1-01	MST-204V1-01

RESISTOR	REMARKS	PARTS NAME
NO MARK	RESISTOR	CARBON FILM RESISTOR (P=5)
△	RESISTOR	CARBON FILM RESISTOR (P=10)
□	RESISTOR	METAL OXIDE FILM RESISTOR
○	RESISTOR	METAL FILM RESISTOR
◇	RESISTOR	METAL PLATE RESISTOR
◇	RESISTOR	FINE PROOF CARBON FILM RESISTOR
◇	RESISTOR	CEMENT MOLDED RESISTOR
◇	RESISTOR	SEMI VARIABLE RESISTOR
◇	RESISTOR	CHIP RESISTOR

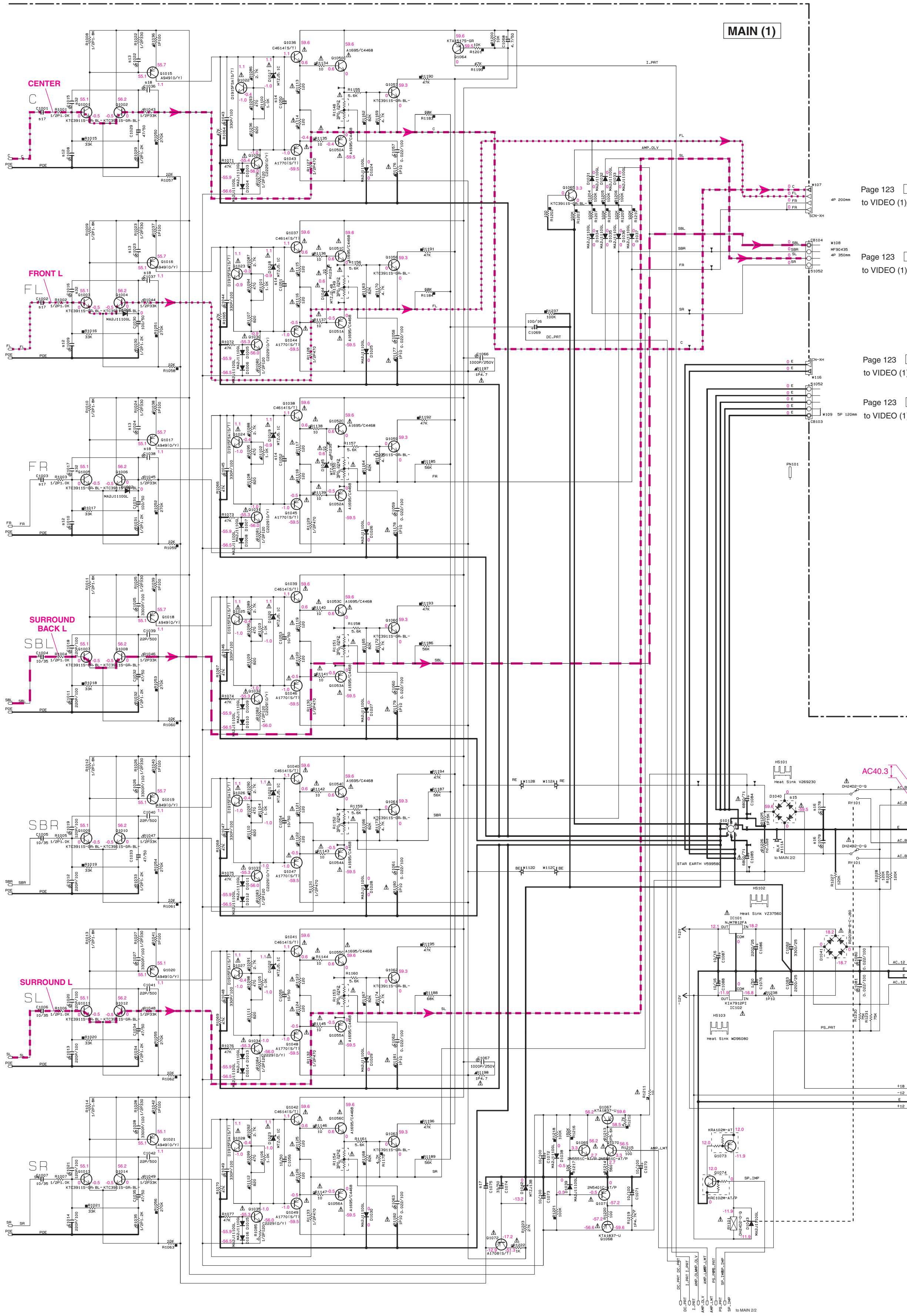
NOTICE (model)

(J)..... JAPAN
(U)..... U.S.A
(C)..... CANADA
(G)..... GENERAL
(T)..... CHINA
(K)..... KOREA
(A)..... AUSTRALIA
(B)..... BRITISH
(E)..... EUROPE
(L)..... SINGAPORE
(S)..... SOUTH EUROPE
(V)..... TAIWAN
(F)..... RUSSIAN
(P)..... LATIN AMERICA



★ All voltages are measured with a 10MΩ DC electronic voltmeter.
★ Components having special characteristics are marked △ and must be replaced with parts having specifications equal to those originally installed.
★ Schematic diagram is subject to change without notice.

● 電圧は、内部抵抗 10MΩ の電圧計で測定したものです。
● △印のある部品は、安全性確保部品を示しています。部品の交換が必要な場合、パーツリストに記載されている部品を使用してください。
● 本回路図は標準回路図です。改良のため予告なく変更することがございます。



MAIN (1)

Page 123 A4 to VIDEO (1)_CB342

Page 123 A5 to VIDEO (1)_CB343

Page 123 A5 to VIDEO (1)_CB340

Page 123 A6 to VIDEO (1)_CB344

Page 124 C7 to VIDEO (2)_CB378

MAIN (4) R, L models

MAIN (3) R, L models

VOLTAGE SELECTOR

230-240V	1-2/5-6
220V	2-3/6-7
110V	3-4/7-8
120V	4-5/8-1

Page 114 D2 to DIGITAL_CB22

POWER TRANSFORMER

Page 123 A6 to VIDEO (1)_CB346

RESISTOR

REMARKS	PARTS NAME
NO MARK	CARBON FILM RESISTOR (P-1)
NO MARK	CARBON FILM RESISTOR (P-10)
NO MARK	METAL OXIDE FILM RESISTOR
NO MARK	METAL FILM RESISTOR
NO MARK	FIRE PROOF CARBON FILM RESISTOR
NO MARK	CEMENT MOLDED RESISTOR
NO MARK	SEMI-CONDUCTIVE RESISTOR
NO MARK	CHIP RESISTOR

CAPACITOR

REMARKS	PARTS NAME
NO MARK	ELECTROLYTIC CAPACITOR
NO MARK	TANTALUM CAPACITOR
NO MARK	CERAMIC CAPACITOR
NO MARK	CERAMIC TUBULAR CAPACITOR
NO MARK	DIAPHRAGM FILM CAPACITOR
NO MARK	POLYESTER FILM CAPACITOR
NO MARK	MICA CAPACITOR
NO MARK	POLYPROPYLENE FILM CAPACITOR
NO MARK	SEMICONDUCTIVE CERAMIC CAPACITOR

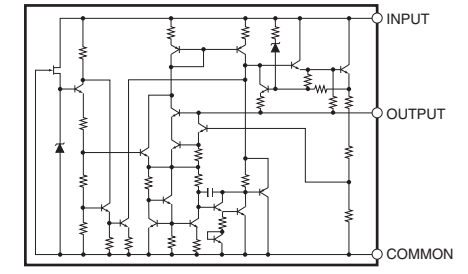
NOTICE (note)

(J) JAPAN
 (U) U.S.A.
 (C) CANADA
 (G) GERMANY
 (S) SWITZERLAND
 (I) ITALY
 (K) KOREA
 (A) AUSTRALIA
 (B) BRITISH
 (E) EUROPE
 (L) SINGAPORE
 (R) SOUTH EUROPE
 (T) TAIWAN
 (F) RUSSIAN
 (P) LATIN AMERICA

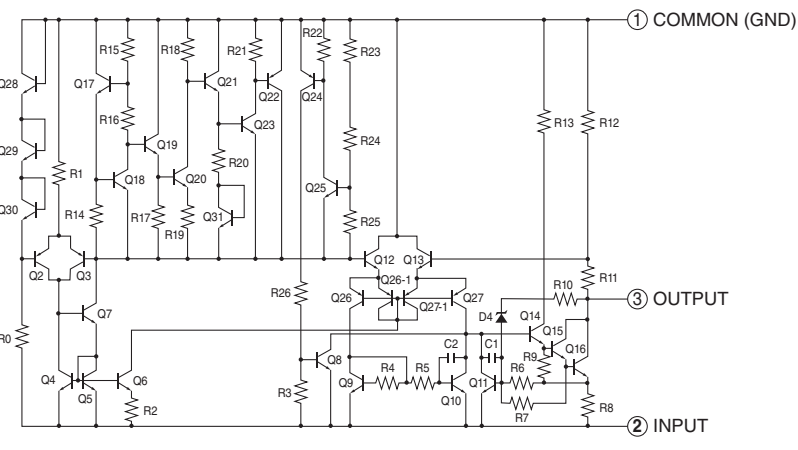
Destination Part List

DESTINATION	LC	R	TRANSFORMER	L
41	W4101	X	X	X
42	W4101	X	X	X
43	W4101	X	X	X
44	W4101	X	X	X
45	W4101	X	X	X
46	W4101	X	X	X
47	W4101	X	X	X
48	W4101	X	X	X
49	W4101	X	X	X
50	W4101	X	X	X
51	W4101	X	X	X
52	W4101	X	X	X
53	W4101	X	X	X
54	W4101	X	X	X
55	W4101	X	X	X
56	W4101	X	X	X
57	W4101	X	X	X
58	W4101	X	X	X
59	W4101	X	X	X
60	W4101	X	X	X
61	W4101	X	X	X
62	W4101	X	X	X
63	W4101	X	X	X
64	W4101	X	X	X
65	W4101	X	X	X
66	W4101	X	X	X
67	W4101	X	X	X
68	W4101	X	X	X
69	W4101	X	X	X
70	W4101	X	X	X
71	W4101	X	X	X
72	W4101	X	X	X
73	W4101	X	X	X
74	W4101	X	X	X
75	W4101	X	X	X
76	W4101	X	X	X
77	W4101	X	X	X
78	W4101	X	X	X
79	W4101	X	X	X
80	W4101	X	X	X
81	W4101	X	X	X
82	W4101	X	X	X
83	W4101	X	X	X
84	W4101	X	X	X
85	W4101	X	X	X
86	W4101	X	X	X
87	W4101	X	X	X
88	W4101	X	X	X
89	W4101	X	X	X
90	W4101	X	X	X
91	W4101	X	X	X
92	W4101	X	X	X
93	W4101	X	X	X
94	W4101	X	X	X
95	W4101	X	X	X
96	W4101	X	X	X
97	W4101	X	X	X
98	W4101	X	X	X
99	W4101	X	X	X
100	W4101	X	X	X

IC101: NJM7812FA Voltage regulator



IC102: KIA7912PI Voltage regulator

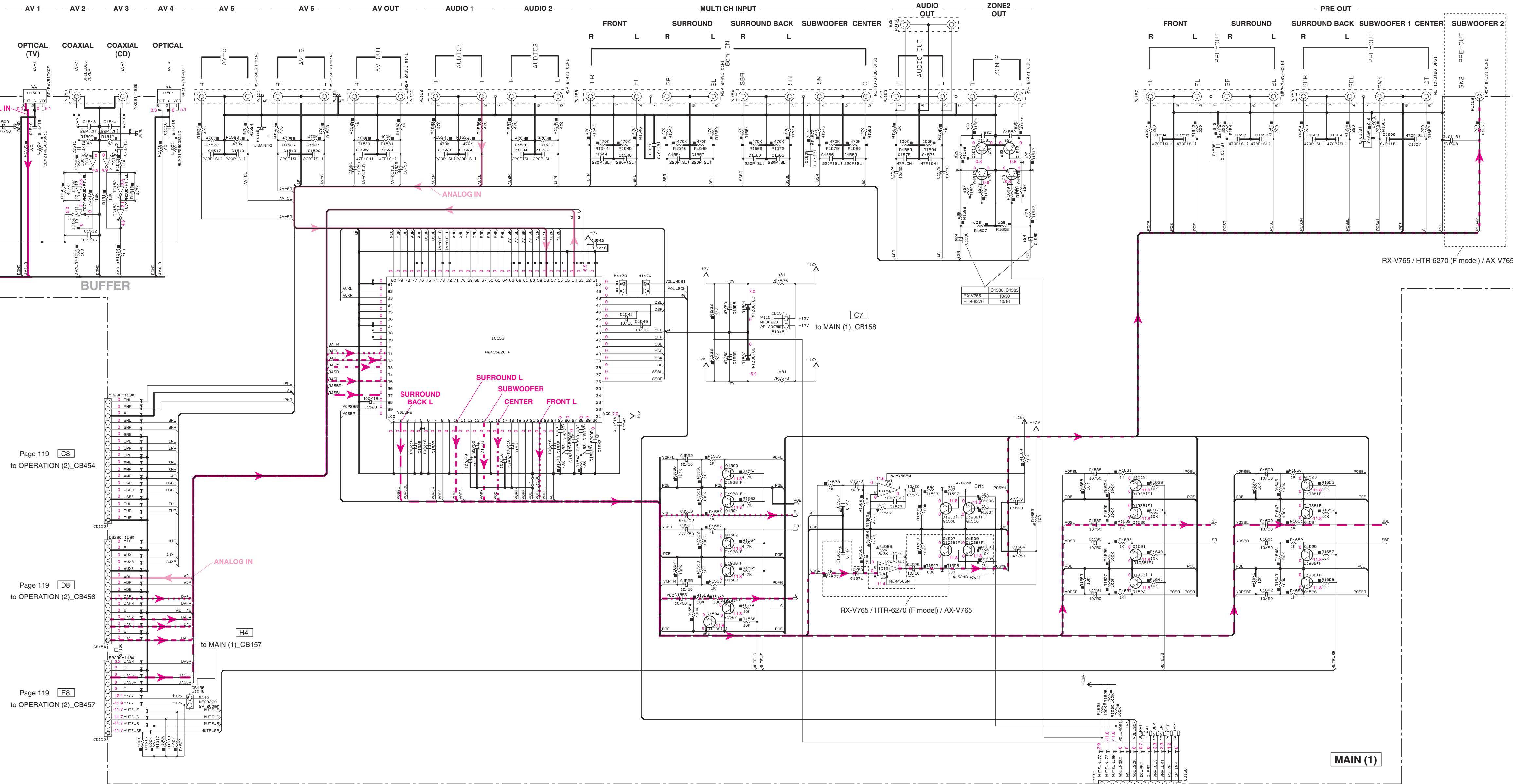


* All voltages are measured with a 10MΩ DC electronic voltmeter.
 * Components having special characteristics are marked Δ and must be replaced with parts having specifications equal to those originally installed.
 * Schematic diagram is subject to change without notice.

● 電圧は、内部抵抗 10MΩ の電圧計で測定したものです。
 ● Δ印のある部品は、安全性確保部品を示しています。部品の交換が必要な場合、パーツリストに記載されている部品を使用してください。
 ● 本回路図は標準回路図です。改良のため予告なく変更することがございます。

MAIN 2/2

Page 119 [BB] to OPERATION (2)_CB451



Page 119 [CB] to OPERATION (2)_CB454

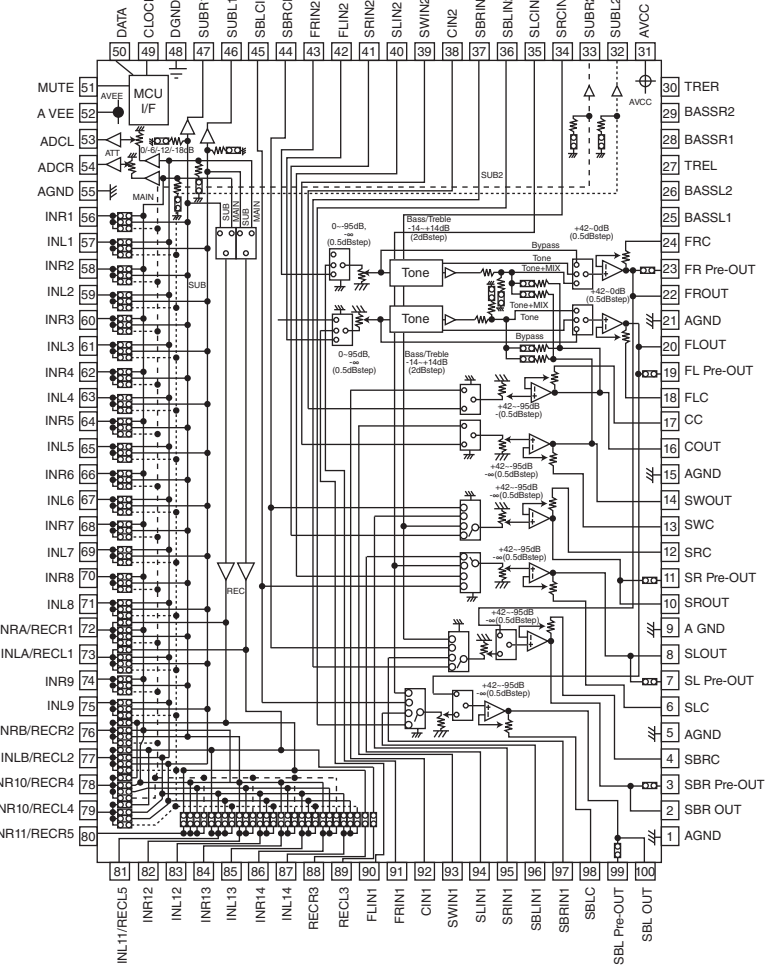
Page 119 [DB] to OPERATION (2)_CB456

Page 119 [EB] to OPERATION (2)_CB457

IC152: TC74VHC04FT Hex inverters



IC153: R2A15220FP 8-channel electronic volume with 11 input selector and tone control



IC154: NJM4565M Dual operational amplifier



NOTICE (mode 1)

- (J)..... JAPAN
- (U)..... U.S.A
- (C)..... CANADA
- (R)..... GENERAL
- (T)..... CHINA
- (K)..... KOREA
- (A)..... AUSTRALIA
- (B)..... BRITISH
- (G)..... EUROPE
- (L)..... SINGAPORE
- (E)..... SOUTH EUROPE
- (V)..... TAIWAN
- (F)..... RUSSIAN
- (D)..... LATIN AMERICA

REMARKS	PARTS NAME
NO MARK	CARBON FILM RESISTOR (P=5)
□	CARBON FILM RESISTOR (P=10)
△	METAL OXIDE FILM RESISTOR
▲	METAL FILM RESISTOR
⊠	METAL PLATE RESISTOR
⊞	FILM PROOF CARBON FILM RESISTOR
⊟	CEMENT MOLDED RESISTOR
⊠	SEMI VARIABLE RESISTOR
■	CHIP RESISTOR

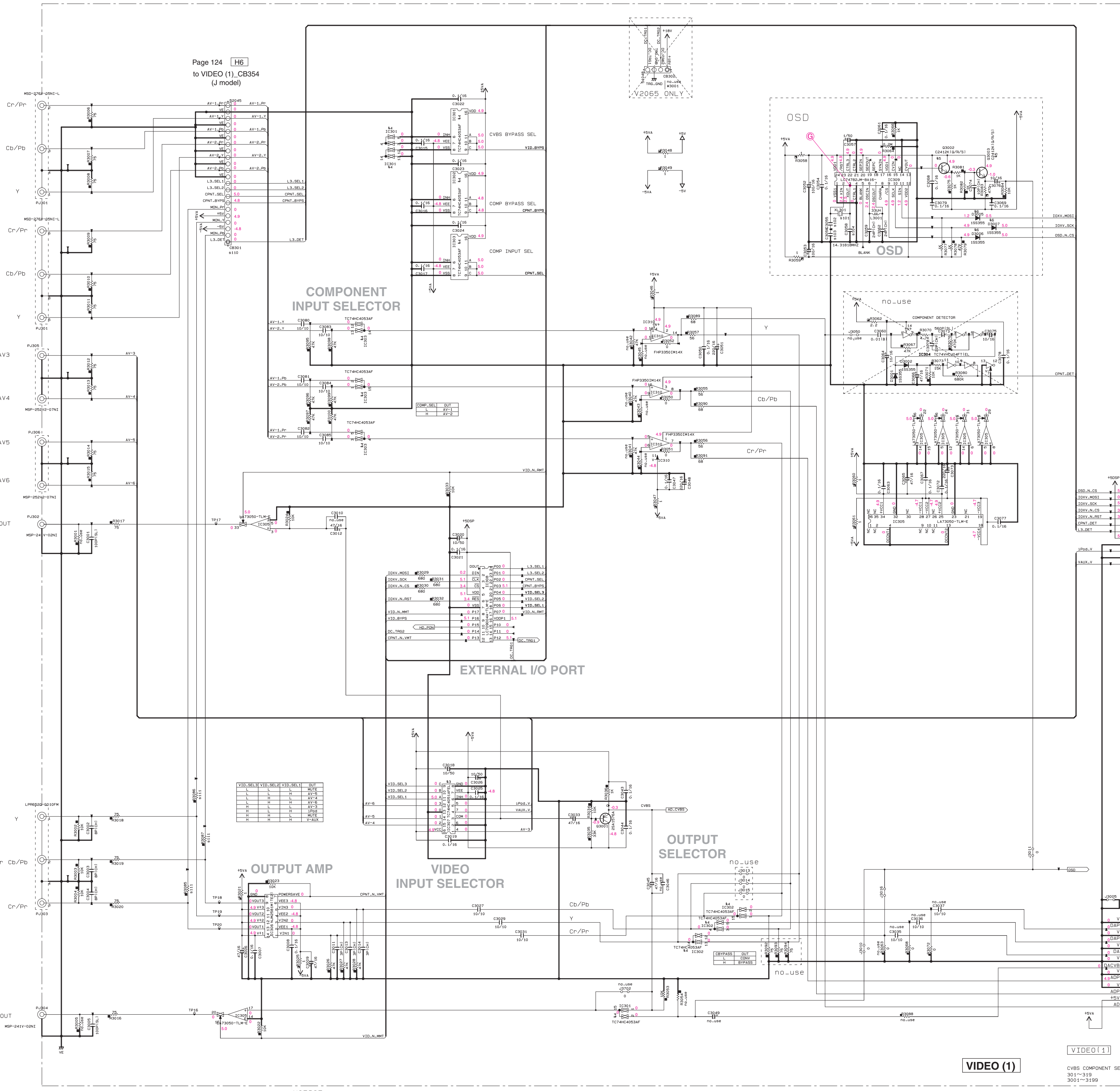
REMARKS	PARTS NAME
NO MARK	ELECTROLYTIC CAPACITOR
⊖	TANTALUM CAPACITOR
NO MARK	CERAMIC CAPACITOR
●	CERAMIC TUBULAR CAPACITOR
⊙	POLYESTER FILM CAPACITOR
○	POLYSTYRENE FILM CAPACITOR
○	MICA CAPACITOR
⊙	POLYPROPYLENE FILM CAPACITOR
●	SEMICONDUCTIVE CERAMIC CAPACITOR

Page 114 [E2] to DIGITAL_CB23

★ All voltages are measured with a 10MΩ DC electronic voltmeter.
 ★ Components having special characteristics are marked Δ and must be replaced with parts having specifications equal to those originally installed.
 ★ Schematic diagram is subject to change without notice.

● 電圧は、内部抵抗 10MΩ の電圧計で測定したものです。
 ● △印のある部品は、安全性確保部品を示しています。部品の交換が必要な場合、パーツリストに記載されている部品を使用してください。
 ● 本回路図は標準回路図です。改良のため予告なく変更することがございます。

1
2
3
4
5
6
7
8
9
10

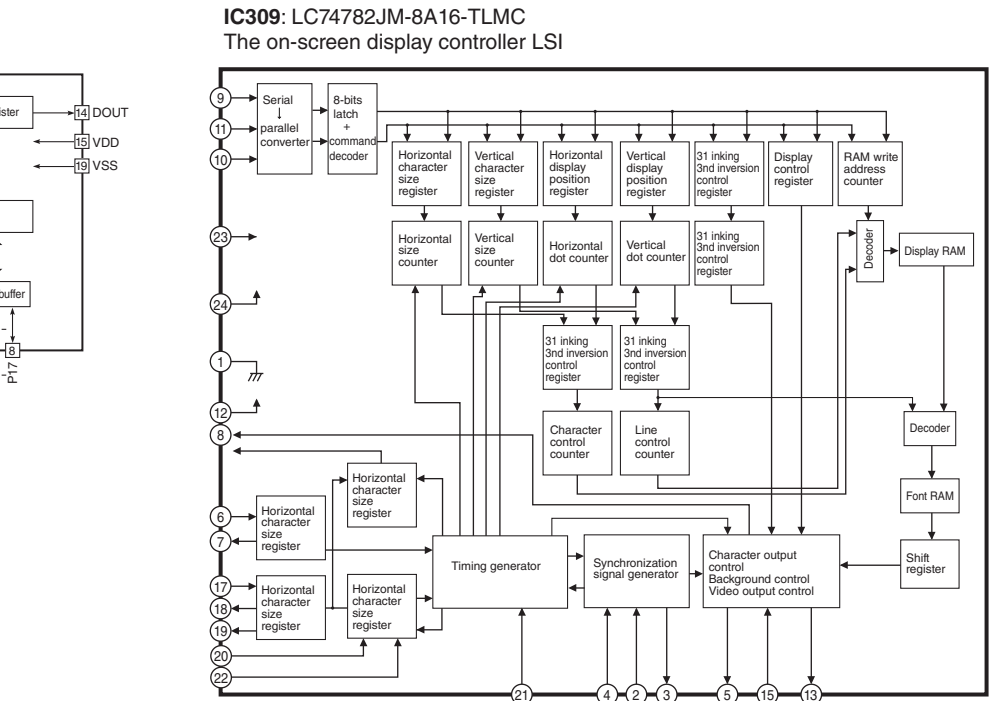
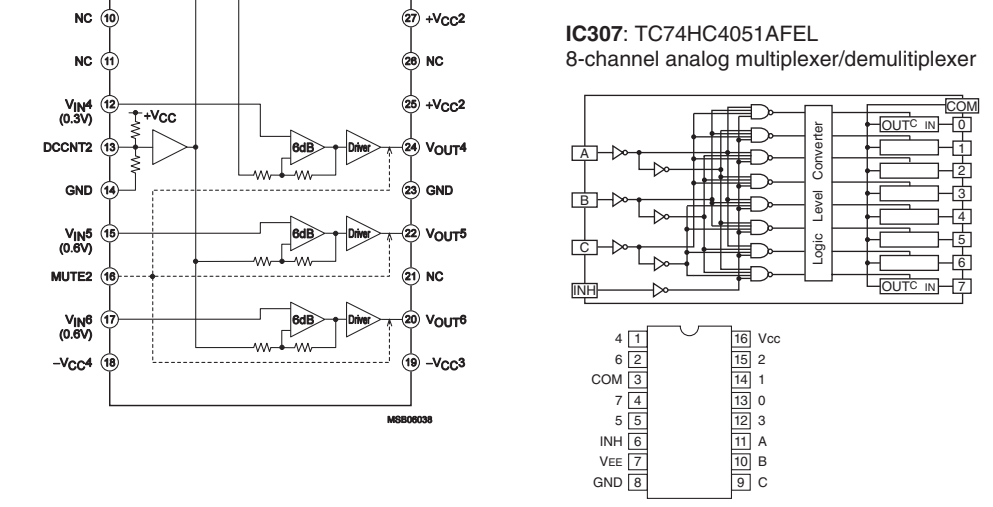
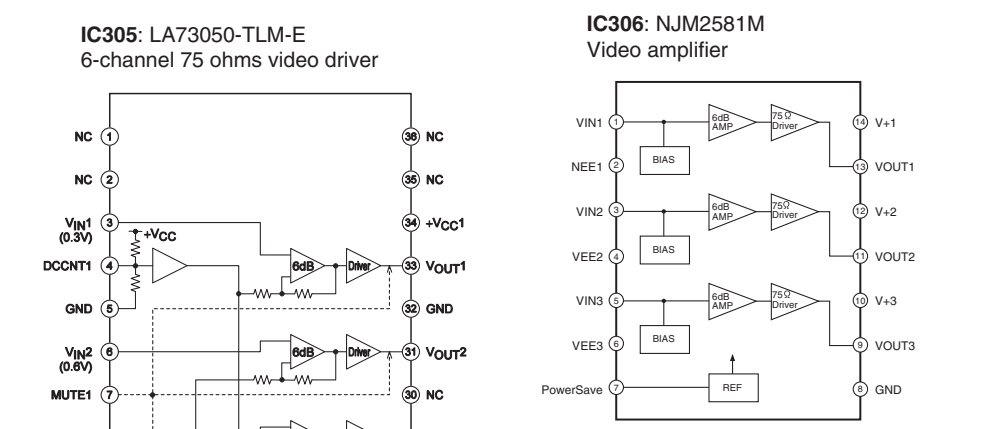
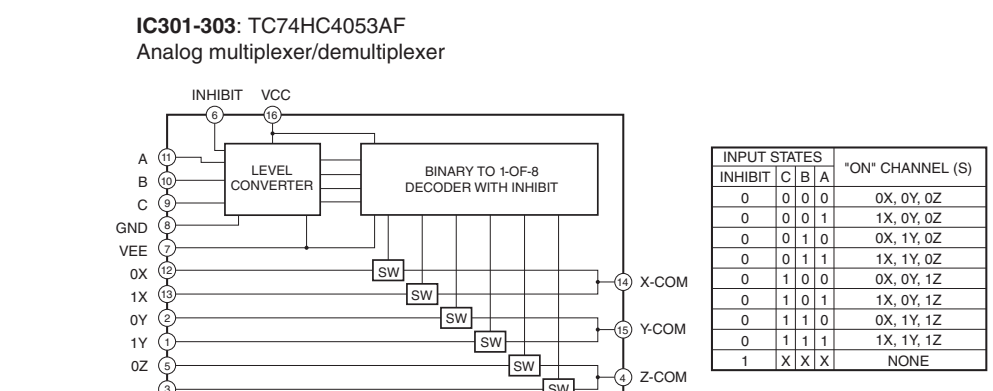


Page 124 [H6]
to VIDEO (1)_CB354
(J model)

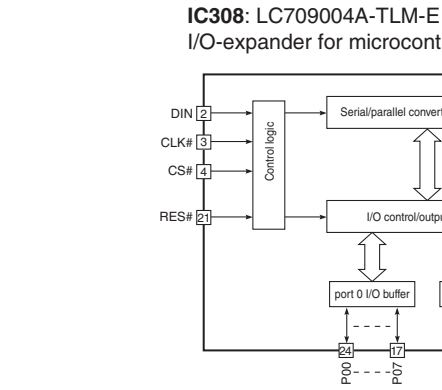
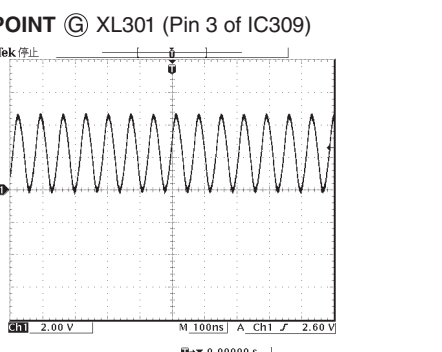
xxx	LOC	J	U	C	R	T	A	80EF	L	K
*401	XL301	V59990	V59990	V59990	V59990	W159110	W159110	W159110	W159110	V59990
*402	C3005	US06112	US06112	US06112	US06112	US06050	US06050	US06050	US06050	US06112
*403	C3006	US06118	US06118	US06118	US06118	US06070	US06070	US06070	US06070	US06118
*404	C3008	US06060	US06060	US06060	US06060	US06040	US06040	US06040	US06040	US06060
*410	C3011	V024770	V024770	V024770	V024770	V024770	V024770	V024770	V024770	V024770
*4107	R3008	R3008	R3008	R3008	R3008	R3008	R3008	R3008	R3008	R3008
*4108	R3009	R3009	R3009	R3009	R3009	R3009	R3009	R3009	R3009	R3009

Interchangeable Parts at Manufacture Stage

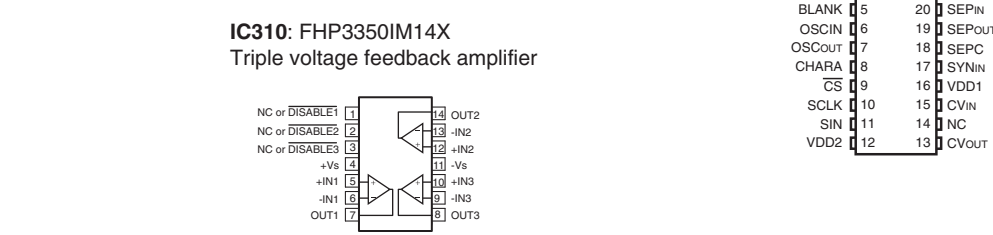
Part No.	Reference Parts Number	Part Name
41	33006-3303	DT14484*Y*P 28186516L/P
42	IC301-302	TC74HC4053AF M74HC4053A1-NL
43	IC307	TC74HC4051AFEL M74HC4051A1-NL
44	IC301-303-303	TC74HC4053AF M74HC4053A1-NL
45	33003-3003-3001	28C242K1818/P/S1 28C0618K181818/P/S1 KT38785-V-6P-RH/P
46	33005-3007-3309-3011	1S9395 3403-3407-3501-3506 3801-3802-3708 3801-3802-3901-3902
47	33046-3408-3410-3412	DT14484K KRA1025-RH/P 3414
48	33046-3407-3409-3411	DT14484K KRC1025-RH/P 3413
49	33003	DT14484K KRC1025-RH/P
50	33004-3302-3304	28A18151Y KT41866 Y*AT
51	33001	28C1740518/P/S1 28C33118A1818/P/S1
52	33003-3205-3207-3209	18C18151Y KT31398 Y*AT
53	D3706-3707	H83034 1S9133 1S9176



Page 119 [G7]
to OPERATION (2)_CB459



To Digital
Page 117 [H1]
to DIGITAL_CB72



NOTICE (model)

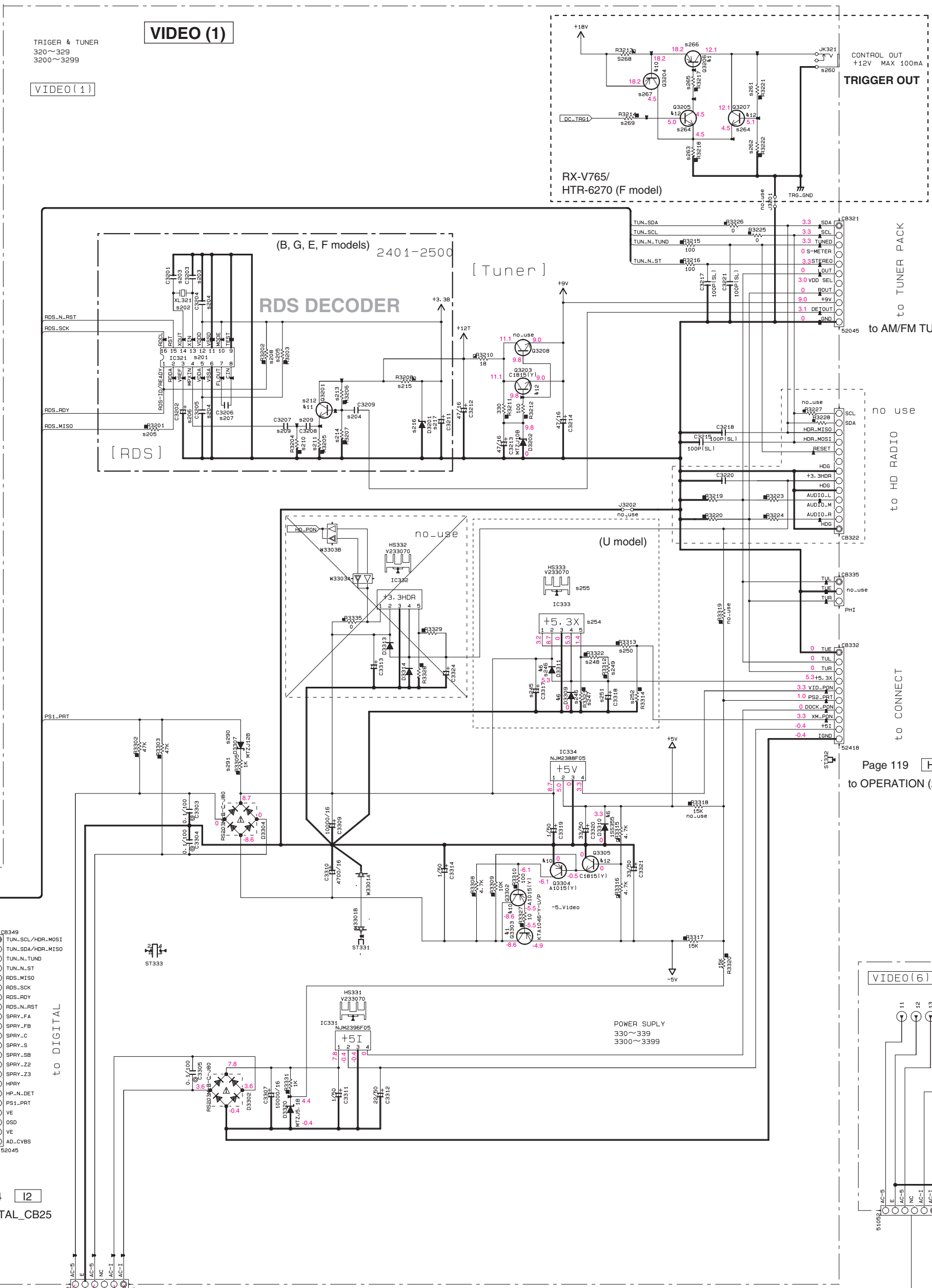
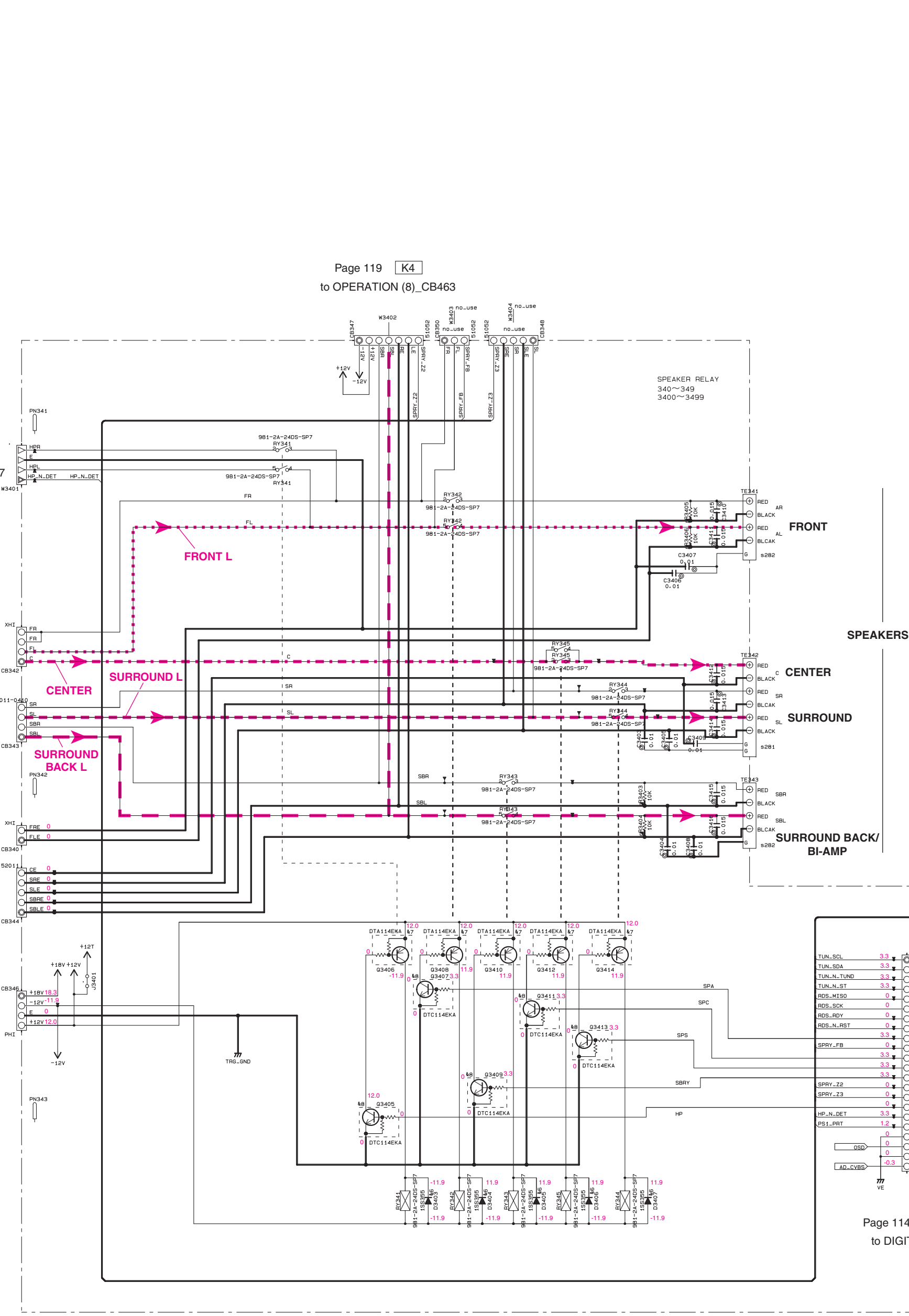
REMARKS	PARTS NAME	REMARKS	PARTS NAME
(J)..... JAPAN	NO MARK CARBON FILM RESISTOR (P=5)	NO MARK ELECTROLYTIC CAPACITOR	NO MARK ELECTROLYTIC CAPACITOR
(U)..... U.S.A	△ CARBON FILM RESISTOR (P=10)	○ TANTALUM CAPACITOR	○ TANTALUM CAPACITOR
(C)..... CANADA	△ METAL OXIDE FILM RESISTOR	○ NO MARK CERAMIC CAPACITOR	○ NO MARK CERAMIC CAPACITOR
(E)..... GENERAL	△ METAL FILM RESISTOR	○ CERAMIC TUBULAR CAPACITOR	○ CERAMIC TUBULAR CAPACITOR
(T)..... CHINA	△ METAL PLATE RESISTOR	○ POLYESTER FILM CAPACITOR	○ POLYESTER FILM CAPACITOR
(K)..... KOREA	○ FINE PORE CARBON FILM RESISTOR	○ POLYETHYLENE FILM CAPACITOR	○ POLYETHYLENE FILM CAPACITOR
(A)..... AUSTRALIA	○ CEMENT MOLDED RESISTOR	○ MICA CAPACITOR	○ MICA CAPACITOR
(B)..... BRITISH	○ SEMI VARIABLE RESISTOR	○ POLYPROPYLENE FILM CAPACITOR	○ POLYPROPYLENE FILM CAPACITOR
(G)..... EUROPE	○ CHIP RESISTOR	○ SEMI CONDUCTIVE CERAMIC CAPACITOR	○ SEMI CONDUCTIVE CERAMIC CAPACITOR
(L)..... SINGAPORE			
(E)..... SOUTH EUROPE			
(V)..... TAIWAN			
(R)..... RUSSIAN			
(P)..... LATIN AMERICA			

* All voltages are measured with a 10MΩ DC electronic voltmeter.
 * Components having special characteristics are marked Δ and must be replaced with parts having specifications equal to those originally installed.
 * Schematic diagram is subject to change without notice.

● 電圧は、内部抵抗 10MΩの電圧計で測定したものです。
 ● Δ印のある部品は、安全性確保部品を示しています。部品の交換が必要な場合、パーツリストに記載されている部品を使用してください。
 ● 本回路図は標準回路図です。改良のため予告なく変更することがございます。

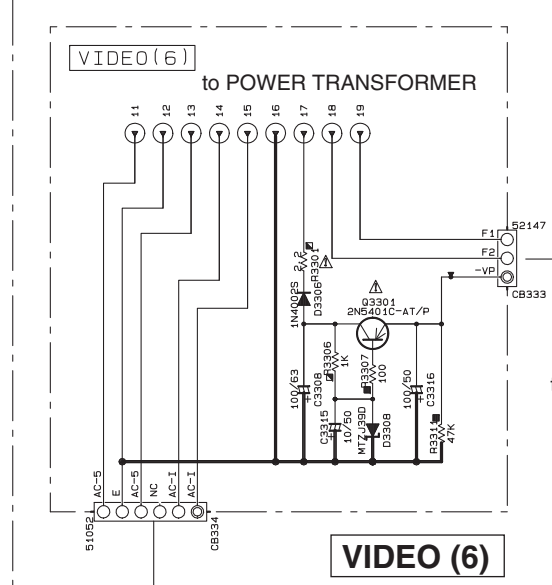
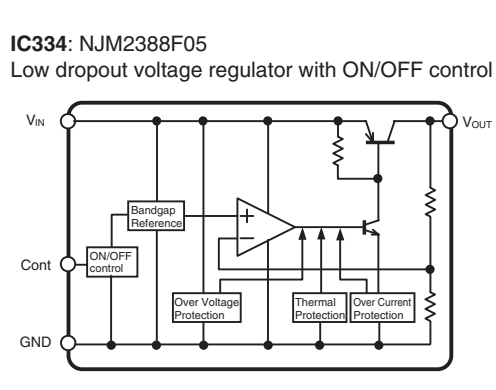
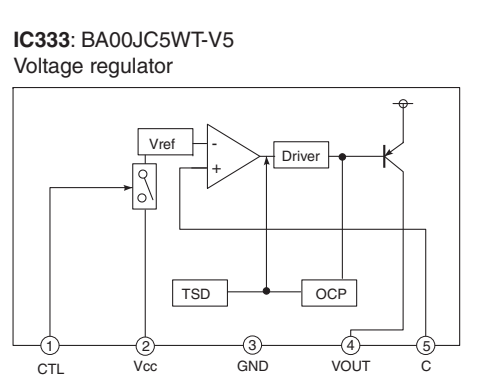
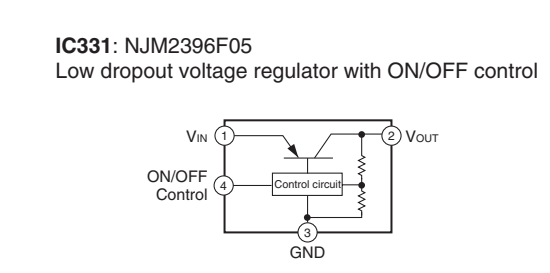
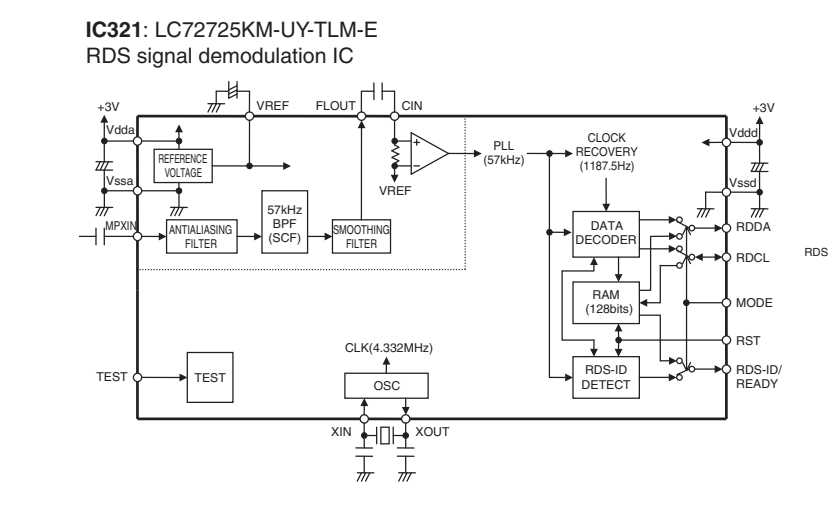
VIDEO 2/3

1
2
3
4
5
6
7
8
9
10



0001 PART LIST P/N1, L161

NO.	LOC.	QTY	U	C	R	T	A	0007	L	K
0001	IC321	X	X	X	X	X	X	IC321	X	X
0002	AL321	X	X	X	X	X	X	AL321	X	X
0003	C3003	X	X	X	X	X	X	C3003	X	X
0004	C3004	X	X	X	X	X	X	C3004	X	X
0005	C3005	X	X	X	X	X	X	C3005	X	X
0006	C3006	X	X	X	X	X	X	C3006	X	X
0007	C3007	X	X	X	X	X	X	C3007	X	X
0008	C3008	X	X	X	X	X	X	C3008	X	X
0009	C3009	X	X	X	X	X	X	C3009	X	X
0010	C3010	X	X	X	X	X	X	C3010	X	X
0011	C3011	X	X	X	X	X	X	C3011	X	X
0012	C3012	X	X	X	X	X	X	C3012	X	X
0013	C3013	X	X	X	X	X	X	C3013	X	X
0014	C3014	X	X	X	X	X	X	C3014	X	X
0015	C3015	X	X	X	X	X	X	C3015	X	X
0016	C3016	X	X	X	X	X	X	C3016	X	X
0017	C3017	X	X	X	X	X	X	C3017	X	X
0018	C3018	X	X	X	X	X	X	C3018	X	X
0019	C3019	X	X	X	X	X	X	C3019	X	X
0020	C3020	X	X	X	X	X	X	C3020	X	X
0021	C3021	X	X	X	X	X	X	C3021	X	X
0022	C3022	X	X	X	X	X	X	C3022	X	X
0023	C3023	X	X	X	X	X	X	C3023	X	X
0024	C3024	X	X	X	X	X	X	C3024	X	X
0025	C3025	X	X	X	X	X	X	C3025	X	X
0026	C3026	X	X	X	X	X	X	C3026	X	X
0027	C3027	X	X	X	X	X	X	C3027	X	X
0028	C3028	X	X	X	X	X	X	C3028	X	X
0029	C3029	X	X	X	X	X	X	C3029	X	X
0030	C3030	X	X	X	X	X	X	C3030	X	X
0031	C3031	X	X	X	X	X	X	C3031	X	X
0032	C3032	X	X	X	X	X	X	C3032	X	X
0033	C3033	X	X	X	X	X	X	C3033	X	X
0034	C3034	X	X	X	X	X	X	C3034	X	X
0035	C3035	X	X	X	X	X	X	C3035	X	X
0036	C3036	X	X	X	X	X	X	C3036	X	X
0037	C3037	X	X	X	X	X	X	C3037	X	X
0038	C3038	X	X	X	X	X	X	C3038	X	X
0039	C3039	X	X	X	X	X	X	C3039	X	X
0040	C3040	X	X	X	X	X	X	C3040	X	X
0041	C3041	X	X	X	X	X	X	C3041	X	X
0042	C3042	X	X	X	X	X	X	C3042	X	X
0043	C3043	X	X	X	X	X	X	C3043	X	X
0044	C3044	X	X	X	X	X	X	C3044	X	X
0045	C3045	X	X	X	X	X	X	C3045	X	X
0046	C3046	X	X	X	X	X	X	C3046	X	X
0047	C3047	X	X	X	X	X	X	C3047	X	X
0048	C3048	X	X	X	X	X	X	C3048	X	X
0049	C3049	X	X	X	X	X	X	C3049	X	X
0050	C3050	X	X	X	X	X	X	C3050	X	X
0051	C3051	X	X	X	X	X	X	C3051	X	X
0052	C3052	X	X	X	X	X	X	C3052	X	X
0053	C3053	X	X	X	X	X	X	C3053	X	X
0054	C3054	X	X	X	X	X	X	C3054	X	X
0055	C3055	X	X	X	X	X	X	C3055	X	X
0056	C3056	X	X	X	X	X	X	C3056	X	X
0057	C3057	X	X	X	X	X	X	C3057	X	X
0058	C3058	X	X	X	X	X	X	C3058	X	X
0059	C3059	X	X	X	X	X	X	C3059	X	X
0060	C3060	X	X	X	X	X	X	C3060	X	X
0061	C3061	X	X	X	X	X	X	C3061	X	X
0062	C3062	X	X	X	X	X	X	C3062	X	X
0063	C3063	X	X	X	X	X	X	C3063	X	X
0064	C3064	X	X	X	X	X	X	C3064	X	X
0065	C3065	X	X	X	X	X	X	C3065	X	X
0066	C3066	X	X	X	X	X	X	C3066	X	X
0067	C3067	X	X	X	X	X	X	C3067	X	X
0068	C3068	X	X	X	X	X	X	C3068	X	X
0069	C3069	X	X	X	X	X	X	C3069	X	X
0070	C3070	X	X	X	X	X	X	C3070	X	X
0071	C3071	X	X	X	X	X	X	C3071	X	X
0072	C3072	X	X	X	X	X	X	C3072	X	X
0073	C3073	X	X	X	X	X	X	C3073	X	X
0074	C3074	X	X	X	X	X	X	C3074	X	X
0075	C3075	X	X	X	X	X	X	C3075	X	X
0076	C3076	X	X	X	X	X	X	C3076	X	X
0077	C3077	X	X	X	X	X	X	C3077	X	X
0078	C3078	X	X	X	X	X	X	C3078	X	X
0079	C3079	X	X	X	X	X	X	C3079	X	X
0080	C3080	X	X	X	X	X	X	C3080	X	X
0081	C3081	X	X	X	X	X	X	C3081	X	X
0082	C3082	X	X	X	X	X	X	C3082	X	X
0083	C3083	X	X	X	X	X	X	C3083	X	X
0084	C3084	X	X	X	X	X	X	C3084	X	X
0085	C3085	X	X	X	X	X	X	C3085	X	X
0086	C3086	X	X	X	X	X	X	C3086	X	X
0087	C3087	X	X	X	X	X	X	C3087	X	X
0088	C3088	X	X	X	X	X	X	C3088	X	X
0089	C3089	X	X	X	X	X	X	C3089	X	X
0090	C3090	X	X	X	X	X	X	C3090	X	X
0091	C3091	X	X	X	X	X	X	C3091	X	X
0092	C3092	X	X	X	X	X	X	C3092	X	X
0093	C3093	X	X	X	X	X	X	C3093	X	X
0094	C3094	X	X	X	X	X	X	C3094	X	X
0095	C3095	X	X	X	X	X	X	C3095	X	X
0096	C3096	X	X	X	X	X	X	C3096	X	X
0097	C3097	X	X	X	X	X	X	C3097	X	X
0098	C3098	X	X	X	X	X	X	C3098	X	X
0099	C3099	X	X	X	X	X	X	C3099	X	X
0100	C3100	X	X	X	X	X	X	C3100	X	X



Page 118 J9 to OPERATION (6)_CB473

NOTICE (mode1)
(J)..... JAPAN
(U)..... U.S.A
(C)..... CANADA
(R)..... GENERAL
(T)..... CHINA
(K)..... KOREA
(A)..... AUSTRALIA
(B)..... BRITISH
(G)..... EUROPE
(L)..... SINGAPORE
(E)..... SOUTH EUROPE
(V)..... TAIWAN
(F)..... RUSSIAN
(P)..... LATIN AMERICA

REMARKS PARTS NAME

NO MARK	CARBON FILM RESISTOR (P=5)
□	CARBON FILM RESISTOR (P=10)
△	METAL OXIDE FILM RESISTOR
▲	METAL FILM RESISTOR
⊠	METAL PLATE RESISTOR
▢	FINE PORED CARBON FILM RESISTOR
⊞	CEMENT MOLDED RESISTOR
⊞	SEMI VARIABLE RESISTOR
⊞	CHIP RESISTOR

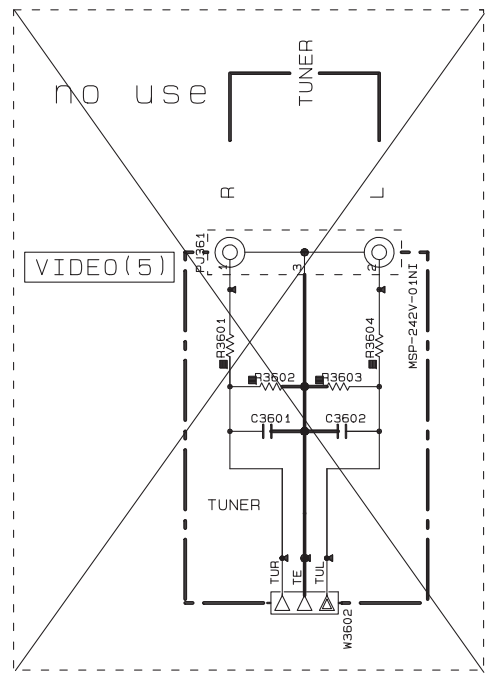
REMARKS PARTS NAME

NO MARK	ELECTROLYTIC CAPACITOR
⊞	TANTALUM CAPACITOR
⊞	CERAMIC CAPACITOR
⊞	POLYESTER FILM CAPACITOR
⊞	POLYSTYRENE FILM CAPACITOR
⊞	MICA CAPACITOR
⊞	POLYPROPYLENE FILM CAPACITOR
⊞	SEMICONDUCTIVE CERAMIC CAPACITOR

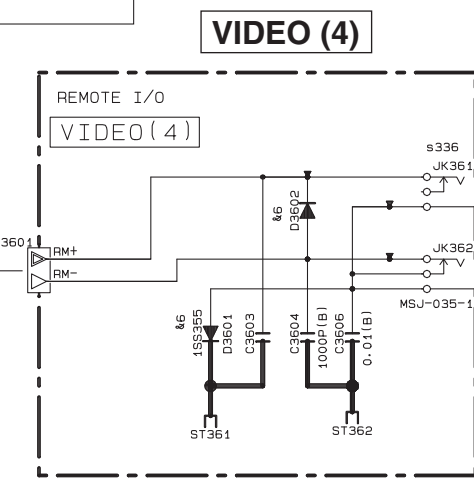
★ All voltages are measured with a 10MΩ/V DC electronic voltmeter.
★ Components having special characteristics are marked Δ and must be replaced with parts having specifications equal to those originally installed.
★ Schematic diagram is subject to change without notice.

●電圧は、内部抵抗 10MΩの電圧計で測定したものです。
●△印のある部品は、安全性確保部品を示しています。部品の交換が必要な場合、パーツリストに記載されている部品を使用してください。
●本回路図は標準回路図です。改良のため予告なく変更することがございます。

VIDEO 3/3



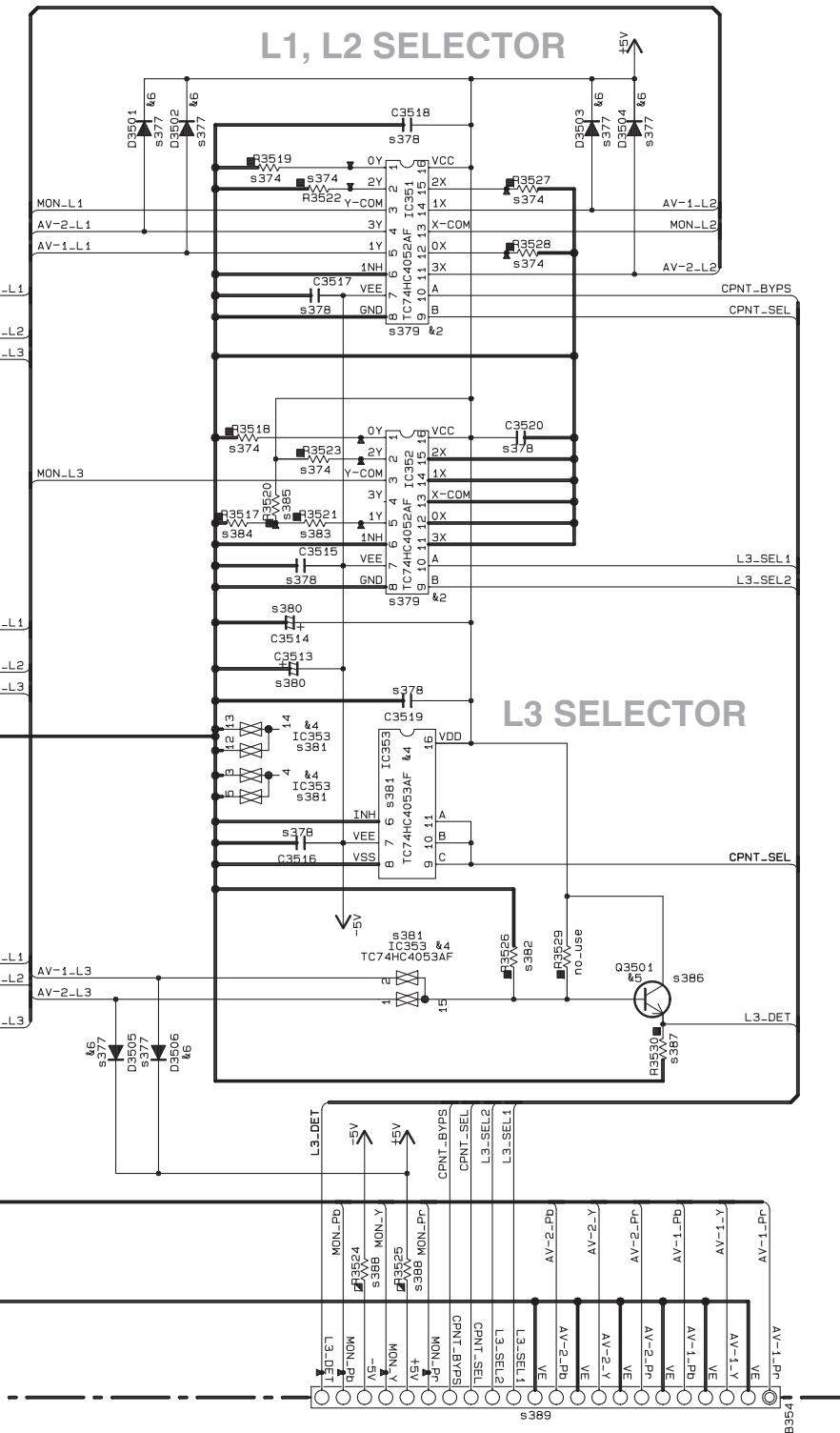
Page 114 [D2] to DIGITAL_CB21



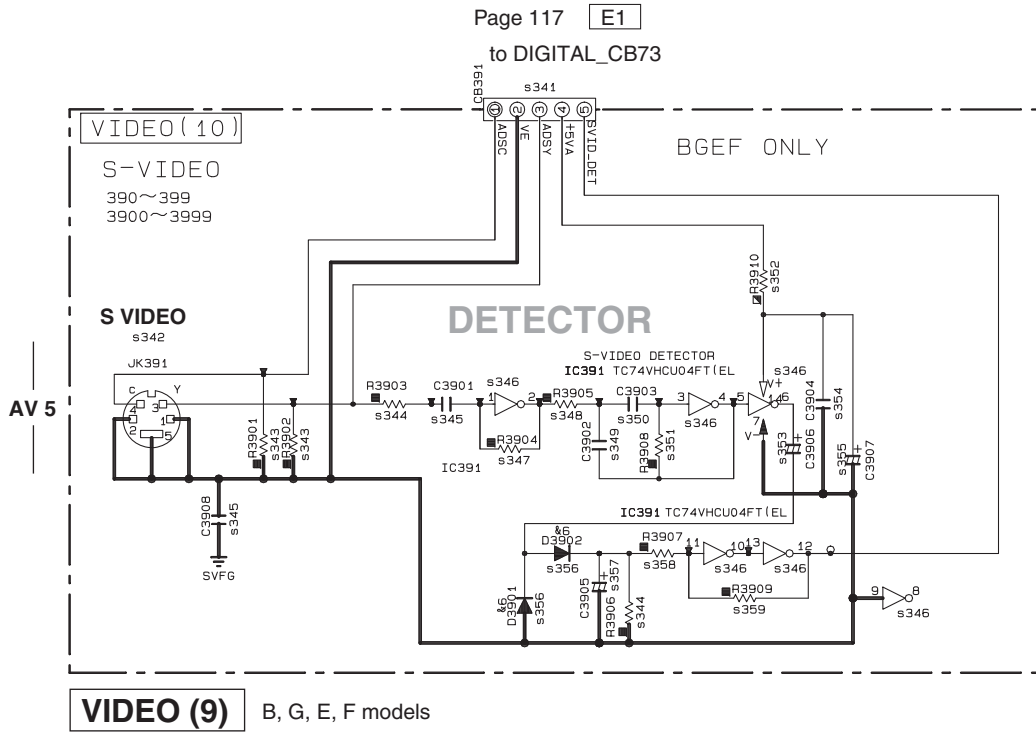
VIDEO (8) J model



Table with columns: LINE SELECTOR, L3 SELECTOR, COMP. SELECTOR. Rows: L, M, H for each selector.



Page 122 [C2] to VIDEO (1)_CB301

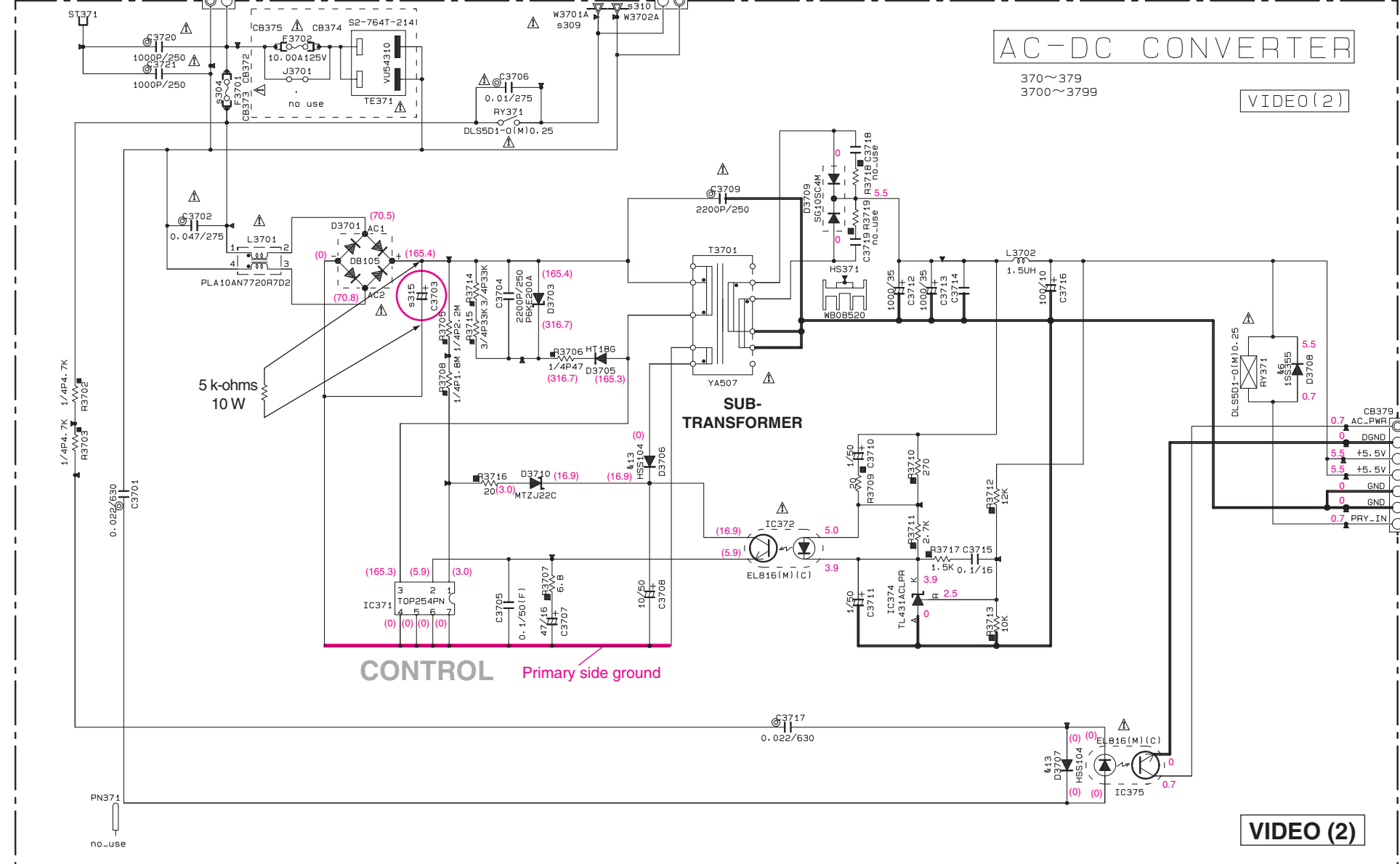
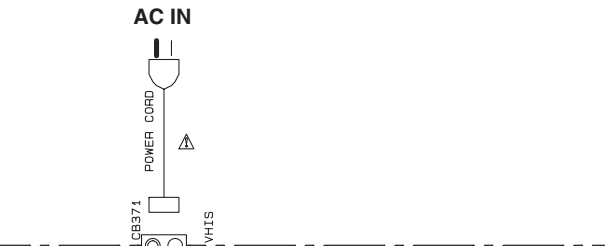


Page 117 [E1] to DIGITAL_CB73

VIDEO (9) B, G, E, F models

VIDEO (7) U, C, T, K, A, B, G, E, F, J models

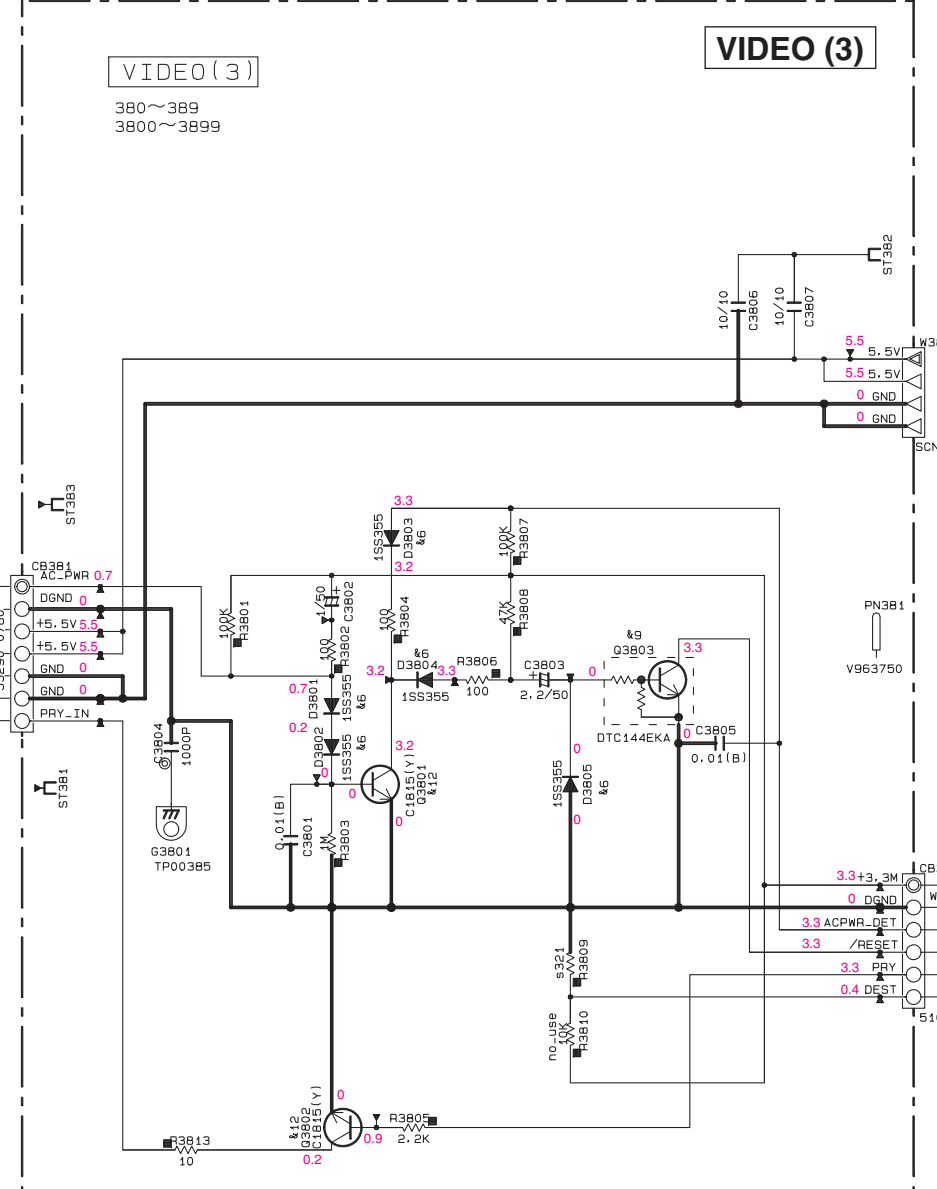
Page 120 [I6] to MAIN (4)_W126A, W126B (R, L models)



注意!

安全対策

- この製品の内部には高電圧部分があり危険です。修理の際は、絶縁性の手袋を使用するなどの安全対策を行ってください。
下記箇所には電源をOFFにした後も電荷が残り、高電圧が維持されており危険です。
修理作業前に放電用抵抗(5kΩ/10W)を下記箇所の端子間に接続して放電してください。放電所用時間は約30秒間です。
VIDEO(2)P.C.B.のC3703



Page 113 [M8] to DIGITAL_CB7

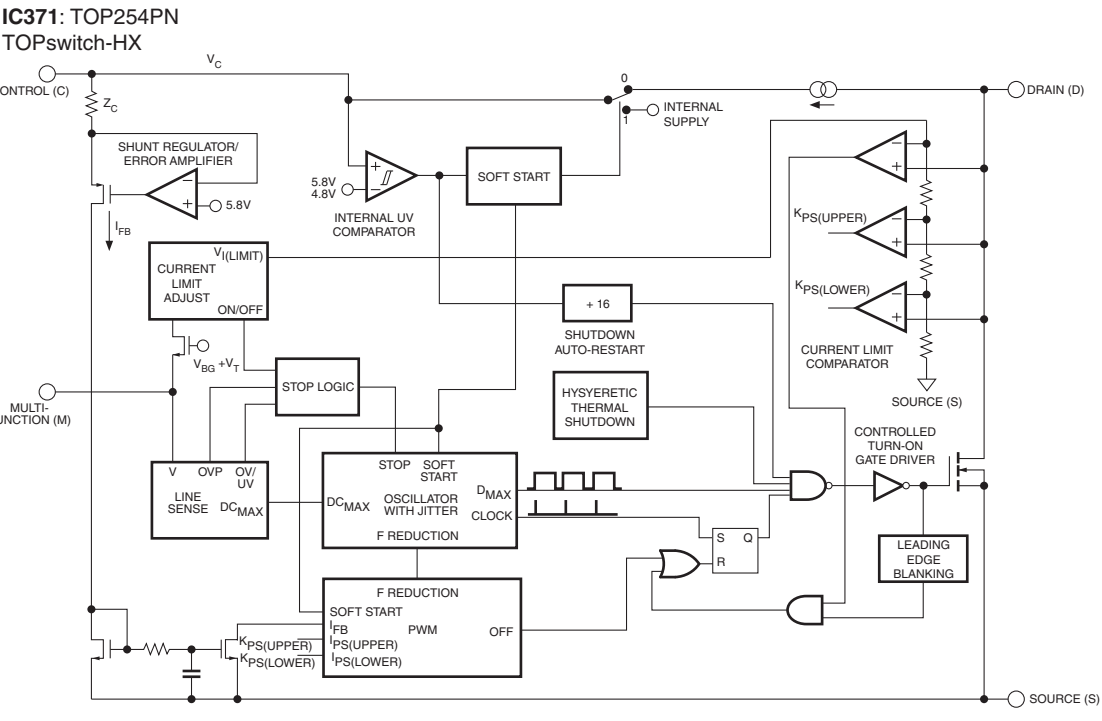
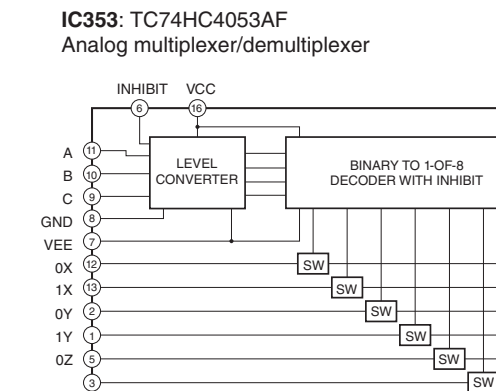
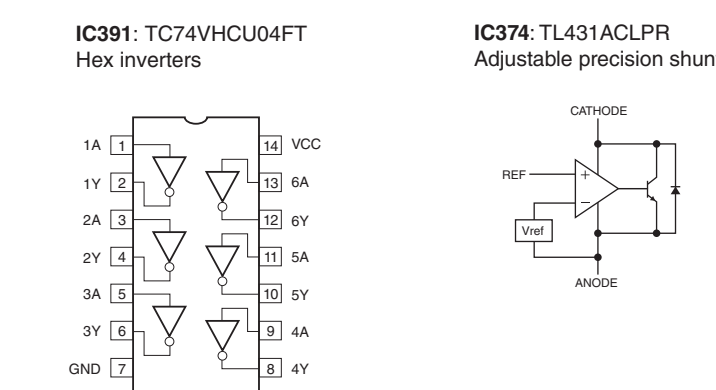
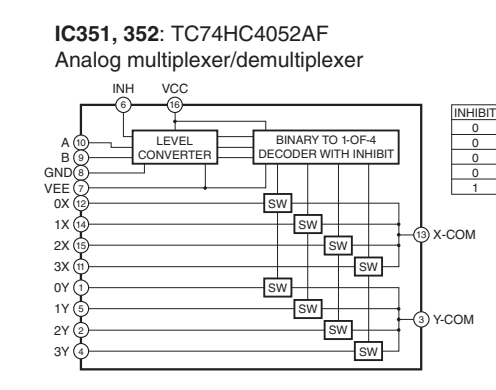
Page 114 [F2] to DIGITAL_CB24

Large component list table with columns: Destination Part List, Part No., Description, and various model compatibility indicators.

RESISTOR table with columns: REMARKS, PARTS NAME, and various resistor types.

CAPACITOR table with columns: REMARKS, PARTS NAME, and various capacitor types.

NOTICE (reg01) (J) JAPAN (U) U.S.A (C) CANADA (R) GENERAL (T) CHINA (K) KOREA (A) AUSTRALIA (B) BRITISH (G) EUROPE (L) SINGAPORE (V) TAIWAN (P) RUSSIAN (F) LATIN AMERICA



- All voltages are measured with a 10MΩ/DC electronic voltmeter.
Components having special characteristics are marked Δ and must be replaced with parts having specifications equal to those originally installed.
Schematic diagram is subject to change without notice.

- 電圧は、内部抵抗 10MΩの電圧計で測定したものです。
△印のある部品は、安全性確保部品を示しています。部品の交換が必要な場合、パーツリストに記載されている部品を使用してください。
●本回路図は標準回路図です。改良のため予告なく変更することがございます。

■ REPLACEMENT PARTS LIST

● ELECTRICAL COMPONENT PARTS

WARNING

- Components having special characteristics are marked Δ and must be replaced with parts having specifications equal to those originally installed.
- Δ 印のある部分は、安全確保部品を示しています。部品の交換が必要な場合、パーツリストに記載されている部品を使用してください。
- 部品価格ランクは、予告なく変更することがあります。

ABBREVIATIONS IN THIS LIST ARE AS FOLLOWS:

C.A.EL.CHP	: CHIP ALUMI.ELECTROLYTIC CAP	L.EMIT	: LIGHT EMITTING MODULE
C.CE	: CERAMIC CAP	LED.DSPLY	: LED DISPLAY
C.CE.ARRAY	: CERAMIC CAP ARRAY	LED.INFRD	: LED,INFRARED
C.CE.CHP	: CHIP CERAMIC CAP	MODUL.RF	: MODULATOR,RF
C.CE.ML	: MULTILAYER CERAMIC CAP	PHOT.CPL	: PHOTO COUPLER
C.CE.M.CHP	: CHIP MULTILAYER CERAMIC CAP	PHOT.INTR	: PHOTO INTERRUPTER
C.CE.SAFETY	: RECOGNIZED CERAMIC CAP	PHOT.RFLCT	: PHOTO REFLECTOR
C.CE.TUBLR	: CERAMIC TUBULAR CAP	PIN.TEST	: PIN,TEST POINT
C.CE.SMI	: SEMI CONDUCTIVE CERAMIC CAP	PLST.RIVET	: PLASTIC RIVET
C.EL	: ELECTROLYTIC CAP	R.ARRAY	: RESISTOR ARRAY
C.MICA	: MICA CAP	R.CAR.	: CARBON RESISTOR
C.ML.FLM	: MULTILAYER FILM CAP	R.CAR.CHP	: CHIP RESISTOR
C.MP	: METALLIZED PAPER CAP	R.CAR.FP	: FLAME PROOF CARBON RESISTOR
C.MYLAR	: MYLAR FILM CAP	R.FUS	: FUSABLE RESISTOR
C.MYLAR.ML	: MULTILAYER MYLAR FILM CAP	R.MTL.CHP	: CHIP METAL FILM RESISTOR
C.PAPER	: PAPER CAPACITOR	R.MTL.FLM	: METAL FILM RESISTOR
C.PLS	: POLYSTYRENE FILM CAP	R.MTL.OXD	: METAL OXIDE FILM RESISTOR
C.POL	: POLYESTER FILM CAP	R.MTL.PLAT	: METAL PLATE RESISTOR
C.POLY	: POLYETHYLENE FILM CAP	RSNR.CE	: CERAMIC RESONATOR
C.PP	: POLYPROPYLENE FILM CAP	RSNR.CRYS	: CRYSTAL RESONATOR
C.TNTL	: TANTALUM CAP	R.TW.CEM	: TWIN CEMENT FIXED RESISTOR
C.TNTL.CHP	: CHIP TANTALUM CAP	R.CEMENT	: CEMENT RESISTOR
C.TRIM	: TRIMMER CAP	SCR.BND.HD	: BIND HEAD B-TIGHT SCREW
CN	: CONNECTOR	SCR.BW.HD	: BW HEAD TAPPING SCREW
CN.BS.PIN	: CONNECTOR,BASE PIN	SCR.CUP	: CUP TIGHT SCREW
CN.CANNON	: CONNECTOR,CANNON	SCR.TERM	: SCREW TERMINAL
CN.DIN	: CONNECTOR,DIN	SCR.TR	: SCREW,TRANSISTOR
CN.FLAT	: CONNECTOR,FLAT CABLE	SUPRT.PCB	: SUPPORT,P.C.B.
CN.POST	: CONNECTOR,BASE POST	SURG.PRTCT	: SURGE PROTECTOR
COIL.MX.AM	: COIL,AM MIX	SW.TACT	: TACT SWITCH
COIL.AT.FM	: COIL,FM ANTENNA	SW.LEAF	: LEAF SWITCH
COIL.DT.FM	: COIL,FM DETECT	SW.LEVER	: LEVER SWITCH
COIL.MX.FM	: COIL,FM MIX	SW.MICRO	: MICRO SWITCH
COIL.OUTPT	: OUTPUT COIL	SW.PUSH	: PUSH SWITCH
DIOD.ARRAY	: DIODE ARRAY	SW.RT.ENC	: ROTARY ENCODER
DIODE.BRG	: DIODE BRIDGE	SW.RT.MTR	: ROTARY SWITCH WITH MOTOR
DIODE.CHP	: CHIP DIODE	SW.RT	: ROTARY SWITCH
DIODE.VAR	: VARACTOR DIODE	SW.SLIDE	: SLIDE SWITCH
DIOD.Z.CHP	: CHIP ZENER DIODE	TERM.SP	: SPEAKER TERMINAL
DIODE.ZENR	: ZENER DIODE	TERM.WRAP	: WRAPPING TERMINAL
DSCR.CE	: CERAMIC DISCRIMINATOR	THRMST.CHP	: CHIP THERMISTOR
FER.BEAD	: FERRITE BEADS	TR.CHP	: CHIP TRANSISTOR
FER.CORE	: FERRITE CORE	TR.DGT	: DIGITAL TRANSISTOR
FET.CHP	: CHIP FET	TR.DGT.CHP	: CHIP DIGITAL TRANSISTOR
FL.DSPLY	: FLUORESCENT DISPLAY	TRANS	: TRANSFORMER
FLTR.CE	: CERAMIC FILTER	TRANS.PULS	: PULSE TRANSFORMER
FLTR.COMB	: COMB FILTER MODULE	TRANS.PWR	: POWER TRANSFORMER ASS'Y
FLTR.LC.RF	: LC FILTER,EMI	TUNER.AM	: TUNER PACK,AM
GND.MTL	: GROUND PLATE	TUNER.FM	: TUNER PACK,FM
GND.TERM	: GROUND TERMINAL	TUNER.PK	: FRONT-ENDTUNER PACK
HOLDER.FUS	: FUSE HOLDER	VR	: ROTARY POTENTIOMETER
IC.PRTCT	: IC PROTECTOR	VR.MTR	: POTENTIOMETER WITH MOTOR
JUMPER.CN	: JUMPER CONNECTOR	VR.SW	: POTENTIOMETER WITH ROTARY SW
JUMPER.TST	: JUMPER,TEST POINT	VR.SLIDE	: SLIDE POTENTIOMETER
L.DTCT	: LIGHT DETECTING MODULE	VR.TRIM	: TRIMMER POTENTIOMETER

P.C.B. DIGITAL

Ref No.	Part No.	Description	Remarks	Markets	部 品 名	ランク	
*	WR436100	P. C. B.	DIGITAL	V765	J	PCB DIGITAL	
*	WR436200	P. C. B.	DIGITAL	V765	U	PCB DIGITAL	
*	WR436300	P. C. B.	DIGITAL	V765	CRTAL	PCB DIGITAL	
*	WR436800	P. C. B.	DIGITAL	6270	C	PCB DIGITAL	
*	WR436400	P. C. B.	DIGITAL	V765	BGEF	PCB DIGITAL	
*	WR436900	P. C. B.	DIGITAL	6270	F	PCB DIGITAL	
CB1-4	WM462600	CN. HDMI	19P SE			コネクタ HDMI	04
CB6	WM462600	CN. HDMI	19P SE			コネクタ HDMI	04
CB7	LB918040	CN. BS. PIN	4P			ベース付ポスト	01
CB20	VP082900	CN. BS. PIN	25P			FFCコネクタ	02
CB21	VB389800	CN. BS. PIN	2P			ベースピン	01
CB22	VK024700	CN. BS. PIN	3P			ワイヤートラップ	01
CB23	VK025600	CN. BS. PIN	12P			ワイヤートラップ	01
CB24	VF728300	CN	6P			コネクタ	01
CB25	VQ045200	CN. BS. PIN	22P			FFCコネクタ	01
CB27	VQ047200	CN. BS. PIN	9P			FFCコネクタ	01
CB40	WJ458700	CN. XM	4P, CAM-D96		U	XMコネクタ	
CB61-63	V9356900	CN. JE	19P SE			JEコネクタプラグ	
CB72	VQ044200	CN. BS. PIN	6P			FFCコネクタ	01
CB73	VQ044100	CN. BS. PIN	5P		BGEF	FFCコネクタ	01
C1-2	US135100	C. CE. CHP	0. 1uF 16V			チップセラコン	01
C3-4	WD758300	C. CE. CHP	10uF 10V			チップセラコン	01
C5-14	US135100	C. CE. CHP	0. 1uF 16V			チップセラコン	01
C15-24	US063100	C. CE. CHP	1000pF 50V B			チップセラコン	01
C25-26	US135100	C. CE. CHP	0. 1uF 16V			チップセラコン	01
C27	US060700	C. CE. CHP	7pF 50V B			チップセラコン	01
C28	US060500	C. CE. CHP	5pF 50V B			チップセラコン	01
C29	US135100	C. CE. CHP	0. 1uF 16V			チップセラコン	01
C30	WD758300	C. CE. CHP	10uF 10V			チップセラコン	01
C31-32	US135100	C. CE. CHP	0. 1uF 16V			チップセラコン	01
C33	US063100	C. CE. CHP	1000pF 50V B			チップセラコン	01
C34	US135100	C. CE. CHP	0. 1uF 16V			チップセラコン	01
C35	WD758300	C. CE. CHP	10uF 10V			チップセラコン	01
C36	US135100	C. CE. CHP	0. 1uF 16V			チップセラコン	01
C37	US063100	C. CE. CHP	1000pF 50V B			チップセラコン	01
C38-40	WD758300	C. CE. CHP	10uF 10V			チップセラコン	01
C41-43	US063100	C. CE. CHP	1000pF 50V B			チップセラコン	01
C44-46	US135100	C. CE. CHP	0. 1uF 16V			チップセラコン	01
C47	WD758300	C. CE. CHP	10uF 10V			チップセラコン	01
C48	US135100	C. CE. CHP	0. 1uF 16V			チップセラコン	01
C50	WD758300	C. CE. CHP	10uF 10V			チップセラコン	01
C51	US135100	C. CE. CHP	0. 1uF 16V			チップセラコン	01
C53-54	US135100	C. CE. CHP	0. 1uF 16V			チップセラコン	01
C55-56	WD758300	C. CE. CHP	10uF 10V			チップセラコン	01
C57	US063100	C. CE. CHP	1000pF 50V B			チップセラコン	01
C58	WD758300	C. CE. CHP	10uF 10V			チップセラコン	01
C59-61	US135100	C. CE. CHP	0. 1uF 16V			チップセラコン	01
C62	WG251600	C. CE. CHP	4. 7uF 6. 3V			チップセラコン	01
C64-66	US135100	C. CE. CHP	0. 1uF 16V			チップセラコン	01
C67	WG251600	C. CE. CHP	4. 7uF 6. 3V			チップセラコン	01
C69	UF027470	C. EL. CHP	47uF 10V			チップケミコン	01
C71-72	US135100	C. CE. CHP	0. 1uF 16V			チップセラコン	01
C73-74	WJ344400	C. CE. CHP	22uF 6. 3V			チップセラコン	01
C75	WD758300	C. CE. CHP	10uF 10V			チップセラコン	01
C76	US135100	C. CE. CHP	0. 1uF 16V			チップセラコン	01
C77	WD758300	C. CE. CHP	10uF 10V			チップセラコン	01
C78	US135100	C. CE. CHP	0. 1uF 16V			チップセラコン	01

* New Parts * 新規部品

P.C.B. DIGITAL

Ref No.	Part No.	Description	Remarks	Markets	部 品 名	ランク
C79-80	US062220	C. CE. CHP	220pF 50V B		チップセラコン	01
C81-82	US135100	C. CE. CHP	0. 1uF 16V		チップセラコン	01
C83	US063330	C. CE. CHP	3300pF 50V B		チップセラコン	01
C84	US063470	C. CE. CHP	4700pF 50V B		チップセラコン	01
C85	US063120	C. CE. CHP	1200pF 50V B		チップセラコン	01
C86	US135100	C. CE. CHP	0. 1uF 16V		チップセラコン	01
C87	US063120	C. CE. CHP	1200pF 50V B		チップセラコン	01
C88-90	US135100	C. CE. CHP	0. 1uF 16V		チップセラコン	01
C91-92	WD758300	C. CE. CHP	10uF 10V		チップセラコン	01
C93	US135100	C. CE. CHP	0. 1uF 16V		チップセラコン	01
C94	WD758300	C. CE. CHP	10uF 10V		チップセラコン	01
C97-101	US135100	C. CE. CHP	0. 1uF 16V		チップセラコン	01
C102	UR267470	C. EL	47uF 50V		ケミコン	01
C103	WG251600	C. CE. CHP	4. 7uF 6. 3V		チップセラコン	01
C104	US135100	C. CE. CHP	0. 1uF 16V		チップセラコン	01
C105	WH772100	C. EL	1000uF 10V		ケミコン	04
C106-124	US135100	C. CE. CHP	0. 1uF 16V		チップセラコン	01
C136	US135100	C. CE. CHP	0. 1uF 16V		チップセラコン	01
C137-138	US062470	C. CE. CHP	470pF 50V B		チップセラコン	01
C200	UR837330	C. EL	33uF 16V		ケミコン	01
C201	US135100	C. CE. CHP	0. 1uF 16V		チップセラコン	01
C202	US064100	C. CE. CHP	0. 01uF 50V B		チップセラコン	01
C204-205	US064100	C. CE. CHP	0. 01uF 50V B		チップセラコン	01
C207-211	US064100	C. CE. CHP	0. 01uF 50V B		チップセラコン	01
C212	US135100	C. CE. CHP	0. 1uF 16V		チップセラコン	01
C214	US135100	C. CE. CHP	0. 1uF 16V		チップセラコン	01
C215-216	US064100	C. CE. CHP	0. 01uF 50V B		チップセラコン	01
C217	US135100	C. CE. CHP	0. 1uF 16V		チップセラコン	01
C218-219	US064100	C. CE. CHP	0. 01uF 50V B		チップセラコン	01
C220-225	US135100	C. CE. CHP	0. 1uF 16V		チップセラコン	01
C226	WG251600	C. CE. CHP	4. 7uF 6. 3V		チップセラコン	01
C228-229	WG251600	C. CE. CHP	4. 7uF 6. 3V		チップセラコン	01
C231	US135100	C. CE. CHP	0. 1uF 16V		チップセラコン	01
C232	US046100	C. CE. CHP	1uF 25V		チップセラコン	01
C232	US046100	C. CE. CHP	1uF 25V	UCRTKABGEFL	チップセラコン	01
C234-238	US046100	C. CE. CHP	1uF 25V		チップセラコン	01
C239-242	US062100	C. CE. CHP	100pF 50V B		チップセラコン	01
C243	US064100	C. CE. CHP	0. 01uF 50V B		チップセラコン	01
C244-254	US135100	C. CE. CHP	0. 1uF 16V		チップセラコン	01
C400-401	WD758300	C. CE. CHP	10uF 10V	U	チップセラコン	01
C402-403	US064100	C. CE. CHP	0. 01uF 50V B		チップセラコン	01
C404	US060800	C. CE. CHP	8pF 50V B	U	チップセラコン	01
C405-406	US035100	C. CE. CHP	0. 1uF 16V B	U	チップセラコン	01
C407	US060800	C. CE. CHP	8pF 50V B	U	チップセラコン	01
C408-409	US035100	C. CE. CHP	0. 1uF 16V B	U	チップセラコン	01
C410	WG251600	C. CE. CHP	4. 7uF 6. 3V		チップセラコン	01
C411	US135100	C. CE. CHP	0. 1uF 16V		チップセラコン	01
C412	US035100	C. CE. CHP	0. 1uF 16V B		チップセラコン	01
C413-414	US135100	C. CE. CHP	0. 1uF 16V		チップセラコン	01
C415	US044220	C. CE. CHP	0. 022uF 25V B		チップセラコン	01
C416	US062100	C. CE. CHP	100pF 50V B		チップセラコン	01
C418	US062220	C. CE. CHP	220pF 50V B		チップセラコン	01
C419	WG251600	C. CE. CHP	4. 7uF 6. 3V		チップセラコン	01
C420	US062220	C. CE. CHP	220pF 50V B		チップセラコン	01
C421	US035100	C. CE. CHP	0. 1uF 16V B	U	チップセラコン	01
C422	US062220	C. CE. CHP	220pF 50V B		チップセラコン	01
C424-425	US135100	C. CE. CHP	0. 1uF 16V		チップセラコン	01

* New Parts * 新規部品

P.C.B. DIGITAL

Ref No.	Part No.	Description	Remarks	Markets	部 品 名	ランク
C426	US062220	C. CE. CHP	220pF 50V B		チップセラコン	01
C427	US035100	C. CE. CHP	0. 1uF 16V B		チップセラコン	01
C430	UR067470	C. EL	47uF 50V		ケミコン	01
C431	US062100	C. CE. CHP	100pF 50V B		チップセラコン	01
C432-433	US062220	C. CE. CHP	220pF 50V B		チップセラコン	01
C434-436	US135100	C. CE. CHP	0. 1uF 16V		チップセラコン	01
C437-438	US062100	C. CE. CHP	100pF 50V B		チップセラコン	01
C439	US061100	C. CE. CHP	10pF 50V B		チップセラコン	01
C440	US060800	C. CE. CHP	8pF 50V B		チップセラコン	01
C441-442	US062390	C. CE. CHP	390pF 50V B		チップセラコン	01
C443-444	US035100	C. CE. CHP	0. 1uF 16V B		チップセラコン	01
C445-446	UR837100	C. EL	10uF 16V		ケミコン	01
C447-448	US135100	C. CE. CHP	0. 1uF 16V		チップセラコン	01
C449-450	UR237470	C. EL	47uF 16V		ケミコン	01
C451	US062100	C. CE. CHP	100pF 50V B		チップセラコン	01
C452	UR067100	C. EL	10uF 50V		ケミコン	01
C453	US126100	C. CE. CHP	1uF 10V		チップセラコン	01
C454-472	US135100	C. CE. CHP	0. 1uF 16V		チップセラコン	01
C473	US062680	C. CE. CHP	680pF 50V B		チップセラコン	01
C474-476	US135100	C. CE. CHP	0. 1uF 16V		チップセラコン	01
C477	WG251600	C. CE. CHP	4. 7uF 6. 3V		チップセラコン	01
C478-484	US135100	C. CE. CHP	0. 1uF 16V		チップセラコン	01
C485	WG251600	C. CE. CHP	4. 7uF 6. 3V		チップセラコン	01
C486	US135100	C. CE. CHP	0. 1uF 16V		チップセラコン	01
C488-489	UU297220	C. EL	22uF 100V		ケミコン	01
C491-493	US135100	C. CE. CHP	0. 1uF 16V		チップセラコン	01
C494-496	US063100	C. CE. CHP	1000pF 50V B		チップセラコン	01
C497-498	US135100	C. CE. CHP	0. 1uF 16V		チップセラコン	01
C499-502	US063100	C. CE. CHP	1000pF 50V B		チップセラコン	01
C503-519	US135100	C. CE. CHP	0. 1uF 16V		チップセラコン	01
C600	WKO41800	C. EL	10uF 16V	V765	ケミコン	01
C600	V7887600	C. EL	10uF 25V	6270	ケミコン	01
C601-603	US135100	C. CE. CHP	0. 1uF 16V		チップセラコン	01
C604-605	US064100	C. CE. CHP	0. 01uF 50V B		チップセラコン	01
C606	UR067100	C. EL	10uF 50V		ケミコン	01
C607	US064100	C. CE. CHP	0. 01uF 50V B		チップセラコン	01
C608-609	US135100	C. CE. CHP	0. 1uF 16V		チップセラコン	01
C610	US126100	C. CE. CHP	1uF 10V		チップセラコン	01
C611	US062100	C. CE. CHP	100pF 50V B		チップセラコン	01
C612	UR067100	C. EL	10uF 50V		ケミコン	01
C613-614	US126100	C. CE. CHP	1uF 10V		チップセラコン	01
C615	UR237100	C. EL	10uF 16V		ケミコン	01
C616-617	US135100	C. CE. CHP	0. 1uF 16V		チップセラコン	01
C618	US063100	C. CE. CHP	1000pF 50V B		チップセラコン	01
C619	US135100	C. CE. CHP	0. 1uF 16V		チップセラコン	01
C620	UR348100	C. EL	100uF 25V		ケミコン	01
C621	UR218100	C. EL	100uF 6. 3V		ケミコン	01
C622	UR067100	C. EL	10uF 50V		ケミコン	01
C623	US135100	C. CE. CHP	0. 1uF 16V		チップセラコン	01
C624	WKO41800	C. EL	10uF 16V		ケミコン	01
C625	US135100	C. CE. CHP	0. 1uF 16V		チップセラコン	01
C626	UR067100	C. EL	10uF 50V		ケミコン	01
C627-628	WJ603600	C. MYLAR	820pF 50V J		マイラーコン	01
C629-630	UR837100	C. EL	10uF 16V		ケミコン	01
C633-634	UR067100	C. EL	10uF 50V		ケミコン	01
C635-642	US062100	C. CE. CHP	100pF 50V B		チップセラコン	01
C643-644	US663330	C. CE. CHP	3300pF 50V		チップセラコン	01

* New Parts * 新規部品

P.C.B. DIGITAL

Ref No.	Part No.	Description	Remarks	Markets	部 品 名	ランク	
C700-702	US135100	C. CE. CHP	0. 1uF	16V		チップセラコン	01
C703-704	WD758300	C. CE. CHP	10uF	10V		チップセラコン	01
C705-706	US135100	C. CE. CHP	0. 1uF	16V		チップセラコン	01
C707-708	WD758300	C. CE. CHP	10uF	10V		チップセラコン	01
C709-710	US135100	C. CE. CHP	0. 1uF	16V		チップセラコン	01
C711-712	US064100	C. CE. CHP	0. 01uF	50V B		チップセラコン	01
C713	UF037220	C. EL. CHP	22uF	16V		チップケミコン	01
C714-717	US135100	C. CE. CHP	0. 1uF	16V		チップセラコン	01
C718	US034390	C. CE. CHP	0. 039uF	16V B		チップセラコン	01
C719-721	US135100	C. CE. CHP	0. 1uF	16V		チップセラコン	01
C722-723	US063100	C. CE. CHP	1000pF	50V B		チップセラコン	01
C724-725	US135100	C. CE. CHP	0. 1uF	16V		チップセラコン	01
C726	US064100	C. CE. CHP	0. 01uF	50V B		チップセラコン	01
C727	US135100	C. CE. CHP	0. 1uF	16V		チップセラコン	01
C728	US064100	C. CE. CHP	0. 01uF	50V B		チップセラコン	01
C729	US135100	C. CE. CHP	0. 1uF	16V		チップセラコン	01
C730	VZ243400	C. CE. CHP	0. 33uF	16V		チップセラコン	01
C731	VZ281900	C. CE. CHP	0. 47uF	16V K		チップセラ	01
C732	US034820	C. CE. CHP	0. 082uF	16V K		チップセラコン	01
C733	US064100	C. CE. CHP	0. 01uF	50V B		チップセラコン	01
C734	US135100	C. CE. CHP	0. 1uF	16V		チップセラコン	01
C735	US061100	C. CE. CHP	10pF	50V B		チップセラコン	01
C736	US060800	C. CE. CHP	8pF	50V B		チップセラコン	01
C737-742	US135100	C. CE. CHP	0. 1uF	16V		チップセラコン	01
C743	UF037220	C. EL. CHP	22uF	16V		チップケミコン	01
C744-746	US135100	C. CE. CHP	0. 1uF	16V		チップセラコン	01
C747	UF037100	C. EL. CHP	10uF	16V		チップケミコン	01
C748-749	US135100	C. CE. CHP	0. 1uF	16V		チップセラコン	01
C750	UF037220	C. EL. CHP	22uF	16V		チップケミコン	01
C751	US135100	C. CE. CHP	0. 1uF	16V		チップセラコン	01
C752	UF037220	C. EL. CHP	22uF	16V		チップケミコン	01
C753	US135100	C. CE. CHP	0. 1uF	16V		チップセラコン	01
C754	UF037100	C. EL. CHP	10uF	16V		チップケミコン	01
C755-757	US135100	C. CE. CHP	0. 1uF	16V		チップセラコン	01
C758	UF037220	C. EL. CHP	22uF	16V		チップケミコン	01
C759	US135100	C. CE. CHP	0. 1uF	16V		チップセラコン	01
C763	UF037220	C. EL. CHP	22uF	16V		チップケミコン	01
C764-766	US135100	C. CE. CHP	0. 1uF	16V		チップセラコン	01
C772	US135100	C. CE. CHP	0. 1uF	16V		チップセラコン	01
C774-776	US135100	C. CE. CHP	0. 1uF	16V		チップセラコン	01
C779	US135100	C. CE. CHP	0. 1uF	16V		チップセラコン	01
C782-790	US135100	C. CE. CHP	0. 1uF	16V		チップセラコン	01
C791	UF037220	C. EL. CHP	22uF	16V		チップケミコン	01
C792-794	US135100	C. CE. CHP	0. 1uF	16V		チップセラコン	01
C795	UF037100	C. EL. CHP	10uF	16V		チップケミコン	01
C796-797	US063100	C. CE. CHP	1000pF	50V B		チップセラコン	01
C798-799	US064100	C. CE. CHP	0. 01uF	50V B		チップセラコン	01
C800-806	US135100	C. CE. CHP	0. 1uF	16V		チップセラコン	01
D2	WE674800	DIODE	AVRL161A1R1NTB			チップバリスタ	01
D11-14	WE674800	DIODE	AVRL161A1R1NTB			チップバリスタ	01
D23-26	WE674800	DIODE	AVRL161A1R1NTB			チップバリスタ	01
D35-38	WE674800	DIODE	AVRL161A1R1NTB			チップバリスタ	01
D47-49	WE674800	DIODE	AVRL161A1R1NTB			チップバリスタ	01
D60-61	WE674800	DIODE	AVRL161A1R1NTB			チップバリスタ	01
D62	VV220700	DIODE. SHOT	RB501V-40			ショットキーダイオード	01
D63-64	V6267600	DIODE	RB051L-40			ダイオード	01
D65	WE674800	DIODE	AVRL161A1R1NTB			チップバリスタ	01

* New Parts * 新規部品

P.C.B. DIGITAL

Ref No.	Part No.	Description	Remarks	Markets	部 品 名	ランク
D200-204	VU990900	DIODE. ZENR	MAZ8033GHL 3.4V		ツェナーダイオード	01
D400-402	WE674800	DIODE	AVRL161A1R1NTB		チップバリスタ	01
D403-404	VT332900	DIODE	1SS355		ダイオード	01
D600	VT332900	DIODE	1SS355		ダイオード	01
D602-603	VT332900	DIODE	1SS355		ダイオード	01
D702-703	VT332900	DIODE	1SS355		ダイオード	01
IC2	XZ287A00	IC	SN74LVC245APWR		ロジック IC	02
IC3	XS775A00	IC	TC7SH04FU		ロジック ICフラット	01
IC5	X7195A00	IC	R1172S121D-E2-F		電源 IC	04
IC10	X7741A00	IC	NJM2867F3-05 (TE1)		電源 IC	02
IC11	X0199B00	IC	TC74VHC157FT (EL, K)		ロジック IC	01
IC13	YA255A00	IC	R1172H501D-T1-F		電源 IC	
IC20	X8328A00	IC. CPU	M30878FJBG	unwritten	IC CPU	10
IC21	X8194A00	IC	R1172H331D-T1-F		電源 IC	03
IC22	YA398A00	IC. MEMORY	LE25LA322M-TLM-E		メモリ IC	
IC41	YA399A00	IC	LC89058WD-E		IC	
IC43	X7378A00	IC	NJM4565M (TE1)		アンプ IC	01
IC46	X0199B00	IC	TC74VHC157FT (EL, K)		ロジック IC	01
IC47	X7195A00	IC	R1172S121D-E2-F		電源 IC	04
IC48	X9626B00	IC. MEMORY	K4S641632N-LC60000		メモリ IC 64M	
* IC49	YA541A00	IC. MEMORY	MX29LV160DBT170G	written	メモリ IC 16M	
IC50	XR680A00	IC	TC7SH08FU (TE85L, JF)		ロジック IC	01
IC61	X7375A00	IC	PCM1781DBQR		IC	04
IC62	X0199B00	IC	TC74VHC157FT (EL, K)		ロジック IC	01
IC63	XS534A00	IC	NJM78M05DL1A		電源 IC	02
IC65	X7355A00	IC	PCM1680DBQR		IC	07
IC66	X7357A00	IC	PCM1803DBR		IC	04
IC67	X3586B00	IC	TC74VHCT08AFT EL, K		ロジック IC	01
IC68	XR680A00	IC	TC7SH08FU (TE85L, JF)		ロジック IC	01
IC70	X9393A00	IC	ADV7800BSTZ-80		ICビデオデコーダ	13
IC71	YA215A00	IC	ABT1012		ビデオスケーラ	
IC73	X9460A00	IC	R1172H181B-T1-F		電源 IC	03
IC74	X8194A00	IC	R1172H331D-T1-F		電源 IC	03
IC75	X8531A00	IC	TC7WZ32FK		ロジック IC	02
IC76-78	XZ283A00	IC	SN74LVTH245APW BUS		ロジック IC	04
Q1-8	VQ986700	TR	2SC4081 T106		トランジスタ	01
Q200	WQ381000	FET	MCH6336-TL-E		MOS FET	
Q201-202	VV655300	TR. DGT	DTA144EKA		デジタルトランジスタ	01
Q203	VR936300	TR	2SA1576A T106		トランジスタ	01
Q205-209	VR936300	TR	2SA1576A T106		トランジスタ	01
Q400	WQ381000	FET	MCH6336-TL-E		MOS FET	
Q401	VV655300	TR. DGT	DTA144EKA		デジタルトランジスタ	01
Q402	WQ381000	FET	MCH6336-TL-E		MOS FET	
Q403	VV655000	TR. DGT	DTA114EKA		デジタルトランジスタ	01
Q404	VV655300	TR. DGT	DTA144EKA		デジタルトランジスタ	01
Q600	VV655200	TR. DGT	DTA143EKA		デジタルトランジスタ	01
Q601	VV655700	TR. DGT	DTC144EKA		デジタルトランジスタ	01
Q700	WQ381000	FET	MCH6336-TL-E		MOS FET	
Q701	VR936300	TR	2SA1576A T106		トランジスタ	01
Q702	WQ381000	FET	MCH6336-TL-E		MOS FET	
Q703	VR936300	TR	2SA1576A T106		トランジスタ	01
R88	V8070100	R. MTL. FLM	2.2Ω 1W		金属被膜抵抗	01
R201	RD357120	R. CHP	12KΩ 1/16W J	V765	チップ抵抗	01
R201	RD357180	R. CHP	18KΩ 1/16W J	6270	チップ抵抗	01
R466-467	HV753220	R. CAR. FP	2.2Ω 1/4W		不燃化カーボン抵抗	01
R601	WQ072300	R. MTL. OXD	2.2Ω 1W		酸化金属被膜抵抗	
R601	V8070100	R. MTL. FLM	2.2Ω 1W		金属被膜抵抗	01

* New Parts * 新規部品

P.C.B. DIGITAL and P.C.B. OPERATION

Ref No.	Part No.	Description	Remarks	Markets	部 品 名	ランク
R607	HV753220	R. CAR. FP	2. 2Ω 1/4W		不燃化カーボン抵抗	01
ST1-2	V4040500	SCR. TERM	M3		スクリューノターミナル	01
XL1	WR725300	RSNR. CRY5	27MHz SMD-49		水晶振動子	
XL20	WF997400	RSNR. CE	20MHz		セラミック振動子	02
* XL41	WR846900	RSNR. CRY5	45. 1984MHz DSX321G	U	水晶振動子	
XL42	V3625700	RSNR. CRY5	24. 576MHz		水晶振動子	03
XL70	VZ772700	RSNR. CRY5	28. 63636MHz		水晶振動子	03
* * * * *	WR435100	P. C. B.	OPERATION	J	PCB OPERATION	
	WR435200	P. C. B.	OPERATION	U	PCB OPERATION	
	WR435300	P. C. B.	OPERATION	C	PCB OPERATION	
	WR435400	P. C. B.	OPERATION	RTA	PCB OPERATION	
	WR435500	P. C. B.	OPERATION	KBGEFL	PCB OPERATION	
CB401	VQ045400	CN. BS. PIN	25P		FFCコネクター	03
CB402	VQ044400	CN. BS. PIN	9P		FFCコネクター	01
CB451	VQ961100	CN. BS. PIN	8P		ハウジング	01
CB452	V9357000	CN	19P TE		Jエコネクター	
CB454	VQ962100	CN. BS. PIN	18P		ハウジング	03
CB455	V9357000	CN	19P TE		Jエコネクター	
CB456	VQ961800	CN. BS. PIN	15P		ハウジング	01
CB457	VQ961400	CN. BS. PIN	11P		ハウジング	03
CB458	V9357000	CN	19P TE		Jエコネクター	
CB459	VQ963300	CN. BS. PIN	12P		ウエハー	01
CB460	VQ963100	CN. BS. PIN	10P		ウエハー	01
CB461	VQ044400	CN. BS. PIN	9P		FFCコネクター	01
CB462	VK026400	CN. BS. PIN	5P	JRTKABGEFL	ワイヤートラップ	01
CB463	VQ585700	CN. JUMPER	7P		ジャンパーコネクター	03
CB477	VB858300	CN. BS. PIN	4P		コネクターベースポスト	01
C4001	US063100	C. CE. CHP	1000pF 50V B		チップセラコン	01
C4002	US065100	C. CE. CHP	0. 1uF 50V B		チップセラコン	01
C4003	UR067100	C. EL	10uF 50V		ケミコン	01
C4004	US064100	C. CE. CHP	0. 01uF 50V B		チップセラコン	01
C4005	UR837220	C. EL	22uF 16V		ケミコン	01
C4006	US062100	C. CE. CHP	100pF 50V B		チップセラコン	01
C4007	UR257470	C. EL	47uF 35V		ケミコン	01
C4008	US061330	C. CE. CHP	33pF 50V B		チップセラコン	01
C4009-4010	UR267220	C. EL	22uF 50V		ケミコン	01
C4011	UR067100	C. EL	10uF 50V		ケミコン	01
C4012-4013	US135100	C. CE. CHP	0. 1uF 16V		チップセラコン	01
C4015	UR268220	C. EL	220uF 50V		ケミコン	01
C4016	UM388330	C. EL	330uF 6. 3V		ケミコン	01
C4017	US135100	C. CE. CHP	0. 1uF 16V		チップセラコン	01
C4018	US061680	C. CE. CHP	68pF 50V B		チップセラコン	01
C4019	US065100	C. CE. CHP	0. 1uF 50V B		チップセラコン	01
C4020-4021	US135100	C. CE. CHP	0. 1uF 16V		チップセラコン	01
C4022	US064100	C. CE. CHP	0. 01uF 50V B		チップセラコン	01
C4023-4024	US063100	C. CE. CHP	1000pF 50V B		チップセラコン	01
C4025-4026	US065100	C. CE. CHP	0. 1uF 50V B		チップセラコン	01
C4027	US135100	C. CE. CHP	0. 1uF 16V		チップセラコン	01
C4028	US062100	C. CE. CHP	100pF 50V B		チップセラコン	01
C4030	US062100	C. CE. CHP	100pF 50V B		チップセラコン	01
C4031	US062470	C. CE. CHP	470pF 50V B		チップセラコン	01
C4032	US135100	C. CE. CHP	0. 1uF 16V		チップセラコン	01
C4033	US063100	C. CE. CHP	1000pF 50V B		チップセラコン	01
C4034	UM417100	C. EL	10uF 50V		ケミコン	01

* New Parts * 新規部品

P.C.B. OPERATION

Ref No.	Part No.	Description	Remarks	Markets	部 品 名	ランク
C4035	US135100	C. CE. CHP	0. 1uF 16V		チップセラコン	01
C4036-4040	US063100	C. CE. CHP	1000pF 50V B		チップセラコン	01
C4041-4046	US135100	C. CE. CHP	0. 1uF 16V		チップセラコン	01
C4202	US063100	C. CE. CHP	1000pF 50V B	U	チップセラコン	01
C4205-4211	US062220	C. CE. CHP	220pF 50V B	U	チップセラコン	01
C4212	US062100	C. CE. CHP	100pF 50V B		チップセラコン	01
C4213	UR267100	C. EL	10uF 50V		ケミコン	
C4214	WKO41800	C. EL	10uF 16V		ケミコン	01
C4215	WJ603500	C. MYLAR	680pF 50V		マイラーコン	
C4216	US135100	C. CE. CHP	0. 1uF 16V		チップセラコン	01
C4217	UR267470	C. EL	47uF 50V		ケミコン	01
C4218	US135100	C. CE. CHP	0. 1uF 16V		チップセラコン	01
C4219	UR267470	C. EL	47uF 50V		ケミコン	01
C4220	WJ603500	C. MYLAR	680pF 50V		マイラーコン	
C4221	WKO41800	C. EL	10uF 16V		ケミコン	01
C4222	UR267100	C. EL	10uF 50V		ケミコン	
C4223-4224	US062100	C. CE. CHP	100pF 50V B		チップセラコン	01
C4225	UR267100	C. EL	10uF 50V		ケミコン	
C4226	WKO41800	C. EL	10uF 16V		ケミコン	01
C4227	WJ603500	C. MYLAR	680pF 50V		マイラーコン	
C4228-4229	US135100	C. CE. CHP	0. 1uF 16V		チップセラコン	01
C4230	WJ605800	C. MYLAR	0. 047uF 50V J		マイラーコン	01
C4231-4232	UR267100	C. EL	10uF 50V		ケミコン	
C4233	WJ604700	C. MYLAR	6800pF 50V		マイラーコン	
C4234	US062100	C. CE. CHP	100pF 50V B		チップセラコン	01
C4235	UR267100	C. EL	10uF 50V		ケミコン	
C4236	WKO41800	C. EL	10uF 16V		ケミコン	01
C4237	WJ603500	C. MYLAR	680pF 50V		マイラーコン	
C4238-4239	US135100	C. CE. CHP	0. 1uF 16V		チップセラコン	01
C4240	WJ603500	C. MYLAR	680pF 50V		マイラーコン	
C4241	WKO41800	C. EL	10uF 16V		ケミコン	01
C4242	UR267100	C. EL	10uF 50V		ケミコン	
C4243-4244	US062100	C. CE. CHP	100pF 50V B		チップセラコン	01
C4245	UR267100	C. EL	10uF 50V		ケミコン	
C4246	WKO41800	C. EL	10uF 16V		ケミコン	01
C4247	WJ603500	C. MYLAR	680pF 50V		マイラーコン	
C4248-4249	US135100	C. CE. CHP	0. 1uF 16V		チップセラコン	01
C4250	WJ603500	C. MYLAR	680pF 50V		マイラーコン	
C4251	WKO41800	C. EL	10uF 16V		ケミコン	01
C4252	UR267100	C. EL	10uF 50V		ケミコン	
C4253	US062100	C. CE. CHP	100pF 50V B		チップセラコン	01
C4254-4255	URO67100	C. EL	10uF 50V		ケミコン	01
C4301	UR267470	C. EL	47uF 50V	JRTKABGEFL	ケミコン	01
C4302	UR267470	C. EL	47uF 50V	JRTKABGEFL	ケミコン	01
C4303	WJ603700	C. MYLAR	1000pF 50V	JRTKABGEFL	マイラーコン	01
C4304	WJ603700	C. MYLAR	1000pF 50V	JRTKABGEFL	マイラーコン	01
C4305	UR267100	C. EL	10uF 50V	JRTKABGEFL	ケミコン	
C4306	UR267100	C. EL	10uF 50V	JRTKABGEFL	ケミコン	
C4307	WJ605600	C. MYLAR	0. 033uF 50V	JRTKABGEFL	マイラーコン	
C4308	WJ605600	C. MYLAR	0. 033uF 50V	JRTKABGEFL	マイラーコン	
C4309	WJ604900	C. MYLAR	9100pF 50V	JRTKABGEFL	マイラーコン	
C4310	WJ604900	C. MYLAR	9100pF 50V	JRTKABGEFL	マイラーコン	
C4311	UR218220	C. EL	220uF 6. 3V	JRTKABGEFL	ケミコン	
C4312	UR218220	C. EL	220uF 6. 3V	JRTKABGEFL	ケミコン	
C4313	WJ603100	C. MYLAR	220pF 50V	JRTKABGEFL	マイラーコン	01
C4314	WJ603100	C. MYLAR	220pF 50V	JRTKABGEFL	マイラーコン	01
C4315	WJ603100	C. MYLAR	220pF 50V	RTKABGEFL	マイラーコン	01

* New Parts * 新規部品

P.C.B. OPERATION

Ref No.	Part No.	Description	Remarks	Markets	部 品 名	ランク	
C4316	WJ603100	C. MYLAR	220pF 50V		RTKABGEFL	マイラーコン	01
C4317	US064100	C. CE. CHP	0.01uF 50V B		JRTKABGEFL	チップセラコン	01
C4318-4321	WJ605000	C. MYLAR	0.01uF 50V J			マイラーコン	01
C4403	WJ604300	C. MYLAR	3300pF 50V			マイラーコン	
C4406	WJ604300	C. MYLAR	3300pF 50V			マイラーコン	
C4407	US064100	C. CE. CHP	0.01uF 50V B			チップセラコン	01
C4408-4409	US063680	C. CE. CHP	6800pF 50V B			チップセラコン	01
C4412	US135100	C. CE. CHP	0.1uF 16V			チップセラコン	01
C4414	US063100	C. CE. CHP	1000pF 50V B			チップセラコン	01
C4416	US135100	C. CE. CHP	0.1uF 16V			チップセラコン	01
C4418	US062220	C. CE. CHP	220pF 50V B			チップセラコン	01
D4001-4002	VT332900	DIODE	1SS355			ダイオード	01
D4003	VU171900	DIODE. ZENR	UDZ5.1B 5.1V			ツェナーダイオード	01
D4004-4005	VT332900	DIODE	1SS355			ダイオード	01
D4006-4007	VU991000	DIODE. ZENR	MAZ8036GLL 3.5V			ツェナーダイオード	01
D4008	WG760400	LED	SELK6E10C BLUE			LED	04
D4009	WR095700	LED	8224-10SDRD/S530A3			LED	01
D4011	V2598200	LED	SIR-505ST			LED	01
D4301	VV659300	DIODE. ZENR	RLZ7.5B 7.5V		JRTKABGEFL	ツェナーダイオード	01
D4302	VV659300	DIODE. ZENR	RLZ7.5B 7.5V		JRTKABGEFL	ツェナーダイオード	01
D4303	VT332900	DIODE	1SS355			ダイオード	01
D4401-4402	VT332900	DIODE	1SS355			ダイオード	01
D4406-4407	VT332900	DIODE	1SS355			ダイオード	01
D4409	VT332900	DIODE	1SS355			ダイオード	01
D4411	VT332900	DIODE	1SS355			ダイオード	01
IC401	X7378A00	IC	NJM4565M (TE1)			アンプ IC	01
IC402	X6386A00	IC	M66003-0131FP			IC	07
IC451-454	X5482A00	IC	NE5532DR OP AMP			アンプ IC	01
IC461	X3505A00	IC	NJM2068MD-TE2		JRTKABGEFL	アンプ IC	02
JK401	WC814400	JACK. MNI	JY-3554-01-130			ミニジャック	02
JK451	VV269500	CN	8P DIN		U	複合コネクタ	03
JK471	WJ117400	JACK. MNI	OPTIMIZER MIC			ミニジャック	02
JK472	V9408200	JACK. PHONE	MSJ-064-05B GR			ホンジャック	03
PJ461	WD599600	JACK. PIN	2P MSP-252V2-06 NI			ピンジャック 2P	01
PJ461	WD599600	JACK. PIN	2P MSP-252V2-06 NI		JRTKABGEFL	ピンジャック 2P	01
PJ472	WJ117500	JACK. PIN	3P			ピンジャック	03
Q4001-4003	WC529400	TR	KTC3875S Y GR RTK			トランジスタ	01
Q4004	VV655400	TR. DGT	DTC114EKA			デジタルトランジスタ	01
Q4005	WC397700	TR	2N5401C-AT			トランジスタ	
Q4006-4012	WC529400	TR	KTC3875S Y GR RTK			トランジスタ	01
Q4301	VV655400	TR. DGT	DTC114EKA			デジタルトランジスタ	01
Q4302	VV655000	TR. DGT	DTA114EKA			デジタルトランジスタ	01
R4208	WQ072300	R. MTL. OXD	2.2Ω 1W		JKBGEFL	酸化金属被膜抵抗	
R4208	HV753220	R. CAR. FP	2.2Ω 1/4W		UCRTA	不燃化カーボン抵抗	01
R4209	WQ072300	R. MTL. OXD	2.2Ω 1W		JKBGEFL	酸化金属被膜抵抗	
R4209	HV753220	R. CAR. FP	2.2Ω 1/4W		UCRTA	不燃化カーボン抵抗	01
R4301	WQ964700	R. MTL. OXD	470Ω 1W		JKBGEFL	酸化金属被膜抵抗	
R4301	HV755470	R. CAR. FP	470Ω 1/4W		RTA	不燃化カーボン抵抗	01
R4302	WQ964700	R. MTL. OXD	470Ω 1W		JKBGEFL	酸化金属被膜抵抗	
R4302	HV755470	R. CAR. FP	470Ω 1/4W		RTA	不燃化カーボン抵抗	01
R4320-4321	HV757100	R. CAR. FP	10KΩ 1/4W			不燃化カーボン抵抗	01
R4413-4414	V8071300	R. MTL. FLM	470Ω 1W			金属被膜抵抗	
RY461	WJ122400	RELAY	981-2A-24DS-SP7			リレー 24V	04
ST451	V4040500	SCR. TERM	M3		JCRTKABGEFL	スクリュー/ターミナル	01
ST461	V4040500	SCR. TERM	M3			スクリュー/ターミナル	01
ST471	V4040500	SCR. TERM	M3			スクリュー/ターミナル	01
SW401-404	WD483100	SW. TACT	SKRGAAD010			タクト SW	01

* New Parts * 新規部品

P.C.B. OPERATION and P.C.B. MAIN

Ref No.	Part No.	Description	Remarks	Markets	部 品 名	ランク	
SW406-407	WD483100	SW. TACT	SKRGAAD010		タクト SW	01	
SW409-413	WD483100	SW. TACT	SKRGAAD010		タクト SW	01	
SW415	WD483100	SW. TACT	SKRGAAD010		タクト SW	01	
SW417-419	WD483100	SW. TACT	SKRGAAD010		タクト SW	01	
SW421	WD483100	SW. TACT	SKRGAAD010		タクト SW	01	
SW424	WD483100	SW. TACT	SKRGAAD010		タクト SW	01	
SW441-442	V9266400	SW. RT. ENC	XREB12105PVB25F		ロータリーエンコーダ	02	
SW443	V9597100	SW. RT. ENC	EC12E2460802		ロータリーエンコーダ	04	
SW471	WD483100	SW. TACT	SKRGAAD010		タクト SW	01	
TE461	WK560800	TERM. SP	4P MST-204V1-01 NC	JUCRTA	スピーカターミナル	04	
TE461	WK560900	TERM. SP	4P MST-204V1-01 WC	KBGEFL	スピーカターミナル		
TE463	WB782600	AC INLET	R-30190 (26)	J	A Cインレット 2P		
U4001	WQ600700	L. DTCT	SM3385VMH6		リモコン受光ユニット	03	
V4001	WQ842100	FL. DSPLY	18-MT-09GNK		蛍光表示管	08	
	V6007100	SPACER. FL	4. 6/10/32		スペーサ F L		
*	WR431900	P. C. B.	MAIN		J	P C B M A I N	
*	WR432000	P. C. B.	MAIN		U	P C B M A I N	
*	WR432000	P. C. B.	MAIN	V765	C	P C B M A I N	
*	WR432500	P. C. B.	MAIN	6270	C	P C B M A I N	
*	WR432100	P. C. B.	MAIN		R	P C B M A I N	
*	WR432200	P. C. B.	MAIN		TKABGEF	P C B M A I N	
*	WR432300	P. C. B.	MAIN		L	P C B M A I N	
CB111-112	WNO77700	CLIP. FUSE	CLIP PFC5000-0202F		R	ヒューズクリップ	
CB152	VQ962900	CN. BS. PIN	8P			ウエハー	01
CB153	VQ963900	CN. BS. PIN	18P			ウエハー	03
CB154	VQ963600	CN. BS. PIN	15P			ウエハー	01
CB155	VQ963200	CN. BS. PIN	11P			ウエハー	03
C1001	WKO41800	C. EL	10uF 16V		JTKABGEF	ケミコン	01
C1001	UR257100	C. EL	10uF 35V		UCRL	ケミコン	01
C1002	WKO41800	C. EL	10uF 16V		JTKABGEF	ケミコン	01
C1002	UR257100	C. EL	10uF 35V		UCRL	ケミコン	01
C1003	WKO41800	C. EL	10uF 16V		JTKABGEF	ケミコン	01
C1003	UR257100	C. EL	10uF 35V		UCRL	ケミコン	01
C1004-1007	UR257100	C. EL	10uF 35V			ケミコン	01
C1008	WE100900	C. PP	220pF 630V		JTKABGEF	P P コン	02
C1008	WN164200	C. PP	220pF 100V		UCRL	P P コン	01
C1009	WE100900	C. PP	220pF 630V		JTKABGEF	P P コン	02
C1009	WN164200	C. PP	220pF 100V		UCRL	P P コン	01
C1010	WE100900	C. PP	220pF 630V		JTKABGEF	P P コン	02
C1010	WN164200	C. PP	220pF 100V		UCRL	P P コン	01
C1011-1014	WN164200	C. PP	220pF 100V			P P コン	01
C1015	WE100600	C. PP	120pF 630V		JTKABGEF	P P コン	
C1015	WQ107500	C. PP	120pF 100V		UCRL	P P コン	
C1016	WE100600	C. PP	120pF 630V		JTKABGEF	P P コン	
C1016	WQ107500	C. PP	120pF 100V		UCRL	P P コン	
C1017	WE100600	C. PP	120pF 630V		JTKABGEF	P P コン	
C1017	WQ107500	C. PP	120pF 100V		UCRL	P P コン	
C1018-1021	WQ107500	C. PP	120pF 100V			P P コン	
C1022	WE102300	C. PP	3300pF 100V		JTKABGEFL	P P コン	01
C1022	WN164900	C. PP	3300pF 100V		UCR	P P コン	01
C1023	WE102300	C. PP	3300pF 100V		JTKABGEFL	P P コン	01
C1023	WN164900	C. PP	3300pF 100V		UCR	P P コン	01
C1024	WE102300	C. PP	3300pF 100V		JTKABGEFL	P P コン	01
C1024	WN164900	C. PP	3300pF 100V		UCR	P P コン	01

* New Parts * 新規部品

P.C.B. MAIN

Ref No.	Part No.	Description	Remarks	Markets	部 品 名	ランク
C1025-1028	WN164900	C. PP	3300pF 100V		PPコン	01
C1029	UR067470	C. EL	47uF 50V		ケミコン	01
C1030-1031	UR068100	C. EL	100uF 50V		ケミコン	01
C1032-1035	UR067470	C. EL	47uF 50V		ケミコン	01
C1036	WE100200	C. PP	22pF 630V	JTKABGEF	PPコン	01
C1036	WQ627600	C. CE	22pF 500V	UCRL	セラコン	
C1037	WE100200	C. PP	22pF 630V	JTKABGEF	PPコン	01
C1037	WQ627600	C. CE	22pF 500V	UCRL	セラコン	
C1038	WE100200	C. PP	22pF 630V	JTKABGEF	PPコン	01
C1038	WQ627600	C. CE	22pF 500V	UCRL	セラコン	
C1039-1042	WQ627600	C. CE	22pF 500V		セラコン	
C1043-1049	WN164300	C. PP	330pF 100V		PPコン	01
C1050	UR397100	C. EL	10uF 100V	JTKABGEF	ケミコン	03
C1050	UR067100	C. EL	10uF 50V	UCRL	ケミコン	01
C1051	UR397100	C. EL	10uF 100V	JTKABGEF	ケミコン	03
C1051	UR067100	C. EL	10uF 50V	UCRL	ケミコン	01
C1052	UR397100	C. EL	10uF 100V	JTKABGEF	ケミコン	03
C1052	UR067100	C. EL	10uF 50V	UCRL	ケミコン	01
C1052	UR397100	C. EL	10uF 100V		ケミコン	03
C1053-1056	UR067100	C. EL	10uF 50V		ケミコン	01
C1057-1063	WN165500	C. PP	0.022uF 100V		PPコン	01
C1066-1067	WN156000	C. PP	1000pF 250V		PPコン	01
C1068	UR866470	C. EL	4.7uF 50V		ケミコン	01
C1069	UR838100	C. EL	100uF 16V		ケミコン	01
C1070-1073	UR297100	C. EL	10uF 100V		ケミコン	
C1074	UR267330	C. EL	33uF 50V		ケミコン	01
C1075	WK041800	C. EL	10uF 16V	JTKABGEF	ケミコン	01
C1075	UR257100	C. EL	10uF 35V	UCRL	ケミコン	01
C1075	WK041800	C. EL	10uF 16V		ケミコン	01
C1076	UR266100	C. EL	1uF 50V		ケミコン	01
C1078	WP421000	C. PP	0.047uF 100V	JTKABGEF	PPコン	
C1078	VR324900	C. MYLAR	0.1uF 100V	UCRL	マイラーコン	01
C1079	WP421000	C. PP	0.047uF 100V	JTKABGEF	PPコン	
C1079	VR324900	C. MYLAR	0.1uF 100V	UCRL	マイラーコン	01
C1080-1081	WN165500	C. PP	0.022uF 100V		PPコン	01
C1082	UR049330	C. EL	3300uF 25V		ケミコン	03
C1083	UR049220	C. EL	2200uF 25V		ケミコン	01
△ C1084-1085	WN331300	C. EL	6800uF 71V		ケミコン	07
C1086	UR049220	C. EL	2200uF 25V		ケミコン	01
C1087-1088	WK041800	C. EL	10uF 16V		ケミコン	01
C1089	US135100	C. CE. CHP	0.1uF 16V		チップセラコン	01
C1509	UR067470	C. EL	47uF 50V		ケミコン	01
C1510-1512	US135100	C. CE. CHP	0.1uF 16V		チップセラコン	01
C1513-1514	US061220	C. CE. CHP	22pF 50V B		チップセラコン	01
C1515-1516	US135100	C. CE. CHP	0.1uF 16V		チップセラコン	01
C1517-1520	US062220	C. CE. CHP	220pF 50V B		チップセラコン	01
C1521	UR267100	C. EL	10uF 50V		ケミコン	
C1522	US061470	C. CE. CHP	47pF 50V B		チップセラコン	01
C1523	UR238100	C. EL	100uF 16V		ケミコン	
C1524	US061470	C. CE. CHP	47pF 50V B		チップセラコン	01
C1525	UR267100	C. EL	10uF 50V		ケミコン	
C1526-1527	UR238100	C. EL	100uF 16V		ケミコン	
C1528-1529	US062220	C. CE. CHP	220pF 50V B		チップセラコン	01
C1530	UR238100	C. EL	100uF 16V		ケミコン	
C1531	UR267330	C. EL	33uF 50V		ケミコン	01
C1532-1533	UR238100	C. EL	100uF 16V		ケミコン	
C1534-1535	US062220	C. CE. CHP	220pF 50V B		チップセラコン	01

* New Parts * 新規部品

P.C.B. MAIN

Ref No.	Part No.	Description	Remarks	Markets	部 品 名	ランク
C1536	UR238100	C. EL	100uF 16V		ケミコン	
C1537	WJ605600	C. MYLAR	0.033uF 50V		マイラーコン	
C1538	VR169000	C. MYLAR	0.33uF 50V		マイラーコン	01
C1539	WJ604800	C. MYLAR	8200pF 50V		マイラーコン	
C1540	WJ605600	C. MYLAR	0.033uF 50V		マイラーコン	
C1541	VR169000	C. MYLAR	0.33uF 50V		マイラーコン	01
C1542	US135100	C. CE. CHP	0.1uF 16V		チップセラコン	01
C1543	WJ604800	C. MYLAR	8200pF 50V		マイラーコン	
C1544	US062220	C. CE. CHP	220pF 50V B		チップセラコン	01
C1545	US135100	C. CE. CHP	0.1uF 16V		チップセラコン	01
C1546	US062220	C. CE. CHP	220pF 50V B		チップセラコン	01
C1547	UR267100	C. EL	10uF 50V		ケミコン	
C1549	UR267100	C. EL	10uF 50V		ケミコン	
C1551	US062220	C. CE. CHP	220pF 50V B		チップセラコン	01
C1552	UR267100	C. EL	10uF 50V		ケミコン	
C1553-1554	UR266220	C. EL	2.2uF 50V		ケミコン	
C1555-1556	UR267100	C. EL	10uF 50V		ケミコン	
C1557	US062220	C. CE. CHP	220pF 50V B		チップセラコン	01
C1558-1559	UR267470	C. EL	47uF 50V		ケミコン	01
C1560	US062220	C. CE. CHP	220pF 50V B		チップセラコン	01
C1563	US062220	C. CE. CHP	220pF 50V B		チップセラコン	01
C1566	US062220	C. CE. CHP	220pF 50V B		チップセラコン	01
C1567	VR169200	C. MYLAR	0.47uF 50V		マイラーコン	01
C1568	VR169200	C. MYLAR	0.47uF 50V	V765	JURTKABGEFL C	01
C1568	VR169200	C. MYLAR	0.47uF 50V		マイラーコン	01
C1569	US062220	C. CE. CHP	220pF 50V B		チップセラコン	01
C1570	UR267100	C. EL	10uF 50V		ケミコン	
C1571	UR267100	C. EL	10uF 50V		JURTKABGEFL C	01
C1571	UR267100	C. EL	10uF 50V	V765		
C1572-1573	US062100	C. CE. CHP	100pF 50V B		チップセラコン	01
C1574	UR267100	C. EL	10uF 50V		ケミコン	
C1575	US061470	C. CE. CHP	47pF 50V B		チップセラコン	01
C1576	UR267100	C. EL	10uF 50V		JURTKABGEFL C	01
C1576	UR267100	C. EL	10uF 50V	V765		
C1577	UR267100	C. EL	10uF 50V		ケミコン	
C1578	US061470	C. CE. CHP	47pF 50V B		チップセラコン	01
C1579	UR267100	C. EL	10uF 50V		ケミコン	
C1580	UR267100	C. EL	10uF 50V	V765	URTKABGEFL C	01
C1580	UR267100	C. EL	10uF 50V	6270		
C1580	UR837100	C. EL	10uF 16V		C	01
C1581-1582	US061470	C. CE. CHP	47pF 50V B		UCRTKABGEFL	01
C1583-1584	UR267470	C. EL	47uF 50V		ケミコン	01
C1585	UR267100	C. EL	10uF 50V		URTKABGEFL	01
C1585	UR267100	C. EL	10uF 50V	V765	C	01
C1585	UR837100	C. EL	10uF 16V	6270	C	01
C1588-1591	UR267100	C. EL	10uF 50V		ケミコン	
C1594-1595	US062470	C. CE. CHP	470pF 50V B		チップセラコン	01
C1596	US064100	C. CE. CHP	0.01uF 50V B		チップセラコン	01
C1597-1598	US062470	C. CE. CHP	470pF 50V B		チップセラコン	01
C1599-1602	UR267100	C. EL	10uF 50V		ケミコン	
C1603-1604	US062470	C. CE. CHP	470pF 50V B		チップセラコン	01
C1605-1606	US064100	C. CE. CHP	0.01uF 50V B		チップセラコン	01
C1607	US062470	C. CE. CHP	470pF 50V B		チップセラコン	01
C1608	US064100	C. CE. CHP	0.01uF 50V B		JURTKABGEFL C	01
C1608	US064100	C. CE. CHP	0.01uF 50V B	V765		01
C1609-1610	US064100	C. CE. CHP	0.01uF 50V B		チップセラコン	01
D1001-1016	VR496500	DIODE. CHP	MA111 FLAT TP		チップダイオード	

* New Parts * 新規部品

P.C.B. MAIN

Ref No.	Part No.	Description	Remarks	Markets	部 品 名	ランク	
△	D1017-1023	VG437500	DIODE. ZENR	MTZJ5. 1C 5. 1V		ツェナーダイオード	01
	D1024-1039	VR496500	DIODE. CHP	MA111 FLAT TP		チップダイオード	
△	D1040	WK611100	DIODE. BRG	D6SBN20 6A 200V	JTKABGEF	ダイオードブリッジ	05
△	D1040	WB212700	DIODE. BRG	RS603M 6A 200V	UCRL	ダイオードブリッジ	03
△	D1041	WH487300	DIODE. BRG	RS203M 2. 0A 200V		ダイオードブリッジ	02
	D1042	VG440500	DIODE. ZENR	MTZJ13B 13V		ツェナーダイオード	01
	D1043	VR496500	DIODE. CHP	MA111 FLAT TP		チップダイオード	
△	D1044-1045	VG435500	DIODE. ZENR	MTZJ2. 4B 2. 4V		ツェナーダイオード	01
	D1501-1502	VG438400	DIODE. ZENR	MTZJ6. 8C 6. 8V		ツェナーダイオード	01
△	F100	KB000780	FUSE	T5A 250V	R	ヒューズ	02
	G101	V5995800	PLATE. GND			アースプレート	
△	IC101	XJ608A00	IC	NJM7812FA		IC	02
△	IC102	X4154A00	IC	KIA7912PI		電源 IC	
	IC103	YA381A00	IC	LM19CIZ/LF THERMAL		電源 IC	
	IC152	XZ509A00	IC	TC74VHC04FT INVER		ロジック IC	01
	IC153	YA361A00	IC	R2A15220FP		IC	
	IC154	X7378A00	IC	NJM4565M (TE1)		アンプ IC	01
	PJ150	V5715300	JACK. PIN	2P OR/OR		ピンジャック	02
	PJ151	V7046800	JACK. PIN	6P MSP-246V1-01N1		ピンジャック	04
	PJ152-153	V7046700	JACK. PIN	4P MSP-244V1-01N1		ピンジャック	03
	PJ154	WG674900	JACK. PIN	4P		ピンジャック 4 P	02
	PJ155	V7046700	JACK. PIN	4P MSP-244V1-01N1	UCRTKABGEFL	ピンジャック	03
	PJ157	V7046700	JACK. PIN	4P MSP-244V1-01N1		ピンジャック	03
	PJ158	WG674900	JACK. PIN	4P		ピンジャック 4 P	02
	PJ159	V7189700	JACK. PIN	1P	JURTKABGEFL	ピンジャック	01
	PJ159	V7189700	JACK. PIN	1P	V765 C	ピンジャック	01
	PJ160	WC612700	JACK. PIN	2P	J	ピンジャック	01
	Q1001-1014	WC139600	TR	KTC3911S GR BL		トランジスタ	01
	Q1015-1021	V3966800	TR	2SA949 O, Y		トランジスタ	02
△	Q1022-1028	VK432900	TR	2SD1915F S, T		トランジスタ	01
△	Q1029-1035	VR325600	TR	2SC2229 O, Y		トランジスタ	01
△	Q1036-1042	V4096100	TR	2SC4614 S, T		トランジスタ	02
△	Q1043-1049	V4096000	TR	2SA1770 S, T		トランジスタ	03
△	Q1050-1056	VR355900	TR. PAIR	A1695/C4468 OPY		ペアトランジスタ	07
	Q1057-1063	WC139600	TR	KTC3911S GR BL		トランジスタ	01
	Q1064	WH372100	TR	KTA1517S GR TP		トランジスタ	01
	Q1065	WC139600	TR	KTC3911S GR BL		トランジスタ	01
△	Q1067-1068	WC292600	TR	KTA1837-U		トランジスタ	
△	Q1069-1070	WC398400	TR	2N5551C-AT		トランジスタ	01
△	Q1071	WC397700	TR	2N5401C-AT		トランジスタ	
△	Q1072	VP872600	TR	2SA1708 S, T		トランジスタ	01
	Q1073	WC398500	TR. DGT	KRA102M-AT		デジタルトランジスタ	01
	Q1074	WC529200	TR. DGT	KRC102M-AT		デジタルトランジスタ	01
	Q1500-1504	VZ725900	TR	2SD1938F S, T		トランジスタ	01
	Q1507	VZ725900	TR	2SD1938F S, T	V765	JURTKABGEFL	01
	Q1507	VZ725900	TR	2SD1938F S, T		C	01
	Q1508	VZ725900	TR	2SD1938F S, T		トランジスタ	01
	Q1507	VZ725900	TR	2SD1938F S, T	V765	JURTKABGEFL	01
	Q1509	VZ725900	TR	2SD1938F S, T		C	01
	Q1510	VZ725900	TR	2SD1938F S, T		トランジスタ	01
	Q1511	VZ725900	TR	2SD1938F S, T		UCRTKABGEFL	01
	Q1512	VZ725900	TR	2SD1938F S, T		UCRTKABGEFL	01
	Q1513	VZ725900	TR	2SD1938F S, T		UCRTKABGEFL	01
	Q1514	VZ725900	TR	2SD1938F S, T		UCRTKABGEFL	01
	Q1519-1527	VZ725900	TR	2SD1938F S, T		トランジスタ	01
	R1001	HL006100	R. MTL. OXD	1KΩ 1/2W		酸化金属被膜抵抗	
	R1002-1007	HL006100	R. MTL. OXD	1KΩ 1/2W		酸化金属被膜抵抗	

* New Parts * 新規部品

P.C.B. MAIN

Ref No.	Part No.	Description	Remarks	Markets	部 品 名	ランク
R1008-1011	HF356180	R. CAR	1. 8K Ω 1/2W		カーボン抵抗	
R1012	HL006180	R. MTL. OXD	1. 8K Ω 1/2W		酸化金属被膜抵抗	01
R1013-1014	HF356180	R. CAR	1. 8K Ω 1/2W		カーボン抵抗	
R1022-1028	HF355330	R. CAR	330 Ω 1/2W		カーボン抵抗	
R1029-1035	HL006120	R. MTL. OXD	1. 2K Ω 1/2W		酸化金属被膜抵抗	
R1036-1042	V8070900	R. MTL. FLM	100 Ω 1W		金属被膜抵抗	01
R1043-1049	HL007330	R. MTL. OXD	33K Ω 1/2W		酸化金属被膜抵抗	01
R1079-1085	HL005120	R. MTL. OXD	120 Ω 1/2W		酸化金属被膜抵抗	01
R1086-1092	WG727400	R. MTL. FLM	2. 7K Ω 1/4W		金属被膜抵抗	01
R1093-1099	WG725600	R. MTL. FLM	470 Ω 1/4W		金属被膜抵抗	01
R1100-1106	WG726400	R. MTL. FLM	1K Ω 1/4W		金属被膜抵抗	01
R1107-1112	WG726200	R. MTL. FLM	820 Ω 1/4W		金属被膜抵抗	01
△ R1113-1124	HV755120	R. CAR. FP	120 Ω 1/4W		不燃化カーボン抵抗	01
△ R1125	HV755120	R. CAR. FP	120 Ω 1/4W	V765	JURTKABGEFL	01
△ R1125	HV755120	R. CAR. FP	120 Ω 1/4W		不燃化カーボン抵抗	01
△ R1126	HV755120	R. CAR. FP	120 Ω 1/4W		不燃化カーボン抵抗	01
R1127-1133	HF355470	R. CAR	470 Ω 1/2W		カーボン抵抗	
△ R1134-1147	HV754100	R. CAR. FP	10 Ω 1/4W		不燃化カーボン抵抗	01
△ R1148-1154	WP839400	R. WW	0. 22+0. 22 3W		セメント抵抗	01
△ R1176-1182	V8070300	R. MTL. FLM	10 Ω 1W		金属被膜抵抗	
△ R1197-1198	V8070200	R. MTL. FLM	4. 7 Ω 1W		金属被膜抵抗	
△ R1211	HV754100	R. CAR. FP	10 Ω 1/4W		不燃化カーボン抵抗	01
R1213	V8072100	R. MTL. OXD	5. 6K Ω 1W		酸化金属被膜抵抗	
R1214	HV755560	R. CAR. FP	560 Ω 1/4W		不燃化カーボン抵抗	01
R1219	V8072000	R. MTL. OXD	4. 7K Ω 1W		酸化金属被膜抵抗	
△ R1222	HV756100	R. CAR. FP	1K Ω 1/4W		不燃化カーボン抵抗	01
R1225	VP941900	R. MTL. OXD	15K Ω 1W		酸化金属被膜抵抗	01
△ R1234-1235	HV754100	R. CAR. FP	10 Ω 1/4W		不燃化カーボン抵抗	01
R1236	WG726200	R. MTL. FLM	820 Ω 1/4W		金属被膜抵抗	01
△ R1238	V8070300	R. MTL. FLM	10 Ω 1W		金属被膜抵抗	
R1504	HV753100	R. CAR. FP	1 Ω 1/4W		不燃化カーボン抵抗	01
R1573	WQ835700	R. MTL. OXD	82 Ω 1W		JTKABGEF	酸化金属被膜抵抗
R1573	WA621400	R. MTL. OXD	82 Ω 1W J		UCRL	酸化金属被膜抵抗
R1575	WQ835700	R. MTL. OXD	82 Ω 1W		JTKABGEF	酸化金属被膜抵抗
R1575	WA621400	R. MTL. OXD	82 Ω 1W J		UCRL	酸化金属被膜抵抗
R1664-1665	HV755100	R. CAR. FP	100 Ω 1/4W		不燃化カーボン抵抗	01
△ RY101	WE648700	RELAY	DC DH24D2-0-Q		リレー 24V	06
ST100	V4040500	SCR. TERM	M3		スクリュー／ターミナル	01
ST101	WA246200	SCR. TERM	3. 5		スクリューターミナル	
△ SW101	WB493700	VOLT. SELCT	R8140246		R	電圧切替器
△ SW101	WDO73700	VOLT. SELCT	R8140254		L	電圧切替器
U1500-1501	WH169900	CN. PHOTO. R	1P GP1FAV51RKOF			光ファイバー受信器
	WE774200	SCR. BND. HD	3x10 MFZN2W3			バインドBタイトネジ

* New Parts * 新規部品

P.C.B. VIDEO

Ref No.	Part No.	Description	Remarks	Markets	部 品 名	ランク	
*	WR433700	P. C. B.	VIDEO		J	PCB VIDEO	
*	WR433800	P. C. B.	VIDEO		U	PCB VIDEO	
*	WR433900	P. C. B.	VIDEO	V765	C	PCB VIDEO	
*	WR434600	P. C. B.	VIDEO	6270	C	PCB VIDEO	
*	WR434000	P. C. B.	VIDEO		R	PCB VIDEO	
*	WR434100	P. C. B.	VIDEO		T	PCB VIDEO	
*	WR434200	P. C. B.	VIDEO		K	PCB VIDEO	
*	WR434300	P. C. B.	VIDEO		A	PCB VIDEO	
*	WR434400	P. C. B.	VIDEO		BGEF	PCB VIDEO	
*	WR434500	P. C. B.	VIDEO		L	PCB VIDEO	
CB301	VQ047700	CN. BS. PIN	22P		J	FFCコネクター	01
CB303	VQ961500	CN. BS. PIN	12P			ハウジング	01
CB305	VQ047000	CN. BS. PIN	6P			FFCコネクター	01
CB321	VM859500	CN. BS. PIN	11P			FFCコネクター	01
CB332	VQ961300	CN. BS. PIN	10P			ハウジング	01
CB333	VK024700	CN. BS. PIN	3P			ワイヤートラップ	01
CB340	LB918020	CN. BS. PIN	2P			ベース付ポスト	01
CB342	LB918040	CN. BS. PIN	4P			ベース付ポスト	01
CB343	VZ130900	CN. JUMPER	4P			ジャンパーコネクター	01
CB344	VQ585500	CN. JUMPER	5P			ジャンパーコネクター	02
CB346	VB390000	CN. BS. PIN	4P			ベースピン	01
CB349	VQ047700	CN. BS. PIN	22P			FFCコネクター	01
CB351-353	WD398400	CN. DIN	14P	YKF45-3011	J	DINコネクタ	05
CB354	VQ047700	CN. BS. PIN	22P		J	FFCコネクター	01
CB371	VG879900	CN. BS. PIN	2P			ベースピン	01
CB372-373	WN103000	CLIP. FUSE	TP00351-31			ヒューズクリップ	01
CB378	VG879900	CN. BS. PIN	2P		RL	ベースピン	01
CB379	VQ961000	CN. BS. PIN	7P			ハウジング	02
CB381	VQ962800	CN. BS. PIN	7P			ウエハー	02
CB391	VQ044100	CN. BS. PIN	5P		BGEF	FFCコネクター	01
C3001	US062100	C. CE. CHP	100pF	50V B		チップセラコン	01
C3002-3004	US060800	C. CE. CHP	8pF	50V B		チップセラコン	01
C3005	US062100	C. CE. CHP	100pF	50V B		チップセラコン	01
C3006	UR237470	C. EL	47uF	16V		ケミコン	01
C3007-3008	US135100	C. CE. CHP	0. 1uF	16V		チップセラコン	01
C3009	UR237470	C. EL	47uF	16V		ケミコン	01
C3011	US060300	C. CE. CHP	3pF	50V B		チップセラコン	01
C3012	UR837470	C. EL	47uF	16V		ケミコン	01
C3013-3014	US060300	C. CE. CHP	3pF	50V B		チップセラコン	01
C3015-3017	US135100	C. CE. CHP	0. 1uF	16V		チップセラコン	01
C3018	UR267100	C. EL	10uF	50V		ケミコン	01
C3019	US135100	C. CE. CHP	0. 1uF	16V		チップセラコン	01
C3020	UR267100	C. EL	10uF	50V		ケミコン	01
C3021-3025	US135100	C. CE. CHP	0. 1uF	16V		チップセラコン	01
C3026	UR267100	C. EL	10uF	50V		ケミコン	01
C3027	WD758300	C. CE. CHP	10uF	10V		チップセラコン	01
C3029	WD758300	C. CE. CHP	10uF	10V		チップセラコン	01
C3031	WD758300	C. CE. CHP	10uF	10V		チップセラコン	01
C3033	UR837470	C. EL	47uF	16V		ケミコン	01
C3043-3044	US135100	C. CE. CHP	0. 1uF	16V		チップセラコン	01
C3045	UR837470	C. EL	47uF	16V		ケミコン	01
C3047	US135100	C. CE. CHP	0. 1uF	16V		チップセラコン	01
C3048	UR238220	C. EL	220uF	16V		ケミコン	01
C3050	US135100	C. CE. CHP	0. 1uF	16V		チップセラコン	01
C3051	UR238220	C. EL	220uF	16V		ケミコン	01
C3052	UR838100	C. EL	100uF	16V		ケミコン	01
C3053	UR238100	C. EL	100uF	16V		ケミコン	01

* New Parts * 新規部品

P.C.B. VIDEO

Ref No.	Part No.	Description	Remarks	Markets	部 品 名	ランク
C3054	US135100	C. CE. CHP	0. 1uF 16V		チップセラコン	01
C3055	US061120	C. CE. CHP	12pF 50V B	JUCRK	チップセラコン	01
C3055	US060500	C. CE. CHP	5pF 50V B	TABGEFL	チップセラコン	01
C3056	US061180	C. CE. CHP	18pF 50V B	JUCRK	チップセラコン	01
C3056	US060700	C. CE. CHP	7pF 50V B	TABGEFL	チップセラコン	01
C3057	UR866100	C. EL	1uF 50V		ケミコン	01
C3058	US060600	C. CE. CHP	6pF 50V B	JUCRK	チップセラコン	
C3058	US060400	C. CE. CHP	4pF 50V B	TABGEFL	チップセラコン	
C3059	US061240	C. CE. CHP	24pF 50V B		チップセラコン	01
C3061	US135100	C. CE. CHP	0. 1uF 16V		チップセラコン	01
C3062	US061240	C. CE. CHP	24pF 50V B		チップセラコン	01
C3063	US135100	C. CE. CHP	0. 1uF 16V		チップセラコン	01
C3065	UR237470	C. EL	47uF 16V		ケミコン	01
C3067-3069	US135100	C. CE. CHP	0. 1uF 16V		チップセラコン	01
C3072	US135100	C. CE. CHP	0. 1uF 16V		チップセラコン	01
C3073	UR238220	C. EL	220uF 16V		ケミコン	01
C3074	US061100	C. CE. CHP	10pF 50V B		チップセラコン	01
C3076	UR837100	C. EL	10uF 16V		ケミコン	01
C3077	US135100	C. CE. CHP	0. 1uF 16V		チップセラコン	01
C3079	US135100	C. CE. CHP	0. 1uF 16V		チップセラコン	01
C3080-3085	WD758300	C. CE. CHP	10uF 10V		チップセラコン	01
C3201	US061270	C. CE. CHP	27pF 50V B	BGEF	チップセラコン	01
C3202	UR237100	C. EL	10uF 16V	BGEF	ケミコン	
C3203	US061270	C. CE. CHP	27pF 50V B	BGEF	チップセラコン	01
C3204-3205	US135100	C. CE. CHP	0. 1uF 16V	BGEF	チップセラコン	01
C3206	US062560	C. CE. CHP	560pF 50V B	BGEF	チップセラコン	01
C3207-3208	US062330	C. CE. CHP	330pF 50V B	BGEF	チップセラコン	01
C3209	US135100	C. CE. CHP	0. 1uF 16V	BGEF	チップセラコン	01
C3211	UR237470	C. EL	47uF 16V	BGEF	ケミコン	01
C3212-3214	UR237470	C. EL	47uF 16V		ケミコン	01
C3215	US062100	C. CE. CHP	100pF 50V B		チップセラコン	01
C3217-3218	US062100	C. CE. CHP	100pF 50V B		チップセラコン	01
C3221	US062100	C. CE. CHP	100pF 50V B		チップセラコン	01
C3303-3305	VR324900	C. MYLAR	0. 1uF 100V		マイラーコン	01
C3307	WG601900	C. EL	10000uF 16V		ケミコン	04
C3308	UR278100	C. EL	100uF 63V		ケミコン	01
C3309	UR03A100	C. EL	10000uF 16V		ケミコン	
C3310	UR039470	C. EL	4700uF 16V		ケミコン	03
C3311	UR266100	C. EL	1uF 50V		ケミコン	01
C3312	UR267220	C. EL	22uF 50V		ケミコン	01
C3314	UR266100	C. EL	1uF 50V		ケミコン	01
C3315	UR267100	C. EL	10uF 50V		ケミコン	
C3316	UR268100	C. EL	100uF 50V		ケミコン	
C3317	UR266100	C. EL	1uF 50V	U	ケミコン	01
C3318	UR237470	C. EL	47uF 16V	U	ケミコン	01
C3319	UR266100	C. EL	1uF 50V		ケミコン	01
C3320-3321	UR267330	C. EL	33uF 50V		ケミコン	01
C3403-3409	WJ605000	C. MYLAR	0. 01uF 50V J		マイラーコン	01
C3410-3416	WJ605200	C. MYLAR	0. 015uF 50V		マイラーコン	
C3501-3509	US064100	C. CE. CHP	0. 01uF 50V B	J	チップセラコン	01
C3510-3512	US060800	C. CE. CHP	8pF 50V B	J	チップセラコン	01
C3513-3514	UR267100	C. EL	10uF 50V	J	ケミコン	
C3515-3520	US135100	C. CE. CHP	0. 1uF 16V	J	チップセラコン	01
C3603-3604	US063100	C. CE. CHP	1000pF 50V B		チップセラコン	01
C3606	US064100	C. CE. CHP	0. 01uF 50V B		チップセラコン	01
C3701	WQ852400	C. POL. MTL	0. 022uF 630V		メタライズドポリコン	01
C3702	WK005000	C. CE. SAFTY	0. 047uF 275V		規格認定コンデンサ	01

* New Parts * 新規部品

P.C.B. VIDEO

	Ref No.	Part No.	Description	Remarks	Markets	部 品 名	ランク
△	C3703	WR082000	C. EL 100uF 220V		JUC	ケミコン	04
△	C3703	WR082100	C. EL 100uF 400V		R	ケミコン	
△	C3703	WQ852500	C. EL 68uF 400V		TKABGEFL	ケミコン	
	C3704	WR182800	C. CE. CHP 2200pF 250V			チップセラコン	
	C3705	US065100	C. CE. CHP 0. 1uF 50V B			チップセラコン	01
△	C3706	V6185300	C. CE. SAFTY 0. 01uF 275V			規格認定コンデンサ	01
	C3707	UR837470	C. EL 47uF 16V			ケミコン	01
	C3708	UR867100	C. EL 10uF 50V			ケミコン	01
△	C3709	WQ902200	C. GE. SAFTY 2200pF 250V			規格認定コン	
	C3710-3711	UR866100	C. EL 1uF 50V			ケミコン	01
	C3712-3713	WH777900	C. EL 1000uF 35V			ケミコン	03
	C3714	US046100	C. CE. CHP 1uF 25V			チップセラコン	01
	C3715	US135100	C. CE. CHP 0. 1uF 16V			チップセラコン	01
	C3716	WH771300	C. EL 100uF 10V			ケミコン	01
	C3717	WQ852400	C. POL. MTL 0. 022uF 630V			メタライズドポリコン	01
△	C3720-3721	WQ902300	C. GE. SAFTY 1000pF 250V			規格認定コンデンサ	01
	C3801	US064100	C. CE. CHP 0. 01uF 50V B			チップセラコン	01
	C3802	V7887800	C. EL 1uF 50V			ケミコン	
	C3803	WJ335500	C. EL 2. 2uF 50V			ケミコン	01
	C3804	WJ603700	C. MYLAR 1000pF 50V			マイラーコン	01
	C3805	US064100	C. CE. CHP 0. 01uF 50V B			チップセラコン	01
	C3806-3807	WD758300	C. CE. CHP 10uF 10V			チップセラコン	01
	C3901	US064100	C. CE. CHP 0. 01uF 50V B		BGEF	チップセラコン	01
	C3902	US062120	C. CE. CHP 120pF 50V B		BGEF	チップセラコン	01
	C3903	US062220	C. CE. CHP 220pF 50V B		BGEF	チップセラコン	01
	C3904	US135100	C. CE. CHP 0. 1uF 16V		BGEF	チップセラコン	01
	C3905	UR837470	C. EL 47uF 16V		BGEF	ケミコン	01
	C3906	UR837100	C. EL 10uF 16V		BGEF	ケミコン	01
	C3907	UR818470	C. EL 470uF 6. 3V		BGEF	ケミコン	01
	C3908	US064100	C. CE. CHP 0. 01uF 50V B		BGEF	チップセラコン	01
	D3005-3007	VT332900	DIODE 1SS355			ダイオード	01
	D3201	VG436100	DIODE. ZENR MTZJ3. 3B 3. 3V		BGEF	ツェナーダイオード	01
△	D3202	VG439500	DIODE. ZENR MTZJ10B 10V			ツェナーダイオード	01
	D3302	WH487300	DIODE. BRG RS203M 2. 0A 200V			ダイオードブリッジ	02
△	D3304	WH487300	DIODE. BRG RS203M 2. 0A 200V			ダイオードブリッジ	02
	D3306	VV307700	DIODE 1N4002S			ダイオード	01
	D3307	VG440200	DIODE. ZENR MTZJ12B 12V		R	ツェナーダイオード	01
	D3308	VG444700	DIODE. ZENR MTZ J 39D 39. 0V TP			ツェナーダイオード	01
	D3309	VT332900	DIODE 1SS355		U	ダイオード	01
	D3310	VT332900	DIODE 1SS355			ダイオード	01
	D3311	VT332900	DIODE 1SS355		U	ダイオード	01
	D3320	VG437400	DIODE. ZENR MTZJ5. 1B 5. 1V			ツェナーダイオード	01
	D3403-3407	VT332900	DIODE 1SS355			ダイオード	01
	D3501-3506	VT332900	DIODE 1SS355		J	ダイオード	01
	D3601	VT332900	DIODE 1SS355			ダイオード	01
	D3602	VT332900	DIODE 1SS355		UCRTKABGEFL	ダイオード	01
	D3701	WH471700	DIODE. BRG DB105 1A 600V			ダイオードブリッジ	02
	D3703	WN672400	DIODE. ZENR P6KE200A 200V			ツェナーダイオード	03
	D3705	WQ647500	DIODE HT18G			ダイオード	
	D3706-3707	VD631600	DIODE 1SS133, 176			ダイオード	01
	D3708	VT332900	DIODE 1SS355			ダイオード	01
	D3709	WR007000	DIODE. SCHO 10A 40V SG10SC4M			ショットキーダイオード	03
	D3710	VG442200	DIODE. ZENR MTZJ22C 22V			ツェナーダイオード	01
	D3801-3805	VT332900	DIODE 1SS355			ダイオード	01
	D3901-3902	VT332900	DIODE 1SS355		BGEF	ダイオード	01
△	F3701	WQ211200	FUSE 10A 125V		JUC	ヒューズ	01
△	F3701	WB760600	FUSE T6. 3A 250V		R	ヒューズ	01

* New Parts * 新規部品

P.C.B. VIDEO

Ref No.	Part No.	Description	Remarks	Markets	部 品 名	ランク	
△	F3701	WM933100 FUSE	T5A 250V		TKABGEFL	ヒューズ	
	IC301-303	XY879A00 IC	TC74HC4053AF (EL)			ロジック IC	03
	IC305	X6742A00 IC	LA73050-TLM-E			アンプ IC	04
	IC306	X2904A00 IC	NJM2581M VIDEO AMP			アンプ IC	06
	IC307	XY549A00 IC	TC74HC4051AFEL			ロジック IC	02
	IC308	X7779A00 IC	LC709004A-TLM-E			ロジック IC	04
	IC309	X7818A00 IC	LC74782JM-8A16-TLM			IC	07
	IC310	X8875A00 IC	FHP3350IM14X			アンプ IC	04
	IC321	X8235A00 IC	LC72725KM		BGEF	IC	
	IC331	X8276A00 IC	NJM2396F05			電源 IC	04
	IC333	X8035A00 IC	BA00JC5WT-V5		U	電源 IC	04
	IC334	X6143A00 IC	NJM2388F05 5.0V			電源 IC	04
	IC351-352	XS790A00 IC	TC74HC4052AF MPX		J	ロジック IC	02
	IC353	XY879A00 IC	TC74HC4053AF (EL)		J	ロジック IC	03
	IC371	YA565A00 IC	TOP254PN SW			電源 IC	07
△	IC372	WQ867100 PHOT. CPL	EL816 (M) (C)			フォトカブラ	01
	IC374	YA276A00 IC	TL431AC 2.5-36V			電源 IC	02
△	IC375	WQ867100 PHOT. CPL	EL816 (M) (C)			フォトカブラ	01
	IC391	XZ509A00 IC	TC74VHC04FT INVER		BGEF	ロジック IC	01
	JK321	V9435700 JACK. MNI	MSJ-035-12APC	V765	URTKABGEFL	モノラル ミニジャック	01
	JK321	V9435700 JACK. MNI	MSJ-035-12APC		C	モノラル ミニジャック	01
	JK361	V9435700 JACK. MNI	MSJ-035-12APC		UCRTKABGEFL	モノラル ミニジャック	01
	JK362	V9435700 JACK. MNI	MSJ-035-12APC			モノラル ミニジャック	01
	JK391	V6931000 CN. DIN	1P YKF51-5506		BGEF	1連S端子	02
	PJ301	WG505100 JACK. PIN	6P			ピンジャック	04
	PJ302	V7189800 JACK. PIN	1P			ピンジャック	01
	PJ303	WH381400 JACK. PIN	3P JACK G, B, R			ピンジャック	03
	PJ304	V7189800 JACK. PIN	1P			ピンジャック	01
	PJ305-306	V7190000 JACK. PIN	2P			ピンジャック	
	Q3001	VR936300 TR	2SA1576A T106			トランジスタ	01
	Q3002-3003	VV556400 TR	2SC2412K Q, R, S			トランジスタ	01
	Q3201	iC174020 TR	2SC1740S QRS		BGEF	トランジスタ	01
	Q3203	iC181510 TR	2SC1815 Y			トランジスタ	01
	Q3204	iA101510 TR	2SA1015 Y	V765	URTKABGEFL	トランジスタ	01
	Q3204	iA101510 TR	2SA1015 Y		C	トランジスタ	01
	Q3205	iC181510 TR	2SC1815 Y		URTKABGEFL	トランジスタ	01
	Q3205	iC181510 TR	2SC1815 Y	V765	C	トランジスタ	01
	Q3206	WG538600 TR	KTA1046-Y-U/P		URTKABGEFL	トランジスタ	02
	Q3206	WG538600 TR	KTA1046-Y-U/P	V765	C	トランジスタ	02
	Q3207	iC181510 TR	2SC1815 Y		URTKABGEFL	トランジスタ	01
	Q3207	iC181510 TR	2SC1815 Y	V765	C	トランジスタ	01
△	Q3301	WC397700 TR	2N5401C-AT			トランジスタ	
	Q3302	iA101510 TR	2SA1015 Y			トランジスタ	01
	Q3303	WG538600 TR	KTA1046-Y-U/P			トランジスタ	02
	Q3304	iA101510 TR	2SA1015 Y			トランジスタ	01
	Q3305	iC181510 TR	2SC1815 Y			トランジスタ	01
	Q3405	VV655400 TR. DGT	DTC114EKA			デジタルトランジスタ	01
	Q3406	VV655000 TR. DGT	DTA114EKA			デジタルトランジスタ	01
	Q3407	VV655400 TR. DGT	DTC114EKA			デジタルトランジスタ	01
	Q3408	VV655000 TR. DGT	DTA114EKA			デジタルトランジスタ	01
	Q3409	VV655400 TR. DGT	DTC114EKA			デジタルトランジスタ	01
	Q3410	VV655000 TR. DGT	DTA114EKA			デジタルトランジスタ	01
	Q3411	VV655400 TR. DGT	DTC114EKA			デジタルトランジスタ	01
	Q3412	VV655000 TR. DGT	DTA114EKA			デジタルトランジスタ	01
	Q3413	VV655400 TR. DGT	DTC114EKA			デジタルトランジスタ	01
	Q3414	VV655000 TR. DGT	DTA114EKA			デジタルトランジスタ	01
	Q3501	VV556400 TR	2SC2412K Q, R, S		J	トランジスタ	01

* New Parts * 新規部品

P.C.B. VIDEO

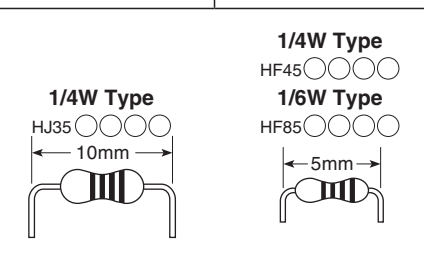
Carbon Resistors

Ref No.	Part No.	Description	Remarks	Markets	部 品 名	ランク
Q3801-3802	iC181510	TR			トランジスタ	01
Q3803	VV655700	TR. DGT			デジタルトランジスタ	01
R3021	HV753100	R. CAR. FP			不燃化カーボン抵抗	01
R3025	HV753100	R. CAR. FP			不燃化カーボン抵抗	01
R3046-3049	HV753100	R. CAR. FP			不燃化カーボン抵抗	01
R3058-3061	HV753100	R. CAR. FP			不燃化カーボン抵抗	01
R3083	HV755470	R. CAR. FP			不燃化カーボン抵抗	01
R3208	HV755680	R. CAR. FP		BGEF	不燃化カーボン抵抗	01
R3210	HV754180	R. CAR. FP			不燃化カーボン抵抗	01
R3213	HV753560	R. CAR. FP		URTKABGEFL	不燃化カーボン抵抗	01
R3213	HV753560	R. CAR. FP	V765	C	不燃化カーボン抵抗	01
R3301	HV753220	R. CAR. FP			不燃化カーボン抵抗	01
R3306	HV756100	R. CAR. FP			不燃化カーボン抵抗	01
R3315-3316	HV756470	R. CAR. FP			不燃化カーボン抵抗	01
R3403-3406	HV757100	R. CAR. FP			不燃化カーボン抵抗	01
R3524-3525	HV753100	R. CAR. FP		J	不燃化カーボン抵抗	01
R3910	HV753220	R. CAR. FP		BGEF	不燃化カーボン抵抗	01
RY341-345	WJ122400	RELAY			リレー	04
RY371	WQ804100	RELAY			リレー	04
ST331-332	V4040500	SCR. TERM			スクリューターミナル	01
ST361-362	V4040500	SCR. TERM			スクリューターミナル	01
ST371	V4040500	SCR. TERM			スクリューターミナル	01
ST381-383	V4040500	SCR. TERM			スクリューターミナル	01
T3701	YA507A00	TRANS. PWR			サブトランス	07
TE341	WK560800	TERM. SP	4P MST-204V1-01 NC	JUCRTA	スピーカーターミナル	04
TE341	WK560900	TERM. SP	4P MST-204V1-01 WC	KBGEFL	スピーカーターミナル	
TE342	WK561000	TERM. SP	6P MST-207V1-01 NC	JUCRTA	スピーカーターミナル	05
TE342	WK561100	TERM. SP	6P MST-207V1-01 WC	KBGEFL	スピーカーターミナル	
TE343	WK560800	TERM. SP	4P MST-204V1-01 NC	JUCRTA	スピーカーターミナル	04
TE343	WK560900	TERM. SP	4P MST-204V1-01 WC	KBGEFL	スピーカーターミナル	
XL301	VV949800	RSNR. CRYST	14. 31818MHz	JUCRCK	水晶振動子	03
XL301	WK196100	RSNR. CRYST	17. 734475MHz	TABGEFL	水晶振動子	
XL321	V2731100	RSNR. CRYST	4. 332M HC-49/U	BGEF	水晶振動子	
	WE774200	SCR. BND. HD	3x10 MFZN2W3		バインドBタイトネジ	01

* New Parts * 新規部品

Value	1/4W Type Part No.	1/6W Type Part No.	Value	1/4W Type Part No.	1/6W Type Part No.
1.0 Ω	HJ35 3100	HF85 3100	11 kΩ	HF45 7110	HF45 7110
1.8 Ω	HJ35 3180	*	12 kΩ	HJ35 7120	HF85 7120
2.2 Ω	HJ35 3220	HF85 3220	13 kΩ	HF45 7130	HF45 7130
3.3 Ω	HJ35 3330	HF85 3330	15 kΩ	HF45 7150	HF45 7150
4.7 Ω	HJ35 3470	HF85 3470	18 kΩ	HF45 7180	HF45 7180
5.6 Ω	HJ35 3560	HF85 3560	22 kΩ	HF45 7220	HF45 7220
10 Ω	HF45 4100	HF45 4100	24 kΩ	HF45 7240	HF45 7240
15 Ω	HJ35 4150	HF85 4150	27 kΩ	HJ35 7270	HF85 7270
22 Ω	HF45 4220	HF45 4220	30 kΩ	HF45 7300	HF45 7300
27 Ω	HJ35 4270	HF85 4270	33 kΩ	HF45 7330	HF45 7330
33 Ω	HF45 4330	HF45 4330	36 kΩ	HF45 7360	HF45 7360
39 Ω	HJ35 4470	HF85 4390	39 kΩ	HF45 7390	HF45 7390
47 Ω	HF45 4470	HF45 4470	47 kΩ	HF45 7470	HF45 7470
56 Ω	HF45 4560	HF45 4560	51 kΩ	HF45 7510	HF45 7510
68 Ω	HF45 4680	HF45 4680	56 kΩ	HF45 7560	HF45 7560
75 Ω	HF45 4750	HF45 4750	62 kΩ	HF45 7620	HF45 7620
82 Ω	HF45 4820	HF45 4820	68 kΩ	HF45 7680	HF45 7680
91 Ω	HF45 4910	HF45 4910	82 kΩ	HF45 7820	HF45 7820
100 Ω	HF45 5100	HF45 5100	91 kΩ	HF45 7910	HF45 7910
110 Ω	HJ35 5110	HF85 5110	100 kΩ	HF45 8100	HF45 8100
120 Ω	HF45 5120	HF45 5120	110 kΩ	HF45 8110	HF45 8110
150 Ω	HF45 5150	HF45 5150	120 kΩ	HF45 8120	HF45 8120
160 Ω	HJ35 5160	*	150 kΩ	HF45 8150	HF45 8150
180 Ω	HF45 5180	HF45 5180	180 kΩ	HF45 8180	HF45 8180
200 Ω	HF45 5200	HF45 5200	220 kΩ	HJ35 8220	HF85 8220
220 Ω	HF45 5220	HF45 5220	270 kΩ	HF45 8270	HF45 8270
270 Ω	HF45 5270	HF45 5270	300 kΩ	HF45 8300	HF45 8300
330 Ω	HF45 5330	HF45 5330	330 kΩ	HF45 8330	HF45 8330
390 Ω	HF45 5390	HF45 5390	390 kΩ	HJ35 8390	HF85 8390
430 Ω	HF45 5430	HF45 5430	470 kΩ	HF45 8470	HF45 8470
470 Ω	HF45 5470	HF45 5470	560 kΩ	HJ35 8560	HF85 8560
510 Ω	HF45 5510	HF45 5510	680 kΩ	HJ35 8680	HF85 8680
560 Ω	HF45 5560	HF45 5560	820 kΩ	HJ35 8820	HF85 8820
680 Ω	HF45 5680	HF45 5680	1.0 MΩ	HF45 9100	HF45 9100
820 Ω	HF45 5820	HF45 5820	1.2 MΩ	HJ35 9120	*
910 Ω	HF45 5910	HF45 5910	1.5 MΩ	HJ35 9150	HF85 9150
1.0 kΩ	HF45 6100	HF45 6100	1.8 MΩ	HJ35 9180	HF85 9180
1.2 kΩ	HF45 6120	HF45 6120	2.2 MΩ	HJ35 9220	HF85 9220
1.5 kΩ	HF45 6150	HF45 6150	3.3 MΩ	HJ35 9330	HF85 9330
1.8 kΩ	HF45 6180	HF45 6180	3.9 MΩ	HJ35 9390	*
2.0 kΩ	HJ35 6200	HF85 6200	4.7 MΩ	HJ35 9470	HF85 9470
2.2 kΩ	HF45 6220	HF45 6220			
2.4 kΩ	HJ35 6240	HF85 6240			
2.7 kΩ	HF45 6270	HF45 6270			
3.0 kΩ	HF45 6300	HF45 6300			
3.3 kΩ	HF45 6330	HF45 6330			
3.6 kΩ	HJ35 6360	HF85 6360			
3.9 kΩ	HF45 6390	HF45 6390			
4.7 kΩ	HF45 6470	HF45 6470			
5.1 kΩ	HF45 6510	HF45 6510			
5.6 kΩ	HF45 6560	HF45 6560			
6.8 kΩ	HF45 6680	HF45 6680			
8.2 kΩ	HF45 6820	HF45 6820			
9.1 kΩ	HF45 6910	HF45 6910			
10 kΩ	HF45 7100	HF45 7100			

* : Not available



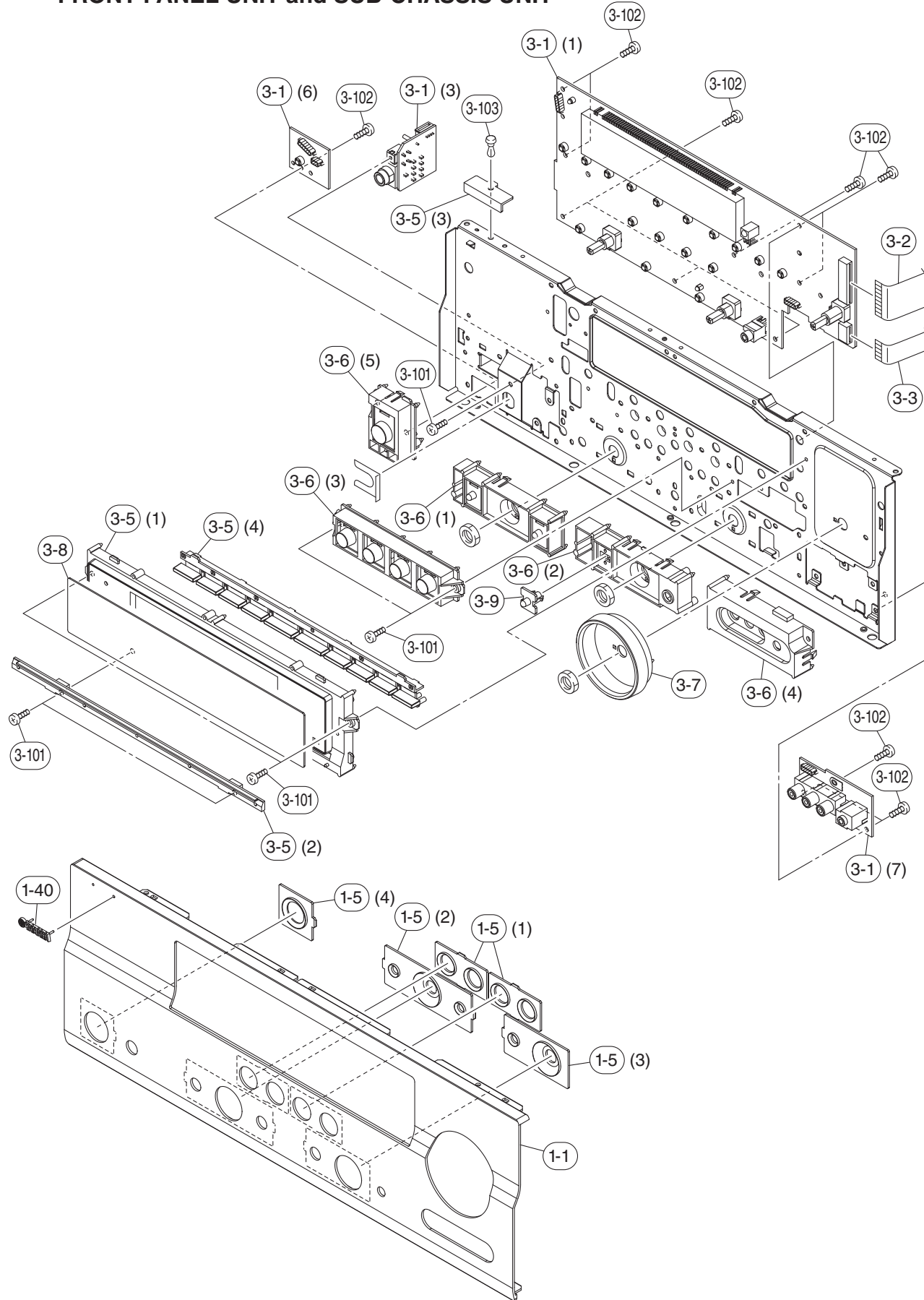
Ref No.	Part No.	Description	Remarks	Markets	部 品 名	ランク
* 2-1	WR431900	P. C. B. ASS' Y		J	PCB MAIN	
* 2-1	WR432000	P. C. B. ASS' Y		U	PCB MAIN	
* 2-1	WR432000	P. C. B. ASS' Y	V765	C	PCB MAIN	
* 2-1	WR432500	P. C. B. ASS' Y	6270	C	PCB MAIN	
* 2-1	WR432100	P. C. B. ASS' Y		R	PCB MAIN	
* 2-1	WR432200	P. C. B. ASS' Y		TKABGEF	PCB MAIN	
* 2-1	WR432300	P. C. B. ASS' Y		L	PCB MAIN	
* 2-2	WR433700	P. C. B. ASS' Y		J	PCB VIDEO	
* 2-2	WR433800	P. C. B. ASS' Y		U	PCB VIDEO	
* 2-2	WR433900	P. C. B. ASS' Y	V765	C	PCB VIDEO	
* 2-2	WR434600	P. C. B. ASS' Y	6270	C	PCB VIDEO	
* 2-2	WR434000	P. C. B. ASS' Y		R	PCB VIDEO	
* 2-2	WR434100	P. C. B. ASS' Y		T	PCB VIDEO	
* 2-2	WR434200	P. C. B. ASS' Y		K	PCB VIDEO	
* 2-2	WR434300	P. C. B. ASS' Y		A	PCB VIDEO	
* 2-2	WR434400	P. C. B. ASS' Y		BGEF	PCB VIDEO	
* 2-2	WR434500	P. C. B. ASS' Y		L	PCB VIDEO	
* 3-1	WR435100	P. C. B. ASS' Y		J	PCB OPERATION	
* 3-1	WR435200	P. C. B. ASS' Y		U	PCB OPERATION	
* 3-1	WR435300	P. C. B. ASS' Y		C	PCB OPERATION	
* 3-1	WR435400	P. C. B. ASS' Y		RTA	PCB OPERATION	
* 3-1	WR435500	P. C. B. ASS' Y		KBGEFL	PCB OPERATION	
* 5	WR436100	P. C. B. ASS' Y	V765	J	PCB DIGITAL	
* 5	WR436200	P. C. B. ASS' Y	V765	U	PCB DIGITAL	
* 5	WR436300	P. C. B. ASS' Y	V765	CRTKAL	PCB DIGITAL	
* 5	WR436800	P. C. B. ASS' Y	6270	C	PCB DIGITAL	
* 5	WR436400	P. C. B. ASS' Y	V765	BGEF	PCB DIGITAL	
* 5	WR436900	P. C. B. ASS' Y	6270	F	PCB DIGITAL	
12	WQ756500	AM/FM TUNER		J	AM/FMチューナー	
12	WQ756600	AM/FM TUNER		UCRTL	AM/FMチューナー	
12	WQ756700	AM/FM TUNER		KABGEF	AM/FMチューナー	
△ * 15	YA753A00	POWER TRANSFORMER		J	電源トランス	
△ * 15	YA684A00	POWER TRANSFORMER		UC	電源トランス	
△ * 15	YA685A00	POWER TRANSFORMER		RL	電源トランス	
△ * 15	YA686A00	POWER TRANSFORMER		TK	電源トランス	
△ * 15	YA687A00	POWER TRANSFORMER		A	電源トランス	
△ * 15	YA745A00	POWER TRANSFORMER		BGEF	電源トランス	
△ 16	WB120500	POWER CABLE	2m	UC	電源コード	
△ 16	WC992700	POWER CABLE	2m	R	電源コード	
△ 16	WB120600	POWER CABLE	2m	T	電源コード	
△ 16	WC753000	POWER CABLE	2m	K	電源コード	
△ 16	WC743700	POWER CABLE	2m	A	電源コード	
△ 16	WB212200	POWER CABLE	2m	B	電源コード	
△ * 16	WR336900	POWER CABLE		GEFL	電源コード	
17	V2438700	CORD STOPPER	10P1	UCRTKABGEFL	コードストッパー	02
* 27	WR285000	FLEXIBLE FLAT CABLE	11P 250mm P=1.25	J	カード電線	
* 27	WR284900	FLEXIBLE FLAT CABLE	11P 100mm P=1.25	UCRTKABGEFL	カード電線	
* 28	WR285400	FLEXIBLE FLAT CABLE	22P 100mm P=1.25	J	カード電線	
* 29	WR284700	FLEXIBLE FLAT CABLE	5P 180mm P=1.25	BGEF	カード電線	
101	WQ665600	TOP COVER		GD	トップカバー	
101	WQ665500	TOP COVER		BL	トップカバー	
101	WQ665700	TOP COVER		TI	トップカバー	
* 103	WQ686700	REAR PANEL	V765	J	リアパネル	
* 103	WQ685800	REAR PANEL	V765	U	リアパネル	
* 103	WQ685900	REAR PANEL	V765	C	リアパネル	
* 103	WQ686900	REAR PANEL	6270	C	リアパネル	

* New Parts * 新規部品

Ref No.	Part No.	Description	Remarks	Markets	部 品 名	ランク
* 103	WQ686000	REAR PANEL	V765	R	リアパネル	
* 103	WQ686100	REAR PANEL	V765	T	リアパネル	
* 103	WQ686200	REAR PANEL	V765	K	リアパネル	
* 103	WQ686300	REAR PANEL	V765	A	リアパネル	
* 103	WQ686500	REAR PANEL	V765	BGEF	リアパネル	
* 103	WQ687000	REAR PANEL	6270	F	リアパネル	
* 103	WQ686600	REAR PANEL	V765	L	リアパネル	
104	V3198100	DAMPER		JBGEF	ダンパー	01
* 105	WRO05100	PLATE SIDE	GD		プレートサイド	
* 105	WRO04900	PLATE SIDE	BL		プレートサイド	
* 105	WRO05000	PLATE SIDE	TI		プレートサイド	
* 108	WS000800	SPACER SUPPORT			スペーサーサポート	
109	WQ664500	SUPPORT H8			サポートH8	
120	VO042500	LEG	GD		レッグ	03
120	VS025000	LEG	BL, TI		レッグ	02
121	WJ181400	KNOB	GD		ノブ	08
121	WJ181300	KNOB	BL		ノブ	08
121	WJ181500	KNOB	TI		ノブ	
* 122	WRO04800	KNOB	GD		ノブ	
* 122	WRO04600	KNOB	BL		ノブ	
* 122	WRO04700	KNOB	TI		ノブ	
152	WC879000	DAMPER			ダンパー	
* 153	WR377400	DAMPER			ダンパー	
155	VQ368600	PUSH RIVET			プッシュリベット	01
156	WK667900	SHEET TOP		CL	シート トップ	
157	WJ053800	RIVET TOP		CL	リベットトップ	
160	WE774100	BIND HEAD BONDING B-T. SCREW	3x8		ボンディングBタイトネジ	01
163	WE774300	BIND HEAD B-TIGHT SCREW	3x8		バインドBタイトネジ	01
164	WE877900	BIND HEAD S-TIGHT SCREW	3x6		バインドSタイトネジ	01
167	WF002600	PW HEAD B-TIGHT SCREW	3x8		PWヘッドBタイトネジ	01
168	WE774600	SCREW IC	3x18		スクリュー IC	01
170	WE774700	BIND HEAD S-TIGHT SCREW	4x10		バインドSタイトネジ	01
171	VDO69600	PW HEAD S-TIGHT SCREW	4x8-10	GD, TI	PWヘッドSタイトネジ	01
171	VH313200	PW HEAD S-TIGHT SCREW	4x8-10	BL	PWヘッドSタイトネジ	01
172	WE200400	DISH HEAD B-TIGHT SCREW	3x6	GD, TI	DISH Bタイトネジ	01
172	WE200500	DISH HEAD B-TIGHT SCREW	3x6	BL	DISH Bタイトネジ	01
176	AA627310	GROUND TERMINAL		JRTKABGEFL	GNDターミナル	01
		ACCESSORIES			付属品	
* 200	WRO02300	REMOTE CONTROL	RAV289	J	リモコン	
* 200	WRO02400	REMOTE CONTROL	RAV290	U	リモコン	
* 200	WRO02500	REMOTE CONTROL	RAV291	C	リモコン	
* 200	WRO02600	REMOTE CONTROL	RAV292	RAL	リモコン	
* 200	WRO02900	REMOTE CONTROL	RAV295	TKBGEF	リモコン	
200-1	AAX82380	BATTERY COVER		CG-2209	電池蓋	03
202	V6267000	INDOOR FM ANTENNA	1.4m 1pc	JUCRTL	FM簡易アンテナ	03
202	VQ147100	INDOOR FM ANTENNA	1.4m 1pc	KABGEF	FM簡易アンテナ	02
203	VR248500	AM LOOP ANTENNA	1.0m 1pc		AMループアンテナ	03
204	WN649600	OPTIMIZER MICROPHONE	6.0m 1pc	EM6022L-HN1700	オプティマイザーマイク	08
△ 205	WA642300	POWER CABLE	2m 1pc	J	電源コード	07
		BATTERY	R03, AAA, UM-4 2pcs		単4乾電池	
		SERVICE TOOLS			サービス用部品	
	WR492800	RS232C CONVERSION ADAPTOR	3.3Vtype with FFC9P		RS232C変換アダプタ	13
	MF125400	FLEXIBLE FLAT CABLE	25P 400mm P=1.25		カード電線	
	MF109400	FLEXIBLE FLAT CABLE	9P 400mm P=1.25		カード電線	02

* New Parts * 新規部品

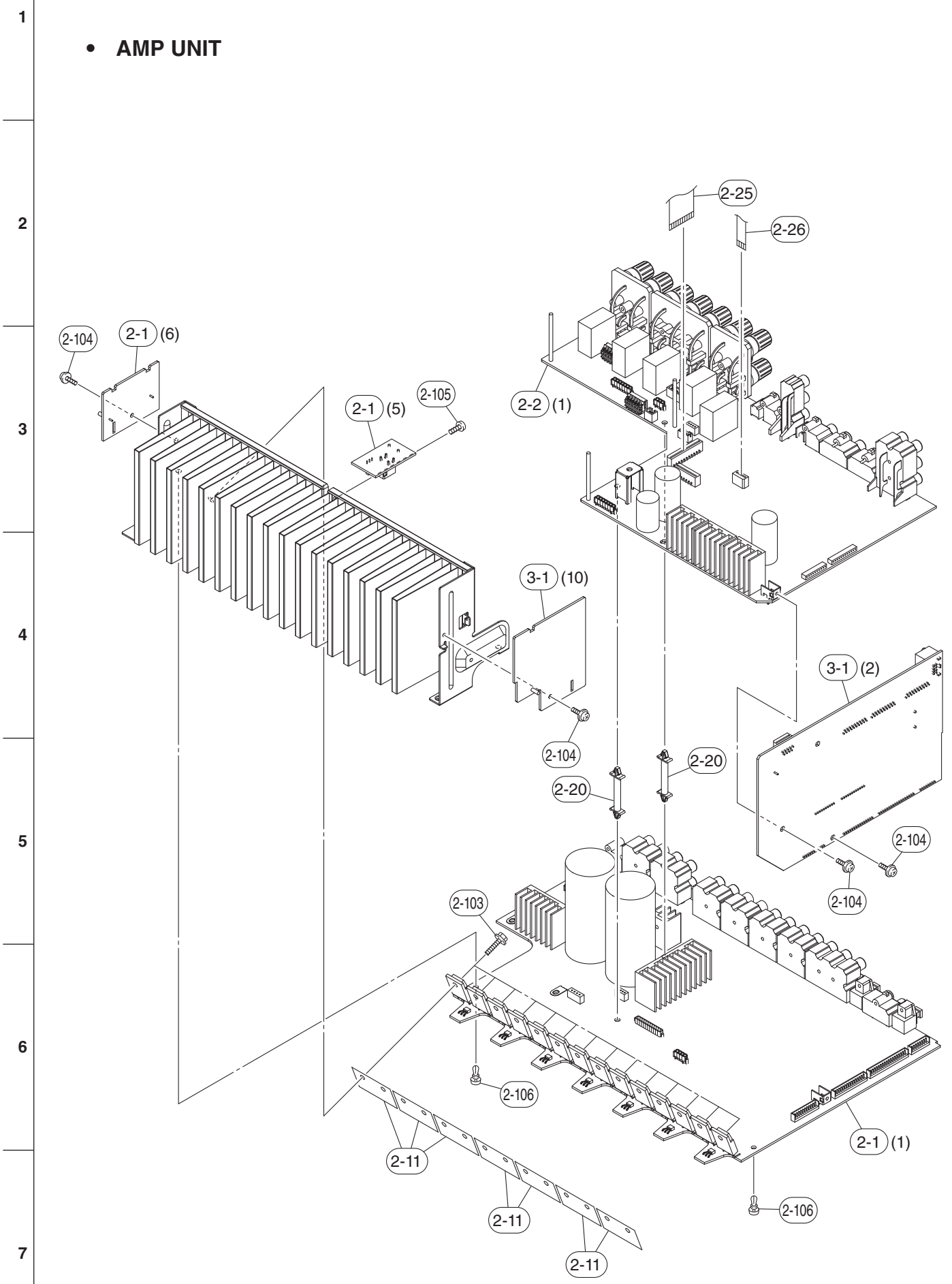
• FRONT PANEL UNIT and SUB-CHASSIS UNIT



Ref No.	Part No.	Description	Remarks	Markets	部品名	ランク	
* 1-1	WR004400	FRONT PANEL		V765GD	T	フロントパネル	
* 1-1	WR003700	FRONT PANEL		V765BL	J	フロントパネル	
* 1-1	WR003300	FRONT PANEL		V765BL	U	フロントパネル	
* 1-1	WR003400	FRONT PANEL		V765BL	CRTABGEFL	フロントパネル	
* 1-1	WR003600	FRONT PANEL		6270BL	CF	フロントパネル	
* 1-1	WR004200	FRONT PANEL		V765T1	KGEFL	フロントパネル	
* 1-5	WR005400	ESCUTCHEON		GD		エスカッション	
* 1-5	WR005200	ESCUTCHEON		BL		エスカッション	
* 1-5	WR005300	ESCUTCHEON		TI		エスカッション	
1-40	V6034200	EMBLEM		GD		エンブレム	03
1-40	V6034100	EMBLEM		BL, TI		エンブレム	03
* 3-1	WR435100	P. C. B. ASS'Y	OPERATION		J	PCB OPERATION	
* 3-1	WR435200	P. C. B. ASS'Y	OPERATION		U	PCB OPERATION	
* 3-1	WR435300	P. C. B. ASS'Y	OPERATION		C	PCB OPERATION	
* 3-1	WR435400	P. C. B. ASS'Y	OPERATION		RTA	PCB OPERATION	
* 3-1	WR435500	P. C. B. ASS'Y	OPERATION		KBGEFL	PCB OPERATION	
* 3-2	WR482100	FLEXIBLE FLAT CABLE	25P 250mm P=1.25			カード電線	
* 3-3	WR284800	FLEXIBLE FLAT CABLE	9P 250mm P=1.25			カード電線	
* 3-5	WR006800	SUB PANEL				サブパネル	
* 3-6	WS075400	BUTTON CASE		GD		ボタンケース	
* 3-6	WR005800	BUTTON CASE		BL	J	ボタンケース	
* 3-6	WR005500	BUTTON CASE		BL	UCRABGEFL	ボタンケース	
* 3-6	WS075200	BUTTON CASE		BL	T	ボタンケース	
* 3-6	WR005600	BUTTON CASE		TI		ボタンケース	
* 3-7	WR006300	ESCUTCHEON VOLUME		GD		エスカッションVOL	
* 3-7	WR006100	ESCUTCHEON VOLUME		BL		エスカッションVOL	
* 3-7	WR006200	ESCUTCHEON VOLUME		TI		エスカッションVOL	
* 3-8	WR006700	SHEET WINDOW			J	シートウインドウ	
* 3-8	WR006500	SHEET WINDOW			U	シートウインドウ	
* 3-8	WR006600	SHEET WINDOW			CRKABGEFL	シートウインドウ	
* 3-8	WS075100	SHEET WINDOW			T	シートウインドウ	
* 3-9	WR006400	LENS BUTTON				レンズボタン	
3-101	WE774300	BIND HEAD B-TIGHT SCREW	3x8 MFZN2W3			バインドBタイトネジ	01
3-102	WE774800	BIND HEAD P-TIGHT SCREW	3x8 MFZN2W3			バインドPタイトネジ	01
3-103	VQ368600	PUSH RIVET	P3555-B			プッシュリベット	01

* New Parts * 新規部品

• AMP UNIT



Ref No.	Part No.	Description	Remarks	Markets	部品名	ランク
* 2-1	WR431900	P. C. B. ASS'Y	MAIN	J	PCB MAIN	
* 2-1	WR432000	P. C. B. ASS'Y	MAIN	U	PCB MAIN	
* 2-1	WR432000	P. C. B. ASS'Y	MAIN	C	PCB MAIN	
* 2-1	WR432500	P. C. B. ASS'Y	MAIN	C	PCB MAIN	
* 2-1	WR432100	P. C. B. ASS'Y	MAIN	R	PCB MAIN	
* 2-1	WR432200	P. C. B. ASS'Y	MAIN	TKABGEF	PCB MAIN	
* 2-1	WR432300	P. C. B. ASS'Y	MAIN	L	PCB MAIN	
* 2-2	WR433700	P. C. B. ASS'Y	VIDEO	J	PCB VIDEO	
* 2-2	WR433800	P. C. B. ASS'Y	VIDEO	U	PCB VIDEO	
* 2-2	WR433900	P. C. B. ASS'Y	VIDEO	C	PCB VIDEO	
* 2-2	WR434600	P. C. B. ASS'Y	VIDEO	C	PCB VIDEO	
* 2-2	WR434000	P. C. B. ASS'Y	VIDEO	R	PCB VIDEO	
* 2-2	WR434100	P. C. B. ASS'Y	VIDEO	T	PCB VIDEO	
* 2-2	WR434200	P. C. B. ASS'Y	VIDEO	K	PCB VIDEO	
* 2-2	WR434300	P. C. B. ASS'Y	VIDEO	A	PCB VIDEO	
* 2-2	WR434400	P. C. B. ASS'Y	VIDEO	BGEF	PCB VIDEO	
* 2-2	WR434500	P. C. B. ASS'Y	VIDEO	L	PCB VIDEO	
2-11	WQ753200	MICA SHEET	TB-1021		マイカシート	
2-20	WS000800	SPACER SUPPORT	LCA4-29M PIN		スペーサーサポート	
* 2-25	WR285500	FLEXIBLE FLAT CABLE	22P 140mm P=1.25		カード電線	01
2-26	WP504300	FLEXIBLE FLAT CABLE	6P 180mm P=1.25		カード電線	01
2-103	WM220800	HEXAGONAL HEAD B-TIGHT SCREW	3x15 SP MFZN2W3		六角Bタイトネジ	01
2-104	WF002600	PW HEAD B-TIGHT SCREW	3x8 MFZN2W3		PWヘッドBタイトネジ	01
2-105	WE774300	BIND HEAD B-TIGHT SCREW	3x8 MFZN2W3		バインドBタイトネジ	01
2-106	VQ368600	PUSH RIVET	P3555-B		ブッシュリベット	01
* 3-1	WR435100	P. C. B. ASS'Y	OPERATION	J	PCB OPERATION	
* 3-1	WR435200	P. C. B. ASS'Y	OPERATION	U	PCB OPERATION	
* 3-1	WR435300	P. C. B. ASS'Y	OPERATION	C	PCB OPERATION	
* 3-1	WR435400	P. C. B. ASS'Y	OPERATION	RTA	PCB OPERATION	
* 3-1	WR435500	P. C. B. ASS'Y	OPERATION	KBGEFL	PCB OPERATION	

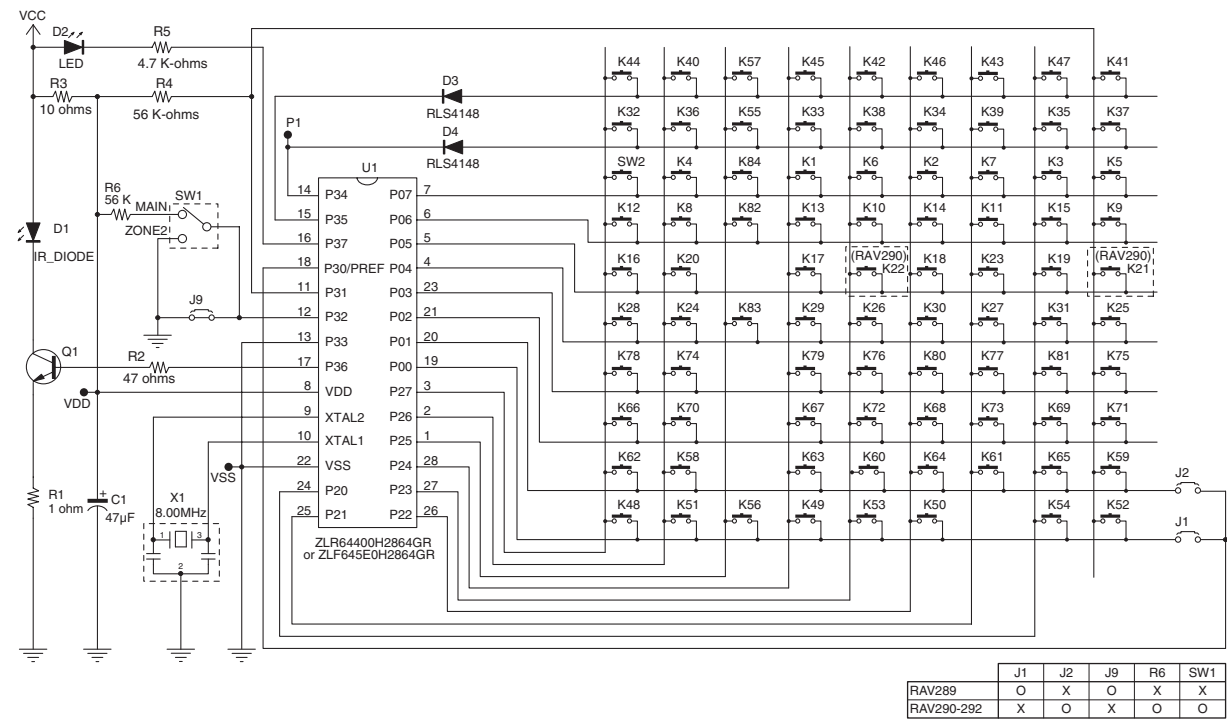
* New Parts * 新規部品

REMOTE CONTROL

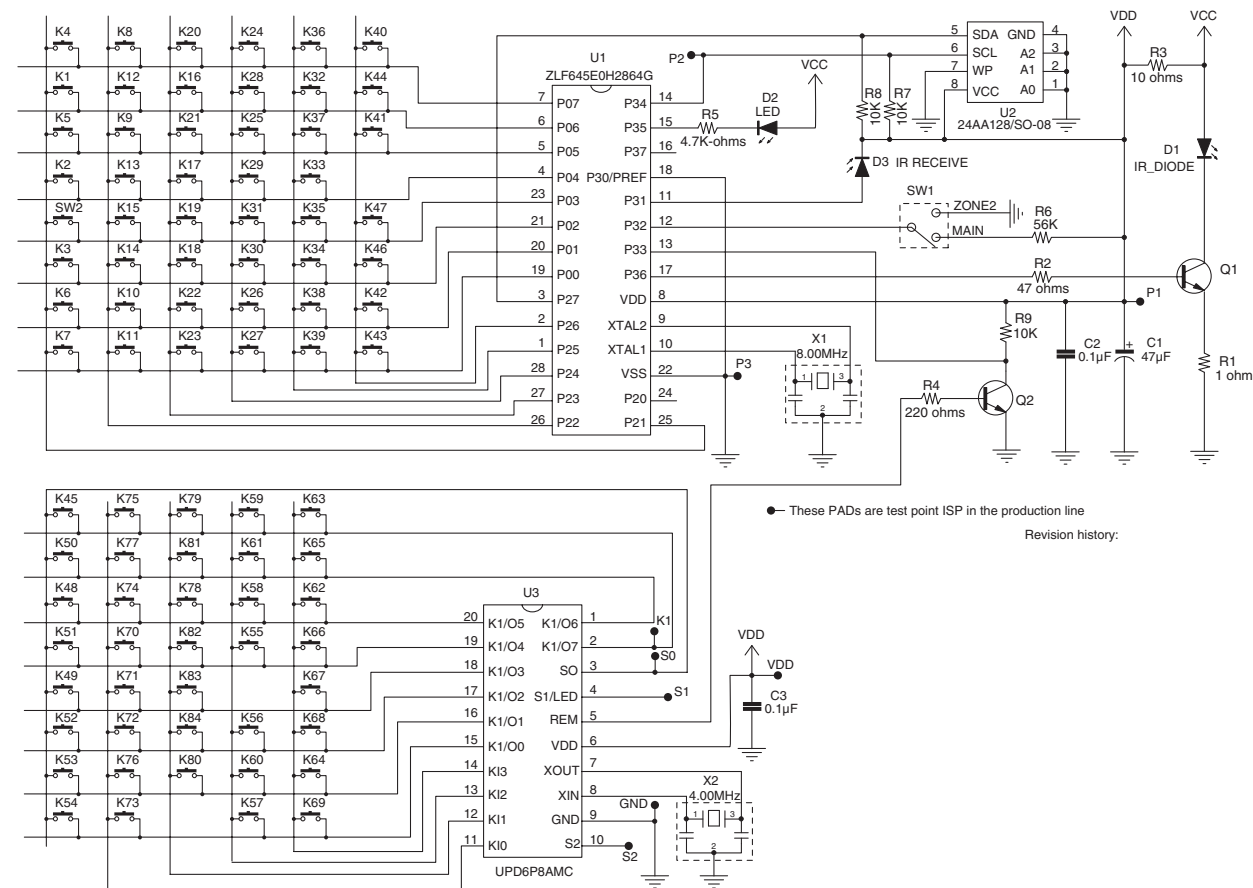
- RAV290: U model / RAV291: C model / RAV292: R, A, L models / RAV295: T, K, B, G, E, F models / RAV289: J model

SCHEMATIC DIAGRAMS

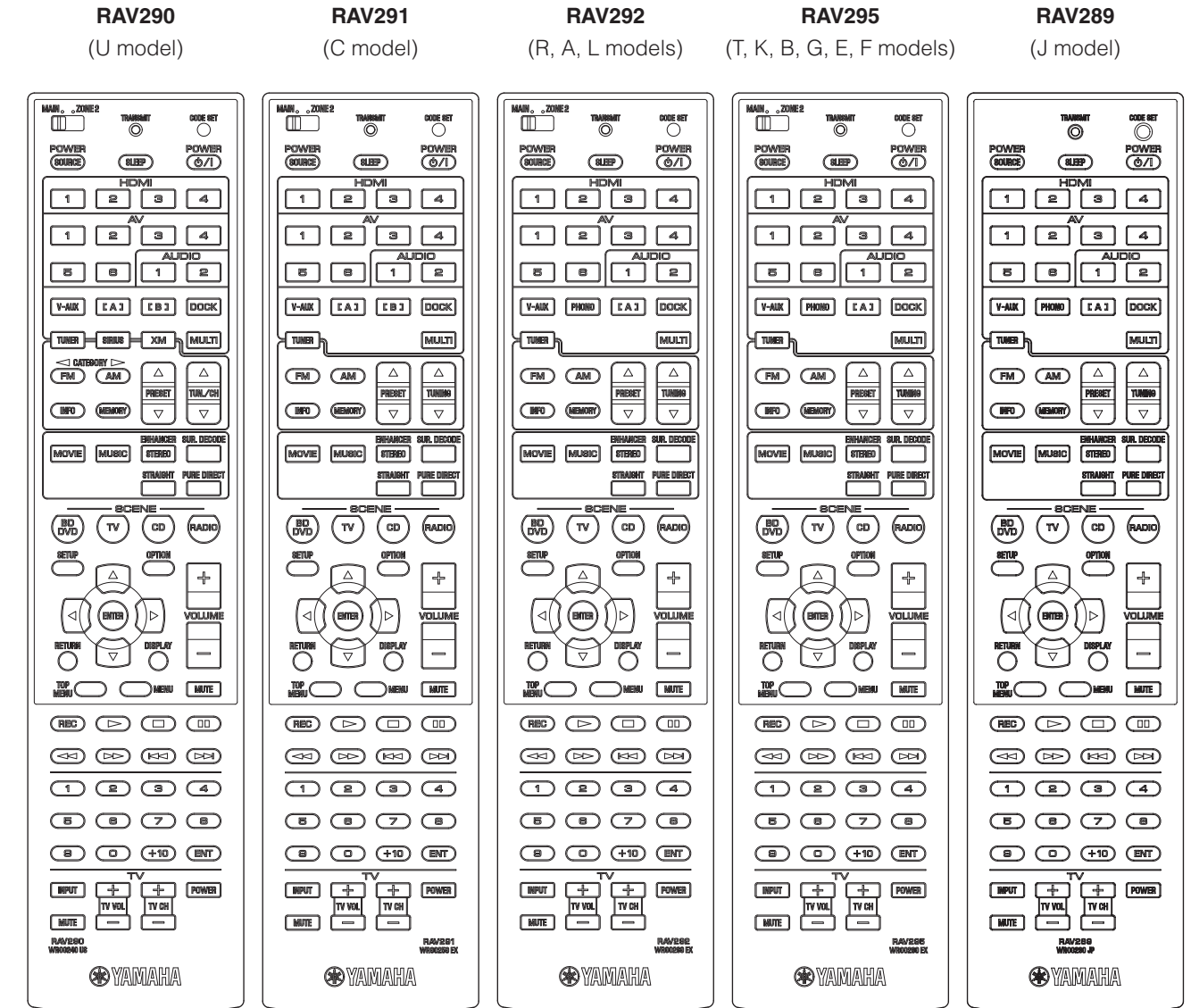
RAV289/RAV290/RAV291/RAV292



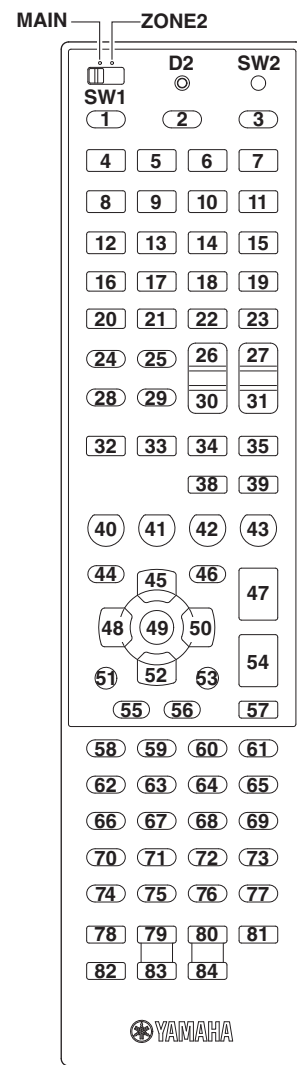
RAV295



PANELS



KEY NO. LAYOUT



KEY CODE

GROUP	PRE SET	Key No.	FUNCTION	COM	ID1		ID2	
					MAIN	ZONE2	MAIN	ZONE2
	-	SW1	MAIN/ZONE 2	-	[MAIN]	[ZONE2]	[MAIN]	[ZONE2]
	-	D2	TRANSMIT	-	-	-	-	-
	-	SW2	CODE SET	-	-	-	-	-
POWER	-	K2	SLEEP	O	7A-30	7A-31	7A-30CE	7A-31CF
	-	K3	POWER	O	7E-2A	7A-453A	7E-2AD4	7A-453B
INPUT 1	O	K4	HDMI-1	O	7A-4738	7A-4837	7A-4739	7A-4836
								* enter into HDMI-1 MODE
	O	K5	HDMI-2	O	7A-4A35	7A-4B34	7A-4A34	7A-4B35
								* enter into HDMI-2 MODE
	O	K6	HDMI-3	O	7A-4D32	7A-4E31	7A-4D33	7A-4E30
								* enter into HDMI-3 MODE
	O	K7	HDMI-4	O	7A-502F	7A-512E	7A-502E	7A-512F
								* enter into HDMI-4 MODE
	O	K8	AV-1	O	7A-532C	7A-542B	7A-532D	7A-542A
								* enter into AV-1 MODE
	O	K9	AV-2	O	7A-5629	7A-5728	7A-5628	7A-5729
								* enter into AV-2 MODE
	O	K10	AV-3	O	7A-5926	7A-5A25	7A-5927	7A-5A24
								* enter into AV-3 MODE
INPUT 2	O	K11	AV-4	O	7A-5C23	7A-5D22	7A-5C22	7A-5D23
								* enter into AV-4 MODE
	O	K12	AV-5	O	7A-5F20	7A-601F	7A-5F21	7A-601E
								* enter into AV-5 MODE
	O	K13	AV-6	O	7A-621D	7A-631C	7A-621C	7A-631D
								* enter into AV-6 MODE
	O	K14	AUDIO-1	O	7A-651A	7A-6619	7A-651B	7A-6618
								* enter into AUDIO-1 MODE
	O	K15	AUDIO-2	O	7A-6817	7A-6916	7A-6816	7A-6917
								* enter into AUDIO-2 MODE
	O	K16	V-AUX	O	7A-55	7A-D8	7A-55AB	7A-D826
								* enter into V-AUX MODE
	O	K17	[A] (RAV290, 291) [PHONO] (RAV289, 292, 295)	O	7A-14	7A-D0	7A-14EA	7A-D02E
								* enter into [A]/PHONO MODE
O	K23	MULTI CH	O	7A-87	-	7A-8779	-	
							* enter into MULTI CH MODE	
RADIO	-	K18	[B] (RAV290, 291) [A] (RAV289, 292, 295)	O	7F01-3F	7F01-40	7F01-3FC1	7F01-40BE
								* enter into [A]/[B] MODE
	-	K19	DOCK	O	7F01-4A	7F01-4B	7F01-4AB4	7F01-4BB5
								* enter into DOCK MODE
	-	K20	TUNER	O	7A-16	7A-D2	7A-16E8	7A-D22C
								* enter into TUNER MODE
RADIO	-	K21	SIRIUS (RAV290) U model	O	7A-39	7A-3A	7A-39C7	7A-3AC4
								* enter into SIRIUS MODE
	-	K22	XM (RAV290) U model	O	7A-B4	7A-B8	7A-B44A	7A-B846
								* enter into XM MODE
	-	K24	CATEGORY (-)/ FM	O	7F01-5827	7F01-5926	7F01-5826	7F01-5927
	-	K25	CATEGORY (+)/ AM	O	7F01-552A	7F01-5629	7F01-552B	7F01-5628
	-	K26	PRESET (+)	O	7F01-5B24	7F01-5C23	7F01-5B25	7F01-5C22
	-	K27	TUNING/CH (+)	O	7F01-611E	7F01-621D	7F01-611F	7F01-621C
	-	K28	INFO	O	7A-2758	7A-2857	7A-2759	7A-2856
	-	K29	MEMORY	O	7F01-6718	7F01-6817	7F01-6719	7F01-6816
DSP	-	K30	PRESET (-)	O	7F01-5E21	7F01-5F20	7F01-5E20	7F01-5F21
	-	K31	TUNING/CH (-)	O	7F01-641B	7F01-651A	7F01-641A	7F01-651B
	-	K32	MOVIE	O	7A-88	-	7A-8876	-
	-	K33	MUSIC	O	7A-89	-	7A-8977	-
	-	K34	STEREO/ENHANCER	O	7A-94	-	7A-946A	-
	-	K35	SUR. DECODE	O	7A-8D	-	7A-8D73	-
	-	K38	STRAIGHT	O	7A-56	-	7A-56A8	-
	-	K39	PURE DIRECT	O	7A-DD	-	7A-DD23	-
SCENE	-	K40	BD/DVD	O	7A-007F	7A-017E	7A-007E	7A-017F
	-	K41	TV	O	7A-037C	7A-047B	7A-037D	7A-047A
	-	K42	CD	O	7A-0679	7A-0778	7A-0678	7A-0779
	-	K43	RADIO or GAME	O	7A-0976	7A-0A75	7A-0977	7A-0A74

GROUP	PRE SET	Key No.	FUNCTION	COM	ID1		ID2	
					MAIN	ZONE2	MAIN	ZONE2
MENU	-	K44	SETUP	O	7A-84	-	7A-847A	-
								* enter into AMP MODE
	-	K46	OPTION	O	7A-6B14	-	7A-6B15	-
								* enter into AMP MODE
CURSOR	-	K45	UP	-	7A-9D	-	7A-9D63	-
	-	K48	LEFT	-	7A-9F	-	7A-9F61	-
	-	K49	ENTER	-	7A-DE	-	7A-DE20	-
	-	K50	RIGHT	-	7A-9E	-	7A-9E60	-
	-	K51	RETURN	-	7A-AA	-	7A-AA54	-
	-	K52	DOWN	-	7A-9C	-	7A-9C62	-
VOLUME	-	K53	(DISPLAY)	-	7F01-60	7F01-80	7F01-609E	7F01-807E
	-	K47	VOLUME (+)	O	7A-1A	7A-DA	7A-1AE4	7A-DA24
	-	K54	VOLUME (-)	O	7A-1B	7A-DB	7A-1BE5	7A-DB25
	-	K57	MUTE	O	7A-1C	7A-DC	7A-1CE2	7A-DC22
SOURCE	-	K1	POWER (SOURCE)	-				
	-	K55	TOP MENU	-				
	-	K56	MENU	-				
	-	K58	REC	-				
	-	K59	PLAY	-				
	-	K60	STOP	-				
	-	K61	PAUSE	-				
	-	K62	REW	-				
	-	K63	FF	-				
	-	K64	SKIP (-)	-				
10 key	-	K65	SKIP (+)	-				
	-	K66	1	-				
	-	K67	2	-				
	-	K68	3	-				
	-	K69	4	-				
	-	K70	5	-				
	-	K71	6	-				
	-	K72	7	-				
	-	K73	8	-				
	-	K74	9	-				
TV	-	K75	0	-				
	-	K76	+10	-				
	-	K77	ENT	-				
	-	K78	TV INPUT	-				
	-	K79	TV VOL (+)	-				
	-	K80	TV CH (+)	-				
	-	K81	TV POWER	-				
	-	K82	TV MUTE	-				
	-	K83	TV VOL (-)	-				
	-	K84	TV CH (-)	-				

FUNCTION CODE

Key No.	BD			DVD				DVR			LD			CD			CD-R			MD			
	Brand	Yamaha-1	Brand	Yamaha-1	Yamaha-2	Yamaha-3	T	Brand	Yamaha	Brand	Yamaha	Brand	Yamaha-1	Yamaha-2	Brand	Yamaha	Brand	Yamaha-1	Yamaha-2	Yamaha-3	Yamaha-3		
	Preset Number	2018	Preset Number	2000	2003	2001	2136	Preset Number	2011	Preset Number	2002	Preset Number	5013	5000	Preset Number	5001	Preset Number	5002	5003	5004			
Function	Code	Function	Code	Code	Code	Code	Function	Code	Function	Code	Function	Code	Code	Function	Code	Function	Code	Code	Code	Code			
K45	UP	7C-B4	UP	7C-B4	2002 B0 00 85 35	004.088	45B5 80	MENU UP	048.088	-	-	-	-	-	-	-	-	-	-	-	-		
K48	LEFT	7C-B5	LEFT	7C-B5	2002 B0 00 87 37	004.090	45B5 51	MENU LEFT	048.090	-	-	-	-	-	-	-	-	-	-	-	-		
K49	ENTER	7C-B8	ENTER	7C-B8	2002 B0 00 82 32	004.092	45B5 21	MENU ENTER	048.092	-	-	-	-	-	-	-	-	-	-	-	-		
K50	RIGHT	7C-B6	RIGHT	7C-B6	2002 B0 00 88 38	004.091	45B5 4D	MENU RIGHT	048.091	-	-	-	-	-	-	-	-	-	-	-	-		
K51	RETURN	7C-B7	RETURN	7C-B7	2002 B0 00 81 31	004.131	45B5 22	RETURN	048.131	-	-	-	-	-	-	-	-	-	-	-	-		
K52	DOWN	7C-B3	DOWN	7C-B3	2002 B0 00 86 36	004.089	45B5 81	MENU DOWN	048.089	-	-	-	-	-	-	-	-	-	-	-	-		
K53	DISPLAY	7C-A6	DISPLAY	7C-A6	2002 B0 00 92 22	004.015	45B5 26	DISPLAY	048.015	DISPLAY	7C-13	DISPLAY	79-0A	79-0A	DISPLAY	7F-9E	DISPLAY	79-A5	79-A5	180F			
K1	SOURCE POWER	7C-80	SOURCE POWER	7C-80	2002 B0 00 3D 8D	004.012	45B5 12	AV POWER	048.012	AV POWER	-	AV POWER	79-60	79-60	AV POWER	7F-80	AV POWER	-	79-B5	79-B5	150F		
K55	TOP MENU	7C-B1	TOP MENU	7C-B1	2002 B0 00 9B 2B	004.113	45B5 DE	TITLE	048.200	-	-	-	-	-	-	-	-	-	-	-	-		
K56	MENU	7C-D0	MENU	7C-B2	2002 B0 00 80 30	004.084	45B5 84	MENU	048.084	-	-	-	-	-	-	-	-	-	-	-	-		
K58	DISC SKIP	7C-8B	DISC SKIP	7C-8B	-	004.127	??	REC	048.055	-	-	DISC SKIP	7A-4F	79-4F	REC	-	REC	79-AF	79-B1	2D0F			
K59	PLAY	7C-82	PLAY	7C-82	2002 B0 00 0A BA	004.044	45B5 15	PLAY	048.044	PLAY	7C-05	PLAY	7A-08	79-02	PLAY	7F-82	PLAY	79-A8	79-A8	2A0F			
K60	STOP	7C-85	STOP	7C-85	2002 B0 00 00 B0	004.049	45B5 14	STOP	048.049	STOP	7C-5B	STOP	7A-09	79-56	STOP	7F-84	STOP	79-AA	79-AA	280F			
K61	PAUSE	7C-83	PAUSE	7C-83	2002 B0 00 06 B6	004.048	45B5 00	PAUSE	048.048	PAUSE	7C-5A	PAUSE	7A-09	79-55	PAUSE	7F-83	PAUSE	79-A9	79-A9	290F			
K62	REW	7C-86	REW	7C-86	2002 B0 00 04 BA	004.041	45B5 19	REW	048.041	REW	7C-06	REW	7A-0D	79-05	REW	7F-88	REW	79-AC	79-AC	2B0F			
K63	FF	7C-87	FF	7C-87	2002 B0 00 05 B5	004.040	45B5 13	FF	048.040	FF	7C-07	FF	7A-0C	79-06	FF	7F-89	FF	79-AD	79-AD	2C0F			
K64	SKIP (-)	7C-B9	SKIP (-)	7C-B9	2002 B0 00 49 F9	004.033	45B5 23	SKIP (-)	048.033	CHAP/SKIP (-)	7C-02	SKIP (-)	7A-0B	79-04	SKIP (-)	7F-86	SKIP (-)	79-AB	79-AB	200F			
K65	SKIP (+)	7C-BA	SKIP (+)	7C-BA	2002 B0 00 4A FA	004.032	45B5 24	SKIP (+)	048.032	CHAP/SKIP (+)	7C-03	SKIP (+)	7A-0A	79-07	SKIP (+)	7F-87	SKIP (+)	79-AE	79-AE	210F			
K66	1	7C-94	1	7C-94	2002 B0 00 10 A0	004.001	45B5 01	1	048.001	1	7C-17	1	79-11	79-11	1	7F-91	1	79-B5	79-B7	000F			
K67	2	7C-95	2	7C-95	2002 B0 00 11 A1	004.002	45B5 02	2	048.002	2	7C-18	2	79-12	79-12	2	7F-92	2	79-B6	79-B8	010F			
K68	3	7C-96	3	7C-96	2002 B0 00 12 A2	004.003	45B5 03	3	048.003	3	7C-19	3	79-13	79-13	3	7F-93	3	79-B7	79-B9	020F			
K69	4	7C-97	4	7C-97	2002 B0 00 13 A3	004.004	45B5 04	4	048.004	4	7C-1A	4	79-14	79-14	4	7F-94	4	79-B8	79-BA	030F			
K70	5	7C-98	5	7C-98	2002 B0 00 14 A4	004.005	45B5 05	5	048.005	5	7C-1B	5	79-15	79-15	5	7F-95	5	79-B9	79-BB	040F			
K71	6	7C-99	6	7C-99	2002 B0 00 15 A5	004.006	45B5 06	6	048.006	6	7C-1C	6	79-16	79-16	6	7F-96	6	79-BA	79-BC	050F			
K72	7	7C-9A	7	7C-9A	2002 B0 00 16 A6	004.007	45B5 07	7	048.007	7	7C-1D	7	79-17	79-17	7	7F-97	7	79-BB	79-BD	060F			
K73	8	7C-9B	8	7C-9B	2002 B0 00 17 A7	004.008	45B5 08	8	048.008	8	7C-1E	8	79-18	79-18	8	7F-98	8	79-BC	79-BE	070F			
K74	9	7C-9C	9	7C-9C	2002 B0 00 18 A8	004.009	45B5 09	9	048.009	9	7C-1F	9	79-19	79-19	9	7F-99	9	79-BD	79-BF	080F			
K75	0	7C-93	0	7C-93	2002 B0 00 19 A9	004.000	45B5 0A	0	048.000	0	7C-16	0/10	79-10	79-10	0	7F-90	0	79-BE	79-C0	090F			
K76	+10	7C-9D	+10	7C-9D	2002 B0 00 89 39	004.120	45B5 25	+10	-	+10	7C-5D	+10	79-1A	79-1A	+10	7F-9A	+10	79-BF	79-8F	0A0F			
K77	TITLE/INDEX	7C-9E	TITLE/INDEX	7C-9E	-	-	45B5 20	TITLE/INDEX	-	CHAP/TIME	7C-15	INDEX	79-0B	79-0B	INDEX	7F-8A	INDEX	-	-	-	-		
K78	TV INPUT	(TV INPUT)	TV INPUT		(TV INPUT)			TV INPUT	(TV INPUT)	TV INPUT	(TV INPUT)	TV INPUT	(TV INPUT)	(TV INPUT)	TV INPUT	(TV INPUT)	TV INPUT	(TV INPUT)	(TV INPUT)	(TV INPUT)	(TV INPUT)		
K79	TV VOL (+)	(TV VOL +)	TV VOL (+)		(TV VOL +)			TV VOL (+)	(TV VOL +)	TV VOL (+)	(TV VOL +)	TV VOL (+)	(TV VOL +)	(TV VOL +)	TV VOL (+)	(TV VOL +)	TV VOL (+)	(TV VOL +)	(TV VOL +)	(TV VOL +)	(TV VOL +)		
K80	TV CH (+)	(TV CH +)	TV CH (+)		(TV CH +)			TV CH (+)	(TV CH +)	TV CH (+)	(TV CH +)	TV CH (+)	(TV CH +)	(TV CH +)	TV CH (+)	(TV CH +)	TV CH (+)	(TV CH +)	(TV CH +)	(TV CH +)	(TV CH +)		
K81	TV POWER	(TV POWER)	TV POWER		(TV POWER)			TV POWER	(TV POWER)	TV POWER	(TV POWER)	TV POWER	(TV POWER)	(TV POWER)	TV POWER	(TV POWER)	TV POWER	(TV POWER)	(TV POWER)	(TV POWER)	(TV POWER)		
K82	TV MUTE	(TV MUTE)	TV MUTE		(TV MUTE)			TV MUTE	(TV MUTE)	TV MUTE	(TV MUTE)	TV MUTE	(TV MUTE)	(TV MUTE)	TV MUTE	(TV MUTE)	TV MUTE	(TV MUTE)	(TV MUTE)	(TV MUTE)	(TV MUTE)		
K83	TV VOL (-)	(TV VOL -)	TV VOL (-)		(TV VOL -)			TV VOL (-)	(TV VOL -)	TV VOL (-)	(TV VOL -)	TV VOL (-)	(TV VOL -)	(TV VOL -)	TV VOL (-)	(TV VOL -)	TV VOL (-)	(TV VOL -)	(TV VOL -)	(TV VOL -)	(TV VOL -)		
K84	TV CH (-)	(TV CH -)	TV CH (-)		(TV CH -)			TV CH (-)	(TV CH -)	TV CH (-)	(TV CH -)	TV CH (-)	(TV CH -)	(TV CH -)	TV CH (-)	(TV CH -)	TV CH (-)	(TV CH -)	(TV CH -)	(TV CH -)	(TV CH -)		

Key No.	TUNER													TAPE				TV							
	Brand	Yamaha-2	Yamaha-3	Yamaha-4	Yamaha-5	Yamaha-6	Yamaha-7	Yamaha-8	Yamaha-11	Yamaha-12	Brand	Yamaha-8	Yamaha-9	Yamaha-10	Brand	Yamaha-1	Yamaha-2	Brand	Yamaha-1	Yamaha-2	Yamaha-3	Yamaha-4	Yamaha-5		
	Preset Number	5014	5007	5008	5009	5010	5011	5015	5016	Preset Number	5012	5017	5018	Preset Number	5005	5006	Preset Number	0000	0001	0002	0003	0004			
Function	Code	Code	Code	Code	Code	Code	Code	Code	Code	Function	Code	Code	Code	Function	Code	Code	Function	Code	Code	Code	Code	Code	Code		
K45	PRESET (+)	7A-10	7A-10	7D-F5	7A-6A	7D-31	7F01-0E	7F01-0EF0	7A-6A94	7A-10EE	UP	7F01-2E	7F01-2ED0	UP	7F01-E1	7F01-E11F	-	-	-	MENU UP	D1CC	D16C	5070	01 111 0 01 0EE 1	F082
K48	A-E/CAT. (-)	-	7A-AC	7D-BB	7A-6E	7D-35	7F01-10	7F01-10EE	7A-AC52	LEFT	7F01-30	7F01-30CE	LEFT	7F01-E2	7F01-E21C	-	-	-	MENU LEFT	D1CE	D16E	5073	01 115 0 01 0EA 1	F080	
K49	ENTER	-	7A-AD	7D-BC	7A-6F	7D-36	7F01-11	7F01-11EF	7A-6F91	ENTER	7F01-31	7F01-31CF	ENTER	7F01-E3	7F01-E31D	-	-	-	MENU ENTER	D1D0	D170	5033	01 15F 0 01 0A0 1	F087	
K50	A-E/CAT. (+)	D1-0D	7A-12	7D-F7	7A-6C	7D-33	7F01-12	7F01-12EC	7A-6C92	RIGHT	7F01-32	7F01-32CC	RIGHT	7F01-E4	7F01-E41A	A/B	7A-06	7F-06	MENU RIGHT	D1CF	D16F	5072	01 114 0 01 0EB 1	F081	
K51	MEMORY	-	7A-AF	7D-BE	7A-71	7D-38	7F01-13	7F01-13ED	7A-718F	RETURN	7F01-33	7F01-33CD	MEMORY	7F01-DF	7F01-DF21	-	-	-	RETURN	D1D5	D175	500A	01 12F 0 01 0D0 1	-	
K52	PRESET (-)	7A-11	7A-11	7D-F6	7A-6B	7D-32	7F01-14	7F01-14EA	7A-6B95	DOWN	7F01-34	7F01-34CA	DOWN	7F01-E5	7F01-E51B	-	-	-	MENU DOWN	D1CD	D16D	5071	01 112 0 01 0ED 1	F083	
K53	DISPLAY	-	7A-B0	7D-BF	7A-72	7D-39	7F01-15	7F01-15EB	7A-728C	DISPLAY	7F01-35	7F01-35CB	DISPLAY	7F01-E0	7F01-E01E	-	-	-	DISPLAY	-	-	5010	01 11B 0 01 0EA 1	-	
K1	AV POWER	D1-1B	D1-1B	-	-	-	7F01-00	7F01-00FE	-	AV POWER	7F01-20	7F01-20DE	AV POWER	7F01-D0	7F01-D02E	AV POWER	-	-	AV POWER	-	-	-	-	-	
K55	BAND	-	7A-AE	7D-BD	7A-70	7D-37	7F01-0D	7F01-0DF3	7A-708E	TITLE	7F01-2D	7F01-2DD3	TITLE	7F01-DD	7F01-DD23	-	-	-	TITLE	-	-	-	-	-	
K56	SRCH MODE	-	7A-AB	7D-BA	7A-6D	7D-34	7F01-0F	7F01-0FF1	7A-6D93	MENU	7F01-2F	7F01-2FD1	SRCH MODE	7F01-DE	7F01-DE20	-	-	-	MENU	D1D3	D173	5053	01 120 0 01 0DF 1	F086	
K58	-	-	-	-	-	-	7F01-16	7F01-16E8	-	PC/MCX	7F01-36	7F01-36C8	REC	7F01-E6	7F01-E618	REC	7A-04	7F-04	REC	-	-	-	-	-	
K59	-	-	-	-	-	-	7F01-1E	7F01-1EE0	-	PLAY	7F01-3E	7F01-3EC0	PLAY	7F01-E8	7F01-E816	PLAY	7A-00	7F-00	PLAY	-	-	-	-	-	
K60	-	-	-	-	-	-	7F01-1D	7F01-1DE3	-	STOP	7F01-3D	7F01-3DC3	STOP	7F01-E9	7F01-E917	STOP	7A-03	7F-03	STOP	-	-	-	-	-	
K61	-	-	-	-	-	-	7F01-1A	7F01-1AE4	-	PAUSE	7F01-3A	7F01-3AC4	PAUSE	7F01-E7	7F01-E719	PAUSE	-	-	PAUSE	-	-	-	-	-	
K62	FREQ	7A-A4	7A-A4	7D-23	7A-3D	-	7F01-17	7F01-17E9	7A-3DC3	NET RADIO	7F01-37	7F01-37C9	REW	7F01-EA	7F01-EA14	REW	7A-01	7F-01	REW	-	-	-	-	-	
K63	EON	7A-A5	7A-A5	7D-24	7A-3E	-	7F01-18	7F01-18E6	7A-3EC0	USB	7F01-38	7F01-38C6	FF	7F01-EB	7F01-EB15	FF	7A-02	7F-02	FF	-	-	-	-	-	
K64	PTY MODE	7A-A6	7A-A6	7D-25	7A-3F	-	7F01-1B	7F01-1BE5	7A-3FC1	SKIP (-)	7F01-3B	7F01-3BC5	SKIP (-)	7F01-EC	7F01-EC12	DIR A	7A-07	7F-07	SKIP (-)	-	-	-	-	-	
K65	PTY START	7A-A7	7A-A7	7D-26	7A-EF	-	7F01-1C	7F01-1CE2	7A-EF11	SKIP (+)	7F01-3C	7F01-3CC2	SKIP (+)	7F01-ED	7F01-ED13	DIR B	7A-04	7F-08	SKIP (+)	-	-	-	-	-	
K66	P1	D1-0E	7A-E5	7D-F8	7A-61	7D-A1	7F01-01	7F01-01FF	7A-619F	P1	7F01-21	7F01-21DF	1</												

Advanced setup

The advanced setup includes more parameters for basic operation of this unit such as turning a bi-amp connection on and off and initializing user settings. This section describes what those parameters are and how to change them.

1 Set this unit to standby.

2 Press **Ⓐ** MAIN ZONE ON/OFF while pressing and holding **Ⓟ** STRAIGHT on the front panel.

The ADVANCED SETUP menu appears on the front panel display.

ADVANCED SETUP

3 Rotate the **Ⓞ** PROGRAM selector to select the parameter you want to change.



- Set values are placed in XXX of the following parameters on an actual display screen.
- The default setting are marked with “*.”

SP IMP. -XXX

Choices: 6ΩMIN/8ΩMIN*

Selects output impedance of this unit according to connected speakers. When you connect 4-ohm speakers to the FRONT jacks of the SPEAKERS terminals, set “SP IMP.” to “6ΩMIN.”

REMOTE ID -XXX

Choices: ID1*/ID2

Selects a remote control ID for this unit. When using multiple Yamaha AV receivers, you can operate them with a single remote control by setting them to have the same remote control ID. By setting the receivers to have different remote control IDs, you can operate them with their respective remote controls.

SR PIN -XXX

Choices: RESET/CANCEL*

Resets Parental lock cord when using SIRIUS Satellite tuner.

BI AMP - XXX

Choices: ON/OFF*

Switches on and off of bi-amp connection of main speakers.

SCENE IR -XXX

Choices: ON*/OFF

Selects whether or not to transmit the SCENE control signals to an external component connected to the REMOTE jacks on this unit when BD/DVD or CD SCENE function is selected. If “ON” is selected and a playback component that supports the SCENE link playback, such as a Yamaha DVD player, is connected to the REMOTE OUT jack of this unit, remote connection automatically starts playback when a different SCENE key is selected.

MON. CHK - XXXX

Choices: YES*/SKIP

Adds upscaling limitation on output signals to a video monitor connected to this unit via the HDMI OUT jack.

INIT-XXXXXXXXXX

Choices: DSP PARAM/VIDEO/ALL/CANCEL*

Initializes various settings stored in this unit. You can select an initialization method from the following.

DSP PARAM: Resets all parameters of sound field programs.

VIDEO: Resets video conversion settings (resolution/aspect) in the SETUP menu and the OSD menus display position.

ALL: Resets this unit to initial factory settings.

CANCEL: Initialization.

4 Press **Ⓟ** STRAIGHT a few times to select the value you want to change.

The value selected here becomes effective when this unit is turned on the next time. You can change multiple settings by repeating steps 3 and 4.

5 Press **Ⓐ** MAIN ZONE ON/OFF, turns off this system, and press **Ⓐ** MAIN ZONE ON/OFF again.

The value set in step 4 becomes effective, and this unit turns on. When you select initialization in step 3, the initialization is performed.

Setting a remote control ID

Two IDs are provided for the remote control of this unit. If another Yamaha amplifier is in the same room, setting a different remote control ID to this unit prevents unwanted operation of the other amplifier.

ID1 is set for both remote control and amplifier by default.
When you change the remote control ID, display “ADVANCED SETUP” (see the previous section) and change the ID for the amplifier too.



- Each of the steps described in this section should be performed within one minute. Setting operation is automatically canceled when one minute has passed since the last step. If the operation is cancelled, start again from the beginning.

1 Press **[5]CODE SET** on the remote control using a pointed object such as the tip of a ballpoint pen.

[3]TRANSMIT blinks twice.

2 Press **[0]SETUP** on the remote control.

3 Enter the desired remote control ID code.

To switch to ID1:

Enter “5019” using **[3]Numeric keys**.

To switch to ID2:

Enter “5020” using **[3]Numeric keys**.

Once the remote control code is registered,

[3]TRANSMIT blinks twice.

If it fails, **[3]TRANSMIT** blinks six times. Repeat from step 1.



- Initializing the remote control code returns it to ID1.

本機の基本設定 / 初期化を行う (アドバンスドセットアップメニュー)

アドバンスドセットアップメニューでは、バイアンプ接続の有効/無効といった本機の基本設定や、ユーザー設定の初期化を行うことができます。以下の操作で目的の操作を行ってください。

1 本機の電源をスタンバイに切り替えます。

2 フロントパネルの**ⓂSTRAIGHT**を押しながら、**ⓂSTANDBY/ON**を押します。

フロントパネルディスプレイにアドバンスドセットアップメニューが表示されます。メニューが表示されたら**ⓂSTRAIGHT**から手を放してください。

ADVANCED SETUP

3 **ⓂPROGRAM** セレクターを回して、以下の中から設定したい項目を選択します。



- 実際のディスプレイ表示は、XXXの部分に設定値が入ります。
- 「*」のついた項目は初期設定を表します。

REMOTE ID -XXX

選択項目：ID1* / ID2

本機が認識するリモコンIDを設定します。ヤマハ製 AV レシーバーを複数使用する場合、各レシーバーのIDを同じ設定にすると、1つのリモコンですべてのレシーバーを操作できます。IDを分けた場合は、それぞれのリモコンで、レシーバーごとに操作できます。

BI AMP - XXX

選択項目：ON / OFF*

メインスピーカーをバイアンプ接続で使用するか設定します。バイアンプ接続を行う場合は、「ON」を選択します。

SCENE IR - XXX

選択項目：ON* / OFF

本機のシーンをBD/DVDまたはCDへ切り替えた場合、リアパネルのREMOTE OUT端子からSCENEコントロール信号を出力するかを選択します。「ON」に設定されている場合は、シーン連動再生機能に対応するヤマハ製DVDプレーヤーなどをREMOTE OUT端子に接続すると、本機のシーン切り替えに連動してプレーヤーの再生が始まります。

MON.CHK - XXXX

選択項目：YES* / SKIP

HDMI OUT 端子に接続したテレビへの出力信号に、解像度変更（アップスケーリング）の制限をかけます。

INIT-XXXXXXXXXX

選択項目：DSP PARAM / VIDEO / ALL / CANCEL*

本機に記憶された各種設定を初期化します。初期化方法は、以下の中から選択できます。

DSP PARAM：音場プログラムの設定

VIDEO：セットアップメニューで行ったビデオコンバージョン設定（解像度 / アスペクト比）および OSD の表示位置

ALL：本機を工場出荷時の状態に戻します。

CANCEL：初期化しません。

4 **ⓂSTRAIGHT** を何度か押して、目的の設定値を選びます。

ここで選択した内容は、次に電源をオンにしたときに実行されます。手順3と4を繰り返して、複数の項目を設定することも可能です。

5 **ⓂSTANDBY/ON** を押して電源を切り、もう一度**ⓂSTANDBY/ON**を押します。

手順4で行った設定が反映され、本機の電源がオンになります。手順3で初期化を選択した場合は初期化が実行されます。

リモコンIDを設定する

本機のリモコンは、2つのID（リモコンID）からいずれか1つを選ぶことができます。本機を設置している部屋で別のヤマハ製アンプをお使いの場合、本機側/リモコン側それぞれのリモコンIDを切り替えることで、もう1台のアンプが動作するのを防止できます。

工場出荷時には、リモコン側、アンプ側ともにID1に設定されています。
本機のリモコンIDを切り替えた場合、「ADVANCED SETUP」（前項目参照）を表示して必ずアンプ側のIDも切り替えてください。

ご注意

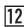
- 以下の手順はそれぞれ1分以内に行ってください。最後に操作してから1分以上経過すると、設定が自動で中止されます。再度設定を行う場合は、手順1からやり直してください。

1 ボールペンなどの先の細いもので、リモコンの**ⓂCODE SET**を押す。


ⓂTRANSMIT が2回点滅します。

本機の基本設定 / 初期化を行う (アドバンスドセットアップメニュー)**2 リモコンの  SETUP を押す。****3 希望するリモコン ID コードを入力する。**


リモコン ID1 に切り替える場合：

 **数字キー**を押して「5019」と入力します。

リモコン ID2 に切り替える場合：

 **数字キー**を押して「5020」と入力します。

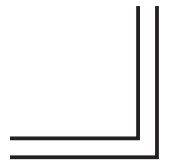
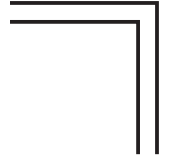
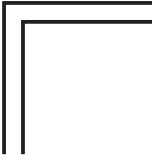
登録が完了すると、コード入力後にリモコンの  **TRANSMIT** が 2 回点滅します。

リモコンの  **TRANSMIT** が 6 回点滅した場合は、リモコンコードの入力に失敗したことを表します。もう一度手順 1 からやり直してください。



- リモコンコードを初期化すると、リモコンID1に戻ります。

MEMO



**RX-V765/HTR-6270/
AX-V765**

