

# BLOCK DIAGRAMS

## AUDIO SECTION BLOCK DIAGRAM

**D-VIDEO**  
• See page 135-139 → SCHEMATIC DIAGRAM

**OPERATION**  
• See page 130 → SCHEMATIC DIAGRAM

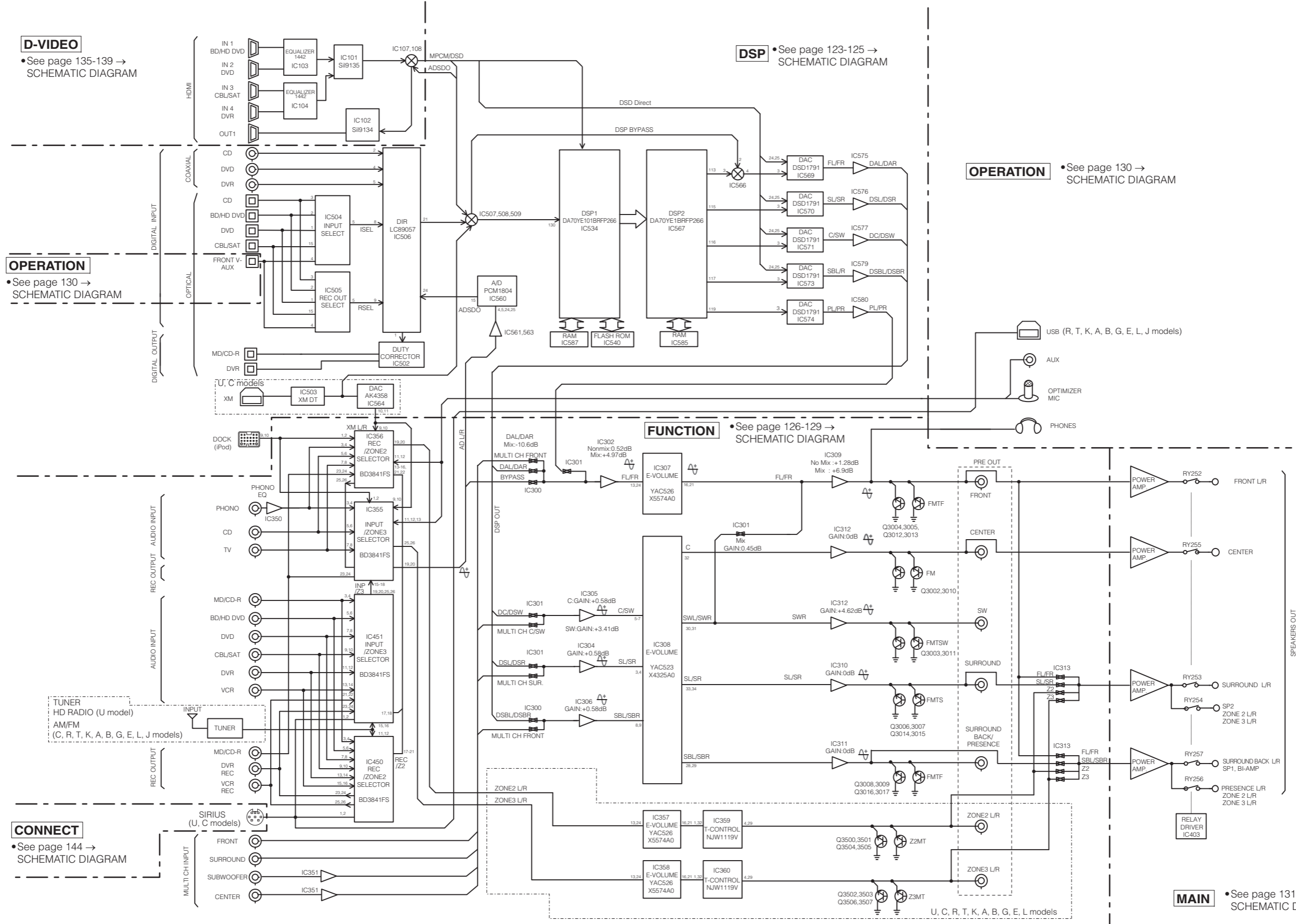
**DSP** • See page 123-125 → SCHEMATIC DIAGRAM

**OPERATION** • See page 130 → SCHEMATIC DIAGRAM

**FUNCTION** • See page 126-129 → SCHEMATIC DIAGRAM

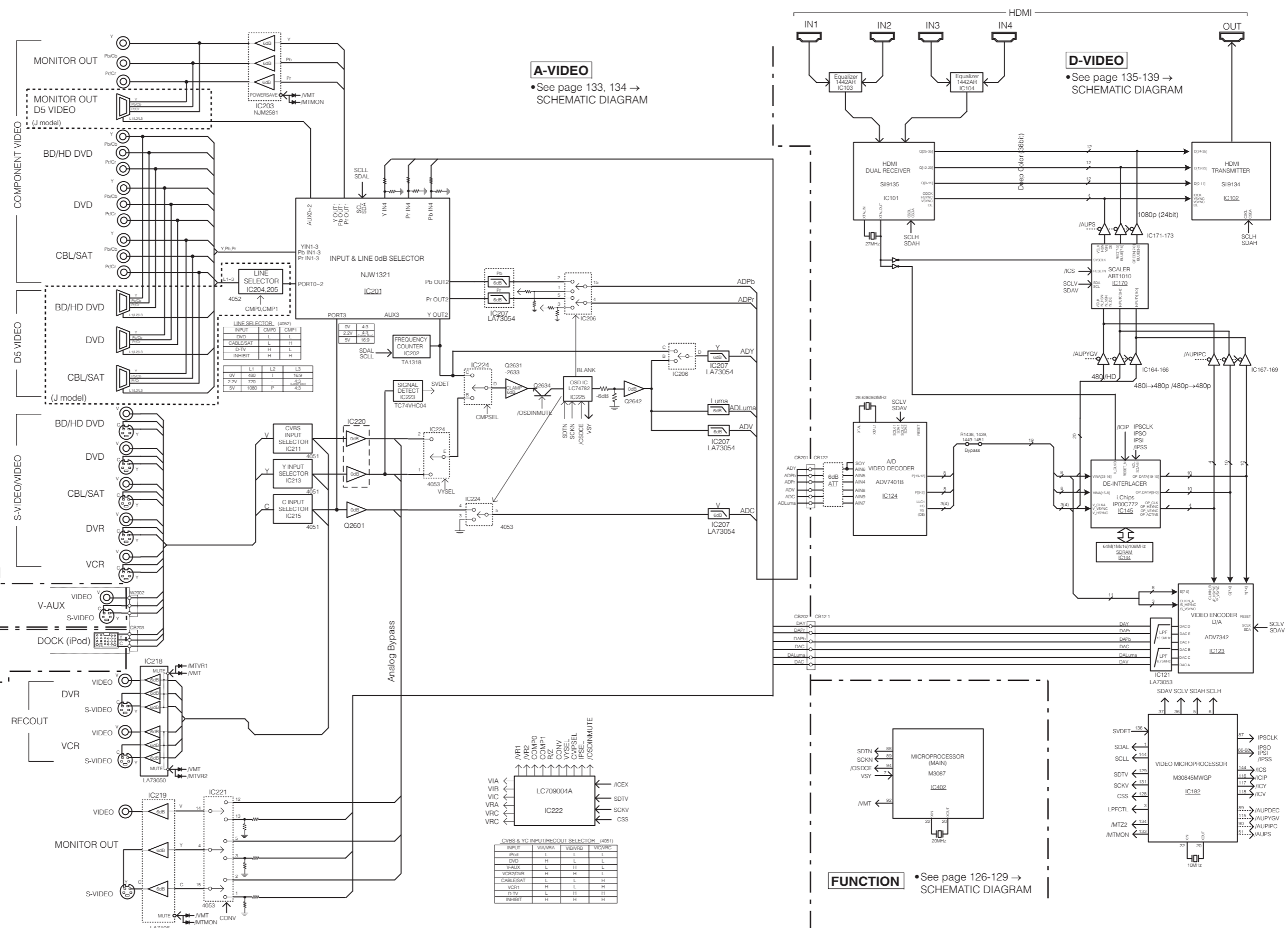
**CONNECT**  
• See page 144 → SCHEMATIC DIAGRAM

**MAIN** • See page 131 → SCHEMATIC DIAGRAM



# VIDEO SECTION BLOCK DIAGRAM

1  
2  
3  
4  
5  
6  
7



**A-VIDEO**  
• See page 133, 134 → SCHEMATIC DIAGRAM

**D-VIDEO**  
• See page 135-139 → SCHEMATIC DIAGRAM

**OPERATION**  
• See page 130 → SCHEMATIC DIAGRAM

**DSP**  
• See page 123-125 → SCHEMATIC DIAGRAM

**FUNCTION** • See page 126-129 → SCHEMATIC DIAGRAM

VIA VIB VIC VRA VRC VCR

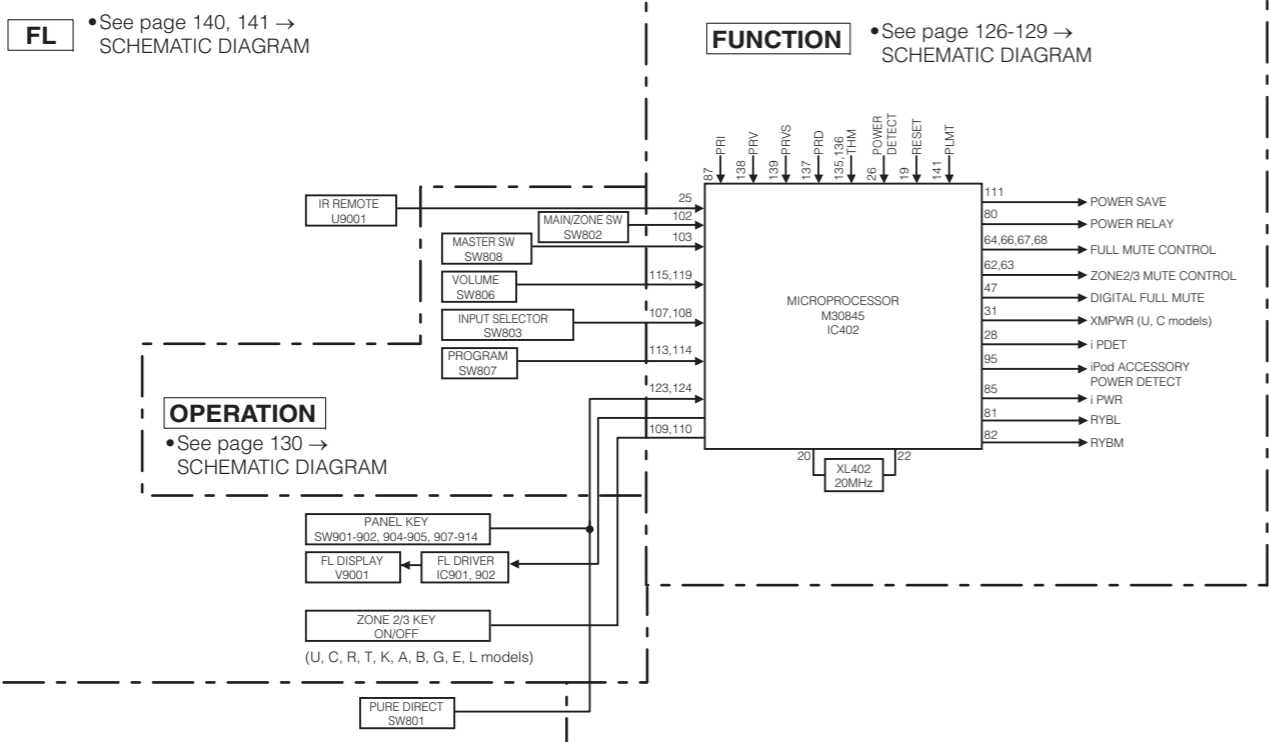
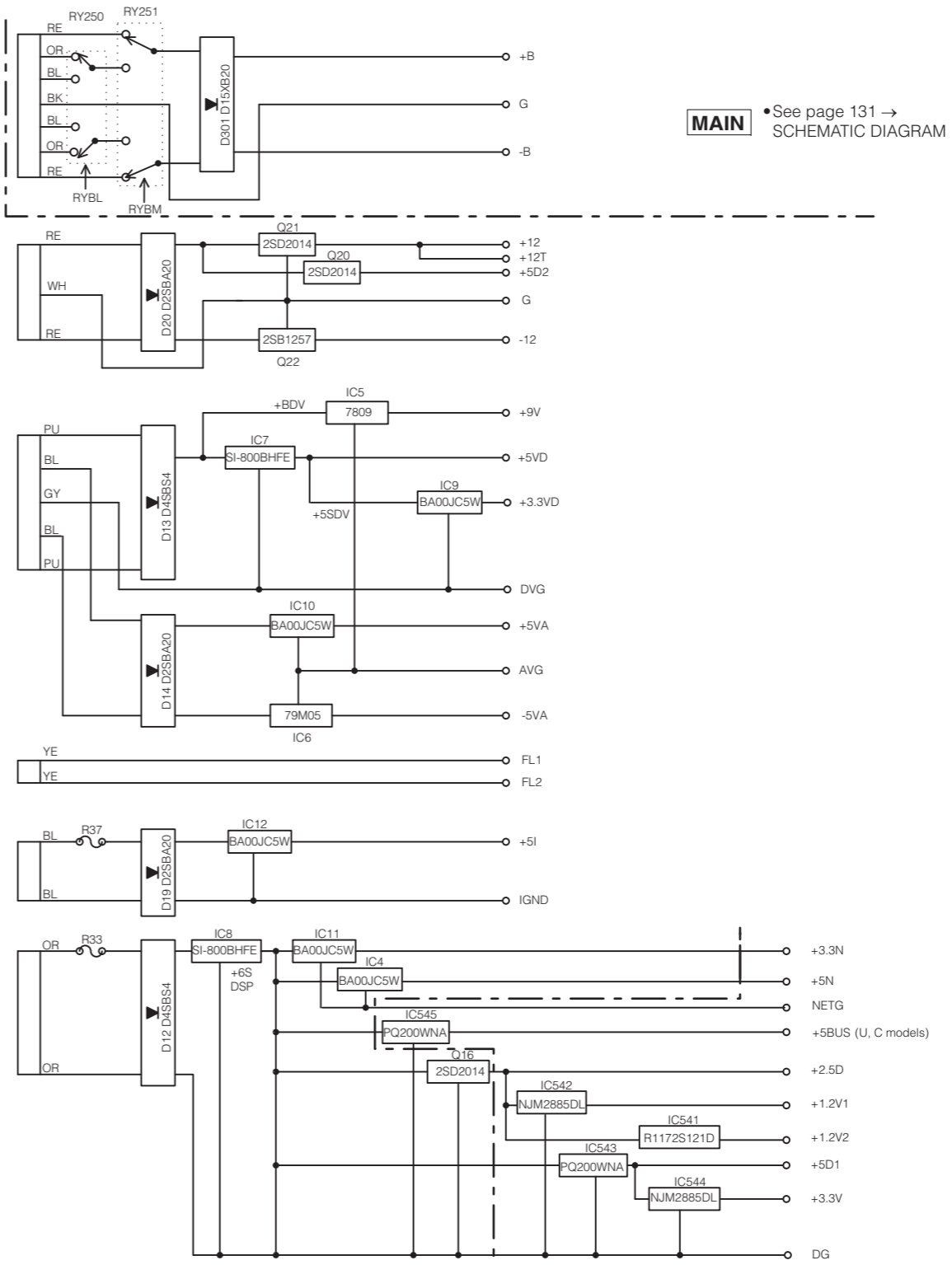
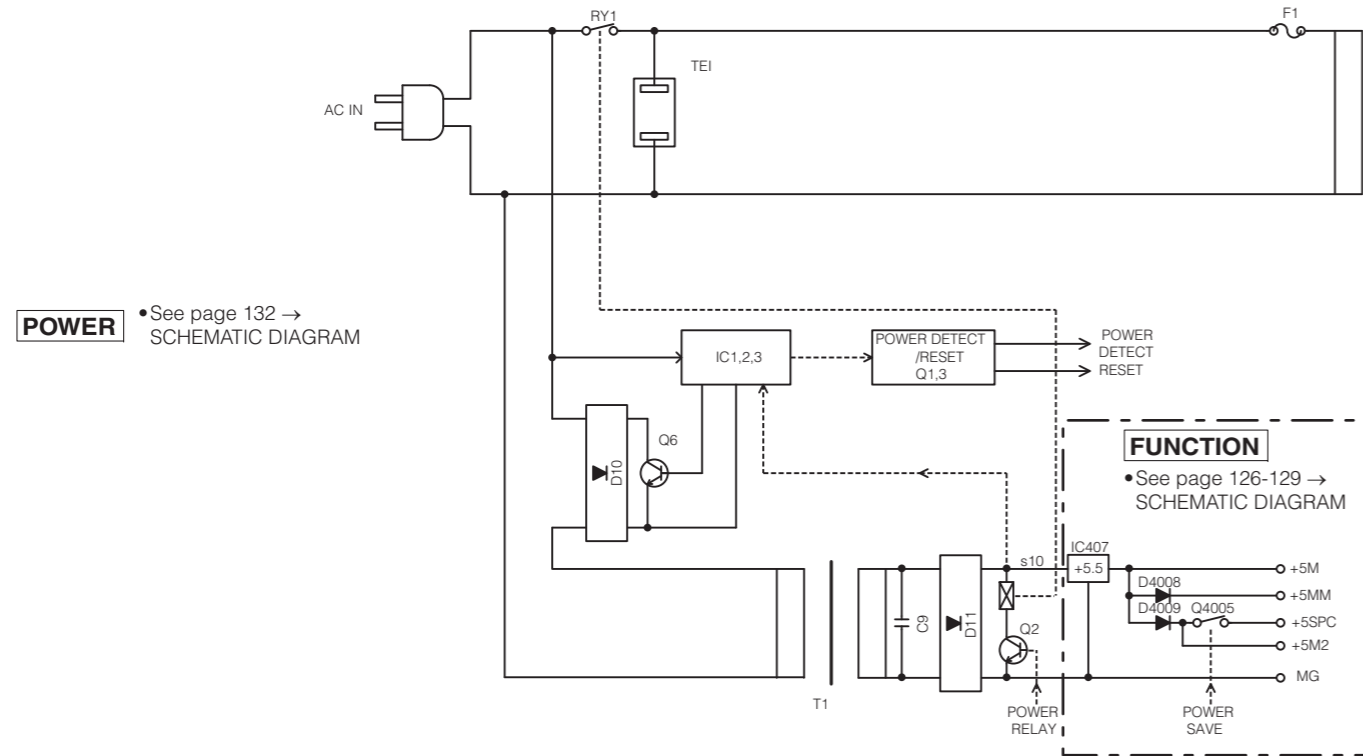
VIA	VIB	VIC	VRA	VRC	VCR
IPod	L	L	L	L	L
DVD	H	L	L	L	L
V-AUX	L	L	H	L	L
VCR2DVR	H	H	H	L	L
CABLE/SAT	L	L	L	H	H
VCR1	H	L	L	H	H
D-TV	L	L	H	H	H
INHIBIT	H	H	H	H	H

CVBS & YC INPUT/RECOULT SELECTOR (4051)

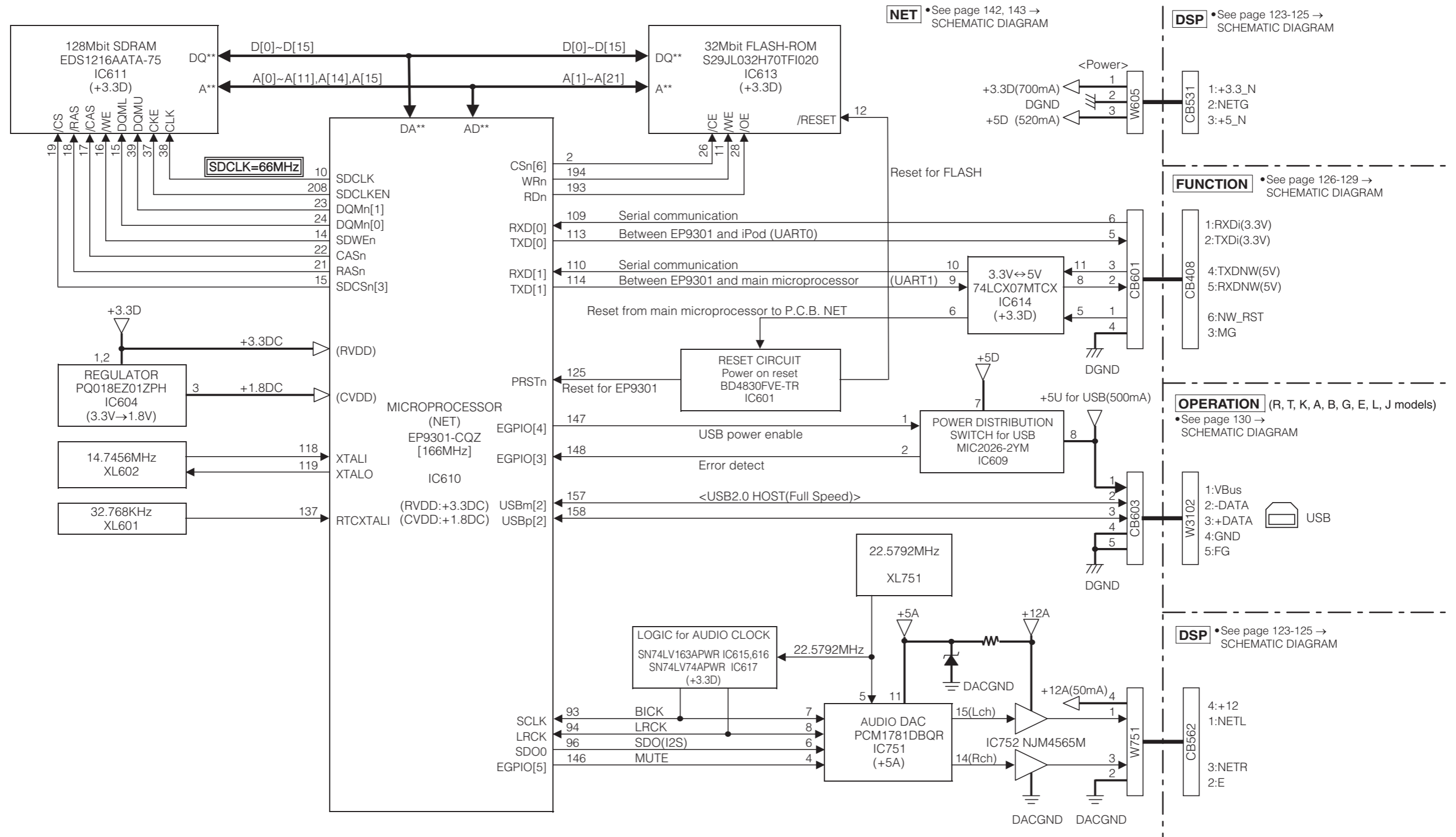
INPUT	VIA/VRA	VIB/VRB	VIC/VRC
IPod	L	L	L
DVD	H	L	L
V-AUX	L	L	L
VCR2DVR	H	H	L
CABLE/SAT	L	L	H
VCR1	H	L	H
D-TV	L	L	H
INHIBIT	H	H	H

### CONTROL/POWER SECTION BLOCK DIAGRAM

POWER TRANSFORMER



### NET SECTION BLOCK DIAGRAM (R, T, K, A, B, G, E, L, J models)



SCHEMATIC DIAGRAMS  
DSP 1/3

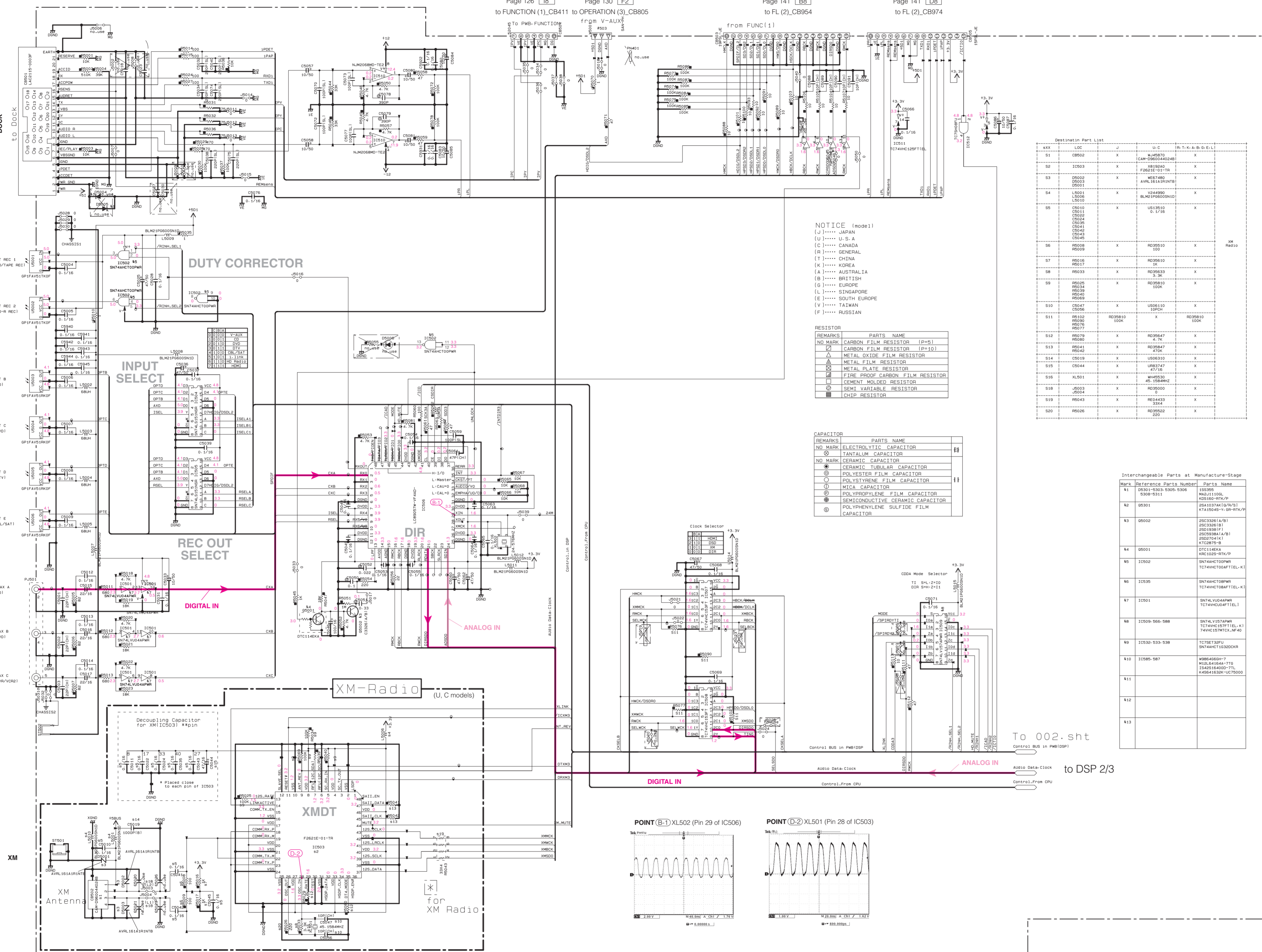
Page 126 [18] Page 130 [F2] Page 141 [B8] Page 141 [D8]  
to FUNCTION (1)\_CB411 to OPERATION (3)\_CB805 to FL (2)\_CB954 to FL (2)\_CB974

No replacement part available.  
代替部品供給なし

DIGITAL OUTPUT

DIGITAL INPUT

COAXIAL



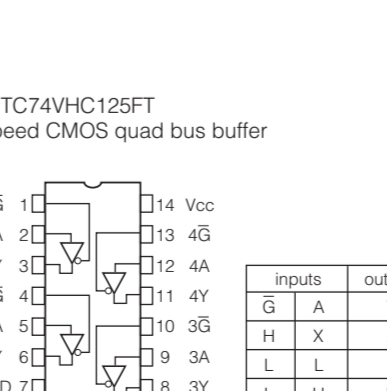
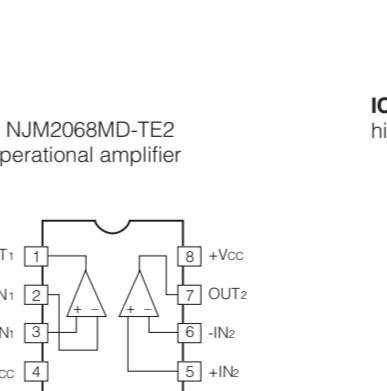
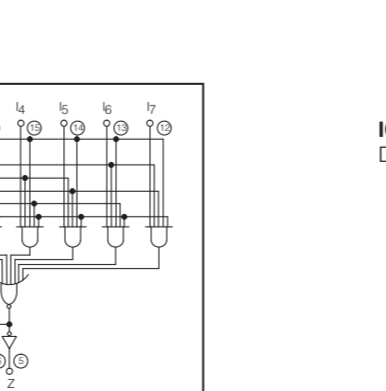
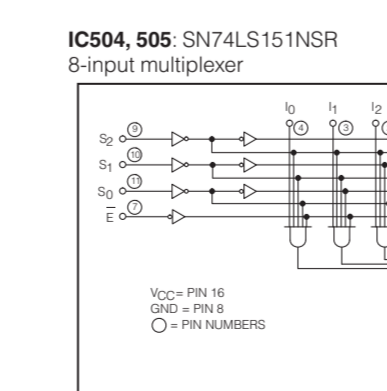
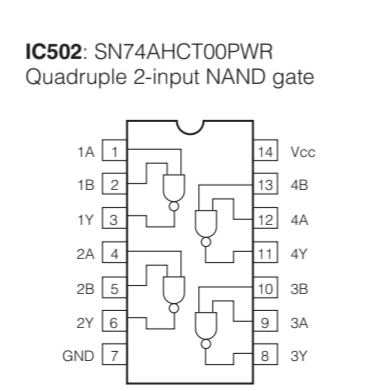
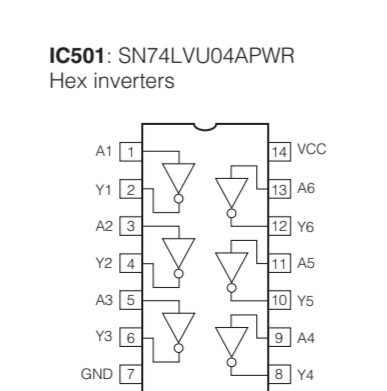
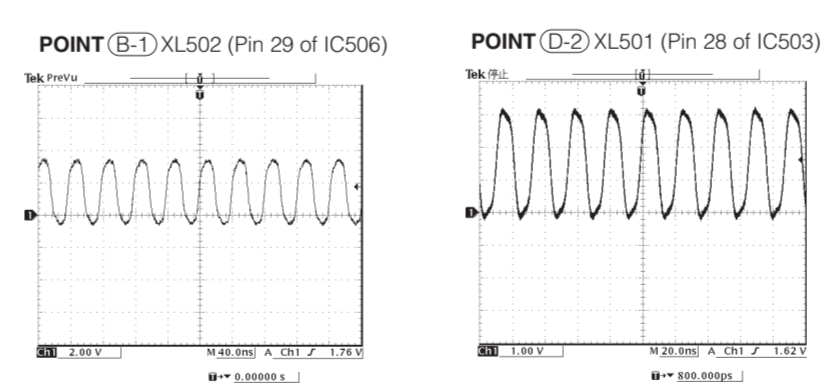
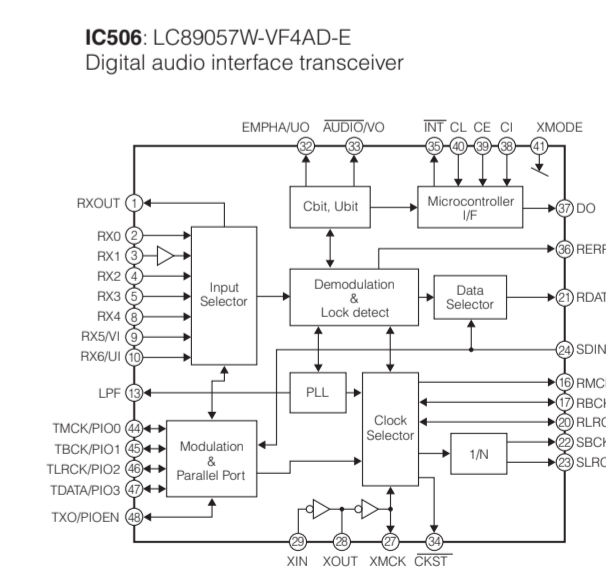
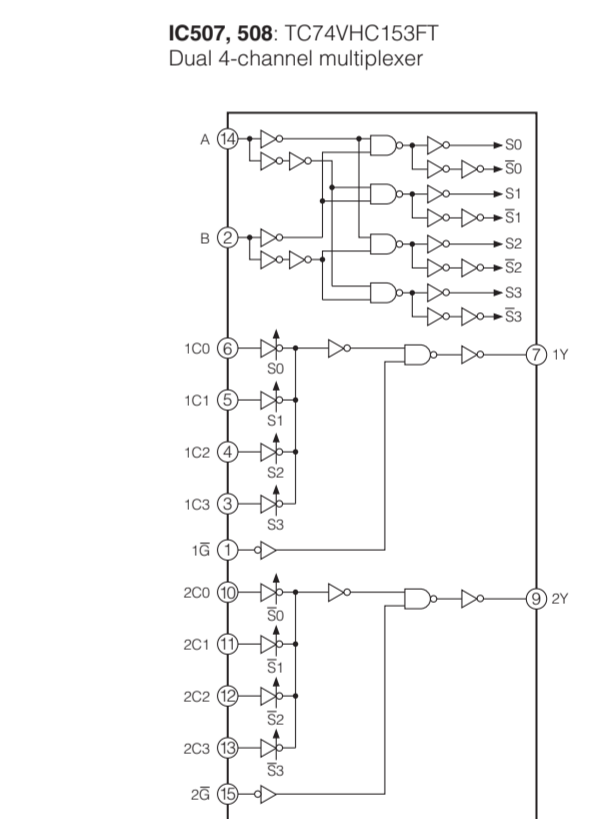
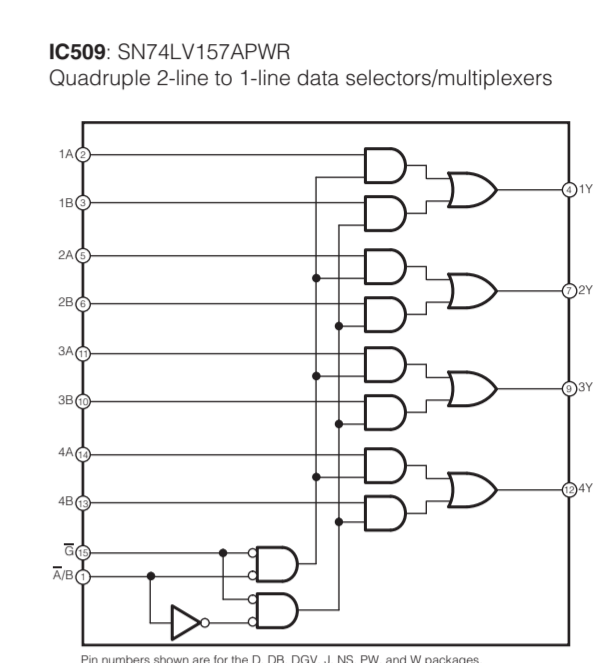
NOTICE (mode1)  
(J)..... JAPAN  
(U)..... U.S.A  
(C)..... CANADA  
(B)..... GENERAL  
(T)..... CHINA  
(K)..... KOREA  
(A)..... AUSTRALIA  
(S)..... BRITISH  
(G)..... EUROPE  
(L)..... SINGAPORE  
(E)..... SOUTH EUROPE  
(V)..... TAIWAN  
(F)..... RUSSIAN

REMARKS	PARTS NAME
NO MARK	CARBON FILM RESISTOR [P=5]
□	CARBON FILM RESISTOR [P=10]
△	METAL OXIDE FILM RESISTOR
▲	METAL FILM RESISTOR
○	METAL PLATE RESISTOR
●	FIRE PROOF CARBON FILM RESISTOR
◻	CEMENT MOLDED RESISTOR
◌	SEMI VARIABLE RESISTOR
■	CHIP RESISTOR

REMARKS	PARTS NAME
NO MARK	ELECTROLYTIC CAPACITOR
□	TANTALUM CAPACITOR
○	CERAMIC TUBULAR CAPACITOR
●	POLYESTER FILM CAPACITOR
◌	POLYSTYRENE FILM CAPACITOR
◐	MICA CAPACITOR
◑	POLYPROPYLENE FILM CAPACITOR
◒	SEMICONDUCTIVE CERAMIC CAPACITOR
◓	POLYPHENE SULFIDE FILM CAPACITOR

Part No.	LOC	QTY	U-C	IB-T-K-A-B-G-E-L
S1	CB02	X	M4859	X
S2	IC03	X	74VHC125FT	X
S3	CB02	X	74VHC125FT	X
S4	CB01	X	74VHC125FT	X
S5	CB10	X	74VHC125FT	X
S6	CB08	X	74VHC125FT	X
S7	CB16	X	74VHC125FT	X
S8	CB03	X	74VHC125FT	X
S9	CB09	X	74VHC125FT	X
S10	CB07	X	74VHC125FT	X
S11	CB08	X	74VHC125FT	X
S12	CB08	X	74VHC125FT	X
S13	CB04	X	74VHC125FT	X
S14	CB19	X	74VHC125FT	X
S15	CB04	X	74VHC125FT	X
S16	XL501	X	74VHC125FT	X
S18	CB03	X	74VHC125FT	X
S19	CB03	X	74VHC125FT	X
S20	CB06	X	74VHC125FT	X

Mark	Reference Parts Number	Parts Name
A1	05001-5303-5306	188399
A2	05001-5303-5311	M211100L
A3	05002	K05180-RTK/P
A4	05001	0503308(A/B)
A5	IC002	0503308(B)
A6	IC035	0503308(L/B)
A7	IC001	0503308(K)
A8	IC009-566-588	0503308
A9	IC038-533-538	0503308
A10	IC085-587	0503308
A11		0503308
A12		0503308
A13		0503308



\* All voltages are measured with a 10MΩ/V DC electronic voltmeter.  
\* Components having special characteristics are marked with a triangle and must be replaced with parts having specifications equal to those originally installed.  
\* Schematic diagram is subject to change without notice.  
● 電圧は、内部抵抗10MΩの電圧計で測定したものです。  
● 印のある部品は、安全性確保部品を示しています。部品の交換が必要な場合、パーツリストに記載されている部品を使用してください。  
● 本回路図は標準回路図です。改良のため予告なく変更することがございます。

DSP 2/3

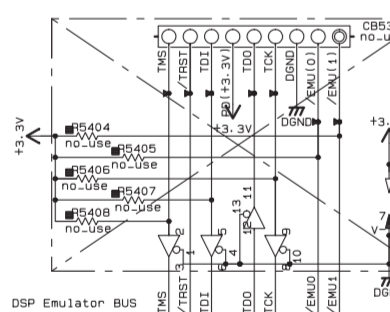
NOTICE (model)
(U)..... JAPAN
(U)..... U.S.A
(C)..... CANADA
(A)..... GENERAL
(T)..... CHINA
(K)..... KOREA
(A)..... AUSTRALIA
(B)..... BRITISH
(G)..... EUROPE
(L)..... SINGAPORE
(E)..... SOUTH
(V)..... TAIWAN
(F)..... RUSSIAN

Table with 2 columns: CAPACITOR, PARTS NAME. Lists various capacitor types like ELECTROLYTIC, TANTALUM, CERAMIC, POLYESTER, POLYPROPYLENE, SEMICONDUCTIVE, POLYPHENYLENE SULFIDE.

Table with 2 columns: RESISTOR, PARTS NAME. Lists various resistor types like CARBON FILM, METAL OXIDE FILM, METAL PLATE, FINE PROOF CARBON FILM, CEMENT MOLDED, SEMI-VARIABLE, CHIP.

To/From 001.sht

to DSP 1/3



to DSP 3/3 To/From 003.sht

Page 141 [L5] to FL(5)\_CB973

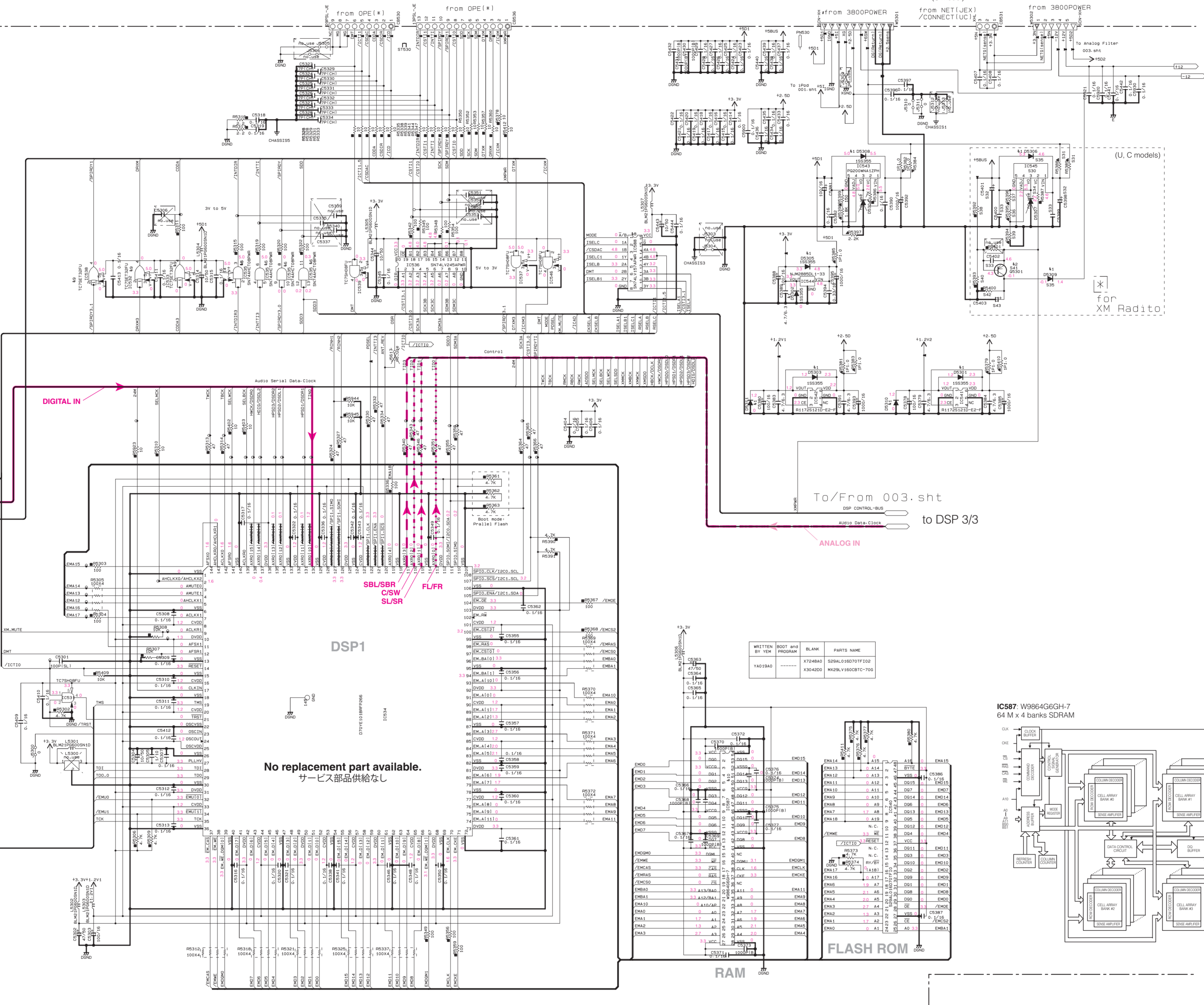
Page 141 [M5] to FL(5)\_CB959

Page 132 [H6] to POWER(3)\_CB16

Page 142 [I8] to NET\_W605 (R, T, K, A, B, G, E, L, J models)

Page 144 [F4] to CONNECT(1)\_CB901 (U model)

Page 132 [H6] to POWER(3)\_CB17



Destination Part List table with columns: SXX, LOC, J, U-C, M, R, T, K, A, B, G, E, L, X. Lists various components and their locations.

IC540: S29AL016D70TFI020 16-M-bit CMOS 3.0-volt-only boot sector flash memory

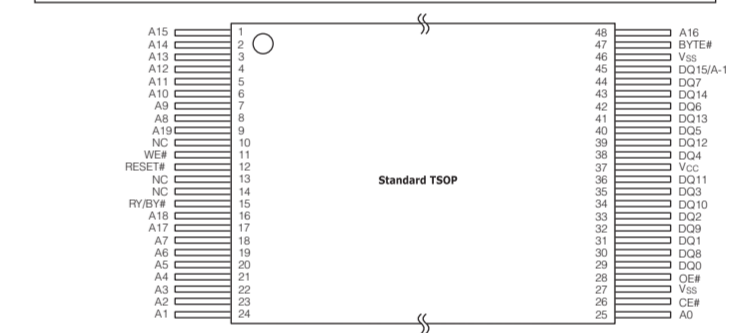
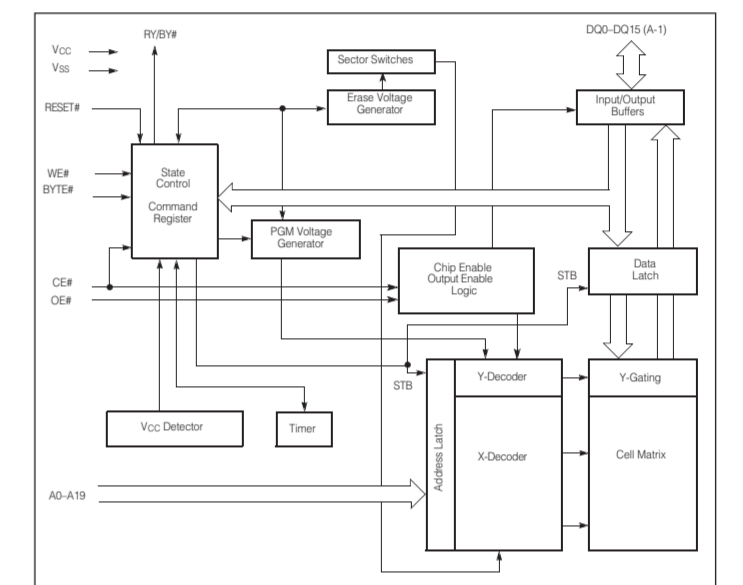
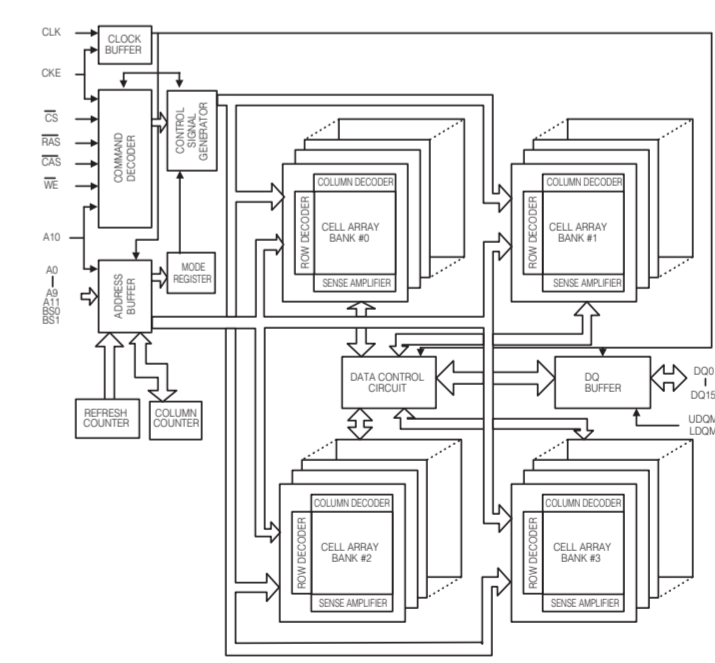


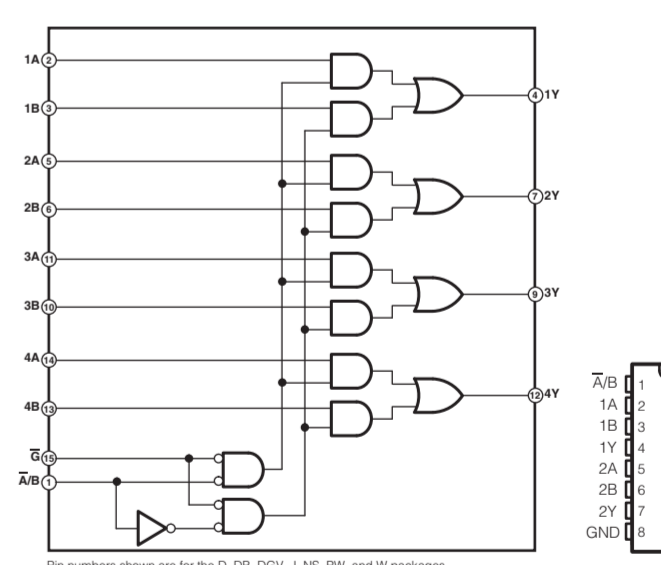
Table with 3 columns: WRITTEN BY, BOOT AND PROGRAM, PARTS NAME. Lists part numbers like Y405940, X724840, K304200.

No replacement part available. サービス部品供給なし

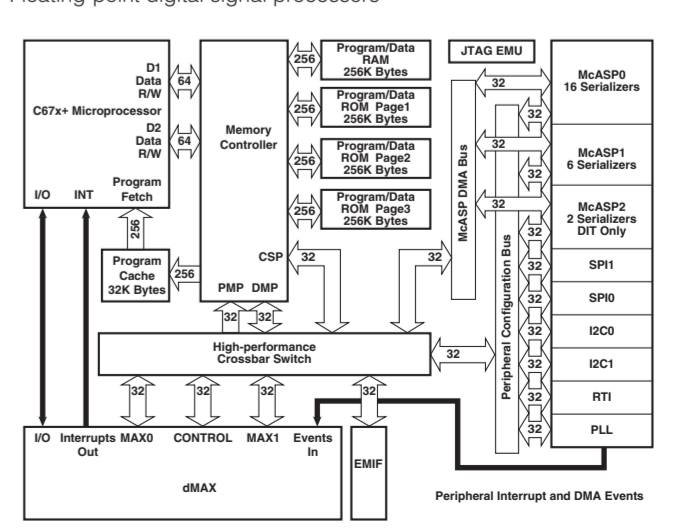
IC587: W9864C6GH-7 64 M x 4 banks SDRAM



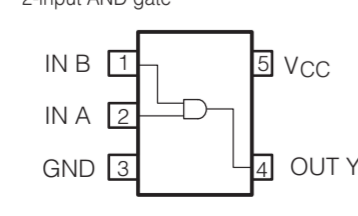
IC588: SN74LV157APWR Quaduple 2-line-to-1-line data selectors/multiplexers



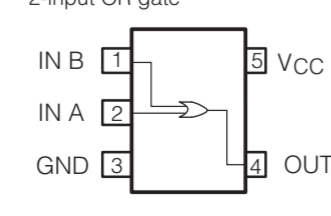
IC534: D70YE101BRFP266 Floating-point digital signal processors



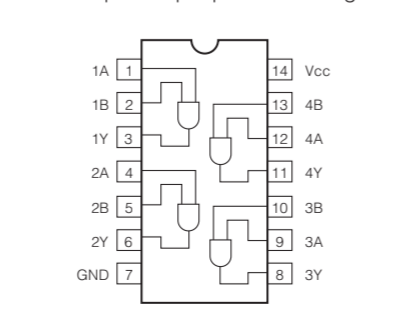
IC531, 537, 539, 546: TC7SH08FU 2-input AND gate



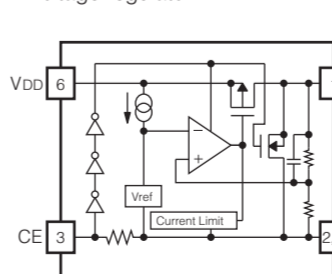
IC532, 533, 538: TC7SET32FU 2-input OR gate



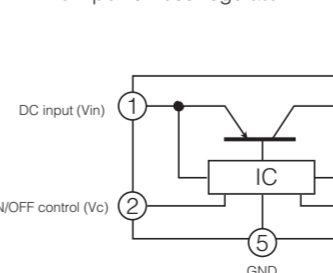
IC535: SN74AHCT08PWR Quaduple 2-input positive-AND gates



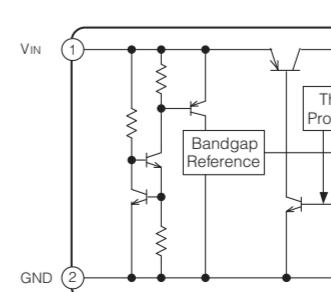
IC541, 542: R1172S121D-E2-F Voltage regulator



IC543, 545: PQ200WNA1ZPH Low power loss regulator



IC544: NJM2885DL1-33 Low dropout voltage regulator



All voltages are measured with a 10MΩ/V DC electronic voltmeter. Components having special characteristics are marked with a dot and must be replaced with parts having specifications equal to those originally installed. Schematic diagram is subject to change without notice.

DSP 3/3

CAPACITOR

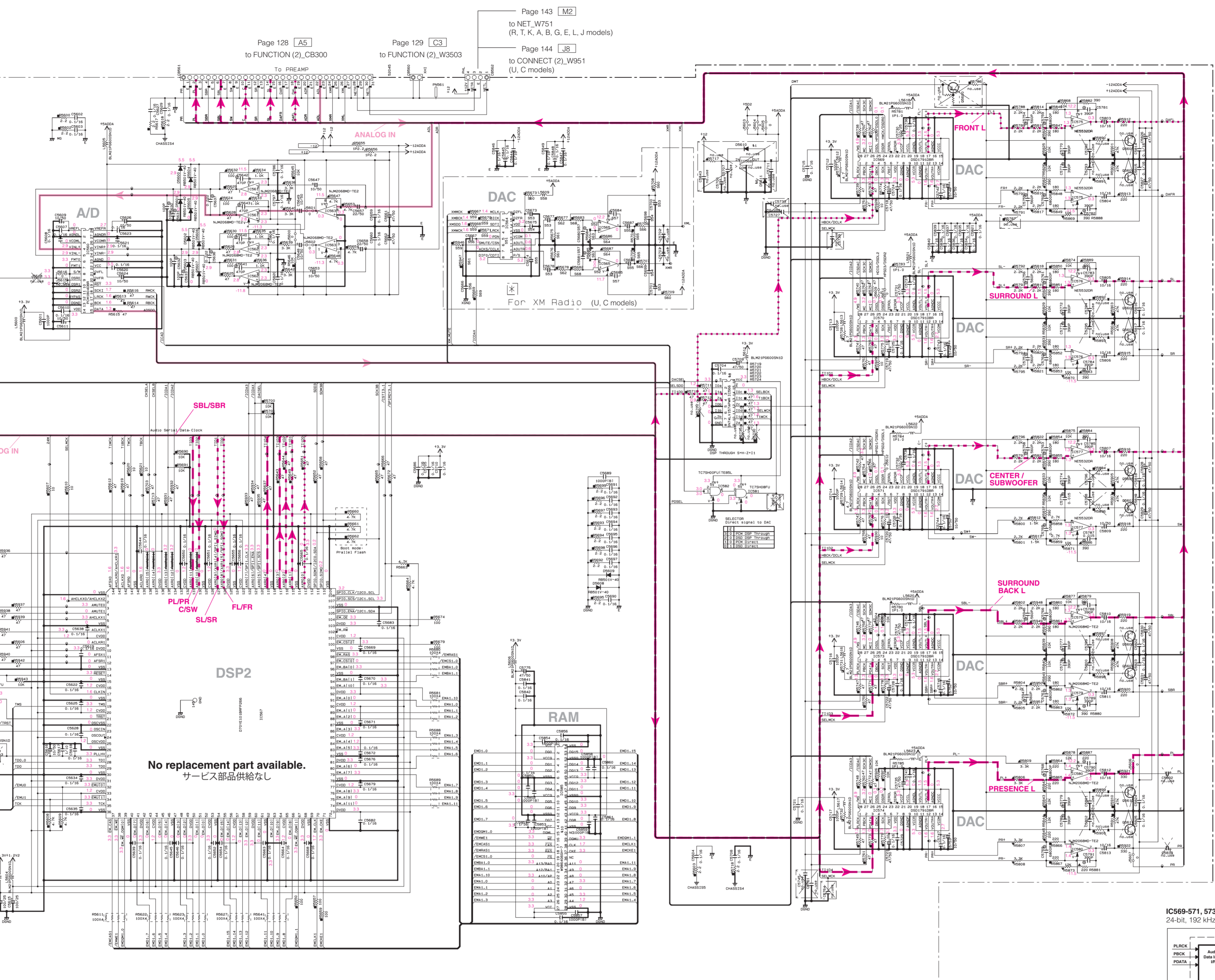
REMARKS	PARTS NAME
NO MARK	ELECTROLYTIC CAPACITOR
⊙	TANTALUM CAPACITOR
NO MARK	CERAMIC CAPACITOR
⊙	POLYESTER FILM CAPACITOR
○	POLYSTYRENE FILM CAPACITOR
⊙	MICA CAPACITOR
⊙	POLYPROPYLENE FILM CAPACITOR
⊙	SEMICONDUCTIVE CERAMIC CAPACITOR
⊙	POLYPHENYLENE SULFIDE FILM CAPACITOR

RESISTOR

REMARKS	PARTS NAME
NO MARK	CARBON FILM RESISTOR (P-R)
△	METAL OXIDE FILM RESISTOR
△	METAL FILM RESISTOR
△	METAL PLATE RESISTOR
□	FINE PORE CARBON FILM RESISTOR
□	CEMENT MOLDED RESISTOR
□	SEMI VARIABLE RESISTOR
■	CHIP RESISTOR

NOTICE (model)

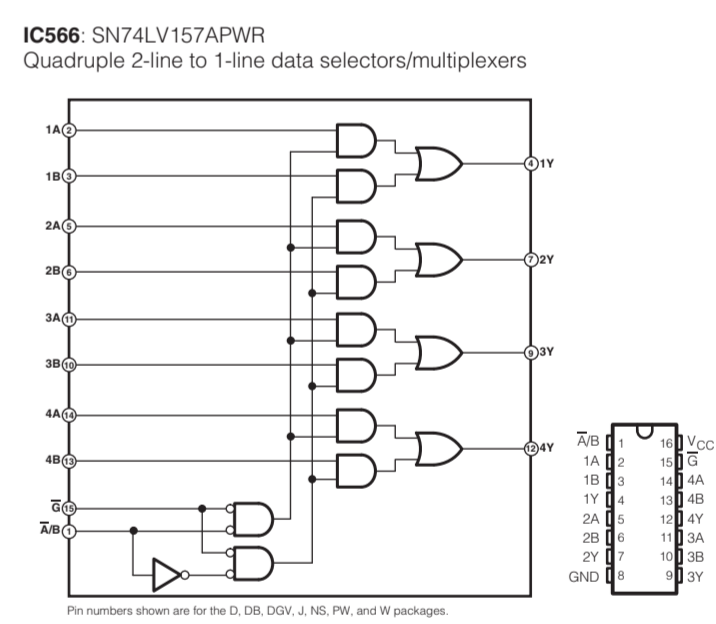
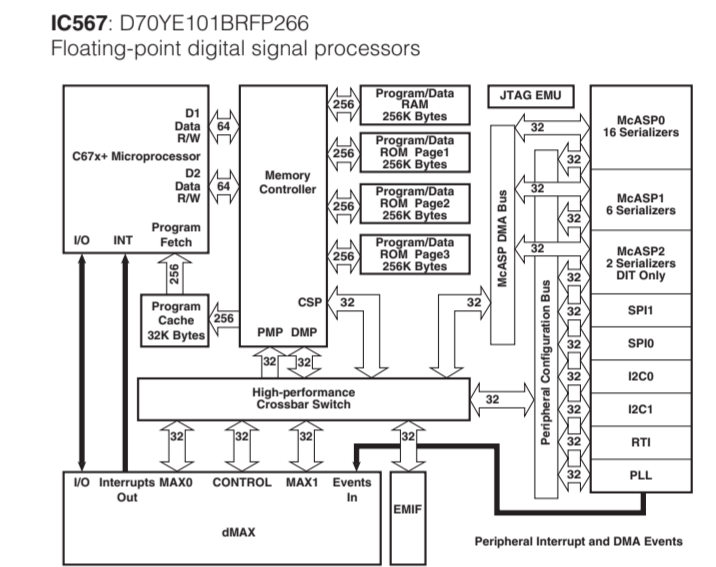
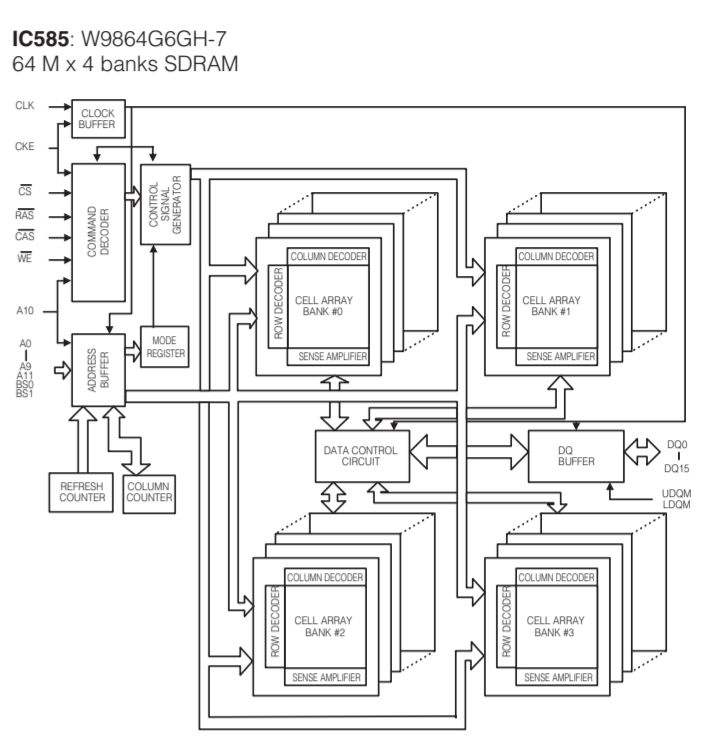
(J)..... JAPAN  
 (U)..... U.S.A.  
 (C)..... CANADA  
 (R)..... GENERAL  
 (T)..... CHINA  
 (K)..... KOREA  
 (A)..... AUSTRALIA  
 (B)..... BRITISH  
 (E)..... EUROPE  
 (L)..... SINGAPORE  
 (S)..... SOUTH  
 (V)..... TAIWAN  
 (F)..... RUSSIAN



To From 002.sht  
 to DSP 2/3

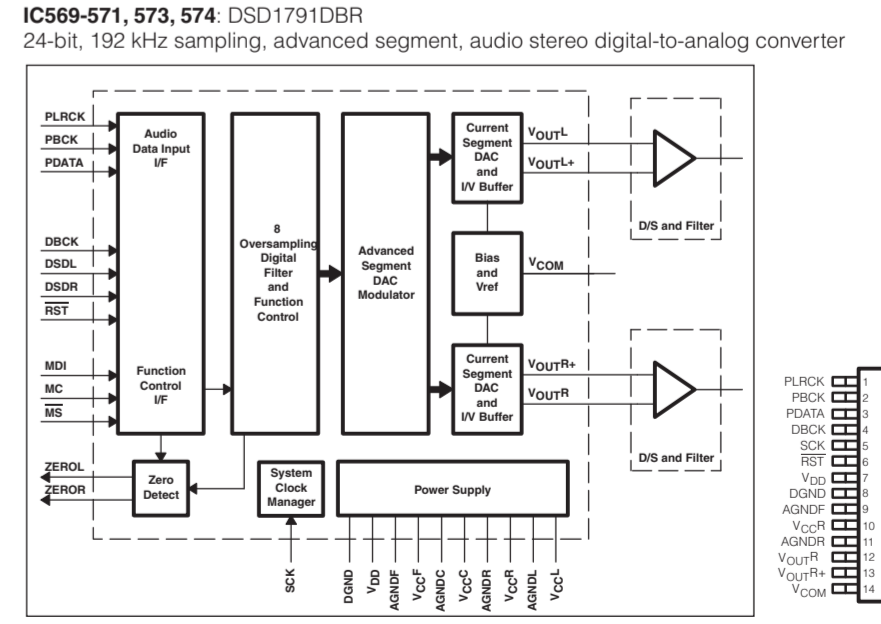
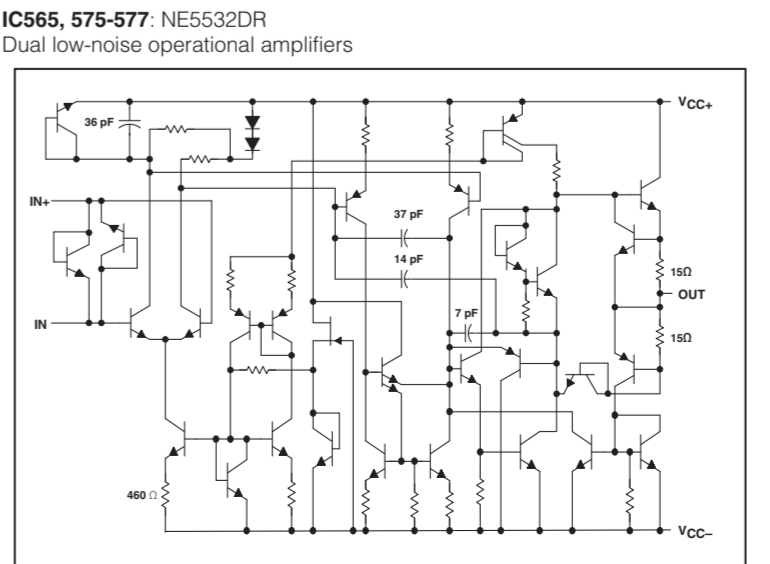
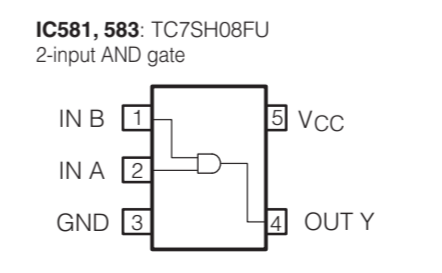
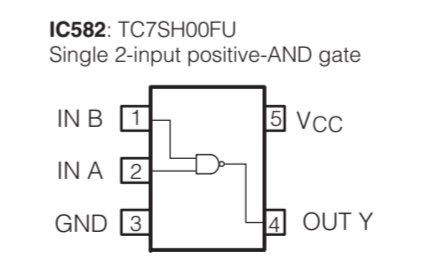
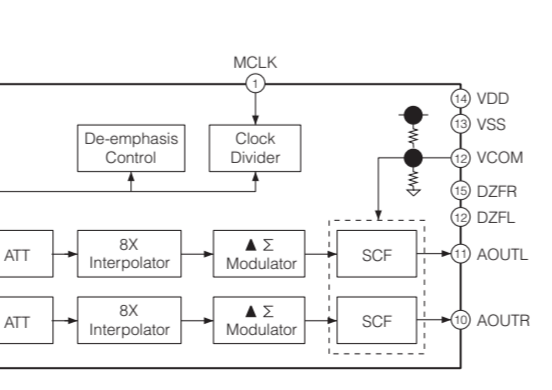
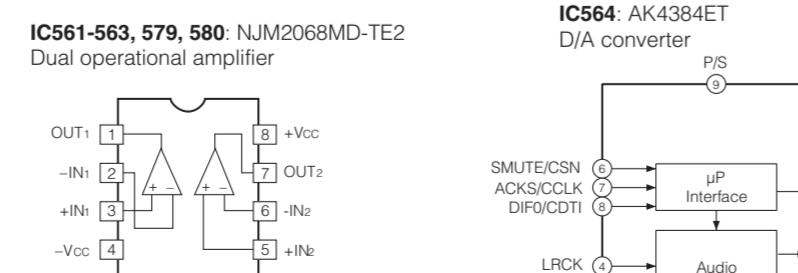
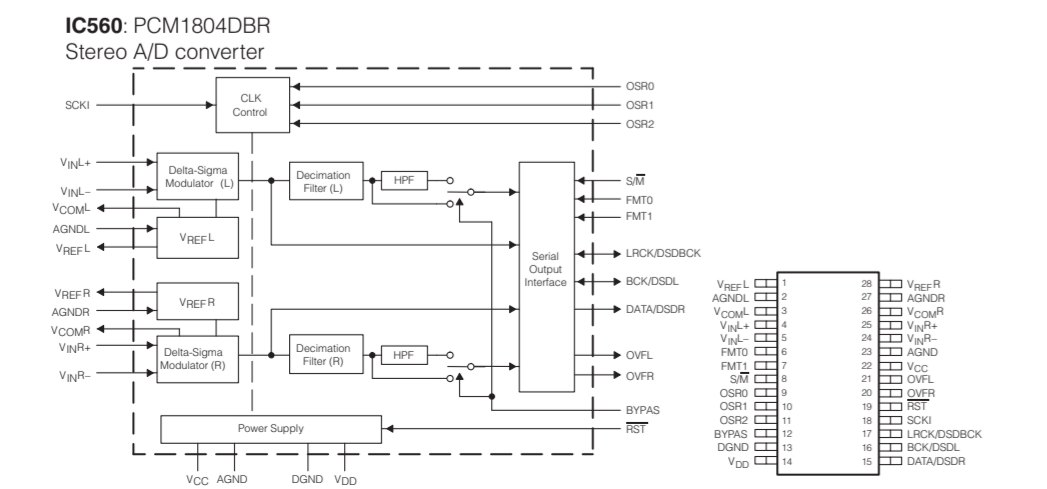
to DSP 2/3  
 To From 002.sht

No replacement part available.  
 サービス部品供給なし



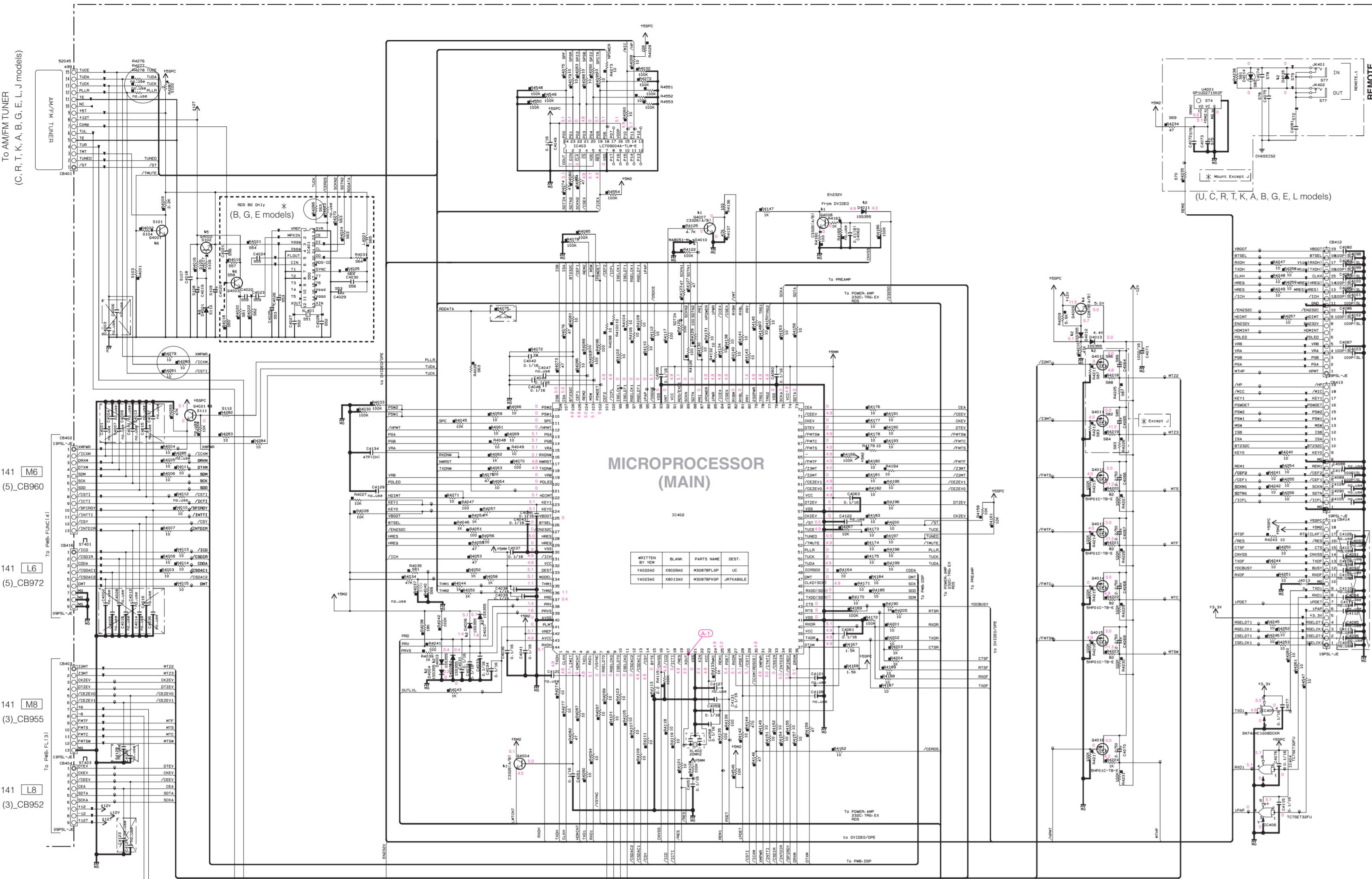
Destination Part List

88X	LOC	J	U-C	Ref. T.K.A.B.G.E.L
886	CS674	X	URD3710	X
887	CS687	X	URD3710	X
888	CS686	X	URD6410	X
889	CS685	X	URD6410	X
890	CS684	X	URD6410	X
891	CS683	X	URD6410	X
892	CS682	X	URD6410	X
893	CS681	X	URD6410	X
894	CS680	X	URD6410	X
895	CS679	X	URD6410	X
896	CS678	X	URD6410	X
897	CS677	X	URD6410	X
898	CS676	X	URD6410	X
899	CS675	X	URD6410	X
899	CS674	X	URD6410	X
899	CS673	X	URD6410	X
899	CS672	X	URD6410	X
899	CS671	X	URD6410	X
899	CS670	X	URD6410	X
899	CS669	X	URD6410	X
899	CS668	X	URD6410	X
899	CS667	X	URD6410	X
899	CS666	X	URD6410	X
899	CS665	X	URD6410	X
899	CS664	X	URD6410	X
899	CS663	X	URD6410	X
899	CS662	X	URD6410	X
899	CS661	X	URD6410	X
899	CS660	X	URD6410	X
899	CS659	X	URD6410	X
899	CS658	X	URD6410	X
899	CS657	X	URD6410	X
899	CS656	X	URD6410	X
899	CS655	X	URD6410	X
899	CS654	X	URD6410	X
899	CS653	X	URD6410	X
899	CS652	X	URD6410	X
899	CS651	X	URD6410	X
899	CS650	X	URD6410	X
899	CS649	X	URD6410	X
899	CS648	X	URD6410	X
899	CS647	X	URD6410	X
899	CS646	X	URD6410	X
899	CS645	X	URD6410	X
899	CS644	X	URD6410	X
899	CS643	X	URD6410	X
899	CS642	X	URD6410	X
899	CS641	X	URD6410	X
899	CS640	X	URD6410	X
899	CS639	X	URD6410	X
899	CS638	X	URD6410	X
899	CS637	X	URD6410	X
899	CS636	X	URD6410	X
899	CS635	X	URD6410	X
899	CS634	X	URD6410	X
899	CS633	X	URD6410	X
899	CS632	X	URD6410	X
899	CS631	X	URD6410	X
899	CS630	X	URD6410	X
899	CS629	X	URD6410	X
899	CS628	X	URD6410	X
899	CS627	X	URD6410	X
899	CS626	X	URD6410	X
899	CS625	X	URD6410	X
899	CS624	X	URD6410	X
899	CS623	X	URD6410	X
899	CS622	X	URD6410	X
899	CS621	X	URD6410	X
899	CS620	X	URD6410	X
899	CS619	X	URD6410	X
899	CS618	X	URD6410	X
899	CS617	X	URD6410	X
899	CS616	X	URD6410	X
899	CS615	X	URD6410	X
899	CS614	X	URD6410	X
899	CS613	X	URD6410	X
899	CS612	X	URD6410	X
899	CS611	X	URD6410	X
899	CS610	X	URD6410	X
899	CS609	X	URD6410	X
899	CS608	X	URD6410	X
899	CS607	X	URD6410	X
899	CS606	X	URD6410	X
899	CS605	X	URD6410	X
899	CS604	X	URD6410	X
899	CS603	X	URD6410	X
899	CS602	X	URD6410	X
899	CS601	X	URD6410	X
899	CS600	X	URD6410	X



★ All voltages are measured with a 10MΩ/V DC electronic voltmeter.  
 ★ Components having special characteristics are marked with a triangle (▲) and must be replaced with parts having specifications equal to those originally installed.  
 ★ Schematic diagram is subject to change without notice.  
 ● 電圧は、内部抵抗10MΩの電圧計で測定したものです。  
 ● ▲印のある部品は、安全確保部品を示しています。部品の交換が必要な場合、パーツリストに記載されている部品を使用してください。  
 ● 本回路図は標準回路図です。改良のため予告なく変更することがございます。

FUNCTION 1/4



To AM/FM TUNER (C, R, T, K, A, B, G, E, L, J models)

REMOTE (U, C, R, T, K, A, B, G, E, L models)

MICROPROCESSOR (MAIN)

Page 141 M6 to FL (5)\_CB960

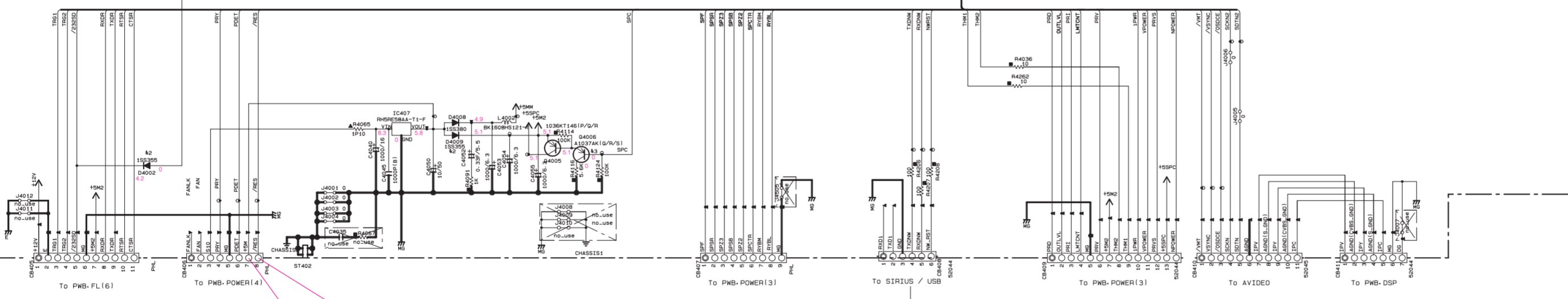
Page 141 L6 to FL (5)\_CB972

Page 141 M8 to FL (3)\_CB955

Page 141 L8 to FL (3)\_CB952

FUNCTION (1)

RX-V1900



Page 140 N3 to FL (6)\_W9501

Page 132 I8 to POWER (4)\_W1

Page 132 E1 to POWER (3)\_W9

Page 132 H7 to POWER (3)\_CB18

Page 134 I2 to A-VIDEO\_CB203

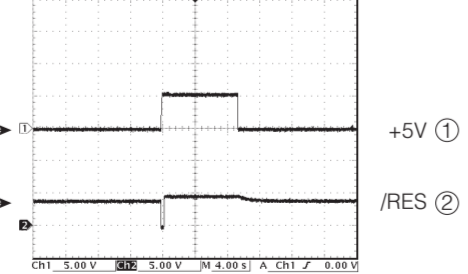
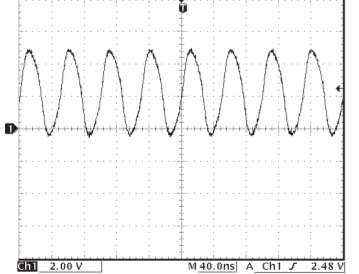
Page 123 F1 to DSP\_CB504

Page 142 A7 to NET\_CB601 (R, T, K, A, B, G, E, L, J models)

Page 144 H8 to CONNECT (2)\_CB952 (U, C models)

POINT (A-1) XL402 (Pin 20 of IC402)

POINT (A-2) (A-3) ① Pin7, ② Pin8 of CB406



All voltages are measured with a 10MQ/V DC electronic voltmeter. Components having special characteristics are marked with a star and must be replaced with parts having specifications equal to those originally installed. Schematic diagram is subject to change without notice.

電圧は、内部抵抗10MQの電圧計で測定したものです。 \*印のある部品は、安全性確保部品を示しています。部品の交換が必要な場合、パーツリストに記載されている部品を使用してください。 \*本回路図は標準回路図です。改良のため予告なく変更することがございます。

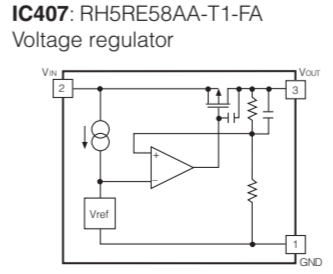
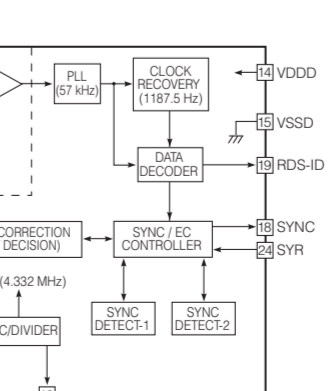
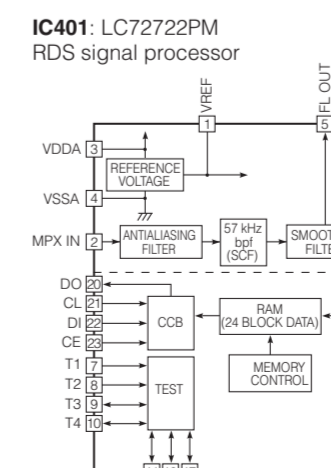
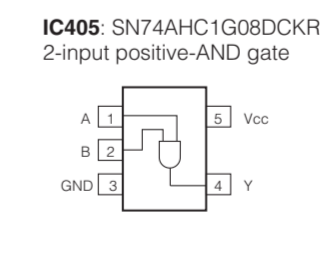
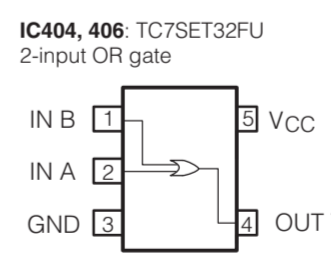
Table with columns for Part No., Description, and various model compatibility indicators (C, R, T, K, A, B, G, E, L, J).

Interchangeable Parts at Manufacture Stage table with columns for Mark, Reference Part Number, and Part Name.

RESISTOR PARTS NAME table listing various resistor types like Carbon Film, Metal Oxide Film, etc.

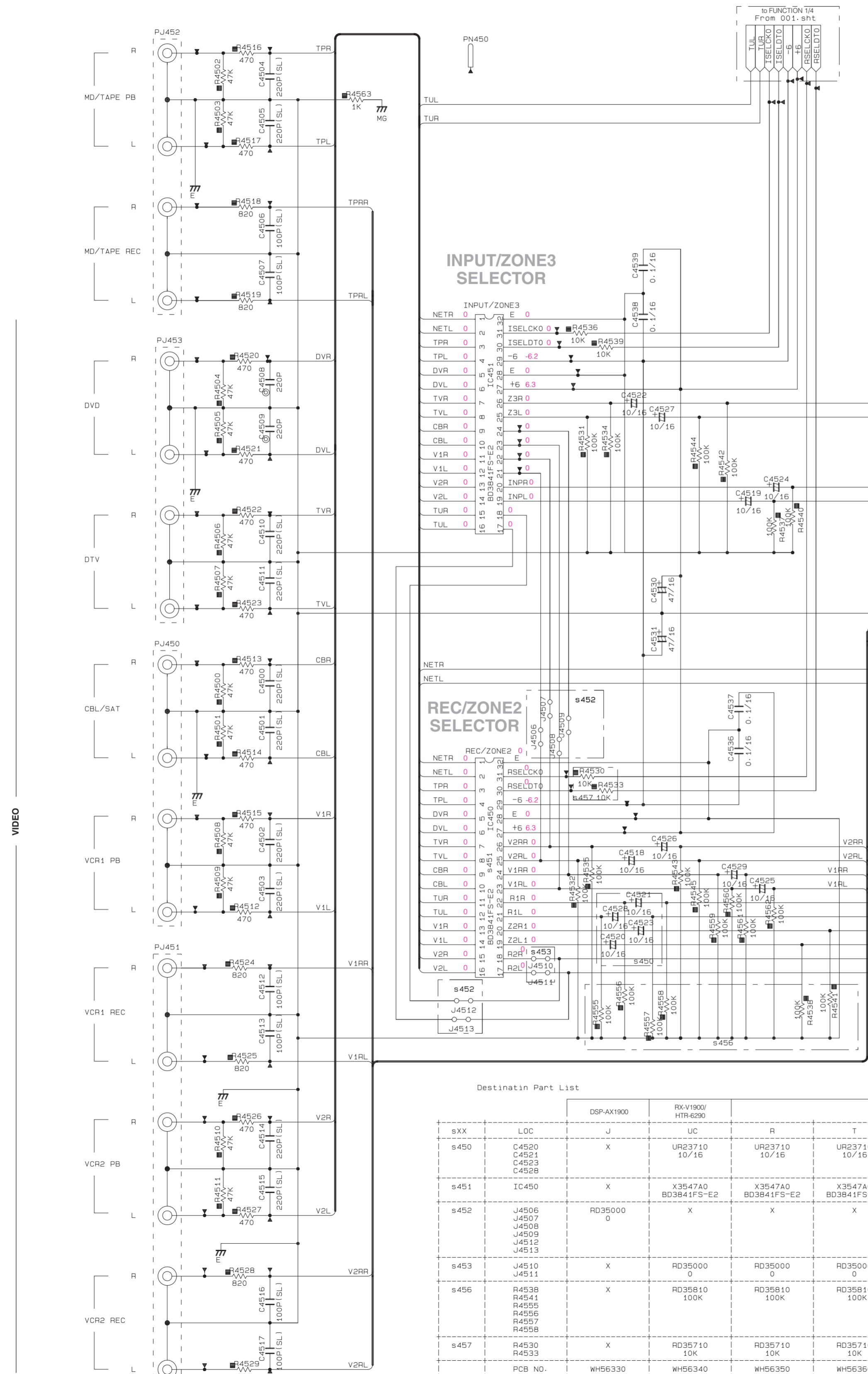
CAPACITOR PARTS NAME table listing various capacitor types like Electrolytic, Ceramic, Film, etc.

NOTICE (continued) listing country codes for parts origin: JAPAN, U.S.A., CANADA, GENERAL, CHINA, KOREA, AUSTRALIA, BRITISH, EUROPE, SINGAPORE, SOUTH, TAIWAN, RUSSIAN.





FUNCTION 2/4



FUNCTION (1)

RESISTOR

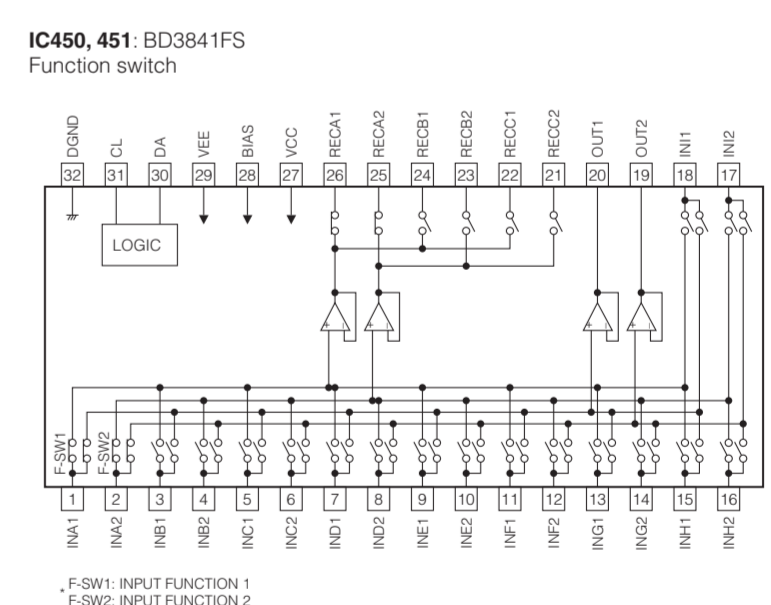
REMARKS	PARTS NAME
NO MARK	CARBON FILM RESISTOR (P=5)
□	CARBON FILM RESISTOR (P=10)
△	METAL OXIDE FILM RESISTOR
▲	METAL FILM RESISTOR
⊠	METAL PLATE RESISTOR
■	FIRE PROOF CARBON FILM RESISTOR
□	CEMENT MOLDED RESISTOR
⊗	SEMI VARIABLE RESISTOR
■	CHIP RESISTOR

CAPACITOR

REMARKS	PARTS NAME
NO MARK	ELECTROLYTIC CAPACITOR
⊗	TANTALUM CAPACITOR
NO MARK	CERAMIC CAPACITOR
●	CERAMIC TUBULAR CAPACITOR
⊙	POLYESTER FILM CAPACITOR
○	POLYSTYRENE FILM CAPACITOR
⊖	MICA CAPACITOR
⊕	POLYPROPYLENE FILM CAPACITOR
⊗	SEMICONDUCTIVE CERAMIC CAPACITOR
⊙	POLYPHENYLENE SULFIDE FILM CAPACITOR

NOTICE (model)

(J)..... JAPAN  
 (U)..... U. S. A  
 (C)..... CANADA  
 (R)..... GENERAL  
 (T)..... CHINA  
 (K)..... KOREA  
 (A)..... AUSTRALIA  
 (B)..... BRITISH  
 (G)..... EUROPE  
 (L)..... SINGAPORE  
 (E)..... SOUTH  
 (V)..... TAIWAN  
 (F)..... RUSSIAN



Destination Part List

		DSP-AX1900	RX-V1900/ HTR-6290	RX-V1900	RX-V1900/ HTR-6290	RX-V1900
sXX	LOC	J	UC	R	T	K
s450	C4520 C4521 C4523 C4528	X	UR23710 10/16	UR23710 10/16	UR23710 10/16	UR23710 10/16
s451	IC450	X	X354740 BD3841FS-E2	X354740 BD3841FS-E2	X354740 BD3841FS-E2	X354740 BD3841FS-E2
s452	J4506 J4507 J4508 J4509 J4512 J4513	RD35000 0	X	X	X	X
s453	J4510 J4511	X	RD35000 0	RD35000 0	RD35000 0	RD35000 0
s456	R4538 R4541 R4545 R4556 R4558	X	RD35810 100K	RD35810 100K	RD35810 100K	RD35810 100K
s457	R4530 R4533	X	RD35710 10K	RD35710 10K	RD35710 10K	RD35710 10K
PCB NO.		WH56330	WH56340	WH56350	WH56350	WH56370

J: Different selector composition

\* All voltages are measured with a 10MΩ/V DC electronic voltmeter.  
 \* Components having special characteristics are marked with a triangle and must be replaced with parts having specifications equal to those originally installed.  
 \* Schematic diagram is subject to change without notice.

● 電圧は、内部抵抗10MΩの電圧計で測定したものです。  
 ● 印のある部品は、安全性確保部品を示しています。部品の交換が必要な場合、パーツリストに記載されている部品を使用してください。  
 ● 本回路図は標準回路図です。改良のため予告なく変更することがございます。

FUNCTION 3/4

Page 125 [D1] to DSP\_CB561

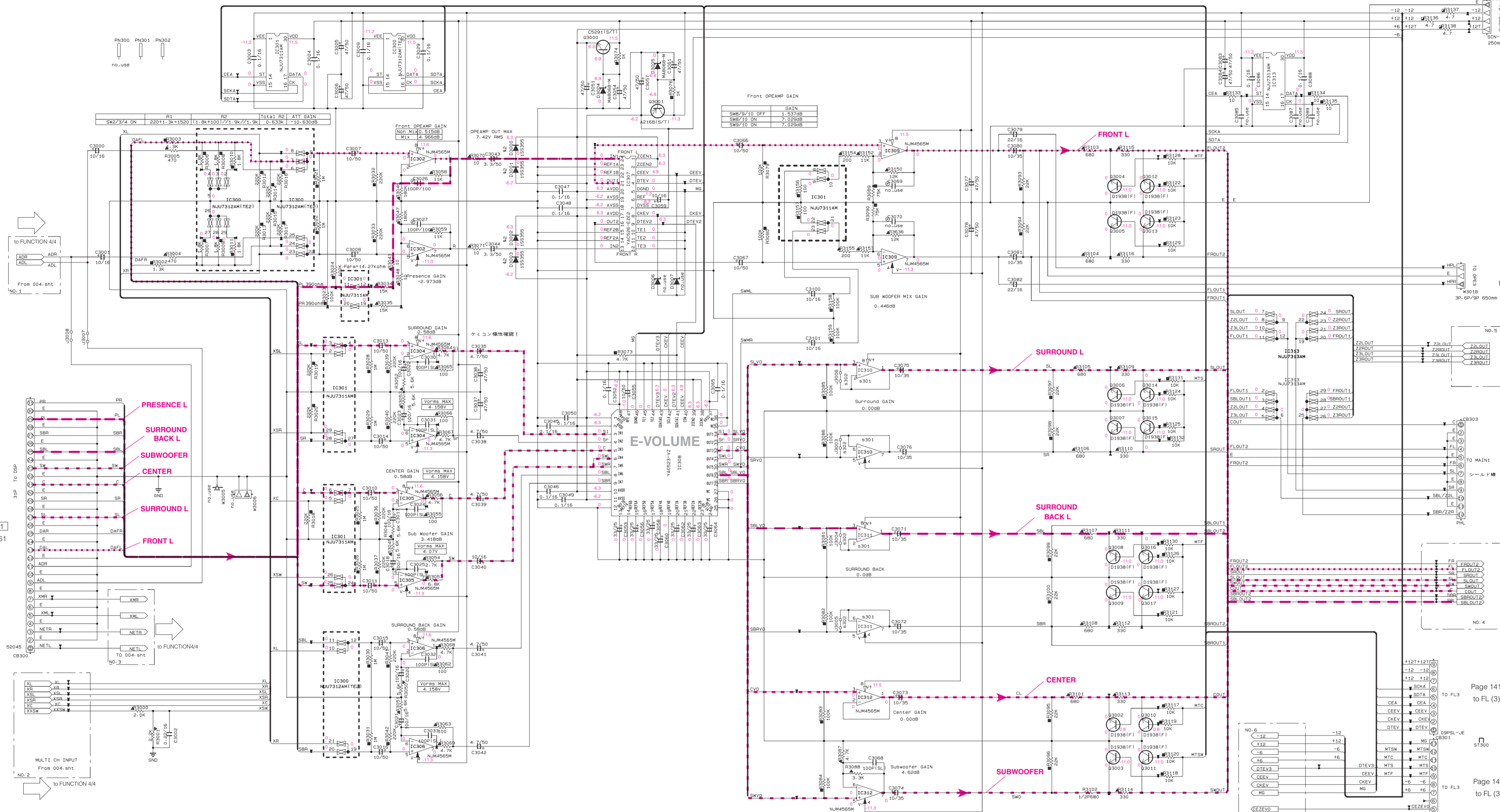
Page 132 [HB] to POWER (3)\_CB20

Page 130 [F3] to OPERATION (3)\_CB906

Page 131 [D10] to MAIN (1)\_W273

Page 141 [LB] to FL (3)\_CB951

Page 141 [MB] to FL (3)\_CB956



Design calculation tables for various channels (FRONT, CENTER, SURROUND, SUBWOOFER) showing gain and level settings.

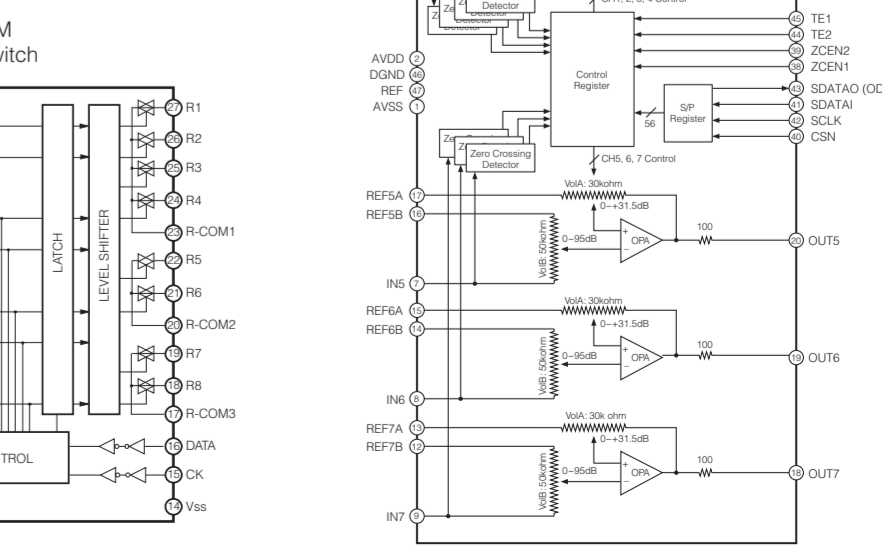
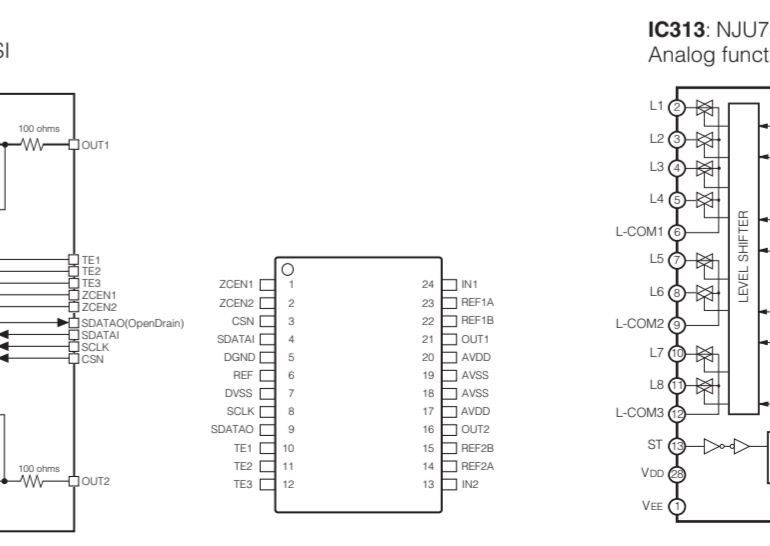
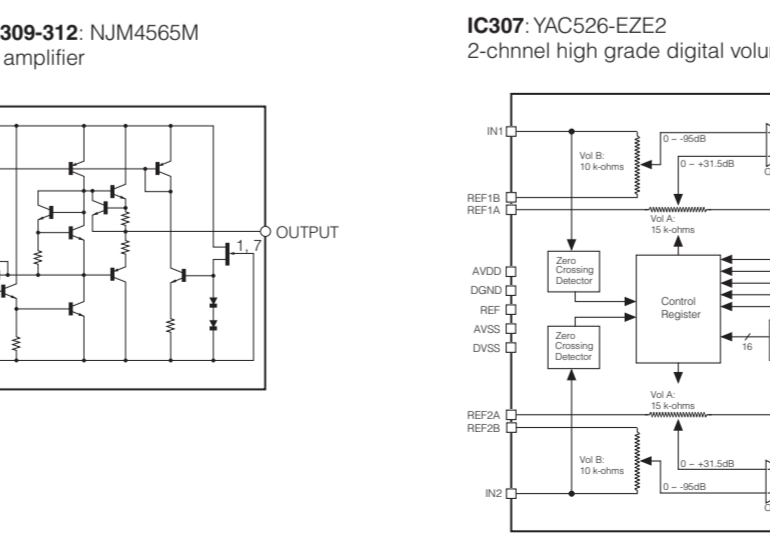
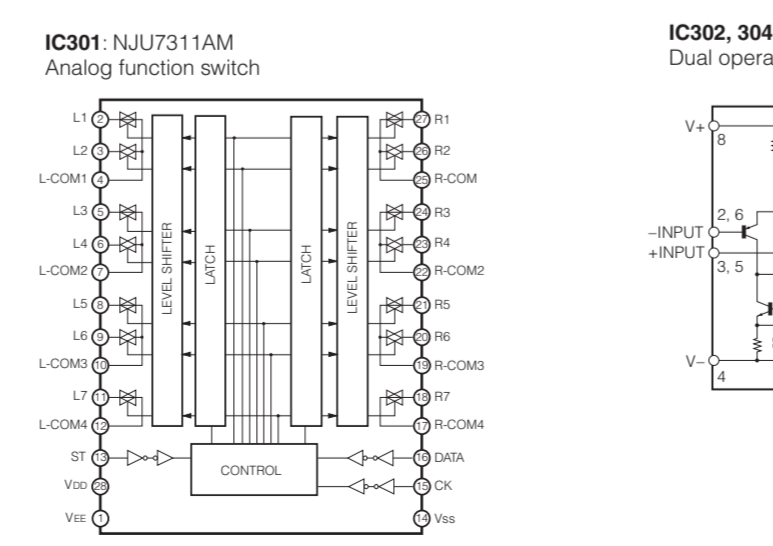
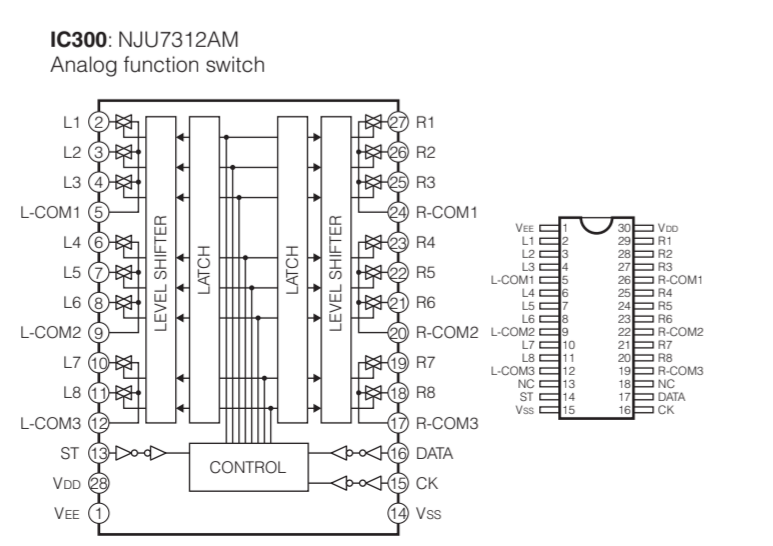
Component lists for RESISTOR, CAPACITOR, and CHIP RESISTOR, including part names and values.

NOTICE (mode1) regarding component sourcing from various countries like JAPAN, U.S.A., CANADA, etc.

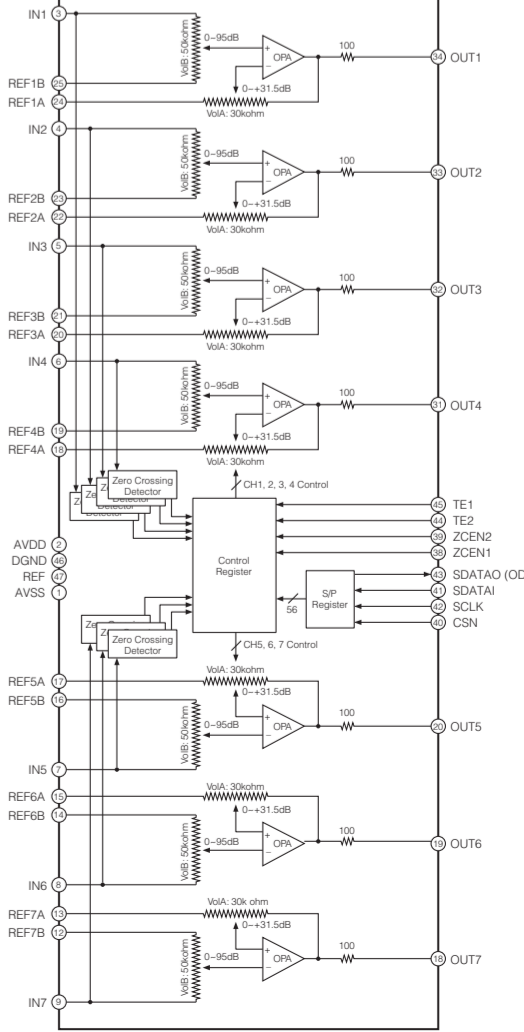
Destination Part List table mapping part numbers (e.g., IC300, IC301) to specific models (DSP-AX1900, RX-V1900, HTR-6290).

Measurement and replacement instructions: All voltages are measured with a 10MΩ/V DC electronic voltmeter. Components with special characteristics are marked with a triangle.

Voltage measurement note: Voltage is measured with an internal 10MΩ DC voltmeter. Components with a triangle mark are safety-related and should be replaced with original parts.



IC308: YAC523-EVR2 Digital volume

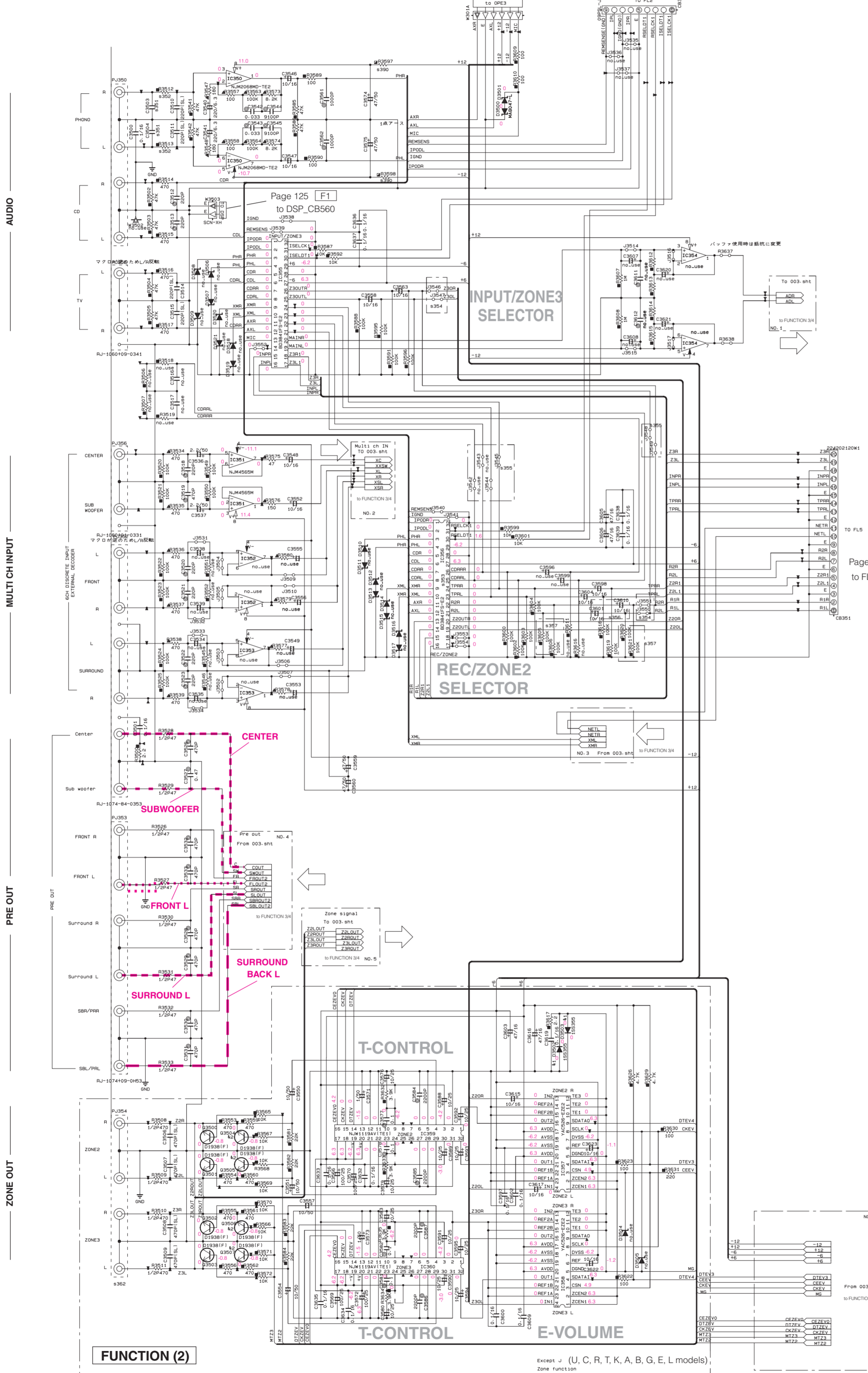


FUNCTION (2)

FUNCTION 4/4

Page 130 [F3] to OPERATION (3)\_CB906

Page 141 [I8] to FL (2)\_CB967

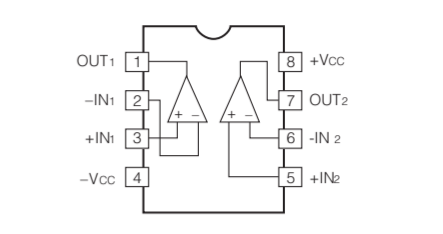


Designator Part List table with columns for Designator, Part Name, and various model variants (e.g., DSP-AX1900, RX-V1900, HTR-6290).

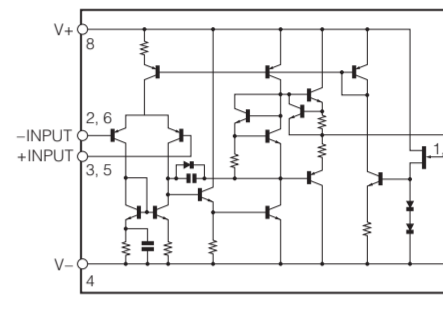
NOTICE (model) (J)..... JAPAN (U)..... U.S.A (C)..... CANADA (R)..... GENERAL (T)..... CHINA (K)..... KOREA (A)..... AUSTRALIA (B)..... BRITISH (E)..... EUROPE (L)..... SINGAPORE (E)..... SOUTH EUROPE (V)..... TAIWAN (F)..... RUSSIAN

RESISTOR PARTS NAME table and CAPACITOR PARTS NAME table with symbols and descriptions.

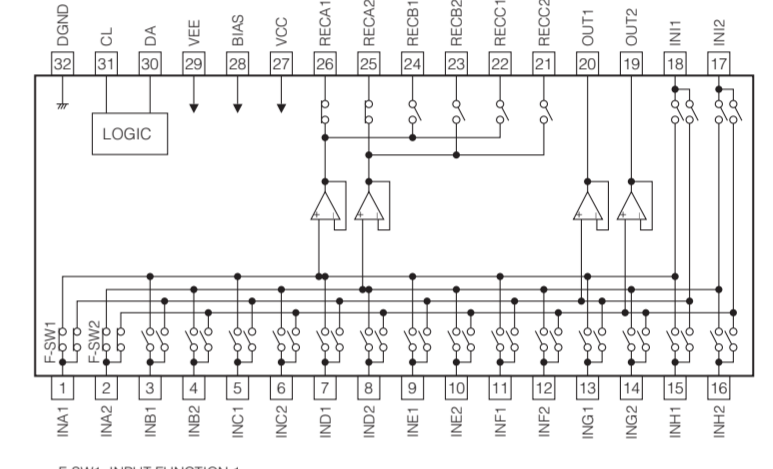
IC350: NJM2068MD-TE2 Dual operational amplifier



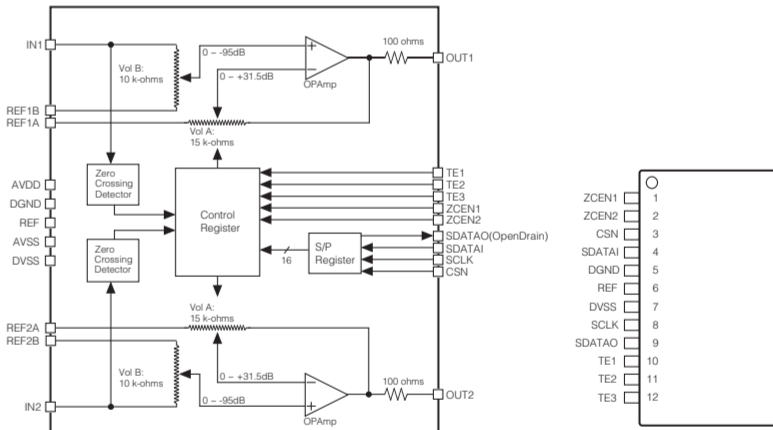
IC351: NJM4565M Dual operational amplifier



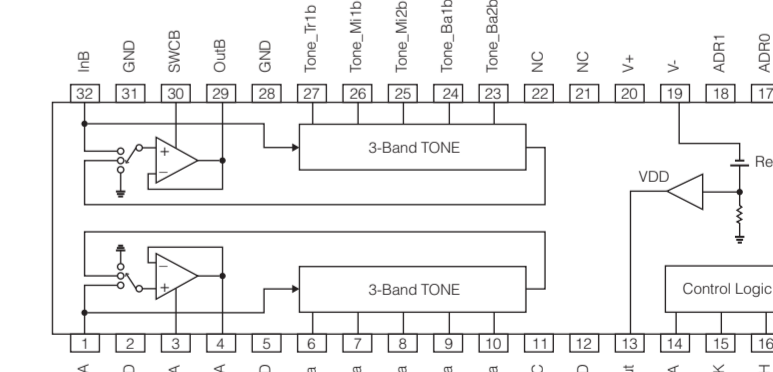
IC355, 356: BD3841FS Function switch



IC357, 358: YAC526-EZE2 2-channel high grade digital volume LSI



IC359, 360: NJW119AV 3-band tone control IC



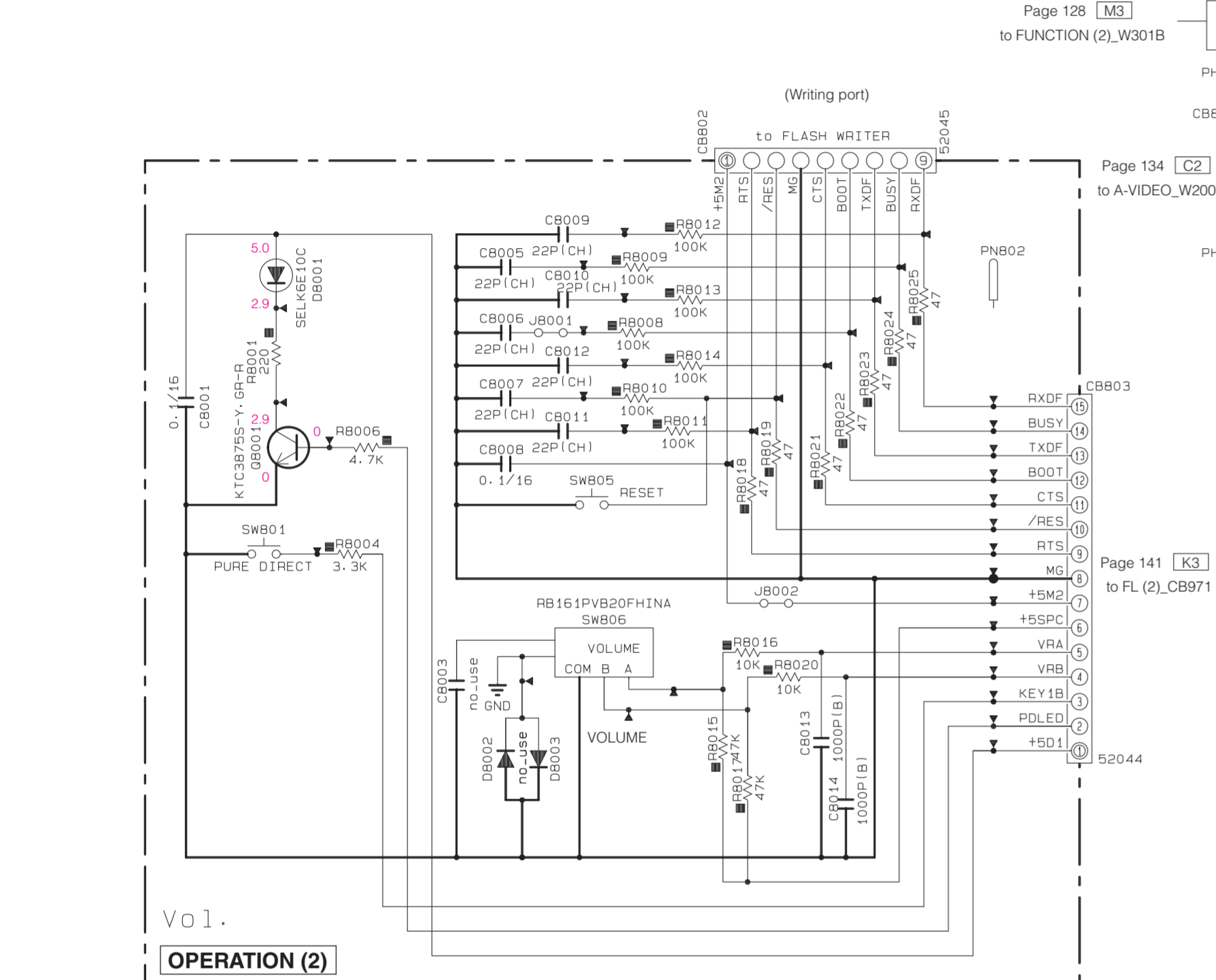
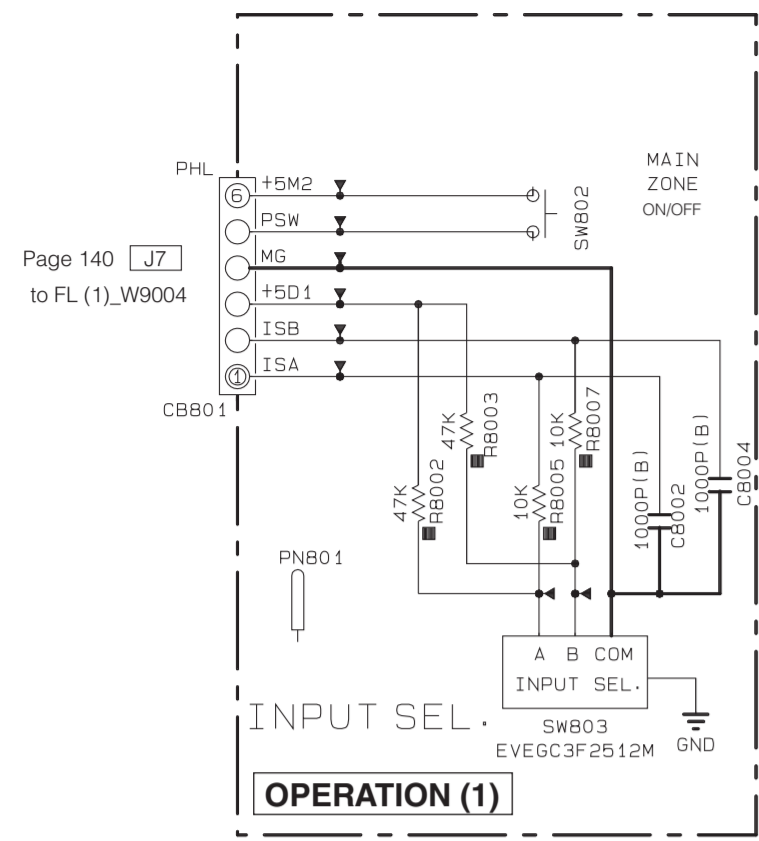
\* All voltages are measured with a 10MΩ/V DC electronic voltmeter. \* Components having special characteristics are marked !, and must be replaced with parts having specifications equal to those originally installed. \* Schematic diagram is subject to change without notice.

●電圧は、内部抵抗10MΩの電圧計で測定したものです。 ● !印のある部品は、安全確保部品を示しています。部品の交換が必要な場合、パーツリストに記載されている部品を使用してください。 ●本回路図は標準回路図です。改良のため予告なく変更することがございます。

Pre Amp (2)

Except (J, C, R, T, K, A, B, G, E, L models), Zone Function

OPERATION



Interchangeable Parts at Manufacture-Stage

Mark	Reference Parts Number	Parts Name
&1	G8002-8003	2SD1938(F) 2SC3326(A/B) 2SC5938(A/B) 2SD2704K

Destinatin Part List

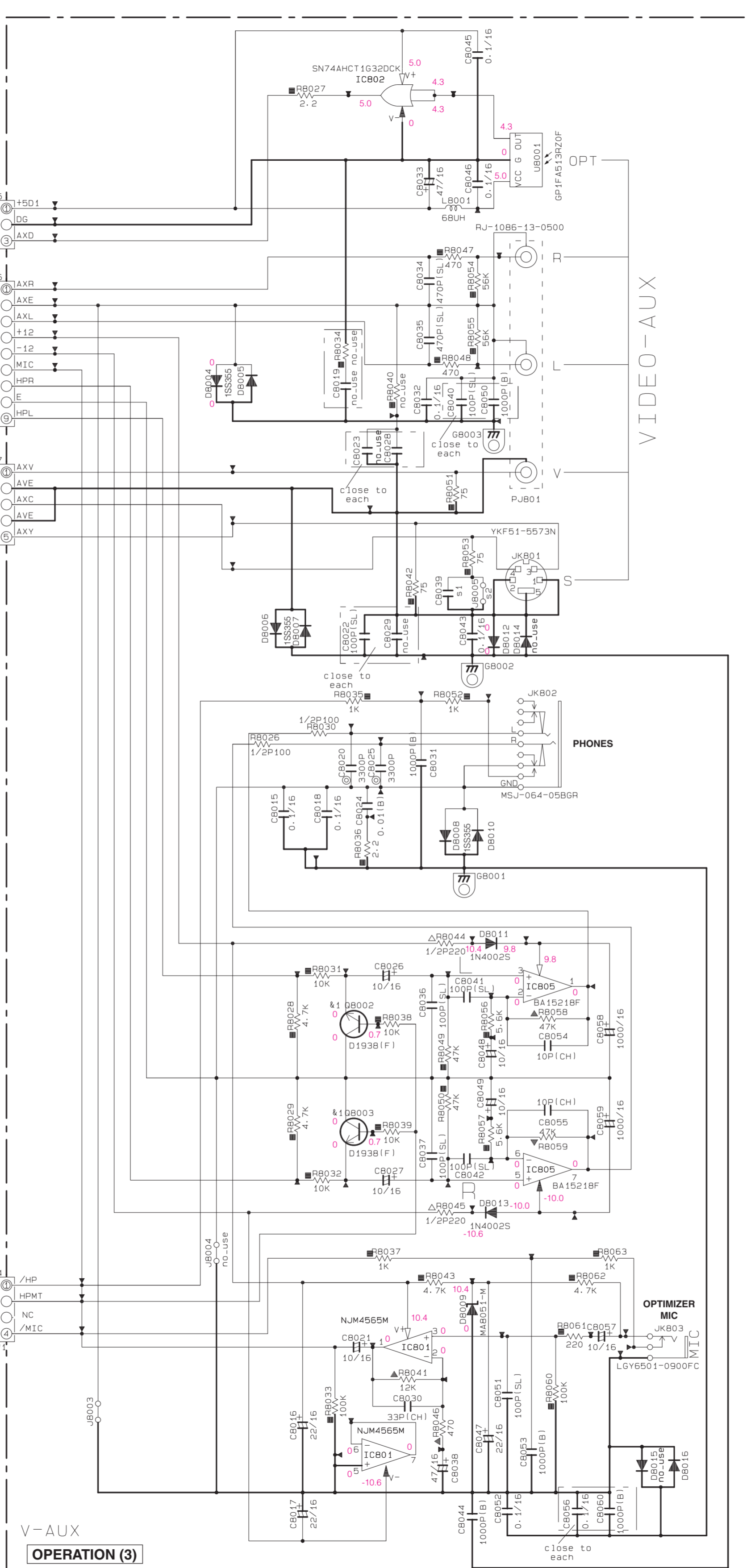
sXX	LOC	JUC	RTKLABGE
s1	CB039	US13510 0.1/16	X
s2	JB005	X	RD35000 0

\* All voltages are measured with a 10MΩ/V DC electronic voltmeter.  
 \* Components having special characteristics are marked with a triangle and must be replaced with parts having specifications equal to those originally installed.  
 \* Schematic diagram is subject to change without notice.

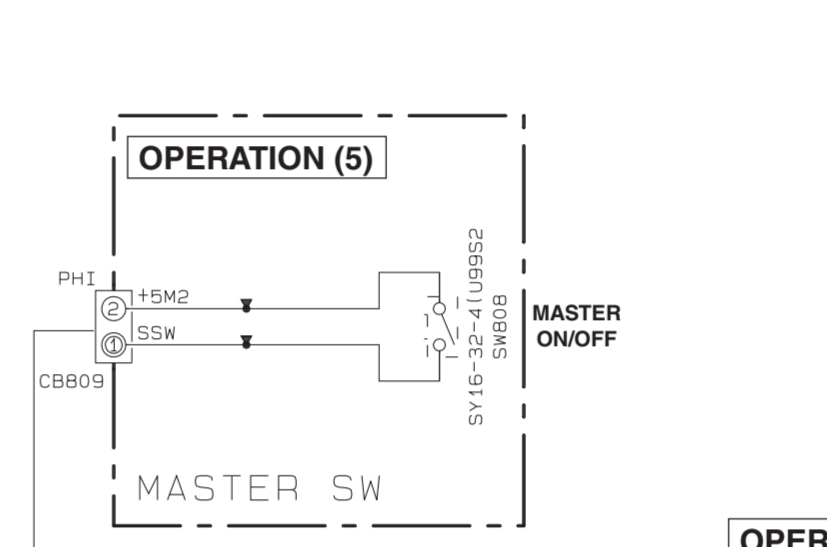
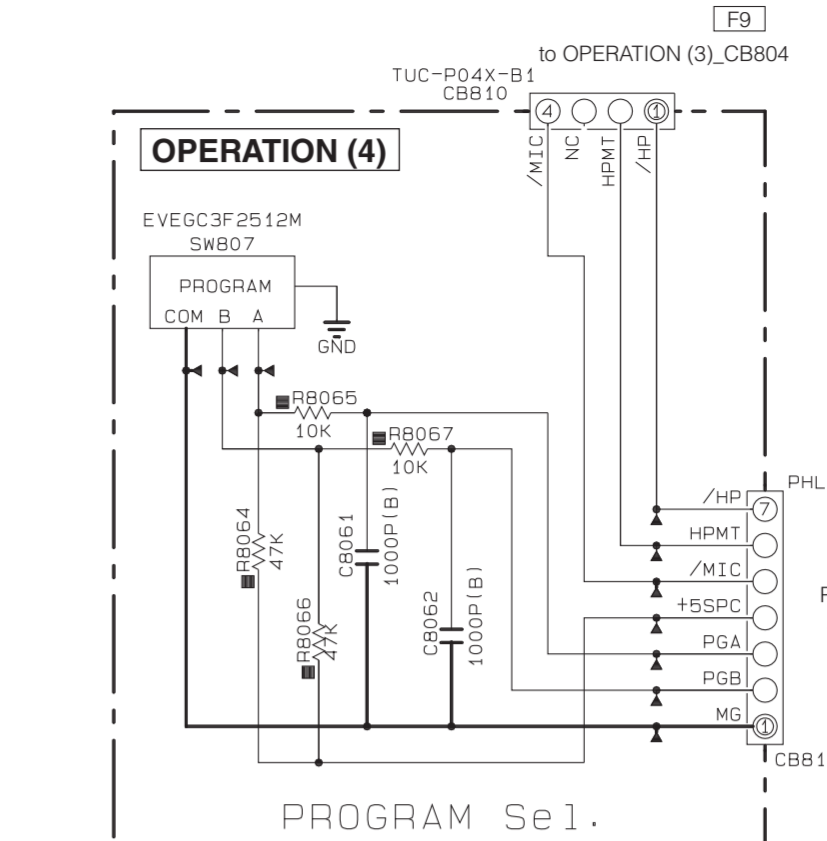
NOTICE (model)

(J)..... JAPAN  
 (U)..... U.S.A  
 (C)..... CANADA  
 (R)..... GENERAL  
 (T)..... CHINA  
 (K)..... KOREA  
 (A)..... AUSTRALIA  
 (B)..... BRITISH  
 (G)..... EUROPE  
 (L)..... SINGAPORE  
 (E)..... SOUTH EUROPE  
 (V)..... TAIWAN  
 (F)..... RUSSIAN

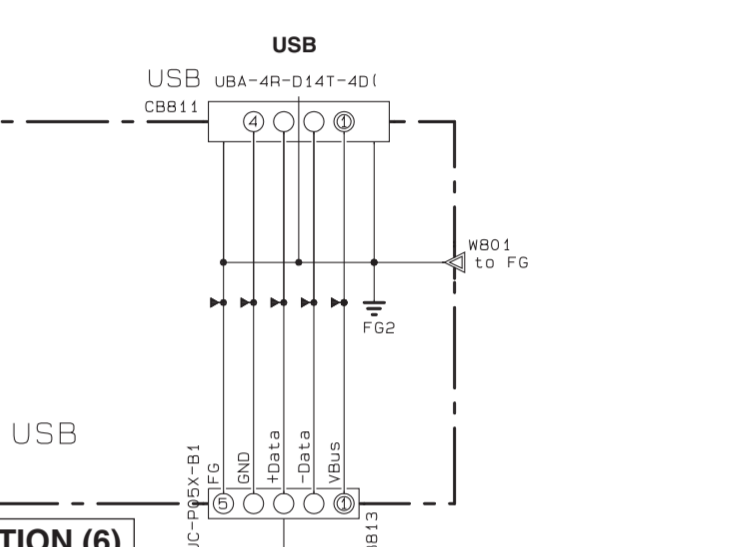
●電圧は、内部抵抗10MΩの電圧計で測定したものです。  
 ●△印のある部品は、安全性確保部品を示しています。部品の交換が必要な場合、パーツリストに記載されている部品を使用してください。  
 ●本回路図は標準回路図です。改良のため予告なく変更することがございます。



V-AUX  
**OPERATION (3)**



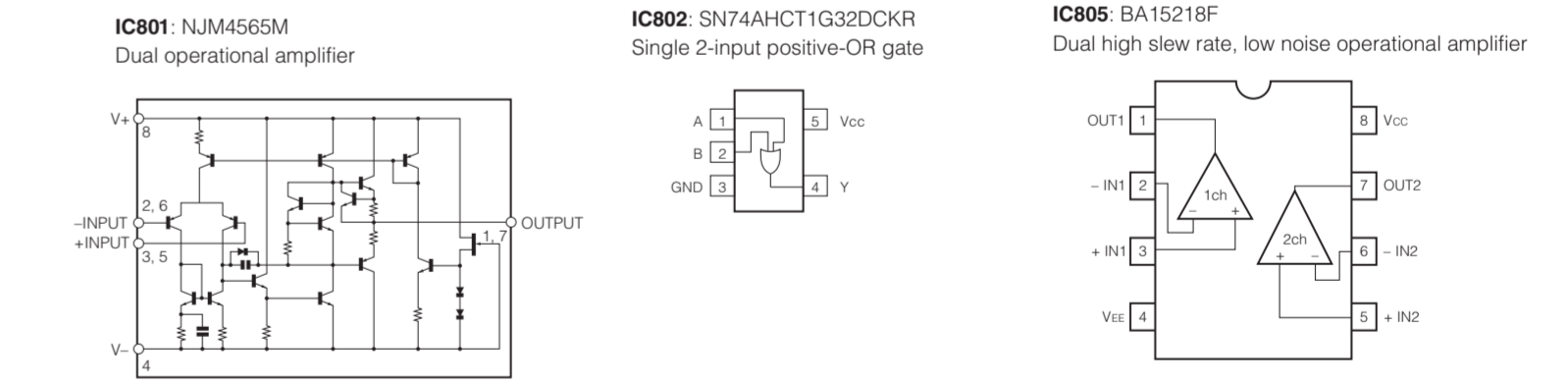
Page 140 [J4] to FL(1)\_W9002  
**OPERATION (5)**



Page 142 [F9] to NET\_W603  
**OPERATION (6)**  
 R, T, K, A, B, G, E, L, J models



Page 142 [F9] to NET\_W603  
**OPERATION (7)**  
 R, T, K, A, B, G, E, L, J models



RESISTOR

REMARKS	PARTS NAME
NO MARK	CARBON FILM RESISTOR (P=5)
□	CARBON FILM RESISTOR (P=10)
△	METAL OXIDE FILM RESISTOR
▲	METAL FILM RESISTOR
⊠	METAL PLATE RESISTOR
■	FIRE PROOF CARBON FILM RESISTOR
□	CEMENT MOLDED RESISTOR
⊞	SEMI VARIABLE RESISTOR
⊚	CHIP RESISTOR

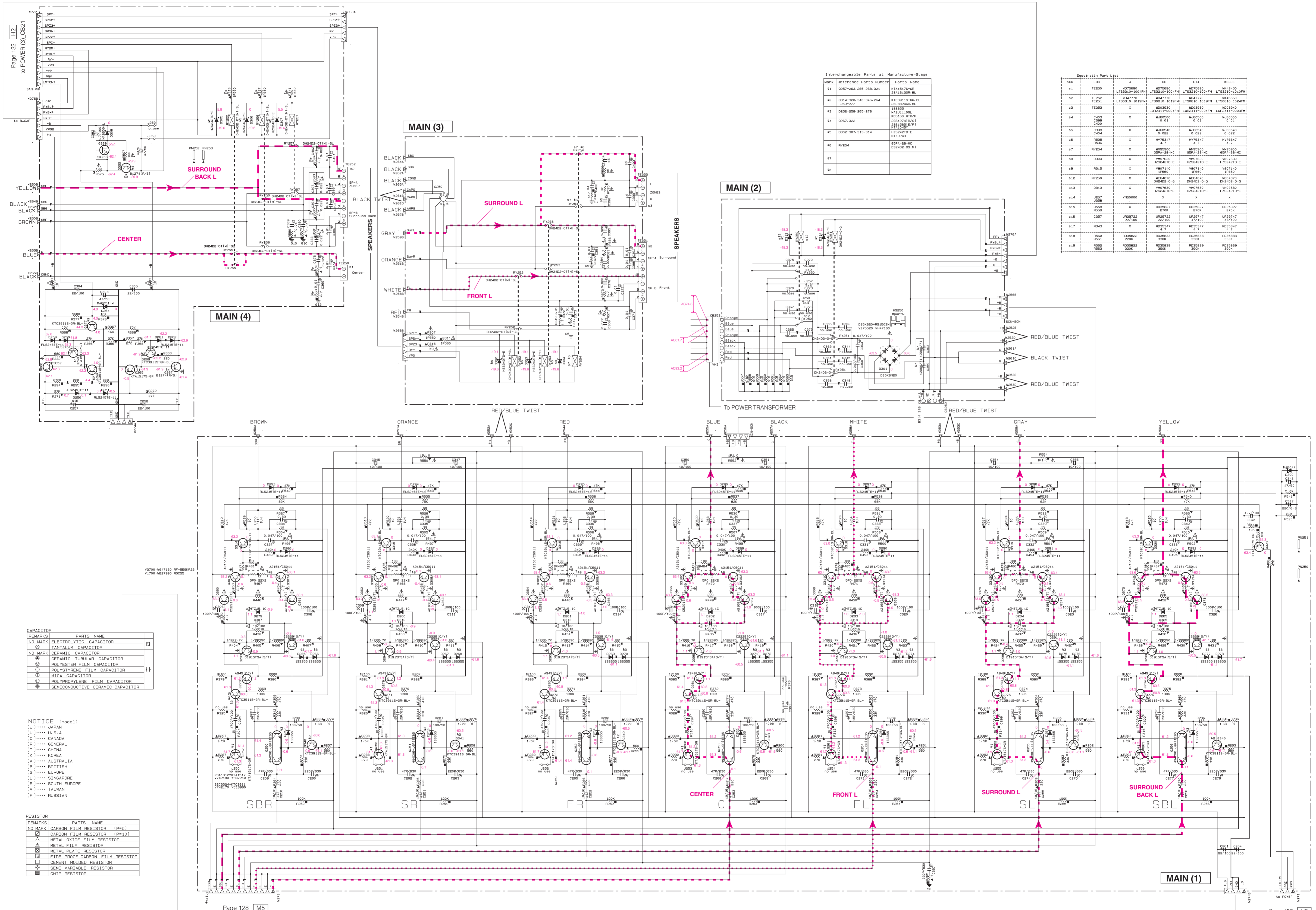
  

CAPACITOR

REMARKS	PARTS NAME
NO MARK	ELECTROLYTIC CAPACITOR
⊗	TANTALUM CAPACITOR
NO MARK	CERAMIC CAPACITOR
●	CERAMIC TUBULAR CAPACITOR
⊙	POLYESTER FILM CAPACITOR
○	POLYSTYRENE FILM CAPACITOR
⊖	MICA CAPACITOR
⊕	POLYPROPYLENE FILM CAPACITOR
⊚	SEMICONDUCTIVE CERAMIC CAPACITOR

IMPLEMENTATION:  
 INPUT SELECTOR  
 VOLUME  
 VIDEO-AUX  
 HEAD PHONE AMP  
 MIC AMP  
 PROGRAM SELECTOR  
 MASTER SWITCH

MAIN



Interchangeable Parts at Manufacture-Stage

Mark	Reference Parts Number	Parts Name
41	Q257-063-265-266-321	KT1A15173-QR 25A33308-RL
42	Q314-330-340-346-264 269-277	KT1C39115-GR-BL 25C33046-RL
43	Q325-256-265-276	KT1C39115-GR-BL 25C33046-RL
44	Q267-302	25B1741(R/S) 25B1581(R/S) 25B1581(R/S) 25B1581(R/S)
45	Q302-307-313-314	25B1581(R/S) 25B1581(R/S) 25B1581(R/S)
46	RY254	05PA-28-NC 05S402-051M
47		
48		

Destination Part List

Mark	LOC	J	LC	RTA	RSLE
51	TE250	W07560	W07560	W07560	W04340
52	TE252	LT3241P-1004PM	LT3241P-1004PM	LT3241P-1004PM	LT3241P-1004PM
53	TE253	X	W07770	W07770	W04660
54	CO3	X	W07770	W07770	W04660
55	C39	X	W07770	W07770	W04660
56	CO3	X	W07770	W07770	W04660
57	RY254	X	W07770	W07770	W04660
58	CO3	X	W07770	W07770	W04660
59	RY254	X	W07770	W07770	W04660
60	CO3	X	W07770	W07770	W04660
61	RY254	X	W07770	W07770	W04660
62	CO3	X	W07770	W07770	W04660
63	RY254	X	W07770	W07770	W04660
64	CO3	X	W07770	W07770	W04660
65	RY254	X	W07770	W07770	W04660
66	CO3	X	W07770	W07770	W04660
67	RY254	X	W07770	W07770	W04660
68	CO3	X	W07770	W07770	W04660
69	RY254	X	W07770	W07770	W04660
70	CO3	X	W07770	W07770	W04660
71	RY254	X	W07770	W07770	W04660
72	CO3	X	W07770	W07770	W04660
73	RY254	X	W07770	W07770	W04660
74	CO3	X	W07770	W07770	W04660
75	RY254	X	W07770	W07770	W04660
76	CO3	X	W07770	W07770	W04660
77	RY254	X	W07770	W07770	W04660
78	CO3	X	W07770	W07770	W04660
79	RY254	X	W07770	W07770	W04660
80	CO3	X	W07770	W07770	W04660
81	RY254	X	W07770	W07770	W04660
82	CO3	X	W07770	W07770	W04660
83	RY254	X	W07770	W07770	W04660
84	CO3	X	W07770	W07770	W04660
85	RY254	X	W07770	W07770	W04660
86	CO3	X	W07770	W07770	W04660
87	RY254	X	W07770	W07770	W04660
88	CO3	X	W07770	W07770	W04660
89	RY254	X	W07770	W07770	W04660
90	CO3	X	W07770	W07770	W04660
91	RY254	X	W07770	W07770	W04660
92	CO3	X	W07770	W07770	W04660
93	RY254	X	W07770	W07770	W04660
94	CO3	X	W07770	W07770	W04660
95	RY254	X	W07770	W07770	W04660
96	CO3	X	W07770	W07770	W04660
97	RY254	X	W07770	W07770	W04660
98	CO3	X	W07770	W07770	W04660
99	RY254	X	W07770	W07770	W04660
100	CO3	X	W07770	W07770	W04660

CAPACITOR

REMARKS	PARTS NAME
NO MARK	ELECTROLYTIC CAPACITOR
⊖	TANTALUM CAPACITOR
NO MARK	CERAMIC CAPACITOR
⊙	CERAMIC TUBULAR CAPACITOR
⊖	POLYESTER FILM CAPACITOR
⊖	POLYSTYRENE FILM CAPACITOR
⊖	MICA CAPACITOR
⊖	POLYPROPYLENE FILM CAPACITOR
⊖	SEMICONDUCTIVE CERAMIC CAPACITOR

NOTICE (mode1)

(J) ..... JAPAN  
 (U) ..... U.S.A  
 (C) ..... CANADA  
 (R) ..... GENERAL  
 (T) ..... CHINA  
 (K) ..... KOREA  
 (A) ..... AUSTRALIA  
 (B) ..... BRITISH  
 (G) ..... EUROPE  
 (L) ..... SINGAPORE  
 (E) ..... SOUTH EUROPE  
 (V) ..... TAIWAN  
 (F) ..... RUSSIAN

RESISTOR

REMARKS	PARTS NAME
NO MARK	CARBON FILM RESISTOR (P=5)
□	CARBON FILM RESISTOR (P=10)
△	METAL OXIDE FILM RESISTOR
△	METAL FILM RESISTOR
□	METAL PLATE RESISTOR
△	FIRE PROOF CARBON FILM RESISTOR
□	CEMENT MOLDED RESISTOR
⊖	SEMI-VARIABLE RESISTOR
■	CHTP RESISTOR

★ All voltages are measured with a 10MΩ DC electronic voltmeter.  
 ★ Components having special characteristics are marked with a triangle and must be replaced with parts having specifications equal to those originally installed.  
 ★ Schematic diagram is subject to change without notice.

● 電圧は、内部抵抗10MΩの電圧計で測定したものです。  
 ● 印のある部品は、安全確保部品を示しています。部品の交換が必要な場合、パーツリストに記載されている部品を使用してください。  
 ● 本回路図は標準回路図です。改良のため予告なく変更することがございます。

POWER

NOTICE (model)
(J)..... JAPAN
(U)..... U.S.A.
(C)..... CANADA
(E)..... GENERAL
(T)..... CHINA
(K)..... KOREA
(A)..... AUSTRALIA
(B)..... BRITISH
(G)..... EUROPE
(L)..... SINGAPORE
(S)..... SOUTH EUROPE
(V)..... TAIWAN
(F)..... RUSSIAN

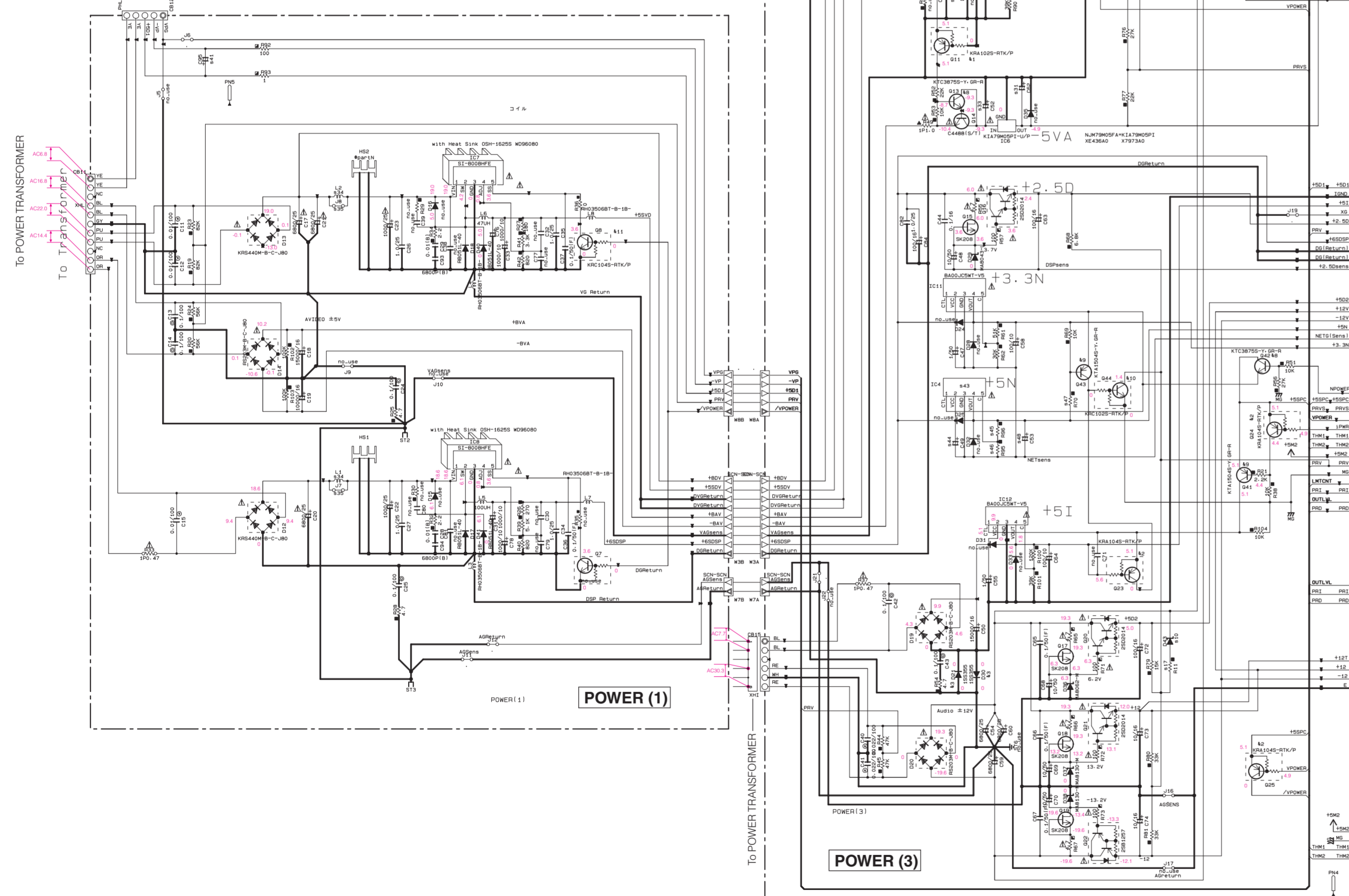
Table with 2 columns: PARTS NAME, PARTS NAME. Lists various resistor types like CARBON FILM RESISTOR, METAL OXIDE FILM RESISTOR, etc.

Table with 2 columns: PARTS NAME, PARTS NAME. Lists various capacitor types like ELECTROLYTIC CAPACITOR, FANTAILOR CAPACITOR, CERAMIC TUBULAR CAPACITOR, etc.

Page 140 [A5]
to FL (1)\_W9001
To PCB-FL
(Front Panel)

Page 126 [F8]
to FUNCTION (1)\_CB407
(U-COM)
To FUNC

Table with 3 columns: Mark, Reference Parts Number, Parts Name. Lists interchangeable parts at manufacture stage.



Page 131 [B1]
to MAIN (4)\_W272
To PCB-MAIN

Page 139 [L7]
to D-VIDEO\_CB188
To PCB-DVIDEO

Page 134 [I3]
to A-VIDEO\_W2001
To PCB-AVIDEO

Page 124 [I1]
to DSP\_W5301
To PCB-DSP

Page 124 [K1]
to DSP\_W5302
To PCB-DSP

Page 126 [H8]
to FUNCTION (1)\_CB409
To PCB-FUNC (U-COM)

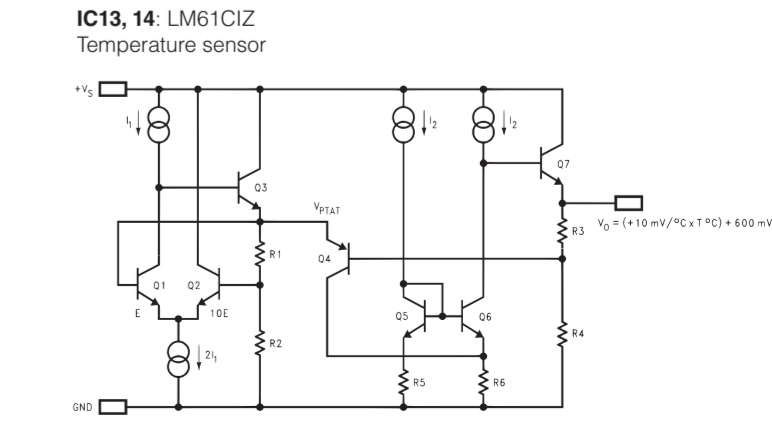
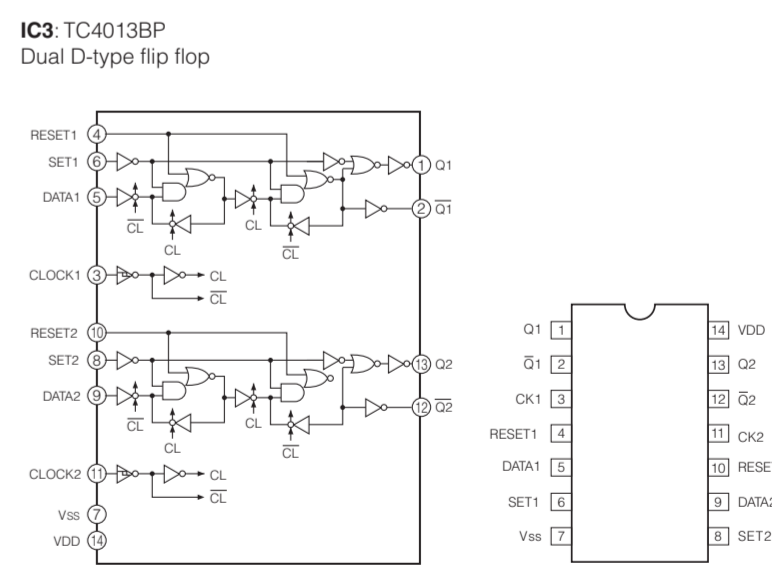
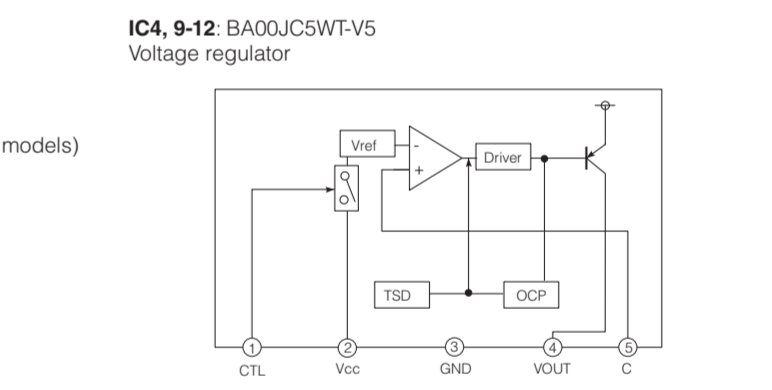
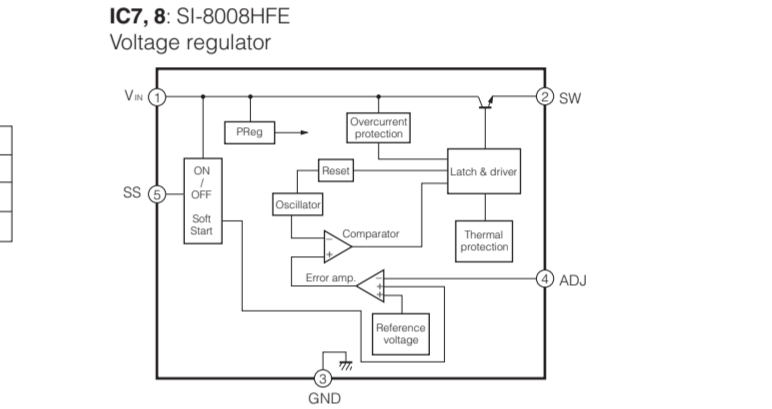
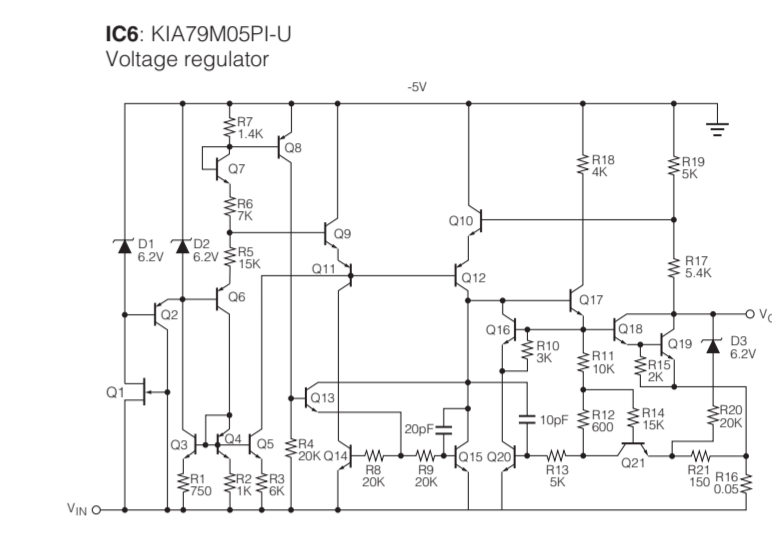
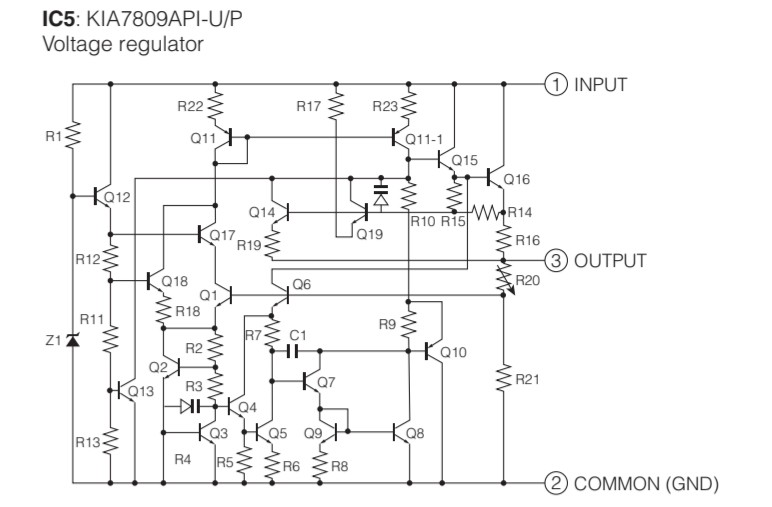
Page 131 [N10]
to MAIN (1)\_W271
To PCB-FUNC (Pre Amp)

Page 128 [M1]
to FUNCTION (2)\_W3004
To PCB-FUNC (Pre Amp)

Page 126 [D8]
to FUNCTION (1)\_CB406
To PCB-FUNC (Pre Amp)

Page 126 [D8]
to FUNCTION (1)\_CB406
To PCB-FUNC (Pre Amp)

Large table with multiple columns (A-L) and rows (82-448) listing component specifications and part numbers.



\* All voltages are measured with a 10MΩ/V DC electronic voltmeter.
\* Components having special characteristics are marked with a triangle and must be replaced with parts having specifications equal to those originally installed.
\* Schematic diagram is subject to change without notice.

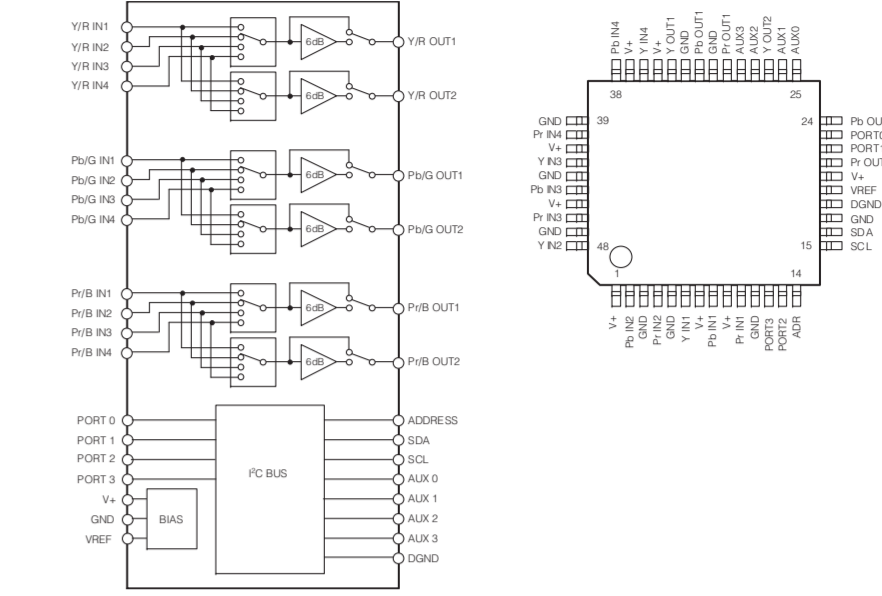
● 電圧は、内部抵抗10MΩの電圧計で測定したものです。
● 印のある部品は、安全性確保部品を示しています。部品の交換が必要な場合、パーツリストに記載されている部品を使用してください。
● 本回路図は標準回路図です。改良のため予告なく変更することがございます。

Page 136 [B5] to D-VIDEO\_CB122 Page 136 [B3] to D-VIDEO\_CB121

REMARKS	PARTS NAME
NO MARK	CARBON FILM RESISTOR (P=5)
□	CARBON FILM RESISTOR (P=10)
△	METAL OXIDE FILM RESISTOR
△	METAL FILM RESISTOR
□	METAL PLATE RESISTOR
■	FIRE PROOF CARBON FILM RESISTOR
□	CEMENT MOLDED RESISTOR
□	SEMI VARIABLE RESISTOR
■	CHIP RESISTOR

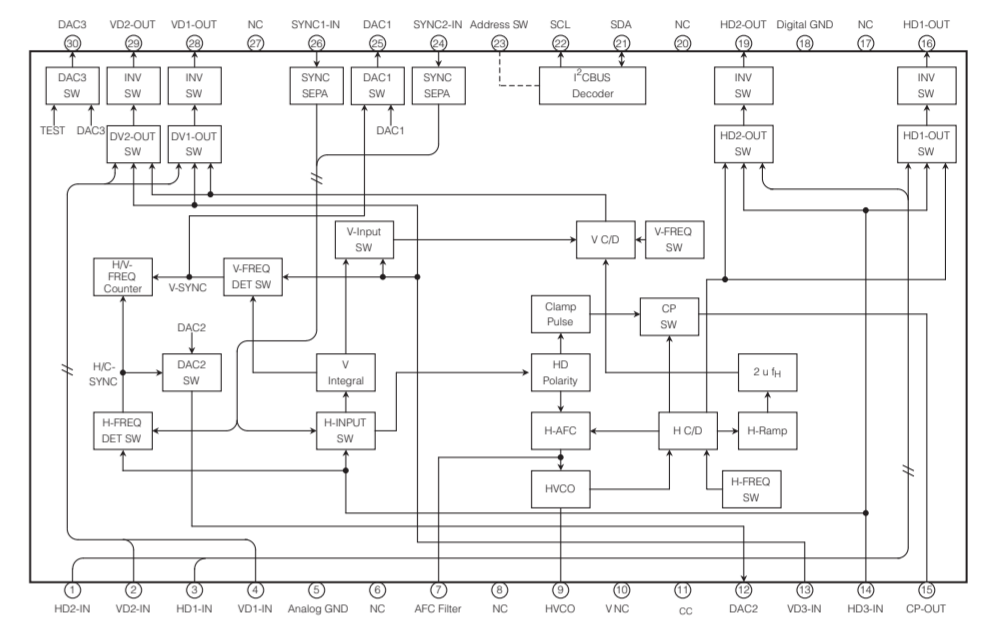
NOTICE (mode1)  
 (J)..... JAPAN  
 (U)..... U. S. A  
 (C)..... CANADA  
 (G)..... GENERAL  
 (T)..... CHINA  
 (K)..... KOREA  
 (A)..... AUSTRALIA  
 (B)..... BRITISH  
 (E)..... EUROPE  
 (L)..... SINGAPORE  
 (S)..... SOUTH EUROPE  
 (V)..... TAIWAN  
 (F)..... RUSSIAN

IC201: NJW1321FP1 Wide band video switch with I<sup>2</sup>C bus

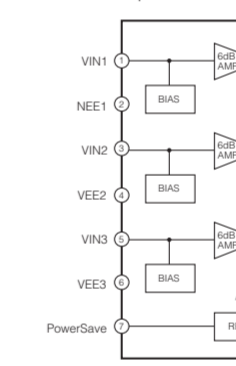


REMARKS	PARTS NAME
NO MARK	ELECTROLYTIC CAPACITOR
○	TANTALUM CAPACITOR
NO MARK	CERAMIC CAPACITOR
○	CERAMIC TUBULAR CAPACITOR
○	POLYESTER FILM CAPACITOR
○	POLYSTYRENE FILM CAPACITOR
○	MICA CAPACITOR
○	POLYPROPYLENE FILM CAPACITOR
○	SEMICONDUCTIVE CERAMIC CAPACITOR
○	POLYPHENYLENE SULFIDE FILM CAPACITOR

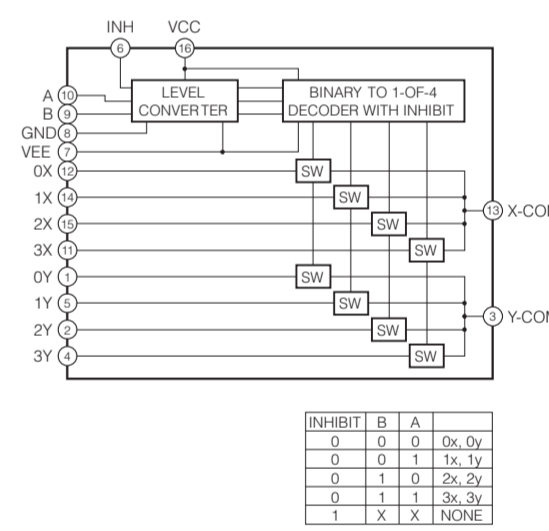
IC202: TA1318AF SYNC processor, frequency counter IC for TV component signals



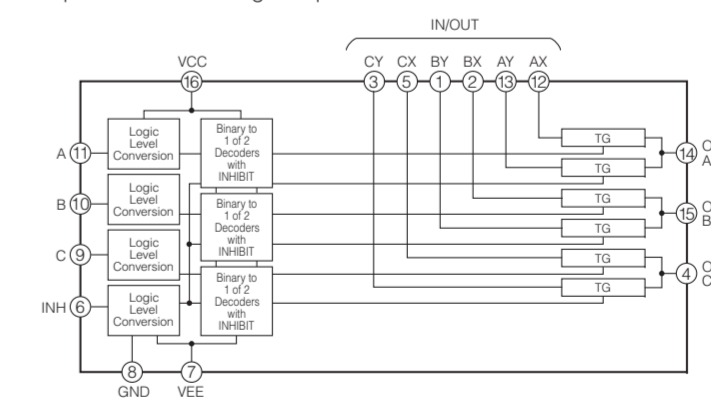
IC203: NJM2581M Video amplifier



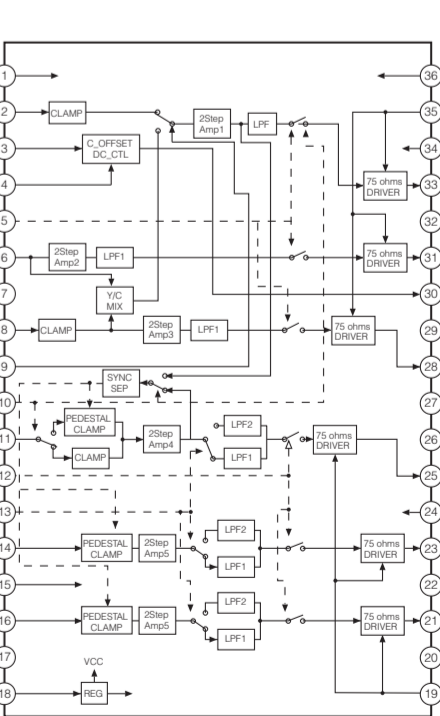
IC204, 205: TC74HC4052AF Analog multiplexer/demultiplexer



IC206: MM74HC4053JX Triple 2-channel analog multiplexer



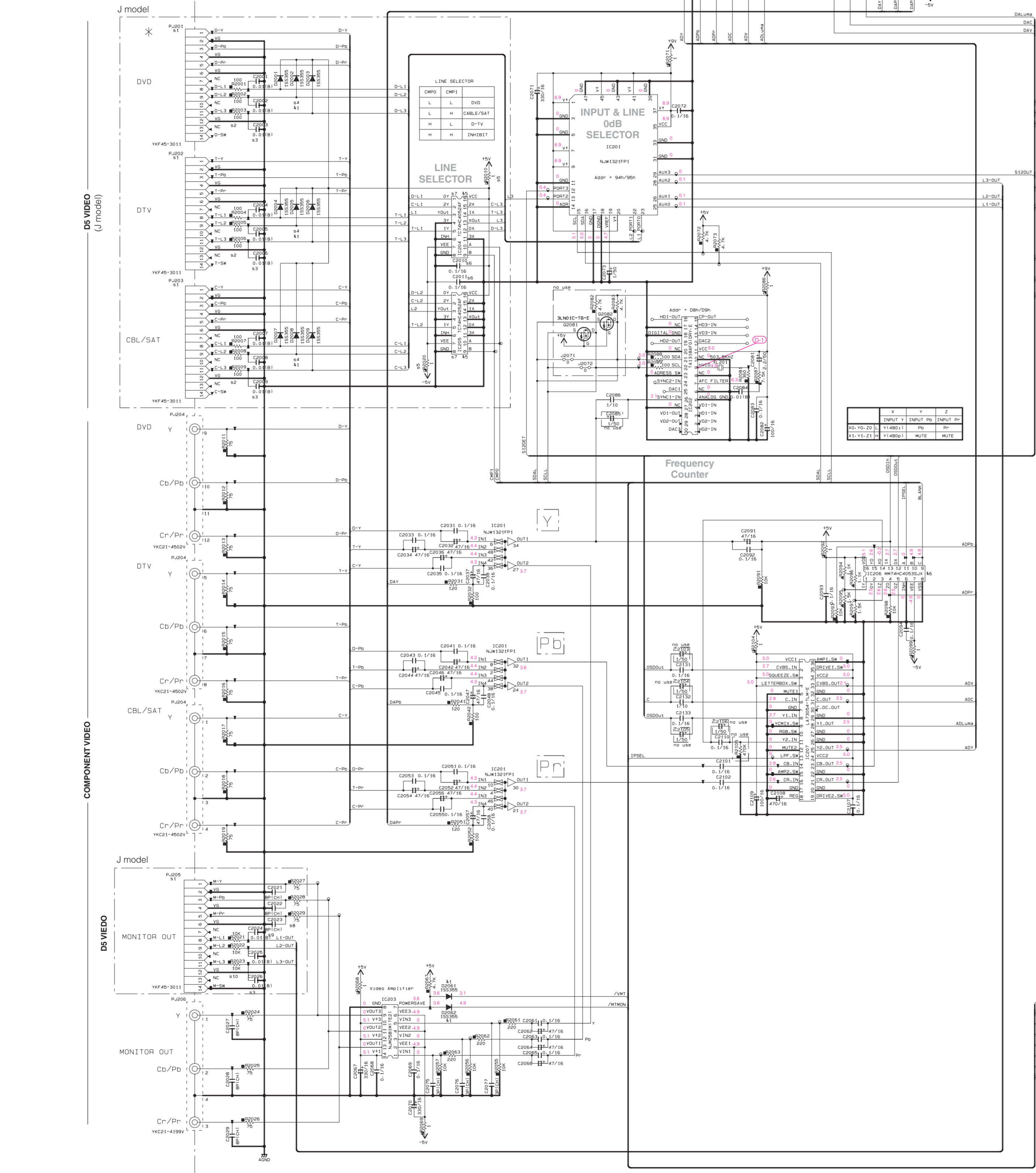
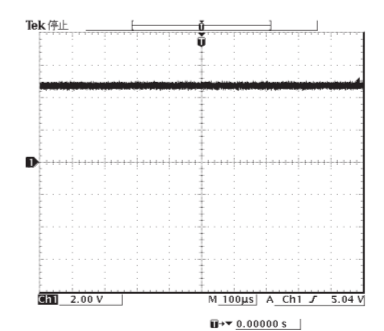
IC207: LA73054-TLM-E Analog dual operational amplifier



DESTINATION Part List	LINE	IC	REV.	TRADE NO. I.C. E
51	R0201	TA1318AF	X	X
52	R0202	TA1318AF	X	X
53	R0203	TA1318AF	X	X
54	R0204	TA1318AF	X	X
55	R0205	TA1318AF	X	X
56	R0206	TA1318AF	X	X
57	R0207	TA1318AF	X	X
58	R0208	TA1318AF	X	X
59	R0209	TA1318AF	X	X
60	R0210	TA1318AF	X	X

Mark	Reference Part Number	Parts Name
41	02001-2009-2061-2062-2061-2061-2061-2061-2061-2061	ISS395 MA111
42	02041-2643	DT14E4A KRC1045-RTR/P
43	IC200	TK15420M/L A2000442
44	IC211-213	MM74HC4051A TC74HC4051AF IEL-F1
45	IC204-205	MM74HC4052A TC74HC4052AF IEL-F1
46	IC206-221-224	MM74HC4053A TC74HC4053AF IEL-F1

POINT (D-1) XL210 (Pin 9 of IC202)



to A-VIDEO 2/2



\* All voltages are measured with a 10MΩ DC electronic voltmeter.  
 \* Components having special characteristics are marked with a triangle and must be replaced with parts matching specifications or those originally installed.  
 \* Schematic diagram is subject to change without notice.

● 電圧は、内部抵抗10MΩの電圧計で測定したものです。  
 ● △印のある部品は、安全性確保部品を示しています。部品の交換が必要な場合、パーツリストに記載されている部品を使用していただきます。  
 ● 本回路図は標準回路図です。改良のため予告なく変更することがございます。

A-VIDEO 2/2

Page 130 F4  
to OPERATION (3)\_CB807

INPUT SELECTOR

INPUT SELECTOR

MP1	MP2	MP3	MP4	MP5	MP6
C	A	B	L	L	L
A	L	L	L	L	L
L	L	L	L	L	L
L	L	L	L	L	L
L	L	L	L	L	L
L	L	L	L	L	L
L	L	L	L	L	L
L	L	L	L	L	L
L	L	L	L	L	L
L	L	L	L	L	L
L	L	L	L	L	L
L	L	L	L	L	L

SIGNAL DETECT

X	Y	Z	SSEL/WHITE
NO-Y0-Z0	Y or Y	INPUT Y	INPUT C
YI-Y1-Z1	INPUT COPY	INPUT Y	MUTE

OSD IC

Crystal (050)  
NTSC (14.3181MHz)  
WD28090)  
PAL (17.734479MHz)  
WD28090)

Page 126 H8  
to FUNCTION (1)\_CB410

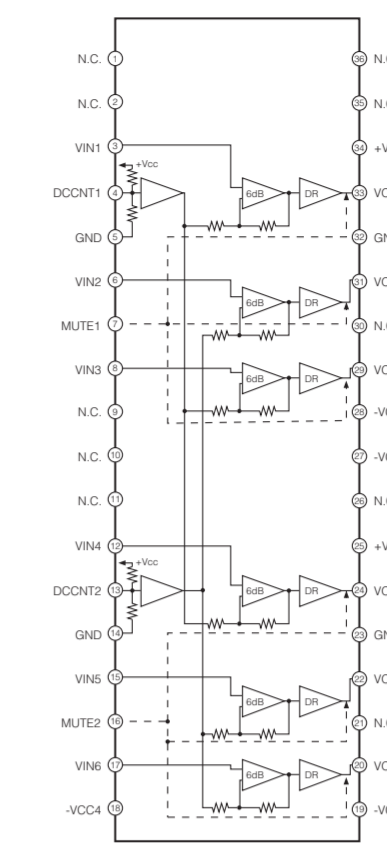
Page 132 H5  
to POWER (3)\_CB23

Page 139 L4  
to D-VIDEO\_CB185

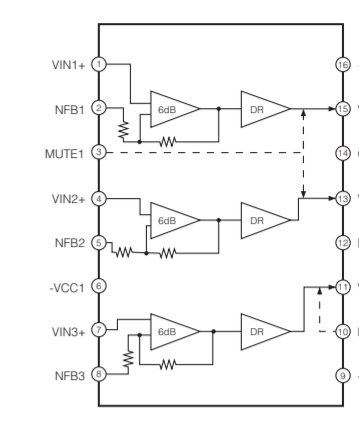
to A-VIDEO 1/2

to A-VIDEO 1/2

IC218: LA73050-TLM-E  
Analog dual operational amplifier



IC219: LA7106M-TLM-E  
Analog dual operational amplifier



NOTICE (mode1)  
(J) JAPAN  
(U) U.S.A  
(C) CANADA  
(R) GENERAL  
(T) CHINA  
(K) KOREA  
(A) AUSTRALIA  
(B) BRITISH  
(G) EUROPE  
(L) SINGAPORE  
(E) SOUTH EUROPE  
(V) TAIWAN  
(F) RUSSIAN

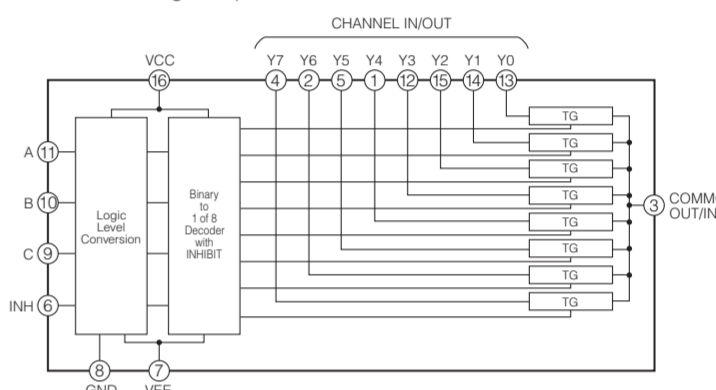
RESISTOR

REMARKS	PARTS NAME
NO MARK	CARBON FILM RESISTOR (P=5)
△	CARBON FILM RESISTOR (P=10)
□	METAL OXIDE FILM RESISTOR
○	METAL FILM RESISTOR
◇	METAL PLATE RESISTOR
◇	FIRE PROOF CARBON FILM RESISTOR
■	CEMENT MOLDED FILM RESISTOR
◊	SEMI VARIABLE RESISTOR
■	CHIP RESISTOR

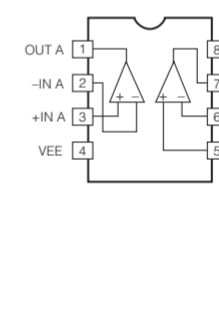
CAPACITOR

REMARKS	PARTS NAME
NO MARK	ELECTROLYTIC CAPACITOR
▽	TANTALUM CAPACITOR
NO MARK	CERAMIC CAPACITOR
○	CERAMIC TUBULAR CAPACITOR
○	POLYESTER FILM CAPACITOR
○	POLYSTYRENE FILM CAPACITOR
○	MICA CAPACITOR
○	POLYPROPYLENE FILM CAPACITOR
○	SEMICONDUCTIVE CERAMIC CAPACITOR
○	POLYETHYLENE SULFIDE FILM CAPACITOR
○	CAPACITOR

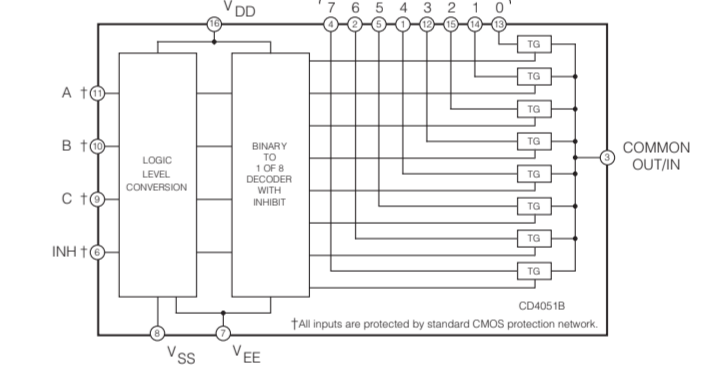
IC211, 213: MM74HC4051SX  
8-channel analog multiplexer



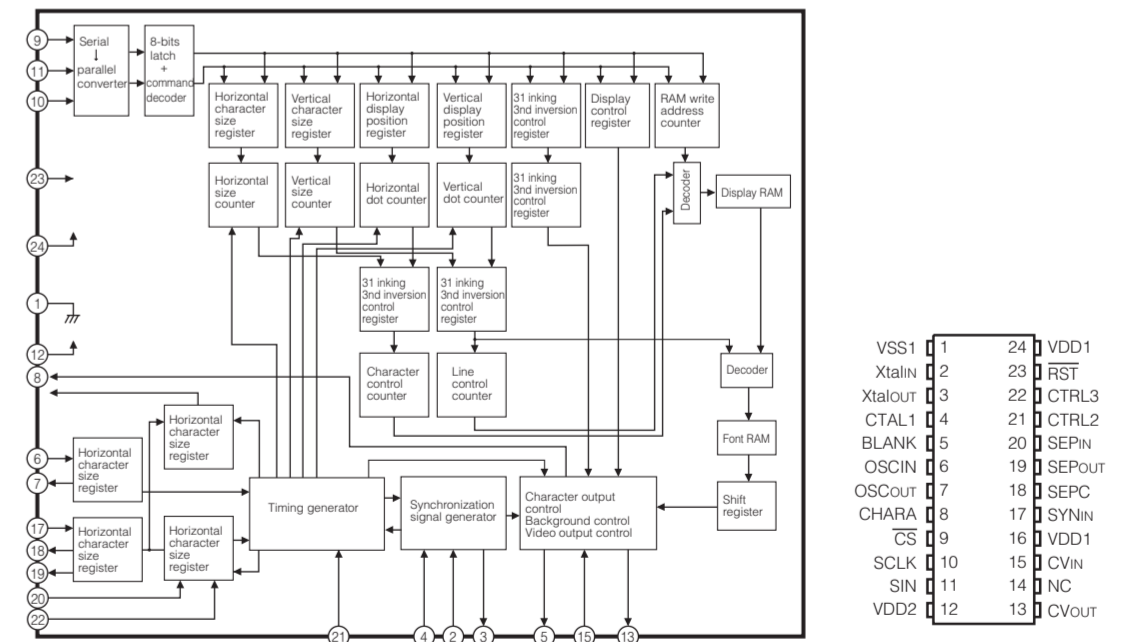
IC220: TK15420M  
Video amplifier



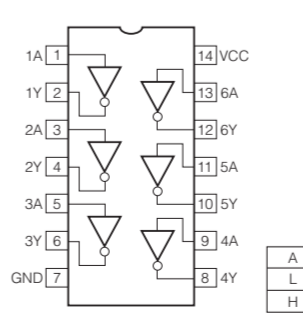
IC215: CD4051NSR  
Single 8-channel multiplexer



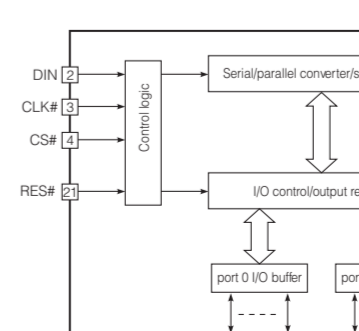
IC225: LC74782JM-8A16-TLMC  
The on-screen display controller LSI



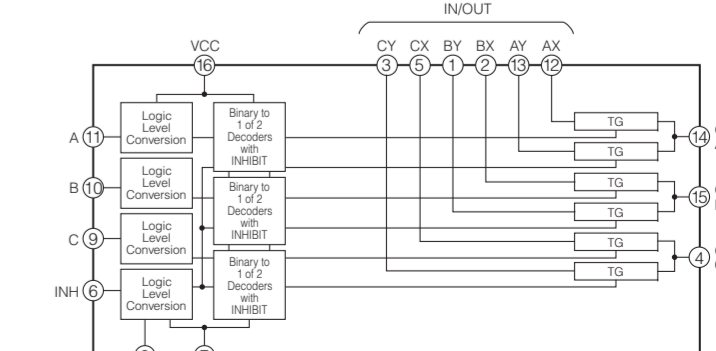
IC223: TC74VHC04FT  
Hex inverters



IC222: LC70904A-TLM-E  
I/O-expander for microcontroller



IC221, 224: MM74HC4053SJX  
Triple 2-channel analog multiplexer



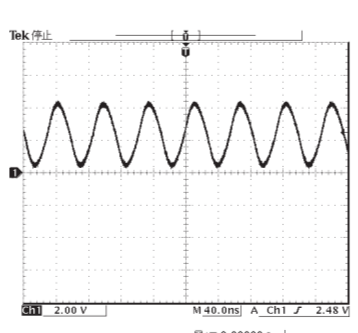
- ★ All voltages are measured with a 10M $\Omega$ /V DC electronic voltmeter.
- ★ Components having special characteristics are marked \* and must be replaced with parts having specifications equal to those originally installed.
- ★ Schematic diagram is subject to change without notice.

- 電圧は、内部抵抗10M $\Omega$ の電圧計で測定したものです。
- \*印のある部品は、安全性確保部品を示しています。部品の交換が必要な場合、パーツリストに記載されている部品を使用してください。
- 本回路図は標準回路図です。改良のため予告なく変更することがございます。

Destination Part List

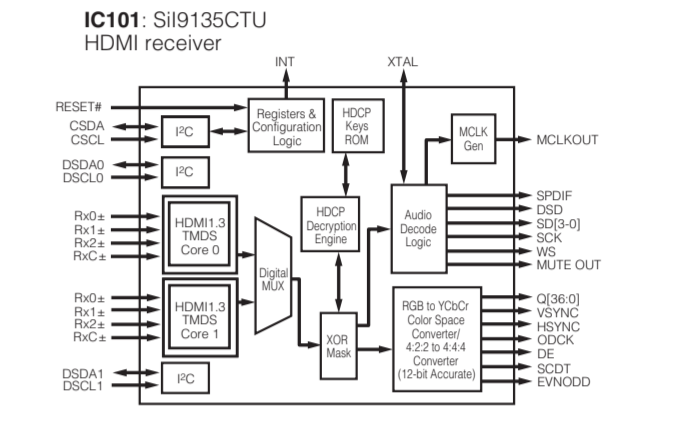
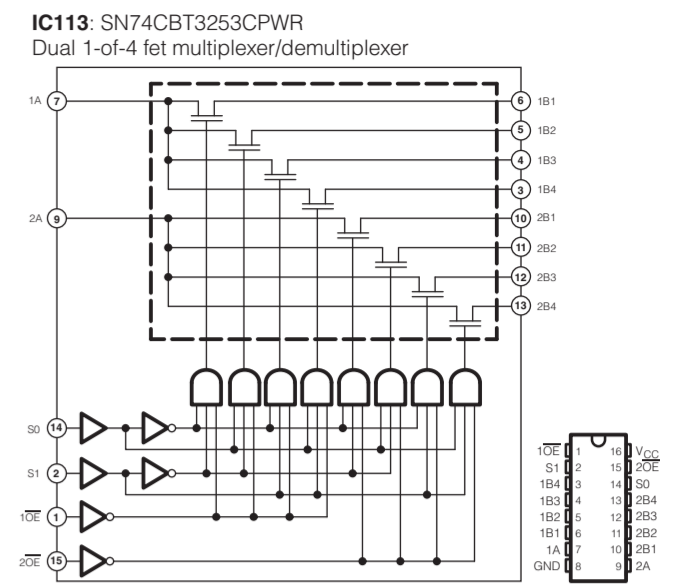
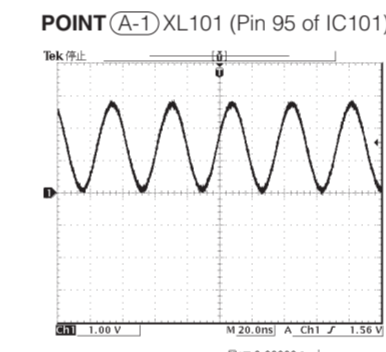
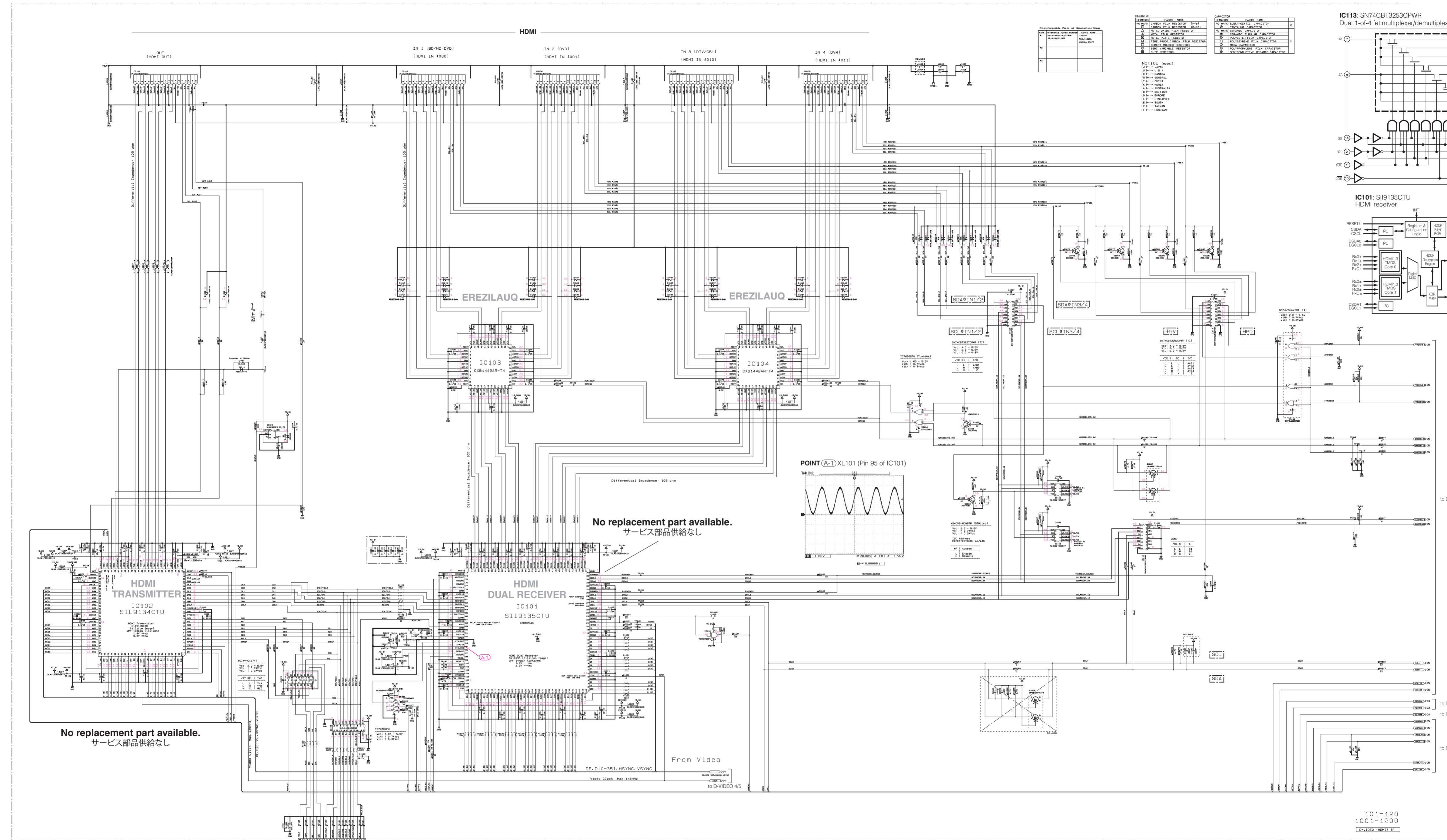
S/No	LOC	J	U.C	Ref	T.A-B-D-L-E
820	C820				
821	C821	U1201.0	U1201.0	X	X
822	C822				
823	J801	R03000.0	R03000.0	X	X
824	XL202	WD28090	WD28090	X	X
825	C844	US06112	US06112	X	X
826	C849	US06112	US06112	X	X
827	C846	US06090	US06090	X	X

POINT (A-2) XL202 (Pin 3 of IC225)





D-VIDEO 1/5



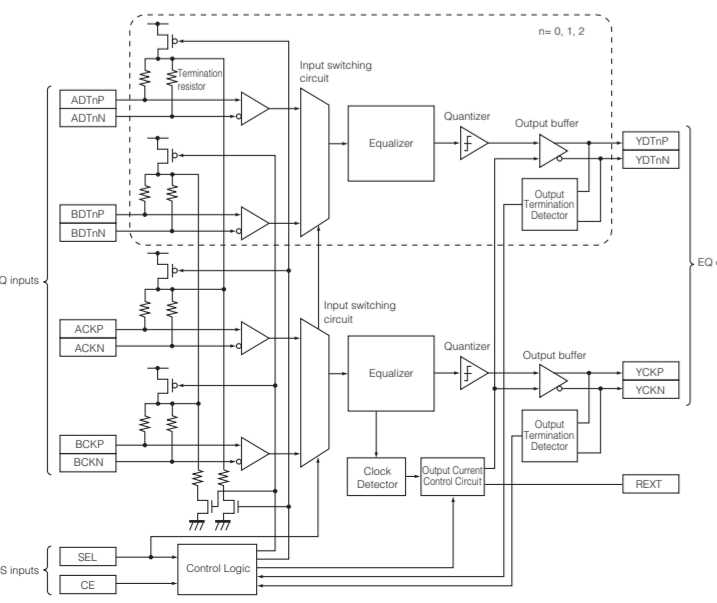
No replacement part available.  
サービス部品供給なし

No replacement part available.  
サービス部品供給なし

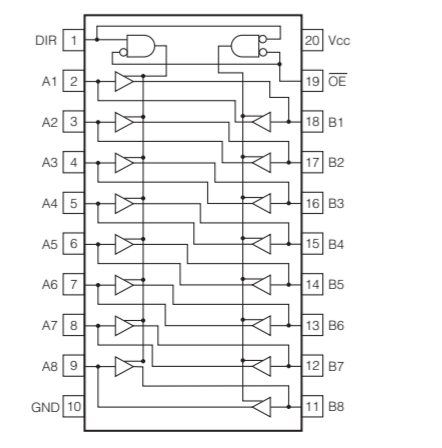
101-120  
1001-1200  
D-VIDEO HDMI 1/5

Page 141 [B2]  
to FL (2)\_CB953

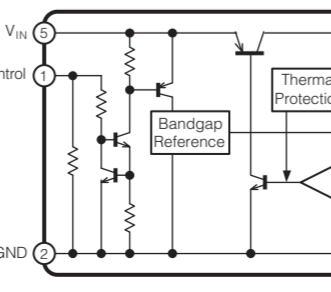
IC103, 104: CXB1442AR-T4  
Cable equalizer with 2-system switching function



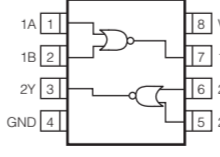
IC105: SN74LVC245APWR  
Octal bus transceivers with 3-state outputs



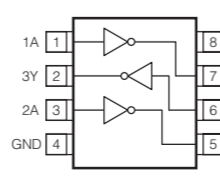
IC106: NJM2867F3-05  
Low dropout voltage regulator



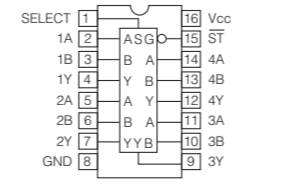
IC114: TC7WZ02FK  
2 input nor gate



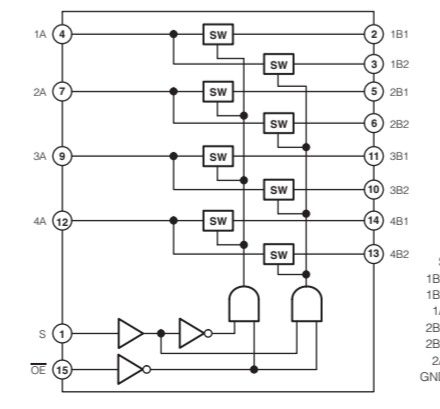
IC107: TC7WZ04FK  
Triple inverter



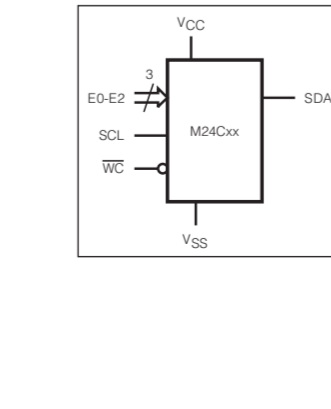
IC108: TC74VHC157FT  
Quad 2-channel multiplexer



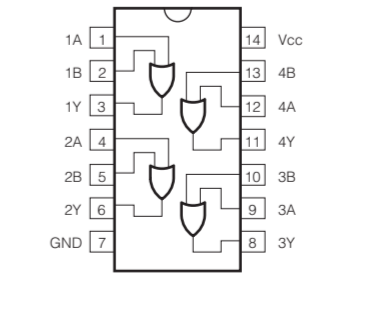
IC109, 112: SN74CBT3257CPWR  
4-bit 1-of-2 1st multiplexer/demultiplexer



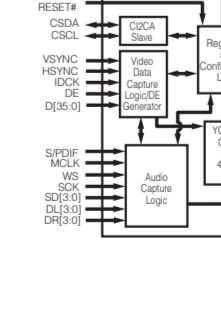
IC110, 111: M24C02-WDWP  
2 K-bit serial I2C bus EEPROM



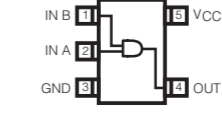
IC115: SN74LV32APWR  
Quaduple 2-input positive-OR gates



IC102: SII9134CTU  
HDMI transmitter

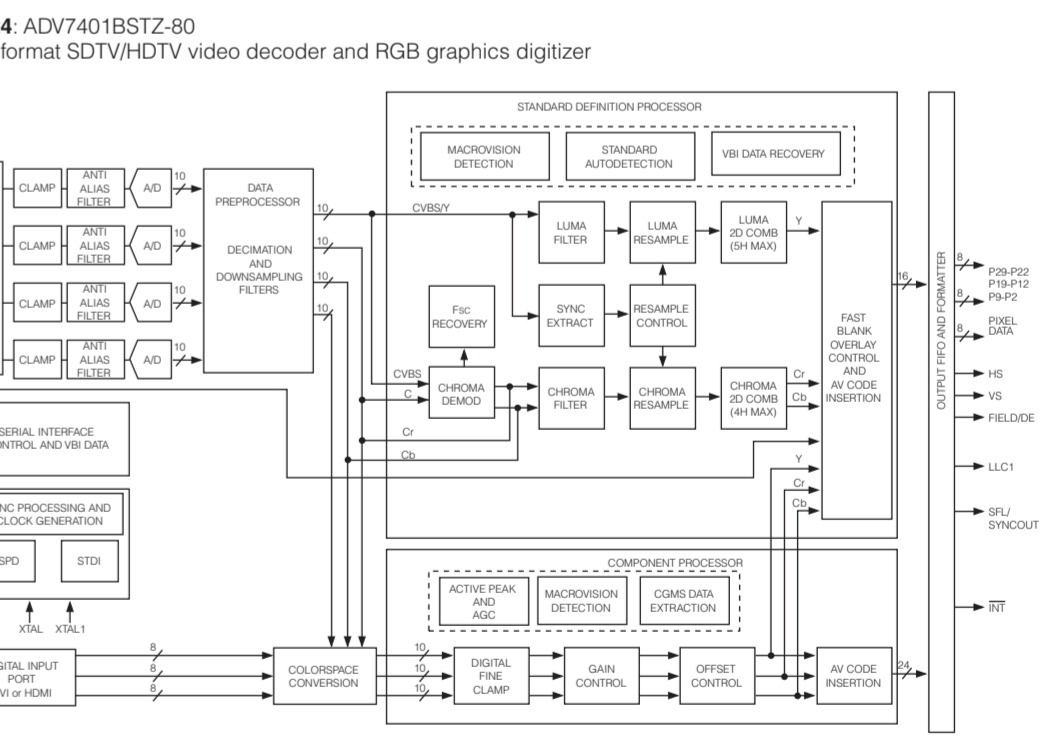
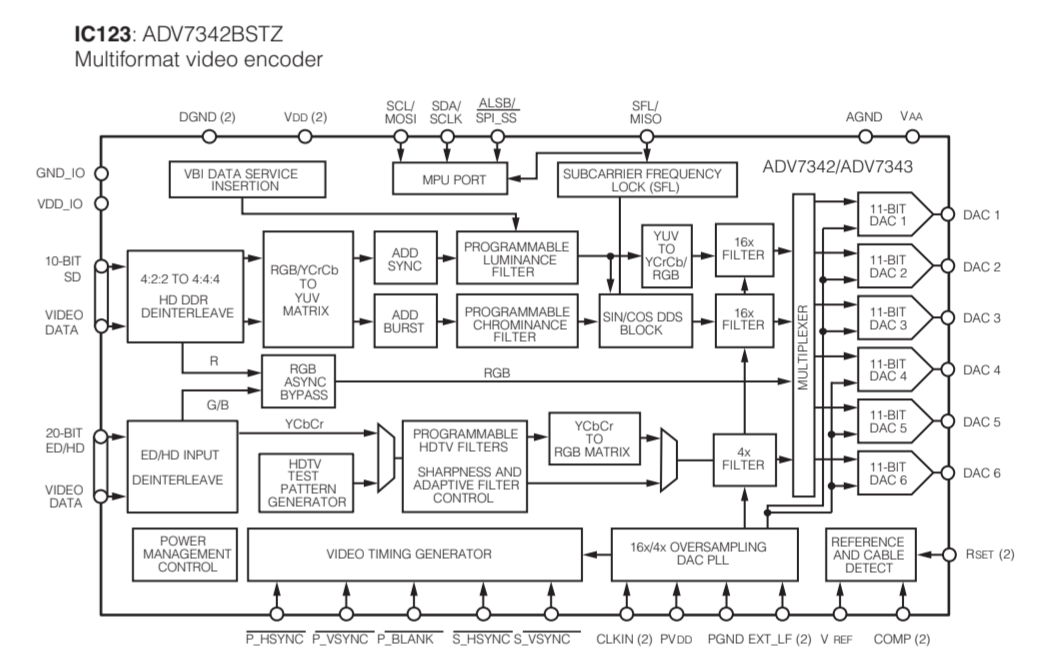
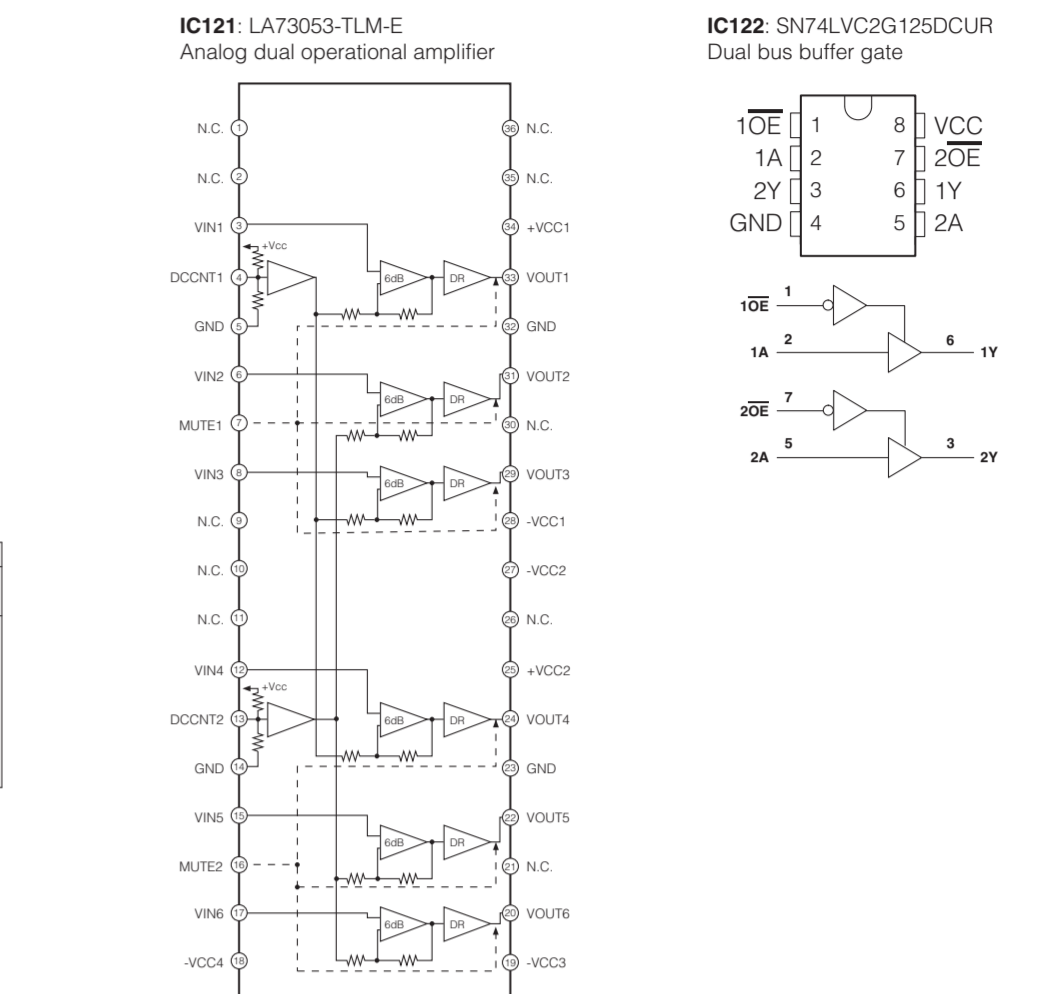
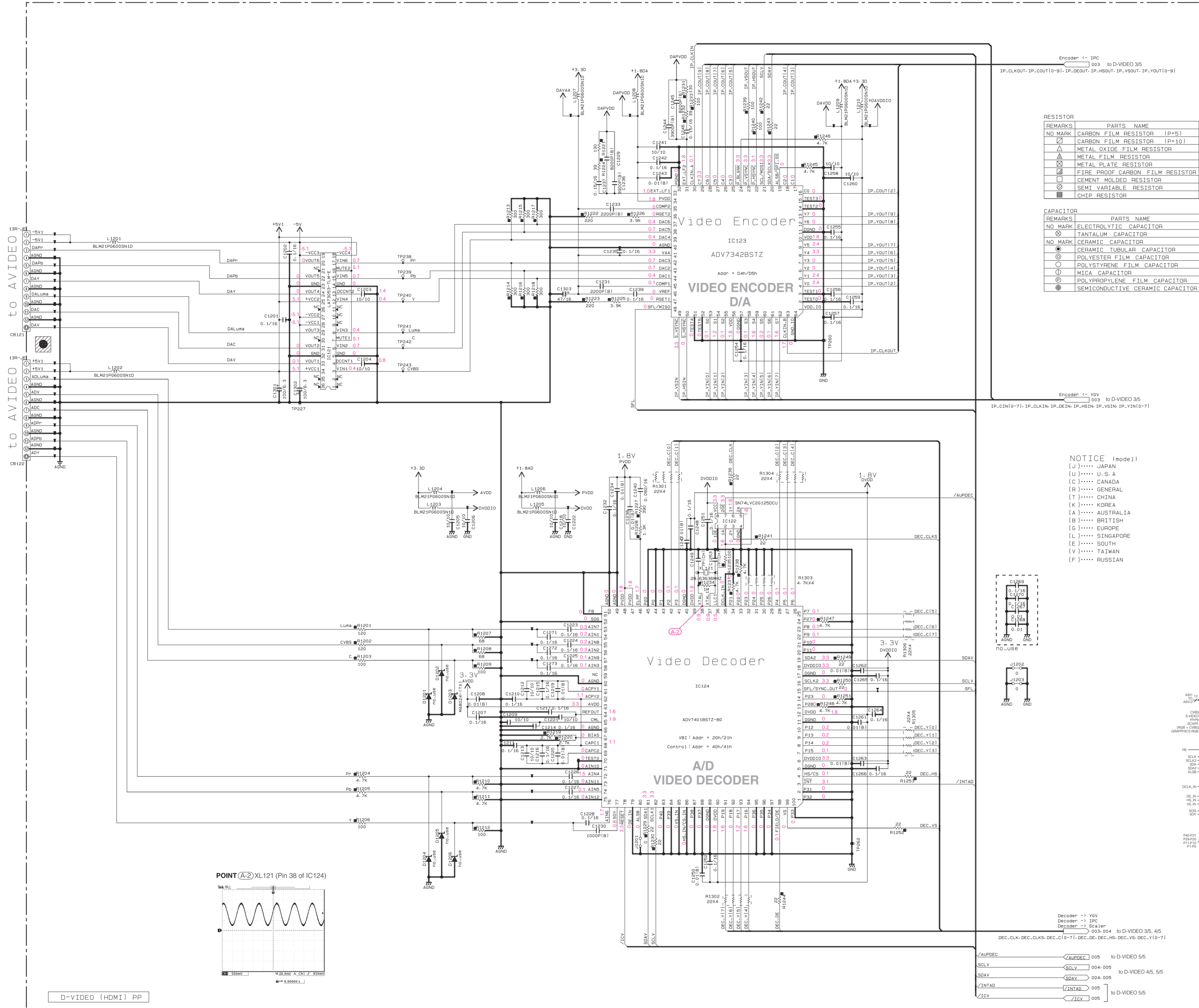


IC116: TC7SET08FU  
2 input AND gate

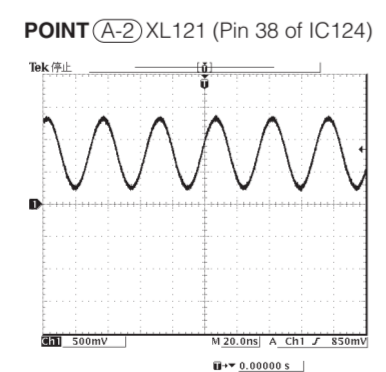


- ★ All voltages are measured with a 10MΩ/V DC electronic voltmeter.
- ★ Components having special characteristics are marked with a triangle (▲), and must be replaced with parts having specifications equal to those originally installed.
- ★ Schematic diagram is subject to change without notice.
- 電圧は、内部抵抗10MΩの電圧計で測定したものです。
- ▲印のある部品は、安全性確保部品を示しています。部品の交換が必要な場合、パーツリストに記載されている部品を使用してください。
- 本回路図は標準回路図です。改良のため予告なく変更することがございます。

D-VIDEO 2/5



NOTICE (model1)  
 (J)..... JAPAN  
 (U)..... U.S.A  
 (C)..... CANADA  
 (R)..... GENERAL  
 (T)..... CHINA  
 (K)..... KOREA  
 (A)..... AUSTRALIA  
 (B)..... BRITISH  
 (G)..... EUROPE  
 (L)..... SINGAPORE  
 (V)..... TAIWAN  
 (F)..... RUSSIAN



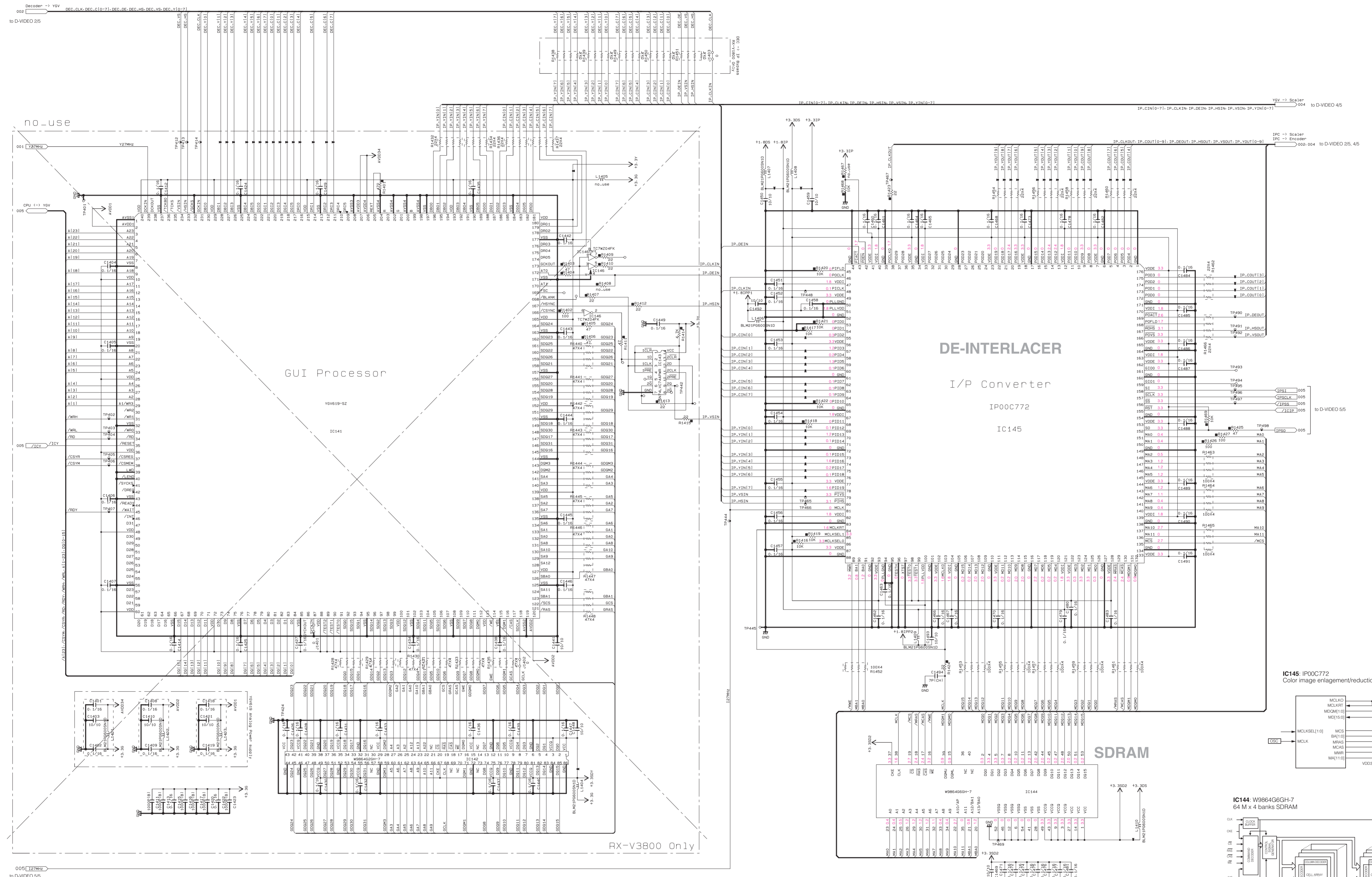
Decoder -> YGV  
 Decoder -> YPC  
 Decoder -> SCLV  
 Decoder -> SDAV  
 Decoder -> INTAD  
 Decoder -> ICV

121-140  
 1201-1400  
 Video Encoder  
 Video Decoder

★ All voltages are measured with a 10MQ/V DC electronic voltmeter.  
 ★ Components having special characteristics are marked with a triangle, and must be replaced with parts having specifications equal to those originally installed.  
 ★ Schematic diagram is subject to change without notice.

●電圧は、内部抵抗10MQの電圧計で測定したものです。  
 ●△印のある部品は、安全性確保部品を示しています。部品の交換が必要な場合、パーツリストに記載されている部品を使用してください。  
 ●本回路図は標準回路図です。改良のため予告なく変更することがございます。

D-VIDEO 3/5



★ All voltages are measured with a 10MΩ/DC electronic voltmeter.  
 ★ Components having special characteristics are marked with a star and must be replaced with parts having specifications equal to those originally installed.  
 ★ Schematic diagram is subject to change without notice.

● 電圧は、内部抵抗10MΩの電圧計で測定したものです。  
 ● 1印のある部品は、安全性確保部品を示しています。部品の交換が必要な場合、パーツリストに記載されている部品を使用してください。  
 ● 本回路図は標準回路図です。改良のため予告なく変更することがございます。

RESISTOR

REMARKS	PARTS NAME
NO MARK	CARBON FILM RESISTOR (P=5)
□	CARBON FILM RESISTOR (P=10)
△	METAL OXIDE FILM RESISTOR
◇	METAL FILM RESISTOR
○	POLYESTER FILM RESISTOR
◇	FILM PROOF CARBON FILM RESISTOR
□	CEMENT MOLDED RESISTOR
◇	SEMI VARIABLE RESISTOR
■	CHIP RESISTOR

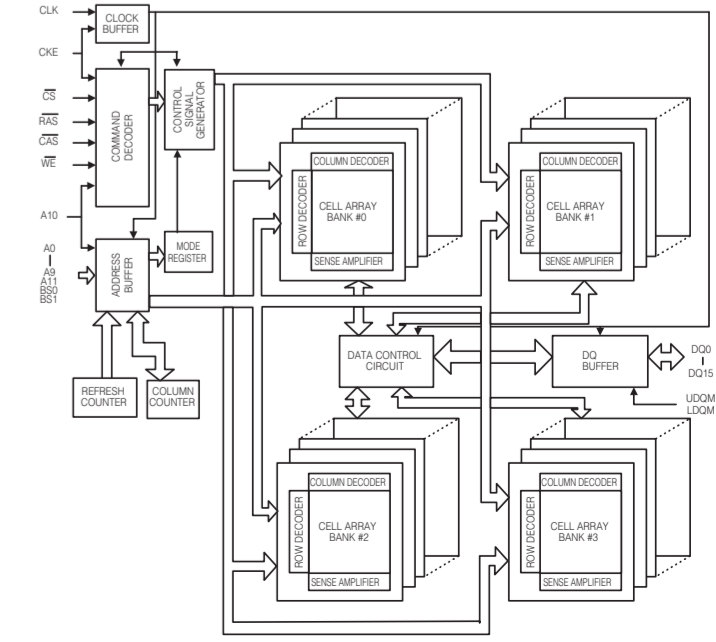
CAPACITOR

REMARKS	PARTS NAME
NO MARK	ELECTROLYTIC CAPACITOR
⊗	TANTALUM CAPACITOR
○	CERAMIC CAPACITOR
⊙	CERAMIC TUBULAR CAPACITOR
⊖	POLYESTER FILM CAPACITOR
⊕	POLYSTYRENE FILM CAPACITOR
⊖	MICA CAPACITOR
⊕	POLYPROPYLENE FILM CAPACITOR
⊖	SEMICONDUCTIVE CERAMIC CAPACITOR

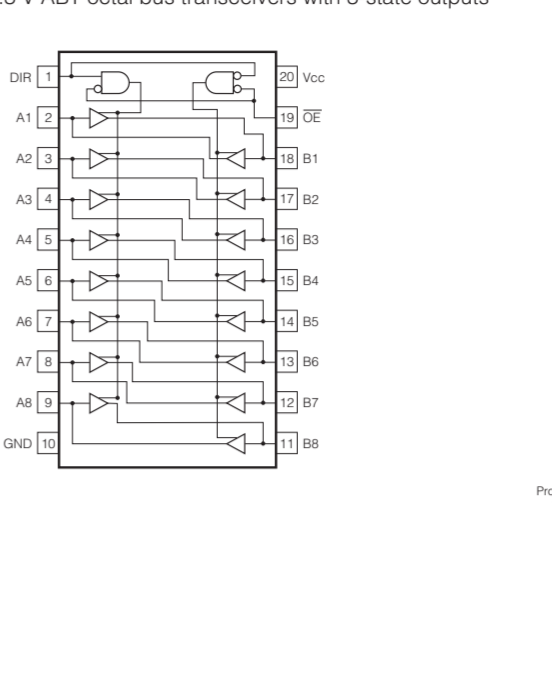
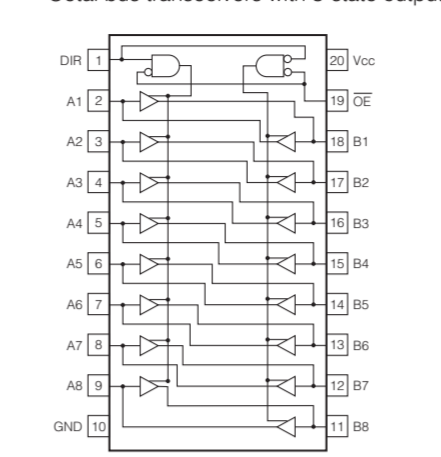
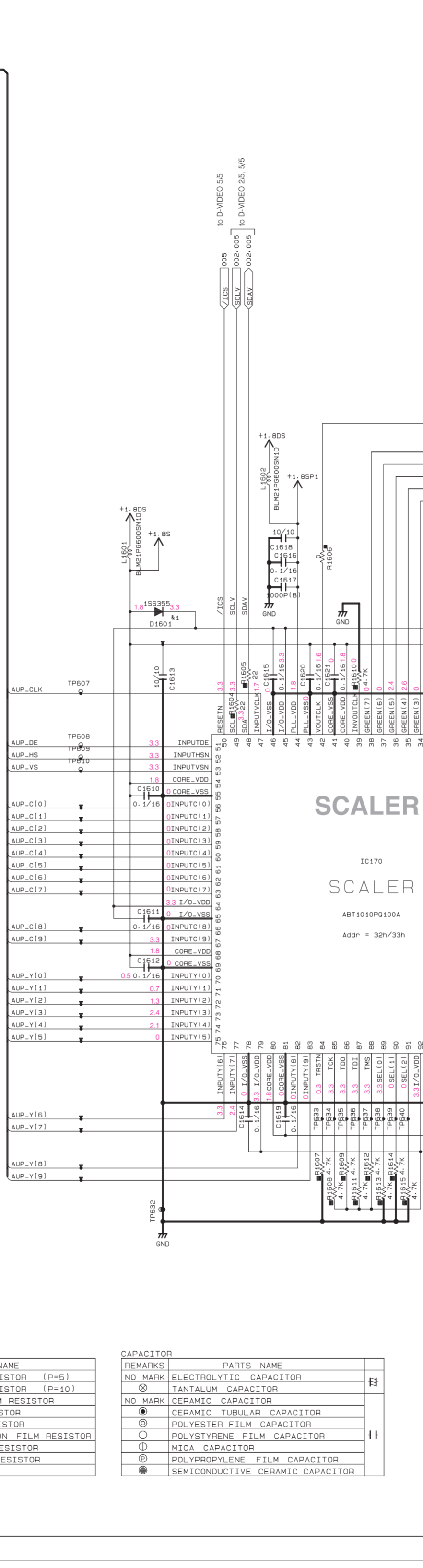
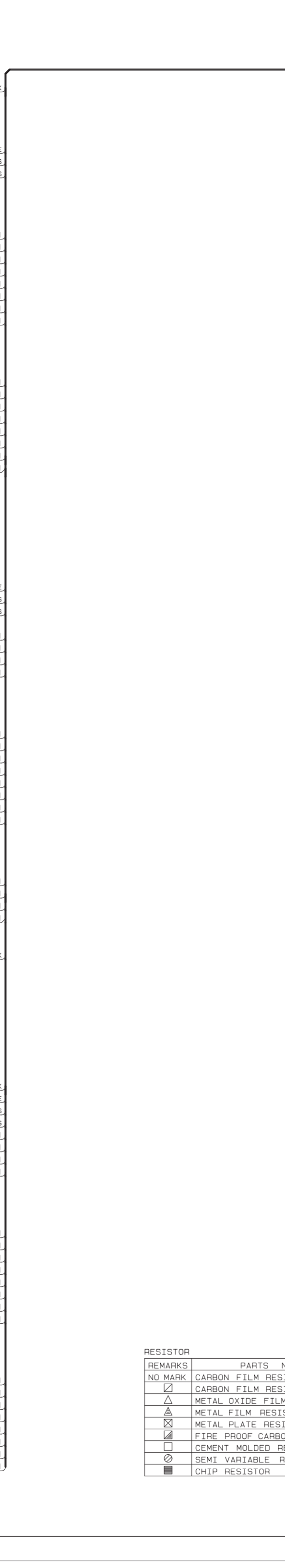
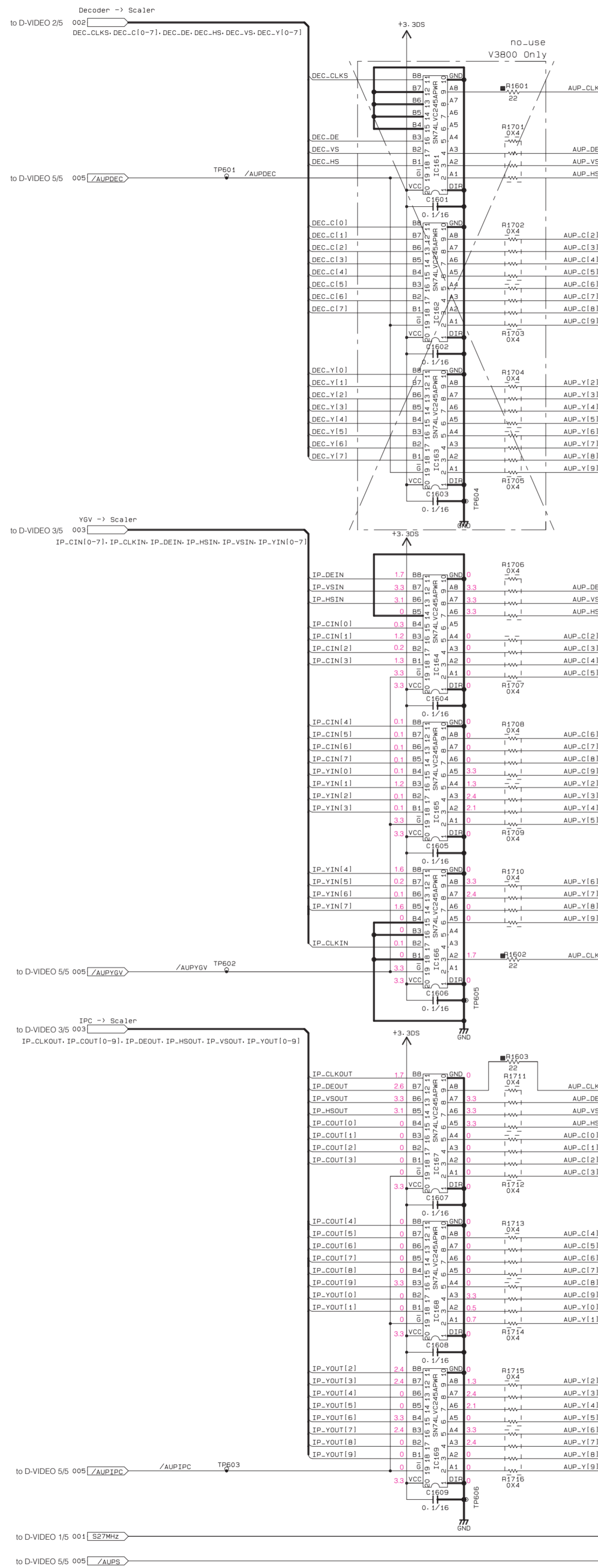
NOTICE (model)

(U)..... U.S.A  
 (A)..... AUSTRALIA  
 (C)..... CANADA  
 (R)..... GENERAL  
 (K)..... KOREA  
 (A)..... AUSTRALIA  
 (B)..... BRITISH  
 (G)..... EUROPE  
 (L)..... SINGAPORE  
 (E)..... SOUTH  
 (Y)..... TAIWAN  
 (F)..... RUSSIAN

141-160  
 1401-1600  
 GUI  
 Deinterlacer



D-VIDEO 4/5



REMARKS	PARTS NAME
NO MARK	CARBON FILM RESISTOR (P=5)
□	CARBON FILM RESISTOR (P=10)
△	METAL OXIDE FILM RESISTOR
▲	METAL FILM RESISTOR
□	METAL PLATE RESISTOR
■	FINE-PROOF CARBON FILM RESISTOR
□	CEMENT-MOLDED RESISTOR
□	SEMI-VARIABLE RESISTOR
■	CHIP RESISTOR

REMARKS	PARTS NAME
NO MARK	ELECTROLYTIC CAPACITOR
⊗	TANTALUM CAPACITOR
NO MARK	CERAMIC CAPACITOR
⊙	CERAMIC TUBULAR CAPACITOR
⊖	POLYESTER FILM CAPACITOR
○	POLYETHYLENE FILM CAPACITOR
⊕	MICA CAPACITOR
⊖	POLYPROPYLENE FILM CAPACITOR
⊙	SEMICONDUCTIVE CERAMIC CAPACITOR

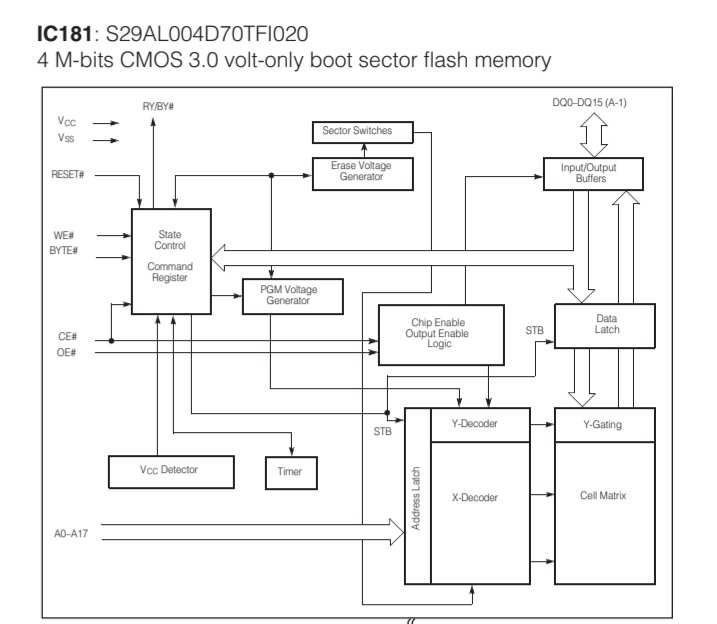
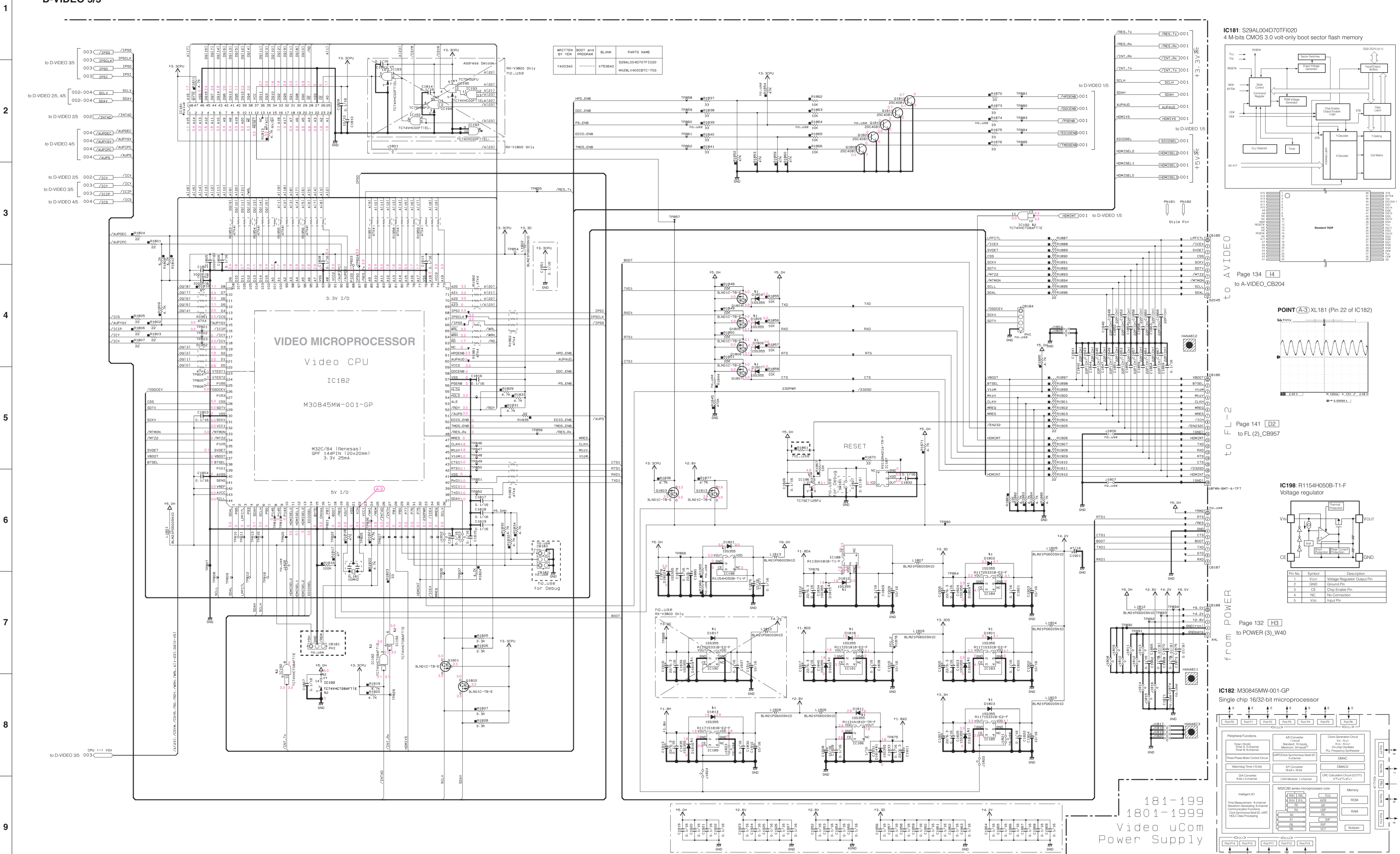
NOTICE (model)  
 (J)..... JAPAN  
 (U)..... U.S.A  
 (C)..... CANADA  
 (R)..... GENERAL  
 (T)..... CHINA  
 (K)..... KOREA  
 (A)..... AUSTRALIA  
 (B)..... BRITISH  
 (E)..... EUROPE  
 (L)..... SINGAPORE  
 (S)..... SOUTH  
 (V)..... TAIWAN  
 (F)..... RUSSIAN

161-180  
 1601-1800  
 Scaler

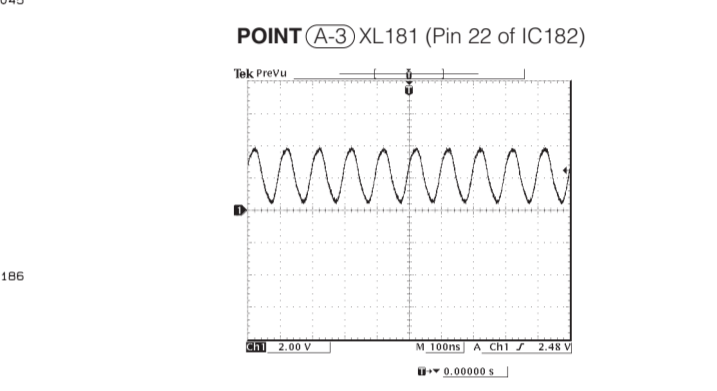
★ All voltages are measured with a 10MΩV DC electronic voltmeter.  
 ★ Components having special characteristics are marked with a triangle and must be replaced with parts having specifications equal to those originally installed.  
 ★ Schematic diagram is subject to change without notice.

● 電圧は、内部抵抗10MΩの電圧計で測定したものです。  
 ● 1印のある部品は、安全性確保部品を示しています。部品の交換が必要な場合、パーツリストに記載されている部品を使用してください。  
 ● 本回路図は標準回路図です。改良のため予告なく変更することがあります。

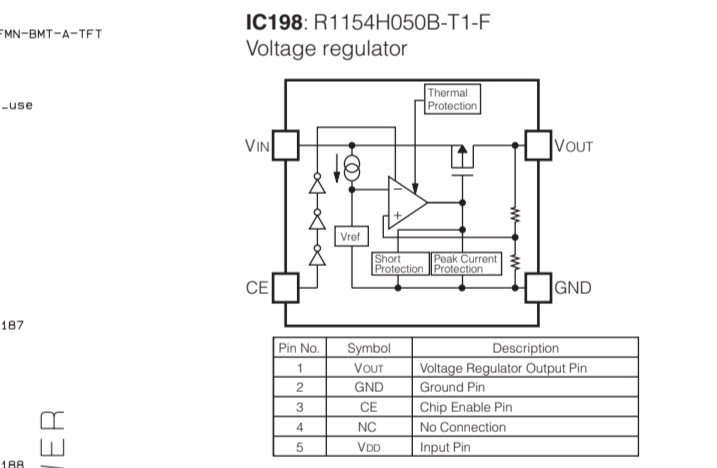
D-VIDEO 5/5



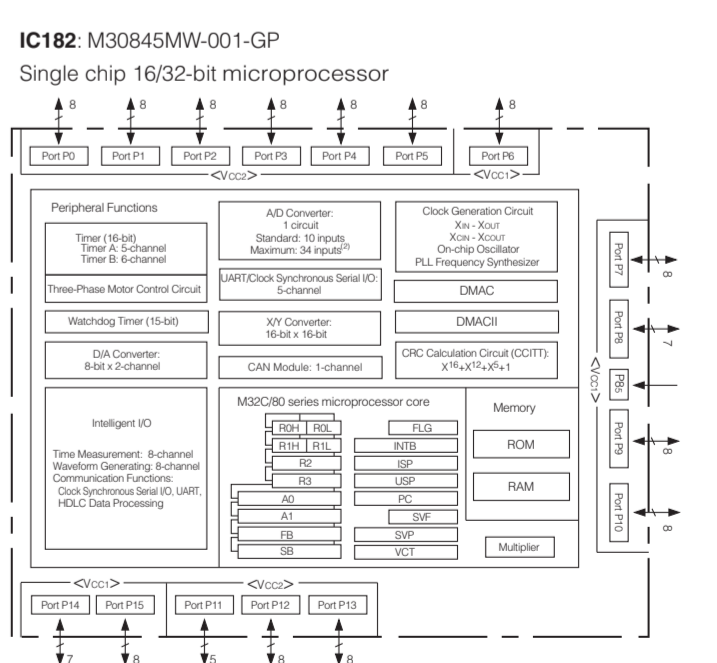
Page 134 [14] to A-VIDEO\_CB204



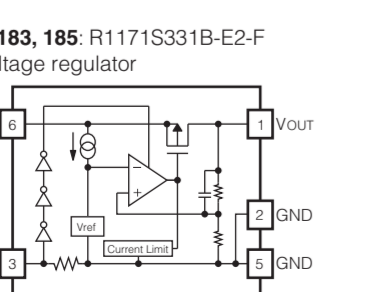
Page 141 [D2] to FL(2)\_CB957



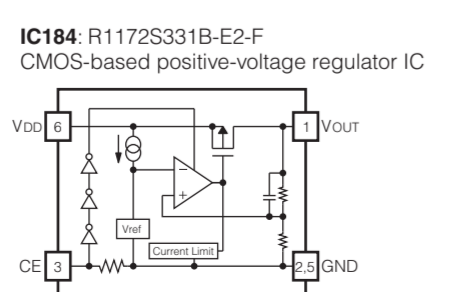
Page 132 [H3] to POWER(3)\_W40



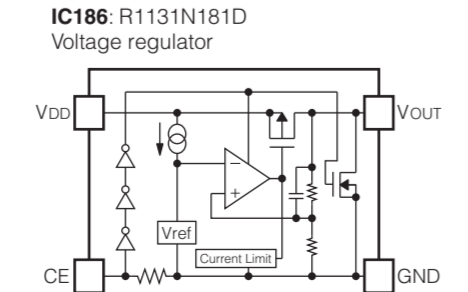
NOTE: Pins P11 to P15 provided in the 144 pin package only. 2 included in the 144 pin package only.



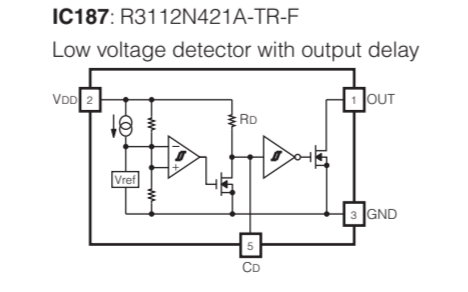
Pin No.	Symbol	Description
1	Vout	Output Pin of Voltage Regulator
2	GND	Ground Pin
3	CE	Chip Enable Pin (active at 'H')
4	NC	No Connection
5	GND	Ground Pin
6	Vin	Input Pin



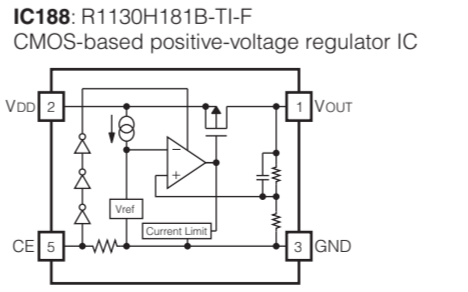
Pin No.	Symbol	Description
1	Vout	Output Pin of Voltage Regulator
2, 5	GND	Ground Pin
3	CE	Chip Enable Pin
4	NC	No Connection
6	Vin	Input Pin



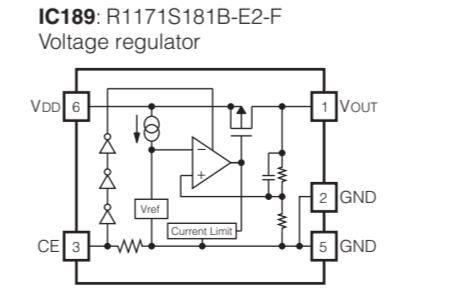
Pin No.	Symbol	Description
1	Vout	Output Pin of Voltage Regulator
2	GND	Ground Pin
3	CE	Chip Enable Pin
4	NC	No Connection
5	Vin	Output Pin



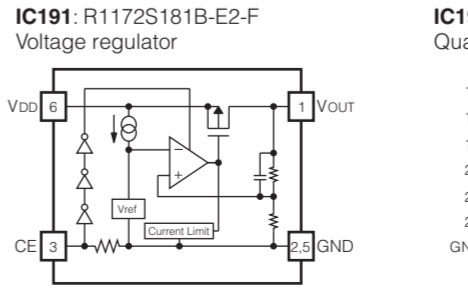
Pin No.	Symbol	Description
1	Vout	Output Pin of Voltage Regulator
2	Vin	Input Pin
3	GND	Ground Pin
4	NC	No Connection
5	Vin	Output Pin



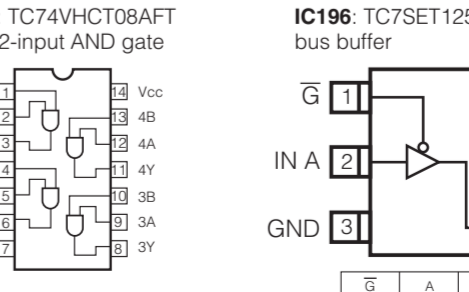
Pin No.	Symbol	Description
1	Vout	Output Pin of Voltage Regulator
2	Vin	Input Pin
3	GND	Ground Pin
4	NC	No Connection
5	GND	Ground Pin
6	Vin	Input Pin



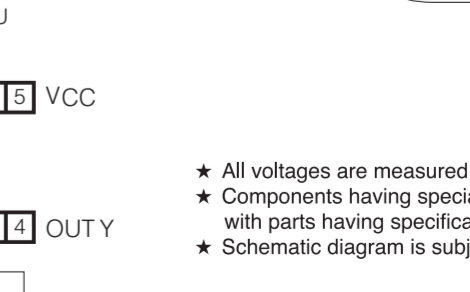
Pin No.	Symbol	Description
1	Vout	Output Pin of Voltage Regulator
2	GND	Ground Pin
3	CE	Chip Enable Pin (active at 'H')
4	NC	No Connection
5	GND	Ground Pin
6	Vin	Input Pin



Pin No.	Symbol	Description
1	Vout	Output Pin of Voltage Regulator
2, 5	GND	Ground Pin
3	CE	Chip Enable Pin
4	NC	No Connection
6	Vin	Input Pin



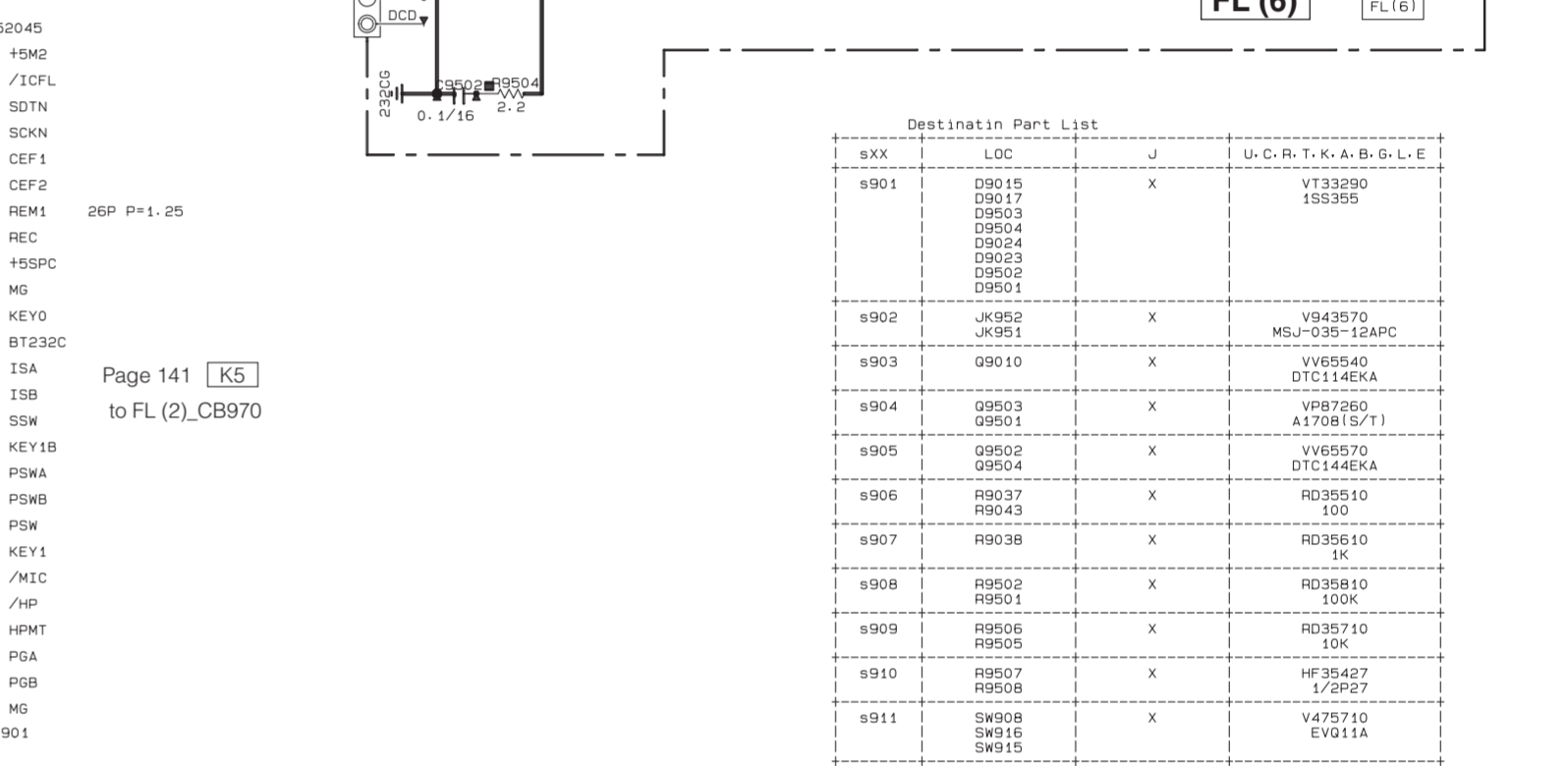
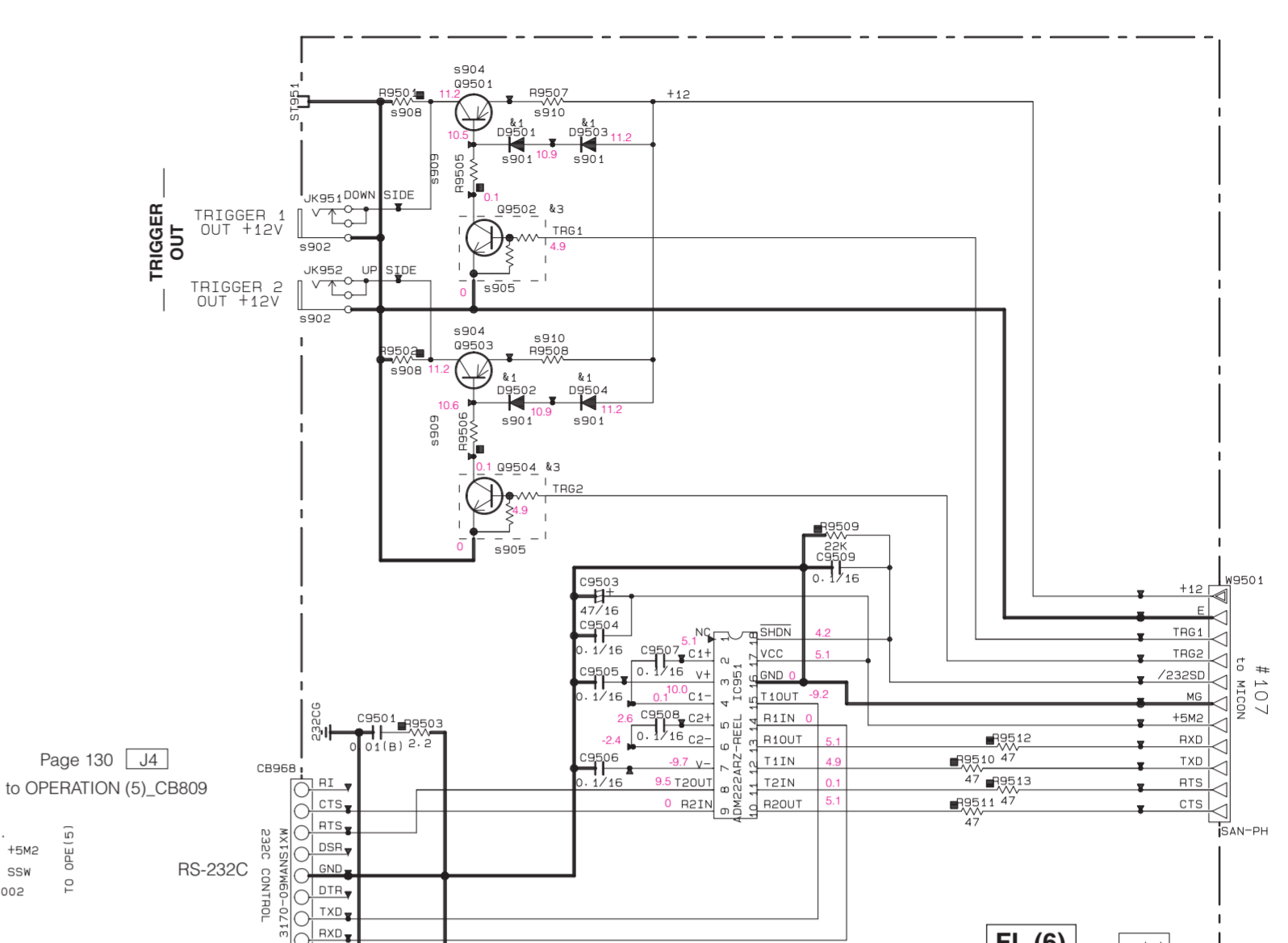
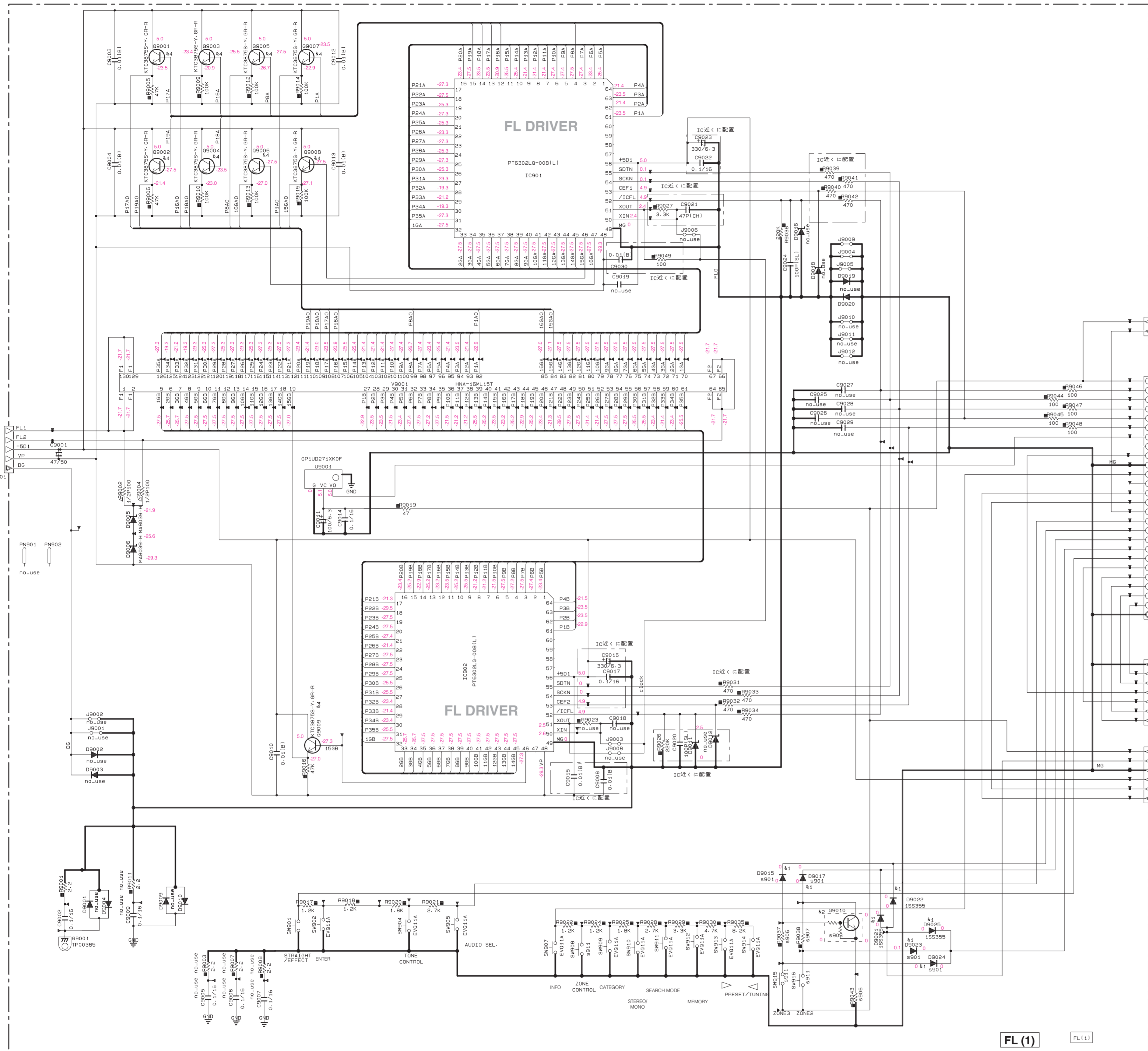
Pin No.	Symbol	Description
1	Vout	Output Pin of Voltage Regulator
2	Vin	Input Pin
3	Vin	Input Pin
4	NC	No Connection
5	GND	Ground Pin
6	Vin	Input Pin



Pin No.	Symbol	Description
1	Vout	Output Pin of Voltage Regulator
2	Vin	Input Pin
3	Vin	Input Pin
4	Vout	Output Pin

\* All voltages are measured with a 10MΩ/V DC electronic voltmeter.  
 \* Components having special characteristics are marked with a triangle (▲), and must be replaced with parts having specifications equal to those originally installed.  
 \* Schematic diagram is subject to change without notice.

● 電圧は、内部抵抗10MΩの電圧計で測定したものです。  
 ● 印のある部品は、安全確保部品を示しています。部品の交換が必要な場合、パーツリストに記載されている部品を使用してください。  
 ● 本回路図は標準回路図です。改良のため予告なく変更することがございます。



Destination Part List

sXX	LOC	J	U.C.R.T.K.A.B.G.L.E
s901	D9015	X	VT3290
	D9017		153395
	D9018		
	D9019		
	D9020		
	D9021		
	D9022		
	D9023		
	D9024		
	D9025		
	D9026		
	D9027		
	D9028		
	D9029		
	D9030		
	D9031		
	D9032		
	D9033		
	D9034		
	D9035		
	D9036		
	D9037		
	D9038		
	D9039		
	D9040		
	D9041		
	D9042		
	D9043		
	D9044		
	D9045		
	D9046		
	D9047		
	D9048		
	D9049		
	D9050		
	D9051		
	D9052		
	D9053		
	D9054		
	D9055		
	D9056		
	D9057		
	D9058		
	D9059		
	D9060		
	D9061		
	D9062		
	D9063		
	D9064		
	D9065		
	D9066		
	D9067		
	D9068		
	D9069		
	D9070		
	D9071		
	D9072		
	D9073		
	D9074		
	D9075		
	D9076		
	D9077		
	D9078		
	D9079		
	D9080		
	D9081		
	D9082		
	D9083		
	D9084		
	D9085		
	D9086		
	D9087		
	D9088		
	D9089		
	D9090		
	D9091		
	D9092		
	D9093		
	D9094		
	D9095		
	D9096		
	D9097		
	D9098		
	D9099		
	D9100		

Interchangeable Parts at Manufacture-Stage

Mark	Reference	Parts Number	Parts Name
11	D9015-9017-9021-9025	153395	MA2J1106L
12	D9010	KDS180-RTK/P	DTC1146KA
13	D9020-9024	KRC1045-RTK/P	DTC1446KA
14	D9001-9009	KTC38755-V-GR-RTK/P	25C241K-G/R/S1
15			

- ★ All voltages are measured with a 10MQ/V DC electronic voltmeter.
- ★ Components having special characteristics are marked !, and must be replaced with parts having specifications equal to those originally installed.
- ★ Schematic diagram is subject to change without notice.
- 電圧は、内部抵抗10MΩの電圧計で測定したものです。
- !印のある部品は、安全性確保部品を示しています。部品の交換が必要な場合、パーツリストに記載されている部品を使用してください。
- 本回路図は標準回路図です。改良のため予告なく変更することがございます。

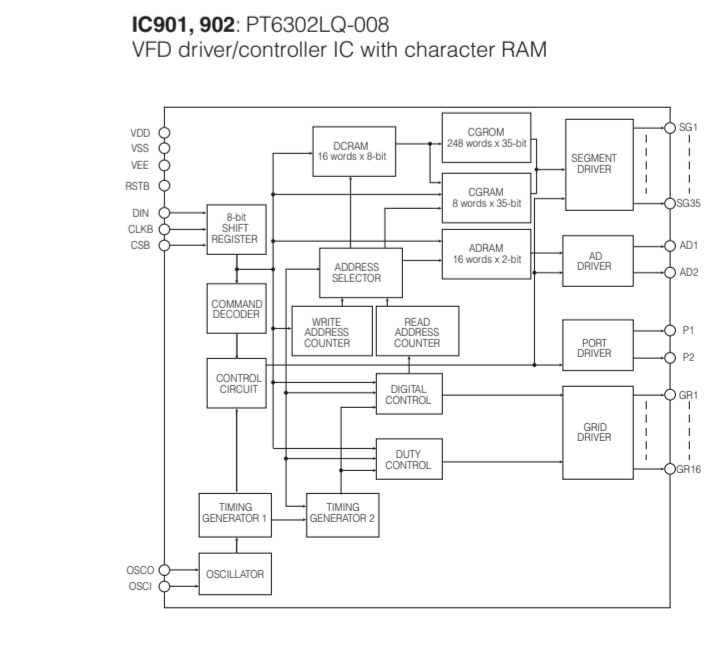
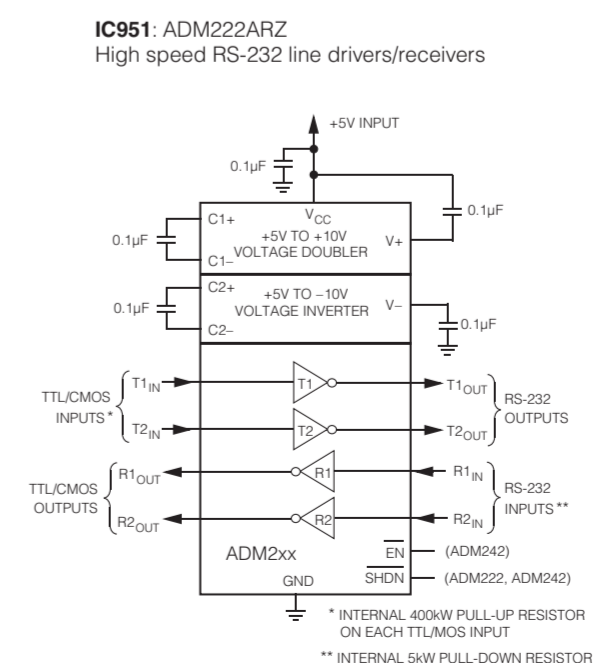
RESISTOR

REMARKS	PARTS NAME
NO MARK	CARBON FILM RESISTOR (P=5)
□	CARBON FILM RESISTOR (P=10)
△	METAL OXIDE FILM RESISTOR
▲	METAL FILM RESISTOR
■	METAL PLATE RESISTOR
⊖	FIRE PROOF CARBON FILM RESISTOR
□	CEMENT MOLDED RESISTOR
⊕	SEMI VARIABLE RESISTOR
■	CHIP RESISTOR

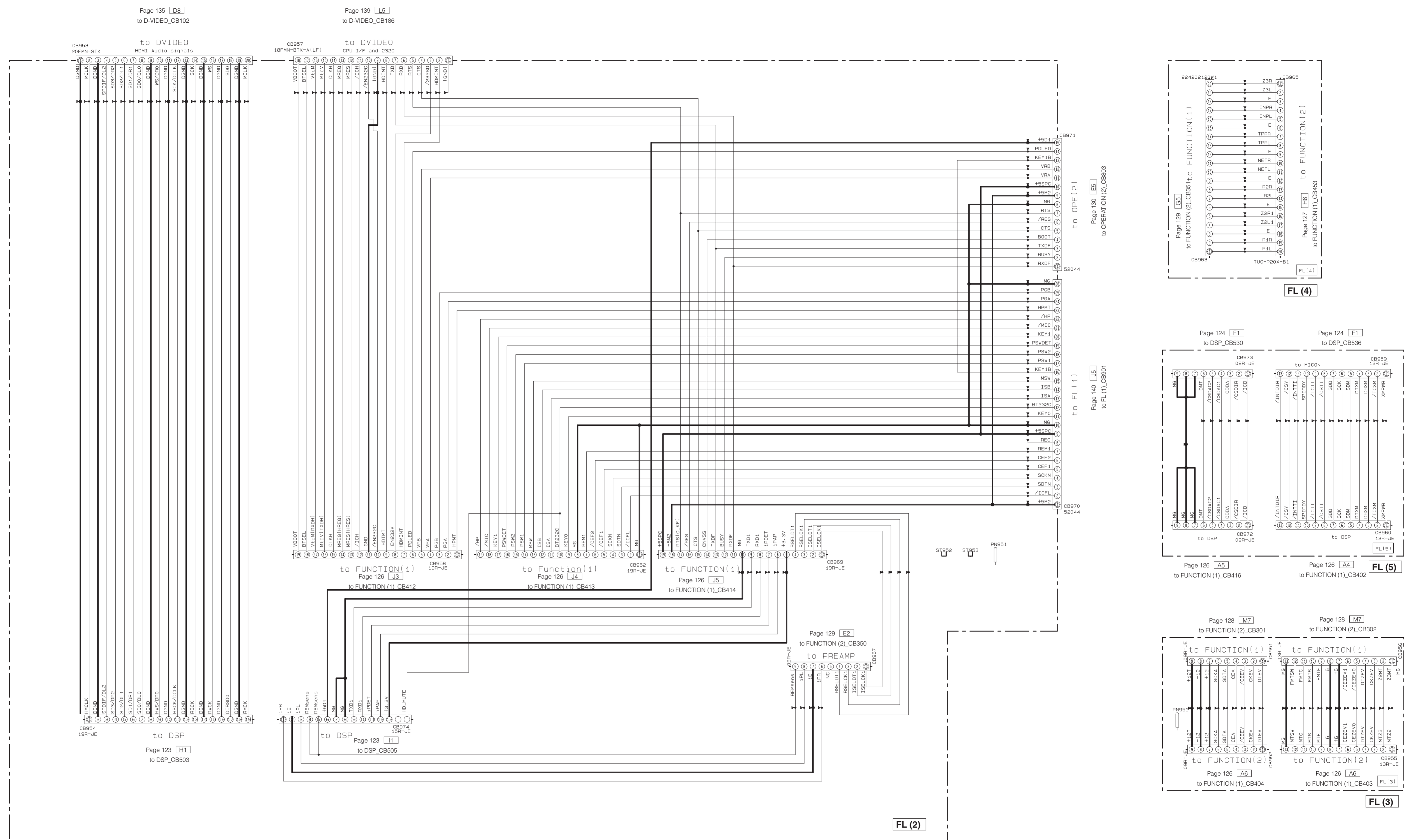
CAPACITOR

REMARKS	PARTS NAME
NO MARK	ELECTROLYTIC CAPACITOR
⊖	TANTALUM CAPACITOR
NO MARK	CERAMIC CAPACITOR
⊖	CERAMIC TUBULAR CAPACITOR
⊖	POLYESTER FILM CAPACITOR
⊖	POLYSTYRENE FILM CAPACITOR
⊖	MICA CAPACITOR
⊖	POLYPROPYLENE FILM CAPACITOR
⊖	SEMICONDUCTIVE CERAMIC CAPACITOR
⊖	POLYPHENYLENE SULFIDE FILM CAPACITOR

NOTICE (mode1)  
 (J)..... JAPAN  
 (U)..... U.S.A  
 (C)..... CANADA  
 (R)..... GENERAL  
 (K)..... CHINA  
 (T)..... KOREA  
 (A)..... AUSTRALIA  
 (B)..... BRITISH  
 (G)..... EUROPE  
 (L)..... SINGAPORE  
 (E)..... SOUTH  
 (V)..... TAIWAN  
 (F)..... RUSSIAN



FL 2/2



\* All voltages are measured with a 10MΩ/V DC electronic voltmeter.  
 \* Components having special characteristics are marked with a triangle (▲) and must be replaced with parts having specifications equal to those originally installed.  
 \* Schematic diagram is subject to change without notice.

● 電圧は、内部抵抗10MΩの電圧計で測定したものです。  
 ● ▲印のある部品は、安全性確保部品を示しています。部品の交換が必要な場合、パーツリストに記載されている部品を使用してください。  
 ● 本回路図は標準回路図です。改良のため予告なく変更することがございます。

NET 1/2

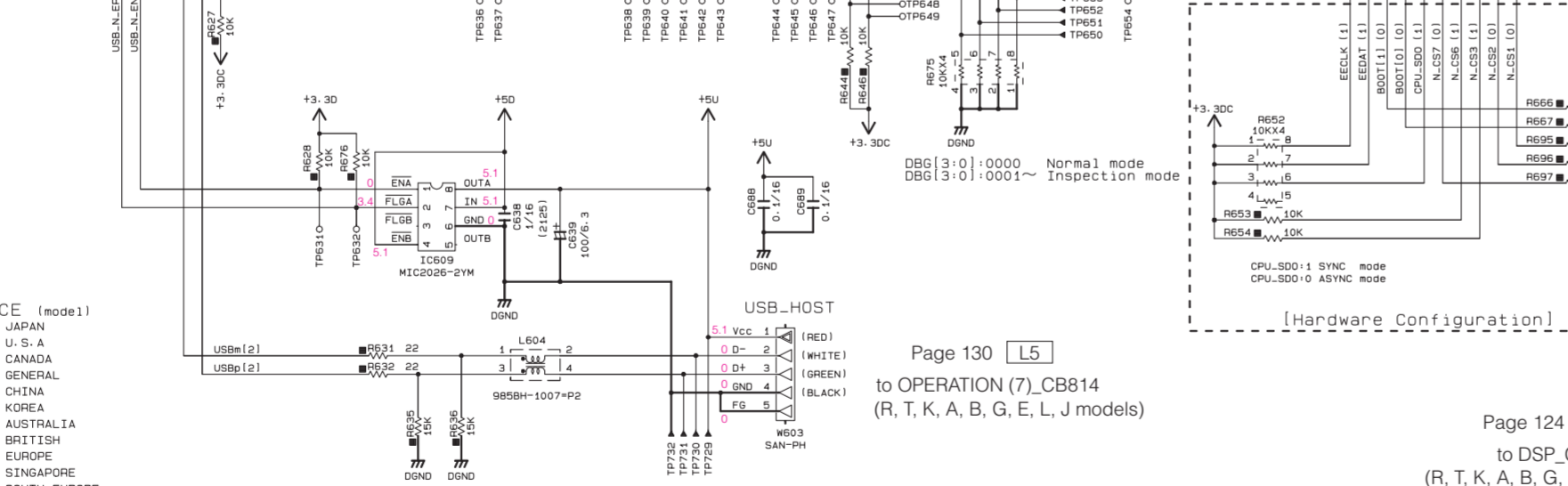
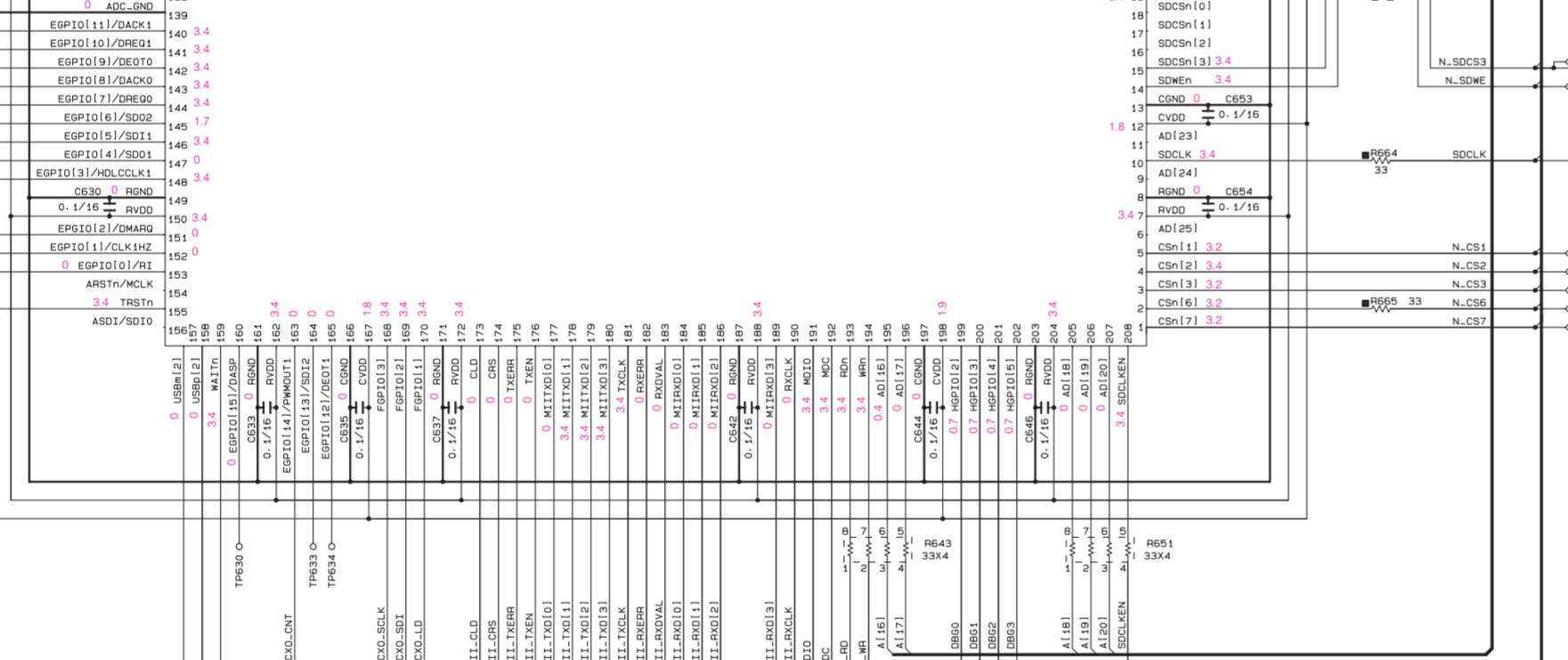
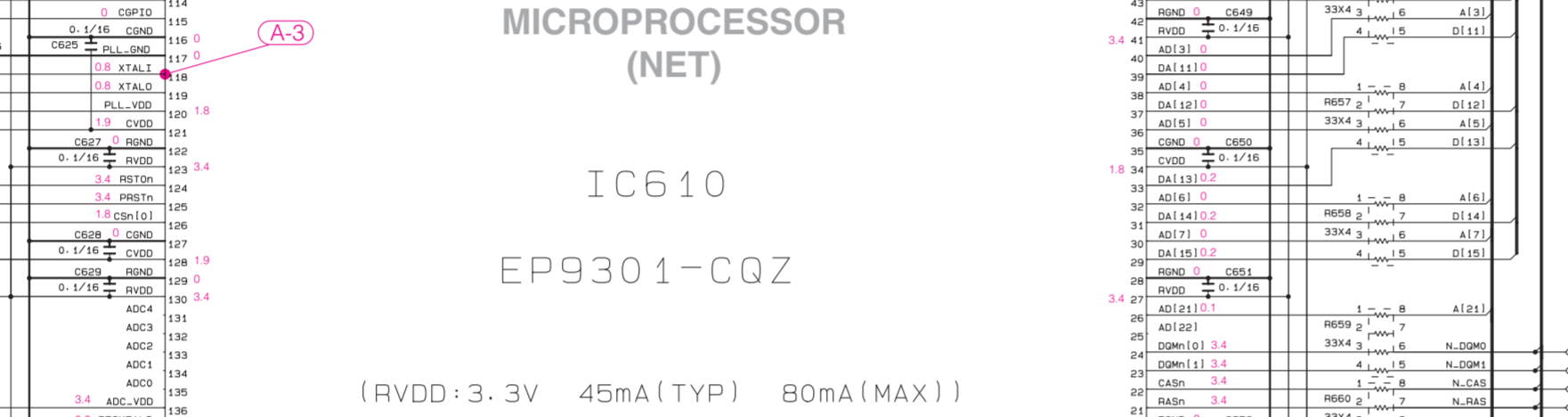
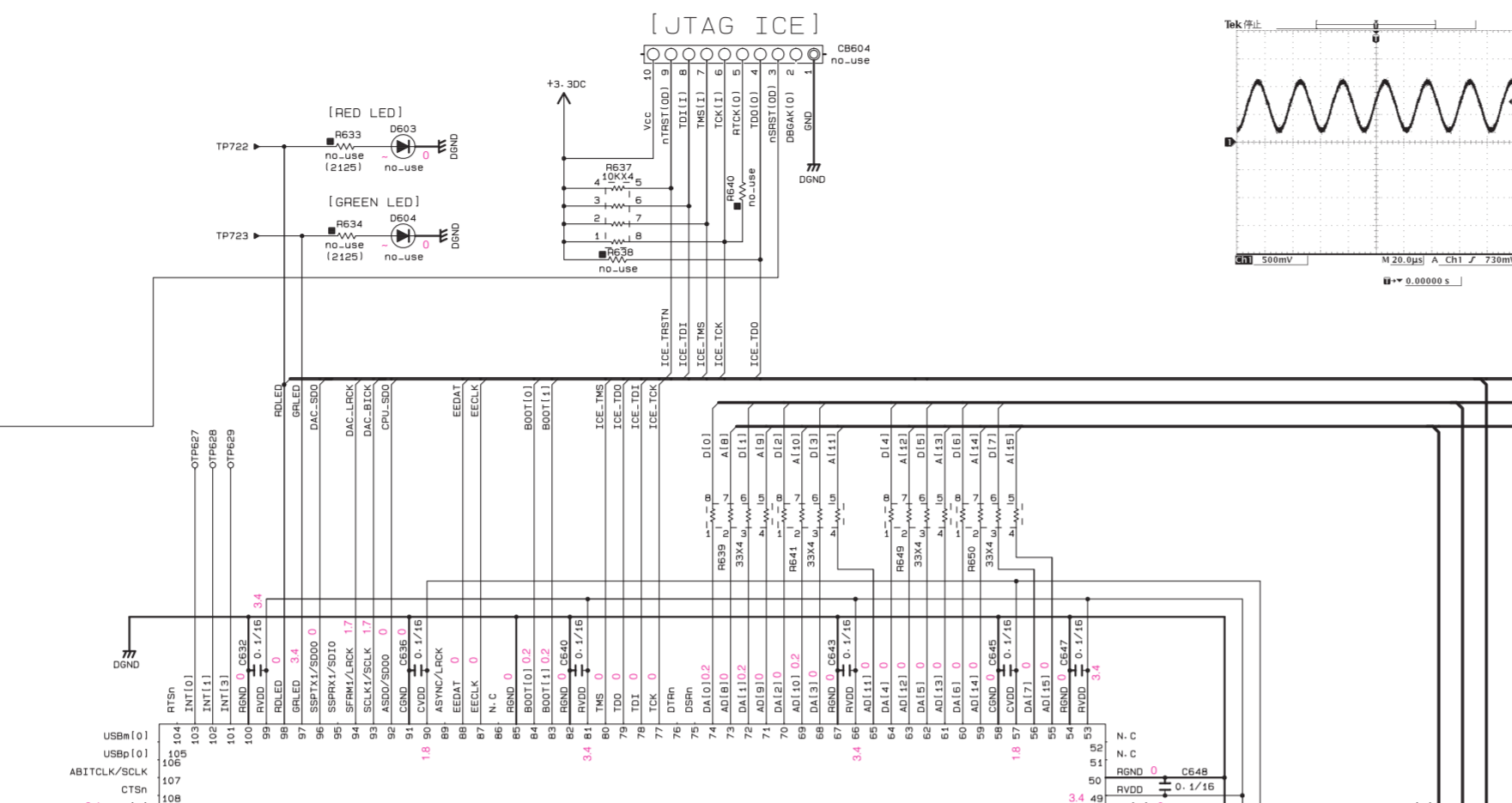
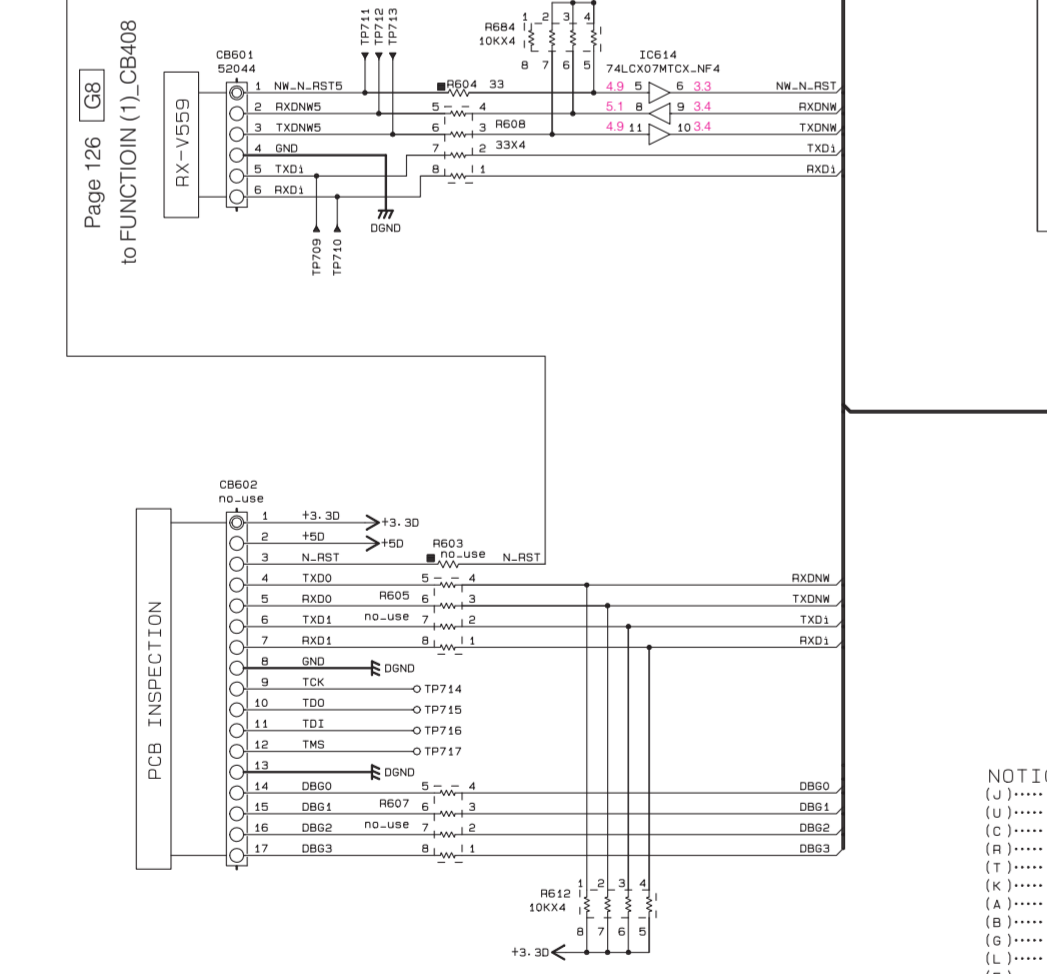
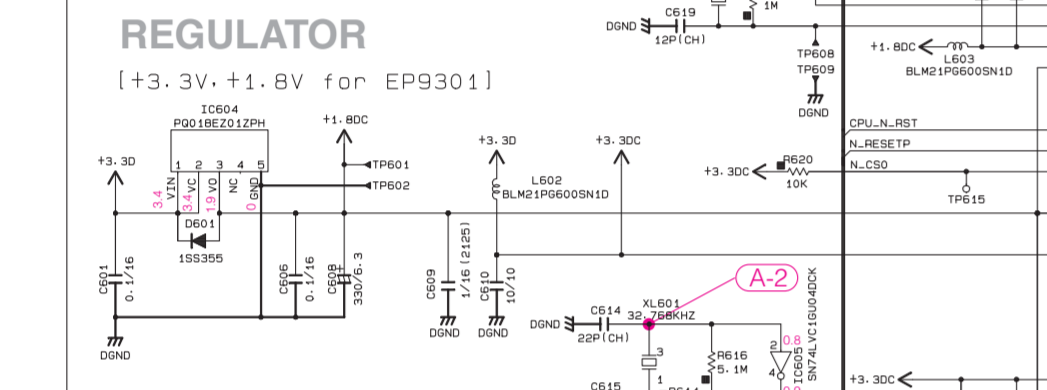
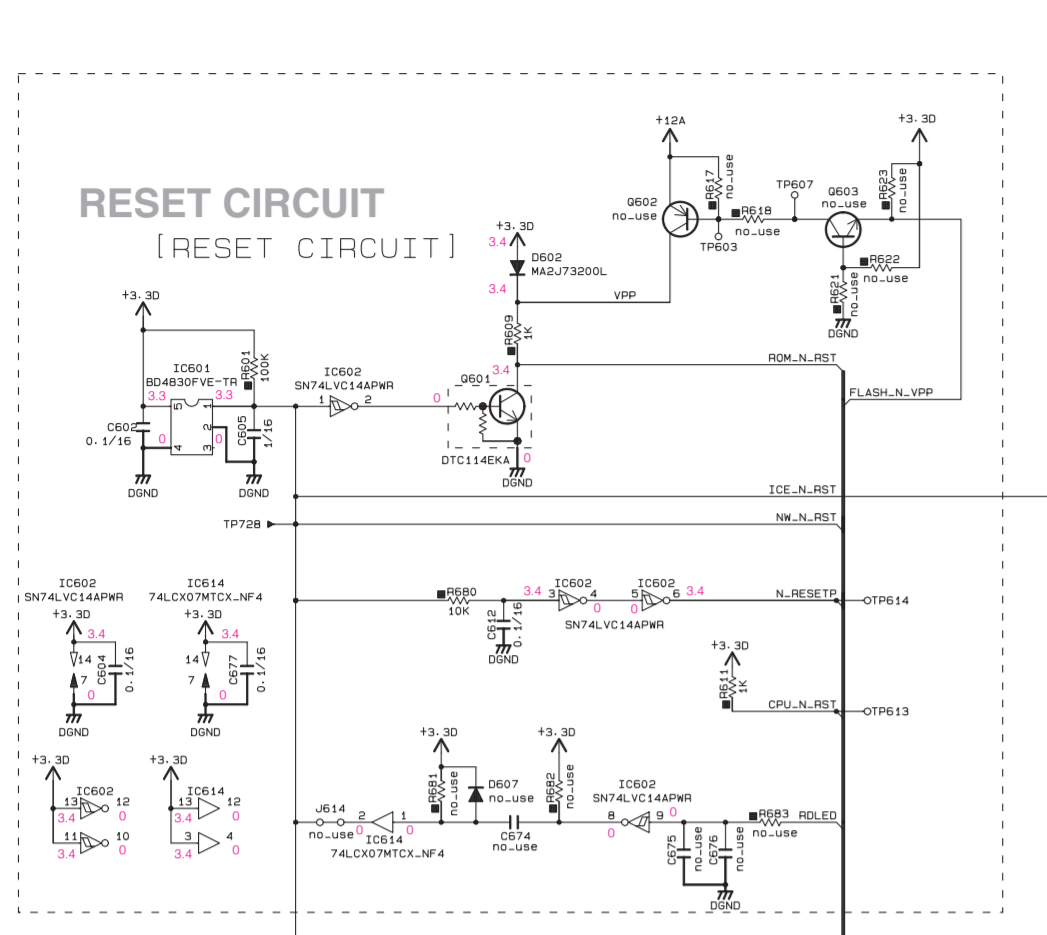


Table with 2 columns: PARTS NAME, PARTS NAME. Lists various components like resistors, capacitors, and ICs used in the circuit.

All voltages are measured with a 10MΩ/V DC electronic voltmeter. Components having special characteristics are marked with a star and must be replaced with parts having specifications equal to those originally installed.

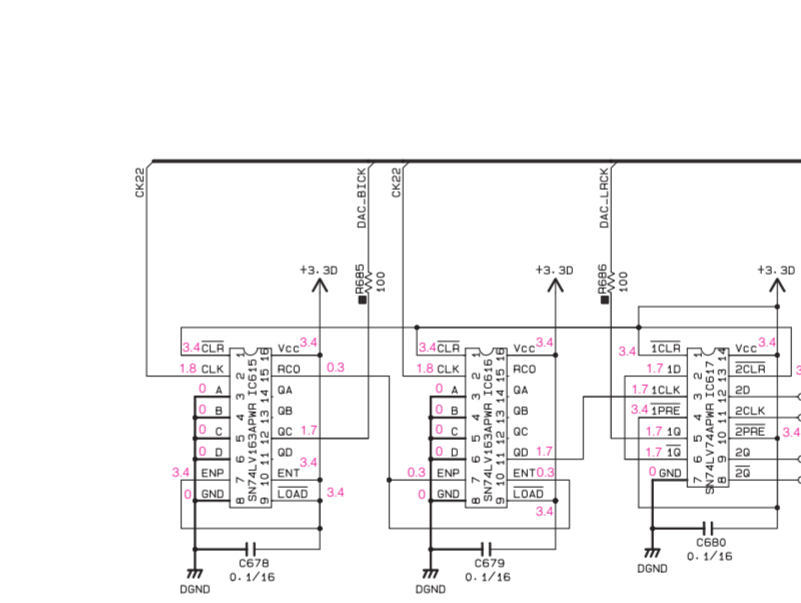
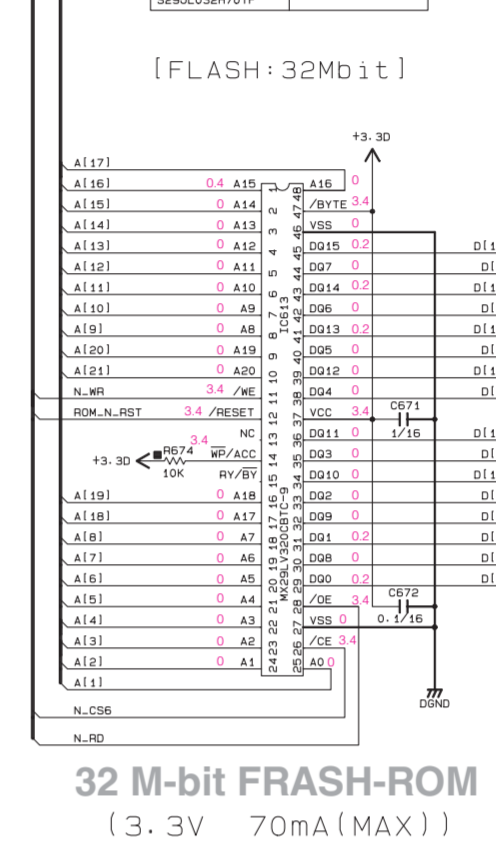
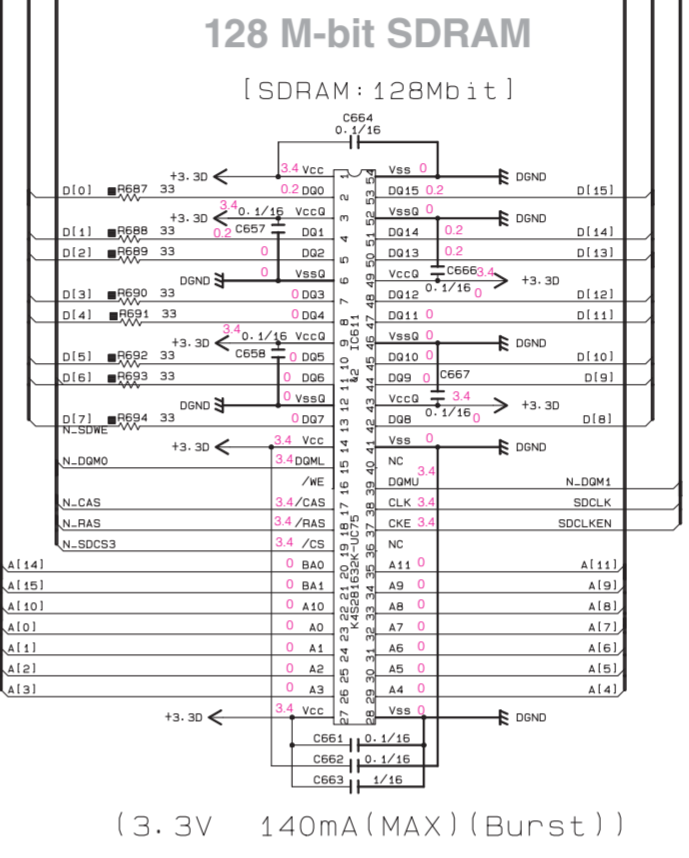
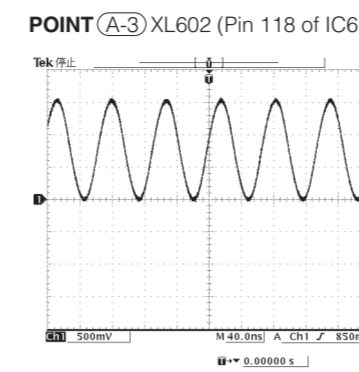
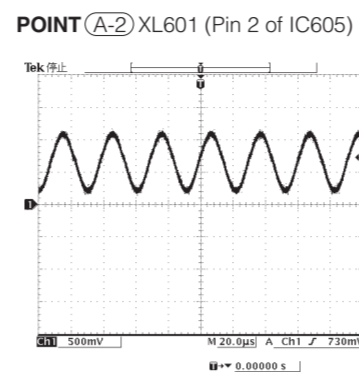
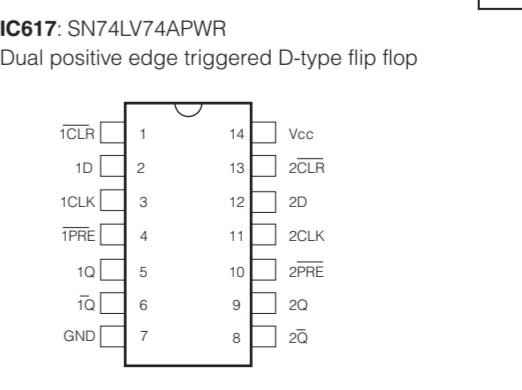
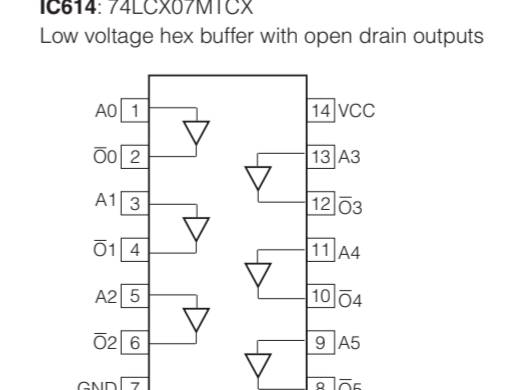
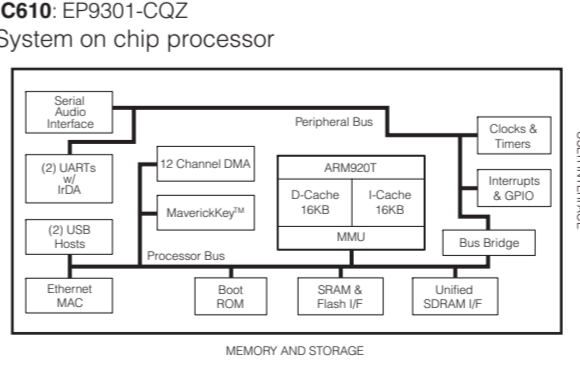
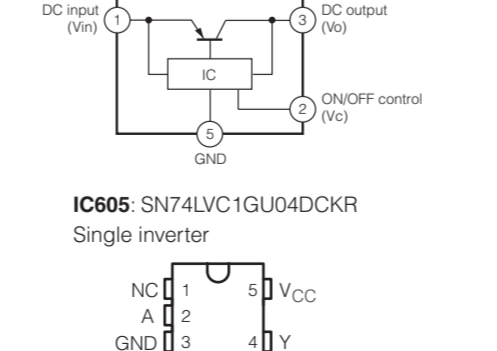
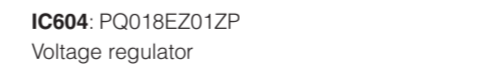
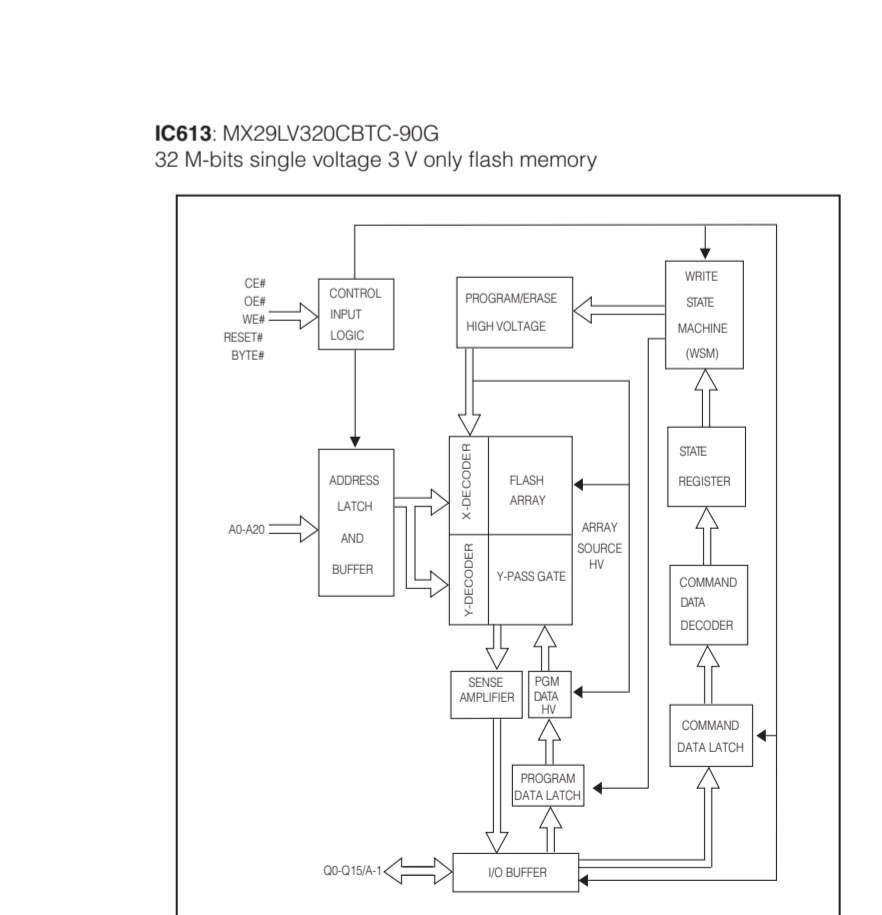
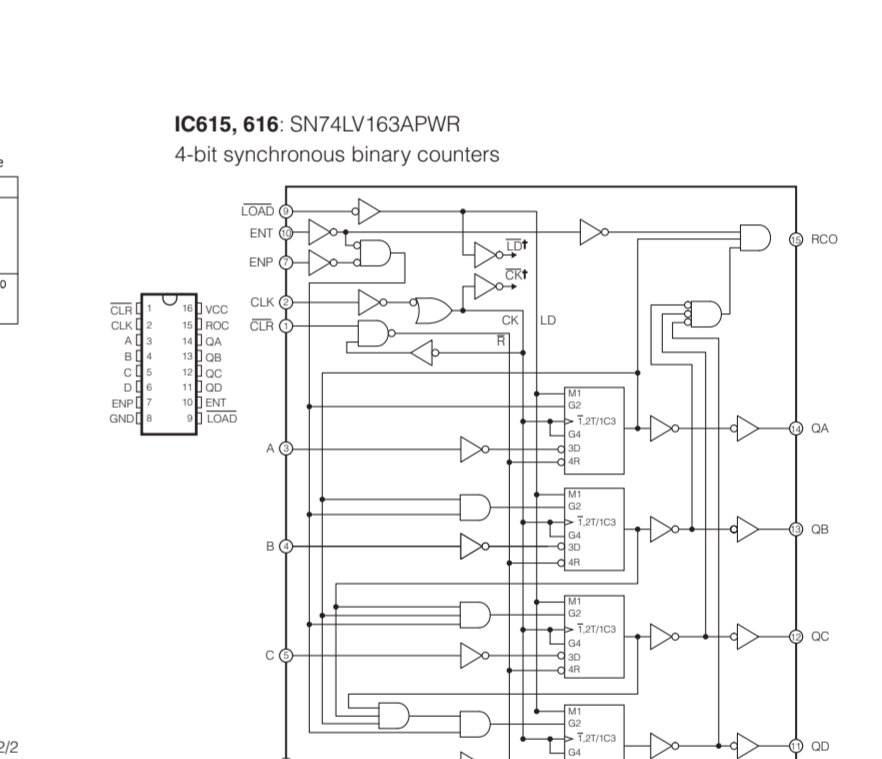
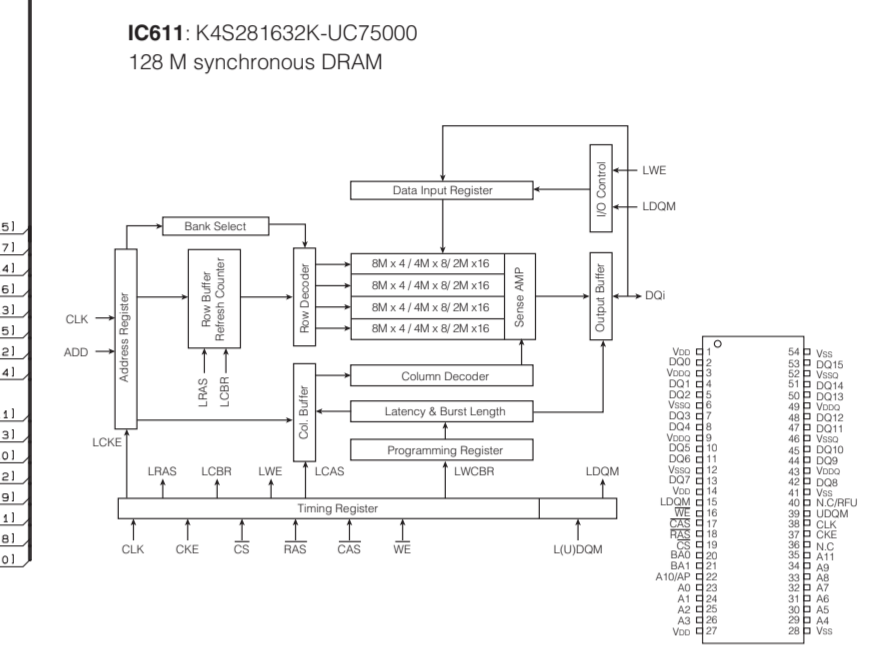
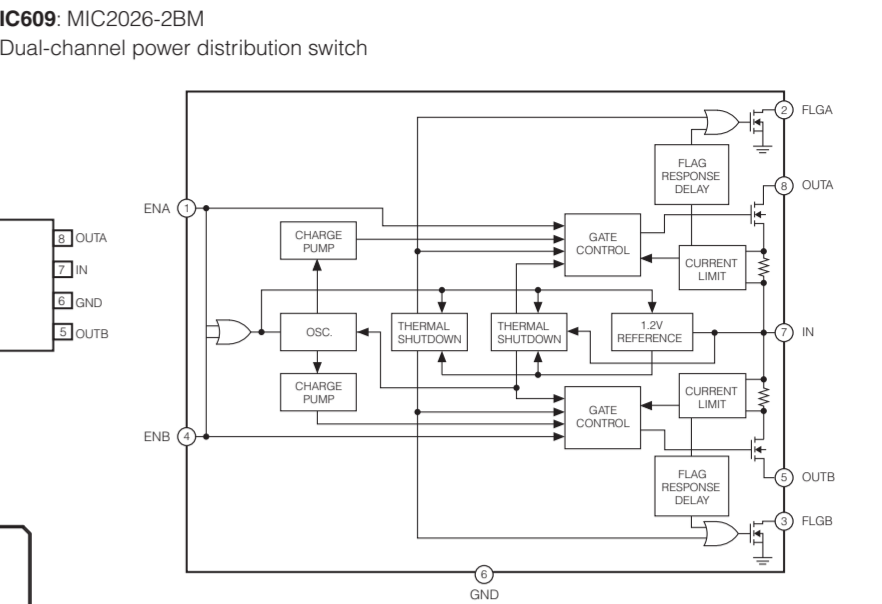
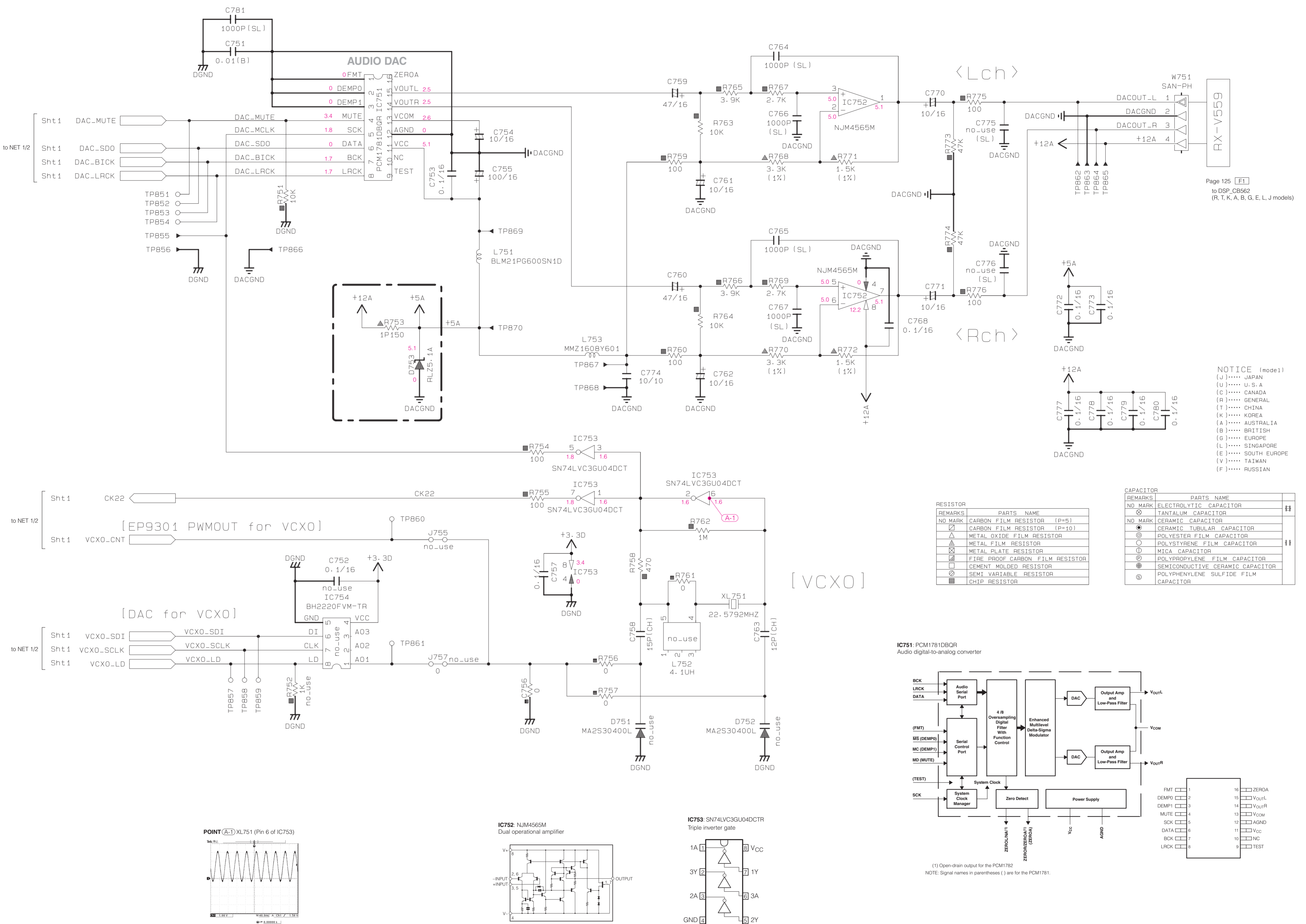


Table with 2 columns: Mark, Reference Parts Number, Parts Name. Lists interchangeable parts for the microprocessor.





NET 2/2



Page 125 [E1] to DSP\_CB562 (R, T, K, A, B, G, E, L, J models)

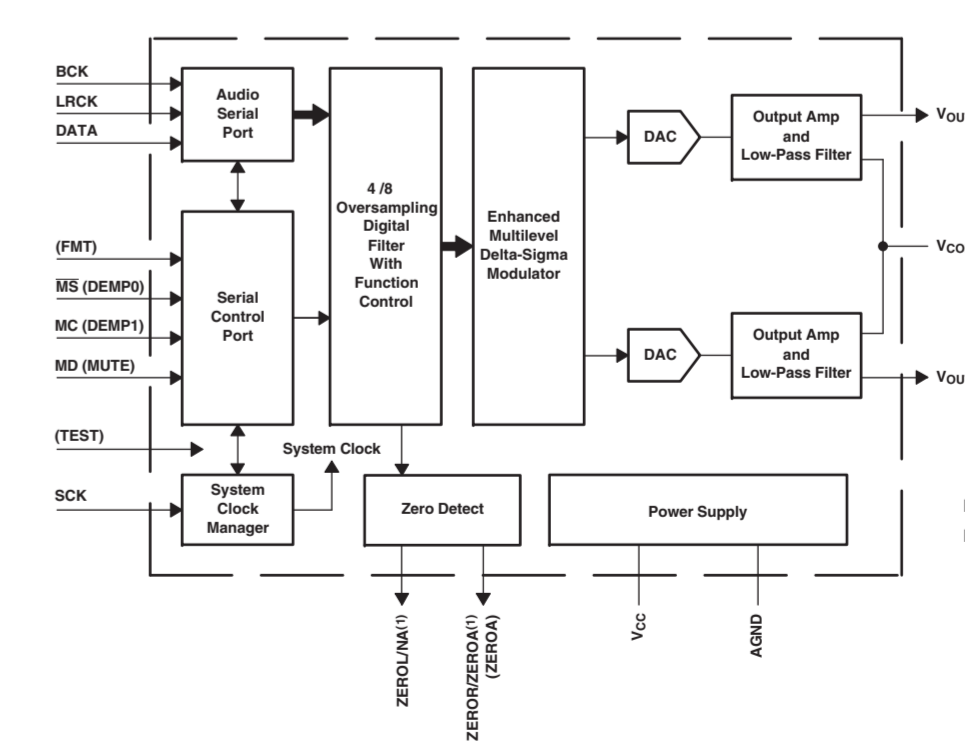
NOTICE (mode1)

(J)..... JAPAN  
 (U)..... U.S.A  
 (C)..... CANADA  
 (R)..... GENERAL  
 (T)..... CHINA  
 (K)..... KOREA  
 (A)..... AUSTRALIA  
 (B)..... BRITISH  
 (G)..... EUROPE  
 (L)..... SINGAPORE  
 (E)..... SOUTH EUROPE  
 (V)..... TAIWAN  
 (F)..... RUSSIAN

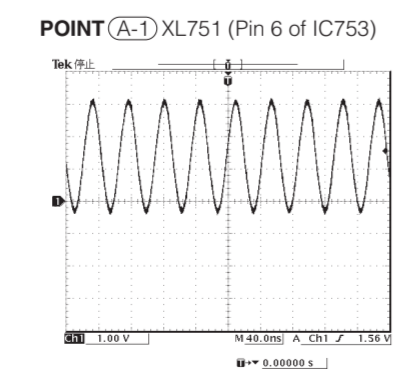
REMARKS	PARTS NAME
NO MARK	CARBON FILM RESISTOR (P=5)
⊠	CARBON FILM RESISTOR (P=10)
△	METAL OXIDE FILM RESISTOR
⊙	METAL FILM RESISTOR
⊚	METAL PLATE RESISTOR
⊞	FIRE PROOF CARBON FILM RESISTOR
⊞	CEMENT MOLDED RESISTOR
⊞	SEMI VARIABLE RESISTOR
■	CHIP RESISTOR

REMARKS	PARTS NAME
⊖	ELECTROLYTIC CAPACITOR
⊗	TANTALUM CAPACITOR
⊙	CERAMIC CAPACITOR
⊚	CERAMIC TUBULAR CAPACITOR
⊞	POLYESTER FILM CAPACITOR
⊞	POLYSTYRENE FILM CAPACITOR
⊞	MICA CAPACITOR
⊞	POLYPROPYLENE FILM CAPACITOR
⊞	SEMICONDUCTIVE CERAMIC CAPACITOR
⊞	POLYPHENYLENE SULFIDE FILM CAPACITOR

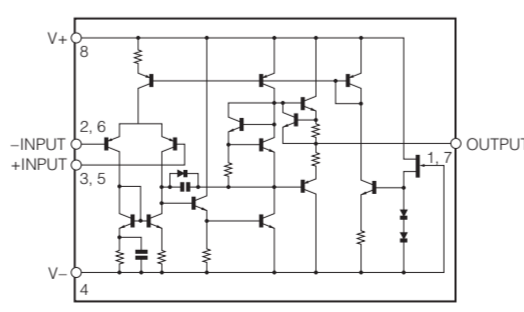
IC751: PCM1781DBQR Audio digital-to-analog converter



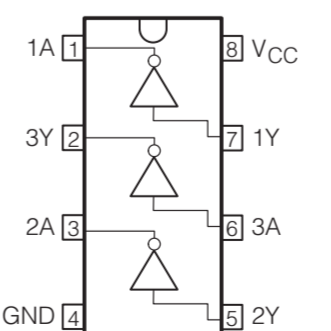
(1) Open-drain output for the PCM1782. NOTE: Signal names in parentheses ( ) are for the PCM1781.



IC752: NJM4565M Dual operational amplifier



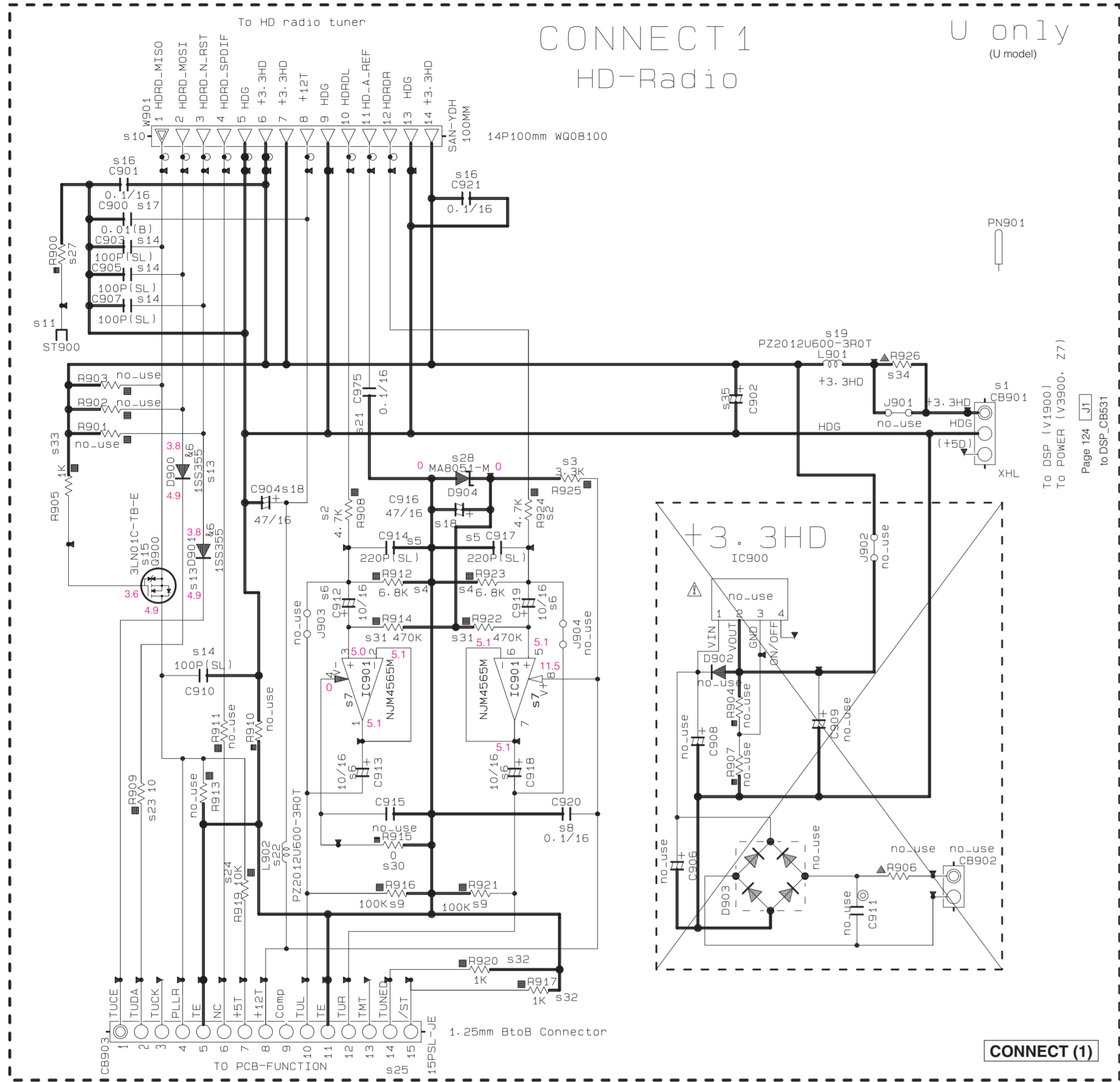
IC753: SN74LVC3GU04DCTR Triple inverter gate



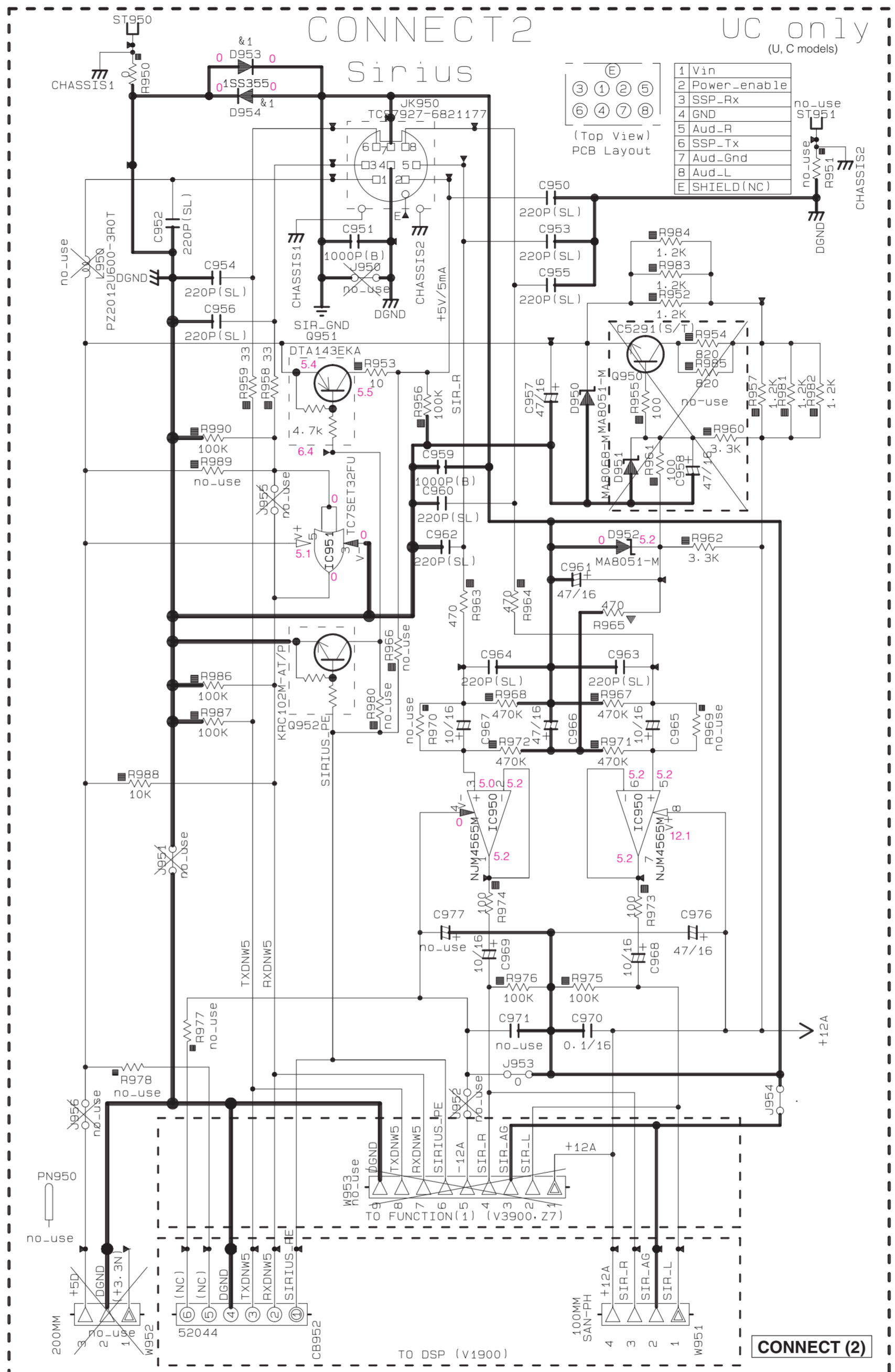
★ All voltages are measured with a 10MΩV DC electronic voltmeter.  
 ★ Components having special characteristics are marked ⊠, and must be replaced with parts having specifications equal to those originally installed.  
 ★ Schematic diagram is subject to change without notice.

● 電圧は、内部抵抗10MΩの電圧計で測定したものです。  
 ● ⊠印のある部品は、安全性確保部品を示しています。部品の交換が必要な場合、パーツリストに記載されている部品を使用してください。  
 ● 本回路図は標準回路図です。改良のため予告なく変更することがございます。

CONNECT



CONNECT (1)



CONNECT (2)

sXX	LOC	U	C
s1	CB901	LB91903	X
s2	R924 R908	RD35647 4.7K	X
s3	R925	RD35633 3.3K	X
s4	R923 R912	RD35668 6.8K	X
s5	C914 C917	US06222 220P(SL)	X
s6	C918 C919 C912 C913	UM39710 10/16	X
s7	IC901	X737BA0 NUM4565M	X
s8	C920	US13510 0.1/16	X
s9	R916 R921	RD35810 100K	X
s10	W901	WQ08100 SAN-YDH	X
s11	ST900	V404050	X
s13	D901 D900	VT33290 1SS355	X
s14	C903 C907 C905 C910	US06210 100P(SL)	X
s15	Q900	WH44500 3LNO1C-TB-E	X
s16	C901 C921	US13510 0.1/16	X
s17	C900	US06410 0.01(B)	X
s18	C916 C904	UM39747 47/16	X
s19	L901	W653720 PZ2012U600-3R0T	X
s21	C975	US13510 0.1/16	X
s22	L902	W653720 PZ2012U600-3R0T	X
s23	R909	RD35410 10	X
s24	R919	RD35710 10K	X
s25	CB903	VU44380 15PSL-JE	X
s27	R900	RD35000 0	X
s28	D904	VU99260 MAB051-M	X
s29	PN901	V963750	X
s30	R915	RD35000 0	X
s31	R922 R914	RD35847 470K	X
s32	R917 R920	RD35610 1K	X
s33	R905	RD35610 1K	X
s34	R926	VU22420 1P. 47	X
s35	C902	UR21922 220/6.3	X

NA No.	WP15580	WP15590
NC No.	X9907	

NOTICE (model) Interchangeable Parts at Manufacture-Stage

Mark	Reference Parts Number	Parts Name
&1	D900-901-953-954	1SS355
		MA2J1110GL
		KDS160-RTK/P

(J)..... JAPAN  
 (U)..... U.S.A  
 (C)..... CANADA  
 (R)..... GENERAL  
 (T)..... CHINA  
 (K)..... KOREA  
 (A)..... AUSTRALIA  
 (B)..... BRITISH  
 (G)..... EUROPE  
 (L)..... SINGAPORE  
 (E)..... SOUTH  
 (V)..... TAIWAN  
 (F)..... RUSSIAN

RESISTOR

REMARKS	PARTS NAME
NO MARK	CARBON FILM RESISTOR (P=5)
□	CARBON FILM RESISTOR (P=10)
△	METAL OXIDE FILM RESISTOR
▲	METAL FILM RESISTOR
⊠	METAL PLATE RESISTOR
▨	FIRE PROOF CARBON FILM RESISTOR
□	CEMENT MOLDED RESISTOR
⊞	SEMI VARIABLE RESISTOR
■	CHIP RESISTOR

CAPACITOR

REMARKS	PARTS NAME
NO MARK	ELECTROLYTIC CAPACITOR
⊗	TANTALUM CAPACITOR
NO MARK	CERAMIC CAPACITOR
●	CERAMIC TUBULAR CAPACITOR
◎	POLYESTER FILM CAPACITOR
○	POLYSTYRENE FILM CAPACITOR
⊖	MICA CAPACITOR
⊕	POLYPROPYLENE FILM CAPACITOR
⊙	SEMICONDUCTIVE CERAMIC CAPACITOR
⊚	POLYPHENYLENE SULFIDE FILM CAPACITOR

★ All voltages are measured with a 10MQ/V DC electronic voltmeter.  
 ★ Components having special characteristics are marked \* and must be replaced with parts having specifications equal to those originally installed.  
 ★ Schematic diagram is subject to change without notice.  
 ● 電圧は、内部抵抗10MQの電圧計で測定したものです。  
 ● \*印のある部品は、安全性確保部品を示しています。部品の交換が必要な場合、パーツリストに記載されている部品を使用してください。  
 ● 本回路図は標準回路図です。改良のため予告なく変更することがございます。

