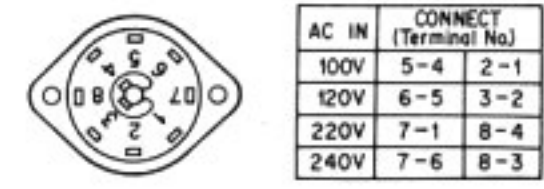


R MODEL ONLY LB201480

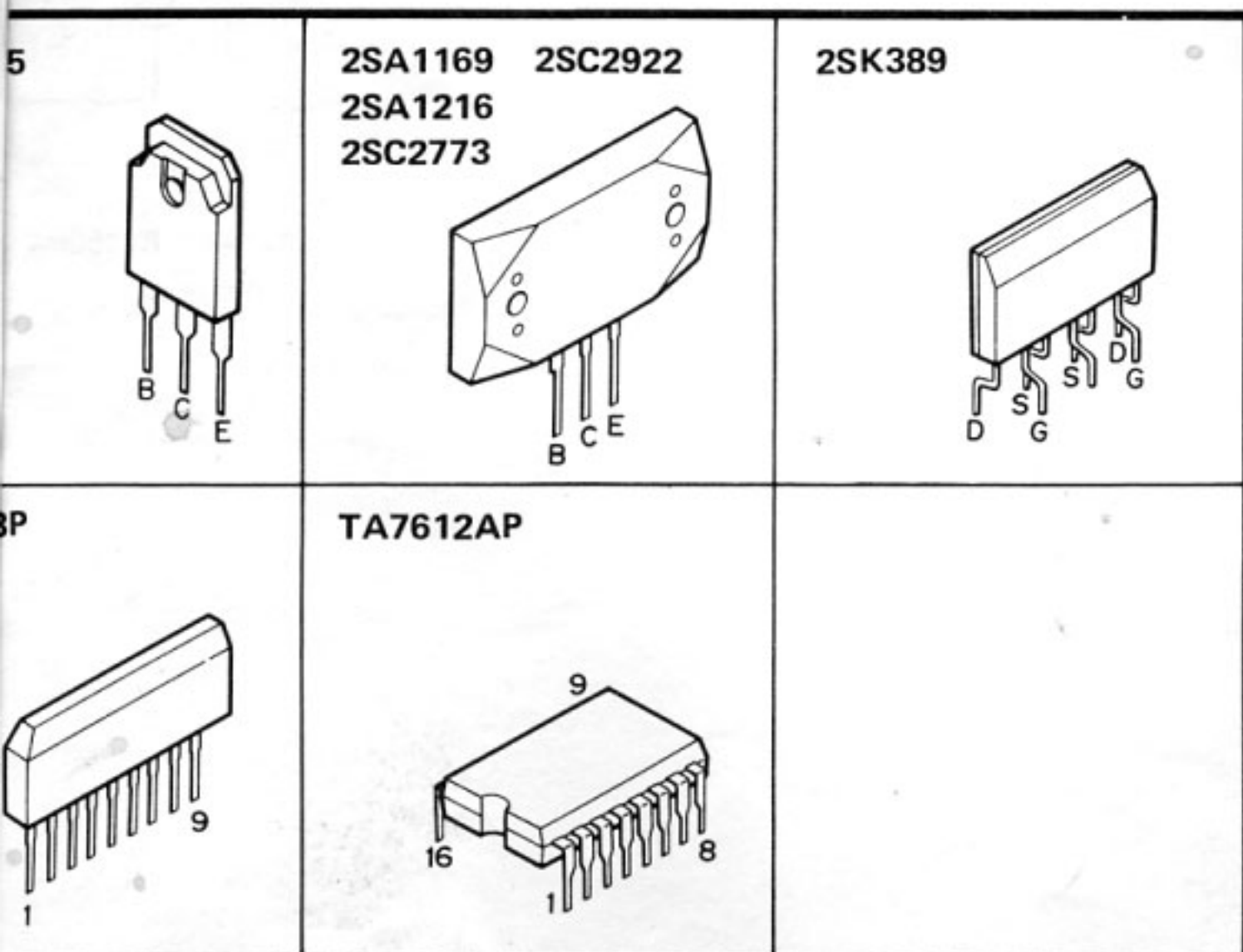
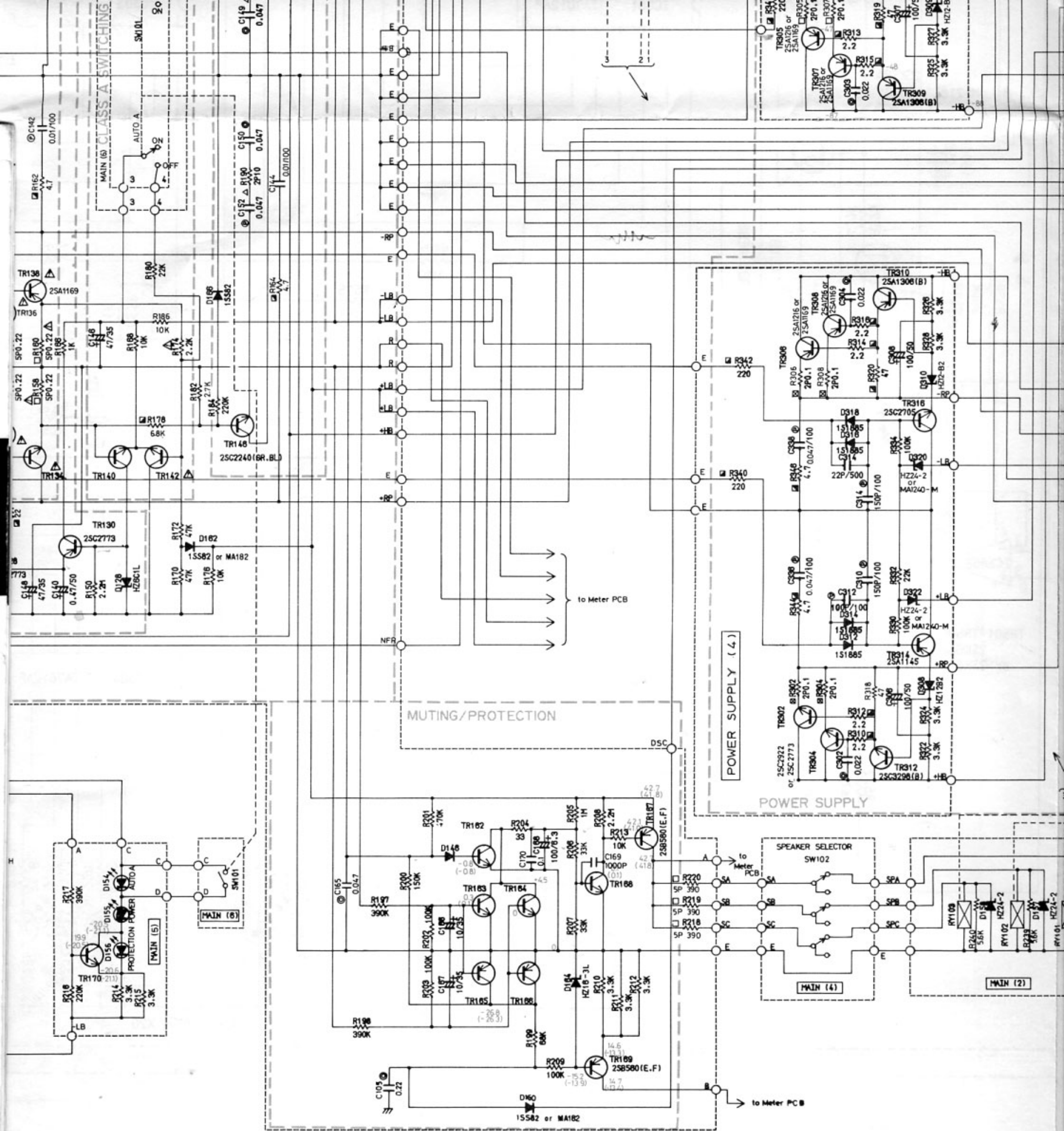


PARTS NAME	
ELECTROLYTIC CAPACITOR	⊕
CERAMIC CAPACITOR	⊕
POLYESTEL FILM CAPACITOR (MYLAR)	
POLYSTYRENE FILM CAPACITOR	
MICA CAPACITOR	
POLY PROPYLENE FILM CAPACITOR	
SEMICONDUCTIVE CERAMIC CAPACITOR	

REMARKS	PARTS NAME
NO MARK	CARBON FILM RESISTOR (1/4W)
△	METAL OXIDE FILM RESISTOR
▲	METAL FILM RESISTOR
⊠	METAL PLATE RESISTOR
▣	FIRE PROOF CARBON FILM RESISTOR
□	SEMENT MOLDED RESISTOR
⊘	SEMI VARIABLE RESISTOR

Components having special characteristics are marked and must be replaced with parts having specifications equal to those originally installed.

* All voltages are measured with a 10MΩ/V DC electric volt meter.
* Schematic diagram is subject to change without notice.



2SA1169 2SC2922
2SA1216
2SC2773

2SK389

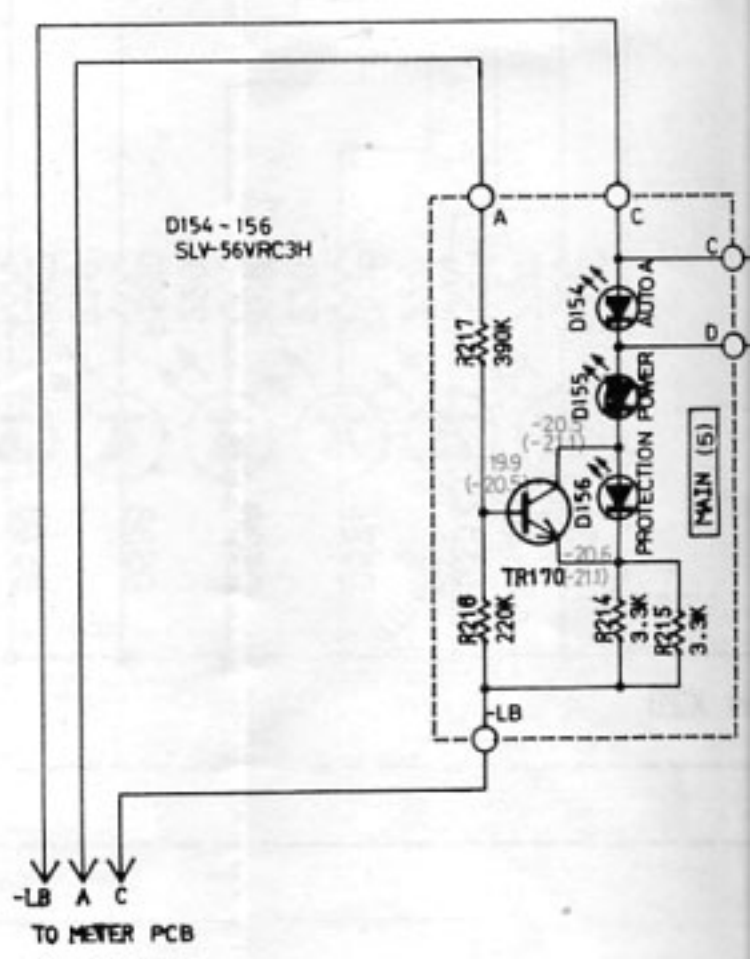
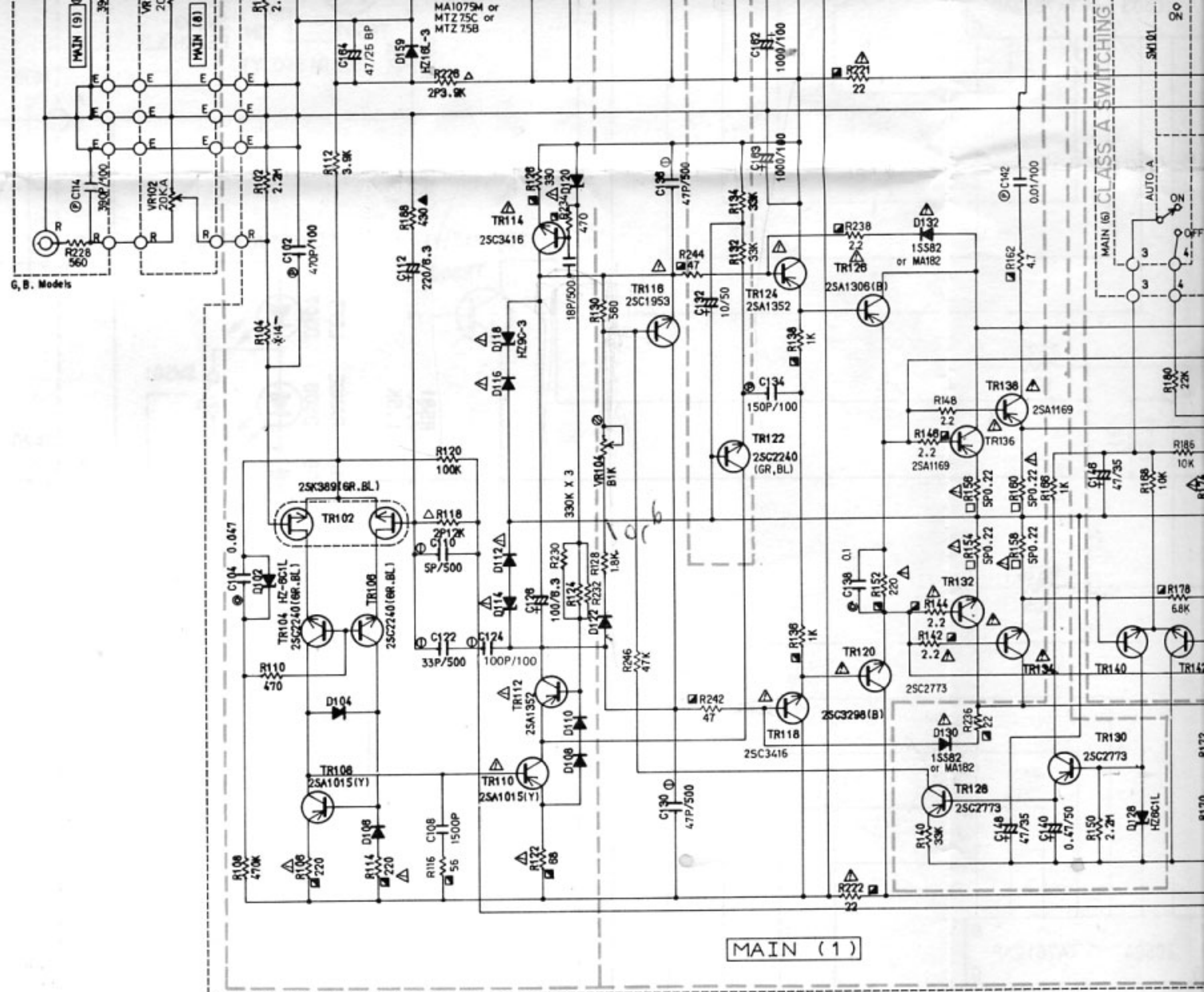
TA7612AP

CAPACITOR

REMARKS	PARTS
NO MARK	ELECTROLYTIC CAPA
NO MARK	CERAMIC CAPACITOR
⊙	POLYESTEL FILM CA
○	POLYSTYRENE FILM
⊖	MICA CAPACITOR
P	POLY PROPYLENE FIL
●	SEMICONDUCTIVE CER

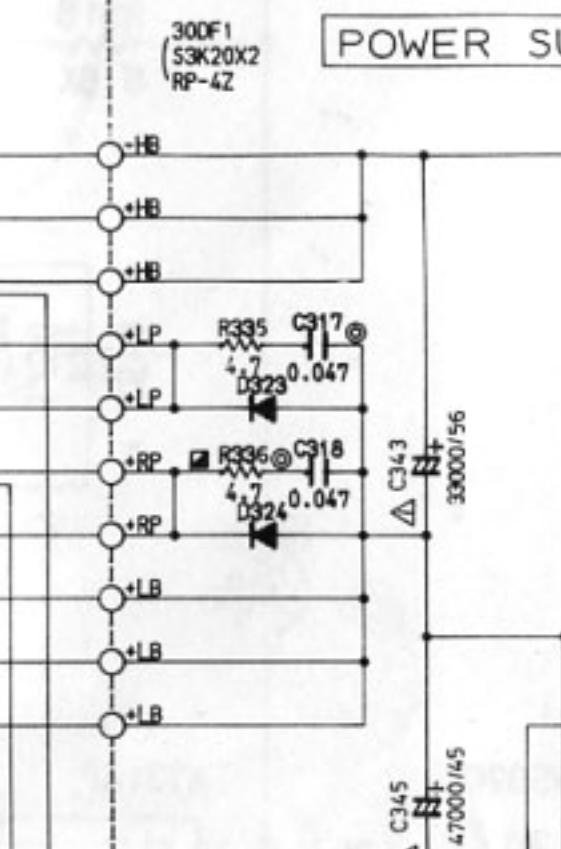
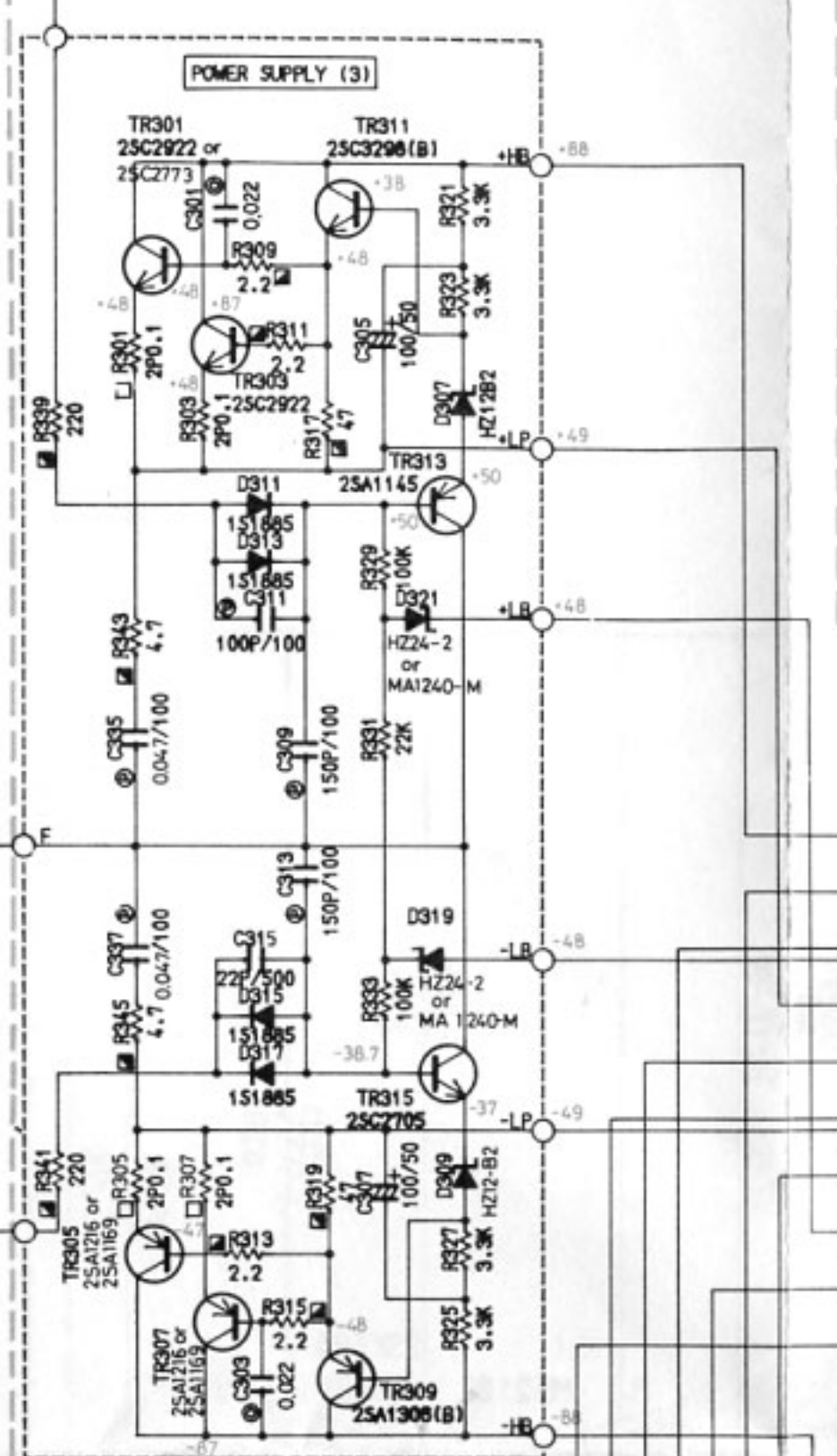
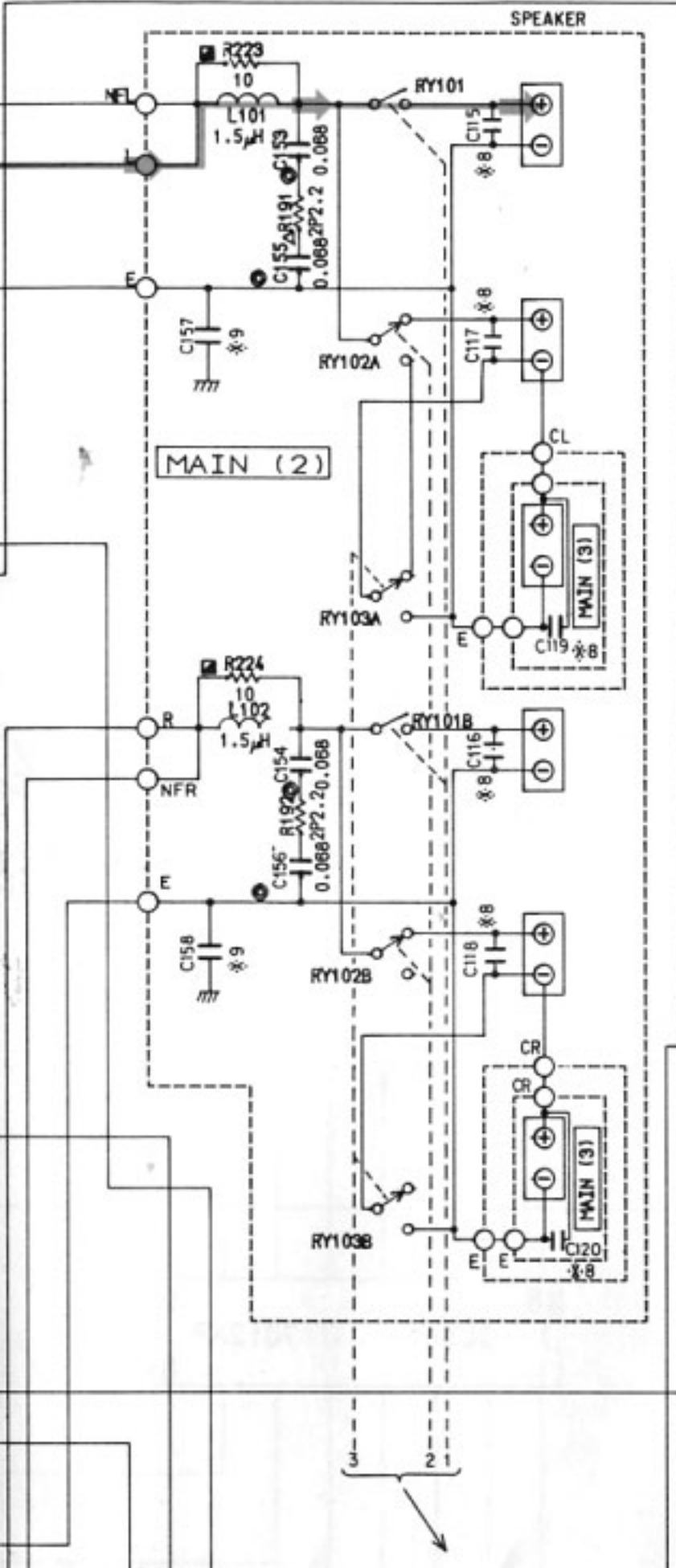
CAUTION

● Components having special markings should not be replaced with parts having different markings.



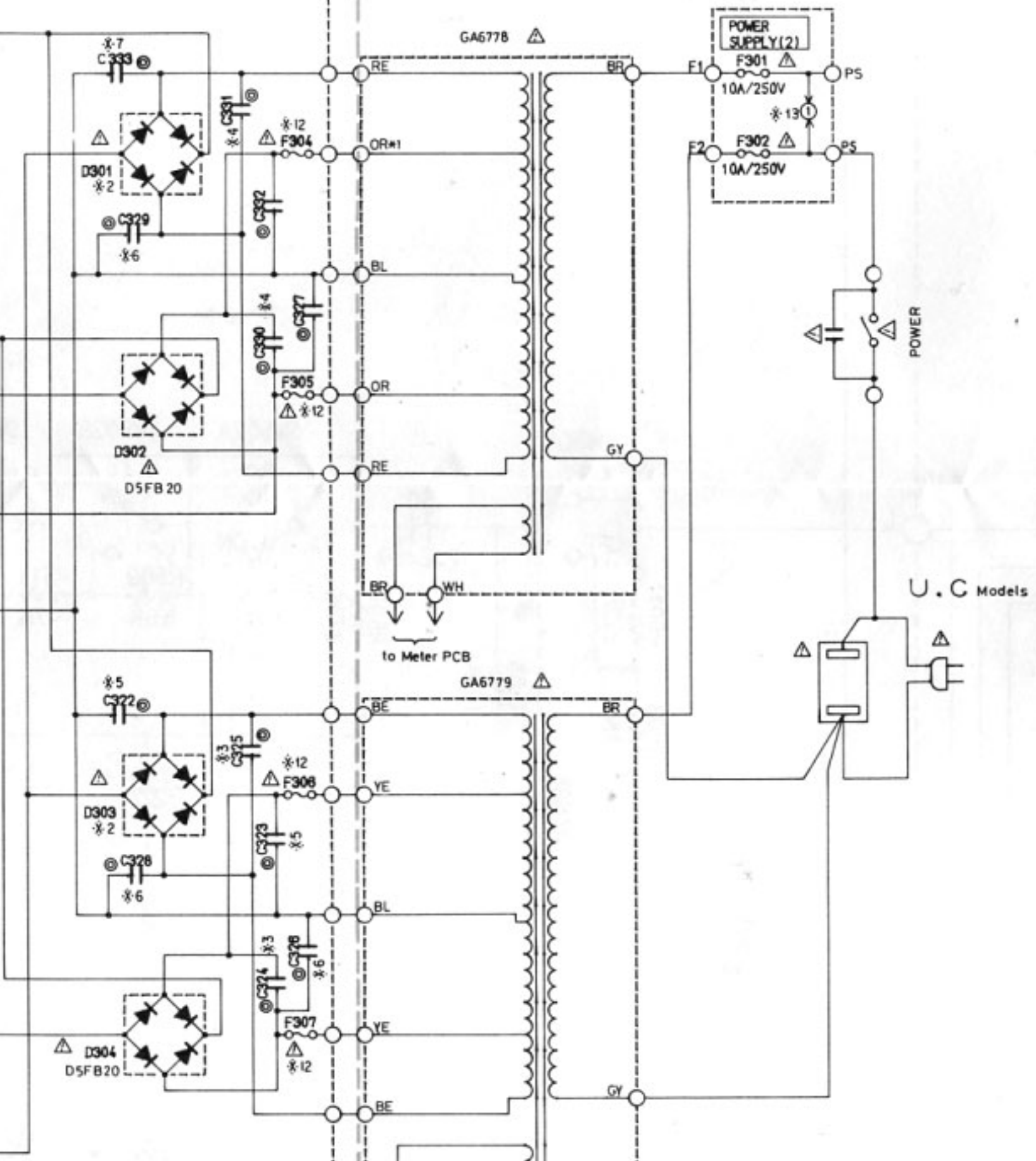
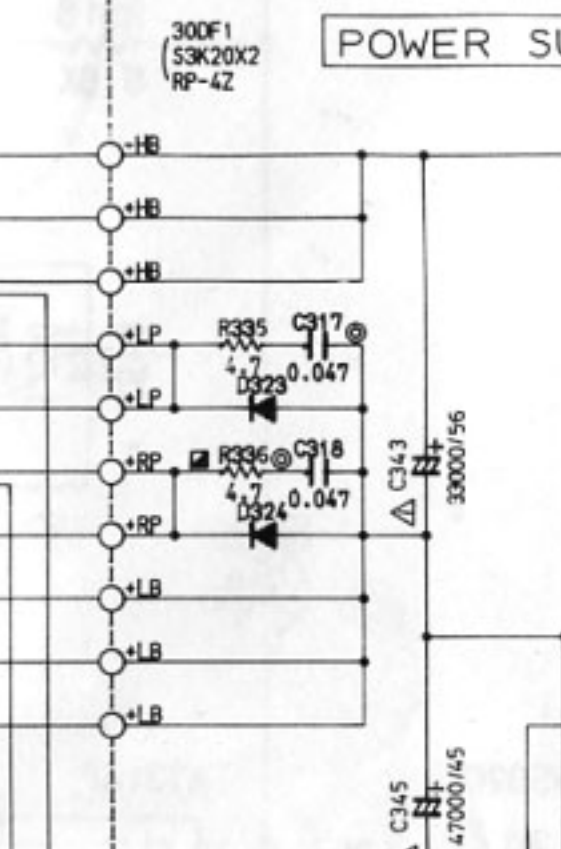
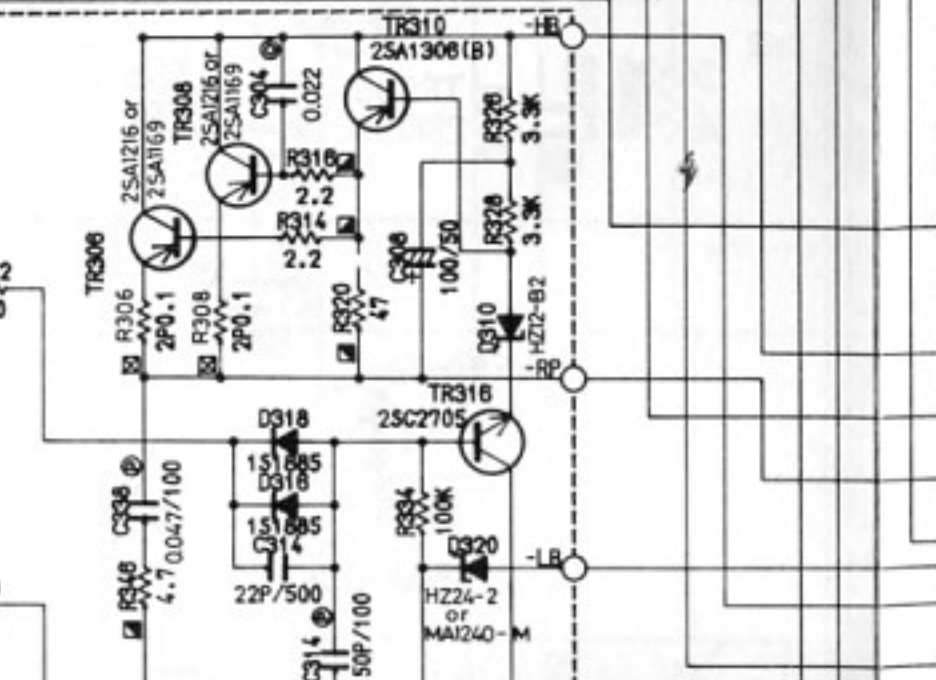
PIN CONNECTION DIAGRAM OF TRANSISTORS, DIODE AND ICS.

2SA970 2SA1015 2SA1115 2SA1127 2SA1145 2SB560 2SB1815 	2SC2240 2SC2603 2SC2634 2SC2705 	2SK68A 	2SA1306 2SC3298 2SD1273 2SD1405 	2SA1352 2SC1953 2SC3298 2SC3416 	2SA1265 	2SA1075M MTZ 75C MTZ 75B RP4Z 30DF1 3SK40
1S1185 1S1555 1S1885 1S2473 1SS82 HZ-6C1L HZ12-B2 HZ16-3L HZ24-2 	RD3.OEB2 MTZ7.5B MTZ7.5C MA1075M MA1240M MA182 	D5FB20 	4D4B41 	M5218L P 	TA7318P 	MA1075M MTZ 75C MTZ 75B RP4Z 30DF1 3SK40



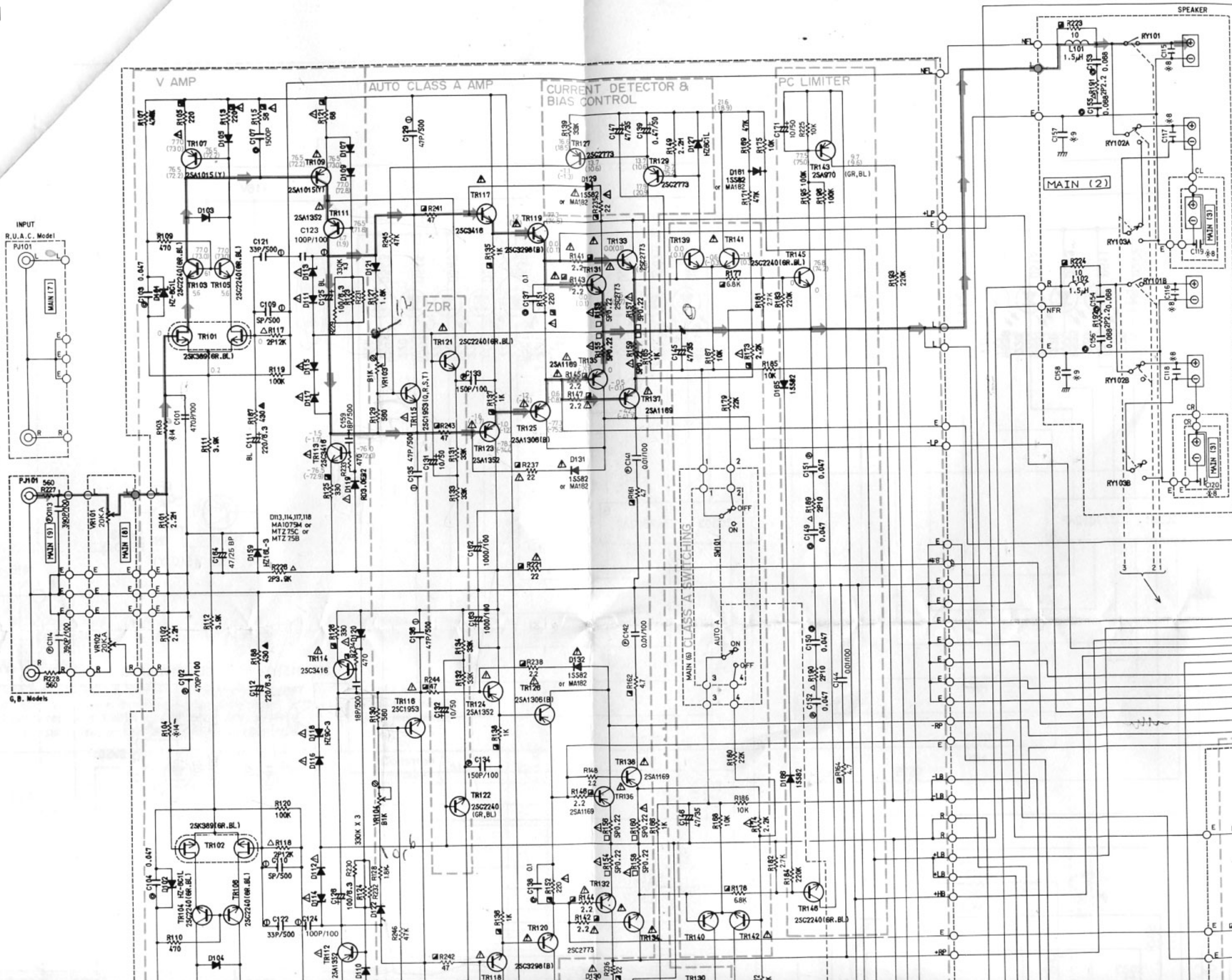
marked

	U	C	R	A	G	B
2	D301, 303	404B41	D5FB20	404B41	404B41	D5FB20
3	C324, 325	0.047/400	0.047/400	0.047/400	0.047/400	
4	C330, 331	0.047/400	0.047/400	0.047/400	0.047/400	
5	C322, 323				0.047/400	0.047/400
6	C326 ~ 329				0.047/400	0.047/400
7	C332, 333				0.047/400	0.047/400
8	C115 - 120				2700P/100	2700P/100
9	C157, 158				0.01/100	0.01/100
10	R227, 228				560	560
11	C113, 114				390P/100	390P/100
12	F304 ~ 307	7A 125V	7A 125V		T6 3A 250V	T6 3A 250V
13	⓪	SHORT	OPEN	OPEN	OPEN	OPEN
14	R103, 104	220	220	220	470	470



U.C Models

CHEMATIC DIAGRAM



A

B

C

D

SCHEMATIC DIAGRAM

1

2

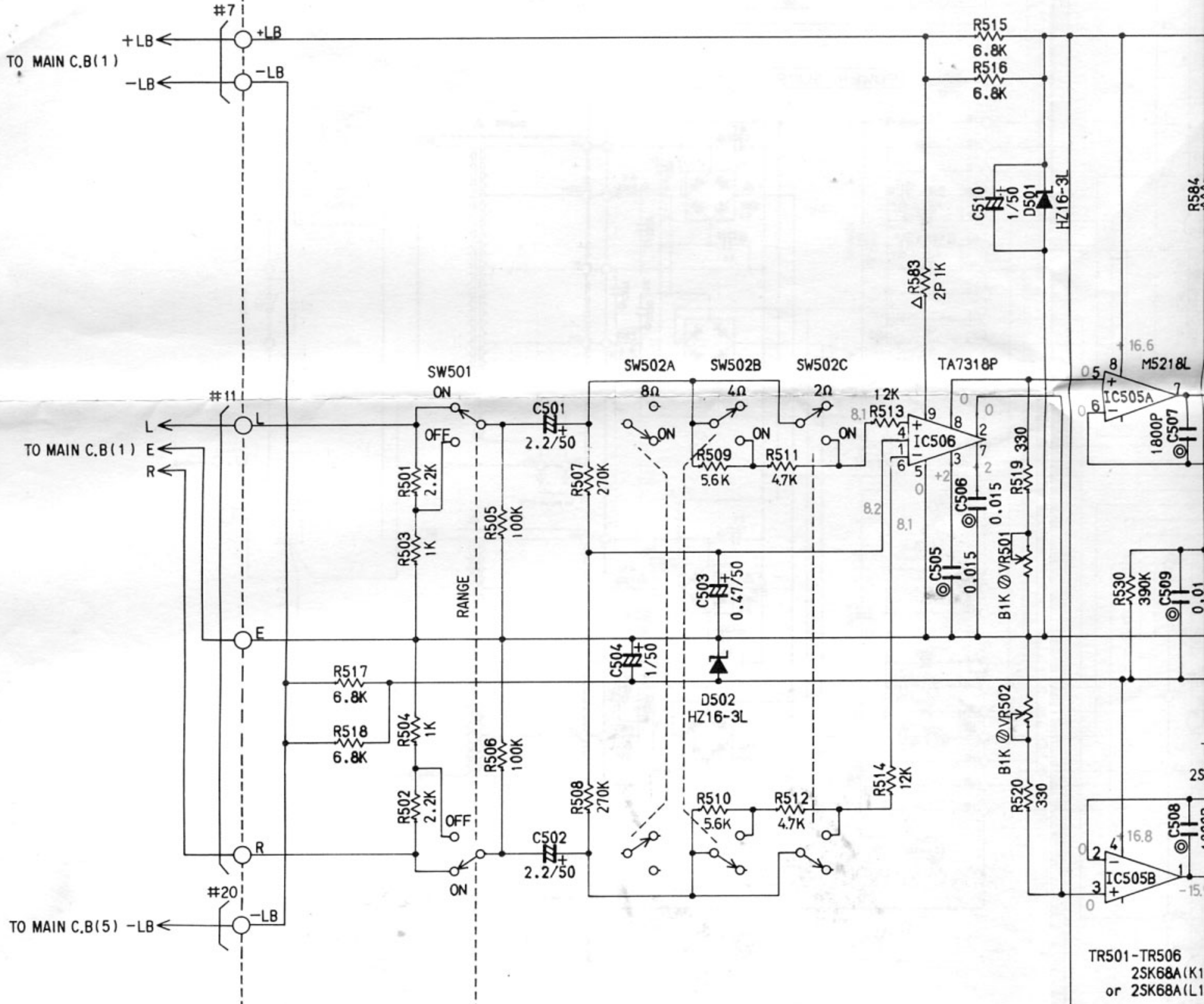
3

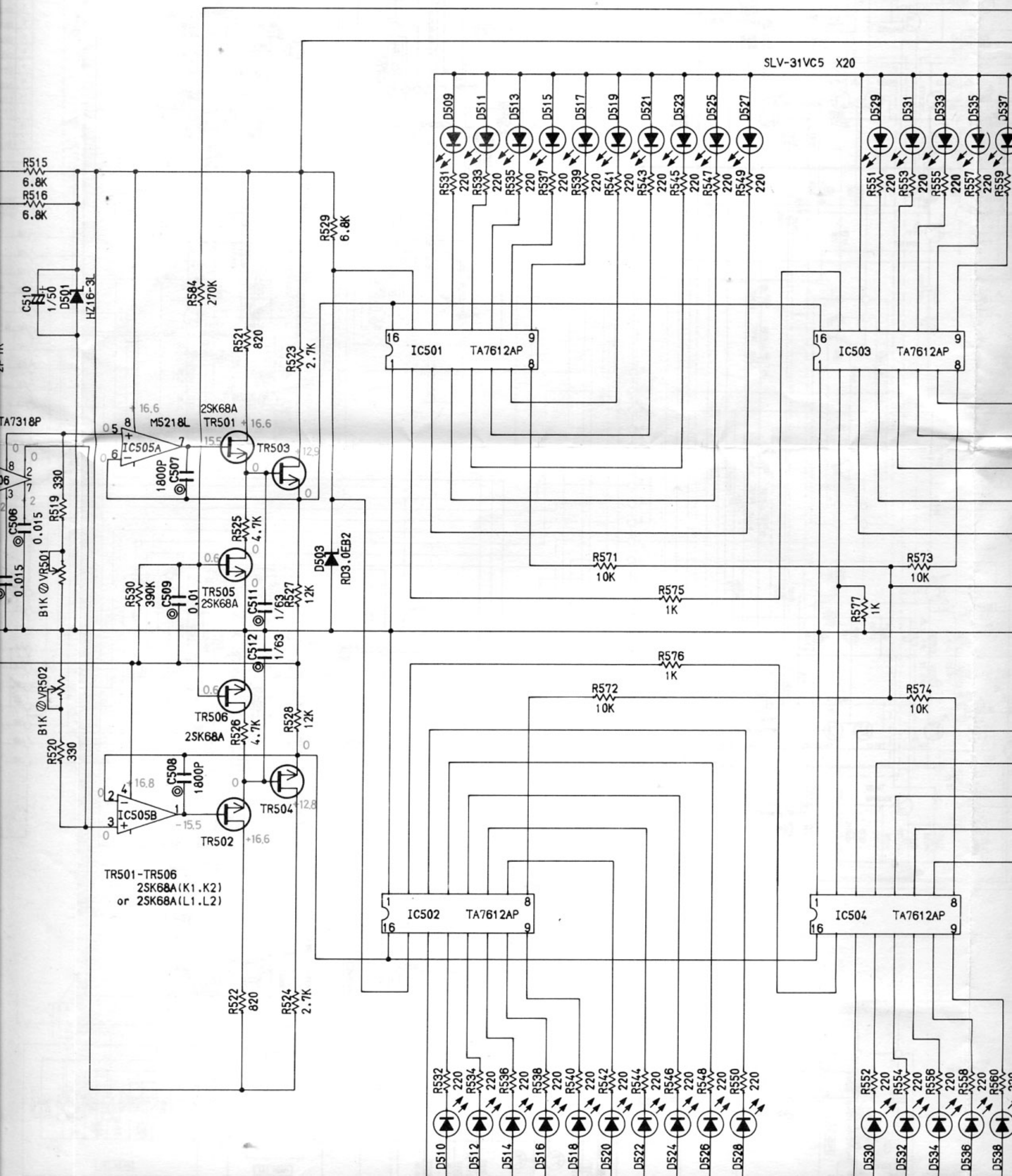
4

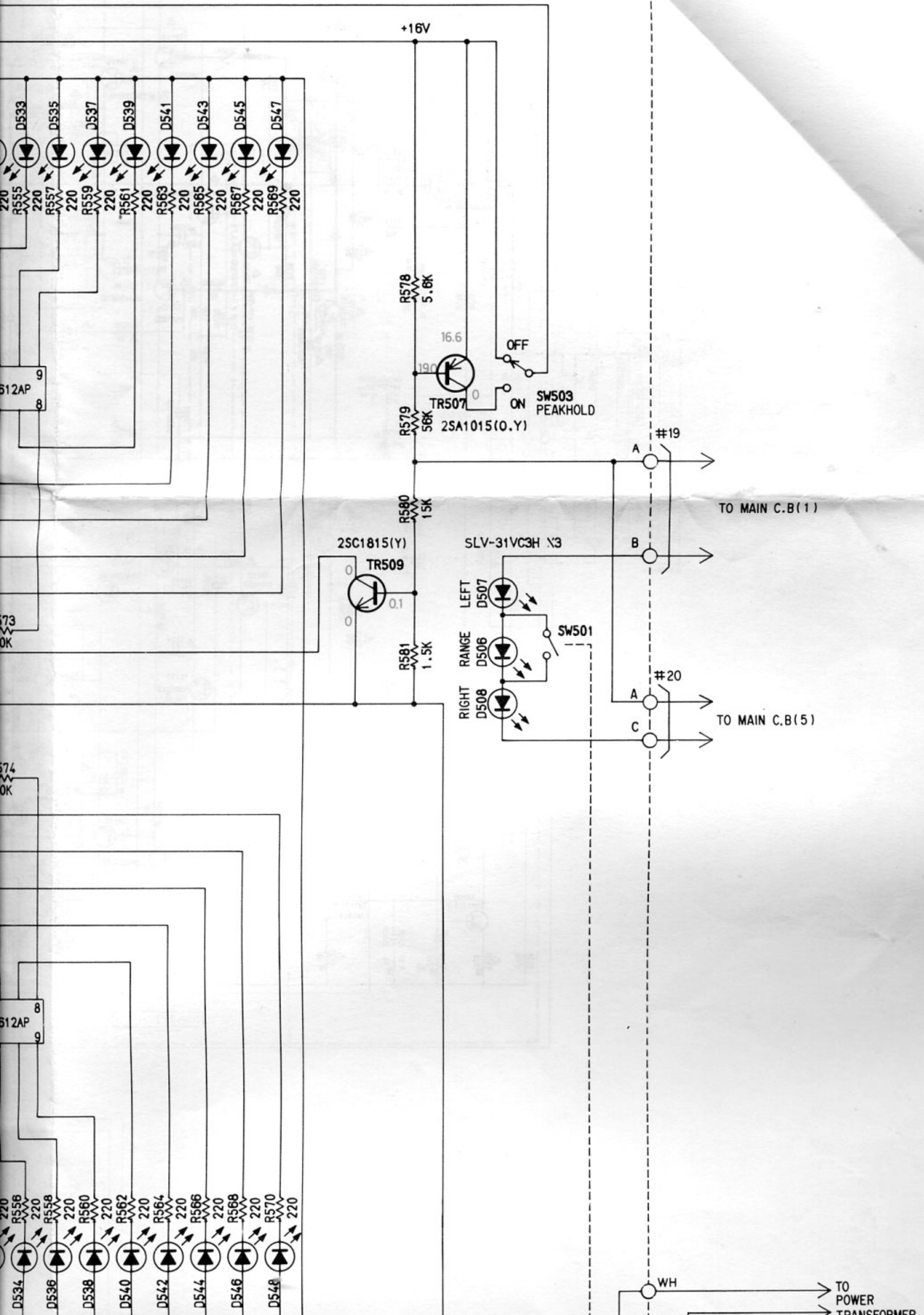
5

6

METER(1)





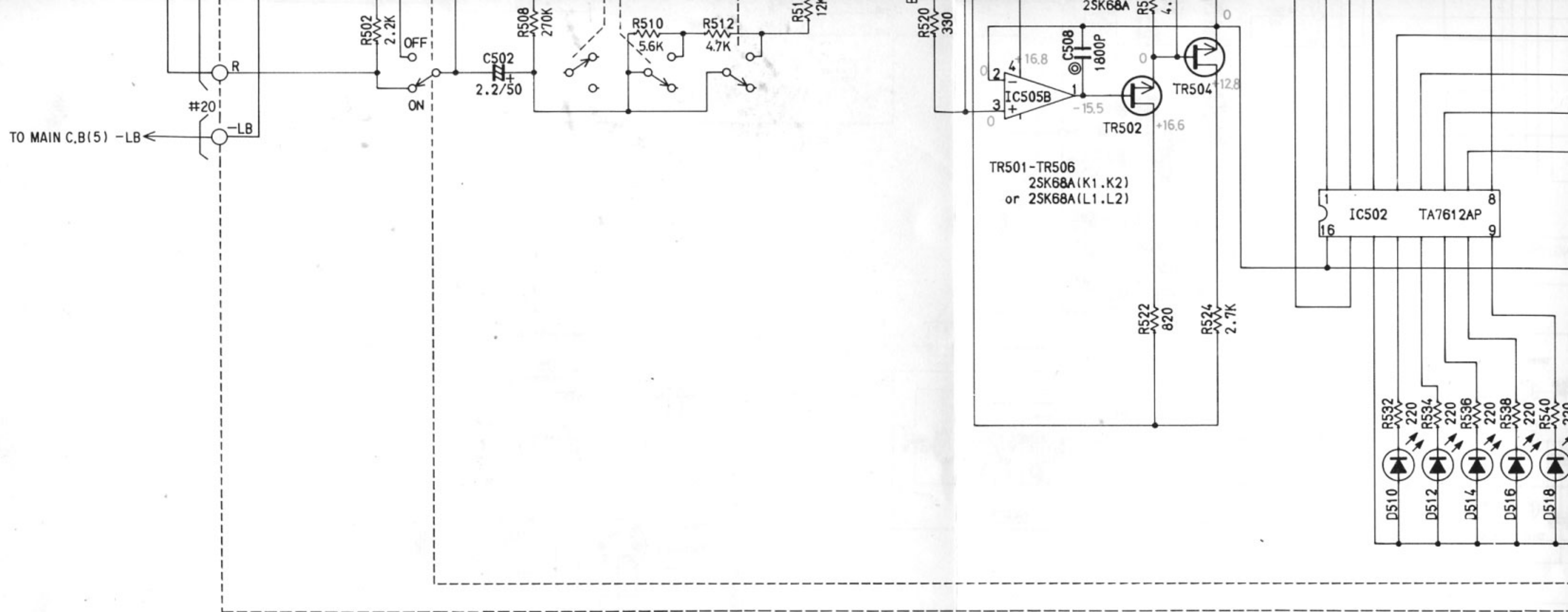


5

6

7

8




CAPACITOR

REMARKS	PARTS NAME	
NO MARK	ELECTROLYTIC CAPACITOR	⊥
NO MARK	CERAMIC CAPACITOR	⊥
⊙	POLYESTEL FILM CAPACITOR (MYLAR)	
○	POLYSTYRENE FILM CAPACITOR	
⊖	MICA CAPACITOR	
Ⓟ	POLY PROPYLENE FILM CAPACITOR	
●	SEMICONDUCTIVE CERAMIC CAPACITOR	

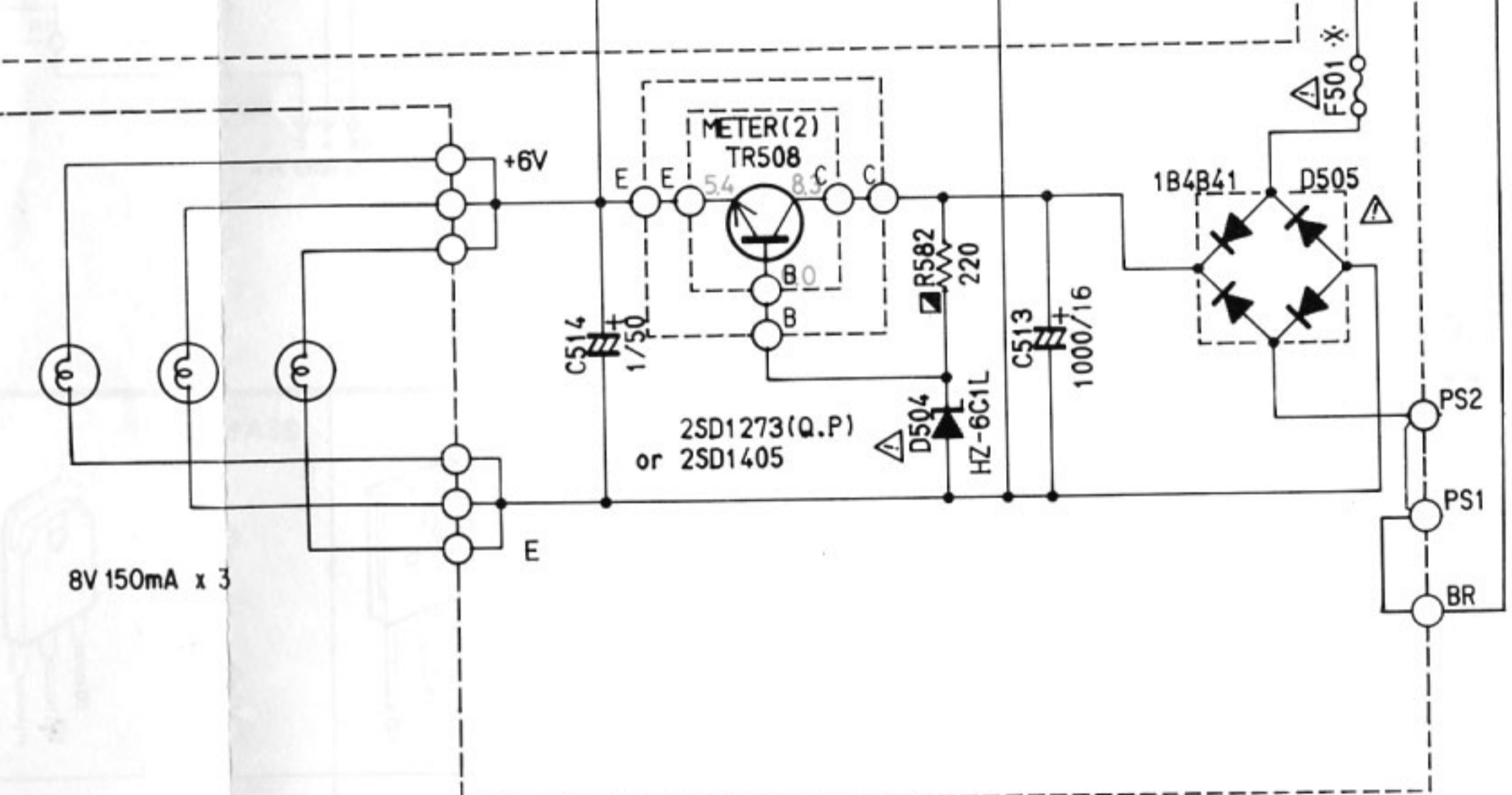
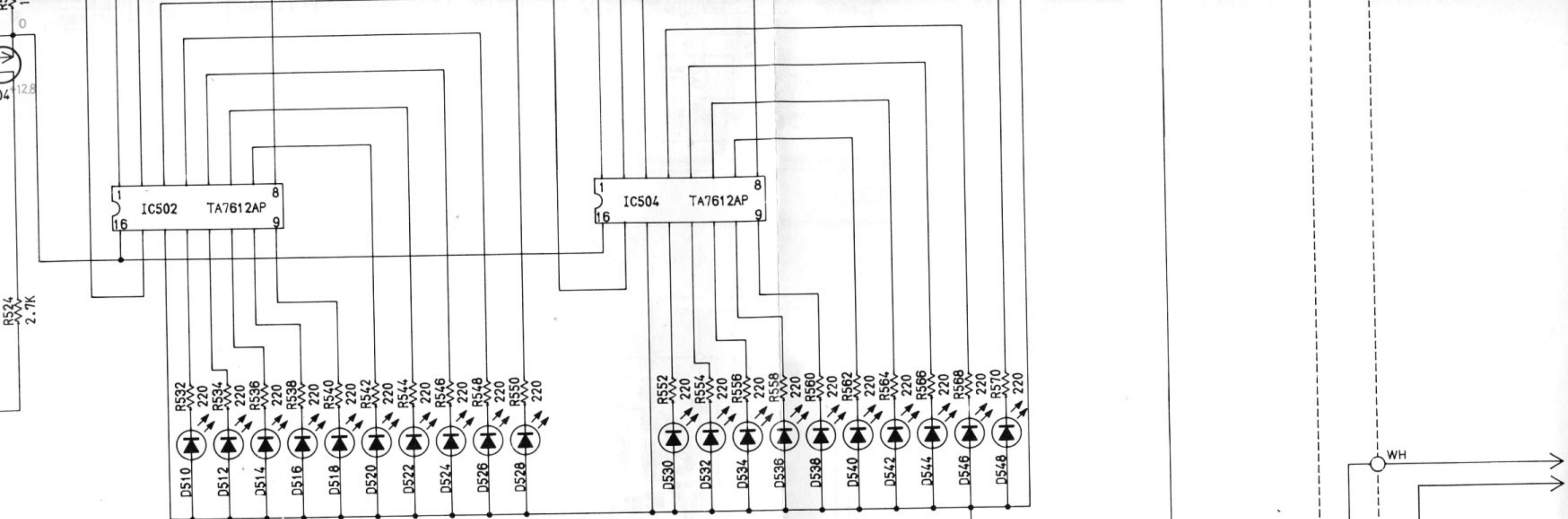
RESISTOR

REMARKS	PARTS NAME
NO MARK	CARBON FILM RESISTOR (1/4 W)
△	METAL OXIDE FILM RESISTOR
▲	METAL FILM RESISTOR
⊠	METAL PLATE RESISTOR
▣	FIRE PROOF CARBON FILM RESISTOR
□	SEMENT MOLDED RESISTOR
⊘	SEMI VARIABLE RESISTOR

CAUTION

- Components having special characteristics are marked  and must be replaced with parts having specifications equal to those originally installed.

- * All voltages are measured with a 10MΩ/V DC electric volt meter.
- * Schematic diagram is subject to change without notice.



* marked

	R.U.C	A.E
F501	2.0A250V	T2.0A250V

lt meter.