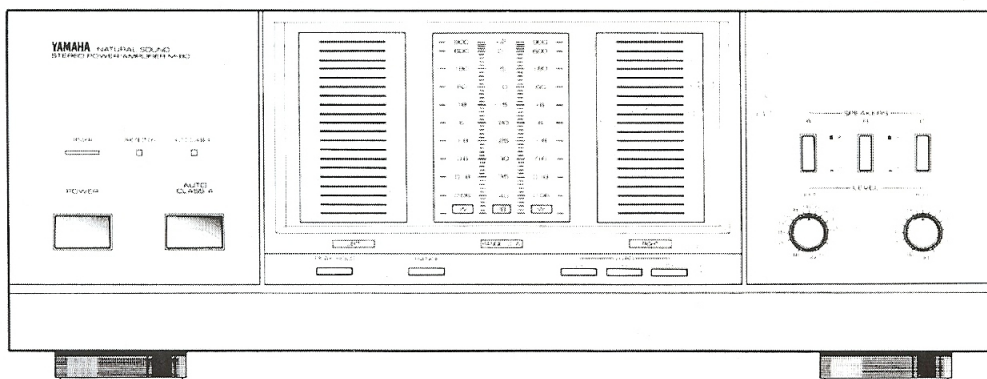


# STEREO POWER AMPLIFIER M-80

## SERVICE MANUAL



### ■ TO SERVICE PERSONNEL

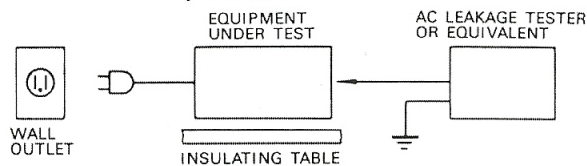
#### 1. Critical Components Information.

Components having special characteristics are marked  $\Delta$  and must be replaced with parts having specifications equal to those originally installed.

#### 2. Leakage Current Measurement (For 120V Model Only).

When service has been completed, it is imperative that you verify that all exposed conductive surfaces are properly insulated from supply circuits.

- Meter impedance should be equivalent to 1500 ohm shunted by  $0.15\mu\text{F}$ .
- Leakage current must not exceed 0.5mA.
- Be sure to test for leakage with AC plug in both polarities.



### ■ CONTENTS

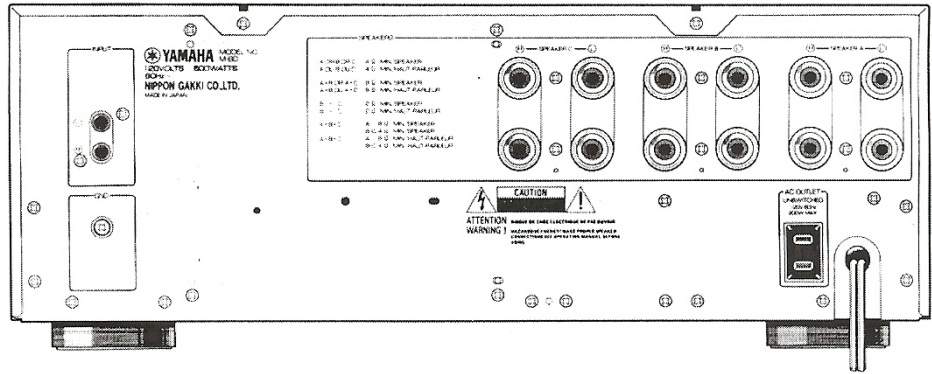
REAR PANEL .....	1	P.C. BOARD ~ POWER SUPPLY .....	7
BLOCK DIAGRAM .....	2	SCHEMATIC DIAGRAM ~ MAIN .....	8
SPECIFICATIONS .....	2	SCHEMATIC DIAGRAM ~ METER .....	9
DISASSEMBLY PROCEDURE .....	3	WIRING DIAGRAM .....	9
INTERNAL VIEW .....	4	PARTS LIST ~ ELECTRIC .....	10
ADJUSTMENTS .....	4	EXPLODED VIEW ~ MECHANISM/CHASSIS .....	14
P.C. BOARD ~ METER .....	5	PARTS LIST ~ MECHANISM/CHASSIS .....	16
P.C. BOARD ~ MAIN .....	6		



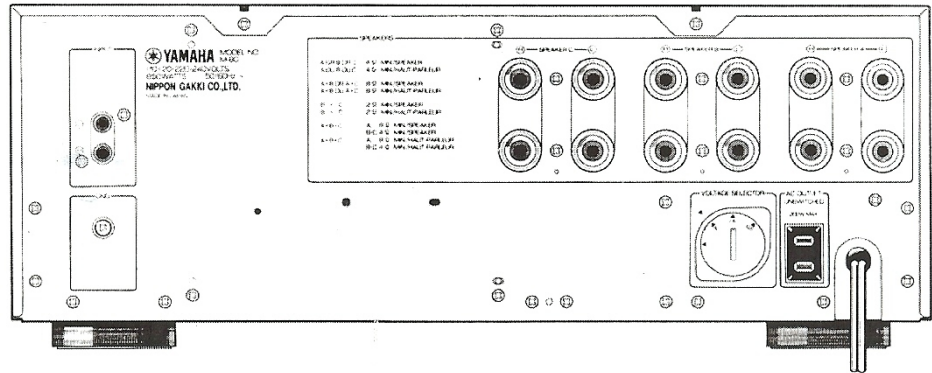
# M-80

## REAR PANEL

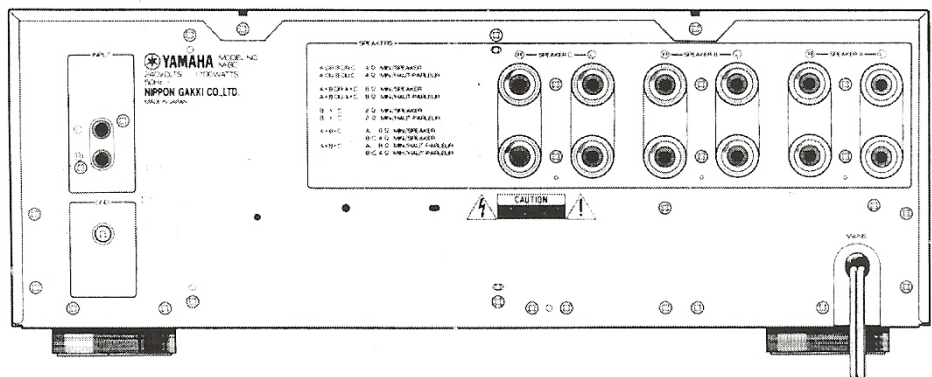
● U.S.A. and Canadian Models



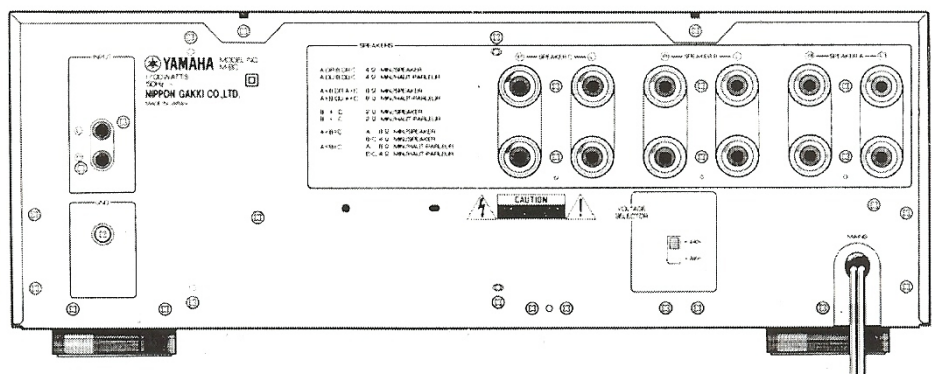
● General Model



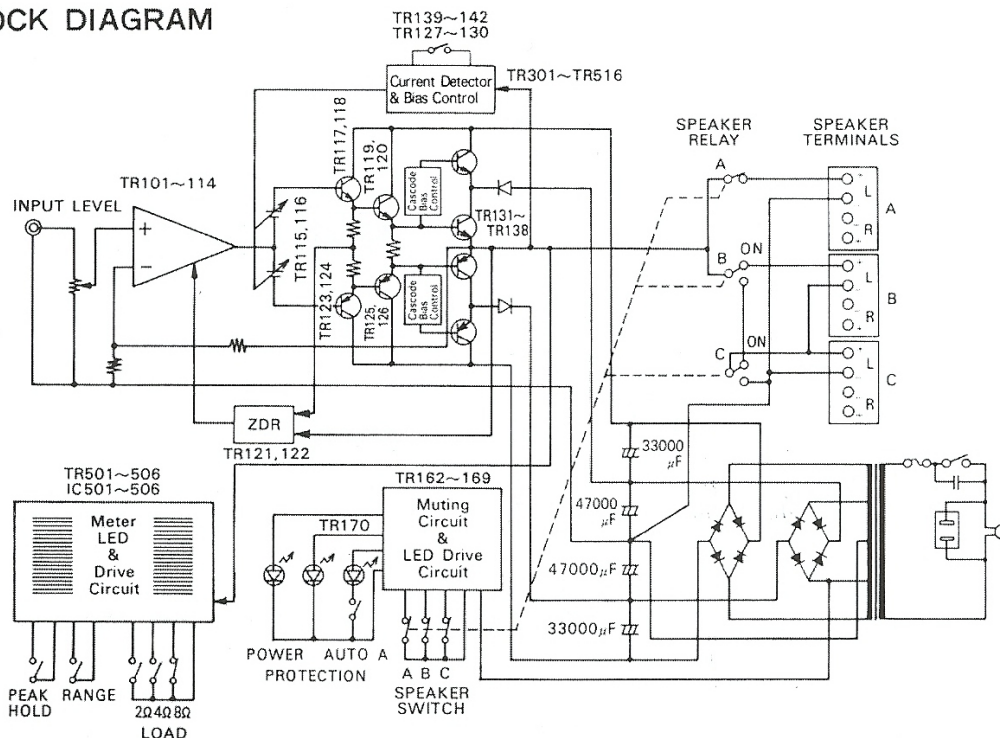
● Australian Model



● European Model



## BLOCK DIAGRAM



## SPECIFICATIONS

Continuous Power Per Channel

20Hz~20KHz

(0.003% THD 8Ω).....250W

(class A 30W)

(0.007% THD 6Ω).....290W

(0.02% THD 4Ω).....330W(U.C), 340W(R.A.E)

Dynamic Power

1KHz 8Ω/6Ω/4Ω/2Ω.....380W/480W/640W/850W

DIN Standard Output Power Per Channel

1KHz 1%/10% THD 4Ω.....450W/500W

IEC Power

0.01% 1KHz 8Ω/6Ω/4Ω.....265W/350W/440W

Total Harmonic Distortion

Main in to Sp out 125W/8Ω.....0.002%

Power Band Width

0.03% THD 125W(8Ω).....10Hz~100KHz

Damping Factor

Speaker A 1KHz 8Ω.....250

Input Sensitivity/Impedance

1.55V/20kΩ

Frequency Response

20Hz~20KHz.....+0, -0.1dB

Intermodulation Distortion

8Ω.....0.003%

Signal to Noise Ratio (IHF-A-Network)

(Shorted /5.1kΩ).....127dB/119dB

Residual Noise (IHF-A-Network).....16µV

Channel Separation (Input Shorted)

40Hz.....106dB

1 KHz.....89dB

10KHz.....76dB

Power Supply

AC120V·60Hz(U.C)

AC110/120V, 220/240V·50/60Hz(R)

AC220/240V·50Hz(E)

AC240V·50Hz(A)

Power Consumption

600W(U), 1100W·1300VA(C), 850W(R),

1700W(A.E)

AC Output (R.U.C)

200W max

Dimensions

(W×H×D).....435×165×425mm(7-1/8"×6-1/2"×16-3/4")

Weight

23k (50lbs·10oz)

Specifications subject to change without notice

U : USA Model

C : Canadian Model

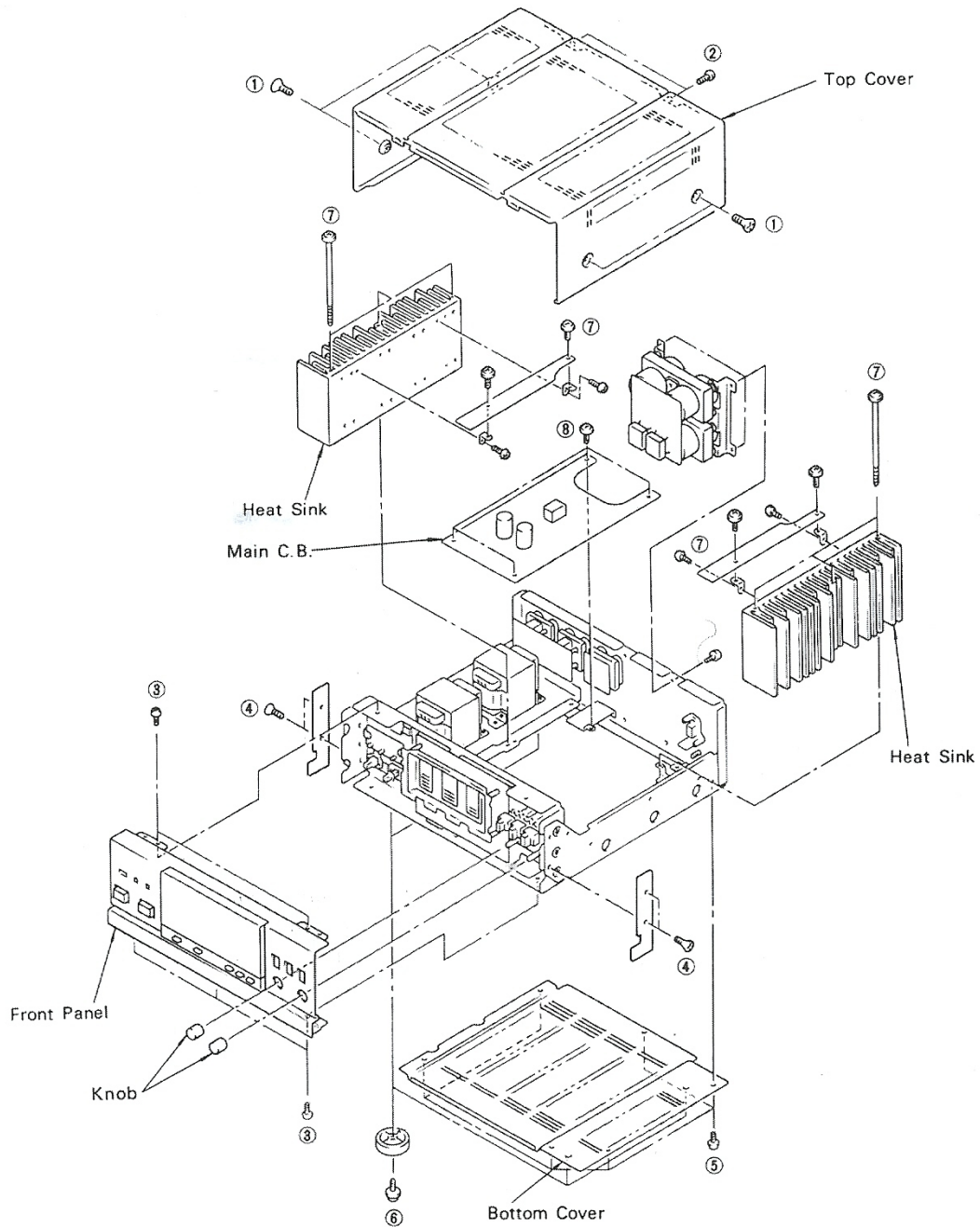
R : General Model

A : Australian Model

E : European Model



## DISASSEMBLY PROCEDURE

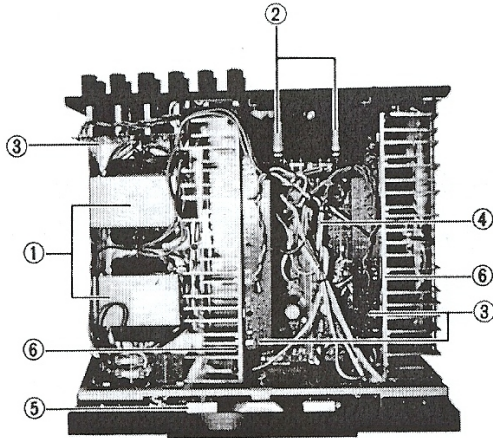


Remove parts in the following order.

1. Remove the top cover by removing screws ① (×4) and screws ② (×2).
2. Remove the front panel by removing screws ③ (×5).
3. Remove the bottom cover by removing screws ⑤ (×6) and screws ⑥ (×4).
4. Remove the heat sink by removing screws ⑦ (×6).
5. Remove the main circuit board by removing screws ⑧ (×4).



INTERNAL VIEW



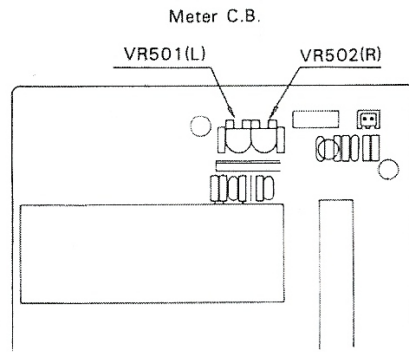
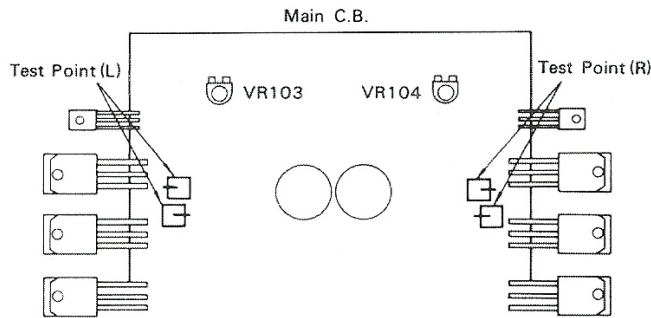
- ① Power Transformer
- ② Electrolytic Cap
- ③ Power Supply P.C.B.
- ④ Main P.C.B.
- ⑤ Meter P.C.B.
- ⑥ Heat Sink

ADJUSTMENTS

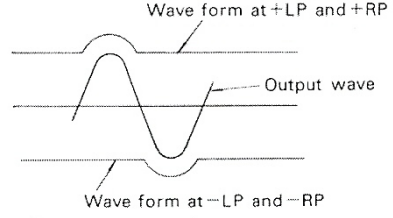
Before Adjustments

- Wait 2 minutes after power-on to stabilize amplifier operation without signal.
- Make sure that the main volume is minimum and set Auto-A switch to OFF.

Step	Adjustments	Location	Test Equipment	Test point	Value
1	Idling adjustment	VR103(L-ch.) VR104(R-ch.)	D.C. V-meter Digital tester	Across emitter resistor(0.22Ω) of power transistor. R153,R155(L-ch.) R154,R156(R-ch.)	10.0±1mV
2	Auto-A operation confirmation	Check that the voltage at each test point stated above increases when Auto-A switch is turned on.			130±13mV
3	Meter Level adjustment	VR501(L-ch.) VR502(R-ch.)	(1) Set the load level of the meter at 2Ω position. (2) Adjust VR501 and VR502 so that 0dB of the meter lights up when the output is f=1KHz and V=34.5V with NO LOAD.		



- Confirmation of the voltage switching operation.  
 Terminals output :  $f=1\text{KHz}$   $100\text{W}$  (load is  $8\Omega$ ).  
 Check that the wave form at  $\pm\text{LP}$  and  $\pm\text{RP}$   
 terminals changes as shown right.



A

B

C

D

■ PRINTED CIRCUIT BOARD PATTERN SIDE ~ METER CIRCUIT BOARD

1

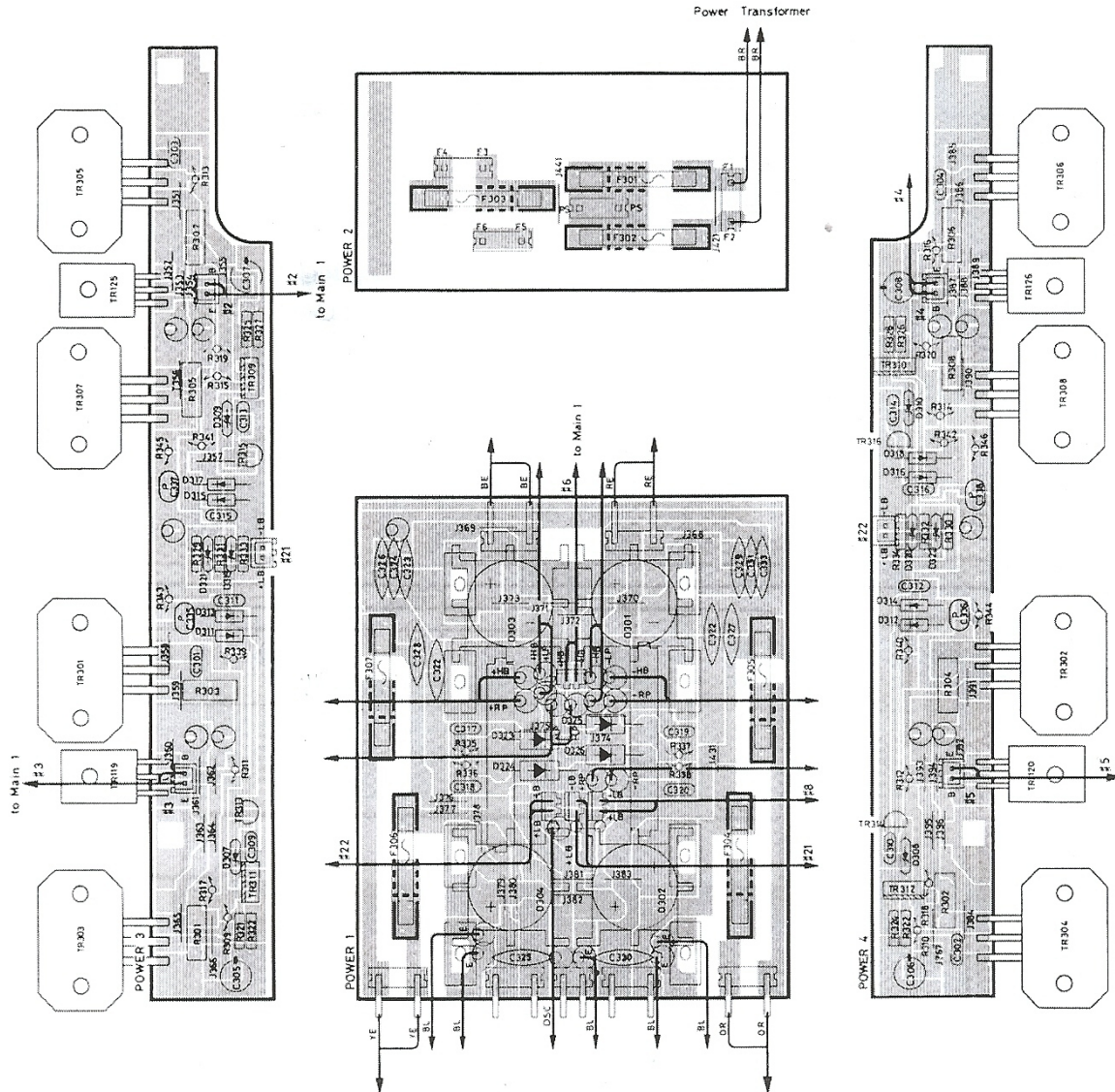
2

3

4

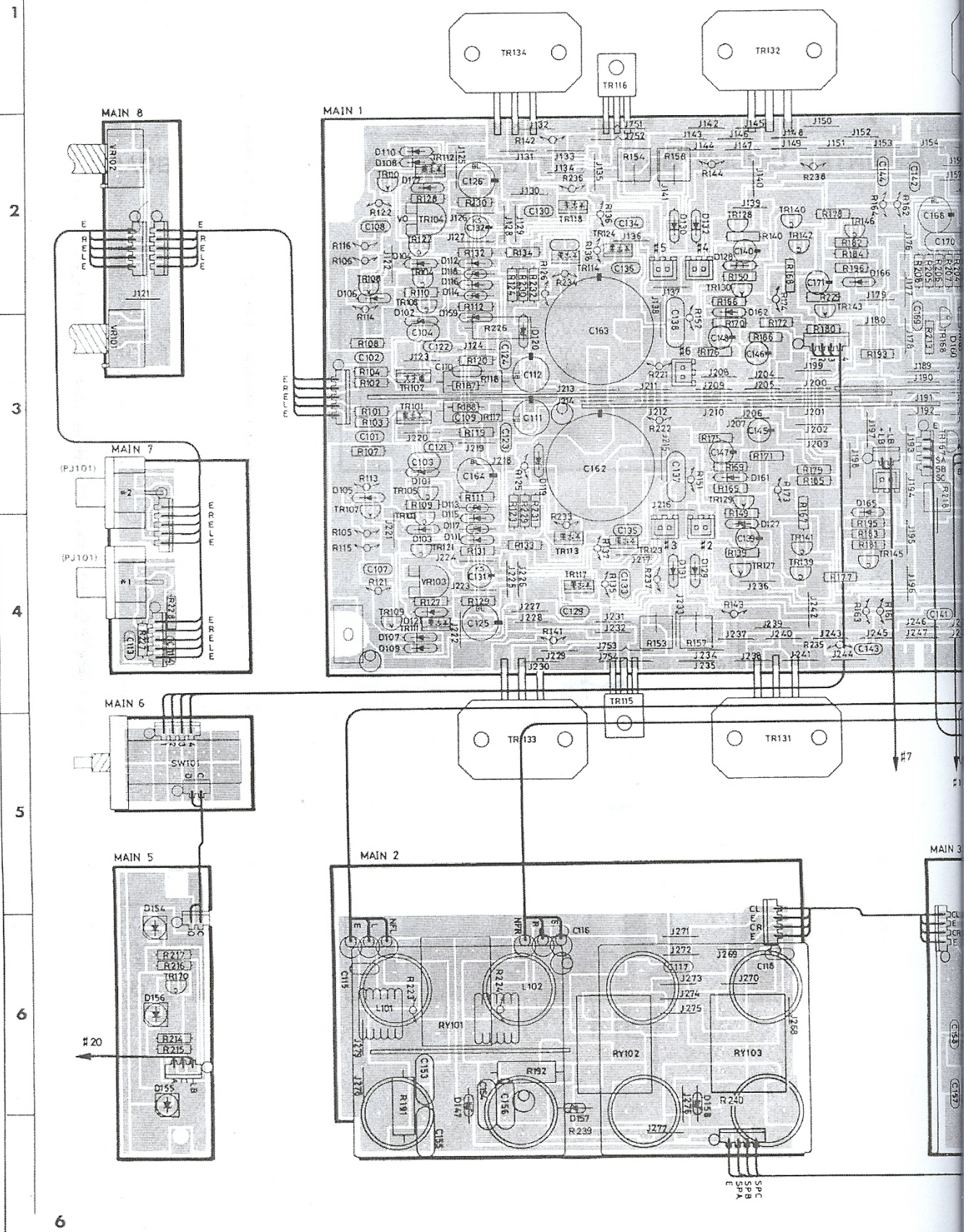
5

6





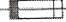
PRINTED CIRCUIT BOARD PATTERN SIDE ~ MAIN CIRCUIT BOARD/METER

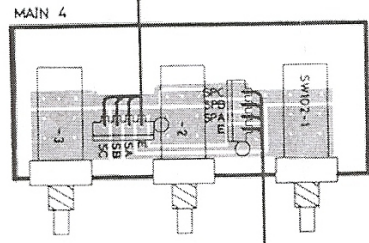
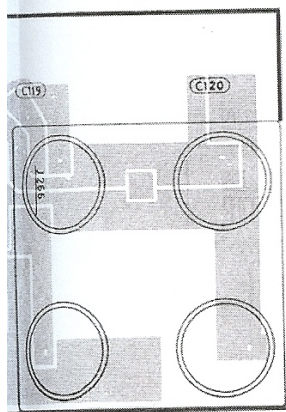
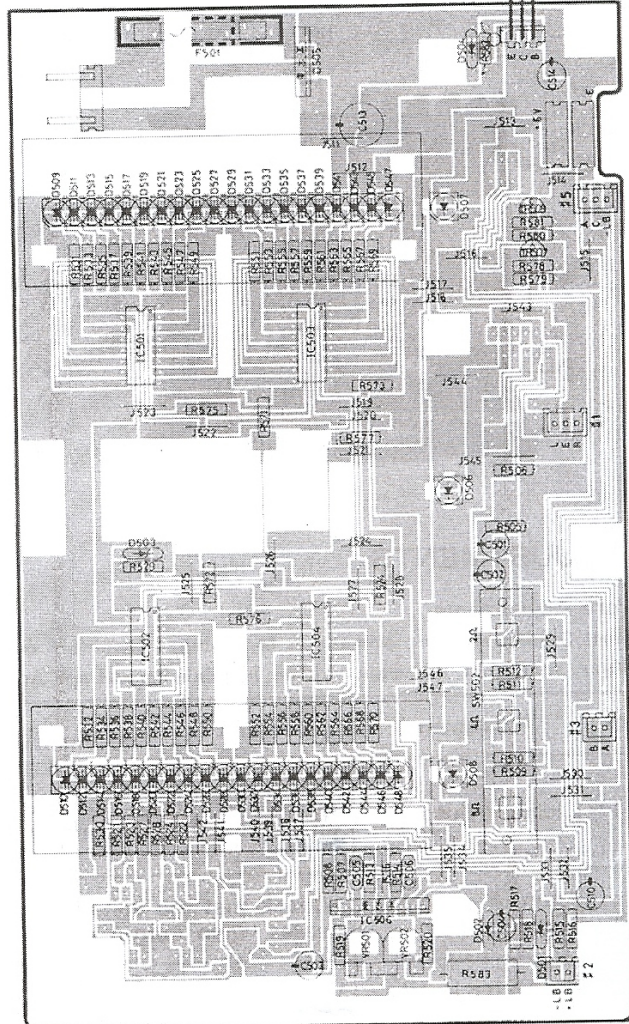
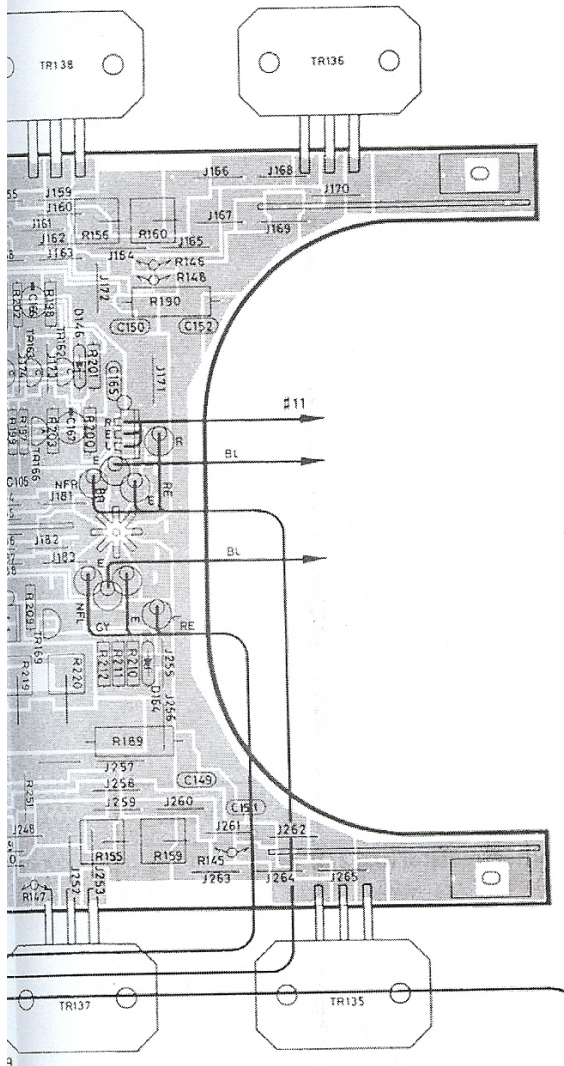


1  
2  
3  
4  
5  
6  
6



CIRCUIT BOARD

Symbols  on the Meter pcb. indicate FAST OPERATING FUSE. Replace with same type fuse when servicing.

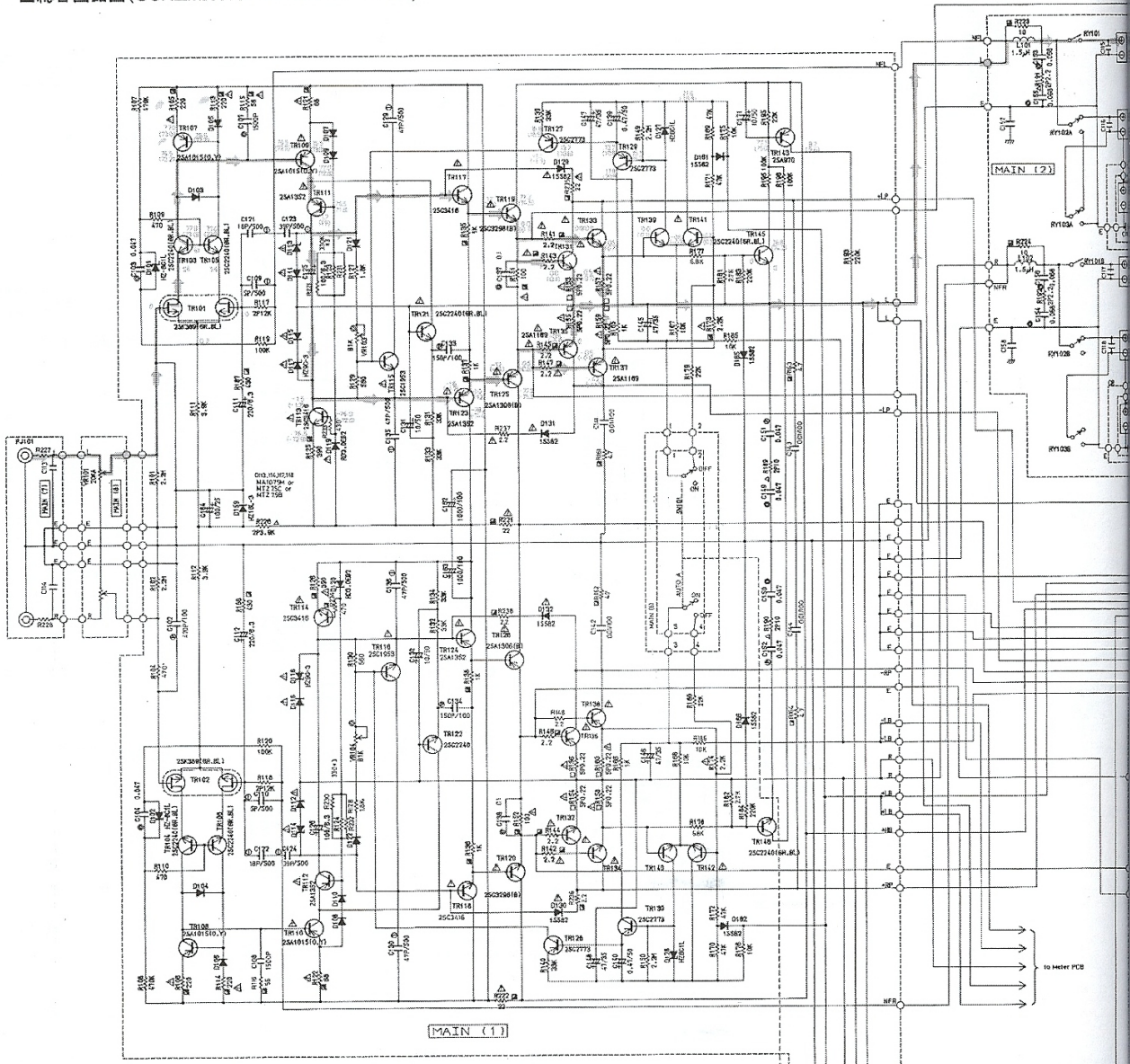


	R,U,A,C	E
* 1		PJ101
* 2	RJ101	



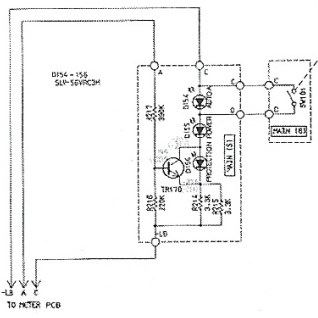
■ 総合回路図 (SCHEMATIC DIAGRAM ~ MAIN)

A  
B  
C  
H

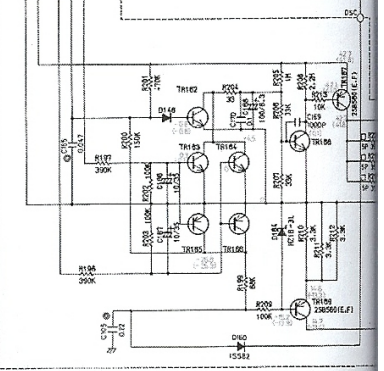


Auto A ON/OFF  
SP SW ON/OFF

2SA970 2SA1015 2SA1127 2SB1815 2SC2240 2SC2634	2SC2581 2SA1265 2SC3182	2SA1115 2SC2603	2SA1308 2SC3298 2SB1275
2SA1145 2SC2705	2SB550	2SC1953 2SC3298	2SK389
1S1655 1S1195 1S2470 1SS82 H2-001H H216-3K H222-2 H03-0E02 ANODE 300F1 R44Z	SLV-31VC5	D5FB20	
CATHODE			



■ WARNING  
Components having special characteristics are Marked  $\Delta$  and must be replaced with parts having specifications equal to those originally installed.  
• All voltage are measured with a 10M $\Omega$  /V DC electric volt meter.  
• Schematic diagram is subject to change without notice.

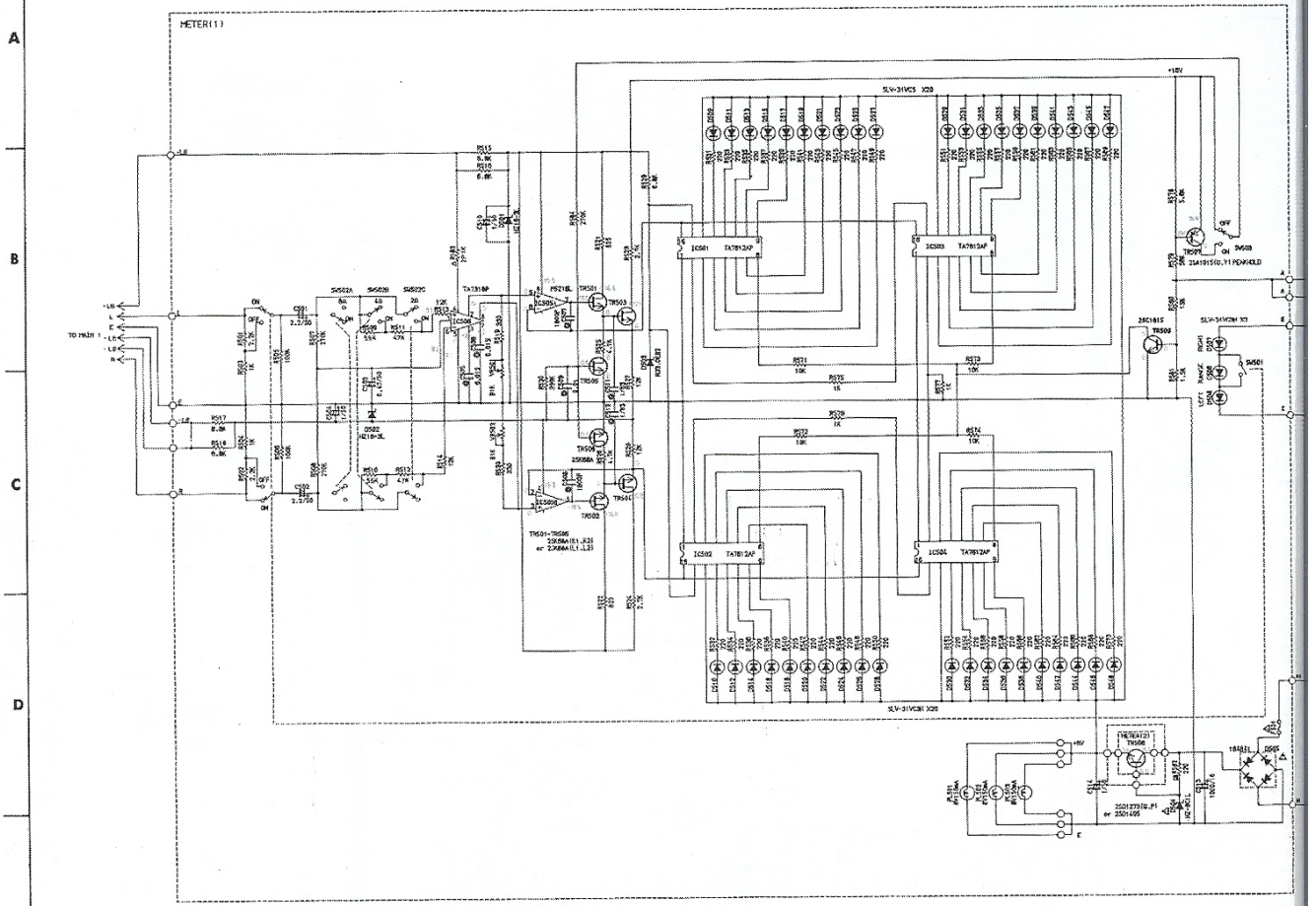




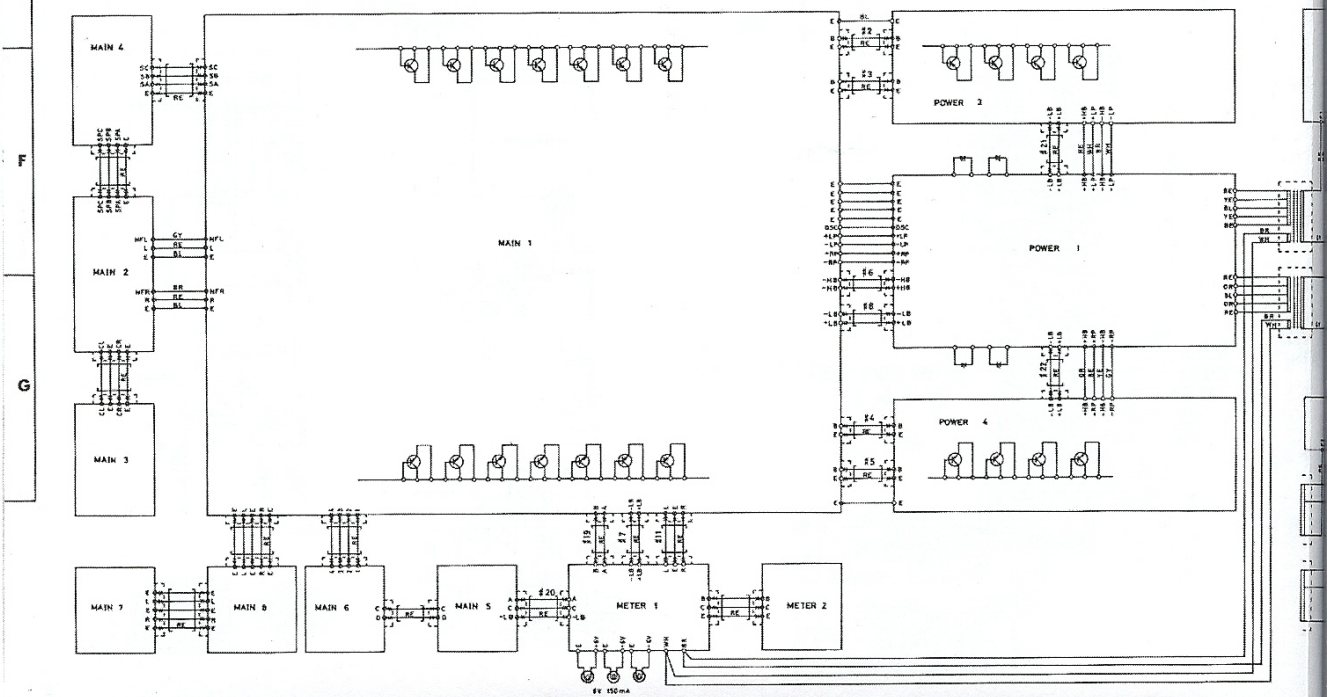


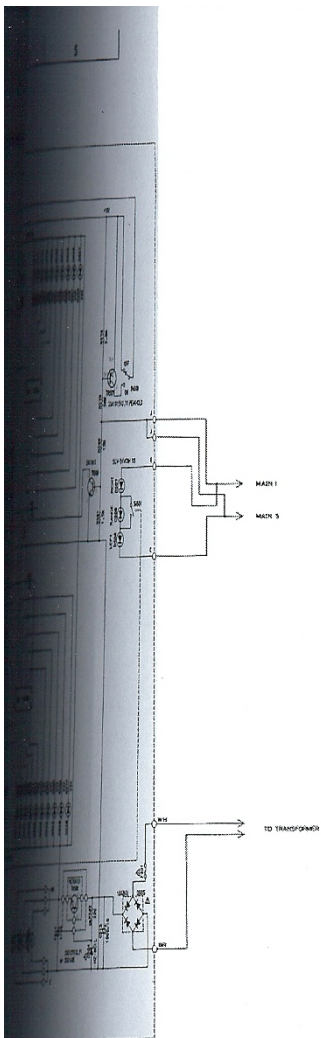


■総合回路図(SCHEMATIC DIAGRAM~METER)




■結線図(WIRING DIAGRAM)



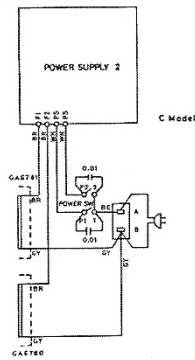
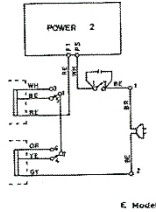
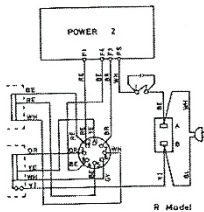
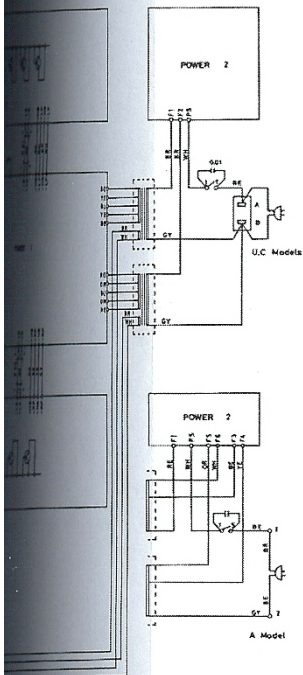


	F.U.C	A.E
FUSE	1-AG25V	T2,9AG25V

Symbols  on the Meter pcb. indicate FAST OPERATING FUSE. Replace with same type fuse when servicing.

WIRE COLOR ABBREVIATIONS

- RE : RED
- WH : WHITE
- BE : BLUE
- BR : BROWN
- BL : BLACK
- YE : YELLOW
- OR : ORANGE
- GY : GRAY
- GE : GREEN
- VI : VIOLET





■WARNING

Components having special characteristics are marked  $\Delta$  and must be replaced with parts having specifications equal to those originally installed.

●Carbon resistors of this amplifier are 1/4W.  
There is no description about them in this parts list.  
Use the "Part No." HJ35○○○○ or equivalent.

■PARTS LIST~ELECTRICITY

Ref. No.	Part No.	Description	部 品 名	Remarks	Common Model	Markets	ランク
※	NA 08 46 10	Main Circuit Board	メ イ ン シ ー ト			U,R,A,C	
※	NA 08 49 50	"	"			E	
	UT 45 41 00	Polipropylene Film Cap	ポ リ プ ロ コ ン	C157,158		E	
	FC 36 31 00	Mylar Cap	マ イ ラ ー コ ン	C169			
	FC 36 31 50	"	"	C107,108			
	FC 36 44 70	"	"	C149~152,165			
	FA 15 46 80	"	"	C153~156			
	UT 45 23 90	Polipropylene Film Cap	ポ リ プ ロ コ ン	C113,114		E	
※	UT 45 21 50	"	"	C133,134			
	UT 45 24 70	"	"	C101,102			
	UT 45 41 00	"	"	C141~144			
	UT 46 32 70	"	"	C115~120		E	
	FU 35 05 00	FE Mica Cap	F E マ イ カ コ ン	C109,110			
	FU 35 14 70	"	"	C129,130,135,136			
	FU 35 11 80	"	"	C121,122			
	FU 35 13 90	"	"	C123,124			
	UA 25 52 20	Mylar Capacitor	マ イ ラ ー コ ン	C105			
	FZ 00 54 10	Electrolytic Cap	ケ ミ コ ン	C125,126,168			
※	FZ 00 61 30	"	"	C111,112			
※	FZ 00 61 40	"	"	C164			
	FZ 00 55 80	Mylar Cap	銅リードマイラーコン	C103,104			
	FZ 00 49 40	"	"	C137,138,170			
	UW 96 71 00	Electrolytic Cap	ケ ミ コ ン	C171			
	UW 95 71 00	"	"	C166,167			
	UW 95 74 70	"	"	C145~148			
	UW 96 54 70	"	"	C139,140			
	UM 07 71 00	"	"	C131,132			
※	FZ 00 59 70	"	"	C162,163			
	GD 90 03 70	Coil	コ イ ル	L101,102			
	HL 32 71 20	Metal Oxide Resistor	酸 金 抵 抗	R117,118			
	HL 32 32 20	"	"	R191,192			
	HL 32 41 00	"	"	R189,190			
※	HL 32 63 90	"	"	R226			
	HU 57 54 30	Metal Film Resistor	金 属 被 膜 抵 抗	R187,188			
	HM 55 53 90	Cement Moulded Resistor	セメントテイクウ	R218~220			
	HZ 00 44 70	"	"	R153~160			$\Delta$
	HV 45 62 70	Flame Proof Resistor	不 燃 化 カ ー ボ ン	R181,182			$\Delta$
	HV 45 32 20	"	"	R141~148,235~238			$\Delta$
	HV 45 34 70	"	"	R161~164			
	HV 45 41 00	"	"	R223,224			
	HV 45 42 20	"	"	R221,222			$\Delta$
	HV 45 45 60	"	"	R115,116			
	HV 45 46 80	"	"	R121,122			$\Delta$
	HV 45 51 00	"	"	R151,152			
	HV 45 52 20	"	"	R105,106,113,114			$\Delta$
	HV 45 53 30	"	"	R125,126			
	HV 45 54 70	"	"	R233,234			
	HV 45 61 00	"	"	R135~138			
	HV 45 62 20	"	"	R173,174			$\Delta$
	HV 45 66 80	"	"	R177,178			

※New Parts (新規部品)



Ref. No.	Part No.	Description	部 品 名	Remarks	Common Model	Markets	ランク
※	HS 41 23 50	VR	20KA	V R 16 型	VR101,102		
	HT 37 00 10	Semi Variable Resistor	B1kΩ EVN-52J	半 固 定 V R	VR103,104	} Interchangeable	
	HT 77 00 30	"	B1kΩ KVSF8-7PNFX	"	"		
	iA 09 70 00	Transistor	2SA970 GR,BL	ト ラ ン ジ ス タ	TR143		
	iA 10 15 70	"	2SA1015 φ,Y	"	TR107~110		△
	iA 11 15 10	"	2SA1115 E,F	"	TR127~130, 165,166	} Interchangeable	
	iA 11 27 00	"	2SA1127 R,S,T	"	"		
	iA 13 52 00	"	2SA1352	"	TR111,112,123,124		△
	iB 05 60 00	"	2SA560 E,F	"	TR167,169		
	iC 22 40 00	"	2SC2240 GR,BL	"	TR103~106,121, 122,145,146	} Interchangeable	
	iC 26 03 10	"	2SC2603 E,F	"	TR139~142, 162~164,168,170		
	iC 26 34 00	"	2SC2634 R,S,T	"	"		△
※	iC 34 16 00	"	2SC3416	"	TR113,114,117,118		△
	iE 10 45 00	Dual FET	2SK389 GR,BL	デュアル F E T	TR101,102		
	iF 00 00 40	Diode	1S1555	ダ イ オ ード	D103~112,115, 116,121,122,146	} Interchangeable	
	iF 00 06 70	"	1S2473	"	"		
	iF 00 14 00	"	1SS82	"	D129~132,161, 162,165,166,160		
	iF 00 15 10	Zener Diode	HZ-6C1L	ツェナーダイオード	D101,102,127,128		
	iF 00 18 40	"	RD3,0EB2	"	D119,120		
	iF 00 20 80	"	HZ16-3L	"	D159,164		△
	iF 00 19 40	"	HZ24-2	"	D147,157,158		
	iF 00 44 40	LED (Red)	SLV-56URC3H	L E D (赤)フック付き	D154~156		
	iF 00 64 70	Zener Diode	MTZ7.5B	ツェナーダイオード	D113,114,117,118	} ②	
	iF 00 68 20	"	MA1075-M	"	"		① Interchangeable
※	iF 00 80 30	"	MTZ75C	"	"	①	
	KA 80 40 70	Push Switch	NS4-2	ブ ッ シ ュ S W	SW101		
※	KA 80 46 60	"	SUN2-2 3連	"	SW102		
※	KC 00 14 10	Relay	DC24V JC2a	リレー(マグネット付き)	RY101		
※	KC 00 19 20	"	DC24V MS4U	"	RY102,103		
	LB 20 19 50	Pin Jack 2P	金メッキ	2 P ピンジャック	PJ101		
	BB 07 04 10	Bus BAR	L=55				
	BB 07 04 20	"	L=100				
	BB 07 04 30	"	L=145				
	BB 06 83 70	Earth Metal					
※	LA 00 53 20	SP Terminal		S P タ ー ミ ナ ル			
※	LA 00 53 40	"	4P	"			R,U,A,C
※	LA 00 53 70	"	4P	"			E
※	NA 08 44 90	Meter Circuit Board		メ ー タ ー シ ー ト			U,R,C
※	NA 08 45 00	"		"			A,E
	UA 25 31 80	Mylar Cap	1800P 50V	マ イ ラ ー コ ン	C507,508		
	UA 25 41 00	"	0.01μ50V	"	C509		

※New Parts (新規部品)

Ref. No.	Part No.	Description	部 品 名	Remarks	Common Model	Markets	ランク
	UA 25 41 50	Mylar Cap	0.015 $\mu$ 50V	マイラーコン	C505,506		
	UA 75 61 00	"	1 $\mu$ 63V	"	C5511,512		
	UJ 13 91 00	Electrolytic Cap	1000 $\mu$ F 16V	ケミコン	C513		
	UW 96 54 70	"	0.47 $\mu$ F 50V	"	C503		
	UW 96 61 00	"	1 $\mu$ F 50V	"	C504,510,514		
	UW 96 62 20	"	2.2 $\mu$ F 50V	"	C501,502		
	HL 32 61 00	Metal Oxide Resistor	1k $\Omega$ 2P	酸金抵抗	R583		
	HT 37 00 10	Semi Variable Resistor	B1K	半固定VR	VR501,502	} Interchangeable	
	HT 77 00 30	"	"	"	"		
	HV 35 52 20	Flame Proof Resister		不燃化カーボン抵抗	R582		
	iA 10 15 70	Transistor	2SA1015 $\phi$ ,Y	トランジスタ	TR507		
	iC 18 15 00	"	2SC1815	"	TR509		
	iD 12 73 00	"	2SD1405 Q,P	"	TR508	} Interchangeable	
*	iD 14 05 00	"	2SD1405	"	"		
	iE 10 05 00	FET	2SK68A	F E T	TR501,502,505,506		
	iE 10 05 10	"	2SK68A K1,K2	"	TR503,504	} Interchangeable	
	iE 10 05 20	"	2SK68A L1,L2	"	"		
	iF 00 15 10	Zener Diode	HZ-6C1L	ツェナーダイオード	D504		△
	iF 00 18 40	"	RD3,0EB2	"	D503		
	iF 00 20 80	"	HZ16-3L	"	D501,502		
*	iF 00 77 10	LED	SLV-31VC5	L E D	D509~548		
*	iF 00 81 70	"	SLV-31VC3H	"	D506~508		
	iG 03 06 00	IC	TA7612AP	I C	IC501~504		
	iG 03 07 00	"	TA7318P	"	IC506		
	iG 05 82 00	"	M5218L	"	IC505		
	iH 00 08 10	Diode Bridge	1B4B41	ダイオードブリッジ	D505		△
*	KA 80 45 10	Push Switch	SF1201-4	ブッシュSW 4-2	SW501		
*	KA 80 45 20	"	SF1202-03	ブッシュSW	SW502		
*	KA 80 45 30	"	SF1201-2	ブッシュSW 2-2	SW503		
	KB 00 07 50	Fuse	T2.0A 250V	ヒューズ	F501	A,E	△
	KB 00 10 30	"	2.0A 250V	"	"	U,C,R	△
	LB 20 18 80	Fuse Holder Pin		ヒューズホルダーピン			
*	CB 63 05 40	LED Reflector		LEDリフレクター			
*	NA 08 45 80	Power Circuit Board		電源シート		E	
*	NA 08 45 70	"		"		U	
*	NA 08 45 90	"		"		R	
*	NA 08 46 00	"		"		A	
*	NA 08 48 80	"		"		C	

\*New Parts (新規部品)



Ref. No.	Part No.	Description	部 品 名	Remarks	Common Model	Markets	ランク
	FC 36 41 00	Mylar Cap	0.01 $\mu$ 50V	マイラコン	C301~304		
	FC 36 44 70	"	0.047 $\mu$ 50V	"	C317~320		
	FU 35 12 20	FE Mica Cap	22P 500V	F E マイカコン	C315,316		
	FZ 00 06 70	MM Ceramic Cap	0.047 $\mu$ 400V	M M コ ン	C324,325,330,331	R,U,A,C	
	FZ 00 06 70	"	"	"	C322,323,326~329,332,333	E	
	UT 45 21 00	Polipropylene Film Cap	100P 100V(J)	ポリプロコン	C311,312		
*	UT 45 21 50	"	150P 100V(J)	"	C309,310,313,314		
	UT 45 44 70	"	0.047 $\mu$ 100V(J)	"	C335~338		
	UJ 16 81 00	Electrolytic Cap	100 $\mu$ F 50V	ケ ミ コ ン	C305~308		
	HV 45 32 20	Frame Proof Resister	2.2 $\Omega$	不燃化カーボン抵抗	R309~316		
	HV 45 34 70	"	4.7 $\Omega$	"	R335~338,343~346		
	HV 45 44 70	"	47 $\Omega$	"	R317~320		
	HV 45 52 20	"	220 $\Omega$	"	R339~342		
	HZ 00 38 30	Metal Plate Resister	0.1 $\Omega$ 2P	金 属 板 抵 抗	R301~308		
	iA 11 45 00	Transister	2SA1145 $\phi$ ,Y	ト ラ ン ジ ス タ	TR313,314		
	iC 27 05 00	"	2SC2705 $\phi$ ,Y	"	TR315,316		
*	iA 13 06 50	"	2SA1306B	"	TR309,310		
*	iC 32 98 50	"	2SC3298B	"	TR311,312		
	iH 00 02 40	Diode	1S1885	ダ イ オ ード	D311~318		
	iF 00 72 10	Zener Diode	MA1240-M	ツェナーダイオード	D319~322	} Interchangeable	
	iF 00 19 40	"	HZ24-2	"	"		
	iF 00 23 50	"	HZ12-B2	"	D307,308,309,310		
	iH 00 09 60	Diode	30DF1	ダ イ オ ード	D323~326	} Interchangeable	
	iH 00 13 50	"	S3K20	"	"		
	iH 00 13 60	"	RP4Z(LF-J4)	"	"		
	iH 00 11 30	Diode Bridge	D5FB20	ダイオードブリッジ	D302,304		$\Delta$
	iH 00 11 30	"	"	"	D301,303	E,C	$\Delta$
	iH 00 08 70	"	4D4B41	"	"	R,U,A	$\Delta$
	KB 00 13 90	Fuse	250V 10A	ヒ ュ ー ズ	F301,302	R,U,C	$\Delta$
	KB 00 07 90	"	250V T4.0A	"	"	A,E	$\Delta$
	KB 00 14 90	"	250V 10A	"	F303	R	$\Delta$
	KB 00 17 60	"	250V T6.3A	"	F304~307	E	$\Delta$
	KB 00 15 20	"	125V 7A	"	"	U,C	$\Delta$
	LB 20 18 80	Fuse Holder Pin		ヒューズホルダーピン			
	BB 07 04 40	Bus Bar		バ ス バ ー			

\* New Parts (新規部品)



A

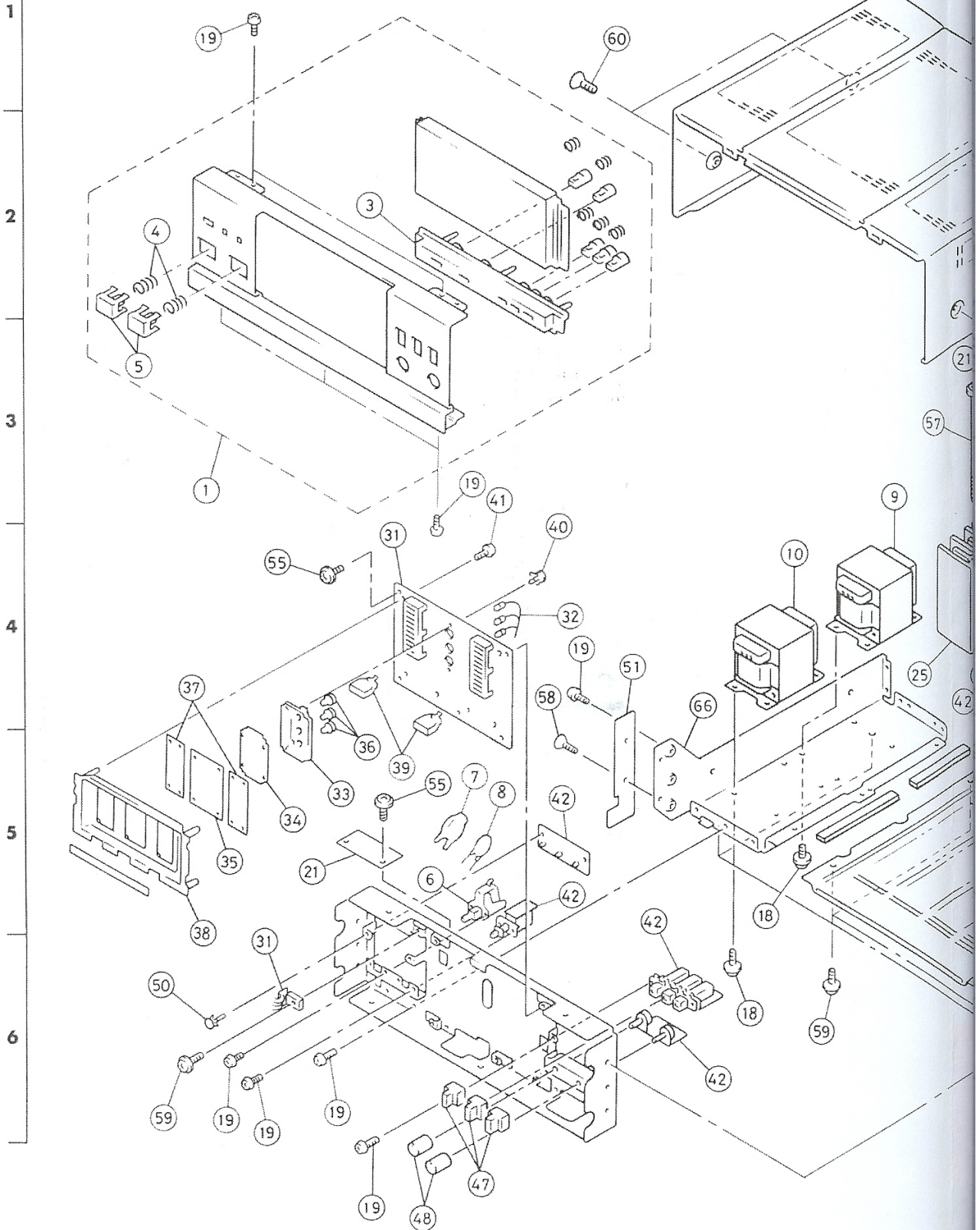
B

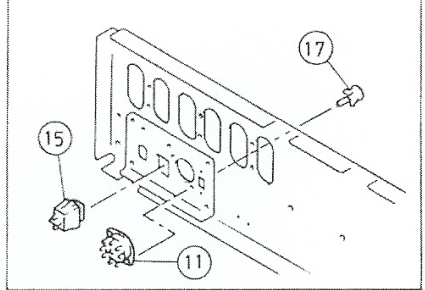
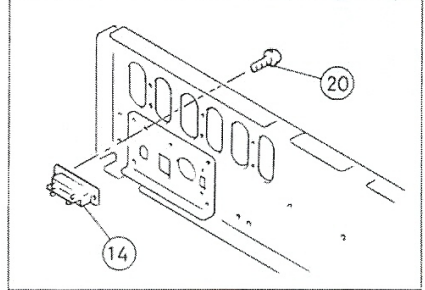
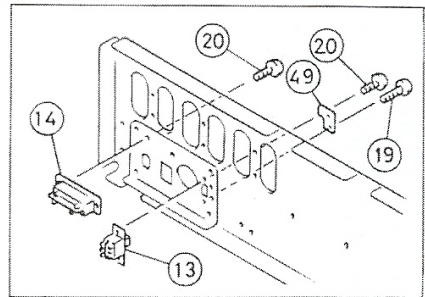
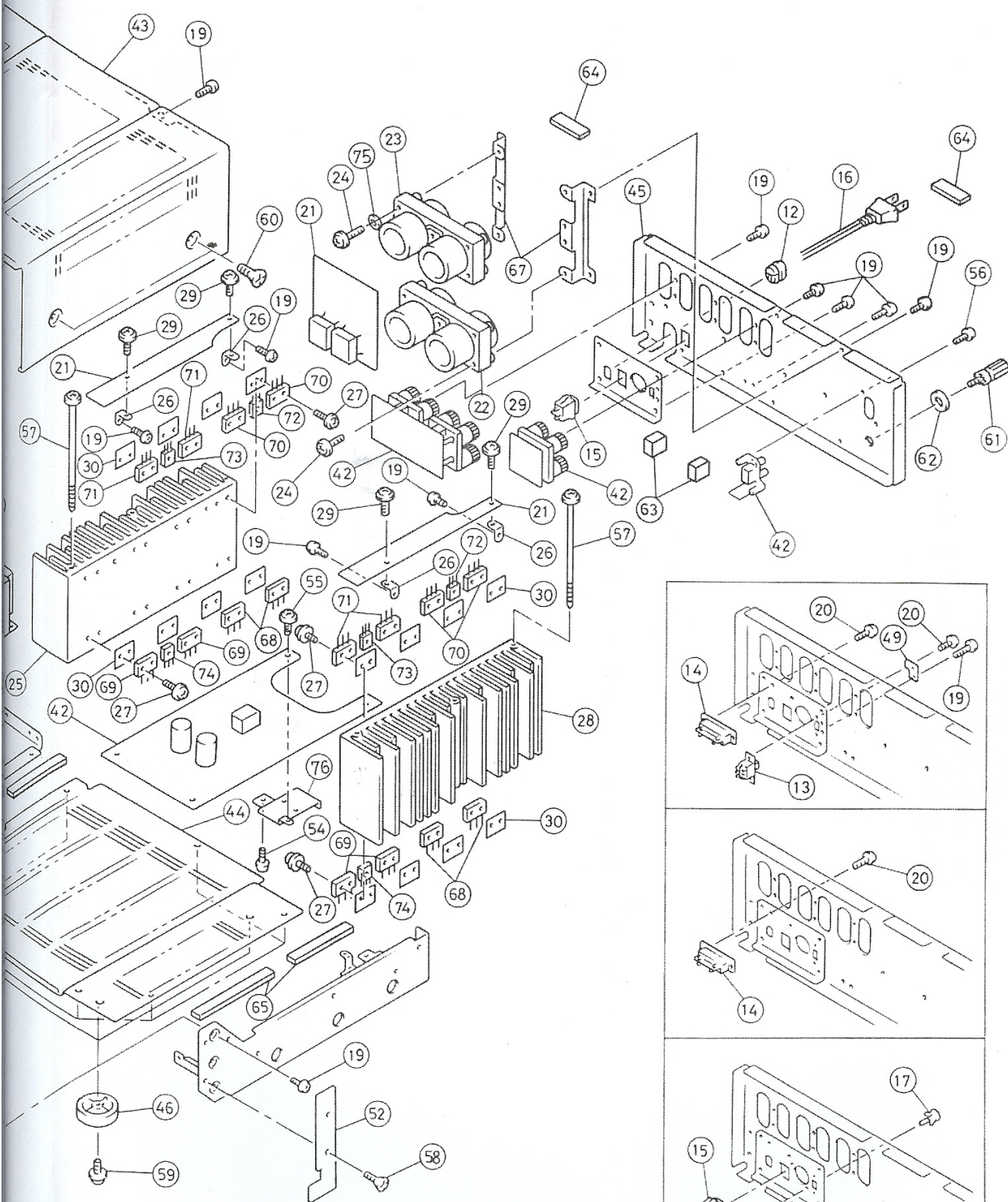
C

D

M-80

EXPLODE VIEW~MECHANISM CHASSIS UNIT(All over)







■PARTS LIST~MECHANISM CHASSIS UNIT(All over)

Ref. No.	Part No.	Description	部 品 名	Remarks	Common Model	Markets	ランク
* 1	NB 62.04 80	Panel Unit	パネルユニット				
* 3	NB 62.03 80	Sub Panel	サブパネル				
* 4	AA 62.20 80	Spring	スプリング				
* 5	CB 63.03 50	Push Button	プッシュボタン				
* 6	KA 80.25 50	Push Switch	プッシュスイッチ			R,U,A,E	
* "	KA 80.47 60	"	"			C	
* 7	CB 09.52 60	Cover	コンデンサカバー	丸形			
* 8	Fi 38.41 00	Ceramic Cap	セラコン				
* 9	GA 67.78 20	Power Transformer	電源トランス			U	△
* "	GA 67.80 20	"	"			C	△
* "	GA 67.82 10	"	"			A,E	△
* "	GA 67.86 20	"	"			R	△
* 10	GA 67.79 20	"	"			U	△
* "	GA 67.81 20	"	"			C	△
* "	GA 67.83 10	"	"			A,E	△
* "	GA 67.87 20	"	"			R	△
* 11	LB 20.14 80	Voltage Selector	電圧切換器				
* 12	CB 07.27 50	Cord Stopper	SR-4N-4	コードストッパー		U,E,C	
* "	CB 62.01 90	"	CM-22B	"		R,A	
* 13	KA 40.13 30	Slide Switch	SS-12	スライドスイッチ	Voltage Selector	E	
* 14	LA 00.29 50	2P Relay Terminal	MA0092A	2P中継端子台		A,E	
* 15	LB 20.18 10	AC Outlet	S-i6498	ACアウトレット	単連	R,U,C	△
* 16	MG 00.09 10	Power Cord	2m 6A 250V	電源コード		E	△
* "	MG 00.09 20	"	2.5m 7.5A 250V	"		A	△
* "	MG 00.14 90	"	"	"	Inter changeable	A	△
* "	MG 00.13 60	"	2m 13A 125V	"		U,C	△
* "	MG 00.16 30	"	2m 6A 250V	"		R	△
* 17	CB 06.88 80	Plastic Rivet		プラスチックリベット		R	
* 18	AA 60.38 50	Fixing Screw		段付きネジ			
* 19	ED 33.00 86	Binding Head Screw	3×8 FCM3-B $\phi$	鉄ボンディングネジ	Bタイト		
* 20	ED 33.00 66	"	3×6 FCM3-B $\phi$	鉄バインド小ネジ		A,E	
* 21	NA 08.45 70	Power Circuit Board		電源シート		U	
* "	NA 08.45 80	"		"		E	
* "	NA 08.45 90	"		"		R	
* "	NA 08.46 00	"		"		A	
* "	NA 08.48 80	"		"		C	
* 22	FZ 00.60 10	Electrolytic Cap Set	47000 $\mu$ F/45V	ケミコンセット	C345,346		
* 23	FZ 00.60 20	"	33000 $\mu$ F/56V	"	C343,344		
* 24	Ei 33.02 06	Binding Head Screw	3×20 FCM3-B $\phi$	バインドタッピングネジ	Bタイト		
* 25	BA 09.02 40	Heat Sink		放熱板	Left	A,E,R	
* 28	BA 09.00 40	"		"	Right	A,E,R	
* 25	BA 09.05 80	"		"	Left	U,C	
* 28	BA 09.05 90	"		"	Right	U,C	
* 26	AA 62.20 60	Stay	TRPCB	ステー			
* 27	EZ 00.13 50	Cup Screw	$\phi$ 8 3×14 FCM3-B $\phi$	鉄カップスクリュー	Bタイト		
* 29	EK 33.60 10	BW Head Screw	3×8 FCM3-B $\phi$	鉄BWヘッドタッピングネジ			
* 30	iL 00.06 00	Mica Base	MT-200	マイカベース			
* 31	NA 08.44 90	Meter Circuit Board		メーターシート		R,U,C	
* "	NA 08.45 00	"		"		A,E	
* 32	JB 00.11 00	Pilot Lamp	BV 150mA	パイロットランプ			
* 33	CB 63.05 30	Lamp Reflector		ランプリフレクター			
* 34	CB 63.05 50	Diffusing Plate		ディフュージングプレート			

\*New Parts (新規部品)

Ref. No.	Part No.	Description	部 品 名	Remarks	Common Model	Markets	ランク
※	35	CB 63:03 20	Meter Sheet	メーターシート			
※	36	CB 63:07 50	Lamp Cap	ランプキャップ			
※	37	CB 63:03 40	Diffusing Film	ディフュージングフィルム			
※	38	CB 63:02 90	Meter COver	メーターカバー			
※	39	CB 63:03 90	Reflector	リフレクター			
	40	CB:06:88 80	Plastic Rivet	プラスチックリベット			
	41	ED 33:01 06	Binding Head Screw	3×10 FCM3-B $\epsilon$	鉄バインドネジ	Pタイト	
※	42	NA 08:46 10	Main Circuit Board	メインシート		R,U,A,C	
※	"	NA 08:49 50	"	"			
※	43	AA 62:19 80	Top Cover	トップカバー			
※	44	AA 62:20 30	Bottom Cover	ボトムカバー			
※	45	AA 62:22 90	Rear Panel	リヤパネル		R	
※	"	AA 62:23 00	"	"		U,C	
※	"	AA 62:23 10	"	"		A	
※	"	AA 62:23 20	"	"		E	
※	46	NB:62:03 20	Leg Ass'y	脚			
※	47	NB 62:04 60	Button Ass'y	ボタンASS'Y			
	48	BA 08:58 70	Knob	ツマミ			
	49	CB 60:14 40	VS Stopper	V S ストッパー		E	
	50	CB:06:88 80	Plastic Rivet	プラスチックリベット			
※	51	CB 63:03 70	Side Plate	サイドプレート	Left		
※	52	CB 63:03 80	"	"	Right		
	55	EK 36:50 80	BW Head Screw	3×8 FCM3-B $\epsilon$	BWヘッドタッピンネジ		
	57	EX 60:00 30	"	4×132 FCM3-B $\epsilon$	BWヘッド小ネジ	トガリ先	
	58	EB 04:01 06	Flat Head Screw	4×10 FCM3-Bm $\epsilon$	皿ネジ	Sタイト	
	59	EK 33:00 30	BW Head Screw	3×10 FCM3-B $\epsilon$	BWヘッドタッピンネジ		
	60	AX 60:01 50	Screw	4×8 FCM3-B $\epsilon$	化粧ネジ	Sタイト	
	61	EZ 00:14 00	Ground Terminal Screw	3×13.5 MFNI-V	アース端子ネジ		
	62	EV 90:13 60	Flat Washer Sems Type	$\phi$ 10 $\phi$ 3.6 t0.8 FNH3	鉄セムス平座金		
	76	AA 62:20 40	Stay Heat Sink	ヒートシンクステー			
	63	CB 63:07 60	Dumper (M)	ダンパー			
	64	CB 60:13 40	Spacer	スペーサー			
	65	CB 63:07 80	Dumper	ダンパー			
		CB 62:20 60	Anti-Vibration Tape	ボウシんテープ			
	66	AA 62:33 30	Side Frame (L)	サイドフレーム (L)			
	67	AA 62:20 70	Stay, Electrolytic Cap	ケミコンステー			
※	68	iA 11:69 00	Transistor	2SA1169	トランジスタ	TR135~138	△
※	69	iC 27:73 00	"	2SC2773	"	TR131~134	△
※	70	iX 60:32 60	"	2SA1216	"	TR305~308	△
※	71	iX 60:32 70	"	2SC2922	"	TR301~304	△
※	70	iA 11:69 00	"	2SA1169	"	TR305~308	△
※	71	iC 27:73 00	"	2SC2773	"	TR301~304	△
	72	iA 13:06 50	"	2SA1306B	"	TR125,126	△
	73	iC 32:98 50	"	2SC3298B	"	TR119,120	△
	74	iC 19:53 50	"	2SC1953	"	TR115,116	△
	75	EV 20:20 36	WASHER	ワッシャー			

※New Parts (新規部品)