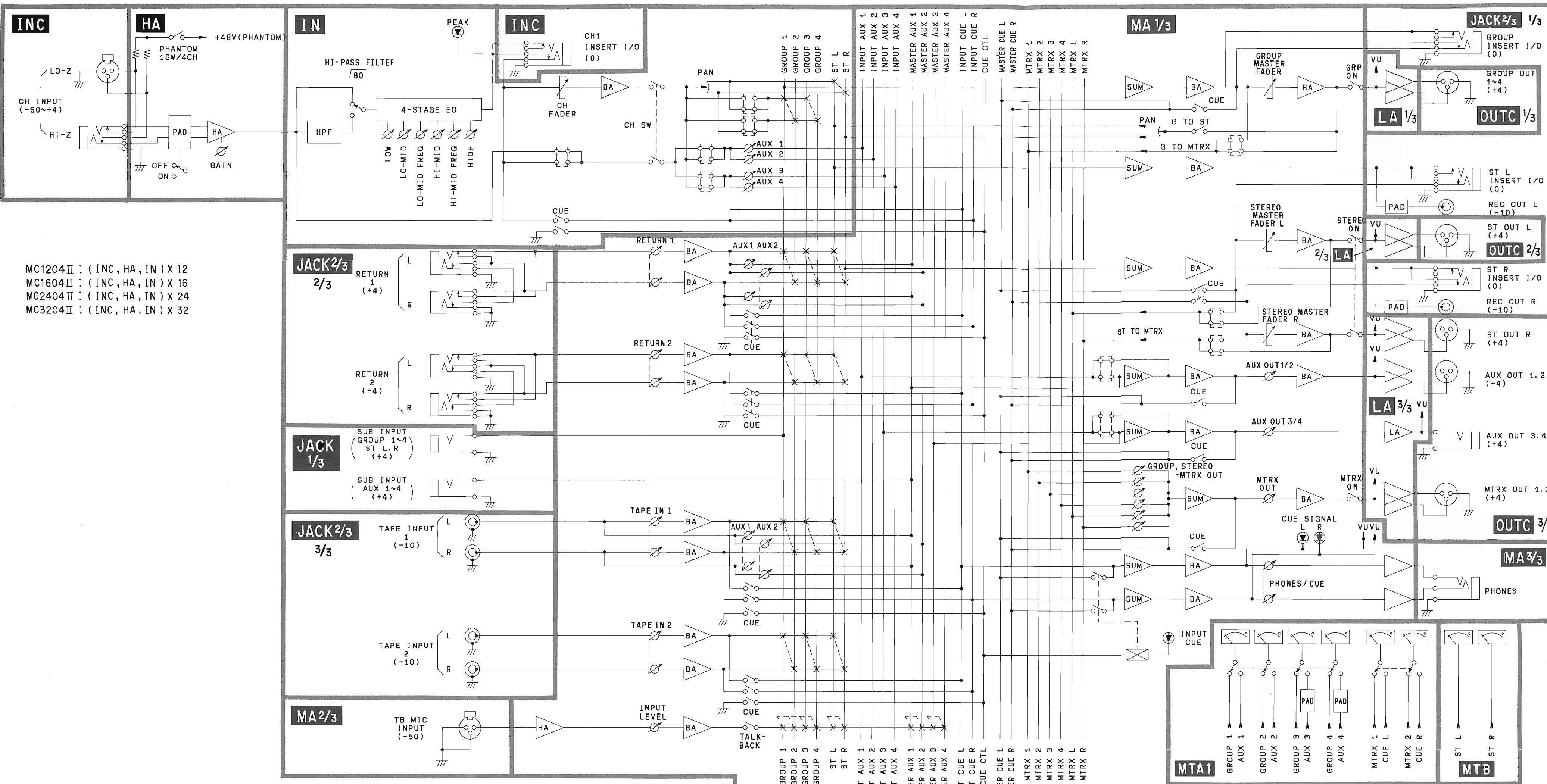
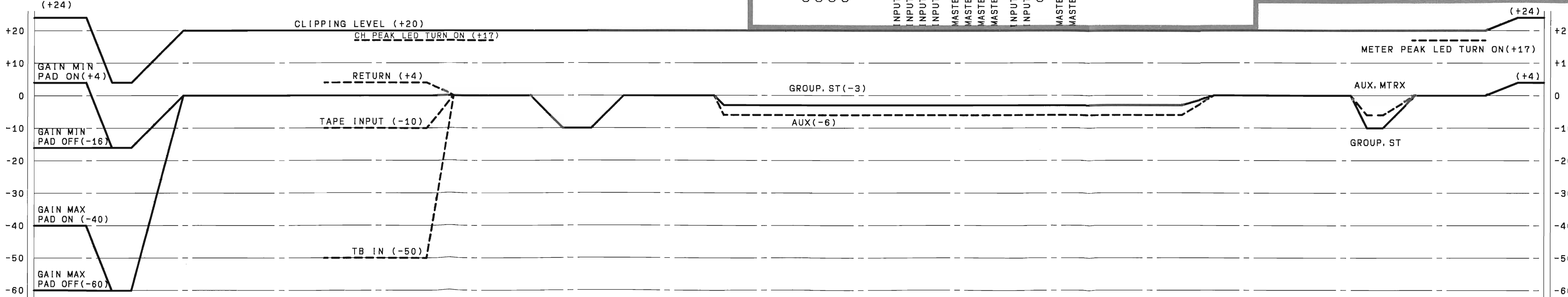


**BLOCK DIAGRAM**

MC1204 II / MC1604 II  
MC2404 II / MC3204 II



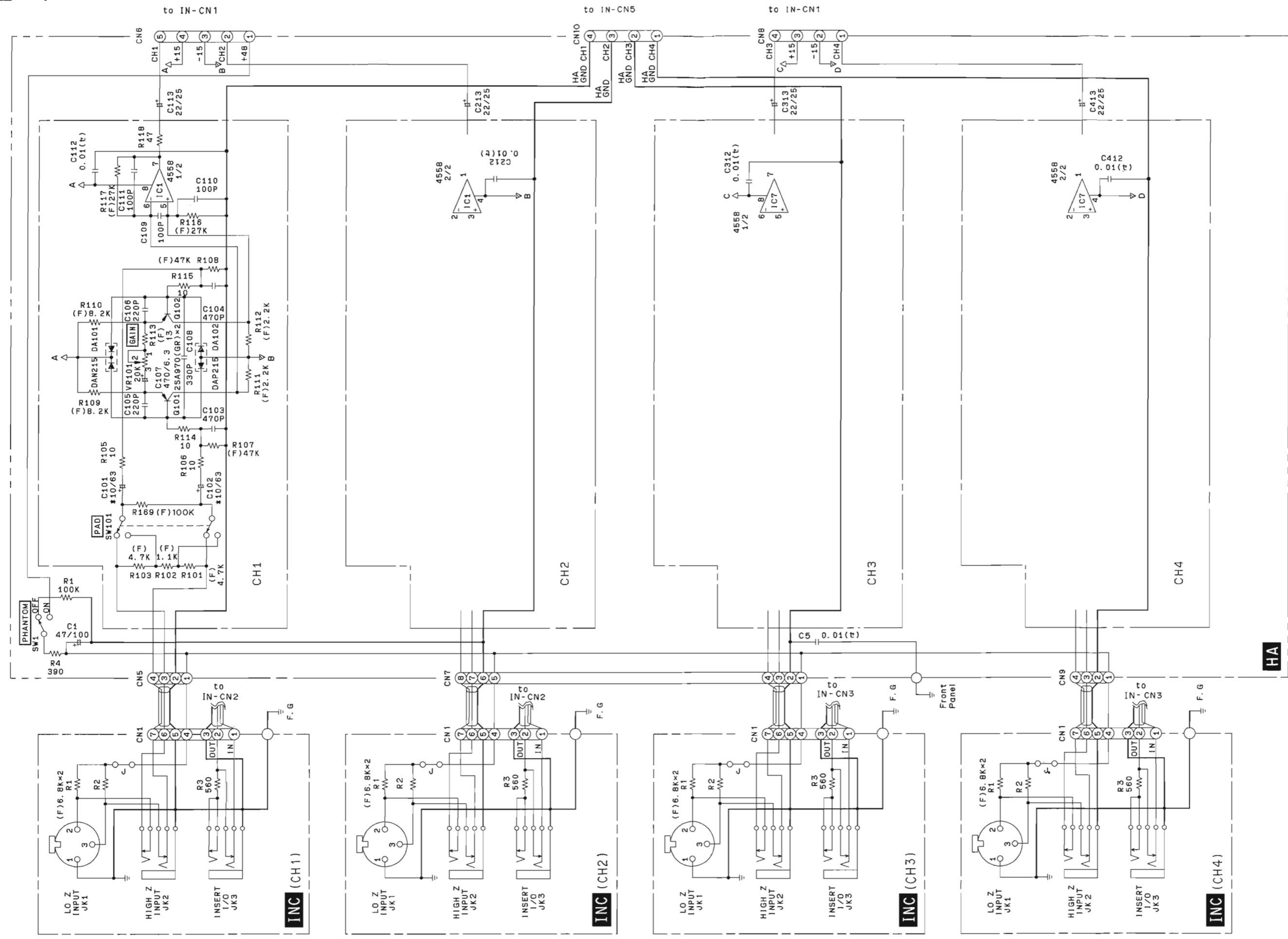
MC1204 II : ( INC, HA, IN ) X 12  
MC1604 II : ( INC, HA, IN ) X 16  
MC2404 II : ( INC, HA, IN ) X 24  
MC3204 II : ( INC, HA, IN ) X 32



( ) = Nominal Level

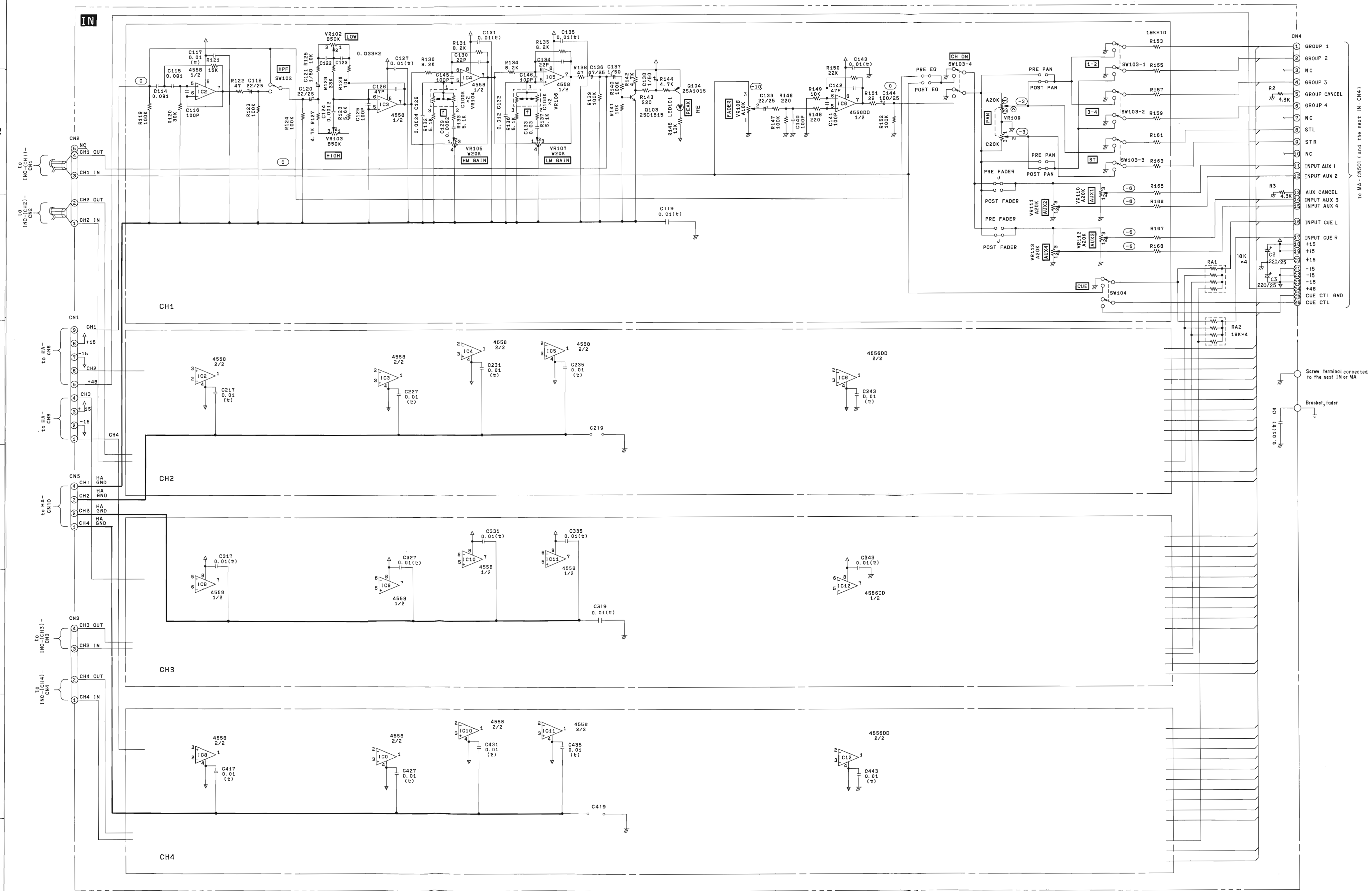
# HA, INC CIRCUIT DIAGRAM

MC1204 II / MC1604 II  
MC2404 II / MC3204 II



1992. 1 — 1992. 3 products only;  
The connector CN10 is not located  
on the HA circuit board. A connector  
assembly is directly connected to  
printed pattern.

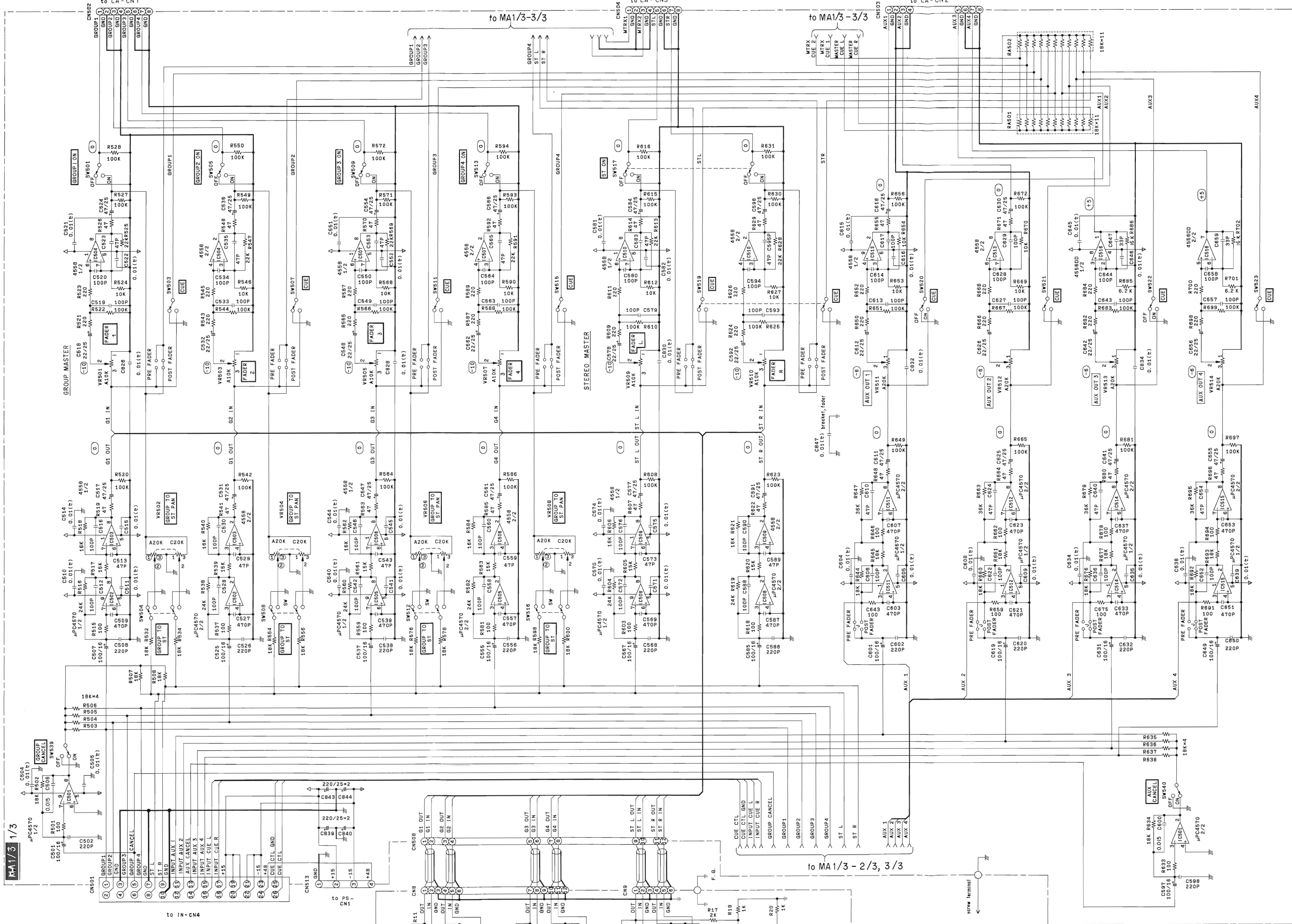
marked X : low noise electrolytic capacitor  
marked (F) : metal film resistor  
marked R4 : flame proof carbon resistor

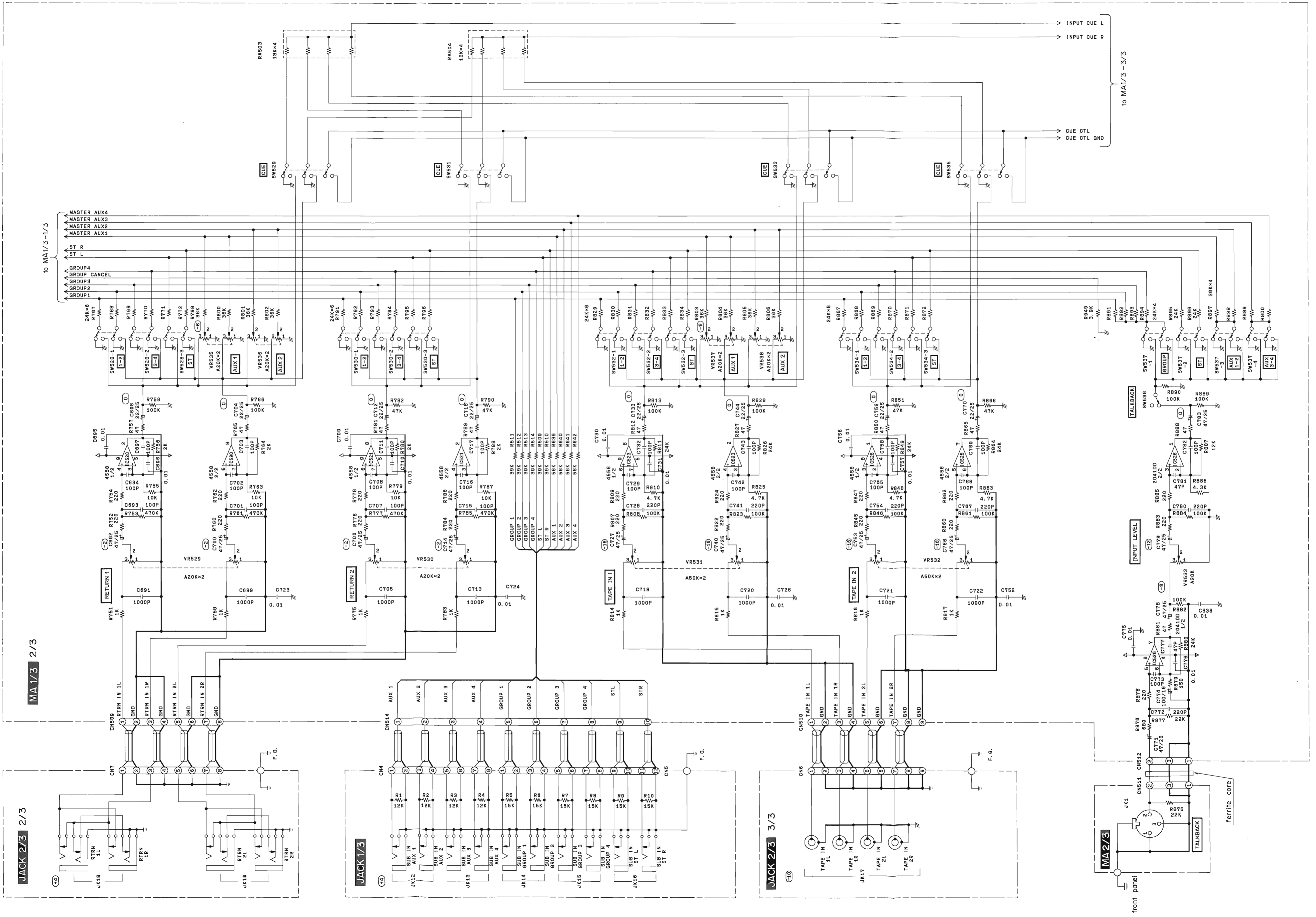


marked  $\circ$ : nominal level

1992.1 - 1992.3 products only;  
The connector CN5 is not located  
on the IN circuit board. A connector  
assembly is connected to printed  
pattern.

C219 and C419 are not installed.





MA 1/3 2/3

JACK 2/3 2/3

JACK 1/3

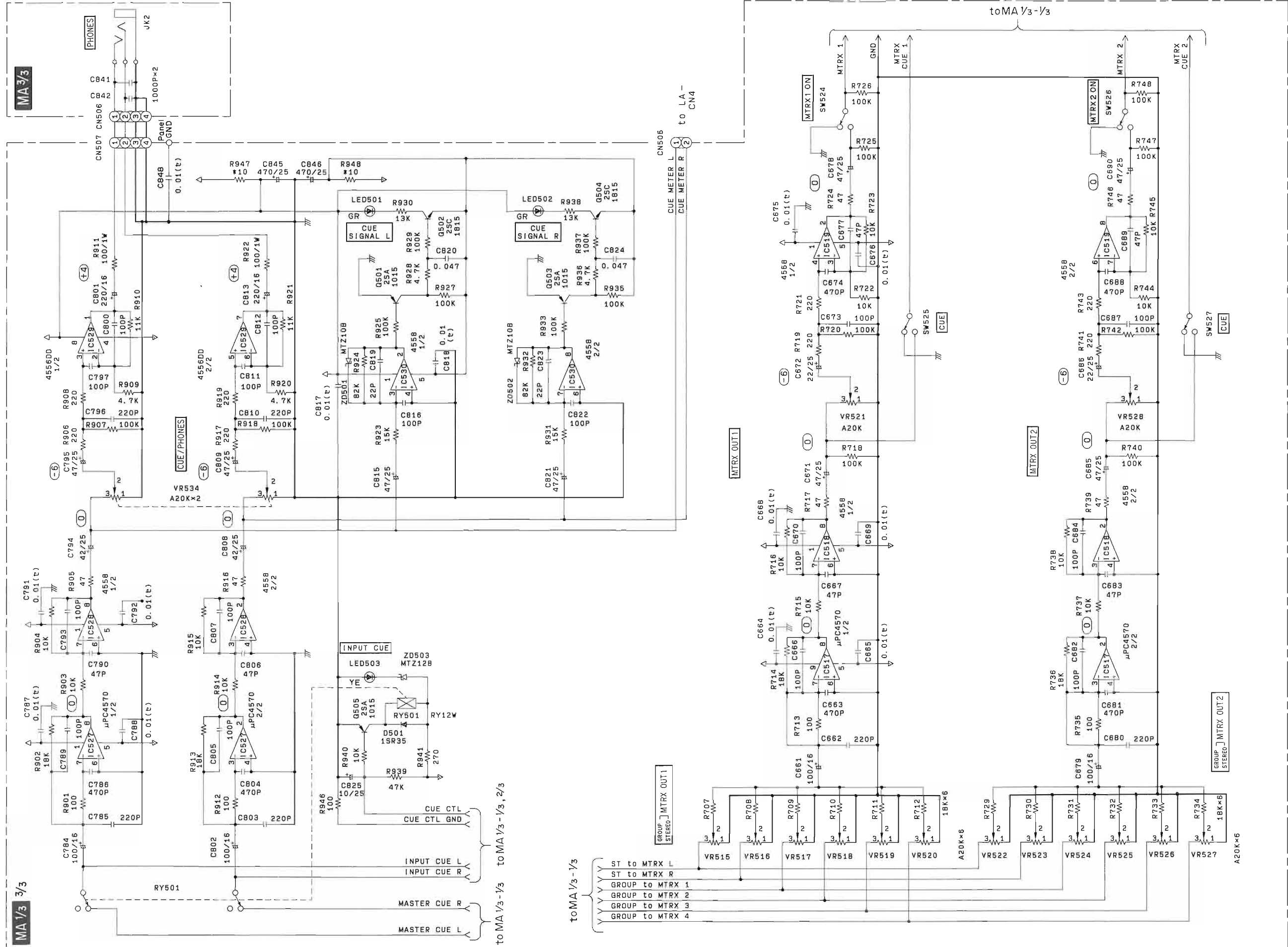
JACK 2/3 3/3

MA 2/3

marked  $\odot$ : nominal level

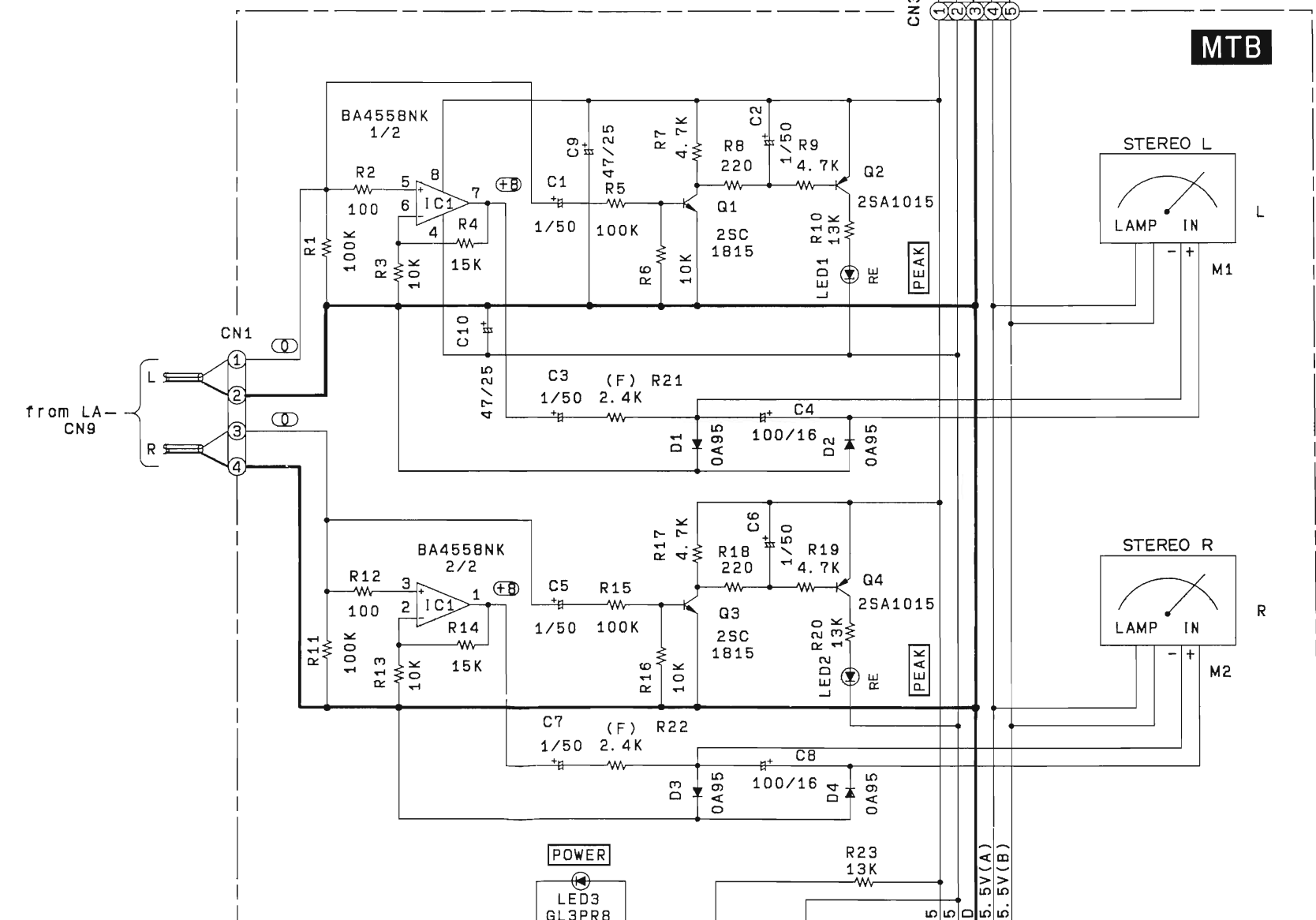
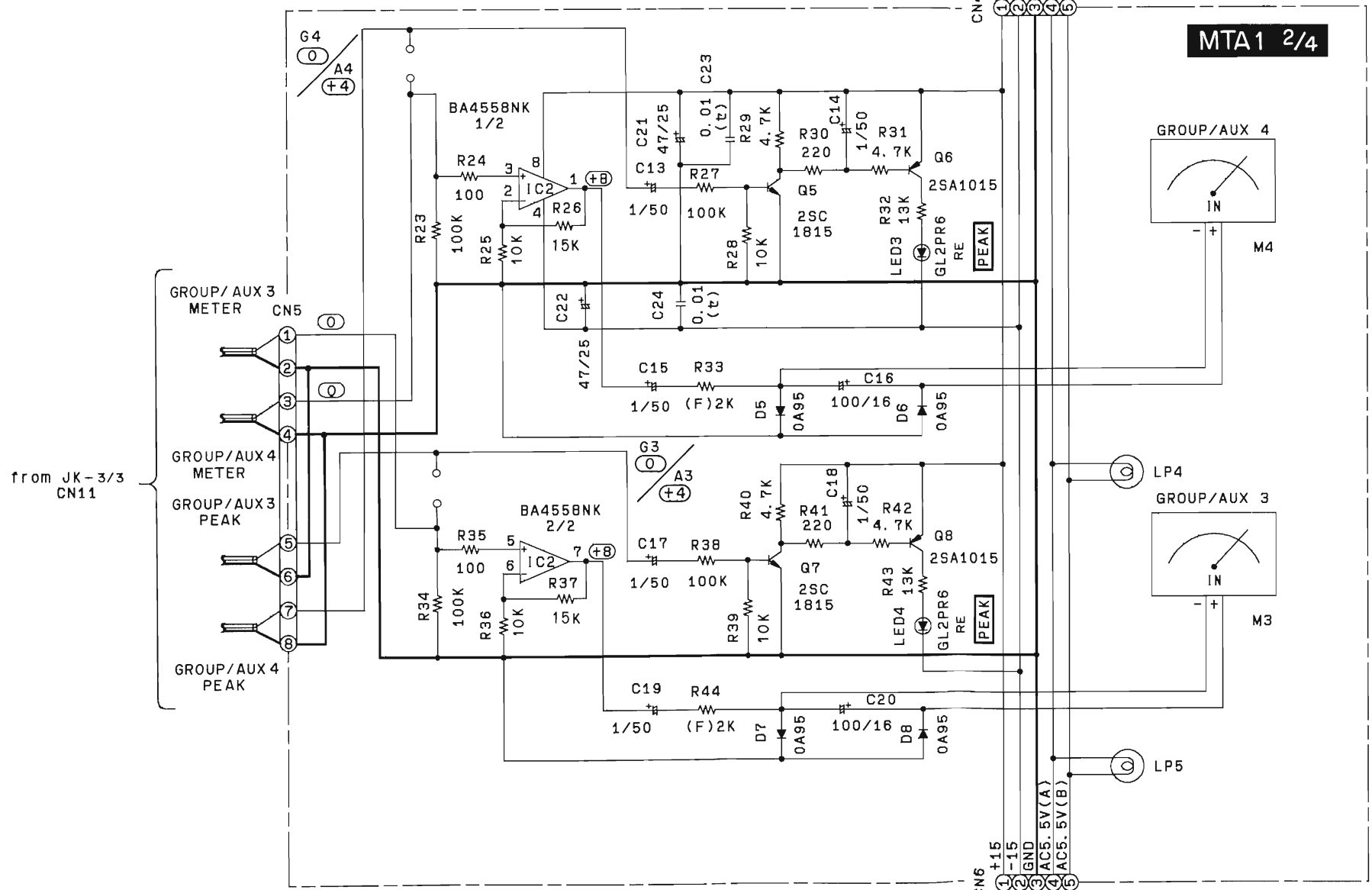
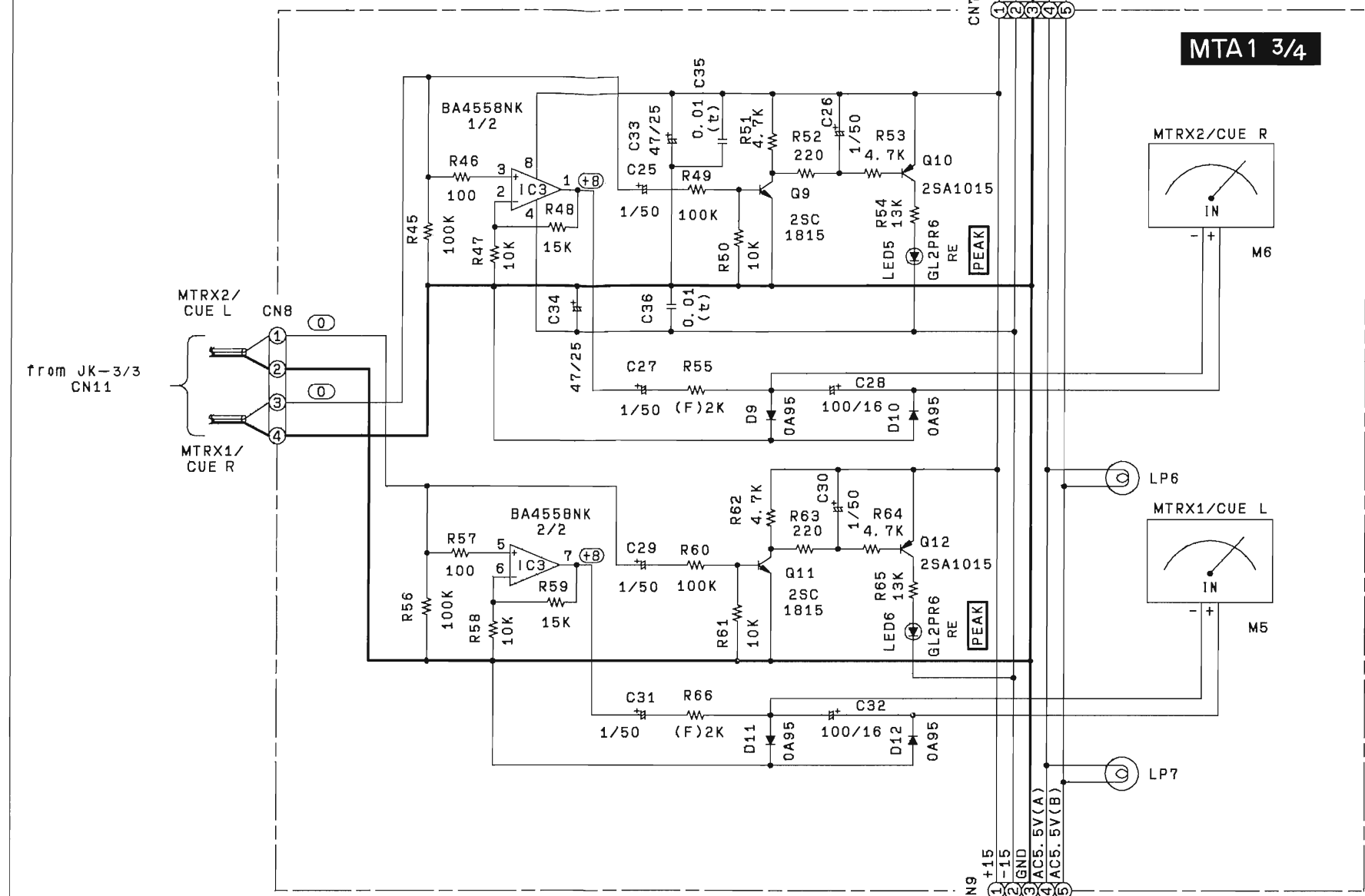
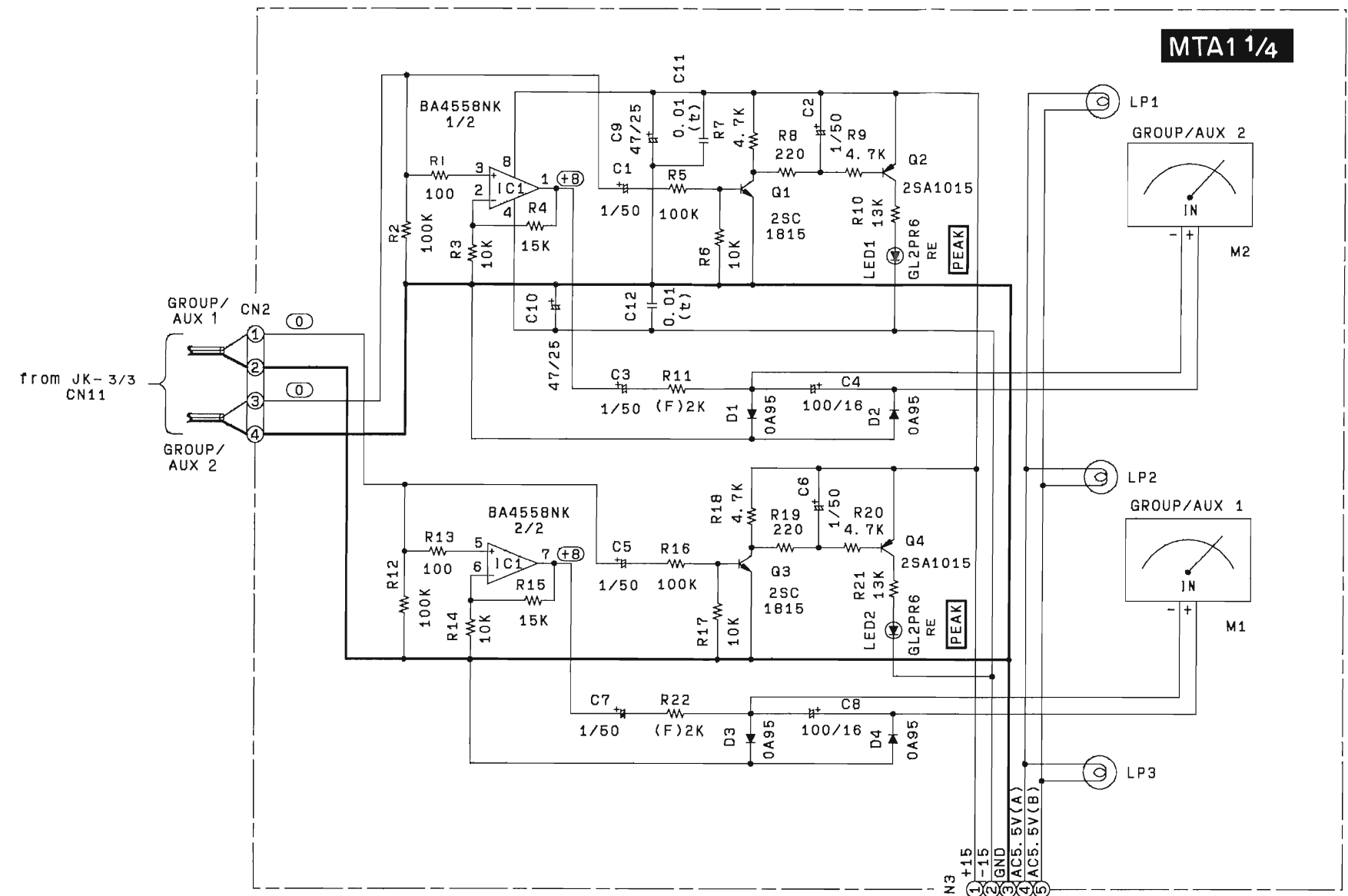


MA 1/3-3/3, MA 3/3 CIRCUIT DIAGRAM



marked X : flame proof carbon resistor  
marked O : nominal level

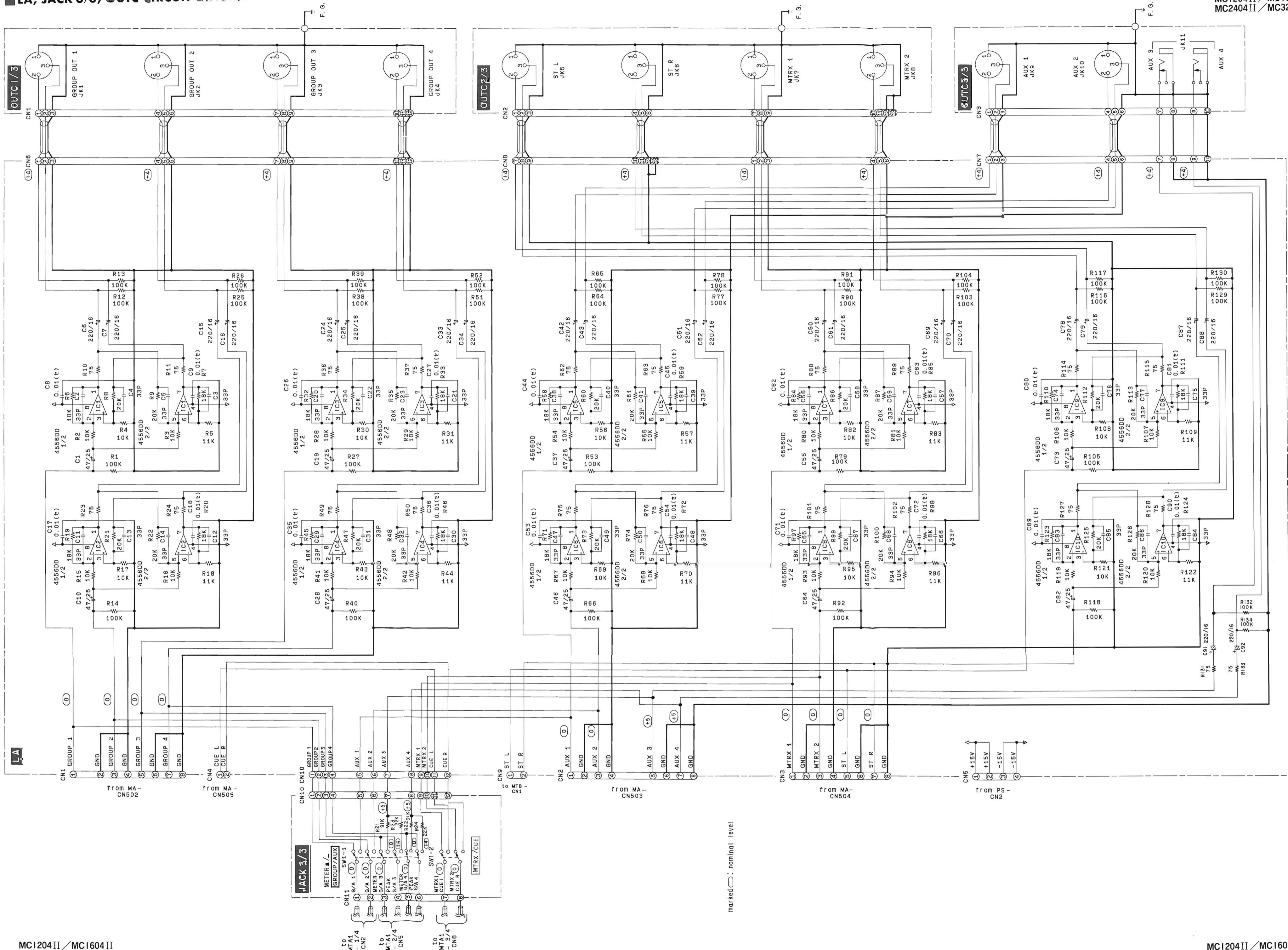
1  
2  
3  
4  
5  
6



marked(F) : metal film resistor  
marked(□) : nominal level  
MTA1 1/4 circuit board is not used in this unit.

LA, JACK 3/3, OUTC CIRCUIT DIAGRAM

MC1204 II / MC1604 II  
MC2404 II / MC3204 II



MC1204 II / MC1604 II  
MC2404 II / MC3204 II

LA, JACK 3/3, OUTC CIRCUIT DIAGRAM

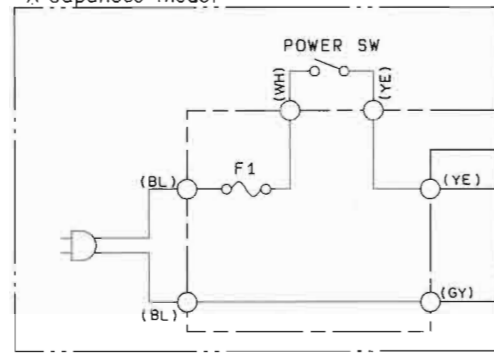
MC1204 II / MC1604 II  
MC2404 II / MC3204 II



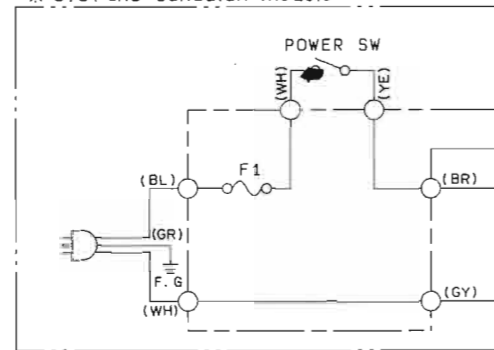
# POWER SUPPLY CIRCUIT DIAGRAM

MC1204 II / MC1604 II  
MC2404 II / MC3204 II

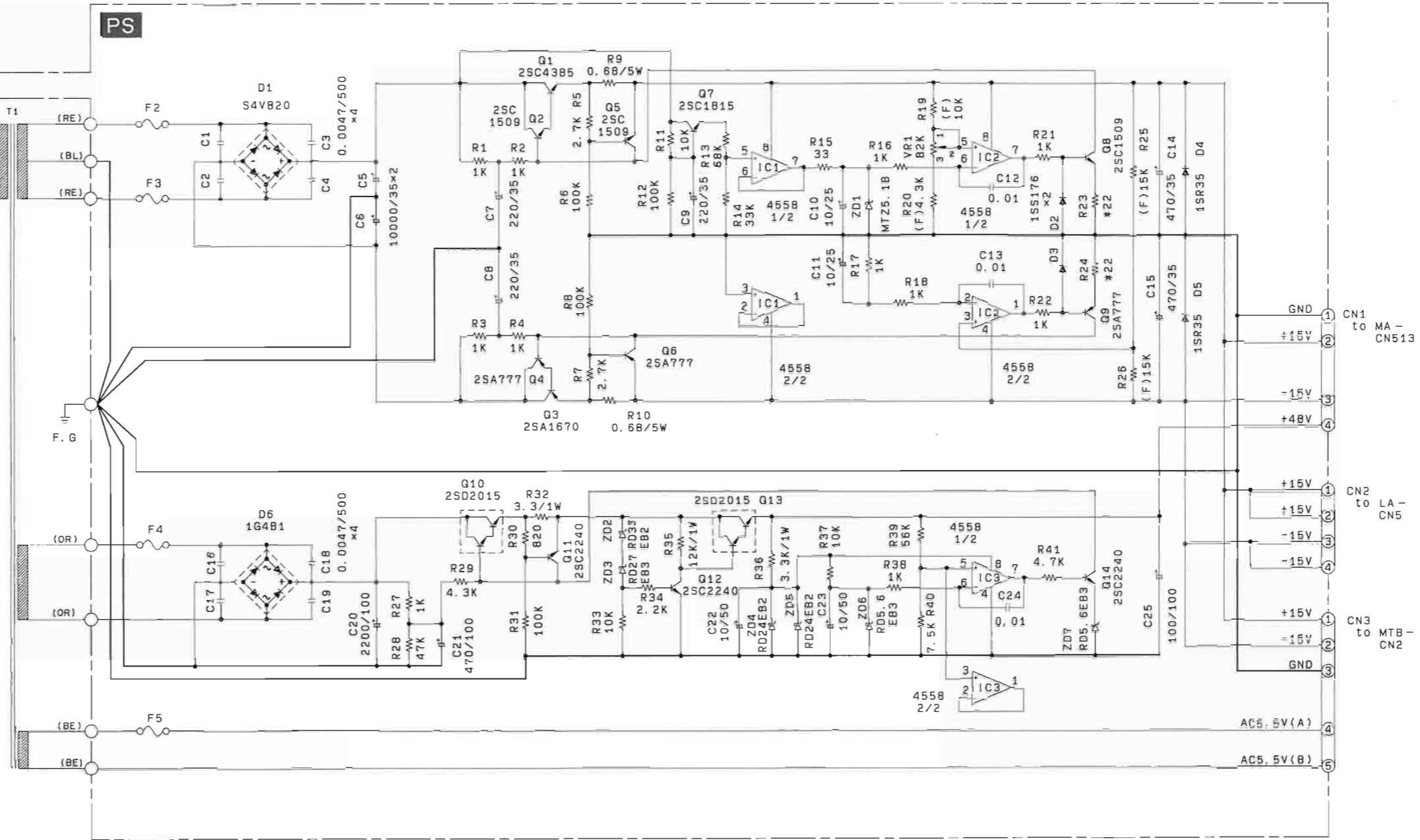
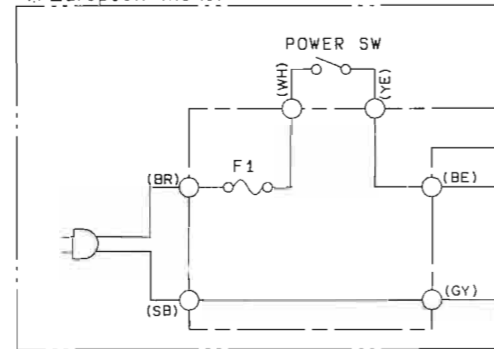
X Japanese model



X U.S. and Canadian models



X European model



	Japanese model	U.S. and Canadian models	European model
F1	▽ 3A 250V	⓪ 3A 250V	Ⓢ T1.6A 250V
Label	x	x	VC03960
F2	▽ 4A 250V	⓪ 4A 250V	Ⓢ T3.15A 250V
Label	x	x	CA80886
F3	▽ 4A 250V	⓪ 4A 250V	Ⓢ T3.15A 250V
Label	x	x	CA80886
F4	▽ 1A 250V	⓪ 1A 250V	Ⓢ T1.0A 250V
Label	x	x	CA80888
F5	▽ 3A 250V	⓪ 3A 250V	Ⓢ T3.15A 250V
Label	x	x	CA80886
T1	XJ782A0	XJ783A0	XJ784A0
PS	VM67720	VM67730	VM67740

marked X : flame proof carbon resistor  
 marked (F) : metal film resistor  
 marked /5W : wire wound resistor  
 marked /1W : metal oxide film resistor

GROUND DIAGRAM

