

MICRO COMPONENT SYSTEM MCR-330/MCR-230 CD RECEIVER / SPEAKERS CRX-330/ NS-BP110/NS-BP100 SERVICE MANUAL

For U, T, K, A, G, L, V and J models

This service manual is for the CRX-330/NS-BP110/NS-BP100 (U, T, K, A, G, L, V and J models).

For service manual of the CRX-330/NS-BP110 (B model), please refer to the following publication number:

CRX-330/NS-BP110 (B model): 101137

The MCR-330 consists of the CRX-330 and NS-BP110.
The MCR-230 consists of the CRX-330 and NS-BP100.

MCR-330 は、CRX-330、NS-BP110 で構成されています。
MCR-230 は、CRX-330、NS-BP100 で構成されています。

IMPORTANT NOTICE

This manual has been provided for the use of authorized YAMAHA Retailers and their service personnel.

It has been assumed that basic service procedures inherent to the industry, and more specifically YAMAHA Products, are already known and understood by the users, and have therefore not been restated.

WARNING: Failure to follow appropriate service and safety procedures when servicing this product may result in personal injury, destruction of expensive components, and failure of the product to perform as specified. For these reasons, we advise all YAMAHA product owners that any service required should be performed by an authorized YAMAHA Retailer or the appointed service representative.

IMPORTANT: The presentation or sale of this manual to any individual or firm does not constitute authorization, certification or recognition of any applicable technical capabilities, or establish a principle-agent relationship of any form.

The data provided is believed to be accurate and applicable to the unit(s) indicated on the cover. The research, engineering, and service departments of YAMAHA are continually striving to improve YAMAHA products. Modifications are, therefore, inevitable and specifications are subject to change without notice or obligation to retrofit. Should any discrepancy appear to exist, please contact the distributor's Service Division.

WARNING: Static discharges can destroy expensive components. Discharge any static electricity your body may have accumulated by grounding yourself to the ground buss in the unit (heavy gauge black wires connect to this buss).

IMPORTANT: Turn the unit OFF during disassembly and part replacement. Recheck all work before you apply power to the unit.

CONTENTS

TO SERVICE PERSONNEL	2-4
PREVENTION OF ELECTROSTATIC DISCHARGE	5
SYSTEM COMPOSITION / システム構成	6
FRONT PANELS	7
REAR PANELS	8-10
REMOTE CONTROL PANELS	11
SPECIFICATIONS / 参考仕様	12-13
INTERNAL VIEW	14
DISASSEMBLY PROCEDURES / 分解手順	15-17
UPDATING FIRMWARE / ファームウェアの書き込み	18-23

SELF-DIAGNOSTIC FUNCTION / ダイアグ (自己診断機能)	24-38
DISPLAY DATA	39
IC DATA	40-46
PIN CONNECTION DIAGRAMS	47-48
BLOCK DIAGRAM	49
PRINTED CIRCUIT BOARDS	50-55
SCHEMATIC DIAGRAMS	57-61
REPLACEMENT PARTS LIST	63-79
REMOTE CONTROL	80



このサービスマニュアルは、エコマーク認定の再生紙を使用しています。
This Service Manual uses recycled paper.

101126

Copyright © 2008 YAMAHA CORPORATION All rights reserved.
This manual is copyrighted by YAMAHA and may not be copied or
redistributed either in print or electronically without permission.



YAMAHA CORPORATION
P.O.Box 1, Hamamatsu, Japan
animate '08.12

CRX-330/
NS-BP110/NS-BP100

■ TO SERVICE PERSONNEL

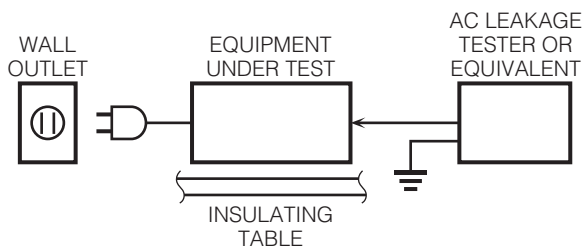
1. Critical Components Information

Components having special characteristics are marked Δ and must be replaced with parts having specifications equal to those originally installed.

2. Leakage Current Measurement (For 120V Models Only)

When service has been completed, it is imperative to verify that all exposed conductive surfaces are properly insulated from supply circuits.

- Meter impedance should be equivalent to 1500 ohms shunted by 0.15 μ F.



- Leakage current must not exceed 0.5mA.
- Be sure to test for leakage with the AC plug in both polarities.



For U model "CAUTION"

"F1: FOR CONTINUED PROTECTION AGAINST RISK OF FIRE, REPLACE ONLY WITH SAME TYPE 4A, 125V FUSE."

For C model CAUTION

F1: REPLACE WITH SAME TYPE 4A, 125V FUSE.

ATTENTION

F1: UTILISER UN FUSIBLE DE RECHANGE DE MÊME TYPE DE 4A, 125V.

WARNING: CHEMICAL CONTENT NOTICE!

This product contains chemicals known to the State of California to cause cancer, or birth defects or other reproductive harm.

DO NOT PLACE SOLDER, ELECTRICAL/ELECTRONIC OR PLASTIC COMPONENTS IN YOUR MOUTH FOR ANY REASON WHATSOEVER!

Avoid prolonged, unprotected contact between solder and your skin! When soldering, do not inhale solder fumes or expose eyes to solder/flux vapor!

If you come in contact with solder or components located inside the enclosure of this product, wash your hands before handling food.

About lead free solder / 無鉛ハンダについて

All of the P.C.B.s installed in this unit and solder joints are soldered using the lead free solder.

Among some types of lead free solder currently available, it is recommended to use one of the following types for the repair work.

- Sn + Ag + Cu (tin + silver + copper)
- Sn + Cu (tin + copper)
- Sn + Zn + Bi (tin + zinc + bismuth)

Caution:

As the melting point temperature of the lead free solder is about 30°C to 40°C (50°F to 70°F) higher than that of the lead solder, be sure to use a soldering iron suitable to each solder.

本機に搭載されているすべての基板およびハンダ付けによる接合部は無鉛ハンダでハンダ付けされています。

無鉛ハンダにはいくつかの種類がありますが、修理時には下記のような無鉛ハンダの使用を推奨します。

- Sn+Ag+Cu (錫 + 銀 + 銅)
- Sn+Cu (錫 + 銅)
- Sn+Zn+Bi (錫 + 亜鉛 + ビスマス)

注意:

無鉛ハンダの融点温度は通常の鉛入りハンダに比べ 30 ~ 40°C程度高くなっていますので、それぞれのハンダに合ったハンダごてをご使用ください。

WARNING: Lithium batteries

CAUTION

Danger of explosion if battery is incorrectly replaced.
Replace only with the same or equivalent type.

WARNING: Lithium batteries are dangerous because they can be exploded by improper handling. Observe the following precautions when handling or replacing lithium batteries.

- Leave lithium battery replacement to qualified service personnel.
- Always replace with batteries of the same type.
- When installing on the PC board by soldering, solder using the connection terminals provided on the battery cells. Never solder directly to the cells. Perform the soldering as quickly as possible.
- Never reverse the battery polarities when installing.
- Do not short the batteries.
- Do not attempt to recharge these batteries.
- Do not disassemble the batteries.
- Never heat batteries or throw them into fire.

WARNING: Laser Safety

This product contains a laser beam component. This component may emit invisible, as well as visible radiation, which may cause eye damage. To protect your eyes and skin from laser radiation, the following precautions must be used during servicing of the unit.

- 1) When testing and/or repairing any component within the product, keep your eyes and skin more than 30 cm/1 feet away from the laser pick-up unit at all times. Do not stare at the laser beam at any time.
- 2) Do not attempt to readjust, disassemble or repair the laser pick-up, unless noted elsewhere in this manual.
- 3) CAUTION: Use of controls, adjustments or performance of procedures other than those specified herein may result in hazardous radiation exposure.

Laser Emitting conditions:

- 1) When the Top Cover is removed, and the STANDBY/ON SW is turned to the "ON" position, the laser component will emit a beam for several seconds to detect if a disc is present. During this time (5-10 sec.) the laser may radiate through the lens of the laser pick-up unit. Do not attempt any servicing during this period!
If no disc is detected, the laser will stop emitting the beam. When a disc is loaded, you will not be exposed to any laser emissions.
- 2) The laser power level can be adjusted with the VR on the pick-up PWB, however, this level has been set by the factory prior to shipping from the factory. Do not adjust this laser level control unless instruction is provided elsewhere in this manual. Adjustment of this control can increase the laser emission level from the device.

Laser Diode Properties

Type: GaAlAs
Wave length: 780 nm

注意

正しい電池と交換しないと爆発が起きるおそれがあります。
同一型名または同等品以外の電池とは絶対に交換しないようにしてください。

ADVARSEL!

Lithiumbatteri –Eksplodingsfare ved fejlagtig håndtering.
Udskiftning må kun ske med batteri af samme fabrikat og type. Levér det brugte batteri tilbage til leverandøren.

VARNING

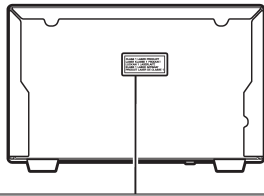
Explosionsfara vid felaktigt batteribyte. Använd samma batterityp eller en ekvivalent typ som rekommenderas av apparattillverkaren. Kassera använt batteri enligt fabrikan-
tens instruktion.

VAROITUS

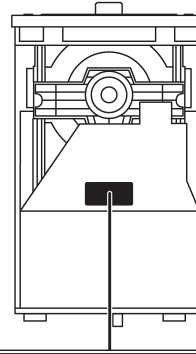
Paristo voi räjähtää, jos se on virheellisesti asennettu.
Vaihda paristo ainoastaan laitevalmistajan suosittelemaan
tyyppiin. Hävitä käytetty paristo valmistajan ohjeiden mu-
kaisesti.

CAUTION

Use of controls or adjustments or performance of procedures other than those specified herein may result in hazardous radiation exposure.



CLASS 1 LASER PRODUCT
LASER KLASSE 1 PRODUKT
LUOKAN 1 LASERLAITE
KLASS 1 LASER APPARAT
PRODUIT LASER DE CLASSE 1



DANGER: AVOID DIRECT EXPOSURE TO THE BEAM
INVISIBLE LASER RADIATION WHEN OPEN

CAUTION: DO NOT STARE INTO BEAM
INVISIBLE LASER RADIATION WHEN OPEN

(Traduction française)

DANGER : ÉVITER UNE EXPOSITION DIRECTE AU RAYON RADIATION LASER INVISIBLE QUAND L'APPAREIL EST OUVERT

ATTENTION : NE PAS REGARDER FIXEMENT LE FAISCEAU RADIATION LASER INVISIBLE QUAND L'APPAREIL EST OUVERT

Warning for power supply

The primary side of the power supply carries live mains voltage when the player is connected to the mains even when the player is switched off !

This primary area is not shielded so it is possible to accidentally touch copper tracks and/or components when servicing the player.

Service personnel have to take precautions to prevent touching this area or components in this area.

Note:

The screws on the DVD mechanism may never be touched, removed or re-adjusted.

Handle the DVD mechanism with care when the unit has to be exchanged!

The DVD mechanism is very sensitive for dropping or giving shocks.

■ PREVENTION OF ELECTROSTATIC DISCHARGE

Some semiconductor (solid state) devices can be damaged easily by static electricity. Such components commonly are called Electrostatically Sensitive (ES) Devices. Examples of typical ES devices are integrated circuits and some field-effect transistors and semiconductor “chip” components. The following techniques should be used to help reduce the incidence of component damage caused by electro static discharge (ESD).

1. Immediately before handling any semiconductor component or semiconductor-equipped assembly, drain off any ESD on your body by touching a known earth ground. Alternatively, obtain and wear a commercially available discharging ESD wrist strap, which should be removed for potential shock reasons prior to applying power to the unit under test.
2. After removing an electrical assembly equipped with ES devices, place the assembly on a conductive surface such as aluminum foil, to prevent electrostatic charge buildup or exposure of the assembly.
3. Use only a grounded-tip soldering iron to solder or unsolder ES devices.
4. Use only an anti-static solder removal device. Some solder removal devices not classified as “anti-static (ESD protected)” can generate electrical charge sufficient to damage ES devices.
5. Do not use freon-propelled chemicals. These can generate electrical charges sufficient to damage ES devices.
6. Do not remove a replacement ES device from its protective package until immediately before you are ready to install it. (Most replacement ES devices are packaged with leads electrically shorted together by conductive foam, aluminum foil or comparable conductive material).
7. Immediately before removing the protective material from the leads of a replacement ES device, touch the protective material to the chassis or circuit assembly into which the device will be installed.

CAUTION: Be sure no power is applied to the chassis or circuit, and observe all other safety precautions.

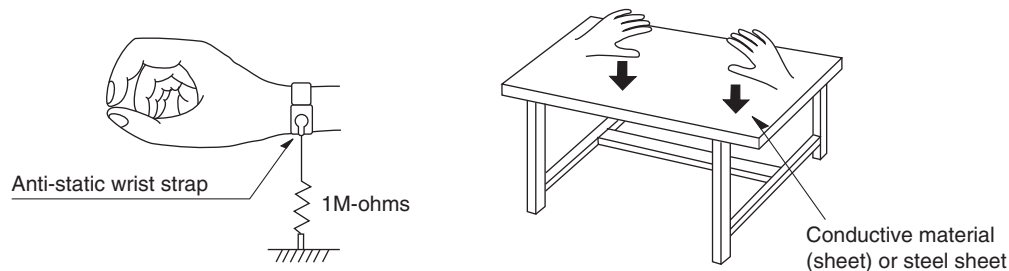
8. Minimize bodily motions when handling unpackaged replacement ES devices. (Otherwise harmless motion such as brushing together of your fabric clothes or lifting of your foot from a carpeted floor can generate static electricity (ESD) sufficient to damage an ES device).

Grounding for electrostatic breakdown prevention

1. Human body grounding.
Use the antistatic wrist strap to discharge the static electricity from your body.
2. Work table grounding.
Put a conductive material (sheet) or steel sheet on the area where the optical pickup is placed and ground the sheet.

Caution:

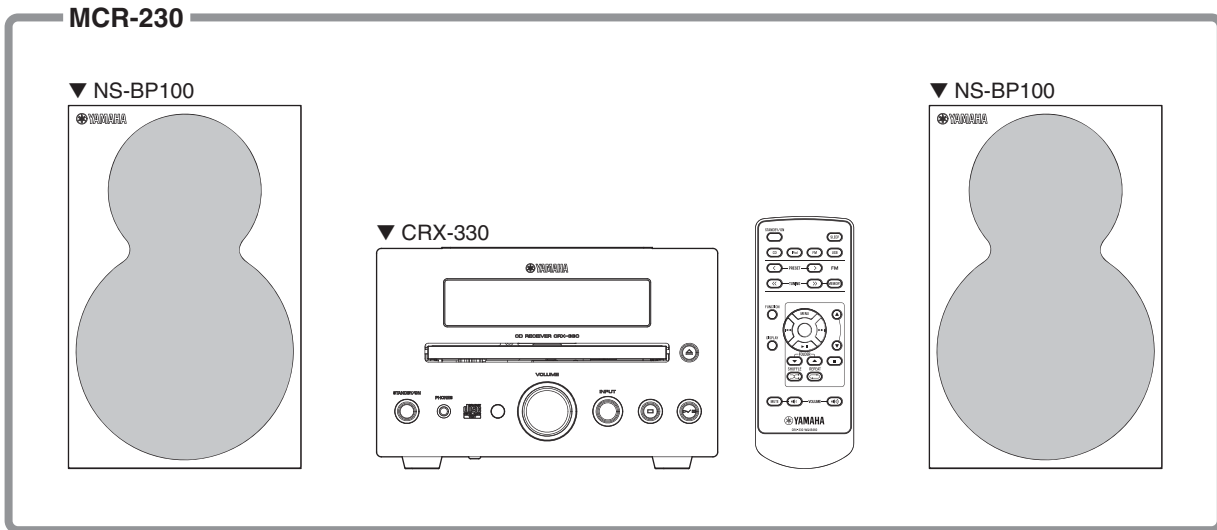
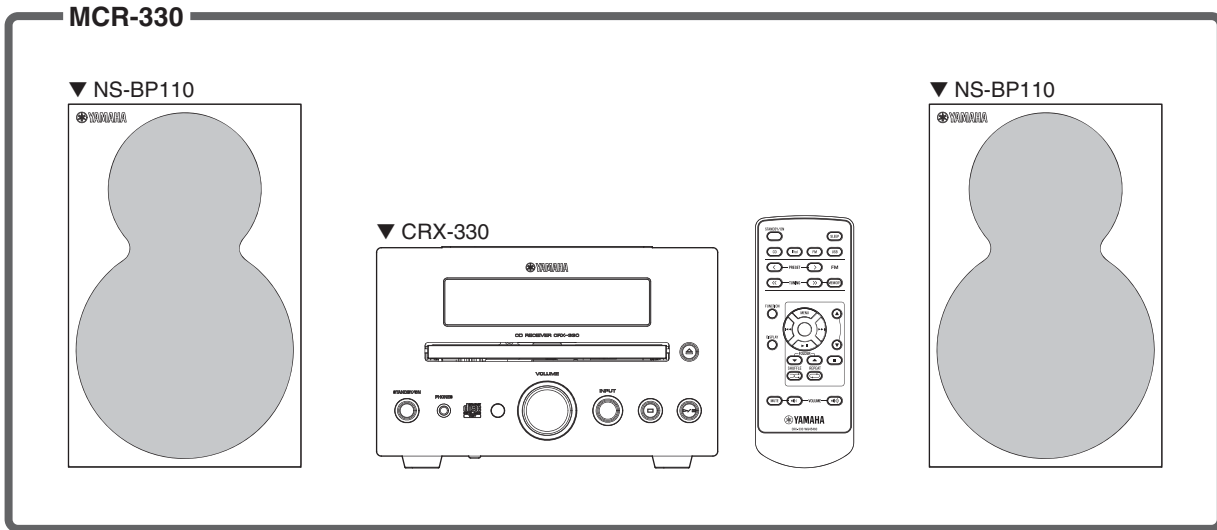
The static electricity of your clothes will not be grounded through the wrist strap. So take care not to let your clothes touch the optical pickup.



■ SYSTEM COMPOSITION / システム構成

The MCR-330 consists of the CRX-330 and NS-BP110.
The MCR-230 consists of the CRX-330 and NS-BP100.

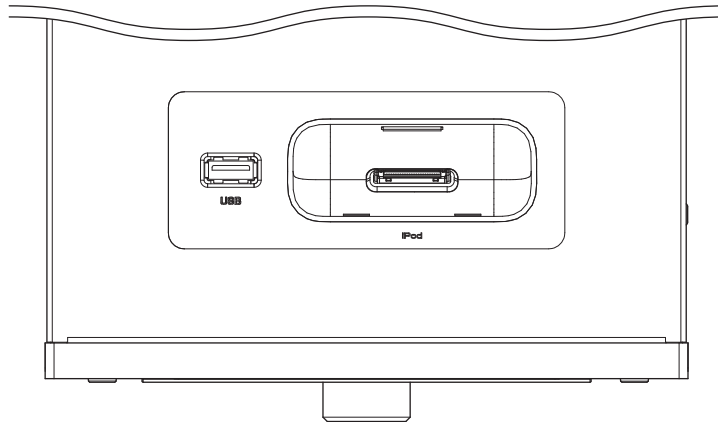
MCR-330 は、CRX-330、NS-BP110 で構成されています。
MCR-230 は、CRX-330、NS-BP100 で構成されています。



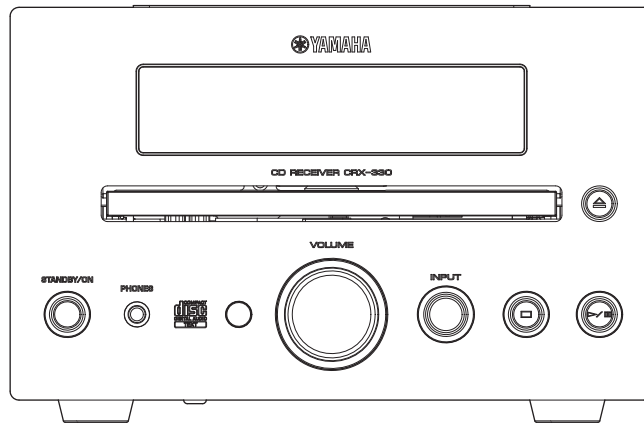
FRONT PANELS

CRX-330

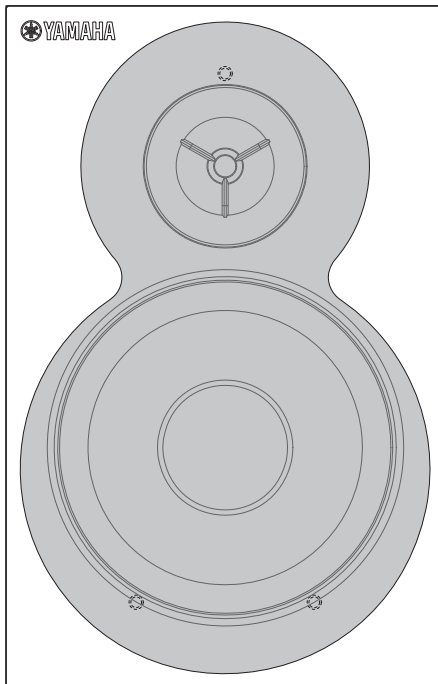
Top view



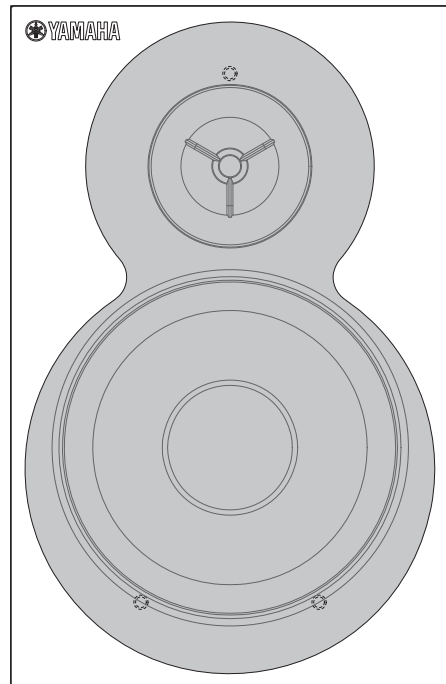
Front view



NS-BP110



NS-BP100



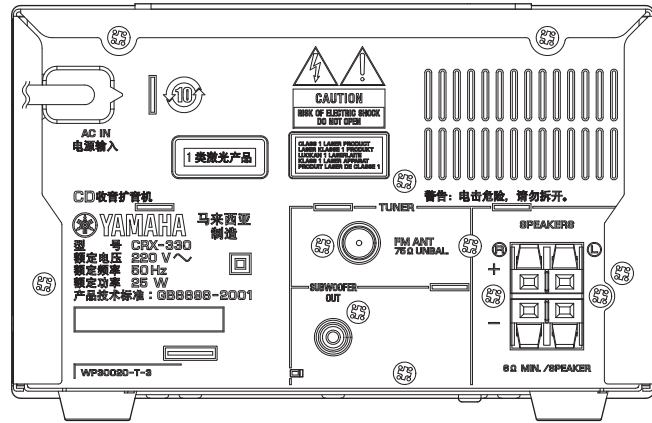
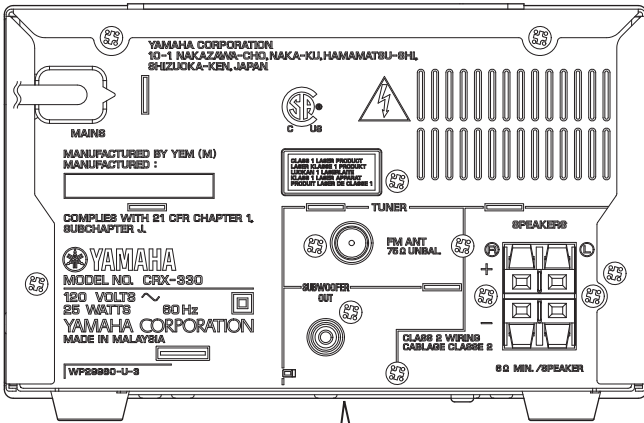
CRX-330/
NS-BP110/NS-BP100

REAR PANELS

CRX-330

U model

T model



Bottom view

WARNING: TO REDUCE THE RISK OF FIRE OR ELECTRIC SHOCK, DO NOT EXPOSE THIS APPLIANCE TO RAIN OR MOISTURE.

AVERTISSEMENT: AFIN DE REDUIRE LE RISQUE D'INCENDIE OU DE DECHARGE ELECTRIQUE, VEUILLEZ NE PAS EXPOSER CET APPAREIL A L'EAU NI A L'HAUMIDITE.

THIS DEVICE COMPLIES WITH PART 15 OF THE FCC RULES. OPERATION IS SUBJECT TO THE FOLLOWING TWO CONDITIONS:
 (1) THIS DEVICE MAY NOT CAUSE HARMFUL INTERFERENCE, AND
 (2) THIS DEVICE MUST ACCEPT ANY INTERFERENCE RECEIVED, INCLUDING INTERFERENCE THAT MAY CAUSE UNDESIRABLE OPERATION.

CET APPAREIL EST CONFORME A LA PARTIE 15 DES REGLEMENTS DE LA FCC. SON FONCTIONNEMENT EST SOUJET AUX DEUX CONDITIONS SUIVANTES:
 (1) L'APPAREIL NE DOIT CAUSER AUCUNE INTERFERENCE NUISIBLE ET
 (2) L'APPAREIL DOIT SUPPORTER L'INTERFERENCE REÇUE, INCLUANT L'INTERFERENCE QUI POURRAIT PROVOQUER UN FONCTIONNEMENT NON VOULU.

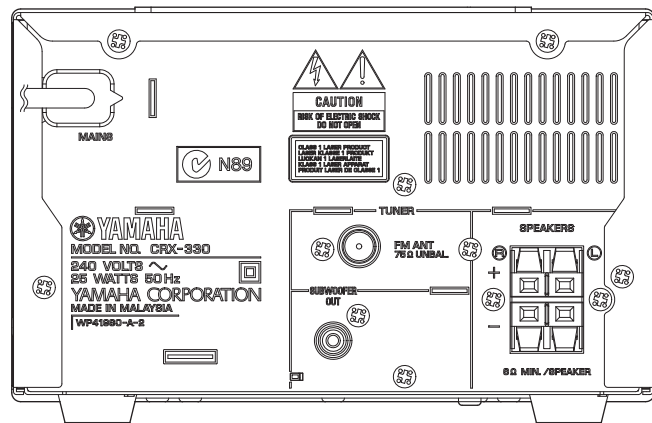
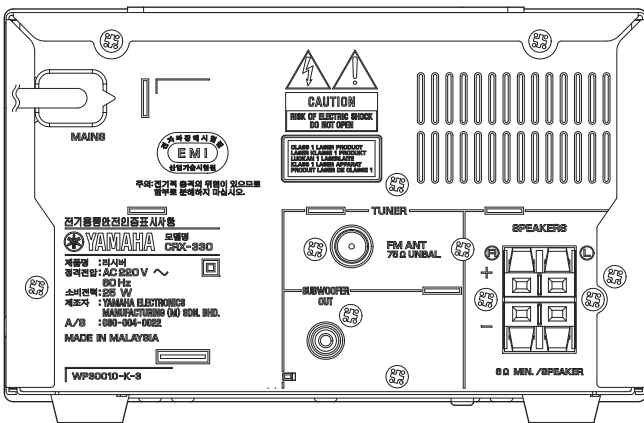
THIS CLASS B DIGITAL APPARATUS COMPLES WITH CANADIAN ICES-008. CET APPAREIL NUMERIQUE DE LA CLASSE B EST CONFORME A LA NORME ICS-008 DU CANADA.

ATTENTION
RISQUE DE CHOC ELECTRIQUE NE PAS OUVRI

CAUTION
RISK OF ELECTRIC SHOCK DO NOT OPEN

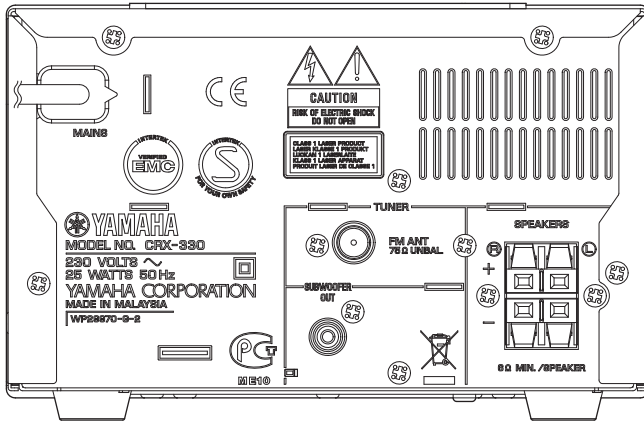
K model

A model

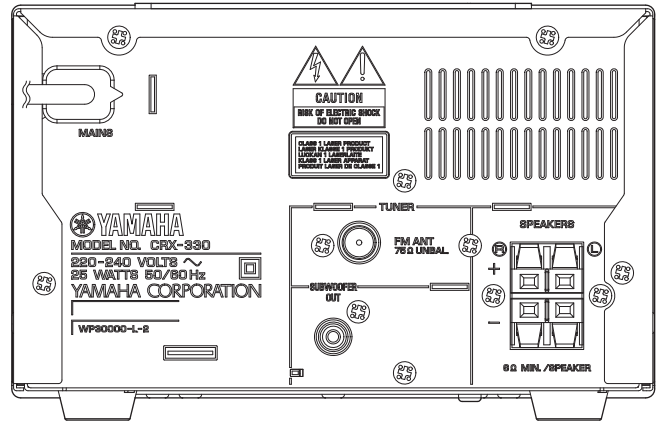


CRX-330/NS-BP110/NS-BP100

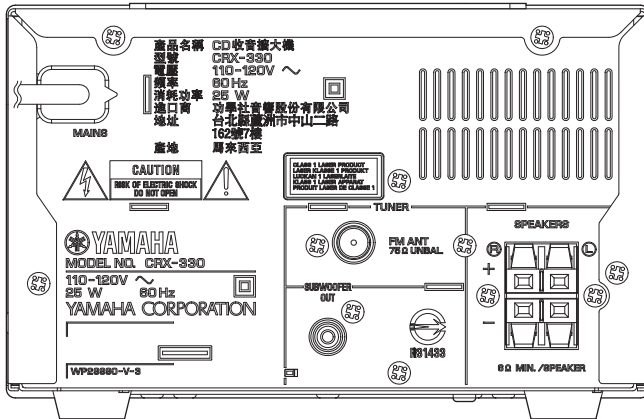
G model



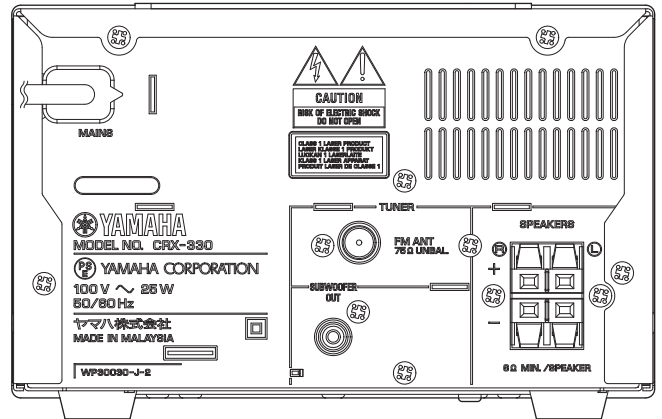
L model



V model

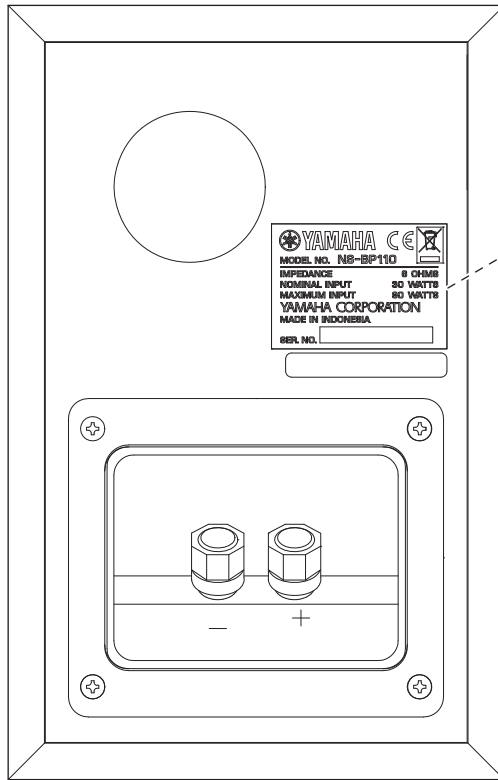


J model



CRX-330/
NS-BP110/NS-BP100

NS-BP110



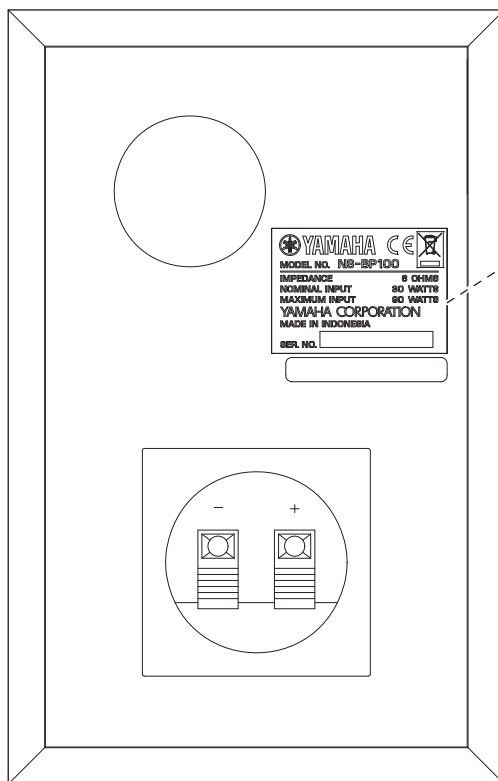
U, K, A, G, L, V, J models

MODEL NO. NS-BP110	
IMPEDANCE	8 OHMS
NOMINAL INPUT	30 WATTS
MAXIMUM INPUT	80 WATTS
YAMAHA CORPORATION	
MADE IN INDONESIA	
SER. NO.	<input type="text"/>

T model

MODEL NO. NS-BP110	
IMPEDANCE	8 OHMS
NOMINAL INPUT	30 WATTS
MAXIMUM INPUT	80 WATTS
YAMAHA CORPORATION	
MADE IN INDONESIA	
印度尼西亚制造	
SER. NO.	<input type="text"/>

NS-BP100



U, K, A, G, L, V, J models

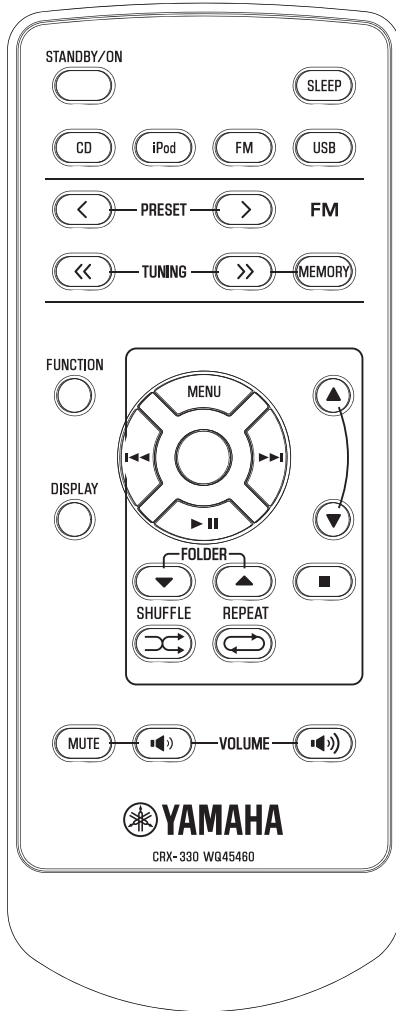
MODEL NO. NS-BP100	
IMPEDANCE	8 OHMS
NOMINAL INPUT	30 WATTS
MAXIMUM INPUT	80 WATTS
YAMAHA CORPORATION	
MADE IN INDONESIA	
SER. NO.	<input type="text"/>

T model

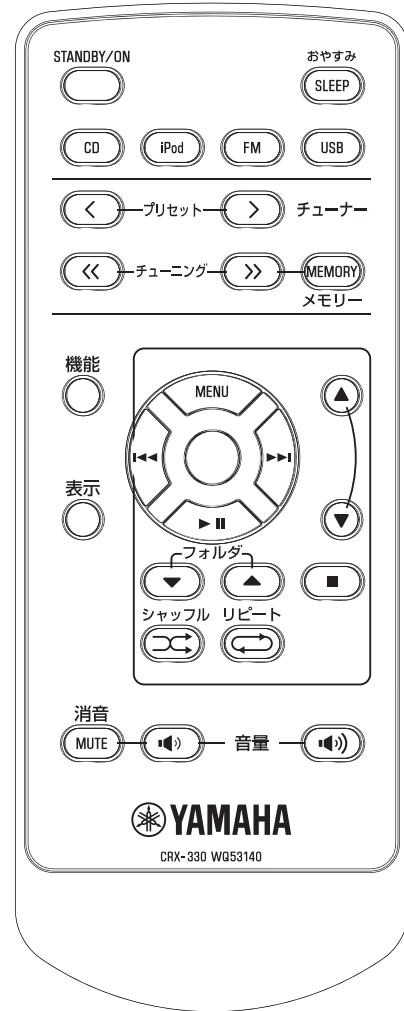
MODEL NO. NS-BP100	
IMPEDANCE	8 OHMS
NOMINAL INPUT	30 WATTS
MAXIMUM INPUT	80 WATTS
YAMAHA CORPORATION	
MADE IN INDONESIA	
印度尼西亚制造	
SER. NO.	<input type="text"/>

REMOTE CONTROL PANELS

U, T, K, A, G, L, V models



J model



■ SPECIFICATIONS / 参考仕様

CRX-330

■ Audio Section / オーディオ部

Minimum RMS Output Power (Power Amp. Section) / 定格出力 (パワーアンプ部)
(L/R drive, 1 kHz, 10 % THD, 6 ohms) 20 W + 20 W

Rated Output Voltage/Output Impedance / 出力電圧/出力インピーダンス
SUBWOOFER 2.0 V/47 k-ohms

Headphone Jack Rated Output/Output Impedance / ヘッドホン出力/出力インピーダンス
CD etc., 1 kHz, 150 mV 0.6 V/32 ohms

Frequency Response / 再生周波数帯域
20 Hz to 20 kHz, CD etc. 0 ±1.0 dB

Total Harmonic Distortion / 全高調波歪率
CD etc. to SP OUT, 1 kHz, 10 W/6 ohms 0.03 %

Residual Noise / 残留ノイズ (IHF-A Network)
..... 150 µV

Tone Control Characteristics / トーンコントロール特性

Bass
Boost/Cut (50 Hz) ±14 dB
Turnover frequency 350 Hz

Treble
Boost/Cut (20 kHz) ±14 dB
Turnover frequency 3.5 kHz

■ FM Section / FM 部

Tuning Range / 受信周波数範囲
U model 87.5 to 107.9 MHz
T, K, G, L, V models (step variable) 87.50 to 108.00 MHz
A model 87.50 to 108.00 MHz
J model 76.00 to 90.00 MHz

Antenna Input / アンテナ入力
..... 75 ohms unbalanced

■ General / 総合

Power Supply / 電源電圧
U model AC 120 V, 60 Hz
T model AC 220 V, 50 Hz
K model AC 220 V, 60 Hz
A model AC 240 V, 50 Hz
G model AC 230 V, 50 Hz
L model AC 220-240 V, 50/60 Hz
V model AC 110-120 V, 60 Hz
J model AC 100 V, 50/60 Hz

Power Consumption / 消費電力
..... 25 W

Standby Power Consumption (reference data) / 待機時消費電力 (参考値)
ECO MODE ON 1 W or less

Maximum Power Consumption / 最大消費電力
(1 kHz, 6 ohms, 10 % THD) 20 W

Dimensions (W x H x D) / 寸法 (幅 × 高さ × 奥行き)
..... 180 x 117 x 303 mm (7-1/8" x 4-5/8" x 11-15/16")

Weight / 質量
..... 3.1 kg (6 lbs. 13 oz.)

Finish / 仕上げ
Black color U, T, K, A, G, L, V, J models
Silver color U, T, K, A, G, L, V, J models

Accessories / 付属品
Remote control x 1
Lithium battery (CR2025) x 1
Indoor FM antenna (1.4 m) x 1
USB cap x 1
DOCK cover x 1

NS-BP110

NS-BP100

■ Audio Section / オーディオ部

Type / 形式 2-way bass reflex speaker system
Non-magnetic shielding type
2 ウェイ・バスレフ
非防磁型

Driver / スピーカーユニット
Woofers 10 cm (4") cone type
Tweeter 2.5 cm (1") balanced dome type

Frequency Response / 再生周波数帯域
..... 60 Hz to 50 kHz (-10dB)
to 100 kHz (-30 dB)

Impedance / インピーダンス
..... 6 ohms

Nominal Input / 許容入力
..... 30 W

Maximum Input / 最大入力
..... 90 W

Sensitivity / 出力音圧レベル
..... 84 dB / 2.83 V/m

Crossover Frequency / クロスオーバー周波数
..... 8 kHz

Input Terminal / 入力端子
NS-BP110 Screw/Banana type
NS-BP100 Push type

Dimensions (W x H x D) / 寸法 (幅 × 高さ × 奥行き)
NS-BP110 123 x 192 x 296 mm (4-13/16" x 7-9/16" x 11-5/8")
NS-BP100 123 x 192 x 294 mm (4-13/16" x 7-9/16" x 11-9/16")

Weight / 質量
NS-BP110 2.3 kg (5 lbs. 1 oz.)
NS-BP100 2.1 kg (4 lbs. 10 oz.)

Finish / 仕上げ
NS-BP110
White color U, T, K, A, G, L, V, J models
Black color U, T, K, A, G, L, V, J models
NS-BP100
Brown color U, T, K, A, G, L, V, J models
Black color U, T, K, A, G, L, V, J models

Accessories / 付属品
Speaker cable (2 m) x 2

* Specifications are subject to change without notice due to product improvements.

※ 参考仕様および外観は予告なく変更されることがあります。

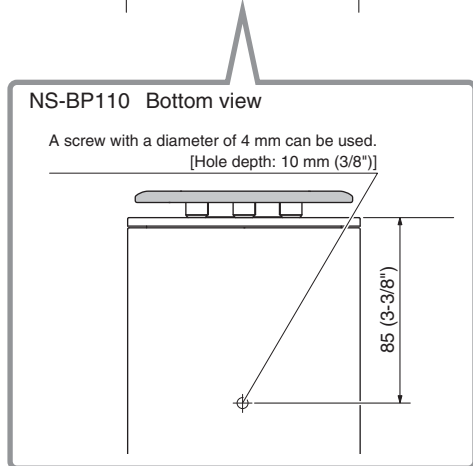
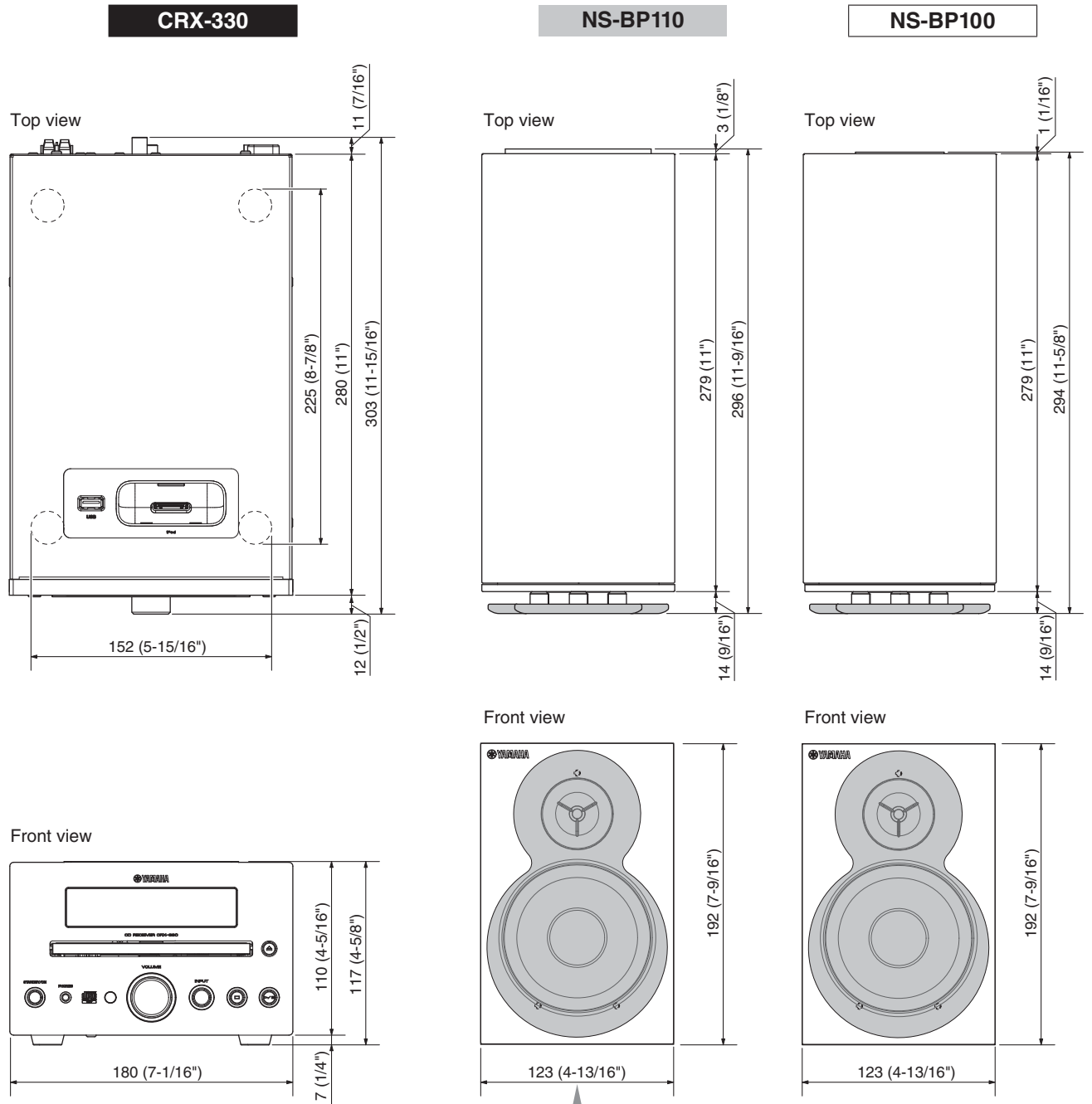
U U.S.A. model
T Chinese model
K Korean model
A Australian model
G European model
L Singapore model
V Taiwan model
J Japanese model

iPod™

"iPod" is a trademark of Apple Inc., registered in the U.S. and other countries.

iPod は、米国およびその他の国々で登録された Apple Inc. の商標または登録商標です。

• DIMENSIONS / 寸法図



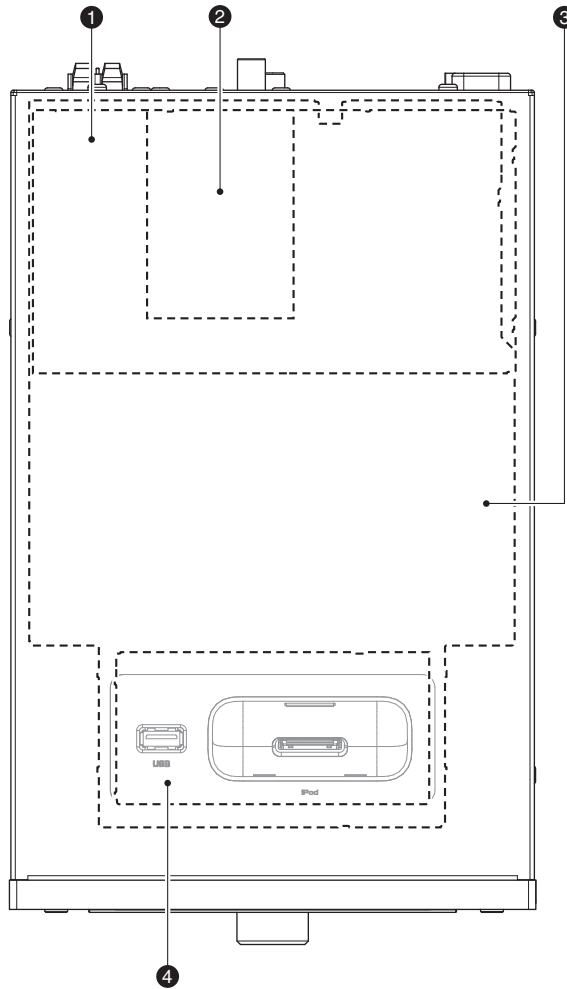
Unit: mm (inch)
単位: mm (インチ)

CRX-330/
NS-BP110/NS-BP100

INTERNAL VIEW

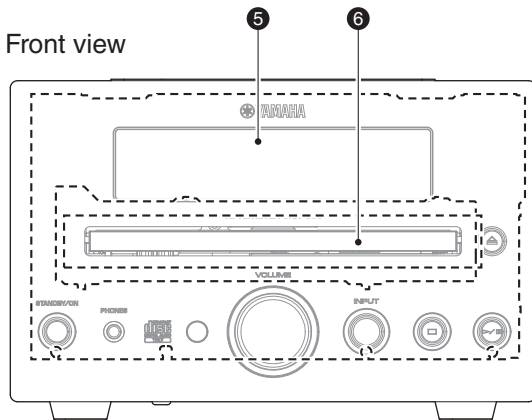
CRX-330

Top view



- ① POWER (1) P.C.B.
- ② FM TUNER
- ③ MAIN (1) P.C.B.
- ④ MAIN (2) P.C.B.
- ⑤ POWER (2) P.C.B.
- ⑥ LOADER MECHANISM UNIT

Front view



■ DISASSEMBLY PROCEDURES / 分解手順

CRX-330

(Remove parts in the order as numbered.)
Disconnect the power cable from the AC outlet.

(番号順に部品を取り外してください。)
AC電源コンセントから、電源コードを抜いてください。

1. Removal of Top Cover Ass'y

- Remove 4 screws (①) and 4 screws (②). (Fig. 1)
 - Lift the top cover ass'y. (Fig. 1)
 - Remove CB703 and CB704. (Fig. 1)
 - Remove the top cover ass'y. (Fig. 1)
- * When installing the top cover ass'y, be careful not to allow its cables to touch the disc tray of the loader mechanism unit and the POWER P.C.B..

1. トップカバー ASSY の外し方

- ①のネジ4本、②のネジ4本を外します。(Fig. 1)
 - トップカバー ASSY を持ち上げます。(Fig. 1)
 - CB703、CB704 を外します。(Fig. 1)
 - トップカバー ASSY を取り外します。(Fig. 1)
- ※ トップカバー ASSY を取り付けの場合、配線がローダーメカユニットのディスクトレイや POWER P.C.B. に接触しないよう十分注意してください。

2. Removal of Front Panel Unit

- Remove 2 screws (③) and 2 screws (④). (Fig. 1)
- Remove screw (⑤) and then remove W801. (Fig. 1)
- Remove CB801. (Fig. 1)
- Release 2 hooks and then remove the front panel unit. (Fig. 1)
- Remove CB207. (Fig. 1)

2. フロントパネルユニットの外し方

- ③のネジ2本、④のネジ2本を外します。(Fig. 1)
- ⑤のネジを外し、W801 を外します。(Fig. 1)
- CB801 を外します。(Fig. 1)
- フック2ヶ所を外し、フロントパネルユニットを外します。(Fig. 1)
- CB207 を外します。(Fig. 1)

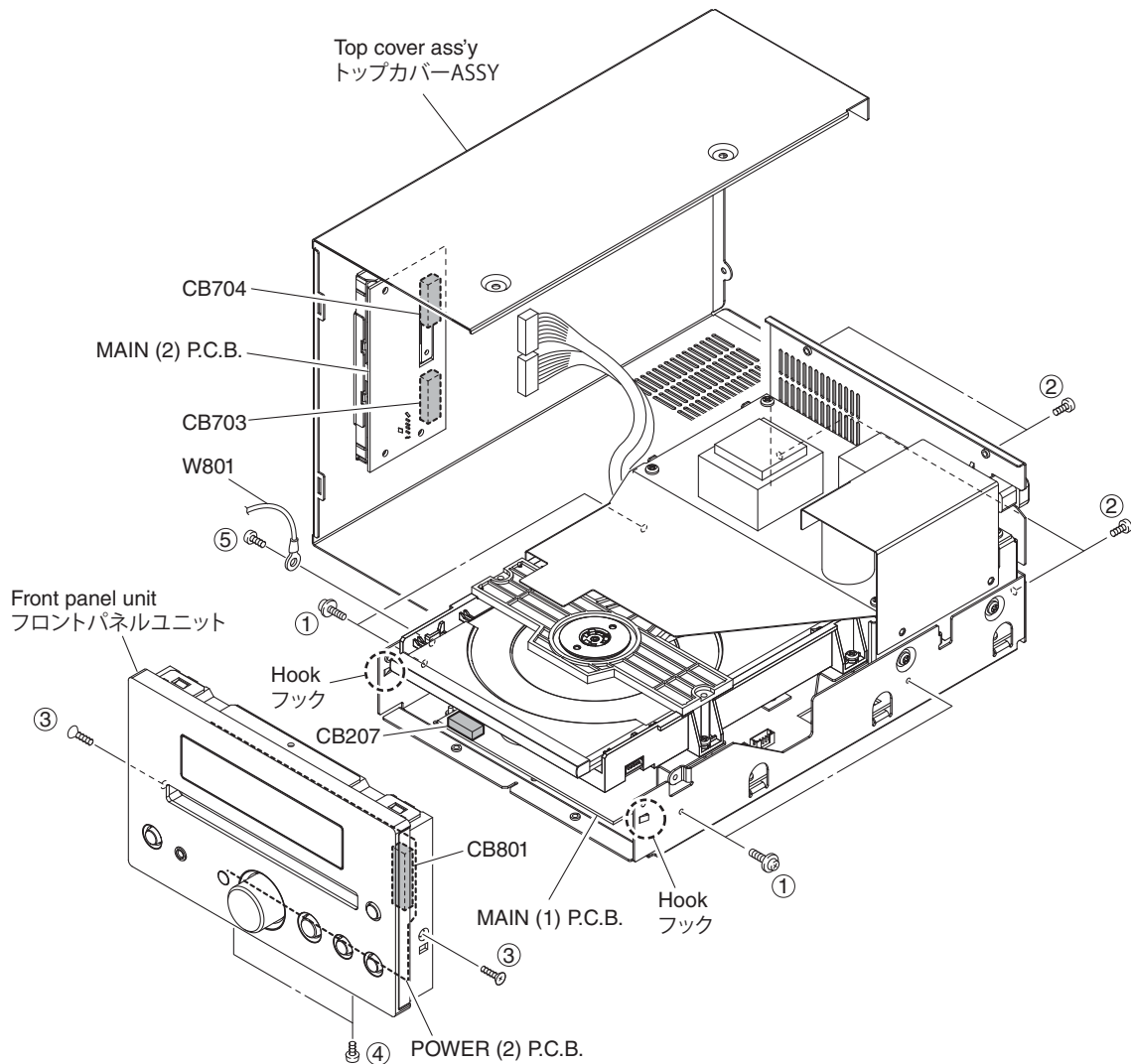


Fig. 1

3. Removal of Loader Mechanism Unit and POWER (1) P.C.B.

- Remove 5 screws (⑥). (Fig. 2)
- Lift the POWER (1) P.C.B. and POWER support together. (Fig. 2)
- Remove 4 screws (⑦). (Fig. 2)
- Lift the loader mechanism unit. (Fig. 2)
- Remove CB212 and CB213. (Fig. 2)
- Unlock and remove CB211 and ground the terminal side of the flexible flat cable with a clip or the like. (Fig. 2)
- Remove the loader mechanism unit. (Fig. 1)
- Remove CB1, CB205, CB206, CB209, CB210 and CB216. (Fig. 2)
- Remove the POWER (1) P.C.B. and POWER support together. (Fig. 2)

3. ローダーメカユニット、POWER (1) P.C.B. の外し方

- ⑥のネジ5本を外します。(Fig. 2)
- POWER (1) P.C.B. と POWER サポートを一緒に持ち上げます。(Fig. 2)
- ⑦のネジ4本を外します。(Fig. 2)
- ローダーメカユニットを持ち上げます。(Fig. 2)
- CB212、CB213 を外します。(Fig. 2)
- ロックを解除してCB211を外し、カード電線の端子面をクリップ等でアースします。(Fig. 2)
- ローダーメカユニットを取り外します。(Fig. 2)
- CB1、CB205、CB206、CB209、CB210、CB216を外します。(Fig. 2)
- POWER (1) P.C.B. と POWER サポートを一緒に取り外します。(Fig. 2)

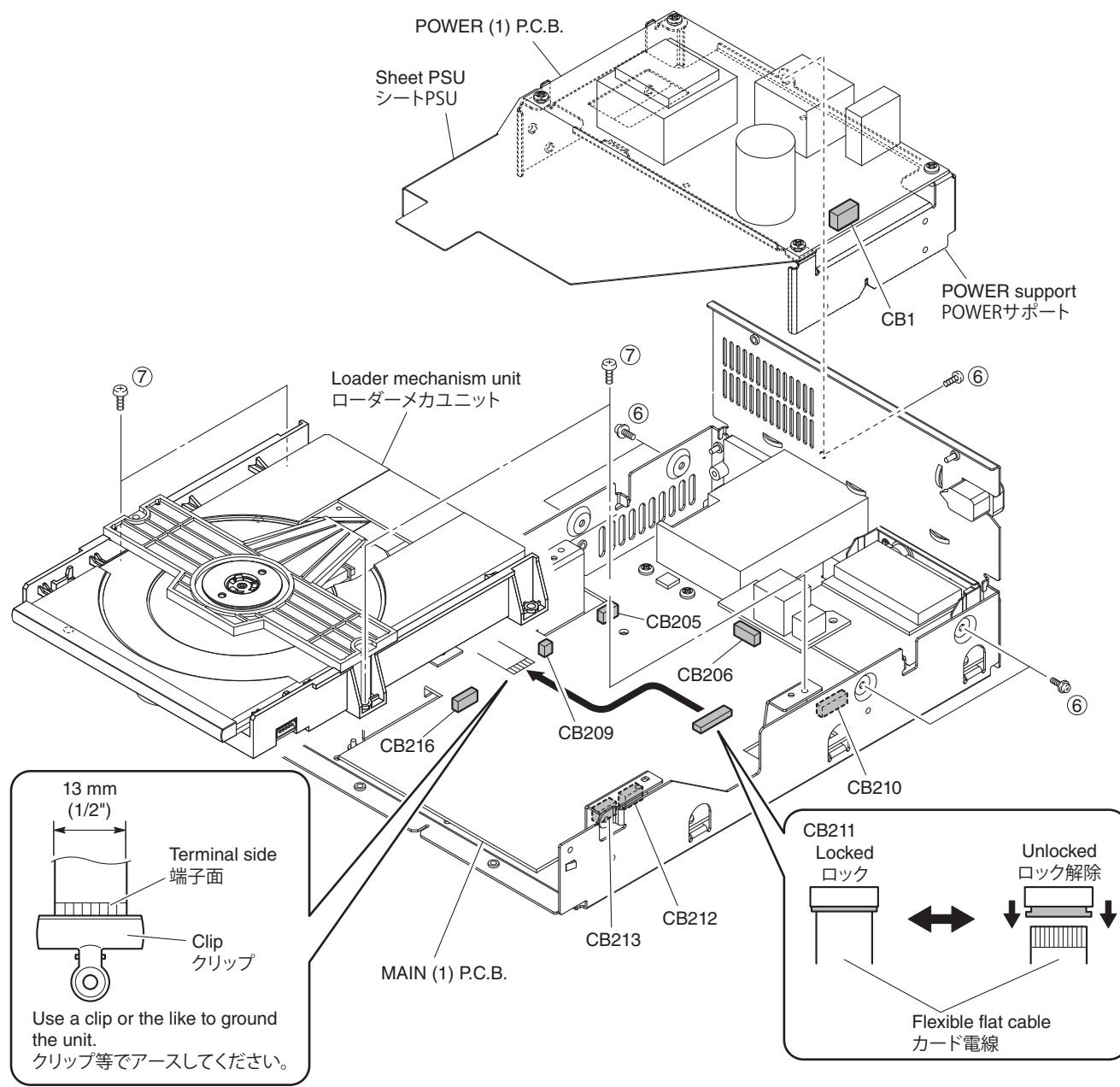


Fig. 2

When checking the P.C.B.s:

- Spread the rubber sheet and the cloth. Then place this unit on the cloth and check it. (Fig. 3)
- Reconnect all cables (connectors) that have been disconnected.
- When connecting the flexible flat cable, be careful with polarity.
- Connect the 3 ground points (G1, G2, G3) of the POWER (1) P.C.B. to the chassis with a ground lead or the like. (Fig. 3)

P.C.B. をチェックする場合には：

- ゴムシートと布を敷き、その上に本機を置いてチェックします。(Fig.3)
- 外したケーブル（コネクタ）をすべて接続します。
- フラットケーブルを接続する際、極性に注意してください。
- POWER (1) P.C.B. の3箇所のアース（G1、G2、G3）をアース線等でシャーシに接続してください。(Fig.3)

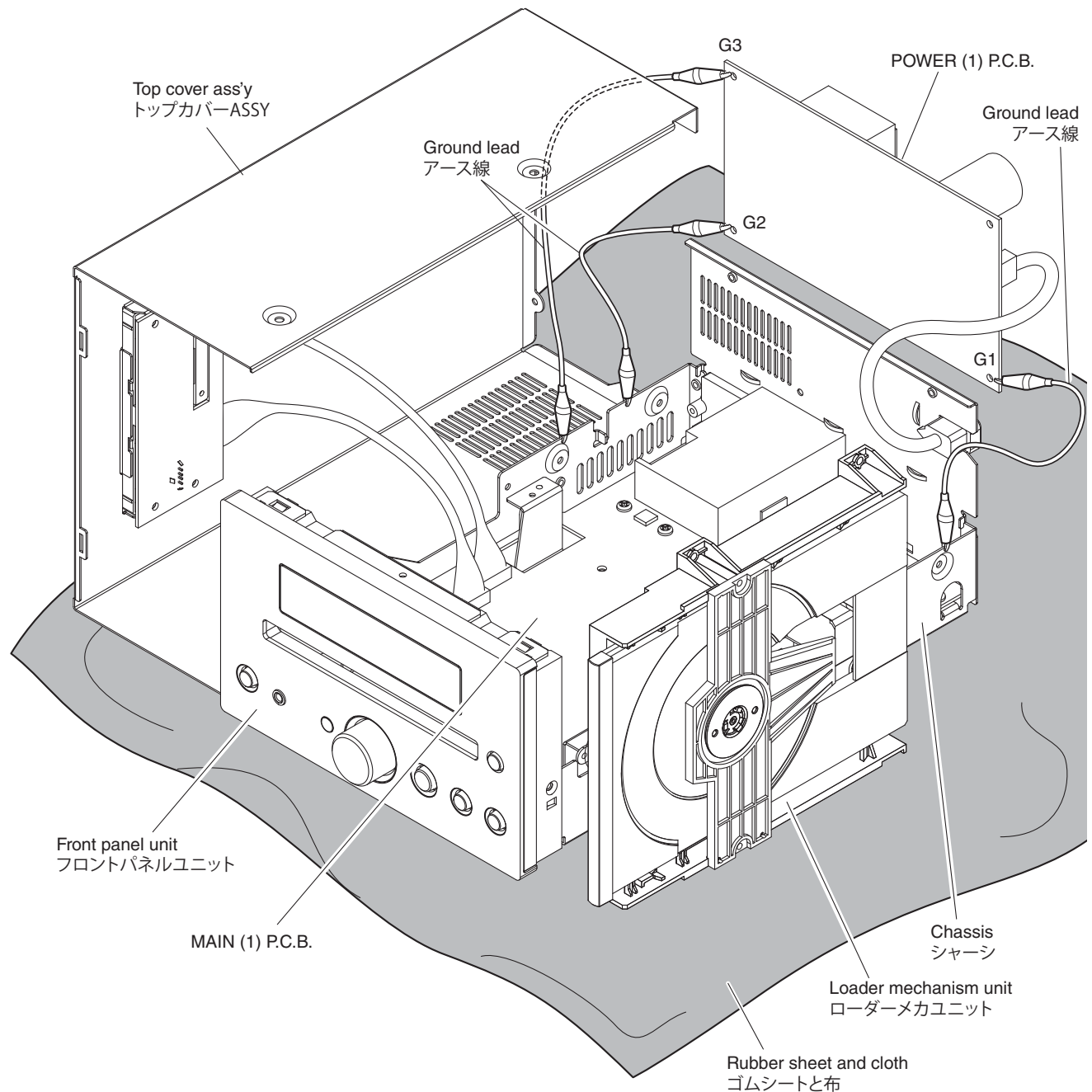


Fig. 3

■ UPDATING FIRMWARE / ファームウェアの書き込み

When replacing the following parts with the replacement parts, be sure to write the latest firmware.

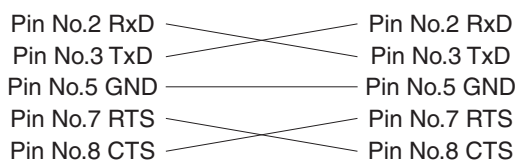
下記の部品をサービス部品に交換した場合、最新のファームウェアの書き込みを行ってください。

MAIN P.C.B.
Microprocessor (IC211) of MAIN P.C.B.

MAIN P.C.B.
Microprocessor (IC211) of MAIN P.C.B.

● Required tools

- Program downloader program
..... FlashSta.exe
- Firmware
..... crx-330_xxxx.mot
..... crx-330_xxxx.id
- RS232C cross cable "D-sub 9 pin female"
(Specifications)



- RS232C conversion adaptor (Part No.: WR492800)

● Preparation and precautions

- Download firmware downloader program and firmware from the specified source to the same folder of the PC.
- Prepare the above specified RS232C cross cable.
- While writing, keep the other application software on the PC closed.
It is also recommended to keep the software on the task tray closed as well.

● Confirmation of firmware version and checksum

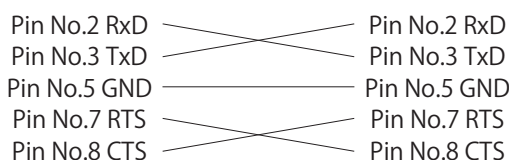
Before and after updating the firmware, check the firmware version and checksum by using the self-diagnostic function menu.

Start up the self-diagnostic function of this unit and select the "1. ROM VER/SUM" menu. (See "SELF-DIAGNOSTIC FUNCTION")

Have the firmware version and checksum displayed by using sub-menu, and note down them.

● 必要なツール

- プログラム書き込み用プログラム
..... FlashSta.exe
- ファームウェア
..... crx-330_xxxx.mot
..... crx-330_xxxx.id
- RS232C クロスケーブル "D-sub 9pin メス"
(仕様)



- RS232C 変換アダプター (部品番号：WR492800)

● 準備と注意

- PC へ指定のダウンロード先からファームウェアアップグレードプログラムおよび、ファームウェアを同じフォルダにダウンロードしてください。
- RS232C クロスケーブルは必ず上記仕様のもので用意してください。
- 書き込み時は、PC 上の他のアプリケーションソフトは閉じてください。
さらに、タスクトレイ上にあるソフトも閉じておくことを推奨します。

● ファームウェアのバージョンおよびチェックサムの確認

ファームウェア更新の前後に、ファームウェアのバージョンとチェックサムをダイアグで確認します。

本機のダイアグを起動し、「1. ROM VER/SUM」メニューを選択します。(「ダイアグ (自己診断機能)」参照)

サブメニューでファームウェアのバージョンとチェックサムを表示し、それらを書きとめます。

1-1 VER: B023

1-1 Firmware version

1-2 SUM: ABOE

1-2 Checksum

● Connection

1. Set the switch (SW301) of RS232C conversion adaptor to the "FLASH UCOM" position. (Fig. 1)
2. Connect the writing port (CB212 of MAIN P.C.B.) of this unit to the serial port (RS232C) of the PC with RS232C cross cable, RS232C conversion adaptor and flexible flat cable as shown below. (Fig. 1)

● 接続

1. RS232C 変換アダプターのスイッチ (SW301) "FLASH UCOM" 側に設定します。 (Fig. 1)
2. 本機の書き込み用ポート (MAIN P.C.B. の CB212) と PC のシリアルポート (RS232C) を下記のように接続します。 (Fig. 1)

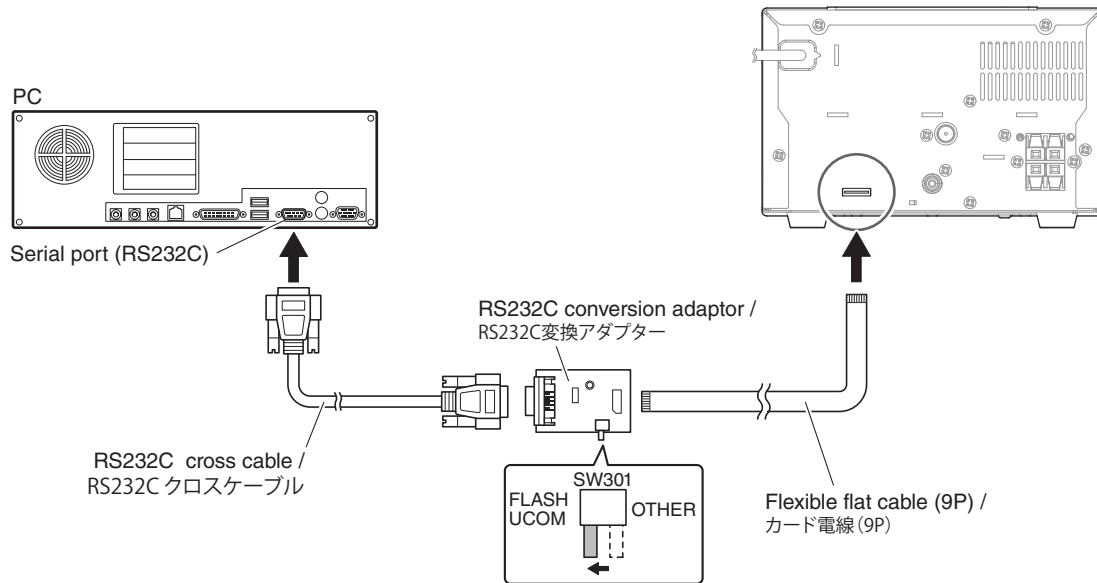


Fig. 1

● Operation procedures

1. Connect the power cable of this unit to the AC outlet.
2. Start up FlashSta.exe. (Fig. 2)
The screen appears as shown below. (Fig. 2)
3. Select the data to be transmitted and port. (Fig. 2)
 - Select Program
Select Internal flash memory.
 - RS232C
Select the port of RS-232C
 - * For selection of the port, COM1 to 4 can be used.
As COM5 or higher port cannot be used, select out of COM 1 to 4 of the setting on the PC side.

● 操作方法

1. 本機の電源コードを AC コンセントに接続します。
2. FlashSta.exe を起動します。(Fig. 2)
下記の画面が表示されます。(Fig. 2)
3. 送信データ、ポートを選択します。(Fig. 2)
 - Select Program
Internal flash memory を選択します。
 - RS232C
接続している RS-232 C ポートを選択します。
※ ポートの選択は COM1 ~ 4 までが使用できます。
COM5 以上は使用できませんので、PC 側の設定で COM1 ~ 4 を選択してください。



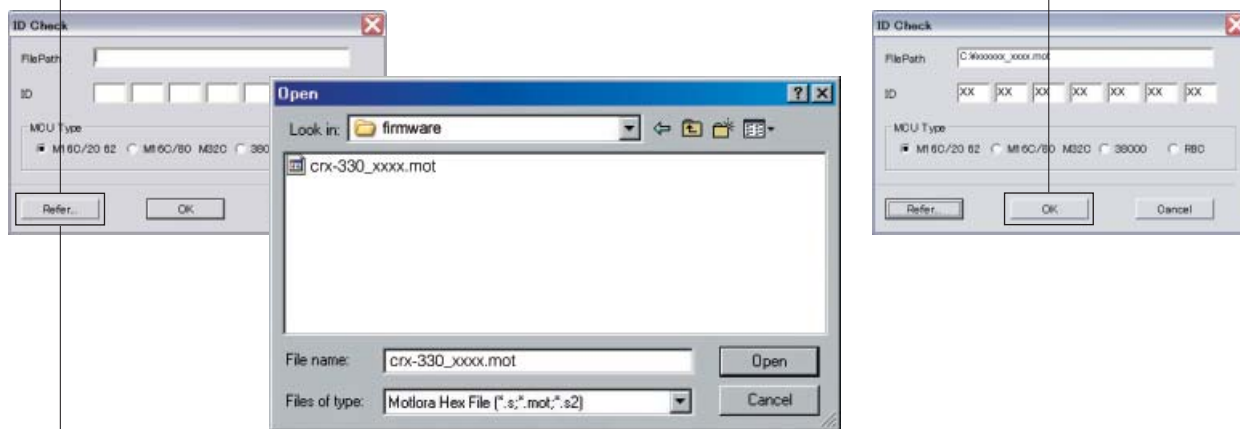
Fig. 2

4. Click [Refer...] and select the firmware name. (Fig. 3)

* The ID and MCU Type are loaded automatically when the file is selected. (Fig. 3)
Click [OK]. (Fig. 3)

4. [Refer...] をクリックし、書き込むファームウェアを選択します。(Fig. 3)

※ ID、および MCU Type は書き込みファイル選択後、自動的に取り込まれます。(Fig. 3)
[OK] をクリックします

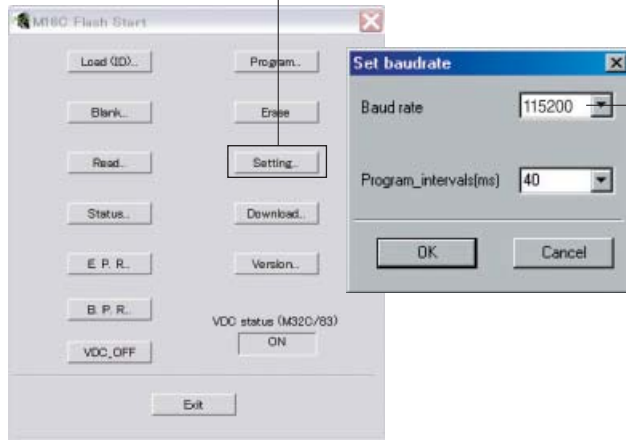


When [Refer...] is clicked, the "Open" screen appears.
[Refer...] をクリックすると「ファイルを開く」が表示されます

Fig. 3

5. Click [Setting], and set the baud rate. (Fig. 4)

5. [Setting] をクリックし、通信速度の設定を行います。(Fig. 4)



Select 115200 bps for the baud rate and 40 ms for the program intervals.

* Reduce the baud rate if a transmission error occurs frequently.

通信速度は 115200bps、時間幅は 40ms を選択します。

※ 送信エラーが多発する場合は、通信速度を下げてください。

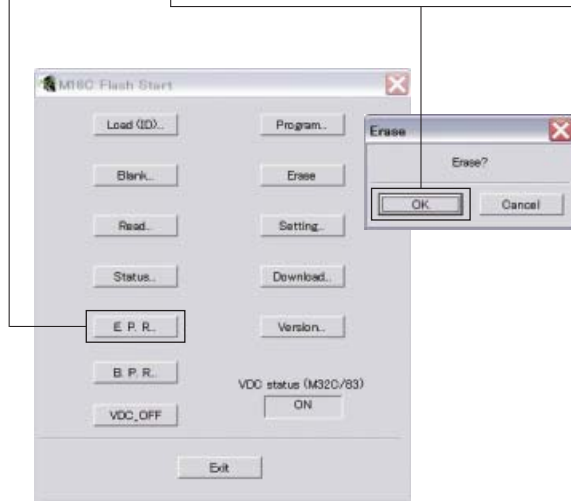
Fig. 4

6. Click [E.P.R.], then the "Erase" screen appears. (Fig. 5)

6. [E.P.R] をクリックすると、「Erase」が表示されます。(Fig. 5)

7. Click [OK] to start writing. (Fig. 5)

7. [OK] をクリックして書き込みを開始します。(Fig. 5)



Writing being executed.
書き込み中

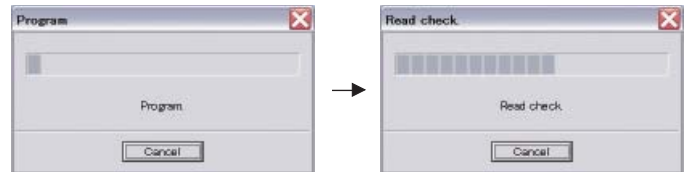


Fig. 5

8. When writing of the firmware is completed, the screen appears as shown below. (Fig. 6)
Click [OK]. (Fig. 6)
9. Click [Exit] to end FlashSta.exe. (Fig. 6)

8. ファームウェアの書き込みが完了すると、以下の画面が表示されます。
[OK] をクリックします。(Fig. 6)
9. [Exit] をクリックし、FlashSta.exe を終了します。(Fig. 6)

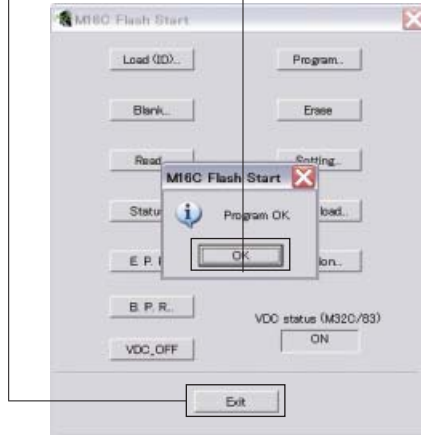


Fig. 6

10. Check that the firmware version and checksum are the same as written ones by using the self-diagnostic function menu.

10. ファームウェアのバージョンとチェックサムが、書き込まれたものと同じであることをダイアグで確認します。

1-1 VER: B023

1-1 Firmware version

1-2 SUM: A80E

1-2 Checksum

* When the firmware version and checksum are different from written ones, perform the "UPDATING FIRMWARE" procedure all over again.

※ ファームウェアのバージョンとチェックサムが、書き込まれたもの異なる場合、「ファームウェアの書き込み」をもう一度やり直してください。

11. Disconnect the power cable of this unit from the AC outlet.

11. 本機の電源コードを AC コンセントから抜きます。

● Initializing of this unit

- * After updating firmware, be sure to initialize this unit.

Start up the self-diagnostic function of this unit and select the "B. FACTORY PRESET" menu. (See "SELF-DIAGNOSTIC FUNCTION")

Select the "PRESET RSRV" (Initialization reserved) and turn off the power to this unit.

● 本機の初期化

- ※ ファームウェアの書き込み後は、必ず本機を初期化してください。

本機のダイアグを起動し、「B. FACTORY PRESET」メニューを選択します。（「ダイアグ（自己診断機能）」参照）

「PRESET RSRV」（初期化予約）を選択し、本機の電源を切ります。

PRESET INHIBIT (Initialization inhibited) /
初期化禁止

B-1 PRESET INH



PRESET RESERVED (Initialization reserved) /
初期化予約

B-2 PRESET RSRV

■ SELF-DIAGNOSTIC FUNCTION / ダイアグ (自己診断機能)

There are 11 main menu items, each of which has sub-menu items. Listed in the table below are menu items and sub-menu items.

メインメニューは11個あり、そのそれぞれにサブメニューがあります。下表はメニュー一覧です。

MAIN MENU	SUB MENU
1 ROM VER/SUM	1 MAIN VERSION 2 MAIN CHECKSUM 3 CD VERSION 4 USB VERSION
2 AUDIO TEST	1 iPod 2 TUNER 3 CD 4 USB 5 AUX (Not applied to this model. / このモデルには適用されません。)
3 FL CHECK	1 FL CHECK 2 FL DISPLAY OFF 3 FL DISPLAY ALL 4 FL DIMMER 5 FL CHECK PATTERN1 6 FL CHECK PATTERN2
4 iPod (Not applied to these models. / このモデルには適用されません。)	1 CONNECTION CHECK/UART LOOPBACK TEST
5 MAIN PCB CHECK	1 ALL Check 2 I2C Check 3 RTC SELF CHECK (Not applied to this model. / このモデルには適用されません。)
6 CD CHECK	1 Laser Diode Check 2 Spindle Motor Check 3 Feed Motor Check 4 Focus Check 5 Tracking 6 Module Upgrade
7 SYSTEM MONITOR	1 PS1 / PS2 2 LUMINANCE (Not applied to this model. / このモデルには適用されません。) 3 AUDIO DETECT 4 MODEL 5 DESTINATION 6 PANEL KEY (KEY0/KEY1/KEY2)
8 PROTECTION HISTORY	1 LAST 2 HISTORY 1 3 HISTORY 2 4 HISTORY 3
9 SET INFORMATION	1 MODEL : CRX-330 2 DEST
A SOFT SWITCH (Not applied to these models. / このモデルには適用されません。)	1 SW MODE 2 DEST
B FACTORY PRESET	1 PRESET INH 2 PRESET RSRV

● Starting Self-Diagnostic Function

While pressing those 2 keys of this unit as shown in the figure below, press the “STANDBY/ON” key to turn on the power.

The self-diagnostic function mode is activated.

● ダイアグの起動

本機の下図に示す2つのキーを押しながら “STANDBY/ON” キーを押して電源を入れます。

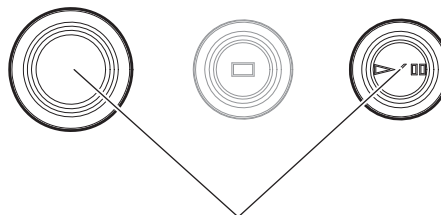
ダイアグが起動します。

Keys of this unit / 本機キー

STANDBY/ON



INPUT



While pressing these keys, turn on the power.
これらのキーを同時に押しながら、電源を入れます。

Display / ディスプレイ表示



● Starting Self-Diagnostic Function in the protection cancel mode

If the protection function works and causes hindrance to trouble shoot, cancel the protection function as described below, and it will be possible to enter the self-diagnostic function mode.

While pressing those 2 keys of this unit as shown in the figure above, press the “STANDBY/ON” key to turn on the power and keep pressing those 2 keys for 3 seconds or longer.

The self-diagnostic function mode is activated with the protection functions disabled.

In this mode, the “SLEEP” segment of the FL display of this unit flashes to indicate that the mode is self-diagnostic function mode with the protection functions disabled.

● プロテクション解除モードでの起動

プロテクションが動作することにより、故障箇所の診断に支障をきたすような場合は、次の方法によりプロテクションを解除した状態でダイアグモードに入ることができます。

本機の上図に示す2つのキーを押しながら “STANDBY/ON” キーを押して電源を入れ、2つのキーを3秒以上押し続けます。

プロテクションを解除した状態でダイアグが起動します。このモードでは本機FLの “SLEEP” セグメントが点滅し、プロテクションを解除した状態でのダイアグモードであることを知らせます。

CAUTION!

Using this product with the protection function disabled may cause damage to itself. Use special care when using this mode.

注意!

プロテクションを解除した状態でのダイアグモードは、危険な状態でもプロテクションが作動しないため、動作させると、機器を破壊することがあります。このモードを使用する場合は十分注意してください。

● **Canceling Self-Diagnostic Function**

1. Before canceling self-diagnostic function, execute setting for FACTORY PRESET of main menu No. B (Memory initialization inhibited or Memory initialized).
 - * In order to keep the user memory stored, be sure to select PRESET INH (Memory initialization inhibited).
2. Press the "STANDBY/ON" key of this unit to turn off the power.

● **Display provided when Self-Diagnostic Function started**

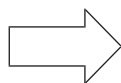
The FL display of this unit displays the protection function history data then the main menu (sub-menu MAIN CPU VERSION of main menu No. 1 ROM VER/SUM) a few seconds later.

When there is no history of protection function:

Opening message / オープニング表示

No Protection

After a few seconds / 数秒後



Main menu display / メインメニュー表示

1-1 VER:0023

● **ダイアグの解除**

1. ダイアグを解除する前に、メインメニュー No. B の FACTORY PRESET (メモリーの初期化禁止 / またはメモリーの初期化) の設定をします。
 - ※ ユーザーメモリーを保持したい場合は、必ず PRESET INH (メモリー初期化禁止) を選択してください。
2. 本機の "STANDBY/ON" キーを押して、電源を切ります。

● **ダイアグ起動時の表示**

本機の FL ディスプレイにプロテクション履歴情報が表示されます。数秒後、メインメニュー No. 1 「ROM VER/SUM」のサブメニュー「1-1 MAIN CPU VERSION」が表示されます。

プロテクション履歴がない場合：

When there is a history of protection function:

When there is a history of protection function due to abnormal amplifier section

D-AMP Error

プロテクション履歴がある場合：

アンプ部の異常によるプロテクション履歴がある場合

When there is a history of protection function due to abnormal voltage in the power supply section

電源部の電圧異常によるプロテクション履歴がある場合

PS1 (AD:xxx H)

A/D conversion value of voltage / 電圧の A/D 変換値 H: High L: Low

PS2 (AD:xxx L)

A/D conversion value of voltage / 電圧の A/D 変換値 H: High L: Low

For details of protection functions, refer to the main menu No. 7-1 PS1/PS2.

プロテクションの詳細は、メインメニュー No. 7-1 PS1/PS2 を参照してください。

Note)

- Applying the power to this unit without correcting the abnormality can be dangerous and cause additional circuit damage.

To avoid this, if protection function has been activated 3 times continuously, the power will not turn on even when the "STANDBY/ON" key is pressed.

In order to turn on the power again, disconnect the power cable of this unit from the AC outlet once and then reconnect it again.

注意！

- 異常状態のまま本機の電源を入れると、危険な状態になり、さらに回路が損傷を受ける原因になります。それを避けるために、プロテクションが連続して3回働いた場合、それ以降 "STANDBY/ON" キーを押しても電源が入らなくなります。再度電源を入れる場合、一度本機の電源コードを AC 電源コンセントから抜いて接続し直してください。

● History of protection function

When the protection function has worked, its history is stored in memory with a backup. Even if no abnormality is noted while servicing the unit, an abnormality which has occurred previously can be defined as long as the backup data has been stored.

The history of the protection function is cleared when self-diagnostic function is cancelled by selecting PRESET RSRV (Memory initialized) of main menu No. B or when the backup data is erased.

● プロテクションの履歴

プロテクションが働いた場合、履歴をバックアップして記憶しています。修理のときに異常が認められなくても、バックアップが残っていれば、お客様のところで起きた異常を区別できます。

メインメニュー No. B で PRESET RSRV (メモリーの初期化) を選んでダイアグを解除した場合、またはバックアップが消えた場合に、プロテクションの履歴はクリアされます。

● Operation procedure of Main menu and Sub-menu

There are 11 menu items, each of having sub-menu items.

Main menu selection

Select the main menu using “▼” (Forward) and “▲” (Reverse) keys on the remote control.

Sub-menu selection

Select the sub-menu using “ENTER” (Forward) and “MENU” (Reverse) keys on the remote control.

● メインメニューとサブメニューの操作

ダイアグには 11 のメニューがあり、そのそれぞれにサブメニューがあります。

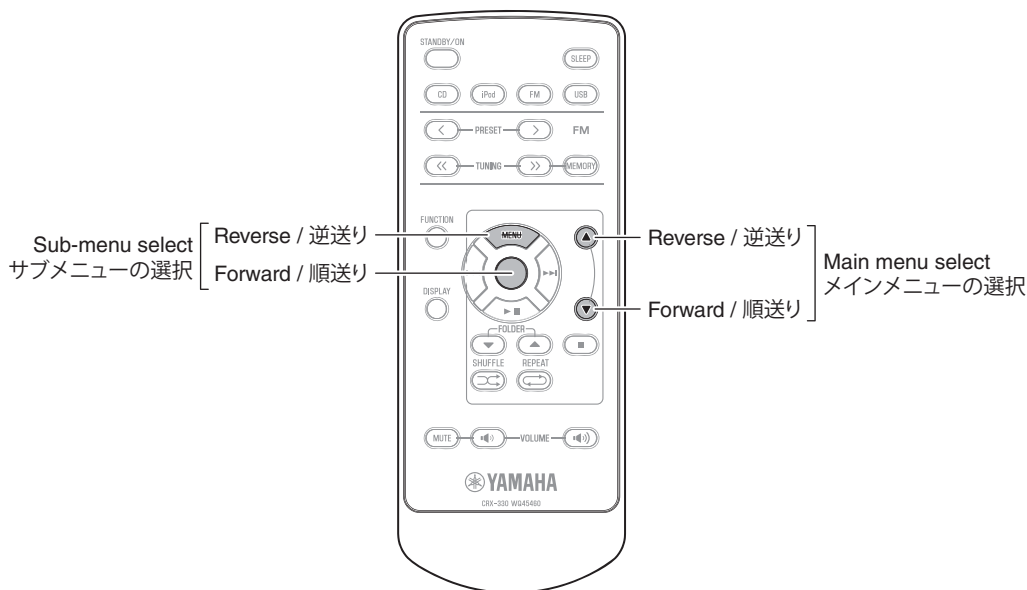
メインメニューの選択

リモコンの “▼” キー（順送り）、“▲” キー（逆送り）で選択します。

サブメニューの選択

リモコンの “ENTER” キー（順送り）、“MENU” キー（逆送り）で選択します。

Keys on the remote control / リモコンキー



● Functions in Self-Diagnostic Function mode

In addition to the self-diagnostic function menu items, functions listed below are available.

- Input selection
- Muting
- Power on/off
- Master volume

* Functions related to the tuner and the set menu are not available.

● Initial settings used to start Self-Diagnostic Function

The following initial setting is used when starting self-diagnostic function.

When self-diagnostic function is canceled, this setting is restored to that before starting self-diagnostic function.

- Master volume: 25

● ダイアグ中の機能

ダイアグメニューの他に、以下の機能が動作します。

- インプット切り換え
- ミューティング
- 電源オン/オフ
- マスターボリューム

※ チューナー関連、セットメニュー関連は機能しません。

● ダイアグ開始時の初期設定

ダイアグ開始時に以下のような設定になります。

ダイアグ解除時にはダイアグ開始前の状態に戻ります。

- マスターボリューム：25

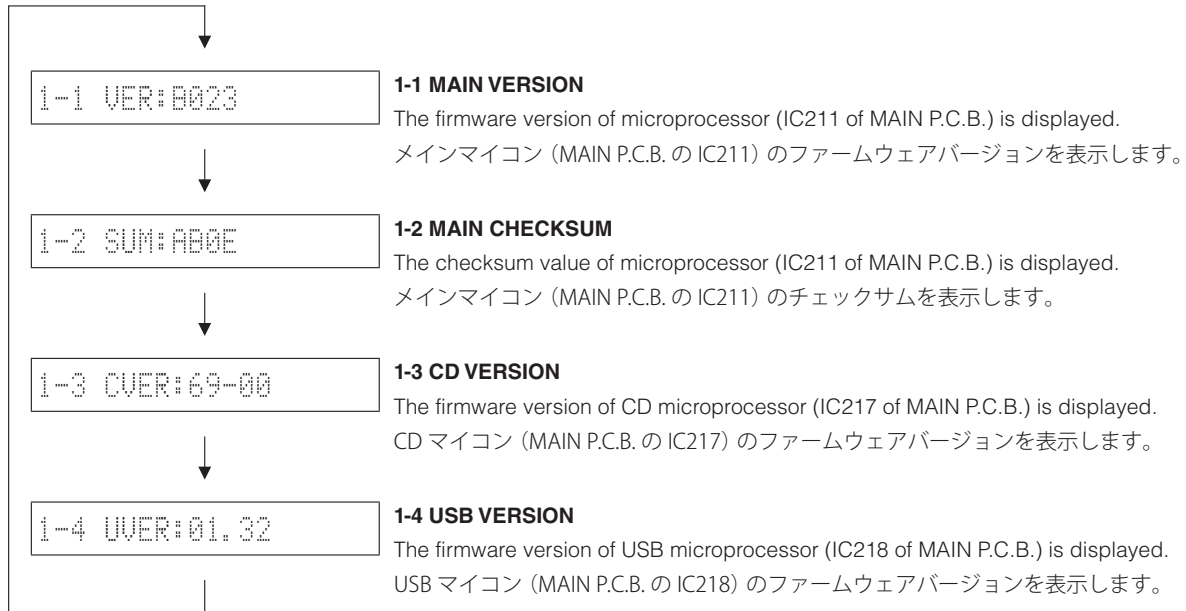
● Details of Self-Diagnostic Function menu

1. ROM VER/SUM

The firmware version and checksum are displayed.

The checksum is obtained by adding the data at every 8 bits for each program area and expressing the result as a 4-figure hexadecimal data.

* Numeric values in the figure example are for reference.



● ダイアグメニュー詳細

1. ROM VER/SUM

ファームウェアバージョン、チェックサムを表示します。

チェックサムは、プログラムエリア別にデータを8ビットごとに加算していき、4桁の16進データで現したものです。

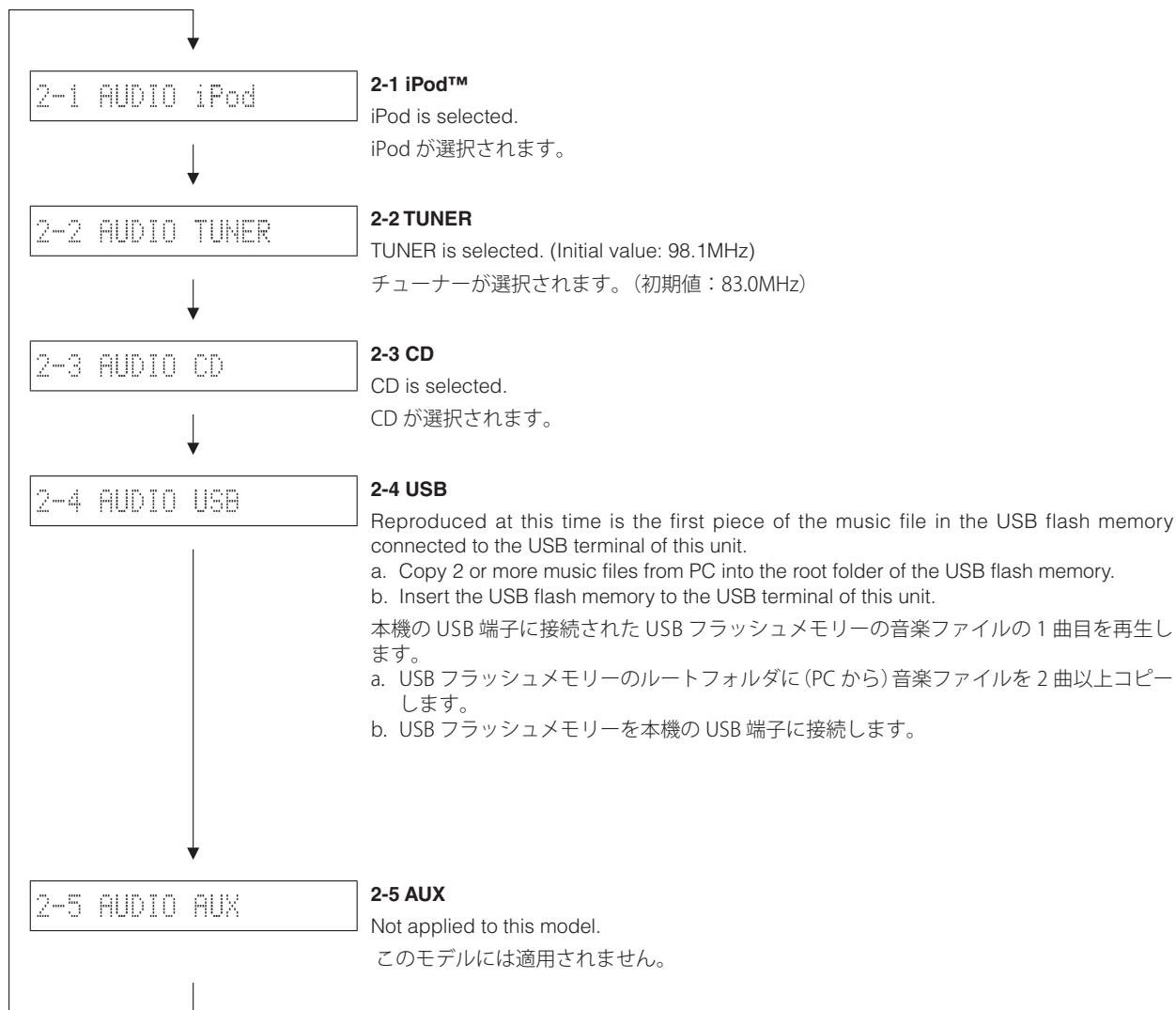
※ 図中の数値は参考例です。

2. AUDIO TEST

Using the sub-menu, the input source is changed as shown below.

2. AUDIO TEST

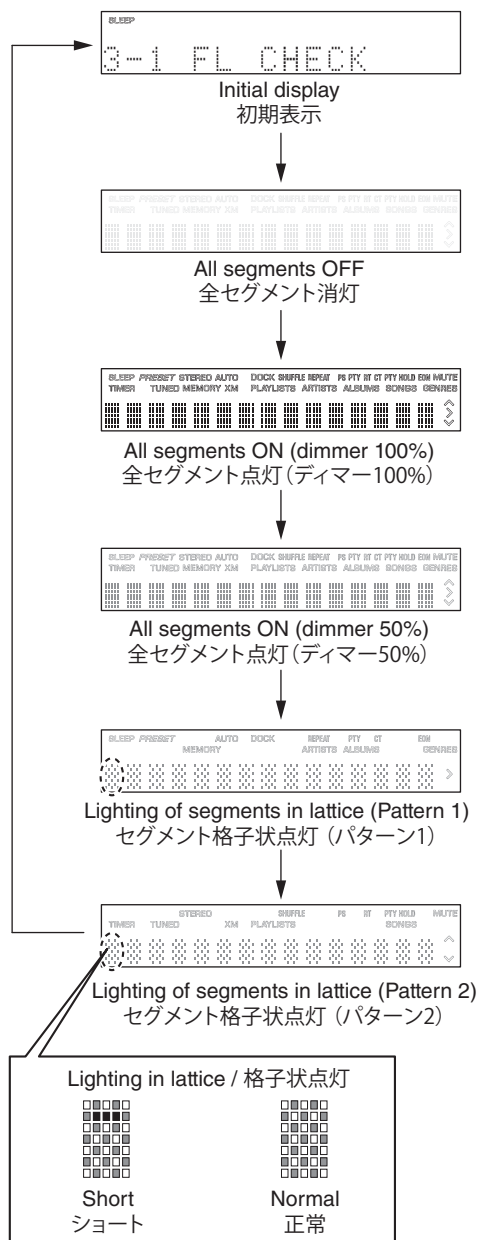
サブメニュー操作により、入力ソースが以下のように切り替わります。



3. FL CHECK

This menu is used to check the FL display section.

Using the sub-menu, the display varies as shown below.



Segment conditions of the FL driver and the FL tube are checked by turning ON and OFF all segments.

Next, the operation of the FL driver is checked by using the dimmer control. Then a short between segments next to each other is checked by turning ON and OFF all segments alternately (in lattice).

(In the above example, the segments in the second row from the top are shorted.)

3. FL CHECK

FL 表示部を確認します。

サブメニュー操作により、表示が以下のように変わります。

3-1 Initial display / 初期表示

3-2 All segments OFF / 全セグメント消灯

3-3 All segments ON (dimmer 100%) / 全セグメント点灯 (ディマー 100%)

3-4 All segments ON (dimmer 50%) / 全セグメント点灯 (ディマー 50%)

3-5 Lighting of segments in lattice (Pattern 1) / セグメント格子状点灯 (パターン1)

3-6 Lighting of segments in lattice (Pattern 2) / セグメント格子状点灯 (パターン2)

全セグメント消灯・全セグメント点灯により FL ドライバー、FL 管のセグメントの不良を確認します。

次に、ディマーコントロールによって FL ドライバーの動作チェックを行います。さらに全セグメントを交互（格子状）に点灯／消灯することで、隣り合うセグメントのショートをチェックします。

(上記の例は、上から 2 列目のセグメントがショートしています。)

4. iPod™

Not applied to this model.

4. iPod™

このモデルには適用されません。

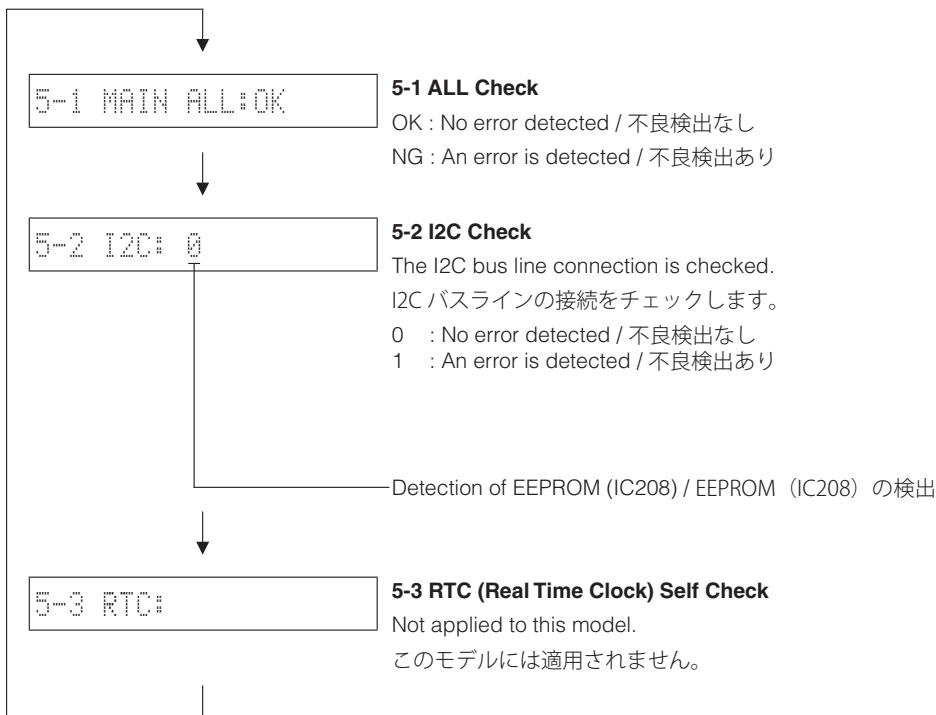
4 iPod NG:NNN

5. MAIN PCB CHECK

Communication and bus line connection between devices on the MAIN P.C.B. are checked.

5. MAIN PCB CHECK

MAIN P.C.B. 内のデバイス間の通信とバスラインの接続をチェックします。



6. CD CHECK

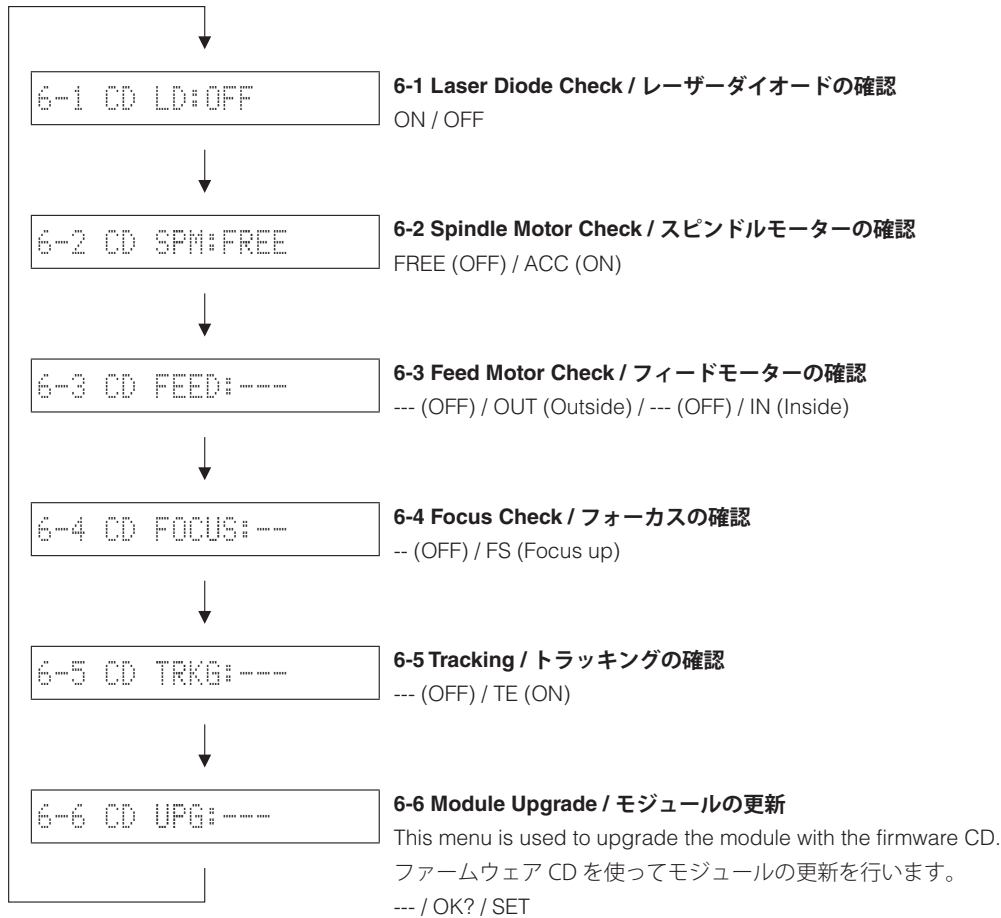
This menu is used to check operation of the loader mechanism unit.

Select sub-menu and press the "PLAY/PAUSE" key on the remote control to change operation mode.

6. CD CHECK

ローダーメカユニットの動作確認をします。

サブメニュー選択後、リモコンの "PLAY/PAUSE" キーを押して動作モードを切り替えます。



7. SYSTEM MONITOR

This menu is used to display the A/D conversion value of the main microprocessor which detects panel keys of this unit and protection functions by using the sub-menu.

7-1 PS1 / PS2**(Power supply voltage protection detection)**

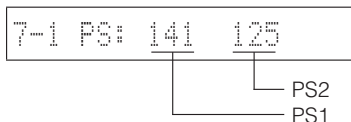
Power supply voltage protection value
(Normal value: PS1: 105 to 168, PS2: 101 to 151)

PS1: Detects +3.3D, +5A, +5I, +12A, +15AMP, -23D and -32D.

PS2: Detects +5.1USB and +7.2MTR.

* If PS becomes out of the normal value range, the protection function works to turn off the power.

(Reference voltage: 3.3V=255)

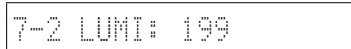


7-1 PS: 141 125

PS2
PS1

7-2 LUMINANCE

Not applied to this model.



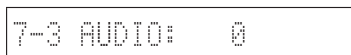
7-2 LUMI: 199

7-3 AUDIO (iPod audio signal detection)

This menu is used to detect the audio signal output of iPod.

(Normal value: 100 or more)

The voltage at 89 pin of microprocessor IC201 is displayed with 3.3V/255 as a reference.



7-3 AUDIO: 0

7. SYSTEM MONITOR

本機パネルキー、プロテクションなどを検出しているメインマイコンの A/D 変換の値を、サブメニューで表示します。

7-1 PS1 / PS2**(電源電圧プロテクションの検出)**

プロテクションの値
(正常値: PS1: 105 ~ 168, PS2: 101 ~ 151)

PS1: +3.3D、+5A、+5I、+12A、+15AMP、-23D、-32D を検出しています。

PS2: +5.1USB、+7.2MTR を検出しています。

※ PS が正常値を外れるとプロテクションが働き、電源が切れます。

(基準電圧: 3.3V=255)

7-2 LUMINANCE

このモデルには適用されません。

7-3 AUDIO (iPod 音声信号の検出)

iPod の音声信号出力を検出します。
(正常値: 100 以上)

マイコン (IC201) の 89 ピンの電圧値を 3.3V/255 を基準にして表示します。

7-4 MODEL (Model detection)

The voltage at 93 pin of microprocessor IC211 is displayed with 3.3V/255 as a reference.

```
7-4 MODEL: 211
```

Display	194 – 233
Model	CRX-330

7-4 MODEL (モデル検出)

マイコン (IC211) の 93 ピンの電圧値を 3.3V/255 を基準にして表示します。

7-5 DESTINATION (Destination detection)

The voltage at 94 pin of microprocessor (IC211) is displayed with 3.3V/255 as a reference.

```
7-5 DEST: 255
```

Display	0 – 16	49 – 83	84 – 121	158 – 193	234 – 255
Destination	U	J	T, K, L, V	A	G

7-5 DESTINATION (仕向け先検出)

マイコン (IC211) の 94 ピンの電圧値を 3.3V/255 を基準にして表示します。

7-6 KEY0 / KEY1 / KEY2

(Panel key of this unit detection)

The voltage at 97 pin (KEY0), 95 pin (KEY1) and 70 pin (KEY2) of microprocessor IC211 are displayed with 3.3V/255 as a reference.

When the A/D value of the panel key becomes out of the specified range, normal operation will not be available.

In this case, check the constant of voltage dividing resistor, solder condition, etc. Refer to table.

7-6 KEY0 / KEY1 / KEY2

(本機パネルキー検出)

マイコン (IC211) の 97 ピン (KEY0)、95 ピン (KEY1)、70 ピン (KEY2) の電圧値を 3.3V/255 を基準にして表示します。

パネルキーの A/D 値が規定範囲から外れると、正常な動きをしません。

下表をご覧になり、各キーの分圧抵抗の定数、ハンダ不良等の確認をしてください。



Display	Ohm	Key 0	Key 1	Key 2
0 - 16	0		INPUT	
17 - 48	+ 1.5 k	PLAY/PAUSE		
49 - 79	+ 1.8 k	STOP		
80 - 111	+ 2.7 k	OPEN/CLOSE		
239 - 255	∞	OFF	OFF	OFF

8. PROTECTION HISTORY

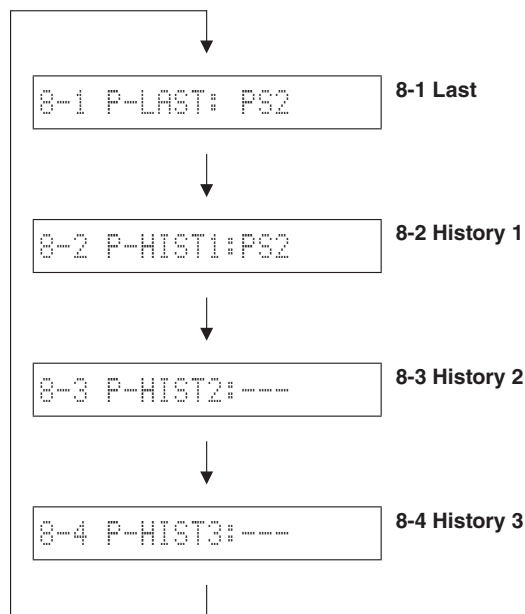
The history of protection function is displayed.

Select sub-menu and press the "PLAY/PAUSE" key on the remote control, then the history will be erased.

8. PROTECTION HISTORY

プロテクション履歴を表示します。

サブメニューを選んだ後、リモコンの "PLAY/PAUSE" キーを押すと履歴は消去されます。



9. SET INFORMATION

The model name and destination are displayed.

9. SET INFORMATION

モデル名、仕向け先を表示します。

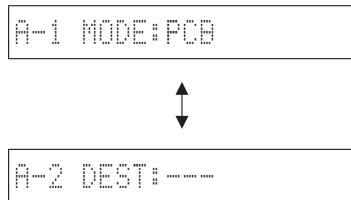


A. SOFT SWITCH

Not applied to this model.

A. SOFT SWITCH

このモデルには適用されません。

**B. FACTORY PRESET**

This menu is used to reserve and inhibit initialization of the back-up IC (tuner preset, etc...).

B. FACTORY PRESET

バックアップ用 IC (チューナープリセット等) の初期化を予約／禁止します。

B-1 PRESET INH

B-1 PRESET INH (Initialization inhibited) / PRESET INH (初期化禁止)

IC initialization is not executed. Select this sub-menu to protect the values set by the user.

IC の初期化は行われません。ユーザーの設定値を保護するときは、こちらを選択してください。

B-2 PRESET RSRV

B-2 PRESET RSRV (Initialization reserved) / PRESET RSRV (初期化予約)

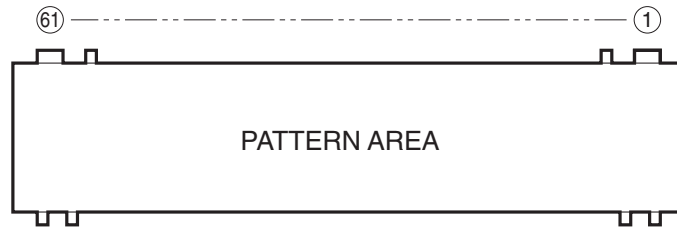
Initialization of the back-up IC is reserved. (Actually, initialization is executed the next time that the power is turned on.)

Select this sub-menu to reset to the original factory settings or to reset the IC. Any protection history will be cleared.

バックアップ IC の初期化が予約されます。(実際に初期化されるのは、次回の電源投入時です。) 工場出荷時や IC をリセットしたいときは、こちらを選択してください。

■ DISPLAY DATA

● V801 : 16-BT-133GNK (POWER P.C.B.)



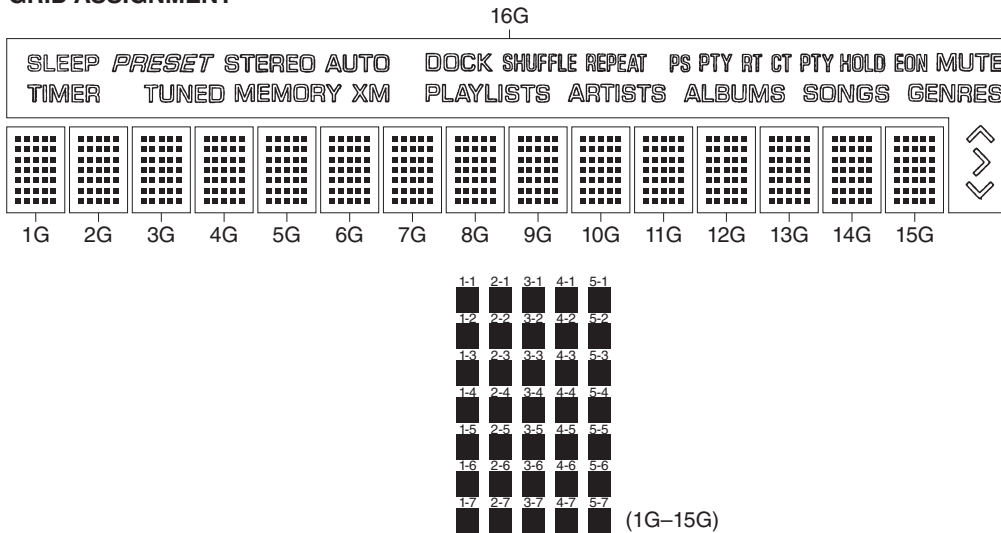
● PIN CONNECTION

Pin No.	40	39	38	37	36	35	34	33	32	31	30	29	28	27	26	25	24	23	22	21	20	19	18	17	16	15	14	13	12	11	10	9	8	7	6	5	4	3	2	1
Connection	P17	P18	P19	P20	P21	P22	P23	P24	P25	P26	P27	P28	P29	P30	P31	P32	P33	P34	P35	NC	16G	15G	14G	13G	12G	11G	10G	9G	8G	7G	6G	5G	4G	3G	2G	1G	NP	NP	NX	F1

Pin No.	60	59	58	57	56	55	54	53	52	51	50	49	48	47	46	45	44	43	42	41
Connection	F2	NX	NP	NP	P1	P2	P3	P4	P5	P6	P7	P8	P9	P10	P11	P12	P13	P14	P15	P16

Note : 1) F1, F2 Filament 2) NP No pin 3) NX No extended Pin 4) 1G–16G Grid 5) NC No connection

● GRID ASSIGNMENT



● ANODE CONNECTION

	1G–15G	16G
P1	1-1	SLEEP
P2	2-1	TIMER
P3	3-1	PRESET
P4	4-1	STEREO
P5	5-1	AUTO
P6	1-2	TUNED
P7	2-2	MEMORY
P8	3-2	XM
P9	4-2	DOCK
P10	5-2	SHUFFLE
P11	1-3	REPEAT
P12	2-3	PLAYLISTS

	1G–15G	16G
P13	3-3	ARTISTS
P14	4-3	PS
P15	5-3	PTY
P16	1-4	RT
P17	2-4	CT
P18	3-4	PTY HOLD
P19	4-4	EON
P20	5-4	MUTE
P21	1-5	ALBUMS
P22	2-5	SONGS
P23	3-5	GENRES
P24	4-5	⤴

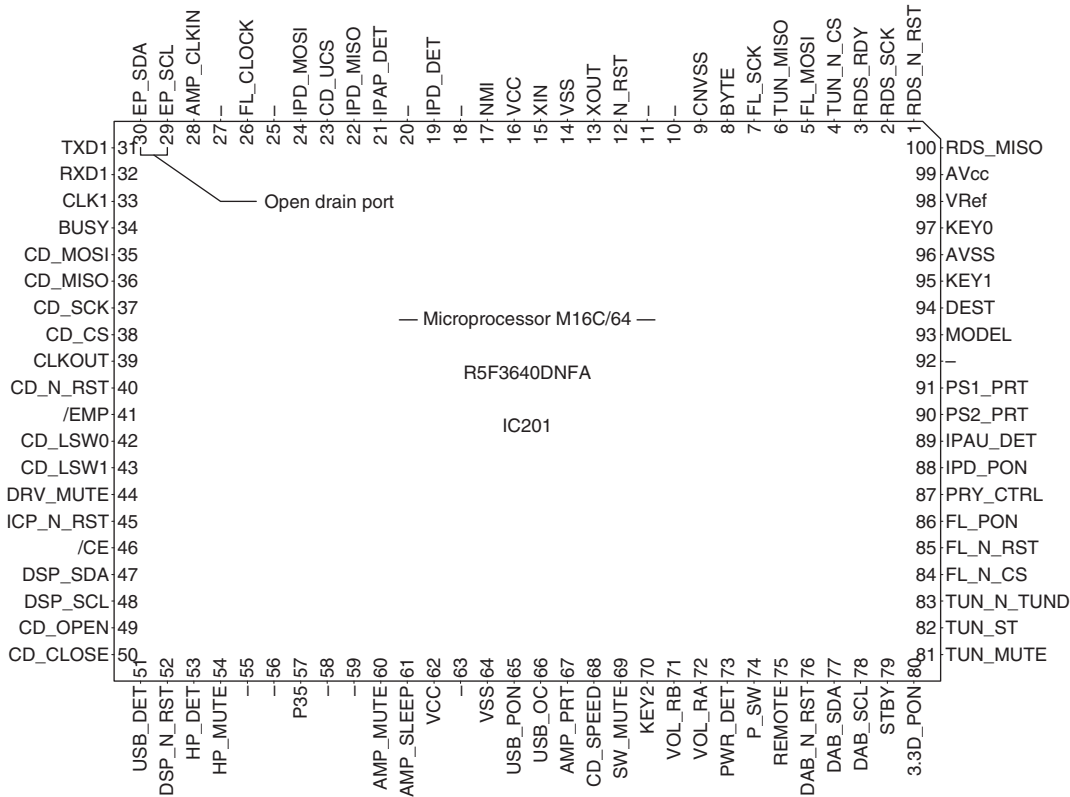
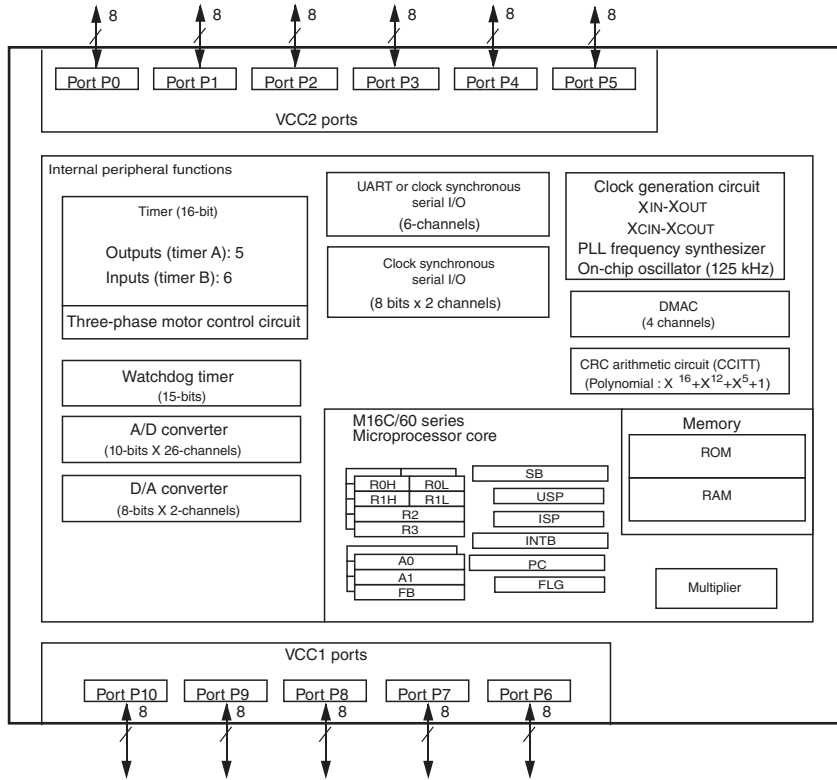
	1G–15G	16G
P25	5-5	⤵
P26	1-6	⤴
P27	2-6	–
P28	3-6	–
P29	4-6	–
P30	5-6	–
P31	1-7	–
P32	2-7	–
P33	3-7	–
P34	4-7	–
P35	5-7	–

CRX-330/
NS-BP110/NS-BP100

IC DATA

IC211: R5F3640DNFA (MAIN P.C.B.)

Single-chip 16-bit CMOS microprocessor



CRX-330/
NS-BP110/NS-BP100

Pin No.	Port Name	Function Name (P.C.B.)	I/O	Detail of Function
1	P96/ANEX1/SOUT4	RDS_N_RST	O	RDS reset control / Low = Reset (G model)
2	P95/ANEX0/CLK4	RDS_SCK	SO	RDS clock for communication (G model)
3	P94/DA1/TB4in	RDS_RDY	I	RDS READY input (G model)
4	P93/DA0/TB3in	TUN_N_CS	O	Analog TUNER chip select 3.3V to 5.0V conversion
5	P92/TB2in/SOUT3	FL_MOSI	SO	For FL control / TUNER control 3.3V to 5.0V conversion for TUNER
6	P91/TB1in/SIN3	TUN_MISO	SI	For TUNER control 5.0V to 3.3V conversion
7	P90/TB0in/CLK3	FL_SCK	SO	For FL control / TUNER control 3.3V to 5.0V conversion for TUNER
8	BYTE	BYTE	MCU	When in single chip mode: Vss
9	CNVss	CNVss	MCU	When in single chip mode: Vss When writing: Vcc
10	P87/Xcin	–	MCU	
11	P86/Xcout	–	MCU	
12	/RESET	N_RST	MCU	Reset
13	Xout	Xout	MCU	Oscillation output Oscillation stopped when in Sleep mode
14	Vss	Vss	MCU	Ground of microprocessor
15	Xin	Xin	MCU	Oscillation input 20MHz ceramic lock
16	Vcc1	Vcc	MCU	Power supply +3.3V of microprocessor
17	P85/NMI	NMI	MCU	Unused and so connect to Vcc
18	P84/INT2	–	IRQ	
19	P83/INT1	IPD_DET	IRQ	iPod detection / 47k pull-up
20	P82/INT0	–	O	
21	P81/TA4in/U/CTS5/RTS5	IPAP_DET	I	iPod accessory power detection / 470k pull-down
22	P80/TA4out/U/RXD5/SCL5	IPD_MISO	SI	iPod UART communication
23	P77/TA3in/CLK5	CD_UCS	O	470k pull-down
24	P76/TA3out/TXD5/SDA5	IPD_MOSI	SO	iPod UART communication
25	P75/TA2in/W	–	IO	
26	P74/TA2out/W	FL_CLOCK	O	FL clock output
27	P73/CTS2/RTS2/TA1in/V	–	O	
28	P72/CLK2/TA1out/V	AMP_CLKIN	O	D-AMP clock output
29	P71/RXD2/SCL2/TA0in/TB5in	EP_SCL	SIO	EEPROM communication I2C +3.3S/3.3k-ohms pull-up
30	P70/TXD2/SDA2/TA0out	EP_SDA	SO	EEPROM communication I2C +3.3S/3.3k-ohms pull-up
31	P67/TXD1/SDA1	TXD1	MCU	For FLASH writing (TX) +3.3M/47k-ohms pull-up
32	P66/RXD1/SCL1	RXD1	MCU	For FLASH writing (RX) +3.3M/47k-ohms pull-up
33	P65/CLK1	CLK1	MCU	For FLASH writing (clock) +3.3M/47k-ohms pull-up
34	P64/CTS1/RTS1/CTS0/CLKS1	BUSY	MCU	BUSY signal output for FLASH writing
35	P63/TXD0/SDA0	CD_MOSI	SO	Communication with CD control LSI
36	P62/RXD0/SCL0	CD_MISO	SI	Communication with CD control LSI 100k pull-down
37	P61/CLK0	CD_SCK	SO	Communication with CD control LSI
38	P60/CTS0/RTS0	CD_CS	O	Chip select for CD control LSI
39	P57/RDY/CLKout	CLKOUT	O	
40	P56/ALE	CD_N_RST	O	Reset to CD control LSI
41	P55/HOLD	/EMP	I	100k pull-down
42	P54/HLDA	CD_LSW0	I	Loader switch 0 / 100k pull-up
43	P53/BCLK	CD_LSW1	I	Loader switch 1 / 100k pull-up

Pin No.	Port Name	Function Name (P.C.B.)	I/O	Detail of Function
44	P52/RD	DRV_MUTE	O	CD driver mute control / 47k pull-down
45	P51/WRH/BHE	ICP_N_RST	O	Reset for iPod certified chip 47k pull-down
46	P50/WRL/WR	/CE	I	
47	P47/CS3/TXD7/SDA7	DSP_SDA	SIO	iPod certified chip/DSP communication I2C +3.3V/3.3k-ohms pull-up
48	P46/CS2/RXD7/SCL7	DSP_SCL	SO	iPod certified chip/DSP communication I2C +3.3V/3.3k-ohms pull-up
49	P45/CS1/CLK7	CD_OPEN	O	CD tray OPEN control
50	P44/CS0/CTS7/RTS7	CD_CLOSE	O	CD tray CLOSE control
51	P43/A19	USB_DET	I	USB detection / 47k pull-down
52	P42/A18	DSP_N_RST	O	
53	P41/A17	HP_DET	I	Headphones detect
54	P40/A16	HP_MUTE	O	Headphones mute control
55	P37/A15	-	O	
56	P36/A14	-	O	
57	P35/A13	P35	O	
58	P34/A12	-	O	
59	P33/A11	-	O	Analog audio input selector control
60	P32/A10	AMP_MUTE	O	D-AMP mute control / +3.3A/100k pull-up
61	P31/A9	AMP_SLEEP	O	D-AMP sleep control / +3.3A/100k pull-up
62	Vcc2	Vcc	MCU	Power supply +3.3V of microprocessor
63	P30/A8	-	O	
64	Vss	Vss	MCU	Ground of microprocessor
65	P27/A7/AN27	USB_N_PON	O	ON/OFF control of USB power supply Used for open drain / Low = ON
66	P26/A6/AN26	USB_N_OC	I	USB excess current detection flag Low = Excess current detected
67	P25/A5/AN25/INT7	AMP_PRT	IRQ	D-AMP error detection / Low = Error / +3.3A/100k pull-up
68	P24/A4/AN24/INT6	CD_SPEED	O	CD tracking gain select control Usually: Hi output While CD playing: Low under condition of Vol = 50
69	P23/A3/AN23	SW_MUTE	O	
70	P22/A2/AN22	KEY2	AD	
71	P21/A1/AN21	VOL_RB	I	
72	P20/A0/AN20	VOL_RA	I	
73	P17/D15/INT5	PWR_DET	IRQ	Power detected
74	P16/D14/INT4	P_SW	IRQ	Power switch detection / 47k pull-down
75	P15/D13/INT3	REMOTE	IRQ	Remote control pulse reception / +3.3M/47k-ohms pull-up
76	P14/D12	DAB_N_RST	O	
77	P13/D11/TXD6/SDA6	DAB_SDA	SO	
78	P12/D10/RXD6/SCL6	DAB_SCL	SI	
79	P11/D9/CLK6	STBY	O	
80	P10/D8/CTS6/RTS6	3.3D_PON	O	ON/OFF control of power line for CD, USB Hi = ON / Spare
81	P07/D7/AN07	TUN_MUTE	O	TUNER MUTE control / 3.3V to 5.0V conversion
82	P06/D6/AN06	TUN_ST	I	TUNER STEREO detection input / 5.0V to 3.3V conversion
83	P05/D5/AN05	TUN_N_TUND	I	TUNER TUNED input / 5.0V to 3.3V conversion
84	P04/D4/AN04	FL_N_CS	O	FL driver chip select
85	P03/D3/AN03	FL_N_RST	O	FL driver reset
86	P02/D2/AN02	FL_PON	O	ON/OFF control of VP power supply for FL Hi = ON 47k pull-down ON/OFF control of DC-DC for CD/USB Used also for CLK output ON/OFF of RTC
87	P01/D1/AN01	PRY_CTRL	O	Power relay control / 47k pull-down

Pin No.	Port Name	Function Name (P.C.B.)	I/O	Detail of Function
88	P00/D0/AN00	IPD_PON	O	iPod charging power ON/OFF control Hi = ON / 47k pull-down
89	P107/AN7/KI3	IPAU_DET	AD	iPod audio signal detection Whether audio signal from iPod present or not judged with AD value
90	P106/AN6/KI2	PS2_PRT	AD	Main power supply abnormality monitored
91	P105/AN5/KI1	PS1_PRT	AD	Abnormality of FL system power supply monitored
92	P104/AN4/KI0	—	AD	Luminance sensor AD value input
93	P103/AN3	MODEL	AD	Model identification
94	P102/AN2	DEST	AD	Destination identification
95	P101/AN1	KEY1	AD	KEY1 AD value taken in / 3.3M/10k-ohms pull-up
96	Avss	Avss	MCU	AD ground
97	P100/AN0	KEY0	AD	KEY0 AD value taken in / 3.3M/10k-ohms pull-up
98	Vref	Vref	MCU	AD reference 3.3V
99	Avcc	Avcc	MCU	AD power supply 3.3V
100	P97/Adtrg/Sin4	RDS_MISO	SI	RDS data input / 47k pull-down (G model)

Key input (A-D) pull-up resistance 10 k-ohms

Ohm	0	+1.5k	+1.8k	+2.7k	∞
V	0 - 0.2	0.2 - 0.6	0.6 - 1.0	1.0 - 1.4	3.1 - 3.3
KEY0 (97pin/AN0)		PLAY/PAUSE	STOP	OPEN/CLOSE	OFF
KEY1 (95pin/AN1)	INPUT				OFF
KEY2 (70pin/AN22)					OFF

Model distinction for AD port / モデル判別ポート

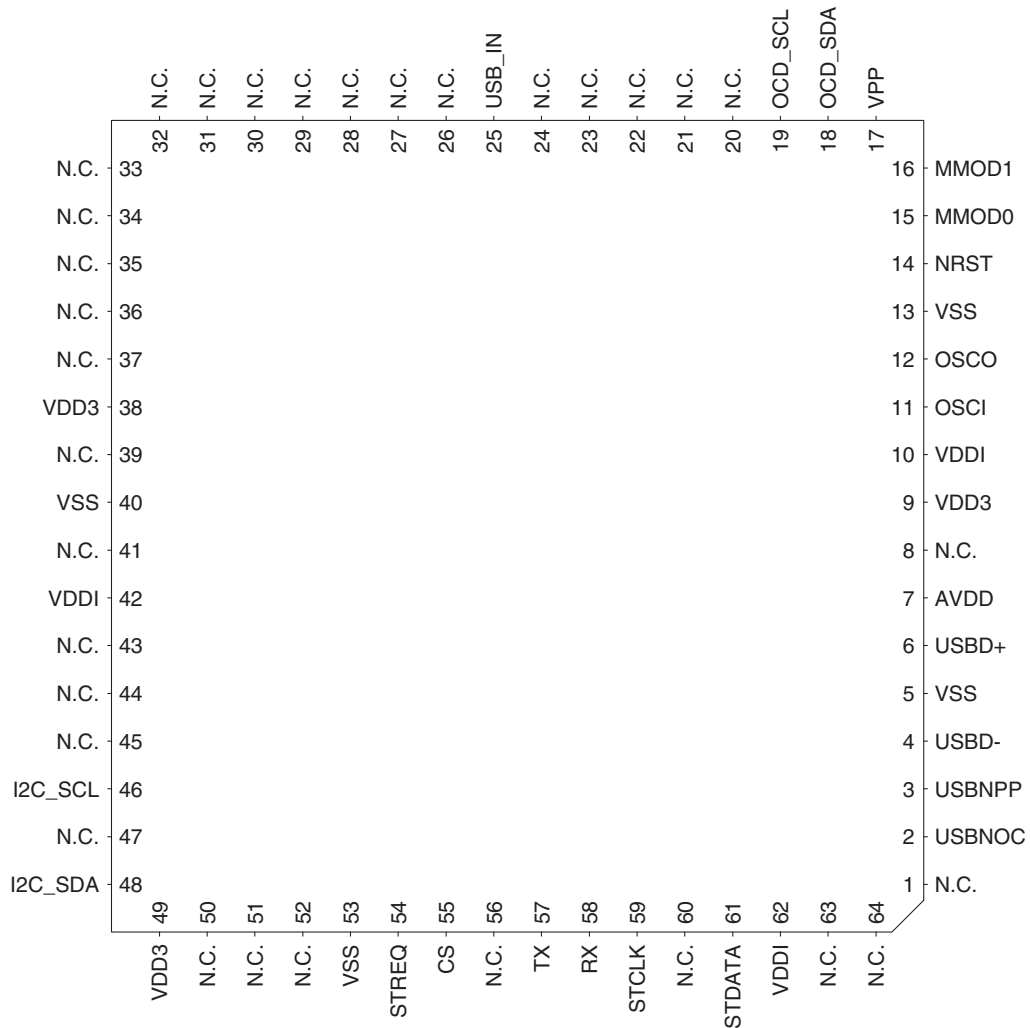
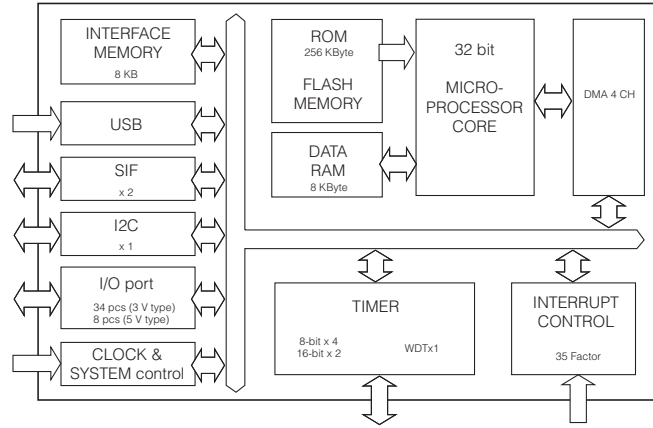
Ohm	47k
V	2.5 - 3.0
A-D (3.3V=255)	194 - 233
DEST (AN3) 93pin	CRX-330

Destination for AD Port / 仕向け判別ポート

Pull-up resistance 10 k-ohms

Ohm	0.0k	3.3k	6.8k	22k	∞
V	0 - 0.2	0.6 - 1.0	1.1 - 1.5	2.0 - 2.5	3.0 - 3.3
A-D (3.3V=255)	0 - 16	49 - 83	84 - 121	158 - 193	234 - 255
DEST (AN2) 94pin	U	J	T, K, L, V	A	G

IC218: MN103SFB5KYAA (MAIN P.C.B.)
USB microprocessor



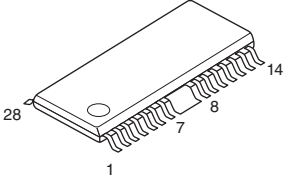
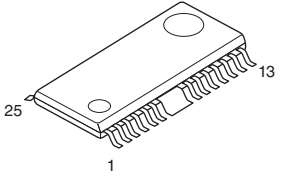
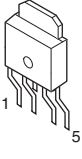
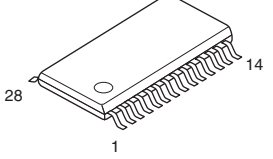
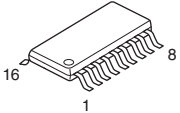
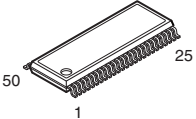
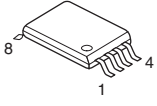
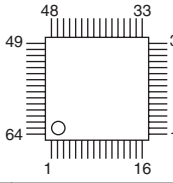
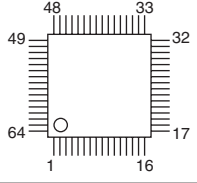
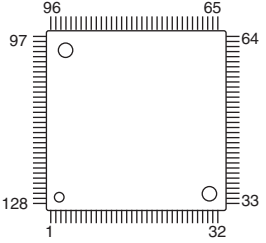
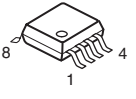

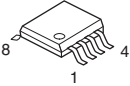
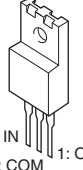
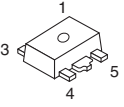
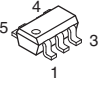
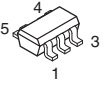
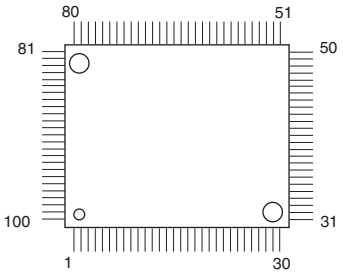
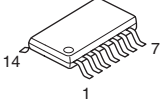
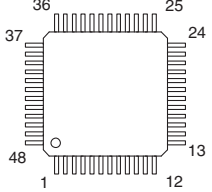
CRX-330/
NS-BP110/NS-BP100

No.	Port Name	Function Name	Detail of Function
1	N.C.		
2	USBNOC		USB over-current input (negative polarity)
3	USBNPP		USB, VBUS power output control terminal (negative polarity)
4	USBD-		USB D- terminal
5	VSS	AVSS	Ground / Analog power supply for USB / Connect to VSS.
6	USBD+		USB D+ terminal
7	AVDD		Analog power supply for USB / Connect to VDD33.
8	N.C.		
9	VDD3	VDD33	Power for on-chip regulator (2.7V to 3.6V) I/O power supply (2.7V to 3.6V)
10	VDDI	VDD18/VOUT	Power for internal circuit (1.8V \pm 0.15V) Connect all VDD18 terminals outside of chip. Also, connect a 10 μ F capacitor between VDD18 and VSS of No.10 pin and place it near LSI. On-chip regulator output (1.8V \pm 0.15V)
11	OSCI		High-speed oscillation input terminal (fosc) (When PLL used: 6.33 MHz to 20 MHz)
12	OSCO		High-speed oscillation output terminal
13	VSS		Ground
14	NRST		Reset signal input terminal (negative polarity)
15	MMOD0		Operation mode setting terminal
16	MMOD1		Operation mode setting terminal
17	VPP		Power for rewriting built-in Flash memory (3.3V \pm 0.3V) / only for Flash built in model
18	OCD_SDA		Clock, data input/output terminal for on-chip debugger
19	OCD_SCL		Clock, data input/output terminal for on-chip debugger
20			
21			
22	N.C.		
23			
24			
25	USB_IN		General purpose input/output port 0
26			
27			
28			
29			
30			
31	N.C.		
32			
33			
34			
35			
36			
37			
38	VDD3	VDD33	Power for on-chip regulator (2.7V to 3.6V) I/O power supply (2.7V to 3.6V)
39	N.C.		
40	VSS		Ground
41	N.C.		
42	VDDI	VDD18	Power supply for internal circuit (1.8V \pm 0.15V) Connect all VDD18 terminals outside of chip. Also, connect a 10 μ F capacitor between VDD18 and VSS of No.10 pin and place it near LSI.
43			
44	N.C.		
45			
46	I2C_SCL	P35/SCL3	General purpose input/output port 3
47	N.C.		
48	I2C_SDA	P33/SDA3	General purpose input/output port 3
49	VDD3	VDD5	I/O power supply (5V type I/O)

No.	Port Name	Function Name	Detail of Function
50	N.C.		
51	N.C.		
52			
53	VSS		Ground
54	STREQ	PD5/IRQ2	External interrupt request signal input terminal
55	CS	PD4/IRQ1	External interrupt request signal input terminal
56	N.C.		
57	TX	PD1/SBI2	Clock synchronization/start stop synchronization serial terminal
58	RX	PD0/SBO2	Clock synchronization/start stop synchronization serial terminal
59	STCLK	P92/SBT0	Serial clock input/output terminal
60	N.C.		
61	STDATA	P90/SBO0	Serial data output terminal
62	VDDI	VDD18	Power supply for internal circuit (1.8V \pm 0.15V) Connect all VDD18 terminals outside of chip. Also, connect a 10 μ F capacitor between VDD18 and VSS of No.10 pin and place it near LSI.
63	N.C.		
64			

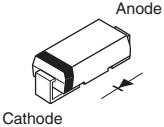
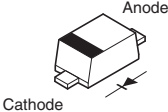
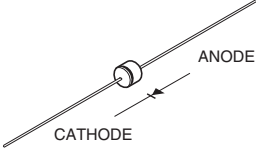
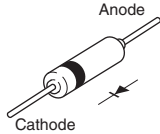
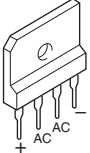
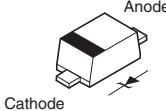
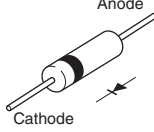
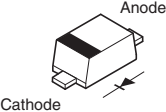
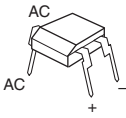
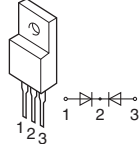
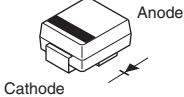
PIN CONNECTION DIAGRAMS

• ICs

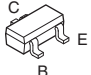
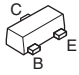
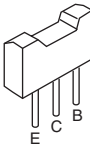
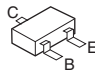
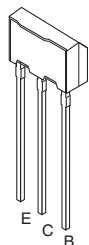
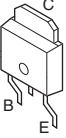
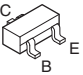
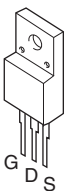
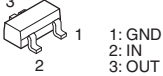
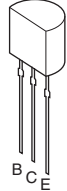
<p>AN41010A-VF</p> 	<p>BD9302FP-E2</p> 	<p>BD9870FPS-E2</p> 	<p>L6566BTR R2A15908SP</p> 	
<p>LC72725KM-UY-TLM-E</p> 	<p>M12L16161A-7TG</p> 	<p>M24C02-RDW6TP</p> 	<p>M66003-0131FP-R</p> 	<p>MN103SFB5KYAA</p> 
<p>MN6627971YB</p> 	<p>NJM2737M</p> 	<p>NJM431U</p>  <p>1: REFERENCE 2: ANODE 3: CATHODE</p>	<p>NJM4580E NJM4580V-TE2</p> 	<p>NJM7812FA</p>  <p>3: IN 2: COM 1: OUT</p>
<p>R1154H001C-T1-F</p> 	<p>R3112N251A-TR</p> 	<p>R5523N001A-TR-F</p> 	<p>R5F3640DNFA</p> 	
<p>TC74VHC08FT TC74VHCT08AFT</p> 	<p>YDA146-SZE2</p> 			

CRX-330/
NS-BP110/NS-BP100

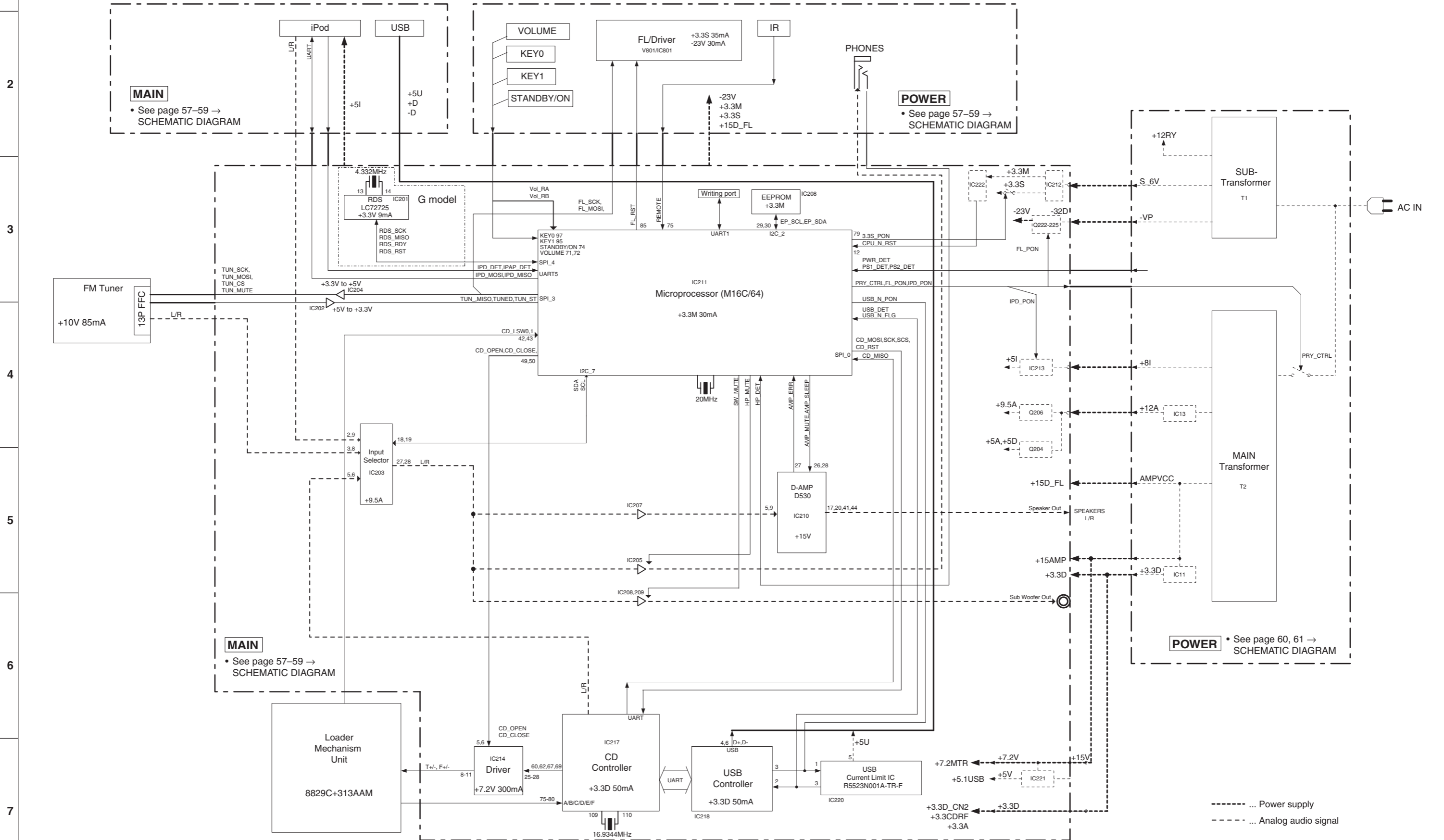
• Diodes

<p>1SR154-400 D1FK60-5063 D1FL20U-5063</p> 	<p>1SS355</p> 	<p>D1NL20U-5083</p> 	<p>D3S6M-7002 MTZJ6.2B</p> 
<p>D5SBA60</p> 	<p>MA8051-L 5.0V MA8051-M 5.1V MA8056-L 5.4V MA8068-M 6.8V MA8160-L 15.7V MA8220-M 22.0V MA8240-M 24.0V</p> <p>MAZ8033GOL 3.3V MAZ8100GOL 10V MAZ8100GHL 10.3V MAZ8043GOL 4.3V MAZ8051GML 5.1V MAZ8056GLL 5.4V MAZ8140GML 14V</p> 	<p>P6KE200ARL</p> 	
<p>RB050LA-40TR TP RB160M-30 RB500V-40 RB501V-40 RB551V-30</p> 	<p>S1NB20 1A 200V</p> 	<p>SF15NC15M</p> 	<p>STTH110A</p> 

• Transistors

<p>2SA1036KT146 2SC2411K Q,R 2SD1938F</p> 	<p>2SA1037K</p> 	<p>2SA1708 2SC4488</p> 	<p>2SC2412K</p> 	<p>2SB1237 Q,R</p> 
<p>2SD1733 TL Q P,Q,R</p> 	<p>2SC3326-A (TE85R, F) 2SC3326-B (TE85R, F) 2SB709A</p> 	<p>2SK3679-01 MR ST 2SK3683-01MR</p> 	<p>DTA114EKA DTA144EKA DTC123JKA DTC144EKA</p> 	<p>KTC3198</p> 

1 ■ BLOCK DIAGRAM

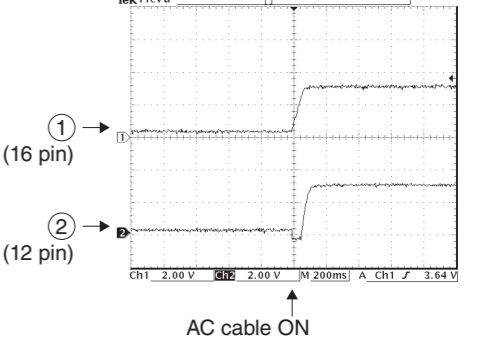
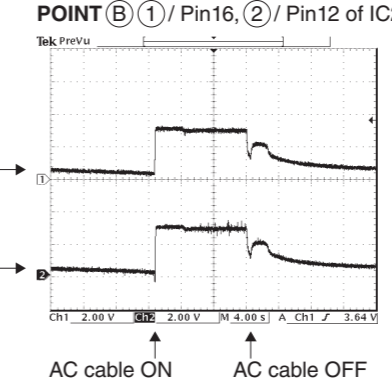
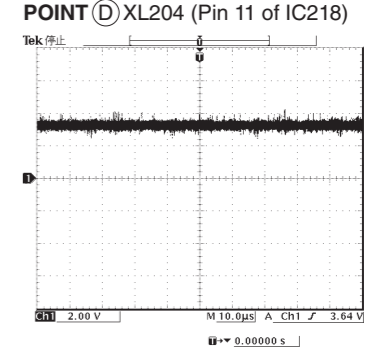
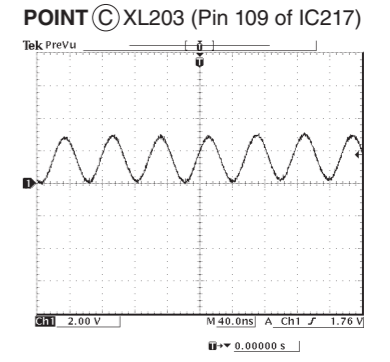
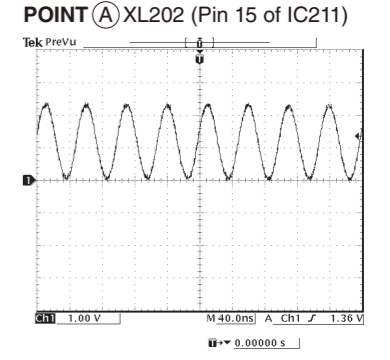
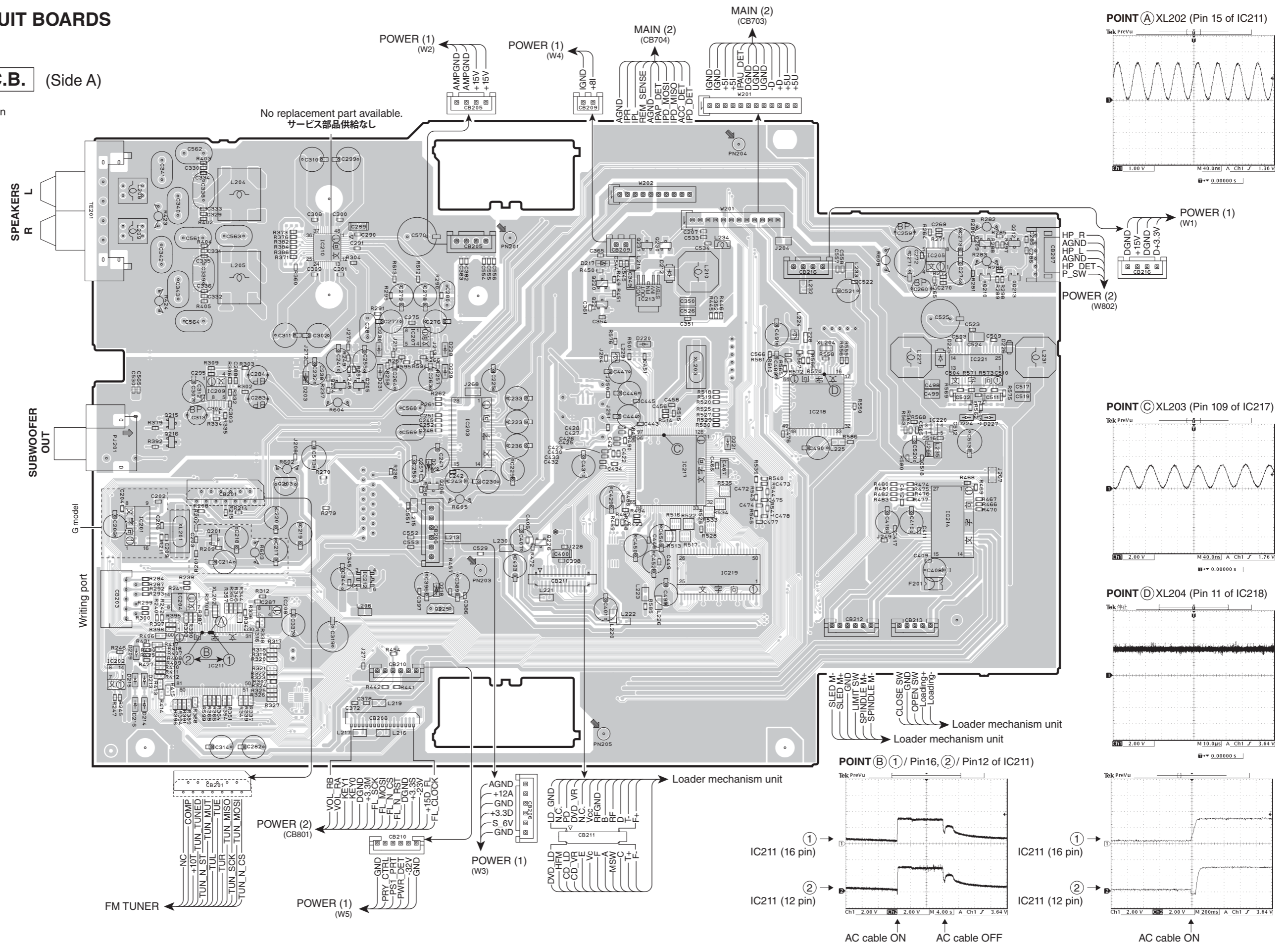


PRINTED CIRCUIT BOARDS

MAIN (1) P.C.B. (Side A)

• Semiconductor Location

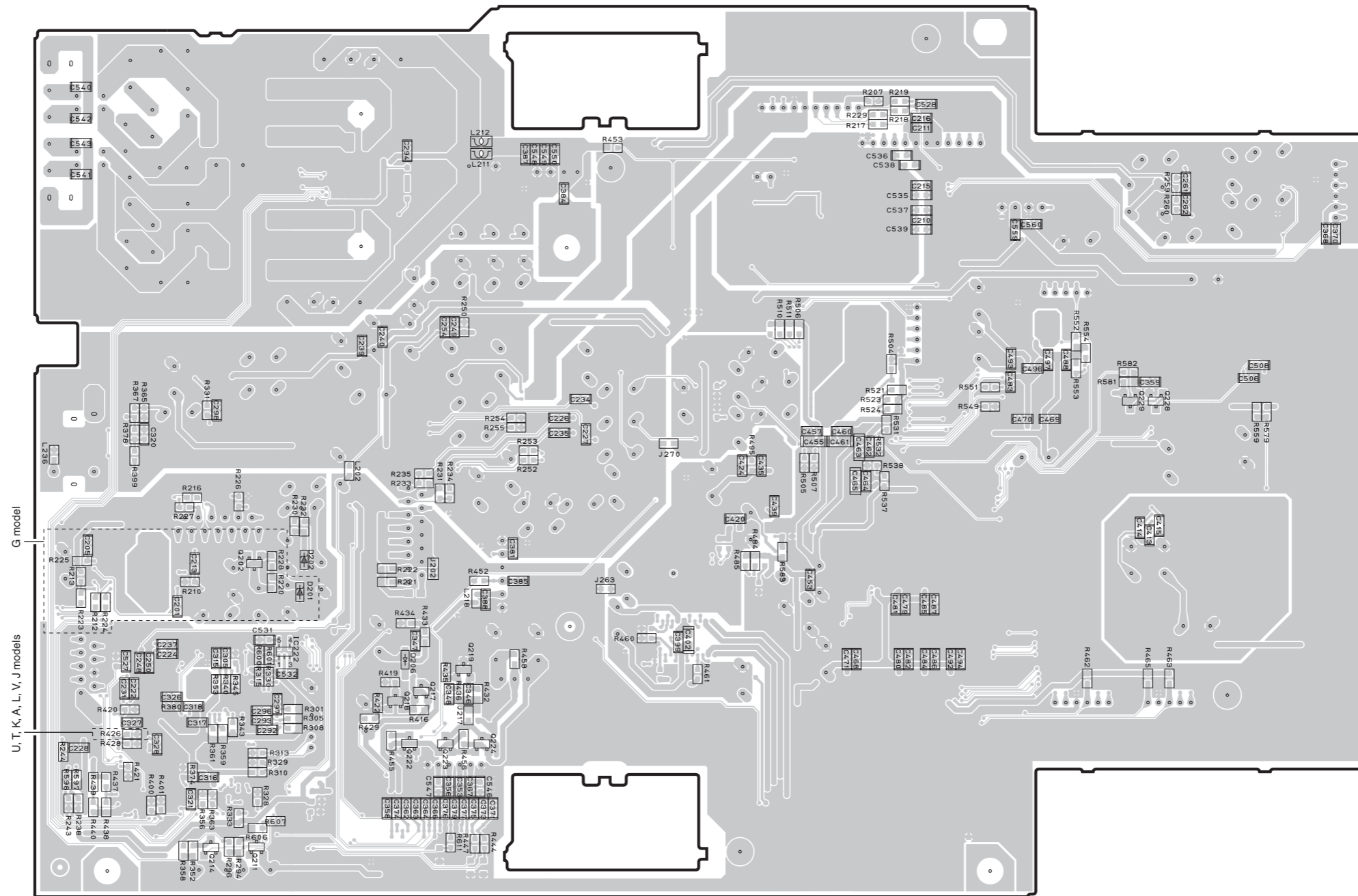
Ref No.	Location
D203	D3
D204	E4
D209	C5
D212	F3
D213	C5
D214	C6
D215	C5
D216	C6
D217	F3
D218	E5
D220	F3
D221	G4
D224	H4
D225	H3
D226	I3
D227	I4
D228	E3
D229	E3
D230	D3
D231	D3
IC201	C4
IC202	C5
IC203	E4
IC204	C5
IC205	H3
IC207	E3
IC208	D5
IC209	C3
IC210	D3
IC211	C5
IC212	D5
IC213	F3
IC214	H4
IC217	F4
IC218	G4
IC219	G5
IC220	H4
IC221	H3
Q201	C4
Q203	D4
Q204	D3
Q205	D3
Q206	E4
Q209	I3
Q210	I3
Q212	I3
Q213	I3
Q215	C4
Q216	C4
Q220	F3
Q221	F3
Q225	E5
Q226	F5
Q230	F3
Q231	F3



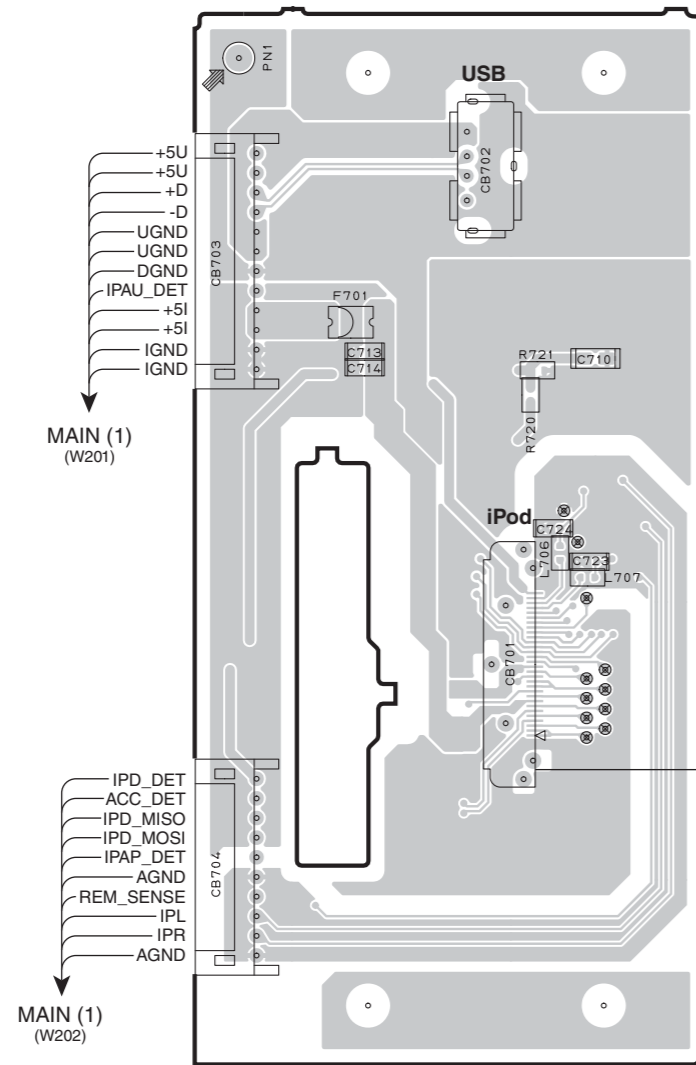
MAIN (1) P.C.B. (Side B)

• Semiconductor Location

Ref No.	Location
D201	D5
D202	D4
D206	D5
IC222	C5
Q202	C4
Q211	C6
Q214	C6
Q217	D5
Q218	D5
Q219	D5
Q222	D5
Q223	D5
Q224	D5
Q228	H4
Q229	H4

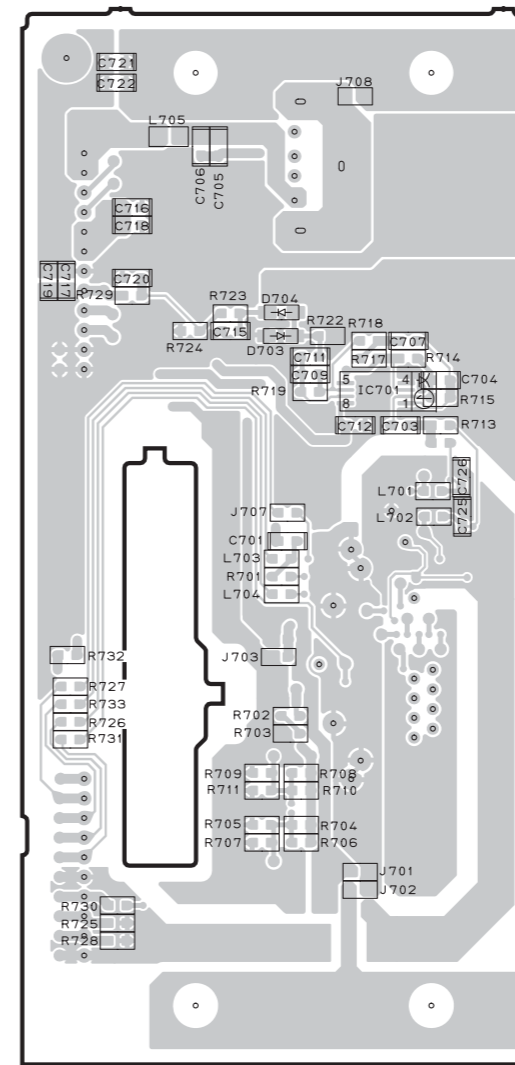


MAIN (2) P.C.B. (Side A)



No replacement part available.
カービズ部品供給なし

MAIN (2) P.C.B. (Side B)



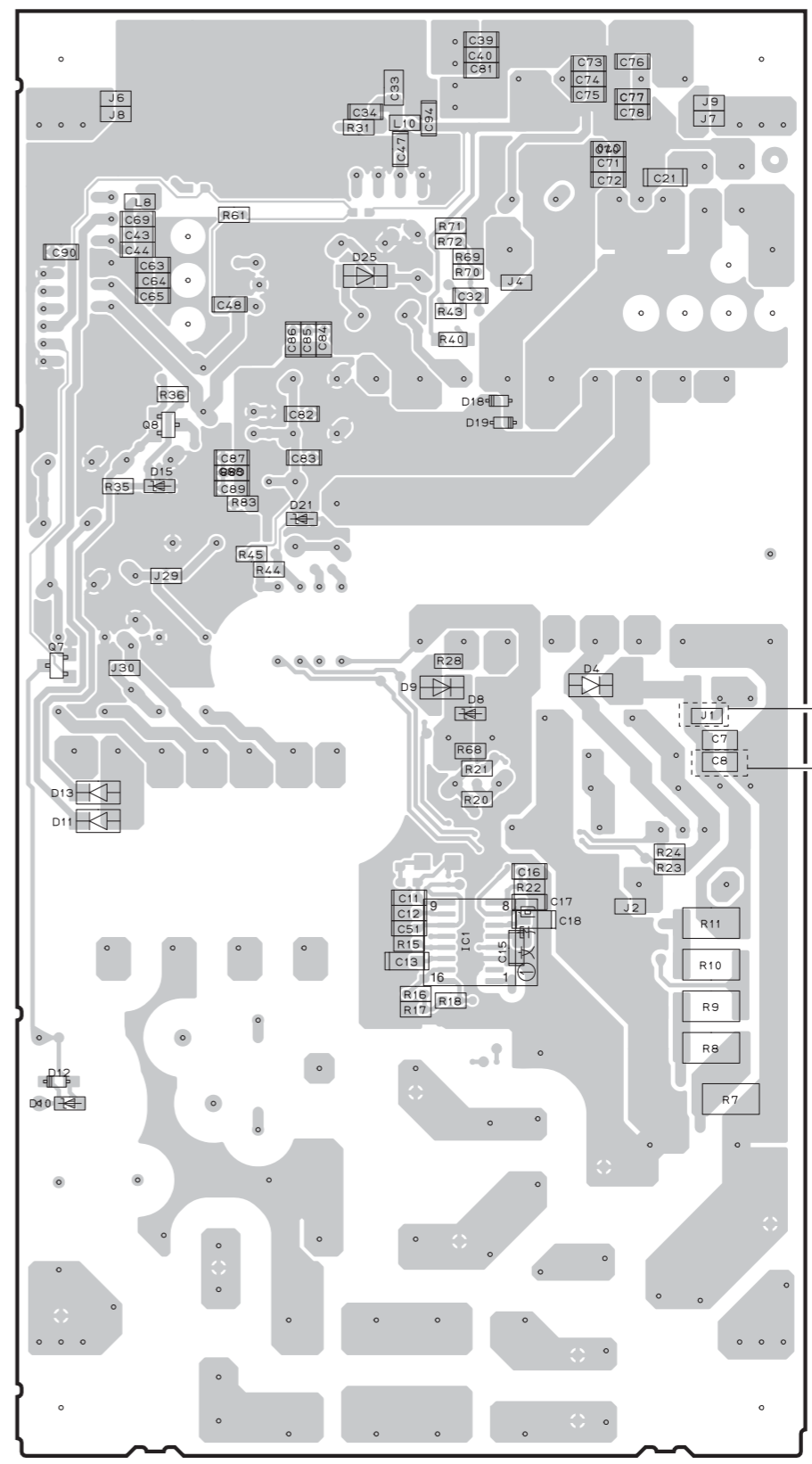
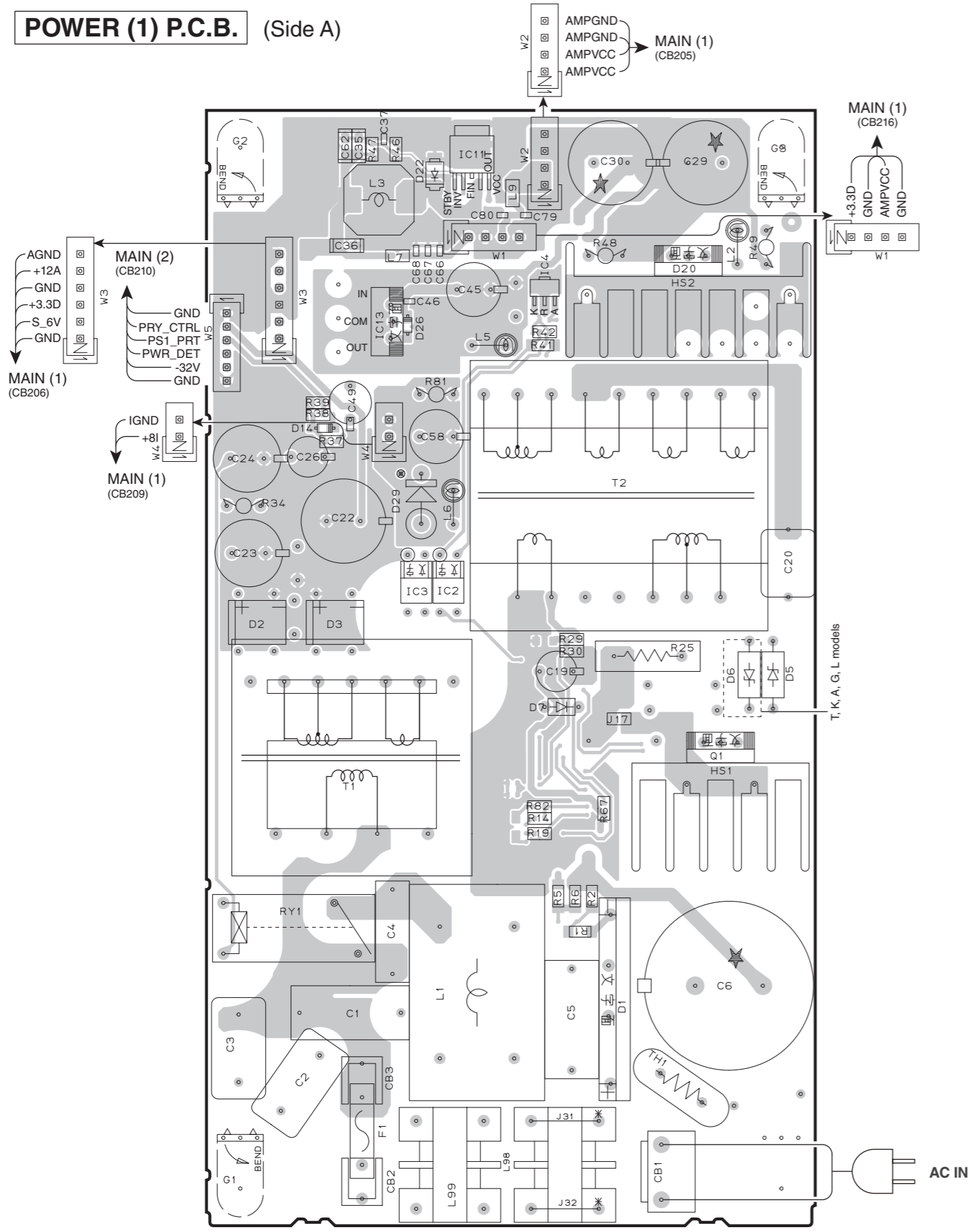
• Semiconductor Location

Ref No.	Location
D703	G4
D704	G3
IC701	H4

POWER (1) P.C.B. (Side A)

POWER (1) P.C.B. (Side B)

1
2
3
4
5
6
7

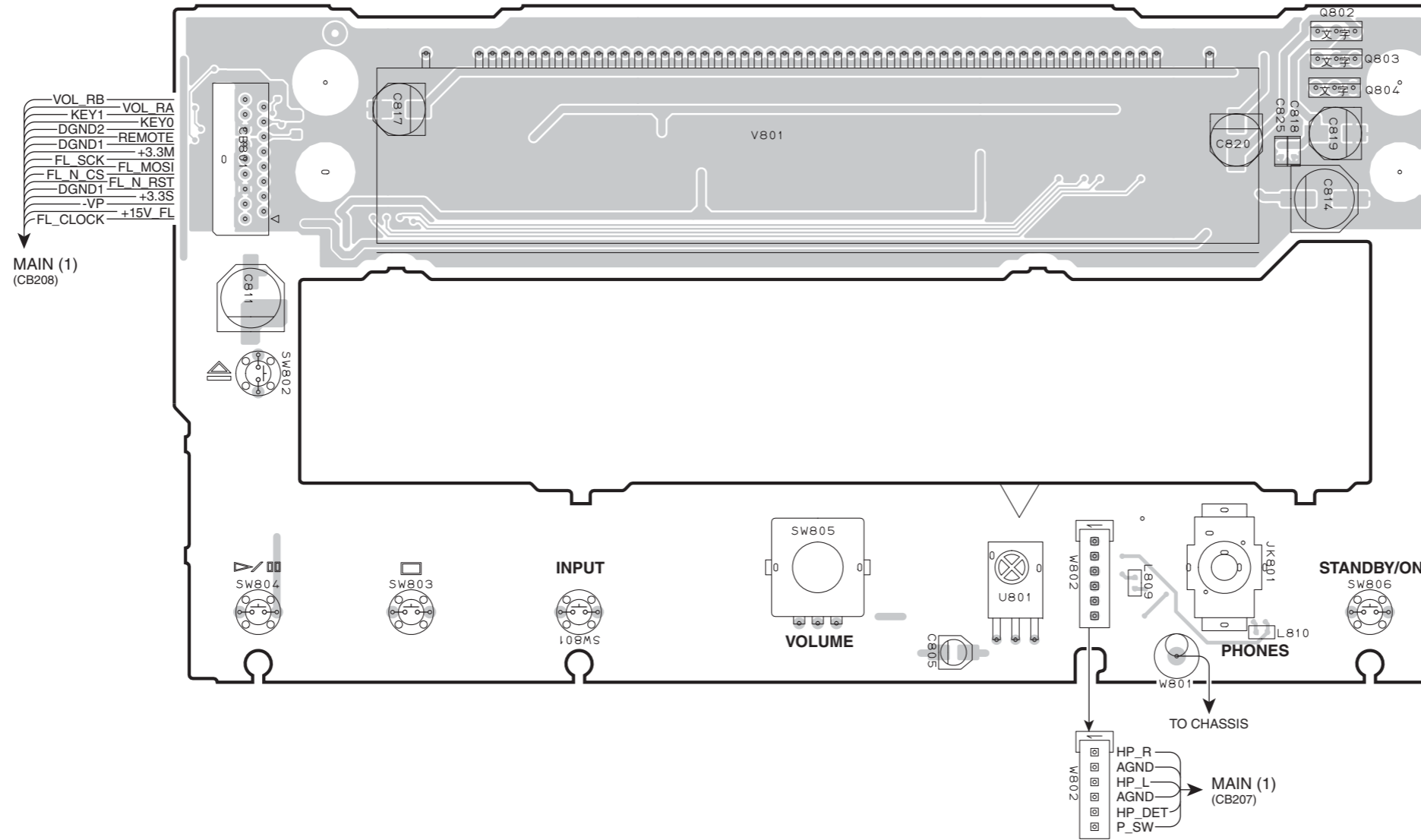


• Semiconductor Location

Ref No.	Location
D1	D6
D2	B4
D3	B4
D4	H4
D5	E4
D6	D4
D7	C5
D8	H4
D9	H4
D10	F6
D11	F5
D12	F6
D13	F5
D14	B3
D15	G3
D18	H3
D19	H3
D20	D2
D21	G4
D22	C2
D25	G3
D29	C4
IC1	H5
IC2	C4
IC3	C4
IC4	C3
IC11	C2
IC13	C3
Q1	D5
Q7	F4
Q8	G3

T, K, A, G, L models U, T, K, A, G, L, V, J models

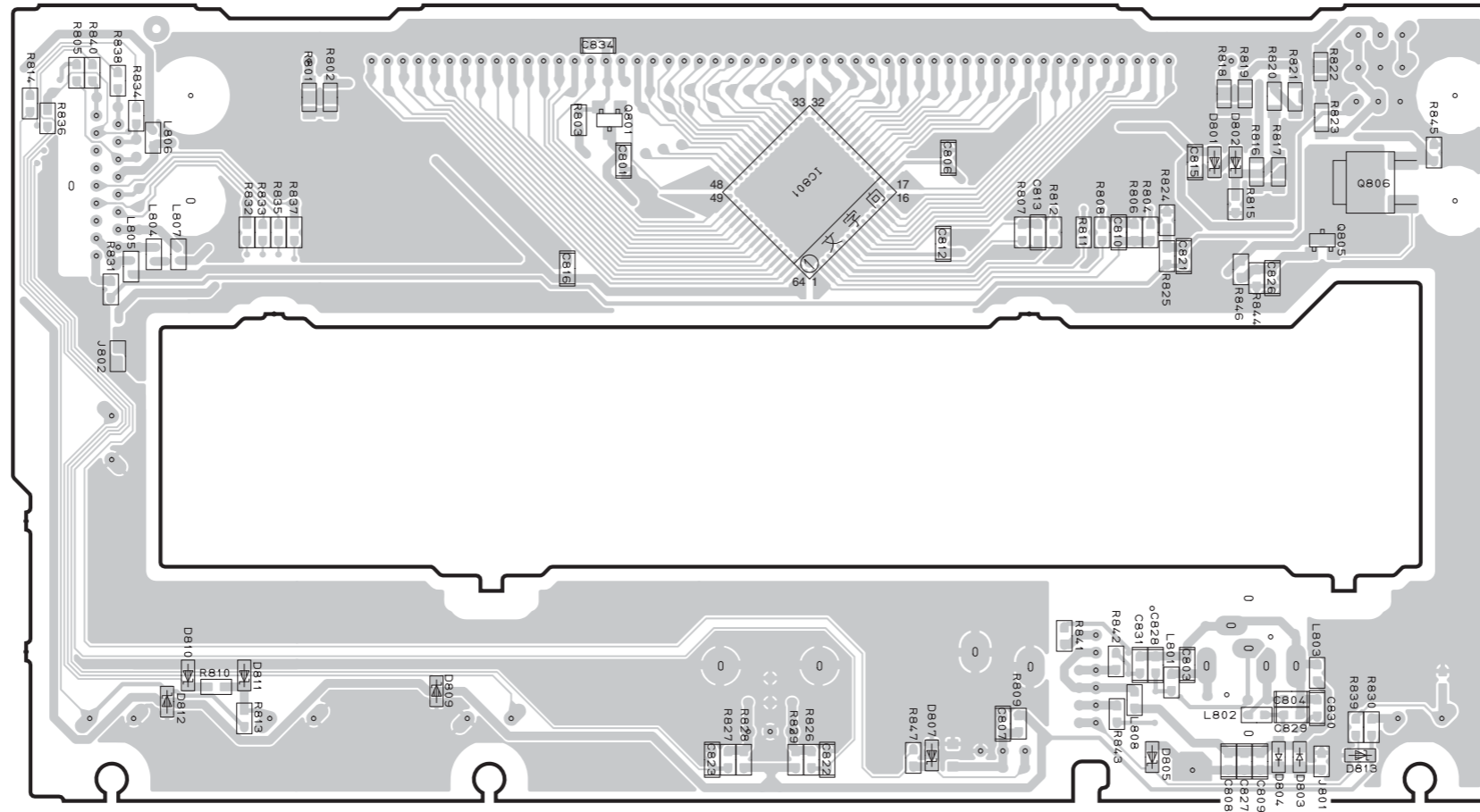
POWER (2) P.C.B. (Side A)



• Semiconductor Location

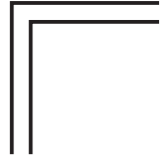
Ref No.	Location
Q802	H2
Q803	H2
Q804	H3

POWER (2) P.C.B. (Side B)

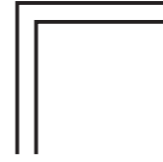
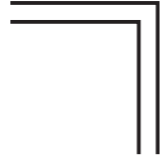


• Semiconductor Location

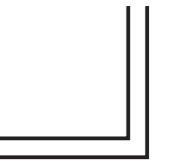
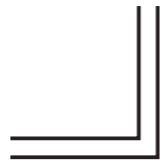
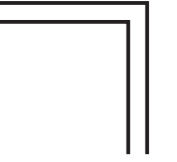
Ref No.	Location
D801	G3
D802	G3
D803	G5
D804	G5
D805	G5
D807	F5
D809	D5
D810	C5
D811	C5
D812	C5
D813	G5
IC801	E3
Q801	E3
Q805	G3
Q806	G3



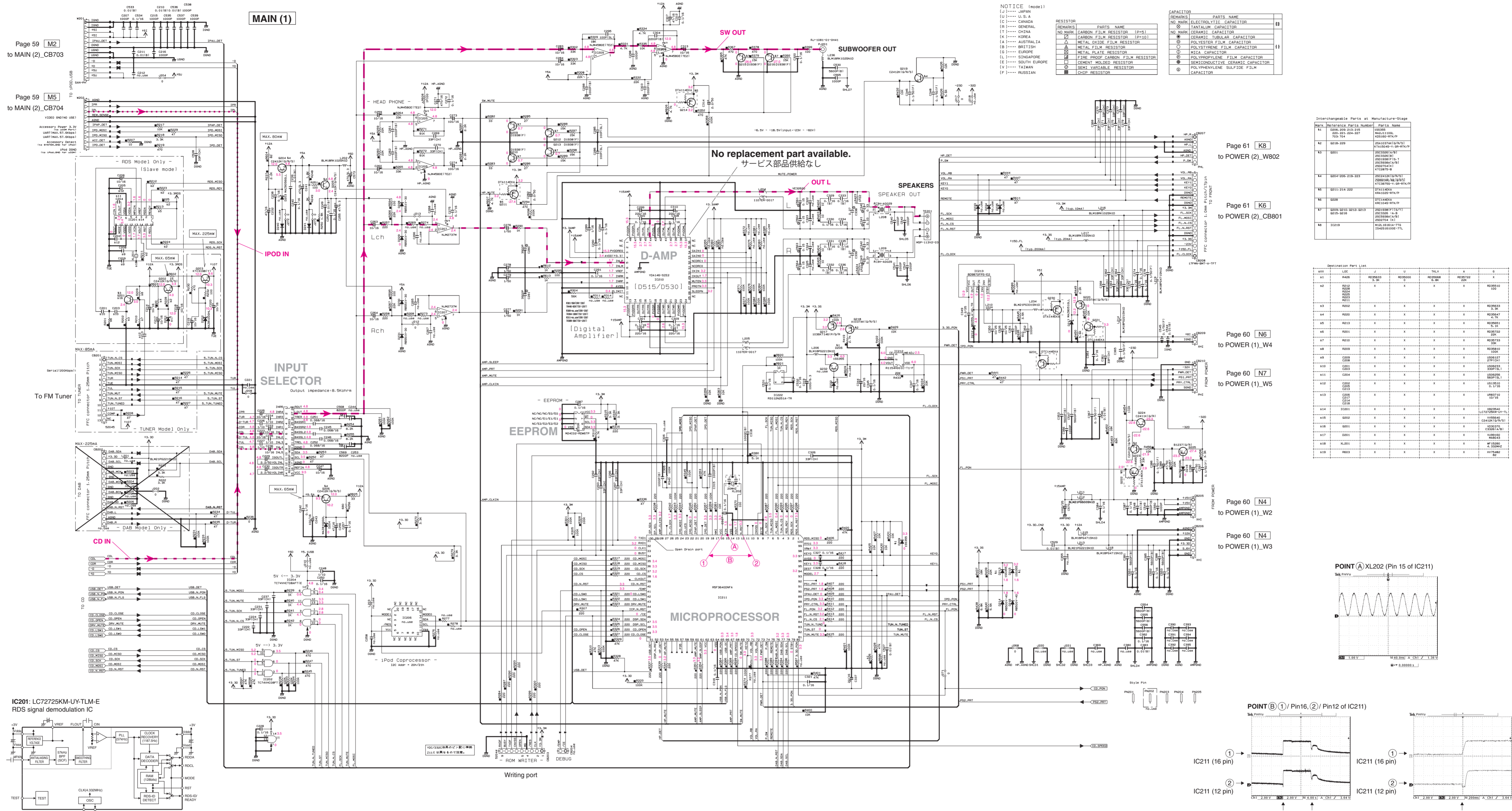
MEMO



MEMO



■ SCHEMATIC DIAGRAMS
MAIN 1/3



NOTICE (Note1)
(L) JAPAN
(U) U.S.A.
(C) CANADA
(R) GENERAL
(T) CHINA
(K) KOREA
(A) AUSTRALIA
(B) BRITISH
(G) EUROPE
(S) SINGAPORE
(E) SOUTH EUROPE
(V) TAIWAN
(F) RUSSIAN

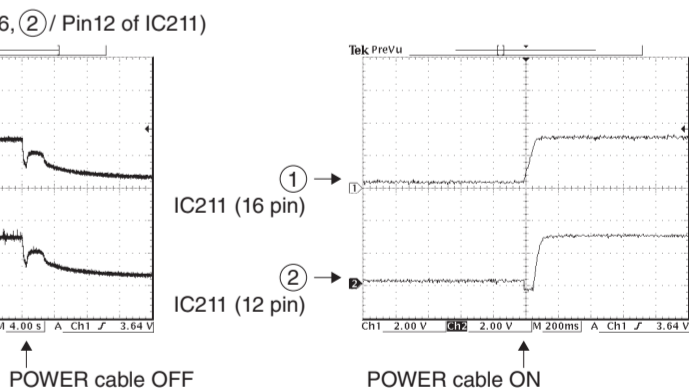
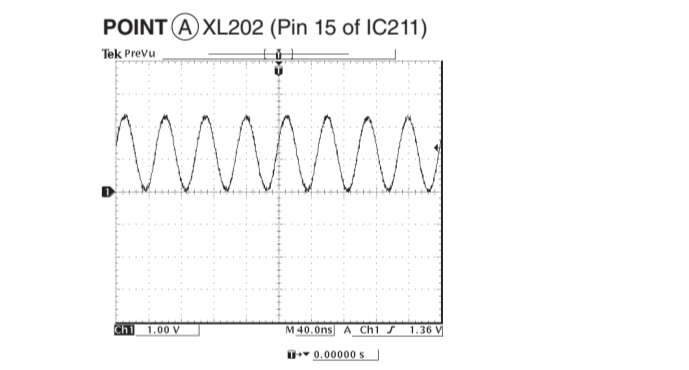
RESISTOR	REMARKS	PARTS NAME	REMARKS	PARTS NAME
□	NO MARK	CARBON FILM RESISTOR (P45)	⊙	ELECTROLYTIC CAPACITOR
□	NO MARK	CARBON FILM RESISTOR (P45)	⊙	TANTALUM CAPACITOR
□	NO MARK	CARBON FILM RESISTOR (P45)	⊙	CERAMIC TUBULAR CAPACITOR
□	NO MARK	CARBON FILM RESISTOR (P45)	⊙	POLYESTER FILM CAPACITOR
□	NO MARK	CARBON FILM RESISTOR (P45)	⊙	POLYSTYRENE FILM CAPACITOR
□	NO MARK	CARBON FILM RESISTOR (P45)	⊙	POLYPROPYLENE FILM CAPACITOR
□	NO MARK	CARBON FILM RESISTOR (P45)	⊙	SEMICONDUCTIVE CERAMIC CAPACITOR
□	NO MARK	CARBON FILM RESISTOR (P45)	⊙	FILM POLYESTER CAPACITOR
□	NO MARK	CARBON FILM RESISTOR (P45)	⊙	CHIP RESISTOR

Interchangeable Parts at Manufacture Stage

Part No.	Reference Part No.	Part Name
K1	0216-009	RESISTOR
K2	0216-009	RESISTOR
K3	0216-009	RESISTOR
K4	0216-009	RESISTOR
K5	0216-009	RESISTOR
K6	0216-009	RESISTOR
K7	0216-009	RESISTOR
K8	0216-009	RESISTOR

Part No.	Reference Part No.	Part Name
N1	0216-009	RESISTOR
N2	0216-009	RESISTOR
N3	0216-009	RESISTOR
N4	0216-009	RESISTOR
N5	0216-009	RESISTOR
N6	0216-009	RESISTOR
N7	0216-009	RESISTOR
N8	0216-009	RESISTOR
N9	0216-009	RESISTOR
N10	0216-009	RESISTOR
N11	0216-009	RESISTOR
N12	0216-009	RESISTOR
N13	0216-009	RESISTOR
N14	0216-009	RESISTOR
N15	0216-009	RESISTOR
N16	0216-009	RESISTOR
N17	0216-009	RESISTOR
N18	0216-009	RESISTOR
N19	0216-009	RESISTOR

Page 61 [K8] to POWER (2)_W802
Page 61 [K6] to POWER (2)_CB801
Page 60 [N6] to POWER (1)_W4
Page 60 [N7] to POWER (1)_W5
Page 60 [N4] to POWER (1)_W2
Page 60 [N4] to POWER (1)_W3



Page 59 [M2] to MAIN (2)_CB703
Page 59 [M5] to MAIN (2)_CB704

Page 61 [K8] to POWER (2)_W802
Page 61 [K6] to POWER (2)_CB801

Page 60 [N6] to POWER (1)_W4
Page 60 [N7] to POWER (1)_W5

Page 60 [N4] to POWER (1)_W2
Page 60 [N4] to POWER (1)_W3

Page 61 [K8] to POWER (2)_W802
Page 61 [K6] to POWER (2)_CB801

Page 60 [N6] to POWER (1)_W4
Page 60 [N7] to POWER (1)_W5

Page 60 [N4] to POWER (1)_W2
Page 60 [N4] to POWER (1)_W3

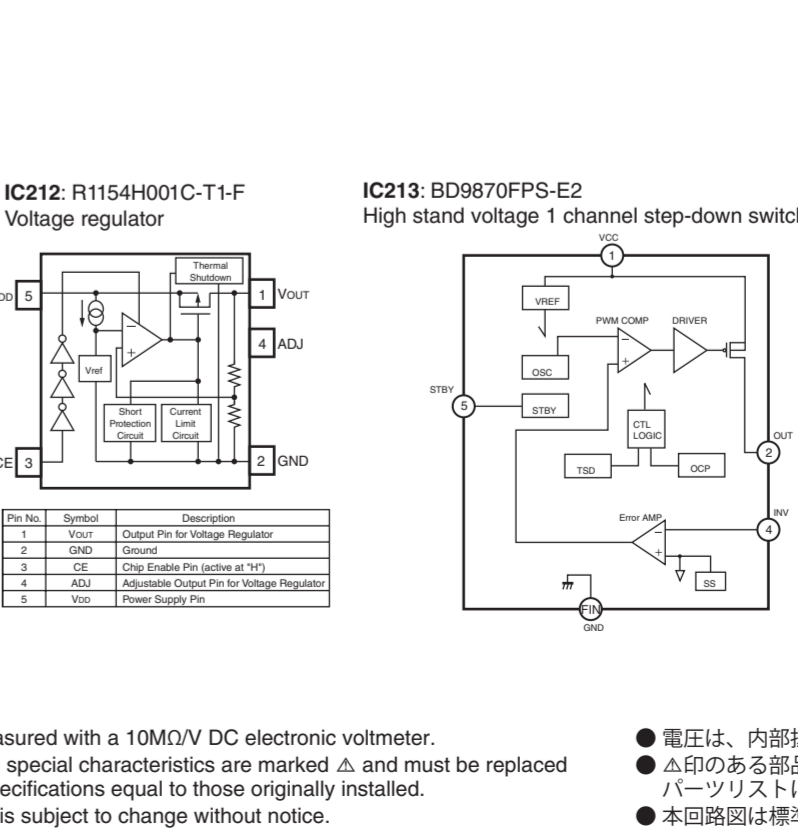
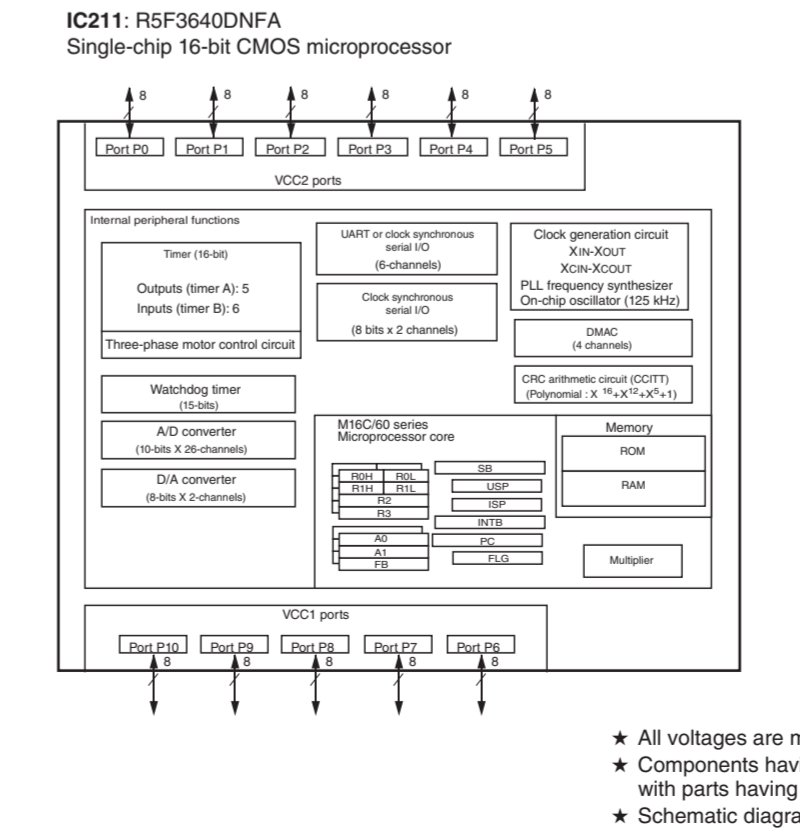
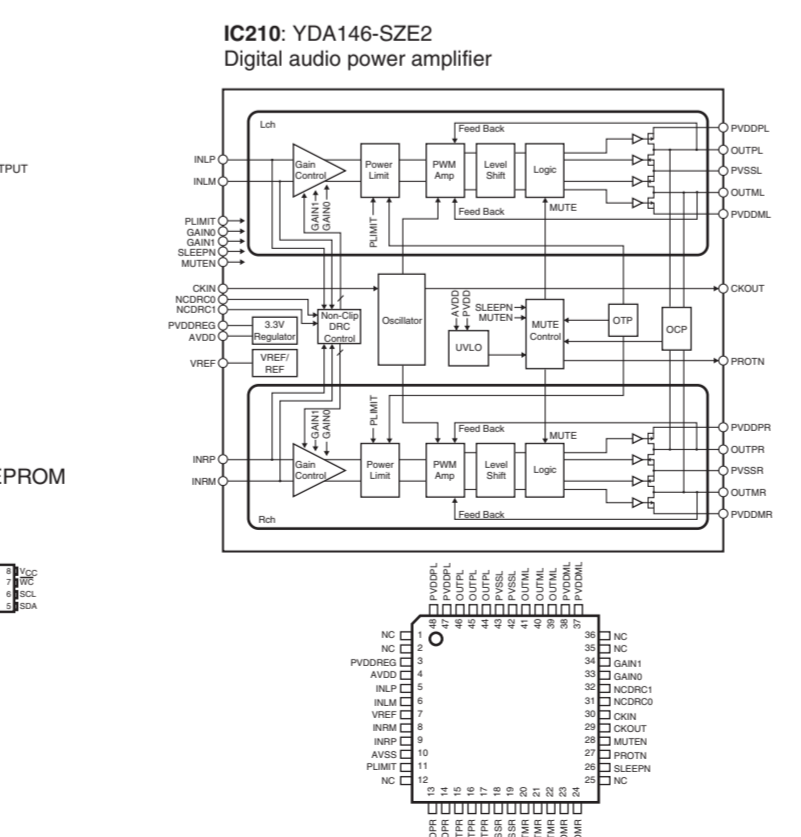
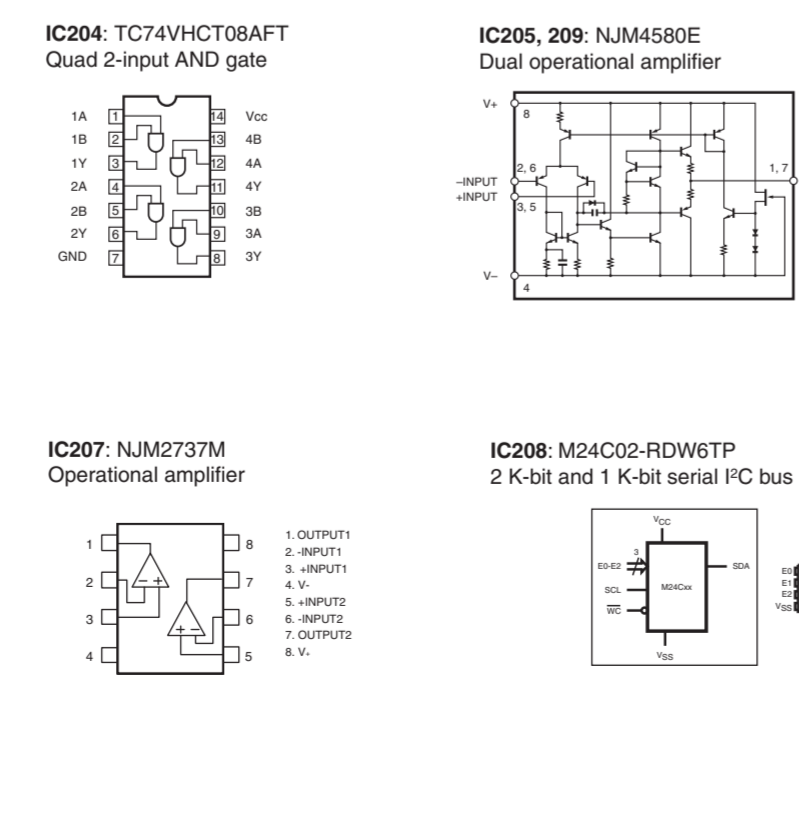
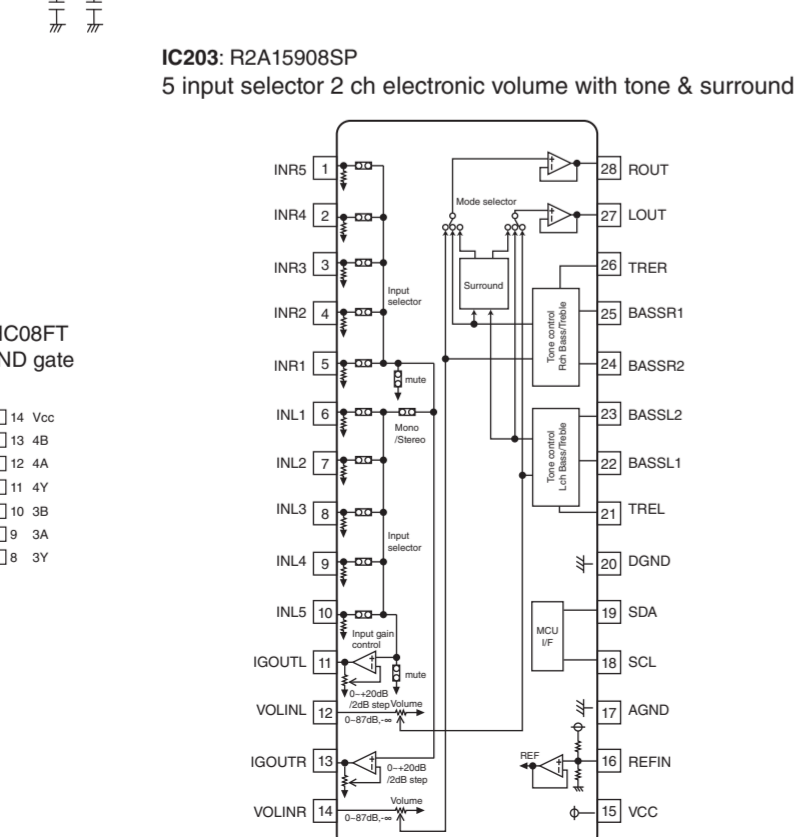
Page 61 [K8] to POWER (2)_W802
Page 61 [K6] to POWER (2)_CB801

Page 60 [N6] to POWER (1)_W4
Page 60 [N7] to POWER (1)_W5

Page 60 [N4] to POWER (1)_W2
Page 60 [N4] to POWER (1)_W3

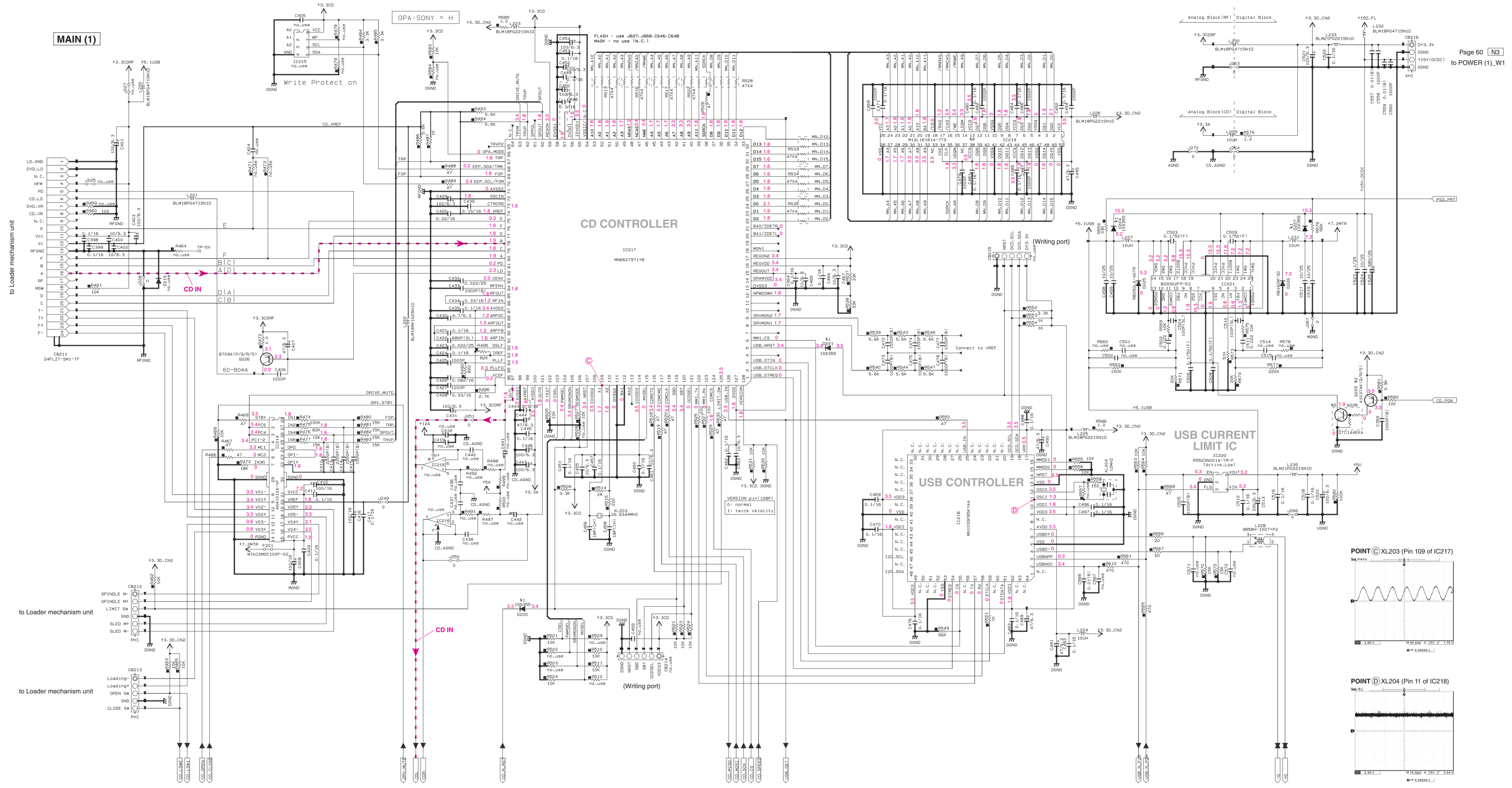
Page 61 [K8] to POWER (2)_W802
Page 61 [K6] to POWER (2)_CB801

Page 60 [N6] to POWER (1)_W4
Page 60 [N7] to POWER (1)_W5



★ All voltages are measured with a 10MΩV DC electronic voltmeter.
● Components having special characteristics are marked Δ, and must be replaced with parts having specifications same to those originally installed.
● Schematic diagram is subject to change without notice.

●電圧は、内部抵抗 10MΩの電圧計で測定したものです。
●△印のある部品は、安全性確保部品を示しています。部品の交換が必要な場合、パーツリストに記載されている部品を使用してください。
●本回路図は標準回路図です。改良のため予告なく変更することがございます。



IC214: AN4101A-VF 5-ch. linear driver IC for CD and DVD player

IC218: MN1035FB5KYAA Microprocessor

IC219: M12L16161A-T7G 512 K x 16-bit x 2 banks synchronous DRAM

IC220: RS523N001A-TR-F High side switch IC

IC221: BD9302FP-E2 2.5 MHz 2 A power switch 2 ch step-down switching regulator

NOTICE [mode1]

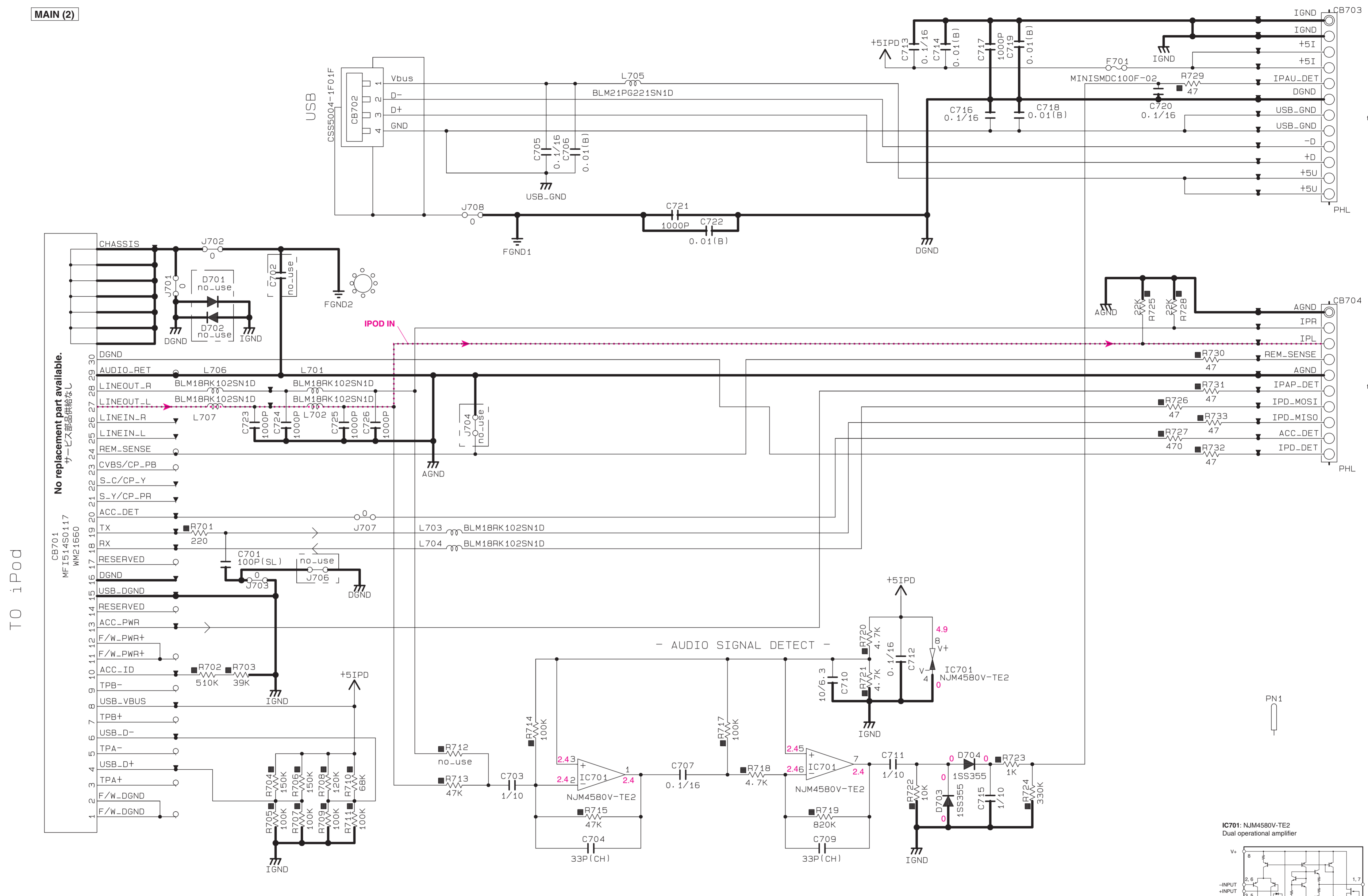
REMARKS	PARTS NAME	PARTS NAME
(J)..... JAPAN	NO MARK	ELECTROLYTIC CAPACITOR
(U)..... U.S.A	NO MARK	THERMAL CAPACITOR
(C)..... CANADA	NO MARK	GENERAL
(G)..... GENERAL	NO MARK	CARBON FILM RESISTOR (F-P)
(F)..... CHINA	NO MARK	CARBON FILM RESISTOR (F-P)
(K)..... KOREA	NO MARK	CERAMIC CAPACITOR
(A)..... AUSTRALIA	NO MARK	DIELECTRIC FILM CAPACITOR
(B)..... BRITISH	NO MARK	POLYESTER FILM CAPACITOR
(E)..... EUROPE	NO MARK	POLYSTYRENE FILM CAPACITOR
(S)..... SINGAPORE	NO MARK	META CAPACITOR
(V)..... SOUTH EUROPE	NO MARK	FINE PROOF CARBON FILM RESISTOR
(T)..... TAIWAN	NO MARK	CHIP RESISTOR
(R)..... RUSSIAN	NO MARK	CHIP RESISTOR

● All voltages are measured with a 10MΩ/DC electronic voltmeter.
 ★ Components having special characteristics are marked Δ and must be replaced with parts having specifications equal to those originally installed.
 ★ Schematic diagram is subject to change without notice.

● 電圧は、内部抵抗 10MΩ の電圧計で測定したものです。
 ★ 印のある部品は、安全性確保部品を示しています。部品の交換が必要な場合、パーツリストに記載されている部品を使用してください。
 ● 本回路図は標準回路図です。改良のため予告なく変更することがございます。

MAIN 3/3

MAIN (2)



No replacement part available.
 予て部品供給なし

TO iPod

Page 57 [B1]
 to MAIN (1)_W201

Page 57 [B2]
 to MAIN (1)_W202

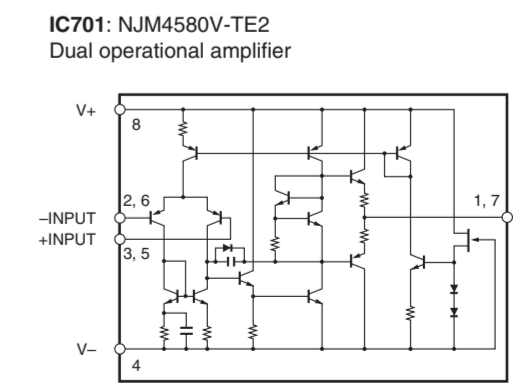
NOTICE (mode1)
 (J)..... JAPAN
 (U)..... U.S.A
 (C)..... CANADA
 (R)..... GENERAL
 (T)..... CHINA
 (K)..... KOREA
 (A)..... AUSTRALIA
 (B)..... BRITISH
 (E)..... EUROPE
 (S)..... SINGAPORE
 (SE)..... SOUTH EUROPE
 (TW)..... TAIWAN
 (RU)..... RUSSIAN

REMARKS	PARTS_NAME
NO MARK	CARBON FILM RESISTOR (P=5)
□	CARBON FILM RESISTOR (P=10)
△	METAL OXIDE FILM RESISTOR
▲	METAL FILM RESISTOR
□	METAL PLATE RESISTOR
■	FIRE PROOF CARBON FILM RESISTOR
□	CEMENT MOLDED RESISTOR
⊙	SEMI VARIABLE RESISTOR
■	CHIP RESISTOR

REMARKS	PARTS_NAME
ND MARK	ELECTROLYTIC CAPACITOR
⊗	TANTALUM CAPACITOR
NO MARK	CERAMIC CAPACITOR
●	CERAMIC TUBULAR CAPACITOR
⊙	POLYESTER FILM CAPACITOR
○	POLYSTYRENE FILM CAPACITOR
○	MICA CAPACITOR
⊙	POLYPROPYLENE FILM CAPACITOR
●	SEMICONDUCTIVE CERAMIC CAPACITOR
⊙	POLYPHENYLENE SULFIDE FILM CAPACITOR

★ All voltages are measured with a 10MΩ DC electronic voltmeter.
 ★ Components having special characteristics are marked Δ and must be replaced with parts having specifications equal to those originally installed.
 ★ Schematic diagram is subject to change without notice.

● 電圧は、内部抵抗 10MΩ の電圧計で測定したものです。
 ● Δ印のある部品は、安全確保部品を示しています。部品の交換が必要な場合、パーツリストに記載されている部品を使用してください。
 ● 本回路図は標準回路図です。改良のため予告なく変更することがございます。



POWER 1/2

NOTICE (model)
(J)..... JAPAN
(U)..... U.S.A
(C)..... CANADA
(R)..... GENERAL
(T)..... CHINA
(K)..... KOREA
(A)..... AUSTRALIA
(B)..... BRITISH
(G)..... EUROPE
(L)..... SINGAPORE
(E)..... SOUTH EUROPE
(V)..... TAIWAN
(F)..... RUSSIAN

Table with 2 columns: REMARKS, PARTS NAME. Lists various resistor types like CARBON FILM RESISTOR, METAL OXIDE FILM RESISTOR, etc.

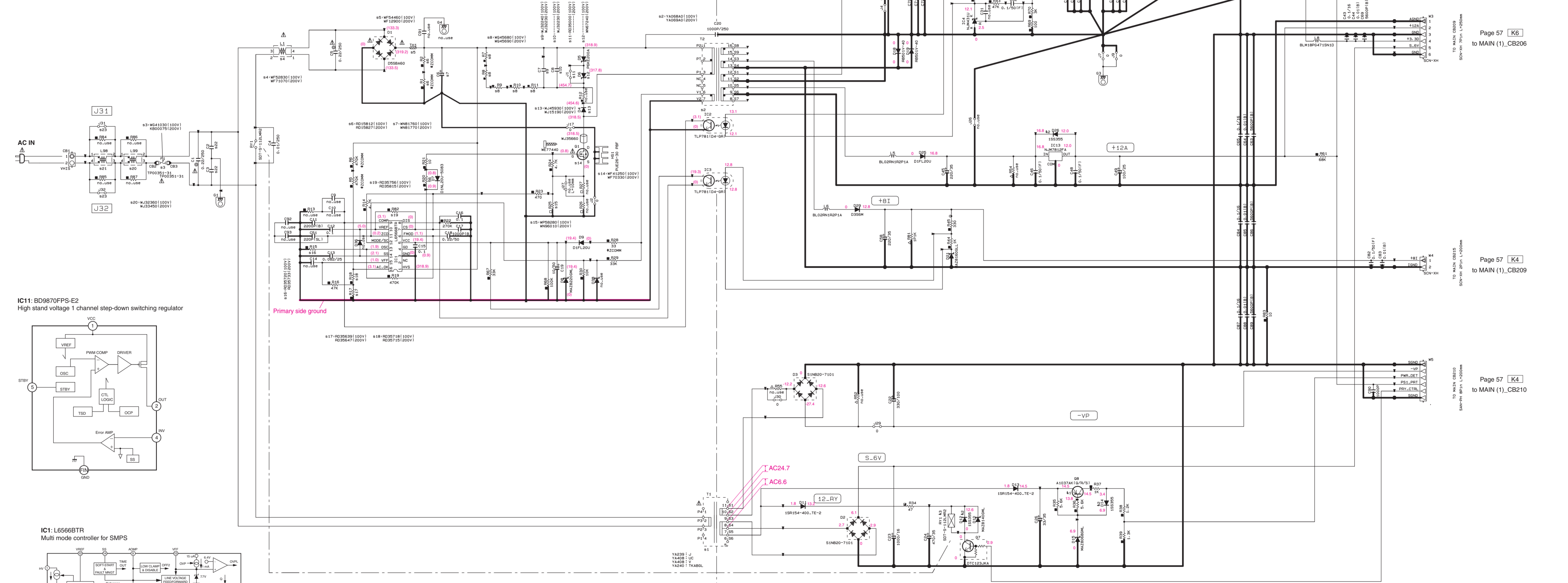
Table with 2 columns: REMARKS, PARTS NAME. Lists various capacitor types like ELECTROLYTIC CAPACITOR, TANTALUM CAPACITOR, CERAMIC TUBULAR CAPACITOR, etc.

Interchangeable Parts at Manufacture-Stage

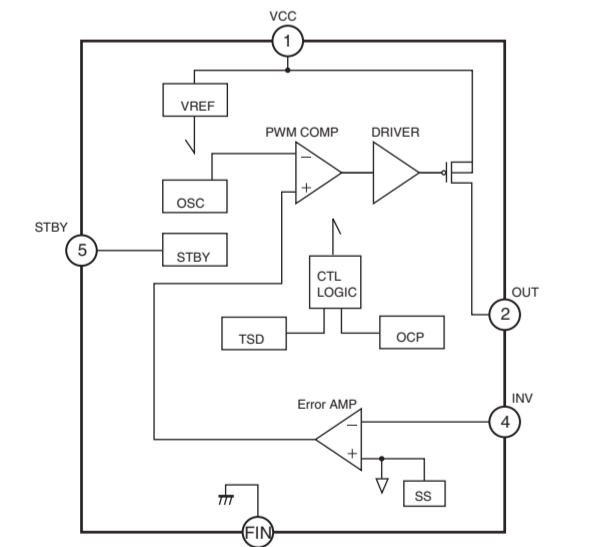
Table with 3 columns: Mark, Reference Parts Number, Parts Name. Lists specific capacitor and resistor part numbers.

Destination Parts List table with columns: RXX, LOC, J, U, TKAGL, V. Lists various electronic components and their locations.

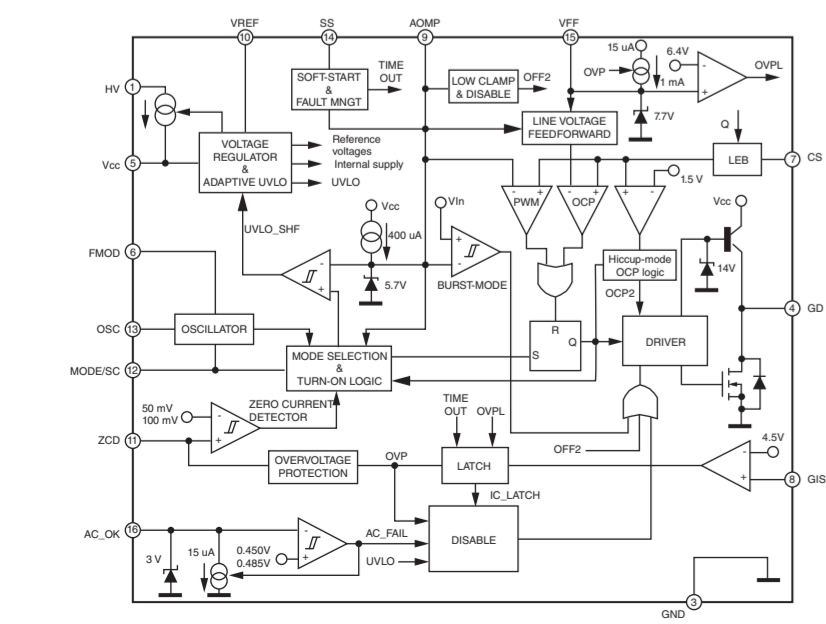
PRIMARY SECONDARY



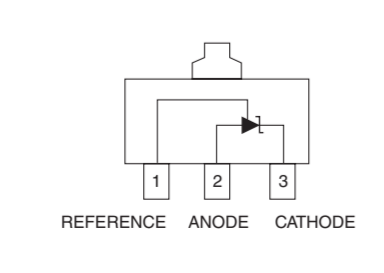
IC11: BD9870FPS-E2 High stand voltage 1 channel step-down switching regulator



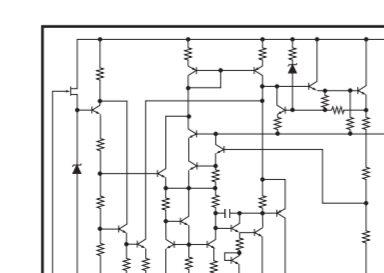
IC1: L6566BTR Multi mode controller for SMPS



IC4: NJM431U Adjustable precision shunt regulator



IC3: NJM7812FA Voltage regulator



POWER (1)

Page 58 [N2] to MAIN (1)_CB216

Page 57 [K5] to MAIN (1)_CB205

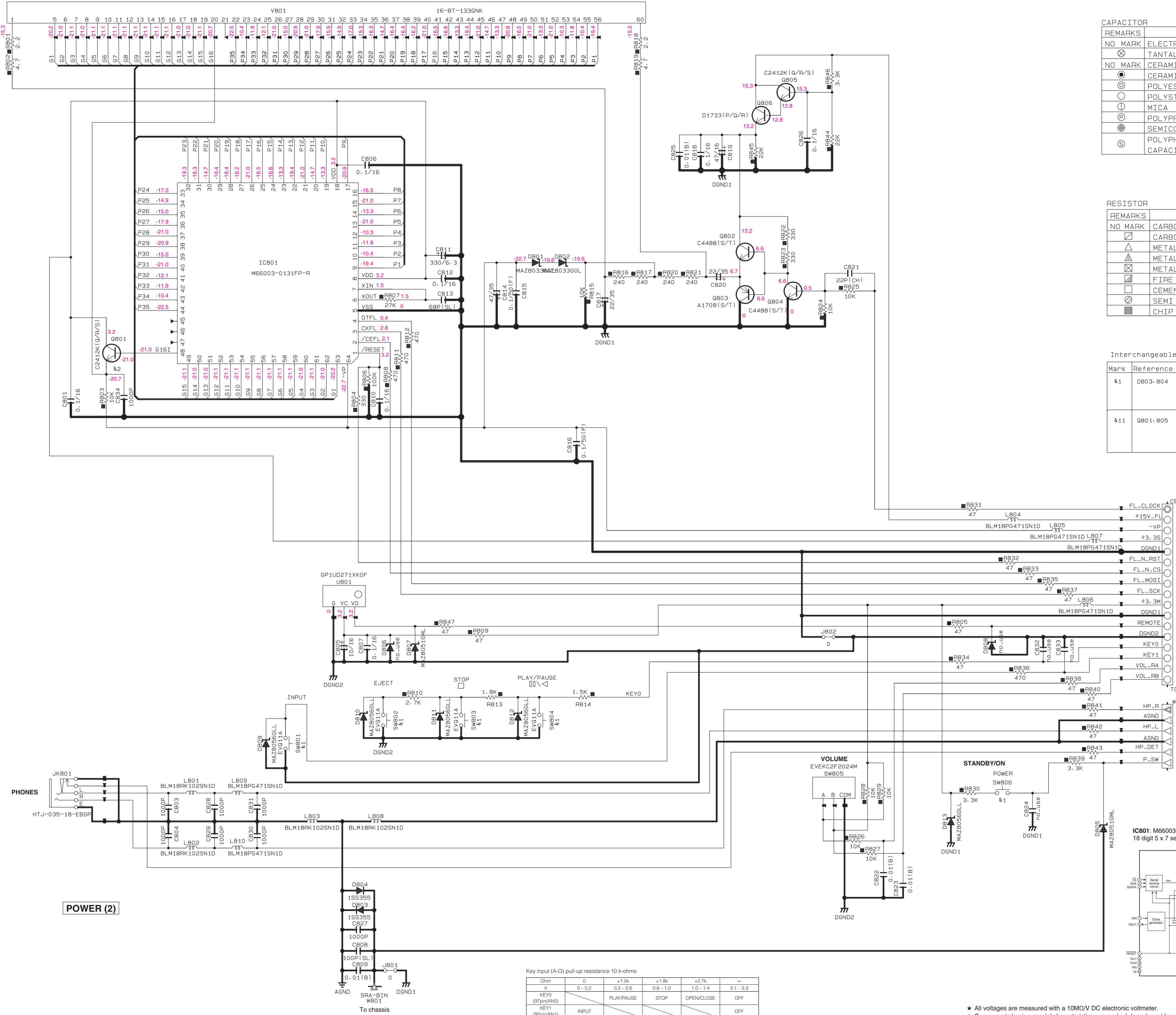
Page 57 [K6] to MAIN (1)_CB206

Page 57 [K4] to MAIN (1)_CB209

Page 57 [K4] to MAIN (1)_CB210

All voltages are measured with a 10MΩ DC electronic voltmeter.
Components having special characteristics are marked Δ and must be replaced with parts having specifications equal to those originally installed.
Schematic diagram is subject to change without notice.
電圧は、内部抵抗 10MΩの電圧計で測定したものです。
△印のある部品は、安全性確保部品を示しています。部品の交換が必要な場合、パーツリストに記載されている部品を使用してください。
本回路図は標準回路図です。改良のため予告なく変更することがございます。

POWER 2/2



CAPACITOR

REMARKS	PARTS NAME	
NO MARK	ELECTROLYTIC CAPACITOR	≡
⊗	TANTALUM CAPACITOR	⊗
NO MARK	CERAMIC CAPACITOR	□
●	CERAMIC TUBULAR CAPACITOR	⊙
⊙	POLYESTER FILM CAPACITOR	⊙
○	POLYSTYRENE FILM CAPACITOR	○
⊖	MICA CAPACITOR	⊖
Ⓟ	POLYPROPYLENE FILM CAPACITOR	Ⓟ
Ⓢ	SEMICONDUCTIVE CERAMIC CAPACITOR	Ⓢ
Ⓣ	POLYPHENYLENE SULFIDE FILM CAPACITOR	Ⓣ

RESISTOR

REMARKS	PARTS NAME	
NO MARK	CARBON FILM RESISTOR (P=5)	□
□	CARBON FILM RESISTOR (P=10)	□
△	METAL OXIDE FILM RESISTOR	△
△	METAL FILM RESISTOR	△
⊠	METAL PLATE RESISTOR	⊠
⊠	FIRE PROOF CARBON FILM RESISTOR	⊠
□	CEMENT MOLDED RESISTOR	□
⊗	SEMI VARIABLE RESISTOR	⊗
■	CHIP RESISTOR	■

NOTICE (model)
 (J)..... JAPAN
 (U)..... U.S.A
 (C)..... CANADA
 (R)..... GENERAL
 (T)..... CHINA
 (K)..... KOREA
 (A)..... AUSTRALIA
 (B)..... BRITISH
 (G)..... EUROPE
 (L)..... SINGAPORE
 (E)..... SOUTH EUROPE
 (V)..... TAIWAN
 (F)..... RUSSIAN

Interchangeable Parts at Manufacture-Stage

Mark	Reference Parts Number	Parts Name
&1	D803-804	ISS355 MA2J110GL KDS160-RTK/P
&11	G801-805	25C2412K(G/R/S) 250601ARL/AQL(G/R/S) KTC3875S-Y-GR-RTK/P

POWER (2)

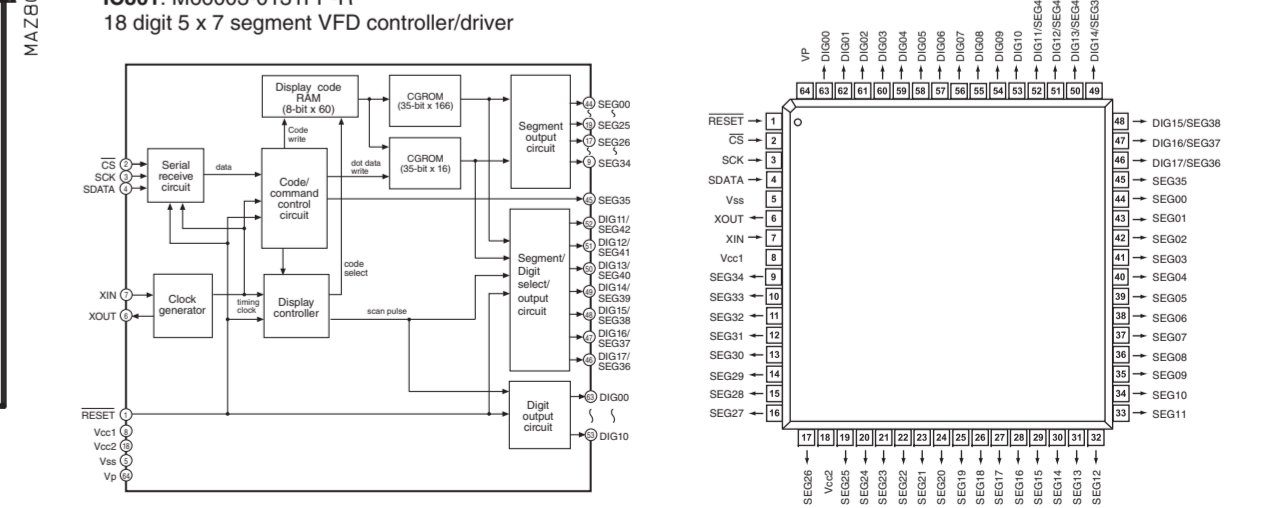
Key input (A-D) pull-up resistance 10 k-ohms

Ohm	0	+1.5k	+1.8k	+2.7k	∞
V	0-0.2	0.2-0.6	0.6-1.0	1.0-1.4	3.1-3.3
KEY0 (7pin/AN0)		PLAY/PAUSE	STOP	OPEN/CLOSE	OFF
KEY1 (95pin/AN1)		INPUT			OFF
KEY2 (7pin/AN2)					OFF

* All voltages are measured with a 10MΩ DC electronic voltmeter.
 * Components having special characteristics are marked Δ and must be replaced with parts having specifications equal to those originally installed.
 * Schematic diagram is subject to change without notice.
 ● 電圧は、内部抵抗 10MΩの電圧計で測定したものです。
 ● Δ印のある部品は、安全性確保部品を示しています。部品の交換が必要な場合、パーツリストに記載されている部品を使用してください。
 ● 本回路図は標準回路図です。改良のため予告なく変更することがございます。

Page 57 [K3]
to MAIN (1)_CB208

Page 57 [K2]
to MAIN (1)_CB207



■ REPLACEMENT PARTS LIST

● ELECTRICAL COMPONENT PARTS

WARNING

- Components having special characteristics are marked Δ and must be replaced with parts having specifications equal to those originally installed.
- Δ 印のある部分は、安全確保部品を示しています。部品の交換が必要な場合、パーツリストに記載されている部品を使用してください。
- 部品価格ランクは、予告なく変更することがあります。

ABBREVIATIONS IN THIS LIST ARE AS FOLLOWS:

C.A.EL.CHP	: CHIP ALUMI.ELECTROLYTIC CAP	L.EMIT	: LIGHT EMITTING MODULE
C.CE	: CERAMIC CAP	LED.DSPLY	: LED DISPLAY
C.CE.ARRAY	: CERAMIC CAP ARRAY	LED.INFRD	: LED,INFRARED
C.CE.CHP	: CHIP CERAMIC CAP	MODUL.RF	: MODULATOR,RF
C.CE.ML	: MULTILAYER CERAMIC CAP	PHOT.CPL	: PHOTO COUPLER
C.CE.M.CHP	: CHIP MULTILAYER CERAMIC CAP	PHOT.INTR	: PHOTO INTERRUPTER
C.CE.SAFTY	: RECOGNIZED CERAMIC CAP	PHOT.RFLCT	: PHOTO REFLECTOR
C.CE.TUBLR	: CERAMIC TUBULAR CAP	PIN.TEST	: PIN,TEST POINT
C.CE.SMI	: SEMI CONDUCTIVE CERAMIC CAP	PLST.RIVET	: PLASTIC RIVET
C.EL	: ELECTROLYTIC CAP	R.ARRAY	: RESISTOR ARRAY
C.MICA	: MICA CAP	R.CAR.	: CARBON RESISTOR
C.ML.FLM	: MULTILAYER FILM CAP	R.CAR.CHP	: CHIP RESISTOR
C.MP	: METALLIZED PAPER CAP	R.CAR.FP	: FLAME PROOF CARBON RESISTOR
C.MYLAR	: MYLAR FILM CAP	R.FUS	: FUSABLE RESISTOR
C.MYLAR.ML	: MULTILAYER MYLAR FILM CAP	R.MTL.CHP	: CHIP METAL FILM RESISTOR
C.PAPER	: PAPER CAPACITOR	R.MTL.FLM	: METAL FILM RESISTOR
C.PLS	: POLYSTYRENE FILM CAP	R.MTL.OXD	: METAL OXIDE FILM RESISTOR
C.POL	: POLYESTER FILM CAP	R.MTL.PLAT	: METAL PLATE RESISTOR
C.POLY	: POLYETHYLENE FILM CAP	RSNR.CE	: CERAMIC RESONATOR
C.PP	: POLYPROPYLENE FILM CAP	RSNR.CRYS	: CRYSTAL RESONATOR
C.TNTL	: TANTALUM CAP	R.TW.CEM	: TWIN CEMENT FIXED RESISTOR
C.TNTL.CHP	: CHIP TANTALUM CAP	R.CEMENT	: CEMENT RESISTOR
C.TRIM	: TRIMMER CAP	SCR.BND.HD	: BIND HEAD B-TIGHT SCREW
CN	: CONNECTOR	SCR.BW.HD	: BW HEAD TAPPING SCREW
CN.BS.PIN	: CONNECTOR,BASE PIN	SCR.CUP	: CUP TIGHT SCREW
CN.CANNON	: CONNECTOR,CANNON	SCR.TERM	: SCREW TERMINAL
CN.DIN	: CONNECTOR,DIN	SCR.TR	: SCREW,TRANSISTOR
CN.FLAT	: CONNECTOR,FLAT CABLE	SUPRT.PCB	: SUPPORT,P.C.B.
CN.POST	: CONNECTOR,BASE POST	SURG.PRTCT	: SURGE PROTECTOR
COIL.MX.AM	: COIL,AM MIX	SW.TACT	: TACT SWITCH
COIL.AT.FM	: COIL,FM ANTENNA	SW.LEAF	: LEAF SWITCH
COIL.DT.FM	: COIL,FM DETECT	SW.LEVER	: LEVER SWITCH
COIL.MX.FM	: COIL,FM MIX	SW.MICRO	: MICRO SWITCH
COIL.OUTPT	: OUTPUT COIL	SW.PUSH	: PUSH SWITCH
DIOD.ARRAY	: DIODE ARRAY	SW.RT.ENC	: ROTARY ENCODER
DIODE.BRG	: DIODE BRIDGE	SW.RT.MTR	: ROTARY SWITCH WITH MOTOR
DIODE.CHP	: CHIP DIODE	SW.RT	: ROTARY SWITCH
DIODE.VAR	: VARACTOR DIODE	SW.SLIDE	: SLIDE SWITCH
DIOD.Z.CHP	: CHIP ZENER DIODE	TERM.SP	: SPEAKER TERMINAL
DIODE.ZENR	: ZENER DIODE	TERM.WRAP	: WRAPPING TERMINAL
DSCR.CE	: CERAMIC DISCRIMINATOR	THRMST.CHP	: CHIP THERMISTOR
FER.BEAD	: FERRITE BEADS	TR.CHP	: CHIP TRANSISTOR
FER.CORE	: FERRITE CORE	TR.DGT	: DIGITAL TRANSISTOR
FET.CHP	: CHIP FET	TR.DGT.CHP	: CHIP DIGITAL TRANSISTOR
FL.DSPLY	: FLUORESCENT DISPLAY	TRANS	: TRANSFORMER
FLTR.CE	: CERAMIC FILTER	TRANS.PULS	: PULSE TRANSFORMER
FLTR.COMB	: COMB FILTER MODULE	TRANS.PWR	: POWER TRANSFORMER ASS'Y
FLTR.LC.RF	: LC FILTER,EMI	TUNER.AM	: TUNER PACK,AM
GND.MTL	: GROUND PLATE	TUNER.FM	: TUNER PACK,FM
GND.TERM	: GROUND TERMINAL	TUNER.PK	: FRONT-ENDTUNER PACK
HOLDER.FUS	: FUSE HOLDER	VR	: ROTARY POTENTIOMETER
IC.PRTCT	: IC PROTECTOR	VR.MTR	: POTENTIOMETER WITH MOTOR
JUMPER.CN	: JUMPER CONNECTOR	VR.SW	: POTENTIOMETER WITH ROTARY SW
JUMPER.TST	: JUMPER,TEST POINT	VR.SLIDE	: SLIDE POTENTIOMETER
L.DTCT	: LIGHT DETECTING MODULE	VR.TRIM	: TRIMMER POTENTIOMETER

P.C.B. MAIN

Ref No.	Part No.	Description	Remarks	Markets	部 品 名	ランク	
*	WQ541900	P. C. B.	MAIN		J	P C B M A I N	
*	WQ542000	P. C. B.	MAIN		U	P C B M A I N	
*	WQ542100	P. C. B.	MAIN		TKLV	P C B M A I N	
*	WQ542200	P. C. B.	MAIN		A	P C B M A I N	
*	WQ542300	P. C. B.	MAIN		G	P C B M A I N	03
	CB201	VM923600	CN. BS. PIN	13P		F F Cコネクター	01
	CB203	VQ044400	CN. BS. PIN	9P		F F Cコネクター	01
	CB205	LB918040	CN. BS. PIN	4P		ベース付ポスト	01
	CB206	LB918060	CN. BS. PIN	6P		ベース付ポスト	01
	CB207	VB858500	CN. BS. PIN	6P		ベースピン	01
	CB208	WC196700	CN	17P TE		F M Nコネクター	03
	CB209	LB918020	CN. BS. PIN	2P		ベース付ポスト	01
	CB210	VB390200	CN. BS. PIN	6P		コネクターベースポスト	01
	CB211	WQ289300	CN	24P TE		F F C / F P Cコネクタ	04
	CB212	VB390200	CN. BS. PIN	6P		コネクターベースポスト	01
	CB213	VB390100	CN. BS. PIN	5P		ベースピン	01
	CB216	LB918040	CN. BS. PIN	4P		ベース付ポスト	01
	CB702	WP170400	CN. USB	CSS5004-1F01 4P TE		U S Bコネクタ	04
	CB703	VC166500	CN. BS. PIN	12P		コネクターベースポスト	01
	CB704	VB858900	CN. BS. PIN	10P		ベースピン	01
	C201	US062330	C. CE. CHP	330pF 50V B	G	チップセラコン	01
	C202	US135100	C. CE. CHP	0. 1uF 16V	G	チップセラコン	01
	C203	US062330	C. CE. CHP	330pF 50V B	G	チップセラコン	01
	C204	US062560	C. CE. CHP	560pF 50V B	G	チップセラコン	01
	C205	US135100	C. CE. CHP	0. 1uF 16V	G	チップセラコン	01
	C206	UR837100	C. EL	10uF 16V	G	ケミコン	01
	C207	US163100	C. CE. CHP	1000pF 50V		チップセラコン	01
	C208-209	US061270	C. CE. CHP	27pF 50V B	G	チップセラコン	01
	C210-211	US064100	C. CE. CHP	0. 01uF 50V B		チップセラコン	01
	C213	US135100	C. CE. CHP	0. 1uF 16V	G	チップセラコン	01
	C214	UR837100	C. EL	10uF 16V	G	ケミコン	01
	C215-216	US163100	C. CE. CHP	1000pF 50V		チップセラコン	01
	C217-218	UR837100	C. EL	10uF 16V	G	ケミコン	01
	C219-220	UR837100	C. EL	10uF 16V		ケミコン	01
	C222	US061330	C. CE. CHP	33pF 50V B		チップセラコン	01
	C223	UR237100	C. EL	10uF 16V		ケミコン	
	C224	US061330	C. CE. CHP	33pF 50V B		チップセラコン	01
	C225	UR237100	C. EL	10uF 16V		ケミコン	
	C226-227	US126100	C. CE. CHP	1uF 10V		チップセラコン	01
	C228	US135100	C. CE. CHP	0. 1uF 16V		チップセラコン	01
	C229-230	UR266220	C. EL	2. 2uF 50V		ケミコン	
	C231	US061330	C. CE. CHP	33pF 50V B		チップセラコン	01
	C232	UR837470	C. EL	47uF 16V		ケミコン	01
	C233	UR237100	C. EL	10uF 16V		ケミコン	
	C234-235	US126100	C. CE. CHP	1uF 10V		チップセラコン	01
	C236	UR237100	C. EL	10uF 16V		ケミコン	
	C237	US061330	C. CE. CHP	33pF 50V B		チップセラコン	01
	C238	US135100	C. CE. CHP	0. 1uF 16V		チップセラコン	01
	C239	US064100	C. CE. CHP	0. 01uF 50V B		チップセラコン	01
	C240	US135100	C. CE. CHP	0. 1uF 16V		チップセラコン	01
	C241	UR818470	C. EL	470uF 6. 3V		ケミコン	01
	C242	US135100	C. CE. CHP	0. 1uF 16V		チップセラコン	01

* New Parts * 新規部品

P.C.B. MAIN

Ref No.	Part No.	Description	Remarks	Markets	部 品 名	ランク
C243	UU238100	C. EL	100uF 16V		ケミコン	01
C245-246	US034680	C. CE. CHP	0.068uF 16V K		チップセラコン	01
C247	UR237100	C. EL	10uF 16V		ケミコン	
C248	US126100	C. CE. CHP	1uF 10V		チップセラコン	01
C249	US064100	C. CE. CHP	0.01uF 50V B		チップセラコン	01
C250	US135100	C. CE. CHP	0.1uF 16V		チップセラコン	01
C251-252	US034680	C. CE. CHP	0.068uF 16V K		チップセラコン	01
C254	US135100	C. CE. CHP	0.1uF 16V		チップセラコン	01
C255	UR817470	C. EL	47uF 6.3V		ケミコン	01
C256	UR837470	C. EL	47uF 16V		ケミコン	01
C257	US135100	C. CE. CHP	0.1uF 16V		チップセラコン	01
C259-260	UR237100	C. EL	10uF 16V		BPケミコン	01
C261-262	US063100	C. CE. CHP	1000pF 50V B		チップセラコン	01
C263-264	UR237100	C. EL	10uF 16V		ケミコン	
C269-270	US061330	C. CE. CHP	33pF 50V B		チップセラコン	01
C271	UR838470	C. EL	470uF 16V		ケミコン	01
C272	US135100	C. CE. CHP	0.1uF 16V		チップセラコン	01
C273-274	UR838100	C. EL	100uF 16V		ケミコン	01
C275	US135100	C. CE. CHP	0.1uF 16V		チップセラコン	01
C276-279	UR266100	C. EL	1uF 50V		ケミコン	01
C280-281	UA353390	C. MYLAR	3900pF 50V		マイラーコン	01
C282	UR866220	C. EL	2.2uF 50V		ケミコン	01
C283-284	UN837100	C. EL	10uF 16V		BPケミコン	01
C285-286	US062100	C. CE. CHP	100pF 50V B		チップセラコン	01
C287	US135100	C. CE. CHP	0.1uF 16V		チップセラコン	01
C288	US063100	C. CE. CHP	1000pF 50V B		チップセラコン	01
C289	UB446100	C. CE. CHP	1uF 16V		チップセラコン	01
C290-291	US135100	C. CE. CHP	0.1uF 16V		チップセラコン	01
C292-293	US061330	C. CE. CHP	33pF 50V B		チップセラコン	01
C294	US135100	C. CE. CHP	0.1uF 16V		チップセラコン	01
C295	US062100	C. CE. CHP	100pF 50V B		チップセラコン	01
C296-297	US061330	C. CE. CHP	33pF 50V B		チップセラコン	01
C298	US163100	C. CE. CHP	1000pF 50V		チップセラコン	01
C299	UR238220	C. EL	220uF 16V		ケミコン	01
C300-301	US135100	C. CE. CHP	0.1uF 16V		チップセラコン	01
C302	UR238220	C. EL	220uF 16V		ケミコン	01
C303	US063100	C. CE. CHP	1000pF 50V B		チップセラコン	01
C304	US063220	C. CE. CHP	2200pF 50V B		チップセラコン	01
C305	US063100	C. CE. CHP	1000pF 50V B		チップセラコン	01
C307	UR837470	C. EL	47uF 16V		ケミコン	01
C308-309	US135100	C. CE. CHP	0.1uF 16V		チップセラコン	01
C310-311	UR238220	C. EL	220uF 16V		ケミコン	01
C312	US135100	C. CE. CHP	0.1uF 16V		チップセラコン	01
C313	UN837100	C. EL	10uF 16V		BPケミコン	01
C314	UR866220	C. EL	2.2uF 50V		ケミコン	01
C315	US063100	C. CE. CHP	1000pF 50V B		チップセラコン	01
C316-317	US135100	C. CE. CHP	0.1uF 16V		チップセラコン	01
C318	US063100	C. CE. CHP	1000pF 50V B		チップセラコン	01
C319	UR819100	C. EL	1000uF 6.3V		ケミコン	01
C320-321	US135100	C. CE. CHP	0.1uF 16V		チップセラコン	01
C326	US061330	C. CE. CHP	33pF 50V B		チップセラコン	01
C327-336	US135100	C. CE. CHP	0.1uF 16V		チップセラコン	01

* New Parts * 新規部品

P.C.B. MAIN

Ref No.	Part No.	Description	Remarks	Markets	部 品 名	ランク
C337	UR837220	C. EL	22uF 16V		ケミコン	01
C338-339	VE326500	C. MYLAR. ML	0. 27uF 50V		積層マイラーコン	01
C340-343	VE326600	C. MYLAR	0. 33uF 50V		マイラーコン	01
C344	UR837220	C. EL	22uF 16V		ケミコン	01
C345	US135100	C. CE. CHP	0. 1uF 16V		チップセラコン	01
C346	US065100	C. CE. CHP	0. 1uF 50V B		チップセラコン	01
C347	US135100	C. CE. CHP	0. 1uF 16V		チップセラコン	01
C348	US065100	C. CE. CHP	0. 1uF 50V B		チップセラコン	01
C349	WP258700	C. CE. CHP	2. 2uF 25V		チップセラ	01
C350	WF547900	C. CE. CHP	10uF 25V		チップセラ	01
C351-352	US163100	C. CE. CHP	1000pF 50V		チップセラコン	01
C353	US063560	C. CE. CHP	5600pF 50V B		チップセラコン	01
C354	US135100	C. CE. CHP	0. 1uF 16V		チップセラコン	01
C356	US163100	C. CE. CHP	1000pF 50V		チップセラコン	01
C358	US061330	C. CE. CHP	33pF 50V B		チップセラコン	01
C359	US063100	C. CE. CHP	1000pF 50V B		チップセラコン	01
C361-364	US061330	C. CE. CHP	33pF 50V B		チップセラコン	01
C365	US065100	C. CE. CHP	0. 1uF 50V B		チップセラコン	01
C366	US061330	C. CE. CHP	33pF 50V B		チップセラコン	01
C367	US065100	C. CE. CHP	0. 1uF 50V B		チップセラコン	01
C368	US061330	C. CE. CHP	33pF 50V B		チップセラコン	01
C370-371	US061330	C. CE. CHP	33pF 50V B		チップセラコン	01
C372	US135100	C. CE. CHP	0. 1uF 16V		チップセラコン	01
C373	US061330	C. CE. CHP	33pF 50V B		チップセラコン	01
C374	US135100	C. CE. CHP	0. 1uF 16V		チップセラコン	01
C375	US061330	C. CE. CHP	33pF 50V B		チップセラコン	01
C376	US135100	C. CE. CHP	0. 1uF 16V		チップセラコン	01
C377	US061330	C. CE. CHP	33pF 50V B		チップセラコン	01
C378	US065100	C. CE. CHP	0. 1uF 50V B		チップセラコン	01
C379	US061330	C. CE. CHP	33pF 50V B		チップセラコン	01
C381	US063560	C. CE. CHP	5600pF 50V B		チップセラコン	01
C382	US135100	C. CE. CHP	0. 1uF 16V		チップセラコン	01
C383	US064100	C. CE. CHP	0. 01uF 50V B		チップセラコン	01
C384	US135100	C. CE. CHP	0. 1uF 16V		チップセラコン	01
C385	US063560	C. CE. CHP	5600pF 50V B		チップセラコン	01
C386	US065100	C. CE. CHP	0. 1uF 50V B		チップセラコン	01
C387	US135100	C. CE. CHP	0. 1uF 16V		チップセラコン	01
C388	US063560	C. CE. CHP	5600pF 50V B		チップセラコン	01
C389	UR867470	C. EL	47uF 50V		ケミコン	01
C396	UR867470	C. EL	47uF 50V		ケミコン	01
C397	US065100	C. CE. CHP	0. 1uF 50V B		チップセラコン	01
C398-399	US135100	C. CE. CHP	0. 1uF 16V		チップセラコン	01
* C400	WP882000	C. CE. CHP	10uF 6. 3V		チップセラコン	
C401	UR818100	C. EL	100uF 6. 3V		ケミコン	01
* C402	WP882000	C. CE. CHP	10uF 6. 3V		チップセラコン	
C403	UR818100	C. EL	100uF 6. 3V		ケミコン	01
C406	US163100	C. CE. CHP	1000pF 50V		チップセラコン	01
C407	UR817470	C. EL	47uF 6. 3V		ケミコン	01
C408	UR838100	C. EL	100uF 16V		ケミコン	01
C409	US135100	C. CE. CHP	0. 1uF 16V		チップセラコン	01
C410	UR838100	C. EL	100uF 16V		ケミコン	01
C411	US135100	C. CE. CHP	0. 1uF 16V		チップセラコン	01

* New Parts * 新規部品

P.C.B. MAIN

Ref No.	Part No.	Description	Remarks	Markets	部 品 名	ランク	
C412-413	US063220	C. CE. CHP	2200pF	50V B		チップセラコン	01
C414-415	US063150	C. CE. CHP	1500pF	50V B		チップセラコン	01
C416	UR838100	C. EL	100uF	16V		ケミコン	01
C417	US135100	C. CE. CHP	0. 1uF	16V		チップセラコン	01
C420	US135220	C. CE. CHP	0. 22uF	16V		チップセラコン	01
C421	US135100	C. CE. CHP	0. 1uF	16V		チップセラコン	01
C422	US062680	C. CE. CHP	680pF	50V B		チップセラコン	01
C423	US044220	C. CE. CHP	0. 022uF	25V B		チップセラコン	01
C424	US135100	C. CE. CHP	0. 1uF	16V		チップセラコン	01
C425	US163100	C. CE. CHP	1000pF	50V		チップセラコン	01
C426	US034820	C. CE. CHP	0. 082uF	16V K		チップセラコン	01
C427	US163100	C. CE. CHP	1000pF	50V		チップセラコン	01
C428	US135330	C. CE. CHP	0. 33uF	16V		チップセラコン	01
C429	UR818100	C. EL	100uF	6. 3V		ケミコン	01
C430	WG251600	C. CE. CHP	4. 7uF	6. 3V		チップセラコン	01
C431	UR818100	C. EL	100uF	6. 3V		ケミコン	01
C432	US044220	C. CE. CHP	0. 022uF	25V B		チップセラコン	01
C433	US063330	C. CE. CHP	3300pF	50V B		チップセラコン	01
C434	US135330	C. CE. CHP	0. 33uF	16V		チップセラコン	01
C435	US135100	C. CE. CHP	0. 1uF	16V		チップセラコン	01
C439	US135150	C. CE. CHP	0. 15uF	16V		チップセラコン	01
C443	US135100	C. CE. CHP	0. 1uF	16V		チップセラコン	01
C444	UR817470	C. EL	47uF	6. 3V		ケミコン	01
C445	US135100	C. CE. CHP	0. 1uF	16V		チップセラコン	01
* C446	UU218100	C. EL	100uF	6. 3V		ケミコン	
C447	UR818100	C. EL	100uF	6. 3V		ケミコン	01
C448-449	US135100	C. CE. CHP	0. 1uF	16V		チップセラコン	01
C450	UR818100	C. EL	100uF	6. 3V		ケミコン	01
C451	US135100	C. CE. CHP	0. 1uF	16V		チップセラコン	01
C452	UR818100	C. EL	100uF	6. 3V		ケミコン	01
C453	US135100	C. CE. CHP	0. 1uF	16V		チップセラコン	01
C454	UR818100	C. EL	100uF	6. 3V		ケミコン	01
C455	WP882000	C. CE. CHP	10uF	6. 3V		チップセラコン	
C456	US061180	C. CE. CHP	18pF	50V B		チップセラコン	01
C457	US135100	C. CE. CHP	0. 1uF	16V		チップセラコン	01
C458	US061180	C. CE. CHP	18pF	50V B		チップセラコン	01
C460	US135100	C. CE. CHP	0. 1uF	16V		チップセラコン	01
* C461	WP882000	C. CE. CHP	10uF	6. 3V		チップセラコン	
C462	US135100	C. CE. CHP	0. 1uF	16V		チップセラコン	01
* C463	WP882000	C. CE. CHP	10uF	6. 3V		チップセラコン	
C464	US135100	C. CE. CHP	0. 1uF	16V		チップセラコン	01
* C465	WP882000	C. CE. CHP	10uF	6. 3V		チップセラコン	
C466	US135100	C. CE. CHP	0. 1uF	16V		チップセラコン	01
* C467	WP882000	C. CE. CHP	10uF	6. 3V		チップセラコン	
C468	US163100	C. CE. CHP	1000pF	50V		チップセラコン	01
C469-471	US135100	C. CE. CHP	0. 1uF	16V		チップセラコン	01
C472-475	US063100	C. CE. CHP	1000pF	50V B		チップセラコン	01
C476	US135100	C. CE. CHP	0. 1uF	16V		チップセラコン	01
C477-478	US063100	C. CE. CHP	1000pF	50V B		チップセラコン	01
C479	US163100	C. CE. CHP	1000pF	50V		チップセラコン	01
C480-481	US135100	C. CE. CHP	0. 1uF	16V		チップセラコン	01
C482	US163100	C. CE. CHP	1000pF	50V		チップセラコン	01

* New Parts * 新規部品

P.C.B. MAIN

Ref No.	Part No.	Description	Remarks	Markets	部 品 名	ランク
C483-485	US135100	C. CE. CHP	0. 1uF 16V		チップセラコン	01
C486-487	US163100	C. CE. CHP	1000pF 50V		チップセラコン	01
C488	US135100	C. CE. CHP	0. 1uF 16V		チップセラコン	01
C489-491	UR817470	C. EL	47uF 6. 3V		ケミコン	01
C492-493	US135100	C. CE. CHP	0. 1uF 16V		チップセラコン	01
C494	US163100	C. CE. CHP	1000pF 50V		チップセラコン	01
C495	UR817470	C. EL	47uF 6. 3V		ケミコン	01
C496-497	US135100	C. CE. CHP	0. 1uF 16V		チップセラコン	01
C498-499	WF547900	C. CE. CHP	10uF 25V		チップセラ	01
C502	UB014220	C. CE. M. CHP	0. 022uF 50V		チップ積層セラコン	01
C503	US065100	C. CE. CHP	0. 1uF 50V B		チップセラコン	01
C504	US062100	C. CE. CHP	100pF 50V B		チップセラコン	01
C505	US063100	C. CE. CHP	1000pF 50V B		チップセラコン	01
C506	US065100	C. CE. CHP	0. 1uF 50V B		チップセラコン	01
C508-509	US065100	C. CE. CHP	0. 1uF 50V B		チップセラコン	01
C510	US062100	C. CE. CHP	100pF 50V B		チップセラコン	01
C511	UB014220	C. CE. M. CHP	0. 022uF 50V		チップ積層セラコン	01
C512	US135100	C. CE. CHP	0. 1uF 16V		チップセラコン	01
C513	UR818330	C. EL	330uF 6. 3V		ケミコン	01
C516	US135100	C. CE. CHP	0. 1uF 16V		チップセラコン	01
C517	WF547900	C. CE. CHP	10uF 25V		チップセラ	01
C518	US135100	C. CE. CHP	0. 1uF 16V		チップセラコン	01
C519	WF547900	C. CE. CHP	10uF 25V		チップセラ	01
C520-521	UR818100	C. EL	100uF 6. 3V		ケミコン	01
C522	US135100	C. CE. CHP	0. 1uF 16V		チップセラコン	01
C523	US046100	C. CE. CHP	1uF 25V		チップセラコン	01
C524	WF547900	C. CE. CHP	10uF 25V		チップセラ	01
C525	WP543400	C. EL	680uF 25V		ケミコン	01
C526	WF547900	C. CE. CHP	10uF 25V		チップセラ	01
C527	US064100	C. CE. CHP	0. 01uF 50V B		チップセラコン	01
C528	US061330	C. CE. CHP	33pF 50V B		チップセラコン	01
C529	US064100	C. CE. CHP	0. 01uF 50V B		チップセラコン	01
C530	US063560	C. CE. CHP	5600pF 50V B		チップセラコン	01
C531-532	US135100	C. CE. CHP	0. 1uF 16V		チップセラコン	01
C533	US064100	C. CE. CHP	0. 01uF 50V B		チップセラコン	01
C534	US135100	C. CE. CHP	0. 1uF 16V		チップセラコン	01
C535	US163100	C. CE. CHP	1000pF 50V		チップセラコン	01
C536	US064100	C. CE. CHP	0. 01uF 50V B		チップセラコン	01
C537-543	US163100	C. CE. CHP	1000pF 50V		チップセラコン	01
C544	US064100	C. CE. CHP	0. 01uF 50V B		チップセラコン	01
C545	US065100	C. CE. CHP	0. 1uF 50V B		チップセラコン	01
C546	US064100	C. CE. CHP	0. 01uF 50V B		チップセラコン	01
C547	US063560	C. CE. CHP	5600pF 50V B		チップセラコン	01
C548	US064100	C. CE. CHP	0. 01uF 50V B		チップセラコン	01
C549	US063560	C. CE. CHP	5600pF 50V B		チップセラコン	01
C550	US163100	C. CE. CHP	1000pF 50V		チップセラコン	01
C551-553	US135100	C. CE. CHP	0. 1uF 16V		チップセラコン	01
C554-556	US063560	C. CE. CHP	5600pF 50V B		チップセラコン	01
C557	US064100	C. CE. CHP	0. 01uF 50V B		チップセラコン	01
C558	US163100	C. CE. CHP	1000pF 50V		チップセラコン	01
C559	US064100	C. CE. CHP	0. 01uF 50V B		チップセラコン	01
C560	US163100	C. CE. CHP	1000pF 50V		チップセラコン	01

* New Parts * 新規部品

P.C.B. MAIN

Ref No.	Part No.	Description	Remarks	Markets	部 品 名	ランク
C561-564	VE326200	C. MYLAR	0. 15uF 50V		マイラーコン	
C565	US163100	C. CE. CHP	1000pF 50V		チップセラコン	01
C566	US064100	C. CE. CHP	0. 01uF 50V B		チップセラコン	01
C568-569	UA353800	C. MYLAR	8200pF 50V		マイラーコン	01
* C570	UU249100	C. EL	1000uF 25V		ケミコン	
C650	UR818220	C. EL	220uF 6. 3V		ケミコン	01
C701	US062100	C. CE. CHP	100pF 50V B		チップセラコン	01
C703	US126100	C. CE. CHP	1uF 10V		チップセラコン	01
C704	US061330	C. CE. CHP	33pF 50V B		チップセラコン	01
C705	US135100	C. CE. CHP	0. 1uF 16V		チップセラコン	01
C706	US064100	C. CE. CHP	0. 01uF 50V B		チップセラコン	01
C707	US135100	C. CE. CHP	0. 1uF 16V		チップセラコン	01
C709	US061330	C. CE. CHP	33pF 50V B		チップセラコン	01
* C710	WP882000	C. CE. CHP	10uF 6. 3V		チップセラコン	
C711	US126100	C. CE. CHP	1uF 10V		チップセラコン	01
C712-713	US135100	C. CE. CHP	0. 1uF 16V		チップセラコン	01
C714	US064100	C. CE. CHP	0. 01uF 50V B		チップセラコン	01
C715	US126100	C. CE. CHP	1uF 10V		チップセラコン	01
C716	US135100	C. CE. CHP	0. 1uF 16V		チップセラコン	01
C717	US163100	C. CE. CHP	1000pF 50V		チップセラコン	01
C718-719	US064100	C. CE. CHP	0. 01uF 50V B		チップセラコン	01
C720	US135100	C. CE. CHP	0. 1uF 16V		チップセラコン	01
C721	US163100	C. CE. CHP	1000pF 50V		チップセラコン	01
C722	US064100	C. CE. CHP	0. 01uF 50V B		チップセラコン	01
C723-726	US163100	C. CE. CHP	1000pF 50V		チップセラコン	01
* D201	VU991600	DIODE. ZENR	4. 3V MAZ8043G0L	G	ツェナーダイオード	
D202	VU995500	DIODE. ZENR	MAZ8100GHL 10. 3V		ツェナーダイオード	02
D203	VU992900	DIODE. ZENR	MA8056-L 5. 4V		ツェナーダイオード	01
D204	VU995200	DIODE. ZENR	10V MAZ8100G0L		ツェナーダイオード	01
D206	VT332900	DIODE	1SS355		ダイオード	01
D209	VT332900	DIODE	1SS355		ダイオード	01
D212	WQ970500	DIODE	RB055LA-40 TP		ダイオード	03
D213	VT332900	DIODE	1SS355		ダイオード	01
D214	V2376600	DIODE. SHOT	RB500V-40		ショットキーダイオード	01
D215	VT332900	DIODE	1SS355		ダイオード	01
D216	V2376600	DIODE. SHOT	RB500V-40		ショットキーダイオード	01
D217	VU992500	DIODE. ZENR	MA8051-L 5V		ツェナーダイオード	01
D218	VU999100	DIODE. ZENR	MA8240-M 24V		ツェナーダイオード	01
D220-221	VT332900	DIODE	1SS355		ダイオード	01
D224	VT332900	DIODE	1SS355		ダイオード	01
* D225	WP292300	DIODE	RB050LA-40TR TP		ダイオード	
D226	WC549600	DIODE. CHP	RB160M-30 TR		チップダイオード	04
D227	VT332900	DIODE	1SS355		ダイオード	01
D228-231	V9634300	DIODE. SHOT	RB551V-30 TAPING		ショットキーダイオード	01
D703-704	VT332900	DIODE	1SS355		ダイオード	01
F201	V2429100	SW. POLY	SMDC100-02		ポリスイッチ	02
F701	V2429100	SW. POLY	SMDC100-02		ポリスイッチ	02
* IC201	X8235A00	IC	LC72725KM	G	I C	
IC202	XV891B00	IC	TC74VHC08FT (EL, K)		ロジック I C	01
IC203	X9799A00	IC	R2A15908SP		I C	04
IC204	X3586B00	IC	TC74VHCT08AFT EL, K		ロジック I C	01
IC205	X2331A00	IC	NJM4580E OP AMP		アンプ I C	01

* New Parts * 新規部品

P.C.B. MAIN

Ref No.	Part No.	Description	Remarks	Markets	部 品 名	ランク
* IC207	YA679A00	IC	NJM2737M OP AMP		アンプ IC	
IC208	X9056A00	IC	M24C02-RDW6TP		メモリ IC	03
IC209	X2331A00	IC	NJM4580E OP AMP		アンプ IC	01
IC211	YA013A00	IC. CPU	R5F3640DNFA CPU	unwritten	CPU IC	09
IC212	YA160A00	IC	R1154H001C-T1-F		電源 IC	03
IC213	X9850A00	IC	BD9870FPS		電源 IC	05
IC214	X8685A00	IC	AN41010A-VF		ドライバー IC	07
IC217	YA331A00	IC. CPU. CD	MN6627971YB	MASK ROM	IC CPU CD	11
IC218	X9911A00	IC. CPU. USB	MN103SFB5KYAA	MASK ROM	IC CPU USB	09
IC219	X5693B00	IC	M12L16161A-7TG		メモリ IC 16M	
IC220	X8096A00	IC	R5523N001A-TR-F		電源 IC	03
IC221	X7651A00	IC	BD9302FP-E2		電源 IC	05
IC222	X7717A00	IC	R3112N251A-TR		リセット IC	01
IC701	X2474A00	IC	NJM4580V-TE2		アンプ IC	01
PJ201	VV306800	JACK. PIN	1P		ピンジャック	02
PN1	V9637500	PIN	L=70 #18		スタイルピン	
PN201	V9637500	PIN	L=70 #18		スタイルピン	
PN203-205	V9637500	PIN	L=70 #18		スタイルピン	
Q201	VD303700	TR	2SC3326 A, B	G	トランジスタ	01
Q202	VV556400	TR	2SC2412K Q, R, S	G	トランジスタ	01
Q203	WB228800	TR	KTC3198 Y AT		トランジスタ	
Q204-206	VV556400	TR	2SC2412K Q, R, S		トランジスタ	01
Q209-210	VZ725900	TR	2SD1938F S, T		トランジスタ	01
Q211	VV655000	TR. DGT	DTA114EKA		デジタルトランジスタ	01
Q212-213	VZ725900	TR	2SD1938F S, T		トランジスタ	01
Q214	VV655000	TR. DGT	DTA114EKA		デジタルトランジスタ	01
Q215-216	VZ725900	TR	2SD1938F S, T		トランジスタ	01
Q217	WD974200	TR	2SA1036KT146 P, Q, R		トランジスタ	01
Q218	VV556500	TR	2SA1037K Q, R, S		トランジスタ	01
Q219	VV556400	TR	2SC2412K Q, R, S		トランジスタ	01
Q220	VV556500	TR	2SA1037K Q, R, S		トランジスタ	01
Q221	VV655700	TR. DGT	DTC144EKA		デジタルトランジスタ	01
Q222	VV655000	TR. DGT	DTA114EKA		デジタルトランジスタ	01
Q223	VV556400	TR	2SC2412K Q, R, S		トランジスタ	01
Q224	WF057900	TR	2SC2411K Q, R		トランジスタ	01
Q225	VE613300	TR	2SB1237 Q, R		トランジスタ	01
Q226	iB070900	TR	2SB709A P, Q, R, S		トランジスタ	01
Q228	VV655700	TR. DGT	DTC144EKA		デジタルトランジスタ	01
Q229	VV556500	TR	2SA1037K Q, R, S		トランジスタ	01
Q230	VV655300	TR. DGT	DTA114EKA		デジタルトランジスタ	01
Q231	VV655700	TR. DGT	DTC144EKA		デジタルトランジスタ	01
R282-283	HV754330	R. CAR. FP	33 Ω 1/4W		不燃化カーボン抵抗	01
R423-424	VP940000	R. MTL. OXD	22 Ω 1W		酸化金属被膜抵抗	01
R602	HV754150	R. CAR. FP	15 Ω 1/4W		不燃化カーボン抵抗	01
R603	HV754820	R. CAR. FP	82 Ω 1/4W	G	不燃化カーボン抵抗	01
R604	HV754820	R. CAR. FP	82 Ω 1/4W		不燃化カーボン抵抗	01
R605	HV754330	R. CAR. FP	33 Ω 1/4W		不燃化カーボン抵抗	01
R608	VP940400	R. MTL. OXD	100 Ω 1W		酸化金属被膜抵抗	01
TE201	WB213900	TERM. SP	MSP-113V2-03 PUSH		スピーカターミナル	03
* XL201	WF152800	RSNR. CRYST	4. 332MHz	G	水晶振動子	
XL202	WF997400	RSNR. CE	20MHz		セラミック振動子	02
XL203	WB872100	RSNR. CRYST	16. 9344MHz		水晶振動子	03

* New Parts * 新規部品

P.C.B. MAIN and P.C.B. POWER

Ref No.	Part No.	Description	Remarks	Markets	部 品 名	ランク	
	XL204	WQ332600 RSNR. GE	12MHz			セラミック発振子	02
*		WQ542500 P. C. B.	POWER		J	PCB POWER	
*		WQ542600 P. C. B.	POWER		U	PCB POWER	
*		WQ542700 P. C. B.	POWER		TKAGL	PCB POWER	
*		WQ542800 P. C. B.	POWER		V	PCB POWER	
	CB1	VG879900 CN. BS. PIN	2P			ベースピン	01
	CB2-3	WN103000 CLIP. FUSE	TP00351-31			ヒューズクリップ	01
	CB801	WP474700 CN. BS. PIN	17P			FFCコネクター	03
△	C1	V5877700 C. MYLAR	0.22uF 250V			マイラーコン	03
	C2	WHO35900 C. GE. SAFTY	1000pF 250V		JUTKAGL	規格認定コンデンサ	01
*	C2	WHO36400 C. GE. SAFTY	4700pF 250V		V	規格認定コンデンサ	
	C3	WHO35900 C. GE. SAFTY	1000pF 250V		JUTKAGL	規格認定コンデンサ	01
*	C3	WHO36400 C. GE. SAFTY	4700pF 250V		V	規格認定コンデンサ	
	C4	WN826300 C. GE. SAFTY	0.01uF 250V			規格認定コン	01
△	C5	V5877700 C. MYLAR	0.22uF 250V			マイラーコン	03
	C6	WN817600 C. EL	680uF 200V		JUV	ケミコン	07
*	C6	WN817700 C. EL	180uF 400V		TKAGL	ケミコン	
	C7	WJ322400 C. GE. M. CHP	0.01uF 250V		JUV	チップ積層セラコン	01
	C7	WJ322300 C. GE. M. CHP	1000pF 630V		TKAGL	チップ積層セラコン	01
	C8	WJ322300 C. GE. M. CHP	1000pF 630V		TKAGL	チップ積層セラコン	01
	C11	US063220 C. GE. CHP	2200pF 50V B			チップセラコン	01
	C12	WD969200 C. GE. CHP	0.1uF 50V K			チップセラコン	01
	C13	UB214820 C. GE. M. CHP	0.082uF 25V			チップ積層セラコン	01
	C15-16	WD969200 C. GE. CHP	0.1uF 50V K			チップセラコン	01
	C17	US063100 C. GE. CHP	1000pF 50V B			チップセラコン	01
	C18	WQ286600 C. GE. CHP	0.22uF 50V			チップセラ	01
	C19	WG501000 C. EL	10uF 50V			ケミコン VZ	01
	C20	WHO35900 C. GE. SAFTY	1000pF 250V			規格認定コンデンサ	01
	C21	WK413800 C. GE. M. CHP	1000pF 250V			チップ積層セラコン	01
	C22	UR798330 C. EL	330uF 100V			ケミコン	02
	C23	UR839100 C. EL	1000uF 16V			ケミコン	01
	C24	UR858470 C. EL	470uF 35V			ケミコン	01
	C26	UR857330 C. EL	33uF 35V			ケミコン	01
*	C29-30	WN816700 C. EL	1500uF 35V			ケミコン	
	C32	US065100 C. GE. CHP	0.1uF 50V B			チップセラコン	01
	C33	WF547900 C. GE. CHP	10uF 25V			チップセラ	01
	C34	US065100 C. GE. CHP	0.1uF 50V B			チップセラコン	01
	C35-36	WK004400 C. GE. M. CHP	10uF 16V			チップ積層セラコン	01
	C37	US163100 C. GE. CHP	1000pF 50V			チップセラコン	01
	C39	US064100 C. GE. CHP	0.01uF 50V B			チップセラコン	01
	C40	US063560 C. GE. CHP	5600pF 50V B			チップセラコン	01
	C43	US135100 C. GE. CHP	0.1uF 16V			チップセラコン	01
	C44	US064100 C. GE. CHP	0.01uF 50V B			チップセラコン	01
	C45	WH777200 C. EL	220uF 35V			ケミコン	01
	C46-48	US065100 C. GE. CHP	0.1uF 50V B			チップセラコン	01
	C49	WH775200 C. EL	100uF 25V			ケミコン	01
	C51	US062220 C. GE. CHP	220pF 50V B			チップセラコン	01
	C58	WH777200 C. EL	220uF 35V			ケミコン	01
	C62	WK004400 C. GE. M. CHP	10uF 16V			チップ積層セラコン	01

* New Parts * 新規部品

P.C.B. POWER

Ref No.	Part No.	Description	Remarks	Markets	部 品 名	ランク
C63	US063560	C. CE. CHP	5600pF 50V B		チップセラコン	01
C64	US064100	C. CE. CHP	0.01uF 50V B		チップセラコン	01
C65	US135100	C. CE. CHP	0.1uF 16V		チップセラコン	01
C66	US063560	C. CE. CHP	5600pF 50V B		チップセラコン	01
C67	US064100	C. CE. CHP	0.01uF 50V B		チップセラコン	01
C68	US135100	C. CE. CHP	0.1uF 16V		チップセラコン	01
C69	US063560	C. CE. CHP	5600pF 50V B		チップセラコン	01
C70-73	US065100	C. CE. CHP	0.1uF 50V B		チップセラコン	01
C74	US064100	C. CE. CHP	0.01uF 50V B		チップセラコン	01
C75	US163100	C. CE. CHP	1000pF 50V		チップセラコン	01
C76	US065100	C. CE. CHP	0.1uF 50V B		チップセラコン	01
C77	US064100	C. CE. CHP	0.01uF 50V B		チップセラコン	01
C78	US163100	C. CE. CHP	1000pF 50V		チップセラコン	01
C79	US064100	C. CE. CHP	0.01uF 50V B		チップセラコン	01
C80	US063560	C. CE. CHP	5600pF 50V B		チップセラコン	01
C81	US163100	C. CE. CHP	1000pF 50V		チップセラコン	01
C82	US065100	C. CE. CHP	0.1uF 50V B		チップセラコン	01
C83	US064100	C. CE. CHP	0.01uF 50V B		チップセラコン	01
C84	US135100	C. CE. CHP	0.1uF 16V		チップセラコン	01
C85	US064100	C. CE. CHP	0.01uF 50V B		チップセラコン	01
C86	US063560	C. CE. CHP	5600pF 50V B		チップセラコン	01
C87	US135100	C. CE. CHP	0.1uF 16V		チップセラコン	01
C88	US064100	C. CE. CHP	0.01uF 50V B		チップセラコン	01
C89	US063560	C. CE. CHP	5600pF 50V B		チップセラコン	01
C90	US163100	C. CE. CHP	1000pF 50V		チップセラコン	01
C94	US163100	C. CE. CHP	1000pF 50V		チップセラコン	01
C801	US135100	C. CE. CHP	0.1uF 16V		チップセラコン	01
C803-804	US163100	C. CE. CHP	1000pF 50V		チップセラコン	01
C805	UF437100	C. EL. CHP	10uF 16V		チップケミコン	01
C806-807	US135100	C. CE. CHP	0.1uF 16V		チップセラコン	01
C808	US062100	C. CE. CHP	100pF 50V B		チップセラコン	01
C809	US064100	C. CE. CHP	0.01uF 50V B		チップセラコン	01
C810	US135100	C. CE. CHP	0.1uF 16V		チップセラコン	01
C811	WC179000	C. EL. CHP	330uF 6.3V		チップケミコン	
C812	US135100	C. CE. CHP	0.1uF 16V		チップセラコン	01
C813	US061680	C. CE. CHP	68pF 50V B		チップセラコン	01
C814	UF157470	C. EL. CHP	47uF 35V		チップケミコン	01
C815-816	US065100	C. CE. CHP	0.1uF 50V B		チップセラコン	01
C817	WQ487800	C. EL. CHP	22uF 35V		チップケミコン	01
C818	US135100	C. CE. CHP	0.1uF 16V		チップセラコン	01
C819	UF037470	C. EL. CHP	47uF 16V		チップケミコン	01
C820	WQ487800	C. EL. CHP	22uF 35V		チップケミコン	01
C821	US061220	C. CE. CHP	22pF 50V B		チップセラコン	01
C822-823	US064100	C. CE. CHP	0.01uF 50V B		チップセラコン	01
C825	US064100	C. CE. CHP	0.01uF 50V B		チップセラコン	01
C826	US135100	C. CE. CHP	0.1uF 16V		チップセラコン	01
C827-831	US163100	C. CE. CHP	1000pF 50V		チップセラコン	01
C834	US163100	C. CE. CHP	1000pF 50V		チップセラコン	01
△ D1	VN953300	D1ODE. BRG	D5SBA60 5A 600V		ダイオードブリッジ	04
D2-3	VR253700	D1ODE. BRG	S1NB20 1A 200V		ダイオードブリッジ	02
D4	WJ459300	D1ODE	D1FK60-5063	JUV	ダイオード	01
D4	WJ151900	D1ODE	STTH110A	TKAGL	ダイオード	03

* New Parts * 新規部品

P.C.B. POWER

Ref No.	Part No.	Description	Remarks	Markets	部 品 名	ランク
D5	WN672400	DIODE. ZENR	P6KE200A 200V		ツェナーダイオード	03
D6	WN672400	DIODE. ZENR	P6KE200A 200V		ツェナーダイオード	03
D7	VN478200	DIODE	D1NL20U		ダイオード	01
D8	VU998700	DIODE. ZENR	MA8220-M 22V		ツェナーダイオード	01
D9	VV463000	DIODE. CHP	1.1A 200V D1FL20U		チップダイオード	01
D10	VU996800	DIODE. ZENR	MAZ8140GML 14V		ツェナーダイオード	12
D11	VT532500	DIODE	1SR154-400		ダイオード	01
D12	VT332900	DIODE	1SS355		ダイオード	01
D13	VT532500	DIODE	1SR154-400		ダイオード	01
D14	VT332900	DIODE	1SS355		ダイオード	01
D15	VU993800	DIODE. ZENR	MA8068-M 6.8V		ツェナーダイオード	01
D18-19	VV220700	DIODE. SHOT	RB501V-40		ショットキーダイオード	01
D20	WQ151500	DIODE. SHOT	15A 150V SF15NC15M		ショットキダイオード	04
D21	VU997400	DIODE. ZENR	MA8160-L 15.7V		ツェナーダイオード	01
D22	WQ970500	DIODE	RB055LA-40 TP		ダイオード	03
D25	VV463000	DIODE. CHP	1.1A 200V D1FL20U		チップダイオード	01
D26	VT332900	DIODE	1SS355		ダイオード	01
D29	VP974300	DIODE	D3S6M 7002 P7.5		ダイオード	03
D801-802	VU990700	DIODE. ZENR	3.3V MAZ8033GOL		ツェナーダイオード	01
D803-804	VT332900	DIODE	1SS355		ダイオード	01
D805	VU992600	DIODE. ZENR	MAZ8051GML 5.1V		ツェナーダイオード	01
D807	VU992600	DIODE. ZENR	MA8051-M 5.1V		ツェナーダイオード	01
D809-813	VU992900	DIODE. ZENR	MAZ8056GLL 5.4V		ツェナーダイオード	01
△ F1	WG410300	FUSE	4A 125V	JUV	ヒューズ	01
△ F1	KB000750	FUSE. MNI	T2A 250V	TKAGL	ヒューズ ミニ	01
IC1	X9806A00	IC	L6566BTR SW DENGEN		電源 I C	04
IC2-3	WP388200	PHOT. CPL	TLP781 (D4-GR, F)		フォトカプラ	01
IC4	X6770A00	IC	NJM431U (TE1)		電源 I C	01
IC11	X9850A00	IC	BD9870FPS		電源 I C	05
IC13	XJ608A00	IC	NJM7812FA		I C	02
IC801	X6386A00	IC	M66003-0131FP		I C	07
JK801	V3589000	JACK. MNI	HTJ-035-18EBGT		ミニ ジャック	03
△ Q1	WF412500	FET	2SK3683-01MR ST	JUV	F E T	05
△ Q1	WF703300	FET	2SK3679-01MR ST	TKAGL	F E T	04
Q7	VY677600	TR. DGT	DTC123JKA TP		デジタルトランジスタ	01
Q8	VV556500	TR	2SA1037K Q, R, S		トランジスタ	01
Q801	VV556400	TR	2SC2412K Q, R, S		トランジスタ	01
Q802	VP872700	TR	2SC4488 S, T		トランジスタ	01
Q803	VP872600	TR	2SA1708 S, T		トランジスタ	01
Q804	VP872700	TR	2SC4488 S, T		トランジスタ	01
Q805	VV556400	TR	2SC2412K Q, R, S		トランジスタ	01
Q806	VU384300	TR	2SD1733 TL Q P, Q, R		トランジスタ	01
R25	WP582800	R. WW	0.18 Ω 5W K	JUV	セメント抵抗	02
* R25	WN960100	R. WW	0.27 Ω 5W	TKAGL	セメント抵抗	
R34	HV754470	R. CAR. FP	47 Ω 1/4W		不燃化カーボン抵抗	01
R48-49	VP940800	R. MTL. OXD	470 Ω 1W		酸化金属被膜抵抗	01
R81	VP941100	R. MTL. OXD	1K Ω 1W		酸化金属被膜抵抗	01
RY1	V6017400	RELAY	DC SDT-S-112LMR2		リレー 12V	04
SW801-804	V4757100	SW. TACT	EVQ11A		タクトSW	01
SW805	WF714900	SW. RT. ENC	EVEKC2F2024M		ロータリーエンコーダ	02
SW806	V4757100	SW. TACT	EVQ11A		タクトSW	01
* T1	YA239A00	TRANS		J	サブトランス	

* New Parts * 新規部品

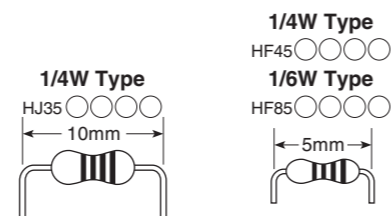
P.C.B. POWER

	Ref No.	Part No.	Description	Remarks	Markets	部 品 名	ランク
*	T1	YA408A00	TRANS		UV	サブトランス	
*	T1	YA240A00	TRANS		TKAGL	サブトランス	
*	T2	YA068A00	TRANS. PWR		JUV	電源トランス	
*	T2	YA069A00	TRANS. PWR		TKAGL	電源トランス	
△	TH1	WF544600	POSISTOR	NTPAD5R1LDNB0 5.1	JUV	サーミスタ	03
△	TH1	WF129000	POSISTOR	NTPAA100LDNB0 10	TKAGL	サーミスタ	03
	U801	V8210200	L. DTCT	GP1UD271XK		リモコン受光ユニット	03
	V801	WH034300	FL. DSPLY	16-BT-133GNK		蛍光表示管	08
*		WP324200	SHEET			シートFL	
		V3747400	SPACER. FL	T4x6x18		スペーサ/FL	01
		WE774400	SCR. BND. HD	3x8 MFZN2B3		バインドBタイトネジ	01

* New Parts * 新規部品

Carbon Resistors

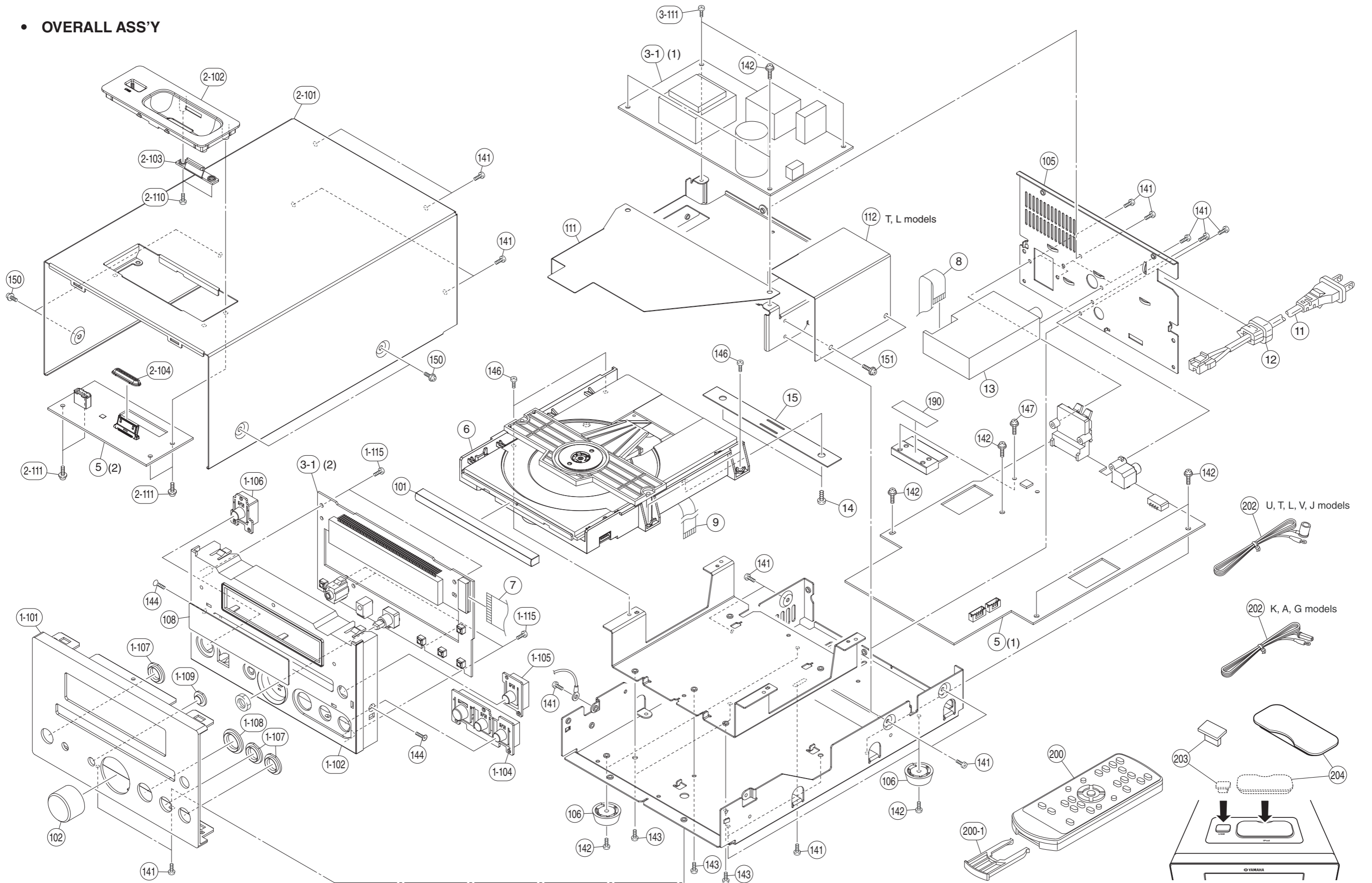
Value	1/4W Type Part No.	1/6W Type Part No.	Value	1/4W Type Part No.	1/6W Type Part No.
1.0 Ω	HJ35 3100	HF85 3100	11 kΩ	HF45 7110	HF45 7110
1.8 Ω	HJ35 3180	*	12 kΩ	HJ35 7120	HF85 7120
2.2 Ω	HJ35 3220	HF85 3220	13 kΩ	HF45 7130	HF45 7130
3.3 Ω	HJ35 3330	HF85 3330	15 kΩ	HF45 7150	HF45 7150
4.7 Ω	HJ35 3470	HF85 3470	18 kΩ	HF45 7180	HF45 7180
5.6 Ω	HJ35 3560	HF85 3560	22 kΩ	HF45 7220	HF45 7220
10 Ω	HF45 4100	HF45 4100	24 kΩ	HF45 7240	HF45 7240
15 Ω	HJ35 4150	HF85 4150	27 kΩ	HJ35 7270	HF85 7270
22 Ω	HF45 4220	HF45 4220	30 kΩ	HF45 7300	HF45 7300
27 Ω	HJ35 4270	HF85 4270	33 kΩ	HF45 7330	HF45 7330
33 Ω	HF45 4330	HF45 4330	36 kΩ	HF45 7360	HF45 7360
39 Ω	HJ35 4470	HF85 4390	39 kΩ	HF45 7390	HF45 7390
47 Ω	HF45 4470	HF45 4470	47 kΩ	HF45 7470	HF45 7470
56 Ω	HF45 4560	HF45 4560	51 kΩ	HF45 7510	HF45 7510
68 Ω	HF45 4680	HF45 4680	56 kΩ	HF45 7560	HF45 7560
75 Ω	HF45 4750	HF45 4750	62 kΩ	HF45 7620	HF45 7620
82 Ω	HF45 4820	HF45 4820	68 kΩ	HF45 7680	HF45 7680
91 Ω	HF45 4910	HF45 4910	82 kΩ	HF45 7820	HF45 7820
100 Ω	HF45 5100	HF45 5100	91 kΩ	HF45 7910	HF45 7910
110 Ω	HJ35 5110	HF85 5110	100 kΩ	HF45 8100	HF45 8100
120 Ω	HF45 5120	HF45 5120	110 kΩ	HF45 8110	HF45 8110
150 Ω	HF45 5150	HF45 5150	120 kΩ	HF45 8120	HF45 8120
160 Ω	HJ35 5160	*	150 kΩ	HF45 8150	HF45 8150
180 Ω	HF45 5180	HF45 5180	180 kΩ	HF45 8180	HF45 8180
200 Ω	HF45 5200	HF45 5200	220 kΩ	HJ35 8220	HF85 8220
220 Ω	HF45 5220	HF45 5220	270 kΩ	HF45 8270	HF45 8270
270 Ω	HF45 5270	HF45 5270	300 kΩ	HF45 8300	HF45 8300
330 Ω	HF45 5330	HF45 5330	330 kΩ	HF45 8330	HF45 8330
390 Ω	HF45 5390	HF45 5390	390 kΩ	HJ35 8390	HF85 8390
430 Ω	HF45 5430	HF45 5430	470 kΩ	HF45 8470	HF45 8470
470 Ω	HF45 5470	HF45 5470	560 kΩ	HJ35 8560	HF85 8560
510 Ω	HF45 5510	HF45 5510	680 kΩ	HJ35 8680	HF85 8680
560 Ω	HF45 5560	HF45 5560	820 kΩ	HJ35 8820	HF85 8820
680 Ω	HF45 5680	HF45 5680	1.0 MΩ	HF45 9100	HF45 9100
820 Ω	HF45 5820	HF45 5820	1.2 MΩ	HJ35 9120	*
910 Ω	HF45 5910	HF45 5910	1.5 MΩ	HJ35 9150	HF85 9150
1.0 k	HF45 6100	HF45 6100	1.8 MΩ	HJ35 9180	HF85 9180
1.2 kΩ	HF45 6120	HF45 6120	2.2 MΩ	HJ35 9220	HF85 9220
1.5 kΩ	HF45 6150	HF45 6150	3.3 MΩ	HJ35 9330	HF85 9330
1.8 kΩ	HF45 6180	HF45 6180	3.9 MΩ	HJ35 9390	*
2.0 kΩ	HJ35 6200	HF85 6200	4.7 MΩ	HJ35 9470	HF85 9470
2.2 kΩ	HF45 6220	HF45 6220			
2.4 kΩ	HJ35 6240	HF85 6240			
2.7 kΩ	HF45 6270	HF45 6270			
3.0 kΩ	HF45 6300	HF45 6300			
3.3 kΩ	HF45 6330	HF45 6330			
3.6 kΩ	HJ35 6360	HF85 6360			
3.9 kΩ	HF45 6390	HF45 6390			
4.7 kΩ	HF45 6470	HF45 6470			
5.1 kΩ	HF45 6510	HF45 6510			
5.6 kΩ	HF45 6560	HF45 6560			
6.8 kΩ	HF45 6680	HF45 6680			
8.2 kΩ	HF45 6820	HF45 6820			
9.1 kΩ	HF45 6910	HF45 6910			
10 kΩ	HF45 7100	HF45 7100			



* : Not available

CRX-330

• OVERALL ASS'Y



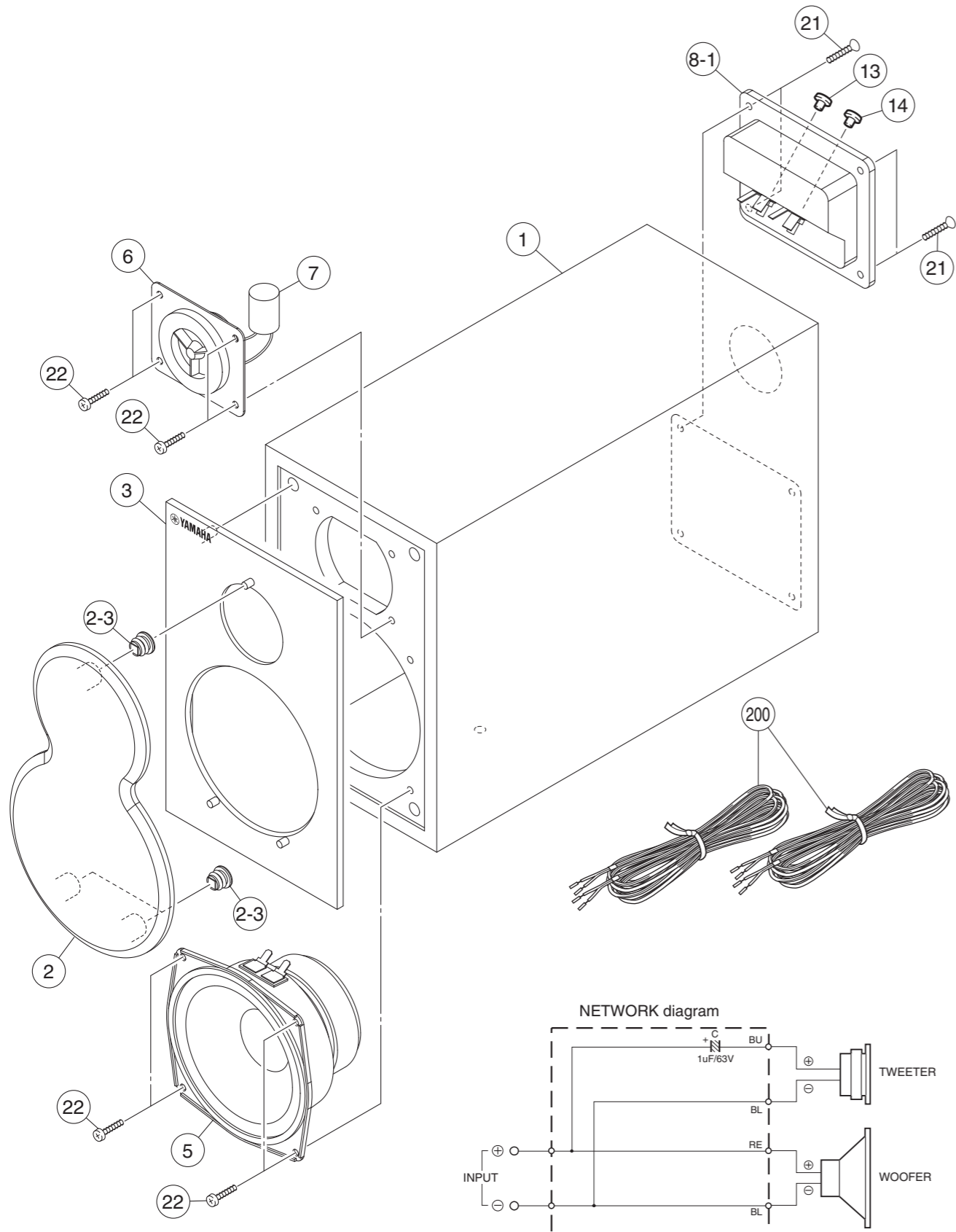
Ref No.	Part No.	Description	Remarks	Markets	部 品 名	ランク
*	1-101	WP229900	FRONT PANEL	BL	フロントパネル	
*	1-101	WP229800	FRONT PANEL	SI	フロントパネル	
*	1-102	WP231100	SUB PANEL	BL	サブパネル	
*	1-102	WP231000	SUB PANEL	SI	サブパネル	
*	1-104	WP299200	BUTTON	BL	ボタン	
*	1-104	WP299100	BUTTON	SI	ボタン	
*	1-105	WP299400	BUTTON	BL	ボタン	
*	1-105	WP299300	BUTTON	SI	ボタン	
*	1-106	WP299000	BUTTON	BL	ボタン	
*	1-106	WP298900	BUTTON	SI	ボタン	
*	1-107	WP230500	ESCUTCHEON	BL	エスカッション	
*	1-107	WP230400	ESCUTCHEON	SI	エスカッション	
*	1-108	WP230800	ESCUTCHEON	BL	エスカッション	
*	1-108	WP230700	ESCUTCHEON	SI	エスカッション	
*	1-109	WP230200	LENS RC	BL	レンズRC	
*	1-109	WP230100	LENS RC	SI	レンズRC	
	1-115	WE774800	BIND HEAD P-TIGHT SCREW		バインドPタイトネジ	01
*	2-101	WP231500	TOP COVER	BL	トップカバー	
*	2-101	WP231400	TOP COVER	SI	トップカバー	
*	2-102	WP232400	BASE DOCK	BL	ベース DOCK	
*	2-102	WP232300	BASE DOCK	SI	ベース DOCK	
*	2-103	WR246500	SPRING HOOK	BL	スプリング フック	
*	2-103	WP232500	SPRING HOOK	SI	スプリング フック	
*	2-104	WR246600	SUPPORT CONNECTOR	BL	サポート コネクター	
*	2-104	WP232600	SUPPORT CONNECTOR	SI	サポート コネクター	
	2-110	WF267600	BIND HEAD P-TIGHT SCREW		バインドPタイトネジ	01
	2-111	WE774800	BIND HEAD P-TIGHT SCREW		バインドPタイトネジ	01
*	3-1	WQ542500	P. C. B. ASS' Y		PCB POWER	
*	3-1	WQ542600	P. C. B. ASS' Y		PCB POWER	
*	3-1	WQ542700	P. C. B. ASS' Y		PCB POWER	
*	3-1	WQ542800	P. C. B. ASS' Y		PCB POWER	
	3-111	WG959600	PW HEAD TAPPING B-T. SCREW		PWヘッドBタイトネジ	01
*	5	WQ541900	P. C. B. ASS' Y		PCB MAIN	
*	5	WQ542000	P. C. B. ASS' Y		PCB MAIN	
*	5	WQ542200	P. C. B. ASS' Y		PCB MAIN	
*	5	WQ542100	P. C. B. ASS' Y		PCB MAIN	
*	5	WQ542300	P. C. B. ASS' Y		PCB MAIN	
	6	WQ467000	LOADER MECHAMISM UNIT		ローダーメカユニット	
	7	WQ760200	FLEXIBLE FLAT CABLE		カード電線	
	8	MF113140	FLEXIBLE FLAT CABLE		カード電線	04
	9	WQ759800	FLEXIBLE FLAT CABLE		カード電線	
△	11	WM857700	POWER CABLE		電源コード	
△	11	WB120500	POWER CABLE		電源コード	
△	11	WB120600	POWER CABLE		電源コード	
△	11	WC753000	POWER CABLE		電源コード	
△	11	WC743700	POWER CABLE		電源コード	
△	11	WB212300	POWER CABLE		電源コード	
△	11	WC992700	POWER CABLE		電源コード	
	12	V2438700	CORD STOPPER		コードストッパー	02
	13	WJ558900	FM TUNER		FMチューナー	
	13	WJ559000	FM TUNER		FMチューナー	
	13	WJ559100	FM TUNER		FMチューナー	
*	14	WR513400	SCREW LOADER		ローダー スクリュー	

* New Parts * 新規部品

Ref No.	Part No.	Description	Remarks	Markets	部 品 名	ランク
*	15	YA705A00	LOADER BOARD		ローダーボード	
*	101	WQ269800	LID	BL	リッド	
*	101	WQ269700	LID	SI	リッド	
	102	WP229100	KNOB	BL	ノブ	
	102	WP229000	KNOB	SI	ノブ	
*	105	WP300300	REAR PANEL		リアパネル	
*	105	WP299800	REAR PANEL		リアパネル	
*	105	WP300200	REAR PANEL		リアパネル	
*	105	WP300100	REAR PANEL		リアパネル	
*	105	WP419800	REAR PANEL		リアパネル	
*	105	WP299700	REAR PANEL		リアパネル	
*	105	WP300000	REAR PANEL		リアパネル	
*	105	WP299900	REAR PANEL		リアパネル	
	106	V3688500	LEG		レッグ	01
*	108	WP231200	SHEET WINDOW		シートウインドウ	
	111	WQ284200	SHEET PSU		シート PSU	
*	112	WR108600	SHEET BARRIER		シート バリア	
	141	WE774100	BIND HEAD BONDING B-T. SCREW		ボンディングBタイトネジ	01
	142	WG959600	PW HEAD TAPPING B-T. SCREW		PWヘッドBタイトネジ	01
	143	WF028600	BIND HEAD B-TIGHT SCREW		バインドBタイトネジ	01
	144	WF266800	FLAT HEAD B-TIGHT SCREW		皿Bタイトネジ	
	146	WE774200	BIND HEAD B-TIGHT SCREW		バインドBタイトネジ	01
	147	WQ607000	BIND HEAD B-TIGHT SCREW		バインドBタイトネジ	
	150	WE975300	PW HEAD B-TIGHT SCREW		PWヘッドBタイトネジ	01
	150	VY712800	PW HEAD B-TIGHT SCREW		PWヘッドBタイトネジ	01
	151	WG959600	PW HEAD TAPPING B-T. SCREW		PWヘッドBタイトネジ	01
	190	WQ726200	RADIATION SHEET		放熱シート	
			ACCESSORIES		付属品	
*	200	WQ531400	REMOTE CONTROL	RRS4004-1518EM	リモコン	
*	200	WQ454600	REMOTE CONTROL	RRS4004-1515EM	リモコン	
	200-1	AAX89770	BATTERY HOLDER	103RRS-162-01E	電池蓋	
	202	V6267000	INDOOR FM ANTENNA		FM簡易アンテナ	03
	202	VQ147100	INDOOR FM ANTENNA		FM簡易アンテナ	02
*	203	WQ866500	USB CAP	BL	USBキャップ	
*	203	WQ866400	USB CAP	SI	USBキャップ	
*	204	WQ850900	DOCK COVER	BL	DOCKカバー	
*	204	WQ850800	DOCK COVER	SI	DOCKカバー	
			LITHIUM BATTERY		リチウム電池	
			SERVICE TOOL		サービス用部品	
*		WR492800	RS232C CONVERSION ADAPTOR		RS 2 3 2 C変換アダプタ	

* New Parts * 新規部品

• OVERALL ASS'Y



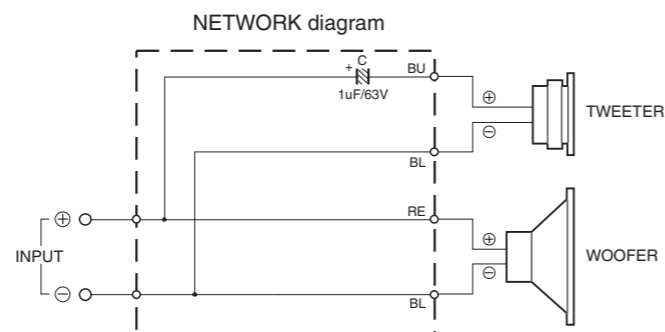
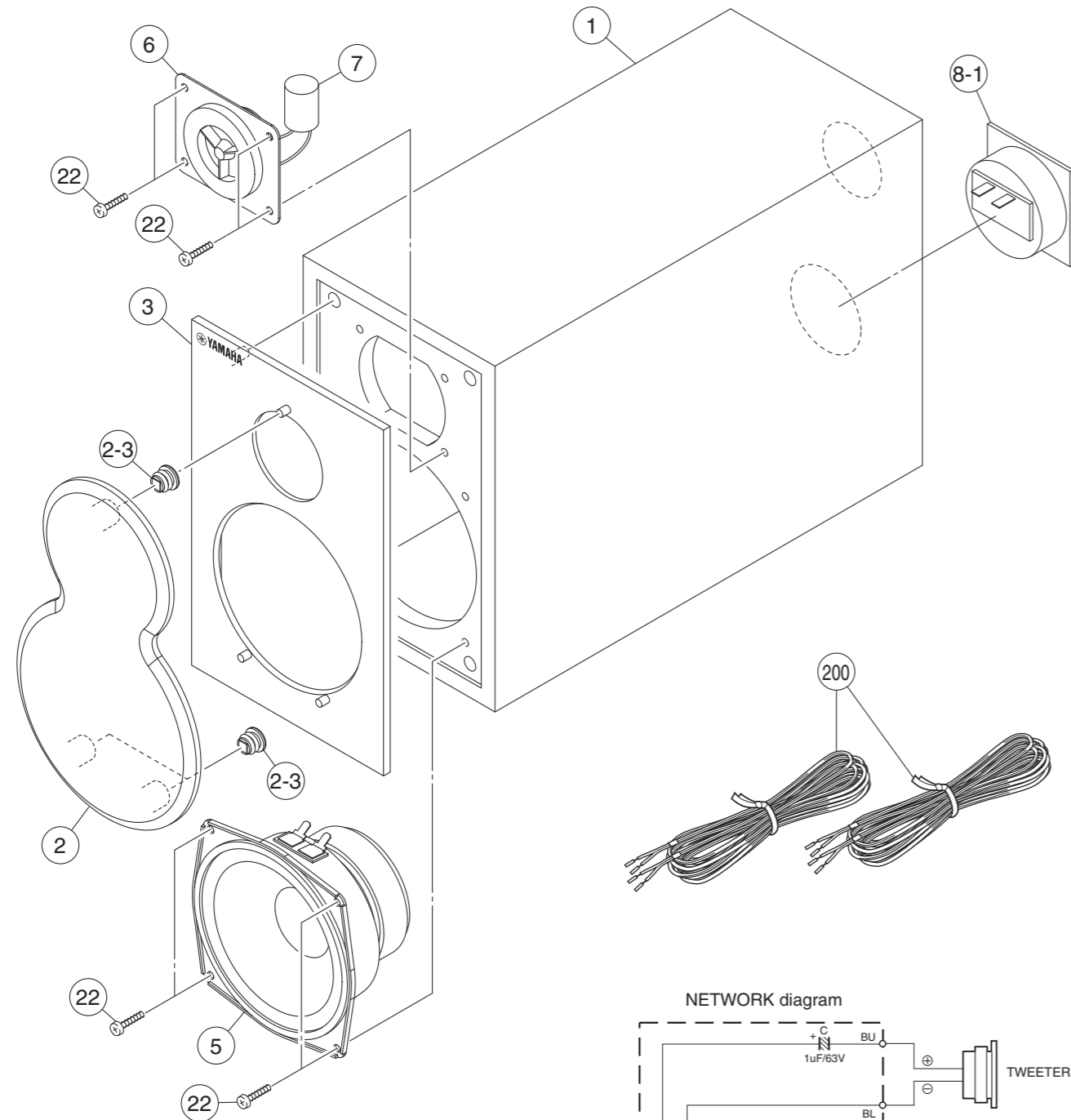
Ref No.	Part No.	Description	Remarks	Markets	部品名	ランク
* 1	WQ099200	CABINET ASS'Y		WH	キャビネットASSY	
* 1	WQ099100	CABINET ASS'Y		BP	キャビネットASSY	
* 2	WQ99300	FRONT GRILLE ASS'Y	Black color		フロントグリルASSY	
* 2-3	WP938000	HOLDER			ホルダー	
* 3	WQ101900	FRONT PANEL		WH	フロントパネル	
* 3	WP937700	FRONT PANEL		BP	フロントパネル	
* 5	YA111A00	DRIVER WOOFER	10cm 4 Ω	JA10B1	スピーカーユニット	
* 6	YA112A00	DRIVER TWEETER	2.5cm 6 Ω	JA0510	スピーカーユニット	
7	V8663800	ELECTROLYTIC CAPACITOR	1uF 63V		BPケミコン	03
8-1	WA049700	SPEAKER TERMINAL	2P SCREW/BANANA type		スピーカーターミナル	05
13	V5361400	TERMINAL CAP	S06E RED		ターミナルキャップ	01
14	V5361500	TERMINAL CAP	S06E BLACK		ターミナルキャップ	01
21	WE963200	FLAT HEAD WOOD SCREW	3.5x20 MFZN2B3		皿木ネジ	01
22	WE971500	BIND HEAD TAPPING SCREW	3.5x20 MFZN2W3		バインドTPネジ	01
* 200	WQ102500	ACCESSORY SPEAKER CABLE	2m 1pc	AWG20 RED/BLACK	付属品 スピーカーケーブル	

* New Parts * 新規部品

NS-BP100

• OVERALL ASS'Y

1
2
3
4
5
6
7

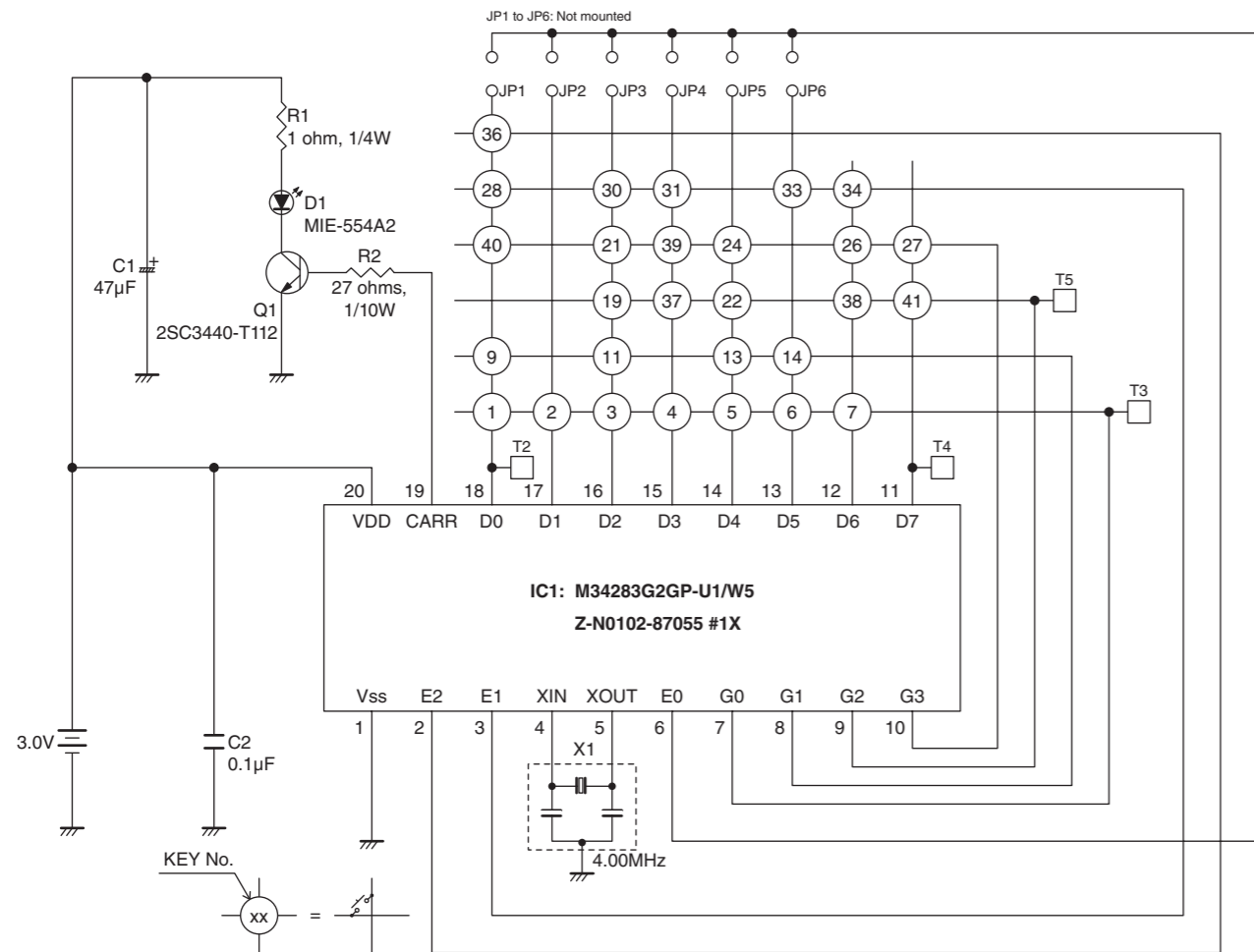


Ref No.	Part No.	Description	Remarks	Markets	部品名	ランク
* 1	WQ169000	CABINET ASS'Y		BR	キャビネットASSY	
* 1	WQ168900	CABINET ASS'Y		BL	キャビネットASSY	
* 2	WQ099300	FRONT GRILLE ASS'Y	Black color		フロントグリルASSY	
* 2-3	WP938000	HOLDER			ホルダー	
* 3	WP937700	FRONT PANEL	Black color		フロントパネル	
* 5	YA111A00	DRIVER WOOFER	10cm 4 Ω	JA10B1	スピーカーユニット	
* 6	YA112A00	DRIVER TWEETER	2.5cm 6 Ω	JA0510	スピーカーユニット	
7	V8663800	ELECTROLYTIC CAPACITOR	1uF 63V		BPケミコン	03
8-1	WD362900	SPEAKER TERMINAL	2P PUSH type		スピーカーターミナル	
22	WE971500	BIND HEAD TAPPING SCREW	3.5x20 MFZN2W3		バインドTTPネジ	01
* 200	WQ102500	ACCESSORY SPEAKER CABLE	2m 1pc	AWG20 RED/BLACK	付属品 スピーカーケーブル	

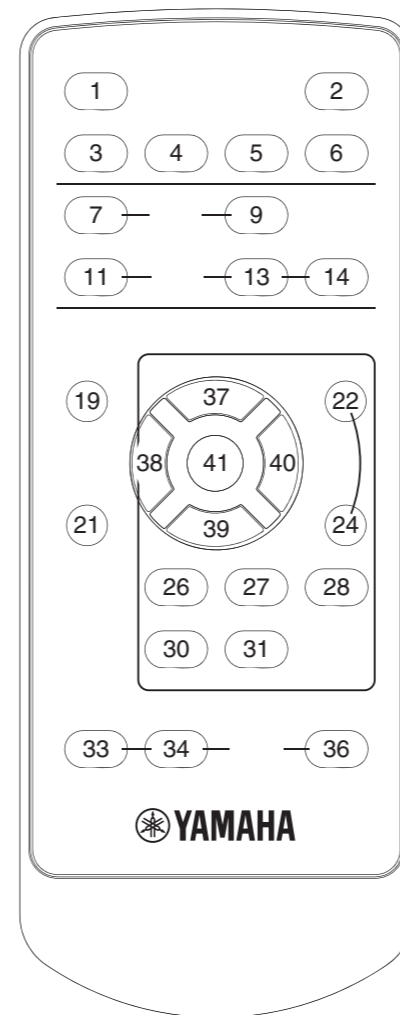
* New Parts * 新規部品

REMOTE CONTROL

SCHEMATIC DIAGRAM



KEY LAYOUT

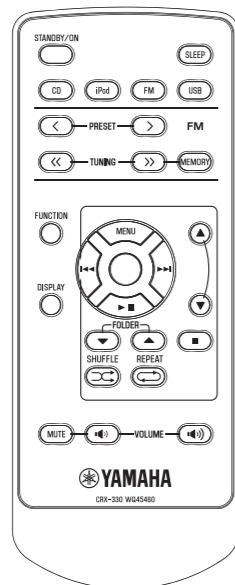


KEY CODE

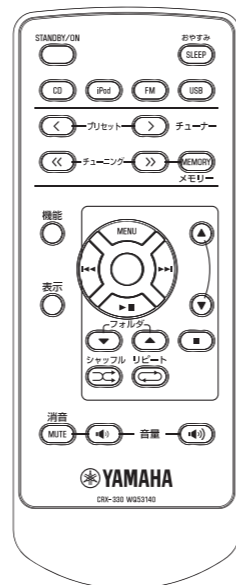
Key No.	Key Name		Custom code	Data code
	U, T, K, A, G, L, V models	J model		
1	STANDBY/ON	STANDBY/ON	78	0F
2	SLEEP	おやすみ / SLEEP	78	4F
3	CD	CD	78	4A
4	iPod	iPod	78	D0
5	FM	FM	78	4B
6	USB	USB	78	BC
7	PRESET <	プリセット <	78	1C
9	PRESET >	プリセット >	78	1B
11	TUNING <<	チューニング <<	78	A9
13	TUNING >>	チューニング >>	78	AA
14	MEMORY	メモリー / MEMORY	78	B2
19	FUNCTION	機能	78	9D
21	DISPLAY	表示	78	0A
22	▲	▲	78	8E
24	▼	▼	78	8F
26	FOLDER ▲	フォルダ ▲	78	28
27	FOLDER ▼	フォルダ ▼	78	27
28	■ (stop)	■ (ストップ)	78	01
30	SHUFFLE	シャッフル	78	07
31	REPEAT	リピート	78	0C
33	MUTE	消音 / MUTE	78	9C
34	VOLUME ◀ (down)	音量 ◀ (小)	78	1F
36	VOLUME ▶ (up)	音量 ▶ (大)	78	1E
37	MENU	MENU	78	9F
38	⏮ (skip-/reverse)	⏮ (スキップ- / 早戻し)	78	04
39	▶▶ (play/pause)	▶▶ (再生 / 一時停止)	78	02
40	⏭ (skip+/forward)	⏭ (スキップ+ / 早送り)	78	03
41	(CENTER)	(センター)	78	C1

PANELS

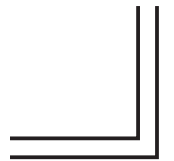
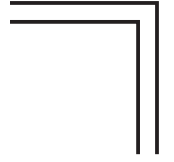
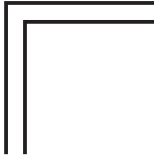
U, T, K, A, G, L, V models



J model



MEMO



CRX-330/ NS-BP110/NS-BP100

