

MICRO COMPONENT SYSTEM MCR-N470/MCR-N470D

NETWORK CD RECEIVER CRX-N470/CRX-N470D

SPEAKER NS-BP150

SERVICE MANUAL

The MCR-N470 consists of the CRX-N470 and NS-BP150.
 The MCR-N470D consists of the CRX-N470D and NS-BP150.
 MCR-N470 は、CRX-N470 と NS-BP150 で構成されています。

IMPORTANT NOTICE

This manual has been provided for the use of authorized Yamaha Retailers and their service personnel. It has been assumed that basic service procedures inherent to the industry, and more specifically Yamaha Products, are already known and understood by the users, and have therefore not been restated.

WARNING: Failure to follow appropriate service and safety procedures when servicing this product may result in personal injury, destruction of expensive components, and failure of the product to perform as specified. For these reasons, we advise all Yamaha product owners that any service required should be performed by an authorized Yamaha Retailer or the appointed service representative.

IMPORTANT: The presentation or sale of this manual to any individual or firm does not constitute authorization, certification or recognition of any applicable technical capabilities, or establish a principle-agent relationship of any form.

The data provided is believed to be accurate and applicable to the unit(s) indicated on the cover. The research, engineering, and service departments of Yamaha are continually striving to improve Yamaha products. Modifications are, therefore, inevitable and specifications are subject to change without notice or obligation to retrofit. Should any discrepancy appear to exist, please contact the distributor's Service Division.

WARNING: Static discharges can destroy expensive components. Discharge any static electricity your body may have accumulated by grounding yourself to the ground buss in the unit (heavy gauge black wires connect to this buss).

IMPORTANT: Turn the unit OFF during disassembly and part replacement. Recheck all work before you apply power to the unit.

■ CONTENTS

TO SERVICE PERSONNEL.....	2	DISPLAY DATA	41
PREVENTION OF ELECTROSTATIC DISCHARGE	5	IC DATA	45
SYSTEM COMPOSITION / システム構成	6	BLOCK DIAGRAMS.....	49
FRONT PANELS	7	WIRING DIAGRAMS.....	51
REAR PANELS	8	PRINTED CIRCUIT BOARDS.....	52
REMOTE CONTROL PANEL.....	11	PIN CONNECTION DIAGRAMS	56
SPECIFICATIONS / 参考仕様	11	SCHEMATIC DIAGRAMS	57
INTERNAL VIEW	16	REPLACEMENT PARTS LIST	63
SERVICE PRECAUTIONS /		REMOTE CONTROL.....	87
サービス時の注意事項	16	Updating the firmware.....	88
DISASSEMBLY PROCEDURES / 分解手順	17	ファームウェアを更新する	88
SELF-DIAGNOSTIC FUNCTION /			
ダイアグ (自己診断機能)	24		

■ TO SERVICE PERSONNEL

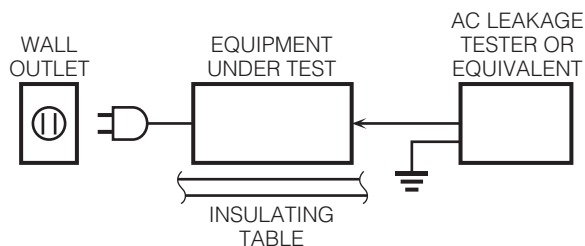
1. Critical Components Information

Components having special characteristics are marked Δ and must be replaced with parts having specifications equal to those originally installed.

2. Leakage Current Measurement (For 120V Models Only)

When service has been completed, it is imperative to verify that all exposed conductive surfaces are properly insulated from supply circuits.

- Meter impedance should be equivalent to 1500 ohms shunted by 0.15 μ F.



- Leakage current must not exceed 0.5mA.
- Be sure to test for leakage with the AC plug in both polarities.

CALIFORNIA PROPOSITION 65 WARNING

This product contains chemicals known to the State of California to cause cancer, or birth defects or other reproductive harm.

DO NOT PLACE SOLDER, ELECTRICAL/ELECTRONIC OR PLASTIC COMPONENTS IN YOUR MOUTH FOR ANY REASON WHATSOEVER!

Avoid prolonged, unprotected contact between solder and your skin! When soldering, do not inhale solder fumes or expose eyes to solder/flux vapor!

If you come in contact with solder or components located inside the enclosure of this product, wash your hands before handling food.

About lead free solder / 無鉛ハンダについて

All of the P.C.B.s installed in this unit and solder joints are soldered using the lead free solder.

Among some types of lead free solder currently available, it is recommended to use one of the following types for the repair work.

- Sn + Ag + Cu (tin + silver + copper)
- Sn + Cu (tin + copper)
- Sn + Zn + Bi (tin + zinc + bismuth)

Caution:

As the melting point temperature of the lead free solder is about 30° C to 40° C (50° F to 70° F) higher than that of the lead solder, be sure to use a soldering iron suitable to each solder.

本機に搭載されているすべての基板およびハンダ付けによる接合部は無鉛ハンダでハンダ付けされています。

無鉛ハンダにはいくつかの種類がありますが、修理時には下記のような無鉛ハンダの使用を推奨します。

- Sn+Ag+Cu (錫 + 銀 + 銅)
- Sn+Cu (錫 + 銅)
- Sn+Zn+Bi (錫 + 亜鉛 + ビスマス)

注意：

無鉛ハンダの融点温度は通常の鉛入りハンダに比べ 30 ~ 40°C程度高くなっていますので、それぞれのハンダに合ったハンダごてをご使用ください。

WARNING: Laser Safety

This product contains a laser beam component. This component may emit invisible, as well as visible radiation, which may cause eye damage. To protect your eyes and skin from laser radiation, the following precautions must be used during servicing of the unit.

- 1) When testing and/or repairing any component within the product, keep your eyes and skin more than 30 cm/1 feet away from the laser pick-up unit at all times. Do not stare at the laser beam at any time.
- 2) Do not attempt to readjust, disassemble or repair the laser pick-up, unless noted elsewhere in this manual.
- 3) CAUTION: Use of controls, adjustments or performance of procedures other than those specified herein may result in hazardous radiation exposure.

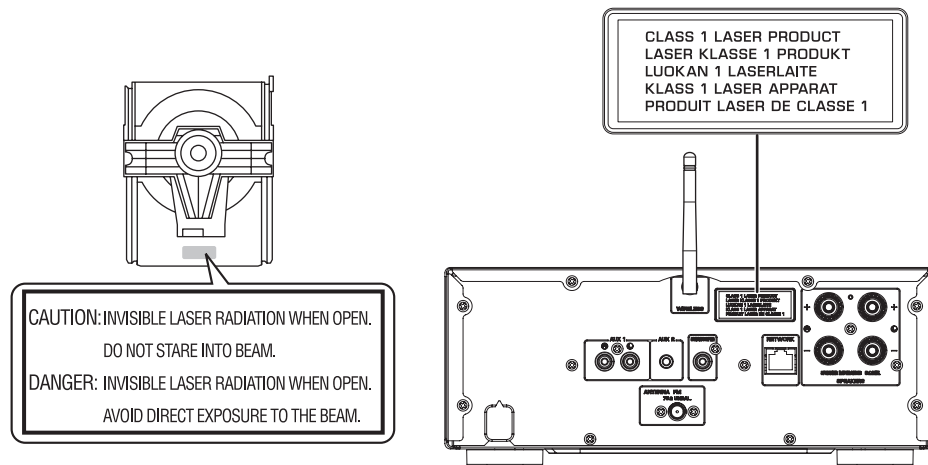
Laser Emitting conditions:

- 1) When the Top Cover is removed, and the STANDBY/ON SW is turned to the "ON" position, the laser component will emit a beam for several seconds to detect if a disc is present. During this time (5-10 sec.) the laser may radiate through the lens of the laser pick-up unit. Do not attempt any servicing during this period!
If no disc is detected, the laser will stop emitting the beam. When a disc is loaded, you will not be exposed to any laser emissions.
- 2) The laser power level can be adjusted with the VR on the pick-up PWB, however, this level has been set by the factory prior to shipping from the factory. Do not adjust this laser level control unless instruction is provided elsewhere in this manual. Adjustment of this control can increase the laser emission level from the device.

Laser Diode Properties

Type: Semiconductor laser GaAs/GaAlAs
Wave length: 790 nm

Output power: 7 mW



Warning for power supply

The primary side of the power supply carries live mains voltage when the player is connected to the mains even when the player is switched off !

This primary area is not shielded so it is possible to accidentally touch copper tracks and/or components when servicing the player.

Service personnel have to take precautions to prevent touching this area or components in this area.

Note:

The screws on the loader mechanism may never be touched, removed or re-adjusted.

Handle the loader mechanism with care when the unit has to be exchanged!

The loader mechanism is very sensitive for dropping or giving shocks.

■ PREVENTION OF ELECTROSTATIC DISCHARGE

Some semiconductor (solid state) devices can be damaged easily by static electricity. Such components commonly are called Electrostatically Sensitive (ES) Devices. Examples of typical ES devices are integrated circuits and some field-effect transistors and semiconductor "chip" components. The following techniques should be used to help reduce the incidence of component damage caused by electrostatic discharge (ESD).

1. Immediately before handling any semiconductor component or semiconductor-equipped assembly, drain off any ESD on your body by touching a known earth ground. Alternatively, obtain and wear a commercially available discharging ESD wrist strap, which should be removed for potential shock reasons prior to applying power to the unit under test.
2. After removing an electrical assembly equipped with ES devices, place the assembly on a conductive surface such as aluminum foil, to prevent electrostatic charge buildup or exposure of the assembly.
3. Use only a grounded-tip soldering iron to solder or unsolder ES devices.
4. Use only an anti-static solder removal device. Some solder removal devices not classified as "anti-static (ESD protected)" can generate electrical charge sufficient to damage ES devices.
5. Do not use freon-propelled chemicals. These can generate electrical charges sufficient to damage ES devices.
6. Do not remove a replacement ES device from its protective package until immediately before you are ready to install it. (Most replacement ES devices are packaged with leads electrically shorted together by conductive foam, aluminum foil or comparable conductive material).
7. Immediately before removing the protective material from the leads of a replacement ES device, touch the protective material to the chassis or circuit assembly into which the device will be installed.

CAUTION: Be sure no power is applied to the chassis or circuit, and observe all other safety precautions.

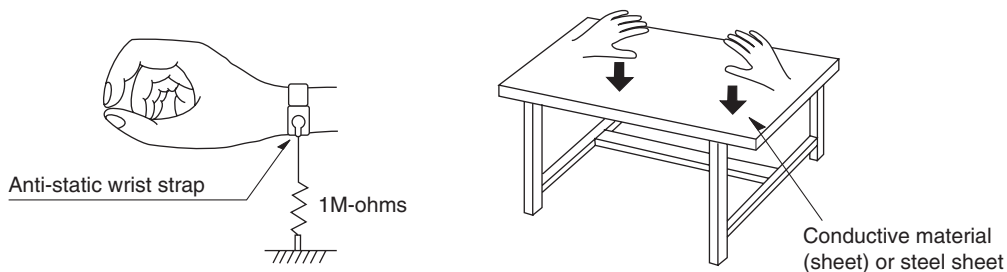
8. Minimize bodily motions when handling unpackaged replacement ES devices. (Otherwise harmless motion such as brushing together of your fabric clothes or lifting of your foot from a carpeted floor can generate static electricity (ESD) sufficient to damage an ES device).

Grounding for electrostatic breakdown prevention

1. Human body grounding.
Use the antistatic wrist strap to discharge the static electricity from your body.
2. Work table grounding.
Put a conductive material (sheet) or steel sheet on the area where the optical pickup is placed and ground the sheet.

Caution:

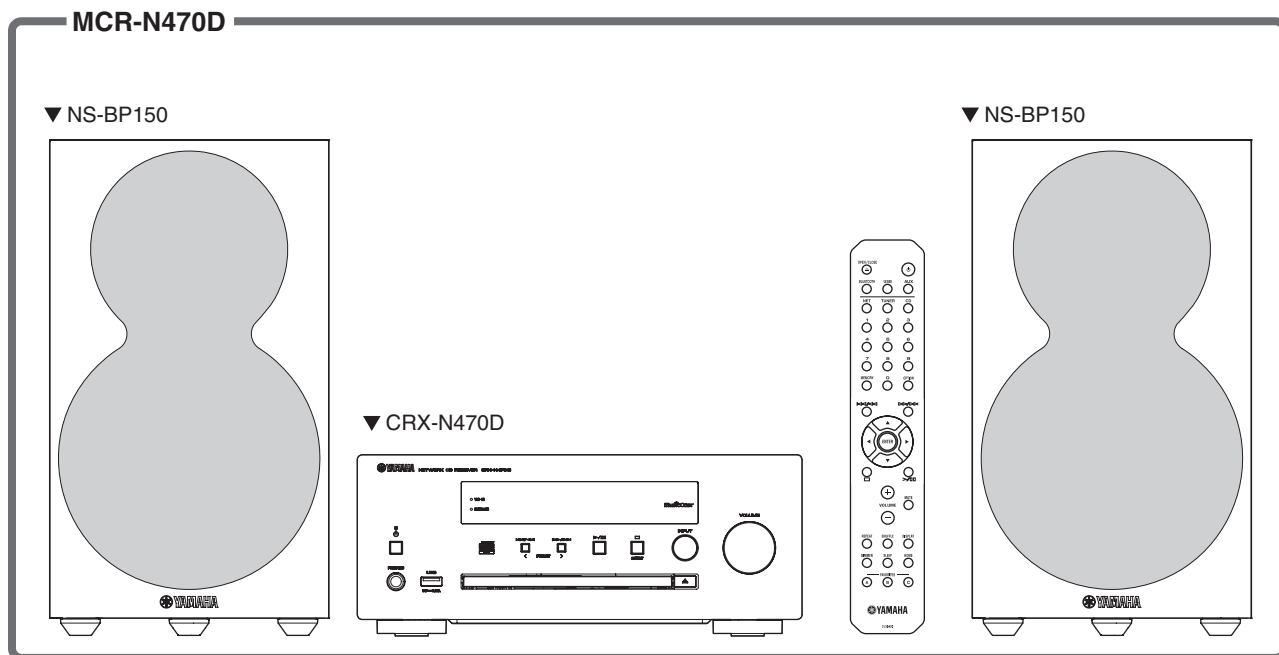
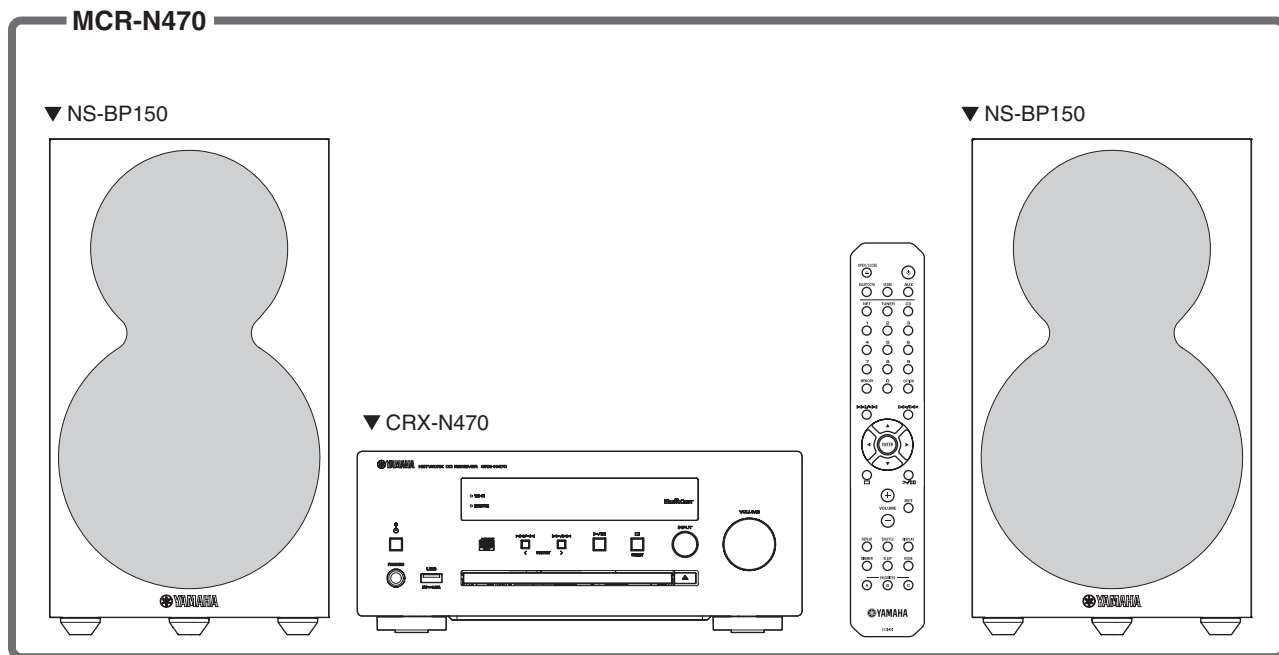
The static electricity of your clothes will not be grounded through the wrist strap. So take care not to let your clothes touch the optical pickup.



■ SYSTEM COMPOSITION / システム構成

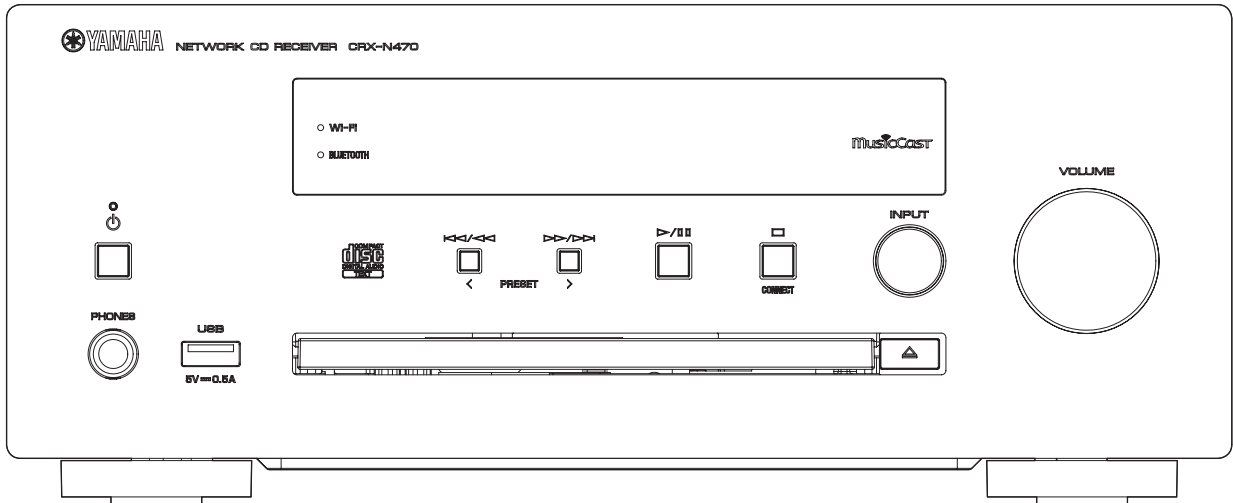
The MCR-N470 consists of the CRX-N470 and NS-BP150.
The MCR-N470D consists of the CRX-N470D and NS-BP150.

MCR-N470 は、CRX-N470 と NS-BP150 で構成されています。

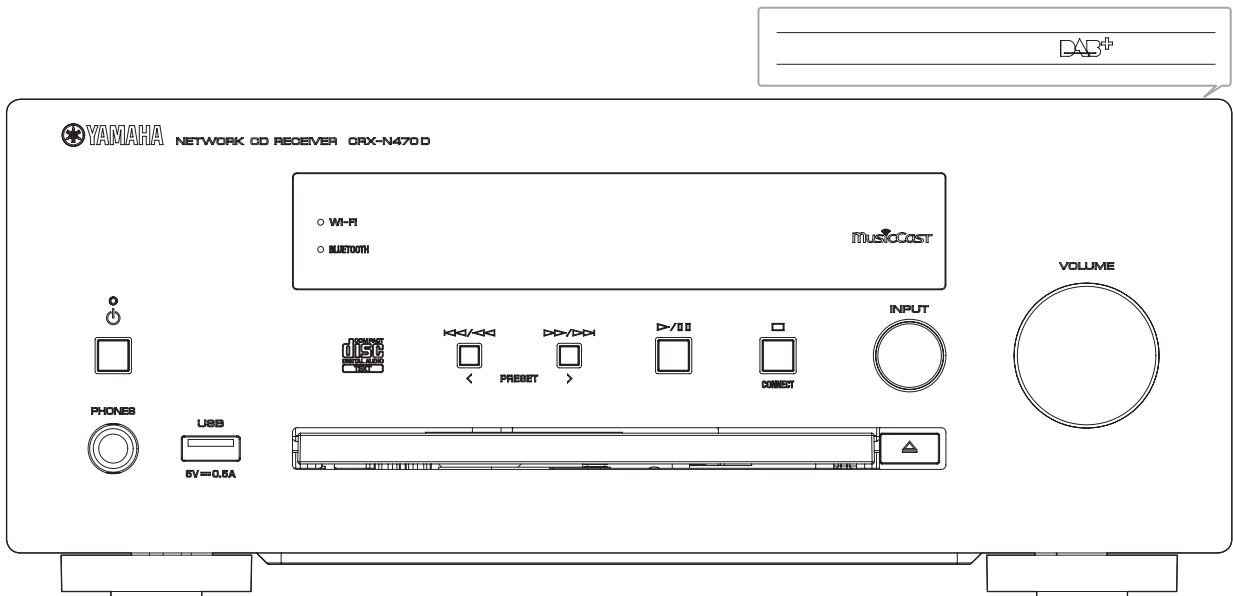


FRONT PANELS

CRX-N470

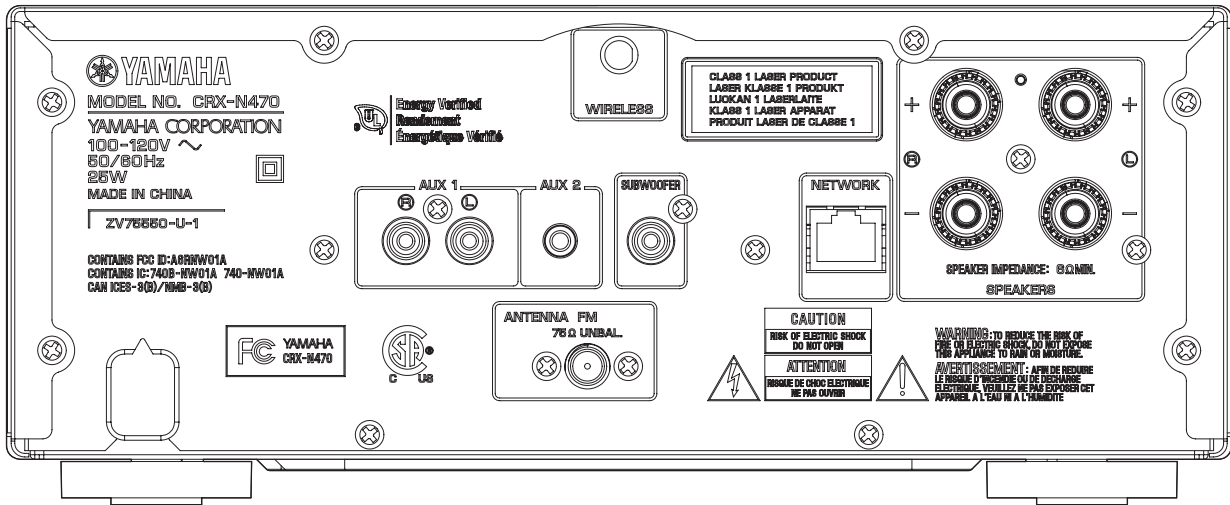


CRX-N470D

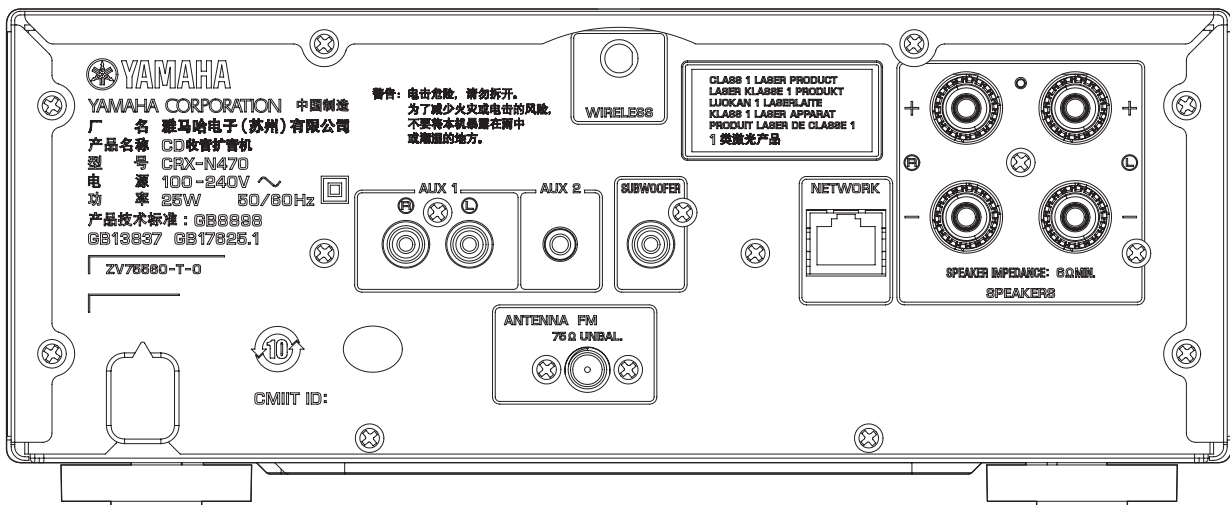


REAR PANELS

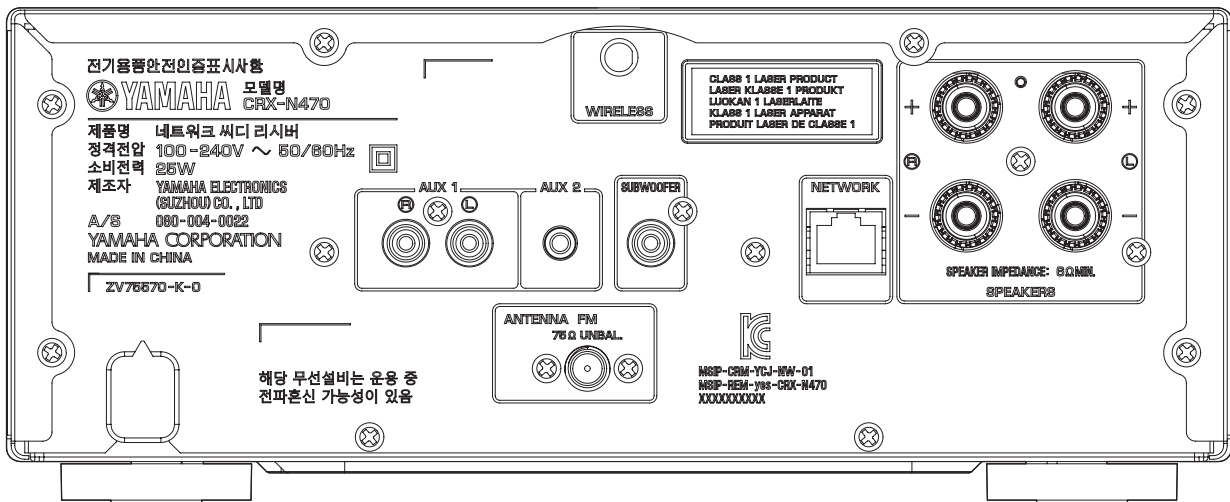
CRX-N470 (U model)



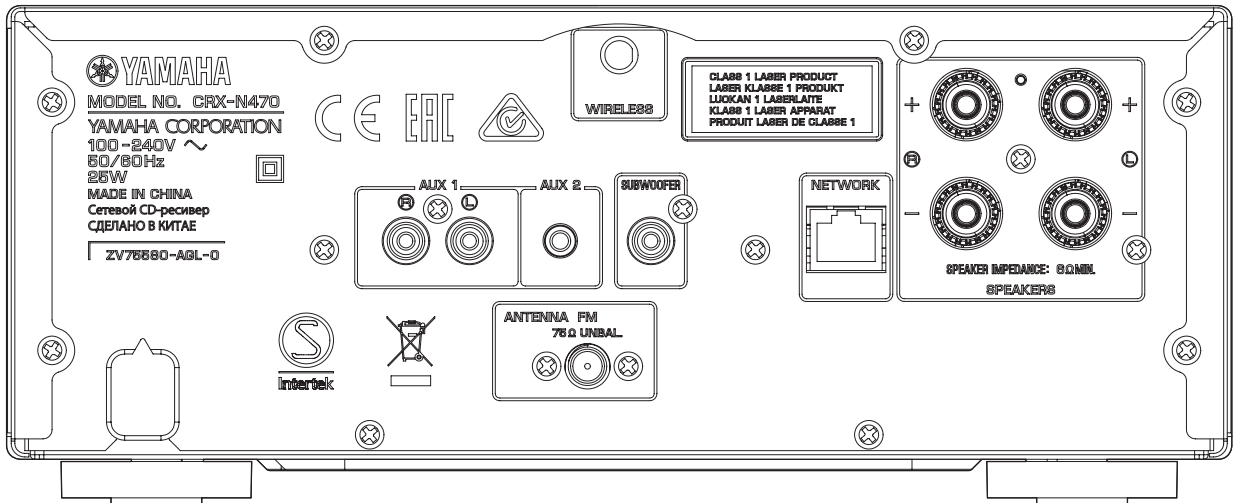
CRX-N470 (T model)



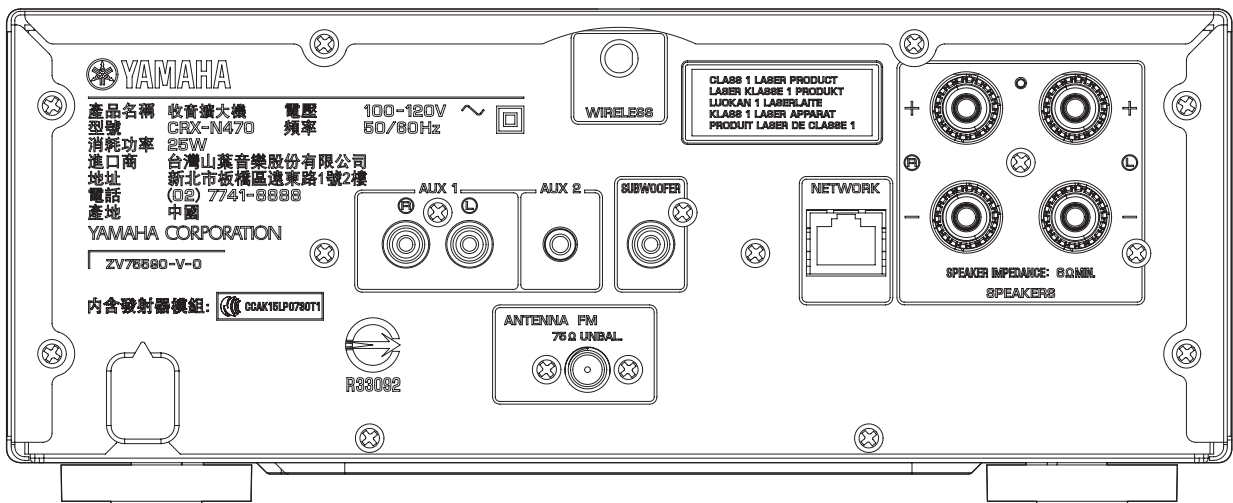
CRX-N470 (K model)



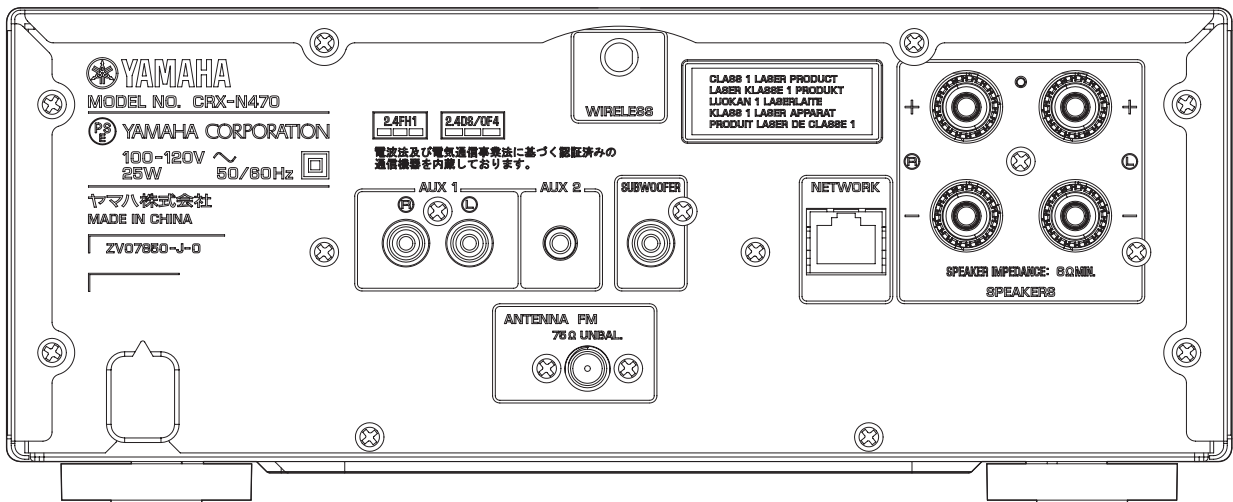
CRX-N470 (A, G, L models)



CRX-N470 (V model)

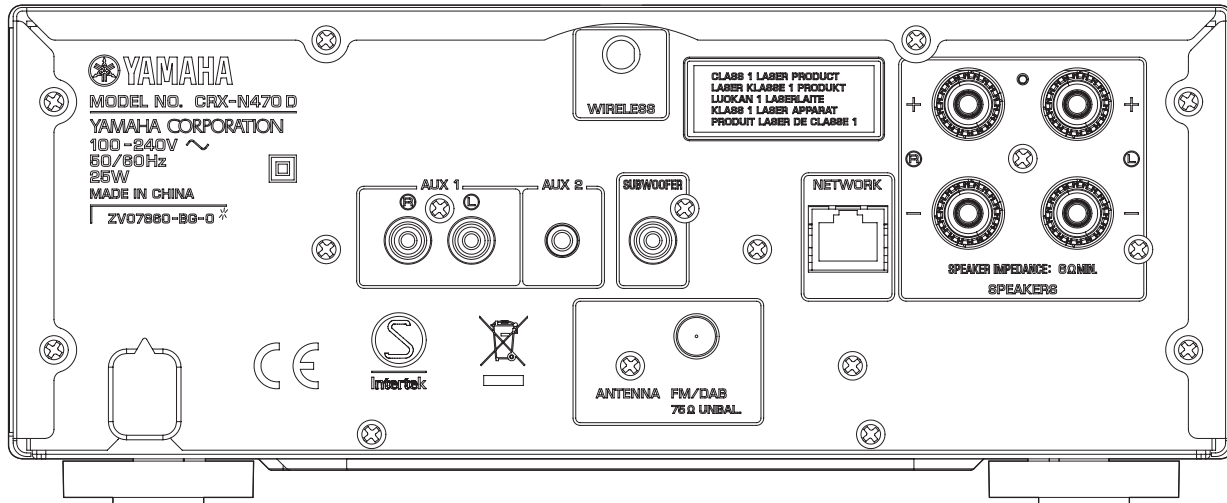


CRX-N470 (J model)

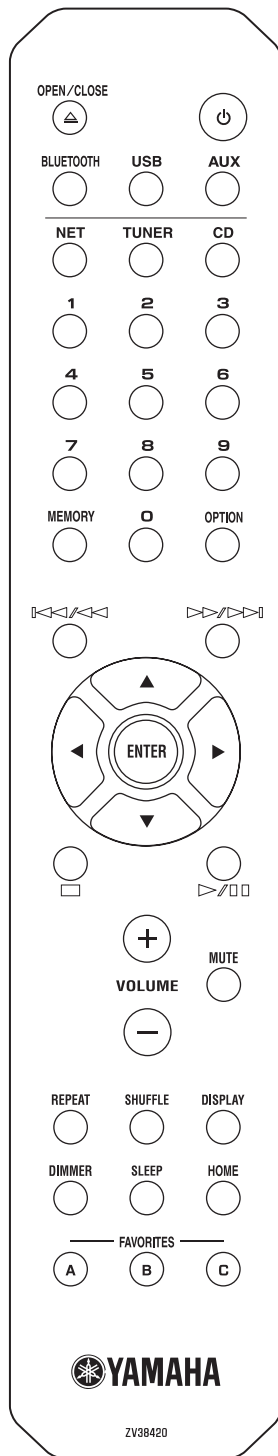


CRX-N470/CRX-N470D/NS-BP150

CRX-N470D (B, G models)



■ REMOTE CONTROL PANEL



■ SPECIFICATIONS / 参考仕様

CRX-N470

CRX-N470D

■ Player Section / プレーヤー部

AUX IN

Input connector / 入力端子

RCA jack

Input Sensitivity / Input Impedance

入力感度 / 入力インピーダンス

280mVrms / 47 k-ohms

Maximum Input Signal / 最大許容入力

Analog Input.....2.4Vrms

CD

Laser / レーザー

Type/ タイプ.....Semiconductor laser GaAs/GaAlAs

Wave Length/ 波長.....790nm

Output Power/ 出力.....7mW

Media / 再生メディア

.....CD, CD-R/RW

Audio Format / オーディオフォーマット

.....Audio CD, MP3, WMA

USB

Supported File Format / 再生フォーマット

.....WAV*, MP3, WMA, MPEG4 AAC, FLAC, ALAC, AIFF

* PCM only

■ Network Section / ネットワーク部

Interface / インターフェイス

.....100Base-TX/10Base-T

Internet Radio / インターネットラジオ

.....vTuner service supported

PC Client Function / PC クライアント機能

.....DLNA Ver. 1.5 (DMR function) supported

Supported File Format / 再生フォーマット

.....WAV*, MP3, WMA, MPEG4 AAC, FLAC, ALAC, AIFF

* PCM only

AirPlay

.....AirPlay supported

Streaming Services / ストリーミングサービス

U model.....Spotify, Pandora, Sirius XM, Rhapsody

A model.....Spotify, Pandora

B, G models.....Spotify, Napster, JUKE, Qobuz

L, V models.....Spotify

J model.....Radiko

■ Wi-Fi Section / Wi-Fi 部

Wireless LAN Standards / 無線 LAN 規格

.....IEEE 802.11 b/g/n

Wireless Frequency / 無線周波数帯域

.....2.4GHz

Wireless Network Standard / 対応セキュリティ

.....WEP, WPA2-PSK(AES), Mixed Mode

CRX-N470/CRX-N470D/NS-BP150

Bluetooth Section / Bluetooth 部

Bluetooth Version / Bluetooth バージョン

.....Ver. 2.1+EDR

Supported Profile / サポートプロファイル

.....A2DP (Advanced audio distribution profile)
 AVRCP (Audio/Video Remote Control Profile)

Compatible CODEC / 対応コーデック

Sink SBC, AAC
 Source SBC

Supported Contents Protection / 対応コンテンツ保護 [J model]

Sink SCMS-T method

Operation mode / 動作モード

.....Sink or Source

RF Output Power / 無線出力

..... Bluetooth class 2

Maximum Communication Range / 最大通信距離

..... 10 m (32.8 ft.)
 (without obstructions / 障害物がないこと)

Amplifier Section / アンプ部

Maximum Output Power / 最大出力 (6 ohms, 1 kHz, 10 % THD)

SP OUT 22 W + 22 W

Minimum RMS Output Power / 定格出力

(6 ohms, 1 kHz, 1 % THD)

SP OUT 18 W + 18 W

Frequency Response / 周波数特性 (20 Hz to 20 kHz)

SP OUT 0 ± 3 dB

Residual Noise / 残留ノイズ (IHF-A)

SP OUT 100 μ V

Total Harmonic Distortion / 全高調波歪率 (1 kHz, 10 W/6 ohms)

SP OUT 0.05 % or less

Signal to Noise Ratio (IHF-A) / S/N 比 (信号対雑音比)

..... 85 dB

Channel Separation / チャンネルセパレーション (1 kHz)

(Input 5.1 k-ohms shorted) 70 dB or more

Headphone Jack / ヘッドホン端子

STEREO L/R Phone jack
 Rated output / Impedance 500 mV / 32 ohms

Subwoofer jack / サブウーファー端子

..... RCA Jack
 Rated output / Impedance 1.5V / 1 k-ohms

Tuner Section / チューナー 部

FM TUNER**Preset Memory / プリセットメモリー**

..... 30

Tuning Range / 受信周波数範囲

U model 87.5 to 107.9 MHz
 G A, K, T, L, V models 87.5 to 108.0 MHz
 J model 76.0 to 95.0 MHz

DAB TUNER [CRX-N470D]**Preset Memory**

..... 30

Tuning Range (BAND III)

B, G models 174 to 240 MHz

Compatibility

..... DAB/DAB+

Support Audio Format

..... MPEG 1 Layer II / MPEG 4 HE AAC v2 (AAC+)

APP

MusicCast App supported by iOS and Android

General / 総合

Power Supply / 電源電圧

U model AC 120 V, 60 Hz
 T model AC 220 V, 50 Hz
 K model AC 220 V, 60 Hz
 A model AC 240 V, 50 Hz
 B, G models AC 230 V, 50 Hz
 L model AC 220–240 V, 50/60 Hz
 V model AC 110–120 V, 60 Hz
 J model AC 100 V, 50/60 Hz

Power Consumption / 消費電力

..... 25 W

Standby Power Consumption / 待機時消費電力

Network Standby OFF / Bluetooth standby OFF
 0.4 W
 Network Standby ON / Bluetooth standby OFF
 Wired 1.8 W
 Wireless (Wi-Fi) 1.9 W
 Network Standby ON / Bluetooth standby ON
 Wired 1.7 W
 Wireless (Wi-Fi) 1.9 W

Dimensions (W x H x D) / 寸法 (幅 × 高さ × 奥行き)

..... 270 x 110 x 330 mm (10-5/8" x 4-3/8" x 13")

Dimensions (W x H x D) (with antenna upright) /**寸法 (幅 × 高さ × 奥行き) (アンテナ直立時)**

..... 270 x 179 x 330 mm (10-5/8" x 7" x 13")

Weight / 質量

..... 3.0 kg (6.6 lbs.)

Finish / 仕上げ

[CRX-N470]
 U, T, K, A, G, L, V, J models Black / Silver color (BL)(SI)
 [CRX-N470D]
 B, G models Black / Silver color (BL)(SI)

Accessories / 付属品

Remoto control x 1
 Battery (R6, AA, UM-3) x 2
 FM antenna (2 m) (CRX-N470) x 1
 DAB / FM antenna (1.6 m) (CRX-N470D) x 1
 Antenna isolator (T model) x 1

NS-BP150

■ Speaker Section / スピーカー部

Type / 形式.....2-way bass reflex speaker system
Non-magnetic shielding type
2ウェイ・パスレフ
非防磁型

Driver / スピーカーユニット

Woofer 11 cm (4-1/2") cone type
Tweeter 2.5 cm (1") balanced dome type

Frequency Response / 再生周波数帯域

..... 55 Hz to 38 kHz (-10 dB)
to 70 kHz (-30 dB)

Impedance / インピーダンス

..... 6 ohms

Nominal Input / 許容入力

.....30 W

Maximum Input / 最大入力

.....90 W

Sensitivity / 出力音圧レベル

..... 83 dB / 2.83 V/m

Crossover Frequency / クロスオーバー周波数

.....5 kHz

Input Terminal / 入力端子

.....Screw/Banana type

Dimensions (W x H x D) / 寸法 (幅×高さ×奥行き)

..... 154 x 274 x 237 mm (6-1/8" x 10-3/4" x 9-3/8")

Weight / 質量

.....2.6 kg (5.7 lbs.)

Finish / 仕上げ

.....BL (Black color) / BR (Brown color)

Accessories / 付属品

Speaker cable (2 m)x 2

* Specifications are subject to change without notice.

※ 参考仕様および外観は、製品の改良のため予告なく変更することがあります。

U.....U.S.A. model
T.....Chinese model
K.....Korean model
A.....Australian model
B.....British model

G.....European model
L.....Singapore model
V.....General model
J.....Japanese model

AirPlay, iPad, iPhone, iPod, iPod touch and iTunes are trademarks of Apple Inc., registered in the U.S. and other countries.

AirPlay, iPad, iPhone, iPod, iPod touch, iTunes は、米国およびその他の国々で登録されている Apple Inc. の商標です。iPhone 商標は、アイホン株式会社のライセンスに基づき使用されています。

AirPlay works with iPhone, iPad, and iPod touch with iOS 4.3.3 or later, Mac with OS X Mountain Lion or later, and Mac and PC with iTunes 10.2.2 or later.

(as of July 2015)

AirPlay は iOS 4.3.3 以降を搭載した iPhone、iPad、iPod touch、OS X Mountain Lion を搭載した Mac、iTunes 10.2.2 以降を搭載した Mac と PC において動作します。



DLNA™ and DLNA CERTIFIED™ are trademarks or registered trademarks of Digital Living Network Alliance. All rights reserved. Unauthorized use is strictly prohibited.

DLNA™および DLNA CERTIFIED™はデジタルリビングネットワークアライアンスの登録商標です。無断使用は固く禁じられています。



The Wi-Fi CERTIFIED Logo is a certification mark of the Wi-Fi Alliance.

The Wi-Fi Protected Setup Identifier Mark is a mark of the Wi-Fi Alliance.

Wi-Fi, Wi-Fi Alliance, Wi-Fi CERTIFIED, Wi-Fi Protected Setup, WPA and WPA2 are trademark or registered trademark of Wi-Fi Alliance.

Wi-Fi CERTIFIED ロゴは Wi-Fi Alliance の認証マークです。

Wi-Fi Protected Setup マークは Wi-Fi Alliance の認証マークです。

Wi-Fi, Wi-Fi Alliance, Wi-Fi CERTIFIED, Wi-Fi Protected Setup, WPA, WPA2 は Wi-Fi Alliance の商標または登録商標です。



The Bluetooth® word mark and logos are registered trademarks owned by Bluetooth SIG, Inc. and any use of such marks by Yamaha Corporation is under license.

Bluetooth® およびロゴは Bluetooth SIG の登録商標であり、ヤマハ株式会社はライセンスに基づき使用しています。

Bluetooth protocol stack (Blue SDK)

Copyright 1999-2014 OpenSynergy GmbH

All rights reserved. All unpublished rights reserved.

Bluetooth プロトコルスタック (Blue SDK)

© 1999-2014 OpenSynergy GmbH

All rights reserved. All unpublished rights reserved.



Digital Audio Broadcasting



Digital Audio Broadcasting

(For CRX-N470D)

The unit supports DAB/DAB+ tuning.

Explanations regarding GPL

This product utilizes GPL/LGPL open-source software in some sections. You have the right to obtain, duplicate, modify, and redistribute this open-source code only. For information on GPL/LGPL open source software, how to obtain it, and the GPL/LGPL license, refer to the Yamaha Corporation website (<http://download.yamaha.com/sourcecodes/musicast/>).

GPL/LGPL について

本製品は、GPL/LGPL ライセンスが適用されたオープンソースソフトウェアのコードを一部に使用しています。お客様は GPL/LGPL ライセンスの条件に従い、これらのソフトウェアのソースコードを入手、改変、再配布する権利があります。GPL/LGPL ライセンスの適用を受けるソフトウェアの概要、ソースコードの入手、GPL/LGPL ライセンスの内容につきましては、以下の弊社ウェブサイトをご覧ください。

<http://download.yamaha.com/sourcecodes/musiccast/>

Windows ™

Windows is a registered trademark of Microsoft Corporation in the United States and other countries.

Windows は米国 Microsoft Corporation の米国およびその他の国における登録商標です。

Internet Explorer, Windows Media Audio and Windows Media Player are either registered trademarks or trademarks of Microsoft Corporation in the United States and/or other countries.

Internet Explorer、Windows Media Audio、Windows Media Player は、米国 Microsoft Corporation の米国およびその他の国における登録商標、または商標です。

Android ™

Android is a trademark of Google Inc.

Android は、Google Inc. の商標または登録商標です。

radiko.jp

BP SimuCast Radio

「ラジコ」、「radiko」および radiko ロゴは株式会社 radiko の登録商標です。

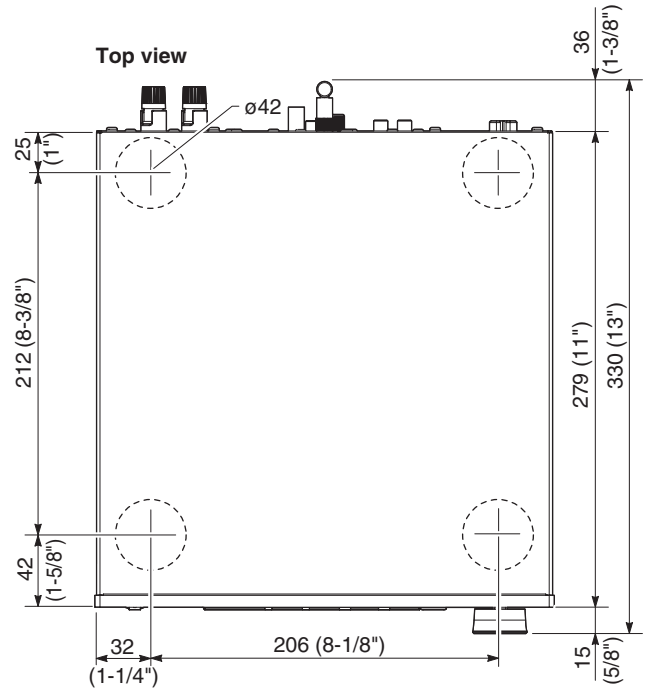
MusicCast

MusicCast is a trademark or registered trademark of Yamaha Corporation.

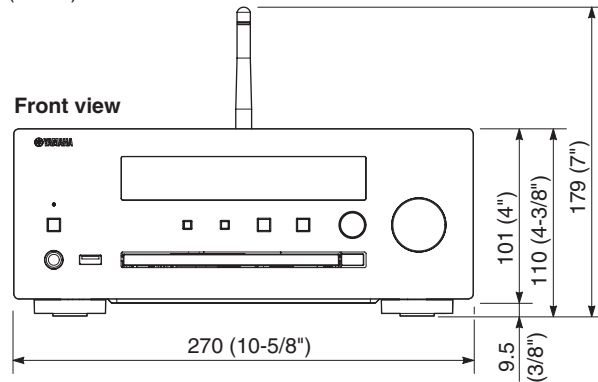
MusicCast はヤマハ株式会社の登録商標です。

• DIMENSIONS / 寸法図

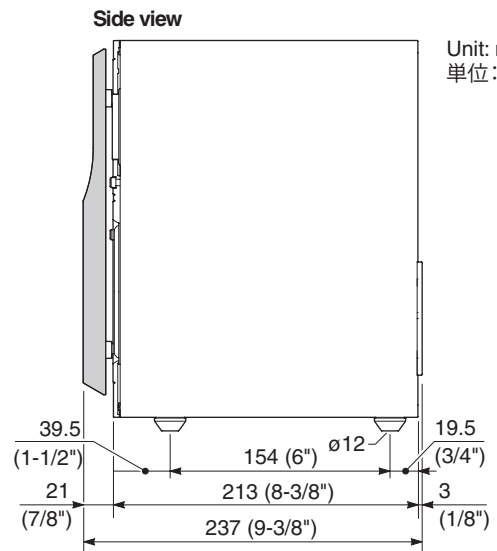
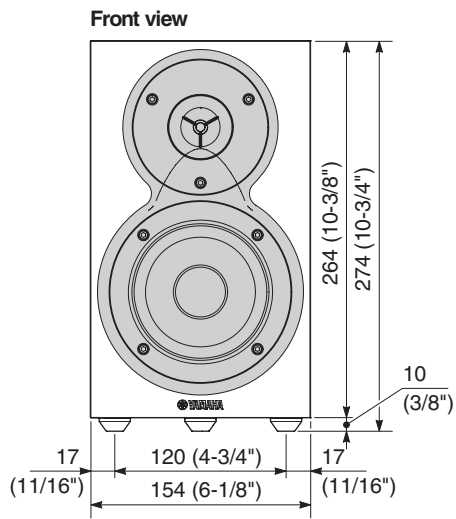
CRX-N470 **CRX-N470D**



Unit: mm (inch)
単位: mm (インチ)

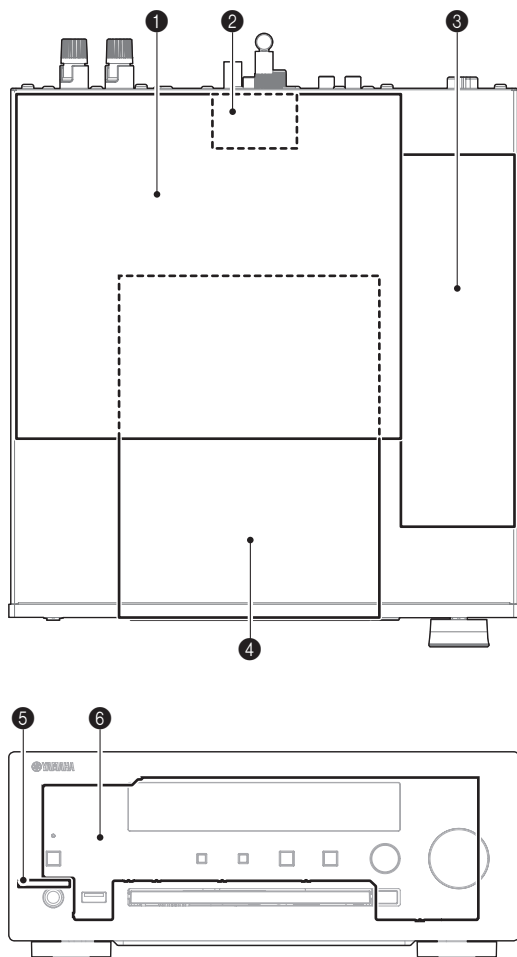


NS-BP150



Unit: mm (inch)
単位: mm (インチ)

INTERNAL VIEW



- ① MAIN P.C.B.
- ② FM TUNER (MCR-N470)
DAB P.C.B. + DAB MODULE (MCR-N470D)
- ③ POWER SUPPLY MODULE
- ④ LOADER MECHANISM UNIT
- ⑤ OPERATION (2) P.C.B.
- ⑥ OPERATION (1) P.C.B.

SERVICE PRECAUTIONS / サービス時の注意事項

Safety measures

- Some internal parts in this product contain high voltages and are dangerous.

Be sure to take safety measures during servicing, such as wearing insulating gloves.

- Note that the capacitors indicated below are dangerous even after the power is turned off because an electric charge remains and a high voltage continues to exist there.

Before starting any repair work, connect a discharging resistor (5 k-ohms/10 W) to the terminals of each capacitor indicated below to discharge electricity.

The time required for discharging is about 30 seconds per each.

C202 on MAIN P.C.B.

For details, refer to "PRINTED CIRCUIT BOARDS".

Precaution for handling measuring instrument

Since the speaker output of this unit is BTL connected, the ground side of the measuring instrument to be connected to the speaker terminal MUST be kept in floating condition.

安全対策

- この製品の内部には高電圧部分があり危険です。
修理の際は、絶縁性の手袋を使用するなどの安全対策を行ってください。

- 下記のコンデンサには電源を OFF にした後も電荷が残り、高電圧が維持されており危険です。

修理作業前に放電用抵抗 (5 k Ω /10 W) を下記の各コンデンサの端子間に接続して放電してください。

放電所用時間は各々約 30 秒間です。

MAIN P.C.B. の C202

詳しくは "PRINTED CIRCUIT BOARDS" を参照してください。

計測機器取り扱い上の注意

本機のスピーカー出力は BTL 接続となっていますので、スピーカー端子に接続する計測器のアース側はフローティング状態に保つ必要があります。

■ DISASSEMBLY PROCEDURES / 分解手順

(Remove parts in the order as numbered.)
Disconnect the power cable from the AC outlet.

(番号順に部品を外してください。)
AC電源コンセントから、電源コードを抜いてください。

1. Removal of Top Cover and Front Panel Unit (Fig. 1)

- Remove 4 screws ① and 6 screws ②.
- Remove the top cover.
- Pull out the disc tray, and then remove the LID.
- Remove 4 screws ③ and 2 screws ④.
- Remove CB305, CB506 and CB507.
- Remove the front panel unit.

1. トップカバー、フロントパネルユニットの外し方 (Fig. 1)

- ①のネジ4本、②のネジ6本を外します。
- トップカバーを外します。
- ディスクトレイを引き出し、リッドを外します。
- ③のネジ4本、④のネジ2本を外します。
- CB305、CB506、CB507を外します。
- フロントパネルユニットを外します。

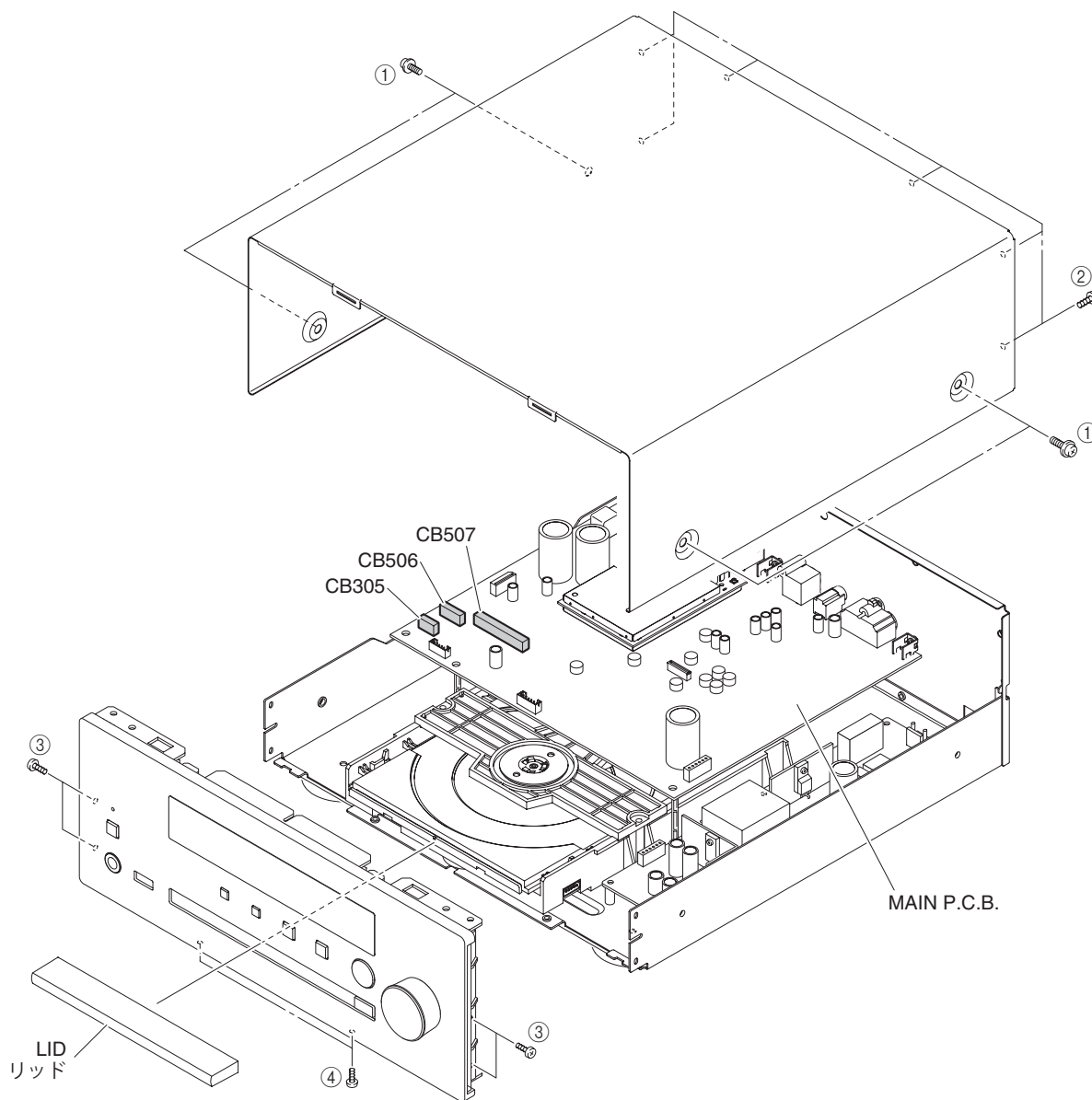


Fig. 1

*** How to manually eject the disc tray (Fig. 2)**

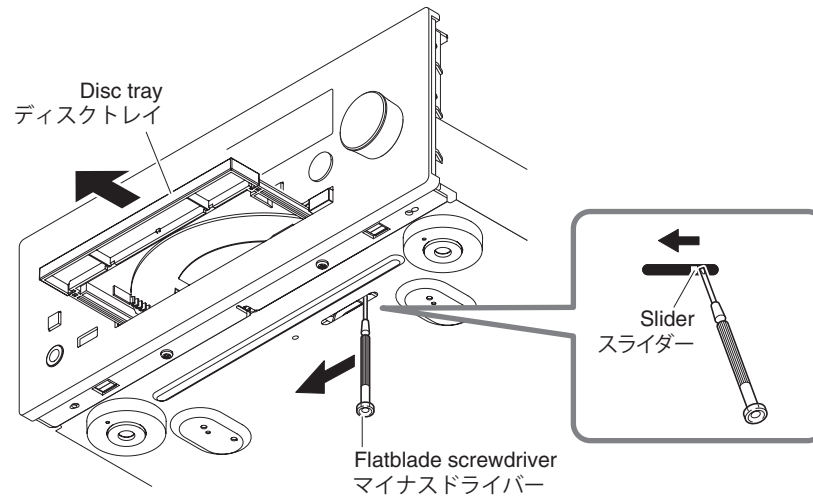
Such as when you can't turn on the power, you can eject the disk manually by following method.

- Using a flatblade screwdriver, move the slider at the bottom in the direction of the arrow shown below.
- Pull out the disc tray.

※ディスクトレイを開ける方法 (Fig. 2)

本機の電源が入らない時などに手動でディスクを取り出す場合は、この方法を使います。

- マイナスドライバーを使って底面のスライダを下図の矢印の方向に動かします。
- ディスクトレイを引き出します。

**Fig. 2**

2. Removal of Network Module (Fig. 3)

- Remove the wireless LAN antenna connector by using MHF connector remover.
- Remove screw ⑤.
- Remove the Network Module to upward.

The Network Module is directly connected to the MAIN P.C.B. with the board-to-board connectors.

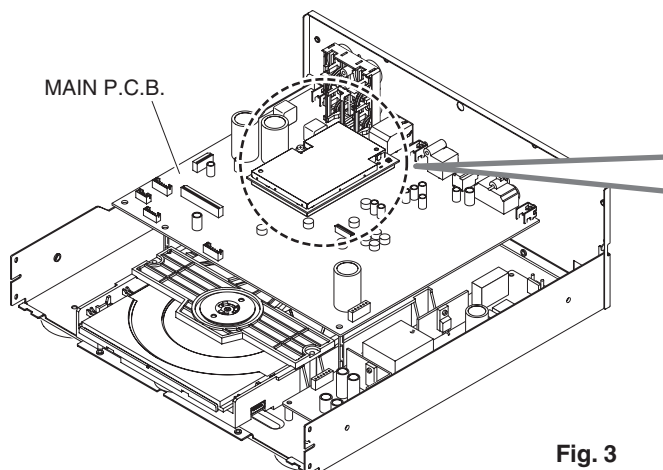
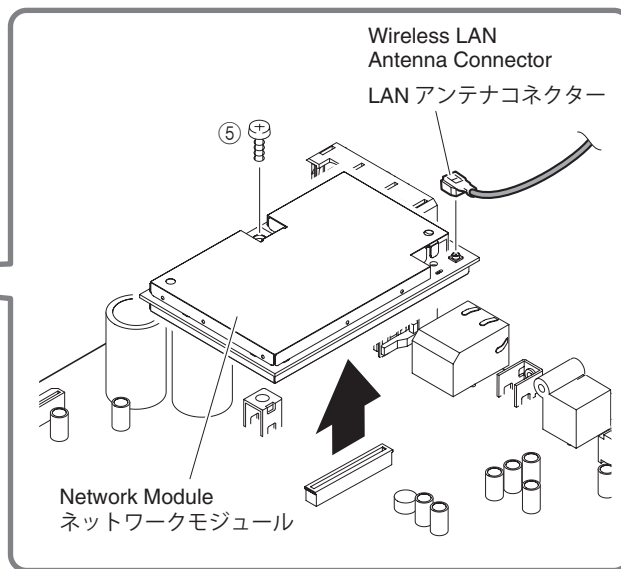


Fig. 3

2. ネットワークモジュールの外し方 (Fig. 3)

- MHF コネクター挿抜工具を使い、無線 LAN アンテナコネクターを外します。
- ⑤のネジ 1 本を外します
- ネットワークモジュールを上方へ外します。
ネットワークモジュールは、MAIN P.C.B. に基板対基板コネクターで直接接続されています。



CAUTION!

- To remove the wireless LAN antenna connector, use the special MHF connector remover. Hook the tip of this tool on the cover of the wireless LAN antenna connector and pull it straight in the direction of the engaging axis of the wireless LAN antenna connector. (Fig. 4)

Special removing tool
ZK708100: MHF connector remover

注意!

- 無線 LAN アンテナコネクターを引き抜く場合は、専用の MHF コネクター挿抜工具の先端部を無線 LAN アンテナコネクターふた部に引っ掛け、無線 LAN アンテナコネクターの嵌合軸に合わせ垂直に引き抜いてください。(Fig. 4)

専用引き抜き治具
ZK708100: MHF コネクター挿抜工具

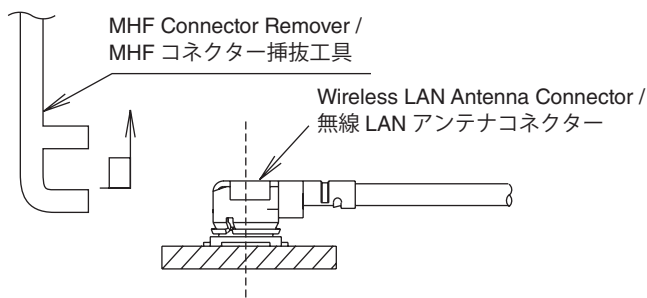


Fig. 4

- The wireless LAN antenna connector should only be plugged back to the Network Module after it has been installed back onto the MAIN P.C.B.
- When plugging the wireless LAN antenna connector back to the Network Module, make sure to hold it and insert it vertically using the MHF connector remover. Make sure not to insert the wireless LAN antenna connector at a sharp angle as it may break.
- The wireless LAN antenna connector can be inserted and removed up to 5 times only.

- 無線 LAN アンテナコネクターは、ネットワークモジュールを MAIN P.C.B. に取り付けてからネットワークモジュールへ挿すようにしてください。
- 無線 LAN アンテナコネクターをネットワークモジュールへ挿すときは、必ず MHF コネクター挿抜工具を使い、無線 LAN アンテナコネクターを持って垂直に挿入してください。無線 LAN アンテナコネクターを鋭角に挿入すると壊れることがあります。
- 無線 LAN アンテナコネクターの挿抜は 5 回までとしてください。

3. Removal of MAIN P.C.B. (Fig. 5)

- a. Remove 2 screws ⑥ and 6 screws ⑦.
- b. Remove CB105, CB502, CB508 and CON2.
- c. Release 2 hooks, and then lift up the MAIN P.C.B.
- d. Using the anti-static soldering iron, short between terminals on the optical pick-up unit P.C.B. included in the LOADER MECHANISM UNIT. (Fig. 5)

Note: After you have finished repairing, remove the solder from the short-circuit location with the antistatic soldering iron.

- e. Remove CB501.
- f. Remove the MAIN P.C.B.

3. MAIN P.C.B. の外し方 (Fig. 5)

- a. ⑥のネジ 2 本、⑦のネジ 6 本を外します。
- b. CB105、CB502、CB508、CON2 を外します。
- c. フック 2 箇所を外し、MAIN P.C.B. を持ち上げます。
- d. ローダーメカユニット内 (Fig. 5) にあるオプティカルピックアップユニットの P.C.B. 上の端子間を静電気対策はんだこてを使用してショートします。

注意：修理終了時は、静電気対策はんだこてを使用してショート箇所からはんだを除去します。

- e. CB501 を外します。
- f. MAIN P.C.B. を外します。

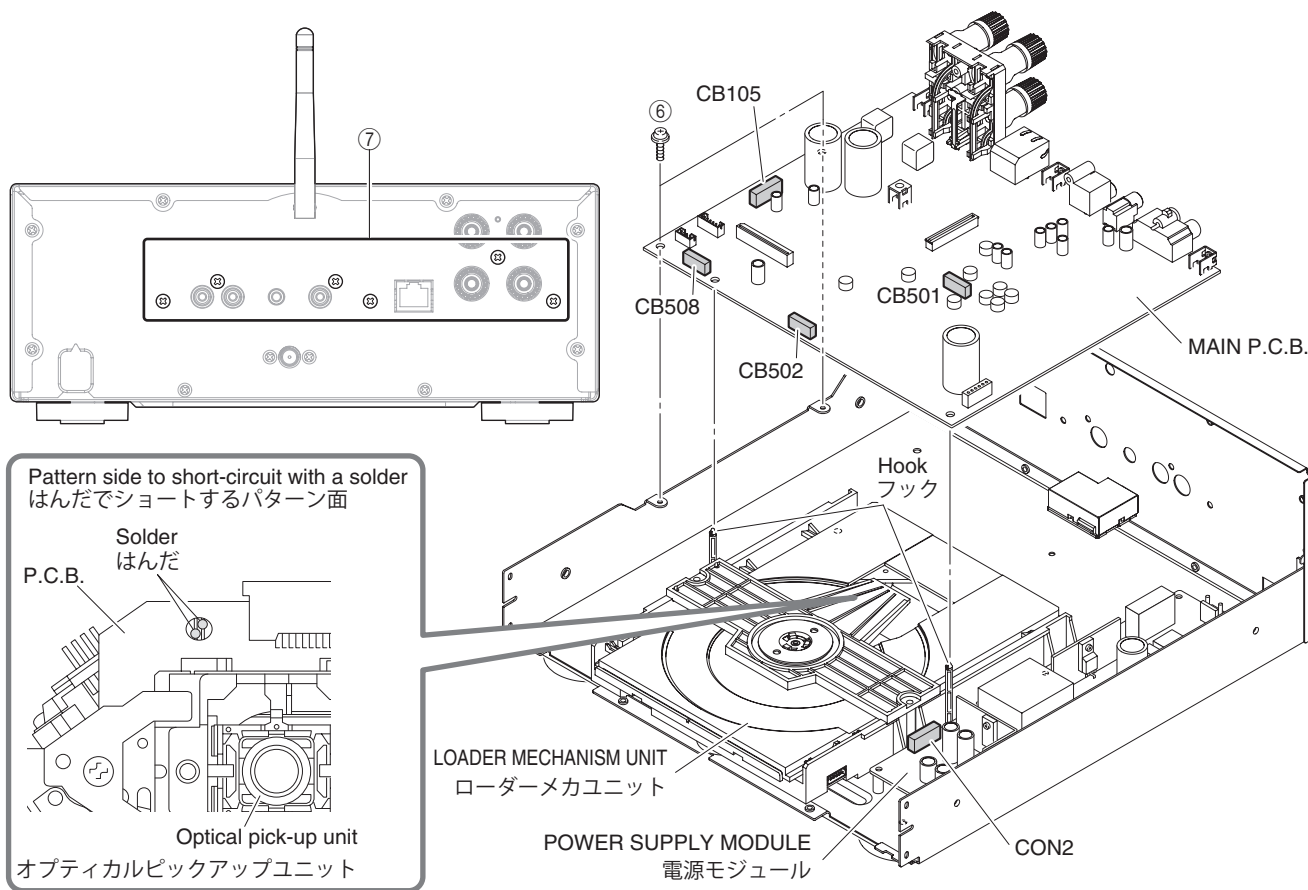


Fig. 5

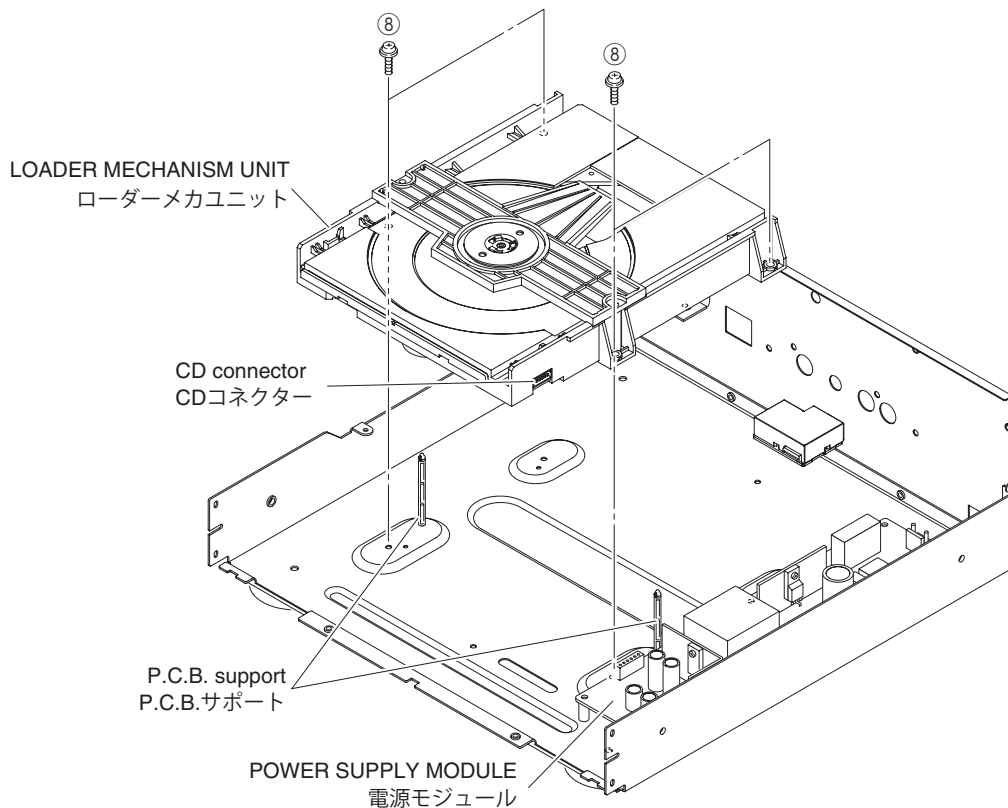
4. Removal of LOADER MECHANISM UNIT (Fig. 6)

- a. Remove 4 screws ⑧.
- b. Remove CD connector.
- c. Remove the LOADER MECHANISM UNIT by lifting up the rear side of LOADER MECHANISM UNIT.

* If you will remove the LOADER MECHANISM UNIT without removing the Front panel unit, remove 2 P.C.B. supports before. Otherwise, you can't move the LOADER MECHANISM UNIT to rear side.

4. ローダーメカユニットの外し方 (Fig. 6)

- a. ⑧のネジ 4 本を外します。
 - b. CD コネクターを外します。
 - c. ローダーメカユニットの後方を持ち上げて外します。
- * フロントパネルユニットを外さない状態でローダーメカユニットを外す場合は、先に P.C.B. サポート 2 個を外してください。
P.C.B. サポートを外さないでローダーメカユニットを後方に移動できません。

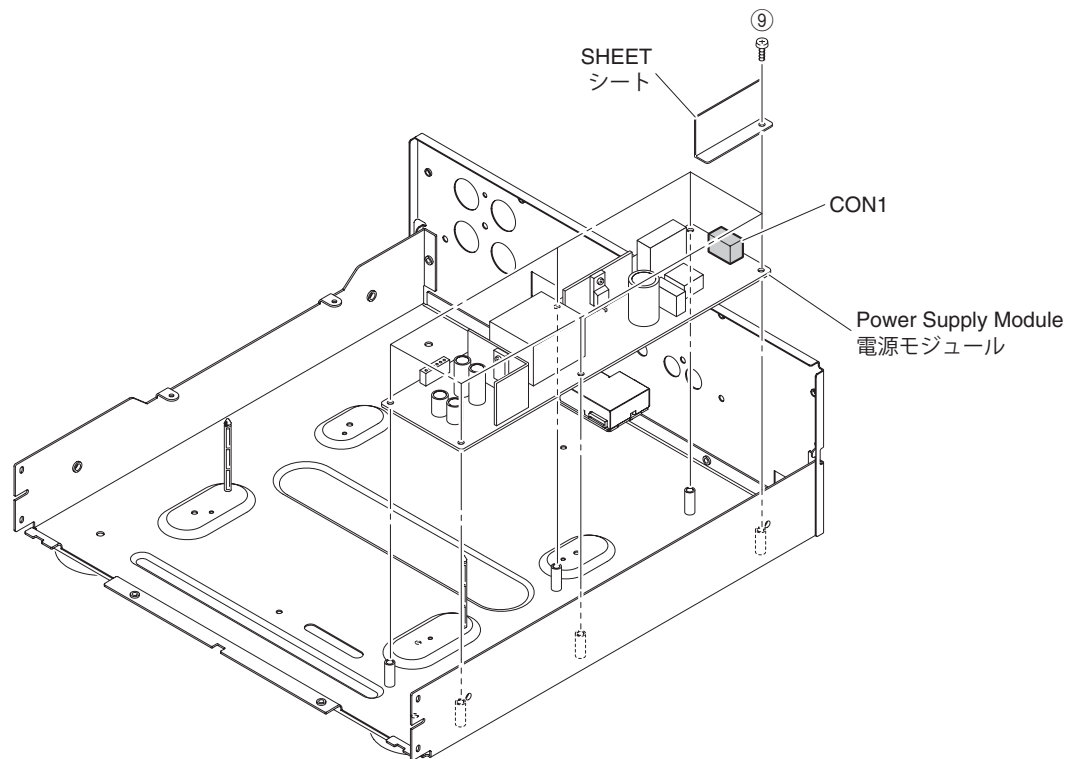
**Fig. 6**

5. Removal of Power Supply Module (Fig. 7)

- a. Remove 6 screws ⑨, and then remove the sheet.
- b. Remove CON1.
- c. Remove the POWER SUPPLY MODULE.

5. 電源モジュールの外し方 (Fig. 7)

- a. ⑨のネジ 6 本を外し、シートを外します。
- b. CON1 を外します。
- c. 電源モジュールを外します。

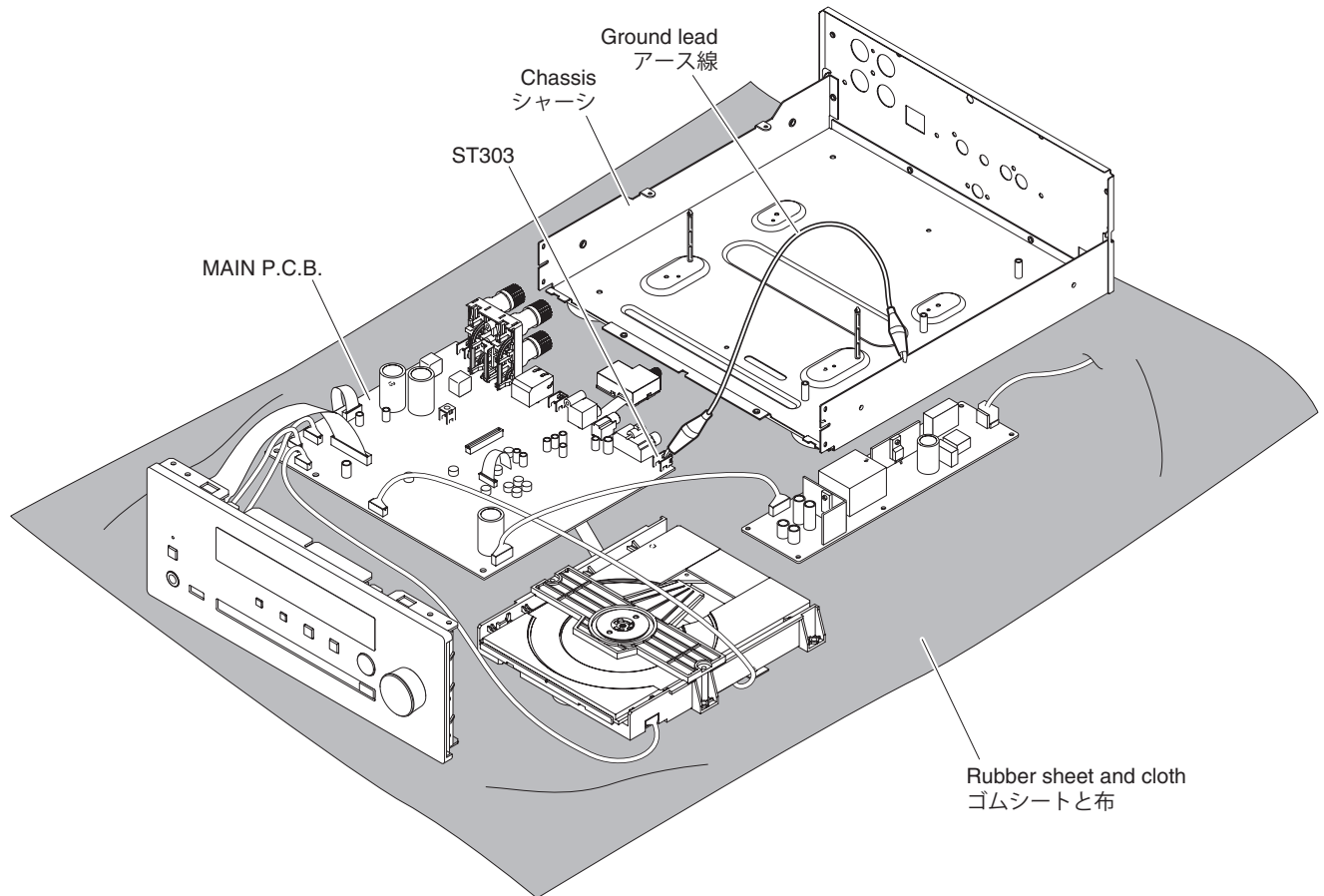
**Fig. 7**

When checking the P.C.B.s (Fig. 8):

- Spread the rubber sheet and the cloth.
Then place this unit on the cloth and check it.
- Connect the ST303 on MAIN P.C.B. to the chassis with a ground lead or the like.
- Reconnect all cables (connectors) that have been disconnected.
- When connecting the flexible flat cable, be careful with polarity.

P.C.B. をチェックする場合には (Fig. 8) :

- ゴムシートと布を敷き、その上に本機を置いてチェックします。
- MAIN P.C.B. の ST303 をアース線等でシャーシに接続してください。
- 外したケーブル (コネクター) をすべて接続します。
- フラットケーブルを接続する際、極性に注意してください。

**Fig. 8**

■ SELF-DIAGNOSTIC FUNCTION / ダイアグ（自己診断機能）

This unit has self-diagnostic functions that are intended for inspection, measurement and location of faulty point.

Each item has a main menu, each of which has sub-menu items.

Listed in the table below are main menu items and sub-menu items.

Note: Some of the menu items listed below may not apply to the models covered in this service manual.

本機には、検査、測定、不良個所の発見を目的としたダイアグ（自己診断機能）があります。

ダイアグには項目別にメインメニューがあり、そのそれぞれにサブメニューがあります。

下表はダイアグメニュー一覧です。

注意：以下のメニュー項目の一部は、このサービスマニュアルに記載されているモデルに適用されない場合があります。

No.	Main menu	No.	Sub-menu
1	FIRMWARE CHECK	1	SYSTEM VERSION
		2	MAIN MICROPROCESSOR VERSION
		3	MAIN MICROPROCESSOR CHECKSUM
		4	NETWORK MICROPROCESSOR VERSION
		5	NETWORK MICROPROCESSOR CHECKSUM
		6	CD CONTROLLER VERSION
		7	DAB MODULE VERSION (CRX-N470D)
2	AUDIO TEST	1	AUX1
		2	TUNER FM
		3	NETWORK AUDIO
		4	MUSIC SHARE
		5	Bluetooth
		6	CD
		7	USB
		8	AUX2
3	DISPLAY CHECK	1	INITIAL DISPLAY
		2	ALL SEGMENTS OFF
		3	ALL SEGMENTS ON
		4	ALL SEGMENTS ON (DIMMER 30%)
4	MICROPROCESSOR SELF CHECK	1	MAIN ALL CHECK
		2	EEPROM I2C CHECK
		3	
		4	DSP CHECK
		5	
		6	CD CONTROLLER CHECK
5	NETWORK CHECK	1	NET ALL CHECK
		2	SDRAM CHECK
		3	PHY CHECK
		4	APL (Apple) ID CHECK
		5	CLOCK CHECK
		6	PMIC CHECK
		7	
		8	NETWORK EEPROM CHECK
		9	SPI LOOPBACK CHECK (Not for service / サービスでは使用しません)
6	SYSTEM MONITOR	1	MODEL/DESTINATION
		2	
		3	
		4	PS1 PROTECTION
		5	PS2 PROTECTION
		6	PS3 PROTECTION
		7	PS4 PROTECTION
		8	PANEL KEY

No.	Main menu	No.	Sub-menu
7	CD CHECK (Not for service / サービスでは使用しません)	1	LASER DIODE CHECK
		2	SPINDLE MOTOR CHECK
		3	FOCUS CHECK
		4	TRACKING CHECK
8	CD INFORMATION (Not for service / サービスでは使用しません)	1	FG / FEXP
		2	FEpp
		3	FBAL / FGAIN
		4	TG / TEXP
		5	TEpp
		6	TBAL / TGAIN
		7	OFT
		8	AC OFFSET / BD OFFSET
		9	E OFFSET / F OFFSET
		A	FEGAIN / TEGAIN
		B	C1/C2 ERROR
9	NETWORK	1	IP ADRESS CHECK
		2	MAC ADDRESS CHECK
		3	
		4	
		5	
		6	
		7	LINK CHECK
		8	EXT TEST
		9	
		A	PING (Not for service / サービスでは使用しません)
10	Wi-Fi	1	Wi-Fi ON JIG01 (Not for service / サービスでは使用しません)
		2	Wi-Fi ON JIG02 (Not for service / サービスでは使用しません)
		3	Wi-Fi ON JIG03 (Not for service / サービスでは使用しません)
		4	Wi-Fi ON JIG04 (Not for service / サービスでは使用しません)
		5	Wi-Fi ON JIG05 (Not for service / サービスでは使用しません)
		6	Wi-Fi ON JIG06 (Not for service / サービスでは使用しません)
		7	Wi-Fi ON JIG07 (Not for service / サービスでは使用しません)
		8	Wi-Fi ON JIG08 (Not for service / サービスでは使用しません)
		9	Wi-Fi ON JIG09 (Not for service / サービスでは使用しません)
		A	Wi-Fi ON JIG10 (Not for service / サービスでは使用しません)
		B	Wi-Fi OFF (Not for service / サービスでは使用しません)
		C	Wi-Fi MAC ADDRESS
		D	
		E	Wi-Fi INFORMATION (Not available / 利用できません)
11	Bluetooth	1	Bluetooth ADDRESS
12	DAB (CRX-N470D) (Not for service / サービスでは使用しません)	1	SIGNAL QUAULTY
13	RADIO FREQUENCY (Not for service / サービスでは使用しません)	1	SELECT
		2	DESTINATION CHANGE
14	SYSTEM UPGRADE (Not for service / サービスでは使用しません)	1	UPGRADE MENU
		2	SYSTEM FIRMWARE UPGRADE
15	PROTECTION HISTORY	1	LAST HISTORY
		2	HISTORY 1
		3	HISTORY 2
		4	HISTORY 3
16	FACTORY PRESET	1	PRESET INHIBIT
		2	PRESET RESERVED

● Starting Self-Diagnostic Function

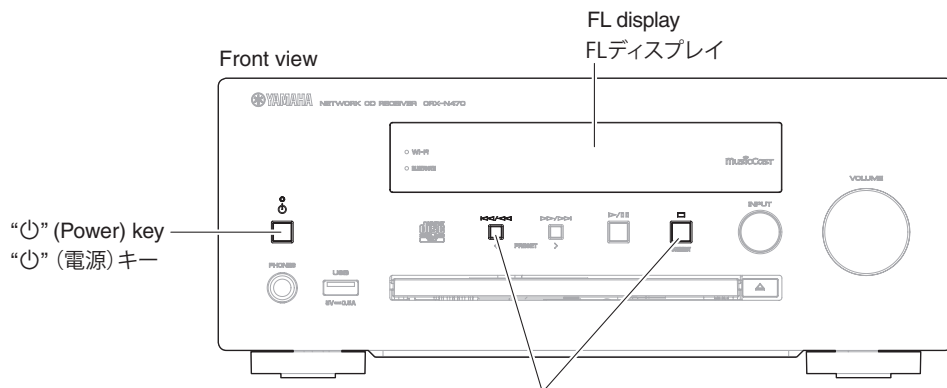
While pressing the “◀◀/◀◀” and “■” (stop) keys, press the “⏻” (Power) key to turn on the power, and release those 2 keys.

The self-diagnostic function mode is activated.

● ダイアグの起動

“◀◀/◀◀”と“■”（停止）キーを押しながら“⏻”（電源）キーを押して電源を入れた後、2つのキーを放します。ダイアグが起動します。

Keys of this unit / 本機キー



While pressing these keys, turn on the power.
これらのキーを押しながら、電源を入れます。

● Display provided when Self-Diagnostic Function started

The model name and destination appears, followed by main menu “1. FIRMWARE CHECK”.

● ダイアグ起動時の表示

モデル名、仕向け先が表示された後、メインメニュー “1. ファームウェアのチェック” が表示されます。

● Starting Self-Diagnostic Function in the protection cancel mode

If the protection function works and causes hindrance to troubleshooting, cancel the protection function by the procedure below, and it will be possible to enter the selfdiagnostic function mode. (The protection functions other than the excess current detect function will be disabled.)

While pressing the “◀◀/◀◀” and “■” (stop) keys, press the “⏻” (Power) key to turn on the power and keep pressing those 2 keys for 3 seconds or longer.

The self-diagnostic function mode is activated with the protection functions disabled.

In this mode, the “SLEEP” segment of the FL display light to indicate that the mode is self-diagnostic function mode with the protection functions disabled.

● プロテクション解除モードでの起動

プロテクションが動作することにより、故障箇所の診断に支障をきたすような場合は、次の方法によりプロテクションを解除した状態でダイアグモードに入ることができます。（過電流検出以外のプロテクション動作を解除する）

“◀◀/◀◀”と“■”（停止）キーを押しながら“⏻”（電源）キーを押して電源を入れ、2つのキーを3秒以上押し続けます。

プロテクション解除モードでダイアグが起動します。

このモードではFLの“SLEEP”セグメントが点灯し、プロテクションを解除した状態でのダイアグモードであることを知らせます。

CAUTION!

Using this unit with the protection function disabled may cause further damage to this unit. Use special care for this point when using this mode.

注意！

プロテクションを解除した状態でのダイアグモードは、危険な状態でもプロテクションが作動しないため、動作させると、本機を破壊することがあります。このモードを使用する場合は十分注意してください。

● History of protection function

When the protection function has worked, its history is stored in memory as backup data.

Even if no abnormality is noted while servicing the unit, an abnormality which has occurred previously can be defined as long as the backup data has been stored.

For details, refer to "15. PROTECTION HISTORY" menu.

● プロテクションの履歴

プロテクションが働いた場合、その履歴はバックアップデータとしてメモリーに保存されます。

修理のときに異常が認められなくても、バックアップデータが残っていれば、お客様のところで起きた異常を区別できます。

詳細は、"15. PROTECTION HISTORY" メニューを参照してください。

● Canceling Self-Diagnostic Function

1. Before canceling self-diagnostic function, execute setting for "16. FACTORY PRESET" menu. (Memory initialization inhibited or Memory initialized).

* In order to keep the user memory preserved, be sure to select PRESET INHIBIT (Memory initialization inhibited).

2. Press the "⏻" (Power) key to turn off the power.

● ダイアグの解除

1. ダイアグを解除する前に、"16. FACTORY PRESET" メニュー (メモリーの初期化禁止/またはメモリーの初期化) の設定をします。

※ ユーザーメモリーを保持したい場合は、必ず PRESET INHIBIT (メモリー初期化禁止) を選択してください。

2. "⏻" (電源) キーを押して電源を切ります。

● Operation procedure of Main menu and Sub-menu

Each item has a main menu, each of which has sub-menu items.

Main menu selection

Select the main menu using "INPUT" key.

Advance to next menu by pressing the "INPUT" key.

Sub-menu selection

Select the sub-menu using "▶▶/▶▶" (forward) and "◀◀/◀◀" (reverse) keys.

● メインメニューとサブメニューの操作

ダイアグには項目別メインメニューがあり、そのそれぞれにサブメニューがあります。

メインメニューの選択

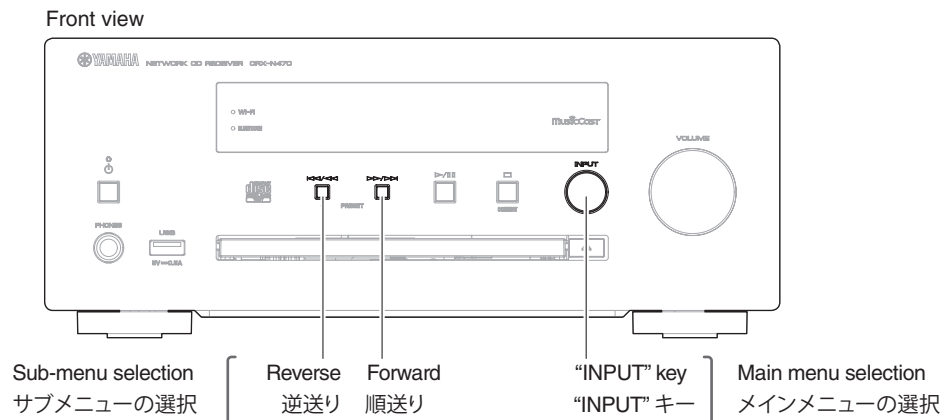
"INPUT" キーで選択します。

"INPUT" キーを押すと、次のメインメニューに進みます。

サブメニューの選択

"▶▶/▶▶" (順送り)、"◀◀/◀◀" (逆送り) キーで選択します。

Keys of this unit / 本機キー



● Functions in Self-Diagnostic Function mode

In addition to the self-diagnostic function menu items, only Power ON/OFF is available.

● ダイアグ中の機能

ダイアグメニューの他に、電源オン/オフのみが機能します。

● Initial settings when Self-Diagnostic Function started

No initial setting.

● Details of Self-Diagnostic Function menu

1. FIRMWARE CHECK

The firmware version and checksum values are displayed.

The checksum is obtained by adding the data at every 8-bit and expressing the result as a 4-figure hexadecimal notation.

* Numeric values in the figure are given as reference only.

● ダイアグ開始時の初期設定

初期設定はありません。

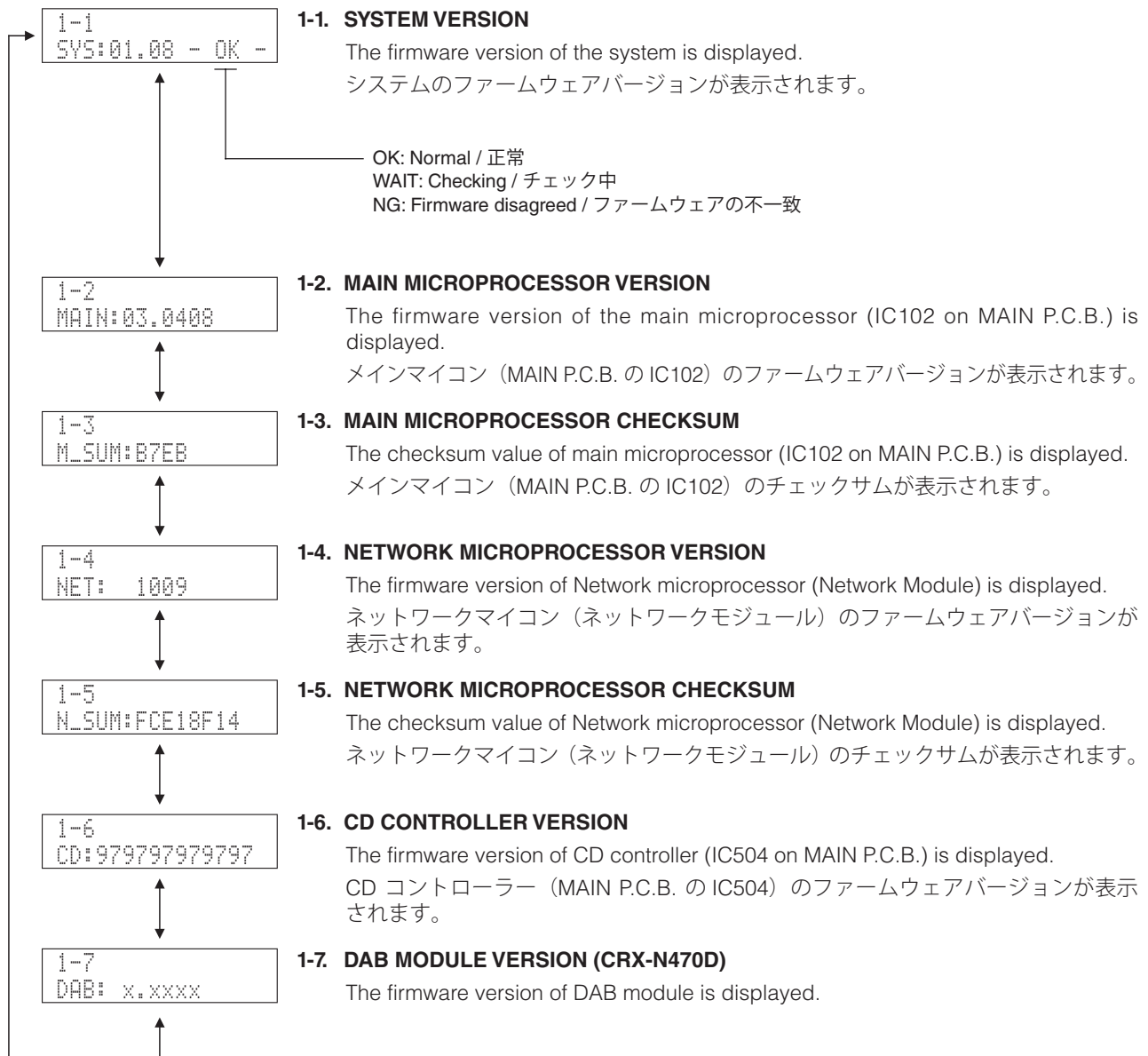
● ダイアグメニュー詳細

1. FIRMWARE CHECK

ファームウェアバージョン、チェックサムが表示されます。

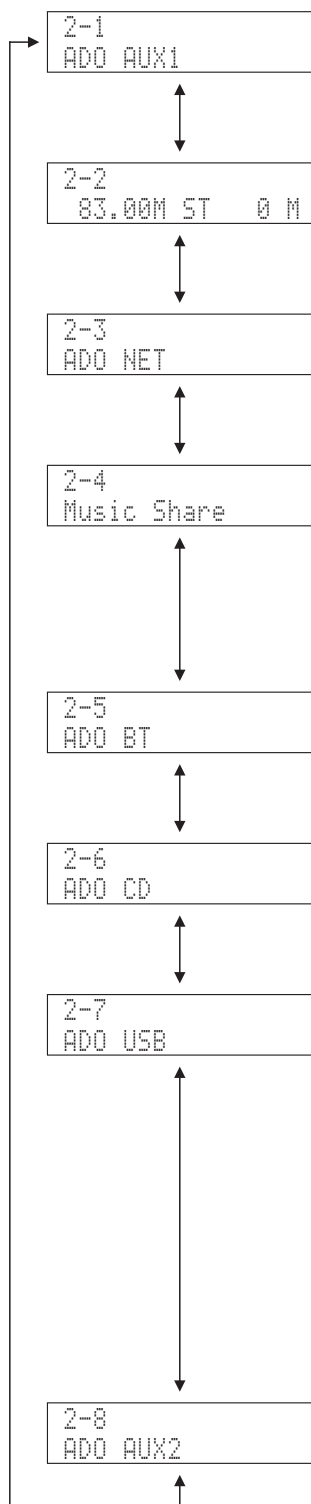
チェックサムは、データを8ビットごとに加算していき、4桁の16進数で表記したものです。

※ 図中の数値は参考例です。



2. AUDIO TEST

This menu is used to select the input source.

**2-1. AUX1**

The AUX1 is selected.
AUX1 が選択されます。

2-2. TUNER FM

The FM tuner is selected. (Initial frequency: FM 98.1 MHz, mono)
FM チューナーが選択されます。(初期周波数：FM 83.0 MHz、mono)

2-3. NETWORK AUDIO

The network is selected.
ネットワークが選択されます。

2-4. MUSIC SHARE

The Network Module is set to the loop-back mode and the sound signal from DIGITAL IN (OPTICAL) is reproduced via the Network Module.
ネットワークモジュールをループバックモードに設定し、DIGITAL IN (OPTICAL) からの音声信号をネットワークモジュール経由で再生します。

2-5. Bluetooth

The Bluetooth is selected.
Bluetooth が選択されます。

2-6. CD

The CD is selected.
CD が選択されます。

2-7. USB

The USB is selected.
USB が選択されます。

* Reproduced at this time is the 1st music file in the USB storage device connected to the USB terminal of this unit.

- a. Copy 2 or more music files from PC to the root folder of the USB storage device.
- b. Insert the USB storage device to the USB terminal of this unit.

※ 本機の USB 端子に接続された USB フラッシュメモリーの音楽ファイルの 1 曲目を再生します。

- a. USB フラッシュメモリーのルートフォルダに (PC から) 音楽ファイルを 2 曲以上コピーします。
- b. USB フラッシュメモリーを本機の USB 端子に接続します。

2-8. AUX2

The AUX2 is selected.
AUX2 が選択されます。

2. AUDIO TEST

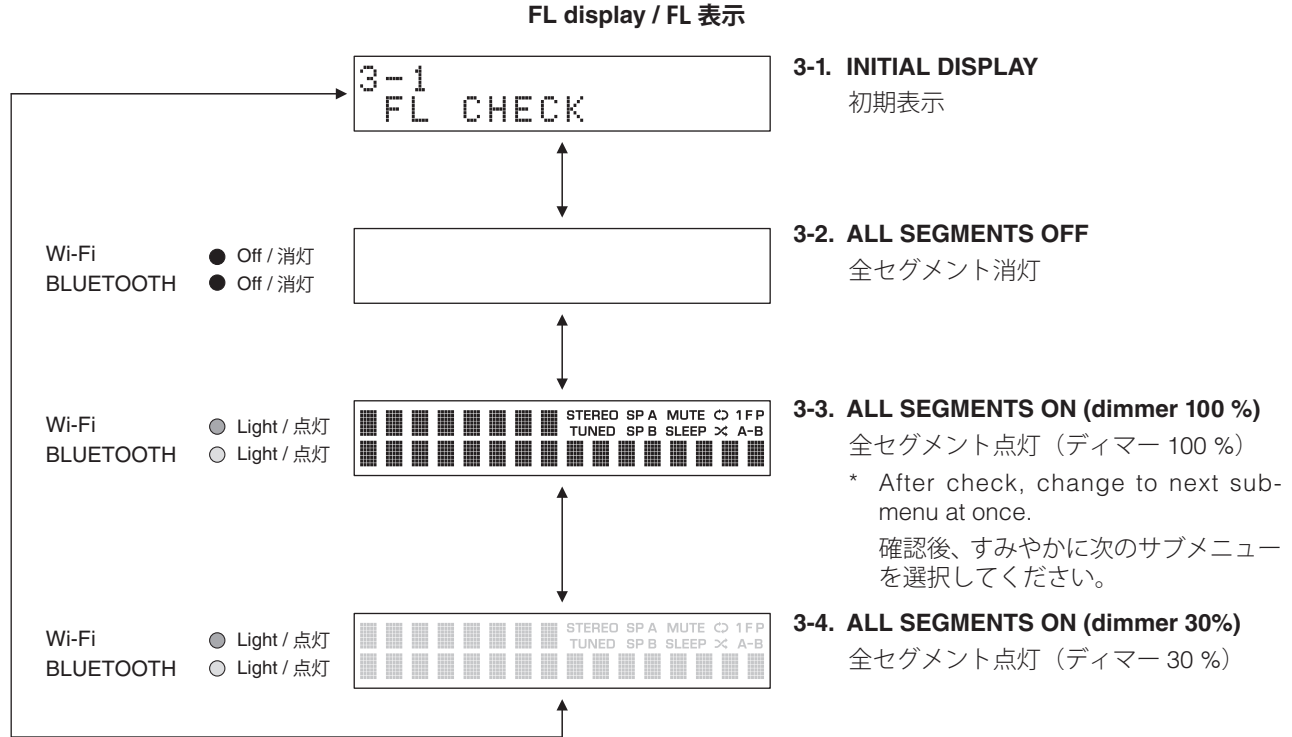
入力ソースを選択します。

3. FL CHECK

The FL display and indicator operation are checked.

3. FL CHECK

FL 表示、インジケータの動作をチェックします。



Segment conditions of the FL driver and the FL tube are checked by turning ON and OFF all segments.

全セグメント消灯・全セグメント点灯により FL ドライバー、FL 管のセグメントの不良を確認します。

4. MICROPROCESSOR SELF CHECK

This menu is used to check the communication and bus line connection between devices on MAIN P.C.B.

4. MICROPROCESSOR SELF CHECK

MAIN P.C.B. 上の各デバイス間の通信とバスライン接続をチェックします。

4-1. MAIN ALL CHECK

The synthetic judgment result of sub-menu 4-2 to 4-6 is displayed.

4-1. MAIN ALL CHECK

サブメニュー 4-2 ~ 4-6 の総合判定結果が表示されます。



OK: No error detected / 不良検出なし
NG: An error is detected / 不良検出あり
--: Checking / チェック中

4-2. EEPROM I2C CHECK

EEPROM (IC101)'s reading/writing are checked.

```
4-2
EEPROM:OK
```

OK: No error detected / 不良検出なし
 NG: An error is detected / 不良検出あり
 --: Checking / チェック中

4-2. EEPROM I2C CHECK

EEPROM (IC101) の読み出し／書き込みを
 チェックします。

4-3.

Not available.

4-3.

利用できません。

4-4. DSP CHECK

Communication and bus line connection
 between DSP (IC304) and main microprocessor
 (IC102) are checked.

```
4-4
DSP:OK
```

OK: No error detected / 不良検出なし
 NG: An error is detected / 不良検出あり
 --: Checking / チェック中

4-4. DSP CHECK

DSP (IC304) とメインマイコン (IC102) 間の
 通信とバスライン接続をチェックします。

4-5.

Not available.

4-5.

利用できません。

4-6. CD CONTROLLER CHECK

Communication and bus line connection
 between CD CONTROLLER (IC504) and
 NETWORK microprocessor (Network Module)
 are checked.

```
4-6
MN992:OK
```

OK: No error detected / 不良検出なし
 NG: An error is detected / 不良検出あり
 --: Checking / チェック中

4-6. CD CONTROLLER CHECK

CD コントローラー (IC504) とネットワークマ
 イコン (ネットワークモジュール) 間の通信と
 バスライン接続をチェックします。

5. NETWORK CHECK

This menu is used to check the communication and bus line connection between devices related to network.

5-1. NET ALL CHECK

The synthetic judgment result of sub-menu 5-2 to 5-8 is displayed.

```
5-1
NET ALL:OK
```

OK: No error detected / 不良検出なし
NG: An error is detected / 不良検出あり
--: Checking / チェック中

5-2. SDRAM CHECK

Communication and bus line connection between SDRAM (IC503) and NETWORK microprocessor (Network Module) are checked.

```
5-2
SDRAM:OK
```

OK: No error detected / 不良検出なし
NG: An error is detected / 不良検出あり
--: Checking / チェック中

5-3. PHY (Ethernet PHYceiver) CHECK

Communication and bus line connection between PHY and NETWORK microprocessor are checked. (Network Module)

```
5-3
PHY:OK
```

OK: No error detected / 不良検出なし
NG: An error is detected / 不良検出あり
--: Checking / チェック中

5-4. APL (Apple) ID CHECK

Apple authentication IC (IC303) device ID is checked.

```
5-4
APL ID:OK
```

OK: No error detected / 不良検出なし
NG: An error is detected / 不良検出あり
--: Checking / チェック中

5. NETWORK CHECK

ネットワークに関連する各デバイス間の通信とバスラインの接続をチェックします。

5-1. NET ALL CHECK

サブメニュー 5-2 ～ 5-8 の総合判定結果が表示されます。

5-2. SDRAM CHECK

SDRAM (IC503) とネットワークマイコン (ネットワークモジュール) 間の通信とバスライン接続をチェックします。

5-3. PHY (Ethernet PHYceiver) CHECK

PHY とネットワークマイコン間の通信とバスライン接続をチェックします。(ネットワークモジュール)

5-4. APL (Apple) ID CHECK

Apple 認証 IC (IC303) のデバイス ID をチェックします。

5-5. CLOCK CHECK

Communication, bus line connection and reading/writing between network microprocessor (Network Module) and clock generator (Si5351C) are checked.

```
5-5
CLK GEN:OK
```

OK: No error detected / 不良検出なし
 NG: An error is detected / 不良検出あり
 --: Checking / チェック中

5-5. CLOCK CHECK

ネットワークマイコン（ネットワークモジュール）とクロックジェネレータ（Si5351C）の通信、バスライン接続と読み出し／書き込みをチェックします。

5-6. PMIC CHECK

Communication, bus line connection and reading/writing between network microprocessor (Network Module) and power supply IC are checked.

```
5-6
PMIC:OK
```

OK: No error detected / 不良検出なし
 NG: An error is detected / 不良検出あり
 --: Checking / チェック中

5-6. PMIC CHECK

ネットワークマイコン（ネットワークモジュール）と電源 IC の通信、バスライン接続と読み出し／書き込みをチェックします。

5-7.

Not available.

5-7.

利用できません。

5-8. NETWORK EEPROM CHECK

EEPROM (Network Module)'s reading/writing are checked.

```
5-8
NET EEP:OK
```

OK: No error detected / 不良検出なし
 NG: An error is detected / 不良検出あり
 --: Checking / チェック中

5-8. NETWORK EEPROM CHECK

EEPROM（ネットワークモジュール）の読み出し／書き込みをチェックします。

5-9. SPI LOOPBACK CHECK

Not for service.

5-9. SPI LOOPBACK CHECK

サービスでは使用しません。

6. SYSTEM MONITOR

This menu is used to display the A/D conversion value of the main microprocessor which detects panel keys and protection functions by using the sub-menu.

When "6-8. PANEL KEY" menu is selected, keys become inoperable due to detection of the values of all keys. However, it is possible to advance to the next menu by pressing the "INPUT" key.

* Numeric values in the figure are given as reference only.

6-1. MODEL/DESTINATION

This menu is used to display the model name and destination.



6-2. to 6-3.

Not available.

6-4. to 6-7. PS1 to PS4

Power supply voltage protection detection

Power supply voltages, detected for protection function, are displayed.



Protection / プロテクション	PS1	PS2	PS3	PS4
Detected power supply / 検出電源	F+, +31FL	+7.2D, +5A	+3.3D	+5V, +5NET, VP
Detection port of IC104 / IC104の検出ポート	131 pin	132 pin	133 pin	134 pin
Normal value / 正常値 (3.3V = 255)	109 - 149	107 - 146	81 - 151	182 - 221

* If PS1, PS2, PS3 or PS4 becomes out of the normal value range, the protection function works to turn off the power.

6. SYSTEM MONITOR

パネルキー、プロテクションなどを検出しているメインマイコンの A/D 変換値が、サブメニューで表示されます。

"6-8. PANEL KEY" メニューにすると、全キーの値を検出するためキー操作はできなくなりますが、"INPUT" キーを押すことにより、次のメインメニューに進めることができます。

※ 図中の数値は参考例です。

6-1. MODEL/DESTINATION

モデル名、仕向け先が表示されます。

6-2. to 6-3.

利用できません。

6-4. to 6-7. PS1 to PS4

電源電圧プロテクションの検出

電源プロテクション用に検出された電源電圧が表示されます。

* PS1、PS2、PS3 または PS4 が正常値を外れるとプロテクションが働き、電源が切れます。

6-8. PANEL KEY

The panel keys detection:

When any key on the front panel is pressed, the corresponding key name is displayed.

- * When "6-8. PANEL KEY" menu is selected, keys become inoperable due to detection of the values of all keys. However, it is possible to advance to the next menu by pressing the "INPUT" key.

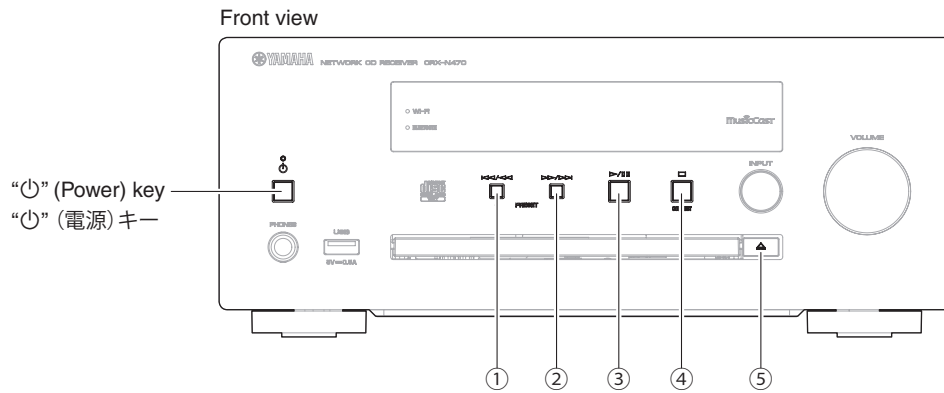
Key name
キー名称

6-8. PANEL KEY

パネルキーの検出：

フロントパネルのいずれかのキーを押すと、対応するキー名称が表示されます。

- ※ "6-8. PANEL KEY" メニューにすると、全キーの値を検出するためキー操作はできなくなりますが、"INPUT" キーを押すことにより、次のメインメニューに進めることができます。

Keys of this unit / 本機キー

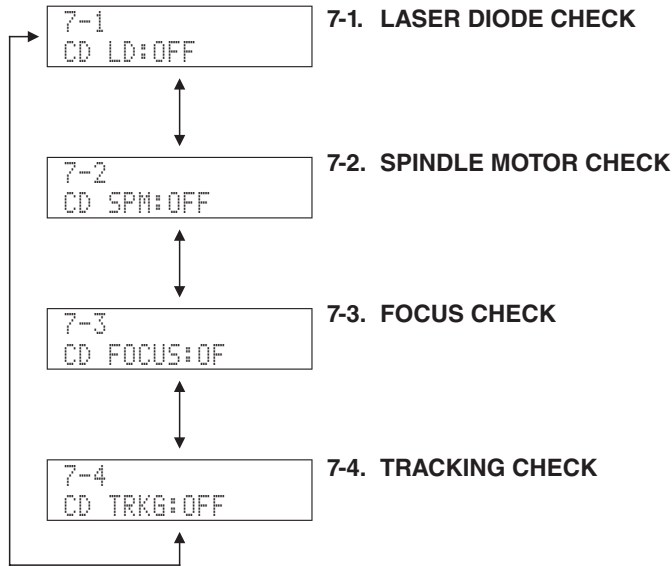
Front panel key フロントパネルキー	Key name キー名称
① ◀◀/▶▶ / PRESET <	SKIP -
② ▶▶/▶▶ / PRESET >	SKIP +
③ ▶ / ■■	PLAY
④ ■■	STOP
⑤ ▲	EJECT
⏻	POWER

- * When the “⏻” (Power) key is pressed, “POWER” will appear and the power will be turned off.

- ※ “⏻” (電源) キーを押すと、“POWER” が表示された後に電源が切れます。

7. CD CHECK

Not for service.

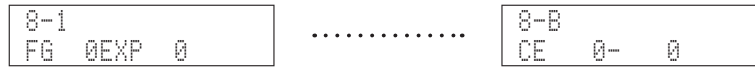


7. CD CHECK

サービスでは使用しません。

8. CD INFORMATION

Not for service.



8. CD INFORMATION

サービスでは使用しません。

9. NETWORK

This menu is used to check functions related to NETWORK.

Connect between LAN port of broadband router and NETWORK jack of this unit with a network cable.

* When the network condition varies while sub-menu is displayed (e.g., the network is deactivated once), the correct result will not be displayed.

In that case, once turn off the power to this unit, then start up the self-diagnostic function again and select this menu.

9-1. IP ADDRESS CHECK

If the network is connected, the obtained IP address appears.

```
9-1
  0. 0. 0. 0
```

9-2. MAC ADDRESS CHECK

The MAC address of the wired LAN adapter appears.

```
9-2
XXXX-XXXX-XXXX
```

9-3. to 9-6.

Not available.

9-7. LINK CHECK

LAN cable connection is checked.

Connect between NETWORK jack of this unit and LAN port of broadband router with a network cable.

* When the network condition varies while sub-menu is displayed (e.g., the network is deactivated once), the correct result will not be displayed. In that case, once turn off the power to this unit, then start up the self-diagnostic function again and select this menu.

```
9-7
LNK CHK:OK
```

OK: Normal / 正常
NG: Disconnected / 接続が切れている
--: Checking / チェック中

9. NETWORK

ネットワークに関連する機能をチェックします。

ブロードバンドルーターのLANポートと本機のNETWORK端子をネットワークケーブルで接続します。

※ サブメニュー表示中にネットワークの状態が変わると（たとえばネットワークが一時切れるなど）正しい結果が表示されません。その場合、一度本機の電源を切り、ダイアグを再起動して本メニューを選択します。

9-1. IP ADDRESS CHECK

ネットワーク接続されている場合に取得されたIPアドレスが表示されます。

9-2. MAC ADDRESS CHECK

有線LANアダプターのMACアドレスが表示されます。

9-3. ～ 9-6.

利用できません。

9-7. LINK CHECK

LANケーブルの接続状態をチェックします。

本機のNETWORK端子とブロードバンドルーターのLANポートをネットワークケーブルで接続します。

※ サブメニュー表示中にネットワークの状態が変わると（たとえばネットワークが一時切れるなど）正しい結果が表示されません。

その場合、一度本機の電源を切り、ダイアグを再起動して本メニューを選択します。

9-8. EXT TEST

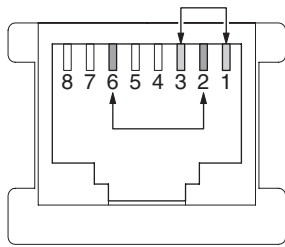
Transmission/reception of the NETWORK jack is checked.

With the power turned off, short the pins of the NETWORK jack as shown in the figure below.

Start up the self-diagnostic function and select this menu.

Transmission/reception test is executed and its result is displayed.

Note: Be sure to return the shorted pins to their original condition after executing this test.



NETWORK jack

9-9.

Not available.

9-A. PING

Not for service.

9-8. EXT TEST

NETWORK 端子の送受信テストを行います。

電源を切った状態で、下図のように NETWORK 端子のピンをショートさせます。

ダイアグを起動して本メニューを選択します。

送受信テストを行い、その結果が表示されます。

注意： 検査後、ショートしたピンを必ず元の状態に戻してください。



OK: Normal / 正常
NG: Abnormal / 異常
--: Checking / チェック中

9-9.

利用できません。

9-A. PING

サービスでは使用しません。



10. Wi-Fi

This menu is used to set functions related to wireless LAN adaptor.

10-1. to 10-A. Wi-Fi ON JIG01 to JIG10

Not for service.

```
10-1
PING:---
```

.....

```
10-A
PING:---
```

10. Wi-Fi

無線 LAN アダプターに関連する機能を設定します。

10-1. ～ 10-A. Wi-Fi ON JIG01 to JIG10

サービスでは使用しません。

10-B. Wi-Fi OFF

Not for service.

```
10-B
WIFI OFF
```

10-B. Wi-Fi OFF

サービスでは使用しません。

10-C. Wi-Fi MAC ADDRESS

MAC address of the wireless LAN adaptor is displayed.

```
10-C
XXXX-XXXX-XXXX
```

10-C. Wi-Fi MAC ADDRESS

無線 LAN アダプターの MAC アドレスが表示されます。

10-D.

Not available.

10-D.

利用できません。

10-E. Wi-Fi INFORMATION

Not for service.

```
10-E
0 No info
```

10-E. Wi-Fi INFORMATION

サービスでは使用しません。

11. Bluetooth

Address of the Bluetooth is displayed.

```
11-1
XXXX-XXXX-XXXX
```

11. Bluetooth

Bluetooth アドレスが表示されます。

12. DAB (CRX-N470D)

Not for service.

```
12-1 DAB xx
xxxxxxx
```

12. DAB (CRX-N470D)

サービスでは使用しません。

13. RADIO FREQUENCY

Not for service.

```
13-1
RADIO Freq
```

.....

```
13-2
RADIO F:*
```

14. SYSTEM UPGRADE

Not for service.

14-1
SYS UPGRADE

.....

14-2
SYS FW UP

14. SYSTEM UPGRADE

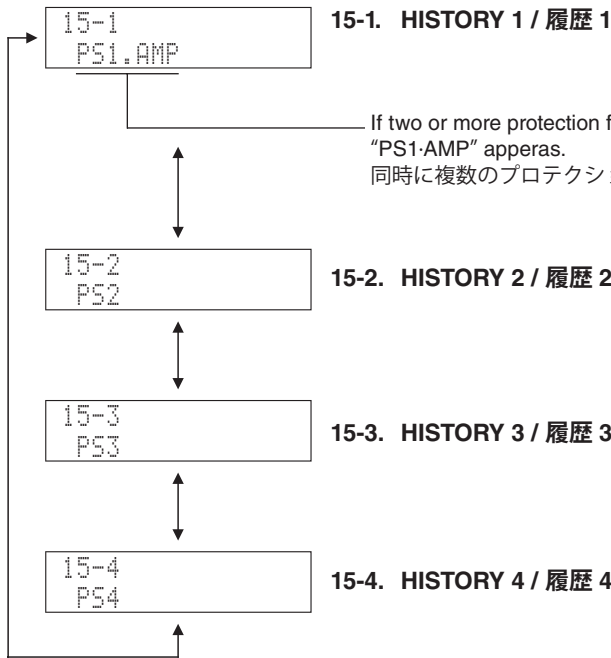
サービスでは使用しません。

15. PROTECTION HISTORY

This menu is used to display the history of protection function.

All history of protection function will be erased by pressing the "ENTER" key on the remote control.

* Numeric values in the figure are given as reference only.



If two or more protection functions work simultaneously, "PS1.AMP" appears.
同時に複数のプロテクションが働いた場合は "PS1.AMP" と表示されます。

15. PROTECTION HISTORY

プロテクション履歴が表示されます。

リモコンの "ENTER" キーを押すとプロテクション履歴はすべて消去されます。

※ 図中の数値は参考例です。

16. FACTORY PRESET

This menu is used to reserve/inhibit initialization of the back-up IC (EEPROM: IC101 on MAIN P.C.B.).

16-1
INHIBIT

16-1. PRESET INHIBIT (Initialization inhibited) / PRESET INHIBIT (初期化禁止)

Initialization of the back-up IC is not executed.

Select this sub-menu to protect the values set by the user.

バックアップ IC の初期化は行われません。

ユーザーの設定値を保護するときは、こちらを選択してください。

16-2
RESERVED

16-2. PRESET RESERVED (Initialization reserved) / PRESET RESERVED (初期化予約)

Initialization of the back-up IC is reserved. (Actual initialization is executed the next time the power is turned on.) To reset to the original factory settings or to reset the backup IC, select this sub-menu and press the "⏻" (Power) key to turn off the power.

バックアップ IC の初期化が予約されます。(実際に初期化されるのは、次回の電源投入時です。)

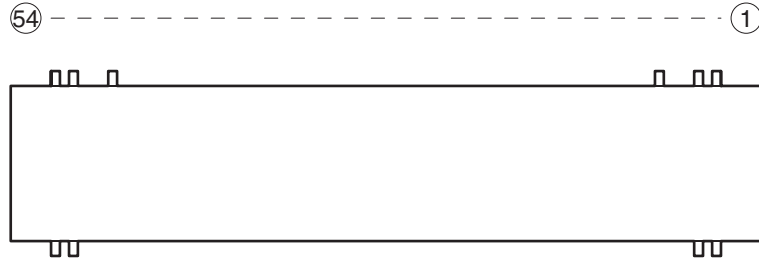
工場出荷時やバックアップ IC をリセットしたいときは、こちらを選択してから "⏻" (電源) キーを押して電源を切ってください。

16. FACTORY PRESET

バックアップ IC (EEPROM : MAIN P.C.B. の IC101) の初期化を予約/禁止します。

■ DISPLAY DATA

● V801 : 016ST106INK (OPERATION P.C.B.)

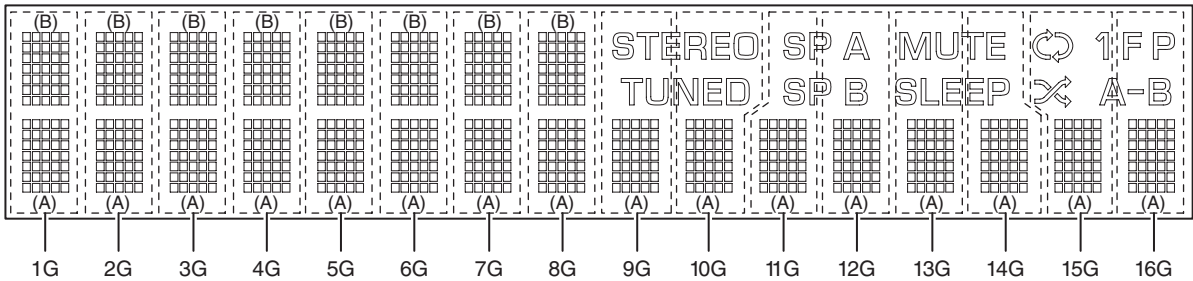


● PIN CONNECTION

Pin No.	19	18	17	16	15	14	13	12	11	10	9	8	7	6	5	4	3	2	1
Connection	NX (11G)	NX (11G)	NX (12G)	NX (12G)	NX (13G)	NX (13G)	NX (14G)	NX (14G)	NX (15G)	NX (15G)	NX (16G)	NX (16G)	NP	NP	F-	F-			
Pin No.	37	36	35	34	33	32	31	30	29	28	27	26	25	24	23	22	21	20	
Connection	RESET	NX (5G)	NX (5G)	CS	NX (6G)	NX (6G)	NX (7G)	CP	NX (7G)	NX (8G)	NX (8G)	DA	NX (9G)	NX (9G)	TSA	NX (10G)	TSB	NX (10G)	
Pin No.	54	53	52	51	50	49	48	47	46	45	44	43	42	41	40	39	38		
Connection	F+	F+	NP	NP	LGND	PGND	VH	NX (1G)	NX (1G)	VDD	NX (2G)	NX (2G)	NX (3G)	NX (3G)	OSC	NX (4G)	NX (4G)		

Note: 1) F+, F- Filament 2) NP No pin 3) DL Datum line 4) LGND Logic GND pin
 5) PGND Power GND pin 6) VH High voltage supply pin 7) VDD Logic voltage supply pin 8) CP Shift register clock
 9) DA Serial data input 10) TSA, B Test pin 11) CS Chip select input pin 12) OSC Pin for self-oscillation
 13) RESET Reset input 14) NX No extended pin

● GRID ASSIGNMENT



1-1	2-1	3-1	4-1	5-1
1-2	2-2	3-2	4-2	5-2
1-3	2-3	3-3	4-3	5-3
1-4	2-4	3-4	4-4	5-4
1-5	2-5	3-5	4-5	5-5
1-6	2-6	3-6	4-6	5-6
1-7	2-7	3-7	4-7	5-7

1G - 16G

● ANODE CONNECTION

	1G – 8G	9G – 14G	15G, 16G
D0B	1-1B	–	–
D1B	2-1B	–	–
D2B	3-1B	–	–
D3B	4-1B	–	–
D4B	5-1B	–	–
D5B	1-2B	–	–
D6B	2-2B	–	–
D7B	3-2B	–	–
D8B	4-2B	–	–
D9B	5-2B	–	–
D10B	1-3B	–	–
D11B	2-3B	–	–
D12B	3-3B	–	–
D13B	4-3B	–	–
D14B	5-3B	–	–
D15B	1-4B	–	–
D16B	2-4B	–	–
D17B	3-4B	–	–
D18B	4-4B	–	–
D19B	5-4B	–	–
D20B	1-5B	–	–
D21B	2-5B	–	–
D22B	3-5B	–	–
D23B	4-5B	–	–
D24B	5-5B	–	–
D25B	1-6B	–	–
D26B	2-6B	–	–
D27B	3-6B	–	–
D28B	4-6B	–	–
D29B	5-6B	–	–
D30B	1-7B	–	–
D31B	2-7B	–	–
D32B	3-7B	–	–
D33B	4-7B	–	P
D34B	5-7B	–	A-B
D0A	1-1A	1-1A	1-1A
D1A	2-1A	2-1A	2-1A

	1G – 8G	9G, 10G	11G, 12G	13G, 14G	15G, 16G
D2A	3-1A	3-1A	3-1A	3-1A	3-1A
D3A	4-1A	4-1A	4-1A	4-1A	4-1A
D4A	5-1A	5-1A	5-1A	5-1A	5-1A
D5A	1-2A	1-2A	1-2A	1-2A	1-2A
D6A	2-2A	2-2A	2-2A	2-2A	2-2A
D7A	3-2A	3-2A	3-2A	3-2A	3-2A
D8A	4-2A	4-2A	4-2A	4-2A	4-2A
D9A	5-2A	5-2A	5-2A	5-2A	5-2A
D10A	1-3A	1-3A	1-3A	1-3A	1-3A
D11A	2-3A	2-3A	2-3A	2-3A	2-3A
D12A	3-3A	3-3A	3-3A	3-3A	3-3A
D13A	4-3A	4-3A	4-3A	4-3A	4-3A
D14A	5-3A	5-3A	5-3A	5-3A	5-3A
D15A	1-4A	1-4A	1-4A	1-4A	1-4A
D16A	2-4A	2-4A	2-4A	2-4A	2-4A
D17A	3-4A	3-4A	3-4A	3-4A	3-4A
D18A	4-4A	4-4A	4-4A	4-4A	4-4A
D19A	5-4A	5-4A	5-4A	5-4A	5-4A
D20A	1-5A	1-5A	1-5A	1-5A	1-5A
D21A	2-5A	2-5A	2-5A	2-5A	2-5A
D22A	3-5A	3-5A	3-5A	3-5A	3-5A
D23A	4-5A	4-5A	4-5A	4-5A	4-5A
D24A	5-5A	5-5A	5-5A	5-5A	5-5A
D25A	1-6A	1-6A	1-6A	1-6A	1-6A
D26A	2-6A	2-6A	2-6A	2-6A	2-6A
D27A	3-6A	3-6A	3-6A	3-6A	3-6A
D28A	4-6A	4-6A	4-6A	4-6A	4-6A
D29A	5-6A	5-6A	5-6A	5-6A	5-6A
D30A	1-7A	1-7A	1-7A	1-7A	1-7A
D31A	2-7A	2-7A	2-7A	2-7A	2-7A
D32A	3-7A	3-7A	3-7A	3-7A	3-7A
D33A	4-7A	4-7A	4-7A	4-7A	4-7A
D34A	5-7A	5-7A	5-7A	5-7A	5-7A
AD1	–	TUNED	SP B	SLEEP	⌘
AD2	–	STEREO	SP A	MUTE	⌚
AD3	–	–	–	–	1
AD4	–	–	–	–	F

	1G	2G	3G	4G	5G	6G	7G	8G	9G	10G	11G	12G	13G	14G	15G	16G
D0B	T1	T2	T3	T4	T5	T6	T7	T8	-	-	-	-	-	-	-	-
D1B	T1	T2	T3	T4	T5	T6	T7	T8	-	-	-	-	-	-	-	-
D2B	T1	T2	T3	T4	T5	T6	T7	T8	-	-	-	-	-	-	-	-
D3B	T1	T2	T3	T4	T5	T6	T7	T8	-	-	-	-	-	-	-	-
D4B	T1	T2	T3	T4	T5	T6	T7	T8	-	-	-	-	-	-	-	-
D5B	T1	T2	T3	T4	T5	T6	T7	T8	-	-	-	-	-	-	-	-
D6B	T1	T2	T3	T4	T5	T6	T7	T8	-	-	-	-	-	-	-	-
D7B	T1	T2	T3	T4	T5	T6	T7	T8	-	-	-	-	-	-	-	-
D8B	T1	T2	T3	T4	T5	T6	T7	T8	-	-	-	-	-	-	-	-
D9B	T1	T2	T3	T4	T5	T6	T7	T8	-	-	-	-	-	-	-	-
D10B	T1	T2	T3	T4	T5	T6	T7	T8	-	-	-	-	-	-	-	-
D11B	T1	T2	T3	T4	T5	T6	T7	T8	-	-	-	-	-	-	-	-
D12B	T1	T2	T3	T4	T5	T6	T7	T8	-	-	-	-	-	-	-	-
D13B	T1	T2	T3	T4	T5	T6	T7	T8	-	-	-	-	-	-	-	-
D14B	T1	T2	T3	T4	T5	T6	T7	T8	-	-	-	-	-	-	-	-
D15B	T1	T2	T3	T4	T5	T6	T7	T8	-	-	-	-	-	-	-	-
D16B	T1	T2	T3	T4	T5	T6	T7	T8	-	-	-	-	-	-	-	-
D17B	T1	T2	T3	T4	T5	T6	T7	T8	-	-	-	-	-	-	-	-
D18B	T1	T2	T3	T4	T5	T6	T7	T8	-	-	-	-	-	-	-	-
D19B	T1	T2	T3	T4	T5	T6	T7	T8	-	-	-	-	-	-	-	-
D20B	T1	T2	T3	T4	T5	T6	T7	T8	-	-	-	-	-	-	-	-
D21B	T1	T2	T3	T4	T5	T6	T7	T8	-	-	-	-	-	-	-	-
D22B	T1	T2	T3	T4	T5	T6	T7	T8	-	-	-	-	-	-	-	-
D23B	T1	T2	T3	T4	T5	T6	T7	T8	-	-	-	-	-	-	-	-
D24B	T1	T2	T3	T4	T5	T6	T7	T8	-	-	-	-	-	-	-	-
D25B	T1	T2	T3	T4	T5	T6	T7	T8	-	-	-	-	-	-	-	-
D26B	T1	T2	T3	T4	T5	T6	T7	T8	-	-	-	-	-	-	-	-
D27B	T1	T2	T3	T4	T5	T6	T7	T8	-	-	-	-	-	-	-	-
D28B	T1	T2	T3	T4	T5	T6	T7	T8	-	-	-	-	-	-	-	-
D29B	T1	T2	T3	T4	T5	T6	T7	T8	-	-	-	-	-	-	-	-
D30B	T1	T2	T3	T4	T5	T6	T7	T8	-	-	-	-	-	-	-	-
D31B	T1	T2	T3	T4	T5	T6	T7	T8	-	-	-	-	-	-	-	-
D32B	T1	T2	T3	T4	T5	T6	T7	T8	-	-	-	-	-	-	-	-
D33B	T1	T2	T3	T4	T5	T6	T7	T8	-	-	-	-	-	-	T20	
D34B	T1	T2	T3	T4	T5	T6	T7	T8	-	-	-	-	-	-	T20	
D0A	T1	T2	T3	T4	T5	T6	T7	T8	T9	T10	T11	T12	T13	T14	T15	T16
D1A	T1	T2	T3	T4	T5	T6	T7	T8	T9	T10	T11	T12	T13	T14	T15	T16

CRX-N470/CRX-N470D/NS-BP150

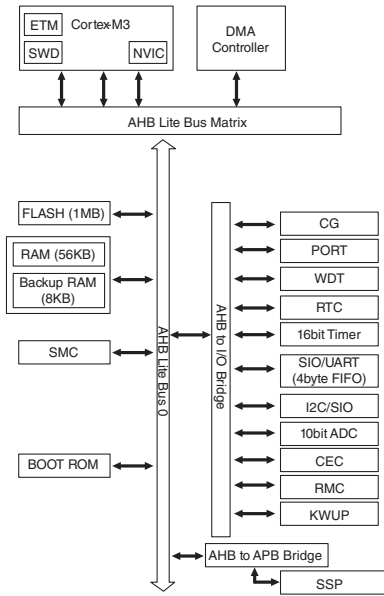
	1G	2G	3G	4G	5G	6G	7G	8G	9G	10G	11G	12G	13G	14G	15G	16G
D2A	T1	T2	T3	T4	T5	T6	T7	T8	T9	T10	T11	T12	T13	T14	T15	T16
D3A	T1	T2	T3	T4	T5	T6	T7	T8	T9	T10	T11	T12	T13	T14	T15	T16
D4A	T1	T2	T3	T4	T5	T6	T7	T8	T9	T10	T11	T12	T13	T14	T15	T16
D5A	T1	T2	T3	T4	T5	T6	T7	T8	T9	T10	T11	T12	T13	T14	T15	T16
D6A	T1	T2	T3	T4	T5	T6	T7	T8	T9	T10	T11	T12	T13	T14	T15	T16
D7A	T1	T2	T3	T4	T5	T6	T7	T8	T9	T10	T11	T12	T13	T14	T15	T16
D8A	T1	T2	T3	T4	T5	T6	T7	T8	T9	T10	T11	T12	T13	T14	T15	T16
D9A	T1	T2	T3	T4	T5	T6	T7	T8	T9	T10	T11	T12	T13	T14	T15	T16
D10A	T1	T2	T3	T4	T5	T6	T7	T8	T9	T10	T11	T12	T13	T14	T15	T16
D11A	T1	T2	T3	T4	T5	T6	T7	T8	T9	T10	T11	T12	T13	T14	T15	T16
D12A	T1	T2	T3	T4	T5	T6	T7	T8	T9	T10	T11	T12	T13	T14	T15	T16
D13A	T1	T2	T3	T4	T5	T6	T7	T8	T9	T10	T11	T12	T13	T14	T15	T16
D14A	T1	T2	T3	T4	T5	T6	T7	T8	T9	T10	T11	T12	T13	T14	T15	T16
D15A	T1	T2	T3	T4	T5	T6	T7	T8	T9	T10	T11	T12	T13	T14	T15	T16
D16A	T1	T2	T3	T4	T5	T6	T7	T8	T9	T10	T11	T12	T13	T14	T15	T16
D17A	T1	T2	T3	T4	T5	T6	T7	T8	T9	T10	T11	T12	T13	T14	T15	T16
D18A	T1	T2	T3	T4	T5	T6	T7	T8	T9	T10	T11	T12	T13	T14	T15	T16
D19A	T1	T2	T3	T4	T5	T6	T7	T8	T9	T10	T11	T12	T13	T14	T15	T16
D20A	T1	T2	T3	T4	T5	T6	T7	T8	T9	T10	T11	T12	T13	T14	T15	T16
D21A	T1	T2	T3	T4	T5	T6	T7	T8	T9	T10	T11	T12	T13	T14	T15	T16
D22A	T1	T2	T3	T4	T5	T6	T7	T8	T9	T10	T11	T12	T13	T14	T15	T16
D23A	T1	T2	T3	T4	T5	T6	T7	T8	T9	T10	T11	T12	T13	T14	T15	T16
D24A	T1	T2	T3	T4	T5	T6	T7	T8	T9	T10	T11	T12	T13	T14	T15	T16
D25A	T1	T2	T3	T4	T5	T6	T7	T8	T9	T10	T11	T12	T13	T14	T15	T16
D26A	T1	T2	T3	T4	T5	T6	T7	T8	T9	T10	T11	T12	T13	T14	T15	T16
D27A	T1	T2	T3	T4	T5	T6	T7	T8	T9	T10	T11	T12	T13	T14	T15	T16
D28A	T1	T2	T3	T4	T5	T6	T7	T8	T9	T10	T11	T12	T13	T14	T15	T16
D29A	T1	T2	T3	T4	T5	T6	T7	T8	T9	T10	T11	T12	T13	T14	T15	T16
D30A	T1	T2	T3	T4	T5	T6	T7	T8	T9	T10	T11	T12	T13	T14	T15	T16
D31A	T1	T2	T3	T4	T5	T6	T7	T8	T9	T10	T11	T12	T13	T14	T15	T16
D32A	T1	T2	T3	T4	T5	T6	T7	T8	T9	T10	T11	T12	T13	T14	T15	T16
D33A	T1	T2	T3	T4	T5	T6	T7	T8	T9	T10	T11	T12	T13	T14	T15	T16
D34A	T1	T2	T3	T4	T5	T6	T7	T8	T9	T10	T11	T12	T13	T14	T15	T16
AD1	-	-	-	-	-	-	-	-	-	T17	T18	T19	T20			
AD2	-	-	-	-	-	-	-	-	-	T17	T18	T19	T20			
AD3	-	-	-	-	-	-	-	-	-	-	-	-	-	T20		
AD4	-	-	-	-	-	-	-	-	-	-	-	-	-	T20		

IC DATA

IC102: TMPM362F10FG (MAIN P.C.B.)

32-bit RISC microprocessor

* No replacement part available. / サービス部品供給なし



36	CD_N_RST	144	PK5.AIN13
35	CD_ON	143	PK4.AIN12
34	CD_SCK	142	PK3.AIN11
33	CD_MISO	141	PK2.AIN10
32	CD_MOSI	140	PK1.AIN9
31	CD_HOME	139	PK0.AIN8
30	CLOSE_SW	138	FJ7.AIN7:KWUP3
29	OPEN_SW	137	MODEL
28	M_MUTE	136	KEY0
27	CD_CLOSE	135	TEST
26	CD_OPEN	134	PS4_PRT
25	UART_RX	133	PS3_PRT
24	UART_TX	132	PS2_PRT
23	N_CPU_N_RST	131	PS1_PRT
22	N_CPU_MISO	130	VCC
21	N_CPU_MOSI	129	PI1.CEC
20	N_CPU_CS	128	/BOOT
19	N_CPU_INT	127	TEST2
18	N_CPU_SPL_MISO	126	TEST1
17	N_CPU_SPL_MOSI	125	/NMI
16	N_CPU_SPL_SCK	124	PI3.INTE
15	DVSS	123	PI2.INTE
14	P_SW	122	VSS
13	USB_N_RST	121	VCC
12	USB_BUSY	120	X2
11	USB_MCHNG	119	VSS
10	USB_IRPTO	118	X1
9	USB_SEARCH	117	VCC
8	USB_SCL	116	XT2
7	USB_SDA	115	XT1
6	MODE	114	VCC
5	RESET	113	TUN_TUNED
4	VREFH	112	DAB_N_RST
3	AVSS	111	TUN_SCL
2	PK7.AIN15	110	TUN_SDA
1	PK6.AIN14	109	KEY0_INT
37	LED_Power	72	PC7.A8
38	LED_WIFI	71	PC6.A7:SCLK9:CTS9
39	LED_BT	70	VOL_B
40	N_CPU_MUTE0	69	VOL_A
41	N_CPU_PHOLD	68	FL_N_RST
42	N_CPU_VBUSDRV	67	FL_SCK
43	N_CPU_ADT_MUTE	66	FL_N_CS
44	PP4.WE.SPCLK	65	FL_MOSI
45	PP5.OE.SPSS	64	PB7.D15.AD15
46	REGON	63	KEY1
47	VCC	62	PB5.D13.AD13
48	VSS	61	SW_N_MUTE
49	3.3S_N_PON	60	HP_N_MUTE
50	VP_PON	59	HP_DAC_MUTE
51	FL_PON	58	CD_DAC_MUTE
52	SNET_PON	57	OC_N_FLG
53	SV_PON	56	PA7.D7.A7
54	SU_PON	55	AUDIO_PON
55	LED_WIFI	54	SU_PON
56	LED_BT	53	SV_PON
57	LED_Power	52	SNET_PON
58	N_CPU_MUTE0	51	FL_PON
59	N_CPU_PHOLD	50	VP_PON
60	N_CPU_VBUSDRV	49	3.3S_N_PON
61	N_CPU_ADT_MUTE	48	VSS
62	PP4.WE.SPCLK	47	VCC
63	PP5.OE.SPSS	46	REGON
64	REGON	45	PP5.OE.SPSS
65	VCC	44	PP4.WE.SPCLK
66	VSS	43	N_CPU_ADT_MUTE
67	3.3S_N_PON	42	N_CPU_VBUSDRV
68	VP_PON	41	N_CPU_PHOLD
69	FL_PON	40	N_CPU_MUTE0
70	SNET_PON	39	LED_BT
71	SV_PON	38	LED_WIFI
72	SU_PON	37	LED_Power
73	AUDIO_PON	36	CD_N_RST
74	PA7.D7.A7	35	CD_ON
75	OC_N_FLG	34	CD_SCK
76	PA7.D7.A7	33	CD_MISO
77	SU_PON	32	CD_MOSI
78	SV_PON	31	CD_HOME
79	SNET_PON	30	CLOSE_SW
80	FL_PON	29	OPEN_SW
81	VP_PON	28	M_MUTE
82	3.3S_N_PON	27	CD_CLOSE
83	VSS	26	CD_OPEN
84	VCC	25	UART_RX
85	REGON	24	UART_TX
86	PP5.OE.SPSS	23	N_CPU_N_RST
87	PP4.WE.SPCLK	22	N_CPU_MISO
88	N_CPU_MUTE0	21	N_CPU_MOSI
89	N_CPU_PHOLD	20	N_CPU_CS
90	N_CPU_VBUSDRV	19	N_CPU_INT
91	N_CPU_ADT_MUTE	18	N_CPU_SPL_MISO
92	PP4.WE.SPCLK	17	N_CPU_SPL_MOSI
93	PP5.OE.SPSS	16	N_CPU_SPL_SCK
94	REGON	15	DVSS
95	N_CPU_MUTE0	14	P_SW
96	N_CPU_PHOLD	13	USB_N_RST
97	N_CPU_VBUSDRV	12	USB_BUSY
98	N_CPU_ADT_MUTE	11	USB_MCHNG
99	PP4.WE.SPCLK	10	USB_IRPTO
100	PP5.OE.SPSS	9	USB_SEARCH
101	REGON	8	USB_SCL
102	N_CPU_MUTE0	7	USB_SDA
103	N_CPU_PHOLD	6	MODE
104	N_CPU_VBUSDRV	5	RESET
105	N_CPU_ADT_MUTE	4	VREFH
106	PP4.WE.SPCLK	3	AVSS
107	PP5.OE.SPSS	2	PK7.AIN15
108	REGON	1	PK6.AIN14
109	N_CPU_MUTE0		
110	N_CPU_PHOLD		
111	N_CPU_VBUSDRV		
112	N_CPU_ADT_MUTE		
113	PP4.WE.SPCLK		
114	PP5.OE.SPSS		
115	REGON		
116	N_CPU_MUTE0		
117	N_CPU_PHOLD		
118	N_CPU_VBUSDRV		
119	N_CPU_ADT_MUTE		
120	PP4.WE.SPCLK		
121	PP5.OE.SPSS		
122	REGON		
123	N_CPU_MUTE0		
124	N_CPU_PHOLD		
125	N_CPU_VBUSDRV		
126	N_CPU_ADT_MUTE		
127	PP4.WE.SPCLK		
128	PP5.OE.SPSS		
129	REGON		
130	N_CPU_MUTE0		
131	N_CPU_PHOLD		
132	N_CPU_VBUSDRV		
133	N_CPU_ADT_MUTE		
134	PP4.WE.SPCLK		
135	PP5.OE.SPSS		
136	REGON		
137	N_CPU_MUTE0		
138	N_CPU_PHOLD		
139	N_CPU_VBUSDRV		
140	N_CPU_ADT_MUTE		
141	PP4.WE.SPCLK		
142	PP5.OE.SPSS		
143	REGON		
144	N_CPU_MUTE0		

CRX-N470/CRX-N470D/NS-BP150

Pin No.	Port Name	Function Name (P.C.B.)	I/O	Detail of Function
1	PK6/AIN14	FCT_MODE	I	Inspection
2	PK7/AIN15			
3	AVSS	VSS	MCU	
4	VREFH	VREFH	MCU	
5	/RESET	N_RST	MCU	
6	MODE	MODE	MCU	
7	PL0	USB_SDA		
8	PL1	USB_SCL		
9		USB_SEARCH		
10	INT0	USB_IRPTO		
11	TXD1	USB_MCHNG		
12	RXD1	USB_BUSY		
13	SCLK1	USB_N_RST		
14	INT1	P_SW	IRQ	Power ON switch
15	DVSS	VSS	MCU	
16	SCLK2	NCPU_SPI_SCK	SPI	Network SPI clock
17	TXD2	NCPU_SPI_MOSI	SPI	Network SPI communication lines
18	RXD2	NCPU_SPI_MISO	SPI	Network SPI communication lines
19	INT2	NCPU_N_INT	IRQ	Notification of interruption from network
20	PM4	NCPU_N_CS	O	Network chip select
21	TXD3	NCPU_MOSI	UART	Network UART communication line
22	RXD3	NCPU_MISO	UART	Network UART communication line
23	PM7	NCPU_N_RST		Network reset control
24	PN0/TXD4	UART_TX	UART	
25	PN1/RXD4	UART_RX	UART	
26	PN2	CD_OPEN	O	CD tray open
27	PN3	CD_CLOSE	O	CD tray closed
28	PN4	M_MUTE	O	Motor mute
29	PN5	OPEN_SW	I	CD open switch
30	PN6	CLOSE_SW	I	CD close switch
31	PN7	CD_HOME	I	CD home position
32	TXD6	CD_MOSI	UART	CDLSI UART communication line
33	RXD6	CD_MISO	UART	CDLSI UART communication line
34	SCLK6	CD_SCK	SPI	CDLSI SPI clock
35	PO3	CD_ON	I	Notification of CD identification
36	PO4	CD_N_RST	O	CDLSI reset
37	PO5	LED_POWER	TMR	CDLSI internal regulator start-up / Use care for start-up sequence
38	TBEOUT	LED_WIFI	TMR	Display of wireless LAN connection state
39	TBFOUT	LED_BT	TMR	Display of Bluetooth connection state
40	PP0	NCPU_MUTE0	I	Mute request from network
41	PP1	NCPU_PHOLD	O	Network power management IC enable / High after 5NET turned on
42	PP2	NCPU_VBUSDRV	I	Network USB power permission signal
43	PP3	NCPU_AMUTE	O	Mute signal when network audio transmitted
44	PP4//WE/SPCLK	DIAG_OUT	O	
45	PP5//OE/SPFSS	INSP_2		
46	PP6//ALE	REGON	O	
47	DVDD3B	VCC	MCU	
48	DVSS	VSS	MCU	
49	PA0	3.3S_N_PON	O	3.3S control signal
50	PA1	VP_PON	O	+9A control signal
51	PA2	FL_PON	O	FL drive, filament control signal
52	PA3	5NET_PON	O	Network module power supply control signal
53	PA4	5V_PON	O	5VDCDC control signal
54	PA5	5U_PON	O	USB power supply control signal






Pin No.	Port Name	Function Name (P.C.B.)	I/O	Detail of Function
55	PA6	AUDIO_PON	O	3.3V, 7.2V, 5A control signal
56	PA7/D7/AD7			
57	PB0	OC_N_FLG	I	Notification of high side switch error
58	PB1	CD_DAC_MUTE	O	Path selection
59	PB2	HP_DAC_MUTE	O	Path selection
60	PB3	HP_N_MUTE	O	Pre-out mute signal / Mute at Low
61	PB4	SW_N_MUTE	O	PCM, DSD signal switching
62	PB5	PB5.D13.AD13		
63	PB6	KEY1		(no use)
64	PB7/D15/AD15			
65	PC0	FL_MOSI	O	FL SPI communication lines
66	PC1	FL_N_CS	O	FL chip select
67	PC2	FL_SCK	O	FL SPI clock
68	PC3	FL_N_RST	O	FL reset control
69	PC4	VOL_A	I	Rotary encoder_VOLA
70	PC5	VOL_B	I	Rotary encoder_VOLB
71	PC6/A7/SCLK9//CTS9			
72	PC7/A8			
73	TXD10			
74	RXD10			
75	PD2	SYS_R_EN		
76	PD3	SYS_POW_DET		
77	PD4/A13/TXD11			
78	PD5/A14/RXD11			
79	PD6/A15/SCLK11//CTS11			
80	INTB	REMOTE	IRQ	Remote control input
81	PE0/A17/TB5IN0	AMP_N_SLEEP	O	
82	PE1/A18/TB5IN1	AMP_PRT	I	
83	PE2/A19/TB6IN0	AMP_N_MUTE	O	
84	PE3/A20/TB6IN1	AMP_HOPP	O	
85	PE4/A21/TXD0			
86	PE5/A22/RXD0			
87	PE6/A23/SCLK0//CTS0			
88	PE7	HP_DET	I	System ON with CD EJECT selected
89	DVDD3B	VCC	MCU	
90	DVSS	VSS	MCU	
91	SWDIO	SWD_IO	MCU	
92	SWCLK	SWD_CLK	MCU	
93	PF0/TRACECLK	TRACECLK	MCU	
94	SWV	SWD_SWO	MCU	
95	PF2/TRACEDATA1	TRACEDATA1	MCU	
96	PF3/TRACEDATA2	TRACEDATA2	MCU	
97	PF4/TRACEDATA3	TRACEDATA3	MCU	
98	SDA1	EP_SDA	I2C	EEPROM, RTC I2C communication lines
99	SCL1	EP_SCL	I2C	EEPROM, RTC I2C communication lines
100	PG2/SCK1//CS0	DSP_N_RST	O	
101	INT6	DSP_N_IRQ	IRQ	DSP I2C communication lines
102	SDA2	DSP_SDA	I2C	DSP I2C communication lines
103	SCL2	DSP_SCL	I2C	DSP I2C communication lines
104	PG6/SCK2//CS3			
105	INT7	PWR_DET	IRQ	Monitoring module output 9V
106	SDA3	SEL_SDA	I2C	DAC I2C communication lines
107	SCL3	SEL_SCL	I2C	DAC I2C communication lines
108	PH2	ADC_PCON	O	

CRX-N470/CRX-N470D/NS-BP150

Pin No.	Port Name	Function Name (P.C.B.)	I/O	Detail of Function
109	INTC	KEY0_INT	IRQ	
110	SDA4	TUN_SDA	I2C	TUNER/DAB I2C communication lines
111	SCL4	TUN_SCL	I2C	TUNER/DAB I2C communication lines
112	PH6	TUN_N_RST	O	DAB reset control
113	INTD	TUN_TUNED	IRQ	Notification on TUNER wave detection
114	RVDD3	VCC	MCU	
115	XT1	NC	MCU	
116	XT2	NC	MCU	
117	DVDD3A	VCC	MCU	
118	X1	X1	MCU	
119	DVSS	VSS	MCU	
129	X2	X2	MCU	
121	DVDD3B	VCC	MCU	
122	DVSS	VSS	MCU	
123	PI2/INTE			
124	PI3/INTF			
125	/NMI	/NMI	MCU	Mask disable interruption / Pull-up due to disuse
126	TEST1	TEST1	MCU	
127	TEST2	TEST2	MCU	
128	PI0/BOOT	/BOOT	MCU	
129	P11/CEC			
130	AVDD3	VCC	MCU	
131	AIN0	PS1_PRT	AD	Power protection
132	AIN1	PS2_PRT	AD	Power protection
133	AIN2	PS3_PRT	AD	Power protection / Monitoring 5V up to ES2
134	AIN3	PS4_PRT	AD	Power protection / Monitoring 5V from TP
135	AIN4	TEST	AD	
136	AIN5	KEY0	AD	Key input
137	PJ6	MODEL	I	Model distinction
138	PJ7/AIN7/KWUP3			
139	PK0/AIN8			
140	PK1/AIN9			
141	PK2/AIN10			
142	PK3/AIN11			
143	PK4/AIN12			
144	PK5/AIN13			

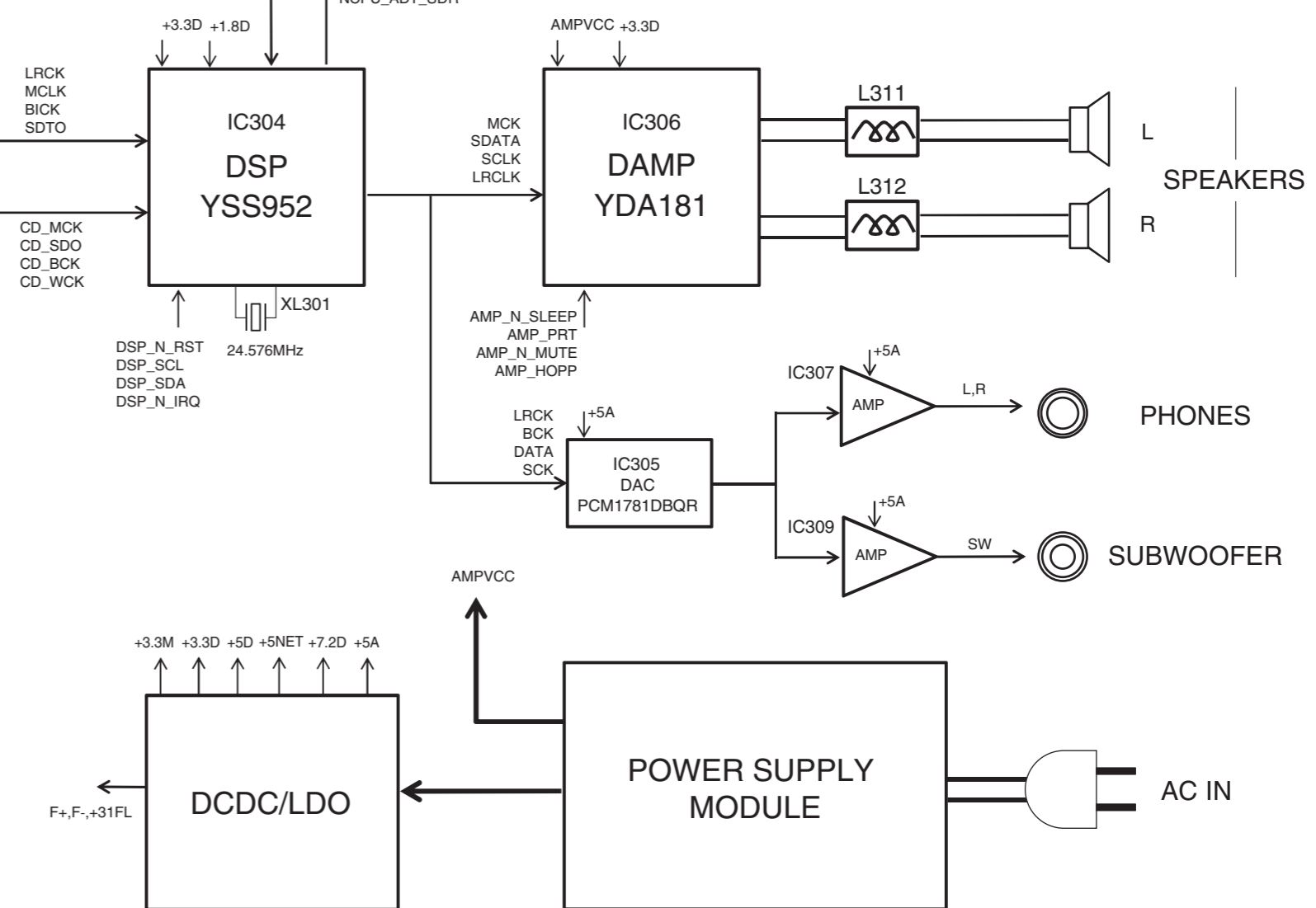
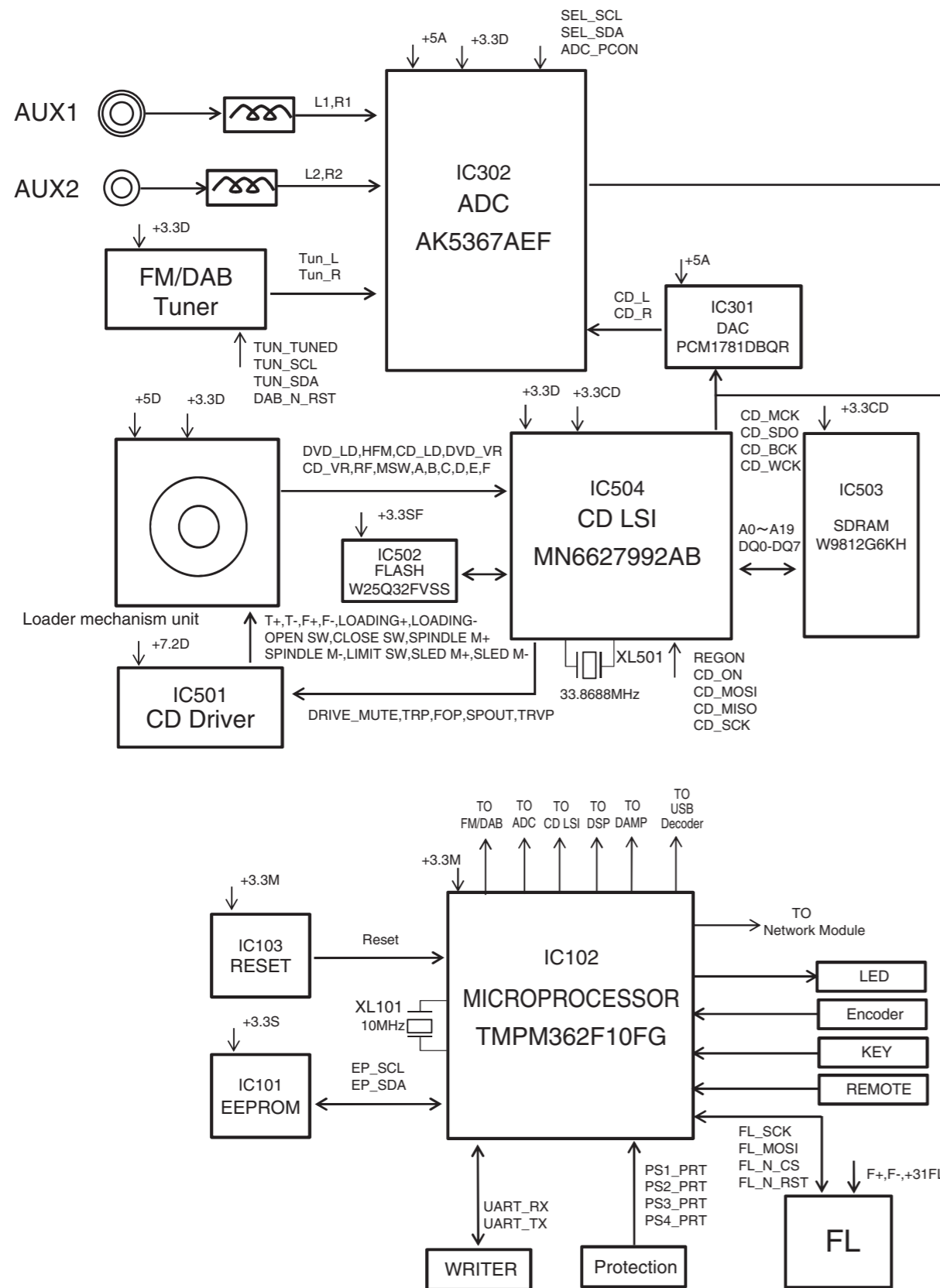
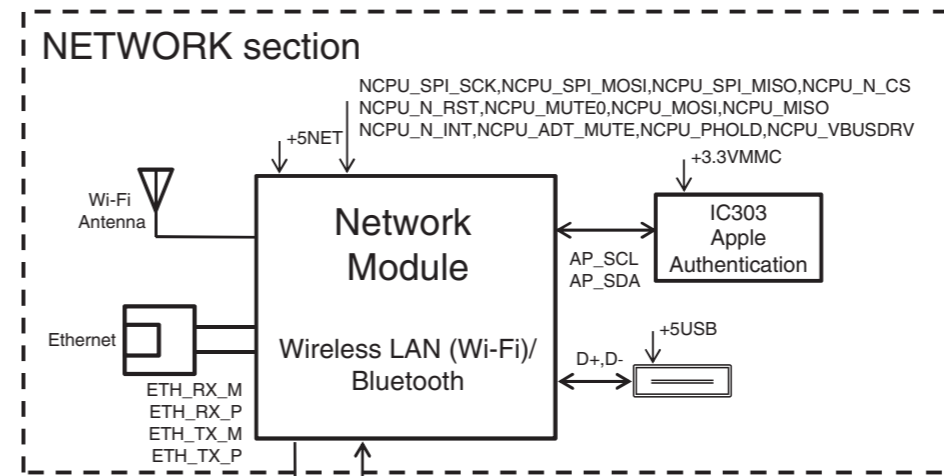
Key detection for A/D port

Key input (A/D) pull-up resistance: 10 k-ohms

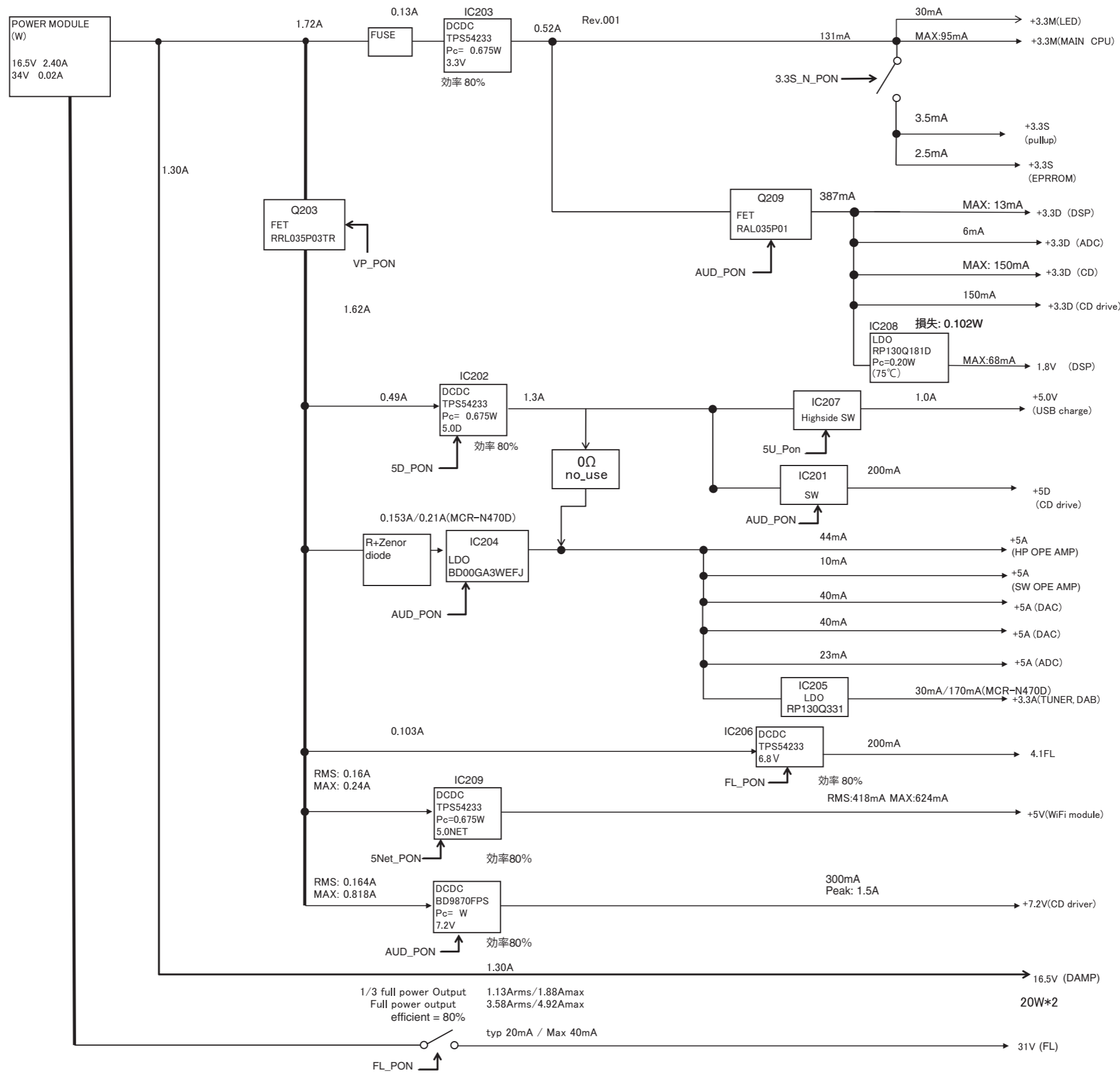
	0 Ω	+1.5 k Ω	+1.8 k Ω	+2.7 k Ω	+12 k Ω	+22 k Ω
Detected voltage value at 136 pin	0.00 – 0.12	0.33 – 0.56	0.72 – 0.95	1.14 – 1.37	2.02 – 2.25	2.98 – 3.21
A/D value (3.3 V=255)	0 – 9	26 – 44	56 – 74	88 – 106	156 – 174	196 – 214
KEY1	 EJECT	 (SKIP +/PRESET >)	 PLAY	INPUT	 (SKIP -/PRESET <)	 STOP

BLOCK DIAGRAMS

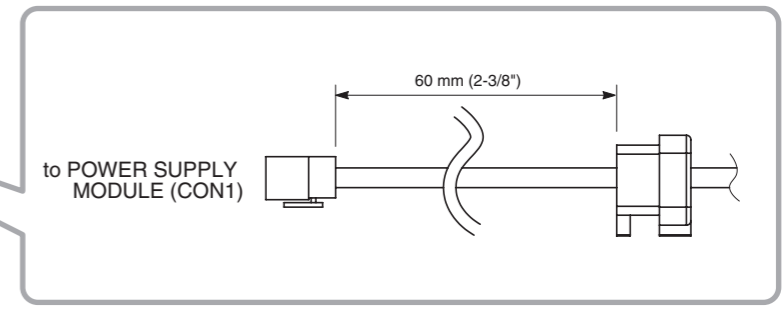
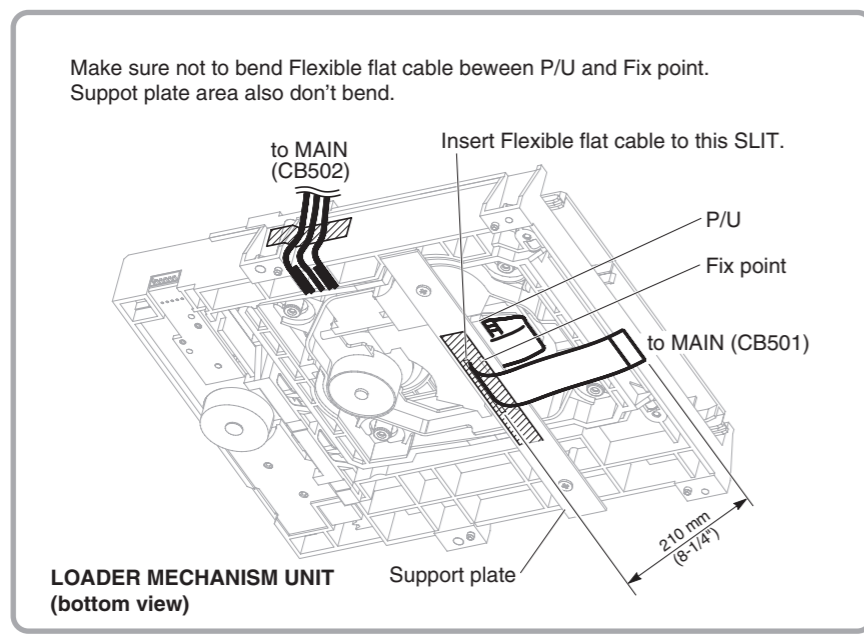
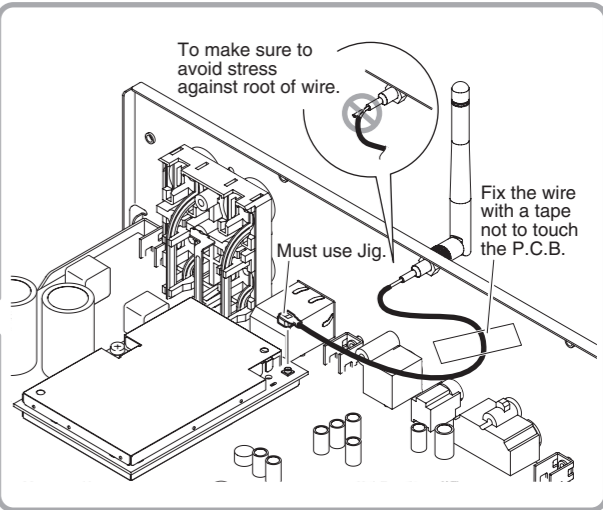
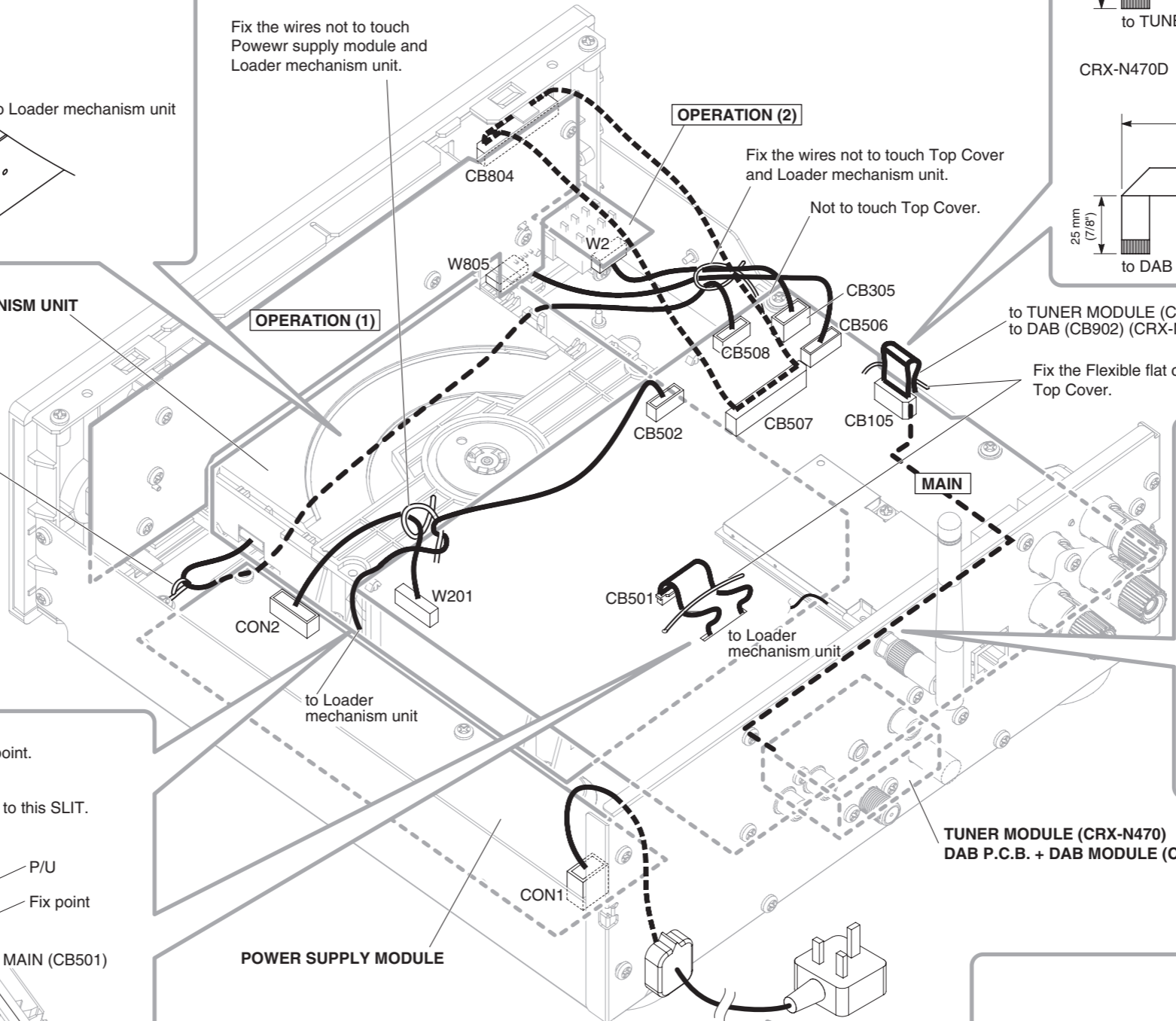
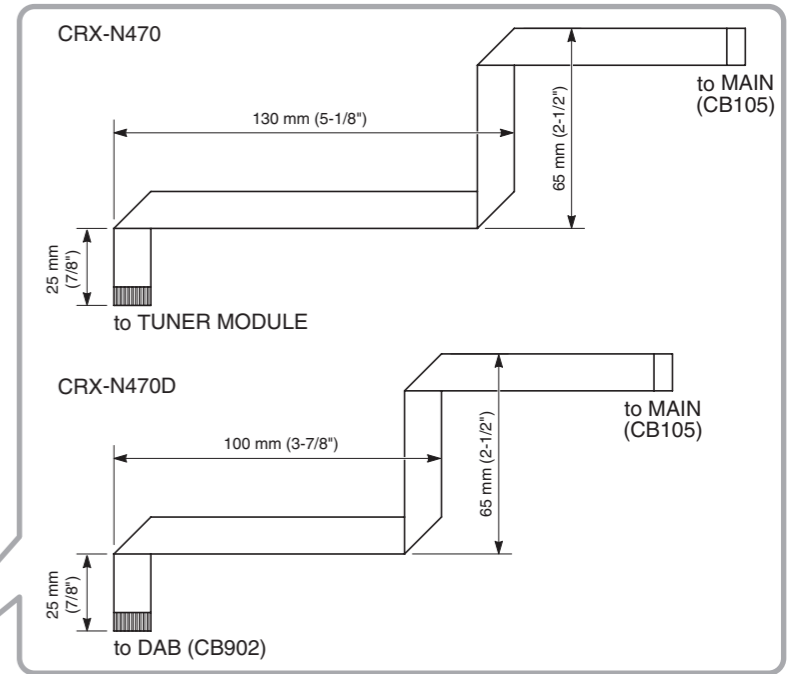
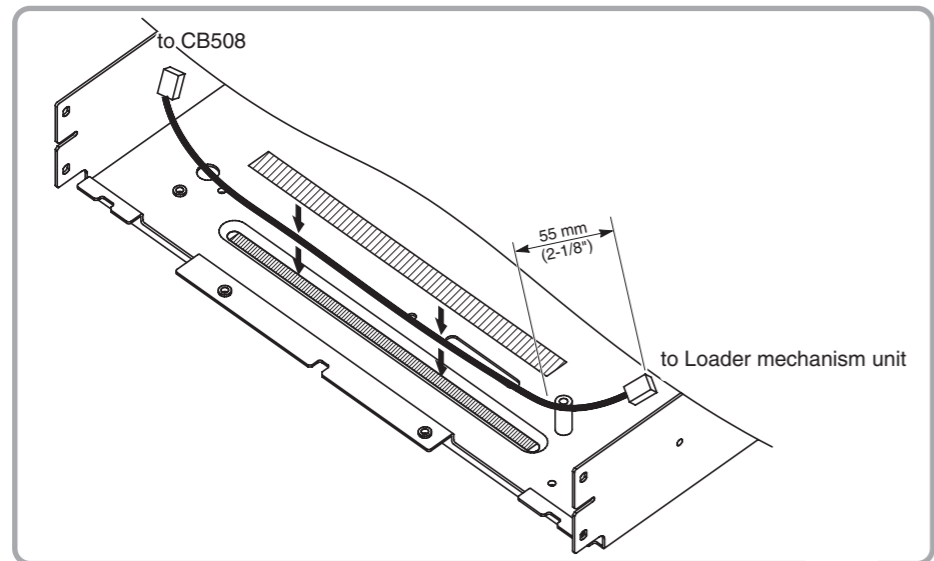
AUDIO Section Block Diagram



Power Supply Section Block Diagram



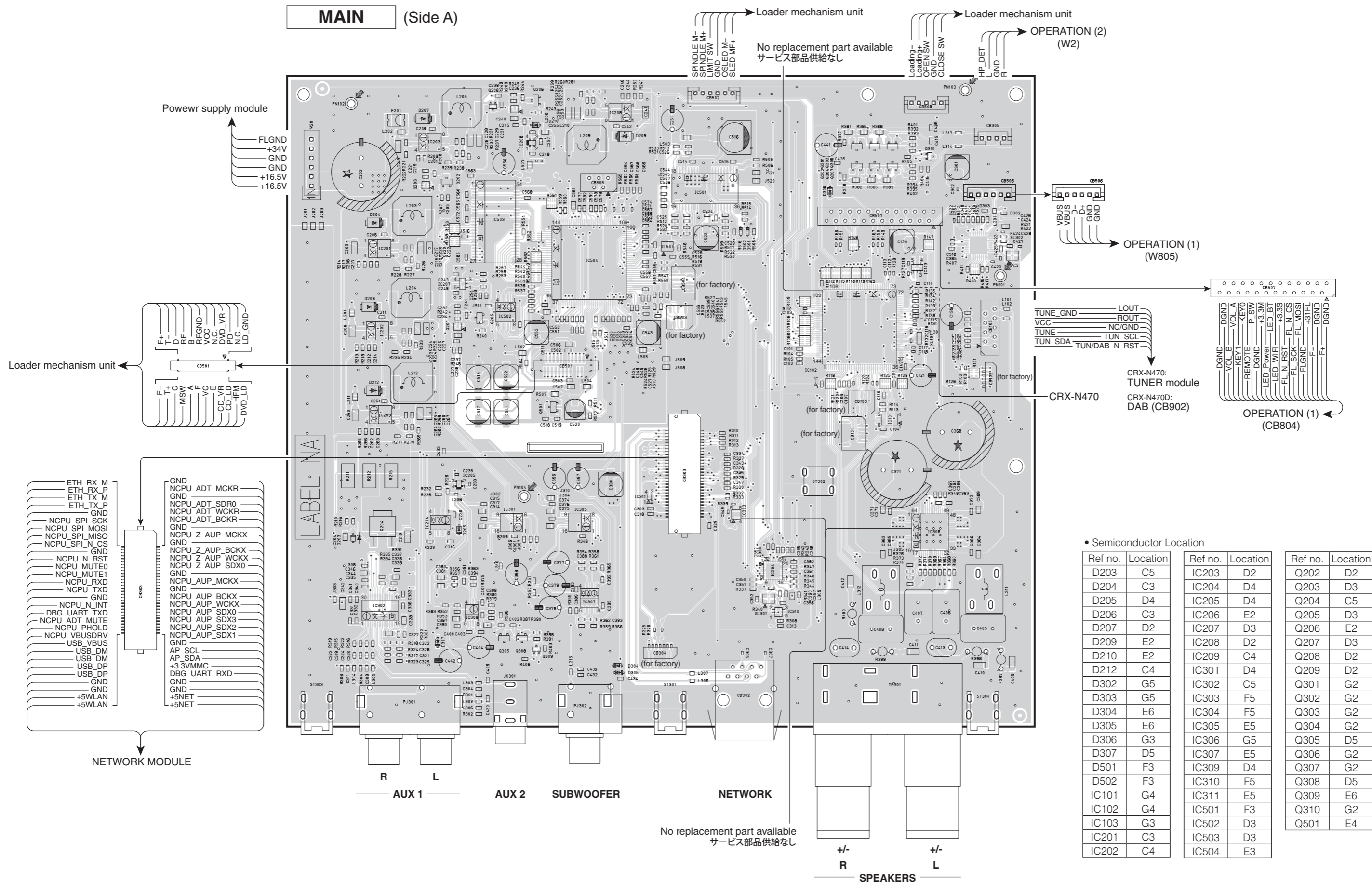
WIRING DIAGRAM
OVERALL ASSEMBLY



1
2
3
4
5
6
7

PRINTED CIRCUIT BOARDS

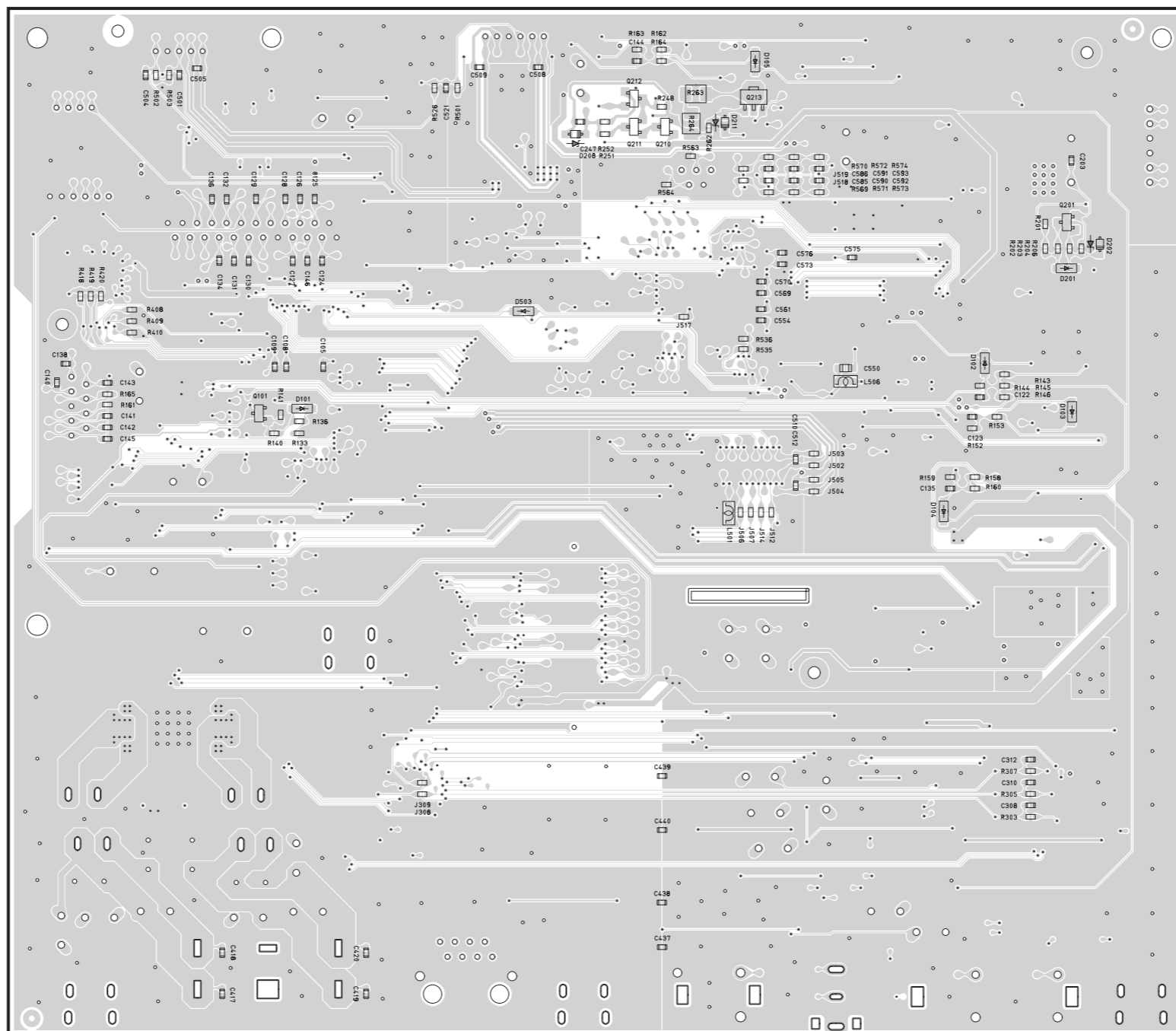
MAIN (Side A)



• Semiconductor Location

Ref no.	Location	Ref no.	Location	Ref no.	Location
D203	C5	IC203	D2	Q202	D2
D204	C3	IC204	D4	Q203	D3
D205	D4	IC205	D4	Q204	C5
D206	C3	IC206	E2	Q205	D3
D207	D2	IC207	D3	Q206	E2
D209	E2	IC208	D2	Q207	D3
D210	E2	IC209	C4	Q208	D2
D212	C4	IC301	D4	Q209	D2
D302	G5	IC302	C5	Q301	G2
D303	G5	IC303	F5	Q302	G2
D304	E6	IC304	F5	Q303	G2
D305	E6	IC305	E5	Q304	G2
D306	G3	IC306	G5	Q305	D5
D307	D5	IC307	E5	Q306	G2
D501	F3	IC309	D4	Q307	G2
D502	F3	IC310	F5	Q308	D5
IC101	G4	IC311	E5	Q309	E6
IC102	G4	IC501	F3	Q310	G2
IC103	G3	IC502	D3	Q501	E4
IC201	C3	IC503	D3		
IC202	C4	IC504	E3		

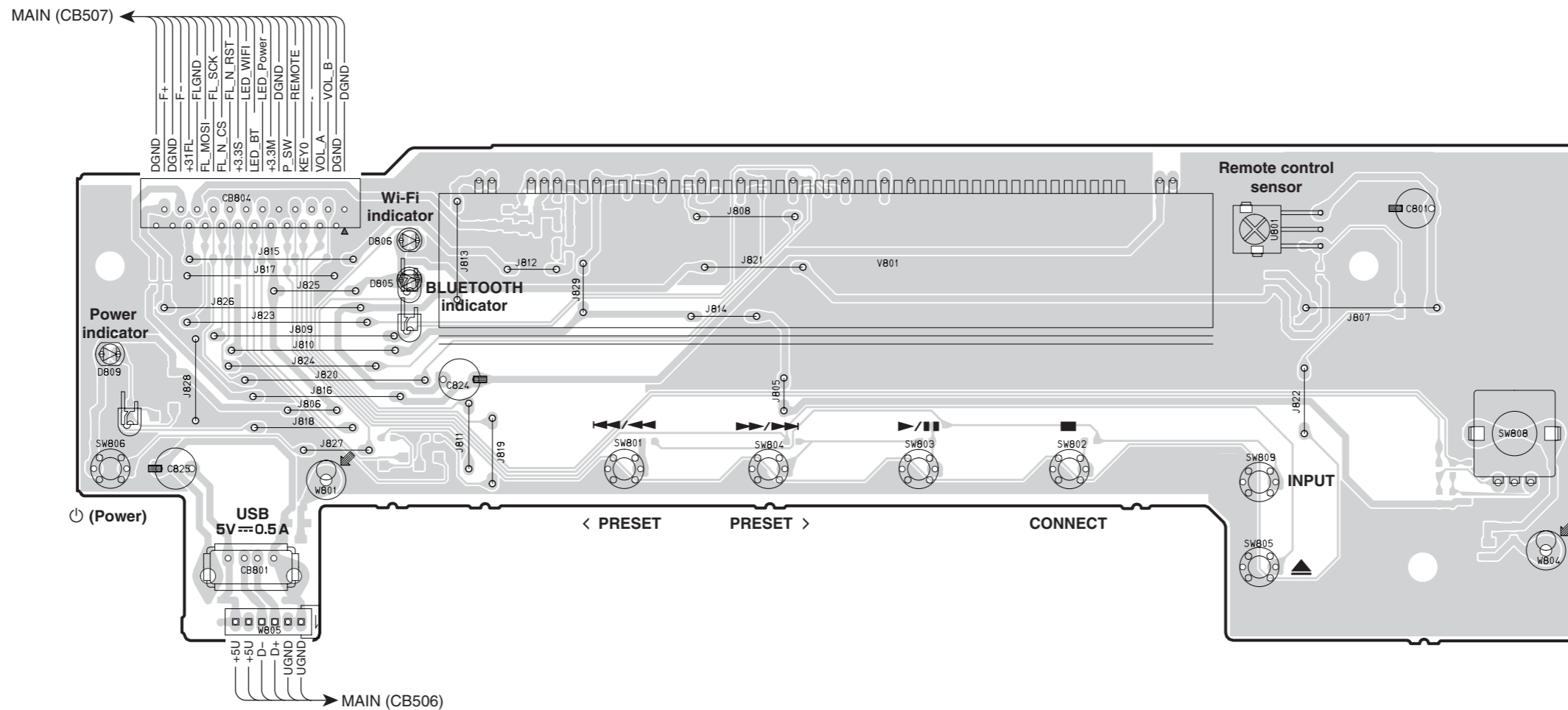
MAIN (Side B)



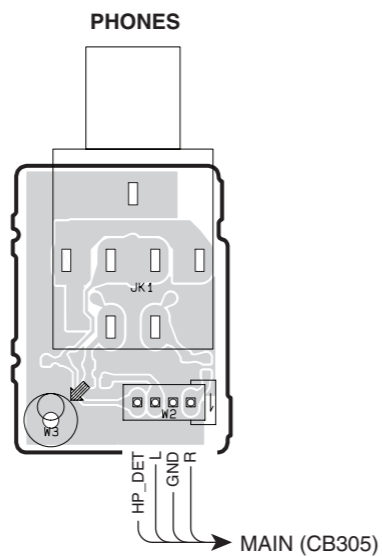
• Semiconductor Location

Ref no.	Location
D101	D4
D102	G3
D103	G4
D104	G4
D105	F2
D201	G3
D202	H4
D208	E2
D211	F2
D503	E3
Q101	D4
Q201	G3
Q210	F2
Q211	F2
Q212	F2
Q213	F2

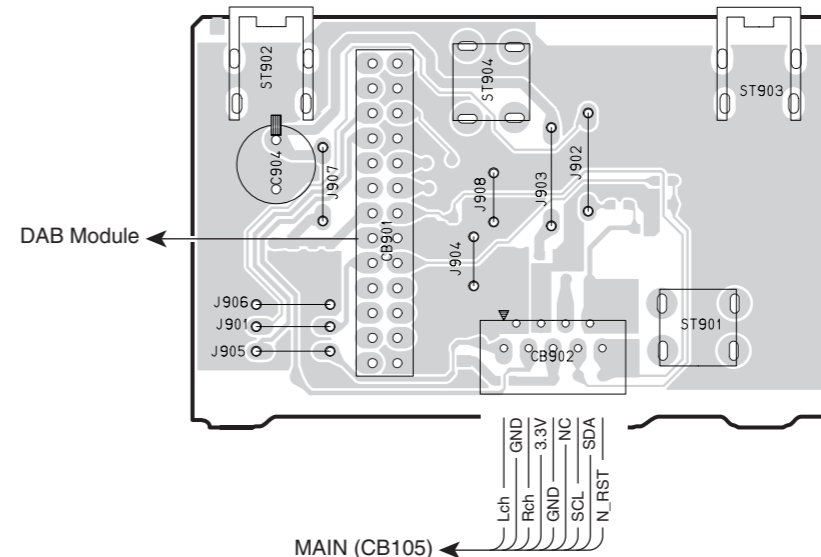
OPERATION (1) (Side A)



OPERATION (2) (Side A)



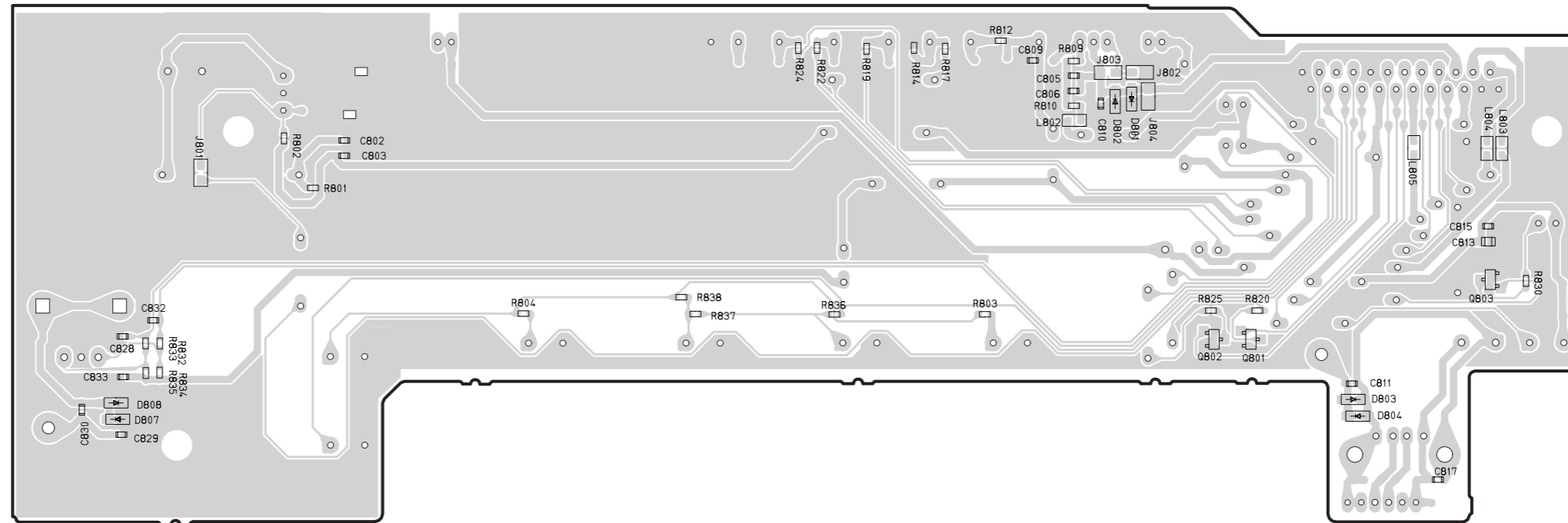
DAB (Side A)
(CRX-N470D)



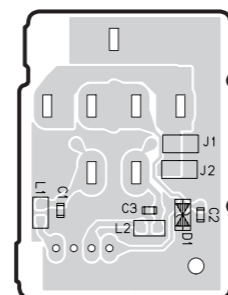
• Semiconductor Location

Ref no.	Location
D805	D2
D806	D2
D809	B3

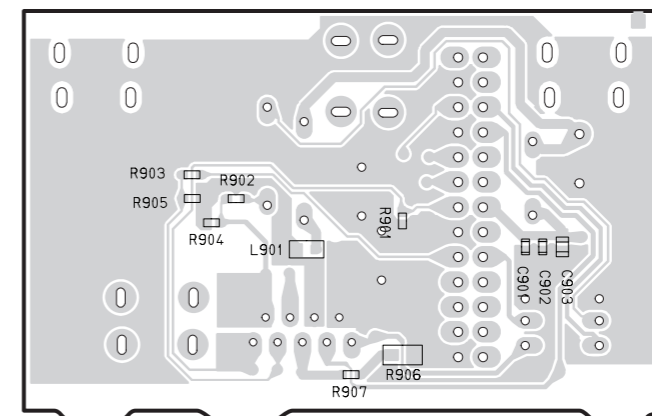
OPERATION (1) (Side B)



OPERATION (2) (Side B)



DAB (Side B)
(CRX-N470D)



• Semiconductor Location

Ref no.	Location
D1	D6
D801	G2
D802	G2
D803	H3
D804	H4
D807	C4
D808	C3
Q801	H3
Q802	G3
Q803	I3

PIN CONNECTION DIAGRAMS

• ICs

AIC6163-1GV5TR 	AK5367AEF 	BD00GA3WEFJ-E2 	LA6565-TE-L-E 	MFI337S3959
MN6627992AB 	NJM8202V 	NJU7043M 	PCM1781DBQR 	R1EX24002ATAS0I
R3116N271A-TR-F 	R5527K001D-TR LOAD 	RP130Q181D-TR-F 	TC7SH04FU 	TMPM362F10FG
TPS54233DR 	W25Q32FVSSIG 	W9812G6KH-6 		

• Diodes

1SS352 TE 	1SS355VM RB051LA-40 	RB500VM-40TE-17 	RB520SM-40 	UDZV4.7B UDZV10B UDZV30B
---------------	----------------------------	---------------------	----------------	------------------------------------

• Transistors

2SA1037AK R,S 	2SAR513P 	2SCR573D 	2SD2704 K 	DTA044EUBTL 	DTA144EKA
KRA304-RTK/P 	KTA1504S Y GR RTK 	KTC3875S Y GR RTK 	RAL035P01 	RRL035P03TR 	

SCHEMATIC DIAGRAMS
MAIN 1/4

MAIN

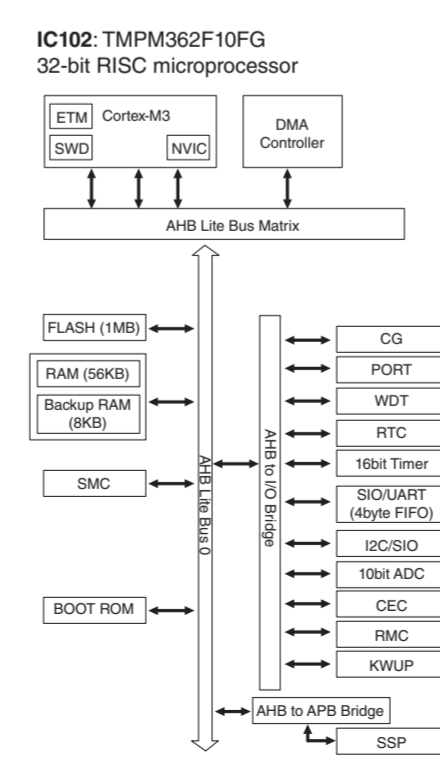
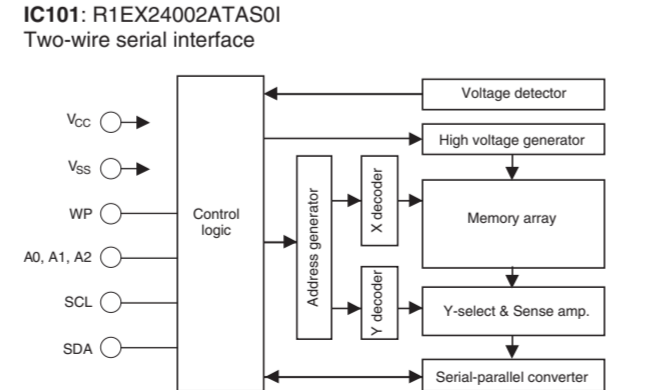
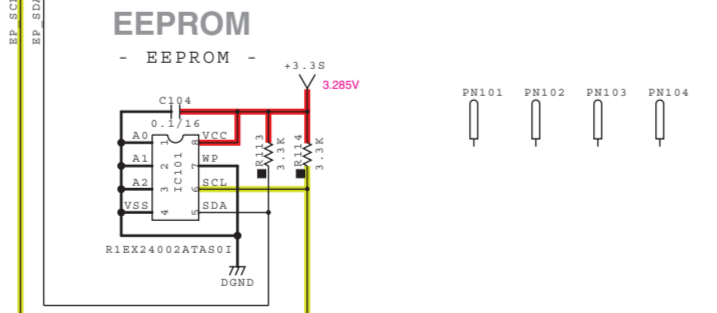
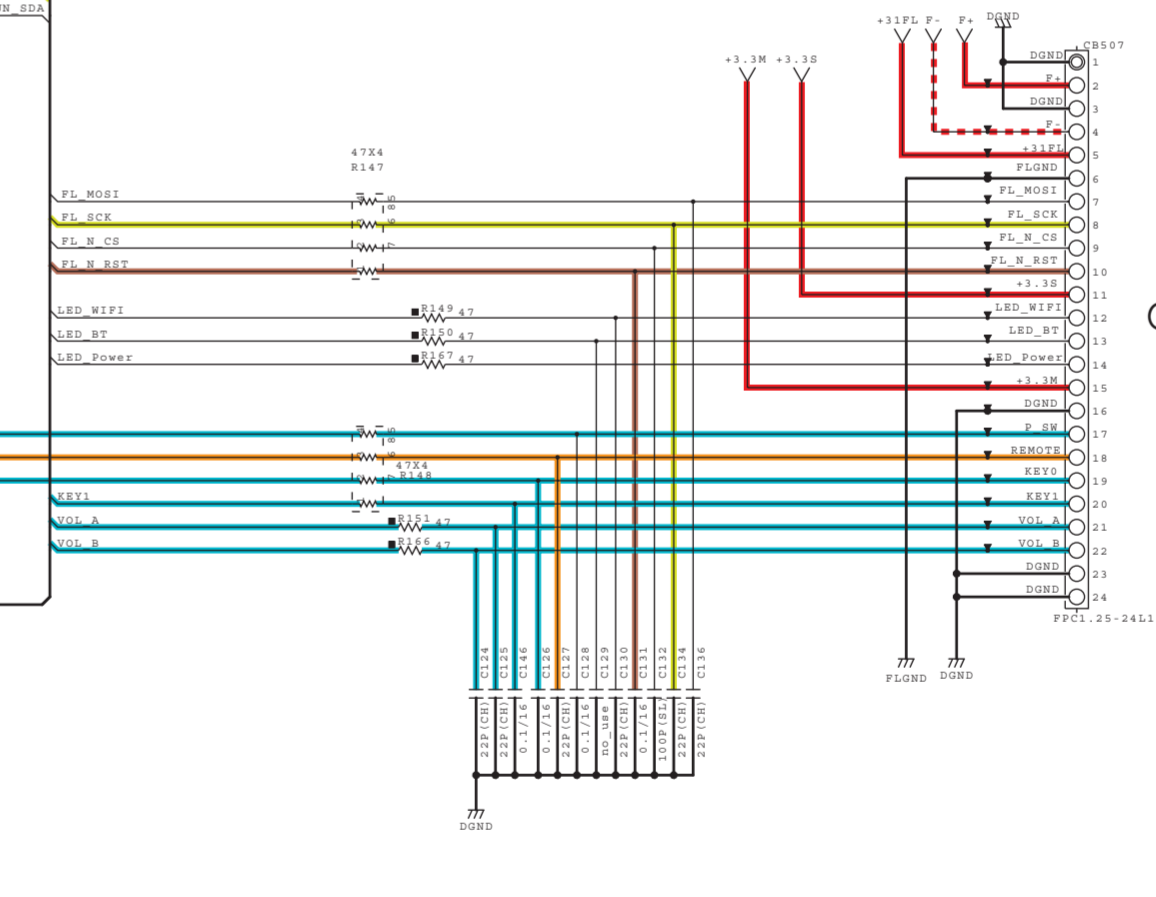
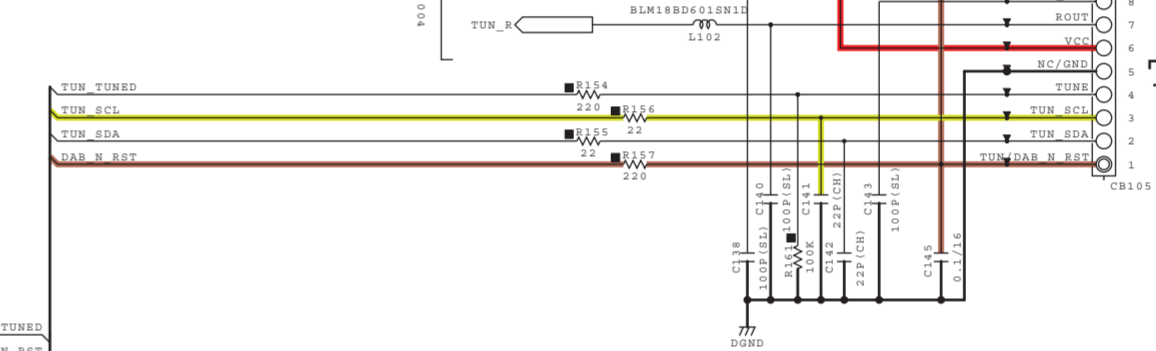
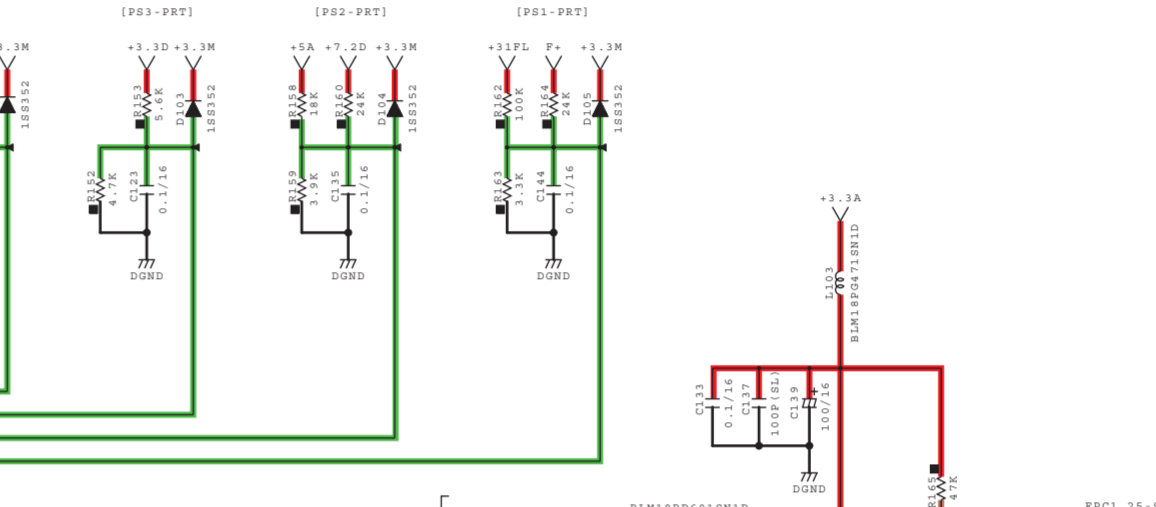
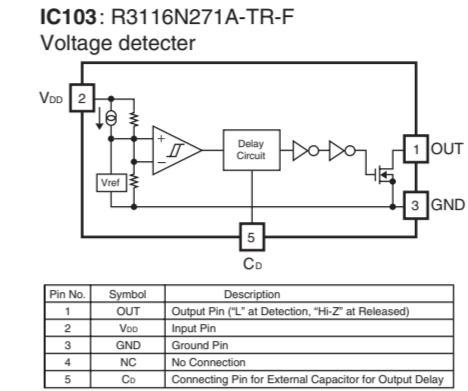
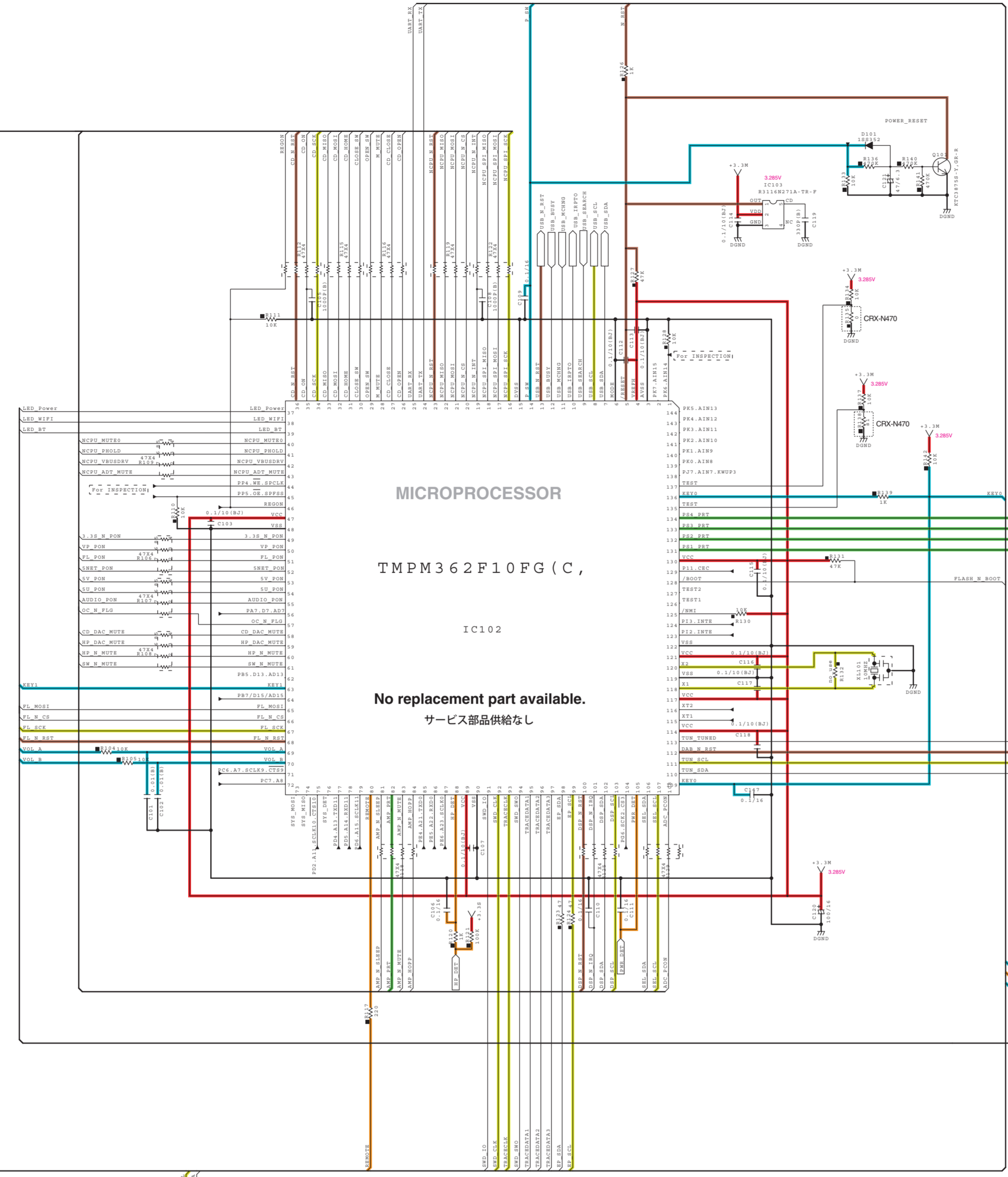
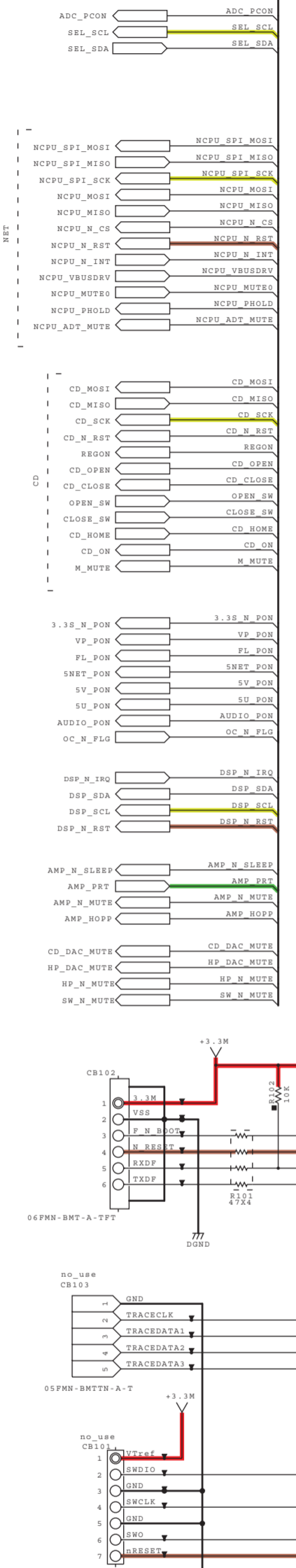
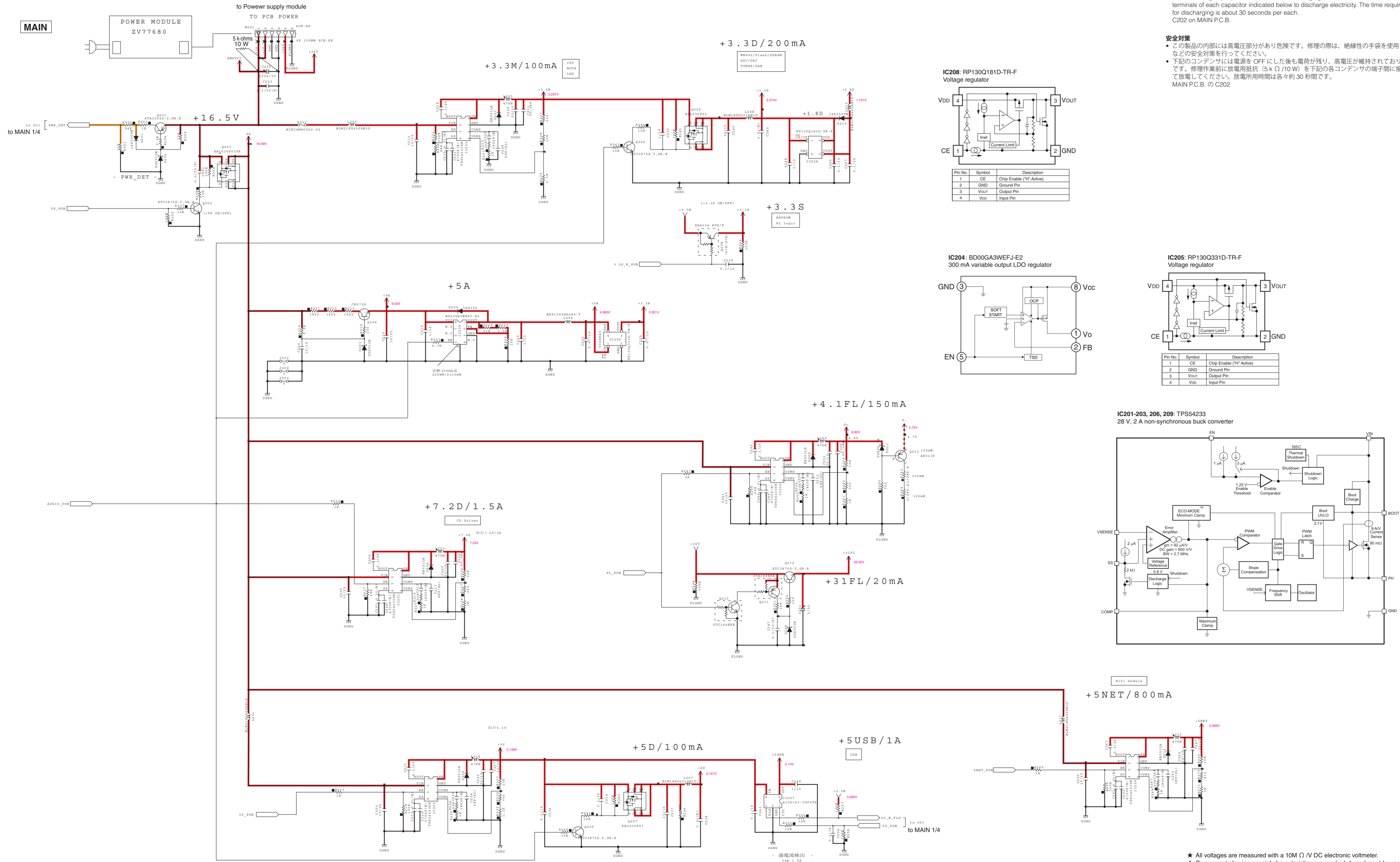


Table with columns for RESISTOR and CAPACITOR, listing part names and remarks.

NOTICE (model) (G)..... EUROPEAN STANDARD (U)..... U.S.A. (L)..... SINGAPORE (C)..... CANADA (E)..... SOUTH EUROPE (B)..... GENERAL (T)..... CHINA (P)..... RUSSIAN (K)..... KOREA (P)..... LATIN AMERICA (A)..... AUSTRALIA (B)..... BRAZIL (R)..... BRITISH (N)..... THAI

All voltages are measured with a 10M Ω /V DC electronic voltmeter. Components having special characteristics are marked Δ and must be replaced with parts having specifications equal to those originally installed. Schematic diagram is subject to change without notice. ● 電圧は、内部抵抗 10M Ω の電圧計で測定したものです。 ● Δ印のある部品は、安全性確保部品を示しています。部品の交換が必要な場合、パーツリストに記載されている部品を使用してください。 ● 本回路図は標準回路図です。改良のため予告なく変更することがあります。 Details of colored lines: Red / full line: Power supply (+) Red / dashed line: Power supply (-) Orange: Signal detect Yellow: Clock Green: Protection detect Brown: Reset signal Blue: Panel key input

MAIN 2/4

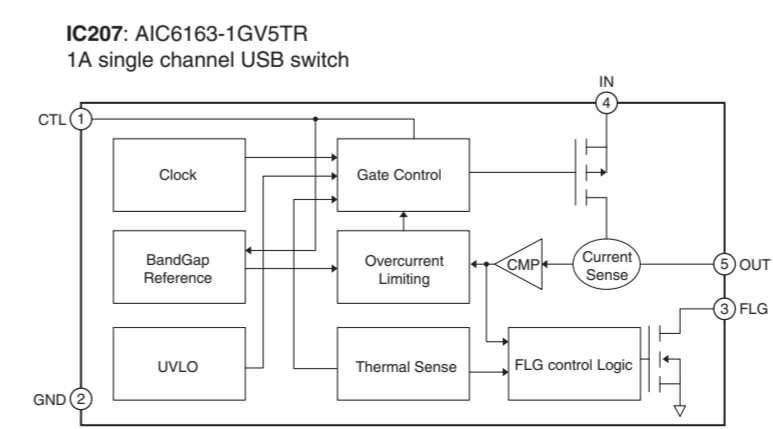
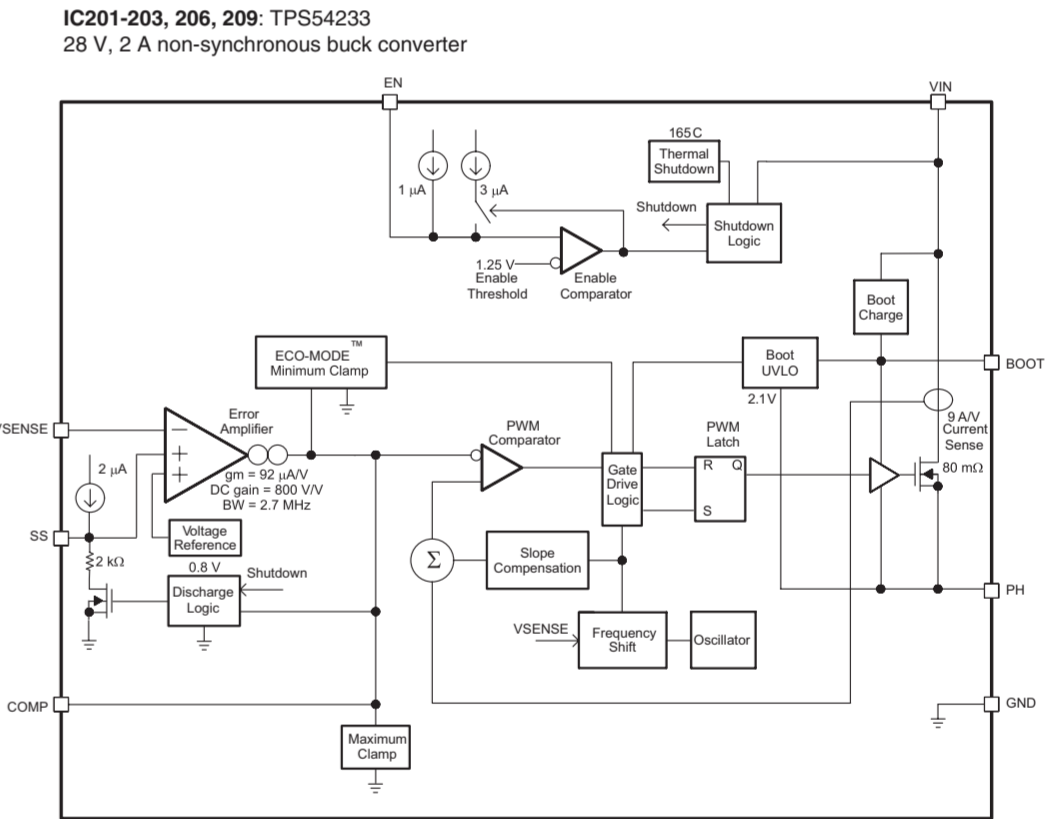
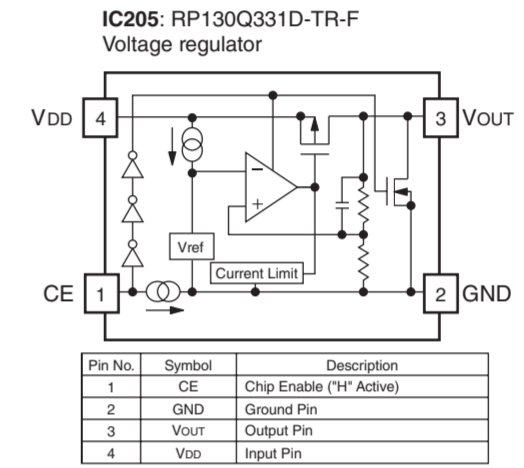
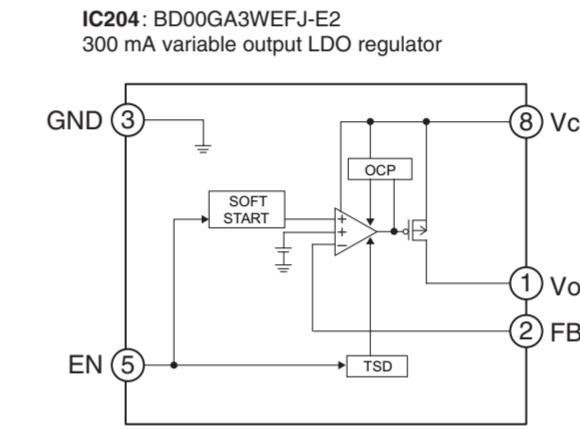
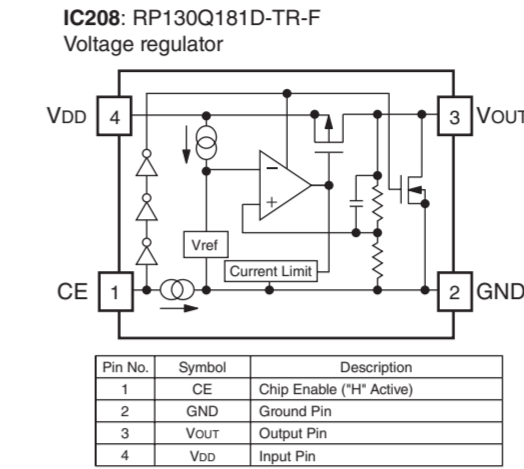


Safety measures

- Some internal parts in this product contain high voltages and are dangerous. Be sure to take safety measures during servicing, such as wearing insulating gloves.
- Note that the capacitors indicated below are dangerous even after the power is turned off because an electric charge remains and a high voltage continues to exist there. Before starting any repair work, connect a discharging resistor (5 k-ohms/10 W) to the terminals of each capacitor indicated below to discharge electricity. The time required for discharging is about 30 seconds per each. C202 on MAIN P.C.B.

安全対策

- この製品の内部には高電圧部分があり危険です。修理の際は、絶縁性の手袋を使用するなどの安全対策を行ってください。
- 下記のコンデンサには電源をOFFにした後も電荷が残り、高電圧が維持されており危険です。修理作業前に放電用抵抗 (5 k Ω / 10 W) を下記の各コンデンサの端子間に接続して放電してください。放電所用時間は各々約 30 秒間です。MAIN P.C.B. の C202



RESISTOR	PARTS NAME	CAPACITOR	PARTS NAME
NO MARK	CARBON FILM RESISTOR (P=5)	NO MARK	ELECTROLYTIC CAPACITOR
□	CARBON FILM RESISTOR (P=10)	○	SOLID ELECTROLYTIC CAPACITOR
△	METAL OXIDE FILM RESISTOR	□	CERAMIC CAPACITOR
▲	METAL FILM RESISTOR	●	CERAMIC TUBULAR CAPACITOR
▢	METAL PLATE RESISTOR	○	POLYESTER FILM CAPACITOR
▣	FIRE PROOF CARBON FILM RESISTOR	○	POLYETHYLENE FILM CAPACITOR
▤	CEMENT MOLDED RESISTOR	○	MICA CAPACITOR
▥	SMI VARIABLE RESISTOR	○	POLYPROPYLENE FILM CAPACITOR
▧	CHIP RESISTOR	●	SEMICONDUCTIVE CERAMIC CAPACITOR

NOTICE (model)

(J)..... JAPAN (g)..... EUROPEAN STANDARD
 (U)..... U.S.A (L)..... SINGAPORE
 (C)..... CANADA (E)..... SOUTH EUROPE
 (R)..... GERMANY (V)..... TAIWAN
 (Y)..... CHINA (F)..... RUSSIAN
 (K)..... KOREA (P)..... LATIN AMERICA
 (A)..... AUSTRALIA (B)..... BRAZIL
 (S)..... SWITZER (N)..... THAI

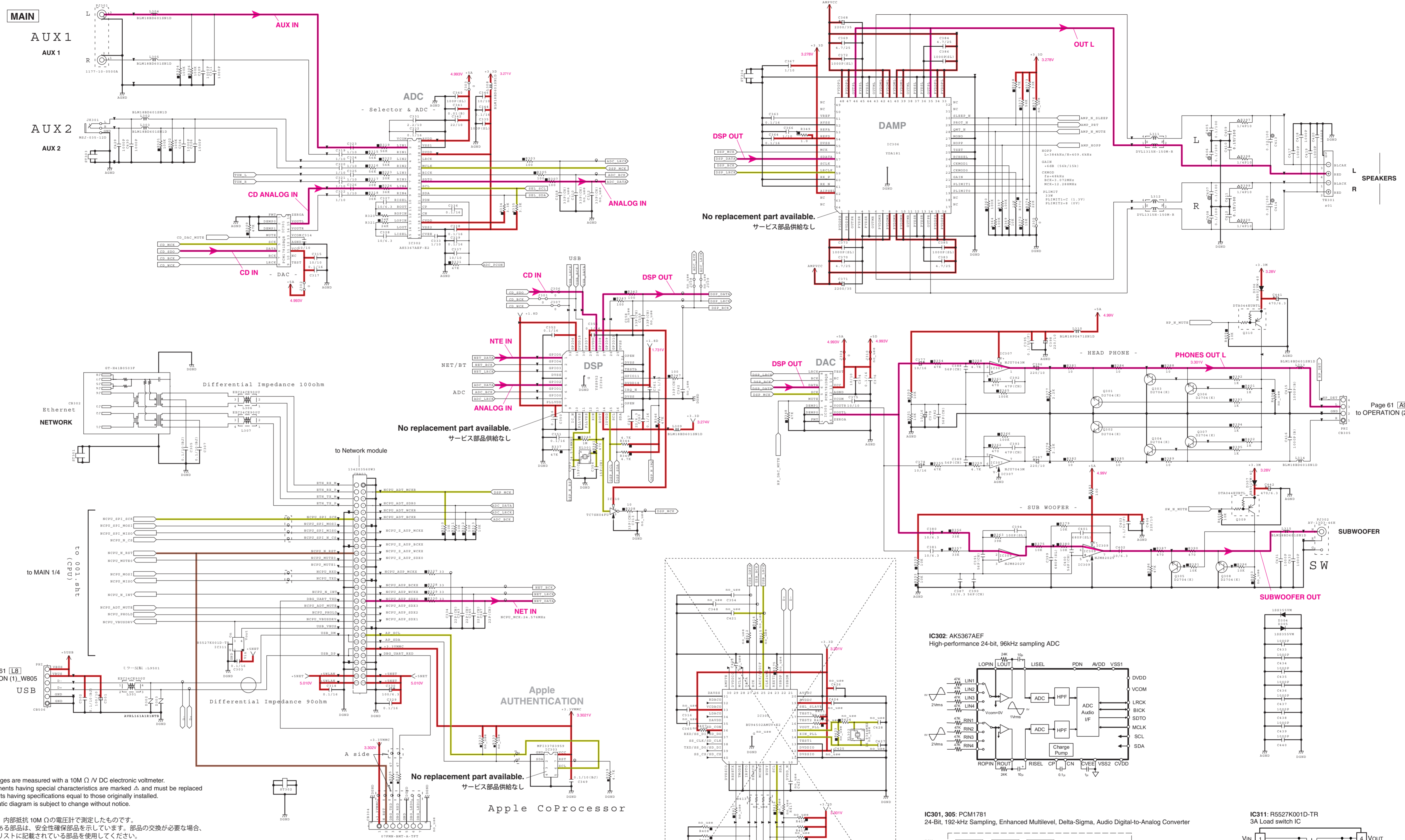
★ All voltages are measured with a 10M Ω /V DC electronic voltmeter.
 ★ Components having special characteristics are marked Δ and must be replaced with parts having specifications equal to those originally installed.
 ★ Schematic diagram is subject to change without notice.

● 電圧は、内部抵抗 10M Ω の電圧計で測定したものです。
 ● Δ印のある部品は、安全性確保部品を示しています。部品の交換が必要な場合、パーツリストに記載されている部品を使用してください。
 ● 本回路図は標準回路図です。改良のため予告なく変更することがあります。

Details of colored lines

- Red / full line: Power supply (+)
- Red / dashed line: Power supply (-)
- Orange: Signal detect
- Yellow: Clock
- Green: Protection detect
- Brown: Reset signal
- Blue: Panel key input

MAIN 3/4



★ All voltages are measured with a 10M Ω / V DC electronic voltmeter.
 ★ Components having special characteristics are marked Δ and must be replaced with parts having specifications equal to those originally installed.
 ★ Schematic diagram is subject to change without notice.

● 電圧は、内部抵抗 10M Ω の電圧計で測定したものです。
 ● Δ印のある部品は、安全性確保部品を示しています。部品の交換が必要な場合、パーツリストに記載されている部品を使用してください。
 ● 本回路図は標準回路図です。改良のため予告なく変更することがあります。

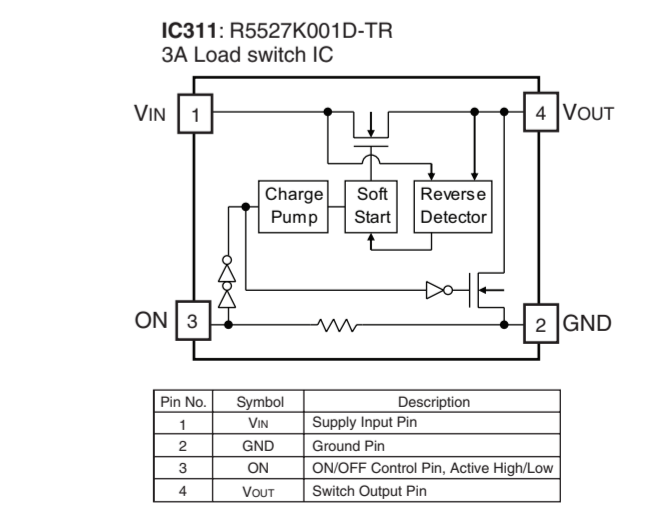
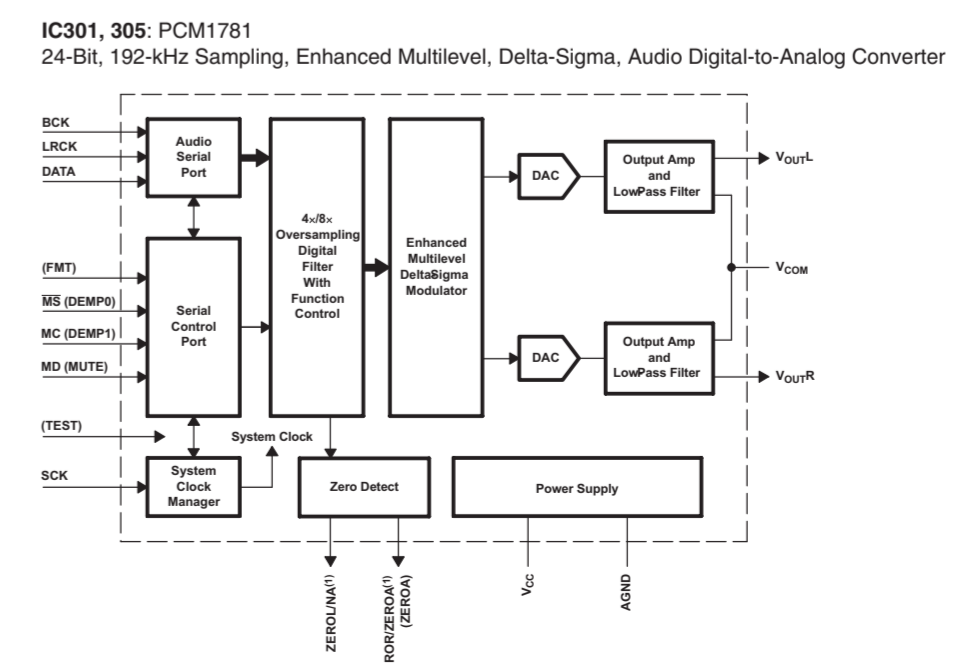
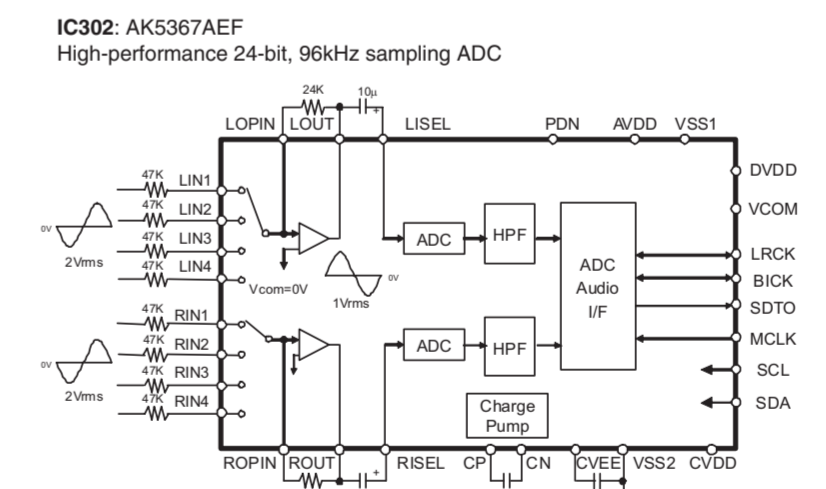
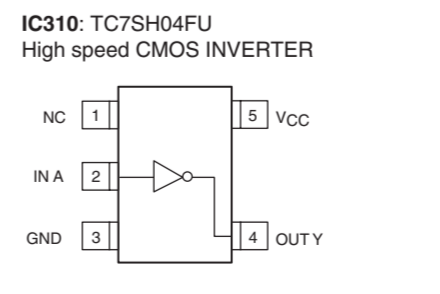
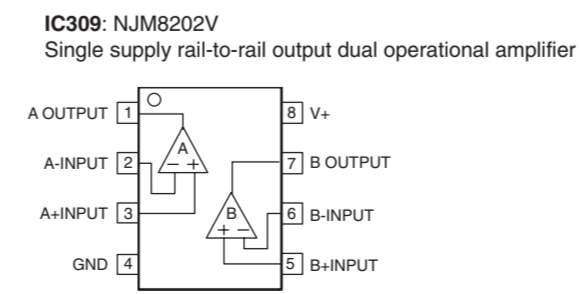
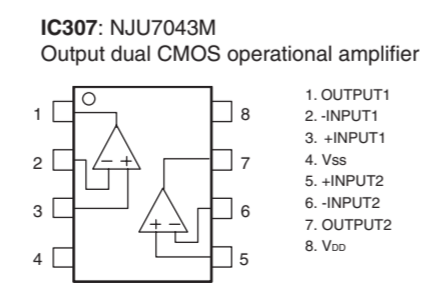
Details of colored lines

- Red / full line: Power supply (+)
- Red / dashed line: Power supply (-)
- Orange: Signal detect
- Yellow: Clock
- Green: Protection detect
- Brown: Reset signal
- Blue: Panel key input

RESISTOR	PARTS NAME	CAPACITOR	PARTS NAME
NO MARK	CARBON FILM RESISTOR (P=5)	NO MARK	ELECTROLYTIC CAPACITOR
□	CARBON FILM RESISTOR (P=2.5)	○	SOLID ELECTROLYTIC CAPACITOR
△	METAL OXIDE FILM RESISTOR	NO MARK	CERAMIC CAPACITOR
□	METAL FILM RESISTOR	●	CERAMIC TUBULAR CAPACITOR
□	METAL PLATE RESISTOR	○	POLYESTER FILM CAPACITOR
□	FIRE PROOF CARBON FILM RESISTOR	○	POLYESTER FILM CAPACITOR
□	CERMET MOLDED RESISTOR	○	MICA CAPACITOR
□	SEMI VARIABLE RESISTOR	○	POLYPROPYLENE FILM CAPACITOR
□	CHIP RESISTOR	○	SEMICONDUCTIVE CERAMIC CAPACITOR

NOTICE (model)

- (J)..... JAPAN (U)..... U.S.A
- (E)..... EUROPEAN STANDARD (S)..... SINGAPORE
- (C)..... CANADA (SE)..... SOUTH EUROPE
- (B)..... TAIWAN (R)..... RUSSIAN
- (CH)..... CHINA (K)..... KOREA
- (L)..... LATIN AMERICA (A)..... AUSTRALIA
- (BR)..... BRAZIL (G)..... GERMANY
- (UK)..... BRITISH (TH)..... THAI

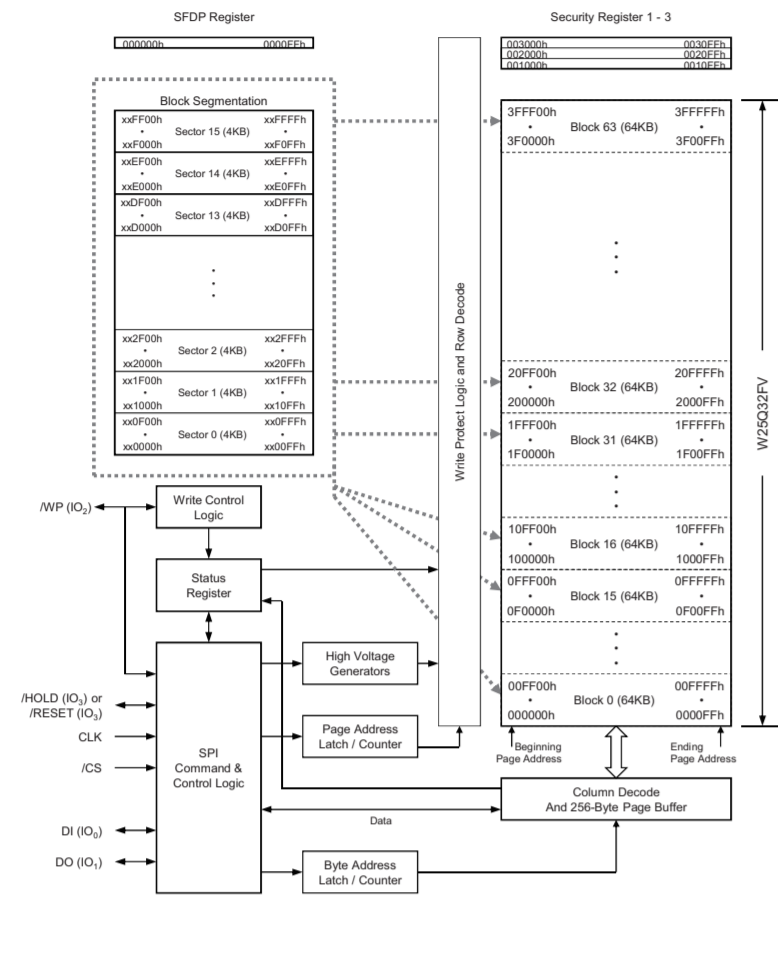


Pin No.	Symbol	Description
1	V _{IN}	Supply Input Pin
2	GND	Ground Pin
3	ON	On/Off Control Pin, Active High/Low
4	V _{OUT}	Switch Output Pin

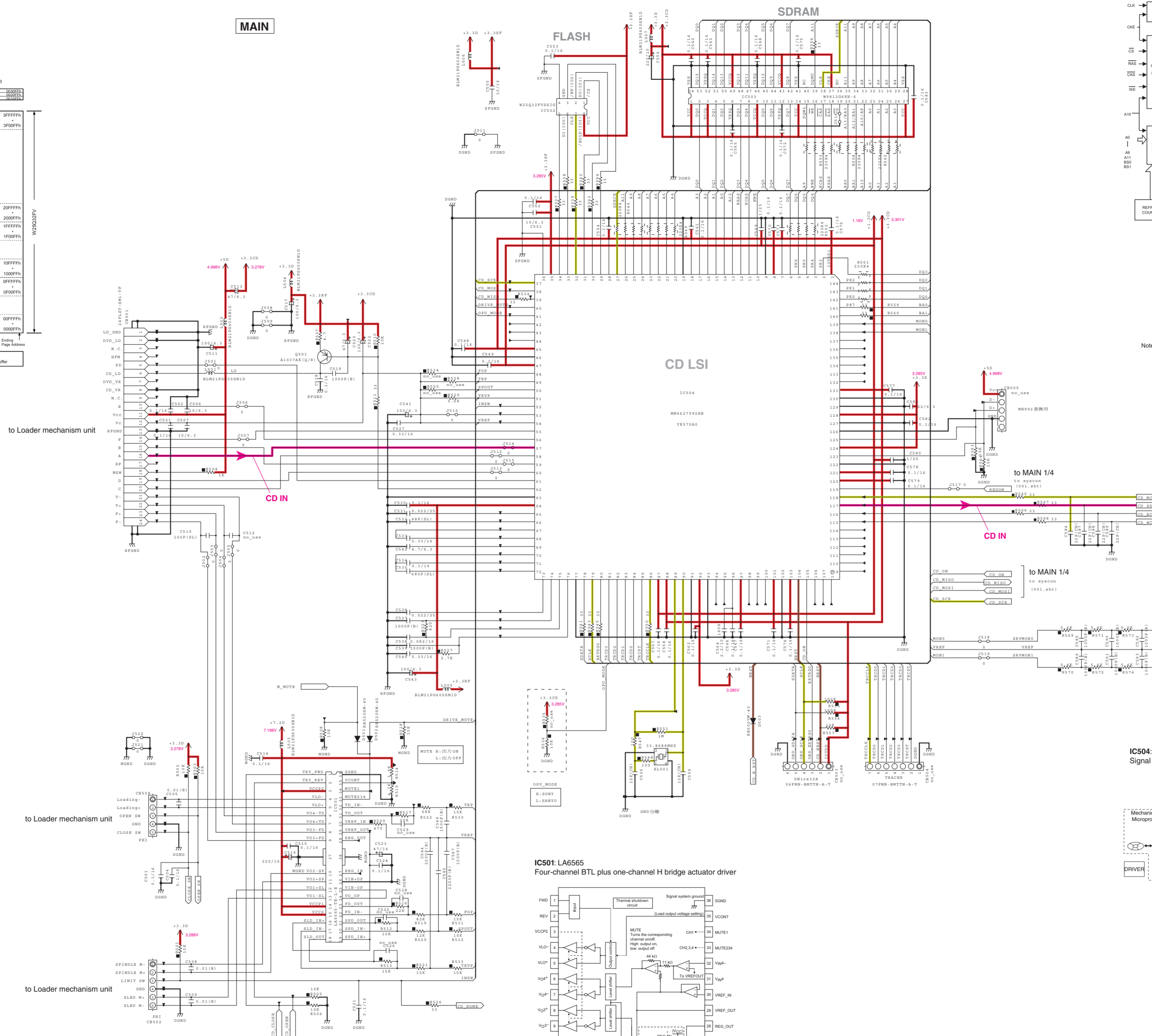
Page 61 [A9]
to OPERATION (2)_W2

MAIN 4/4

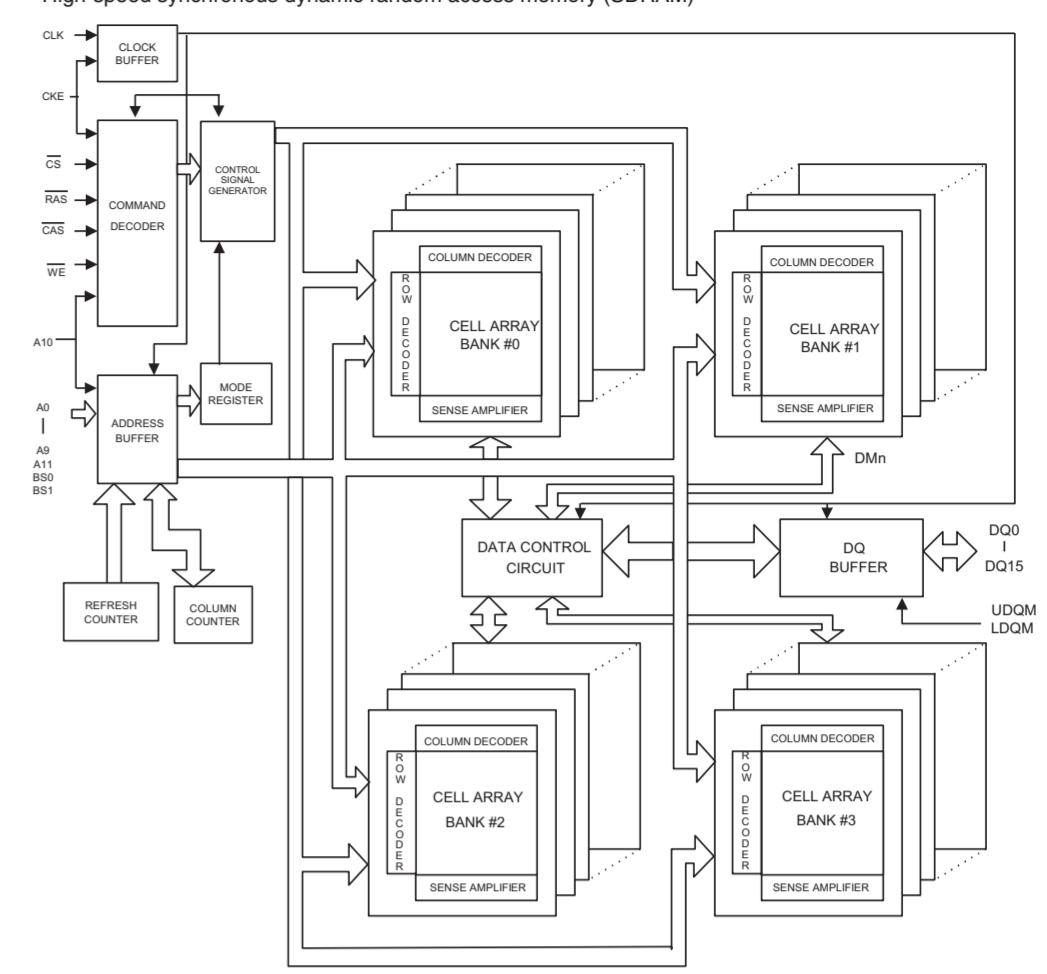
IC502: W25Q32FVSSIG
32 Mbit serial flash memory



MAIN

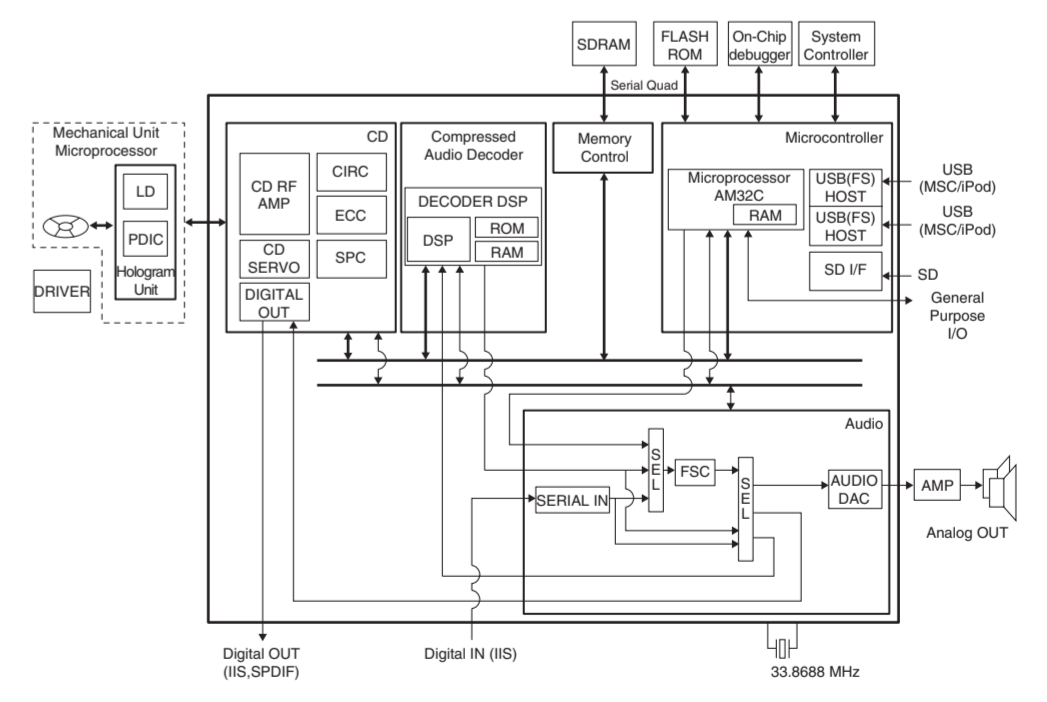


IC503: W9812G6KH
High-speed synchronous dynamic random access memory (SDRAM)

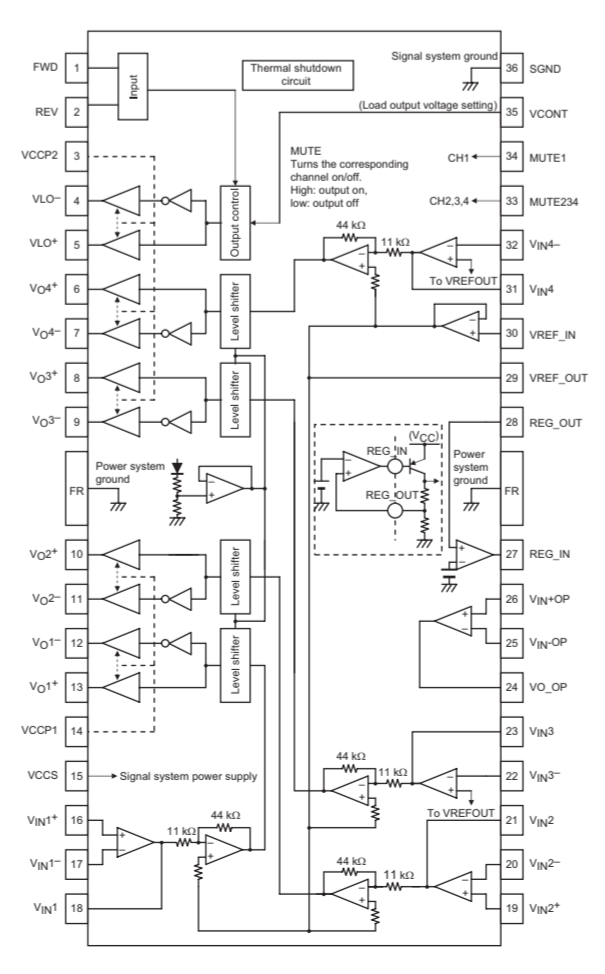


Note: The cell array configuration is 4096 * 512 * 16.

IC504: MN6627992AB
Signal processing LSI for CDs



IC501: LA6565
Four-channel BTL plus one-channel H bridge actuator driver



RESISTOR	PARTS NAME	CAPACITOR	PARTS NAME
NO MARK	CARBON FILM RESISTOR (P=5)	NO MARK	ELECTROLYTIC CAPACITOR
⊕	CARBON FILM RESISTOR (P=10)	⊙	SOLID ELECTROLYTIC CAPACITOR
△	METAL OXIDE FILM RESISTOR	NO MARK	CERAMIC CAPACITOR
□	METAL FILM RESISTOR	●	CERAMIC TUBULAR CAPACITOR
⊠	METAL PLATE RESISTOR	○	POLYESTER FILM CAPACITOR
⊞	FIRE PROOF CARBON FILM RESISTOR	⊙	POLYESTER FILM CAPACITOR
⊞	CEMENT MOLDED RESISTOR	○	MICA CAPACITOR
⊞	SEMIVARIABLE RESISTOR	○	POLYPROPYLENE FILM CAPACITOR
⊞	CHIP RESISTOR	○	SEMICONDUCTIVE CERAMIC CAPACITOR

NOTICE (model)

(J) JAPAN (G) EUROPEAN STANDARD
 (U) U.S.A (L) SINGAPORE
 (C) CANADA (E) SOUTH EUROPE
 (R) GERMANY (V) TAIWAN
 (Y) CHINA (F) RUSSIAN
 (K) KOREA (P) LATIN AMERICA
 (A) AUSTRALIA (B) BRAZIL
 (S) SWITZERLAND (H) HONG KONG

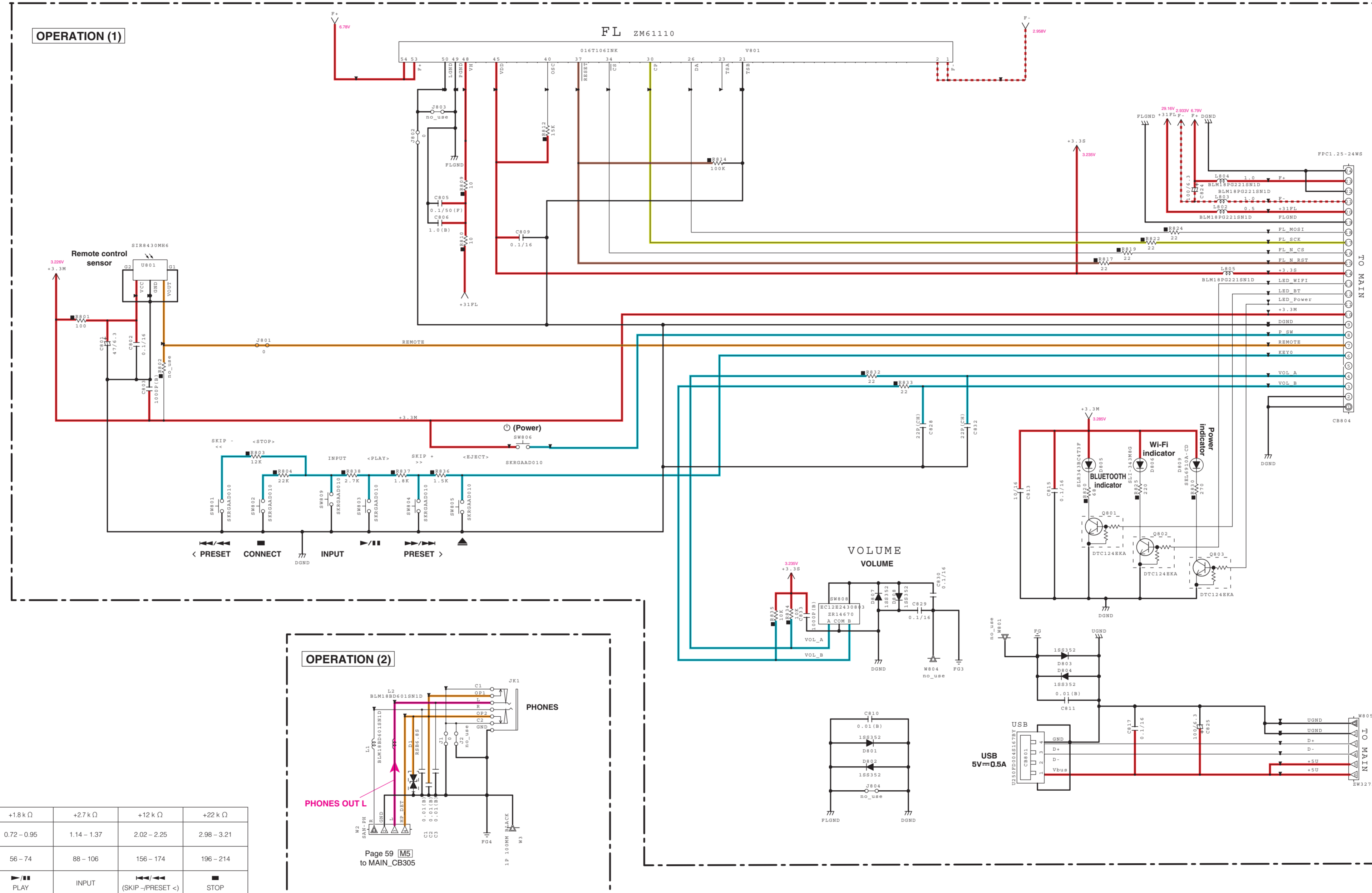
★ All voltages are measured with a 10M Ω / V DC electronic voltmeter.
 ★ Components having special characteristics are marked Δ, and must be replaced with parts having specifications equal to those originally installed.
 ★ Schematic diagram is subject to change without notice.

● 電圧は、内部抵抗 10M Ω の電圧計で測定したものです。
 ● △印のある部品は、安全性確保部品を示しています。部品の交換が必要な場合、パーツリストに記載されている部品を使用してください。
 ● 本回路図は標準回路図です。改良のため予告なく変更することがあります。

Details of colored lines

- Red / full line: Power supply (+)
- Red / dashed line: Power supply (-)
- Orange: Signal detect
- Yellow: Clock
- Green: Protection detect
- Brown: Reset signal
- Blue: Panel key input

OPERATION



Page 57 [L6] to MAIN_CB507

Page 59 [B8] to MAIN_CB506

- ★ All voltages are measured with a 10M Ω /V DC electronic voltmeter.
 - ★ Components having special characteristics are marked Δ and must be replaced with parts having specifications equal to those originally installed.
 - ★ Schematic diagram is subject to change without notice.
- 電圧は、内部抵抗 10M Ω の電圧計で測定したものです。
 ● Δ印のある部品は、安全性確保部品を示しています。部品の交換が必要な場合、パーツリストに記載されている部品を使用してください。
 ● 本回路図は標準回路図です。改良のため予告なく変更することがあります。

Details of colored lines

Red / full line:	Power supply (+)
Red / dashed line:	Power supply (-)
Orange:	Signal detect
Yellow:	Clock
Green:	Protection detect
Brown:	Reset signal
Blue:	Panel key input

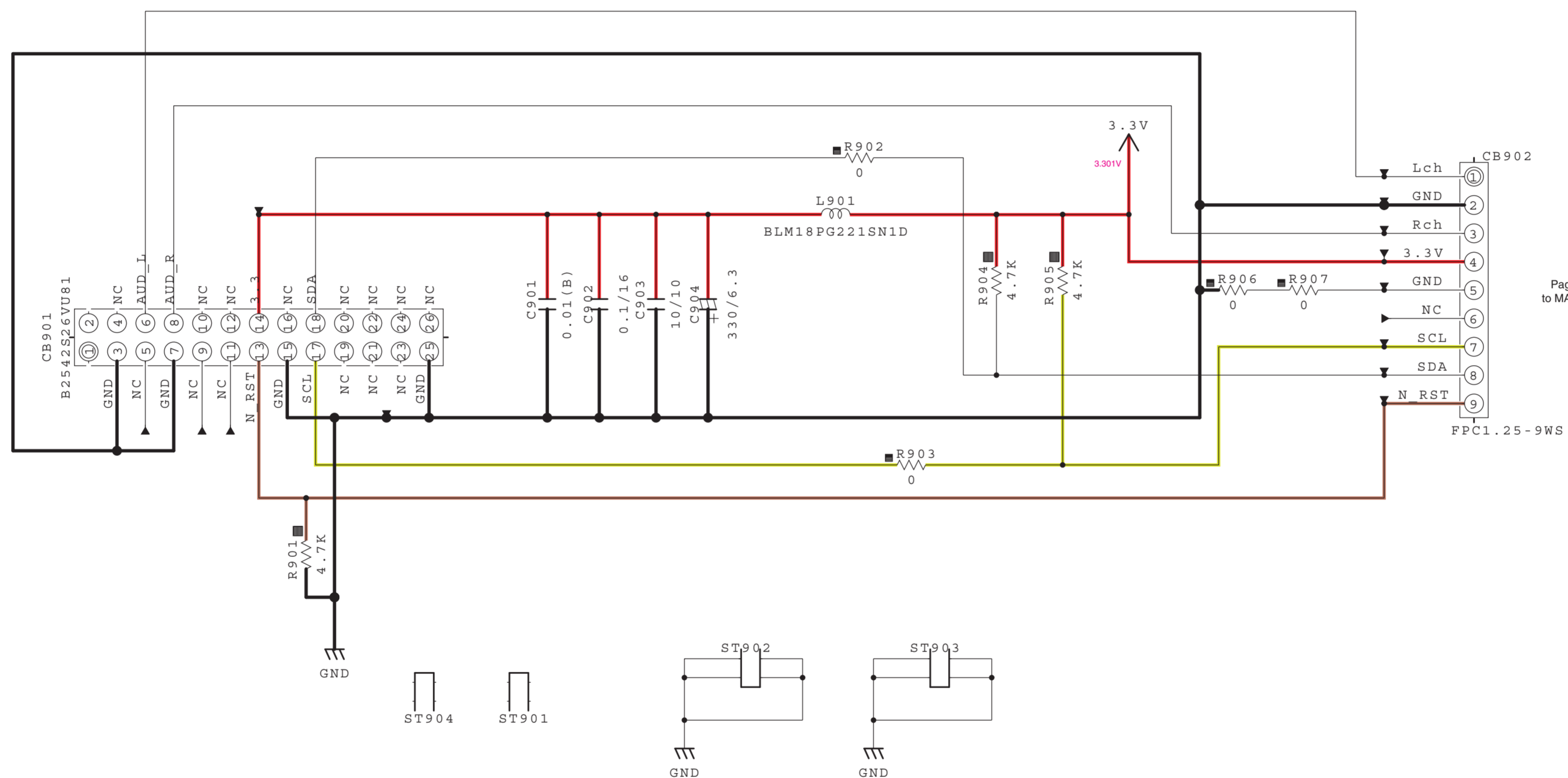
REMARKS	PARTS NAME	CAPACITOR	PARTS NAME
NO MARK	CARBON FILM RESISTOR (P=5)	NO MARK	ELECTROLYTIC CAPACITOR
△	CARBON FILM RESISTOR (P=10)	○	SOLID ELECTROLYTIC CAPACITOR
▲	METAL OXIDE FILM RESISTOR	NO MARK	CERAMIC CAPACITOR
△	METAL FILM RESISTOR	●	CERAMIC TUBULAR CAPACITOR
△	METAL PLATE RESISTOR	○	POLYESTER FILM CAPACITOR
△	FIRE PROOF CARBON FILM RESISTOR	○	POLYESTER FILM CAPACITOR
■	CEMENT MOLDED RESISTOR	○	MICA CAPACITOR
■	SEMI VARIABLE RESISTOR	○	POLYPROPYLENE FILM CAPACITOR
■	CHIP RESISTOR	●	SEMICONDUCTIVE CERAMIC CAPACITOR

NOTICE (model)

(J)..... JAPAN	(G)..... EUROPEAN STANDARD
(U)..... U.S.A	(L)..... SINGAPORE
(C)..... CANADA	(E)..... SOUTH EUROPE
(B)..... GENERAL	(V)..... TAIWAN
(Y)..... CHINA	(P)..... RUSSIAN
(K)..... KOREA	(P)..... LATIN AMERICA
(A)..... AUSTRALIA	(B)..... BRAZIL
(B)..... BRITISH	(N)..... THAI

DAB

DAB



Page 57 [L5] to MAIN_CB105

RESISTOR		CAPACITOR	
REMARKS	PARTS NAME	REMARKS	PARTS NAME
NO MARK	CARBON FILM RESISTOR (P=5)	NO MARK	ELECTROLYTIC CAPACITOR
□	CARBON FILM RESISTOR (P=10)	○	SOLID ELECTROLYTIC CAPACITOR
△	METAL FILM RESISTOR	NO MARK	CERAMIC CAPACITOR
▲	METAL PLATE RESISTOR	●	CERAMIC TUBULAR CAPACITOR
⊠	METAL PLATE RESISTOR	○	POLYESTER FILM CAPACITOR
⊞	FIRE PROOF CARBON FILM RESISTOR	○	POLYETHYLENE FILM CAPACITOR
⊞	CEMENT MOLDED RESISTOR	○	MICA CAPACITOR
⊞	SEMI VARIABLE RESISTOR	○	POLYPROPYLENE FILM CAPACITOR
■	CHIP RESISTOR	●	SEMICONDUCTIVE CERAMIC CAPACITOR

NOTICE (mod=1)

(J)..... JAPAN (G)..... EUROPEAN STANDARD
 (U)..... U.S.A (L)..... SINGAPORE
 (C)..... CANADA (E)..... SOUTH EUROPE
 (K)..... GENERAL (V)..... TAIWAN
 (I)..... CHINA (F)..... RUSSIAN
 (R)..... KOREA (P)..... LATIN AMERICA
 (A)..... AUSTRALIA (S)..... BRAZIL
 (B)..... BRITISH (H)..... THAI

★ All voltages are measured with a 10M Ω /V DC electronic voltmeter.
 ★ Components having special characteristics are marked Δ and must be replaced with parts having specifications equal to those originally installed.
 ★ Schematic diagram is subject to change without notice.

● 電圧は、内部抵抗 10M Ω の電圧計で測定したものです。
 ● △印のある部品は、安全性確保部品を示しています。部品の交換が必要な場合、パーツリストに記載されている部品を使用してください。
 ● 本回路図は標準回路図です。改良のため予告なく変更することがあります。

Details of colored lines

- Red / full line: Power supply (+)
- Red /dashed line: Power supply (-)
- Orange: Signal detect
- Yellow: Clock
- Green: Protection detect
- Brown: Reset signal
- Blue: Panel key input

■ REPLACEMENT PARTS LIST

• ELECTRICAL COMPONENT PARTS

WARNING

- Components having special characteristics are marked Δ and must be replaced with parts having specifications equal to those originally installed.
- Δ 印のある部分は、安全確保部品を示しています。部品の交換が必要な場合、パーツリストに記載されている部品を使用してください。

ABBREVIATIONS IN THIS LIST ARE AS FOLLOWS:

C.A.EL.CHP	: CHIP ALUMI.ELECTROLYTIC CAP	LED.CHP	: CHIP LED
C.CE	: CERAMIC CAP	LED.DSPLY	: LED DISPLAY
C.CE.ARRAY	: CERAMIC CAP ARRAY	LED.INFRD	: LED,INFRARED
C.CE.CHP	: CHIP CERAMIC CAP	PHOT.CPL	: PHOTO COUPLER
C.CE.M.CHP	: CHIP MULTILAYER CERAMIC CAP	PHOT.INTR	: PHOTO INTERRUPTER
C.CE.SAFTY	: RECOGNIZED CERAMIC CAP	PHOT.RFLCT	: PHOTO REFLECTOR
C.CE.TUBLR	: CERAMIC TUBULAR CAP	PHOT.TR	: PHOTO TRANSISTOR
C.CE.SMI	: SEMI CONDUCTIVE CERAMIC CAP	PIN.TEST	: PIN,TEST POINT
C.EL	: ELECTROLYTIC CAP	PTC.THERM	: POSITIVE TEMPERATURE COEFFICIENT THERMISTOR
C.EL.BP	: BIPOLAR ELECTROLYTIC CAP	R.ANTI.SURGE	: FIXED ANTI SURGE RESISTOR
C.EL.CHP	: CHIP ELECTROLYTIC CAP	R.ARRAY	: RESISTOR ARRAY
C.MICA	: MICA CAP	R.CAR.	: CARBON RESISTOR
C.ML.FLM	: MULTILAYER FILM CAP	R.CAR.CHP	: CHIP RESISTOR
C.MP	: METALLIZED POLYESTER FILM CAP	R.CAR.FP	: FLAME PROOF CARBON RESISTOR
C.MYLAR	: MYLAR FILM CAP	R.CEMENT	: CEMENT RESISTOR
C.MYLAR.ML	: MULTILAYER MYLAR FILM CAP	R.CHP	: CHIP RESISTOR
C.NIOB.OXD	: NIOBIUM OXIDE CAP	R.FUS	: FUSIBLE RESISTOR
C.PAPER	: PAPER CAPACITOR	R.MTL.CHP	: CHIP METAL FILM RESISTOR
C.PLS	: POLYSTYRENE FILM CAP	R.MTL.FLM	: METAL FILM RESISTOR
C.PML	: POLYMER MULTI-LAYER CAPACITOR	R.MTL.OXD	: METAL OXIDE FILM RESISTOR
C.POL	: POLYESTER FILM CAP	R.MTL.PLAT	: METAL PLATE RESISTOR
C.PP	: POLYPROPYLENE FILM CAP	RSNR.CE	: CERAMIC RESONATOR
C.PP.CHP	: CHIP POLYPROPYLENE FILM CAP	RSNR.CRYS	: CRYSTAL RESONATOR
C.TNTL	: TANTALUM CAP	SCR.BND.HD	: BIND HEAD B-TIGHT SCREW
C.TNTL.CHP	: CHIP TANTALUM CAP	SCR.TERM	: SCREW TERMINAL
C.TRIM	: TRIMMER CAP	SCR.TR	: SCREW,TRANSISTOR
CN	: CONNECTOR	SURG.PRTCT	: SURGE PROTECTOR
CN.BS.PIN	: CONNECTOR,BASE PIN	SUPRT.PCB	: P.C.B. SUPPORT
CN.CANNON	: CONNECTOR,CANNON	SW.LEVER	: LEVER SWITCH
CN.DIN	: CONNECTOR,DIN	SW.MICRO	: MICRO SWITCH
CN.FLAT	: CONNECTOR,FLAT CABLE	SW.LEAF	: LEAF SWITCH
CN.FFC	: CONNECTOR,FLEXIBLE FLAT CABLE	SW.PUSH	: PUSH SWITCH
CN.HDMI	: HDMI CONNECTOR	SW.RT	: ROTARY SWITCH
CN.PHOTO.R	: PHOTO FIBER SENSOR,RECEIVED	SW.RT.ENC	: ROTARY ENCODER
CN.PHOTO.T	: PHOTO FIBER SENSOR,TRANSMITTED	SW.RT.MTR	: ROTARY SWITCH WITH MOTOR
D.SCHOTTKY	: SCHOTTKY BARRIER DIODE	SW.SLIDE	: SLIDE SWITCH
DIODE.ARRAY	: DIODE ARRAY	SW.TACT	: TACT SWITCH
DIODE.BRG	: DIODE BRIDGE	TERM.SP	: SPEAKER TERMINAL
DIODE.CHP	: CHIP DIODE	TERM.WRAP	: WRAPPING TERMINAL
DIODE.VAR	: VARACTOR DIODE	THRMST.CHP	: CHIP THERMISTOR
DIODE.ZENR	: ZENER DIODE	TR	: TRANSISTOR
DIODE.Z.CHP	: CHIP ZENER DIODE	TR.CHP	: CHIP TRANSISTOR
DIODE.PHOT	: PHOTO DIODE	TR.DGT	: DIGITAL TRANSISTOR
FER.BEAD	: FERRITE BEADS	TR.DGT.CHP	: CHIP DIGITAL TRANSISTOR
FER.CORE	: FERRITE CORE	TR.PAIR	: PAIR TRANSISTOR
FET.CHP	: CHIP FET	TRANS	: TRANSFORMER
FL.DSPLY	: FLUORESCENT DISPLAY	TRANS.PULS	: PULSE TRANSFORMER
FLTR.CE	: CERAMIC FILTER	TRANS.PWR	: POWER TRANSFORMER
FLTR.COMB	: COMB FILTER MODULE	VARISTOR.C	: CHIP VARISTOR
FLTR.LC.RF	: LC FILTER,EMI	VOLT.SELCT	: VOLTAGE SELECTOR
FUSE.CHP	: CHIP FUSE	VR	: ROTARY POTENTIOMETER
GND.MTL	: GROUND PLATE	VR.MTR	: POTENTIOMETER WITH MOTOR
GND.TERM	: GROUND TERMINAL	VR.SLIDE	: SLIDE POTENTIOMETER
JUMPER.CN	: JUMPER CONNECTOR	VR.SW	: POTENTIOMETER WITH SWITCH
JUMPER.TST	: JUMPER,TEST POINT	VR.TRIM	: TRIMMER POTENTIOMETER
L.DTCT	: LIGHT DETECTING MODULE		

CRX-N470

MAIN

Ref No.	Part No.	Description	Remarks	Markets	部品名	
*	ZV426400	P. C. B.	MAIN	CRX-N470	J	P C B M A I N
*	ZV426600	P. C. B.	MAIN	CRX-N470	U	P C B M A I N
*	ZV426900	P. C. B.	MAIN	CRX-N470	T	P C B M A I N
*	ZV427000	P. C. B.	MAIN	CRX-N470	K	P C B M A I N
*	ZV427300	P. C. B.	MAIN	CRX-N470	A	P C B M A I N
*	ZV427500	P. C. B.	MAIN	CRX-N470	G	P C B M A I N
*	ZV427700	P. C. B.	MAIN	CRX-N470	L	P C B M A I N
*	ZV427800	P. C. B.	MAIN	CRX-N470	V	P C B M A I N
	CB102	WC195601	CN	6P TE FMN		FMNコネクター
*	CB105	ZG674500	CN. BS. PIN	9P TE		F F Cコネクター
*	CB302	ZU824000	CN. NETWORK	8P GT-H41B0503F		L A Nコネクター
	CB303	ZP457701	CN. SOCKET	60P 134203560W3		ソケットコネクター
	CB305	VB390002	CN. BS. PIN	4P		コネクター
	CB501	WQ289301	CN	24P TE		F F C / F P Cコネクター
	CB502	VB390202	CN. BS. PIN	6P		コネクター
	CB506	VB390202	CN. BS. PIN	6P		コネクター
*	CB507	ZG676000	CN. BS. PIN	24P TE		F F Cコネクター
	CB508	VB390101	CN. BS. PIN	5P		コネクター
	C101-102	US064102	C. CE. CHP	0. 01uF 50V B		チップセラコン
	C103	US625101	C. CE. CHP	0. 1uF 10V		チップセラコン
	C104	US035101	C. CE. CHP	0. 1uF 16V B		チップセラコン
	C105	US063101	C. CE. CHP	1000pF 50V B		チップセラコン
	C106	US135101	C. CE. CHP	0. 1uF 16V		チップセラコン
	C107	US625101	C. CE. CHP	0. 1uF 10V		チップセラコン
	C108	US063101	C. CE. CHP	1000pF 50V B		チップセラコン
	C109-111	US135101	C. CE. CHP	0. 1uF 16V		チップセラコン
	C112-118	US625101	C. CE. CHP	0. 1uF 10V		チップセラコン
*	C119	US662333	C. CE. CHP	330pF 50V		チップセラコン
*	C120	UF038103	C. EL. CHP	100uF 16V		チップケミコン
*	C121	UU237471	C. EL	47uF 16V		ケミコン
	C122-123	US035101	C. CE. CHP	0. 1uF 16V B		チップセラコン
	C124-125	US061222	C. CE. CHP	22pF 50V B		チップセラコン
	C126	US035101	C. CE. CHP	0. 1uF 16V B		チップセラコン
	C127	US061222	C. CE. CHP	22pF 50V B		チップセラコン
	C128	US035101	C. CE. CHP	0. 1uF 16V B		チップセラコン
	C130	US061222	C. CE. CHP	22pF 50V B		チップセラコン
	C131	US035101	C. CE. CHP	0. 1uF 16V B		チップセラコン
	C132	US062101	C. CE. CHP	100pF 50V B		チップセラコン
	C133	US035101	C. CE. CHP	0. 1uF 16V B		チップセラコン
	C134	US061222	C. CE. CHP	22pF 50V B		チップセラコン
	C135	US035101	C. CE. CHP	0. 1uF 16V B		チップセラコン
	C136	US061222	C. CE. CHP	22pF 50V B		チップセラコン
	C137-138	US062101	C. CE. CHP	100pF 50V B		チップセラコン
	C139	UR838103	C. EL	100uF 16V		ケミコン
	C140	US062101	C. CE. CHP	100pF 50V B		チップセラコン
	C141-142	US061222	C. CE. CHP	22pF 50V B		チップセラコン
	C143	US062101	C. CE. CHP	100pF 50V B		チップセラコン
	C144-146	US035101	C. CE. CHP	0. 1uF 16V B		チップセラコン
	C147	US135101	C. CE. CHP	0. 1uF 16V		チップセラコン
	C201	US065102	C. CE. CHP	0. 1uF 50V B		チップセラコン
*	C202	UR259220	C. EL	2200 35V FOR.		ケミコン
	C203	US065102	C. CE. CHP	0. 1uF 50V B		チップセラコン
	C204	ZK346600	C. CE. M. CHP	10uF 16V		チップ積層セラコン
	C205	WG888200	C. CE. M. CHP	10uF 25V		チップ積層セラコン
	C206	US145102	C. CE. CHP	0. 1uF 25V		チップセラコン
	C207	US064102	C. CE. CHP	0. 01uF 50V B		チップセラコン
	C208	US063471	C. CE. CHP	4700pF 50V B		チップセラコン
	C209-210	WG888200	C. CE. M. CHP	10uF 25V		チップ積層セラコン
	G211	US145102	C. CE. CHP	0. 1uF 25V		チップセラコン

* New Parts / 新規部品

CRX-N470

MAIN

Ref No.	Part No.	Description	Remarks	Markets	部品名
C212	US064102	C. CE. CHP	0. 01uF 50V B		チップセラコン
C213	WG888200	C. CE. M. CHP	10uF 25V		チップ積層セラコン
C214	US063471	C. CE. CHP	4700pF 50V B		チップセラコン
C215	US063181	C. CE. CHP	1800pF 50V B		チップセラコン
C216	WJ881200	C. CE. CHP	1uF 16V		チップセラコン
C217	US061681	C. CE. CHP	68pF 50V B		チップセラコン
C218	US145102	C. CE. CHP	0. 1uF 25V		チップセラコン
C219	US064102	C. CE. CHP	0. 01uF 50V B		チップセラコン
C220	WQ614300	C. CE. CHP	22uF 10VE		チップセラコン
C221	US063471	C. CE. CHP	4700pF 50V B		チップセラコン
C223	US063181	C. CE. CHP	1800pF 50V B		チップセラコン
C224	US061681	C. CE. CHP	68pF 50V B		チップセラコン
C225	WQ614300	C. CE. CHP	22uF 10VE		チップセラコン
C226	US063181	C. CE. CHP	1800pF 50V B		チップセラコン
C227	WQ614300	C. CE. CHP	22uF 10VE		チップセラコン
C228	US061681	C. CE. CHP	68pF 50V B		チップセラコン
C229	WQ614300	C. CE. CHP	22uF 10VE		チップセラコン
C230	WE773803	C. CE. M. CHP	1uF 10V B		チップ積層セラコン
C232	US035101	C. CE. CHP	0. 1uF 16V B		チップセラコン
C233	WK145901	C. CE. CHP	0. 47uF 10V		チップセラコン
C234	US035101	C. CE. CHP	0. 1uF 16V B		チップセラコン
C235	WK145901	C. CE. CHP	0. 47uF 10V		チップセラコン
C236	WE773803	C. CE. M. CHP	1uF 10V B		チップ積層セラコン
C237	WD758301	C. CE. CHP	10uF 10V		チップセラコン
C238	US064102	C. CE. CHP	0. 01uF 50V B		チップセラコン
C239	US035101	C. CE. CHP	0. 1uF 16V B		チップセラコン
C240	WD758301	C. CE. CHP	10uF 10V		チップセラコン
C241	WG888200	C. CE. M. CHP	10uF 25V		チップ積層セラコン
C242	US145102	C. CE. CHP	0. 1uF 25V		チップセラコン
C243	US035101	C. CE. CHP	0. 1uF 16V B		チップセラコン
C244-245	US064102	C. CE. CHP	0. 01uF 50V B		チップセラコン
C246	US063471	C. CE. CHP	4700pF 50V B		チップセラコン
C247	US065102	C. CE. CHP	0. 1uF 50V B		チップセラコン
C248-249	US126101	C. CE. CHP	1uF 10V		チップセラコン
C250	US063181	C. CE. CHP	1800pF 50V B		チップセラコン
C251	UR866101	C. EL	1uF 50V		ケミコン
C252	US061681	C. CE. CHP	68pF 50V B		チップセラコン
C253	WQ614300	C. CE. CHP	22uF 10VE		チップセラコン
C254-255	US035101	C. CE. CHP	0. 1uF 16V B		チップセラコン
C257	US035101	C. CE. CHP	0. 1uF 16V B		チップセラコン
C260	WG888200	C. CE. M. CHP	10uF 25V		チップ積層セラコン
C261	US145102	C. CE. CHP	0. 1uF 25V		チップセラコン
C262	US064102	C. CE. CHP	0. 01uF 50V B		チップセラコン
C263	US063471	C. CE. CHP	4700pF 50V B		チップセラコン
C264	US063181	C. CE. CHP	1800pF 50V B		チップセラコン
C265	US061681	C. CE. CHP	68pF 50V B		チップセラコン
C266-267	WQ614300	C. CE. CHP	22uF 10VE		チップセラコン
C301	UF028101	C. EL. CHP	100uF 10V		チップケミコン
C302	US625101	C. CE. CHP	0. 1uF 10V		チップセラコン
C303	US135101	C. CE. CHP	0. 1uF 16V		チップセラコン
C304	US163101	C. CE. CHP	1000pF 50V		チップセラコン
C305	US625101	C. CE. CHP	0. 1uF 10V		チップセラコン
C306	US163101	C. CE. CHP	1000pF 50V		チップセラコン
C307	US625101	C. CE. CHP	0. 1uF 10V		チップセラコン
C309	US163101	C. CE. CHP	1000pF 50V		チップセラコン
C311	US163101	C. CE. CHP	1000pF 50V		チップセラコン
C314-315	WD758301	C. CE. CHP	10uF 10V		チップセラコン
C317-318	US135101	C. CE. CHP	0. 1uF 16V		チップセラコン
C319-326	US126101	C. CE. CHP	1uF 10V		チップセラコン

* New Parts / 新規部品

CRX-N470

MAIN

Ref No.	Part No.	Description	Remarks	Markets	部品名
C327-328	WG888302	C. CE. M. CHP	10uF 6.3V		チップ積層セラコン
C329	US135101	C. CE. CHP	0.1uF 16V		チップセラコン
C330	UF018101	C. EL. CHP	100uF 6.3V		チップケミコン
C331	WV169101	C. CE. CHP	2.2uF 10V		チップセラコン
C332	US135101	C. CE. CHP	0.1uF 16V		チップセラコン
C333	US126101	C. CE. CHP	1uF 10V		チップセラコン
C334	US061222	C. CE. CHP	22pF 50V B		チップセラコン
C335	US062101	C. CE. CHP	100pF 50V B		チップセラコン
C336	US135101	C. CE. CHP	0.1uF 16V		チップセラコン
C337	WD758301	C. CE. CHP	10uF 10V		チップセラコン
C338-339	US135101	C. CE. CHP	0.1uF 16V		チップセラコン
C340	US062101	C. CE. CHP	100pF 50V B		チップセラコン
C341	US064102	C. CE. CHP	0.01uF 50V B		チップセラコン
C342	WQ614300	C. CE. CHP	22uF 10VE		チップセラコン
C343	US061222	C. CE. CHP	22pF 50V B		チップセラコン
C344	US135101	C. CE. CHP	0.1uF 16V		チップセラコン
C345	US061222	C. CE. CHP	22pF 50V B		チップセラコン
C346	WD758301	C. CE. CHP	10uF 10V		チップセラコン
C347	US061222	C. CE. CHP	22pF 50V B		チップセラコン
C349	US625101	C. CE. CHP	0.1uF 10V		チップセラコン
C350	US035101	C. CE. CHP	0.1uF 16V B		チップセラコン
C351	US135101	C. CE. CHP	0.1uF 16V		チップセラコン
C352	US035101	C. CE. CHP	0.1uF 16V B		チップセラコン
C353	US061151	C. CE. CHP	15pF 50V B		チップセラコン
C355	US035101	C. CE. CHP	0.1uF 16V B		チップセラコン
C356	US061151	C. CE. CHP	15pF 50V B		チップセラコン
C357	WJ344400	C. CE. CHP	22uF 6.3V		チップセラコン
C360-361	US035101	C. CE. CHP	0.1uF 16V B		チップセラコン
C363-364	US135101	C. CE. CHP	0.1uF 16V		チップセラコン
C366-367	US126101	C. CE. CHP	1uF 10V		チップセラコン
* C368	WM113801	C. EL	2200uF 35V		ケミコン
* C369-370	WN110601	C. CE. M. CHP	4.7uF 25V		チップ積層セラコン
* C371	WM113801	C. EL	2200uF 35V		ケミコン
C372-373	US163101	C. CE. CHP	1000pF 50V		チップセラコン
C374-375	WD758301	C. CE. CHP	10uF 10V		チップセラコン
C376	US135101	C. CE. CHP	0.1uF 16V		チップセラコン
C377-379	UR237101	C. EL	10uF 16V		ケミコン
C380-381	WP882002	C. CE. CHP	10uF 6.3V		チップセラコン
* C382	US061561	C. CE. CHP	56pF 50V B		チップセラコン
* C383-384	WN110601	C. CE. M. CHP	4.7uF 25V		チップ積層セラコン
C385-386	US163101	C. CE. CHP	1000pF 50V		チップセラコン
C387	WP882002	C. CE. CHP	10uF 6.3V		チップセラコン
* C388-391	US061561	C. CE. CHP	56pF 50V B		チップセラコン
C392-393	US061471	C. CE. CHP	47pF 50V B		チップセラコン
C394	US062101	C. CE. CHP	100pF 50V B		チップセラコン
C395	US065102	C. CE. CHP	0.1uF 50V B		チップセラコン
* C396-398	UR828222	C. EL	220uF 10V		ケミコン
C399	US062681	C. CE. CHP	680pF 50V B		チップセラコン
* C400	US061561	C. CE. CHP	56pF 50V B		チップセラコン
C401	US062681	C. CE. CHP	680pF 50V B		チップセラコン
C402	WP882002	C. CE. CHP	10uF 6.3V		チップセラコン
C403	US065102	C. CE. CHP	0.1uF 50V B		チップセラコン
* C404	UR828222	C. EL	220uF 10V		ケミコン
* C405-408	ZH996901	C. MYLAR	0.1uF 100V		マイラーコン
C409-412	VZ420802	C. CE. M. CHP	0.1uF 100V		チップ積層セラコン
* C413-414	ZK352300	C. POL. MTL	0.22uF 100V		メタライズドポリコン
C415-416	US063101	C. CE. CHP	1000pF 50V B		チップセラコン
C417-420	US163101	C. CE. CHP	1000pF 50V		チップセラコン
C429-440	US163101	C. CE. CHP	1000pF 50V		チップセラコン

* New Parts / 新規部品

CRX-N470

MAIN

Ref No.	Part No.	Description	Remarks	Markets	部品名
C441-442	UR818471	C. EL	470uF 6.3V		ケミコン
C501-504	US135101	C. CE. CHP	0.1uF 16V		チップセラコン
C505	US064102	C. CE. CHP	0.01uF 50V B		チップセラコン
C506-507	WP882002	C. CE. CHP	10uF 6.3V		チップセラコン
C508-509	US064102	C. CE. CHP	0.01uF 50V B		チップセラコン
C510	US062101	C. CE. CHP	100pF 50V B		チップセラコン
C511	UF018101	C. EL. CHP	100uF 6.3V		チップケミコン
C513	WS624501	C. EL. CHP	47uF 6.3V		チップBPコン
C514-515	US135101	C. CE. CHP	0.1uF 16V		チップセラコン
C516	UF138221	C. EL. CHP	220uF 16V		チップケミコン
C517	UF018101	C. EL. CHP	100uF 6.3V		チップケミコン
C518	US135101	C. CE. CHP	0.1uF 16V		チップセラコン
C519	US063101	C. CE. CHP	1000pF 50V B		チップセラコン
C520	UF017472	C. EL. CHP	47uF 6.3V		チップケミコン
C521	US135101	C. CE. CHP	0.1uF 16V		チップセラコン
C522	UF018101	C. EL. CHP	100uF 6.3V		チップケミコン
C523	UF037472	C. EL. CHP	47uF 16V		チップケミコン
C524	US135101	C. CE. CHP	0.1uF 16V		チップセラコン
C527	US135332	C. CE. CHP	0.33uF 16V		チップセラコン
C530	US135101	C. CE. CHP	0.1uF 16V		チップセラコン
C531	US044222	C. CE. CHP	0.022uF 25V B		チップセラコン
C532	US061681	C. CE. CHP	68pF 50V B		チップセラコン
C533	US135332	C. CE. CHP	0.33uF 16V		チップセラコン
C534	US135101	C. CE. CHP	0.1uF 16V		チップセラコン
C535	US062681	C. CE. CHP	680pF 50V B		チップセラコン
C536	US044222	C. CE. CHP	0.022uF 25V B		チップセラコン
C537	US063101	C. CE. CHP	1000pF 50V B		チップセラコン
C538	US034822	C. CE. CHP	0.082uF 16V K		チップセラコン
C539	US063101	C. CE. CHP	1000pF 50V B		チップセラコン
C540	US135332	C. CE. CHP	0.33uF 16V		チップセラコン
C541	UF018101	C. EL. CHP	100uF 6.3V		チップケミコン
C542	WG251602	C. CE. CHP	4.7uF 6.3V		チップセラコン
C543	UF018101	C. EL. CHP	100uF 6.3V		チップケミコン
C544-545	US063222	C. CE. CHP	2200pF 50V B		チップセラコン
C546-547	US063152	C. CE. CHP	1500pF 50V B		チップセラコン
C548-549	US135101	C. CE. CHP	0.1uF 16V		チップセラコン
C550	WK004402	C. CE. M. CHP	10uF 16V		チップ積層セラコン
C551	WG888302	C. CE. M. CHP	10uF 6.3V		チップ積層セラコン
C552-554	US135101	C. CE. CHP	0.1uF 16V		チップセラコン
C555	US061121	C. CE. CHP	12pF 50V B		チップセラコン
* C556	UU228221	C. EL	220uF 10V		ケミコン
C557-558	US135101	C. CE. CHP	0.1uF 16V		チップセラコン
C559	US061121	C. CE. CHP	12pF 50V B		チップセラコン
C560-563	US135101	C. CE. CHP	0.1uF 16V		チップセラコン
C564	WV169101	C. CE. CHP	2.2uF 10V		チップセラコン
C565-568	US135101	C. CE. CHP	0.1uF 16V		チップセラコン
C569	US046102	C. CE. CHP	1uF 25V		チップセラコン
C570-579	US135101	C. CE. CHP	0.1uF 16V		チップセラコン
C580	US046102	C. CE. CHP	1uF 25V		チップセラコン
C581	WD758102	C. CE. CHP	22uF 6.3V		チップセラコン
C582-583	US135101	C. CE. CHP	0.1uF 16V		チップセラコン
C584	US061222	C. CE. CHP	22pF 50V B		チップセラコン
C585-586	US063101	C. CE. CHP	1000pF 50V B		チップセラコン
C587-589	US061222	C. CE. CHP	22pF 50V B		チップセラコン
C590-593	US063101	C. CE. CHP	1000pF 50V B		チップセラコン
D101-105	ZP358603	DIODE	1SS352 TE		ダイオード
D201	WW783901	DIODE	1SS355VM		ダイオード
* D202-203	WY163901	DIODE. ZENR	UDZV10B		ツェナーダイオード
D204	WR452500	D. SCHOTTKY	RB051LA-40	

* New Parts / 新規部品

CRX-N470

MAIN

Ref No.	Part No.	Description	Remarks	Markets	部品名
D205	ZP358603	DIODE	1SS352 TE		ダイオード
D206-207	WR452500	D. SCHOTTKY	RB051LA-40		ショットキーダイオード
D208	WY165001	DIODE. ZENR	UDZV30B		ツェナーダイオード
D209	WR452500	D. SCHOTTKY	RB051LA-40		ショットキーダイオード
D210	WW783901	DIODE	1SS355VM		ダイオード
D211	WY163100	DIODE. ZENR	UDZV4. 7B		ツェナーダイオード
D212	WR452500	D. SCHOTTKY	RB051LA-40		ショットキーダイオード
D302-303	WE674802	VARISTOR. C	AVRL161A1R1NTB		チップバリスタ
D304-305	WW783901	DIODE	1SS355VM		ダイオード
D306-307	ZQ873502	D. SCHOTTKY	RB501VM-40TE-17		ショットキーダイオード
D501-502	ZA310701	D. SCHOTTKY	RB520SM-40		ショットキーダイオード
D503	ZQ873402	D. SCHOTTKY	RB500VM-40TE-17		ショットキーダイオード
F201	V2997601	SW. POLY	SMDCO50-02		ポリスイッチ
IC101	YC781B00	IC	R1EX24002ATAS0I		メモリ IC
IC103	YC109A02	IC	R3116N271A-TR-F		電源 IC
IC201-203	YH384A00	IC	TPS54233DR DC/DC		電源 IC
IC204	YF077A01	IC	BD00GA3WEFJ-E2		電源 IC
IC205	YC288A01	IC	RP130Q331D-TR-F		電源 IC
IC206	YH384A00	IC	TPS54233DR DC/DC		電源 IC
IC207	YE564A01	IC	AIC6163-1GV5TR		電源 IC
IC208	YC287A01	IC	RP130Q181D-TR-F		電源 IC
IC209	YH384A00	IC	TPS54233DR DC/DC		電源 IC
* IC301	X7375A02	IC	PCM1781DBQR		IC
IC302	YA740A00	IC	AK5367AEF		A/Dコンバータ
* IC305	X7375A02	IC	PCM1781DBQR		IC
* IC307	YD558A01	IC	NJU7043M		アンプ IC
* IC309	YD368A01	IC	NJM8202V OPAMP		アンプ IC
IC310	XS775A00	IC	TC7SH04FU		ロジック ICフラット
IC311	YF849A02	IC	R5527K001D-TR LOAD		電源 IC
IC501	YA727A01	IC	LA6565		ドライバー IC
* IC502	YJ002A00	IC. MEMORY	W25Q32FVSSIG	written	書込済メモリ IC
IC503	X3584F01	IC	W9812G6KH-6 SDRAM		メモリ IC
IC504	YE570A01	IC	MN6627992AB		IC
J301-307	RD350002	R. CHP	0Ω 1/16W J		チップ抵抗
J501-507	RD350002	R. CHP	0Ω 1/16W J		チップ抵抗
J510-519	RD350002	R. CHP	0Ω 1/16W J		チップ抵抗
JK301	V4273000	JACK. MINI	MSJ-035-12D		ミニジャック
PJ301	ZS601100	JACK. PIN	2P WH/RD AU RJ-117		ピンジャック
* PJ302	ZU863000	JACK. PIN	1P Black AV-13D3		ピンジャック
Q101	WC529402	TR	KTC3875S Y GR RTK		トランジスタ
Q201	WC529502	TR	KTA1504S Y GR RTK		トランジスタ
Q202	WC529402	TR	KTC3875S Y GR RTK		トランジスタ
Q203	ZR305100	FET	RRL035P03TR		MOS FET
* Q204	ZW122800	TR	2SCR573D		トランジスタ
Q205-206	WC529402	TR	KTC3875S Y GR RTK		トランジスタ
Q207	WZ703401	FET	RAL035P01		MOS FET
Q208	WY029602	TR. DGT	KRA304-RTK/P		デジタルトランジスタ
Q209	WZ703401	FET	RAL035P01		MOS FET
Q210	VV655701	TR. DGT	DTC144EKA		デジタルトランジスタ
Q211	VV655301	TR. DGT	DTA144EKA		デジタルトランジスタ
Q212	WC529402	TR	KTC3875S Y GR RTK		トランジスタ
Q213	ZD255801	TR	2SAR513P		トランジスタ
Q301-308	WC883403	TR	2SD2704 K		トランジスタ
Q309-310	WW782001	TR. DGT	DTA044EUBTL		デジタルトランジスタ
Q501	ZC298401	TR	2SA1037AK R, S TP		トランジスタ
R102-103	RD457101	R. CHP	10KΩ 1/16W J		チップ抵抗
R104-105	RD357101	R. CHP	10KΩ 1/16W J		チップ抵抗
R110	RD457101	R. CHP	10KΩ 1/16W J		チップ抵抗
R111	RD357101	R. CHP	10KΩ 1/16W J		チップ抵抗

* New Parts / 新規部品

CRX-N470

MAIN

Ref No.	Part No.	Description	Remarks	Markets	部品名	
R113-114	RD356332	R. CHP	3. 3K Ω	1/16W J		チップ抵抗
R117	RD355223	R. CHP	220 Ω	1/16W J		チップ抵抗
R120	RD356102	R. CHP	1K Ω	1/16W J		チップ抵抗
R121	RD358101	R. CHP	100K Ω	1/16W J		チップ抵抗
R123-124	RD454473	R. CHP	47 Ω	1/16W		チップ抵抗
R126	RD456102	R. CHP	1K Ω	1/16W J		チップ抵抗
R127	RD457472	R. CHP	47K Ω	1/16W		チップ抵抗
R128	RD457101	R. CHP	10K Ω	1/16W J		チップ抵抗
R130	RD457101	R. CHP	10K Ω	1/16W J		チップ抵抗
R131	RD457472	R. CHP	47K Ω	1/16W		チップ抵抗
R133-134	RD357101	R. CHP	10K Ω	1/16W J		チップ抵抗
R135	RD350002	R. CHP	0 Ω	1/16W J		チップ抵抗
R136	RD358472	R. CHP	470K Ω	1/16W J		チップ抵抗
R137	RD357101	R. CHP	10K Ω	1/16W J		チップ抵抗
R139	RD356102	R. CHP	1K Ω	1/16W J		チップ抵抗
R140-141	RD358472	R. CHP	470K Ω	1/16W J		チップ抵抗
R142	RD357101	R. CHP	10K Ω	1/16W J		チップ抵抗
R143	RD357471	R. CHP	47K Ω	1/16W J		チップ抵抗
R144	RD356392	R. CHP	3. 9K Ω	1/16W J		チップ抵抗
R145-146	RD357132	R. CHP	13K Ω	1/16W J		チップ抵抗
R149-151	RD454473	R. CHP	47 Ω	1/16W		チップ抵抗
R152	RD356471	R. CHP	4. 7K Ω	1/16W J		チップ抵抗
R153	RD356561	R. CHP	5. 6K Ω	1/16W J		チップ抵抗
R154	RD355223	R. CHP	220 Ω	1/16W J		チップ抵抗
R155-156	RD354222	R. CHP	22 Ω	1/16W J		チップ抵抗
R157	RD355223	R. CHP	220 Ω	1/16W J		チップ抵抗
R158	RD357182	R. CHP	18K Ω	1/16W J		チップ抵抗
R159	RD356392	R. CHP	3. 9K Ω	1/16W J		チップ抵抗
R160	RD357241	R. CHP	24K Ω	1/16W J		チップ抵抗
R161-162	RD358101	R. CHP	100K Ω	1/16W J		チップ抵抗
R163	RD356332	R. CHP	3. 3K Ω	1/16W J		チップ抵抗
R164	RD357241	R. CHP	24K Ω	1/16W J		チップ抵抗
R165	RD357471	R. CHP	47K Ω	1/16W J		チップ抵抗
R166-167	RD454473	R. CHP	47 Ω	1/16W		チップ抵抗
R201	RD357101	R. CHP	10K Ω	1/16W J		チップ抵抗
R202	RD357241	R. CHP	24K Ω	1/16W J		チップ抵抗
R203	RD356102	R. CHP	1K Ω	1/16W J		チップ抵抗
R204	RD356561	R. CHP	5. 6K Ω	1/16W J		チップ抵抗
R205	RD358101	R. CHP	100K Ω	1/16W J		チップ抵抗
R206-208	RD357101	R. CHP	10K Ω	1/16W J		チップ抵抗
R209	RD358101	R. CHP	100K Ω	1/16W J		チップ抵抗
R210	RD356332	R. CHP	3. 3K Ω	1/16W J		チップ抵抗
* R211-212	VF478401	R. CAR. CHP	22 Ω	1W		チップ抵抗
R213-214	RD356102	R. CHP	1K Ω	1/16W J		チップ抵抗
* R215	VF478401	R. CAR. CHP	22 Ω	1W		チップ抵抗
R216	RD355102	R. CHP	100 Ω	1/16W J		チップ抵抗
R217	RF457681	R. CHP	68K Ω	1/16W F		チップ抵抗
R218	RF458101	R. CHP	100K Ω	1/16W F		チップ抵抗
R219	RD357201	R. CHP	20K Ω	1/16W J		チップ抵抗
R220	RD356102	R. CHP	1K Ω	1/16W J		チップ抵抗
R221	RF458331	R. CHP	330K Ω	1/16W		チップ抵抗
R222	RF457681	R. CHP	68K Ω	1/16W F		チップ抵抗
R223	RD356471	R. CHP	4. 7K Ω	1/16W J		チップ抵抗
R224	RD357201	R. CHP	20K Ω	1/16W J		チップ抵抗
R225	RD356102	R. CHP	1K Ω	1/16W J		チップ抵抗
R226	RF457103	R. CHP	10K Ω	1/16W F		チップ抵抗
* R227	RD355241	R. CHP	240 Ω	1/16W J		チップ抵抗
R228	RF456102	R. CHP	1. 0K Ω	1/16W F		チップ抵抗
R229	RF457511	R. CHP	51K Ω	1/16W F		チップ抵抗

* New Parts / 新規部品

CRX-N470

MAIN

Ref No.	Part No.	Description	Remarks	Markets	部品名
R230	RD357201	R. CHP	20KΩ	1/16W J	チップ抵抗
R231	RD356102	R. CHP	1KΩ	1/16W J	チップ抵抗
R232	RF456151	R. CHP	1.5KΩ	1/16W F	チップ抵抗
R233	RF457103	R. CHP	10KΩ	1/16W F	チップ抵抗
* R234	RF455751	R. CHP	750Ω	1/16W F	チップ抵抗
* R235	RF456112	R. CHP	1.1KΩ	1/16W F	チップ抵抗
R236	RF457103	R. CHP	10KΩ	1/16W F	チップ抵抗
R237	RD355331	R. CHP	330Ω	1/16W J	チップ抵抗
R238	RF457103	R. CHP	10KΩ	1/16W F	チップ抵抗
R239	RD356332	R. CHP	3.3KΩ	1/16W J	チップ抵抗
R240-241	RD357101	R. CHP	10KΩ	1/16W J	チップ抵抗
R242	RD358101	R. CHP	100KΩ	1/16W J	チップ抵抗
R243-244	RD357101	R. CHP	10KΩ	1/16W J	チップ抵抗
R245	RD358101	R. CHP	100KΩ	1/16W J	チップ抵抗
R247	RD356102	R. CHP	1KΩ	1/16W J	チップ抵抗
R248-249	RD358101	R. CHP	100KΩ	1/16W J	チップ抵抗
R250	RF457681	R. CHP	68KΩ	1/16W F	チップ抵抗
R251	RD357101	R. CHP	10KΩ	1/16W J	チップ抵抗
R252	RD355102	R. CHP	100Ω	1/16W J	チップ抵抗
R253	RD357101	R. CHP	10KΩ	1/16W J	チップ抵抗
R254	RD357201	R. CHP	20KΩ	1/16W J	チップ抵抗
R255	RD356102	R. CHP	1KΩ	1/16W J	チップ抵抗
R256	RD357101	R. CHP	10KΩ	1/16W J	チップ抵抗
R257-258	RD358101	R. CHP	100KΩ	1/16W J	チップ抵抗
R259	RF457103	R. CHP	10KΩ	1/16W F	チップ抵抗
R260	RD355331	R. CHP	330Ω	1/16W J	チップ抵抗
R261	RF456102	R. CHP	1.0KΩ	1/16W F	チップ抵抗
R262	RD355392	R. CHP	390Ω	1/16W J	チップ抵抗
R263-264	WD205300	R. CAR. CHP	6.8Ω	1/2W	チップ抵抗
R265	RD356102	R. CHP	1KΩ	1/16W J	チップ抵抗
R266	RF458101	R. CHP	100KΩ	1/16W F	チップ抵抗
R267	RD357201	R. CHP	20KΩ	1/16W J	チップ抵抗
R268	RD356102	R. CHP	1KΩ	1/16W J	チップ抵抗
R269	RF457103	R. CHP	10KΩ	1/16W F	チップ抵抗
R270	RF455911	R. CHP	910Ω	1/16W F	チップ抵抗
R271	RF456102	R. CHP	1.0KΩ	1/16W F	チップ抵抗
R301-302	RD358101	R. CHP	100KΩ	1/16W J	チップ抵抗
R303	RD355102	R. CHP	100Ω	1/16W J	チップ抵抗
R304	RD358101	R. CHP	100KΩ	1/16W J	チップ抵抗
R305	RD355102	R. CHP	100Ω	1/16W J	チップ抵抗
R306	RD358101	R. CHP	100KΩ	1/16W J	チップ抵抗
R307	RD355102	R. CHP	100Ω	1/16W J	チップ抵抗
R308	RD354102	R. CHP	10Ω	1/16W J	チップ抵抗
R309	RD357471	R. CHP	47KΩ	1/16W J	チップ抵抗
R310-313	RD357101	R. CHP	10KΩ	1/16W J	チップ抵抗
R315-316	RD357562	R. CHP	56KΩ	1/16W J	チップ抵抗
R317	RD357201	R. CHP	20KΩ	1/16W J	チップ抵抗
* R318	RD357361	R. CHP	36KΩ	1/16W J	チップ抵抗
R319	RD357562	R. CHP	56KΩ	1/16W J	チップ抵抗
R320-321	RD357241	R. CHP	24KΩ	1/16W J	チップ抵抗
R322	RD357562	R. CHP	56KΩ	1/16W J	チップ抵抗
R323	RD357201	R. CHP	20KΩ	1/16W J	チップ抵抗
* R324	RD357361	R. CHP	36KΩ	1/16W J	チップ抵抗
R325-326	RD454473	R. CHP	47Ω	1/16W	チップ抵抗
R327-330	RD354331	R. CHP	33Ω	1/16W J	チップ抵抗
R331	RD357471	R. CHP	47KΩ	1/16W J	チップ抵抗
R334-335	RD356332	R. CHP	3.3KΩ	1/16W J	チップ抵抗
R337	RD357471	R. CHP	47KΩ	1/16W J	チップ抵抗
R339	RD456471	R. CHP	4.7KΩ	1/16W J	チップ抵抗

* New Parts / 新規部品

CRX-N470

MAIN

Ref No.	Part No.	Description	Remarks	Markets	部品名	
R340	RD359102	R. CHP	1M Ω	1/16W J		チップ抵抗
R341	RD355471	R. CHP	470 Ω	1/16W J		チップ抵抗
R342-343	RD355102	R. CHP	100 Ω	1/16W J		チップ抵抗
R344-345	RD356471	R. CHP	4.7K Ω	1/16W J		チップ抵抗
R346	RD357471	R. CHP	47K Ω	1/16W J		チップ抵抗
R347	RD355102	R. CHP	100 Ω	1/16W J		チップ抵抗
R348	RD357471	R. CHP	47K Ω	1/16W J		チップ抵抗
* R349	RD353102	R. CHP	1 Ω	1/16W J		チップ抵抗
R350-353	RD357101	R. CHP	10K Ω	1/16W J		チップ抵抗
R354-355	RD357471	R. CHP	47K Ω	1/16W J		チップ抵抗
R356-357	RD357332	R. CHP	33K Ω	1/16W J		チップ抵抗
R358-359	RD356471	R. CHP	4.7K Ω	1/16W J		チップ抵抗
R360	RD358101	R. CHP	100K Ω	1/16W J		チップ抵抗
R361-362	RD355471	R. CHP	470 Ω	1/16W J		チップ抵抗
* R363	RD357393	R. CHP	39K Ω	1/16W J		チップ抵抗
R364-367	RD358101	R. CHP	100K Ω	1/16W J		チップ抵抗
R368	RD357471	R. CHP	47K Ω	1/16W J		チップ抵抗
R369-370	RD357101	R. CHP	10K Ω	1/16W J		チップ抵抗
R371	RD357562	R. CHP	56K Ω	1/16W J		チップ抵抗
R372	RD357152	R. CHP	15K Ω	1/16W J		チップ抵抗
R373	RD357332	R. CHP	33K Ω	1/16W J		チップ抵抗
R374	RD357221	R. CHP	22K Ω	1/16W J		チップ抵抗
R375	RD357101	R. CHP	10K Ω	1/16W J		チップ抵抗
R377-378	RD356222	R. CHP	2.2K Ω	1/16W J		チップ抵抗
R379-380	RD357101	R. CHP	10K Ω	1/16W J		チップ抵抗
* R381-382	RD254102	R. CHP	10 Ω	1/10W J		チップ抵抗
R383	RD355102	R. CHP	100 Ω	1/16W J		チップ抵抗
* R384-385	RD254102	R. CHP	10 Ω	1/10W J		チップ抵抗
R386	RD357471	R. CHP	47K Ω	1/16W J		チップ抵抗
R387	RD355471	R. CHP	470 Ω	1/16W J		チップ抵抗
* R388-389	RD254102	R. CHP	10 Ω	1/10W J		チップ抵抗
R390	RD355471	R. CHP	470 Ω	1/16W J		チップ抵抗
R391	RD357101	R. CHP	10K Ω	1/16W J		チップ抵抗
R392-395	RD356102	R. CHP	1K Ω	1/16W J		チップ抵抗
R396	RD357101	R. CHP	10K Ω	1/16W J		チップ抵抗
R397-400	WZ677700	R. MTL. OXD	10 Ω	1/4W		酸化金属被膜抵抗
R401-402	RD356102	R. CHP	1K Ω	1/16W J		チップ抵抗
R405-406	RD357101	R. CHP	10K Ω	1/16W J		チップ抵抗
R501-503	RD357101	R. CHP	10K Ω	1/16W J		チップ抵抗
R504	RD356102	R. CHP	1K Ω	1/16W J		チップ抵抗
R505-506	RD357101	R. CHP	10K Ω	1/16W J		チップ抵抗
R507	RD253472	R. CHP	4.7 Ω	1/10W J		チップ抵抗
R508	RD357101	R. CHP	10K Ω	1/16W J		チップ抵抗
R509	RD355471	R. CHP	470 Ω	1/16W J		チップ抵抗
R510	RD357101	R. CHP	10K Ω	1/16W J		チップ抵抗
R511	RD354331	R. CHP	33 Ω	1/16W J		チップ抵抗
R512	RD357101	R. CHP	10K Ω	1/16W J		チップ抵抗
R513	RD357152	R. CHP	15K Ω	1/16W J		チップ抵抗
R514	RF356392	R. MTL. CHP	3.9K Ω	1/16W D		チップ金属被膜抵抗
R515	RF356472	R. MTL. CHP	4.7K Ω	1/16W D		チップ金属被膜抵抗
R516-517	RD357221	R. CHP	22K Ω	1/16W J		チップ抵抗
R518	RD357101	R. CHP	10K Ω	1/16W J		チップ抵抗
R519	RD357821	R. CHP	82K Ω	1/16W J		チップ抵抗
R520	RD357121	R. CHP	12K Ω	1/16W J		チップ抵抗
R521	RD357152	R. CHP	15K Ω	1/16W J		チップ抵抗
R522	RD357682	R. CHP	68K Ω	1/16W J		チップ抵抗
R523	RD355822	R. CHP	820 Ω	1/16W J		チップ抵抗
R526	RD354331	R. CHP	33 Ω	1/16W J		チップ抵抗
R527	RD356272	R. CHP	2.7K Ω	1/16W J		チップ抵抗

* New Parts / 新規部品

MAIN

Ref No.	Part No.	Description	Remarks	Markets	部品名	
R529	RD356561	R. CHP	5. 6KΩ 1/16W J		チップ抵抗	
R530-533	RD357152	R. CHP	15KΩ 1/16W J		チップ抵抗	
R534	RD354331	R. CHP	33Ω 1/16W J		チップ抵抗	
R536	RD357101	R. CHP	10KΩ 1/16W J		チップ抵抗	
R537-545	RD354331	R. CHP	33Ω 1/16W J		チップ抵抗	
R547-548	RD355102	R. CHP	100Ω 1/16W J		チップ抵抗	
R550	RD354331	R. CHP	33Ω 1/16W J		チップ抵抗	
R551	RD359102	R. CHP	1MΩ 1/16W J		チップ抵抗	
R554	RD354331	R. CHP	33Ω 1/16W J		チップ抵抗	
R555-556	RD358101	R. CHP	100KΩ 1/16W J		チップ抵抗	
R557	RD357101	R. CHP	10KΩ 1/16W J		チップ抵抗	
R559-560	RD354331	R. CHP	33Ω 1/16W J		チップ抵抗	
R563-564	RD357152	R. CHP	15KΩ 1/16W J		チップ抵抗	
R565-568	RD454331	R. CHP	33Ω 1/16W J		チップ抵抗	
R569-574	RD356561	R. CHP	5. 6KΩ 1/16W J		チップ抵抗	
TE301	WU730101	TERM. SP	4P MST-224VD-01-76	JUTAV	スピーカ端子	
TE301	WU730301	TERM. SP	4P MST-224VD-01-76	KGL	スピーカ端子	
XL101	V9864201	RSNR. CE	10. 0MHz		セラミック発振子	
XL301	ZF825600	RSNR. CRY	24. 576MHz SK-1038		水晶振動子	
XL501	ZE286301	RSNR. CRY	33. 8688MHz DSX321G		水晶振動子	
*	ZV428300	P. C. B.	MAIN	CRX-N470D	BG	PCB MAIN
	CB102	WC195601	CN	6P TE FMN		FMNコネクター
*	CB105	ZG674500	CN. BS. PIN	9P TE		FFCコネクター
*	CB302	ZU824000	CN. NETWORK	8P GT-H41B0503F		LANコネクター
	CB303	ZP457701	CN. SOCKET	60P 134203560W3		ソケットコネクター
	CB305	VB390002	CN. BS. PIN	4P		コネクター
	CB501	WQ289301	CN	24P TE		FFC/FPCコネクター
	CB502	VB390202	CN. BS. PIN	6P		コネクター
	CB506	VB390202	CN. BS. PIN	6P		コネクター
*	CB507	ZG676000	CN. BS. PIN	24P TE		FFCコネクター
	CB508	VB390101	CN. BS. PIN	5P		コネクター
	C101-102	US064102	C. CE. CHP	0. 01uF 50V B		チップセラコン
	C103	US625101	C. CE. CHP	0. 1uF 10V		チップセラコン
	C104	US035101	C. CE. CHP	0. 1uF 16V B		チップセラコン
	C105	US063101	C. CE. CHP	1000pF 50V B		チップセラコン
	C106	US135101	C. CE. CHP	0. 1uF 16V		チップセラコン
	C107	US625101	C. CE. CHP	0. 1uF 10V		チップセラコン
	C108	US063101	C. CE. CHP	1000pF 50V B		チップセラコン
	C109-111	US135101	C. CE. CHP	0. 1uF 16V		チップセラコン
	C112-118	US625101	C. CE. CHP	0. 1uF 10V		チップセラコン
*	C119	US662333	C. CE. CHP	330pF 50V		チップセラコン
*	C120	UF038103	C. EL. CHP	100uF 16V		チップケミコン
*	C121	UU237471	C. EL	47uF 16V		ケミコン
	C122-123	US035101	C. CE. CHP	0. 1uF 16V B		チップセラコン
	C124-125	US061222	C. CE. CHP	22pF 50V B		チップセラコン
	C126	US035101	C. CE. CHP	0. 1uF 16V B		チップセラコン
	C127	US061222	C. CE. CHP	22pF 50V B		チップセラコン
	C128	US035101	C. CE. CHP	0. 1uF 16V B		チップセラコン
	C130	US061222	C. CE. CHP	22pF 50V B		チップセラコン
	C131	US035101	C. CE. CHP	0. 1uF 16V B		チップセラコン
	C132	US062101	C. CE. CHP	100pF 50V B		チップセラコン
	C133	US035101	C. CE. CHP	0. 1uF 16V B		チップセラコン
	C134	US061222	C. CE. CHP	22pF 50V B		チップセラコン
	C135	US035101	C. CE. CHP	0. 1uF 16V B		チップセラコン
	C136	US061222	C. CE. CHP	22pF 50V B		チップセラコン
	C137-138	US062101	C. CE. CHP	100pF 50V B		チップセラコン

* New Parts / 新規部品

CRX-N470D

MAIN

Ref No.	Part No.	Description	Remarks	Markets	部品名
C139	UR838103	C. EL	100uF 16V		ケミコン
C140	US062101	C. CE. CHP	100pF 50V B		チップセラコン
C141-142	US061222	C. CE. CHP	22pF 50V B		チップセラコン
C143	US062101	C. CE. CHP	100pF 50V B		チップセラコン
C144-146	US035101	C. CE. CHP	0. 1uF 16V B		チップセラコン
C147	US135101	C. CE. CHP	0. 1uF 16V		チップセラコン
C201	US065102	C. CE. CHP	0. 1uF 50V B		チップセラコン
* C202	UR259220	C. EL	2200uF 35V		ケミコン
C203	US065102	C. CE. CHP	0. 1uF 50V B		チップセラコン
C204	ZK346600	C. CE. M. CHP	10uF 16V		チップ積層セラコン
C205	WG888200	C. CE. M. CHP	10uF 25V		チップ積層セラコン
C206	US145102	C. CE. CHP	0. 1uF 25V		チップセラコン
C207	US064102	C. CE. CHP	0. 01uF 50V B		チップセラコン
C208	US063471	C. CE. CHP	4700pF 50V B		チップセラコン
C209-210	WG888200	C. CE. M. CHP	10uF 25V		チップ積層セラコン
C211	US145102	C. CE. CHP	0. 1uF 25V		チップセラコン
C212	US064102	C. CE. CHP	0. 01uF 50V B		チップセラコン
C213	WG888200	C. CE. M. CHP	10uF 25V		チップ積層セラコン
C214	US063471	C. CE. CHP	4700pF 50V B		チップセラコン
C215	US063181	C. CE. CHP	1800pF 50V B		チップセラコン
C216	WJ881200	C. CE. CHP	1uF 16V		チップセラコン
C217	US061681	C. CE. CHP	68pF 50V B		チップセラコン
C218	US145102	C. CE. CHP	0. 1uF 25V		チップセラコン
C219	US064102	C. CE. CHP	0. 01uF 50V B		チップセラコン
C220	WQ614300	C. CE. CHP	22uF 10VE		チップセラコン
C221	US063471	C. CE. CHP	4700pF 50V B		チップセラコン
C223	US063181	C. CE. CHP	1800pF 50V B		チップセラコン
C224	US061681	C. CE. CHP	68pF 50V B		チップセラコン
C225	WQ614300	C. CE. CHP	22uF 10VE		チップセラコン
C226	US063181	C. CE. CHP	1800pF 50V B		チップセラコン
C227	WQ614300	C. CE. CHP	22uF 10VE		チップセラコン
C228	US061681	C. CE. CHP	68pF 50V B		チップセラコン
C229	WQ614300	C. CE. CHP	22uF 10VE		チップセラコン
C230	WE773803	C. CE. M. CHP	1uF 10V B		チップ積層セラコン
C232	US035101	C. CE. CHP	0. 1uF 16V B		チップセラコン
C233	WK145901	C. CE. CHP	0. 47uF 10V		チップセラコン
C234	US035101	C. CE. CHP	0. 1uF 16V B		チップセラコン
C235	WK145901	C. CE. CHP	0. 47uF 10V		チップセラコン
C236	WE773803	C. CE. M. CHP	1uF 10V B		チップ積層セラコン
C237	WD758301	C. CE. CHP	10uF 10V		チップセラコン
C238	US064102	C. CE. CHP	0. 01uF 50V B		チップセラコン
C239	US035101	C. CE. CHP	0. 1uF 16V B		チップセラコン
C240	WD758301	C. CE. CHP	10uF 10V		チップセラコン
C241	WG888200	C. CE. M. CHP	10uF 25V		チップ積層セラコン
C242	US145102	C. CE. CHP	0. 1uF 25V		チップセラコン
C243	US035101	C. CE. CHP	0. 1uF 16V B		チップセラコン
C244-245	US064102	C. CE. CHP	0. 01uF 50V B		チップセラコン
C246	US063471	C. CE. CHP	4700pF 50V B		チップセラコン
C247	US065102	C. CE. CHP	0. 1uF 50V B		チップセラコン
C248-249	US126101	C. CE. CHP	1uF 10V		チップセラコン
C250	US063181	C. CE. CHP	1800pF 50V B		チップセラコン
C251	UR866101	C. EL	1uF 50V		ケミコン
C252	US061681	C. CE. CHP	68pF 50V B		チップセラコン
C253	WQ614300	C. CE. CHP	22uF 10VE		チップセラコン
C254-255	US035101	C. CE. CHP	0. 1uF 16V B		チップセラコン
C257	US035101	C. CE. CHP	0. 1uF 16V B		チップセラコン
C260	WG888200	C. CE. M. CHP	10uF 25V		チップ積層セラコン
C261	US145102	C. CE. CHP	0. 1uF 25V		チップセラコン
C262	US064102	C. CE. CHP	0. 01uF 50V B		チップセラコン

* New Parts / 新規部品

CRX-N470D

MAIN

Ref No.	Part No.	Description	Remarks	Markets	部品名
C263	US063471	C. CE. CHP	4700pF	50V B	チップセラコン
C264	US063181	C. CE. CHP	1800pF	50V B	チップセラコン
C265	US061681	C. CE. CHP	68pF	50V B	チップセラコン
C266-267	WQ614300	C. CE. CHP	22uF	10VE	チップセラコン
C301	UF028101	C. EL. CHP	100uF	10V	チップケミコン
C302	US625101	C. CE. CHP	0. 1uF	10V	チップセラコン
C303	US135101	C. CE. CHP	0. 1uF	16V	チップセラコン
C304	US163101	C. CE. CHP	1000pF	50V	チップセラコン
C305	US625101	C. CE. CHP	0. 1uF	10V	チップセラコン
C306	US163101	C. CE. CHP	1000pF	50V	チップセラコン
C307	US625101	C. CE. CHP	0. 1uF	10V	チップセラコン
C309	US163101	C. CE. CHP	1000pF	50V	チップセラコン
C311	US163101	C. CE. CHP	1000pF	50V	チップセラコン
C314-315	WD758301	C. CE. CHP	10uF	10V	チップセラコン
C317-318	US135101	C. CE. CHP	0. 1uF	16V	チップセラコン
C319-326	US126101	C. CE. CHP	1uF	10V	チップセラコン
C327-328	WG888302	C. CE. M. CHP	10uF	6. 3V	チップ積層セラコン
C329	US135101	C. CE. CHP	0. 1uF	16V	チップセラコン
C330	UF018101	C. EL. CHP	100uF	6. 3V	チップケミコン
C331	WV169101	C. CE. CHP	2. 2uF	10V	チップセラコン
C332	US135101	C. CE. CHP	0. 1uF	16V	チップセラコン
C333	US126101	C. CE. CHP	1uF	10V	チップセラコン
C334	US061222	C. CE. CHP	22pF	50V B	チップセラコン
C335	US062101	C. CE. CHP	100pF	50V B	チップセラコン
C336	US135101	C. CE. CHP	0. 1uF	16V	チップセラコン
C337	WD758301	C. CE. CHP	10uF	10V	チップセラコン
C338-339	US135101	C. CE. CHP	0. 1uF	16V	チップセラコン
C340	US062101	C. CE. CHP	100pF	50V B	チップセラコン
C341	US064102	C. CE. CHP	0. 01uF	50V B	チップセラコン
C342	WQ614300	C. CE. CHP	22uF	10VE	チップセラコン
C343	US061222	C. CE. CHP	22pF	50V B	チップセラコン
C344	US135101	C. CE. CHP	0. 1uF	16V	チップセラコン
C345	US061222	C. CE. CHP	22pF	50V B	チップセラコン
C346	WD758301	C. CE. CHP	10uF	10V	チップセラコン
C347	US061222	C. CE. CHP	22pF	50V B	チップセラコン
C349	US625101	C. CE. CHP	0. 1uF	10V	チップセラコン
C350	US035101	C. CE. CHP	0. 1uF	16V B	チップセラコン
C351	US135101	C. CE. CHP	0. 1uF	16V	チップセラコン
C352	US035101	C. CE. CHP	0. 1uF	16V B	チップセラコン
C353	US061151	C. CE. CHP	15pF	50V B	チップセラコン
C355	US035101	C. CE. CHP	0. 1uF	16V B	チップセラコン
C356	US061151	C. CE. CHP	15pF	50V B	チップセラコン
C357	WJ344400	C. CE. CHP	22uF	6. 3V	チップセラコン
C360-361	US035101	C. CE. CHP	0. 1uF	16V B	チップセラコン
C363-364	US135101	C. CE. CHP	0. 1uF	16V	チップセラコン
C366-367	US126101	C. CE. CHP	1uF	10V	チップセラコン
* C368	WM113801	C. EL	2200uF	35V	ケミコン
* C369-370	WN110601	C. CE. M. CHP	4. 7uF	25V	チップ積層セラコン
* C371	WM113801	C. EL	2200uF	35V	ケミコン
C372-373	US163101	C. CE. CHP	1000pF	50V	チップセラコン
C374-375	WD758301	C. CE. CHP	10uF	10V	チップセラコン
C376	US135101	C. CE. CHP	0. 1uF	16V	チップセラコン
C377-379	UR237101	C. EL	10uF	16V	ケミコン
C380-381	WP882002	C. CE. CHP	10uF	6. 3V	チップセラコン
* C382	US061561	C. CE. CHP	56pF	50V B	チップセラコン
* C383-384	WN110601	C. CE. M. CHP	4. 7uF	25V	チップ積層セラコン
C385-386	US163101	C. CE. CHP	1000pF	50V	チップセラコン
C387	WP882002	C. CE. CHP	10uF	6. 3V	チップセラコン
* C388-391	US061561	C. CE. CHP	56pF	50V B	チップセラコン

* New Parts / 新規部品

CRX-N470D

MAIN

Ref No.	Part No.	Description	Remarks	Markets	部品名
C392-393	US061471	C. CE. CHP	47pF 50V B		チップセラコン
C394	US062101	C. CE. CHP	100pF 50V B		チップセラコン
C395	US065102	C. CE. CHP	0. 1uF 50V B		チップセラコン
* C396-398	UR828222	C. EL	220uF 10V		ケミコン
C399	US062681	C. CE. CHP	680pF 50V B		チップセラコン
* C400	US061561	C. CE. CHP	56pF 50V B		チップセラコン
C401	US062681	C. CE. CHP	680pF 50V B		チップセラコン
C402	WP882002	C. CE. CHP	10uF 6. 3V		チップセラコン
C403	US065102	C. CE. CHP	0. 1uF 50V B		チップセラコン
* C404	UR828222	C. EL	220uF 10V		ケミコン
* C405-408	ZH996901	C. MYLAR	0. 1uF 100V		マイラーコン
C409-412	VZ420802	C. CE. M. CHP	0. 1uF 100V		チップ積層セラコン
* C413-414	ZK352300	C. POL. MTL	0. 22uF 100V		メタライズドポリコン
C415-416	US063101	C. CE. CHP	1000pF 50V B		チップセラコン
C417-420	US163101	C. CE. CHP	1000pF 50V		チップセラコン
C429-440	US163101	C. CE. CHP	1000pF 50V		チップセラコン
C441-442	UR818471	C. EL	470uF 6. 3V		ケミコン
C501-504	US135101	C. CE. CHP	0. 1uF 16V		チップセラコン
C505	US064102	C. CE. CHP	0. 01uF 50V B		チップセラコン
C506-507	WP882002	C. CE. CHP	10uF 6. 3V		チップセラコン
C508-509	US064102	C. CE. CHP	0. 01uF 50V B		チップセラコン
C510	US062101	C. CE. CHP	100pF 50V B		チップセラコン
C511	UF018101	C. EL. CHP	100uF 6. 3V		チップケミコン
C513	WS624501	C. EL. CHP	47uF 6. 3V		チップBPコン
C514-515	US135101	C. CE. CHP	0. 1uF 16V		チップセラコン
C516	UF138221	C. EL. CHP	220uF 16V		チップケミコン
C517	UF018101	C. EL. CHP	100uF 6. 3V		チップケミコン
C518	US135101	C. CE. CHP	0. 1uF 16V		チップセラコン
C519	US063101	C. CE. CHP	1000pF 50V B		チップセラコン
C520	UF017472	C. EL. CHP	47uF 6. 3V		チップケミコン
C521	US135101	C. CE. CHP	0. 1uF 16V		チップセラコン
C522	UF018101	C. EL. CHP	100uF 6. 3V		チップケミコン
C523	UF037472	C. EL. CHP	47uF 16V		チップケミコン
C524	US135101	C. CE. CHP	0. 1uF 16V		チップセラコン
C527	US135332	C. CE. CHP	0. 33uF 16V		チップセラコン
C530	US135101	C. CE. CHP	0. 1uF 16V		チップセラコン
C531	US044222	C. CE. CHP	0. 022uF 25V B		チップセラコン
C532	US061681	C. CE. CHP	68pF 50V B		チップセラコン
C533	US135332	C. CE. CHP	0. 33uF 16V		チップセラコン
C534	US135101	C. CE. CHP	0. 1uF 16V		チップセラコン
C535	US062681	C. CE. CHP	680pF 50V B		チップセラコン
C536	US044222	C. CE. CHP	0. 022uF 25V B		チップセラコン
C537	US063101	C. CE. CHP	1000pF 50V B		チップセラコン
C538	US034822	C. CE. CHP	0. 082uF 16V K		チップセラコン
C539	US063101	C. CE. CHP	1000pF 50V B		チップセラコン
C540	US135332	C. CE. CHP	0. 33uF 16V		チップセラコン
C541	UF018101	C. EL. CHP	100uF 6. 3V		チップケミコン
C542	WG251602	C. CE. CHP	4. 7uF 6. 3V		チップセラコン
C543	UF018101	C. EL. CHP	100uF 6. 3V		チップケミコン
C544-545	US063222	C. CE. CHP	2200pF 50V B		チップセラコン
C546-547	US063152	C. CE. CHP	1500pF 50V B		チップセラコン
C548-549	US135101	C. CE. CHP	0. 1uF 16V		チップセラコン
C550	WK004402	C. CE. M. CHP	10uF 16V		チップ積層セラコン
C551	WG888302	C. CE. M. CHP	10uF 6. 3V		チップ積層セラコン
C552-554	US135101	C. CE. CHP	0. 1uF 16V		チップセラコン
C555	US061121	C. CE. CHP	12pF 50V B		チップセラコン
* C556	UU228221	C. EL	220uF 10V		ケミコン
C557-558	US135101	C. CE. CHP	0. 1uF 16V		チップセラコン
C559	US061121	C. CE. CHP	12pF 50V B		チップセラコン

* New Parts / 新規部品

CRX-N470D

MAIN

Ref No.	Part No.	Description	Remarks	Markets	部品名
C560-563	US135101	C. CE. CHP	0. 1uF 16V		チップセラコン
C564	WV169101	C. CE. CHP	2. 2uF 10V		チップセラコン
C565-568	US135101	C. CE. CHP	0. 1uF 16V		チップセラコン
C569	US046102	C. CE. CHP	1uF 25V		チップセラコン
C570-579	US135101	C. CE. CHP	0. 1uF 16V		チップセラコン
C580	US046102	C. CE. CHP	1uF 25V		チップセラコン
C581	WD758102	C. CE. CHP	22uF 6. 3V		チップセラコン
C582-583	US135101	C. CE. CHP	0. 1uF 16V		チップセラコン
C584	US061222	C. CE. CHP	22pF 50V B		チップセラコン
C585-586	US063101	C. CE. CHP	1000pF 50V B		チップセラコン
C587-589	US061222	C. CE. CHP	22pF 50V B		チップセラコン
C590-593	US063101	C. CE. CHP	1000pF 50V B		チップセラコン
D101-105	ZP358603	DIODE	1SS352 TE		ダイオード
D201	WW783901	DIODE	1SS355VM		ダイオード
* D202-203	WY163901	DIODE. ZENR	UDZV10B		ツェナーダイオード
D204	WR452500	D. SCHOTTKY	RB051LA-40		ショットキーダイオード
D205	ZP358603	DIODE	1SS352 TE		ダイオード
D206-207	WR452500	D. SCHOTTKY	RB051LA-40		ショットキーダイオード
D208	WY165001	DIODE. ZENR	UDZV30B		ツェナーダイオード
D209	WR452500	D. SCHOTTKY	RB051LA-40		ショットキーダイオード
D210	WW783901	DIODE	1SS355VM		ダイオード
D211	WY163100	DIODE. ZENR	UDZV4. 7B		ツェナーダイオード
D212	WR452500	D. SCHOTTKY	RB051LA-40		ショットキーダイオード
D302-303	WE674802	VARISTOR. C	AVRL161A1R1NTB		チップバリスタ
D304-305	WW783901	DIODE	1SS355VM		ダイオード
D306-307	ZQ873502	D. SCHOTTKY	RB501VM-40TE-17		ショットキーダイオード
D501-502	ZA310701	D. SCHOTTKY	RB520SM-40		ショットキーダイオード
D503	ZQ873402	D. SCHOTTKY	RB500VM-40TE-17		ショットキーダイオード
F201	V2997601	SW. POLY	SMDCO50-02		ポリスイッチ
IC101	YC781B00	IC	R1EX24002ATAS0I		メモリ IC
IC103	YC109A02	IC	R3116N271A-TR-F		電源 IC
IC201-203	YH384A00	IC	TPS54233DR DC/DC		電源 IC
IC204	YF077A01	IC	BD00GA3WEFJ-E2		電源 IC
IC205	YC288A01	IC	RP130Q331D-TR-F		電源 IC
IC206	YH384A00	IC	TPS54233DR DC/DC		電源 IC
IC207	YE564A01	IC	A1C6163-1GV5TR		電源 IC
IC208	YC287A01	IC	RP130Q181D-TR-F		電源 IC
IC209	YH384A00	IC	TPS54233DR DC/DC		電源 IC
* IC301	X7375A02	IC	PCM1781DBQR		IC
IC302	YA740A00	IC	AK5367AEF		A/Dコンバータ
* IC305	X7375A02	IC	PCM1781DBQR		IC
* IC307	YD558A01	IC	NJU7043M		アンプ IC
* IC309	YD368A01	IC	NJM8202V OPAMP		アンプ IC
IC310	XS775A00	IC	TC7SH04FU		ロジック IC
IC311	YF849A02	IC	R5527K001D-TR LOAD		電源 IC
IC501	YA727A01	IC	LA6565		ドライバー IC
* IC502	YJ002A00	IC. MEMORY	W25Q32FVSSIG	written	書込済メモリ IC
IC503	X3584F01	IC	W9812G6KH-6 SDRAM		メモリ IC
IC504	YE570A01	IC	MN6627992AB		IC
J301-307	RD350002	R. CHP	0Ω 1/16W J		チップ抵抗
J501-507	RD350002	R. CHP	0Ω 1/16W J		チップ抵抗
J510-519	RD350002	R. CHP	0Ω 1/16W J		チップ抵抗
JK301	V4273000	JACK. MINI	MSJ-035-12D		ミニジャック
PJ301	ZS601100	JACK. PIN	2P WH/RD AU RJ-117		ピンジャック
* PJ302	ZU863000	JACK. PIN	1P Black AV-13D3		ピンジャック
Q101	WC529402	TR	KTC3875S Y GR RTK		トランジスタ
Q201	WC529502	TR	KTA1504S Y GR RTK		トランジスタ
Q202	WC529402	TR	KTC3875S Y GR RTK		トランジスタ
Q203	ZR305100	FET	RRL035P03TR		MOS FET

* New Parts / 新規部品

CRX-N470D

MAIN

Ref No.	Part No.	Description	Remarks	Markets	部品名
* Q204	ZW122800	TR	2SCR573D		トランジスタ
Q205-206	WC529402	TR	KTC3875S Y GR RTK		トランジスタ
Q207	WZ703401	FET	RAL035P01		MOS FET
Q208	WY029602	TR. DGT	KRA304-RTK/P		デジタルトランジスタ
Q209	WZ703401	FET	RAL035P01		MOS FET
Q210	VV655701	TR. DGT	DTC144EKA		デジタルトランジスタ
Q211	VV655301	TR. DGT	DTA144EKA		デジタルトランジスタ
Q212	WC529402	TR	KTC3875S Y GR RTK		トランジスタ
Q213	ZD255801	TR	2SAR513P		トランジスタ
Q301-308	WC883403	TR	2SD2704 K		トランジスタ
Q309-310	WW782001	TR. DGT	DTA044EUBTL		デジタルトランジスタ
Q501	ZC298401	TR	2SA1037AK R, S TP		トランジスタ
R102-103	RD457101	R. CHP	10K Ω 1/16W J		チップ抵抗
R104-105	RD357101	R. CHP	10K Ω 1/16W J		チップ抵抗
R110	RD457101	R. CHP	10K Ω 1/16W J		チップ抵抗
R111	RD357101	R. CHP	10K Ω 1/16W J		チップ抵抗
R113-114	RD356332	R. CHP	3. 3K Ω 1/16W J		チップ抵抗
R117	RD355223	R. CHP	220 Ω 1/16W J		チップ抵抗
R120	RD356102	R. CHP	1K Ω 1/16W J		チップ抵抗
R121	RD358101	R. CHP	100K Ω 1/16W J		チップ抵抗
R123-124	RD454473	R. CHP	47 Ω 1/16W		チップ抵抗
R126	RD456102	R. CHP	1K Ω 1/16W J		チップ抵抗
R127	RD457472	R. CHP	47K Ω 1/16W		チップ抵抗
R128	RD457101	R. CHP	10K Ω 1/16W J		チップ抵抗
R130	RD457101	R. CHP	10K Ω 1/16W J		チップ抵抗
R131	RD457472	R. CHP	47K Ω 1/16W		チップ抵抗
R133-134	RD357101	R. CHP	10K Ω 1/16W J		チップ抵抗
R136	RD358472	R. CHP	470K Ω 1/16W J		チップ抵抗
R137	RD357101	R. CHP	10K Ω 1/16W J		チップ抵抗
R139	RD356102	R. CHP	1K Ω 1/16W J		チップ抵抗
R140-141	RD358472	R. CHP	470K Ω 1/16W J		チップ抵抗
R142	RD357101	R. CHP	10K Ω 1/16W J		チップ抵抗
R143	RD357471	R. CHP	47K Ω 1/16W J		チップ抵抗
R144	RD356392	R. CHP	3. 9K Ω 1/16W J		チップ抵抗
R145-146	RD357132	R. CHP	13K Ω 1/16W J		チップ抵抗
R149-151	RD454473	R. CHP	47 Ω 1/16W		チップ抵抗
R152	RD356471	R. CHP	4. 7K Ω 1/16W J		チップ抵抗
R153	RD356561	R. CHP	5. 6K Ω 1/16W J		チップ抵抗
R154	RD355223	R. CHP	220 Ω 1/16W J		チップ抵抗
R155-156	RD354222	R. CHP	22 Ω 1/16W J		チップ抵抗
R157	RD355223	R. CHP	220 Ω 1/16W J		チップ抵抗
R158	RD357182	R. CHP	18K Ω 1/16W J		チップ抵抗
R159	RD356392	R. CHP	3. 9K Ω 1/16W J		チップ抵抗
R160	RD357241	R. CHP	24K Ω 1/16W J		チップ抵抗
R161-162	RD358101	R. CHP	100K Ω 1/16W J		チップ抵抗
R163	RD356332	R. CHP	3. 3K Ω 1/16W J		チップ抵抗
R164	RD357241	R. CHP	24K Ω 1/16W J		チップ抵抗
R165	RD357471	R. CHP	47K Ω 1/16W J		チップ抵抗
R166-167	RD454473	R. CHP	47 Ω 1/16W		チップ抵抗
R201	RD357101	R. CHP	10K Ω 1/16W J		チップ抵抗
R202	RD357241	R. CHP	24K Ω 1/16W J		チップ抵抗
R203	RD356102	R. CHP	1K Ω 1/16W J		チップ抵抗
R204	RD356561	R. CHP	5. 6K Ω 1/16W J		チップ抵抗
R205	RD358101	R. CHP	100K Ω 1/16W J		チップ抵抗
R206-208	RD357101	R. CHP	10K Ω 1/16W J		チップ抵抗
R209	RD358101	R. CHP	100K Ω 1/16W J		チップ抵抗
R210	RD356332	R. CHP	3. 3K Ω 1/16W J		チップ抵抗
R211-212	WH158701	R. CHP	10 Ω 1W J		チップ抵抗
R213-214	RD356102	R. CHP	1K Ω 1/16W J		チップ抵抗

* New Parts / 新規部品

CRX-N470D

MAIN

Ref No.	Part No.	Description	Remarks	Markets	部品名	
R215	WH158701	R. CHP	10Ω	1W J		チップ抵抗
R216	RD355102	R. CHP	100Ω	1/16W J		チップ抵抗
R217	RF457681	R. CHP	68KΩ	1/16W F		チップ抵抗
R218	RF458101	R. CHP	100KΩ	1/16W F		チップ抵抗
R219	RD357201	R. CHP	20KΩ	1/16W J		チップ抵抗
R220	RD356102	R. CHP	1KΩ	1/16W J		チップ抵抗
R221	RF458331	R. CHP	330KΩ	1/16W		チップ抵抗
R222	RF457681	R. CHP	68KΩ	1/16W F		チップ抵抗
R223	RD356471	R. CHP	4.7KΩ	1/16W J		チップ抵抗
R224	RD357201	R. CHP	20KΩ	1/16W J		チップ抵抗
R225	RD356102	R. CHP	1KΩ	1/16W J		チップ抵抗
R226	RF457103	R. CHP	10KΩ	1/16W F		チップ抵抗
* R227	RD355241	R. CHP	240Ω	1/16W J		チップ抵抗
R228	RF456102	R. CHP	1.0KΩ	1/16W F		チップ抵抗
R229	RF457511	R. CHP	51KΩ	1/16W F		チップ抵抗
R230	RD357201	R. CHP	20KΩ	1/16W J		チップ抵抗
R231	RD356102	R. CHP	1KΩ	1/16W J		チップ抵抗
R232	RF456151	R. CHP	1.5KΩ	1/16W F		チップ抵抗
R233	RF457103	R. CHP	10KΩ	1/16W F		チップ抵抗
* R234	RF455751	R. CHP	750Ω	1/16W F		チップ抵抗
* R235	RF456112	R. CHP	1.1KΩ	1/16W F		チップ抵抗
R236	RF457103	R. CHP	10KΩ	1/16W F		チップ抵抗
R237	RD355331	R. CHP	330Ω	1/16W J		チップ抵抗
R238	RF457103	R. CHP	10KΩ	1/16W F		チップ抵抗
R239	RD356332	R. CHP	3.3KΩ	1/16W J		チップ抵抗
R240-241	RD357101	R. CHP	10KΩ	1/16W J		チップ抵抗
R242	RD358101	R. CHP	100KΩ	1/16W J		チップ抵抗
R243-244	RD357101	R. CHP	10KΩ	1/16W J		チップ抵抗
R245	RD358101	R. CHP	100KΩ	1/16W J		チップ抵抗
R247	RD356102	R. CHP	1KΩ	1/16W J		チップ抵抗
R248-249	RD358101	R. CHP	100KΩ	1/16W J		チップ抵抗
R250	RF457681	R. CHP	68KΩ	1/16W F		チップ抵抗
R251	RD357101	R. CHP	10KΩ	1/16W J		チップ抵抗
R252	RD355102	R. CHP	100Ω	1/16W J		チップ抵抗
R253	RD357101	R. CHP	10KΩ	1/16W J		チップ抵抗
R254	RD357201	R. CHP	20KΩ	1/16W J		チップ抵抗
R255	RD356102	R. CHP	1KΩ	1/16W J		チップ抵抗
R256	RD357101	R. CHP	10KΩ	1/16W J		チップ抵抗
R257-258	RD358101	R. CHP	100KΩ	1/16W J		チップ抵抗
R259	RF457103	R. CHP	10KΩ	1/16W F		チップ抵抗
R260	RD355331	R. CHP	330Ω	1/16W J		チップ抵抗
R261	RF456102	R. CHP	1.0KΩ	1/16W F		チップ抵抗
R262	RD355392	R. CHP	390Ω	1/16W J		チップ抵抗
R263-264	WD205300	R. CAR. CHP	6.8Ω	1/2W		チップ抵抗
R265	RD356102	R. CHP	1KΩ	1/16W J		チップ抵抗
R266	RF458101	R. CHP	100KΩ	1/16W F		チップ抵抗
R267	RD357201	R. CHP	20KΩ	1/16W J		チップ抵抗
R268	RD356102	R. CHP	1KΩ	1/16W J		チップ抵抗
R269	RF457103	R. CHP	10KΩ	1/16W F		チップ抵抗
R270	RF455911	R. CHP	910Ω	1/16W F		チップ抵抗
R271	RF456102	R. CHP	1.0KΩ	1/16W F		チップ抵抗
R301-302	RD358101	R. CHP	100KΩ	1/16W J		チップ抵抗
R303	RD355102	R. CHP	100Ω	1/16W J		チップ抵抗
R304	RD358101	R. CHP	100KΩ	1/16W J		チップ抵抗
R305	RD355102	R. CHP	100Ω	1/16W J		チップ抵抗
R306	RD358101	R. CHP	100KΩ	1/16W J		チップ抵抗
R307	RD355102	R. CHP	100Ω	1/16W J		チップ抵抗
R308	RD354102	R. CHP	10Ω	1/16W J		チップ抵抗
R309	RD357471	R. CHP	47KΩ	1/16W J		チップ抵抗

* New Parts / 新規部品

CRX-N470D

MAIN

Ref No.	Part No.	Description	Remarks	Markets	部品名	
R310-313	RD357101	R. CHP	10K Ω	1/16W J		チップ抵抗
R315-316	RD357562	R. CHP	56K Ω	1/16W J		チップ抵抗
R317	RD357201	R. CHP	20K Ω	1/16W J		チップ抵抗
* R318	RD357361	R. CHP	36K Ω	1/16W J		チップ抵抗
R319	RD357562	R. CHP	56K Ω	1/16W J		チップ抵抗
R320-321	RD357241	R. CHP	24K Ω	1/16W J		チップ抵抗
R322	RD357562	R. CHP	56K Ω	1/16W J		チップ抵抗
R323	RD357201	R. CHP	20K Ω	1/16W J		チップ抵抗
* R324	RD357361	R. CHP	36K Ω	1/16W J		チップ抵抗
R325-326	RD454473	R. CHP	47 Ω	1/16W		チップ抵抗
R327-330	RD354331	R. CHP	33 Ω	1/16W J		チップ抵抗
R331	RD357471	R. CHP	47K Ω	1/16W J		チップ抵抗
R334-335	RD356332	R. CHP	3.3K Ω	1/16W J		チップ抵抗
R337	RD357471	R. CHP	47K Ω	1/16W J		チップ抵抗
R339	RD456471	R. CHP	4.7K Ω	1/16W J		チップ抵抗
R340	RD359102	R. CHP	1M Ω	1/16W J		チップ抵抗
R341	RD355471	R. CHP	470 Ω	1/16W J		チップ抵抗
R342-343	RD355102	R. CHP	100 Ω	1/16W J		チップ抵抗
R344-345	RD356471	R. CHP	4.7K Ω	1/16W J		チップ抵抗
R346	RD357471	R. CHP	47K Ω	1/16W J		チップ抵抗
R347	RD355102	R. CHP	100 Ω	1/16W J		チップ抵抗
R348	RD357471	R. CHP	47K Ω	1/16W J		チップ抵抗
* R349	RD353102	R. CHP	1 Ω	1/16W J		チップ抵抗
R350-353	RD357101	R. CHP	10K Ω	1/16W J		チップ抵抗
R354-355	RD357471	R. CHP	47K Ω	1/16W J		チップ抵抗
R356-357	RD357332	R. CHP	33K Ω	1/16W J		チップ抵抗
R358-359	RD356471	R. CHP	4.7K Ω	1/16W J		チップ抵抗
R360	RD358101	R. CHP	100K Ω	1/16W J		チップ抵抗
R361-362	RD355471	R. CHP	470 Ω	1/16W J		チップ抵抗
* R363	RD357393	R. CHP	39K Ω	1/16W J		チップ抵抗
R364-367	RD358101	R. CHP	100K Ω	1/16W J		チップ抵抗
R368	RD357471	R. CHP	47K Ω	1/16W J		チップ抵抗
R369-370	RD357101	R. CHP	10K Ω	1/16W J		チップ抵抗
R371	RD357562	R. CHP	56K Ω	1/16W J		チップ抵抗
R372	RD357152	R. CHP	15K Ω	1/16W J		チップ抵抗
R373	RD357332	R. CHP	33K Ω	1/16W J		チップ抵抗
R374	RD357221	R. CHP	22K Ω	1/16W J		チップ抵抗
R375	RD357101	R. CHP	10K Ω	1/16W J		チップ抵抗
R377-378	RD356222	R. CHP	2.2K Ω	1/16W J		チップ抵抗
R379-380	RD357101	R. CHP	10K Ω	1/16W J		チップ抵抗
* R381-382	RD254102	R. CHP	10 Ω	1/10W J		チップ抵抗
R383	RD355102	R. CHP	100 Ω	1/16W J		チップ抵抗
* R384-385	RD254102	R. CHP	10 Ω	1/10W J		チップ抵抗
R386	RD357471	R. CHP	47K Ω	1/16W J		チップ抵抗
R387	RD355471	R. CHP	470 Ω	1/16W J		チップ抵抗
* R388-389	RD254102	R. CHP	10 Ω	1/10W J		チップ抵抗
R390	RD355471	R. CHP	470 Ω	1/16W J		チップ抵抗
R391	RD357101	R. CHP	10K Ω	1/16W J		チップ抵抗
R392-395	RD356102	R. CHP	1K Ω	1/16W J		チップ抵抗
R396	RD357101	R. CHP	10K Ω	1/16W J		チップ抵抗
R397-400	WZ677700	R. MTL. OXD	10 Ω	1/4W		酸化金属被膜抵抗
R401-402	RD356102	R. CHP	1K Ω	1/16W J		チップ抵抗
R405-406	RD357101	R. CHP	10K Ω	1/16W J		チップ抵抗
R501-503	RD357101	R. CHP	10K Ω	1/16W J		チップ抵抗
R504	RD356102	R. CHP	1K Ω	1/16W J		チップ抵抗
R505-506	RD357101	R. CHP	10K Ω	1/16W J		チップ抵抗
R507	RD253472	R. CHP	4.7 Ω	1/10W J		チップ抵抗
R508	RD357101	R. CHP	10K Ω	1/16W J		チップ抵抗
R509	RD355471	R. CHP	470 Ω	1/16W J		チップ抵抗

* New Parts / 新規部品

CRX-N470D

MAIN

Ref No.	Part No.	Description	Remarks	Markets	部品名
R510	RD357101	R. CHP	10K Ω	1/16W J	チップ抵抗
R511	RD354331	R. CHP	33 Ω	1/16W J	チップ抵抗
R512	RD357101	R. CHP	10K Ω	1/16W J	チップ抵抗
R513	RD357152	R. CHP	15K Ω	1/16W J	チップ抵抗
R514	RF356392	R. MTL. CHP	3. 9K Ω	1/16W D	チップ金属被膜抵抗
R515	RF356472	R. MTL. CHP	4. 7K Ω	1/16W D	チップ金属被膜抵抗
R516-517	RD357221	R. CHP	22K Ω	1/16W J	チップ抵抗
R518	RD357101	R. CHP	10K Ω	1/16W J	チップ抵抗
R519	RD357821	R. CHP	82K Ω	1/16W J	チップ抵抗
R520	RD357121	R. CHP	12K Ω	1/16W J	チップ抵抗
R521	RD357152	R. CHP	15K Ω	1/16W J	チップ抵抗
R522	RD357682	R. CHP	68K Ω	1/16W J	チップ抵抗
R523	RD355822	R. CHP	820 Ω	1/16W J	チップ抵抗
R526	RD354331	R. CHP	33 Ω	1/16W J	チップ抵抗
R527	RD356272	R. CHP	2. 7K Ω	1/16W J	チップ抵抗
R529	RD356561	R. CHP	5. 6K Ω	1/16W J	チップ抵抗
R530-533	RD357152	R. CHP	15K Ω	1/16W J	チップ抵抗
R534	RD354331	R. CHP	33 Ω	1/16W J	チップ抵抗
R536	RD357101	R. CHP	10K Ω	1/16W J	チップ抵抗
R537-545	RD354331	R. CHP	33 Ω	1/16W J	チップ抵抗
R547-548	RD355102	R. CHP	100 Ω	1/16W J	チップ抵抗
R550	RD354331	R. CHP	33 Ω	1/16W J	チップ抵抗
R551	RD359102	R. CHP	1M Ω	1/16W J	チップ抵抗
R554	RD354331	R. CHP	33 Ω	1/16W J	チップ抵抗
R555-556	RD358101	R. CHP	100K Ω	1/16W J	チップ抵抗
R557	RD357101	R. CHP	10K Ω	1/16W J	チップ抵抗
R559-560	RD354331	R. CHP	33 Ω	1/16W J	チップ抵抗
R563-564	RD357152	R. CHP	15K Ω	1/16W J	チップ抵抗
R565-568	RD454331	R. CHP	33 Ω	1/16W J	チップ抵抗
R569-574	RD356561	R. CHP	5. 6K Ω	1/16W J	チップ抵抗
TE301	WU730301	TERM. SP	4P MST-224VD-01-76		スピーカー端子
XL101	V9864201	RSNR. CE	10. 0MHz		セラミック発振子
XL301	ZF825600	RSNR. CRY5	24. 576MHz SK-1038		水晶振動子
XL501	ZE286301	RSNR. CRY5	33. 8688MHz DSX321G		水晶振動子

* New Parts / 新規部品

OPERATION

Ref No.	Part No.	Description	Remarks	Markets	部品名
*	ZV439700	P. C. B.	OPERATION		P C B O P E
*	CB801	ZF956800	CN. USB	4P U250FD004S167BY	USBコネクター
*	CB804	ZG672800	CN. BS. PIN	24P SE	F F Cコネクター
	C1-3	US064102	C. CE. CHP	0.01uF 50V B	チップセラコン
	C801	UM387471	C. EL	47uF 16V	ケミコン
	C802	US135101	C. CE. CHP	0.1uF 16V	チップセラコン
	C803	US063101	C. CE. CHP	1000pF 50V B	チップセラコン
	C805	US065102	C. CE. CHP	0.1uF 50V B	チップセラコン
	C806	ZD681801	C. CE. M. CHP	1uF 50V	チップ積層セラコン
	C809	US135101	C. CE. CHP	0.1uF 16V	チップセラコン
	C810-811	US064102	C. CE. CHP	0.01uF 50V B	チップセラコン
	C813	WK004402	C. CE. M. CHP	10uF 16V	チップ積層セラコン
	C815	US135101	C. CE. CHP	0.1uF 16V	チップセラコン
	C817	US135101	C. CE. CHP	0.1uF 16V	チップセラコン
	C824-825	UM388101	C. EL	100uF 6.3V	ケミコン
	C828	US061222	C. CE. CHP	22pF 50V B	チップセラコン
	C829-830	US035101	C. CE. CHP	0.1uF 16V B	チップセラコン
	C832	US061222	C. CE. CHP	22pF 50V B	チップセラコン
	C833	US063101	C. CE. CHP	1000pF 50V B	チップセラコン
	D1	WC413301	DIODE. ZENR	RSB6.8S 6.8V	ツェナーダイオード
	D801-802	ZP358603	DIODE	1SS352 TE	ダイオード
	D805	WP080301	LED. BLUE	Blue SLR343BC4T3F	LED
	D806	WP354201	LED	GREEN	LED
	D807-808	ZP358603	DIODE	1SS352 TE	ダイオード
	D809	WA467801	LED	SEL6910A-CD	LED
	JK1	ZS296400	JACK. PHONE	JY-6355#04-070G	PHONEジャック
	Q801-803	VV655502	TR. DGT	DTC124EKA	デジタルトランジスタ
	R801	RD355102	R. CHP	100Ω 1/16W J	チップ抵抗
	R803	RD357121	R. CHP	12KΩ 1/16W J	チップ抵抗
	R804	RD357221	R. CHP	22KΩ 1/16W J	チップ抵抗
	R809-810	RD354102	R. CHP	10Ω 1/16W J	チップ抵抗
	R812	RD357152	R. CHP	15KΩ 1/16W J	チップ抵抗
	R814	RD358101	R. CHP	100KΩ 1/16W J	チップ抵抗
	R817	RD354222	R. CHP	22Ω 1/16W J	チップ抵抗
	R819	RD354222	R. CHP	22Ω 1/16W J	チップ抵抗
	R820	RD354681	R. CHP	68Ω 1/16W J	チップ抵抗
	R822	RD354222	R. CHP	22Ω 1/16W J	チップ抵抗
	R824	RD354222	R. CHP	22Ω 1/16W J	チップ抵抗
	R825	RD355223	R. CHP	220Ω 1/16W J	チップ抵抗
	R830	RD355272	R. CHP	270Ω 1/16W J	チップ抵抗
	R832-833	RD354222	R. CHP	22Ω 1/16W J	チップ抵抗
	R834-835	RD357101	R. CHP	10KΩ 1/16W J	チップ抵抗
	R836	RD356151	R. CHP	1.5KΩ 1/16W J	チップ抵抗
	R837	RD356181	R. CHP	1.8KΩ 1/16W J	チップ抵抗
*	R838	RD356272	R. CHP	2.7KΩ 1/16W J	チップ抵抗
	SW801-806	WD483102	SW. TACT	SKRGAAD010	タクトスイッチ
	SW808	ZR146700	SW. RT. ENC	EC12E2430803	ロータリーエンコーダ
	SW809	WD483102	SW. TACT	SKRGAAD010	タクトスイッチ
	U801	WW715101	L. DTCT	SIR8430MH6	リモコン受光ユニット
	V801	ZM611101	FL. DSPLY	016ST106INK	蛍光表示管
		ZS036100	SPACER. FL		F L スペース

* New Parts / 新規部品

CRX-N470D

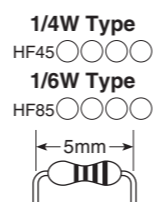
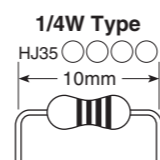
DAB

Ref No.	Part No.	Description	Remarks	Markets	部品名	
*	ZV439800	P. C. B.	DAB	CRX-N470D	BG	P C B D A B
*	CB901	ZU626400	CN	26P B2542S26VU81		レセプタクル
*	CB902	ZG671300	CN. BS. PIN	9P WS SE		F F Cコネクター
	C901	US064102	C. CE. CHP	0. 01uF 50V B		チップセラコン
	C902	US135101	C. CE. CHP	0. 1uF 16V		チップセラコン
	C904	UM388331	C. EL	330uF 6. 3V		ケミコン
	R901	RD356471	R. CHP	4. 7KΩ 1/16W J		チップ抵抗
	R902-903	RD350002	R. CHP	0Ω 1/16W J		チップ抵抗
	R904-905	RD356471	R. CHP	4. 7KΩ 1/16W J		チップ抵抗
	R907	RD350002	R. CHP	0Ω 1/16W J		チップ抵抗
*	ST902	WR364701	SCR. TERM	M3		スクリューターミナル

* New Parts / 新規部品

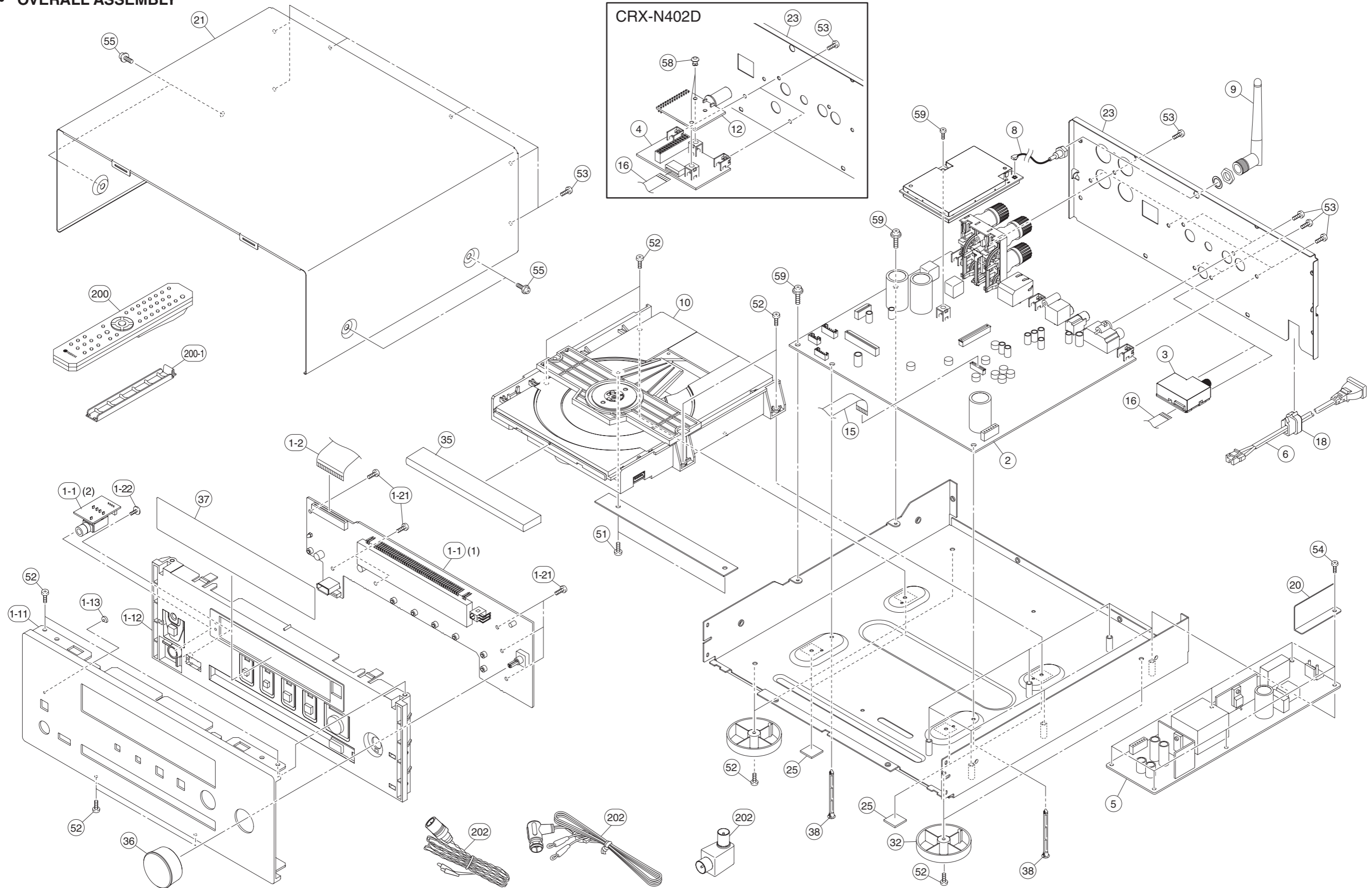
Carbon Resistors

Value	1/4W Type Part No.	1/6W Type Part No.	Value	1/4W Type Part No.	1/6W Type Part No.
1.0 Ω	HJ35 3100	HF85 3100	11 kΩ	HF45 7110	HF45 7110
1.8 Ω	HJ35 3180	*	12 kΩ	HJ35 7120	HF85 7120
2.2 Ω	HJ35 3220	HF85 3220	13 kΩ	HF45 7130	HF45 7130
3.3 Ω	HJ35 3330	HF85 3330	15 kΩ	HF45 7150	HF45 7150
4.7 Ω	HJ35 3470	HF85 3470	18 kΩ	HF45 7180	HF45 7180
5.6 Ω	HJ35 3560	HF85 3560	22 kΩ	HF45 7220	HF45 7220
10 Ω	HF45 4100	HF45 4100	24 kΩ	HF45 7240	HF45 7240
15 Ω	HJ35 4150	HF85 4150	27 kΩ	HJ35 7270	HF85 7270
22 Ω	HF45 4220	HF45 4220	30 kΩ	HF45 7300	HF45 7300
27 Ω	HJ35 4270	HF85 4270	33 kΩ	HF45 7330	HF45 7330
33 Ω	HF45 4330	HF45 4330	36 kΩ	HF45 7360	HF45 7360
39 Ω	HJ35 4470	HF85 4390	39 kΩ	HF45 7390	HF45 7390
47 Ω	HF45 4470	HF45 4470	47 kΩ	HF45 7470	HF45 7470
56 Ω	HF45 4560	HF45 4560	51 kΩ	HF45 7510	HF45 7510
68 Ω	HF45 4680	HF45 4680	56 kΩ	HF45 7560	HF45 7560
75 Ω	HF45 4750	HF45 4750	62 kΩ	HF45 7620	HF45 7620
82 Ω	HF45 4820	HF45 4820	68 kΩ	HF45 7680	HF45 7680
91 Ω	HF45 4910	HF45 4910	82 kΩ	HF45 7820	HF45 7820
100 Ω	HF45 5100	HF45 5100	91 kΩ	HF45 7910	HF45 7910
110 Ω	HJ35 5110	HF85 5110	100 kΩ	HF45 8100	HF45 8100
120 Ω	HF45 5120	HF45 5120	110 kΩ	HF45 8110	HF45 8110
150 Ω	HF45 5150	HF45 5150	120 kΩ	HF45 8120	HF45 8120
160 Ω	HJ35 5160	*	130 kΩ	HF45 8130	*
180 Ω	HF45 5180	HF45 5180	150 kΩ	HF45 8150	HF45 8150
200 Ω	HF45 5200	HF45 5200	180 kΩ	HF45 8180	HF45 8180
220 Ω	HF45 5220	HF45 5220	220 kΩ	HJ35 8220	HF85 8220
270 Ω	HF45 5270	HF45 5270	270 kΩ	HF45 8270	HF45 8270
330 Ω	HF45 5330	HF45 5330	300 kΩ	HF45 8300	HF45 8300
390 Ω	HF45 5390	HF45 5390	330 kΩ	HF45 8330	HF45 8330
430 Ω	HF45 5430	HF45 5430	390 kΩ	HJ35 8390	HF85 8390
470 Ω	HF45 5470	HF45 5470	470 kΩ	HF45 8470	HF45 8470
510 Ω	HF45 5510	HF45 5510	560 kΩ	HJ35 8560	HF85 8560
560 Ω	HF45 5560	HF45 5560	680 kΩ	HJ35 8680	HF85 8680
680 Ω	HF45 5680	HF45 5680	820 kΩ	HJ35 8820	HF85 8820
820 Ω	HF45 5820	HF45 5820	1.0 MΩ	HF45 9100	HF45 9100
910 Ω	HF45 5910	HF45 5910	1.2 MΩ	HJ35 9120	*
1.0 kΩ	HF45 6100	HF45 6100	1.5 MΩ	HJ35 9150	HF85 9150
1.2 kΩ	HF45 6120	HF45 6120	1.8 MΩ	HJ35 9180	HF85 9180
1.5 kΩ	HF45 6150	HF45 6150	2.2 MΩ	HJ35 9220	HF85 9220
1.8 kΩ	HF45 6180	HF45 6180	3.3 MΩ	HJ35 9330	HF85 9330
2.0 kΩ	HJ35 6200	HF85 6200	3.9 MΩ	HJ35 9390	*
2.2 kΩ	HF45 6220	HF45 6220	4.7 MΩ	HJ35 9470	HF85 9470
2.4 kΩ	HJ35 6240	HF85 6240			
2.7 kΩ	HF45 6270	HF45 6270			
3.0 kΩ	HF45 6300	HF45 6300			
3.3 kΩ	HF45 6330	HF45 6330			
3.6 kΩ	HJ35 6360	HF85 6360			
3.9 kΩ	HF45 6390	HF45 6390			
4.7 kΩ	HF45 6470	HF45 6470			
5.1 kΩ	HF45 6510	HF45 6510			
5.6 kΩ	HF45 6560	HF45 6560			
6.8 kΩ	HF45 6680	HF45 6680			
8.2 kΩ	HF45 6820	HF45 6820			
9.1 kΩ	HF45 6910	HF45 6910			
10 kΩ	HF45 7100	HF45 7100			



*: Not available

• OVERALL ASSEMBLY



Ref No.	Part No.	Description	Remarks	Markets	部 品 名
* 1-1	ZV439700	P. C. B. ASSEMBLY	OPERATION		P C B O P E
* 1-2	ZV719500	FLEXIBLE FLAT CABLE	24P 160mm P=1.25		カード電線
* 1-11	ZV078100	FRONT PANEL			フロントパネル
* 1-11	ZV078000	FRONT PANEL			フロントパネル
* 1-11	ZV347400	FRONT PANEL		BG	フロントパネル
* 1-11	ZV347300	FRONT PANEL		BG	フロントパネル
* 1-12	ZV078800	SUB-PANEL			サブパネル
* 1-12	ZV078700	SUB-PANEL			サブパネル
* 1-13	ZS030910	LED LENS			LEDレンズ
1-21	WE774801	BIND HEAD P-TIGHT SCREW	3x8 MFZN2W3		バインドPタイトネジ
1-22	WZ696100	PW HEAD P-TIGHT SCREW	3x8-10 MFZN2B3		PWヘッドPタイトネジ
* 2	ZV426400	P. C. B. ASSEMBLY	MAIN	J	P C B M A I N
* 2	ZV426600	P. C. B. ASSEMBLY	MAIN	U	P C B M A I N
* 2	ZV426900	P. C. B. ASSEMBLY	MAIN	T	P C B M A I N
* 2	ZV427000	P. C. B. ASSEMBLY	MAIN	K	P C B M A I N
* 2	ZV427300	P. C. B. ASSEMBLY	MAIN	A	P C B M A I N
* 2	ZV427500	P. C. B. ASSEMBLY	MAIN	G	P C B M A I N
* 2	ZV428300	P. C. B. ASSEMBLY	MAIN	BG	P C B M A I N
* 2	ZV427700	P. C. B. ASSEMBLY	MAIN	L	P C B M A I N
* 2	ZV427800	P. C. B. ASSEMBLY	MAIN	V	P C B M A I N
3	ZV439900	TUNER MODULE	TUNER TU-04	JULV	チューナーモジュール
3	ZV440000	TUNER MODULE	TUNER TU-04	TKAG	チューナーモジュール
* 4	ZV439800	P. C. B. ASSEMBLY	DAB	BG	P C B D A B
△ * 5	ZV776800	POWER SUPPLY MODULE	OUTPUT +34V, +16.5V		電源モジュール
△ 6	WZ527202	POWER CABLE	1.8m	J	電源コード
△ 6	WY040901	POWER CABLE	1.8m	U	電源コード
△ 6	WY042601	POWER CABLE	1.8m	T	電源コード
△ 6	WY042401	POWER CABLE	1.8m	K	電源コード
△ 6	WY042101	POWER CABLE	1.8m	A	電源コード
△ 6	WY041101	POWER CABLE	1.8m	B	電源コード
△ 6	WY041701	POWER CABLE	1.8m	GL	電源コード
△ 6	ZR156301	POWER CABLE	1.8m	V	電源コード
8	ZQ099101	ANTENNA CABLE	RF CABLE, 120mm		アンテナ同軸ケーブル
9	ZQ099002	DIPOLE ANTENNA	EXTERNAL ANTENNA		ダイポールアンテナ
10	ZQ174001	LOADER MECHANISM UNIT			ローダーメカユニット
* 12	ZV868901	DAB MODULE	VERONA2 FS2445..28	BG	D A B モジュール
* 15	ZV719400	FLEXIBLE FLAT CABLE	24P 250mm P=0.5		カード電線
* 16	ZV719600	FLEXIBLE FLAT CABLE	9P 270mm P=1.25		カード電線
18	V2438702	CORD STOPPER	10P1		コードストッパー
* 20	ZW460200	SHEET	55x30.5x10.5		シート
* 21	ZV078400	TOP COVER			トップカバー
* 21	ZV078300	TOP COVER			トップカバー
* 23	ZV078500	REAR PANEL		J	リアパネル
* 23	ZV755500	REAR PANEL		U	リアパネル
* 23	ZV755600	REAR PANEL		T	リアパネル
* 23	ZV755700	REAR PANEL		K	リアパネル
* 23	ZV755800	REAR PANEL		AGL	リアパネル
* 23	ZV078600	REAR PANEL		BG	リアパネル
* 23	ZV755900	REAR PANEL		V	リアパネル
25	WP126800	DAMPER	SCREW MASK		ダンパー
32	ZS025300	LEG	D42 H10		レッグ
35	ZS036000	LID			リッド
35	ZS035900	LID			リッド
* 36	ZV079000	KNOB	D30 T14.5		ツマミ
* 36	ZV078900	KNOB	D30 T14.5		ツマミ
* 37	ZV079100	WINDOW SHEET			ウインドウシート
* 38	ZV493800	PCB SUPPORT	H35 D3.8		P C B サポート
51	WR513401	LOADER SCREW	MFZN2W3		ローダーネジ
52	WE774302	BIND HEAD B-TIGHT SCREW	3x8 MFZN2W3		バインドBタイトネジ
53	WE774102	BIND HEAD BONDING B-T. SCREW	3x8 MFZN2B3		ボンディングBタイトネジ

* New Parts / 新規部品

Finish / 仕上げ BL: Black color, SI: Silver color

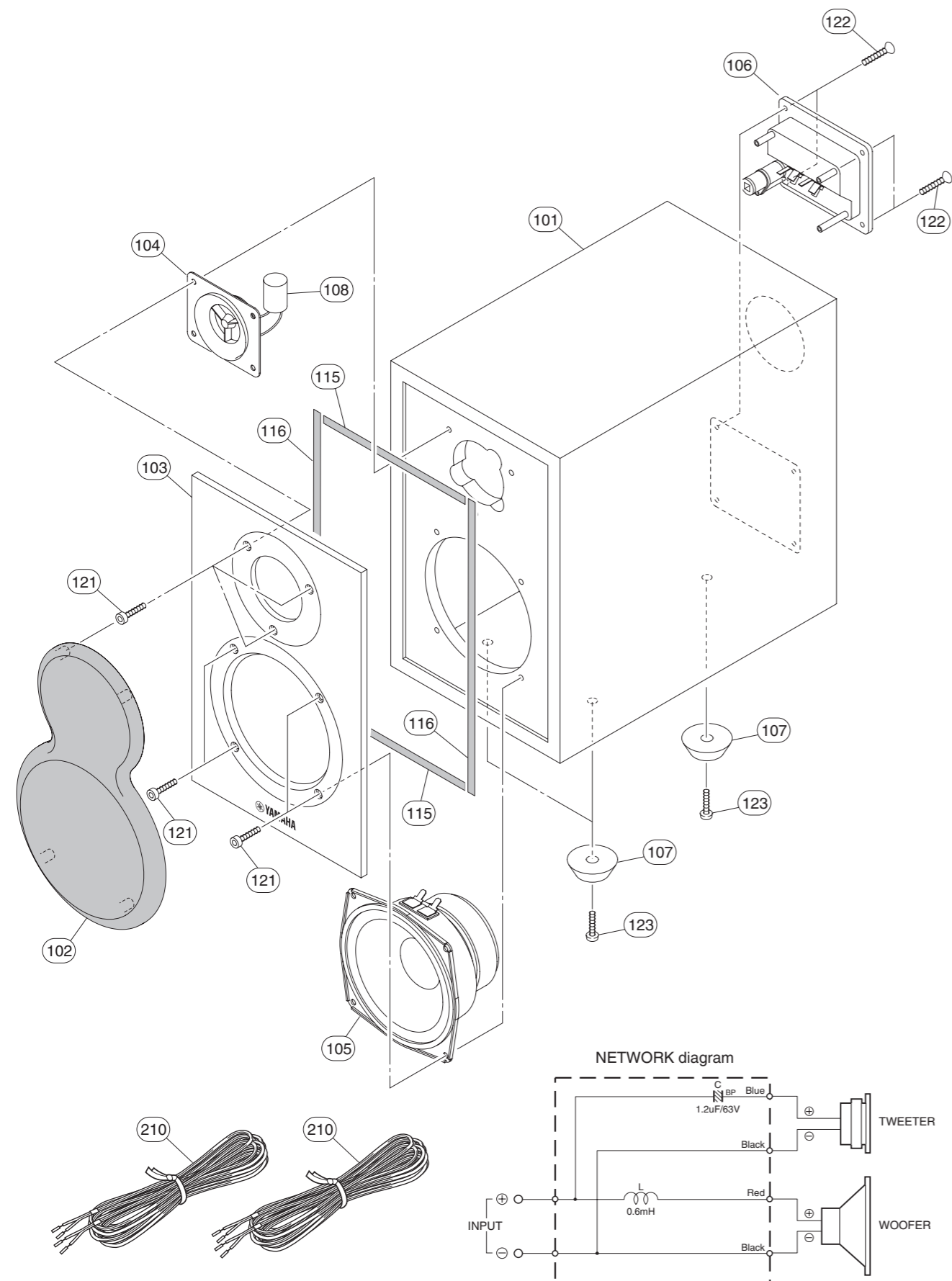
Ref No.	Part No.	Description	Remarks	Markets	部 品 名
54	WG680300	PAN HEAD SCREW	3x6 MFZN2B3		ナベ小ネジ
55	WE975300	PW HEAD B-TIGHT SCREW	3x8 MFZN2B3		PWヘッドBタイトネジ
55	WF002600	PW HEAD B-TIGHT SCREW	3x8 MFZN2W3		PWヘッドBタイトネジ
56	WE774801	BIND HEAD P-TIGHT SCREW	3x8 MFZN2W3		バインドPタイトネジ
* 58	ZV672600	PUSH RIVET	R2648 HUIHUA ELECT		プッシュリベット
59	WF002600	PW HEAD B-TIGHT SCREW	3x8 MFZN2W3		PWヘッドBタイトネジ
		ACCESSORIES			付属品
* 200	ZV384200	REMOTE CONTROL	000-219200080		リモコン
200-1	ZA243900	BATTERY COVER	Black CG-32919		電池蓋
202	ZV034900	FM ANTENNA	2m Black 1pc		FMアンテナ
203	WK830701	DAB WIRE ANTENNA	1.6m 1pc		D A B ワイヤアンテナ
* 204	ZV041300	ANTENNA ISOLATOR	GL01-2-E 1pc	BG	アンテナアイソレーター
	BATTERY3	BATTERY	R6, AA, UM-3 2pcs	T	単3乾電池
		SERVICE TOOL			サービスツール
	ZK708100	MHF CONNECTOR REMOVER	for ANTENNA CABLE		MHFコネクタ挿抜工具

* New Parts / 新規部品

Finish / 仕上げ BL: Black color, SI: Silver color

NS-BP150

• OVERALL ASSEMBLY



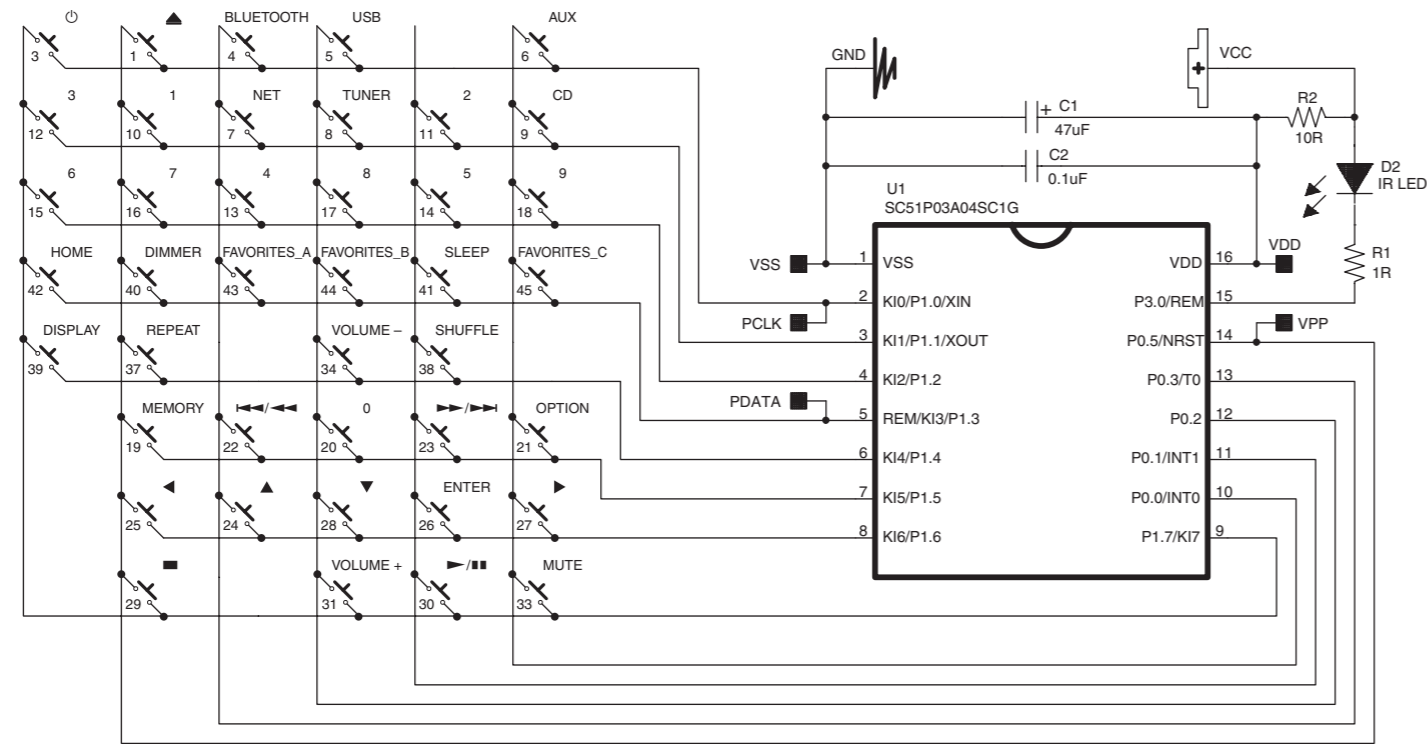
Ref No.	Part No.	Description	Remarks	Markets	部品名
101	WZ164000	CABINET ASSEMBLY	BL		キャビネット Ass'y
101	WZ164100	CABINET ASSEMBLY	BR		キャビネット Ass'y
102	WZ164200	FRONT GRILLE ASSEMBLY			フロントグリル Ass'y
103	WZ153000	FRONT PANEL			フロントパネル
104	YD721A00	DRIVER TWEETER	2cm 6Ω	JA05J6	スピーカーユニット
105	YD427A00	DRIVER WOOFER	11cm 6Ω	JA10B4	スピーカーユニット
106	WZ041400	TERMINAL ASSEMBLY	2P SCREW/BANANA	WITH CABLE/COIL	端子台 Ass'y
107	WV404800	LEG	D22/12 t=9.5		レッグ
108	WP587100	ELECTROLYTIC CAPACITOR	1.2uF 63V BP		BPケミコン
115	WZ556400	PACKING	130x5x1		パッキン
116	WZ556500	PACKING	254x5x1		パッキン
121	WF435600	HEXAGONAL HEAD WOOD SCREW	4x20 MFZN2B3		六角穴付き木ネジ
122	WF447200	OVAL HEAD TAPPING SCREW	3.5x16 MFZN2B3		丸皿TPネジ
123	WF823600	BIND HEAD TAPPING SCREW	3x20 MFZN2B3		バインドTPネジ
ACCESSORY					
210	WQ102500	SPEAKER CABLE	2m 1pc	AWG20 VIOLET/BLUE	付属品 スピーカーケーブル

* New Parts / 新規部品

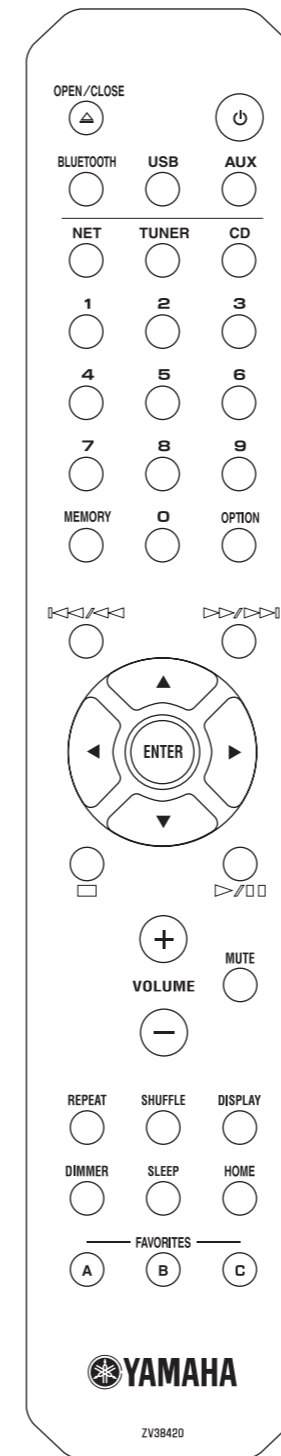
Finish / 仕上げ BL: Black color, BR: Brown color

REMOTE CONTROL

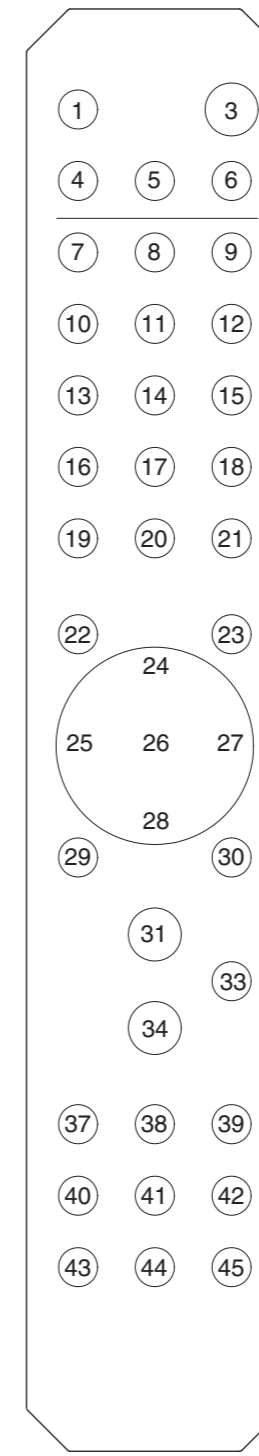
SCHEMATIC DIAGRAM



PANEL



KEY NO. LAYOUT







KEY CODE

Key No	Function	Code
K1	OPEN/CLOSE ▲	7800
K3	⏻ (Power)	780F
K4	BLUETOOTH	78DE
K5	USB	78BC
K6	AUX	78DF
K7	NET	782A
K8	TUNER	784B
K9	CD	784A
K10	1	7811
K11	2	7812
K12	3	7813
K13	4	7814
K14	5	7815
K15	6	7816
K16	7	7817
K17	8	7818
K18	9	7819
K19	MEMORY	78B2
K20	0	7810
K21	OPTION	782B
K22	⏮/⏪ (skip -)	7804
K23	⏩/⏭ (skip +)	7803
K24	▲ (up)	788E
K25	◀ (left)	789F
K26	ENTER	78C1
K27	▶ (right)	789E
K28	▼ (down)	788F
K29	■ (stop)	7801
K30	▶/■ (play/pause)	7802
K31	VOLUME +	781E
K33	MUTE	789C
K34	VOLUME -	781F
K37	REPEAT	780C
K38	SHUFFLE	7807
K39	DISPLAY	780A
K40	DIMMER	78BA
K41	SLEEP	784F
K42	HOME	7837
K43	FAVORITES_A	78AF
K44	FAVORITES_B	78AE
K45	FAVORITES_C	78AD

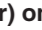
■ Updating the firmware

When a new firmware for the unit is released, a message to update your current firmware will be shown on the front panel display (when the unit is connected to the Internet only).

If this message is shown, follow the steps below to perform the update.

- 1 Press  .
- 2 Select [Firmware Update] with ▲ / ▼ , and press  .
- 3 Select [Update] with ▲ / ▼ and press  .
- 4 Select [Network] with ▲ / ▼ , and press  .
 - Press ENTER again to begin the update.

- When the update finishes, messages are shown in the following order: "UPDATE SUCCESS", "PLEASE ...", and "POWER OFF!"

- 5 Press  (Power) on the front panel.
 - The update is applied.

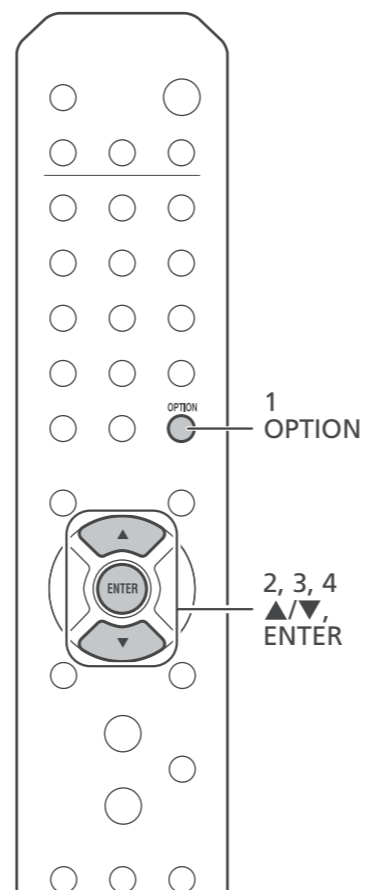
Note:

- Do not operate the unit or disconnect the power cable and network cables while updating.
- When Internet speed is not fast enough or the unit is connected to the wireless network via a wireless network adapter, network update may not be possible depending on the condition of the wireless connection. In this case, try again or update the firmware using a USB memory device. The firmware can be downloaded from the Yamaha Website.

To update the firmware using a USB memory device

You can download the firmware to a USB memory device, and connect that USB memory device to the USB jack on the unit.



- Select [USB] in step 4 to start the update.




■ ファームウェアを更新する

本機の新しいファームウェアが提供されると、更新を促すメッセージが表示されます（本機がインターネットに接続されている場合のみ）。

表示されたら、以下の手順で更新します。

- 1  を押す。
- 2 ▲ / ▼ で [Firmware Update] を選び  を押す。
- 3 ▲ / ▼ で [Update] を選び  を押す。
- 4 ▲ / ▼ で [Network] を選び  を押す。
 - 再度 ENTER を押すと、更新が始まります。

- 更新が終了すると [UPDATE SUCCESS]、[PLEASE ...]、[POWER OFF!] の順に表示されます。

- 5 本体前面の  (電源) キーを押す。
 - 本機に更新が反映されます。

Note:

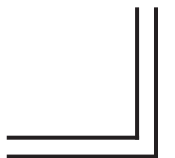
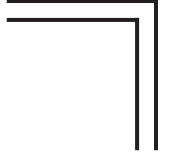
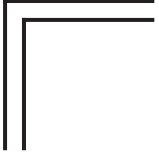
- ファームウェア更新中は、本機を操作したり電源コードやネットワークケーブルを抜いたりしないでください。
- インターネット回線の速度が十分に得られない場合や、ワイヤレスネットワークアダプターを介して本機を無線ネットワークに接続している場合など、接続状態によってはファームウェアの更新に失敗することがあります。その場合は、時間をおいてもう一度更新をお試しいただくか、USB メモリーを使ってファームウェアを更新してください。ファームウェアは弊社ウェブサイトからダウンロードできます。

USB メモリーを使用して更新するには

更新用データを保存した USB メモリーを USB 端子に接続して更新します。

- 手順 4 で「USB」を選んで更新する。

MEMO



CRX-N470/CRX-N470D/ NS-BP150

