

POWERED SPEAKER MSR100/SMS100

SERVICE MANUAL



MSR100

■ CONTENTS(目次)

SPECIFICATIONS(総合仕様)	3
PERFORMANCE GRAPH(特性図)	4
PANEL LAYOUT(パネルレイアウト)	4
CIRCUIT BOARD LAYOUT(ユニットレイアウト)	5
DIMENSIONS(寸法図)	5
LEVEL DIAGRAM(レベルダイアグラム)	6
DISASSEMBLY PROCEDURE(分解手順)	7
IC BLOCK DIAGRAM(ICブロック図)	12
CIRCUIT BOARDS(シート基板図)	12
INSPECTIONS(検査)	17
BLOCK DIAGRAM(ブロックダイアグラム)	
CIRCUIT DIAGRAM(回路図)	
PARTS LIST	

ECO-PULP



このサービスマニュアルはエコパルプ
エコパルプ (ECF: 無塩素系漂白パルプ) を使用しています。

This document is printed on chlorine free (ECF) paper.

PA 011662

20021201-56000

 **YAMAHA**
HAMAMATSU, JAPAN

0.166K-7304  Printed in Japan '02.11

IMPORTANT NOTICE

This manual has been provided for the use of authorized Yamaha Retailers and their service personnel. It has been assumed that basic service procedures inherent to the industry, and more specifically Yamaha Products, are already known and understood by the users, and have therefore not been restated.

WARNING : Failure to follow appropriate service and safety procedures when servicing this product may result in personal injury, destruction of expensive components and failure of the product to perform as specified. For these reasons, we advise all Yamaha product owners that all service required should be performed by an authorized Yamaha Retailer or the appointed service representative.

IMPORTANT : This presentation or sale of this manual to any individual or firm does not constitute authorization certification, recognition of any applicable technical capabilities, or establish a principal-agent relationship of any form.

The data provided is believed to be accurate and applicable to the unit(s) indicated on the cover. The research engineering, and service departments of Yamaha are continually striving to improve Yamaha products. Modifications are, therefore, inevitable and changes in specification are subject to change without notice or obligation to retrofit. Should any discrepancy appear to exist, please contact the distributor's Service Division.

WARNING : Static discharges can destroy expensive components. Discharge any static electricity your body may have accumulated by grounding yourself to the ground bus in the unit (heavy gauge black wires connect to this bus.)

IMPORTANT : Turn the unit OFF during disassembly and parts replacement. Recheck all work before you apply power to the unit.

WARNING: CHEMICAL CONTENT NOTICE!

The solder used in the production of this product contains LEAD. In addition, other electrical/electronic and/or plastic (Where applicable) components may also contain traces of chemicals found by the California Health and Welfare Agency (and possibly other entities) to cause cancer and/or birth defects or other reproductive harm.

DO NOT PLACE SOLDER, ELECTRICAL/ELECTRONIC OR PLASTIC COMPONENTS IN YOUR MOUTH FOR ANY REASON WHATSOEVER SO EVER!

Avoid prolonged, unprotected contact between solder and your skin! When soldering, do not inhale solder fumes or expose eyes to solder/flux vapor!

If you come in contact with solder or components located inside the enclosure of this product, wash your hands before handling food.

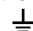
WARNING: THIS APPARATUS MUST BE EARTHED

IMPORTANT

THE WIRES IN THIS MAINS LEAD ARE COLOURED IN ACCORDANCE WITH THE FOLLOWING CODE:

GREEN-AND-YELLOW :	EARTH
BLUE :	NEUTRAL
BROWN :	LIVE

As the colours of the wires in the mains lead of this apparatus may not correspond with the coloured markings identifying the terminals in your plug, proceed as follows:


The wire which is coloured GREEN and YELLOW must be connected to the terminal in the plug which is marked by the letter E or by the safety earth symbol  or coloured GREEN and YELLOW.

The wire which is coloured BLUE must be connected to the terminal which is marked with the letter N or coloured BLACK.

The wire which is coloured BROWN must be connected to the terminal which is marked with the letter L or coloured RED.

* This applies only to products distributed by YAMAHA KEMBLE MUSIC (U.K.) LTD.

■ WARNING

Components having special characteristics are marked  and must be replaced with parts having specification equal to those originally installed.



印の商品は、安全を維持するために重要な部品です。交換する場合は、安全のために必ず指定の部品をご使用下さい。

■ SPECIFICATIONS

General specifications

Type	2way Bass Reflex Powered Speaker
Speaker Unit	LF: 200 mm Cone HF: 25.4 mm Compression Driver
Frequency Range.....	55 Hz—20 kHz (−10 dB)
Cross Over Frequency.....	4 kHz
Maximum Output Level.....	112 dB (1 m)
Dimension (W×H×D).....	275 × 455.5 × 255 mm
Weight.....	11 kg
Color.....	Black (Approximate Munsell Value 5 PB2/1)
Accessories.....	Power supply cord 2.5 m (AC Inlet type)
Option	BWS50-190/260/320, BCS251, BBS251

Amp. Unit

Max Power.....	100W at 1 kHz, THD=1%, RL=6 Ω
Input Sensitivity.....	INPUT 1: −50 dB* (MIC), +4 dB* (LINE) INPUT 2, 3: −10 dB*
Input Impedance.....	INPUT 1, 2, 3: 10 k Ω
Output Sensitivity.....	LINK OUT: −10 dB*
Output Impedance.....	LINK OUT: 10 k Ω
Controls	
LEVEL Control	INPUT 1, 2, 3, MASTER
EQ Control.....	LOW: ±3 dB at 60 Hz HIGH: ±6 dB at 10 kHz
POWER Switch.....	ON/OFF
Connectors	
INPUT 1.....	XLR-3-31 (balanced)
INPUT 2, 3.....	Phone (unbalanced)
LINK OUT.....	Phone (unbalanced)
Indicator	
POWER Indicator.....	Green LED
CLIP Indicator.....	Red LED
Power Requirement	
USA and Canada.....	AC 120 V, 60 Hz
Europe.....	AC 230 V, 50 Hz
Australia	AC 240 V, 50 Hz
Korea	AC 220 V, 60 Hz
Power Consumption.....	70 W

* 0 dB=0.775 V

For European Model

Purchaser/User Information specified in EN55103-1 and EN55103-2.

Inrush Current: 10A

Conformed Environment: E1, E2, E3 and E4

■ 総合仕様

総合仕様

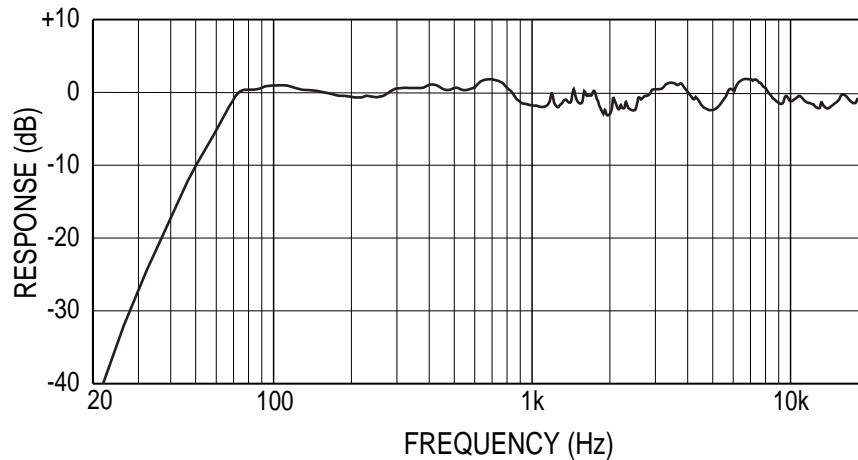
形式	2ウェイバスレフ型パワードスピーカー
スピーカーユニット	LF: 200mmコーン HF: 25.4mmコンプレッションドライバー
再生周波数帯域.....	55Hz ~ 20kHz(-10dB)
クロスオーバー周波数.....	4kHz
最大出力音圧レベル	112dB (軸上 1m)
最大外形寸法 (W × H × D).....	275 × 455.5 × 255mm
質量.....	11kg
色	黒 (近似マンセル値 5PB2/1)
付属品	電源コード (AC インレット型、2.5m)
オプション	BWS50-190/260/320、BCS251、BBS251

アンプ部

定格最大出力	100W at 1kHz、THD=1%、 RL=6
入力感度	INPUT 1: −50dB* (MIC)、 +4dB* (LINE) INPUT 2、3: −10dB*
入力インピーダンス.....	INPUT1、2、3: 10k
出力感度.....	LINK OUT: −10dB*
出力インピーダンス.....	LINK OUT: 10k
コントロール	
LEVELコントロール.....	INPUT1、2、3、MASTER
EQコントロール.....	LOW: ± 3dB at 60Hz HIGH: ± 6dB at 10kHz
POWERスイッチ.....	ON/OFF
コネクター	
INPUT1.....	XLR-3-31 (バランス型)
INPUT2、3.....	フォーン (アンバランス型)
LINK OUT.....	フォーン (アンバランス型)
インジケーター	
POWERインジケーター.....	緑色発光LED
CLIPインジケーター.....	赤色発光LED
電源.....	AC100V、50/60Hz
消費電力.....	65W

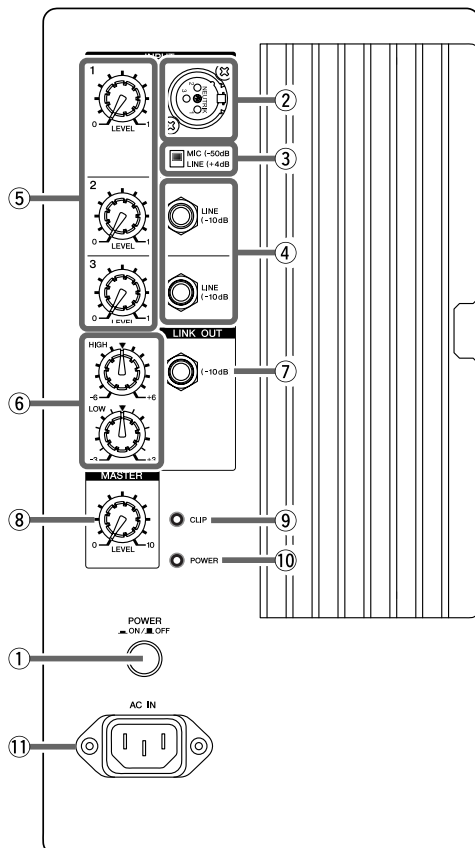
*0dB=0.775V

■ PERFORMANCE GRAPH (特性図)



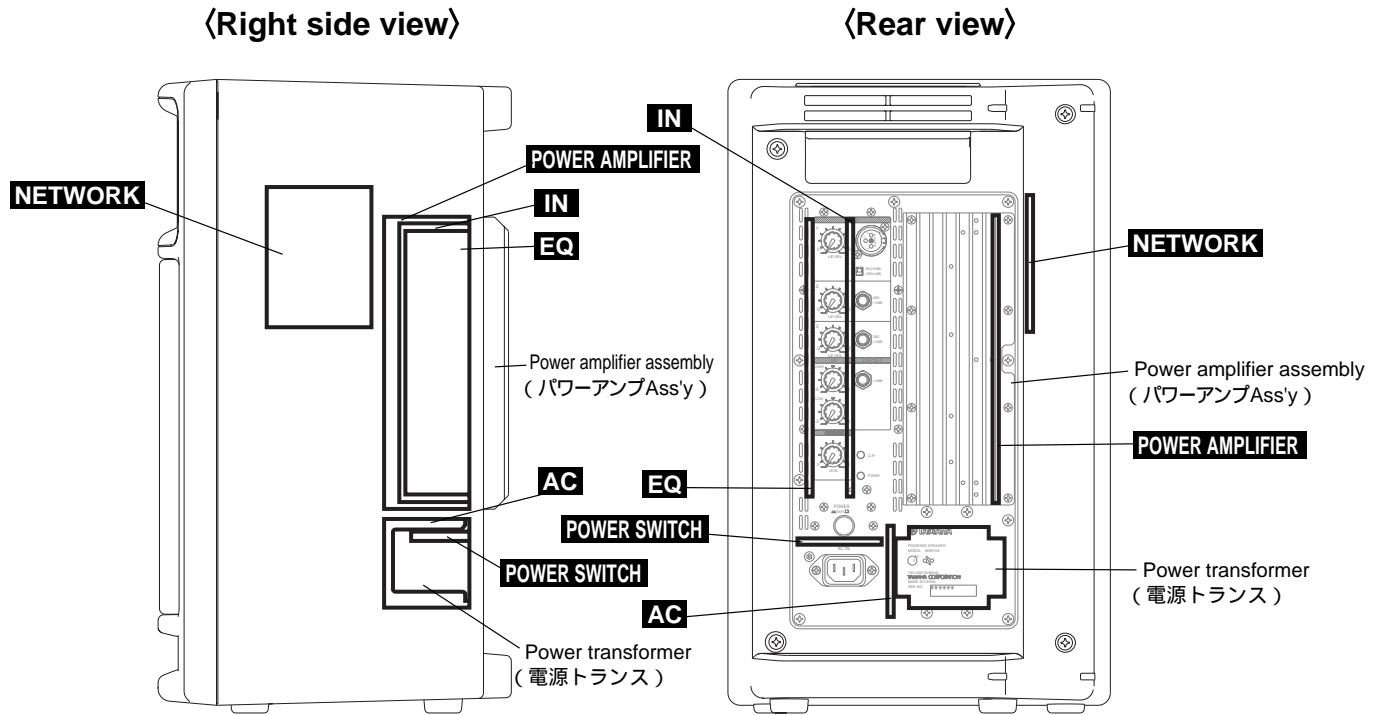
■ PANEL LAYOUT (パネルレイアウト)

• Rear Panel (リアパネル)

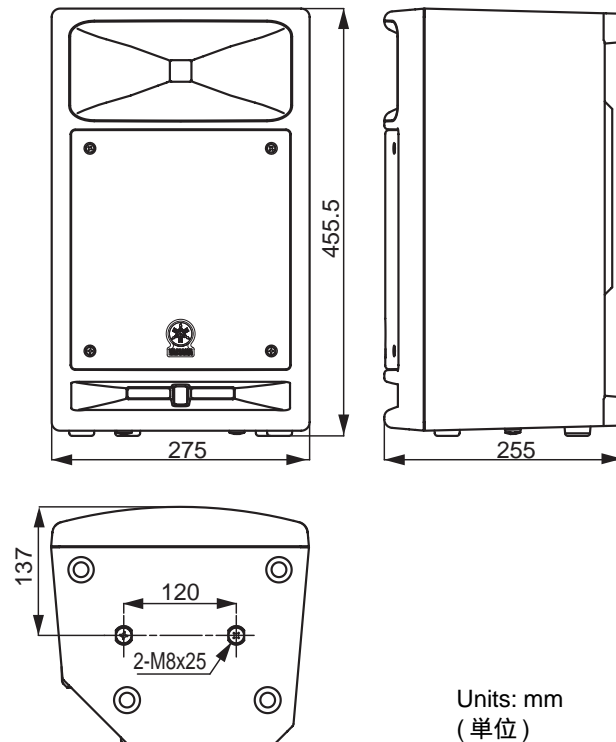


- ① [POWER] Switch(電源スイッチ)
- ② [INPUT1] Connector(入力1 端子)
- ③ Sensitivity Switch (感度切り換えスイッチ)
- ④ [INPUT2] and [INPUT3] Connectors(入力2 端子、入力3 端子)
- ⑤ [LEVEL] Controls(音量コントロール)
- ⑥ [EQ] Controls (音質コントロール)
- ⑦ [LINK OUT] Connector (出力 端子)
- ⑧ [MASTER LEVEL] Control (全体音量コントロール)
- ⑨ [CLIP] Indicator (クリップインジケータ)
- ⑩ [POWER] Indicator (電源インジケータ)
- ⑪ [AC IN] Connector (電源入力 端子)

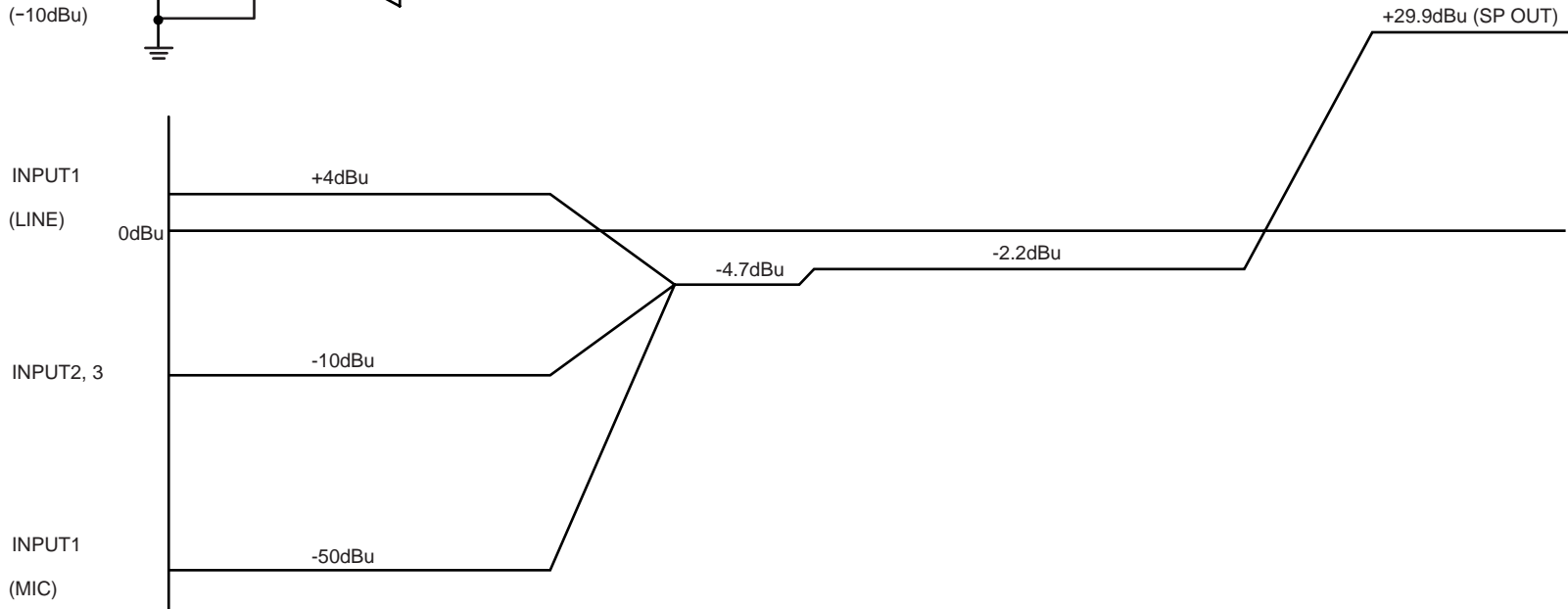
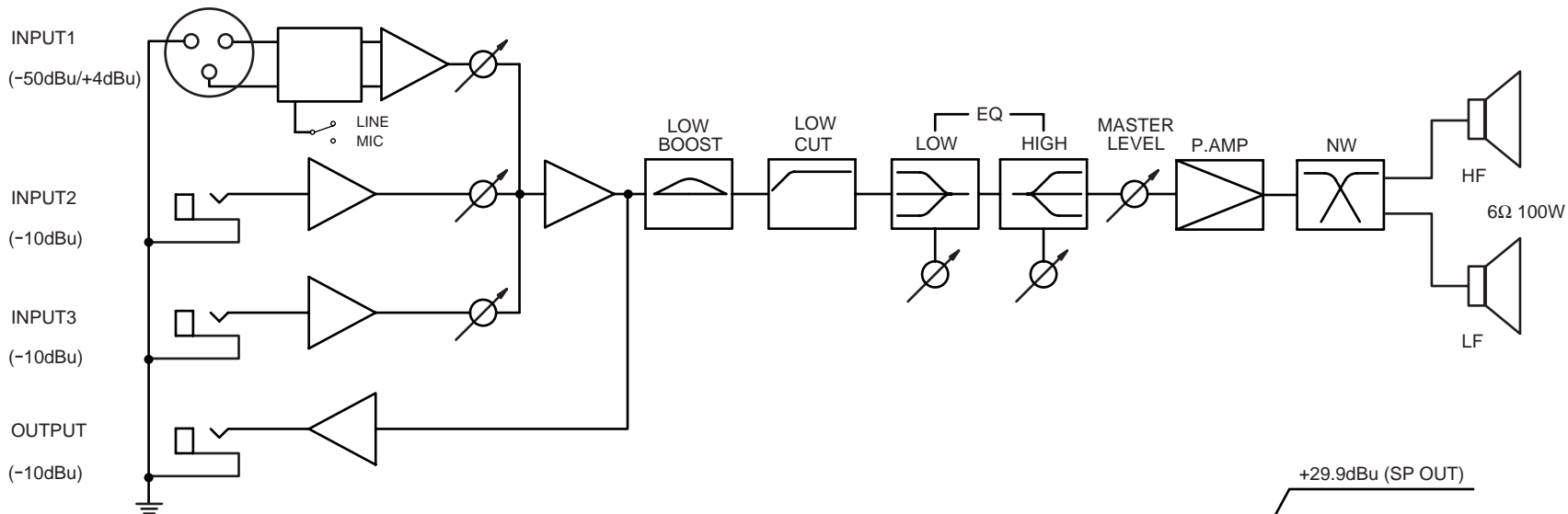
■ CIRCUIT BOARD LAYOUT (ユニットレイアウト)



■ DIMENSIONS (寸法図)



LEVEL DIAGRAM (レベルダイアグラム)



DISASSEMBLY PROCEDURE (分解手順)

1. Front Grille Assembly

(Time required: About 1 minute)

- 1-1 Remove the four (4) screws marked [100A]. The front grille assembly can then be removed. (Fig.1)

2. Speaker LF (Woofer)

(Time required: About 2 minutes)

- 2-1 Remove the front grille assembly. (See procedure 1.)
 2-2 Remove the four (4) screws marked [80]. The speaker LF (Woofer) can then be removed. (Fig.1)
 2-3 Remove the wire LF (red/black) installed to the speaker LF (Woofer). (Photo.1)

3. Front Cabinet Unit and Rear Cabinet Unit

(Time required: About 3 minutes)

- 3-1 Remove the front grille assembly. (See procedure 1.)
 3-2 Remove the speaker LF (Woofer). (See procedure 2.)
 3-3 Remove the five (5) screws marked [50A] and the four (4) screws marked [50B]. The front cabinet unit and the rear cabinet unit can then be divided. (Fig. 1, 2)

* Take care not to damage the speaker HF (Tweeter) terminal when opening the front cabinet unit and the rear cabinet unit.

1. フロントグリル Ass'y (所要時間：約 1 分)

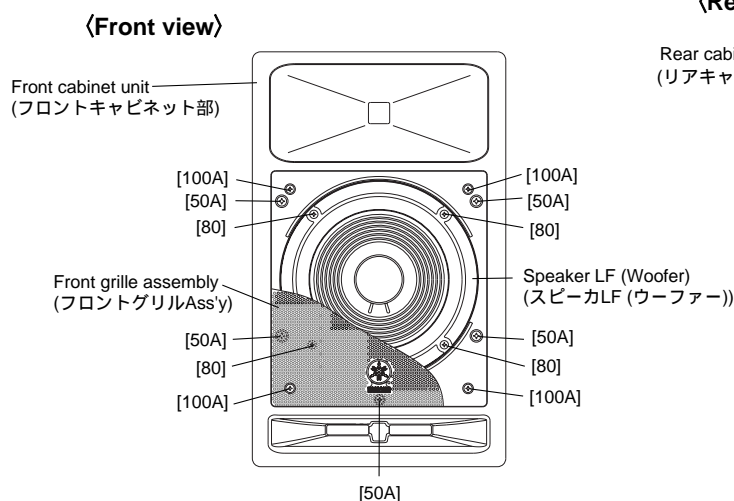
- 1-1 [100A]のネジ 4 本を外して、フロントグリル Ass'y を外します。(図 1)

2. スピーカ LF(ウーファー) (所要時間：約 2 分)

- 2-1 フロントグリル Ass'y を外します。(1 項参照)
 2-2 [80]のネジ 4 本を外して、スピーカ LF(ウーファー) を外します。(図 1)
 2-3 スピーカ LF(ウーファー)に取り付けられている束線 LF(赤/黒)を外します。(写真 1)

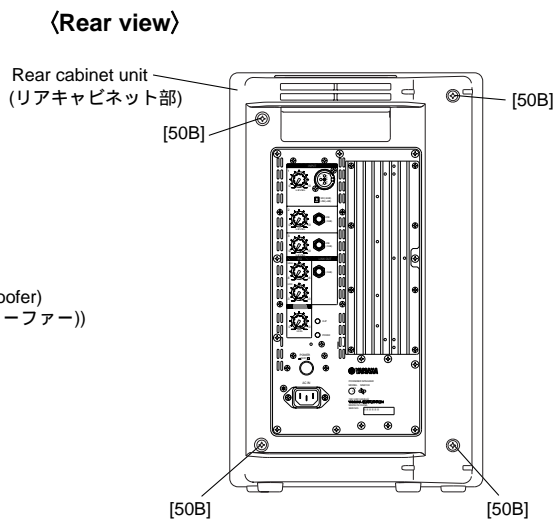
3. フロントキャビネット部、リアキャビネット部 (所要時間：約 3 分)

- 3-1 フロントグリル Ass'y を外します。(1 項参照)
 3-2 スピーカ LF(ウーファー)を外します。(2 項参照)
 3-3 [50A]のネジ 5 本と[50B]のネジ 4 本を外して、フロントキャビネット部とリアキャビネット部を別けます。(図 1, 2)
 フロントキャビネット部とリアキャビネット部を開きすぎて、スピーカ HF(ツイーター)端子を傷めないように注意して下さい。



- [50A]: Bind Head Tapping Screw-A (+ バインドAタイト)
 5.0X35 BL (AAX42210)
 [80]: Bind Head Tapping Screw-B (+ バインドBタイト)
 4.0X18 BL (AAX42230)
 [100A]: Bind Head Tapping Screw-B (+ バインドBタイト)
 4.0X10 BL (AAX12100)

Fig.1 (図1)



- [50B]: Bind Head Tapping Screw-A (+ バインドAタイト)
 5.0X35 BL (AAX42210)

Fig.2 (図2)

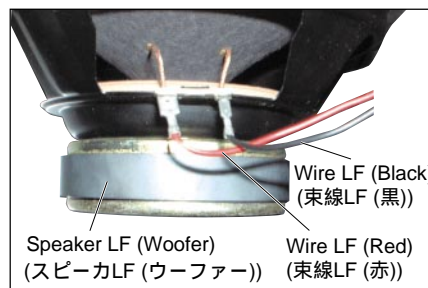


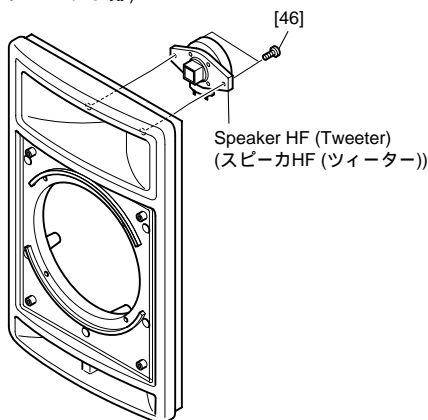
Photo.1 (写真1)

4. Speaker HF (Tweeter)

(Time required: About 3 minutes)

- 4-1 Remove the front grille assembly. (See procedure 1.)
- 4-2 Divide the front cabinet unit and the rear cabinet unit. (See procedure 3.)
- 4-3 Remove the wire HF (yellow/blue) installed to the speaker HF (Tweeter). (Photo.2)
- 4-4 Remove the two (2) screws marked [46]. The speaker HF (Tweeter) can then be removed from the front cabinet unit. (Fig.3)

• Front Cabinet Unit (フロントキャビネット部)



[46]: Bind Head Tapping Screw-B (+バインドBタイト) 4.0X20 BL (AAX42200)

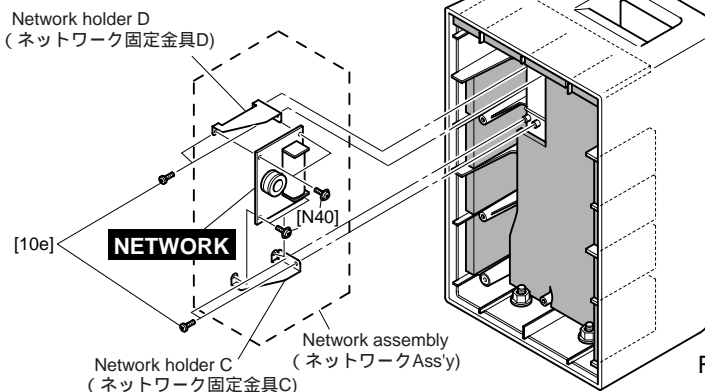
Fig.3 (図3)

5. Network Assembly and NETWORK Circuit Board (Time required: About 4 minutes)

- 5-1 Remove the front grille assembly. (See procedure 1.)
- 5-2 Divide the front cabinet unit and the rear cabinet unit. (See procedure 3.)
- 5-3 Remove the four (4) screws marked [10e]. The network assembly can then be removed from the rear cabinet unit. (Fig.4)
- 5-4 Remove the four (4) screws marked [N40]. The network holders C and D can then be removed from the NETWORK circuit board. (Fig.4)

* Remove the P1, P2 connector assembly soldered to the NETWORK circuit board.

• Rear Cabinet Unit (リアキャビネット部)



4. スピーカ HF(ツイーター) (所要時間: 約3分)

- 4-1 フロントグリル Ass'y を外します。(1項参照)
- 4-2 フロントキャビネット部とリアキャビネット部を別けます。(3項参照)
- 4-3 スピーカ HF(ツイーター)に取り付けられている束線 HF(黄/青)を外します。(写真2)
- 4-4 [46]のネジ2本を外して、フロントキャビネット部からスピーカ HF(ツイーター)を外します。(図3)

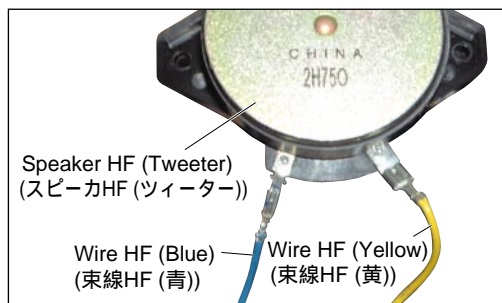


Photo.2 (写真2)

5. ネットワーク Ass'y、ネットワークシート (所要時間: 約4分)

- 5-1 フロントグリル Ass'y を外します。(1項参照)
- 5-2 フロントキャビネット部とリアキャビネット部を別けます。(3項参照)
- 5-3 [10e]のネジ4本を外して、リアキャビネット部からネットワーク Ass'y を外します。(図4)
- 5-4 [N40]のネジ4本を外して、ネットワークシートからネットワーク固定金具 C、D を外します。(図4) ネットワークシートに取り付けられている線材 P1、P2 の半田を外せば、シートが外せます。

[10e]: Bind Head Tapping Screw-B (+バインドBタイト) 3.0X10 BL (AAX10840)

[N40]: Cup Screw-B (+カップネジBタイト) PW3.0X8 Y (AAX43390)

Fig.4 (図4)

6. Amplifier Assembly

(Time required: About 1 minute)

- 6-1 Remove the ten (10) screws marked [30]. The amplifier assembly can then be removed. (Fig.5)

7. EQ Circuit Board, IN PCB Assembly and IN Circuit Board

(Time required: About 3 minutes each)

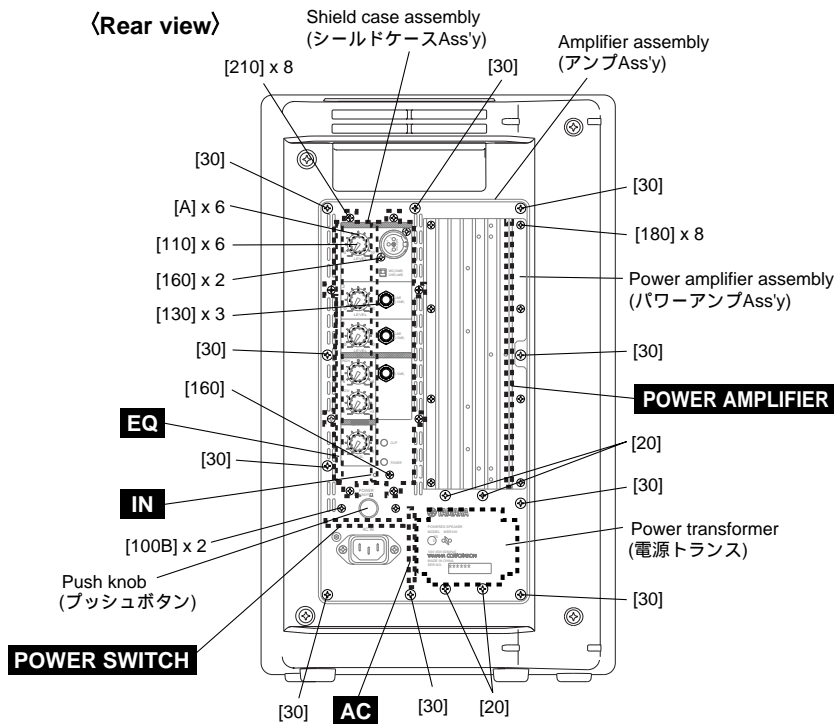
- 7-1 Remove the amplifier assembly. (See procedure 6.)
 7-2 Remove the eight (8) screws marked [210]. The shield case assembly can then be removed. (Fig.5, Photo.3)
 7-3 EQ Circuit Board:
 7-3-1 Remove the six (6) knobs marked [110] and the six (6) hexagonal nuts marked [A]. The EQ circuit board can then be removed. (Fig.5, Photo.3)
 7-4 IN PCB Assembly and IN Circuit Board:
 7-4-1 Remove the three (3) hexagonal nuts marked [130] and the three (3) screws marked [160]. The IN PCB assembly can then be removed. (Fig.5, Photo.3)
 7-4-2 Remove the screw marked [150c]. The angle L can then be removed from the IN circuit board. (Fig.6)

6. アンプ Ass'y (所要時間：約1分)

- 6-1 [30]のネジ10本を外して、アンプ Ass'yを外します。(図5)

7. EQ シート、IN シート Ass'y、IN シート (所要時間：各約3分)

- 7-1 アンプ Ass'y を外します。(6項参照)
 7-2 [210]のネジ8本を外して、シールドケース Ass'yを外します。(図5, 写真3)
 7-3 EQ シート:
 7-3-1 [110]のノブ6個と[A]の六角ナット6個を外して、EQ シートを外します。(図5, 写真3)
 7-4 IN シート Ass'y、IN シート:
 7-4-1 [130]の特殊六角ナット3個と[160]のネジ3本を外して、IN シート Ass'yを外します。(図5, 写真3)
 7-4-2 [150c]のネジ1本を外して、IN シートからL金具を外します。(図6)



- [20]: Bonding Tapping Screw-B (+ボンディングBタイト) 4.0X8 BL BO (AAX43620)
 [30]: Bind Head Tapping Screw-B (+バインドBタイト) 4.0X14 BL (AAX42170)
 [100B]: Bonding Tapping Screw-B (+ボンディングBタイト) 3.0X10 BL BO (AAX12110)
 [130]: Hexagonal Nut (特殊六角ナット) M12.0 BL
 [160]: Bonding Tapping Screw-B (+ボンディングBタイト) 3.0X10 BL BO (AAX12110)
 [180]: Pan Head Tapping Screw-B (+ナベタッピングネジB) 3.0X12 BL (AAX43370)
 [210]: Bonding Tapping Screw-B (+ボンディングBタイト) 3.0X10 BL BO (AAX12110)
 [A]: Hexagonal Nut (六角ナット)
 Washer (ワッシャー)

Fig.5 (図5)

• Amplifier Assembly (アンプAss'y)

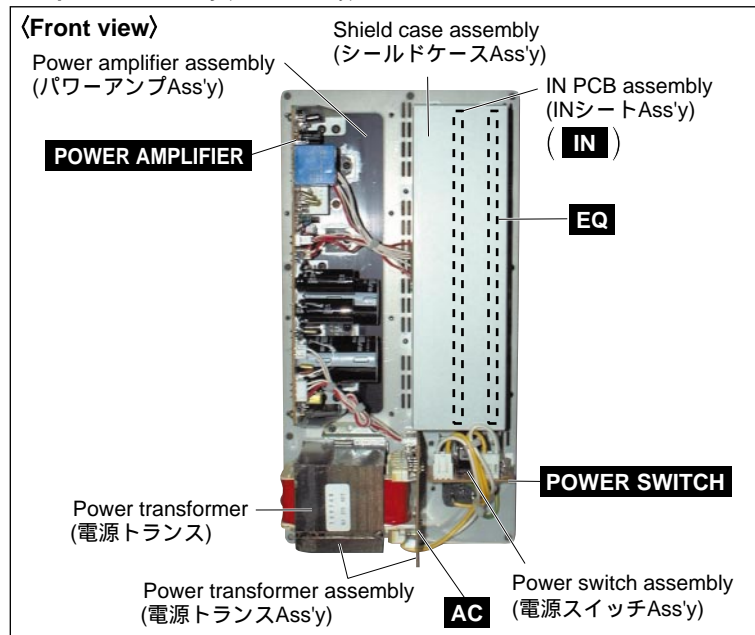
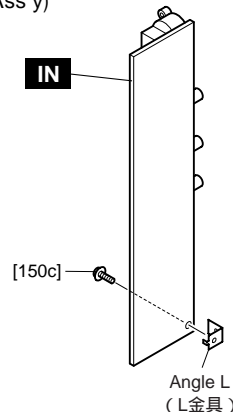


Photo.3 (写真3)

• IN PCB Assembly (INシートAss'y)



[150c]: Cup Screw-B (+カップネジBタイト) PW3.0X8 Y (AAX43390)

Fig.6 (図6)

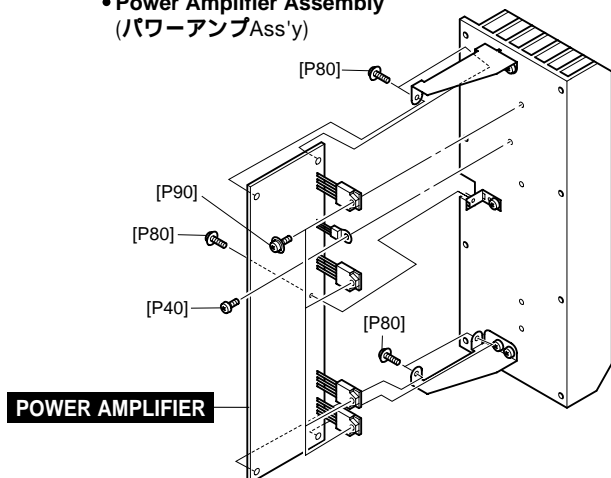
8. Power Amplifier Assembly and POWER AMPLIFIER Circuit Board
(Time required: About 4 minutes)

- 8-1 Remove the amplifier assembly. (See procedure 6.)
- 8-2 Remove the shield case assembly. (See procedure 7-2.)
- 8-3 Remove the eight (8) screws marked [180]. The power amplifier assembly can then be removed. (Fig.5, Photo.3)
- 8-4 Remove the screw marked [P40], the five (5) screws marked [P80] and the four (4) screws marked [P90]. The POWER AMPLIFIER circuit board can then be removed. (Fig.7)

8. パワーアンプAss'y、パワーアンプシート
(所要時間：約4分)

- 8-1 アンプ Ass'y を外します。(6 項参照)
- 8-2 シールドケース Ass'y を外します。(7-2 項参照)
- 8-3 [180]のネジ8本を外して、パワーアンプ Ass'y を外します。(図5, 写真3)
- 8-4 [P40]のネジ1本と[P80]のネジ5本、[P90]のネジ4本を外して、パワーアンプシートを外します。(図7)

• Power Amplifier Assembly (パワーアンプAss'y)



[P40]: Bind Head Tapping Screw-B (+バインドBタイト) 3.0X10 BL (AAX10840)
 [P80]: Cup Screw-B (+カップネジBタイト) PW3.0X8 Y (AAX43390)
 [P90]: Cums Head Screw (+カムス小ネジ) SP3.0X14 BL (AAX43410)

Fig.7 (図7)

9. Power Transformer Assembly (Power Transformer and AC Circuit Board)

(Time required: About 3 minutes)

- 9-1 Remove the amplifier assembly. (See procedure 6.)
- 9-2 Remove the four (4) screws marked [20]. The power transformer assembly can then be removed. (Fig.5, Photo.3)
- 9-3 Remove the power transformer soldered to the AC circuit board. (Photo.4)

10. Power Switch Assembly and POWER SWITCH Circuit Board

(Time required: About 3 minutes)

- 10-1 Remove the amplifier assembly. (See procedure 6.)
- 10-2 Remove the two (2) screws marked [100B]. The power switch assembly can then be removed. (Fig.5, Photo.3)
- 10-3 Remove the two (2) screws marked [90d]. The power switch holder and the push knob can then be removed from the POWER SWITCH circuit board. (Fig.8)

9. 電源トランス Ass'y (電源トランス、ACシート)

(所要時間：約3分)

- 9-1 アンプ Ass'y を外します。(6 項参照)
- 9-2 [20]のネジ 4 本を外して、電源トランス Ass'y を外します。(図5, 写真3)
- 9-3 ACシートに半田付けされている電源トランスを外します。(写真4)

10. 電源スイッチ Ass'y、電源スイッチシート (所要時間：約3分)

- 10-1 アンプ Ass'y を外します。(6 項参照)
- 10-2 [100B]のネジ 2 本を外して、電源スイッチ Ass'y を外します。(図5, 写真3)
- 10-3 [90d]のネジ 2 本を外して、電源スイッチシートから電源スイッチ取付け金具とプッシュボタンを外します。(図8)

• Power Transformer Assembly (電源トランス Ass'y)

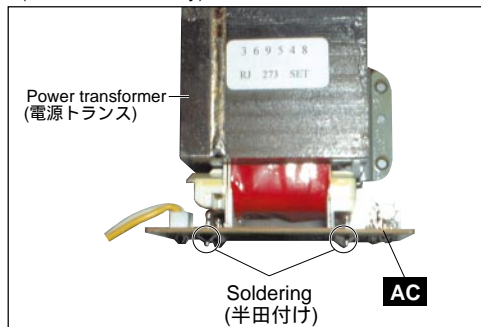
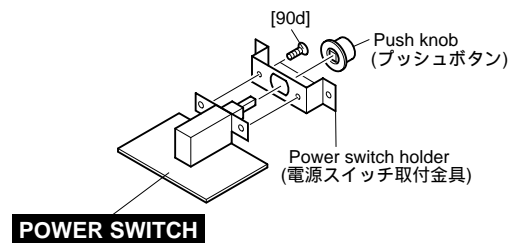


Photo.4 (写真4)

• Power Switch Assembly (電源スイッチ Ass'y)



[90d]: Flat Head Screw (+ 皿小ネジM3X6) 3.0X6 BL (AAX42430)

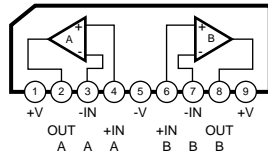
Fig.8 (図8)

■ IC BLOCK DIAGRAM (ICブロック図)

- μ PC4570HA (AAX42560)
Dual Operational Amplifier

EQ: IC201-203

IN: IC101,103



■ CIRCUIT BOARDS (シート基板図)

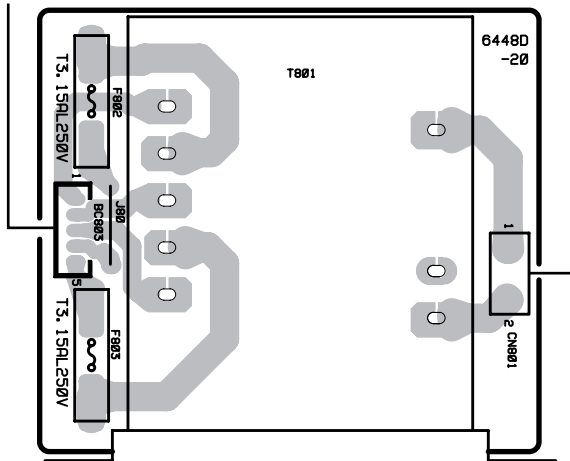
AC Circuit Board (6448D-20)	12
EQ Circuit Board (6448B-20)	14
IN Circuit Board (6448A-20)	15
NETWORK Circuit Board (6448F-20)	16
POWER AMPLIFIER Circuit Board (6448C-20)	13
POWER SWITCH Circuit Board (6448E-20)	12

Note: See parts list for details of circuit board component parts.

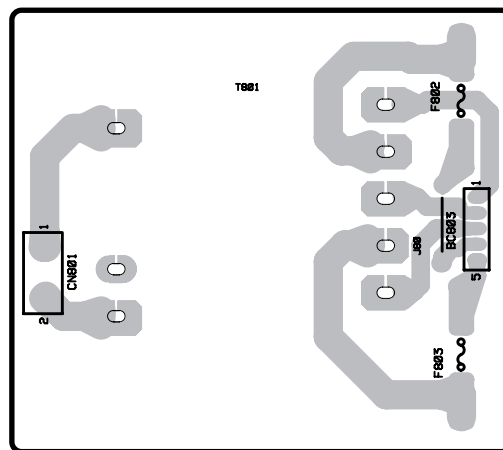
注：シートの部品詳細はパーツリストをご参照下さい。

● AC Circuit Board

to POWER AMPLIFIER
-CN302, CN304

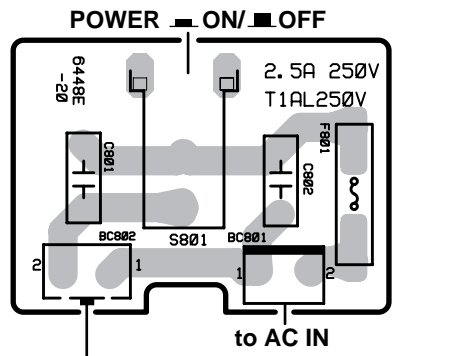


Component side (部品側)

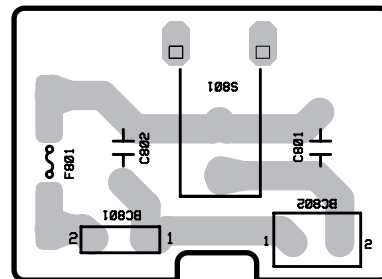


Pattern side(パターン側)

● POWER SWITCH Circuit Board

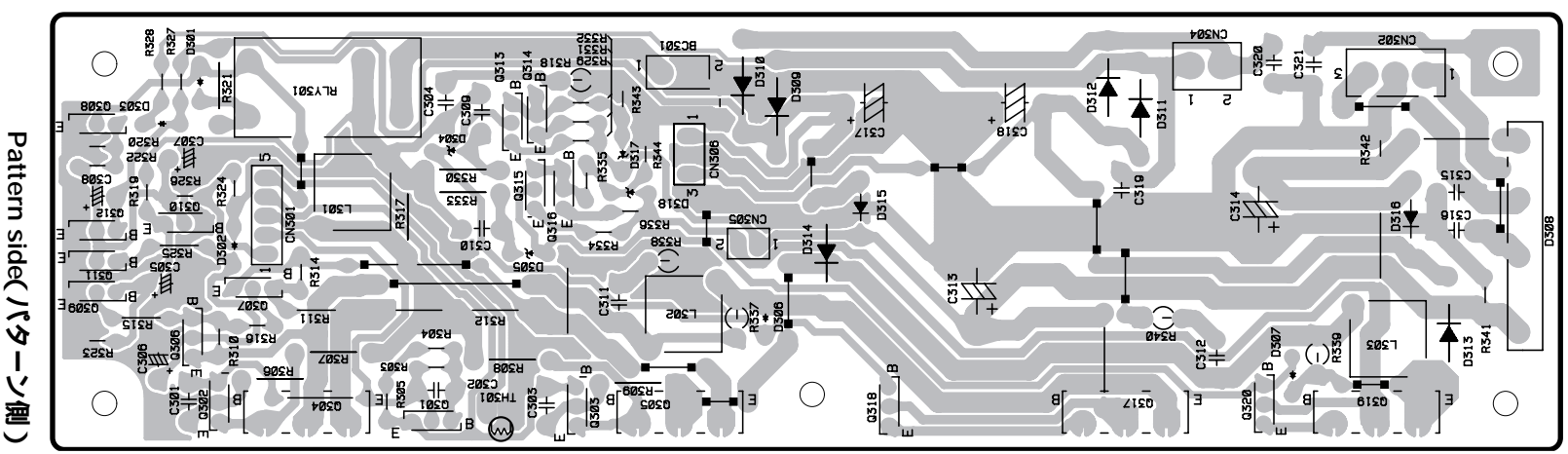
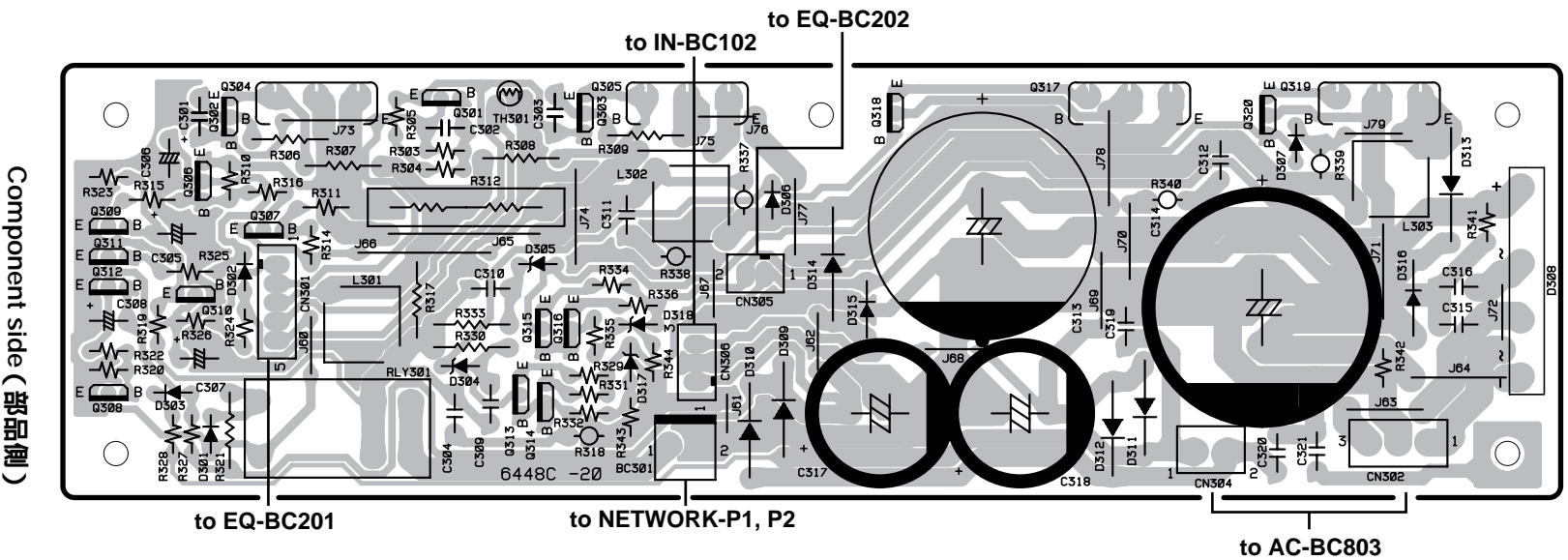


Component side (部品側)



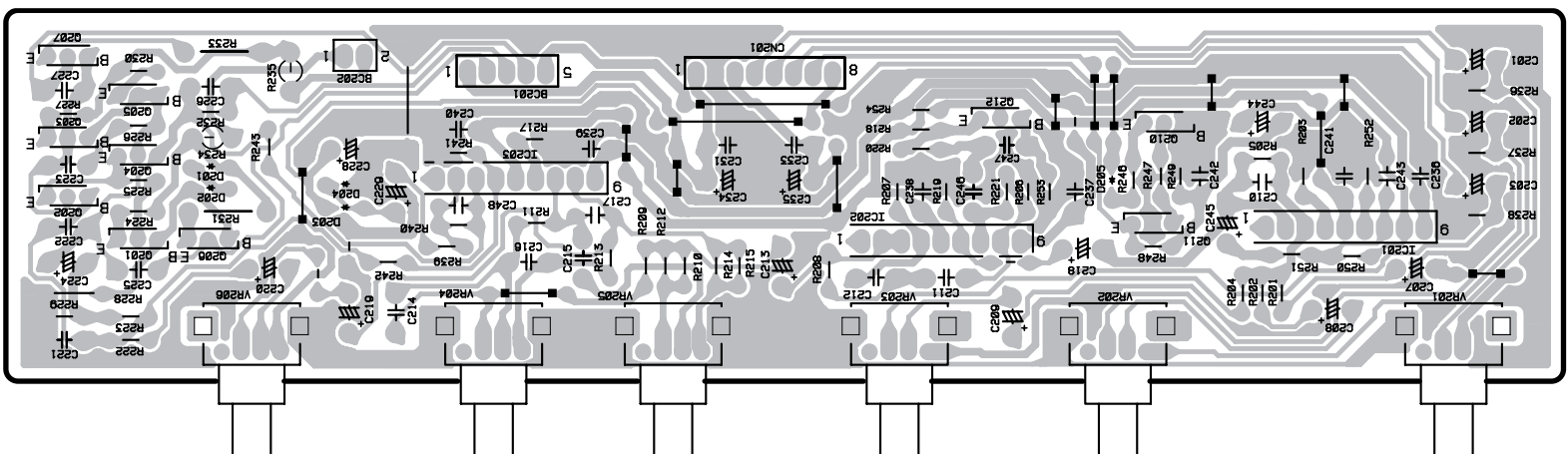
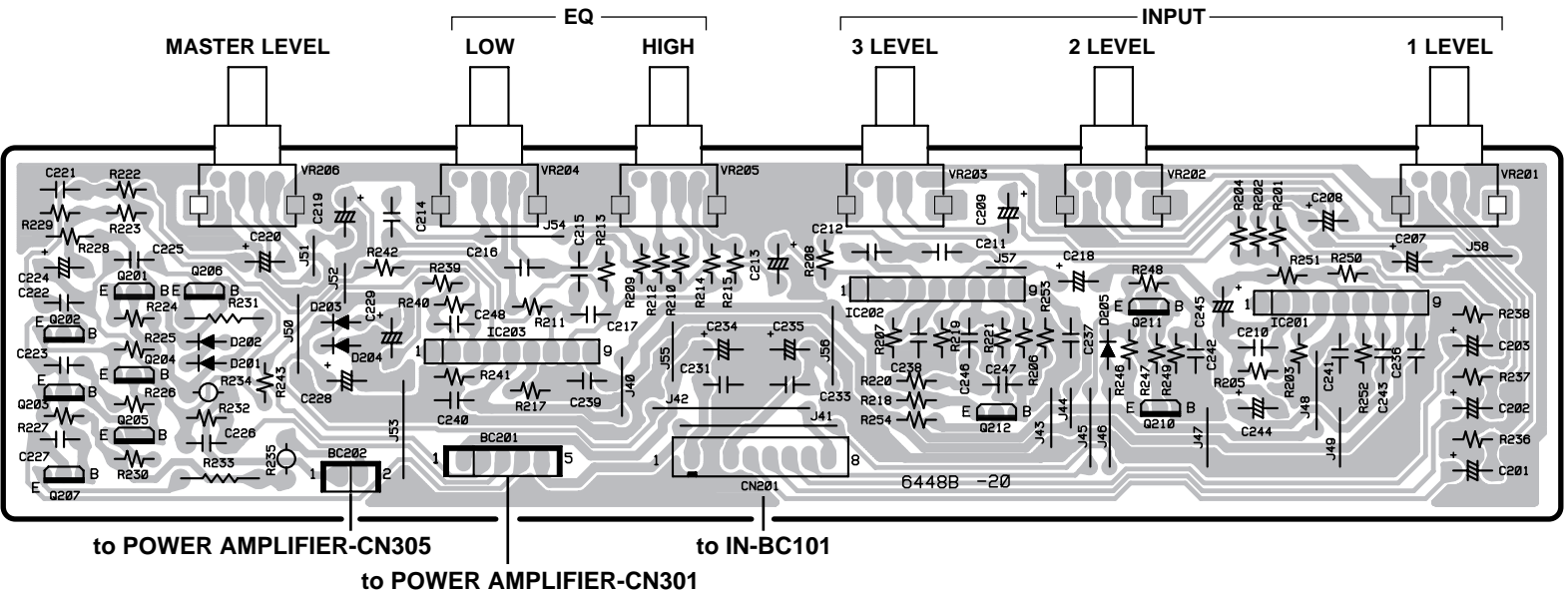
Pattern side(パターン側)

• POWER AMPLIFIER Circuit Board

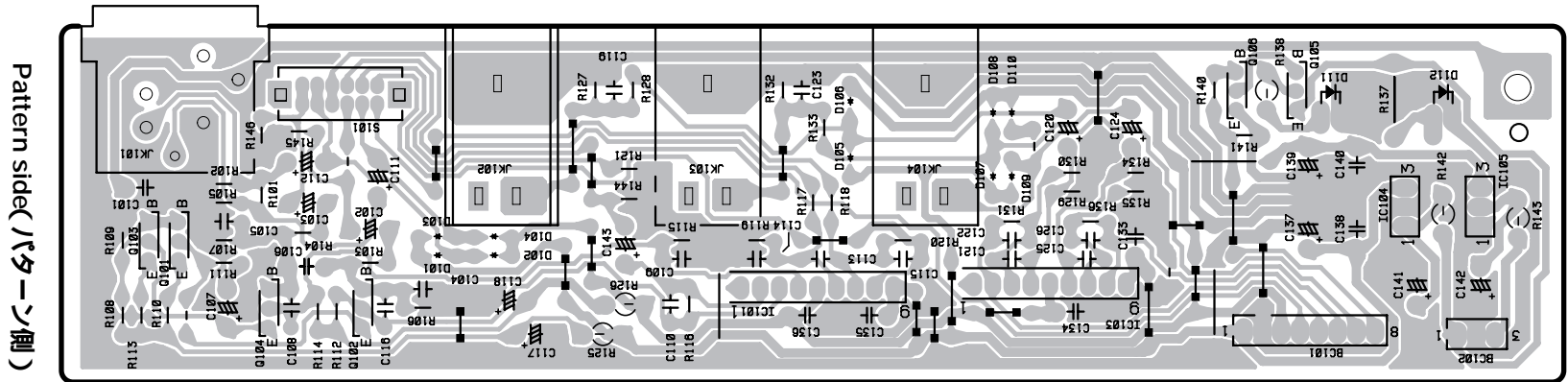
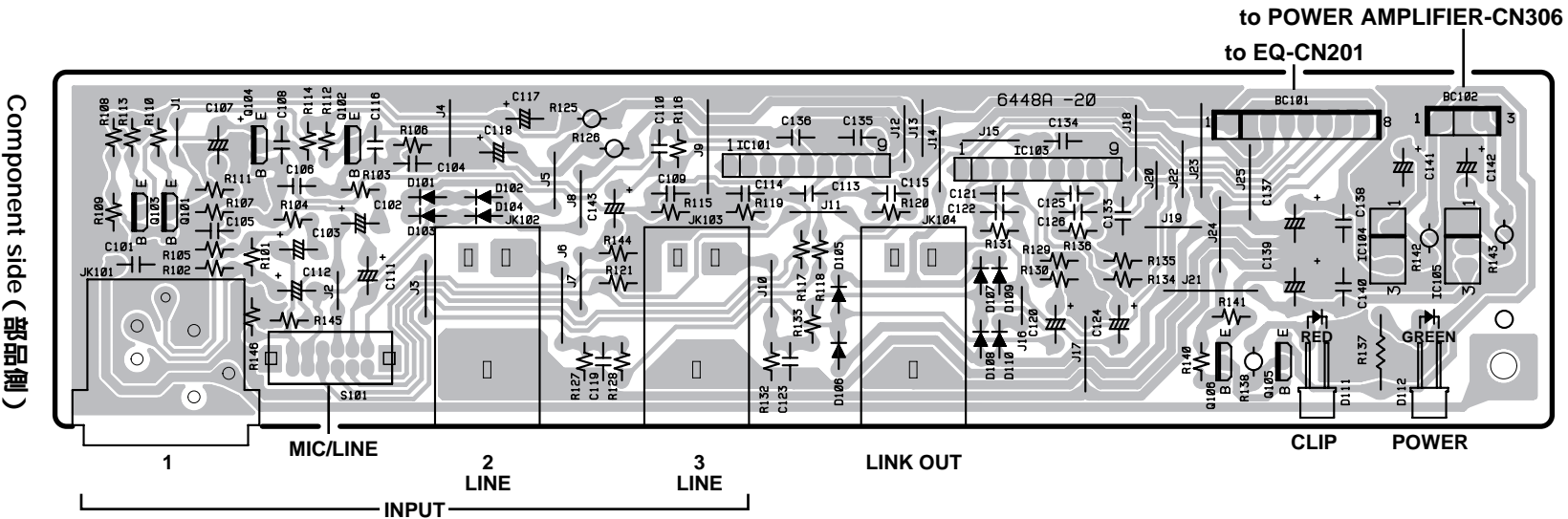


POWER AMPLIFIER: 374005

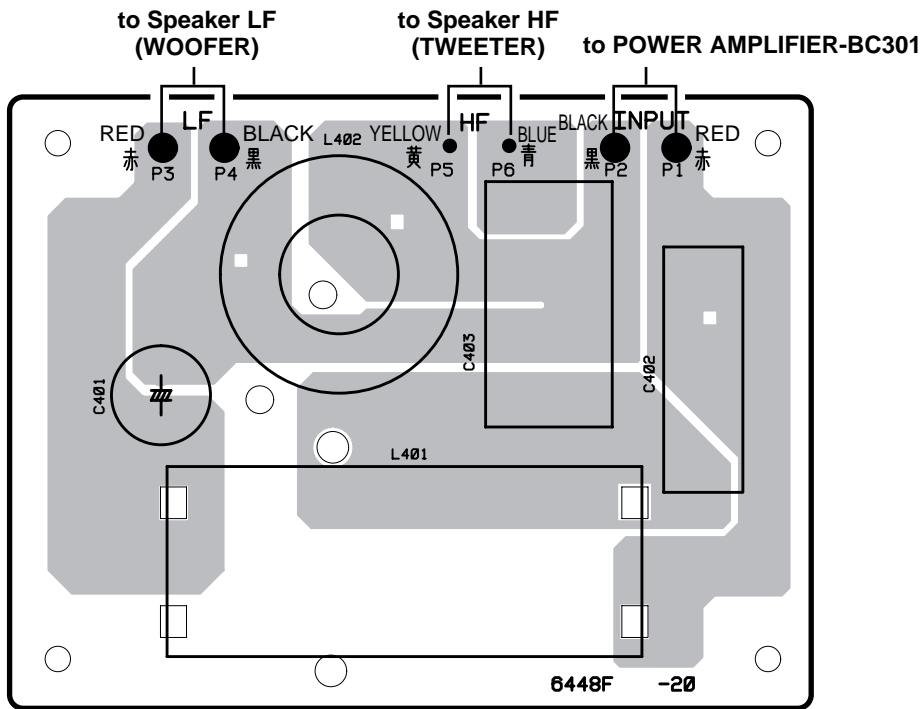
• EQ Circuit Board



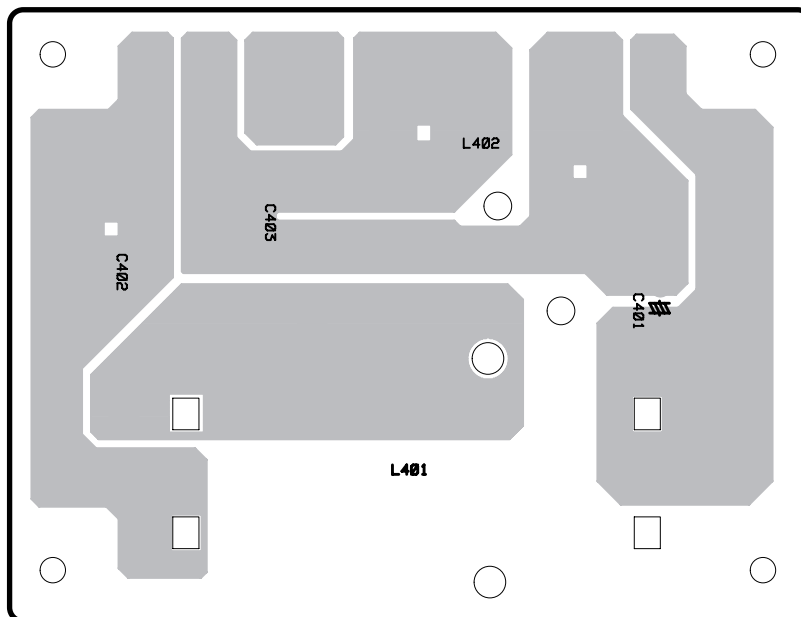
● IN Circuit Board



• NETWORK Circuit Board



Component side (部品側)



Pattern side (パターン側)

■ INSPECTIONS (検査)

1. Test Conditions (試験条件)

- (1) Measuring Voltage(測定電圧): AC100V 50/60Hz (J)
AC120V 60Hz (U, C, V)
AC240V 50Hz (A)
AC230V 50Hz (B, H, W)
AC220V 60Hz (K)
- (2) Load(負荷): 6Ω
- (3) Input(入力): 1KHz
- (4) MASTER LEVEL VR(マスターレベルVR): MAX.
- (5) Tone-control VR(トーンコントロールVR): HIGH, LOW Center.

2. Environment (周囲環境)

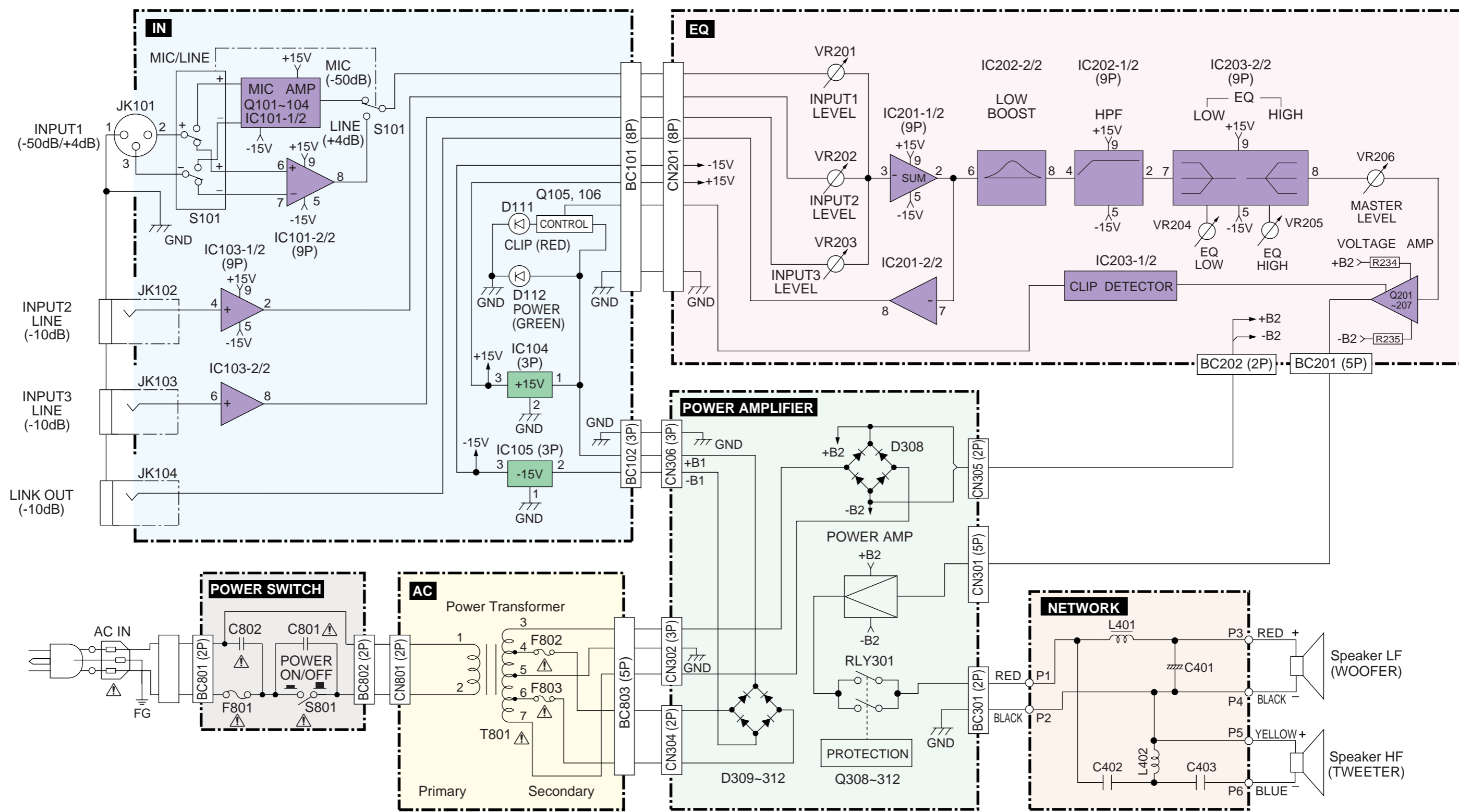
- (1) Ambient Temperature(周囲温度): 25 ± 5°C
- (2) Ambient Humidity(周囲湿度): 65 ± 5%

3. Inspections(検査)

No.	Items (項目)	Input Conditions (入力条件)	Output Conditions (出力条件)	Nominal (標準値)	Limit (限界値)	
1	Output Power (定格出力)	INPUT1, SW-LINE INPUT1 LEVEL=MAX.	1%THD Output (1%歪出力)	104W	>100W	
2	T. H. D. (歪率)	INPUT1, SW-LINE INPUT1 LEVEL=MAX.	80W Output (80W出力)	0.02%	<0.1%	
3	LINK OUT Level (LINK OUTレベル)	INPUT2=-10dBu INPUT2 LEVEL=MAX.	LINK OUT	-9.5dBu	-10dBu ± 2dB	
4	Input Sensitivity (入力感度)	INPUT1, SW-MIC INPUT1 LEVEL=MAX.	REF.: 100W Output (基準: 100W出力)	-50dBu	-50dBu ± 2dB	
		INPUT1, SW-LINE INPUT1 LEVEL=MAX.		+3.5dBu	+4dBu ± 2dB	
		INPUT2 INPUT2 LEVEL=MAX.		-10dBu	-10dBu ± 2dB	
		INPUT3 INPUT3 LEVEL=MAX.		-10dBu	-10dBu ± 2dB	
5	Frequency Response (周波数特性)	INPUT1, SW-LINE REF.: 1KHz	60Hz	REF.: 1W Output (基準: 1W出力)	+4.6dB	+5 ± 3dB
			10KHz	REF.: 1W Output (基準: 1W出力)	+1.2dB	+1.5 ± 3dB
6	Tone-control Characteristic (トーンコントロール特性)	LOW = MIN. REF.: 100Hz, LOW VR Center	REF.: 1W Output (基準: 1W出力)	-3.0dB	-3 ± 2dB	
		LOW = MAX. REF.: 100Hz, LOW VR Center		+3.0dB	+3 ± 2dB	
		HIGH = MIN. REF.: 10KHz, HIGH VR Center		-5.5dB	-6 ± 2dB	
		HIGH = MAX. REF.: 10KHz, HIGH VR Center		-6.0dB	+6 ± 2dB	
7	Signal To Noise Ratio (信号雑音比)	Input Short (入力短絡)	REF.: 100W Output (基準: 100W出力)	85dB	>80dB	
8	Residual Noise (残留雑音)	MASTER LEVEL=MIN. SW-LINE	SP-OUT	0.2mV	<1.0mV	

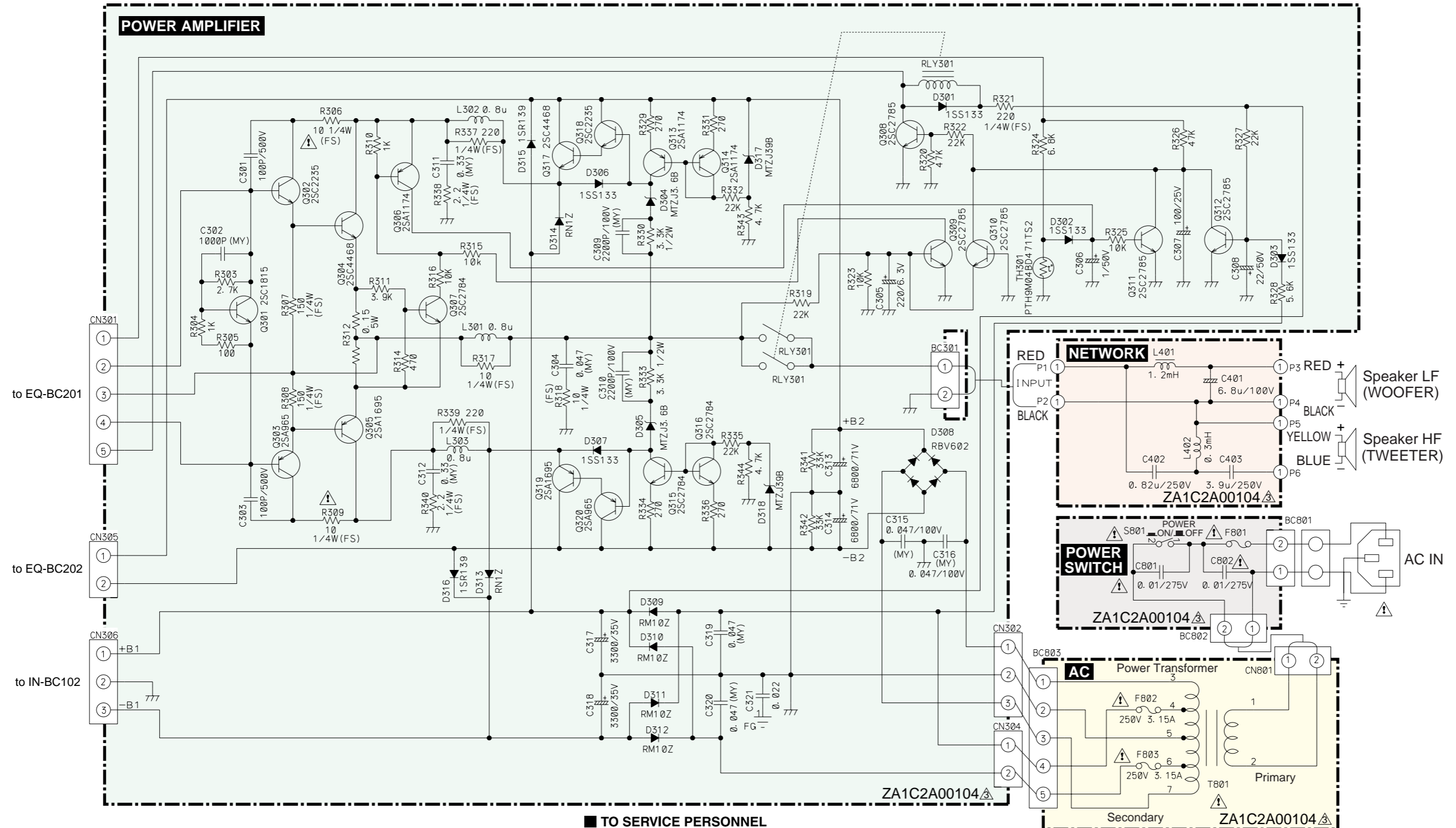
(Note): 1dBu = 0.775V

■ MSR100/SMS100 BLOCK DIAGRAM(ブロックダイアグラム)



MSR100/SMS100 CIRCUIT DIAGRAM 1/3 (AC, NETWORK, POWER AMPLIFIER, POWER SWITCH)

MSR100/SMS100



Destination	AC Cord	F801	T801	Power Supply
J	V7240300	AAX43570	2.5A 250V AAX42250	AC100V 50/60Hz
U, C	V6284300	AAX43570	2.5A 250V AAX42260	AC120V 60Hz
A	V6284400	AAX43600	T1A1 250V AAX42270	AC240V 50Hz
B	V6283900	AAX43600	T1A1 250V AAX42280	AC230V 50Hz
H	V6284400	AAX43600	T1A1 250V AAX42280	AC230V 50Hz
V	V6284300	AAX43570	2.5A 250V AAX42260	AC120V 60Hz
W	V6284400	AAX43600	T1A1 250V AAX42280	AC230V 50Hz
K	V6284400	AAX43600	T1A1 250V AAX42290	AC220V 60Hz

TO SERVICE PERSONNEL

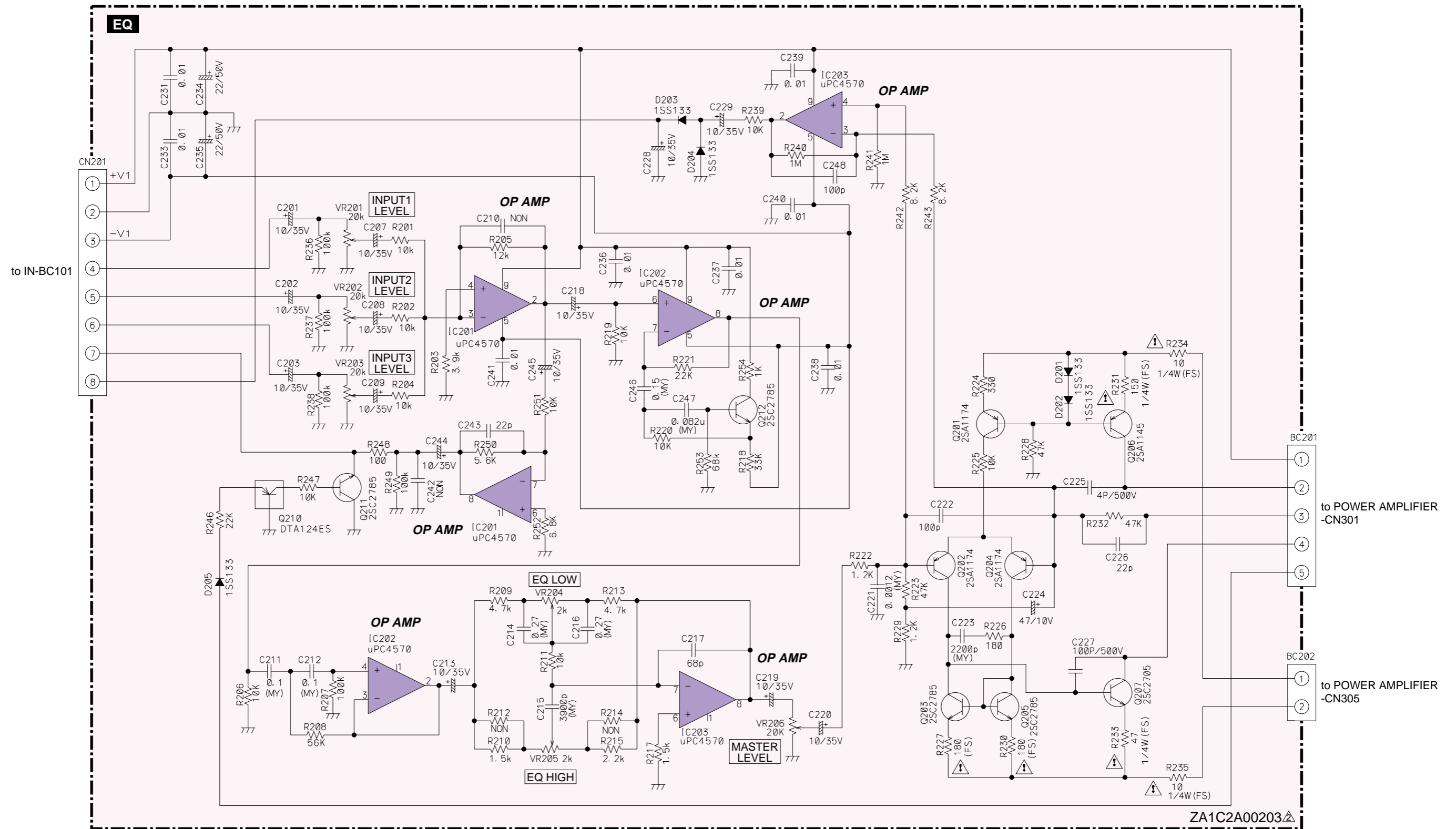
Critical Components Information
 Components having special characteristics are marked Δ and must be replaced with parts having specifications equal to those originally installed.

Δ 印の部品は、安全を維持するために重要な部品です。
 交換する場合は、安全のため必ず指定の部品をご使用下さい。

Note : See parts list for details of circuit board component parts.
 注 : シートの部品詳細はパーツリストをご参照下さい。

(MY) : Mylar Capacitor (マイラーコンデンサー)
 (FS) : Flame Proof C. Resistor (不燃化カーボン抵抗)

POWER AMP BLOCK



TO SERVICE PERSONNEL

Critical Components Information
 Components having special characteristics are marked Δ and must be replaced with parts having specifications equal to those originally installed.

Δ 印の部品は、安全を維持するために重要な部品です。交換する場合は、安全のため必ず指定の部品をご使用下さい。

(MY) : Mylar Capacitor (マイラーコンデンサー)

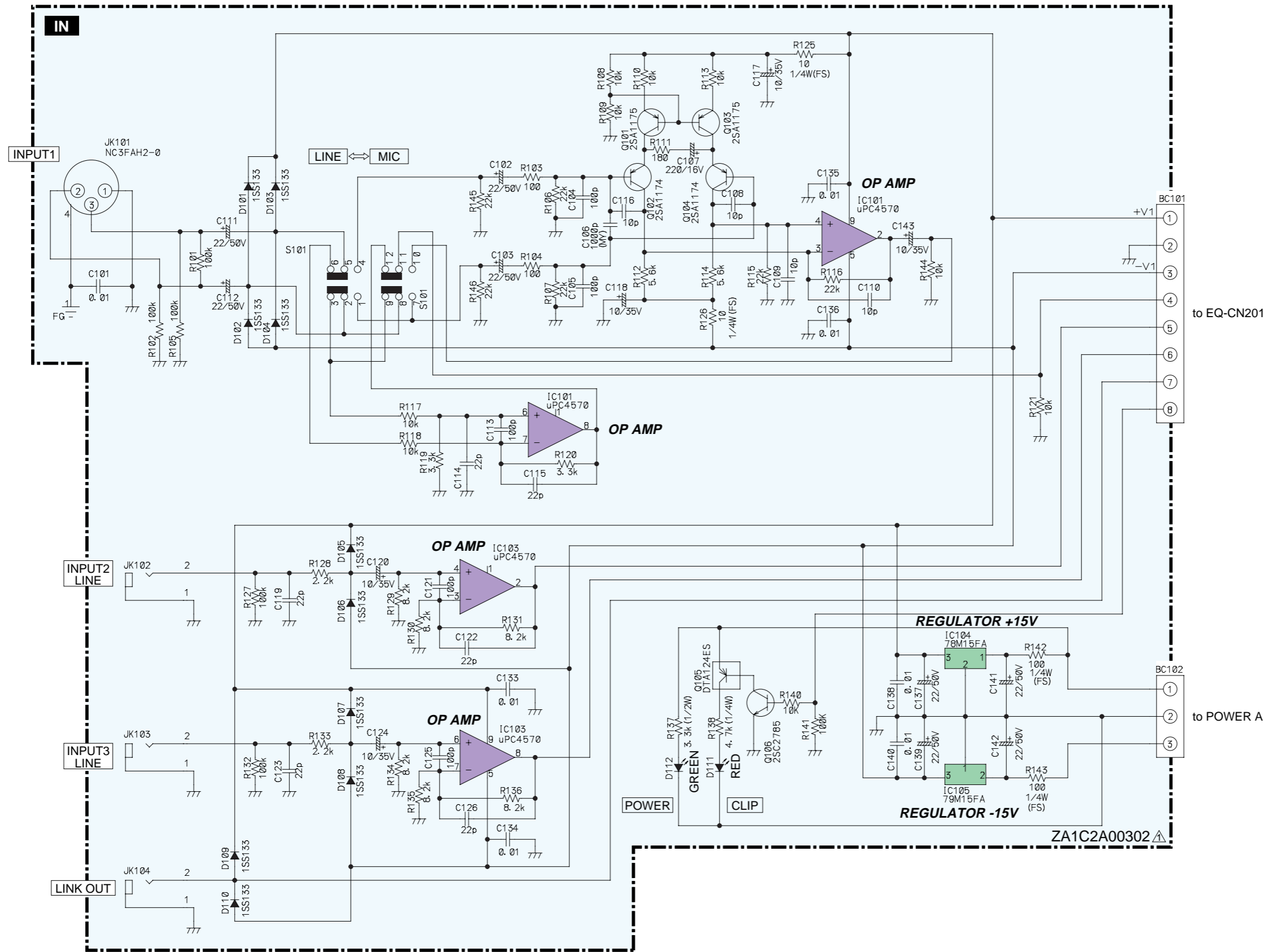
(FS) : Flame Proof C. Resistor (不燃化カーボン抵抗)

Note : See parts list for details of circuit board component parts.
 注 : シートの部品詳細はパーツリストをご参照下さい。

CONTROL BLOCK

MSR100/SMS100 CIRCUIT DIAGRAM 3/3 (IN)

MSR100/SMS100



to EQ-CN201

to POWER AMPLIFIER-CN306

•NJM78M15FA(AAX42930)
REGULATOR +15V

•NJM79M15FA(AAX42940)
REGULATOR -15V

(MY) : Mylar Capacitor (マイラーコンデンサー)
(FS) : Flame Proof C. Resistor (不燃化カーボン抵抗)

Note : See parts list for details of circuit board component parts.
注 : シートの部品詳細はパーツリストをご参照下さい。

INPUT BLOCK

POWERED SPEAKER

MSR100/SMS100

PARTS LIST


■ CONTENTS(目次)


OVERALL ASSEMBLY(総組立).....	2
AMPLIFIER ASSEMBLY(アンプAss'y).....	4
ELECTRICAL PARTS(電気部品).....	6-11

Notes : DESTINATION ABBREVIATIONS

A : Australian model	M : South African model
B : British model	O : Chinese model
C : Canadian model	Q : South-east Asia model
D : German model	T : Taiwan model
E : European model	U : U.S.A. model
F : French model	V : General export model (110V)
H : North European model	W : General export model (220V)
I : Indonesian model	N,X : General export model
J : Japanese model	Y : Export model
K : Korean model	

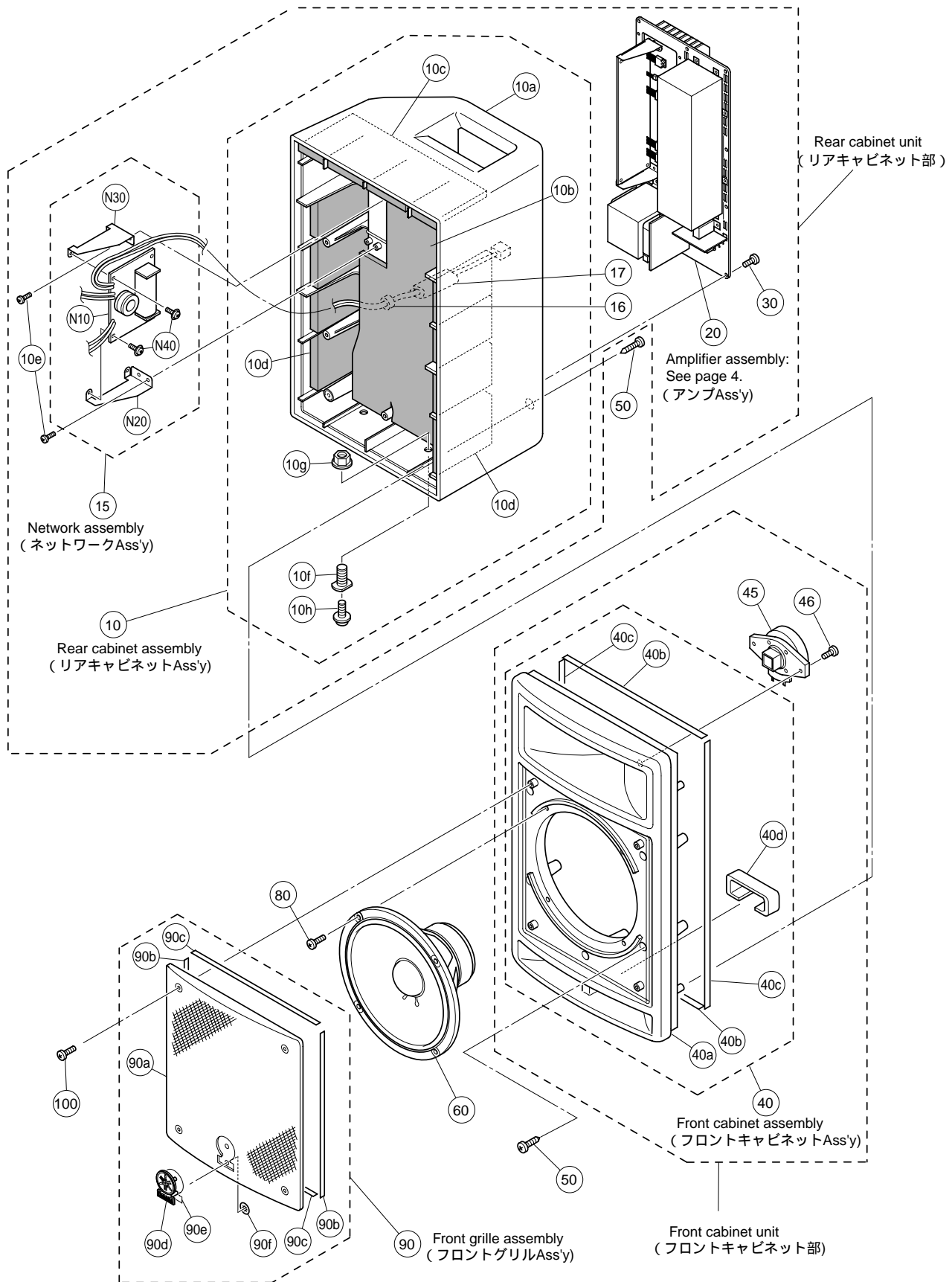
■ WARNING

Components having special characteristics are marked  and must be replaced with parts having specification equal to those originally installed.

 印の部品は、安全を維持するために重要な部品です。交換する場合は、安全のために必ず指定の部品をご使用下さい。

- The numbers "QTY" show quantities for each unit.
- The parts with "--" in "PART NO." are not available as spare parts.
- This mark "}" in the REMARKS column means these parts are interchangeable.
- The second letter of the shaded (■) part number is O, not zero.
- The second letter of the shaded (■) part number is I, not one.
- 部品価格ランクは、変更になることがあります。
- QTY欄に記されている数字は、各ユニット当たりの使用個数です。
- PART NO.が"--"の部品は、サービス用部品として準備されておりません。
- REMARKS欄の"}"マークの部品は、併用部品です。
- 網掛けの付いたPART NO. の2番目の文字は「ゼロ」ではなく、「オー」です。
- 網掛けの付いたPART NO. の2番目の文字は「イチ」ではなく、「アイ」です。

OVERALL ASSEMBLY (総組立)

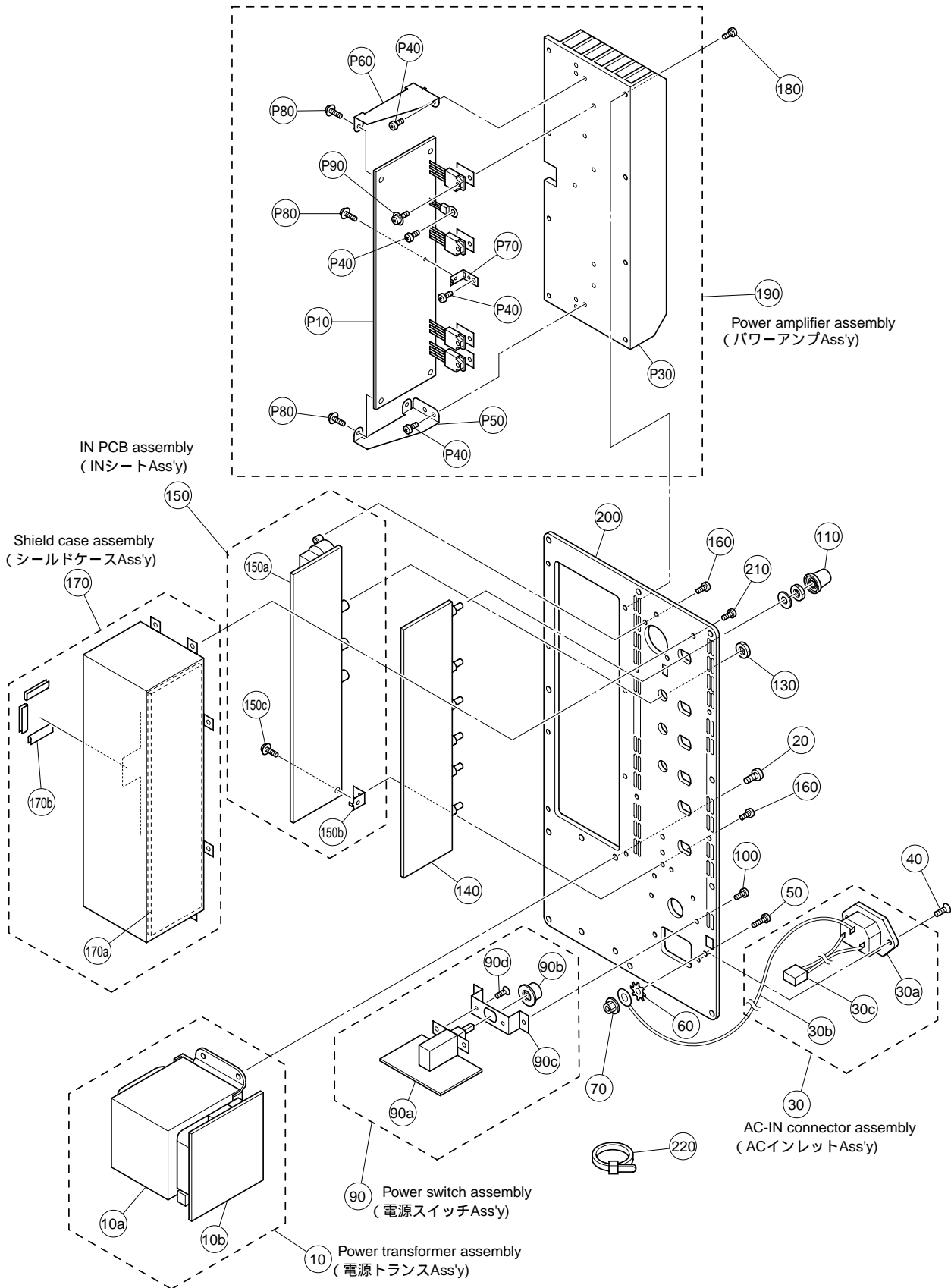


REF NO.	PART NO.	DESCRIPTION	部 品 名	REMARKS	QTY	RANK
		OVERALL ASSEMBLY	総 組 立	MSR100/SMS100		
* 10	AAX42140	Rear Cabinet Assembly	リアキャビネットA s s y		378134	
10a	--	Rear Cabinet	リアキャビネット		369175	
10b	--	Damping Material A	FELT REAR 吸 音 材 A		369668	
10c	--	Damping Material B	FELT TOP 吸 音 材 B		370586	
10d	--	Damping Material C	FELT SIDE 吸 音 材 C		370587	8
10e	AAX10840	Bind Head Tapping Screw-B	3.0X10 BL + バイント B タイ		075640	4
10f	AAX42150	Misc Bolt	特 殊 ボ ル ト		369366	2
* 10g	AAX42300	Flange Nut	M12 フランジナットM 1 2		369426	2
* 10h	AAX42160	Pan Head Screw	PW8.0X25 BL ナベ小ネジ平ワッシャ付き		371498	2
15	--	Network Assembly	ネットワークA s s ' y			
16	AAX31970	Cushion Bush	ク ッ シ ョ ン		331850	
* 17	AAX46130	Cushion	ク ッ シ ョ ン		368780	
20	--	Amplifier Assembly	アンプA s s ' y J	J		
20	--	Amplifier Assembly	アンプA s s ' y U,C	U,C,V		
20	--	Amplifier Assembly	アンプA s s ' y A	A		
20	--	Amplifier Assembly	アンプA s s ' y H	H,W,B		
20	--	Amplifier Assembly	アンプA s s ' y K	K		
* 30	AAX42170	Bind Head Tapping Screw-B	4.0X14 BL + バイント B タイ		075662	10
* 40	AAX42180	Front Cabinet Assembly	フロントキャビネットA s s ' y		378133	
40a	--	Front Cabinet	フロントキャビネット		369176	
40b	--	Cushion	7.0X265 ガ ス ケ ッ ト		373196	2
40c	--	Cushion	7.0X440 ガ ス ケ ッ ト		373195	2
40d	--	Damping Material	FELT DUCT 吸 音 材		374239	
* 45	AAX42190	Speaker HF	ス ピ ー カ H F	TWEETER	369357	
* 46	AAX42200	Bind Head Tapping Screw-B	4.0X20 BL + バインド B タイ		075668	2
* 50	AAX42210	Bind Head Tapping Screw-A	5.0X35 BL + バインド A タイ		371272	9
* 60	AAX42220	Speaker LF	ス ピ ー カ L F	WOOFER	369356	
* 80	AAX42230	Bind Head Tapping Screw-B	4.0X18 BL + バインド B タイ		075667	4
* 90	AAX42310	Front Grille Assembly	フロントグリルA s s ' y		375596	
90a	--	Front Grille	フ ロ ン ト グ リ ル		369179	
90b	--	Cushion A Grille	6.0X245 ク ッ シ ョ ン グ リ ル A		369573	2
90c	--	Cushion B Grille	6.0X225 ク ッ シ ョ ン グ リ ル B		369576	2
90d	--	Logo Badge	ロ ゴ バ ッ ジ	YAMAHA	369377	
90e	--	Cushion Badge	ク ッ シ ョ ン バ ッ ジ		369669	
90f	--	Bush Nut	ブ ッ シ ュ ナ ッ ト		031814	2
100	AAX12100	Bind Head Tapping Screw-B	4.0X10 BL + バインド B タイ		075659	4
	--	Network Assembly	ネットワークA s s ' y			
* N10	AAX42320	Circuit Board	NETWORK ネットワークシート		374307,374308	
N20	--	Holder C Network	ネットワーク固定金具C		370892	
N30	--	Holder D Network	ネットワーク固定金具D		370893	
* N40	AAX43390	Cup Screw-B	PW3.0X8 Y + カップネジB タイ		075164	4
		ACCESSORIES	附 属 品			
⚠	V7240300	AC Cord	2P 125V 10A 2.5m	電 源 コ ー ド J		05
⚠	V6284300	AC Cord	3P 125V 10A 2.5m	電 源 コ ー ド U,C,V		05
⚠	V6283900	AC Cord	3P 250V 10A 2.5m	電 源 コ ー ド B 13A FUSE INSIDE		08
⚠	V6284400	AC Cord	3P 250V 10A 2.5m	電 源 コ ー ド H,W,A,K		06

*: New Parts

RANK: Japan only

AMPLIFIER ASSEMBLY(アンプAss'y)



REF NO.	PART NO.	DESCRIPTION	部 品 名	REMARKS	QTY	RANK
		AMPLIFIER ASSEMBLY	アンプ A s s ' y	MSR100/SMS100		
	--	Amplifier Assembly	アンプ A s s ' y J	J		
	--	Amplifier Assembly	アンプ A s s ' y U, C	U, C, V		
	--	Amplifier Assembly	アンプ A s s ' y A	A		
	--	Amplifier Assembly	アンプ A s s ' y H	H, W, B		
	--	Amplifier Assembly	アンプ A s s ' y K	K		
10	--	Power Transformer Assembly	電源トランス A s s ' y J	J		
10	--	Power Transformer Assembly	電源トランス A s s ' y U, C, V	U, C, V		
10	--	Power Transformer Assembly	電源トランス A s s ' y A	A		
10	--	Power Transformer Assembly	電源トランス A s s ' y H, W, B	H, W, B		
10	--	Power Transformer Assembly	電源トランス A s s ' y K	K		
⚠	10a	AA42250 Power Transformer	AC100V 50/60Hz	電源トランス J	369545	
⚠	10a	AA42260 Power Transformer	AC120V 60Hz	電源トランス U	369546	
⚠	10a	AA42270 Power Transformer	AC240V 50Hz	電源トランス A	369547	
⚠	10a	AA42280 Power Transformer	AC230V 50Hz	電源トランス B	369548	
⚠	10a	AA42290 Power Transformer	AC220V 60Hz	電源トランス K	369550	
	10b	AA42420 Circuit Board	AC	A C シ ー ト	374307,374308	
	20	AA43620 Bonding Tapping Screw-B	4.0X8 BL BO	+ ボンディング B タイ	369365	4
	30	--	AC-IN Connector Assembly	A C イ ン レ ッ ト A s s ' y		
⚠	30a	AA42330 AC Inlet		A C イ ン レ ッ ト	AC IN	369516
	30b	--	Earth Wire	ア ー ス 線		369543
	30c	--	Connector Assembly	インレット束線 2 P		369542
	40	AA42340 Flat Head Tapping Screw-B	3.0X8 BL	+ 皿タッピングネジ B	075145	2
	50	AA42350 Screw	4.0X14 BL	P I N T O R X ネジ	369111	
	60	AA42360 Toothed Lock Washer	B4.0 ZMC3	歯付座金外歯形	075773	
	70	AA42370 Hexagonal Nut	M4	フランジ付き六角ナット	075704	
	90	--	Power Switch Assembly J	電源スイッチ A s s ' y	J, U, C, V	
	90	--	Power Switch Assembly B	電源スイッチ A s s ' y	A, B, H, W, K	
	90a	AA42380 Circuit Board	POWER SWITCH	電源スイッチシート J	J, U, C, V	374307
	90a	AA42390 Circuit Board	POWER SWITCH	電源スイッチシート B	A, B, H, W, K	374308
	90b	AA42410 Push Knob Black		プッシュボタン	POWER ON/OFF	366303
	90c	--	Holder Power Switch	電源スイッチ取付け金具		366302
	90d	AA42430 Flat Head Screw	3.0X6 BL	+ 皿小ネジ M 3 x 6	075197	2
	100	AA12110 Bonding Tapping Screw-B	3.0X10 BL BO	+ ボンディング B タイ	084772	2
	110	AA42400 Knob		ノブ	INPUT, EQ, MASTER	369217
	130	--	Hexagonal Nut	特殊六角ナット		372781
	140	AA42440 Circuit Board	M12.0 BL	E Q シ ー ト	374307,374308	3
	150	--	IN PCB Assembly	I N シ ー ト A s s ' y		
	150a	AA42450 Circuit Board	IN	I N シ ー ト	374307,374308	
	150b	--	Angle L	L 金 具		077876
	150c	AA43390 Cup Screw-B	PW3.0X8 Y	+ カップネジ B タイ	075164	
	160	AA12110 Bonding Tapping Screw-B	3.0X10 BL BO	+ ボンディング B タイ	084772	3
	170a	--	Shield Case Assembly	シールドケース (保護付き)		
	170a	--	Insulation Sheet	絶縁シート	369421	
	170b	--	Mold Edge Guard	エッジガード	371112	3
	180	AA43370 Pan Head Tapping Screw-B	3.0X12 BL	+ ナベタッピングネジ B	075512	8
	190	--	Power Amplifier Assembly	パワーアンプ A s s ' y		
	200	AA43420 Rear Panel		リアパネル印刷品 J	J	366296
	200	AA43430 Rear Panel		リアパネル印刷品 U, C	U, C, V	369221
	200	AA43440 Rear Panel		リアパネル印刷品 A	A	369222
	200	AA43450 Rear Panel		リアパネル印刷品 H	H, W, B	369223
	200	AA43460 Rear Panel		リアパネル印刷品 K	K	374669
	200	AA43650 Rear Panel		リアパネル印刷品 J	J(SMS100)	374668
	210	AA12110 Bonding Tapping Screw-B	3.0X10 BL BO	+ ボンディング B タイ	084772	8
	220	--	Cord Holder	インシュロックタイ	080558	7
		Power Amplifier Assembly		パワーアンプ A s s ' y		
*	P10	AA43020 Circuit Board	POWER AMPLIFIER	パワーアンプシート	374307,374308	
*	P30	AA43380 Heat Sink		放熱器	366299	
	P40	AA10840 Bind Head Tapping Screw-B	3.0X10 BL	バインド B タイ	075640	6
	P50	--	Angle A	取付け金具 A	366300	
	P60	--	Angle B	取付け金具 B	366301	
	P70	--	Angle L	取付け金具	077876	
*	P80	AA43390 Cup Screw-B	PW3.0X8 Y	+ カップネジ B タイ	075164	5
*	P90	AA43410 Cums Head Screw	SP3.0X14 BL	+ カムス小ネジ	359580	4

*: New Parts

RANK: Japan only

ELECTRICAL PARTS (電気部品)

REF NO.	PART NO.	DESCRIPTION	部 品 名	REMARKS	QTY	RANK
		ELECTRICAL PARTS	電 気 部 品	MSR100/SMS100		
*	AA42420	Circuit Board	A C シ ー ト	(6448D-20) 374307,374308		
*	AA42440	Circuit Board	E Q シ ー ト	(6448B-20) 374307,374308		
*	AA42450	Circuit Board	I N シ ー ト	(6448A-20) 374307,374308		
*	AA42320	Circuit Board	ネ ッ ト ワ ー ク シ ー ト	(6448F-20) 374307,374308		
*	AA43020	Circuit Board	パ ワ ー ア ン プ シ ー ト	(6448C-20) 374307,374308		
*	AA42380	Circuit Board	電 源 ス イ ッ チ シ ー ト J	J,U,C,V(6448E-20) 374307		
*	AA42390	Circuit Board	電 源 ス イ ッ チ シ ー ト B	A,B,H,W,K(6448E-20) 374308		
*	AA42420	Circuit Board	A C シ ー ト	(6448D-20) 374307,374308		
*	AA43540	Fuse Holder	ヒ ュ ー ズ ホ ル ダ	074277	4	
BC803	AA43670	Connector Base Post	コ ネ ク タ 5 P	081504		
CN801	--	Connector Assembly	束 線 2 P	369541		
F802	AA35880	Fuse	ヒ ュ ー ズ	052792		
F803	AA35880	Fuse	ヒ ュ ー ズ	052792		
JB0	--	Jumper Wire	ジ ャ ン パ ー 線			
*	AA42440	Circuit Board	E Q シ ー ト	(6448B-20) 374307,374308		
	--	Jumper Wire	ジ ャ ン パ ー 線			
BC201	AA28380	Base Post	コ ネ ク タ 5 P	081506		
BC202	AA42460	Base Post	コ ネ ク タ 2 P	081439		
C201	AA12070	Electrolytic Cap.	ケ ミ コ ン	066288		
-203	AA12070	Electrolytic Cap.	ケ ミ コ ン	066288		
C207	AA12070	Electrolytic Cap.	ケ ミ コ ン	066288		
-209	AA12070	Electrolytic Cap.	ケ ミ コ ン	066288		
C211	AA11180	Mylar Capacitor	マ イ ラ コ ン	065007		
C212	AA11180	Mylar Capacitor	マ イ ラ コ ン	065007		
C213	AA12070	Electrolytic Cap.	ケ ミ コ ン	066288		
C214	AA42470	Mylar Capacitor	マ イ ラ コ ン (W = 6)	064926		
C215	AA12450	Mylar Capacitor	マ イ ラ コ ン	065099		
C216	AA42470	Mylar Capacitor	マ イ ラ コ ン (W = 6)	064926		
C217	AA42480	Ceramic Tubular Capacitor	円 筒 型 セ ラ コ ン	049192		
C218	AA12070	Electrolytic Cap.	ケ ミ コ ン	066288		
-220	AA12070	Electrolytic Cap.	ケ ミ コ ン	066288		
C221	AA11190	Mylar Capacitor	マ イ ラ コ ン	065014		
C222	AA12170	Ceramic Tubular Capacitor	円 筒 型 セ ラ コ ン	051723		
C223	AA42490	Mylar Capacitor	マ イ ラ コ ン	065055		
C224	AA42500	Electrolytic Cap.	ケ ミ コ ン	066421		
C225	AA42510	Ceramic Capacitor	セ ラ コ ン	065783		
C226	AA09490	Ceramic Tubular Capacitor	円 筒 型 セ ラ コ ン	051094		
C227	AA42520	Ceramic Capacitor	セ ラ コ ン	065700		
C228	AA12070	Electrolytic Cap.	ケ ミ コ ン	066288		
C229	AA12070	Electrolytic Cap.	ケ ミ コ ン	066288		
C231	AA42530	Ceramic Capacitor	セ ラ コ ン	065452		
C233	AA42530	Ceramic Capacitor	セ ラ コ ン	065452		
C234	AA12250	Electrolytic Cap.	ケ ミ コ ン	066352		
C235	AA12250	Electrolytic Cap.	ケ ミ コ ン	066352		
C236	AA42530	Ceramic Capacitor	セ ラ コ ン	065452		
-241	AA42530	Ceramic Capacitor	セ ラ コ ン	065452		
C243	AA09490	Ceramic Tubular Capacitor	円 筒 型 セ ラ コ ン	051094		
C244	AA12070	Electrolytic Cap.	ケ ミ コ ン	066288		
C245	AA12070	Electrolytic Cap.	ケ ミ コ ン	066288		
C246	AA11160	Mylar Capacitor	マ イ ラ コ ン (W = 6)	064914		
C247	AA42540	Mylar Capacitor	マ イ ラ コ ン	065152		
C248	AA12170	Ceramic Tubular Capacitor	円 筒 型 セ ラ コ ン	051723		
CN201	--	Connector Assembly	束 線 E Q 8 P	369535		
D201	AA42550	Diode	ダ イ オ ー ド	069460		
-205	AA42550	Diode	ダ イ オ ー ド	069460		
IC201	AA42560	IC	I C	OP AMP		
-203	AA42560	IC	I C	OP AMP		
Q201	AA42570	Transistor	ト ラ ン ジ ス タ	068608		
Q202	AA42570	Transistor	ト ラ ン ジ ス タ	068608		
Q203	AA42580	Transistor	ト ラ ン ジ ス タ	068806		
Q204	AA42570	Transistor	ト ラ ン ジ ス タ	068608		
Q205	AA42580	Transistor	ト ラ ン ジ ス タ	068806		
Q206	AA42590	Transistor	ト ラ ン ジ ス タ	068602		
Q207	AA42600	Transistor	ト ラ ン ジ ス タ	068796		
Q210	AA41610	Digital Transistor	デ ジ タ ル ト ラ ン ジ ス タ	069250		
Q211	AA42580	Transistor	ト ラ ン ジ ス タ	068806		
Q212	AA42580	Transistor	ト ラ ン ジ ス タ	068806		

*: New Parts

RANK: Japan only

REF NO.	PART NO.	DESCRIPTION		部 品 名	REMARKS	QTY	RANK
* R201	AAX42610	Carbon Resistor	10K 1/6W	力 - ボ ン 抵 抗		067074	
* R202	AAX42610	Carbon Resistor	10K 1/6W	力 - ボ ン 抵 抗		067074	
* R203	AAX42620	Carbon Resistor	3.9K 1/6W	力 - ボ ン 抵 抗		067223	
* R204	AAX42610	Carbon Resistor	10K 1/6W	力 - ボ ン 抵 抗		067074	
* R205	AAX42630	Carbon Resistor	12K 1/6W	力 - ボ ン 抵 抗		067099	
* R206	AAX42610	Carbon Resistor	10K 1/6W	力 - ボ ン 抵 抗		067074	
* R207	AAX42640	Carbon Resistor	100K 1/6W	力 - ボ ン 抵 抗		067079	
* R208	AAX42650	Carbon Resistor	56K 1/6W	力 - ボ ン 抵 抗		067273	
* R209	AAX42660	Carbon Resistor	4.7K 1/6W	力 - ボ ン 抵 抗		067243	
* R210	AAX42680	Carbon Resistor	1.5K 1/6W	力 - ボ ン 抵 抗		067114	
* R211	AAX42610	Carbon Resistor	10K 1/6W	力 - ボ ン 抵 抗		067074	
* R213	AAX42660	Carbon Resistor	4.7K 1/6W	力 - ボ ン 抵 抗		067243	
* R215	AAX42980	Carbon Resistor	2.2K 1/6W	力 - ボ ン 抵 抗		067155	
* R217	AAX42680	Carbon Resistor	1.5K 1/6W	力 - ボ ン 抵 抗		067114	
* R218	AAX42690	Carbon Resistor	33K 1/6W	力 - ボ ン 抵 抗		067207	
* R219	AAX42610	Carbon Resistor	10K 1/6W	力 - ボ ン 抵 抗		067074	
* R220	AAX42610	Carbon Resistor	10K 1/6W	力 - ボ ン 抵 抗		067074	
* R221	AAX42700	Carbon Resistor	22K 1/6W	力 - ボ ン 抵 抗		067160	
* R222	AAX42710	Carbon Resistor	1.2K 1/6W	力 - ボ ン 抵 抗		067096	
* R223	AAX42720	Carbon Resistor	47K 1/6W	力 - ボ ン 抵 抗		067248	
* R224	AAX42730	Carbon Resistor	330 1/6W	力 - ボ ン 抵 抗		067200	
* R225	AAX42610	Carbon Resistor	10K 1/6W	力 - ボ ン 抵 抗		067074	
* R226	AAX42740	Carbon Resistor	180 1/6W	力 - ボ ン 抵 抗		067129	
⚠ R227	AAX42850	Flame Proof C. Resistor	180 1/6W(FS)	不 燃 化 力 - ボ ン 抵 抗		044817	
* R228	AAX42720	Carbon Resistor	47K 1/6W	力 - ボ ン 抵 抗		067248	
* R229	AAX42710	Carbon Resistor	1.2K 1/6W	力 - ボ ン 抵 抗		067096	
⚠ R230	AAX42850	Flame Proof C. Resistor	180 1/6W(FS)	不 燃 化 力 - ボ ン 抵 抗		044817	
⚠ R231	AAX42750	Flame Proof C. Resistor	150 1/4W (FS)	不 燃 化 力 - ボ ン 抵 抗 ヨ コ 型		067407	
* R232	AAX42720	Carbon Resistor	47K 1/6W	力 - ボ ン 抵 抗		067248	
⚠ R233	AAX42760	Flame Proof C. Resistor	47 1/4W(FS)	不 燃 化 力 - ボ ン 抵 抗 ヨ コ 型		067450	
⚠ R234	AAX11870	Flame Proof C. Resistor	10 1/4W(FS)	不 燃 化 力 - ボ ン 抵 抗 タ テ 型		044452	01
⚠ R235	AAX11870	Flame Proof C. Resistor	10 1/4W(FS)	不 燃 化 力 - ボ ン 抵 抗 タ テ 型		044452	01
* R236	AAX42640	Carbon Resistor	100K 1/6W	力 - ボ ン 抵 抗		067079	
* -238	AAX42640	Carbon Resistor	100K 1/6W	力 - ボ ン 抵 抗		067079	
* R239	AAX42610	Carbon Resistor	10K 1/6W	力 - ボ ン 抵 抗		067074	
* R240	AAX42770	Carbon Resistor	1M 1/6W	力 - ボ ン 抵 抗		067083	
* R241	AAX42770	Carbon Resistor	1M 1/6W	力 - ボ ン 抵 抗		067083	
* R242	AAX42780	Carbon Resistor	8.2K 1/6W	力 - ボ ン 抵 抗		067313	
* R243	AAX42780	Carbon Resistor	8.2K 1/6W	力 - ボ ン 抵 抗		067313	
* R246	AAX42700	Carbon Resistor	22K 1/6W	力 - ボ ン 抵 抗		067160	
* R247	AAX42610	Carbon Resistor	10K 1/6W	力 - ボ ン 抵 抗		067074	
* R248	AAX42790	Carbon Resistor	100 1/6W	力 - ボ ン 抵 抗		067065	
* R249	AAX42640	Carbon Resistor	100K 1/6W	力 - ボ ン 抵 抗		067079	
* R250	AAX42800	Carbon Resistor	5.6K 1/6W	力 - ボ ン 抵 抗		067269	
* R251	AAX42610	Carbon Resistor	10K 1/6W	力 - ボ ン 抵 抗		067074	
* R252	AAX42810	Carbon Resistor	6.8K 1/6W	力 - ボ ン 抵 抗		067294	
* R253	AAX42820	Carbon Resistor	68K 1/6W	力 - ボ ン 抵 抗		067297	
* R254	AAX42830	Carbon Resistor	1K 1/6W	力 - ボ ン 抵 抗		067069	
* VR201	AAX42840	Rotary Variable Resistor	15A20K XVB12111YNP	ボ リ ウ ム	INPUT1 LEVEL	369511	
* VR202	AAX42840	Rotary Variable Resistor	15A20K XVB12111YNP	ボ リ ウ ム	INPUT2 LEVEL	369511	
* VR203	AAX42840	Rotary Variable Resistor	15A20K XVB12111YNP	ボ リ ウ ム	INPUT3 LEVEL	369511	
* VR204	AAX42860	Rotary Variable Resistor	B2K CC XVB12111YNP	ボ リ ウ ム	EQ LOW	369512	
* VR205	AAX42860	Rotary Variable Resistor	B2K CC XVB12111YNP	ボ リ ウ ム	EQ HIGH	369512	
* VR206	AAX42840	Rotary Variable Resistor	15A20K XVB12111YNP	ボ リ ウ ム	MASTER LEVEL	369511	
* AAX42450	Circuit Board	IN		I N シ - ト	(6448A-20) 374307,374308		
* BC101	AAX42880	Connector Base Post	8P B8B-EH	コ ネ ク タ 8 P		081541	
BC102	AAX28370	Connector Base Post	3P B3B-EH	コ ネ ク タ 3 P		081465	
* C101	AAX42530	Ceramic Capacitor	0.01	セ ラ コ ン		065452	
C102	AAX12250	Electrolytic Cap.	22/50V	ケ ミ コ ン		066352	
C103	AAX12250	Electrolytic Cap.	22/50V	ケ ミ コ ン		066352	
C104	AAX12170	Ceramic Tubular Capacitor	100P	円 筒 型 セ ラ コ ン		051723	
C105	AAX12170	Ceramic Tubular Capacitor	100P	円 筒 型 セ ラ コ ン		051723	
* C106	AAX42870	Mylar Capacitor	1000P	マ イ ラ コ ン		064995	
* C107	AAX42890	Electrolytic Cap.	220/16V	ケ ミ コ ン		066361	
* C108	AAX42900	Ceramic Tubular Capacitor	10P	円 筒 型 セ ラ コ ン		369506	
* -110	AAX42900	Ceramic Tubular Capacitor	10P	円 筒 型 セ ラ コ ン		369506	
C111	AAX12250	Electrolytic Cap.	22/50V	ケ ミ コ ン		066352	
C112	AAX12250	Electrolytic Cap.	22/50V	ケ ミ コ ン		066352	
C113	AAX12170	Ceramic Tubular Capacitor	100P	円 筒 型 セ ラ コ ン		051723	

*: New Parts

RANK: Japan only

REF NO.	PART NO.	DESCRIPTION	部 品 名	REMARKS	QTY	RANK
C114	AA09490	Ceramic Tubular Capacitor	円筒型セラコン		051094	
C115	AA09490	Ceramic Tubular Capacitor	円筒型セラコン		051094	
* C116	AA42900	Ceramic Tubular Capacitor	円筒型セラコン		369506	
C117	AA12070	Electrolytic Cap.	ケミコン		066288	
C118	AA12070	Electrolytic Cap.	ケミコン		066288	
C119	AA09490	Ceramic Tubular Capacitor	円筒型セラコン		051094	
C120	AA12070	Electrolytic Cap.	ケミコン		066288	
C121	AA12170	Ceramic Tubular Capacitor	円筒型セラコン		051723	
C122	AA09490	Ceramic Tubular Capacitor	円筒型セラコン		051094	
C123	AA09490	Ceramic Tubular Capacitor	円筒型セラコン		051094	
C124	AA12070	Electrolytic Cap.	ケミコン		066288	
C125	AA12170	Ceramic Tubular Capacitor	円筒型セラコン		051723	
C126	AA09490	Ceramic Tubular Capacitor	円筒型セラコン		051094	
* C133	AA42530	Ceramic Capacitor	セラコン		065452	
* -136	AA42530	Ceramic Capacitor	セラコン		065452	
C137	AA12250	Electrolytic Cap.	ケミコン		066352	
* C138	AA42530	Ceramic Capacitor	セラコン		065452	
C139	AA12250	Electrolytic Cap.	ケミコン		066352	
* C140	AA42530	Ceramic Capacitor	セラコン		065452	
C141	AA12250	Electrolytic Cap.	ケミコン		066352	
C142	AA12250	Electrolytic Cap.	ケミコン		066352	
C143	AA12070	Electrolytic Cap.	ケミコン		066288	
* D101	AA42550	Diode	ダイオード		069460	
* -110	AA42550	Diode	ダイオード		069460	
* D111	AA42910	LED Red	L E D 赤	CLIP	069836	
* D112	AA42920	LED Green	L E D 緑	POWER	069930	
* IC101	AA42560	IC	I C	OP AMP	070111	
* IC103	AA42560	IC	I C	OP AMP	070111	
* IC104	AA42930	IC	I C	REGULATOR +15V	070366	
* IC105	AA42940	IC	I C	REGULATOR -15V	070445	
JK101	AA29350	Cannon Connector	キャノンジャック	INPUT1	350274	06
* JK102	AA42950	Phone Jack	ホンジャック	INPUT2(LINE)	369514	
* JK103	AA42950	Phone Jack	ホンジャック	INPUT3(LINE)	369514	
* JK104	AA42950	Phone Jack	ホンジャック	LINK OUT	369514	
* Q101	AA42960	Transistor	トランジスタ		068611	
* Q102	AA42570	Transistor	トランジスタ		068608	
* Q103	AA42960	Transistor	トランジスタ		068611	
* Q104	AA42570	Transistor	トランジスタ		068608	
Q105	AA41610	Digital Transistor	デジタルトランジスタ		069250	
* Q106	AA42580	Transistor	トランジスタ		068806	
* R101	AA42640	Carbon Resistor	カーボン抵抗		067079	
* R102	AA42640	Carbon Resistor	カーボン抵抗		067079	
* R103	AA42790	Carbon Resistor	カーボン抵抗		067065	
* R104	AA42790	Carbon Resistor	カーボン抵抗		067065	
* R105	AA42640	Carbon Resistor	カーボン抵抗		067079	
* R106	AA42700	Carbon Resistor	カーボン抵抗		067160	
* R107	AA42700	Carbon Resistor	カーボン抵抗		067160	
* R108	AA42610	Carbon Resistor	カーボン抵抗		067074	
* -110	AA42610	Carbon Resistor	カーボン抵抗		067074	
* R111	AA42740	Carbon Resistor	カーボン抵抗		067129	
* R112	AA42800	Carbon Resistor	カーボン抵抗		067269	
* R113	AA42610	Carbon Resistor	カーボン抵抗		067074	
* R114	AA42800	Carbon Resistor	カーボン抵抗		067269	
* R115	AA42700	Carbon Resistor	カーボン抵抗		067160	
* R116	AA42700	Carbon Resistor	カーボン抵抗		067160	
* R117	AA42610	Carbon Resistor	カーボン抵抗		067074	
* R118	AA42610	Carbon Resistor	カーボン抵抗		067074	
* R119	AA42970	Carbon Resistor	カーボン抵抗		067203	
* R120	AA42970	Carbon Resistor	カーボン抵抗		067203	
* R121	AA42610	Carbon Resistor	カーボン抵抗		067074	
R125	AA11870	Flame Proof C. Resistor	不燃化カーボン抵抗タテ型		044452	01
R126	AA11870	Flame Proof C. Resistor	不燃化カーボン抵抗タテ型		044452	01
* R127	AA42640	Carbon Resistor	カーボン抵抗		067079	
* R128	AA42980	Carbon Resistor	カーボン抵抗		067155	
* R129	AA42780	Carbon Resistor	カーボン抵抗		067313	
* -131	AA42780	Carbon Resistor	カーボン抵抗		067313	
* R132	AA42640	Carbon Resistor	カーボン抵抗		067079	
* R133	AA42980	Carbon Resistor	カーボン抵抗		067155	
* R134	AA42780	Carbon Resistor	カーボン抵抗		067313	
* -136	AA42780	Carbon Resistor	カーボン抵抗		067313	

*: New Parts

RANK: Japan only

REF NO.	PART NO.	DESCRIPTION		部 品 名	REMARKS	QTY	RANK
* R137	AAX42990	Metal Oxide Film Resistor	3.3K 1/2W	酸 金 抵 抗		369507	
* R138	AAX43000	Flame Proof C. Resistor	4.7K 1/4W(FS)	不 燃 化 カ ー ボ ン 抵 抗 タ 型		044152	
* R140	AAX42610	Carbon Resistor	10K 1/6W	カ ー ボ ン 抵 抗		067074	
* R141	AAX42640	Carbon Resistor	100K 1/6W	カ ー ボ ン 抵 抗		067079	
R142	AAX11860	Flame Proof C. Resistor	100 1/4W(FS)	不 燃 化 カ ー ボ ン 抵 抗		044153	01
R143	AAX11860	Flame Proof C. Resistor	100 1/4W(FS)	不 燃 化 カ ー ボ ン 抵 抗		044153	01
* R144	AAX42610	Carbon Resistor	10K 1/6W	カ ー ボ ン 抵 抗		067074	
* R145	AAX42700	Carbon Resistor	22K 1/6W	カ ー ボ ン 抵 抗		067160	
* R146	AAX42700	Carbon Resistor	22K 1/6W	カ ー ボ ン 抵 抗		067160	
* S101	AAX43010	Slide Switch	SSSF141300	ス ラ イ ド ス イ ッ チ	MIC/LINE	369521	
* --	AAX42320	Circuit Board	NETWORK	ネ ッ ト ワ ー ク シ ー ト	(6448F-20)	374307,374308	
* --	--	Cord Holder	SKB-1M WH	イ ン シ ュ ロ ッ ク タ イ	L402	080558	
* --	--	Cord Holder	SKB-2M WH	イ ン シ ュ ロ ッ ク タ イ	L401	080563	
* C401	AAX43480	Capacitor	6.8u/100V	B P コ ン デ ン サ		371624	
* C402	AAX43490	Film Capacitor	0.82uF/250V	フ ィ ル ム コ ン デ ン サ		372256	
* C403	AAX43500	Film Capacitor	3.9uF/250V	フ ィ ル ム コ ン デ ン サ		371625	
* L401	AAX43510	Coil	1.2mH	コ イ ル		371659	
* L402	AAX43520	Coil	0.3mH	コ イ ル		371658	
P1-2	--	Connector Assembly	VH 2P-300	束 線 A s s ' y 2 P		375186	
P3	--	Wire Red	+ LF SP-WF 205N	束 線 L F 赤		373070	
P4	--	Wire Black	- LF SP-WF 110N	束 線 L F 黒		373071	
P5	--	Wire Yellow	+ HF SP-TW 205N	束 線 H F 黄		373072	
P6	--	Wire Blue	- HF SP-TW 110N	束 線 H F 青		373073	
* --	AAX43020	Circuit Board	POWER AMPLIFIER	パ ワ ー ア ン プ シ ー ト	(6448C-20)	374307,374308	
* --	--	Tube Black	1.0X12	チ ュ ー ブ			2
* --	--	Jumper Wire		ジ ャ ン パ ー 線			
* BC301	AAX43690	Connector Base Post	2P B2P-VH	コ ネ ク タ 2 P		081661	
* C301	AAX42520	Ceramic Capacitor	100P/500	セ ラ コ ン		065700	
* C302	AAX42870	Mylar Capacitor	1000P	マ イ ラ コ ン		064995	
* C303	AAX42520	Ceramic Capacitor	100P/500	セ ラ コ ン		065700	
* C304	AAX11280	Mylar Capacitor	0.047	マ イ ラ コ ン		065118	
* C305	AAX43310	Electrolytic Cap.	220/6.3V	ケ ミ コ ン		066357	
* C306	AAX10240	Electrolytic Cap.	1/50V	ケ ミ コ ン		066329	
* C307	AAX10200	Electrolytic Cap.	100/25V	ケ ミ コ ン		066305	
* C308	AAX12250	Electrolytic Cap.	22/50V	ケ ミ コ ン		066352	
* C309	AAX43030	Mylar Capacitor	2200P/100V	マ イ ラ コ ン		065057	
* C310	AAX43030	Mylar Capacitor	2200P/100V	マ イ ラ コ ン		065057	
* C311	AAX43040	Mylar Capacitor	0.33	マ イ ラ コ ン (W = 6)		064930	
* C312	AAX43040	Mylar Capacitor	0.33	マ イ ラ コ ン (W = 6)		064930	
* C313	AAX43050	Electrolytic Cap.	6800/71V	ケ ミ コ ン		369510	
* C314	AAX43050	Electrolytic Cap.	6800/71V	ケ ミ コ ン		369510	
* C315	AAX43060	Mylar Capacitor	0.047/100	マ イ ラ コ ン		065121	
* C316	AAX43060	Mylar Capacitor	0.047/100	マ イ ラ コ ン		065121	
* C317	AAX43070	Electrolytic Cap.	3300/35V	ケ ミ コ ン		066725	
* C318	AAX43070	Electrolytic Cap.	3300/35V	ケ ミ コ ン		066725	
* C319	AAX11280	Mylar Capacitor	0.047	マ イ ラ コ ン		065118	
* C320	AAX11280	Mylar Capacitor	0.047	マ イ ラ コ ン		065118	
* C321	AAX43080	Ceramic Capacitor	0.022	セ ラ コ ン		065457	
CN301	--	Connector Assembly	5P-230 SCN-EH	束 線 5 P L = 2 3 0		369536	
CN302	--	Connector Assembly	3P/2P-130 SDN-XH	束 線 5 P L = 1 3 0	CN302/CN304	369537	
CN305	--	Connector Assembly	2P-180 SCN-EH	束 線 2 P L = 1 8 0		369538	
CN306	--	Connector Assembly	3P-180 SCN-EH	束 線 3 P L = 1 8 0		369540	
* D301	AAX42550	Diode	1SS133	ダ イ オ ー ド		069460	
* -303	AAX42550	Diode	1SS133	ダ イ オ ー ド		069460	
* D304	AAX43090	Diode	MTZJ3.6B	ダ イ オ ー ド		069066	
* D305	AAX43090	Diode	MTZJ3.6B	ダ イ オ ー ド		069066	
* D306	AAX42550	Diode	1SS133	ダ イ オ ー ド		069460	
* D307	AAX42550	Diode	1SS133	ダ イ オ ー ド		069460	
* D308	AAX12240	Diode Stack	RBV602	ダ イ オ ー ド ス タ ッ ク		069599	
* D309	AAX43100	Diode	RM10Z LF-A4	ダ イ オ ー ド		069541	
* -312	AAX43100	Diode	RM10Z LF-A4	ダ イ オ ー ド		069541	
* D313	AAX43110	Diode	RN1Z-LF-B1	ダ イ オ ー ド ヨ コ 型 フ ォ ー ミ		337871	
* D314	AAX43110	Diode	RN1Z-LF-B1	ダ イ オ ー ド ヨ コ 型 フ ォ ー ミ		337871	
* D315	AAX43120	Diode	1SR139-400	ダ イ オ ー ド		069536	
* D316	AAX43120	Diode	1SR139-400	ダ イ オ ー ド		069536	
* D317	AAX43130	Zener Diode	MTZJ39B	ツ ェ ナ ー ダ イ オ ー ド		069241	
* D318	AAX43130	Zener Diode	MTZJ39B	ツ ェ ナ ー ダ イ オ ー ド		069241	
* L301	AAX43150	Coil	0.8u F0297004	コ イ ル		084755	

*: New Parts

RANK: Japan only

REF NO.	PART NO.	DESCRIPTION		部 品 名	REMARKS	QTY	RANK
* L302	AA X43150	Coil	0.8u F0297004	コ イ ル		084755	
* L303	AA X43150	Coil	0.8u F0297004	コ イ ル		084755	
* Q301	AA X43160	Transistor	2SC1815Y,GR	ト ラ ン ジ ス タ		068741	
* Q302	AA X43170	Transistor	2SC2235	ト ラ ン ジ ス タ		068766	
* Q303	AA X43180	Transistor	2SA965	ト ラ ン ジ ス タ		068582	
* Q304	AA X43190	Transistor	2SC4468 OPY	ト ラ ン ジ ス タ	with Mica	068890	
* Q305	AA X43200	Transistor	2SA1695 OPY	ト ラ ン ジ ス タ	with Mica	068665	
* Q306	AA X42570	Transistor	2SA1174 FP	ト ラ ン ジ ス タ		068608	
* Q307	AA X43210	Transistor	2SC2784 EF	ト ラ ン ジ ス タ		068804	
* Q308	AA X42580	Transistor	2SC2785 KEF	ト ラ ン ジ ス タ		068806	
* -312	AA X42580	Transistor	2SC2785 KEF	ト ラ ン ジ ス タ		068806	
* Q313	AA X42570	Transistor	2SA1174 FP	ト ラ ン ジ ス タ		068608	
* Q314	AA X42570	Transistor	2SA1174 FP	ト ラ ン ジ ス タ		068608	
* Q315	AA X43210	Transistor	2SC2784 EF	ト ラ ン ジ ス タ		068804	
* Q316	AA X43210	Transistor	2SC2784 EF	ト ラ ン ジ ス タ		068804	
* Q317	AA X43190	Transistor	2SC4468 OPY	ト ラ ン ジ ス タ	with Mica	068890	
* Q318	AA X43170	Transistor	2SC2235	ト ラ ン ジ ス タ		068766	
* Q319	AA X43200	Transistor	2AS1695 OPY	ト ラ ン ジ ス タ	with Mica	068665	
* Q320	AA X43180	Transistor	2SA965	ト ラ ン ジ ス タ		068582	
* R303	AA X43220	Carbon Resistor	2.7K 1/6W	カ ー ボ ン 抵 抗		067179	
* R304	AA X42830	Carbon Resistor	1K 1/6W	カ ー ボ ン 抵 抗		067069	
* R305	AA X42790	Carbon Resistor	100 1/6W	カ ー ボ ン 抵 抗		067065	
△ * R306	AA X43230	Flame Proof C. Resistor	10 1/4W(FS)	不 燃 化 カ ー ボ ン 抵 抗 ヲ コ 型		067384	
* R307	AA X42750	Flame Proof C. Resistor	150 1/4W(FS)	不 燃 化 カ ー ボ ン 抵 抗 ヲ コ 型		067407	
* R308	AA X42750	Flame Proof C. Resistor	150 1/4W(FS)	不 燃 化 カ ー ボ ン 抵 抗 ヲ コ 型		067407	
△ * R309	AA X43230	Flame Proof C. Resistor	10 1/4W(FS)	不 燃 化 カ ー ボ ン 抵 抗 ヲ コ 型		067384	
* R310	AA X42830	Carbon Resistor	1K 1/6W	カ ー ボ ン 抵 抗		067069	
* R311	AA X42620	Carbon Resistor	3.9K 1/6W	カ ー ボ ン 抵 抗		067223	
* R312	AA X43240	Wire Wound Resistor	0.15 5Wx2	セ メ ン ト 抵 抗		068435	
* R314	AA X43250	Carbon Resistor	470 1/6W	カ ー ボ ン 抵 抗		067240	
* R315	AA X42610	Carbon Resistor	10K 1/6W	カ ー ボ ン 抵 抗		067074	
* R316	AA X42610	Carbon Resistor	10K 1/6W	カ ー ボ ン 抵 抗		067074	
* R317	AA X43230	Flame Proof C. Resistor	10 1/4W(FS)	不 燃 化 カ ー ボ ン 抵 抗 ヲ コ 型		067384	
R318	AA X11870	Flame Proof C. Resistor	10 1/4W(FS)	不 燃 化 カ ー ボ ン 抵 抗 タ テ 型		044452	01
* R319	AA X42700	Carbon Resistor	22K 1/6W	カ ー ボ ン 抵 抗		067160	
* R320	AA X42720	Carbon Resistor	47K 1/6W	カ ー ボ ン 抵 抗		067248	
* R321	AA X43260	Flame Proof C. Resistor	220 1/4W(FS)	不 燃 化 カ ー ボ ン 抵 抗 ヲ コ 型		067420	
* R322	AA X42700	Carbon Resistor	22K 1/6W	カ ー ボ ン 抵 抗		067160	
* R323	AA X42610	Carbon Resistor	10K 1/6W	カ ー ボ ン 抵 抗		067074	
* R324	AA X42810	Carbon Resistor	6.8K 1/6W	カ ー ボ ン 抵 抗		067294	
* R325	AA X42610	Carbon Resistor	10K 1/6W	カ ー ボ ン 抵 抗		067074	
* R326	AA X42720	Carbon Resistor	47K 1/6W	カ ー ボ ン 抵 抗		067248	
* R327	AA X42700	Carbon Resistor	22K 1/6W	カ ー ボ ン 抵 抗		067160	
* R328	AA X42800	Carbon Resistor	5.6K 1/6W	カ ー ボ ン 抵 抗		067269	
* R329	AA X43270	Carbon Resistor	270 1/6W	カ ー ボ ン 抵 抗		067175	
* R330	AA X42990	Metal Oxide Film Resistor	3.3K 1/2W	酸 金 抵 抗		369507	
* R331	AA X43270	Carbon Resistor	270 1/6W	カ ー ボ ン 抵 抗		067175	
* R332	AA X42700	Carbon Resistor	22K 1/6W	カ ー ボ ン 抵 抗		067160	
* R333	AA X42990	Metal Oxide Film Resistor	3.3K 1/2W	酸 金 抵 抗		369507	
* R334	AA X43270	Carbon Resistor	270 1/6W	カ ー ボ ン 抵 抗		067175	
* R335	AA X42700	Carbon Resistor	22K 1/6W	カ ー ボ ン 抵 抗		067160	
* R336	AA X43270	Carbon Resistor	270 1/6W	カ ー ボ ン 抵 抗		067175	
* R337	AA X43280	Flame Proof C. Resistor	220 1/4W(FS)	不 燃 化 カ ー ボ ン 抵 抗 タ テ 型		067488	
* R338	AA X11900	Flame Proof C. Resistor	2.2 1/4W(FS)	不 燃 化 カ ー ボ ン 抵 抗 タ テ 型		055504	
* R339	AA X43280	Flame Proof C. Resistor	220 1/4W(FS)	不 燃 化 カ ー ボ ン 抵 抗 タ テ 型		067488	
R340	AA X11900	Flame Proof C. Resistor	2.2 1/4W(FS)	不 燃 化 カ ー ボ ン 抵 抗 タ テ 型		055504	
* R341	AA X42690	Carbon Resistor	33K 1/6W	カ ー ボ ン 抵 抗		067207	
* R342	AA X42690	Carbon Resistor	33K 1/6W	カ ー ボ ン 抵 抗		067207	
* R343	AA X42660	Carbon Resistor	4.7K 1/6W	カ ー ボ ン 抵 抗		067243	
* R344	AA X42660	Carbon Resistor	4.7K 1/6W	カ ー ボ ン 抵 抗		067243	
RLY	VV315400	Relay	OSA-SH-224DM3M	リ レ ー	RLY301	369518	06
* TH301	AA X43290	Positive Thermistor	PTH9M04BD471TS2	ボ ジ ス タ		068556	
*	AA X42380	Circuit Board	POWER SWITCH	電 源 ス イ ッ チ シ ー ト J	J,U,C,V(6448E-20)	374307	
*	AA X42390	Circuit Board	POWER SWITCH	電 源 ス イ ッ チ シ ー ト B	A,B,H,W,K(6448E-20)	374308	
*	AA X43540	Fuse Holder	EYF-52BCT	ヒ ュ ー ス ホ ル ダ		074277	2
BC801	AA X10590	Connector Base Post	2P B2P3-VH	コ ネ ク タ 2 P		081855	
* BC802	AA X43680	Connector Base Post	2P 53265-0210	コ ネ ク タ 2 P		335587	
△ * C801	AA X43560	Capacitor	0.01/275V GS-L	規 格 認 定 コ ン デ ン サ		356275	
△ * C802	AA X43560	Capacitor	0.01/275V GS-L	規 格 認 定 コ ン デ ン サ		356275	

*: New Parts

RANK: Japan only

REF NO.	PART NO.	DESCRIPTION		部 品 名	REMARKS	QTY	RANK
* ⚠	F801	AAX43570 Fuse	2.5A 250V	ヒ ュ - ス	J,U,C,V		355304
* ⚠	F801	AAX43600 Fuse	T1AL 250V	ヒ ュ - ス	A,B,H,W,K		058323
* ⚠	S801	AAX43580 Power Switch	SY16-22-2(U99S2)/T	電 源 ス イ ッ チ	POWER ON/OFF		362054
* ⚠	AAX42190	Speaker HF		ス ピ - カ H F	TWEETER		369357
* ⚠	AAX42220	Speaker LF		ス ピ - カ L F	WOOFER		369356
* ⚠	AAX42250	Power Transformer	AC100V 50/60Hz	電 源 ト ラ ン ス J	J		369545
* ⚠	AAX42260	Power Transformer	AC120V 60Hz	電 源 ト ラ ン ス U	U,C,V		369546
* ⚠	AAX42270	Power Transformer	AC240V 50Hz	電 源 ト ラ ン ス A	A		369547
* ⚠	AAX42280	Power Transformer	AC230V 50Hz	電 源 ト ラ ン ス B	H,W,B		369548
* ⚠	AAX42290	Power Transformer	AC220V 60Hz	電 源 ト ラ ン ス K	K		369550
* ⚠	V7240300	AC Cord	2P 125V 10A 2.5m	電 源 コ - ド	J		05
* ⚠	V6284300	AC Cord	3P 125V 10A 2.5m	電 源 コ - ド	U,C,V		05
* ⚠	V6283900	AC Cord	3P 250V 10A 2.5m	電 源 コ - ド	B 13A FUSE INSIDE		08
* ⚠	V6284400	AC Cord	3P 250V 10A 2.5m	電 源 コ - ド	H,W,A,K		06
* ⚠	AAX42330	AC Inlet		A C イ ン レ ッ ト	AC IN		369516

*: New Parts

RANK: Japan only