

POWERED SPEAKER

MSR250

SERVICE MANUAL



MSR250

■ CONTENTS (目次)

SPECIFICATIONS (総合仕様)	3
PERFORMANC GRAPH (特性図)	4
PANEL LAYOUT (パネルレイアウト)	4
CIRCUIT BOARD LAYOUT (ユニットレイアウト)	5
DIMENSIONS (寸法図)	5
DISASSEMBLY PROCEDURES (分解手順)	6
IC BLOCK DIAGRAM (ICブロック図)	15
CIRCUIT BOARDS (シート基板図)	15
INSPECTIONS (検査)	23
PARTS LIST	
BLOCK & LEVEL DIAGRAM (ブロック&レベルダイアグラム)	
CIRCUIT DIAGRAM (回路図)	

IMPORTANT NOTICE

This manual has been provided for the use of authorized Yamaha Retailers and their service personnel. It has been assumed that basic service procedures inherent to the industry, and more specifically Yamaha Products, are already known and understood by the users, and have therefore not been restated.

WARNING: Failure to follow appropriate service and safety procedures when servicing this product may result in personal injury, destruction of expensive components and failure of the product to perform as specified. For these reasons, we advise all Yamaha product owners that all service required should be performed by an authorized Yamaha Retailer or the appointed service representative.

IMPORTANT: This presentation or sale of this manual to any individual or firm does not constitute authorization, certification, recognition of any applicable technical capabilities, or establish a principal-agent relationship of any form.

The data provided is believed to be accurate and applicable to the unit(s) indicated on the cover. The research engineering, and service departments of Yamaha are continually striving to improve Yamaha products. Modifications are, therefore, inevitable and changes in specification are subject to change without notice or obligation to retrofit. Should any discrepancy appear to exist, please contact the distributor's Service Division.

WARNING: Static discharges can destroy expensive components. Discharge any static electricity your body may have accumulated by grounding yourself to the ground bus in the unit (heavy gauge black wires connect to this bus).

IMPORTANT: Turn the unit OFF during disassembly and parts replacement. Recheck all work before you apply power to the unit.

WARNING: This product contains chemicals known to the State of California to cause cancer, or birth defects or other reproductive harm.

DO NOT PLACE SOLDER, ELECTRICAL/ELECTRONIC OR PLASTIC COMPONENTS IN YOUR MOUTH FOR ANY REASON WHAT SO EVER!

Avoid prolonged, unprotected contact between solder and your skin! When soldering, do not inhale solder fumes or expose eyes to solder/flux vapor!

If you come in contact with solder or components located inside the enclosure of this product, wash your hands before handling food.

IMPORTANT NOTICE FOR THE UNITED KINGDOM


Connecting the Plug and Cord

WARNING: THIS APPARATUS MUST BE EARTHED

IMPORTANT: The wires in this mains lead are coloured in accordance with the following code:

GREEN-AND-YELLOW:	EARTH
BLUE:	NEUTRAL
BROWN:	LIVE


As the colours of the wires in the mains lead of this apparatus may not correspond with the coloured markings identifying the terminals in your plug, proceed as follows:


The wire which is coloured GREEN and YELLOW must be connected to the terminal in the plug which is marked by the letter E or by the safety earth symbol  or colored GREEN or colored GREEN and YELLOW.

The wire which is coloured BLUE must be connected to the terminal which is marked with the letter N or coloured BLACK.

The wire which is coloured BROWN must be connected to the terminal which is marked with the letter L or coloured RED.

■ WARNING

Components having special characteristics are marked  and must be replaced with parts having specification equal to those originally installed.

 印の部品は、安全を維持するために重要な部品です。交換する場合は、安全のために必ず指定の部品をご使用ください。

■ SPECIFICATIONS

● General Specifications

Type	2-way Bass Reflex Powered Speaker
Speaker Unit	
LF:	10" (25 cm) Cone
HF:	1" (2.54 cm) Compression Driver
Frequency Range	55 Hz–20 kHz (-10 dB)
Maximum Output Level	116 dB (1 m on Axis)
Directional Angle	90° (H)/40° (V)
Dimension (W x H x D)	342 x 544.5 x 298 mm
Weight	14.1 kg
Color	Black
Tripod Pole Diameter	35–36 mm
Included Accessories	Power cord (AC inlet type, 2.5 m) Owner's Manual

● Amp. Unit

Maximum Output Power	
.....	200 W at 1 kHz, THD=1 %, RL=4 Ω
Crossover Frequency	
.....	4.0 kHz (LF: 12 dB/oct, HF: 12 dB/oct.)
Input Sensitivity	
INPUT 1	
(XLR):	-60 dBu* (MIC), -30 dBu* (LINE)
(Phone):	-50 dBu* (MIC), -20 dBu* (LINE)
INPUT 2/3	
(Phone/RCA-pin):	-20 dBu*
Input Impedance	
INPUT 1:	2 kΩ (XLR), 6 kΩ (Phone)
INPUT 2/3:	10 kΩ
Output Impedance	LINK OUT: 600 Ω
Controls	
LEVEL Control:	INPUT 1, 2/3
CH EQ LOW:	±3 dB at 60 Hz
HIGH:	±6 dB at 10 kHz
POWER Switch (ON/OFF)	
Input/Output Connectors	
INPUT 1:	XLR-3-31 / PHONE (balanced)
INPUT 2/3:	PHONE / RCA-pin (unbalanced)
Indicators	
POWER Indicator:	Green LED
LIMITER Indicator:	Red LED
Power Consumption	40 W

* 0 dBu=0.775 V

■ 総合仕様

● 一般仕様

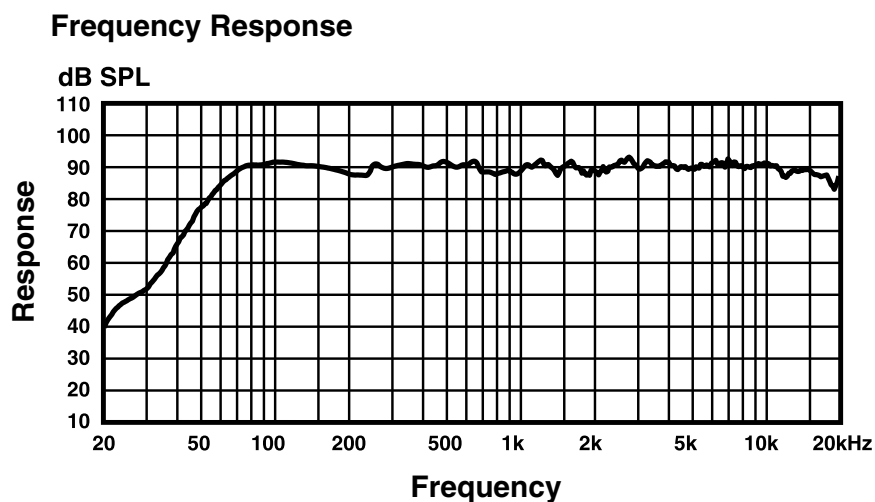
形式	2ウェイバスレフ型パワードスピーカー
スピーカーユニット	
LF:	10" (25 cm) コーン
HF:	1" (2.54 cm) コンプレッションドライバー
再生周波数帯域	55 Hz～20 kHz (-10 dB)
最大出力音圧レベル	116 dB (軸上1 m)
指向角度	90° (H) / 40° (V)
最大外形寸法 (W x H x D)	342 x 544.5 x 298 mm
質量	14.1 kg
色	黒
三脚ポール径	35～36 mm
付属品	電源コード (ACインレット型、2.5 m) 取扱説明書

● アンプユニット

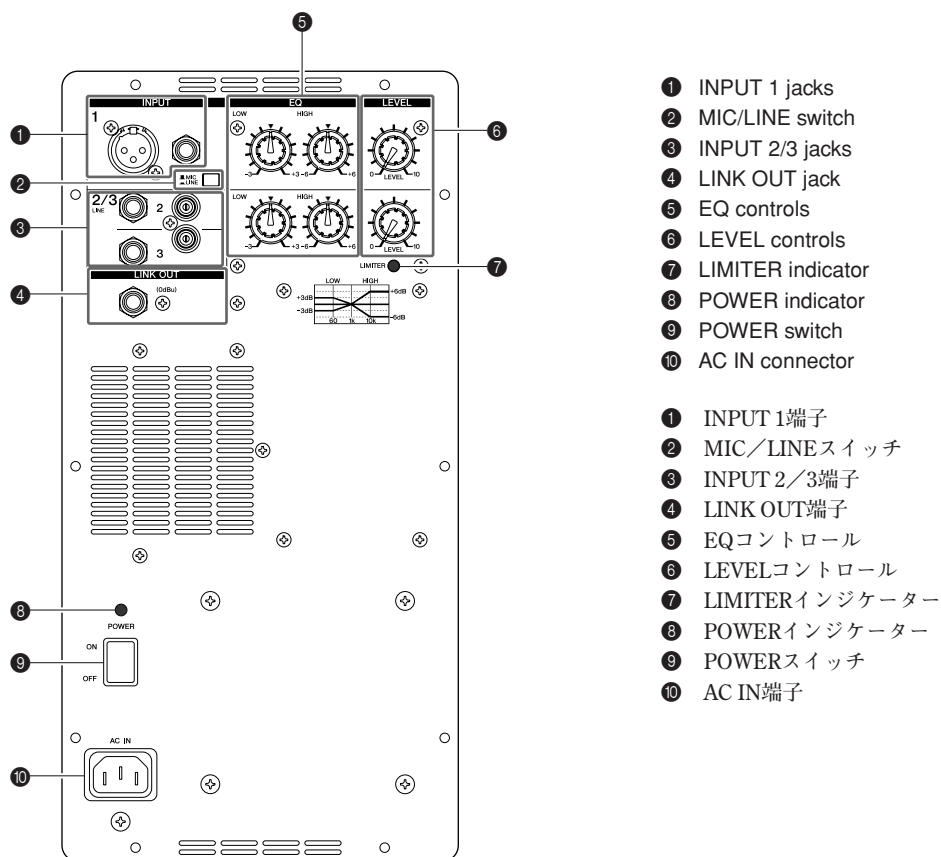
定格最大出力	
.....	200 W at 1 kHz, THD=1 %, RL=4 Ω
クロスオーバー周波数	
.....	4.0 kHz (LF: 12 dB/oct, HF: 12 dB/oct.)
入力感度	
INPUT 1	
(XLR):	-60 dBu* (MIC)、-30 dBu* (LINE)
(Phone):	-50 dBu* (MIC)、-20 dBu* (LINE)
INPUT 2/3	
(Phone/RCA-pin):	-20 dBu*
入力インピーダンス	
INPUT 1:	2 kΩ (XLR)、6 kΩ (Phone)
INPUT 2/3:	10 kΩ
出力インピーダンス	LINK OUT: 600 Ω
コントロール	
LEVELコントロール:	INPUT 1、2/3
CH EQ LOW:	±3 dB at 60 Hz
HIGH:	±6 dB at 10 kHz
POWERスイッチ (ON/OFF)	
入出力端子	
INPUT 1:	XLR-3-31 / PHONE (balanced)
INPUT 2/3:	PHONE / RCA-pin (unbalanced)
インジケーター	
POWERインジケーター:	緑色発光LED
LIMITERインジケーター:	赤色発光LED
消費電力	40 W

* 0 dBu=0.775 V

■ PERFORMANCE GRAPH (特性図)



■ PANEL LAYOUT (パネルレイアウト)

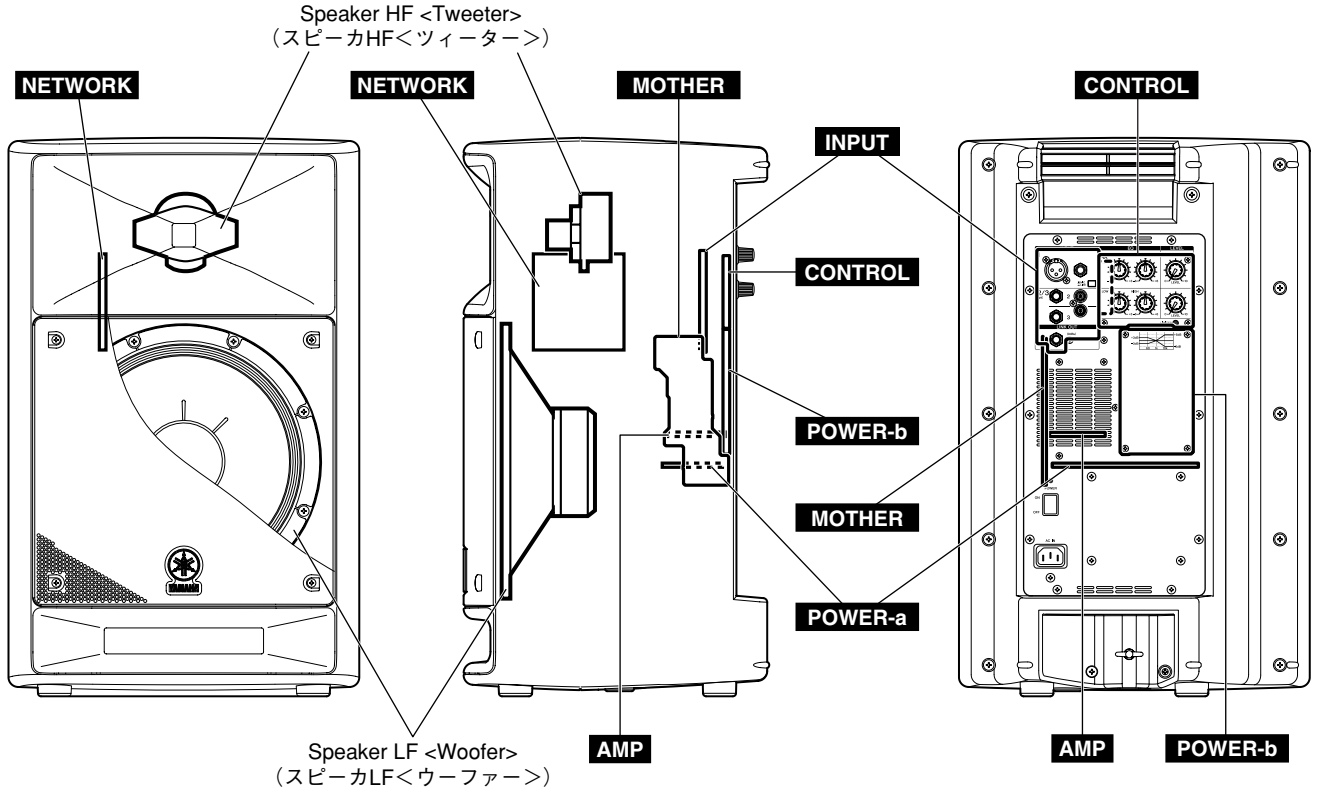


■ CIRCUIT BOARD LAYOUT (ユニットレイアウト)

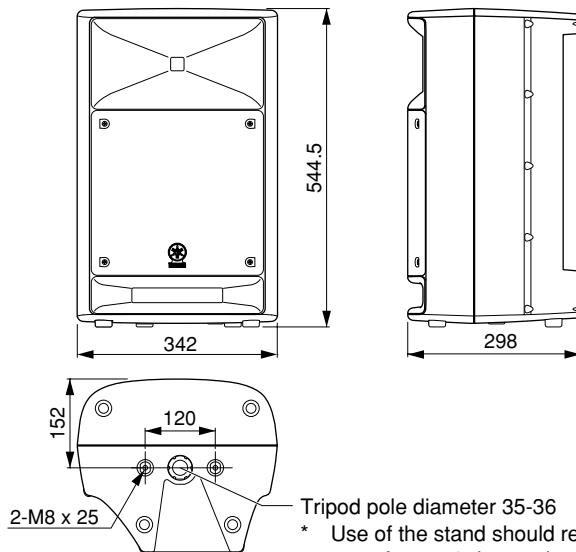
● Front view

● Right side view

● Rear view



■ DIMENSIONS (寸法図)



* Use of the stand should refer to stand manufacturer's instructions.

Unit: mm
単位: mm

三脚ポール径
* 三脚スタンドの使い方はメーカーの取扱説明書を参照してください。

■ DISASSEMBLY PROCEDURES (分解手順)

1. Front Grille Assembly

(Time required: About 1 minute)

- 1-1 Remove the four (4) screws marked [100]. The front grille assembly can then be removed. (Fig. 1)

2. Speaker LF (Woofer)

(Time required: About 3 minutes)

- 2-1 Remove the front grille assembly. (See procedure 1.)
 2-2 Remove the eight (8) screws marked [80]. The speaker LF (Woofer) can then be removed. (Fig. 1)
 2-3 Disconnect the connector assembly LF (red/black) connected to the speaker LF (Woofer). (Photo. 1)

* **Take care not to drop the speaker LF (woofer) because it's heavy.**

3. Front Cabinet Unit and Rear Cabinet Unit

(Time required: About 3 minutes)

- 3-1 Remove the fourteen (14) screws marked [50]. The front cabinet unit and the rear cabinet unit can then be separated. (Fig. 2)
 3-2 Disconnect the connector assembly LF (red/black) connected to the speaker LF (Woofer) and the connector assembly HF (yellow/blue) connected to the speaker HF (Tweeter). (Photo. 1, 2)

1. フロントグリルAss'y

(所要時間：約1分)

- 1-1 [100]のネジ4本を外して、フロントグリルAss'yを外します。(図1)

2. スピーカLF(ウーファー)

(所要時間：約3分)

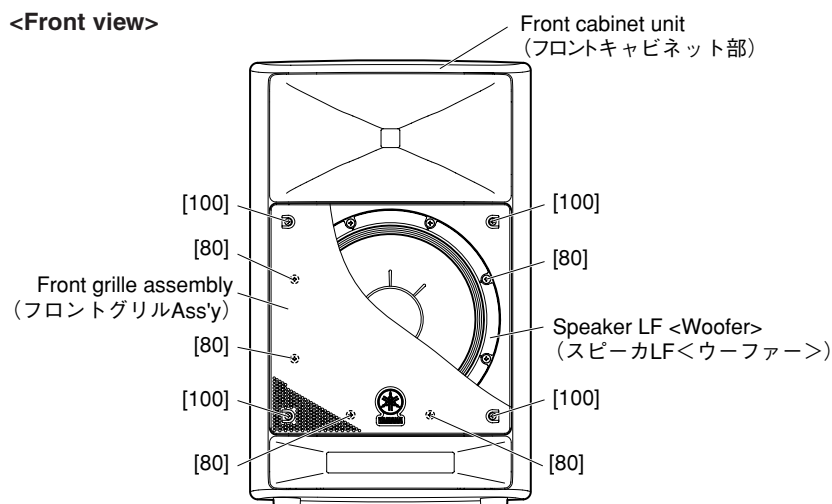
- 2-1 フロントグリルAss'yを外します。(1項参照)
 2-2 [80]のネジ8本を外して、スピーカLF(ウーファー)を外します。(図1)
 2-3 スピーカLF(ウーファー)に取り付けられている束線LF(赤/黒)を外します。(写真1)
 ※ スピーカLF(ウーファー)は重量がありますので落下しないように注意してください。

3. フロントキャビネット部、リアキャビネット部

(所要時間：約3分)

- 3-1 [50]のネジ14本を外し、フロントキャビネット部とリアキャビネット部を別けます。(図2)
 3-2 スピーカLF(ウーファー)に取り付けられている束線LF(赤/黒)、スピーカHF(ツイーター)に取り付けられている束線HF(黄/青)を外します。(写真1、2)

<Front view>



[80]: BIND HEAD TAPPING SCREW-P 5x18 BLACK CR3 (WJ559700)

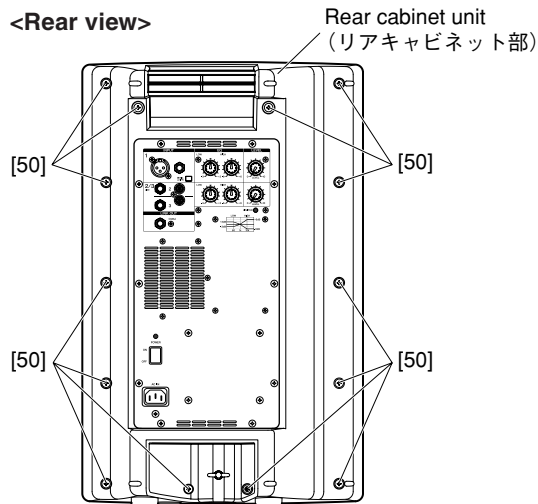
P タイト+ BIND

[100]: BIND HEAD TAPPING SCREW-P 4x12 NI-BL (WJ329500)

P タイト+ BIND

Fig. 1 (図1)

<Rear view>



[50]: BIND HEAD TAPPING SCREW-A 5x45 NI-BL (WJ329900) A タイト+ BIND

Fig. 2 (図2)

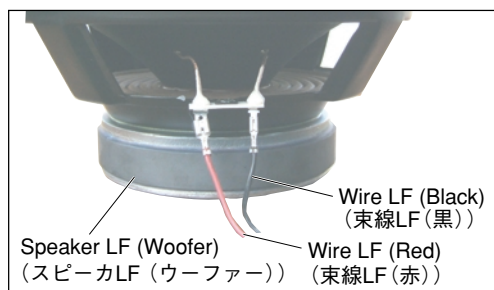


Photo. 1 (写真1)

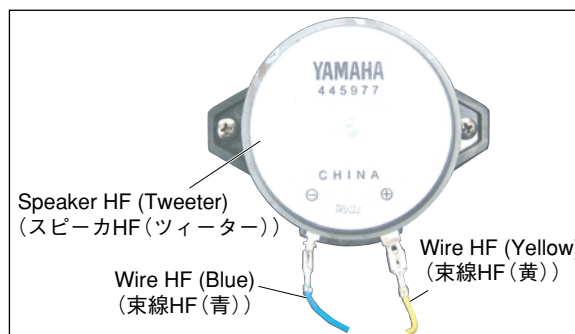


Photo. 2 (写真2)

4. Speaker HF (Tweeter)

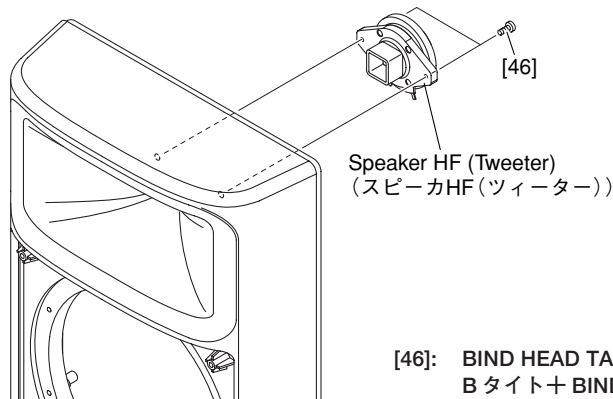
(Time required: About 4 minutes)

- 4-1 Separate the front cabinet unit and the rear cabinet unit. (See procedure 3.)
- 4-2 Remove the two (2) screws marked [46]. The speaker HF (Tweeter) can then be removed from the front cabinet unit. (Fig. 3)

4. スピーカHF(ツイーター)

(所要時間：約4分)

- 4-1 フロントキャビネット部とリアキャビネット部を別けます。(3項参照)
- 4-2 [46]のネジ2本を外して、フロントキャビネット部からスピーカHF(ツイーター)を外します。(図3)



[46]: BIND HEAD TAPPING SCREW-B 4.0x20 NI-BL (AAX61630)
Bタイト+BIND

Fig. 3 (図3)

5. NETWORK Circuit Board

(Time required: About 4 minutes)

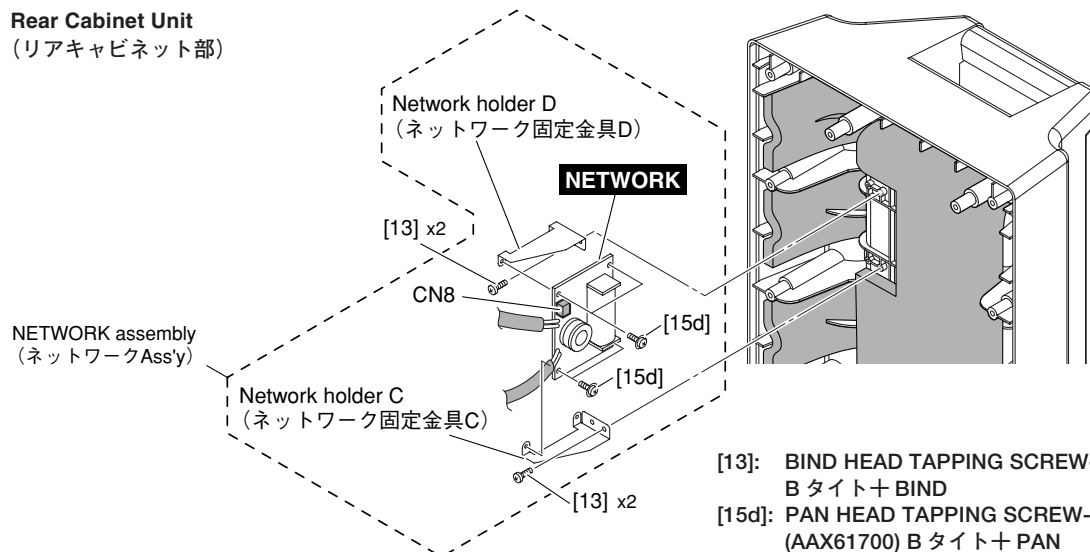
- 5-1 Separate the front cabinet unit and the rear cabinet unit. (See procedure 3.)
- 5-2 Disconnect the connector assembly connected to the connector CN8 (2P) of the NETWORK circuit board.
- 5-3 Remove the four (4) screws marked [13]. The NETWORK assembly can then be removed from the rear cabinet unit. (Fig. 4)
- 5-4 Remove the four (4) screws marked [15d]. The NETWORK circuit board and the network holders C and D can then be separated. (Fig. 4)

5. NETWORKシート

(所要時間：約4分)

- 5-1 フロントキャビネット部とリアキャビネット部を別けます。(3項参照)
- 5-2 NETWORKシートのコネクターCN8(2P)に接続されているコネクターAss'yを外します。
- 5-3 [13]のネジ4本を外して、リアキャビネット部からネットワークAss'yを外します。(図4)
- 5-4 [15d]のネジ4本を外して、NETWORKシートとネットワーク固定金具C、Dを別けます。(図4)

• Rear Cabinet Unit (リアキャビネット部)



[13]: BIND HEAD TAPPING SCREW-B 3.0x10 NI-BL (AAX61710)
Bタイト+BIND

[15d]: PAN HEAD TAPPING SCREW-B 3.0x8 CR3 WITH FLANGE
(AAX61700) Bタイト+PAN

Fig. 4 (図4)

6. Amplifier Assembly

(Time required: About 2 minute)

- 6-1 Remove the ten (10) screws marked [30]. The amplifier assembly can then be removed. (Fig. 5)
- 6-2 Disconnect the connector assembly connected to the connector CN546 (2P) of the MOTHER circuit board. (Fig. 6)

7. MOTHER Circuit Board

(Time required: About 4 minutes)

- 7-1 Remove the amplifier assembly. (See procedure 6.)
- 7-2 Disconnect the connector assemblies connected to the connectors CN541 (5P) and CN542 (5P) of the MOTHER circuit board. (Fig. 6)
- 7-3 Remove the three (3) screws marked [200A]. (Fig. 6)
- 7-4 Remove the MOTHER circuit board from the connectors 1100 (11P) and 1101 (10P) of the AMP circuit board. (Fig. 6)

* The positive thermistor marked [171] and two (2) black tubes marked [172] are not parts of the MOTHER circuit board. When replacing the MOTHER circuit board, be sure to remove these parts and attach them to the new MOTHER circuit board.

6. アンプAss'y

(所要時間：約2分)

- 6-1 [30]のネジ10本を外し、アンプAss'yを外します。(図5)
- 6-2 MOTHERシートのコネクタ-CN546(2P)に接続されているコネクタAss'yを外します。(図6)

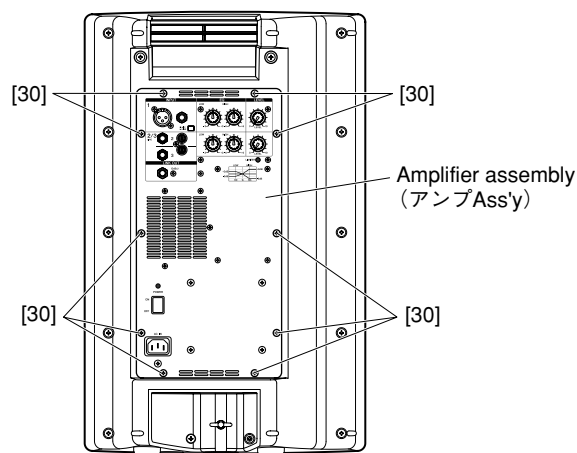
7. MOTHERシート

(所要時間：約4分)

- 7-1 アンプAss'yを外します。(6項参照)
- 7-2 MOTHERシートのコネクタ-CN541(5P)、CN542(5P)に接続されているコネクタAss'yを外します。(図6)
- 7-3 [200A]のネジ3本を外します。(図6)
- 7-4 AMPシートのコネクタ-1100(11P)、1101(10P)からMOTHERシートを外します。(図6)

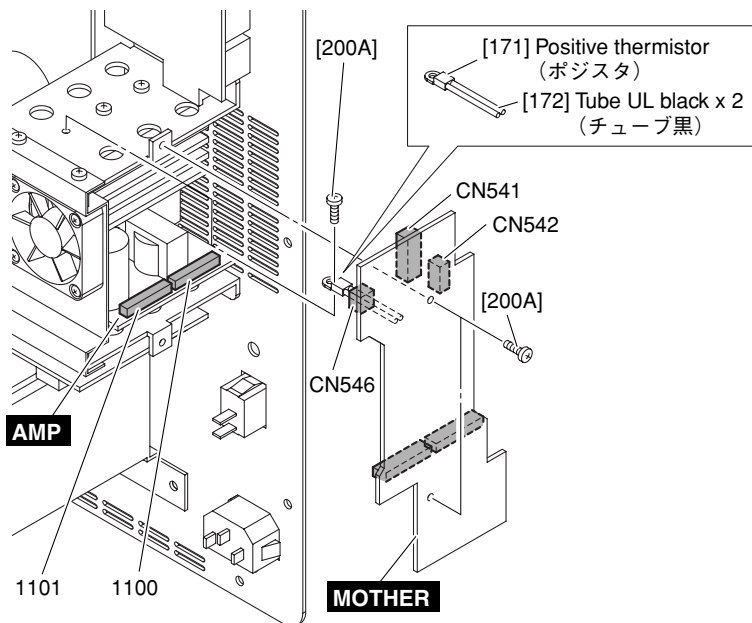
※ [171]のポジスタと[172]のチューブ黒2個は、MOTHERシートの構成部品ではありません。MOTHERシートを交換する際には必ずこれらを取り外し、新しいMOTHERシートに取り付けてください。

<Rear view>



[30]: BIND HEAD TAPPING SCREW-P 4x12 NI-BL (WJ329500) Pタイト+BIND

Fig. 5 (図5)



[200A]: BIND HEAD TAPPING SCREW-B 3.0x8 CR3 (AAX61980) Bタイト+BIND

Fig. 6 (図6)

8. INPUT circuit board

(Time required: About 6 minutes)

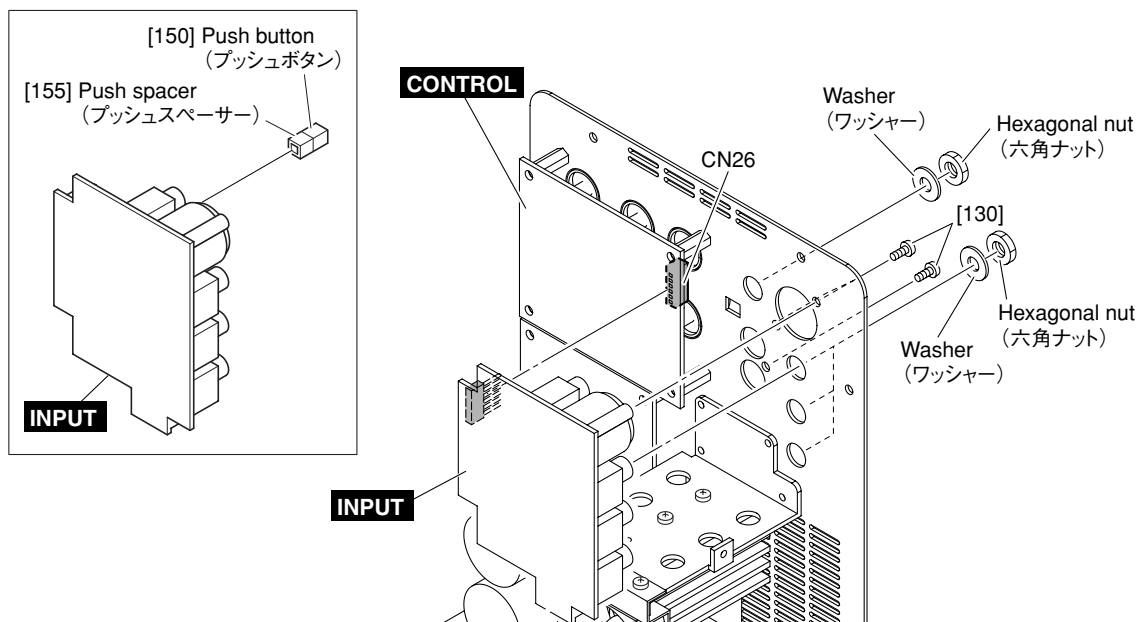
- 8-1 Remove the amplifier assembly. (See procedure 6.)
- 8-2 Remove the MOTHER circuit board. (See procedure 7.)
- 8-3 Remove the three (3) screws marked [130], four (4) hexagonal nuts and four (4) washers. (Fig. 7)
- 8-4 Remove the INPUT circuit board from the connector CN26 (6P) of the CONTROL circuit board. (Fig. 7)

* **The push button marked [150] and push spacer marked [155] are not parts of the INPUT circuit board. When replacing the INPUT circuit board, be sure to remove these parts and attach them to the new INPUT circuit board.**

8. INPUTシート

(所要時間：約6分)

- 8-1 アンプ Ass'yを外します。(6項参照)
 - 8-2 MOTHERシートを外します。(7項参照)
 - 8-3 [130]のネジ3本、六角ナット4個、ワッシャー4個を外します。(図7)
 - 8-4 CONTROLシートのコネクターCN26(6P)からINPUTシートを外します。(図7)
- ※ [150]のプッシュボタンと[155]のプッシュスペーサは、INPUTシートの構成部品ではありません。INPUTシートを交換するには必ずこれらを取り外し、新しいINPUTシートに取り付けてください。



[130]: BIND HEAD TAPPING SCREW-B 3.0x10 NI-BL (AAX61710) B タイト+ BIND

Fig. 7 (図7)

9. CONTROL circuit board

(Time required: About 8 minutes)

- 9-1 Remove the amplifier assembly. (See procedure 6.)
- 9-2 Remove the MOTHER circuit board. (See procedure 7.)
- 9-3 Remove the INPUT circuit board. (See procedure 8.)
- 9-4 Disconnect the connector assembly connected to the connector CN802 (3P) of the POWER-b circuit board. (Fig. 8)
- 9-5 Remove the four (4) screws marked [80A]. The CONTROL circuit board can then be removed. (Fig. 8)

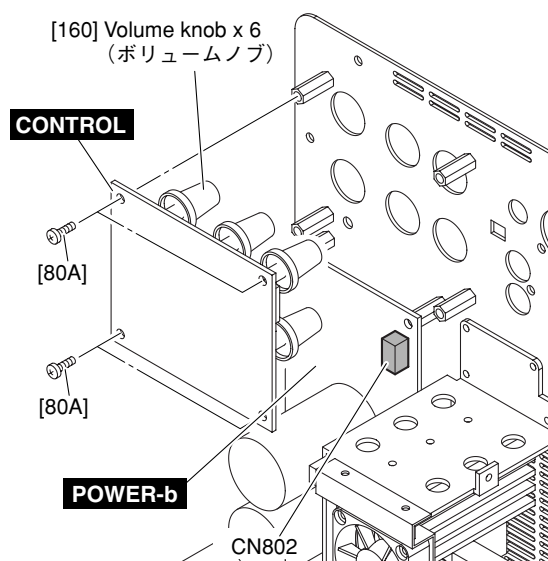
* The six (6) volume knobs marked [160] are not parts of the CONTROL circuit board. When replacing the CONTROL circuit board, be sure to remove these parts and attach them to the new CONTROL circuit board.

9. CONTROLシート

(所要時間：約8分)

- 9-1 アンプAss'yを外します。(6項参照)
- 9-2 MOTHERシートを外します。(7項参照)
- 9-3 INPUTシートを外します。(8項参照)
- 9-4 POWER-bシートのコネクターCN802(3P)に接続されているコネクターAss'yを外します。(図8)
- 9-5 [80A]のネジ4本を外し、CONTROLシートを外します。(図8)

※ [160]のノブボリューム6個はCONTROLシートの構成部品ではありません。CONTROLシートを交換する際には必ずこれらを取り外し、新しいCONTROLシートに取り付けてください。



[80A]: BIND HEAD SCREW 3.0x8 CR3 (AAX61910) 小ネジ+ BIND

Fig. 8 (図8)

10. AMP Circuit Board

(Time required: About 7 minutes)

- 10-1 Remove the amplifier assembly. (See procedure 6.)
- 10-2 Remove the MOTHER circuit board. (See procedure 7.)
- 10-3 Remove the INPUT circuit board. (See procedure 8.)
- 10-4 Remove the two (2) screws marked [200B]. The AMP circuit board can then be removed. (Fig. 9)

11. POWER-b Circuit Board

(Time required: About 4 minutes)

- 11-1 Remove the amplifier assembly. (See procedure 6.)
- 11-2 Disconnect the connector assemblies connected to the connectors CN801 (5P), CN802 (3P) and CN803 (2P) of the POWER-b circuit board and the connector assembly connected to the connector CN541 (5P) of the MOTHER circuit board.
- 11-3 Remove the four (4) screws marked [80B]. The POWER-b circuit board can then be removed. (Fig. 10)

10. AMPシート

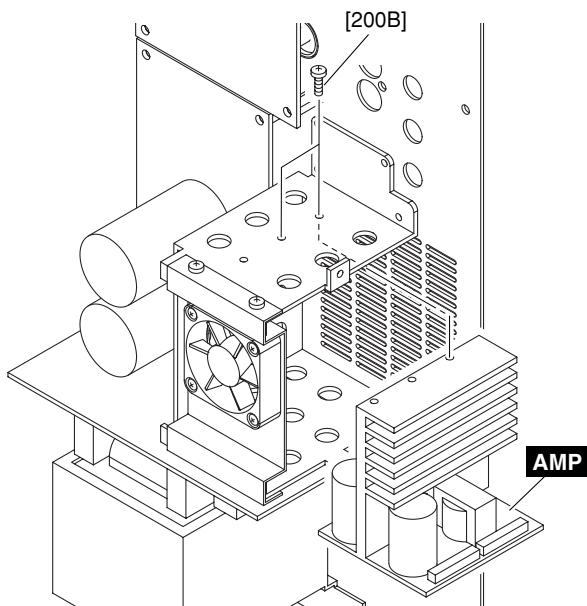
(所要時間：約7分)

- 10-1 アンプAss'yを外します。(6項参照)
- 10-2 MOTHERシートを外します。(7項参照)
- 10-3 INPUTシートを外します。(8項参照)
- 10-4 [200B]のネジ2本を外し、AMPシートを外します。(図9)

11. POWER-bシート

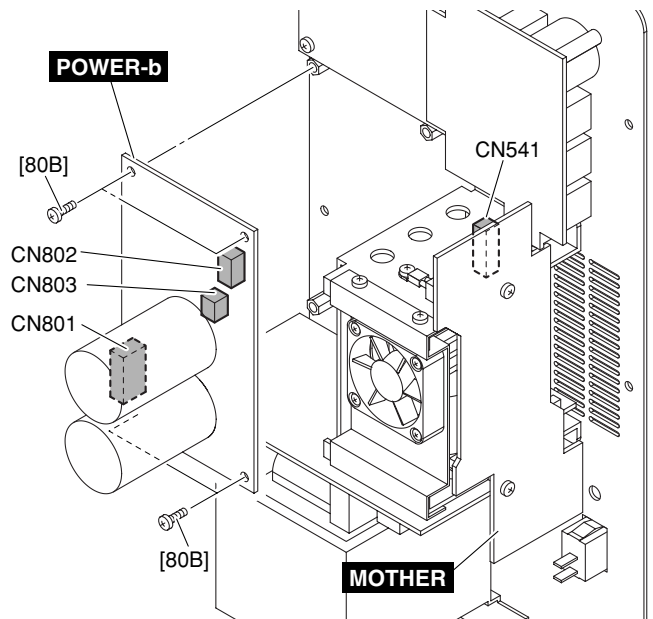
(所要時間：約4分)

- 11-1 アンプAss'yを外します。(6項参照)
- 11-2 POWER-bシートのコネクターCN801(5P)、CN802(3P)、CN803(2P)に接続されているコネクターAss'y、MOTHERシートのコネクターCN541(5P)に接続されているコネクターAss'yを外します。
- 11-3 [80B]のネジ4本を外し、POWER-bシートを外します。(図10)



[200B]: BIND HEAD TAPPING SCREW-B 3.0x8 CR3 (AAX61980)
Bタイト+BIND

Fig. 9 (図9)



[80B]: BIND HEAD SCREW 3.0x8 CR3 (AAX61910) 小ネジ+BIND

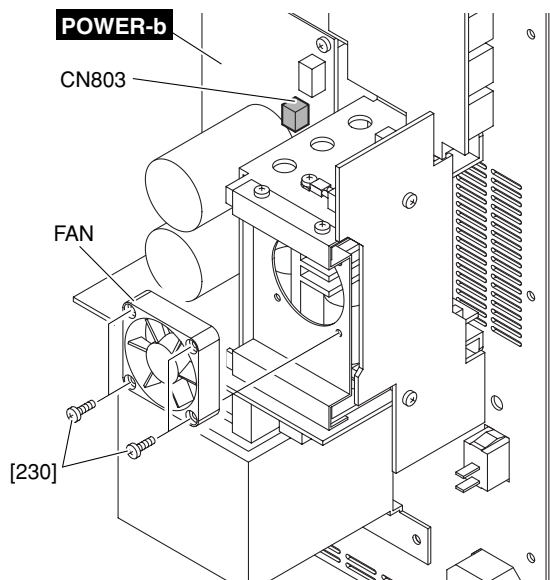
Fig. 10 (図10)

12. FAN (Time required: About 3 minutes)

- 12-1 Remove the amplifier assembly. (See procedure 6.)
- 12-2 Disconnect the connector assembly connected to the connector CN802 (2P) of the POWER-b circuit board. (Fig. 11)
- 12-3 Remove the four (4) screws marked [230]. The FAN can then be removed. (Fig. 11)

12. ファン(所要時間:約3分)

- 12-1 アンプAss'yを外します。(6項参照)
- 12-2 POWER-bシートのコネクターCN803(2P)に接続されているコネクターAss'yをはずします。(図11)
- 12-3 [230]のネジ4本を外し、ファンを外します。(図11)



[230]: PAN HEAD TAPPING SCREW-B 3x12 CR3 (WP927900) B タイト+ PAN

Fig. 11 (図 11)

13. Power Transformer and POWER-a Circuit Board (Time required: About 5 minutes)

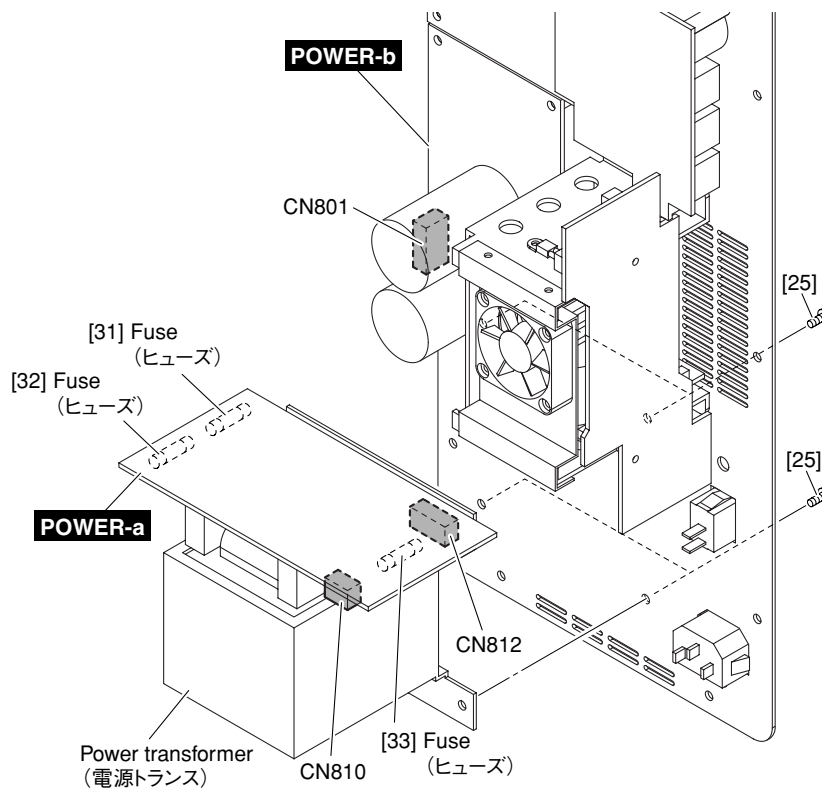
- 13-1 Remove the amplifier assembly. (See procedure 6.)
- 13-2 Disconnect the connector assemblies connected to the connectors CN810 (2P), CN812 (2P) of the POWER-a circuit board and the connector CN801 (5P) of the POWER-b circuit board. (Fig. 12)
- 13-3 Remove the four (4) screws marked [25]. The power transformer can then be removed together with the POWER-a circuit board. (Fig. 12)
- 13-4 Unsolder the leads of the power transformer. The POWER-a circuit board and power transformer can then be separated.

* **The three (3) fuses marked [31], [32] and [33] are not parts of the POWER-a circuit board. When replacing the POWER-a circuit board, be sure to remove these parts and attach them to the new POWER-a circuit board.**

13. 電源トランス、POWER-aシート (所要時間：約5分)

- 13-1 アンプAss'yを外します。(6項参照)
- 13-2 POWER-aシートのコネクタ-CN810 (2P)、CN812 (2P)、POWER-bシートのコネクタ-CN801 (5P)に接続されているコネクタAss'yを外します。(図12)
- 13-3 [25]のネジ4本を外し、電源トランスをPOWER-aシートと共に外します。(図12)
- 13-4 電源トランスのリードのハンダ付け部分からハンダを取り除き、POWER-aシートと電源トランスを別けます。

※ [31]、[32]、[33]のヒューズはPOWER-aシートの構成部品ではありません。POWER-aシートを交換するには必ずこれらを取り外し、新しいPOWER-aシートに取り付けてください。



[25]: BIND HEAD TAPPING SCREW-B 4x8 NI-BL (WP183100) B タイト+ BIND

Fig. 12 (図 12)

14. Power Switch, AC Inlet**(Time required: About 7 minutes)**

- 14-1 Remove the amplifier assembly. (See procedure 6.)
- 14-2 Remove the two (2) connector assemblies (connector assembly (2P) and connector assembly (2P)) and earth wire soldered to the power switch and AC inlet. (Fig. 13)
- 14-3 Remove the power switch by pressing its claws.
- 14-4 Remove the AC inlet by pressing its claws.

14. 電源スイッチ、ACインレット**(所要時間：約7分)**

- 14-1 アンプAss'yを外します。(6項参照)
- 14-2 電源スイッチとACインレットに半田付けされている束線2本(束線2P、束線2P)とアース線を外します。(図13)
- 14-3 電源スイッチのツメを押して外します。
- 14-4 ACインレットのツメを押して外します。

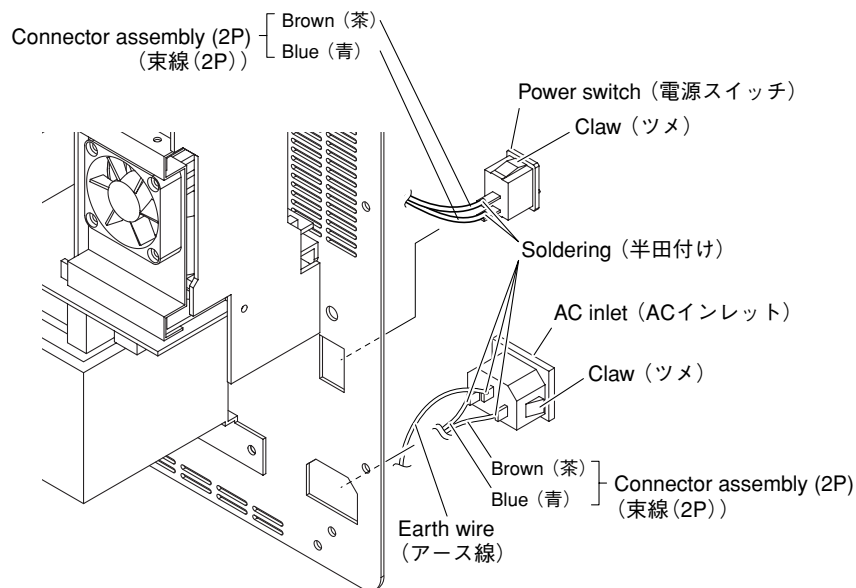
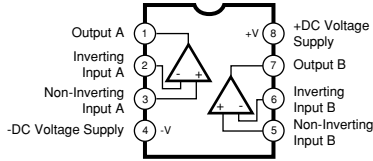


Fig. 13 (図 13)

IC BLOCK DIAGRAM (ICブロック図)

- NJM2068M-D TE1 (AAX62750)**
 Dual Operational Amplifier
 INPUT: IC101, 102
 CONTROL: IC104, 302, 303, 304
 MOTHER: IC541



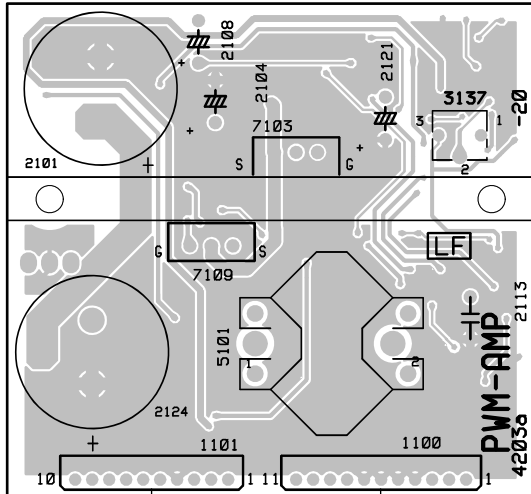
CIRCUIT BOARDS (シート基板図)

CONTENTS (目次)

• AMP Circuit Board	(4203-20)	15
• CONTROL Circuit Board	(6492-30)	16
• INPUT Circuit Board	(6492-30)	17
• MOTHER Circuit Board	(6492-30)	20
• NETWORK Circuit Board	(5255-10)	18
• POWER-a Circuit Board	(8149-30)	21
• POWER-b Circuit Board	(8149-30)	22

Note: See parts list for details of circuit board component parts.
 注: シートの部品詳細はパーツリストをご参照ください。

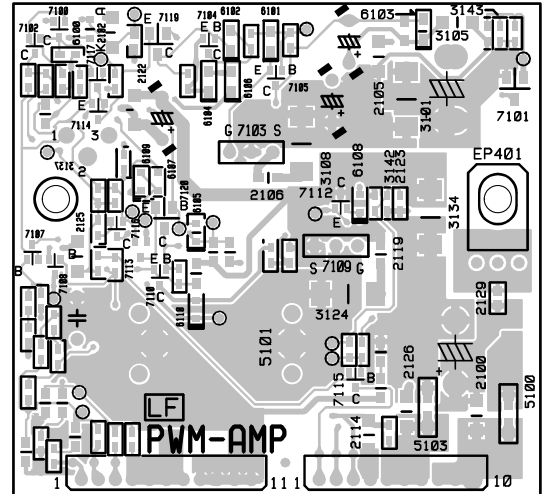
AMP Circuit Board



to MOTHER
CN543

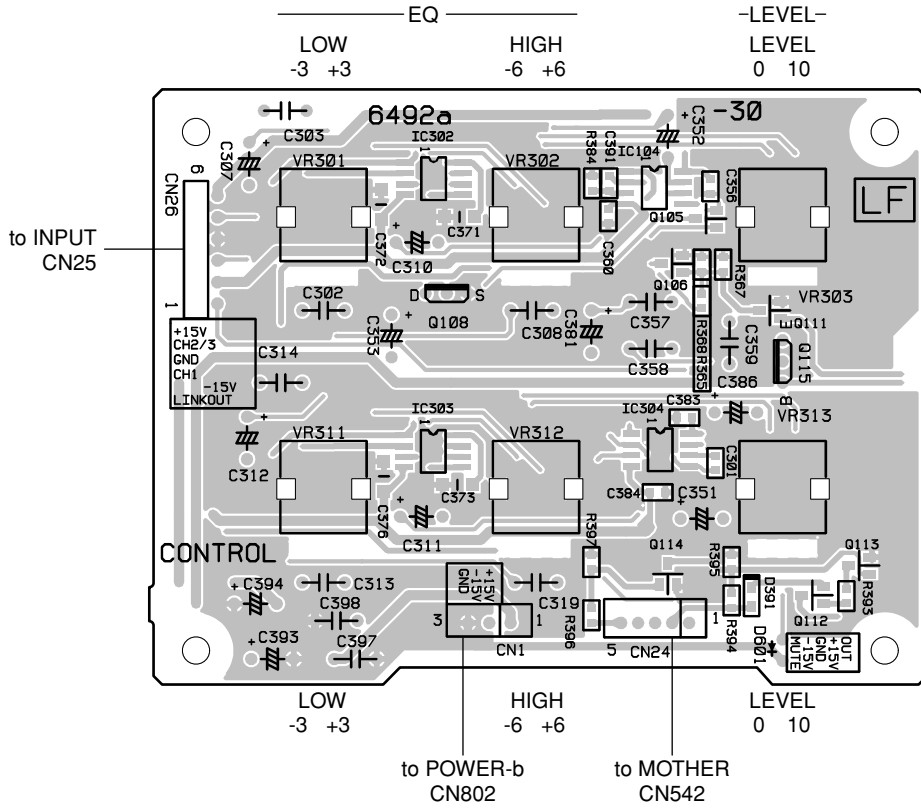
to MOTHER
CN544

Component side (部品側)

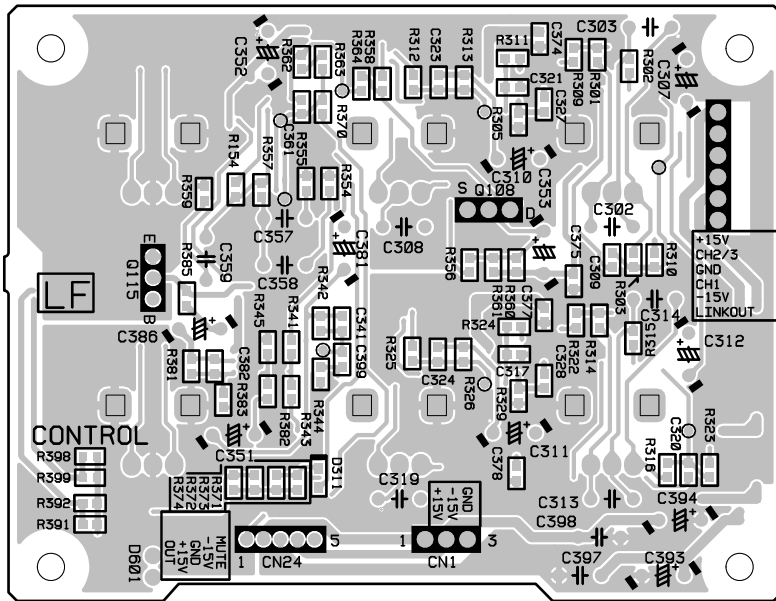


Pattern side (パターン側)

• CONTROL Circuit Board

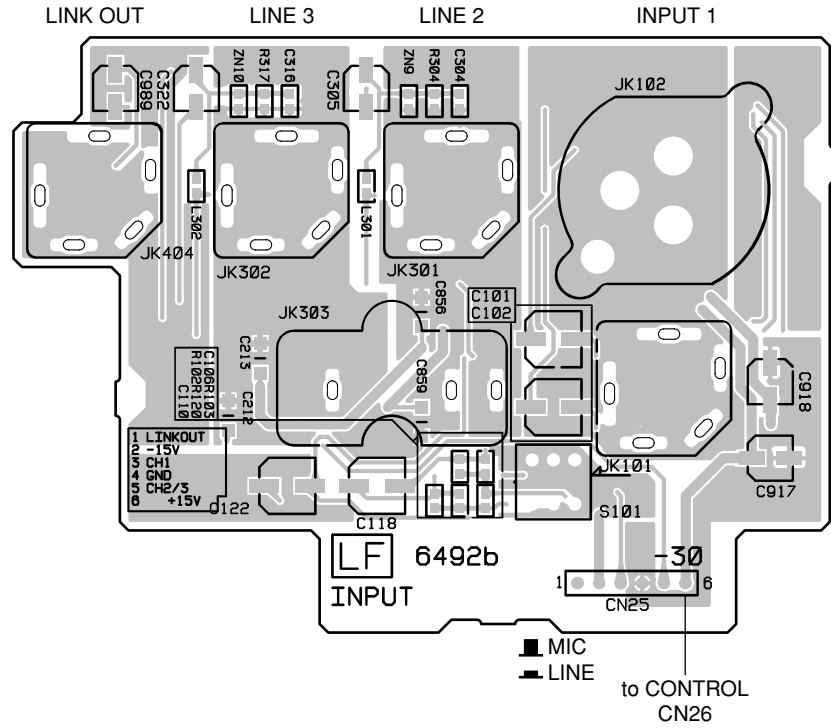


Component side (部品側)

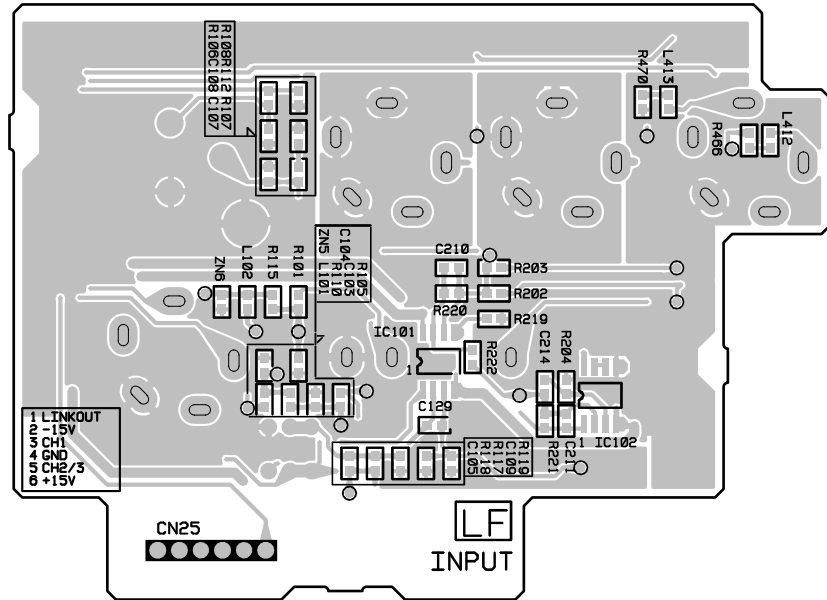


Pattern side (パターン側)

• INPUT Circuit Board

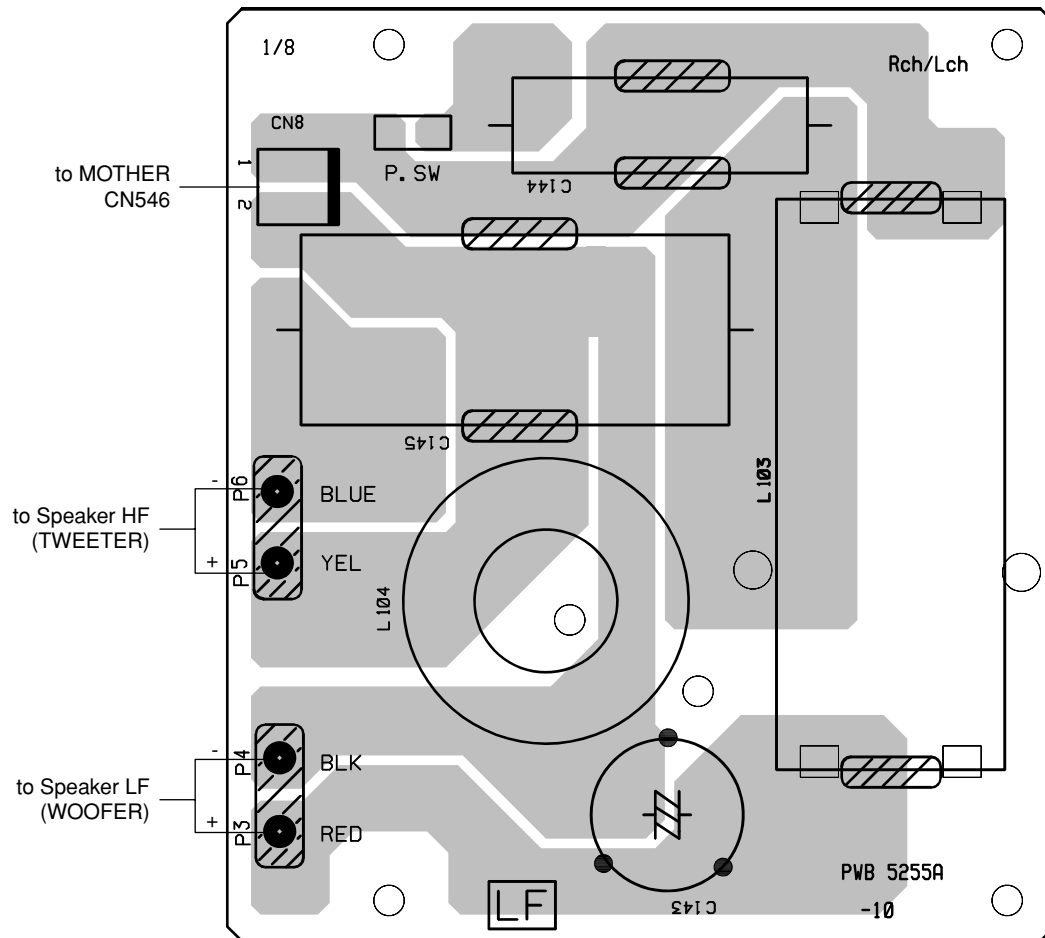


Component side (部品側)



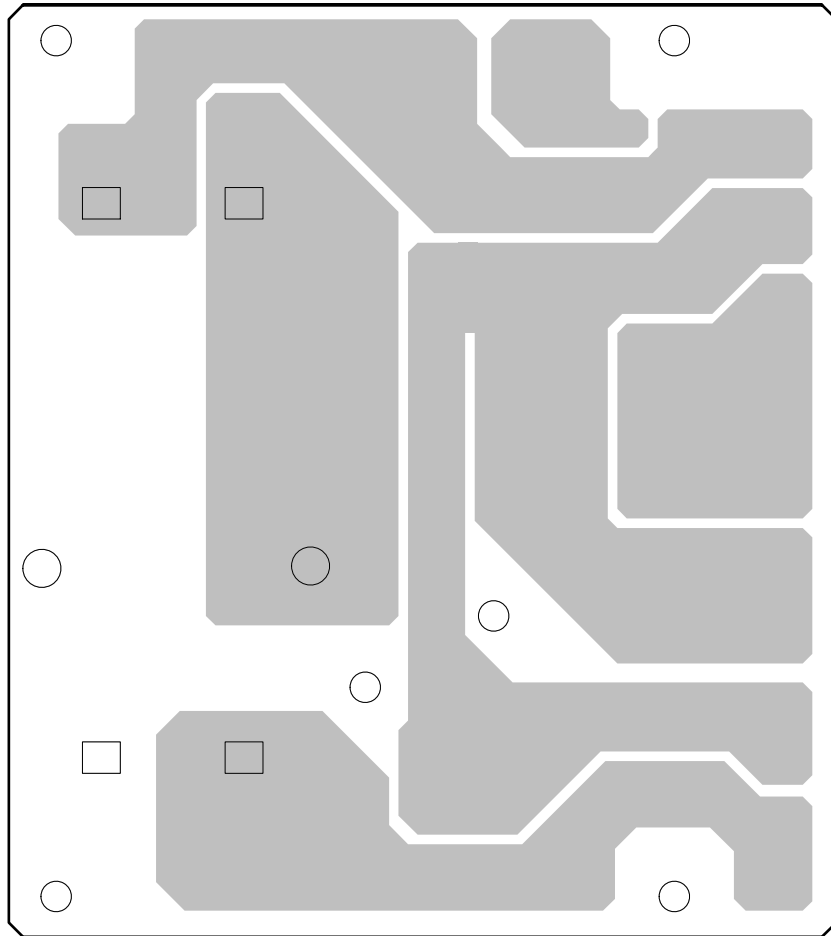
Pattern side (パターン側)

• NETWORK Circuit Board



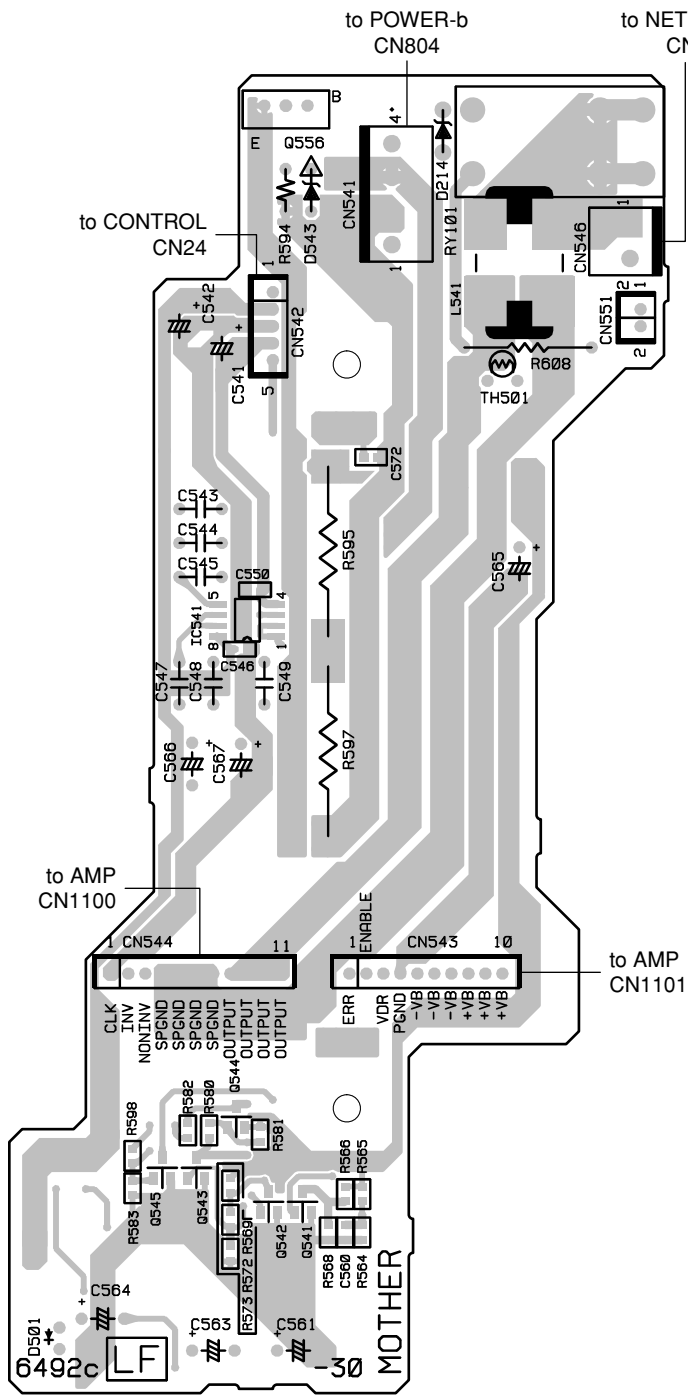
Component side (部品側)

- NETWORK Circuit Board

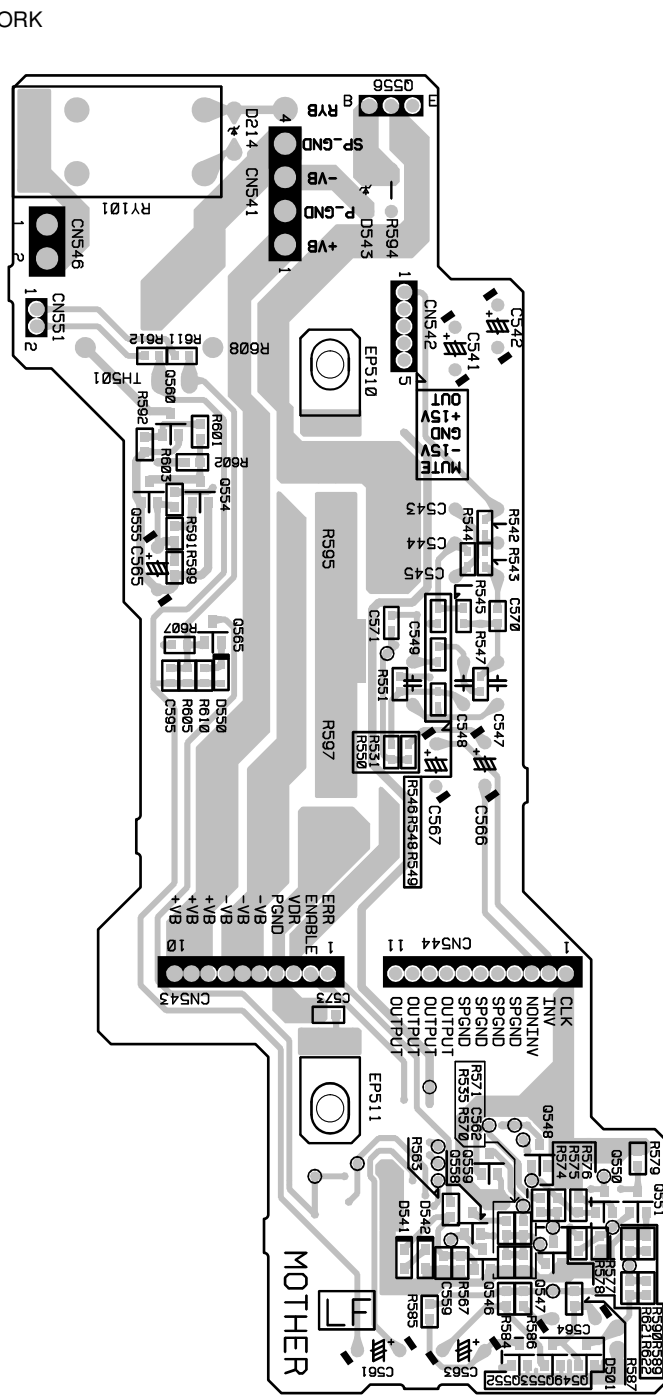


Pattern side (パターン側)

MOTHER Circuit Board



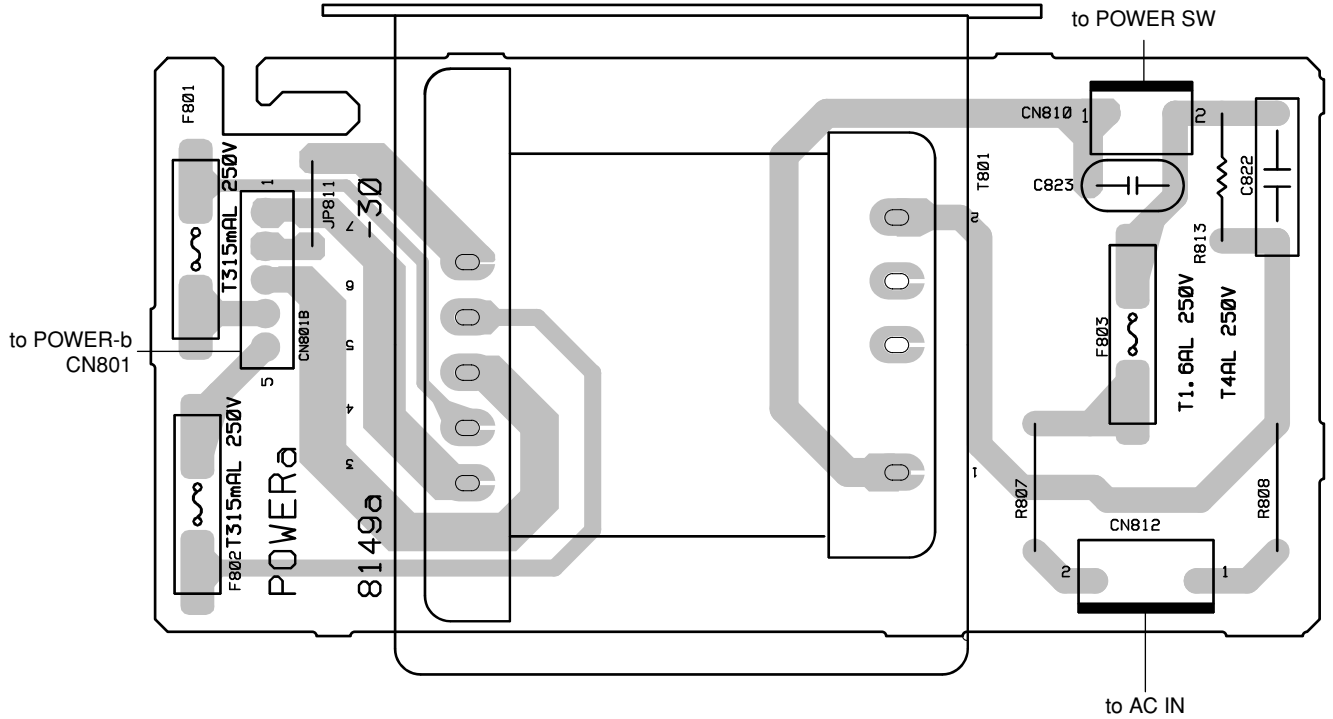
Component side (部品側)



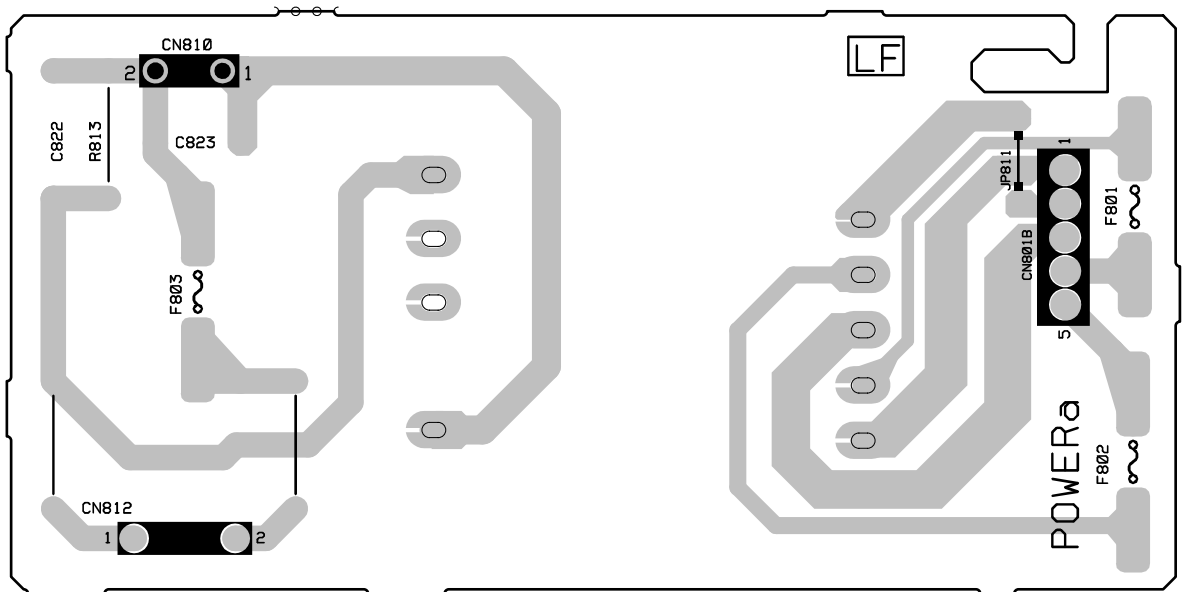
Pattern side (パターン側)

• POWER-a Circuit Board

* No copper foil is on component side.
 (部品面にはパターンはありません。)



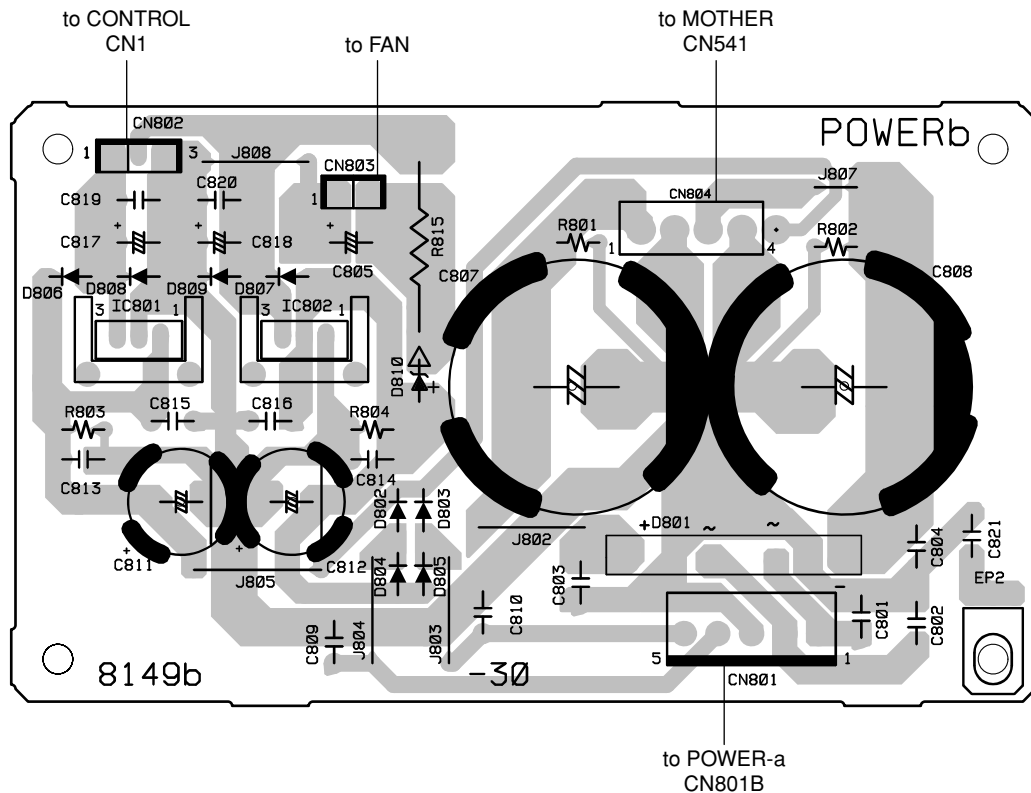
Component side (部品側)



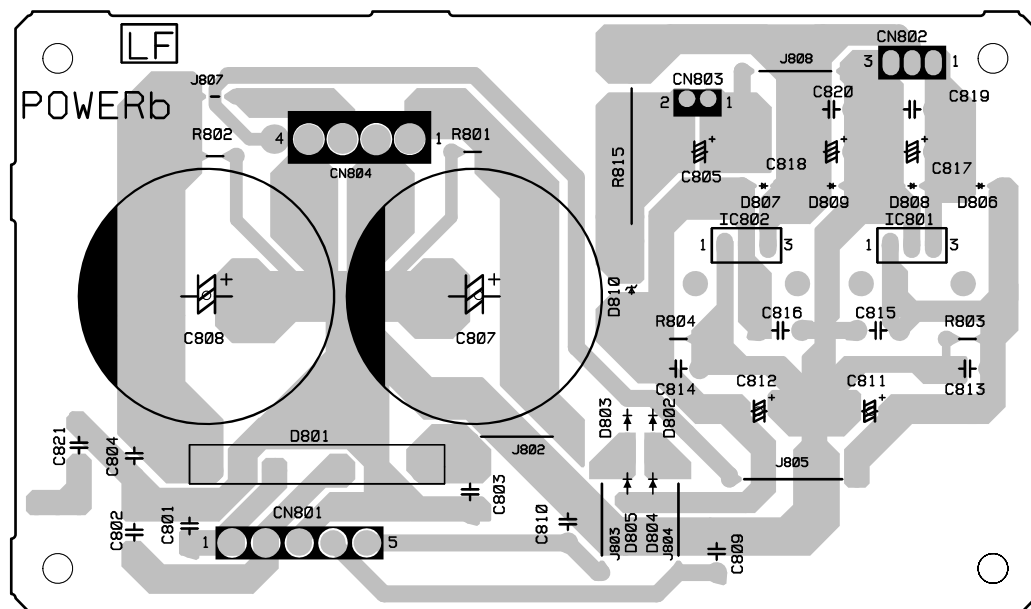
Pattern side (パターン側)

• POWER-b Circuit Board

* No copper foil is on component side.
(部品面にはパターンはありません。)



Component side (部品側)



Pattern side (パターン側)

■ INSPECTIONS (検査)

1. Test Conditions (試験条件)

(1) Measuring Voltage (測定電圧) :	AC 100 V 50/60 Hz (J) AC 110 V 60 Hz (T) AC 120 V 60 Hz (U) AC 220 V 50 Hz (O) AC 220 V 60 Hz (K) AC 230 V 50 Hz (B, E) AC 240 V 50 Hz (A)
(2) Load (負荷) :	4 Ω
(3) Input (入力) :	1 kHz
(4) LEVEL VR (レベルVR) :	MAX.
(5) Tone-control (トーンコントロールVR) :	HIGH, LOW=All channel Center
(6) MIC/LINE SW	MIC
(7) Measurement filter (測定用フィルター) :	DIN-Audio

2. Environment (周囲環境)

(1) Ambient Temperature (周囲温度) :	25 ±5 °C
(2) Ambient Humidity (周囲湿度) :	65 ±5 %

3. Inspections (検査)

No.	ITEM (項目)	INPUT CONDITIONS (入力条件)	OUTPUT CONDITIONS (出力条件)	NOMINAL (標準値)	LIMIT (限界値)	
1	Output Power (定格出力)	INPUT 1 SW: LINE INPUT 1 LEVEL: NOMINAL	SP OUT: 1 % T.H.D. Output (1 %歪出力) Measure with 20-20 kHz FILTER (20-20kHzフィルターを使用して測定)	220 W	>200 W	
2	T.H.D. (歪率)	INPUT 1 SW: LINE INPUT 1 LEVEL: MAX.	SP OUT: 100 W Output(100 W出力)	0.5 %	<1 %	
			LINK OUT: +14 dBu Output (+14 dBu出力) Load: 10 kΩ (負荷: 10 kΩ)	0.1 %	<0.5 %	
3	Input Sensitivity (入力感度)	INPUT 1 INPUT: XLR INPUT SW: MIC INPUT LEVEL: MAX.	SP OUT: REF: +25 dBu Output (基準: +25 dBu出力)	-60 dBu	-60 dBu ±2 dB	
			LINK OUT: 0 dBu Output, Load: 10 kΩ (0 dBu出力、負荷: 10 kΩ)	-60 dBu	-60 dBu ±2 dB	
		INPUT 1 INPUT: PHONE INPUT SW: MIC INPUT LEVEL: MAX.	LINK OUT: 0 dBu Output, Load: 10 kΩ (0 dBu出力、負荷: 10 kΩ)	-50 dBu	-50 dBu ±2 dB	
				-20 dBu	-20 dBu ±2 dB	
		INPUT 2/3 INPUT: PHONE INPUT LEVEL: MAX.		-20 dBu	-20 dBu ±2 dB	
			INPUT 3 INPUT: RCA L/R INPUT LEVEL: MAX.		-20 dBu	-20 dBu ±2 dB
4	Frequency Response (周波数特性)	INPUT 1 INPUT: XLR INPUT SW: LINE INPUT LEVEL: MAX.	SP OUT: REF: 1 kHz, 1 W Output (基準: 1 kHz、1 W出力)	60 Hz	+4.0 dB	+4.0 ±2 dB
				10 kHz	+1.0 dB	+1.0 ±2 dB
		INPUT 2 and 3 INPUT: PHONE, RCA INPUT LEVEL: MAX.		60 Hz	+4.0 dB	+4.0 ±2 dB
				10 kHz	+1.0 dB	+1.0 ±2 dB

No.	ITEM (項目)	INPUT CONDITIONS (入力条件)	OUTPUT CONDITIONS (出力条件)	NOMINAL (標準値)	LIMIT (限界値)	
5	Tone-control (トーンコントロール特性)	INPUT: 1, 2 (Each) LOW VR: MIN. REF: 60 Hz, LOW VR CENTER (基準: 60 Hz、LOW VR CENTER)	REF: 775 mV LINK OUT Load: 10 k Ω (基準: 775 mV LINK OUT出力) (負荷: 10 k Ω)	-3.0 dB	-3.0 \pm 2 dB	
		INPUT: 1, 2 (Each) LOW VR: MAX. REF: 60 Hz, LOW VR CENTER (基準: 60 Hz、LOW VR CENTER)		+3.0 dB	+3.0 \pm 2 dB	
		INPUT: 1, 2 (Each) HIGH VR: MIN. REF: 10 kHz, HIGH VR CENTER (基準: 10 kHz、HIGH VR CENTER)		-6.0 dB	-6.0 \pm 2 dB	
		INPUT: 1, 2 (Each) HIGH VR: MAX. REF: 10 kHz, HIGH VR CENTER (基準: 10 kHz、HIGH VR CENTER)		+6.0 dB	+6.0 \pm 2 dB	
6	CROSSTALK (クロストーク)	INPUT: From 1, 2 to Adjacent INPUT (隣接チャンネル間)	SP OUT: REF: 1 kHz, 200 W Output Measure with 20 kHz LPF AES17 (基準: 1 kHz、200 W出力) (20 kHz LPF AES17を使用して測定)	75 dB	>70 dB	
7	Signal To Noise Ratio (信号対雑音比)	INPUT short (入力短絡) INPUT SW: LINE	SP OUT:	SP OUT	53 dB	>50 dB
			REF: 100 W Output (基準: 100 W出力)	LINK OUT	95 dB	>90 dB
8	Residual Noise (残留雑音)	MASTER LEVEL: MIN. SW: MIC INPUT: XLR INPUT Impedance: 150 Ω (入力インピーダンス: 150 Ω)	SP OUT:		-65 dBu	< -62 dBu
			SP OUT: Measure with 20 kHz LPF AES17 (20 kHz LPF AES17を使用して測定)		-70 dBu	< -65 dBu
9	Power Consumption (消費電力)	INPUT 1 1 kHz, sine wave (1 kHz、正弦波) SW: LINE INPUT: XLR INPUT LEVEL: 19 mV	SP OUT: REF: 25 W Output (基準: 25W出力)	33 W *	<35 W	

(NOTE): 0 dBu=0.775 V

* This value is different from the value of specifications on page 3 because of different measurement condition.
(総合仕様(3ページ)とは測定条件が異なります。)

4. Limiter Indication (リミッター表示の確認)

Input the 1 kHz, sine wave to INPUT 1 jack and adjust the input signal level so that SP OUT output level is 32 dBu. Then confirm that the LIMITER LED (RED) lights on.

(INPUT 1端子に1 kHzの正弦波を入力し、SP OUT出力が32 dBuになるように入力レベルを調整します。LIMITER表示LED(赤色)が点灯することを確認します。)

POWERED SPEAKER

MSR250

PARTS LIST

■ CONTENTS (目次)

OVERALL ASSEMBLY (総組立)	2
AMPLIFIER ASSEMBLY (アンプAss'y)	4
ELECTRICAL PARTS (電気部品)	6

Notes: DESTINATION ABBREVIATIONS

A : Australian model	M : South African model
B : British model	O : Chinese model
C : Canadian model	Q : South-east Asia model
D : German model	T : Taiwan model
E : European model	U : U.S.A. model
F : French model	V : General export model (110V)
H : North European model	W : General export model (220V)
I : Indonesian model	N,X: General export model
J : Japanese model	Y : Export model
K : Korean model	

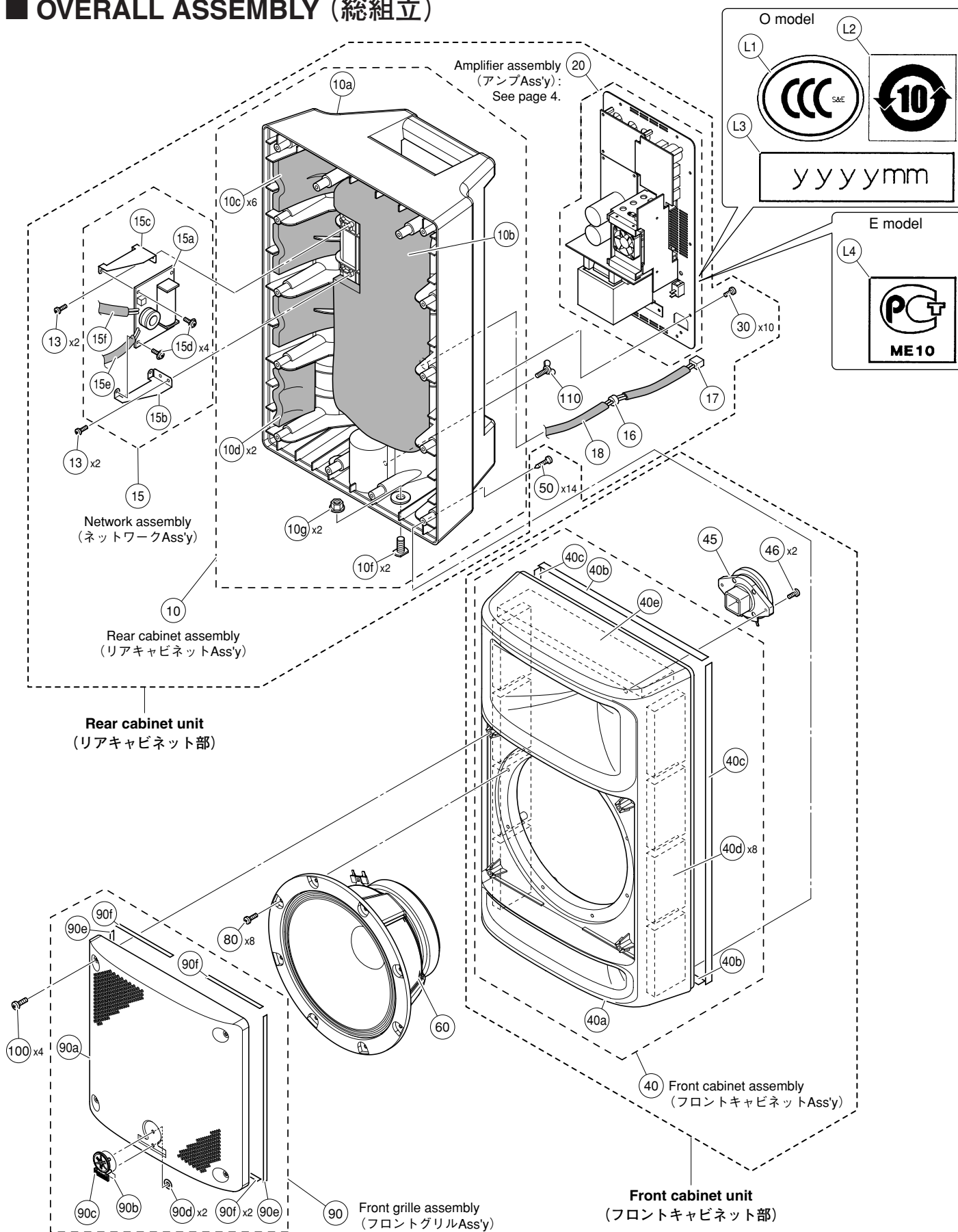
■ WARNING (注意)

Components having special characteristics are marked \triangle and must be replaced with parts having specification equal to those originally installed.

\triangle 印の部品は、安全を維持するために重要な部品です。交換する場合は、安全のために必ず指定の部品をご使用ください。

- The numbers "QTY" show quantities for each unit.
- The parts with "--" in "PART NO." are not available as spare parts.
- This mark "}" in the REMARKS column means these parts are interchangeable.
- The second letter of the shaded (■) part number is O, not zero.
- The second letter of the shaded (■) part number is I, not one.
- 部品価格ランクは、変更になることがあります。
- QTY 欄に記されている数字は、各ユニット当たりの使用個数です。
- PART NO. が "--" の部分は、サービス用部品として準備されておりません。
- REMARKS 欄の "}" マークの部品は、併用部品です。
- 網掛けの付いた PART NO. の 2 番目の文字は「ゼロ」ではなく、「オー」です。
- 網掛けの付いた PART NO. の 2 番目の文字は「イチ」ではなく、「アイ」です。

OVERALL ASSEMBLY (総組立)

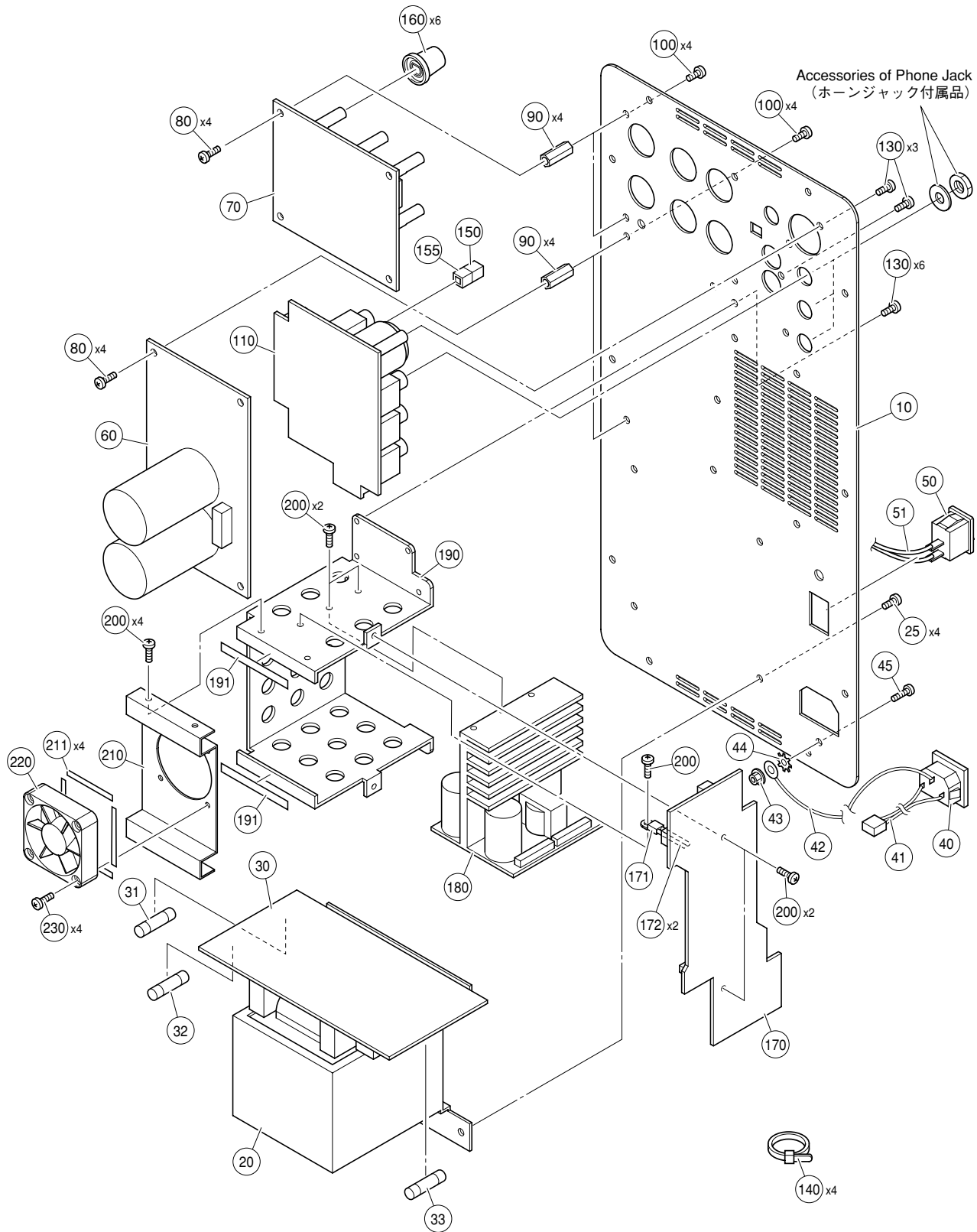


REF NO.	PART NO.	DESCRIPTION		部 品 名	REMARKS	QTY	RANK
	--	OVERALL ASSEMBLY		総 組 立	MSR250		
	--	OVERALL ASSEMBLY		総 組 立	J		
	--	OVERALL ASSEMBLY		総 組 立	U		
	--	OVERALL ASSEMBLY		総 組 立	T		
	--	OVERALL ASSEMBLY		総 組 立	A		
	--	OVERALL ASSEMBLY		総 組 立	B,E		
	--	OVERALL ASSEMBLY		総 組 立	K,O		
10	--	REAR CABINET ASEEMBLY		リアキャビネットA s s ' y			
* 10a	WP929000	REAR CABINET		リアキャビネット		467112	
10b	WJ326200	DAMPING MATERIAL	A A1G3A0	吸 音 材 A		446996	08
10c	WJ326300	DAMPING MATERIAL	B A1G3A0	吸 音 材 B		446997	6 03
10d	WJ326400	DAMPING MATERIAL	C A1G3A0	吸 音 材 C		446998	2 02
10f	AAx61720	MISC BOLT		特 殊 ボ ル ト		410784	2 06
10g	AAx61730	FLANGE NUT	M12 CR3	フ ラ ン ジ ナ ッ ト M 1 2		410781	2 03
13	AAx61710	BIND HEAD TAPPING SCREW-B	3.0x10 NI-BL	B タ イ ト + B I N D		410798	4
15	--	NETWORK ASSEMBLY		ネ ッ ト ワ ー ク A s s ' y			
* 15a	WP925300	CIRCUIT BOARD	NETWORK	N E T W O R K シ ー ト		470089-1	
15b	WJ328600	HOLDER C NETWORK		ネ ッ ト ワ ー ク 固 定 金 具 C		370892	05
15c	WJ328700	HOLDER D NETWORK		ネ ッ ト ワ ー ク 固 定 金 具 D		370893	05
15d	AAx61700	PAN HEAD TAPPING SCREW-B	3.0x8 CR3 WITH FLANGE	B タ イ ト + P A N		410791	4
15e	--	CUSHION	40x160x2	ク ッ シ ョ ン		404676	
15f	--	CUSHION	40x90x2 DG	ク ッ シ ョ ン		431397	
16	AAx31970	CUSHION BUSH		ク ッ シ ョ ン ブ ッ シ ュ		331850	
17	WJ327300	CORD ASSEMBLY	VH-VH 2P 550 A1G	コ ー ド A s s ' y	SP OUT	448139	04
18	--	CUSHION	40x320x2 DG	ク ッ シ ョ ン		476909	
20	--	AMPLIFIER ASSEMBLY		ア ンプ A s s ' y			
30	WJ329500	BIND HEAD TAPPING SCREW-P	4x12 NI-BL	P タ イ ト + B I N D		425629	10 01
40	--	FRONT CABINET ASSEMBLY		フ ロ ン ト キ ャ ビ ネ ッ ト A s s ' y			
40a	--	FRONT CABINET		フ ロ ン ト キ ャ ビ ネ ッ ト		441144	
40b	--	CUSHION	7x345 A1G3A0	ク ッ シ ョ ン		446798	2
40c	--	CUSHION	7x540 A1G3A0	ク ッ シ ョ ン		446799	2
40d	WJ326400	DAMPING MATERIAL	C A1G3A0	吸 音 材 C		446998	8 02
40e	WJ326500	DAMPING MATERIAL	D A1G3A0	吸 音 材 D		446999	04
* 45	X8440A00	SPEAKER HF		ス ピ ー カ H F		445977	11
46	AAx61630	BIND HEAD TAPPING SCREW-B	4.0x20 NI-BL	B タ イ ト + B I N D		410796	2
50	WJ329900	BIND HEAD TAPPING SCREW-A	5x45 NI-BL	A タ イ ト + B I N D		447892	14 01
* 60	X8439A00	SPEAKER LF		ス ピ ー カ L F	WOOFER	442206	21
80	WJ559700	BIND HEAD TAPPING SCREW-P	5x18 BLACK CR3	P タ イ ト + B I N D		448357	8 01
90	--	FRONT GRILLE ASSEMBLY		フ ロ ン ト グ リ ル A s s ' y			
90a	WJ325200	FRONT GRILLE	A1G3A	フ ロ ン ト グ リ ル		441151	13
90b	WJ325300	CUSHION BADGE		ク ッ シ ョ ン バ ッ ジ		445103	01
90c	WJ325400	LOGO BADGE		ロ ゴ バ ッ ジ		441149	01
90d	WJ325500	NUT/BUSH		ナ ッ ト ブ ッ シ ュ		031814	2 01
90e	WJ325600	CUSHION A GRILLE	A1G3A0	ク ッ シ ョ ン グ リ ル A		446797	2 01
90f	WJ559200	CUSHION B GRILLE	A1G3A0	ク ッ シ ョ ン グ リ ル B		450793	4
100	WJ329500	BIND HEAD TAPPING SCREW-P	4x12 NI-BL	P タ イ ト + B I N D		425629	4 01
110	WJ339300	WING BOLTS	M6x15 CR3	ウ ィ ン グ ボ ル ト		448348	
		ACCESSORIES		付 属 品	MSR250		
△	AAx6858R	AC CORD	J	電 源 コ ー ド J		414427	08
△	AAx6859R	AC CORD	U	電 源 コ ー ド U		369532	08
△	WH667300	AC CORD	T	電 源 コ ー ド T		444018	09
△	AAx6860R	AC CORD	E	電 源 コ ー ド E,A,K		444741	08
△	AAx6861R	AC CORD	BS	電 源 コ ー ド B		444740	12
△	AAx8241R	AC CORD	O (CHN)	電 源 コ ー ド O		414426	12
L1	--	LABEL	CCC	C C C ラ ベ ル	O	474390	
L2	--	LABEL	LIMIT MARK	L I M I T ラ ベ ル	O	460619	
L3	--	LABEL	DATE CODE	D A T E C O D E ラ ベ ル	O	460621	
L4	--	LABEL	GOST-R	G O S T - R ラ ベ ル	E	471361	

*: New Parts

RANK: Japan only

AMPLIFIER ASSEMBLY (アンプAss'y)



REF NO.	PART NO.	DESCRIPTION	部 品 名	REMARKS	QTY	RANK
		AMPLIFIER ASSEMBLY	アンプ A s s ' y	MSR250		
* 10	WP929900	REAR PANEL	A1H0A0-2	リアパネル J	473731	
* 10	WP930400	REAR PANEL	A1H0B0-3	リアパネル U	477712	
* 10	WP930000	REAR PANEL	A1H0C0-2	リアパネル T	473733	
* 10	WP930100	REAR PANEL	A1H0D0-2	リアパネル A	473734	
* 10	WP930300	REAR PANEL	A1H0E0-3	リアパネル B,E	476586	
* 10	WP930200	REAR PANEL	A1H0L0-2	リアパネル K,O	481272	
△ * 20	X9893A00	POWER TRANSFORMER	A1H0A0 LF	電源トランス J	469856	
△ * 20	X9894A00	POWER TRANSFORMER	A1H0B0 LF	電源トランス U,T	469857	
△ * 20	X9895A00	POWER TRANSFORMER	A1H0D0 LF	電源トランス A	469858	
△ * 20	X9896A00	POWER TRANSFORMER	A1H0E0 LF	電源トランス B,E	469859	
△ * 20	X9897A00	POWER TRANSFORMER	A1H0L0 LF	電源トランス K,O	471992	
* 25	WP183100	BIND HEAD TAPPING SCREW-B	4x8 NI-BL	Bタイト+BIND	414197	4
* 30	WP925500	CIRCUIT BOARD	POWER-a	POWER-aシート	469830-1	
* 31	WN980900	FUSE	T315mA 250V	ヒューズ F801	474194	
* 32	WN980900	FUSE	T315mA 250V	ヒューズ F802	474194	
* 33	WJ272700	FUSE	T4A 250V	ヒューズ F803 J,U,C,T	052551	03
* 33	WP924800	FUSE	1.6A 250V	ヒューズ F803 A,B,E,K,O	474956	
△ * 40	WJ279800	AC INLET	SS-120-2.0	ACインレット	446341	04
* 41	WP924400	CORD ASSEMBLY	VH4P 140 A1H0	コード A s s ' y	473939	
42	WJ586800	CORD ASSEMBLY	55 A1G3	コード A s s ' y	446695	02
43	AAAX61890	HEXAGONAL NUT	M4.0 CR3	フランジ付き六角ナット	410782	
* 44	WP183300	TOOTHED WASHER	B M4 CR3	歯付ワッシャー	416947	
* 45	WP182900	PAN HEAD PIN-TORX SCREW	M4x14 CR3 B	トルクスネジ	451974	
△ * 50	WP914100	POWER SWITCH	RF-10030BBG8A1H1	電源スイッチ	402656	
* 51	WP924200	CORD ASSEMBLY	VH3P 80 A1H0	コード A s s ' y	473938	
△ * 60	WP925700	CIRCUIT BOARD	POWER-b	POWER-bシート	469830-2	
* 70	WP925000	CIRCUIT BOARD	CONTROL	CONTROLシート	469834-1	
* 80	AAAX61910	BIND HEAD SCREW	3.0x8 CR3	小ネジ+BIND	410792	8
* 90	AAAX61760	HEXAGONAL SPACER	L16	六角スペーサー	411063	8
* 100	WP182800	BIND HEAD SCREW	M3x8 NI-BL	小ネジ+BIND	470092	8
* 110	WP925100	CIRCUIT BOARD	INPUT	INPUTシート	469834-2	
130	AAAX61710	BIND HEAD TAPPING SCREW-B	3.0x10 NI-BL	Bタイト+BIND	410798	9
140	--	CORD HOLDER	SKB-1M WH	インシュロックタイ	080558	4
150	V966480R	PUSH BUTTON WHITE/D-GRAY		プッシュボタン	410353	01
155	AAAX61920	PUSH SPACER		プッシュスペーサー	411147	
* 160	WP928900	VOLUME KNOB	A1H0A0	ボリュームノブ	474724	6
* 170	WP925200	CIRCUIT BOARD	MOTHER	MOTHERシート	469834-3	
* 171	WP449900	POSITIVE THERMISTOR	PTFM04BF471Q2N34B0	ポジスタ	068557	
172	--	TUBE UL BLACK	1x25	チューブ黒	475197	2
* 180	WP924900	CIRCUIT BOARD	AMP	AMPシート	469839-1	
190	--	HEATSINK BRACKET	A1G9A0-2	ヒートシンク取付金具	475298	
191	--	CUSHION	5x54x1	クッション	476281	2
200	AAAX61980	BIND HEAD TAPPING SCREW-B	3.0x8 CR3	Bタイト+BIND	410797	9
210	--	BRACKET FAN		ブラケットファン	(WP92830) 475291	
211	--	CUSHION	3x40x1	クッション	476282	4
* 220	WP922800	FAN	4010L12S ND6 LF	ファン	413031	
* 230	WP927900	PAN HEAD TAPPING SCREW-B	3x12 CR3	Bタイト+PAN	408159	4

*: New Parts

RANK: Japan only

ELECTRICAL PARTS (電気部品)

REF NO.	PART NO.	DESCRIPTION	部 品 名	REMARKS	QTY	RANK
		ELECTRICAL PARTS	電 気 部 品	MSR250		
*	WP924900	CIRCUIT BOARD	A M P シ ー ト	469839-1		
*	WP925000	CIRCUIT BOARD	C O N T R O L シ ー ト	469834-1		
*	WP925100	CIRCUIT BOARD	I N P U T シ ー ト	469834-2		
*	WP925200	CIRCUIT BOARD	M O T H E R シ ー ト	469834-3		
*	WP925300	CIRCUIT BOARD	N E T W O R K シ ー ト	470089-1		
*	WP925500	CIRCUIT BOARD	P O W E R a シ ー ト	469830-1		
*	WP925700	CIRCUIT BOARD	P O W E R b シ ー ト	469830-2		
*	WP924900	CIRCUIT BOARD	A M P シ ー ト	469839-1		
*	WP182700	PAN HEAD SCREW	小 ネ ジ + P A N	408158	2	
*	WP183000	BIND HEAD TAPPING SCREW-B	B タ イ ト + B I N D	418907	2	
	--	HEATSINK	ヒ ー ト シ ン ク	(WP92870) 470314		
	--	HEATSINK	ヒ ー ト シ ン ク	(WP92880) 475297		
EP401	XX698880	LUG TERMINAL	MET37-0001	075878		
1100	WJ593500	CONNECTOR BASE POST	コ ネ ク タ 1 1 P	444628		05
1101	WJ593600	CONNECTOR BASE POST	コ ネ ク タ 1 0 P	444629		05
*	2100	CERAMIC CAPACITOR (CHIP)	ケ ッ プ セ ラ コ ン	469854		
*	2101	WP067300	ケ ミ コ ン	469851		
*	2102	WP064600	ケ ッ プ セ ラ コ ン	469854		
*	2103	AAX6273R	ケ ッ プ セ ラ コ ン	368353		
*	2104	WP067900	ケ ッ プ セ ラ コ ン	469853		
*	2105	WP064600	ケ ッ プ セ ラ コ ン	469854		
*	2106	WP440000	ケ ッ プ セ ラ コ ン	470635		
*	2107	AAX6302R	ケ ッ プ セ ラ コ ン	065501		
*	2108	AAX6350R	ケ ッ プ セ ラ コ ン	066700		01
*	2109	WJ592100	ケ ッ プ セ ラ コ ン	334335		03
*	2110	WJ591300	ケ ッ プ セ ラ コ ン	420810		01
*	2111	WP064100	ケ ッ プ セ ラ コ ン	457806		
*	2112	WJ592300	ケ ッ プ セ ラ コ ン	431122		01
*	2113	WJ588100	マ イ ラ コ ン	056221		05
*	2114	WP064600	ケ ッ プ セ ラ コ ン	469854		
*	2115	AAX6302R	ケ ッ プ セ ラ コ ン	065501		
*	2116	WJ591300	ケ ッ プ セ ラ コ ン	420810		01
*	2117	WJ592100	ケ ッ プ セ ラ コ ン	334335		03
*	2118	WP064100	ケ ッ プ セ ラ コ ン	457806		
*	2119	WP440000	ケ ッ プ セ ラ コ ン	470635		
*	2120	WJ592100	ケ ッ プ セ ラ コ ン	334335		03
*	2121	WP067900	ケ ッ プ セ ラ コ ン	469853		
*	2122	WP064600	ケ ッ プ セ ラ コ ン	469854		
*	2123	AAX6273R	ケ ッ プ セ ラ コ ン	368353		
*	2124	WP067300	ケ ッ プ セ ラ コ ン	469851		
*	2125	WP064600	ケ ッ プ セ ラ コ ン	469854		
*	2126	WP064600	ケ ッ プ セ ラ コ ン	469854		
*	2129	WJ592300	ケ ッ プ セ ラ コ ン	431122		01
	--	CERAMIC CAPACITOR (CHIP)	ケ ッ プ セ ラ コ ン	368361		
3100	AAX6315R	CARBON RESISTOR (CHIP)	チ ッ プ 抵 抗	067492		01
3101	WN825200	CARBON RESISTOR (CHIP)	チ ッ プ 抵 抗	469855		
3102	AAX6290R	CARBON RESISTOR (CHIP)	チ ッ プ 抵 抗	067544		
3103	AAX6312R	CARBON RESISTOR (CHIP)	チ ッ プ 抵 抗	067500		
3104	AAX6280R	CARBON RESISTOR (CHIP)	チ ッ プ 抵 抗	067546		
*	3105	WP920300	チ ッ プ 抵 抗	067641		
3106	AAX6388R	CARBON RESISTOR (CHIP)	チ ッ プ 抵 抗	067545		
3107	AAX6280R	CARBON RESISTOR (CHIP)	チ ッ プ 抵 抗	067546		
*	3108	WP440100	チ ッ プ 抵 抗	471638		
*	3109	WP899200	チ ッ プ 抵 抗	067540		
3110	WJ600100	CARBON RESISTOR (CHIP)	チ ッ プ 抵 抗	085399		01
3111	WJ599700	CARBON RESISTOR (CHIP)	チ ッ プ 抵 抗	067538		01
3112	AAX6407R	CARBON RESISTOR (CHIP)	チ ッ プ 抵 抗	067504		
3113	AAX6380R	CARBON RESISTOR (CHIP)	チ ッ プ 抵 抗	067562		
3114	AAX6290R	CARBON RESISTOR (CHIP)	チ ッ プ 抵 抗	067544		
3115	AAX6410R	CARBON RESISTOR (CHIP)	チ ッ プ 抵 抗	067503		
3116	AAX6310R	CARBON RESISTOR (CHIP)	チ ッ プ 抵 抗	067514		
3117	AAX6281R	CARBON RESISTOR (CHIP)	チ ッ プ 抵 抗	067495		
3118	AAX6407R	CARBON RESISTOR (CHIP)	チ ッ プ 抵 抗	067504		
3119	WJ606700	CARBON RESISTOR (CHIP)	チ ッ プ 抵 抗	067558		01
3120	AAX6410R	CARBON RESISTOR (CHIP)	チ ッ プ 抵 抗	067503		
3121	WJ611600	POSITIVE THERMISTOR	ポ ジ ス タ	432431		07
3122	AAX6310R	CARBON RESISTOR (CHIP)	チ ッ プ 抵 抗	067514		
3123	AAX6281R	CARBON RESISTOR (CHIP)	チ ッ プ 抵 抗	067495		

*: New Parts

RANK: Japan only

AMP and CONTROL and INPUT and MOTHER

REF NO.	PART NO.	DESCRIPTION		部 品 名	REMARKS	QTY	RANK
* 3124	WP440100	CARBON RESISTOR (CHIP)	22 1W	チ ッ プ 抵 抗		471638	
3125	WJ600100	CARBON RESISTOR (CHIP)	27 J	チ ッ プ 抵 抗		085399	01
3126	WJ599700	CARBON RESISTOR (CHIP)	390 J	チ ッ プ 抵 抗		067538	01
3127	AA6290R	CARBON RESISTOR (CHIP)	470 J	チ ッ プ 抵 抗		067544	
3128	AA6388R	CARBON RESISTOR (CHIP)	4.7K J	チ ッ プ 抵 抗		067545	
3129	AA6281R	CARBON RESISTOR (CHIP)	1K J	チ ッ プ 抵 抗		067495	
3130	AA6408R	CARBON RESISTOR (CHIP)	680 J	チ ッ プ 抵 抗		067557	
3131	AA6317R	CARBON RESISTOR (CHIP)	560 J	チ ッ プ 抵 抗		067551	
3132	AA6408R	CARBON RESISTOR (CHIP)	680 J	チ ッ プ 抵 抗		067557	
3133	AA6312R	CARBON RESISTOR (CHIP)	1M J	チ ッ プ 抵 抗		067500	
3134	WN825200	CARBON RESISTOR (CHIP)	0.043 1W	チ ッ プ 抵 抗		469855	
3135	AA6315R	CARBON RESISTOR (CHIP)	10 J	チ ッ プ 抵 抗		067492	01
3136	WJ606900	CARBON RESISTOR (CHIP)	15K J	チ ッ プ 抵 抗		067709	01
3137	WJ613400	SEMI-FIXED VARIABLE RESIST	100 KVSF639TC101	半 固 定 抵 抗		459054	03
3138	WJ599500	CARBON RESISTOR (CHIP)	100 J	チ ッ プ 抵 抗		067493	01
3139	WJ599500	CARBON RESISTOR (CHIP)	100 J	チ ッ プ 抵 抗		067493	01
3140	AA6409R	CARBON RESISTOR (CHIP)	0.00 J	チ ッ プ 抵 抗		067491	
3141	AA6280R	CARBON RESISTOR (CHIP)	47K J	チ ッ プ 抵 抗		067546	
3142	AA6388R	CARBON RESISTOR (CHIP)	4.7K J	チ ッ プ 抵 抗		067545	
3143	AA6388R	CARBON RESISTOR (CHIP)	4.7K J	チ ッ プ 抵 抗		067545	
5100	WJ594100	COIL	BLM41PG750SN1L T	コ イ ル		432423	03
* 5101	WP166600	COIL	FT6033 LF	コ イ ル		469842	
5102	WJ594000	COIL	BLM21PG221SN1D T	コ イ ル		432422	01
5103	WJ594100	COIL	BLM41PG750SN1L T	コ イ ル		432423	03
* 6100	WP066800	DIODE	RF051VA1STR T	ダ イ オード		469849	
* 6101	WP066800	DIODE	RF051VA1STR T	ダ イ オード		469849	
* 6102	WP067100	DIODE	RB501V-40TE-17 T	ダ イ オード		469850	
6103	WN946400	ZENER DIODE	UDZS12B TE-17	ツェナーダイオード		069032	
* 6104	WP066700	DIODE	RF051VA1STR T	ダ イ オード		469848	
6105	WJ595300	ZENER DIODE	PDZ-3.3B T	ツェナーダイオード		432428	02
* 6106	WP066700	DIODE	RF051VA1STR T	ダ イ オード		469848	
* 6107	WP067100	DIODE	RB501V-40TE-17 T	ダ イ オード		469850	
* 6108	WP066800	DIODE	RF051VA2STR T	ダ イ オード		469849	
* 6109	WP067100	DIODE	RB501V-40TE-17 T	ダ イ オード		469850	
* 6110	WP067100	DIODE	RB501V-40TE-17 T	ダ イ オード		469850	
* 7100	WP065600	TRANSISTOR	2SA1579 T106 T	トランジスタ		469845	
* 7101	WP440300	TRANSISTOR	2SA1721-O(TE85L F) T	トランジスタ		471639	
* 7102	WP065600	TRANSISTOR	2SA1579 T106 T	トランジスタ		469845	
* 7103	WP065400	FET	2SK3603-01MR	F E T		469843	
7104	WN933800	TRANSISTOR	2SA1576A QRS T106	トランジスタ		068656	
* 7105	WP441600	TRANSISTOR	2SB1694 T106 T	トランジスタ		449267	
* 7107	WP065600	TRANSISTOR	2SA1579 T106 T	トランジスタ		469845	
* 7108	WP065600	TRANSISTOR	2SA1579 T106 T	トランジスタ		469845	
* 7109	WP065400	FET	2SK3603-01MR	F E T		469843	
7110	WN933800	TRANSISTOR	2SA1576A QRS T106	トランジスタ		068656	
* 7112	WP441600	TRANSISTOR	2SB1694 T106 T	トランジスタ		449267	
7113	WN946100	TRANSISTOR	2SC4081 T106 RS	トランジスタ		068880	
7114	WN946100	TRANSISTOR	2SC4081 T106 RS	トランジスタ		068880	
* 7115	WP066500	TRANSISTOR	2SC4102 T106 T	トランジスタ		469847	
7116	WN946100	TRANSISTOR	2SC4081 T106 RS	トランジスタ		068880	
7117	WN946100	TRANSISTOR	2SC4081 T106 RS	トランジスタ		068880	
* 7119	WN940300	TRANSISTOR	2SC3138-Y(TE85L F) T	トランジスタ		472326	
7120	WN939100	TRANSISTOR	2SC3906K RSE T146	トランジスタ		068869	
* *	WP925000	CIRCUIT BOARD	CONTROL	C O N T R O L シート		469834-1	
* *	WP925100	CIRCUIT BOARD	INPUT	I N P U T シート		469834-2	
* *	WP925200	CIRCUIT BOARD	MOTHER	M O T H E R シート		469834-3	
	--	SPACER LED	LH-5-11.5 LF	スパーサーLED	(WP92930)	470140	
C101	AA6293R	ELECTROLYTIC CAP. (CHIP)	22uF 50V	チ ッ プ ケ ミ コ ン		412427	
C102	AA6293R	ELECTROLYTIC CAP. (CHIP)	22uF 50V	チ ッ プ ケ ミ コ ン		412427	
C103	AA6294R	CERAMIC CAPACITOR (CHIP)	470pF 50V J	チ ッ プ セ ラ コ ン		378052	
-108	AA6294R	CERAMIC CAPACITOR (CHIP)	470pF 50V J	チ ッ プ セ ラ コ ン		378052	
C109	AA6296R	CERAMIC CAPACITOR (CHIP)	27pF 50V J	チ ッ プ セ ラ コ ン		368358	
C110	AA6296R	CERAMIC CAPACITOR (CHIP)	27pF 50V J	チ ッ プ セ ラ コ ン		368358	
C118	AA6297R	ELECTROLYTIC CAP. (CHIP)	47uF 25V	チ ッ プ ケ ミ コ ン		412426	
C122	AA6297R	ELECTROLYTIC CAP. (CHIP)	47uF 25V	チ ッ プ ケ ミ コ ン		412426	
C129	AA6298R	CERAMIC CAPACITOR (CHIP)	220pF 50V J	チ ッ プ セ ラ コ ン		065484	
C210	AA6298R	CERAMIC CAPACITOR (CHIP)	220pF 50V J	チ ッ プ セ ラ コ ン		065484	
C211	AA6298R	CERAMIC CAPACITOR (CHIP)	220pF 50V J	チ ッ プ セ ラ コ ン		065484	
* C212	WP064200	CERAMIC CAPACITOR (CHIP)	4.7uF 25V	チ ッ プ セ ラ コ ン		458416	

*: New Parts

RANK: Japan only

CONTROL and INPUT and MOTHER

REF NO.	PART NO.	DESCRIPTION		部 品 名	REMARKS	QTY	RANK
* C213	WP064200	CERAMIC CAPACITOR (CHIP)	4.7uF 25V	チ ッ プ セ ラ コ ン		458416	
C214	AA6301R	CERAMIC CAPACITOR (CHIP)	22pF 50V	チ ッ プ セ ラ コ ン		065483	
C302	AA6336R	MYLAR CAPACITOR	0.27uF	マ イ ラ コ ン (W = 6)		064926	02
C303	AA6336R	MYLAR CAPACITOR	0.27uF	マ イ ラ コ ン (W = 6)		064926	02
C304	AA6301R	CERAMIC CAPACITOR (CHIP)	22pF 50V	チ ッ プ セ ラ コ ン		065483	
C305	AA6299R	ELECTROLYTIC CAP. (CHIP)	10uF 35V	チ ッ プ ケ ミ コ ン		412428	
C307	AA6336R	ELECTROLYTIC CAP.	10uF 50V	ケ ミ コ ン		407785	
C308	AA612450	MYLAR CAPACITOR	3900pF	マ イ ラ コ ン		065099	
* C309	WP920200	CERAMIC CAPACITOR (CHIP)	68pF 50V J	チ ッ プ セ ラ コ ン		065495	
C310	AA6336R	ELECTROLYTIC CAP.	10uF 50V	ケ ミ コ ン		407785	
-312	AA6336R	ELECTROLYTIC CAP.	10uF 50V	ケ ミ コ ン		407785	
C313	AA64247R	MYLAR CAPACITOR	0.27uF	マ イ ラ コ ン (W = 6)		064926	02
C314	AA64247R	MYLAR CAPACITOR	0.27uF	マ イ ラ コ ン (W = 6)		064926	02
C316	AA6301R	CERAMIC CAPACITOR (CHIP)	22pF 50V	チ ッ プ セ ラ コ ン		065483	
C317	AA6300R	CERAMIC CAPACITOR (CHIP)	100pF 50V J	チ ッ プ セ ラ コ ン		065473	
C319	AA612450	MYLAR CAPACITOR	3900pF	マ イ ラ コ ン		065099	
* C320	WP920200	CERAMIC CAPACITOR (CHIP)	68pF 50V J	チ ッ プ セ ラ コ ン		065495	
C321	AA6300R	CERAMIC CAPACITOR (CHIP)	100pF 50V J	チ ッ プ セ ラ コ ン		065473	
C322	AA6299R	ELECTROLYTIC CAP. (CHIP)	10uF 35V	チ ッ プ ケ ミ コ ン		412428	
C323	AA6300R	CERAMIC CAPACITOR (CHIP)	100pF 50V J	チ ッ プ セ ラ コ ン		065473	
C324	AA6300R	CERAMIC CAPACITOR (CHIP)	100pF 50V J	チ ッ プ セ ラ コ ン		065473	
C327	AA6300R	CERAMIC CAPACITOR (CHIP)	100pF 50V J	チ ッ プ セ ラ コ ン		065473	
C328	AA6300R	CERAMIC CAPACITOR (CHIP)	100pF 50V J	チ ッ プ セ ラ コ ン		065473	
C341	AA6298R	CERAMIC CAPACITOR (CHIP)	220pF 50V J	チ ッ プ セ ラ コ ン		065484	
C351	AA6336R	ELECTROLYTIC CAP.	10uF 50V	ケ ミ コ ン		407785	
-353	AA6336R	ELECTROLYTIC CAP.	10uF 50V	ケ ミ コ ン		407785	
C356	AA6273R	CERAMIC CAPACITOR (CHIP)	0.01uF 50V K	チ ッ プ セ ラ コ ン		368353	
C357	AA611160	MYLAR CAPACITOR	0.15uF	マ イ ラ コ ン (W = 6)		064914	
C358	AA611160	MYLAR CAPACITOR	0.15uF	マ イ ラ コ ン (W = 6)		064914	
C359	WJ588200	MYLAR CAPACITOR	0.01uF 50V J	マ イ ラ コ ン		064906	01
C360	AA6273R	CERAMIC CAPACITOR (CHIP)	0.01uF 50V K	チ ッ プ セ ラ コ ン		368353	
C361	AA6182R	CERAMIC CAPACITOR (CHIP)	10pF 50V J	チ ッ プ セ ラ コ ン		065472	
* C371	WP064200	CERAMIC CAPACITOR (CHIP)	4.7uF 25V	チ ッ プ セ ラ コ ン		458416	
* -373	WP064200	CERAMIC CAPACITOR (CHIP)	4.7uF 25V	チ ッ プ セ ラ コ ン		458416	
* C376	WP064200	CERAMIC CAPACITOR (CHIP)	4.7uF 25V	チ ッ プ セ ラ コ ン		458416	
C377	AA6273R	CERAMIC CAPACITOR (CHIP)	0.01uF 50V K	チ ッ プ セ ラ コ ン		368353	
C378	AA6273R	CERAMIC CAPACITOR (CHIP)	0.01uF 50V K	チ ッ プ セ ラ コ ン		368353	
C381	AA6336R	ELECTROLYTIC CAP.	10uF 50V	ケ ミ コ ン		407785	
C382	AA6301R	CERAMIC CAPACITOR (CHIP)	22pF 50V	チ ッ プ セ ラ コ ン		065483	
C383	AA6273R	CERAMIC CAPACITOR (CHIP)	0.01uF 50V K	チ ッ プ セ ラ コ ン		368353	
C384	AA6273R	CERAMIC CAPACITOR (CHIP)	0.01uF 50V K	チ ッ プ セ ラ コ ン		368353	
C386	AA6336R	ELECTROLYTIC CAP.	10uF 50V	ケ ミ コ ン		407785	
C393	AA6336R	ELECTROLYTIC CAP.	10uF 50V	ケ ミ コ ン		407785	
C394	AA6336R	ELECTROLYTIC CAP.	10uF 50V	ケ ミ コ ン		407785	
C397	WJ588200	MYLAR CAPACITOR	0.01uF 50V J	マ イ ラ コ ン		064906	01
C398	WJ588200	MYLAR CAPACITOR	0.01uF 50V J	マ イ ラ コ ン		064906	01
C541	AA6336R	ELECTROLYTIC CAP.	10uF 50V	ケ ミ コ ン		407785	
C542	AA6336R	ELECTROLYTIC CAP.	10uF 50V	ケ ミ コ ン		407785	
C543	AA6396R	MYLAR CAPACITOR	820pF 50V J	マ イ ラ コ ン		065144	
C544	AA611190	MYLAR CAPACITOR	1200pF	マ イ ラ コ ン		065014	
C545	AA6396R	MYLAR CAPACITOR	820pF 50V J	マ イ ラ コ ン		065144	
C546	AA6273R	CERAMIC CAPACITOR (CHIP)	0.01uF 50V K	チ ッ プ セ ラ コ ン		368353	
C547	WJ587800	MYLAR CAPACITOR	1800pF 50V J	マ イ ラ コ ン		065043	01
C548	WJ587900	MYLAR CAPACITOR	2700pF 50V J	マ イ ラ コ ン		065070	01
C549	WJ587800	MYLAR CAPACITOR	1800pF 50V J	マ イ ラ コ ン		065043	01
C550	AA6273R	CERAMIC CAPACITOR (CHIP)	0.01uF 50V K	チ ッ プ セ ラ コ ン		368353	
C559	AA6273R	CERAMIC CAPACITOR (CHIP)	0.01uF 50V K	チ ッ プ セ ラ コ ン		368353	
C561	AA6350R	ELECTROLYTIC CAP.	100uF 16V	ケ ミ コ ン		066700	01
C562	AA6271R	CERAMIC CAPACITOR (CHIP)	1uF 10V K	チ ッ プ セ ラ コ ン		374406	
C566	AA6336R	ELECTROLYTIC CAP.	10uF 50V	ケ ミ コ ン		407785	
C567	AA6336R	ELECTROLYTIC CAP.	10uF 50V	ケ ミ コ ン		407785	
C570	AA6300R	CERAMIC CAPACITOR (CHIP)	100pF 50V J	チ ッ プ セ ラ コ ン		065473	
C571	AA6300R	CERAMIC CAPACITOR (CHIP)	100pF 50V J	チ ッ プ セ ラ コ ン		065473	
C572	WJ592300	CERAMIC CAPACITOR (CHIP)	0.1uF Z	チ ッ プ セ ラ コ ン		431122	01
C573	WJ592300	CERAMIC CAPACITOR (CHIP)	0.1uF Z	チ ッ プ セ ラ コ ン		431122	01
C595	AA6300R	CERAMIC CAPACITOR (CHIP)	100pF 50V J	チ ッ プ セ ラ コ ン		065473	
* C856	WP064200	CERAMIC CAPACITOR (CHIP)	4.7uF 25V	チ ッ プ セ ラ コ ン		458416	
* C859	WP064200	CERAMIC CAPACITOR (CHIP)	4.7uF 25V	チ ッ プ セ ラ コ ン		458416	
C917	AA6299R	ELECTROLYTIC CAP. (CHIP)	10uF 35V	チ ッ プ ケ ミ コ ン		412428	
C918	AA6299R	ELECTROLYTIC CAP. (CHIP)	10uF 35V	チ ッ プ ケ ミ コ ン		412428	

*: New Parts

RANK: Japan only

CONTROL and INPUT and MOTHER

REF NO.	PART NO.	DESCRIPTION		部 品 名	REMARKS	QTY	RANK
C989	AA6299R	ELECTROLYTIC CAP. (CHIP)	10uF 35V	チ ッ プ ケ ミ コ ン		412428	
CN1	WP923100	CORD ASSEMBLY	EH3P 80 A1H0	コ ー ド A s s ' y		469868	
CN24	WP923900	CORD ASSEMBLY	PH5P 140 A1H0	コ ー ド A s s ' y		473376	
CN25	WP923600	CONNECTOR BASE POST	6P GPHA102-0602A156	コ ネ ク タ 6 P		470634	
CN26	WP923500	CONNECTOR BASE POST	6P GSHD106-0602A06	コ ネ ク タ 6 P		470633	
CN541	WP033100	CONNECTOR BASE POST	4P B4P-VH	コ ネ ク タ 4 P		081669	
CN542	WP920600	CONNECTOR BASE POST	5P B05B-PH-K-S	コ ネ ク タ 5 P		081702	
CN543	WJ593700	CONNECTOR BASE POST	10P 53290-1080 LF	コ ネ ク タ 1 0 P		444917	07
CN544	WJ593800	CONNECTOR BASE POST	11P 53290-1180 LF	コ ネ ク タ 1 1 P		444918	07
CN546	AA64369R	CONNECTOR BASE POST	2P B2P-VH	コ ネ ク タ 2 P		081661	02
D311	XX698570	DIODE (CHIP)	1SS355 TE-17	ダ イ オ ー ド		069444	
D391	XX698570	DIODE (CHIP)	1SS355 TE-17	ダ イ オ ー ド		069444	
D501	WP923800	LED GREEN	SEL1410GM GRN LF	L E D 緑	POWER	472210	
D541	XX698570	DIODE (CHIP)	1SS355 TE-17	ダ イ オ ー ド		069444	
D542	XX698570	DIODE (CHIP)	1SS355 TE-17	ダ イ オ ー ド		069444	
D543	WN949300	ZENER DIODE	MTZJ12B T-77	ツ ェ ナ ー ダ イ オ ー ド		069170	
D601	WP920500	LED RED	SEL1110R RED	L E D 赤	LIMITER	069806	
EP510	XX698880	LUG TERMINAL	MET37-0001	ラ グ 端 子		075878	
EP511	XX698880	LUG TERMINAL	MET37-0001	ラ グ 端 子		075878	
IC101	AA6275R	IC (CHIP)	NJM2068M-D TE1	I C	OP AMP	070170	04
IC102	AA6275R	IC (CHIP)	NJM2068M-D TE1	I C	OP AMP	070170	04
IC104	AA6275R	IC (CHIP)	NJM2068M-D TE1	I C	OP AMP	070170	04
IC302	AA6275R	IC (CHIP)	NJM2068M-D TE1	I C	OP AMP	070170	04
-304	AA6275R	IC (CHIP)	NJM2068M-D TE1	I C	OP AMP	070170	04
IC541	AA6275R	IC (CHIP)	NJM2068M-D TE1	I C	OP AMP	070170	04
JK101	AA6305R	PHONE JACK BLACK	MSJ-064-20A LF	ホ ー ン ジャ ッ ク	INPUT 1	407764	04
JK102	AA6306R	CANNON CONNECTOR	XLR-301J-A LF	キャ ノ ン ジャ ッ ク	INPUT 1	407767	06
JK301	AA6305R	PHONE JACK BLACK	MSJ-064-20A LF	ホ ー ン ジャ ッ ク	INPUT 2	407764	04
JK302	AA6305R	PHONE JACK BLACK	MSJ-064-20A LF	ホ ー ン ジャ ッ ク	INPUT 3	407764	04
JK303	AA6307R	RCA JACK NICKEL	2P MSP-532HV1-21LF	R C A ジャ ッ ク 2 P	INPUT 2/3	407765	03
JK404	AA6305R	PHONE JACK BLACK	MSJ-064-20A LF	ホ ー ン ジャ ッ ク	LINK OUT	407764	04
L101	WJ594200	COIL	MMZ1608A152ET T LF	コ イ ル		436042	01
L102	WJ594200	COIL	MMZ1608A152ET T LF	コ イ ル		436042	01
L301	WJ594200	COIL	MMZ1608A152ET T LF	コ イ ル		436042	01
L302	WJ594200	COIL	MMZ1608A152ET T LF	コ イ ル		436042	01
L412	WJ594200	COIL	MMZ1608A152ET T LF	コ イ ル		436042	01
L413	WJ594200	COIL	MMZ1608A152ET T LF	コ イ ル		436042	01
L541	AA6323R	COIL	ACM1211-102-2PL LF	コ イ ル		413260	
Q105	AA6277R	TRANSISTOR (CHIP)	KRA102S-RTK/P T LF	ト ラ ン ジ ス タ		402267	01
Q106	AA645980	TRANSISTOR (CHIP)	2SC2412K QRS T146	ト ラ ン ジ ス タ		068775	
Q108	AA6404R	FET	2SK246 BL (-F)	F E T		407813	03
Q111	AA645980	TRANSISTOR (CHIP)	2SC2412K QRS T146	ト ラ ン ジ ス タ		068775	
Q112	AA6371R	TRANSISTOR (CHIP)	2SA1037AK QRS T146	ト ラ ン ジ ス タ		068590	
Q113	AA645980	TRANSISTOR (CHIP)	2SC2412K QRS T146	ト ラ ン ジ ス タ		068775	
Q114	AA645980	TRANSISTOR (CHIP)	2SC2412K QRS T146	ト ラ ン ジ ス タ		068775	
Q115	WP922600	TRANSISTOR	KTC3200 GRBL AT	ト ラ ン ジ ス タ		358033	
Q541	AA645980	TRANSISTOR (CHIP)	2SC2412K QRS T146	ト ラ ン ジ ス タ		068775	
-543	AA645980	TRANSISTOR (CHIP)	2SC2412K QRS T146	ト ラ ン ジ ス タ		068775	
Q544	AA6371R	TRANSISTOR (CHIP)	2SA1037AK QRS T146	ト ラ ン ジ ス タ		068590	
Q545	AA645980	TRANSISTOR (CHIP)	2SC2412K QRS T146	ト ラ ン ジ ス タ		068775	
Q546	AA6371R	TRANSISTOR (CHIP)	2SA1037AK QRS T146	ト ラ ン ジ ス タ		068590	
Q547	AA6371R	TRANSISTOR (CHIP)	2SA1037AK QRS T146	ト ラ ン ジ ス タ		068590	
Q548	AA645980	TRANSISTOR (CHIP)	2SC2412K QRS T146	ト ラ ン ジ ス タ		068775	
Q556	WJ612600	TRANSISTOR	KTC2026 YGR	ト ラ ン ジ ス タ		362783	04
Q558	WJ614000	DIGITAL TRANSISTOR	DTC114EKA T146	デ ジ タ ル ト ラ ン ジ ス タ		069349	01
Q559	WJ614000	DIGITAL TRANSISTOR	DTC114EKA T146	デ ジ タ ル ト ラ ン ジ ス タ		069349	01
Q565	AA645980	TRANSISTOR (CHIP)	2SC2412K QRS T146	ト ラ ン ジ ス タ		068775	
R101	AA6279R	CARBON RESISTOR (CHIP)	1.5K J	チ ッ プ 抵 抗		067508	
R102	AA6311R	CARBON RESISTOR (CHIP)	3.3K J	チ ッ プ 抵 抗		067531	
R103	AA6312R	CARBON RESISTOR (CHIP)	1M J	チ ッ プ 抵 抗		067500	
R105	AA6279R	CARBON RESISTOR (CHIP)	1.5K J	チ ッ プ 抵 抗		067508	
R106	WP034100	CARBON RESISTOR (CHIP)	3.6K J	チ ッ プ 抵 抗		338926	
R107	WP034100	CARBON RESISTOR (CHIP)	3.6K J	チ ッ プ 抵 抗		338926	
R108	AA6314R	CARBON RESISTOR (CHIP)	220K J	チ ッ プ 抵 抗		067521	
R110	AA6315R	CARBON RESISTOR (CHIP)	10 J	チ ッ プ 抵 抗		067492	01
R112	AA6314R	CARBON RESISTOR (CHIP)	220K J	チ ッ プ 抵 抗		067521	
R115	AA6315R	CARBON RESISTOR (CHIP)	10 J	チ ッ プ 抵 抗		067492	01
R117	AA6312R	CARBON RESISTOR (CHIP)	1M J	チ ッ プ 抵 抗		067500	
R118	AA6311R	CARBON RESISTOR (CHIP)	3.3K J	チ ッ プ 抵 抗		067531	
R119	AA6316R	CARBON RESISTOR (CHIP)	120K J	チ ッ プ 抵 抗		067505	

*: New Parts

RANK: Japan only

CONTROL and INPUT and MOTHER

REF NO.	PART NO.	DESCRIPTION	部	品	名	REMARKS	QTY	RANK	
R120	AA6316R	CARBON RESISTOR (CHIP)	120K J	チ	ツ	ブ	抵抗	067505	
R154	AA6281R	CARBON RESISTOR (CHIP)	1K J	チ	ツ	ブ	抵抗	067495	
R202	AA6288R	CARBON RESISTOR (CHIP)	10K J	チ	ツ	ブ	抵抗	067497	03
R203	AA6288R	CARBON RESISTOR (CHIP)	10K J	チ	ツ	ブ	抵抗	067497	03
R204	AA6409R	CARBON RESISTOR (CHIP)	0.00 J	チ	ツ	ブ	抵抗	067491	
R219	AA6280R	CARBON RESISTOR (CHIP)	47K J	チ	ツ	ブ	抵抗	067546	
R220	AA6287R	CARBON RESISTOR (CHIP)	5.6K J	チ	ツ	ブ	抵抗	067553	
R221	AA6288R	CARBON RESISTOR (CHIP)	10K J	チ	ツ	ブ	抵抗	067497	03
R222	AA6380R	CARBON RESISTOR (CHIP)	8.2K J	チ	ツ	ブ	抵抗	067562	
R301	AA6388R	CARBON RESISTOR (CHIP)	4.7K J	チ	ツ	ブ	抵抗	067545	
R302	AA6288R	CARBON RESISTOR (CHIP)	10K J	チ	ツ	ブ	抵抗	067497	03
R303	AA6388R	CARBON RESISTOR (CHIP)	4.7K J	チ	ツ	ブ	抵抗	067545	
R304	AA6292R	CARBON RESISTOR (CHIP)	100K J	チ	ツ	ブ	抵抗	067499	
R305	AA6279R	CARBON RESISTOR (CHIP)	1.5K J	チ	ツ	ブ	抵抗	067508	
R309	AA6279R	CARBON RESISTOR (CHIP)	1.5K J	チ	ツ	ブ	抵抗	067508	
R310	AA6285R	CARBON RESISTOR (CHIP)	2.2K J	チ	ツ	ブ	抵抗	067519	
R311	AA6407R	CARBON RESISTOR (CHIP)	12K J	チ	ツ	ブ	抵抗	067504	
R312	AA6313R	CARBON RESISTOR (CHIP)	3.9K J	チ	ツ	ブ	抵抗	067539	
R313	AA6280R	CARBON RESISTOR (CHIP)	47K J	チ	ツ	ブ	抵抗	067546	
R314	AA6388R	CARBON RESISTOR (CHIP)	4.7K J	チ	ツ	ブ	抵抗	067545	
R315	AA6288R	CARBON RESISTOR (CHIP)	10K J	チ	ツ	ブ	抵抗	067497	03
R316	AA6388R	CARBON RESISTOR (CHIP)	4.7K J	チ	ツ	ブ	抵抗	067545	
R317	AA6292R	CARBON RESISTOR (CHIP)	100K J	チ	ツ	ブ	抵抗	067499	
R322	AA6279R	CARBON RESISTOR (CHIP)	1.5K J	チ	ツ	ブ	抵抗	067508	
R323	AA6285R	CARBON RESISTOR (CHIP)	2.2K J	チ	ツ	ブ	抵抗	067519	
R324	AA6407R	CARBON RESISTOR (CHIP)	12K J	チ	ツ	ブ	抵抗	067504	
R325	AA6313R	CARBON RESISTOR (CHIP)	3.9K J	チ	ツ	ブ	抵抗	067539	
R326	AA6280R	CARBON RESISTOR (CHIP)	47K J	チ	ツ	ブ	抵抗	067546	
R329	AA6279R	CARBON RESISTOR (CHIP)	1.5K J	チ	ツ	ブ	抵抗	067508	
R341	AA6288R	CARBON RESISTOR (CHIP)	10K J	チ	ツ	ブ	抵抗	067497	03
-344	AA6288R	CARBON RESISTOR (CHIP)	10K J	チ	ツ	ブ	抵抗	067497	03
R345	AA6314R	CARBON RESISTOR (CHIP)	220K J	チ	ツ	ブ	抵抗	067521	
R354	AA6382R	CARBON RESISTOR (CHIP)	56K J	チ	ツ	ブ	抵抗	067554	
R355	AA6292R	CARBON RESISTOR (CHIP)	100K J	チ	ツ	ブ	抵抗	067499	
R356	AA6279R	CARBON RESISTOR (CHIP)	1.5K J	チ	ツ	ブ	抵抗	067508	
R357	WJ606700	CARBON RESISTOR (CHIP)	6.8K J	チ	ツ	ブ	抵抗	067558	01
* R358	WP034700	CARBON RESISTOR (CHIP)	43K@J	チ	ツ	ブ	抵抗	396548	
R359	AA6288R	CARBON RESISTOR (CHIP)	10K J	チ	ツ	ブ	抵抗	067497	03
R360	WJ606400	CARBON RESISTOR (CHIP)	150K J	チ	ツ	ブ	抵抗	067510	01
R361	WJ606400	CARBON RESISTOR (CHIP)	150K J	チ	ツ	ブ	抵抗	067510	01
R362	AA6282R	CARBON RESISTOR (CHIP)	270K J	チ	ツ	ブ	抵抗	067528	
R363	AA6284R	CARBON RESISTOR (CHIP)	68K J	チ	ツ	ブ	抵抗	067559	
R364	AA6281R	CARBON RESISTOR (CHIP)	1K J	チ	ツ	ブ	抵抗	067495	
R365	AA6278R	CARBON RESISTOR (CHIP)	33K J	チ	ツ	ブ	抵抗	067532	
R368	AA6310R	CARBON RESISTOR (CHIP)	1.8K J	チ	ツ	ブ	抵抗	067514	
R370	WJ599600	CARBON RESISTOR (CHIP)	220 J	チ	ツ	ブ	抵抗	067518	01
R371	AA6285R	CARBON RESISTOR (CHIP)	2.2K J	チ	ツ	ブ	抵抗	067519	
-374	AA6285R	CARBON RESISTOR (CHIP)	2.2K J	チ	ツ	ブ	抵抗	067519	
R381	AA6288R	CARBON RESISTOR (CHIP)	10K J	チ	ツ	ブ	抵抗	067497	03
-383	AA6288R	CARBON RESISTOR (CHIP)	10K J	チ	ツ	ブ	抵抗	067497	03
R384	AA6409R	CARBON RESISTOR (CHIP)	0.00 J	チ	ツ	ブ	抵抗	067491	
R385	AA6317R	CARBON RESISTOR (CHIP)	560 J	チ	ツ	ブ	抵抗	067551	
R391	AA6388R	CARBON RESISTOR (CHIP)	4.7K J	チ	ツ	ブ	抵抗	067545	
R392	AA6388R	CARBON RESISTOR (CHIP)	4.7K J	チ	ツ	ブ	抵抗	067545	
R393	AA6291R	CARBON RESISTOR (CHIP)	15K J	チ	ツ	ブ	抵抗	067509	
R394	AA6291R	CARBON RESISTOR (CHIP)	15K J	チ	ツ	ブ	抵抗	067509	
R395	AA6288R	CARBON RESISTOR (CHIP)	10K J	チ	ツ	ブ	抵抗	067497	03
R396	AA6291R	CARBON RESISTOR (CHIP)	15K J	チ	ツ	ブ	抵抗	067509	
R397	AA6288R	CARBON RESISTOR (CHIP)	10K J	チ	ツ	ブ	抵抗	067497	03
R398	AA6388R	CARBON RESISTOR (CHIP)	4.7K J	チ	ツ	ブ	抵抗	067545	
R399	AA6388R	CARBON RESISTOR (CHIP)	4.7K J	チ	ツ	ブ	抵抗	067545	
R466	AA6409R	CARBON RESISTOR (CHIP)	0.00 J	チ	ツ	ブ	抵抗	067491	
R470	AA6317R	CARBON RESISTOR (CHIP)	560 J	チ	ツ	ブ	抵抗	067551	
R531	WJ599500	CARBON RESISTOR (CHIP)	100 J	チ	ツ	ブ	抵抗	067493	01
* R535	WP034400	CARBON RESISTOR (CHIP)	560 J	チ	ツ	ブ	抵抗	368461	
R542	WJ607500	CARBON RESISTOR (CHIP)	360K J	チ	ツ	ブ	抵抗	448118	01
R543	WJ607500	CARBON RESISTOR (CHIP)	360K J	チ	ツ	ブ	抵抗	448118	01
R544	WJ607000	CARBON RESISTOR (CHIP)	200K F	チ	ツ	ブ	抵抗	068353	01
R545	WJ600200	CARBON RESISTOR (CHIP)	51 J	チ	ツ	ブ	抵抗	333377	01
R546	AA6279R	CARBON RESISTOR (CHIP)	1.5K J	チ	ツ	ブ	抵抗	067508	

*: New Parts

RANK: Japan only

CONTROL and INPUT and MOTHER and NETWORK and POWER-a and POWER-b

REF NO.	PART NO.	DESCRIPTION		部 品 名	REMARKS	QTY	RANK
R547	WJ606600	CARBON RESISTOR (CHIP)	330K J	チ ッ プ 抵 抗	067533		01
R548	WJ606600	CARBON RESISTOR (CHIP)	330K J	チ ッ プ 抵 抗	067533		01
R549	WJ607000	CARBON RESISTOR (CHIP)	200K F	チ ッ プ 抵 抗	068353		01
R550	WJ600200	CARBON RESISTOR (CHIP)	51 J	チ ッ プ 抵 抗	333377		01
R551	AAx6279R	CARBON RESISTOR (CHIP)	1.5K J	チ ッ プ 抵 抗	067508		
R563	AAx6312R	CARBON RESISTOR (CHIP)	1M J	チ ッ プ 抵 抗	067500		
R564	AAx6288R	CARBON RESISTOR (CHIP)	10K J	チ ッ プ 抵 抗	067497		03
R565	AAx6286R	CARBON RESISTOR (CHIP)	150K J	チ ッ プ 抵 抗	067511		
R566	AAx6288R	CARBON RESISTOR (CHIP)	10K J	チ ッ プ 抵 抗	067497		03
R567	AAx6387R	CARBON RESISTOR (CHIP)	560K J	チ ッ プ 抵 抗	067555		
R568	AAx6292R	CARBON RESISTOR (CHIP)	100K J	チ ッ プ 抵 抗	067499		
R569	AAx6382R	CARBON RESISTOR (CHIP)	56K J	チ ッ プ 抵 抗	067554		
R570	AAx6288R	CARBON RESISTOR (CHIP)	10K J	チ ッ プ 抵 抗	067497		03
R571	AAx6288R	CARBON RESISTOR (CHIP)	10K J	チ ッ プ 抵 抗	067497		03
R572	AAx6382R	CARBON RESISTOR (CHIP)	56K J	チ ッ プ 抵 抗	067554		
R573	AAx6288R	CARBON RESISTOR (CHIP)	10K J	チ ッ プ 抵 抗	067497		03
R574	AAx6280R	CARBON RESISTOR (CHIP)	47K J	チ ッ プ 抵 抗	067546		
R575	AAx6288R	CARBON RESISTOR (CHIP)	10K J	チ ッ プ 抵 抗	067497		03
R576	AAx6281R	CARBON RESISTOR (CHIP)	1K J	チ ッ プ 抵 抗	067495		
R580	AAx6288R	CARBON RESISTOR (CHIP)	10K J	チ ッ プ 抵 抗	067497		03
R581	AAx6281R	CARBON RESISTOR (CHIP)	1K J	チ ッ プ 抵 抗	067495		
R582	AAx6388R	CARBON RESISTOR (CHIP)	4.7K J	チ ッ プ 抵 抗	067545		
R583	AAx6288R	CARBON RESISTOR (CHIP)	10K J	チ ッ プ 抵 抗	067497		03
R589	AAx6285R	CARBON RESISTOR (CHIP)	2.2K J	チ ッ プ 抵 抗	067519		
R590	AAx6285R	CARBON RESISTOR (CHIP)	2.2K J	チ ッ プ 抵 抗	067519		
R594	AAx4270R	CARBON RESISTOR	22K 1/6W	カ ー ボ ン 抵 抗	067160		01
* R595	WN925900	METAL OXIDE FILM RESISTOR	470 2W	酸 化 金 属 被 膜 抵 抗	068043		
* R597	WN925900	METAL OXIDE FILM RESISTOR	470 2W	酸 化 金 属 被 膜 抵 抗	068043		
R598	AAx6288R	CARBON RESISTOR (CHIP)	10K J	チ ッ プ 抵 抗	067497		03
R605	AAx6316R	CARBON RESISTOR (CHIP)	120K J	チ ッ プ 抵 抗	067505		
R607	AAx6407R	CARBON RESISTOR (CHIP)	12K J	チ ッ プ 抵 抗	067504		
R610	AAx6409R	CARBON RESISTOR (CHIP)	0.00 J	チ ッ プ 抵 抗	067491		
R621	AAx6285R	CARBON RESISTOR (CHIP)	2.2K J	チ ッ プ 抵 抗	067519		
R622	AAx6285R	CARBON RESISTOR (CHIP)	2.2K J	チ ッ プ 抵 抗	067519		
S101	AAx6318R	PUSH SWITCH	PS-22E85-L5.2 LF	プ ッ シ ュ ス イ ッ チ	407770	MIC/LINE	03
* VR301	WP924700	ROTARY VARIABLE RESISTOR	B2K	ボ リ ウ ム	474439	LOW(CH1)	
* VR302	WP924700	ROTARY VARIABLE RESISTOR	B2K	ボ リ ウ ム	474439	HIGH(CH1)	
VR303	AAx6413R	ROTARY VARIABLE RESISTOR	15A20K 20KA LF	ボ リ ウ ム	407760	LEVEL(CH1)	03
* VR311	WP924700	ROTARY VARIABLE RESISTOR	B2K	ボ リ ウ ム	474439	LOW(CH2)	
* VR312	WP924700	ROTARY VARIABLE RESISTOR	B2K	ボ リ ウ ム	474439	HIGH(CH2)	
VR313	AAx6413R	ROTARY VARIABLE RESISTOR	15A20K 20KA LF	ボ リ ウ ム	407760	LEVEL(CH2)	03
ZN5	AAx6319R	VARISTOR	AVR-M1608C270KT2AB	バ リ ス タ	374351		02
ZN6	AAx6319R	VARISTOR	AVR-M1608C270KT2AB	バ リ ス タ	374351		02
ZN9	AAx6319R	VARISTOR	AVR-M1608C270KT2AB	バ リ ス タ	374351		02
ZN10	AAx6319R	VARISTOR	AVR-M1608C270KT2AB	バ リ ス タ	374351		02
* --	WP925300	CIRCUIT BOARD	NETWORK	NET WORK シ ー ト	470089-1		
--	--	CORD HOLDER	SKB-1M WH	イ ン シ ュ ロ ッ ク タ イ	080558		
--	--	CORD HOLDER	SKB-2M WH	イ ン シ ュ ロ ッ ク タ イ	080563		
CN8	AAx4369R	CONNECTOR BASE POST	2P B2P-VH	コ ネ ク タ 2 P	081661		02
C143	WJ589600	ELECTROLYTIC CAP.	4.7uF 100V	B P ケ ミ コ ン	447891		05
C144	WJ588300	FILM CAPACITOR	1.5uF 250V	フ ィ ル ム コ ン デ ン サ	447894		04
C145	WJ588400	FILM CAPACITOR	10uF 100V	フ ィ ル ム コ ン デ ン サ	447899		07
L103	WJ598000	COIL	0.6mH	コ イ ル	447889		09
L104	WJ598100	COIL	0.17mH	コ イ ル	447890		06
P.SW	WJ611800	PROTECTOR SWITCH	RXEF065 LF	ボ リ ス イ ッ チ	446830		05
P3	--	CORD ASSEMBLY	SP-WF 205N-SIN A	コ ー ド A s s ' y	(WP91460) 436034		
P4	--	CORD ASSEMBLY	SP-WF 110N-SIN A	コ ー ド A s s ' y	(WP91470) 436035		
P5	--	CORD ASSEMBLY	SP-TW 205N-SIN A	コ ー ド A s s ' y	(WP91510) 436036		
P6	--	CORD ASSEMBLY	SP-TW 110N-SIN A	コ ー ド A s s ' y	(WP91520) 436037		
* --	WP925500	CIRCUIT BOARD	POWER-a	P O W E R - a シ ー ト	469830-1		
* --	WP925700	CIRCUIT BOARD	POWER-b	P O W E R - b シ ー ト	469830-2		
--	--	HEATSINK	A1C7 A-2	ヒ ー ト シ ン ク	434646		2
--	AAx6335R	FUSE HOLDER	EYF-52BCY T	ヒ ュ ー ズ ホ ル ダ	404188		6
C801	WN831800	MYLAR CAPACITOR	0.01uF 100V	マ イ ラ コ ン	065002		
C802	WN831800	MYLAR CAPACITOR	0.01uF 100V	マ イ ラ コ ン	065002		
C803	WN904300	MYLAR CAPACITOR	0.1uF 100V	マ イ ラ コ ン	065009		
* C804	WN904300	MYLAR CAPACITOR	0.1uF 100V	マ イ ラ コ ン	065009		
* C805	WP922500	ELECTROLYTIC CAP.	10uF 16V	ケ ミ コ ン	353104		

*: New Parts

RANK: Japan only

POWER-a and POWER-b

REF NO.	PART NO.	DESCRIPTION		部 品 名	REMARKS	QTY	RANK
* C807	WP067600	ELECTROLYTIC CAP.	6800uF 80V	ケ ミ コ ン		469852	
* C808	WP067600	ELECTROLYTIC CAP.	6800uF 80V	ケ ミ コ ン		469852	
C809	AAX11280	MYLAR CAPACITOR	0.047uF	マ イ ラ コ ン		065118	
C810	AAX11280	MYLAR CAPACITOR	0.047uF	マ イ ラ コ ン		065118	
* C811	WP034800	ELECTROLYTIC CAP.	1000uF 35V	ケ ミ コ ン		402655	
* C812	WP034800	ELECTROLYTIC CAP.	1000uF 35V	ケ ミ コ ン		402655	
C813	AAX3452R	MYLAR CAPACITOR	0.1uF 50V J	マ イ ラ コ ン		064908	03
C814	AAX3452R	MYLAR CAPACITOR	0.1uF 50V J	マ イ ラ コ ン		064908	03
* C817	WP034300	ELECTROLYTIC CAP.	47uF 25V	ケ ミ コ ン		367300	
* C818	WP034300	ELECTROLYTIC CAP.	47uF 25V	ケ ミ コ ン		367300	
C819	AAX3452R	MYLAR CAPACITOR	0.1uF 50V J	マ イ ラ コ ン		064908	03
C820	AAX3452R	MYLAR CAPACITOR	0.1uF 50V J	マ イ ラ コ ン		064908	03
C821	WN832100	MYLAR CAPACITOR	0.22uF 50V J	マ イ ラ コ ン		065066	
* C822	WP128700	MYLAR CAPACITOR	0.1uF 275V	マ イ ラ コ ン		376369	
△	AAX6344R	CERAMIC CAPACITOR	1000pF 250V	セ ラ コ ン		360686	
CN801	WJ592900	CONNECTOR BASE POST	5P B 5P-VH	コ ネ ク タ 5 P		081672	02
* CN801	WP923000	CORD ASSEMBLY	VH5P 140 A1H0	コ ー ド A s s ' y		469866	
CN802	AAX28370	CONNECTOR BASE POST	3P B3B-EH	コ ネ ク タ 3 P		081465	
CN803	AAX4246R	BASE POST	2P B2B-EH	コ ネ ク タ 2 P		081439	01
* CN804	WP924000	CORD ASSEMBLY	VH4P 140 A1H0	コ ー ド A s s ' y		473377	
CN810	AAX10590	CONNECTOR BASE POST	2P B2P3-VH	コ ネ ク タ 2 P		081855	
* CN812	WP033400	CONNECTOR BASE POST	2P B2P4-VH	コ ネ ク タ 2 P		081670	
* D801	WP033900	DIODE	RBV602 LF-B	ダ イ オ ー ド		335252	
D802	WJ594800	DIODE	AG01ZV0 T	ダ イ オ ー ド		358078	03
-805	WJ594800	DIODE	AG01ZV0 T	ダ イ オ ー ド		358078	03
D806	AAX4255R	DIODE	1SS133	ダ イ オ ー ド		069460	01
-809	AAX4255R	DIODE	1SS133	ダ イ オ ー ド		069460	01
D810	WN949300	ZENER DIODE	MTZJ12B T-77	ツ ェ ナ ー ダ イ オ ー ド		069170	
EP2	XX698880	LUG TERMINAL	MET37-0001	ラ グ 端 子		075878	
IC801	AAX6364R	IC	KIA7815API-U/P	レギュレーター	REGULATOR +15V	407826	03
IC802	AAX6366R	IC	KIA7915PI-U/P	レギュレーター	REGULATOR -15V	407827	03
R801	AAX4265R	CARBON RESISTOR	56K 1/6W	カ ー ボ ン 抵 抗		067273	01
R802	AAX4265R	CARBON RESISTOR	56K 1/6W	カ ー ボ ン 抵 抗		067273	01
R803	AAX4269R	CARBON RESISTOR	33K 1/6W	カ ー ボ ン 抵 抗		067207	01
R804	AAX4269R	CARBON RESISTOR	33K 1/6W	カ ー ボ ン 抵 抗		067207	01
* R815	WP920400	METAL OXIDE FILM RESISTOR	68 2W	金 属 被 膜 抵 抗		068056	
△	AAX6859R	AC CORD	U	電 源 コ ー ド	U	369532	08
△	AAX8241R	AC CORD	O (CHN)	電 源 コ ー ド	O	414426	12
△	AAX6858R	AC CORD	J	電 源 コ ー ド	J	414427	08
△	WH667300	AC CORD	T	電 源 コ ー ド	T	444018	09
△	AAX6861R	AC CORD	BS	電 源 コ ー ド	B	444740	12
△	AAX6860R	AC CORD	E	電 源 コ ー ド	E,A,K	444741	08
* X9893A00	POWER TRANSFORMER	A1H0A0 LF	電 源 ト ラ ン ス	J	469856		
* X9894A00	POWER TRANSFORMER	A1H0B0 LF	電 源 ト ラ ン ス	U,T	469857		
* X9895A00	POWER TRANSFORMER	A1H0D0 LF	電 源 ト ラ ン ス	A	469858		
* X9896A00	POWER TRANSFORMER	A1H0E0 LF	電 源 ト ラ ン ス	B,E	469859		
* X9897A00	POWER TRANSFORMER	A1H0L0 LF	電 源 ト ラ ン ス	K,O	471992		
△	WN980900	FUSE	T315mA 250V	ヒ ュ ー ズ	F801	474194	
△	WN980900	FUSE	T315mA 250V	ヒ ュ ー ズ	F802	474194	
△	WJ272700	FUSE	T4A 250V	ヒ ュ ー ズ	F803 J,U,T	052551	03
△	WP924800	FUSE	1.6A 250V	ヒ ュ ー ズ	F803 A,B,E,K,O	474956	
△	WJ279800	AC INLET	SS-120-2.0	A C イ ン レ ッ ト		446341	04
* WP914100	POWER SWITCH	RF-10030BBG8A1H1	電 源 ス イ ッ チ	POWER	402656		
* WP449900	POSITIVE THERMISTOR	PTFM04BF471Q2N34B0	ボ ジ ス タ	TH501	068557		
* WP922800	FAN	4010L12S ND6 LF	フ ァ ン		413031		

*: New Parts

RANK: Japan only

POWERED SPEAKER

MSR250

CIRCUIT DIAGRAM

■ CONTENTS (目次)

BLOCK & LEVEL DIAGRAM (ブロック&レベルダイアグラム)	3
CIRCUIT DIAGRAM (回路図)	
INPUT	4
CONTROL	5
MOTHER, NETWORK	6
AMP	7
POWER	8

■ Capacitor (コンデンサー)

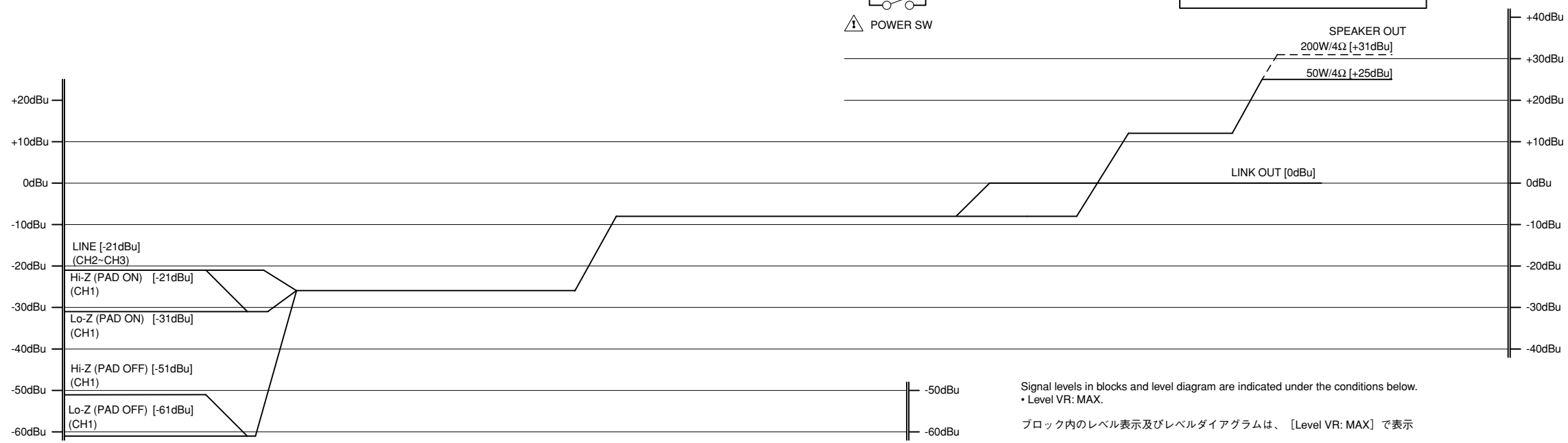
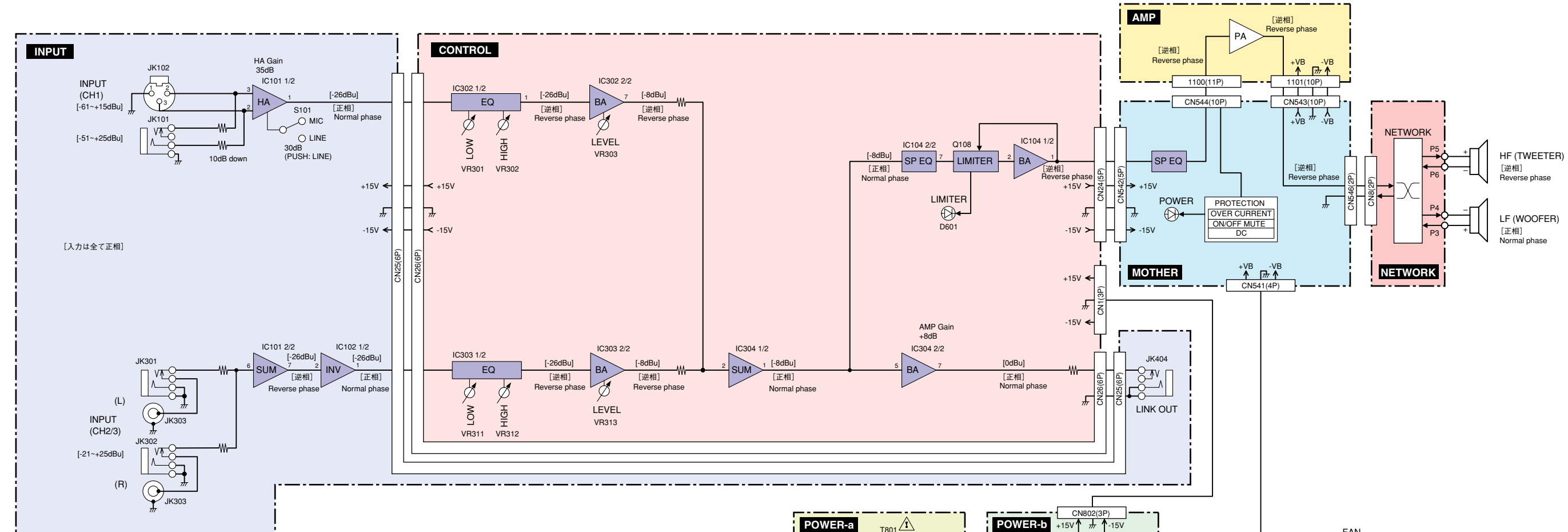
♯	: Electrolytic Capacitor	(ケミカルコンデンサー)
(MY)	: Mylar Capacitor	(マイラーコンデンサー)

■ WARNING (注意)

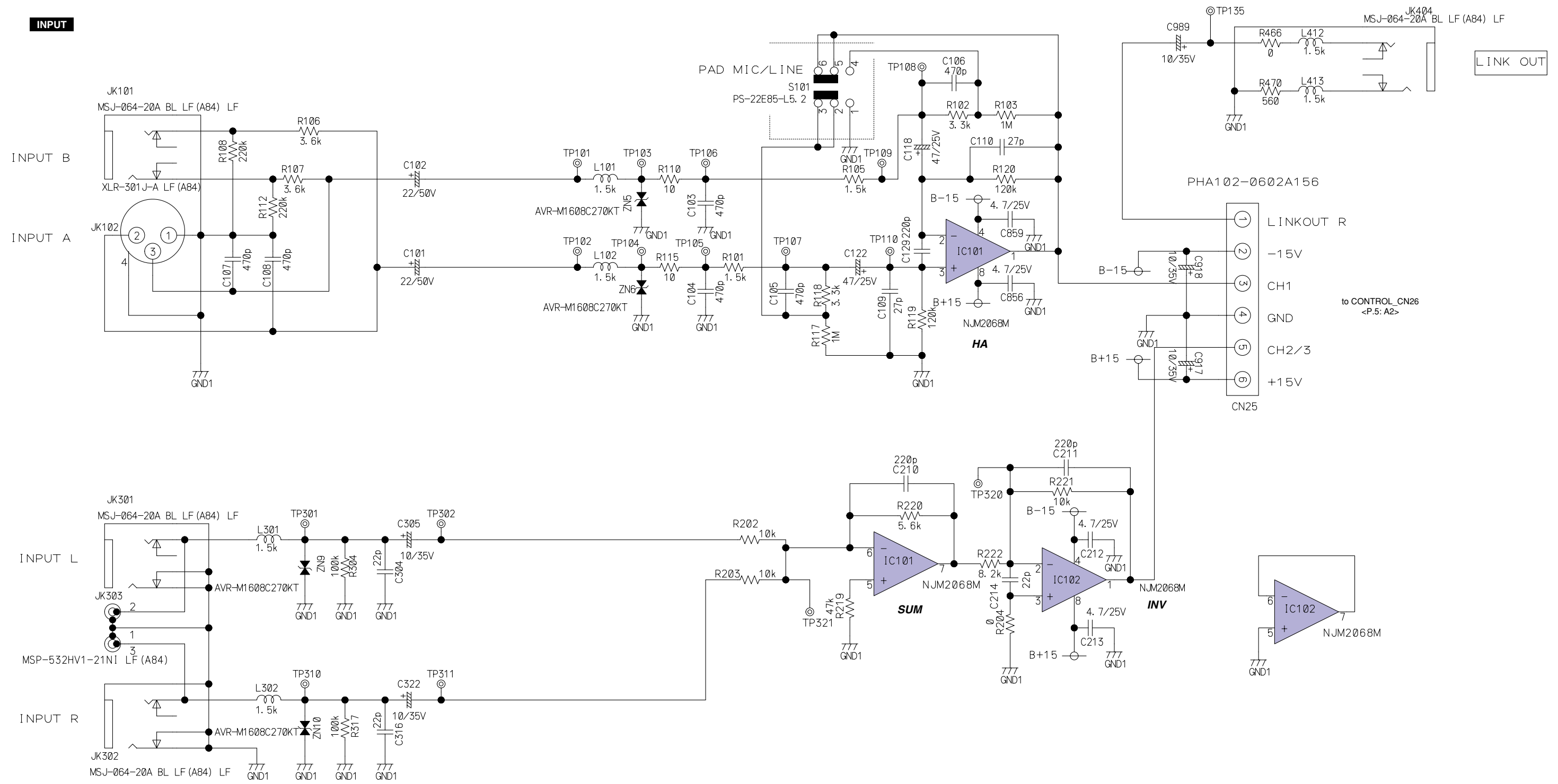
Components having special characteristics are marked \triangle and must be replaced with parts having specification equal to those originally installed.

\triangle 印の部品は、安全を維持するために重要な部品です。交換する場合は、安全のために必ず指定の部品をご使用ください。

BLOCK & LEVEL DIAGRAM (ブロック&レベルダイアグラム)



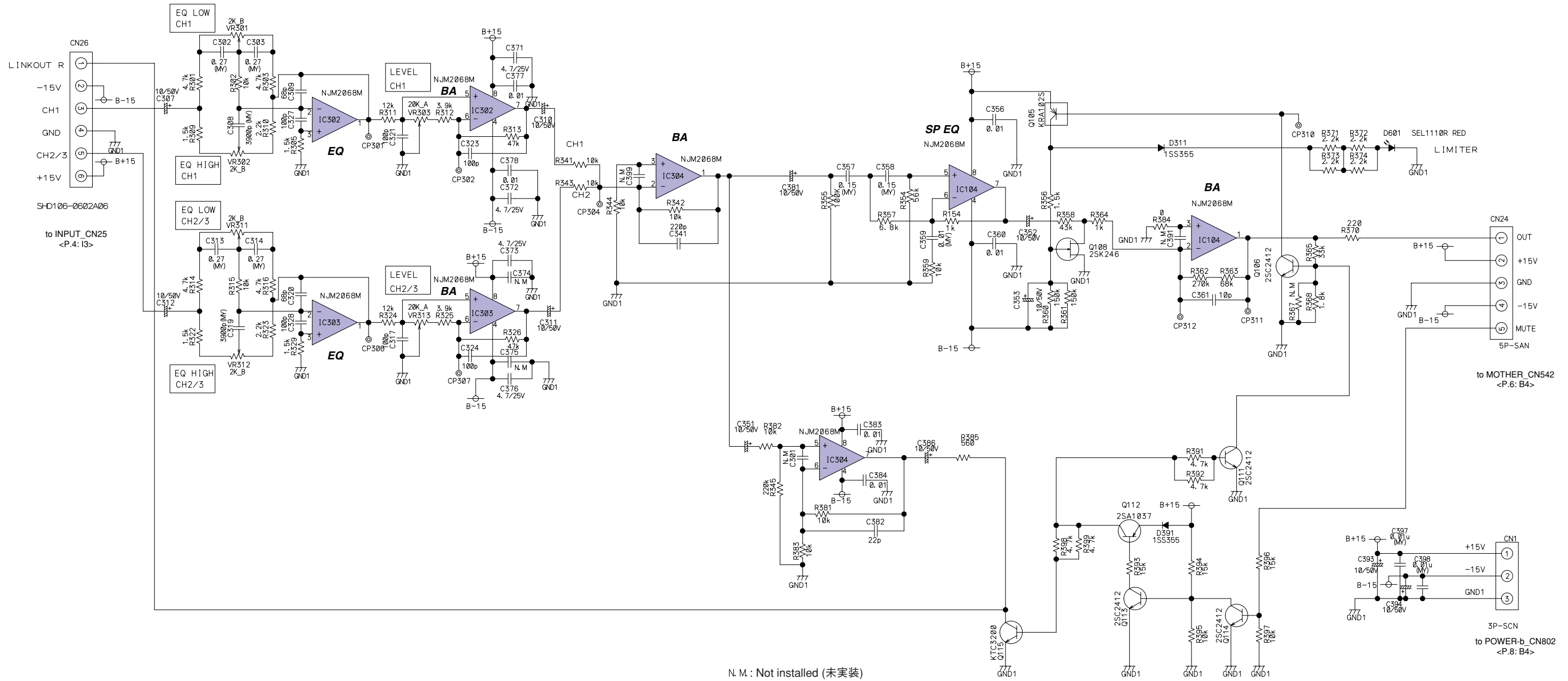
CIRCUIT DIAGRAM 1/5 (INPUT)



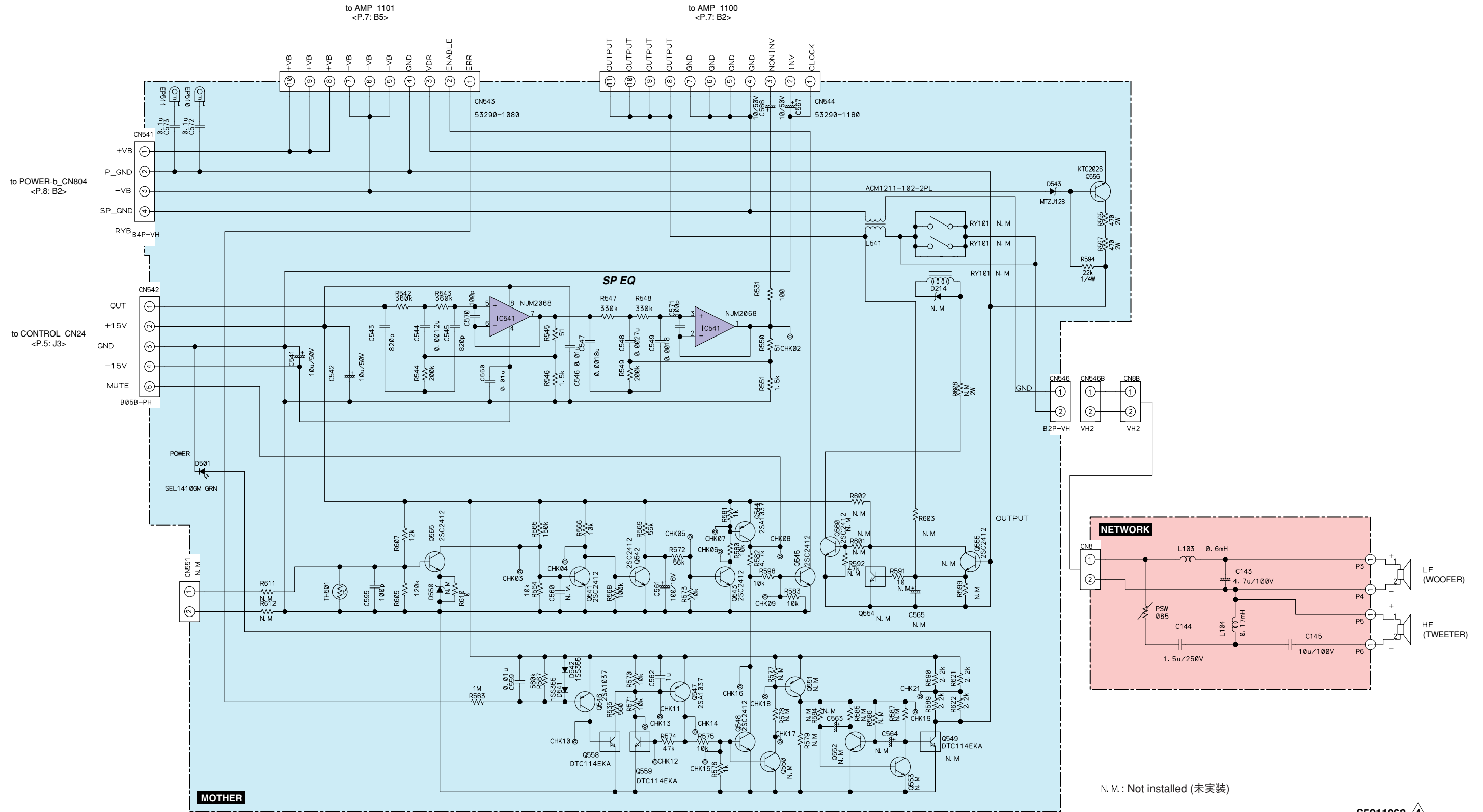
See parts list for details of circuit board component parts.
 シート部品詳細は、パーツリストをご参照ください。

CIRCUIT DIAGRAM 2/5 (CONTROL)

CONTROL



CIRCUIT DIAGRAM 3/5 (MOTHER, NETWORK)



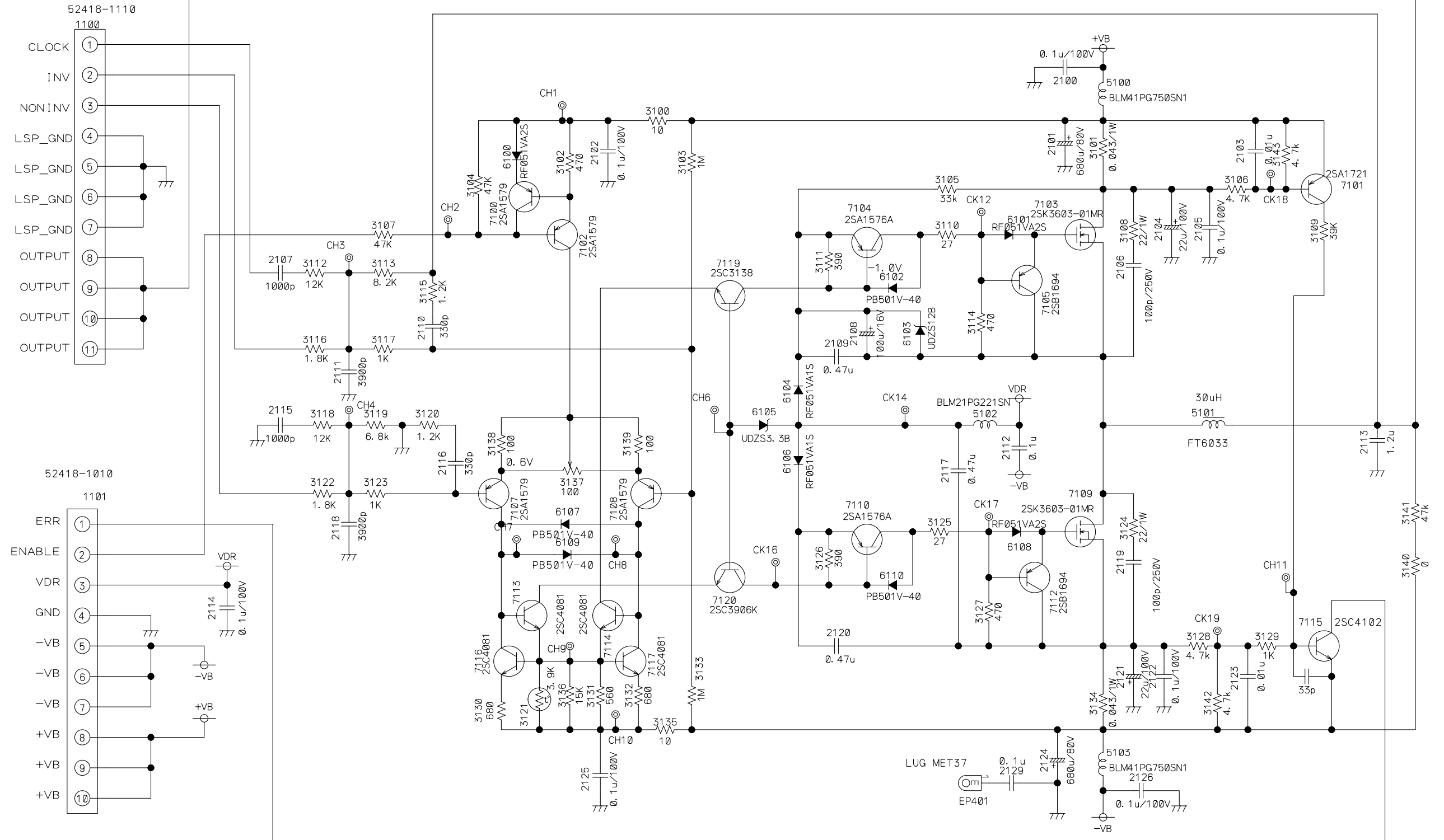
S5011963 4

CIRCUIT DIAGRAM 4/5 (AMP)

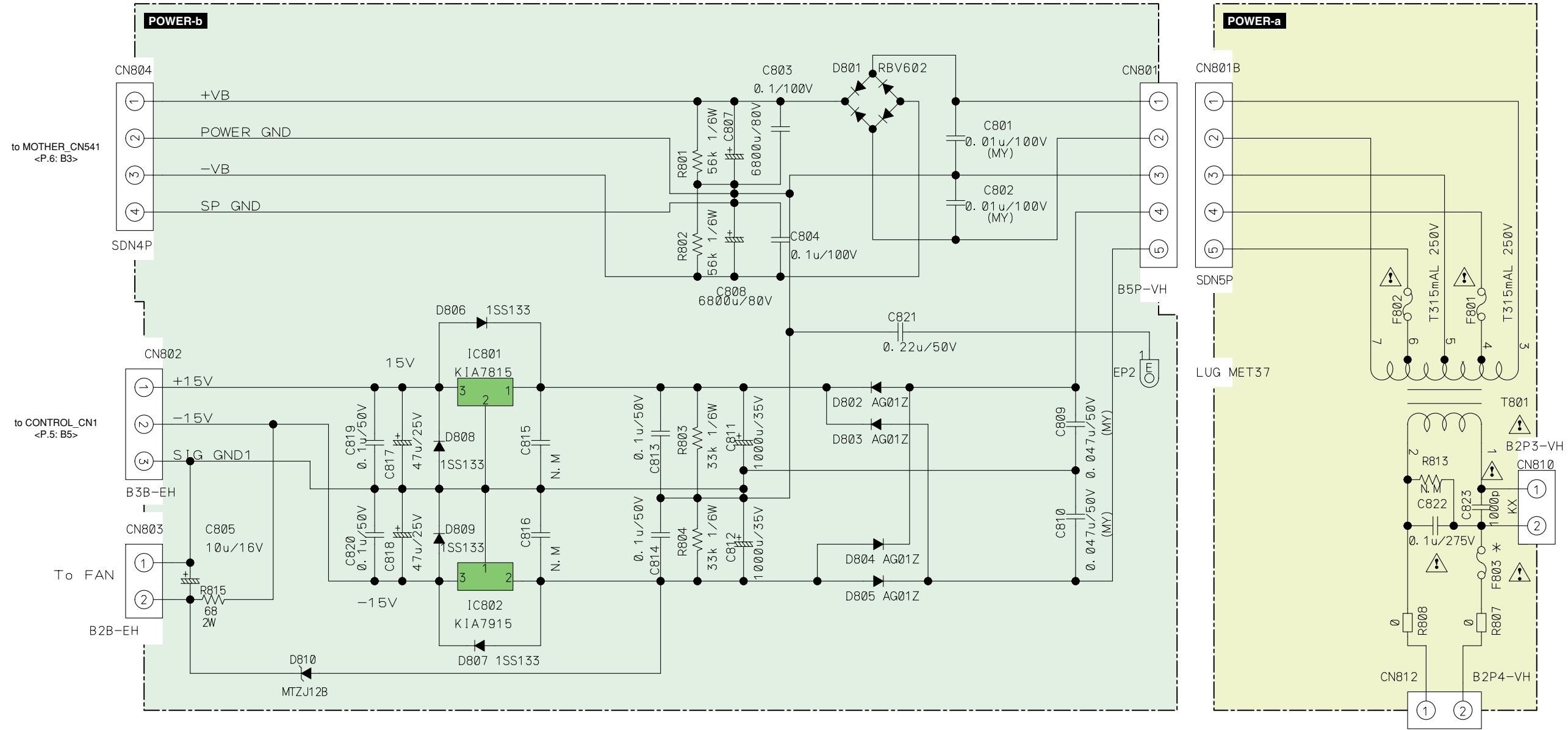
AMP

to MOTHER_CN544
<P.6: F2>

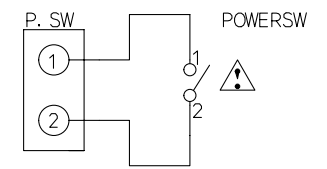
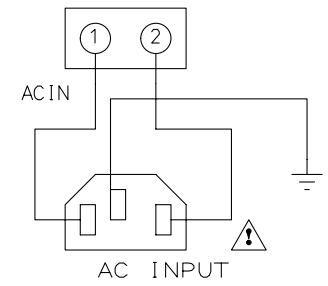
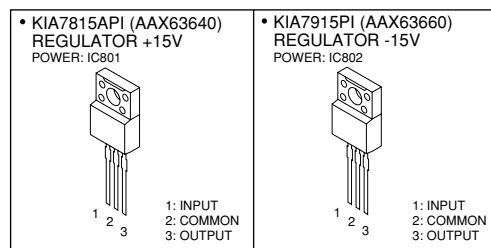
to MOTHER_CN543
<P.6: C2>



CIRCUIT DIAGRAM 5/5 (POWER)



* F803: T4AL 250V (J, U, T)
T1.6AL 250V (A, B, E, K, O)
N.M. : Not installed (未実装)



POWERED SPEAKER

MSR250
