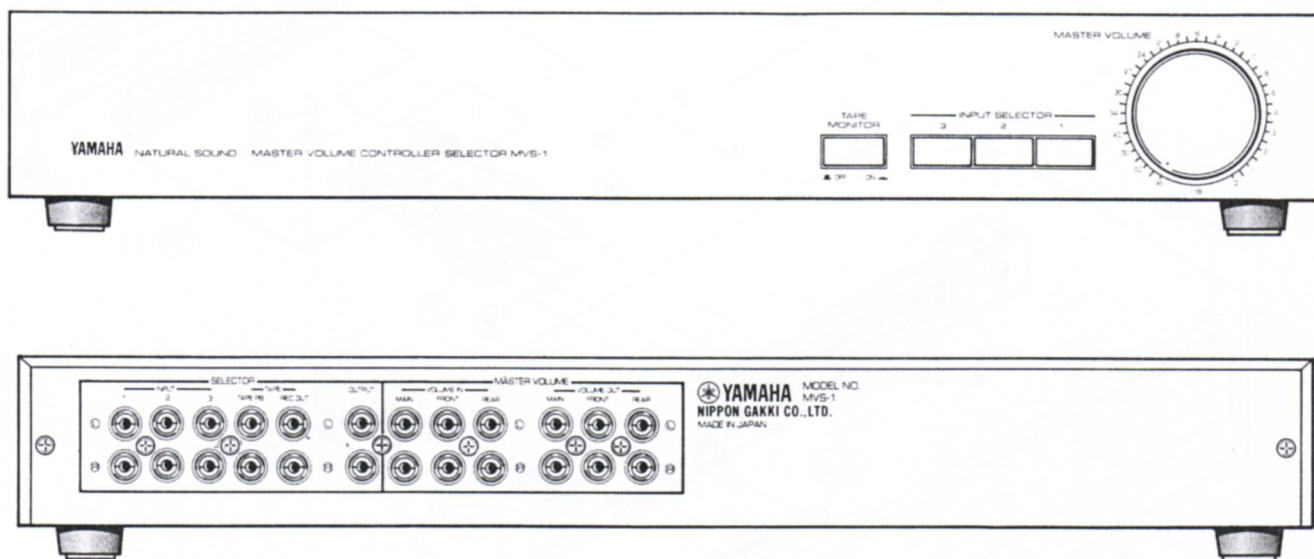


MASTER VOLUME CONTROLLER/SELECTOR MVS-1

SERVICE MANUAL



■ SPECIFICATIONS

Input/Output Jacks	
Inputs/Impedance	INPUT (1, 2, 3) L, R/33k Ω TAPE PB L, R/50k Ω VOLUME IN (MAIN, FRONT, REAR) L, R/10k Ω
Outputs	REC OUT L, R OUTPUT L, R VOLUME OUT (MAIN, FRONT, REAR) L, R
Dimensions (W x H x D)	435 x 72 x 286 mm (17-1/8" x 2-7/8" x 11-1/4")
Weight	2.5kg (5 lb 8 oz)

■ CONTENTS

EXPLODED VIEW	1
PARTS LIST	2
PRINTED CIRCUIT BOARD	3
SCHEMATIC DIAGRAM	3

100105

SINCE 1887



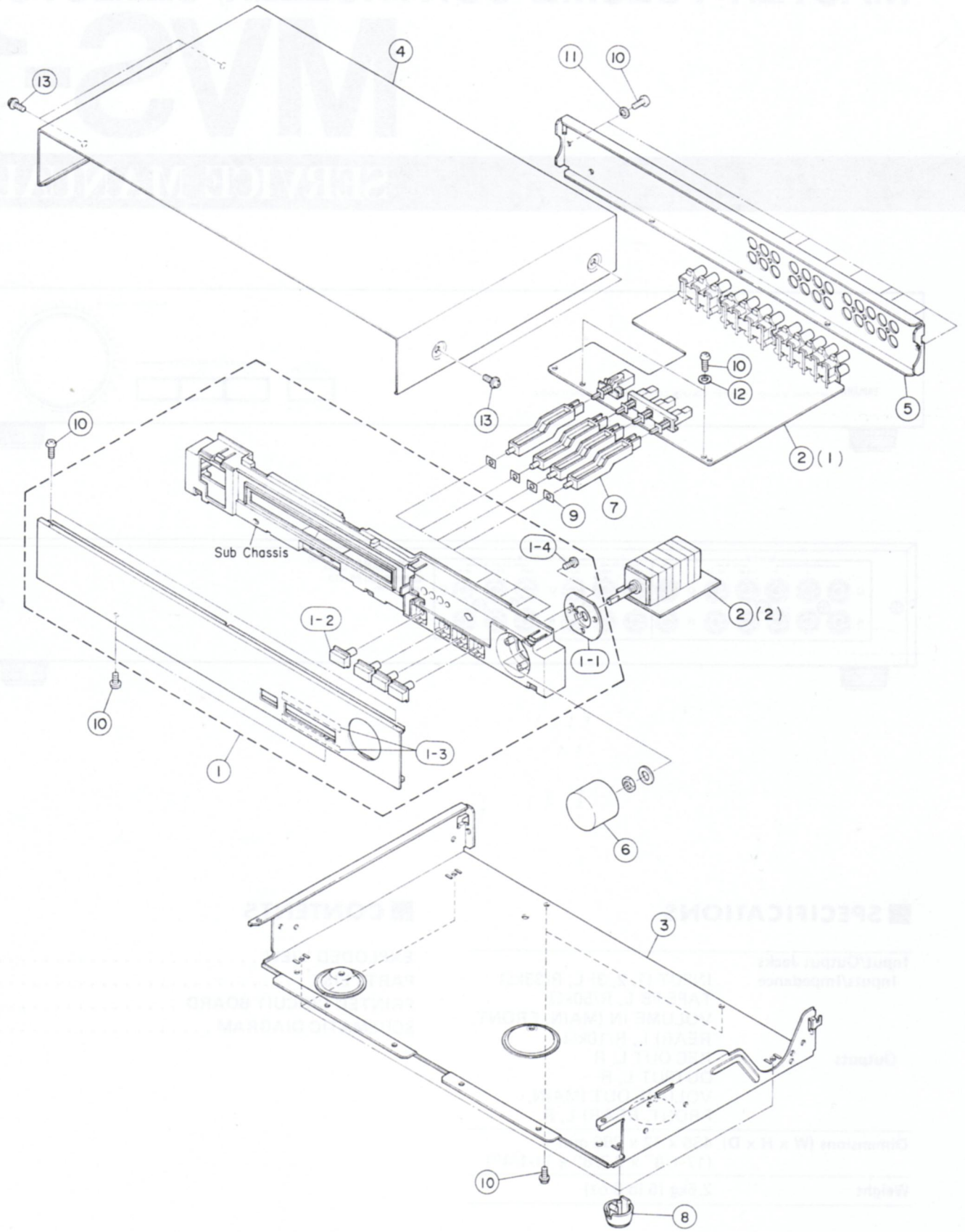
YAMAHA

NIPPON GAKKI CO., LTD. HAMAMATSU, JAPAN

3.05K-03 \square \oplus Printed in Japan '86.11

MVS-1

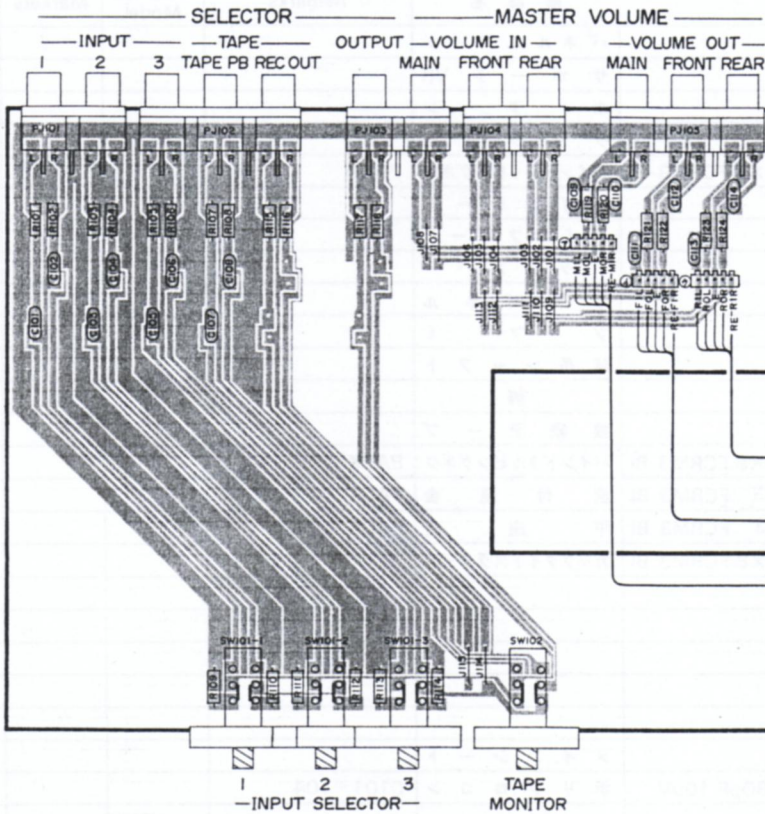
1 ■ EXPLODED VIEW



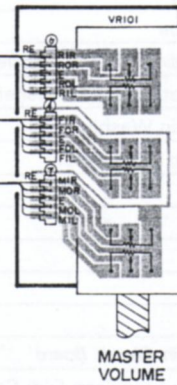
1
2
3
4
5
6
7

PRINTED CIRCUIT BOARD (Pattern side)

Main Circuit Board (1)



Main Circuit Board (2)



SCHEMATIC DIAGRAM

