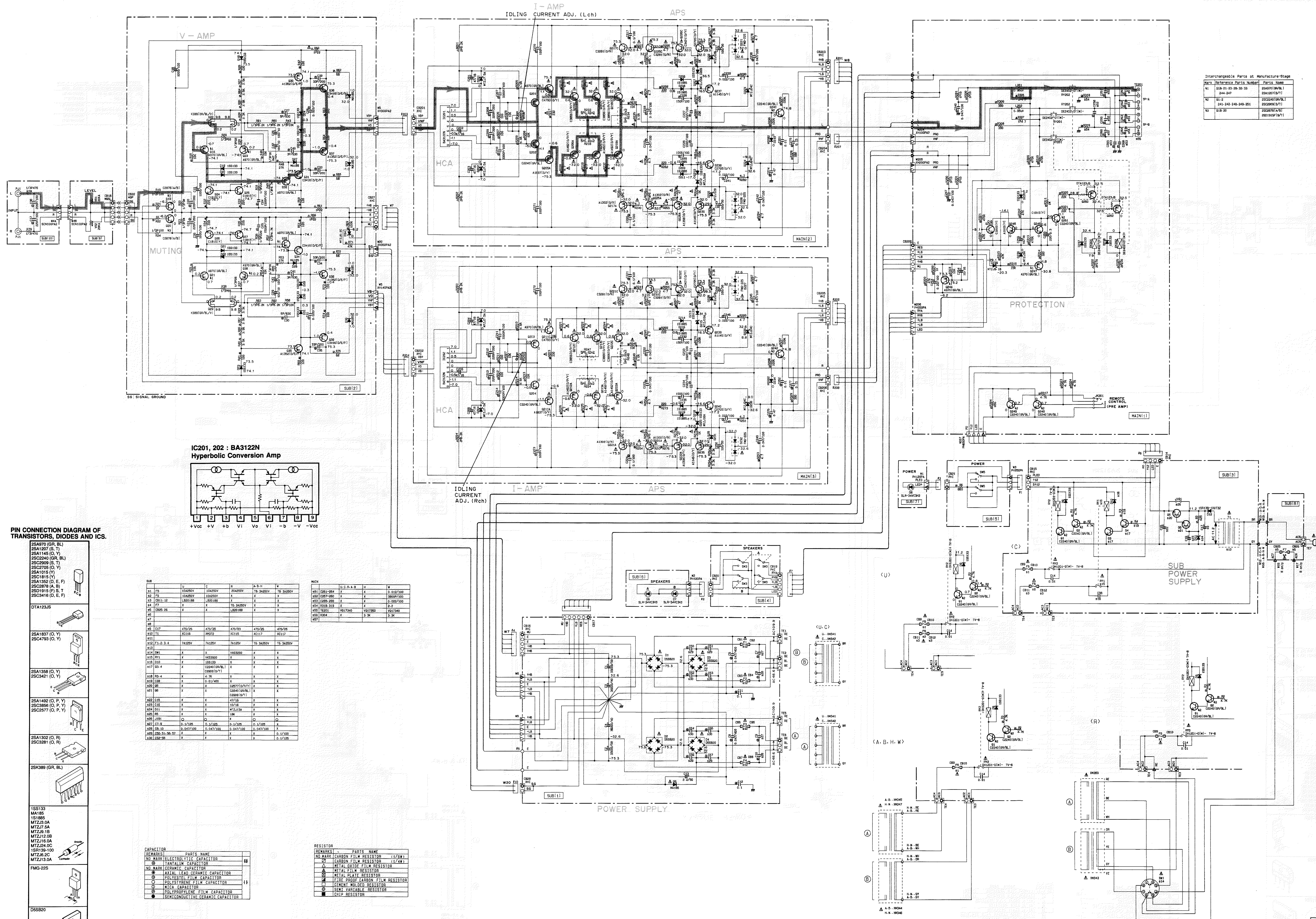


MX-1 SCHEMATIC DIAGRAM

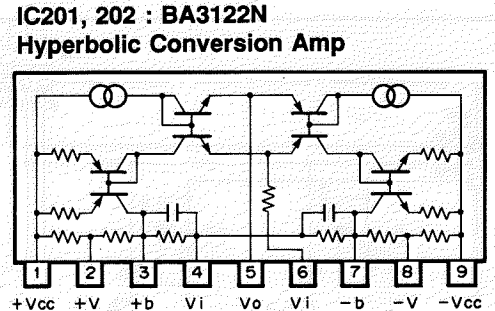
MX-1

MX-1/MX-2

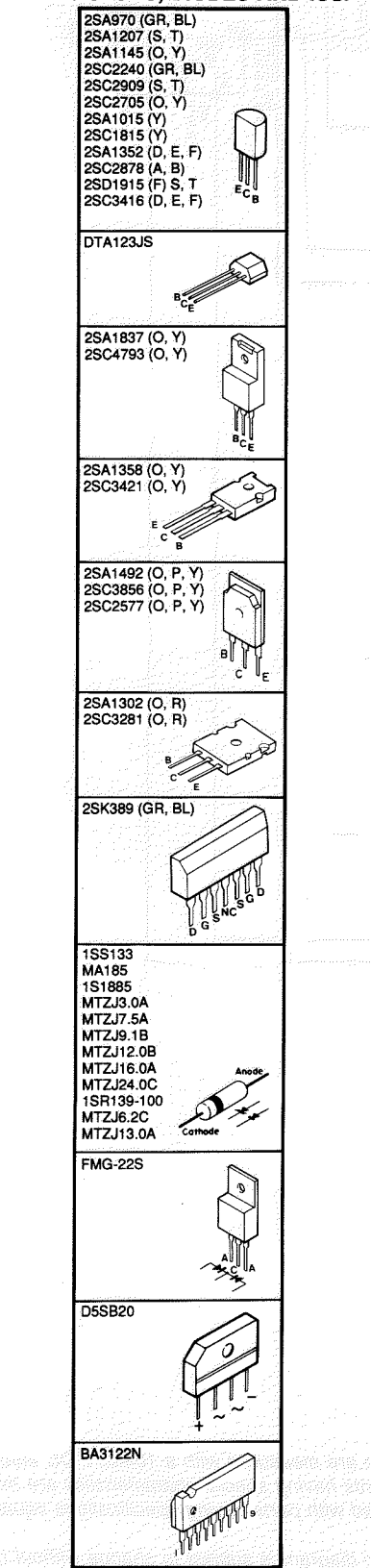


Interchangeable Parts at Manufacture Stage

Part No.	Reference Part Number	Part Name
11	25A1145 (O, Y)	25A1145(V)
12	25A1146 (O, Y)	25A1146(V)
13	25A1147 (O, Y)	25A1147(V)
14	25A1148 (O, Y)	25A1148(V)
15	25A1149 (O, Y)	25A1149(V)



PIN CONNECTION DIAGRAM OF TRANSISTORS, DIODES AND ICs.



Part No.	Value	Code	Part No.	Value	Code	Part No.	Value	Code
R1	10k	10	R10	10k	10	R19	10k	10
R2	10k	10	R11	10k	10	R20	10k	10
R3	10k	10	R12	10k	10	R21	10k	10
R4	10k	10	R13	10k	10	R22	10k	10
R5	10k	10	R14	10k	10	R23	10k	10
R6	10k	10	R15	10k	10	R24	10k	10
R7	10k	10	R16	10k	10	R25	10k	10
R8	10k	10	R17	10k	10	R26	10k	10
R9	10k	10	R18	10k	10	R27	10k	10

Part No.	Value	Code	Part No.	Value	Code
C1	100p	100	C10	100p	100
C2	100p	100	C11	100p	100
C3	100p	100	C12	100p	100
C4	100p	100	C13	100p	100
C5	100p	100	C14	100p	100
C6	100p	100	C15	100p	100
C7	100p	100	C16	100p	100
C8	100p	100	C17	100p	100
C9	100p	100	C18	100p	100

REMARKS

REMARKS	PARTS NAME
NO MARK	ELECTROLYTIC CAPACITOR
◎	TANTALUM CAPACITOR
NO MARK	CERAMIC CAPACITOR
◎	AXIAL LEAD CERAMIC CAPACITOR
◎	POLYESTER FILM CAPACITOR
◎	POLYPROPYLENE FILM CAPACITOR
◎	MICA CAPACITOR
◎	SEMICONDUCTIVE CERAMIC CAPACITOR

REMARKS

REMARKS	PARTS NAME
NO MARK	CARBON FILM RESISTOR (1/4W)
◎	CARBON FILM RESISTOR (1/4W)
◎	METAL OXIDE FILM RESISTOR
◎	METAL FILM RESISTOR
◎	METAL SLATE RESISTOR
◎	FUSE POWER CARBON FILM RESISTOR
◎	CEMENT WOUND RESISTOR
◎	Semi Variable Resistor
◎	TRIM RESISTOR

* All voltage are measured with a 10MΩ/V DC electric volt meter.
 * Components having special characteristics are marked Δ and must be replaced with parts having specifications equal to those originally installed.
 * Schematic diagram is subject to change without notice.

MX-1

