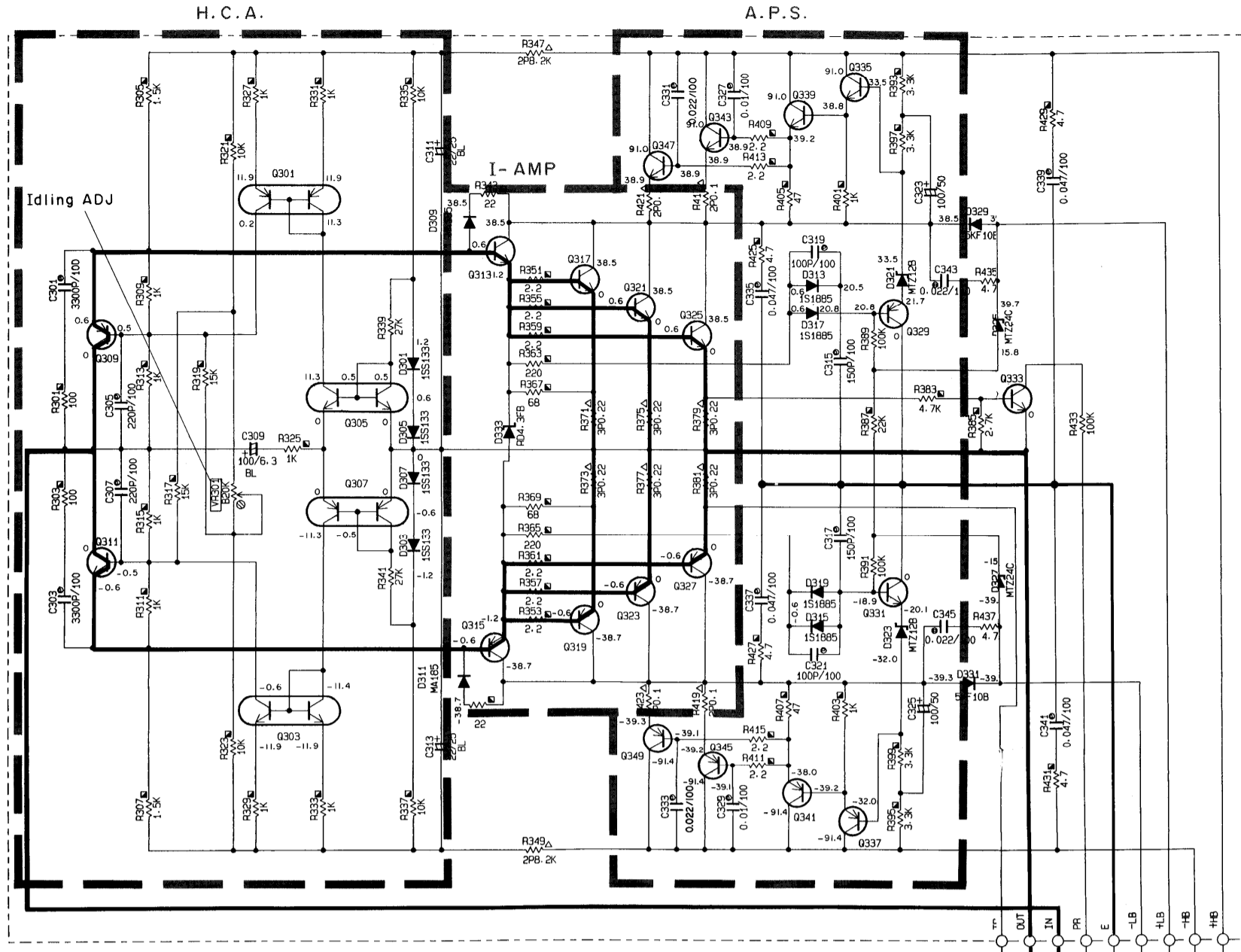
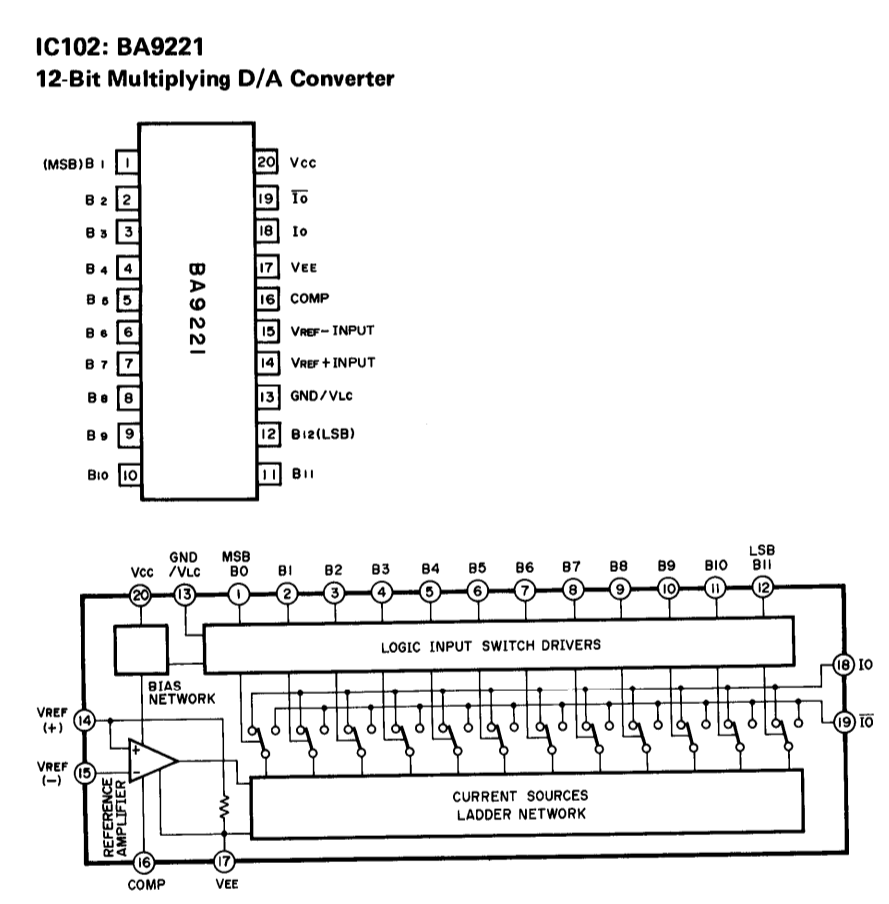
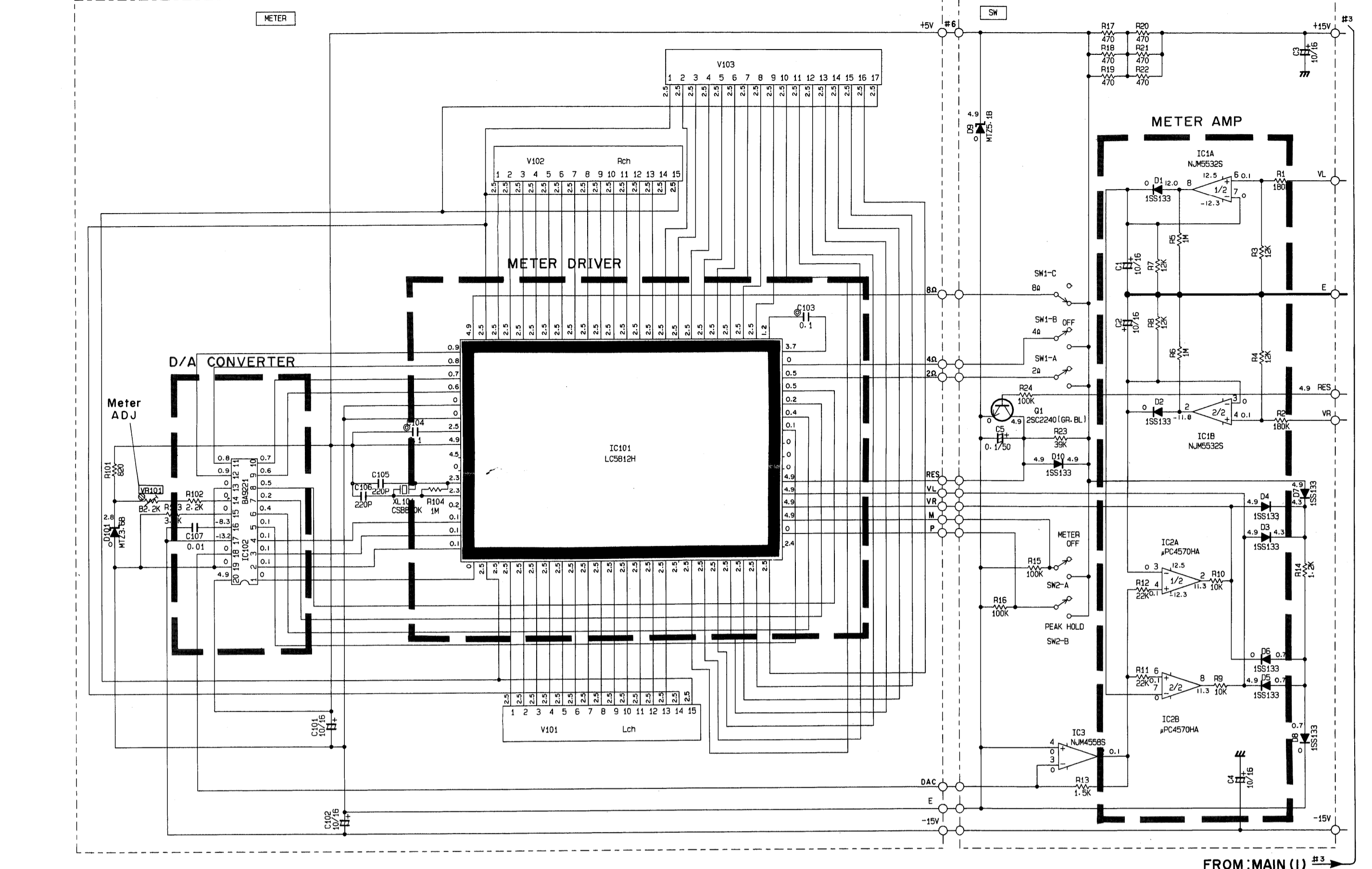
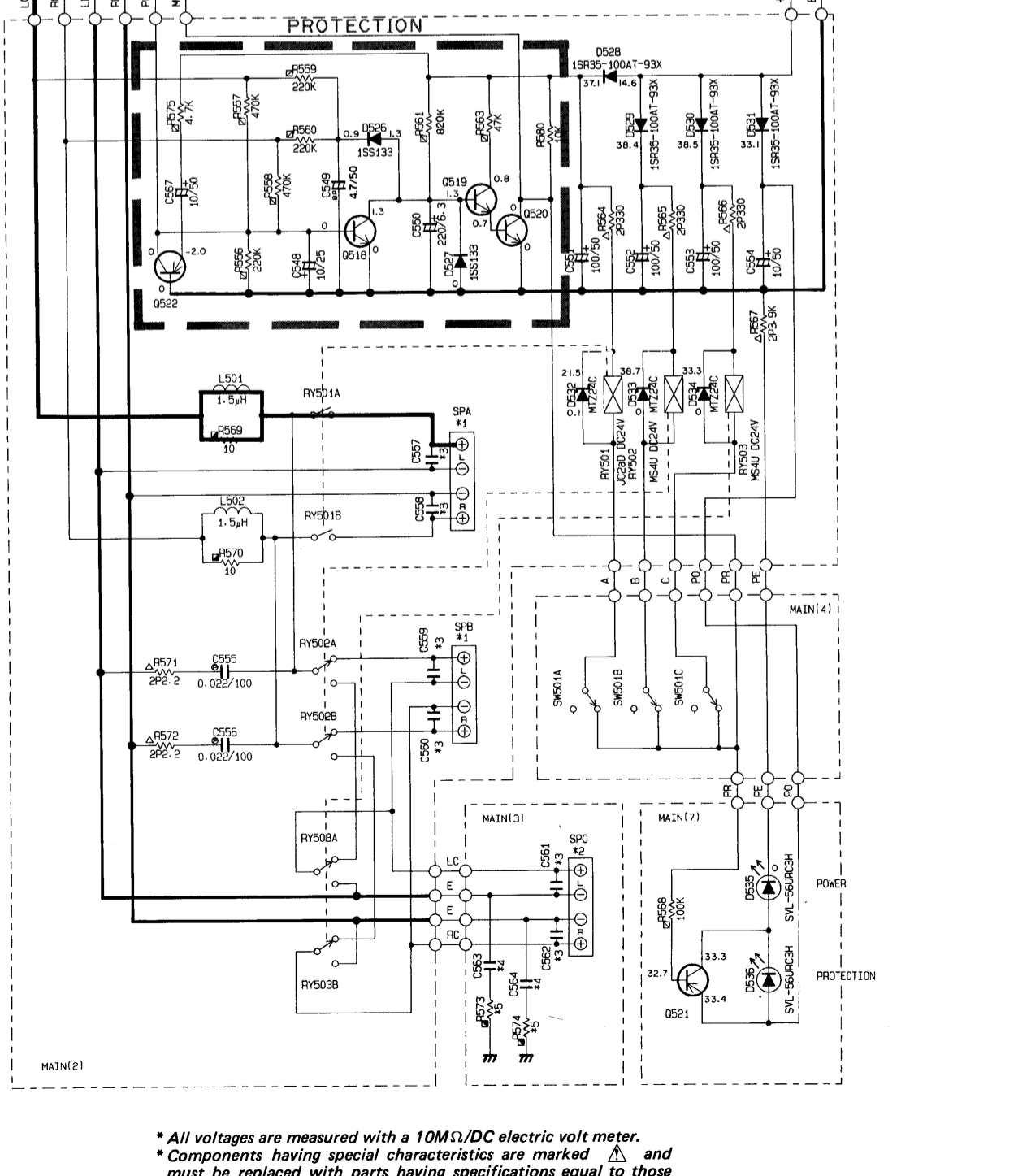
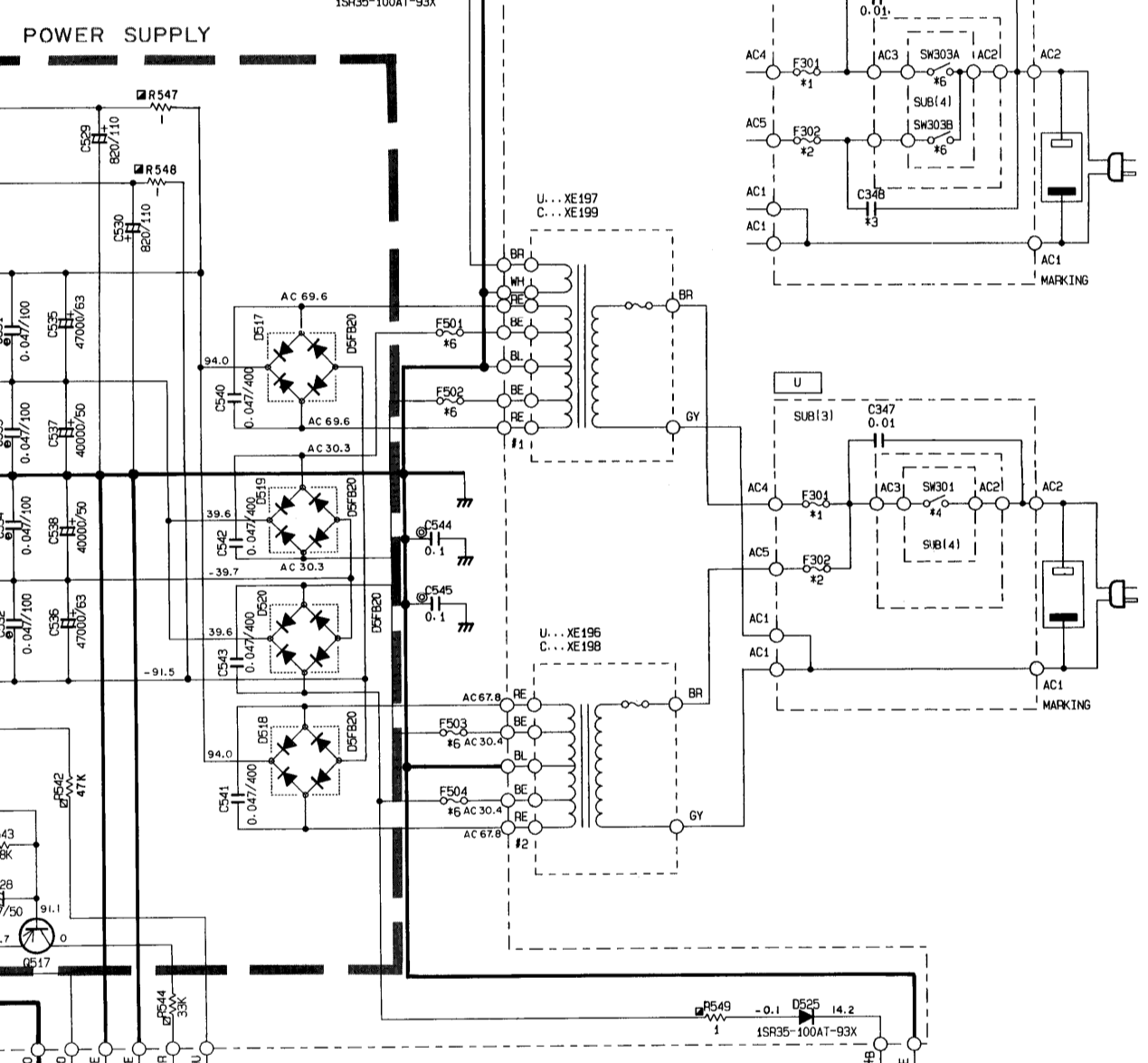
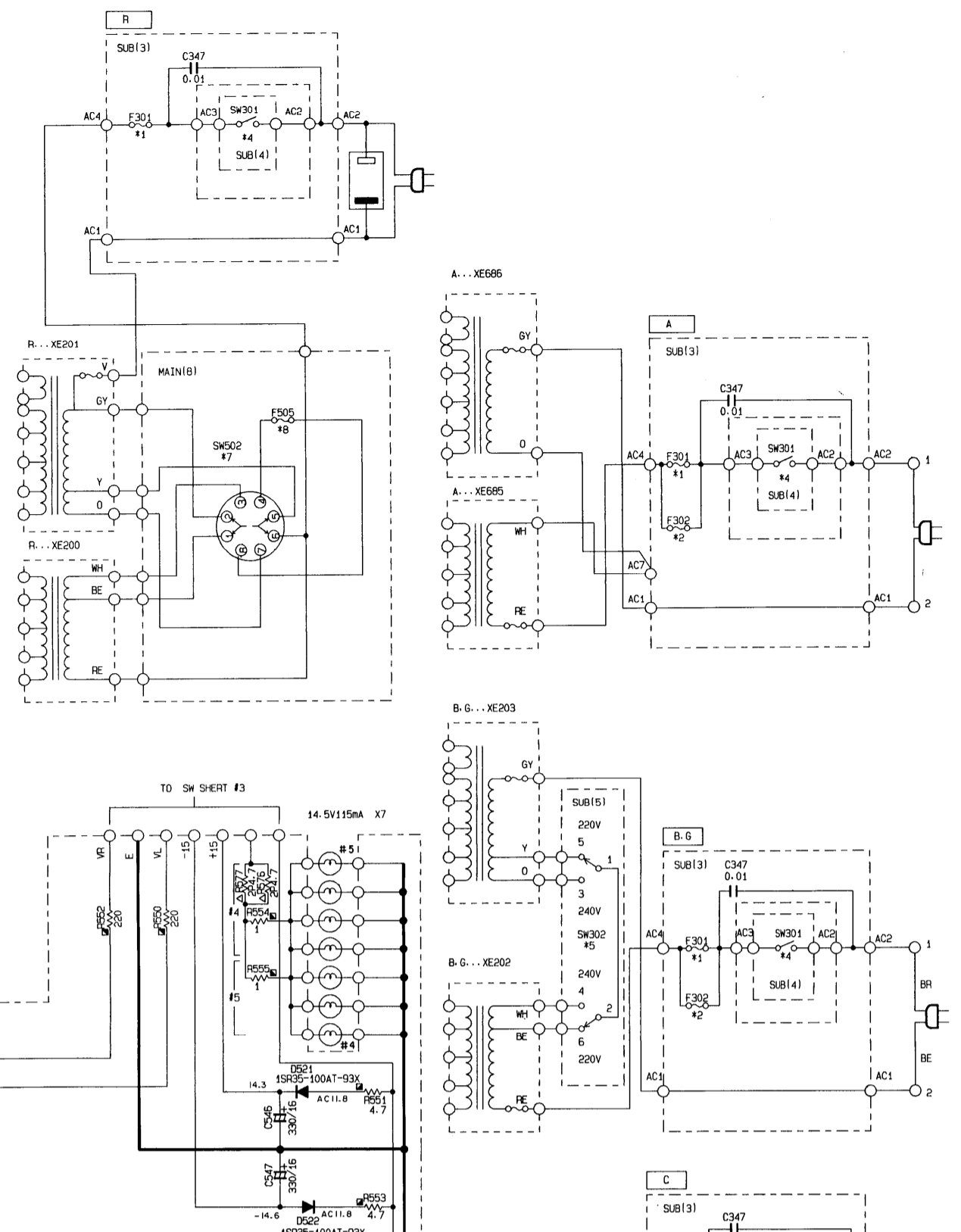
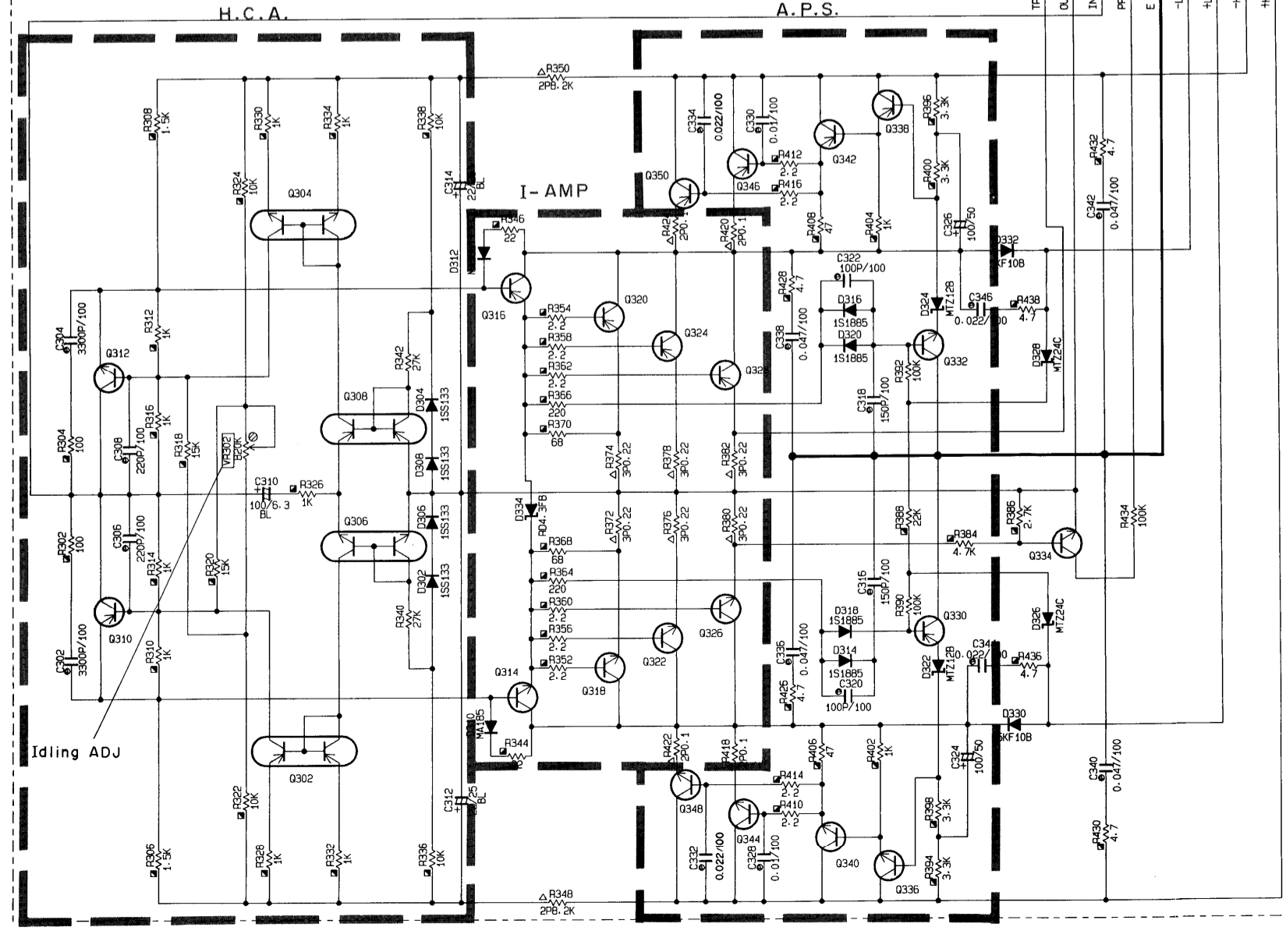
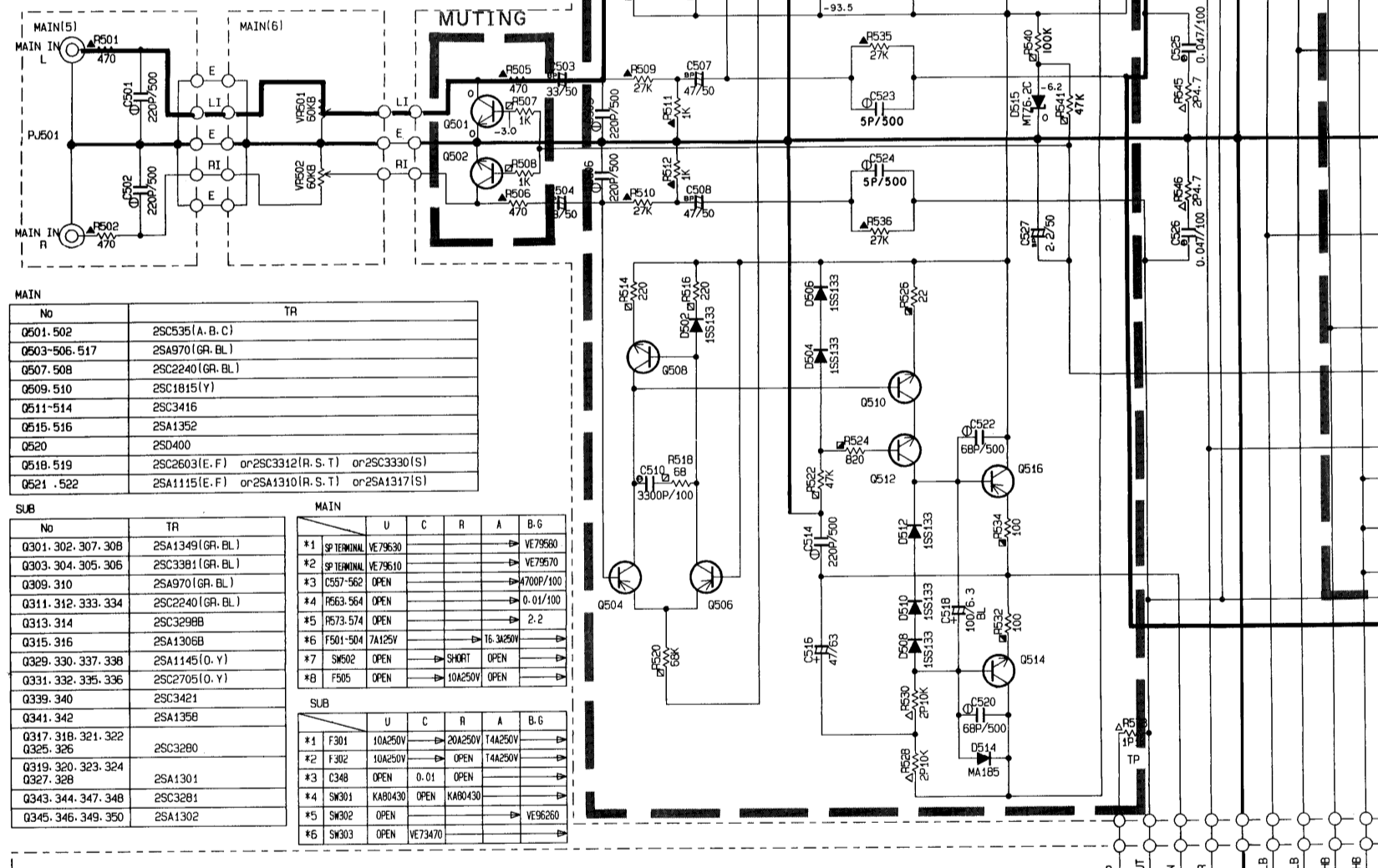


SCHEMATIC DIAGRAM

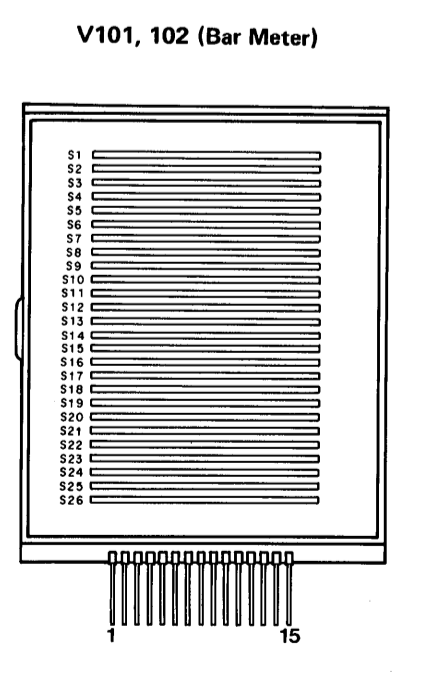
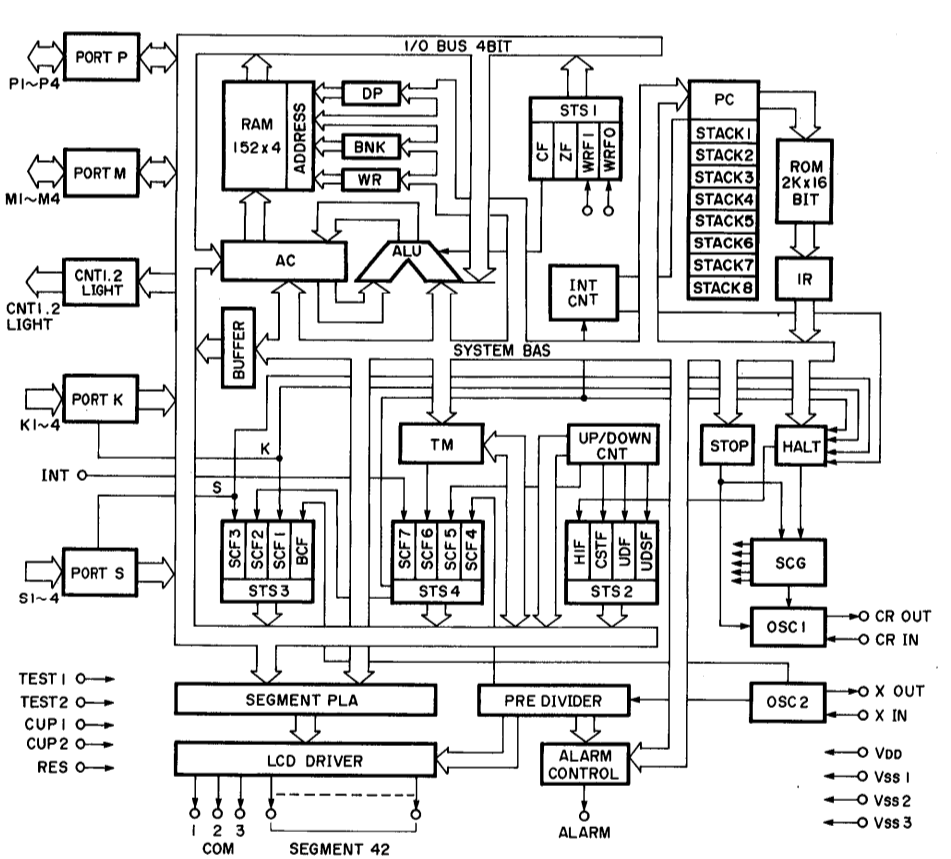
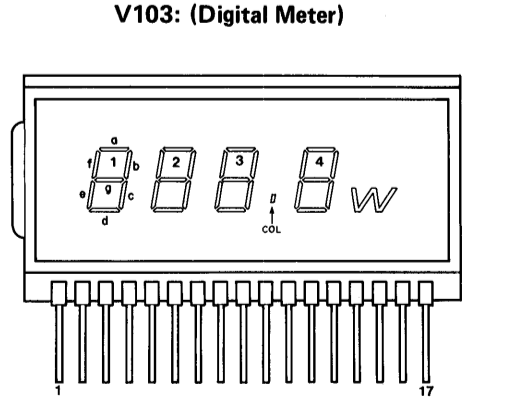
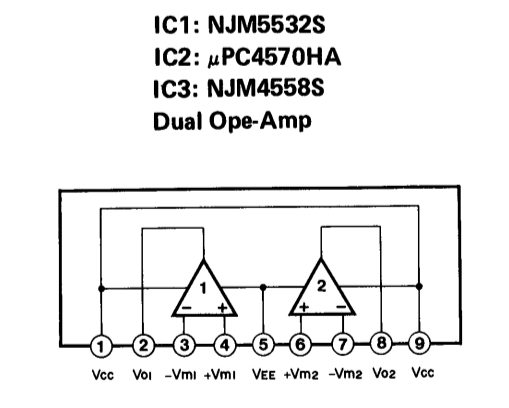


NOTICE
(U)..... U.S.A. model
(C)..... Canadian model
(A)..... Australian model
(G)..... European model
(B)..... British model
(R)..... Russian model

Table with 2 columns: RESISTOR and CAPACITOR. It lists part names, values, and remarks for various components used in the circuit.

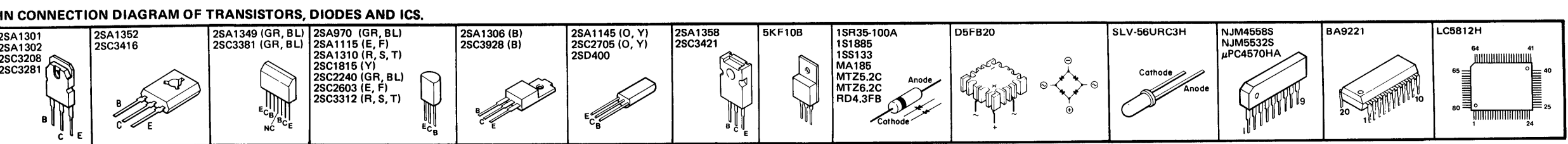


Pin connection table for IC101: LC5812H LCD Driver. It lists pin numbers, names, functions, and I/O directions.



Segment Matrix table for the digital meter, mapping pin numbers to segment labels (1a-1g, 2a-2g, etc.).

Segment Matrix table for the bar meter, mapping pin numbers to segment labels (S1-S16).



*All voltages are measured with a 10MΩ/DC electric volt meter.
*Components having special characteristics are marked with a star and must be replaced with parts having specifications equal to those originally installed.
*Schematic diagram is subject to change without notice.