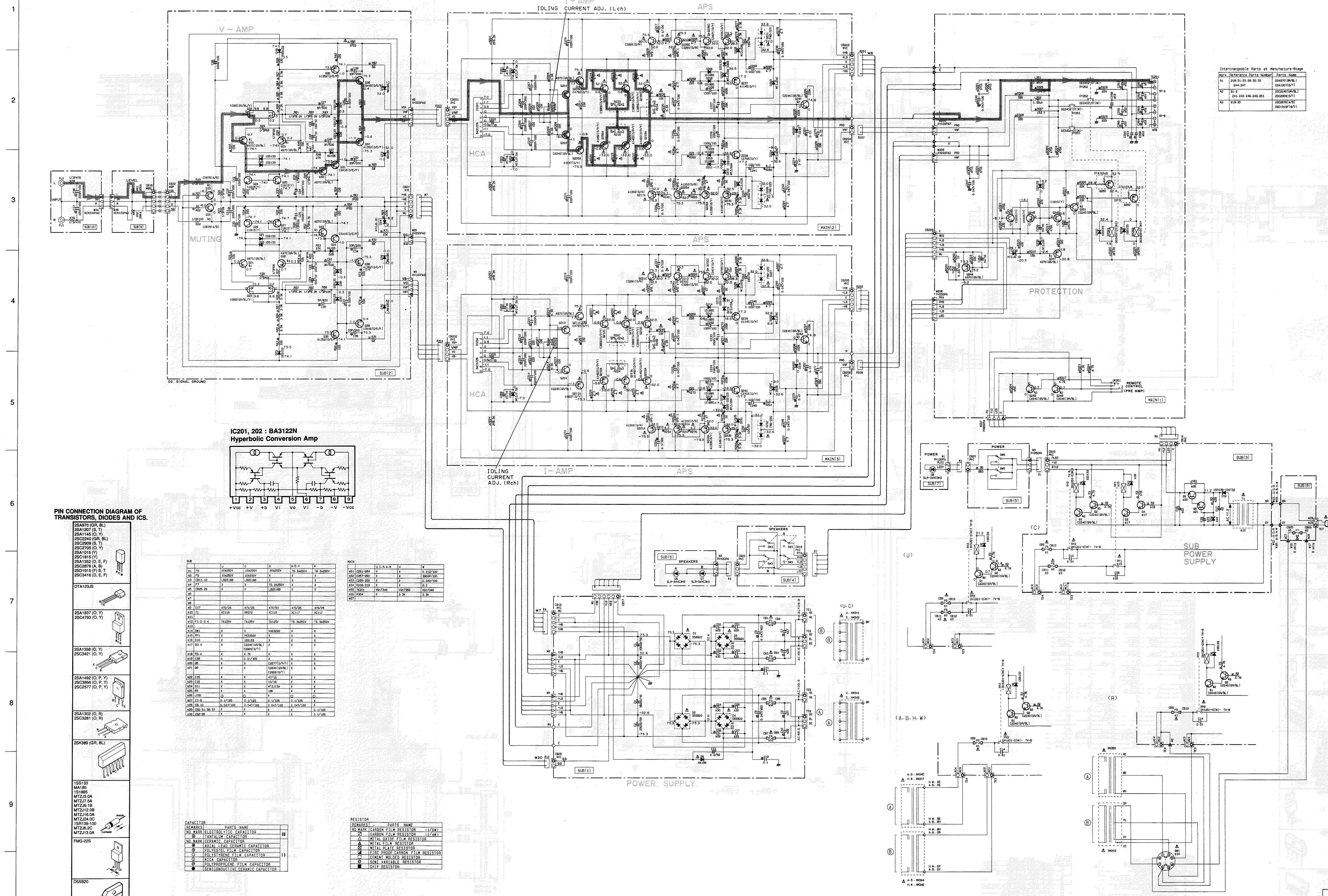


MX-1 SCHEMATIC DIAGRAM

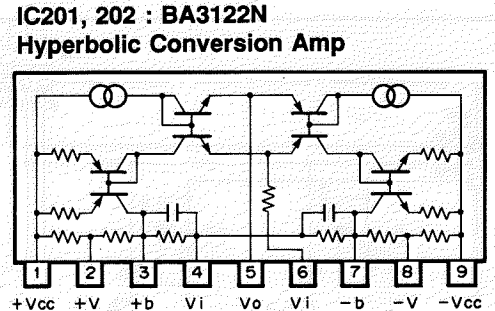
MX-1

MX-1/MX-2



Interchangeable Parts at Manufacture Stage

Part No.	Reference Part Number	Part Name
11	25A1145 (O, Y)	25A1145(V)
12	25A1146 (O, Y)	25A1146(V)
13	25A1147 (O, Y)	25A1147(V)
14	25A1148 (O, Y)	25A1148(V)
15	25A1149 (O, Y)	25A1149(V)



PIN CONNECTION DIAGRAM OF TRANSISTORS, DIODES AND ICs.

25A070 (GR, BU)	25A1207 (S, T)	25A1145 (O, Y)	25C2240 (GR, BU)
25A1207 (S, T)	25C2240 (GR, BU)	25C2909 (S, T)	25C2705 (O, Y)
25C2909 (S, T)	25C2705 (O, Y)	25A1015 (V)	25C2818 (O, Y)
25A1015 (V)	25C2818 (O, Y)	25A1352 (D, E, F)	25C2878 (A, B)
25A1352 (D, E, F)	25C2878 (A, B)	25C3416 (D, E, F)	DTA123J8
25C3416 (D, E, F)	DTA123J8	25A1877 (O, Y)	25C3421 (O, Y)
25A1877 (O, Y)	25C3421 (O, Y)	25A1358 (O, Y)	25C3421 (O, Y)
25A1358 (O, Y)	25C3421 (O, Y)	25A1482 (O, P, Y)	25C3866 (O, P, Y)
25A1482 (O, P, Y)	25C3866 (O, P, Y)	25C2577 (O, P, Y)	25A1302 (O, R)
25C2577 (O, P, Y)	25A1302 (O, R)	25C3281 (O, R)	25K389 (GR, BU)
25A1302 (O, R)	25C3281 (O, R)	15S133	15I185
25K389 (GR, BU)	15S133	15I185	MTZ23.0A
15S133	15I185	MTZ27.5A	MTZ21.0B
15I185	MTZ23.0A	MTZ21.0B	MTZ21.0A
MTZ23.0A	MTZ21.0B	MTZ24.0C	15R139-100
MTZ21.0B	MTZ24.0C	15R139-100	MTZ28.2C
15R139-100	MTZ28.2C	MTZ13.0A	FMG-22S
MTZ28.2C	MTZ13.0A	05S820	BA3122N

Part No.	Value	Code	Part No.	Value	Code
R1	10K	103	R101	10K	103
R2	10K	103	R102	10K	103
R3	10K	103	R103	10K	103
R4	10K	103	R104	10K	103
R5	10K	103	R105	10K	103
R6	10K	103	R106	10K	103
R7	10K	103	R107	10K	103
R8	10K	103	R108	10K	103
R9	10K	103	R109	10K	103
R10	10K	103	R110	10K	103

REMARKS

REMARKS	PARTS NAME
NO MARK	ELECTROLYTIC CAPACITOR
◎	TANTALUM CAPACITOR
NO MARK	CERAMIC CAPACITOR
◎	AXIAL LEAD CERAMIC CAPACITOR
◎	POLYESTER FILM CAPACITOR
◎	POLYPROPYLENE FILM CAPACITOR
◎	MICA CAPACITOR
◎	SEMICONDUCTIVE CERAMIC CAPACITOR

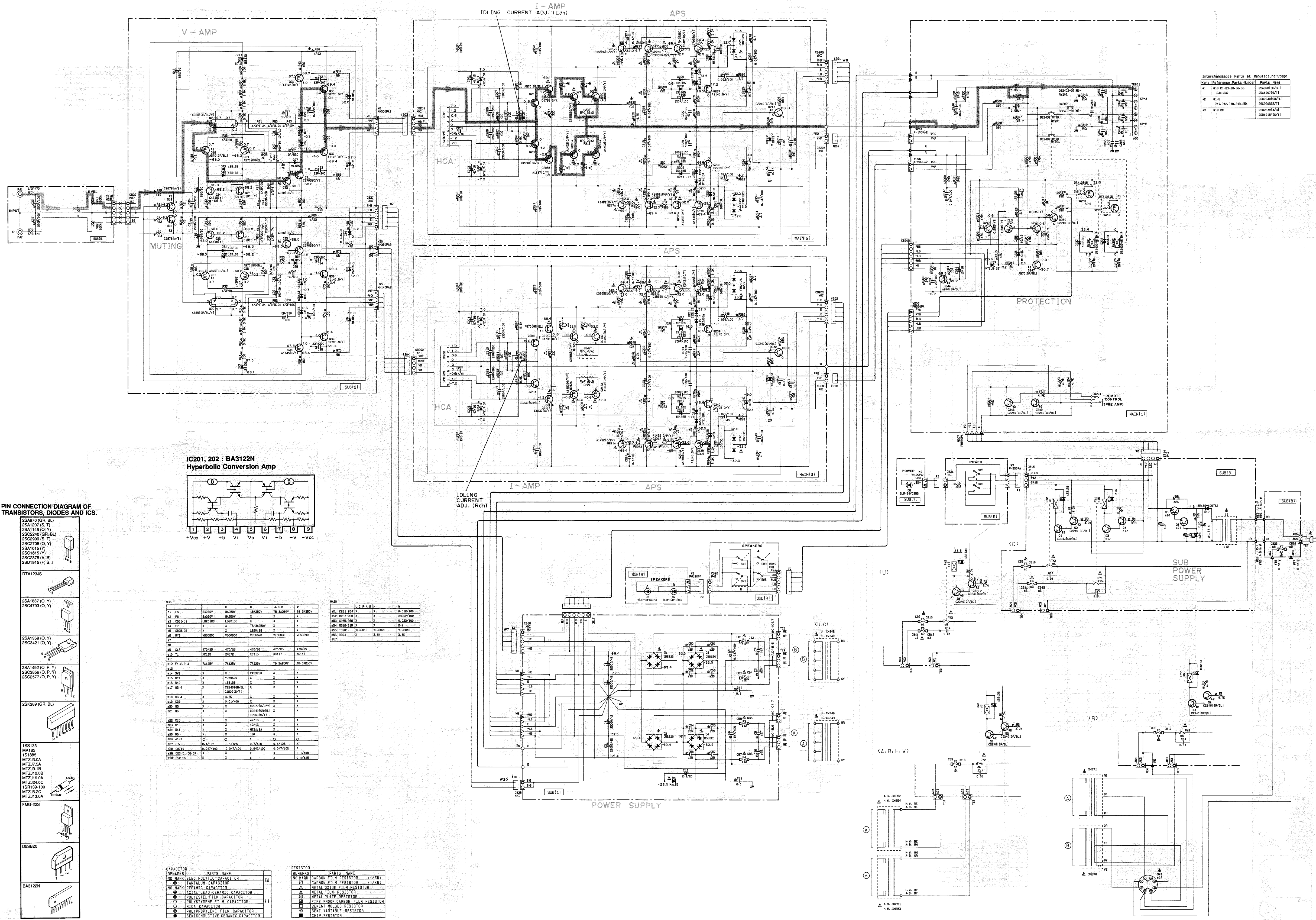
REMARKS

REMARKS	PARTS NAME
NO MARK	CARBON FILM RESISTOR (1/4W)
◎	CARBON FILM RESISTOR (1/4W)
◎	METAL OXIDE FILM RESISTOR
◎	METAL FILM RESISTOR
◎	METAL SLATE RESISTOR
◎	FUSE POWER CARBON FILM RESISTOR
◎	CEMENT WOUND RESISTOR
◎	TRIMMABLE RESISTOR
◎	TRIMMABLE RESISTOR
◎	TRIMMABLE RESISTOR

* All voltage are measured with a 10MΩ/V DC electric volt meter.
 * Components having special characteristics are marked Δ and must be replaced with parts having specifications equal to those originally installed.
 * Schematic diagram is subject to change without notice.

MX-1

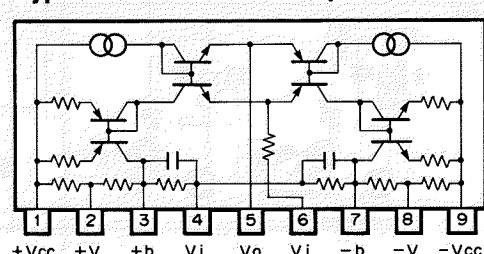
MX-2 SCHEMATIC DIAGRAM



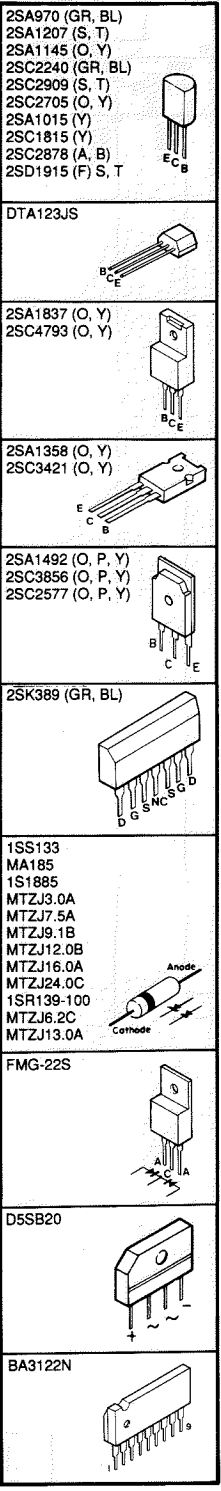
Interchangeable Parts at Manufacturer's Option

Part No.	Part Name	Part No.	Part Name
A1	2SA1207 (S, T)	2SA1207 (S, T)	2SA1207 (S, T)
A2	2SC2240 (GR, BL)	2SC2240 (GR, BL)	2SC2240 (GR, BL)
A3	2SC2909 (S, T)	2SC2909 (S, T)	2SC2909 (S, T)
A4	2SC1915 (Y)	2SC1915 (Y)	2SC1915 (Y)
A5	2SC2878 (A, B)	2SC2878 (A, B)	2SC2878 (A, B)
A6	2SD1915 (F) S, T	2SD1915 (F) S, T	2SD1915 (F) S, T

IC201, 202 : BA3122N Hyperbolic Conversion Amp



PIN CONNECTION DIAGRAM OF TRANSISTORS, DIODES AND ICs.



SUB	U	C	A	A-B-H	M
A1	FR	BA289V	BA289V	TL-3429V	TL-3429V
A2	FR	BA289V	BA289V	TL-3429V	TL-3429V
A3	CR11-12	180138P	180138P	S	X
A4	FR	X	TL-3429V	X	X
A5	CR28-33	X	180138P	S	X
A6	FR	V05000	V05000	V05000	V05000
B1	FR	470/20	470/20	470/20	470/20
B2	FR	22/10	22/10	22/10	22/10
B3	FR	7A129V	7A129V	7A129V	7A129V
B4	FR	X	X	180138P	X
B5	FR	X	X	180138P	X
B6	FR	X	X	180138P	X
B7	FR	X	X	180138P	X
B8	FR	X	X	180138P	X
B9	FR	X	X	180138P	X
B10	FR	X	X	180138P	X
B11	FR	X	X	180138P	X
B12	FR	X	X	180138P	X
B13	FR	X	X	180138P	X
B14	FR	X	X	180138P	X
B15	FR	X	X	180138P	X
B16	FR	X	X	180138P	X
B17	FR	X	X	180138P	X
B18	FR	X	X	180138P	X
B19	FR	X	X	180138P	X
B20	FR	X	X	180138P	X
B21	FR	X	X	180138P	X
B22	FR	X	X	180138P	X
B23	FR	X	X	180138P	X
B24	FR	X	X	180138P	X
B25	FR	X	X	180138P	X
B26	FR	X	X	180138P	X
B27	FR	X	X	180138P	X
B28	FR	X	X	180138P	X
B29	FR	X	X	180138P	X
B30	FR	X	X	180138P	X
B31	FR	X	X	180138P	X
B32	FR	X	X	180138P	X
B33	FR	X	X	180138P	X
B34	FR	X	X	180138P	X
B35	FR	X	X	180138P	X
B36	FR	X	X	180138P	X
B37	FR	X	X	180138P	X
B38	FR	X	X	180138P	X
B39	FR	X	X	180138P	X
B40	FR	X	X	180138P	X
B41	FR	X	X	180138P	X
B42	FR	X	X	180138P	X
B43	FR	X	X	180138P	X
B44	FR	X	X	180138P	X
B45	FR	X	X	180138P	X
B46	FR	X	X	180138P	X
B47	FR	X	X	180138P	X
B48	FR	X	X	180138P	X
B49	FR	X	X	180138P	X
B50	FR	X	X	180138P	X

MARK	U.S.A.B.H	M
M1	CR1-284	X
M2	CR2-300	X
M3	CR3-300	X
M4	FR10	X
M5	FR10	X
M6	FR10	X
M7	FR10	X

REMARKS	PARTS NAME
NO MARK	ELECTROLYTIC CAPACITOR
NO MARK	TANTALUM CAPACITOR
NO MARK	CERAMIC CAPACITOR
NO MARK	ASTAL LEAD CERAMIC CAPACITOR
NO MARK	POLYESTER FILM CAPACITOR
NO MARK	POLYPROPYLENE FILM CAPACITOR
NO MARK	MICA CAPACITOR
NO MARK	SEMICONDUCTIVE CERAMIC CAPACITOR

REMARKS	PARTS NAME
NO MARK	CARBON FILM RESISTOR (1/4W)
NO MARK	CARBON FILM RESISTOR (1/2W)
NO MARK	METAL OXIDE FILM RESISTOR
NO MARK	METAL FILM RESISTOR
NO MARK	METAL PLATE RESISTOR
NO MARK	FIRE-PROOF CARBON FILM RESISTOR
NO MARK	CEMENT MOUNTED RESISTOR
NO MARK	SLIM VARIABLE RESISTOR
NO MARK	ICMP RESISTOR

All voltage are measured with a 10MΩ/V DC electric volt meter.
 Components having special characteristics are marked Δ and must be replaced with parts having specifications equal to those originally installed.
 Schematic diagram is subject to change without notice.