

# STEREO POWER AMPLIFIER

# MX-800/U/MX-70

## SERVICE MANUAL

MX-800/U/  
MX-70

### IMPORTANT NOTICE

This manual has been provided for the use of authorized Yamaha Retailers and their service personnel. It has been assumed that basic service procedures inherent to the industry, and more specifically Yamaha Products, are already known and understood by the users, and have therefore not been restated.

**WARNING:** Failure to follow appropriate service and safety procedures when servicing this product may result in personal injury, destruction of expensive components and failure of the product to perform as specified. For these reasons, we advise all Yamaha product owners that all service required should be performed by an authorized Yamaha Retailer or the appointed service representative.

**IMPORTANT:** The presentation or sale of this manual to any individual or firm does not constitute authorization, certification or recognition of any applicable technical capabilities, or establish a principle-agent relationship of any form.

The data provided is believed to be accurate and applicable to the unit(s) indicated on the cover. The research, engineering, and service departments of Yamaha are continually striving to improve Yamaha products. Modifications are, therefore, inevitable and specifications are subject to change without notice or obligation to retrofit. Should any discrepancy appear to exist, please contact the distributor's Service Division.

**WARNING:** Static discharges can destroy expensive components. Discharge any static electricity your body may have accumulated by grounding yourself to the ground buss in the unit (heavy gauge black wires connect to this buss).

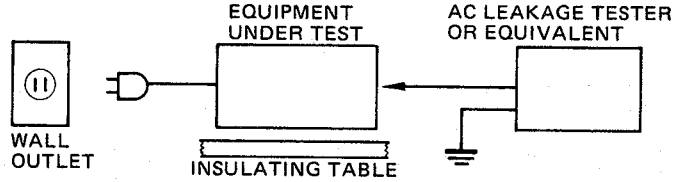
**IMPORTANT:** Turn the unit OFF during disassembly and parts replacement. Recheck all work before you apply power to the unit.

## CONTENTS

|                            |   |                              |         |
|----------------------------|---|------------------------------|---------|
| TO SERVICE PERSONNEL ..... | 1 | DISASSEMBLY PROCEDURES ..... | 5       |
| SPECIFICATIONS .....       | 1 | ADJUSTMENTS .....            | 5       |
| FRONT PANELS .....         | 2 | PRINTED CIRCUIT BOARD .....  | 6 ~ 13  |
| REAR PANELS .....          | 3 | SCHEMATIC DIAGRAM .....      | 14/15   |
| BLOCK DIAGRAM .....        | 4 | WIRING .....                 | 16      |
| INTERNAL VIEW .....        | 4 | PARTS LIST .....             | 17 ~ 25 |

**TO SERVICE PERSONNEL**

- Critical Components Information.**  
Components having special characteristics are marked  $\Delta$  and must be replaced with parts having specifications equal to those originally installed.
- Leakage Current Measurement (For 120V Model Only).**  
When service has been completed, it is imperative that you verify that all exposed conductive surfaces are properly insulated from supply circuits.
  - Meter impedance should be equivalent to 1500 ohm shunted by 0.15 $\mu$ F.
  - Leakage current must not exceed 0.5mA.
  - Be sure to test for leakage with the AC plug in both polarities.



- POLARIZATION (U, C models only)**  
This amplifier product is equipped with a polarized alternating current line plug (a plug having one blade wider than the other). This plug will fit into the power outlet only one way. This is a safety feature.

**SPECIFICATIONS**

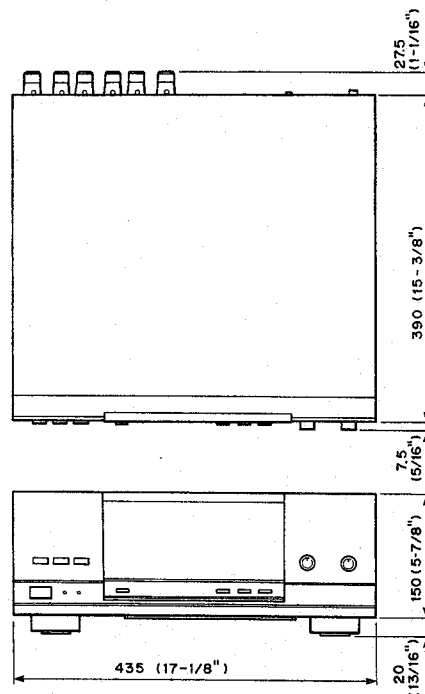
|  |                                  |
|--|----------------------------------|
| <b>Minimum RMS Output Power per Channel</b>  |                                  |
| 20Hz ~ 20kHz                                 |                                  |
| 0.003% THD, 8 $\Omega$                       | 170W                             |
| 0.007% THD, 6 $\Omega$                       | 195W                             |
| 0.02% THD, 4 $\Omega$                        | 230W                             |
| <b>Dynamic Power per Channel</b>             |                                  |
| (by IHF Dynamic Headroom measuring method)   |                                  |
| 8 $\Omega$                                   | 270W                             |
| 6 $\Omega$                                   | 330W                             |
| 4 $\Omega$                                   | 440W                             |
| 2 $\Omega$                                   | 570W                             |
| 1 $\Omega$                                   | 600W                             |
| <b>DIN Standard Output Power per Channel</b> |                                  |
| 1kHz, 1% THD, 4 $\Omega$                     | 250W (G)                         |
| <b>Dynamic Headroom</b>                      |                                  |
| 8 $\Omega$                                   | 2.01dB (U, C, R)                 |
| 6 $\Omega$                                   | 2.28dB (U, C, R)                 |
| 4 $\Omega$                                   | 2.82dB (U, C, R)                 |
| <b>IEC Power (1kHz, 0.01% THD)</b>           |                                  |
| 8 $\Omega$                                   | 200W (G)                         |
| 6 $\Omega$                                   | 240W (G)                         |
| 4 $\Omega$                                   | 280W (G)                         |
| <b>Power Band Width</b>                      |                                  |
| 0.03% THD, 85W, 8 $\Omega$                   | 10kHz ~ 60kHz                    |
| <b>Damping Factor</b>                        |                                  |
| 8 $\Omega$ , 1kHz                            | 90                               |
| <b>Input Sensitivity/Impedance</b>           |                                  |
| MAIN IN                                      | 1.32V/60k $\Omega$               |
| <b>Frequency Response (20Hz ~ 20kHz)</b>     |                                  |
| MAIN IN                                      | +0, -0.2dB                       |
| <b>Total Harmonic Distortion</b>             |                                  |
| 20Hz ~ 20kHz                                 |                                  |
| MAIN IN TO SP OUT (85W/8 $\Omega$ )          | 0.003%                           |
| <b>Intermodulation Distortion</b>            |                                  |
| Rated Output /8 $\Omega$                     | 0.003%                           |
| <b>Signal to Noise Ratio (IHF-A Network)</b> |                                  |
| MAIN IN (Shorted)                            | 124dB                            |
| MAIN IN (5.1k $\Omega$ terminated)           | 120dB                            |
| <b>Residual Noise (IHF-A Network)</b>        |                                  |
|  | 21 $\mu$ V                       |
| <b>Channel Separation (Vol, -30dB)</b>       |                                  |
| Input Shorted (1kHz/10kHz)                   | 89dB/72dB                        |
| <b>Power Supply</b>                          |                                  |
|  | AC220V, 50Hz (G)                 |
|  | AC110/120/220/240 V, 50/60Hz (R) |
|  | AC240V, 50Hz (A, B)              |
|  | AC120V, 60Hz (U, C)              |

|                               |   |
|-------------------------------|---|
| <b>Power Consumption</b>      | 650W, 800VA (U, C)<br>520W (R)<br>1150W (A, B, G)   |
| <b>AC Outlet</b>              | Un Switched x 1                                     |
|                               | 200W max. (U, C, R)                                 |
| <b>Dimensions (W x H x D)</b> | 435 x 170 x 425mm<br>(17-1/8" x 6-11/16" x 16-3/4") |
| <b>Weight</b>                 | 14.5kg (31 lbs 15 oz)                               |

\* Specifications are subject to change without notice.

- (U) ..... U.S.A. Model
- (C) ..... Canadian Model
- (A) ..... Australian Model
- (B) ..... British Model
- (G) ..... European Model
- (R) ..... General Model

**DIMENSION**

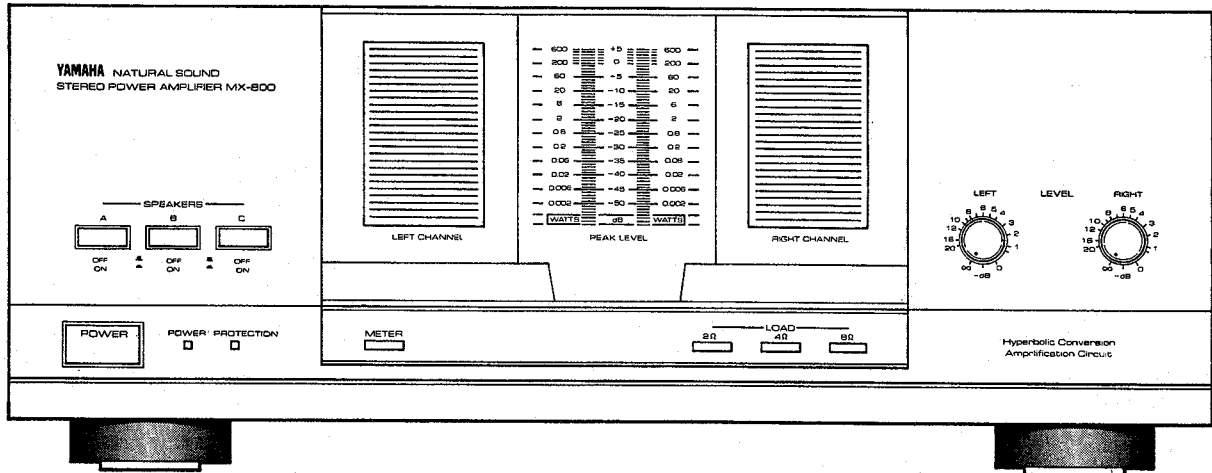


Unit: mm (inch)

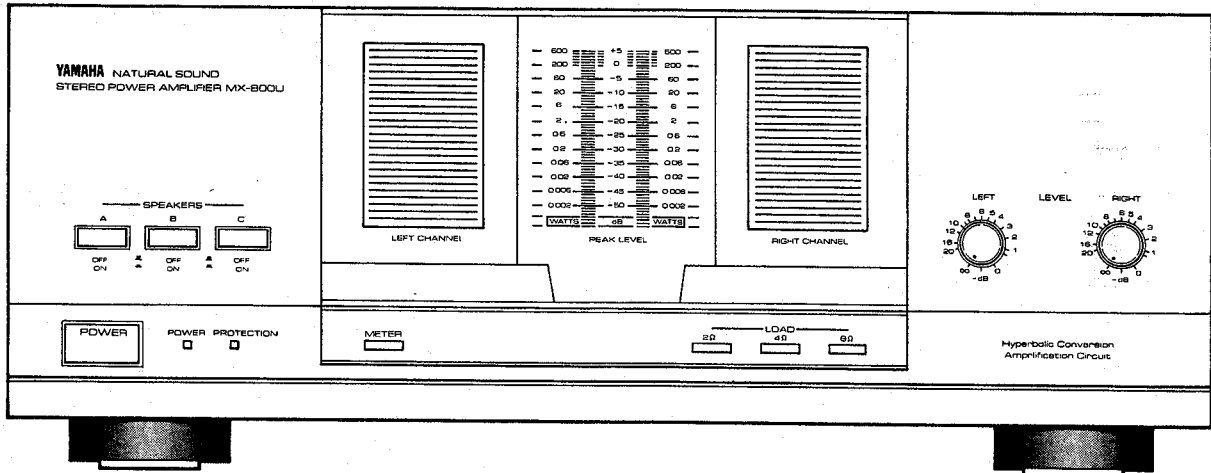
MX-800/U/  
MX-70

FRONT PANELS

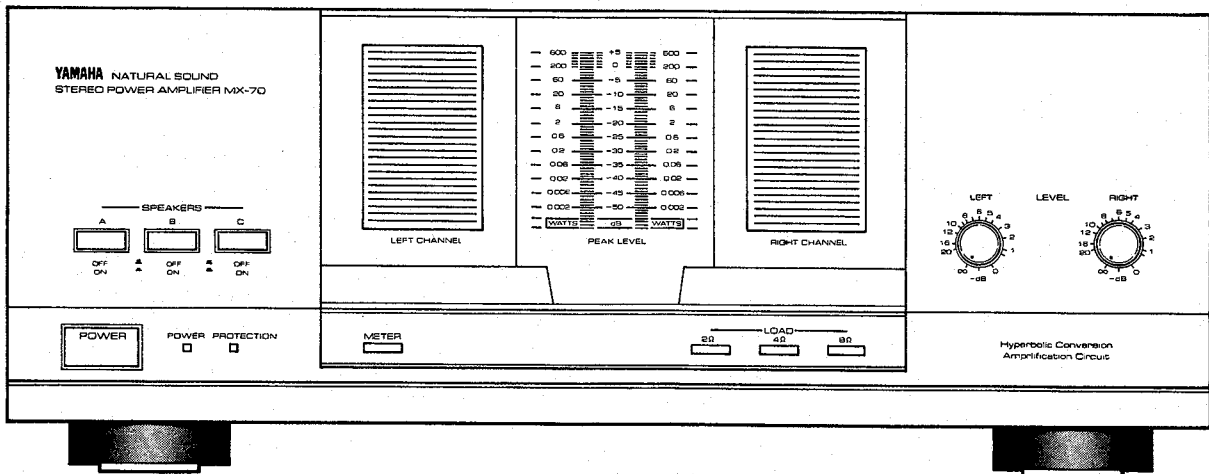
● MX-800 (General & Australian models)



● MX-800U (U.S.A. & Canadian models)



● MX-70 (British & European models)

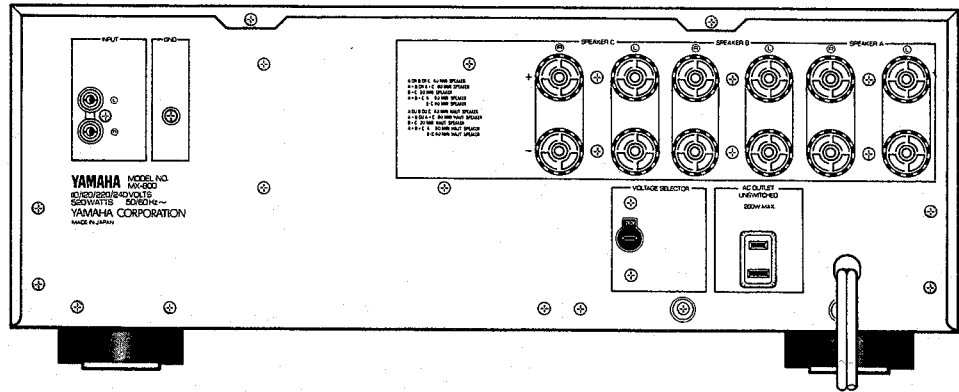


MX-800/U/MX-70

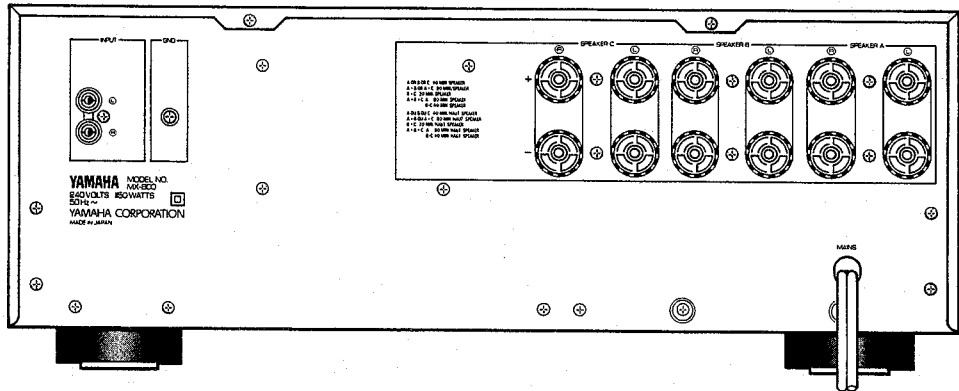
**MX-800/U/MX-70**

**REAR PANELS**

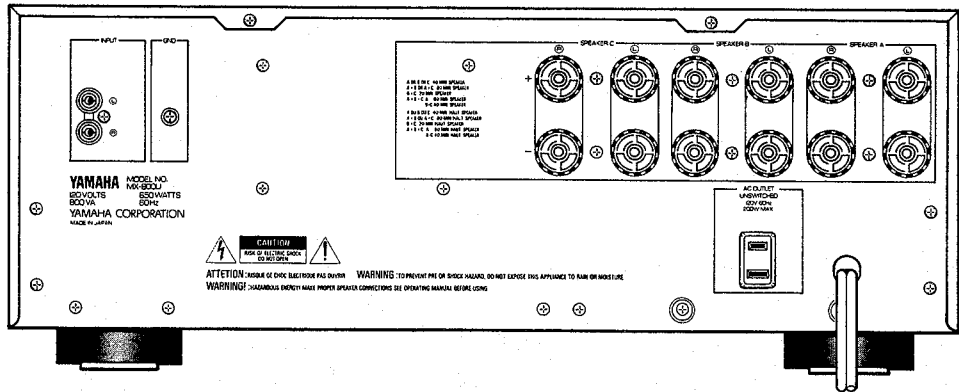
▼ General model



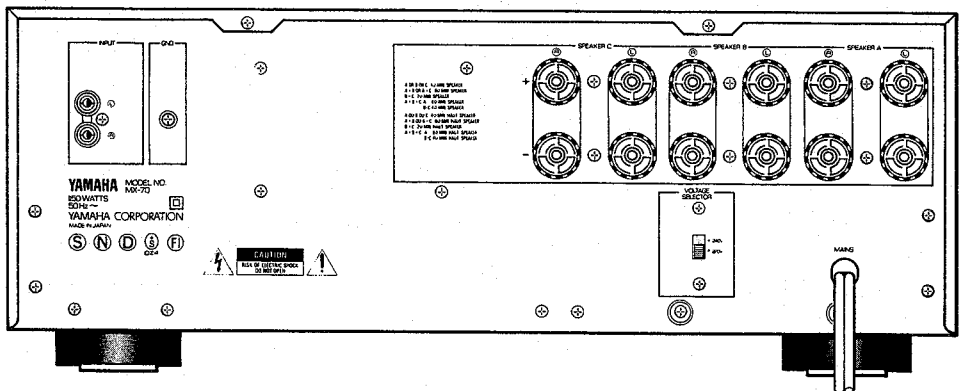
▼ Australian model



▼ U.S.A. & Canadian models

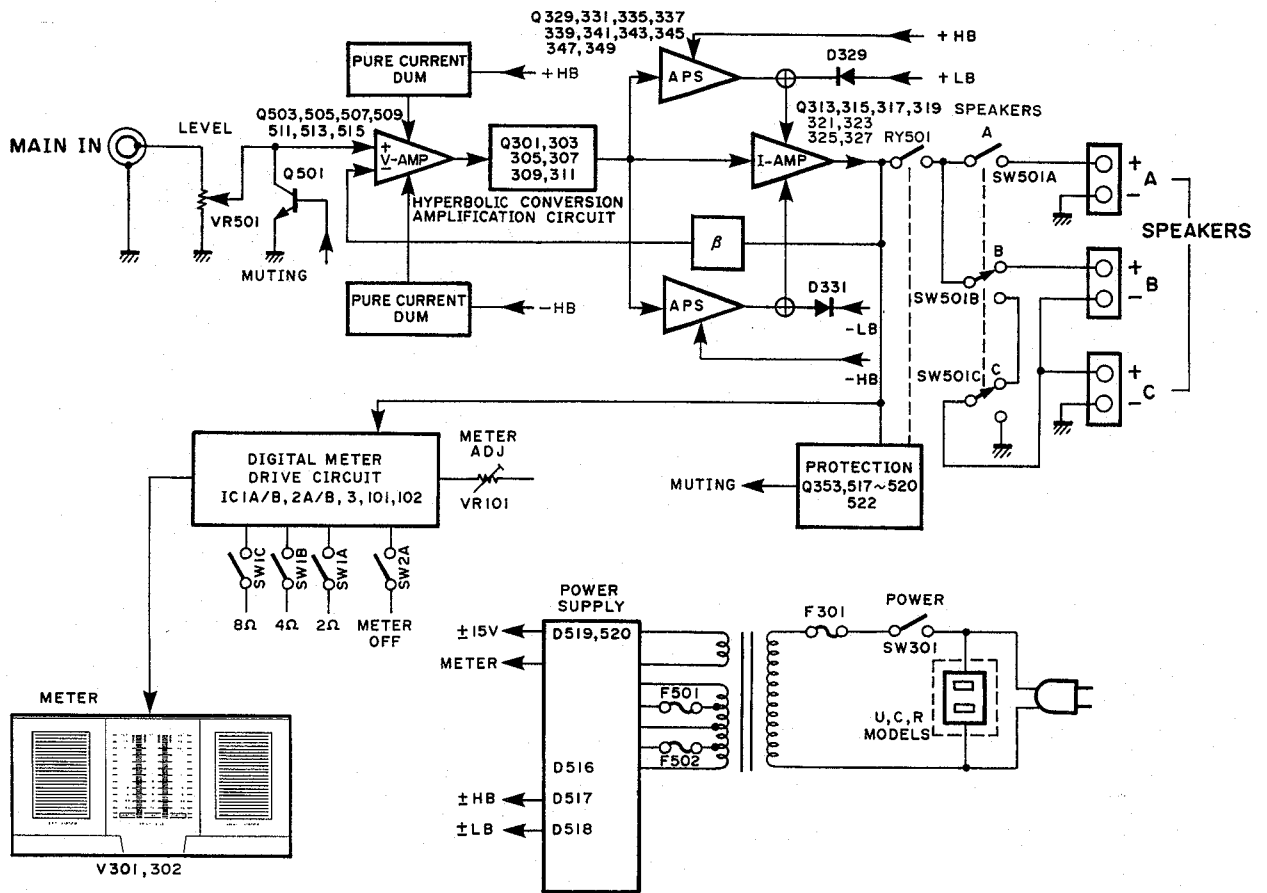


▼ British & European models



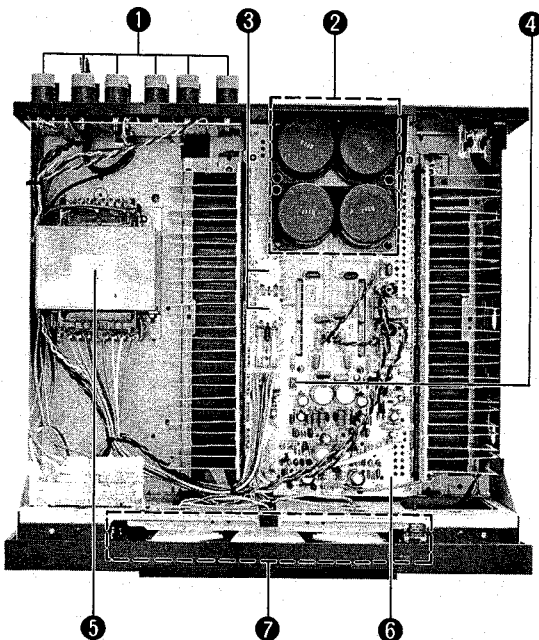
MX-800/U/  
MX-70

**BLOCK DIAGRAM**



MX-800/U/MX-70

**INTERNAL VIEW**



- ① SPEAKER TERMINAL
- ② ELECTROLYTIC CAP. SET
- ③ DIODE BRIDGE : D5FB20
- ④ DIODE BRIDGE : DF02M
- ⑤ POWER TRANSFORMER
  - U model : XE204001
  - C model : XE205001
  - R model : XE206001
  - A, B, G models: XE207001
- ⑥ MAIN CIRCUIT BOARD (1)
- ⑦ METER UNIT

## DISASSEMBLY PROCEDURES

1. **Removal of Top Cover.**  
Remove 6 screws ( ① ) in Fig. 1. and slide the Top Cover back.
2. **Removal of Bottom Cover.**  
Remove 6 screws ( ② ) in Fig. 1.
3. **Removal of Front Panel.**  
Remove 5 screws ( ③ ) in Fig. 1.

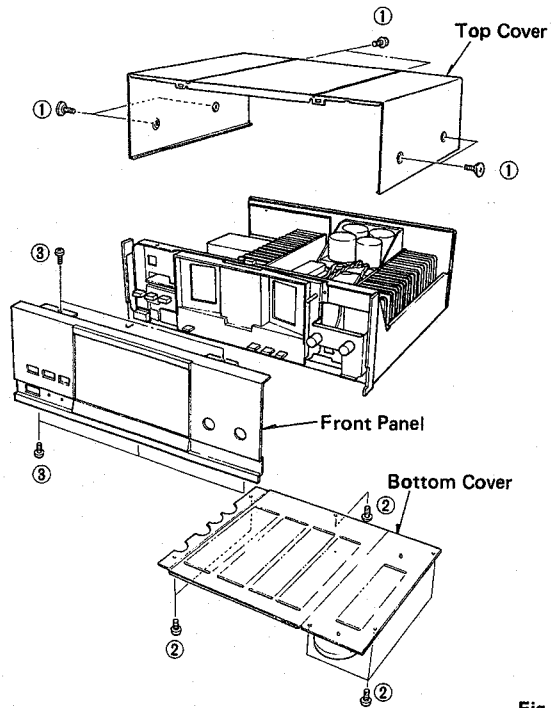


Fig. 1.

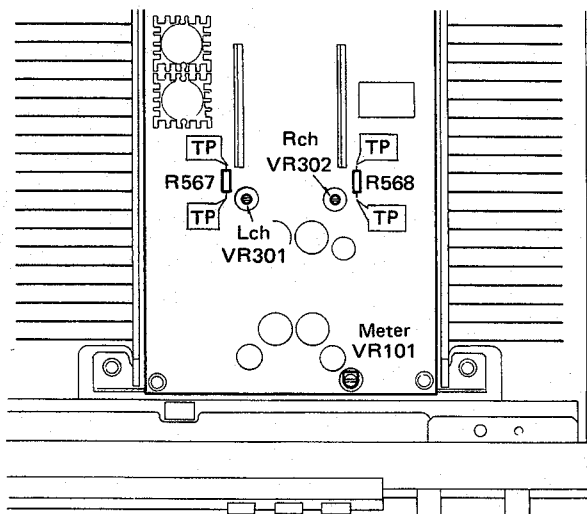
## ADJUSTMENTS

### ● IDLING CURRENT ADJUSTMENT

Wait 2 minutes after power ON to stabilize amplifier operation without signal.  
Adjust VR301 (Lch) and VR302 (Rch) so that the voltage across the terminals of R567 (Lch) and R568 (Rch) come to  $10\text{mV} \pm 1\text{mV DC}$ .

|      | Test Points                  | Adjustment Points | Rating                            |
|------|------------------------------|-------------------|-----------------------------------|
| L ch | Across the terminals of R567 | VR301             | $10\text{mV} \pm 1\text{mV DC}$ . |
| R ch | Across the terminals of R568 | VR302             |                                   |

### ● TEST POINTS

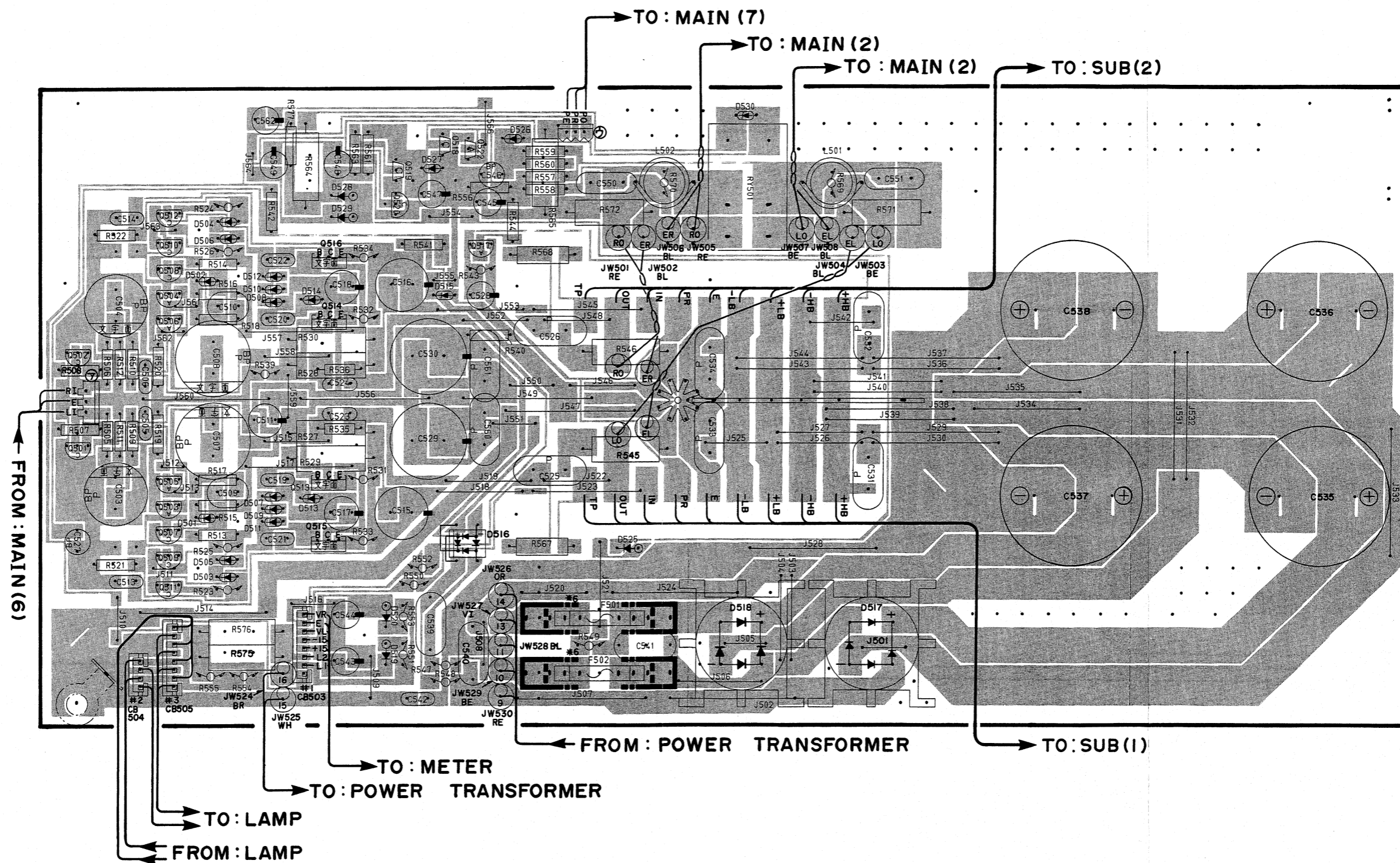


### ● METER LEVEL ADJUSTMENT

- 1) Set the controls to the following positions.  
LOAD selector :  $2\Omega$   
Amplifier load : No load or  $8\Omega$
- 2) Apply a 1kHz sine wave signal from LINE IN so that SP. output voltage is 20V AC. (200W)
- 3) Adjust VR101 so that 0dB of the meter lights up.
- 4) Reduce the signal level 0.5dB (to 18.9V AC.)
- 5) Confirm that 0dB segment fades out.
- 6) Confirm that all segments fades out at no signal condition.

PRINTED CIRCUIT BOARD (Pattern side)

Main Circuit Board (1)

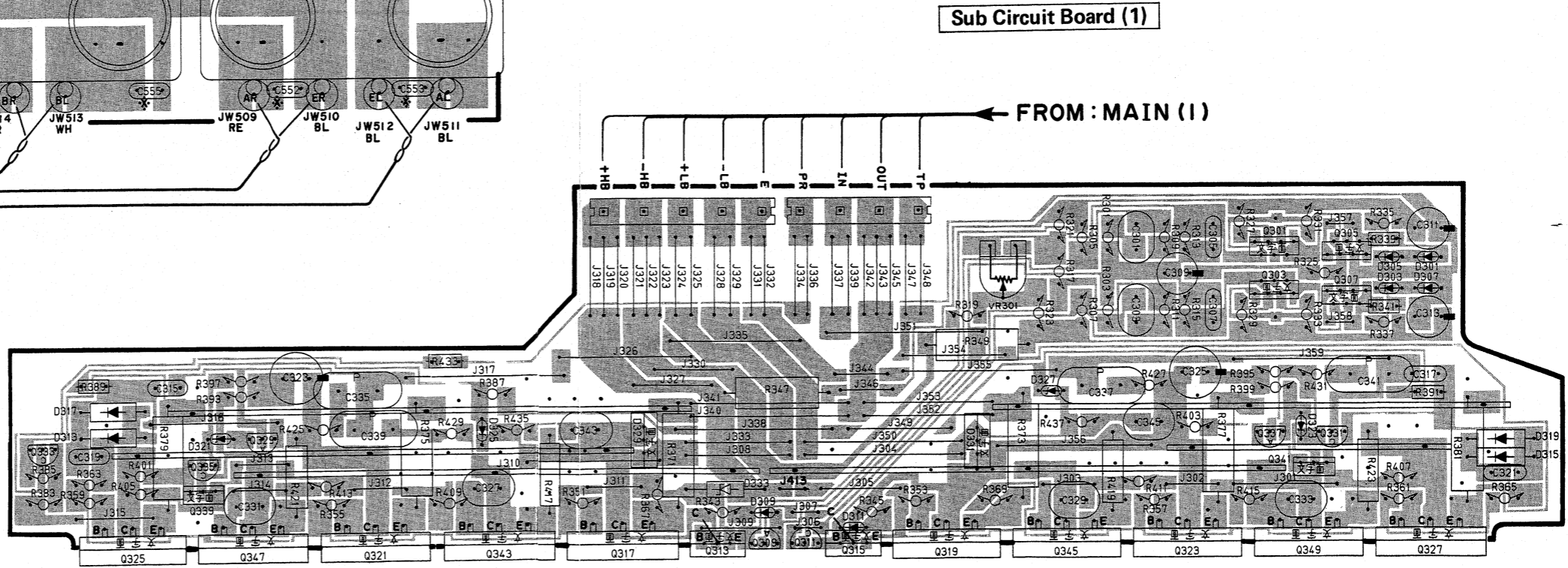
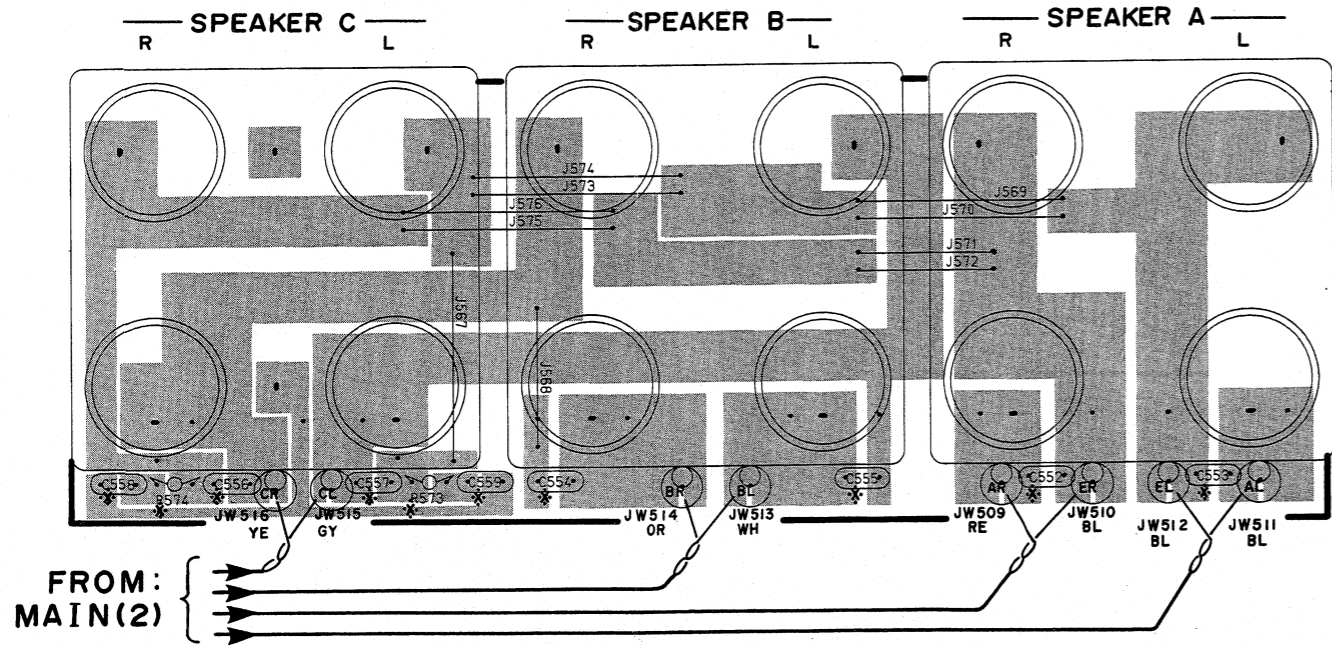
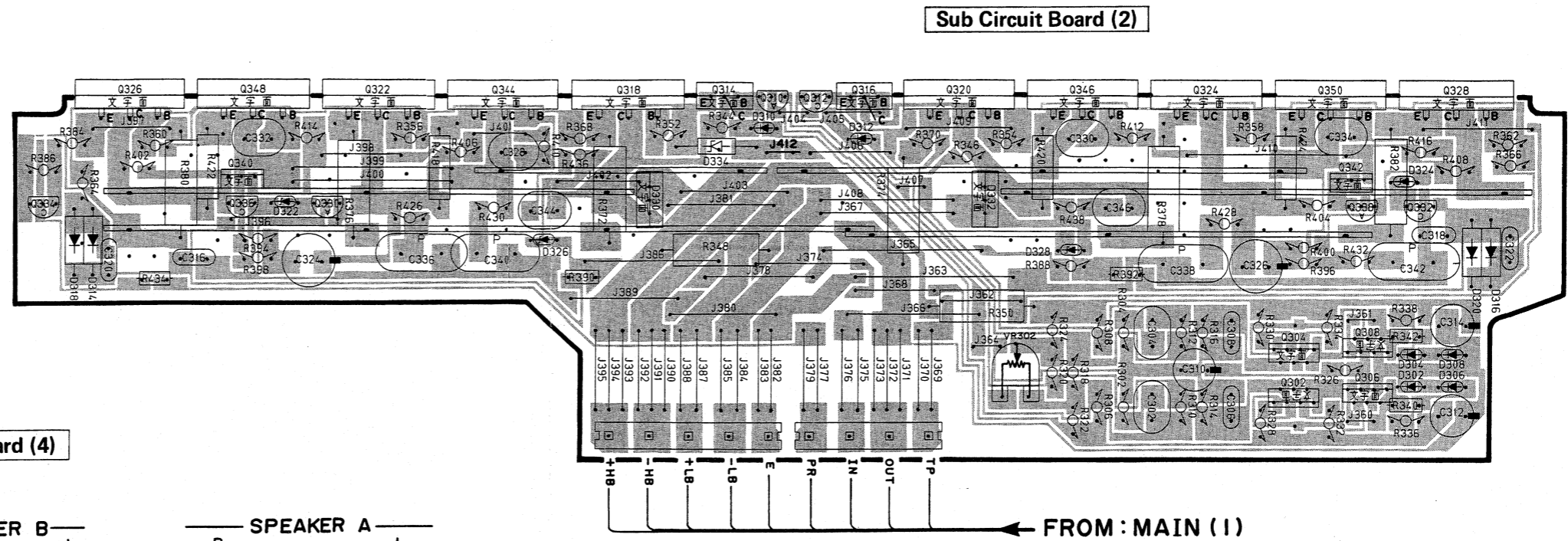


1  
2  
3  
4  
5  
6

PRINTED CIRCUIT BOARD (Pattern side)

Note) \* marked

|            | U, C, R, A | B, G          |
|------------|------------|---------------|
| C558, 559  | OPEN       | (P) 0.01/100  |
| R573, 574  | OPEN       | 2.2           |
| C552 ~ 557 | OPEN       | (P) 4700P/100 |

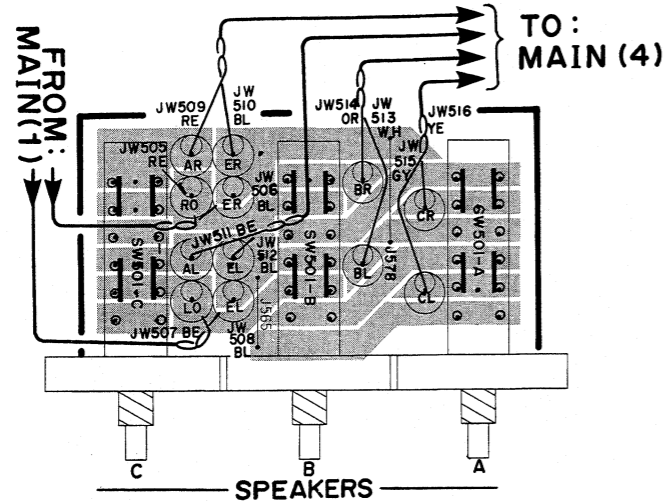




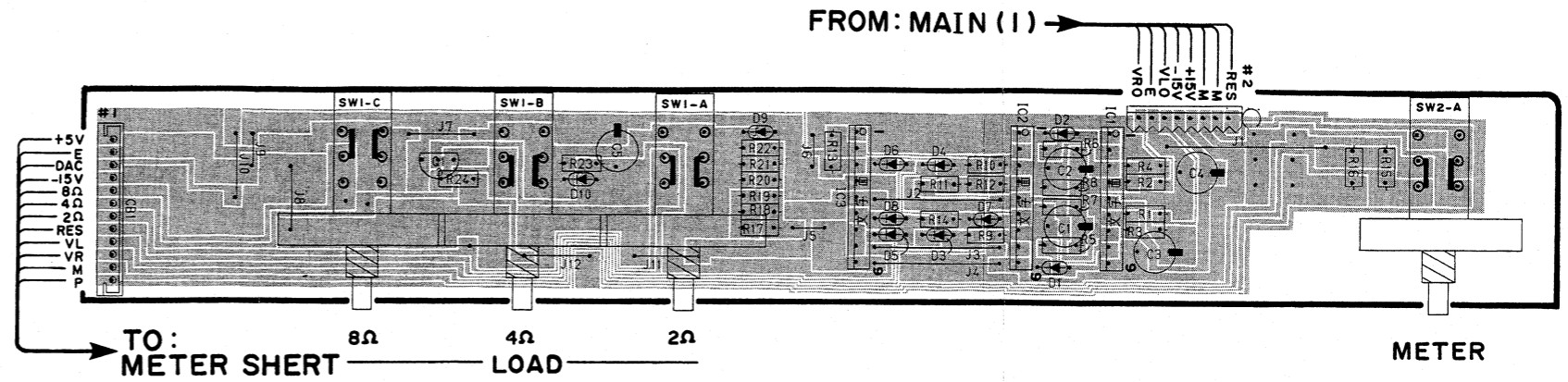
■ PRINTED CIRCUIT BOARD(Pattern side)

Note) 文字面 : Component side

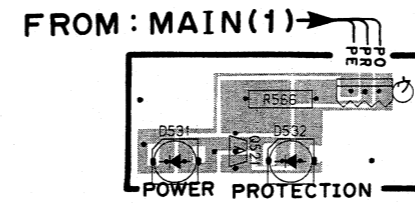
Main Circuit Board (2)



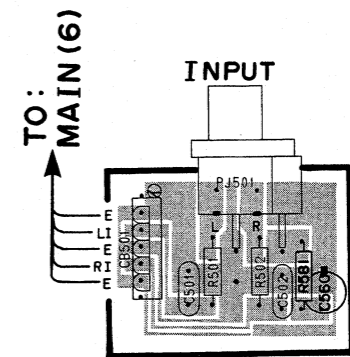
Switch Circuit Board



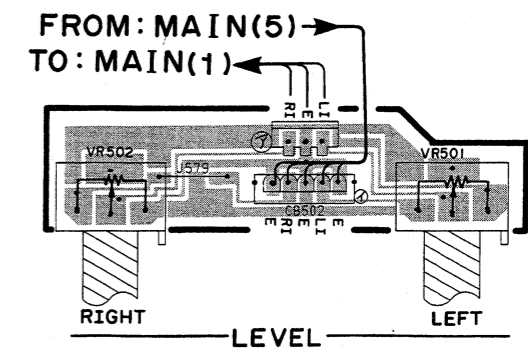
Main Circuit Board (7)



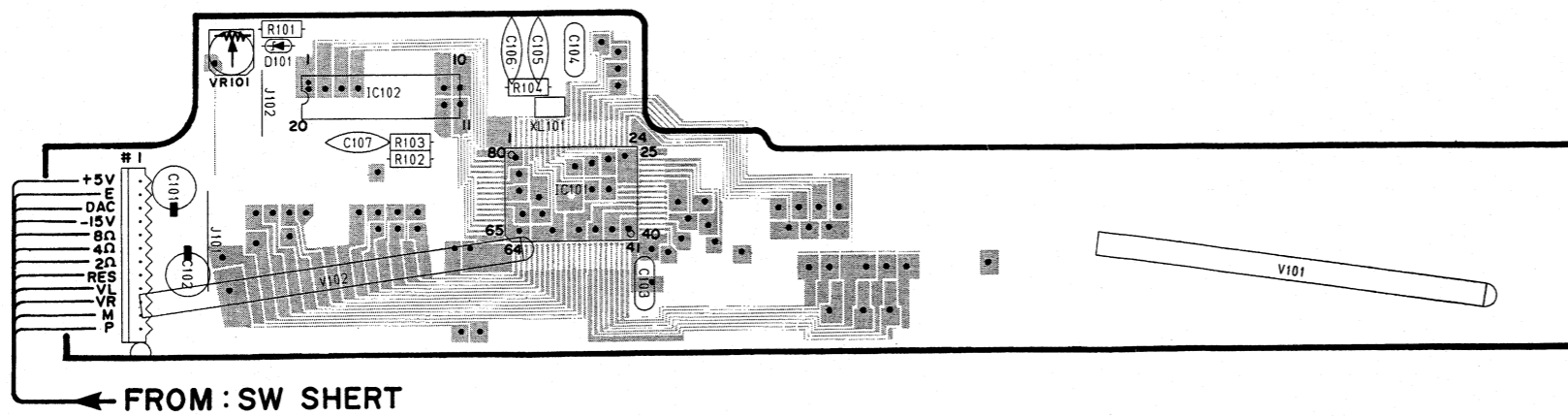
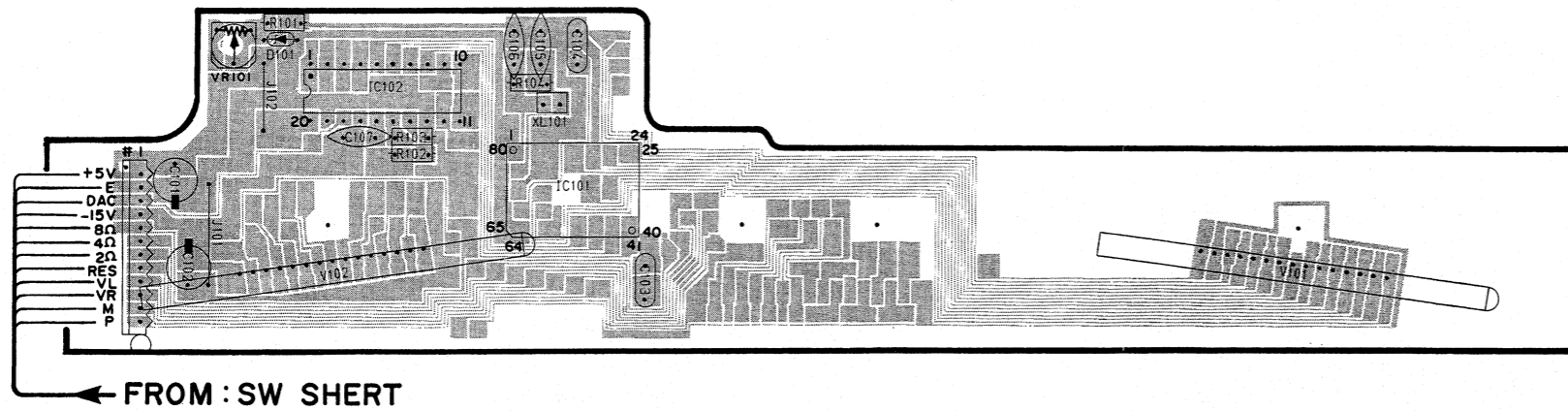
Main Circuit Board (5)



Main Circuit Board (6)



Meter Circuit Board



■ PRINTED CIRCUIT BOARD (Pattern side)

1

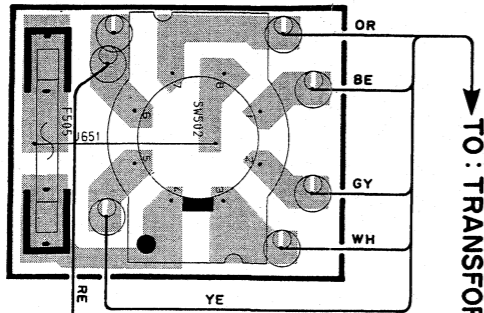
2

3

R MODEL

VOLTAGE SELECTOR

Main Circuit Board (3)

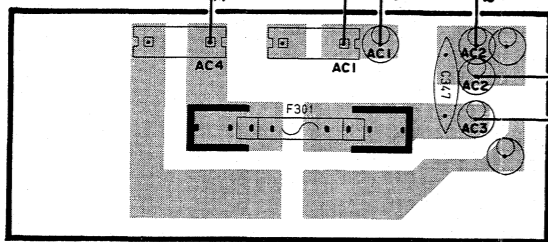


TO : TRANSFORMER

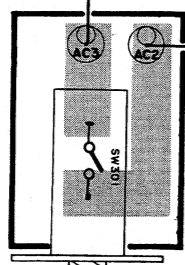
TO : TRANSFORMER

FROM : AC CORD

Sub Circuit Board (3)



Sub Circuit Board (4)

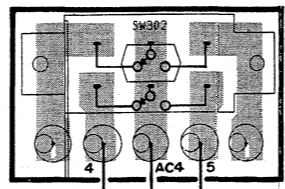


POWER

B.G MODEL

240V  
220V  
VOLTAGE SELECTOR

Sub Circuit Board (5)

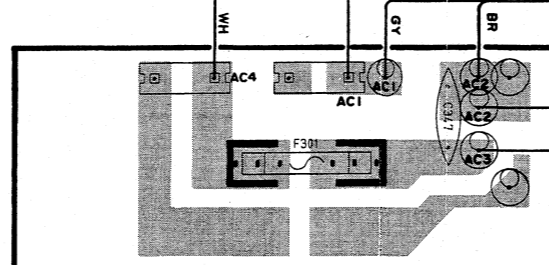


TO : TRANSFORMER

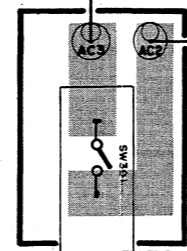
TO : TRANSFORMER

FROM : AC CORD

Sub Circuit Board (3)



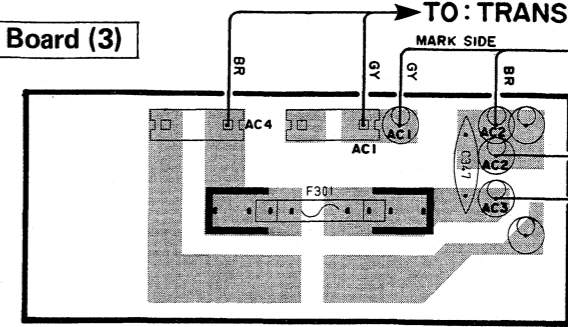
Sub Circuit Board (4)



POWER

U.C MODEL

Sub Circuit Board (3)

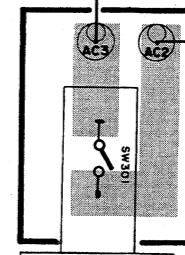


TO : TRANSFORMER

MARK SIDE

FROM : AC CORD

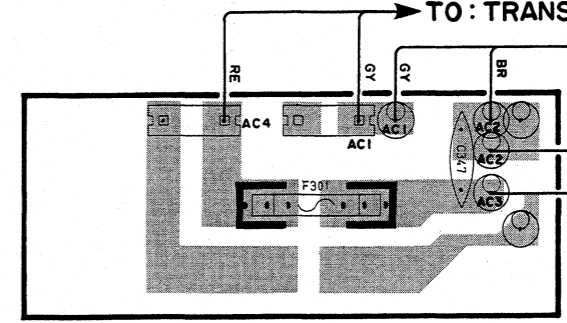
Sub Circuit Board (4)



A MODEL

POWER

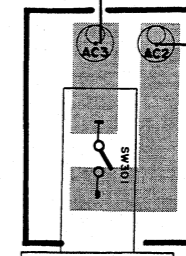
Sub Circuit Board (3)



TO : TRANSFORMER

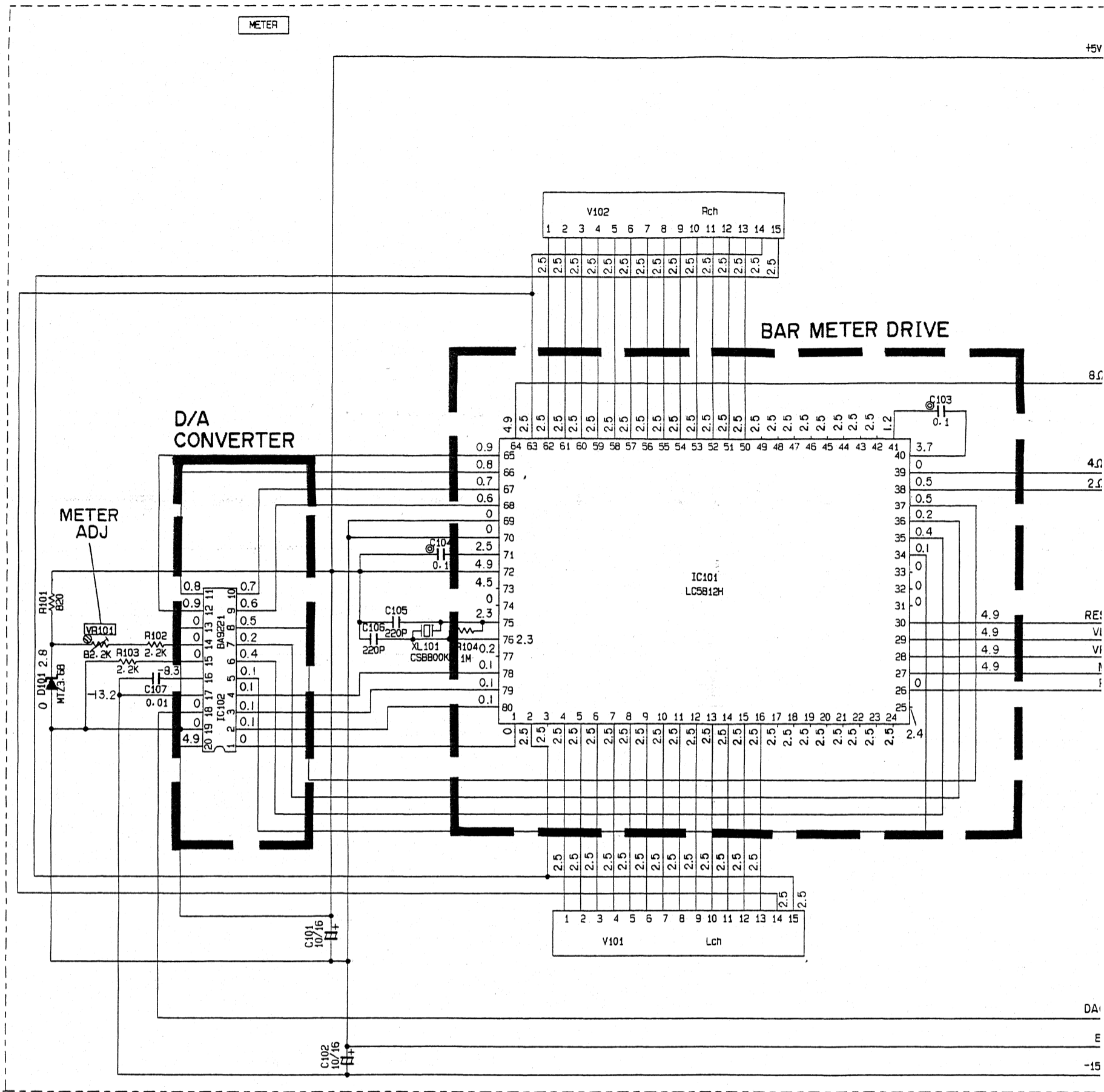
FROM : AC CORD

Sub Circuit Board (4)

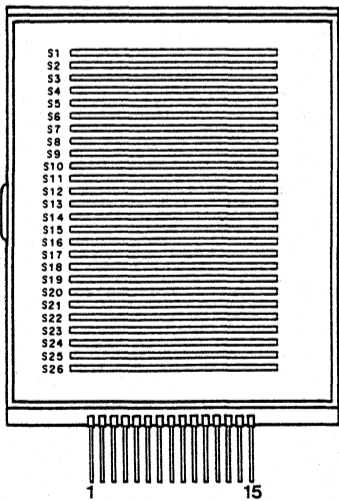


POWER

**SCHEMATIC DIAGRAM**



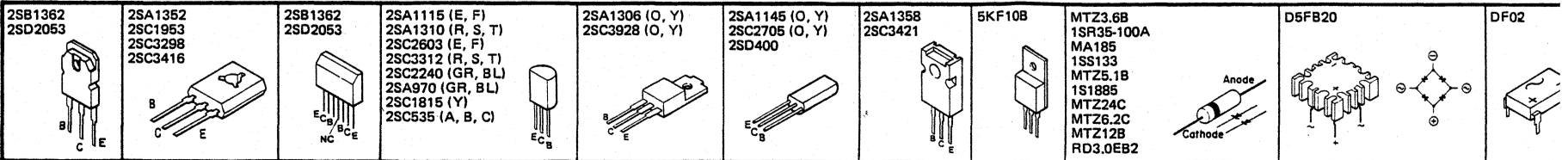
**V101, 102 (Bar Meter)**



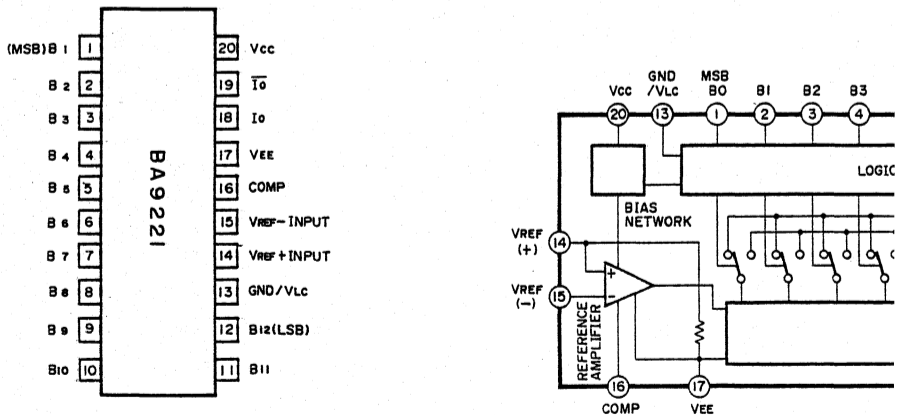
**Segment Matrix**

| Pin No. | 1  | 2  | 3  | 4  | 5   | 6   | 7   | 8   | 9   | 10  | 11  | 12  | 13  | 14  | 15  |
|---------|----|----|----|----|-----|-----|-----|-----|-----|-----|-----|-----|-----|-----|-----|
| COM 1   | S1 | S3 | S5 | S7 | S9  | S11 | S13 | S15 | S17 | S19 | S21 | S23 | S25 | COM | -   |
| COM 2   | S2 | S4 | S6 | S8 | S10 | S12 | S14 | S16 | S18 | S20 | S22 | S24 | S26 | -   | COM |

**PIN CONNECTION DIAGRAM OF TRANSISTORS, DIODES AND ICs.**

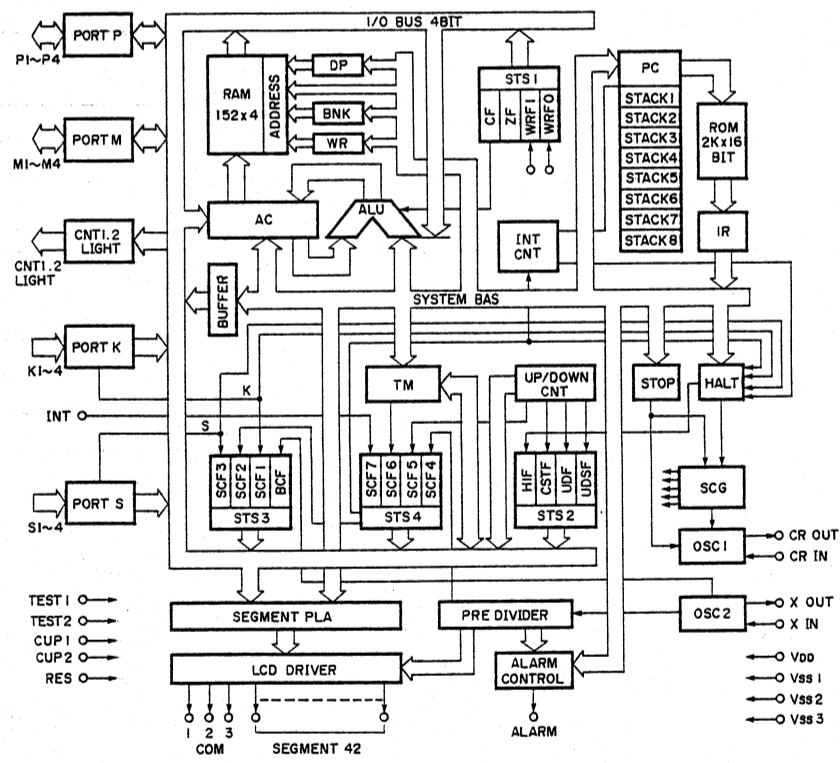
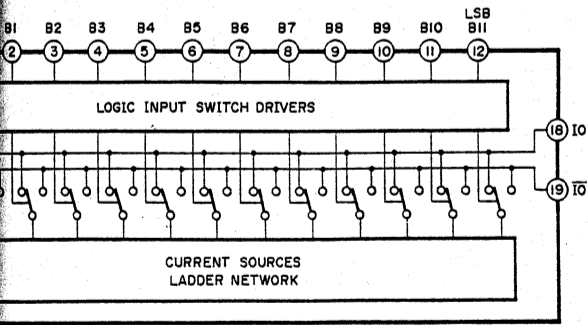
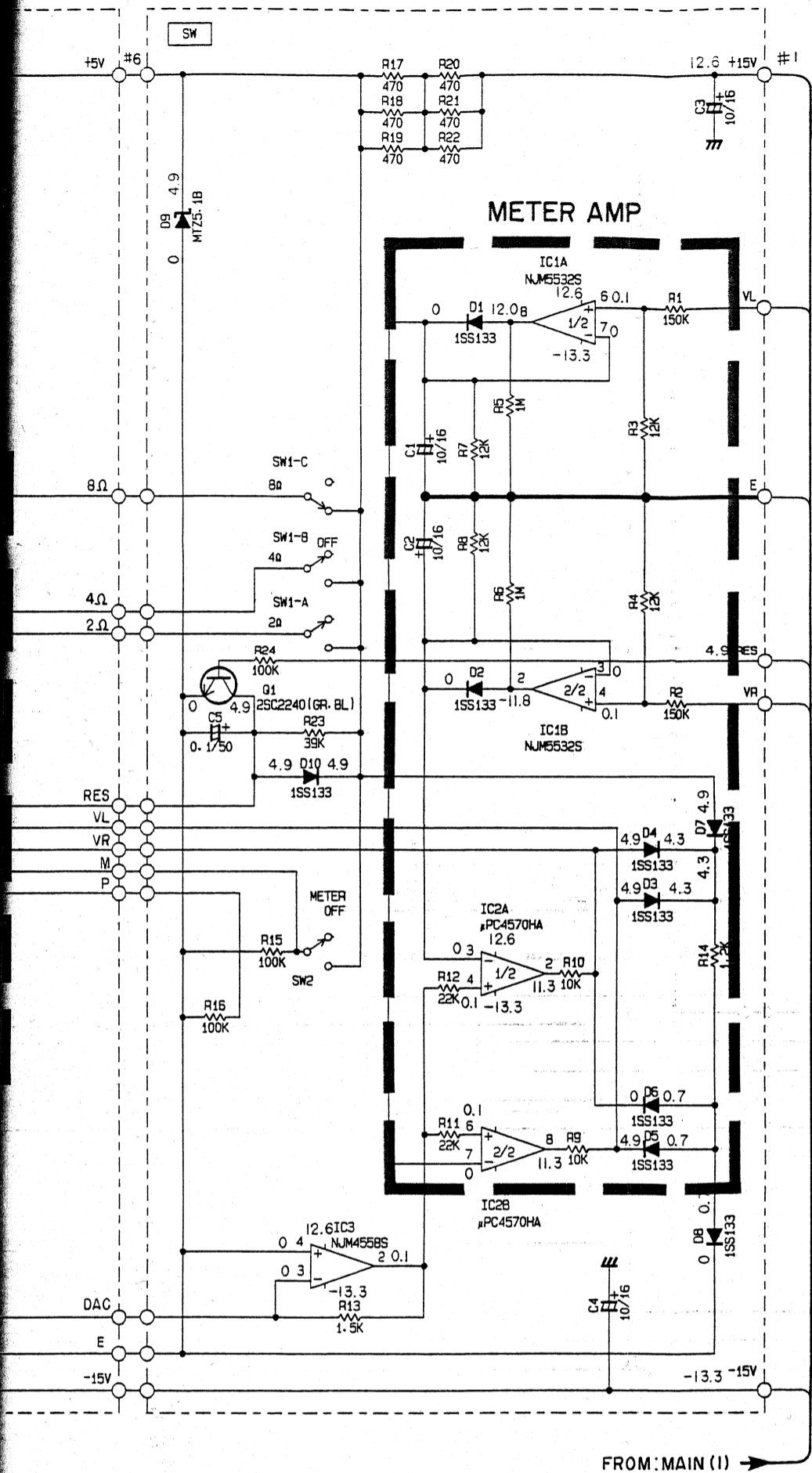


**IC102: BA9221  
12-Bit Multiplying D/A Converter**

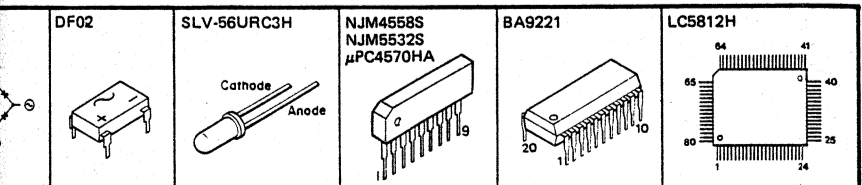
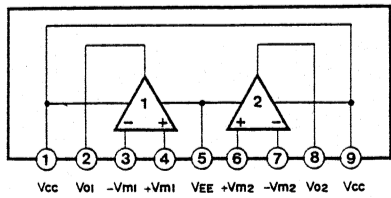


IC101: LC5812H LCD Driver

| Pin No. | Pin Name | I/O | Function                  | Pin No.                  | Pin Name | I/O   | Function                     |                             |
|---------|----------|-----|---------------------------|--------------------------|----------|-------|------------------------------|-----------------------------|
| 1       | P4       | I/O | D/A Converter (1pin)      | 40                       | CUP2     |       | Capacitor terminal           |                             |
| 2       | COM2     | O   | LCD Common 2 output       | 41                       | CUP1     |       |                              |                             |
| 3       | COM3     | O   | Not used                  | 42                       | seg O    |       | Not used                     |                             |
| 4       | seg O    |     | (V101, 1pin)              | 43                       | seg O    |       |                              |                             |
| 5       | seg O    |     | (V101, 2pin)              | 44                       | seg O    |       |                              |                             |
| 6       | seg O    |     | (V101, 3pin)              | 45                       | seg O    |       |                              |                             |
| 7       | seg O    |     | (V101, 4pin)              | 46                       | seg O    |       |                              |                             |
| 8       | seg O    |     | (V101, 5pin)              | 47                       | seg O    |       |                              |                             |
| 9       | seg O    |     | (V101, 6pin)              | 48                       | seg O    |       |                              |                             |
| 10      | seg O    |     | (V101, 7pin)              | 49                       | seg O    |       |                              |                             |
| 11      | seg O    |     | (V101, 8pin)              | 50                       | seg O    |       |                              |                             |
| 12      | seg O    |     | (V101, 9pin)              | 51                       | seg O    |       |                              |                             |
| 13      | seg O    |     | (V101, 10pin)             | 52                       | seg O    |       |                              |                             |
| 14      | seg O    |     | (V101, 11pin)             | 53                       | seg O    |       |                              |                             |
| 15      | seg O    |     | (V101, 12pin)             | 54                       | seg O    |       |                              |                             |
| 16      | seg O    |     | (V101, 13pin)             | 55                       | seg O    |       |                              |                             |
| 17      | seg O    |     | Not used                  | 56                       | seg O    |       | Rch bar meter segment output |                             |
| 18      | seg O    |     |                           | 57                       | seg O    |       |                              |                             |
| 19      | seg O    |     |                           | 58                       | seg O    |       |                              |                             |
| 20      | seg O    |     |                           | 59                       | seg O    |       |                              |                             |
| 21      | seg O    |     |                           | 60                       | seg O    |       |                              |                             |
| 22      | seg O    |     |                           | 61                       | seg O    |       |                              |                             |
| 23      | seg O    |     |                           | 62                       | seg O    |       |                              |                             |
| 24      | seg O    |     |                           | 63                       | COM1     |       |                              |                             |
| 25      | TEST3    |     |                           | LCD Common 1 output      |          |       |                              |                             |
| 26      | K4       | I   |                           | Test terminal (Not used) | 64       | S4    |                              | I                           |
| 27      | K3       | I   | PEAK HOLD SW (GND)        | 65                       | CNT1     | O     | D/A Converter                |                             |
| 28      | K2       | I   | METER SW                  | 66                       | CNT2     | O     |                              | (12pin)                     |
| 29      | K1       | I   | Comparator Rch            | 67                       | LIGHT    | O     |                              | (11pin)                     |
| 30      | RES      | I   | Reset input (at power ON) | 68                       | ALARM    | O     | (10pin)                      |                             |
| 31      | INT      | I   | Not used                  | 69                       | Vss2     |       | Power supply for LCD drive   |                             |
| 32      | TEST2    |     | Test terminal (Not used)  | 70                       | Vss3     |       | GND                          |                             |
| 33      | TEST1    |     |                           | 71                       | Vss1     |       | Power supply for LCD drive   |                             |
| 34      | M4       | I/O | D/A Converter             | 72                       | VDD      |       | +5V power supply             |                             |
| 35      | M3       | I/O |                           | (5pin)                   | 73       | X IN  | I                            | Not used                    |
| 36      | M2       | I/O |                           | (6pin)                   | 74       | X OUT | O                            |                             |
| 37      | M1       | I/O |                           | (7pin)                   | 75       | CR IN |                              | Ceramic resonator (800 kHz) |
| 38      | S2       | I   | LOAD 2Ω SW                | 76                       | CR OUT   |       |                              |                             |
| 39      | S1       | I   | LOAD 4Ω SW                | 77                       | S3       | I     | Not used                     |                             |
|         |          |     |                           | 78                       | P1       | I/O   | D/A Converter                |                             |
|         |          |     |                           | 79                       | P2       | I/O   |                              | (4pin)                      |
|         |          |     |                           | 80                       | P3       | I/O   |                              | (3pin)                      |
|         |          |     |                           |                          |          |       | (2pin)                       |                             |

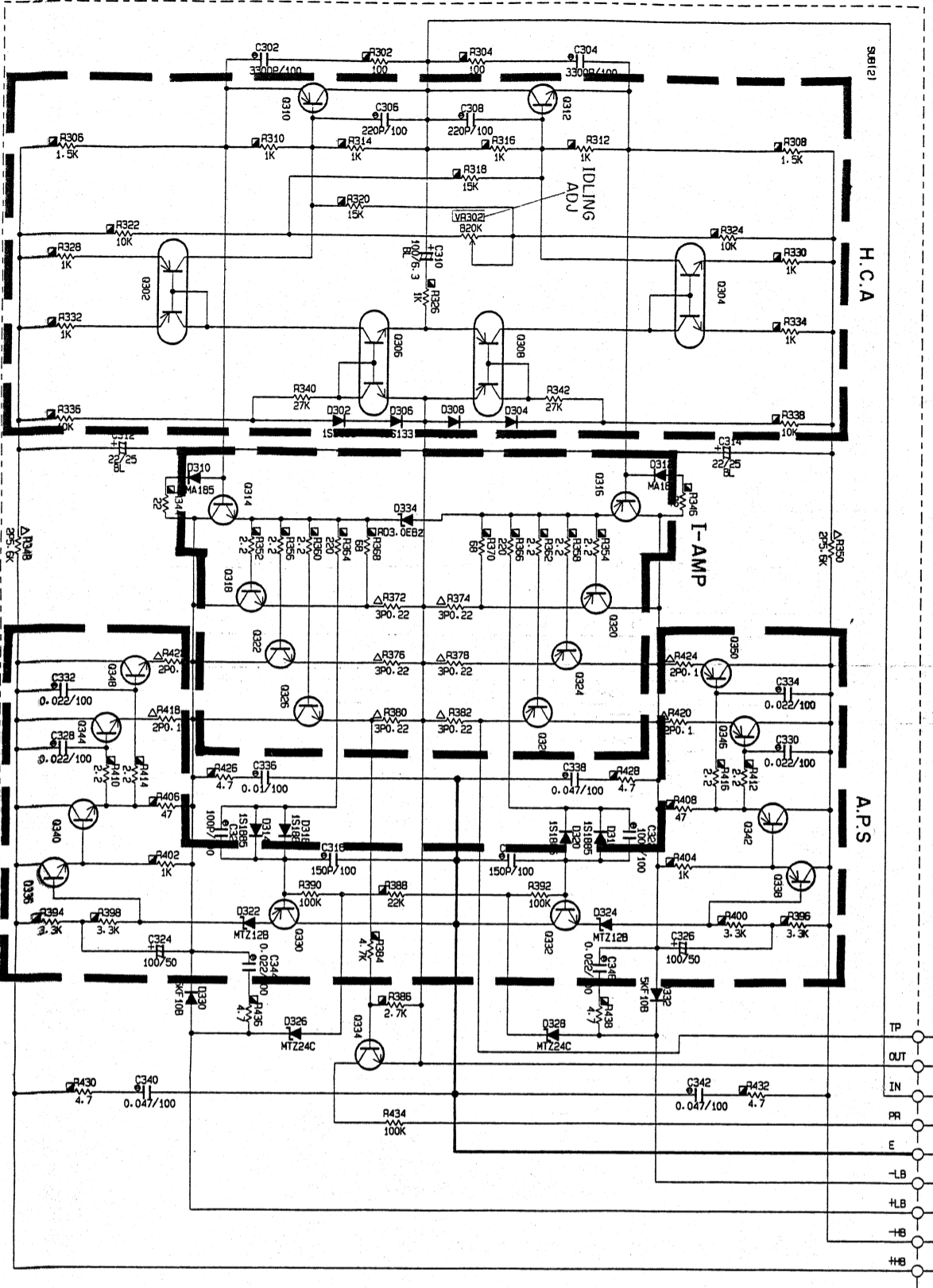


IC1: NJM5532S  
 IC2: μPC4570HA  
 IC3: NJM4558S  
 Dual Ope-Amp

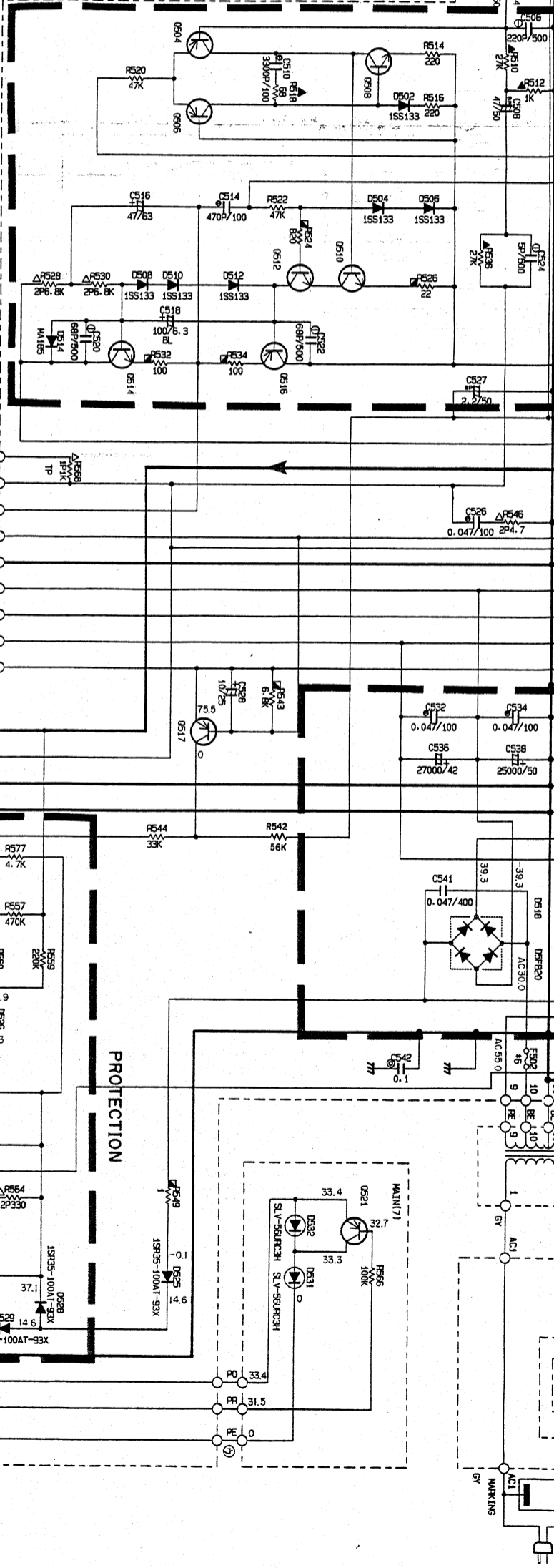


\* All voltages are measured with a 10MΩ/DC electric volt meter.  
 \* Components having special characteristics are marked Δ and must be replaced with parts having specifications equal to those originally installed.  
 \* Schematic diagram is subject to change without notice.

SCHEMATIC DIAGRAM



| SUB SHEET                     |                   |                |                   | MAIN SHEET |                   |           |                   |
|-------------------------------|-------------------|----------------|-------------------|------------|-------------------|-----------|-------------------|
| No                            | TR                | No             | TR                | No         | TR                | No        | TR                |
| 0301, 302, 307, 308           | 25A1349 (GR. BL.) | 0501, 502      | 25C3531 (A, B, C) | 0514       | 25A1352           | 0516, 519 | 25C3531 (A, B, C) |
| 0303, 304, 305, 306           | 25A1350 (GR. BL.) | 0503, 505, 517 | 25A1370 (GR. BL.) | 0515, 512  | 25A1353           | 0518, 519 | 25A1370 (GR. BL.) |
| 0309, 310                     | 25A1370 (GR. BL.) | 0507, 508      | 25C2240 (GR. BL.) | 0508, 510  | 25C1352           | 0513, 514 | 25C2240 (GR. BL.) |
| 0311, 312, 333, 334           | 25C2240 (GR. BL.) | 0509, 510      | 25C1351 (V)       | 0511, 512  | 25C1352           | 0515, 516 | 25C1351 (V)       |
| 0313, 314                     | 25C2240 (GR. BL.) | 0511, 512      | 25C1351 (V)       | 0513, 514  | 25C1352           | 0515, 516 | 25C1351 (V)       |
| 0315, 316                     | 25A1356           | 0513, 514      | 25C1351 (V)       | 0515, 516  | 25A1352           | 0520      | 25A1352           |
| 0329, 330, 337, 338           | 25A1145 (O, V)    | 0515, 516      | 25A1352           | 0518, 519  | 25C4000           |           | 25A1352           |
| 0331, 332, 335, 336           | 25C2705 (O, V)    | 0520           | 25C4000           |            | 25C2303 (E, F)    |           | 25C2303 (E, F)    |
| 0333, 340                     | 25C2705 (O, V)    |                |                   |            | 25C2303 (E, F)    |           | 25C2303 (E, F)    |
| 0341, 342                     | 25A1359           |                |                   |            | 25C2303 (E, F)    |           | 25C2303 (E, F)    |
| 0317, 318, 321, 322, 325, 326 | 25C3865           |                |                   |            | 25C2303 (E, F)    |           | 25C2303 (E, F)    |
| 0343, 344, 347, 348           | 25C20053          |                |                   |            | 25C2303 (E, F)    |           | 25C2303 (E, F)    |
| 0319, 320, 323, 324, 327, 328 | 25A1461           |                |                   |            | 25A1151 (E, F)    |           | 25A1151 (E, F)    |
| 0345, 346, 349, 350           | 25A1352           |                |                   |            | 25A1310 (R, S, T) |           | 25A1310 (R, S, T) |
|                               |                   |                |                   |            | 25A1317 (S)       |           | 25A1317 (S)       |

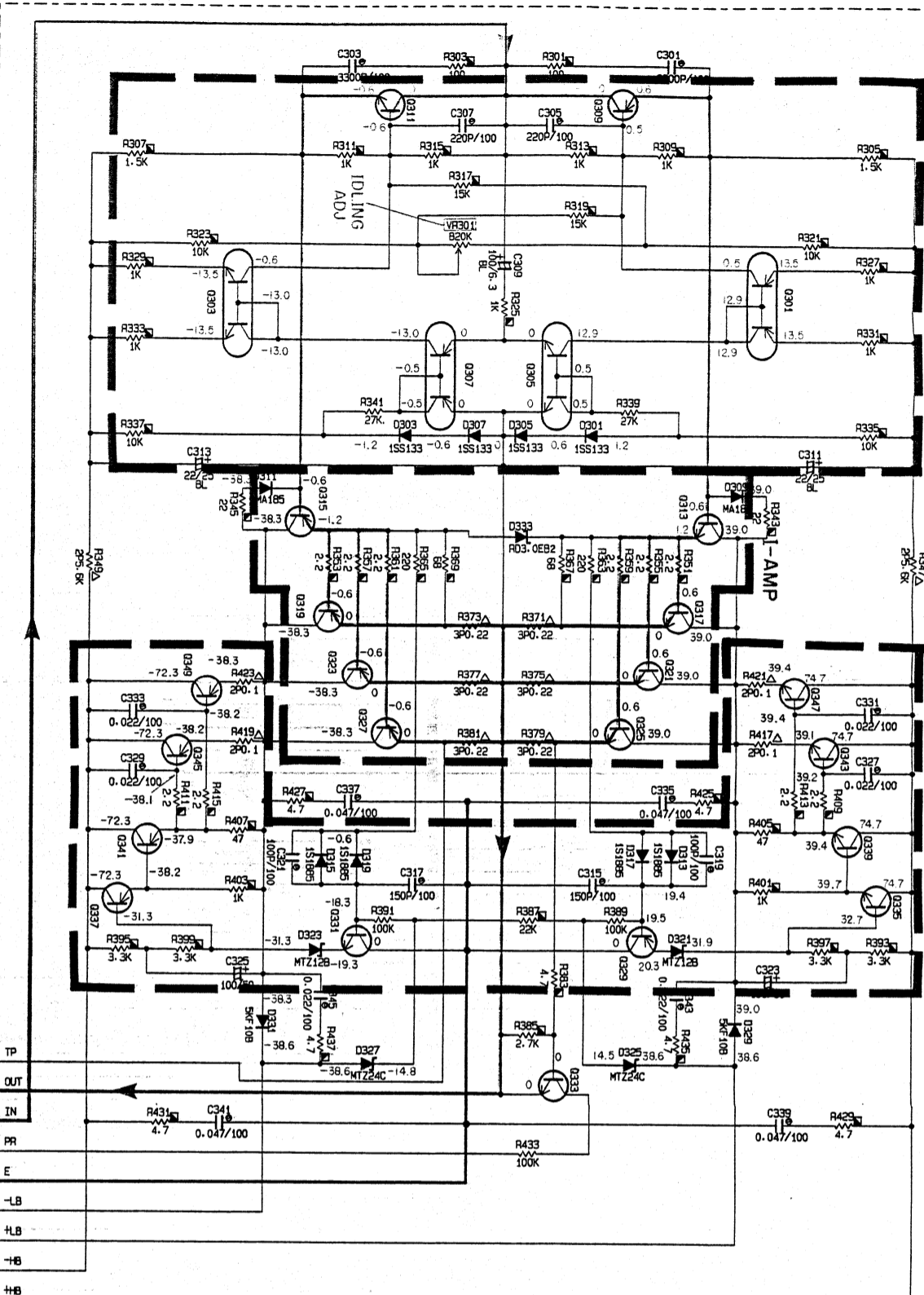


\* All voltages are measured with a 10MΩ/DC electric volt meter.  
 \* Components having special characteristics are marked  $\Delta$  and must be replaced with parts having specifications equal to those originally installed.  
 \* Schematic diagram is subject to change without notice.

9A(11)

H.C.A

A.P.S

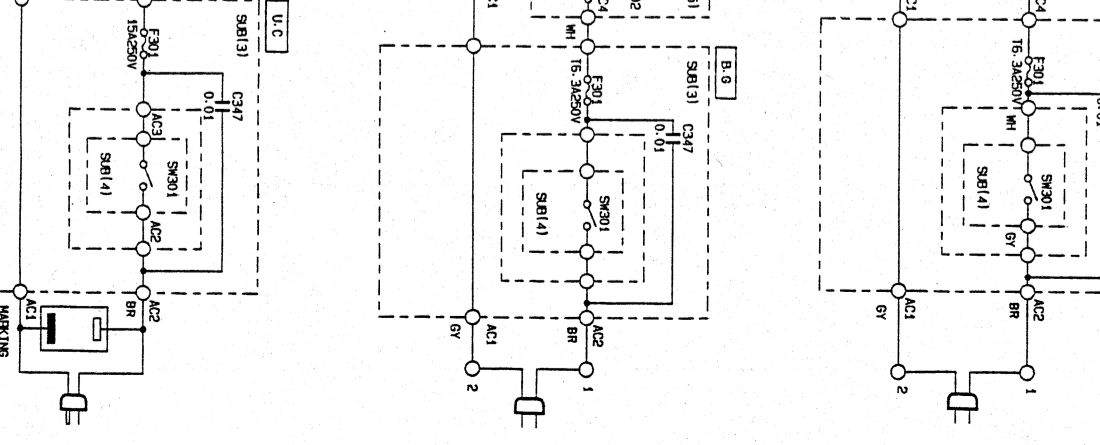
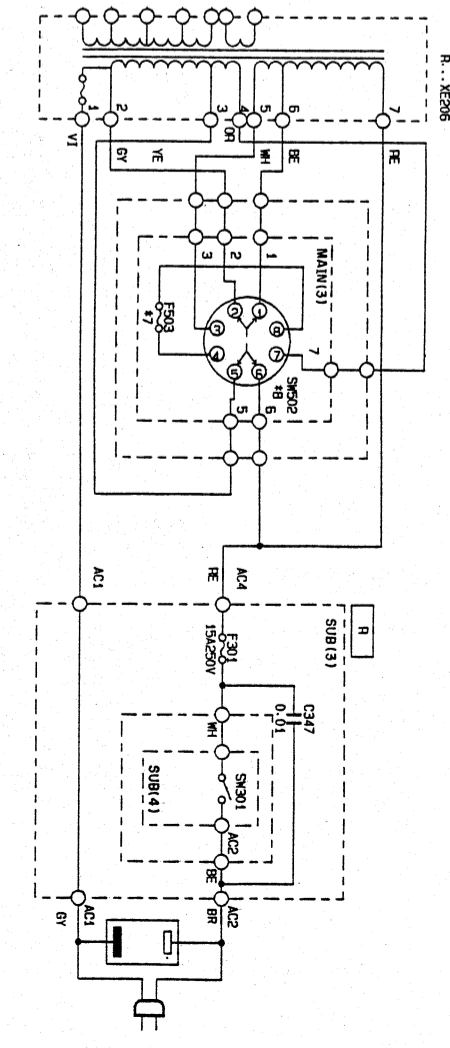
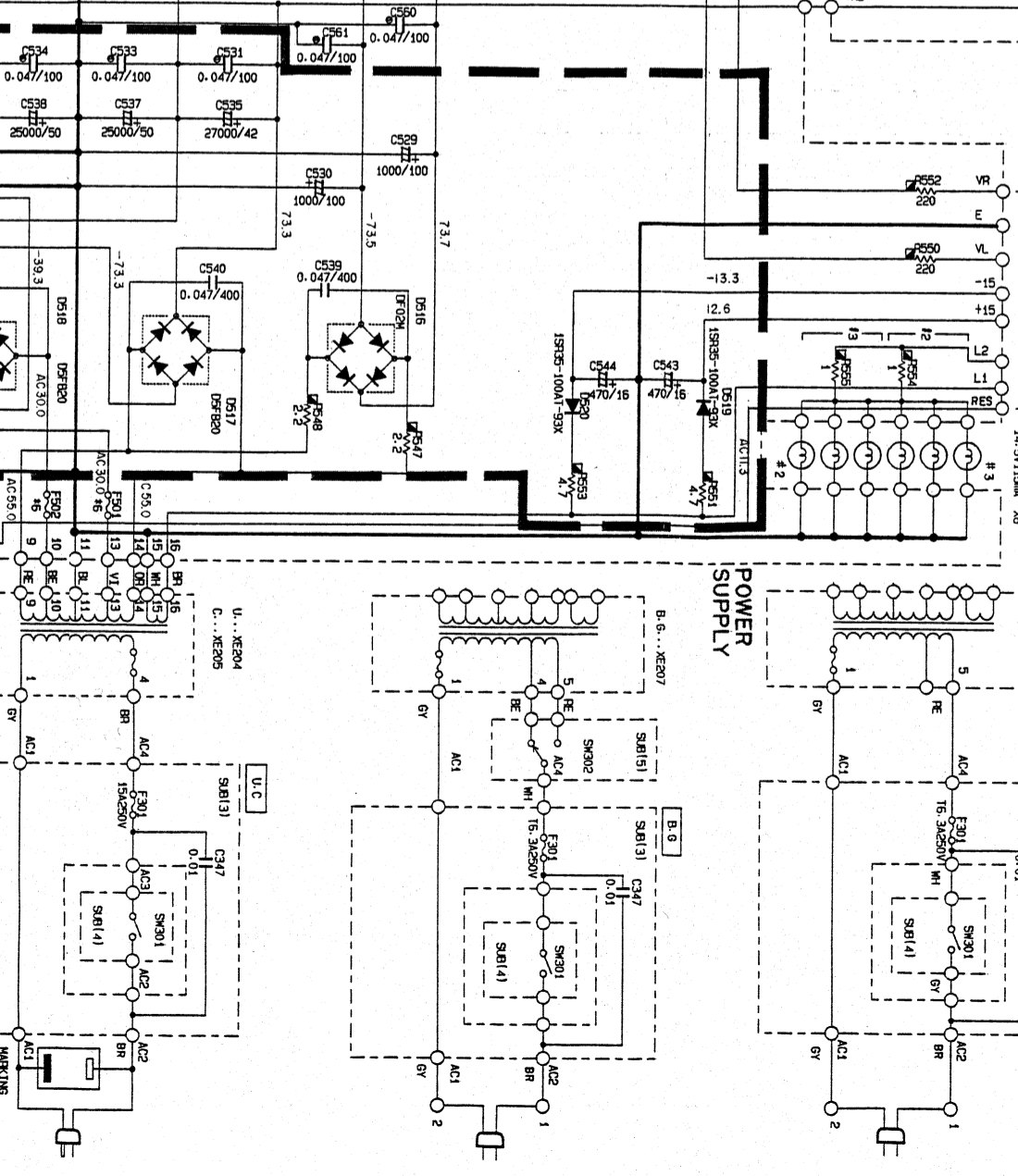
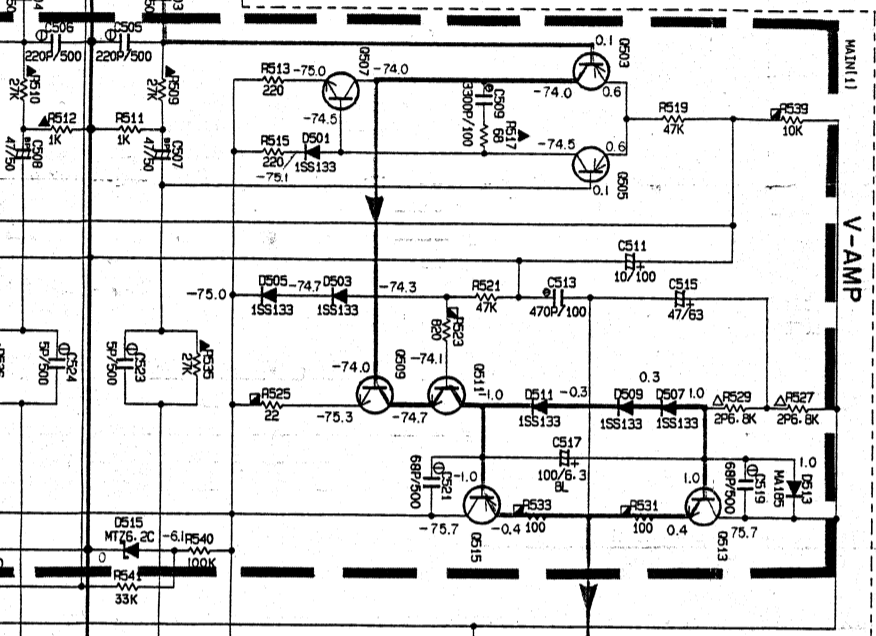
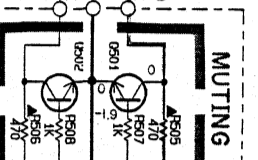
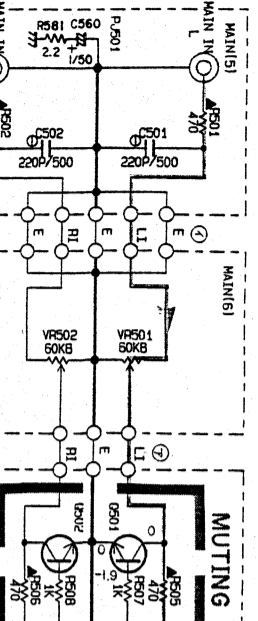


**NOTICE**  
 (U)..... U.S.A model)  
 (C)..... Canadian model)  
 (A)..... Australian model)  
 (G)..... European model)  
 (B)..... British model)  
 (R)..... General model)

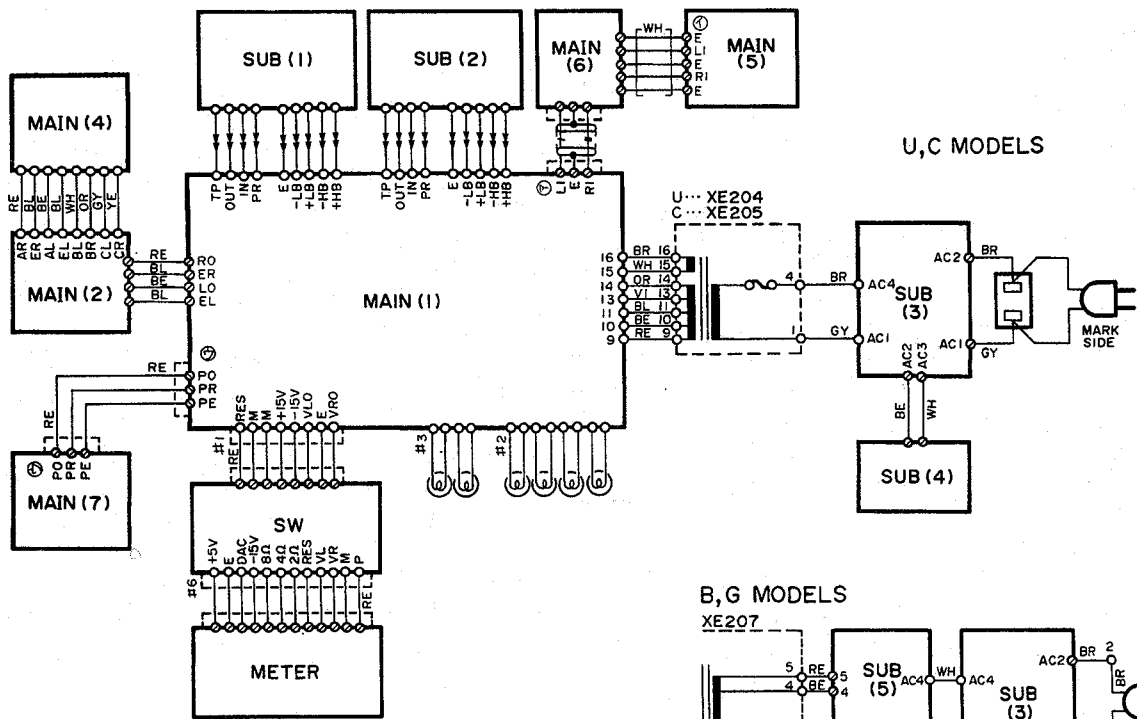
| REMARKS | PARTS NAME                      |
|---------|---------------------------------|
| NO MARK | CARBON FILM RESISTOR 1/16W 1    |
| △       | CARBON FILM RESISTOR            |
| ▽       | METAL OXIDE FILM RESISTOR       |
| ◊       | METAL FILM RESISTOR             |
| ⊠       | METAL PLATE RESISTOR            |
| ⊞       | FIRE PROOF CARBON FILM RESISTOR |
| ⊚       | SEMI VARIABLE RESISTOR          |
| ⊜       | CHIP RESISTOR                   |

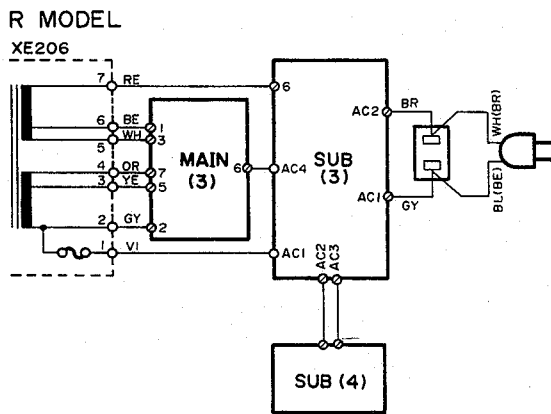
| REMARKS | PARTS NAME                       |
|---------|----------------------------------|
| NO MARK | ELECTROLYTIC CAPACITOR           |
| ⊙       | CERAMIC CAPACITOR                |
| ⊘       | POLYSTYRENE FILM CAPACITOR       |
| ⊕       | MICA CAPACITOR                   |
| ⊖       | POLYPROPYLENE FILM CAPACITOR     |
| ⊗       | SEMICONDUCTIVE CERAMIC CAPACITOR |



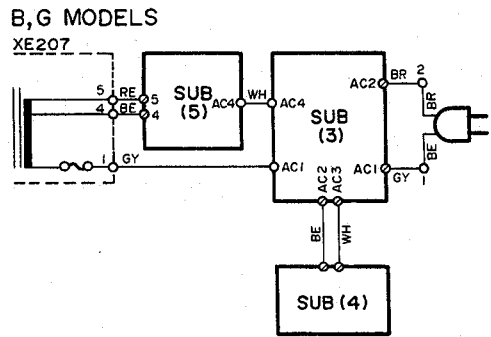
**WIRING**



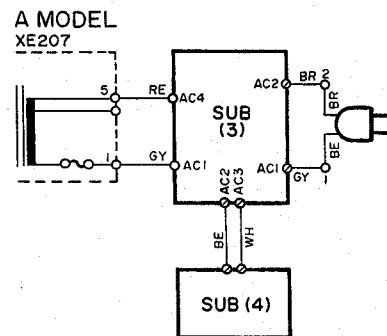
U, C MODELS



R MODEL  
XE206



B, G MODELS  
XE207



A MODEL  
XE207

MX-800/U/  
MX-70

MX-800/U/MX-70

PARTS LIST

■ ELECTRICAL PARTS

■ WARNING

Components having special characteristics are marked  $\Delta$  and must be replaced with parts having specifications equal to those originally installed.

● Carbon resistors (1/6W or 1/4W) are not included in the ELECTRICAL PARTS list. For the parts No. of the carbon resistor, refer to p. 25.

MX-800/U/  
MX-70

| Ref. No. | Part No.    | Description               | 部 品 名             | Remarks            | Common Model             | Markets | ランク |
|----------|-------------|---------------------------|-------------------|--------------------|--------------------------|---------|-----|
| ※        | NA 09 78 20 | Main Circuit Board        | メ イ ン シ ー ト       |                    |                          | U, C    |     |
| ※        | NA 09 78 30 | 〃                         | 〃                 |                    |                          | R       |     |
| ※        | NA 09 78 40 | 〃                         | 〃                 |                    |                          | A       |     |
| ※        | NA 09 78 50 | 〃                         | 〃                 |                    |                          | B, G    |     |
|          | FU 35 05 00 | Mica Cap.                 | マ イ カ コ ン         | 5pF 500V           | C523,524                 |         |     |
|          | FU 35 16 80 | 〃                         | 〃                 | 68pF 500V          | C519~522                 |         |     |
|          | FU 35 22 20 | 〃                         | 〃                 | 220pF 500V         | C501,502,505,506         |         |     |
| ※        | VE 87 59 00 | Polypropylene Film Cap.   | ポ リ プ ロ コ ン       | 0.022 $\mu$ F 100V | C550,551                 |         |     |
| ※        | VE 80 23 00 | 〃                         | 〃                 | 0.047 $\mu$ F 100V | C525,526,531~534,560,561 |         |     |
|          | UT 45 24 70 | 〃                         | 〃                 | 470pF 100V         | C513,514                 |         |     |
|          | UT 65 33 30 | 〃                         | 〃                 | 3300pF 100V        | C509,510                 |         |     |
|          | UT 45 34 70 | 〃                         | 〃                 | 4700pF 100V        | C552~557                 | B, G    |     |
|          | UT 45 41 00 | 〃                         | 〃                 | 0.01 $\mu$ F 100V  | C558,559                 | B, G    |     |
|          | FA 15 51 00 | Mylar Cap.                | マ イ ラ ー コ ン       | 0.1 $\mu$ F 50V    | C542                     |         |     |
|          | FZ 00 06 70 | Metallized Cap.           | M M コ ン           | 0.047 $\mu$ F 400V | C539~541                 |         |     |
|          | UJ 11 82 20 | Electrolytic Cap.         | ケ ミ コ ン           | 220 $\mu$ F 6.3V   | C547                     |         |     |
|          | UJ 13 83 30 | 〃                         | 〃                 | 330 $\mu$ F 16V    | C543,544                 |         |     |
|          | UJ 14 71 00 | 〃                         | 〃                 | 10 $\mu$ F 25V     | C528,545                 |         |     |
|          | UJ 16 61 00 | 〃                         | 〃                 | 1 $\mu$ F 50V      | C560                     |         |     |
|          | UJ 16 71 00 | 〃                         | 〃                 | 10 $\mu$ F 50V     | C549,562                 |         |     |
|          | UJ 16 81 00 | 〃                         | 〃                 | 100 $\mu$ F 50V    | C548                     |         |     |
|          | FM 11 62 20 | 〃                         | B P コ ン           | 2.2 $\mu$ F 50V    | C527                     |         |     |
|          | UK 16 64 70 | 〃                         | 〃                 | 4.7 $\mu$ F 50V    | C546                     |         |     |
|          | FZ 00 54 10 | 〃                         | ブ ラ ッ ク ゲ ー ト コ ン | 100 $\mu$ F 6.3V   | C517,518                 |         |     |
| ※        | VE 94 14 00 | 〃                         | オ ー デ ィ オ ケ ミ コ ン | 47 $\mu$ F 63V     | C515,516                 |         |     |
|          | FM 17 73 30 | 〃                         | B P コ ン           | 33 $\mu$ F 50V     | C503,504                 |         |     |
|          | FM 17 74 70 | 〃                         | 〃                 | 47 $\mu$ F 50V     | C507,508                 |         |     |
| ※        | VE 94 15 00 | 〃                         | オ ー デ ィ オ ケ ミ コ ン | 1000 $\mu$ F 100V  | C529,530                 |         |     |
| ※        | VF 64 55 00 | 〃                         | 〃                 | 10 $\mu$ F 100V    | C511                     |         |     |
|          | VC 79 37 00 | Coil                      | コ イ ル             | 1.5 $\mu$ H        | L501,502                 |         |     |
| ※        | HU 57 54 70 | Metal Film Resistor       | 金 属 皮 膜 抵 抗       | 470 $\Omega$ 1/4W  | R501,502,505,506         |         |     |
|          | HU 59 61 00 | 〃                         | 〃                 | 1k $\Omega$ 1/4W   | R511,512                 |         |     |
|          | HU 57 72 70 | 〃                         | 〃                 | 27k $\Omega$ 1/4W  | R509,510,535,536         |         |     |
|          | HU 57 46 80 | 〃                         | 〃                 | 68 $\Omega$ 1/4W   | R517,518                 |         |     |
|          | HJ 35 32 20 | Carbon Resistor           | カ ー ボ ン 抵 抗       | 2.2 $\Omega$ 1/4W  | R581                     |         |     |
|          | HJ 35 52 20 | 〃                         | 〃                 | 220 $\Omega$ 1/4W  | R513~516                 |         |     |
|          | HJ 35 61 00 | 〃                         | 〃                 | 1k $\Omega$ 1/4W   | R507,508                 |         |     |
|          | HJ 35 64 70 | 〃                         | 〃                 | 4.7k $\Omega$ 1/4W | R577                     |         |     |
|          | HJ 35 71 00 | 〃                         | 〃                 | 10k $\Omega$ 1/4W  | R563                     |         |     |
|          | HJ 35 73 30 | 〃                         | 〃                 | 33k $\Omega$ 1/4W  | R541,544                 |         |     |
|          | HJ 35 74 70 | 〃                         | 〃                 | 47k $\Omega$ 1/4W  | R519~522                 |         |     |
|          | HJ 35 75 60 | 〃                         | 〃                 | 56k $\Omega$ 1/4W  | R542                     |         |     |
|          | HJ 35 81 00 | 〃                         | 〃                 | 100k $\Omega$ 1/4W | R540,566                 |         |     |
|          | HJ 35 82 20 | 〃                         | 〃                 | 220k $\Omega$ 1/4W | R556,559,560             |         |     |
|          | HJ 35 84 70 | 〃                         | 〃                 | 470k $\Omega$ 1/4W | R557,558                 |         |     |
|          | HJ 35 88 20 | 〃                         | 〃                 | 820k $\Omega$ 1/4W | R561                     |         |     |
| ※        | HL 31 61 00 | Metal Oxide Film Resistor | 酸 金 抵 抗           | 1k $\Omega$ 1W     | R567,568                 |         |     |
|          | HL 32 32 20 | 〃                         | 〃                 | 2.2 $\Omega$ 2W    | R571,572                 |         |     |
|          | HL 32 34 70 | 〃                         | 〃                 | 4.7 $\Omega$ 2W    | R545,546,575,576         |         |     |
| ※        | HL 32 53 30 | 〃                         | 〃                 | 330 $\Omega$ 2W    | R564                     |         |     |
|          | HL 32 63 90 | 〃                         | 〃                 | 3.9k $\Omega$ 2W   | R565                     |         |     |

※New Parts (新規部品) NR



| Ref. No. | Part No.    | Description                 | 部 品 名          | Remarks           | Common Model         | Markets          | ランク |
|----------|-------------|-----------------------------|----------------|-------------------|----------------------|------------------|-----|
| ※        | HL 32 66 80 | Metal Oxide Film Resistor   | 6.8kΩ 2W       | 酸 金 抵 抗           | R527~530             |                  |     |
|          | HV 45 31 00 | Flame Proof Carbon Resistor | 1Ω 1/4W        | 不 燃 化 カ ー ボ ン 抵 抗 | R547~549,554,555     |                  |     |
|          | HV 45 32 20 | //                          | 2.2Ω 1/4W      | //                | R573,574             | B,G              |     |
|          | HV 45 34 70 | //                          | 4.7Ω 1/4W      | //                | R551,553             |                  |     |
|          | HV 45 41 00 | //                          | 10Ω 1/4W       | //                | R569,570             |                  |     |
|          | HV 45 42 20 | //                          | 22Ω 1/4W       | //                | R525,526             |                  |     |
|          | HV 45 51 00 | //                          | 100Ω 1/4W      | //                | R531~534             |                  |     |
|          | HV 45 52 20 | //                          | 220Ω 1/4W      | //                | R550,552             |                  |     |
|          | HV 45 58 20 | //                          | 820Ω 1/4W      | //                | R523,524             |                  |     |
|          | HV 45 66 80 | //                          | 6.8kΩ 1/4W     | //                | R543                 |                  |     |
|          | HV 45 71 00 | //                          | 10kΩ 1/4W      | //                | R539                 |                  |     |
| ※        | VE 64 25 00 | Potentiometer               | B60kΩ          | 可 変 抵 抗 器         | VR501,502            |                  |     |
|          | iA 09 70 00 | Transistor                  | 2SA970(GR,BL)  | ト ラ ン ジ ス タ ー     | Q503~506,517         |                  |     |
|          | iA 11 15 10 | //                          | 2SA1115(E,F)   | //                | Q521,522             | Inter-changeable |     |
|          | iX 60 31 70 | //                          | 2SA1310(R,S,T) | //                | //                   |                  |     |
|          | iA 13 52 00 | //                          | 2SA1352        | //                | Q515,516             |                  |     |
|          | iC 05 35 40 | //                          | 2SC535(A,B,C)  | //                | Q501,502             |                  |     |
|          | iC 18 15 20 | //                          | 2SC1815(Y)     | //                | Q509,510             |                  |     |
|          | iC 22 40 00 | //                          | 2SC2240(GR,BL) | //                | Q507,508             |                  |     |
|          | iC 26 03 10 | //                          | 2SC2603(E,F)   | //                | Q518,519             | Inter-changeable |     |
|          | iX 60 31 80 | //                          | 2SC3312(R,S,T) | //                | //                   |                  |     |
|          | iC 27 05 00 | //                          | 2SC2705(O,Y)   | //                | Q511,512             |                  |     |
|          | iC 34 16 00 | //                          | 2SC3416        | //                | Q513,514             |                  |     |
|          | iD 04 00 00 | //                          | 2SD400         | //                | Q520                 |                  |     |
|          | iF 00 34 50 | Diode                       | 1SS133         | ダ イ オ ー ド         | D501~512,526,527     |                  |     |
|          | VC 39 84 00 | //                          | MA185          | //                | D513,514             |                  |     |
|          | iH 00 14 30 | //                          | 1SR35-100A     | //                | D519,520,525,528,529 |                  |     |
|          | iF 01 07 50 | Zener Diode                 | MTZ6.2C        | ツ ェ ナ ー ダ イ オ ー ド | D515                 |                  |     |
|          | iF 00 90 90 | //                          | MTZ24C         | //                | D530                 |                  |     |
|          | iF 00 44 40 | LED (Red)                   | SLV-56URC3H    | L E D             | D531,532             |                  |     |
|          | iH 00 11 30 | Diode Bridge                | D5FB20         | ダ イ オ ー ド ブ リ ッ ジ | D517,518             |                  |     |
|          | VE 36 79 00 | //                          | DF02M          | //                | D516                 |                  |     |
|          | KA 80 46 20 | Push Switch                 | 4-2            | プ ッ シ ュ ス イ ッ チ   | SW501                |                  |     |
|          | VA 96 18 00 | Voltage Selector            |                | 電 圧 切 替 器         | SW502                | R                | △   |
|          | KC 00 16 10 | Relay                       | JC2aD DC24V    | リ レ ー             | RY501                |                  |     |
| ※        | VE 64 24 00 | Pin Jack                    | 2P             | ピ ン ジャ ッ ク        | PJ501                |                  |     |
|          | VD 37 09 00 | Fuse                        | 10A 250V       | ヒ ュ ー ズ           | F501,502             | U,C,R            | △   |
|          | KB 00 17 60 | //                          | T6.3A 250V     | //                | F501,502             | A,B,G            | △   |
|          | KB 00 13 00 | //                          | 7A 250V        | //                | F503                 |                  | △   |
|          | VA 72 55 00 | Holder                      | 5P             | パ ラ レ ル ホ ル ダ ー   | CB501,502            |                  |     |
|          | VD 00 47 00 | Base Pin                    | 4P             | P H ベ ー ス ピ ン     | CB504                |                  |     |
|          | VD 00 51 00 | //                          | 8P             | //                | CB503,505            |                  |     |
| ※        | VE 79 56 00 | Speaker Terminal            | 4P             | S P タ ー ミ ナ ル     |                      | B,G              |     |
| ※        | VE 79 57 00 | //                          | 4P             | //                |                      | B,G              |     |

※New Parts (新規部品) NR

MX-800/U/MX-70

MX-800/U/  
MX-70

| Ref. No. | Part No.          | Description                 | 部品名                |             | Remarks                  | Common Model | Markets | ランク |
|----------|-------------------|-----------------------------|--------------------|-------------|--------------------------|--------------|---------|-----|
| ※        | VE : 79 : 61 : 00 | Speaker Terminal            | 4P                 | S P ターミナル   |                          |              | U,C,R,A |     |
|          | LB : 20 : 10 : 60 | Fuse Holder Pin             | YSH403T            | ヒューズホルダーピン  |                          |              | A,B,G   |     |
|          | LB : 20 : 19 : 70 | //                          | 23165081           | //          |                          |              | U,C,R   |     |
|          | BB : 07 : 07 : 00 | Ground Plate                |                    | アース金具       |                          |              |         |     |
|          | BB : 06 : 62 : 90 | Washer                      |                    | アースワッシャー    |                          |              |         |     |
|          | BB : 07 : 04 : 10 | Busbar                      | I=55               | バスバー        |                          |              |         |     |
| ※        | NA : 09 : 77 : 40 | <b>Sub Circuit Board</b>    |                    | サブシート       |                          |              | U,C,R   |     |
| ※        | NA : 09 : 77 : 60 | //                          |                    | //          |                          |              | B,G     |     |
| ※        | NA : 09 : 94 : 40 | //                          |                    | //          |                          |              | A       |     |
|          | Fi : 51 : 41 : 00 | Ceramic Cap.                | 0.01 $\mu$ F       | セラコン        | C347                     |              |         | △   |
| ※        | VE : 94 : 18 : 00 | Electrolytic Cap.           | 100 $\mu$ F 50V    | オーディオケミコン   | C323~326                 |              |         |     |
|          | FZ : 00 : 64 : 10 | //                          | 22 $\mu$ F 25V     | ブラックゲートコン   | C311~314                 |              |         |     |
|          | FZ : 00 : 54 : 10 | //                          | 100 $\mu$ F 6.3V   | //          | C309,310                 |              |         |     |
|          | UT : 65 : 33 : 30 | Polypropylene Film Cap.     | 3300pF 100V        | ポリプロコン      | C301~304                 |              |         |     |
|          | UT : 45 : 21 : 00 | //                          | 100pF 100V         | //          | C319~322                 |              |         |     |
|          | UT : 45 : 21 : 50 | //                          | 150pF 100V         | //          | C315~318                 |              |         |     |
|          | UT : 45 : 22 : 20 | //                          | 220pF 100V         | //          | C305~308                 |              |         |     |
| ※        | VE : 87 : 59 : 00 | //                          | 0.022 $\mu$ F 100V | //          | C327~334,343~346         |              |         |     |
|          | UT : 45 : 44 : 70 | //                          | 0.047 $\mu$ F 100V | //          | C335~342                 |              |         |     |
| ※        | HL : 32 : 65 : 60 | Metal Oxide Film Resistor   | 5.6k $\Omega$ 2W   | 酸金抵抗        | R347~350                 |              |         |     |
| ※        | VE : 86 : 93 : 00 | //                          | 0.1 $\Omega$ 2W    | //          | R417~424                 |              |         |     |
|          | HL : 93 : 22 : 20 | //                          | 0.22 $\Omega$ 3W   | //          | R371~382                 |              |         |     |
|          | HV : 45 : 32 : 20 | Flame Proof Carbon Resistor | 2.2 $\Omega$ 1/4W  | 不燃化カーボン抵抗   | R351~362,409~416         |              |         |     |
|          | HV : 45 : 34 : 70 | //                          | 4.7 $\Omega$ 1/4W  | //          | R425~432,435~438         |              |         |     |
|          | HV : 45 : 42 : 20 | //                          | 22 $\Omega$ 1/4W   | //          | R343~346                 |              |         |     |
|          | HV : 45 : 44 : 70 | //                          | 47 $\Omega$ 1/4W   | //          | R405~408                 |              |         |     |
|          | HV : 45 : 46 : 80 | //                          | 68 $\Omega$ 1/4W   | //          | R367~370                 |              |         |     |
|          | HV : 45 : 51 : 00 | //                          | 100 $\Omega$ 1/4W  | //          | R301~304                 |              |         |     |
|          | HV : 45 : 52 : 20 | //                          | 220 $\Omega$ 1/4W  | //          | R363~366                 |              |         |     |
|          | HV : 45 : 61 : 00 | //                          | 1k $\Omega$ 1/4W   | //          | R309~316,325~334,401~404 |              |         |     |
|          | HV : 45 : 61 : 50 | //                          | 1.5k $\Omega$ 1/4W | //          | R305~308                 |              |         |     |
|          | HV : 45 : 62 : 70 | //                          | 2.7k $\Omega$ 1/4W | //          | R385,386                 |              |         |     |
|          | HV : 45 : 63 : 30 | //                          | 3.3k $\Omega$ 1/4W | //          | R393~400                 |              |         |     |
|          | HV : 45 : 64 : 70 | //                          | 4.7k $\Omega$ 1/4W | //          | R383,384                 |              |         |     |
|          | HV : 45 : 71 : 00 | //                          | 10k $\Omega$ 1/4W  | //          | R321~324,335~338         |              |         |     |
|          | HV : 45 : 71 : 50 | //                          | 15k $\Omega$ 1/4W  | //          | R317~320                 |              |         |     |
|          | HV : 45 : 72 : 20 | //                          | 22k $\Omega$ 1/4W  | //          | R387,388                 |              |         |     |
|          | HT : 37 : 03 : 90 | Pre-Set Potentiometer       | B20k $\Omega$      | 半固定抵抗       | VR301,302                |              |         |     |
|          | iA : 09 : 70 : 00 | Transistor                  | 2SA970(GR,BL)      | トランジスター     | Q309,310                 |              |         |     |
|          | iA : 11 : 45 : 00 | //                          | 2SA1145(O,Y)       | //          | Q329,330,337,338         |              |         |     |
|          | iC : 22 : 40 : 00 | //                          | 2SC2240(GR,BL)     | //          | Q311,312,333,334         |              |         |     |
|          | iC : 27 : 05 : 00 | //                          | 2SC2705(O,Y)       | //          | Q331,332,335,336         |              |         |     |
|          | iA : 13 : 49 : 00 | Dual Transistor             | 2SA1349(GR,BL)     | デュアルトランジスター | Q301,302,307,308         |              |         |     |
|          | iC : 33 : 81 : 00 | //                          | 2SC3381(GR,BL)     | //          | Q303~306                 |              |         |     |
|          | iA : 13 : 06 : 10 | Pair Transistor             | 2SA1306            | ペアトランジスター   | Q315,316                 |              |         |     |
|          | iC : 32 : 98 : 10 | //                          | 2SC3298            | //          | Q313,314                 | Pair         |         |     |
| ※        | iX : 60 : 35 : 80 | //                          | 2SA1358            | //          | Q341,342                 | Pair         |         |     |
| ※        | iX : 60 : 35 : 90 | //                          | 2SC3421            | //          | Q339,340                 | Pair         |         |     |

※New Parts (新規部品) NR

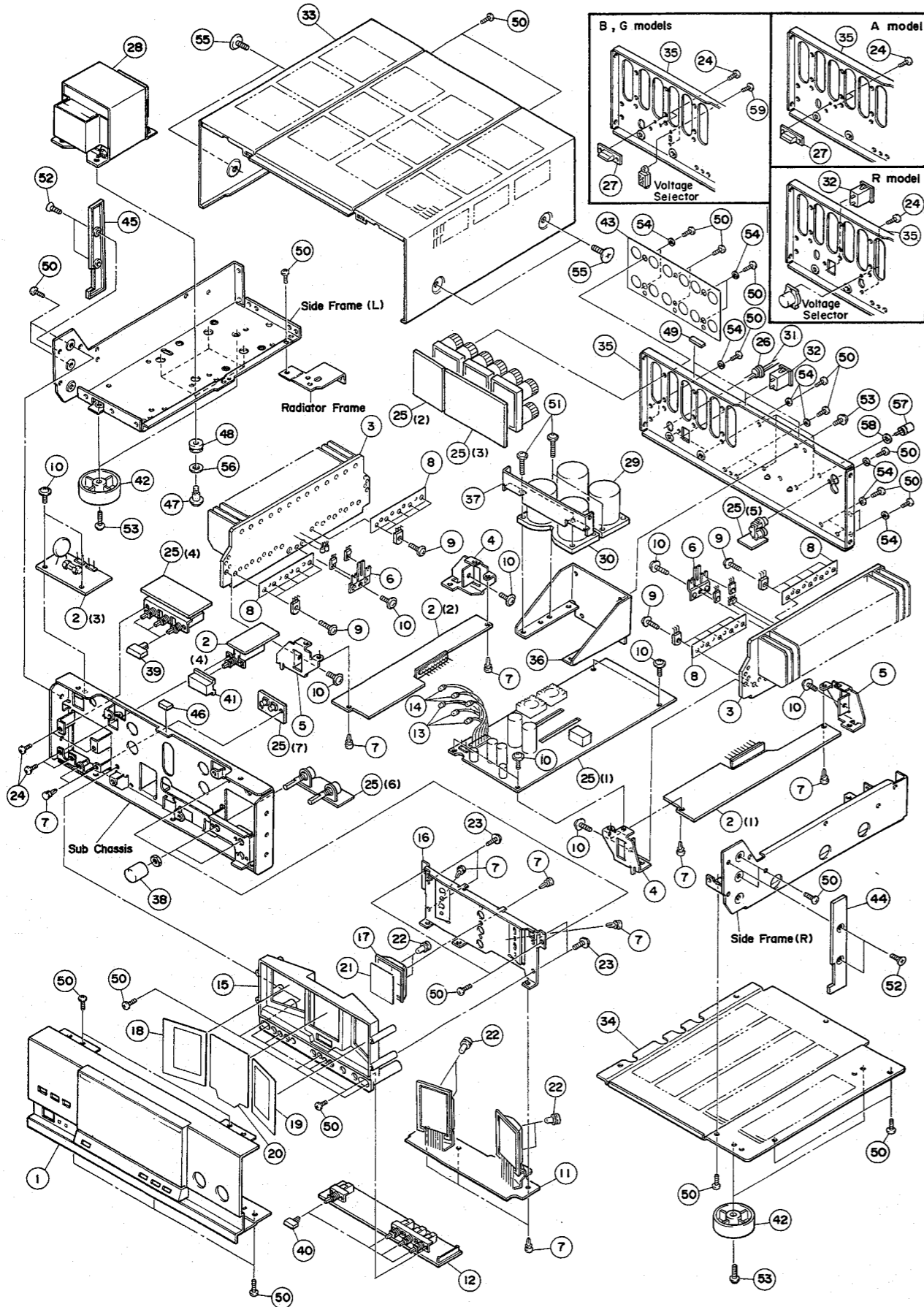
| Ref. No. | Part No.    | Description      | 部品名             | Remarks    | Common Model            | Markets | ランク |
|----------|-------------|------------------|-----------------|------------|-------------------------|---------|-----|
| ※        | iX 61 10 40 | Pair Transistor  | 2SB1362         | ペアトランジスター  | Pair } Inter-changeable |         |     |
| ※        | iX 61 10 50 | //               | 2SD2053         | //         |                         |         |     |
| ※        | iX 60 97 30 | //               | 2SA1491         | //         |                         |         |     |
| ※        | iX 60 97 40 | //               | 2SC3855         | //         |                         |         |     |
|          | VC 39 84 00 | Diode            | MA185           | ダイオード      |                         |         |     |
|          | iF 00 34 50 | //               | ISS133          | //         |                         |         |     |
|          | iH 00 02 40 | //               | ISI885          | //         |                         |         |     |
| ※        | VE 86 95 00 | //               | 5KF10B          | //         |                         |         |     |
|          | iF 00 88 60 | Zener Diode      | MTZ12B          | ツェナーダイオード  |                         |         |     |
|          | iF 00 90 90 | //               | MTZ24C          | //         |                         |         |     |
|          | iF 00 36 10 | //               | RD3.0EB2        | //         |                         |         |     |
|          | KA 80 43 00 | Push Switch      | TV-8            | プッシュスイッチ   |                         |         |     |
|          | VE 96 26 00 | Switch           |                 | スライドスイッチ   |                         | B,G     |     |
| ※        | VF 60 05 00 | Fuse             | 15A 250V        | ヒューズ       |                         | U,C,R   | △   |
|          | KB 00 07 70 | //               | 6.3A 250V       | //         |                         | A,B,G   | △   |
|          | LB 20 10 60 | Fuse Holder Pin  | YSH403T         | ヒューズホルダーピン |                         | A,B,G   |     |
|          | LB 20 19 70 | //               | 2316581         | //         |                         | U,C,R   |     |
|          | LA 00 25 90 | Lapping Terminal | P=10 2P i-Type  | i型ラッピング端子板 |                         |         |     |
|          | LA 00 23 30 | //               | P=7.5 4P i-Type | //         |                         |         |     |
|          | LA 00 23 40 | //               | P=7.5 5P i-Type | //         |                         |         |     |
|          | BB 07 04 10 | Bas Bar          | l=55            | バスバー       |                         |         |     |
|          | BB 07 04 20 | //               | l=100           | //         |                         |         |     |
|          | BB 07 04 30 | //               | l=145           | //         |                         |         |     |

※New Parts (新規部品) NR

| Ref. No. | Part No.    | Description           | 部品名            | Remarks    | Common Model | Markets | ランク      |
|----------|-------------|-----------------------|----------------|------------|--------------|---------|----------|
| ※        | NA 09 77 90 | Meter Circuit Board   |                | メーターシート    |              |         |          |
|          | FG 21 22 20 | Ceramic Cap.          | 220pF 50V      | セラコン       |              |         | C105,106 |
|          | FG 24 41 00 | //                    | 0.01μF 50V     | //         |              |         | C107     |
|          | FA 15 51 00 | Mylar Cap.            | 0.1μF 50V      | マイラーコン     |              |         | C103,104 |
|          | UJ 13 71 00 | Electrolytic Cap.     | 10μF 16V       | ケミコン       |              |         | C101,102 |
|          | GG 00 07 60 | Ceramic Resonator     | CSB800K        | セラミック振動子   |              |         | XL101    |
|          | VB 86 12 00 | Pre-Set Potentiometer | B2.2kΩ         | 半固定抵抗      |              |         | VR101    |
|          | iF 00 88 10 | Zener Diode           | MTZ3.6B        | ツェナーダイオード  |              |         | D101     |
| ※        | iG 10 60 00 | IC                    | BA9221         | I C        |              |         | IC102    |
| ※        | XD 98 40 01 | //                    | LC5812H        | //         |              |         | IC101    |
| ※        | VE 82 71 00 | LCD Unit              |                | L C D 表示器  |              |         | V101,102 |
|          | VE 77 46 00 | Reflector             |                | リフレクター     |              |         |          |
|          | CB 06 88 80 | Plastic Rivet         |                | プラスチックリベット |              |         |          |
|          | VE 77 51 00 | Sheet                 |                | シート B      |              |         |          |
| ※        | NA 09 78 10 | Switch Circuit Board  |                | スイッチシート    |              |         |          |
|          | UJ 13 71 00 | Electrolytic Cap.     | 10μF 16V       | ケミコン       |              |         | C1~4     |
|          | UJ 16 51 00 | //                    | 0.1μF 50V      | //         |              |         | C5       |
|          | IC 22 40 00 | Transistor            | 2SC2240(GR,BL) | トランジスター    |              |         | Q1       |
|          | iF 00 34 50 | Diode                 | ISS133         | ダイオード      |              |         | D1~8,10  |
|          | iF 01 06 90 | Zener Diode           | MTZ5.1B        | ツェナーダイオード  |              |         | D9       |
|          | XA 42 60 01 | IC                    | NJM5532S       | I C        |              |         | IC1      |
|          | iG 07 68 00 | //                    | NJM4558S       | //         |              |         | IC3      |
|          | XB 24 70 01 | //                    | μPC4570HA      | //         |              |         | IC2      |
| ※        | VE 68 15 00 | Push Switch           | 2-2            | プッシュスイッチ   |              |         | SW2      |
| ※        | VE 64 23 00 | //                    | 2-2            | //         |              |         | SW1      |
|          | LB 94 51 20 | Short Plug            | l2P i-Type     | i型ショートプラグ  |              |         | CB1      |

※New Parts (新規部品) NR

EXPLODED VIEW



MECHANISM PARTS

Note) φ : Diameter

| Ref. No. | Part No.    | Description           | 部品名                                | Remarks       | Common Model | Markets | ランク |
|----------|-------------|-----------------------|------------------------------------|---------------|--------------|---------|-----|
| ※ 1      | VE 92 34 00 | Panel Unit            | パネルユニット                            | MX-800U       |              | U,C     |     |
| ※ //     | VE 92 35 00 | //                    | //                                 | MX-800        |              | R,A     |     |
| ※ //     | VE 92 36 00 | //                    | //                                 | MX-70         |              | B,G     |     |
| ※ 2      | NA 09 77 40 | Sub Circuit Board     | サブシート                              |               |              | U,C,R   |     |
| ※ //     | NA 09 77 60 | //                    | //                                 |               |              | B,G     |     |
| ※ //     | NA 09 94 40 | //                    | //                                 |               |              | A       |     |
| ※ 3      | VE 77 23 00 | Radiator              | ラジエター                              |               |              |         |     |
| 4        | VE 77 63 00 | Radiator Frame (L)    | ラジエターフレーム (L)                      |               | MX-1000      |         |     |
| 5        | VE 77 64 00 | // (R)                | // (R)                             |               | //           |         |     |
| 6        | VE 77 65 00 | Transistor Frame      | トランジスターフレーム                        |               | //           |         |     |
| 7        | CB 06 88 80 | Plastic Rivet         | プラスチックリベット                         |               |              |         |     |
| 8        | VE 77 66 00 | Sheet (Heat Sink)     | シート(放熱板)                           |               | MX-1000      |         |     |
| 9        | EZ 00 13 50 | Cup Screw             | 3×14 FCRM3-BI<br>カップBタイトネジ         |               |              |         |     |
| 10       | EX 60 02 40 | BW Head Tapping Screw | 3×8(φ10) FC<br>B Wヘッドタッピングネジ       |               |              |         |     |
| ※ 11     | NA 09 77 90 | Meter Circuit Board   | メーターシート                            |               |              |         |     |
| ※ 12     | NA 09 78 10 | Switch Circuit Board  | スイッチシート                            |               |              |         |     |
| ※ 13     | VF 51 81 00 | Pilot Lamp            | 115mA 14.5V<br>パイロットランプ            |               |              |         |     |
| ※ 14     | VF 51 83 00 | //                    | 115mA 14.5V<br>//                  |               |              |         |     |
| 15       | VE 77 20 00 | Meter Sub Panel       | メーターサブパネル                          |               | MX-1000      |         |     |
| 16       | VE 77 48 00 | Meter Frame           | メーターフレーム                           |               | //           |         |     |
| 17       | VE 77 45 00 | Display Reflector     | ディスプレイリフレクター                       |               | //           |         |     |
| 18       | VE 77 58 00 | Plate, (L)            | プレート (L)                           |               | //           |         |     |
| 19       | VE 77 59 00 | // (R)                | // (R)                             |               | //           |         |     |
| ※ 20     | VE 77 61 00 | Plate                 | プレート                               |               |              |         |     |
| 21       | VE 77 52 00 | H Sheet               | H シート                              |               | MX-1000      |         |     |
| 22       | VE 92 91 00 | Lamp Cap.             | ランプキャップ                            |               | //           |         |     |
| 23       | EK 33 00 30 | BW Head Tapping Screw | 3×10(φ8) FCRM3-BI<br>B Wヘッドタッピングネジ |               |              |         |     |
| 24       | ED 33 00 66 | Binding Head Screw    | 3×6 FCRM3-BI<br>バインド小ネジ            | PACK          |              |         |     |
| ※ 25     | NA 09 78 20 | Main Circuit Board    | メインシート                             |               |              | U,C     |     |
| ※ //     | NA 09 78 30 | //                    | //                                 |               |              | R       |     |
| ※ //     | NA 09 78 40 | //                    | //                                 |               |              | A       |     |
| ※ //     | NA 09 78 50 | //                    | //                                 |               |              | B,G     |     |
| 26       | CB 62 01 90 | Cord Stopper          | CM-22B<br>コードストッパー                 |               |              | R,A     |     |
| ※ //     | CB 07 27 50 | //                    | SR-4N-4<br>//                      |               |              | U,C,B,G |     |
| 27       | VD 61 41 00 | Terminal Plate        | 2P<br>中継端子台                        |               |              | A,B,G   |     |
| ※ 28     | XE 20 40 01 | Power Transformer     | 電源トランス                             |               |              | U       | △   |
| ※ //     | XE 20 50 01 | //                    | //                                 |               |              | C       | △   |
| ※ //     | XE 20 60 01 | //                    | //                                 |               |              | R       | △   |
| ※ //     | XE 20 70 01 | //                    | //                                 |               |              | A,B,G   | △   |
| ※ 29     | VE 90 52 00 | Electrolytic Cap. Set | 27000μF 42V<br>ケミコンセット             | C535,536 Pair |              |         |     |
| ※ 30     | VE 90 53 00 | //                    | 25000μF 50V<br>//                  | C537,538 Pair |              |         |     |
| 31       | MG 00 23 80 | Power Cord            | 13A 125V<br>電源コード                  |               |              | U,C     | △   |
| ※ //     | MG 00 16 30 | //                    | 6A 250V<br>//                      |               |              | R       | △   |
| ※ //     | MG 00 23 10 | //                    | 7.5A 250V<br>//                    |               |              | A       | △   |
| ※ //     | MG 00 09 10 | //                    | 6A 250V<br>//                      |               |              | B,G     | △   |
| 32       | LB 20 30 60 | AC Outlet             | A C アウトレット                         |               |              | U,C,R   | △   |
| 33       | AA 62 19 80 | Top Cover             | トップカバー                             |               | M-80         |         |     |
| 34       | AA 62 20 30 | Bottom Cover          | ボトムカバー                             |               | //           |         |     |
| ※ 35     | VE 77 28 00 | Rear Panel            | リヤパネル                              | MX-800        |              | R       |     |
| ※ //     | VE 77 29 00 | //                    | //                                 | MX-800U       |              | U,C     |     |
| ※ //     | VE 77 30 00 | //                    | //                                 | MX-800        |              | A       |     |
| ※ //     | VE 77 31 00 | //                    | //                                 | MX-70         |              | B,G     |     |
| 36       | AA 62 33 50 | Capacitor Angle       | ケミコン金具                             |               | M-60         |         |     |

※New Parts (新規部品) NR

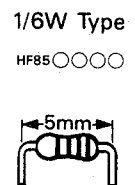
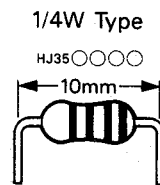
| Ref. No. | Part No.    | Description                | 部 品 名                | Remarks                | Common Model | Markets | ランク |
|----------|-------------|----------------------------|----------------------|------------------------|--------------|---------|-----|
| 37       | VF:47:66:00 | Frame Sheet                | フ レ ー ム シ ー ト        |                        |              |         |     |
| 38       | BA:08:58:70 | Knob                       | ツ マ ミ                | LEVEL                  | A-05         |         |     |
| 39       | VE:77:40:00 | Button                     | ボ タ ン                | SPEAKERS               | MX-1000      |         |     |
| 40       | CB:66:07:90 | //                         | //                   | METER,LOAD             | AX-900       |         |     |
| 41       | VE:18:99:00 | //                         | //                   | POWER                  | //           |         |     |
| 42       | CB:66:09:50 | Leg                        | レ ッ グ                |                        | //           |         |     |
| 43       | VE:79:35:00 | Speaker Sheet              | S P シ ー ト            |                        | MX-1000      |         |     |
| 44       | VE:77:36:00 | Side Cover (R)             | サ イ ド カ バ ー (R)      |                        | //           |         |     |
| 45       | VE:77:37:00 | // (L)                     | // (L)               |                        | //           |         |     |
| 46       | CB:60:13:40 | Spacer                     | ス ペ ー サ ー            |                        | T-6          |         |     |
| 47       | AA:60:38:50 | Special Screw              | ダ ン ツ キ ネ ジ          |                        | A-6          |         |     |
| 48       | CB:09:99:10 | Rubber Cushion             | 防 振 ゴ ム              |                        | //           |         |     |
| 49       | VD:60:83:00 | Dumper Top                 | ダ ン パ ー ト ッ プ        |                        | CDX-1100     |         |     |
| 50       | Ei:33:00:86 | Binding Head Tapping Screw | 3×8 FCRM3-BI         | バ イ ン ド タ ッ ピ ン グ ネ ジ  | PACK         |         |     |
| 51       | EK:33:00:50 | BW Head Tapping Screw      | 3×18(φ8) FC M3-BI    | B Wヘ ッ ド タ ッ ピ ン グ ネ ジ |              |         |     |
| 52       | EB:34:01:00 | Flat Head Screw            | 4×10 FCRM3-BI        | 皿 小 ネ ジ                |              |         |     |
| 53       | EK:33:60:10 | BW Head Tapping Screw      | 3×8(φ8) FC M3-BI     | B Wヘ ッ ド タ ッ ピ ン グ ネ ジ |              |         |     |
| 54       | EV:41:30:36 | Toothed Lock Washer        | φ3 FCRM3-BI          | 内 歯 付 座 金              | PACK         |         |     |
| 55       | AX:60:01:50 | Screw                      | 4×8 FCRM3-BI         | 化 粧 ネ ジ                |              |         |     |
| 56       | EV:22:06:00 | Toothed Lock Washer        | φ6×φ13×1.0 FCRM3-BI  | セ ム ス 平 座 金            |              |         |     |
| 57       | AA:62:73:10 | Ground Terminal            | 3×13                 | G N D タ ー ミ ナ ル        |              |         |     |
| 58       | EV:90:13:60 | Toothed Lock Washer        | φ3.6×φ10×0.8 FNM3-3g | セ ム ス 平 座 金            |              |         |     |
| 59       | EJ:32:60:86 | Binding Head Tapping Screw | 2.6×8 FCRM3-BI       | ナ ベ タ ッ ピ ン グ ネ ジ      | PACK         | B,G     |     |
|          | CB:06:92:51 | Binding Tie                | BK-1                 | イ ン シ ュ ロ ッ ク タイ       | PACK         |         |     |

※New Parts (新規部品) NR

MX-800/U/  
MX-70

# Parts List for Carbon Resistor

| Value | 1/4W Type Part No. | 1/6W Type Part No. | Value | 1/4W Type Part No. | 1/6W Type Part No. |
|-------|--------------------|--------------------|-------|--------------------|--------------------|
| 1.0 Ω | HJ353100           | HF853100           | 12KΩ  | HJ357120           | HF857120           |
| 1.8 " | HJ353180           | ※                  | 15 "  | HJ357150           | HF857150           |
| 2.2 " | HJ353220           | HF853220           | 18 "  | HJ357180           | HF857180           |
| 3.3 " | HJ353330           | HF853330           | 22 "  | HJ357220           | HF857220           |
| 4.7 " | HJ353470           | HF853470           | 27 "  | HJ357270           | HF857270           |
| 5.6 " | HJ353560           | HF853560           | 33 "  | HJ357330           | HF857330           |
| 10 "  | HJ354100           | HF854100           | 39 "  | HJ357390           | HF857390           |
| 15 "  | HJ354150           | HF854150           | 47 "  | HJ357470           | HF857470           |
| 22 "  | HJ354220           | HF854220           | 56 "  | HJ357560           | HF857560           |
| 27 "  | HJ354270           | HF854270           | 68 "  | HJ357680           | HF857680           |
| 33 "  | HJ354330           | HF854330           | 82 "  | HJ357820           | HF857820           |
| 39 "  | HJ354390           | HF854390           | 91 "  | HJ357910           | HF857910           |
| 47 "  | HJ354470           | HF854470           | 100 " | HJ358100           | HF858100           |
| 56 "  | HJ354560           | HF854560           | 120 " | HJ358120           | HF858120           |
| 68 "  | HJ354680           | HF854680           | 150 " | HJ358150           | HF858150           |
| 82 "  | HJ354820           | HF854820           | 180 " | HJ358180           | HF858180           |
| 100 " | HJ355100           | HF855100           | 220 " | HJ358220           | HF858220           |
| 110 " | HJ355110           | HF855110           | 270 " | HJ358270           | HF858270           |
| 120 " | HJ355120           | HF855120           | 330 " | HJ358330           | HF858330           |
| 150 " | HJ355150           | HF855150           | 390 " | HJ358390           | HF858390           |
| 160 " | HJ355160           | ※                  | 470 " | HJ358470           | HF858470           |
| 180 " | HJ355180           | HF855180           | 560 " | HJ358560           | HF858560           |
| 220 " | HJ355220           | HF855220           | 680 " | HJ358680           | HF858680           |
| 270 " | HJ355270           | HF855270           | 820 " | HJ358820           | HF858820           |
| 330 " | HJ355330           | HF855330           | 1.0MΩ | HJ359100           | HF859100           |
| 390 " | HJ355390           | HF855390           | 1.2 " | HJ359120           | ※                  |
| 470 " | HJ355470           | HF855470           | 1.5 " | HJ359150           | HF859150           |
| 510 " | ※                  | HF855510           | 1.8 " | HJ359180           | HF859180           |
| 560 " | HJ355560           | HF855560           | 2.2 " | HJ359220           | HF859220           |
| 680 " | HJ355680           | HF855680           | 3.3 " | HJ359330           | HF859330           |
| 820 " | HJ355820           | HF855820           | 3.9 " | HJ359390           | ※                  |
| 910 " | HJ355910           | HF855910           | 4.7 " | HJ359470           | HF859470           |
| 1.0KΩ | HJ356100           | HF856100           |       |                    |                    |
| 1.2 " | HJ356120           | HF856120           |       |                    |                    |
| 1.5 " | HJ356150           | HF856150           |       |                    |                    |
| 1.8 " | HJ356180           | HF856180           |       |                    |                    |
| 2.0 " | HJ356200           | HF856200           |       |                    |                    |
| 2.2 " | HJ356220           | HF856220           |       |                    |                    |
| 2.4 " | HJ356240           | HF856240           |       |                    |                    |
| 2.7 " | HJ356270           | HF856270           |       |                    |                    |
| 3.0 " | HJ356300           | HF856300           |       |                    |                    |
| 3.3 " | HJ356330           | HF856330           |       |                    |                    |
| 3.6 " | HJ356360           | HF856360           |       |                    |                    |
| 3.9 " | HJ356390           | HF856390           |       |                    |                    |
| 4.7 " | HJ356470           | HF856470           |       |                    |                    |
| 5.1 " | HJ356510           | HF856510           |       |                    |                    |
| 5.6 " | HJ356560           | HF856560           |       |                    |                    |
| 6.8 " | HJ356680           | HF856680           |       |                    |                    |
| 8.2 " | HJ356820           | HF856820           |       |                    |                    |
| 9.1 " | HJ356910           | HF856910           |       |                    |                    |
| 10 "  | HJ357100           | HF857100           |       |                    |                    |



MX-800/U/  
MX-70