

SUBWOOFER

NS-SW300/NS-SW200

SERVICE MANUAL

IMPORTANT NOTICE

This manual has been provided for the use of authorized Yamaha Retailers and their service personnel.

It has been assumed that basic service procedures inherent to the industry, and more specifically Yamaha Products, are already known and understood by the users, and have therefore not been restated.

WARNING: Failure to follow appropriate service and safety procedures when servicing this product may result in personal injury, destruction of expensive components, and failure of the product to perform as specified. For these reasons, we advise all Yamaha product owners that any service required should be performed by an authorized Yamaha Retailer or the appointed service representative.

IMPORTANT: The presentation or sale of this manual to any individual or firm does not constitute authorization, certification or recognition of any applicable technical capabilities, or establish a principle-agent relationship of any form.

The data provided is believed to be accurate and applicable to the unit(s) indicated on the cover. The research, engineering, and service departments of Yamaha are continually striving to improve Yamaha products. Modifications are, therefore, inevitable and specifications are subject to change without notice or obligation to retrofit. Should any discrepancy appear to exist, please contact the distributor's Service Division.

WARNING: Static discharges can destroy expensive components. Discharge any static electricity your body may have accumulated by grounding yourself to the ground buss in the unit (heavy gauge black wires connect to this buss).

IMPORTANT: Turn the unit OFF during disassembly and part replacement. Recheck all work before you apply power to the unit.

■ CONTENTS

TO SERVICE PERSONNEL	2	BLOCK DIAGRAMS	17-18
FRONT PANELS	3	WIRING DIAGRAMS	19
REAR PANELS	4-8	PRINTED CIRCUIT BOARDS	20-27
SPECIFICATIONS / 参考仕様	8-10	PIN CONNECTION DIAGRAMS	28
INTERNAL VIEW	11	SCHEMATIC DIAGRAMS	29-30
SERVICE PRECAUTIONS / サービス時の注意事項	12	REPLACEMENT PARTS LIST	31-45
DISASSEMBLY PROCEDURES / 分解手順	13-16		



■ TO SERVICE PERSONNEL

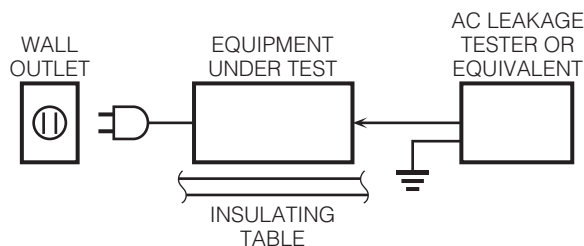
1. Critical Components Information

Components having special characteristics are marked Δ and must be replaced with parts having specifications equal to those originally installed.

2. Leakage Current Measurement (For 120V Models Only)

When service has been completed, it is imperative to verify that all exposed conductive surfaces are properly insulated from supply circuits.

- Meter impedance should be equivalent to 1500 ohms shunted by 0.15 μ F.



- Leakage current must not exceed 0.5mA.
- Be sure to test for leakage with the AC plug in both polarities.



For U model

“CAUTION”

NS-SW300 “F1: FOR CONTINUED PROTECTION AGAINST RISK OF FIRE, REPLACE ONLY WITH SAME TYPE 6A, 125V FUSE.”

NS-SW200 “F1: FOR CONTINUED PROTECTION AGAINST RISK OF FIRE, REPLACE ONLY WITH SAME TYPE 3A, 125V FUSE.”

For C model

CAUTION

NS-SW300 F1: REPLACE WITH SAME TYPE 6A, 125V FUSE.

NS-SW200 F1: REPLACE WITH SAME TYPE 3A, 125V FUSE.

ATTENTION

NS-SW300 F1: UTILISER UN FUSIBLE DE RECHANGE DE MÊME TYPE DE 6A, 125V.

NS-SW200 F1: UTILISER UN FUSIBLE DE RECHANGE DE MÊME TYPE DE 3A, 125V.

WARNING: CHEMICAL CONTENT NOTICE!

This product contains chemicals known to the State of California to cause cancer, or birth defects or other reproductive harm.

DO NOT PLACE SOLDER, ELECTRICAL/ELECTRONIC OR PLASTIC COMPONENTS IN YOUR MOUTH FOR ANY REASON WHATSOEVER!

Avoid prolonged, unprotected contact between solder and your skin! When soldering, do not inhale solder fumes or expose eyes to solder/flux vapor!

If you come in contact with solder or components located inside the enclosure of this product, wash your hands before handling food.

About lead free solder / 無鉛ハンダについて

All of the P.C.B.s installed in this unit and solder joints are soldered using the lead free solder.

Among some types of lead free solder currently available, it is recommended to use one of the following types for the repair work.

- Sn + Ag + Cu (tin + silver + copper)
- Sn + Cu (tin + copper)
- Sn + Zn + Bi (tin + zinc + bismuth)

Caution:

As the melting point temperature of the lead free solder is about 30°C to 40°C (50°F to 70°F) higher than that of the lead solder, be sure to use a soldering iron suitable to each solder.

本機に搭載されているすべての基板およびハンダ付けによる接合部は無鉛ハンダでハンダ付けされています。

無鉛ハンダにはいくつかの種類がありますが、修理時には下記のような無鉛ハンダの使用を推奨します。

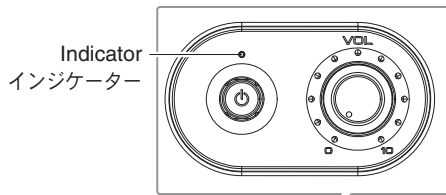
- Sn+Ag+Cu (錫 + 銀 + 銅)
- Sn+Cu (錫 + 銅)
- Sn+Zn+Bi (錫 + 亜鉛 + ビスマス)

注意：

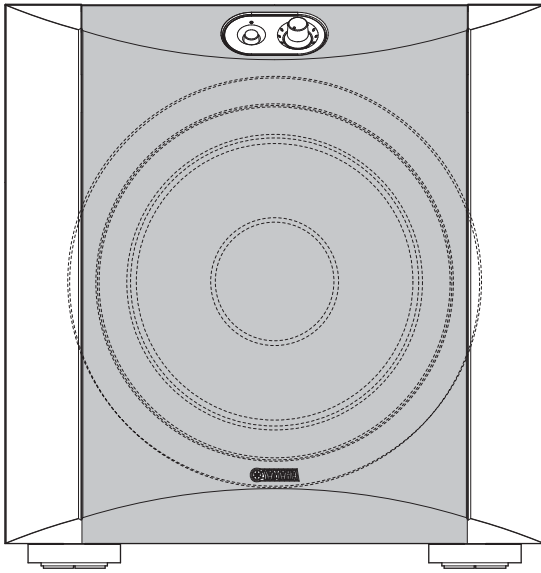
無鉛ハンダの融点温度は通常の鉛入りハンダに比べ 30 ~ 40°C程度高くなっていますので、それぞれのハンダに合ったハンダごてをご使用ください。

FRONT PANELS

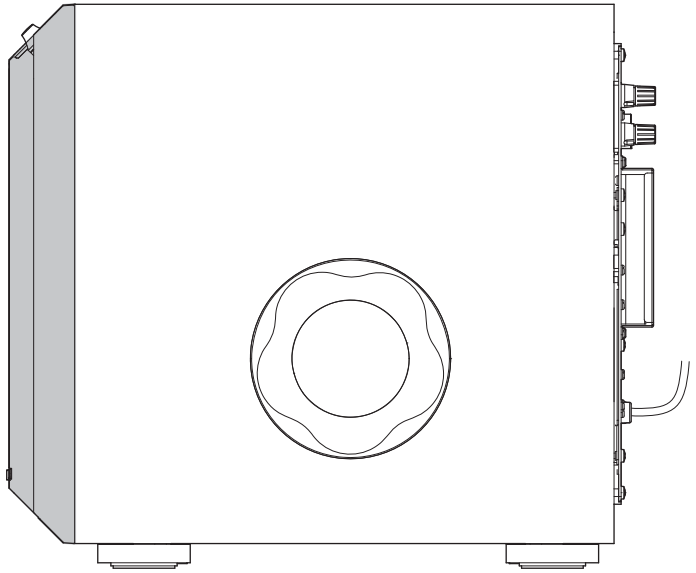
NS-SW300



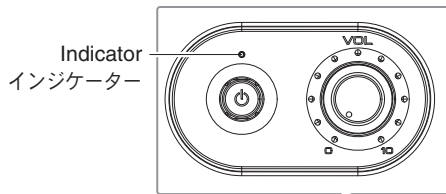
Front view



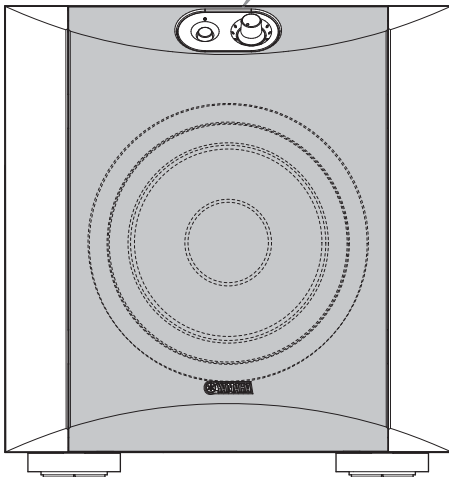
Side view



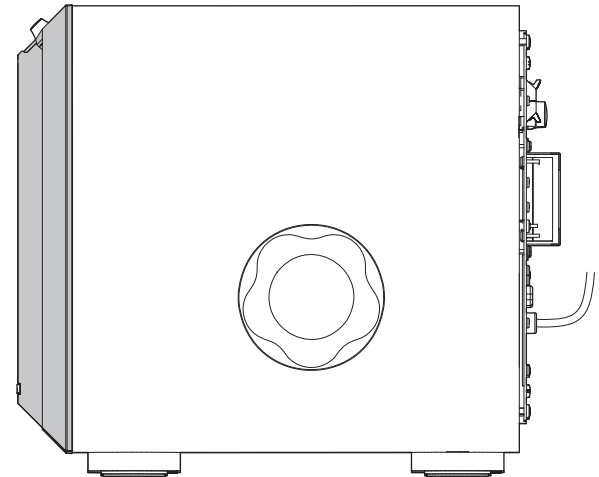
NS-SW200



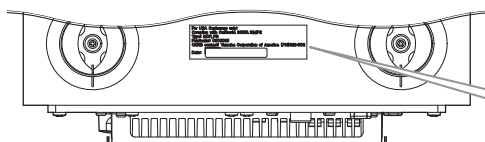
Front view



Side view



Bottom view



U model

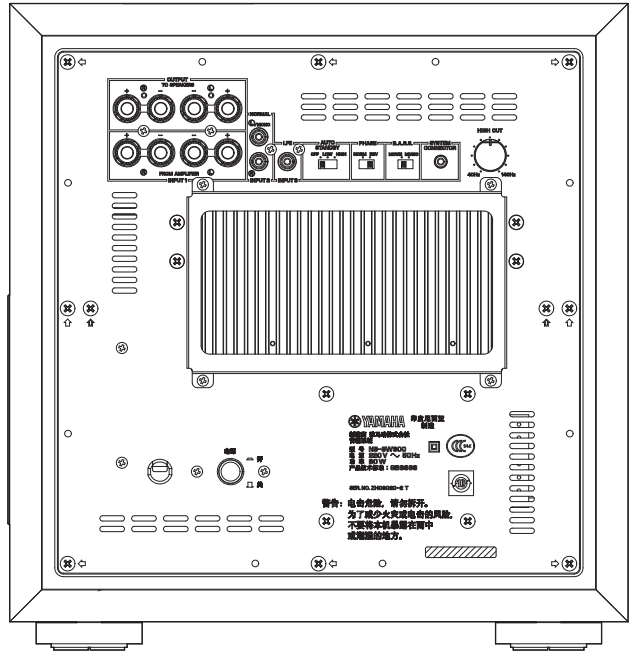
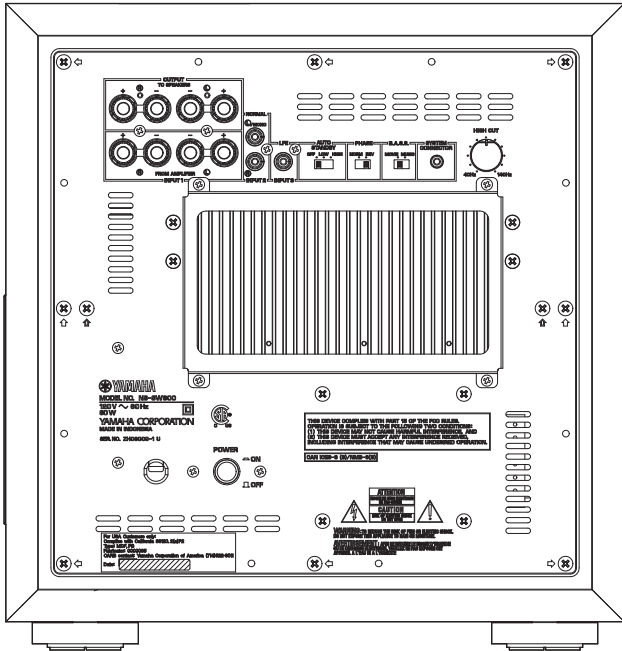
For USA Customers only:
 Complies with California 93120.2(a)P2
 Type: MDF, PB
 Fabricator: 0000035
 CARB contact: Yamaha Corporation of America (714)522-9011
 Date:

REAR PANELS

NS-SW300

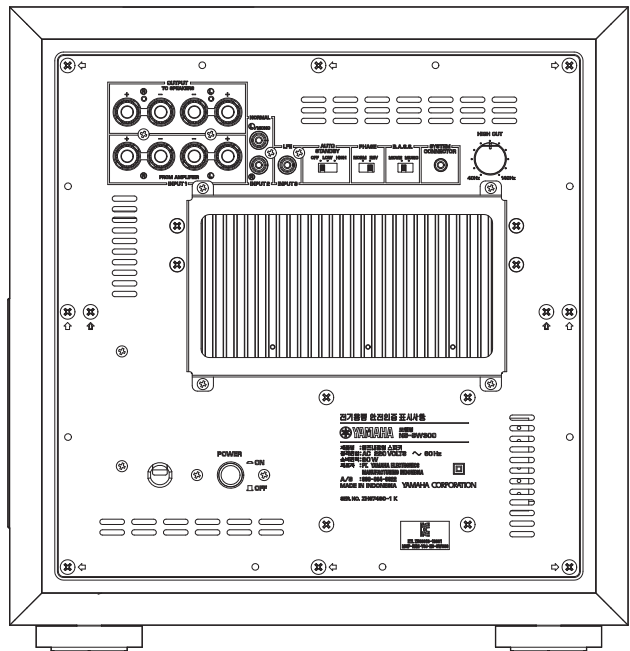
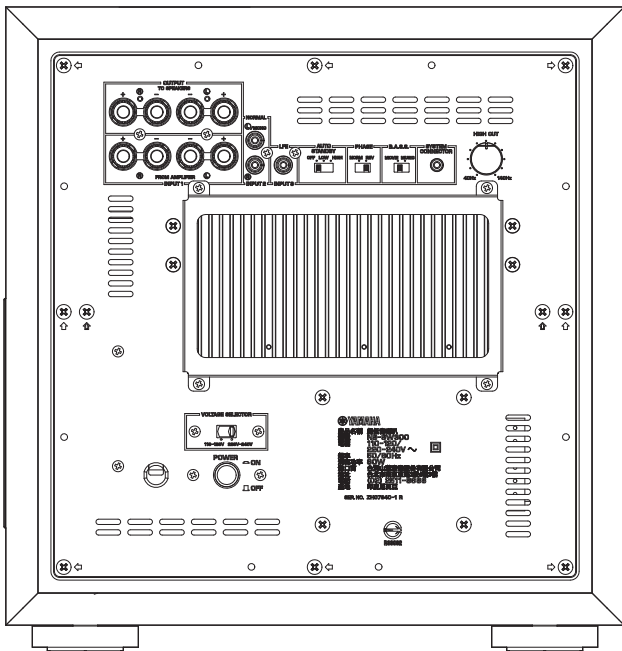
U model

T model



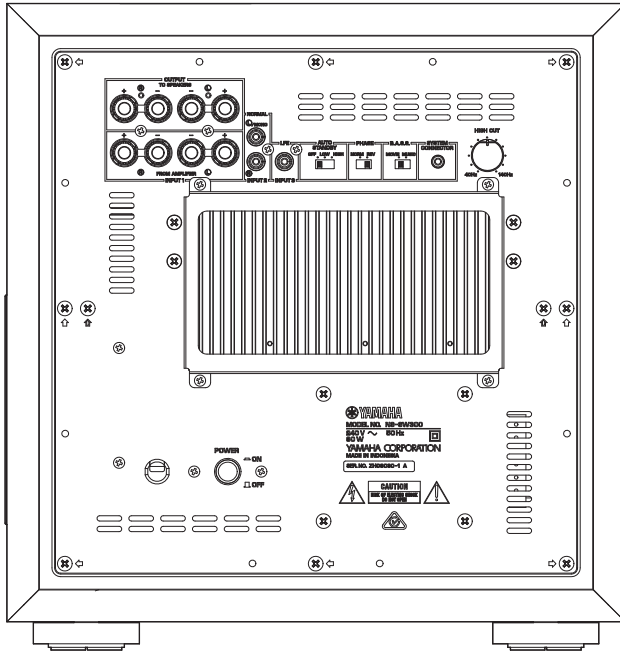
R model

K model

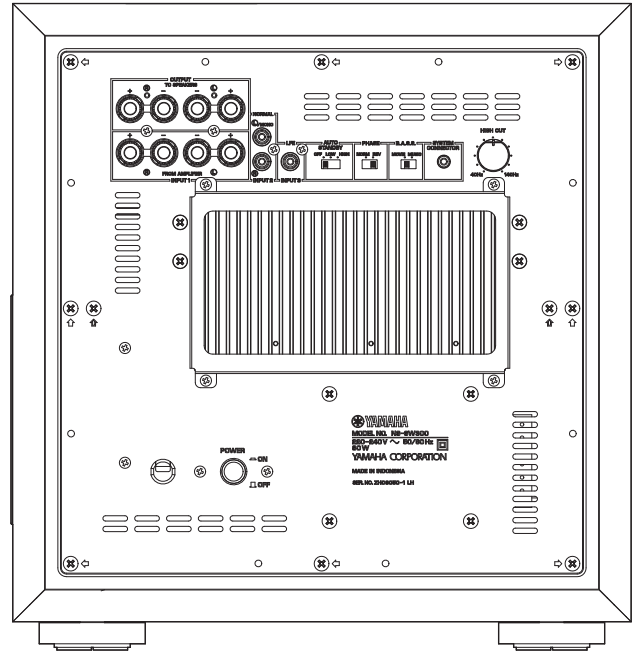


NS-SW300/NS-SW200

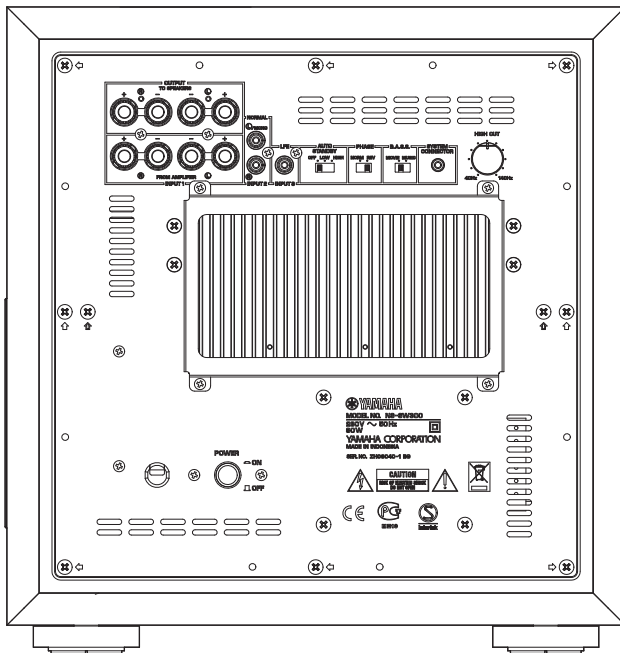
A model



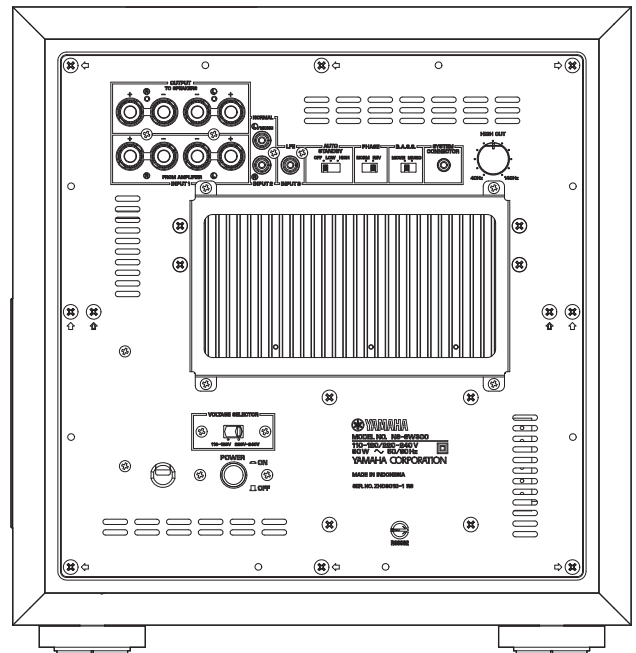
L, H models



B, G models

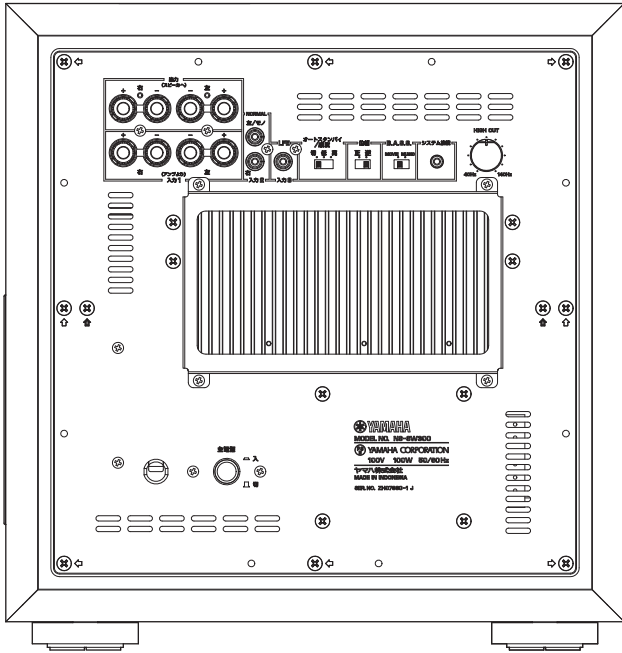


S model



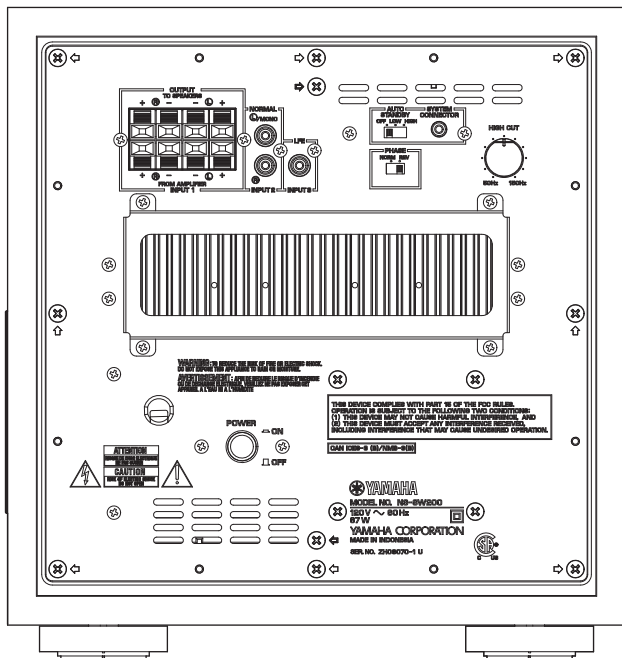
NS-SW300/NS-SW200

J model

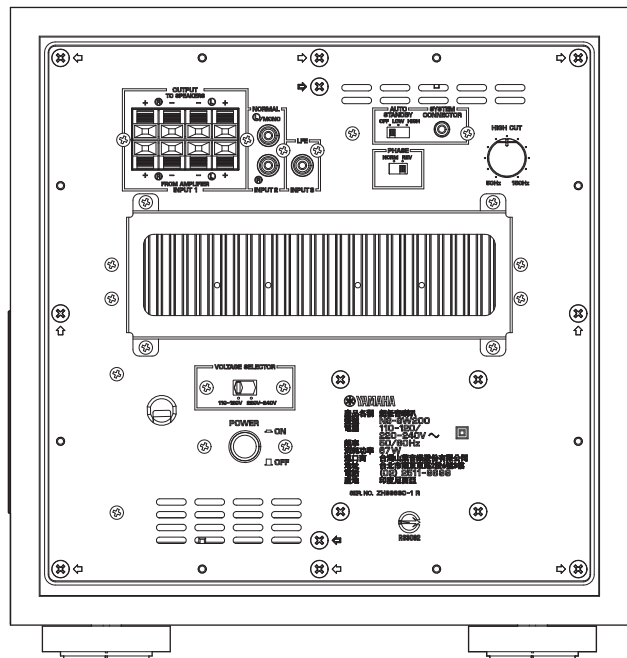


NS-SW200

U model

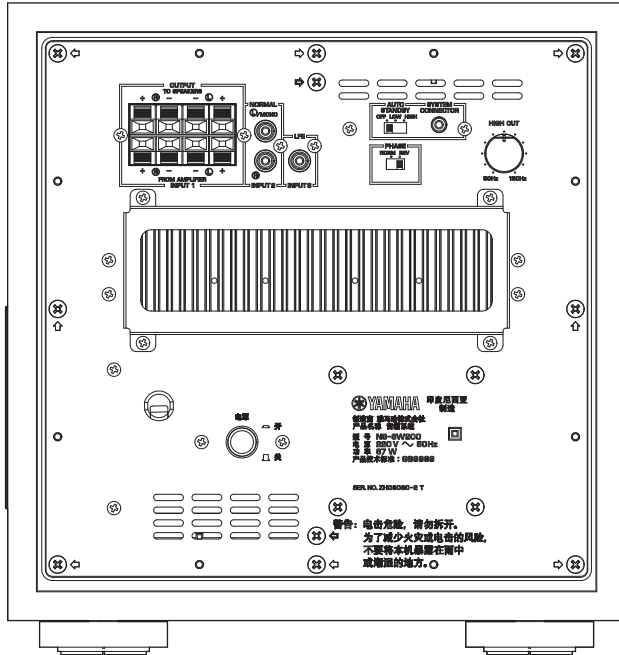


R model

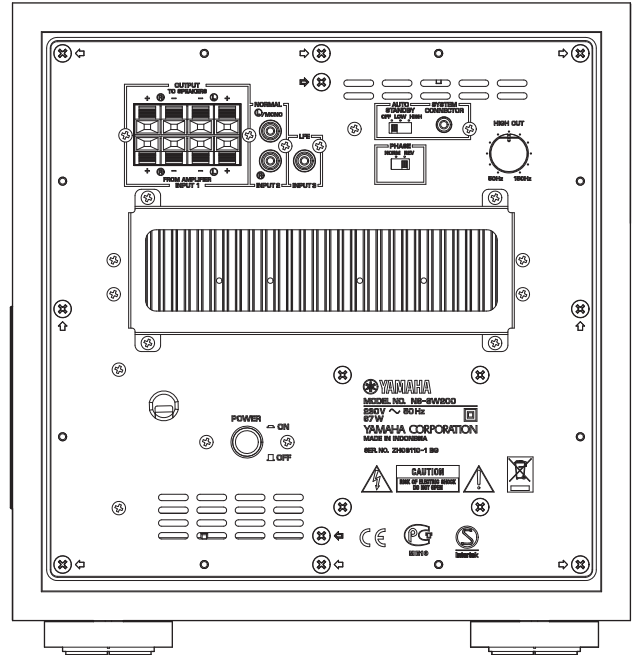


NS-SW300/NS-SW200

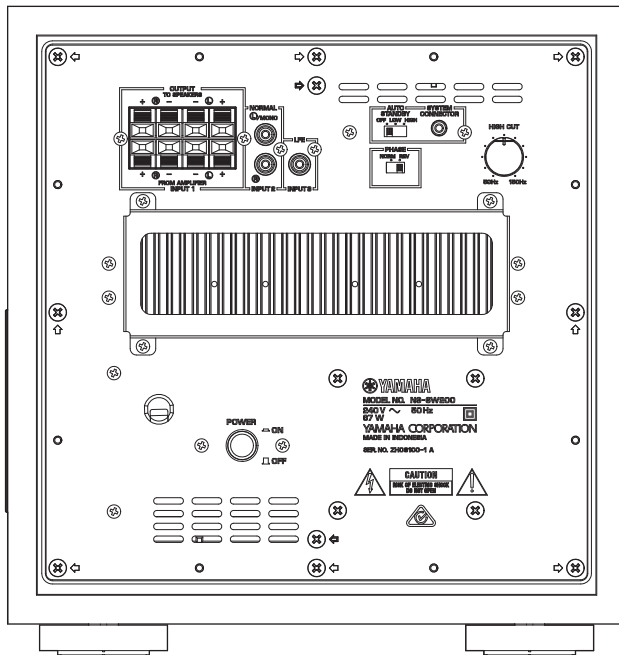
T model



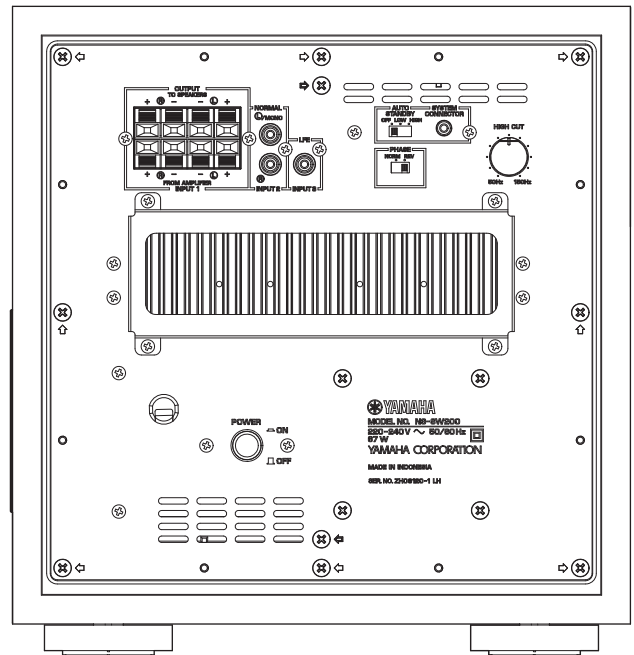
B, G models



A model



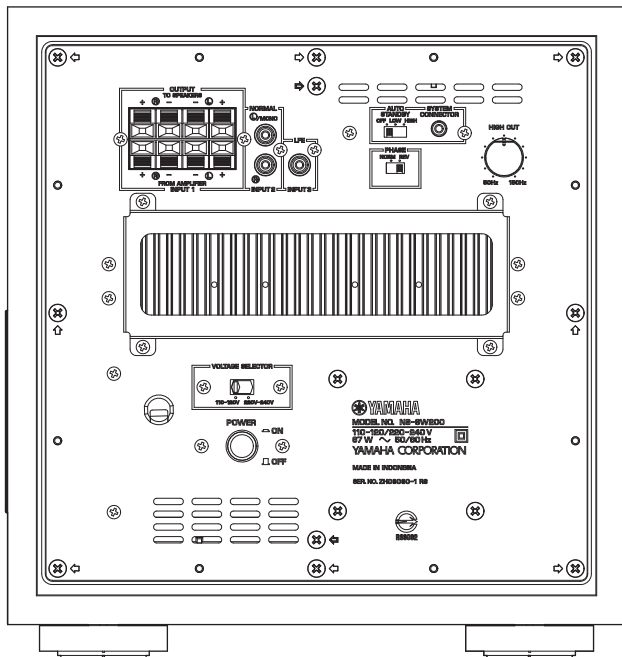
L, H models



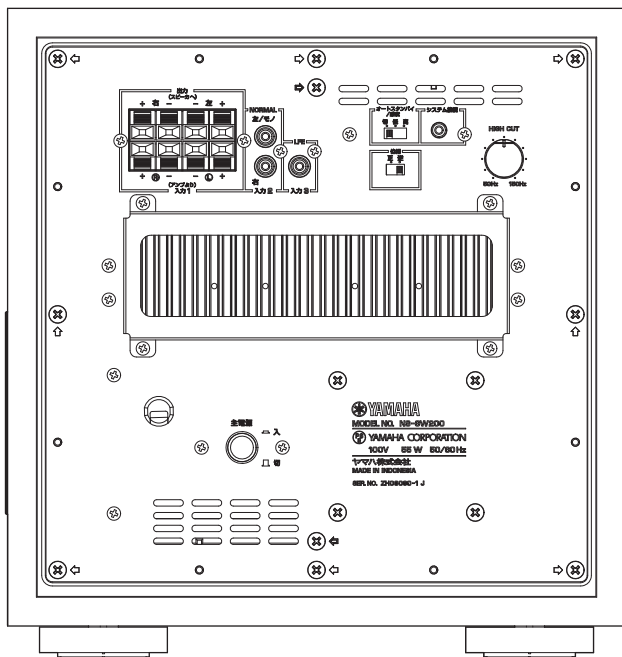
SPECIFICATIONS / 参考仕様

NS-SW300

S model



J model



Type / 型式

Advanced Yamaha Active Servo Technology II
PWM Digital Drive High Efficient Amplifier

Output Power / 出力 (100 Hz, 5 ohms, 10 % T.H.D.)

250 W

Input Sensitivity / 入力感度 (50 Hz, 250 W/5 ohms, L+R)

INPUT (SP) 1.5 V
INPUT (PJ) 60 mV

Input Impedance / 入力インピーダンス

INPUT (SP) 2.2 k-ohms
INPUT (PJ) 12 k-ohms

Frequency Response / 再生周波数帯域

20 Hz to 160 Hz

Driver / スピーカーユニット

SUBWOOFER 25 cm (9-7/8") cone woofer x 1
Magnetic shielding type / 防磁型

Input Section / 入力部

INPUT1 Speaker terminal
INPUT2, 3 RCA pin jack

Operation Section / 操作部

Front panel STANDBY/ON key
VOLUME control
Indicator (Green, Red)
Rear panel POWER ON/OFF key
AUTO STANDBY (HIGH / LOW / OFF) switch
PHASE (NORM / REV) switch
B.A.S.S. (MOVIE / MUSIC) switch
HIGH CUT control switch
VOLTAGE SELECTOR switch (R, S models)

Power Supply / 電源

U model AC 120 V, 60 Hz
R, S models AC 110-120/220-240 V, 50/60 Hz
T model AC 220 V, 50 Hz
K model AC 220 V, 60 Hz
A model AC 240 V, 50 Hz
B, G models AC 230 V, 50 Hz
L, H models AC 220-240 V, 50/60 Hz
J model AC 100 V, 50/60 Hz

Power Consumption / 消費電力

U, R, T, K, A, B, G, L, S, H models 80 W
J model 100 W

Standby Power Consumption / 待機消費電力

0.3 W or less

Dimensions / 外形寸法 (W x H x D)

350 x 366 x 420 mm (13-3/4" x 14-3/8" x 16-1/2")

Weight / 質量

18.0 kg (39.7 lbs.)

Finish / 仕上げ

B, G models WH (White color)
R, T, K, G, L, S, H models RW (Brown color)
R, T, K, A, B, G, L, S, H, J models BL (Black color)
U, R, T, K, A, B, G, L, S, H models PN (Piano black color)

Accessories / 付属品

System control cable (5 m) x 1
Subwoofer cable (5 m) (J model) x 1

NS-SW200

Type / 型式

..... Advanced Yamaha Active Servo Technology II
 PWM Digital Drive High Efficient Amplifier

Output Power / 出力 (100 Hz, 5 ohms, 10 % T.H.D.)

..... 130 W

Input Sensitivity / 入力感度 (50 Hz, 130 W/5 ohms, L+R)

INPUT (SP) 1.2 V
 INPUT (PJ) 50 mV

Input Impedance / 入力インピーダンス

INPUT (SP) 2.2 k-ohms
 INPUT (PJ) 12 k-ohms

Frequency Response / 再生周波数帯域

..... 28 Hz to 200 Hz

Driver / スピーカーユニット

..... 20 cm (7-7/8") cone woofer x 1
 Magnetic shielding type / 防磁型

Input Section / 入力部

INPUT1 Speaker terminal
 INPUT2, 3 RCA pin jack

Operation Section / 操作部

Front panel STANDBY/ON key
 VOLUME control
 Indicator (Green, Red)
 Rear panel POWER ON/OFF key
 AUTO STANDBY (HIGH / LOW / OFF) switch
 PHASE (NORM / REV) switch
 HIGH CUT control switch
 VOLTAGE SELECTOR switch (R, S models)

Power Supply / 電源

U model AC 120 V, 60 Hz
 R, S models AC 110-120/220-240 V, 50/60 Hz
 T model AC 220 V, 50 Hz
 A model AC 240 V, 50 Hz
 B, G models AC 230 V, 50 Hz
 L, H models AC 220-240 V, 50/60 Hz
 J model AC 100 V, 50/60 Hz

Power Consumption / 消費電力

U, R, T, A, B, G, L, S, H models 67 W
 J model 55 W

Standby Power Consumption / 待機消費電力

..... 0.3 W or less

Dimensions / 外形寸法 (W x H x D)

..... 290 x 306 x 351 mm (11-3/8" x 12" x 13-7/8")

Weight / 質量

..... 11.2 kg (24.7 lbs.)

Finish / 仕上げ

B, G, S models WH (White color)
 R, T, G, L, S, H models RW (Brown color)
 R, T, A, B, G, L, S, H, J models BL (Black color)
 U, R, T, A, B, G, L, H models PN (Piano black color)

Accessories / 付属品

System control cable (5 m) x 1
 Subwoofer cable (5 m) (J model) x 1

* Specifications are subject to change without notice due to product improvements.

※ 参考仕様および外観は予告なく変更されることがあります。

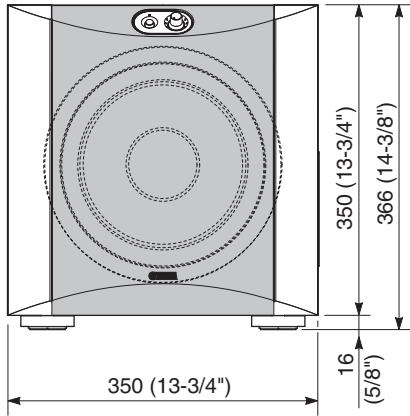
U U.S.A. model	G European model
R General model	L Singapore model
T Chinese model	S Brazilian model
K Korean model	H Thai model
A Australian model	J Japanese model
B British model	



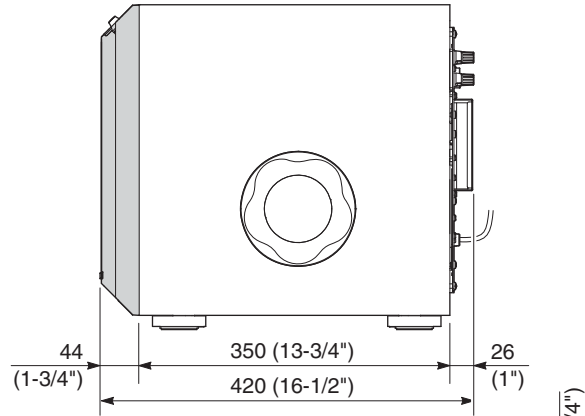
• DIMENSIONS / 寸法図

NS-SW300

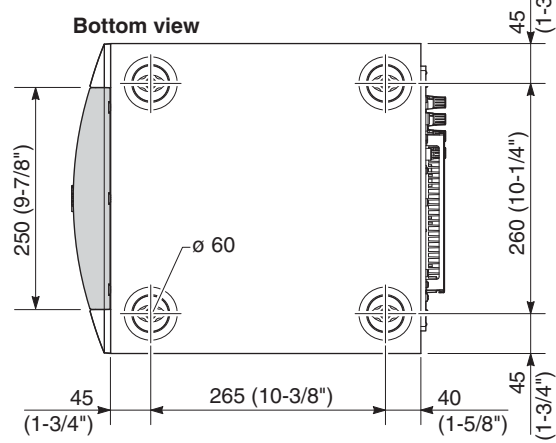
Front view



Side view



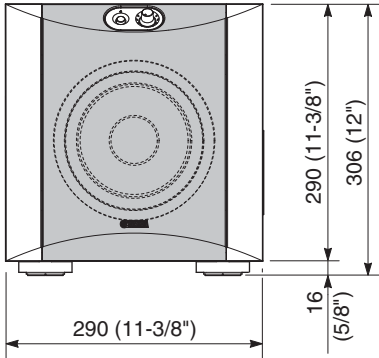
Bottom view



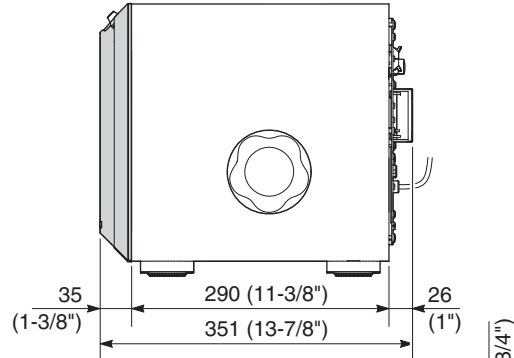
Unit: mm (inch)
単位:mm (インチ)

NS-SW200

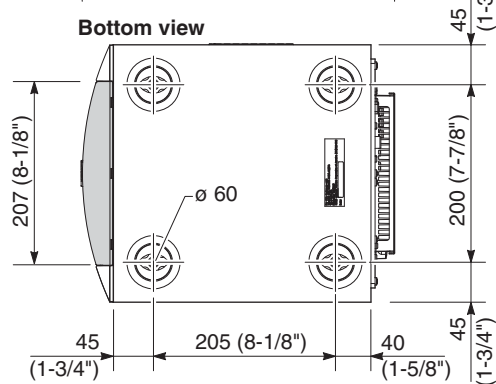
Front view



Side view

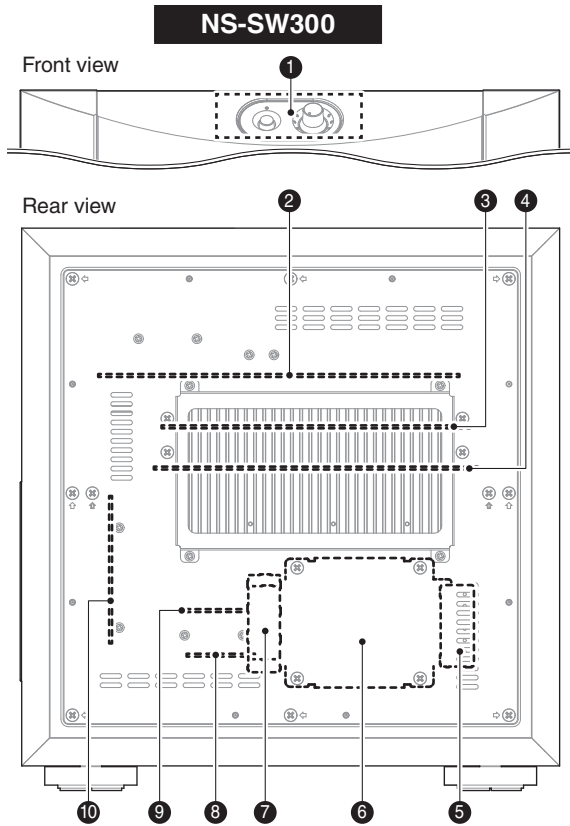


Bottom view

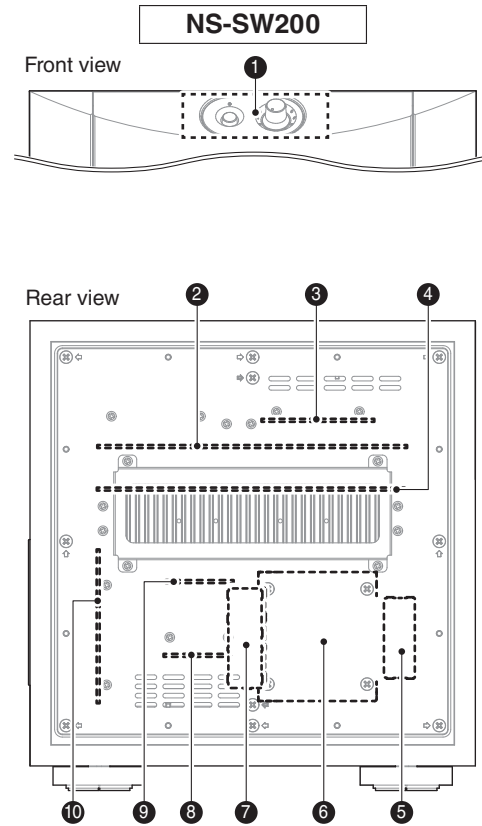


Unit: mm (inch)
単位:mm (インチ)

INTERNAL VIEW



- ❶ MAIN (4) P.C.B.
- ❷ MAIN (3) P.C.B.
- ❸ MAIN (6) P.C.B.
- ❹ MAIN (1) P.C.B.
- ❺ MAIN (8) P.C.B.
- ❻ POWER TRANSFORMER
- ❼ MAIN (9) P.C.B. (U, T, K, A, B, G, L, H, J models)
MAIN (10) P.C.B. (R, S models)
- ❽ MAIN (5) P.C.B.
- ❾ MAIN (11) P.C.B. (R, S models)
- ❿ MAIN (2) P.C.B.



- ❶ MAIN (4) P.C.B.
- ❷ MAIN (3) P.C.B.
- ❸ MAIN (8) P.C.B.
- ❹ MAIN (1) P.C.B.
- ❺ MAIN (6) P.C.B.
- ❻ POWER TRANSFORMER
- ❼ MAIN (7) P.C.B. (U, T, A, B, G, L, H, J models)
MAIN (9) P.C.B. (R, S models)
- ❽ MAIN (5) P.C.B.
- ❾ MAIN (10) P.C.B. (R, S models)
- ❿ MAIN (2) P.C.B.

■ SERVICE PRECAUTIONS / サービス時の注意事項

Safety measures

- Some internal parts in this product contain high voltages and are dangerous.
Be sure to take safety measures during servicing, such as wearing insulating gloves.
- Note that the capacitors indicated below are dangerous even after the power is turned off because an electric charge remains and a high voltage continues to exist there.
Before starting any repair work, connect a discharging resistor (5 k-ohms/10 W) to the terminals of each capacitor indicated below to discharge electricity.
The time required for discharging is about 30 seconds per each.

C85 and C86 on MAIN (1) P.C.B.

For details, refer to "PRINTED CIRCUIT BOARDS".

安全対策

- この製品の内部には高電圧部分があり危険です。修理の際は、絶縁性の手袋を使用するなどの安全対策を行ってください。
- 下記のコンデンサには電源を OFF にした後も電荷が残り、高電圧が維持されており危険です。
修理作業前に放電用抵抗 (5 k Ω /10 W) を下記の各コンデンサの端子間に接続して放電してください。
放電所用時間は各々約 30 秒間です。

MAIN (1) P.C.B. の C85、C86

詳しくは "PRINTED CIRCUIT BOARDS" を参照してください。

■ DISASSEMBLY PROCEDURES / 分解手順

(Remove parts in the order as numbered.)
Disconnect the power cable from the AC outlet.

(番号順に部品を取り外してください。)
AC 電源コンセントから、電源コードを抜いてください。

NS-SW300

NS-SW200

Disassembly procedures of the NS-SW300 and NS-SW200 are almost the same. For that reason, we explain disassembly procedure of the NS-SW300 as a representative here.

NS-SW300 と NS-SW200 の分解手順はほぼ同じです。そのため、ここでは代表として NS-SW300 の分解手順で説明します。

1. Removal of Front Grille Assembly

- Spread a rubber sheet and cloth for protection of this unit against any damage and place this unit on cloth with its bottom side facing up. (Fig. 1)
 - * The front grille assembly is fixed to the cabinet assembly with dowels at 11 locations. As a flatblade screwdriver is used for removal, use special care not to cause damage to the cabinet assembly.
- First, insert a flatblade screwdriver at 3 dowel positions and push up the front grille assembly. (Fig. 1)
- Next, using the metalblade or the like, push the front grille assembly upward until it comes off. (Fig. 1)
- Remove CB1. (Fig. 1)
- Remove the front grille assembly. (Fig. 1)

Notes:

- Removing the front grille assembly with the flatblade screwdriver only without using the metalblade or the like may cause damage to the front grille assembly.
- When installing the front grille assembly, apply quick-drying bond or the like to dowels and then fit them into dowel holes for secure installation. (The front grille assembly will come off easily if its dowels are fitted into dowel holes without applying quick-drying bond or the like.)

1. フロントグリル Ass'y の外し方

- 本機に傷などが付かないようにゴムシートと布を敷き、本機を底面が上になるように置きます。(Fig. 1)
 - ※ フロントグリル Ass'y は 11 箇所のダボでキャビネット Ass'y に固定されています。取り外しの際、キャビネット Ass'y に傷が付かないよう十分注意してください。
- 最初にマイナスドライバーを 3 箇所のダボ位置へ差し込み、フロントグリル Ass'y を押し上げます。(Fig. 1)
- 次にヘラ等を使い、フロントグリル Ass'y が外れるまで徐々に上面へ押し上げていきます。(Fig. 1)
- CB1 を外します。(Fig. 1)
- フロントグリル Ass'y を外します。(Fig. 1)

注意:

- フロントグリル Ass'y を外す際、ヘラ等を使わずマイナスドライバーだけを使って外すと、フロントグリル Ass'y が破損する場合があります。
- フロントグリル Ass'y を取り付ける場合、フロントグリル Ass'y のダボに速乾ボンドなどを塗って取り付けます。(ダボへ速乾ボンドなどを塗らずに差し込んだ場合、フロントグリル Ass'y は容易に外れてしまいます。)

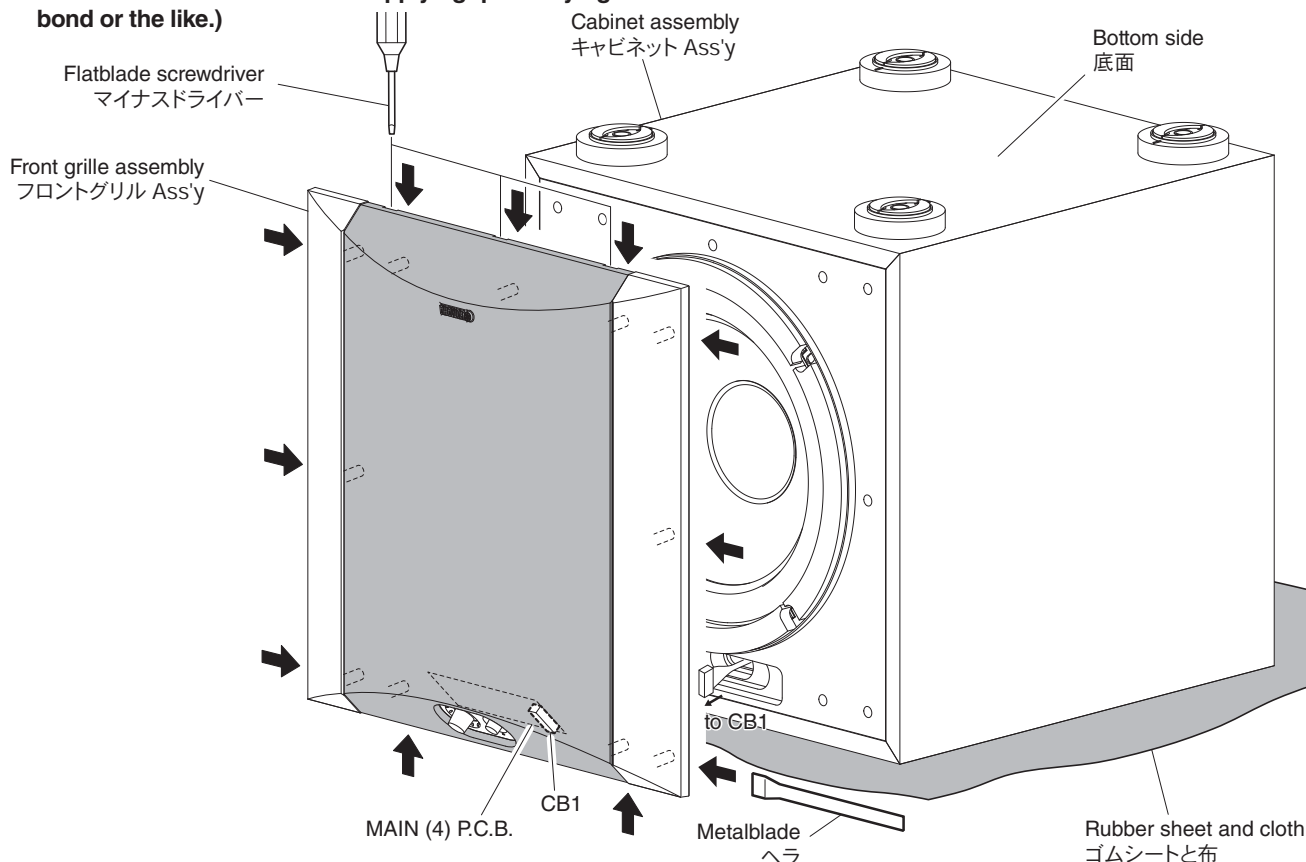


Fig. 1

2. Removal of Front Panel

- Remove the VOLUME knob and POWER knob. (Fig. 2)
- Remove 6 screws (①). (Fig. 2)
- Remove the front panel together with the MAIN (4) P.C.B. (Fig. 2)

3. Removal of Driver

- Remove 4 screws (②) and then pull out the driver. (Fig. 2)
- Disconnect the connector connected to the terminal of the driver. (Fig. 2)
- Remove the driver. (Fig. 2)

2. フロントパネルの外し方

- VOLUME つまみと POWER つまみを外します。(Fig. 2)
- ① のネジ 6 本を外します。(Fig. 2)
- フロントパネルと MAIN (4) P.C.B. を一緒に外します。(Fig. 2)

3. スピーカーユニットの外し方

- ② のネジ 4 本を外し、スピーカーユニットを引き出します。(Fig. 2)
- スピーカーユニットの端子に接続されているコネクタを外します。(Fig. 2)
- スピーカーユニットを外します。(Fig. 2)

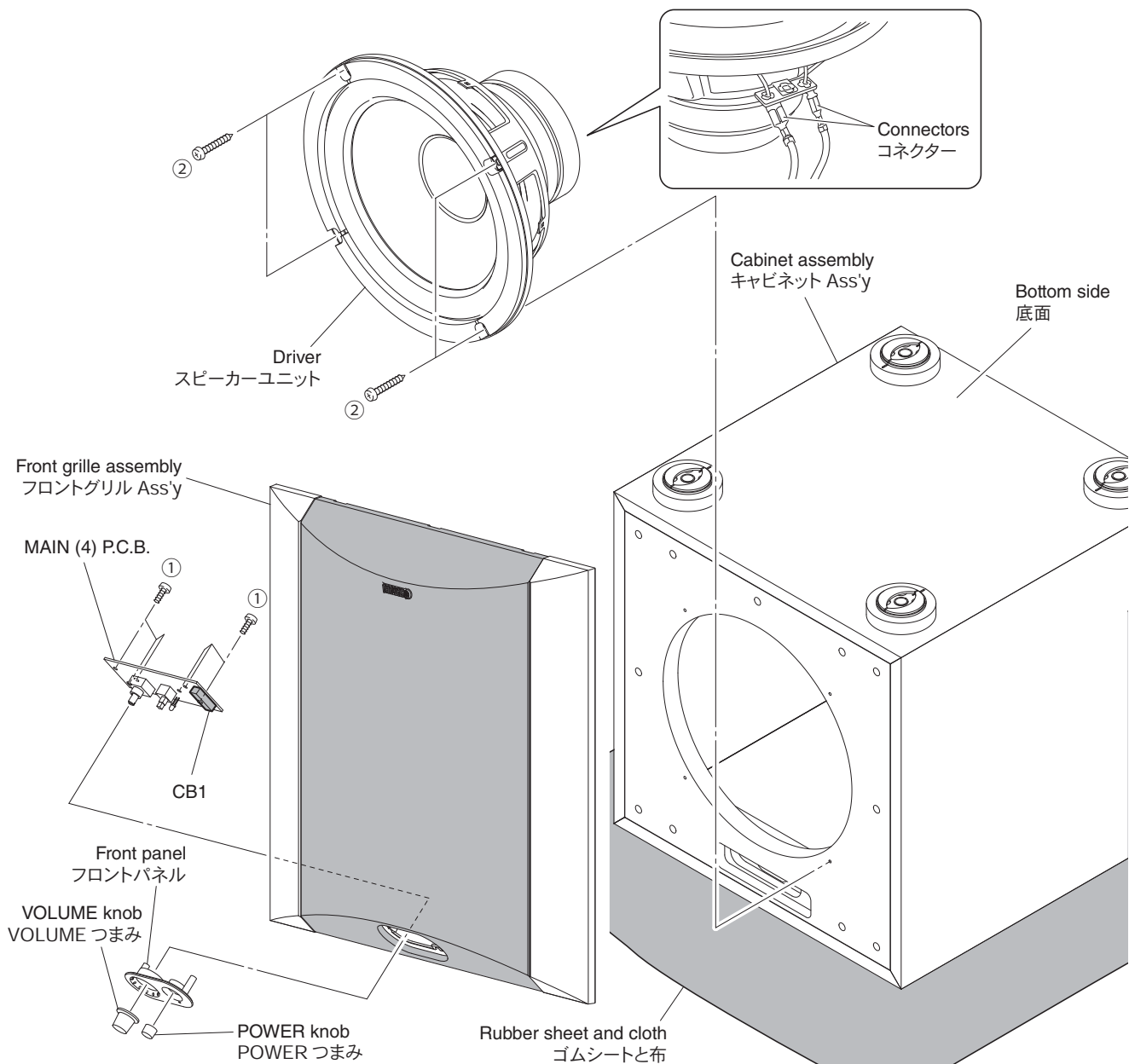


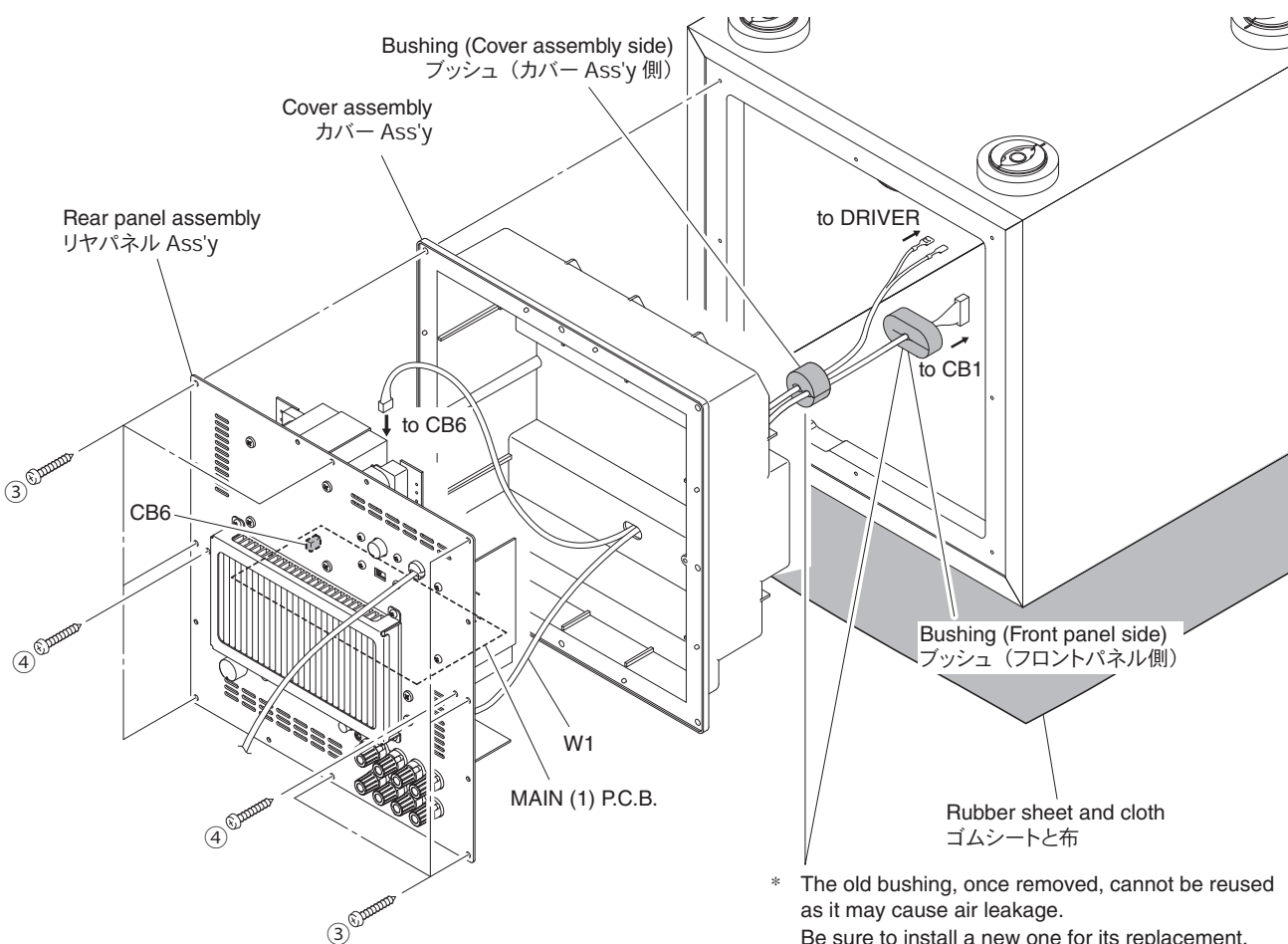
Fig. 2

4. Removal of Rear Panel Assembly

- Remove the bushing (Front panel side). (Fig. 3)
- Remove 8 screws (③). (Fig. 3)
 - * Screws (③) are identified with arrow marks (➡)
- Pull out the rear panel assembly. (Fig. 3)
- Remove 2 screws (④). (Fig. 3)
 - * Screws (④) are identified with arrow marks (➡)
- Remove the bushing (cover assembly side). (Fig. 3)
- Remove the cover assembly. (Fig. 3)
- Remove CB6. (Fig. 3)
- Remove the rear panel assembly. (Fig. 3)

4. リアパネル Ass'y の外し方

- ブッシュ (フロントパネル側) を外します。 (Fig. 3)
- ③ のネジ 8 本を外します。 (Fig. 3)
 - * 取り外す③ のネジには矢印 (➡) が印刷されています。
- リアパネル Ass'y を引き出します。 (Fig. 3)
- ④ のネジ 2 本を外します。 (Fig. 3)
 - * 取り外す④ のネジには矢印 (➡) が印刷されています。
- ブッシュ (カバー Ass'y 側) を外します。 (Fig. 3)
- カバー Ass'y を外します。 (Fig. 3)
- CB6 を外します。 (Fig. 3)
- リアパネル Ass'y を外します。 (Fig. 3)



* The old bushing, once removed, cannot be reused as it may cause air leakage. Be sure to install a new one for its replacement.

※ 外した古いブッシュは、空気漏れの原因となる恐れがあるため、再利用できません。新しいものに交換してください。

Fig. 3

When checking the P.C.B.:

- Spread the rubber sheet and cloth. Then place this unit on the cloth and check it. (Fig. 4)
- Reconnect all cables (connectors) that have been disconnected.

P.C.B. をチェックする場合には：

- ゴムシートと布を敷き、その上に本機を置いてチェックします。(Fig. 4)
- 外したケーブル（コネクター）をすべて接続します。

* The old bushing, once removed, cannot be reused as it may cause air leakage.
Be sure to install a new one for its replacement.

※ 外した古いブッシュは、空気漏れの原因となる恐れがあるため、再利用できません。
新しいものに交換してください。

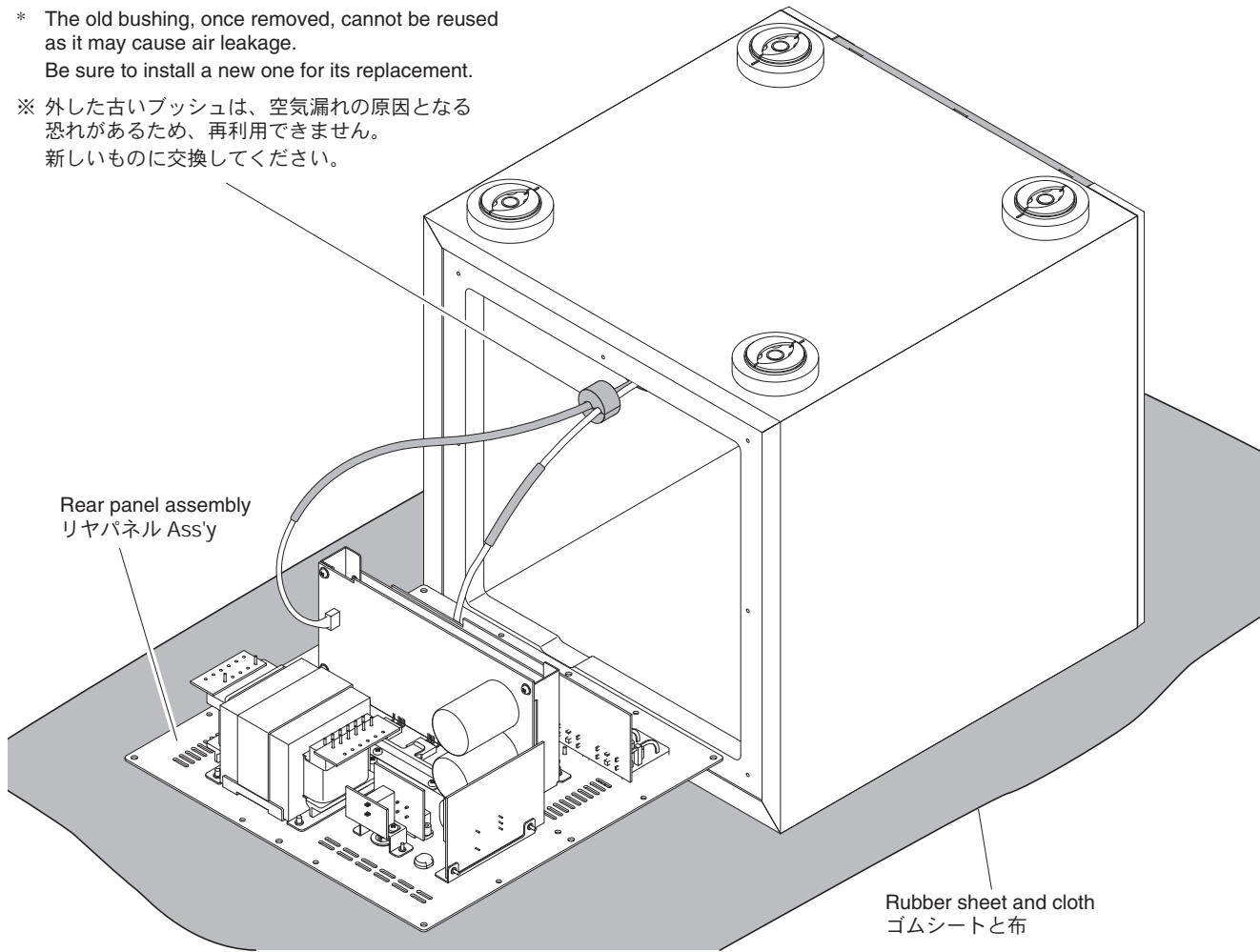


Fig. 4

NS-SW300

1 ■ BLOCK DIAGRAMS

2

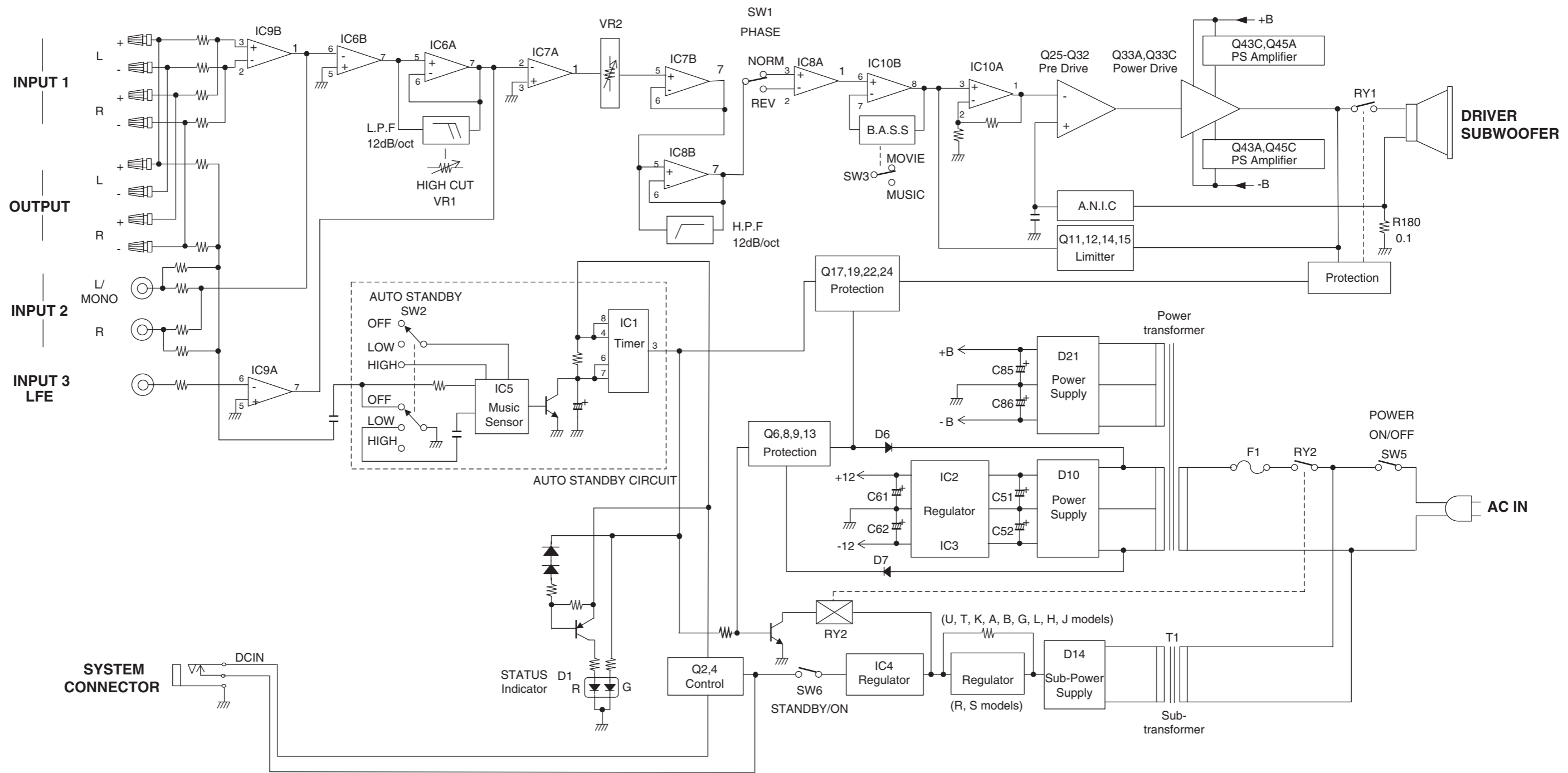
3

4

5

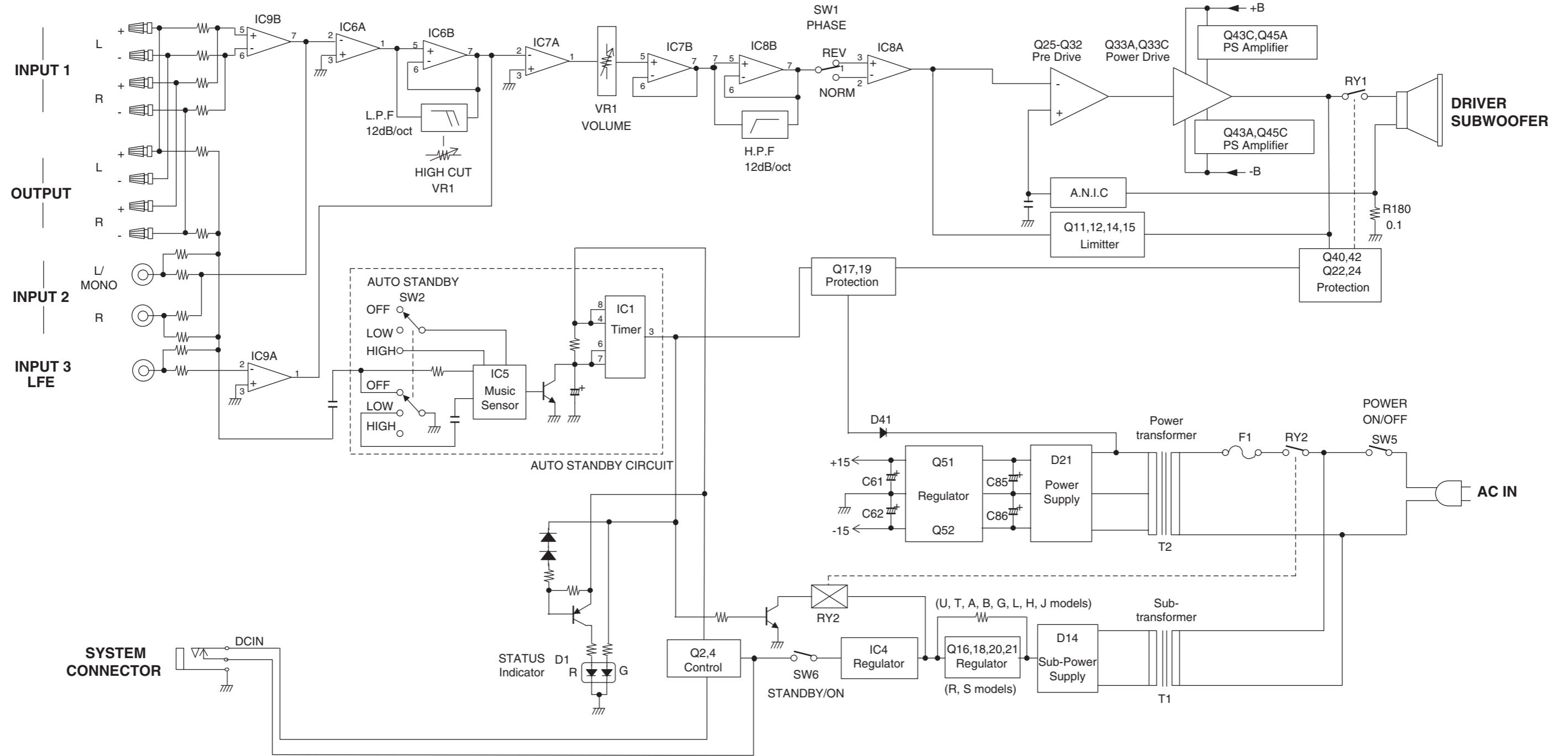
6

7



MAIN • See page 29 → SCHEMATIC DIAGRAM

NS-SW200



MAIN • See page 30 → SCHEMATIC DIAGRAM

1 ■ WIRING DIAGRAMS
 • OVERALL ASSEMBLY

NS-SW300

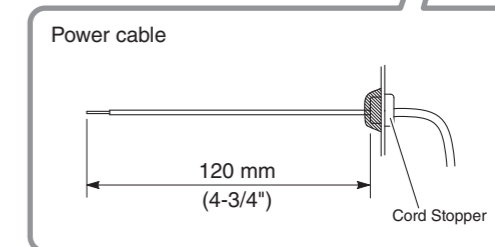
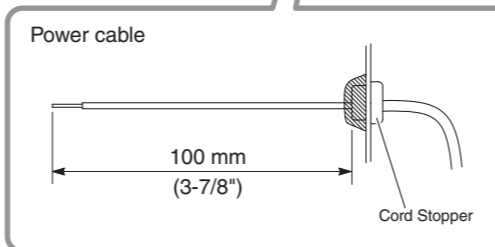
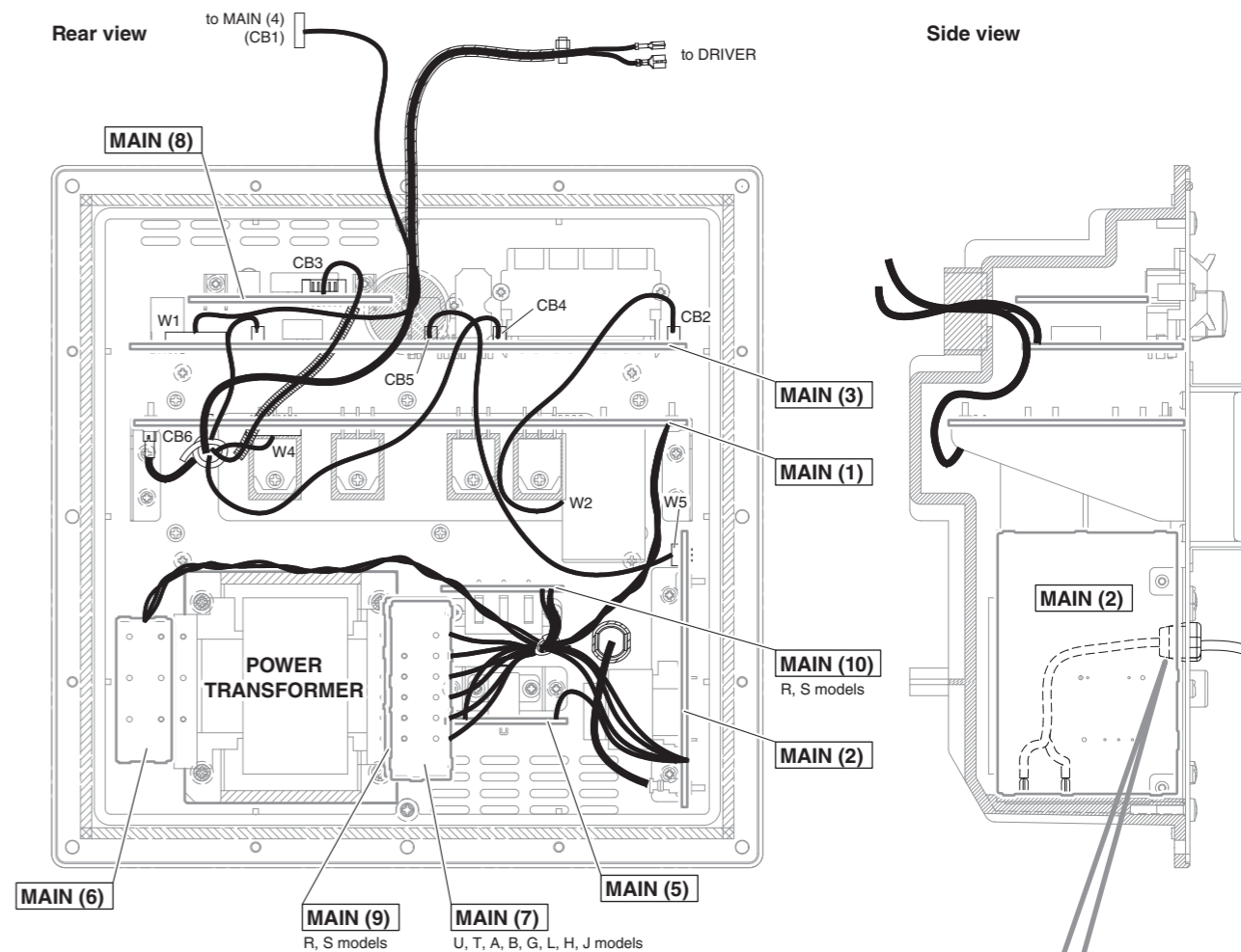
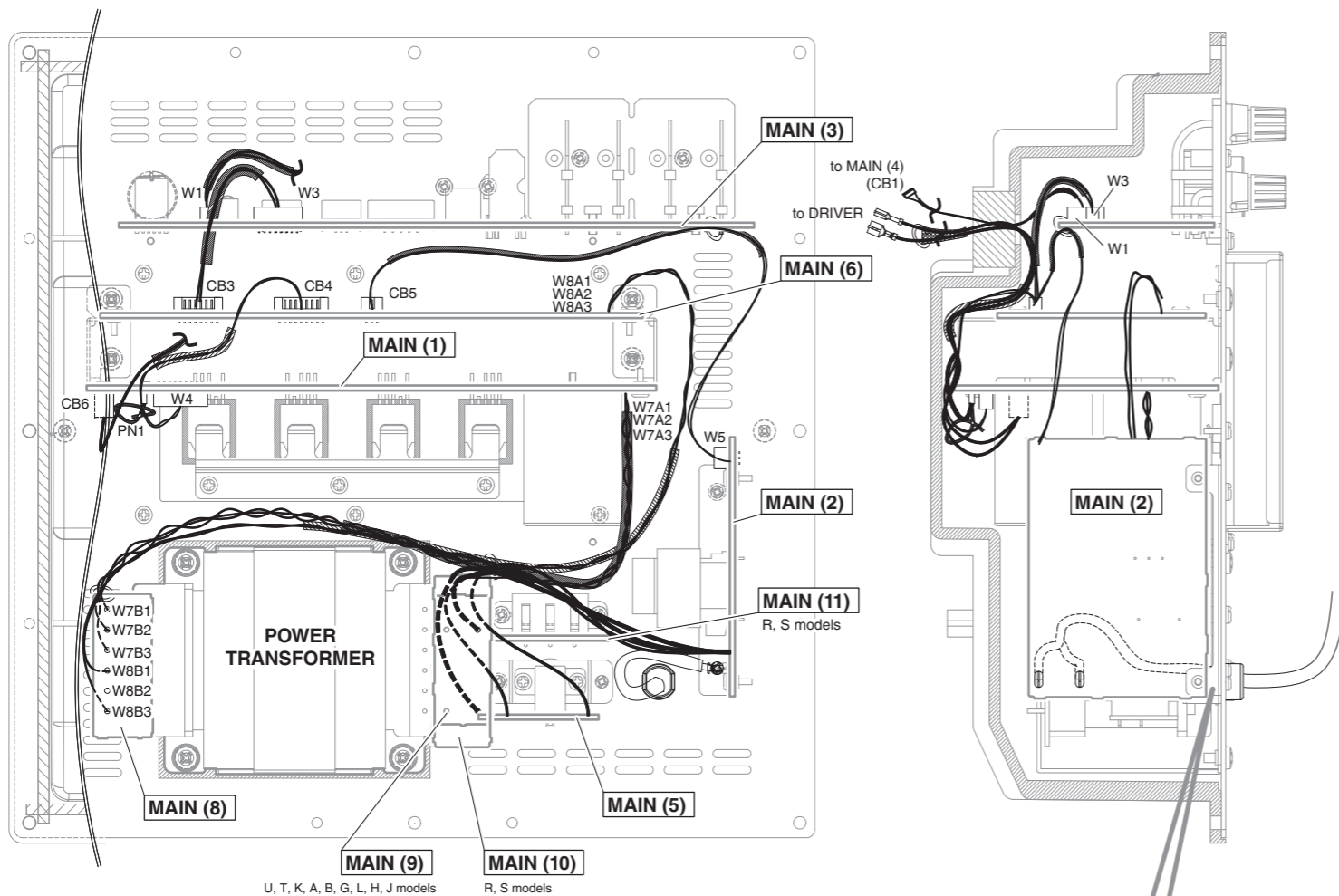
NS-SW200

Rear view

Side view

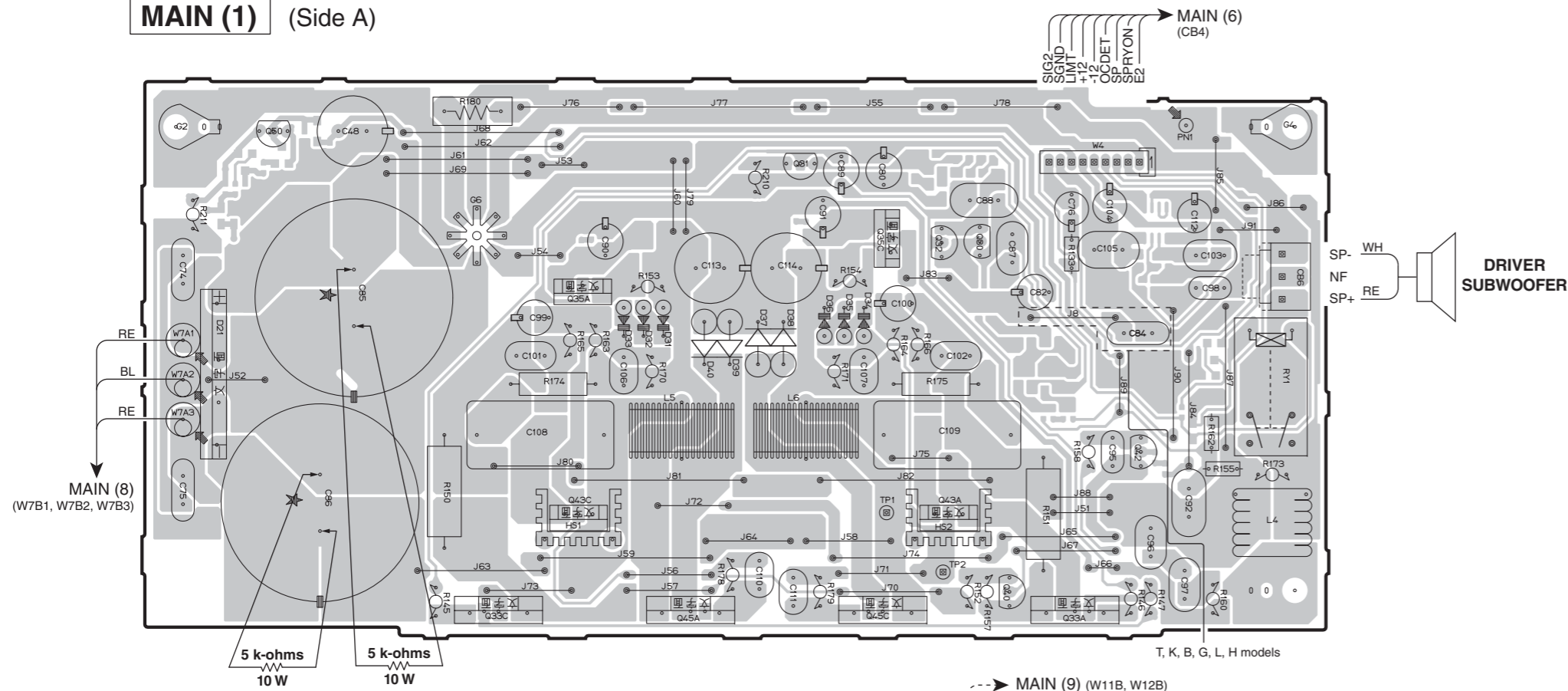
Rear view

Side view

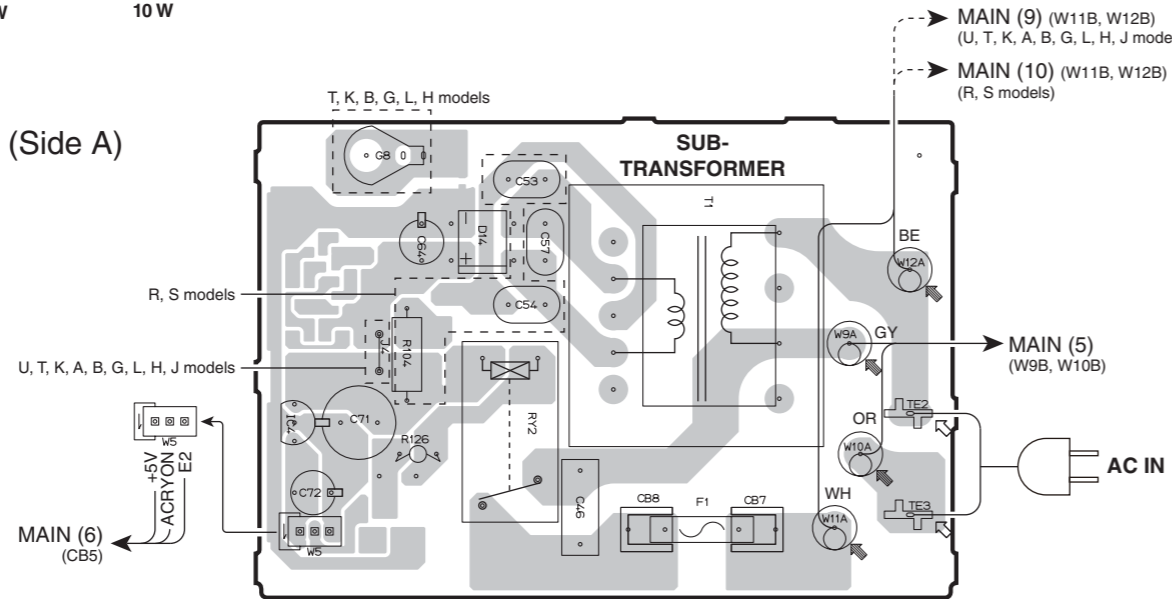


PRINTED CIRCUIT BOARDS

MAIN (1) (Side A)



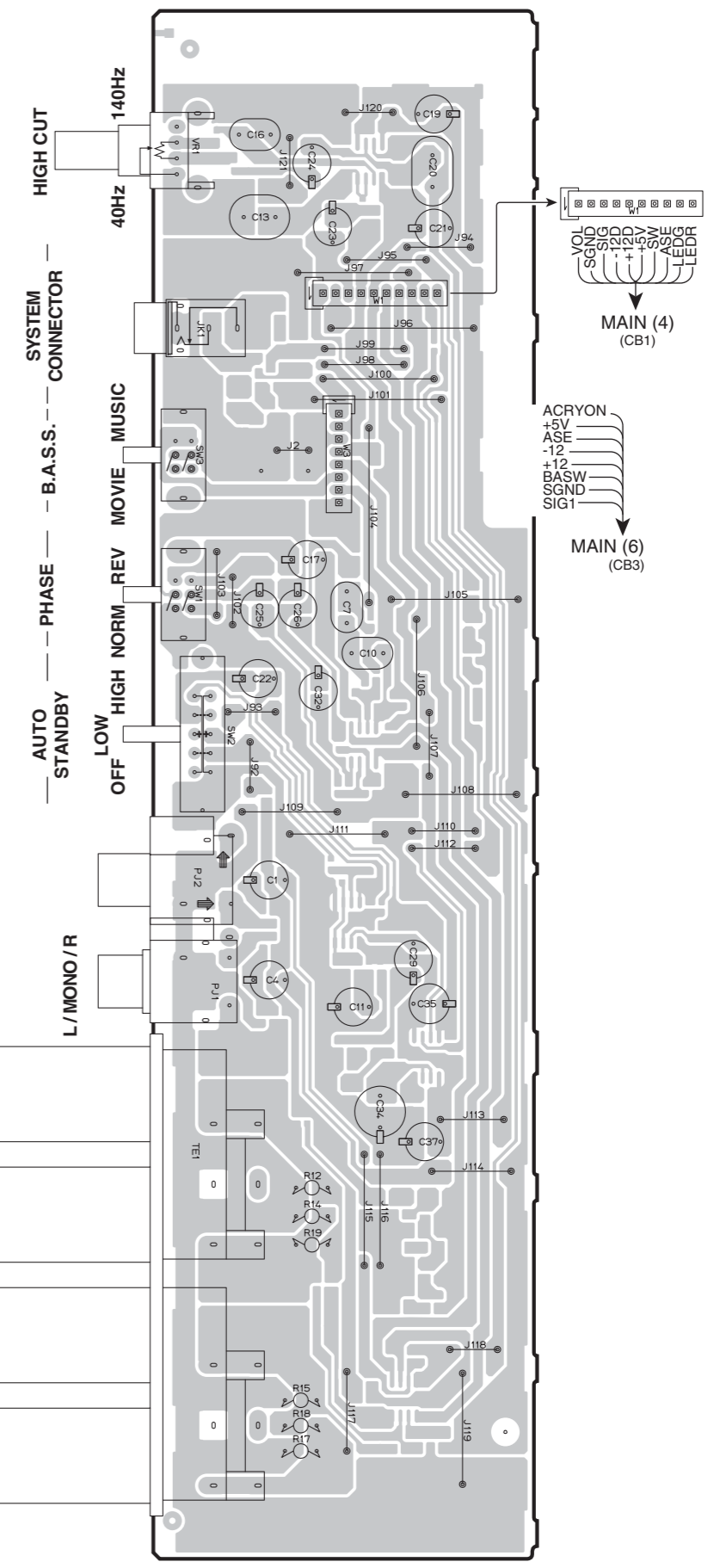
MAIN (2) (Side A)



• Semiconductor Location

Ref no.	Location
D14	D5
D21	B3
D31	D3
D32	D3
D33	D3
D34	E3
D35	E3
D36	D3
D37	D3
D38	D3
D39	D3
D40	D3
IC4	C6
Q30	E2
Q31	D2
Q32	E2
Q33A	F4
Q33C	C4
Q35A	C3
Q35C	E2
Q40	E4
Q42	F3
Q43A	E4
Q43C	C4
Q45A	D4
Q45C	E4
Q50	B2

MAIN (3) (Side A)



Safety measures

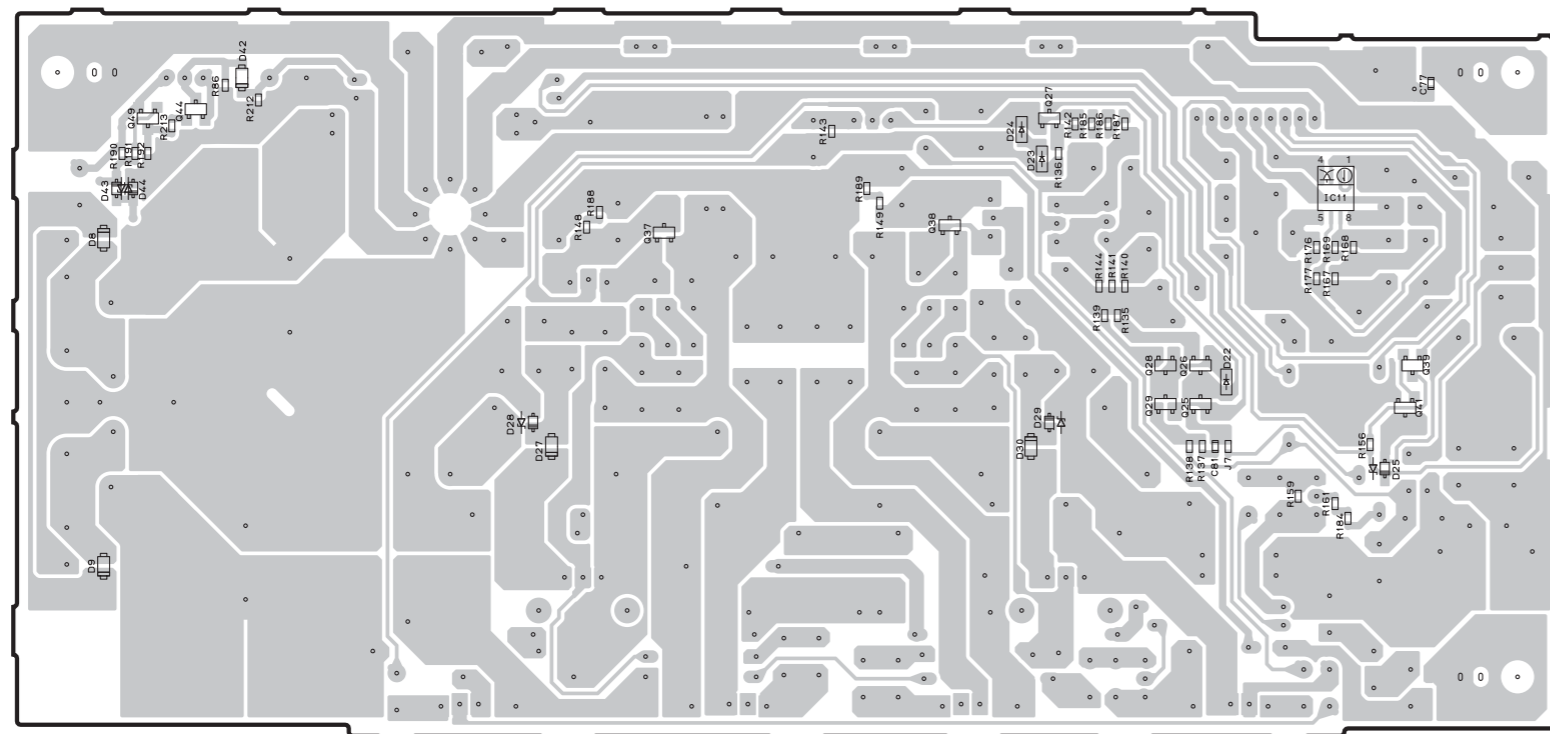
- Some internal parts in this product contain high voltages and are dangerous. Be sure to take safety measures during servicing, such as wearing insulating gloves.
- Note that the capacitors indicated below are dangerous even after the power is turned off because an electric charge remains and a high voltage continues to exist there. Before starting any repair work, connect a discharging resistor (5 k-ohms/10 W) to the terminals of each capacitor indicated below to discharge electricity. The time required for discharging is about 30 seconds per each. C85, C86 on MAIN (1) P.C.B.

安全対策

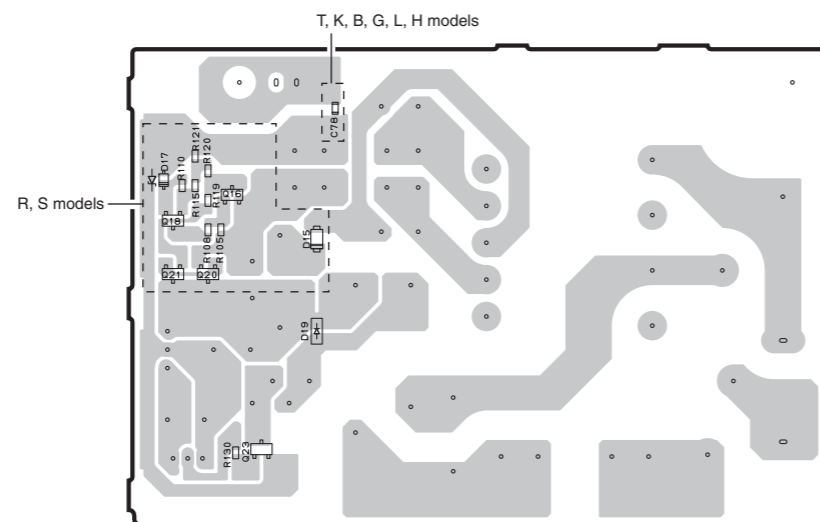
- この製品の内部には高電圧部分があり危険です。修理の際は、絶縁性の手袋を使用するなどの安全対策を行ってください。
- 下記のコンデンサには電源を OFF にした後も電荷が残り、高電圧が維持されており危険です。修理作業前に放電用抵抗 (5 kΩ/10 W) を下記の各コンデンサの端子間に接続して放電してください。放電所用時間は各々約 30 秒間です。MAIN (1) P.C.B. の C85、C86

NS-SW300

MAIN (1) (Side B)



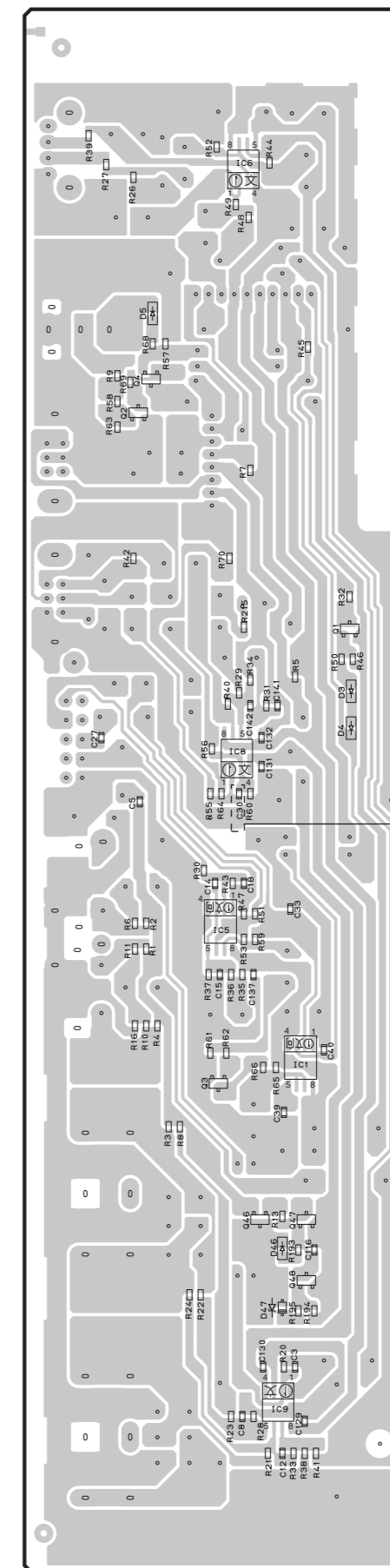
MAIN (2) (Side B)



• Semiconductor Location

Ref no.	Location	Ref no.	Location	Ref no.	Location
D3	I4	D43	A2	Q21	C5
D4	I4	D44	A2	Q23	C6
D5	H2	D46	I6	Q25	E3
D8	A2	D47	I6	Q26	E3
D9	A3	IC1	I5	Q27	D2
D15	C5	IC5	H5	Q28	E3
D17	C5	IC6	I2	Q29	E3
D19	C6	IC8	I4	Q37	C2
D22	E3	IC9	I7	Q38	D2
D23	D2	IC11	E2	Q39	F3
D24	D2	Q1	I4	Q41	F3
D25	E3	Q2	H3	Q44	B2
D27	C3	Q3	H5	Q46	I6
D28	C3	Q4	H3	Q47	I6
D29	D3	Q16	C5	Q48	I6
D30	D3	Q18	C5	Q49	A2
D42	B2	Q20	C5		

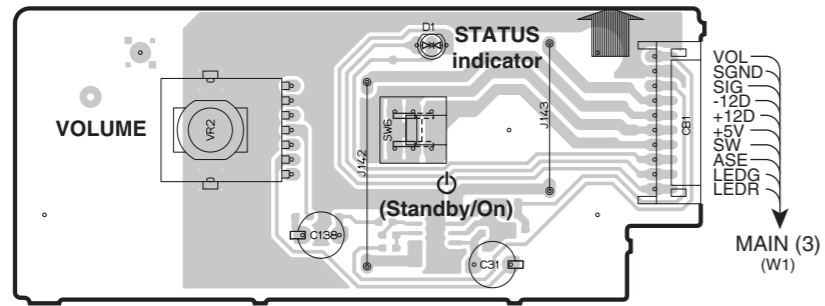
MAIN (3) (Side B)



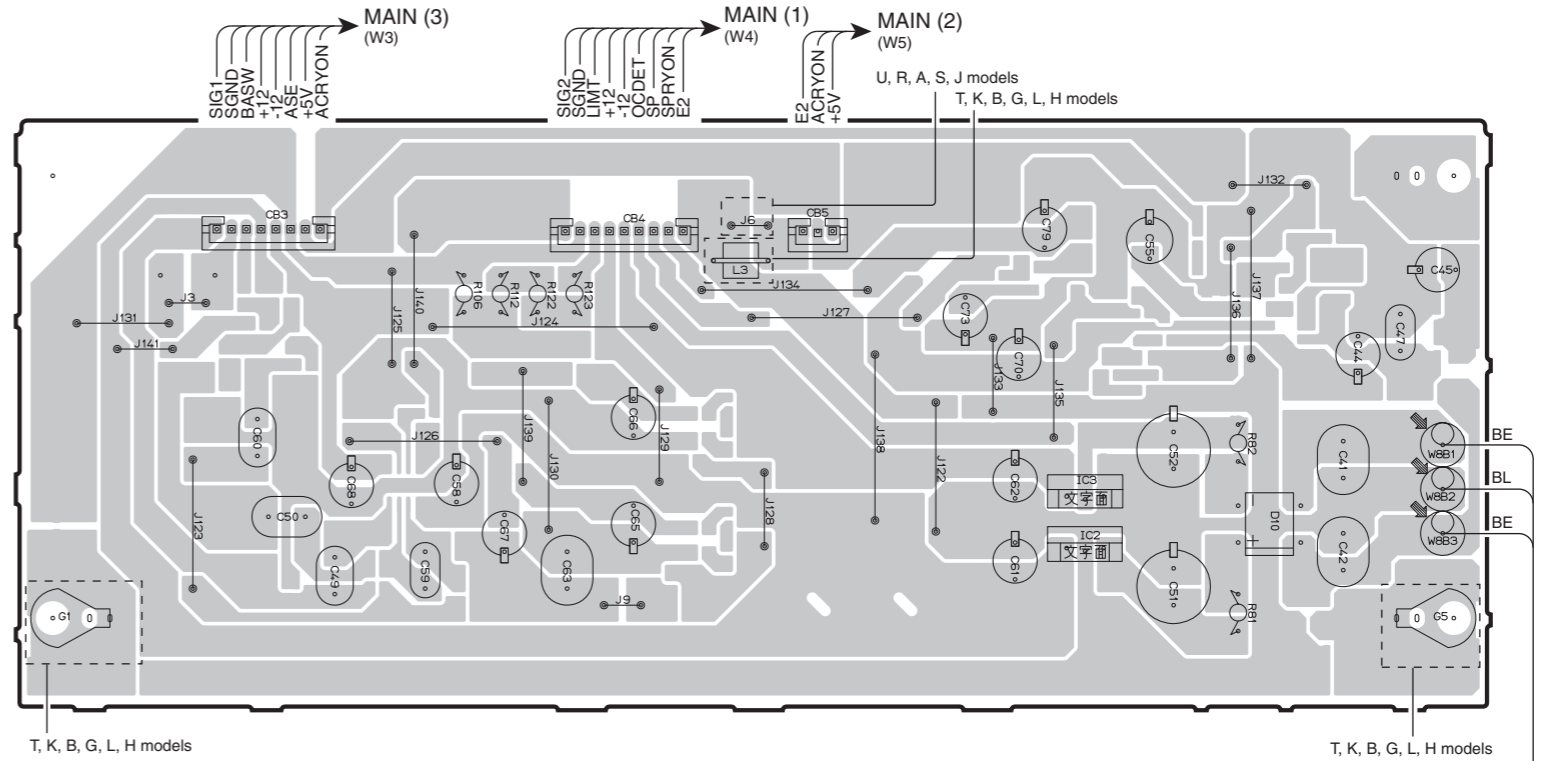
T, K, B, G, L, H models

NS-SW300

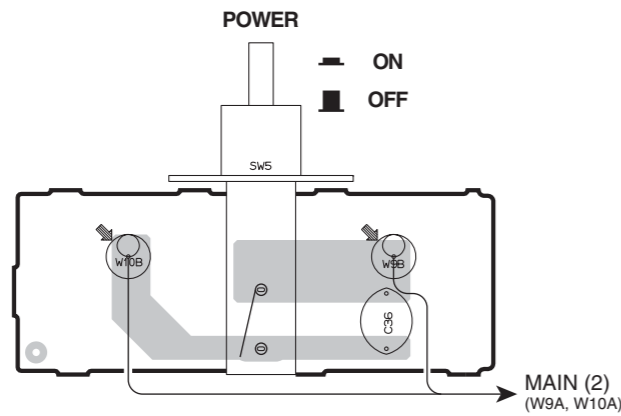
MAIN (4) (Side A)



MAIN (6) (Side A)



MAIN (5) (Side A)



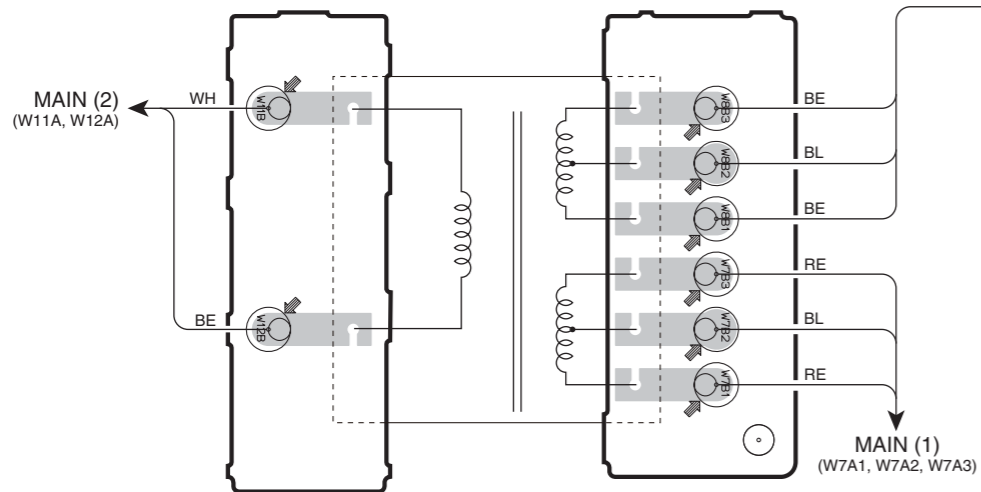
• Semiconductor Location

Ref no.	Location
D1	C2
D10	I3
IC2	I3
IC3	I3

MAIN (9) (Side A)

U, T, K, A, B, G, L, H, J models

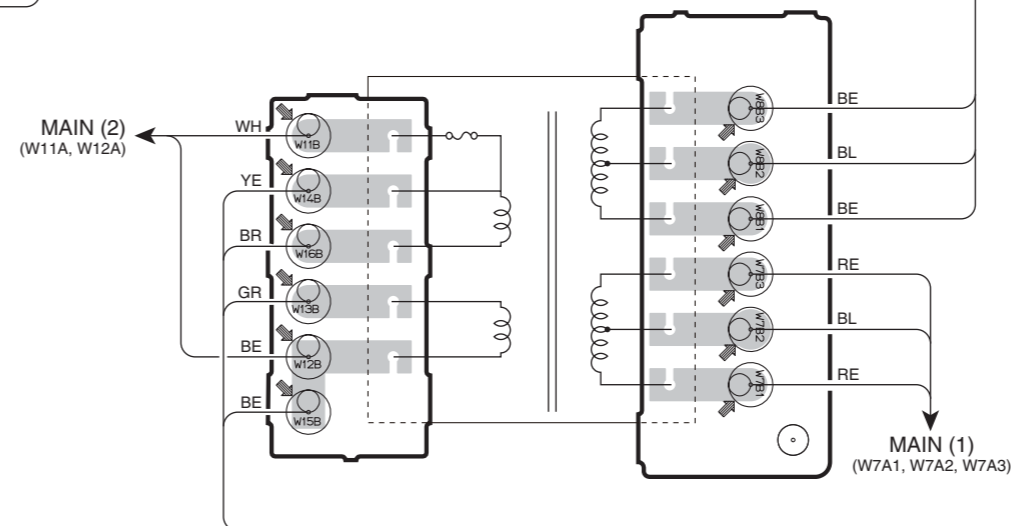
MAIN (8) (Side A)



MAIN (10) (Side A)

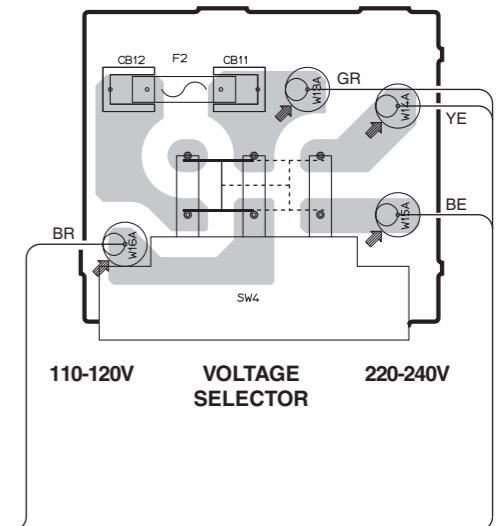
R, S models

MAIN (8) (Side A)



MAIN (11) (Side A)

R, S models

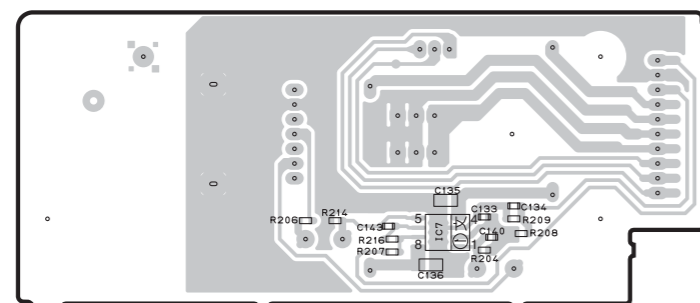


NS-SW300

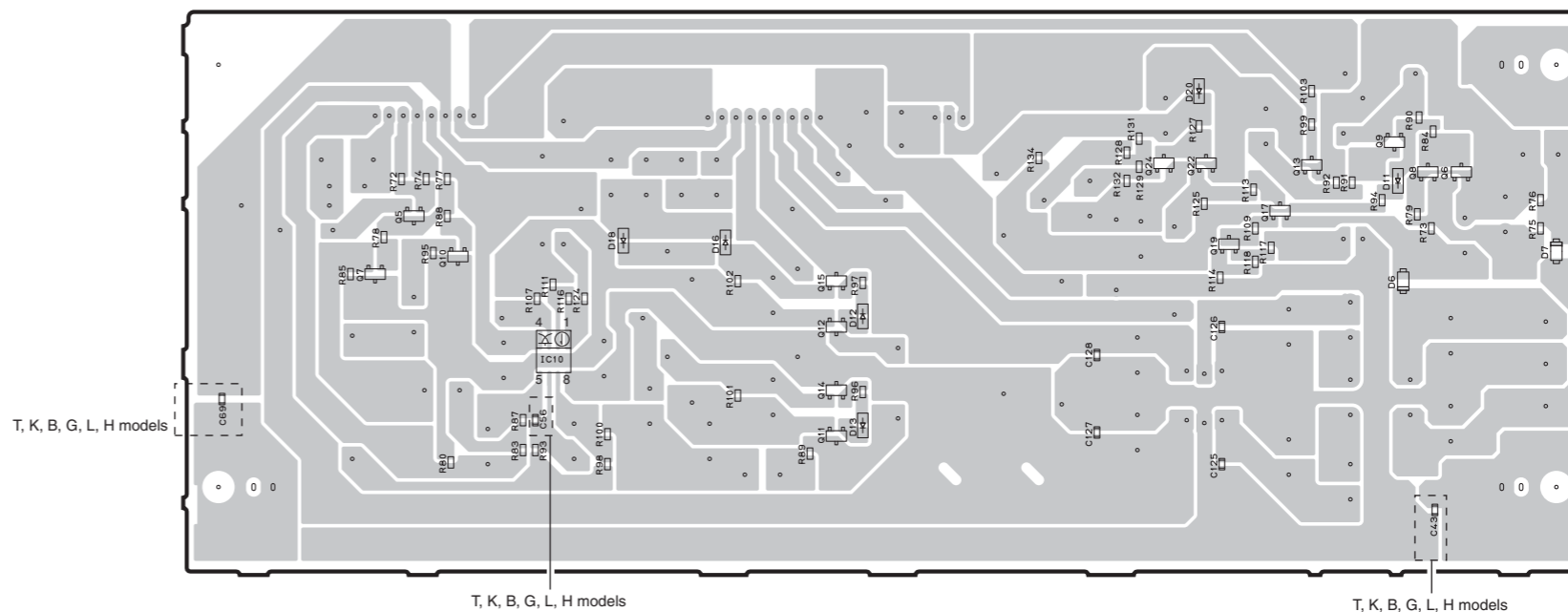
• Semiconductor Location

Ref no.	Location	Ref no.	Location	Ref no.	Location	Ref no.	Location	Ref no.	Location
D6	I3	D16	G3	Q5	F3	Q10	F3	Q15	G3
D7	J3	D18	F3	Q6	I3	Q11	G3	Q17	I3
D11	I3	D20	H2	Q7	E3	Q12	G3	Q19	H3
D12	G3	IC7	C2	Q8	I3	Q13	I3	Q22	H2
D13	G3	IC10	F3	Q9	I2	Q14	G3	Q24	H2

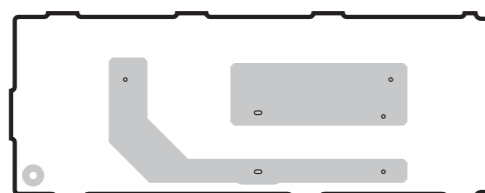
MAIN (4) (Side B)



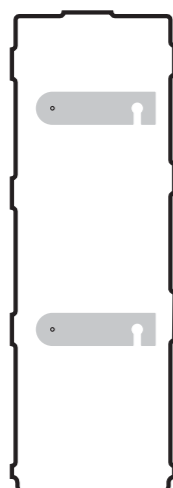
MAIN (6) (Side B)



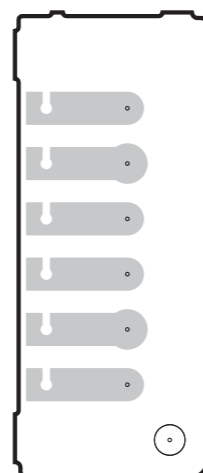
MAIN (5) (Side B)



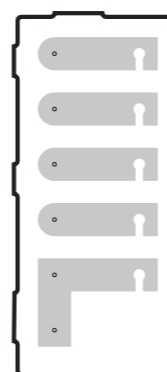
MAIN (9) (Side B)



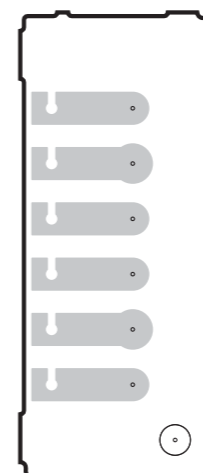
MAIN (8) (Side B)



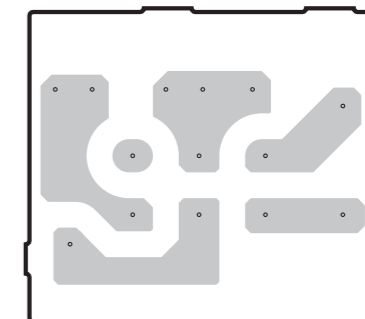
MAIN (10) (Side B)



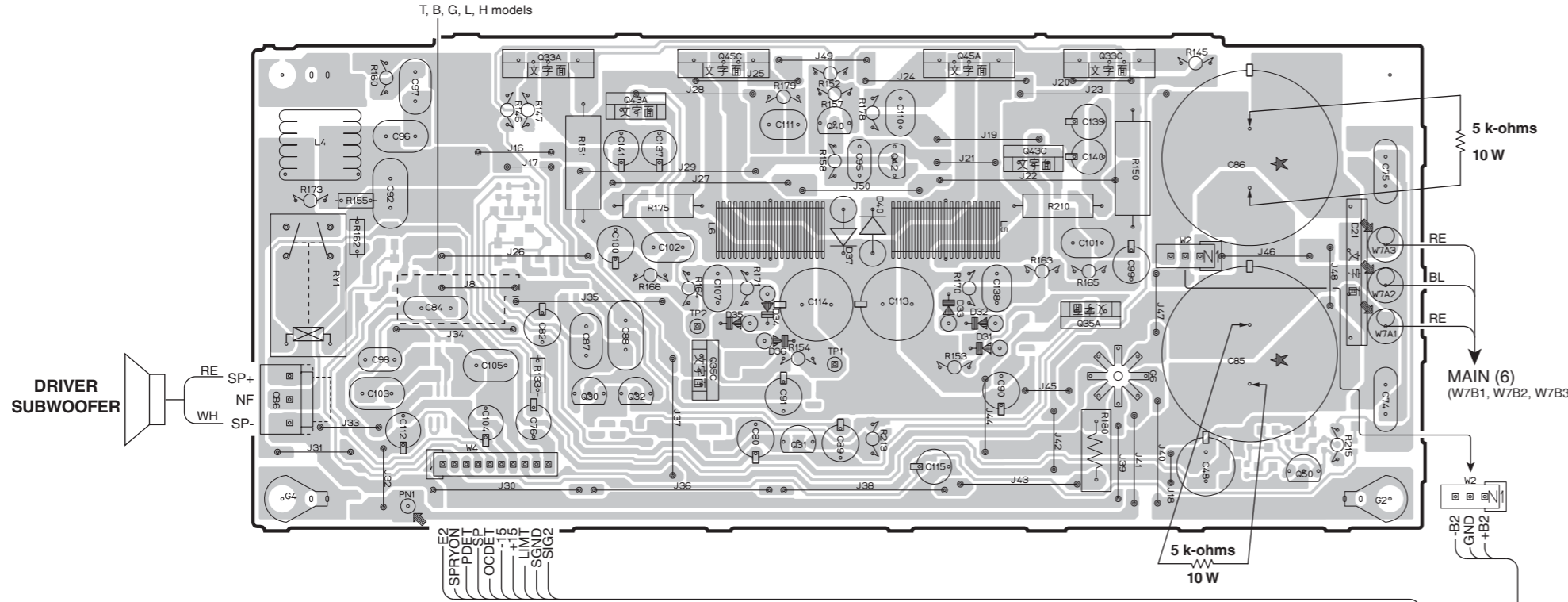
MAIN (8) (Side B)



MAIN (11) (Side B)



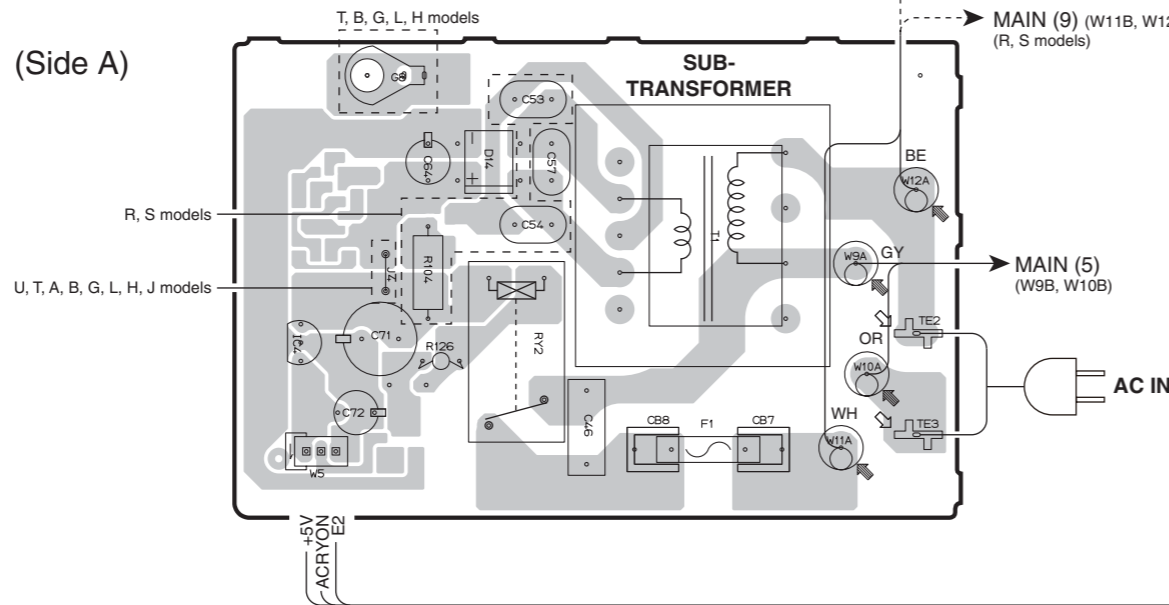
MAIN (1) (Side A)



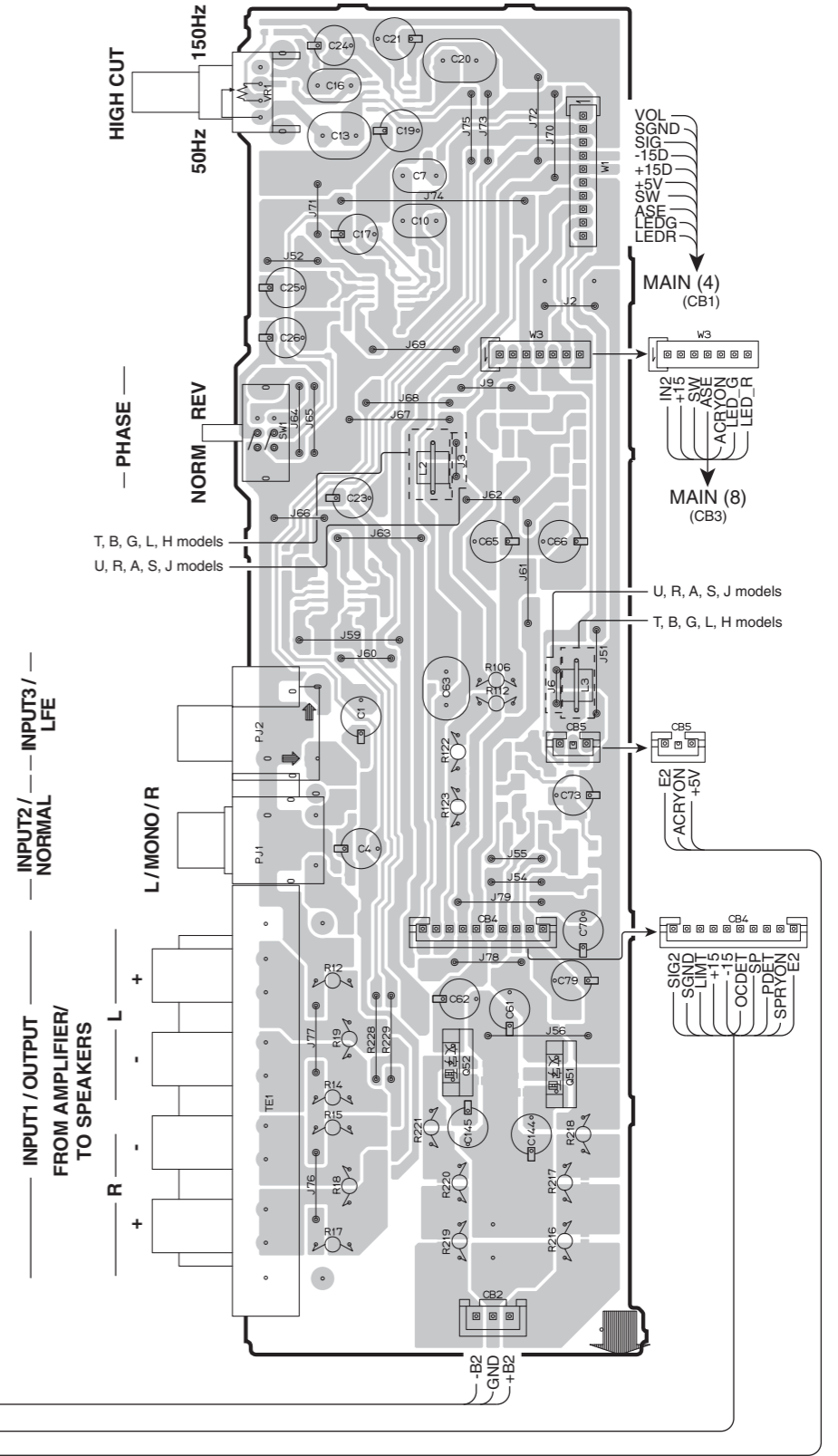
MAIN (2) (Side A)

• Semiconductor Location

Ref no.	Location	Ref no.	Location
D14	D5	Q33A	C2
D21	F3	Q33C	E2
D31	E3	Q35A	E3
D32	E3	Q40	D2
D34	D3	Q42	D2
D35	D3	Q43A	C2
D36	D3	Q43C	E2
D37	D2	Q45A	E2
D40	D2	Q45C	D2
IC4	C5	Q50	F3
Q30	C3	Q51	I5
Q31	D3	Q52	I5
Q32	C3		



MAIN (3) (Side A)



Safety measures

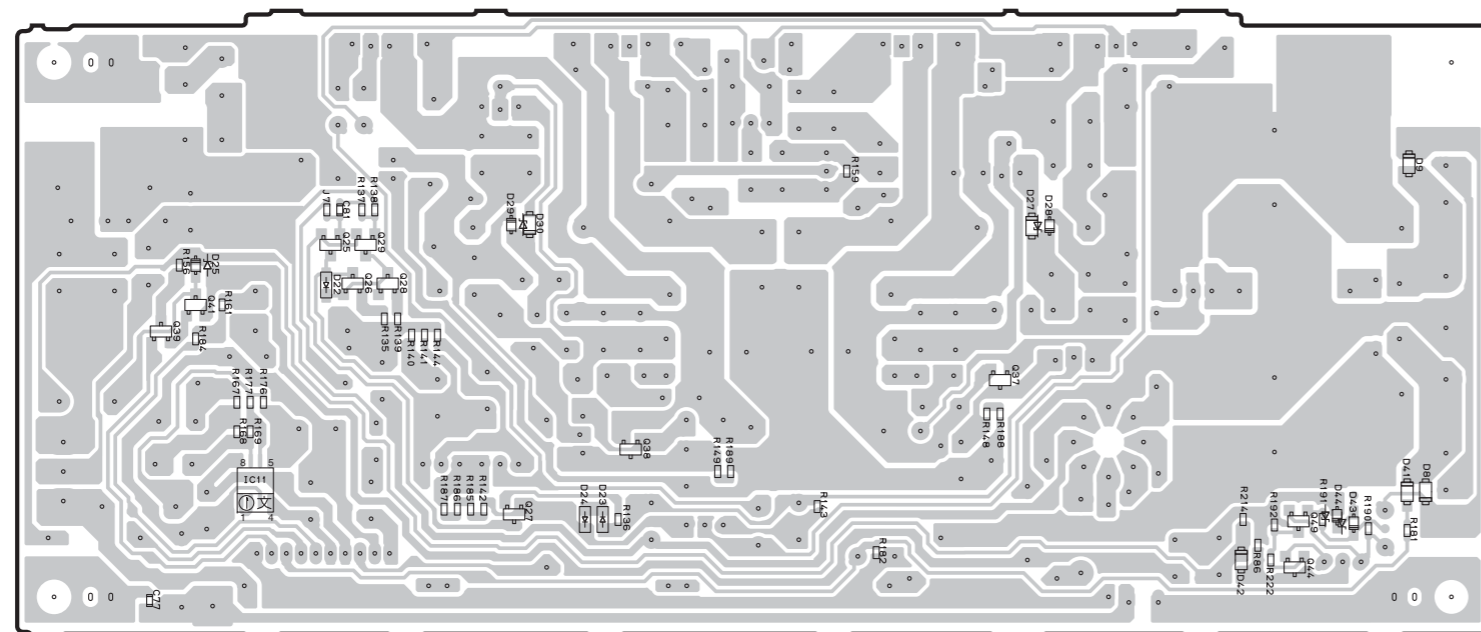
- Some internal parts in this product contain high voltages and are dangerous. Be sure to take safety measures during servicing, such as wearing insulating gloves.
- Note that the capacitors indicated below are dangerous even after the power is turned off because an electric charge remains and a high voltage continues to exist there. Before starting any repair work, connect a discharging resistor (5 k-ohms/10 W) to the terminals of each capacitor indicated below to discharge electricity. The time required for discharging is about 30 seconds per each. C85, C86 on MAIN (1) P.C.B.

安全対策

- この製品の内部には高電圧部分があり危険です。修理の際は、絶縁性の手袋を使用するなどの安全対策を行ってください。
- 下記のコンデンサには電源を OFF にした後も電荷が残り、高電圧が維持されており危険です。修理作業前に放電用抵抗 (5 kΩ/10 W) を下記の各コンデンサの端子間に接続して放電してください。放電所用時間は各々約 30 秒間です。MAIN (1) P.C.B. の C85、C86

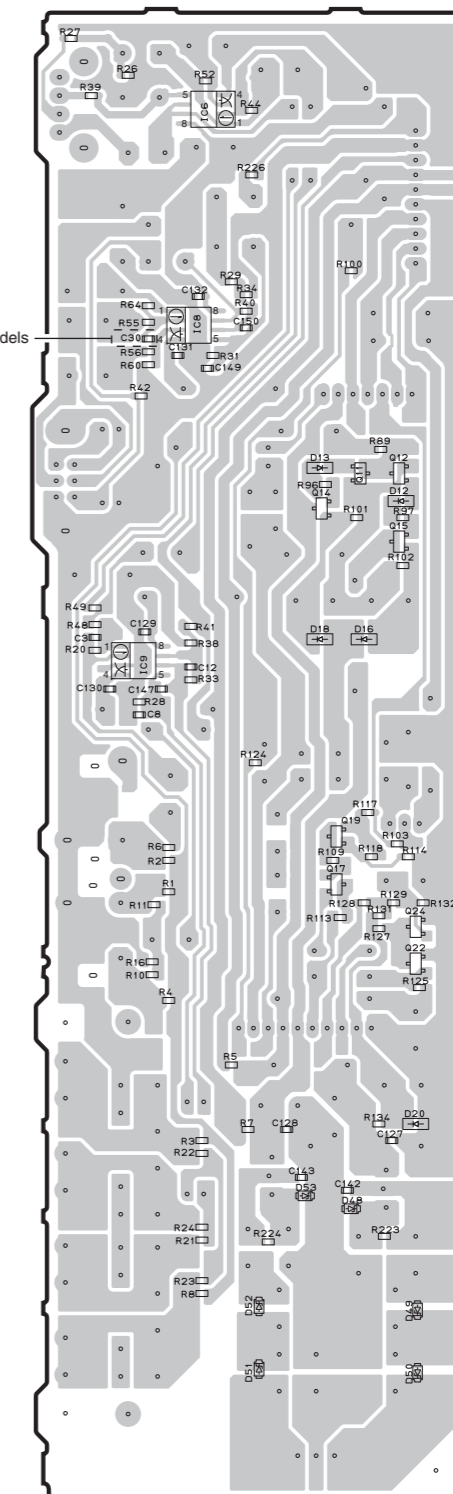
NS-SW200

MAIN (1) (Side B)

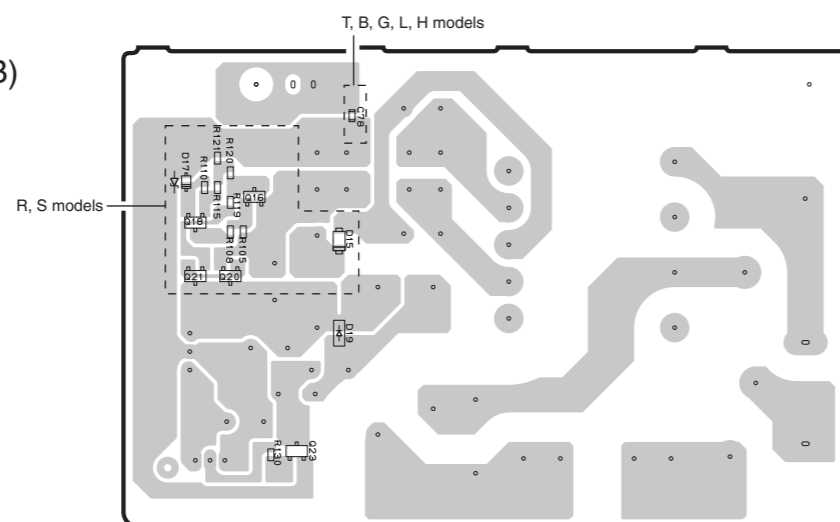


MAIN (3) (Side B)

T, B, G, L, H models



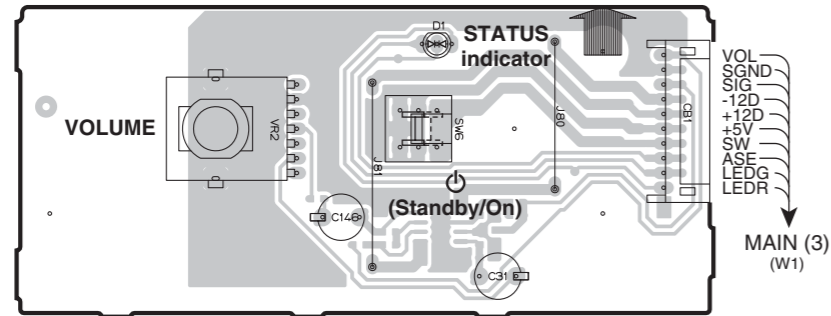
MAIN (2) (Side B)



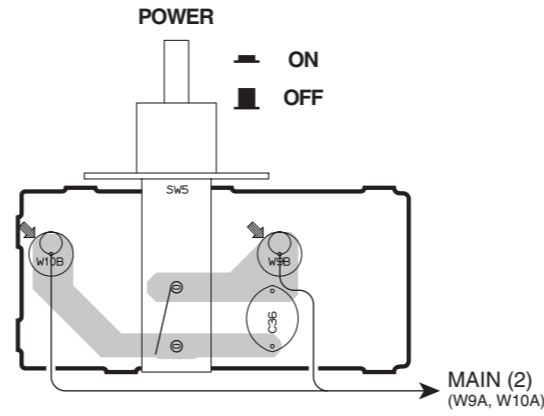
• Semiconductor Location

Ref no.	Location	Ref no.	Location	Ref no.	Location
D8	F3	D42	E3	Q18	C5
D9	F2	D43	F3	Q19	I4
D12	I3	D44	F3	Q20	C5
D13	I3	D48	I5	Q21	C5
D15	C5	D49	I6	Q22	I5
D16	I4	D50	I6	Q23	C6
D17	C5	D51	H6	Q24	I4
D18	I4	D52	H6	Q25	B2
D19	C5	D53	I5	Q26	B3
D20	I5	IC6	H2	Q27	C3
D22	B3	IC8	H2	Q28	B3
D23	C3	IC9	H4	Q29	B2
D24	C3	IC11	B3	Q37	D3
D25	B2	Q11	I3	Q38	C3
D27	E2	Q12	I3	Q39	B3
D28	E2	Q14	I3	Q41	B3
D29	C2	Q15	I3	Q44	E3
D30	C2	Q16	C5	Q49	E3
D41	F3	Q17	I4		

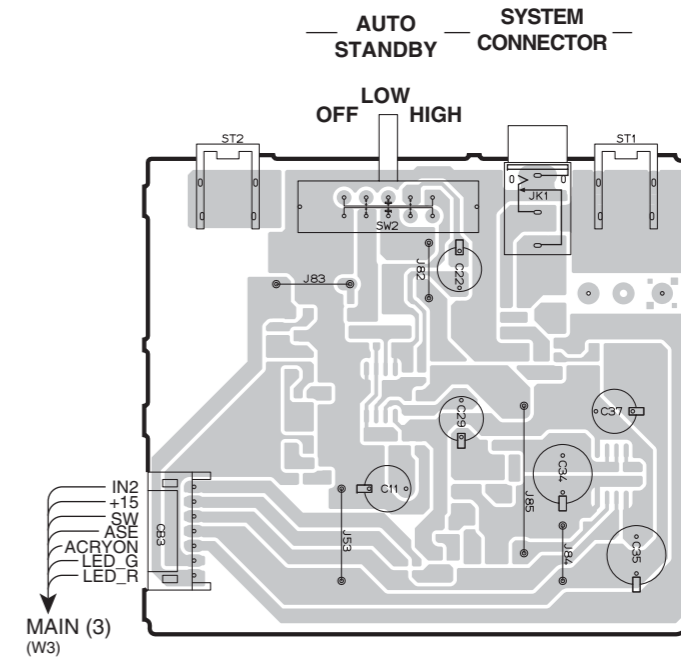
MAIN (4) (Side A)



MAIN (5) (Side A)



MAIN (8) (Side A)



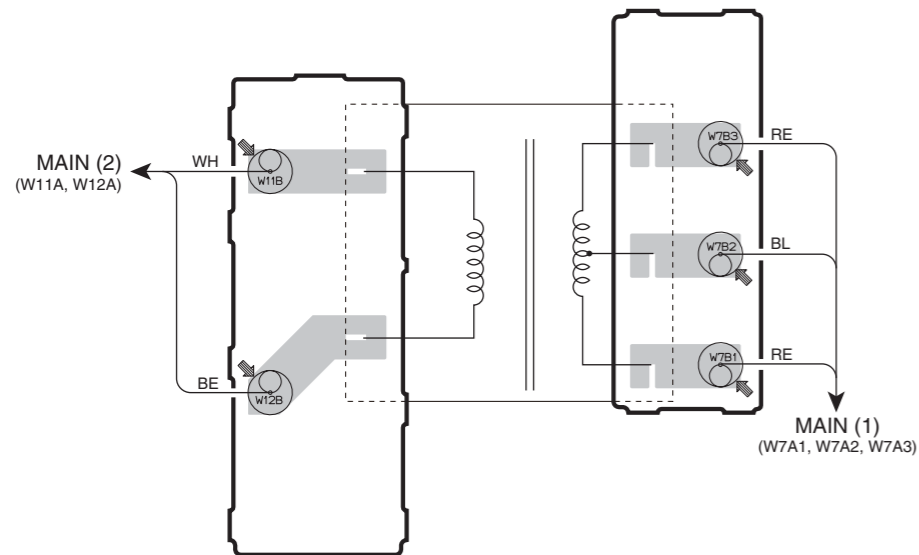
• Semiconductor Location

Ref no.	Location
D1	C2

MAIN (7) (Side A)

U, T, A, B, G, L, H, J models

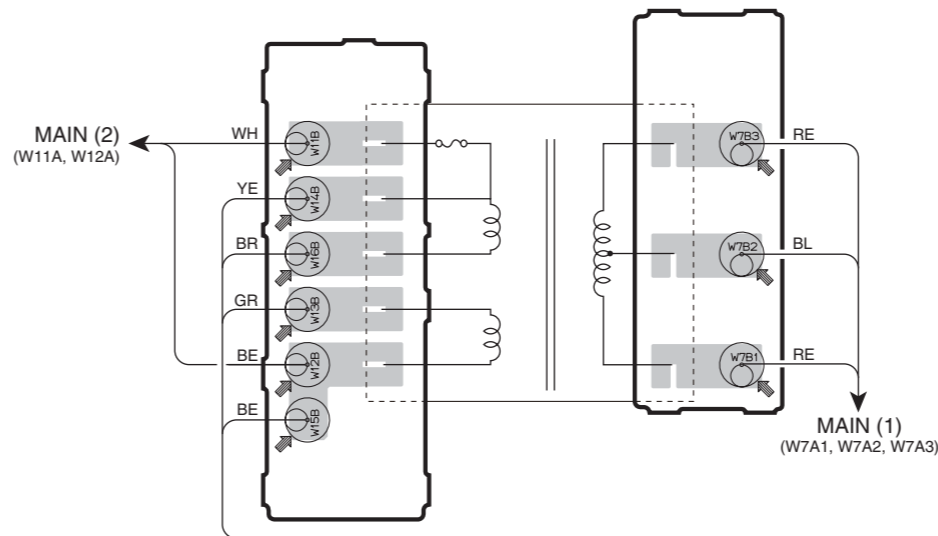
MAIN (6) (Side A)



MAIN (9) (Side A)

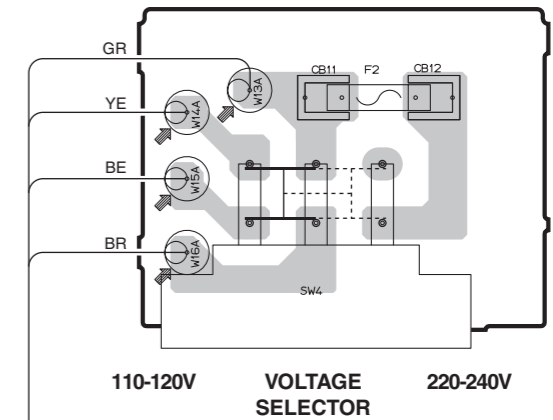
R, S models

MAIN (6) (Side A)



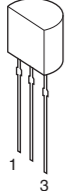
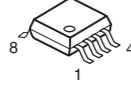
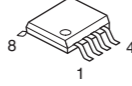
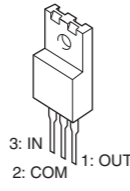
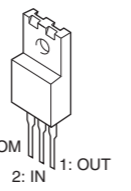
MAIN (10) (Side A)

R, S models

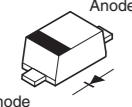
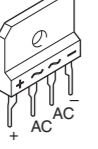
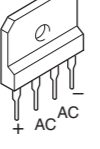
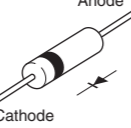
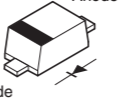
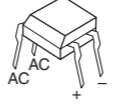
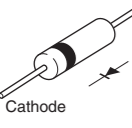
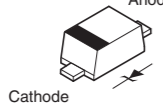
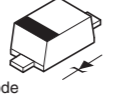


■ PIN CONNECTION DIAGRAMS


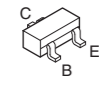
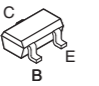

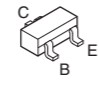
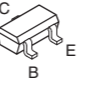
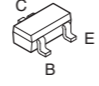

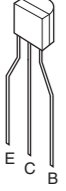
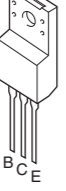
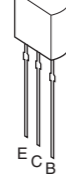





• ICs

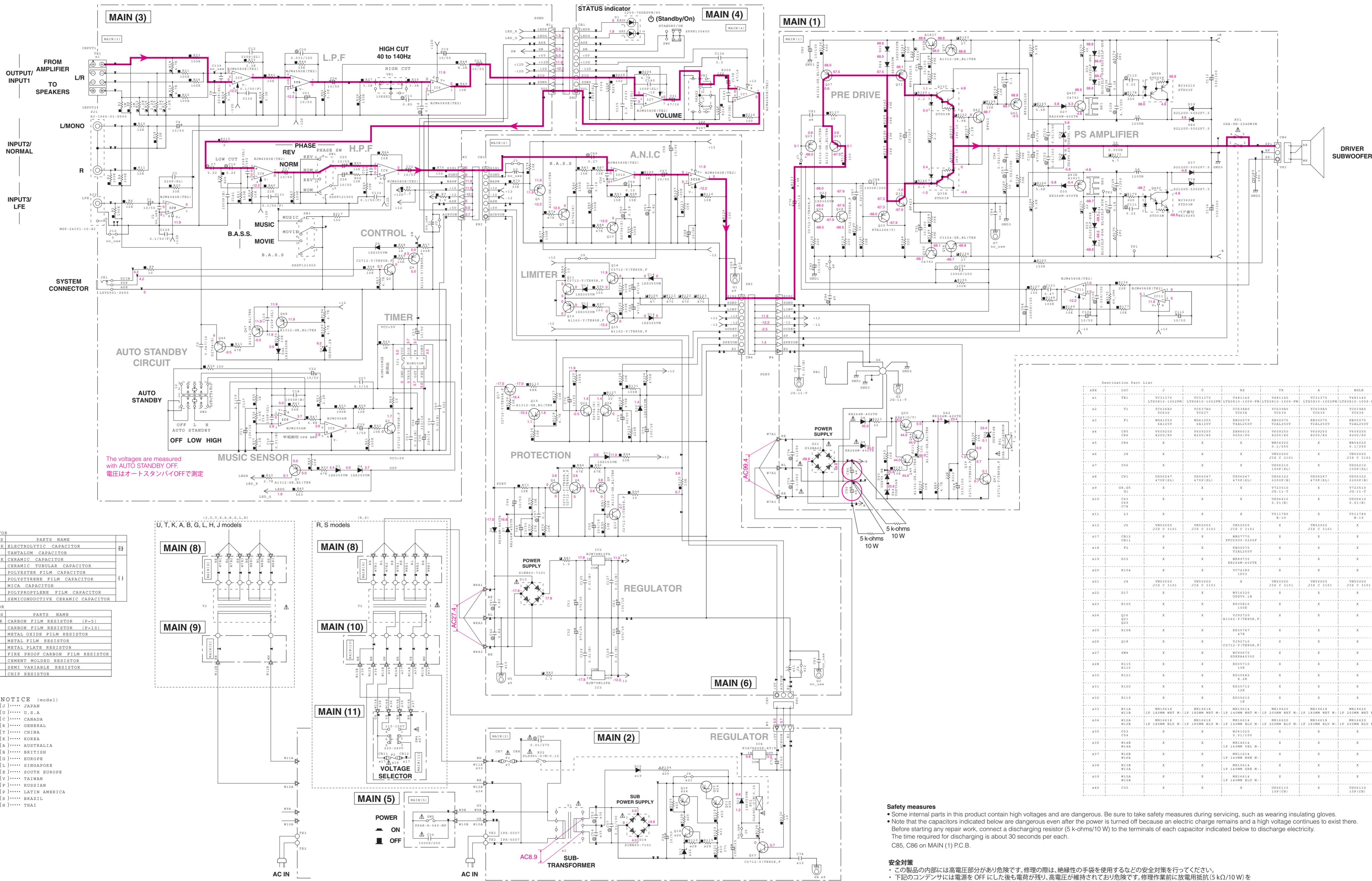
<p>KIA78S05P-AT/P</p> 	<p>NJM555MD NJM2904M (TE3)</p> 	<p>NJM4580E</p> 	<p>NJM78M12FA</p> 	<p>NJM79M12FA</p> 	
---	--	---	---	---	--

• Diodes

<p>1SS355VMTE-17</p> 	<p>D3SBA60-7101</p> 	<p>D5SBA60</p> 	<p>EL02ZLF-H5K</p> 	<p>RR264M-400TR</p> 	<p>S1NB60 1.0A 600V</p> 
<p>S2L20U</p> 	<p>TFZGTR10B TFZGTR15B</p> 	<p>UDZV5.1B UDZV5.6B UDZV6.2B UDZV6.8B UDZV24B</p> 			

• Transistors

<p>2SA949</p> 	<p>2SA1162-Y (TE85R, F)</p> 	<p>2SA1312-GR,BL</p> 	<p>2SA1837 2SC4793</p> 	<p>2SC2712-Y (TE85R, F)</p> 	<p>2SC3324-GR,BL</p> 	<p>2SD2704 K</p> 		
<p>BF422</p> 	<p>BF423ZL1G</p> 	<p>KTA1046-Y-U/PFY</p> 	<p>KTA1266 Y AT</p> 	<p>KTC2026</p> 	<p>STD01P</p> 	<p>STD01N</p> 	<p>STD03P</p> 	<p>STD03N</p> 



The voltages are measured with AUTO STANDBY OFF
電圧はオートスタンバイOFFで測定

CAPACITOR	
REMARKS	PARTS NAME
NO MARK	ELECTROLYTIC CAPACITOR
⊗	TANTALUM CAPACITOR
NO MARK	CERAMIC CAPACITOR
●	CERAMIC TUBULAR CAPACITOR
⊙	POLYESTER FILM CAPACITOR
○	POLYESTER FILM CAPACITOR
○	MICA CAPACITOR
○	POLYPROPYLENE FILM CAPACITOR
○	SEMICONDUCTIVE CERAMIC CAPACITOR

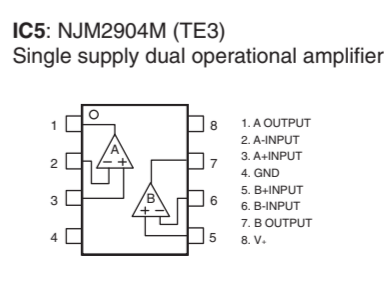
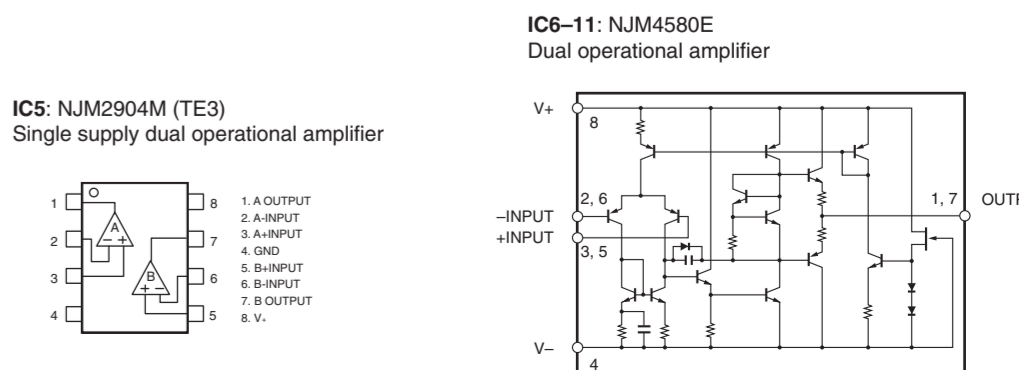
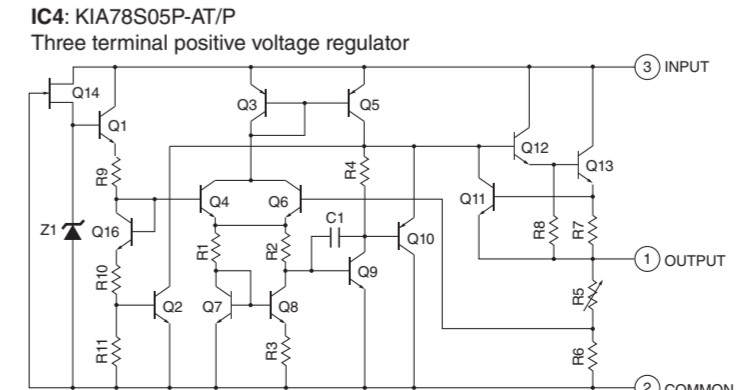
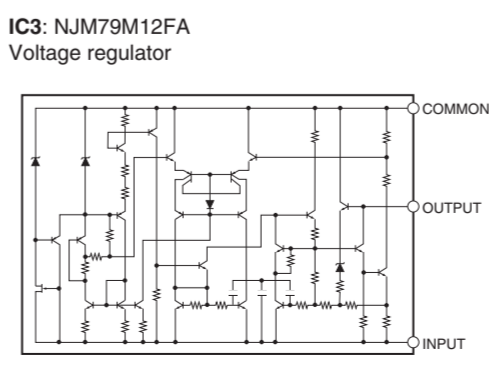
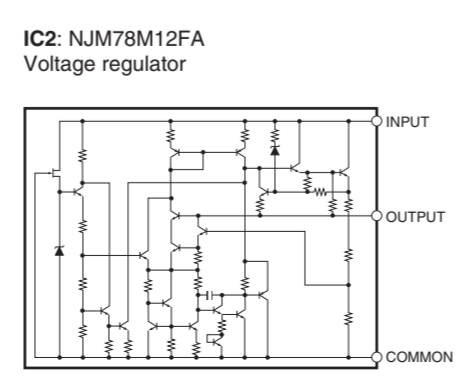
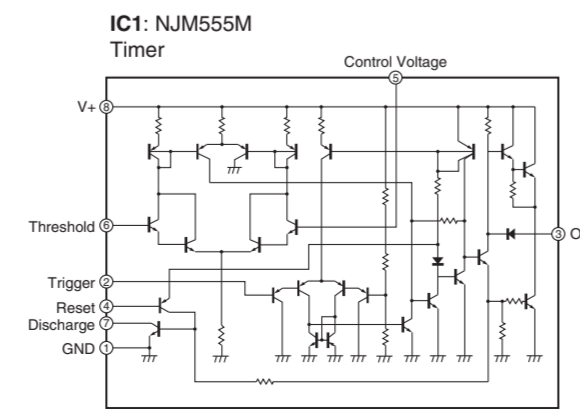
RESISTOR	
REMARKS	PARTS NAME
NO MARK	CARBON FILM RESISTOR (P-5)
△	CARBON FILM RESISTOR (P-10)
△	METAL OXIDE FILM RESISTOR
△	METAL FILM RESISTOR
△	METAL PLATE RESISTOR
△	FIRE PROOF CARBON FILM RESISTOR
△	CEMENT MOLDED RESISTOR
△	SEMI VARIABLE RESISTOR
△	CHIP RESISTOR

NOTICE (model)

(J)..... JAPAN
(U)..... U.S.A.
(C)..... CANADA
(R)..... GENERAL
(T)..... CHINA
(A)..... AUSTRALIA
(B)..... BRITISH
(G)..... EUROPE
(L)..... SINGAPORE
(S)..... SOUTH EUROPE
(V)..... TAIWAN
(P)..... RUSSIAN
(F)..... LATIN AMERICA
(S)..... BRAZIL
(H)..... THAI

- ★ All voltages are measured with a 10MΩ/V DC electronic voltmeter.
- ★ Components having special characteristics are marked △ and must be replaced with parts having specifications equal to those originally installed.
- ★ Schematic diagram is subject to change without notice.

- 電圧は、内部抵抗 10MΩ の電圧計で測定したものです。
- △印のある部品は、安全性確保部品を示しています。部品の交換が必要な場合、パーツリストに記載されている部品を使用してください。
- 本回路図は標準回路図です。改良のため予告なく変更することがあります。



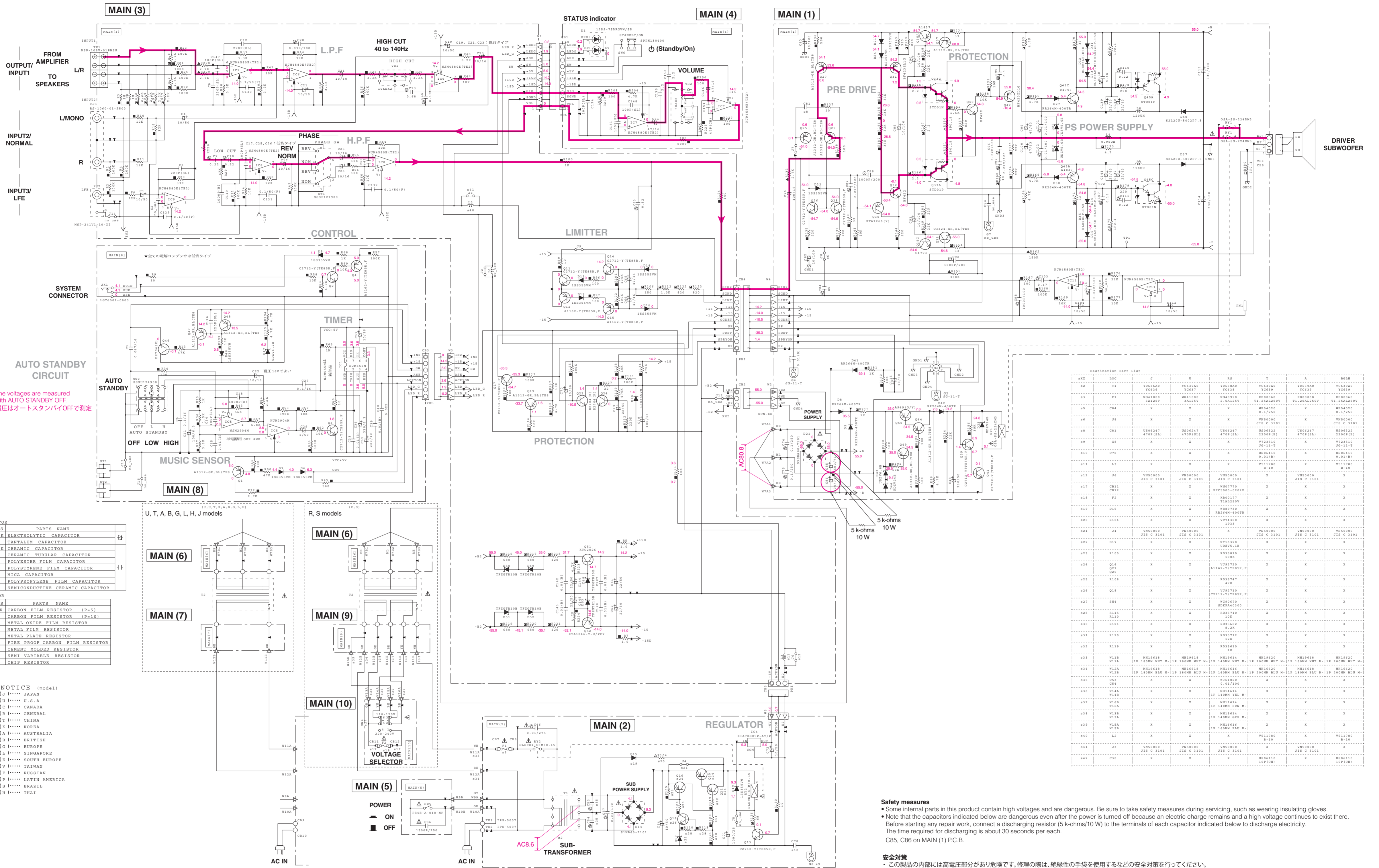
Destination Part List											
NO	LOC	QTY	DESCRIPTION	QTY	DESCRIPTION	QTY	DESCRIPTION	QTY	DESCRIPTION	QTY	DESCRIPTION
81	T01	1	RESISTOR	1	RESISTOR	1	RESISTOR	1	RESISTOR	1	RESISTOR
82	T1	1	RESISTOR	1	RESISTOR	1	RESISTOR	1	RESISTOR	1	RESISTOR
83	T2	1	RESISTOR	1	RESISTOR	1	RESISTOR	1	RESISTOR	1	RESISTOR
84	C1	1	CAPACITOR	1	CAPACITOR	1	CAPACITOR	1	CAPACITOR	1	CAPACITOR
85	C4	1	CAPACITOR	1	CAPACITOR	1	CAPACITOR	1	CAPACITOR	1	CAPACITOR
86	T3	1	RESISTOR	1	RESISTOR	1	RESISTOR	1	RESISTOR	1	RESISTOR
87	C2	1	CAPACITOR	1	CAPACITOR	1	CAPACITOR	1	CAPACITOR	1	CAPACITOR
88	C11	1	CAPACITOR	1	CAPACITOR	1	CAPACITOR	1	CAPACITOR	1	CAPACITOR
89	OR_05	1	DIODE	1	DIODE	1	DIODE	1	DIODE	1	DIODE
90	C9	1	CAPACITOR	1	CAPACITOR	1	CAPACITOR	1	CAPACITOR	1	CAPACITOR
91	L3	1	INDUCTOR	1	INDUCTOR	1	INDUCTOR	1	INDUCTOR	1	INDUCTOR
92	T4	1	RESISTOR	1	RESISTOR	1	RESISTOR	1	RESISTOR	1	RESISTOR
93	OR_06	1	DIODE	1	DIODE	1	DIODE	1	DIODE	1	DIODE
94	OR_07	1	DIODE	1	DIODE	1	DIODE	1	DIODE	1	DIODE
95	OR_08	1	DIODE	1	DIODE	1	DIODE	1	DIODE	1	DIODE
96	OR_09	1	DIODE	1	DIODE	1	DIODE	1	DIODE	1	DIODE
97	OR_10	1	DIODE	1	DIODE	1	DIODE	1	DIODE	1	DIODE
98	OR_11	1	DIODE	1	DIODE	1	DIODE	1	DIODE	1	DIODE
99	OR_12	1	DIODE	1	DIODE	1	DIODE	1	DIODE	1	DIODE
100	OR_13	1	DIODE	1	DIODE	1	DIODE	1	DIODE	1	DIODE
101	OR_14	1	DIODE	1	DIODE	1	DIODE	1	DIODE	1	DIODE
102	OR_15	1	DIODE	1	DIODE	1	DIODE	1	DIODE	1	DIODE
103	OR_16	1	DIODE	1	DIODE	1	DIODE	1	DIODE	1	DIODE
104	OR_17	1	DIODE	1	DIODE	1	DIODE	1	DIODE	1	DIODE
105	OR_18	1	DIODE	1	DIODE	1	DIODE	1	DIODE	1	DIODE
106	OR_19	1	DIODE	1	DIODE	1	DIODE	1	DIODE	1	DIODE
107	OR_20	1	DIODE	1	DIODE	1	DIODE	1	DIODE	1	DIODE
108	OR_21	1	DIODE	1	DIODE	1	DIODE	1	DIODE	1	DIODE
109	OR_22	1	DIODE	1	DIODE	1	DIODE	1	DIODE	1	DIODE
110	OR_23	1	DIODE	1	DIODE	1	DIODE	1	DIODE	1	DIODE
111	OR_24	1	DIODE	1	DIODE	1	DIODE	1	DIODE	1	DIODE
112	OR_25	1	DIODE	1	DIODE	1	DIODE	1	DIODE	1	DIODE
113	OR_26	1	DIODE	1	DIODE	1	DIODE	1	DIODE	1	DIODE
114	OR_27	1	DIODE	1	DIODE	1	DIODE	1	DIODE	1	DIODE
115	OR_28	1	DIODE	1	DIODE	1	DIODE	1	DIODE	1	DIODE
116	OR_29	1	DIODE	1	DIODE	1	DIODE	1	DIODE	1	DIODE
117	OR_30	1	DIODE	1	DIODE	1	DIODE	1	DIODE	1	DIODE
118	OR_31	1	DIODE	1	DIODE	1	DIODE	1	DIODE	1	DIODE
119	OR_32	1	DIODE	1	DIODE	1	DIODE	1	DIODE	1	DIODE
120	OR_33	1	DIODE	1	DIODE	1	DIODE	1	DIODE	1	DIODE
121	OR_34	1	DIODE	1	DIODE	1	DIODE	1	DIODE	1	DIODE
122	OR_35	1	DIODE	1	DIODE	1	DIODE	1	DIODE	1	DIODE
123	OR_36	1	DIODE	1	DIODE	1	DIODE	1	DIODE	1	DIODE
124	OR_37	1	DIODE	1	DIODE	1	DIODE	1	DIODE	1	DIODE
125	OR_38	1	DIODE	1	DIODE	1	DIODE	1	DIODE	1	DIODE
126	OR_39	1	DIODE	1	DIODE	1	DIODE	1	DIODE	1	DIODE
127	OR_40	1	DIODE	1	DIODE	1	DIODE	1	DIODE	1	DIODE
128	OR_41	1	DIODE	1	DIODE	1	DIODE	1	DIODE	1	DIODE
129	OR_42	1	DIODE	1	DIODE	1	DIODE	1	DIODE	1	DIODE
130	OR_43	1	DIODE	1	DIODE	1	DIODE	1	DIODE	1	DIODE
131	OR_44	1	DIODE	1	DIODE	1	DIODE	1	DIODE	1	DIODE
132	OR_45	1	DIODE	1	DIODE	1	DIODE	1	DIODE	1	DIODE
133	OR_46	1	DIODE	1	DIODE	1	DIODE	1	DIODE	1	DIODE
134	OR_47	1	DIODE	1	DIODE	1	DIODE	1	DIODE	1	DIODE
135	OR_48	1	DIODE	1	DIODE	1	DIODE	1	DIODE	1	DIODE
136	OR_49	1	DIODE	1	DIODE	1	DIODE	1	DIODE	1	DIODE
137	OR_50	1	DIODE	1	DIODE	1	DIODE	1	DIODE	1	DIODE
138	OR_51	1	DIODE	1	DIODE	1	DIODE	1	DIODE	1	DIODE
139	OR_52	1	DIODE	1	DIODE	1	DIODE	1	DIODE	1	DIODE
140	OR_53	1	DIODE	1	DIODE	1	DIODE	1	DIODE	1	DIODE
141	OR_54	1	DIODE	1	DIODE	1	DIODE	1	DIODE	1	DIODE
142	OR_55	1	DIODE	1	DIODE	1	DIODE	1	DIODE	1	DIODE
143	OR_56	1	DIODE	1	DIODE	1	DIODE	1	DIODE	1	DIODE
144	OR_57	1	DIODE	1	DIODE	1	DIODE	1	DIODE	1	DIODE
145	OR_58	1	DIODE	1	DIODE	1	DIODE	1	DIODE	1	DIODE
146	OR_59	1	DIODE	1	DIODE	1	DIODE	1	DIODE	1	DIODE
147	OR_60	1	DIODE	1	DIODE	1	DIODE	1	DIODE	1	DIODE
148	OR_61	1	DIODE	1	DIODE	1	DIODE	1	DIODE	1	DIODE
149	OR_62	1	DIODE	1	DIODE	1	DIODE	1	DIODE	1	DIODE
150	OR_63	1	DIODE	1	DIODE	1	DIODE	1	DIODE	1	DIODE

Safety measures

- Some internal parts in this product contain high voltages and are dangerous. Be sure to take safety measures during servicing, such as wearing insulating gloves.
- Note that the capacitors indicated below are dangerous even after the power is turned off because an electric charge remains and a high voltage continues to exist there. Before starting any repair work, connect a discharging resistor (5 k-ohms/10 W) to the terminals of each capacitor indicated below to discharge electricity. The time required for discharging is about 30 seconds per each.
- C85, C86 on MAIN (1) P.C.B.

安全対策

- この製品の内部には高電圧部分があり危険です。修理の際は、絶縁性の手袋を使用などの安全対策を行ってください。
- 下記のコンデンサには電源を OFF にした後も電荷が残り、高電圧が維持されており危険です。修理作業前に放電抵抗 (5 kΩ/10 W) を下記の各コンデンサの端子間に接続して放電してください。放電所要時間は各々約 30 秒間です。
- MAIN (1) P.C.B. の C85、C86



Designation Part List

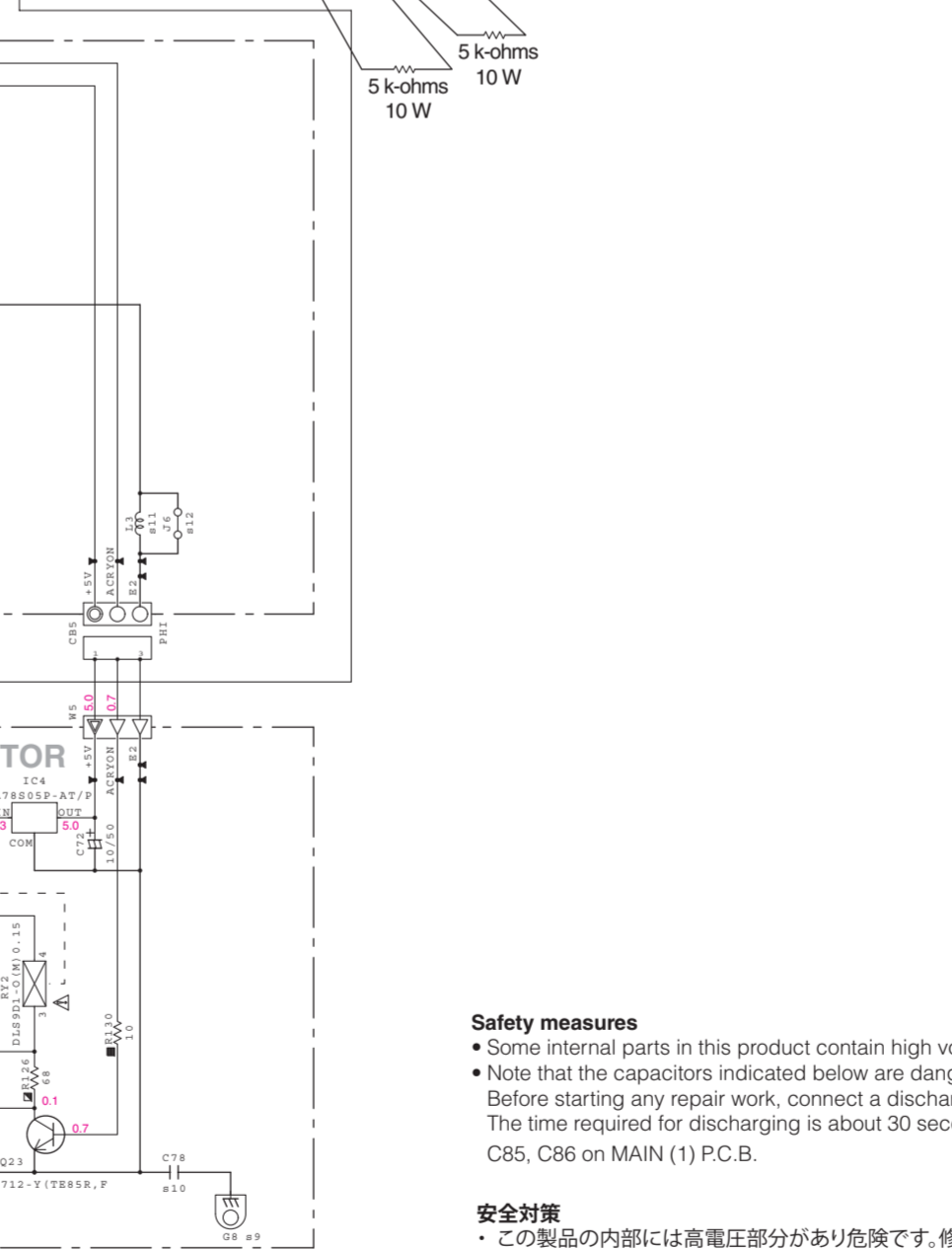
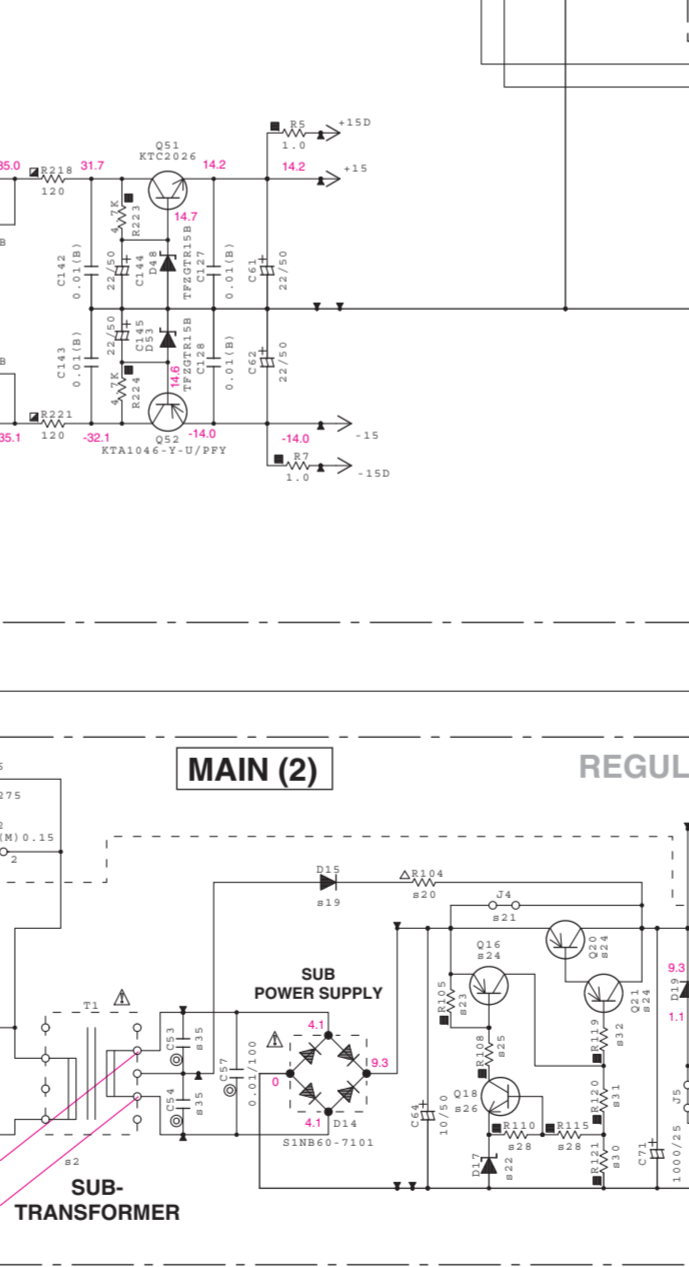
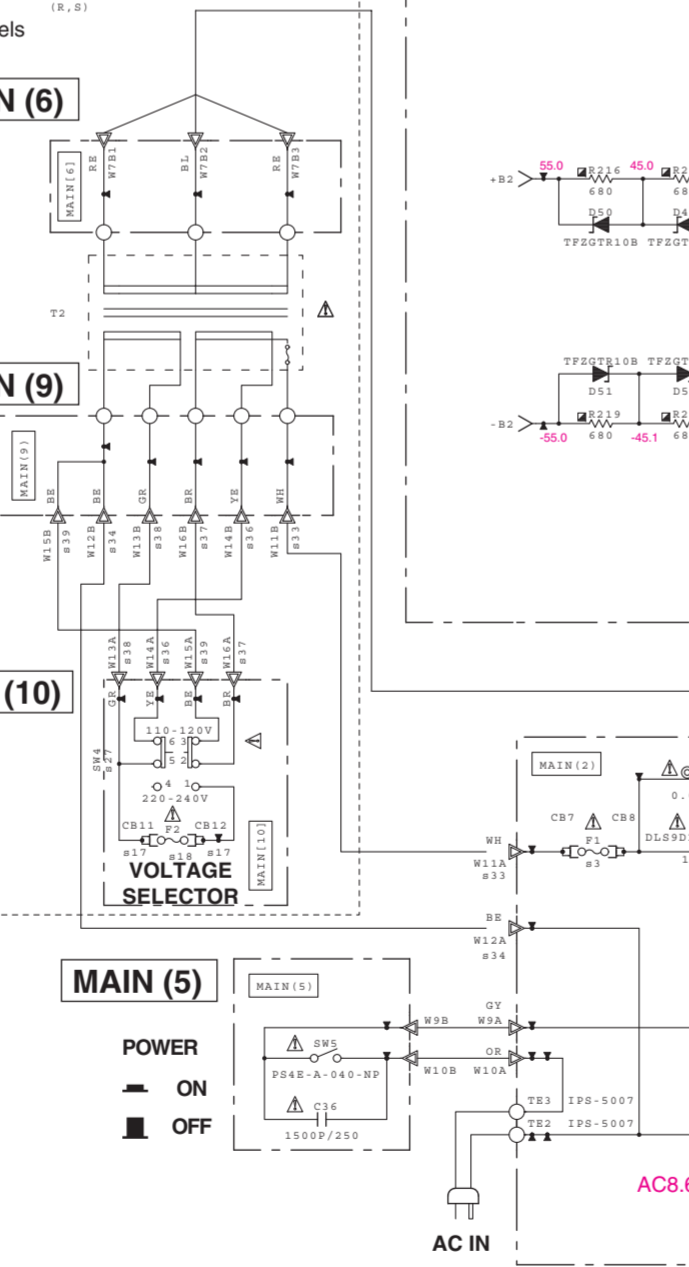
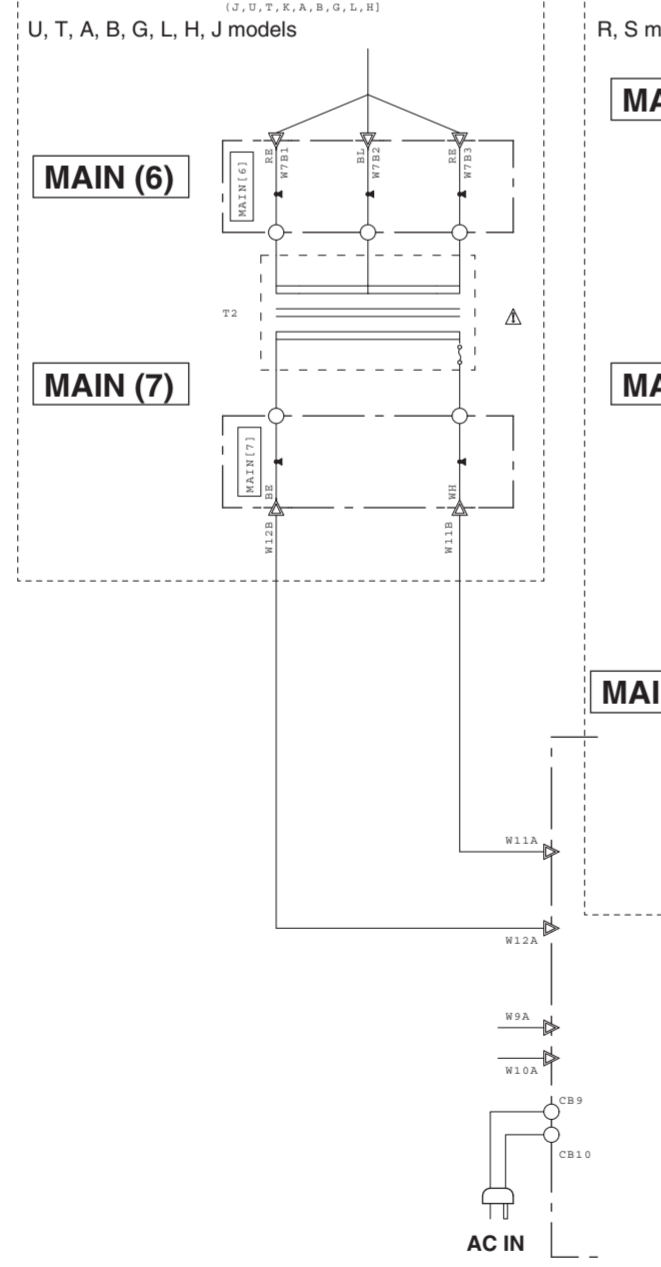
NO.	LOC.	QTY	PART NO.	DESCRIPTION	REMARKS
Q1	Q1	1	2N4348	DIODE	
Q2	Q2	1	2N4348	DIODE	
Q3	Q3	1	2N4348	DIODE	
Q4	Q4	1	2N4348	DIODE	
Q5	Q5	1	2N4348	DIODE	
Q6	Q6	1	2N4348	DIODE	
Q7	Q7	1	2N4348	DIODE	
Q8	Q8	1	2N4348	DIODE	
Q9	Q9	1	2N4348	DIODE	
Q10	Q10	1	2N4348	DIODE	
Q11	Q11	1	2N4348	DIODE	
Q12	Q12	1	2N4348	DIODE	
Q13	Q13	1	2N4348	DIODE	
Q14	Q14	1	2N4348	DIODE	
Q15	Q15	1	2N4348	DIODE	
Q16	Q16	1	2N4348	DIODE	
Q17	Q17	1	2N4348	DIODE	
Q18	Q18	1	2N4348	DIODE	
Q19	Q19	1	2N4348	DIODE	
Q20	Q20	1	2N4348	DIODE	
Q21	Q21	1	2N4348	DIODE	
Q22	Q22	1	2N4348	DIODE	
Q23	Q23	1	2N4348	DIODE	
Q24	Q24	1	2N4348	DIODE	
Q25	Q25	1	2N4348	DIODE	
Q26	Q26	1	2N4348	DIODE	
Q27	Q27	1	2N4348	DIODE	
Q28	Q28	1	2N4348	DIODE	
Q29	Q29	1	2N4348	DIODE	
Q30	Q30	1	2N4348	DIODE	
Q31	Q31	1	2N4348	DIODE	
Q32	Q32	1	2N4348	DIODE	
Q33	Q33	1	2N4348	DIODE	
Q34	Q34	1	2N4348	DIODE	
Q35	Q35	1	2N4348	DIODE	
Q36	Q36	1	2N4348	DIODE	
Q37	Q37	1	2N4348	DIODE	
Q38	Q38	1	2N4348	DIODE	
Q39	Q39	1	2N4348	DIODE	
Q40	Q40	1	2N4348	DIODE	
Q41	Q41	1	2N4348	DIODE	
Q42	Q42	1	2N4348	DIODE	
Q43	Q43	1	2N4348	DIODE	
Q44	Q44	1	2N4348	DIODE	
Q45	Q45	1	2N4348	DIODE	
Q46	Q46	1	2N4348	DIODE	
Q47	Q47	1	2N4348	DIODE	
Q48	Q48	1	2N4348	DIODE	
Q49	Q49	1	2N4348	DIODE	
Q50	Q50	1	2N4348	DIODE	
Q51	Q51	1	2N4348	DIODE	
Q52	Q52	1	2N4348	DIODE	
Q53	Q53	1	2N4348	DIODE	
Q54	Q54	1	2N4348	DIODE	
Q55	Q55	1	2N4348	DIODE	
Q56	Q56	1	2N4348	DIODE	
Q57	Q57	1	2N4348	DIODE	
Q58	Q58	1	2N4348	DIODE	
Q59	Q59	1	2N4348	DIODE	
Q60	Q60	1	2N4348	DIODE	
Q61	Q61	1	2N4348	DIODE	
Q62	Q62	1	2N4348	DIODE	
Q63	Q63	1	2N4348	DIODE	
Q64	Q64	1	2N4348	DIODE	
Q65	Q65	1	2N4348	DIODE	
Q66	Q66	1	2N4348	DIODE	
Q67	Q67	1	2N4348	DIODE	
Q68	Q68	1	2N4348	DIODE	
Q69	Q69	1	2N4348	DIODE	
Q70	Q70	1	2N4348	DIODE	
Q71	Q71	1	2N4348	DIODE	
Q72	Q72	1	2N4348	DIODE	
Q73	Q73	1	2N4348	DIODE	
Q74	Q74	1	2N4348	DIODE	
Q75	Q75	1	2N4348	DIODE	
Q76	Q76	1	2N4348	DIODE	
Q77	Q77	1	2N4348	DIODE	
Q78	Q78	1	2N4348	DIODE	
Q79	Q79	1	2N4348	DIODE	
Q80	Q80	1	2N4348	DIODE	
Q81	Q81	1	2N4348	DIODE	
Q82	Q82	1	2N4348	DIODE	
Q83	Q83	1	2N4348	DIODE	
Q84	Q84	1	2N4348	DIODE	
Q85	Q85	1	2N4348	DIODE	
Q86	Q86	1	2N4348	DIODE	
Q87	Q87	1	2N4348	DIODE	
Q88	Q88	1	2N4348	DIODE	
Q89	Q89	1	2N4348	DIODE	
Q90	Q90	1	2N4348	DIODE	
Q91	Q91	1	2N4348	DIODE	
Q92	Q92	1	2N4348	DIODE	
Q93	Q93	1	2N4348	DIODE	
Q94	Q94	1	2N4348	DIODE	
Q95	Q95	1	2N4348	DIODE	
Q96	Q96	1	2N4348	DIODE	
Q97	Q97	1	2N4348	DIODE	
Q98	Q98	1	2N4348	DIODE	
Q99	Q99	1	2N4348	DIODE	
Q100	Q100	1	2N4348	DIODE	

CAPACITOR

REMARKS	PARTS NAME
NO MARK	ELECTROLYTIC CAPACITOR
NO MARK	TANTALUM CAPACITOR
NO MARK	CERAMIC CAPACITOR
NO MARK	CERAMIC TUBULAR CAPACITOR
NO MARK	POLYESTER FILM CAPACITOR
NO MARK	POLYSTYRENE FILM CAPACITOR
NO MARK	MICA CAPACITOR
NO MARK	POLYPROPYLENE FILM CAPACITOR
NO MARK	SEMICONDUCTIVE CERAMIC CAPACITOR

RESISTOR

REMARKS	PARTS NAME
NO MARK	CARBON FILM RESISTOR (P-5)
NO MARK	CARBON FILM RESISTOR (P-10)
NO MARK	METAL OXIDE FILM RESISTOR
NO MARK	METAL FILM RESISTOR
NO MARK	METAL PLATE RESISTOR
NO MARK	FIRE PROOF CARBON FILM RESISTOR
NO MARK	CEMENT MOLDED RESISTOR
NO MARK	SEMI VARIABLE RESISTOR
NO MARK	CHIP RESISTOR



NOTICE (model)

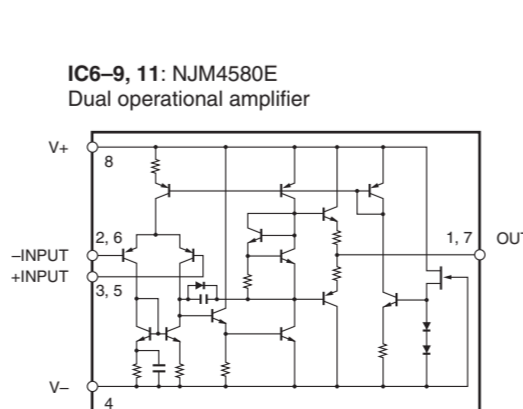
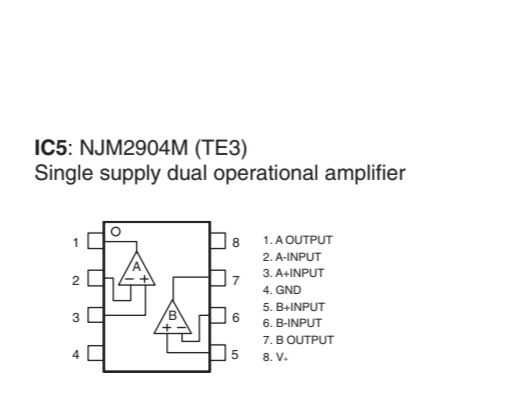
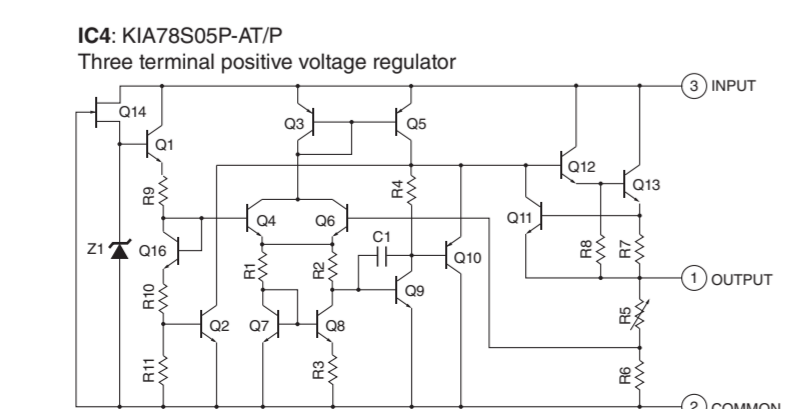
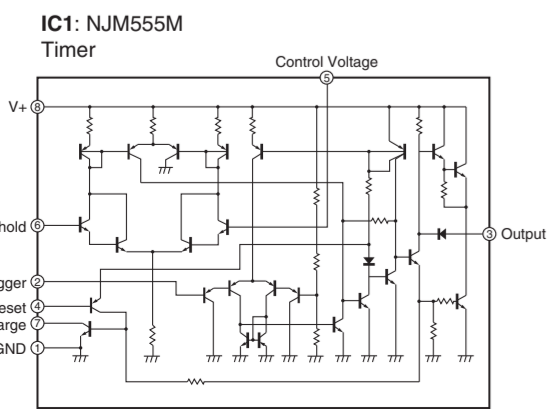
- (J)..... JAPAN
- (U)..... U.S.A
- (C)..... CANADA
- (R)..... GENERAL
- (T)..... CHINA
- (K)..... KOREA
- (A)..... AUSTRALIA
- (B)..... BRITISH
- (G)..... EUROPE
- (L)..... SINGAPORE
- (S)..... SOUTH EUROPE
- (V)..... TAIWAN
- (F)..... RUSSIAN
- (P)..... LATIN AMERICA
- (S)..... BRAZIL
- (H)..... THAI

Safety measures

- Some internal parts in this product contain high voltages and are dangerous. Be sure to take safety measures during servicing, such as wearing insulating gloves.
- Note that the capacitors indicated below are dangerous even after the power is turned off because an electric charge remains and a high voltage continues to exist there. Before starting any repair work, connect a discharging resistor (5 k-ohms/10 W) to the terminals of each capacitor indicated below to discharge electricity. The time required for discharging is about 30 seconds per each. C85, C86 on MAIN (1) P.C.B.

安全対策

- この製品の内部には高電圧部分があり危険です。修理の際は、絶縁性の手袋を使用などの安全対策を行ってください。
- 下記のコンデンサには電源をOFFにした後も電荷が残り、高電圧が維持されており危険です。修理作業前に放電用抵抗(5kΩ/10W)を下記の各コンデンサの端子間に接続して放電してください。放電所要時間は各々約30秒間です。MAIN (1) P.C.B. のC85, C86



- All voltages are measured with a 10MΩ DC electronic voltmeter.
- Components having special characteristics are marked Δ, and must be replaced with parts having specifications equal to those originally installed.
- Schematic diagram is subject to change without notice.
- 電圧は、内部抵抗 10MΩ の電圧計で測定したものです。
- △印のある部品は、安全性確保部品を示しています。部品の交換が必要な場合、パーツリストに記載されている部品を使用してください。
- 本回路図は標準回路図です。改良のため予告なく変更することがあります。

■ REPLACEMENT PARTS LIST

● ELECTRICAL COMPONENT PARTS

WARNING

- Components having special characteristics are marked Δ and must be replaced with parts having specifications equal to those originally installed.
- Δ 印のある部分は、安全確保部品を示しています。部品の交換が必要な場合、パーツリストに記載されている部品を使用してください。
- 部品価格ランクは、予告なく変更することがあります。

ABBREVIATIONS IN THIS LIST ARE AS FOLLOWS:

C.A.EL.CHP	: CHIP ALUMI.ELECTROLYTIC CAP	LED.CHP	: CHIP LED
C.CE	: CERAMIC CAP	LED.DSPLY	: LED DISPLAY
C.CE.ARRAY	: CERAMIC CAP ARRAY	LED.INFRD	: LED,INFRARED
C.CE.CHP	: CHIP CERAMIC CAP	PHOT.CPL	: PHOTO COUPLER
C.CE.M.CHP	: CHIP MULTILAYER CERAMIC CAP	PHOT.INTR	: PHOTO INTERRUPTER
C.CE.SAFTY	: RECOGNIZED CERAMIC CAP	PHOT.RFLCT	: PHOTO REFLECTOR
C.CE.TUBLR	: CERAMIC TUBULAR CAP	PHOT.TR	: PHOTO TRANSISTOR
C.CE.SMI	: SEMI CONDUCTIVE CERAMIC CAP	PIN.TEST	: PIN,TEST POINT
C.EL	: ELECTROLYTIC CAP	PTC.THERM	: POSITIVE TEMPERATURE COEFFICIENT THERMISTOR
C.EL.BP	: BIPOLAR ELECTROLYTIC CAP	R.ANTI.SURGE	: FIXED ANTI SURGE RESISTOR
C.EL.CHP	: CHIP ELECTROLYTIC CAP	R.ARRAY	: RESISTOR ARRAY
C.MICA	: MICA CAP	R.CAR.	: CARBON RESISTOR
C.ML.FLM	: MULTILAYER FILM CAP	R.CAR.CHP	: CHIP RESISTOR
C.MP	: METALLIZED POLYESTER FILM CAP	R.CAR.FP	: FLAME PROOF CARBON RESISTOR
C.MYLAR	: MYLAR FILM CAP	R.CEMENT	: CEMENT RESISTOR
C.MYLAR.ML	: MULTILAYER MYLAR FILM CAP	R.CHP	: CHIP RESISTOR
C.NIOB.OXD	: NIOBIUM OXIDE CAP	R.FUS	: FUSIBLE RESISTOR
C.PAPER	: PAPER CAPACITOR	R.MTL.CHP	: CHIP METAL FILM RESISTOR
C.PLS	: POLYSTYRENE FILM CAP	R.MTL.FLM	: METAL FILM RESISTOR
C.POL	: POLYESTER FILM CAP	R.MTL.OXD	: METAL OXIDE FILM RESISTOR
C.PP	: POLYPROPYLENE FILM CAP	R.MTL.PLAT	: METAL PLATE RESISTOR
C.PP.CHP	: CHIP POLYPROPYLENE FILM CAP	RSNR.CE	: CERAMIC RESONATOR
C.TNTL	: TANTALIUM CAP	RSNR.CRYS	: CRYSTAL RESONATOR
C.TNTL.CHP	: CHIP TANTALIUM CAP	SCR.BND.HD	: BIND HEAD B-TIGHT SCREW
C.TRIM	: TRIMMER CAP	SCR.TERM	: SCREW TERMINAL
CN	: CONNECTOR	SCR.TR	: SCREW,TRANSISTOR
CN.BS.PIN	: CONNECTOR,BASE PIN	SURG.PRTCT	: SURGE PROTECTOR
CN.CANNON	: CONNECTOR,CANNON	SUPRT.PCB	: P.C.B. SUPPORT
CN.DIN	: CONNECTOR,DIN	SW.LEVER	: LEVER SWITCH
CN.FLAT	: CONNECTOR,FLAT CABLE	SW.MICRO	: MICRO SWITCH
CN.FFC	: CONNECTOR,FLEXIBLE FLAT CABLE	SW.LEAF	: LEAF SWITCH
CN.HDMI	: HDMI CONNECTOR	SW.PUSH	: PUSH SWITCH
CN.PHOTO.R	: PHOTO FIBER SENSOR,RECEIVED	SW.RT	: ROTARY SWITCH
CN.PHOTO.T	: PHOTO FIBER SENSOR,TRANSMITTED	SW.RT.ENC	: ROTARY ENCODER
D.SCHOTTKY	: SCHOTTKY BARRIER DIODE	SW.RT.MTR	: ROTARY SWITCH WITH MOTOR
DIODE.ARRAY	: DIODE ARRAY	SW.SLIDE	: SLIDE SWITCH
DIODE.BRG	: DIODE BRIDGE	SW.TACT	: TACT SWITCH
DIODE.CHP	: CHIP DIODE	TERM.SP	: SPEAKER TERMINAL
DIODE.VAR	: VARACTOR DIODE	TERM.WRAP	: WRAPPING TERMINAL
DIODE.ZENR	: ZENER DIODE	THRMST.CHP	: CHIP THERMISTOR
DIODE.Z.CHP	: CHIP ZENER DIODE	TR	: TRANSISTOR
DIODE.PHOT	: PHOTO DIODE	TR.CHP	: CHIP TRANSISTOR
FER.BEAD	: FERRITE BEADS	TR.DGT	: DIGITAL TRANSISTOR
FER.CORE	: FERRITE CORE	TR.DGT.CHP	: CHIP DIGITAL TRANSISTOR
FET.CHP	: CHIP FET	TR.PAIR	: PAIR TRANSISTOR
FL.DSPLY	: FLUORESCENT DISPLAY	TRANS	: TRANSFORMER
FLTR.CE	: CERAMIC FILTER	TRANS.PULS	: PULSE TRANSFORMER
FLTR.COMB	: COMB FILTER MODULE	TRANS.PWR	: POWER TRANSFORMER
FLTR.LC.RF	: LC FILTER,EMI	VARISTOR.C	: CHIP VARISTOR
FUSE.CHP	: CHIP FUSE	VOLT.SELCT	: VOLTAGE SELECTOR
GND.MTL	: GROUND PLATE	VR	: ROTARY POTENTIOMETER
GND.TERM	: GROUND TERMINAL	VR.MTR	: POTENTIOMETER WITH MOTOR
JUMPER.CN	: JUMPER CONNECTOR	VR.SLIDE	: SLIDE POTENTIOMETER
JUMPER.TST	: JUMPER,TEST POINT	VR.SW	: POTENTIOMETER WITH SWITCH
L.DTCT	: LIGHT DETECTING MODULE	VR.TRIM	: TRIMMER POTENTIOMETER

NS-SW300

MAIN

Ref No.	Part No.	Description	Remarks	Markets	部 品 名	ランク		
*	ZH049300	P. C. B.	MAIN	NS-SW300	J	P C B M A I N		
*	ZH049400	P. C. B.	MAIN	NS-SW300	U	P C B M A I N		
*	ZH049500	P. C. B.	MAIN	NS-SW300	RS	P C B M A I N		
*	ZH049600	P. C. B.	MAIN	NS-SW300	TK	P C B M A I N		
*	ZH049700	P. C. B.	MAIN	NS-SW300	A	P C B M A I N		
*	ZH049800	P. C. B.	MAIN	NS-SW300	BGLH	P C B M A I N		
	CB1	VB858900	CN. BS. PIN	10P	NS-SW300		コネクタ	01
	CB3	VB390400	CN. BS. PIN	8P	NS-SW300		コネクタ	01
	CB4	VB390500	CN. BS. PIN	9P	NS-SW300		コネクタ	03
	CB5	VB389900	CN. BS. PIN	3P	NS-SW300		コネクタ	01
	CB6	LB932030	CN. BS. PIN	3P	NS-SW300		コネクタ	01
	CB7-8	WN077700	CLIP. FUSE	CLIP PFC5000-0202F	NS-SW300		ヒューズクリップ	
	CB11-12	WN077700	CLIP. FUSE	CLIP PFC5000-0202F	NS-SW300	RS	ヒューズクリップ	
	C1	UR867100	C. EL	10uF 50V	NS-SW300		ケミコン	01
	C3	US062220	C. CE. CHP	220pF 50V B	NS-SW300		チップセラコン	01
	C4	UR867100	C. EL	10uF 50V	NS-SW300		ケミコン	01
	C5	US034470	C. CE. CHP	0.047uF 16V B	NS-SW300		チップセラコン	01
	C7	VR168700	C. MYLAR	0.22uF 50V	NS-SW300		マイラーコン	01
	C8	US062220	C. CE. CHP	220pF 50V B	NS-SW300		チップセラコン	01
	C10	VR168700	C. MYLAR	0.22uF 50V	NS-SW300		マイラーコン	01
	C11	UR838100	C. EL	100uF 16V	NS-SW300		ケミコン	01
	C12	US062220	C. CE. CHP	220pF 50V B	NS-SW300		チップセラコン	01
	C13	VR169500	C. MYLAR	0.82uF 50V	NS-SW300		マイラーコン	01
	C14	US062100	C. CE. CHP	100pF 50V B	NS-SW300		チップセラコン	01
	C15	US064100	C. CE. CHP	0.01uF 50V B	NS-SW300		チップセラコン	01
	C16	VR168400	C. MYLAR	0.12uF 50V	NS-SW300		マイラーコン	01
	C17	UR867100	C. EL	10uF 50V	NS-SW300		ケミコン	01
	C18	US063100	C. CE. CHP	1000pF 50V B	NS-SW300		チップセラコン	01
	C19	UR867100	C. EL	10uF 50V	NS-SW300		ケミコン	01
	C20	WJ610800	C. MYLAR	0.033uF 100V	NS-SW300		マイラーコン	
	C21-26	UR867100	C. EL	10uF 50V	NS-SW300		ケミコン	01
	C27	US035100	C. CE. CHP	0.1uF 16V B	NS-SW300		チップセラコン	01
	C29	UR866100	C. EL	1uF 50V	NS-SW300		ケミコン	01
	C30	US061100	C. CE. CHP	10pF 50V B	NS-SW300	TKBGLH	チップセラコン	01
	C31	UM397470	C. EL	47uF 16V	NS-SW300		ケミコン	01
	C32	UR867100	C. EL	10uF 50V	NS-SW300		ケミコン	01
	C33	US064100	C. CE. CHP	0.01uF 50V B	NS-SW300		チップセラコン	01
	C34	UR838330	C. EL	330uF 16V	NS-SW300		ケミコン	01
	C35	UR838220	C. EL	220uF 16V	NS-SW300		ケミコン	01
△	C36	V7682500	C. CE. SAFTY	1500pF 250V	NS-SW300		規格認定コンデンサ	01
	C37	UR867100	C. EL	10uF 50V	NS-SW300		ケミコン	01
	C39	US064100	C. CE. CHP	0.01uF 50V B	NS-SW300		チップセラコン	01
	C40	WY034800	C. CE. CHP	0.022uF 50V	NS-SW300		チップセラコン	
	C41-42	VR169500	C. MYLAR	0.82uF 50V	NS-SW300		マイラーコン	01
	C43	US064100	C. CE. CHP	0.01uF 50V B	NS-SW300	TKBGLH	チップセラコン	01
	C44-45	UR867100	C. EL	10uF 50V	NS-SW300		ケミコン	01
△	C46	V6185300	C. CE. SAFTY	0.01uF 275V	NS-SW300		規格認定コンデンサ	01
	C47	VR168300	C. MYLAR	0.1uF 50V	NS-SW300		マイラーコン	01
	C48	UR798330	C. EL	330uF 100V	NS-SW300		ケミコン	02
	C49	VR168900	C. MYLAR. ML	0.27uF 50V	NS-SW300		積層マイラーコン	01
	C50	VR169100	C. MYLAR	0.39uF 50V	NS-SW300		マイラーコン	01
	C51-52	UR848470	C. EL	470uF 25V	NS-SW300		ケミコン	01
	C53-54	WJ610200	C. MYLAR	0.01uF 100V	NS-SW300	RS	マイラーコン	01
	C55	UR838220	C. EL	220uF 16V	NS-SW300		ケミコン	01
	C56	US062100	C. CE. CHP	100pF 50V B	NS-SW300	TKBGLH	チップセラコン	01
	C57	WJ610200	C. MYLAR	0.01uF 100V	NS-SW300		マイラーコン	01
	C58	UR867100	C. EL	10uF 50V	NS-SW300		ケミコン	01

* New Parts / 新規部品

NS-SW300

MAIN

Ref No.	Part No.	Description	Remarks	Markets	部 品 名	ランク
C59	VR168400	C. MYLAR	0. 12uF 50V	NS-SW300	マイラーコン	01
C60	VR168600	C. MYLAR. ML	0. 18uF 50V	NS-SW300	積層マイラーコン	01
C61-62	UR838100	C. EL	100uF 16V	NS-SW300	ケミコン	01
C63	VR169500	C. MYLAR	0. 82uF 50V	NS-SW300	マイラーコン	01
C64	UR867100	C. EL	10uF 50V	NS-SW300	ケミコン	01
C65-66	UR837470	C. EL	47uF 16V	NS-SW300	ケミコン	01
C67-68	UR867100	C. EL	10uF 50V	NS-SW300	ケミコン	01
C69	US064100	C. GE. CHP	0. 01uF 50V B	NS-SW300	TKBGLH チップセラコン	01
C70	UR867100	C. EL	10uF 50V	NS-SW300	ケミコン	01
C71	UR749100	C. EL	1000uF 25V	NS-SW300	ケミコン	01
C72	UR867100	C. EL	10uF 50V	NS-SW300	ケミコン	01
C73	UR867220	C. EL	22uF 50V	NS-SW300	ケミコン	01
△ C74-75	WB540200	C. POL. MTL	0. 1uF 250V	NS-SW300	メタライズドポリコン	
C76	UR838100	C. EL	100uF 16V	NS-SW300	ケミコン	01
C77	US064100	C. GE. CHP	0. 01uF 50V B	NS-SW300	チップセラコン	01
C78	US064100	C. GE. CHP	0. 01uF 50V B	NS-SW300	TKBGLH チップセラコン	01
C79	UR838100	C. EL	100uF 16V	NS-SW300	ケミコン	01
C80	UR897100	C. EL	10uF 100V	NS-SW300	ケミコン	01
C81	US062470	C. GE. CHP	470pF 50V B	NS-SW300	JURAS チップセラコン	01
C81	US063220	C. GE. CHP	2200pF 50V B	NS-SW300	TKBGLH チップセラコン	01
C81	US063220	C. GE. CHP	2200pF 50V B	NS-SW300	チップセラコン	01
C82	UR897100	C. EL	10uF 100V	NS-SW300	ケミコン	01
C84	WB540200	C. POL. MTL	0. 1uF 250V	NS-SW300	TKBGLH メタライズドポリコン	
C85	V6092500	C. EL	8200uF 80V	NS-SW300	JUTKABGL ケミコン	09
* C85	ZH860100	C. EL	9000uF 90V	NS-SW300	RS ケミコン	
C86	V6092500	C. EL	8200uF 80V	NS-SW300	JUTKABGL ケミコン	09
* C86	ZH860100	C. EL	9000uF 90V	NS-SW300	RS ケミコン	
C87	WJ610700	C. MYLAR	0. 027uF 100V	NS-SW300	マイラーコン	
C88	WP360300	C. PP	1000pF 200V	NS-SW300	PPコン	05
C89-91	UR897100	C. EL	10uF 100V	NS-SW300	ケミコン	01
C92	WP360300	C. PP	1000pF 200V	NS-SW300	PPコン	05
C95	VR168300	C. MYLAR	0. 1uF 50V	NS-SW300	マイラーコン	01
C96-97	WJ610600	C. MYLAR	0. 022uF 100V	NS-SW300	マイラーコン	01
C98	WJ608900	C. MYLAR	1000pF 100V	NS-SW300	マイラーコン	01
C99-100	UR877470	C. EL	47uF 63V	NS-SW300	ケミコン	01
C101-102	WJ610200	C. MYLAR	0. 01uF 100V	NS-SW300	マイラーコン	01
C103	VR169200	C. MYLAR	0. 47uF 50V	NS-SW300	マイラーコン	01
C104	UR867100	C. EL	10uF 50V	NS-SW300	ケミコン	01
* C105	WJ610900	C. MYLAR	0. 039uF 100V	NS-SW300	マイラーコン	
C106-107	VR168600	C. MYLAR. ML	0. 18uF 50V	NS-SW300	積層マイラーコン	01
C108-109	V5058000	C. MYLAR	4. 7uF 250V	NS-SW300	マイラーコン	05
C110-111	VR168700	C. MYLAR	0. 22uF 50V	NS-SW300	マイラーコン	01
C112	UR867100	C. EL	10uF 50V	NS-SW300	ケミコン	01
C113-114	UR798330	C. EL	330uF 100V	NS-SW300	ケミコン	02
C116	US062220	C. GE. CHP	220pF 50V B	NS-SW300	チップセラコン	01
C125-128	US064100	C. GE. CHP	0. 01uF 50V B	NS-SW300	チップセラコン	01
C129-132	US065100	C. GE. CHP	0. 1uF 50V B	NS-SW300	チップセラコン	01
C133-134	US062100	C. GE. CHP	100pF 50V B	NS-SW300	チップセラコン	01
C135-136	WW038900	C. GE. M. CHP	2. 2uF 50V	NS-SW300	チップ積層セラコン	
C137	US135100	C. GE. CHP	0. 1uF 16V	NS-SW300	チップセラコン	01
C138	UM397470	C. EL	47uF 16V	NS-SW300	ケミコン	01
C140	US062100	C. GE. CHP	100pF 50V B	NS-SW300	チップセラコン	01
C141	US063100	C. GE. CHP	1000pF 50V B	NS-SW300	チップセラコン	01
C142	US062100	C. GE. CHP	100pF 50V B	NS-SW300	チップセラコン	01
C143	US061470	C. GE. CHP	47pF 50V B	NS-SW300	チップセラコン	01
D1	WT666800	LED. 2COLOR	RED/GREEN	NS-SW300	2色LED	02
D3-5	WW783900	DIODE	1SS355VM	NS-SW300	ダイオード	01

* New Parts / 新規部品

MAIN

Ref No.	Part No.	Description	Remarks	Markets	部 品 名	ランク	
△	D6-9	WR897300 DIODE	RR264M-400TR	NS-SW300		ダイオード	01
△	D10	V4756800 DIODE. BRG	S1NB60 1A 600V	NS-SW300		ブリッジダイオード	01
	D11-13	WW783900 DIODE	1SS355VM	NS-SW300		ダイオード	01
△	D14	V4756800 DIODE. BRG	S1NB60 1A 600V	NS-SW300		ブリッジダイオード	01
	D15	WR897300 DIODE	RR264M-400TR	NS-SW300	RS	ダイオード	01
	D16	WW783900 DIODE	1SS355VM	NS-SW300		ダイオード	01
	D17	WY163200 DIODE. ZENR	UDZV5. 1B	NS-SW300	RS	ツェナーダイオード	01
	D18-20	WW783900 DIODE	1SS355VM	NS-SW300		ダイオード	01
△	D21	VN953300 DIODE. BRG	D5SBA60 5A 600V	NS-SW300		ブリッジダイオード	04
	D22-24	WW783900 DIODE	1SS355VM	NS-SW300		ダイオード	01
	D25	WY164800 DIODE. ZENR	UDZV24B	NS-SW300		ツェナーダイオード	
	D27	WR897300 DIODE	RR264M-400TR	NS-SW300		ダイオード	01
	D28-29	WY163300 DIODE. ZENR	UDZV5. 6B	NS-SW300		ツェナーダイオード	
	D30	WR897300 DIODE	RR264M-400TR	NS-SW300		ダイオード	01
	D31-36	V6934100 DIODE	EL02ZLF-H5K	NS-SW300		ダイオード	01
	D37-40	VP779200 DIODE	S2L20U	NS-SW300		ダイオード	01
	D42	WR897300 DIODE	RR264M-400TR	NS-SW300		ダイオード	01
	D43	WY163500 DIODE. ZENR	UDZV6. 8B	NS-SW300		ツェナーダイオード	01
	D44	WY164800 DIODE. ZENR	UDZV24B	NS-SW300		ツェナーダイオード	
	D46	WW783900 DIODE	1SS355VM	NS-SW300		ダイオード	01
	D47	WY163400 DIODE. ZENR	UDZV6. 2B	NS-SW300		ツェナーダイオード	
△	F1	WG410500 FUSE	6A 125V	NS-SW300	JU	ヒューズ	01
△	F1	KB000790 FUSE	T4A 250V	NS-SW300	RS	ヒューズ	01
△	F1	KB000750 FUSE. MNI	T2A 250V	NS-SW300	TKABGLH	ミニヒューズ	01
△	F2	KB000750 FUSE. MNI	T2A 250V	NS-SW300	RS	ミニヒューズ	01
	G1	V7235100 CN. GND	JG-11-T	NS-SW300	TKBGLH	接地端子	03
	G2	V7235100 CN. GND	JG-11-T	NS-SW300		接地端子	03
	G4	V7235100 CN. GND	JG-11-T	NS-SW300		接地端子	03
	G5	V7235100 CN. GND	JG-11-T	NS-SW300	TKBGLH	接地端子	03
	G6	V5995800 PLATE. GND		NS-SW300		アースプレート	
	G8	V7235100 CN. GND	JG-11-T	NS-SW300	TKBGLH	接地端子	03
*	IC1	YF518A00 IC	NJM555M	NS-SW300		アンプ I C	
	IC2	XJ602A00 IC	NJM78M12FA	NS-SW300		I C	02
	IC3	XD343A00 IC	NJM79M12FA	NS-SW300		I C	03
	IC4	X9272A00 IC	K1A78S05P-AT/P	NS-SW300		電源 I C	01
	IC5	XV190A00 IC	NJM2904M OP AMP	NS-SW300		アンプ I C	01
	IC6-11	X2331A00 IC	NJM4580E OP AMP	NS-SW300		アンプ I C	01
	JK1	VJ726800 JACK. MINI	LGY6501-0600C	NS-SW300		モノラルミニジャック	01
	PJ1	V6415800 JACK. PIN	2P	NS-SW300		ピンジャック	03
	PJ2	WU849800 JACK. PIN	1P MSP-241V1-10-G1	NS-SW300		ピンジャック	
	Q1	V7421800 TR	2SA1312-GR, BL	NS-SW300		トランジスタ	01
	Q2-3	VJ927100 TR	2SC2712-Y (TE85R, F)	NS-SW300		トランジスタ	01
	Q4	VJ927200 TR	2SA1162-Y (TE85R, F)	NS-SW300		トランジスタ	01
	Q5	V7421800 TR	2SA1312-GR, BL	NS-SW300		トランジスタ	01
	Q6	VJ927100 TR	2SC2712-Y (TE85R, F)	NS-SW300		トランジスタ	01
	Q7	WC883400 TR	2SD2704 K	NS-SW300		トランジスタ	
	Q8	VJ927100 TR	2SC2712-Y (TE85R, F)	NS-SW300		トランジスタ	01
	Q9	V7421800 TR	2SA1312-GR, BL	NS-SW300		トランジスタ	01
	Q10	WC883400 TR	2SD2704 K	NS-SW300		トランジスタ	
	Q11	VJ927100 TR	2SC2712-Y (TE85R, F)	NS-SW300		トランジスタ	01
	Q12	VJ927200 TR	2SA1162-Y (TE85R, F)	NS-SW300		トランジスタ	01
	Q13-14	VJ927100 TR	2SC2712-Y (TE85R, F)	NS-SW300		トランジスタ	01
	Q15	VJ927200 TR	2SA1162-Y (TE85R, F)	NS-SW300		トランジスタ	01
	Q16	VJ927200 TR	2SA1162-Y (TE85R, F)	NS-SW300	RS	トランジスタ	01
	Q17	VJ927100 TR	2SC2712-Y (TE85R, F)	NS-SW300		トランジスタ	01
	Q18	VJ927100 TR	2SC2712-Y (TE85R, F)	NS-SW300	RS	トランジスタ	01
	Q19	V7421800 TR	2SA1312-GR, BL	NS-SW300		トランジスタ	01

* New Parts / 新規部品

NS-SW300

MAIN

Ref No.	Part No.	Description	Remarks	Markets	部 品 名	ランク	
Q20-21	VJ927200	TR	2SA1162-Y (TE85R, F)	NS-SW300	RS	トランジスタ	01
Q22	WC883400	TR	2SD2704 K	NS-SW300		トランジスタ	
Q23	VJ927100	TR	2SC2712-Y (TE85R, F)	NS-SW300		トランジスタ	01
Q24	WC883400	TR	2SD2704 K	NS-SW300		トランジスタ	
Q25	V7421800	TR	2SA1312-GR, BL	NS-SW300		トランジスタ	01
Q26	VJ927100	TR	2SC2712-Y (TE85R, F)	NS-SW300		トランジスタ	01
Q27	V7421800	TR	2SA1312-GR, BL	NS-SW300		トランジスタ	01
Q28	VJ927100	TR	2SC2712-Y (TE85R, F)	NS-SW300		トランジスタ	01
Q29	V7421800	TR	2SA1312-GR, BL	NS-SW300		トランジスタ	01
Q30	WB228700	TR	KTA1266 Y AT	NS-SW300		トランジスタ	01
* Q31	ZE574200	TR	BF423ZL1G	NS-SW300		トランジスタ	
* Q32	ZF968900	TR	BF422	NS-SW300		トランジスタ	
Q33	WK192900	TR. PAIR	STD03P/STD03N	NS-SW300		ペアトランジスタ	08
Q35	VQ116600	TR. PAIR	2SA1837/C4793 0, Y	NS-SW300		ペアトランジスタ	04
Q37	V7421800	TR	2SA1312-GR, BL	NS-SW300		トランジスタ	01
Q38	V7421700	TR. CHP	2SC3324-GR, BL	NS-SW300		チップトランジスタ	01
Q39	VJ927100	TR	2SC2712-Y (TE85R, F)	NS-SW300		トランジスタ	01
* Q40	ZF968900	TR	BF422	NS-SW300		トランジスタ	
Q41	VJ927100	TR	2SC2712-Y (TE85R, F)	NS-SW300		トランジスタ	01
* Q42	ZE574200	TR	BF423ZL1G	NS-SW300		トランジスタ	
Q43	VQ116600	TR. PAIR	2SA1837/C4793 0, Y	NS-SW300		ペアトランジスタ	04
Q44	V7421800	TR	2SA1312-GR, BL	NS-SW300		トランジスタ	01
Q45	WK192900	TR. PAIR	STD03P/STD03N	NS-SW300		ペアトランジスタ	08
Q46	WC883400	TR	2SD2704 K	NS-SW300		トランジスタ	
Q47-49	V7421800	TR	2SA1312-GR, BL	NS-SW300		トランジスタ	01
Q50	V3966800	TR	2SA949 0, Y	NS-SW300		トランジスタ	02
* R12	WW865100	R. CAR. FP	2. 2K Ω 1/4W	NS-SW300		不燃化カーボン抵抗	
* R14-15	WW865100	R. CAR. FP	2. 2K Ω 1/4W	NS-SW300		不燃化カーボン抵抗	
* R17	WW865100	R. CAR. FP	2. 2K Ω 1/4W	NS-SW300		不燃化カーボン抵抗	
R18-19	WW865600	R. CAR. FP	4. 7K Ω 1/4W	NS-SW300		不燃化カーボン抵抗	01
R81-82	WW861100	R. CAR. FP	1 Ω 1/4W	NS-SW300		不燃化カーボン抵抗	
R104	VC743800	R. MTL. OXD	33 Ω 1W	NS-SW300	RS	酸化金属被膜抵抗	01
* R106	WW862900	R. CAR. FP	47 Ω 1/4W	NS-SW300		不燃化カーボン抵抗	
* R112	WW864100	R. CAR. FP	470 Ω 1/4W	NS-SW300		不燃化カーボン抵抗	
* R122-123	WW864100	R. CAR. FP	470 Ω 1/4W	NS-SW300		不燃化カーボン抵抗	
* R126	WW863100	R. CAR. FP	68 Ω 1/4W	NS-SW300		不燃化カーボン抵抗	
R133	WC797300	R. MTL. FLM	3. 9K Ω 1/4W	NS-SW300		金属被膜抵抗	
R145-147	WW861300	R. CAR. FP	2. 2 Ω 1/4W	NS-SW300		不燃化カーボン抵抗	01
R150-151	VG730500	R. MTL. OXD	0. 15 Ω 3W	NS-SW300		酸化金属被膜抵抗	01
* R152	WW865500	R. CAR. FP	3. 9K Ω 1/4W	NS-SW300		不燃化カーボン抵抗	
* R153-154	WW862600	R. CAR. FP	27 Ω 1/4W	NS-SW300		不燃化カーボン抵抗	
* R155	WC801900	R. MTL. FLM	330K Ω 1/4W	NS-SW300		金属被膜抵抗	
R157	WW864700	R. CAR. FP	1. 2K Ω 1/4W	NS-SW300		不燃化カーボン抵抗	
* R158	WW866000	R. CAR. FP	10K Ω 1/4W	NS-SW300		不燃化カーボン抵抗	
R160	WW862100	R. CAR. FP	10 Ω 1/4W	NS-SW300		不燃化カーボン抵抗	01
* R162	WC801100	R. MTL. FLM	150K Ω 1/4W	NS-SW300		金属被膜抵抗	
* R163-166	WW865700	R. CAR. FP	5. 6K Ω 1/4W	NS-SW300		不燃化カーボン抵抗	
* R170-171	WW862500	R. CAR. FP	22 Ω 1/4W	NS-SW300		不燃化カーボン抵抗	
R173	WW861700	R. CAR. FP	4. 7 Ω 1/4W	NS-SW300		不燃化カーボン抵抗	
R174-175	VC753800	R. MTL. OXD	1 Ω 2W	NS-SW300		酸化金属被膜抵抗	01
* R178-179	WW863700	R. CAR. FP	220 Ω 1/4W	NS-SW300		不燃化カーボン抵抗	
R180	WK542600	R. CEMENT	0. 1 Ω 3W	NS-SW300		セメント抵抗	03
* R210	WW864500	R. CAR. FP	820 Ω 1/4W	NS-SW300		不燃化カーボン抵抗	
* R211	WW862500	R. CAR. FP	22 Ω 1/4W	NS-SW300		不燃化カーボン抵抗	
△ RY1	VV315400	RELAY	DC24V OSA-SH-224DM	NS-SW300		リレー	06
△ RY2	V9367000	RELAY	DLS9D1-0 (M) 0. 15W	NS-SW300		リレー	05
SW1	VQ545800	SW. SLIDE	SSSF04	NS-SW300		スライドスイッチ	02

* New Parts / 新規部品

NS-SW300

MAIN

Ref No.	Part No.	Description	Remarks	Markets	部 品 名	ランク	
	SW2	VD179500 SW. SLIDE	SSSU12	NS-SW300		スライドスイッチ	04
	SW3	VQ545800 SW. SLIDE	SSSF04	NS-SW300		スライドスイッチ	02
△	SW4	WC906700 SW. SLIDE	SDKPA40300	NS-SW300	RS	スライドスイッチ	06
△	SW5	WG803400 SW. PUSH	PS4E-A-040-NP	NS-SW300		プッシュスイッチ	04
	SW6	VSO66500 SW. PUSH	SPPH13-W	NS-SW300		プッシュスイッチ	03
△	T1	YC636A00 SUB-TRANS		NS-SW300	J	サブトランス	07
△ *	T1	YC637A00 SUB-TRANS		NS-SW300	U	サブトランス	
△	T1	YC638A00 SUB-TRANS		NS-SW300	RS	サブトランス	
△	T1	YC639A00 SUB-TRANS		NS-SW300	TKABGLH	サブトランス	
	TE1	VC313700 TERM. SP	8P	NS-SW300	JUA	スピーカーターミナル	06
	TE1	V4811400 TERM. SP	8P	NS-SW300	RTKBGLSH	スピーカーターミナル	06
	TE2-3	VT658100 TERM. WRAP	352-TX119	NS-SW300		ラッピング端子	01
	TP1-2	VT969000 PIN. TEST	IRS-2049	NS-SW300		テストポイントピン	01
	VR1	WK126500 VR	C 10KΩ	NS-SW300		ロータリーボリューム	04
	VR2	WQ150900 VR	A 5KΩ XVB14111	NS-SW300		二連ロータリーボリューム	04
		WB419000 HOLDER. LED	LDT-70G	NS-SW300		LEDホルダー	
		WE983600 SCR. BND. HD	3x8 MFZN2B3	NS-SW300		パインド小ネジ	01

* New Parts / 新規部品

NS-SW200

MAIN

Ref No.	Part No.	Description	Remarks	Markets	部 品 名	ランク	
*	ZH063800	P. C. B.	MAIN	NS-SW200	J	P C B M A I N	
*	ZH063900	P. C. B.	MAIN	NS-SW200	U	P C B M A I N	
*	ZH064000	P. C. B.	MAIN	NS-SW200	RS	P C B M A I N	
*	ZH064100	P. C. B.	MAIN	NS-SW200	T	P C B M A I N	
*	ZH064200	P. C. B.	MAIN	NS-SW200	A	P C B M A I N	
*	ZH064200	P. C. B.	MAIN	NS-SW200	H	P C B M A I N	
*	ZH067400	P. C. B.	MAIN	NS-SW200	BGLH	P C B M A I N	
	CB1	VB858900 CN. BS. PIN	10P	NS-SW200		コネクタ	01
	CB2	VL844700 CN. BS. PIN	3P	NS-SW200		コネクタ	01
	CB3	VB858600 CN. BS. PIN	7P	NS-SW200		コネクタ	01
	CB4	VB390600 CN. BS. PIN	10P	NS-SW200		コネクタ	01
	CB5	VB389900 CN. BS. PIN	3P	NS-SW200		コネクタ	01
	CB6	LB932030 CN. BS. PIN	3P	NS-SW200		コネクタ	01
	CB7-8	WN077700 CLIP. FUSE	CLIP PFC5000-0202F	NS-SW200		ヒューズクリップ	
	CB11-12	WN077700 CLIP. FUSE	CLIP PFC5000-0202F	NS-SW200	RS	ヒューズクリップ	
	C1	UR867100 C. EL	10uF 50V	NS-SW200		ケミコン	01
	C3	US062220 C. GE. CHP	220pF 50V B	NS-SW200		チップセラコン	01
	C4	UR867100 C. EL	10uF 50V	NS-SW200		ケミコン	01
	C5	US034470 C. GE. CHP	0.047uF 16V B	NS-SW200		チップセラコン	01
	C6	US135100 C. GE. CHP	0.1uF 16V	NS-SW200		チップセラコン	01
	C7	VR168700 C. MYLAR	0.22uF 50V	NS-SW200		マイラーコン	01
	C8	US062220 C. GE. CHP	220pF 50V B	NS-SW200		チップセラコン	01
	C10	VR168700 C. MYLAR	0.22uF 50V	NS-SW200		マイラーコン	01
	C11	UM388100 C. EL	100uF 6.3V	NS-SW200		ケミコン	01
	C12	US062220 C. GE. CHP	220pF 50V B	NS-SW200		チップセラコン	01
	C13	VR169400 C. MYLAR	0.68uF 50V	NS-SW200		マイラーコン	
	C14	US062100 C. GE. CHP	100pF 50V B	NS-SW200		チップセラコン	01
	C15	US064100 C. GE. CHP	0.01uF 50V B	NS-SW200		チップセラコン	01
	C16	VR168500 C. MYLAR. ML	0.15uF 50V	NS-SW200		積層マイラーコン	01
	C17	UM397100 C. EL	10uF 16V	NS-SW200		ケミコン	01
	C18	US063100 C. GE. CHP	1000pF 50V B	NS-SW200		チップセラコン	01
	C19	UM417100 C. EL	10uF 50V	NS-SW200		ケミコン	01
*	C20	WJ610900 C. MYLAR	0.039uF 100V	NS-SW200		マイラーコン	
	C21	UM417100 C. EL	10uF 50V	NS-SW200		ケミコン	01
	C22-23	UM397100 C. EL	10uF 16V	NS-SW200		ケミコン	01
	C24	UR867100 C. EL	10uF 50V	NS-SW200		ケミコン	01
	C25-26	UM397100 C. EL	10uF 16V	NS-SW200		ケミコン	01
	C27	US035100 C. GE. CHP	0.1uF 16V B	NS-SW200		チップセラコン	01
	C29	UM416100 C. EL	1uF 50V	NS-SW200		ケミコン	01
	C30	US061100 C. GE. CHP	10pF 50V B	NS-SW200	TBGLH	チップセラコン	01
	C31	UM397470 C. EL	47uF 16V	NS-SW200		ケミコン	01
	C33	US064100 C. GE. CHP	0.01uF 50V B	NS-SW200		チップセラコン	01
	C34	UM388330 C. EL	330uF 6.3V	NS-SW200		ケミコン	01
*	C35	UM378220 C. EL	220uF 10V	NS-SW200		ケミコン	
△	C36	V7682500 C. GE. SAFTY	1500pF 250V	NS-SW200		規格認定コンデンサ	01
	C37	UM397100 C. EL	10uF 16V	NS-SW200		ケミコン	01
	C39	US064100 C. GE. CHP	0.01uF 50V B	NS-SW200		チップセラコン	01
	C40	WY034800 C. GE. CHP	0.022uF 50V	NS-SW200		チップセラコン	
△	C46	V6185300 C. GE. SAFTY	0.01uF 275V	NS-SW200		規格認定コンデンサ	01
	C48	UR868330 C. EL	330uF 50V	NS-SW200		ケミコン	01
	C53-54	WJ610200 C. MYLAR	0.01uF 100V	NS-SW200	RS	マイラーコン	01
	C57	WJ610200 C. MYLAR	0.01uF 100V	NS-SW200		マイラーコン	01
	C61-62	UR867220 C. EL	22uF 50V	NS-SW200		ケミコン	01
	C63	VR169500 C. MYLAR	0.82uF 50V	NS-SW200		マイラーコン	01
	C64	UR867100 C. EL	10uF 50V	NS-SW200		ケミコン	01
	C65-66	UM397470 C. EL	47uF 16V	NS-SW200		ケミコン	01
	C70	UR867100 C. EL	10uF 50V	NS-SW200		ケミコン	01

* New Parts / 新規部品

NS-SW200

MAIN

Ref No.	Part No.	Description	Remarks	Markets	部 品 名	ランク
C71	UR749100	C. EL	1000uF 25V	NS-SW200	ケミコン	01
C72	UR867100	C. EL	10uF 50V	NS-SW200	ケミコン	01
C73	UR867220	C. EL	22uF 50V	NS-SW200	ケミコン	01
C74-75	WB540200	C. POL. MTL	0. 1uF 250V	NS-SW200	メタライズドポリコン	
C76	UR838100	C. EL	100uF 16V	NS-SW200	ケミコン	01
C77	US064100	C. CE. CHP	0. 01uF 50V B	NS-SW200	チップセラコン	01
C78	US064100	C. CE. CHP	0. 01uF 50V B	NS-SW200	TBGLH チップセラコン	01
C79	UR838100	C. EL	100uF 16V	NS-SW200	ケミコン	01
C80	UR897100	C. EL	10uF 100V	NS-SW200	ケミコン	01
C81	US062470	C. CE. CHP	470pF 50V B	NS-SW200	RS チップセラコン	01
C81	US062470	C. CE. CHP	470pF 50V B	NS-SW200	JRAS チップセラコン	01
C81	US063220	C. CE. CHP	2200pF 50V B	NS-SW200	TBGLH チップセラコン	01
C82	UR897100	C. EL	10uF 100V	NS-SW200	ケミコン	01
C84	WB540200	C. POL. MTL	0. 1uF 250V	NS-SW200	TBGLH メタライズドポリコン	
* C85-86	ZH859900	C. EL	7500uF 71V	NS-SW200	ケミコン	
C87	WJ610700	C. MYLAR	0. 027uF 100V	NS-SW200	マイラーコン	
C88	WP360300	C. PP	1000pF 200V	NS-SW200	PPコン	05
C89-91	UR897100	C. EL	10uF 100V	NS-SW200	ケミコン	01
C92	WP360300	C. PP	1000pF 200V	NS-SW200	PPコン	05
C95	VR168300	C. MYLAR	0. 1uF 50V	NS-SW200	マイラーコン	01
C96-97	WJ610600	C. MYLAR	0. 022uF 100V	NS-SW200	マイラーコン	01
C98	WJ608900	C. MYLAR	1000pF 100V	NS-SW200	マイラーコン	01
C99-100	UR877470	C. EL	47uF 63V	NS-SW200	ケミコン	01
C101-102	WJ610200	C. MYLAR	0. 01uF 100V	NS-SW200	マイラーコン	01
C103	VR169200	C. MYLAR	0. 47uF 50V	NS-SW200	マイラーコン	01
C104	UR867100	C. EL	10uF 50V	NS-SW200	ケミコン	01
C105	WJ610600	C. MYLAR	0. 022uF 100V	NS-SW200	マイラーコン	01
C107	VR168600	C. MYLAR. ML	0. 18uF 50V	NS-SW200	積層マイラーコン	01
C110-111	VR168700	C. MYLAR	0. 22uF 50V	NS-SW200	マイラーコン	01
C112	UR867100	C. EL	10uF 50V	NS-SW200	ケミコン	01
C113-114	UR798330	C. EL	330uF 100V	NS-SW200	ケミコン	02
C115	UR867100	C. EL	10uF 50V	NS-SW200	ケミコン	01
C116	US062220	C. CE. CHP	220pF 50V B	NS-SW200	チップセラコン	01
C127-128	US064100	C. CE. CHP	0. 01uF 50V B	NS-SW200	チップセラコン	01
C129-132	US065100	C. CE. CHP	0. 1uF 50V B	NS-SW200	チップセラコン	01
C133-134	US062100	C. CE. CHP	100pF 50V B	NS-SW200	チップセラコン	01
C135-136	WW038900	C. CE. M. CHP	2. 2uF 50V	NS-SW200	チップ積層セラコン	
C137	UR877220	C. EL	22uF 63V	NS-SW200	ケミコン	01
C138	VR168600	C. MYLAR. ML	0. 18uF 50V	NS-SW200	積層マイラーコン	01
C139-141	UR877220	C. EL	22uF 63V	NS-SW200	ケミコン	01
C142-143	US064100	C. CE. CHP	0. 01uF 50V B	NS-SW200	チップセラコン	01
C144-145	UR867220	C. EL	22uF 50V	NS-SW200	ケミコン	01
C146	UM397470	C. EL	47uF 16V	NS-SW200	ケミコン	01
C147-148	US062100	C. CE. CHP	100pF 50V B	NS-SW200	チップセラコン	01
C149	US063100	C. CE. CHP	1000pF 50V B	NS-SW200	チップセラコン	01
C150	US062100	C. CE. CHP	100pF 50V B	NS-SW200	チップセラコン	01
C151	US061470	C. CE. CHP	47pF 50V B	NS-SW200	チップセラコン	01
D1	WT666800	LED. 2COLOR	RED/GREEN	NS-SW200	2色LED	02
D3-5	WW783900	DIODE	1SS355VM	NS-SW200	ダイオード	01
D8-9	WR897300	DIODE	RR264M-400TR	NS-SW200	ダイオード	01
D12-13	WW783900	DIODE	1SS355VM	NS-SW200	ダイオード	01
△ D14	V4756800	DIODE. BRG	S1NB60 1A 600V	NS-SW200	ブリッジダイオード	01
D15	WR897300	DIODE	RR264M-400TR	NS-SW200	RS ダイオード	01
D16	WW783900	DIODE	1SS355VM	NS-SW200	ダイオード	01
D17	WY163200	DIODE. ZENR	UDZV5. 1B	NS-SW200	RS ツェナーダイオード	01
D18-20	WW783900	DIODE	1SS355VM	NS-SW200	ダイオード	01
△ * D21	WU253200	DIODE	D3SBA60-7101 2. 3A	NS-SW200	Diスタック	02

* New Parts / 新規部品

NS-SW200

MAIN

Ref No.	Part No.	Description	Remarks	Markets	部 品 名	ランク
D22-24	WW783900	DIODE	1SS355VM	NS-SW200	ダイオード	01
D25	WY164800	DIODE. ZENR	UDZV24B	NS-SW200	ツェナーダイオード	
D27	WR897300	DIODE	RR264M-400TR	NS-SW200	ダイオード	01
D28-29	WY163300	DIODE. ZENR	UDZV5. 6B	NS-SW200	ツェナーダイオード	
D30	WR897300	DIODE	RR264M-400TR	NS-SW200	ダイオード	01
D31-36	V6934100	DIODE	ELO2ZLF-H5K	NS-SW200	ダイオード	01
D37	VP779200	DIODE	S2L20U	NS-SW200	ダイオード	01
D40	VP779200	DIODE	S2L20U	NS-SW200	ダイオード	01
D41-42	WR897300	DIODE	RR264M-400TR	NS-SW200	ダイオード	01
D43	WY163500	DIODE. ZENR	UDZV6. 8B	NS-SW200	ツェナーダイオード	01
D44	WY164800	DIODE. ZENR	UDZV24B	NS-SW200	ツェナーダイオード	
D46	WW783900	DIODE	1SS355VM	NS-SW200	ダイオード	01
D47	WY163400	DIODE. ZENR	UDZV6. 2B	NS-SW200	ツェナーダイオード	
D48	ZA384900	DIODE. ZENR	TFZGTR15B 15V TP	NS-SW200	ツェナーダイオード	01
* D49-52	ZA384500	DIODE. ZENR	TFZGTR10B 10V TP	NS-SW200	ツェナーダイオード	
D53	ZA384900	DIODE. ZENR	TFZGTR15B 15V TP	NS-SW200	ツェナーダイオード	01
△ F1	WG410000	FUSE	3A 125V	NS-SW200	JU ヒューズ	01
△ F1	WG409900	FUSE	2. 5A 125V	NS-SW200	RS ヒューズ	
△ F1	KB000680	FUSE	1. 25A 250V	NS-SW200	TABGLH ヒューズ	02
△ F2	KB001770	FUSE	T1A 250V	NS-SW200	RS ヒューズ	02
G2	V7235100	CN. GND	JG-11-T	NS-SW200	接地端子	03
G4	V7235100	CN. GND	JG-11-T	NS-SW200	接地端子	03
G6	V5995800	PLATE. GND		NS-SW200	アースプレート	
G8	V7235100	CN. GND	JG-11-T	NS-SW200	TBGLH 接地端子	03
* IC1	YF518A00	IC	NJM555M	NS-SW200	アンプ I C	
IC4	X9272A00	IC	KIA78S05P-AT/P	NS-SW200	電源 I C	01
IC5	XV190A00	IC	NJM2904M OP AMP	NS-SW200	アンプ I C	01
IC6-9	X2331A00	IC	NJM4580E OP AMP	NS-SW200	アンプ I C	01
IC11	X2331A00	IC	NJM4580E OP AMP	NS-SW200	アンプ I C	01
JK1	VJ726800	JACK. MINI	LGY6501-0600C	NS-SW200	モノラルミニジャック	01
PJ1	V6415800	JACK. PIN	2P	NS-SW200	ピンジャック	03
PJ2	WU849800	JACK. PIN	1P MSP-241V1-10-GI	NS-SW200	ピンジャック	
Q1	V7421800	TR	2SA1312-GR, BL	NS-SW200	トランジスタ	01
Q2-3	VJ927100	TR	2SC2712-Y (TE85R, F)	NS-SW200	トランジスタ	01
Q4	VJ927200	TR	2SA1162-Y (TE85R, F)	NS-SW200	トランジスタ	01
Q11	VJ927100	TR	2SC2712-Y (TE85R, F)	NS-SW200	トランジスタ	01
Q12	VJ927200	TR	2SA1162-Y (TE85R, F)	NS-SW200	トランジスタ	01
Q14	VJ927100	TR	2SC2712-Y (TE85R, F)	NS-SW200	トランジスタ	01
Q15	VJ927200	TR	2SA1162-Y (TE85R, F)	NS-SW200	トランジスタ	01
Q16	VJ927200	TR	2SA1162-Y (TE85R, F)	NS-SW200	RS トランジスタ	01
Q17	VJ927100	TR	2SC2712-Y (TE85R, F)	NS-SW200	トランジスタ	01
Q18	VJ927100	TR	2SC2712-Y (TE85R, F)	NS-SW200	RS トランジスタ	01
Q19	V7421800	TR	2SA1312-GR, BL	NS-SW200	トランジスタ	01
Q20-21	VJ927200	TR	2SA1162-Y (TE85R, F)	NS-SW200	RS トランジスタ	01
Q22	WC883400	TR	2SD2704 K	NS-SW200	トランジスタ	
Q23	VJ927100	TR	2SC2712-Y (TE85R, F)	NS-SW200	トランジスタ	01
Q24	WC883400	TR	2SD2704 K	NS-SW200	トランジスタ	
Q25	V7421800	TR	2SA1312-GR, BL	NS-SW200	トランジスタ	01
Q26	VJ927100	TR	2SC2712-Y (TE85R, F)	NS-SW200	トランジスタ	01
Q27	V7421800	TR	2SA1312-GR, BL	NS-SW200	トランジスタ	01
Q28	VJ927100	TR	2SC2712-Y (TE85R, F)	NS-SW200	トランジスタ	01
Q29	V7421800	TR	2SA1312-GR, BL	NS-SW200	トランジスタ	01
Q30	WB228700	TR	KTA1266 Y AT	NS-SW200	トランジスタ	01
* Q31	ZE574200	TR	BF423ZL1G	NS-SW200	トランジスタ	
* Q32	ZF968900	TR	BF422	NS-SW200	トランジスタ	
Q33	ZC733600	TR. PAIR	STD01P/N 0, Y	NS-SW200	ペアトランジスタ	07
Q35	VQ116600	TR. PAIR	2SA1837/C4793 0, Y	NS-SW200	ペアトランジスタ	04

* New Parts / 新規部品

NS-SW200

MAIN

Ref No.	Part No.	Description	Remarks	Markets	部 品 名	ランク
Q37	V7421800	TR	2SA1312-GR, BL	NS-SW200	トランジスタ	01
Q38	V7421700	TR. CHP	2SC3324-GR, BL	NS-SW200	チップトランジスタ	01
Q39	VJ927100	TR	2SC2712-Y (TE85R, F)	NS-SW200	トランジスタ	01
* Q40	ZF968900	TR	BF422	NS-SW200	トランジスタ	
Q41	VJ927100	TR	2SC2712-Y (TE85R, F)	NS-SW200	トランジスタ	01
* Q42	ZE574200	TR	BF423ZL1G	NS-SW200	トランジスタ	
Q43	VQ116600	TR. PAIR	2SA1837/C4793 0, Y	NS-SW200	ペアトランジスタ	04
Q44	V7421800	TR	2SA1312-GR, BL	NS-SW200	トランジスタ	01
Q45	ZC733600	TR. PAIR	STD01P/N 0, Y	NS-SW200	ペアトランジスタ	07
Q46	WC883400	TR	2SD2704 K	NS-SW200	トランジスタ	
Q47-49	V7421800	TR	2SA1312-GR, BL	NS-SW200	トランジスタ	01
Q50	V3966800	TR	2SA949 0, Y	NS-SW200	トランジスタ	02
Q51	ZC242500	TR	KTC2026	NS-SW200	トランジスタ	01
Q52	ZA348800	TR	KTA1046-Y-U/PFY	NS-SW200	トランジスタ	01
* R12	WW865100	R. CAR. FP	2. 2KΩ 1/4W	NS-SW200	不燃化カーボン抵抗	
* R14-15	WW865100	R. CAR. FP	2. 2KΩ 1/4W	NS-SW200	不燃化カーボン抵抗	
* R17	WW865100	R. CAR. FP	2. 2KΩ 1/4W	NS-SW200	不燃化カーボン抵抗	
R18-19	WW865600	R. CAR. FP	4. 7KΩ 1/4W	NS-SW200	不燃化カーボン抵抗	01
R104	VC743800	R. MTL. OXD	33Ω 1W	NS-SW200	酸化金属被膜抵抗	01
* R106	WW863500	R. CAR. FP	150Ω 1/4W	NS-SW200	不燃化カーボン抵抗	
R112	WW864600	R. CAR. FP	1KΩ 1/4W	NS-SW200	不燃化カーボン抵抗	
* R122-123	WW864500	R. CAR. FP	820Ω 1/4W	NS-SW200	不燃化カーボン抵抗	
* R126	WW863100	R. CAR. FP	68Ω 1/4W	NS-SW200	不燃化カーボン抵抗	
R133	WC796900	R. MTL. FLM	2. 7KΩ 1/4W	NS-SW200	金属被膜抵抗	
R145-147	WW861300	R. CAR. FP	2. 2Ω 1/4W	NS-SW200	不燃化カーボン抵抗	01
R150-151	VG730500	R. MTL. OXD	0. 15Ω 3W	NS-SW200	酸化金属被膜抵抗	01
R152	WW864800	R. CAR. FP	1. 5KΩ 1/4W	NS-SW200	不燃化カーボン抵抗	
* R153-154	WW862700	R. CAR. FP	33Ω 1/4W	NS-SW200	不燃化カーボン抵抗	
* R155	WC801900	R. MTL. FLM	330KΩ 1/4W	NS-SW200	金属被膜抵抗	
* R157	WW864500	R. CAR. FP	820Ω 1/4W	NS-SW200	不燃化カーボン抵抗	
* R158	WW866000	R. CAR. FP	10KΩ 1/4W	NS-SW200	不燃化カーボン抵抗	
R160	WW862100	R. CAR. FP	10Ω 1/4W	NS-SW200	不燃化カーボン抵抗	01
* R162	WC801100	R. MTL. FLM	150KΩ 1/4W	NS-SW200	金属被膜抵抗	
R163-166	WW865600	R. CAR. FP	4. 7KΩ 1/4W	NS-SW200	不燃化カーボン抵抗	01
* R170-171	WW862700	R. CAR. FP	33Ω 1/4W	NS-SW200	不燃化カーボン抵抗	
R173	WW861700	R. CAR. FP	4. 7Ω 1/4W	NS-SW200	不燃化カーボン抵抗	
R175	WD925100	R. MTL. OXD	0. 1Ω 1W	NS-SW200	酸化金属被膜抵抗	01
* R178-179	WW863700	R. CAR. FP	220Ω 1/4W	NS-SW200	不燃化カーボン抵抗	
R180	WK542600	R. CEMENT	0. 1Ω 3W	NS-SW200	セメント抵抗	03
R210	WD925100	R. MTL. OXD	0. 1Ω 1W	NS-SW200	酸化金属被膜抵抗	01
* R213	WW864500	R. CAR. FP	820Ω 1/4W	NS-SW200	不燃化カーボン抵抗	
* R215	WW862500	R. CAR. FP	22Ω 1/4W	NS-SW200	不燃化カーボン抵抗	
* R216-217	WW864400	R. CAR. FP	680Ω 1/4W	NS-SW200	不燃化カーボン抵抗	
* R218	WW863400	R. CAR. FP	120Ω 1/4W	NS-SW200	不燃化カーボン抵抗	
R219-220	WW864400	R. CAR. FP	680Ω 1/4W	NS-SW200	不燃化カーボン抵抗	
* R221	WW863400	R. CAR. FP	120Ω 1/4W	NS-SW200	不燃化カーボン抵抗	
R228-229	WC796900	R. MTL. FLM	2. 7KΩ 1/4W	NS-SW200	金属被膜抵抗	
△ RY1	VU161600	RELAY	DC OSA-SS-224DM3	NS-SW200	リレー	05
△ RY2	V9367000	RELAY	DLS9D1-0 (M) 0. 15W	NS-SW200	リレー	05
ST1-2	V4040500	SCR. TERM	M3	NS-SW200	スクリューターミナル	01
SW1	VQ545800	SW. SLIDE	SSSF04	NS-SW200	スライドスイッチ	02
SW2	VD179500	SW. SLIDE	SSSU12	NS-SW200	スライドスイッチ	04
△ SW4	WC906700	SW. SLIDE	SDKPA40300	NS-SW200	スライドスイッチ	06
△ SW5	WG803400	SW. PUSH	PS4E-A-040-NP	NS-SW200	プッシュスイッチ	04
SW6	VS066500	SW. PUSH	SPPH13-W	NS-SW200	プッシュスイッチ	03
△ T1	YC636A00	SUB-TRANS		NS-SW200	サブトランス	07
△ * T1	YC637A00	SUB-TRANS		NS-SW200	サブトランス	

* New Parts / 新規部品

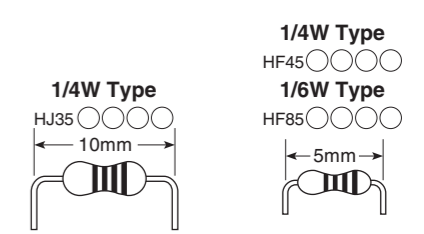
NS-SW200

MAIN

Ref No.	Part No.	Description	Remarks	Markets	部 品 名	ランク
△ T1	YC638A00	SUB-TRANS	NS-SW200	RS	サブトランス	
△ T1	YC639A00	SUB-TRANS	NS-SW200	TABGLH	サブトランス	
TE1	V9065900	TERM. SP	MSP-108V-01 PBSN	NS-SW200	スピーカーターミナル	04
TE2-3	VT658100	TERM. WRAP	352-TX119	NS-SW200	ラッピング端子	01
TP1-2	VT969000	PIN. TEST	IRS-2049	NS-SW200	テストポイントピン	01
VR1	WK126500	VR	C 10KΩ	NS-SW200	ロータリーボリューム	04
VR2	WQ150900	VR	A 5KΩ XVB14111	NS-SW200	二連ロータリーボリューム	04
	WB419000	HOLDER. LED	LDT-70G	NS-SW200	LEDホルダー	

Carbon Resistors

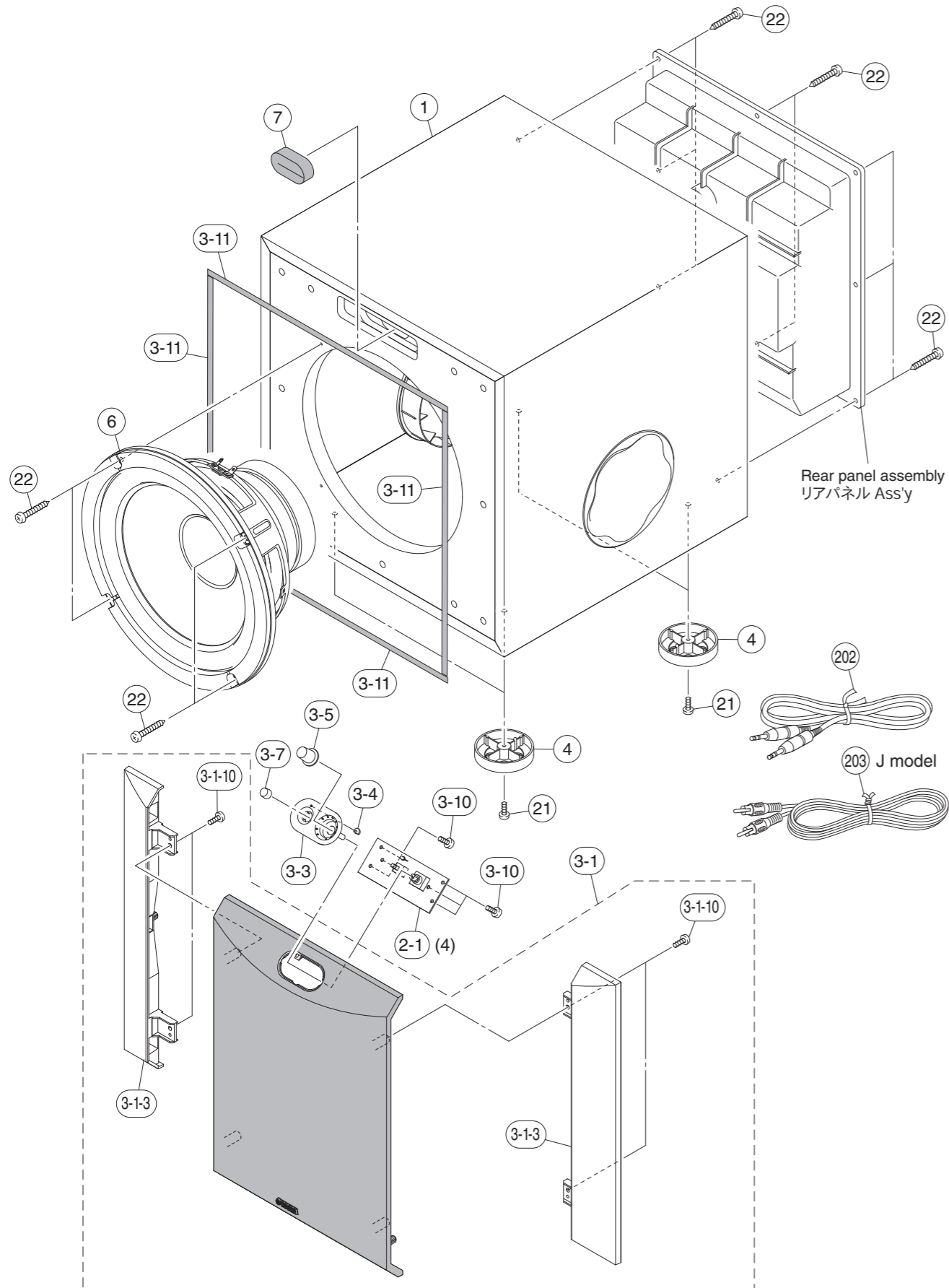
Value	1/4W Type Part No.	1/6W Type Part No.	Value	1/4W Type Part No.	1/6W Type Part No.
1.0 Ω	HJ35 3100	HF85 3100	11 kΩ	HF45 7110	HF45 7110
1.8 Ω	HJ35 3180	*	12 kΩ	HJ35 7120	HF85 7120
2.2 Ω	HJ35 3220	HF85 3220	13 kΩ	HF45 7130	HF45 7130
3.3 Ω	HJ35 3330	HF85 3330	15 kΩ	HF45 7150	HF45 7150
4.7 Ω	HJ35 3470	HF85 3470	18 kΩ	HF45 7180	HF45 7180
5.6 Ω	HJ35 3560	HF85 3560	22 kΩ	HF45 7220	HF45 7220
10 Ω	HF45 4100	HF45 4100	24 kΩ	HF45 7240	HF45 7240
15 Ω	HJ35 4150	HF85 4150	27 kΩ	HJ35 7270	HF85 7270
22 Ω	HF45 4220	HF45 4220	30 kΩ	HF45 7300	HF45 7300
27 Ω	HJ35 4270	HF85 4270	33 kΩ	HF45 7330	HF45 7330
33 Ω	HF45 4330	HF45 4330	36 kΩ	HF45 7360	HF45 7360
39 Ω	HJ35 4470	HF85 4390	39 kΩ	HF45 7390	HF45 7390
47 Ω	HF45 4470	HF45 4470	47 kΩ	HF45 7470	HF45 7470
56 Ω	HF45 4560	HF45 4560	51 kΩ	HF45 7510	HF45 7510
68 Ω	HF45 4680	HF45 4680	56 kΩ	HF45 7560	HF45 7560
75 Ω	HF45 4750	HF45 4750	62 kΩ	HF45 7620	HF45 7620
82 Ω	HF45 4820	HF45 4820	68 kΩ	HF45 7680	HF45 7680
91 Ω	HF45 4910	HF45 4910	82 kΩ	HF45 7820	HF45 7820
100 Ω	HF45 5100	HF45 5100	91 kΩ	HF45 7910	HF45 7910
110 Ω	HJ35 5110	HF85 5110	100 kΩ	HF45 8100	HF45 8100
120 Ω	HF45 5120	HF45 5120	110 kΩ	HF45 8110	HF45 8110
150 Ω	HF45 5150	HF45 5150	120 kΩ	HF45 8120	HF45 8120
160 Ω	HJ35 5160	*	130 kΩ	HF45 8130	*
180 Ω	HF45 5180	HF45 5180	150 kΩ	HF45 8150	HF45 8150
200 Ω	HF45 5200	HF45 5200	180 kΩ	HF45 8180	HF45 8180
220 Ω	HF45 5220	HF45 5220	220 kΩ	HJ35 8220	HF85 8220
270 Ω	HF45 5270	HF45 5270	270 kΩ	HF45 8270	HF45 8270
330 Ω	HF45 5330	HF45 5330	300 kΩ	HF45 8300	HF45 8300
390 Ω	HF45 5390	HF45 5390	330 kΩ	HF45 8330	HF45 8330
430 Ω	HF45 5430	HF45 5430	390 kΩ	HJ35 8390	HF85 8390
470 Ω	HF45 5470	HF45 5470	470 kΩ	HF45 8470	HF45 8470
510 Ω	HF45 5510	HF45 5510	560 kΩ	HJ35 8560	HF85 8560
560 Ω	HF45 5560	HF45 5560	680 kΩ	HJ35 8680	HF85 8680
680 Ω	HF45 5680	HF45 5680	820 kΩ	HJ35 8820	HF85 8820
820 Ω	HF45 5820	HF45 5820	1.0 MΩ	HF45 9100	HF45 9100
910 Ω	HF45 5910	HF45 5910	1.2 MΩ	HJ35 9120	*
1.0 kΩ	HF45 6100	HF45 6100	1.5 MΩ	HJ35 9150	HF85 9150
1.2 kΩ	HF45 6120	HF45 6120	1.8 MΩ	HJ35 9180	HF85 9180
1.5 kΩ	HF45 6150	HF45 6150	2.2 MΩ	HJ35 9220	HF85 9220
1.8 kΩ	HF45 6180	HF45 6180	3.3 MΩ	HJ35 9330	HF85 9330
2.0 kΩ	HJ35 6200	HF85 6200	3.9 MΩ	HJ35 9390	*
2.2 kΩ	HF45 6220	HF45 6220	4.7 MΩ	HJ35 9470	HF85 9470
2.4 kΩ	HJ35 6240	HF85 6240			
2.7 kΩ	HF45 6270	HF45 6270			
3.0 kΩ	HF45 6300	HF45 6300			
3.3 kΩ	HF45 6330	HF45 6330			
3.6 kΩ	HJ35 6360	HF85 6360			
3.9 kΩ	HF45 6390	HF45 6390			
4.7 kΩ	HF45 6470	HF45 6470			
5.1 kΩ	HF45 6510	HF45 6510			
5.6 kΩ	HF45 6560	HF45 6560			
6.8 kΩ	HF45 6680	HF45 6680			
8.2 kΩ	HF45 6820	HF45 6820			
9.1 kΩ	HF45 6910	HF45 6910			
10 kΩ	HF45 7100	HF45 7100			



* New Parts / 新規部品

* : Not available

• OVERALL ASSEMBLY



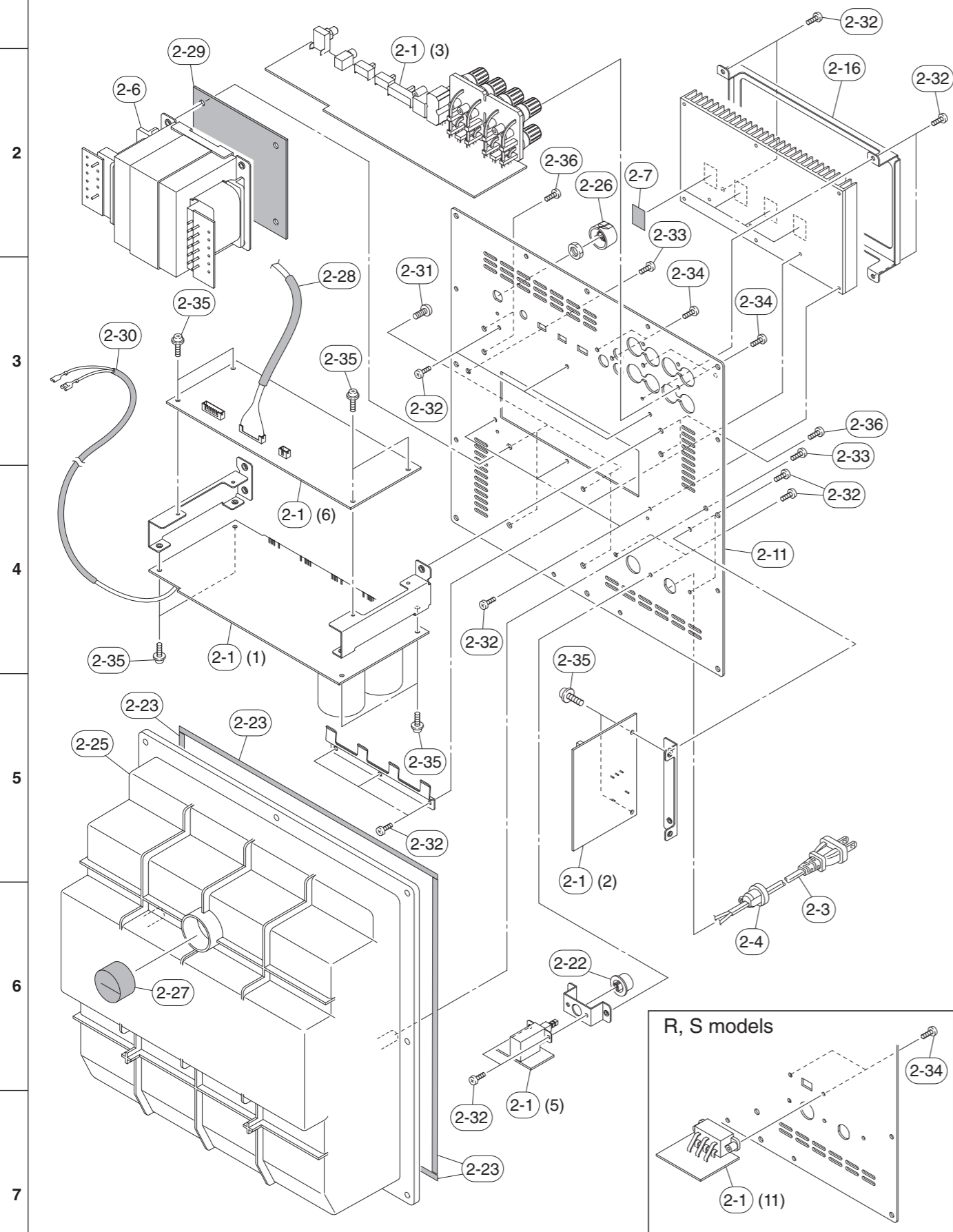
Ref No.	Part No.	Description	Remarks	Markets	部品名	ランク
* 1	ZH056500	CABINET ASSEMBLY	WH	BG	キャビネット Ass'y	
* 1	ZH053100	CABINET ASSEMBLY	PN	URTKABGLSH	キャビネット Ass'y	
* 1	ZH047700	CABINET ASSEMBLY	RW, BL		キャビネット Ass'y	
* 2-1	ZH049300	P. C. B. ASSEMBLY	MAIN	J	PCB MAIN	
* 2-1	ZH049400	P. C. B. ASSEMBLY	MAIN	U	PCB MAIN	
* 2-1	ZH049500	P. C. B. ASSEMBLY	MAIN	RS	PCB MAIN	
* 2-1	ZH049600	P. C. B. ASSEMBLY	MAIN	TK	PCB MAIN	
* 2-1	ZH049700	P. C. B. ASSEMBLY	MAIN	A	PCB MAIN	
* 2-1	ZH049800	P. C. B. ASSEMBLY	MAIN	GLH	PCB MAIN	
* 3-1	ZH056900	FRONT GRILLE SUB-ASSEMBLY	WH	BG	Fグリルサブ Ass'y	
* 3-1	ZH055800	FRONT GRILLE SUB-ASSEMBLY	RW	RTKGLSH	Fグリルサブ Ass'y	
* 3-1	ZH049200	FRONT GRILLE SUB-ASSEMBLY	BL		Fグリルサブ Ass'y	
* 3-1	ZH053500	FRONT GRILLE SUB-ASSEMBLY	PN	URTKABGLSH	Fグリルサブ Ass'y	
* 3-1-3	ZH082000	SIDE PANEL	WH	BG	サイドパネル	
* 3-1-3	ZJ111200	SIDE PANEL	RW	RTKGLSH	サイドパネル	
* 3-1-3	ZJ111000	SIDE PANEL	BL		サイドパネル	
* 3-1-3	ZH081800	SIDE PANEL	PN	URTKABGLSH	サイドパネル	
3-1-10	WF492100	BIND HEAD TAPPING SCREW	4x8 MFZN2B3		バインドタッピングネジ	01
* 3-3	ZH082400	FRONT PANEL	White	WH	フロントパネル	
* 3-3	ZH082300	FRONT PANEL	Black	RW, BL, PN	フロントパネル	
3-4	WP080600	LENS	LED		レンズ	01
* 3-5	ZH079600	KNOB	VOLUME White	WH	ツマミ	
* 3-5	ZH079500	KNOB	VOLUME Black	RW, BL, PN	ツマミ	
* 3-7	ZH079800	KNOB	POWER White	WH	ツマミ	
* 3-7	ZH079700	KNOB	POWER Black	RW, BL, PN	ツマミ	
3-10	WF268000	BIND HEAD P-TIGHT SCREW	3x10 MFZN2B3		バインドPタイトネジ	01
3-11	WU660600	PACKING	4x580x1		パッキン	01
4	WU168910	LEG	D60 H16		レッグ	
* 6	YF664A00	DRIVER SUBWOOFER	25cm 6Ω	JA2572	スピーカーユニット	
7	ZD153600	BUSHING	25x44x12 R12		ブッシュ	01
21	WE971200	BIND HEAD TAPPING SCREW	3x16 MFZN2B3		バインドタッピングネジ	01
22	WG405400	BIND HEAD TAPPING SCREW	4x35 MFZN2B3		バインドタッピングネジ	01
		ACCESSORIES			付属品	
202	WB918300	SYSTEM CONTROL CABLE	1P 5m 1pc		システム接続ケーブル	06
203	WB918400	SUBWOOFER CABLE	1P 5m 1pc	J	サブウーファーケーブル	06

* New Parts / 新規部品

Finish / 仕上げ..... WH: White color, RW: Brown color, BL: Black color, PN: Piano black color

NS-SW300

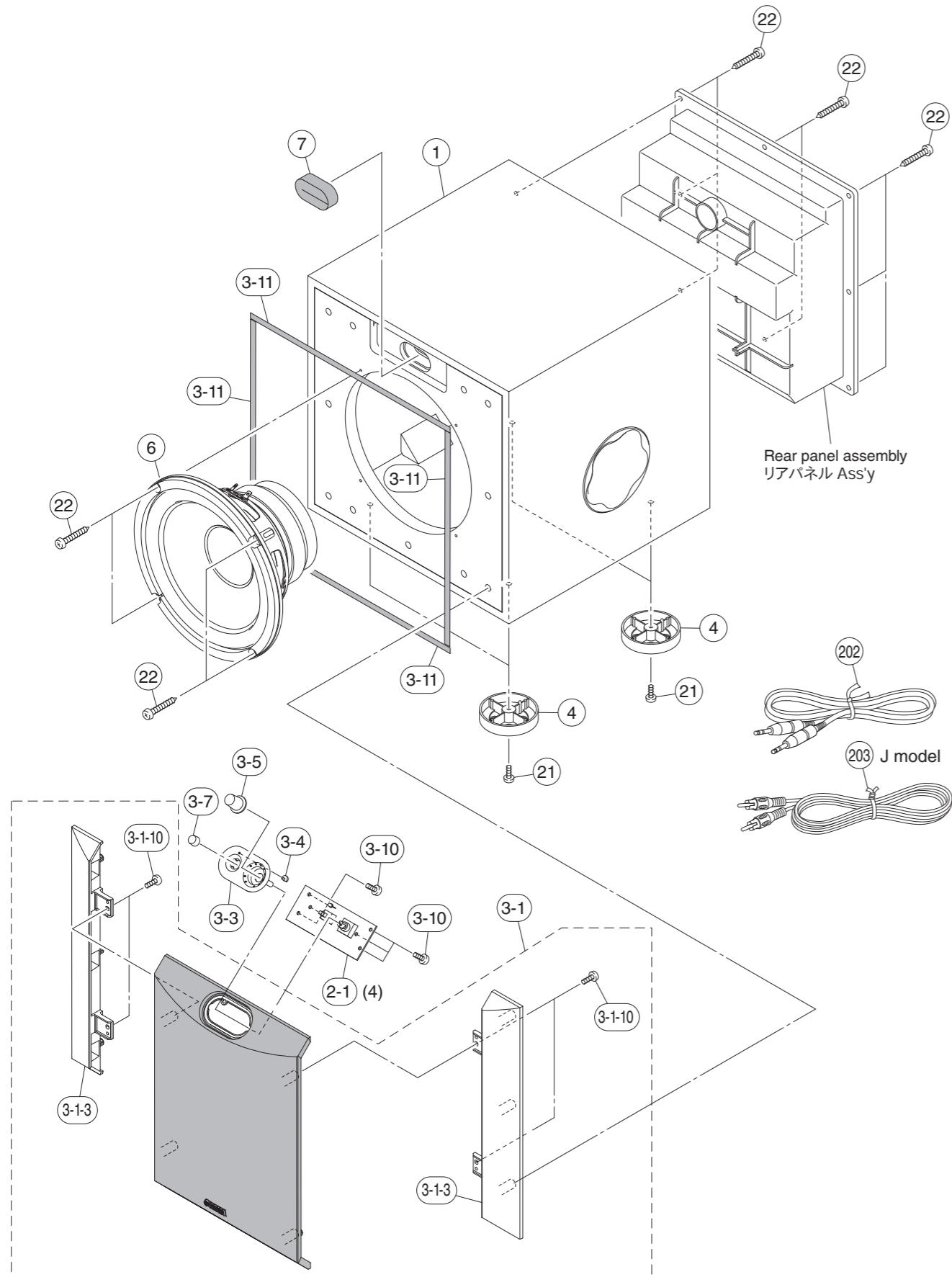
REAR PANEL ASSEMBLY



Ref No.	Part No.	Description	Remarks	Markets	部品名	ランク
*	2-1	ZH049300 P. C. B. ASSEMBLY	MAIN	J	PCB MAIN	
*	2-1	ZH049400 P. C. B. ASSEMBLY	MAIN	U	PCB MAIN	
*	2-1	ZH049500 P. C. B. ASSEMBLY	MAIN	RS	PCB MAIN	
*	2-1	ZH049600 P. C. B. ASSEMBLY	MAIN	TK	PCB MAIN	
*	2-1	ZH049700 P. C. B. ASSEMBLY	MAIN	A	PCB MAIN	
*	2-1	ZH049800 P. C. B. ASSEMBLY	MAIN	GLH	PCB MAIN	
△	2-3	V9436200 POWER CABLE	2m	J	電源コード	04
△	2-3	V9436300 POWER CABLE	2m	U	電源コード	
△	2-3	WD042000 POWER CABLE	2m	R	電源コード	
△	2-3	WV837400 POWER CABLE	2m	T	電源コード	
△	2-3	V8012900 POWER CABLE	2m	K	電源コード	06
△	2-3	WC883100 POWER CABLE	2m	A	電源コード	
△	2-3	WC906500 POWER CABLE	2m	B	電源コード	
△	2-3	V9436400 POWER CABLE	2m	GL	電源コード	
△	2-3	ZC921800 POWER CABLE	1.8m	S	電源コード	
△	2-3	WZ697200 POWER CABLE	1.8m	H	電源コード	
△	2-4	CB072750 CORD STOPPER	SR-4N-4		コードストッパー	01
△	2-6	X8218A00 POWER TRANSFORMER		J	電源トランス	16
△	*	X8219B00 POWER TRANSFORMER		U	電源トランス	
△	2-6	YC627A00 POWER TRANSFORMER		RS	電源トランス	
△	2-6	X8809A00 POWER TRANSFORMER		TK	電源トランス	
△	2-6	X8727A00 POWER TRANSFORMER		A	電源トランス	
△	2-6	X8221A00 POWER TRANSFORMER		BGLH	電源トランス	
△	2-7	VV849300 RADIATION SHEET	19x24		放熱シート	01
*	2-11	ZH079900 REAR PANEL		J	リアパネル	
*	2-11	ZH080000 REAR PANEL		U	リアパネル	
*	2-11	ZH080100 REAR PANEL		RS	リアパネル	
*	2-11	ZH080200 REAR PANEL		T	リアパネル	
*	2-11	ZH974600 REAR PANEL		K	リアパネル	
*	2-11	ZH080300 REAR PANEL		A	リアパネル	
*	2-11	ZH080400 REAR PANEL		BG	リアパネル	
*	2-11	ZH080500 REAR PANEL		LH	リアパネル	
	2-16	WB279400 REAR COVER			リアカバー	04
	2-22	WA217100 POWER KNOB			パワーノブ	01
	2-23	WU661000 PACKING	4x530x1		パッキング	
	2-25	WR942600 COVER ASSEMBLY	with PACKING		カバー Assembly	08
	2-26	WD562900 VOLUME KNOB			ボリュームノブ	01
	2-27	WC690300 BUSHING			ブッシュ	04
	2-28	WC305600 PACKING	80X30		パッキン	01
	2-29	WB377400 PACKING	100x85 t=2		パッキン	
*	2-30	WB567300 INSULATOR	300x35x1		インシュレータ	
	2-31	WE994800 BIND HEAD S-TIGHT SCREW	4x8 MFZN2B3		バインドSタイトネジ	01
	2-32	WE774400 BIND HEAD B-TIGHT SCREW	3x8 MFZN2B3		バインドBタイトネジ	01
	2-33	WE981100 BIND HEAD P-TIGHT SCREW	4x12 MFZN2B3		バインドPタイトネジ	01
	2-34	WF268000 BIND HEAD P-TIGHT SCREW	3x10 MFZN2B3		バインドPタイトネジ	01
	2-35	WF002600 PW HEAD B-TIGHT SCREW	3x8 MFZN2W3		PWヘッドBタイトネジ	01
	2-36	WE962000 BIND HEAD B-TIGHT SCREW	4x8 MFZN2B3		バインドBタイトネジ	01
	2-61	WY833600 PACKING	30x180	TKGLSH	パッキン	01

* New Parts / 新規部品

• OVERALL ASSEMBLY



Ref No.	Part No.	Description	Remarks	Markets	部品名	ランク
* 1	ZH070200	CABINET ASSEMBLY	WH	BGS	キャビネット Ass'y	
* 1	ZH060800	CABINET ASSEMBLY	RW, BL		キャビネット Ass'y	
* 1	ZH066900	CABINET ASSEMBLY	PN	URTABGLH	キャビネット Ass'y	
* 2-1	ZH063800	P. C. B. ASSEMBLY	MAIN	J	PCB MAIN	
* 2-1	ZH063900	P. C. B. ASSEMBLY	MAIN	U	PCB MAIN	
* 2-1	ZH064000	P. C. B. ASSEMBLY	MAIN	RS	PCB MAIN	
* 2-1	ZH064100	P. C. B. ASSEMBLY	MAIN	T	PCB MAIN	
* 2-1	ZH067400	P. C. B. ASSEMBLY	MAIN	BGL	PCB MAIN	
* 2-1	ZH064200	P. C. B. ASSEMBLY	MAIN	AH	PCB MAIN	
* 3-1	ZH072800	FRONT GRILLE SUB-ASSEMBLY	WH	BGS	Fグリルサブ Ass'y	
* 3-1	ZH072700	FRONT GRILLE SUB-ASSEMBLY	RW	RTGLS	Fグリルサブ Ass'y	
* 3-1	ZH072500	FRONT GRILLE SUB-ASSEMBLY	BL		Fグリルサブ Ass'y	
* 3-1	ZH072600	FRONT GRILLE SUB-ASSEMBLY	PN	URTABGLH	Fグリルサブ Ass'y	
* 3-1-3	ZH082000	SIDE PANEL	WH	BGS	サイドパネル	
* 3-1-3	ZJ113300	SIDE PANEL	RW	RTGLS	サイドパネル	
* 3-1-3	ZJ113200	SIDE PANEL	BL		サイドパネル	
* 3-1-3	ZH081800	SIDE PANEL	PN	URTABGLH	サイドパネル	
3-1-10	WF492100	BIND HEAD TAPPING SCREW	4x8 MFZN2B3		バインドタッピングネジ	01
* 3-3	ZH082400	FRONT PANEL	White	WH	BGS	フロントパネル
* 3-3	ZH082300	FRONT PANEL	Black	RW, BL, PN		フロントパネル
3-4	WPO80600	LENS				レンズ
* 3-5	ZH079600	KNOB	VOLUME White	WH	BGS	ツマミ
* 3-5	ZH079500	KNOB	VOLUME Black	RW, BL, PN		ツマミ
* 3-7	ZH079800	KNOB	POWER White	WH	BGS	ツマミ
* 3-7	ZH079700	KNOB	POWER Black	RW, BL, PN		ツマミ
3-10	WF268000	BIND HEAD P-TIGHT SCREW	3x10 MFZN2B3		バインドPタイトネジ	01
3-11	WU660600	PACKING	4x580x1		パッキン	01
4	WU168910	LEG	D60 H16		レッグ	
6	XZ951C00	DRIVER WOOFER	20cm 6Ω	2165B	スピーカーユニット	
7	ZD153600	BUSHING	25x44x12 R12		ブッシュ	01
21	WE971200	BIND HEAD TAPPING SCREW	3x16 MFZN2B3		バインドタッピングネジ	01
22	WF459800	BIND HEAD TAPPING SCREW	4x25 MFZN2B3		バインドタッピングネジ	01
ACCESSORIES						付属品
202	WB918300	SYSTEM CONTROL CABLE	1P 5m BLACK 1pc		システム接続ケーブル	06
203	WB918400	SUBWOOFER CABLE	1P 5m 1pc	J	サブウーファーケーブル	06

* New Parts / 新規部品

Finish / 仕上げ..... WH: White color, RW: Brown color, BL: Black color, PN: Piano black color

NS-SW300/NS-SW200

