

HOME THEATER SYSTEM AVR-S80/NX-SW80

SERVICE MANUAL

The AVX-S80 is composed of the AVR-S80 and the NX-SW80.
AVX-S80はAVR-S80とNX-SW80で構成されています。

IMPORTANT NOTICE

This manual has been provided for the use of authorized YAMAHA Retailers and their service personnel. It has been assumed that basic service procedures inherent to the industry, and more specifically YAMAHA Products, are already known and understood by the users, and have therefore not been restated.

WARNING: Failure to follow appropriate service and safety procedures when servicing this product may result in personal injury, destruction of expensive components, and failure of the product to perform as specified. For these reasons, we advise all YAMAHA product owners that any service required should be performed by an authorized YAMAHA Retailer or the appointed service representative.

IMPORTANT: The presentation or sale of this manual to any individual or firm does not constitute authorization, certification or recognition of any applicable technical capabilities, or establish a principle-agent relationship of any form.

The data provided is believed to be accurate and applicable to the unit(s) indicated on the cover. The research, engineering, and service departments of YAMAHA are continually striving to improve YAMAHA products. Modifications are, therefore, inevitable and specifications are subject to change without notice or obligation to retrofit. Should any discrepancy appear to exist, please contact the distributor's Service Division.

WARNING: Static discharges can destroy expensive components. Discharge any static electricity your body may have accumulated by grounding yourself to the ground buss in the unit (heavy gauge black wires connect to this buss).

IMPORTANT: Turn the unit OFF during disassembly and part replacement. Recheck all work before you apply power to the unit.

■ CONTENTS

TO SERVICE PERSONNEL	2	DSP SELF DIAGNOSIS FUNCTION (DIAG) /	
SYSTEM COMPOSITION / システム構成	3	DSP自己診断機能 (ダイヤグ)	16~33
FRONT PANELS	3~4	DISPLAY DATA	34~35
REMOTE CONTROL PANELS	5	IC DATA	36~41
REAR PANELS	5~7	BLOCK DIAGRAM	42~45
SPECIFICATIONS	8~9	PRINTED CIRCUIT BOARD	46~53
INTERNAL VIEW	10	PIN CONNECTION DIAGRAM	54
AVR-S80 DISASSEMBLY PROCEDURE /		SCHEMATIC DIAGRAM	55~60
AVR-S80 分解手順	11~13	PARTS LIST	61~82
SW-S80 DISASSEMBLY PROCEDURE /		REMOTE CONTROL	83~84
SW-S80 分解手順	14~15	Parts List for Carbon Resistors	85




このサービスマニュアルは、エコマーク認定の再生紙を使用しています。
This Service Manual uses recycled paper.

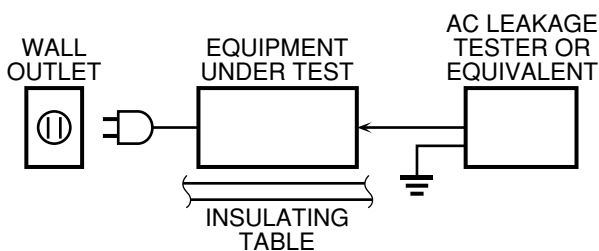


YAMAHA

YAMAHA CORPORATION
P.O.Box 1, Hamamatsu, Japan

■ TO SERVICE PERSONNEL

1. Critical Components Information
Components having special characteristics are marked  and must be replaced with parts having specifications equal to those originally installed.
 2. Leakage Current Measurement (For 120V Models Only)
When service has been completed, it is imperative to verify that all exposed conductive surfaces are properly insulated from supply circuits.
- Meter impedance should be equivalent to 1500 ohm shunted by 0.15 μ F.



- Leakage current must not exceed 0.5mA.
- Be sure to test for leakage with the AC plug in both polarities.

THE DVD AUDIO/VIDEO RECEIVER SHOULD NOT BE ADJUSTED OR REPAIRED BY ANYONE EXCEPT PROPERLY QUALIFIED SERVICE PERSONNEL.



“CAUTION”

“F401: FOR CONTINUED PROTECTION AGAINST RISK OF FIRE, REPLACE ONLY WITH SAME TYPE 6.3A, 250V FUSE.”

CAUTION

F401: REPLACE WITH SAME TYPE 6.3A, 250V FUSE.

ATTENTION

F401: UTILISER UN FUSIBLE DE RECHANGE DE MEME TYPE DE 6.3A, 250V.

WARNING: CHEMICAL CONTENT NOTICE!

The solder used in the production of this product contains LEAD. In addition, other electrical/electronic and/or plastic (where applicable) components may also contain traces of chemicals found by the California Health and Welfare Agency (and possibly other entities) to cause cancer and/or birth defects or other reproductive harm.

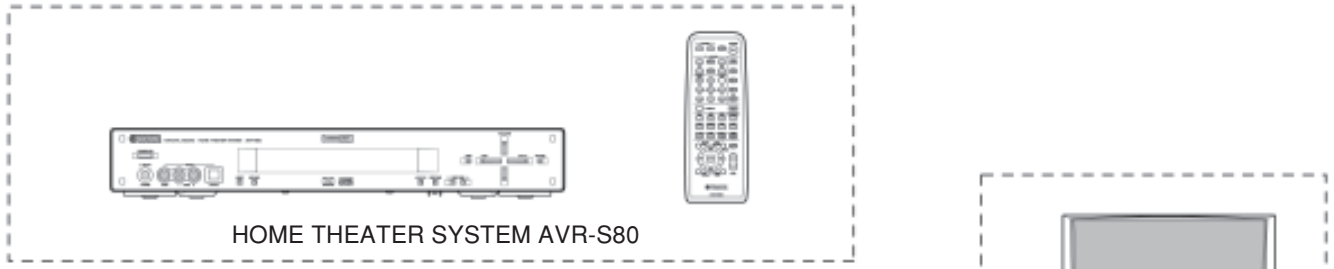
DO NOT PLACE SOLDER, ELECTRICAL/ELECTRONIC OR PLASTIC COMPONENTS IN YOUR MOUTH FOR ANY REASON WHATSOEVER!

Avoid prolonged, unprotected contact between solder and your skin! When soldering, do not inhale solder fumes or expose eyes to solder/flux vapor!

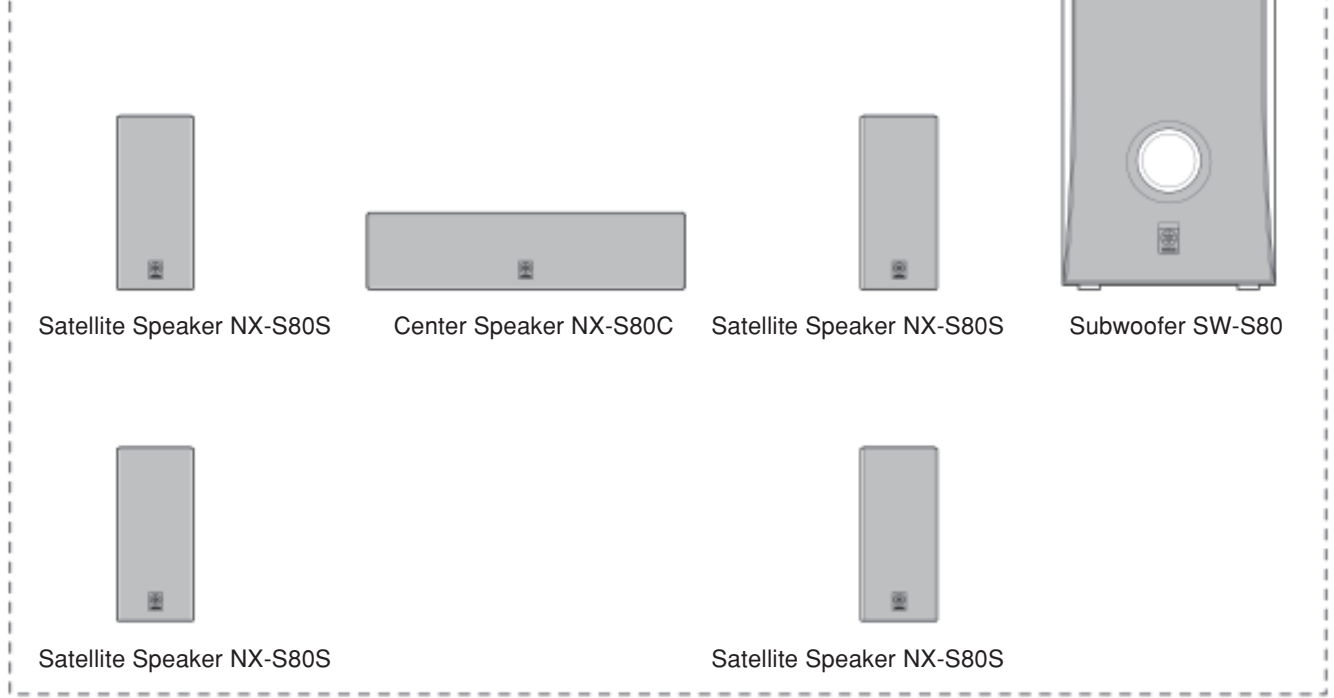
If you come in contact with solder or components located inside the enclosure of this product, wash your hands before handling food.

SYSTEM COMPOSITION / システム構成

The AVR-S80 is composed of the AVR-S80 and the NX-SW80.

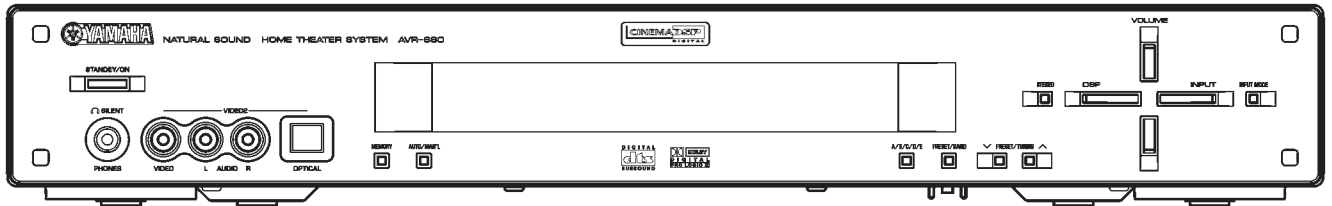


The NX-SW80 is composed of the SW-S80, the NX-S80C and NX-S80S.

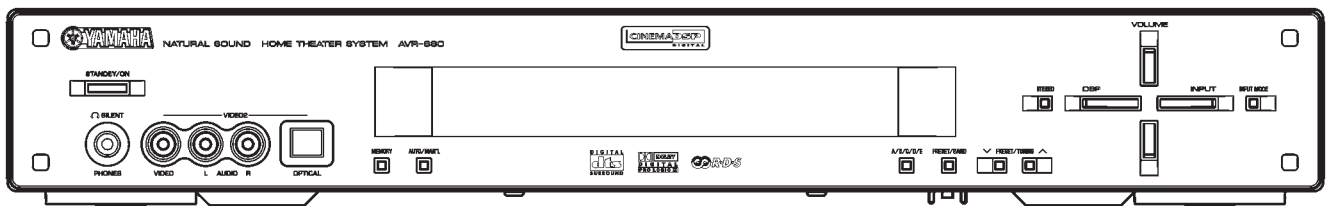


FRONT PANELS

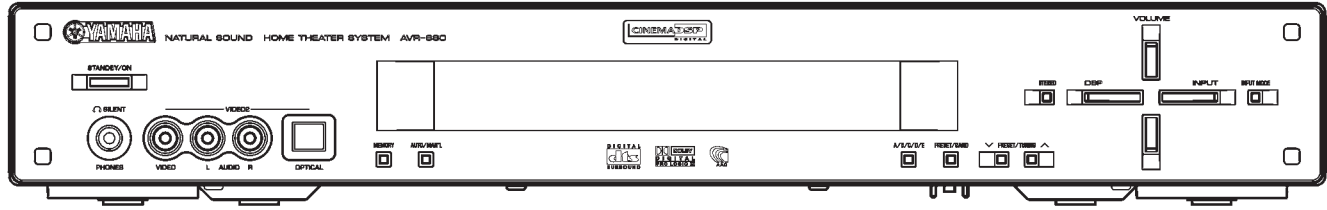
AVR-S80 (U, C, A, R, T, K models)



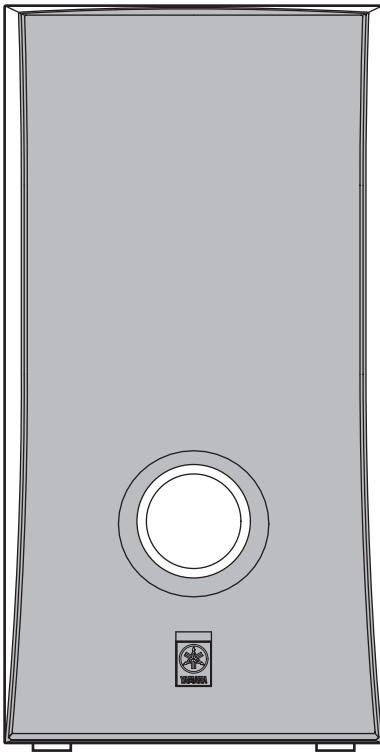
AVR-S80 (B, G models)



AVR-S80 (J model)



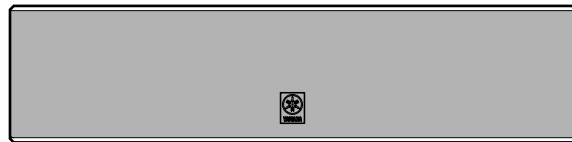
Subwoofer SW-S80



Satellite Speaker NX-S80S



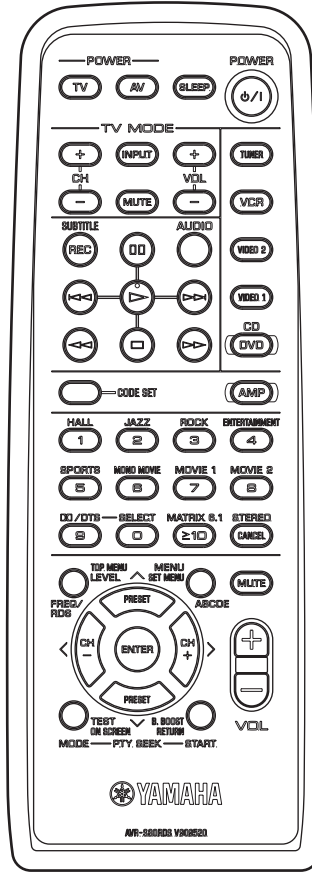
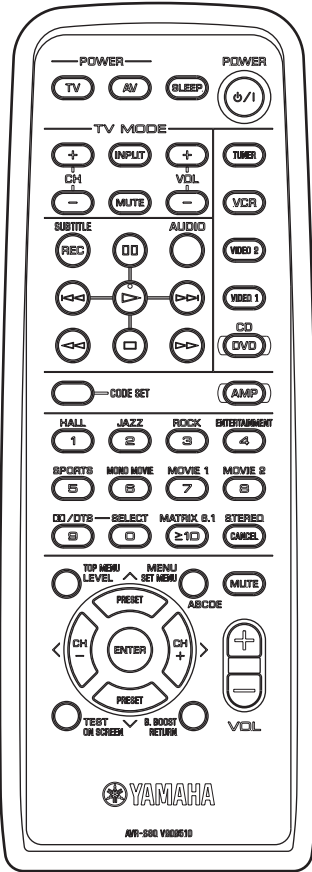
Center Speaker NX-S80C



REMOTE CONTROL PANELS

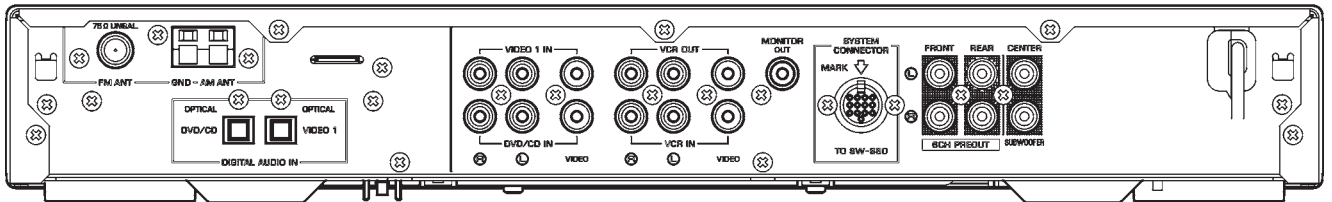
U, C, A, R, T, K, J models

B, G models

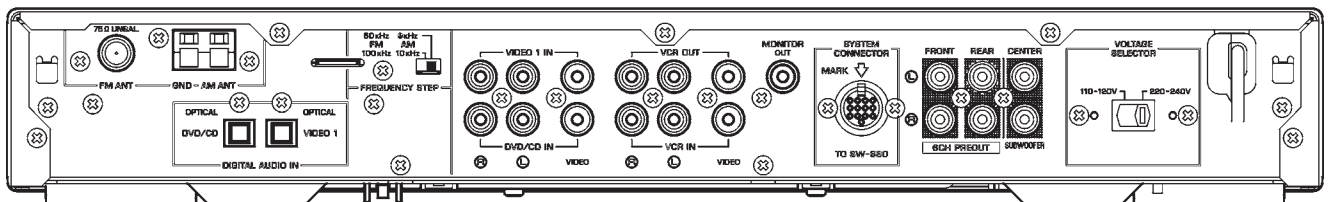


REAR PANELS

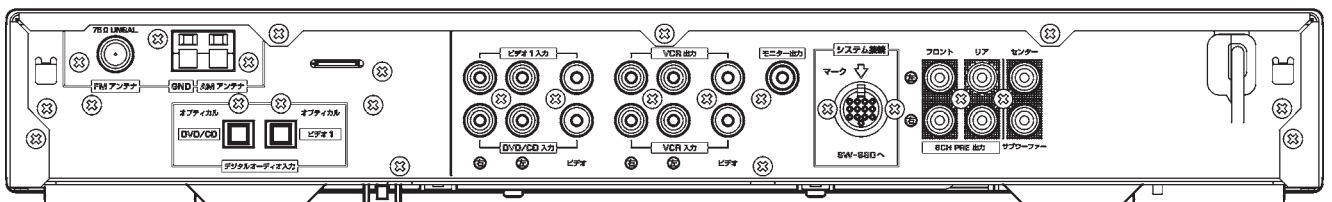
AVR-S80 (U, C, A, B, G models)



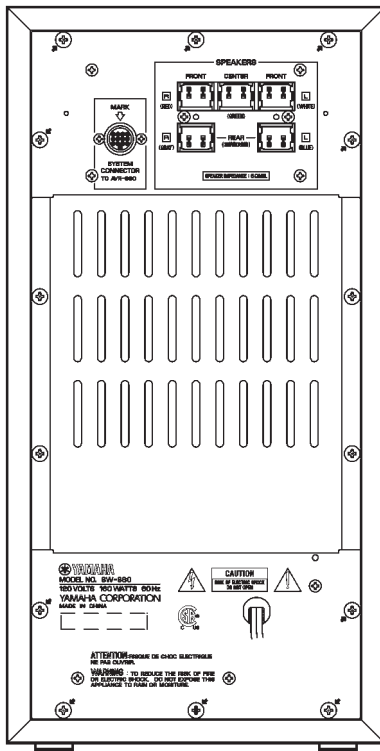
AVR-S80 (R, T, K models)



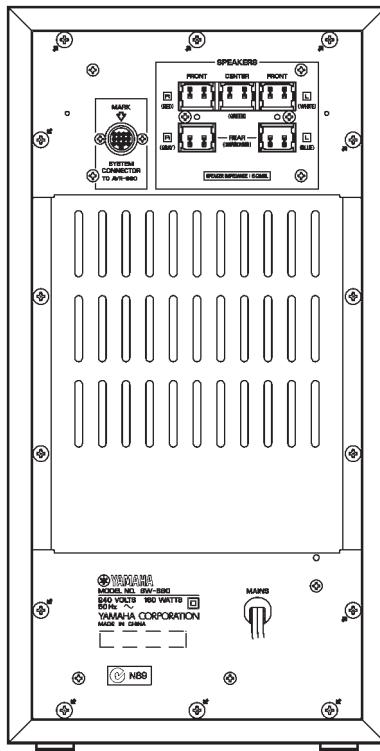
AVR-S80 (J model)



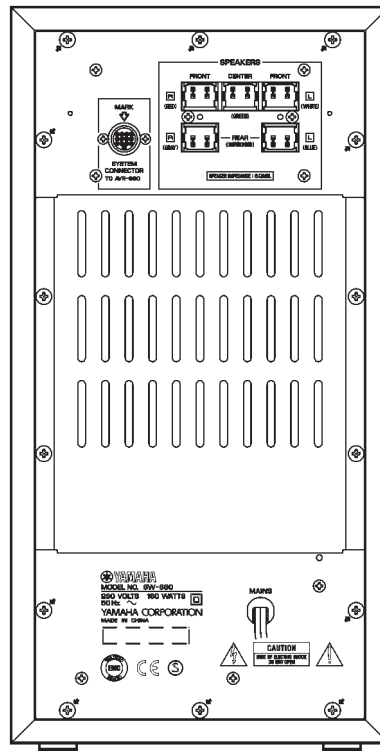
Subwoofer SW-S80 (U, C models)



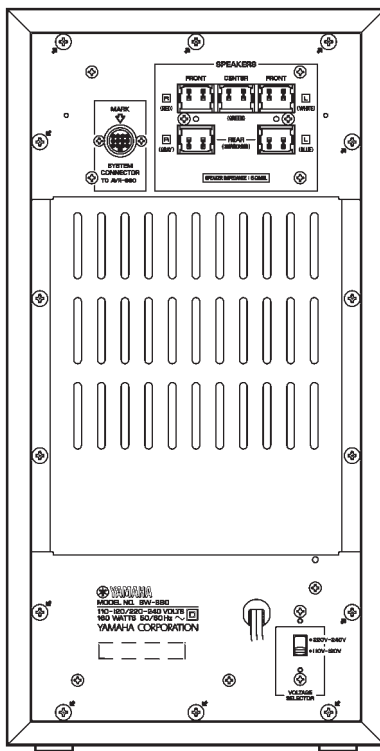
Subwoofer SW-S80 (A model)



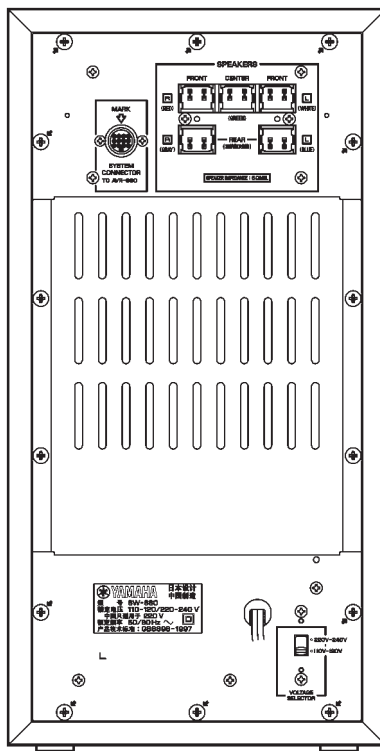
Subwoofer SW-S80 (B, G models)



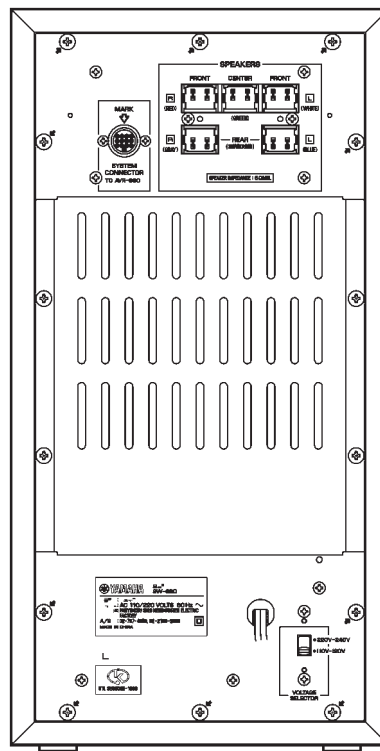
Subwoofer SW-S80 (R model)



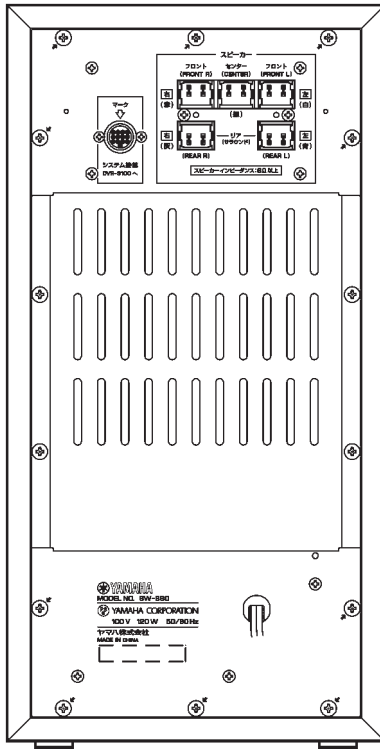
Subwoofer SW-S80 (T model)



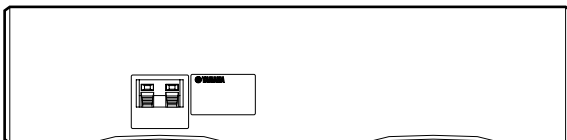
Subwoofer SW-S80 (K model)



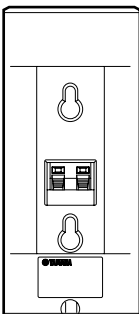
Subwoofer SW-S80 (J model)



Center Speaker NX-S80C



Satellite Speaker NX-S80S



■ SPECIFICATIONS / 参考仕様

■ AVR-S80

● Audio Section / オーディオ部

Input Sensitivity / Input Impedance (入力感度/入力インピーダンス)
DVD, VCR, VIDEO1, VIDEO2 200 mV / 47 k-ohms

Maximum Input Signal Level / 最大許容入力
DVD, VCR, VIDEO1, VIDEO2 (1kHz, 0.5% THD) 2.2V

Output Level / Output Impedance (出力電圧/出力インピーダンス)
(1kHz 200mV INPUT, Subwoofer 50Hz)
6CH PREOUT (FRONTL/R) 1V / 1.7 k-ohms
6CH PREOUT (CENTER, REAR L/R) 1V / 2.7 k-ohms
6CH PREOUT (SUB WOOFER) 4V / 2.7 k-ohms
HEADPHONE 165mV / 100 ohms

Frequency Response / 周波数特性
(FRONT L/R, 20 Hz to 88 kHz)
6CH PRE OUT +0/-3.0dB

Signal to Noise Ratio / 信号対雑音比 (IHF-A network)
(EFFECT: STEREO, Input shorted 250mV, PREOUT)
DVD, VCR, VIDEO1, VIDEO2 95dB or more
(EFFECT: STEREO, Input shorted 250mV, Speaker OUT)
DVD, VCR, VIDEO1, VIDEO2 95dB or more

● Video Section / ビデオ部

Video Signal Type / ビデオ信号方式
..... NTSC or PAL

Video Signal Level / ビデオ信号
..... 1 Vp-p / 75 ohms

Maximum Input Level / 最大許容入力
..... 1.5 Vp-p

Signal to Noise Ratio / 信号対雑音比
MONITOR OUT 50 dB or more

Frequency Response / 周波数帯域
MONITOR OUT 5 Hz to 10 MHz, 0/-3 dB

● Tuner Section / チューナー部

FM Tuning Range / FM受信周波数範囲
U, C models 87.5 to 107.9 MHz
A, B, G, R, T, K models 87.50 to 108.00 MHz
J model 76.0 to 90.0 MHz

FM Usable Sensitivity / FM実用感度
(MONO)
U, C, R, T, K, J models 1.5 μ V (14.8 dBf)
A, B, G models 1.8 μ V

AM Tuning Range / AM受信周波数範囲
U, C models 530 to 1,710 kHz
A, B, G, J models 531 to 1,611 kHz
R, T, K models 530 to 1,710 / 531 to 1,611 kHz

● General / 総合

Power Supply / 電源電圧
U, C models AC 120 V, 60 Hz
A model AC 240 V, 50 Hz
B, G models AC 230 V, 50 Hz
R, T, K models AC 110~120/220~240 V, 50/60 Hz
J model AC 100V, 50/60 Hz

Power Consumption / 消費電力
U, C, A, B, G, R, T, K models 20W
J model 18W

Standby Power Consumption (reference data) / 待機電力(参考値)
U, C, A, B, G, J models 0.4 W
R, T, K models 0.5 W

Dimensions / 寸法 (W x H x D)
..... 435 x 67 x 265 mm (17-1/8" x 2-5/8" x 10-7/16")

Weight / 重量
..... 4.0 kg (8 lbs. 13 oz.)

Accessories / 付属品

Remote Control, Batteries (Manganese Dry), Indoor FM Antenna, AM Loop Antenna, Optical Cable, Video Pin Cable

■ NX-SW80

● Amplifier Section / アンプ部

Output Power / 定格出力
FRONT L/R (6 ohms, 1kHz, 0.9% THD) 33W + 33W
CENTER (6 ohms, 1kHz, 0.9% THD) 33W
REAR L/R (6 ohms, 1kHz, 0.9% THD) 33W + 33W
SUB WOOFER (5 ohms, 100 Hz, 0.9% THD) 40W

Minimum RMS Output Power / 定格出力
(U, C models only)
FRONT L/R (6 ohms, 20Hz to 20 kHz, 0.9% THD) ... 25W + 25W
CENTER (6 ohms, 20Hz to 20 kHz, 0.9% THD) 25W
REAR L/R (6 ohms, 20Hz to 20 kHz, 0.9% THD) 25W + 25W

Maximum Power / 実用最大出力 (EIAJ)
FRONT L/R (6 ohms, 1kHz, 10% THD) 40W + 40W
CENTER (6 ohms, 1kHz, 10% THD) 40W
REAR L/R (6 ohms, 1kHz, 10% THD) 40W + 40W
SUB WOOFER (5 ohms, 100 Hz, 10% THD) 50W

Total Harmonic Distortion / 全高調波歪率 (1kHz, 20W)
FRONT L/R 0.05% or less

Signal to Noise Ratio / 信号対雑音比 (IHF-A network)
FRONT L/R (Input shorted) 95 dB or more

● Speaker Section / スピーカー部

Type / 型式
(Magnetic -Shielding Type)
SW-S80 Advanced Yamaha Active Servo Technology
NX-S80C Acoustic suspension
NX-S80S Acoustic suspension

Drivers / スピーカーユニット
SW-S80 16cm Cone Woofer
NX-S80C 5cm Full Range Cone x 2
NX-S80S 5cm Full Range Cone x 2

Impedance / インピーダンス
SW-S80 5 ohms
NX-S80C 6 ohms
NX-S80S 6 ohms

Nominal Input Power / 許容入力
NX-S80C 30W
NX-S80S 30W

Maximum Input Power / 最大入力
NX-S80C 100W
NX-S80S 100W

Frequency Range / 再生周波数帯域
SW-S80 30Hz to 200Hz
NX-S80C 75Hz to 30 kHz
NX-S80S 100Hz to 30 kHz

Sensitivity / 出力音圧レベル
(1m, 2.83V)
NX-S80C 86dB / 2.83V/m
NX-S80S 86dB / 2.83V/m

● General / 総合

Power Supply / 電源電圧
U, C models AC 120 V, 60 Hz
A model AC 240 V, 50 Hz
B, G models AC 230 V, 50 Hz
R, T, K models AC 110~120/220~240 V, 50/60 Hz
J model AC 100V, 50/60 Hz

Power Consumption / 消費電力
U, C, A, B, G, R, T, K models 160W
J model 120W

Standby Power Consumption (reference data) / 待機電力(参考値)
..... 0W

Dimensions / 寸法 (W x H x D)
SW-S80 200 x 395 x 416 mm (7-7/8" x 15-9/16" x 16-3/8")
NX-S80C 300 x 72 x 110 mm (11-13/16" x 2-13/16" x 4-5/16")
NX-S80S 72 x 164 x 111 mm (2-13/16" x 6-7/16" x 4-3/8")

Weight / 重量
SW-S80 11.2 kg (24 lbs. 11 oz.)
NX-S80C 1.1 kg (2 lbs. 7 oz.)
NX-S80S 0.9 kg (2 lbs.)

Accessories / 付属品

Speaker Cable (5m x 3, 15m x 2), System Control Cable (DIN 13 pin 5m x1), Fastener Tape (2 pcs), Brackets A (J model only: 2 pcs), Brackets B (4 pcs), Screw Set (J model: 2 pcs for A & 4 pcs for B, U/C/A/B/G/R/T/K model: 4 pcs for B), Non-Skid Pads (16 pcs)


* Specifications are subject to change without notice due to product improvements.

※ 参考仕様および外観は予告なく変更されることがあります。

- | | | | |
|---------|------------------|---------|----------------|
| U | U.S.A. model | C | Canadian model |
| A | Australian model | B | British model |
| G | European model | R | General model |
| T | Chinese model | K | Korean model |
| J | Japanese model | | |



Manufactured under license from Dolby Laboratories. "Dolby", "Pro Logic" and the double-D symbol are trademarks of Dolby Laboratories.


ドルビーラボラトリーズからの実施権に基づき製造されています。ドルビー、DOLBY、ドルビーデジタル、PRO LOGICおよびダブルD記号は、ドルビーラボラトリーズの商標です。



"DTS" and "DTS Digital Surround" are registered trademarks of Digital Theater Systems, Inc.

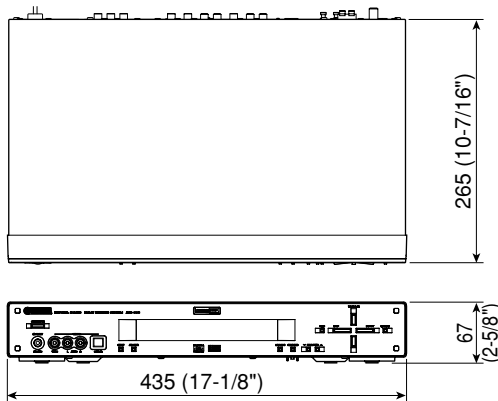
DTS、DTS Digitalサラウンドはデジタルシアターシステムズの登録商標です。



AACロゴマークはドルビーラボラトリーズの商標です。

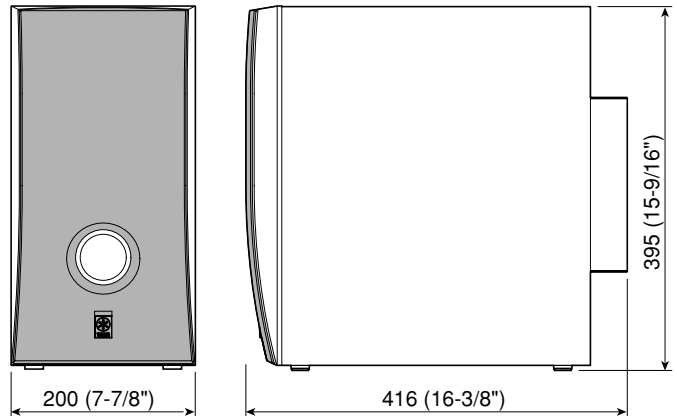
DIMENSIONS / 寸法図

• AVR-S80



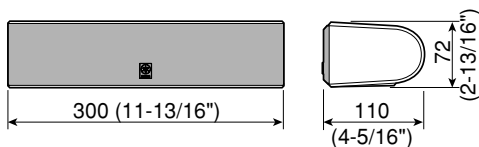
Unit : mm (inch)
単位: mm (インチ)

• SW-S80



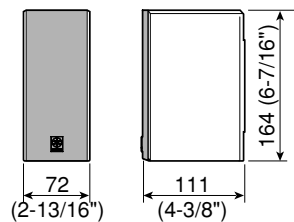
Unit : mm (inch)
単位: mm (インチ)

• NX-S80C



Unit : mm (inch)
単位: mm (インチ)

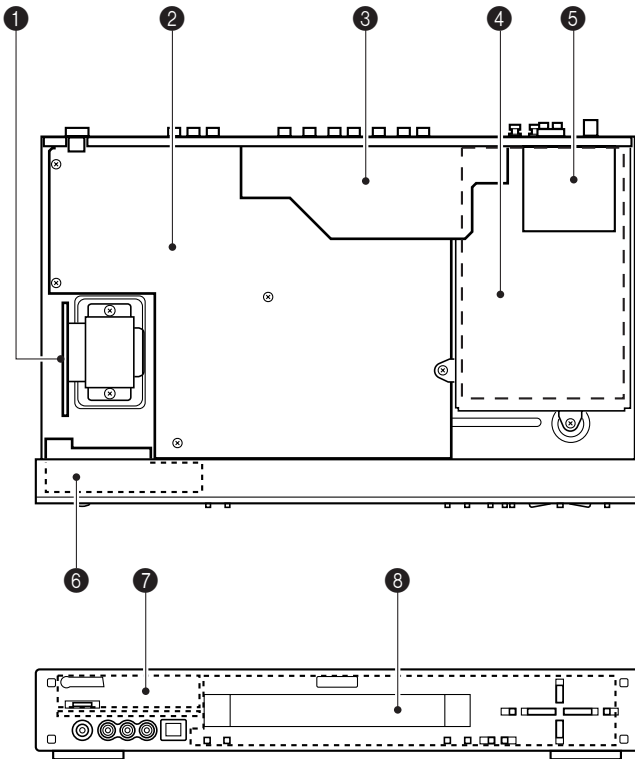
• NX-S80S



Unit : mm (inch)
単位: mm (インチ)

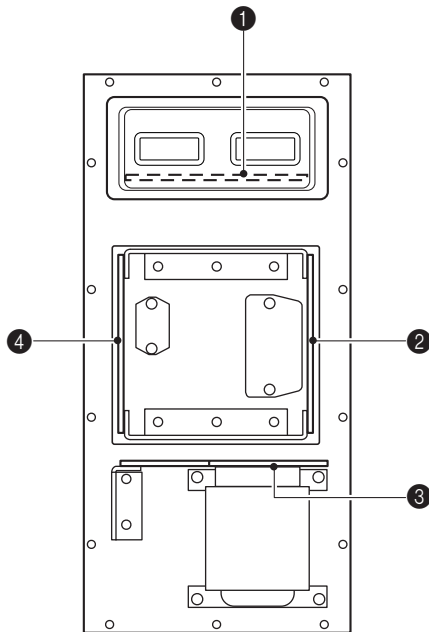
INTERNAL VIEW

• AVR-S80



- ① MAIN (2) P.C.B.
- ② MAIN (1) P.C.B.
- ③ SUB (3) P.C.B.
- ④ DSP P.C.B.
- ⑤ TUNER
- ⑥ SUB (4) P.C.B.
- ⑦ SUB (2) P.C.B.
- ⑧ SUB (1) P.C.B.

• SW-S80



- ① POWER AMP (3) P.C.B.
- ② POWER AMP (1) P.C.B.
- ③ POWER AMP (4) P.C.B.
- ④ POWER AMP (2) P.C.B.

■ AVR-S80 DISASSEMBLY PROCEDURE / AVR-S80分解手順

(Remove parts in the order as numbered.)
Disconnect the power cord from the AC outlet.

1. Removal of Top Cover

- Remove 4 screws (①) and 5 screws (②). (Fig. 1)
- Slide the Top Cover rearward to remove it. (Fig. 1)

2. Removal of Front Panel Unit

- Remove 6 screws (③) and 1 screw (④). (Fig. 1)
- Remove CB5, CB500, CB501. (Fig. 1)
- Remove the Front Panel Unit. (Fig. 1)

When checking the P.C.B.:

- Reconnect all cables (connectors) that have been disconnected.
- Using a lead wire or the like, connect G500 of SUB (4) P.C.B. and the chassis for grounding. (Fig. 2)

(番号順に部品を取り外してください。)
AC電源コンセントから、電源コードを抜いてください。

1. トップカバーの外し方

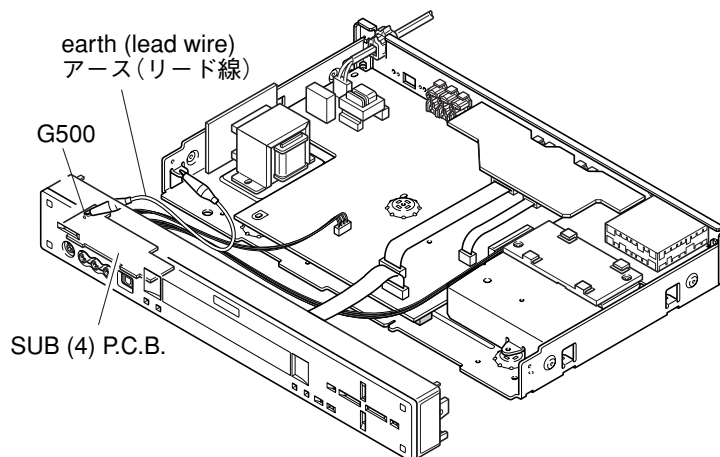
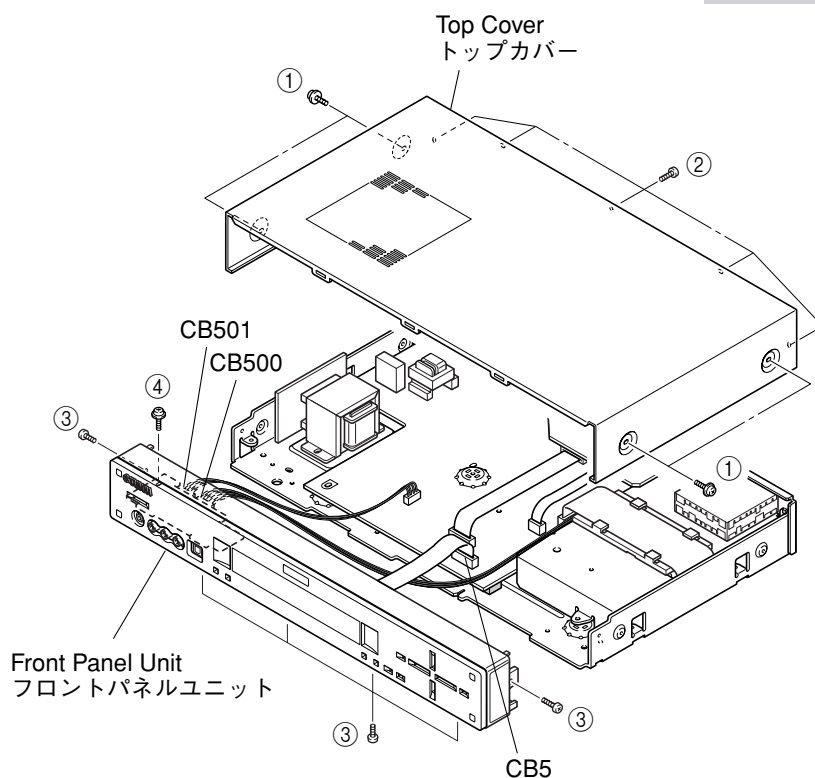
- ①のネジ4本を外し、②のネジ5本を外します。(Fig. 1)
- トップカバーを後方へスライドさせ、取り外します。(Fig. 1)

2. フロントパネルユニットの外し方

- ③のネジ6本を外し、④のネジ1本を外します。(Fig. 1)
- CB5、CB500、CB501を外します。(Fig. 1)
- フロントパネルユニットを取り外します。(Fig. 1)

P.C.B.チェックをする場合には

- 外したケーブル(コネクタ)をすべて接続してください。
- SUB (4) P.C.B.のG500とシャーシ間を、リード線等でアース接続してください。(Fig. 2)



3. Removal of SUB (3) P.C.B.

- Remove 4 screws (⑤). (Fig. 3)
- Remove CN1, CB3, CB4, CB302. (Fig. 4)
- Remove the SUB (3) P.C.B.. (Fig. 4)

4. Removal of Tuner

- Remove 3 screws (⑥). (Fig. 3)
- Remove the Tuner. (Fig. 4)

5. Removal of DSP P.C.B.

- Remove CB2 and disconnect the flat cable from the Cable / Holder. (Fig. 4)
- Remove 2 screws (⑦). (Fig. 3)
- Remove 2 screws (⑧) and then remove the Frame / DSP. (Fig. 4)
- Remove 2 screws (⑨). (Fig. 3)
- Remove 1 screw (⑩) and 2 screws (⑪). (Fig. 4)
- Remove the DSP P.C.B.. (Fig. 4)

3. SUB (3) P.C.B.の外し方

- ⑤のネジ4本を外します。(Fig. 3)
- CN1、CB3、CB4、CB302を外します。(Fig. 4)
- SUB (3) P.C.B.を取り外します。(Fig. 4)

4. チューナーの外し方

- ⑥のネジ3本を外します。(Fig. 3)
- チューナーを取り外します。(Fig. 4)

5. DSP P.C.B.の外し方

- CB2を外し、ケーブル/ホルダーからフラットケーブルを外します。(Fig. 4)
- ⑦のネジ2本を外します。(Fig. 3)
- ⑧のネジ2本を外し、フレーム/DSPを取り外します。(Fig. 4)
- ⑨のネジ2本を外します。(Fig. 3)
- ⑩のネジ1本、⑪のネジ2本を外します。(Fig. 4)
- DSP P.C.B.を取り外します。(Fig. 4)

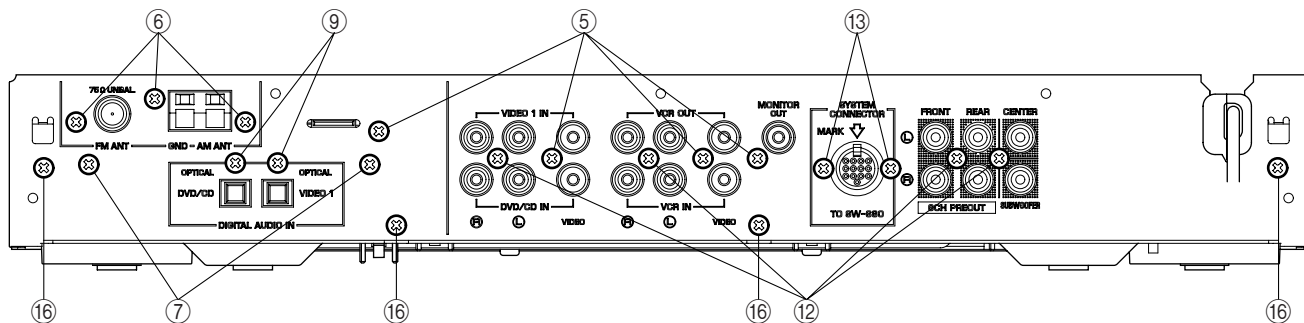


Fig. 3

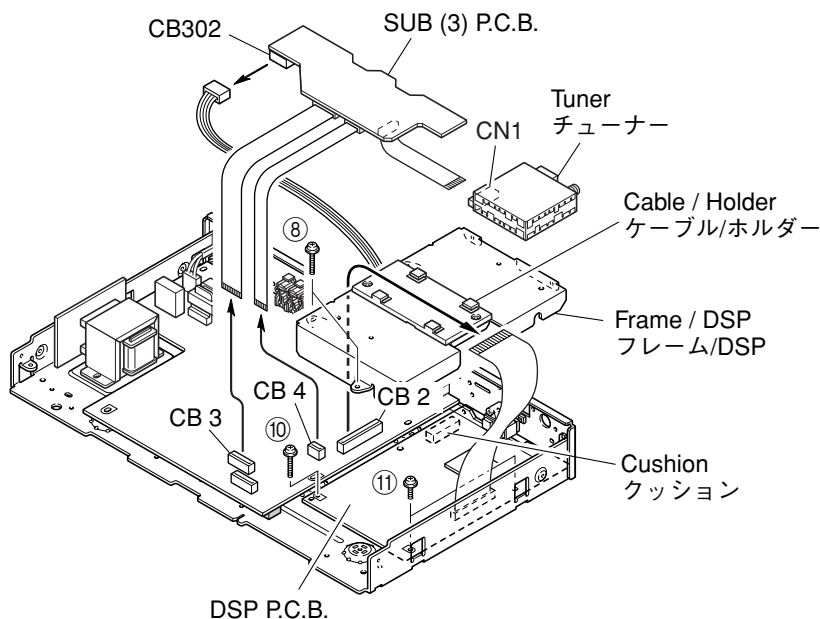


Fig. 4

6. Removal of MAIN (1) P.C.B.

- a. Remove 4 screws (12) and 2 screws (13). (Fig. 3)
- b. Remove 2 screws (14) and 2 screws (15). (Fig. 5)
- c. Remove the MAIN (1) P.C.B.. (Fig. 5)

6. MAIN (1) P.C.B.の外し方

- a. 12のネジ4本、13のネジ2本を外します。(Fig. 3)
- b. 14のネジ2本、15のネジ2本を外します。(Fig. 5)
- c. MAIN (1) P.C.B.を取り外します。(Fig. 5)

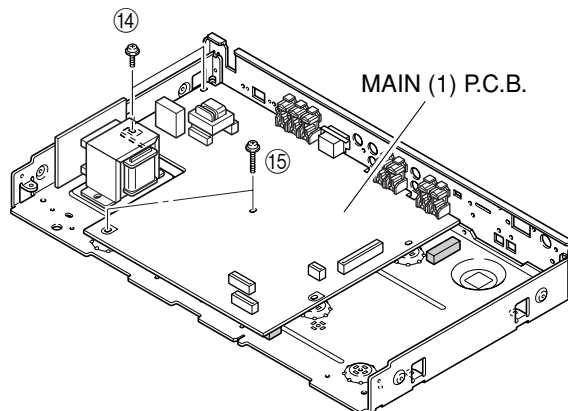


Fig. 5

Shortcut to MAIN (1) P.C.B. operation check

- a. Remove the top cover. (Fig. 1)
- b. Remove CB2 and disconnect the flat cable from the Cable/Holder. (Fig. 4)
- c. Remove 2 screws (7), 2 screws (9) and 4 screws (16). (Fig. 3)
- d. Remove 2 screws (8). (Fig. 4)
- e. Remove 2 screws (14) and 2 screws (15). (Fig. 5)
- f. With the rear panel attached, remove the MAIN (1) P.C.B.. At the same time, remove the Frame/DSP.
- g. With the rear panel attached, set the MAIN (1) P.C.B. upright. (Fig. 6)
- h. Using a servicing extension cable, connect the MAIN (1) P.C.B and DSP P.C.B. (Fig. 6)
Extension cable for pin No. 35: MF135300 (300 mm)
- i. Using lead wires or the like, connect between G1 of the MAIN (1) P.C.B. and chassis, between G2 of the MAIN (1) P.C.B. and chassis, and between the rear panel and chassis respectively. (Fig. 6)

MAIN (1) P.C.B.の動作チェックへの近道

- a. トップカバーを取り外します。(Fig. 1)
- b. CB2を外し、ケーブルホルダーからフラットケーブルを外します。(Fig. 4)
- c. 7のネジ2本、9のネジ2本、16のネジ4本を外します。(Fig. 3)
- d. 8のネジ2本を外します。(Fig. 4)
- e. 14のネジ2本、15のネジ2本を外します。(Fig. 5)
- f. リアパネルに取り付けた状態で、MAIN (1) P.C.B.を取り外します。同時にフレーム/DSPを取り外します。
- g. リアパネルに取り付けた状態で、MAIN (1) P.C.B.を立てます。(Fig. 6)
- h. MAIN (1) P.C.B.とDSP P.C.B.間を、サービス用延長ケーブルで接続します。(Fig. 6)
35ピン延長ケーブル: MF135300 (300mm)
- i. MAIN (1) P.C.B.のG1とシャーシ間、MAIN (1) P.C.B.のG2とシャーシ間、リアパネルとシャーシ間を、それぞれリード線等でアース接続します。(Fig. 6)

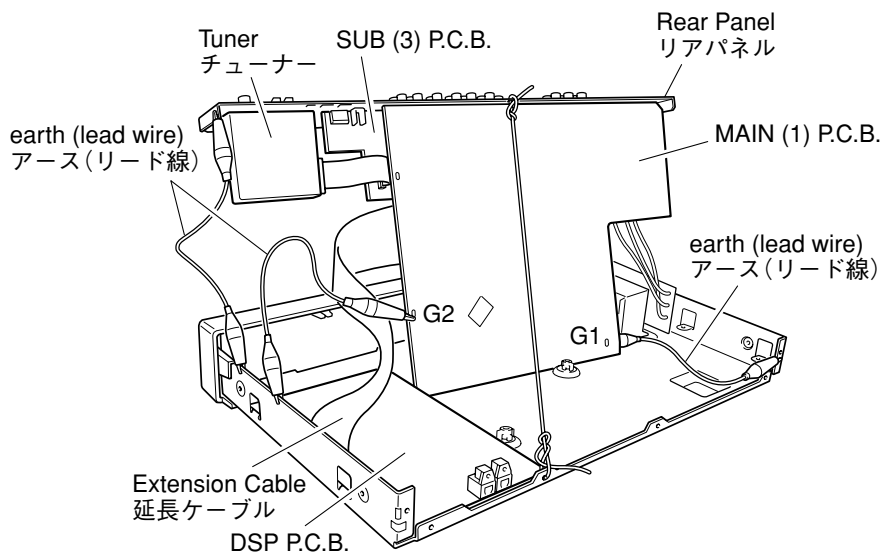


Fig. 6

■ SW-S80 DISASSEMBLY PROCEDURE / SW-S80分解手順

(Remove parts in the order as numbered.)
Disconnect the power cord from the AC outlet.

1. Removal of Grille Assembly

- Insert the tip of flat tip (-) screwdriver to the slot on the bottom.
Push up the Grille Assembly by applying force to the screwdriver. (Fig. 7)
- Keep pushing up the Grille Assembly gradually until it can be removed. (Fig. 7)

* The Grille Assembly is fixed securely at 6 dowels. When removing it, use care not to cause a scratch or any damage to the main unit. When reinstalling it, apply quick-drying type bond to the dowels of the Grille Assembly and fit it in place securely. (If it is only pushed in, it will come off easily.)

2. Removal of Top Amplifier Unit

Remove 14 screws (17) and then remove the Amplifier Unit. (Fig. 8)

(番号順に部品を取り外してください。)
AC電源コンセントから、電源コードを抜いてください。

1. グリルAss'yの外し方

- 底側からマイナスドライバーを差し込み、グリルAss'yを押し上げます。(Fig. 7)
- 徐々に上面へマイナスドライバーで押し上げて、グリルAss'yを取り外します。(Fig. 7)

※ グリルAss'yは6箇所のダボで固定されています。取り外しの際、本体に傷が付かないように十分注意してください。
取り付け時には、グリルAss'yのダボに速乾ボンドなどを塗って差し込み、固定してください。(グリルAss'yを差し込むだけでは、簡単に外れてしまいます。)

2. アンプユニットの外し方

17のネジ14本を外し、アンプユニットを取り外します。(Fig. 8)

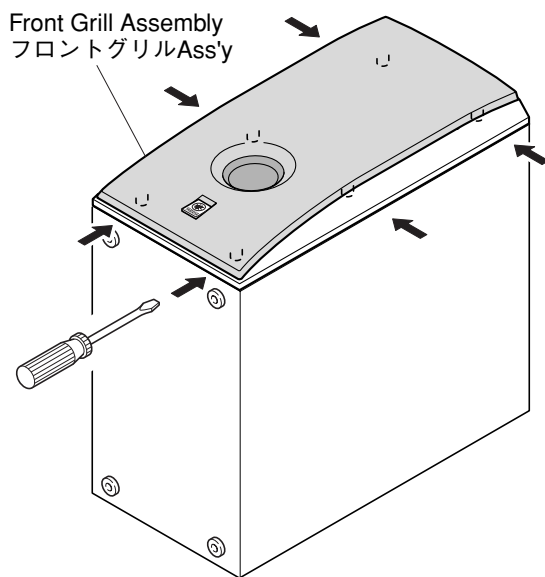


Fig. 7

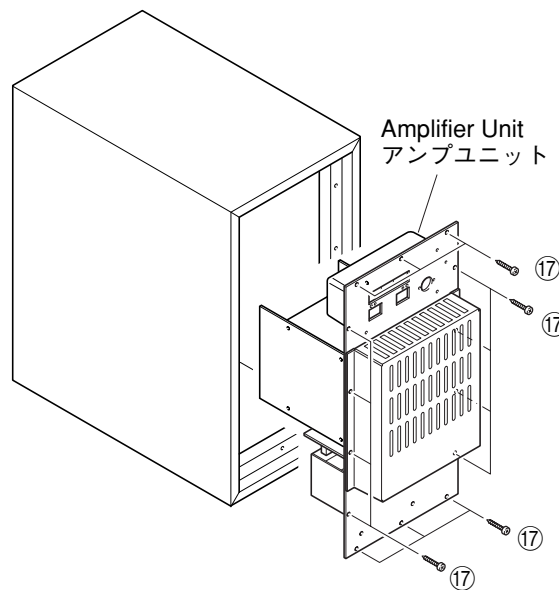


Fig. 8

When checking the P.C.B.:

The power to the SW-S80 cannot be turned on independently. Connect the AVR-S80 or an external DC power source and use it to turn on the power.

1. When using the AVR-S80

- Using the system connection cable (DIN 13P) supplied with the unit, connect the system connector terminal of the AVR-S80 and that of the SW-S80.
- Connect the power cords of the AVR-S80 and SW-S80 to the service outlet.
- Press the STANDBY/ON button of the AVR-S80.

2. When using the external DC power source

- Prepare a DC power source and set the output voltage to 10V in advance. (Fig. 9)
- Connect pins No. 5, 10 and 13 of the system connector terminal of the SW-S80 to the (+) output terminal of the DC power source with a cable. (Fig. 9)
- Connect the pin No.7 of the system connector terminal of the SW-S80 to the (-) output terminal of the DC power source with a cable. (Fig. 9)
- Connect the power cords of the SW-S80 and the DC power source to the service outlet.
- Turn on the power switch of the DC power source.

P.C.B.チェックをする場合には

SW-S80は単独で電源を投入することができません。AVR-S80または外部DC電源を接続して、それにより電源を投入します。

1. AVR-S80を使用する場合

- AVR-S80のシステムコネクタ端子とSW-S80のシステムコネクタ端子を、付属のシステム接続ケーブル (DIN 13P)で接続します。
- AVR-S80およびSW-S80の電源コードを、電源コンセントに接続します。
- AVR-S80のSTANDBY/ONボタンを押します。

2. 外部DC電源を使用する場合

- DC電源を用意し、あらかじめ出力電圧を10Vに設定します。(Fig. 9)
- SW-S80のシステムコネクタ端子5、10、13ピンと、DC電源+出力端子をケーブルで接続します。(Fig. 9)
- SW-S80のシステムコネクタ端子7ピンと、DC電源-出力端子をケーブルで接続します。(Fig. 9)
- SW-S80およびDC電源の電源コードを、電源コンセントに接続します。
- DC電源の電源SWをONします。

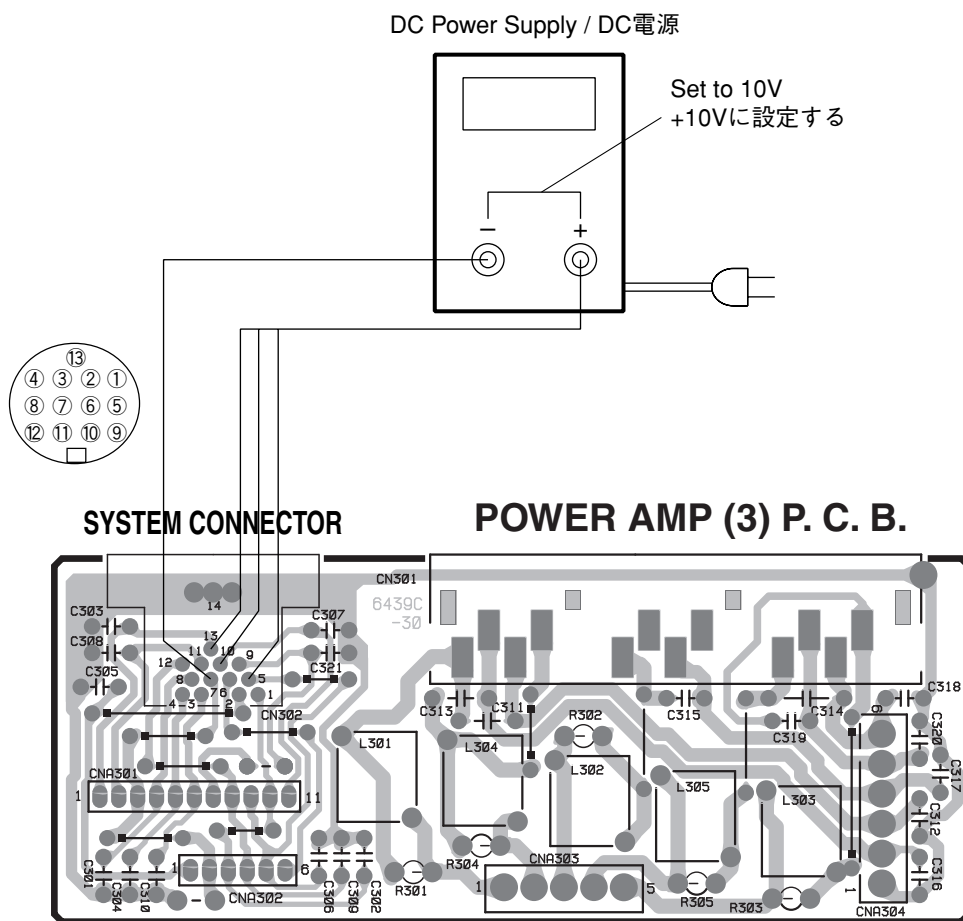


Fig. 9

■ DSP SELF DIAGNOSIS FUNCTION (DIAG) / DSP自己診断機能 (ダイアグ)

There are 15 DIAG menu items, each of which has sub-menu items.

Listed in the table below are menu items and sub-menu items.

本機には、検査、測定、不良個所の発見を目的にした自己診断機能(ダイアグ)があります。

ダイアグメニューは15個あり、そのそれぞれにサブメニューがあります。(ダイアグのメニュー操作は本体+付属リモコンで行います。) 下表はメニュー一覧です。

No	DIAG menu	sub-menu
1	DSP THROUGH 1. ANALOG BYPASS	1. ANALOG BYPASS
		2. YSS 0dB
		3. YSS Front 0dB (Not used in this model)
		4. YSS FULL BIT
		5. YSS FULL BIT F (Not used in this model)
2	RAM THROUGH 2. RAM 0dB	RAM 0dB
3	PRO LOGIC 3. PRO LOGIC I	1. PRO LOGIC I
		2. PRO LOGIC II
4	SPEAKER SET 4. MAIN: SML 0dB	1. MAIN: SMALL 0dB
		2. CENTER: NONE
		3. LFE/BASS: MAIN
		4. Front Mix: 5ch
5	MARGIN CHECK 5. MAIN 12dB	1. MAIN 12 dB MARGIN
		2. MAIN 18 dB MARGIN
6	OTHER INPUT 6. EXTERNAL DEC	EXTERNAL DECODER (Not used in this model)
7	DISPLAY CHECK 7. VFD CHECK	1. VFD CHECK (Initial display / 初期表示)
		2. VFD DISP OFF (All segments OFF / 全セグメント消灯)
		3. VFD DISP ALL (All segments ON 100% / 全セグメント点灯100%)
		4. VFD DIMMER (All segments ON 50% / 全セグメント点灯50%)
		5. CHECKED PATTERN (ON in lattice / 格子状点灯)
8	MANUAL TEST 8. TEST ALL	1. TEST ALL
		2. TEST MAIN L
		3. TEST CENTER
		4. TEST MAIN R
		5. TEST REAR R
		6. TEST REAR CENTER (Not used in this model)
		7. TEST REAR L
		8. TEST LFE
9	FACTORY PRESET 9. PRESET INHI	1. PRESET INHIBITED (memory initialization inhibited / メモリーの初期化禁止)
		2. PRESET RESERVED (memory initialized / メモリーの初期化)
10	AD DATA CHECK PS: 042	1. PS (protection)
		2. K0/K1 (panel key)
11	IF STATUS IS1: 440308C000	1. INSIDE STATUS 1 (5 Byte)
		2. INSIDE STATUS 2 (3 Byte) (Not used in this model)
		3. INSIDE STATUS 3 (4 Byte) (Not used in this model)
		4. CHANNEL STATUS 1 (5 Byte) (Not used in this model)
		5. CHANNEL STATUS 2 (5 Byte) (Not used in this model)
		6. CHANNEL STATUS 3 (5 Byte) (Not used in this model)
		7. CHANNEL STATUS 4 (5 Byte) (Not used in this model)
		8. CHANNEL STATUS 5 (4 Byte) (Not used in this model)
		9. BSI (YSS) 1 (5 Byte) (Not used in this model)
		10. BSI (YSS) 2 (5 Byte) (Not used in this model)
		11. BSI (YSS) 3 (5 Byte) (Not used in this model)
		12. BSI (YSS) 4 (4 Byte) (Not used in this model)
		13. BSI (CS) 1 (5 Byte) (Not used in this model)
		14. BSI (CS) 2 (5 Byte) (Not used in this model)
		15. BSI (CS) 3 (5 Byte) (Not used in this model)
		16. BSI (CS) 4 (5 Byte) (Not used in this model)
		17. BSI (CS) 5 (1 Byte) (Not used in this model)
		18. YSS938-1 (5 Byte) (Not used in this model)

No	DIAG menu	sub-menu
		19. YSS938-2 (5 Byte) (Not used in this model)
		20. YSS938-3 (4 Byte) (Not used in this model)
		21. CS49329 (3 Byte) (Not used in this model)
		22. Mute Trigger (5 Byte) (Not used in this model)
12	DSP RAM CHECK YSS BUS: NoEr	1. YSS938 BUS CHECK 2. PLD/CS BUS CHECK
13	SOFT SWITCH 13. SW : PCB	1. SW MODE 2. MODEL SETTING 3. TUNER DESTINATION 4. TUNER EXIST 5. RDS EXIST 6. VIDEO FORMAT
14	ROM VERSION/CHECK SUM/ PORT VER. XXXXX	1. VERSION 2. CHECK SUM ALL 3. PORT 4. AAC PORT
15	ROM CORRECTION / CHECK SUM DATE: '02.02.22	1. SOFT DATE 2. ROM CORRECTION (Not used in this model) 3. ROM CORRECTION CHECK SUM (Not used in this model) 4. ROM CORRECTION REMOCON RECEIVE (Not used in this model) 5. REMOTE CONTROL CODE DISPLAY 6. PROTECT HISTORY

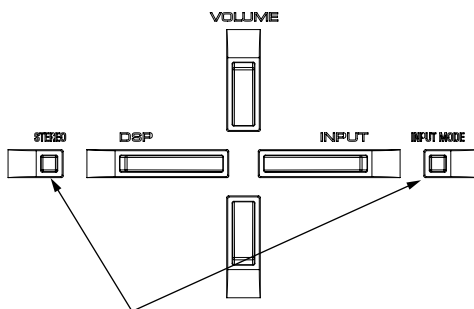
● Starting DIAG

Press the “STANDBY/ON” key while simultaneously pressing those two keys of the main unit as indicated in the figure below.

● ダイアグの起動

本体の下図に示すキーを同時に押しながら“STANDBY/ON”キーを押すと、ダイアグが起動します。

Keys of main unit / 本体キー



Turn on the power while pressing these keys.
これらのキーを同時に押しながら、パワーオンする。

● Starting DIAG in the protection cancel mode

If the protection function works and causes hindrance to trouble diagnosis, cancel the protection function as described below and it will be possible to enter the DIAG mode. (The protection functions other than the excess current detect function will be disabled.)

Press the “STANDBY/ON” key while simultaneously pressing those two keys indicated in the figure above. At this time, keep pressing those two keys for 3 seconds or longer.

In this mode, the “SLEEP” segment of the FL display of the main unit flashes to indicate that the mode is DIAG mode with the protection functions disabled.

● プロテクション解除モードでの起動

プロテクションが動作することにより、故障箇所の診断に支障をきたすような場合は、次の方法によりプロテクションを解除した状態でダイアグモードに入ることができます。(過電流検出以外のプロテクション動作を解除する)

上図のキーを同時に押しながら“STANDBY/ON”キーを押します。このとき、上図のキーを3秒以上押し続けてください。

このモードでは本体FLの“SLEEP”セグメントが点滅し、プロテクションを解除した状態でのダイアグモードであることを知らせます。

CAUTION!

Using this product with the protection function disabled may cause damage to itself. Use special care for this point when using this mode.

• Canceling DIAG

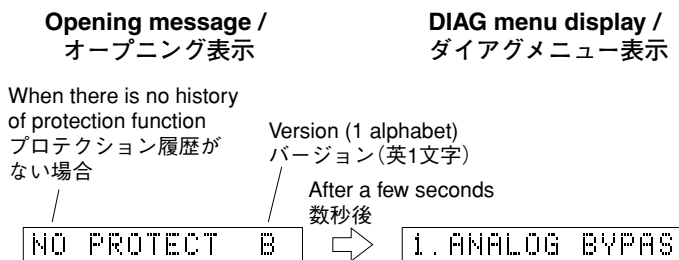
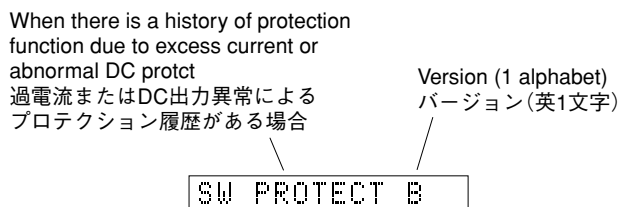
[1] Before canceling DIAG, execute setting for PRESET of DIAG menu No.9 (Memory initialization inhibited or Memory initialized).

* In order to keep the user memory stored, be sure to select PRESET INHIBITED (Memory initialization inhibited). Protection history will remain in memory.

[2] Turn off the power by pressing the “STANDBY/ON” key of the main unit.

• Display provided when DIAG started

The FL display of the main unit displays the protection function history data and the version (1 alphabet) and the DIAG menu [sub-menu (ANALOG BYPASS) of DIAG menu No.1 DSP THROUGH] a few seconds later.

When there is no history of protection function:**When there is a history of protection function:**

Cause: An excessive current flowed through the power amplifier or DC output of the power amplifier is abnormal.

Turning on the power without correcting the abnormality will cause the protection function to work immediately and the power supply will instantly be shut off.

注意！

プロテクションを解除した状態でのダイアグモードは、危険な状態でもプロテクションが作動しないため、動作させると、機器を破壊することがあります。このモードを使用する場合は十分注意してください。

● ダイアグの解除

① ダイアグを解除する前に、ダイアグメニューNo.9のFACTORY PRESET (メモリーの初期化禁止/またはメモリーの初期化)の設定をします。

※ ユーザーメモリーを保持したい場合は、必ずPRESET INHIBITED(メモリー初期化禁止)を選択してください。

② 本体の“STANDBY/ON”キーを押し、パワーオフにします。

● ダイアグ起動時の表示

本体のFLディスプレイにプロテクション履歴情報とバージョン(英1文字)が表示され、数秒後にダイアグメニュー (No.1 DSP THROUGHのサブメニューANALOG BYPASS)になります。

プロテクション履歴がない場合:

プロテクション履歴がある場合:

原因：パワーアンプに過電流が流れた、またはパワーアンプのDC出力が異常。

異常状態のままパワーオンすると、瞬時にプロテクションがかかり、すぐに電源が切れます。

Note)

- Applying the power to a unit without correcting the abnormality can be dangerous and cause additional circuit damage.
- The output transistors in each amplifier channel should be checked for damage before applying any power.
- Amplifier current should be monitored by measuring across the emitter resistors for each channel.

When there is a history of protection function due to abnormal voltage in the power supply section
電源部の電圧異常によるプロテクション履歴がある場合 \

Version (1 alphabet)
バージョン(英1文字) /

PS PRT:000 E

Voltage display in %
電圧の%表示

Cause: The voltage in the power supply section is abnormal.

Supplementary information: The abnormal voltage is displayed in % based on 5V as 100%.

Turning on the power without correcting the abnormality will cause the protection function to work 1 second later and the power supply will be shut off.

- * Additional causes of protection can be due to loose connections (including ground), associated components, CPU, etc.

原因：電源部の電圧が異常。

補足：異常時の電圧の状態を、5Vを100%とした値で%表示します。

異常状態のままパワーオンすると、1秒後にプロテクションがかかり、電源が切れます。

- ※ 前記の異常原因の他に、コネクタのはずれやCPU周辺などに原因がある場合があります。

● History of protection function

When the protection function has worked, its history is stored in memory with a backup. Even if no abnormality is noted while servicing the unit, an abnormality which has occurred previously can be defined as long as the backup data has been stored.

The history of the protection function is cleared when DIAG is cancelled by selecting PRESET RESERVED (Memory initialized) of DIAG menu No.9 or by selecting Prt Hist < DEL (Protection history deletion reserved) of sub-menu 6 of DIAG menu No.15 and the backup data is erased.

● プロテクションの履歴

プロテクションが働いた場合、履歴をバックアップして記憶しています。サービスのときに異常が認められなくても、バックアップが残っていれば、お客様のところでききた異常を区別できます。

プロテクションの履歴は、ダイアグメニューNo.9で PRESET RESERVED(メモリーの初期化)を選んでダイアグを解除した場合や、ダイアグメニューNo.15のサブメニュー6で Prt Hist < DEL (プロテクション履歴削除の予約)を選んでダイアグ解除した場合、バックアップが消えたときにはクリアされます。

● Display during menu operation

During the DIAG operation, the function at work is indicated on the FL indicator. The contents displayed during the function operation are described in the later section on details of functions

● メニュー動作中の表示

ダイアグ中、本体のFLディスプレイに動作中の機能が表示されます。機能動作中の表示内容については、後述の機能詳細で記述します。

● Operation procedure of DIAG menu and SUB-MENU

There are 15 MENU items, each of which has some SUB-MENU items.

DIAG menu selection

Main unit: Select the menu using \wedge (Forward) and \vee (Reverse) keys of PRESET/TUNING.

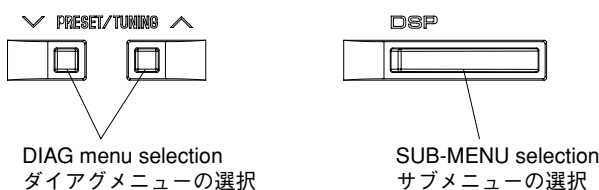
Remote control unit: Select the menu using \vee (Forward) and \wedge (Reverse) keys. (in AMP mode)

SUB-MENU selection

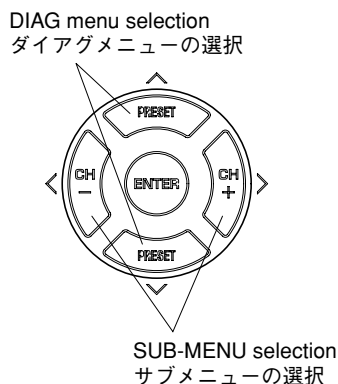
Main unit: Select the sub-menu using DSP (Forward) key.

Remote control unit: Select the sub-menu using $\>$ (Forward) and \lt (Reverse) keys. (in AMP mode)

Keys of main unit / 本体キー



Keys of remote control / リモコンキー



● Functions in DIAG mode

In addition to the DIAG menu items, functions as listed below are available.

- Input selection, Disc Direct (Input DVD/CD)
- Center/Rear/Sub-woofer level adjustment
- Muting
- Power on/off
- Master volume

* Functions related to the tuner and the set menu are not available.

* It is possible to confirm Menu No.11 IF STATUS while keeping the signal process (operation status) of each DIAG menu by using the input mode key of the main unit.

● Initial settings used to start DIAG

The following initial settings are used when starting DIAG. When DIAG is canceled, these settings are restored to those before starting DIAG.

- Master volume: -40dB
- Input: VIDEO 1
- Effect level: 0dB
- Audio mute: OFF
- Speaker setting: LARGE / BASS OUT = BOTH
- DIAG menu: DSP THROUGH (1. ANALOG BYPASS)

● ダイアグメニューとサブメニューの操作

ダイアグにはNo.1～15のメニューがあり、そのそれぞれにサブメニューがあります。

ダイアグメニューの選択

本体キーでの操作： PRESET/TUNING \wedge (順送り), \vee (逆送り) キーで選択します。

リモコンでの操作： \vee (順送り), \wedge (逆送り) キーで選択します。(AMPモード)

サブメニューの選択

本体キーでの操作： DSP (順送り) キーで選択します。

リモコンでの操作： $\>$ (順送り), \lt (逆送り) キーで選択します。(AMPモード)

● ダイアグ中の機能

ダイアグメニューの他に、以下の機能が動作します。

- インプット切り換え、Disc Direct (インプットDVD/CD時)
- センター、リア、サブウーファーレベル調整
- ミューティング
- パワーオン/オフ
- マスターボリューム

※ チューナー関連、セットメニュー関連は機能しません。

※ 本体のINPUT MODEキーにより、各ダイアグメニューの信号処理(動作状態)を維持したままメニューNo.11 “IF STATUS”の確認ができます。

● ダイアグ開始時の初期設定

ダイアグ開始時に以下のような設定になります。ダイアグ解除時にはダイアグ開始前の状態に戻ります。

- マスターボリューム： -40dB
- インプット： VIDEO 1
- エフェクトレベル： 0dB
- オーディオミュート： オフ
- スピーカー設定： LARGE / BASS OUT = BOTH
- ダイアグメニュー： DSP THROUGH (1. ANALOG BYPASS)

● Details of DIAG menu

With full-bit output specified in some modes, it is possible to execute 0dBFS output without head margin in each channel.

1. DSP THROUGH

Main DSP of YSS938 is selected for MAIN L/R output.

ANALOG BYPASS

- The signal for L/R is output as it is without passing through the DSP section.

● ダイアグメニュー詳細

一部のモードでフルビット指定することで、各チャンネルのヘッドマージンを廃して0dBFS出力することが可能です。

1. DSP THROUGH

MAIN L/R出力にはYSS938のMain DSPが選択されます。

ANALOG BYPASS

- L/Rは、DSP部を通らずにそのまま出力されます。

1. ANALOG BYPASS

Reference data

INPUT: VIDEO 1 ANALOG

SWFR: 50Hz, Others: 1kHz

Input level	Volume	6CH PRE OUT			
		FRONT L/R (1kHz)	CENTER (1kHz)	RL/RR (1kHz)	SUBWOOFER (50Hz)
Both ch, -20 dBV	-10 dB	-15.5 dBV	-∞	-∞	-∞

YSS 0dB

- The signal is output including the head margin.
Head margin:
Main L/R: 0dBFS, Center: 0dBFS,
RL/RR: -12dBFS, SWFR: Add L/R signal at -20dBFS.

YSS 0dB

- ヘッドマージンを含んで出力されます。
ヘッドマージン：
Main L/R: 0dBFS、Center: 0dBFS、
RL/RR: -12dBFS、SWFR: L/Rを-20dBfsにて加算

1. YSS 0dB

Reference data

INPUT: VIDEO 1 ANALOG

SWFR: 50Hz, Others: 1kHz

Input level	Volume	6CH PRE OUT			
		FRONT L/R (1kHz)	CENTER (1kHz)	RL/RR (1kHz)	SUBWOOFER (50Hz)
Both ch, -20 dBV	-10 dB	-16.0 dBV	-16.0 dBV	-16.2 dBV	-4.0 dBV

YSS Front 0dB

- Not used in this model

YSS Front 0dB

- 使用しません

YSS FULL BIT

- The signal is output in digital full bit without including the head margin.

YSS FULL BIT

- ヘッドマージンを含まず、デジタルフルビットで出力されます。

1. YSS FULL BIT

Reference data

INPUT: VIDEO 1 ANALOG

SWFR: 50Hz, Others: 1kHz

Input level	Volume	6CH PRE OUT			
		FRONT L/R (1kHz)	CENTER (1kHz)	RL/RR (1kHz)	SUBWOOFER (50Hz)
Both ch, -20 dBV	-10 dB	-16.0 dBV	-16.0 dBV	-16.2 dBV	-4.0 dBV

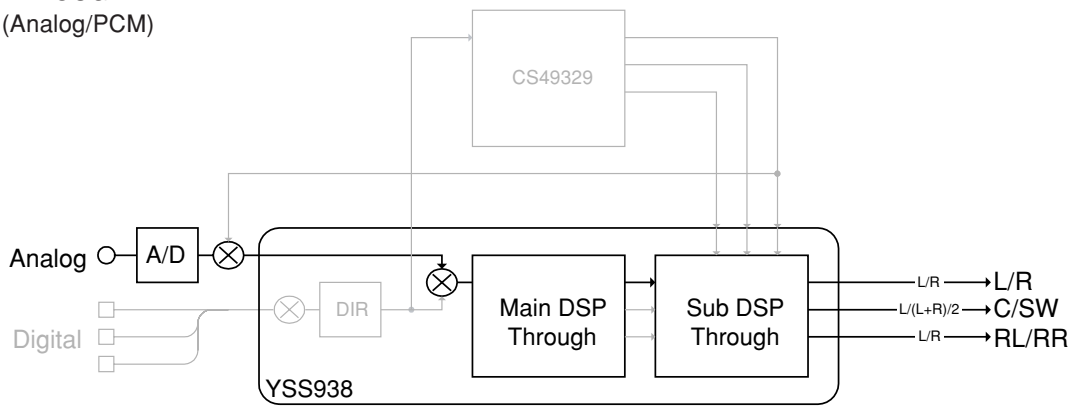
YSS FULL BIT F

- Not used in this model

YSS FULL BIT F

- 使用しません

DSP THROUGH ~
YSS (Analog/PCM)



(Shaded items not used in this example)

2. RAM THROUGH

This function is for YSS938 only.
Only the CT signal is output through the Sub DSP - DRAM.

2. RAM THROUGH

YSS938のみの動作です。
CTのみがSub DSP - DRAM経由で出力されます。

RAM 0dB

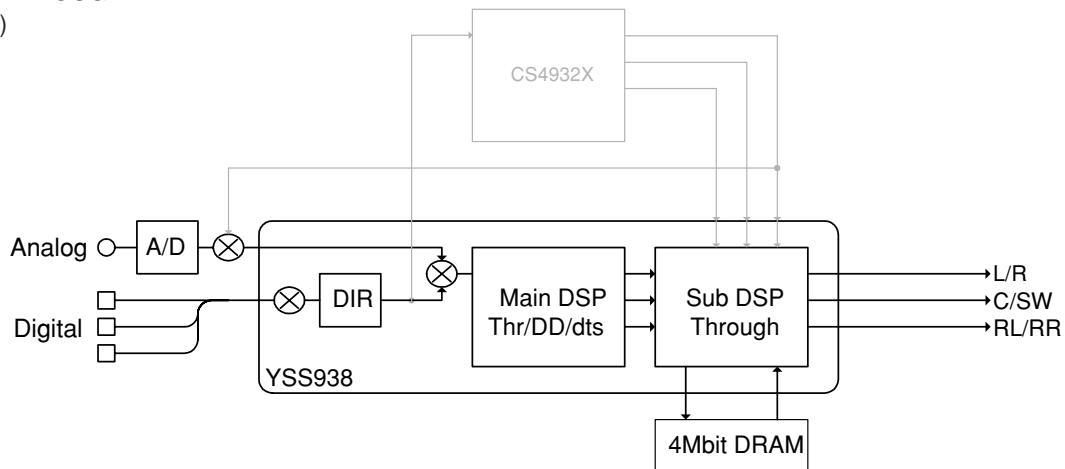
RAM 0dB

2. RAM 0dB

Reference data
INPUT: VIDEO 1 ANALOG
SWFR: 50Hz, Others: 1kHz

Input level	Volume	6CH PRE OUT			
		FRONT L/R (1kHz)	CENTER (1kHz)	RL/RR (1kHz)	SUBWOOFER (50Hz)
Both ch, -20 dBV	-10 dB	-∞	-16.0 dBV	-∞	-∞

RAM THROUGH ~
(Auto)



(Shaded items not used in this example)

3. PRO LOGIC

The L/C/R/RL/RR signals undergo the Pro-Logic processing and C/RL/RR signals are output through Sub DSP-DRAM. Main DSP is selected for MAIN L/R output. Using the sub-menu, it is possible to select PRO LOGIC I, II (Movie). The Auto Input Balance function is always off. The LFE signal is not output when decoding in the PRO LOGIC I, II mode.

3. PRO LOGIC

L/C/R/RL/RRはYSS938によりプロロジック処理され、C/RL/RRはSub DSP-DRAM経由で出力されます。MAIN L/R出力にはMain DSPが選択されます。サブメニューでPRO LOGIC I、II(Movie)を選択可能です。常時Auto Input Balance offです。

AAC入力時はCS49329でデコード後、L/Rはプロロジック処理されます。(J modelのみ)
PRO LOGIC I、IIデコード時は、LFEは出力されません。

PRO LOGIC I

PRO LOGIC I

3. PRO LOGIC I

Reference data

INPUT: VIDEO 1 ANALOG

SWFR: 50Hz, Others: 1kHz

Input level	Volume	6CH PRE OUT			
		FRONT L/R (1kHz)	CENTER (1kHz)	RL/RR (1kHz)	SUBWOOFER (50Hz)
Each ch, -20 dBV	-10 dB	-16.5 dBV	-∞	-∞	-∞
Both ch, -20 dBV	-10 dB	-∞	-13.0 dBV	-∞	-∞

PRO LOGIC II

PRO LOGIC II

3. PRO LOGIC II

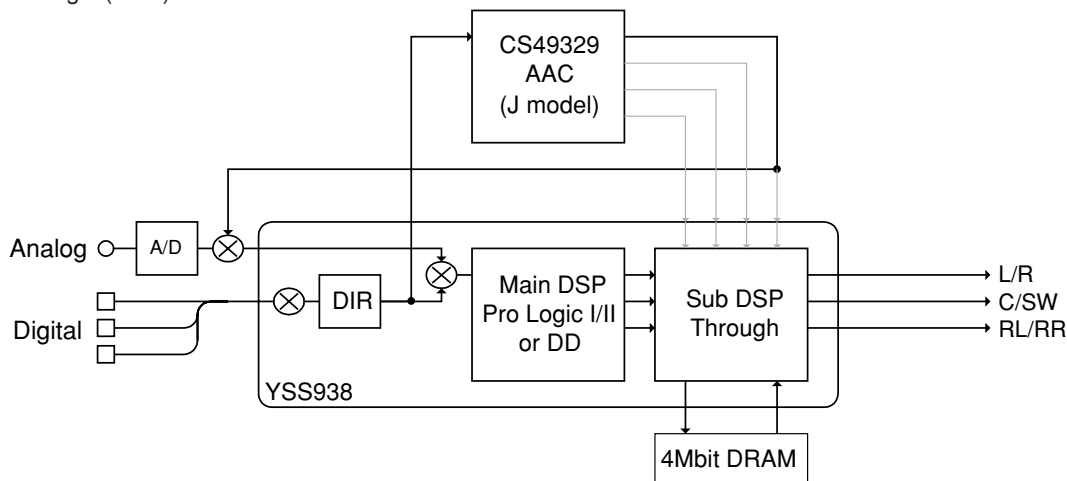
Reference data

INPUT: VIDEO 1 ANALOG

SWFR: 50Hz, Others: 1kHz

Input level	Volume	6CH PRE OUT			
		FRONT L/R (1kHz)	CENTER (1kHz)	RL/RR (1kHz)	SUBWOOFER (50Hz)
Each ch, -20 dBV	-10 dB	-19.7 dBV	-∞	-∞	-∞
Both ch, -20 dBV	-10 dB	-∞	-13.0 dBV	-∞	-∞

Dolby Pro Logic (Auto)



(Shaded items not used in this example)

4. SPEAKERS SET

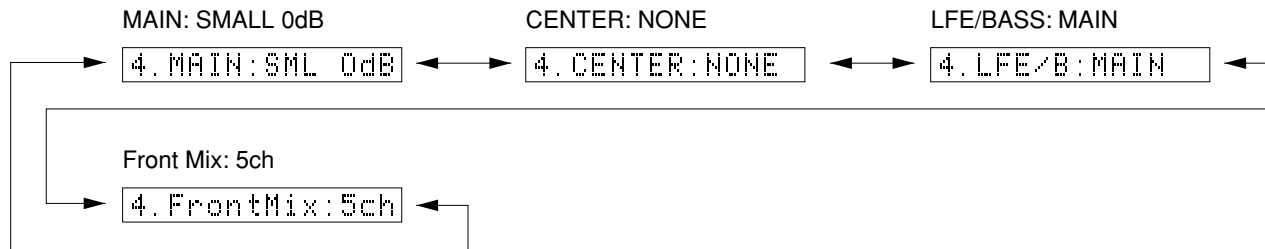
The input signal is automatically identified and switched in the priority order of dts → DOLBY DIGITAL → AAC → PCM AUDIO → Analog (A/D) according to the signal detection.

The signals output from the DSP block are the same as 1. DSP THROUGH: YSS 0dB.

4. SPEAKERS SET

入力は信号検出によって、dts → DOLBY DIGITAL → AAC → PCM AUDIO → アナログ (A/D) の優先順で自動判別切り換えされます。

DSP部からは、No.1 DSP THROUGHのYSS 0dBと同様の信号が出力されます。



The analog switch settings for each sub-menu are as shown in the table below.

各サブメニューにおけるアナログスイッチの設定は以下の通りです。

Sub-menu		CENTER SP	REAR SP	MAIN SP	MAIN LEVEL	LFE/BASS
1	MAIN: SMALL 0dB	LARGE	LARGE	SMALL	0dB	SWFR
2	CENTER: NONE	NONE	LARGE	LARGE	0dB	BOTH
3	LFE/BASS: MAIN	SMALL	SMALL	LARGE	0dB	MAIN
4	FRONT MIX: 5CH	LARGE	LARGE	LARGE	0dB	BOTH

- LARGE:** This mode is used with a speaker with high bass reproduction performance (a large unit). Full bandwidth signals are output.
- SMALL:** This mode is used with a speaker with low bass reproduction performance (a small unit). The signals of 90Hz or less are mixed into the channel specified by LFE/BASS.
- NONE:** This mode is used with no center speaker. The center content is reduced by 3dB and distributed to MAIN L/R.

- LARGE:** 低音再生能力の高い(ユニットの大きい)スピーカーを使用するモードです。全帯域が出力されます。
- SMALL:** 低音再生能力の低い(ユニットの小さい)スピーカーを使用するモードです。90Hz以下がLFE/BASSで指定したチャンネルにミックスされます。
- NONE:** スピーカーを使用しないモードです。センター成分は-3dBされて、MAIN L/R に振り分けられます。

Reference data

INPUT: VIDEO 1 ANALOG (Both ch)

Sub-menu	Input level	Volume	6CH PRE OUT			
			FRONT L/R (1kHz)	CENTER (1kHz)	RL/RR (1kHz)	SUBWOOFER (50Hz)
1	1kHz/90Hz Both ch, -20 dBV	-10 dB	-16.5/-19.5 dBV	-∞	-∞	-∞
2	1kHz Both ch, -20 dBV	-10 dB	-∞	-16.0 dBV	-∞	-∞
3	50Hz Both ch, -20 dBV	-10 dB	-∞	-∞	-∞	-4.0 dBV
4	1kHz Both ch, -20 dBV	-10 dB	-16.5 dBV	-∞	-∞	-∞

5. MARGIN CHECK

The signal is output including the head margin.

5. MARGIN CHECK

ヘッドマージンを含んで出力されます。

MAIN 12dB MARGIN

MAIN 12dB MARGIN

5. MAIN 12dB

Reference data

INPUT: VIDEO 1 ANALOG

SWFR: 50Hz, Others: 1kHz

Input level	Volume	6CH PRE OUT			
		FRONT L/R (1kHz)	CENTER (1kHz)	RL/RR (1kHz)	SUBWOOFER (50Hz)
Both ch, -20 dBV	-10 dB	-28.7 dBV	- ∞	- ∞	- ∞

MAIN 18dB MARGIN

MAIN 18dB MARGIN

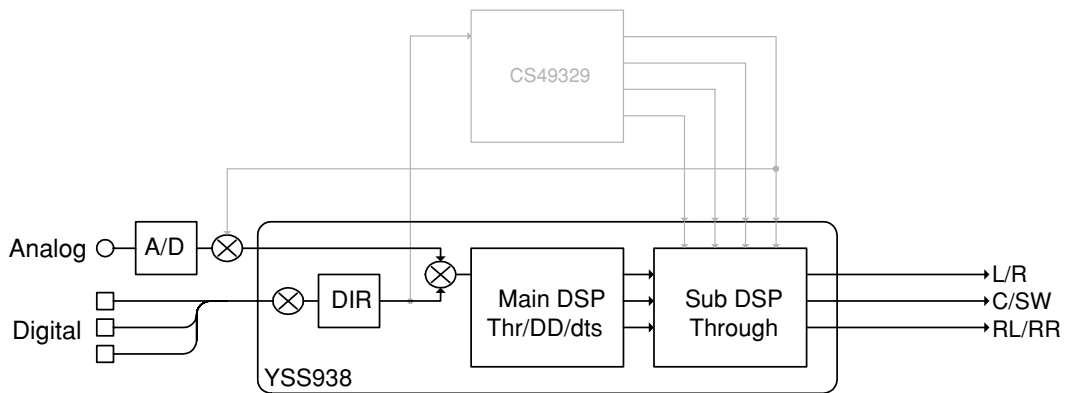
5. MAIN 18dB

Reference data

INPUT: VIDEO 1 ANALOG

SWFR: 50Hz, Others: 1kHz

Input level	Volume	6CH PRE OUT			
		FRONT L/R (1kHz)	CENTER (1kHz)	RL/RR (1kHz)	SUBWOOFER (50Hz)
Both ch, -20 dBV	-10 dB	-34.5 dBV	- ∞	- ∞	- ∞



(Shaded items not used in this example)

6. OTHER INPUT

Not used in this model.

EXTERNAL DECODER

6. OTHER INPUT

使用しません。

EXTERNAL DECODER

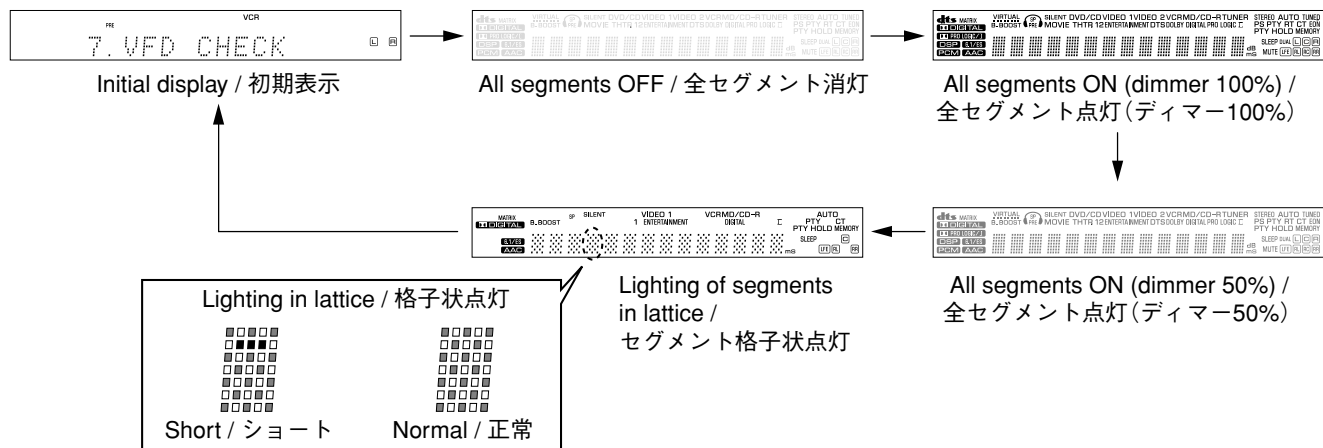
6. EXTERNAL DEC

7. DISPLAY CHECK

This program is used to check the FL display section. The display condition varies as shown below according to the sub-menu operation. The signals are processed using EFFECT OFF (The L/R signal is output using ANALOG MAIN BYPASS.)

7. DISPLAY CHECK

FL表示部のチェックプログラムです。サブメニュー操作により、表示状態が以下のように変わります。信号処理はEFFECT OFF (ANALOG MAIN BYPASSでL/Rを出力)です。



Segment conditions of the FL driver and the FL tube are checked by turning ON and OFF all segments. Next, the operation of the FL driver is checked by using the dimmer control. Then a short between segments next to each other is checked by turning ON and OFF all segments alternately (in lattice). (In the above example, the segments in the second row from the top are shorted.)

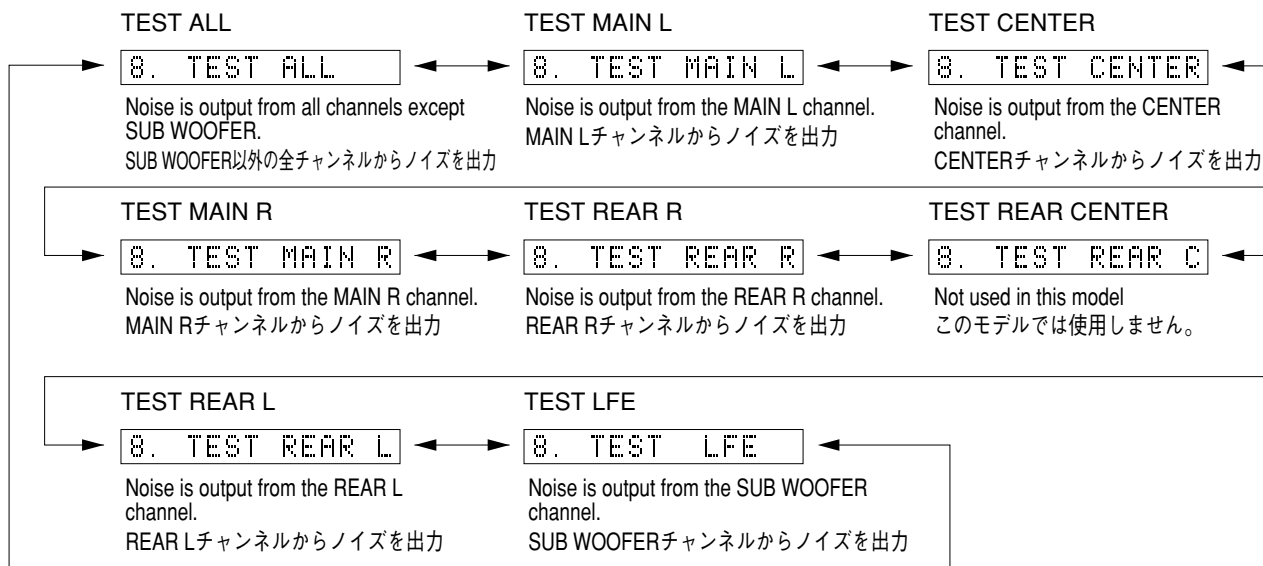
全セグメント消灯・全セグメント点灯によりFLドライバー、FL管のセグメントの不良を確認します。次に、ディマーコントロールによってFLドライバーの動作チェックを行います。さらに全セグメントを交互(格子状)に点灯/消灯することで、隣り合うセグメントのショートをチェックします。

8. MANUAL TEST

The noise generator built into the DSP outputs the test noise through the channels specified by the sub-menu. The noise frequency for LFE is 35 to 250 Hz. Other than that, the center frequency is 800Hz.

8. MANUAL TEST

DSP内蔵のノイズ発生回路によって、サブメニューで指定したチャンネルへテストノイズを出力します。LFE用のノイズ周波数は35～250Hz、それ以外は中心周波数800Hzとなります。



9. FACTORY PRESET

This menu is used to reserve and inhibit initialization of the back-up RAM. The signals are processed using EFFECT OFF. (The L/R signal is output using ANALOG MAIN BYPASS.)

9. FACTORY PRESET

バックアップ用RAM（音場プログラムのパラメーターやセットメニュー内容等）の初期化を予約/禁止します。信号処理はEFFECT OFFと同じです（ANALOG MAIN BYPASSで、L/Rを出力）。

9. PRESET INHI



9. PRESET RSRV

PRESET INHIBIT (Initialization inhibited) / PRESET INHIBIT (初期化禁止)

RAM initialization is not executed. Select this sub-menu to protect the values set by the user. Note: The protection history will not be erased using PRESET INHIBIT.

RAMの初期化は行われません。ユーザーの設定値を保護するときは、こちらを選択してください。

PRESET RESERVED (Initialization reserved) / PRESET RESERVED (初期化予約)

Initialization of the back-up RAM is reserved. (Actually, initialization is executed the next time that the power is turned on.) Select this sub-menu to reset to the original factory settings or to reset the RAM. Use PRESET RESERVED to erase the protection history.

バックアップRAMの初期化が予約されます。（実際に初期化されるのは、次回の電源投入時です。）工場出荷時やRAMをリセットしたいときは、こちらを選択してください。

CAUTION: Before setting to the PRESET RESERVED, write down the existing preset memory content of the Tuner in a table as shown below. (This is because setting to the PRESET RESERVED will cause the user memory content to be erased.)

注意：PRESET RESERVEDを選んで初期化をする前に、チューナーのユーザーメモリー内容を下表に書き写してください。（初期化をすると、ユーザーメモリーの内容は消えてしまいます。）

Preset group	P1	P2	P3	P4	P5	P6	P7	P8
A								
B								
C								
D								
E								

• PRESET STATIONS / プリセット局

STATION		FM FACTORY PRESET DATA (MHz)		
PAGE	NO.	U, C	R, A, B, G	J
A/C/E	1	87.5	87.50	76.0
	2	90.1	90.10	83.0
	3	95.1	95.10	84.0
	4	98.1	98.10	86.0
	5	107.9	108.00	90.0
	6	88.1	88.10	78.0
	7	106.1	106.10	88.0
	8	107.9	108.00	82.1

STATION		AM FACTORY PRESET DATA (kHz)		
PAGE	NO.	U, C, R	A, B, G	J
B/D	1	630	630	630
	2	1080	1080	1080
	3	1440	1440	1440
	4	530	531	531
	5	1710	1611	1611
	6	900	900	900
	7	1350	1350	1350
	8	1400	1404	1404

10. AD DATA CHECK/FAN TEST

This menu is used to display the A/D conversion value of the terminals which detects panel keys of the main unit and protection functions in % using the sub-menu (5V as 100%). During signal processing, the condition before execution is maintained.

When K0/K1 menu is selected, keys become non-operable due to detection of the values of all keys. However, it is possible to advance to the next sub-menu by pressing the ">" key on the remote control unit. (in AMP mode)

* The figures in the diagram are given as reference only.

PS (protection detection)

Power supply voltage protection value (Normal value: 030 to 053)

* If PS is out of the normal value range, the protection function works to turn off the power within 1 second.

PS:042

K0/K1 (Panel key of main unit)

A/D of the key fails to function properly when the standard value is deviated. In this case, check the constant of partial pressure resistor, solder condition, etc. Refer to table 1.

K0:100 K1:100

[Table 1]

Display	K0	K1
0	A/B/C/D/E	INPUT MODE
11	VOLUME -	PRESET/TUNING ∨
19	VOLUME +	PRESET/TUNING ∧
30	-	PRESET/BAND
41	DSP	-
60	INPUT	AUTO/MAN'L
70	STEREO	MEMORY
100	-	-

10. AD DATA CHECK/FAN TEST

本体パネルキー、プロテクションなどを検出している端子のA/D変換の値を、サブメニューで%表示します(5V 100%)。信号処理は実行前の状態を維持します。

K0/K1のメニューにすると、全キーの値を検出するためキー操作はできなくなりますが、リモコンの">"キーを押すことにより、次のサブメニューに進めることができます。(AMPモード)

※図中の数値は参考例です。

PS (プロテクションの検出)

電源電圧プロテクションの値(正常値030~053)

※ PSは正常値を外れるとプロテクションが働き、電源オフされます。

K0/K1 (本体パネルキー)

キーのA/Dは基準値から外れると、正常な動きをしません。Table 1をご覧になり、各キーの分圧抵抗の定数、ハンダ不良等の確認をしてください。

11. IF STATUS (Input function status)

Using the sub-menu, the status data is displayed one after another in the hexadecimal notation.

During signal processing, the status before execution of this menu is maintained.

* Numeric values in the figure example are for reference.

IS1 (Internal status):

Indicates the status information of the microprocessor.

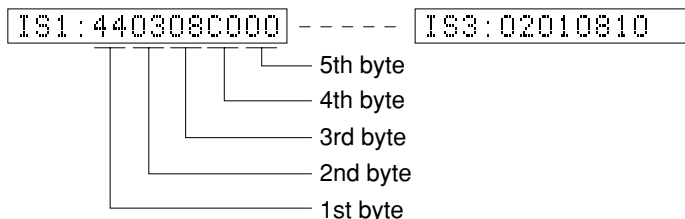
11. IF STATUS

サブメニュー操作により、以下のステータス情報を順次16進数で表示します。信号処理は、本メニュー実行前の状態を維持します。

※図中の数値は参考例です。

IS 1 (内部ステータス):

マイコンのステータス情報を表示します。



<1st byte> Digital input/output setting value

Upper 4 bits: REC OUT selected (Not used in this model) /
lower 4 bits: INPUT selected

<第1バイト>デジタル入出力設定値

上位4bit REC OUT選択(このモデルでは使用しません) /
下位4bit INPUT選択

Value	Choice	Preset name
0	NONE	
1	DIGITAL	DVD/CD
2	DIGITAL	VIDEO 1
3	NONE	
4	NONE	
6	NONE	
8	NONE	
9	NONE	

<2nd byte> Fs information of reproduction signal

<第2バイト>再生信号のFs情報

Display	00	01	02	03	04	05	06	0A	0B	0C	0D
Fs (kHz)	Analog	32	44.1	48	64	88.2	96	Unknown NRM	Unknown DBL	Unknown QUAD	Not defined

<3rd byte> Audio code mode information of reproduction signal

<第3バイト>再生信号のオーディオコードモード情報

Display	00	01	02	03	04	05	06	07	08	09	0A	0B	0C	0D
Audio Code	MULTI MONO	1+1	1/0	2/0	3/0	2/1	3/1	2/2	3/2	2/3	3/3	OVER 6.1	MULTI PCE	Unknown

<4th byte> Format information of reproduction signal

*1: Analog processing used for digital reproduction is not possible because of a commercial bit or 4-ch audio reason.

<第4バイト>再生信号のフォーマット情報

*1: 業務用ビットや4chオーディオなどの理由で、デジタル再生できずアナログ処理されます。

Display	Signal format
00	Analog (Unlock)
01	Incorrect digital (*1)
10	PCM Audio
20	Digital Data
21	IEC1937 Data
22	None PCM
23	Unknown
50	dts
51	Red dts
54	dts-ES MATRIX
58	dts-ES DISCRETE
5C	dts-ES (Both flag)
60	AAC
C0	Dolby Digital
C1	D.D. Karaoke
C4	D.D.6.1 (D.D.EX)

<5th byte> Signal processing status information
 *2: With digital signals other than 32kHz, 44.1kHz and 48kHz, through processing method is used for reproducible signals.

<第5バイト>信号処理ステータス情報
 *2: 32kHz、44.1kHz、48kHz以外のデジタル信号の場合、再生可能な信号についてはスルー処理されます。

bit7	MUTE request	bit3	-
bit6	Red dts flashing	bit2	Through & bypass (*2)
bit5	6.1/ES processing	bit1	-
bit4	FULL MUTE (ON: 1)	bit0	dts analog mute

IS2-3 (Internal status): (Not used in this model)

IS2-3 (内部ステータス): (使用しません)

CS1-5: Indicates channel status information of the input signal (IEC60958). (Not used in this model)

CS 1-5: 入力信号のIEC60958チャンネルステータス情報を表示します。(使用しません)

CS1:0299000200 ----- CS5:00000000

BY1-4: Indicates information of the bit stream included in the DOLBY DIGITAL signal. (Not used in this model)

BY1-4: DOLBY DIGITAL信号に含まれるビットストリームインフォメーション情報を表示します。(使用しません)

BY1:1E40E1301B ----- BY4:01FFFFFF

BC1-5: Indicates information of the bit stream included in the dts signal. (Not used in this model)

BC1-5: dts信号に含まれるビットストリームインフォメーション情報を表示します。(使用しません)

BC1:000070FFFF ----- BC5:C4

YS1-3: Indicates device status information of YSS938 (IC600). (Not used in this model)

YS1-3: YSS938 (IC600)のデバイスステータス情報を表示します。(使用しません)

* The numeric value in the figure is an example for reference.

※ 図中数値は参考例です。

YS1:FED2004F97

YS2:0101418000

YS3:1A41803D

Byte No.	Function
1	YSS MUTE Reg
2	YSS MODE Reg
3	YSS IPORT BIT 7-0
4	YSS IPORT BIT 14-8
5	YSS OPORT

Byte No.	Function
1	IEC 1937 Preamble Pc
2	Data Stream Reg
3	Status Reg
4	YSS ZERO Reg
5	MIREG

Byte No.	Function
1	DIR Status
2	DIR fs
3	DIR fs count
4	YSS ZEROBS

CS: CS49329 Unsolicited Messages (AUTODETECT_RESPONSE) (Not used in this model)

CS: CS49329 Unsolicited Messages (AUTODETECT_RESPONSE) (使用しません)

CS :000001

MTT: Mute Trigger
(Not used in this model)

MTT: Mute Trigger
(使用しません)

MTT:0020000007

Byte No.	Function
1	Mute condition
2	Factor of the last mute
3	Error count of YSS938-FSCNT
4	Mute count by YSS938-FSCNT
5	Error factor of down load of CS49329

12. DSP RAM CHECK

This menu is used to self-diagnose whether or not the bus connection for the YSS938 and the external RAM is made properly.

During signal processing, the status before execution of this menu is maintained.

The address bus and the data bus are checked and the connection condition is displayed.

When no error is detected, "NoEr" appears on display.

YSS938 Bus Check

YSS BUS:NoEr

Display	Description
WAIT	Bus is being checked.
NoEr	No error detected.
DATA	Data bus shorted or open.
RSCS	/RAS or /CAS shorted, or open.
ADDR	Address bus shorted or open.

12. DSP RAM CHECK

YSS938と外付けRAMとのバス接続の正否を自己診断します。

信号処理は、このメニューを実行する前の状態を維持します。

アドレスバス、データバスのチェックを行い、接続正否を表示します。

エラーが検出されなかった場合は、“NoEr”と表示されません。

YSS938 BUS CHECK

表示	意味
WAIT	バスチェック中
NoEr	不良検出なし
DATA	データバスの短絡・解放
RSCS	/RASまたは/CASの短絡・解放
ADDR	アドレスバスの短絡・解放

PLD/SRAM BUS CHECK

CS BUS:NoEr

Display	Description
WAIT	Bus is being checked.
NoEr	No error detected.
EDxx	Data bus shorted or open. (xx: 00-07)
EAXx	Address bus shorted or open. (xx: 00-0E)

PLD/SRAM BUS CHECK

表示	意味
WAIT	バスチェック中
NoEr	不良検出なし
EDxx	データバスの短絡・解放 (xx: 00-07)
EAXx	アドレスバスの短絡・解放 (xx: 00-0E)

13. SOFT SW

This menu is used to confirm the function settings on P.C.B..

SW MODE: Select PCB. Do not select SOFT.

13. SOFT SW

P.C.B.上の機能設定を確認する機能です。

SW MODE : PCBを選択してください。SOFTには設定しないでください。

13. SW : PCB

MODEL SETTING: S80 only

MODEL SETTING : S80のみ

13. MODEL : S80

TUNER DESTINATION: J, UC, ALG or R can be confirmed.

TUNER DESTINATION : J、UC、ALG、Rのいずれかを確認できます。

13. DEST : UC

TUNER: NOT or EXIST can be confirmed.

TUNER : NOTまたはEXISTを確認できます。

13. TUNER : EXIST

RDS: NOT or EXIST can be confirmed.

RDS : NOTまたはEXISTを確認できます。

13. RDS : NOT

VIDEO FORMAT: NTSC or PAL can be confirmed.

VIDEO FORMAT : NTSCまたはPALを確認できます。

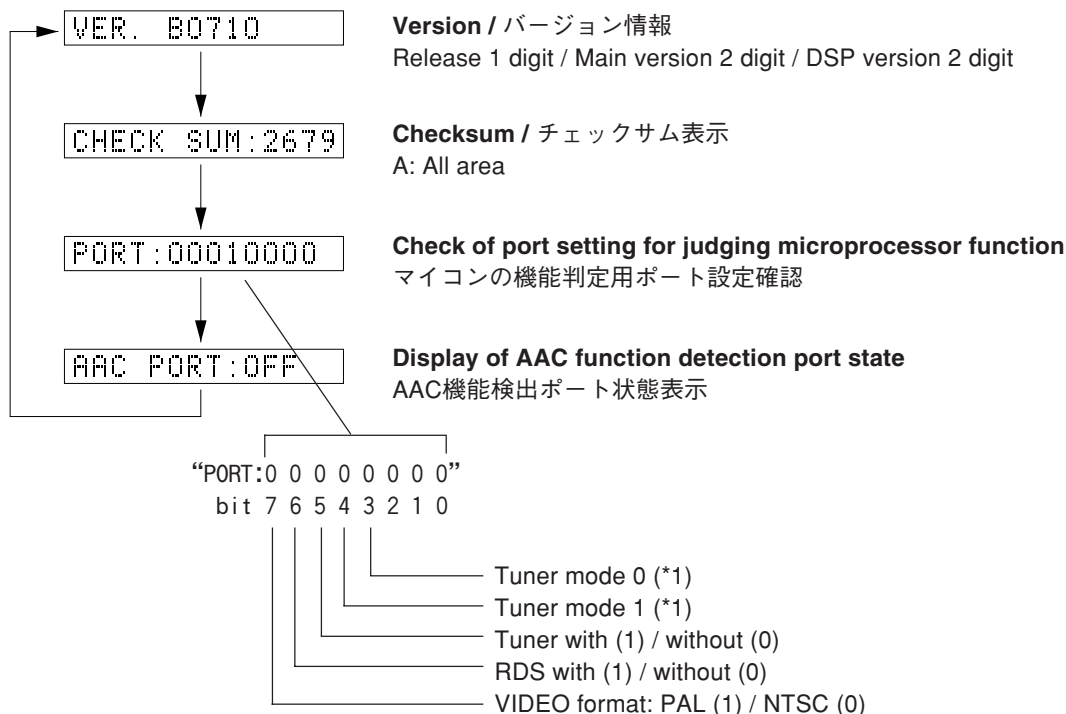
13. VIDEO : NTSC

14. MICROPROCESSOR INFORMATION

The version, checksum and the port specified by the microprocessor are displayed. The signal is processed using EFFECT OFF. The checksum is obtained by adding the data at every 8 bits for each program area and expressing the result as a 4-figure hexadecimal data.

14. マイコン情報

サブメニューは4つあります。プログラムのバージョン、チェックサム、マイコンの指定ポートを表示します。信号はエフェクトOFFです。チェックサムは、プログラムエリア別にデータを8ビットごとに加算していき、4桁の16進データで現したものです。

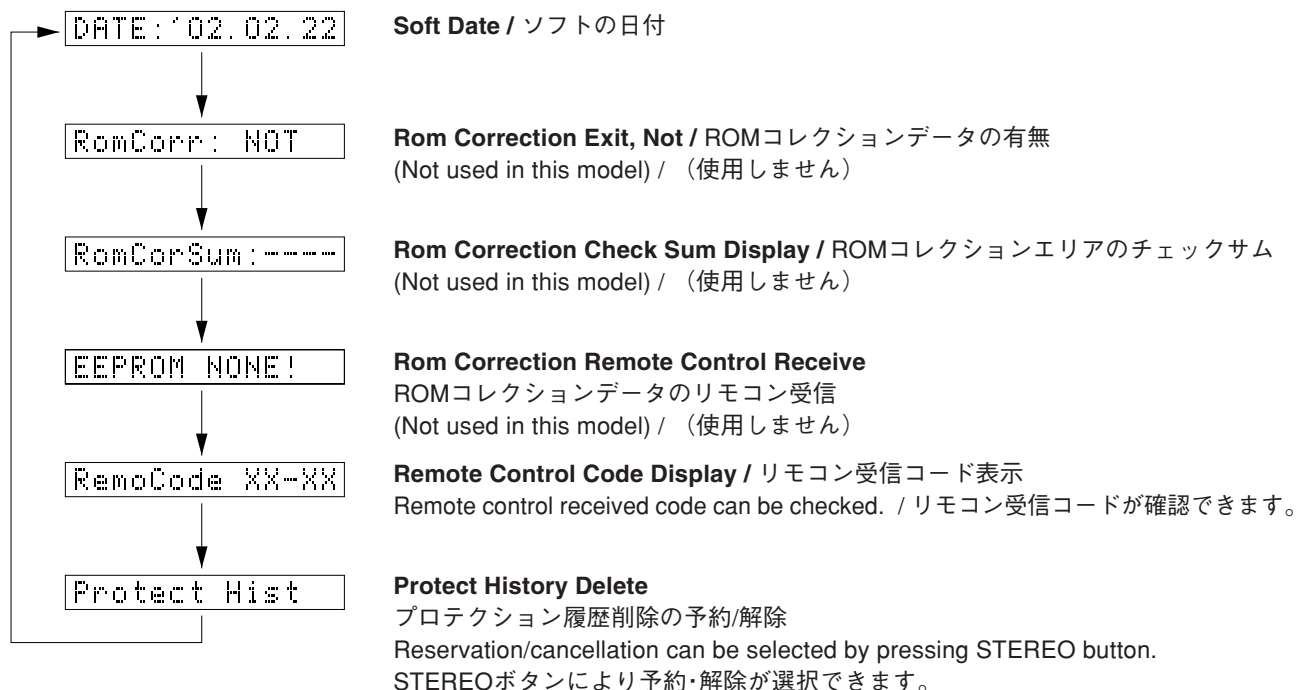


*1 (Tuner mode)

Tuner mode 1	Tuner mode 0	Tuner frequency
0	0	AM: 531-1611kHz/9kHz FM: 76.0-90.0MHz/100kHz
1	0	AM: 531-1611kHz/9kHz FM: 87.50-108.00MHz/50kHz
0	1	AM: 530-1710kHz/10kHz FM: 87.5-107.9MHz/200kHz
1	1	AM: 531-1611kHz/9kHz FM: 87.50-108.00MHz/50kHz

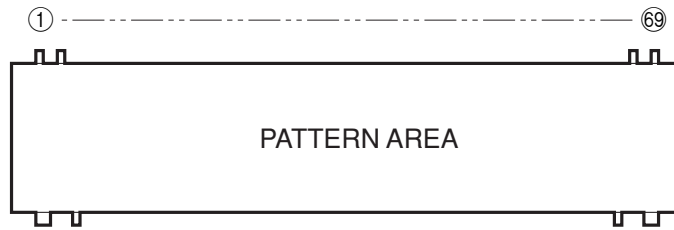
15. ROM CORRECTION / CHECK SUM

15. ROMコレクション/チェックサム



■ DISPLAY DATA

V400: 16-BT-99GNK (V8558700)

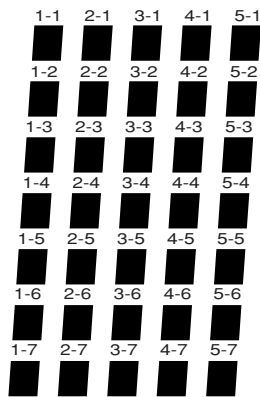
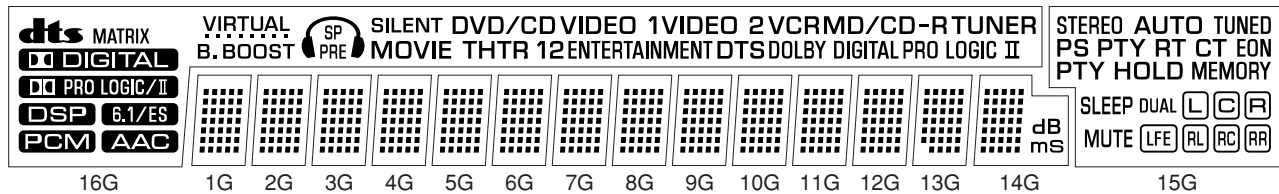


● PIN CONNECTION

Pin No.	1	2	3	4	5	6	7	8	9	10	11	12	13	14	15	16	17	18	19	20	21	22	23	24	25	26	27	28	29	30	31	32	33	34	35
Connection	F1	NX	NP	NP	1G	2G	3G	4G	5G	6G	7G	8G	9G	10G	11G	12G	13G	14G	15G	16G	NX	NX	NX	NX	NX	NX	NX	NX	P37	P36	P35	P34	P33	P32	P31
Pin No.	36	37	38	39	40	41	42	43	44	45	46	47	48	49	50	51	52	53	54	55	56	57	58	59	60	61	62	63	64	65	66	67	68	69	
Connection	P30	P29	P28	P27	P26	P25	P24	P23	P22	P21	P20	P19	P18	P17	P16	P15	P14	P13	P12	P11	P10	P9	P8	P7	P6	P5	P4	P3	P2	P1	NP	NP	NX	F2	


Note : 1) F1, F2 Filament 2) NP No pin 3) NX No extended 4) DL Datum Line 5) 1G ~ 16G Grid

● GRID ASSIGNMENT



(1G~14G)

● ANODE CONNECTION

	16G	15G	14G	13G~1G
P1	dts	–	1-1	1-1
P2	MATRIX	–	2-1	2-1
P3	–	–	3-1	3-1
P4	DD DIGITAL	–	4-1	4-1
P5	DD PRO LOGIC/II	–	5-1	5-1
P6	–	–	1-2	1-2
P7	DSP	PS	2-2	2-2
P8	6.1/ES	PTY	3-2	3-2
P9	PCM	RT	4-2	4-2
P10	AAC	CT	5-2	5-2
P11	VIRTUAL	EON	1-3	1-3
P12	SILENT	PTY HOLD	2-3	2-3
P13		STEREO	3-3	3-3
P14	B. BOOST	AUTO	4-3	4-3
P15	–	TUNED	5-3	5-3
P16	–	MEMORY	1-4	1-4
P17	DTS	MUTE	2-4	2-4
P18	–	SLEEP	3-4	3-4
P19	DOLBY	DUAL	4-4	4-4
P20	DIGITAL	LFE	5-4	5-4
P21	PRO LOGIC	L	1-5	1-5
P22	II	C	2-5	2-5
P23	MOVIE THTR	R	3-5	3-5
P24	1	RL	4-5	4-5
P25	2	RC	5-5	5-5
P26	ENTERTAINMENT	RR	1-6	1-6
P27	–	–	2-6	2-6
P28	SP	–	3-6	3-6
P29	PRE	–	4-6	4-6
P30	VCR	–	5-6	5-6
P31	VIDEO 2	–	1-7	1-7
P32	VIDEO 1	–	2-7	2-7
P33	DVD/CD	–	3-7	3-7
P34	MD/CD-R	–	4-7	4-7
P35	TUNER	–	5-7	5-7
P36	–	–	dB	–
P37	–	–	mS	–

■ IC DATA

IC1: M30624FGAFP (MAIN P.C.B.)

CPU

No.	Function name	Port No.	I/O	Detail of function
1	P96	SOUT4	S-OUT	Electronic Volume IC DATA (Serial I/O-4)
2	P95	CLK4	S-CLK	Electronic Volume IC CLOCK (Serial I/O-4)
3	P94	DA1	OUT	
4	P93	(DA0)	OUT	
5	P92	SOUT3	S-OUT	[SDM] YSS938 DATA OUT (Serial I/O-3)
6	P91	SIN3	S-IN	[SDD] YSS938 DATA IN (Serial I/O-3)
7	P90	CLK3	S-CLK	[SCK] YSS938 CLOCK OUT (Serial I/O-3)
8	BYTE	—	—	Connect to Vss (GND).
9	CNVSS	—	—	Connect to Vss (GND) via Resistor (5.1 k-ohms) [For flash Writing: Vcc]
10	P87	CMOS	OUT	
11	P86	COMS	OUT	
12	/RESET	—	—	Reset [0: Reset]
13	Xout	—	—	10MHz OUT (with built-in feedback resistor)
14	Vss	—	—	GND
15	Xin	—	—	10MHz IN (with built-in feedback resistor)
16	Vcc	—	—	Power supply, +5V
17	P85	/NMI	IN	Connect to Vcc (GND) via Resistor (10 k-ohms) (NMI function unused)
18	P84	/INT2	INT-IN	
19	P83	/INT1	INT-IN	[INT938] YSS938 IPINT/MUTE/DIR
20	P82	(/INT0)	OUT	Effect SP Relay Output [1: ON]
21	P81	CMOS	OUT	Main SP Relay Output [1: ON]
22	P80	CMOS	OUT	Power Relay Output (SW) [1: ON]
23	P77	—	IN	Headphone Detect (Pull-up resistor required) [1: being used]
24	P76	CMOS	OUT	Power Relay Output (Center Unit) [1: ON]
25	P75	CMOS	IN	Subwoofer Detect Input (Pull-up resistor required) [1: SW provided]
26	P74	CMOS	OUT	[/ICD] YSS938 /DA /AD /CODEC /DEM OUT
27	P73	/CTS2	OUT	[CSY] YSS938 CE OUT
28	P72	CLK2	S-CLK	FL Driver CLOCK OUT (Serial I/O-2)
29	P71	RxD2	IN	CS-DSP INT
30	P70	TxD2	N-OUT	FL Driver TxD [Pull-up resistor required] (Serial I/O-2)
31	P67	TxD1	S-OUT	DATA OUT to EEPROM/DATA OUT to Flash Writer (Serial I/O-1)
32	P66	RxD1	S-IN	DATA IN from EEPROM/DATA IN from Flash Writer (Serial I/O-1)
33	P65	CLK1	S-CLK	CLK OUT to EEPROM/CLK IN from Flash Writer (Serial I/O-1)
34	P64	/CTS1	OUT	Busy OUT to Flash Writer
35	P63	TxD0	S-OUT	(Serial I/O-0)
36	P62	RxD0	S-IN	(Serial I/O-0)
37	P61	CLK0	S-CLK	(Serial I/O-0)
38	P60	/CTS0	OUT	
39	P57	CLKOUT	OUT	[CSR] CS493x TxD
40	P56	ALE	IN	[CST] CS493x RxD
41	P55	/HOLD	IN	Connect to Vss (GND) via Resistor (10 k-ohms) (For Flash Writing: L)
42	P54	/HLDA	OUT	[CSC] CS493x CLOCK OUT
43	P53	BCLK	OUT	[/CSCS] CS493x CS OUT
44	P52	/RD	OUT	[/ICCS] CS493x RESET OUT
45	P51	/WRH	OUT	[/CSPLD] DIG EXTERNAL IC CE OUT (when PLD is used)
46	P50	/WRL	IN	Connect to Vcc via Resistor (10 k-ohms) (For Flash Writing: H)
47	P47	/CS3	OUT	
48	P46	/CS2	OUT	CE OUT to EEPROM [1: DATA Transfer]
49	P45	/CS1	OUT	
50	P44	/CS0	OUT	FL Driver RESET (Light OFF) OUT
51	P43	CMOS	OUT	PLL/RDS IC TxD
52	P42	-	IN	PLL IC RxD (Pull-up Resistor required)
53	P41	CMOS	OUT	PLL/RDS IC CLOCK
54	P40	CMOS	OUT	FL Driver CE OUT [0: Address 1: Data]
55	P37	-	IN	TUNER STEREO/MONO IN (Pull-up Resistor required) [0: STEREO]
56	P36	CMOS	OUT	TUNER MUTE OUT
57	P35	-	IN	TUNER STATION IN (Pull-up Resistor required) [0: Station provided]
58	P34	CMOS	OUT	RDS Enable [0: Address 1: Data]
59	P33	CMOS	OUT	PLL IC Chip Enable OUT [0: Address 1: Data]

IC1: M30624FGAFP (MAIN P.C.B.)

CPU

No.	Function name	Port No.	I/O	Detail of function
60	P32	-	IN	RDS IC RxD (Pull-up Resistor required)
61	P31	CMOS	OUT	
62	VCC	-	-	Power Supply +5V
63	P30	CMOS	OUT	
64	VSS	-	-	GND
65	P27	CMOS	OUT	
66	P26	CMOS	OUT	
67	P25	CMOS	OUT	
68	P24	CMOS	OUT	VIDEO Selector D (NJM2296D)
69	P23	CMOS	OUT	VIDEO Selector C (NJM2296D)
70	P22	CMOS	OUT	VIDEO Selector B (NJM2296D)
71	P21	CMOS	OUT	VIDEO Selector A (NJM2296D)
72	P20	CMOS	OUT	[1: INPUT DVD]
73	P17	/INT5	INT-IN	Remote Control IN
74	P16	/INT4	INT-IN	Standby SW IN [1: ON]
75	P15	/INT3	INT-IN	Power Down DETECT INT IN [0: POWER DOWN]
76	P14	CMOS	OUT	Full MUTE OUT [0: MUTE]
77	P13	CMOS	OUT	Pre-out MUTE OUT [0: MUTE]
78	P12	CMOS	OUT	
79	P11	CMOS	OUT	
80	P10	CMOS	OUT	[1: ON]
81	P07	CMOS	OUT	AUDIO IC CE (Input Select LC78211 x 2) [0: Address 1: Data]
82	P06	CMOS	OUT	AUDIO IC DATA (Input Select LC78211 x 2)
83	P05	CMOS	OUT	AUDIO IC CLOCK (Input Select LC78211 x 2)
84	P04	CMOS	OUT	
85	P03	CMOS	OUT	
86	P02	CMOS	OUT	Electronic Volume IC Chip Enable OUT
87	P01	CMOS	OUT	Electronic Volume IC DC Bias Initialize (Reset) OUT
88	P00	CMOS	OUT	Bass Boost OUT [0: ON]
89	P107	AN7	A-D IN	Destination Select Input [0 ~ VREF]
90	P106	AN6	A-D IN	[0 ~ VREF]
91	P105	AN5	A-D IN	Key AD Input 1 [0 ~ VREF]
92	P104	AN4	A-D IN	Key AD Input 0 [0 ~ VREF]
93	P103	AN3	A-D IN	[0 ~ VREF]
94	P102	AN2	A-D IN	Center Unit Power Voltage Detect IN (Protection) [0 ~ VREF]
95	P101	(AN1)	IN	SW Protection IN [L: SW Protection ON]
96	AVSS	-	-	Connect to Vss (GND)
97	P100	AN0	A-D IN	(Pull-down resistor required) [0 ~ VREF]
98	VREF	-	-	A-D, D-A Reference Voltage Input [~ VCC]
99	AVCC	-	-	Connect to Vcc terminal (+5V)
100	P97	SIN4	OUT	

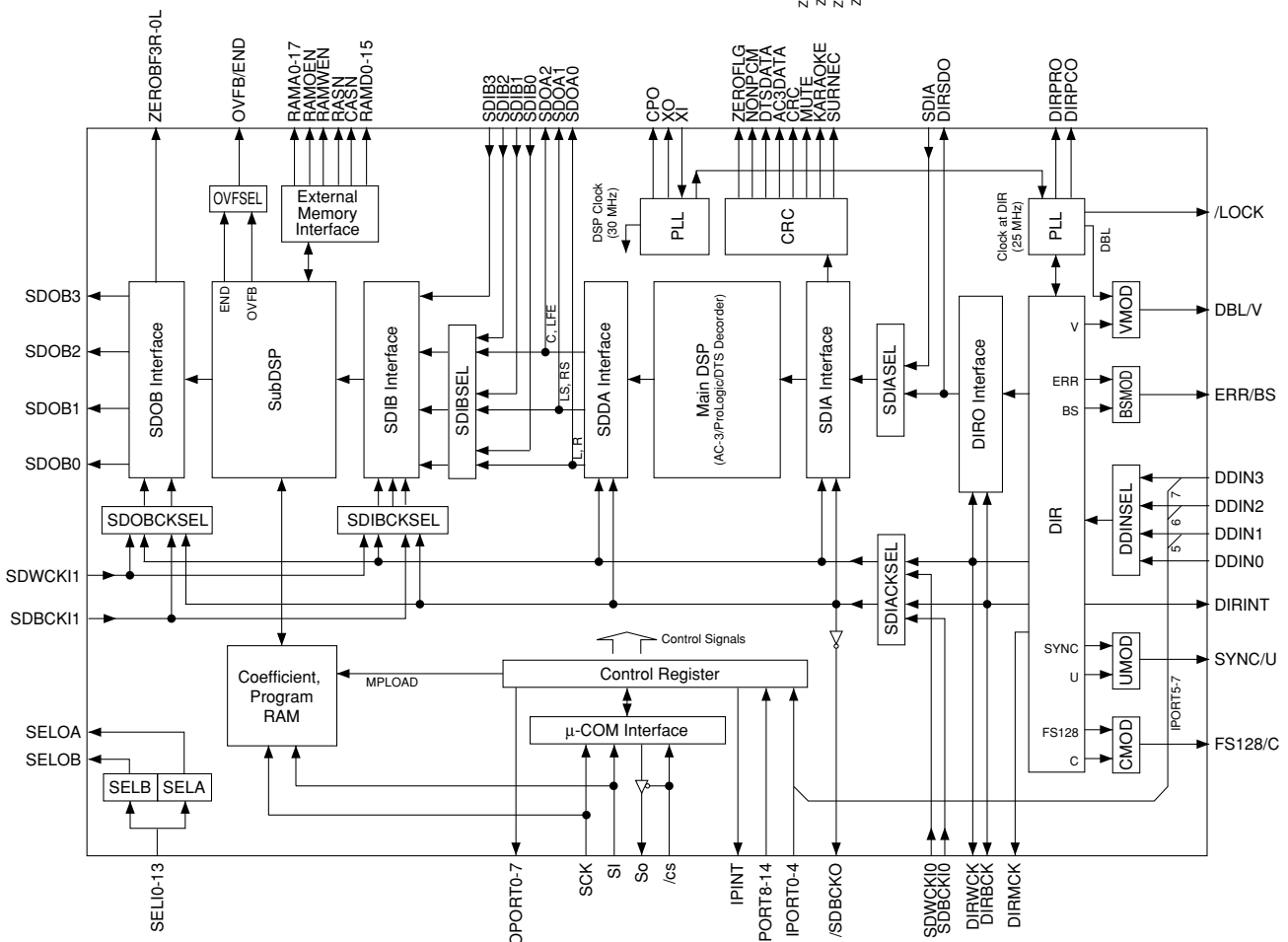
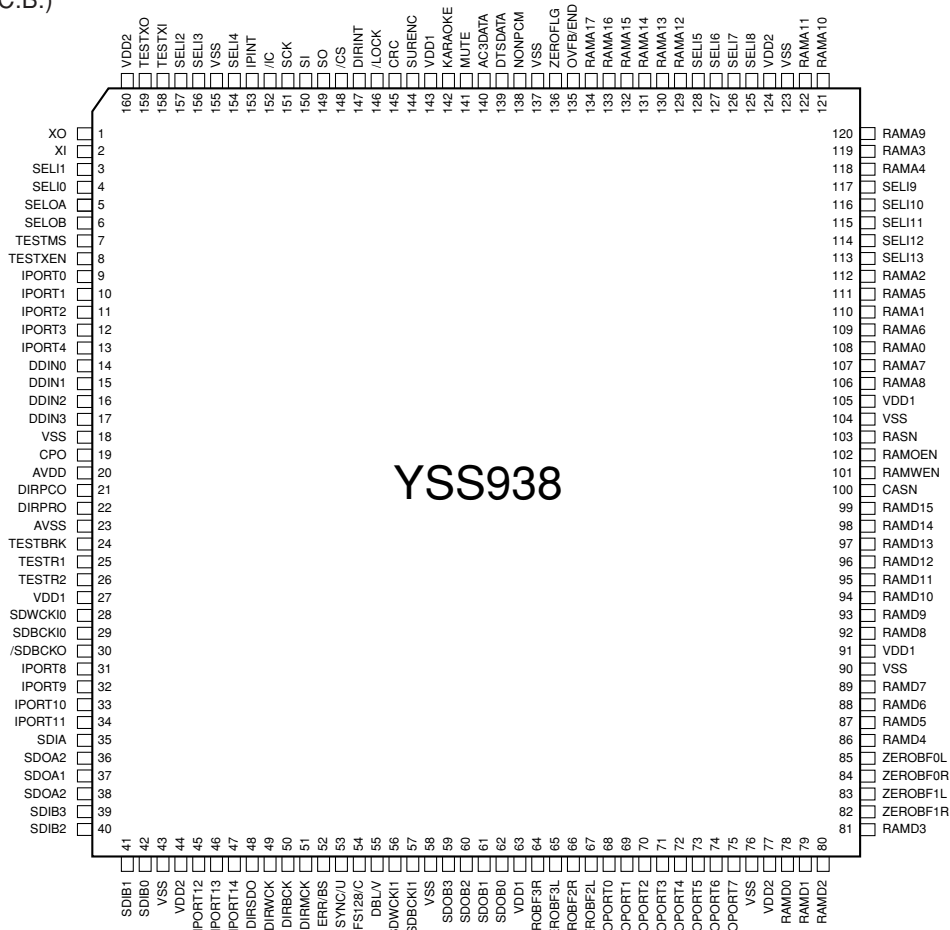
● KEY input (A-D) Pull-up resistance 10 k-ohms

Ω	0	+1.2k	+1.2k	+1.8k	+2.7k	+3.3k	+4.7k	+8.2k
V	0~0.25	~0.75	~1.25	~1.75	~2.25	~2.75	~3.25	~3.75
KEY 0 (92 pin)	A/B/C/D/E	VOLUME-	VOLUME+	NO KEY	DSP	NO KEY	INPUT	STEREO
KEY 1 (91 pin)	INPUT MODE	PRESET/TUNING-	PRESET/TUNING+	PRESET/BAND	NO KEY	NO KEY	AUTO/MAN'L	MEMORY

● Tuner Destination select (89 pin A-D) Pull-up resistance 10 k-ohms

Ω	0	1.2k	24k	39k	91k	∞ (Pull-up only)
V	~0.25	~0.75	~3.75	~4.25	~4.75	4.75~5
Destination	R (50k / 9k)	R (100k / 10k)	A	U, C	B, G	J

IC600 : YSS938 (DSP P.C.B.)
DSP



IC600 : YSS938 (DSP P.C.B.)

DSP

No.	Name	I/O	Function
1	XO	O	Crystal oscillator connecting terminal
2	XI	I	Crystal oscillator connecting terminal (24.576MHz)
3	SEL11	I+	Built-in selector input 1 (AXD)
4	SEL10	I+	Built-in selector input 0 (GND)
5	SELOA	O+	Built-in selector output A (ISEL)
6	SELOB	O+	Built-in selector output B (RSEL)
7	TESTMS	I+	Test terminal (unconnected)
8	TESTXEN	I+	Test terminal (unconnected)
9	IPORT0	I+	General purpose input terminal (CXDTA)
10	IPORT1	I+	General purpose input terminal (CXDTB)
11	IPORT2	I+	General purpose input terminal
12	IPORT3	I+	General purpose input terminal
13	IPORT4	I+	General purpose input terminal
14	DDIN0	Is	DIR: Digital audio interface data input terminal 0 (ISEL)
15	DDIN1	Is	DIR: Digital audio interface data input terminal 1/General purpose input terminal (Pull down)
16	DDIN2	Is	DIR: Digital audio interface data input terminal 2/General purpose input terminal (Pull down)
17	DDIN3	Is	DIR: Digital audio interface data input terminal 3/General purpose input terminal (Pull down)
18	VSS		Ground terminal
19	CPO	A	PLL filter connecting terminal
20	AVDD		+3.3V power terminal (for DIR)
21	DIRPCO	A	DIR: PLL filter connecting terminal
22	DIRPRO	A	DIR: PLL filter connecting terminal
23	AVSS		Ground terminal (for DIR)
24	TESTBRK	I+	Test terminal (unconnected)
25	TESTR1	I+	PLL initialization signal input terminal for DSP (/ICD)
26	TESTR2	I+	Test terminal (unconnected)
27	VDD1		+3.3V power terminal (for terminal section)
28	SDWCKI0	I+	Word clock input terminal for SDIA, SDOA, SDIB, SDOB interface (Unconnected)
29	SDBCKI0	I+	Bit clock input terminal for SDIA, SDOA, SDIB, SDOB interface (Unconnected)
30	/SDBCK0	O	DIRBCK or SDBCKI0 invert clock output terminal (Unconnected)
31	IPORT8	I+	IPINT general purpose input terminal
32	IPORT9	I+	IPINT general purpose input terminal
33	IPORT10	I+	IPINT general purpose input terminal (NONPCM)
34	IPORT11	I+	IPINT general purpose input terminal (NONPCM)
35	SDIA	I	AC-3/DTS bit stream (or PCM) data input terminal to Main DSP (SDIA)
36	SDOA2	O	PCM output terminal from Main DSP (C/LFE output) (Unconnected)
37	SDOA1	O	PCM output terminal from Main DSP (LS/RS output) (Unconnected)
38	SDOA0	O	PCM output terminal from Main DSP (L/R output)
39	SDIB3	I+	PCM input terminal 3 to Sub DSP
40	SDIB2	I+	PCM input terminal 2 to Sub DSP
41	SDIB1	I+	PCM input terminal 1 to Sub DSP
42	SDIB0	I+	PCM input terminal 0 to Sub DSP
43	VSS		Ground terminal
44	VDD2		+2.5V power terminal (for internal circuit)
45	IPORT12	I+	IPINT general purpose input terminal (MUTE)
46	IPORT13	I+	IPINT general purpose input terminal (DIRINT)
47	IPORT14	I+	IPINT general purpose input terminal (Unconnected)
48	DIRSDO	O	AC-3/DTS bit stream (or PCM) data output terminal from DIR
49	DIRWCK	O	DIR: Serial data word clock (fs) output terminal (WCK)
50	DIRBCK	O	DIR: Serial data bit clock (64fs) output terminal (BCK)
51	DIRMCK	O	DIR: Serial data master clock (256fs or 128fs) output terminal (MCK)
52	ERR/BS	O	DIR: Data error detect output/block start output terminal (Unconnected)
53	SYNC/U	O	DIR: Serial data synchronous timing output/user data output terminal (Unconnected)
54	FS128/C	O	DIR: Serial data master clock 128fs output/channel status output terminal (Unconnected)
55	DBL/V	O	DIR: Double rate clock output/validity flag output terminal (DBL)

IC600 : YSS938 (DSP P.C.B.)

DSP

No.	Name	I/O	Function
56	SDWCKI1	I+	Word clock input terminal for SDIB, SDOB interface (Unconnected)
57	SDBCKI1	I+	Bit clock input terminal for SDIB, SDOB interface (Unconnected)
58	VSS		Ground terminal
59	SDOB3	O	PCM output terminal from Sub DSP
60	SDOB2	O	PCM output terminal from Sub DSP
61	SDOB1	O	PCM output terminal from Sub DSP
62	SDOB0	O	PCM output terminal from Sub DSP
63	VDD1		+3.3V power terminal (for terminal section)
64	ZEROBF3R	O+	SDOB3 Rch zero flag output terminal (ZF3R)
65	ZEROBF3L	O+	SDOB3 Lch zero flag output terminal (ZF3L)
66	ZEROBF2R	O+	SDOB2 Rch zero flag output terminal (ZF2R)
67	ZEROBF2L	O+	SDOB2 Lch zero flag output terminal (ZF2L)
68	OPORT0	O	General purpose output terminal (/RINH1)
69	OPORT1	O	General purpose output terminal (/RINH2)
70	OPORT2	O	General purpose output terminal (/ICCDC)
71	OPORT3	O	General purpose output terminal (DFS)
72	OPORT4	O	General purpose output terminal (ZSEL0)
73	OPORT5	O	General purpose output terminal (ZSEL1)
74	OPORT6	O	General purpose output terminal (/ICCS)
75	OPORT7	O	General purpose output terminal
76	VSS		Ground terminal
77	VDD2		+2.5V power terminal (for internal circuit)
78	RAMD0	I+/O	Sub DSP: External memory data terminal 0
79	RAMD1	I+/O	Sub DSP: External memory data terminal 1
80	RAMD2	I+/O	Sub DSP: External memory data terminal 2
81	RAMD3	I+/O	Sub DSP: External memory data terminal 3
82	ZEROBF1R	O+	SDOB1 Rch zero flag output terminal (ZF1R)
83	ZEROBF1L	O+	SDOB1 Lch zero flag output terminal (ZF1L)
84	ZEROBF0R	O+	SDOB0 Rch zero flag output terminal (ZF0R)
85	ZEROBF0L	O+	SDOB0 Lch zero flag output terminal (ZF0L)
86	RAMD4	I+/O	Sub DSP: External memory data terminal 4
87	RAMD5	I+/O	Sub DSP: External memory data terminal 5
88	RAMD6	I+/O	Sub DSP: External memory data terminal 6
89	RAMD7	I+/O	Sub DSP: External memory data terminal 7
90	VSS		Ground terminal
91	VDD1		+3.3V power terminal (for terminal section)
92	RAMD8	I+/O	Sub DSP: External memory data terminal 8
93	RAMD9	I+/O	Sub DSP: External memory data terminal 9
94	RAMD10	I+/O	Sub DSP: External memory data terminal 10
95	RAMD11	I+/O	Sub DSP: External memory data terminal 11
96	RAMD12	I+/O	Sub DSP: External memory data terminal 12
97	RAMD13	I+/O	Sub DSP: External memory data terminal 13
98	RAMD14	I+/O	Sub DSP: External memory data terminal 14
99	RAMD15	I+/O	Sub DSP: External memory data terminal 15
100	CASN	O	Sub DSP: Column address strobe output terminal for external DRAM
101	RAMWEN	O	Sub DSP: Write enable terminal for external memory
102	RAMOEN	O	Sub DSP: Output enable terminal for external memory
103	RASN	O	Sub DSP: Low address strobe output terminal for external DRAM
104	VSS		Ground terminal
105	VDD1		+3.3V power terminal (for terminal section)
106	RAMA8	O	Sub DSP: External memory address terminal 8
107	RAMA7	O	Sub DSP: External memory address terminal 7
108	RAMA0	O	Sub DSP: External memory address terminal 0
109	RAMA6	O	Sub DSP: External memory address terminal 6
110	RAMA1	O	Sub DSP: External memory address terminal 1

IC600 : YSS938 (DSP P.C.B.)

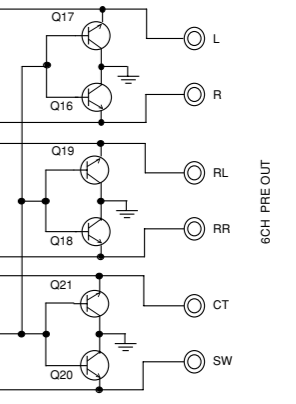
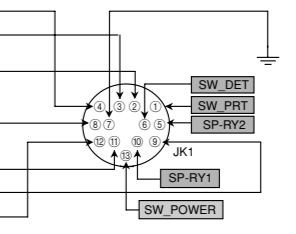
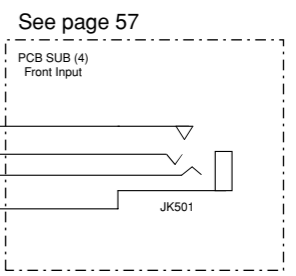
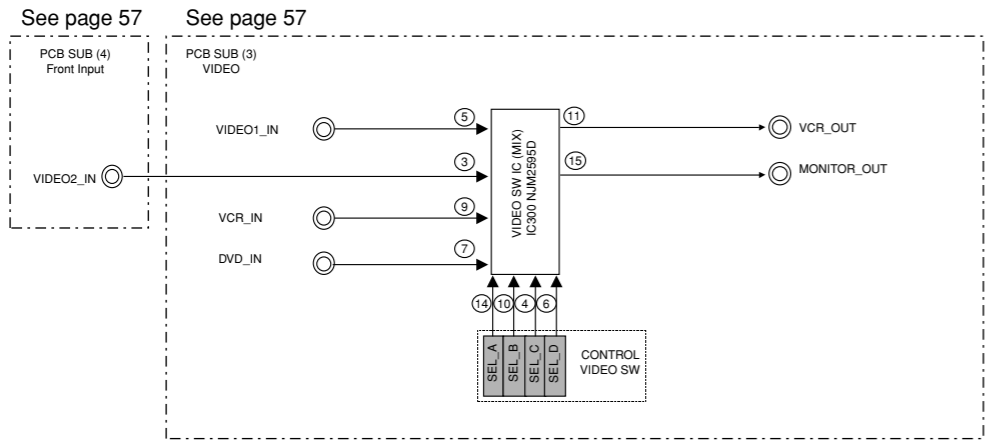
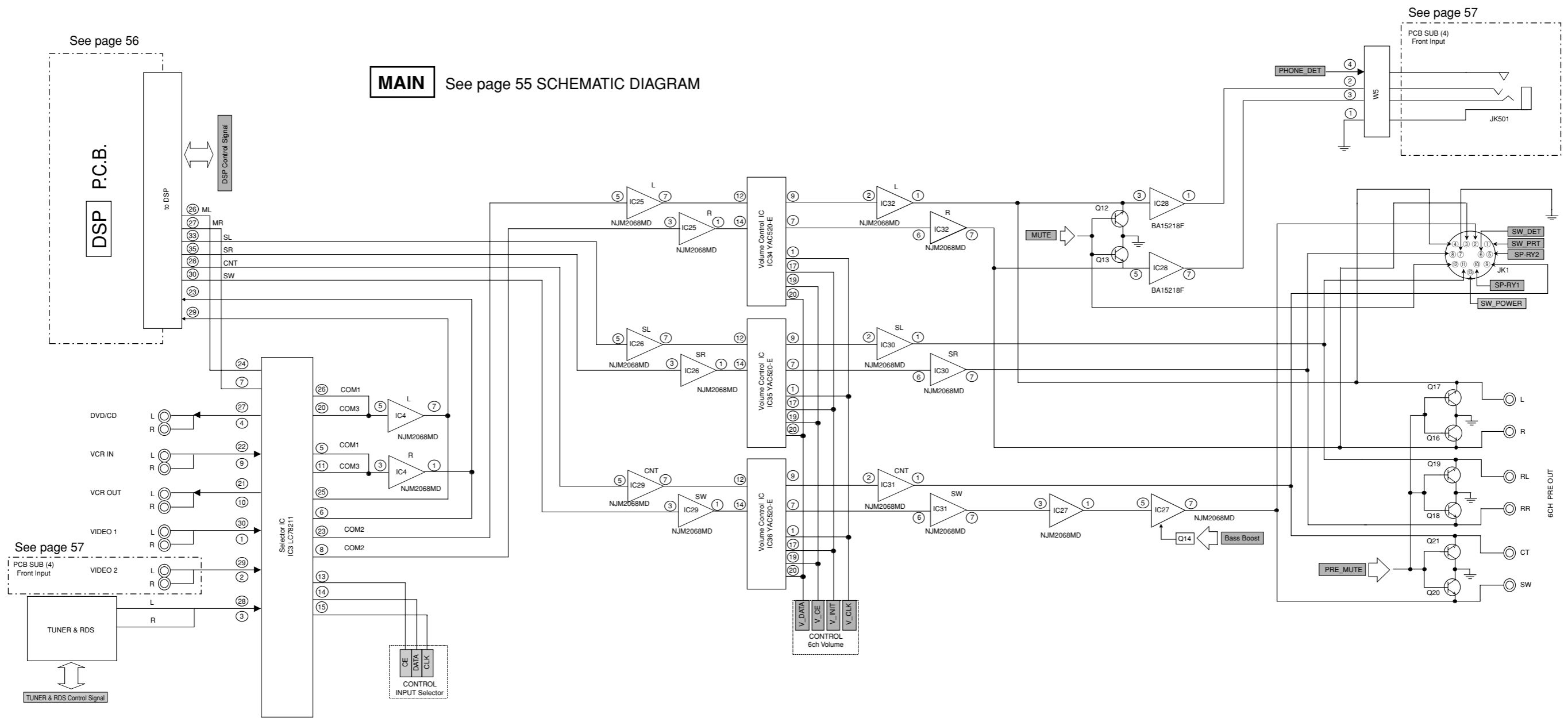
DSP

No.	Name	I/O	Function
111	RAMA5	O	Sub DSP: External memory address terminal 5
112	RAMA2	O	Sub DSP: External memory address terminal 2
113	SELI13	I+	Built-in selector input 13 (Unconnected)
114	SELI12	I+	Built-in selector input 12
115	SELI11	I+	Built-in selector input 11 (Unconnected)
116	SELI10	I+	Built-in selector input 10 (Unconnected)
117	SELI9	I+	Built-in selector input 9
118	RAMA4	O	Sub DSP: External memory address terminal 4
119	RAMA3	O	Sub DSP: External memory address terminal 3
120	RAMA9	O	Sub DSP: External memory address terminal 9 (Unconnected)
121	RAMA10	O	Sub DSP: External memory address terminal 10 (Unconnected)
122	RAMA11	O	Sub DSP: External memory address terminal 11 (Unconnected)
123	VSS		Ground terminal
124	VDD2		+2.5V power terminal (for internal circuit)
125	SELI8	I+	Built-in selector input 8 (CXA)
126	SELI7	I+	Built-in selector input 7 (GND)
127	SELI6	I+	Built-in selector input 6 (OPTF)
128	SELI5	I+	Built-in selector input 5 (Unconnected)
129	RAMA12	O	Sub DSP: External memory address terminal 12 (Unconnected)
130	RAMA13	O	Sub DSP: External memory address terminal 13 (Unconnected)
131	RAMA14	O	Sub DSP: External memory address terminal 14 (Unconnected)
132	RAMA15	O	Sub DSP: External memory address terminal 15 (Unconnected)
133	RAMA16	O	Sub DSP: External memory address terminal 16 (Unconnected)
134	RAMA17	O	Sub DSP: External memory address terminal 17 (Unconnected)
135	OVFB/END	O	Sub DSP: Overflow/program end detect terminal (Unconnected)
136	ZEROFLG	O	Main DSP: Zero flag output terminal (Unconnected)
137	VSS		Ground terminal
138	NONPCM	O	Main DSP: Non-PCM data detect terminal
139	DTSDATA	O	Main DSP: DTS data detect terminal (Unconnected)
140	AC3DATA	O	Main DSP: AC3 data detect terminal (Unconnected)
141	MUTE	O	Main DSP: Auto mute detect terminal
142	KARAOKE	O	Main DSP: AC3 KARAOKE data detect terminal (Unconnected)
143	VDD1	+3.3V	power terminal (for terminal section)
144	SURENC	O	Main DSP: AC-3 2/0 mode Dolby surround encode input detect terminal (Unconnected)
145	CRC	O	Main DSP: AC3 CRC error detect terminal (Unconnected)
146	/LOCK	O	DIR: PLL lock detect terminal (Unconnected)
147	DIRINT	O	DIR: Interrupt output terminal
148	/CS	Is	Microprocessor interface chip select input terminal (CSY)
149	SO	Ot	Microprocessor interface data output terminal
150	SI	Is	Microprocessor interface data input terminal (SDM)
151	SCK	Is	Microprocessor interface clock input terminal (SCKY)
152	/IC	Is	Initial clear input terminal (/ICD)
153	IPINT	O+	Interrupt output terminal by IPORT 8-14
154	SELI4	I+	Built-in selector input 4 (OPTD)
155	VSS		Ground terminal
156	SELI3	I+	Built-in selector input 3 (OPTC)
157	SELI2	I+	Built-in selector input 2 (OPTB)
158	TESTXI	I	Test terminal (should be always connected to VSS)
159	TESTXO	O	Test terminal (Unconnected)
160	VDD2	+2.5V	power terminal (for internal circuit)

Is: Schmidt trigger input terminal
I+: Input terminal with pull-up resistor
O: Digital output terminal
Ot: 3-state digital output terminal
A: Analog terminal

BLOCK DIAGRAM
AVR-S80 (1/3)

MAIN See page 55 SCHEMATIC DIAGRAM



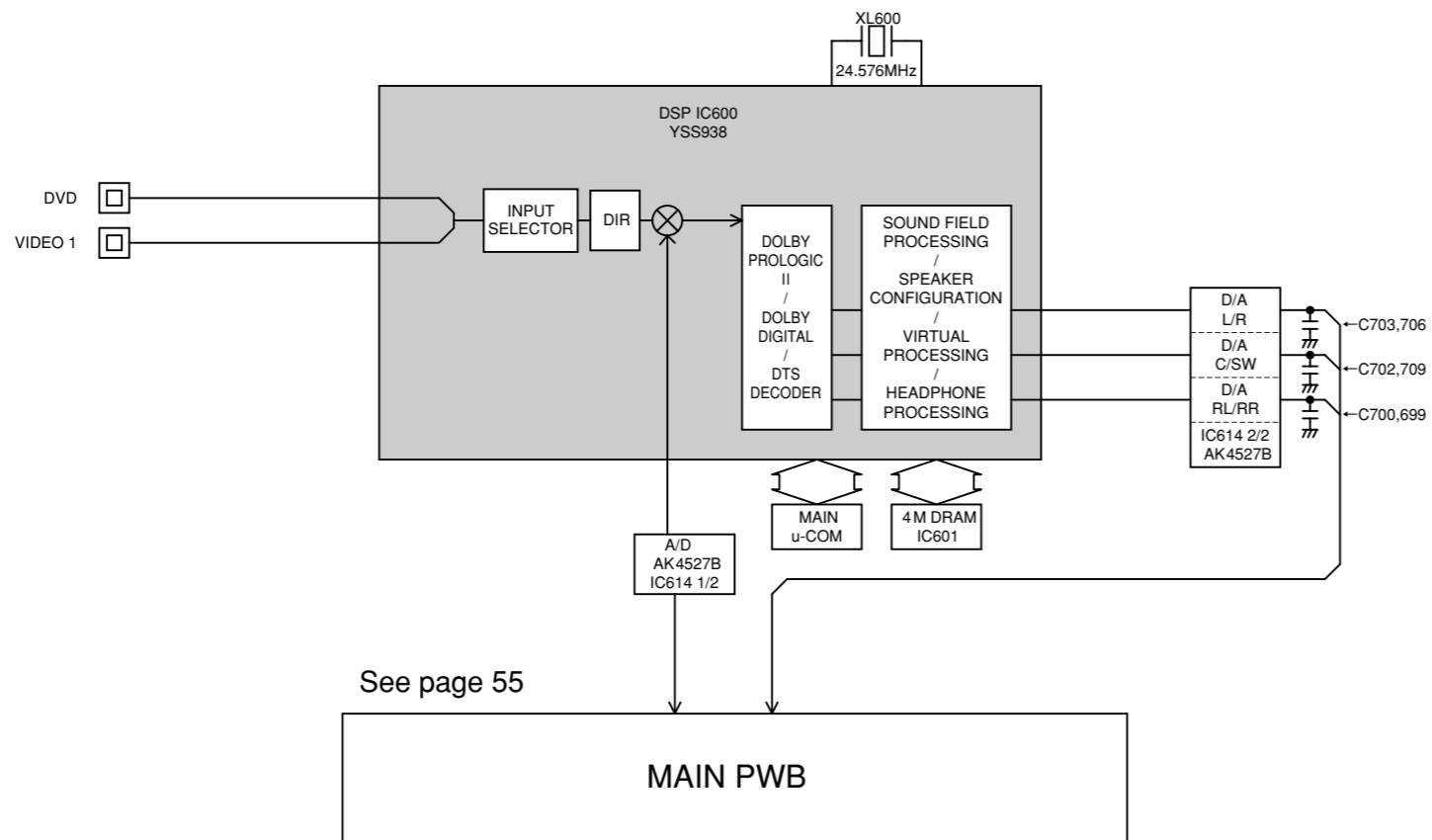
1

■ BLOCK DIAGRAM

▼AVR-S80 (2/3)

DSP See page 56 SCHEMATIC DIAGRAM

2



3

4

5

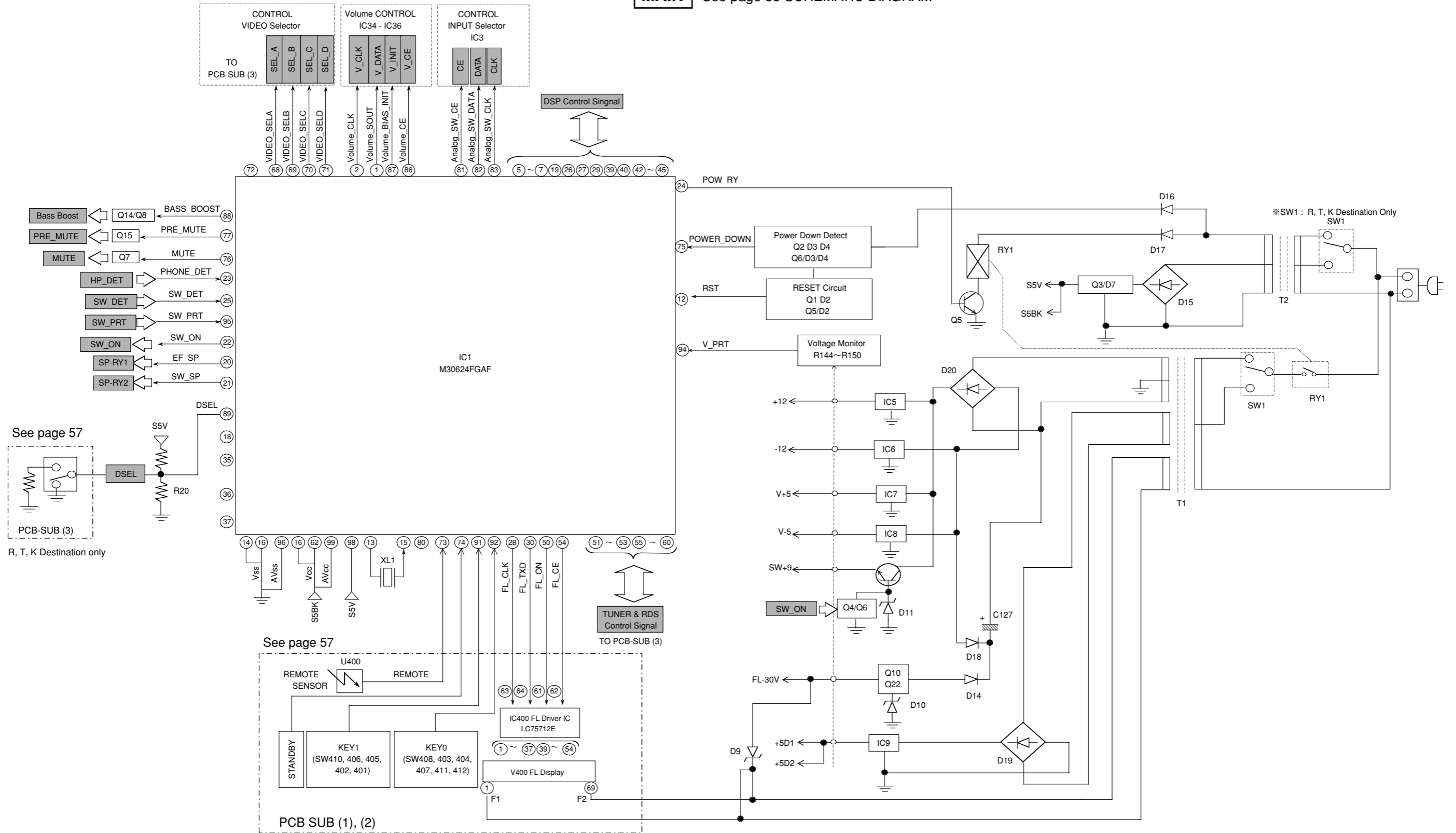
6

7

BLOCK DIAGRAM

AVR-S80 (3/3)

MAIN See page 55 SCHEMATIC DIAGRAM



See page 57

PCB-SUB (3)

R, T, K Destination only

See page 57

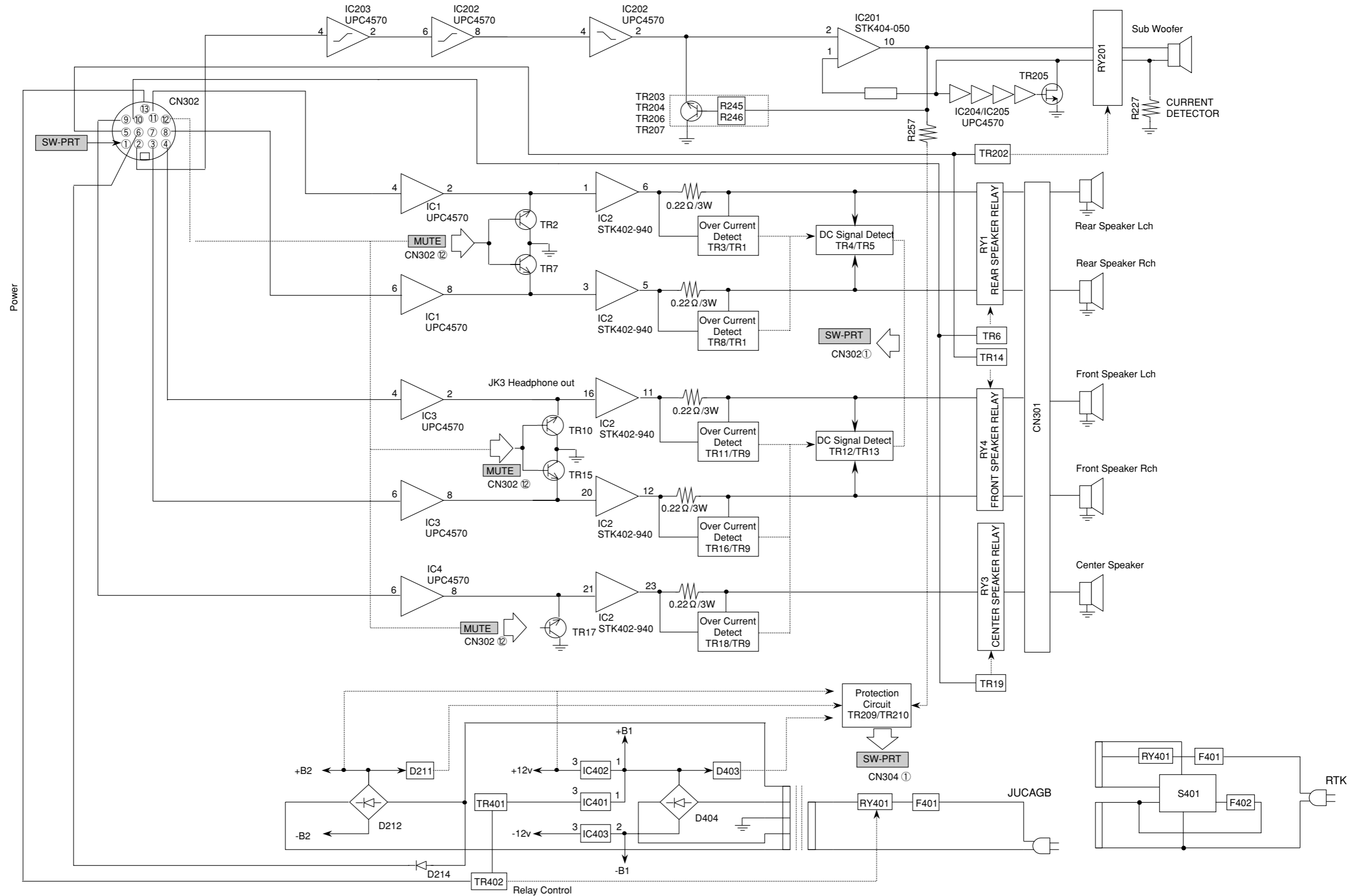
PCB SUB (1), (2)

■ BLOCK DIAGRAM

▼SW-S80

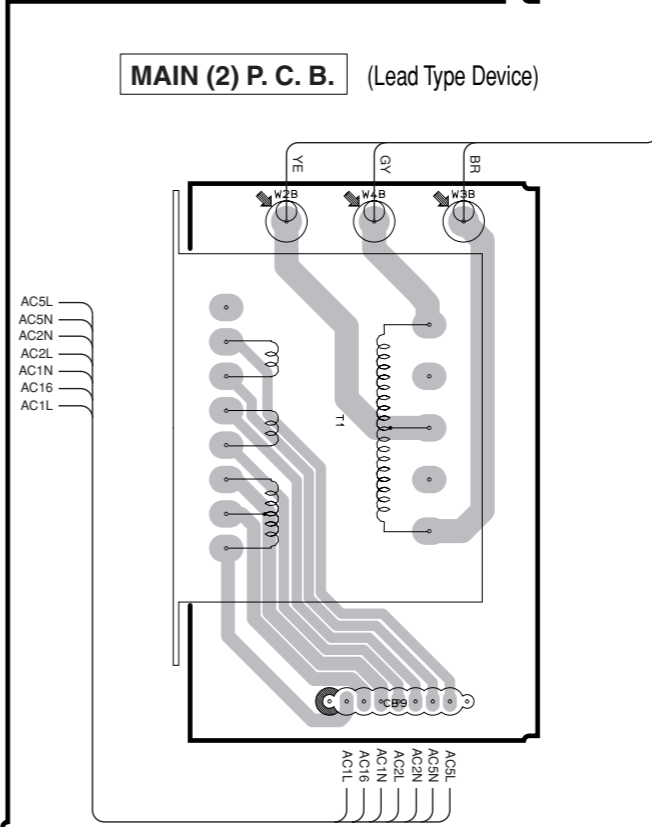
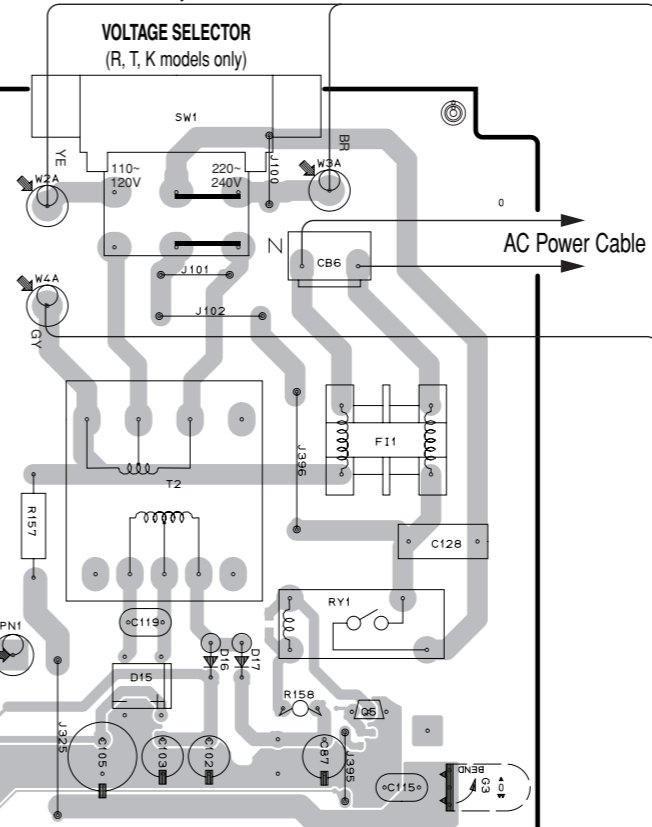
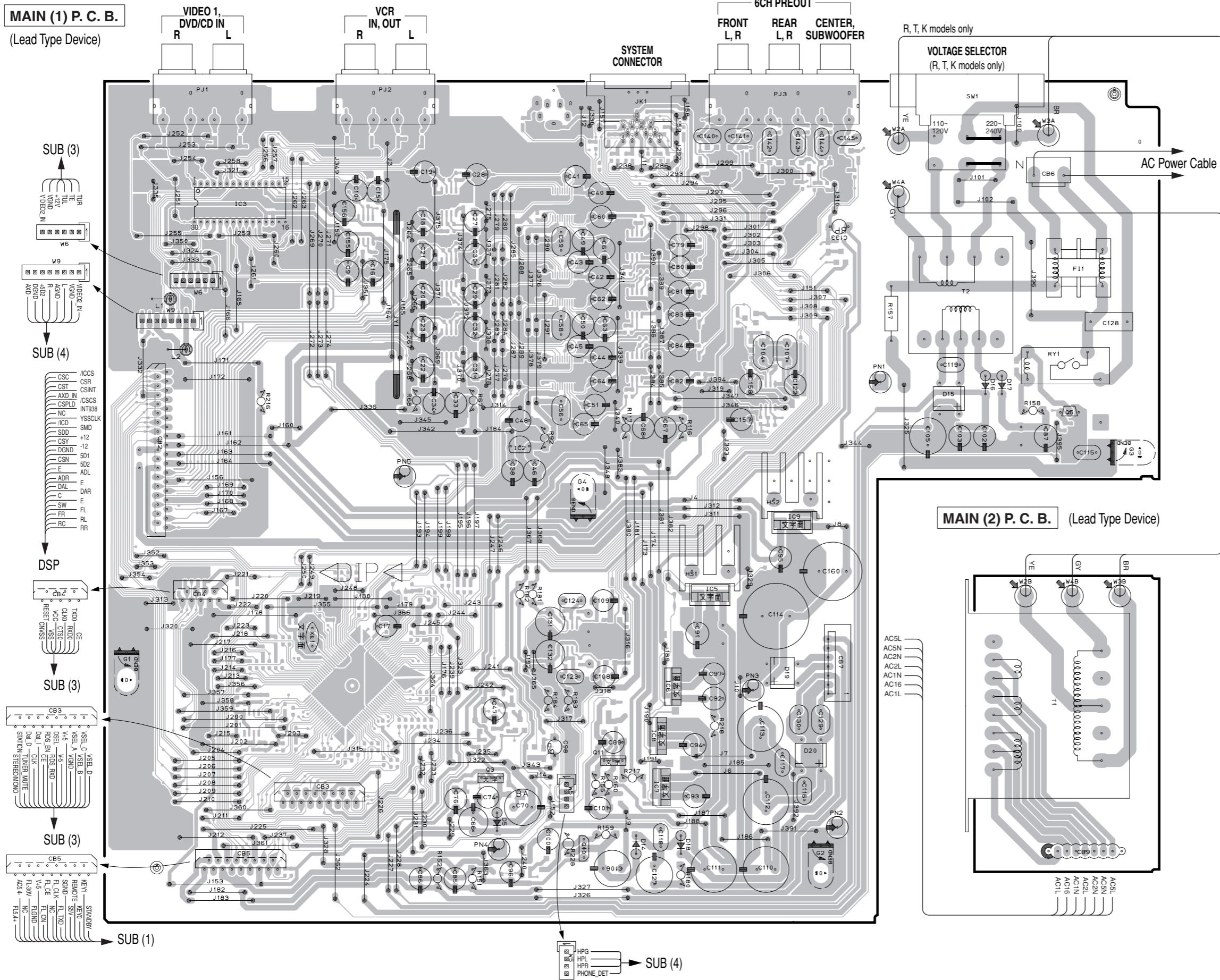
See page 58~60 SCHEMATIC DIAGRAM

1
2
3
4
5
6
7



AVR-S80 PRINTED CIRCUIT BOARD (Foil side)

MAIN (1) P. C. B.
(Lead Type Device)



Circuit No.	J	U, C	A, B, G, R, T, K
C160	O	X	X
J100, J101	O	O	O
R20	X	O	O
R157	X	O	X
SW1	X	X	O
W2	X	X	O

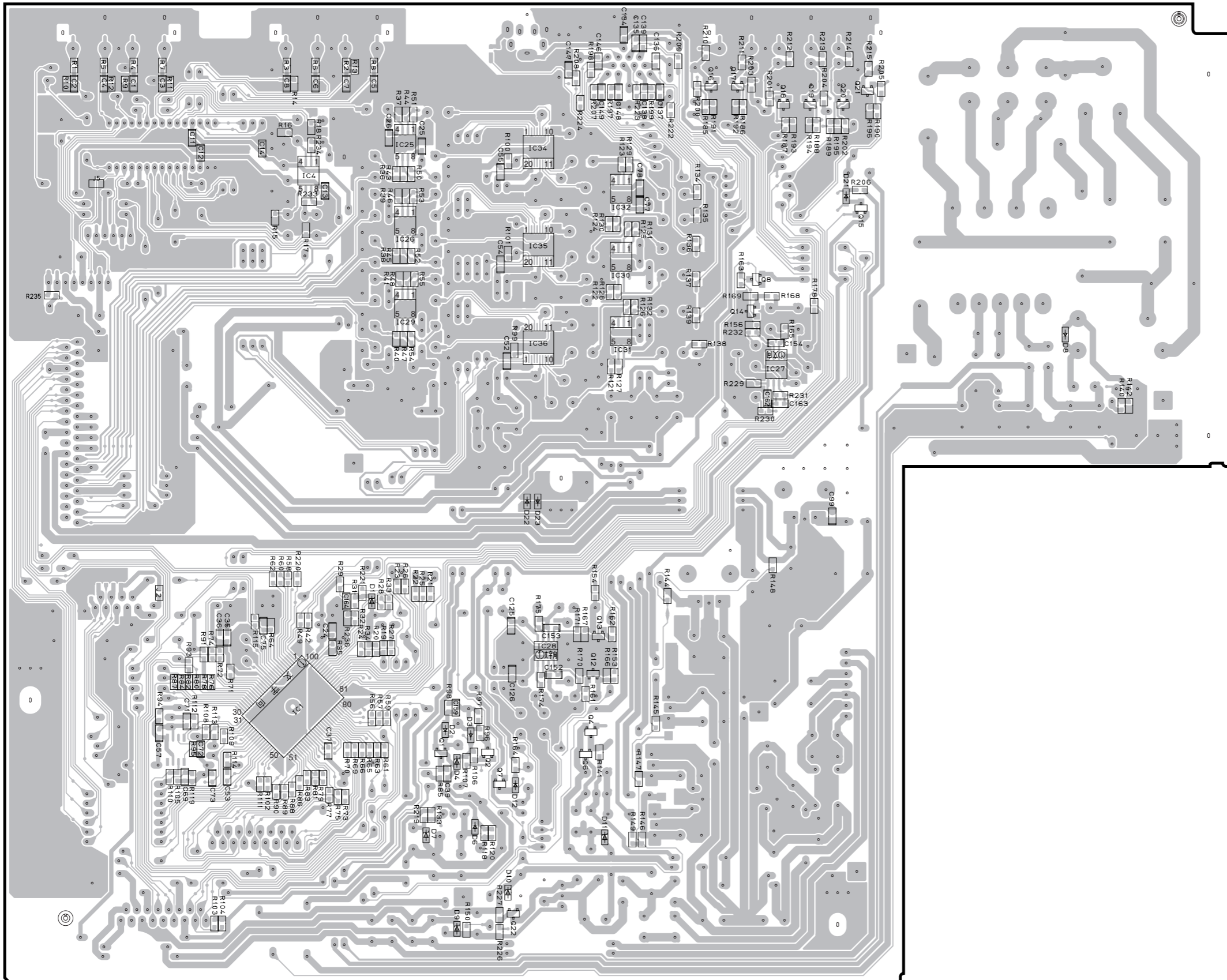
X: NOT USED
O: USED / APPLICABLE

• Semiconductor Location

Ref. No.	Location
D5	D6
D14	E6
D15	G4
D16	G4
D17	G4
D18	E6
D19	F5
D20	F6
IC2	D4
IC3	B2
IC5	E5
IC6	E5
IC7	E6
IC8	E6
IC9	F4
Q3	D6
Q5	H4
Q10	D6
Q11	E6

1 ■ AVR-S80 PRINTED CIRCUIT BOARD (Foil side)

MAIN (1) P. C. B. (Surface Mount Device)



Circuit No.	J	U, C	A, B, G	R, T, K
C160	O	X	X	X
J100, J101	O	O	O	X
R20	X	O	O	X
R157	X	O	X	X
SW1	X	X	X	O
W2	X	X	X	O

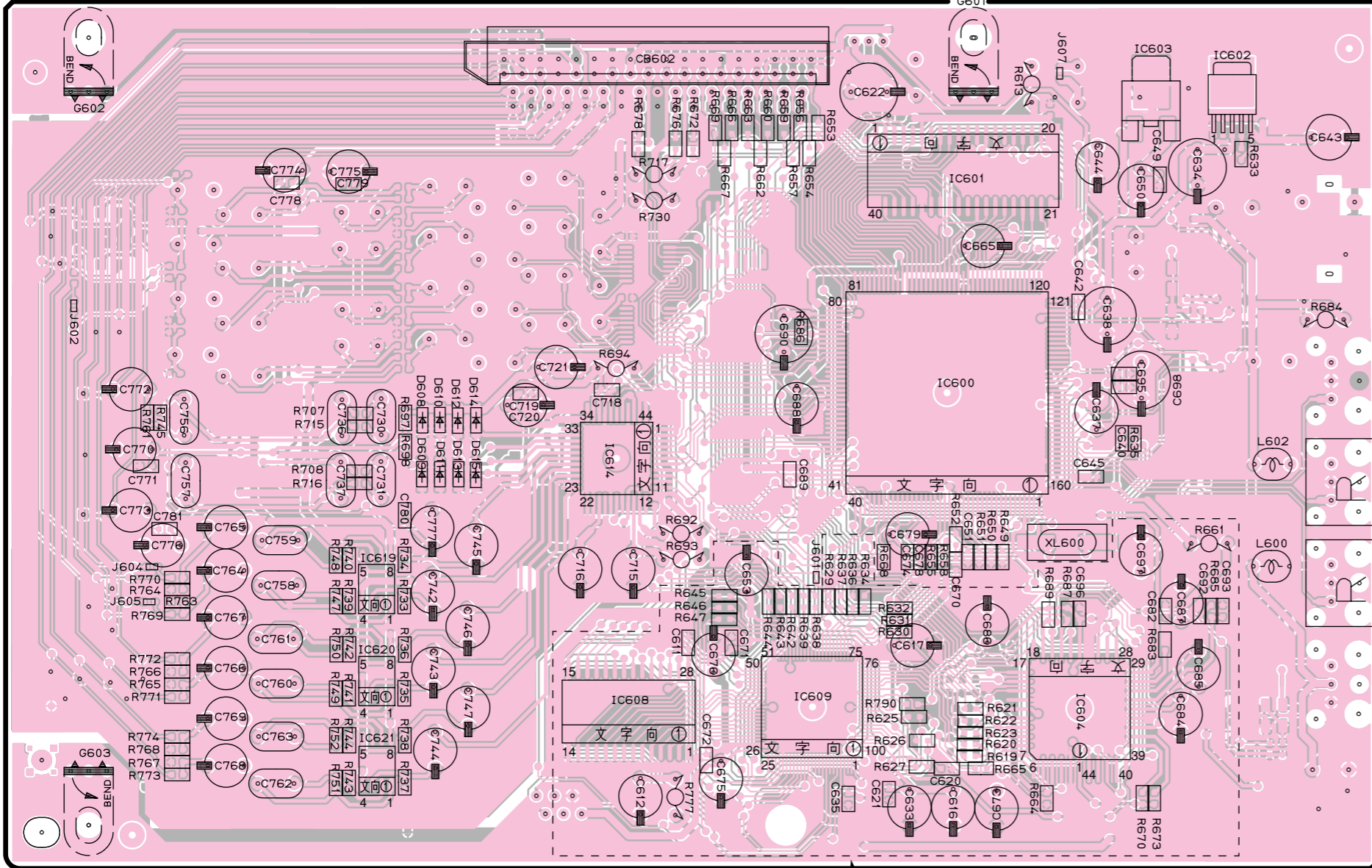
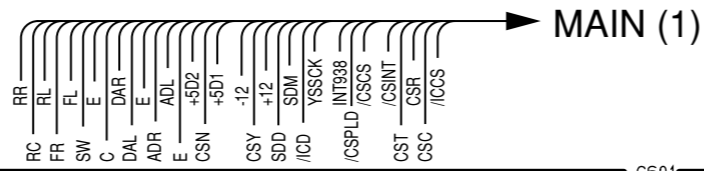
X: NOT USED
O: USED / APPLICABLE

• Semiconductor Location

Ref. No.	Location	Ref. No.	Location	Ref. No.	Location	Ref. No.	Location
D1	C5	D21	F3	IC31	D3	Q12	D5
D2	C6	D22	D4	IC32	D3	Q13	D5
D3	D6	D23	D4	IC34	D2	Q14	E3
D4	C6	IC1	B6	IC35	D3	Q15	F3
D6	D6	IC4	C2	IC36	D3	Q16	E2
D7	C6	IC25	C2	Q1	C6	Q17	E2
D8	G3	IC26	C3	Q2	D6	Q18	E2
D9	C7	IC27	E4	Q4	D6	Q19	E2
D10	D7	IC28	D5	Q6	D6	Q20	F2
D11	D6	IC29	C3	Q7	D6	Q21	F2
D12	D6	IC30	D3	Q8	E3	Q22	D7

■ AVR-S80 PRINTED CIRCUIT BOARD (Foil side)

DSP P. C. B. (Lead Type Device)



Circuit No.	J	U, C, R, A, B, G
C658, 661, 666	O	X
J601	X	O
R653, 656, 657, 659, 660, 662	O	X
R668	X	O

X: NOT USED
O: USED / APPLICABLE

• Semiconductor Location

Ref. No.	Location
D608	C4
D609	C4
D610	C4
D611	C4
D612	C4
D613	C4
D614	C4
D615	C4
IC600	E4
IC601	E3
IC602	F2
IC603	F2
IC604	F5
IC608	D5
IC609	E5
IC614	D4
IC619	C4
IC620	C5
IC621	C5



⋯ : J model only

■ AVR-S80 PRINTED CIRCUIT BOARD (Foil side)

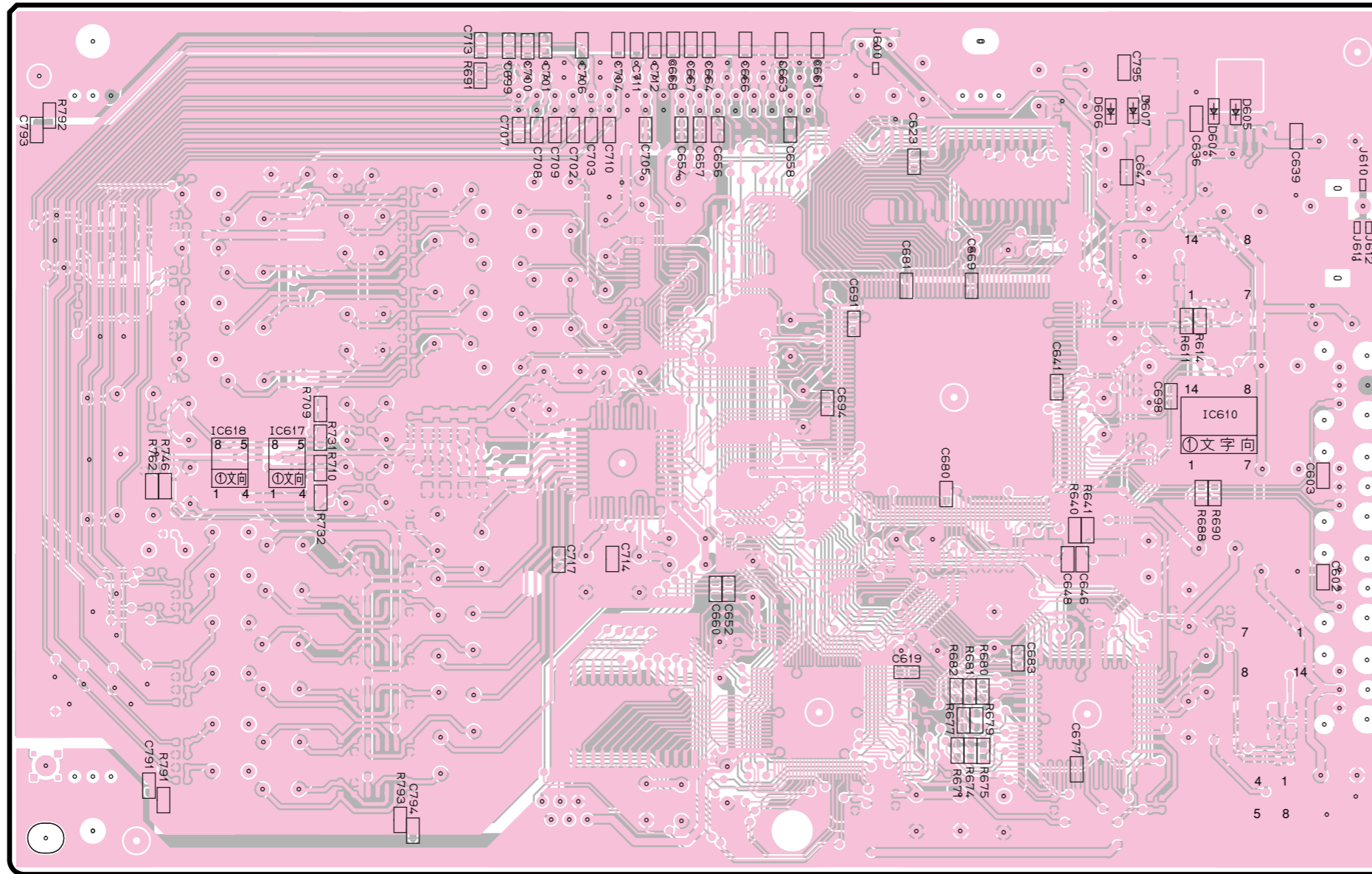
DSP P. C. B. (Surface Mount Device)

Circuit No.	J	U, C, R, A, B, G
C658, 661, 666	O	X
J601	X	O
R653, 656, 657, 659, 660, 662	O	X
R668	X	O

X: NOT USED
O: USED / APPLICABLE

• Semiconductor Location

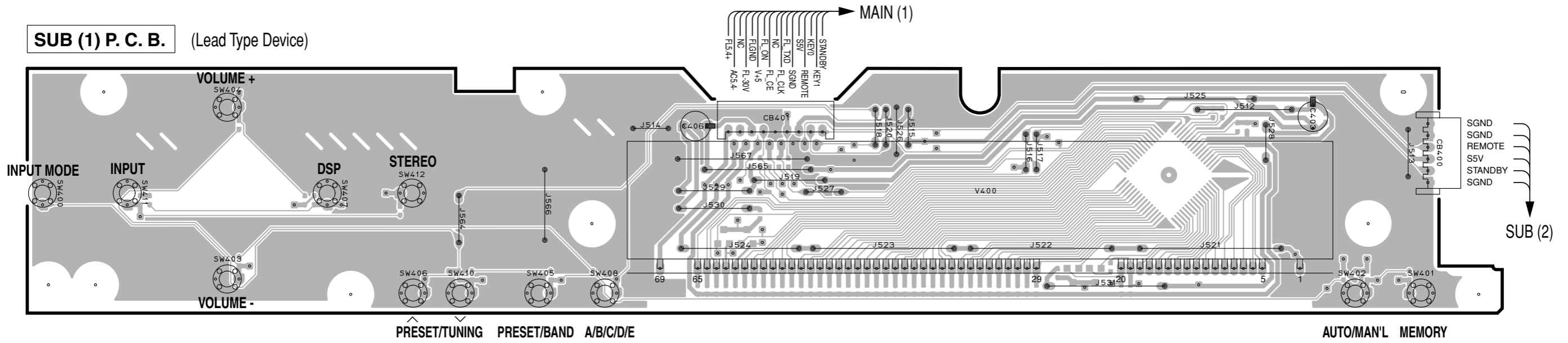
Ref. No.	Location
D604	F2
D605	F2
D606	F2
D607	F2
IC610	F4
IC617	B4
IC618	B4



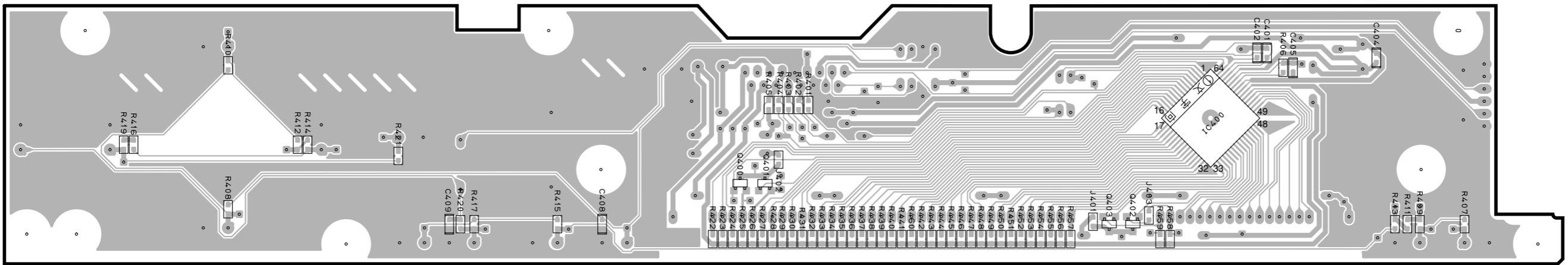
1
2
3
4
5
6
7

■ AVR-S80 PRINTED CIRCUIT BOARD (Foil side)

SUB (1) P. C. B. (Lead Type Device)



SUB (1) P. C. B. (Surface Mount Device)

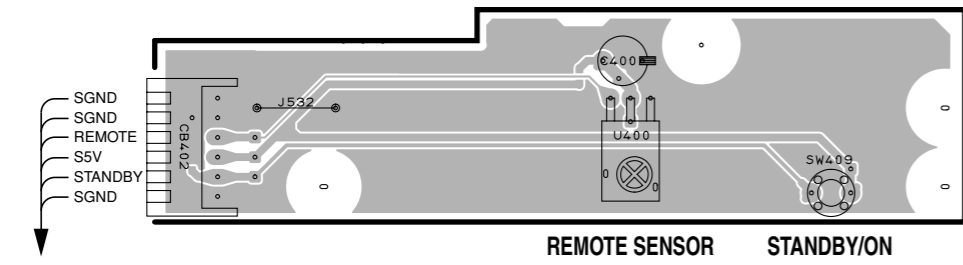


• Semiconductor Location

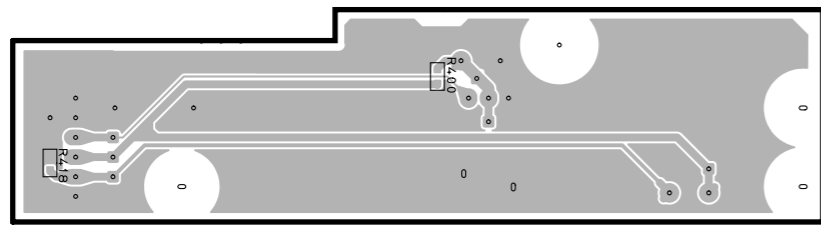
Ref. No.	Location
IC400	H4
Q400	E5
Q401	E5
Q402	G5
Q403	G5

■ AVR-S80 PRINTED CIRCUIT BOARD (Foil side)

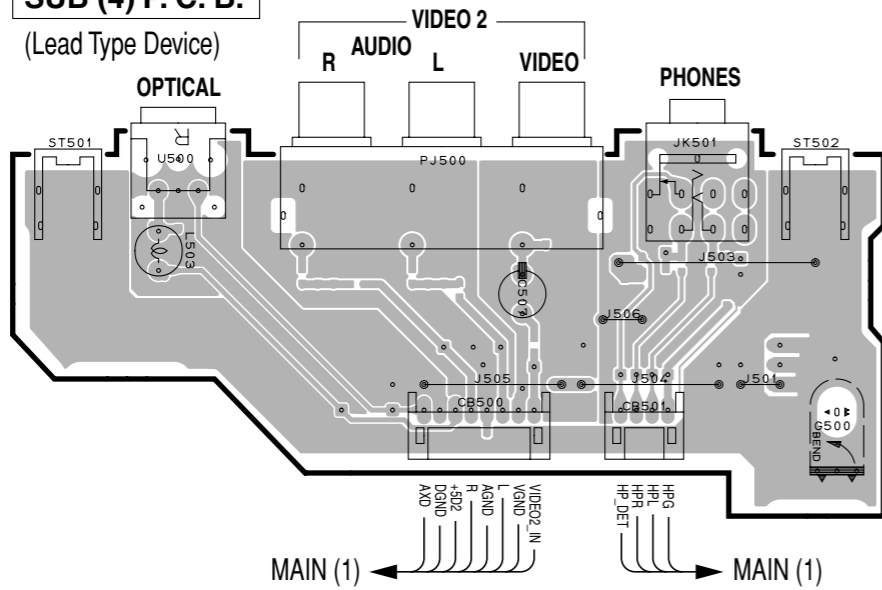
SUB (2) P. C. B. (Lead Type Device)



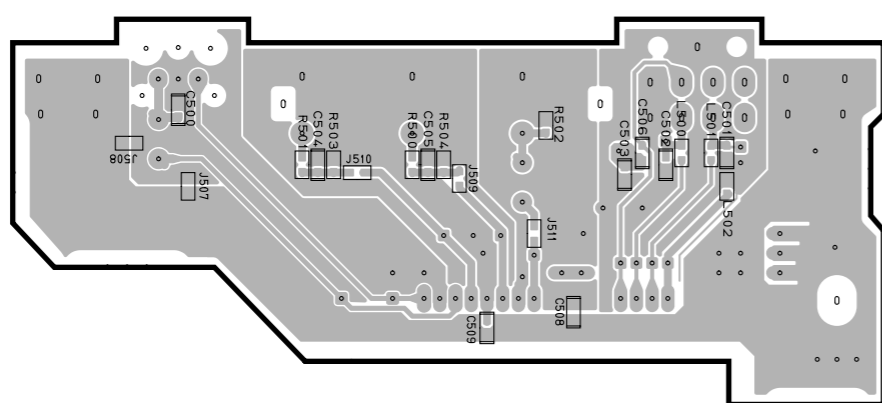
SUB (2) P. C. B. (Surface Mount Device)



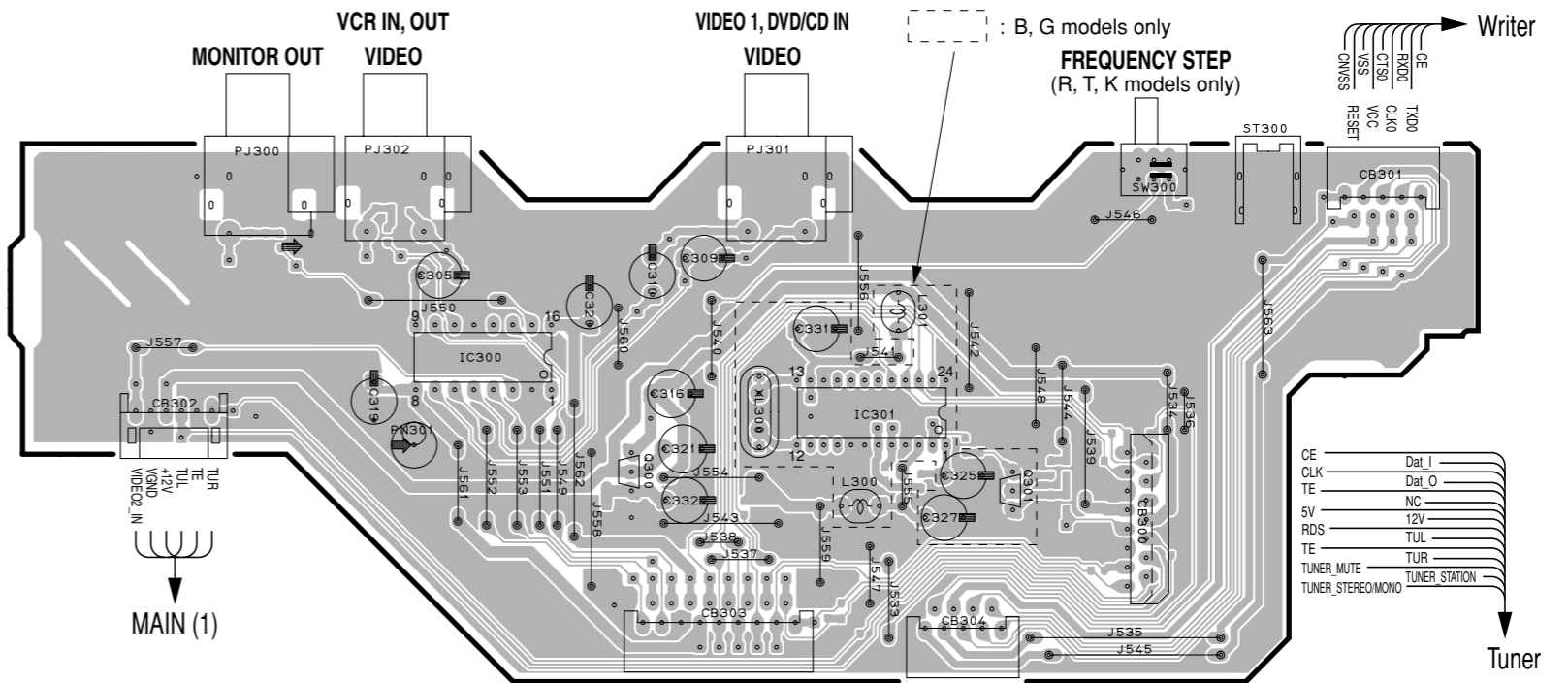
SUB (4) P. C. B. (Lead Type Device)



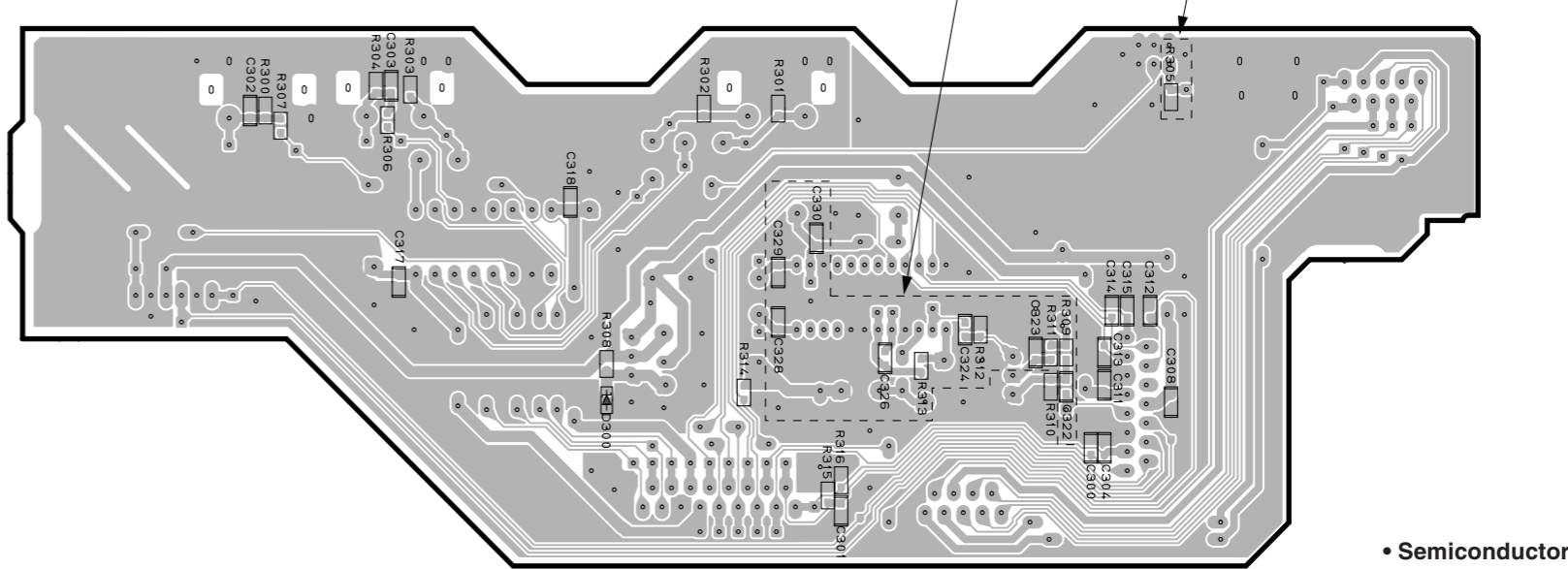
SUB (4) P. C. B. (Surface Mount Device)



SUB (3) P. C. B. (Lead Type Device)



SUB (3) P. C. B. (Surface Mount Device)



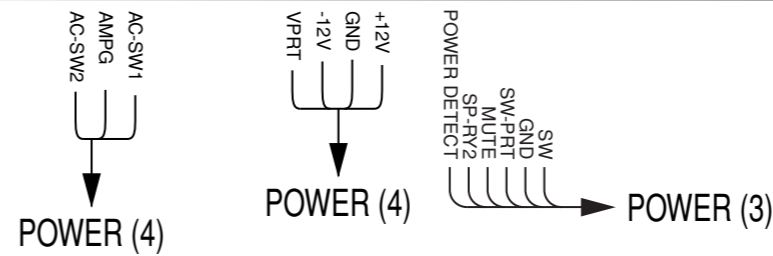
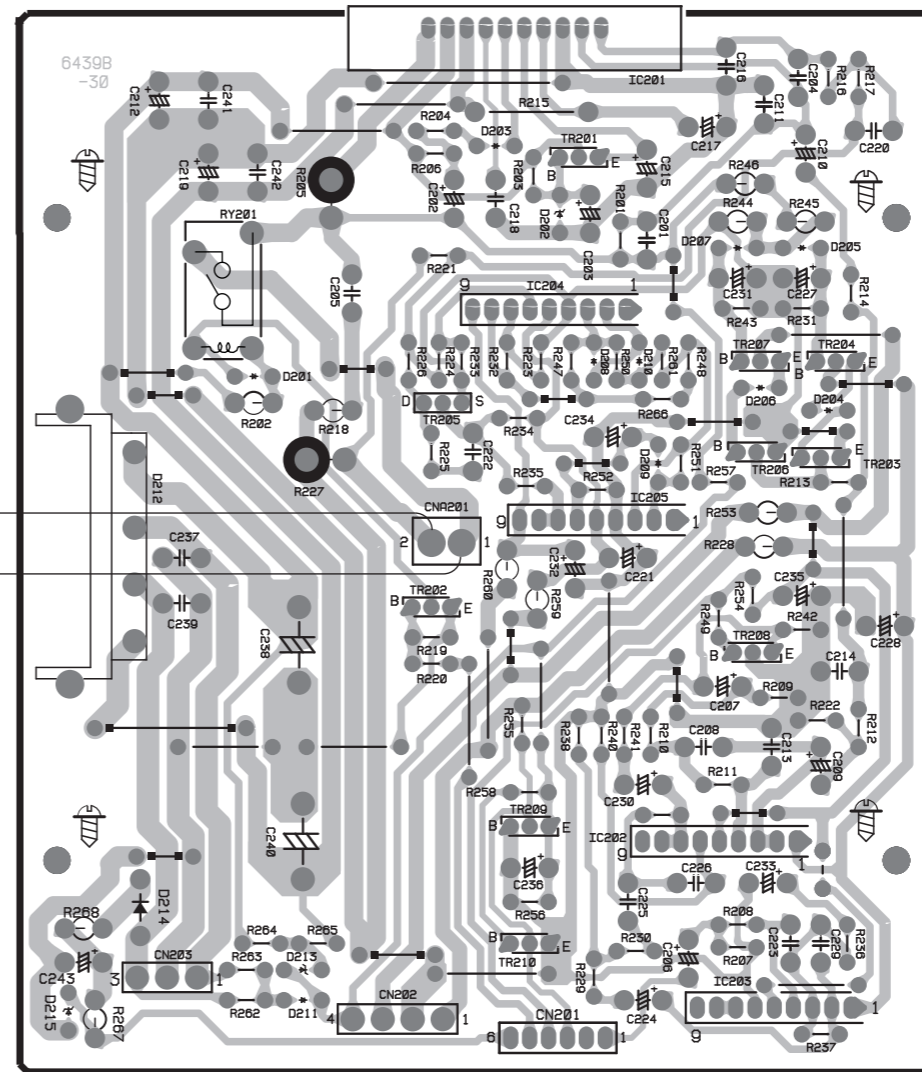
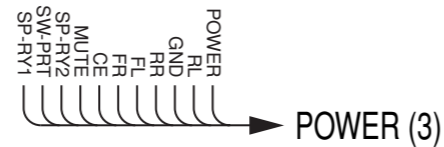
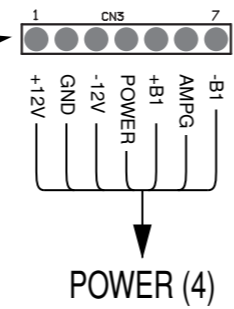
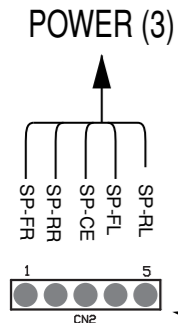
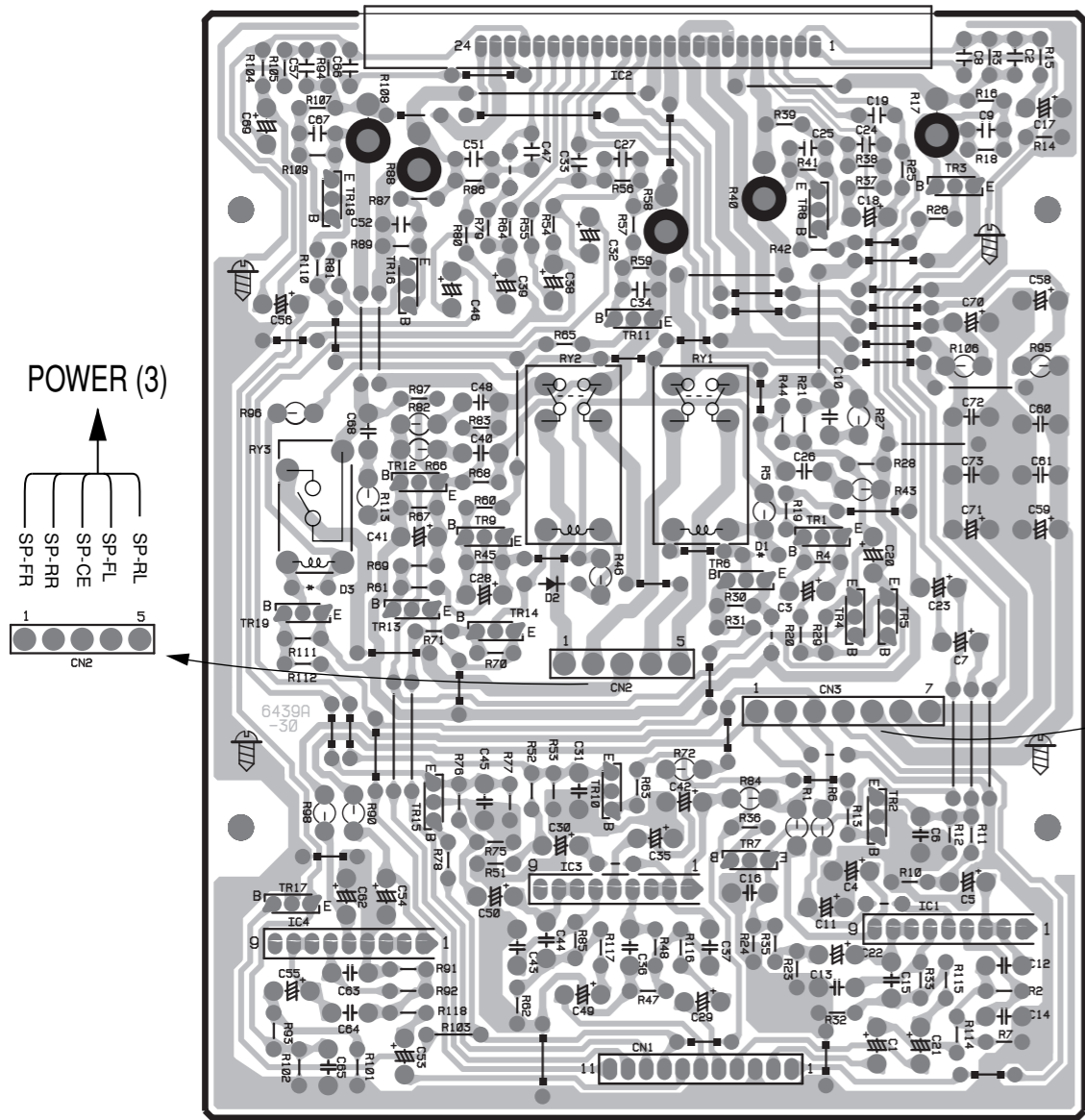
• Semiconductor Location

Ref. No.	Location
D300	F6
IC300	F3
IC301	G3
Q300	F3
Q301	H3

SW-S80 PRINTED CIRCUIT BOARD (Foil side)

POWER AMP (1) P. C. B. (Lead Type Device)

POWER AMP (2) P. C. B. (Lead Type Device)



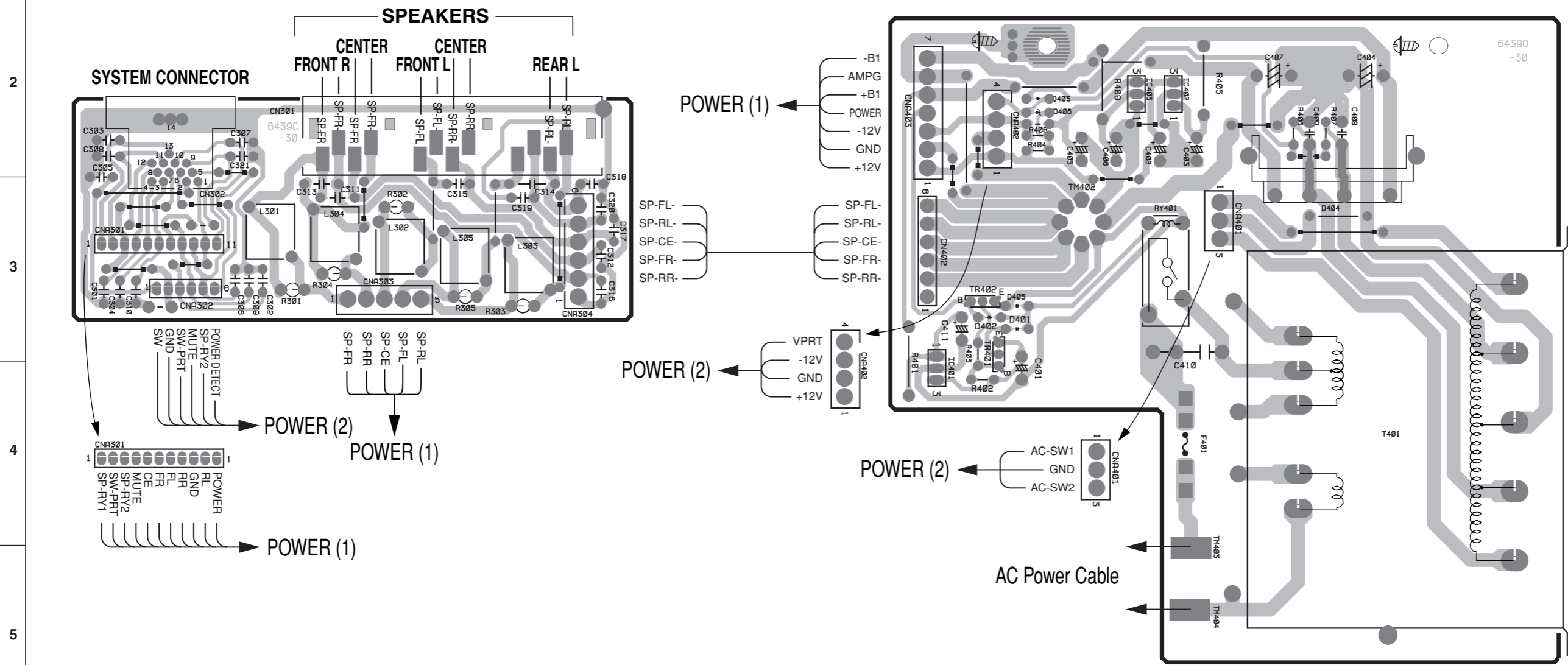
• Semiconductor Location

Ref. No.	Location	Ref. No.	Location	Ref. No.	Location	Ref. No.	Location	Ref. No.	Location	Ref. No.	Location
D1	D4	D208	H3	IC3	C5	TR4	D4	TR14	C4	TR205	G3
D2	C4	D209	H3	IC4	B5	TR5	D4	TR15	B4	TR206	H3
D3	B4	D210	H3	IC201	G2	TR6	D4	TR16	B3	TR207	H3
D201	G3	D211	G5	IC202	H4	TR7	C5	TR17	B5	TR208	H4
D202	H2	D212	F3	IC203	H5	TR8	D2	TR18	B2	TR209	G4
D203	G2	D213	G5	IC204	H3	TR9	C3	TR19	B4	TR210	G5
D204	H3	D214	F5	IC205	H3	TR10	C4	TR201	H2		
D205	H2	D215	F5	TR1	D3	TR11	C3	TR202	G4		
D206	H3	IC1	D5	TR2	D4	TR12	B3	TR203	H3		
D207	H2	IC2	C2	TR3	D2	TR13	B4	TR204	H3		

1 ■ SW-S80 PRINTED CIRCUIT BOARD (Foil side)

POWER AMP (3) P. C. B. (Lead Type Device)

POWER AMP (4) P. C. B. (Lead Type Device)

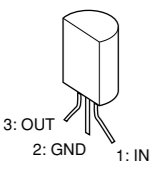
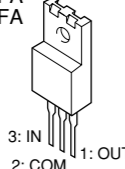
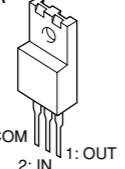
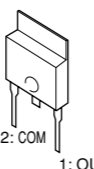
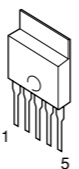
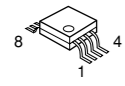
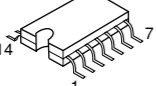
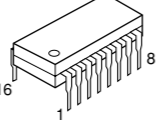
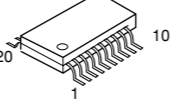
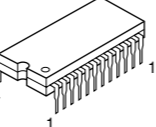
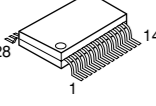
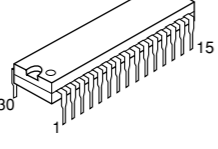
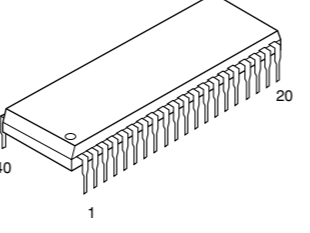
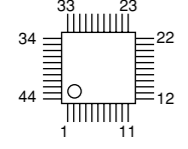
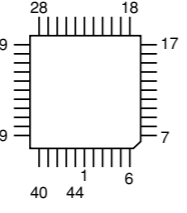
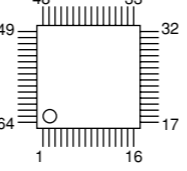
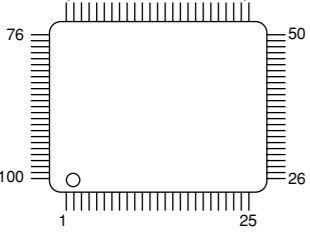
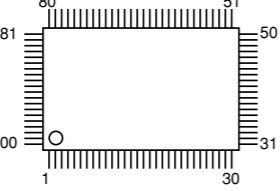
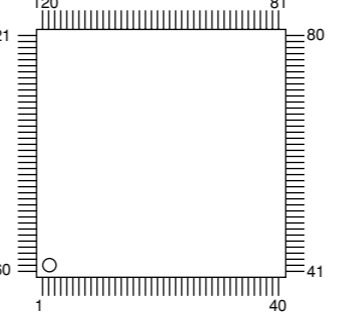


6 • Semiconductor Location

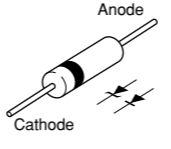
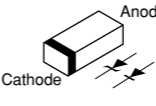
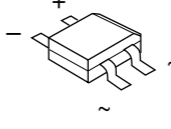
Ref. No.	Location
D401	F3
D402	F3
D403	F2
D404	H3
D405	F3
D406	F2
IC401	F4
TR401	F3
TR402	F4

PIN CONNECTION DIAGRAM

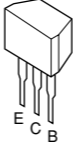
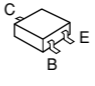
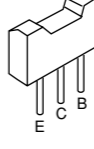
• ICs

<p>NJM78L05A-T3</p>  <p>3: OUT 2: GND 1: IN</p>	<p>NJM7805FA NJM78M05FA NJM78M12FA</p>  <p>3: IN 2: COM 1: OUT</p>	<p>NJM79M05FA NJM79M12FA</p>  <p>3: COM 2: IN 1: OUT</p>	<p>μPC29M33T-E1</p>  <p>3: IN 2: COM 1: OUT</p>	<p>PQ025EZ5MZP</p>  <p>1 5</p>
<p>BA15218F NJM2068MD μPC4570G2</p>  <p>8 7 1 4</p>	<p>TC74HCT08AF</p>  <p>14 1 7</p>	<p>NJM2595D</p>  <p>16 1 8</p>	<p>YAC520-EE2</p>  <p>20 1 10</p>	<p>LC72722</p>  <p>24 1 12</p>
<p>CY62256LL</p>  <p>28 1 14</p>	<p>LC78211</p>  <p>30 1 15</p>	<p>MSM514260C-60JS</p>  <p>40 1 20</p>		
<p>AK4527BVQ</p>  <p>33 23 34 22 44 12 1 11</p>	<p>CS493292-CLR</p>  <p>28 18 29 17 39 7 40 44 6 1</p>	<p>LC75712E</p>  <p>48 33 49 32 64 17 1 16</p>		
<p>XC9572XL-10TQ100C</p>  <p>75 51 76 50 100 26 1 25</p>	<p>M30624F9AF</p>  <p>80 51 81 50 100 31 1 30</p>	<p>YSS938</p>  <p>120 81 121 80 160 41 1 40</p>		

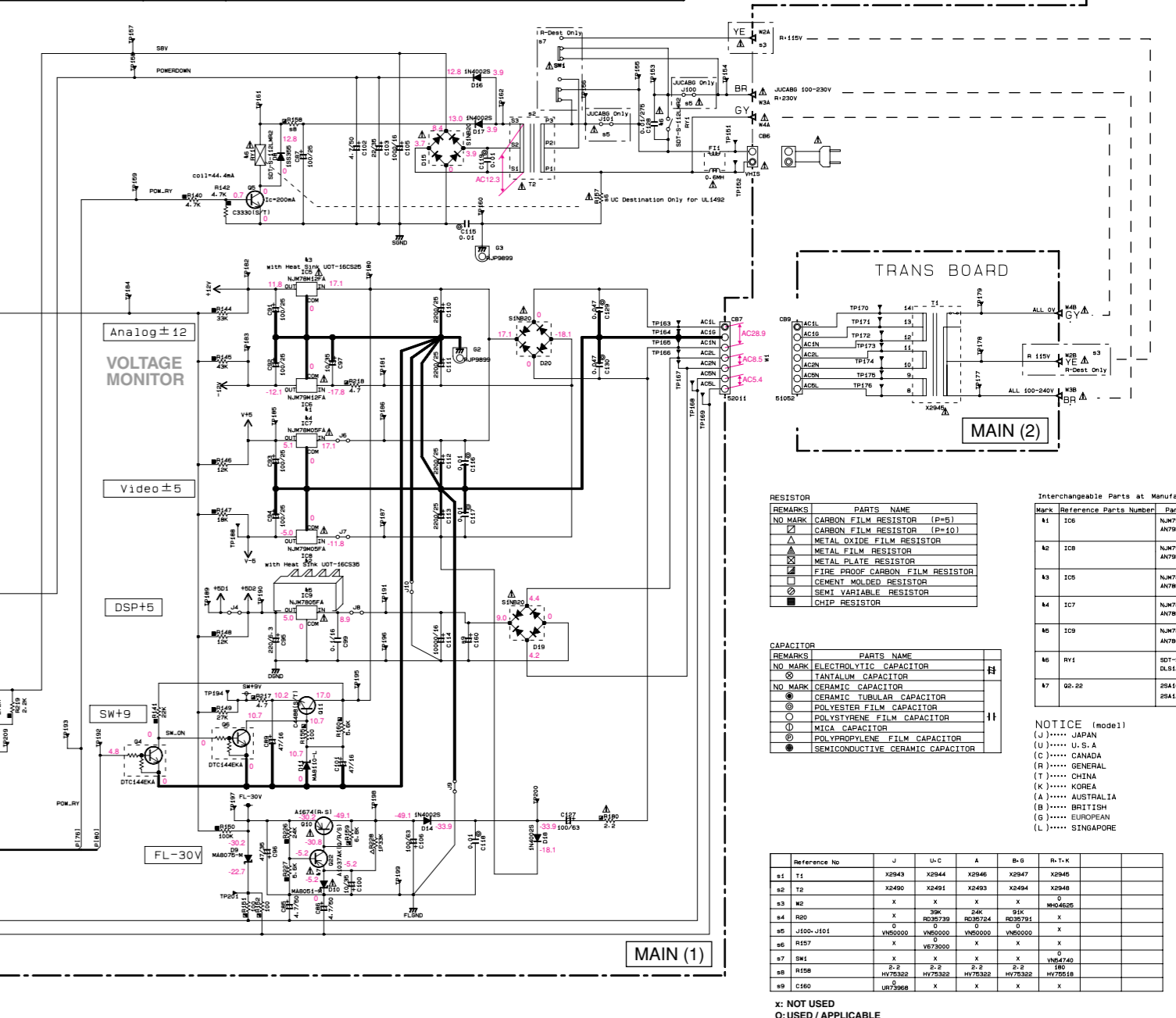
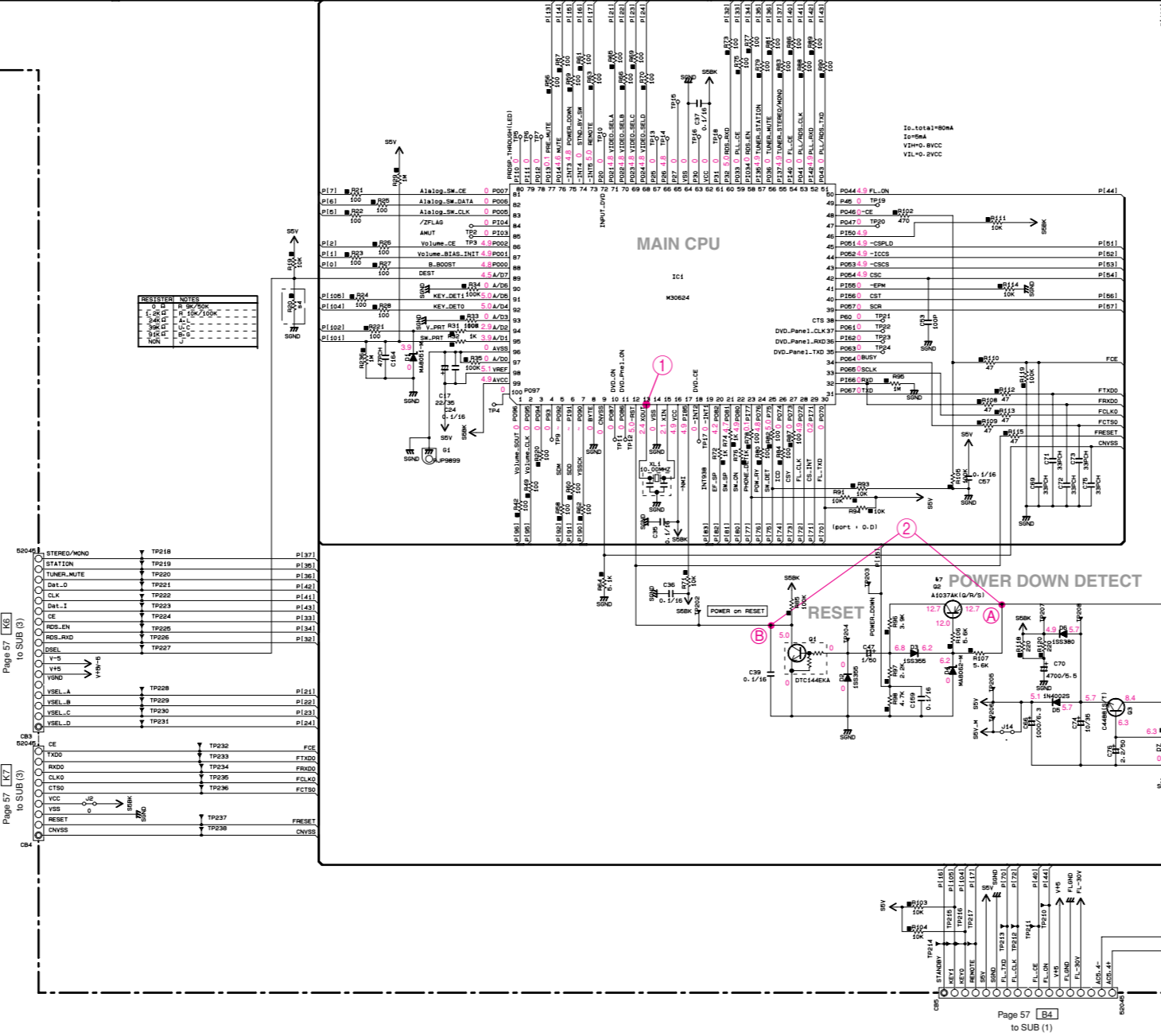
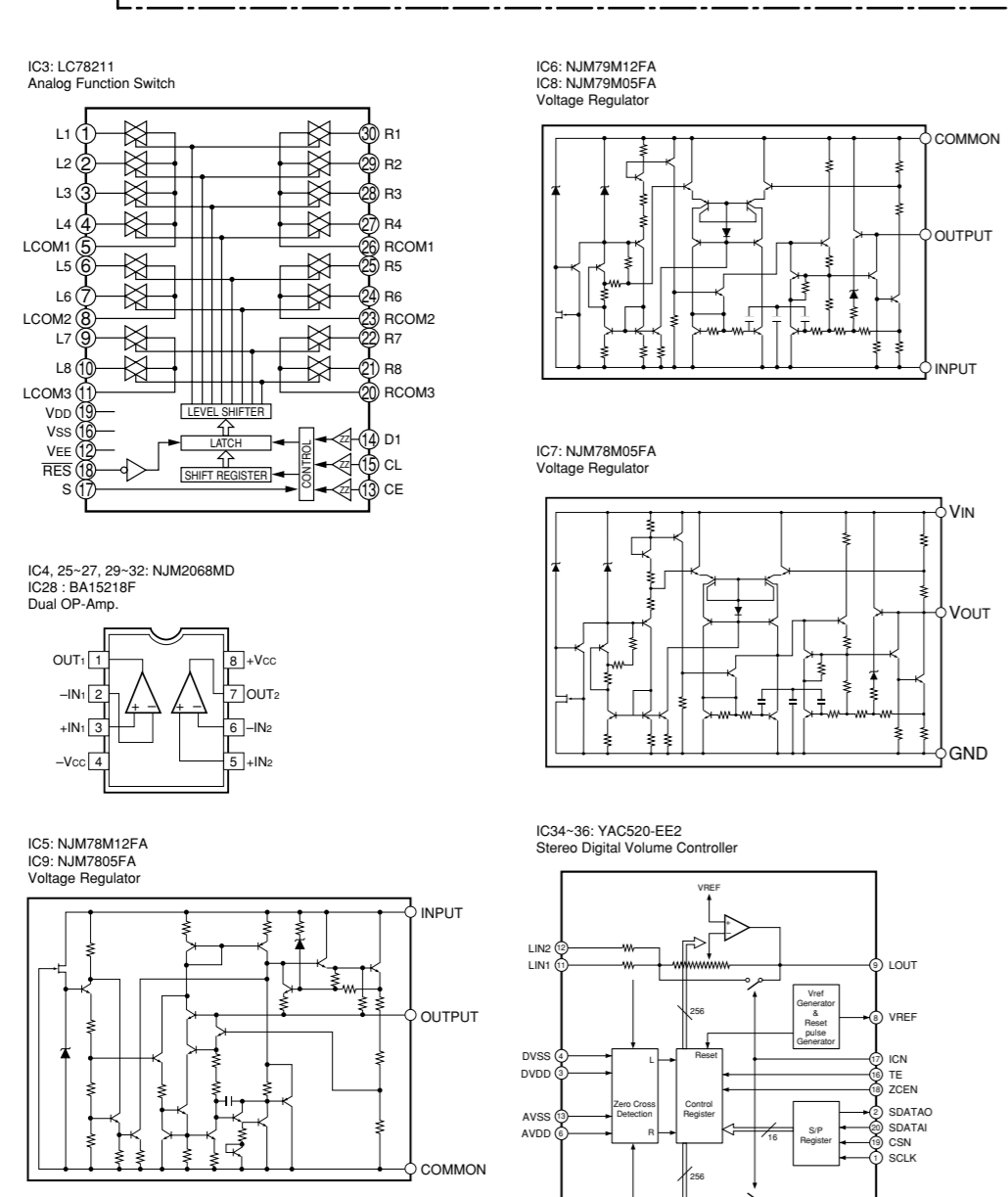
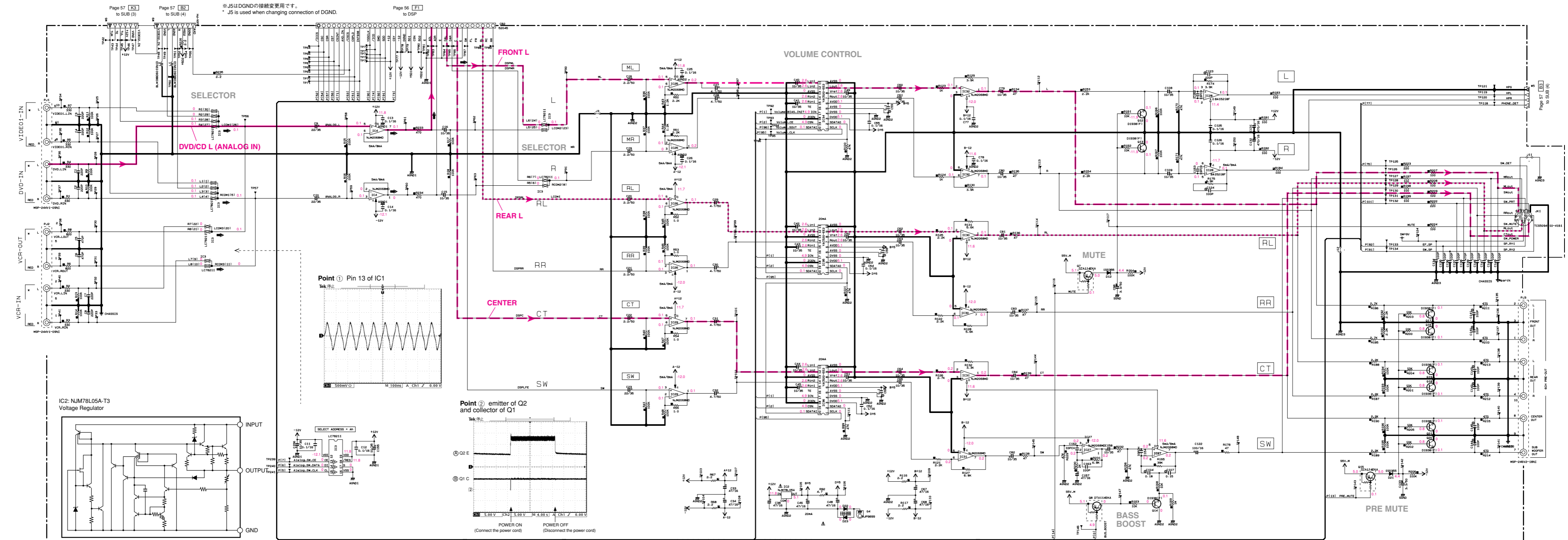
• Diodes

<p>1N4002S</p>  <p>Anode Cathode</p>	<p>1SS355 1SS380 MA8051-M MA8056-M MA8062-H MA8062-M MA8075-M MA8110-L RB501V-40</p>  <p>Anode Cathode</p>	<p>S1NB20</p>  <p>+ - ~</p>
---	---	--

• Transistors

<p>2SA1674 2SC3330</p>  <p>E C B</p>	<p>2SA1037K 2SC2412K 2SD1938F DTA114EKA DTC144EKA</p>  <p>C E B</p>	<p>2SC4488</p>  <p>E C B</p>
---	--	---

AVR-S80 SCHEMATIC DIAGRAM (MAIN)



REMARKS	PARTS NAME	MANUFACTURER PARTS NO.	MANUFACTURER
NO MARK	CARBON FILM RESISTOR (F=5)		ANYWHERE
△	CARBON FILM RESISTOR (F=50)		ANYWHERE
△	METAL FILM RESISTOR		ANYWHERE
△	METAL OXIDE FILM RESISTOR		ANYWHERE
△	FILM PROOF CARBON FILM RESISTOR		ANYWHERE
△	CEMENT MOUNTED RESISTOR		ANYWHERE
△	SEMICONDUCTIVE CERAMIC RESISTOR		ANYWHERE

REMARKS	PARTS NAME	MANUFACTURER PARTS NO.	MANUFACTURER
NO MARK	ELECTROLYTIC CAPACITOR		ANYWHERE
△	TANTALUM CAPACITOR		ANYWHERE
△	MAIN CERAMIC CAPACITOR		ANYWHERE
△	CERAMIC TUBULAR CAPACITOR		ANYWHERE
△	DIP VESTER FILM CAPACITOR		ANYWHERE
△	POK VESTER FILM CAPACITOR		ANYWHERE
△	MICA CAPACITOR		ANYWHERE
△	POK VESTER FILM CAPACITOR		ANYWHERE
△	SEMICONDUCTIVE CERAMIC CAPACITOR		ANYWHERE

Reference No.	J	U.S.A.	A	B.S.	U.K.
11	○	○	○	○	○
12	○	○	○	○	○
13	○	○	○	○	○
14	○	○	○	○	○
15	○	○	○	○	○
16	○	○	○	○	○
17	○	○	○	○	○
18	○	○	○	○	○
19	○	○	○	○	○
20	○	○	○	○	○

(J) JAPAN
 (U.S.A.) U.S.A.
 (A) CANADA
 (B.S.) BRITISH ISLANDS
 (U.K.) U.K.
 (○) NOT USED
 (△) USED/APPLICABLE

★ All voltages are measured with a 10MΩ/V DC electric volt meter.
 ★ Components having special characteristics are marked ①, and must be replaced with parts having specifications equal to those originally installed.
 ★ Schematic diagram is subject to change without notice.

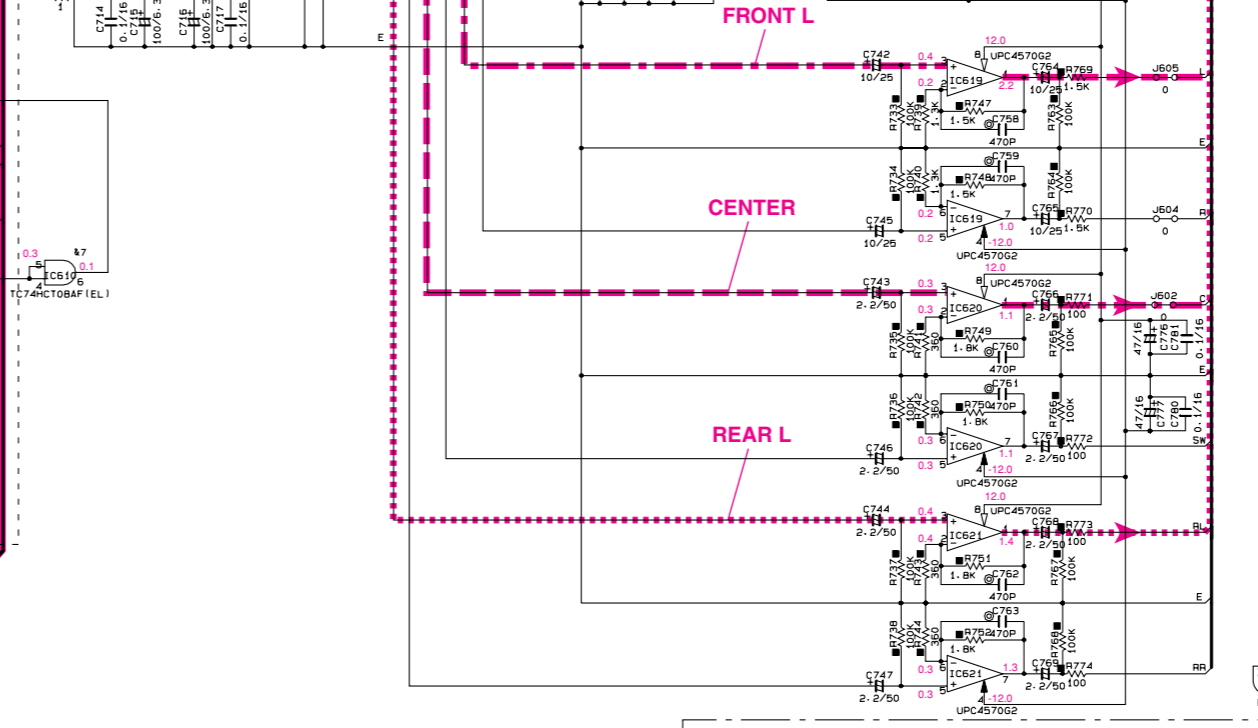
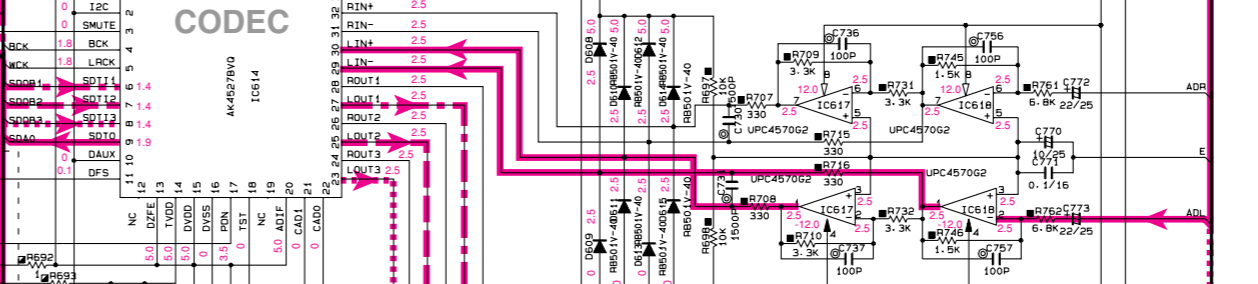
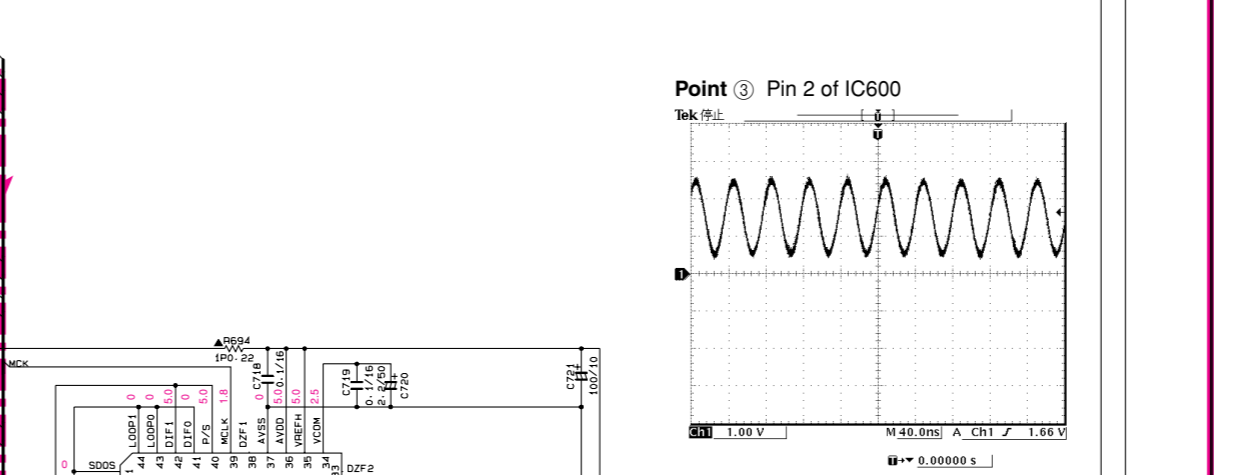
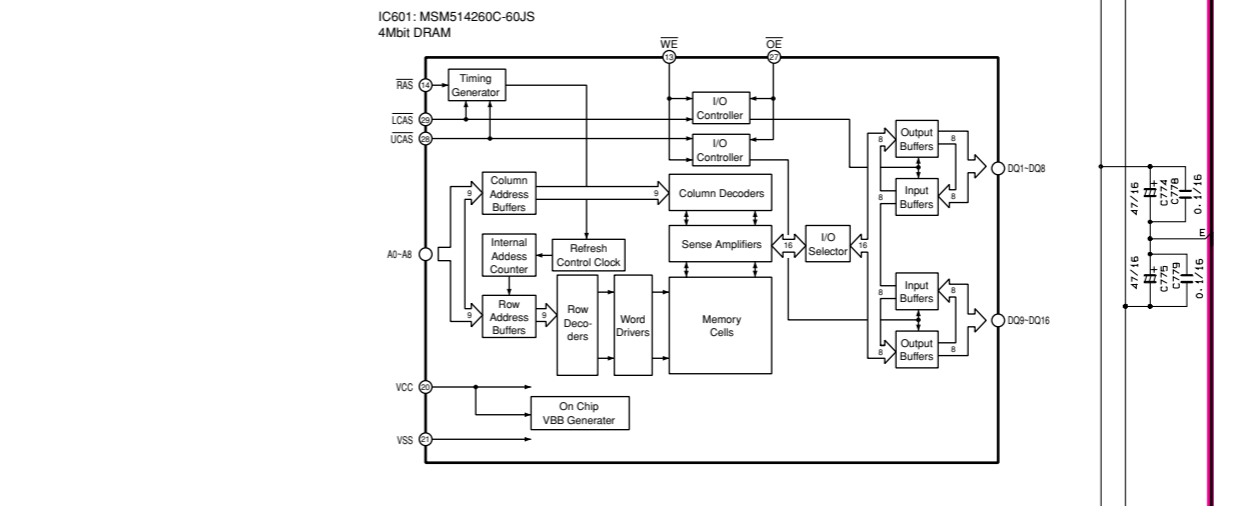
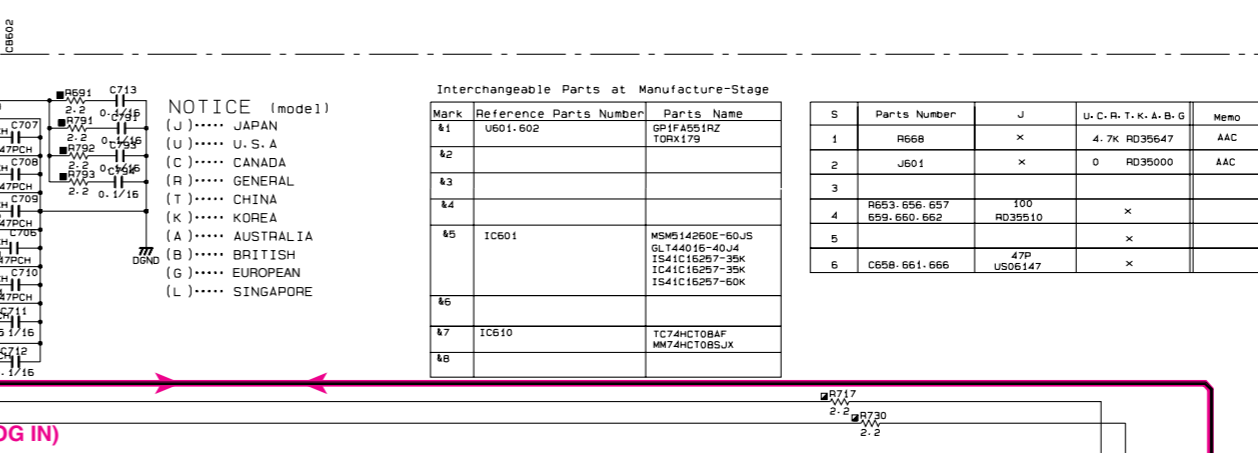
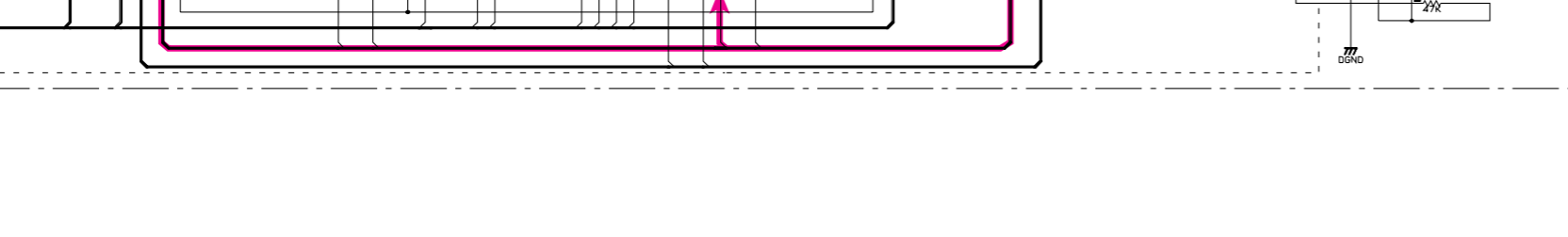
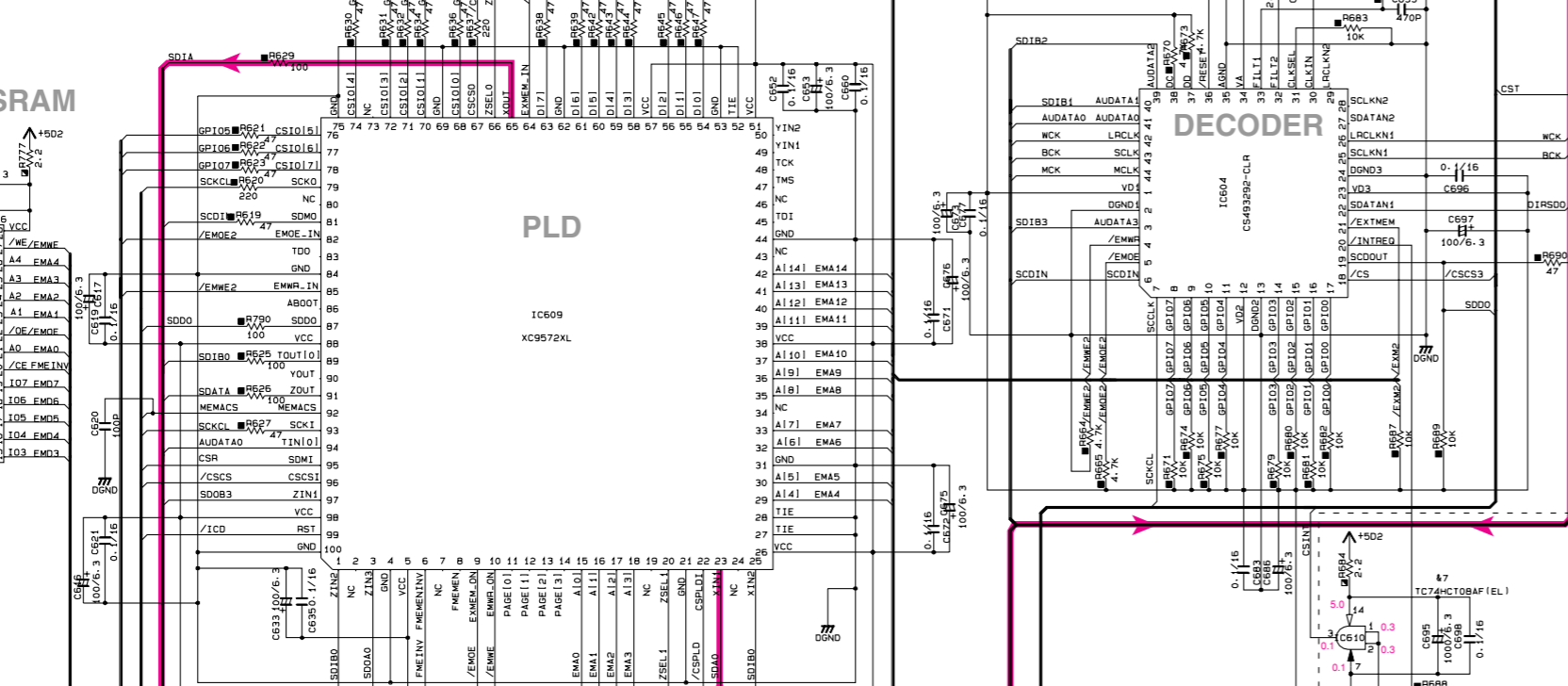
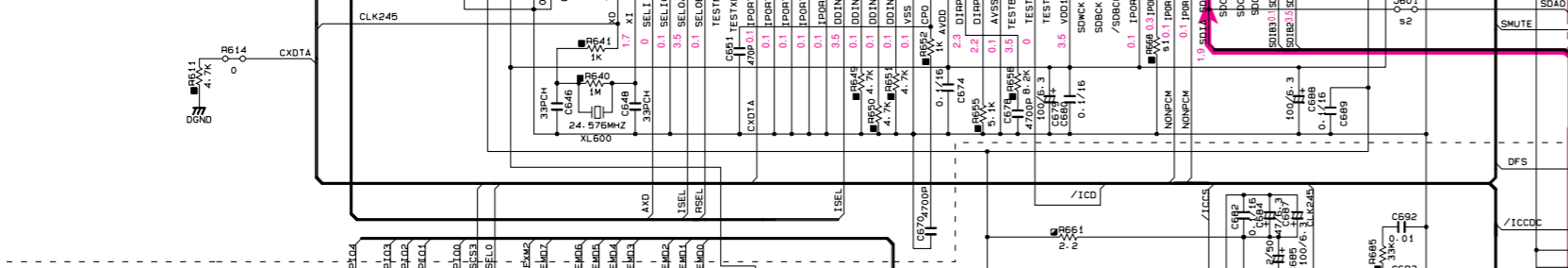
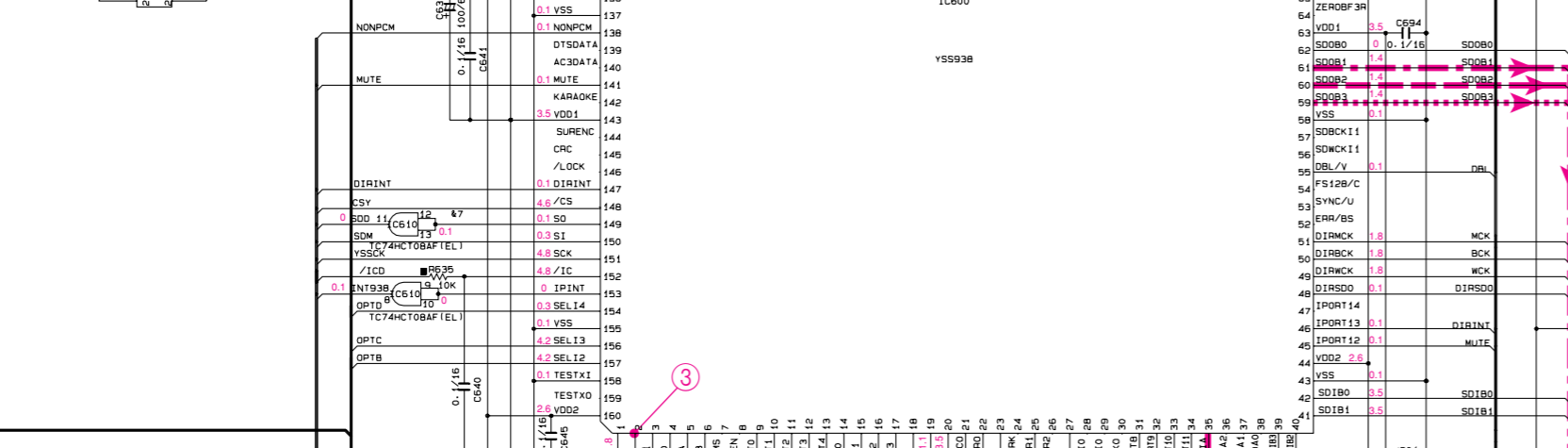
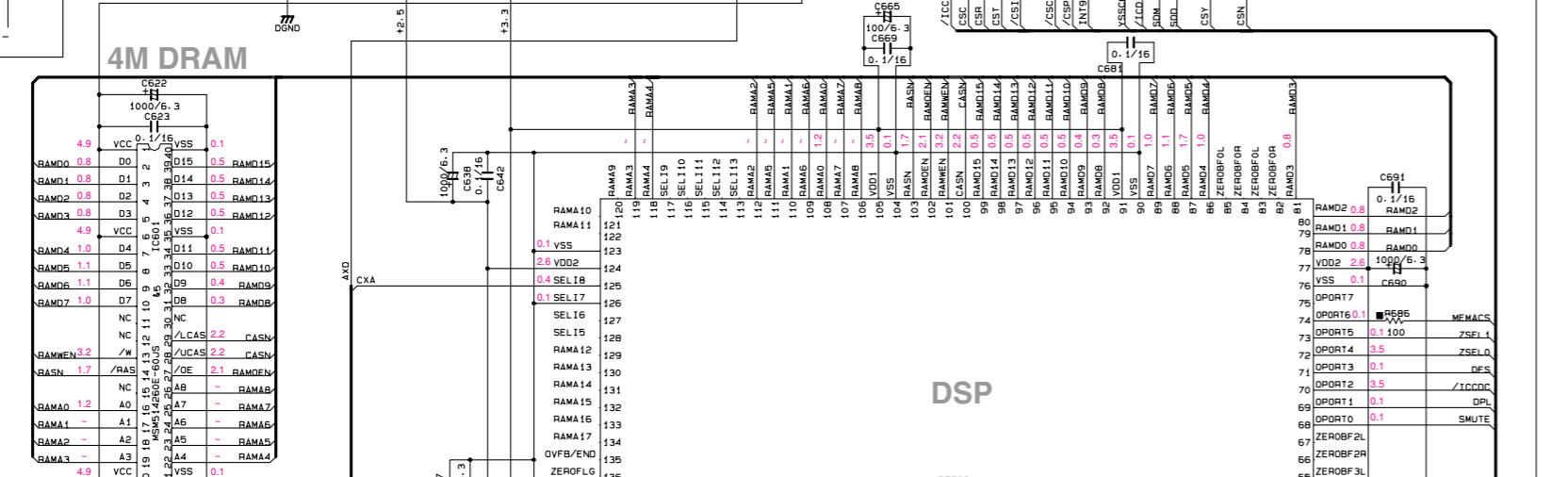
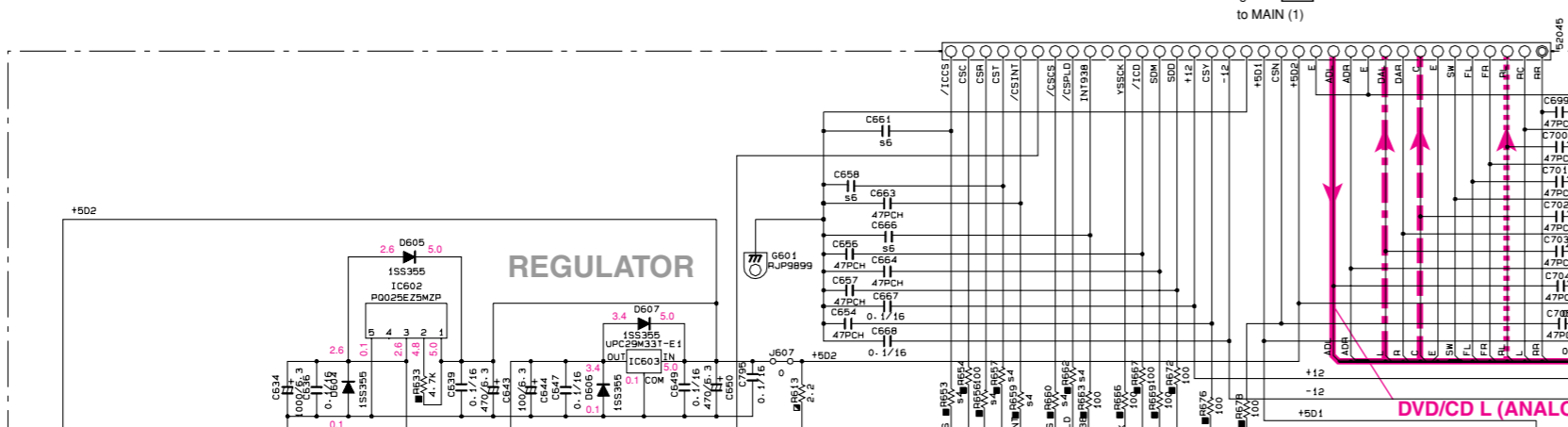
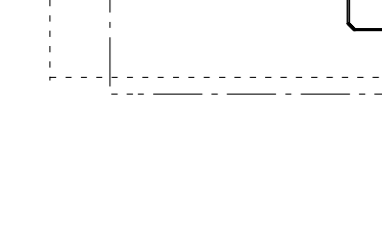
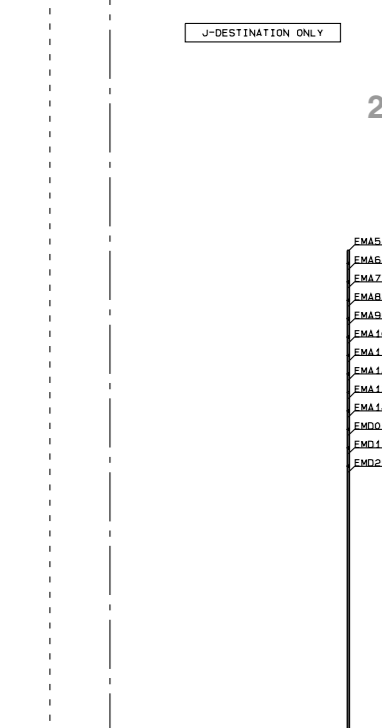
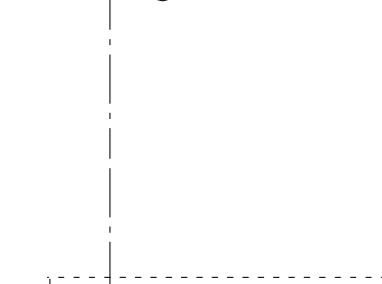
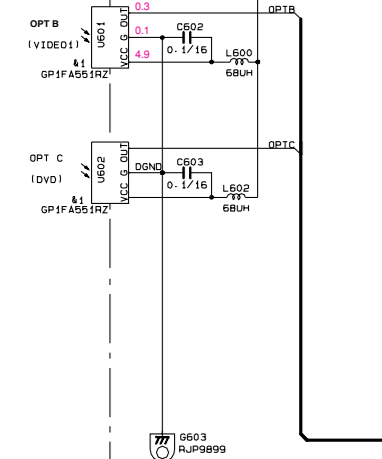
● 電圧は、内部抵抗10MΩの電圧計で測定したものです。
 ● ①印のある部品は、安全性確保部品を示しています。部品の交換が必要な場合、パーツリストに記載されている部品を使用してください。
 ● 本回路図は標準回路図です。改良のため予告なく変更することがございます。

AVR-S80 SCHEMATIC DIAGRAM (DSP)

REMARKS	PARTS NAME
NO MARK	CARBON FILM RESISTOR (P=5)
□	CARBON FILM RESISTOR (P=10)
△	METAL OXIDE FILM RESISTOR
▲	METAL FILM RESISTOR
■	METAL PLATE RESISTOR
⊠	FIRE PROOF CARBON FILM RESISTOR
⊞	CEMENT MOLDED RESISTOR
⊚	SEMI VARIABLE RESISTOR
⊙	CHIP RESISTOR

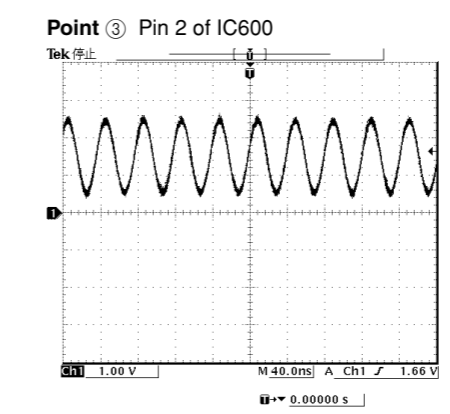
REMARKS	PARTS NAME
NO MARK	ELECTROLYTIC CAPACITOR
⊗	TANTALUM CAPACITOR
⊙	CERAMIC TUBULAR CAPACITOR
⊚	POLYESTER FILM CAPACITOR
⊞	POLYSTYRENE FILM CAPACITOR
⊠	MICA CAPACITOR
⊡	POLYPROPYLENE FILM CAPACITOR
⊢	SEMICONDUCTIVE CERAMIC CAPACITOR
⊣	POLYPHENYLENE SULFIDE FILM CAPACITOR

REMARKS	PARTS NAME
NO MARK	CERAMIC CAPACITOR
⊙	CERAMIC TUBULAR CAPACITOR
⊚	POLYESTER FILM CAPACITOR
⊞	POLYSTYRENE FILM CAPACITOR
⊠	MICA CAPACITOR
⊡	POLYPROPYLENE FILM CAPACITOR
⊢	SEMICONDUCTIVE CERAMIC CAPACITOR
⊣	POLYPHENYLENE SULFIDE FILM CAPACITOR



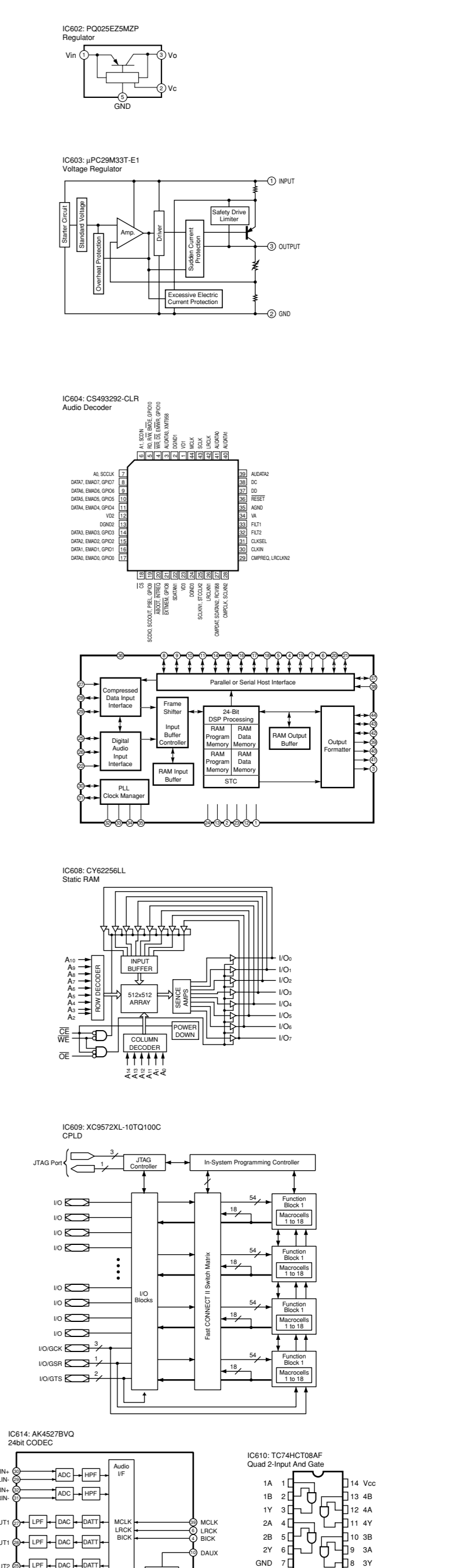
NOTICE (model)
 (J) JAPAN
 (U) U.S.A.
 (C) CANADA
 (R) GENERAL
 (T) CHINA
 (K) KOREA
 (A) AUSTRALIA
 (B) BRITISH
 (G) EUROPEAN
 (L) SINGAPORE

Mark	Reference	Parts Number	Parts Name
k1	U601.602	SP1FAS12R	10K1.75
k2			
k3			
k4			
k5	IC601	HM514260C-60JS	6L144016-40J4
k6			1541C1027-39K
k7	IC610	TC74HC108AF	1541C1087-60K

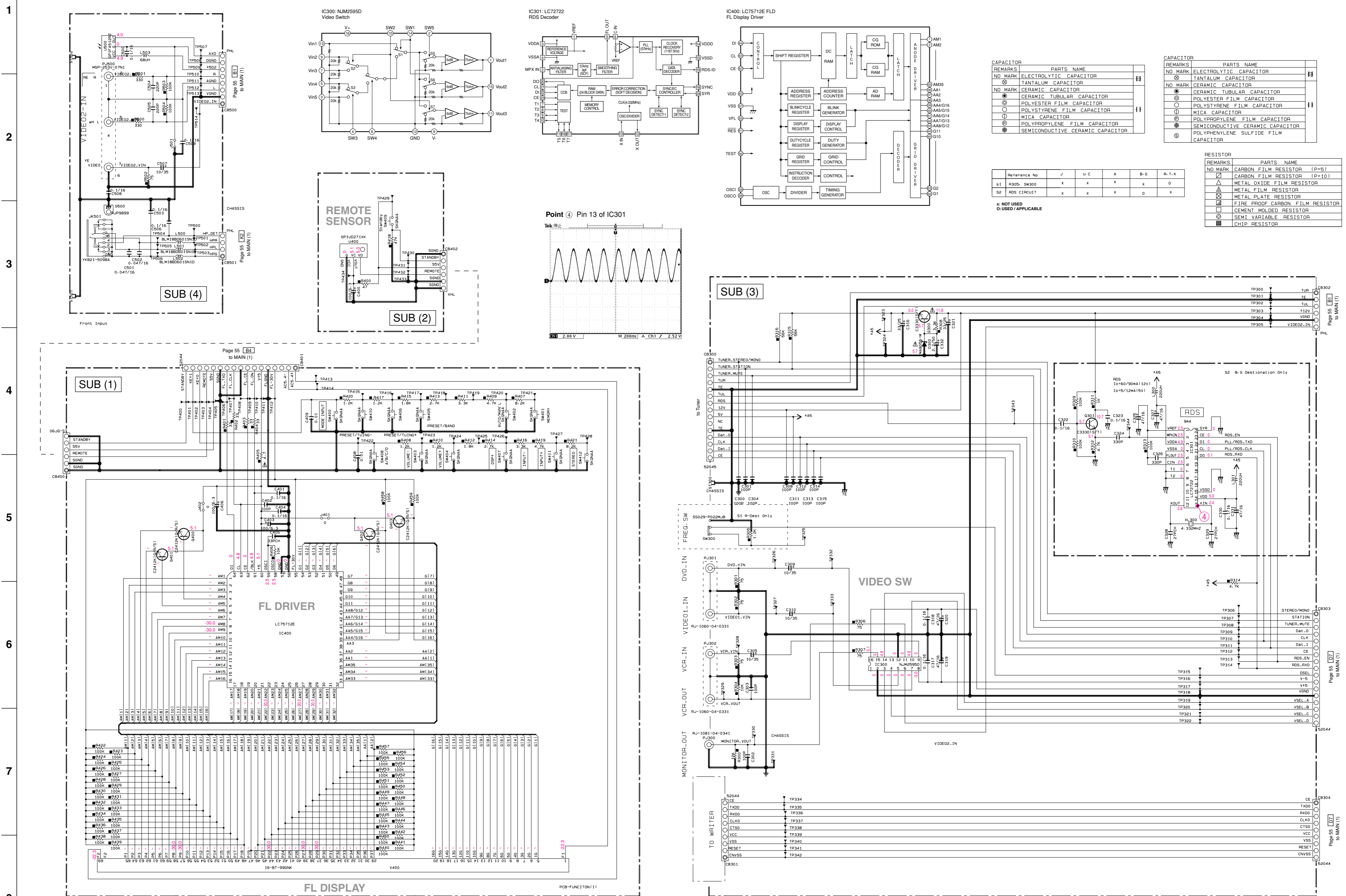


★ All voltages are measured with a 10MΩ/V DC electric volt meter.
 ★ Components having special characteristics are marked !, and must be replaced with parts having specifications equal to those originally installed.
 ★ Schematic diagram is subject to change without notice.

● 電圧は、内部抵抗10MΩの電圧計で測定したものです。
 ● !印のある部品は、安全性確保部品を示しています。部品の交換が必要な場合、パーツリストに記載されている部品を使用してください。
 ● 本回路図は標準回路図です。改良のため予告なく変更することがございます。



AVR-S80 SCHEMATIC DIAGRAM (SUB)

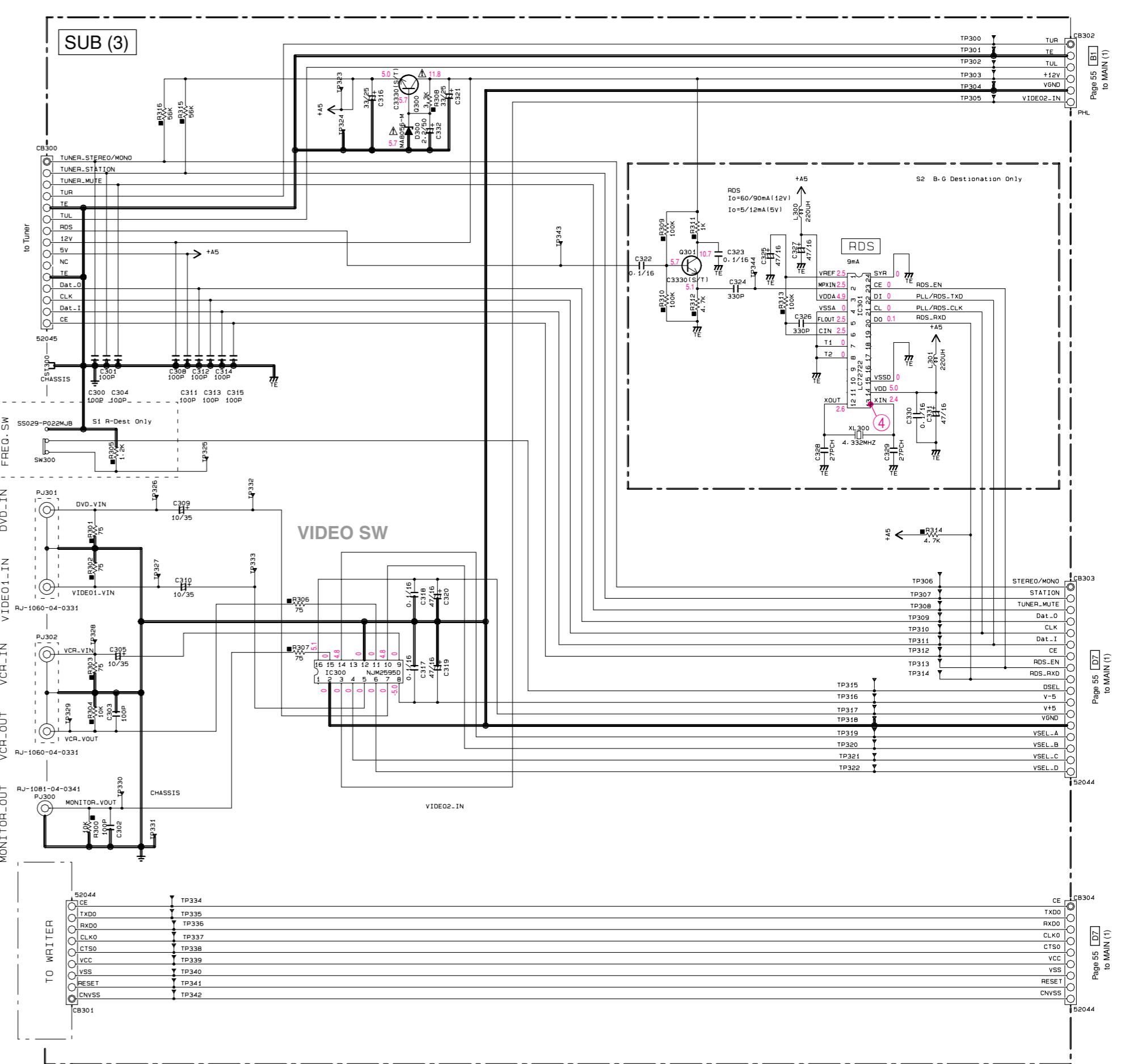
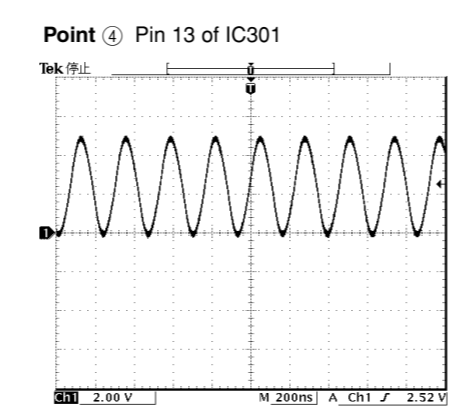


REMARKS	PARTS NAME
NO MARK	ELECTROLYTIC CAPACITOR
⊗	TANTALUM CAPACITOR
NO MARK	CERAMIC CAPACITOR
⊙	CERAMIC TUBULAR CAPACITOR
⊖	POLYESTER FILM CAPACITOR
○	POLYSTYRENE FILM CAPACITOR
⊕	MICA CAPACITOR
⊖	POLYPROPYLENE FILM CAPACITOR
⊖	SEMICONDUCTIVE CERAMIC CAPACITOR
⊖	CAPACITOR

REMARKS	PARTS NAME
□	CARBON FILM RESISTOR (P=5)
⊠	CARBON FILM RESISTOR (P=10)
△	METAL OXIDE FILM RESISTOR
▲	METAL FILM RESISTOR
⊠	METAL PLATE RESISTOR
⊠	FIRE PROOF CARBON FILM RESISTOR
⊠	CEMENT MOLDED RESISTOR
⊠	SEMI VARIABLE RESISTOR
■	CHIP RESISTOR

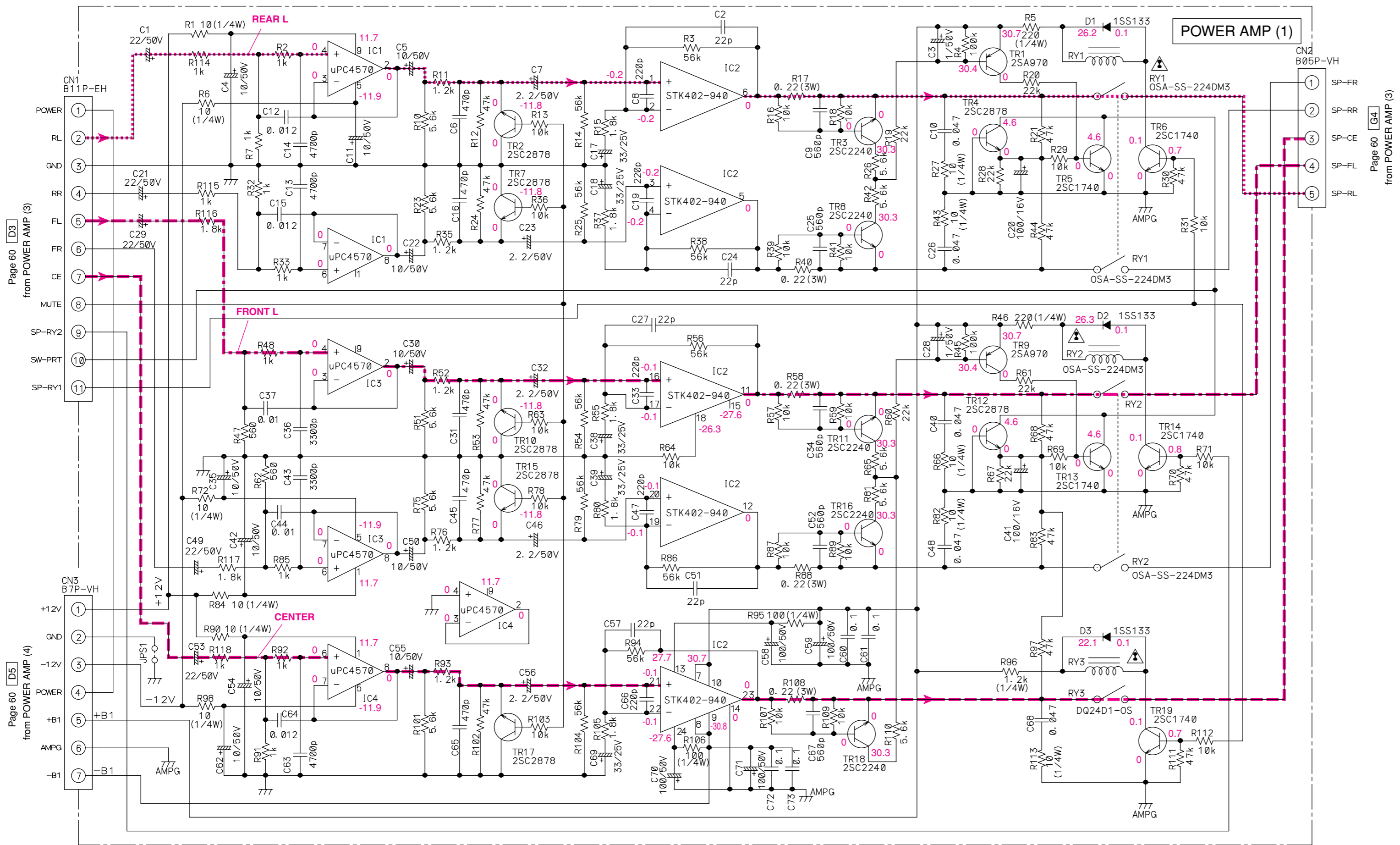
NOTICE (model)

(J)..... JAPAN
 (U)..... U.S.A
 (C)..... CANADA
 (K)..... GENERAL
 (T)..... CHINA
 (A)..... KOREA
 (B)..... AUSTRALIA
 (G)..... BRITISH
 (L)..... EUROPEAN
 (S)..... SINGAPORE



- ★ All voltages are measured with a 10MQ/V DC electric volt meter.
- ★ Components having special characteristics are marked !, and must be replaced with parts having specifications equal to those originally installed.
- ★ Schematic diagram is subject to change without notice.
- 電圧は、内部抵抗10MQの電圧計で測定したものです。
- 上印のある部品は、安全性確保部品を示しています。部品の交換が必要な場合、パーツリストに記載されている部品を使用してください。
- 本回路図は標準回路図です。改良のため予告なく変更することがございます。

■ SW-S80 SCHEMATIC DIAGRAM 1/3 (5ch AMP Block)



★ All voltages are measured with a 10MΩ/V DC electric volt meter.
 ★ Components having special characteristics are marked Δ , and must be replaced with parts having specifications equal to those originally installed.
 ★ Schematic diagram is subject to change without notice.

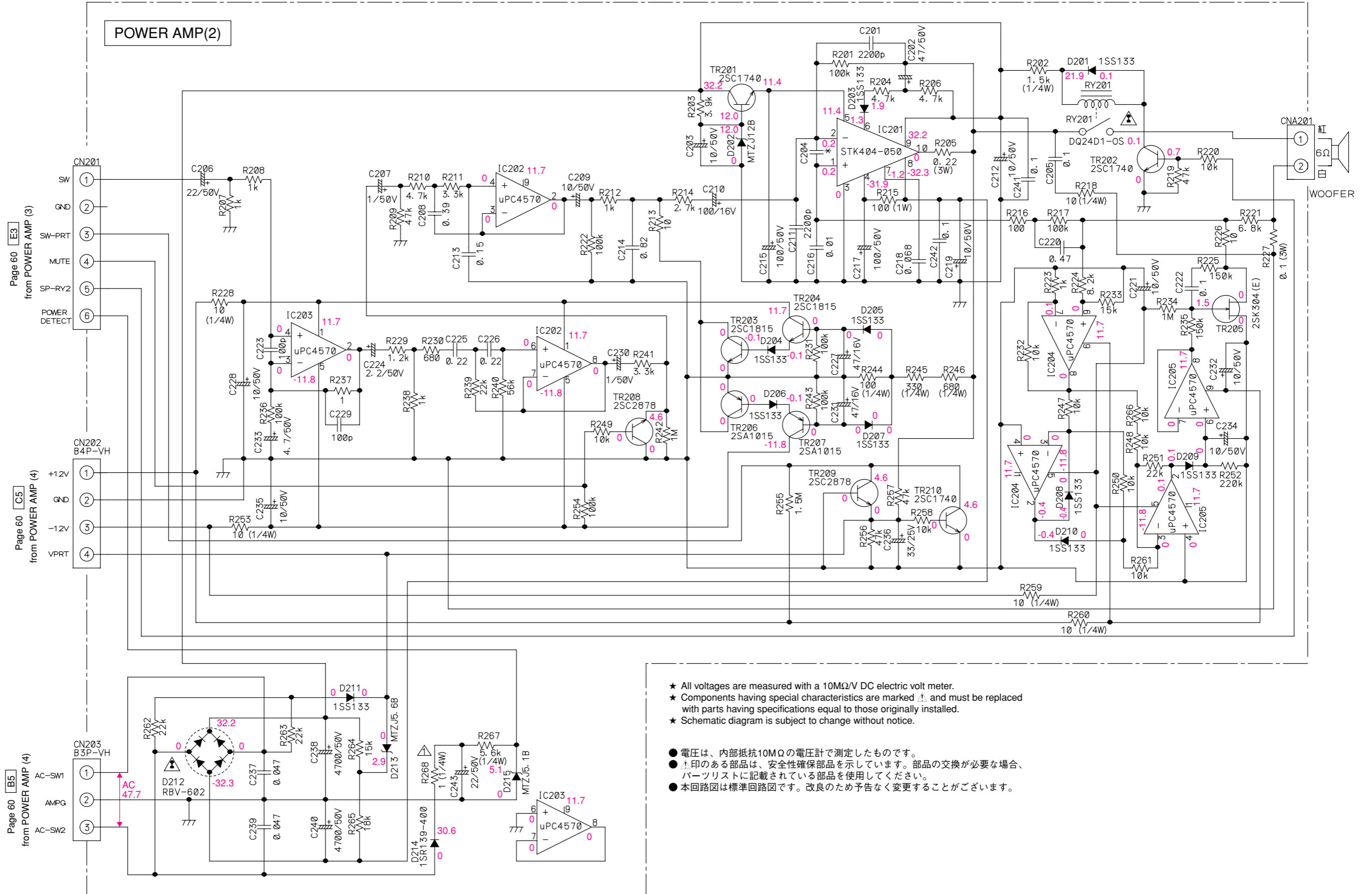
● 電圧は、内部抵抗10MΩの電圧計で測定したものです。
 ● Δ 印のある部品は、安全性確保部品を示しています。部品の交換が必要な場合、パーツリストに記載されている部品を使用してください。
 ● 本回路図は標準回路図です。改良のため予告なく変更することがございます。

Page 60 [D3]
from POWER AMP (3)

Page 60 [G4]
from POWER AMP (3)

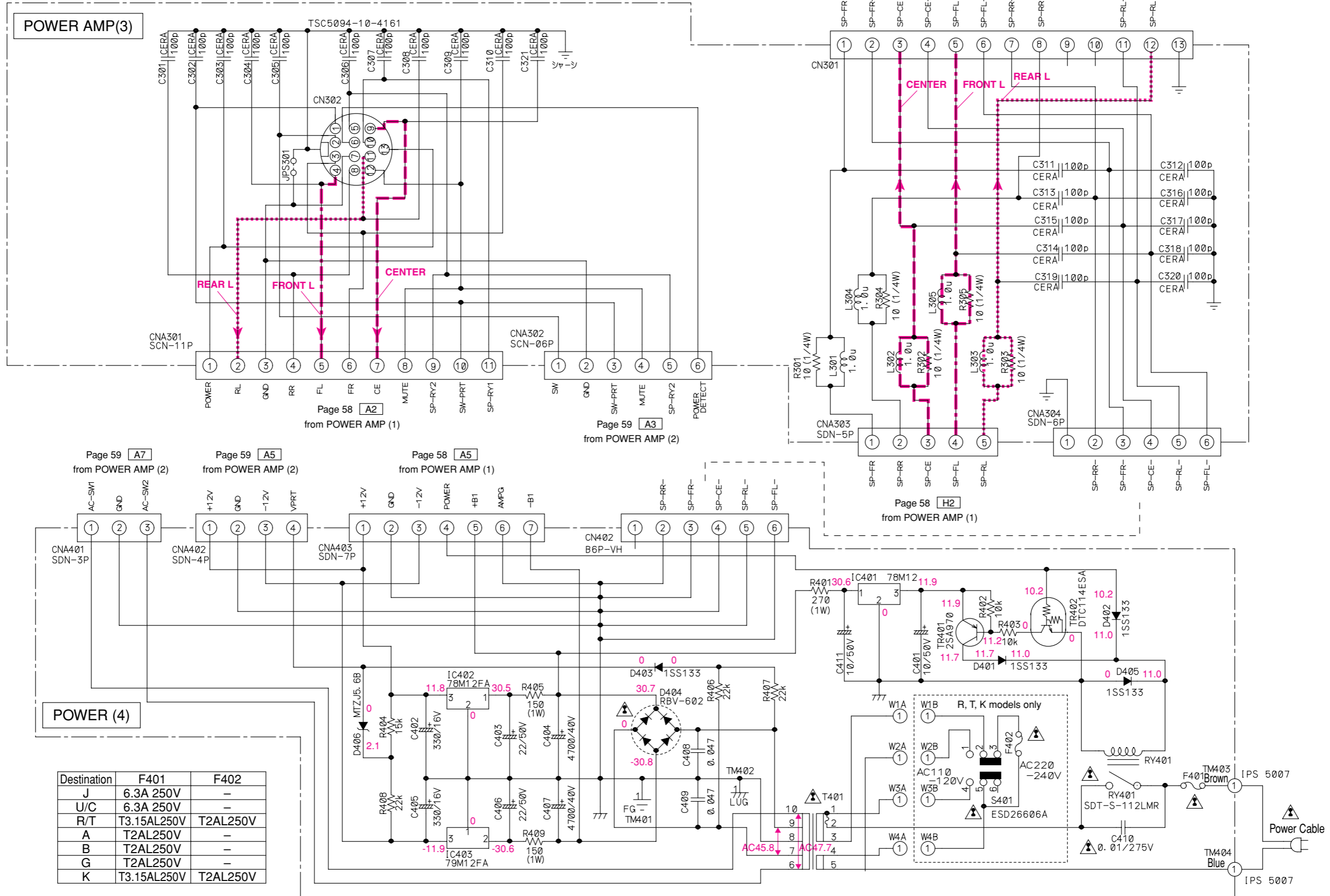
Page 60 [D5]
from POWER AMP (4)

SW-S80 SCHEMATIC DIAGRAM 2/3 (Woofer Amp Block)



- ★ All voltages are measured with a 10MΩ/V DC electric volt meter.
 - ★ Components having special characteristics are marked and must be replaced with parts having specifications equal to those originally installed.
 - ★ Schematic diagram is subject to change without notice.
- 電圧は、内部抵抗10MΩの電圧計で測定したものです。
 ● 印のある部品は、安全性確保部品を示しています。部品の交換が必要な場合、パーツリストに記載されている部品を使用してください。
 ● 本回路図は標準回路図です。改良のため予告なく変更することがございます。

SW-S80 SCHEMATIC DIAGRAM 3/3 (Power Supply Block)



Destination	F401	F402
J	6.3A 250V	-
U/C	6.3A 250V	-
R/T	T3.15AL250V	T2AL250V
A	T2AL250V	-
B	T2AL250V	-
G	T2AL250V	-
K	T3.15AL250V	T2AL250V

★ All voltages are measured with a 10MΩ/V DC electric volt meter.
 ★ Components having special characteristics are marked and must be replaced with parts having specifications equal to those originally installed.
 ★ Schematic diagram is subject to change without notice.

● 電圧は、内部抵抗10MΩの電圧計で測定したものです。
 ● 印のある部品は、安全性確保部品を示しています。部品の交換が必要な場合、パーツリストに記載されている部品を使用してください。
 ● 本回路図は標準回路図です。改良のため予告なく変更することがございます。

PARTS LIST

■ ELECTRICAL PARTS

■ WARNING

- Components having special characteristics are marked \triangle and must be replaced with parts having specifications equal to those originally installed.
- Carbon resistors (1/6W or 1/4W) are not included in the ELECTRICAL PARTS List. For the parts No. of the carbon resistors, refer to last page.
- \triangle 印のある部分は、安全確保部品を示しています。部品の交換が必要な場合、パーツリストに記載されている部品を使用してください。
- 本機に使用しているカーボン抵抗は1/6Wまたは1/4Wです。このパーツリストには、記載しておりませんので、部品番号がHF45○○○○タイプまたは同等品を使用してください。
- 部品価格ランクは、予告なく変更することがあります。

ABBREVIATIONS IN THIS LIST ARE AS FOLLOWS:

C.A.EL.CHP	: CHIP ALUMI.ELECTROLYTIC CAP	L.EMIT	: LIGHT EMITTING MODULE
C.CE	: CERAMIC CAP	LED.DSPLY	: LED DISPLAY
C.CE.ARRAY	: CERAMIC CAP ARRAY	LED.INFRD	: LED,INFRARED
C.CE.CHP	: CHIP CERAMIC CAP	MODUL.RF	: MODULATOR,RF
C.CE.ML	: MULTILAYER CERAMIC CAP	PHOT.CPL	: PHOTO COUPLER
C.CE.M.CHP	: CHIP MULTILAYER CERAMIC CAP	PHOT.INTR	: PHOTO INTERRUPTER
C.CE.SAFY	: RECOGNIZED CERAMIC CAP	PHOT.RFLCT	: PHOTO REFLECTOR
C.CE.TUBLR	: CERAMIC TUBULAR CAP	PIN.TEST	: PIN,TEST POINT
C.CE.SMI	: SEMI CONDUCTIVE CERAMIC CAP	PLST.RIVET	: PLASTIC RIVET
C.EL	: ELECTROLYTIC CAP	R.ARRAY	: RESISTOR ARRAY
C.MICA	: MICA CAP	R.CAR.	: CARBON RESISTOR
C.ML.FLM	: MULTILAYER FILM CAP	R.CAR.CHP	: CHIP RESISTOR
C.MP	: METALLIZED PAPER CAP	R.CAR.FP	: FLAME PROOF CARBON RESISTOR
C.MYLAR	: MYLAR FILM CAP	R.FUS	: FUSABLE RESISTOR
C.MYLAR.ML	: MULTILAYER MYLAR FILM CAP	R.MTL.CHP	: CHIP METAL FILM RESISTOR
C.PAPER	: PAPER CAPACITOR	R.MTL.FLM	: METAL FILM RESISTOR
C.PLS	: POLYSTYRENE FILM CAP	R.MTL.OXD	: METAL OXIDE FILM RESISTOR
C.POL	: POLYESTER FILM CAP	R.MTL.PLAT	: METAL PLATE RESISTOR
C.POLY	: POLYETHYLENE FILM CAP	RSNR.CE	: CERAMIC RESONATOR
C.PP	: POLYPROPYLENE FILM CAP	RSNR.CRYS	: CRYSTAL RESONATOR
C.TNTL	: TANTALUM CAP	R.TW.CEM	: TWIN CEMENT FIXED RESISTOR
C.TNTL.CHP	: CHIP TANTALUM CAP	R.WW	: WIRE WOUND RESISTOR
C.TRIM	: TRIMMER CAP	SCR.BND.HD	: BIND HEAD B-TITE SCREW
CN	: CONNECTOR	SCR.BW.HD	: BW HEAD TAPPING SCREW
CN.BS.PIN	: CONNECTOR,BASE PIN	SCR.CUP	: CUP TITE SCREW
CN.CANNON	: CONNECTOR,CANNON	SCR.TERM	: SCREW TERMINAL
CN.DIN	: CONNECTOR,DIN	SCR.TR	: SCREW,TRANSISTOR
CN.FLAT	: CONNECTOR,FLAT CABLE	SUPRT.PCB	: SUPPORT,P.C.B.
CN.POST	: CONNECTOR,BASE POST	SURG.PRTCT	: SURGE PROTECTOR
COIL.MX.AM	: COIL,AM MIX	SW.TACT	: TACT SWITCH
COIL.AT.FM	: COIL,FM ANTENNA	SW.LEAF	: LEAF SWITCH
COIL.DT.FM	: COIL,FM DETECT	SW.LEVER	: LEVER SWITCH
COIL.MX.FM	: COIL,FM MIX	SW.MICRO	: MICRO SWITCH
COIL.OUTPT	: OUTPUT COIL	SW.PUSH	: PUSH SWITCH
DIOD.ARRAY	: DIODE ARRAY	SW.RT.ENC	: ROTARY ENCODER
DIODE.BRG	: DIODE BRIDGE	SW.RT.MTR	: ROTARY SWITCH WITH MOTOR
DIODE.CHP	: CHIP DIODE	SW.RT	: ROTARY SWITCH
DIODE.VAR	: VARACTOR DIODE	SW.SLIDE	: SLIDE SWITCH
DIOD.Z.CHP	: CHIP ZENER DIODE	TERM.SP	: SPEAKER TERMINAL
DIODE.ZENR	: ZENER DIODE	TERM.WRAP	: WRAPPING TERMINAL
DSCR.CE	: CERAMIC DISCRIMINATOR	THRMST.CHP	: CHIP THERMISTOR
FER.BEAD	: FERRITE BEADS	TR.CHP	: CHIP TRANSISTOR
FER.CORE	: FERRITE CORE	TR.DGT	: DIGITAL TRANSISTOR
FET.CHP	: CHIP FET	TR.DGT.CHP	: CHIP DIGITAL TRANSISTOR
FL.DSPLY	: FLUORESCENT DISPLAY	TRANS	: TRANSFORMER
FLTR.CE	: CERAMIC FILTER	TRANS.PULS	: PULSE TRANSFORMER
FLTR.COMB	: COMB FILTER MODULE	TRANS.PWR	: POWER TRANSFORMER ASS'Y
FLTR.LC.RF	: LC FILTER,EMI	TUNER.AM	: TUNER PACK,AM
GND.MTL	: GROUND PLATE	TUNER.FM	: TUNER PACK,FM
GND.TERM	: GROUND TERMINAL	TUNER.PK	: FRONT-ENDTUNER PACK
HOLDER.FUS	: FUSE HOLDER	VR	: ROTARY POTENTIOMETER
IC.PRTCT	: IC PROTECTOR	VR.MTR	: POTENTIOMETER WITH MOTOR
JUMPER.CN	: JUMPER CONNECTOR	VR.SW	: POTENTIOMETER WITH ROTARY SW
JUMPER.TST	: JUMPER,TEST POINT	VR.SLIDE	: SLIDE POTENTIOMETER
L.DTCT	: LIGHT DETECTING MODULE	VR.TRIM	: TRIMMER POTENTIOMETER

Note) Those parts marked with “#” are not included in the P.C.B. ass'y.

AVR-S80 P.C.B. MAIN

Schm Ref.	PART NO.	Description	Remarks	Markets	部 品 名	Rank	
*	V9232300	P. C. B.	MAIN		J	P C Bメイン	
*	V9232400	P. C. B.	MAIN		UC	P C Bメイン	
*	V9232500	P. C. B.	MAIN		RTK	P C Bメイン	
*	V9232600	P. C. B.	MAIN		A	P C Bメイン	
*	V9232700	P. C. B.	MAIN		BG	P C Bメイン	
CB2	VQ048400	CN	35P			F F Cコネクター	01
CB3	VM973500	CN. BS. PIN	17P			F F Cコネクター	01
CB4	VQ047200	CN. BS. PIN	9P			F F Cコネクター	01
CB5	VM973500	CN. BS. PIN	17P			F F Cコネクター	01
CB6	VG879900	CN. BS. PIN	2P			ベースピン	01
CB7	VQ585700	CN. JUMPER	7P			ジャンパーコネクター	03
CB9	VQ584900	CN. BS. PIN	7P			ケーブルホルダー	01
C1	US062220	C. CE. CHP	220pF	50V		チップセラコン	01
C2	US062220	C. CE. CHP	220pF	50V		チップセラコン	01
C3	US062220	C. CE. CHP	220pF	50V		チップセラコン	01
C4	US062220	C. CE. CHP	220pF	50V		チップセラコン	01
C5	US062470	C. CE. M. CHP	470pF	50V		チップセラコン	01
C6	US062470	C. CE. M. CHP	470pF	50V		チップセラコン	01
C7	US062220	C. CE. CHP	220pF	50V		チップセラコン	01
C8	US062220	C. CE. CHP	220pF	50V		チップセラコン	01
C9	UR857220	C. EL	22uF	35V		ケミコン	01
C10	UR857220	C. EL	22uF	35V		ケミコン	01
C11	US135100	C. CE. CHP	0. 1uF	16V		チップセラコン	01
C12	US135100	C. CE. CHP	0. 1uF	16V		チップセラコン	01
C13	US135100	C. CE. CHP	0. 1uF	16V		チップセラコン	01
C14	US135100	C. CE. CHP	0. 1uF	16V		チップセラコン	01
C15	UR857100	C. EL	10uF	35V		ケミコン	01
C16	UR857100	C. EL	10uF	35V		ケミコン	01
C17	UR857220	C. EL	22uF	35V		ケミコン	01
C18	UR866220	C. EL	2. 2uF	50V		ケミコン	01
C19	UR866220	C. EL	2. 2uF	50V		ケミコン	01
C20	UR866220	C. EL	2. 2uF	50V		ケミコン	01
C21	UR866220	C. EL	2. 2uF	50V		ケミコン	01
C22	UR866220	C. EL	2. 2uF	50V		ケミコン	01
C23	UR866220	C. EL	2. 2uF	50V		ケミコン	01
C24	US135100	C. CE. CHP	0. 1uF	16V		チップセラコン	01
C25	US135100	C. CE. CHP	0. 1uF	16V		チップセラコン	01
C26	US135100	C. CE. CHP	0. 1uF	16V		チップセラコン	01
C27	UR866470	C. EL	4. 7uF	50V		ケミコン	01
C28	UR866470	C. EL	4. 7uF	50V		ケミコン	01
C29	UR866470	C. EL	4. 7uF	50V		ケミコン	01
C30	UR866470	C. EL	4. 7uF	50V		ケミコン	01
C31	UR866470	C. EL	4. 7uF	50V		ケミコン	01
C32	UR866470	C. EL	4. 7uF	50V		ケミコン	01
C33	UR837470	C. EL	47uF	16V		ケミコン	01
C34	UR837470	C. EL	47uF	16V		ケミコン	01
C35	US135100	C. CE. CHP	0. 1uF	16V		チップセラコン	01
C36	US135100	C. CE. CHP	0. 1uF	16V		チップセラコン	01
C37	US135100	C. CE. CHP	0. 1uF	16V		チップセラコン	01
C38	UR837470	C. EL	47uF	16V		ケミコン	01
C39	US135100	C. CE. CHP	0. 1uF	16V		チップセラコン	01
C40	UR857100	C. EL	10uF	35V		ケミコン	01
C41	UR857100	C. EL	10uF	35V		ケミコン	01

* New Parts * 新規部品(マーク#の部品は、基板に含まれません)

AVR-S80 P.C.B. MAIN

Schm Ref.	PART NO.	Description	Remarks	Markets	部 品 名	Rank
C42	UR857100	C. EL	10uF 35V		ケミコン	01
C43	UR857100	C. EL	10uF 35V		ケミコン	01
C44	UR857100	C. EL	10uF 35V		ケミコン	01
C45	UR857100	C. EL	10uF 35V		ケミコン	01
C46	UR837470	C. EL	47uF 16V		ケミコン	01
C47	UR866100	C. EL	1uF 50V		ケミコン	01
C48	UR837470	C. EL	47uF 16V		ケミコン	01
C49	UR857100	C. EL	10uF 35V		ケミコン	01
C50	UR857100	C. EL	10uF 35V		ケミコン	01
C51	UR857100	C. EL	10uF 35V		ケミコン	01
C52	US135100	C. CE. CHP	0. 1uF 16V		チップセラコン	01
C53	US062100	C. CE. M. CHP	100pF 50V		チップセラコン	01
C54	US135100	C. CE. CHP	0. 1uF 16V		チップセラコン	01
C55	US135100	C. CE. CHP	0. 1uF 16V		チップセラコン	01
C56	VE326000	C. MYLAR. ML	0. 1uF 50V		積層マイラーコン	01
C57	US135100	C. CE. CHP	0. 1uF 16V		チップセラコン	01
C58	VE326000	C. MYLAR. ML	0. 1uF 50V		積層マイラーコン	01
C59	VE326000	C. MYLAR. ML	0. 1uF 50V		積層マイラーコン	01
C60	UR857100	C. EL	10uF 35V		ケミコン	01
C61	UR857100	C. EL	10uF 35V		ケミコン	01
C62	UR857100	C. EL	10uF 35V		ケミコン	01
C63	UR857100	C. EL	10uF 35V		ケミコン	01
C64	UR857100	C. EL	10uF 35V		ケミコン	01
C65	UR857100	C. EL	10uF 35V		ケミコン	01
C66	UR819100	C. EL	1000uF 6. 3V		ケミコン	01
C67	UR837470	C. EL	47uF 16V		ケミコン	01
C68	UR837470	C. EL	47uF 16V		ケミコン	01
C69	US061330	C. CE. M. CHP	33pF 50V		チップセラコン	01
C70	VF992600	C. EL	4700uF 5. 5V		バックアップケミコン	02
C71	US061330	C. CE. M. CHP	33pF 50V		チップセラコン	01
C72	US061330	C. CE. M. CHP	33pF 50V		チップセラコン	01
C73	US061330	C. CE. M. CHP	33pF 50V		チップセラコン	01
C74	UR857100	C. EL	10uF 35V		ケミコン	01
C75	US061330	C. CE. M. CHP	33pF 50V		チップセラコン	01
C76	UR866220	C. EL	2. 2uF 50V		ケミコン	01
C77	US135100	C. CE. CHP	0. 1uF 16V		チップセラコン	01
C78	US135100	C. CE. CHP	0. 1uF 16V		チップセラコン	01
C79	UR857100	C. EL	10uF 35V		ケミコン	01
C80	UR857100	C. EL	10uF 35V		ケミコン	01
C81	UR857100	C. EL	10uF 35V		ケミコン	01
C82	UR857100	C. EL	10uF 35V		ケミコン	01
C83	UR857100	C. EL	10uF 35V		ケミコン	01
C84	UR857100	C. EL	10uF 35V		ケミコン	01
C85	UR866470	C. EL	4. 7uF 50V		ケミコン	01
C86	UR866470	C. EL	4. 7uF 50V		ケミコン	01
C87	UR848100	C. EL	100uF 25V		ケミコン	01
C89	UR837470	C. EL	47uF 16V		ケミコン	01
C91	UR848100	C. EL	100uF 25V		ケミコン	01
C92	UR848100	C. EL	100uF 25V		ケミコン	01
C93	UR848100	C. EL	100uF 25V		ケミコン	01
C94	UR848100	C. EL	100uF 25V		ケミコン	01
C95	UR818220	C. EL	220uF 6. 3V		ケミコン	01
C96	UR857470	C. EL	47uF 35V		ケミコン	01

* New Parts * 新規部品(マーク#の部品は、基板に含まれません)

AVR-S80 P.C.B. MAIN

Schm Ref.	PART NO.	Description	Remarks	Markets	部 品 名	Rank	
C97	UR857100	C. EL	10uF	35V		ケミコン	01
C98	UN866330	C. EL	3.3uF	50V		B Pケミコン	01
C99	US135100	C. CE. CHP	0.1uF	16V		チップセラコン	01
C100	UR857100	C. EL	10uF	35V		ケミコン	01
C101	UR837470	C. EL	47uF	16V		ケミコン	01
C102	UR866470	C. EL	4.7uF	50V		ケミコン	01
C103	UR857220	C. EL	22uF	35V		ケミコン	01
C104	VE326300	C. MYLAR. ML	0.18uF	50V		積層マイラーコン	01
C105	UR839100	C. EL	1000uF	16V		ケミコン	01
C106	UR878100	C. EL	100uF	63V		ケミコン	01
C107	VE326200	C. MYLAR. ML	0.15uF	50V		積層マイラーコン	01
C108	UR857100	C. EL	10uF	35V		ケミコン	01
C109	UR857100	C. EL	10uF	35V		ケミコン	01
C110	UR749220	C. EL	2200uF	25V		ケミコン	03
C111	UR749220	C. EL	2200uF	25V		ケミコン	03
C112	UR749220	C. EL	2200uF	25V		ケミコン	03
C113	UR749220	C. EL	2200uF	25V		ケミコン	03
C114	UR73A100	C. EL	10000uF	16V		ケミコン	03
C115	UA654100	C. MYLAR	0.01uF	50V		マイラーコン	01
C116	UA654100	C. MYLAR	0.01uF	50V		マイラーコン	01
C117	UA654100	C. MYLAR	0.01uF	50V		マイラーコン	01
C118	UA654100	C. MYLAR	0.01uF	50V		マイラーコン	01
C119	UA654100	C. MYLAR	0.01uF	50V		マイラーコン	01
C122	UR838100	C. EL	100uF	16V		ケミコン	01
C123	UA652100	C. MYLAR	100pF	50V		マイラーコン	01
C124	UA652100	C. MYLAR	100pF	50V		マイラーコン	01
C125	US135100	C. CE. CHP	0.1uF	16V		チップセラコン	01
C126	US135100	C. CE. CHP	0.1uF	16V		チップセラコン	01
C127	UR878100	C. EL	100uF	63V		ケミコン	01
C128	V6185300	C. CE. SAFTY	0.01uF	275V		規格認定コン	01
C129	UA654470	C. MYLAR	0.047uF	50V		マイラーコン	01
C130	UA654470	C. MYLAR	0.047uF	50V		マイラーコン	01
C131	UR838470	C. EL	470uF	16V		ケミコン	01
C132	UR838470	C. EL	470uF	16V		ケミコン	01
C133	UN866330	C. EL	3.3uF	50V		B Pケミコン	01
C134	US062100	C. CE. M. CHP	100pF	50V		チップセラコン	01
C135	US062100	C. CE. M. CHP	100pF	50V		チップセラコン	01
C136	US062100	C. CE. M. CHP	100pF	50V		チップセラコン	01
C137	US062100	C. CE. M. CHP	100pF	50V		チップセラコン	01
C138	US062470	C. CE. M. CHP	470pF	50V		チップセラコン	01
C139	US062100	C. CE. M. CHP	100pF	50V		チップセラコン	01
C140	UA652100	C. MYLAR	100pF	50V		マイラーコン	01
C141	UA652100	C. MYLAR	100pF	50V		マイラーコン	01
C142	UA652100	C. MYLAR	100pF	50V		マイラーコン	01
C143	UA652100	C. MYLAR	100pF	50V		マイラーコン	01
C144	UA652100	C. MYLAR	100pF	50V		マイラーコン	01
C145	UA652100	C. MYLAR	100pF	50V		マイラーコン	01
C146	US062100	C. CE. M. CHP	100pF	50V		チップセラコン	01
C147	US062100	C. CE. M. CHP	100pF	50V		チップセラコン	01
C148	US062100	C. CE. M. CHP	100pF	50V		チップセラコン	01
C149	US062100	C. CE. M. CHP	100pF	50V		チップセラコン	01
C152	US061330	C. CE. M. CHP	33pF	50V		チップセラコン	01
C153	US061330	C. CE. M. CHP	33pF	50V		チップセラコン	01

* New Parts * 新規部品(マーク#の部品は、基板に含まれません)

AVR-S80 P.C.B. MAIN

Schm Ref.	PART NO.	Description	Remarks	Markets	部 品 名	Rank
C154	US061330	C. CE. M. CHP	33pF 50V		チップセラコン	01
C155	UR857100	C. EL	10uF 35V		ケミコン	01
C156	UR857100	C. EL	10uF 35V		ケミコン	01
C157	UR837470	C. EL	47uF 16V		ケミコン	01
C158	UR857100	C. EL	10uF 35V		ケミコン	01
C159	US135100	C. CE. CHP	0.1uF 16V		チップセラコン	01
C160	UR739680	C. EL	6800uF 16V	J	ケミコン	
C162	US061330	C. CE. M. CHP	33pF 50V		チップセラコン	01
C163	US062100	C. CE. M. CHP	100pF 50V		チップセラコン	01
C164	US061470	C. CE. M. CHP	47pF 50V		チップセラコン	01
D1	VU992600	DIODE. ZENR	MA8051-M 5.1V		ツェナーダイオード	01
D2	VT332900	DIODE	1SS355		ダイオード	01
D3	VT332900	DIODE	1SS355		ダイオード	01
D4	VU993400	DIODE. ZENR	MA8062-M 6.2V		ツェナーダイオード	01
D5	VV307700	DIODE	1N4002S		ダイオード	01
D6	VV833200	DIODE	1SS380		ダイオード	01
D7	VU993500	DIODE. ZENR	MA8062-H 6.4V		ツェナーダイオード	01
D8	VT332900	DIODE	1SS355		ダイオード	01
D9	VU994200	DIODE. ZENR	MA8075-M 7.5V		ツェナーダイオード	01
△ D10	VU992600	DIODE. ZENR	MA8051-M 5.1V		ツェナーダイオード	01
D11	VU995700	DIODE. ZENR	MA8110-L 10.7V		ツェナーダイオード	01
D12	VT332900	DIODE	1SS355		ダイオード	01
D14	VV307700	DIODE	1N4002S		ダイオード	01
△ D15	VR253700	DIODE. BRG	S1NB20 1A 200V		D I ブリッジ X 4	02
D16	VV307700	DIODE	1N4002S		ダイオード	01
D17	VV307700	DIODE	1N4002S		ダイオード	01
D18	VV307700	DIODE	1N4002S		ダイオード	01
△ D19	VR253700	DIODE. BRG	S1NB20 1A 200V		D I ブリッジ X 4	02
△ D20	VR253700	DIODE. BRG	S1NB20 1A 200V		D I ブリッジ X 4	02
D21	VT332900	DIODE	1SS355		ダイオード	01
D22	VT332900	DIODE	1SS355		ダイオード	01
D23	VT332900	DIODE	1SS355		ダイオード	01
△ Fi1	VU984000	FLTR	IE-UU10.5-009		ラインフィルタ	04
G1	V8880000	TERM. GND	M3.5 RJP9899		アース端子	
G2	V8880000	TERM. GND	M3.5 RJP9899		アース端子	
G3	V8880000	TERM. GND	M3.5 RJP9899		アース端子	
G4	V8880000	TERM. GND	M3.5 RJP9899		アース端子	
* IC1	X2958A00	IC	CPU WRIITEN		書込済E P R O M	
△ IC2	XJ757A00	IC	NJM78L05A-T3		I C	01
IC3	XP894A00	IC	LC78211		I C	06
IC4	XJ553A00	IC	NJM2068MD		I C	02
△ IC5	XJ602A00	IC	NJM78M12FA		I C	02
△ IC6	XD343A00	IC	NJM79M12FA		I C	03
△ IC7	XJ604A00	IC	NJM78M05FA		I C	02
△ IC8	XE436A00	IC	NJM79M05FA		I C	03
△ IC9	XJ607A00	IC	NJM7805FA 5V		I C	02
IC25	XJ553A00	IC	NJM2068MD		I C	02
IC26	XJ553A00	IC	NJM2068MD		I C	02
IC27	XJ553A00	IC	NJM2068MD		I C	02
IC28	XS377A00	IC	BA15218F OP AMP		アンプ I C	01
IC29	XJ553A00	IC	NJM2068MD		I C	02
IC30	XJ553A00	IC	NJM2068MD		I C	02
IC31	XJ553A00	IC	NJM2068MD		I C	02

* New Parts * 新規部品(マーク#の部品は、基板に含まれません)

AVR-S80 P.C.B. MAIN

Schm Ref.	PART NO.	Description	Remarks	Markets	部 品 名	Rank
IC32	XJ553A00	IC	NJM2068MD		I C	02
IC34	XZ545A00	IC	YAC520-EE2		I C	04
IC35	XZ545A00	IC	YAC520-EE2		I C	04
IC36	XZ545A00	IC	YAC520-EE2		I C	04
JK1	V8887100	JACK	TCS5094-10-4161		T C S 5 0 9 4ソケット	01
L1	V4769500	FER. BEAD	RH03506BT-B-1B		フェライトビーズ	
L2	V4769500	FER. BEAD	RH03506BT-B-1B		フェライトビーズ	
* PJ1	V9071400	JACK. PIN	MSP-244V1-09NI		ピンジャック 4 P	
* PJ2	V9071400	JACK. PIN	MSP-244V1-09NI		ピンジャック 4 P	
PJ3	V7190400	JACK. PIN	6P		ピンジャック 6 P	
PN1	V8637500	PIN	L=50 #18		スタイルピン	
PN2	V8637500	PIN	L=50 #18		スタイルピン	
PN3	V8637500	PIN	L=50 #18		スタイルピン	
PN4	V8637500	PIN	L=50 #18		スタイルピン	
* PN5	V9637500	PIN	V963750 L=70 #18		スタイルピン	
Q1	VV655700	TR. DGT	DTC144EKA		デジタルトランジスタ	01
Q2	VV556500	TR	2SA1037K Q, R, S		トランジスタ	01
Q3	VP872700	TR	2SC4488 S, T		トランジスタ	01
Q4	VV655700	TR. DGT	DTC144EKA		デジタルトランジスタ	01
Q5	VC218900	TR	2SC3330 R, S, T		トランジスタ	01
Q6	VV655700	TR. DGT	DTC144EKA		デジタルトランジスタ	01
Q7	VV655000	TR. DGT	DTA114EKA		デジタルトランジスタ	01
Q8	VV655000	TR. DGT	DTA114EKA		デジタルトランジスタ	01
△ Q10	VG805300	TR	2SA1674 R, S		トランジスタ	01
Q11	VP872700	TR	2SC4488 S, T		トランジスタ	01
Q12	VZ725900	TR	2SD1938F S, T		トランジスタ	
Q13	VZ725900	TR	2SD1938F S, T		トランジスタ	
Q14	VZ725900	TR	2SD1938F S, T		トランジスタ	
Q15	VV655000	TR. DGT	DTA114EKA		デジタルトランジスタ	01
Q16	VZ725900	TR	2SD1938F S, T		トランジスタ	
Q17	VZ725900	TR	2SD1938F S, T		トランジスタ	
Q18	VZ725900	TR	2SD1938F S, T		トランジスタ	
Q19	VZ725900	TR	2SD1938F S, T		トランジスタ	
Q20	VZ725900	TR	2SD1938F S, T		トランジスタ	
Q21	VZ725900	TR	2SD1938F S, T		トランジスタ	
△ Q22	VV556500	TR	2SA1037K Q, R, S		トランジスタ	01
R67	HV753220	R. CAR. FP	2. 2Ω 1/4W		不燃化カーボン抵抗	01
R68	HV753220	R. CAR. FP	2. 2Ω 1/4W		不燃化カーボン抵抗	01
R92	HV753470	R. CAR. FP	4. 7Ω 1/4W		不燃化カーボン抵抗	01
R116	HV753220	R. CAR. FP	2. 2Ω 1/4W		不燃化カーボン抵抗	01
R117	HV753220	R. CAR. FP	2. 2Ω 1/4W		不燃化カーボン抵抗	01
R151	HV755100	R. CAR. FP	100Ω 1/4W		不燃化カーボン抵抗	01
R152	HV755100	R. CAR. FP	100Ω 1/4W		不燃化カーボン抵抗	01
R155	HV755100	R. CAR. FP	100Ω 1/4W		不燃化カーボン抵抗	01
△ R157	V6730000	R. CAR.	2. 2MΩ 1/2W	UC	放電抵抗	01
R158	HV753220	R. CAR. FP	2. 2Ω 1/4W	JUCABG	不燃化カーボン抵抗	01
R158	HV755180	R. CAR. FP	180Ω 1/4W	RTK	不燃化カーボン抵抗	01
R159	HV756680	R. CAR. FP	6. 8KΩ 1/4W		不燃化カーボン抵抗	01
R160	HV756560	R. CAR. FP	5. 6KΩ 1/4W		不燃化カーボン抵抗	01
△ R180	HV753220	R. CAR. FP	2. 2Ω 1/4W		不燃化カーボン抵抗	01
R181	HV755100	R. CAR. FP	100Ω 1/4W		不燃化カーボン抵抗	01
R182	HV755100	R. CAR. FP	100Ω 1/4W		不燃化カーボン抵抗	01
R183	HV755100	R. CAR. FP	100Ω 1/4W		不燃化カーボン抵抗	01

* New Parts * 新規部品(マーク#の部品は、基板に含まれません)

AVR-S80 P.C.B. MAIN & P.C.B. DSP

Schm Ref.	PART NO.	Description	Remarks	Markets	部 品 名	Rank
R184	HV755100	R. CAR. FP	100Ω 1/4W		不燃化カーボン抵抗	01
R216	HV753220	R. CAR. FP	2.2Ω 1/4W		不燃化カーボン抵抗	01
R217	HV753470	R. CAR. FP	4.7Ω 1/4W		不燃化カーボン抵抗	01
R218	HV753470	R. CAR. FP	4.7Ω 1/4W		不燃化カーボン抵抗	01
* R228	V8072600	R. MTL. OXD	33KΩ 1W		酸化金属被膜抵抗	
* △ RY1	V6017400	RELAY	DC SDT-S-112LMR2		リレー 12V	04
* △ SW1	VN547400	SW. SLIDE	SDKGA4380B	RTK	スライドSW	04
* △ T1	X2943A00	TRANS. PWR		J	電源トランス	
* △ T1	X2944A00	TRANS. PWR		UC	電源トランス	
* △ T1	X2945A00	TRANS. PWR		RTK	電源トランス	
* △ T1	X2946A00	TRANS. PWR		A	電源トランス	
* △ T1	X2947A00	TRANS. PWR		BG	電源トランス	
△ T2	X2490A00	TRANS. PWR		J	電源トランス	05
* △ T2	X2491A00	TRANS. PWR		UC	電源トランス	
* △ T2	X2948A00	TRANS. PWR		RTK	電源トランス	
* △ T2	X2493A00	TRANS. PWR		A	電源トランス	
* △ T2	X2494A00	TRANS. PWR		BG	電源トランス	
XL1	V8222200	RSNR. CE	10MHz CSTLS10M0		セラミック振動子	01
* V9233300	V9233300	P. C. B.	DSP	J	P C B D S P	
* V9233400	V9233400	P. C. B.	DSP	UCRTHABG	P C B D S P	
CB602	VQ048400	CN	35P		F F C コネクター	01
C602	US135100	C. CE. CHP	0.1uF 16V		チップセラコン	01
C603	US135100	C. CE. CHP	0.1uF 16V		チップセラコン	01
C611	US135100	C. CE. CHP	0.1uF 16V	J	チップセラコン	01
C612	UR818100	C. EL	100uF 6.3V	J	ケミコン	01
C616	UR818100	C. EL	100uF 6.3V	J	ケミコン	01
C617	UR818100	C. EL	100uF 6.3V	J	ケミコン	01
C619	US135100	C. CE. CHP	0.1uF 16V	J	チップセラコン	01
C620	US062100	C. CE. M. CHP	100pF 50V	J	チップセラコン	01
C621	US135100	C. CE. CHP	0.1uF 16V	J	チップセラコン	01
C622	UR819100	C. EL	1000uF 6.3V		ケミコン	01
C623	US135100	C. CE. CHP	0.1uF 16V		チップセラコン	01
C633	UR818100	C. EL	100uF 6.3V	J	ケミコン	01
C634	UR819100	C. EL	1000uF 6.3V		ケミコン	01
C635	US135100	C. CE. CHP	0.1uF 16V	J	チップセラコン	01
C636	US135100	C. CE. CHP	0.1uF 16V		チップセラコン	01
C637	UR818100	C. EL	100uF 6.3V		ケミコン	01
C638	UR819100	C. EL	1000uF 6.3V		ケミコン	01
C639	US135100	C. CE. CHP	0.1uF 16V		チップセラコン	01
C640	US135100	C. CE. CHP	0.1uF 16V		チップセラコン	01
C641	US135100	C. CE. CHP	0.1uF 16V		チップセラコン	01
C642	US135100	C. CE. CHP	0.1uF 16V		チップセラコン	01
C643	UR818470	C. EL	470uF 6.3V		ケミコン	01
C644	UR818100	C. EL	100uF 6.3V		ケミコン	01
C645	US135100	C. CE. CHP	0.1uF 16V		チップセラコン	01
C646	US061330	C. CE. M. CHP	33pF 50V		チップセラコン	01
C647	US135100	C. CE. CHP	0.1uF 16V		チップセラコン	01
C648	US061330	C. CE. M. CHP	33pF 50V		チップセラコン	01
C649	US135100	C. CE. CHP	0.1uF 16V		チップセラコン	01
C650	UR818470	C. EL	470uF 6.3V		ケミコン	01

* New Parts * 新規部品(マーク#の部品は、基板に含まれません)

AVR-S80 P.C.B. DSP

Schm Ref.	PART NO.	Description	Remarks	Markets	部 品 名	Rank	
C651	US062470	C. CE. M. CHP	470pF	50V		チップセラコン	01
C652	US135100	C. CE. CHP	0.1uF	16V	J	チップセラコン	01
C653	UR818100	C. EL	100uF	6.3V	J	ケミコン	01
C654	US061470	C. CE. M. CHP	47pF	50V		チップセラコン	01
C656	US061470	C. CE. M. CHP	47pF	50V		チップセラコン	01
C657	US061470	C. CE. M. CHP	47pF	50V		チップセラコン	01
C658	US061470	C. CE. M. CHP	47pF	50V	J	チップセラコン	01
C660	US135100	C. CE. CHP	0.1uF	16V	J	チップセラコン	01
C661	US061470	C. CE. M. CHP	47pF	50V	J	チップセラコン	01
C663	US061470	C. CE. M. CHP	47pF	50V		チップセラコン	01
C664	US061470	C. CE. M. CHP	47pF	50V		チップセラコン	01
C665	UR818100	C. EL	100uF	6.3V		ケミコン	01
C666	US061470	C. CE. M. CHP	47pF	50V	J	チップセラコン	01
C667	US135100	C. CE. CHP	0.1uF	16V		チップセラコン	01
C668	US135100	C. CE. CHP	0.1uF	16V		チップセラコン	01
C669	US135100	C. CE. CHP	0.1uF	16V		チップセラコン	01
C670	US063470	C. CE. CHP	4700pF	50V		チップセラコン	01
C671	US135100	C. CE. CHP	0.1uF	16V	J	チップセラコン	01
C672	US135100	C. CE. CHP	0.1uF	16V	J	チップセラコン	01
C673	UR818100	C. EL	100uF	6.3V	J	ケミコン	01
C674	US135100	C. CE. CHP	0.1uF	16V		チップセラコン	01
C675	UR818100	C. EL	100uF	6.3V	J	ケミコン	01
C676	UR818100	C. EL	100uF	6.3V	J	ケミコン	01
C677	US135100	C. CE. CHP	0.1uF	16V	J	チップセラコン	01
C678	US063470	C. CE. CHP	4700pF	50V		チップセラコン	01
C679	UR818100	C. EL	100uF	6.3V		ケミコン	01
C680	US135100	C. CE. CHP	0.1uF	16V		チップセラコン	01
C681	US135100	C. CE. CHP	0.1uF	16V		チップセラコン	01
C682	US135100	C. CE. CHP	0.1uF	16V	J	チップセラコン	01
C683	US135100	C. CE. CHP	0.1uF	16V	J	チップセラコン	01
C684	UR817470	C. EL	47uF	6.3V	J	ケミコン	01
C685	UR866220	C. EL	2.2uF	50V	J	ケミコン	01
C686	UR818100	C. EL	100uF	6.3V	J	ケミコン	01
C687	UR818100	C. EL	100uF	6.3V	J	ケミコン	01
C688	UR818100	C. EL	100uF	6.3V		ケミコン	01
C689	US135100	C. CE. CHP	0.1uF	16V		チップセラコン	01
C690	UR819100	C. EL	1000uF	6.3V		ケミコン	01
C691	US135100	C. CE. CHP	0.1uF	16V		チップセラコン	01
C692	US064100	C. CE. M. CHP	0.01uF	50V	J	チップセラコン	01
C693	US062470	C. CE. M. CHP	470pF	50V	J	チップセラコン	01
C694	US135100	C. CE. CHP	0.1uF	16V		チップセラコン	01
C695	UR819100	C. EL	1000uF	6.3V		ケミコン	01
C696	US135100	C. CE. CHP	0.1uF	16V	J	チップセラコン	01
C697	UR818100	C. EL	100uF	6.3V	J	ケミコン	01
C698	US135100	C. CE. CHP	0.1uF	16V		チップセラコン	01
C699	US061470	C. CE. M. CHP	47pF	50V		チップセラコン	01
C700	US061470	C. CE. M. CHP	47pF	50V		チップセラコン	01
C701	US061470	C. CE. M. CHP	47pF	50V		チップセラコン	01
C702	US061470	C. CE. M. CHP	47pF	50V		チップセラコン	01
C703	US061470	C. CE. M. CHP	47pF	50V		チップセラコン	01
C704	US061470	C. CE. M. CHP	47pF	50V		チップセラコン	01
C705	US061470	C. CE. M. CHP	47pF	50V		チップセラコン	01
C706	US061470	C. CE. M. CHP	47pF	50V		チップセラコン	01

* New Parts * 新規部品(マーク#の部品は、基板に含まれません)

AVR-S80 P.C.B. DSP

Schm Ref.	PART NO.	Description	Remarks	Markets	部 品 名	Rank	
C707	US061470	C. CE. M. CHP	47pF	50V		チップセラコン	01
C708	US061470	C. CE. M. CHP	47pF	50V		チップセラコン	01
C709	US061470	C. CE. M. CHP	47pF	50V		チップセラコン	01
C710	US061470	C. CE. M. CHP	47pF	50V		チップセラコン	01
C711	US135100	C. CE. CHP	0.1uF	16V		チップセラコン	01
C712	US135100	C. CE. CHP	0.1uF	16V		チップセラコン	01
C713	US135100	C. CE. CHP	0.1uF	16V		チップセラコン	01
C714	US135100	C. CE. CHP	0.1uF	16V		チップセラコン	01
C715	UR818100	C. EL	100uF	6.3V		ケミコン	01
C716	UR818100	C. EL	100uF	6.3V		ケミコン	01
C717	US135100	C. CE. CHP	0.1uF	16V		チップセラコン	01
C718	US135100	C. CE. CHP	0.1uF	16V		チップセラコン	01
C719	US135100	C. CE. CHP	0.1uF	16V		チップセラコン	01
C720	UR866220	C. EL	2.2uF	50V		ケミコン	01
C721	UR828100	C. EL	100uF	10V		ケミコン	01
C730	UA653150	C. MYLAR	1500pF	50V		マイラーコン	01
C731	UA653150	C. MYLAR	1500pF	50V		マイラーコン	01
C736	UA652100	C. MYLAR	100pF	50V		マイラーコン	01
C737	UA652100	C. MYLAR	100pF	50V		マイラーコン	01
C742	UR847100	C. EL	10uF	25V		ケミコン	01
C743	UR866220	C. EL	2.2uF	50V		ケミコン	01
C744	UR866220	C. EL	2.2uF	50V		ケミコン	01
C745	UR847100	C. EL	10uF	25V		ケミコン	01
C746	UR866220	C. EL	2.2uF	50V		ケミコン	01
C747	UR866220	C. EL	2.2uF	50V		ケミコン	01
C756	UA652100	C. MYLAR	100pF	50V		マイラーコン	01
C757	UA652100	C. MYLAR	100pF	50V		マイラーコン	01
C758	UA652470	C. MYLAR	470pF	50V		マイラーコン	01
C759	UA652470	C. MYLAR	470pF	50V		マイラーコン	01
C760	UA652470	C. MYLAR	470pF	50V		マイラーコン	01
C761	UA652470	C. MYLAR	470pF	50V		マイラーコン	01
C762	UA652470	C. MYLAR	470pF	50V		マイラーコン	01
C763	UA652470	C. MYLAR	470pF	50V		マイラーコン	01
C764	UR847100	C. EL	10uF	25V		ケミコン	01
C765	UR847100	C. EL	10uF	25V		ケミコン	01
C766	UR866220	C. EL	2.2uF	50V		ケミコン	01
C767	UR866220	C. EL	2.2uF	50V		ケミコン	01
C768	UR866220	C. EL	2.2uF	50V		ケミコン	01
C769	UR866220	C. EL	2.2uF	50V		ケミコン	01
C770	UR847100	C. EL	10uF	25V		ケミコン	01
C771	US135100	C. CE. CHP	0.1uF	16V		チップセラコン	01
C772	UR847220	C. EL	22uF	25V		ケミコン	01
C773	UR847220	C. EL	22uF	25V		ケミコン	01
C774	UR837470	C. EL	47uF	16V		ケミコン	01
C775	UR837470	C. EL	47uF	16V		ケミコン	01
C776	UR837470	C. EL	47uF	16V		ケミコン	01
C777	UR837470	C. EL	47uF	16V		ケミコン	01
C778	US135100	C. CE. CHP	0.1uF	16V		チップセラコン	01
C779	US135100	C. CE. CHP	0.1uF	16V		チップセラコン	01
C780	US135100	C. CE. CHP	0.1uF	16V		チップセラコン	01
C781	US135100	C. CE. CHP	0.1uF	16V		チップセラコン	01
C791	US135100	C. CE. CHP	0.1uF	16V		チップセラコン	01
C793	US135100	C. CE. CHP	0.1uF	16V		チップセラコン	01

* New Parts * 新規部品(マーク#の部品は、基板に含まれません)

AVR-S80 P.C.B. DSP & P.C.B. SUB

Schm Ref.	PART NO.	Description	Remarks	Markets	部 品 名	Rank
C794	US135100	C. CE. CHP	0.1uF 16V		チップセラコン	01
C795	US135100	C. CE. CHP	0.1uF 16V		チップセラコン	01
D604	VT332900	DIODE	1SS355		ダイオード	01
D605	VT332900	DIODE	1SS355		ダイオード	01
D606	VT332900	DIODE	1SS355		ダイオード	01
D607	VT332900	DIODE	1SS355		ダイオード	01
D608	VV220700	DIODE. SHOT	RB501V-40		ショットキーダイオード	01
D609	VV220700	DIODE. SHOT	RB501V-40		ショットキーダイオード	01
D610	VV220700	DIODE. SHOT	RB501V-40		ショットキーダイオード	01
D611	VV220700	DIODE. SHOT	RB501V-40		ショットキーダイオード	01
D612	VV220700	DIODE. SHOT	RB501V-40		ショットキーダイオード	01
D613	VV220700	DIODE. SHOT	RB501V-40		ショットキーダイオード	01
D614	VV220700	DIODE. SHOT	RB501V-40		ショットキーダイオード	01
D615	VV220700	DIODE. SHOT	RB501V-40		ショットキーダイオード	01
G601	V8880000	TERM. GND	M3.5 RJP9899		アース端子	
G602	V8880000	TERM. GND	M3.5 RJP9899		アース端子	
G603	V8880000	TERM. GND	M3.5 RJP9899		アース端子	
IC600	X0238B00	IC	YSS938		IC	13
IC601	XV077B00	IC	MSM514260E-60JS		メモリ IC 4M	
IC602	XZ003A00	IC	PQ025EZ5MZP 2.5V		電源 IC QFP	03
IC603	XU965A00	IC	uPC29M33T-E1 3.3V		電源 IC	03
IC604	X0202A00	IC	CS493292-CLR	J	IC	
IC608	XW433A00	IC	CY62256LL-70SNCT	J	メモリ IC 256K	05
IC609	X0318C00	IC	XC9572XL-10TQ100C	J	IC	08
IC610	XZ012A00	IC	TC74HCT08AF (EL)		ロジック IC SOP	01
IC614	X0237A00	IC	AK4527BVQ		IC	
IC617	XF291A00	IC	uPC4570G2		IC	03
IC618	XF291A00	IC	uPC4570G2		IC	03
IC619	XF291A00	IC	uPC4570G2		IC	03
IC620	XF291A00	IC	uPC4570G2		IC	03
IC621	XF291A00	IC	uPC4570G2		IC	03
L600	V2726500	COIL	68uH		コイル	01
L602	V2726500	COIL	68uH		コイル	01
R613	HV753220	R. CAR. FP	2.2Ω 1/4W		不燃化カーボン抵抗	01
R661	HV753220	R. CAR. FP	2.2Ω 1/4W	J	不燃化カーボン抵抗	01
R684	HV753220	R. CAR. FP	2.2Ω 1/4W		不燃化カーボン抵抗	01
R692	HV753100	R. CAR. FP	1Ω 1/4W		不燃化カーボン抵抗	01
R693	HV753100	R. CAR. FP	1Ω 1/4W		不燃化カーボン抵抗	01
R694	VU224000	R. MTL. FLM	0.22Ω 1W		金属被膜抵抗	01
R717	HV753220	R. CAR. FP	2.2Ω 1/4W		不燃化カーボン抵抗	01
R730	HV753220	R. CAR. FP	2.2Ω 1/4W		不燃化カーボン抵抗	01
R777	HV753220	R. CAR. FP	2.2Ω 1/4W	J	不燃化カーボン抵抗	01
U601	V5478200	CN. PHOT. SN	1P GP1FA551RZ		光ファイバ受信器	06
U602	V5478200	CN. PHOT. SN	1P GP1FA551RZ		光ファイバ受信器	06
XL600	V3625700	RSNR. CRYST	24.576MHz		水晶振動子	03
	V9232900	P. C. B.	SUB	JUCA	P C B 集成サブ	
	V9233000	P. C. B.	SUB	RTK	P C B 集成サブ	
	V9233100	P. C. B.	SUB	BG	P C B 集成サブ	
CB300	VM859600	CN. BS. PIN	15P		F F C コネクター	01
CB301	VQ044400	CN. BS. PIN	9P		F F C コネクター	01

*
*
*

* New Parts * 新規部品(マーク#の部品は、基板に含まれません)

AVR-S80 P.C.B. SUB

Schm Ref.	PART NO.	Description	Remarks	Markets	部 品 名	Rank
CB302	VB858500	CN. BS. PIN	6P		ベースピン	01
CB303	VF982300	CN. BS. PIN	17P		F F Cコネクター	01
CB304	VQ044400	CN. BS. PIN	9P		F F Cコネクター	01
* CB400	VF522500	SOCKET	6P SE		ソケット	01
CB401	VF982300	CN. BS. PIN	17P		F F Cコネクター	01
* CB402	LB919060	CN. BS. PIN	6P		ベース付ポスト	01
CB500	VB858700	CN. BS. PIN	8P		ベースピン	01
CB501	VB858300	CN. BS. PIN	4P		コネクターベースポスト	01
C300	US062100	C. CE. M. CHP	100pF	50V	チップセラコン	01
C301	US062100	C. CE. M. CHP	100pF	50V	チップセラコン	01
C302	US062100	C. CE. M. CHP	100pF	50V	チップセラコン	01
C303	US062100	C. CE. M. CHP	100pF	50V	チップセラコン	01
C304	US062100	C. CE. M. CHP	100pF	50V	チップセラコン	01
C305	UR857100	C. EL	10uF	35V	ケミコン	01
C308	US062100	C. CE. M. CHP	100pF	50V	チップセラコン	01
C309	UR857100	C. EL	10uF	35V	ケミコン	01
C310	UR857100	C. EL	10uF	35V	ケミコン	01
C311	US062100	C. CE. M. CHP	100pF	50V	チップセラコン	01
C312	US062100	C. CE. M. CHP	100pF	50V	チップセラコン	01
C313	US062100	C. CE. M. CHP	100pF	50V	チップセラコン	01
C314	US062100	C. CE. M. CHP	100pF	50V	チップセラコン	01
C315	US062100	C. CE. M. CHP	100pF	50V	チップセラコン	01
C316	UM407330	C. EL	33uF	25V	ケミコン K S	01
C317	US135100	C. CE. CHP	0. 1uF	16V	チップセラコン	01
C318	US135100	C. CE. CHP	0. 1uF	16V	チップセラコン	01
C319	UR837470	C. EL	47uF	16V	ケミコン	01
C320	UR837470	C. EL	47uF	16V	ケミコン	01
C321	UM407330	C. EL	33uF	25V	ケミコン K S	01
C322	US135100	C. CE. CHP	0. 1uF	16V	チップセラコン	01
C323	US135100	C. CE. CHP	0. 1uF	16V	チップセラコン	01
C324	US062330	C. CE. M. CHP	330pF	50V	チップセラコン	01
C325	UR837470	C. EL	47uF	16V	ケミコン	01
C326	US062330	C. CE. M. CHP	330pF	50V	チップセラコン	01
C327	UR837470	C. EL	47uF	16V	ケミコン	01
C328	US061270	C. CE. M. CHP	27pF	50V	チップセラコン	01
C329	US061270	C. CE. M. CHP	27pF	50V	チップセラコン	01
C330	US135100	C. CE. CHP	0. 1uF	16V	チップセラコン	01
C331	UR837470	C. EL	47uF	16V	ケミコン	01
C332	UM416220	C. EL	2. 2uF	50V	ケミコン	01
C400	UM388100	C. EL	100uF	10V	ケミコン	01
C401	US135100	C. CE. CHP	0. 1uF	16V	チップセラコン	01
C402	US062100	C. CE. M. CHP	100pF	50V	チップセラコン	01
C403	UM388100	C. EL	100uF	10V	ケミコン	01
C404	US135100	C. CE. CHP	0. 1uF	16V	チップセラコン	01
C405	US061330	C. CE. M. CHP	33pF	50V	チップセラコン	01
C406	UM388100	C. EL	100uF	10V	ケミコン	01
C408	US064100	C. CE. M. CHP	0. 01uF	50V	チップセラコン	01
C409	US064100	C. CE. M. CHP	0. 01uF	50V	チップセラコン	01
C500	US135100	C. CE. CHP	0. 1uF	16V	チップセラコン	01
C501	US034470	C. CE. M. CHP	0. 047uF	16V	チップセラコン	01
C502	US034470	C. CE. M. CHP	0. 047uF	16V	チップセラコン	01
C503	US135100	C. CE. CHP	0. 1uF	16V	チップセラコン	01
C504	US062220	C. CE. CHP	220pF	50V	チップセラコン	01

* New Parts * 新規部品(マーク#の部品は、基板に含まれません)

AVR-S80 P.C.B. SUB

Schm Ref.	PART NO.	Description	Remarks	Markets	部 品 名	Rank
C505	US062220	C. CE. CHP	220pF 50V		チップセラコン	01
C506	US135100	C. CE. CHP	0.1uF 16V		チップセラコン	01
C507	UR857100	C. EL	10uF 35V		ケミコン	01
C508	US135100	C. CE. CHP	0.1uF 16V		チップセラコン	01
C509	US135100	C. CE. CHP	0.1uF 16V		チップセラコン	01
△ D300	VU993000	DIODE. ZENR	MA8056-M 5.6V		ツェナーダイオード	01
G500	V8880000	TERM. GND	M3.5 RJP9899		アース端子	
IC300	X2875A00	IC	NJM2595D		I C	01
IC301	XY534A00	IC	LC72722		R D Sデコーダ I C	06
IC400	XV160A00	IC	LC75712E FLD		ロジック I C フラット	07
* JK501	V9462000	JACK. MNI	YKB21-5098A	WITH SW	ミニ ジャック	
L300	VK267500	COIL	220uH		コイル	01
L301	VK267500	COIL	220uH		コイル	01
L500	V3063400	COIL. CHP	BLM11B601S 1608		チップインダクタ	01
L501	V3063400	COIL. CHP	BLM11B601S 1608		チップインダクタ	01
L502	V3063400	COIL. CHP	BLM11B601S 1608		チップインダクタ	01
L503	GE901970	COIL	68uH		コイル	01
PJ300	VZ149900	JACK. PIN	1P		ピンジャック 1 P	
* PJ301	V9070900	JACK. PIN	RJ-1060-04-0331A		ピンジャック 2 P	
* PJ302	V9070900	JACK. PIN	RJ-1060-04-0331A		ピンジャック 2 P	
* PJ500	V9553600	JACK. PIN	MSP-253V-07 NI		ピンジャック 3 P	
PN301	V8637500	PIN	L=50 #18		スタイルピン	
△ Q300	VC218900	TR	2SC3330 R, S, T		トランジスタ	01
Q301	VC218900	TR	2SC3330 R, S, T		トランジスタ	01
Q400	VV556400	TR	2SC2412K Q, R, S		トランジスタ	01
Q401	VV556400	TR	2SC2412K Q, R, S		トランジスタ	01
Q402	VV556400	TR	2SC2412K Q, R, S		トランジスタ	01
Q403	VV556400	TR	2SC2412K Q, R, S		トランジスタ	01
ST300	V4040500	SCR. TERM	M3		スクリュー/ターミナル	01
ST501	V4040500	SCR. TERM	M3		スクリュー/ターミナル	01
ST502	V4040500	SCR. TERM	M3		スクリュー/ターミナル	01
* SW300	V3624300	SW. SLIDE	SS029-P022MJB-PA6		スライド S W	
SW400	VV020300	SW. TACT	SKQNAA		タクト S W	01
SW401	VV020300	SW. TACT	SKQNAA		タクト S W	01
SW402	VV020300	SW. TACT	SKQNAA		タクト S W	01
SW403	VV020300	SW. TACT	SKQNAA		タクト S W	01
SW404	VV020300	SW. TACT	SKQNAA		タクト S W	01
SW405	VV020300	SW. TACT	SKQNAA		タクト S W	01
SW406	VV020300	SW. TACT	SKQNAA		タクト S W	01
SW407	VV020300	SW. TACT	SKQNAA		タクト S W	01
SW408	VV020300	SW. TACT	SKQNAA		タクト S W	01
SW409	VV020300	SW. TACT	SKQNAA		タクト S W	01
SW410	VV020300	SW. TACT	SKQNAA		タクト S W	01
SW411	VV020300	SW. TACT	SKQNAA		タクト S W	01
SW412	VV020300	SW. TACT	SKQNAA		タクト S W	01
U400	V8210200	L. DTCT	GP1UD271XK		リモコン受光ユニット	03
U500	V7680700	CN. PHOT. SN	1P GP1FA512RZ		光ファイバ受信器	04
V400	V8558700	FL. DSPLY	16-BT-99GNK		蛍光表示管	10
* XL300	V3930900	RSNR. CRY5	4.332MHz		水晶振動子	05
	V9284500	SHEET			シート/F L	
	V3422300	SPACER	FL-WIDE		スペーサ	01

* New Parts * 新規部品(マーク#の部品は、基板に含まれません)

AVR-S80 Chip Resistors

Schm Ref.	PART NO.	Description	Remarks	Markets	部 品 名	Rank	
	RD350000	R. CAR. CHP	0Ω	1/10W		チップ抵抗	01
	RD353100	R. CAR. CHP	1Ω	1/10W		チップ抵抗	01
	RD353220	R. CAR. CHP	2.2Ω	1/10W		チップ抵抗	01
	RD353470	R. CAR. CHP	4.7Ω	1/10W		チップ抵抗	01
	RD354330	R. CAR. CHP	33Ω	1/10W		チップ抵抗	01
	RD354470	R. CAR. CHP	47Ω	1/10W		チップ抵抗	01
	RD354750	R. CAR. CHP	75Ω	1/10W		チップ抵抗	01
	RD355100	R. CAR. CHP	100Ω	1/10W		チップ抵抗	01
	RD355220	R. CAR. CHP	220Ω	1/10W		チップ抵抗	01
	RD355330	R. CAR. CHP	330Ω	1/10W		チップ抵抗	01
	RD355360	R. CAR. CHP	360Ω	1/10W		チップ抵抗	01
	RD355470	R. CAR. CHP	470Ω	1/10W		チップ抵抗	01
	RD355820	R. CAR. CHP	820Ω	1/10W		チップ抵抗	01
	RD356100	R. CAR. CHP	1KΩ	1/10W		チップ抵抗	01
	RD356120	R. CAR. CHP	1.2KΩ	1/10W		チップ抵抗	01
	RD356130	R. CAR. CHP	1.3KΩ	1/10W		チップ抵抗	01
	RD356150	R. CAR. CHP	1.5KΩ	1/10W		チップ抵抗	01
	RD356180	R. CAR. CHP	1.8KΩ	1/10W		チップ抵抗	01
	RD356200	R. CAR. CHP	2KΩ	1/10W		チップ抵抗	01
	RD356220	R. CAR. CHP	2.2KΩ	1/10W		チップ抵抗	01
	RD356270	R. CAR. CHP	2.7KΩ	1/10W		チップ抵抗	01
	RD356330	R. CAR. CHP	3.3KΩ	1/10W		チップ抵抗	01
	RD356390	R. CAR. CHP	3.9KΩ	1/10W		チップ抵抗	01
	RD356470	R. CAR. CHP	4.7KΩ	1/10W		チップ抵抗	01
	RD356510	R. CAR. CHP	5.1KΩ	1/10W		チップ抵抗	01
	RD356560	R. CAR. CHP	5.6KΩ	1/10W		チップ抵抗	01
	RD356680	R. CAR. CHP	6.8KΩ	1/10W		チップ抵抗	01
	RD356820	R. CAR. CHP	8.2KΩ	1/10W		チップ抵抗	01
	RD357100	R. CAR. CHP	10KΩ	1/10W		チップ抵抗	01
	RD357120	R. CAR. CHP	12KΩ	1/10W		チップ抵抗	01
	RD357180	R. CAR. CHP	18KΩ	1/10W		チップ抵抗	01
	RD357220	R. CAR. CHP	22KΩ	1/10W		チップ抵抗	01
	RD357240	R. CAR. CHP	24KΩ	1/10W		チップ抵抗	01
	RD357270	R. CAR. CHP	27KΩ	1/10W		チップ抵抗	01
	RD357330	R. CAR. CHP	33KΩ	1/10W		チップ抵抗	01
	RD357390	R. CAR. CHP	39KΩ	1/10W		チップ抵抗	01
	RD357430	R. CAR. CHP	43KΩ	1/10W		チップ抵抗	01
	RD357470	R. CAR. CHP	47KΩ	1/10W		チップ抵抗	01
	RD357560	R. CAR. CHP	56KΩ	1/10W		チップ抵抗	01
	RD357910	R. CAR. CHP	91KΩ	1/10W		チップ抵抗	01
	RD358100	R. CAR. CHP	100KΩ	1/10W		チップ抵抗	01
	RD359100	R. CAR. CHP	1MΩ	1/10W		チップ抵抗	01

* New Parts * 新規部品(マーク#の部品は、基板に含まれません)

SW-S80 P.C.B. POWER AMP

Schm Ref.	PART NO.	Description	Remarks	Markets	部 品 名	Rank	
	AAX33840	P. C. B.	POWER AMP	358164	JUC	P C B パワーアンプ	
	AAX35840	P. C. B.	POWER AMP	364764	RTK	P C B パワーアンプ	
	AAX33850	P. C. B.	POWER AMP	358261	ABG	P C B パワーアンプ	
C1	UR867220	C. EL	22uF 50V			ケミコン	01
C2	VG272600	C. EL	3. 3pF 50V			円筒セラコン	01
C3	UR866100	C. EL	1uF 50V			ケミコン	01
C4	UR867100	C. EL	10uF 50V			ケミコン	01
C5	UR867100	C. EL	10uF 50V			ケミコン	01
C6	UA652470	C. MYLAR	470pF 50V			マイラーコン	01
C7	UR866220	C. EL	2. 2uF 50V			ケミコン	01
C8	UA652220	C. MYLAR	220pF 50V			マイラーコン	01
C9	UA652560	C. MYLAR	560pF 50V			マイラーコン	02
C10	UA654470	C. MYLAR	0. 047uF 50V			マイラーコン	01
C11	UR867100	C. EL	10uF 50V			ケミコン	01
C12	UR866470	C. EL	4. 7uF 50V			ケミコン	01
C13	UR866470	C. EL	4. 7uF 50V			ケミコン	01
C14	UA652100	C. MYLAR	100pF 50V			マイラーコン	01
C15	UA652100	C. MYLAR	100pF 50V			マイラーコン	01
C16	UA652470	C. MYLAR	470pF 50V			マイラーコン	01
C17	UR847330	C. EL	33uF 25V			ケミコン	01
C18	UR847330	C. EL	33uF 25V			ケミコン	01
C19	UA652220	C. MYLAR	220pF 50V			マイラーコン	01
C20	UR838100	C. EL	100uF 16V			ケミコン	01
C21	UR867220	C. EL	22uF 50V			ケミコン	01
C22	UR867100	C. EL	10uF 50V			ケミコン	01
C23	UR866220	C. EL	2. 2uF 50V			ケミコン	01
C24	VG272600	C. EL	3. 3pF 50V			円筒セラコン	01
C25	UA652560	C. MYLAR	560pF 50V			マイラーコン	02
C26	UA654470	C. MYLAR	0. 047uF 50V			マイラーコン	01
C27	VG272600	C. EL	3. 3pF 50V			円筒セラコン	01
C28	UR866100	C. EL	1uF 50V			ケミコン	01
C29	UR867220	C. EL	22uF 50V			ケミコン	01
C30	UR867100	C. EL	10uF 50V			ケミコン	01
C31	UA652470	C. MYLAR	470pF 50V			マイラーコン	01
C32	UA654470	C. MYLAR	0. 047uF 50V			マイラーコン	01
C33	UA652220	C. MYLAR	220pF 50V			マイラーコン	01
C34	UA652560	C. MYLAR	560pF 50V			マイラーコン	02
C35	UR867100	C. EL	10uF 50V			ケミコン	01
C36	UR866470	C. EL	4. 7uF 50V			ケミコン	01
C37	UA652100	C. MYLAR	100pF 50V			マイラーコン	01
C38	UR847330	C. EL	33uF 25V			ケミコン	01
C39	UR847330	C. EL	33uF 25V			ケミコン	01
C40	UA654470	C. MYLAR	0. 047uF 50V			マイラーコン	01
C41	UR838100	C. EL	100uF 16V			ケミコン	01
C42	UR867100	C. EL	10uF 50V			ケミコン	01
C43	UR866470	C. EL	4. 7uF 50V			ケミコン	01
C44	UA652100	C. MYLAR	100pF 50V			マイラーコン	01
C45	UA652470	C. MYLAR	470pF 50V			マイラーコン	01
C46	UA654470	C. MYLAR	0. 047uF 50V			マイラーコン	01
C47	UA652220	C. MYLAR	220pF 50V			マイラーコン	01
C48	UA654470	C. MYLAR	0. 047uF 50V			マイラーコン	01
C49	UR867220	C. EL	22uF 50V			ケミコン	01
C50	UR867100	C. EL	10uF 50V			ケミコン	01

* New Parts * 新規部品(マーク#の部品は、基板に含まれません)

SW-S80 P.C.B. POWER AMP

Schm Ref.	PART NO.	Description	Remarks	Markets	部 品 名	Rank	
C51	VG272600	C. EL	3. 3pF	50V		円筒セラコン	01
C52	UA652560	C. MYLAR	560pF	50V		マイラーコン	02
C53	UR867220	C. EL	22uF	50V		ケミコン	01
C54	UR867100	C. EL	10uF	50V		ケミコン	01
C55	UR867100	C. EL	10uF	50V		ケミコン	01
C56	UR866220	C. EL	2. 2uF	50V		ケミコン	01
C57	VG272600	C. EL	3. 3pF	50V		円筒セラコン	01
C58	UR868100	C. EL	100uF	50V		ケミコン	01
C59	UR868100	C. EL	100uF	50V		ケミコン	01
C60	UA655100	C. MYLAR	0. 1uF	50V		マイラーコン	01
C61	UA655100	C. MYLAR	0. 1uF	50V		マイラーコン	01
C62	UR867100	C. EL	10uF	50V		ケミコン	01
C63	UR866470	C. EL	4. 7uF	50V		ケミコン	01
C64	UA652100	C. MYLAR	100pF	50V		マイラーコン	01
C65	UA652470	C. MYLAR	470pF	50V		マイラーコン	01
C66	UA652220	C. MYLAR	220pF	50V		マイラーコン	01
C67	UA652560	C. MYLAR	560pF	50V		マイラーコン	02
C68	UA654470	C. MYLAR	0. 047uF	50V		マイラーコン	01
C69	UR847330	C. EL	33uF	25V		ケミコン	01
C70	UR868100	C. EL	100uF	50V		ケミコン	01
C71	UR868100	C. EL	100uF	50V		ケミコン	01
C72	UA655100	C. MYLAR	0. 1uF	50V		マイラーコン	01
C73	UA655100	C. MYLAR	0. 1uF	50V		マイラーコン	01
C74	UA654470	C. MYLAR	0. 047uF	50V		マイラーコン	01
C75	UA654470	C. MYLAR	0. 047uF	50V		マイラーコン	01
C201	UA653220	C. MYLAR	2200pF	50V		マイラーコン	01
C202	UR867470	C. EL	47uF	50V		ケミコン	01
C203	UR867100	C. EL	10uF	50V		ケミコン	01
C204	UA652100	C. MYLAR	100pF	50V		マイラーコン	01
C205	UA655100	C. MYLAR	0. 1uF	50V		マイラーコン	01
C206	UR867220	C. EL	22uF	50V		ケミコン	01
C207	UR866100	C. EL	1uF	50V		ケミコン	01
C208	UA655390	C. MYLAR	0. 39uF	50V		マイラーコン	01
C209	UR867100	C. EL	10uF	50V		ケミコン	01
C210	UR838100	C. EL	100uF	16V		ケミコン	01
C211	UA653220	C. MYLAR	2200pF	50V		マイラーコン	01
C212	UR867100	C. EL	10uF	50V		ケミコン	01
C213	UA655150	C. MYLAR	0. 15uF	50V		マイラーコン	01
C214	UA655820	C. MYLAR	0. 82uF	50V		マイラーコン	01
C215	UR868100	C. EL	100uF	50V		ケミコン	01
C216	UA654100	C. MYLAR	0. 01uF	50V		マイラーコン	01
C217	UR868100	C. EL	100uF	50V		ケミコン	01
C218	UA654680	C. MYLAR	0. 068uF	50V		マイラーコン	02
C219	UR867100	C. EL	10uF	50V		ケミコン	01
C220	UA655470	C. MYLAR	0. 47uF	50V		マイラーコン	01
C221	UR867100	C. EL	10uF	50V		ケミコン	01
C222	UA655100	C. MYLAR	0. 1uF	50V		マイラーコン	01
C223	UA652100	C. MYLAR	100pF	50V		マイラーコン	01
C224	UR866220	C. EL	2. 2uF	50V		ケミコン	01
C225	UA655220	C. MYLAR	0. 22uF	50V		マイラーコン	01
C226	UA655220	C. MYLAR	0. 22uF	50V		マイラーコン	01
C227	UR837470	C. EL	47uF	16V		ケミコン	01
C228	UA652100	C. MYLAR	100pF	50V		マイラーコン	01

* New Parts * 新規部品(マーク#の部品は、基板に含まれません)

SW-S80 P.C.B. POWER AMP

Schm Ref.	PART NO.	Description	Remarks	Markets	部 品 名	Rank	
C229	UA652100	C. MYLAR	100pF	50V		マイラーコン	01
C230	UR866100	C. EL	1uF	50V		ケミコン	01
C231	UR837470	C. EL	47uF	16V		ケミコン	01
C232	UR867100	C. EL	10uF	50V		ケミコン	01
C233	UR867100	C. EL	10uF	50V		ケミコン	01
C234	UR867100	C. EL	10uF	50V		ケミコン	01
C235	UR867100	C. EL	10uF	50V		ケミコン	01
C236	UR847330	C. EL	33uF	25V		ケミコン	01
C237	UA654470	C. MYLAR	0.047uF	50V		マイラーコン	01
C238	VG892500	C. EL	4700uF	50V	066742	ケミコン	05
C239	UA654470	C. MYLAR	0.047uF	50V		マイラーコン	01
C240	VG892500	C. EL	4700uF	50V	066742	ケミコン	05
C241	UA655100	C. MYLAR	0.1uF	50V		マイラーコン	01
C242	UA655100	C. MYLAR	0.1uF	50V		マイラーコン	01
C243	UR867220	C. EL	22uF	50V		ケミコン	01
C301	FG212100	C. CE	100pF	50V		セラコン	01
C302	FG212100	C. CE	100pF	50V		セラコン	01
C303	FG212100	C. CE	100pF	50V		セラコン	01
C304	FG212100	C. CE	100pF	50V		セラコン	01
C305	FG212100	C. CE	100pF	50V		セラコン	01
C306	FG212100	C. CE	100pF	50V		セラコン	01
C307	FG212100	C. CE	100pF	50V		セラコン	01
C308	FG212100	C. CE	100pF	50V		セラコン	01
C308	FG212100	C. CE	100pF	50V		セラコン	01
C309	FG212100	C. CE	100pF	50V		セラコン	01
C310	FG212100	C. CE	100pF	50V		セラコン	01
C311	FG212100	C. CE	100pF	50V		セラコン	01
C312	FG212100	C. CE	100pF	50V		セラコン	01
C313	FG212100	C. CE	100pF	50V		セラコン	01
C314	FG212100	C. CE	100pF	50V		セラコン	01
C315	FG212100	C. CE	100pF	50V		セラコン	01
C316	FG212100	C. CE	100pF	50V		セラコン	01
C317	FG212100	C. CE	100pF	50V		セラコン	01
C318	FG212100	C. CE	100pF	50V		セラコン	01
C319	FG212100	C. CE	100pF	50V		セラコン	01
C320	FG212100	C. CE	100pF	50V		セラコン	01
C321	FG212100	C. CE	100pF	50V		セラコン	01
C401	UR867100	C. EL	10uF	50V		ケミコン	01
C402	UR838330	C. EL	330uF	16V		ケミコン	01
C403	UR867220	C. EL	22uF	50V		ケミコン	01
* C404	AAX33910	C. EL	4700uF	40V	084663	ケミコン	
C405	UR838330	C. EL	330uF	16V		ケミコン	01
C406	UR867220	C. EL	22uF	50V		ケミコン	01
* C407	AAX33910	C. EL	4700uF	40V	084663	ケミコン	
C408	UA654470	C. MYLAR	0.047uF	50V		マイラーコン	01
C409	UA654470	C. MYLAR	0.047uF	50V		マイラーコン	01
* △ C410	AAX12460	C. POL	0.01uF	275V	065262	ポリエステルコン	03
* CN105	AAX19760	CN	B 7B			コネクター	
CN107	AAX10560	CN	B 3P-VH			コネクター	
* CN108	AAX19770	CN	B 10P-VH			コネクター	
CN110	AAX10560	CN	B 3P-VH			コネクター	
* CN111	AAX19780	CN	B 4B			コネクター	
CN302	AAX28180	CN. DIN	13P TCS5094-10-41	056981		D I Nコネクター	07

* New Parts * 新規部品(マーク#の部品は、基板に含まれません)

SW-S80 P.C.B. POWER AMP

Schm Ref.	PART NO.	Description	Remarks	Markets	部 品 名	Rank
D1	iF004600	DIODE	1SS133	069460	ダイオード	01
D2	iF004600	DIODE	1SS133	069460	ダイオード	01
D3	iF004600	DIODE	1SS133	069460	ダイオード	01
D201	iF004600	DIODE	1SS133	069460	ダイオード	01
D202	VG440200	DIODE. ZENR	MTZJ12B 12V	069460	ツェナーダイオード	01
D203	iF004600	DIODE	1SS133	069460	ダイオード	01
D204	iF004600	DIODE	1SS133	069460	ダイオード	01
D205	iF004600	DIODE	1SS133	069460	ダイオード	01
D206	iF004600	DIODE	1SS133	069460	ダイオード	01
D207	iF004600	DIODE	1SS133	069460	ダイオード	01
D208	iF004600	DIODE	1SS133	069460	ダイオード	01
D209	iF004600	DIODE	1SS133	069460	ダイオード	01
D210	iF004600	DIODE	1SS133	069460	ダイオード	01
D211	iF004600	DIODE	1SS133	069460	ダイオード	01
△ D212	AAX12240	DIODE	RBV602	069599	ダイオード	01
D213	AAX12620	DIODE. ZENR	MTZJ5. 6B	069099	ツェナーダイオード	01
D214	VU264200	DIODE	1SR139-400	069537	ダイオード	01
D215	VG437400	DIODE. ZENR	MTZJ5. 1B 5. 1V	069087	ツェナーダイオード	01
D401	iF004600	DIODE	1SS133	069460	ダイオード	01
D402	iF004600	DIODE	1SS133	069460	ダイオード	01
D403	iF004600	DIODE	1SS133	069460	ダイオード	01
△ D404	AAX12240	DIODE	RBV602	069599	ダイオード	01
D405	iF004600	DIODE	1SS133	069460	ダイオード	01
D406	AAX12620	DIODE. ZENR	MTZJ5. 6B	069099	ツェナーダイオード	01
△ F401	AAX34000	FUSE	6. 3A 250V	332094	JUC ヒューズ	01
* △ F401	AAX35880	FUSE	3. 15A 250V	052792	RTK ヒューズ	01
* △ F401	AAX33990	FUSE	2A 250V	059117	ABG ヒューズ	01
* △ F402	AAX33990	FUSE	2A 250V	059117	RTK ヒューズ	01
FH101	VP206500	HOLDER. FUS	EYF-52BCT	074277	ヒューズホルダー	01
IC1	XB247A00	IC	uPC4570HA	070111	I C	02
IC2	AAX33830	IC	STK402-940	358173	I C	02
IC3	XB247A00	IC	uPC4570HA	070111	I C	02
IC4	XB247A00	IC	uPC4570HA	070111	I C	02
IC201	AAX13490	IC	STK404-050 AF	058246	I C	08
IC202	XB247A00	IC	uPC4570HA	070111	I C	02
IC203	XB247A00	IC	uPC4570HA	070111	I C	02
IC204	XB247A00	IC	uPC4570HA	070111	I C	02
IC205	XB247A00	IC	uPC4570HA	070111	I C	02
IC401	AAX11990	IC	NJM78M12FA	070371	I C	03
IC402	AAX11990	IC	NJM78M12FA	070371	I C	03
IC403	AAX12000	IC	NJM79M12FA	070447	I C	04
L102	AAX12190	COIL. CHOKE	1. 5uH	074417	チョークコイル	01
L103	AAX12190	COIL. CHOKE	1. 5uH	074417	チョークコイル	01
L104	AAX12190	COIL. CHOKE	1. 5uH	074417	チョークコイル	01
TR1	AAX12580	TR	2SA970 GR BL	073509	トランジスタ	03
TR2	iC287820	TR	2SC2878 A, B	068813	トランジスタ	01
TR3	AAX12590	TR	2SC2240 GR BL	073532	トランジスタ	03
TR4	iC287820	TR	2SC2878 A, B	068813	トランジスタ	01
TR5	iC174020	TR	2SC1740S QRS	055717	トランジスタ	01
TR6	iC174020	TR	2SC1740S QRS	055717	トランジスタ	01
TR7	iC287820	TR	2SC2878 A, B	068813	トランジスタ	01
TR8	AAX12590	TR	2SC2240 GR BL	073532	トランジスタ	03
TR9	AAX12580	TR	2SA970 GR BL	073509	トランジスタ	03

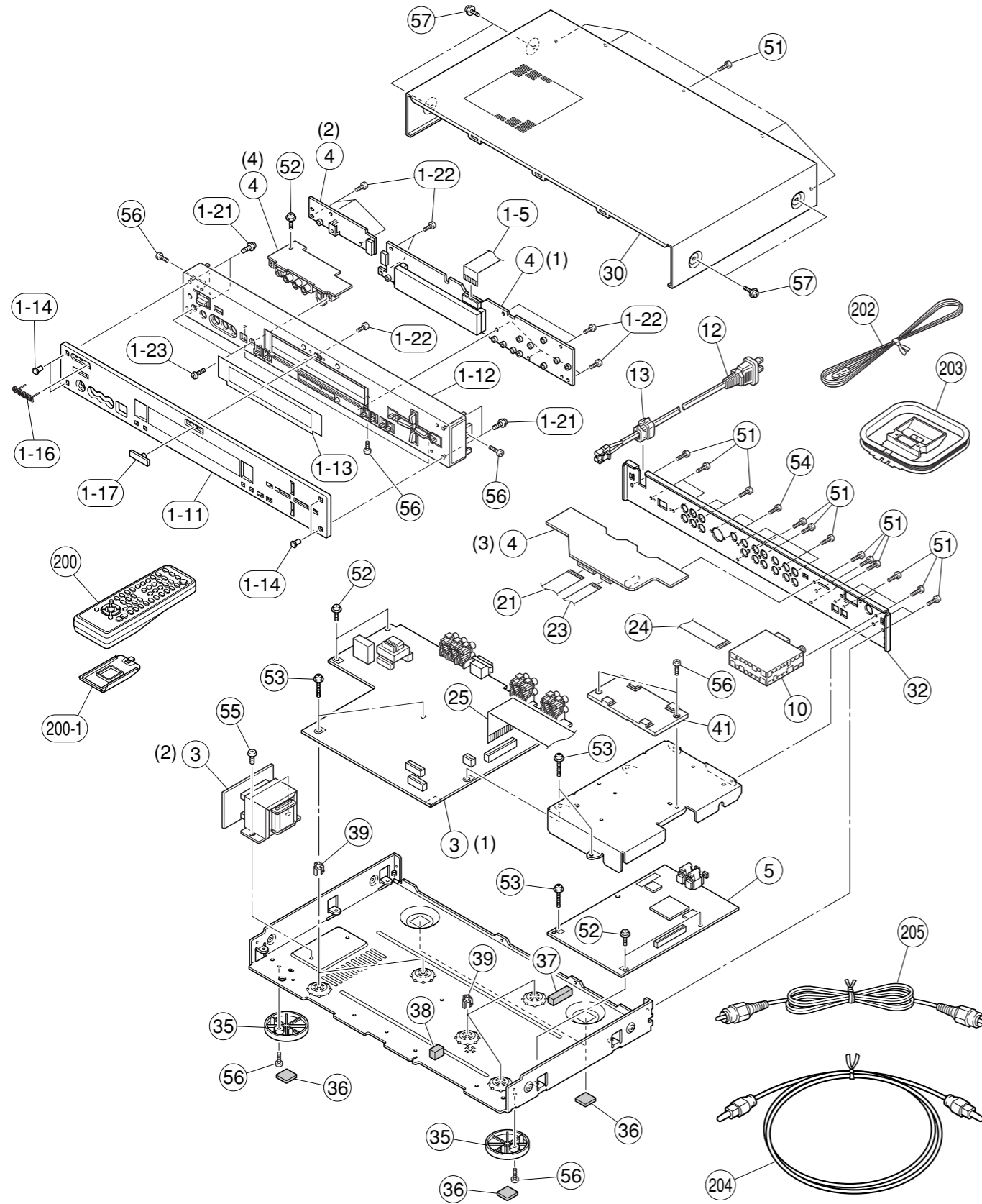
* New Parts * 新規部品(マーク#の部品は、基板に含まれません)

SW-S80 P.C.B. POWER AMP

Schm Ref.	PART NO.	Description	Remarks	Markets	部 品 名	Rank
TR10	iC287820	TR	2SC2878 A, B	068813	トランジスタ	01
TR11	AAX12590	TR	2SC2240 GR BL	073532	トランジスタ	03
TR12	iC287820	TR	2SC2878 A, B	068813	トランジスタ	01
TR13	iC174020	TR	2SC1740S QRS	055717	トランジスタ	01
TR14	iC174020	TR	2SC1740S QRS	055717	トランジスタ	01
TR15	iC287820	TR	2SC2878 A, B	068813	トランジスタ	01
TR16	AAX12590	TR	2SC2240 GR BL	073532	トランジスタ	03
TR17	iC287820	TR	2SC2878 A, B	068813	トランジスタ	01
TR18	AAX12590	TR	2SC2240 GR BL	073532	トランジスタ	03
TR19	iC174020	TR	2SC1740S QRS	055717	トランジスタ	01
TR201	iC174020	TR	2SC1740S QRS	055717	トランジスタ	01
TR202	iC174020	TR	2SC1740S QRS	055717	トランジスタ	01
TR203	iC1815M0	TR	2SC1815 Y, GR	068741	トランジスタ	01
TR204	iC1815M0	TR	2SC1815 Y, GR	068741	トランジスタ	01
TR205	AAX09180	FET	2SK304 E	051061	F E T	03
TR206	iA101530	TR	2SA1015 Y, GR		トランジスタ	01
TR207	iA101530	TR	2SA1015 Y, GR		トランジスタ	01
TR208	iC287820	TR	2SC2878 A, B	068813	トランジスタ	01
TR209	iC287820	TR	2SC2878 A, B	068813	トランジスタ	01
TR210	iC174020	TR	2SC1740S QRS	055717	トランジスタ	01
TR401	AAX12580	TR	2SA970 GR BL	073509	トランジスタ	03
* TR402	AAX12570	TR	DTC114ESA	069299	トランジスタ	01
R17	AAX12360	R. MTL. PLAT	0. 22Ω 3W	055474	金属板抵抗	01
R40	AAX12360	R. MTL. PLAT	0. 22Ω 3W	055474	金属板抵抗	01
R58	AAX12360	R. MTL. PLAT	0. 22Ω 3W	055474	金属板抵抗	01
R88	AAX12360	R. MTL. PLAT	0. 22Ω 3W	055474	金属板抵抗	01
R108	AAX12360	R. MTL. PLAT	0. 22Ω 3W	055474	金属板抵抗	01
R205	AAX12360	R. MTL. PLAT	0. 22Ω 3W	055474	金属板抵抗	01
R215	HL315100	R. MTL. FLM	100Ω 1W		酸化金属被膜抵抗	01
R227	AAX12370	R. MTL. PLAT	0. 1Ω 3W	055475	金属板抵抗	01
△ R268	HV753100	R. CAR. FP	1Ω 1/4W		不燃化カーボン抵抗	01
R401	HL315270	R. MTL. OXD	270Ω 1W		酸化金属被膜抵抗	01
R405	HL315150	R. MTL. OXD	150Ω 1W		酸化金属被膜抵抗	01
R409	HL315150	R. MTL. OXD	150Ω 1W		酸化金属被膜抵抗	01
△ RY1	AAX12500	RELAY	OSA-SS-224DM3	079766	リレー	01
△ RY2	AAX12500	RELAY	OSA-SS-224DM3	079766	リレー	01
△ RY3	AAX12480	RELAY	DQ24D1-0S	055472	リレー	07
△ RY201	AAX12480	RELAY	DQ24D1-0S	055472	リレー	07
△ RY401	AAX12490	RELAY	SDT-S-112LMR	055473	リレー	06
* S401	AAX32040	SW	ESD26606A	336446	スライドSW	01
* SP101	AAX19810	TERM. SP	6P CJ-9033-06	331720	S P ターミナル	01
TM101	XX707320	PIN	IPS-5007	064821	ピン	01
TM102	XX707320	PIN	IPS-5007	064821	ピン	01
* AAX19520	SCREW		3x12	332012	ナベタッピンネジ	01

* New Parts * 新規部品(マーク#の部品は、基板に含まれません)

■ AVR-S80 EXPLODED VIEW



■ AVR-S80 MECHANICAL PARTS

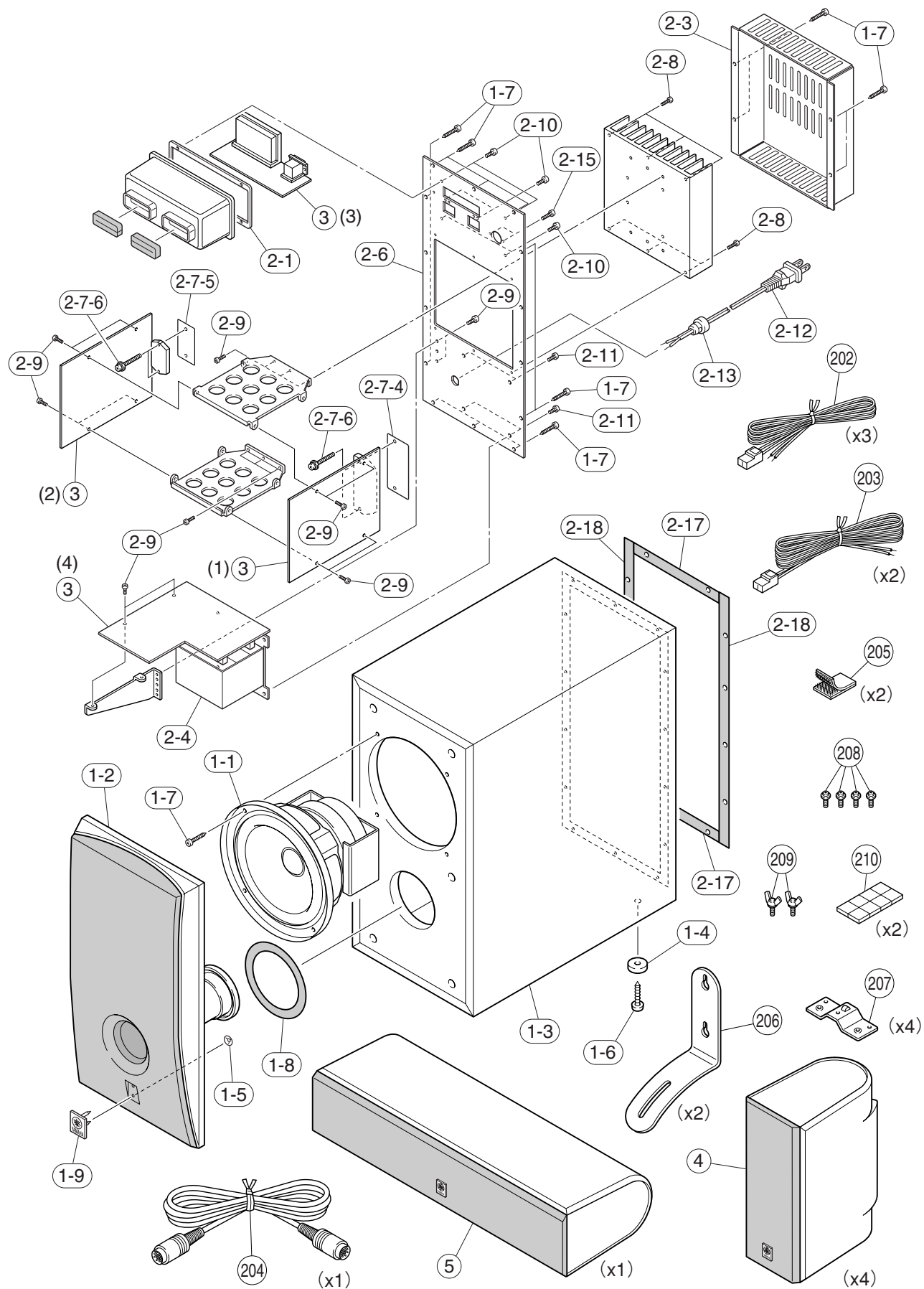
Schm Ref.	PART NO.	Description	Remarks	Markets	部品名	Rank
* 1-5	MF117070	FLEXIBLE FLAT CABLE	17P 70mm P=1.25		カード電線 C&C	
* 1-11	V9283700	FRONT PANEL		J	フロントパネル	
* 1-11	V9283800	FRONT PANEL		UCRKA	フロントパネル	
* 1-11	V9283900	FRONT PANEL		BG	フロントパネル	
* 1-12	V9284300	SUB PANEL			サブパネル	
* 1-13	V9283500	HALF-MIRROR SHEET			ハーフミラーシート	
* 1-14	V9283100	BUSH			ブッシュ	
1-16	V6034100	EMBLEM			エンブレム	
* 1-17	V9283300	EMBLEM/DSP			エンブレム/DSP	
* 1-21	V9302900	PAN W.H MACHINE SCREW (+)	2.6x4-6.5 MFZN2Y		+PWH小ネジ	
1-22	EP630220	BIND HEAD P-TITE SCREW	3x8 MFZN2BL		バインドPタイトネジ	01
1-23	EP600530	BIND HEAD S-TITE SCREW	3x8 MFZN2BL		バインドSタイトネジ	01
* 3	V9232300	P.C.B. ASS'Y	MAIN	J	PCB メイン	
* 3	V9232400	P.C.B. ASS'Y	MAIN	UC	PCB メイン	
* 3	V9232500	P.C.B. ASS'Y	MAIN	RTK	PCB メイン	
* 3	V9232600	P.C.B. ASS'Y	MAIN	A	PCB メイン	
* 3	V9232700	P.C.B. ASS'Y	MAIN	BG	PCB メイン	
* 4	V9232900	P.C.B. ASS'Y	SUB	JUCA	PCB集成 サブ	
* 4	V9233000	P.C.B. ASS'Y	SUB	RTK	PCB集成 サブ	
* 4	V9233100	P.C.B. ASS'Y	SUB	BG	PCB集成 サブ	
* 5	V9233300	P.C.B. ASS'Y	DSP	J	PCB DSP	
* 5	V9233400	P.C.B. ASS'Y	DSP	UCRKA	PCB DSP	
10	V6782200	AM/FM TUNER	TFCE1J117A	J	AM/FM チューナー	
10	V6782300	AM/FM TUNER	TFCE1U115A	UCRKA	AM/FM チューナー	
10	V6782400	AM/FM TUNER	TFCE1E317A	ABG	AM/FM チューナー	
⚠ 12	V2723100	POWER CABLE	1.8m	J	電源コード	07
* ⚠ 12	V9293500	POWER CABLE	2m	UC	電源コード	
⚠ 12	VZ542500	POWER CABLE	2m	RT	電源コード	05
* ⚠ 12	V8013000	POWER CABLE	2m	K	電源コード	
⚠ 12	V2296800	POWER CABLE	2m	A	電源コード	
⚠ 12	VV437300	POWER CABLE	2m	B	電源コード	08
* ⚠ 12	V9293600	POWER CABLE	2m	G	電源コード	
13	V2438700	CORD STOPPER	10P1		コードストッパー	02
21	MF117160	FLEXIBLE FLAT CABLE	17P 160mm		カード電線 C&C	03
* 23	MF109100	FLEXIBLE FLAT CABLE	9P 100mm P=1.25		カード電線 C&C	01
24	MF115070	FLEXIBLE FLAT CABLE	15P 70mm P=1.25		カード電線 C&C	
* 25	MF135180	FLEXIBLE FLAT CABLE	35P 180mm P=1.25		カード電線 C&C	
* 30	V9284400	TOP COVER			トップカバー	
* 32	V9552700	REAR PANEL		J	リアパネル	
* 32	V9284000	REAR PANEL		UCABG	リアパネル	
* 32	V9284100	REAR PANEL		RTK	リアパネル	
* 35	V9283600	LEG/HOLDER			レッグ/ホルダー	
36	V7741200	LEG			レッグ	
* 37	VY977200	SPACER	T8x10x20		スペーサ	01
38	V2879500	SPACER PCB-M			スペーサ PCB-M	01
39	VR264400	SPACER	H8		スペーサー	01
* 41	V9397100	CABLE/HOLDER			ケーブル/ホルダー	
51	VN413300	BIND HEAD BONDING B-T. SCREW	3x8 MFZN2BL		ボンディングBタイトネジ	01
52	VT669300	PW HEAD B-TITE SCREW	3x8-8 MFC2		PWヘッドBタイトネジ	01
53	VT669400	PW HEAD B-TITE SCREW	3x15-8 MFC2		PWヘッドBタイトネジ	01
54	VF617600	PAN HEAD P-TITE SCREW	2.6x8 MFC2BL		鉄ナベPタイトネジ	01
55	V2728500	BIND HEAD S-TITE SCREW	4x7 MFZN2BL		バインドSタイトネジ	01
56	EP600250	BIND HEAD B-TITE SCREW	3x8 MFZN2Y		バインドBタイトネジ	01

* New Parts * 新規部品(マーク#の部品は、基板に含まれません)

Schm Ref.	PART NO.	Description	Remarks	Markets	部 品 名	Rank	
57	V5633800	TAPPING B-TITE SCREW 3x6-8 MFNI33			Bタイトタッピングネジ		
		ACCESSORIES			付属品		
* 200	V9095100	REMOTE CONTROL	RRC4001-0303L	RRC4001-0303L	JUCRTKA	リモコン	
* 200	V9095200	REMOTE CONTROL	RRC4001-0304L	RRC4001-0304L	BG	リモコン	
* 200-1	AA34430	BATTERY COVER	103RRS-139-02L	103RRS-139-02L		電池蓋	
202	V6267000	INDOOR FM ANTENNA	1.4m 1pc		JUCRTK	F M簡易アンテナ	03
* 202	VY972200	INDOOR FM ANTENNA	1.4m 1pc		ABG	F M簡易アンテナ	
203	VR248500	AM LOOP ANTENNA	1.0m 1pc			A Mループアンテナ	03
204	V3541900	OPTICAL CABLE	1P			光ケーブル	07
205	V6508900	VIDEO PIN CABLE	1P 1.5m YE-YE 1pc			ビデオ用ピンケーブル	03
		BATTERY	SUM-3, AA, R06			乾電池	

* New Parts * 新規部品(マーク#の部品は、基板に含まれません)

■ NX-SW80 EXPLODED VIEW



NX-SW80 MECHANICAL PARTS

Schm Ref.	PART NO.	Description	Remarks	Markets	部 品 名	Rank	
*	1-1	X2323A00 DRIVER, WOOFER	16cm 6Ω 25W	356645		スピーカーユニット	
*	1-2	AA35890 FRONT GRILLE ASS'Y	SI	364719		フロントグリルASSY	
*	1-3	AA35850 CABINET ASS'Y	SI	364721		キャビネットASSY	
	1-4	AA12290 FOOT		055357		脚	03
	1-5	XX701830 NUT		042382		ナット	01
	1-6	AA12130 BIND HEAD TAPPING SCREW	M3.5x16 MFZN2BL	021404		バインドTPネジ	01
	1-7	AA12120 BIND HEAD TAPPING SCREW	M4x20 MFZN2BL	021385		バインドTPネジ	01
	1-8	AA12930 SEAL		056813		シール	01
	1-9	V2722900 EMBLEM				エンブレム/BK	03
	2-1	AA09340 CUSHION A		053455		クッション A	
	2-3	AA34020 COVER HEATSINK		358202		カバーヒートシンク	
*	⚠ 2-4	AA34100 POWER TRANSFORMER		358168	J	電源トランス	
*	⚠ 2-4	AA34110 POWER TRANSFORMER		358169	UC	電源トランス	
*	⚠ 2-4	AA35950 POWER TRANSFORMER		358170	RTK	電源トランス	
*	⚠ 2-4	AA34120 POWER TRANSFORMER		358171	A	電源トランス	
*	⚠ 2-4	AA34130 POWER TRANSFORMER		358172	BG	電源トランス	
	2-6	AA35900 REAR PANEL		364725	J	リアパネル	
	2-6	AA35910 REAR PANEL		364726	UC	リアパネル	
	2-6	AA35920 REAR PANEL		364727	RTK	リアパネル	
	2-6	AA35930 REAR PANEL		364729	A	リアパネル	
	2-6	AA35940 REAR PANEL		364730	BG	リアパネル	
*	2-7-4	AA34090 INSULATOR	MICA A1B3A0	358204		絶縁シート	
	2-7-5	AA28680 INSULATOR	MICA	337636		絶縁シート	
	2-7-6	AA12380 PAN HEAD B-TITE SCREW	3x20 MFZN2BL	055430		ナベBタイトネジ	
	2-8	EP600380 BIND HEAD B-TITE SCREW	3x16 MFZN2BL			バインドBタイトネジ	01
	2-9	EP600190 BIND HEAD B-TITE SCREW	3x8 MFZN2BL			バインドBタイトネジ	01
	2-10	AA12090 BIND HEAD B-TITE SCREW	3x12 MFZN2BL	075642		バインドBタイトネジ	
	2-11	EG340190 BIND HEAD B-TITE SCREW	4x8 MFZN2BL			バインドBタイトネジ	01
⚠	2-12	V2723100 POWER CABLE	1.8m		J	電源コード	07
*	⚠ 2-12	V8366300 POWER CABLE	2m		UC	電源コード	
⚠	2-12	VZ555600 POWER CABLE	2m		R	電源コード	05
*	⚠ 2-12	V8366500 POWER CABLE	2m		A	電源コード	
*	⚠ 2-12	V8366600 POWER CABLE	2m		B	電源コード	
*	⚠ 2-12	V8366400 POWER CABLE	2m		G	電源コード	
	2-13	AA12230 CUSHION STOPPER	SR-4	078519		コードストッパー	01
	2-15	VB096700 BIND HEAD B-TITE SCREW	2.6x8 MFZN2BL			バインドBタイトネジ	01
	2-17	AA12910 SEAL		055433		シール	01
	2-18	AA12920 SEAL		058018		シール	05
*	3	AA333840 P. C. B. ASS'Y	POWER AMP	358164	JUC	PCBパワーアンプ	
*	3	AA335840 P. C. B. ASS'Y	POWER AMP	364764	RTK	PCBパワーアンプ	
*	3	AA333850 P. C. B. ASS'Y	POWER AMP	358261	ABG	PCBパワーアンプ	
*	4	AA335860 SATELLITE SPEAKER UNIT	NX-S80S SI 1pc	363275		サテライトSPユニット	
*	5	AA335870 CENTER SPEAKER UNIT	NX-S80C SI 1pc	363274		センターSPユニット	
		ACCESSORIES				付属品	
*	202	AA333940 SPEAKER CABLE	5m FRONT L 1pc	359883		スピーカーケーブル	
*	202	AA333930 SPEAKER CABLE	5m FRONT R 1pc	359882		スピーカーケーブル	
*	202	AA333960 SPEAKER CABLE	5m CENTER 1pc	359885		スピーカーケーブル	
*	203	AA333950 SPEAKER CABLE	15m REAR L 1pc	359884		スピーカーケーブル	
*	203	AA333970 SPEAKER CABLE	15m REAR R 1pc	359886		スピーカーケーブル	
*	204	AA333820 SYSTEM CONTROL CABLE	5m DIN 13P 1pc	359470		システム接続ケーブル	
*	205	AA321240 FASTENER	51.5x39x3.5 1pair	335212		固定テープ	04
*	206	AA312600 WALL BRACKET	1pc	012941	J	壁吊用ブラケット	04

* New Parts * 新規部品(マーク#の部品は、基板に含まれません)

Schm Ref.	PART NO.	Description	Remarks	Markets	部 品 名	Rank	
207	AA34790	BRACKET B	1pc	363894		ブラケットB	
208	AA12390	PAN HEAD SCREW-SEMS	M4x8 P=0.7	017957		セムスナベ小ネジ	01
209	AA11360	WING BOLTS	M4x8 P=0.7	057360	J	蝶ネジ	01
210	AA20410	NON SKID PAD	7x7x1 8pcs/set	333656		滑止パッド	

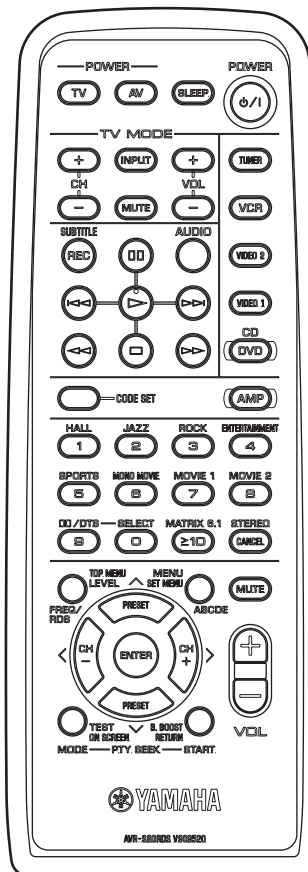
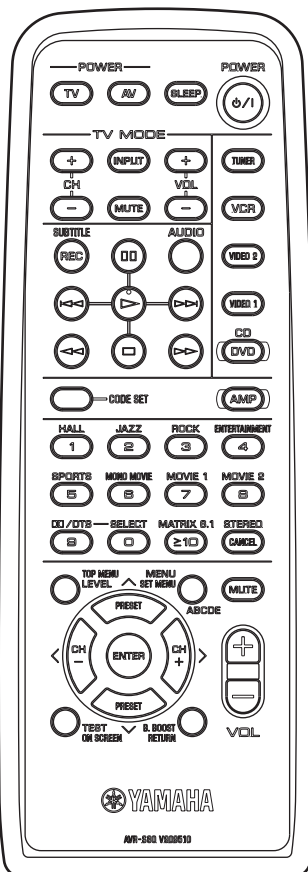
* New Parts * 新規部品(マーク#の部品は、基板に含まれません)

1

REMOTE CONTROL

RRC4001-0303L (U, C, A, R, T, K, J models)

RRC4001-0304L (B, G models)

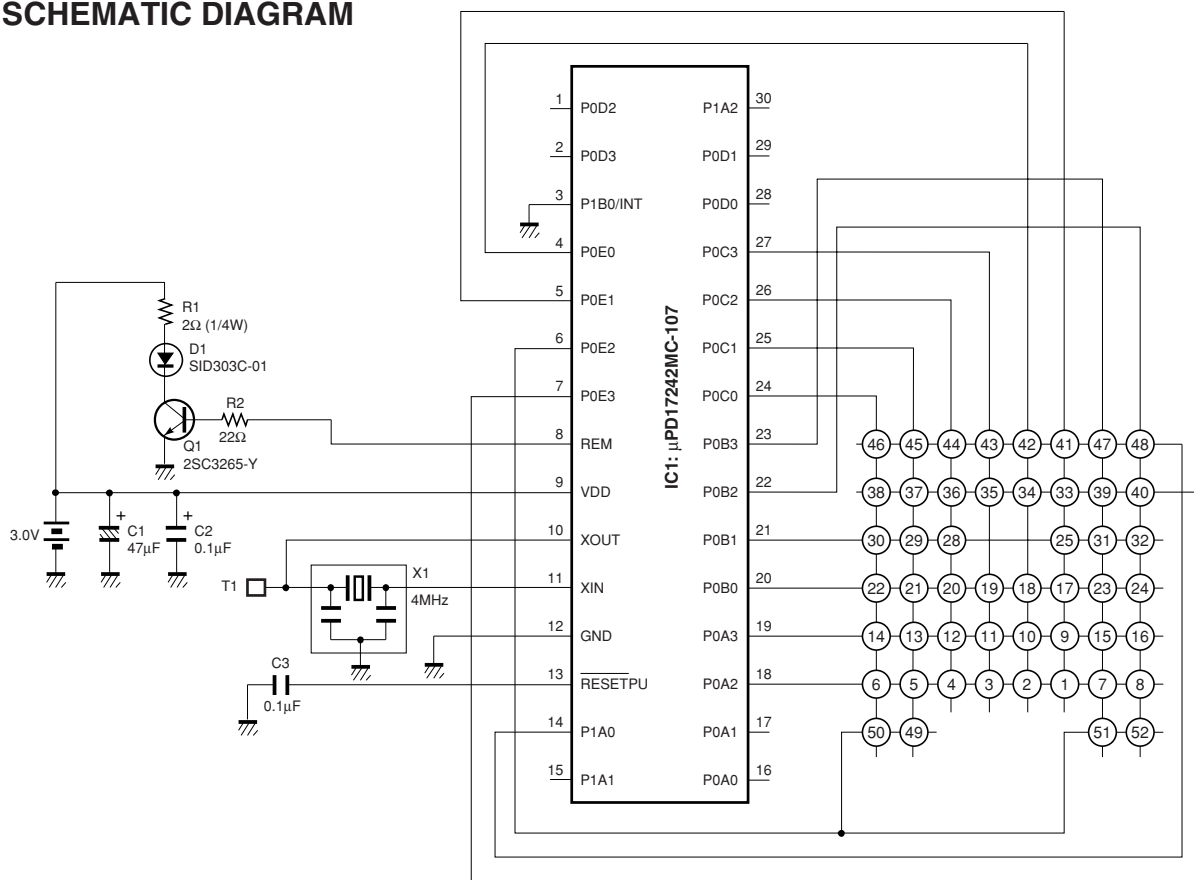


2

3

4

SCHEMATIC DIAGRAM



5

6

7

Key No.	Function	CODE				
		TUNER	DVD	VCR	AMP	TV
1	POWER on/off	–	–	–	78-0F	–
2	SLEEP	–	–	–	78-4F	–
3	AV POWER	–	B000-3D	57-02	–	–
4	TV POWER	TV common key				47-02
5	TUNER	–	–	–	78-4B	–
6	TV VOL +	TV common key				41-22
7	TV INPUT	TV common key				41-3A
8	TV CH +	TV common key				47-0A
9	VCR	–	–	–	78-49	–
10	TV VOL –	TV common key				41-2A
11	TV MUTE	TV common key				41-32
12	TV CH –	TV common key				41-12
13	VIDEO2	–	–	–	78-DE	–
14	AUDIO	–	B000-33	–	–	–
15	PAUSE	–	B000-06	57-1C	–	–
16	REC	–	B000-91	57-0C	–	–
17	VIDEO 1	–	–	78-DF	78-DF	–
18	SKIP +	–	B000-4A	–	–	–
19	PLAY	–	B000-0A	57-04	–	–
20	SKIP –	–	B000-49	–	–	–
21	DVD	–	–	78-4A	78-4A	–
22	SEARCH + (FF)	–	B000-05	57-24	–	–
23	STOP	–	B000-00	57-14	–	–
24	SEARCH – (REW)	–	B000-04	57-2C	–	–
25	AMP	Change to AMP mode				
28	CODE SET	–	–	–	–	–
29	4	78-14	B000-13	–	78-94	–
30	3	78-13	B000-12	–	78-93	–
31	2	78-12	B000-11	–	78-92	–
32	1	78-11	B000-10	–	78-91	–
33	8	78-18	B000-17	–	78-98	–
34	7	78-17	B000-16	–	78-97	–
35	6	78-16	B000-15	–	78-96	–
36	5	78-15	B000-14	–	78-95	–
37	MUTE	78-9C	78-9C	78-9C	78-9C	–
38	MENU	78-1D	B000-80	–	78-9D	–
39	TOP MENU	78-81	B000-9B	–	78-48	–
40	RETURN	78-83	B000-81	–	78-8B	–
41	ON SCREEN	78-82	B000-92	–	78-5F	–
42	PRESET UP	78-1B	B000-85	–	78-8E	–
43	CH +	–	B000-88	57-0A	78-9E	–
44	ENTER	–	B000-82	–	–	–
45	CH –	–	B000-87	57-12	78-9F	–
46	PRESET DOWN	78-1C	B000-86	–	78-8F	–
47	VOL up	78-1E	78-1E	78-1E	78-1E	–
48	VOL down	78-1F	78-1F	78-1F	78-1F	–
49	CANCEL	–	B000-83	–	78-50	–
50	> 10	–	B000-89	–	78-90	–
51	0	–	B000-19	–	78-9A	–
52	9	–	B000-18	–	78-99	–

Parts List for Carbon Resistors

Value	1/4W Type Part No.	1/6W Type Part No.	Value	1/4W Type Part No.	1/6W Type Part No.
1.0 Ω	HJ35 3100	HF85 3100	10 kΩ	HF45 7100	HF45 7100
1.8 Ω	HJ35 3180	*	11 kΩ	HF45 7110	HF45 7110
2.2 Ω	HJ35 3220	HF85 3220	12 kΩ	HJ35 7120	HF85 7120
3.3 Ω	HJ35 3330	HF85 3330	13 kΩ	HF45 7130	HF45 7130
4.7 Ω	HJ35 3470	HF85 3470	15 kΩ	HF45 7150	HF45 7150
5.6 Ω	HJ35 3560	HF85 3560	18 kΩ	HF45 7180	HF45 7180
10 Ω	HF45 4100	HF45 4100	22 kΩ	HF45 7220	HF45 7220
15 Ω	HJ35 4150	HF85 4150	24 kΩ	HF45 7240	HF45 7240
22 Ω	HF45 4220	HF45 4220	27 kΩ	HJ35 7270	HF85 7270
27 Ω	HJ35 4270	HF85 4270	30 kΩ	HF45 7300	HF45 7300
33 Ω	HF45 4330	HF45 4330	33 kΩ	HF45 7330	HF45 7330
39 Ω	HJ35 4470	HF85 4390	36 kΩ	HF45 7360	HF45 7360
47 Ω	HF45 4470	HF45 4470	39 kΩ	HF45 7390	HF45 7390
56 Ω	HF45 4560	HF45 4560	47 kΩ	HF45 7470	HF45 7470
68 Ω	HF45 4680	HF45 4680	51 kΩ	HF45 7510	HF45 7510
75 Ω	HF45 4750	HF45 4750	56 kΩ	HF45 7560	HF45 7560
82 Ω	HF45 4820	HF45 4820	62 kΩ	HF45 7620	HF45 7620
91 Ω	HF45 4910	HF45 4910	68 kΩ	HF45 7680	HF45 7680
100 Ω	HF45 5100	HF45 5100	82 kΩ	HF45 7820	HF45 7820
110 Ω	HJ35 5110	HF85 5110	91 kΩ	HF45 7910	HF45 7910
120 Ω	HF45 5120	HF45 5120	100 kΩ	HF45 8100	HF45 8100
150 Ω	HF45 5150	HF45 5150	110 kΩ	HF45 8110	HF45 8110
160 Ω	HJ35 5160	*	120 kΩ	HF45 8120	HF45 8120
180 Ω	HF45 5180	HF45 5180	150 kΩ	HF45 8150	HF45 8150
200 Ω	HF45 5200	HF45 5200	180 kΩ	HF45 8180	HF45 8180
220 Ω	HF45 5220	HF45 5220	220 kΩ	HJ35 8220	HF85 8220
270 Ω	HF45 5270	HF45 5270	270 kΩ	HF45 8270	HF45 8270
330 Ω	HF45 5330	HF45 5330	300 kΩ	HF45 8300	HF45 8300
390 Ω	HF45 5390	HF45 5390	330 kΩ	HF45 8330	HF45 8330
430 Ω	HF45 5430	HF45 5430	390 kΩ	HJ35 8390	HF85 8390
470 Ω	HF45 5470	HF45 5470	470 kΩ	HF45 8470	HF45 8470
510 Ω	HF45 5510	HF45 5510	560 kΩ	HJ35 8560	HF85 8560
560 Ω	HF45 5560	HF45 5560	680 kΩ	HJ35 8680	HF85 8680
680 Ω	HF45 5680	HF45 5680	820 kΩ	HJ35 8820	HF85 8820
820 Ω	HF45 5820	HF45 5820	1.0 MΩ	HF45 9100	HF45 9100
910 Ω	HF45 5910	HF45 5910	1.2 MΩ	HJ35 9120	*
1.0 kΩ	HF45 6100	HF45 6100	1.5 MΩ	HJ35 9150	HF85 9150
1.2 kΩ	HF45 6120	HF45 6120	1.8 MΩ	HJ35 9180	HF85 9180
1.5 kΩ	HF45 6150	HF45 6150	2.2 MΩ	HJ35 9220	HF85 9220
1.8 kΩ	HF45 6180	HF45 6180	3.3 MΩ	HJ35 9330	HF85 9330
2.0 kΩ	HJ35 6200	HF85 6200	3.9 MΩ	HJ35 9390	*
2.2 kΩ	HF45 6220	HF45 6220	4.7 MΩ	HJ35 9470	HF85 9470
2.4 kΩ	HJ35 6240	HF85 6240			
2.7 kΩ	HF45 6270	HF45 6270			
3.0 kΩ	HF45 6300	HF45 6300			
3.3 kΩ	HF45 6330	HF45 6330			
3.6 kΩ	HJ35 6360	HF85 6360			
3.9 kΩ	HF45 6390	HF45 6390			
4.7 kΩ	HF45 6470	HF45 6470			
5.1 kΩ	HF45 6510	HF45 6510			
5.6 kΩ	HF45 6560	HF45 6560			
6.8 kΩ	HF45 6680	HF45 6680			
8.2 kΩ	HF45 6820	HF45 6820			
9.1 kΩ	HF45 6910	HF45 6910			

1/4W Type

HJ35 ○○○○
10mm

1/6W Type

HF85 ○○○○
5mm

* : Not available

AVR-S80/NX-SW80

