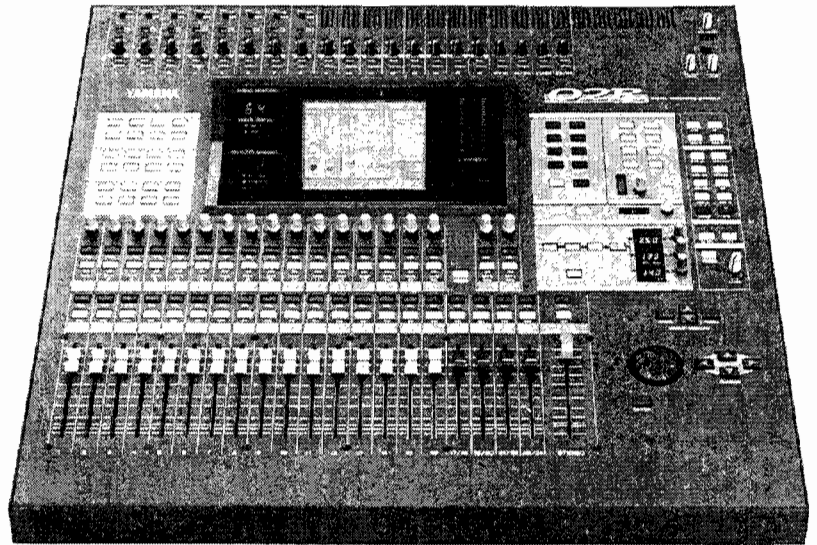


DIGITAL RECORDING CONSOLE

O2R

SERVICE MANUAL



■ CONTENTS (目次)

SPECIFICATIONS (総合仕様)	2/10
DIMENSIONS (寸法図)	17
BLOCK DIAGRAM (ブロックダイアグラム)	18
CIRCUIT BOARD WIRING (基板結線図)	20
CIRCUIT BOARD LAYOUT (ユニットレイアウト) ..	22
PANEL LAYOUT (パネルレイアウト)	28
DISASSEMBLY PROCEDURE (分解手順)	34
THE PROCEDURE OF THE INSTALLATION/EXCHANGE OF RAM OF MEMORY EXPANSION KIT (ME4M) (メモリー拡張キット(ME4M)のRAMの取付け/交換手順) .	45

LSI PIN DISCRPTION (LSI端子機能表)	50
IC BLOCK DIAGRAM (ICブロック図)	57
CIRCUIT BOARDS (シート基板図)	62
INSPECTIONS (検査)	108/128
TEST PROGRAM (テストプログラム)	115/135
ERROR MESSAGES (エラーメッセージ) .	125/145
MIDI DATA FORMAT (MIDIデータフォーマット)	148
MIDI IMPLEMENTATION CHART	160
CIRCUIT DIAGRAMS (回路図)	161
PARTS LIST	

IMPORTANT NOTICE

This manual has been provided for the use of authorized Yamaha Retailers and their service personnel. It has been assumed that basic service procedures inherent to the industry, and more specifically Yamaha Products, are already known and understood by the users, and have therefore not been restated.

WARNING: Failure to follow appropriate service and safety procedures when servicing this product may result in personal injury, destruction of expensive components and failure of the product to perform as specified. For these reasons, we advise all Yamaha product owners that all service required should be performed by an authorized Yamaha Retailer or the appointed service representative.

IMPORTANT: The presentation or sale of this manual to any individual or firm does not constitute authorization, certification, recognition of any applicable technical capabilities, or establish a principal-agent relationship of any form.

The data provided is believed to be accurate and applicable to the unit(s) indicated on the cover. The research, engineering, and service departments of Yamaha are continually striving to improve Yamaha products. Modifications are, therefore, inevitable and changes in specification are subject to change without notice or obligation to retrofit. Should any discrepancy appear to exist, please contact the distributor's Service Division.

WARNING: Static discharges can destroy expensive components. Discharge any static electricity your body may have accumulated by grounding yourself to the ground buss in the unit (heavy gauge black wires connect to this buss).

IMPORTANT: Turn the unit OFF during disassembly and parts replacement. Recheck all work before you apply power to the unit.

This product uses a lithium battery for memory back-up.

WARNING: Lithium batteries are dangerous because they can be exploded by improper handling. Observe the following precautions when handling or replacing lithium batteries.

- Leave battery replacement to qualified service personnel.
- Always replace with batteries of the same type.
- When installing on the PC board, solder using the connection terminals provided on the battery cells. Never solder directly to the cells. Perform the soldering as quickly as possible.
- Never reverse the battery polarities when installing.
- Do not short the batteries.
- Do not attempt to recharge these batteries.
- Do not disassemble the batteries.
- Never heat batteries or throw them into fire.

ADVARSEL!

Lithiumbatteri. Eksplosionsfare.

Udskiftning må kun foretages af en sagkyndig, og som beskrevet i servicemanualen.

WARNING: CHEMICAL CONTENT NOTICE!


The solder used in the production of this product contains LEAD. In addition, other electrical/electronic and/or plastic (where applicable) components may also contain traces of chemicals found by the California Health and Welfare Agency (and possibly other entities) to cause cancer and/or birth defects or other reproductive harm.


DO NOT PLACE SOLDER, ELECTRICAL/ELECTRONIC OR PLASTIC COMPONENTS IN YOUR MOUTH FOR ANY REASON WHAT SO EVER!

Avoid prolonged, unprotected contact between solder and your skin! When soldering, do not inhale solder fumes or expose eyes to solder/flux vapor!

If you come in contact with solder or components located inside the enclosure of this product, wash your hands before handling food.

■ WARNING

Components having special characteristics are marked  and must be replaced with parts having specification equal to those originally installed.

 印の部品は、安全を維持するために重要な部品です。交換する場合は、安全のため必ず指定の部品をご使用下さい。

SPECIFICATIONS

General Specifications

Number of scene memories	64	
Sampling frequency	Internal	44.1kHz, 48kHz
	External	(32kHz -6%) ~ (48kHz +6%)
Signal delay	Less than 2.5ms. MIC/LINE input to STEREO output. *1	
Fader resolution	+10 ~ -90, -∞dB (128 steps/100mm) input faders.	
	0 ~ -120, -∞dB (128 steps/100mm) stereo fader.	
Total harmonic distortion (THD)	Less than 0.2%, 20Hz~20kHz (analog output) @+14dB into 600Ω.	
Frequency response	+1, -3dB, 20Hz~20kHz @+4dB into 600Ω .	
Dynamic range	110dB typical D/A Converter (STEREO OUT). *1	
	105dB typical A/D to D/A (MIC/LINE IN to STEREO OUT). *1	
Hum & Noise (20Hz~20kHz) *1, *2 Rs = 150Ω, Input gain max. Input pad = 0dB Input sensitivity = -60dBv	-128dB Equivalent input noise.	
	-88dB residual output noise. STEREO OUTPUT. STEREO OUTPUT off.	
	-88dB (92dB S/N) STEREO OUTPUT. Master fader at nominal level and all channel faders at minimum level.	
	-64dB (68dB S/N) STEREO OUTPUT. Master fader at nominal level and all channel faders at nominal level.	
Maximum Voltage Gain	74dB MIC/LINE (1 ~ 16) IN to STEREO OUT	
	74dB MIC/LINE (1 ~ 16) IN to AUX SEND 1, 2, 3, 4, 5, 6 (via PRE INPUT FADER)	
	74dB MIC/LINE (1 ~ 16) IN to MONITOR OUT (via STEREO bus)	
	54dB LINE (17 ~ 24) IN to STEREO OUT	
Crosstalk(@1kHz)	70dB adjacent input channels.	
	70dB input to output.	

*1. Sampling Frequency: 48kHz

*2. Hum & Noise are measured with a 6dB/octave filter @12.7kHz; equivalent to a 20kHz filter with an infinite dB/octave attenuation.

Inputs

Input channel (MIC/LINE 1~24)		
Phantom switch	MIC/LINE 1 ~ 8	
Select switch	A (XLR) / B (phone)	MIC/LINE 1 ~ 8
Gain trim	44dB (-60 ~ -16)	MIC/LINE 1 ~ 16
	44dB (-40 ~ +4)	LINE 17/18 ~ 23/24
Peak indicator	LED (red) turns on when post HA level reaches 3dB below clipping.	
Signal indicator	LED (green) turns on when post HA level reaches 10dB below nominal.	
Insert	MIC/LINE 1 ~ 8 (pre A/D)	
Pad switch	0/20dB attenuation	MIC/LINE 1 ~ 16
AD converter	20 bit linear / 64 times oversampling	
I/O option	adat / TASCAM / YAMAHA	MIC/LINE 1 ~ 16
Attenuator	0 ~ -96dB (1dB step)	
Filter	DC cut filter / de-emphasis	

Input channel (MIC/LINE 1~24)					
4 band parametric equalizer	ON/OFF				
	Type	LOW/HPF	L-MID	H-MID	HIGH/LPF
	Q	Peak	Peak	Peak	Peak
		10 ~ 0.1 (41 steps)	10 ~ 0.1 (41 steps)	10 ~ 0.1 (41 steps)	10 ~ 0.1 (41 steps)
		Low shelving			High shelving
		HPF (slope = 12dB/oct)			LPF (slope = 12dB/oct)
	F	21Hz ~ 20.1kHz (1/12 octave steps)	21Hz ~ 20.1kHz (1/12 octave steps)	21Hz ~ 20.1kHz (1/12 octave steps)	21Hz ~ 20.1kHz (1/12 octave steps)
G	±18 dB (0.5 dB steps)	±18 dB (0.5 dB steps)	±18 dB (0.5 dB steps)	±18 dB (0.5 dB steps)	
	HPF = ON/OFF			LPF = ON/OFF	
Dynamics	Compressor / Expander				
		Threshold	-54dB ~ 0dB (1dB step)		
		Ratio	1, 1.1, 1.3, 1.5, 1.7, 2, 2.5, 3, 4, 3.5, 5, 6, 8, 10, 20, ∞ (16 points)		
		Out gain	0dB ~ +18dB (0.5dB step)		
		Knee	hard , 1 , 2 , 3 , 4 , 5 (6 points)		
		Attack	0ms ~ 120ms (1ms step)		
		Release	5ms ~ 42.3s (48kHz), 6ms ~ 46.0s (44.1kHz), 8ms ~ 63.4s (32kHz) (160 points)		
	Gate / Ducking				
		Threshold	-54dB ~ 0dB (1dB step)		
		Range	-70dB ~ 0dB (1dB step)		
		Attack	0ms ~ 120ms (1ms step)		
		Hold	0.02ms ~ 1.96s (48kHz), 0.02ms ~ 2.135s (44.1kHz), 0.03ms ~ 2.94s (32kHz) (216 points)		
		Decay	5ms ~ 42.3s (48kHz), 6ms ~ 46.0s (44.1kHz) 8ms ~ 63.4s (32kHz) (160 points)		
	CompanderH / CompanderS				
		Threshold	-54dB ~ 0dB (1dB step)		
		Ratio	1, 1.1, 1.3, 1.5, 1.7, 2, 2.5, 3, 3.5, 4, 5, 6, 8, 10, 20, (15 points)		
		Out gain	-18dB ~ 0dB (0.5dB step)		
		Width	1dB ~ 90dB (1dB step)		
		Attack	0ms ~ 120ms (1ms step)		
	Release	5ms ~ 42.3s (48kHz), 6ms ~ 46.0s (44.1kHz), 8ms ~ 63.4s (32kHz) (160 points)			
Delay	0 ~ 2600sample				
Phase	NORMAL / REVERSE				
Channel ON/OFF (1 ~ 20)					
Channel SEL (1 ~ 20)					
Fader (1 ~ 20)	100mm motorized				
	INPUT FADER / AUX1 / AUX2 / AUX3 / AUX4 / AUX5 / AUX6 / AUX7 / AUX8				

Input channel (MIC/LINE 1-24)		
	ON/OFF	
Aux send	AUX 1	PRE / POST FADER (external effects)
	AUX 2	PRE / POST FADER (external effects)
	AUX 3	PRE / POST FADER (external effects)
	AUX 4	PRE / POST FADER (external effects)
	AUX 5	PRE / POST FADER (external effects)
	AUX 6	PRE / POST FADER (external effects)
	AUX 7	PRE / POST FADER (internal effects)
	AUX 8	PRE / POST FADER (internal effects)
Pan	33 positions (L = 16 ~ 1, C, R = 16 ~ 1)	
Routing	BUS 1 ~ 8. ST. DIRECT	
Solo	ON/OFF	
	Pre Fader / After Pan	
Meter	Peakhold: ON/OFF	
	12 points displays of the pre-EQ / post-EQ / post-fader levels of all channel input are displayed on the screen.	

Tape Input channel (TAPE 1-16)	
I/O option	ANALOG / adat / TASCAM / AES/EBU / YAMAHA
Filter	DC cut filter / de-emphasis
Attenuator	0-96dB (1dB step)
4 band parametric equalizer	(Parameters are as same as MIC/LINE input equalizer.)
Dynamics	(Parameters are as same as MIC/LINE input dynamics.)
Delay	0 ~ 2600sample
Phase	NORMAL / REVERSE
ON/OFF	
Fader	Rotary encoder
	INPUT / AUX1 / AUX2 / AUX3 / AUX4 / AUX5 / AUX6 / AUX7 / AUX8
Aux send	(Parameters are as same as MIC/LINE input aux send.)
Pan	33 positions (L = 16 ~ 1, C, R = 16 ~ 1)
Routing	BUS 1 ~ 8. ST
Solo	ON/OFF
	Pre Fader / After Pan
Meter	Peakhold: ON/OFF
	12 points displays of the pre-EQ / post-EQ / post-fader levels of all channel input are displayed on the screen.

Effect Return (EFF 1 ~ 2)	
Attenuator	0 ~ -96dB (1dB step)
4 band parametric equalizer	(Parameters are as same as MIC/LINE input equalizer.)
Delay	0 ~ 2600sample

Effect Return (EFF 1 ~ 2)	
Phase	NORMAL / REVERSE
ON/OFF	
Fader	Rotary encoder INPUT / AUX1 / AUX2 / AUX3 / AUX4 / AUX5 / AUX6 / AUX7 / AUX8
Aux send	(Parameters are as same as MIC/LINE input aux send. EFF1 can only send to AUX8. EFF2 can only send to AUX7.)
Pan	33 positions (L = 16 ~ 1, C, R = 16 ~ 1)
Routing	BUS 1 ~ 8. ST
Solo	ON/OFF Pre Fader / After Pan
Meter	Peakhold: ON/OFF 12 points displays of the pre-EQ / post-EQ / post-fader levels of all channel input are displayed on the screen.

Outputs

STEREO OUT	
Dynamics	(parameters are as same as MIC/LINE input dynamics.)
4 band parametric equalizer	(parameters are as same as MIC/LINE input equalizer.)
Fader	~100mm motorized
ON/OFF	
Meter	21-elements x 2 LED meter. (pre fader / post fader)
D/A converter	20bit linear / 8 times oversampling

BUS OUT (BUS1 ~ BUS8)	
Dynamics	(parameters are as same as MIC/LINE input dynamics.)
Level	rotary encoder
Meter	12 points displays of the pre/post fader levels of all channel input are displayed on the screen.
I/O option	ANALOG / adat / TASCAM / AES/EBU / YAMAHA

AUX OUT (AUX1 ~ AUX8)	
Level	rotary encoder
Meter	12 points displays of the pre/post fader levels of all channel input are displayed on the screen.
D/A converter	18bit linear / 8 times oversampling (AUX1~AUX6)

CONTROL ROOM MONITOR OUT	
Select switch	2TR-A1 / 2TR-A2 / 2TR-D1 / 2TR-D2 / 2TR-D3 / AUX6 / ST
Mono	ON/OFF
DIM	ON/OFF
D/A converter	20bit linear / 8 times oversampling
Emphasis	Auto ON/OFF

CONTROL ROOM MONITOR OUT

Level control

Phone level

STUDIO MONITOR OUT

Select switch AUX5 / AUX6 / C-R / ST

D/A converter 18bit linear / 8 times oversampling

Level control

TALKBACK

Talkback ON/OFF

Slate ON/OFF

Level control

A/D converter 16 bit linear / 64 times oversampling

Libraries

Internal Digital Effector (EFFECT 1, 2)

Number of factory presets	40
---------------------------	----

Number of user library	88
------------------------	----

Dynamics

Number of factory presets	40
---------------------------	----

Number of user library	88
------------------------	----

Equalizer Library

Number of factory presets	32
---------------------------	----

Number of user library	96
------------------------	----

Channel Library

Number of user library	64
------------------------	----

Power Requirement	USA/Canada	120V, 60Hz		
	UK	240V, 50Hz		
	General	230V, 50Hz		
Power Consumption	180W			
Dimensions (H × D × W)	211.5mm × 685mm × 672mm			
Net Weight	31kg			
Free-air operating temperature range	10 ~ 35°C			
Options	DIGITAL I/O CARD (adat)	CD8-AT	DIGITAL CASCADE KIT	CD8-CS
	AD/DA CARD	CD8-AD	PEAK METER BRIDGE	MB02
	DIGITAL I/O CARD (TDIF-1)	CD8-TD	MEMORY EXPANSION KIT	ME4M
	DIGITAL I/O CARD (YAMAHA)	CD8-Y	WOODEN SIDE PANEL	W02SP
	DIGITAL I/O CARD (AES/EBU)	CD8-AE		

Input Specifications

Input connection	PAD	GAIN	Actual load impedance	For use with nominal	Input level			Mixer connector
					Sensitivity *1	Nominal	Max. before clip	
CH INPUT MIC/LINE 1 ~16	0	-60	3k Ω (XLR) 4k Ω (Phone jack)	50~600 Ω mics and 600 Ω lines	-70dB (245 μ V)	-60dB (775 μ V)	-40dB (7.75mV)	XLR-3-31 type *2 or Phone Jack (TRS) *3
					-26dB (38.8mV)	-16dB (123mV)	+4dB (1.23V)	
	20	-16			-6dB (388mV)	+4dB (1.23V)	+24dB (12.3V)	
CH INPUT LINE 17~24		-40	4k Ω	600 Ω lines	-50dB (2.45mV)	-40dB (7.75mV)	-20dB (77.5mV)	Phone Jack (TRS) *3
		+4			-6dB (388mV)	+4dB (1.23V)	+24dB (12.3V)	
INSERT IN MIC/LINE 1~8			10k Ω	600 Ω lines	-10dB (245mV)	+0dB (775mV)	+20dB (7.75V)	Phone Jack *4
2 TRACK INPUT [L,R]			10k Ω	600 Ω lines	+4dB (1.23V)	+4dB (1.23V)	+24dB (12.3V)	Phone Jack *5
			10k Ω	600 Ω lines	-10dBV (316mV)	-10dBV (316mV)	+10dBV (3.16V)	RCA/ phono *6

- *1. Sensitivity is the lowest level that will produce an output of +4dB (1.23V) or the nominal output level when the unit is set to maximum gain. (All faders and level controls are maximum position.)
- *2. XLR type connectors are balanced. (1=GND, 2=HOT, 3=COLD)
- *3. MIC/LINE INPUT and LINE INPUT phone jacks are balanced. (Tip=HOT, Ring=COLD, Sleeve=GND)
- *4. INSERT INPUT phone jacks are unbalanced. (Tip=OUT, Ring=IN, Sleeve=GND)
- *5. 2 TRACK INPUT phone jacks are balanced.
- *6. 2 TRACK INPUT RCA/phone jacks are unbalanced.
- *7. In these specifications, when dB represents are specific voltage, 0dB is referenced to 0.775 volts RMS.
- *8. In these specifications, when dBV represents are specific voltage, 0dBV is referenced to 1 volts RMS.

Output Specifications

Output connection	Actual source impedance	For use with nominal	Output level		Mixer connector
			Nominal	Max before clip	
STEREO OUT (L, R)	150Ω	600Ω lines	+ 4dB (1.23V)	+24dB (12.3V)	XLR-3-32 type
	600Ω	10kΩ lines	-10dBV (316mV)	+10dBV (3.16V)	RCA/phono (Unbalanced)
STUDIO MONITOR OUT (L, R)	150Ω	10kΩ lines	+ 4dB (1.23V)	+24dB (12.3V)	Phone Jack (Balanced)
CONTROL ROOM MONITOR OUT (L, R)	150Ω	10kΩ lines	+ 4dB (1.23 V)	+24dB (12.3 V)	Phone Jack (Balanced)
AUX (1, 2, 3, 4, 5, 6)	600Ω	10kΩ lines	+ 4dB (1.23V)	+20dB (7.75V)	Phone Jack (Unbalanced)
INSERT OUT MIC/LINE 1 - 8	600Ω	10kΩ lines	+ 0dB (0.775V)	+20dB (7.75V)	Phone Jack (Unbalanced) *1
PHONES	100Ω	8Ω phones	1 mW	25 mW	Stereo Phone Jack (Unbalanced)
		40Ω phones	3 mW	110 mW	

*1. INSERT OUTPUT phone jacks are balanced. (Tip=OUT, Ring=IN, Sleeve=GND)

*2. In these specifications, when dB represents are specific voltage, 0dB is referenced to 0.775 volts RMS.

*3. In these specifications, when dBV represents are specific voltage, 0dBV is referenced to 1 volts RMS.

Digital Input and Output Specifications

Input/Output	Format	Level	Mixer connector
DIGITAL IN (COAXIAL) (2TRK IN 2, 3)	IEC958 Consumer (S/PDIF)	0.5Vpp/75Ω	RCA/phono jack
DIGITAL OUT (COAXIAL) (STEREO OUT)	IEC958 Consumer (S/PDIF)	0.5Vpp/75Ω	RCA/phono jack
DIGITAL IN (AES/EBU) (2TRK IN 1)	IEC958 Professional (AES/EBU)	RS422	XLR-3-31 type
DIGITAL OUT (AES/EBU) (STEREO OUT)	IEC958 Professional (AES/EBU)	RS422	XLR-3-32 type
WORD CLOCK IN	-	TTL / 75Ω	BNC
WORD CLOCK OUT	-	TTL / 75Ω	BNC
MIDI IN	MIDI	-	DIN Connector 5P
MIDI OUT	MIDI	-	DIN Connector 5P
MIDI THRU	MIDI	-	DIN Connector 5P
TO HOST	-	-	MiniDIN Connector 8P
METER	-	RS422+ (AC9V)	Dsub Connector 15p
MTC IN	MIDI	-	DIN Connector 5P
TC IN	SMPTE	Nominal -10dBV/10kΩ	

Options

AD/DA Card Specifications

Analog Input

Input connections	GAIN	Actual load impedance	For use with nominal	Input level			Mixer connector
				Sensitivity *1	Nominal	Max. before clip	
INPUT 1 ~ 8	+4dB	10k Ω	600 Ω lines	- 6dB (388mV)	+ 4dB (1.23mV)	+24dB (12.3mV)	Phone Jack (TRS) *2
	-10dBV			-20dBV (100mV)	-10dBV (316mV)	+10dBV (3.16V)	

- *1. Sensitivity is the lowest level that will produce an output of +4dB (1.23V) or the nominal output level when the unit is set to maximum gain. (All faders and level controls are maximum position.)
- *2. CH INPUT phone jacks are balanced. (Tip=HOT, Ring=COLD, Sleeve=GND)
- *3. In these specifications, when dB represents are specific voltage, 0dB is referenced to 0.775 volts RMS.
- *4. In these specifications, when dBV represents are specific voltage, 0dBV is referenced to 1 volts RMS.

Analog Output

Output connections	GAIN	Actual source impedance	For use with nominal	Output level		Mixer connector
				Nominal	Max before clip	
OUTPUT 1 ~ 8	+4dB	150 Ω	10k Ω lines	+ 4dB (1.23 mV)	+24dB (12.3 mV)	Phone Jack (TRS) *1
	-10dBV			-10dBV (316 mV)	+10dBV (3.16 V)	

- *1. CH OUTPUT phone jacks are balanced. (Tip=HOT, Ring=COLD, Sleeve=GND)
- *2. In these specifications, when dB represents are specific voltage, 0dB is referenced to 0.775 volts RMS.
- *3. In these specifications, when dBV represents are specific voltage, 0dBV is referenced to 1 volts RMS.

DIGITAL I/O Card Specifications

Digital Input/Output

Input/Output	Format	Level	Mixer connector
DA88 (BUS/DIRECT OUT, TAPE IN)	TDIF-1	C-MOS	D-SUB 25PIN
ADAT (BUS/DIRECT OUT, TAPE IN)	ADAT OPTICAL	OPTICAL	
AES/EBU (BUS/DIRECT OUT, TAPE IN)	AES/EBU	RS422	XLR-3-31 type (INPUT)
			XLR-3-32 type (OUTPUT)
YAMAHA (BUS/DIRECT OUT, TAPE IN)	YAMAHA	RS422	D-SUB 25PIN
CASCADE (BUS/DIRECT OUT, TAPE IN)	YAMAHA	RS422	D-SUB 25PIN

■ 総合仕様

全体仕様

■ シーンメモリー数	64シーン
■ サンプルング周波数	内部周波数 : 44.1kHz, 48kHz 外部周波数 : 32kHz -6%, 48kHz +6%
■ シグナルディレイ	2.5ms以下 (MIC/LINEインプット、ステレオアウトプット間) Fs = 48kHz
■ フェーダー分解能	+10 ~ -90, -∞ dB (128ステップ/100mm) インプットフェーダー 0 ~ -120, -∞ dB (128ステップ/100mm) ステレオフエーダー
■ 全高調波歪	0.2%以下 20Hz~20kHz (アナログ出力) @+14dB into 600Ω
■ 周波数特性	+1, -3dB 20Hz~20kHz @+4dB into 600Ω
■ ダイナミックレンジ	110dB typ. DAコンバーター (STEREO OUT) Fs = 48kHz 105dB typ. AD+DA (MIC/LINE IN to STEREO OUT) Fs = 48kHz
■ ハム&ノイズ (20Hz~20kHz, Rs=150Ω, Input Gain=Max., Input Pad=0dB, Input Sensitivity= -60dB, Fs = 48kHz)	LPF (6dB/octave @ 12.7kHz : ∞dB/octave @ 20kHzと等価) を通して測定
	-128dB Equivalent Input Noise
	-88dB Residual Output Noise ステレオアウトプットオフ
	-88dB (92dB S/N) 全チャンネルインプットのフェーダーを下げ、ステレオアウトプットのフェーダーをノミナル(0dB)にしたとき
	-64dB (68dB S/N) 全チャンネルインプットのフェーダーおよびステレオアウトプットのフェーダーををノミナル(0dB)にしたとき
■ 最大ゲイン	74dB MIC/LINE (1~16) インプット、ステレオアウトプット間 74dB MIC/LINE (1~16) インプット、AUX SEND 1,2,3,4,5,6間 (プリインプットフェーダー時) 74dB MIC/LINE (1~16) インプット、モニターアウトプット間 54dB LINE (17~24) インプット、ステレオアウトプット間
■ クロストーク (@1kHz)	70dB 隣り合うインプットチャンネル間 70dB インプット、アウトプット間
■ チャンネルインプット (MIC/LINE 1~24)	
ファントムスイッチ	MIC/LINE 1~8
セレクトスイッチ	A (XLR)/B (phone) ; MIC/LINE 1~8
ゲインコントロール	44dB (-60~-16) ; MIC/LINE 1~16 44dB (-40~+4) ; LINE 17/18~23/24
ピークインジケータ	ポストHAレベルがクリッピング手前3dBでLED(赤)が点灯
シグナルインジケータ	ポストHAレベルがノミナル手前10dBでLED(緑)が点灯
インサート	MIC/LINE 1~8 (プリA/D)
パッドスイッチ	0/20dBアッテネーター : MIC/LINE 1~16
ADコンバーター	20ビットリニア/64倍オーバーサンプリング
I/Oオプション	adat/TASCAM/YAMAHA ; MIC/LINE 1~16
アッテネーター	0~96dB (1dB ステップ)
フィルター	DCカットフィルター/ディエンファシス

4バンドパラメトリックイコライザー

オン/オフ

	LOW/HPF	L-MID	H-MID	HIGH/LPF
Q	0.1~10.0 (41ステップ)	0.1~10.0 (41ステップ)	←	0.1~10.0 (41ステップ)
	Low Shelving HPF			High Shelving LPF
F	20Hz~20kHz (1/12 oct ステップ)	20Hz~20kHz (1/12 oct ステップ)	←	20Hz~20kHz (1/12 oct ステップ)
G	±18dB (0.5dB ステップ)	±18dB (0.5dB ステップ)	←	±18dB (0.5dB ステップ)
	HPF = オン/オフ			LPF = オン/オフ
スロープ	12dB/oct (HPFのみ)	—	—	12dB/oct (LPFのみ)

ダイナミクス

Comp	threshold ;	-54dB~0dB	1dB ステップ	
	ratio ;	1, 1.1, 1.3, 1.5, 1.7, 2, 2.5, 3, 3.5, 4, 5, 6, 8, 10, 20, ∞	16 ステップ	
	attack ;	0ms~120ms	1ms ステップ	
	outgain ;	0dB~+18dB	0.5dB ステップ	
	knee ;	hard, 1, 2, 3, 4, 5	6 ステップ	
Gate	release ;	5ms~42.3s(48kHz), 6ms~46.0s(44.1kHz), 8ms~63.4s(32kHz)	160 ステップ	
	threshold ;	-54dB~0dB	1dB ステップ	
	range ;	-70dB~0dB	1dB ステップ	
	attack ;	0ms~120ms	1ms ステップ	
	hold ;	0.02ms~1.96s(48kHz), 0.02ms~2.135s(44.1kHz), 0.03ms~2.94s(32kHz)	216 ステップ	
Expand	decay ;	5ms~42.3s(48kHz), 6ms~46.0s(44.1kHz), 8ms~63.4s(32kHz)	160 ステップ	
	threshold ;	-54dB~0dB	1dB ステップ	
	ratio ;	1, 1.1, 1.3, 1.5, 1.7, 2, 2.5, 3, 3.5, 4, 5, 6, 8, 10, 20, ∞	16 ステップ	
	attack ;	0ms~120ms	1ms ステップ	
	outgain ;	0dB~+18dB	0.5dB ステップ	
CompanderH	knee ;	hard, 1, 2, 3, 4, 5	6 ステップ	
	release ;	5ms~42.3s(48kHz), 6ms~46.0s(44.1kHz), 8ms~63.4s(32kHz)	160 ステップ	
	threshold ;	-54dB~0dB	1dB ステップ	
	ratio ;	1, 1.1, 1.3, 1.5, 1.7, 2, 2.5, 3, 3.5, 4, 5, 6, 8, 10, 20	15 ステップ	
	attack ;	0ms~120ms	1ms ステップ	
CompanderS	outgain ;	-18dB~0dB	0.5dB ステップ	
	width ;	1dB~90dB	1dB ステップ	
	release ;	5ms~42.3s(48kHz), 6ms~46.0s(44.1kHz), 8ms~63.4s(32kHz)	160 ステップ	
	threshold ;	-54dB~0dB	1dB ステップ	
	ratio ;	1, 1.1, 1.3, 1.5, 1.7, 2, 2.5, 3, 3.5, 4, 5, 6, 8, 10, 20	15 ステップ	
Ducking	attack ;	0ms~120ms	1ms ステップ	
	outgain ;	-18dB~0dB	0.5dB ステップ	
	width ;	1dB~90dB	1dB ステップ	
	release ;	5ms~42.3s(48kHz), 6ms~46.0s(44.1kHz), 8ms~63.4s(32kHz)	160 ステップ	
	threshold ;	-54dB~0dB	1dB ステップ	
Ducking	range ;	-70dB~0dB	1dB ステップ	
	hold ;	0.02ms~1.96s(48kHz), 0.02ms~2.13s(44.1kHz), 0.03ms~2.94s(32kHz)	216 ステップ	
	decay ;	5ms~42.3s(48kHz), 6ms~46.0s(44.1kHz), 8ms~63.4s(32kHz)	160 ステップ	

ディレイ	0~2600サンプル
フェーズ	ノーマル/リバース
オン/オフ	(1~20)
フェーダー	100mm モーター付
AUXセンド	インプットフェーダー/AUX1/AUX2/AUX3/AUX4/AUX5/AUX6/AUX7/AUX8 オン/オフ
	AUX1 ; プリ/ポストフェーダー(外部エフェクト)
	AUX2 ; プリ/ポストフェーダー(外部エフェクト)
	AUX3 ; プリ/ポストフェーダー(外部エフェクト)
	AUX4 ; プリ/ポストフェーダー(外部エフェクト)
	AUX5 ; プリ/ポストフェーダー(外部エフェクト)
	AUX6 ; プリ/ポストフェーダー(外部エフェクト)
	AUX7 ; プリ/ポストフェーダー(内部エフェクト)
	AUX8 ; プリ/ポストフェーダー(内部エフェクト)
パン	33ポジション(L=16~1, C, R=16~1)
ルーティング	BUS 1~8. ST. DIRECT
ソロ	オン/オフ
	Pre Fader(プリフェーダー)/After Pan(アフターパン)
メーター	ピークホールド オン/オフ
	全インプットチャンネルのプリEQ、ポストEQまたはポストフェーダーのレベルをディスプレイに12ポイントで表示

■テーブインプットチャンネル (TAPE 1~16)

I/O オプション	ANALOG/adat/TASCAM/AES/EBU/YAMAHA
フィルター	DCカットフィルター/ディエンファシス
アッテネーター	0~96dB 1dBステップ
4バンドイコライザー	MIC/LINEインプットイコライザーと同じ
ダイナミクス	MIC/LINEインプットダイナミクスと同じ
ディレイ	0~2600サンプル
フェーズ	ノーマル/リバース
オン/オフ	
フェーダー	ロータリーエンコーダー
AUXセンド	INPUT/AUX1/AUX2/AUX3/AUX4/AUX5/AUX6/AUX7/AUX8 オン/オフ
	AUX1 ; プリ/ポストフェーダー(外部エフェクト)
	AUX2 ; プリ/ポストフェーダー(外部エフェクト)
	AUX3 ; プリ/ポストフェーダー(外部エフェクト)
	AUX4 ; プリ/ポストフェーダー(外部エフェクト)
	AUX5 ; プリ/ポストフェーダー(外部エフェクト)
	AUX6 ; プリ/ポストフェーダー(外部エフェクト)
	AUX7 ; プリ/ポストフェーダー(内部エフェクト)
	AUX8 ; プリ/ポストフェーダー(内部エフェクト)
パン	33ポジション(L=16~1, C, R=16~1)
ルーティング	BUS 1~8. ST
ソロ	オン/オフ
	Pre Fader(プリフェーダー)/After Pan(アフターパン)
メーター	ピークホールド オン/オフ
	全インプットチャンネルのプリEQ、ポストEQまたはポストフェーダーのレベルをディスプレイに12ポイントで表示

■エフェクトリターン(EFF1~2)

アッテネーター	0~96dB 1dBステップ
4バンドイコライザー	インプットイコライザーと同じ
ディレイ	0~2600サンプル
フェーズ	ノーマル/リバース
オン/オフ	

フェーダー	ロータリーエンコーダー
AUXセンド	INPUT/AUX1/AUX2/AUX3/AUX4/AUX5/AUX6/AUX7/AUX8 オン/オフ
	AUX1; プリ/ポストフェーダー(外部エフェクト)
	AUX2; プリ/ポストフェーダー(外部エフェクト)
	AUX3; プリ/ポストフェーダー(外部エフェクト)
	AUX4; プリ/ポストフェーダー(外部エフェクト)
	AUX5; プリ/ポストフェーダー(外部エフェクト)
	AUX6; プリ/ポストフェーダー(外部エフェクト)
	AUX7; プリ/ポストフェーダー(内部エフェクト)
	AUX8; プリ/ポストフェーダー(内部エフェクト)
パン	33ポジション(L=16~1, C, R=16~1)
ルーティング	BUS 1~8. ST
ソロ	オン/オフ
	Pre Fader(プリフェーダー)/After Pan(アフターパン)
メーター	ピークホールド オン/オフ
	全インプットチャンネルのプリEQ、ポストEQまたはポストフェーダーのレベルをディスプレイに12ポイントで表示

■ステレオアウトプット

ダイナミクス	MIC/LINEインプットダイナミクスと同じ
4バンドパラメトリック	
イコライザー	インプットイコライザーと同じ
フェーダー	100mm モーター付
オン/オフ	
メーター	21-elements × 2 LED meter. (pre fader/post fader)
DAコンバーター	20ビットリニア/8倍オーバーサンプリング

■バスアウトプット(BUS1~BUS8)

ダイナミクス	MIC/LINEインプットダイナミクスと同じ
レベル	ロータリーエンコーダー
メーター	全インプットチャンネルのプリフェーダーまたはポストフェーダーのレベルをディスプレイに12ポイントで表示
I/Oオプション	ANALOG, adat, TASCAM, AES/EBU, YAMAHA

■AUXアウトプット(AUX1~AUX8)

レベル	ロータリーエンコーダー
メーター	全インプットチャンネルのプリフェーダーまたはポストフェーダーのレベルをディスプレイに12ポイントで表示
DAコンバーター	18ビットリニア/8倍オーバーサンプリング(AUX1~AUX6)

■コントロールルームモニターアウト

セレクトスイッチ	2TR-A1/2TR-A2/2TR-D1/2TR-D2/2TR-D3/AUX6/ST
モノ	オン/オフ
ディママー	オン/オフ
DAコンバーター	20ビットリニア/8倍オーバーサンプリング
ディエンファシス	オート オン/オフ
レベルコントロール	
フォンレベル	

■スタジオモニターアウト

セレクトスイッチ	AUX5/AUX6/C-R/ST
DAコンバーター	18ビットリニア/8倍オーバーサンプリング
レベルコントロール	

■トークバック

トークバック	オン/オフ
スレート	オン/オフ
レベルコントロール	

ADコンバーター	16ビットリニア/64倍オーバーサンプリング
■インターナルデジタルエフェクト (EFFECT 1, 2)	
プリセット	40
ユーザーライブラリー	88
■ダイナミクス	
プリセット	40
ユーザーライブラリー	88
■イコライザーライブラリー	
プリセット	32
ユーザーライブラリー	96 ただし8つは初期時ストア済み
■チャンネルライブラリー	
ユーザーライブラリー	64

2.コントロール

アナログセクション

インプット

MIC/LINE1~8	PAD(0/20) GAIN(-60~-16) PHANTOMスイッチ
MIC/LINE9~16	PAD(0/20) GAIN(-60~-16)
LINE17/18~23/4	GAIN(-40~+4)
トークバック	オン スレート

アウトプット

コントロールルームモニター

モニターセレクトキー(2TR-D1, 2TR-D2, 2TRKA1, 2TRKA2, 2TR-A3, ST, AUX5, AUX6)
モノ
ダイマー
ソロ
モニターレベルコントロール
フォンレベルコントロール

スタジオモニター

モニターセレクトキー(AUX5/AUX6/C-R/ST)
モニターレベルコントロール

デジタルセレクション

オン、セル、フェーダー	MIC/LINE 1~16
エンコーダー、フリップ	LINE17/18~23/24
オン、セル	EFF 1~2
	TAPE 1~16
	ST MASTER

フェーダー

#1~#16 MIC/LINE 1~16 フェーダー/AUX1/AUX2/AUX3/AUX4/AUX5/AUX6/AUX7/AUX8
#17~#20 LINE 17/18~23/24 フェーダー/AUX1/AUX2/AUX3/AUX4/AUX5/AUX6/AUX7/AUX8
#21 ST MASTERフェーダー

エンコーダー

#1~#16 TAPE 1~16 フェーダー/AUX1/AUX2/AUX3/AUX4/AUX5/AUX6/AUX7/AUX8
#17~#18 EFF 1~2 フェーダー/AUX1/AUX2/AUX3/AUX4/AUX5/AUX6/AUX7/AUX8

フリップ

MIC/LINE 1~16フェーダー/TAPE 1~16エンコーダー

ルーティングキー

BUS1 オン/オフ、BUS2 オン/オフ、BUS3 オン/オフ、BUS4 オン/オフ、BUS5 オン/オフ、BUS6 オン/オフ、BUS7 オン/オフ、BUS8 オン/オフ、ST オン/オフ、DIRECT オン/オフ

パンキー

L、R

パンエンコーダー	
EQキー	HIGH、H-MID、L-MID、LOW、ON
EQエンコーダー	Q、F、G
センドキー	AUX1、AUX2、AUX3、AUX4、AUX5、AUX6、AUX7、AUX8、ON
センドエンコーダー	レベル
AUXキー	AUX1、AUX2、AUX3、AUX4、AUX5、AUX6、AUX7、AUX8
ミキシングキー	PHASE/ATT、DELAY、PAN、ROUTING、METER、VIEW、EQ、DYNAMICS
コンフィギュレーションキー	SCENE MEMORY、SETUP、UTILITY、MIDI、AUTOMIX、DIGITAL I/O、GROUP、PAIR
メモリーキー	RECALL、STORE、MEMORY UP、MEMORY DOWN
データエントリーキー	LEFT、RIGHT、UP、DOWN、ENTER
データエントリー	ロータリーエンコーダ
ディスプレイ	320×240 dotsグラフィカルLCD+FLバックライト

入力仕様

Input Terminals	PAD	GAIN	Actual Load Impedance	For Use With Nominal	Input level			Connector in Console
					Sensitivity*1	Nominal	Max. before clip	
CH INPUT MIC/LINE 1~16	0	-60	XLR : 3k Ω	50~600 Ω Mics & 600 Ω Lines	-70dB (245 μ V)	-60dB (775 μ V)	-40dB (7.75mV)	XLR-3-31 type*2 or Phone Jack (TRS) *3
		-16	PJ : 4k Ω		-26dB (38.8mV)	-16dB (0.123V)	+4dB (1.23V)	
	20		-6dB (388mV)		+4dB (1.23V)	+24dB (12.3V)		
CH INPUT LINE 17~24		-40	4k Ω	600 Ω Lines	-50dB (2.45mV)	-40dB (7.75mV)	-20dB (7.75mV)	Phone Jack (TRS) *3
		+4			-6dB (388mV)	+4dB (1.23V)	+24dB (12.3V)	
INSERT IN MIC/LINE 1~8			10k Ω	600 Ω Lines	-10dB (245mV)	+0dB (775mV)	+20dB (7.75V)	Phone Jack *6
2 TRACK INPUT [L, R]			10k Ω	600 Ω Lines	+4dB (1.23V)	+4dB (1.23V)	+24dB (12.3V)	Phone Jack *4
			10k Ω	600 Ω Lines	-10dBV (316mV)	-10dBV (316mV)	+10dBV (3.16V)	Pin Jack *5

・0dBは775mVrms、0dBVは1Vrmsです。

*1. センシビリティは、全フェーダーおよびレベルコントロールが最大時に定格出力レベル+4dB (1.23V) を出力するために必要な最小レベルです。

*2. XLRタイプコネクタはバランス型です。(1=GND, 2=HOT, 3=COLD)

*3. MIC/LINE INPUTとLINE INPUTフォーンジャックはバランス型です。(Tip=HOT, Ring=COLD, Sleeve=GND)

*4. 2TRACK INPUTフォーンジャックはバランス型です。

*5. 2TRACK INPUTピンジャックはアンバランス型です。

*6. INSERT INPUTフォーンジャックはアンバランス型です。(Tip=OUT, Ring=IN, Sleeve=GND)

出力仕様

Output Terminals	Actual Source Impedance	For Use With Nominal	Output level		Connector in Console
			Nominal	Max. before clip	
STUDIO OUT (L, R)	150 Ω	600 Ω Lines	+4dB (1.23V)	+24dB (12.3V)	XLR-3-32 type (Balanced)
	600 Ω	10k Ω Lines	-10dBV (316mV)	+10dBV (316mV)	Pin Jack (Unbalanced)
STEREO MONITOR OUT (L, R)	150 Ω	10k Ω Lines	+4dB (1.23V)	+24dB (12.3V)	Phone Jack (Balanced)
CONTROL ROOM MONITOR OUT (L, R)	150 Ω	10k Ω Lines	+4dB (1.23V)	+24dB (12.3V)	Phone Jack (Balanced)
AUX (1, 2, 3, 4, 5, 6)	600 Ω	10k Ω Lines	+4dB (1.23V)	+20dB (7.75V)	Phone Jack (Unbalanced)
INSERT OUT MIC/LINE 1~8	600 Ω	10k Ω Lines	+0dB (775mV)	+20dB (7.75V)	Phone Jack (Unbalanced) *1
PHONES	100 Ω	8 Ω Phones	1mW	25mW	Stereo Phone Jack *2 (Unbalanced)
		40 Ω Phones	3mW	110mW	

・0dBは775Vrms、0dBVは1Vrmsです。

*1. INSERT OUTPUTフォーンジャックはアンバランス型です。(Tip=OUT, Ring=IN, Sleeve=GND)

*2. PHONESのフォーンジャックはアンバランス型です。(Tip=L, Ring=R, Sleeve=GND)

デジタル入出力仕様

INPUT/OUTPUT	FORMAT	LEVEL	CONNECTOR IN CONSOLE
DIGITAL IN (COAXIAL) (2TR IN 2, 3)	IEC958 Consumer	0.5Vpp/75Ω	PIN JACK
DIGITAL OUT (COAXIAL) (STEREO OUT)	IEC958 Consumer	0.5Vpp/75Ω	PIN JACK
DIGITAL IN (AES/EBU) (2TR IN 1)	AES/EBU	RS422	XLR-3-32 type
DIGITAL OUT (AES/EBU) (STEREO OUT)	AES/EBU	RS422	XLR-3-31 type
WORD CLOCK IN	-	TTL/75Ω	BNC
WORD CLOCK OUT	-	TTL/75Ω	BNC
MIDI IN	MIDI	-	DIN Connector 5P
MIDI OUT	MIDI	-	DIN Connector 5P
MIDI THRU	MIDI	-	DIN Connector 5P
TO HOST	-	-	MiniDIN Connector 8P
METER	-	RS422 + (AC9V)	Dsub Connector 15P
MTC IN	MIDI	-	DIN Connector 5P
TC IN	SMPTE	Nominal - 10dBV (316mV) /10kΩ	

オプション

DIGITAL I/O CARD (adat)	CD8-AT
DIGITAL I/O CARD (AES/EBU)	CD8-AE
DIGITAL I/O CARD (TDIF-1)	CD8-TD
DIGITAL I/O CARD (YAMAHA)	CD8-Y
AD/DA CARD	CD8-AD
DIGITAL CASCADE KIT	CD8-CS
PEAK METER BRIDGE	MB02
MEMORY EXPANSION KIT	ME4M
WOODEN SIDE PANEL	W02SP

アナログ入力仕様

Input Terminals	GAIN	Actual Load Impedance	For Use With Nominal	Input level			Connector in Console
				Sensitivity ^{*1}	Nominal	Max. before clip	
INPUT #1~#8	+4	10kΩ	600Ω Lines	- 6dB (388mV)	+4dB (1.23mV)	+24dB (12.3mV)	Phone Jack (TRS) ^{*2}
	- 10			- 20dBV (100mV)	- 10dBV (316mV)	+10dBV (3.16V)	

・ 0dBは775mVrms、0dBVは1Vrmsです。

*1. センシビリティは、全フェーダーおよびレベルコントロールが最大時に定格出力レベル+4dB (1.23V) を出力するために必要な最小レベルです。

*2. CH INPUTフォーンジャックはバランス型です。(Tip=HOT, Ring=COLD, Sleeve=GND)

アナログ出力仕様

Output Terminals	GAIN	Actual Load Impedance	For Use With Nominal	Output level		Connector in Console
				Nominal	Max. before clip	
OUTPUT #1~#8	+4	150Ω	10kΩ Lines	+4dB (1.23mV)	+24dB (12.3mV)	Phone Jack (TRS)
	- 10			- 10dBV (316mV)	+10dBV (3.16V)	

・ 0dBは775mVrms、0dBVは1Vrmsです。

デジタル入出力仕様

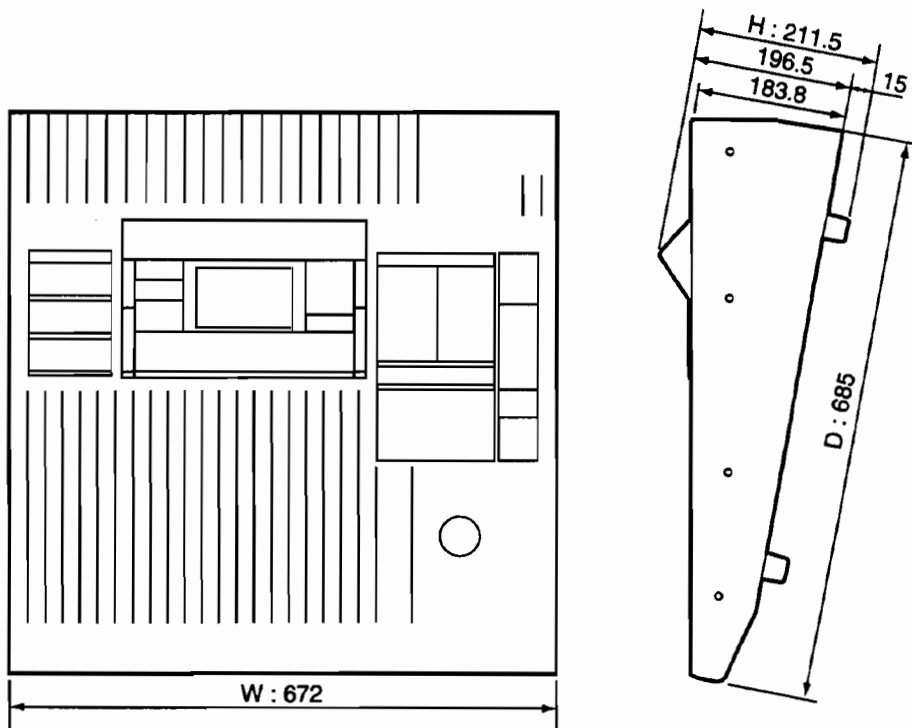
INPUT/OUTPUT	FORMAT	LEVEL	CONNECTOR IN CONSOLE
DA88 (BUS/DIRECT OUT TAPE IN)	TDIF-1	C-MOS	D-SUB 25PIN
ADAT (BUS/DIRECT OUT TAPE IN)	adat	OPTICAL	
AES/EBU (BUS/DIRECT OUT TAPE IN)	AES/EBU	RS422	XLR-3-31 type
YAMAHA (BUS/DIRECT OUT TAPE IN)	YAMAHA	RS422	D-SUB 25PIN
CASCADE (BUS/DIRECT OUT TAPE IN)	YAMAHA	RS422	D-SUB 25PIN

その他

■電源	100V	50/60Hz
■消費電力	180W	
■最大外形寸法		
高さ	211.5mm	
奥行	685mm	
幅	672mm	
■重量	31kg	
■動作保証温度	10~35℃	

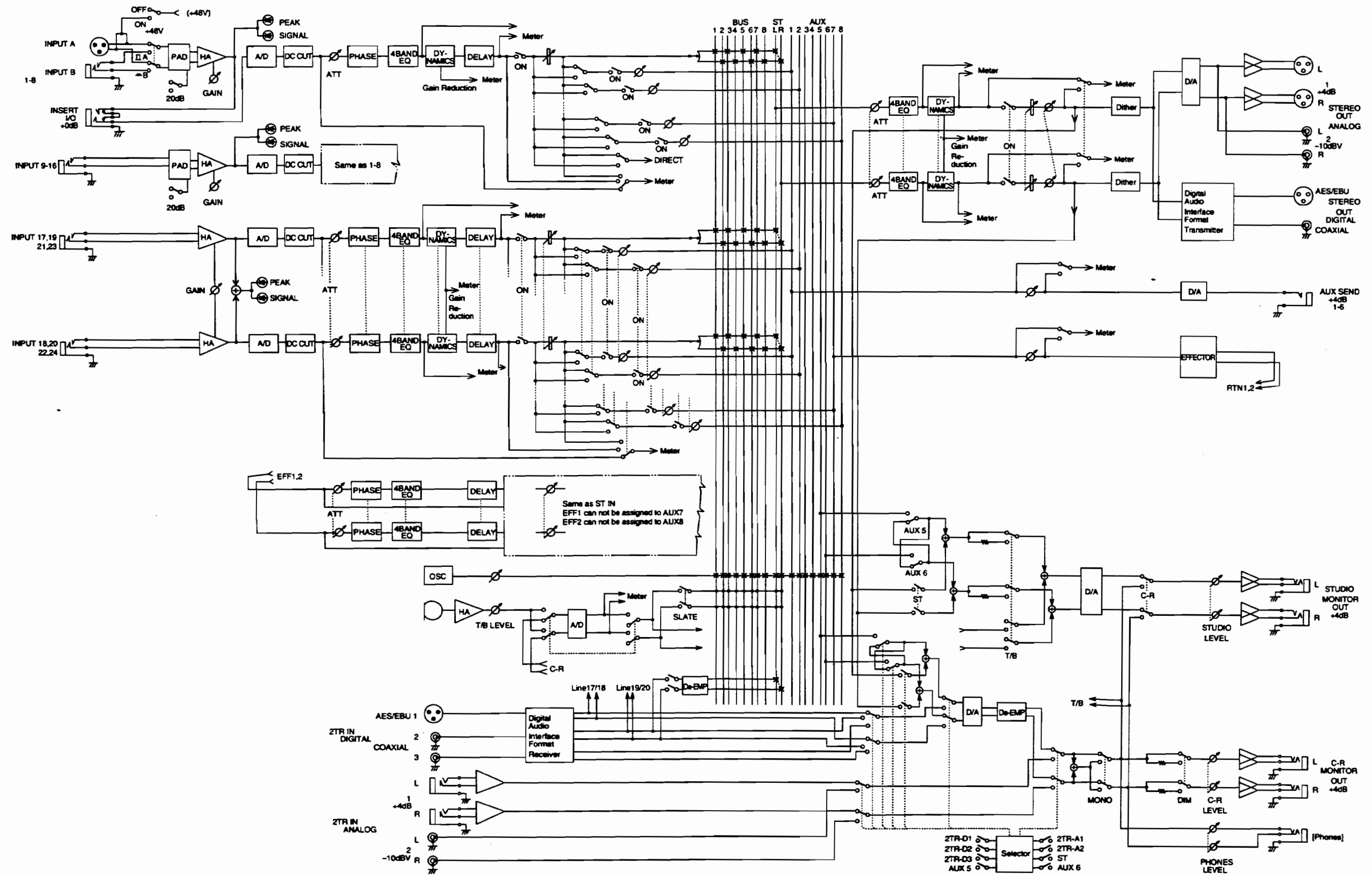
この製品は、電気用品取締法に定める技術基準に適合しています。

■ DIMENSIONS (寸法図)

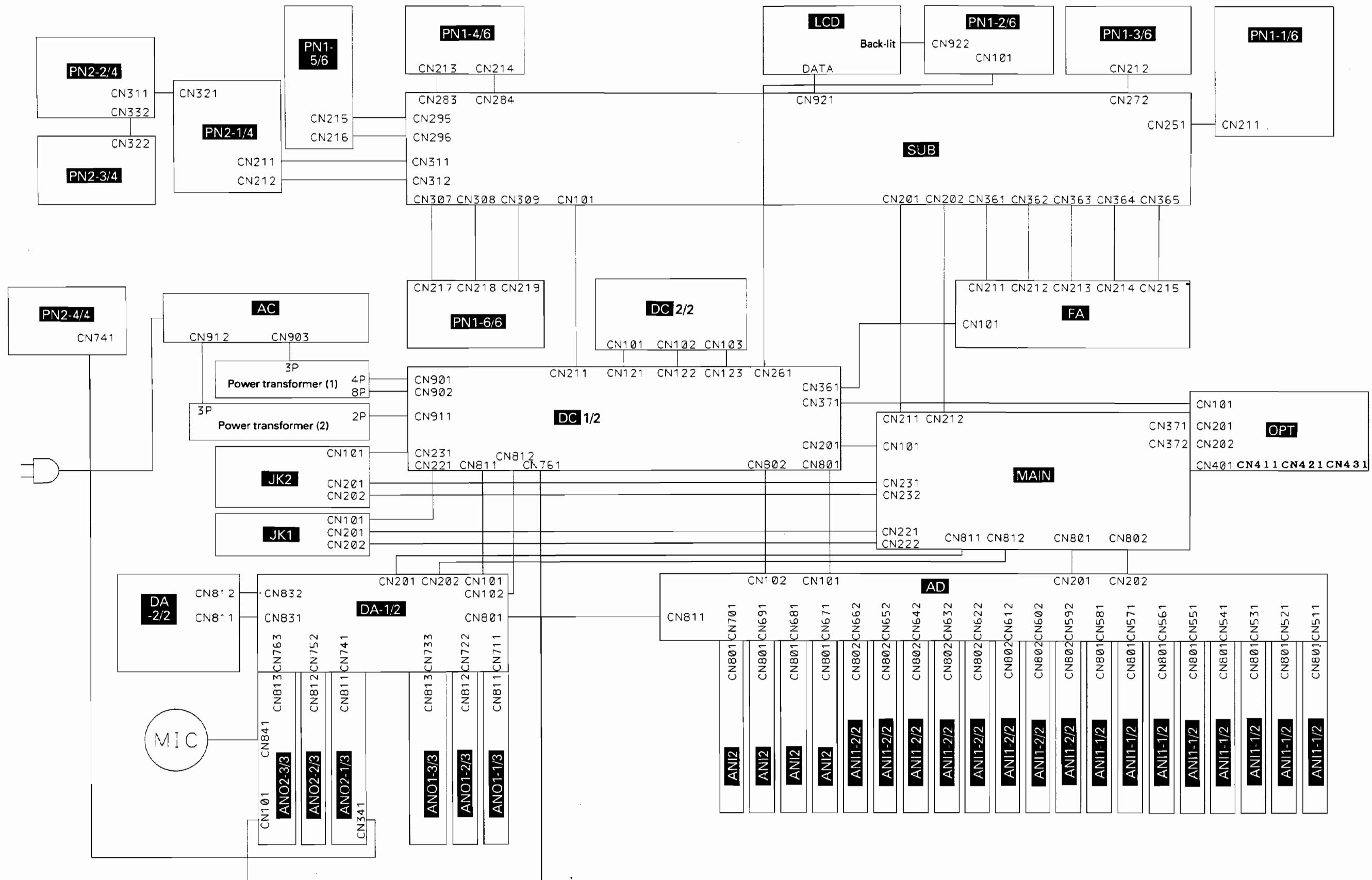


Unit (単位): mm

■ BLOCK DIAGRAM (ブロックダイアグラム)

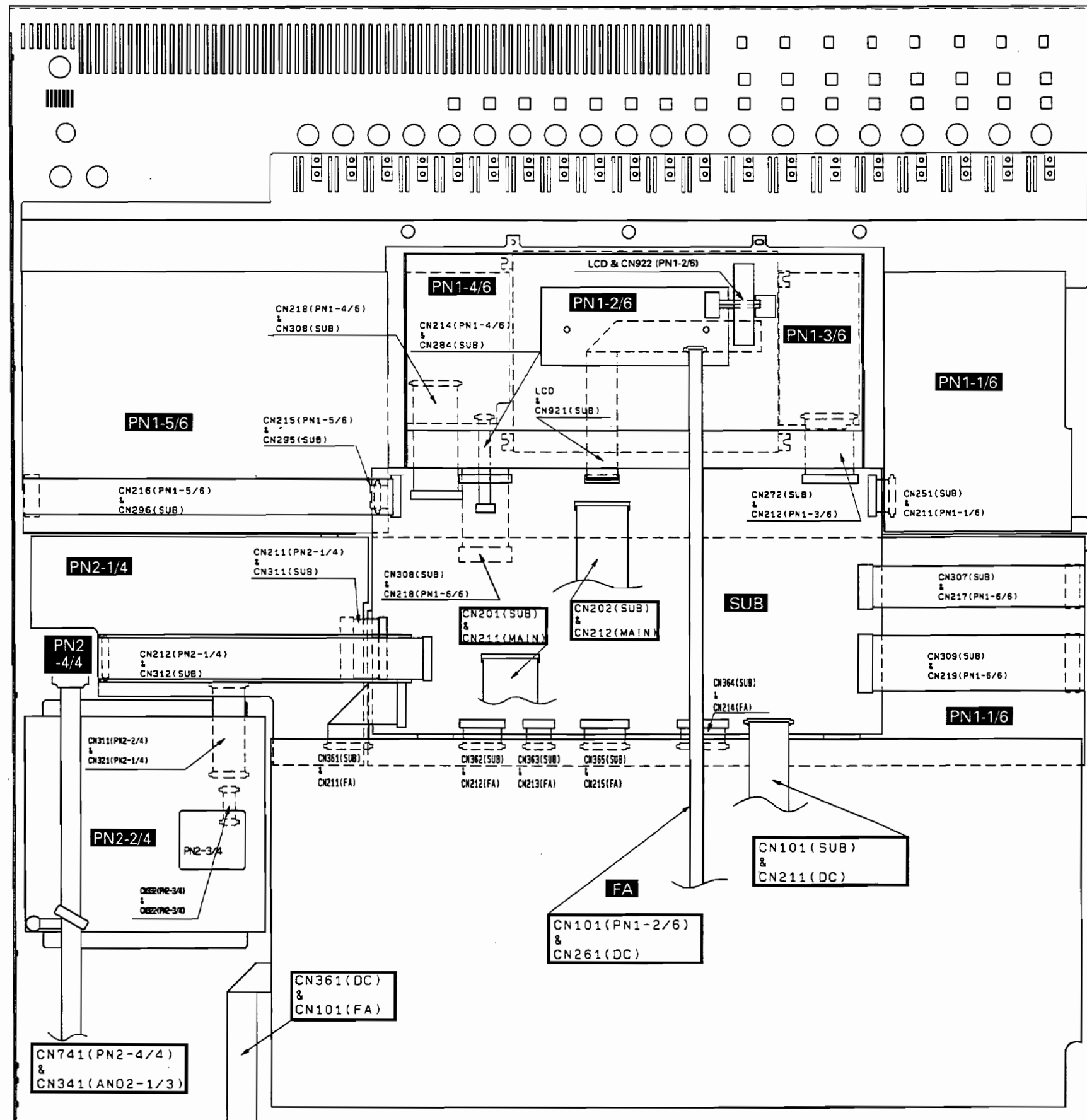


■ CIRCUIT BOARD WIRING (基板結線図)

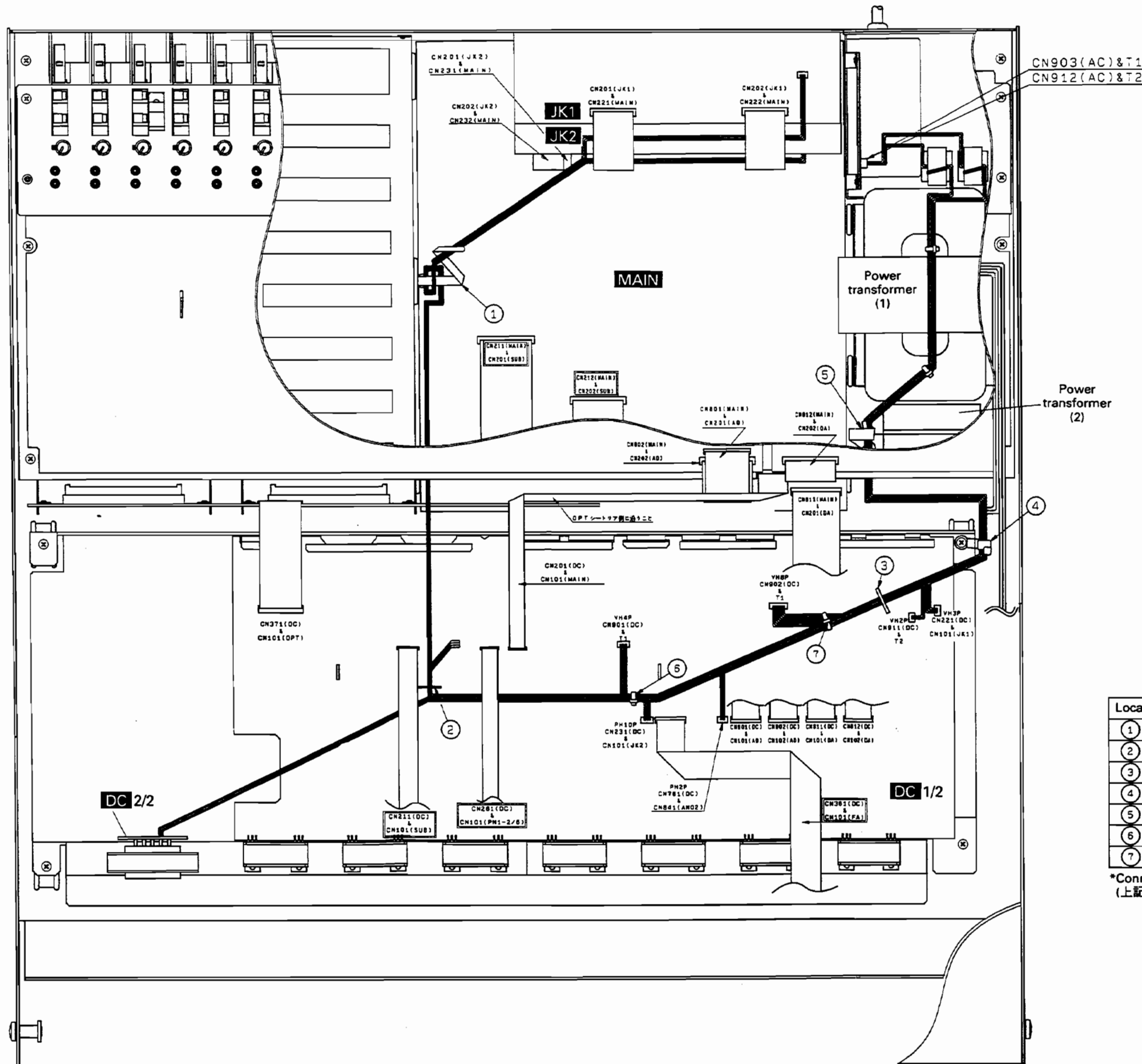


CIRCUIT BOARD LAYOUT (ユニットレイアウト)

Control Panel Assembly (コンパネAss'y)



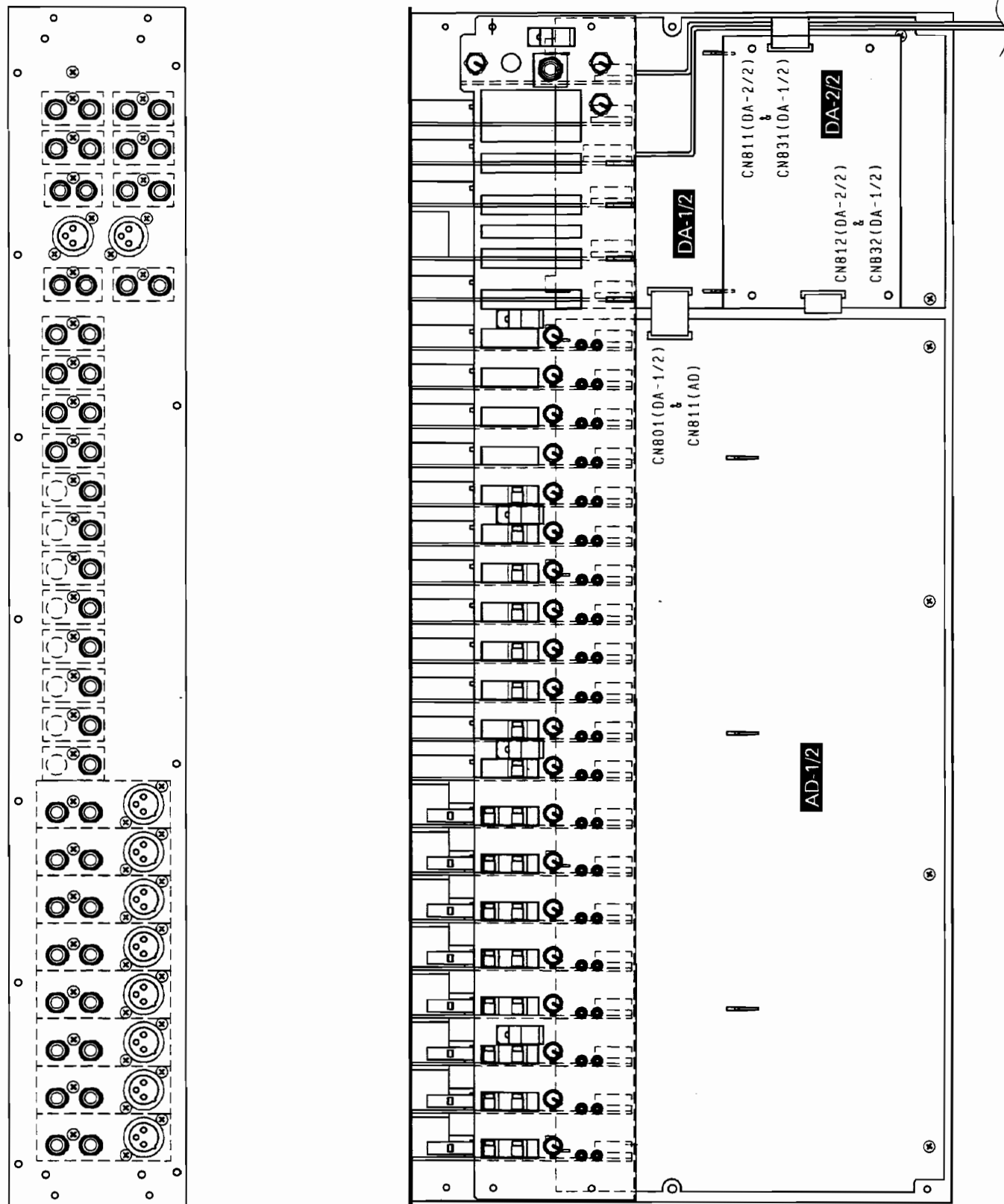
● Bottom Assembly (ボトムAss'y)



Location	Connector assembly
①	VT83520, VT83750
②	VT83520, VT83750, VU14300
③	T1, T2, VT83520
④	T1, T2, VT64220
⑤	T1, T2
⑥	T1, VT83520, VT83750
⑦	T1, T2, VT83520

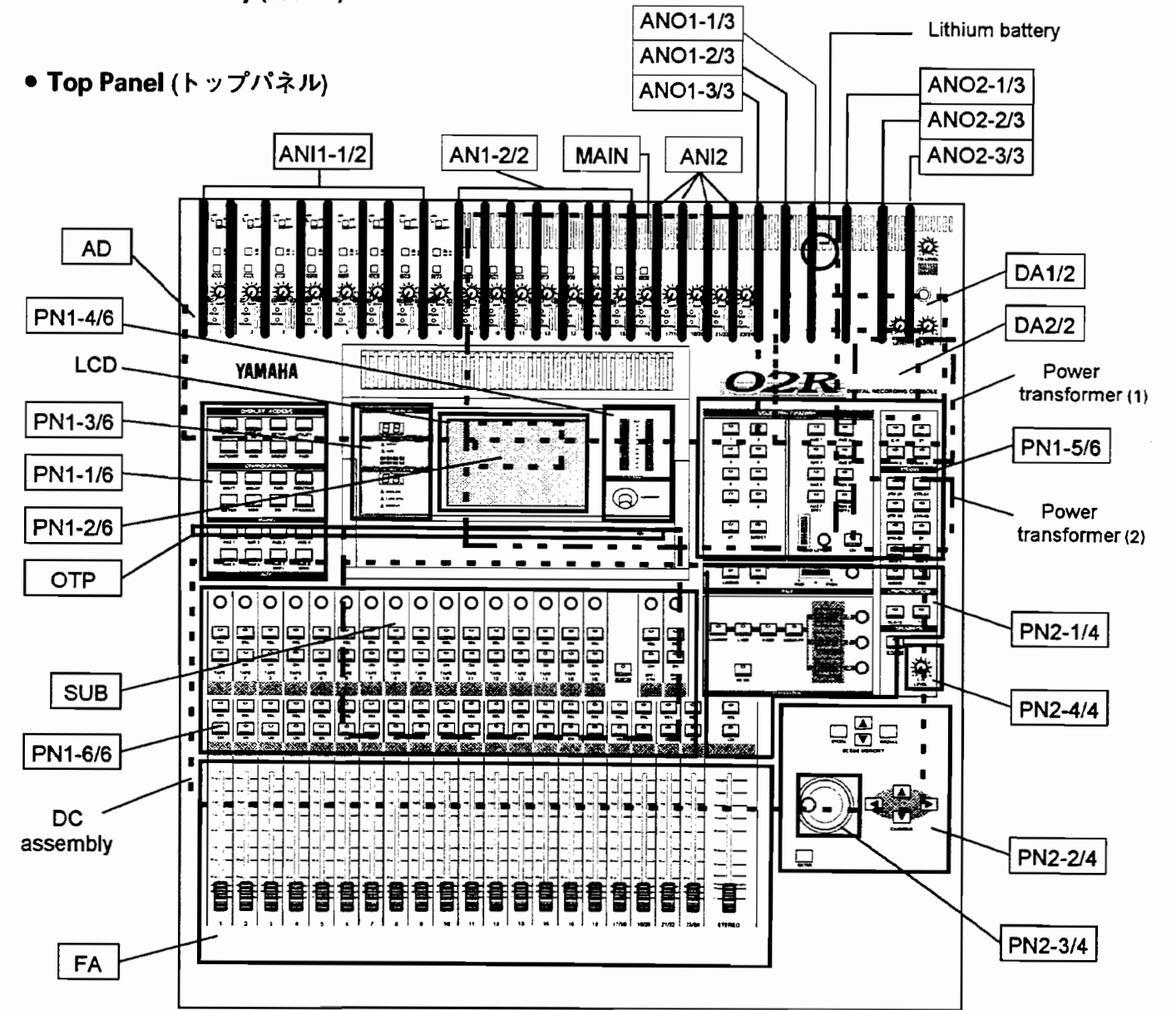
*Connector assemblies listed above are not available as servicing parts.
(上記束線類は、補修用部品として準備されていません。)

● Rear Assembly (リアAss'y)

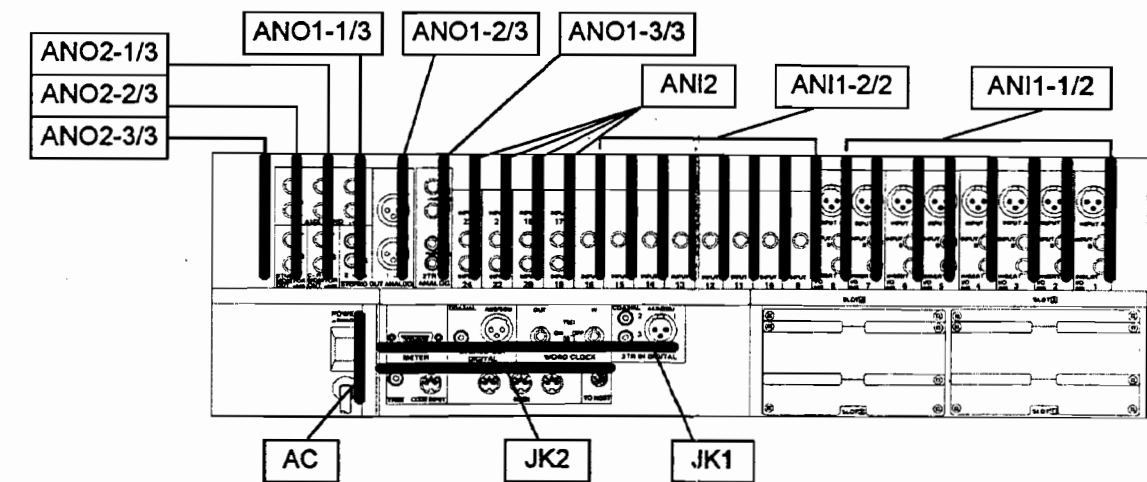


● Overall Assembly (総組立)

● Top Panel (トップパネル)

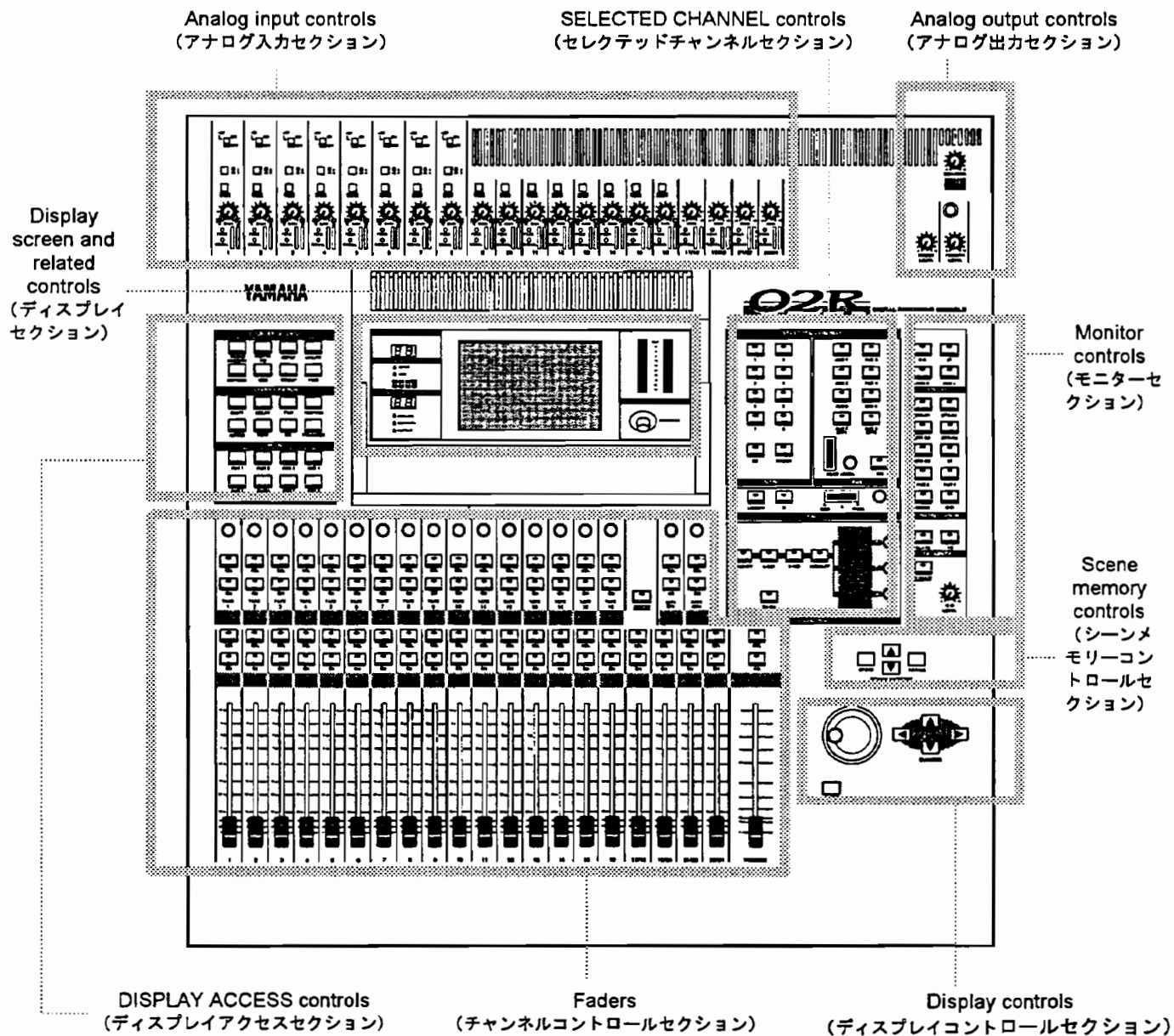


● Rear Panel (リアパネル)

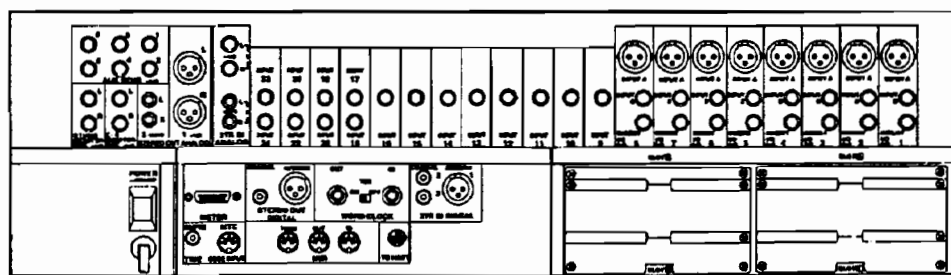


■ PANEL LAYOUT (パネルレイアウト)

● Top Panel (トップパネル)

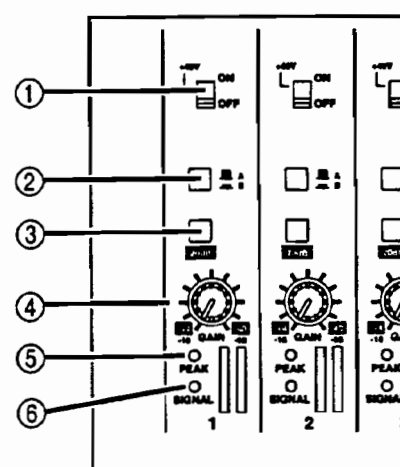


● Rear Panel (リアパネル)



● TOP PANEL (トップパネル)

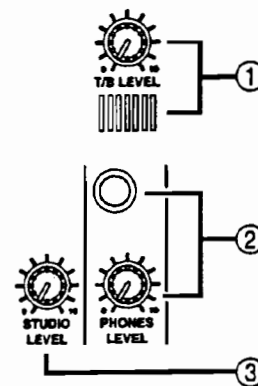
Analog input controls (アナログ入力セクション)



- ① Phantom switches (channels 1 to 8)
- ② A/B switches (channels 1 to 8)
- ③ 20dB (pad) switches (channels 1 to 16)
- ④ GAIN controls
- ⑤ PEAK LED
- ⑥ SIGNAL LED

- ① +48V ファンタム電源オン/オフスイッチ (MIC/LINE チャンネル 1~8)
- ② チャンネル A/B 切り替えスイッチ (MIC/LINE チャンネル 1~8)
- ③ 20dB パッドスイッチ (MIC/LINE チャンネル 1~16)
- ④ ゲインボリューム (MIC/LINE チャンネル 1~16, LINE チャンネル 17/18~23/24)
- ⑤ ピークインジケータ (MIC/LINE チャンネル 1~16, LINE チャンネル 17/18~23/24)
- ⑥ シグナルインジケータ

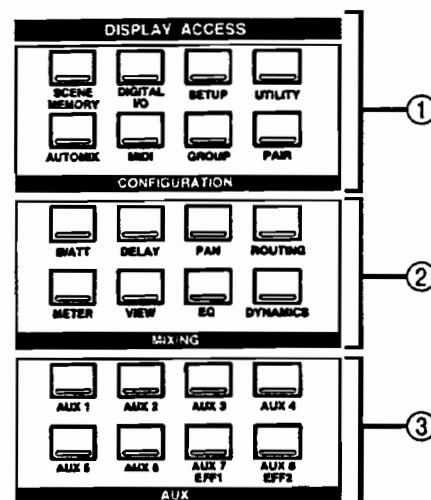
Analog output controls (アナログ出力セクション)



- ① T/B LEVEL control and microphone
- ② PHONES LEVEL control and connector
- ③ STUDIO LEVEL control

- ① トークバックレベルボリュームとトークバックマイク
- ② ヘッドフォン端子とヘッドフォンレベルボリューム
- ③ スタジオレベルボリューム

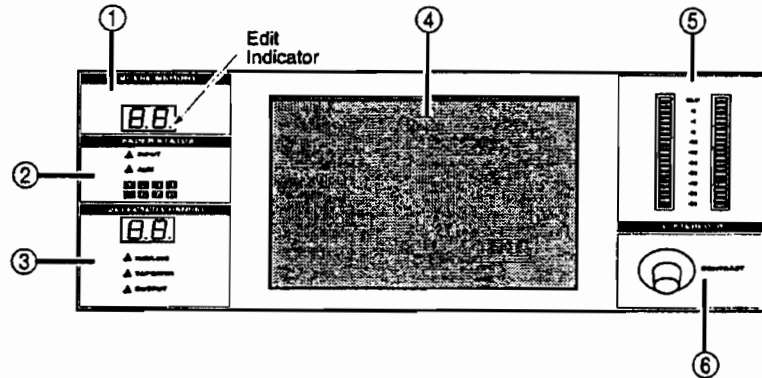
DISPLAY ACCESS controls (ディスプレイアクセスセクション)



- ① CONFIGURATION buttons: SCENE MEMORY, DIGITAL I/O, SETUP, UTILITY, AUTOMIX, MIDI, GROUP, PAIR
- ② MIXING buttons: φ /ATT, DELAY, PAN, ROUTING, METER, VIEW, EQ, DYNAMICS
- ③ AUX buttons: AUX 1 to 6, AUX 7 and 8

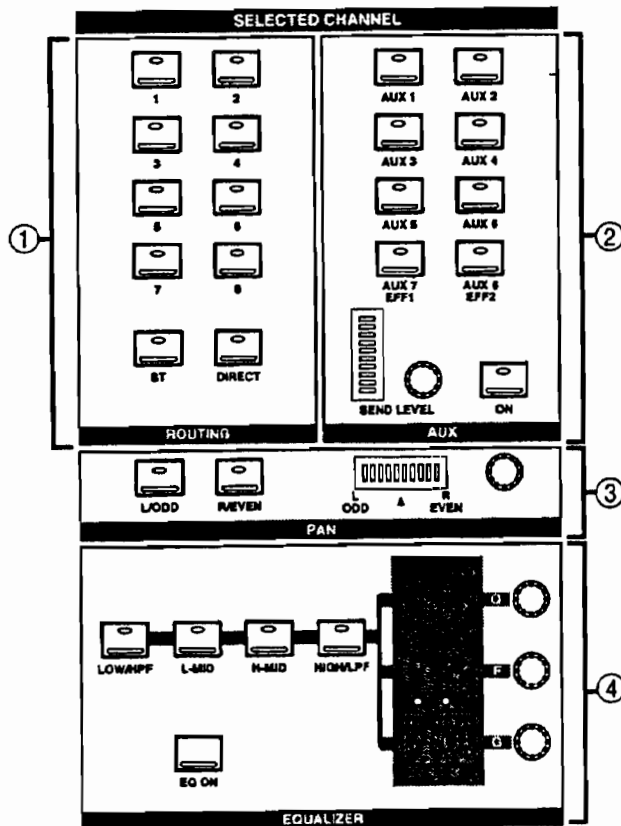
- ① コンフィギュレーションエリア (シーンメモリーキー、デジタル I/O キー、セットアップキー、ユーティリティキー、オートミックスキー、ミディキー、グループキー、ペアキー)
- ② ミキシングエリア (フェイズ/アッテネーションキー、ディレイキー、パンキー、ルーティングキー、メーターキー、ビューキー、イコライザーキー、ダイナミクスキー)
- ③ オグジュアリーエリア (AUX1~AUX6 キー、AUX7 EFF1/AUX8 EFF2 キー)

Display screen and related controls (ディスプレイセクション)



- | | |
|-------------------------------|--------------------|
| ① SCENE MEMORY indicator | ① シーンメモリーインジケータ |
| ② FADER STATUS indicators | ② フェーダーステータスインジケータ |
| ③ SELECTED CHANNEL indicators | ③ セレクトドチャンネルインジケータ |
| ④ Graphical display screen | ④ ディスプレイ |
| ⑤ Stereo output level meters | ⑤ レベルメータ |
| ⑥ Contrast control | ⑥ コントラスト調整 |

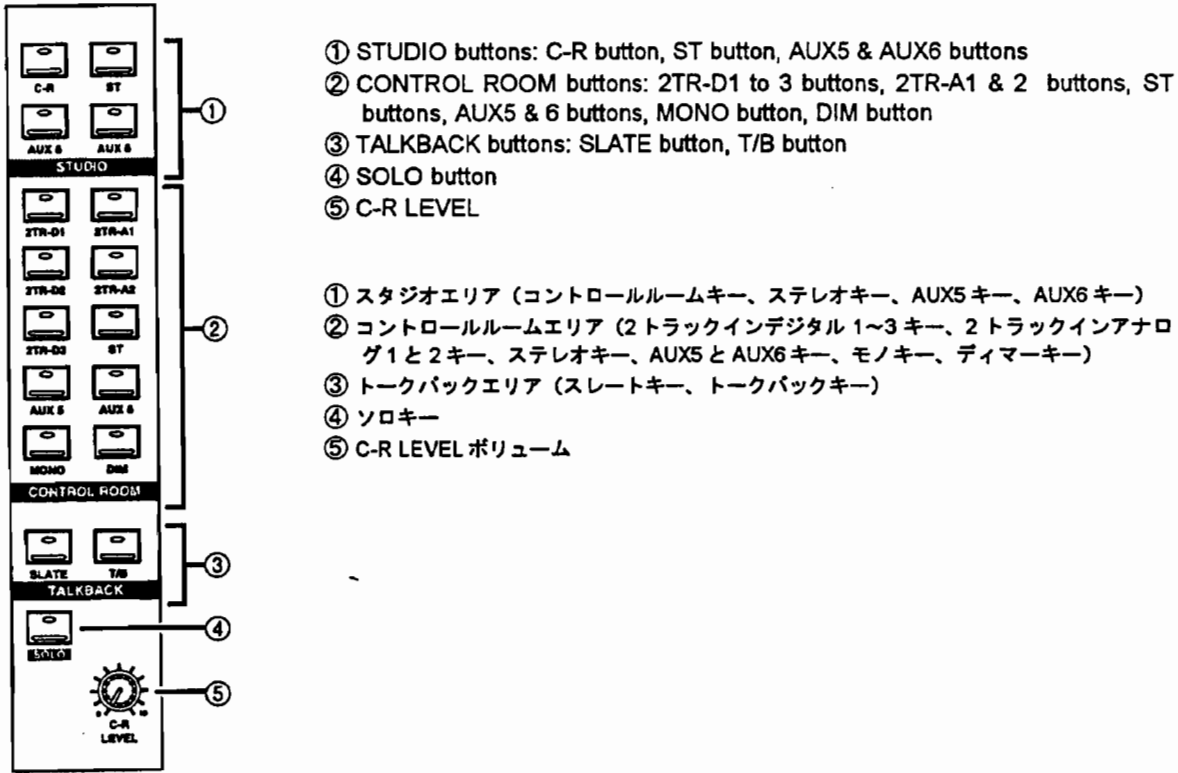
SELECTED CHANNEL controls (セレクトドチャンネルセクション)



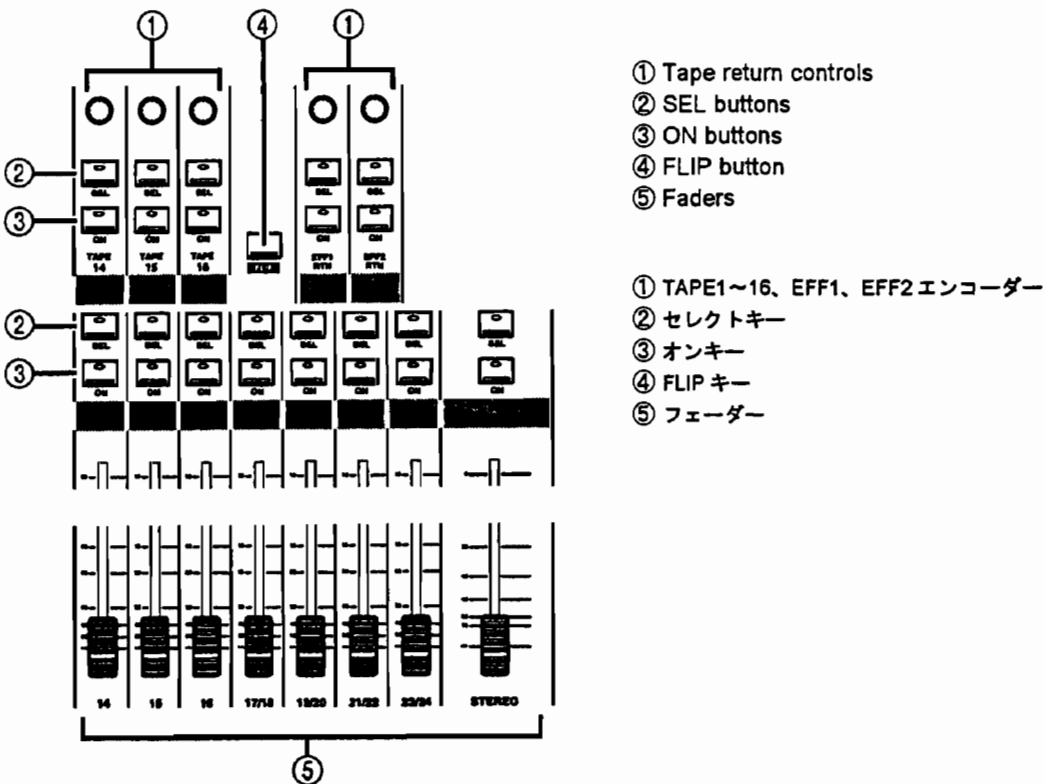
- | |
|---|
| ① ROUTING buttons: 1 to 8 buttons, ST button, DIRECT button |
| ② AUX buttons and controls: AUX1 to AUX8 buttons, SEND LEVEL meter and control, ON button |
| ③ PAN buttons and controls: L/ODD button, R/EVEN button, PAN meter & control |
| ④ EQ buttons and controls: LOW/HPF button, L-MID button, H-MID button, HI/LPF button, EQ meter & controls, EQ ON button |

- | |
|---|
| ① ルーティングエリア (1~8キー、ステレオキー、ダイレクトキー) |
| ② オグジュアリーエリア (AUX1~AUX8キー、センドレベルボリューム、レベルエンコーダー、オンキー) |
| ③ パンエリア (左/奇数チャンネルキー、右/偶数チャンネルキー、パンコントロール、エンコーダー) |
| ④ イコライザーエリア (ロー/ハイパスフィルターキー、ローミッドキー、ハイミッドキー、ハイ/ローパスフィルターキー、キューエンコーダー、ゲインエンコーダー、EQ オンキー) |

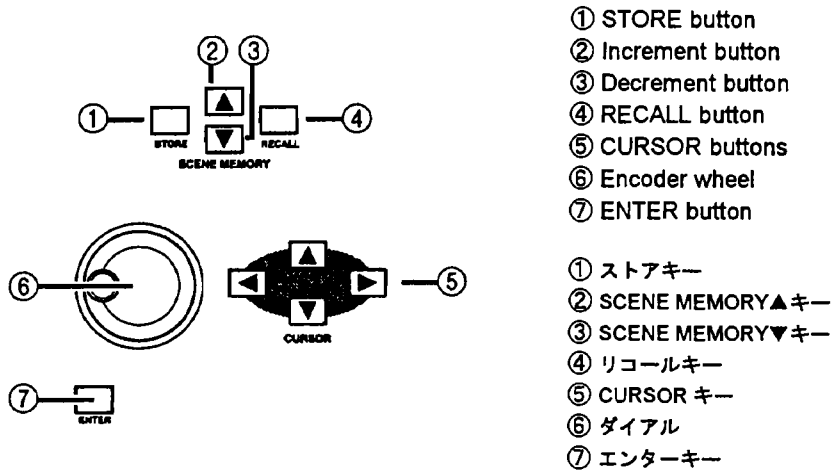
Monitor controls (モニターコントロールセクション)



Faders (チャンネルコントロールセクション)



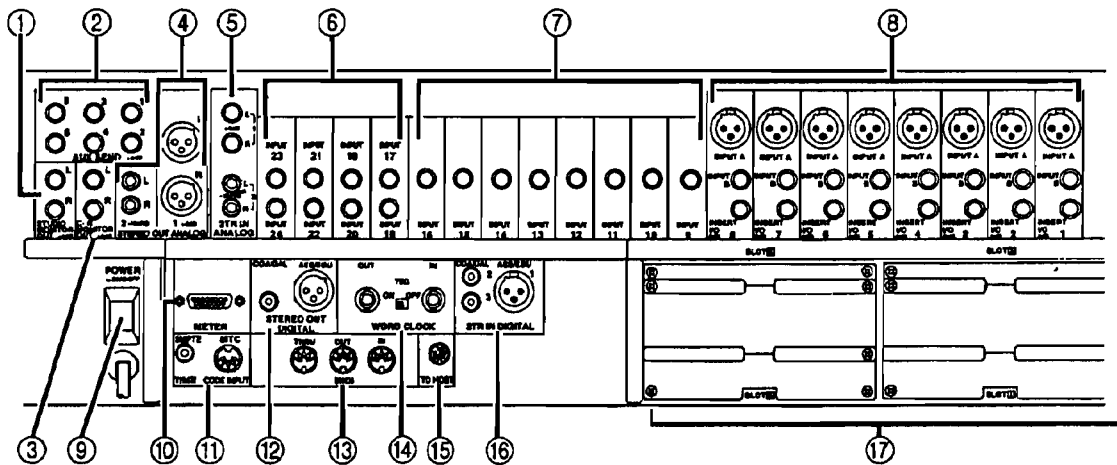
Scene memory & Display controls (シーンメモリーとディスプレイコントロールセクション)



- ① STORE button
- ② Increment button
- ③ Decrement button
- ④ RECALL button
- ⑤ CURSOR buttons
- ⑥ Encoder wheel
- ⑦ ENTER button

- ① ストアキー
- ② SCENE MEMORY▲キー
- ③ SCENE MEMORY▼キー
- ④ リコールキー
- ⑤ CURSOR キー
- ⑥ ダイアル
- ⑦ エンターキー

● REAR PANEL (リアパネル)



- ① STUDIO MONITOR OUT connectors
- ② AUX SEND connectors
- ③ C-R MONITOR OUT connectors
- ④ STEREO OUT ANALOG (1 and 2) connectors
- ⑤ 2TR IN ANALOG (1 and 2) connectors
- ⑥ Stereo input channels (17 to 24)
- ⑦ Input channels (9 to 16)
- ⑧ Input channels (1 to 8)
- ⑨ POWER switch
- ⑩ METER connector
- ⑪ TIME CODE INPUT SMPTE TC IN connector, MIC IN connectors
- ⑫ STEREO OUT DIGITAL connectors
- ⑬ MIDI connectors
- ⑭ WORD CLOCK connectors
- ⑮ TO HOST connector
- ⑯ 2TR IN DIGITAL (1 to 3) connectors
- ⑰ Option slots (1 to 4)

- ① スタジオモニターアウト端子
- ② AUX センド 1~6 端子
- ③ コントロールルームモニターアウト端子
- ④ STEREO バスアナログ 1/2 端子
- ⑤ 2トラックインアナログ 1/2 端子
- ⑥ インプット 17~24 端子 (LINE チャンネル 17/18~23/24)
- ⑦ インプット 9~16 端子 (MIC/LINE チャンネル 9~16)
- ⑧ インプットとインサート I/O 端子 (MIC/LINE チャンネル 1~8)
- ⑨ パワースイッチ
- ⑩ メーター端子
- ⑪ タイムコードインプット端子
- ⑫ STEREO バスデジタル 1/2 端子
- ⑬ ミディ端子
- ⑭ ワードクロックイン/アウト端子/75Ωスイッチ
- ⑮ TO HOST 端子
- ⑯ 2トラックインデジタル 1/2 端子
- ⑰ スロット 1~4

Lists of Cards (オプションカード)

Card	Format	Product	Size	Slot
Digital I/O	AES/EBU	CD8-AE	Double	1~2 (max 2 cards-16 ch)
	ADAT Optical	CD8-AT	Single	1~4 (max 4 cards-32 ch)
	TDIF-1	CD8-TD	Single	1~4 (max 4 cards-32 ch)
	Yamaha	CD8-Y	Single	1~4 (max 4 cards-32 ch)
Analog I/O	AD/DA	CD8-AD	Double	1~2 (max 2 cards-16 ch)
Cascade Kit	—	CD8-CS	Single×2	Any (normally 3 or 4)

DISASSEMBLY PROCEDURE (分解手順)

1. Control Panel Assembly

1-1. Remove the eighteen (18) screws marked as [100A], then the control panel assembly can be opened. (Fig. 1)

1-2. Prepare a stay to support the control panel assembly so that you can check the unit inside of the console. (Fig. 2)

※ This will give you access to the unit listed below.

- DC circuit board
- AD circuit board
- DA1/2 and DA2/2 circuit boards

1-3. Stand the control panel assembly vertically, and lift it slightly up and slide it toward you, then the control panel assembly can be removed. (Fig. 3)

1. コンパネ Ass'y の開け方と外し方

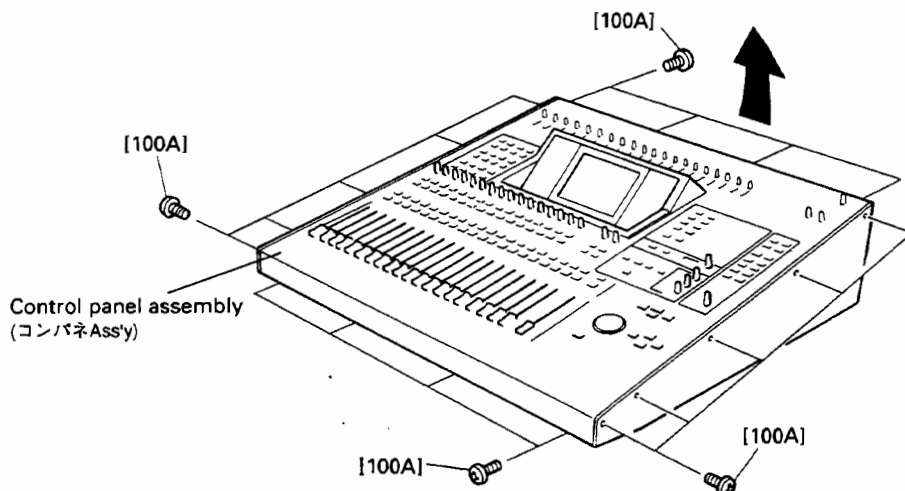
1-1. [100A]のネジ18本を外して、コンパネ Ass'yを手前に開きます。(図1)

1-2. 図2のように、本体にステイを立てかけ、ステイの先端の鉤の部分コンパネ Ass'yに引っ掛け、コンパネ Ass'yを支えます。(図2)

※ コンパネ Ass'yを開けた状態では、以下のシートの部品面をチェックすることができます。

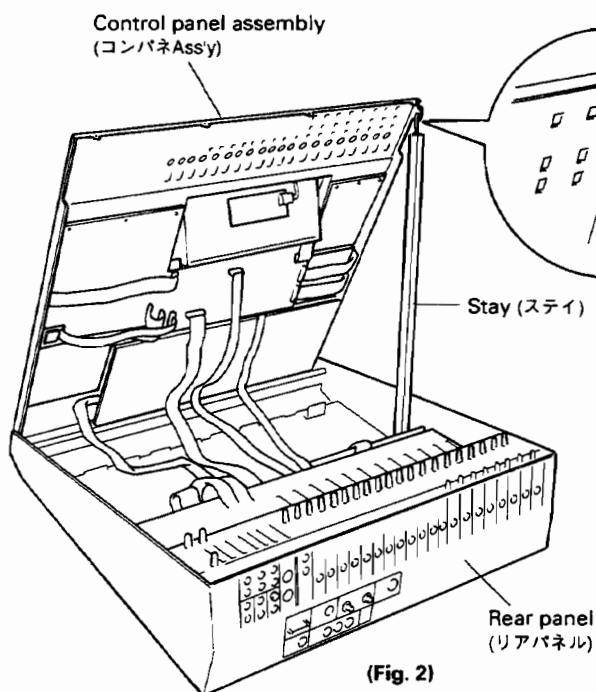
- DCシート
- ADシート
- DA1/2シート、DA2/2シート

1-3. コンパネ Ass'yを外す場合は、コンパネ Ass'yを垂直になるまで開け、上に少し持ち上げながら手前に引くようにして、[A]の連結金具ナットからコンパネ Ass'yを取り外します。(図3)

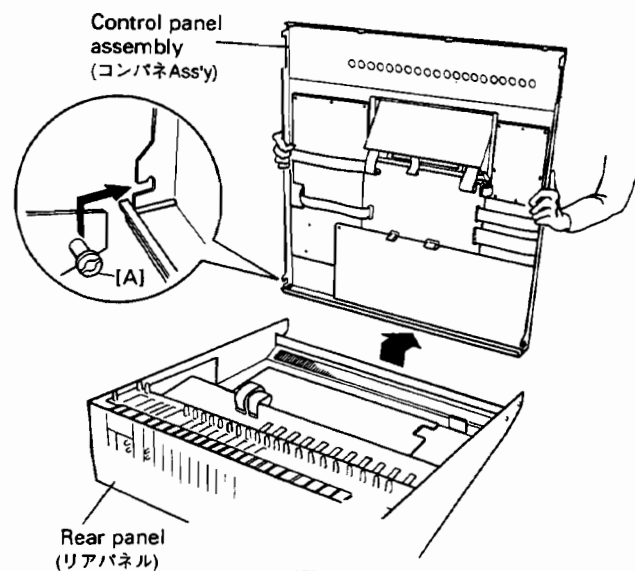


[100A]: Bonding Tapping Screw-B 4.0X8 MFZN2BL (VR779900) ボンディングBタイト

(Fig. 1)



(Fig. 2)

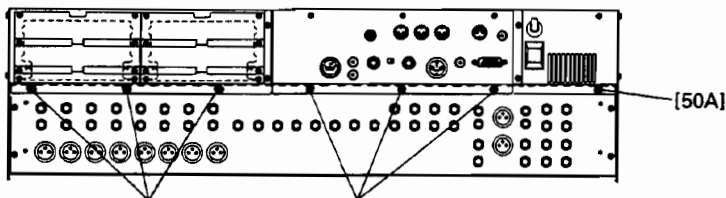


(Fig. 3)

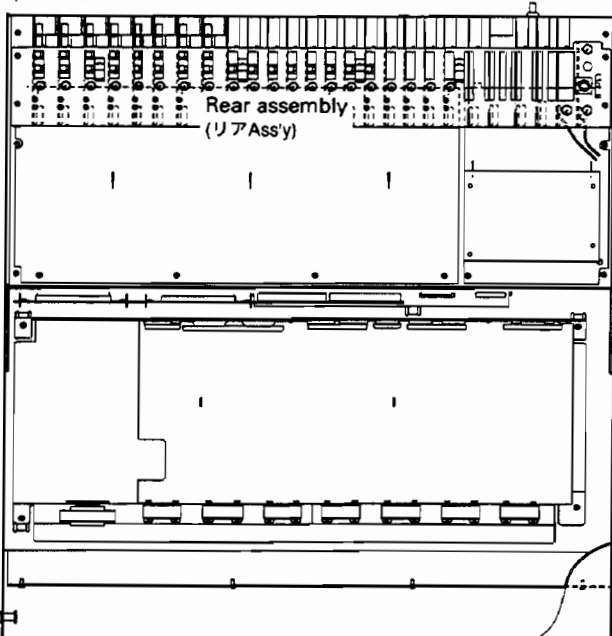
2. Rear Assembly

- 2-1. Open the control panel assembly, and support it with a stay. (See procedure 1.)
- 2-2. Remove the screw marked as [50A] and three (3) screws marked as [120A] and three (3) screws marked as [53], they are located on the rear, then remove the eight (8) screws marked as [130A] located on the side panels, then the rear assembly can be removed. (Fig. 4)
- 2-3 You can stand the rear assembly so that you can check the unit.
- Stand the rear assembly, then fix it with the two (2) screws marked as [100A]. (Fig. 5)
- ※ This will give you access to the unit listed below.
- Component side of the MAIN, JK1, JK2 and AC circuit boards
 - Power transformers
 - Fuses
- 2-4 After the rear assembly has been removed, remove the four (4) screws marked as [29A] and six (6) screws marked as [30A] to remove side angles (L) and (R). Then remove the fourteen (14) screws marked as [14] and six (6) screws marked as [154A], then the shield cover can be removed. This will give you access to the pattern side of the AD and DA1/2 circuit boards. (Fig. 5 and Fig. 6)

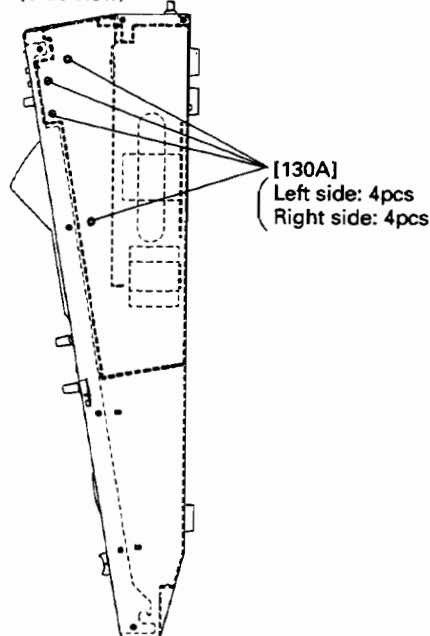
(Rear view)



(Top view)



(Side view)

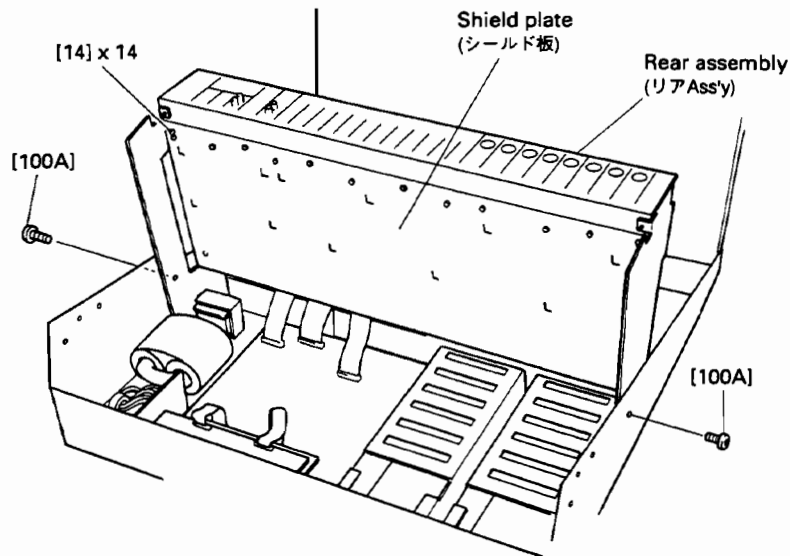


- | | |
|---------------------------------------|-------------------------------|
| [50A]: Bonding Tapping Screw-B 4.0X8 | MFZN2BL (VR779900) ボンディングBタイト |
| [53]: Bonding Tapping Screw-B 4.0X8 | MFZN2BL (VR779900) ボンディングBタイト |
| [120A]: Bonding Tapping Screw-B 4.0X8 | MFZN2BL (VR779900) ボンディングBタイト |
| [130A]: Bind Head Screw A4.0X8 | MFZN2BL (VP156800) +バインド小ネジ |

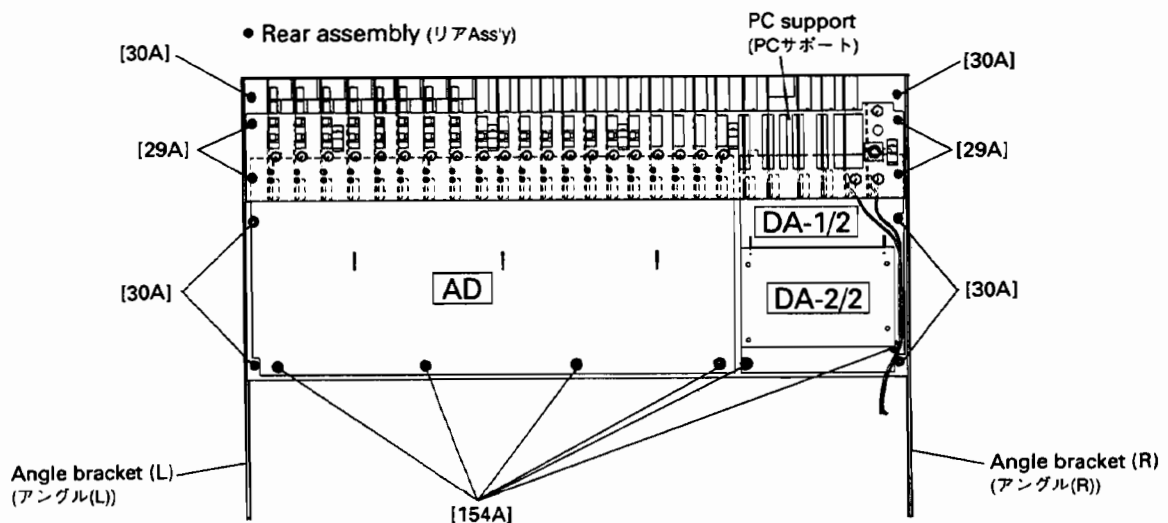
(Fig. 4)

2. リア Ass'y

- 2-1. コンパネ Ass'yを開けます。(1項参照)
- 2-2. 本体の後ろ側から[50A]のネジ 1本と[120A]のネジ 3本と[53]のネジ 3本を外し、左右の横側から[130A]のネジ 8本を外して、リア Ass'yを取り外します。(図4)
- 2-3. リア Ass'yを取り外さないで、図5のようにリア Ass'yを立てて作業することもできます。その場合、リア Ass'yの左右1ヶ所ずつを[100A]のネジ 1本ずつで止めておきます。(図5)
- ※ リア Ass'yを立てた状態で、以下の作業を行うことができます。
- MAINシート、JK1シート、JK2シート、ACシートの部品面のチェック
 - 電源トランス(2種)のチェック
 - ヒューズの交換
- 2-4. リア Ass'yを外した後、[29A]のネジ 4本と[30A]のネジ 6本を外してアングル(L)と(R)を外し、裏側からの[14]のネジ 14本と[154A]のネジ 6本を外してシールド板を外すと、ADシートとDA1/2シートのパターン面をチェックすることができます。(図5と図6)



(Fig. 5)



- [14]: Bind Head Tapping Screw-B UPPER (VC688800) + バインドBタイト
 [29A]: Bind Head Tapping Screw-B A4.0X8 MFZN2BL (VP157000) + バインドBタイト
 [30A]: Bind Head Tapping Screw-B A4.0X8 MFZN2BL (VC688800) + バインドBタイト
 [100A]: Bonding Tapping Screw-B 4.0X8 MFZN2BL (VR779900) ボンディングBタイト
 [154A]: Bind Head Tapping Screw-B 3.0X8 MFZN2BL (EP600190) + バインドBタイト

(Fig. 6)

3. PC Support

- 3-1. Open the control panel assembly, and support it with a stay. (See procedure 1.)
- 3-2. Pull off the twenty-three (23) knobs attached to the ANI1, ANI2, ANO1, ANO2 circuit boards, then remove the twenty-four (24) hexagonal nuts. (Fig. 7)
- 3-3. Remove the four (4) screws marked as [29B], then the pc support can be removed. (Fig. 7)

3. PC サポート

- 3-1. コンパネ Ass'y を開けます。(1項参照)
- 3-2. ANI1 シート、ANI2 シート、ANO1 シート、ANO2 シートのノブ 23 個を抜き取り、六角ナット 24 個も外します。(図 7)
- 3-3. [29B] のネジ 4 本を外して、PC サポートを取り外します。(図 7)

4. ANI1-1/2 & ANI1-2/2 Circuit Boards

- 4-1. Open the control panel assembly, and support it with a stay. (See procedure 1.)
- 4-2. Remove the pc support. (See procedure 3.)
- 4-3. Remove the three (3) screws marked as [152A], then remove an ANI1-1/2 circuit board from the AD circuit board. (Fig. 7)
- ※ Eight (8) ANI1-1/2 circuit boards can be removed in the same manner.
- 4-4. Remove the screw marked as [152B], then remove an ANI1-2/2 circuit board from the AD circuit board. (Fig. 7)
- ※ Eight (8) ANI1-2/2 circuit boards can be removed in the same manner.

NOTE: WHEN YOU RE-INSTALL THE CIRCUIT BOARD, MAKE SURE THAT IT HAS BEEN SECURELY CONNECTED.

5. ANI2 Circuit Board

- 5-1. Open the control panel assembly, and support it with a stay. (See procedure 1.)
- 5-2. Remove the pc support. (See procedure 3.)
- 5-3. Remove the screw marked as [152C], then remove an ANI2 circuit board from the AD circuit board. (Fig. 7)
- ※ Four (4) AN2 circuit boards can be removed in the same manner.

NOTE: WHEN YOU RE-INSTALL THE CIRCUIT BOARD, MAKE SURE THAT IT HAS BEEN SECURELY CONNECTED.

6. ANO1-1/3, ANO1-2/3 & ANO1-3/3 Circuit Boards

- 6-1. Open the control panel assembly, and support it with a stay. (See procedure 1.)
- 6-2. Remove the pc support. (See procedure 3.)
- 6-3. Remove the two (2) screws marked as [152D], then remove the ANO1-1/3 circuit board from the DA1/2 circuit board. (Fig. 7)
- 6-4. Remove the four (4) screws marked as [152E], then remove the ANO1-2/3 circuit board from the DA1/2 circuit board. (Fig. 7)
- 6-5. Remove the two (2) screws marked as [152F], then remove the ANO1-3/3 circuit board from the DA1/2 circuit board. (Fig. 7)

NOTE: WHEN YOU RE-INSTALL THE CIRCUIT BOARD, MAKE SURE THAT IT HAS BEEN SECURELY CONNECTED.

7. ANO2-1/3, ANO2-2/3 & ANO2-3/3 Circuit Boards

- 7-1. Open the control panel assembly, and support it with a stay. (See procedure 1.)
- 7-2. Remove the pc support. (See procedure 3.)
- 7-3. Remove the two (2) screws marked as [152G], then remove the ANO2-1/3 circuit board from the DA1/2 circuit board. (Fig. 7)
- 7-4. Remove the two (2) screws marked as [152H], then remove the ANO2-2/3 circuit board from the DA1/2 circuit board. (Fig. 7)

4. ANI1-1/2 シートと ANI1-2/2 シート

- 4-1. コンパネ Assy を開けます。(1 項参照)
- 4-2. PC サポートを外します。(3 項参照)
- 4-3. [152A]のネジ 3 本を外して、AD シートのコネクタから ANI1-1/2 シートを取り外します。(図 7)
- ※ 8 枚のシートは、全て同じように取り外すことができます。
- 4-4. [152B]のネジ 1 本を外して、AD シートのコネクタから ANI1-2/2 シートを取り外します。(図 7)
- ※ 8 枚のシートは、全て同じように取り外すことができます。
- 注) それぞれのシートを取り付けるとき、コネクタが確実に止まっているか目で見えて確認して下さい。

5. ANI2 シート

- 5-1. コンパネ Assy を開けます。(1 項参照)
- 5-2. PC サポートを外します。(3 項参照)
- 5-3. [152C]のネジ 1 本を外して、AD シートのコネクタから ANI2 シートを取り外します。(図 7)
- ※ 4 枚のシートは、全て、同じように取り外すことができます。
- 注) それぞれのシートを取り付けるとき、コネクタが確実に止まっているか目で見えて確認して下さい。

6. ANO1-1/3 シートと ANO1-2/3 シートと ANO1-3/3 シート

- 6-1. コンパネ Assy を開けます。(1 項参照)
- 6-2. PC サポートを外します。(3 項参照)
- 6-3. [152D]のネジ 2 本を外して、DA1/2 シートのコネクタから ANO1-1/3 シートを取り外します。(図 7)
- 6-4. [152E]のネジ 4 本を外して、DA1/2 シートのコネクタから ANO1-2/3 シートを取り外します。(図 7)
- 6-5. [152F]のネジ 2 本を外して、DA1/2 シートのコネクタから ANO1-3/3 シートを取り外します。(図 7)
- 注) それぞれのシートを取り付けるとき、コネクタが確実に止まっているか目で見えて確認して下さい。

7. ANO2-1/3 シートと ANO2-2/3 シートと ANO2-3/3 シート

- 7-1. コンパネ Assy を開けます。(1 項参照)
- 7-2. PC サポートを外します。(3 項参照)
- 7-3. [152G]のネジ 2 本を外して、DA1/2 シートのコネクタから ANO2-1/3 シートを取り外します。(図 7)
- 7-4. [152H]のネジ 2 本を外して、DA1/2 シートのコネクタから ANO2-2/3 シートを取り外します。(図 7)

- 7-5. Remove the screw marked as [151], then remove the ANO2-3/3 circuit board from the DA1/2 circuit board. (Fig. 7)

NOTE: WHEN YOU RE-INSTALL THE CIRCUIT BOARD, MAKE SURE THAT IT HAS BEEN SECURELY CONNECTED.

8. AD Circuit Board

- 8-1. Open the control panel assembly, and support it with a stay. (See procedure 1.)
 8-2. Remove the pc support. (See procedure 3.)
 8-3. Remove the ANI1-1/2 and ANI1-2/2 circuit boards. (See procedure 4.)
 8-4. Remove the ANI2 circuit board. (See procedure 5.)
 8-5. Remove the four (4) screws marked as [154B], then the AD circuit board can be removed. (Fig. 7)

9. DA1/2 & DA2/2 Circuit Boards

- 9-1. Open the control panel assembly, and support it with a stay. (See procedure 1.)
 9-2. Remove the DA2/2 circuit board from the four (4) spacers marked as [35]. (Fig. 7)
 9-3. Remove the pc support. (See procedure 3.)
 9-4. Remove the ANO1-1/3, ANO1-2/3 and ANO1-3/3 circuit boards. (See procedure 6.)
 9-5. Remove the ANO2-1/3, ANO2-2/3 and ANO2-3/3 circuit boards. (See procedure 7.)
 9-6. Remove the two (2) screws marked as [154C], then the DA1/2 circuit board can be removed. (Fig. 7)

- 7-5. [151]のネジ1本を外して、DA1/2シートのコネクタからANO2-3/3シートを取り外します。(図7)

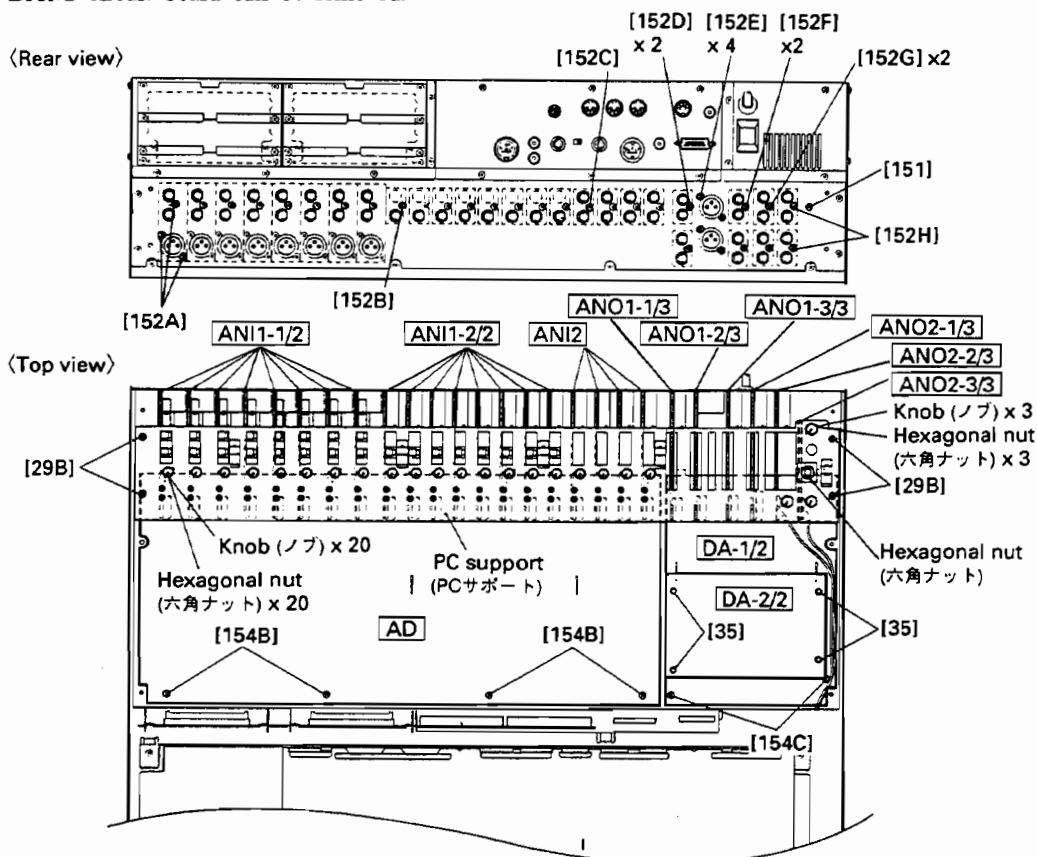
注) それぞれのシートを取り付けるとき、コネクタが確実に止まっているか目で見えて確認して下さい。

8. AD シート

- 8-1. コンパネ Assy を開けます。(1項参照)
 8-2. PC サポートを外します。(3項参照)
 8-3. ANI1-1/2 シートと ANI1-2/2 シートを外します。(4項参照)
 8-4. ANI2 シートを外します。(5項参照)
 8-5. [154B]のネジ4本を外して、ADシートを取り外します。(図7)

9. DA1/2 シートと DA2/2 シート

- 9-1. コンパネ Assy を開けます。(1項参照)
 9-2. [35]のPCBスペーサー4ヶ所から、DA2/2シートを取り外します。(図7)
 9-3. PC サポートを外します。(3項参照)
 9-4. ANO1-1/3 シートと ANO1-2/3 シートと ANO1-3/3 シートを外します。(6項参照)
 9-5. ANO2-1/3 シートと ANO2-2/3 シートと ANO2-3/3 シートを外します。(7項参照)
 9-6. [154C]のネジ2本を外して、DA1/2シートを取り外します。(図7)



- [29B]: Bind Head Tapping Screw-B A4.0X8 MFZN2BL (VP15700U, +バインドBタイト)
 [151]: Bonding Head Screw 3.0X8 MFZN2BL (VP157800) +ボンディング小ネジ
 [152]: Bonding Tapping Screw-B 3.0X6 MFZN2BL (VR144900) ボンディングBタイト
 [154]: Bind Head Tapping Screw-B 3.0X8 MFZN2BL (EP600190) +バインドBタイト
 (Fig. 7)

10. JK1 Circuit Board

- 10-1. Open the control panel assembly, and support it with a stay. (See procedure 1.)
- 10-2. Remove the ten (10) screws marked as [120B], then remove the JK assembly. (Fig. 8)
- 10-3. Remove the two (2) screws marked as [B] and two (2) screws marked as [30B] and six (6) screws marked as [40], then the JK1 circuit board can be removed. (Fig. 9)

11. JK2 Circuit Board

- 11-1. Open the control panel assembly, and support it with a stay. (See procedure 1.)
- 11-2. Remove the ten (10) screws marked as [120B], then remove the JK assembly. (Fig. 8)
- 11-3. Remove the two (2) screws marked as [60A] and five (5) screws marked as [70A], then the JK2 circuit board can be removed. (Fig. 9)

12. AC Circuit Board

- 12-1. Open the control panel assembly, and support it with a stay. (See procedure 1.)
- 12-2. Remove the ten (10) screws marked as [120B], then remove the JK assembly. (Fig. 8)
- 12-4. Remove the four (4) screws marked as [50B], then remove the AC assembly. (Fig. 8)
- 12-5. Remove the two (2) screws marked as [50C], then remove the AC circuit board. (Fig. 10)

10. JK1 シート

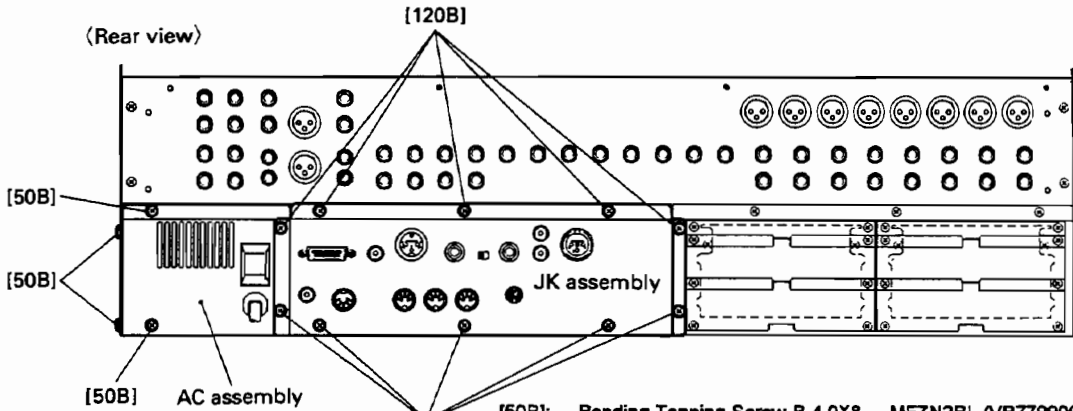
- 10-1. コンパネ Ass'y を開けます。(1 項参照)
- 10-2. [120B]のネジ 10 本を外して、JK Ass'y を外します。(図 8)
- 10-3. [B]のネジ 2 本と[30B]のネジ 2 本、[40]のネジ 6 本を外して、JK1 シートを取り外します。(図 9)

11. JK2 シート

- 11-1. コンパネ Ass'y を開けます。(1 項参照)
- 11-2. [120B]のネジ 10 本を外して、JK Ass'y を外します。(図 8)
- 11-3. [60A]のネジ 2 本と[70A]のネジ 5 本を外して、JK2 シートを外します。(図 9)

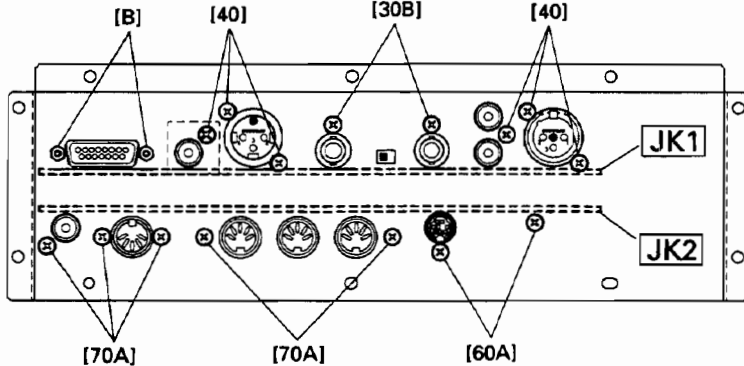
12. AC シート

- 12-1. コンパネ Ass'y を開けます。(1 項参照)
- 12-2. JK Ass'y を外します。(10-2 項参照)
- 12-3. [50B]のネジ 4 本を外して、AC Ass'y を取り外します。(図 8)
- 12-4. [50C]のネジ 2 本を外して、AC シートを取り外します。(図 10)



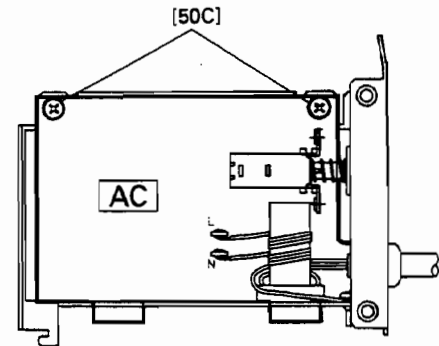
[50B]: Bonding Tapping Screw-B 4.0X8 MFZN2BL (VR779900) ボンディングBタイト
 [120B]: Bonding Tapping Screw-B 4.0X8 MFZN2BL (VR779900) ボンディングBタイト
 (Fig. 8)

• JK assembly



[30B]: Bonding Head Screw JK1 (VP157800) + ボンディング小ネジ
 [40]: Bonding Tapping Screw-B 3.0X8 MFZN2BL (VN413300) ボンディングBタイト
 [60A]: Bonding Head Screw 3.0X8 MFZN2BL (VP157800) + ボンディング小ネジ
 [70A]: Bonding Tapping Screw-B 3.0X8 MFZN2BL (VN413300) ボンディングBタイト
 (Fig. 9)

• AC assembly



[50]: Bind Head Tapping Screw-B 3.0X8 MFZN2BL (EP600190) + バインドBタイト
 (Fig. 10)

13. OPT Circuit Board

- 13-1. Open the control panel assembly, and support it with a stay. (See procedure 1.)
- 13-2. If optional I/O cards are inserted to the console, you should remove them.
- 13-3. Remove the four (4) screws marked as [190], then the OPT circuit board can be removed. (Fig. 11)

14. MAIN Circuit Board

- 14-1. Open the control panel assembly, and support it with a stay. (See procedure 1.)
- 14-2. Remove the rear assembly. (See procedure 2.)
- 14-3. Remove the seven (7) screws marked as [120C], then the JK assembly can be removed. (Fig. 12)
- 14-4. Remove the OPT circuit board. (See procedure 13.)
- 14-5. Remove the six (6) screws marked as [170], then the MAIN circuit board can be removed. (Fig. 11)

※ The lithium battery is not a part of the MAIN circuit board.

15. Power Transformer (1)

- 15-1. Open the control panel assembly, and support it with a stay. (See procedure 1.)
- 15-2. Remove the rear assembly. (See procedure 2.)
- 15-3. Remove the four (4) screws marked as [90A], then the power transformer (1) can be removed. (Fig. 11)

16. Power Transformer (2)

- 16-1. Open the control panel assembly, and support it with a stay. (See procedure 1.)
- 16-2. Remove the rear assembly. (See procedure 2.)
- 16-3. Remove the two (2) screws marked as [110A], then the power transformer (2) can be removed. (Fig. 11)

13. OPT シート

- 13-1. コンパネ Ass'y を開けます。(1 項参照)
- 13-2. オプションカードが装着されている場合は、それを抜いておきます。
- 13-3. [190]のネジ 4 本を外して、OPT シートを取り外します。(図 11)

14. MAIN シート

- 14-1. コンパネ Ass'y を開けます。(1 項参照)
 - 14-2. リア Ass'y を外します。(2 項参照)
 - 14-3. [120C]のネジ 7 本を外して、JK Ass'y を外します。(図 12)
 - 14-4. OPT シートを外します。(13 項参照)
 - 14-5. [170]のネジ 6 本を外して、MAIN シートを取り外します。(図 11)
- ※ リチウム電池は、MAIN シートの構成部品ではありません。

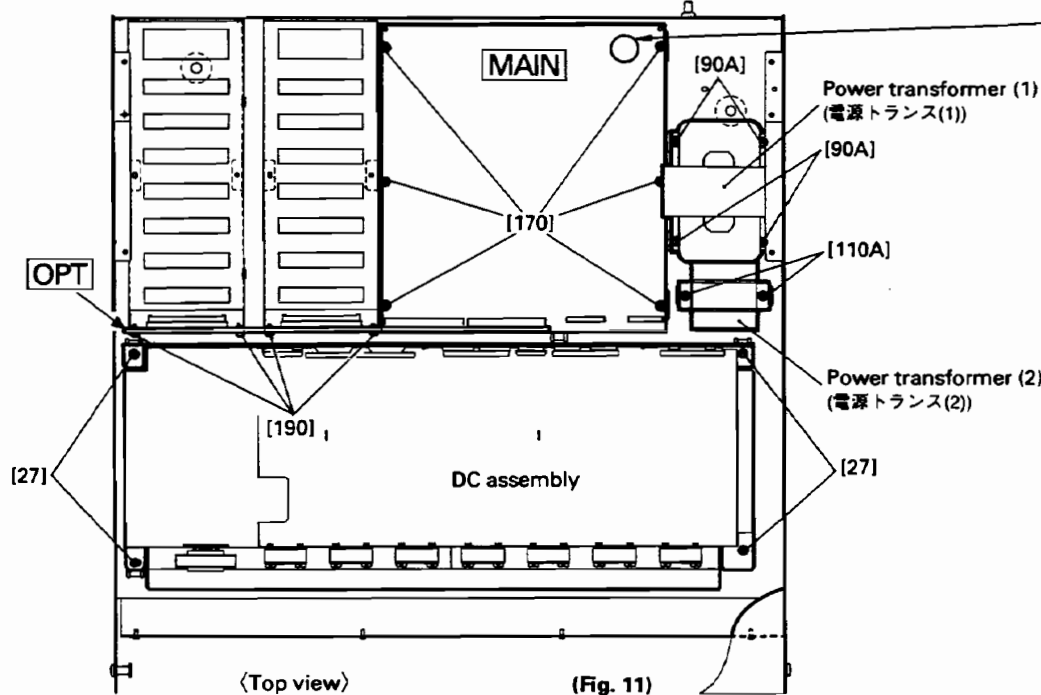
15. 電源トランス (1)

- 15-1. コンパネ Ass'y を開けます。(1 項参照)
- 15-2. リア Ass'y を外します。(2 項参照)
- 15-3. [90A]のネジ 4 本を外して、電源トランス (1) を取り外します。(図 11)

16. 電源トランス (2)

- 16-1. コンパネ Ass'y を開けます。(1 項参照)
- 16-2. リア Ass'y を外します。(2 項参照)
- 16-3. [110A]のネジ 2 本を外して、電源トランス (2) を取り外します。(図 11)

- [27]: Bind Head Tapping Screw-B A4.0X8 MFZN2BL (VC688800) + バインド B タイト
- [90A]: Bind Head Screw A4.0X8 MFZN2BL (VP156800) + バインド小ネジ
- [110A]: Bind Head Screw A4.0X8 MFZN2BL (VP156800) + バインド小ネジ
- [170]: Bind Head Tapping Screw-B 3.0X8 MFZN2BL (EP600190) + バインド B タイト
- [190]: Bind Head Tapping Screw-B 3.0X8 MFZN2BL (EP600190) + バインド B タイト



The lithium battery is not a part of the MAIN circuit board. When you replace the circuit board, you must install a battery in the battery holder.

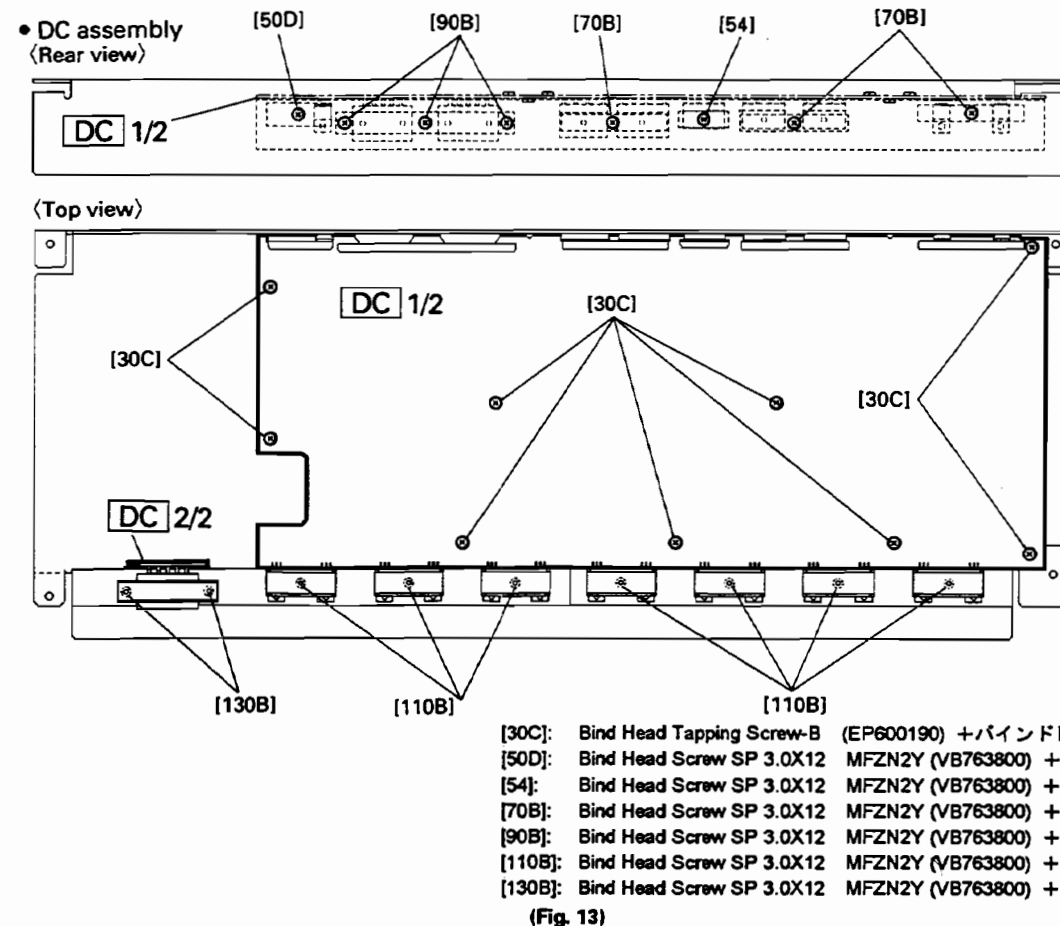
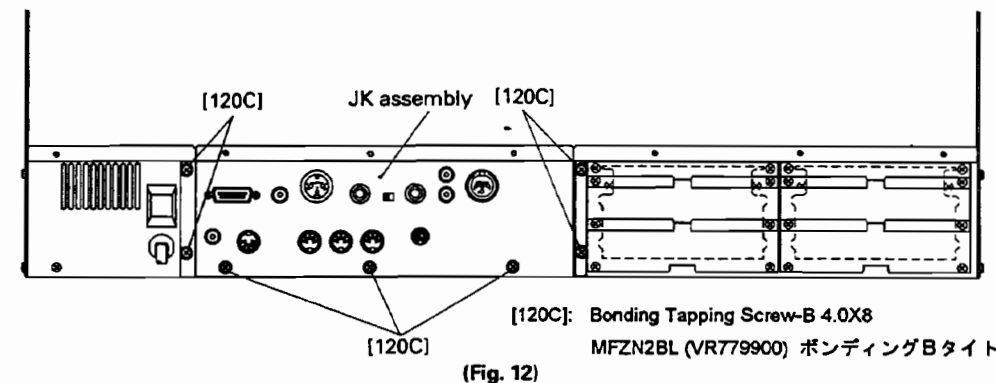
リチウム電池は、MAINシートの構成部品ではありません。シート交換時には、リチウム電池を取り付けて下さい。

17. DC Assembly

- 17-1. Open the control panel assembly, and support it with a stay. (See procedure 1.)
- 17-2. Remove the four (4) screws marked as [27], then slide the DC assembly toward the rear of the console to remove it. (Fig. 11)
- 17-3. Remove the seven (7) screws marked as [110B] from the bottom of the DC assembly, and remove the screw marked as [50D], the screw marked as [54], three (3) screws marked as [70B] and three (3) screws marked as [90B], located on the rear of the unit. (Fig. 13)
- 17-4. Remove the two (2) screws marked as [130B], then the DC2/2 circuit board can be removed. (Fig. 13)

17. DC Ass'y

- 17-1. コンパネ Ass'y を開けます。(1 項参照)
- 17-2. [27]のネジ 4 本を外し、奥にスライドさせて DC Ass'y を取り外します。(図 11)
- 17-3. DC Ass'y の底側から[110B]のネジ 7 本を外し、後側から[50D]のネジ 1 本と[54]のネジ 1 本と[70B]のネジ 3 本と[90B]のネジ 3 本を外します。そして、DC Ass'y の表側から[30C]のネジ 9 本を外すと、DCI/2 シートを取り外すことができます。(図 13)
- 17-4. DC Ass'y の底側から[130B]のネジ 2 本を外すと、DC2/2 シートを取り外すことができます。(図 13)



18. SUB Circuit Board

- 18-1. Remove the control panel assembly. (See procedure 1.)
 18-2. Remove the four (4) screws marked as [154D], then the SUB circuit board can be removed. (Fig. 14)

19. FA Circuit Board

- 19-1. Remove the control panel assembly. (See procedure 1.)
 19-2. Pull out the twenty-one (21) fader knobs. (Fig. 15)
 19-3. Remove the fourteen (14) screws marked as [60B]. (Fig. 15)
 19-4. Remove the screw marked as [110C] and the six (6) screws marked as [110D], then the FA circuit board can be removed. (Fig. 14)

20. PN1-1/6~PN1-6/6 Circuit Boards

- 20-1. Remove the control panel assembly. (See procedure 1.)
 20-2. Removal of PN1-1/6 circuit board
 20-2-1. Remove the eight (8) screws marked as [110E], then the PN1-1/6 circuit board can be removed. (Fig. 14)
 20-3. Removal of PN1-2/6 circuit board
 20-3-1. Remove the two (2) screws marked as [110F], then the PN1-2/6 circuit board can be removed. (Fig. 14)
 20-4. Removal of PN1-3/6 circuit board
 20-4-1. Remove the SUB circuit board. (See procedure 18.)
 20-4-2. Remove the six (6) screws marked as [150], then remove the LCD cover from the front of the panel. (Fig. 14 and Fig. 15)
 20-4-3. Remove the screw marked as [110G], then the PN1-3/6 circuit board can be removed. (Fig. 15)
 20-5. Removal of PN1-4/6 circuit board
 20-5-1. Remove the SUB circuit board. (See procedure 18.)
 20-5-2. Remove the six (6) screws marked as [150], then remove the LCD cover from the front of the panel. (Fig. 14 and Fig. 15)
 20-5-3. Remove the two (2) screws marked as [110H], then the PN1-4/6 circuit board can be removed. (Fig. 15)
 20-6. Removal of PN1-5/6 circuit board
 20-6-1. Pull off the two (2) knobs marked as [C], then remove the two (2) hexagonal nuts marked as [80A]. (Fig. 15)
 20-6-2. Remove the five (5) screws marked as [110I], then the PN1-5/6 circuit board can be removed. (Fig. 14)

18. SUB シート

- 18-1. コンパネ Ass'y を外します。(1 項参照)
 18-2. [154D]のネジ 4 本を外して、SUB シートを取り外します。(図 14)

19. FA シート

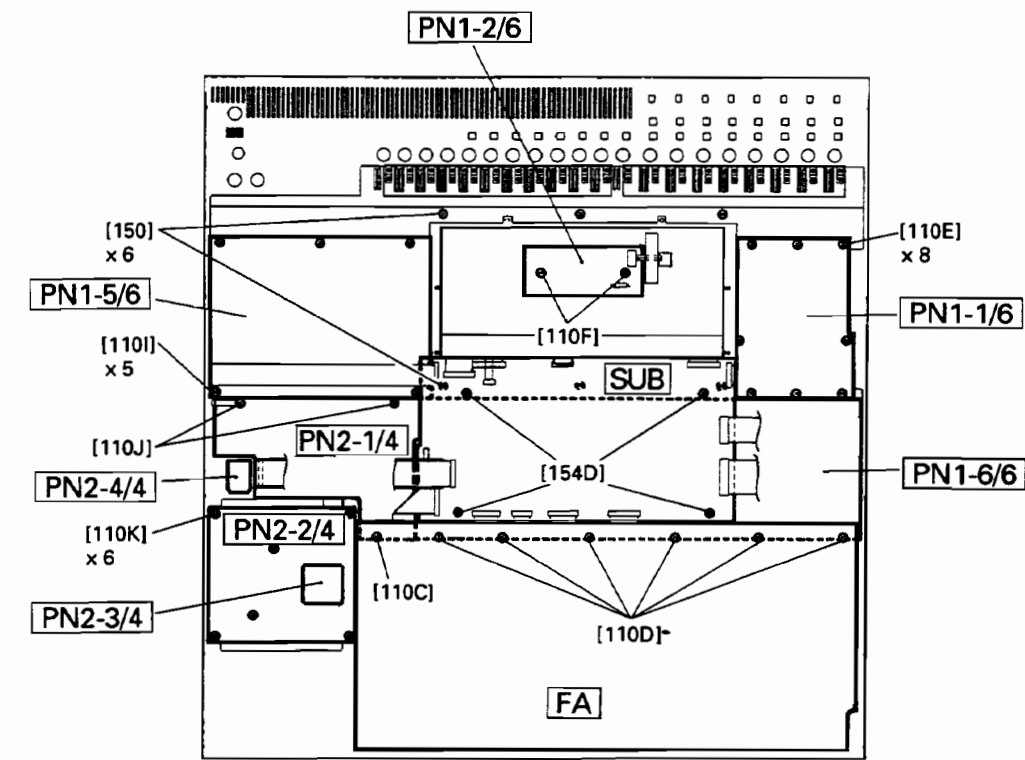
- 19-1. コンパネ Ass'y を外します。(1 項参照)
 19-2. パネルの表側から、フェーダーノブ 21 個を取り外します。(図 15)
 19-3. パネルの表側から、[60B]のネジ 14 本を外します。(図 15)
 19-4. [110C]のネジ 1 本と[110D]のネジ 6 本を外して、FA シートを取り外します。(図 14)

20. PN1-1/6 シート~PN1-6/6 シート

- 20-1. コンパネ Ass'y を外します。(1 項参照)
 20-2. PN1-1/6 シートの外し方
 20-2-1. [110E]のネジ 8 本を外して、PN1-1/6 シートを取り外します。(図 14)
 20-3. PN1-2/6 シートの外し方
 20-3-1. [110F]のネジ 2 本を外して、PN1-2/6 シートを取り外します。(図 14)
 20-4. PN1-3/6 シートの外し方
 20-4-1. SUB シートを外します。(18 項参照)
 20-4-2. [150]のネジ 6 本を外して、パネルの表側から LCD カバーを取り外します。(図 14 と図 15)
 20-4-3. [110G]のネジ 1 本を外して、PN1-3/6 シートを取り外します。(図 15)
 20-5. PN1-4/6 シートの外し方
 20-5-1. SUB シートを外します。(18 項参照)
 20-5-2. [150]のネジ 6 本を外して、パネルの表側から LCD カバーを取り外します。(図 14 と図 15)
 20-5-3. [110H]のネジ 2 本を外して、PN1-4/6 シートを取り外します。(図 15)
 20-6. PN1-5/6 シートの外し方
 20-6-1. パネルの表側から[C]のノブ 2 個を抜き、[80A]の六角ナット 2 個を外します。(図 15)
 20-6-2. [110I]のネジ 5 本を外して、PN1-5/6 シートを取り外します。(図 14)

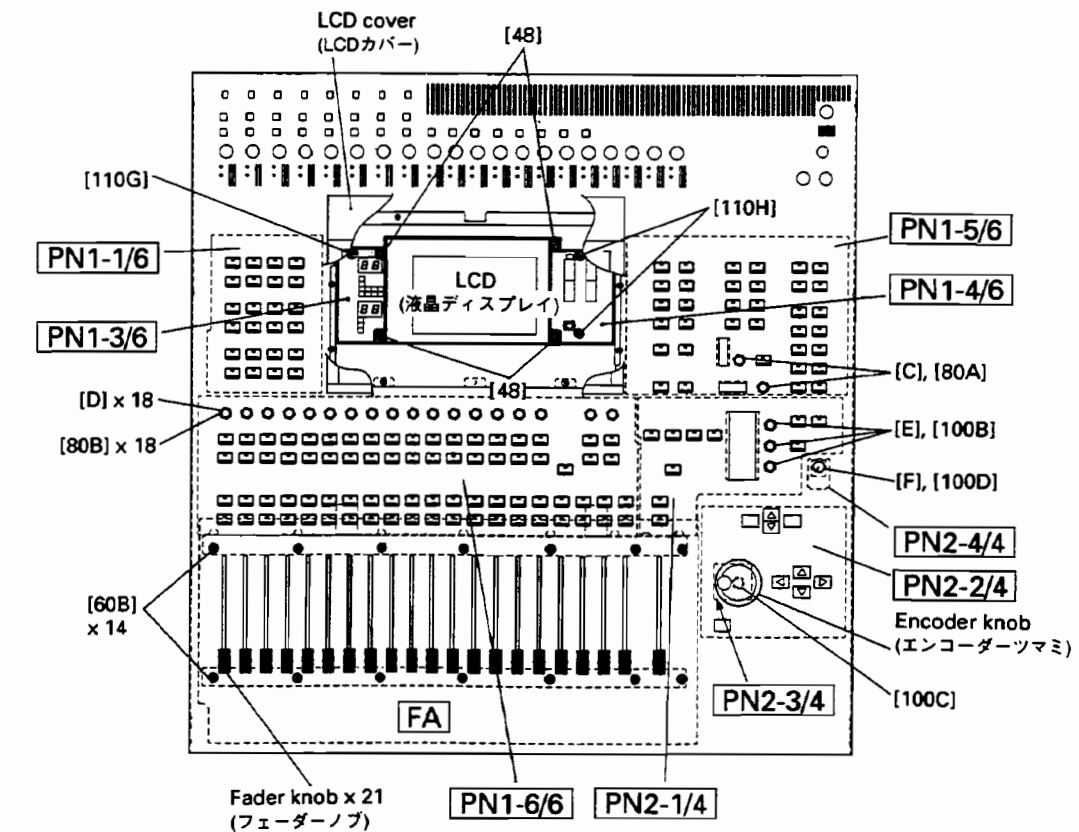
- [48]: Bind Head Tapping Screw-B A3.0X8 MFZN2BL (VP157000) + バインド B タイト
 [60B]: Flat Head Screw B 3.0X6 MFZN2BL (VS182000) + 皿小ネジ
 [80]: Hexagonal Nut 9.0 11X2 MFZN2BL (VJ388000) 特殊六角ナット
 [100]: Hexagonal Nut 9.0 11X2 MFZN2BL (VJ388000) 特殊六角ナット
 [110]: Bind Head Tapping Screw-B 3.0X6 MFZN2BL (EP600230) + バインド B タイト
 [150]: Bind Head Tapping Screw-B A3.0X8 MFZN2BL (VP157000) + バインド B タイト
 [154]: Bind Head Tapping Screw-B 3.0X6 MFZN2BL (EP600230) + バインド B タイト

• Control panel assembly <Bottom view>
 (コンパネ Ass'y)



(Fig. 14)

• Control panel assembly <Top view>
 (コンパネ Ass'y)



(Fig. 15)

- 20-7. Removal of PN1-6/6 circuit board
 20-7-1. Pull off the eighteen (18) knobs marked as [D], then remove the eighteen (18) hexagonal nuts marked as [80B]. (Fig. 15)
 20-7-2. Remove the six (6) screws marked as [110D], then the PN1-6/6 circuit board can be removed. (Fig. 14)

21. PN2-1/4~PN2-4/4 Circuit Boards

- 21-1. Remove the control panel assembly. (See procedure 1.)
 21-2. Removal of PN2-1/4 circuit board
 21-2-1. Pull off the three (3) knobs marked as [E], then remove the three (3) hexagonal nuts marked as [100B]. (Fig. 15)
 21-2-2. Remove the screw marked as [110C] and two (2) screws marked as [110J], then the PN2-1/4 circuit board can be removed. (Fig. 14)
 21-3. Removal of PN2-2/4 circuit board
 21-3-1. Remove the six (6) screws marked as [110K], then the PN2-2/4 circuit board can be removed. (Fig. 14)
 21-4. Removal of PN2-3/4 circuit board
 21-4-1. Pull out the rotary encoder knob and then remove the hexagonal nut marked as [100C], then the PN2-3/4 circuit board can be removed. (Fig. 15)
 21-5. Removal of PN2-4/4 circuit board
 21-5-1. Pull out the knob marked as [F] and then remove the hexagonal nut marked as [100D], then the PN2-4/4 circuit board can be removed. (Fig. 15)

22. LCD

- 22-1. Remove the control panel assembly. (See procedure 1.)
 22-2. Remove the SUB circuit board. (See procedure 18.)
 22-3. Remove the six (6) screws marked as [150], then remove the LCD cover from the front of the panel. (Fig. 14 and Fig. 15)
 22-4. Remove the four (4) screws marked as [48], then the LCD can be removed. (Fig. 15)

※ Take care not to damage the cables of the LCD.

20-7. PN1-6/6 シートの外し方

- 20-7-1. パネルの表側から[D]のノブ 18 個を抜き、[80B]の六角ナット 18 個を外します。(図 15)
 20-7-2. [110D]のネジ 6 本を外して、PN1-6/6 シートを取り外します。(図 14)

21. PN2-1/4 シート~PN2-4/4 シートの外し方

- 21-1. コンパネ Ass'y を外します。(1 項参照)
 21-2. PN2-1/4 シートの外し方
 21-2-1. パネルの表側から[E]のノブ 3 個を抜き、[100B]の六角ナット 3 個を外します。(図 15)
 21-2-2. [110C]のネジ 1 本と[110J]のネジ 2 本を外して、PN2-1/4 シートを取り外します。(図 14)
 21-3. PN2-2/4 シートの外し方
 21-3-1. [110K]のネジ 6 本を外して、PN2-2/4 シートを取り外します。(図 14)
 21-4. PN2-3/4 シートの外し方
 21-4-1. パネルの表側からエンコーダツマミを抜き、[100C]の六角ナット 1 個を外して、PN2-3/4 シートを取り外します。(図 15)
 21-5. PN2-4/4 シートの外し方
 21-5-1. パネルの表側から[F]のノブ 1 個を抜き、[100D]の六角ナット 1 個を外して、PN2-4/4 シートを取り外します。(図 15)

22. 液晶ディスプレイの外し方

- 22-1. コンパネ Ass'y を開けます。(1 項参照)
 22-2. SUB シートを外します。(18 項参照)
 22-3. [150]のネジ 6 本を外して、パネルの表側から LCD カバーを取り外します。(図 14 と図 15)
 22-4. [48]のネジ 4 本を外して、液晶ディスプレイを取り外します。(図 15)

注) 束線類の取扱いに気を付けて、作業して下さい。

■ THE PROCEDURE OF THE INSTALLATION/EXCHANGE OF RAM OF MEMORY EXPANSION KIT (ME4M)

(メモリー拡張キット (ME4M) の RAM の取付け/交換手順)

1. PURPOSE

Before installing expansion RAMs to a 02R, preserve the memorized user data to floppy disks. After the installing RAMs have been done, write the user's data back in the 02R.

2. ATTENTION

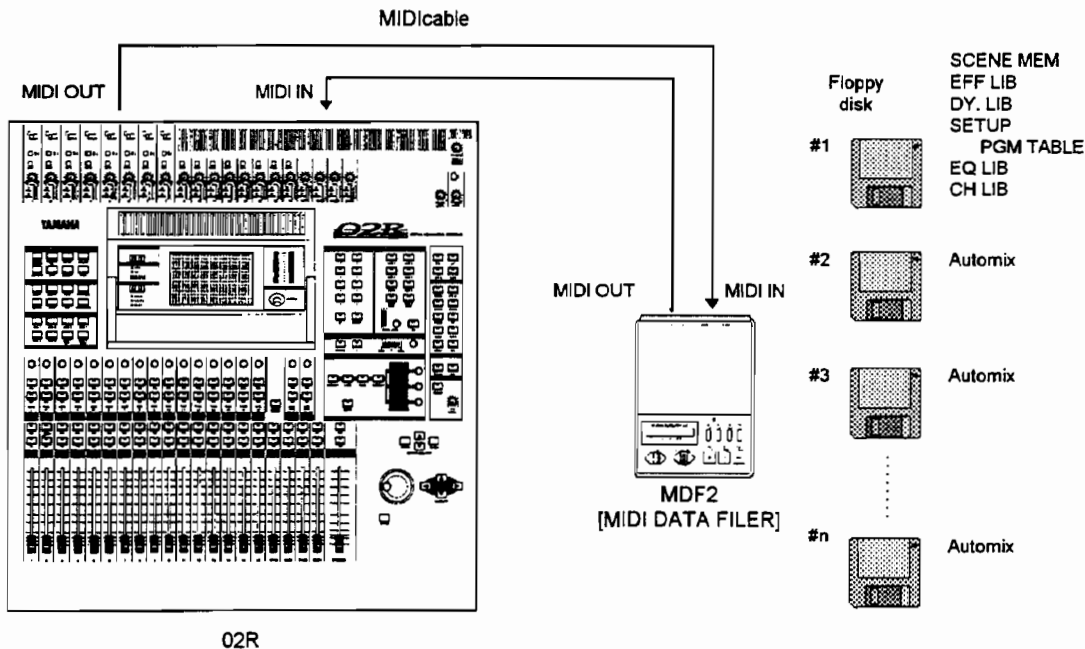
When Automix data is more than 300K bytes in one file, It can't be recorded with a MIDI DATA FILER, MDF2.

Preserve user data by using the computer in such a case.

3. JIGS

- MIDI DATA FILER, MDF2
- AC adapter
- Two MIDI cables
- 2DD type floppy disks (more than three floppy disks are necessary corresponding to the Automix data quantity.)
- 02R owners manual

4. CONNECTION



[CONNECTION]

1. 目的

拡張 RAM を取り付ける前に、ユーザーデータ保護のため、予めデータをフロッピーディスクに保存しておき、RAM の取付け/交換作業の後に 02R 本体にユーザーデータを戻します。

2. 注意点

オートミックス・データが 1 つのファイルで 300K バイトを超えるような場合は、MIDI DATA FILER, MDF2 では記録できません。このような場合は、コンピューターを使用してユーザーデータを保存して下さい。

3. 機材と資料

- MIDI DATA FILER, MDF2
- AC アダプター
- MIDI ケーブル 2 本
- フロッピーディスク (2DD 3 枚以上。
AutoMix データの容量により変わります)
- 02R 取り扱い説明書

4. 接続

5. DATA STORE

5-1. Connection

Connect the 02R and a MDF2 with a MIDI cable as the connection figure shown in the section 4.

5-2. Operation of MDF2

Put the first floppy disk into the slot of the MDF2. When the inserted floppy disk have not been formatted, press UTIL switch and select "05 Format" with FILE DATA switch, and then press START/STOP switch twice to format the disk.

5-3. Operation of 02R

5-3-1. Current scene data and current automix data can't be transmitted/received directly as the MIDI data.

To save the data, first, store current scene data in a vacant scene memory number, and then save the current automix data in a vacant automix memory.

Owners manual:

page 116 (Storing Mix Scenes)

page 132 (Automix Memory Edit Function)

5-3-2. Set the MIDI channel in channel 1.

Push MIDI key until "MIDI SET UP" screen appears on the display. Move the cursor to "1" of Receive Channel, and push ENTER key, then the transmission MIDI channel changes automatically in "1".

Owners manual: page 141 (Set up)

5-4. Set the MDF2 on recording mode.

5-4-1. Push MDR switch.

5-4-2. While pressing REC switch, press START/STOP switch, then the "MDR_01 00-000K" message will appear in the LCD.

5-5. Data transmission of 02R

5-5-1. Setting of the mode

Push MIDI key until the LCD shows "MIDI Bulk Dump & Request" message.

5-5-2. Transmission of "SCENE MEM" to "CH LIB" data

Move the cursor to "SCENE MEM" of TYPE, and push ENTER key. Next, move the cursor to "DUMP ALL" of EXECUTE, and press ENTER key.

All the data of "SCENE MEM" are transmitted by this operation to the MDF2.

Next, transfer data with the same operation as the above into the MDF2 from the "EFF LIB" data to the "CH LIB" data.

5. STORE 手順

5-1. 接続

セクション 4 に示した接続図のように、MIDI ケーブルで 02R と MDF2 を接続します。

5-2. MDF2 の操作

MDF2 に、1 枚目のフォーマット済みのフロッピーディスクを入れます。

フォーマットが済んでいない場合は、"UTIL"スイッチを押し、"FILE・DATA"スイッチで 05[Format]を選択した後、START/STOP スイッチを 2 回押してフォーマットを実行します。

5-3. 02R の操作

5-3-1. カレント・シーン・データとカレント・オートミックス・データは、MIDI データとして、直接に送信/受信することができません。

まず、それぞれのカレント・データを、空いているシーン・メモリー番号とオートミックス・メモリー番号にストアーしておきます。

「和文取り扱い説明書」

79 と 80 ページ (シーンをストアーする)

120 と 121 ページ (オートミックスのストア)

5-3-2. MIDI チャンネルを 1 チャンネルに設定
ディスプレイに、"MIDI SET UP"画面がでるまで [MIDI]キーを押します。そして、カーソルを Receive Channel の「1」に移動して「ENTER」キーを押します。Transmit Channel の MIDI チャンネルは、自動的に「1」に変わります。

「和文取り扱い説明書」

86 ページ (プログラムチェンジで 02R のシーンを切り替える)

5-4. MDF2 を録音状態にします。

5-4-1. MDR スイッチを押します。

5-4-2. "REC" スイッチを押しながら "START/STOP" スイッチを押します。

LCD 画面には "MDR_01 00-000K" と表示されず。

5-5. 02R のデータ送信

5-5-1. モードの設定

ディスプレイに、"MIDI Bulk Dump & Request" の画面がでるまで [MIDI]キーを押します。

5-5-2. "SCENE MEM" データから "CH LIB" データまでのデータ転送

カーソルを、TYPE の「SCENE MEM」に移動して、[ENTER]キーを押します。

Press START/STOP switch of the MDF2, and save the data to the first floppy disk. The data to save on each disk are as follows:

First floppy disk	SCENE MEM, EFF LIB, DY. LIB, SETUP, PGM TABLE, EQ LIB, CH LIB
Second floppy disk	AUTOMIX
Third disk	AUTOMIX
The n floppy disk	AUTOMIX

5-5-3. Transmission of the AUTOMIX data

Two or more floppy disks are necessary corresponding to the quantity of the Automix to preserve. And, change the data transmission mode to the "BULK DUMP" mode that transmits data every file from "DUMP ALL".

First, change the floppy disk inserted into the MDF2 with the second floppy disk.

Set the MDF2 at recording mode with the described method in the step 5-4. Then, move the cursor to "AUTOMIX" of TYPE, and push ENTER key.

Next, move the cursor to "BULK DUMP", and press ENTER key to transmit the first AUTOMIX data.

To transmit the second AUTOMIX data, turn the dial beside the cursor, and select the second AUTOMIX data, and push ENTER key. Do the same operation to transmit the automix data before the indication of the MDF2 becomes "FULL".

Press START/STOP switch of the MDF2, and the data transmission to the second disk is completed.

5-5-4. Transmission of the next AUTOMIX data

Remove the floppy disk being inserted into the MDF2, and insert the next floppy disk.

Set the MDF2 at recording mode in the method of the step 4-4.

With the same procedure described above, transmit another automix data before the indication of the MDF2 becomes "FULL".

Push START/STOP switch of the MDF2, and the data transmission will end.

Repeat the above operation to the 16th AUTOMIX data.

Owners manual pages 143 and 144 (Bulk Dump Request)

次に、カーソルを EXECUTE の「DUMP ALL」に移動して、[ENTER]キーを押します。これらの操作により、「SCENE MEM」の全データが、MDF2に送信されます。

次に、上記と同じ手順で"EFF LIB"データから"CH LIB"データまでを、MDF2にデータ転送します。

MDF2のSTART/STOPスイッチを押して、1枚目のフロッピーディスクへのデータ転送を実行します。

1枚目のフロッピー	SCENE MEM, EFF LIB, DY. LIB, SETUP, PGM TABLE, EQ LIB, CH LIB
2枚目のフロッピー	AUTOMIX
3枚目のフロッピー	AUTOMIX
n枚目のフロッピー	AUTOMIX

5-5-3. AUTOMIXデータの転送

AUTOMIXのデータは、データ量が多いために、その保存のためには3枚以上のフロッピーディスクが必要となります。

また、データ転送モードを、「DUMP ALL」から、ファイルごとに転送を行う"BULK DUMP"モードに切り換えます。

まず、MDF2のフロッピーディスクを、フォーマット済みの2枚目のフロッピーディスクに換えます。

ステップ5-4の方法で、MDF2を録音状態にします。

そして、カーソルをTYPEの「AUTOMIX」に移動して、[ENTER]キーを押します。

次にカーソルを「BULK DUMP」に移動して、[ENTER]キーを押します。

この操作により、AUTOMIXデータの1番のデータが転送されます。

次に、カーソルのダイヤルを回して、2番目のオートミックス・データを選び、[ENTER]キーを押します。

以下、MDF2の表示が"FULL"になる前のオートミックス・データまで、同様の操作を行います。MDF2のSTART/STOPスイッチを押して、2枚目のフロッピーディスクへのデータ転送を完了します。

5-5-4. 次のAUTOMIXデータの転送

MDF2のフロッピーディスクを、次のフォーマット済みのフロッピーディスクに換えます。ステップ4-4の方法で、MDF2を録音状態にします。

そして、上記と同じ手順で、続きのオートミックス・メモリーからオートミックス・データをMDF2に転送します。

MDF2の表示が"FULL"になる前のオートミックス・データまで、同様の操作を行います。

6. INSTALLATION OF RAMS

Install the expansion RAMs in the socket located on the MAIN circuit board as shown in the following figure.

The rear assembly of the 02R must be removed to install the expansion RAMs in to the MAIN circuit board.

(Refer to the DISASSEMBLY PROCEDURE of this service manual.)

MDF2 の START/STOP スイッチを押して、このフロッピーディスクへのデータ転送を完了します。

上記の操作をオートミックスの 16 番目のメモリーまで繰り返して行います。

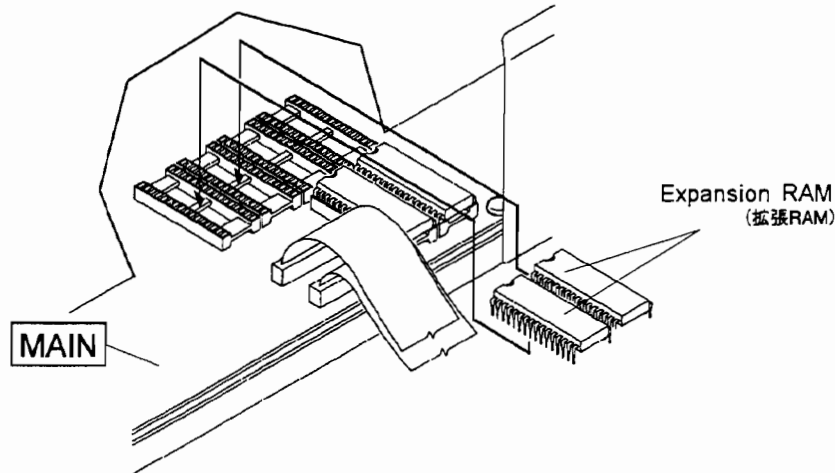
「和文取り扱い説明書」

88～90 ページ (02R の設定を MIDI を通じて送信する)

6. RAM の取付け

拡張 RAM は、MAIN シートの下図の位置に取り付けます。

MAIN シートに、拡張 RAM を取り付けるには、02R のリア Ass'y を外す必要があります。(本サービスマニュアルの分解手順参照)



7. LOAD

7-1. Connect the 02R and the MDF2 with a MIDI cable as the connection figure shown in the section 4.

Before loading the previous data into the console, it is necessary to match the MIDI channel of the 02R to the MIDI channel of the saved data.

When the MIDI channel doesn't match, the error message of "MIDI CH MISMATCH (1)" comes out.

7-2. Operation of the MDF2

7-2-1. Insert the first floppy disk into the MDF2, and push START/STOP switch.

7-2-2. Change the floppy disk of MDF2 into the second one, and push START/STOP switch if the first data transmission have been completed.

7. LOAD 手順

7-1. セクション 4 に示した接続図の様に、MIDI ケーブルで 02R と MDF2 を接続します。02R は特別な操作は必要ありませんが、02R の MIDI チャンネルを、SAVE したときと同じ MIDI チャンネルに合わせる必要があります。

MIDI チャンネルが合っていない場合は、"MIDI CH MISMATCH(1)" というエラーメッセージが出ます。

7-2. MDF2 の操作

7-2-1. 1 枚目のフロッピーディスクを MDF2 に挿入して、START/STOP スイッチを押します。

7-2-2. データ転送が完了したら、MDF2 のフロッピーディスクを 2 枚目に換えて、START/STOP スイッチを押します。

7-2-3. Do the same operation to the last floppy disk.

7-3. Operation of the 02R

7-3-1. Load the data stored in the scene memory number and automix memory number to each of the current scene memory and automix memory with the contrary process to the described way in the step 5-3-1.

Owners manual:

page 118 (Recalling Scene Memories)

page 132 (Memory Management)

7-2-3. 最後のフロッピーまで、同様の操作を行います。

7-3. 02R の操作

7-3-1. ステップ 5-3-1 で行った手順と逆の手順で、シーン・メモリー番号とオートミックス・メモリー番号にストアしたデータを、それぞれのカレント・シーン・メモリーとカレント・オートミックス・メモリーに戻します。

「和文取り扱い説明書」

81 ページ (シーンをリコールする)

122 ページ (オートミックスのリコール)

LSI PIN DISCRIPTION (LSI端子機能表)

• HD6477034F <SH7034> (XR107A00) CPU

PIN NO.	NAME	I/O	FUNCTION	PIN NO.	NAME	I/O	FUNCTION
1	PB14	I	Port B	57	/WRL	O	Write strobe-Low
2	PB15	I		58	/WRH	O	Write strobe-High
3	VSS		Ground	59	/RD	O	Read strobe
4	AD00	I/O		60	PA7	O	Port A
5	AD01	I/O	Data bus	61	VSS		Ground
6	AD02	I/O		62	PA8	I/O	Port A
7	AD03	I/O		63	PA9	I/O	
8	AD04	I/O		64	PA10	I/O	
9	AD05	I/O		65	PA11	I/O	
10	AD06	I/O		66	PA12	I/O	
11	AD07	I/O		67	PA13	I/O	
12	VSS		(Ground)	68	PA14	I/O	
13	AD08	I/O	(Power supply)	69	PA15	I/O	Power supply
14	AD09	I/O		70	VCC		
15	VCC			71	/CK	O	System clock
16	AD10	I/O	Ground	72	VSS		Ground
17	AD11	I/O		73	EXTAL	I	Clock
18	AD12	I/O		74	XTAL	I	
19	AD13	I/O	Power supply	75	VCC		Power supply
20	AD14	I/O		76	NMI	I	Non-maskable interrupt request
21	AD15	I/O	Power supply	77	VPP		Power supply
22	VSS			Ground	78	/WDTOVF	O
23	A00	O	Reset	79	/RES	I	Reset
24	A01	O		80	MD0	I	Mode select
25	A02	O	81	MD1	I		
26	A03	O	82	MD2	I		
27	A04	O	Power supply	83	VCC		Power supply
28	A05	O		84	VCC		Power supply
29	A06	O	Analog power supply	85	AVCC		Analog power supply
30	A07	O		86	AVREF	I	Reference voltage
31	VSS		(Ground)	87	AN0	I	Analog input
32	A08	O		88	AN1	I	
33	A09	O		89	AN2	I	
34	A10	O		90	AN3	I	
35	A11	O	Address bus	91	AVSS		(Analog ground)
36	A12	O		92	AN4	I	Ground
37	A13	O	93	AN5	I		
38	A14	O	94	AN6	I		
39	A15	O	95	AN7	I		
40	VSS		(Ground)	96	VSS		Ground
41	A16	O	(Power supply)	97	PB0	I/O	
42	A17	O		98	PB1	I/O	(Power supply)
43	VCC			99	VCC		
44	A18	O	Chip select	100	PB2	I/O	Port B
45	A19	O		101	PB3	I/O	
46	A20	O		102	PB4	I/O	
47	A21	O		103	PB5	I/O	
48	/CS0	O		104	PB6	I/O	
49	/CS1	O		105	PB7	I/O	
50	/CS2	O		106	VSS		
51	/CS3	O	Ground	107	RXD0	I	Receiving data 0
52	VSS			108	TXD0	O	Transmitting data 0
53	PA0	O	Port A	109	RXD1	I	Receiving data 1
54	PA1	O	Chip select	110	TXD1	O	Transmitting data 1
55	/CS6	O		111	SCK0	I	Serial clock
56	/WAIT	O	Wait	112	PB13	I/O	Port B

• HD6417032-F20 <SH7032> (XQ958A00) CPU

PIN NO.	NAME	I/O	FUNCTION	PIN NO.	NAME	I/O	FUNCTION
1	/IRQ6	I	Interrupt request	57	/WRL	O	Write strobe-Low
2	/IRQ7	I		58	/WRH	O	Write strobe-High
3	VSS		Ground	59	/RD	O	Read strobe
4	AD00	I/O		60	PA7	I/O	(Ground)
5	AD01	I/O	Data bus	61	VSS		
6	AD02	I/O		62	PA8	I/O	Port A
7	AD03	I/O		63	PA9	I/O	
8	AD04	I/O		64	PA10	I/O	
9	AD05	I/O		65	PA11	I/O	Timing clock
10	AD06	I/O		66	TCLKA	I	
11	AD07	I/O		67	TCLKB	I	Interrupt request
12	VSS		(Ground)	68	/IRAQ	I	
13	AD08	I/O	(Power supply)	69	/IRQB	I	
14	AD09	I/O		70	VCC		Power supply
15	VCC			71	/CK	O	Clock
16	AD10	I/O	Ground	72	VSS		Ground
17	AD11	I/O		73	EXTAL	I	Clock
18	AD12	I/O	74	XTAL	I		
19	AD13	I/O	Power supply	75	VCC		Power supply
20	AD14	I/O		76	NMI	I	Non-maskable interrupt request
21	AD15	I/O	Ground	77	VCC		Power supply
22	VSS			78	/WDTOVF	O	Watch dog timer overflow
23	A00	O	Reset	79	/RES	I	Reset
24	A01	O		80	MD0	I	Mode select
25	A02	O	81	MD1	I		
26	A03	O	82	MD2	I		
27	A04	O	Power supply	83	VCC		Power supply
28	A05	O		84	VCC		Power supply
29	A06	O	Analog power supply	85	AVCC		Analog power supply
30	A07	O		86	AVREF	I	Reference voltage
31	VSS		(Ground)	87	PC0	I	Port C
32	A08	O	Address bus	88	PC1	I	
33	A09	O		89	PC2	I	
34	A10	O		90	PC3	I	
35	A11	O		91	AVSS		(Analog ground)
36	A12	O	Ground	92	PC4	I	
37	A13	O		93	PC5	I	
38	A14	O		94	PC6	I	
39	A15	O		95	PC7	I	
40	VSS		(Ground)	96	VSS		Ground
41	A16	O	(Power supply)	97	PB0	I/O	Port B
42	A17	O		98	PB1	I/O	
43	VCC			99	VCC		(Power supply)
44	A18	O	Chip select	100	PB2	I/O	Port B
45	A19	O		101	PB3	I/O	
46	A20	O		102	PB4	I/O	
47	A21	O		103	PB5	I/O	
48	/CS0	O	Chip select	104	PB6	I/O	Port B
49	/CS1	O		105	PB7	I/O	
50	/CS2	O		106	VSS		
51	/CS3	O	Ground	107	RXD0	I	Receiving data 0
52	VSS			108	TXD0	O	Transmitting data 0
53	PA0	I/O	Port A	109	RXD1	I	Receiving data 1
54	PA1	I/O		110	TXD1	O	Transmitting data 1
55	/CS6	O	Chip select	111	PB12	I/O	Port B
56	/WAIT	I	Wait	112	SCK1	I	Serial clock

● HD63C01Y0RS37P (XH499B00) CPU

PIN NO.	NAME	I/O	FUNCTION	PIN NO.	NAME	I/O	FUNCTION	
1	Vss		Ground Clock	33	Vcc		Power supply	
2	XTAL	I			34	P47		I/O
3	EXTAL	I		35	P46	I/O	Port 4	
4	MP0	I	Mode program 0	36	P45	I/O		
5	MP1	I	Mode program 1	37	P44	I/O		
6	/RES	I	Initial clear	38	P43	I/O		
7	/STBY	I	Standby-mode signal	39	P42	I/O	Ground	
8	/NMI	I	Non-maskable interrupt	40	P41	I/O		
9	P20	I/O	Port 2	41	P40	I/O		
10	P21	I/O			42	Vss		
11	P22	I/O			43	P17	I/O	
12	P23	I/O			44	P16	I/O	Port 1
13	P24	I/O			45	P15	I/O	
14	P25	I/O			46	P14	I/O	
15	P26	I/O			47	P13	I/O	
16	P27	I/O	Port 5	48	P12	I/O		
17	P50	I/O			49	P11	I/O	
18	P51	I/O			50	P10	I/O	
19	P52	I/O			51	P37	I/O	
20	P53	I/O	Port 6	52	P36	I/O	Port 3	
21	P54	I/O			53	P35		I/O
22	P55	I/O			54	P34		I/O
23	P56	I/O			55	P33		I/O
24	P57	I/O			56	P32	I/O	
25	P60	I/O			57	P31	I/O	
26	P61	I/O		Port 7	58	P30	I/O	
27	P62	I/O			59	P74	I/O	
28	P63	I/O			60	P73	I/O	
29	P64	I/O			61	P72	I/O	
30	P65	I/O		62	P71	I/O	Enable	
31	P66	I/O		63	P70	I/O		
32	P67	I/O		64	E	O		

● μ PD71055C (XB361A00) PPI (Programmable Peripheral Interface Adapter)

PIN NO.	NAME	I/O	FUNCTION	PIN NO.	NAME	I/O	FUNCTION	
1	P03	I/O	Port 0	21	P13	I/O	Port 1	
2	P02	I/O			22	P14		I/O
3	P01	I/O			23	P15		I/O
4	P00	I/O			24	P16		I/O
5	/RD	I	Read strobe	25	P17	I/O	Power supply	
6	/CS	I	Chip select	26	VDD			
7	VSS		Ground	27	D7	I/O	Data bus	
8	A1	I	Address bus	28	D6	I/O		
9	A0	I			29	D5		I/O
10	P27	I/O	Port 2	30	D4	I/O		
11	P26	I/O			31	D3		I/O
12	P25	I/O			32	D2		I/O
13	P24	I/O			33	D1		I/O
14	P20	I/O	Port 1	34	D0	I/O		
15	P21	I/O			35	RESET	I	
16	P22	I/O			36	/WR	I	
17	P23	I/O			37	P07	I/O	
18	P10	I/O		38	P06	I/O	Port	
19	P11	I/O		39	P06	I/O		
20	P12	I/O		40	P04	I/O		

● YSS228-F (XQ962A00) DSP3 (Digital Signal Processor)

PIN NO.	NAME	I/O	FUNCTION	PIN NO.	NAME	I/O	FUNCTION
1	VSS		Ground	81	VSS		Ground
2	XI	I	System master clock input(80M or 30MHz)	82	DB13	I/O	Parallel data bus
3	XO	O	System master clock output(80M or 30MHz)	83	DB14	I/O	
4	VDD		Power supply	84	DB15	I/O	
5	/SYNCl	I	System synch. signal input	85	DB16	I/O	
6	/SYNCO	O	System synch. signal output	86	DB17	I/O	
7	CKI	I	System clock input (30MHz)	87	DB18	I/O	
8	CKO	O	System clock output (30MHz)	88	DB19	I/O	
9	CKSEL	I	System master clock select(0:80MHz,1:30MHz)	89	DB20	I/O	
10	VSS		Ground	90	DB21	I/O	
11	MCKS	I	Master clock for serial I/O(128xFs)	91	DB22	I/O	
12	/SSYNc	I	Synch. signal for serial I/O	92	DB23	I/O	
13	/IC	I	Initial clear	93	DB24	I/O	
14	/TEST	I	Test mode setting	94	DB25	I/O	
15	BTYP	I	CPU data bus 8/16 bit select(0:8,1:16)	95	DB26	I/O	
16	/IRQ	O	Interrupt request	96	DB27	I/O	
17	TRIG	I/O	Trigger signal	97	DB28	I/O	
18	VDD		Power supply	98	DB29	I/O	
19	VSS		Ground	99	DB30	I/O	
20	/CS	I	Chip select	100	DB31	I/O	
21	/DS	I	Data strobe	101	TIMO/DBOE	I/O	Timing signal/Parallel data bus control
22	R/W	I	Read/Write select	102	VSS		Ground
23	CA7	I	CPU address bus	103	VDD		Power supply
24	CA6	I					
25	CA5	I					
26	CA4	I					
27	CA3	I					
28	CA2	I					
29	CA1	I	CPU address/data bus	104	DA00	I/O	External memory data bus
30	CA0/CD15	I/O					
31	CD14	I/O					
32	CD13	I/O					
33	CD12	I/O					
34	CD11	I/O					
35	CD10	I/O					
36	CD09	I/O					
37	CD08	I/O					
38	CD07	I/O					
39	CD06	I/O	CPU data bus	105	DA01	I/O	
40	VSS			Ground	106	DA02	I/O
41	VDD			Power supply	107	DA03	I/O
42	CD05	I/O		DTACK signal output	108	DA04	I/O
43	CD04	I/O					
44	CD03	I/O					
45	CD02	I/O					
46	CD01	I/O					
47	CD00	I/O					
48	/DTACK	O					
49	SI0	I					
50	SI1	I					
51	SI2	I					
52	SI3	I	Serial data input	109	DA05	I/O	
53	SI4	I					
54	SI5	I					
55	SI6	I					
56	SI7	I					
57	VSS			Ground	110	DA06	I/O
58	VDD			Power supply	111	DA07	I/O
59	SO0	O		Serial data output	112	DA08	I/O
60	SO1	O					
61	SO2	O					
62	SO3	O					
63	SO4	O					
64	SO5	O					
65	SO6	O					
66	SO7	O					
67	DB00	I/O					
68	DB01	I/O					
69	DB02	I/O	Parallel data bus	113	DA09	I/O	
70	DB03	I/O					
71	DB04	I/O					
72	DB05	I/O					
73	DB06	I/O					
74	DB07	I/O					
75	DB08	I/O					
76	DB09	I/O					
77	DB10	I/O					
78	DB11	I/O					
79	DB12	I/O	External memory data bus	114	DA10	I/O	
80	VDD			Power supply	115	DA11	I/O
					116	DA12	I/O
					117	DA13	I/O
					118	DA14	I/O
					119	DA15	I/O
					120	VSS	
					121	VDD	
					122	DA16	I/O
					123	DA17	I/O
				124	DA18	I/O	
				125	DA19	I/O	
				126	DA20	I/O	
				127	DA21	I/O	
				128	DA22	I/O	
				129	DA23	I/O	
				130	DA24	I/O	
				131	DA25	I/O	
				132	DA26	I/O	
				133	DA27	I/O	
				134	DA28	I/O	
				135	DA29	I/O	
				136	DA30	I/O	
				137	DA31	I/O	
				138	VDD		
				139	VSS		
				140	A00	O	
				141	A01	O	
				142	A02	O	
				143	A03	O	
				144	A04	O	
				145	A05	O	
				146	A06	O	
				147	A07	O	
				148	A08	O	
				149	A09	O	
				150	A10	O	
				151	A11	O	
				152	A12	O	
				153	A13	O	
				154	A14	O	
				155	A15/RAS	O	
				156	A16/CAS	O	
				157	A17/CE	O	
				158	/WE	O	
				159	/OE	O	
				160	VDD		

● μ PD71051GB-3B4 (XI999A00) USART (Synchronous Asynchronous Receiver Transceiver)

PIN NO.	NAME	I/O	FUNCTION	PIN NO.	NAME	I/O	FUNCTION	
1	NC		} No connection	23	NC		} No connection	
2	NC			24	NC			
3	TXD	O		25	D4			
4	CLK	I		26	D5			
5	RES	I		27	D6			
6	NC		} No connection	28	NC		} No connection	
7	/DSR	I		29	D7	I/O		Data bus
8	/RTS	O		30	/TXCLK	I		Transmitting clock
9	/DTR	O	} No connection	31	/WR	I	Write strobe	
10	NC			32	NC			
11	NC			33	NC			
12	NC			34	NC			
13	/RXCLK	I	} Signal receiving clock	35	/CS	I	Chip select	
14	VDD			36	C/D	I	Control/Data select	
15	IC		} Power supply	37	/RD	I	Read strobe	
16	D0	I/O		38	RXRDY	O	Receiver ready	
17	D1	I/O	} Data bus	39	NC		No connection	
18	D2	I/O		40	TXRDY	O	Transmitter ready	
19	D3	I/O		41	SYNC		connected to power supply	
20	RXD	I	} Serial data input	42	/CTS	I	Clear to send	
21	GND			43	TXE	O	Transmitter empty	
22	NC		No connection	44	NC		No connection	

● YM3436DK (XG948E00) DIR2 (Digital Format Interface Receiver)

PIN NO.	NAME	I/O	FUNCTION	PIN NO.	NAME	I/O	FUNCTION
1	DAUX	I	Auxiliary input for audio data	23	/RST	I	System reset
2	HDLT	O	Asynchronous buffer operation flag	24	VDDA		Power supply for VCO
3	DOUT	O	Audio data output	25	CTLN	I	VCO control input N
4	VFL	O	Parity flag output	26	PCO	O	PLL phase comparison output
5	OPT	O	Fs × 1 Synchronous output for DAC	27	NC		No connection
6	SYNC	O	Fs × 1 Synchronous output for DSP	28	CTLP	I	VCO control input P
7	MCC	O	Fs × 64 Bit clock output	29	VSSA		Ground for VCO
8	WC	O	Fs × 128 Word clock output	30	/TS		Test pin
9	MCB	O	Fs × 128 Bit clock output	31	KM2	I	Clock mode switching input 2
10	MCA	O	Fs × 256 Bit clock output	32	KM0	I	Clock mode switching input 0
11	SKSY	I	Clock synchronization control input	33	FS1	O	Channel status sampling frequency display output 1
12	XI	I	Crystal oscillator connection for external clock	34	FS0	O	Channel status sampling frequency display output 0
13	XO	O	Crystal oscillator connection	35	CSM	I	Channel status output method select
14	P256	O	VCO oscillating clock connection	36	EXTW	I	External synchronous auxiliary input word clock
15	VSS		Ground	37	DDIN	I	EIAJ (AES/EBU) data input
16	/LOCK	O	PLL lock flag	38	LR	O	PLL word clock output
17	TST2		Test pin 2	39	VDD		Power supply
18	DIM1	I	Data input mode select 1	40	ERR	O	Data error flag output
19	DIM0	I	Data input mode select 0	41	EMP	O	Channel status emphasis control data
20	DOM1	I	Data output mode select 1	42	CD0	O	3-wire type microcomputer interface data
21	DOM0	I	Data output mode select 0	43	CCX	I	3-wire type microcomputer interface clock
22	KM1	I	Clock mode switching input 1	44	CLD	I	3-wire type microcomputer interface load

● YM3437C-F (XM530A00) DIT2 (Digital Format Interface Transmitter)

PIN NO.	NAME	I/O	FUNCTION	PIN NO.	NAME	I/O	FUNCTION
1	VSS		Ground	9	MUTE	I	Mute
2	MCLK	I	Master clock	10	VFL	I	Validity flag
3	DM0	I	DIN/BCLK/WCLK format select 0	11	CCK/SCB	I	C,U bit clock input/C bit data input
4	DM1	I	DIN/BCLK/WCLK format select 1 DM1,DM0=0,0: DSP,LOSP(64bit, LSB first) DM1,DM0=0,1: stereo DSP(64bit, MSB first) DM1,DM0=1,0: DSP2(128bit, MSB first) DM1,DM0=1,1: BB(64bit, MSB first)	12	CIN/UDB	I	C,U bit data input/U bit data input
5	/RST	I	System reset	13	CLD/AUX	I	End of C, U bit input/16,20bit/24bit select
6	WCIN	I	Word clock input	14	CTR/BLK	I	32 bit counter reset/Top of block
7	DIN	I	Digital audio serial data input	15	CSM	I	Channel status input mode select CSM=0: Asynchronous mode CSM=1: Synchronous mode
8	VDD		Power supply	16	DOUT	O	Digital interface formatted data output

● HD62098 (XM309A00) MEG (Multiple Effect Generator)

PIN NO.	NAME	I/O	FUNCTION	PIN NO.	NAME	I/O	FUNCTION	
1	GND		Ground	41	GND4		Ground	
2	MD8	I/O	DRAM data bus	42	SYW	O	Synch. signal for 256fs system	
3	MD9	I/O		43	SYWD	O	Synch. signal for 128/64 fs system	
4	MD10	I/O		44	QCLK	O	1/4 clock	
5	MD11	I/O		45	HCLK	O	1/2 clock	
6	MD12	I/O		46	/CS	I	Chip enable	
7	MD13	I/O		47	/RD	I	Read enable	
8	MD14	I/O		48	/WR	I	Write enable	
9	MD15	I/O		49	A0	I	CPU address bus	
10	MD0	I/O		50	A1	I		
11	MD1	I/O		51	A2	I		
12	MD2	I/O		52	A3	I		
13	MD3	I/O		53	A4	I		
14	MD4	I/O		54	D0	I/O		CPU data bus
15	MD5	I/O		55	D1	I/O		
16	MD6	I/O		56	D2	I/O		
17	MD7	I/O		57	D3	I/O		
18	/WE	O		58	D4	I/O		
19	/RASH	O	59	D5	I/O			
20	/RASL	O	60	D6	I/O			
21	Vcc1		61	D7	I/O	Test pin		
22	GND2		62	TEST	I		Initial clear	
23	MA0	O	63	/IC	I		Power supply	
24	MA1	O	DRAM address bus	64	Vcc4		Ground	
25	MA2	O		65	GND5		MEL formatted signal input	
26	MA3	O		66	IMEL0	I		
27	MA4	O		67	IMEL1	I		
28	MA5	O		68	IMEL2	I	MEL cascade input	
29	MA6	O		69	IMEL3	I		
30	MA7	O		70	AUXMEL0	I	MEL formatted signal output	
31	/CASH	O	71	AUXMEL1	I			
32	/CASL	O	72	OMEL0	O	L channel signal output		
33	Vcc2		73	OMEL1	O		R channel signal output	
34	EXTAL	I	74	DACOL	O	L channel signal output		
35	XTAL	O	75	DACOR	O	R channel signal output		
36	GND3		76	DAC1L	O	L channel signal output		
37	MCLK	O	77	DAC1R	O	R channel signal output		
38	CLKIN	I	78	WDCX	O	Load signal for DAC		
39	SYWIN	I	79	PAD18/20	I	18-bit/20-bit select		
40	Vcc3		80	Vcc5		Power supply		

● SED1335F0B (XQ595A00) LCDC (LCD Controller)

PIN NO.	NAME	I/O	FUNCTION	PIN NO.	NAME	I/O	FUNCTION	
1	VA5	O	VRAM address bus	31	XD2	O	X driver data bus	
2	VA4	O		32	XD1	O		
3	VA3	O		33	XD0	O		
4	VA2	O		34	XECL	O		X driver enable chain clock
5	VA1	O		35	XSCL	O		X driver shift clock
6	VA0	O	VRAM write strobe	36	VSS		Ground	
7	VR/W	O		37	LP	O	Latch pulse	
8	/VCE	O	VRAM chip enable	38	WF	O	Frame signal	
9	NC		Reset	39	YDIS	O	LCD power down	
10	/RES	I		40	YD	O	Scan start pulse	
11	NC		80: Read strobe, 68: E clock	41	YSCL	O	Scan shift clock	
12	NC			42	VD7	I/O	VRAM data bus	
13	/RD	I	80: Write strobe, 68: Read/Write	43	VD6	I/O		
14	/WR	I	CPU 80/68 bus select	44	VD5	I/O		
15	SEL2	I	Clock	45	VD4	I/O		
16	SEL1	I		46	VD3	I/O		
17	OSC1	I	Chip select	47	VD2	I/O		
18	OSC2	O		48	VD1	I/O		
19	/CS	I	Data bus signal discrimination	49	VD0	I/O		
20	A0	I	Power supply	50	VA15	O	VRAM address bus	
21	VDD		Data bus	51	VA14	O		
22	D0	I/O		52	VA13	O		
23	D1	I/O		53	VA12	O		
24	D2	I/O		54	VA11	O		
25	D3	I/O		55	VA10	O		
26	D4	I/O		56	VA9	O		
27	D5	I/O		57	VA8	O		
28	D6	I/O		58	VA7	O		
29	D7	I/O		59	VA6	O		
30	XD3	O		X driver data bus	60	NC		

• **YSF210 (XK280A00) 8 time Over Sampling Digital Filter**

PIN NO.	NAME	I/O	FUNCTION	PIN NO.	NAME	I/O	FUNCTION																												
1	XO	O	System clock Ground Bit clock L/R select and input timing Input bit selection	13	OBIT1	I	Output bit selection <table border="1"> <tr> <td></td> <td>22 bit</td> <td>20 bit</td> <td>18 bit</td> <td>no output</td> </tr> <tr> <td>OBIT1</td> <td>H</td> <td>L</td> <td>H</td> <td>L</td> </tr> <tr> <td>OBIT2</td> <td>H</td> <td>H</td> <td>L</td> <td>L</td> </tr> </table>		22 bit	20 bit	18 bit	no output	OBIT1	H	L	H	L	OBIT2	H	H	L	L													
	22 bit	20 bit		18 bit	no output																														
OBIT1	H	L		H	L																														
OBIT2	H	H		L	L																														
2	XI	I			14	OBIT2	I																												
3	Vss2				15	NC	—	No connection																											
4	BCI	I			16	ASY	I	Synchronous/Asynchronous system clock selection																											
5	SDSY	I			17	Vss1		Ground																											
6	IBIT1	I		18	BCO	O	Bit clock of DLO, DRO																												
7	IBIT2	I		19	WCO	O	Word clock of DLO, DRO																												
8	IBIT3	I	<table border="1"> <tr> <td></td> <td>22 bit</td> <td>20 bit</td> <td>18 bit</td> <td>16 bit</td> <td>AV-DSP</td> <td>MEL</td> </tr> <tr> <td>IBIT1</td> <td>H</td> <td>L</td> <td>H</td> <td>L</td> <td>H</td> <td>L</td> </tr> <tr> <td>IBIT2</td> <td>H</td> <td>H</td> <td>L</td> <td>L</td> <td>H</td> <td>H</td> </tr> <tr> <td>IBIT3</td> <td>H</td> <td>H</td> <td>H</td> <td>H</td> <td>L</td> <td>L</td> </tr> </table>		22 bit	20 bit	18 bit	16 bit	AV-DSP	MEL	IBIT1	H	L	H	L	H	L	IBIT2	H	H	L	L	H	H	IBIT3	H	H	H	H	L	L	20	SHL	O	Deglich signal of L/R channel
	22 bit	20 bit	18 bit	16 bit	AV-DSP	MEL																													
IBIT1	H	L	H	L	H	L																													
IBIT2	H	H	L	L	H	H																													
IBIT3	H	H	H	H	L	L																													
9	MUTE	I	Mute	21	DRO	O	Output data of R channel																												
10	NC	—	No connection	22	NC	—	No connection																												
11	SDI	I	Input data	23	DLO	O	Output data of L channel																												
12	Vdd2		Power supply	24	Vdd1		Power supply																												

• **AK5390-VP (XQ199A00) DAC (Digital Analog Converter)**

• **AK5339-VP (XI112A00) DAC (Digital Analog Converter)**

PIN NO.	NAME	I/O	FUNCTION	PIN NO.	NAME	I/O	FUNCTION
1	AGND		Analog ground	15	SCLK	I	Serial data clock
2	AINL	I	Left channel analog input	16	SDATA	O	Serial data output
3	ZEROL	I	Zero level output for left channel	17	FSYNC	I/O	Frame synch. clock
4	VA+	I	Positive analog power supply	18	VD+		Positive digital power supply (+)
5	VA-	I	Negative analog power supply	19	DGND		Digital ground
6	APD		Analog power down	20	CLK	I	Master clock
7	ACAL	-	Analog calibration	21	OCLK	O	Clock output
8	NC		No connection	22	NC		No connection
9	DACL	O	Digital calibration	23	ICKL	I	Master clock input
10	DPD	I	Digital power down	24	LGND		Logic ground
11	TST	I	Test pin	25	VL+		Positive logic power supply
12	CMODE	I	Master clock select (L: CLK=256fs, H:CLK=384fs)	26	ZEROR	I	Zero level output for right channel
13	SMODE	I	Interface clock select (L: slave mode, H: master mode)	27	AINR	I	Right channel analog input
14	L/R	I	Input channel select	28	VREF+	O	Reference voltage (+)

• **PCM69AU (XQ987A00) DAC (Digital Analog Converter)**

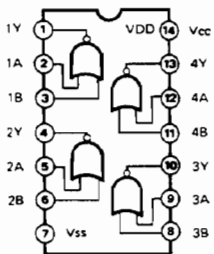
PIN NO.	NAME	I/O	FUNCTION	PIN NO.	NAME	I/O	FUNCTION
1	+VCC		Analog power supply	11	D-GND		Digital Ground
2	VCOM-L		V-common, channel L	12	TP2		Test pin
3	NC		No connection	13	DATA-R	I	Data input, channel R
4	IOUT-L	O	Current output, channel L	14	BCK	I	Bit clock
5	SERVO DC		Servo filter	15	SYS CLK	I	System clock
6	RE DC		Reference filter	16	WDCK	I	Word clock
7	IOUT-R		Current output, channel R	17	DATA-L	I	Data input, channel L
8	NC		No connection	18	TP3		Test pin
9	VCOM-R	O	V-common, channel R	19	TP1		Test pin
10	A-GND		Analog ground	20	+VDD		Digital power supply

● **PCM1702U (XP551A00) DAC (Digital to Analog Converter)**

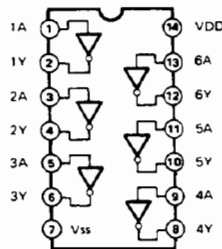
PIN NO.	NAME	I/O	FUNCTION	PIN NO.	NAME	I/O	FUNCTION
1	DATA	I	Data input	11	+VCC		Power supply (+5 V)
2	CLK	I	Clock	12	BPO		Bipolar de-couple
3	NC			13	NC		
4	+VDD		Power supply (+5 V)	14	IOUT	O	Output current
5	D.GND		Digital ground	15	A.GND		Analog ground
6	-VDD		Power supply (-5 V)	16	A.GND		Analog ground
7	L.E	I	Latch enable	17	SERV		Servo de-couple
8	NC			18	NC		
9	NC			19	REF		Reference de-couple
10	NC			20	-VCC		Power supply (-5 V)

■ **IC BLOCK DIAGRAM (ICブロック図)**

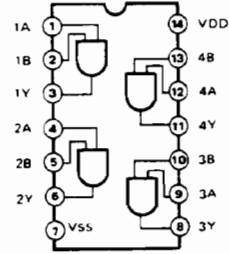
- **SN74HC02NSR (XC724A00)**
Quad 2 Input NOR



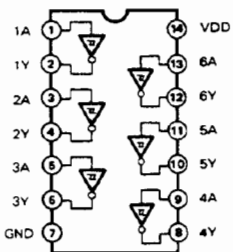
- **SN74HC04N (IR000450)**
- **SN74HC04NSR (XD830A00)**
- **SN74HCU04N (IG142250)**
- **TC74HCU04AP (IG142200)**
Hex Inverter



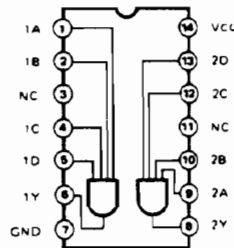
- **SN74HC08NSR (XD831A00)**
Quad 2 Input AND



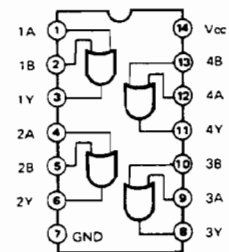
- **SN74HC14NSR (XC725A00)**
Hex Inverter



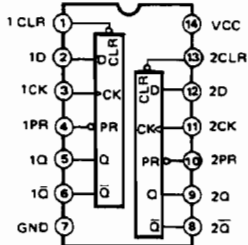
- **TC74HC21AF-TP1 (XR160A00)**
Dual 4 Input AND



- **SN74HC32NSR (XD833A00)**
Quad 2 Input OR

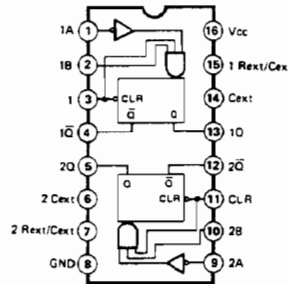


- **SN74HC74NSR (XC726A00)**
Dual D-Type Flip-Flop

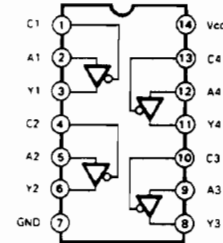


INPUTS				OUTPUTS	
PR	CLR	CLK	D	Q	Q̄
L	H	X	X	H	L
H	L	X	X	L	H
L	L	X	X	H	H
H	H	↑	H	H	L
H	H	↑	L	L	H
H	H	L	X	Q _o	Q̄ _o

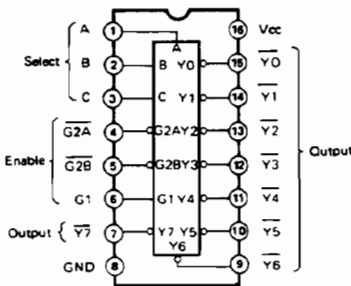
- **TC74HC123AF (XN242A00)**
Dual Retriggerable Single Shot



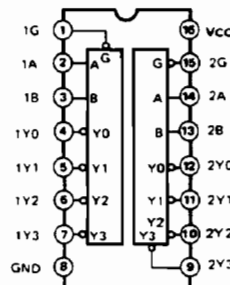
- **SN74HC125NSR (XH218A00)**
Quad 3-State Bus Buffer



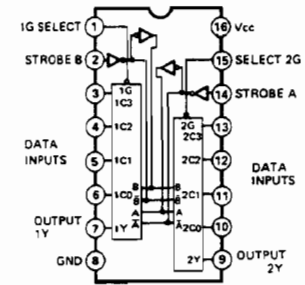
- **SN74HC138NSR (XD835A00)**
- **TC74HC138AP (IR013800)**
3 to 8 Demultiplexer



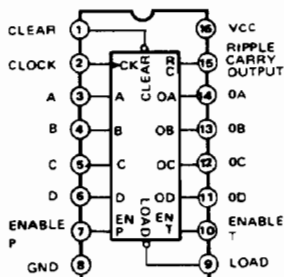
- **SN74HC139NSR (XC727A00)**
- **TC74HC139AF-TP1 (XE462A00)**
Dual 2 to 4 Demultiplexer



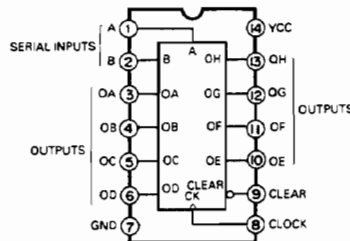
- **SN74HC153N (IR015350)**
- **SN74HC153NSR (XN515A00)**
Dual 4 to 1 Data Selectors



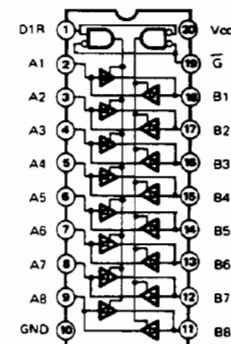
- **SN74HC163NSR (XM161A00)**
SYNC. Binary Counter



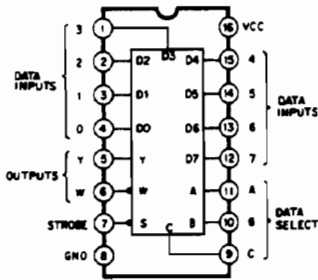
- **TC74HC164AF (XQ967A00)**
8-Bit Shift Register



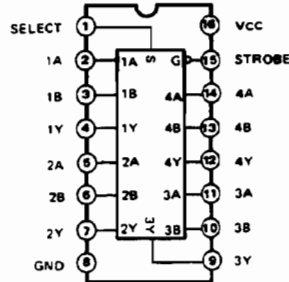
- **SN74HC245N (IR024550)**
- **SN74HC245NSR (XD838A00)**
Octal 3-State Bus Transceiver



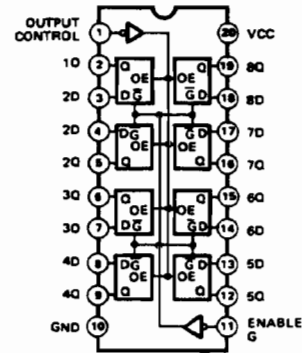
- **TC74HC251AF (XQ968A00)**
3-State 8 to 1 Data Selector



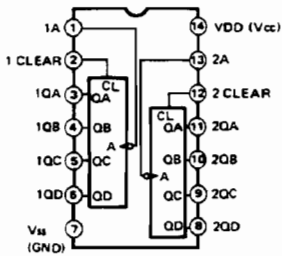
- **SN74HC257NSR (XH222A00)**
Quad 2 to 1 Multiplexer



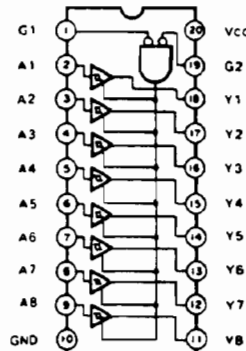
- **SN74HC273N (IR027350)**
- **SN74HC273NSR (XH223A00)**
Octal 3-State D-Type Latch



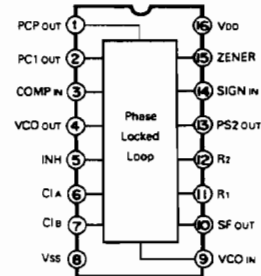
- **SN74HC393N (IR039350)**
Dual 4-Bit Binary Counter



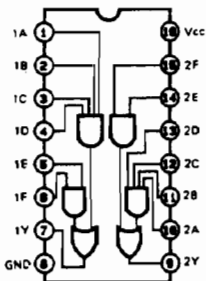
- **SN74HC541N (IR054150)**
Octal 3-State Buffer



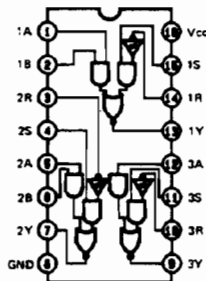
- **MC74HC4046AF (XR476A00)**
Phase Locked Loop



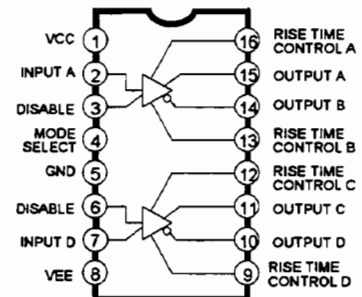
- **SN75121 (XE683A00)**
Line Driver



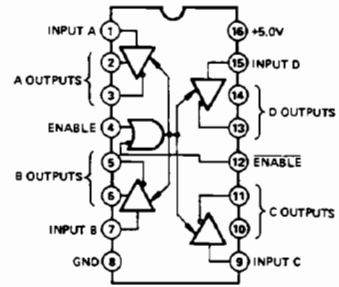
- **SN75124N (XE737A00)**
Line Receiver



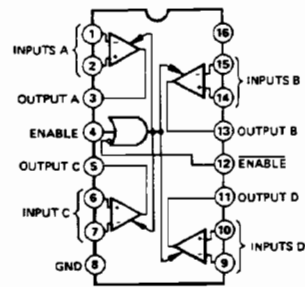
- **AM26LS30PC (XR152A00)**
Line Driver



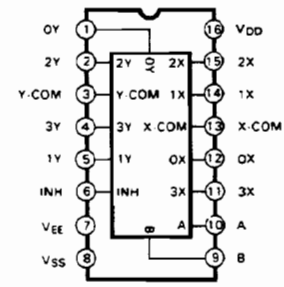
- **HD26LS31 (XQ963A00)**
Line Driver



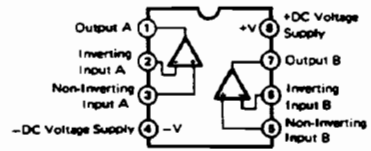
- **HD26LS32A (XQ964A00)**
Line Receiver



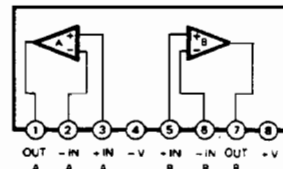
- **TC4052BF (XG903A00)**
Differential 4-Channel
Multiplexer/Demultiplexer



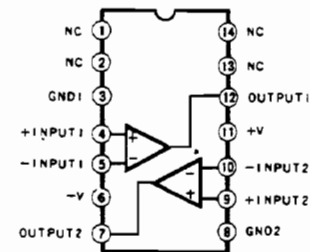
- **NJM4560ED (IG040000)**
- **NJM5532 (XR494A00)**
Dual Operational Amplifier



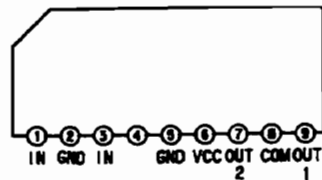
- **NJM2068L-D (XM356A00)**
- **NJM4556AL (XP844A00)**
- **NJM4558L (XM922A00)**
Dual Operational Amplifier



- **μ PC319C (IG086700)**
Voltage Comparator

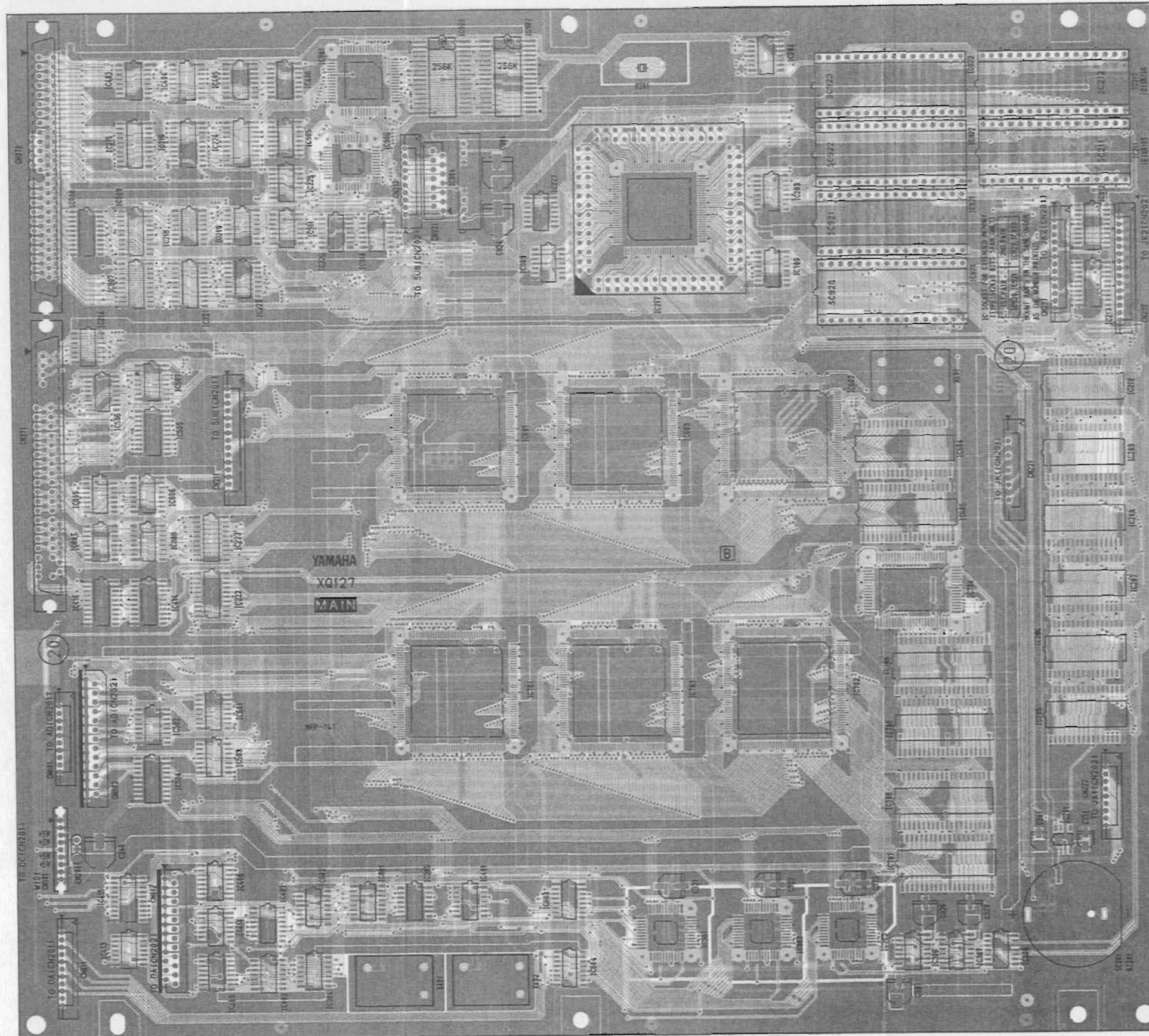


- **BA6218 (IG153500)**
Motor Driver



CIRCUIT BOARDS (シート基板図)

MAIN Circuit Board (Component side・部品側)



Notes)

Circuit Board: MAIN (VT578900) XQ127B0

1. IC
 - IC 201: M62021FP (X1686A00) RESET
 - IC 202,305: SN74HC08NSR (XD831A00) AND
 - IC 203,229,406: SN74HC139NSR (XC727A00) DECODER
 - IC 204,304,910, 911: SN74HC04NSR (XD830A00) INVERTER
 - IC 205-210: UPD431000AGW-85L (XQ772A00) SRAM 1M
 - IC 211: M27C4001-10F1 (XR105E00) EPROM 4M (UPPER)
 - IC 212: M27C4001-10F1 (XR105E00) EPROM 4M (LOWER)
 - IC 213,221-224: SN74HC273NSR (XH223A00) D-FF
 - IC 214,230: TC74HC21AF-TP1 (XR160A00) AND
 - IC 215,216,414-416,504,605, 907-909,912: SN74HC245NSR (XD838A00) BUFFER
 - IC 217: HD6417032-F20 (XQ959A00) CPU
 - IC 218-220,700: SN74HC138NSR (XD835A00) DECODER
 - IC 225,309,401, 410: SN74HC74NSR (XC726A00) DFF
 - IC 226,914,915: SN74HC32NSR (XD833A00) OR
 - IC 227,413: TC74HC164AF (XQ967A00) SHIFT REGISTER
 - IC 228: SN74HC14NSR (XC725A00) INVERTER
 - IC 301-303: YM3436DK (XG948E00) DIR2
 - IC 306,307: TC74HC123AF (XN242A00) MONO-FF
 - IC 308: SN74HC02NSR (XC724A00) NOR
 - IC 402,503: SN74HC125NSR (XH218A00) BUFFER
 - IC 403-405: TC74HC251AF (XQ968A00) MULTIPLEXER
 - IC 407: MC74HC4046AF (XR478A00) PLL
 - IC 408,409,905: SN74HC163NSR (XM161A00) COUNTER
 - IC 501,502,805-808: SN74HC257NSR (XH222A00) SELECTOR
 - IC 506,507,803, 804: SN74HC163NSR (XN515A00) 4-1 SELECTOR
 - IC 601-603,701-703: YSS228-F (XQ962A00) DSP3
 - IC 604,605,705-708: LC321664AM-80-TR (XQ032A00) DRAM 1M
 - IC 704: HD62098 (XM309A00) MEG
 - IC 801,802: YM3437C-F (XMS30A00) DIT2
 - IC 901: SED1335F08 (XQ595A00) LCDC
 - IC 902,903: CXK58257AM70SR (XR384A00) SRAM 256K
 - IC 904: BA6302 (XQ959A00) DC/DC CONVERTER
 - IC 906: UPD71051GB-384 (X1999A00) SERIAL I/O
2. Diode
 - D201,301-303, 401: 1S3355 TE-17 (VT332900)
3. Monolithic Ceramic Cap.
 - C201-230,247,257-261,301-309,401-410, 413-416,421,422,501-507,604,605,611-619,621-629,631-639,641,705-709,711-719,721-729,731-739,741-745,801-806, 901-903,905-915,921-923: CH 10P 50V D (VJ899500)

The lithium battery is not a part of the MAIN circuit board. When you replace the circuit board, you must install a battery in the battery holder.

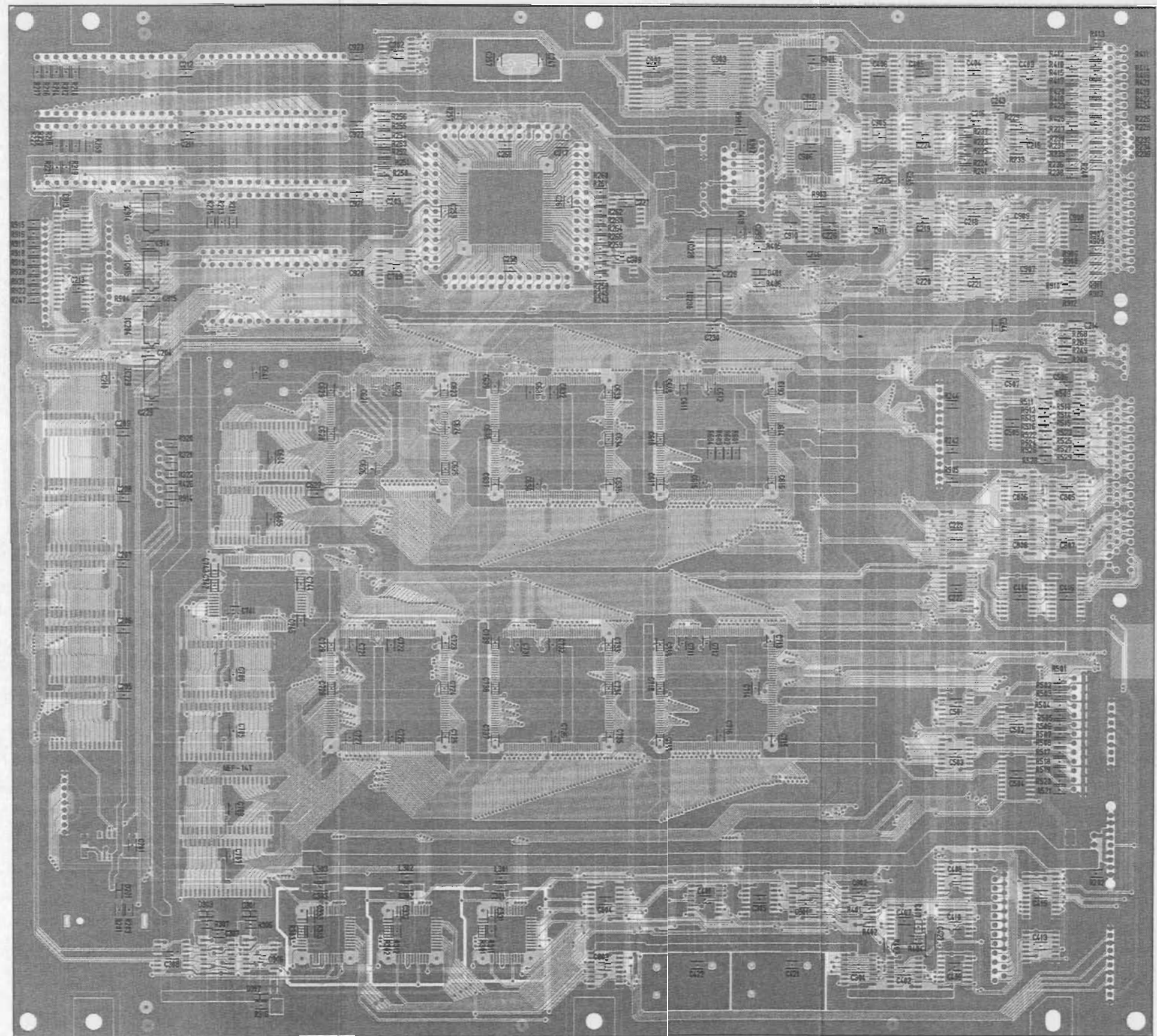
リチウム電池は、MAINシートの構成部品ではありません。シート交換時には、リチウム電池を取り付けて下さい。



※CN921: not installed

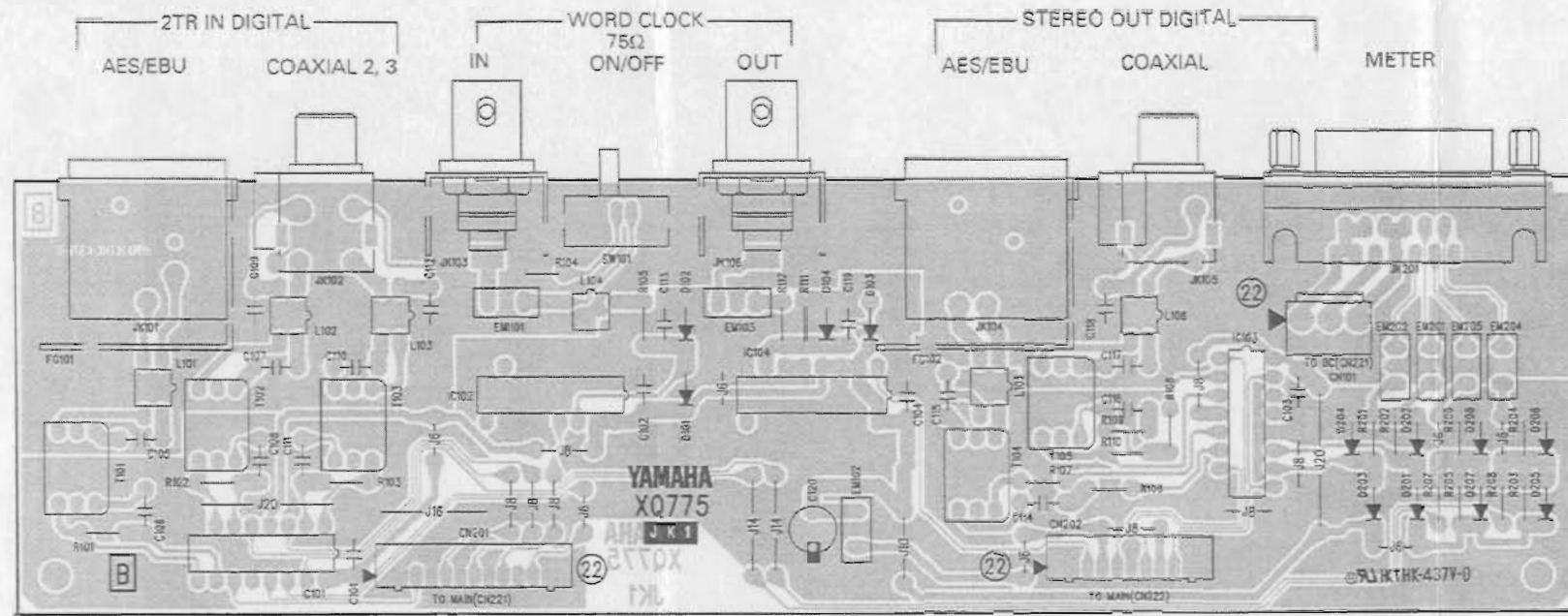
- C 243-246: SL 120P 50V J (UB052120)
 C 299: SL 150P 50V J (UB052150)
 C 331-333: B 4700P 50V K (UB013470)
 C 417: SL 39P 50V J (UB051390)
 C 418: CH 560P 50V J (VJ903700)
4. Tantalum Capacitor
 C 427: 3.3/16V (VR181300)
5. Electrolytic Cap. (chip)
 C 240,904: 100 16V (UF038100)
 C 241,251: 10 16V (UF037100)
 C 321-323,326,327,337: 47 16V (UF037470)
 C 924: 47 35V UUR1 (UF157470)
6. Carbon Resistor (chip)
 R 201,210-245,247-269,306,307,316,320-322,410-426,501-529,903-922:
 10.0K 0.1 J (RD257100)
 R 203: 1.0M 0.1 J (RD259100)
 R 301-303: 3.3K 0.1 J (RD256330)
 R 311-313,601-604: 100.0 0.1 J (RD255100)
 R 401: 36.0K 0.1 J (RD257360)
 R 402,404: 3.0K 1/10 D (VI196000)
 R 403: 2.0K 1/10 D (VI195600)
 R 405: 150.0 0.1 J (RD255150)
 R 406,902: 1.5K 0.1 J (RD256150)
 R 901: 7.5K 0.1 J (RD256750)
7. Chip Inductance
 L 301-303: BLM21B20PT 2125 (V8740100)
8. LC Filter
 EM 201: LS MT Y223NB (FZ000970)
9. Quartz Crystal Unit
 X 201: 10.0K 0.1 J (V1927300)
 X 401: 3119A-AQA8024.57 (VQ248800)
 X 402: 3119A-AQA8022.57 (VT641400)
 X 601: TD308C60MHZ (VT641700)
10. Battery Holder
 SC 201: CR2032 (VN103600)
11. Plug Connector
 CN 371: PHEC-100P TE (VU328200) to OPT-CN201
 CN 372: PHEC-100P TE (VU328200) to OPT-CN202
12. Connector
 CN 211: 52147-15P TE (VF667600) to SUB-CN201
 CN 212: 52147-10P TE (VF728200) to SUB-CN202
 CN 232: 52147-15P TE (VF667600) to JK2-CN202
 CN 301: 52147-10P TE (VF728200) to AD-CN201
13. Cable Holder
 CN 101: 61048-9P TE (V1878700) to DC1/2-CN201
14. Wire Trap
 CN 221: 52147-11P TE (VK025500) to JK1-CN201
 CN 222: 52147-9P TE (VK025300) to JK1-CN202
 CN 231: 52147-13P TE (VK025700) to JK2-CN201
 CN 311: 52147-11P TE (VK025500) to DA1/2-CN201
15. FFC Connector
 CN 802: 52045-27P TE (VQ047800) to AD-CN202
 CN 812: 52045-24P TE (VP127700) to DA1/2-CN202
16. IC Socket
 SC 211,212,920-923: D10CF-32CS-E (VJ582900)
17. Jumper Wire
 W 101: FVP-2.0C28S1B9-38P (VU079300)

● MAIN Circuit Board (Pattern side ・ パターン側)



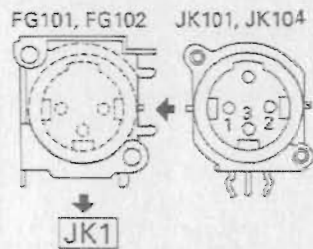
※12.02: Not installed

• JK1 Circuit Board

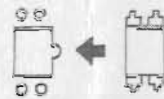


Components side (部品側)

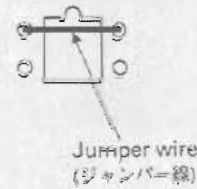
• JK101 & JK104 installation (JK101とJK104の取り付け)



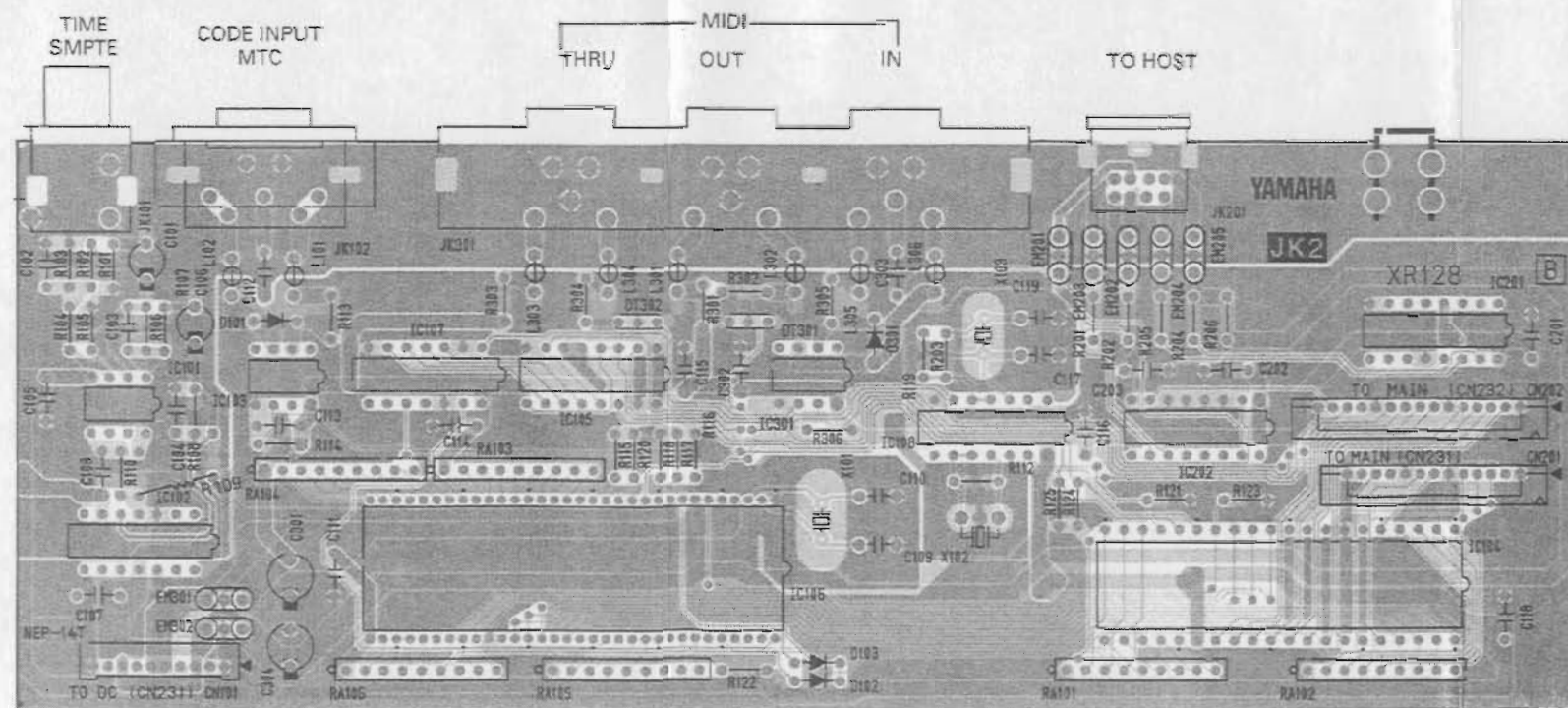
• L101~103, 105 & 106 installation (L101~103, 105, 106の取り付け)



• L104



• JK2 Circuit Board



Components side (部品側)

Notes)

- Circuit Board: JK1 (VT579100) XQ775B0
- IC
 - IC 101: HD26LS32A (XQ994A00) LINE RECEIVER
 - IC 102: SN75124N (X8737A00) LINE RECEIVER
 - IC 103: HD26LS31 (XQ993A00) LINE DRIVER
 - IC 104: SN75121 (XE663A00) LINE DRIVER
 - Diode
 - D 101, 104, 201-207: 1SS133, 1SS178 (VB941200)
 - D 208: 1SS133, 1SS178 (VB941200)
 - Ceramic Capacitor
 - C 113: SL 33P 50V J (VD840700)
 - C 119: B 100P 50V K (VD841300)
 - Monolithic Ceramic Cap.
 - C 101-108, 110, 111, 114: 0.100 50V Z (VT957300)
 - C 115-117: 0.100 50V Z (VT957300)
 - Electrolytic Cap.
 - C 120: 100.00 16.0V (UJ838100)
 - Carbon Resistor
 - R 101: 110.0 1/4 J (HF755110)
 - R 102-104: 75.0 1/4 J (HF754750)
 - R 105, 201, 202, 207, 208: 47.0 1/4 J (HF754470)
 - R 106, 107: 10.0 1/4 J (HF754100)
 - R 108: 220.0 1/4 J (HF755220)
 - R 109: 39.0 1/4 J (HF754390)
 - R 110: 43.0 1/4 J (HF754430)
 - R 111: 2.2K 1/4 J (HF756220)
 - R 112: 4.7 1/4 J (HF753470)
 - R 203, 205: 2.7K 1/4 J (HF756270)
 - R 204, 206: 4.7K 1/4 J (HF756470)
 - Transformer, Pulse
 - T 101-105: P17H (VP246100)

Notes)

- Circuit Board: JK2 (VT580400) XR128B0
- IC
 - IC 101: NJM4560SD (IG040000) OPAMP
 - IC 102: UPC319C (IG088700) COMPARATOR
 - IC 104: UPD71085C (XB361A00) PPI
 - IC 105: SN74HC153N (IR015350) SELECTOR
 - IC 106: HD63001Y0R337P (XH499500) CPU
 - IC 107: SN74HC393N (IR039350) COUNTER
 - IC 108: SN74HC04N (IG142250) INVERTER
 - IC 201: HD26LS32A (XQ994A00) LINE RECEIVER
 - IC 202: AM26LS30PC (XR152A00) LINE DRIVER
 - Digital Transistor
 - DT 301, 302: DTA123ES TP (VF325300)
 - Diode
 - D 101-103, 301: 1SS133, 1SS178 (VB941200)
 - Photo Coupler
 - IC 103, 301: 6N137 (VD473200)
 - Ceramic Capacitor
 - C 102: B 100P 50V K (VB841300)
 - C 103: SL 66P 50V J (VD841100)
 - C 109, 110: CH 22P 50V J (VK663100)
 - C 117, 119: CH 33P 50V J (VA761200)
 - Monolithic Ceramic Cap.
 - C 104, 105, 107, 108, 111, 116, 118, 201, 203, 302, 303: 0.100 50V Z (VT957300)
 - Electrolytic Cap.
 - C 101, 106: 47.00 25.0V (UJ847470)
 - C 201, 304: 100.00 16.0V (UJ838100)
 - Carbon Resistor
 - R 101, 115, 116, 118, 120-123: 10.0K 1/4 J (HF757100)
 - R 102, 104, 113, 301-305: 220.0 1/4 J (HF755220)
 - R 103, 108: 100.0K 1/4 J (HF758100)
 - R 107: 47.0 1/4 J (HF754470)
 - R 112, 119: 1.0M 1/4 J (HF759100)

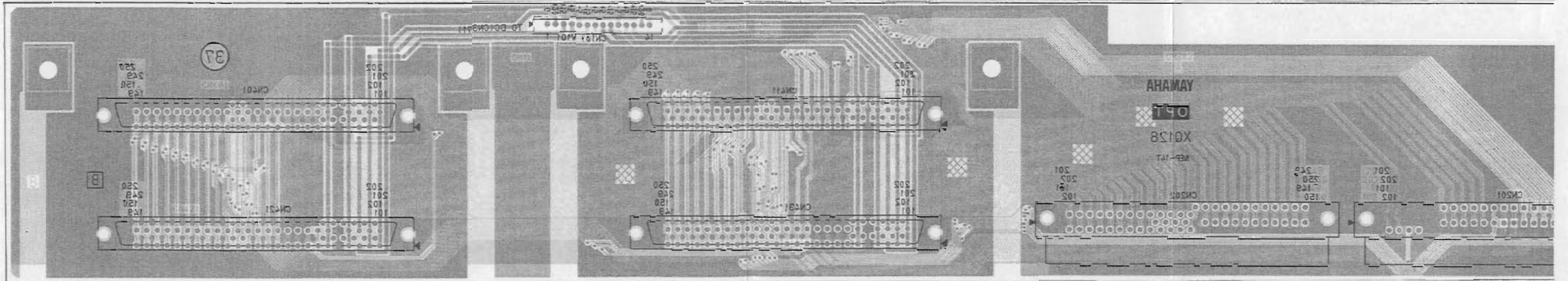
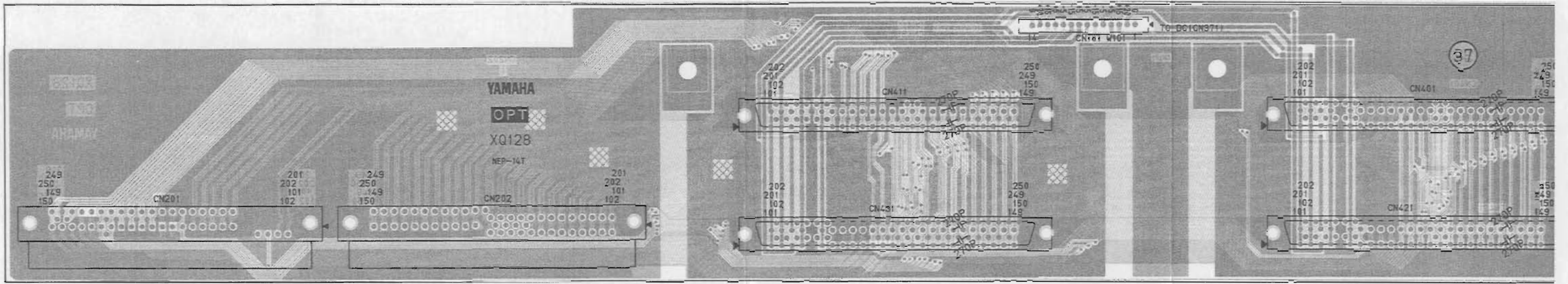
- LC Filter
 - EM 101, 103, 201: LS MT B271K8 (FZ006920)
 - EM 102: LS MT Y223N8 (FZ006970)
- Noise Filter
 - L 101-103, 105, 106: ZJY51R5-2P (VP246300)
- Slide Switch
 - SW101: SSSP112-806N1 (VR365100) WORD CLOCK
- Pin Connector
 - JK 102: YKC21-3 (VT645900) 2TR IN DIGI. 2.3
 - JK 103: YKS11-6 (V1552200) WORD CLOCK IN
 - JK 105: YKC21-3182 (VK437600) STR OUT DIGITAL
 - JK 106: YKS11-0 (V1552200) WORD CLOCK OUT
- Cannon Connector
 - JK 101: NC3FAH1-0 (VS133600) 2TR IN DIGITAL1
 - JK 104: NC3MAH (VS133700) STR OUT DIGITAL
- D-sub Connector
 - JK 201: 17LE-15P SE (VR336300) METER
- Base Post Connector
 - CN 101: VH-3P TE (LB820300) to DC1/2, CN221
- Wire Trap
 - CN 201: S2147-11P TE (VK025300) to MAIN-CN221
 - CN 202: S2147-9P TE (VK025300) to MAIN-CN222
- Jumper Wire
 - L 104: 0.55 (VA078900)
 - C 109, 112, 118: 0.65 (VA078900)

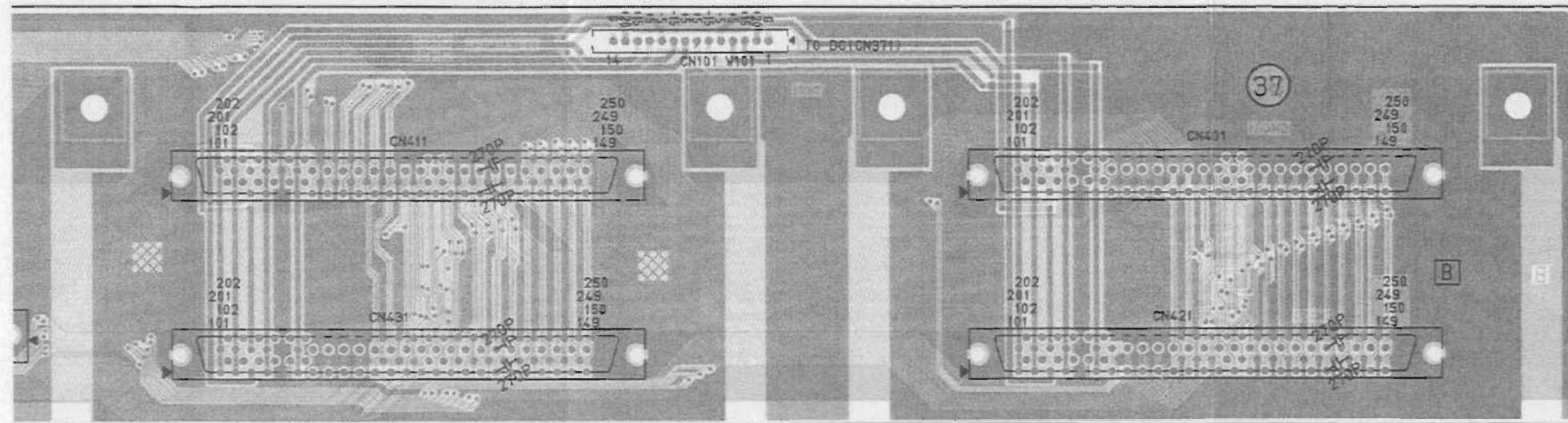
- Metal Film Resistor
 - R 103, 110: 3.6K 1/4 F (VB066800)
 - R 106, 109: 15.0K 1/4 F (VA074800)
- Resistor Array
 - RA 101-106: RGLD8X103J (VE445200)
- Coil
 - L 101, 102, 301-306: FL5R200QNT 20u (VB836000)
- LC Filter
 - EM 201-205: LS MT B271K8 (FZ006920)
 - EM 301, 302: LS MT Y223N8 (FZ006970)
- Quartz Crystal Unit
 - X 101: 10.752M AT-49 (VJ040900)
 - X 103: 4.9152M AT-49 (VL306800)
- Ceramic Resonator
 - X 102: 800K CSU500P (VJ336400)
- Pin Connector
 - JK 101: YKC21-3182 (VK437600) TIME SMPTE
 - JK 102: 5P YKF51-50 (VH396500) CODE INPUT MTC
 - JK 201: 9P TC57927 (VN997100) TO HOST
 - JK 301: DINx3 YKF51-5046 (V1466400) MIDI IN, OUT, THRU
- Connector Base Post
 - CN 101: PH-10P TE (VB390600) to DC1/2, CN231
- Connector
 - CN 202: S2147-15P TE (VF667600) to MAIN-CN232
- Wire Trap
 - CN 201: S2147-13P TE (VK025700) to MAIN-CN231

JK1 : 3NA-VT57910
JK2 : 3NA-VT58040



• OPT Circuit Board

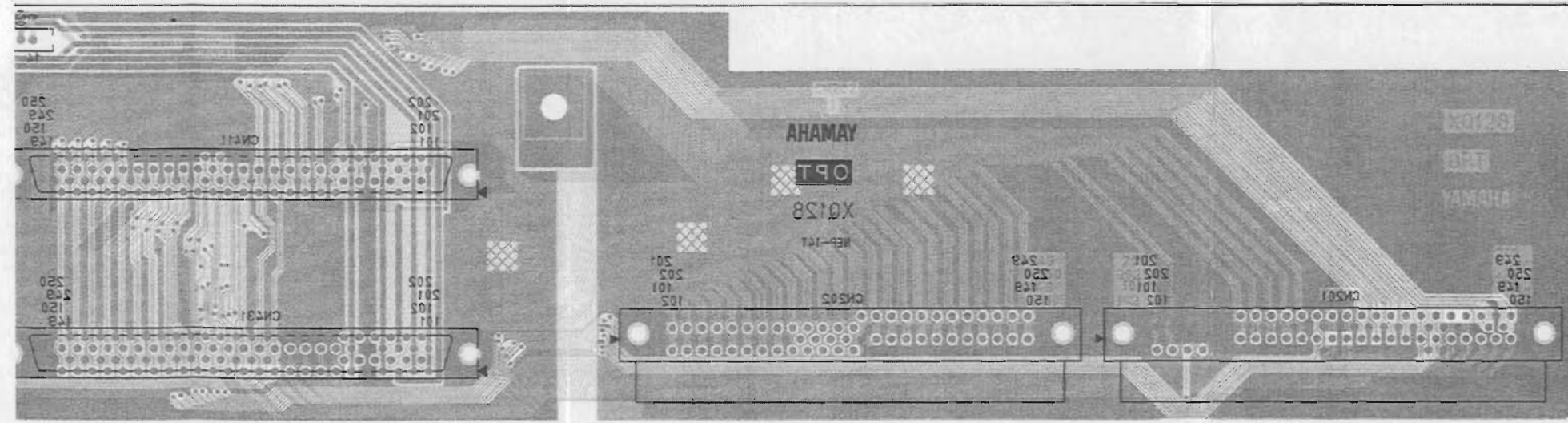




Components side (部品側)

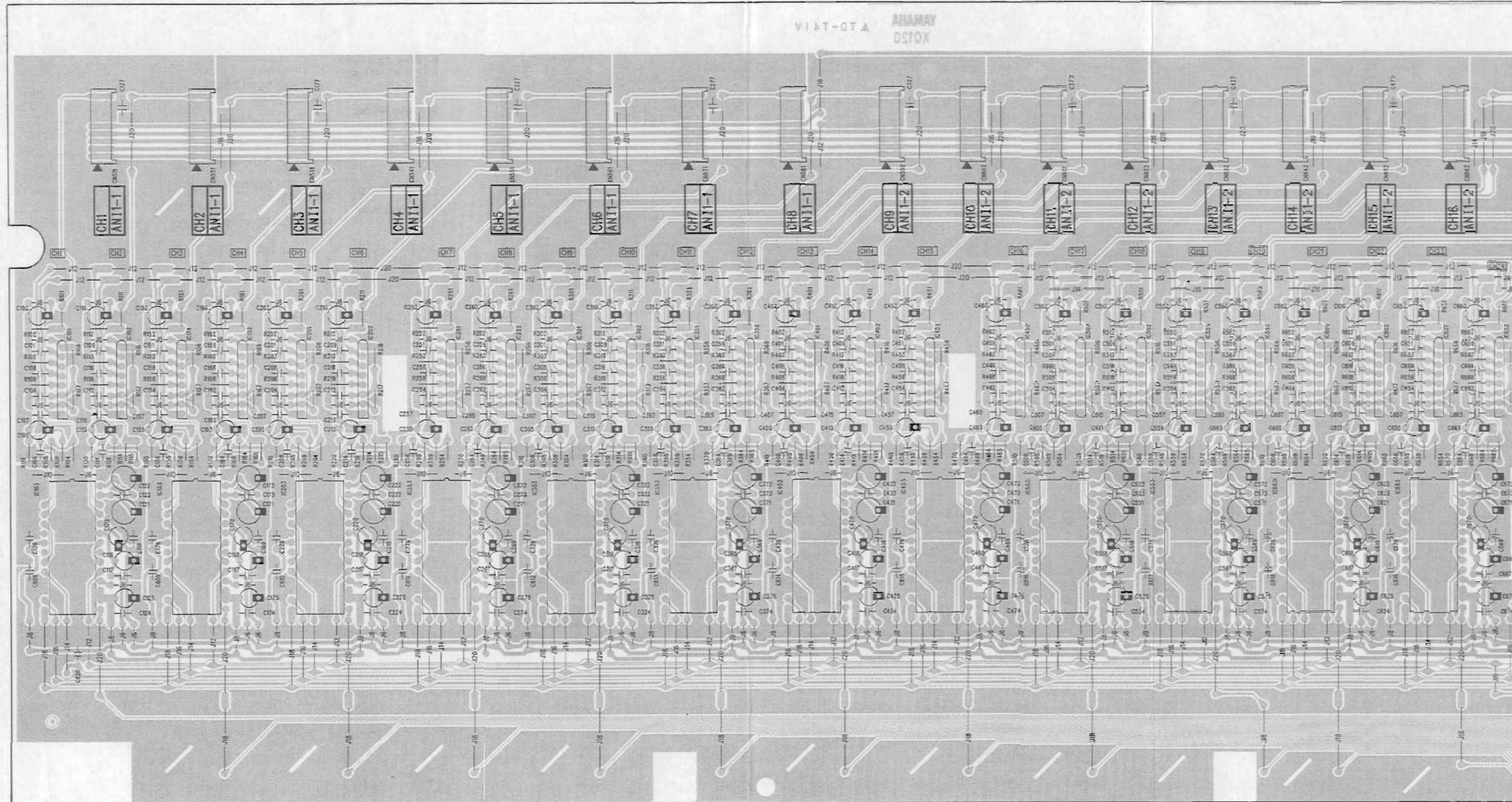
Notes)

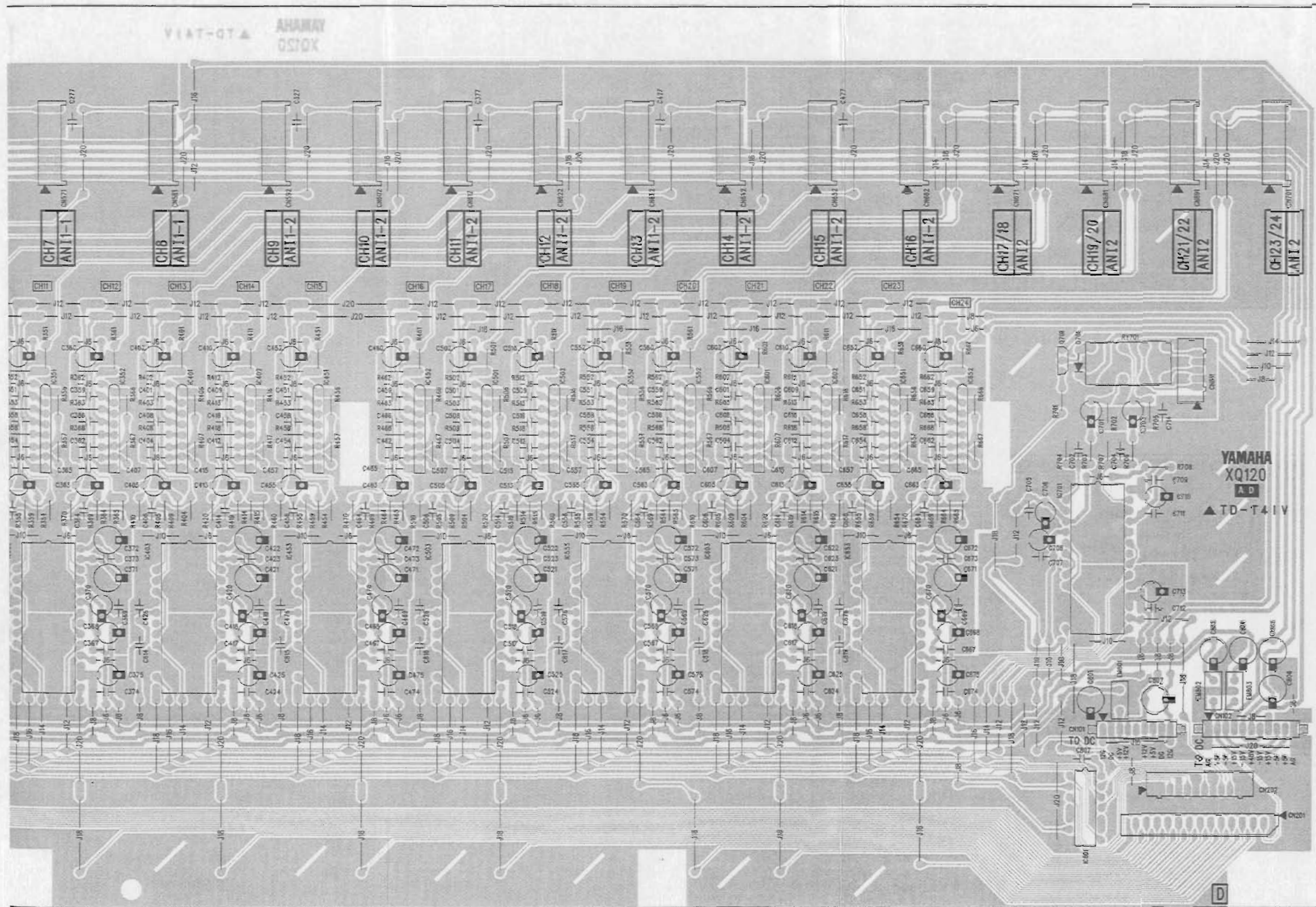
- Circuit Board: OPT (VT879500) XQ128B0
- Ceramic Capacitor-B**
C 201-208: 270P 50V K (VD841900)
 - Plug, Connector**
CN 401,411,421,
431: PHEC-100P SE (VU32820) to
Optional I/O Card
 - Cable Holder**
CN 101: 270P 50V K (V1679200) to
DC1/2-CN371
 - Receptacle, Connector**
CN 201: PHEC-100P SE (VT840360) to
MAIN-CN371
CN 202: PHEC-100P SE (VT840366) to
MAIN-CN372
 - Jumper Wire**
W 101: FVP=2.0C25SB14-140 (VU07380)



Pattern side (パターン側)

• AD Circuit Board





Components side (部品側)

Notes)

- Circuit Board: AD (VU065000) XQ120D0
1. **IC**
 IC 101,102,151,152,201,202,251,252,301,302,351,352,401,402,451,452,501,502,551,552,601,602,651,652:
 NJM2068L-D (XM356A00) OP AMP
 IC 103,153,203,253,303,353,403,453,503,553,603,653:
 AK5390-VP (XQ199A00) ADC
 IC 701: AK5339-VP (X112A00) ADC
 IC 801: SN74HC04N (IR000450) INVERTER
 2. **Transistor**
 Q 701: 2SC3330 S,T (VC218900)
 3. **Diode**
 D 701: 1SS133,1SS176 (VB941200)
 4. **Ceramic Capacitor**
 C 101,104,109,112,151,154,159,162,201,204,209,212,251,254,259,262,301,304,309,312,351,354,359,362,401,404,409,412,451,454,459,462,501,504,509,512,551,554,559,562,601,604,609,612,651,654,659,662,702,704:
 B 100P 50V K (VD841300)
 C 106,114,156,164,206,214,256,264,306,314,356,364,406,414,456,464,506,514,556,564,606,614,656,664:
 F 10000P 25V Z (VS751300)
 C 820: 270P 50V K (VD841900)
 5. **Monolithic Ceramic Cap.**
 C 107,108,115-117,119,123,124,126,127,157,158,165-167,169,173,174,176,177,207,208,215-217,219,223,224,226,227,257,258,265-267,269,273,274,276,277,307,308,315-317,319,323,324,326,327,357,358,365-367,369,373,374,376,377,407,408,415-417,419,423,424,426,427,457,458,465-467,469,473,474,476,477,507,508,515-517,519,523,524,526,557,558,565-569,573,574,576,607,608,615-617,619,623,624,626,657,658,665-667,669,673,674,676,705,707,709,711,712,714,807-819:
 0.100 50V Z (VT957300)
 6. **Electrolytic Cap.**
 C 102,105,110,113,152,155,160,163,202,205,210,213,252,255,260,263,302,305,310,313,352,355,360,363,402,405,410,413,452,455,460,463,502,505,510,513,552,555,560,563,602,605,610,613,652,655,660,663:
 47.00 25.0V (UJ847470)
 C 118,120,125,168,170,175,218,220,225,268,270,275,318,320,325,368,370,375,418,420,425,468,470,475,518,520,525,568,570,575,618,620,625,668,670,675,701,703,706,708,710,713:
 10.00 16.0V (UJ837100)
 C 121,122,171,172,221,222,271,272,321,322,371,372,421,422,471,472,521,522,571,572,621,622,671,672,801-804:
 100.00 16.0V (UJ838100)
 C 805,806: 100.00 25.0V (UJ848100)
 7. **Carbon Resistor**
 R 103,113,153,163,203,213,253,263,303,313,353,363,403,413,453,463,503,513,553,563,603,613,653,663:
 3.3K 1/4 J (HF756330)
 R 104,109,114,119,154,159,164,169,204,209,214,219,254,259,264,269,304,309,314,319,354,359,364,369,404,409,414,419,454,459,464,469,504,509,514,519,554,559,564,569,604,609,614,619,654,659,664,669,702,705:
 100.0K 1/4 J (HF758100)
 R 105,110,115,120,155,160,165,170,205,210,215,220,255,260,265,270,305,310,315,320,355,360,365,370,405,410,415,420,455,460,465,470,505,510,515,520,555,560,565,570,605,610,615,620,655,660,665,670:
 47.0 1/4 J (HF754470)
 R 108,118,158,168,208,218,258,268,308,318,358,368,408,418,458,468,508,518,558,568,608,618,658,668:
 4.7K 1/4 J (HF756470)
 R 701: 10.0K 1/4 J (HF757100)
 R 708: 100.0 1/4 J (HF755100)
 8. **Metal Film Resistor**
 R 101,106,107,111,116,117,151,156,157,161,166,167,201,206,207,211,216,217,251,256,257,261,266,267,301,306,307,311,316,317,351,356,357,361,366,367,401,406,407,411,416,417,451,456,457,461,466,467,501,506,507,511,516,517,551,556,557,561,566,567,601,606,607,611,616,617,651,656,657,661,666,667:
 10.0K 1/4 F (VA074400)
 R 102,112,152,162,202,212,252,262,302,312,352,362,402,412,452,462,502,512,552,562,602,612:
 3.3K 1/4 F (VB066700)
 R 652,662: 3.3K 1/4 F (VB066700)
 R 703,706: 4.3K 1/4 F (VB067000)
 R 704,707: 2.2K 1/4 F (VB066300)
 9. **LC Filter**
 EM 801-803: LS MT Y223NB (FZ006970)
 10. **Relay**
 RY 701: DC RY 12W-OH-K (VM640200)
 11. **Connector**
 CN 202: 52147-10P TE (VF728200) to MAIN-CN802
 12. **MQ Connector Socket**
 CN 511,521,531,541,551,561,571,581: MQ-9P (VI378700) to ANI1-1/2 CN801
 CN 592,602,612,622,632,642,652,662: MQ-9P (VI378700) to ANI1-2/2-CN802
 CN 671,681,691,701: MQ-9P (VI378700) to ANI2-CN801
 13. **Cable Holder**
 CN 101: 51048-9P TE (VI878700) to DC1/2-CN801
 CN 102: 51048-11P TE (VI878900) to DC1/2-CN802
 14. **Wire Trap**
 CN 811: 52147-5P TE (VK024900) to DA1/2-CN801
 15. **FFC Connector**
 CN 201: 52045-27P TE (VQ047800) to MAIN-CN801
 16. **Jumper Wire**
 W 1: FVP=2.0C26SB11-350 (VU07350)
 W 2: FVP=2.0C26SB9-350 (VU07320)

• DA Circuit Boards

Notes)

- Circuit Board: DA1/2 (NX816690) XQ121C0
DA2/2 (NX816700) XQ121C0
1. **IC**
 - IC 101: TC74HCU04AP (IG142200) INVERTER
 - IC 102: SN74HC04N (IR000450) INVERTER
 - IC 103: SN74HC541N (IR054150) BUFFER DRIVER
 - IC 104,112,301,304,307,310: YSF210 (XK280A00) DIGITAL FILTER
 - IC 105,106,113,114: PCM1702U (XP551A00) DAC
 - IC 107,109,115,117: NJM78L05A (XJ596A00) REGULATOR +5V
 - IC 108,110,116,118: NJM79L05A (IG130500) REGULATOR -5V
 - IC 111,119,120,122,123,303,306,309,312: NJM2068L-D (XM356A00) OP AMP
 - IC 121: NJM5532 (XR494A00) OP AMP
 - IC 302,305,308,311: PCM69AU (XQ987A00) DAC
 2. **Transistor**
 - Q 101,102: 2SC2878 A,B (IC287820)
 - Q 103-107: 2SC3330 S,T (VC218900)
 - Q 108: 2SA1317 R,S,T (VC218700)
 3. **Diode**
 - D 101-105: 1SS133,1SS176 (VB941200)
 4. **Zener Diode**
 - ZD 101: MTZJ27A 27.0V (VN265700)
 5. **Mylar Capacitor**
 - C 156,178,190,193: 6800P 50V J (UA353680)
 - C 157,179,191,194: 3000P 50V J (UA353300)
 - C 160,180: 0.0150 50V J (UA354150)
 6. **Ceramic Capacitor**
 - C 101,102: CH 22P 50V J (VK663100)
 - C 121,135,153,177,203,311,315,329,333,347,351,365,369: B 100P 50V K (VD841300)
 - C 183-186: SL 47P 50V J (VD840900)
 7. **Monolithic Ceramic Cap.**
 - C 103-106,108,110,116,118-120,122,124,130,132-134,136-138,140,142,148,150-152,154,155,158,159,162-165,173-176,188,189,196,197,205-207,301,303,306,317-319,321,324,335-337,339,342,353-355,357,360,371,372,378,379-381: 0.100 50V Z (VT957300)
 8. **Electrolytic Cap.**
 - C 107,113,127,139,145,169,200,201,302,307,308,309,313,320,325-327,331,338,343-345,349,356,361-363,367,375-377: 100.00 16.0V (UJ838100)
 - C 109,111,115,117,123,125,129,131,141,143,147,149,166,167,171,172,304,305,310,314,322,323,328,332,340,341,346,350,358,359,364,368: 10.00 16.0V (UJ837100)
 - C 112,126,144,168: 22.00 16.0V (UJ837220)
 - C 114,128,146,170: 47.00 16.0V (UJ837470)
 - C 187,192,195: 47.00 25.0V (UJ847470)
 - C 198,199,202,373,374: 100.00 25.0V (UJ848100)
 - C 204: 1.00 50.0V (UJ866100)
 9. **Electrolytic Cap. (chip)**
 - C 161,181: 47 16V (VU19550)
 - C 182: 0.0150 50V J (UN848220)
 10. **Carbon Resistor**
 - R 101: 1.0M 1/4 J (HF759100)
 - R 102,108,114,120,134: 1.0K 1/4 J (HF756100)
 - R 103,109,115,129: 360.0 1/4 J (HF755360)
 - R 106,112,118,132: 820.0 1/4 J (HF755820)
 - R 126,140: 2.2M 1/4 J (HF759220)
 - R 127,141,148,157,161,307,312,320,325,333,338,346,351: 39.0 1/4 J (HF754390)
 - R 128,142,149,158,162,308,313,321,326,334,339,347,352,353: 100.0K 1/4 J (HF758100)
 - R 150-154,163,166,167: 10.0K 1/4 J (HF757100)
 - R 164: 15.0K 1/4 J (HF757150)
 - R 165: 7.5K 1/4 J (HF756750)
 - R 302,315,328,341: 180.0 1/4 J (HF755180)
 - R 303,316,329,342: 150.0 1/4 J (HF755150)
 11. **Flame Proof C. Resistor**
 - R 104,105,110,111,116,117,130,131,301,314,327,340: 10.0 1/4 J (HV754100)
 12. **Metal Film Resistor**
 - R 107,113,119,133: 10.0K 1/4 F (VK682300)
 - R 121,122,125,135,136,139,155,156,159,160: 1.0K 1/4 F (VB065500)
 - R 123,137: 330.0 1/4 F (VB063700)
 - R 124,138: 2.0K 1/4 F (VB066200)
 - R 143,144,146: 15.0K 1/4 F (VA074600)
 - R 145,305,310,318,323,331,336,344,349: 10.0K 1/4 F (VA074400)
 - R 147: 16.0K 1/4 F (VB067800)
 - R 304,309,317,322,330,335,343,348: 4.7K 1/4 F (VA074100)
 - R 306,311,319,324,332,337,345,350: 20.0K 1/4 F (VB068000)
 13. **LC Filter**
 - EM 101,301-303: LS MT Y223NB (FZ006970)
 14. **Quartz Crystal Unit**
 - X 101: 21.47727M AT-49 (VR529600)
 15. **Relay**
 - RY 101-103: DC RY 12W-OH-K (VM640200)
 16. **Connector**
 - CN 811: 52147-15P TE (VF667600) to DA1/2-CN831
 - CN 812: 52147-15P TE (VF667600) to DA1/2-CN832

• DA 1/2 Circuit Board

17. MQ Connector Socket

CN 711:	MQ- 9P (VI378700) to ANO1-1/3-CN811
CN 722:	MQ-10P (VI378800) to ANO1-2/3-CN812
CN 733:	MQ-10P (VI378800) to ANO1-3/3-CN813
CN 741:	MQ-12P (VI379200) to ANO2-1/3-CN811
CN 752:	MQ-10P (VI378800) to ANO2-2/3-CN812
CN 763:	MQ- 9P (VI378700) to ANO2 3/3-CN813

18. Cable Holder

CN 101:	51048- 9P TE (VI878700) to DC1/2-CN811
CN 102:	51048-11P TE (VI878900) to DC1/2-CN812
CN 801:	51048- 5P TE (VI878300) to AD-CN811
CN 831:	51048-15P TE (VI879300) to DA2/2-CN811
CN 832:	51048-15P TE (VI879300) to DA2/2-CN812

19. Wire Trap

CN 201:	52147-11P TE (VK025500) to MAIN-CN811
---------	---------------------------------------

20. FFC Connector

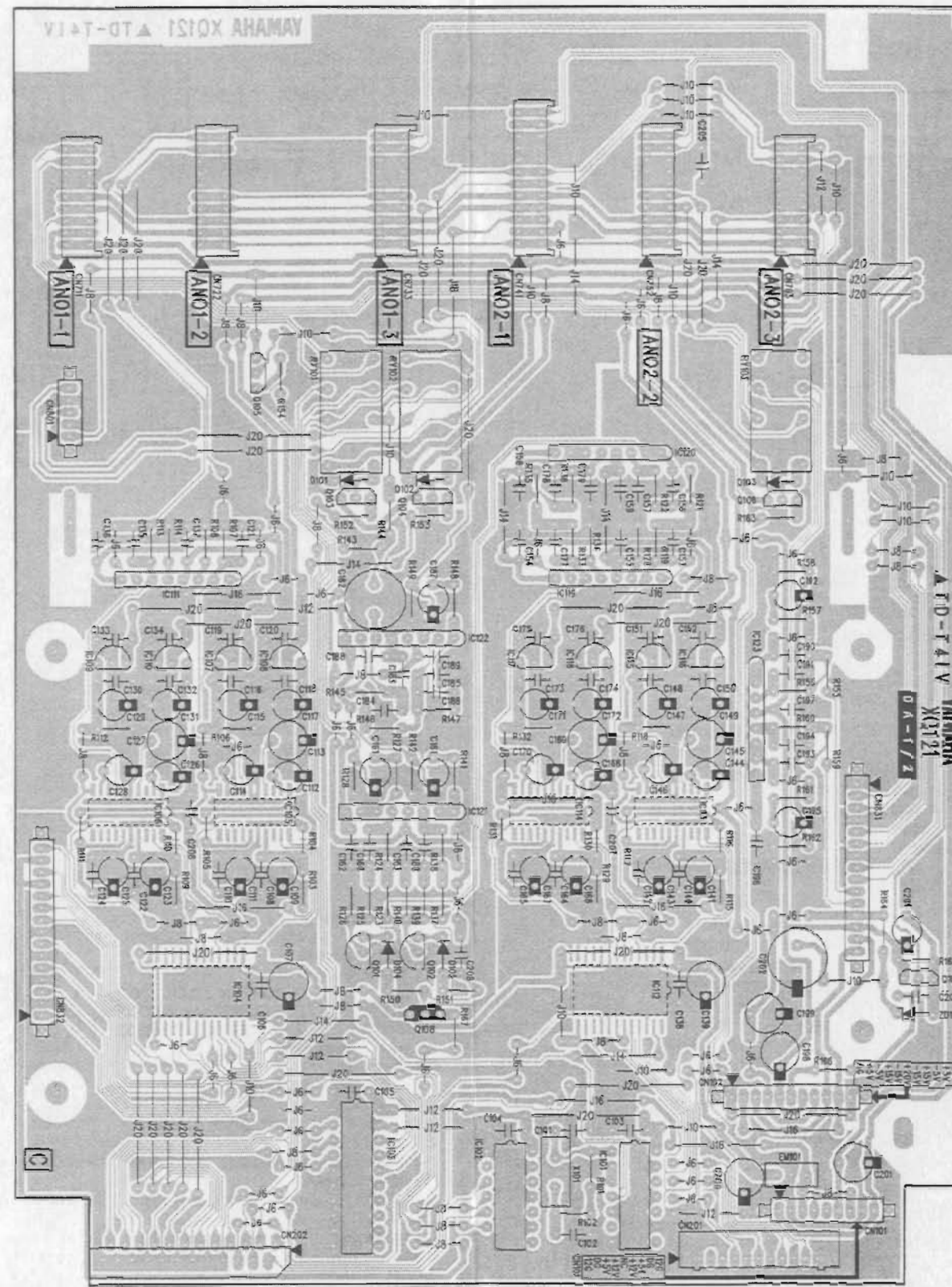
CN 202:	52045-24P TE (VP127700) to MAIN-CN812
---------	---------------------------------------

21. Jumper Wire

W 1:	FVP=2.0C26SB11-350 (VU07350)
W 2:	FVP=2.0C26SB9-350 (VU07320)
W 3,4:	FVP=2.0C26SB15-80 (VT64230)
W 5:	FVP=2.0C26SB5-100 (VU07290)

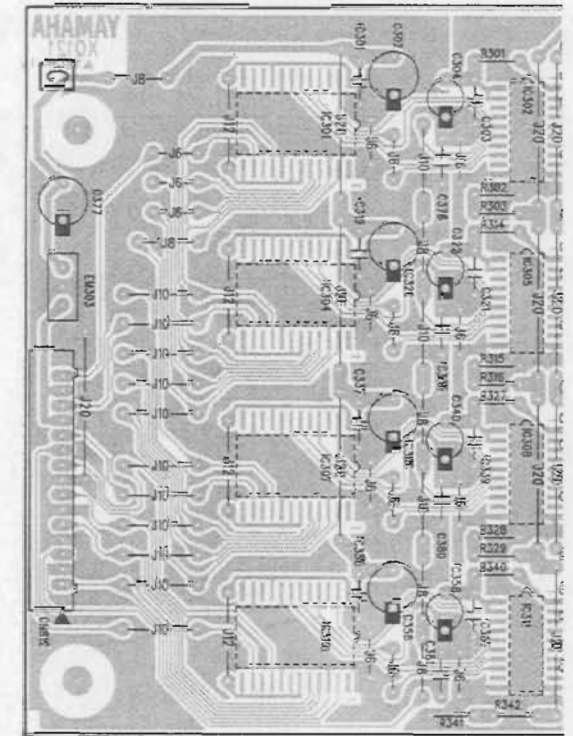
22. Jumper Wire

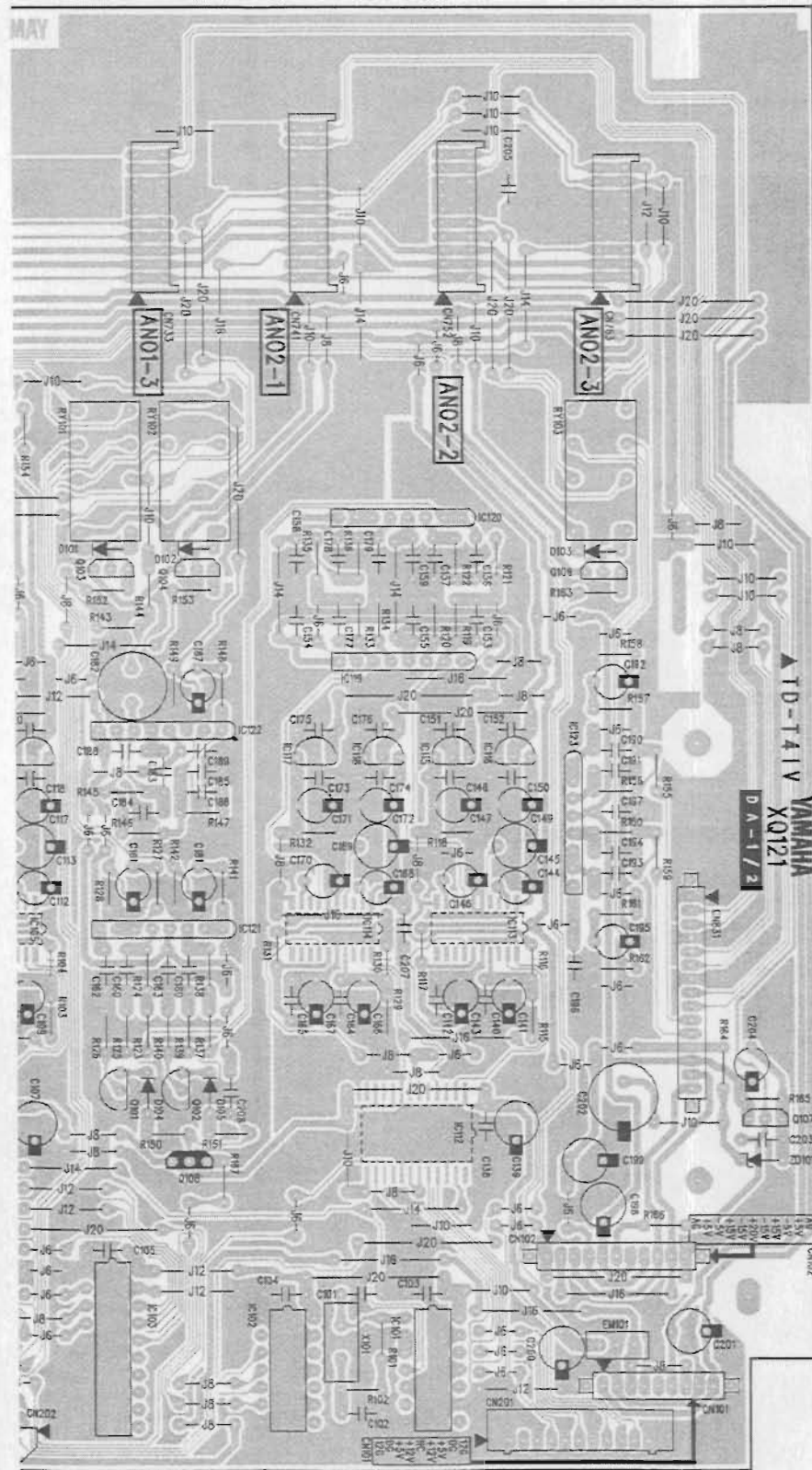
0.55 (VA078900)



Components side (部品側)

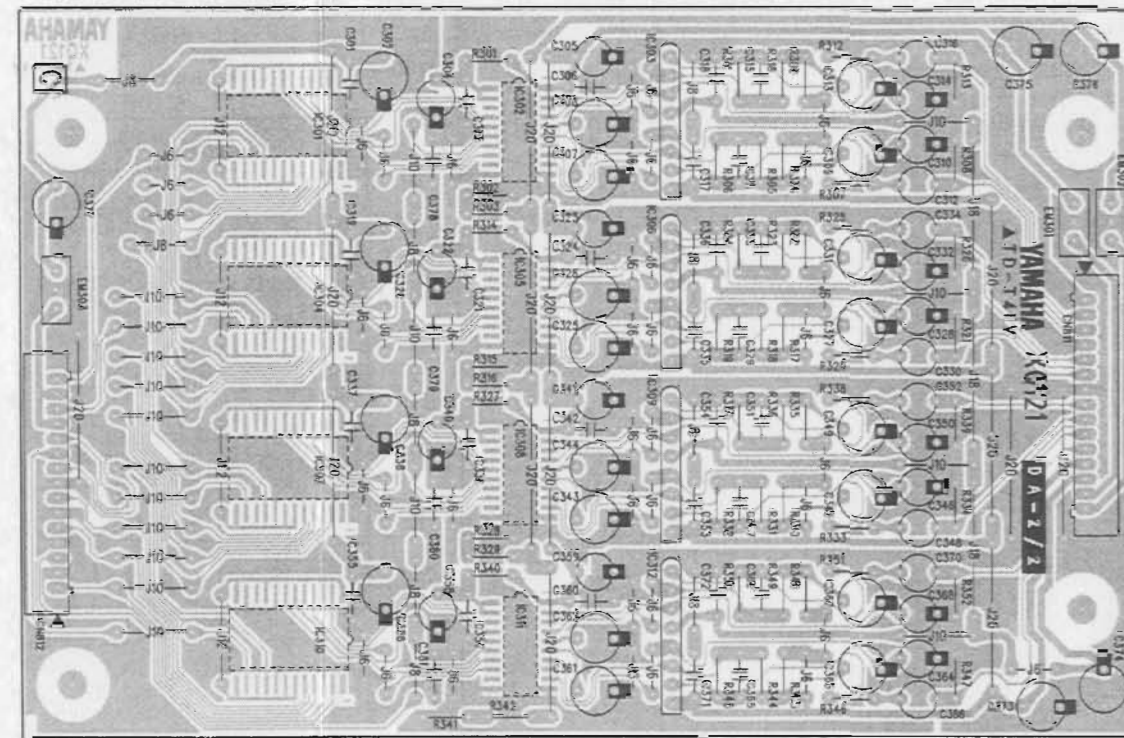
• DA 2/2 Circuit Board





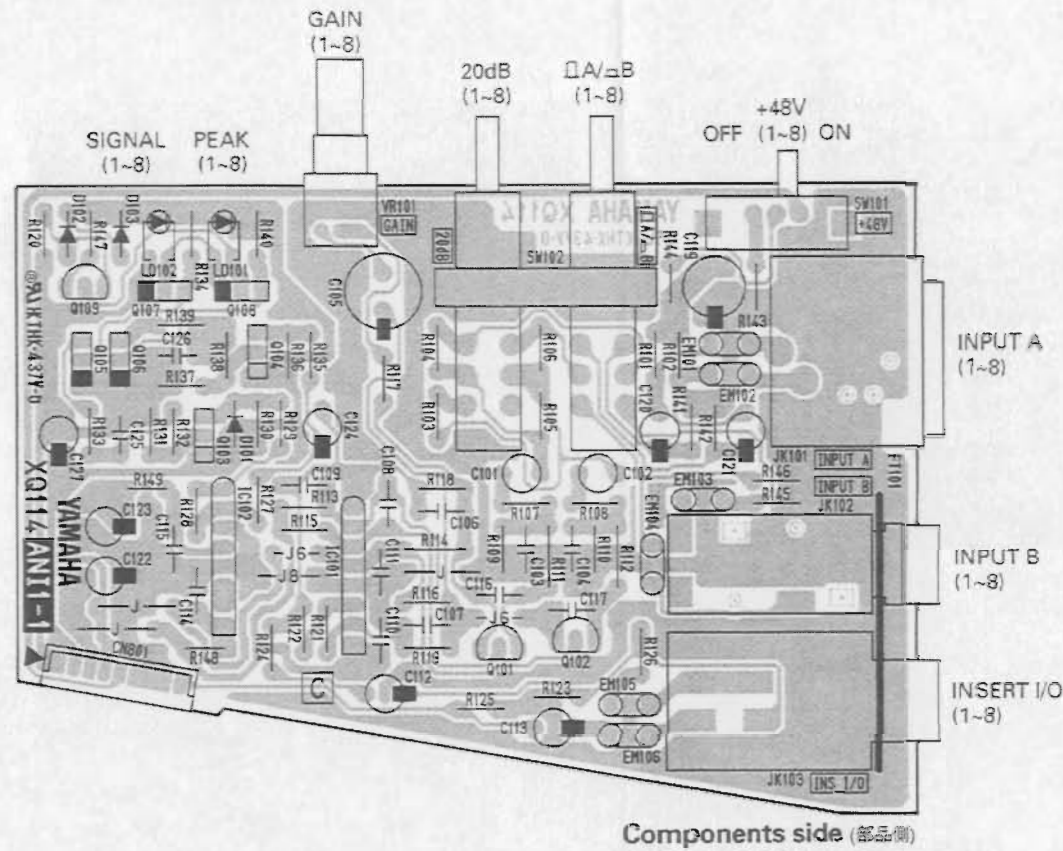
Components side (部品側)

• DA 2/2 Circuit Board

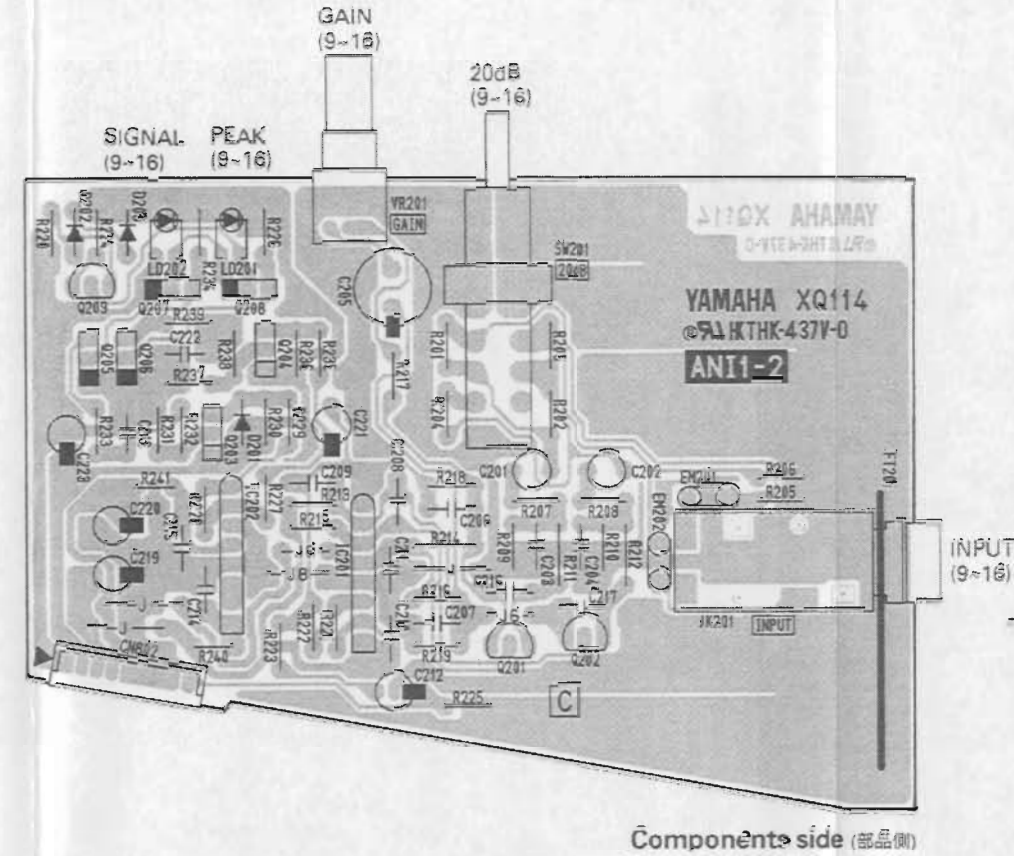


Components side (部品側)

• ANI1-1/2 Circuit Board



• ANI1-2/2 Circuit Board



Notes

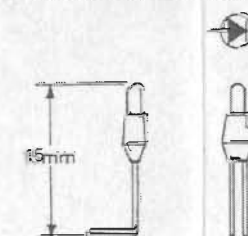
- Circuit Board: ANI1-1/2 (NX816610) XQ114CQ
ANI1-2/2 (NX816620) XQ114CQ
- IC
IC 101,201: NJM2068L-D (XM356A00) OP AMP
IC 102,202: NJM4558L (XM922A00) OP AMP
 - Transistor
Q101,102,201,202: 2SD786S R (VR744300)
Q103,104,203,204: 2SC3330 S,T (VC218900)
Q105,108,205,208: 2SA1317 R,S,T (VC218700)
Q109,209: 2SC1815 Y,G,R (IC1815M0)
 - Diode
D101-103,201-203: 1SS133,1SS176 (VB941200)
 - LED
LD 101: GL2PR6 RE (VH325200) PEAK 1-8
LD 102: GL2EG6 GR (VH325300) SIGNAL 1-8
LD 201: GL2PR6 RE (VH325200) PEAK 9-16
LD 202: GL2EG6 GR (VH325300) SIGNAL 9-16
 - Mylar Capacitor
C125,126,213,222: 0.0470 50V J (UA654471)
 - Ceramic Capacitor-SL
C103,104,108,203,204,208: B 220P 50V K (VD841800)
C106,107,206,207: SL 10P 50V J (VD840100)
C109,209: SL 22P 50V J (VD840500)
C116,117,216,217: B 1000P 50V K (VD842800)

- Monolithic Ceramic Cap.
C110,111,114,115,210,211,214,215: 0.100 50V Z (VT957300)
- Electrolytic Cap.
C105,205: 1000 6.3V (UJ819100)
C119: 47.00 63.0V (UJ877470)
C120,121: 10.00 50.0V (VJ097400)
C122,123,219,220: 47.00 25.0V (UJ847470)
C124,221: 1.00 50.0V (UJ866100)
C127,223: 10.00 16.0V (UJ837100)
- Electrolytic Cap. (chip)
C101,102: 0.55 (VU19540)
C112: 47 16V (VU19550)
C113,201,202: 10.00 16.0V (VU19540)
C212: 47 16V (VU19550)
- Carbon Resistor
R107,109,111,112,207,208,211,212: 10.0 1/4 J (HF754100)
R120,220: 12.0K 1/4 J (HF757120)
R123,125,127,131,133,134,137,139,141,143,225-227,231,233,234,237,239: 100.0K 1/4 J (HF755100)
R124,223: 39.0 1/4 J (HF754300)
R126: 560.0 1/4 J (HF75560)
R128,226: 220.0K 1/4 J (HF75120)
R129,135: 130.0K 1/4 J (HF75913)
R130,230: 220.0K 1/4 J (HF75130)
R132,138,232,238: 4.7K 1/4 J (HF756470)
R135,235: 100.0K 1/4 J (HF757100)
R147,224: 75.0 1/4 J (HF754750)
R229,235: 130.0K 1/4 J (HF75513)

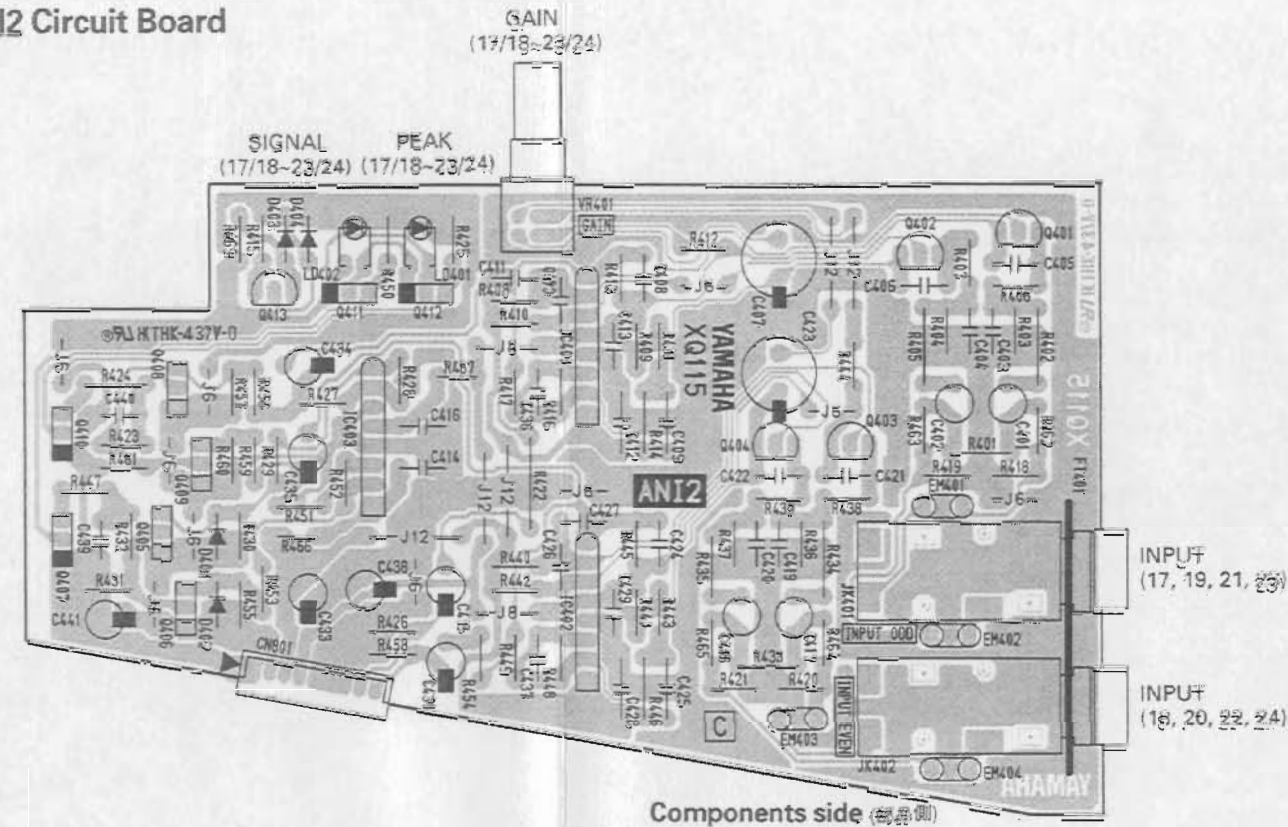
- Flame Proof C. Resistor
R144,146,149,240,241: 390.0 1/4 J (HV755390)
- Metal Film Resistor
R101,102: 6.8K 1/4 F (VB067300)
R103,204: 510.0 1/4 F (VB064200)
R104,106,201,203: 2.0K 1/4 F (VB066200)
R105,121,122,252,221,222: 4.7K 1/4 F (VA074100)
R109,110,209,210: 47.0K 1/4 F (VR159200)
R113,115,213,215: RE35 2.2K 1/4 F (V1950900)
R114,116,214,216: RE35 8.2K 1/4 F (V1951100)
R117,217: 20.0 1/4 F (VB069000)
R118: 24.0K 1/4 F (VR159300)
R119,219: 20.0 1/4 F (VB069200)
R141,142,145,146,235,236: 47.0K 1/4 F (VB069300)
R218: 24.0K 1/4 F (VR159300)
- Rotary Variable Resistor
VR101: (SK) (VT975100) GAIN 1-8
VR201: (SK) (VT975100) GAIN 9-16
- L.C Filter
EM101-106,201,202: DSS306-91B271M (V1243101)
- Slide Switch
SW101: SSSU112-S06N-1 (VQ907900) +45V ON/OFF
- Push Switch
SW102: SPUN22 (VT635600) A/B 20dB 1-8
SW201: SPUN19-2N-W H6 (VQ901900) 20dB 9-16

- Phone Jack
JK102: HLJ7001-01- (VS056300) INPUT B 1-8
JK103: HLJ4306 STEREO (LB301920) INSERT I/O 1-8
JK201: HLJ7001-01- (VS056300) INPUT 9-16
- Cannon Connector
JK101: NC3FAHR1-6 (VS763000) INPUT A 1-8
- MQ Connector
CN801: B09P-MQ (VB994900) to AD-CN511,521,531,541,551,561,571,581
B09P-MQ (VB994900) to AD-CN592,602,612,622,632,642,652,662
- Jumper Wire:
0.55 (VA078900)

• LD101, 102, 201 & 202 installation (LD101, 102, 201, 202の取り付け)



• ANI2 Circuit Board

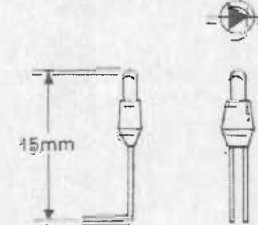


Notes

- Circuit Board: ANI2 (VU064700) XQ115C0
- 1. IC
 - IC 401,402: NJM2068L-D (XM356A00) OP AMP
 - IC 403: NJM4558L (XM922A00) OP AMP
- 2. Transistor
 - Q 401-404: 2SD1786S R (VR744300)
 - Q 405,406,408,409: 2SC3330 S,T (VC218900)
 - Q 407,410-412: 2SA1917 R,S,T (VC218700)
 - Q 413: 2SC1815 Y,GR (1C1815M0)
- 3. Diode
 - D 401-404: 1SS133,1SS176 (VB941200)
- 4. LED
 - LD 401: GL2PR6 RE (VH325200) PEAK 17-24
 - LD 402: GL2EG6 GR (VH325300) SIGNAL 17-24
- 5. Mylar Capacitor
 - C 439,440: 0.0470 50V J (UA854470)
- 6. Ceramic Capacitor
 - C 408,409,424,425: SL 10P 50V J (VD845100)
 - C 411,427: SL 33P 50V J (VD840700)
 - C 436,437: B 100P 50V K (VD841300)
- 7. Monolithic Ceramic Cap.
 - C 403,404,410,419,420,428: 220P 50V K (VD841800)
 - C 405,406,421,422: 1000P 50V K (VD842600)
 - C 412,414,416,428,429: 0.100 50V Z (VT957300)
- 8. Electrolytic Cap.
 - C 407,423: 1000 6.3V (UJ819100)
 - C 433,438: 47.00 25.0V (UJ847470)
 - C 434,435: 1.00 50.0V (UJ866100)
 - C 441: 10.00 16.0V (UJ837100)
- 9. Electrolytic Cap. (chip)
 - C 401,402,417,418: 10.00 16V (VU19540)
 - C 415,431: 47 16V (VU19550)
- 10. Carbon Resistor
 - R 402,405-407,434,435,438,439: 10.0 1/4 J (HF754100)

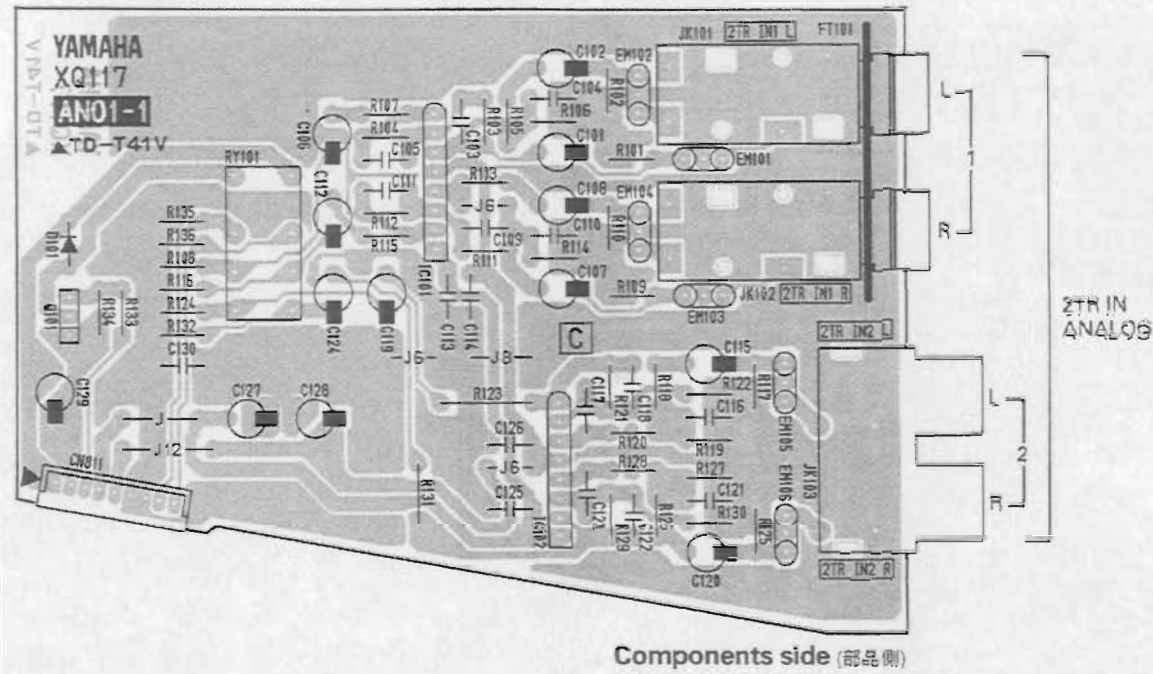
- R 415: 75.0 1/4 J (HF754750)
- R 422: 39.0 1/4 J (HF754900)
- R 423,432: 4.7K 1/4 J (HF756470)
- R 424,427,431,447,450,451,458,451: 100.0K 1/4 J (HF758100)
- R 428,432: 220.0K 1/4 J (HF758220)
- R 429,453,456,458: 100.0K 1/4 J (HF758100)
- R 430,435: 390.0K 1/4 J (HF758390)
- R 454: 220.0K 1/4 J (HF754470)
- R 457,450: 100.0K 1/4 J (HF757100)
- R 469: 12.0K 1/4 J (HF757120)
- 11. Flame Proof C. Resistor
 - R 455,457: 390.0 1/4 J (HV755390)
- 12. Metal Film Resistor
 - R 401,433: 1.0K 1/4 F (VB085600)
 - R 403,404,435,437: 47.0K 1/4 F (VR159200)
 - R 408,410,440,442: RE25 2.2K 1/4 F (VB50900)
 - R 409,411,441,443: RE35 8.2K 1/4 F (VB51100)
 - R 412,444: 16.0 1/4 F (VB506000)
 - R 413,445: 10.0K 1/4 F (VK882300)
 - R 414,446: 10.5K 1/4 F (VA074400)
 - R 415,417,445,449: 4.7K 1/4 F (VA074100)
 - R 418-421: 47.5K 1/4 F (VB088000)
 - R 427-429: 1.8K 1/4 F (VB086100)
- 13. Rotary Variable Resistor
 - VR 401: (5K) (VT975100) GAIN 17-24
- 14. LC Filter
 - EM 401-404: D68305-91B271M (V1245100)
- 15. Phone Jack
 - JK 401: HLJ7001-01- (VS056300) IN# 17,19,21,23
 - JK 402: HLJ7001-01- (VS056300) IN# 18,20,22,24
- 16. MQ Connector
 - CN 801: 809P-MQ (VB994900) to AD-CN871.681.691.701
- 17. Jumper Wire:
 - 0.55 (VA088900)

• LD401 & LD402 installation (LD401 & LD402の取り付け)



ANI1 : 3NA-VU06460
 ANI2 : 3NA-VU06470

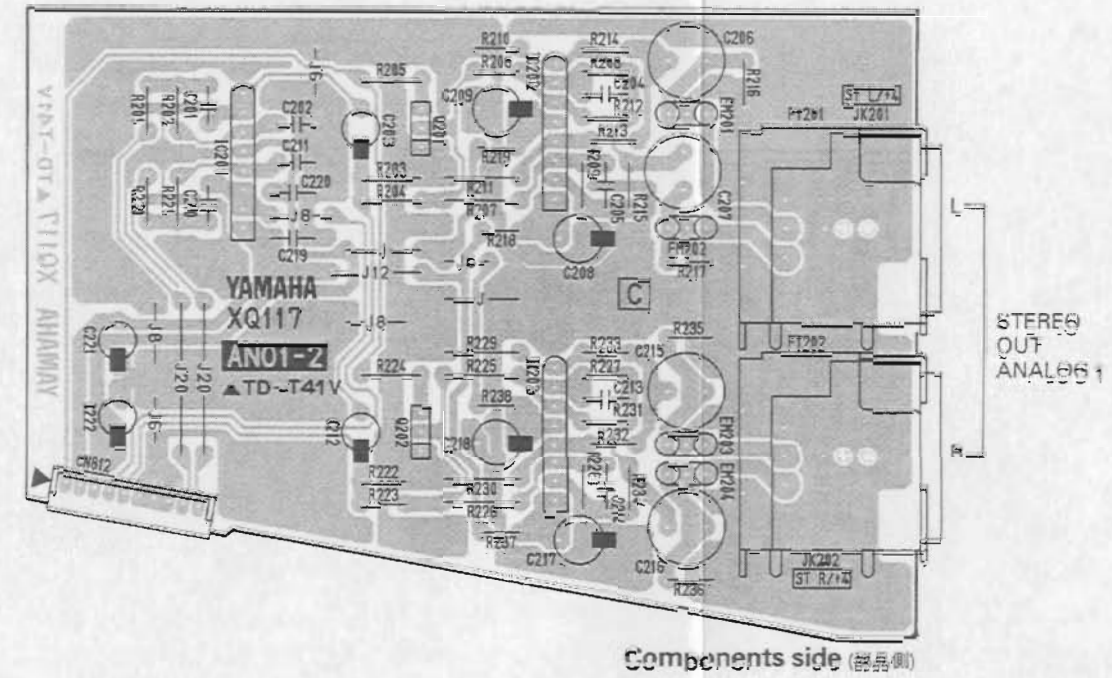
• ANO1-1/3 Circuit Board



- Notes)
Circuit Board: ANO1-1/3 (NX816630) XQ117C0
ANO1-2/3 (NX816640) XQ117C0
ANO1-3/3 (NX816650) XQ117C0
- IC
IC 101,102,201, 301,302: NJM2168L-D (XM356A00) OP AMP
IC 202,203: NJM5532 (XR494A00) OP AMP
 - Transistor
Q 101: 2SC3330 S,T (VC218900)
Q 201,202,301-304: 2SD1515(F) S,T (VK432900)
 - Diode
D 101: 1SS133,1SS175 (VB941200)
D 201,202: 11ES4 (VB481900)
 - Mylar Capacitor
C 201,210,301, 305: 5800P 50V J (UA353660)
C 202,211,302, 306: 3000P 50V J (UA353300)
 - Ceramic Capacitor
C 103-105,109-111,118-118, 121,122: B 100P 50V K (VD841300)
C 123,303,307: B 100P 50V K (VD841300)
C 204,205,213, 214: SL 33P 50V J (VD840700)
 - Monolithic Ceramic Cap.
C 113,114,125, 126,130,219, 220,308-312: 0.100 50V Z (VT9157300)

- Electrolytic Cap.
C 101,102,107, 108,115,120: 15.00 25.0V (UJ547100)
C 106,112,119, 124,127-129, 203,212,221, 222,304,308, 313-316: 47.00 25.0V (UJ547470)
C 206,207,215, 218: 2P 220.00 25.0V (UN848220)
C 208,209,217, 218: 100.00 25.0V (UJ848100)
- Electrolytic Cap. (chip)
C 223,224: 47.00 25.0V (VU19540)
- Carbon Resistor
R 107,115,123, 131: 35.0 1/4 J (HF754550)
R 108,118,124, 132,136,138, 203,216,217, 222,236,238, 306,314: 100.0K 1/4 J (HF758100)
R 117,119,125, 127: 27.0K 1/4 J (HF757270)
R 118,120,126, 128,303,311: 220.0 1/4 J (HF758220)
R 133,134,205, 224,308,310, 320,324: 10.0K 1/4 J (HF757100)
R 204,223,307, 315,317,321: 330.0 1/4 J (HF755390)
R 214,215,233, 234: 75.0 1/4 J (HF754750)
R 218,219,322, 323: 1.0K 1/4 J (HF756100)

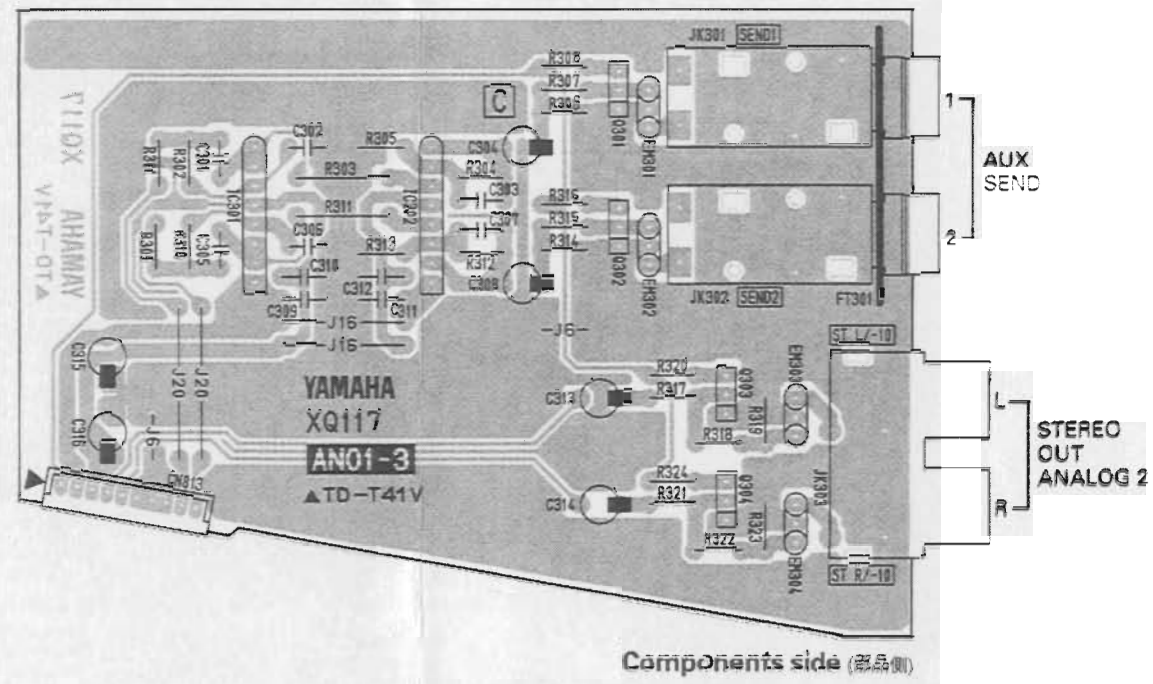
• ANO1-2/3 Circuit Board



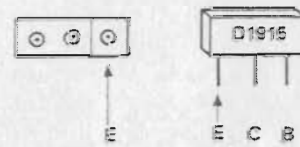
- Metal Film Resistor
R 101,102,109, 110: 100.0K 1/4 F (VB069600)
R 103,106,111, 113: 15.0K 1/4 F (VB087600)
R 104,105,112, 114: 10.0K 1/4 F (VA074400)
R 121,129: 12.0K 1/4 F (VB067000)
R 122,130: 5.2K 1/4 F (VB067400)
R 201,202,220, 221,301,302, 309,310: 1.0K 1/4 F (VB065500)
R 205,207,211, 225,226,230: 10.0K 1/4 F (VK682300)
R 208,209,227, 228: 15.0K 1/4 F (VU330900)
R 210,229: 11.0K 1/4 F (VU330700)
R 212,213,231, 232: 20.0K 1/4 F (VU331000)
R 206,209,227, 228: 18.0K 1/4 F (VU330900)
R 304,312: 6.8K 1/4 F (VB067300)
R 305,313: 11.0K 1/4 F (VA074500)
- 1.5 Filter
EM 104-105, 201-204,301-304: D5S306-91B271M (V1243100)
- Relay
RY 101: DC RY 12V-0H-K (VM548200)
- Flame Proof C. Resistor
R 218,219,237, 238: 10.0 1/4 J (HV754100)

- Pin Connector
JK 103: YKC21-3045 (VM725600) 2TR IN ANALOG 2
JK 303: YKC21-3045 (VM725600) ST. OUT ANALOG 2
- Phone Jack
JK 101: HLJ7001-01- (VS656300) 2TR IN ANA.1(L)
JK 102: HLJ7001-01- (VS656300) 2TR IN ANA.1(R)
JK 301: HLJ7001-01- (VS656300) AUX SEND 1
JK 302: HLJ7001-01- (VS656300) AUX SEND 2
- Cannon Connector
JK 201: N53MAHR (VS762900) ST. OUT ANA.1(L)
JK 202: N53MAHR (VS762900) ST. OUT ANA.1(R)
- MQ Connector
SN 811: 509P-MQ (VB994900) to DA12/ SN711
SN 812: MQ-10P TE (V1378600) to DA12/ SN722
SN 813: MQ-10P TE (V1378600) to DA12/ SN733
- Jumper Wire:
0.55 (VA078900)

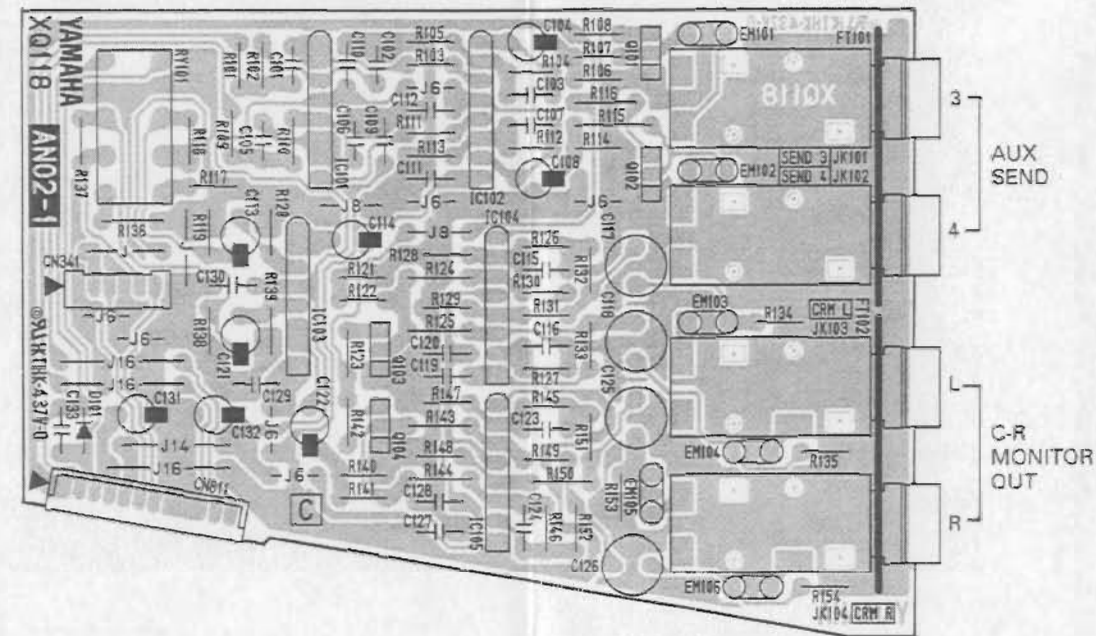
• ANO1-3/3 Circuit Board



- Q101, 201, 202, 301-304 installation (Q101, 201, 202, 301-304の取り付け)



• ANO2-1/3 Circuit Board



Components side (部品側)

Notes

- | | |
|----------------|-----------------------------|
| Circuit Board: | ANO2-1/3 (NX816660) XQ118C0 |
| | ANO2-2/3 (NX816670) XQ118C0 |
| | ANO2-3/3 (NX816680) XQ118C0 |
1. IC

IC 101,102,201,202,301:	NJM2068L-D (XM356A00) OP AMP
IC 103-105,203-205:	NJM5532 (XR494A00) OP AMP
IC 302:	NJM4556AL (XP844A00) OP AMP
 2. Transistor

Q101-104,201-204:	2SD1915(F) S,T (VK432900)
-------------------	---------------------------
 3. Diode

D101:	1SS133,1SS176 (VB941200)
D102,103,201,202:	11ES4 (VB481900)
 4. Mylar Capacitor

C101,105,201,205:	6800P 50V J (UA353680)
C102,106,202,206:	3000P 50V J (UA353300)
 5. Ceramic Capacitor

C103,107,203,207,317,320:	B 100P 50V K (VD841300)
C115,116,123,124,215,216,223,224:	SL 33P 50V J (VD840700)
C303,305:	B 220P 50V K (VD841800)
C304,309:	SL 47P 50V J (VD840900)
 6. Monolithic Ceramic Cap.

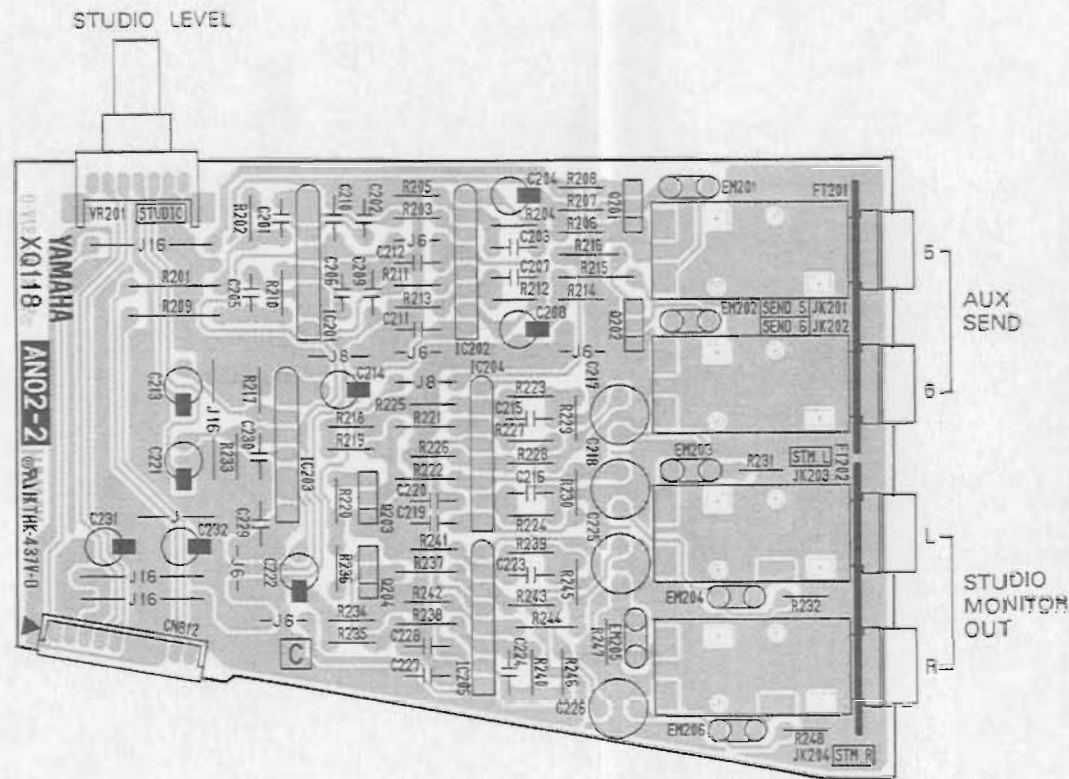
C109-112,119,120,127-130,133,209-212,219,220,227-230,311,312,315,324:	Q.100 50V Z (VT957300)
---	------------------------
 7. Electrolytic Cap.

C104,108,113,114,121,122,131,132,204,208,213,214,221,222,231,232,301,306-308,310,313,314,316,319:	47.00 25.0V (UJ847470)
C117,118,125,126,217,218,225,226:	BP 100.00 25.0V (UN848100)
C302:	10.00 50.0V (VJ097400)
C318,321:	100.00 16.0V (UJ838100)
C322,323:	470.00 25.0V (UJ848470)
 8. Electrolytic Cap. (chip)

C134,135,234,235:	10.00 16V (VU19540)
-------------------	---------------------
 9. Carbon Resistor

R103,111,203,211,304,306,311:	220.0 1/4 J (HF755220)
R106,114,121,134,135,140,153,154,206,214,218,231,232,234,247,248,315,320,326:	100.0K 1/4 J (HF758100)
R107,115,122,141,207,215,219,235:	330.0 1/4 J (HF755330)
R108,116,123,142,208,216,220,236:	10.0K 1/4 J (HF757100)
R117,136:	2.0K 1/4 J (HF756200)
R118,137:	18.0K 1/4 J (HF757180)
R119,138:	470.0K 1/4 J (HF758470)
R132,133,151,152,229,230,245,246:	75.0 1/4 J (HF754750)
R301:	15.0K 1/4 J (HF757150)

• ANO2-2/3 Circuit Board

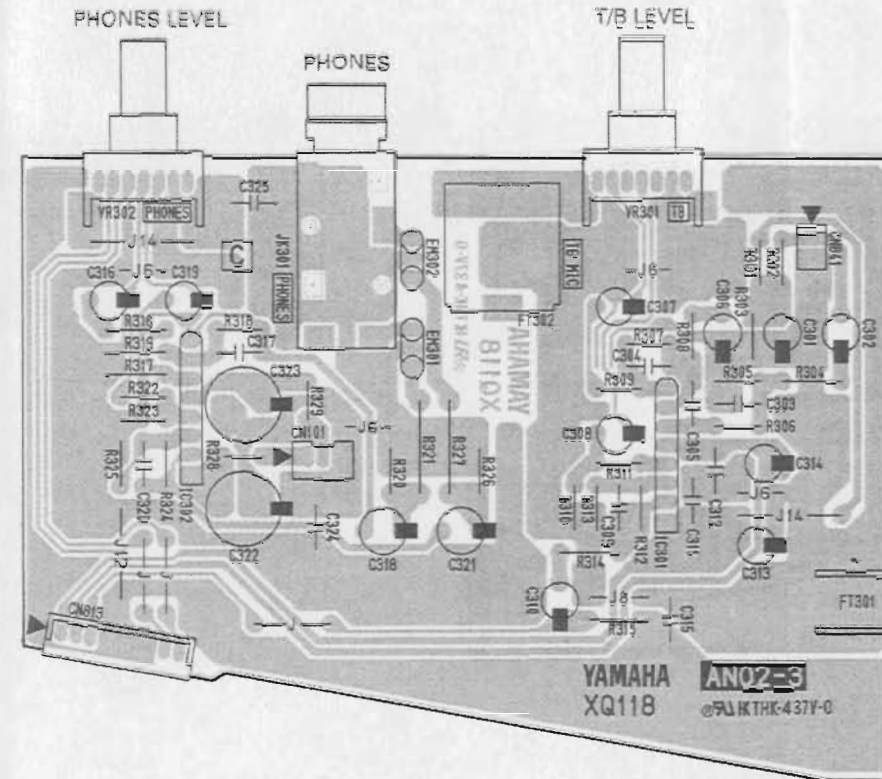


Components side (部品側)

- R 302,303: 2.2K 1/4 J (HF756220)
- R 305: 47.0K 1/4 J (HF757470)
- R 309,314: 39.0 1/4 J (HF754390)
- R 310: 22.0K 1/4 J (HF757220)
- 10. Flame Proof C. Resistor
- R 328,329: 10.0 1/4 J (HV754100)
- 11. Metal Film Resistor
- R 101,102,109,110,201,202,209,210: 1.0K 1/4 F (VB065500)
- R 104,112,204,212,317,323: 6.8K 1/4 F (VB067300)
- R 105,113,205,213,318,324: 11.0K 1/4 F (VA074500)
- R 120,139,217,233: 100.0K 1/4 F (VK682700)
- R 124,125,129,143,144,146,221,222,226,237,238,242: 10.0K 1/4 F (VK582300)
- R 126,127,145,146,223,224,239,240: 16.0K 1/4 F (VU332100)
- R 128,147,225,241: 11.0K 1/4 F (VU330700)
- R 130,131,149,150,227,228,243,244: 18.0K 1/4 F (VU330900)
- R 307: 22.0K 1/4 F (VB068100)
- R 308: 220.0 1/4 F (VB063300)
- R 312: 10.0K 1/4 F (VA074400)
- R 313: 4.7K 1/4 F (VA074100)
- R 316,322: 15.0K 1/4 F (VA074600)
- R 319,325: 2.7K 1/4 F (VB066500)

- 12. Metal Oxide Film Resistor
- R 321,327: 100.0 1W J (VC745000)
- 13. Rotary Variable Resistor
- VR 201: A20Kx2 RK14K12B (VQ901400) STUDIO LEVEL
- VR 301: A20Kx2 RK14K12B (VQ901400) T/B LEVEL
- VR 302: A20Kx2 RK14K12B (VQ901400) PHONES LEVEL
- 14. LC Filter
- EM 101-106,201-205: DSS306-91B271M (V1243106)
- EM 206: DSS306-91B271M (V1243106)
- EM 301,302: LS MT X222MB (FZ007070)
- 15. Relay
- RY 101: DC RY 12W-OH-K (VM640200)
- 16. Phone Jack
- JK 101: HLJ7001-01- (VS056300) AUX SEND 3
- JK 102: HLJ7001-01- (VS056300) AUX SEND 4
- JK 103: HLJ7001-01- (VS056300) C-R MON. OUT(L)
- JK 104: HLJ7001-01- (VS056300) C-R MON. OUT(R)
- JK 201: HLJ7001-01- (VS056300) AUX SEND 5
- JK 202: HLJ7001-01- (VS056300) AUX SEND 6
- JK 203: HLJ7001-01- (VS056300) STUDIO MON. O(L)
- JK 204: HLJ7001-01- (VS056300) STUDIO MON. O(R)
- HLJ7001-01- (VS056300) PHONES
- 17. Base Pin
- CN 811: MQ-12P TE (VA252400) to DA1/2-CN741

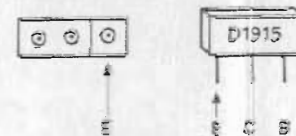
• ANO2-3/3 Circuit Board



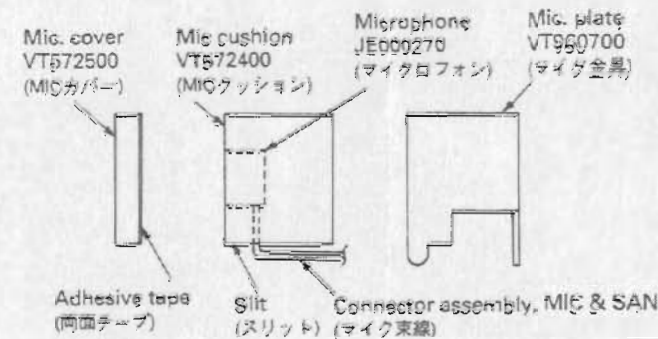
Components side (部品側)

- 18. Connector Base Post
- CN 341: 10.0 1/4 J (VB390200) to PN2-A/4-CN741
- CN 512: MQ-10P TE (V1378000) to DA1/2-CN752
- 19. MQ Connector
- CN 813: B09P-MQ (VB994900) to DA1/2-CN753
- 20. Connector Assembly
- CN 101: SAN&PH 2P 650L (VU14410) to DC1/2-CN751
- CN 841: MIC&SAN (VU06630) to MIC
- 21. Jumper Wire
- C 325: 0.55 (VA079900)
- 22. Microphone:
- A20Kx2 RK14K12B (JE000270)

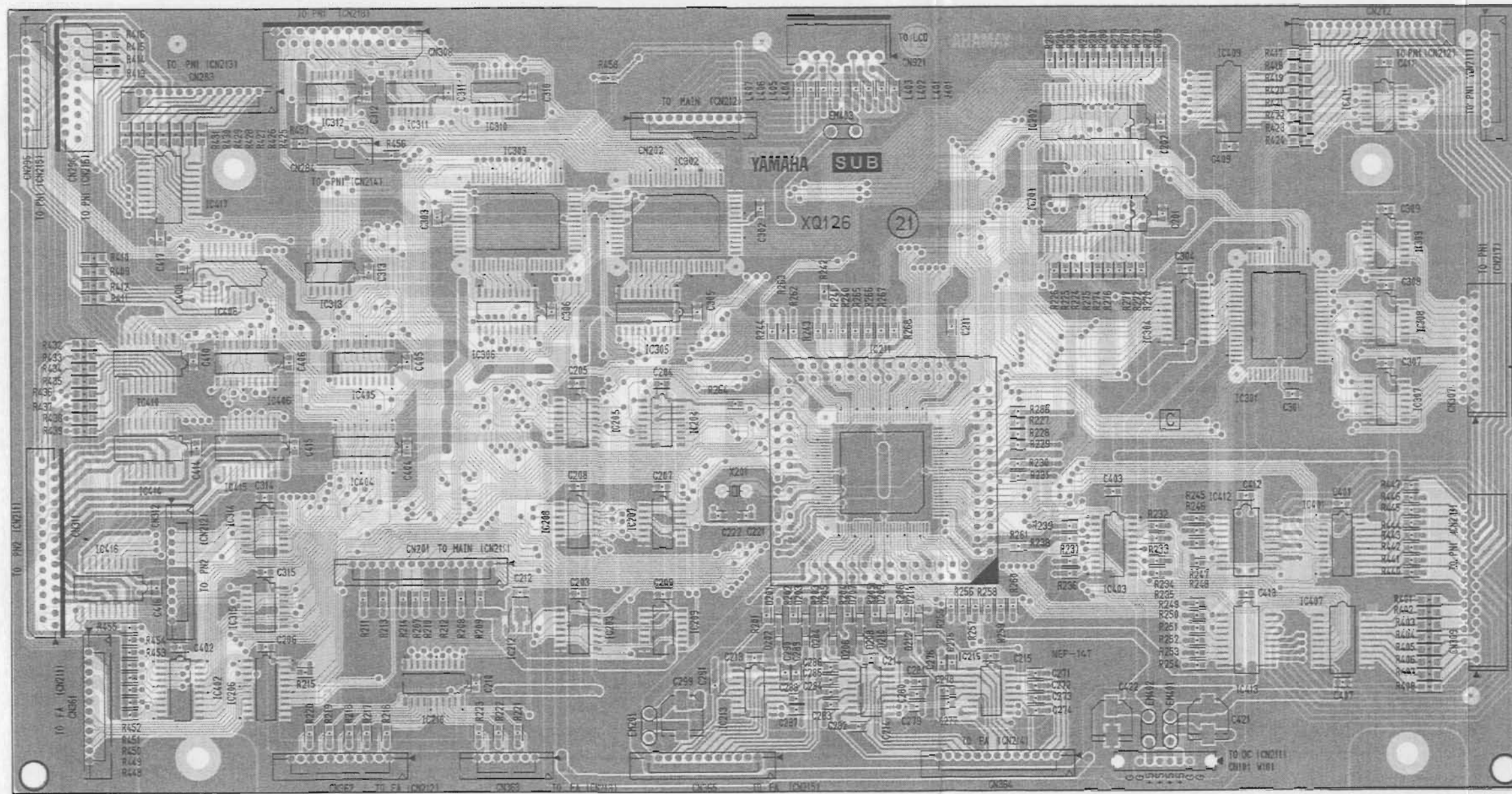
- Q101-104, 201-204 Installation (Q101-104, 201-204の取り付け)



- Microphone installation (マイクロフォンの取り付け)

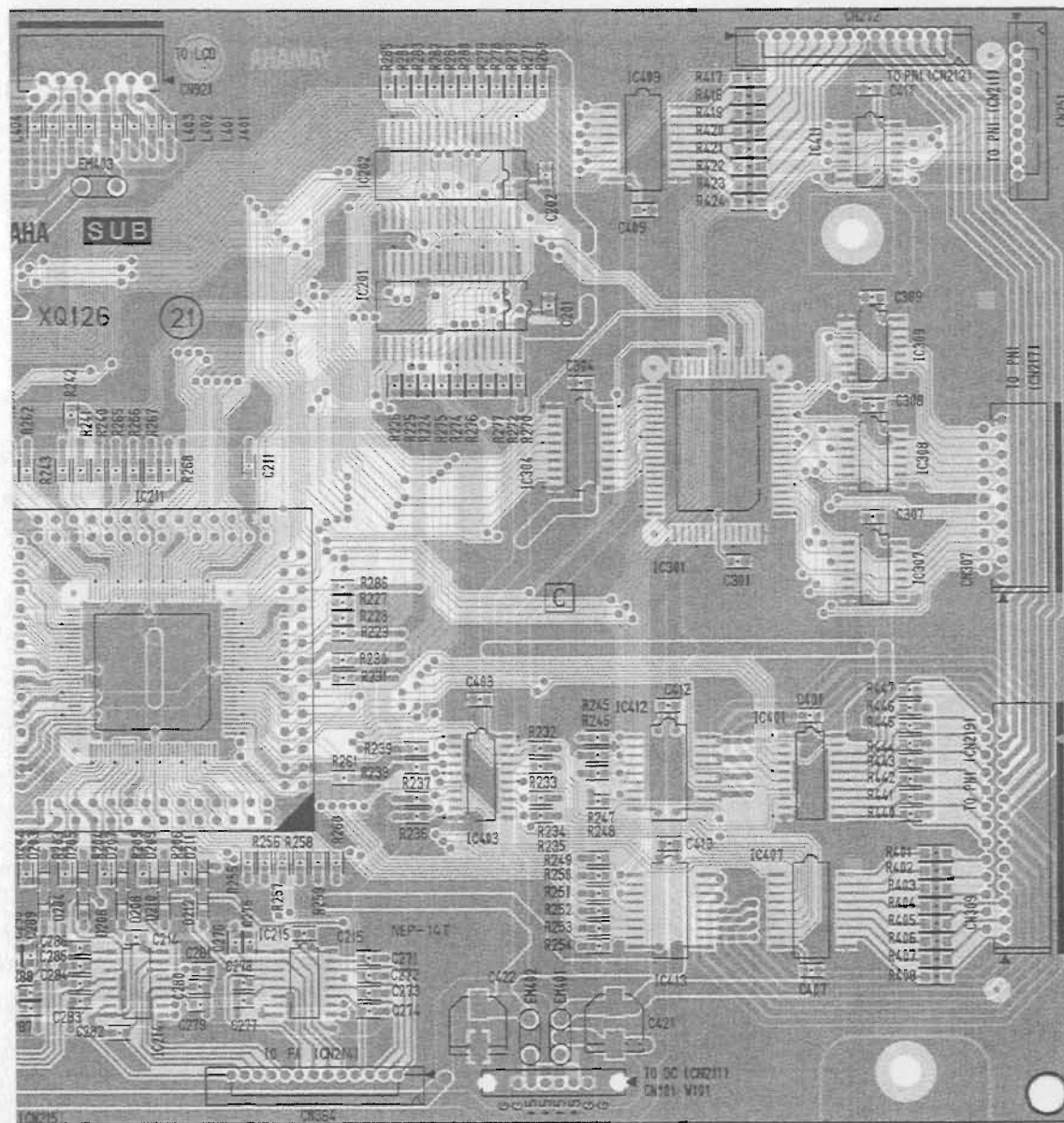


• SUB Circuit Board



Components side (部品側)

- Notes)
1. Circuit Board: SUB (VT580300)
 - IC 201, 202: CXK58257AM70S1
SRAM 256K
 - IC 203: SN74HC06NSR (X)
 - IC 204, 206: T074HC139AF-TF
DECGDER
 - IC 208, 210, 304-306, 401, 402: SN74HC245NSR (X)
BUFFER
 - IC 207: SN74HC74NSR (X)
 - IC 208: SN74HC32NSR (X)
 - IC 209: T074HC164AF (X)
REGISTER
 - IC 211: M0647G034F (XR)
 - IC 212: M51951AML (XR)
 - IC 213-215: TC4062BF (XC)
 - IC 301-303: YMA003 (XH)
 - IC 307-315: SN74HC14NSR (X)
INVERTER
 - IC 403-406: SN74HC273NSR (X)
 - IC 411: SN74HC04NSR (X)
INVERTER
 2. Transistor Array
IC 407-410, 417: TD62783AF (VQ2)
 - IC 412-416: TD62381F (VQ248)
 3. Diode
D 201-212: 1SS355 TE-17 (VT)
 4. Monolithic Ceramic Cap.
C 201-215, 271-281, 301-315, 401-417: F 0.100 25V Z (UB)
 - C 221, 222: 5L 10P 50V D (UB)
 5. Electrolytic Cap. (chip)
C 209, 421, 422: 100 16V (W)
 6. Carbon Resistor (chip)
R 201-206: 100.0 0.1 J (RD25)
 - R 267, 268, 440-455, 458: 10.0K 0.1 J (RD25)
 - R 401, 439: 22.0 1/4 J (RD154)
 - R 456: 1.2K 0.1 J (RD256)
 - R 457: 10.0K 0.1 J (RD25)
 7. Chip Inductance
L 401-407: BLM21B20PT 2125
 8. LC Filter
EM 201, 401-403: LS MT Y224NB (F)



Components side (部品側)

Notes)

- Circuit Board: SUB (VT580300) XQ126C0
- IC
 - IC 201,202: CXK58257AM70SR (XR384A00) SRAM 256K
 - IC 203: SN74HC08NSR (XD831A00) AND
 - IC 204,205: TC74HC139AF-TP1 (XE462A00) DECODER
 - IC 206,210,304-306,401,402: SN74HC245NSR (XD838A00) BUFFER
 - IC 207: SN74HC74NSR (XC726A00) DFF
 - IC 208: SN74HC32NSR (XD833A00) OR
 - IC 209: TC74HC164AF (XQ967A00) SHIFT REGISTER
 - IC 211: HD6477034F (XR107800) CPU
 - IC 212: M51951AML (XR063A00) RESET
 - IC 213-215: TC4052BF (XG903A00) MULTIPLEXER
 - IC 301-303: YMAB03 (XH887A00) RE-COUNTER
 - IC 307-315: NS74HC14NSR (XC725A00) INVERTER
 - IC 403-406: SN74HC273NSR (XH223A00) D-FF
 - IC 411: SN74HC04NSR (XD830A00) INVERTER
 - Transistor Array
 - IC 407-410,417: TD62783AF (VQ248400)
 - IC 412-416: TD62381F (VQ248500)
 - Diode
 - D 201-212: 1S355 TE-17 (VT332900)
 - Monolithic Ceramic Cap.
 - C 201-215,271-291,301-315,401-417: F 0.100 25V Z (UB245100)
 - C 221,222: SL 10P 50V D (UB051100)
 - Electrolytic Cap. (chip)
 - C 299,421,422: 100 16V (UF038100)
 - Carbon Resistor (chip)
 - R 201-206: 100.0 0.1 J (RD255100)
 - R 207-286,440-455,458: 10.0K 0.1 J (RD257100)
 - R 401-439: 22.0 1/4 J (RD154220)
 - R 456: 1.2K 0.1 J (RD256120)
 - R 457: 11.0K 0.1 J (RD257110)
 - Chip Inductance
 - L 401-407: BLM21B20PT 2125 (VS740100)
 - LC Filter
 - EM 201,401-403: LS MT Y223NB (FZC06970)

9. Quartz Crystal Unit

X 201: 10.0K 0.1 J (VI927300)

10. Connector

CN 201: 52147-15P TE (VF667600) to MAIN-CN211

CN 202: 52147-10P TE (VF728200) to MAIN-CN212

CN 251: 52147-10P TE (VF728200) to PN1-1/6-CN211

CN 295: 52147-10P TE (VF728200) to PN1-5/6-CN215

11. FFC Connector

CN 921: 52044-14P SW (VF982200) to LCD-DATA

12. Cable Holder

CN 101: 51048-8P TE (VI878600) to DC1/2-CN211

13. Wire Trap

CN 272: 52147-14P TE (VK025800) to PN1-3/6-CN212

CN 283: 52147-13P TE (VK025700) to PN1-4/6-CN213

CN 284: 52147-3P TE (VK024700) to PN1-4/6-CN214

CN 312: 52147-11P TE (VK025500) to PN2-1/4-CN212

CN 361: 52147-12P TE (VK025600) to FA-CN211

CN 362: 52147-11P TE (VK025500) to FA-CN212

CN 363: 52147-7P TE (VK025100) to FA-CN213

CN 364: 52147-13P TE (VK025700) to FA-CN214

CN 365: 52147-12P TE (VK025600) to FA-CN215

14. FFC Connector

CN 296: 52045-18P TE (VP573800) to PN1-5/6-CN216

CN 307: 52044-19P SE (VQ044900) to PN1-6/6-CN217

CN 308: 52045-23P TE (VM689000) to PN1-6/6-CN218

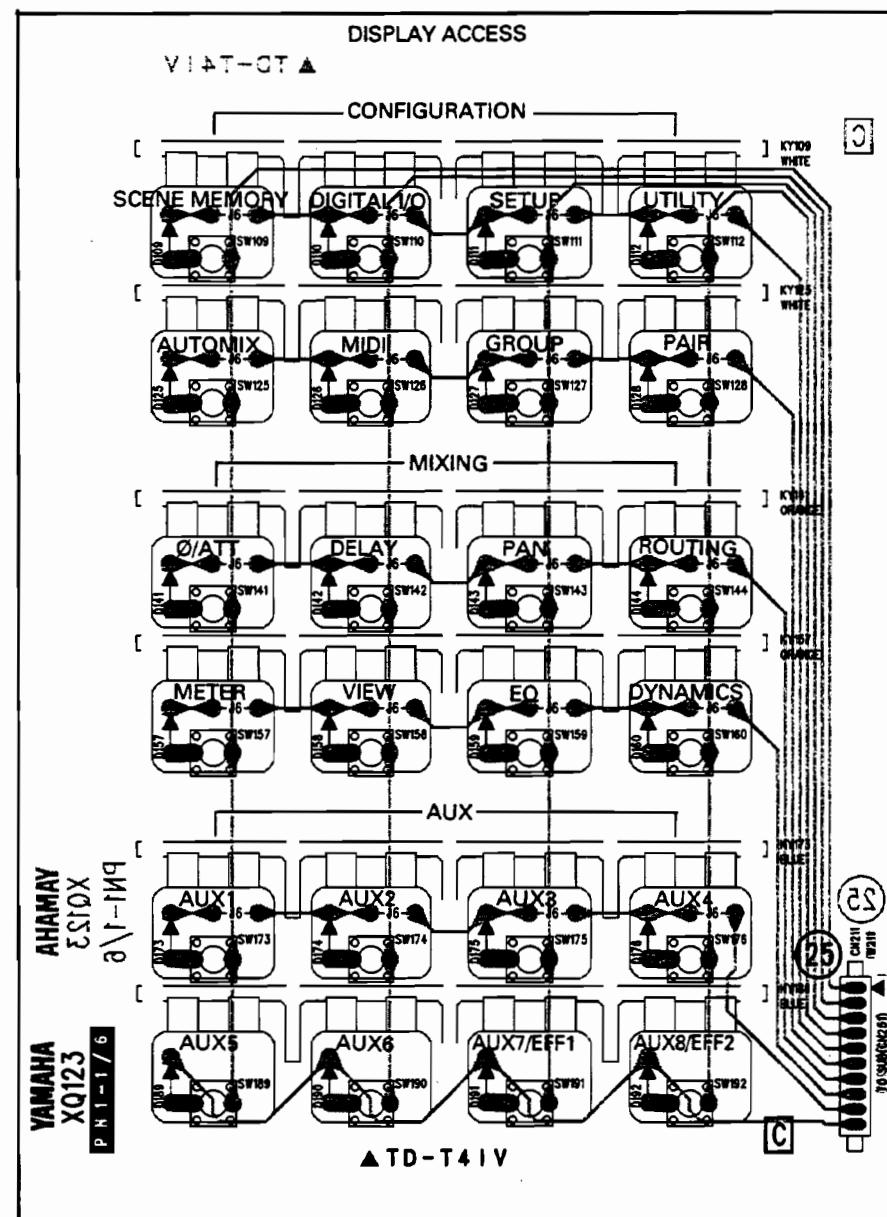
CN 309: 52044-26P SE (VQ045500) to PN1-6/6-CN219

CN 311: 52045-26P TE (VN773600) to PN2-1/4-CN211

15. Jumper Wire

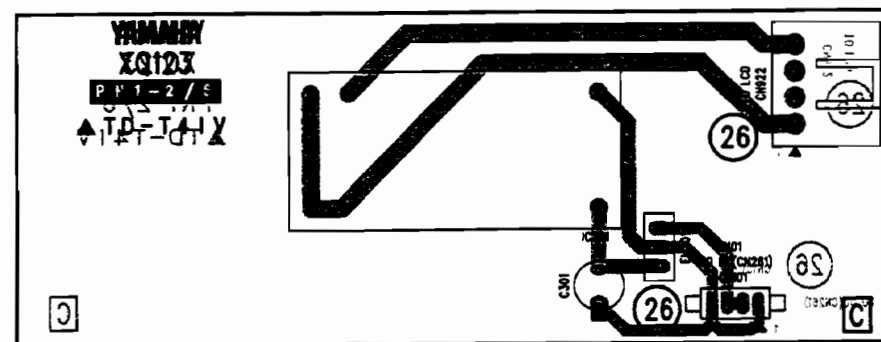
W 101: FVP=2.0C26SB8-460 (VU07300)

• PN1-1/6 Circuit Board



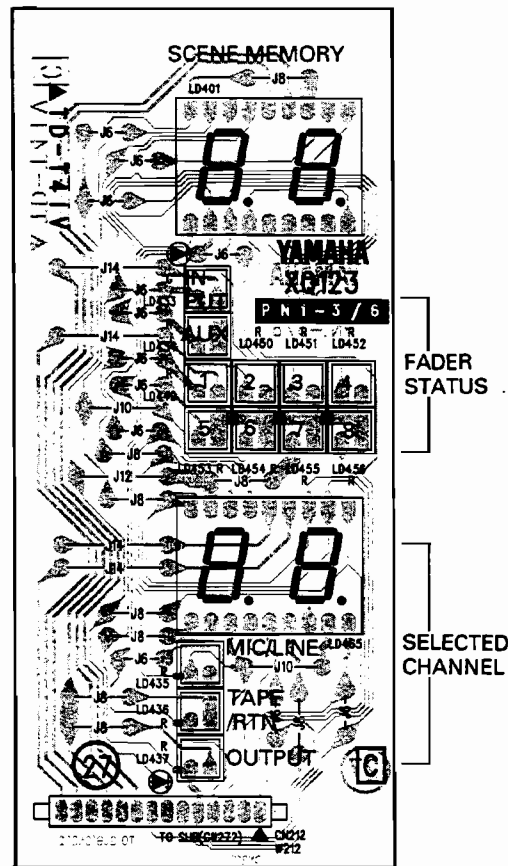
Components side (部品側)

• PN1-2/6 Circuit Board



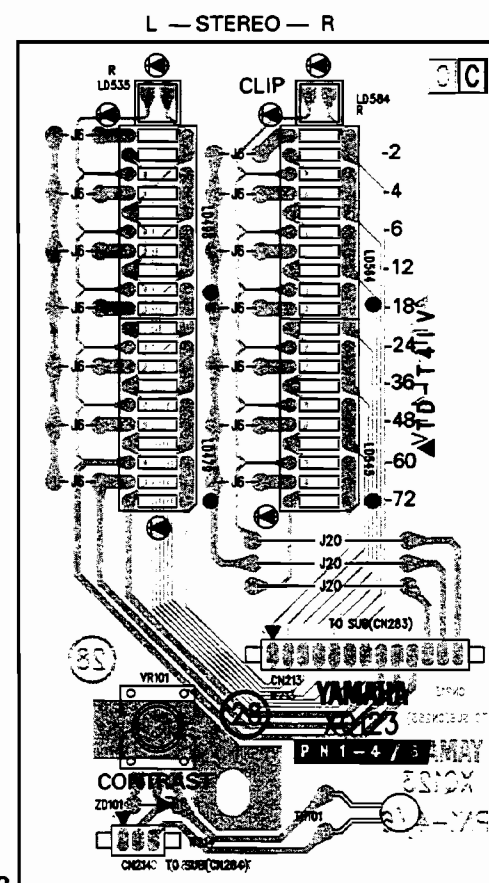
Components side (部品側)

● PN1-3/6 Circuit Board



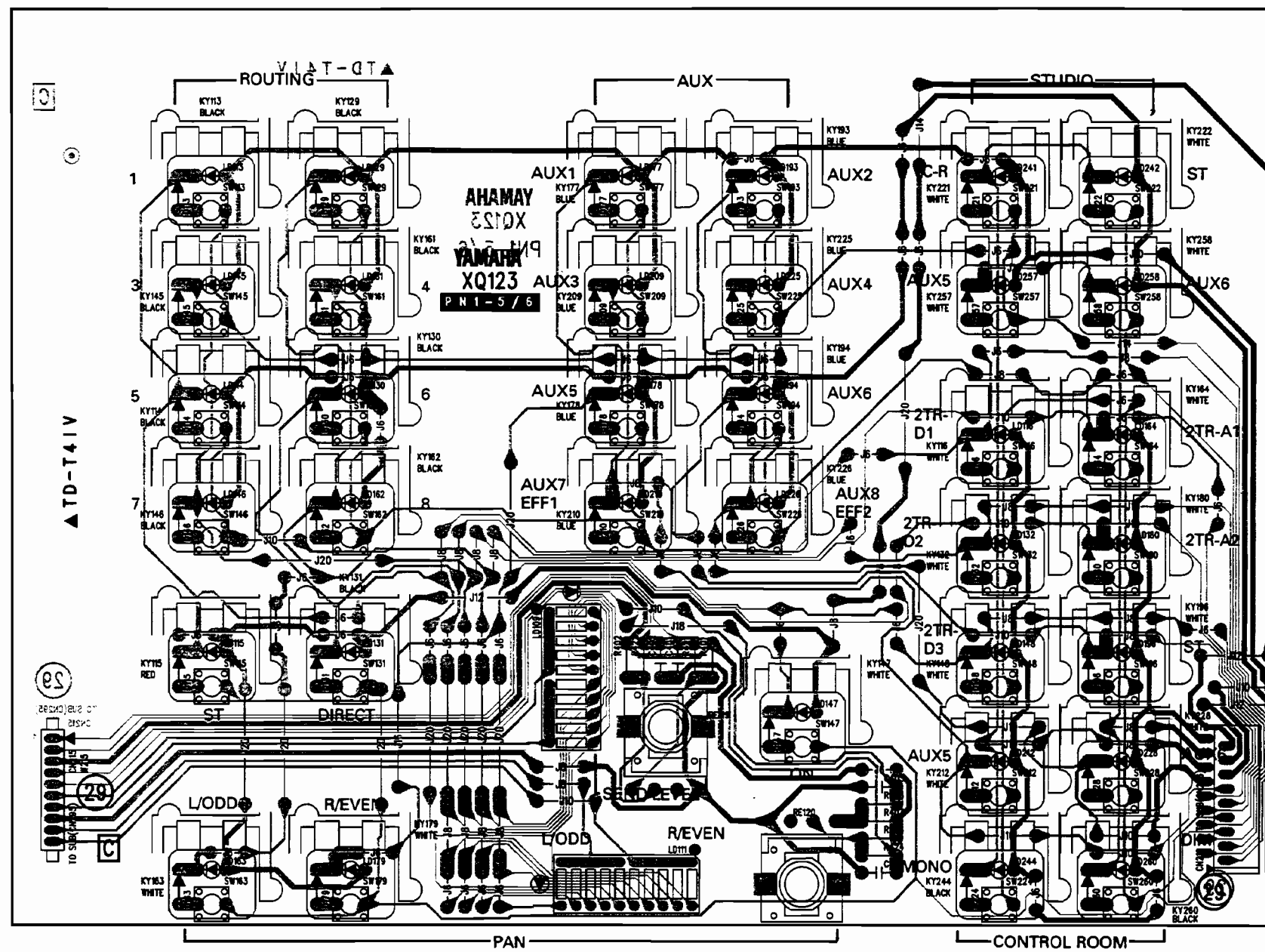
Components side (部品側)

● PN1-4/6 Circuit Board



Components side (部品側)

● PN1-5/6 Circuit Board



Components side (部品側)

Notes)

- Circuit Board: PN1-1/6 (NX816710) XQ123C0
PN1-2/6 (NX816720) XQ123C0
PN1-3/6 (NX816730) XQ123C0
PN1-4/6 (NX816740) XQ123C0
PN1-5/6 (NX816750) XQ123C0
PN1-6/6 (NX816760) XQ123C0
- IC**
IC 301: CXA-L10A (VQ618300) DC/AC INVERTER
 - Diode**
D 101-194, 196-200, 202-204, 209, 210, 212-216, 219-220, 222-224, 226, 228-236, 245-252, 257, 258, 260:
1SS133, 1SS176 (VB941200)
 - Zener Diode**
ZD 101: MTZJ6.8B 6.8V (VQ553900)
 - Thermistor**
TH 101: ERT-D2FGL332S 3. (VT816300)

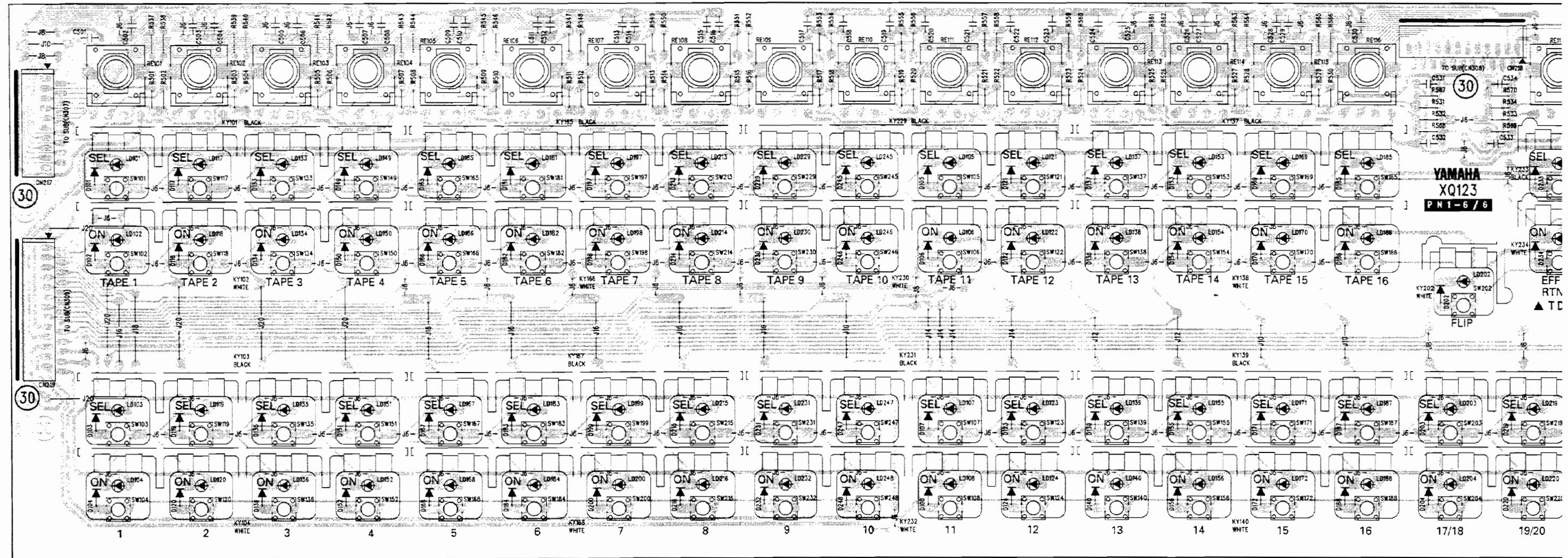
5. LED

- LD 101-108, 113-124, 129-140, 145-156, 161-172, 177-188, 193, 194, 196-200, 202-204, 209, 210, 212-216, 219, 220, 225, 226, 228-236, 241, 242, 244-252, 257, 258, 260:
SLR-325VCT31(TA) (VS132300)
LD 433: LD101MG (GR) (IF007690)
LD 434: LD-101VR RE (IF004940)
LD 435-437: LD-101VR RE (IF004940)
LD 449-456: LD-101VR RE (IF004940) FADER STATUS 1-8
LD 535, 584: LD-101VR RE (IF004940) STEREO CLIP L,R

6. LED Level Meter

- LD 109: SLA-2651 10P GR (VK272300) AUX SEND LEVEL
LD 111: SLA-2651 10P GR (VK272300) PAN L/R LEVEL
LD 479: SLA-2651 10P GR (VK272300) STEREO L level
LD 498: SLA-4651 10P YE (VK272400) STEREO L level
LD 545: SLA-2651 10P GR (VK272300) STEREO R level
LD 564: SLA-4651 10P YE (VK272400) STEREO R level
7. **LED Display**
LD 401: LB-402VN (VT646100) SCENE MEMORY
LD 465: LB-402VN (VT646100) SELECTED CH

• PN1-6/6 Circuit Board

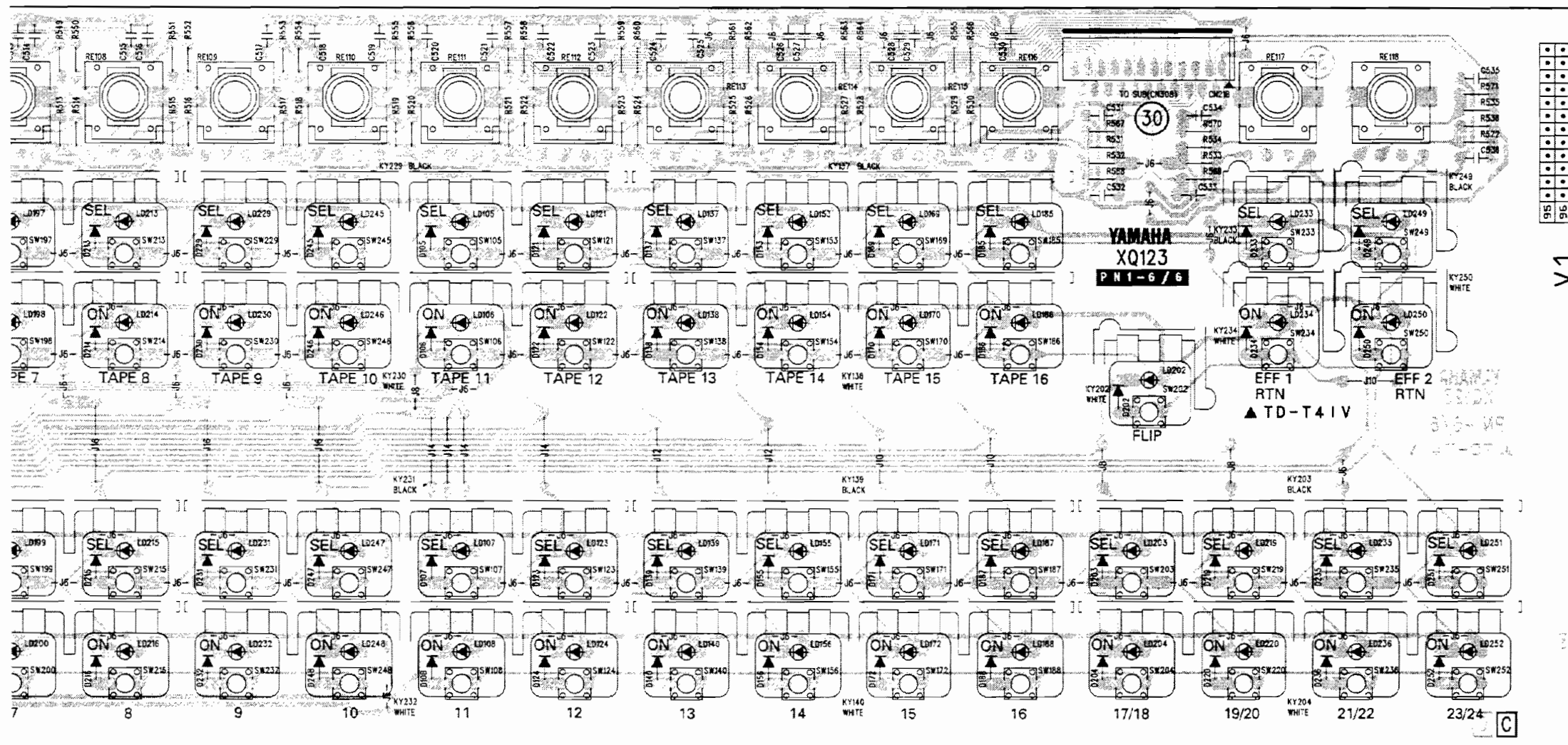


- 8. Ceramic Capacitor-X
C 401-404,501-536: 1500P 16V N (VD842800)
- 9. Electrolytic Cap.
C 301: 100.00 16.0V (UJ838100)
- 10. Carbon Resistor
R 401-404,501-536: 10.0K 1/4 J (HF757100)
R 421-424,537-572: 100.0K 1/4 J (HF758100)
- 11. Rotary Variable Resistor
VR 101: B10.0K RK09K1130 (VS368200) CONTRAST
- 12. LC Filter
EM 301: LS MT Y223NB (FZ006970)
- 13. Tact Switch
SW 101-236,245-252,257,258,260: SKHVBE091A (VQ320400)
- 14. Encoder
RE 101-120: EVQ WEZ F20 24B (VT646200) TAPE 1-16, EFF1 RTN, EFF2 RTN, AUX SEND LEVEL, PAN

- 15. Cable Holder
CN 101: 51048-4P TE (VI878200) to DC1/2-CN261
CN 211: 51048-10P TE (VI878800) to SUB-CN251
CN 212: 51048-14P TE (VI879200) to SUB-CN272
CN 213: 51048-13P TE (VI879100) to SUB-CN283
CN 214: 51048-3P TE (VI878100) to SUB-CN284
CN 215: 51048-10P TE (VI878800) to SUB-CN295
- 16. FFC Connector
CN 216: 52044-18P SE (VQ044800) to SUB-CN296
CN 217: 52044-19P SE (VQ044900) to SUB-CN307
CN 218: 52044-23P SE (VQ045300) to SUB-CN308
CN 219: 52044-26P SE (VQ045500) to SUB-CN309

- 17. Base Post Connector
CN 922: 53259-4P SE (VT389600) to LCD-Backlit
- 18. Button, LED
KY 101,103,137,165,167,203,229,231: TL/D-GY (x4) (VT651100) TAPE SEL 1-16, SEL 1-24
KY 102,104,138,140,166,168,204,230,232: TL/L-GY (x4) (VT650800) TAPE ON 1-16, ON 1-24
KY 109,125: L-GY/L-GY (x4) (VT651300) CONFIGURATION
KY 113,114,129-131,145,146,161,162,233,244,249,260: TL/D-GY (x1) (VT650500) ROUTING 1-8, ROUTING DIRECT, SEL EFF1, CTR ROOM MONO, SEL EFF2, CTR ROOM DIM
KY 115: TL/RE (x1) (VT650700) ROUTING ST

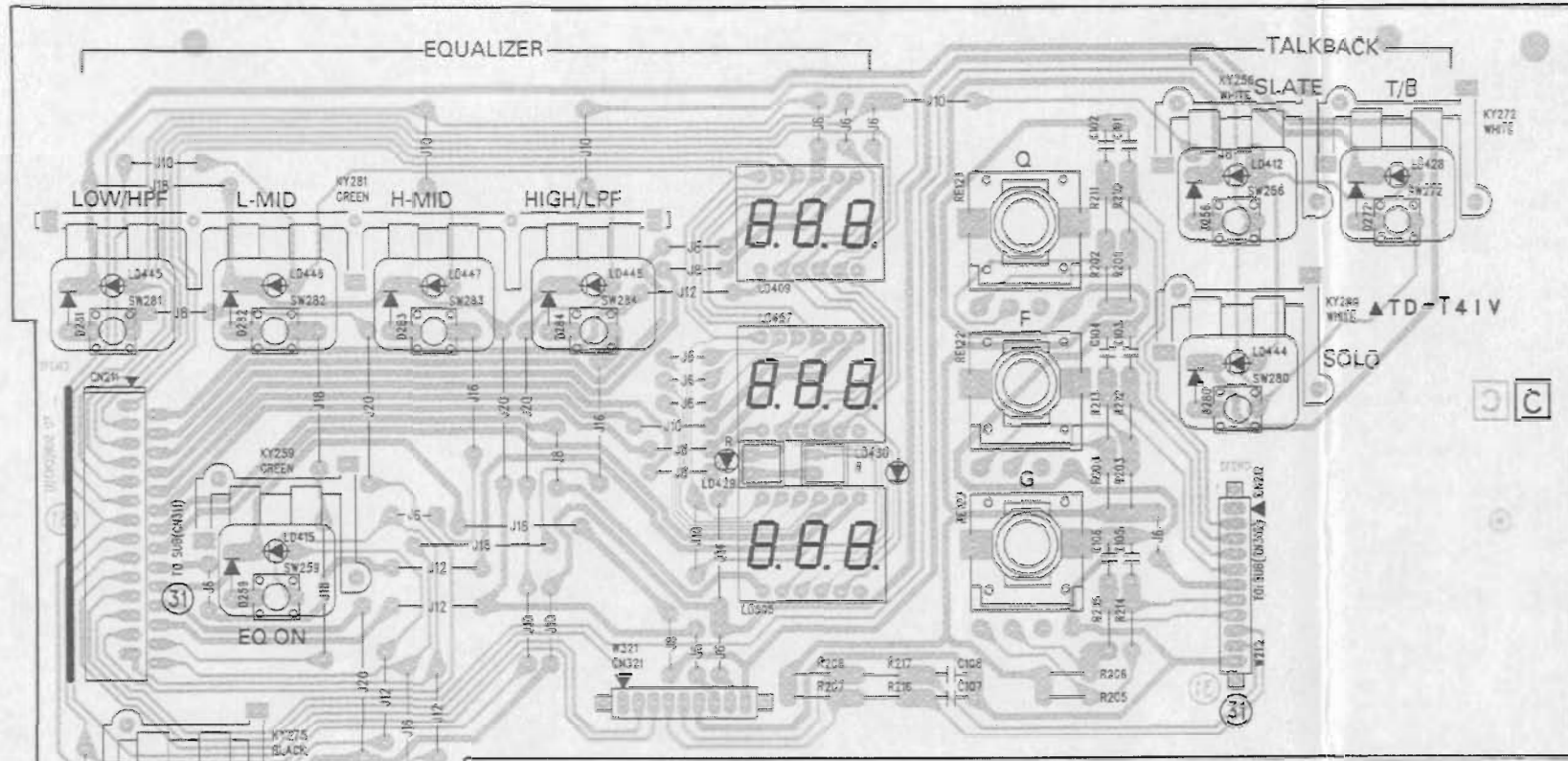
- KY 116,132,147,148,163,164,179,180,196,202,212,221,222,228,234,250: TL/L-GY(x1) (VT650300) CTR ROOM 2TR-D1/D2/D3/A1/A2,AUX ON,PAN R/L,CTR ROOM ST/AUX5/AUX6,FLIP,STUDIO CR/ST/AUX5/AUX6,ON EFF1/2 OR/OR (x4) (VT651000) MIXING
- KY 141,157,177,178,193,194,209,210,225,226: TL/BE (x1) (VT650400) AUX 18(SELECT CH) BE/BE (x4) (VT650900) AUX 1-4/5-8 0.55 (VA078900)
- 19. Jumper Wire
W 101: FVP=2.0C26SB4-750 (VU14330)
W 211, 215: FVP=2.0C26SB10-85 (VT64380)
W 212: FVP=2.0C26SB14-80 (VT64390)
W 213: FVP=2.0C26SB13-100 (VT64400)
W 214: FVP=2.0C26SB3-80 (VT64410)



Components side (部品側)

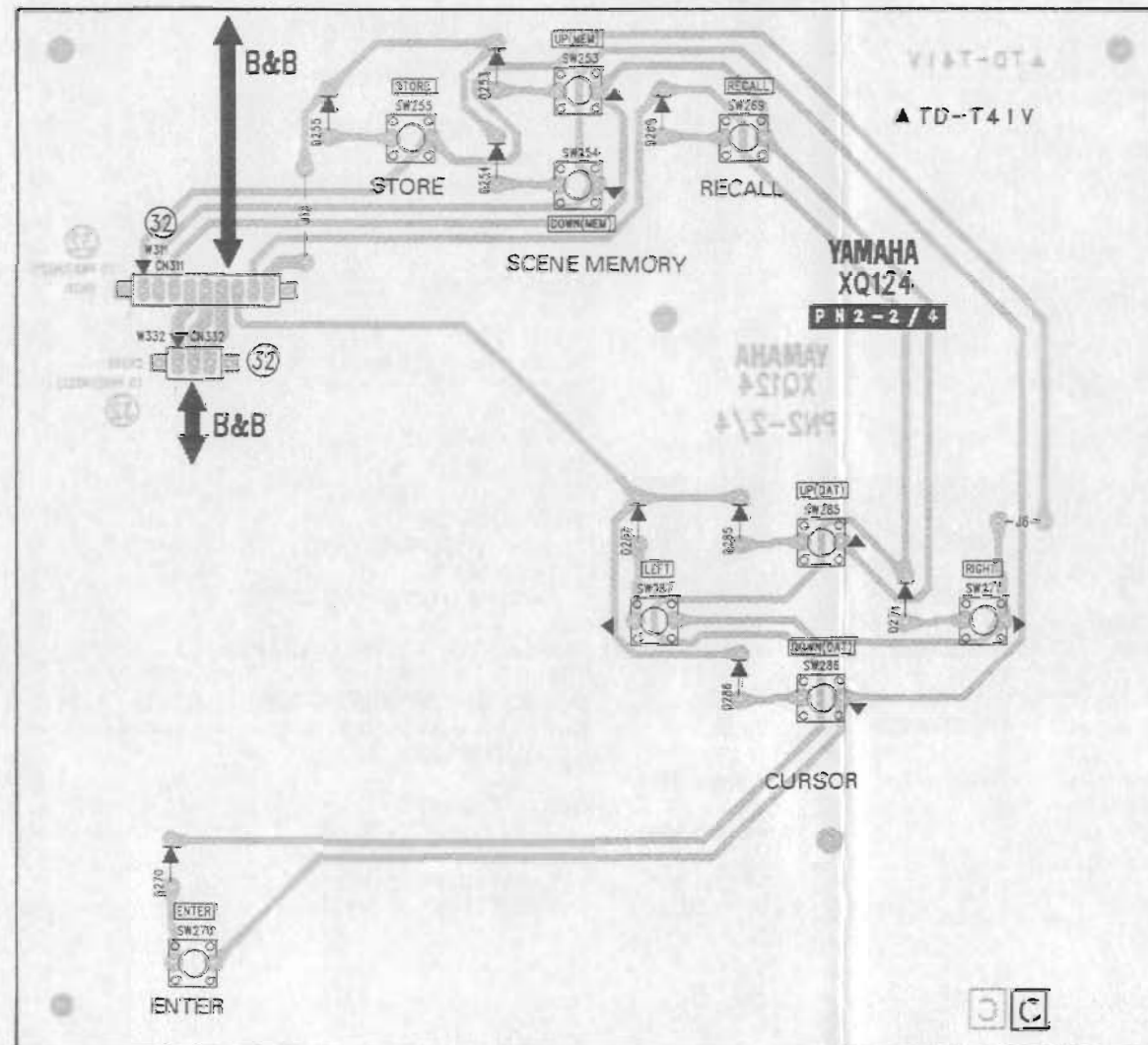
- 1200) to DC1/2-
 - 8800) to SUB-
 - 9200) to SUB-
 - 9100) to SUB-
 - 8100) to SUB-
 - 8800) to SUB-
 - 44800) to SUB-
 - 44900) to SUB-
 - 45300) to SUB-
 - 45500) to SUB-
- 17. Base Post Connector**
 CN 922: 53259- 4P SE (VT389600) to LCD-Backlit
- 18. Button, LED**
 KY 101,103,137,165,167,203,229,231: TL/D-GY (x4) (VT651100) TAPE SEL 1-16,SEL 1-24
 KY 102,104,138,140,166,168,204,230,232: TL/L-GY (x4) (VT650800) TAPE ON 1-16,ON 1-24
 KY 109,125: L-GY/L-GY (x4) (VT651300) CONFIGURATION
 KY 113,114,129-131,145,146,161,162,233,244,249,260: TL/D-GY (x1) (VT650500) ROUTING 1-8,ROUTING DIRECT,SEL EFF1,CTR ROOM MONO,SEL EFF2,CTR ROOM DIM
 KY 115: TL/RE (x1) (VT650700) ROUTING ST
- KY 116,132,147,148,163,164,179,180,196,202,212,221,222,228,234,250: TL/L-GY(x1) (VT650300) CTR ROOM 2TR-D1/D2/D3/A1/A2,AUX ON,PAN R/L,CTR ROOM ST/AUX5/AUX6,FLIP,STUDIO CR/ST/AUX5/AUX6,ON EFF1/2 OR/OR (x4) (VT651000) MIXING
 KY 141,157,177,178,193,194,209,210,225,226: TL/BE (x1) (VT650400) AUX 18(SELECT CH) BE/BE (x4) (VT650900) AUX 1-4/5-8 0.55 (VA078900)
19. Jumper Wire
 KY 173,189:
20. Jumper Wire
 W 101: FVP=2.0C26SB4-750 (VU14330)
 W 211, 215: FVP=2.0C26SB10-85 (VT64380)
 W 212: FVP=2.0C26SB14-80 (VT64390)
 W 213: FVP=2.0C26SB13-100 (VT64400)
 W 214: FVP=2.0C26SB3-80 (VT64410)

● PN2-1/4 Circuit Board



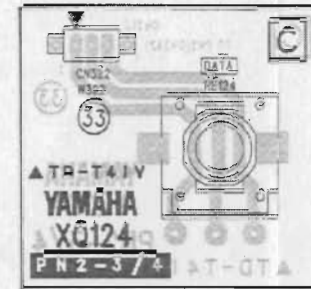
Components side (部品側)

● PN2-2/4 Circuit Board



Components side (部品側)

● PN2-3/4 Circuit Board



Rotary encoder (DATA dial)

Components side (部品側)

● PN2-4/4 Circuit Board

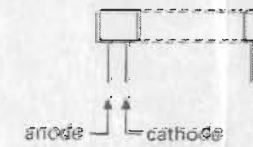


Components side (部品側)

- LD412, 415, 428, 431, 432, 444-448 installation (LD412, 415, 428, 431, 432, 444-448の取り付け)



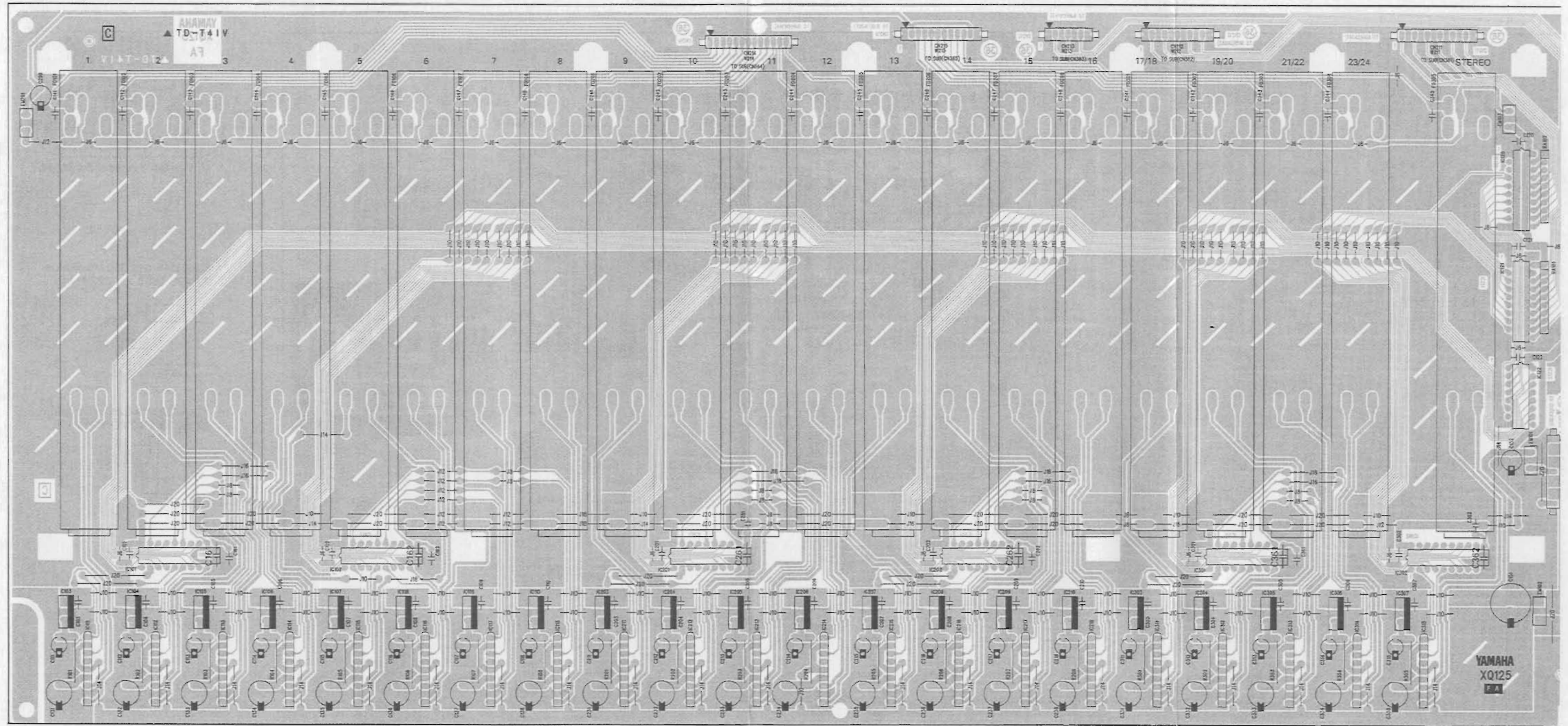
- LD429 & LD430 installation (LD429とLD430の取り付け)



Notes)

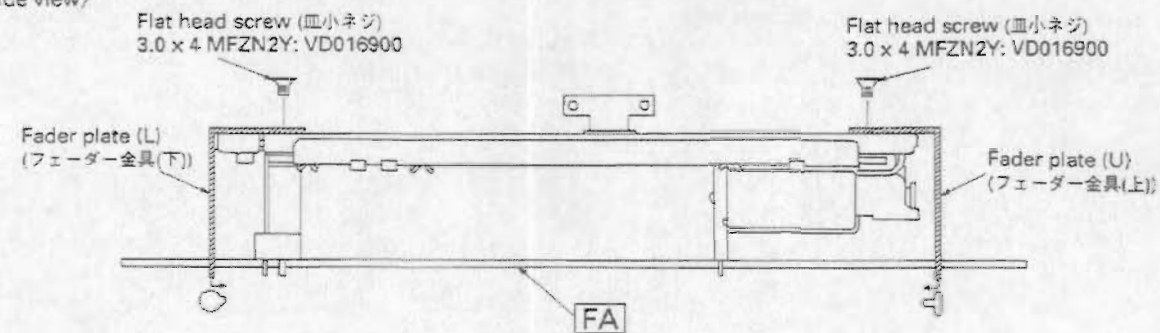
Circuit Board:	PN2-1/4 (NX816770) XQ124C0 PN2-2/4 (NX816780) XQ124C0 PN2-3/4 (NX816790) XQ124C0 PN2-4/4 (NX816800) XQ124C0	SW275:	SKHVBE091A (VQ320400) STEREO SEL
1. Diode		SW276:	SKHVBE091A (VQ320400) STEREO ON
D 253-256,259, 269-272,275, 276,280-287:	1SS133,1SS176 (VB941200)	SW280:	SKHVBE091A (VQ320400) SOLO
2. LED		SW281:	SKHVBE091A (VQ320400) EQUALIZER LOW
LD 412:	SLR-325VCT31(TA) (VS132300) TALKBACK SLATE	SW282:	SKHVBE091A (VQ320400) EQUALIZER L-MID
LD 415:	SLR-325VCT31(TA) (VS132300) EQUALIZER ON	SW283:	SKHVBE091A (VQ320400) EQUALIZER H-MID
LD 428:	SLR-325VCT31(TA) (VS132300) TALKBACK T/B	SW284:	SKHVBE091A (VQ320400) EQUALIZER HIGH
LD 429,430:	LD-101VR RE (IF004940) EQUALIZER	SW285:	SKHVBE091A (VQ320400) CURSOR ↑
LD 431:	SLR-325VCT31(TA) (VS132300) STEREO SEL	SW286:	SKHVBE091A (VQ320400) CURSOR ↓
LD 432:	SLR-325VCT31(TA) (VS132300) STEREO ON	SW287:	SKHVBE091A (VQ320400) CURSOR ←
LD 444:	SLR-325VCT31(TA) (VS132300) SOLO	8. Encoder	
LD 445:	SLR-325VCT31(TA) (VS132300) EQUALIZER LOW	RE 121:	EVQ WEZ F20 24B (VT646200) EQUALIZER Q
LD 446:	SLR-325VCT31(TA) (VS132300) EQUALIZER L-MID	RE 122:	EVQ WEZ F20 24B (VT646200) EQUALIZER F
LD 447:	SLR-325VCT31(TA) (VS132300) EQUALIZER H-MID	RE 123:	EVQ WEZ F20 24B (VT646200) EQUALIZER G
LD 448:	SLR-325VCT31(TA) (VS132300) EQUALIZER HIGH	RE 124:	EC16B24204 L=15 (VR101400) DATA
3. LED Display		9. Connector Base Post	
LD 409:	LB-203VL (VR266400) EQUALIZER Q	CN 741:	PH- 6P SE (VB858500) to AN02-1/3- CN341
LD 457:	LB-203VL (VR266400) EQUALIZER F	10. Cable Holder	
LD 505:	LB-203VL (VR266400) EQUALIZER G	CN 211:	51048-10P TE (VI878800) to SUB- CN311
4. Ceramic Capacitor		CN 212:	51048-11P TE (VI878900) to SUB- CN312
C 101-106:	X 1500P 16V N (VD842800)	CN 311:	51048- 9P TE (VI878700) to PN2-1/4- CN321
C 107,108:	Y 10000P 16V N (VD843800)	CN 321:	51048- 9P TE (VI878700) to PN2-2/4- CN311
5. Carbon Resistor		CN 322:	51048- 3P TE (VI878100) to PN2-2/4- CN332
R 201-208:	10.0K 1/4 J (HF757100)	CN 332:	51048- 3P TE (VI878100) to PN2-3/4- CN322
R 210-217:	100.0K 1/4 J (HF758100)	11. FFC Connector	
6. Rotary Variable Resistor		CN 211:	100.0K 1/4 J (VQ045700) to SUB- CN311
VR 101:	A20.0Kx2 RK14K12 (VU066200) C-R LEVEL	12. Button, LED	
7. Tact Switch		KY 256:	TL/L-GY (x1) (VT650300) TALKBACK SLATE
SW253:	SKHVBE091A (VQ320400) SCENE MEMORY ↑	KY 259:	TL/GR (x1) (VT650600) EQUALIZER ON
SW254:	SKHVBE091A (VQ320400) SCENE MEMORY ↓	KY 272:	TL/L-GY (x1) (VT650300) TALKBACK T/B
SW255:	SKHVBE091A (VQ320400) S.MEMORY STORE	KY 275:	TL/D-GY (x1) (VT650500) STEREO SEL
SW256:	SKHVBE091A (VQ320400) TALKBACK SLATE	KY 276:	TL/L-GY (x1) (VT650300) STEREO ON
SW259:	SKHVBE091A (VQ320400) EQUALIZER ON	KY 280:	TL/L-GY (x1) (VT650300) SOLO
SW269:	SKHVBE091A (VQ320400) S.MEMORY RECALL	KY 281:	TL/GR (x4) (VT651200) EQUALIZER L,M,H
SW270:	SKHVBE091A (VQ320400) ENTER	13. Jumper Wire	
SW271:	SKHVBE091A (VQ320400) CURSOR →	:	0.55 (VA078900)
SW272:	SKHVBE091A (VQ320400) TALKBACK T/B	14. Jumper Wire	
		W 212:	FVP=2.0C26SB11-250 (VT64330)
		W 311,321:	FVP=2.0C26SB9-70 (VT64480)
		W 322,332:	FVP=2.0C26SB3-30 (VT64490)

● FA Circuit Board

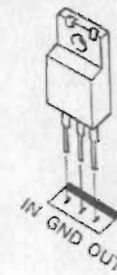


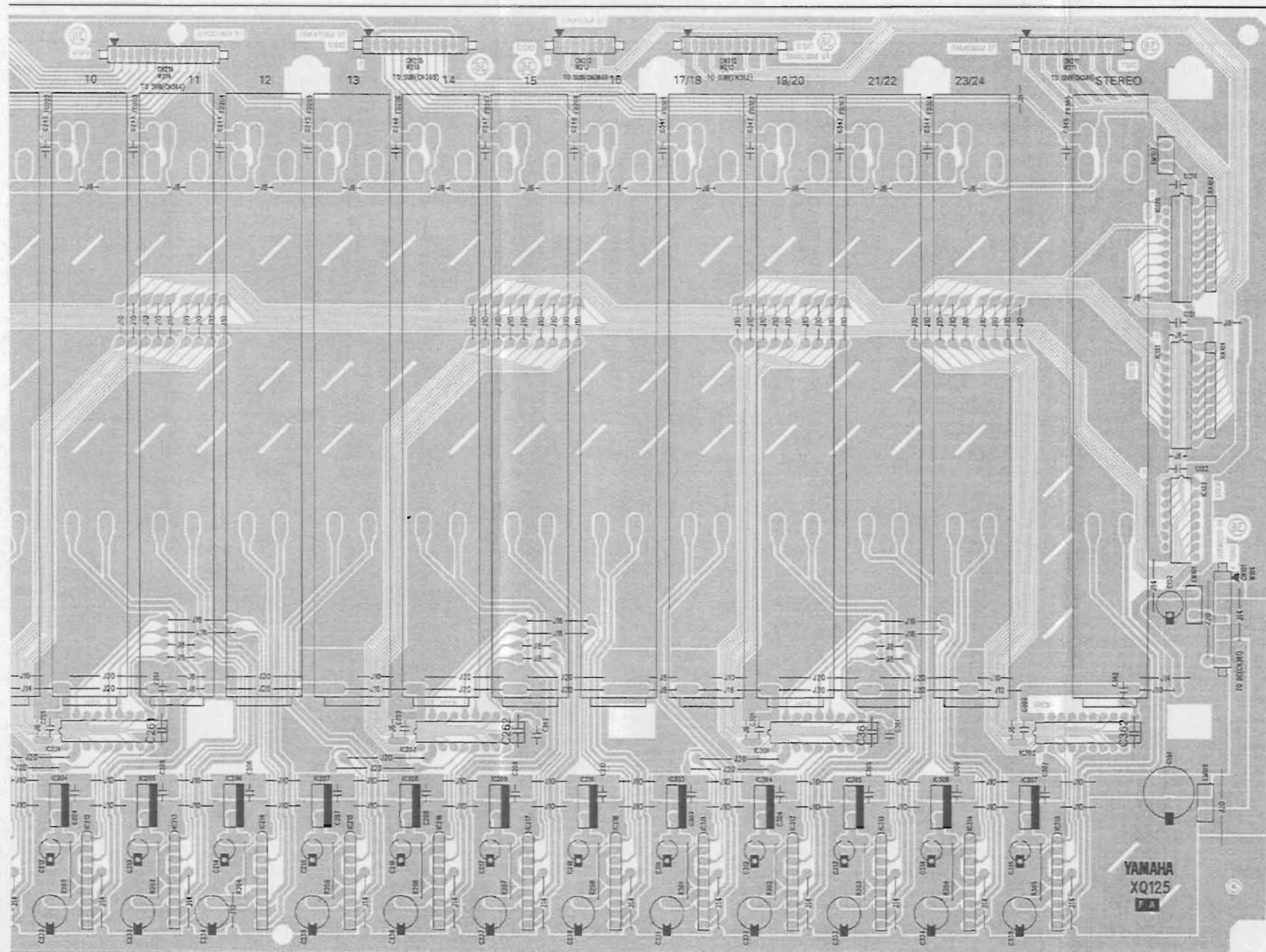
Components side (背)

(Side view)



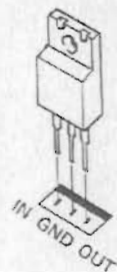
● IC103~110, 203~210, 303~307 installation
 (IC103~110, 203~210, 303~307の取り付け)





Components side (部品側)

• IC103~110, 203~210, 303~307 installation
(IC103~110, 203~210, 303~307の取り付け)



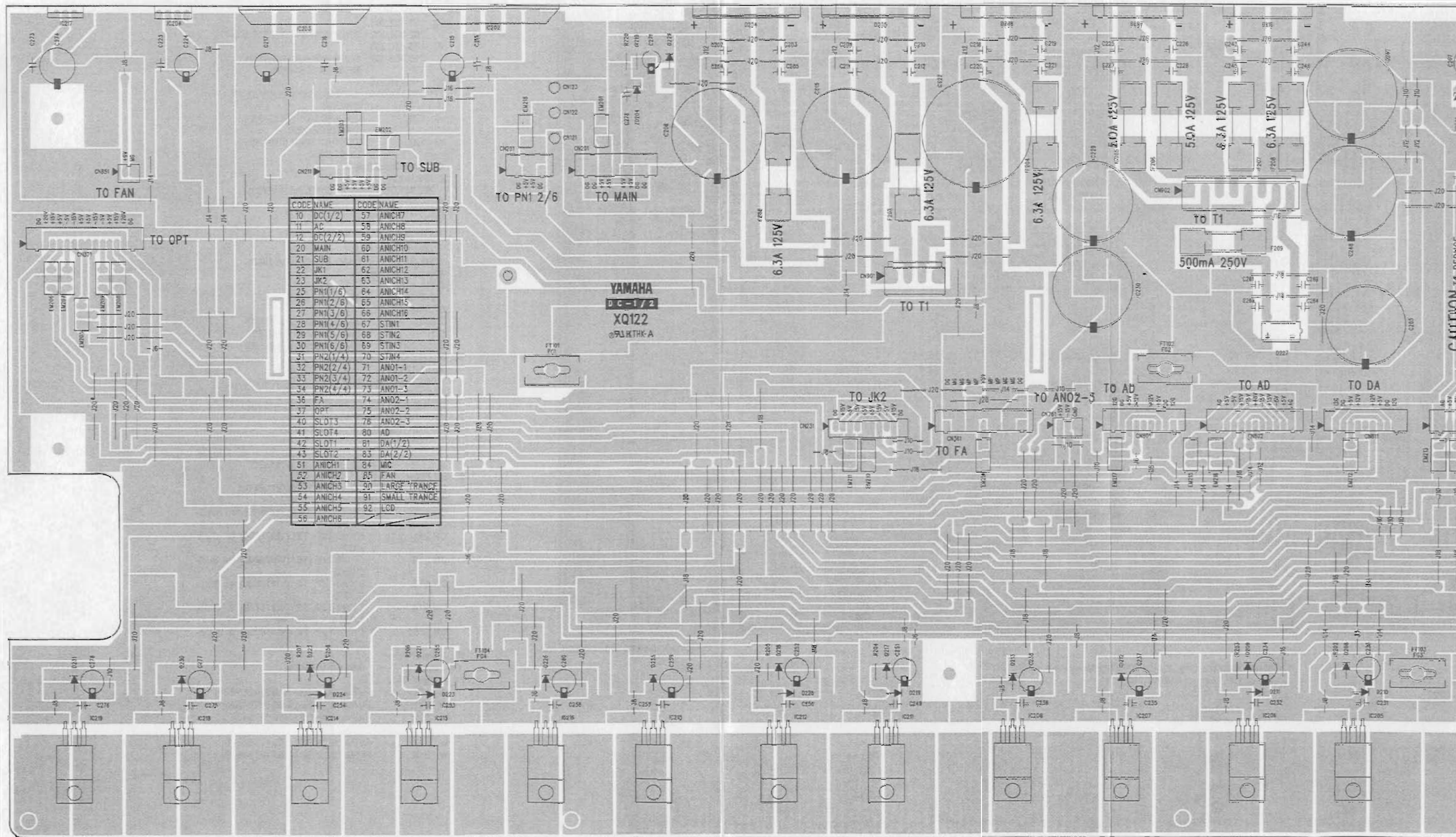
J)

↑(上)

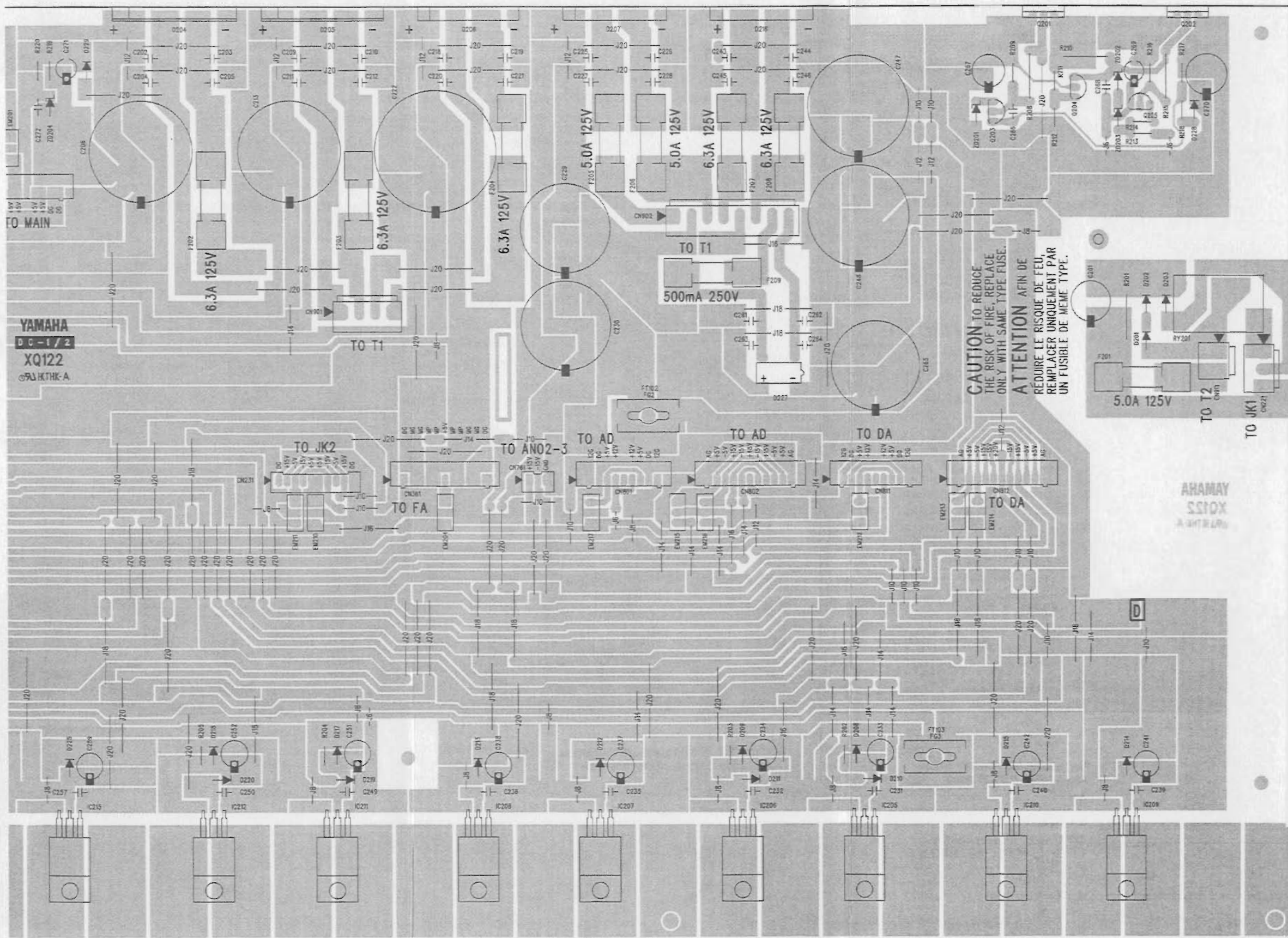
Notes)

- Circuit Board: FA (VT579400) XQ125C0
- IC
 - IC 101,102,201, 202,301,302: SN74HC273N (IR027350) D-FF
 - IC 103-110,203- 210,303-307: NJM7810FA (XR383A00) REGULATOR +10V
 - IC 111-118,211- 218,311-315: BA6218 (IG153500) MOTOR DRIVER
 - IC 120,121: SN74HC245N (IR024550) TRANSCEIVER
 - IC 122: TC74HC138AP (IR013800) DECODER
 - Ceramic Capacitor-B
 - C 161,162,261, 262,361,362: 470P 50V K (VD842200)
 - Monolithic Ceramic Cap.
 - C 101-110,120- 122,141-148, 201-210,241- 248,301-307, 341-345: 0.100 50V Z (VT957300)
 - Electrolytic Cap.
 - C 111-118,211- 218,311-315: 47.00 25.0V (UJ847470)
 - C 131-138,231- 238,331-335: 220.00 25.0V (UJ849220)
 - C 151: 1000 25.0V (UJ749100)
 - C 152,299: 100.00 16.0V (UJ838100)
 - Metal Oxide Film Resistor
 - R 101-108,201- 208,301-305: 10.0 2W J (VC756300)
 - Resistor Array
 - RA 101,102: RGLD8X103J (VE445200)
 - Slide Pot., Motor Drive
 - FD 101-108,201- 208,301-304, 305: B10K (VT646000) Ch. 1-16,17/18,19/ 20,21/22,23/24,STEREO
 - LC Filter
 - EM 101-103,201: LS MT Y223NB (FZ008970)
 - Cable Holder
 - CN 101: 51048-11P TE (V1878900) to DC1/2- CN361
 - CN 211: 51048-12P TE (V1879000) to SUB- CN361
 - CN 212: 51048-11P TE (V1878900) to SUB- CN362
 - CN 213: 51048- 7P TE (V1878500) to SUB- CN363
 - CN 214: 51048-13P TE (V1879100) to SUB- CN364
 - CN 215: 51048-12P TE (V1879000) to SUB- CN365
 - Jumper Wire:
 - 0.55 (VA078900)
 - Jumper Wire
 - W 101: FVP=2.0C26SB11-460 (VU07360)
 - W 211: FVP=2.0C26SB12-80 (VT64550)
 - W 212: FVP=2.0C26SB11-60 (VT64540)
 - W 213: FVP=2.0C26SB7-60 (VT64520)
 - W 214: FVP=2.0C26SB13-70 (VT64560)
 - W 215: FVP=2.0C26SB12-60 (VT64570)

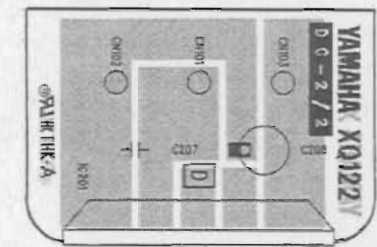
- DC Circuit Boards
- DC 1/2



CODE NAME	CODE NAME
10 DC(1/2)	57 ANICH7
11 AC	58 ANICH8
12 DC(2/2)	59 ANICH9
20 MAIN	60 ANICH10
21 SUB	61 ANICH11
22 JK1	62 ANICH12
23 JK2	63 ANICH13
25 PN1(1/6)	64 ANICH14
26 PN1(2/6)	65 ANICH15
27 PN1(3/6)	66 ANICH16
28 PN1(4/6)	67 STIN1
29 PN1(5/6)	68 STIN2
30 PN1(6/6)	69 STIN3
31 PN2(1/4)	70 STIN4
32 PN2(2/4)	71 ANO1-1
33 PN2(3/4)	72 ANO1-2
34 PN2(4/4)	73 ANO1-3
36 FA	74 ANO2-1
37 OPT	75 ANO2-2
40 SLOT3	76 ANO2-3
41 SLOT4	80 AD
42 SLOT1	81 DA(1/2)
43 SLOT2	83 DA(2/2)
51 ANICH1	84 MIC
52 ANICH2	85 FAN
53 ANICH3	90 LARGE FRANCE
54 ANICH4	91 SMALL FRANCE
55 ANICH5	92 LCD
56 ANICH6	

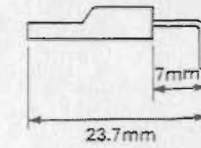


• DC 2/2

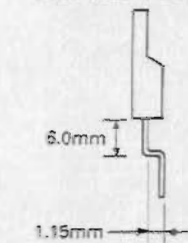


Components side (部品側)

- IC205~216, 218, 219 installation (IC205~216, 218, 219の取り付け)



- IC204, Q201 & Q202 installation (IC204, Q201, Q202の取り付け)



Notes)

Circuit Board:	DC (--) XQ122D0 (J,U,C,V) DC (--) XQ119A0 (H,B,W)
1. IC	
IC 201-203:	STR9005 (XM482A00) REGULATOR +5V
IC 204:	PQ12RF1 (XH526A00) REGULATOR +12V
IC 205,207,209:	NJM7805FA (XJ607A00) REGULATOR +5V
IC 206,208,210:	NJM7905FA (XK309A00) REGULATOR -5V
IC 211,213,215, 218:	NJM7815FA (XD853A00) REGULATOR +15V
IC 212,214,216, 219:	NJM7915FA (XD854A00) REGULATOR -15V
2. Transistor	
Q201,202:	2SD2015 (VM923000)
Q203-205:	2SC3200 GR (VS150800)
3. Diode	
D201-203,208-215:	11ES4 (VB481900)
D217-226,228-231:	11ES4 (VB481900)
4. Diode Stack	
D204,205:	D6SB60L 6.0A 600 (VT682400)
D206,207,216:	D3SBA20 4.0A 20 (VN011300)
D227:	S1WB(A)60 1.0A (VB845300)
5. Zener Diode	
ZD 201:	MTZJ6.8B 6.8V (VQ553900)
ZD 202:	MTZJ33B 33.0V (VQ558500)
ZD 203:	MTZJ27B 27.0V (VQ557800)
ZD 204:	MTZJ5.1A 5.1V (VQ553200)
6. Mylar Capacitor	
C 223,231,232, 235,236,239, 240,249,250, 253,254,257, 258,275,276:	0.1000 50V J (UA355100)
7. Monolithic Mylar Capacitor	
C 207,214,216:	ECQ-V1H334JL3 (VR169000)
8. Ceramic Capacitor	
C 202-205,209-212,218-221, 225-228,243-246,261-264, 266,268:	E 0.0047 500V M (FH223470)
C 272:	F 10000P 25V Z (VS751300)
9. Electrolytic Cap.	
C 201:	470.00 25.0V (UJ848470)
C 206,213:	22000 16.0USP (VT598600)
C 208,215,217, 224,233,234, 237,238,241, 242:	100.00 16.0V (UJ838100)
C 222:	22000 25.0USP (VT947500)
C 229,230:	10000 16.0V US (VT947800)
C 247,248:	10000 35.0V US (VU097300)
C 251,252,255, 256,259,260, 277,278:	100.00 25.0V (UJ848100)
C 265:	1000 100USP (VT598700)
C 267:	10.0 100.0V (UJ897100)
C 270:	47.00 100.0V (UJ697470)
C 271:	1.00 50.0V (UJ866100)

10. Carbon Resistor

R 202-207,213, 220:	10.0K 1/4 J (HF757100)
R 209:	22.0K 1/4 J (HF757220)
R 211:	5.6K 1/4 J (HF756560)
R 212,219:	100.0K 1/4 J (HF758100)
R 214,216:	2.2K 1/4 J (HF756220)

11. Metal Film Resistor

R 217:	47.0K 1/4 F (VB068800)
R 218:	8.2K 1/4 F (VB067400)

12. Metal Oxide Film Resistor

R 201:	1.5K 1W J (VC747900)
R 208:	5.6K 1W J (VC749400)
R 210:	22.0 1W J (VC743400)
R 215:	12.0K 1W J (VC750200)

13. Fuse

F 201,205,206:	T 5.00A 125V (KB003630) J,U,C,V
F 201,204-208:	TL 5.00A (KB003240) H,W,B
F 202-204,207, 208:	T 6.30A 125V (KB003710) J,U,C,V
F 202,203:	TL 6.30A (KB003250) H,W,B
F 209:	T 500mA 250V (KB003470) J,U,C,V
F 209:	TL 500mA (KB003010) H,W,B

14. LC Filter

EM 201-218:	LS MT Y223NB (FZ006970)
-------------	-------------------------

15. Relay

RY 201:	DC JZ1APF (VR134900)
---------	----------------------

16. Base Post Connector

CN 221:	VH- 3P TE (LB932030) to JK1-CN101
CN 231:	PH-10P TE (VB390600) to JK2-CN101
CN 761:	PH- 2P (VB389800) to ANO2-3/3-CN101
CN 901:	VH- 4P TE (LB932040) to R Transformer-4P p
CN 902:	VH- 8P TE (LB932080) to R Transformer-8P
CN 911:	VH- 2P TE (LB932020) to E1 Transformer-2Pp

17. Wire Trap

CN 201:	52147- 9P TE (VK025300) to MAIN-CN101
CN 211:	52147- 8P TE (VK025200) to SUB-CN101
CN 261:	52147- 4P TE (VK024800) to PN1-2/6-CN101
CN 361:	52147-11P TE (VK025500) to FA-CN101
CN 371:	52147-14P TE (VK025800) to OPT-CN101
CN 801:	52147- 9P TE (VK025300) to AD-CN101
CN 802:	52147-11P TE (VK025500) to AD-CN102
CN 811:	52147- 9P TE (VK025300) to DA-1/2-CN101
CN 812:	52147-11P TE (VK025500) to DA-1/2-CN102

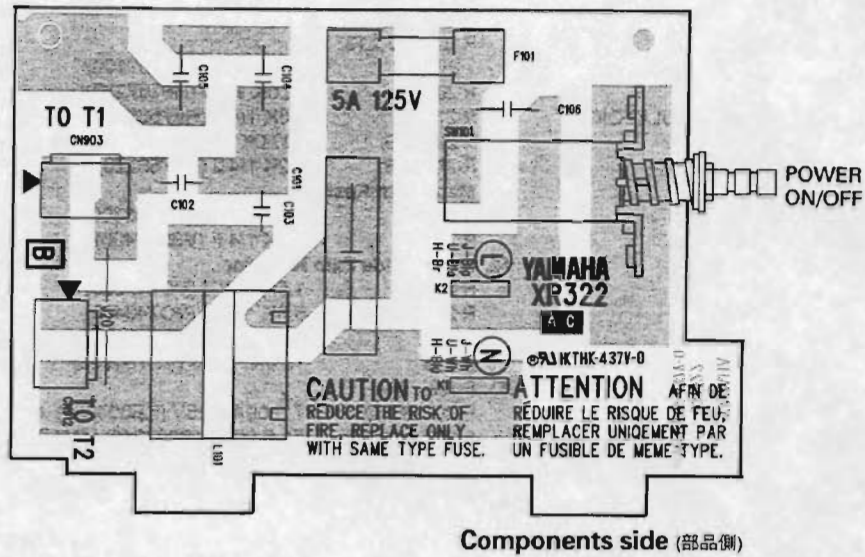
18. Connector Assembly

CN 101/102/103:	DC 5VD (VU14300) to DC-1/2-CN121/122/123
-----------------	--

19. Jumper Wire

	0.55 (VA078900)
--	-----------------

• AC Circuit Board



Notes)

- | | |
|-------------------------------|--|
| Circuit Board: | AC (VU065400) XR322B0 (J,U,C,V)
AC (VU065500) XQ116A0 (H,W,B) |
| 1. Capacitor | |
| C 101: | 0.220 250V U.C.S (VT682500) |
| C 102,103: | 2200P 400V U.C.S (FI383220) |
| C 104,105: | 4700P 400V U.C.S (FI383470) |
| C 106: | 0.010 400V U.C.S (FI384100) |
| 2. Line Filter | |
| L 101: | PLAC1522R0R01B1 (VQ764500) |
| 3. Push Switch | |
| SW101: | ESB82 TV-3 (VQ040100) POWER |
| 4. Fuse | |
| F 101: | T 5.00A 125V (KB003630) J,U,C,V |
| F 101: | TL 3.15A (KB003090) H,W,B |
| 5. Base Post Connector | |
| CN 903: | VA- 2P TE (VG879900) to R
Transformer-3P |
| CN 912: | VA- 2P TE (VG879900) to E1
Transformer-3P |
| 6. Jumper Wire | |
| | 0.55 (VA078900) |

INSPECTIONS

A. PREPARATION

Unless otherwise specified, the controls and switches are to be set as follows:

- Set the word clock at 48 kHz.
- Turn on only measurement channel.
- Set faders at nominal position(0 dB).
- The load of the analog outputs are as follows:

STEREO OUT (XLR):	600 Ω
STEREO OUT (RCA/phono):	10 k Ω
STUDIO OUT:	10 k Ω
C-R MONITOR OUT:	10 k Ω
AUX 1, 2, 3, 4, 5, 6:	10 k Ω
PHONES:	8 Ω
- 0 dBs = 0.775 V_{rms}
- 0 dBV = 1 V_{rms} = 2.2 dBs
- For the noise level measurement, use a low pass filter with the cut-off frequency of 12.7 kHz, -6dB/OCT must be used.
Make measurement in not the actual effect value but the average.

B. INITIALIZATION

Carry out inspections after you have performed initialization to reset the console to its factory settings by turning on the POWER switch while pressing the cursor left key.

C. TEST PROGRAM

The test program starts when the POWER switch is turned on while pressing the SEL key of STEREO part and the cursor right key.

Refer to the TEST PROGRAM section of this service manual for details of the inspections using the test program.

D. INSPECTIONS

1. ST OUT L/R (XLR)

Condition: Input a signal to INPUT 1.
Source impedance is 150 Ω .
Set the pan position at center.
Set the GAIN control at +4 dB.
Turn on the 20dB(pad) switch.
Set the attenuation at 0 dB.

① GAIN (L/R)

Input frequency	Input level	Rated output level	Allowable range
1 kHz	+4 dBs	+4 dBs	+4 \pm 2 dBs

② Frequency characteristics (L/R)

Condition: The allowable range is based on 1 kHz.

Input frequency	Input level	Allowable range
20 Hz	+4 dBs	-1.5~0 dB
20 kHz	+4 dBs	-1.0~0 dB

③ Distortion rate (L/R)

Input frequency	Output level	Allowable range
1 kHz	+22 dBs	Less than 0.02 %
1 kHz	-20 dBs	Less than 0.5 %

④ Residual noise (L/R)

Condition: Turn off the ON switch of STEREO section.

Allowable range
Less than -88 dBs

⑤ The difference in gain between L and R

Check that the difference in gain measured in status ① is within the following range.

Allowable range
Within -1 dB

⑥ Maximum output (L/R)

Input frequency	Output level	Allowable range (distortion rate)
1 kHz	+24 dBs	Less than 0.1 %

⑦ Crosstalk between L and R

Input frequency	Output level at L	Output level at R	PAN
1 kHz	+22 dBs	Less than -48 dBs	L
1 kHz	Less than -48 dBs	+22 dBs	R

2. ST OUT L/R (PIN)

Condition: Input a signal to INPUT 1.
Source impedance is 150 Ω .
Set the pan position at center.
Set the GAIN control at +4 dB.
Turn on the 20dB(pad) switch.
Set the attenuation at 0 dB.

① Gain (L/R)

Input frequency	Input level	Rated output level	Allowable range
1 kHz	+4 dBs	-10 dBV	-10 \pm 2 dBV

② Frequency characteristics (L/R)

Condition: The allowable range is based on 1 kHz.

Input frequency	Input level	Allowable range
20 Hz	+4 dBs	-1.5~0 dB
20 kHz	+4 dBs	-1.0~0 dB

3. STUDIO OUT L/R and C-R OUT L/R

Condition: Input a signal to INPUT 1.
 Source impedance is 150 Ω.
 Set the pan position at center.
 Set the GAIN control at +4 dB.
 Turn on the 20dB(pad) switch.
 Set the attenuation at 0 dB.
 Set STUDIO LEVEL control at maximum position.

① Gain (L/R)

Input frequency	Input level	Rated output level	Allowable range
1 kHz	+4 dBs	+4 dBs	+4 ±2 dBs

② Frequency characteristics (L/R)

Condition: The allowable range is based on 1 kHz.

Input frequency	Input level	Allowable range
20 Hz	+4 dBs	-1.5~0 dB
20 kHz	+4 dBs	-1.0~0 dB

③ Distortion rate (L/R)

Input frequency	Output level	Allowable range
1 kHz	+22 dBs	Less than 0.02 %

④ Residual noise (L/R)

Condition: Turn off the ON switch of STEREO section.

Output level control	Allowable range (C-R)	Allowable range (STUDIO)
MAX	Less than -88 dBs	Less than -86 dBs
MIN	Less than -100 dBs	Less than -100 dBs

⑤ Level difference between L and R

Check that the difference in gain measured in status ① is within the following range.

Allowable range
Within 1 dB

⑥ Maximum output (L/R)

Input frequency	Output level	Allowable range (distortion rate)
1 kHz	+24 dBs	Less than 0.1 %

⑦ Crosstalk between L and R

Input frequency	Output level at L	Output level at R	PAN
1 kHz	+22 dBs	Less than -48 dBs	L
1 kHz	Less than -48 dBs	+22 dBs	R

4. AUX1, 2, 3, 4, 5, 6

Condition: Input a signal to INPUT 1.
 Source impedance is 150 Ω.
 Set the pan position at center.
 Set the GAIN control at +4 dB, and turn on PAD switch.
 Set the attenuation at 0 dB.
 Set an appropriate channel AUX level at 0 dB.
 Set an appropriate AUX SEND level at 0 dB.

① Gain (1, 2, 3, 4, 5, 6)

Input frequency	Input level	Rated output level	Allowable range
1 kHz	+4 dBs	+4 dBs	+4 ±2 dBs

② Frequency characteristics (1, 2, 3, 4, 5, 6)

Condition: The allowable range is based on 1 kHz.

Input frequency	Input level	Allowable range
20 Hz	+4 dBs	-1.5~0 dB
20 kHz	+4 dBs	-1.0~0 dB

③ Distortion rate (1, 2, 3, 4, 5, 6)

Input frequency	Output level	Allowable range
1 kHz	+18 dBs	Less than 0.02 %

④ Residual noise (1, 2, 3, 4, 5, 6)

Condition: Apply no signal to INPUT 1.

Allowable range
Less than -87 dBs

⑤ Then difference in gain between channels 1, 2, 3, 4, 5 and 6

Check that the difference in gain measured in status ① is within the following range.

Allowable range
Within 1 dB

⑥ Maximum output (1, 2, 3, 4, 5, 6)

Input frequency	Output level	Allowable range (distortion rate)
1 kHz	+20 dBs	Less than 0.1 %

- ⑦ Crosstalk between odd-numbered channel and even-numbered channel

Input frequency	Output level (Odd number channel)	Output level (An even-numbered channel)
1 kHz	+18 dBs	Less than -52 dBs
1 kHz	Less than -52 dBs	+18 dBs

5. OUTPUT LEVEL DIFFERENCE

Condition: Check that the different in gain between each output of ST OUT L/R (XLR), STUDIO OUT L/R, C-R OUT L/R, AUX 1, 2, 3, 4, 5, 6 are within the range shown below with 1 kHz as a reference.

Allowable range
Within 2 dB

6. PHONES OUT L/R

Condition: Input a signal to INPUT 1.
Source impedance is 150 Ω.
Set the pan position at center.
Set the GAIN control at +4 dB.
Turn on the 20dB(pad) switch.
Set the attenuation at 0 dB.
Set PHONES LEVEL control at maximum position.

- ① Gain (L/R)

Input frequency	Input level	Rated output level	Allowable range
1 kHz	+4 dBs	-18 dBs	-20~-16 dBs

- ② Frequency characteristics (L/R)

Condition: The allowable range is based on 1 kHz.

Input frequency	Input level	Allowable range
20 Hz	+4 dBs	-21~-19 dB
20 kHz	+4 dBs	-19~-18 dB

- ③ Distortion rate (L/R)

Input frequency	Output level	Allowable range
1 kHz	-10 dBs	Less than 0.02 %

- ④ Residual noise (L/R)

Condition: Turn off the ON switch of STEREO section.
Set PHONES LEVEL control at minimum.

Allowable range
Less than -100 dBs

- ⑤ Level difference between L and R

Check that the difference in gain measured in status ① is within the following range.

Allowable range
Within 1 dB

- ⑥ Maximum output (L/R)

Input frequency	Output level	Allowable range (distortion rate)
1 kHz	-4 dBs	Less than 0.1 %

- ⑦ Crosstalk between L and R

Input frequency	Output level at L	Output level at R	PAN
1 kHz	-10 dBs	Less than -75 dBs	L
1 kHz	Less than -75 dBs	-10 dBs	R

7. 2TR IN L/R (PHONE)

Condition: Set C-R LEVEL control at maximum and measure the output at C-R MONITOR OUT.

- ① Gain (L/R fault)

Input frequency	Input level	Rated output level	Allowable range
1 kHz	+4 dBs	+4 dBs	+4 ±2 dBs

- ② Frequency characteristics (L/R)

Condition: The allowable range is based on 1 kHz.

Input frequency	Input level	Allowable range
20 Hz	+4 dBs	-1.0~0 dB
20 kHz	+4 dBs	-1.0~0 dB

- ③ Distortion rate (L/R)

Input frequency	Output level	Allowable range
1 kHz	+22 dBs	Less than 0.003 %

- ④ Residual noise (L/R)

Condition: Turn off the ON switch of STEREO section.
Set C-R LEVEL control at minimum.

Allowable range
Less than -100 dBs

- ⑤ Level difference between L and R

Check that the difference in gain measured in ① is within the following range.

Allowable range
Within 1 dB

⑥ Crosstalk between L and R

Condition: Set C-R LEVEL control at maximum.
Input a signal to 2TR ANALOG IN (L),
phone jack with a +4dB.
Connect a 150 Ω resistor at the 2TR
ANALOG IN (R) connector.

Input frequency	Output level (L)	Allowable range (R)
1 kHz	+22 dBs	Less than -48 dBs

Check that the same result is gained at the R channel in
the same manner.

8. 2TR IN L/R (RCA/PIN)

Condition: Measure the output at the C-R
MONITOR OUT.
Set C-R LEVEL control at maximum
position.

① Gain (L/R)

Input frequency	Input level	Rated output level	Allowable range
1 kHz	-10 dBV	+4 dBs	+4 ±2 dBs

② Frequency characteristics (L/R)

Condition: The allowable range is based on 1 kHz.

Input frequency	Input level	Allowable range
20 Hz	-10 dBV	-1.0~0 dB
20 kHz	-10 dBV	-1.0~0 dB

③ Distortion rate (L/R)

Input frequency	Output level	Allowable range
1 kHz	+22 dBs	Less than 0.003 %

④ Residual noise (L/R)

Condition: Turn off the ON switch of STEREO
section.
Set C-R LEVEL control at minimum.

Allowable range
Less than -100 dBs

⑤ Level difference between L and R

Check that the difference in gain measured in status ①
is within the following range.

Allowable range
Within 1 dB

⑥ Crosstalk between L and R

Condition: Set C-R LEVEL control at maximum.
Input a signal to 2TR ANALOG IN (L),
RCA/phono jack with a -10dBV.
Connect a 150 Ω resistor at the 2TR
ANALOG IN (R) connector.

Input frequency	Output level (L)	Allowable range (R)
1 kHz	+22 dBs	Less than -48 dBs

Check that the same result is gained at the R channel in
the same manner.

9. INPUT 1 - 16 (XLR, PHONE)

Condition: Measure the output at STEREO OUT (L).
Source impedance of the input signal is
150 Ω.
Set the pan position at center.
Set the GAIN control at +4 dB.
Turn on the 20dB(pad) switch.
Set the attenuation at 0 dB.

9-A. GAIN MAX · PAD OFF

① Gain (INPUT 1~16)

Input frequency	Input level	Rated output level	Allowable range
1 kHz	-60 dBs	+4 dBs	+4 ±2 dBs

② Frequency characteristics (INPUT 1~16)

Condition: The allowable range is based on 1kHz.

Input frequency	Input level	Allowable range
20 Hz	-60 dBs	-2.0~0 dB
20 kHz	-60 dBs	-1.0~0 dB

③ Distortion rate (INPUT 1~16)

Input frequency	Output level	Allowable range
1 kHz	+22 dBs	Less than 0.02 %

④ Noise level, EIN (INPUT 1~16)

Allowable range
Less than -64 dBs

If the measured noise level is out of the rated value,
check that the converted value is within the range
shown below.

Measurement value - (gain at 1 kHz) ≤ -128

⑤ Level difference (INPUT 1~16)

Check that the gain measured in status ① is within the
following range.

Allowable range
Within 2 dB

9-B. GAIN MIN · PAD ON

① Gain (INPUT 1~16)

Input frequency	Input level	Rated output level	Allowable range
1 kHz	+4 dBs	+4 dBs	+4 ±2 dBs

② Distortion rate (INPUT 1~16)

Input frequency	Output level	Allowable range
1 kHz	+22 dBs	Less than 0.02 %

③ Noise level (INPUT 1~16)

Allowable range
Less than -76 dBs

④ Gain at INSERT OUT (INPUT 1~8)

Input frequency	Input level	Rated output level	Allowable range
1 kHz	+4 dBs	0 dBs	0 ± 1.5 dBs

9-C. PHANTOM (INPUT 1~8)

Short-circuit pin-2 and pin-3 of an appropriate INPUT(XLR) connector, and connect a 10 k Ω load between pin-2 and pin-1. Check that the voltage is within the range shown below when the +48(phantom) switch is turned on.

Allowable range
DC 31~37 V

Check that the circuit starts electric discharge quickly when turning off the PHANTOM switch.

10. INPUT 17~24

Condition: Measure the output at the STEREO OUT (L/R).

Source impedance of the input signal is 150 Ω.

Set the pan position at L or R.

Set the GAIN control at +4 dB.

Turn on the 20dB(pad) switch.

Set the attenuation at 0 dB.

10-A. Gain MAX

① Gain (INPUT 17~24)

Input frequency	Input level	Rated output level	Allowable range
1 kHz	-40 dBs	+4 dBs	+4 ± 2 dBs

② Frequency characteristics (INPUT 17~24)

Condition: Allowable range is based on 1 kHz.

Input frequency	Input level	Allowable range
20 Hz	-40 dBs	-2.0~0 dB
20 kHz	-40 dBs	-1.0~0 dB

③ Distortion rate (INPUT 17~24)

Input frequency	Output level	Allowable range
1 kHz	+22 dBs	Less than 0.02 %

④ Noise level, EIN (INPUT 17~24)

Allowable range
Less than -60 dBs

If the measured noise level is out of the rated value, check that the converted value is within the range shown below.

Measurement value - (gain at 1 kHz) ≤ -104

⑤ The difference in gain between odd-numbered channel and even-numbered channel

Check that the difference in gain measured in status ① is within the following range.

Allowable range
Within 1 dB

⑥ Level difference (INPUT 17~24)

Check that the difference in gain measured in status ① is within the following range.

Allowable range
Within 2 dB

10-B. GAIN MIN

① Gain (INPUT 17~24)

Input frequency	Input level	Rated output level	Allowable range
1 kHz	+4 dBs	+4 dBs	+4 ± 2 dBs

② Distortion rate (INPUT 17~24)

Input frequency	Output level	Allowable range
1 kHz	+22 dBs	Less than 0.02 %

③ Noise level (INPUT 17~24)

Condition: Use a low pass filter with the cut-off frequency of 12.7 kHz.

Allowable range
Less than -76 dBs

④ Crosstalk between odd-numbered channel and even-numbered channel

Condition: Input a signal to the odd-numbered channel.

The even-numbered channel is to be short-circuited with a 150 Ω.

Input frequency	Output level (Odd number channel)	Allowable range (An even-numbered channel)
1 kHz	+22 dBs	Less than -48 dBs

Check that the same result can be obtained at the even-numbered channel in the same manner.

11. 2TR IN DIGITAL

Condition: Prepare for a A/D converter AD2X, and set INT at 48k.

11-A. MONITOR WHEN EMPHASIS OFF

Condition: Measure the output at C-R MONITOR OUT (L/R).
Set C-R LEVEL control at maximum.
Switch off the emphasis of the AD2X.

① Gain (ABS/EBU, COAXIAL2, 3)

Input frequency	Input level (AD2X)	Rated output level	Allowable range
1 kHz	+4 dBs	+4 dBs	+4 ±2 dBs

② Frequency characteristics (AES/EBU, COAXIAL2, 3)

Condition: The allowable range is based on 1 kHz.

Input frequency	Input level (AD2X)	Allowable range
20 Hz	+4 dBs	-1.0~0 dB
20 kHz	+4 dBs	-1.0~0 dB

③ Distortion rate (AES/EBU, COAXIAL2, 3)

Input frequency	Output level (O2R)	Allowable range
1 kHz	+22 dBs	Less than 0.02 %

11-B. MONITOR WHEN EMPHASIS ON

Condition: Measure the output at C-R MONITOR OUT (L/R).
Set C-R LEVEL control at maximum position.
Turn on the emphasis of the AD2X.

① Gain (ADS/EBU, COAXIAL2, 3)

Input frequency	Input level (AD2X)	Rated output level	Allowable range
1 kHz	+4 dBs	+4 dBs	+4 ±2 dBs

② Frequency characteristics (AES/EBU, COAXIAL2, 3)

Condition: The allowable range is based on 1 kHz.

Input frequency	Input level (AD2X)	Allowable range
20 Hz	+4 dBs	-1.0~0 dB
20 kHz	+4 dBs	-1.0~0 dB

11-C. STEREO ASSIGN

Condition: Perform the inspection with ST OUT L/R.
Set the word clock to DIGITAL input.
Set the pan position at L or R.
Set the attenuation at 0 dB.

① Gain (AES/EBU, COAXIAL 2)

Input frequency	Input level	Rated output level	Allowable range
1 kHz	+4 dBs	+4 dBs	+4 ±2 dBs

② Frequency characteristics (AES/EBU)

Condition: The allowable range is based on 1 kHz.

Input frequency	Input level	Allowable range
20 Hz	+4 dBs	-1.0~0 dB
20 kHz	+4 dBs	-1.0~0 dB

③ Distortion rate (AES/EBU)

Input frequency	Output level	Allowable range
1 kHz	+22 dBs	Less than 0.02 %

12. STEREO OUT DIGITAL

Condition: Input a signal to INPUT 1.
Source impedance of the input signal is 150 Ω.
Set the pan position at center.
Set the GAIN control at +4 dB.
Turn on the 20dB(pad) switch.
Set the attenuation at 0 dB.
Prepare for a D/A converter DA2X.

① Gain (AES/EBU, COAXIAL)

Input frequency	Input level	Rated output level	Allowable range
1 kHz	+4 dBs	0 dBs	0 ±2 dBs

② Frequency characteristics (AES/EBU)

Condition: The allowable range is based on 1 kHz.

Input frequency	Input level	Allowable range
20 Hz	+4 dBs	-1.0~0 dB
20 kHz	+4 dBs	-1.0~0 dB

③ Distortion rate (ABS/EBU)

Input frequency	Output level	Allowable range
1 kHz	+18 dBs	Less than 0.02 %

13. WORD CLOCK IN

Condition: Use the word clock output of a DRU8.
Set WC SELECT at WC IN.

13-A. 48 kHz +6 %

Condition: Measure the output at STEREO OUT (L/R).
Input a signal to INPUT 1.
Source impedance is 150 Ω.
Set the pan position at center.
Set the GAIN control at +4 dB.
Turn on the 20dB(pad) switch.
Set the attenuation at 0 dB.

① Distortion rate (L/R)

Input frequency	Output level	Allowable range
1 kHz	+22 dBs	Less than 0.03 %

13-B.32 kHz -6 %

Condition: Perform inspection with ST OUT L/R.
 Input a signal to INPUT 1.
 Source impedance is 150 Ω .
 Set the pan position at center.
 Set the GAIN control at +4 dB.
 Turn on the 20dB(pad) switch.
 Set the attenuation at 0 dB.

① Distortion rate (L/R)

Input frequency	Output level	Allowable range
1 kHz	+22 dBs	Less than 0.02 %

14. WORD CLOCK OUT

Condition: Use the word clock output of a DRU8.
 Set WC SELECT at WC IN.
 Set INT of the DRU8 at 48KHz.

① Jitters

Allowable range
Less than 10 nsec

E. INITIALIZATION

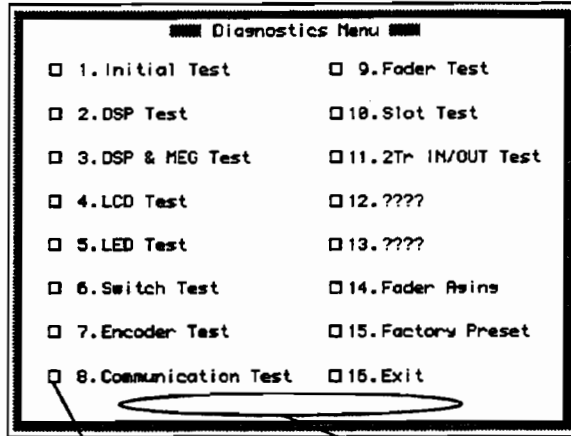
Carry out initialization if necessary after inspections have been performed.

Initialization can be done when the POWER switch is turned on while pressing the cursor left key.

■ TEST PROGRAM

A. HOW TO ENTER THE TEST PROGRAM

While pressing the [STEREO SEL] and the cursor [>] keys, turn on the POWER switch, then the menu screen is indicated as shown below.



Check boxes are examined when all appropriate checks become OK.

When the test version is beyond 1.01, the version number is indicated in this part.

※Before turning on the POWER switch, insert the communication boards into the 02R and set the computer connected to the [TO HOST] terminal of the communication board at 38400 baud. Check that "02R>" is displayed with the prompt after various messages is indicated when the POWER switch is turned on. Then, check that when the RETURN key of the computer is pressed, the "02R" message appears again. (Or, when "menu" is input with the keyboard and the RETURN key is pressed, it can be checked that menu is indicated.)

※When the test is finished on each screen, "4F 4B", it means "OK" or "4E 47", "NG", responds to the test result, outputs from the MIDI OUT terminal.

※MIDI control function of TEST PROGRAM

The test program of 02R can start by usually inputting the following MIDI system exclusive messages on normal mode.

```
F0 43 00 7E 00 18 4C 4D 20 20 38 41 36 37 54 20
30 32 52 20 44 49 41 47 20 53 54 41 52 54 36 F7
```

Each test can start by the MIDI program change data after the test has been started. As for the assignments of the signal;

$C0\ XX$ [$XX = (\text{Test No.} - 1) \times 8$]

Example : Initial Test = C0 00, DSP Test = C0 08
 DSP & MEG Test = C0 10, ..., Exit = C0 78

If you must press ENTER key during a test, you can get the same result by inputting the number which 1 is added to the program change number to start each screen.

Example : Communication Test (Test No. 8)

```
Start C0 38
[ENTER] C0 39
[ENTER] C0 3A
```

And, when each test is completed, "4F 4B", it means "OK", or "4E 47", "NG", responds to the test result, outputs from the MIDI OUT terminal.

1. INITIALS TEST

Each test of Battery, Communication between MAIN and SUB, External RAM for the microcomputer, the excuse of the expansion RAM, the version display of the ROMs of MAIN and SUB are performed.

```

Initial test
Battery test : OK (3.2V)
SUB(->MAIN Comn. : OK
RAM test :
SOP RAM0(IC205) : OK
SOP RAM1(IC206) : OK
SOP RAM2(IC207) : OK
SOP RAM3(IC208) : OK
SOP RAM2(IC209) : OK
SOP RAM3(IC210) : OK
SOCKET RAM0(IC920) : NOTHING
SOCKET RAM1(IC921) : NOTHING
SOCKET RAM2(IC922) : NOTHING
SOCKET RAM3(IC923) : NOTHING
ROM Version(MAIN) : U1.00(95/09/18#3)
                (SUB) : U1.00
    
```

Labels on the right side of the screenshot:

- OK or NG
- Battery voltage
- OK or NG
- OK or NG
- "NOTHING" will appear when RAMs are not installed in the sockets, or when RAMs don't function even if they have been installed.
- Version of MAIN CPU
- Version of SUB CPU

NOTE: Expansion RAMs (ME4M) are not mounted at the sockets on the MAIN circuit board when the console is shipped.

2. DSP CPU/IF, PIO, EXTERNAL RAMs Checks

CPU bus of DSP, pins 20 - 47 (except power supply and ground) test, Parallel I/O bus of DSP test and Data bus and address bus of the external RAM of DSP test are performed during this test.

Labels on the right side of the top screenshot:

- OK or NG
- OK or NG
- OK or NG
- OK or NG

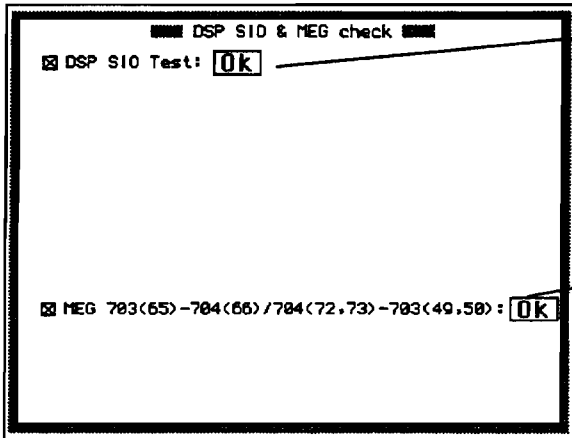
Labels on the right side of the bottom screenshot:

- The contents of the error are output from the TO HOST port.
- Number of the error
- Indicates the pin which caused NG with "1". Pin 69 can be presumed a cause in this case.
- Number of the error
- Indicates the pins which caused NG with "1". Pins 105 and 106 can be presumed a cause in this case.
- They are equivalent to pins 147-140 of IC 602 and IC702. Indicates the pin which caused NG with "1".

Four contents in all the errors are indicated. It means that an error occurs when there is a number except for "0" here.

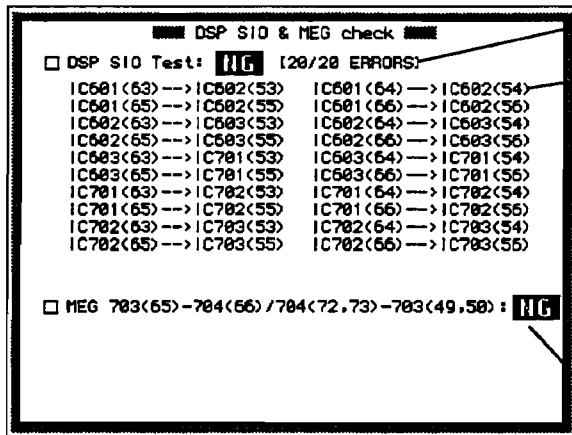
3. DSP SIO & MEG Check

The check of serial line between DSPs and the check of MEG and external RAMs of MEG and serial line with DSPs.



OK or NG

OK or NG



Number of error

Indicates the line which an error happened in.

The result related to MEG can't be indicated in detail. You should check the follows;

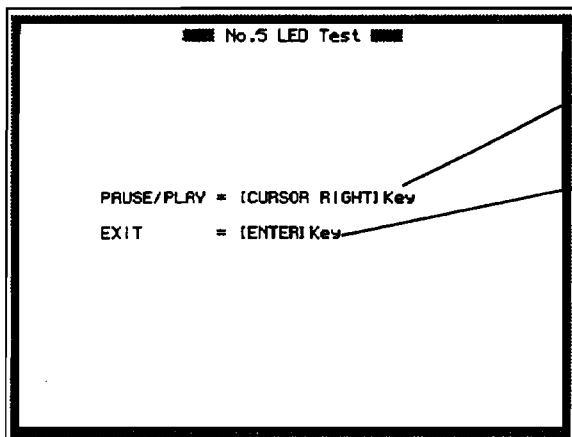
- MEG(IC704)
- RAM(IC705, IC706)
- DSP(IC703)-65pin→MEG(IC704)-66pin
- MEG(IC704)-72pin→DSP(IC703)-49pin
- MEG(IC704)-73pin→DSP(IC703)-50pin

4. LCD Test

Check that the LCD screen changes white → black → white → black.

5. LED Test

LEDs on the panel are turned on one after another.

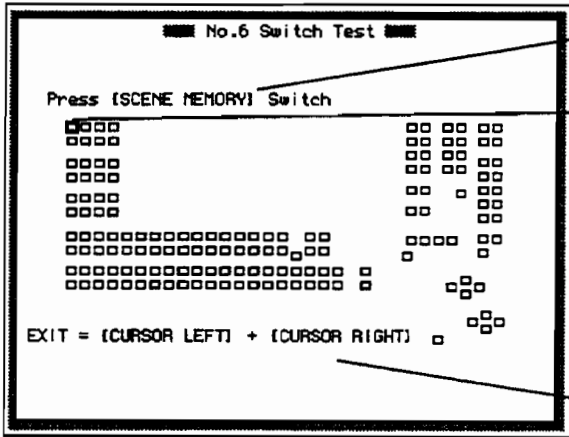


Press the cursor [>] key to pause/restart the program.

Press ENTER key to return the menu screen.

6. SWITCH Test

Press the key according to the name indicated on the LCD.



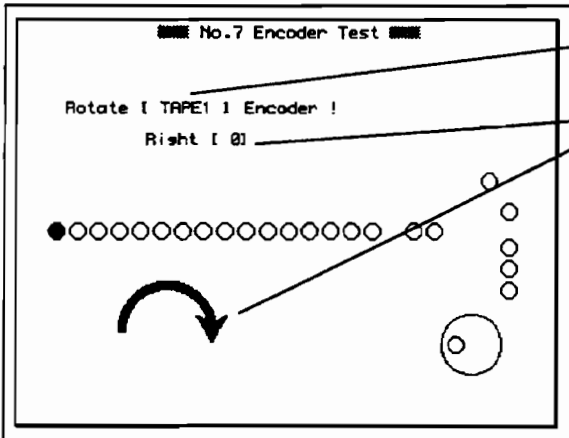
The switch name to be pressed is indicated.

The switch position to be pressed is indicated.

To return the menu, press the cursor [>] and [<] keys.

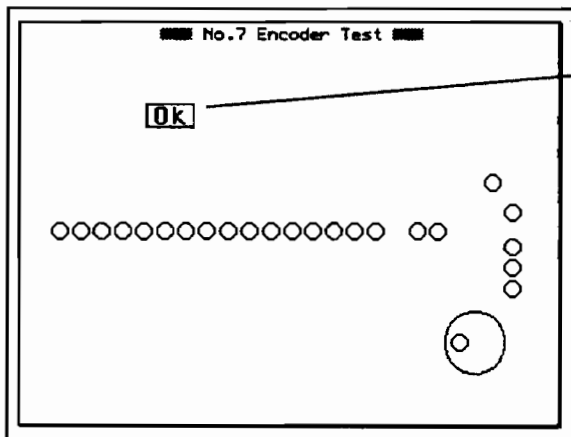
7. ENCODER Test

Check encoders of the panel. Rotate the encoder indicated on the LCD in the direction of the arrow.



Encoder name

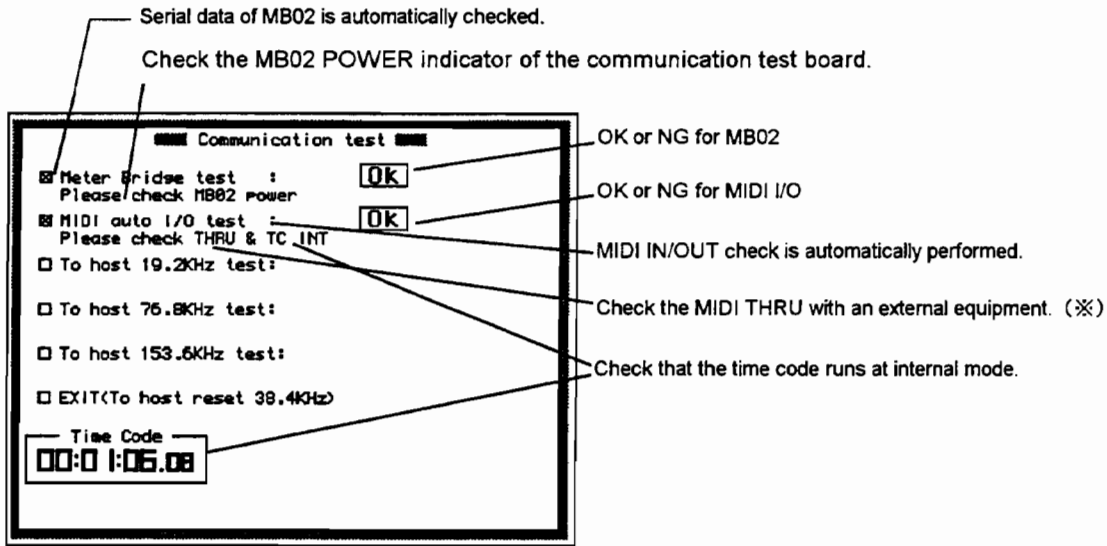
Shows the direction to rotate.



OK is indicated, when the test is end.

8. COMMUNICATION Test

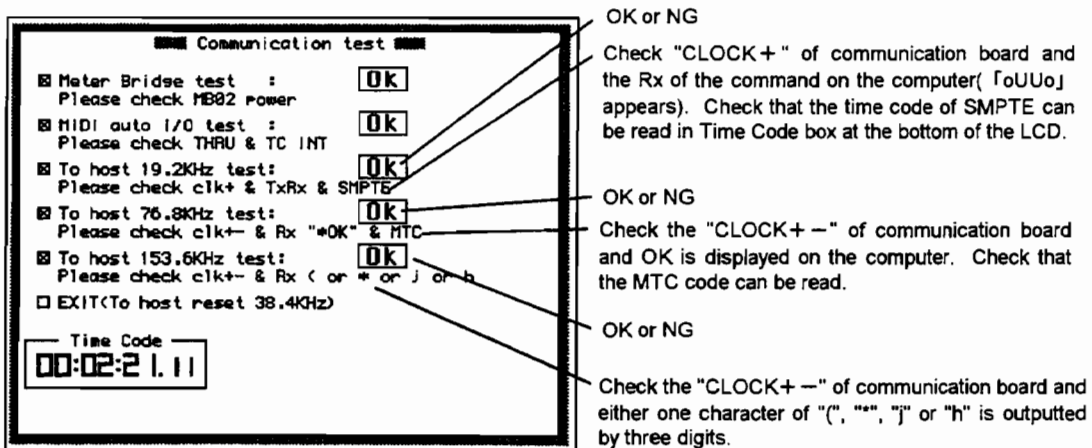
When the test is initiated, checks of the meter bridge terminal, MIDI I/O, To Host will be performed. Connect the MIDI IN terminal to the MIDI OUT with a MIDI cable, and execute the test under the condition which a communication boards are connected with.

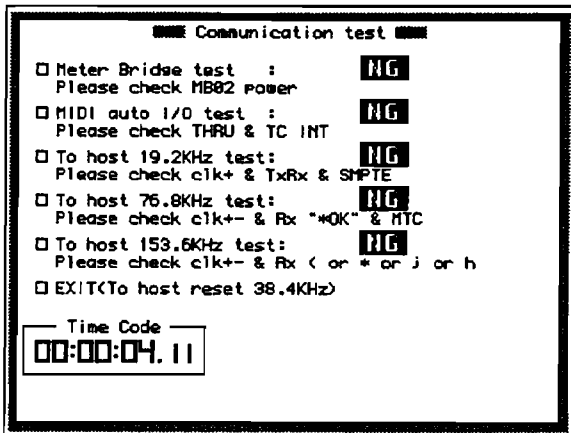


(※) The Bulk Request of the 02R program change table is being used as the test data in the MIDI I/O test.

Clock check of To Host will be performed when the test is initiated. Press ENTER key after moving the cursor to each check box of "19.2kHz", "76.8kHz", or "153.6kHz". (38.4kHz check is unnecessary here because it is carried out automatically when the POWER switch is normally turned on.)

Attention: Push ENTER after setting the computer at 19200 baud when performing the 19.2kHz test. In other tests, the computer must be set at 38400 baud.



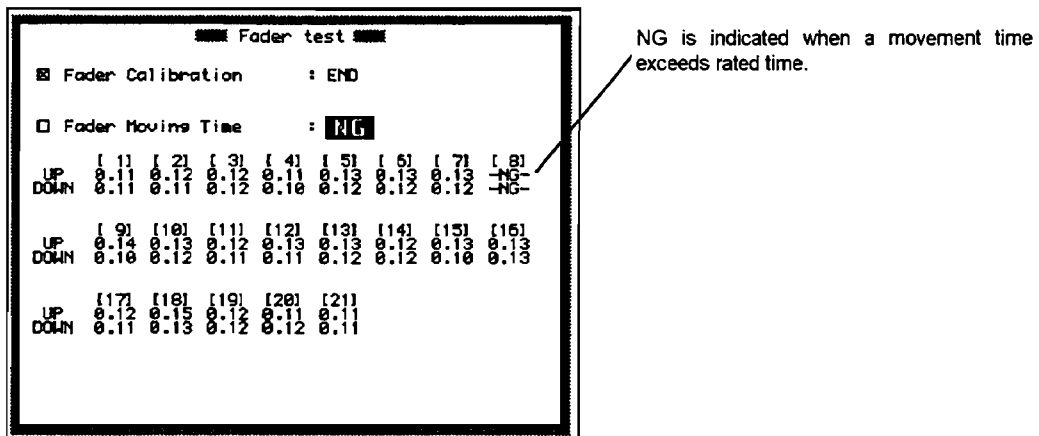
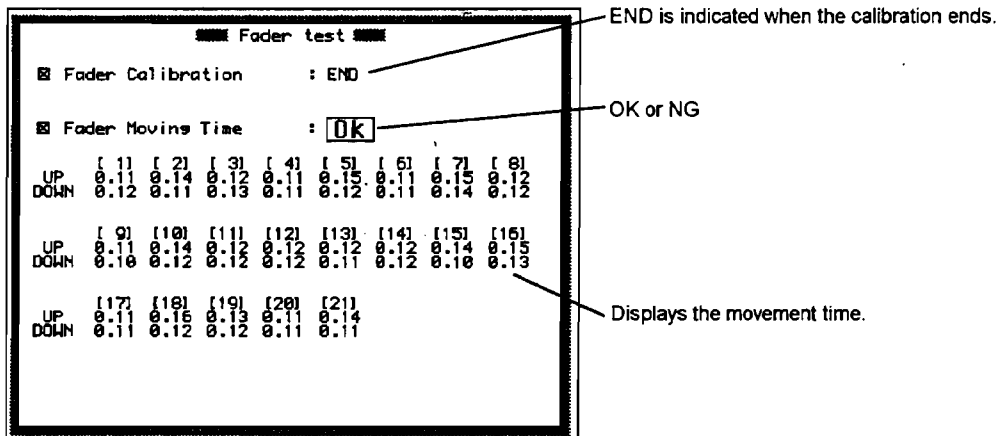


Each test of 19.2kHz, 76.8kHz, 153.6kHz is to be securely checked on the computer display because the clock check is only performed during the test.

Attention: Note that it takes several seconds before a result comes out after pushing ENTER.

9. FADER Test

Measure the going and returning movement time of each fader after the calibration of fader has been automatically performed. If necessary, exchange a fader, or perform the aging, test 14, because OK result doesn't come out when there is even a NG.



10. SLOT Test

Check that cards for the jig are being inserted into all the slots before executing the test.

Checks SLOT ID port of each slot

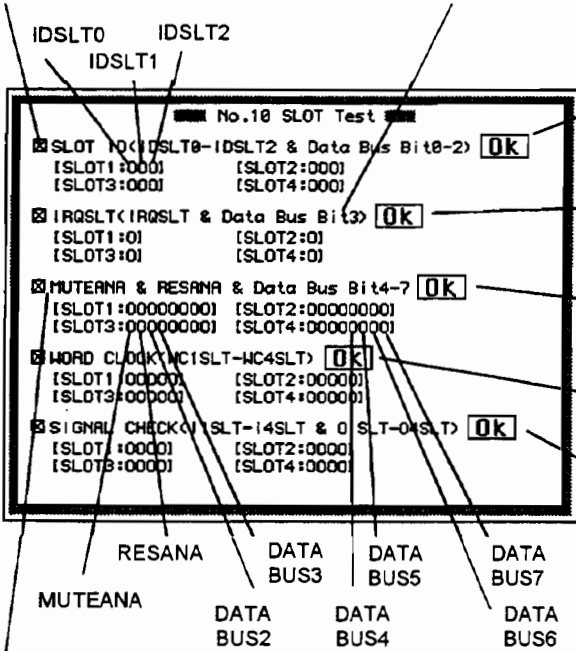
"O"—OK, "X"—NG

When NG, NG occurs in SLOT ID port or data bus 0~2.

Checks IRQSLT port of each slot

"O"—OK, "X"—NG

When NG, NG occurs in IRQ SLT port or data bus 3.



OK or NG
OK is indicated when all slots of SLOT1~4 is "O".

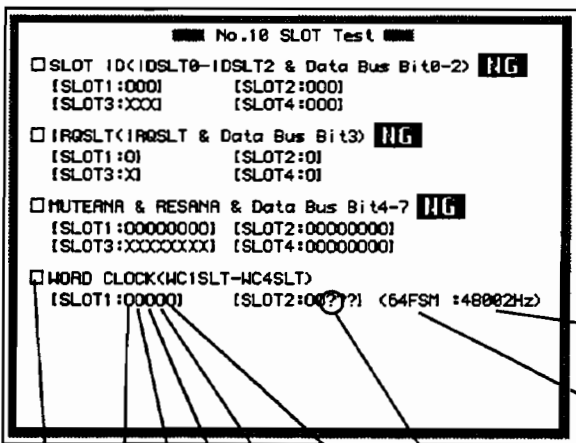
OK or NG
OK is indicated when all slots of SLOT1~4 is "O".

OK or NG
OK is indicated when all slots of SLOT1~4 is "O".

OK or NG
OK is indicated when all slots of SLOT1~4 is "O".

OK or NG
OK is indicated when all slots of SLOT1~4 is "O".

Checks MUTEANA, RESANA, DATA BUS 4~7 of each slot.
"O"—OK, "X"—NG

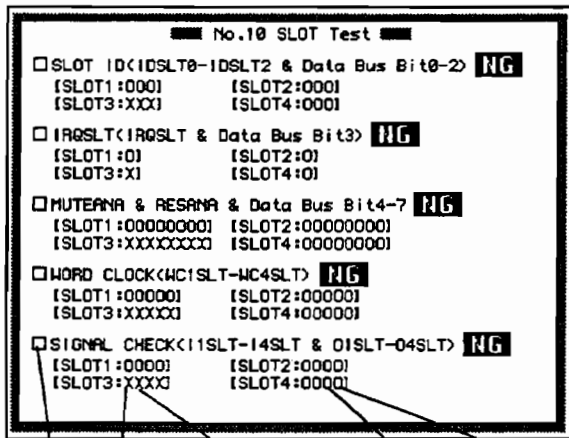


FS
Change 44.1K and 48K to every 1 port.

Input port

FSM
64FSM
128FSM
256FSM
SYNCM
when checking

Checks the output port and WC1SLT~WC4SLT port of FSM, SYNCM, 64FSM, 128FSM, 256FSM.
"O"—OK, "X"—NG

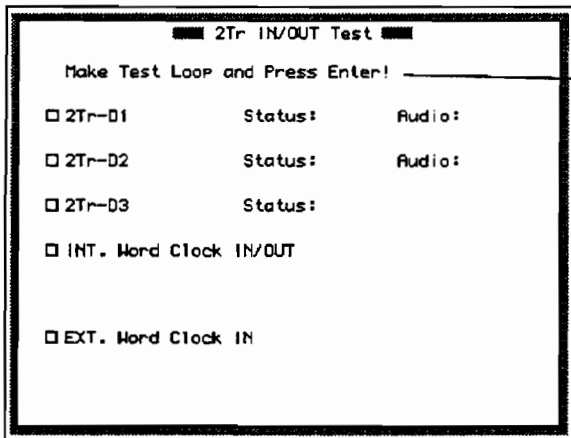


I1SLT, O1SLT I2SLT, O2SLT I3SLT, O3SLT I4SLT, O4SLT

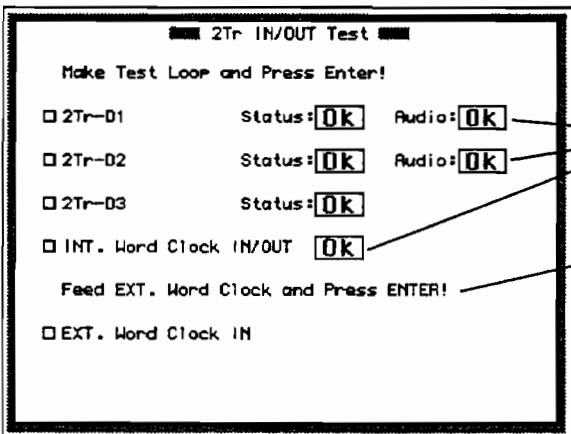
Checks the input of I1SLT~I4SLT and the output of O1SLT~O4SLT.

11. 2TR IN/OUT Test

2TR-D1, 2TR-D2, 2TR-D3 and the word clock are checked during the test.

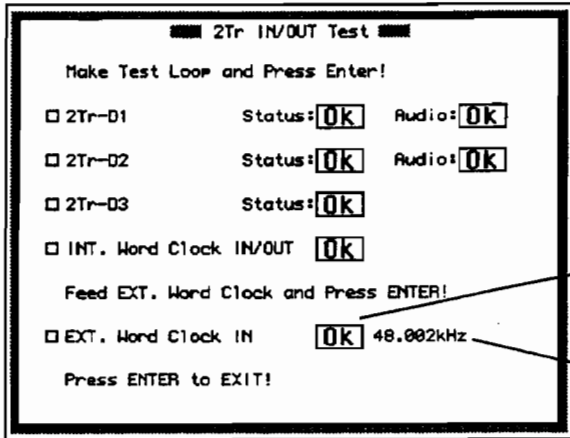


Before executing the test, connect the STEREO OUT (DIGITAL) to 2TR-D1, 2TR-D2 and 2TR-D3. And the WORD CLOCK IN and OUT must be connected, then execute the test by pressing the ENTER key.



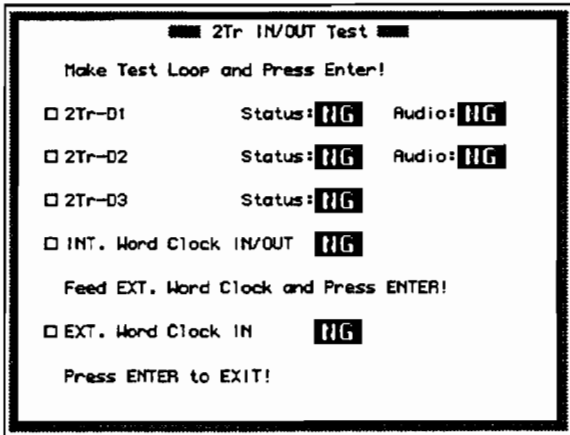
OK or NG

Connect an external WORD CLOCK generator to the WORD CLOCK IN terminal, then execute the test by pressing the ENTER key.



OK or NG

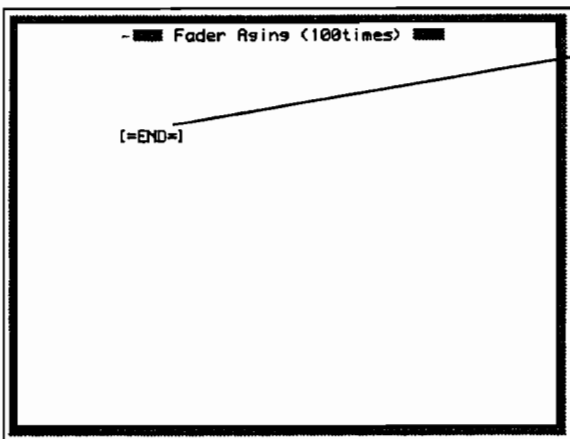
OK means the PLL has been locked by the external WORD CLOCK, and the number shows the frequency.



※Example of NG

14. FADER AGING

Faders go 100 times for aging.

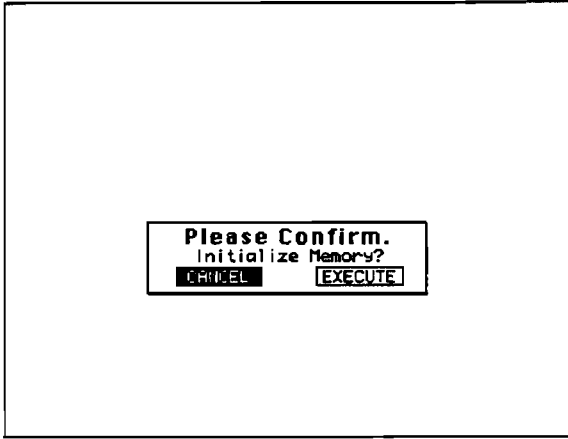


Indicates another number of times. END is indicated when the test is completed.

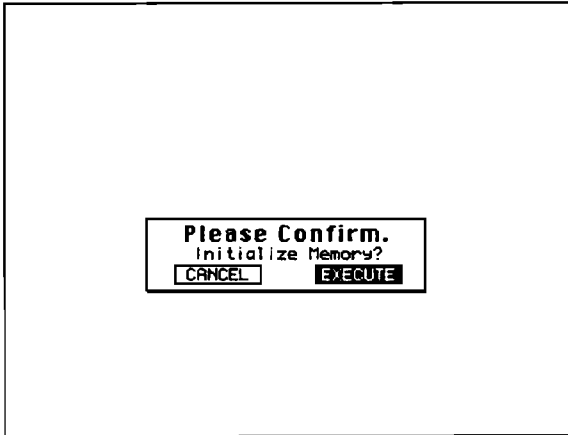
Attention: Carry it out only when there is a bad fader in the movement. You don't need to perform this test every time.

15. FACTORY PRESET

Initialize the data to the factory preset data.



When this screen is indicated, press the cursor [>] key to reverse the EXECUTE characters.



Press ENTER key to initialize the data during this screen is indicated.

■ ERROR MESSAGES

Follow the corrective actions described below when the error messages are shown on the display:

2TR-D1 No Input!	Correct digital signal is not input to 2TR-D1. (C-R monitoring is not available.)
2TR-D2 Cascade Disabled	2TR-D2 cannot be routed to STEREO BUS. (Incorrect word clock setting)
2TR-D2 No Input!	Correct digital signal is not input to 2TR-D2. (C-R monitoring is not available.)
2TR-D3 No Input!	Correct digital signal is not input to 2TR-D3. (C-R monitoring is not available.)
Automix Aborted!	Automix data was aborted. (You can undo the operation.)
Automix Disabled!	Time code was input, but automix is disabled.
Automix REC Ready!	Ready for recording automix.
Automix Recording!	Recording automix now.
Automix Running!	Automix is now running.
Automix Updated!	Automix has been updated. (You can undo the operation.)
Byte Count Error!	Byte count for the received bulk data is not correct.
Can't assign 2TR-D1!	2TR-D1 cannot be routed to line 17/18. (The signal at 2TR-D1 is not syncing with the 02R, or 2TR-D1 has been selected in the CR monitor section.)
Can't assign 2TR-D2!	2TR-D2 cannot be routed to line 19/20. (The signal at 2TR-D2 is not syncing with the 02R, or 2TR-D2 has been selected in the CR monitor section.)
Can't select SLOT3!	SLOT3 cannot be selected for digital input. (The I/O card is not in SLOT3.)
Can't select SLOT4!	SLOT4 cannot be selected for digital input. (The I/O card is not in SLOT4.)
Can't select WORD CLOCK!	Not available as a word clock source.
Cannot Copy Title!	You cannot copy the title from the memory that has no data.
Cannot Paste Title!	You cannot paste the title to the memory that has no data.
Check Sum Error!	Check sum of the received bulk data is not correct.
Code Mismatch!	Product code for the received bulk data is not correct.
DIGITAL I/O Error!	Incoming signal from SLOT DIO is not syncing with the 02R. The synchronization system has not been configured successfully. Or, if the sync system has been configured, this message may still appear if the clock sent from the MTR is unstable until the digital MTR enters CHASE status. You can select whether this message will be shown or not.
Duplicate Grouping!	You cannot duplicate the group.
Fixed Fragmentation!	The automix memory has been corrected. Abnormal data may be generated in the memory if you turn off the power during recording or if incomplete bulk data is received.
Frame Drop Out!(#)	Time code frame is dropping out. (The count in the parenthesis shows the number of dropping frames.)
Frame Jump!	Time code frame is dropping out.
ID Mismatch!	Model ID for parameter change is not correct.
Illegal Time Range!	In/out time setting is incorrect.

Low Battery!	The internal battery voltage is getting very low. Back-up the setup data stored in the 02R , and replace the battery.
MAIN SCI0 Framing Err.	Reception error of the main CPU SCI0.
MAIN SCI0 OverRun Err.	Reception error of the main CPU SCI0.
MAIN SCI0 Party Err.	Reception error of the main CPU SCI0.
MAIN SCI0 RxBuf. Full	MIDI data being transmitted is too large.
MAIN SCI0 TxBuf. Full	MIDI data being received is too large.
MAIN SCI1 Framing Err.	Check the connection at the TO HOST connector.
MAIN SCI1 OverRun Err.	Check the connection at the TO HOST connector.
MAIN SCI1 Party Err.	Check the connection at the TO HOST connector.
MAIN SCI1 RxBuf. Full	Check the connection at the TO HOST connector.
MAIN SCI1 TxBuf. Full	Check the connection at the TO HOST connector.
MAIN->SUB Disconnected!	Communication error between the main CPU and the sub CPU.
Make New Mix!	First make a New Mix.
Memory Full!	Automix memory is full.
MIDI Ch Mismatch (#)	The device number of the received bulk data is not correct.
No Aux Send!	There is no AUX send from EFF1 to AUX7 or EFF2 to AUX8.
No Time Code!	Time code is not being input.
Preset is read only!	You cannot store data to the preset memory.
Redone.	The previous operation was redone.
Scene 0 is read only!	You cannot store data to Scene "0."
Scene Memory Protected!	Scene memory is write-protected.
Select Channel!	A channel for extract has not been assigned.
Select Parameter!	The parameter for extract has not been assigned.
Set Overwrite!	Set the overwrite parameter.
SOLO Ready!	The track is ready for solo.
SOLO Slave!	You cannot change the solo status and the Solo key is disabled if the unit is a cascade slave.
SUB->MAIN Disconnected!	Communication error between the sub CPU and the main CPU.
SUB SCI0 Framing Err.	Reception error of the sub CPU.
SUB SCI0 OverRun Err.	Reception error of the sub CPU.
SUB SCI0 Party Err.	Reception error of the sub CPU.
SUB SCI0 RxBuf. Full	MIDI data being transmitted is too large.
SUB SCI0 TxBuf. Full	MIDI data being received is too large.
SUB SCI1 Framing Err.	Check the MIDI connection.
SUB SCI1 OverRun Err.	Check the MIDI connection.
SUB SCI1 Party Err.	Check the MIDI connection.
SUB SCI1 RxBuf. Full	MIDI data being transmitted is too large.
SUB SCI1 TxBuf. Full	MIDI data being received is too large.
TC RxBuf. Full	Buffer for time code reception is full.
TC TxBuf. Full	Buffer for time code transmission is full.
Too Large Bulk!	MIDI bulk data size is too large.
Undo Buf. is Empty!	The previous operation cannot be undone because no data exists in the undo buffer.

Undo Buf. is Full!	The store operation cannot be done because the data exists in the undo buffer.
Undone Recall.	The recall operation was undone.
Undone Store.	The store operation was undone.
Wrong WORD CLOCK!	The device for synchronization (selected from the 02R) is sending incorrect word clock. Re-configure the synchronization system.
To many cascade in/out cards. Shut off the power and check slot, please.	There are more than two cascade cards or too many cards with the "in" or "out" setting. Check the slot condition, and turn the power on to the 02R again.

■ 検査

A. 準備

特に指定しないとき、各検査は以下の条件の下で行なうこと。

- ・ ワードクロックは、インターナル 48 kHz にする。
- ・ 測定 CH1 のみ ON とする。
- ・ FADER はノミナル(0 dB)とする。
- ・ アナログ出力の負荷は、以下の通りとする。
 STEREO OUT(XLR): 600 Ω
 STEREO OUT(PIN): 10 k Ω
 STUDIO OUT: 10 k Ω
 C-R OUT: 10 k Ω
 AUX 1, 2, 3, 4, 5, 6: 10 k Ω
 PHONES: 8 Ω
- ・ 0 dBs=0.775 Vrms
- ・ 0dBV=1Vrms=2.2dBs
- ・ ノイズ測定は、12.7 kHz、-6dB/OCT の LPF で補正すること。
 (実効値ではなく平均値での測定とする。)

B. 初期化

カーソル左キーを押しながら電源スイッチを ON してシステムを立ち上げ、初期化を実行した後、各検査を実行すること。

C. テストプログラム

STEREO の SEL キーとカーソル右キーを同時に押しながら電源スイッチを ON してシステムを立ち上げると、テストプログラムが起動する。
 テストプログラムによる検査は、本サービスマニュアルのテストプログラムの項目を参照すること。

D. 検査

1. ST OUT L/R(XLR)

条件: CH1 に信号を入力。ソースインピーダンスは 150 Ω
 PAN はセンター
 ゲイントリムは+4dB。PAD は ON
 ATT は 0dB

① 利得(L/R 共)

入力周波数	入力レベル	規定出力レベル	許容範囲
1 kHz	+4 dBs	+4 dBs	+4 ±2 dBs

② f 特(L/R 共)

条件: 許容範囲は、1 kHz を基準とする。

入力周波数	入力レベル	許容範囲
20 Hz	+4 dBs	-1.5~0 dB
20 kHz	+4 dBs	-1.0~0 dB

③ 歪率(L/R 共)

入力周波数	出力レベル	許容範囲
1 kHz	+22 dBs	0.02 %以下
1 kHz	-20 dBs	0.5 %以下

④ 残留ノイズ(L/R 共)

条件: ST OUT を OFF

許容範囲
-88 dBs 以下

⑤ L/R 間のレベル差

① で測定した利得の差が、以下の範囲にあることを確認する。

許容範囲
-1 dB 以内

⑥ 最大出力(L/R 共)

入力周波数	出力レベル	許容範囲(歪率)
1 kHz	+24 dBs	0.1 %以下

⑦ L/R 間のクロストーク

条件: PAN は L 振り切り

入力周波数	出力レベル(L)	許容範囲(R)
1 kHz	+22 dBs	-48 dBs 以下

R 側も同様のこと。

2. ST OUT L/R(PIN)

条件: CH1 に信号を入力。ソースインピーダンスは 150 Ω
 PAN はセンター
 ゲイントリムは+4dB。PAD は ON
 ATT は 0dB

① 利得(L/R 共)

入力周波数	入力レベル	規定出力レベル	許容範囲
1 kHz	+4 dBs	-10 dBV	-10 ±2 dBV

② f特(L/R 共)

条件: 許容範囲は、1 kHz を基準とする。

入力周波数	入力レベル	許容範囲
20 Hz	+4 dBs	-1.5~0 dB
20 kHz	+4 dBs	-1.0~0 dB

⑦ L/R 間のクロストーク

条件: PANはL振り切り

入力周波数	出力レベル(L)	許容範囲(R)
1 kHz	+22 dBs	-48 dBs 以下

R側も同様のこと。

3. STUDIO OUT L/R および C-R OUT L/R

条件: CH1 に信号を入力。ソースインピーダンスは
150 Ω
PANはセンター
ゲイントリムは+4dB。PADはON
ATTは0dB
VRはMAX

4. AUX1、2、3、4、5、6

条件: CH1 に信号を入力。ソースインピーダンスは
150 Ω
PANはセンター
ゲイントリムは+4 dB、PADはON
ATTは0 dB
AUX レベルは0 dB
AUX マスターは0 dB

① 利得(L/R 共)

入力周波数	入力レベル	規定出力レベル	許容範囲
1 kHz	+4 dBs	+4 dBs	+4 ±2 dBs

① 利得(1、2、3、4、5、6 共)

入力周波数	入力レベル	規定出力レベル	許容範囲
1 kHz	+4 dBs	+4 dBs	+4 ±2 dBs

② f特(L/R 共)

条件: 許容範囲は、1 kHz を基準とする。

入力周波数	入力レベル	許容範囲
20 Hz	+4 dBs	-1.5~0 dB
20 kHz	+4 dBs	-1.0~0 dB

② f特(1、2、3、4、5、6 共)

条件: 許容範囲は1 kHz を基準とする。

入力周波数	入力レベル	許容範囲
20 Hz	+4 dBs	-1.5~0 dB
20 kHz	+4 dBs	-1.0~0 dB

③ 歪率(L/R 共)

入力周波数	出力レベル	許容範囲
1 kHz	+22 dBs	0.02 %以下

③ 歪率(1、2、3、4、5、6 共)

入力周波数	出力レベル	許容範囲
1 kHz	+18 dBs	0.02 %以下

④ 残留ノイズ(L/R 共)

条件: ST OUT を OFF

出力 VR	許容範囲 (C-R)	許容範囲 (STUDIO)
MAX	-88 dBs 以下	-86 dBs 以下
MIN	-100 dBs 以下	-100 dBs 以下

④ 残留ノイズ(1、2、3、4、5、6 共)

条件: CH1 の入力を OFF

許容範囲
-87 dBs 以下

⑤ L/R 間のレベル差

①で測定した利得の差が、以下の範囲にあることを確認する。

許容範囲
1 dB 以内

⑤ 1、2、3、4、5、6間のレベル差

①で測定した利得の差が、以下の範囲にあることを確認する。

許容範囲
1 dB 以内

⑥ 最大出力(L/R 共)

入力周波数	出力レベル	許容範囲(歪率)
1 kHz	+24 dBs	0.1 %以下

⑥ 最大出力(1、2、3、4、5、6 共)

入力周波数	出力レベル	許容範囲(歪率)
1 kHz	+20 dBs	0.1 %以下

⑦ 奇数チャンネル/偶数チャンネル間のクロストーク

入力周波数	出力レベル (奇数チャンネル)	許容範囲 (偶数チャンネル)
1 kHz	+18dBs	-52dBs 以下

R側も同様のこと。

5. 出力レベル差

条件: ST OUT L/R(XLR)、STUDIO OUT L/R、C-R OUT L/R、AUX 1,2,3,4,5,6の各出力の1 kHzでのレベルを測定したとき、各出力の利得の差が、以下の範囲にあることを確認する。

許容範囲
2 dB 以内

6. PHONES OUT L/R

条件: CH1 に信号を入力。ソースインピーダンスは 150 Ω
PAN はセンター
ゲイントリムは+4dB。PAD は ON
ATT は 0dB
VR は MAX

① 利得(L/R 共)

入力周波数	入力レベル	規定出力レベル	許容範囲
1 kHz	+4 dBs	-18 dBs	-20~-16 dBs

② f特(L/R 共)

条件: 許容範囲は、1 kHz を基準とする。

入力周波数	入力レベル	許容範囲
20 Hz	+4 dBs	-21~-19 dB
20 kHz	+4 dBs	-19~-18 dB

③ 歪率(L/R 共)

入力周波数	出力レベル	許容範囲
1 kHz	-10 dBs	0.02 % 以下

④ 残留ノイズ(L/R 共)

条件: ST OUT を OFF
VR は MIN

許容範囲
-100 dBs 以下

⑤ L/R 間のレベル差

①で測定した利得の差が、以下の範囲にあることを確認する。

許容範囲
1 dB 以内

⑥ 最大出力(L/R 共)

入力周波数	出力レベル	許容範囲(歪率)
1 kHz	-4 dBs	0.1 % 以下

⑦ L/R 間のクロストーク

条件: PAN は L 振り切り

入力周波数	出力レベル(L)	許容範囲(R)
1 kHz	-10 dBs	-75 dBs 以下

R側も同様のこと。

7. 2TR IN L/R(PHONE)

条件: C-R OUT で検査、VR は MAX

① 利得(L/R 非)

入力周波数	入力レベル	規定出力レベル	許容範囲
1 kHz	+4 dBs	+4 dBs	+4 ±2 dBs

② f特(L/R 共)

条件: 許容範囲は、1 kHz を基準とする。

入力周波数	入力レベル	許容範囲
20 Hz	+4 dBs	-1.0~0 dB
20 kHz	+4 dBs	-1.0~0 dB

③ 歪率(L/R 共)

入力周波数	出力レベル	許容範囲
1 kHz	+22 dBs	0.003 % 以下

④ 残留ノイズ(L/R 共)

条件: ST OUT を OFF。VR は MIN

許容範囲
-100 dBs 以下

⑤ L/R 間のレベル差

①で測定した利得の差、以下の範囲にあることを確認する。

許容範囲
1 dB 以内

⑥ L/R間のクロストーク

条件: VRはMAX。L側に信号を入力する
R側は150Ωでショート

入力周波数	出力レベル(L)	許容範囲(R)
1 kHz	+22 dBs	-48 dBs 以下

R側も同様のこと。

8. 2TR IN L/R(PIN)

条件: C-R OUTで検査を実施。VRはMAX

① 利得(L/R共)

入力周波数	入力レベル	規定出力レベル	許容範囲
1 kHz	-10 dBV	+4 dBs	+4 ±2 dBs

② f特(L/R共)

条件: 許容範囲は、1kHzを基準とする。

入力周波数	入力レベル	許容範囲
20 Hz	-10 dBV	-1.0~0 dB
20 kHz	-10 dBV	-1.0~0 dB

③ 歪率(L/R共)

入力周波数	出力レベル	許容範囲
1 kHz	+22 dBs	0.003 %以下

④ 残留ノイズ(L/R共)

条件: ST OUTをOFF。VRはMIN

許容範囲
-100 dBs 以下

⑤ L/R間のレベル差

①で測定した利得の差が、以下の範囲にあることを確認する。

許容範囲
1 dB 以内

⑥ L/R間のクロストーク

条件: VRはMAX。L側に信号を入力
R側は150Ωでショート

入力周波数	出力レベル(L)	許容範囲(R)
1 kHz	+22 dBs	-48 dBs 以下

R側も同様のこと。

9. CH IN 1~16(XLR、PHONE)

条件: ST OUT Lで検査

入力信号のソースインピーダンスは150Ω

PANはセンター

ゲイントリムは+4dB。PADはON

ATTは0dB

9-A. ゲイン MAX・PAD OFF

① 利得(CH1~16)

入力周波数	入力レベル	規定出力レベル	許容範囲
1 kHz	-60 dBs	+4 dBs	+4 ±2 dBs

② f特(CH1~16)

条件: 許容範囲は、1kHzを基準とする。

入力周波数	入力レベル	許容範囲
20 Hz	-60 dBs	-2.0~0 dB
20 kHz	-60 dBs	-1.0~0 dB

③ 歪率(CH1~16)

入力周波数	出力レベル	許容範囲
1 kHz	+22 dBs	0.02% 以下

④ ノイズレベル EIN(CH1~16)

許容範囲
-64 dBs 以下

ただし上記の許容範囲に入らない場合でも、下記の条件に入れば可とする。

測定値 - (1 kHzにおける利得) ≤ -128

⑤ レベル差(CH1~16)

①で測定した利得の範囲が、以下の範囲にあることを確認する。

許容範囲
2 dB 以内

9-B. ゲイン MIN・PAD ON

① 利得(CH1~16)

入力周波数	入力レベル	規定出力レベル	許容範囲
1 kHz	+4 dBs	+4 dBs	+4 ±2 dBs

② 歪率(CH1~16)

入力周波数	出力レベル	許容範囲
1 kHz	+22 dBs	0.02 %以下

③ ノイズレベル(CH1~16)

許容範囲
-76 dBs 以下

④ INSERT OUT 利得(CH1~8)

入力周波数	入力レベル	規定出力レベル	許容範囲
1 kHz	+4 dBs	0 dBs	0 ±1.5 dBs

9-C. ファントム(CH1~8)

XLRの2ピンと3ピンをショートし、2-1ピン間に、10 k Ωの負荷を接続してファントム SW を ON したときの電圧が、以下の範囲にあることを確認する。

許容範囲
DC 31~37 V

ファントム SW を OFF したとき、速やかに放電を開始することを確認すること。

10. CH IN 17~24

条件: ST OUT L/R で検査を行なうこと

入力信号のソースインピーダンスは、150 Ω

PAN は、L/R 振り切り

ゲイントリムは+4dB。PAD は ON

ATT は 0dB

10-A. ゲイン MAX

① 利得(CH17~24)

入力周波数	入力レベル	規定出力レベル	許容範囲
1 kHz	-40 dBs	+4 dBs	+4 ±2 dBs

② f 特(CH17~24)

条件: 許容範囲は、1 kHz を基準とする。

入力周波数	入力レベル	許容範囲
20 Hz	-40 dBs	-2.0~0 dB
20 kHz	-40 dBs	-1.0~0 dB

③ 歪率(CH17~24)

入力周波数	出力レベル	許容範囲
1 kHz	+22 dBs	0.02 % 以下

④ ノイズレベル EIN(CH17~24)

許容範囲
-60 dBs 以下

ただし上記の許容範囲に入らない場合でも、下記の条件に入れば可とする。

測定値 - (1 kHz における利得) ≤ -104

⑤ 奇数 CH、偶数 CH 間のレベル差

① で測定した利得の差が、以下の範囲にあることを確認する。

許容範囲
1 dB 以内

⑥ レベル差(CH17~24)

① で測定した利得の差が、以下の範囲にあることを確認する。

許容範囲
2 dB 以内

10-B. ゲイン MIN

① 利得(CH17~24)

入力周波数	入力レベル	規定出力レベル	許容範囲
1 kHz	+4 dBs	+4 dBs	+4 ±2 dBs

② 歪率(CH17~24)

入力周波数	出力レベル	許容範囲
1 kHz	+22 dBs	0.02 % 以下

③ ノイズレベル(CH17~24)

条件: 12.7 kHz のローパスフィルターを使用のこと。

許容範囲
-76 dBs 以下

④ 奇数 CH と偶数 CH 間のクロストーク

条件: 奇数 CH 側に、信号を入力

偶数 CH 側は、150 Ω でショート

入力周波数	出力レベル(奇数 CH)	許容範囲(偶数 CH)
1 kHz	+22 dBs	-48 dBs 以下

偶数 CH 側も同様である。

11. 2TR IN デジタル

条件: AD2X を用意し、INT を 48k とする

11-A. エンファシス OFF 時の MONITOR

条件: C-R OUT L/R で検査を行なう。VR は MAX

AD2X は、エンファシス OFF

① 利得(ABS/EBU-COAXIAL2、3)

入力周波数	入力レベル(AD2X)	規定出力レベル	許容範囲
1 kHz	+4 dBs	+4 dBs	+4 ±2 dBs

② f特(AES/EBU, COAXIAL2, 3)

条件: 許容範囲は、1 kHz を基準とする。

入力周波数	入力レベル(AD2X)	許容範囲
20 Hz	+4 dBs	-1.0~0 dB
20 kHz	+4 dBs	-1.0~0 dB

⑨ 歪率(AES/EBU, COAXIAL2, 3)

入力周波数	出力レベル(02R)	許容範囲
1 kHz	+22 dBs	0.02 %以下

11-B. エンファシス ON 時の MONITOR

条件: C-R OUT L/R で検査を行なう。VR は MAX
AD2X は、エンファシス ON

① 利得(ADS/EBU, COAXIAL2, 3)

入力周波数	入力レベル(AD2X)	規定出力レベル	許容範囲
1 kHz	+4 dBs	+4 dBs	+4 ±2 dBs

② f特(AES/EBU, COAXIAL2, 3)

条件: 許容範囲は、1 kHz を基準とする。

入力周波数	入力レベル(AD2X)	許容範囲
20 Hz	+4 dBs	-1.0~0 dB
20 kHz	+4 dBs	-1.0~0 dB

11-C. ST アサイン

条件: ST OUT L/R で検査を行なうこと
ワードクロックは、デジタル入力にする。
PAN は L/R 振り切り
ATT は 0dB

① 利得(AES/EBU, COAXIAL 2)

入力周波数	入力レベル	規定出力レベル	許容範囲
1 kHz	+4 dBs	+4 dBs	+4 ±2 dBs

② f特(AES/EBU)

条件: 許容範囲は、1 kHz を基準とする。

入力周波数	入力レベル	許容範囲
20 Hz	+4 dBs	-1.0~0 dB
20 kHz	+4 dBs	-1.0~0 dB

③ 歪率(AES/EBU)

入力周波数	出力レベル	許容範囲
1 kHz	+22 dBs	0.02 %以下

12. ST OUT デジタル

条件: CH1 に信号を入力する

入力信号のソースインピーダンスは、150 Ω
PAN はセンター
ゲイントリムは+4dB。PAD は ON
ATT は 0dB
DA2X を使用する

① 利得(AES/EBU, COAXIAL)

入力周波数	入力レベル	規定出力レベル	許容範囲
1 kHz	+4 dBs	0 dBs	0 ±2 dBs

② f特(AES/EBU)

条件: 許容範囲は、1 kHz を基準とする。

入力周波数	入力レベル	許容範囲
20 Hz	+4 dBs	-1.0~0 dB
20 kHz	+4 dBs	-1.0~0 dB

③ 歪率(AES/EBU)

入力周波数	出力レベル	許容範囲
1 kHz	+18 dBs	0.02 %以下

13. WORD CLOCK IN

条件: DRU8 の WORD CLOCK OUT を使用する
WC SELECT を、WC IN にする。

13-A. 48KHz +6 %

条件: ST OUT L/R で検査

CH1 に信号を入力。ソースインピーダンスは
150 Ω
PAN はセンター
ゲイントリムは+4dB。PAD は ON
ATT は 0dB

① 歪率(L/R 共)

入力周波数	出力レベル	許容範囲
1 kHz	+22 dBs	0.03 %以下

13-B. 32KHz -6 %

条件: ST OUT L/R で検査

CH1 に信号を入力。ソースインピーダンスは
150 Ω
PAN はセンター
ゲイントリムは+4dB。PAD は ON
ATT は 0dB

① 歪率(L/R 共)

入力周波数	出力レベル	許容範囲
1 kHz	+22 dBs	0.02 %以下

14. WORD CLOCK OUT

条件: DRU8の WORD CLOCK OUTを使用

WC SELECTをWC INにする。

DRU8は、INT 48KHzにする。

① ジッター

許容範囲
10 nsec 以下

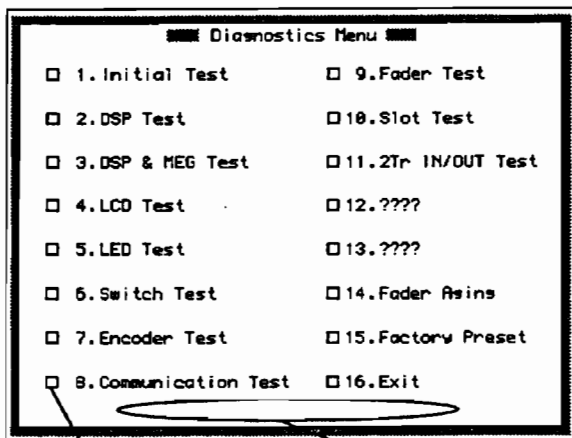
E. 初期化

検査終了後は、必要に応じて初期化を実行して下さい。カーソル左キーを押しながら電源スイッチをONしてシステムを立ち上げると、初期化を行うことができます。

■ テストプログラム

A. テストプログラムへの入り方

コントロールパネルの"STEREO SEL"キーと"CURSOR[>]"を同時に押しながら電源オンで DIAGNOSTICS に入り、メニュー画面が表示される。



該当項目のチェックがすべて OK になったとき、チェックボックスがチェックされる。

DIAGNOSTICS Version 1.01 以上では、この部分に DIAG のバージョン No. が表示される。

※ 電源オンする前に Communication のチェック用ボードと、それを介して ToHost に Mac の端末を 38400baud にしてつないでおくこと。つないでおくこと、電源投入時に各種メッセージの後に "02R>" とプロンプトが出て、端末のリターンキーを押したときに "02R>" と再度出ることを確認する（あるいは "menu"[RETURN] と入力した際に、menu が表示されることでも確認できる）。

※ 各画面のテスト終了時には、MIDI OUT 端子から「4F 4B」（"OK"のアスキーコード）あるいは「4E 47」（"NG"のアスキーコード）が、テスト結果に応じて出力される。

※ DIAGNOSTICS の MIDI コントロール機能について

02R の DIAGNOSTICS は、通常動作モード上において以下のような MIDI System Exclusive メッセージを入力することで、起動することができる。

```
F0 43 00 7E 00 18 4C 4D 20 20 38 41 36 37 54 20
30 32 52 20 44 49 41 47 20 53 54 41 52 54 36 F7
```

また DIAG 起動後、各テスト画面は、MIDI プログラムチェンジ信号によって起動することができる。信号の割り当ては、

$C0\ XX$ [$XX=(\text{Test No.}-1)\times 8$]

となっている。

例: Initial Test=C0 00, DSP Test=C0 08
DSP & MEG Test=C0 10, ..., Exit=C0 78

テストの途中で、[ENTER]キーを押す必要のある画面では、各画面起動の Program Change 番号に 1、2、……を足したものを入力することで、同様の動作が可能である。

例: Communication Test(Test No.8)

起動 C0 38

[ENTER] C0 39

[ENTER] C0 3A

なお、各画面のテスト終了時には、MIDI OUT 端子から「4F 4B」（"OK"のアスキーコード）あるいは「4E 47」（"NG"のアスキーコード）がテスト結果に応じて出力される。

1. イニシャルテスト

バッテリー、MAIN-SUB 間のコミュニケーション、マイコン用の外部 RAM のチェック、拡張 RAM の有無と、MAIN、SUB の ROM のバージョンが表示される。

Initial test

Battery test : **OK** (3.2V)

SUB->MAIN Comm. : **OK**

RAM test :

SOP RAM0 (IC205)	OK
SOP RAM1 (IC206)	OK
SOP RAM2 (IC207)	OK
SOP RAM3 (IC208)	OK
SOP RAM2 (IC209)	OK
SOP RAM3 (IC210)	OK
SOCKET RAM0 (IC920)	NOTHING
SOCKET RAM1 (IC921)	NOTHING
SOCKET RAM2 (IC922)	NOTHING
SOCKET RAM3 (IC923)	NOTHING

ROM Version (MAIN) : U1.00 (95/09/18*3)

(SUB) : U1.00

OKまたはNG
Battery 電圧
OKまたはNG
OKまたはNG
SOCKET に RAM が載っていないときや、載っていても機能しない場合に、NOTHING の表示
MAIN CPU のバージョン
SUB CPU のバージョン

注) 出荷時は、SOCKET の RAM (拡張メモリーME4M) は、実装されていない。

2. DSP CPU/IF, PIO, Ext. RAM Check

DSP の CPU Bus, 20~47pin (電源、グラウンドは除く) のテスト。
DSP のパラレル I/O Bus のテスト。
DSP の外部 RAM のデータバス、アドレスバスのテスト。

DSP CPU/IF, PIO, Ext. RAM check

CPU-Bus (20-39, 42-47pin) Test

IC501 **OK** IC502 **OK** IC503 **OK**
IC701 **OK** IC702 **OK** IC703 **OK**

PIO (100-82, 79-67pin) **OK**

RAM-DBus (137-122, 119-104pin) **OK**

RAM-ABus (156-155, 147-140pin) **OK**

IC502-004, 005 [0000] 00000000
IC702-707, 708 [0000] 00000000

エラーの内容は TO HOST ポートより出力される

DSP CPU/IF, PIO, Ext. RAM check

CPU-Bus (20-39, 42-47pin) Test

IC501 **NG** IC502 **NG** IC503 **NG**
IC701 **NG** IC702 **NG** IC703 **NG**

PIO (100-82, 79-67pin) **NG** (15/16 ERRORS)

IC501-IC502 00000000 00000000 00000000 00000100
IC501-IC503 00000000 00000000 00000000 00000100
IC501-IC701 00000000 00000000 00000000 00000100
IC501-IC702 00000000 00000000 00000000 00000100

RAM-DBus (137-122, 119-104pin) **NG** (5/6 ERRORS)

IC502-IC501 00000000 00000000 00000000 00000110
IC502-IC502 00000000 00000000 00000000 00000110
IC502-IC503 00000000 00000000 00000000 00000110
IC702-IC701 00000000 00000000 00000000 00000110

RAM-ABus (156-155, 147-140pin) **NG**

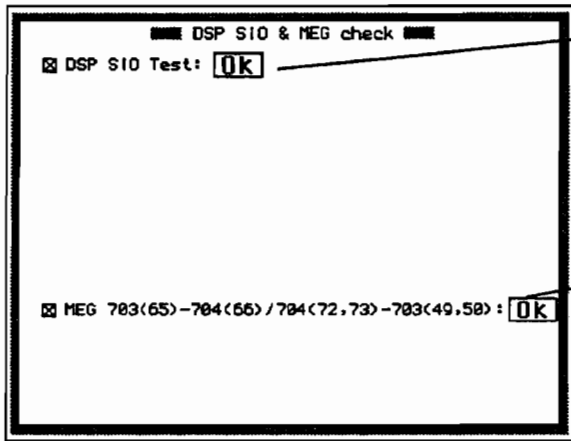
IC502-004, 005 [0000] 11111111
IC702-707, 708 [0000] 11111111

エラーの数を表示
NG の原因となった PIN を 1 で示す。この場合 69pin が原因と想定できる
エラーの数を表示
NG の原因となった PIN を 1 で示す。この場合 105pin, 106pin が原因と想定できる。
IC602, IC702 の 147~140pin に相当する。NG の原因の可能性のある PIN を 1 で示す

全エラー中 4 個の内容が表示される ここに 0 以外の数字があるときは、エラーが起こったことを意味する

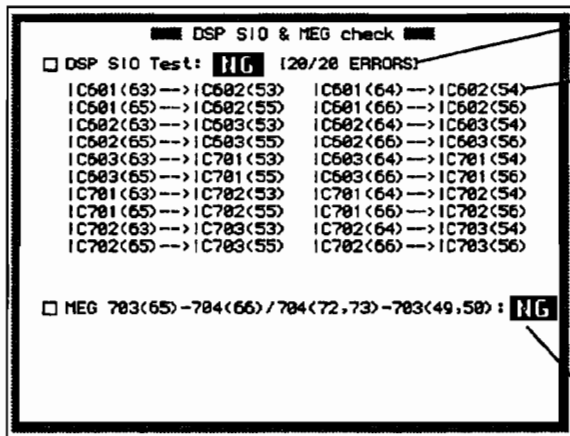
3. DSP SIO & MEG Check

DSP 間のシリアルラインのチェックと MEG と MEG の外部 RAM、DSP とのシリアルラインのチェック用画面。



OK または NG

OK または NG



エラーの数を表示

エラーの起こったラインを表示

MEG 関係は細かいチェック結果を表示できないため、NG の場合は、

MEG(IC704)

RAM(IC705, IC706)

DSP(IC703)-65pin→MEG(IC704)-66pin

MEG(IC704)-72pin→DSP(IC703)-49pin

MEG(IC704)-73pin→DSP(IC703)-50pin

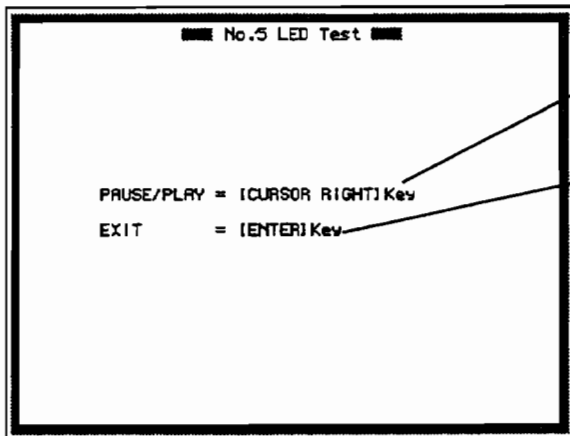
の各箇所をチェックする

4. LCD Test

LCD 画面を全白→全黒→全白→全黒とする。ENTER キーでメニュー画面に戻る。

5. LED Test

パネルの LED を順次点灯させる。

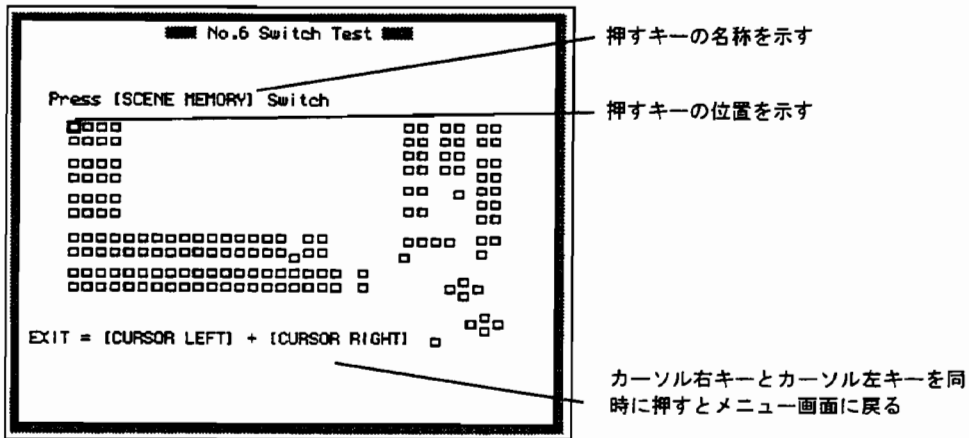


カーソル右キーで中断/再開が可能

ENTER キーでメニュー画面に戻る

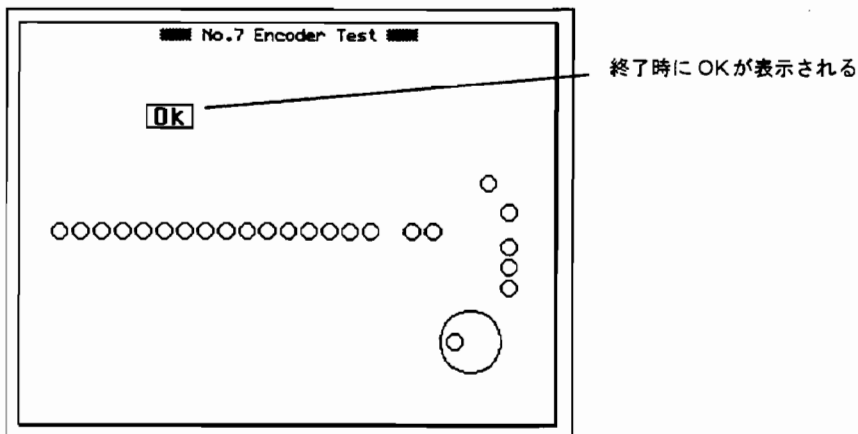
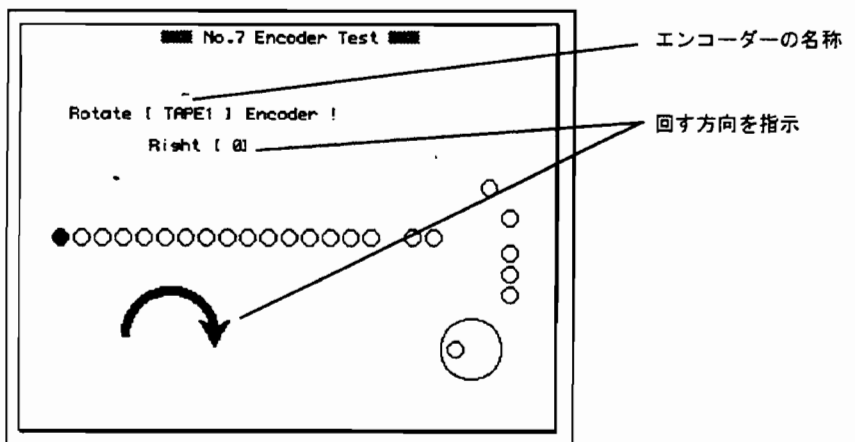
6. Switch Test

パネルスイッチのチェック。押すキーを画面上で案内する。



7. Encoder Test

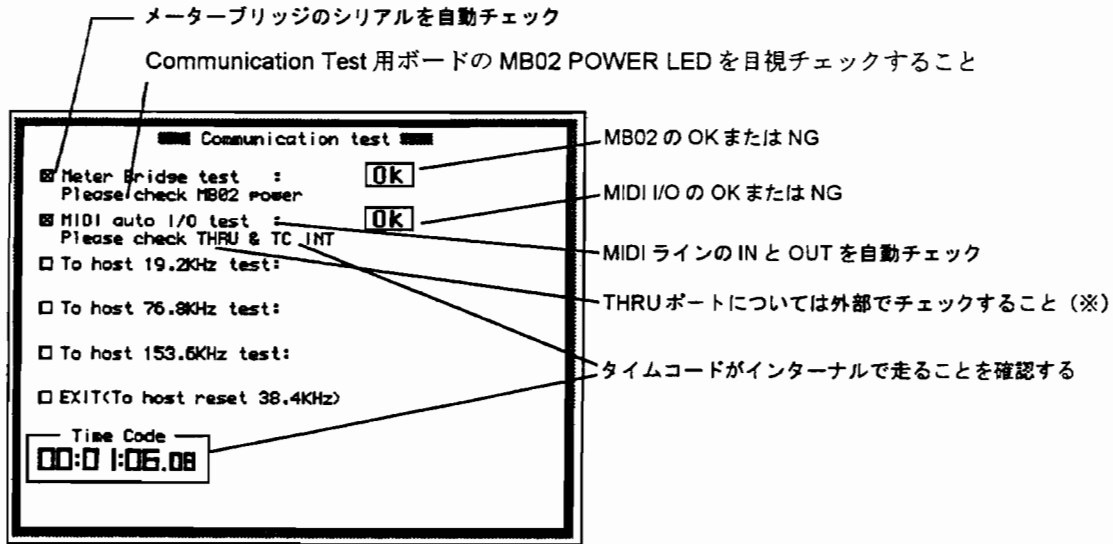
パネルのエンコーダーチェック。画面上で指示されたエンコーダーを矢印の方向に回してチェックする。



8. Communication Test

メーターブリッジ端子、MIDI I/O、To Hostのチェック

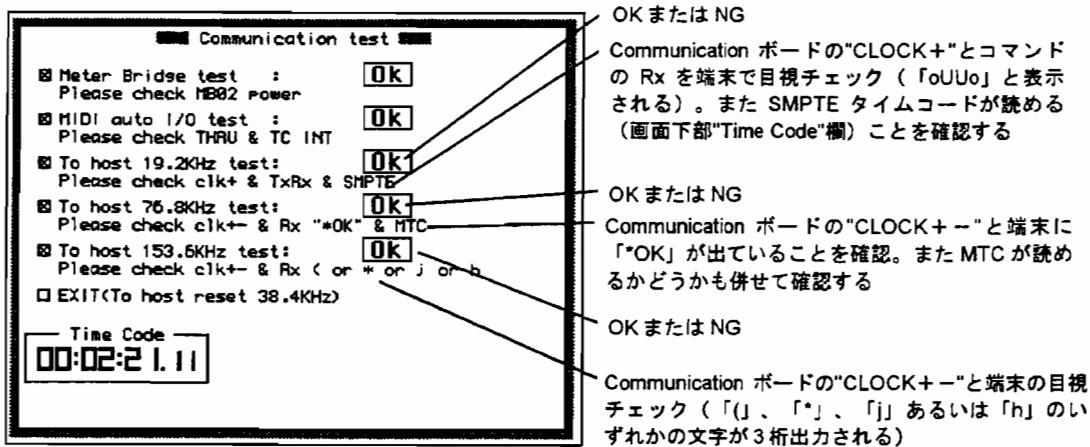
MIDI IN 端子と MIDI OUT 端子を MIDI ケーブルで接続し、Communication ボードをつないだ状態で検査する。

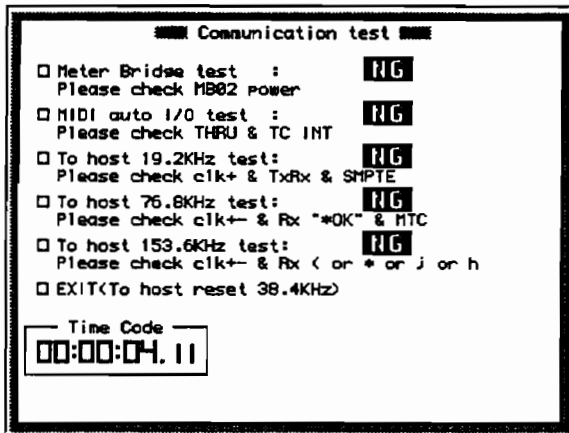


(※) MIDI I/O テストでは、テスト用データとして 02R Program Change テーブルの Bulk Request 信号が使用されている。

To Host のクロックチェック。"19.2kHz"、"76.8kHz"、"153.6kHz" のそれぞれのチェックボックスにカーソルを合わせ ENTER でチェックする。(38.4kHz のチェックは、電源立上時に自動的に実行されるので、ここでは不要)

注意：19.2kHz テスト時は、Mac の端末を 19200 Baud に、その他のテストのときは 38400 Baud に、あらかじめ切り替えておいてから [ENTER] を押すこと。



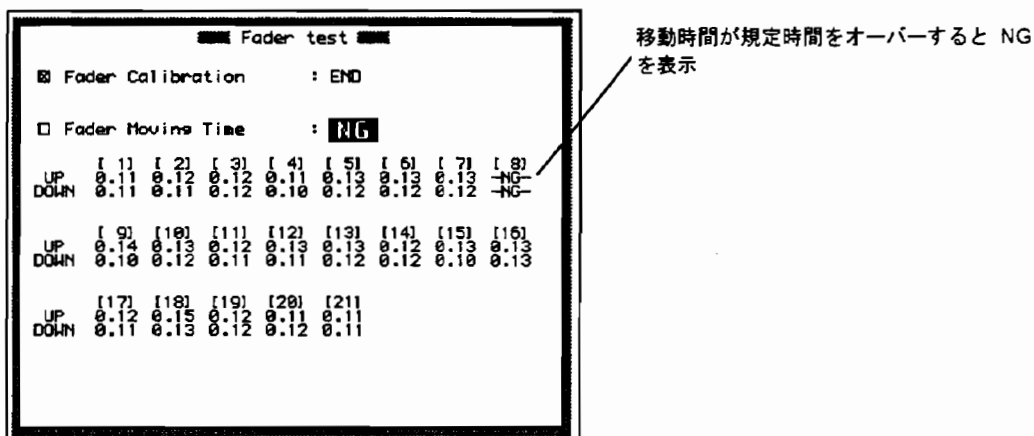
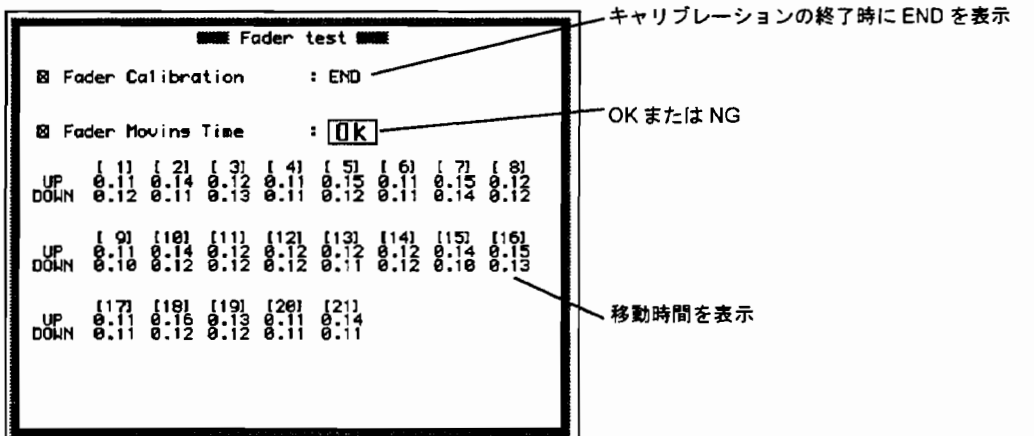


なお、19.2kHz、76.8kHz、153.6kHzの各テストは、クロックチェックのみであるので、端末の目視チェックを確実に行うこと。

注意：[ENTER]を押してから結果が出るまでには、数秒かかるので注意すること。

9. Fader Test

フェーダーのキャリブレーションを自動実行した後、各フェーダーの往復移動時間を測定する。1本でもNGがあるとOKの判定は出ないので、必要に応じてフェーダーの交換やエージング (Test No.14) などを行うこと。

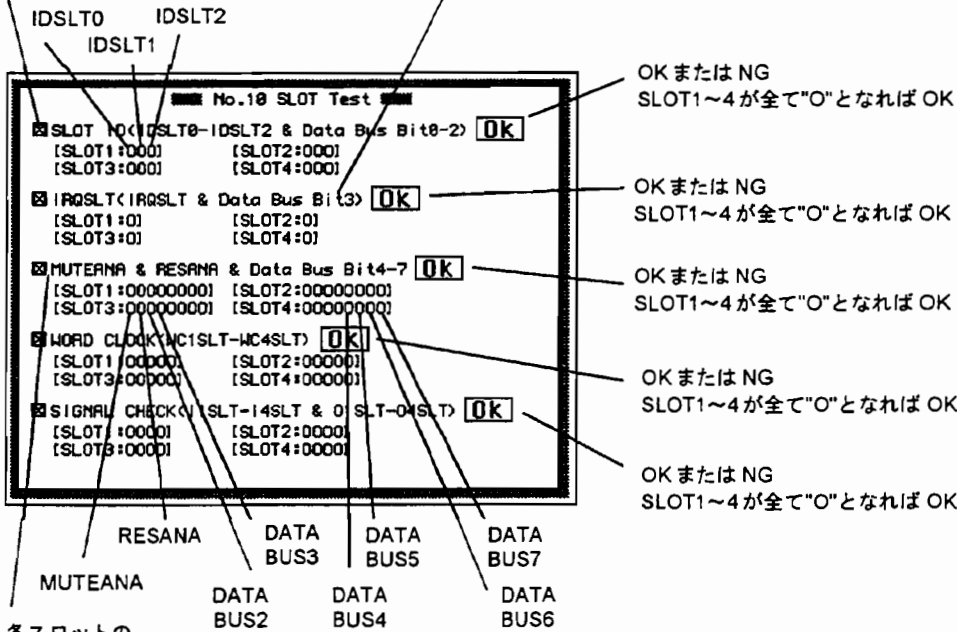


10. Slot Test

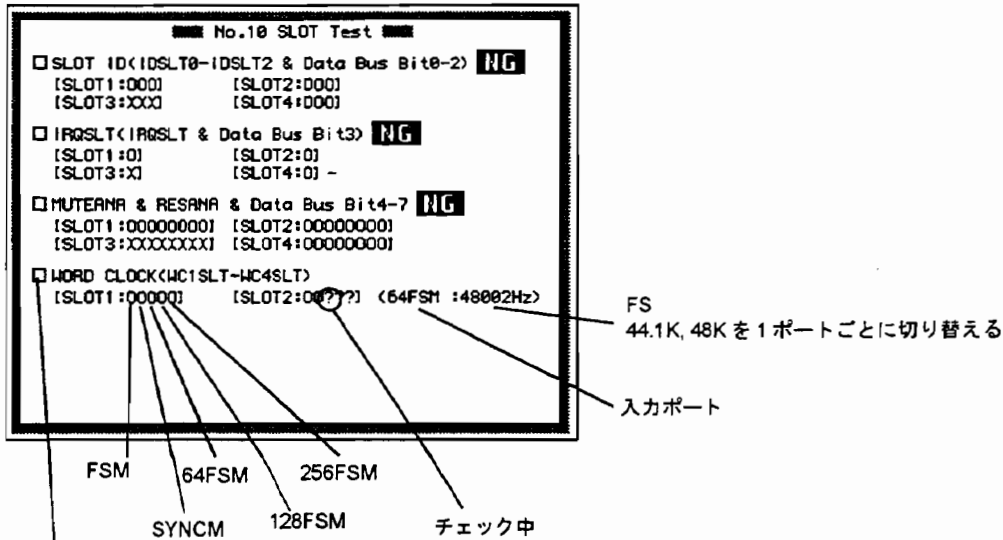
スロットのテスト。すべてのスロットに治具用カードが挿入されていることを確認。

各スロットの SLOT ID ポートをチェック
 "O"--OK, "X"--NG
 NGの場合 SLOT ID ポートまたは Data bus 0~2に異常がある

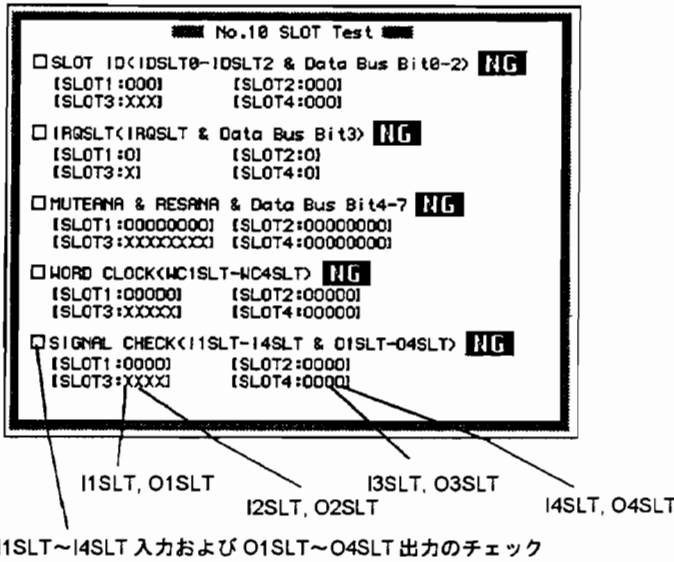
各スロットの IRQSLT ポートをチェック
 "O"--OK, "X"--NG
 NGの場合 IRQSLT ポートまたは Data bus 3に異常がある



各スロットの MUTEANA, RESANA, DATA BUS 4~7 をチェック
 "O"--OK, "X"--NG

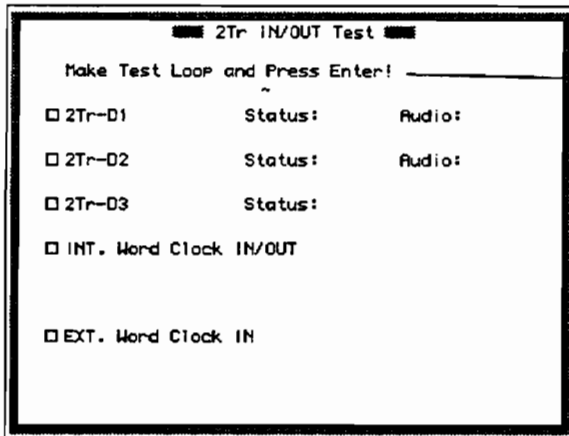


FSM, SYNCM, 64FSM, 128FSM, 256FSM の出力および WC1SLT~WC4SLT ポートをチェック
 "O"--OK, "X"--NG

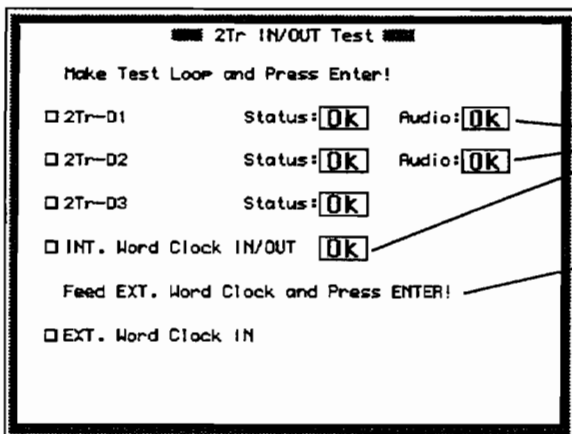


11. 2TR IN/OUT Test

2TR-D1、2TR-D2、2TR-D3 および Word Clock のテスト。

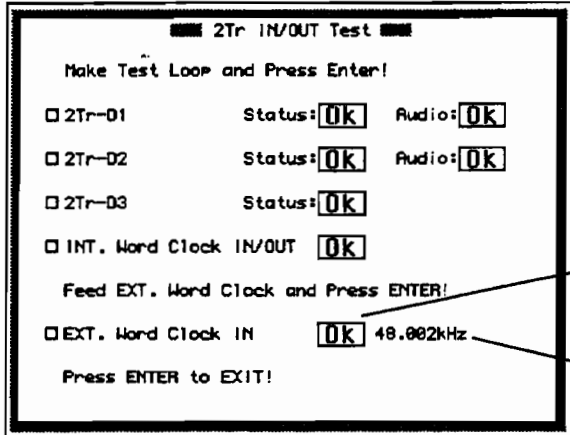


テスト開始前に STEREO OUT (DIGITAL)と 2TR-D1、2TR-D2、2TR-D3 を接続しておく。また、WORD CLOCKの INと OUTも接続する。接続が完了したら、ENTER を押してテストを開始する



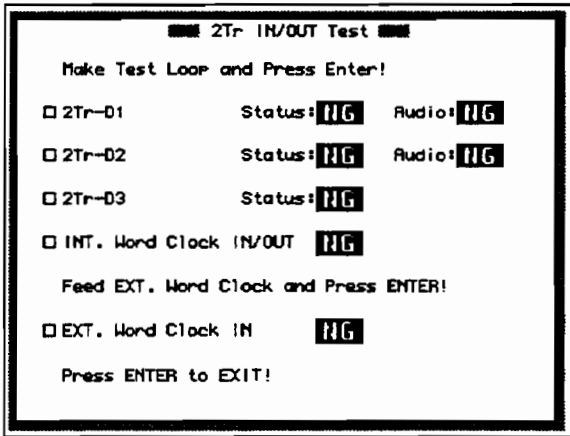
OKまたはNG

外部の WORD CLOCK発生装置と WORD CLOCK IN端子を接続する。接続が完了したら、ENTER を押してテストを開始する



OKまたはNG

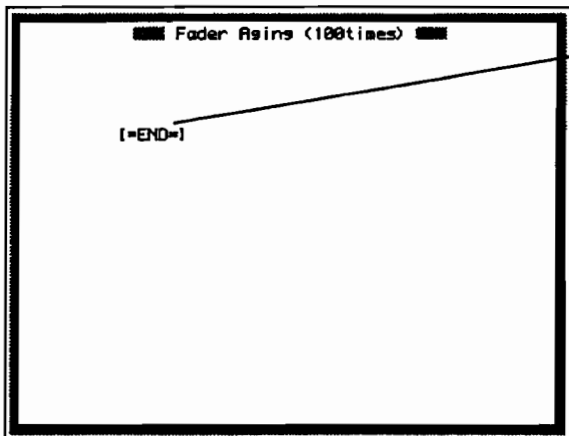
外部 WORD CLOCKによって PLLがロックしたことを OK で示し、そのときの周波数を表示する



※ NG の表示例

14. Fader Aging

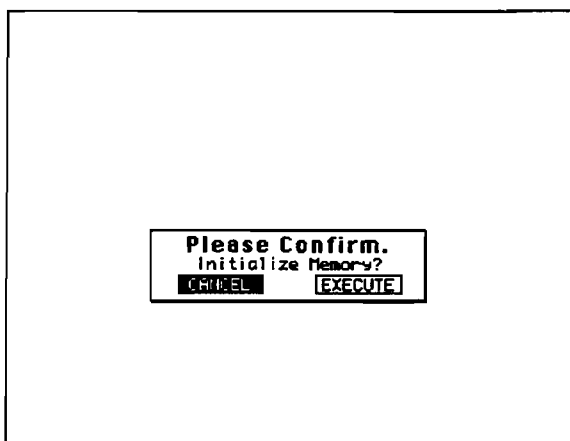
フェーダーのエージングのため、フェーダーの上下動を 100 往復行う。ENTER でメニュー画面に戻る。



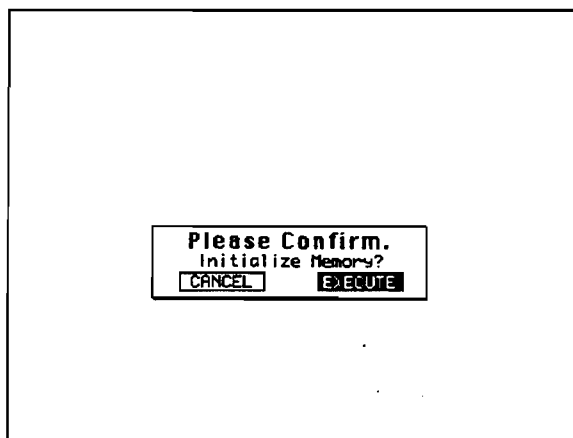
残りの回数を表示。終了時は END と表示する

15. Factory Preset

Factory Preset のためのメモリーイニシャルイズを行う。



この画面が表示されたら、カーソル右キーで EXECUTE を反転表示させる



この状態で ENTER を押せば、メモリーイニシャルイズが実行される

■ エラーメッセージ

"2TR-D1 No Input!"	2TR-D1に適正なデジタル入力が接続されていません。 (従って、CRでモニターできません。)
"2TR-D2 Cascade Disabled"	2TR-D2をSTEREO BUSに接続できません。 (ワード クロックの設定が間違っています。)
"2TR-D2 No Input!"	2TR-D2に適正なデジタル入力が接続されていません。 (従って、CRでモニターできません。)
"2TR-D3 No Input!"	2TR-D3に適正なデジタル入力が接続されていません。 (従って、CRでモニターできません。)
"Automix Aborted!"	オートミックス データが破棄されました。 (アンドゥーが可能です。)
"Automix Disabled!"	タイムコードが入力されましたが、オートミックスがイネーブルになっていません。
"Automix REC Ready!"	オートミックス記録準備中です。
"Automix Recording!"	オートミックス記録中です。
"Automix Running!"	オートミックス動作中です。
"Automix Updated!"	オートミックス データが更新されました。 (アンドゥーが可能です。)
"Byte Count Error!"	受信したバルクのバイト カウントが不正です。
"Can't assign 2TR-D1!"	2TR-D1をline17/18に接続できません。 (2TR-D1と本体との同期がとれていないか、CRモニターセクションで2TR-D1 が選択されています)
"Can't assign 2TR-D2!"	2TR-D2をline19/20に接続できません。 (2TR-D2と本体との同期がとれていないか、CRモニターセクションで2TR-D2 が選択されています)
"Can't select SLOT3!"	SLOT3をデジタル入力として選択できません。 (SLOT3にI/Oカードが挿入されていません)
"Can't select SLOT4!"	SLOT4をデジタル入力として選択できません。 (SLOT4にI/Oカードが挿入されていません)
"Can't select WORD CLOCK!"	ワード クロック ソースとして選択できません。
"Cannot Copy Title!"	データの無いメモリーからタイトルをコピーできません。
"Cannot Paste Title!"	データの無いメモリーにはタイトルをペーストできません。
"Check Sum Error!"	受信したバルクのチェック サムが不正です。
"Code Mismatch!"	受信したバルクの製品コードが不正です。

"DIGITAL I/O Error!"	SLOT DIOの入力が本体に同期していません。 同期システムの構築ができていません。同期システムが構築されていてもデジタルMTRがCHASE状態になるまでの間MTRからのクロックが不安定になりこのメッセージが出る場合があります。 このメッセージを表示する/しないを設定できます。
"Duplicate Grouping!"	グループは重複できません。
"Fixed Fragmentation!"	オートミックス メモリーを補修しました。記録中の電源オフ、不完全なバルクの受信でメモリー上に異常なデータができることがあります。02Rはこれを補修する機能を備えています。
"Frame Drop Out!(#)"	タイムコードのフレームが不連続です。 (カッコ内はドロップしたフレーム カウントです。)
"Frame Jump!"	タイムコードのフレームが不連続です。
"ID Mismatch!"	パラメーター チェンジのモデルIDが不正です。
"Illegal Time Range!"	インタイムとアウト タイムの設定が不正です。
"Low Battery!"	電池が消耗しています。内蔵バッテリーの寿命が近づいています。02Rに保存されている設定データのバックアップをとった上でバッテリーを交換してください。
"MAIN SCIO Framing Err."	Main CPU SCIOの受信エラーです。(Sub CPUとの通信エラー)
"MAIN SCIO OverRun Err."	Main CPU SCIOの受信エラーです。(Sub CPUとの通信エラー)
"MAIN SCIO Party Err."	Main CPU SCIOの受信エラーです。(Sub CPUとの通信エラー)
"MAIN SCIO RxBuf. Full"	MIDIの送信データが多すぎる等が考えられます。
"MAIN SCIO TxBuf. Full"	MIDIの受信データが多すぎる等が考えられます。
"MAIN SCII Framing Err."	TO HOST端子の接続を確認して下さい。
"MAIN SCII OverRun Err."	TO HOST端子の接続を確認して下さい。
"MAIN SCII Party Err."	TO HOST端子の接続を確認して下さい。
"MAIN SCII RxBuf. Full"	TO HOST端子の接続を確認して下さい。
"MAIN SCII TxBuf. Full"	TO HOST端子の接続を確認して下さい。
"MAIN->SUB Disconnected!"	Main CPUとSub CPUの通信ができません。
"Make New Mix!"	先ずNew Mixを作成して下さい。
"Memory Full!"	オートミックス メモリーに空きがない。
"MIDI Ch Mismatch (#)"	受信したバルクのデバイスNo.が不正です。
"No Aux Send!"	EFF1からAUX7、EFF2からAUX8への送りは有りません。
"No Time Code!"	タイムコードが入力されていません。
"Preset is read only!"	プリセット メモリーにストアはできません。

"Redone."	リドゥーしました。
"Scene 0 is read only!"	シーン0番にはストアできません。
"Scene Memory Protected!"	シーン メモリーがプロテクトされています。
"Select Channel!"	イクストラクトを行なうチャンネルが指定されていません。
"Select Parameter!"	イクストラクトを行なうパラメーターが指定されていません。
"Set Overwrite!"	オーバーライトパラメーターを設定してください。
"SOLO Ready!"	ソロレディー状態です。
"SOLO Slave!"	カスケードスレーブの時はソロステータスを変更できません。カスケードスレーブの時はソロキーは無効です。
"SUB->MAIN Disconnected!"	Sub CPUとMain CPUの通信ができません。
"SUB SCI0 Framing Err."	Sub CPU SCI0の受信エラーです。
"SUB SCI0 OverRun Err."	Sub CPU SCI0の受信エラーです。
"SUB SCI0 Party Err."	Sub CPU SCI0の受信エラーです。
"SUB SCI0 RxBuf. Full"	MIDIの送信データが多すぎる等が考えられます。
"SUB SCI0 TxBuf. Full"	MIDIの受信データが多すぎる等が考えられます。
"SUB SCI1 Framing Err."	MIDI端子の接続を確認して下さい。
"SUB SCI1 OverRun Err."	MIDI端子の接続を確認して下さい。
"SUB SCI1 Party Err."	MIDI端子の接続を確認して下さい。
"SUB SCI1 RxBuf. Full"	MIDIの受信データが多すぎます。
"SUB SCI1 TxBuf. Full"	MIDIの送信データが多すぎます。
"TC RxBuf. Full"	タイムコード受信バッファがいっぱいです。
"TC TxBuf. Full"	タイムコード送信バッファがいっぱいです。
"Too Large Bulk!"	MIDIバルクのサイズが大きすぎます。
"Undo Buf. is Empty!"	アンドゥー バッファにデータが無いので、アンドゥーできません。
"Undo Buf. is Full!"	アンドゥー バッファに既にデータがあるので、ストアはできません。
"Undone Recall."	リコールをアンドゥーしました。
"Undone Store."	ストアをアンドゥーしました。
"Wrong WORD CLOCK!"	02Rが選択した同期すべき接続機器からのワード・クロックが適切ではありません。したがって、その設定では同期システムが構築できないということです。システムの見直しをしてください。
"To many cascade in/out cards. Shut off the power and check slot, please."	カスケードカードが2枚以上もしくは、in/outの枚数が多すぎます。スロットの状態をチェックして、もう一度電源を入れ直してください。

■ MIDI DATA FORMAT (MIDIデータフォーマット)

1. General remarks

- 1-1. This document describes the MIDI functionality of the 02R.
 1-2. Electrical characteristics and message format are in compliance with MIDI standard 1.0.

2. Messages transmitted and received

2-1. Program change

Transmission/reception can be turned ON/OFF in the MIDI page.

When a memory recall occurs, the program change corresponding to that memory number will be transmitted on the specified MIDI channel.

When a program change is received on the specified MIDI channel or in OMNI mode, the memory corresponding to that program number will be recalled.

The user is free to create the program assign table.

2-2. System exclusive messages

System exclusive messages include Bulk Dump/Request and Parameter Change/Request. For these messages, the device number will be the same as the MIDI channel.

BULK DUMP/REQUEST

Transmission and reception are always ON.

Bulk Request is transmitted in the MIDI page on the specified MIDI channel.

Bulk Dump transmits the contents of the corresponding memory on the specified MIDI channel, and is transmitted either by operations in the MIDI page, or when a Bulk Request is received on the specified MIDI channel.

When a Bulk Out is received, the contents of the corresponding memory will change.

PARAMETER CHANGE/REQUEST

Transmission and reception can be turned ON/OFF in the MIDI page.

If parameter change transmission is ON, this message will be transmitted on the specified MIDI channel when parameters of the 02R are modified.

If parameter change reception is ON and a parameter request is received on the specified MIDI channel, the contents of the corresponding parameter will be transmitted on the specified MIDI channel regardless of whether transmission is ON/OFF.

If parameter change reception is ON and a parameter change is received on the specified MIDI channel, the contents of the corresponding parameter will be modified.

Transmission of KEY REMOTE parameter changes can be turned ON/OFF in the Preference page independently of other parameters. This is used only in special circumstances such as when externally monitoring key operations, so normally it should be left OFF.

2-3. Active sensing, MIDI reset

If after receiving Active Sensing no messages are received for an interval longer than 300 ms, or when MIDI Reset is received, running status only will be cleared.

Active Sensing is transmitted.

2-4. Quarter-frame messages

MIDI Time Code Quarter-frame messages are received at the MTC connector.

1. 一般事項

- 1-1. 本仕様書は02Rに装備されるMIDIについて規定する。
 1-2. 電気的特性及び信号の規格はMIDI規格1.0に従う。

2. 送受信信号

2-1. プログラムチェンジ

MIDI画面で送受信をON/OFFできます。
 メモリーリコールが行われた時、そのメモリーNoに対応したプログラムチェンジを設定したMIDIチャンネルで送信します。
 設定したMIDIチャンネルかOMNIでプログラムチェンジを受信した時、そのプログラムNoに対応したメモリーをリコールします。
 プログラムチェンジのアサイン表はユーザーが任意に作成できます。

2-2. システムイクスクループメッセージ

システムイクスクループにはBULK DUMP/REQUEST、PARAMETER CHANGE/REQUESTがあります。この02Rはイクスクループのデバイス番号はMIDIチャンネルと共通です。

BULK DUMP / REQUEST

送受信は常にONです。
 ハルクリクエストは設定したMIDIチャンネルでMIDI画面で送信できます。
 ハルクダンプはMIDI画面での操作か、もしくは設定したMIDIチャンネルでハルクリクエストを受信した時、対応するメモリーの内容を設定したMIDIチャンネルで送信します。
 ハルクアウトを受信した時は対応したメモリーの内容が変更します。

PARAMETER CHANGE / REQUEST

MIDI画面で送受信をON/OFFできます。
 本体のパラメーターを変更した時はパラメーターチェンジの送信がONなら設定したMIDIチャンネルで送信します。
 パラメーターチェンジの受信がONで設定したMIDIチャンネルでパラメーターリクエストを受信した時、送信のON/OFFによらず対応するパラメーターの内容を設定したMIDIチャンネルで送信します。
 パラメーターチェンジの受信がONで設定したMIDIチャンネルでパラメーターチェンジを受信した時は対応するパラメーターの内容が変更します。
 またKEY REMOTEのパラメーターチェンジの送信は他のパラメーターとは別にpreferenceの画面でON/OFFします。これはKEY操作を外部でモニターする特別な時にしか使いませんので通常はOFFにしておきます。

2-3. アクティブセンシング、MIDI リセット

アクティブセンシングの受信機300ms以上何も受信しなかった時かMIDI リセット受信時に、ランニングステータスのクリアだけを行います。
 またアクティブセンシングを送信しています。

2-4. クォーターフレームメッセージ

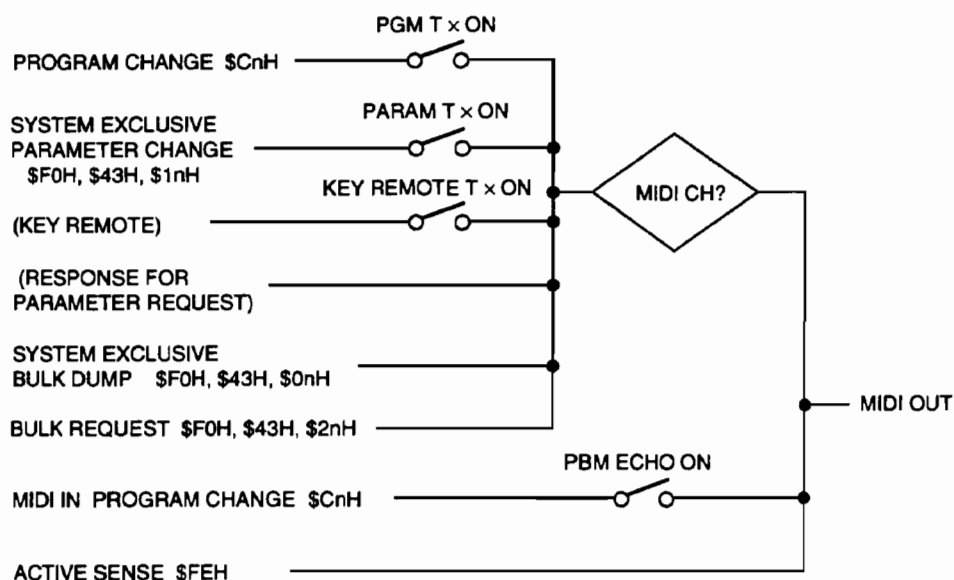
MTC端子よりMIDIタイムコードクォーターフレームメッセージを受信します。

3. ECHO BACK

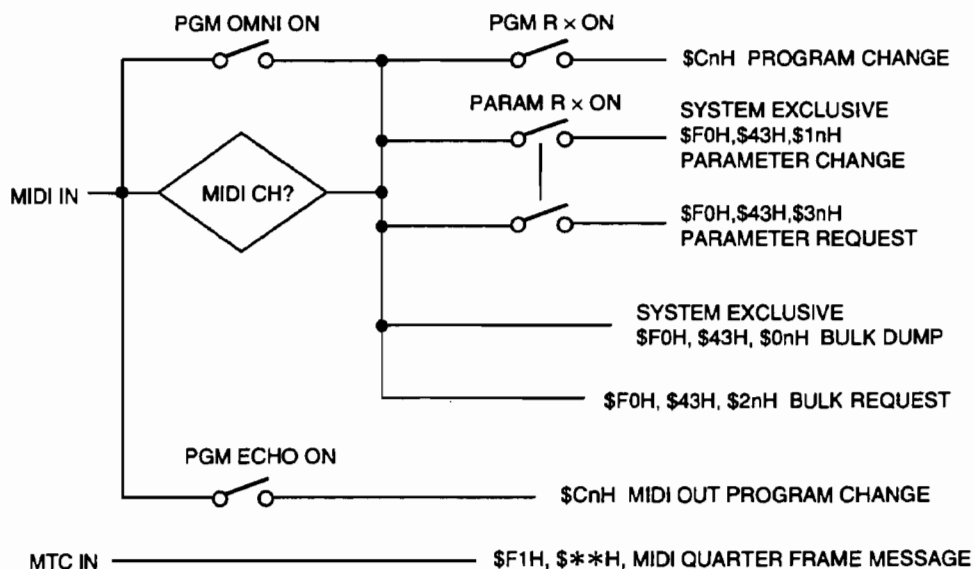
If ECHO is turned ON, the Program Change messages will be transmitted immediately after being received.

プログラムチェンジを受信した時ECHOをONにしておくと送信します。

4. Transmission Condition



5. Receive Condition



PARAMETER CHANGE & REQUEST FORMAT

PARAMETER CHANGE (basic format)

STATUS	11110000 F0	System Exclusive Message
ID No.	01000011 43	Manufacturer's ID No.(YAMAHA)
SUB STATUS	0001nnnn 1n	n=0-15(Tx/Rx Channel No.1-16)
MODEL ID	00111101 3d	MODEL ID (02R)
PARAM TYPE	0ttttttt tt	(type number, bit6:0=byte 1=bit operation)
DATA	0ddddddd dd0	data 0-n
	:	:
	0ddddddd ddn	
EOX	11110111 F7	End Of Exclusive

PARAMETER CHANGE REQUEST

STATUS	11110000 F0	System Exclusive Message
ID No.	01000011 43	Manufacturer's ID No.(YAMAHA)
SUB STATUS	0011nnnn 3n	n=0-15(Tx/Rx Channel No.1-16)
MODEL ID	00111101 3d	MODEL ID (02R)
PARAM TYPE	0ttttttt tt	(type number, bit6:0=byte 1=bit operation)
DATA	0ddddddd dd0	address(H) high 7 bits of 14 bits address
	0ddddddd dd1	address(L) low 7 bits of 14 bits address
	0ddddddd dd2	count
EOX	11110111 F7	End Of Exclusive

type number:

0	edit buffer(used byte or bit operation format)
1	setup(used byte operation format, request and response for request only)
2	backup(used byte operation format, request and response for request only)
24	recall/store(parameter change only)
25	key remote(parameter change only)
26	fader/encoder Remote(parameter change only)

PARAMETER CHANGE (byte operation for type number 0:edit buffer, 1:setup, 2:backup)

STATUS	11110000 F0	System Exclusive Message
ID No.	01000011 43	Manufacturer's ID No.(YAMAHA)
SUB STATUS	0001nnnn 1n	n=0-15(Tx/Rx Channel No.1-16)
MODEL ID	00111101 3d	MODEL ID (02R)
PARAM TYPE	00tttttt tt	(type number, bit6 = 0(byte operation))
DATA	0ddddddd dd0	address(H) high 7 bits of 14 bits address
	0ddddddd dd1	address(L) low 7 bits of 14 bits address
	0ddddddd dd2	data(H) high 4 bits of 8 bits data(0000dddd)
	0ddddddd dd3	data(L) low 4 bits of 8 bits data(0000dddd)
	:	:
EOX	11110111 F7	End Of Exclusive

You can modify two or more continuous bytes by increasing pairs of "data(H)" and "data(L)".

続いたメモリはデータを2バイトずつ増やすことで一度に送ることができます。

PARAMETER CHANGE (bit operation for type number 0:edit buffer)

STATUS	11110000 F0	System Exclusive Message
ID No.	01000011 43	Manufacturer's ID No.(YAMAHA)
SUB STATUS	0001nnnn 1n	n=0-15(Tx/Rx Channel No.1-16)
MODEL ID	00111101 3d	MODEL ID (02R)
PARAM TYPE	01tttttt tt	(type number, bit6 = 1(bit operation))
DATA	0ddddddd dd0	address(H) high 7 bits of 14 bits address
	0ddddddd dd1	address(L) low 7 bits of 14 bits address
	0ddddddd dd2	data(bit0-3:change bit0-7 bit4:0=reset 1=set)
	:	:
EOX	11110111 F7	End Of Exclusive

You can modify two or more bits in same address data.

同アドレスのデータはデータを1バイトずつ増やすことで一度に送ることができます。

PARAMETER CHANGE (recall/store)

STATUS	11110000 F0	System Exclusive Message
ID No.	01000011 43	Manufacturer's ID No.(YAMAHA)
SUB STATUS	0001nnnn 1n	n=0-15(Tx/Rx Channel No.1-16)
MODEL ID	00111101 3d	MODEL ID (02R)
PARAM TYPE	00011000 18	recall/store (type number)
DATA	0ddddddd dd0	instruction
	0ddddddd dd1	number
	0ddddddd dd2	channel
EOX	11110111 F7	End Of Exclusive

instruction	number	channel	
0x00 scene recall	0-64 (memory 0-64)	0	Tx only
	(プログラムチェンジにアサインされていないメモリをリコールした時にこのコマンドで送信します。 通常はプログラムチェンジで送信されます。)		
	0x7e (undo)	0	Tx only
0x01 eq lib recall	0-127 (library 1-128)	0-15(mic1-16) 16-31(tape1-16) 32-35(line) 36,37(eff1,eff2) 38(st mas)	
	0	64-79(undo mic)	Tx only
		80-95(undo tape)	Tx only
		96-99(undo line)	Tx only
		100,101(undo eff)	Tx only
		102(undo st mas)	Tx only
0x02 dynamics lib rcl	0-127 (library 1-128)	0-35,38,39-46(bus,aux)	
	0	64-95,102	Tx only
		103-110(undo bus,aux)	Tx only
0x03 eff lib recall	0-127 (library 1-128)	36,37	
	0	100,101	Tx only
0x04 channel lib rcl	0-63 (library 1-64)	0-37	
	0	64-101	Tx only
0x10 scene store	1-64 (memory 1-64)	0, 62(from host)	Tx only
	0x7e (undo)	0	Tx only
0x11 eq lib store	32-127 (library 33-128)	0-38,62	Tx only
	0	64-102	Tx only
0x12 dynamics lib str	40-127 (library 41-128)	0-35,38,39-46,62	Tx only
	0	64-95,102,103-110	Tx only
0x13 eff lib store	40-127 (library 41-128)	36,37,62	Tx only
	0	100,101	Tx only
0x14 channel lib str	0-63 (library 1-64)	0-37,62	Tx only
	0	64-101	Tx only

PARAMETER CHANGE (key remote)

STATUS	11110000 F0	System Exclusive Message
ID No.	01000011 43	Manufacturer's ID No.(YAMAHA)
SUB STATUS	0001nnnn 1n	n=0-15(Tx/Rx Channel No.1-16)
MODEL ID	00111101 3d	MODEL ID (02R)
PARAM TYPE	00011001 19	key remote (type number)
DATA	0ddddddd dd0	key No.(H) high 7 bits
	0ddddddd dd1	key No.(L) low 7 bits
	0ddddddd dd2	key on(1)/off(0)
EOX	11110111 F7	End Of Exclusive

PARAMETER CHANGE (fader remote)

STATUS	11110000 F0	System Exclusive Message
ID No.	01000011 43	Manufacturer's ID No. (YAMAHA)
SUB STATUS	0001nnnn 1n	n=0-15(Tx/Rx Channel No.1-16)
MODEL ID	00111101 3d	MODEL ID (02R)
PARAM TYPE	00011001 1A	fader remote (type number)
DATA	0ddddd dd0	No. (0-20:fader 1-21(st mas)
		64-87:encoder tapel-16, rtn1-2, aux, pan, q, f, g, entry)
	0ddddd dd1	data(fader 0-127/ encoder -64~+63)
EOX	11110111 F7	End Of Exclusive

02R BULK DUMP & REQUEST FORMAT

The data format is as following. For example, Internal data: ds,d1,d2,...dx,...de(dx is 1byte data).

$$dxH = (dx / 16) \text{ AND } 0Fh, dxL = dx \text{ AND } 0Fh$$

To calculate the check sum: add the data from BYTE COUNT(LOW) to just before the CHECK SUM, multiplying -1(2's complement), resetting MSB(bit7).

$$\text{check sum} = (-\text{sum}) \& 0x7F$$

基本的にデータは以下の様になります。データが ds,d1,d2,...dx,...de (dxは1 byte のデータ) であると、dxH = (dx / 16) AND 0Fh , dxL = dx AND 0Fh と上位と下位の 4bit ずつのデータとなります。

また CHECK SUM は、BYTE COUNT (LOW) の後から CHECK SUM の前までを足して、bit を反転して 1 を足して (もしくは 2 の補数)、bit 7 を 0 として計算されます。CHECK SUM = (INVERT (sum) + 1) & 0x7F もしくは CHECK SUM = (-sum) & 0x7F

Scene Memory Bulk Dump Format

STATUS	11110000 F0	System Exclusive Message
ID No.	01000011 43	Manufacturer's ID No. (YAMAHA)
SUB STATUS	0000nnnn 0n	n=0-15(Tx/Rx Channel No.1-16)
FORMAT No.	01111110 7E	Universal Bulk Dump
BYTE COUNT (HIGH)	00011111 1F	4074 (2016x2+32+10) bytes
BYTE COUNT (LOW)	01101010 6A	
	01001100 4C	'L'
	01001101 4D	'M'
	00100000 20	' '
	00100000 20	' '
	00111000 38	'8'
	01000001 41	'A'
	00110110 36	'6'
	00110111 37	'7'
DATA NAME	01001101 4D	'M'
	0rrrrrrrrrr mm	m=0-64,127(Scene Memory No.0-64,current)
		Receive is effective only No.1-64
DATA	0iiiiiii ii	id 1
	: :	
	0iiiiiii ii	id 16
	0ttttttt tt	title1
	: :	
	0ttttttt tt	title16
	0ddddd dsH	Scene Memory (2016x2bytes)
	0ddddd dsL	
	: :	
	0ddddd deH	
	0ddddd deL	
CHECK SUM	0eeeeeee ee	ee=(INVERT('L'+ 'M'+...+dsH+...+deL)+1) AND 7Fh
EOX	11110111 F7	End Of Exclusive

Scene Memory Bulk Dump Request Format

STATUS	11110000 F0	System Exclusive Message
ID No.	01000011 43	Manufacturer's ID (YAMAHA)
SUB STATUS	0010nnnn 2n	n=0-15(Tx/Rx Channel No.1-16)
FORMAT No.	01111110 7E	Universal Bulk Dump
	01001100 4C	'L'
	01001101 4D	'M'
	00100000 20	' '
	00100000 20	' '
	00111000 38	'8'
	01000001 41	'A'
	00110110 36	'6'
	00110111 37	'7'
DATA NAME	01001101 4D	'M'
	0mmmmmmmm mm	m=0-64,127(Scene Memory No.0-64,current)
		Transmission is possible only No.1-64 from 02R
EOX	11110111 F7	End Of Exclusive

Program Change Assignment Table Bulk Dump Format

STATUS	11110000 F0	System Exclusive Message
ID No.	01000011 43	Manufacturer's ID No.(YAMAHA)
SUB STATUS	0000nnnn 0n	n=0-15(Tx/Rx Channel No.1-16)
FORMAT No.	01111110 7E	Universal Bulk Dump
BYTE COUNT(HIGH)	00000010 02	266(128x2+10)bytes
BYTE COUNT(LOW)	00001010 0A	
	01001100 4C	'L'
	01001101 4D	'M'
	00100000 20	' '
	00100000 20	' '
	00111000 38	'8'
	01000001 41	'A'
	00110110 36	'6'
	00110111 37	'7'
DATA NAME	01010000 50	'P'
	00100000 20	' '
DATA	0ddddd dsH	Program Change Table(128x2bytes)
	0ddddd dsL	
	:	:
	0ddddd deH	
	0ddddd deL	
CHECK SUM	0eeeeeee ee	ee=(INVERT('L'+ 'M'+...+dsH+...+deL)+1) AND 7Fh
EOX	11110111 F7	End Of Exclusive

Program Change Assignment Table Bulk Dump Request Format

STATUS	11110000 F0	System Exclusive Message
ID No.	01000011 43	Manufacturer's ID (YAMAHA)
SUB STATUS	0010nnnn 2n	n=0-15(Tx/Rx Channel No.1-16)
FORMAT No.	01111110 7E	Universal Bulk Dump
	01001100 4C	'L'
	01001101 4D	'M'
	00100000 20	' '
	00100000 20	' '
	00111000 38	'8'
	01000001 41	'A'
	00110110 36	'6'
	00110111 37	'7'
DATA NAME	01010000 50	'P'
	00100000 20	' '
EOX	11110111 F7	End Of Exclusive

Setup Memory Bulk Dump Format

STATUS	11110000 F0	System Exclusive Message
ID No.	01000011 43	Manufacturer's ID No.(YAMAHA)
SUB STATUS	0000nnnn 0n	n=0-15(Tx/Rx Channel No.1-16)
FORMAT No.	01111110 7E	Universal Bulk Dump
BYTE COUNT(HIGH)	00000000 00	266(128x2+10)bytes
BYTE COUNT(LOW)	01101010 6A	
	01001100 4C	'L'
	01001101 4D	'M'
	00100000 20	' '
	00100000 20	' '
	00111000 38	'8'
	01000001 41	'A'
	00110110 36	'6'
	00110111 37	'7'
DATA NAME	01010011 53	'S'
	00100000 20	' '
DATA	0ddddddd dsH	Setup Memory(128x2bytes)
	0ddddddd dsL	
	: :	
	0ddddddd deH	
	0ddddddd deL	
CHECK SUM	0eeeeeee ee	ee=(INVERT('L'+ 'M'+...+dsH+...+deL)+1) AND 7Fh
EOX	11110111 F7	End Of Exclusive

Setup Memory Bulk Dump Request Format

STATUS	11110000 F0	System Exclusive Message
ID No.	01000011 43	Manufacturer's ID (YAMAHA)
SUB STATUS	0010nnnn 2n	n=0-15(Tx/Rx Channel No.1-16)
FORMAT No.	01111110 7E	Universal Bulk Dump
	01001100 4C	'L'
	01001101 4D	'M'
	00100000 20	' '
	00100000 20	' '
	00111000 38	'8'
	01000001 41	'A'
	00110110 36	'6'
	00110111 37	'7'
DATA NAME	01010011 53	'S'
	00100000 20	' '
EOX	11110111 F7	End Of Exclusive

Effect Library Bulk Dump Format

STATUS	11110000 F0	System Exclusive Message
ID No.	01000011 43	Manufacturer's ID No.(YAMAHA)
SUB STATUS	0000nnnn 0n	n=0-15(Tx/Rx Channel No.1-16)
FORMAT No.	01111110 7E	Universal Bulk Dump
BYTE COUNT(HIGH)	00000000 00	72(23x2+16+10)bytes
BYTE COUNT(LOW)	01001000 48	
	01001100 4C	'L'
	01001101 4D	'M'
	00100000 20	' '
	00100000 20	' '
	00111000 38	'8'
	01000001 41	'A'
	00110110 36	'6'
	00110111 37	'7'
DATA NAME	01000101 45	'E'
	0mmmmmmmm mm	m=0-127(Effect Library No.1-128)
		Receive is effective only No.41-128
DATA	0ttttttt tt	title1
	: :	
	0ttttttt tt	title16
	0ddddd dsH	Effect Library Memory(23x2bytes)
	0ddddd dsL	
	: :	
	0ddddd deH	
	0ddddd deL	
CHECK SUM	0eeeeeee ee	ee=(INVERT('L'+ 'M'+...+dsH+...+deL)+1) AND 7Fh
EOX	11110111 F7	End Of Exclusive

Effect Library Bulk Dump Request Format

STATUS	11110000 F0	System Exclusive Message
ID No.	01000011 43	Manufacturer's ID (YAMAHA)
SUB STATUS	0010nnnn 2n	n=0-15(Tx/Rx Channel No.1-16)
FORMAT No.	01111110 7E	Universal Bulk Dump
	01001100 4C	'L'
	01001101 4D	'M'
	00100000 20	' '
	00100000 20	' '
	00111000 38	'8'
	01000001 41	'A'
	00110110 36	'6'
	00110111 37	'7'
DATA NAME	01000101 45	'E'
	0mmmmmmmm mm	m=0-127(Effect Library No.1-128)
		Transmission is possible only No.41-128 from 02R
EOX	11110111 F7	End Of Exclusive

Equalizer Library Bulk Dump Format

STATUS	11110000 F0	System Exclusive Message
ID No.	01000011 43	Manufacturer's ID No. (YAMAHA)
SUB STATUS	0000nnnn 0n	n=0-15(Tx/Rx Channel No.1-16)
FORMAT No.	01111110 7E	Universal Bulk Dump
BYTE COUNT(HIGH)	00000000 00	62(18x2+16+10)bytes
BYTE COUNT(LOW)	00111110 3e	
	01001100 4C	'L'
	01001101 4D	'M'
	00100000 20	' '
	00100000 20	' '
	00111000 38	'8'
	01000001 41	'A'
	00110110 36	'6'
	00110111 37	'7'
DATA NAME	01010001 51	'Q'
	0mmmmmmmm mm	m=0-127(Equalizer Library No.1-128)
		Receive is effective only No.33-128
DATA	0ttttttt tt	title1
	: :	
	0ttttttt tt	title16
	0ddddd dsH	Equalizer Library Memory(18x2bytes)
	0ddddd dsL	
	: :	
	0ddddd deH	
	0ddddd deL	
CHECK SUM	0eeeeeee ee	ee=(INVERT('L'+ 'M'+...+dsH+...+deL)+1) AND 7Fh
EOX	11110111 F7	End Of Exclusive

Equalizer Library Bulk Dump Request Format

STATUS	11110000 F0	System Exclusive Message
ID No.	01000011 43	Manufacturer's ID (YAMAHA)
SUB STATUS	0010nnnn 2n	n=0-15(Tx/Rx Channel No.1-16)
FORMAT No.	01111110 7E	Universal Bulk Dump
	01001100 4C	'L'
	01001101 4D	'M'
	00100000 20	' '
	00100000 20	' '
	00111000 38	'8'
	01000001 41	'A'
	00110110 36	'6'
	00110111 37	'7'
DATA NAME	01010001 51	'Q'
	0mmmmmmmm mm	m=0-127(Equalizer Library No.1-128)
		Transmission is possible only No.33-128 from 02R
EOX	11110111 F7	End Of Exclusive

Dynamics Library Bulk Dump Format

STATUS	11110000 F0	System Exclusive Message
ID No.	01000011 43	Manufacturer's ID No.(YAMAHA)
SUB STATUS	0000nnnn 0n	n=0-15(Tx/Rx Channel No.1-16)
FORMAT No.	01111110 7E	Universal Bulk Dump
BYTE COUNT(HIGH)	00000000 00	44(9x2+16+10)bytes
BYTE COUNT(LOW)	00101100 2c	
	01001100 4C	'L'
	01001101 4D	'M'
	00100000 20	' '
	00100000 20	' '
	00111000 38	'8'
	01000001 41	'A'
	00110110 36	'6'
	00110111 37	'7'
DATA NAME	01011001 59	'Y'
	0nnnnnnnnn mnn	m=0-127(Dynamics Library No.1-128)
		Receive is effective only No.41-128
DATA	0ttttttt tt	title1
	: :	
	0ttttttt tt	title16
	0ddddd dsH	Dynamics Library Memory(9x2bytes)
	0ddddd dsL	
	: :	
	0ddddd deH	
	0ddddd deL	
CHECK SUM	0eeeeeee ee	ee=(INVERT('L'+ 'M'+...+dsH+...+deL)+1) AND 7Fh
EOX	11110111 F7	End Of Exclusive

Dynamics Library Bulk Dump Request Format

STATUS	11110000 F0	System Exclusive Message
ID No.	01000011 43	Manufacturer's ID (YAMAHA)
SUB STATUS	0010nnnn 2n	n=0-15(Tx/Rx Channel No.1-16)
FORMAT No.	01111110 7E	Universal Bulk Dump
	01001100 4C	'L'
	01001101 4D	'M'
	00100000 20	' '
	00100000 20	' '
	00111000 38	'8'
	01000001 41	'A'
	00110110 36	'6'
	00110111 37	'7'
DATA NAME	01011001 59	'Y'
	0nnnnnnnnn mnn	m=0-127(Dynamics Library No.1-128)
		Transmission is possible only No.41-128 from 02R
EOX	11110111 F7	End Of Exclusive

Channel Library Bulk Dump Format

STATUS	11110000	F0	System Exclusive Message
ID No.	01000011	43	Manufacturer's ID No.(YAMAHA)
SUB STATUS	0000nnnn	0n	n=0-15(Tx/Rx Channel No.1-16)
FORMAT No.	01111110	7E	Universal Bulk Dump
BYTE COUNT(HIGH)	00000000	00	122(48x2+16+10)bytes
BYTE COUNT(LOW)	01111010	7A	
	01001100	4C	'L'
	01001101	4D	'M'
	00100000	20	' '
	00100000	20	' '
	00111000	38	'8'
	01000001	41	'A'
	00110110	36	'6'
	00110111	37	'7'
DATA NAME	01001000	48	'H'
	0mmmmmmmm	mm	m=0-63(Channel Library No.1-64)
DATA	0tttttttt	tt	title1
	:	:	
	0tttttttt	tt	title16
	0ddddd	dsH	Channel Library Memory(48x2bytes)
	0ddddd	dsL	
	:	:	
	0ddddd	deH	
	0ddddd	deL	
CHECK SUM	0eeeeeee	ee	ee=(INVERT('L'+ 'M'+...+dsH+...+deL)+1) AND 7Fh
EOX	11110111	F7	End Of Exclusive

Channel Library Bulk Dump Request Format

STATUS	11110000	F0	System Exclusive Message
ID No.	01000011	43	Manufacturer's ID (YAMAHA)
SUB STATUS	0010nnnn	2n	n=0-15(Tx/Rx Channel No.1-16)
FORMAT No.	01111110	7E	Universal Bulk Dump
	01001100	4C	'L'
	01001101	4D	'M'
	00100000	20	' '
	00100000	20	' '
	00111000	38	'8'
	01000001	41	'A'
	00110110	36	'6'
	00110111	37	'7'
DATA NAME	01001000	48	'H'
	0mmmmmmmm	mm	m=0-63(Channel Library No.1-64)
EOX	11110111	F7	End Of Exclusive

Automix Bulk Dump Format

STATUS	11110000 F0	System Exclusive Message
ID No.	01000011 43	Manufacturer's ID No.(YAMAHA)
SUB STATUS	0000nnnn 0n	n=0-15(Tx/Rx Channel No.1-16)
FORMAT No.	01111110 7E	Universal Bulk Dump
BYTE COUNT(HIGH)	00010000 10	2078(1024x2+20+10)bytes
BYTE COUNT(LOW)	00011110 1e	
	01001100 4C	'L'
	01001101 4D	'M'
	00100000 20	' '
	00100000 20	' '
	00111000 38	'8'
	01000001 41	'A'
	00110110 36	'6'
	00110111 37	'7'
DATA NAME	01000001 41	'A'
	0000mmmm 0m	m=0-15(Automix No.1-16)
DATA	0xxxxxxx xx	block count(High)
	0xxxxxxx xx	block count(Low) [0~size]
	0yyyyyyy yy	total size(High)
	0yyyyyyy yy	total size(Low) [size-1]
	0ttttttt tt	title1
	: :	
	0ttttttt tt	title16
	0ddddddd dsH	Automix Memory(1024x2bytes)
	0ddddddd dsL	
	: :	
	0ddddddd deH	
	0ddddddd deL	
CHECK SUM	0eeeeeee ee	ee=(INVERT('L'+ 'M'+...+dsH+...+deL)+1) AND 7Fh
EOX	11110111 F7	End Of Exclusive

Automix Bulk Dump Request Format

STATUS	11110000 F0	System Exclusive Message
ID No.	01000011 43	Manufacturer's ID (YAMAHA)
SUB STATUS	0010nnnn 2n	n=0-15(Tx/Rx Channel No.1-16)
FORMAT No.	01111110 7E	Universal Bulk Dump
	01001100 4C	'L'
	01001101 4D	'M'
	00100000 20	' '
	00100000 20	' '
	00111000 38	'8'
	01000001 41	'A'
	00110110 36	'6'
	00110111 37	'7'
DATA NAME	01000001 41	'A'
	0000mmmm 0m	m=0-15(Automix No.1-16)
EOX	11110111 F7	End Of Exclusive

YAMAHA [Digital Recording Console]
 Model: 02R MIDI Implementation Chart

Date:22-Aug-1995
 Version:1.0

Function...		Transmitted	Recognized	Remarks
Basic Channel	Default Changed	1-16 1-16	1-16 1-16	Memorized
Mode	Default Messages Altered	x x *****	OMNI off/OMNI on x x	Memorized
Note Number	: True voice	x *****	x x	
Velocity	Note ON Note OFF	x x	x x	
After Touch	Key's Ch's	x x	x x	
Pitch Bend		x	x	
Control Change		x	x	
Prog Change	: True #	o 0 - 127 *****	o 0 - 127 0 - 64	*1
System Exclusive		o	o	*2
Common	: Song Pos : Song Sel : Tune	x x x	x x x	
System Real Time	: Clock : Commands	x x	x x	
Aux Messages	: Local ON/OFF : All Notes OFF : Active Sense : Reset	x x o x	x x x x	
Notes	MTC quarter frame message is recognized (MTC IN) *1 : For program 1 - 128, memory #0 - #64 is selected. *2 : Bulk Dump/Request and Parameter Change/Request			

Mode 1:OMNI ON,POLY
 Mode 3:OMNI OFF,POLY

Mode 2:OMNI ON,MONO
 Mode 4:OMNI OFF,MONO

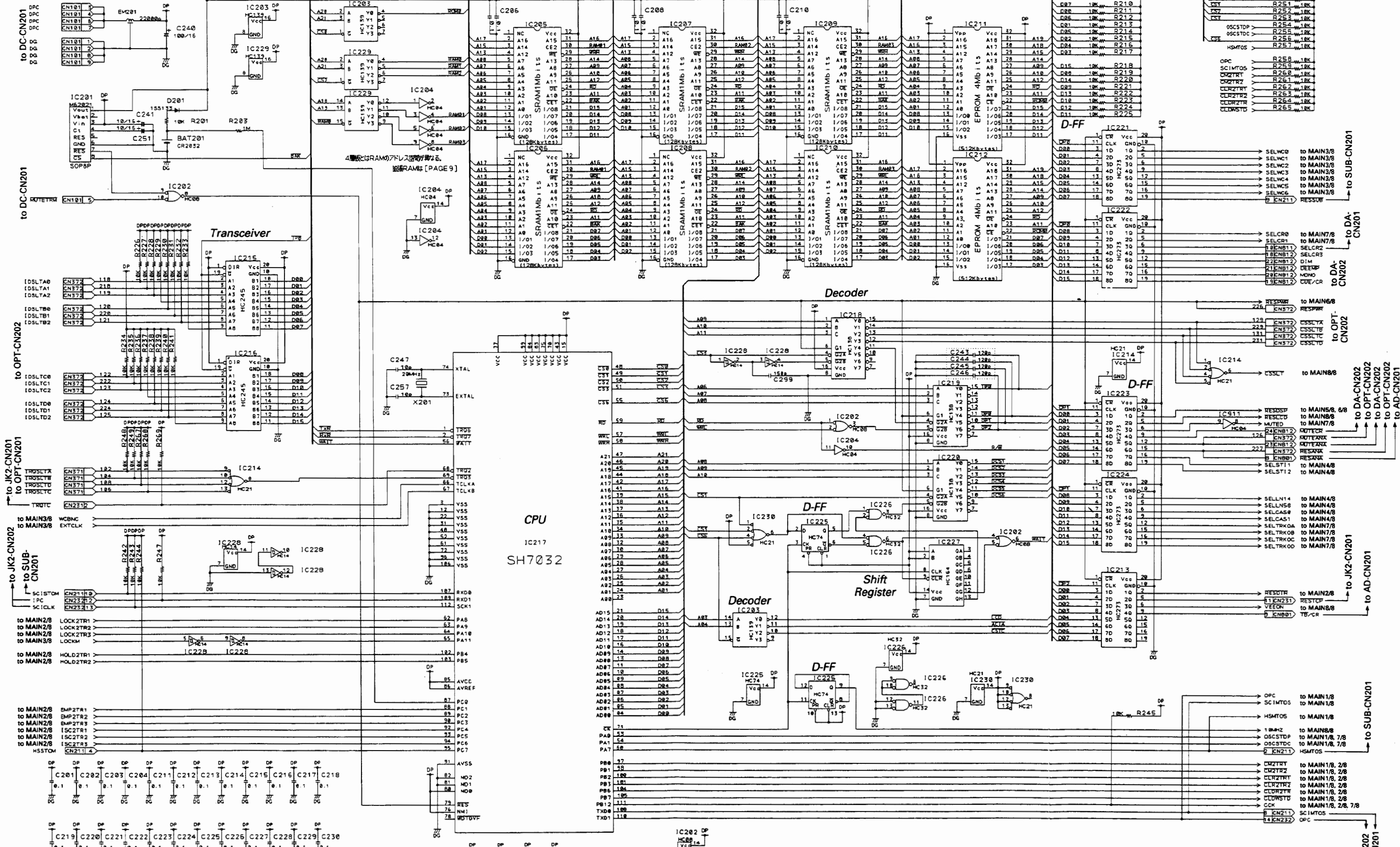
o:Yes
 x:No

■ CIRCUIT DIAGRAMS (回路図)

● CONTENTS (目次)

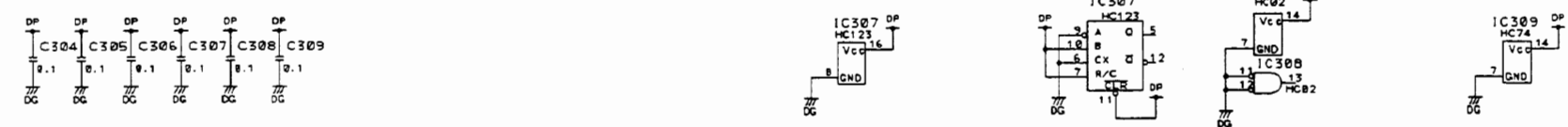
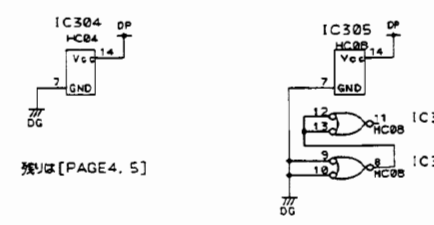
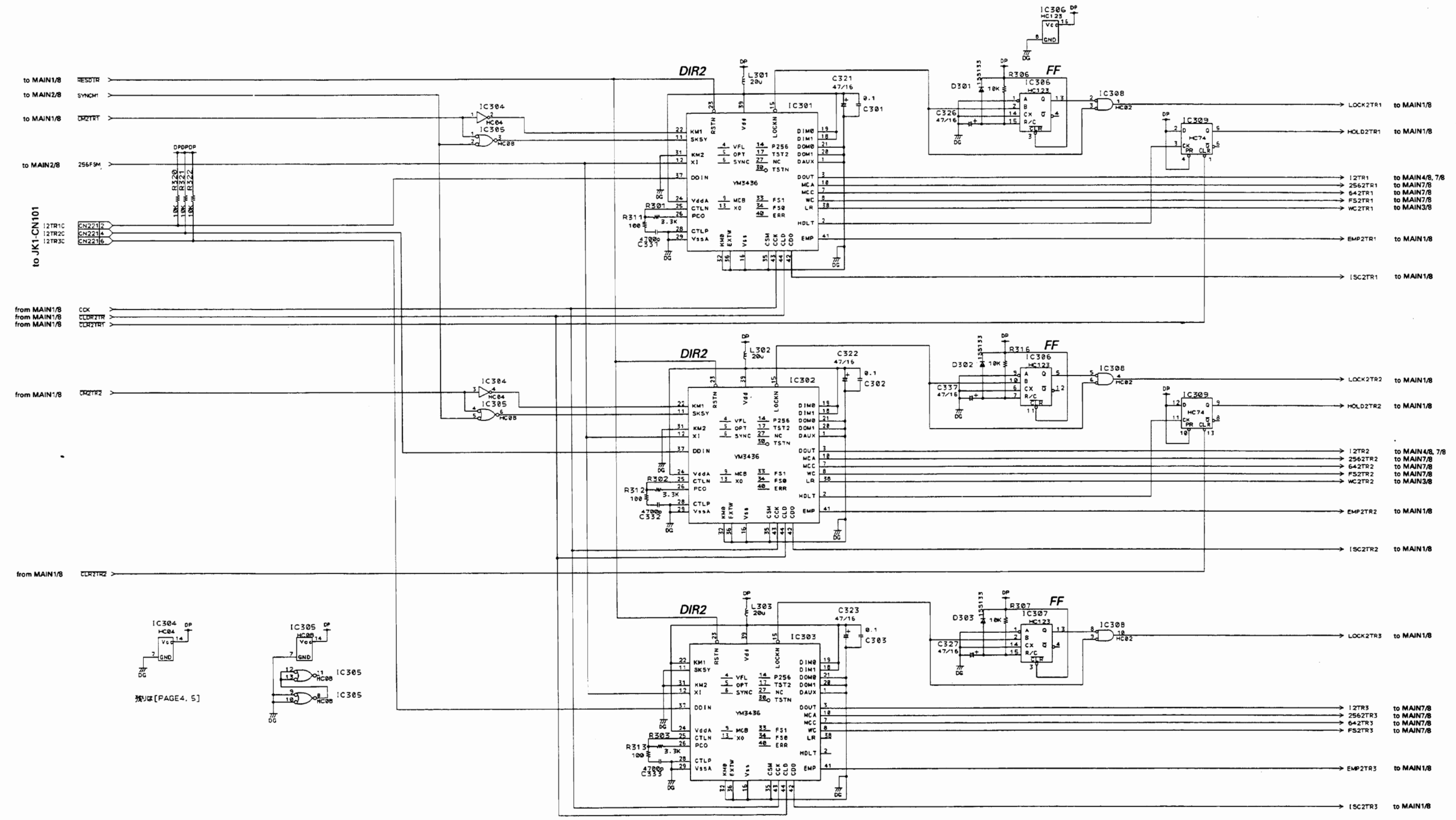
MAIN CIRCUIT DIAGRAM 1/8 (CPU)	162
MAIN CIRCUIT DIAGRAM 2/8 (2TR DIGITAL Reception)	163
MAIN CIRCUIT DIAGRAM 3/8 (Clock Generator)	164
MAIN CIRCUIT DIAGRAM 4/8 (DSP Input Select)	165
MAIN CIRCUIT DIAGRAM 5/8 (DSP#1, #2, #3)	166
MAIN CIRCUIT DIAGRAM 6/8 (DSP#4, #5, #6)	167
MAIN CIRCUIT DIAGRAM 7/8 (DSP Output Select)	168
MAIN CIRCUIT DIAGRAM 8/8 (ACIA, LCD, Expansion RAM)	169
JK1 CIRCUIT DIAGRAM	170
PN1-1/6 CIRCUIT DIAGRAM	171
PN1-2/6 CIRCUIT DIAGRAM	171
PN1-3/6 CIRCUIT DIAGRAM	172
PN1-4/6 CIRCUIT DIAGRAM	172
PN1-5/6 CIRCUIT DIAGRAM	173
PN1-6/6 CIRCUIT DIAGRAM	174
PN2 CIRCUIT DIAGRAM	175
FA CIRCUIT DIAGRAM 1/3 (Faders 1~8)	176
FA CIRCUIT DIAGRAM 2/3 (Faders 9~16)	177
FA CIRCUIT DIAGRAM 3/3 (Faders 17~21)	178
OPT CIRCUIT DIAGRAM	179
SUB CIRCUIT DIAGRAM 1/3 (CPU)	180
SUB CIRCUIT DIAGRAM 2/3 (Encoder Reading)	181
SUB CIRCUIT DIAGRAM 3/3 (Panel Control)	182
ANI1 CIRCUIT DIAGRAM 1/2	183
ANI1 CIRCUIT DIAGRAM 2/2	184
ANI2 CIRCUIT DIAGRAM	185
JK2 CIRCUIT DIAGRAM	186
DC CIRCUIT DIAGRAM	187
ANO1 CIRCUIT DIAGRAM 1/3	188
ANO1 CIRCUIT DIAGRAM 2/3	189
ANO1 CIRCUIT DIAGRAM 3/3	190
ANO2 CIRCUIT DIAGRAM 1/3	191
ANO2 CIRCUIT DIAGRAM 2/3	192
ANO2 CIRCUIT DIAGRAM 3/3	193
AD CIRCUIT DIAGRAM 1/3	194
AD CIRCUIT DIAGRAM 2/3	195
AD CIRCUIT DIAGRAM 3/3	196
DA CIRCUIT DIAGRAM 1/2	197
DA CIRCUIT DIAGRAM 2/2	198
AC CIRCUIT DIAGRAM	199

MAIN CIRCUIT DIAGRAM 1/8 (CPU)

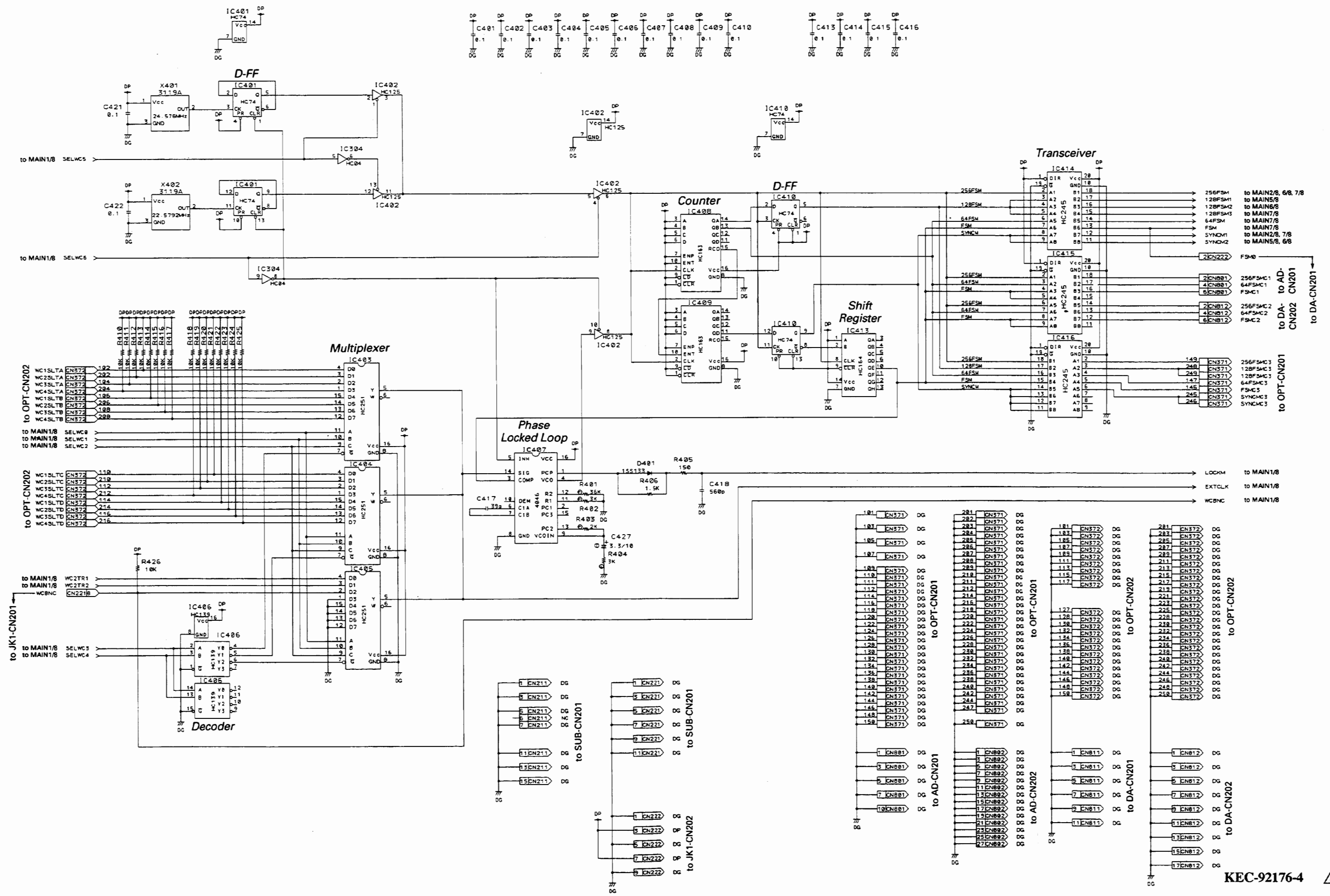


MAIN CIRCUIT DIAGRAM 2/8 (2TR DIGITAL Reception)

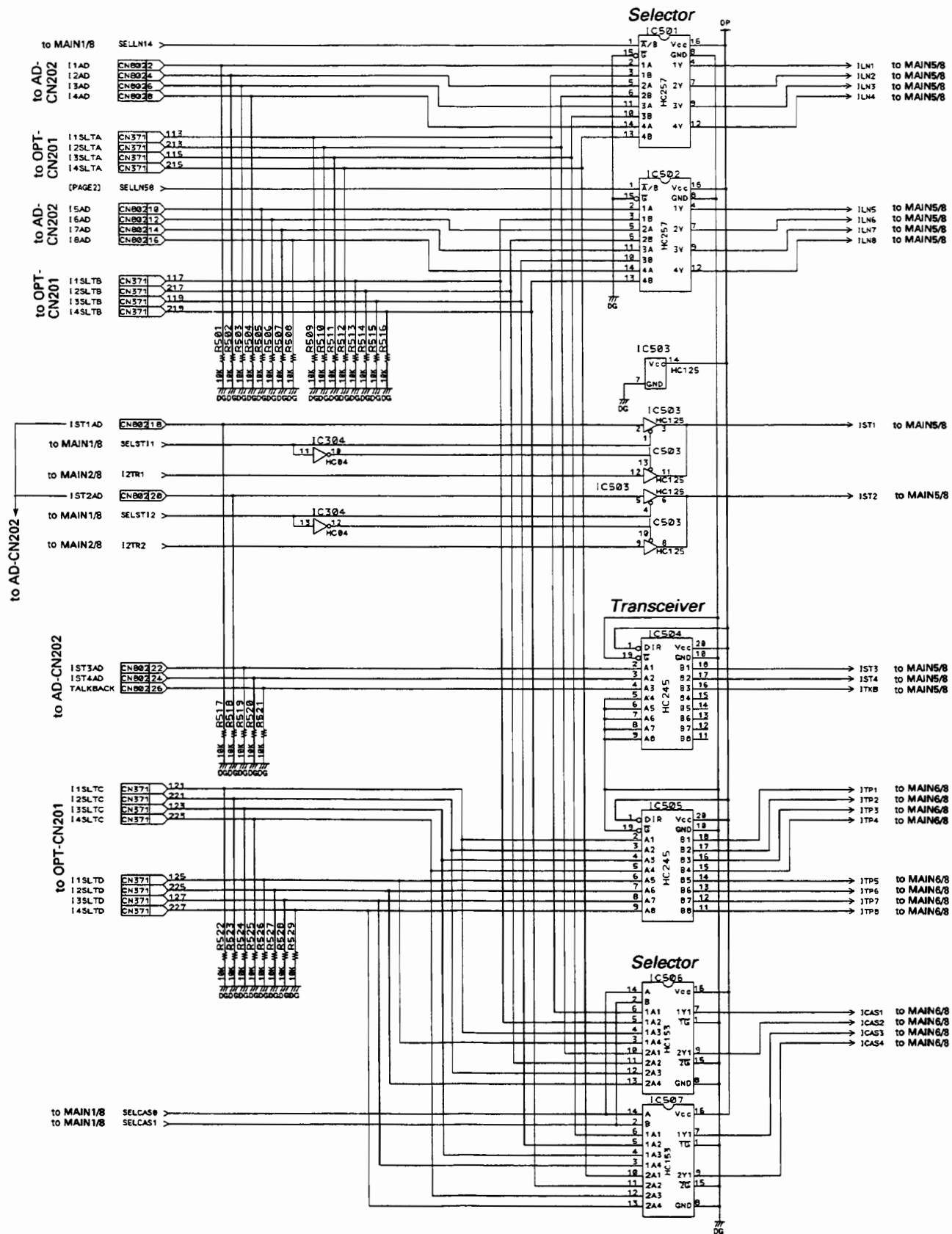
02R



MAIN CIRCUIT DIAGRAM 3/8 (Clock Generator)

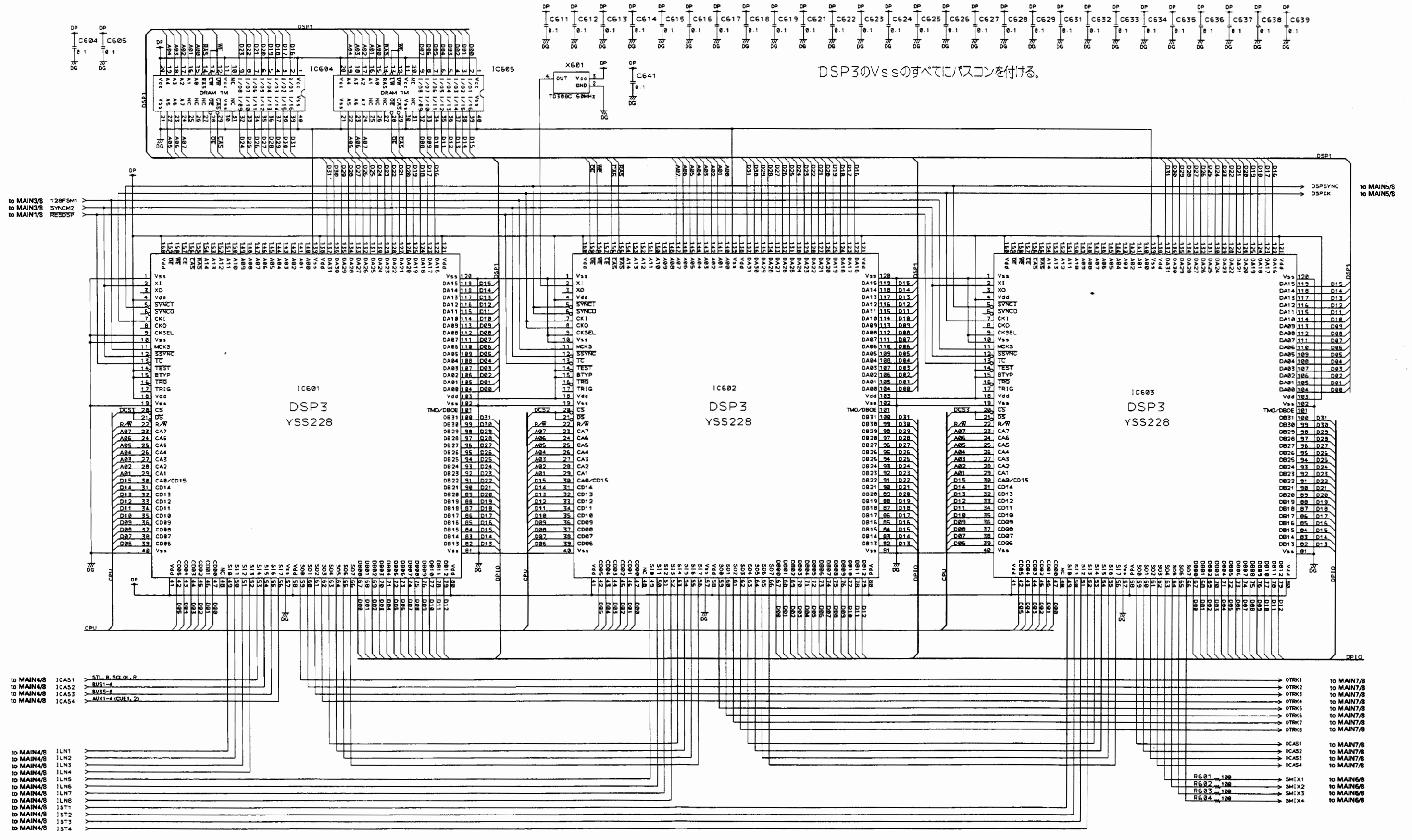


MAIN CIRCUIT DIAGRAM 4/8 (DSP Input Select)



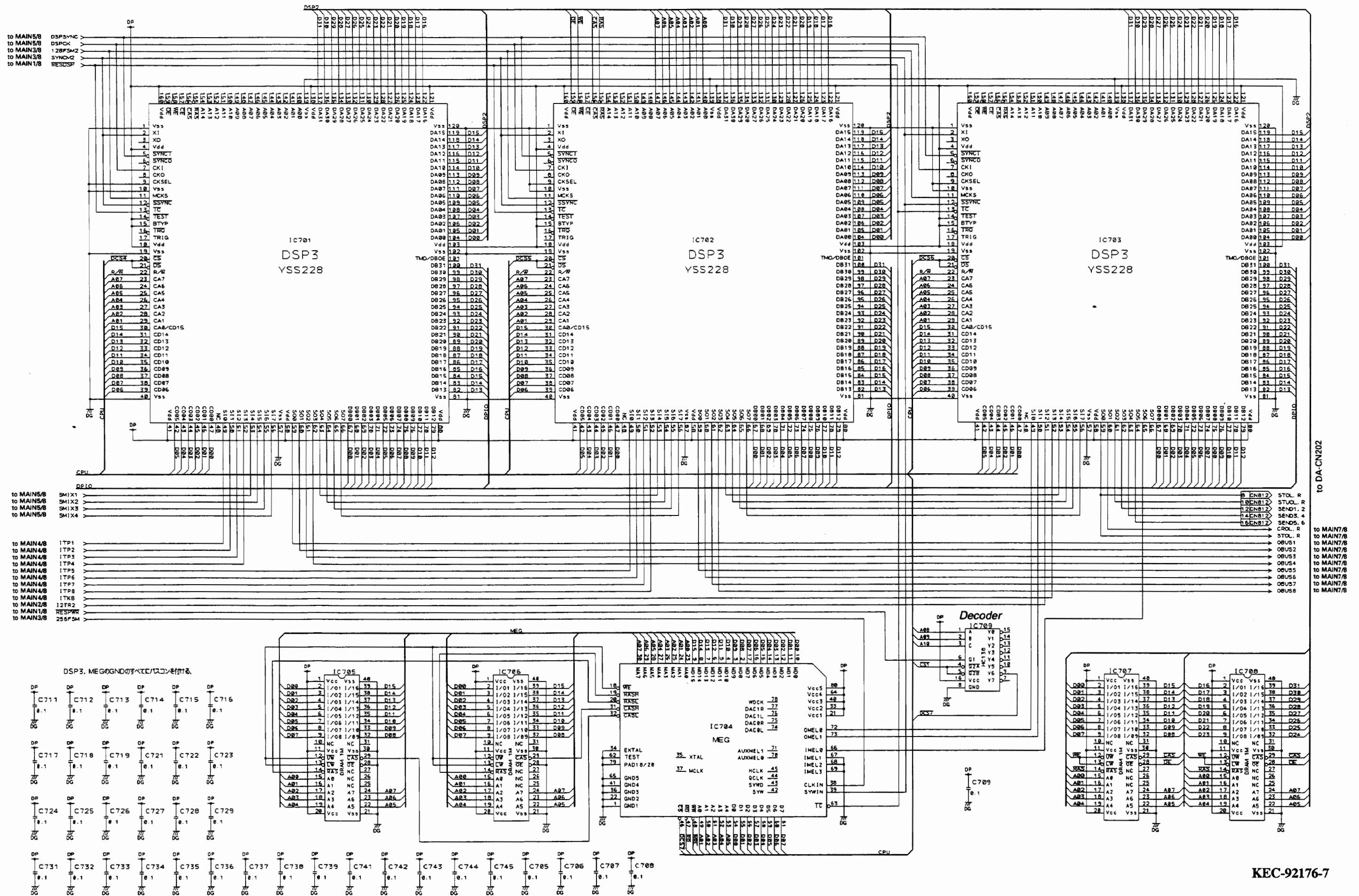
MAIN CIRCUIT DIAGRAM 5/8 (DSP#1, #2, #3)

DSP3のVs sのすべてにパスコンを付ける。



MAIN CIRCUIT DIAGRAM 6/8 (DSP#4, #5, #6)

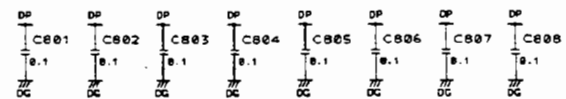
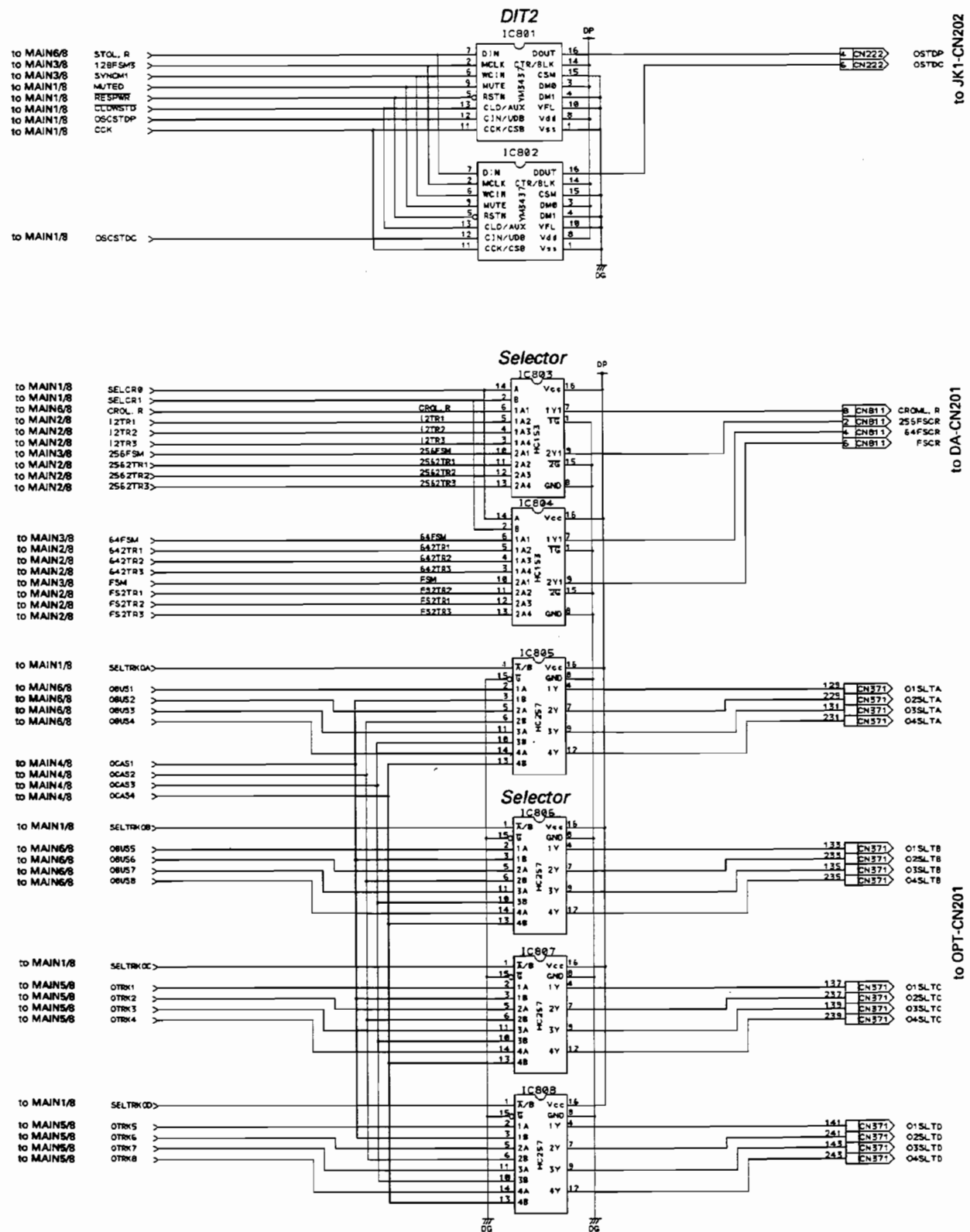
02R



TO DA-CN202

TO MAIN7/8
TO MAIN7/8
TO MAIN7/8
TO MAIN7/8
TO MAIN7/8
TO MAIN7/8
TO MAIN7/8
TO MAIN7/8
TO MAIN7/8
TO MAIN7/8

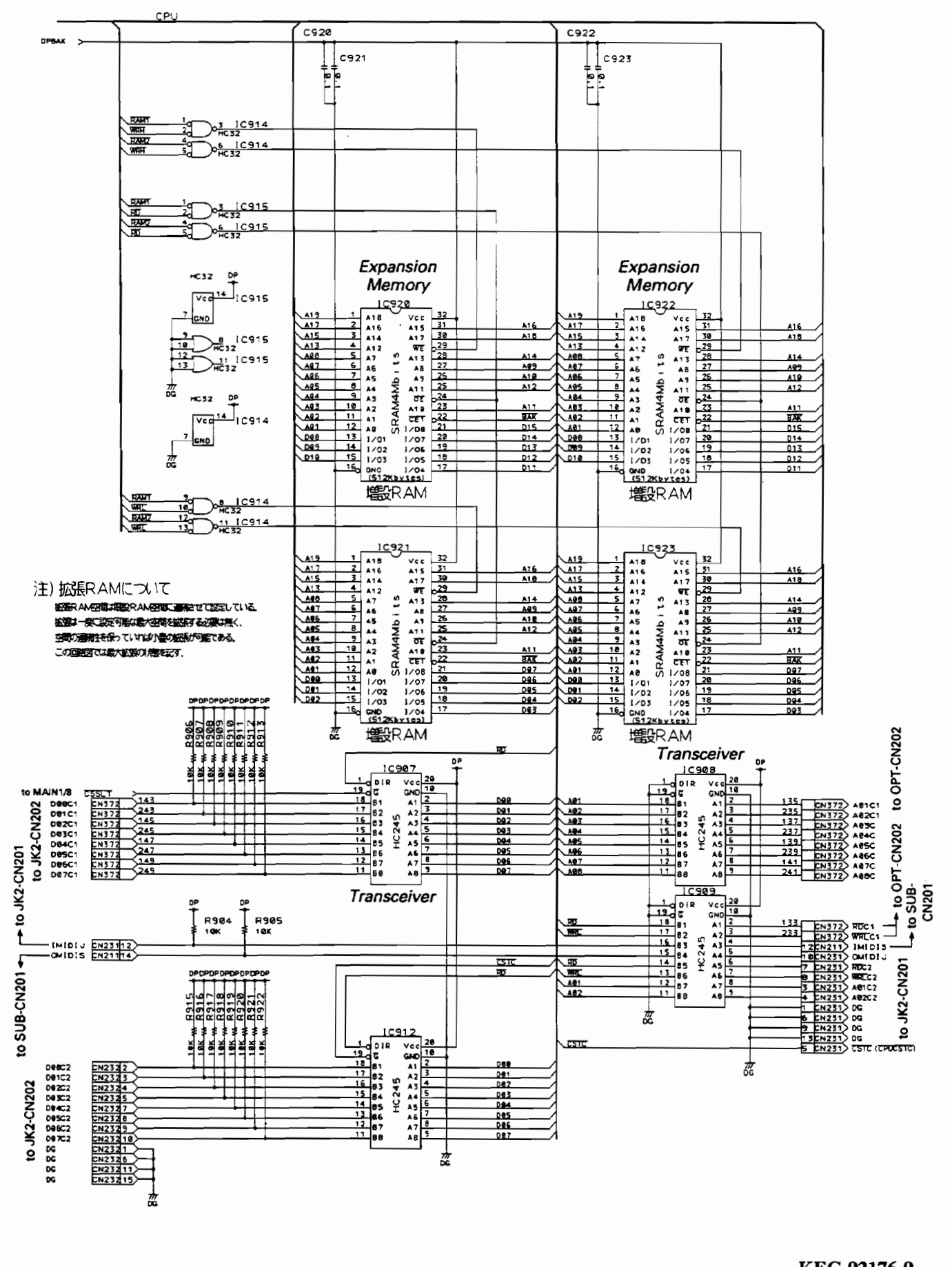
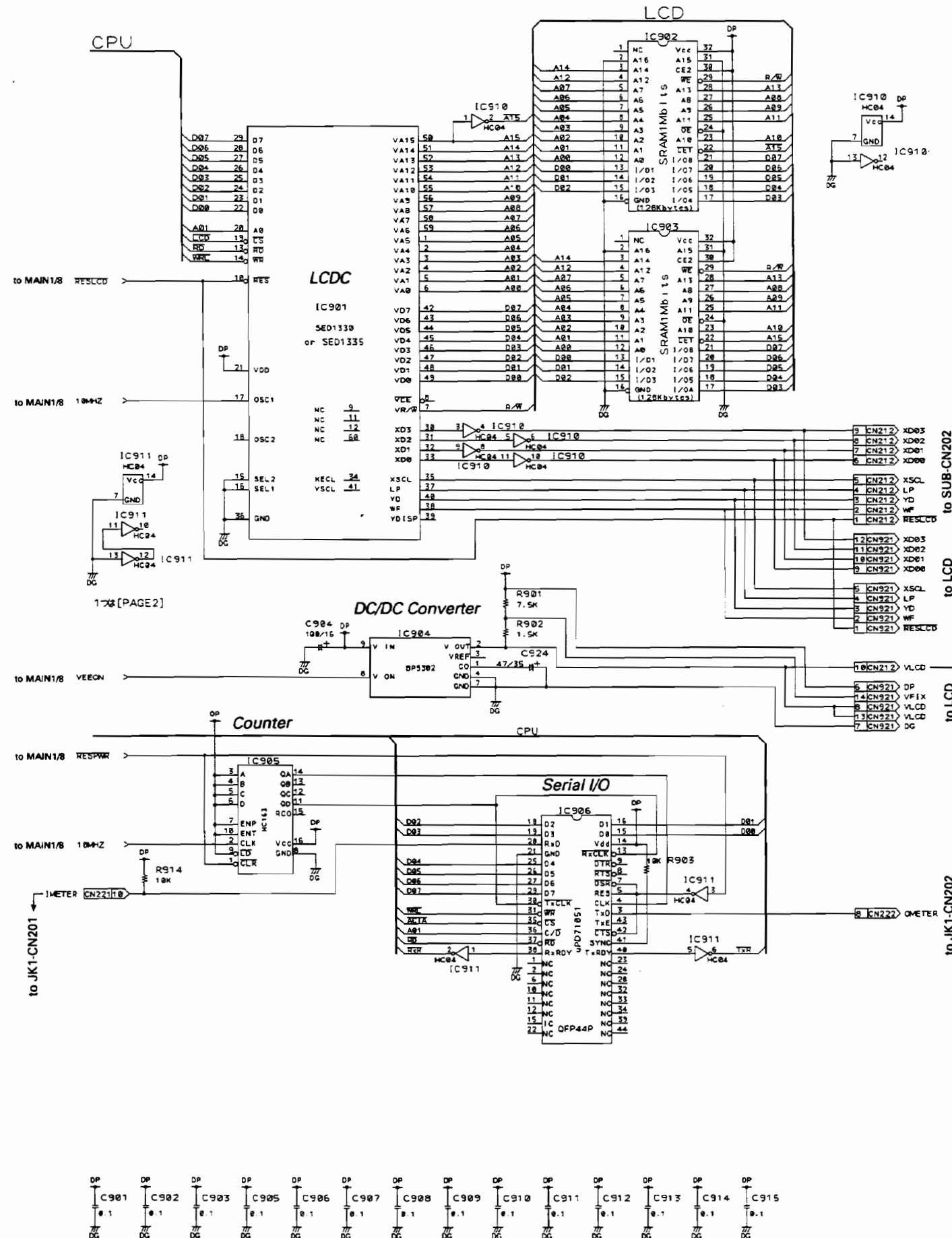
MAIN CIRCUIT DIAGRAM 7/8 (DSP Output Select)



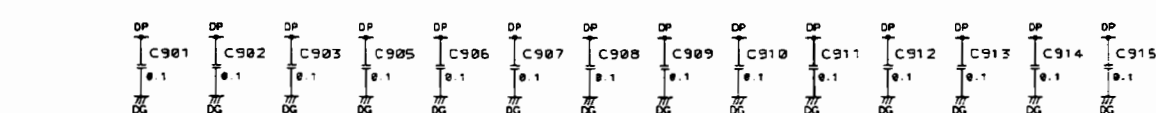
KEC-92176-8

MAIN CIRCUIT DIAGRAM 8/8 (ACIA, LCD, Expansion RAM)

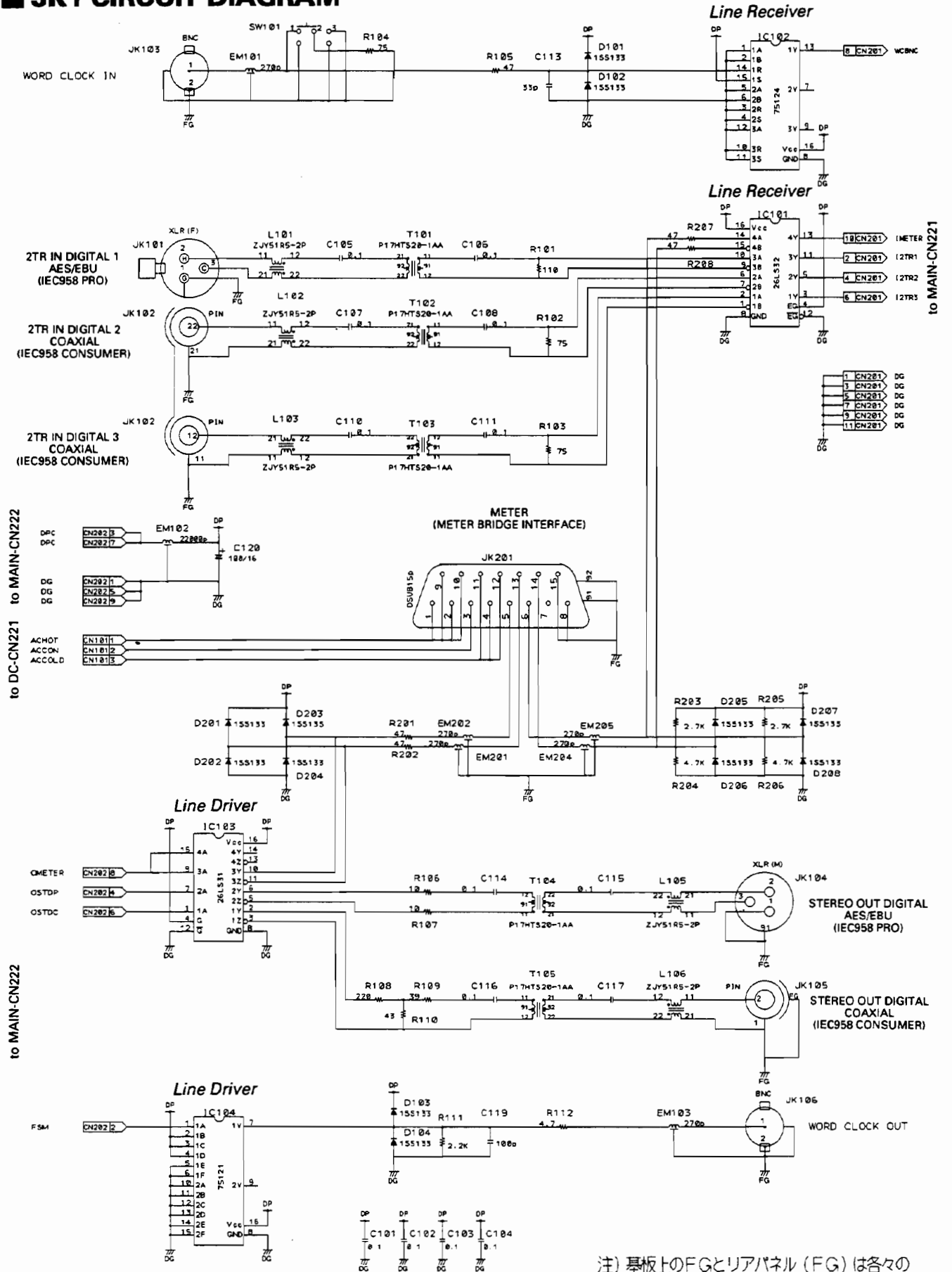
02R



注) 拡張RAMについて
 拡張RAMはRAMチップを2個使用している。
 拡張RAMは1チップで動作するが、この回路では2チップを使用している。
 この回路では最大容量が確保できる。



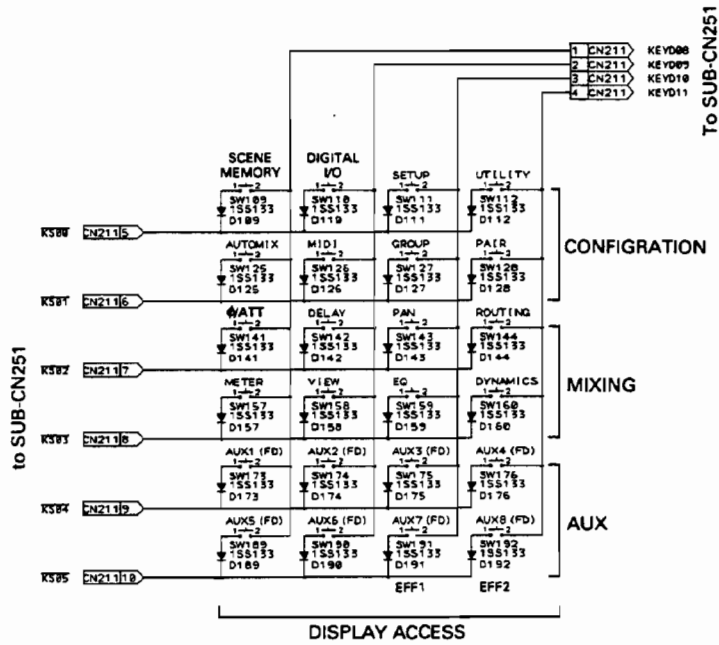
JK1 CIRCUIT DIAGRAM



注) 基板上のFGとリアパネル (FG) は各々のジャックの直近でネジと圧接にて行われる。

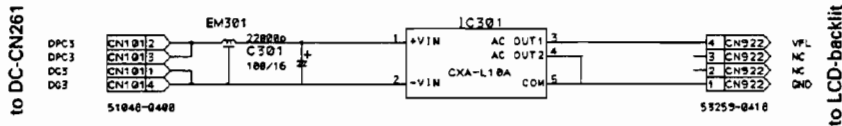


PN1-1/6 CIRCUIT DIAGRAM



KEC-92178-2

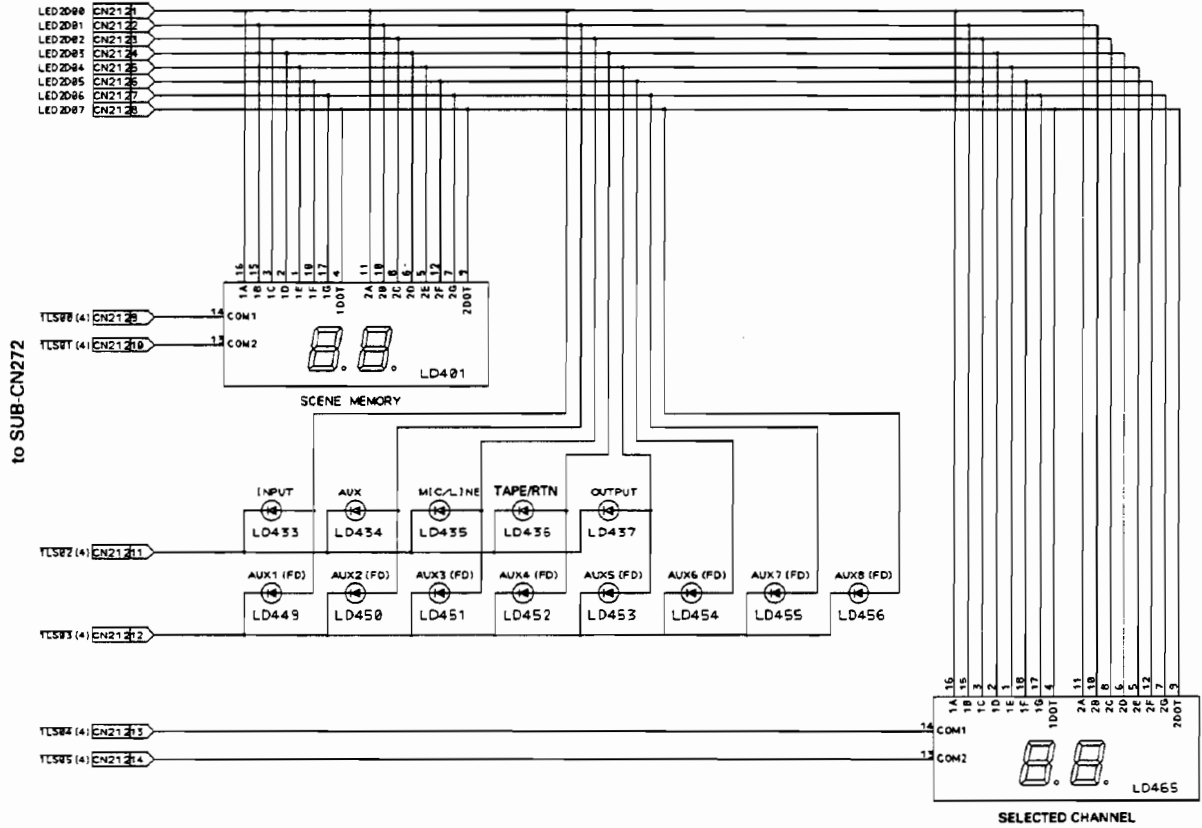
PN1-2/6 CIRCUIT DIAGRAM



KEC-92178-3

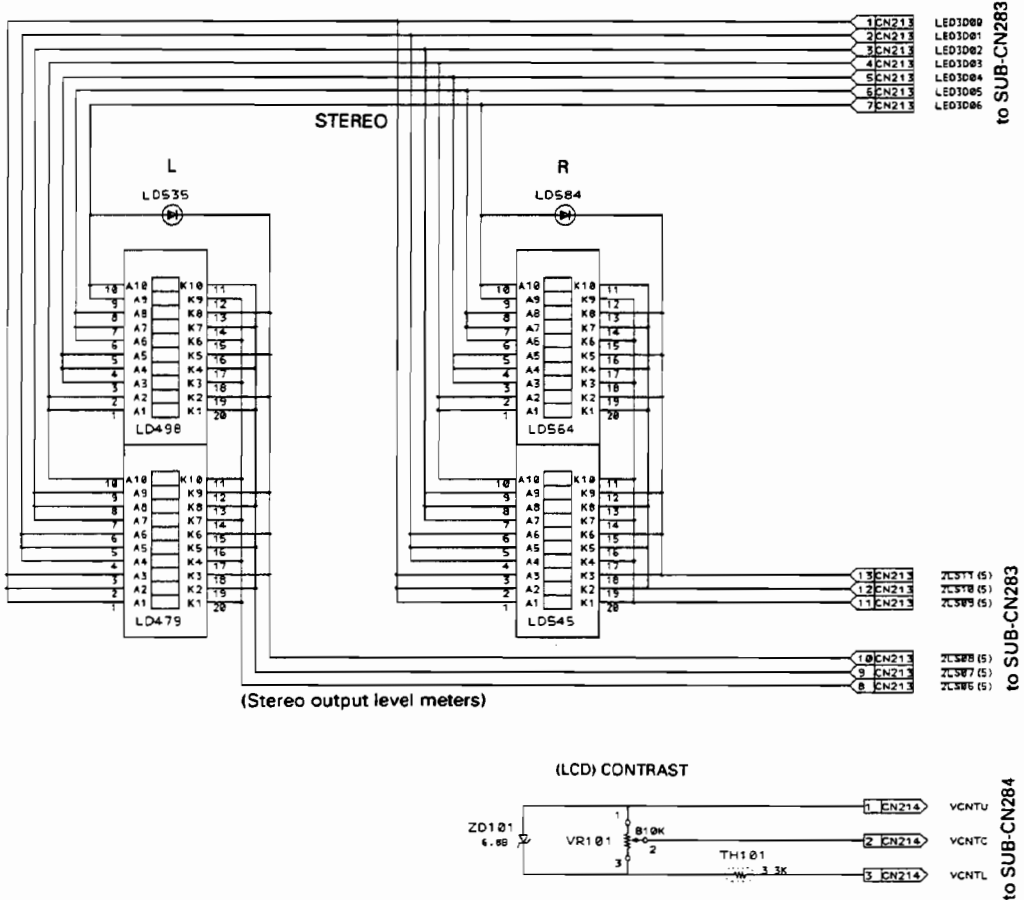


PN1-3/6 CIRCUIT DIAGRAM



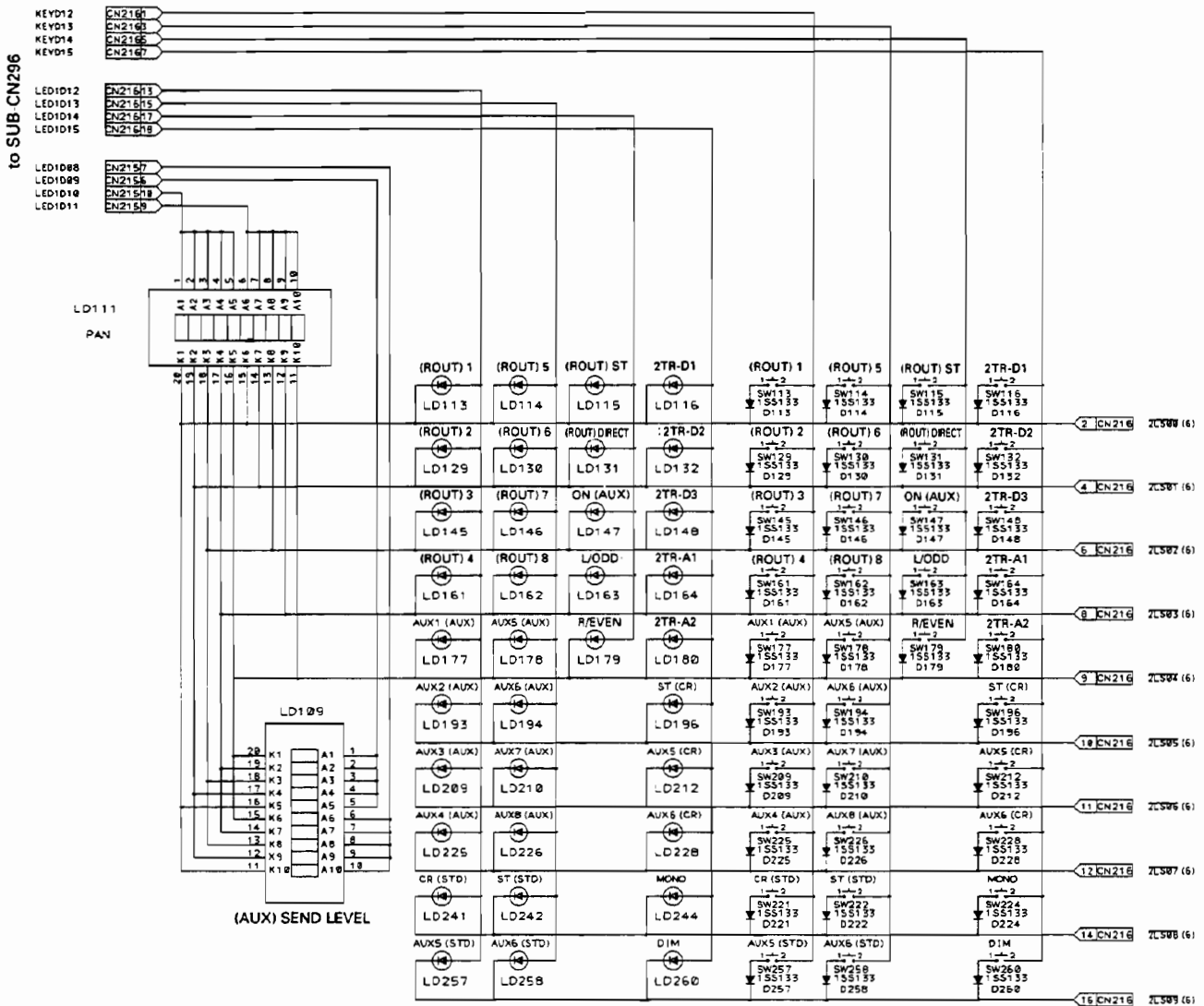
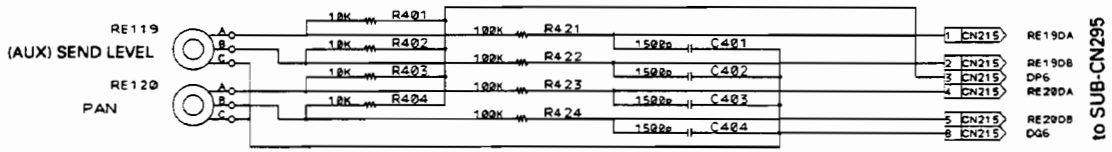
KEC-92178-4

PN1-4/6 CIRCUIT DIAGRAM

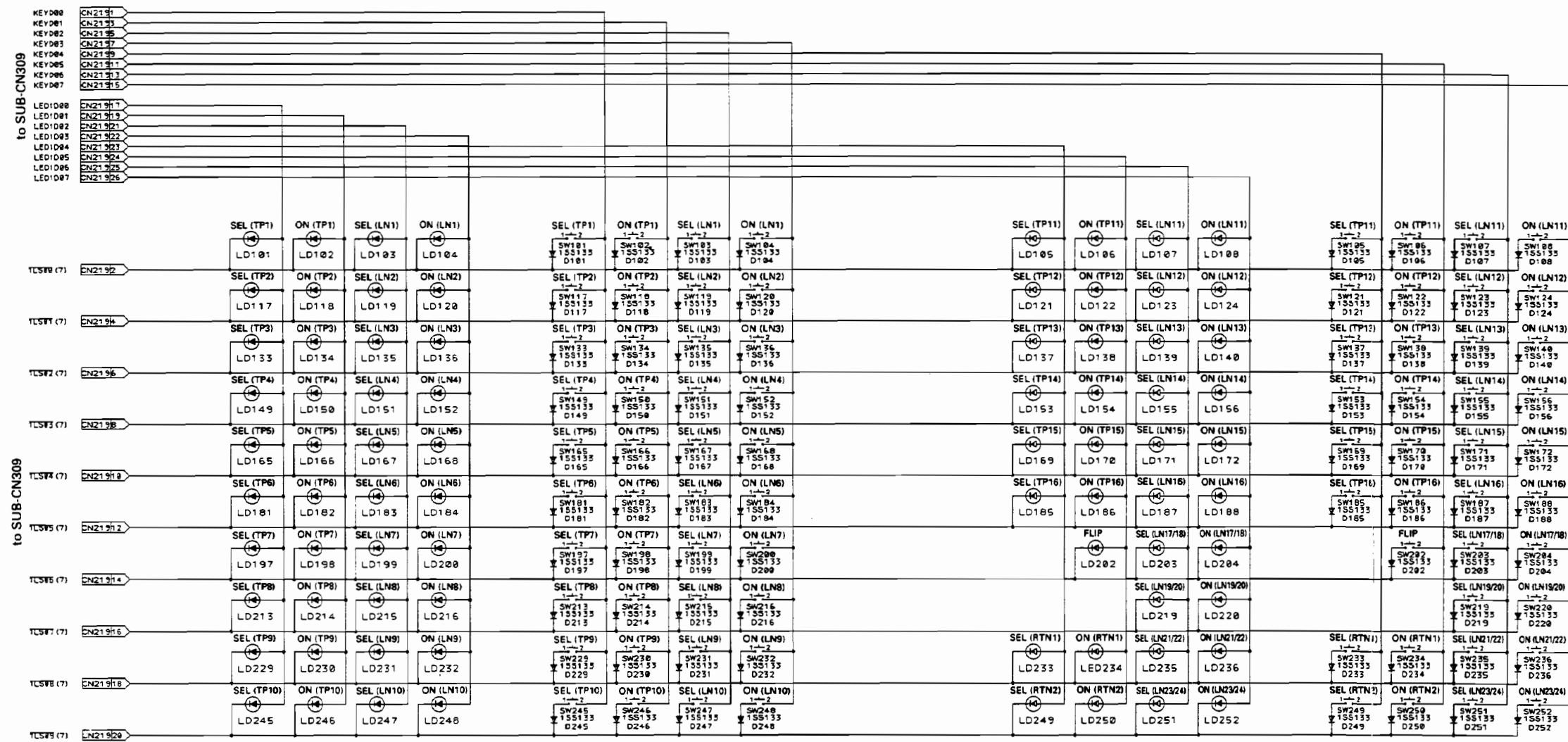
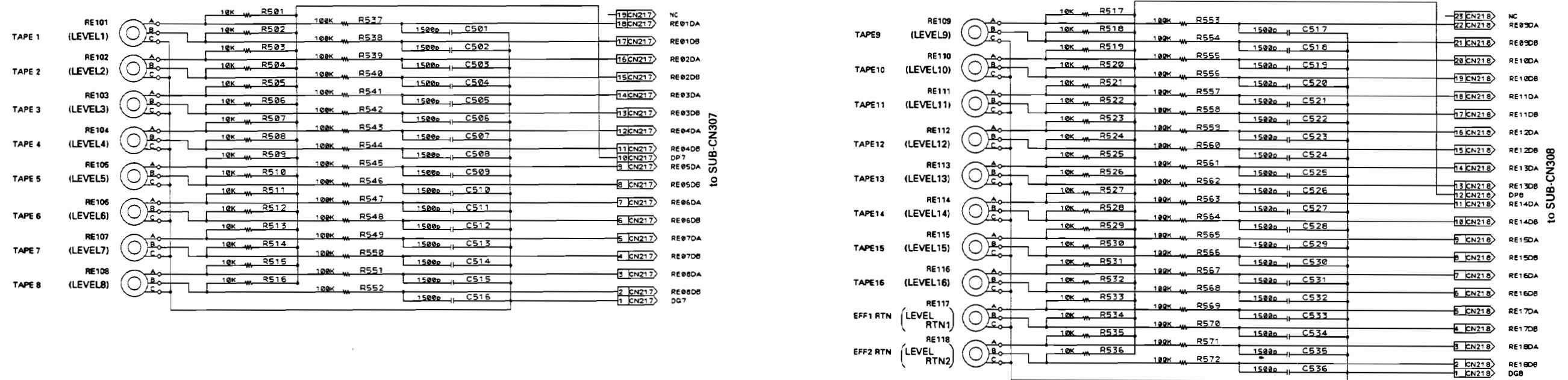


KEC-92178-5

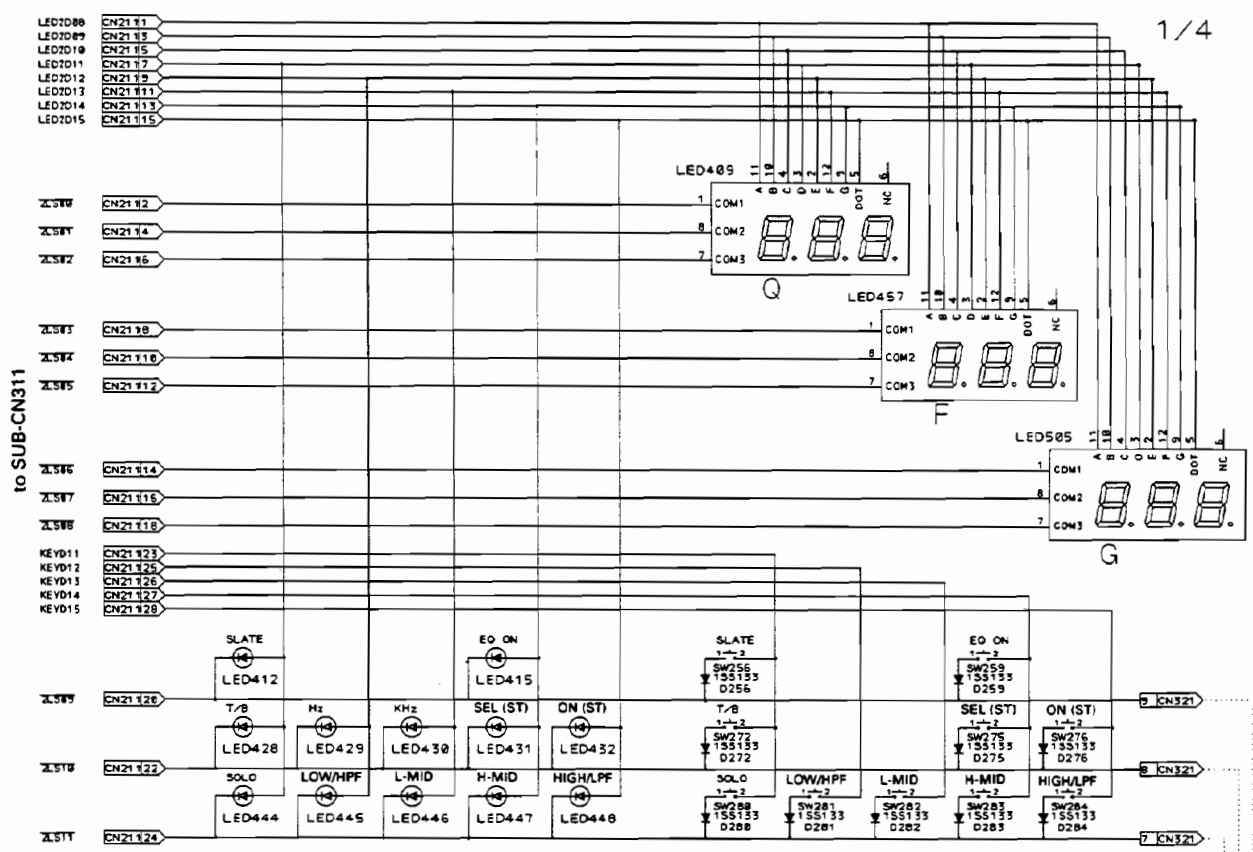
PN1-5/6 CIRCUIT DIAGRAM



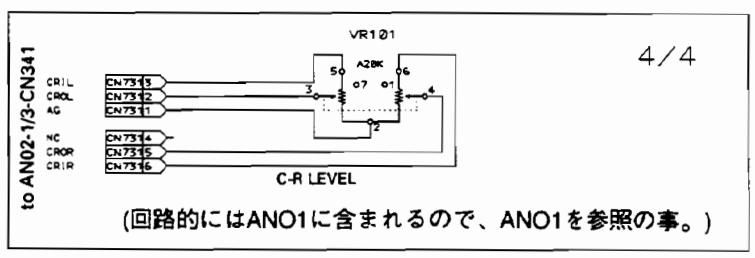
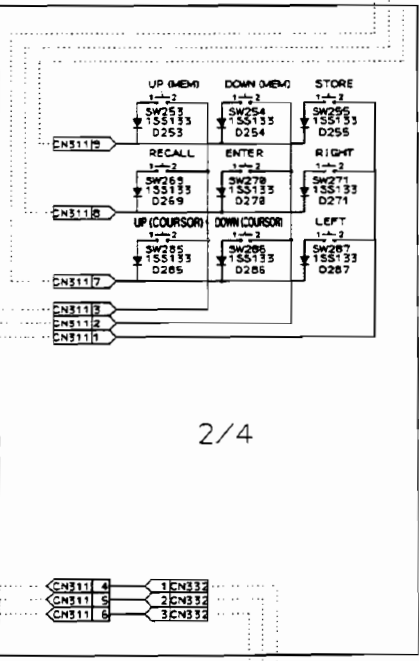
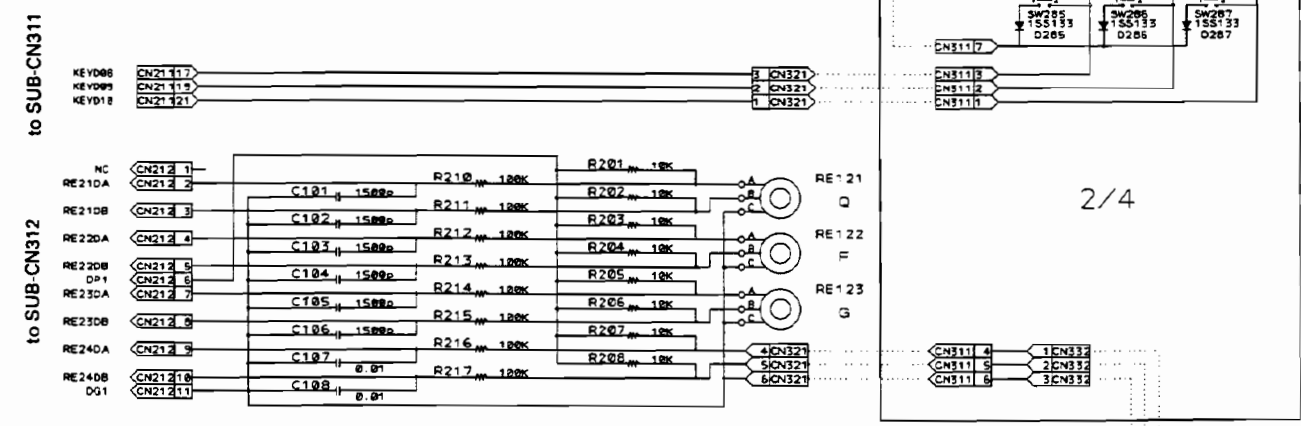
PN1-6/6 CIRCUIT DIAGRAM



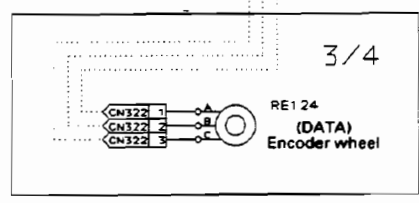
PN2 CIRCUIT DIAGRAM



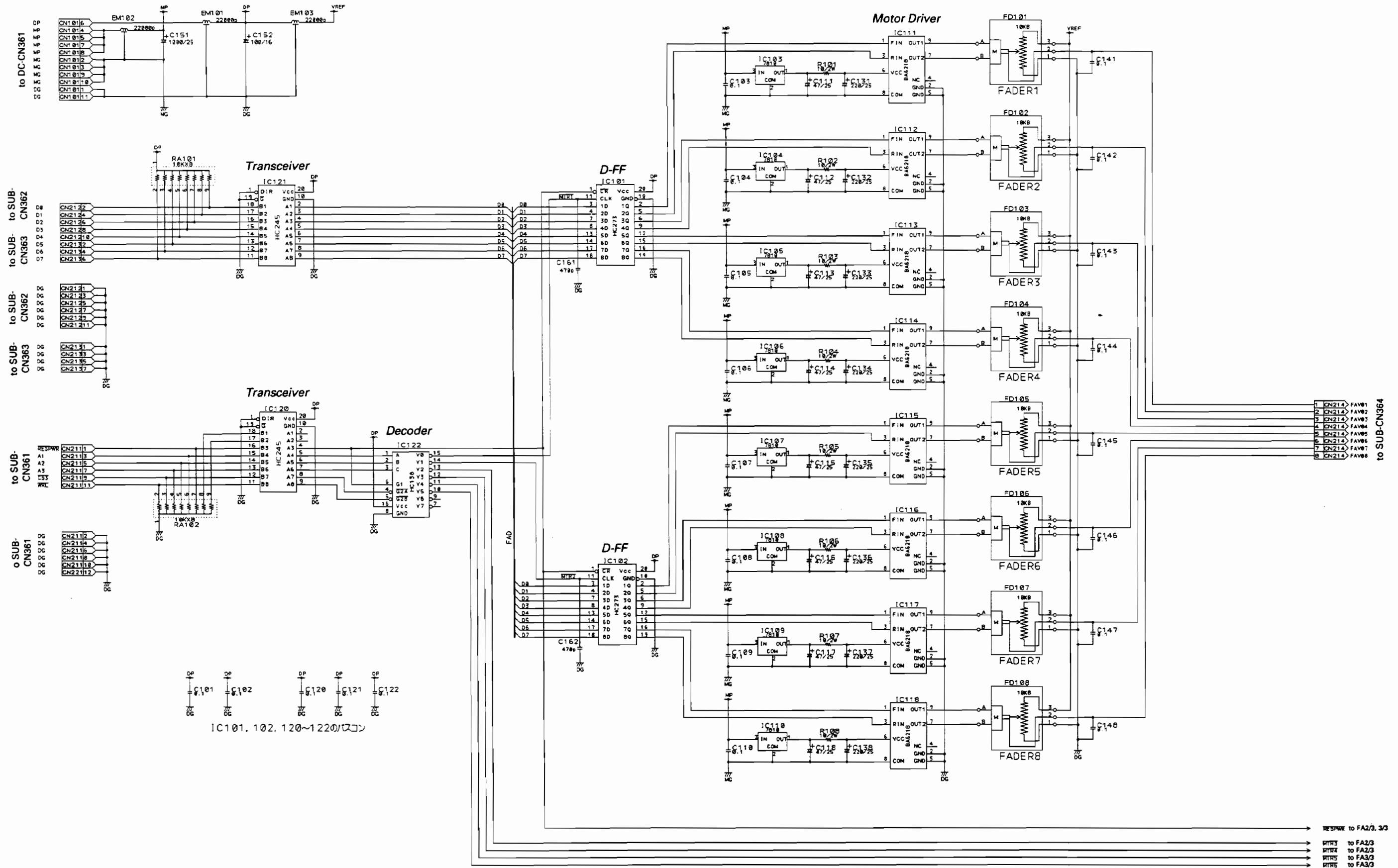
(点線はシート内線材による電気的接続を示している。)



(回路的にはANO1に含まれるので、ANO1を参照の事。)



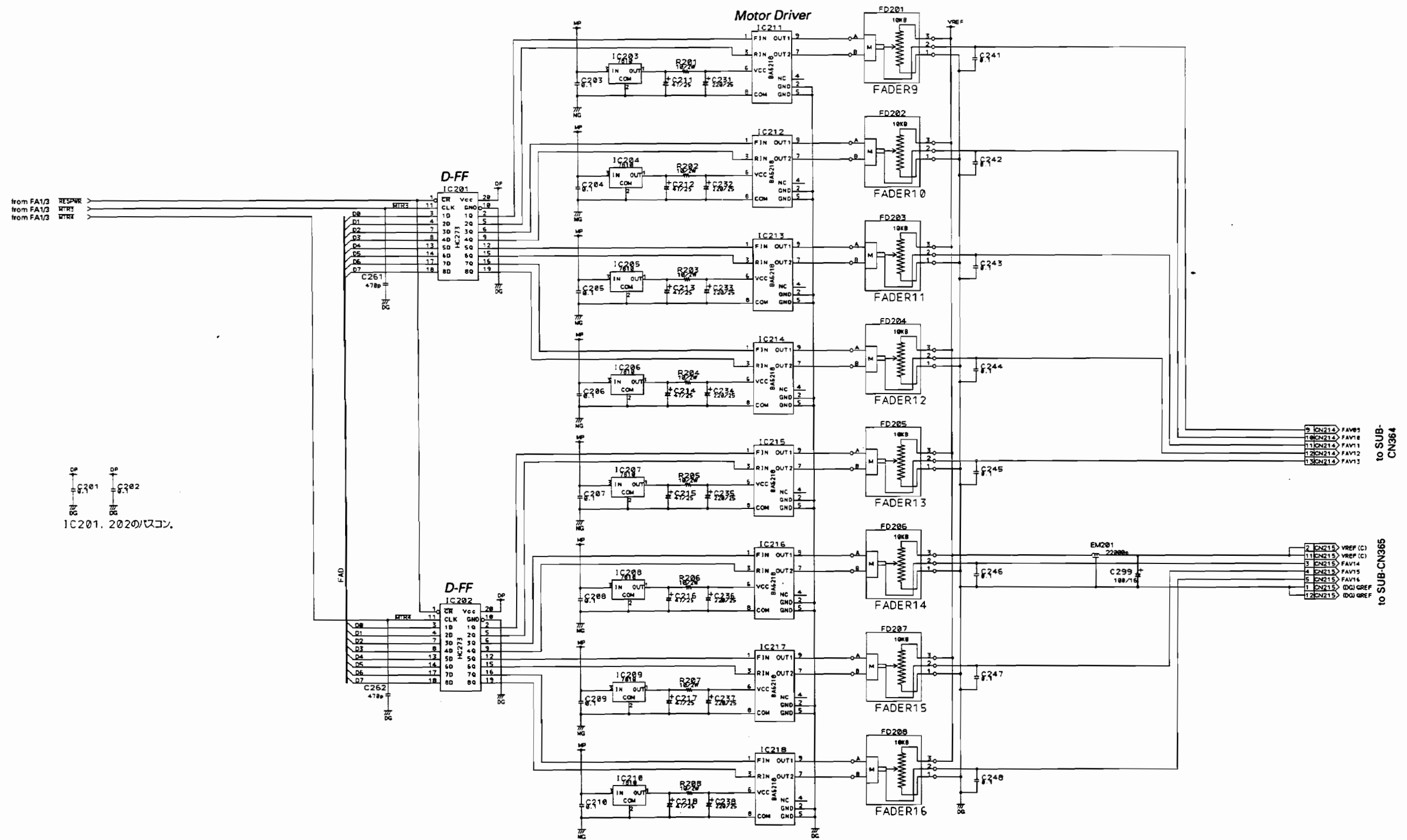
FA CIRCUIT DIAGRAM 1/3 (Faders 1-8)



IC101, 102, 120~122のワゴン

FA CIRCUIT DIAGRAM 2/3 (Faders 9-16)

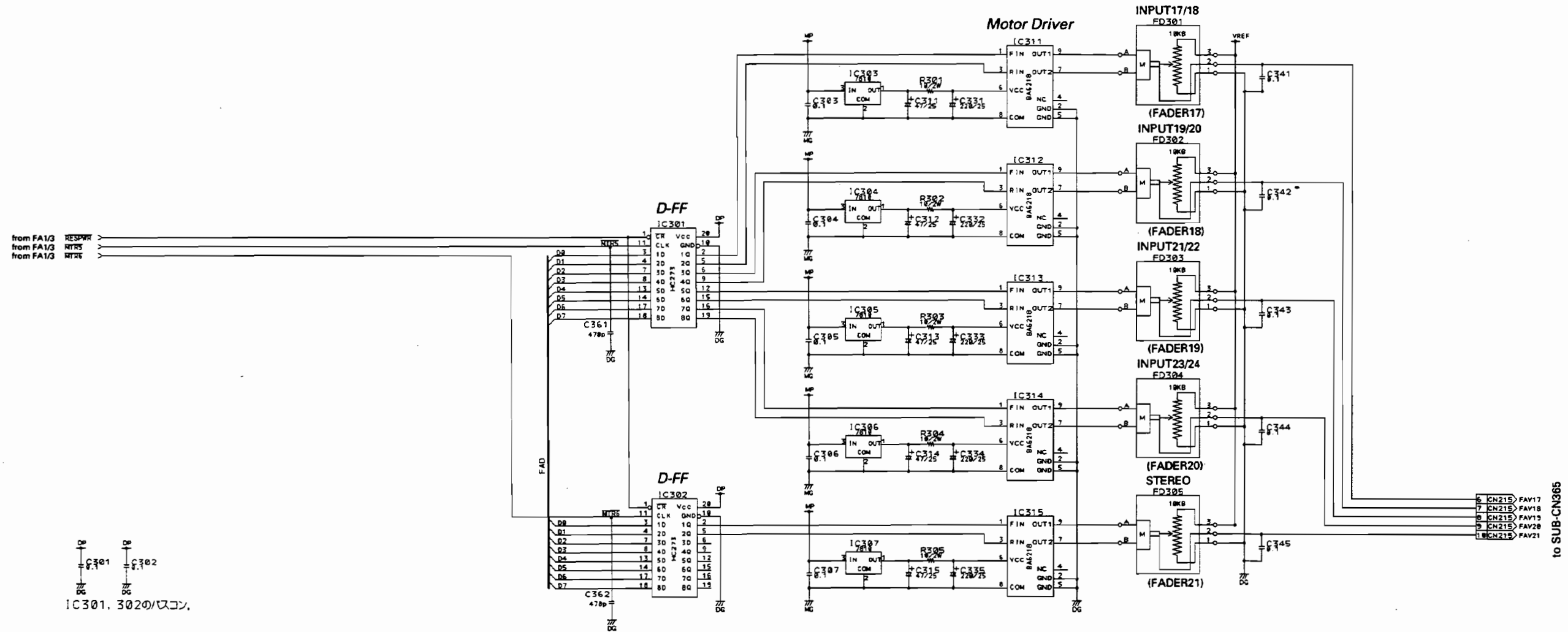
02R



IC201, 202のアイコン



FA CIRCUIT DIAGRAM 3/3 (Faders 17-21)



IC301, 302のコン.

A

B

C

D

E

F

G

H

OPT CIRCUIT DIAGRAM

02R

TO SLOT A

PHEC100R-5	
CN401	181 +15VAC
CN401	182 +15VAC
CN401	183 +5VAC
CN401	184 +5VAC
CN401	185 -5VAC
CN401	186 +28VAC
CN401	187 -15VAC
CN401	188 -15VAC
CN401	189 DG
CN401	190 DG
CN401	191 TRIGL TA
CN401	192 TRIGL TB
CN401	193 DPB
CN401	194 DPB
CN401	195 DG
CN401	196 DG
CN401	197 11SL TA
CN401	198 12SL TA
CN401	199 DG
CN401	200 DG
CN401	201 13SL TA
CN401	202 14SL TA
CN401	203 DG
CN401	204 DG
CN401	205 15SL TA
CN401	206 DG
CN401	207 16SL TA
CN401	208 DG
CN401	209 17SL TA
CN401	210 18SL TA
CN401	211 DG
CN401	212 DG
CN401	213 12SL TA
CN401	214 DG
CN401	215 13SL TA
CN401	216 14SL TA
CN401	217 DG
CN401	218 DG
CN401	219 01SL TA
CN401	220 02SL TA
CN401	221 DG
CN401	222 DG
CN401	223 03SL TA
CN401	224 04SL TA
CN401	225 DG
CN401	226 DG
CN401	227 FSM
CN401	228 FSM
CN401	229 SYNCH
CN401	230 DG
CN401	231 DG
CN401	232 128FSM
CN401	233 128FSM
CN401	234 DG
CN401	235 DG
CN401	236 256FSM
CN401	237 53SL TA
CN401	238 DG
CN401	239 WC1SL TA
CN401	240 WC2SL TA
CN401	241 DG
CN401	242 DG
CN401	243 128FSM
CN401	244 128FSM
CN401	245 256FSM
CN401	246 53SL TA
CN401	247 DG
CN401	248 01SL TA
CN401	249 02SL TA
CN401	250 DG
CN401	251 DG
CN401	252 DG
CN401	253 04FSM
CN401	254 04FSM
CN401	255 128FSM
CN401	256 128FSM
CN401	257 DG
CN401	258 DG

TO SLOT B

PHEC100R-5	
CN411	191 +15VAC
CN411	192 -15VAC
CN411	193 +5VAC
CN411	194 +5VAC
CN411	195 -5VAC
CN411	196 +28VAC
CN411	197 -15VAC
CN411	198 -15VAC
CN411	199 DG
CN411	200 DG
CN411	201 TRIGL TA
CN411	202 TRIGL TB
CN411	203 DPB
CN411	204 DPB
CN411	205 DG
CN411	206 DG
CN411	207 11SL TB
CN411	208 12SL TB
CN411	209 DG
CN411	210 DG
CN411	211 13SL TB
CN411	212 14SL TB
CN411	213 DG
CN411	214 DG
CN411	215 15SL TB
CN411	216 16SL TB
CN411	217 DG
CN411	218 DG
CN411	219 01SL TB
CN411	220 02SL TB
CN411	221 DG
CN411	222 DG
CN411	223 03SL TB
CN411	224 04SL TB
CN411	225 DG
CN411	226 DG
CN411	227 FSM
CN411	228 FSM
CN411	229 SYNCH
CN411	230 DG
CN411	231 DG
CN411	232 128FSM
CN411	233 128FSM
CN411	234 DG
CN411	235 DG
CN411	236 256FSM
CN411	237 53SL TB
CN411	238 DG
CN411	239 WC1SL TB
CN411	240 WC2SL TB
CN411	241 DG
CN411	242 DG
CN411	243 128FSM
CN411	244 128FSM
CN411	245 256FSM
CN411	246 53SL TB
CN411	247 DG
CN411	248 01SL TB
CN411	249 02SL TB
CN411	250 DG
CN411	251 DG
CN411	252 DG
CN411	253 04FSM
CN411	254 04FSM
CN411	255 128FSM
CN411	256 128FSM
CN411	257 DG
CN411	258 DG

TO SLOT C

PHEC100R-5	
CN421	181 +15VAC
CN421	182 +15VAC
CN421	183 +5VAC
CN421	184 +5VAC
CN421	185 -5VAC
CN421	186 +28VAC
CN421	187 -15VAC
CN421	188 -15VAC
CN421	189 DG
CN421	190 DG
CN421	191 TRIGL TC
CN421	192 TRIGL TC
CN421	193 DPB
CN421	194 DPB
CN421	195 DG
CN421	196 DG
CN421	197 11SL TC
CN421	198 12SL TC
CN421	199 DG
CN421	200 DG
CN421	201 13SL TC
CN421	202 14SL TC
CN421	203 DG
CN421	204 DG
CN421	205 15SL TC
CN421	206 16SL TC
CN421	207 DG
CN421	208 DG
CN421	209 01SL TC
CN421	210 02SL TC
CN421	211 DG
CN421	212 DG
CN421	213 03SL TC
CN421	214 04SL TC
CN421	215 DG
CN421	216 DG
CN421	217 FSM
CN421	218 FSM
CN421	219 SYNCH
CN421	220 DG
CN421	221 DG
CN421	222 128FSM
CN421	223 128FSM
CN421	224 DG
CN421	225 DG
CN421	226 256FSM
CN421	227 53SL TC
CN421	228 DG
CN421	229 WC1SL TC
CN421	230 WC2SL TC
CN421	231 DG
CN421	232 DG
CN421	233 128FSM
CN421	234 128FSM
CN421	235 256FSM
CN421	236 53SL TC
CN421	237 DG
CN421	238 01SL TC
CN421	239 02SL TC
CN421	240 DG
CN421	241 DG
CN421	242 DG
CN421	243 04FSM
CN421	244 04FSM
CN421	245 128FSM
CN421	246 128FSM
CN421	247 DG
CN421	248 DG
CN421	249 04FSM
CN421	250 04FSM
CN421	251 128FSM
CN421	252 128FSM
CN421	253 DG
CN421	254 DG

TO SLOT D

PHEC100R-5	
CN431	181 +15VAC
CN431	182 +15VAC
CN431	183 +5VAC
CN431	184 +5VAC
CN431	185 -5VAC
CN431	186 +28VAC
CN431	187 -15VAC
CN431	188 -15VAC
CN431	189 DG
CN431	190 DG
CN431	191 TRIGL TD
CN431	192 TRIGL TD
CN431	193 DPB
CN431	194 DPB
CN431	195 DG
CN431	196 DG
CN431	197 11SL TD
CN431	198 12SL TD
CN431	199 DG
CN431	200 DG
CN431	201 13SL TD
CN431	202 14SL TD
CN431	203 DG
CN431	204 DG
CN431	205 15SL TD
CN431	206 16SL TD
CN431	207 DG
CN431	208 DG
CN431	209 01SL TD
CN431	210 02SL TD
CN431	211 DG
CN431	212 DG
CN431	213 03SL TD
CN431	214 04SL TD
CN431	215 DG
CN431	216 DG
CN431	217 FSM
CN431	218 FSM
CN431	219 SYNCH
CN431	220 DG
CN431	221 DG
CN431	222 128FSM
CN431	223 128FSM
CN431	224 DG
CN431	225 DG
CN431	226 256FSM
CN431	227 53SL TD
CN431	228 DG
CN431	229 WC1SL TD
CN431	230 WC2SL TD
CN431	231 DG
CN431	232 DG
CN431	233 128FSM
CN431	234 128FSM
CN431	235 256FSM
CN431	236 53SL TD
CN431	237 DG
CN431	238 01SL TD
CN431	239 02SL TD
CN431	240 DG
CN431	241 DG
CN431	242 DG
CN431	243 04FSM
CN431	244 04FSM
CN431	245 128FSM
CN431	246 128FSM
CN431	247 DG
CN431	248 DG
CN431	249 04FSM
CN431	250 04FSM
CN431	251 128FSM
CN431	252 128FSM
CN431	253 DG
CN431	254 DG

TO DC-CN371

DG	1	CN101
-28VAC	2	CN101
-15VAC	3	CN101
+5VAC	4	CN101
-5VAC	5	CN101
+15VAC	6	CN101
DPB	7	CN101
DPB	8	CN101
-15VAC	9	CN101
-5VAC	10	CN101
+5VAC	11	CN101
-15VAC	12	CN101
+28VAC	13	CN101
DG	14	CN101

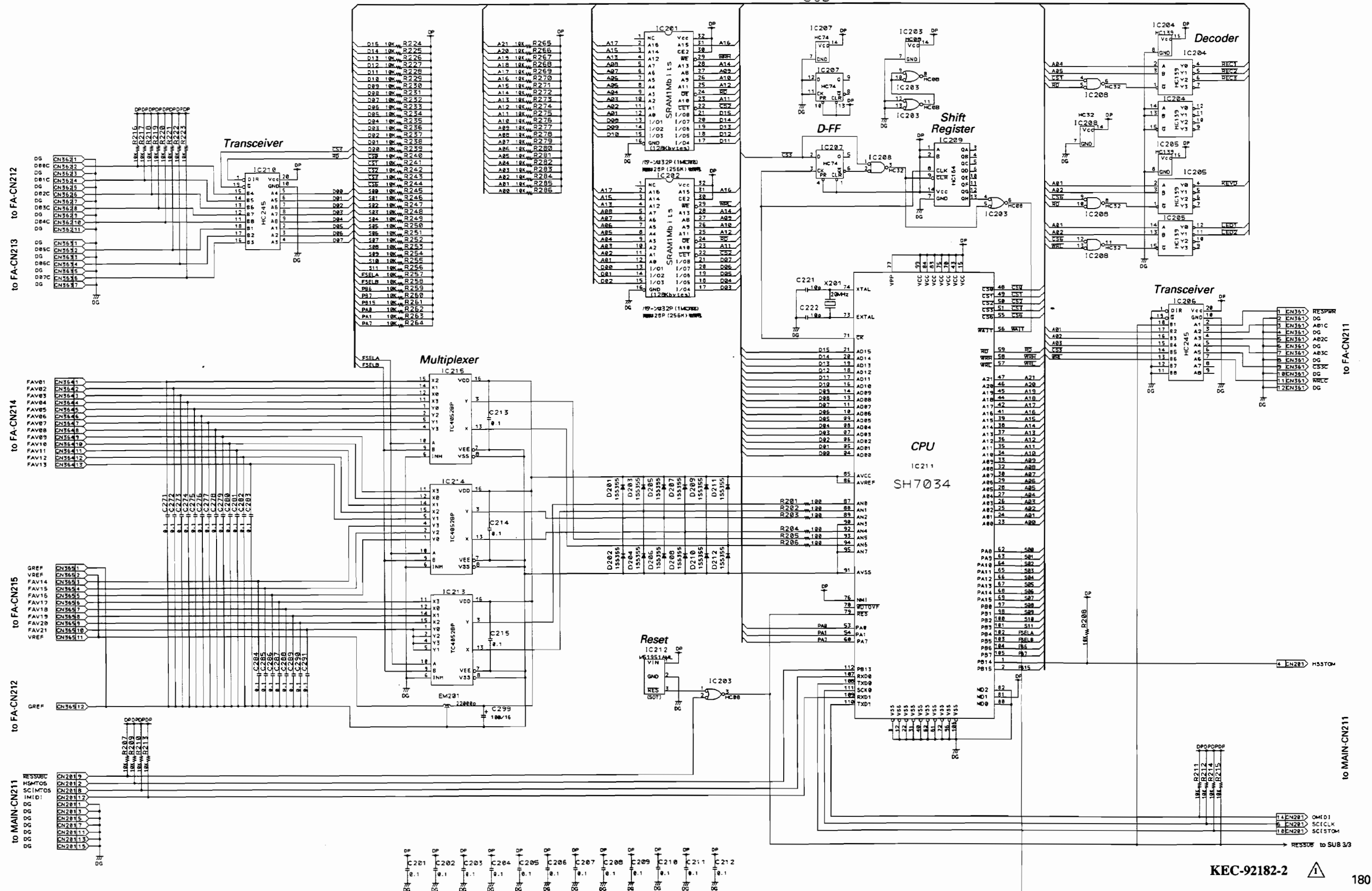
TO MAIN

PHEC100R-R		
DG	191	CN201
DG	201	CN201
TRIGL TA	182	CN201
WC1S TA	182	CN201
DG	202	CN201
DG	203	CN201
DG	203	CN201
TRIGL TB	184	CN201
DG	204	CN201
WC1S TA	184	CN201
DG	185	CN201
TRIGL TC	186	CN201
DG	205	CN201
WC1S TB	186	CN201
DG	206	CN201
DG	187	CN201
DG	207	CN201
TRIGL TD	188	CN201
DG	208	CN201
WC1S TB	188	CN201
DG	189	CN201
DG	209	CN201
DG	210	CN201
DG	113	CN201
DG	210	CN201
DG	114	CN201
DG	210	CN201
DG	115	CN201
DG	211	CN201
DG	116	CN201
DG	212	CN201
11SL TA	117	CN201
12SL TA	213	CN201
DG	114	CN201
DG	214	CN201
13SL TA	115	CN201
14SL TA	215	CN201
DG	116	CN201
DG	215	CN201
11SL TB	117	CN201
12SL TB	217	CN201
DG	118	CN201
DG	218	CN201
13SL TB	119	CN201
14SL TB	219	CN201
DG	220	CN201
DG	220	CN201
11SL TC	121	CN201
12SL TC	221	CN201
DG	122	CN201
DG	222	CN201
13SL TC	123	CN201
14SL TC	223	CN201
DG	124	CN201
DG	224	CN201
11SL TD	125	CN201
12SL TD	225	CN201
DG	126	CN201
DG	226	CN201
13SL TD	127	CN201
14SL TD	227	CN201
DG	128	CN201
DG	228	CN201
01SL TA	129	CN201
02SL TA	229	CN201
DG	130	CN201
DG	230	CN201
03SL TA	131	CN201
04SL TA	231	CN201
DG	132	CN201
DG	232	CN201
01SL TB	133	CN201
02SL TB	233	CN201
DG	134	CN201
DG	234	CN201
03SL TB	135	CN201
04SL TB	235	CN201
DG	136	CN201
DG	236	CN201
01SL TC	137	CN201
02SL TC	237	CN201
DG	138	CN201
DG	238	CN201
03SL TC	139	CN201
04SL TC	239	CN201
DG	140	CN201
DG	240	CN201
01SL TD	141	CN201
02SL TD	241	CN201
DG	142	CN201
DG	242	CN201
03SL TD	143	CN201
04SL TD	243	CN201
DG	144	CN201
DG	244	CN201
FSM	145	CN201
FSM	245	CN201
DG	146	CN201
DG	246	CN201
54FSM	247	CN201
DG	148	CN201
DG	248	CN201
DG	149	CN201
DG	249	CN201
DG	150	CN201
DG	250	CN201

TO MAIN

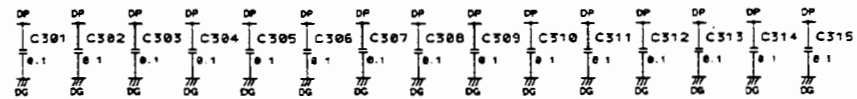
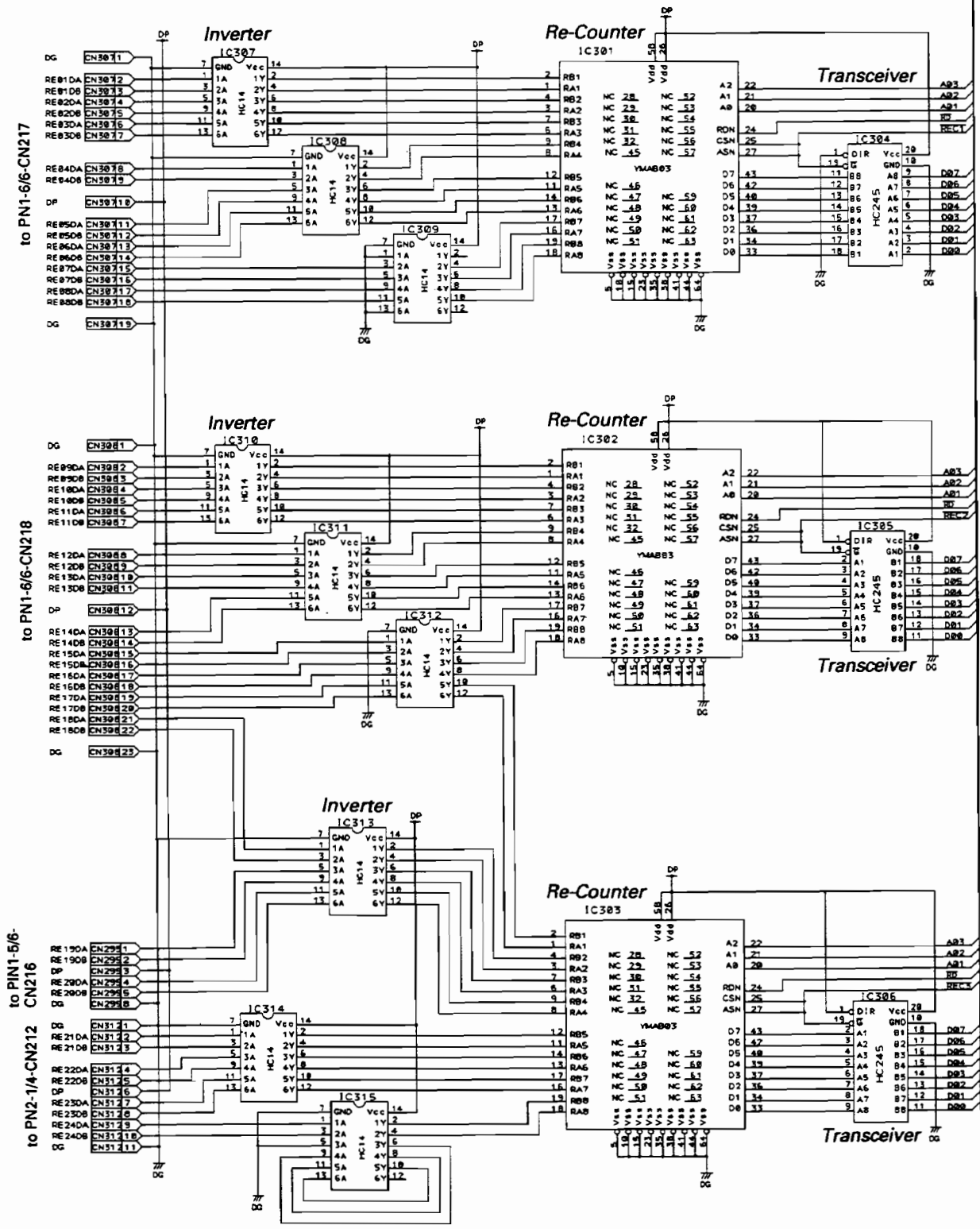
PHEC100R-R		
DG	201	CN202
DG	201	CN202
WC1S TA	182	CN202
DG	182	CN202
WC2S TA	202	CN202
DG	203	CN202
DG	203	CN202
WC1S TA	184	CN202
WC1S TA	204	CN202
DG	185	CN202
WC1S TB	186	CN202
WC1S TB	206	CN202
DG</		

SUB CIRCUIT DIAGRAM 1/3 (CPU)



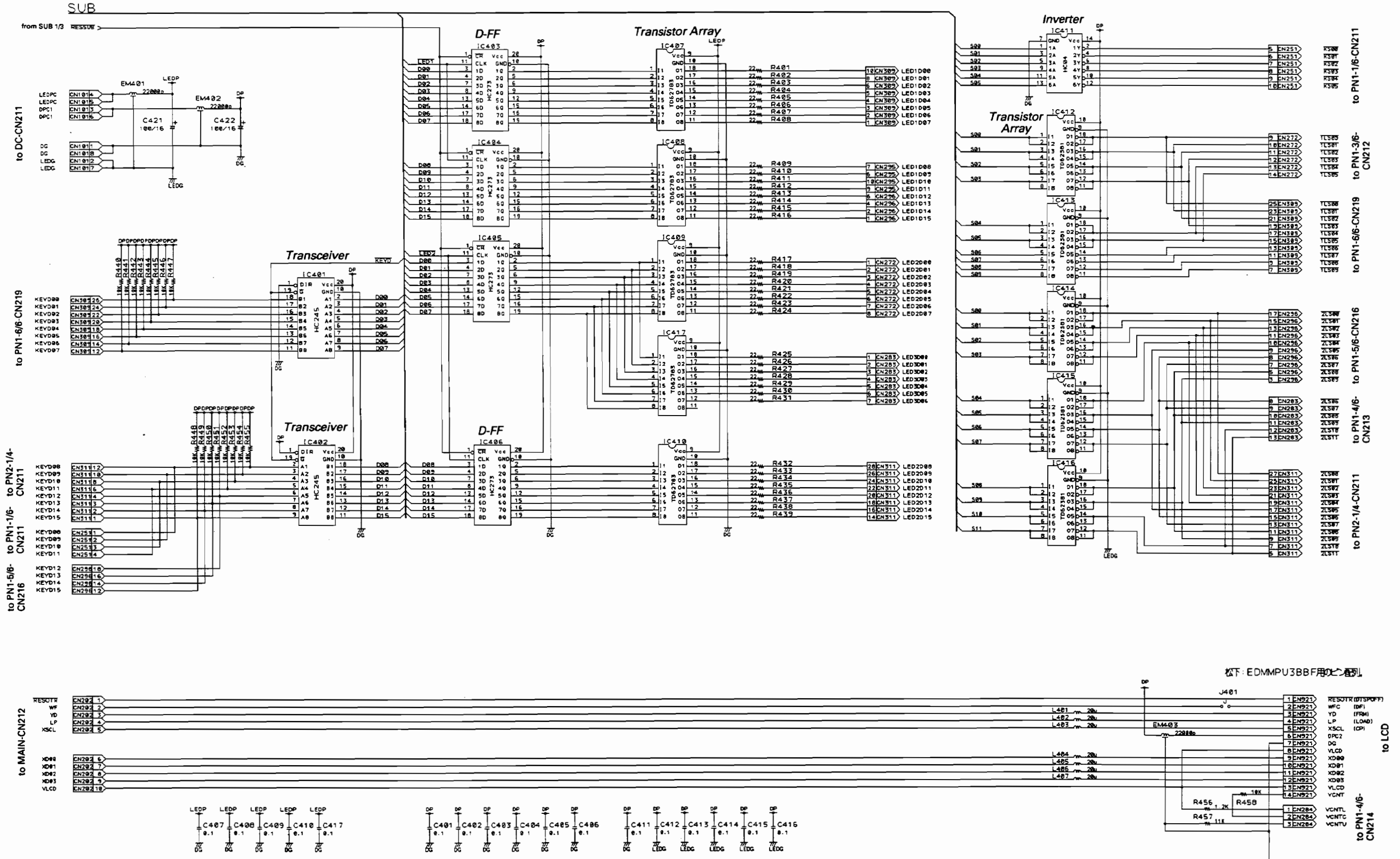
SUB CIRCUIT DIAGRAM 2/3 (Encoder Reading)

SUB



SUB CIRCUIT DIAGRAM 3/3 (Panel Control)

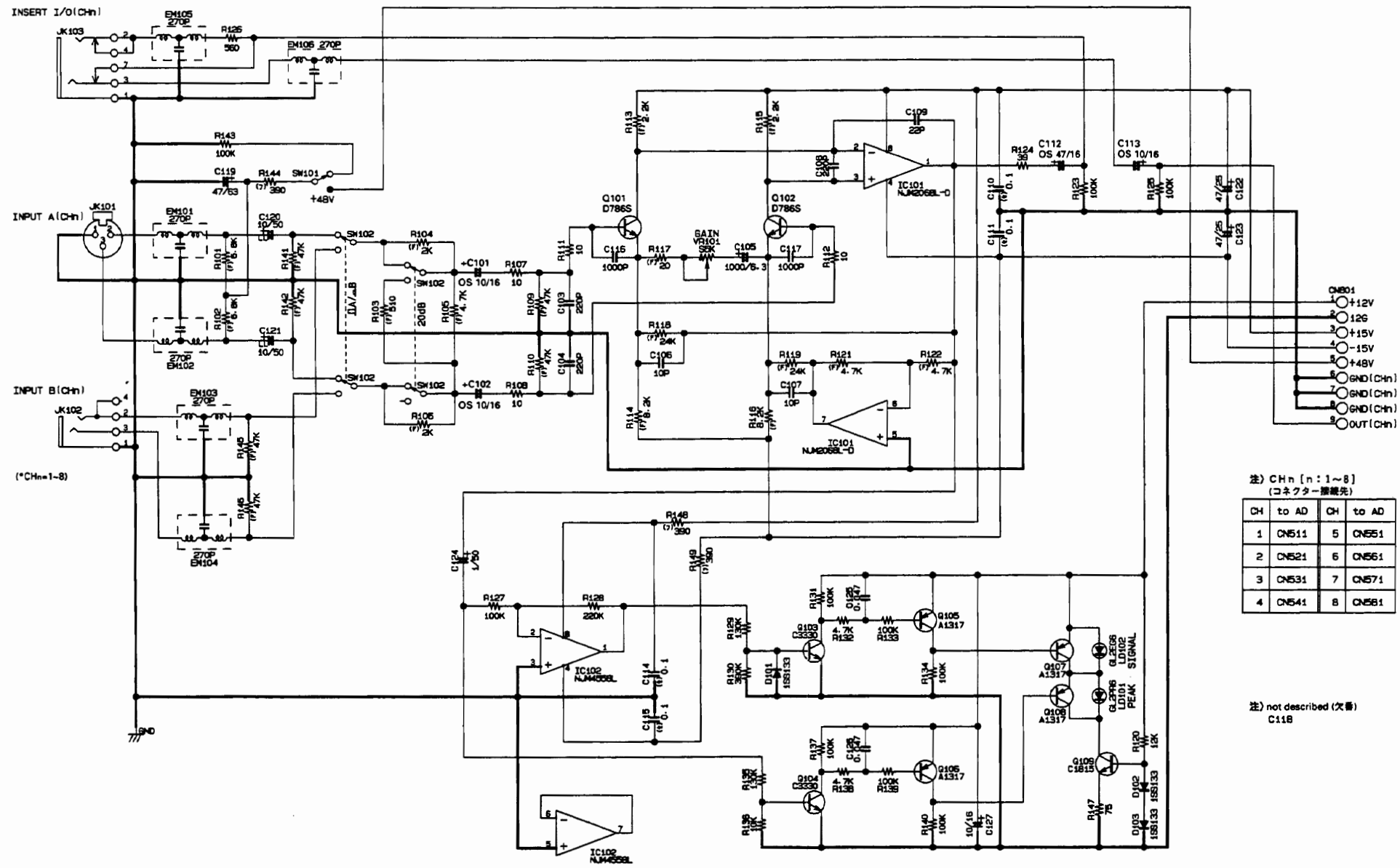
02R



IC407~410のパソコン,
IC401~406, 411~416のパソコン.

松下 EDMPU3BBF用のパソコン

■ ANI1 CIRCUIT DIAGRAM 1/2



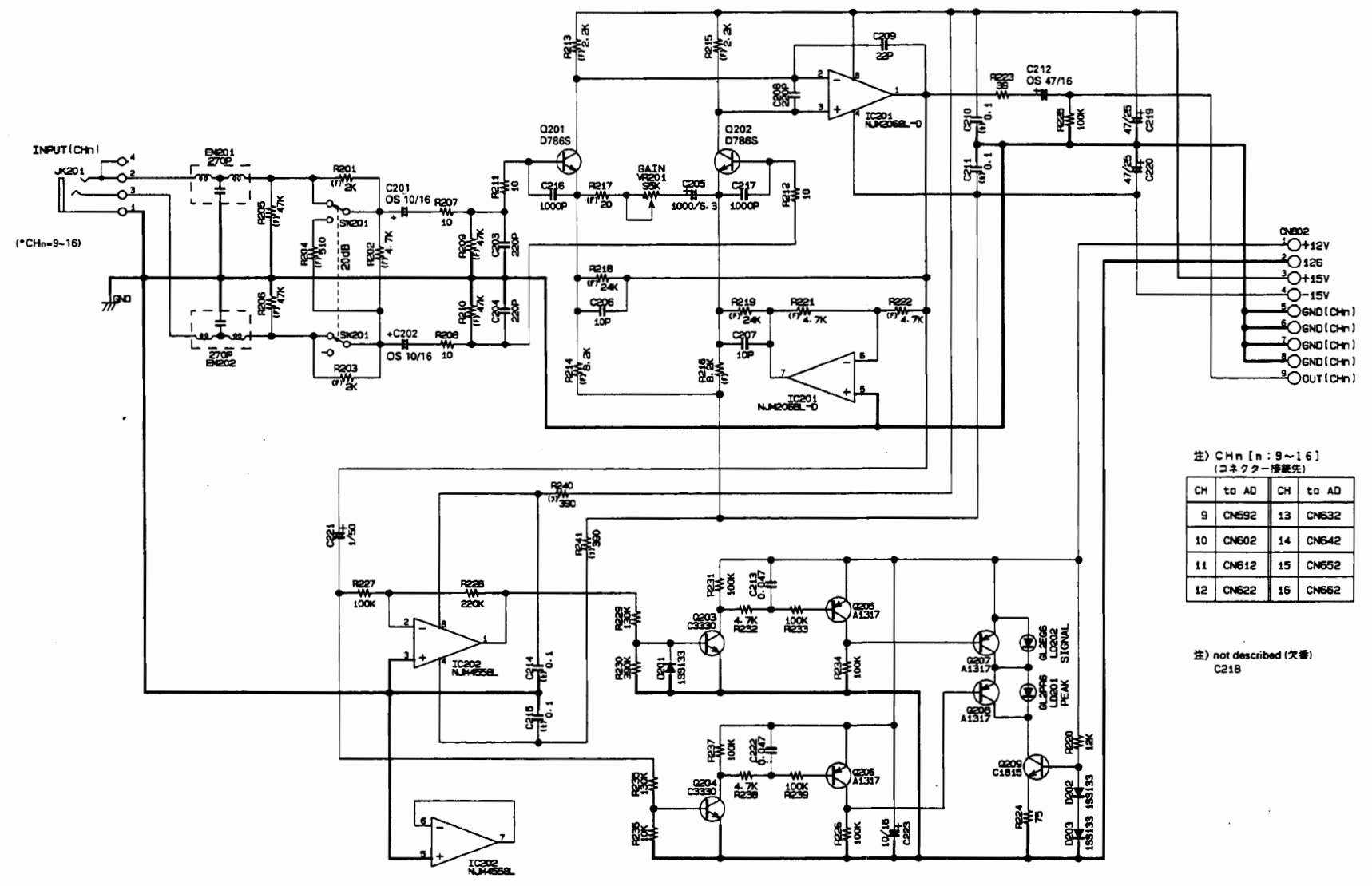
注) CHn [n: 1~8]
(コネクタ-接続先)

CH	to AD	CH	to AD
1	CH511	5	CH551
2	CH521	6	CH561
3	CH531	7	CH571
4	CH541	8	CH581

注) not described (欠番)
C118

KEC-92185-2

■ ANI1 CIRCUIT DIAGRAM 2/2



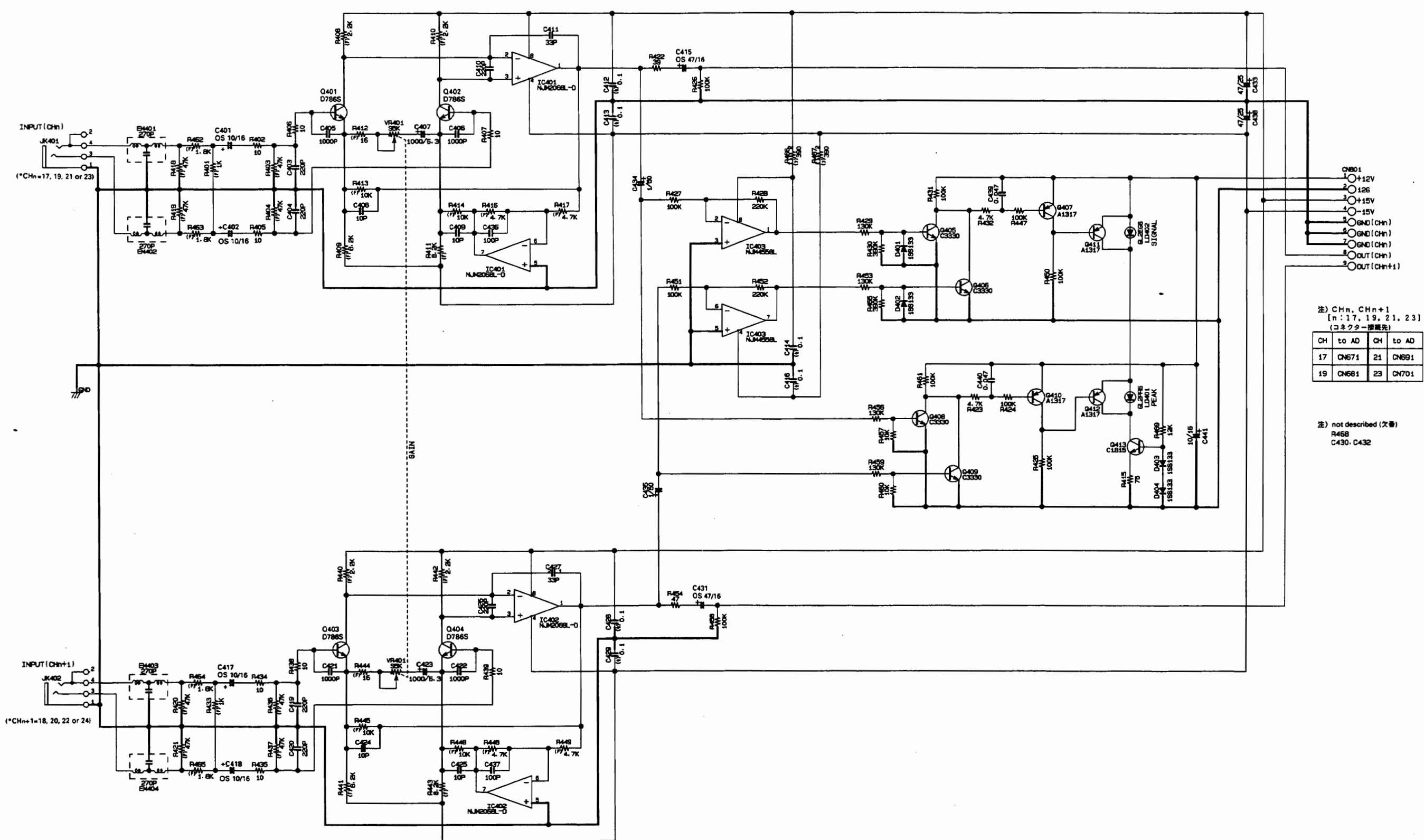
注) CHn [n: 9~16]
(コネクター挿入優先)

CH	to AD	CH	to AD
9	CN592	13	CN632
10	CN602	14	CN642
11	CN612	15	CN652
12	CN622	16	CN662

注) not described (欠番)
C218

AN12 CIRCUIT DIAGRAM

02R

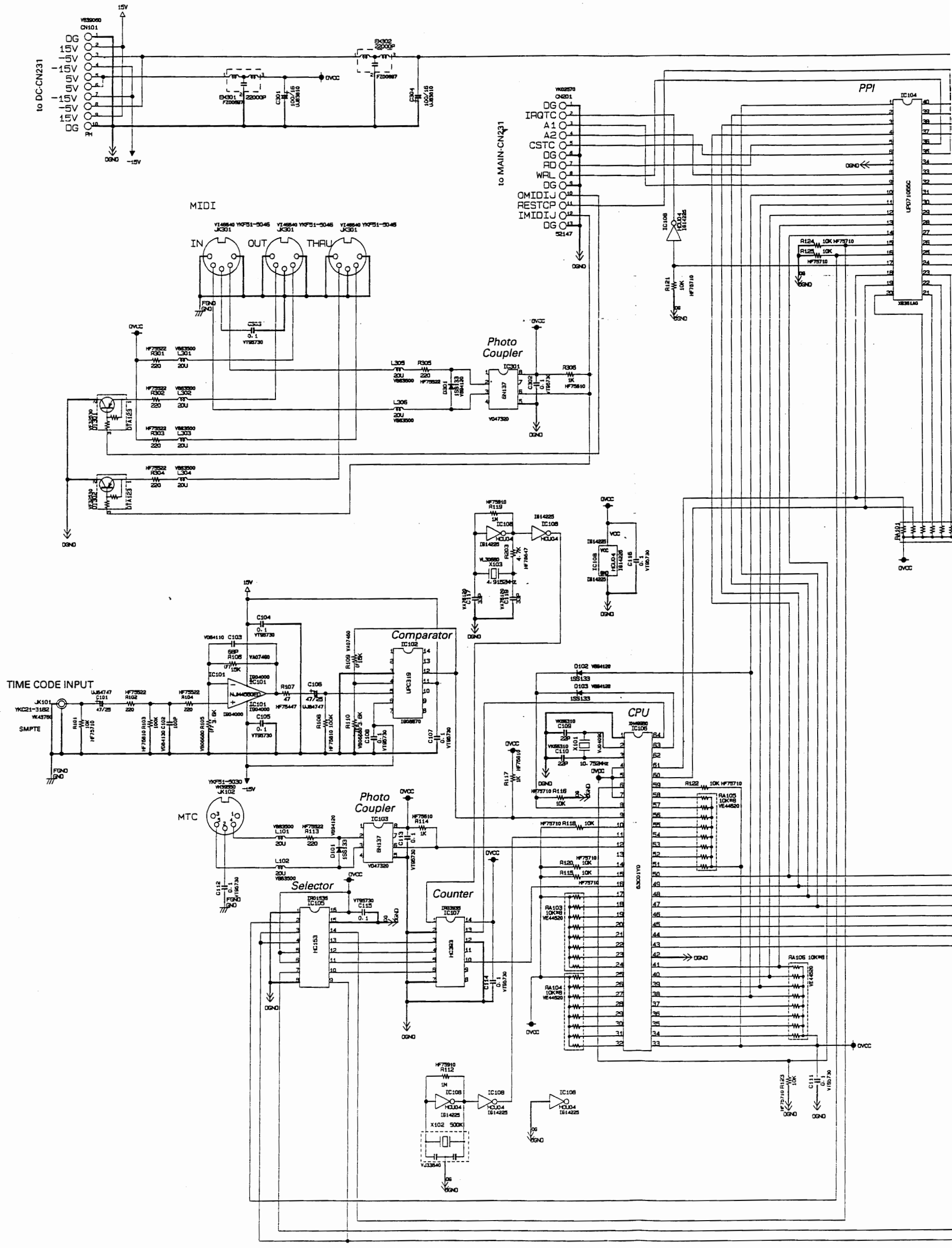


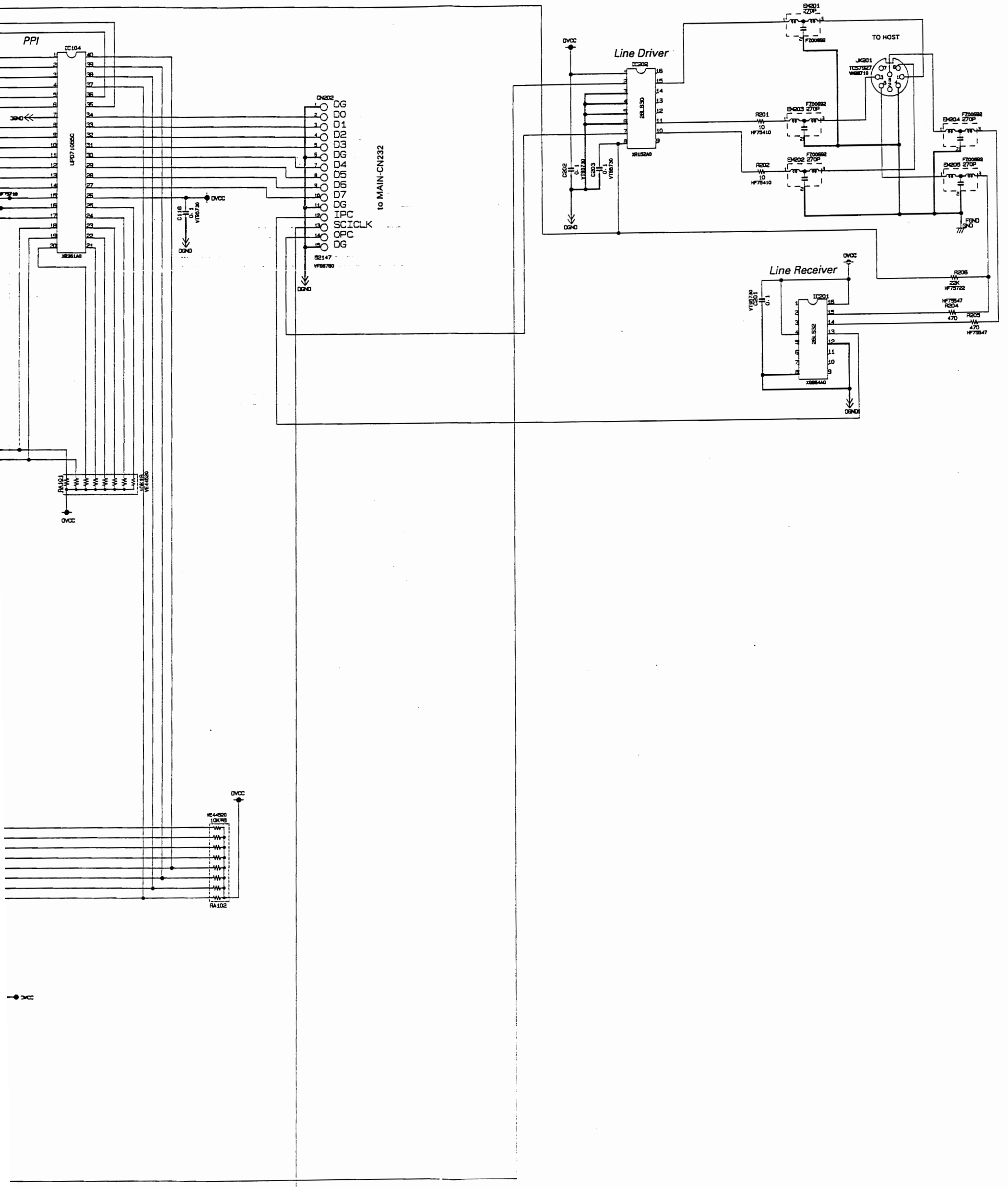
注) CHn, CHn+1
[n: 17, 19, 21, 23]
(コネクタ接続先)

CH	to AD	CH	to AD
17	CN571	21	CN591
19	CN581	23	CN701

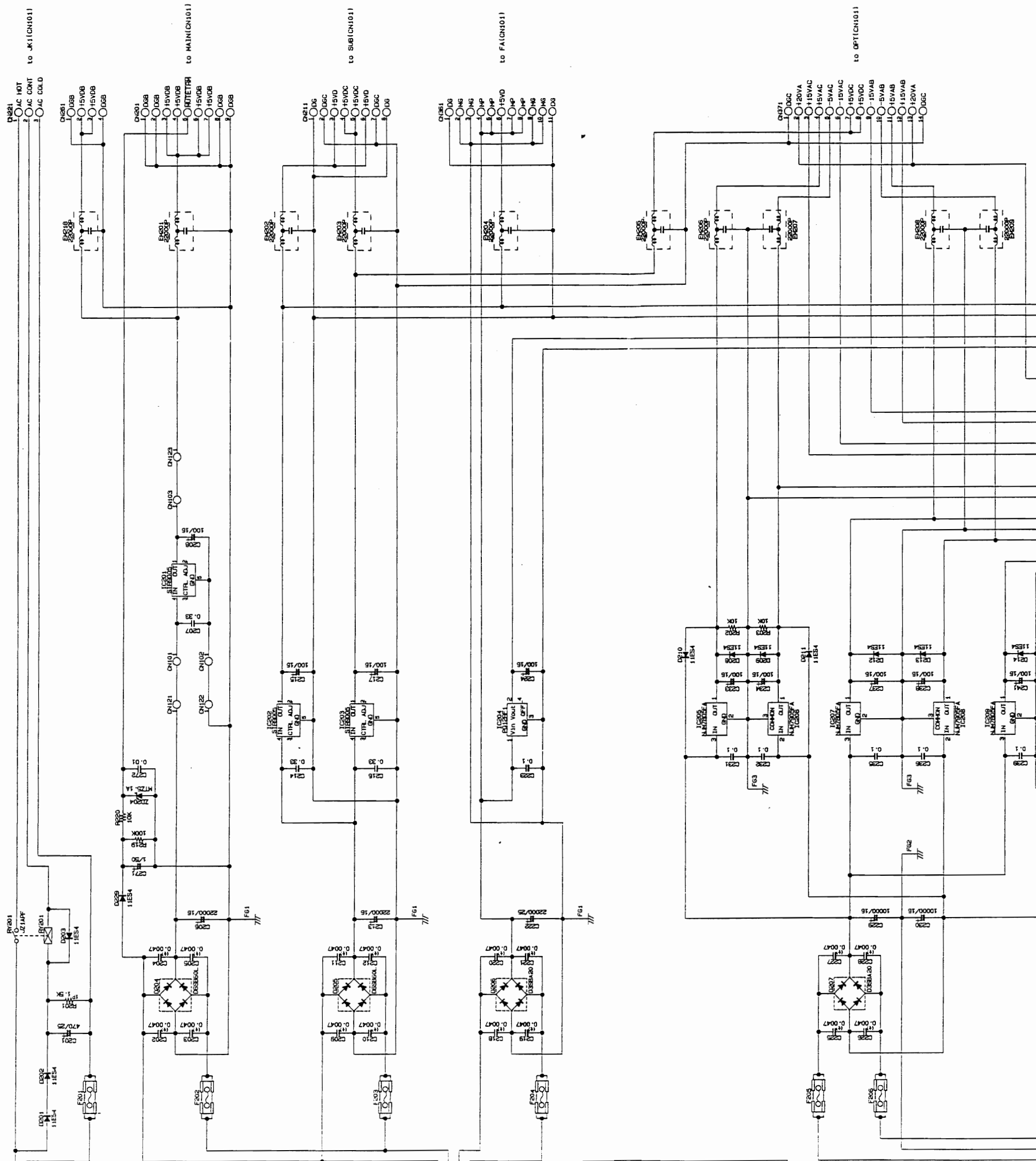
注) not described (欠番)
R458
C430, C432

JK2 CIRCUIT DIAGRAM





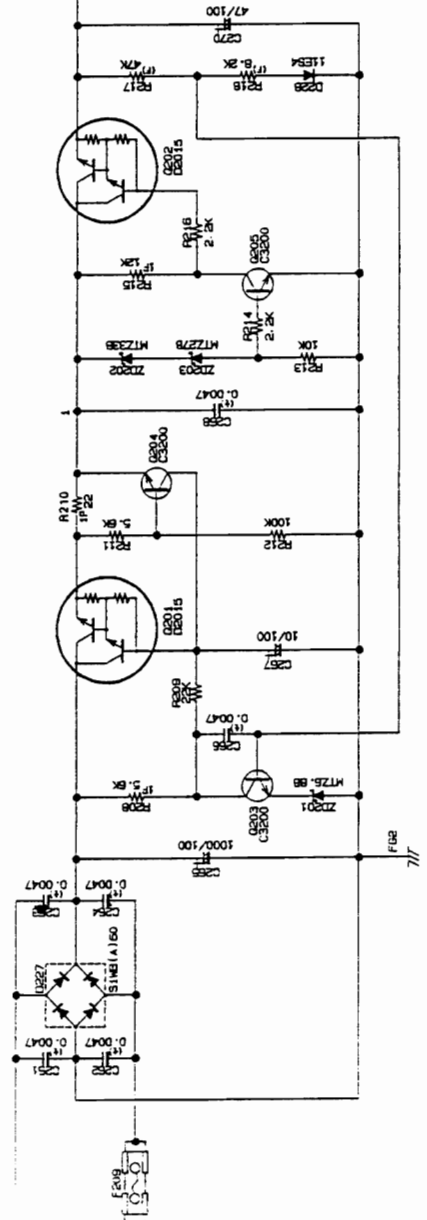
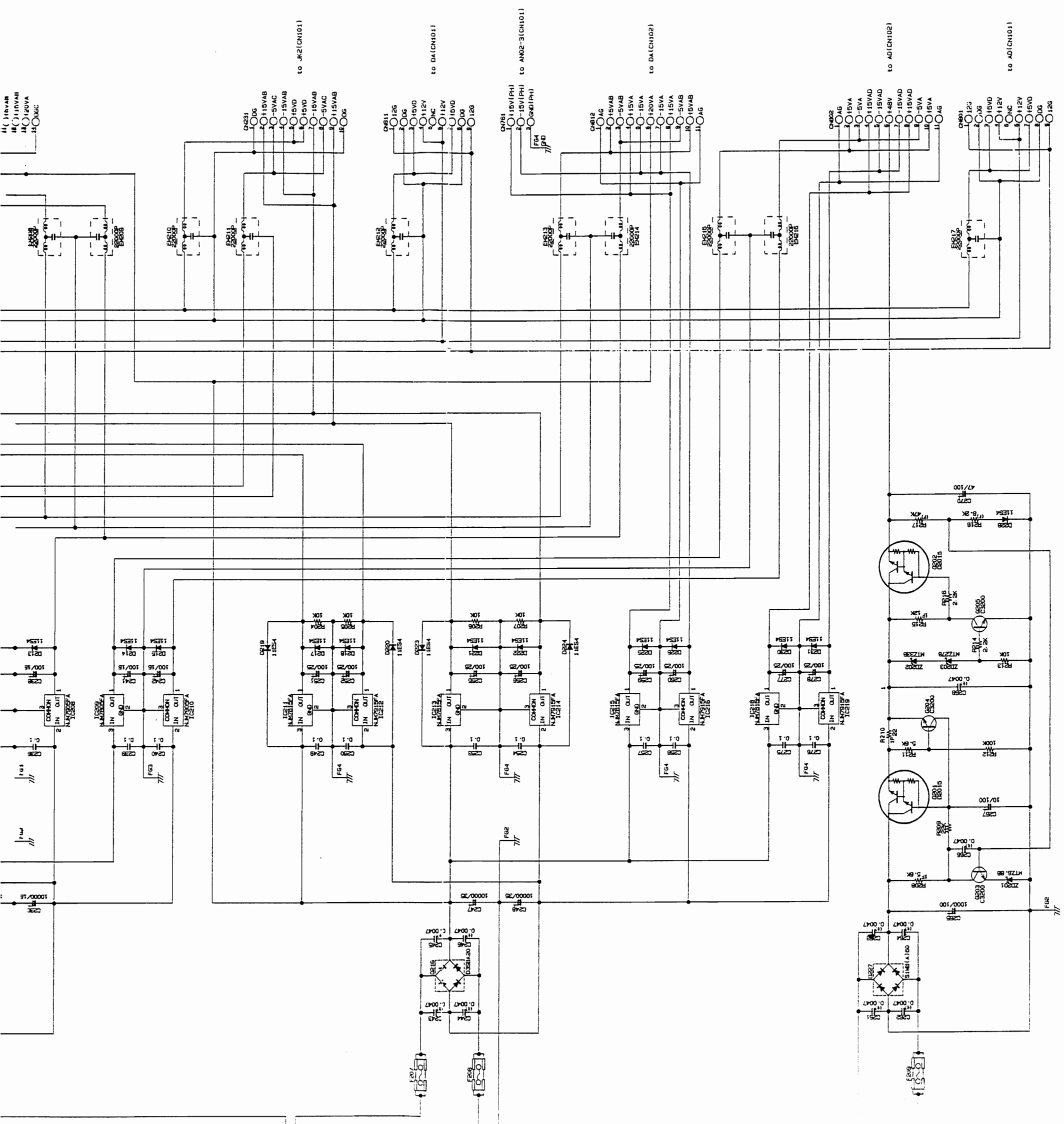
DC CIRCUIT DIAGRAM



<ul style="list-style-type: none"> NJM7805FA (XJ607A00) REGULATOR +5V NJM7810FA (XR383A00) REGULATOR +10V NJM7815FA (XD853A00) REGULATOR +15V 	<ul style="list-style-type: none"> NJM7905FA (XK309A00) REGULATOR -5V NJM7915FA (XD854A00) REGULATOR -15V
<ul style="list-style-type: none"> NJM78L05A (XJ596A00) REGULATOR +5V 	<ul style="list-style-type: none"> NJM79L05A (IG130500) REGULATOR -5V

FUSE	J.H. - CSA	11-B
F201	5.0A 125V	15.0A L 250V
F202	6.3A 125V	16.3A L 250V
F203	6.3A 125V	16.3A L 250V
F204	6.3A 125V	15.0A L 250V
F205	5.0A 125V	15.0A L 250V
F206	5.0A 125V	15.0A L 250V
F207	5.3A 125V	15.0A L 250V
F208	6.3A 125V	15.0A L 250V
F209	500mA 250V	1500mA L 250V

<ul style="list-style-type: none"> PQ12RF1 (XH526A00) REGULATOR +12V 	<ul style="list-style-type: none"> 2SC3200 G TRANSIST
<ul style="list-style-type: none"> STR9005 (XM482A00) REGULATOR +5V 	<ul style="list-style-type: none"> S1WB (A) DIODE ST



2SC3200 GR (VS150800)
TRANSISTOR

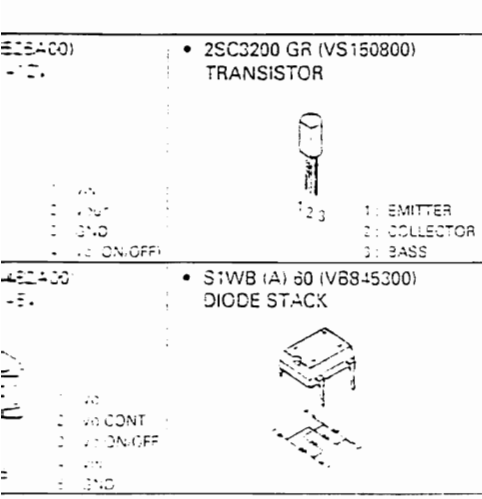
1: EMITTER
2: COLLECTOR
3: BASE

S1WB (A) 60 (V6845300)
DIODE STACK

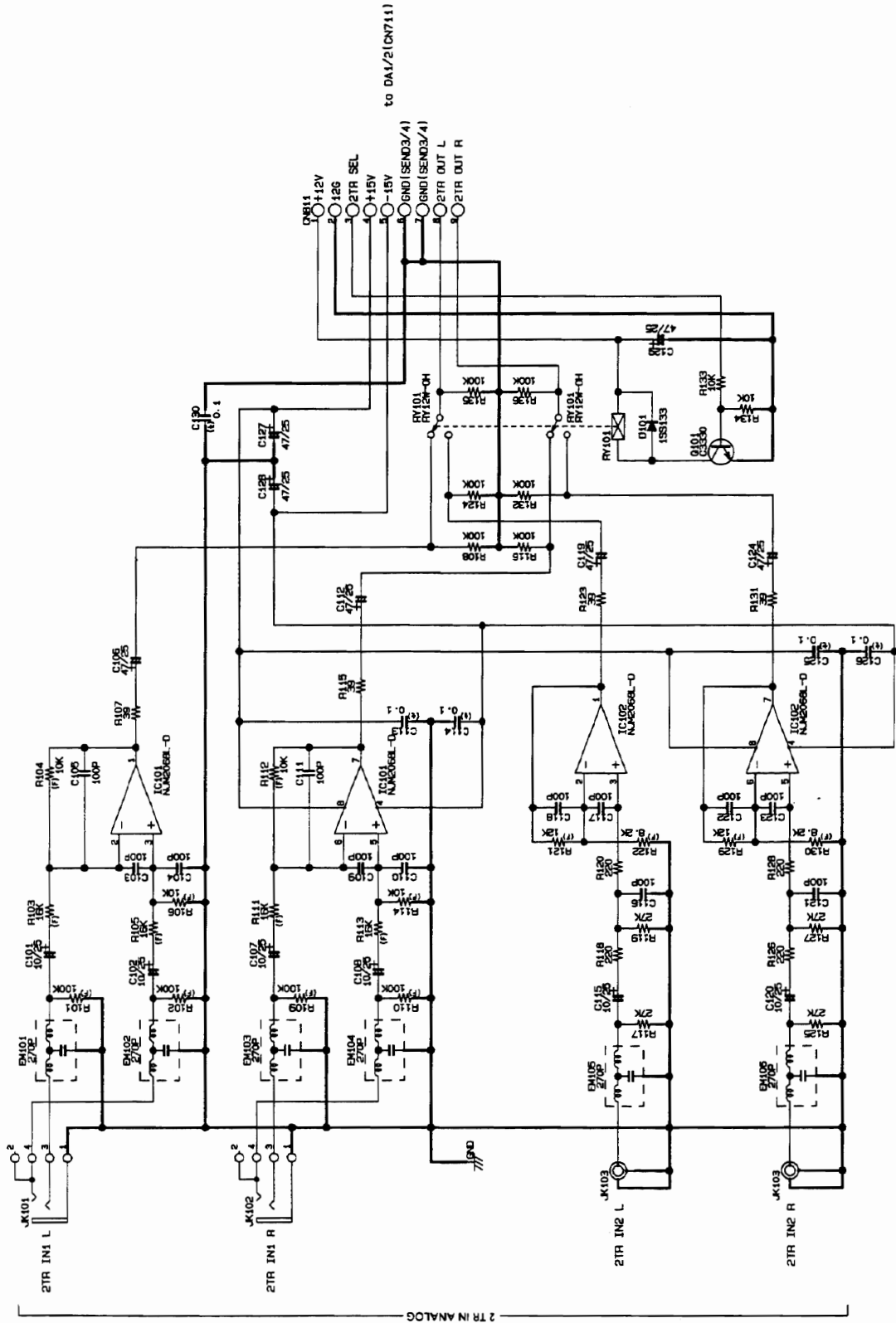
D3SBA20 (VN011300)
D6S360L (VT682400)
DIODE STACK

11ES4 (V6481900)
DICODE

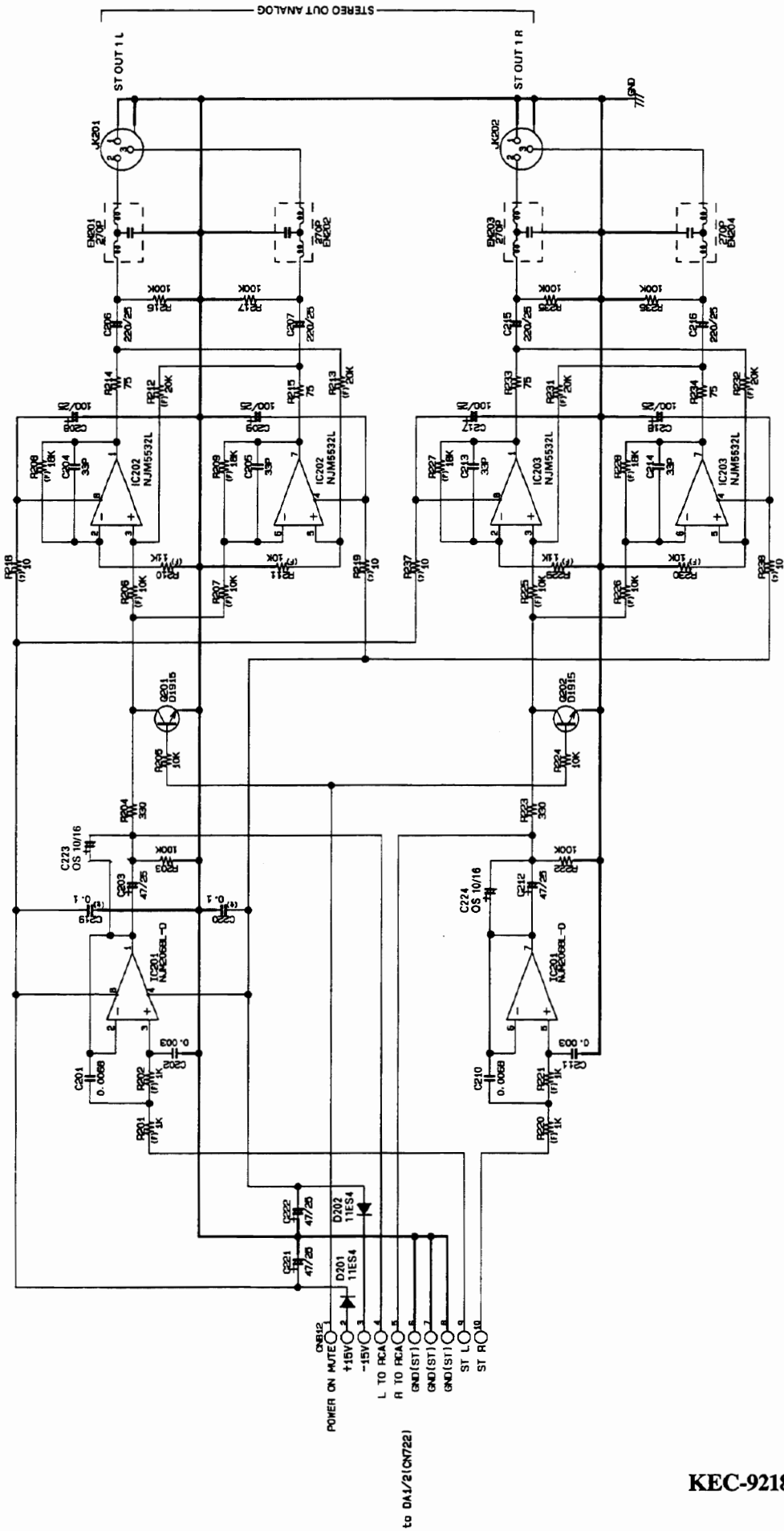
MTZJ27B 27.0V (VQ557800)
MTZJ33B 33.0V (VQ558500)
ZENER DIODE



ANO1 CIRCUIT DIAGRAM 1/3



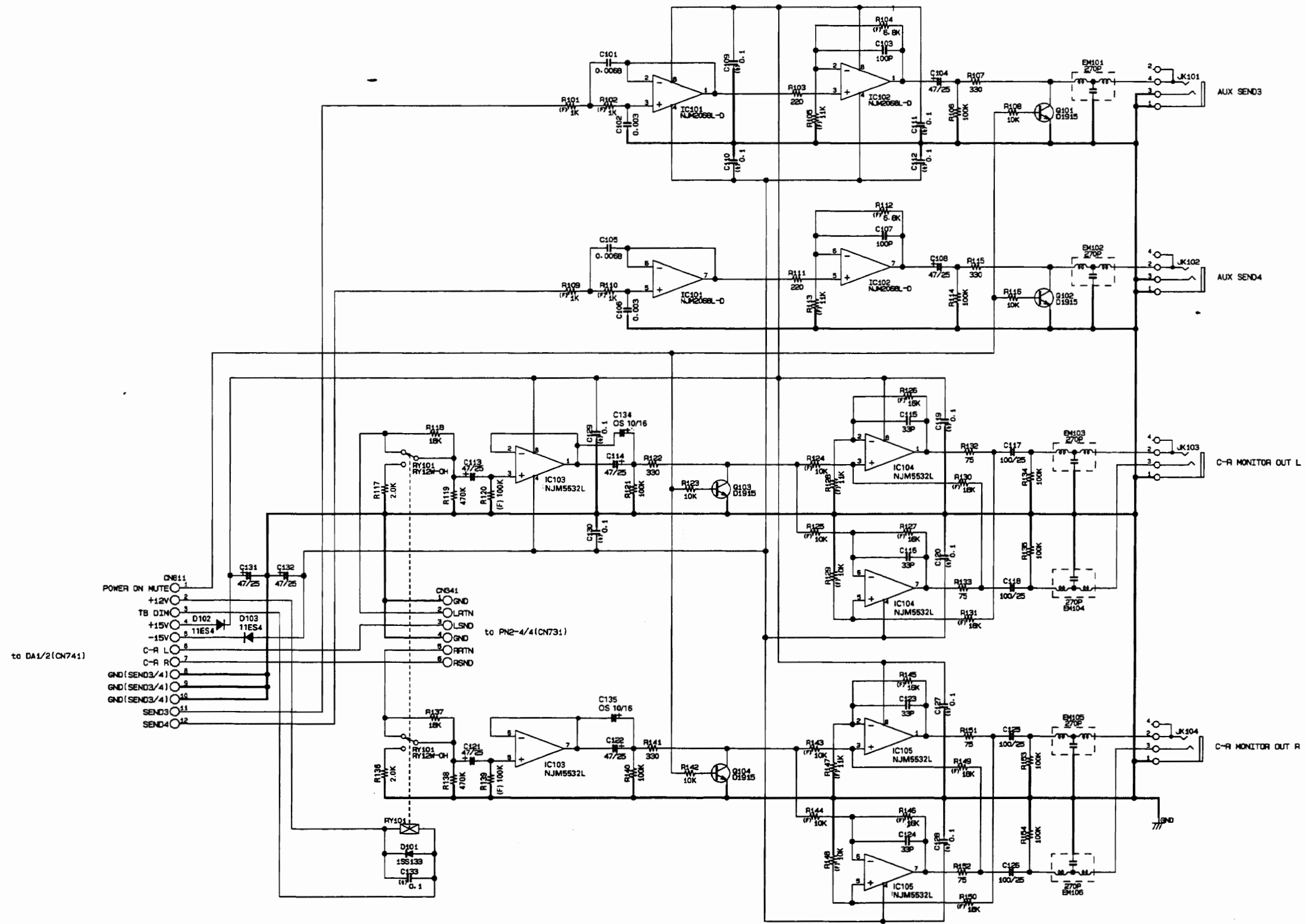
ANO1 CIRCUIT DIAGRAM 2/3



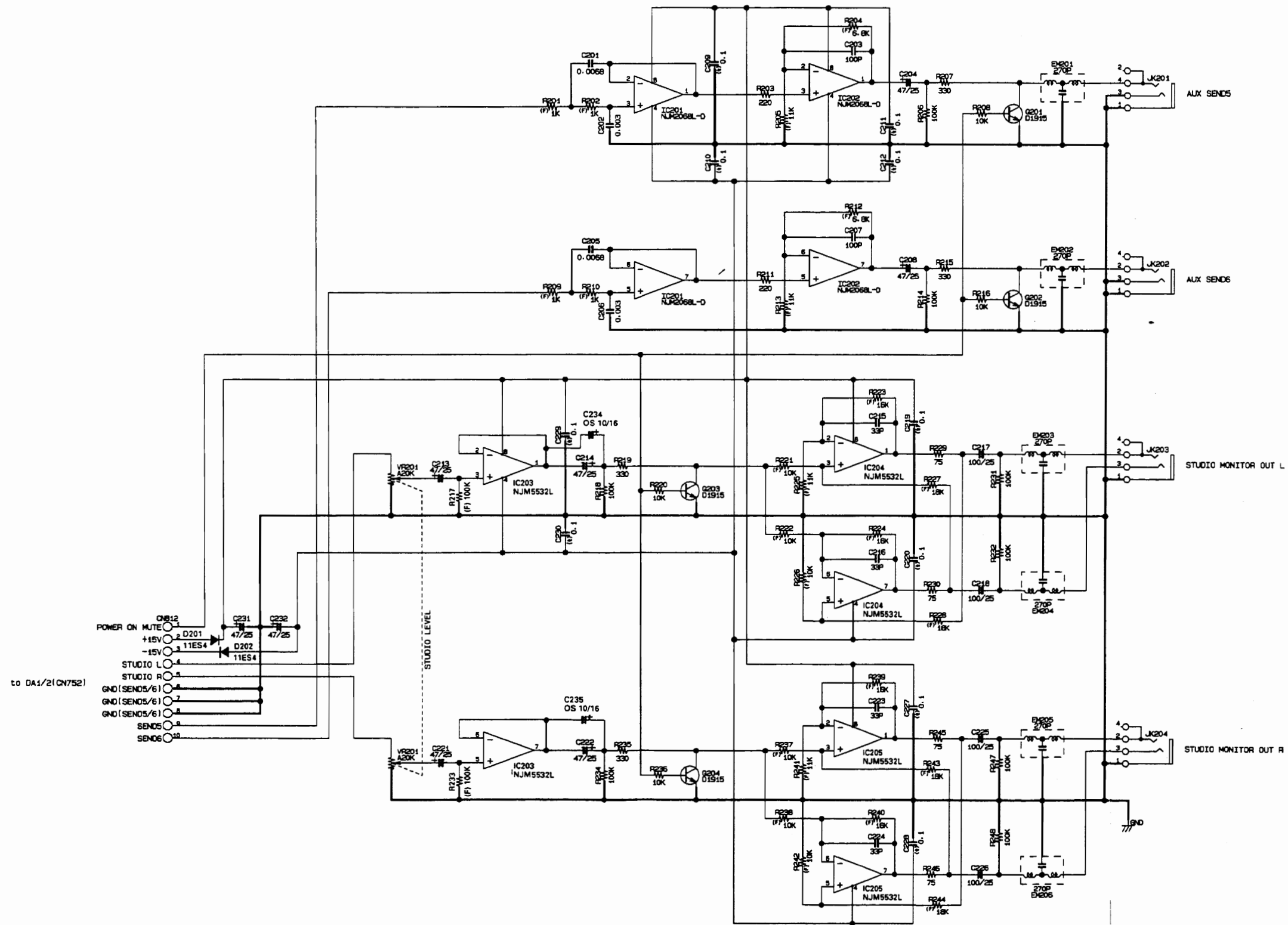
to DA1/2 (NY72)

ANO2 CIRCUIT DIAGRAM 1/3

02R

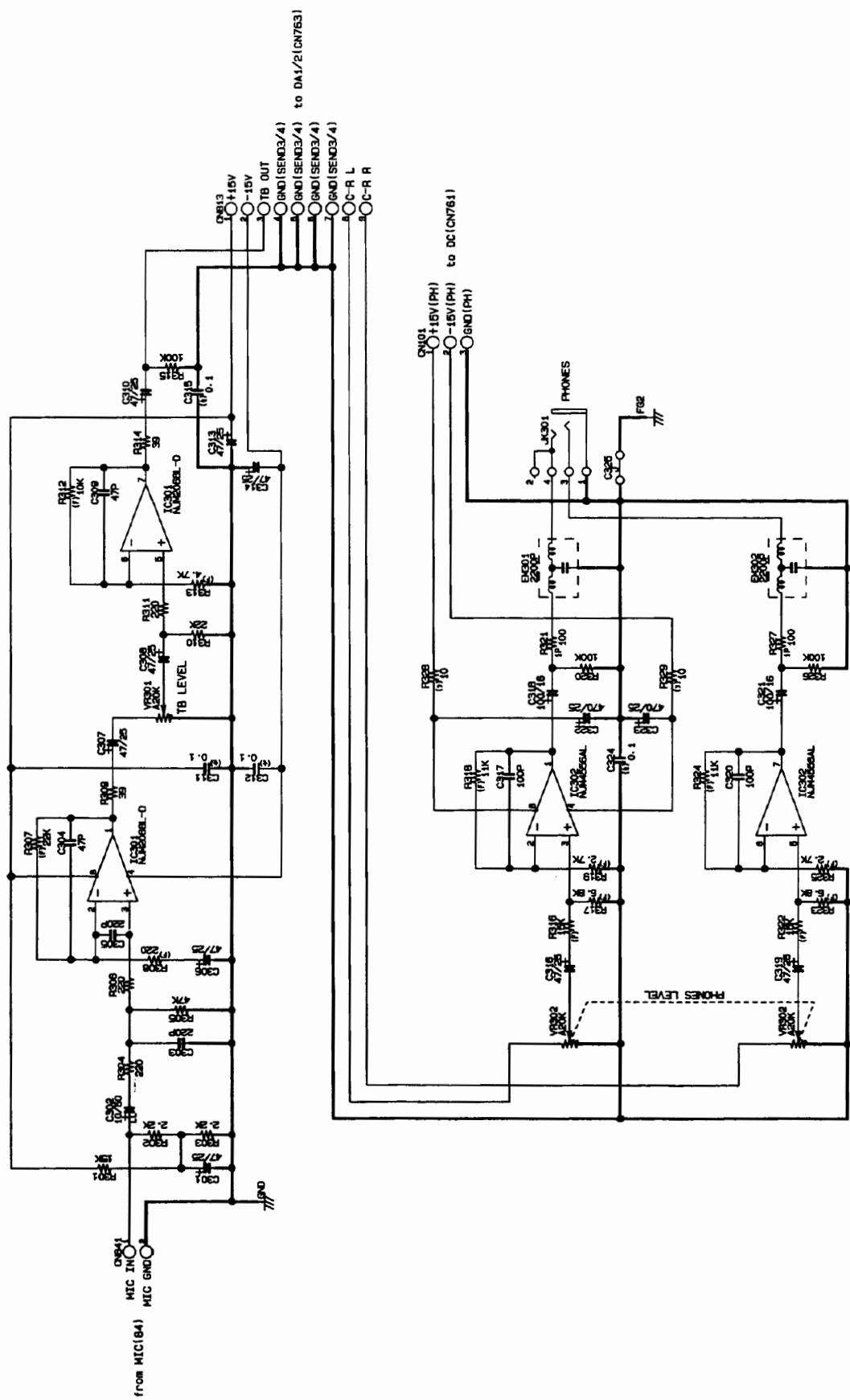


ANO2 CIRCUIT DIAGRAM 2/3

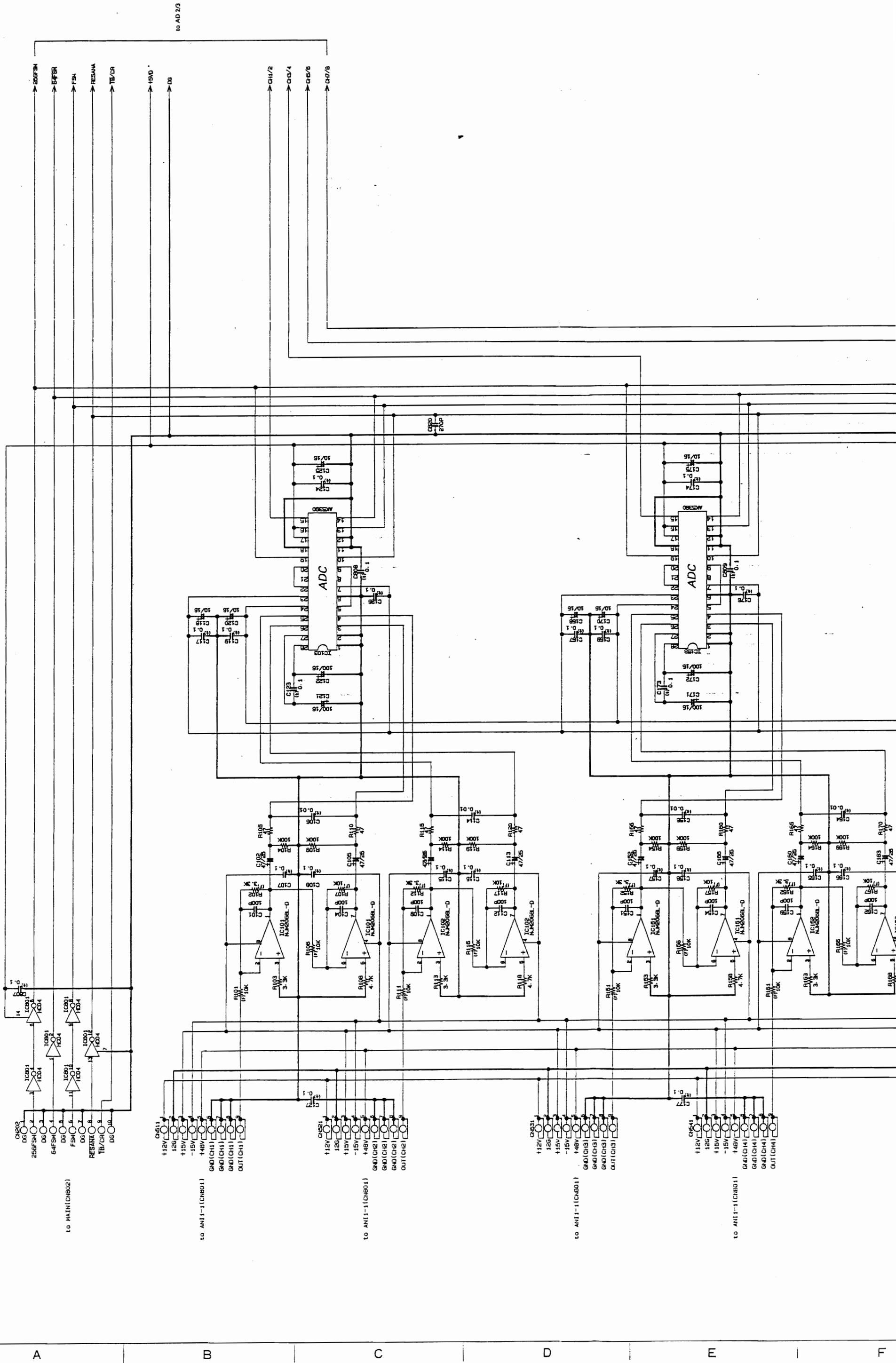


ANO2 CIRCUIT DIAGRAM 3/3

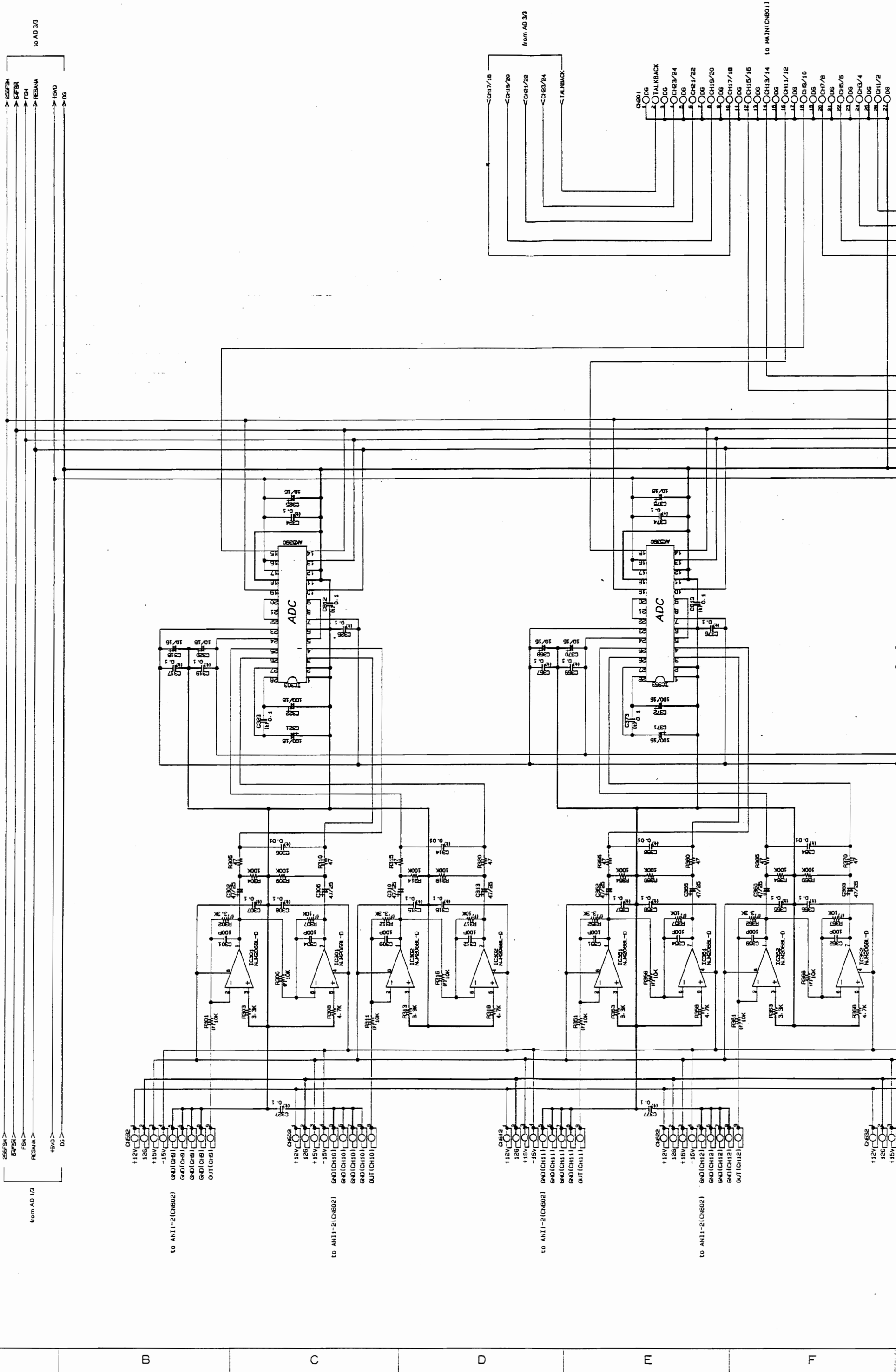
02R



AD CIRCUIT DIAGRAM 1/3



1
2
3
4
5
6
7
8
9
10



A

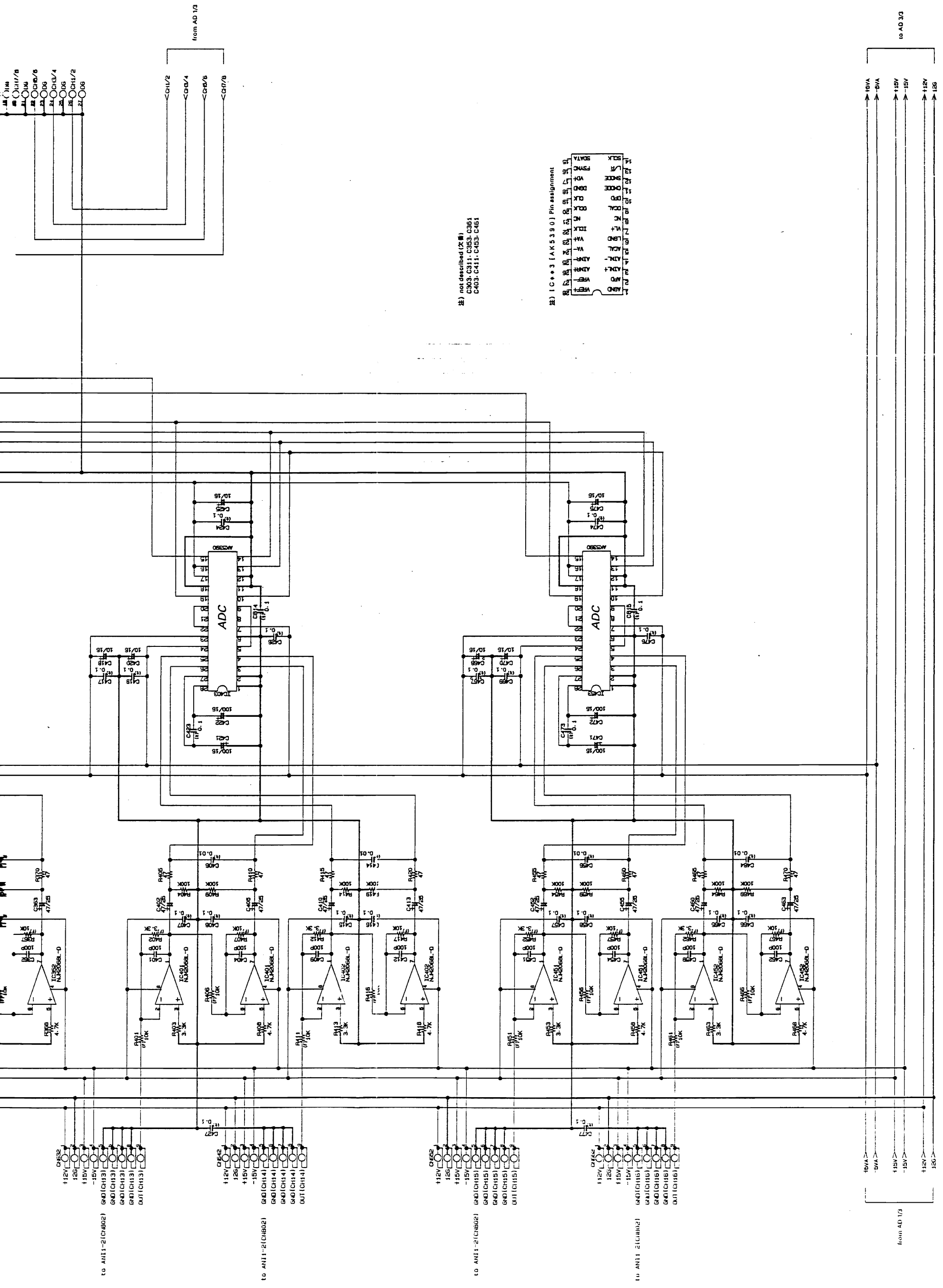
B

C

D

E

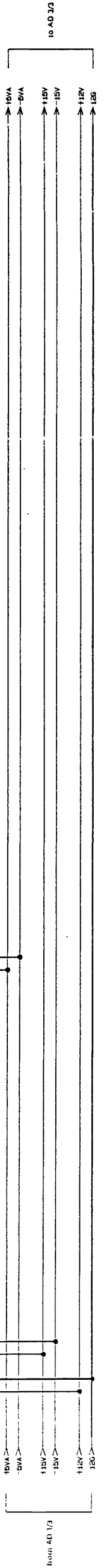
F



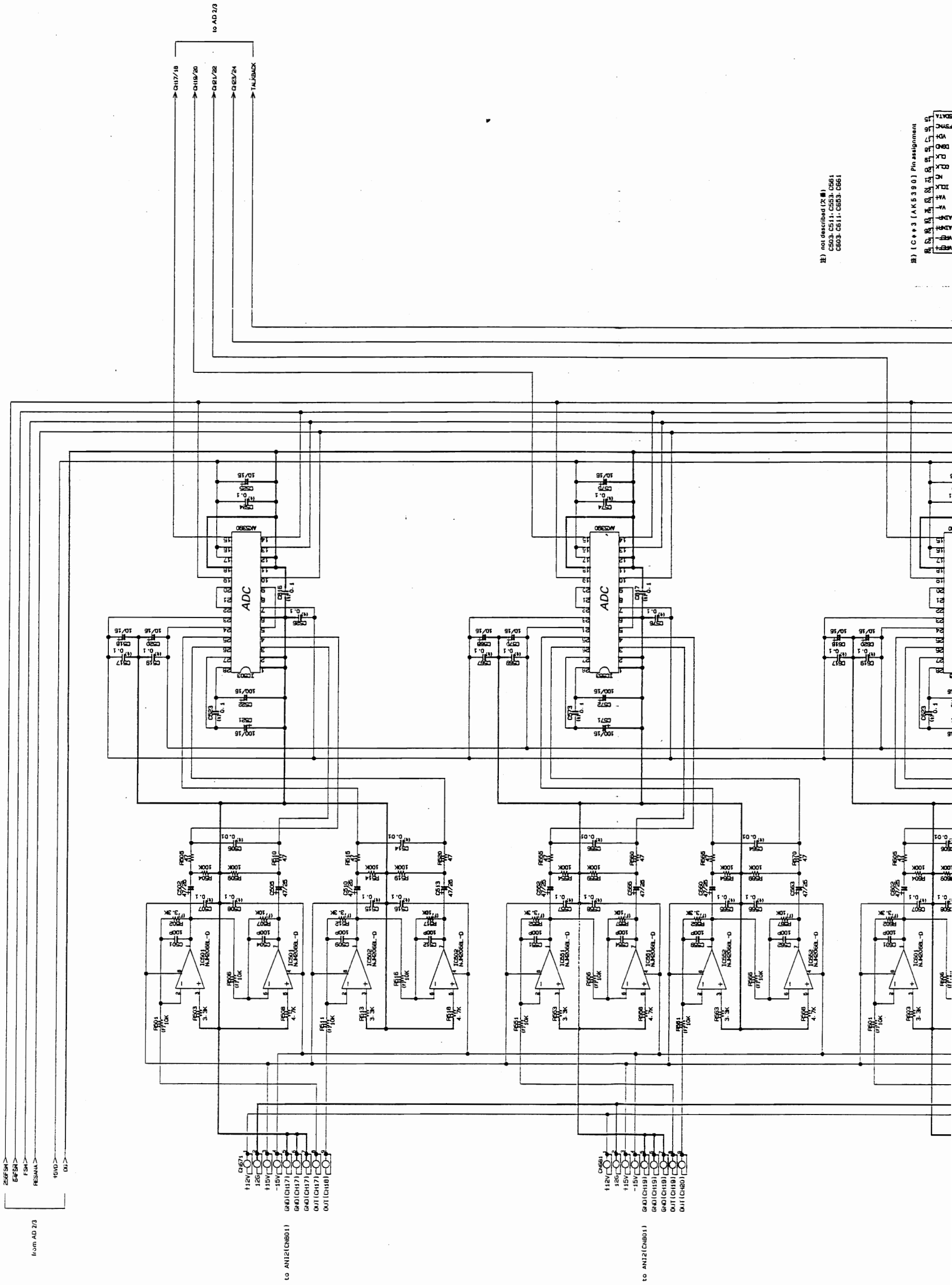
注) not described (欠番)
 C303, C311, C353, C361
 C403, C411, C453, C461

注) IC*3 (AK5390) Pin assignment

1	2	3	4	5	6	7	8	9	10
11	12	13	14	15	16	17	18	19	20
21	22	23	24	25	26	27	28	29	30
31	32	33	34	35	36	37	38	39	40



AD CIRCUIT DIAGRAM 3/3



注) not described (欠番)
 C503, C511, C553, C561
 C603, C611, C663, C661

注) IC++3 (AK590) Pin assignment

from AD 2/3

to AN12(CH01)

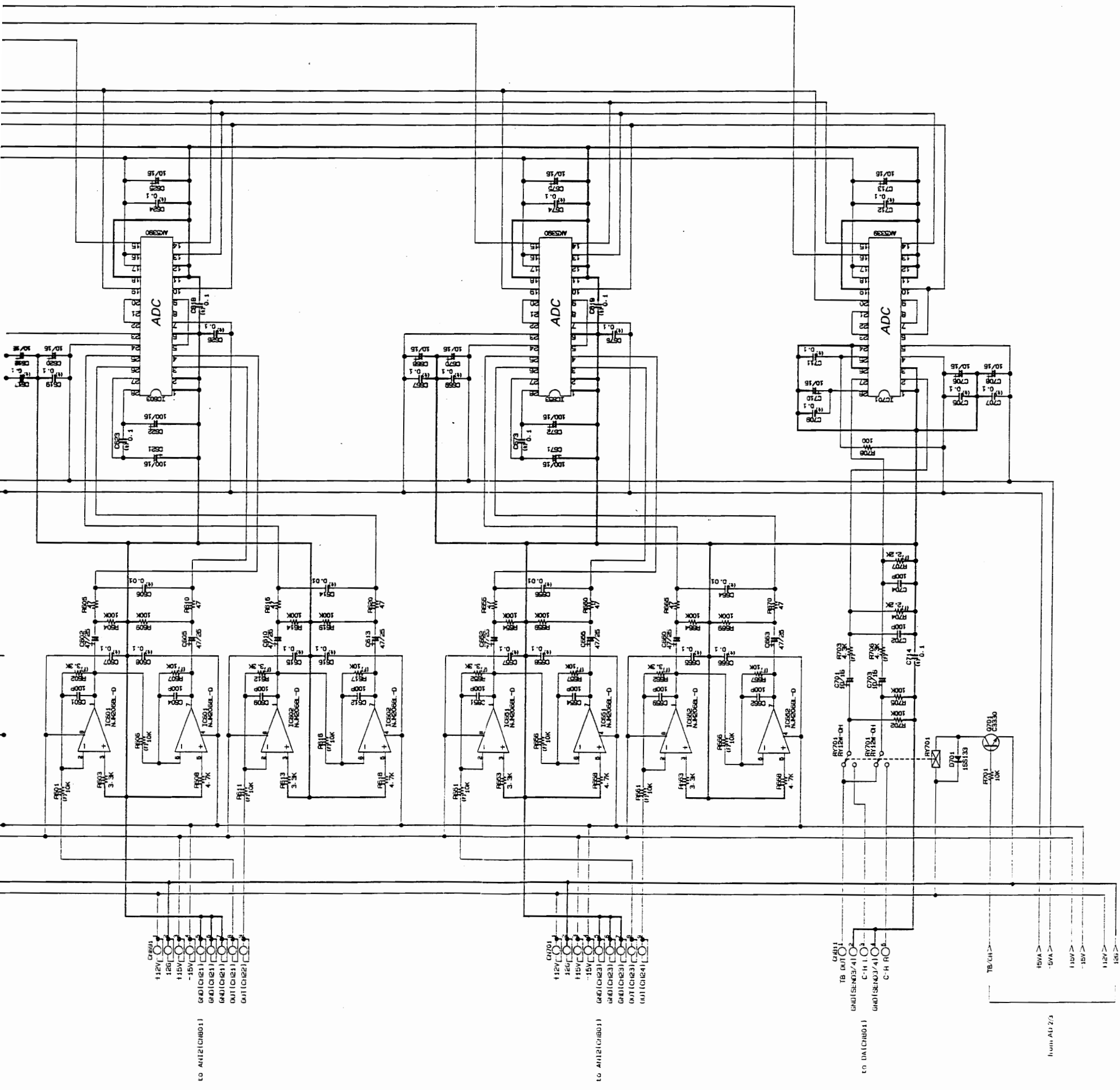
to AN12(CH01)

IC#3 (AK5390) Pin assignment

1	2	3	4	5	6	7	8	9	10
11	12	13	14	15	16	17	18	19	20
21	22	23	24	25	26	27	28	29	30
31	32	33	34	35	36	37	38	39	40
41	42	43	44	45	46	47	48	49	50

IC701 (AK5339) Pin assignment

1	2	3	4	5	6	7	8	9	10
11	12	13	14	15	16	17	18	19	20
21	22	23	24	25	26	27	28	29	30
31	32	33	34	35	36	37	38	39	40
41	42	43	44	45	46	47	48	49	50



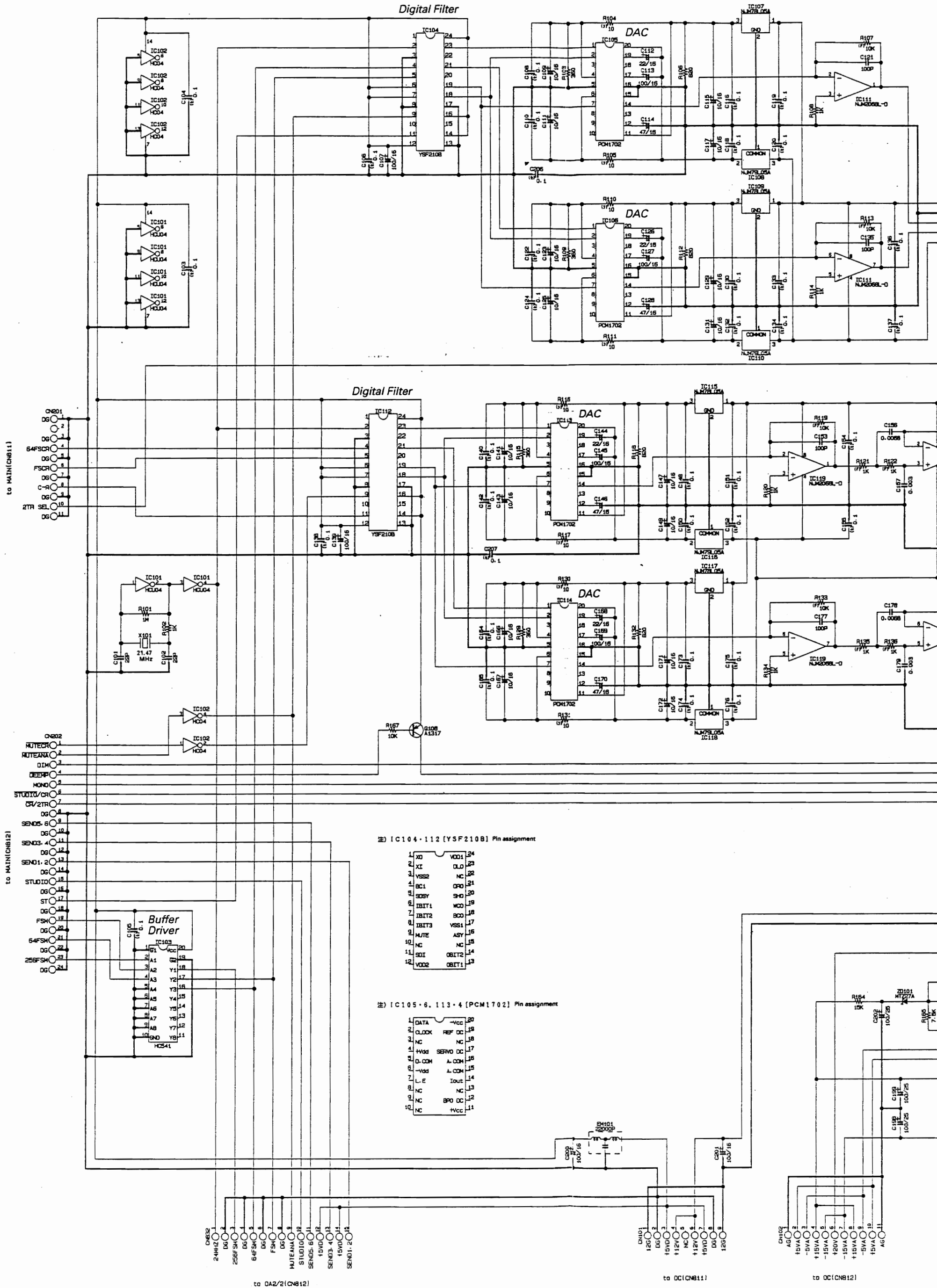
IC#3 (AK5390) Pin assignment

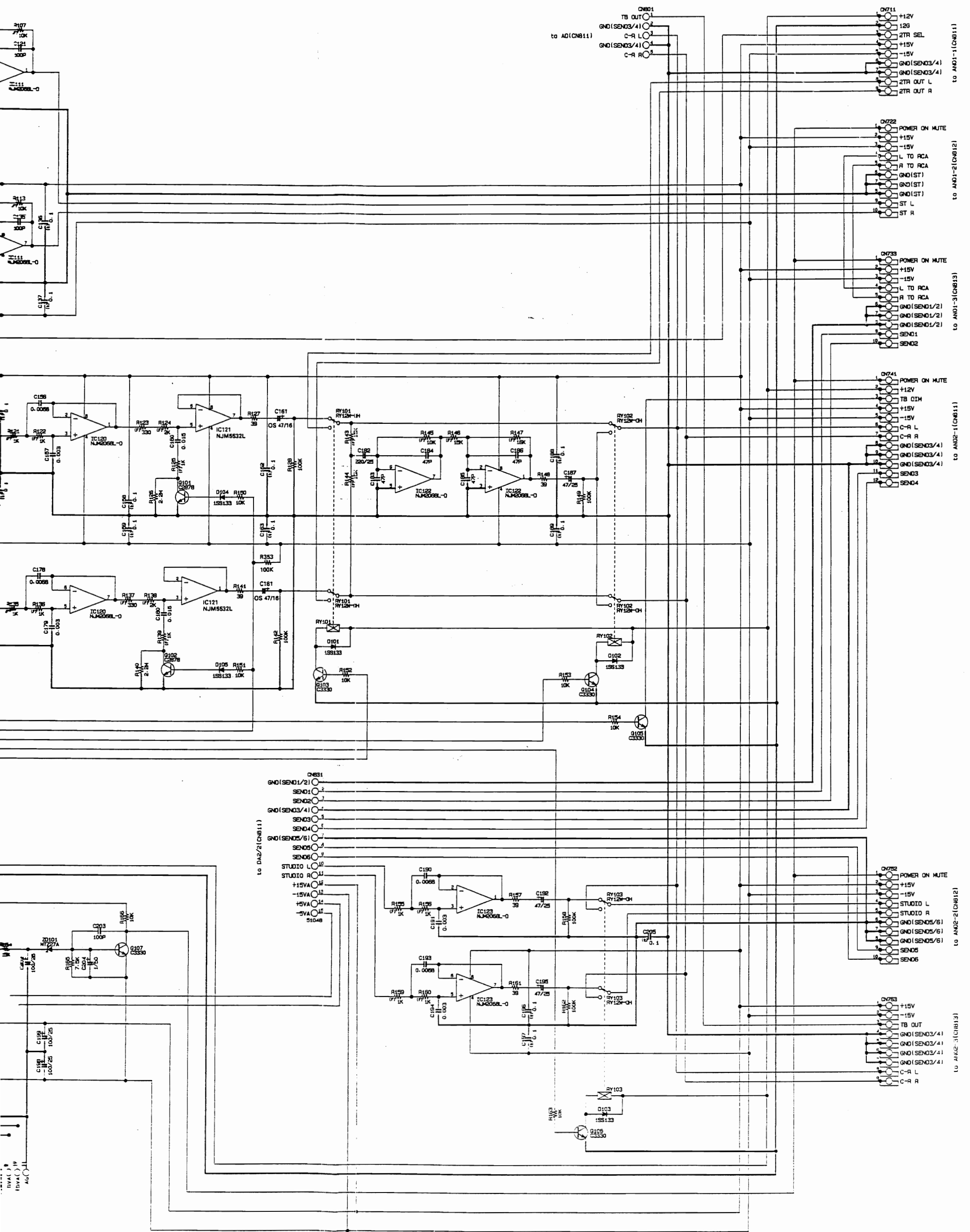
1	2	3	4	5	6	7	8	9	10
11	12	13	14	15	16	17	18	19	20
21	22	23	24	25	26	27	28	29	30
31	32	33	34	35	36	37	38	39	40
41	42	43	44	45	46	47	48	49	50

IC701 (AK5339) Pin assignment

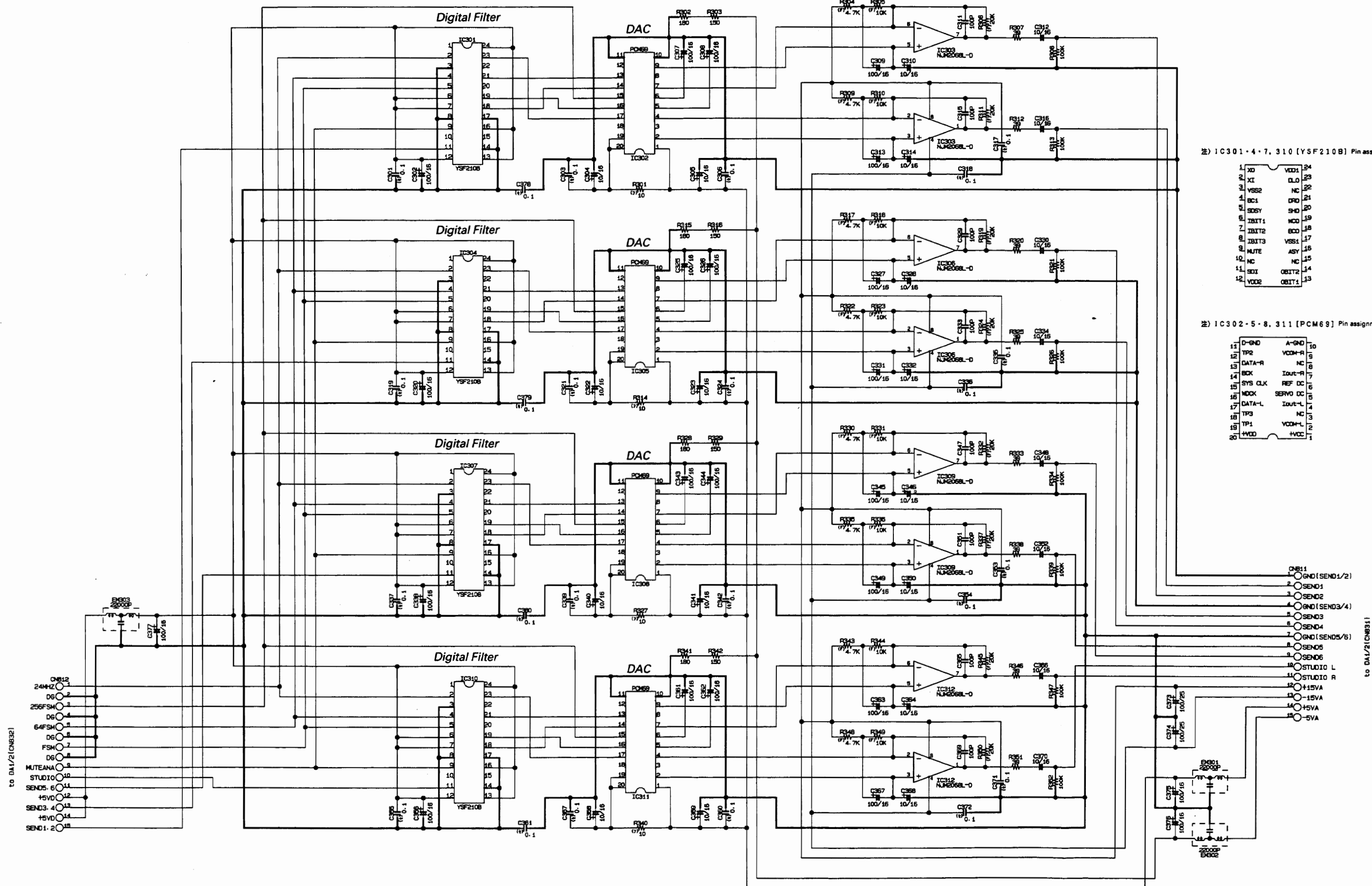
1	2	3	4	5	6	7	8	9	10
11	12	13	14	15	16	17	18	19	20
21	22	23	24	25	26	27	28	29	30
31	32	33	34	35	36	37	38	39	40
41	42	43	44	45	46	47	48	49	50

DA CIRCUIT DIAGRAM 1/2





DA CIRCUIT DIAGRAM 2/2



注) IC301・4・7, 310 [YSF2108] Pin assignment

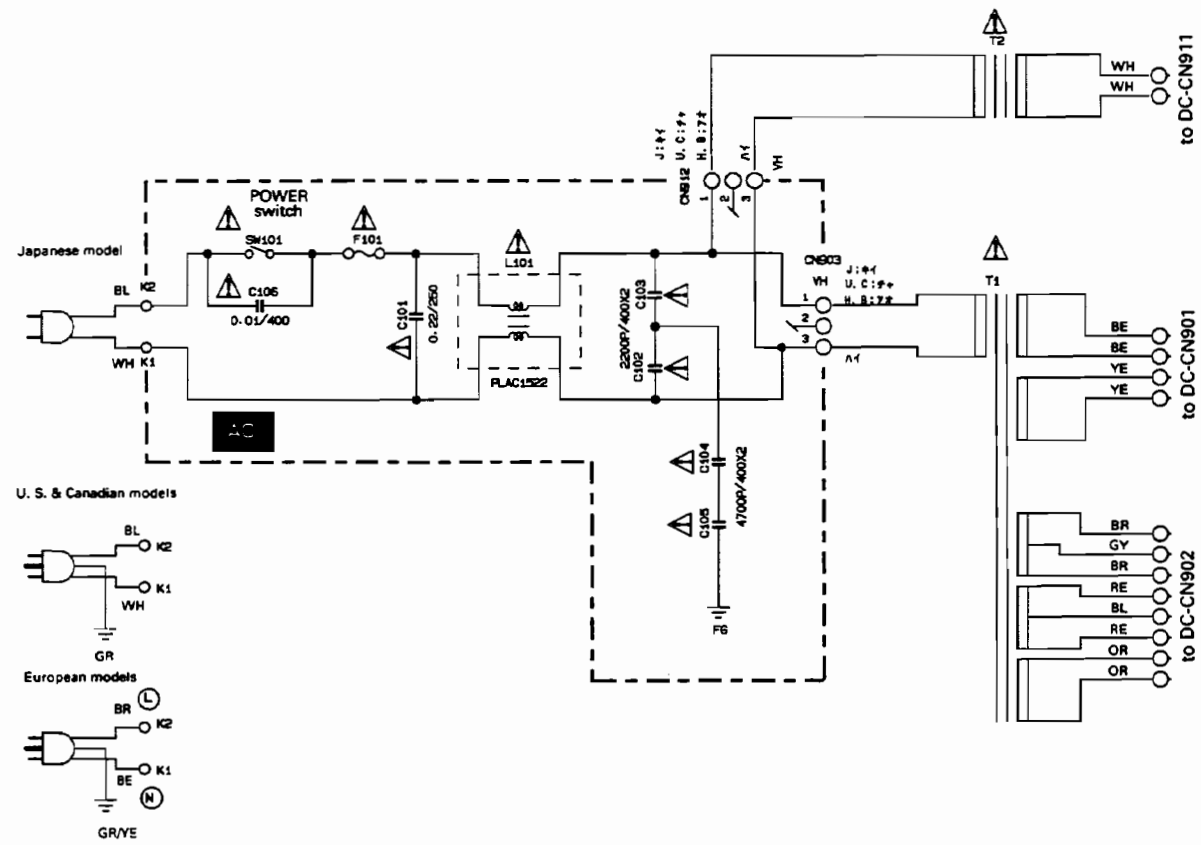
1	XD	VDD1	24
2	XI	DL	23
3	YSS2	NC	22
4	BC1	DRD	21
5	SOSY	SPD	20
6	IBIT1	NC	19
7	IBIT2	BCO	18
8	IBIT3	VSS1	17
9	MUTE	ASY	16
10	NC	NC	15
11	SD1	OBIT2	14
12	VDD2	OBIT1	13

注) IC302・5・8, 311 [PCM69] Pin assignment

11	D-GND	A-GND	10
12	TP2	VDDH-R	9
13	DATA-R	NC	8
14	BOX	Iout-R	7
15	SYS CLK	REF DC	6
16	NOCK	SERVO DC	5
17	DATA-L	Iout-L	4
18	TP3	NC	3
19	TP1	VDDH-L	2
20	VDD	VCC	1

1	○	GN0 (SEND1/2)
2	○	SEND1
3	○	SEND2
4	○	GN0 (SEND3/4)
5	○	SEND3
6	○	SEND4
7	○	GN0 (SEND5/6)
8	○	SEND5
9	○	SEND6
10	○	STUDIO L
11	○	STUDIO R
12	○	+15VA
13	○	-15VA
14	○	+5VA
15	○	-5VA

AC CIRCUIT DIAGRAM



■ WARNING

Components having special characteristics are marked Δ and must be replaced with parts having specifications equal to those originally installed.

Δ 印の部品は、安全を維持するために重要な部品です。交換をする場合は、安全のため必ず指定の部品をご使用下さい。

KEC-92210

DIGITAL RECORDING CONSOLE

O2R

PARTS LIST

■ CONTENTS (目次)

ELECTRICAL PARTS (電気部品)	1
OVERALL ASSEMBLY (総組立)	13
CONTROL PANEL ASSEMBLY (コンパネ Ass'y)	15
REAR (U) ASSEMBLY (リア上 Ass'y)	18
BOTTOM ASSEMBLY (ボトム Ass'y)	20
DC ASSEMBLY (DC Ass'y)	22
AC ASSEMBLY (AC Ass'y)	25
JACK ASSEMBLY (JK Ass'y)	27

Notes DESTINATION ABBREVIATIONS

A : Australian model	J : Japanese model
B : British model	M : South African model
C : Canadian model	Q : South-east Asia model
D : German model	U : U.S.A. model
E : European model	V : General export model (110V)
F : French model	W : General export model (220V)
G : Belgian model	X : General export model
H : North European model	Y : Export model
I : Indonesian model	

■ WARNING

Components having special characteristics are marked Δ and must be replaced with parts having specifications equal to those originally installed.

Δ 印の部品は、安全を維持するために重要な部品です。交換をする場合は、安全のため必ず指定の部品をご使用下さい。

- The numbers with "pc." or "pcs" in "Remarks" show quantities for each unit.
- The parts with "--" in "Part No." are not available as spare parts.
- 部品価格ランクは、変更になることがあります。
- Remarks欄に記されている数字は、使用個数です。
- 部品No.が"--"の部品は、サービス用部品として準備されておられません。

ELECTRICAL PARTS (電気部品)

REF. NO.	PART NO.	DESCRIPTION		部 品 名	REMARKS	ランク
		ELECTRICAL PARTS		電 気 部 品	02R	
*	VU065400	Circuit Board	AC	A C シ ー ト	J,U,C,V	
*	VU065500	Circuit Board	AC	A C シ ー ト	H,W,B	
*	VU065000	Circuit Board	AD	A D シ ー ト		
*	NX816610	Circuit Board	ANI1-1/2	A N I 1 - 1 / 2 シ ー ト		
*	NX816620	Circuit Board	ANI1-2/2	A N I 1 - 2 / 2 シ ー ト		
*	VU064700	Circuit Board	ANI2	A N I 2 シ ー ト		
*	NX816630	Circuit Board	ANO1-1/3	A N O 1 - 1 / 3 シ ー ト		
*	NX816640	Circuit Board	ANO1-2/3	A N O 1 - 2 / 3 シ ー ト		
*	NX816650	Circuit Board	ANO1-3/3	A N O 1 - 3 / 3 シ ー ト		
*	NX816660	Circuit Board	ANO2-1/3	A N O 2 - 1 / 3 シ ー ト		
*	NX816670	Circuit Board	ANO2-2/3	A N O 2 - 2 / 3 シ ー ト		
*	NX816680	Circuit Board	ANO2-3/3	A N O 2 - 3 / 3 シ ー ト		
*	NX816690	Circuit Board	DA1/2	D A 1 / 2 シ ー ト		
*	NX816700	Circuit Board	DA2/2	D A 2 / 2 シ ー ト		
	—	Circuit Board	DC	D C シ ー ト		
*	VT579400	Circuit Board	DA2/2	F A シ ー ト		
*	VT579100	Circuit Board	JK1	J K 1 シ ー ト		
*	VT580400	Circuit Board	JK2	J K 2 シ ー ト		
*	VT578900	Circuit Board	MAIN	M A I N シ ー ト		
*	VT579500	Circuit Board	OPT	O P T シ ー ト		
*	NX816710	Circuit Board	PN1-1/6	P N 1 - 1 / 6 シ ー ト		
*	NX816710	Circuit Board	PN1-2/6	P N 1 - 2 / 6 シ ー ト		
*	NX816710	Circuit Board	PN1-3/6	P N 1 - 3 / 6 シ ー ト		
*	NX816710	Circuit Board	PN1-4/6	P N 1 - 4 / 6 シ ー ト		
*	NX816710	Circuit Board	PN1-5/6	P N 1 - 5 / 6 シ ー ト		
*	NX816710	Circuit Board	PN1-6/6	P N 1 - 6 / 6 シ ー ト		
*	NX816770	Circuit Board	PN2-1/4	P N 2 - 1 / 4 シ ー ト		
*	NX816780	Circuit Board	PN2-2/4	P N 2 - 2 / 4 シ ー ト		
*	NX816790	Circuit Board	PN2-3/4	P N 2 - 3 / 4 シ ー ト		
*	NX816800	Circuit Board	PN2-4/4	P N 2 - 4 / 4 シ ー ト		
*	VT580300	Circuit Board	SUB	S U B シ ー ト		
*	VU065400	Circuit Board	AC	A C シ ー ト	J,U,C,V (XR322B0)	
*	VU065500	Circuit Board	AC	A C シ ー ト	H,W,B (XQ116A0)	
△	F1383220	Capacitor	2200P 400V U.C.S.V	規 格 認 定 コ ン		01
△	F1383470	Capacitor	4700P 400V U.C.S.V	規 格 認 定 コ ン		01
△	F1384100	Capacitor	0.010 400V U.C.S.V	規 格 認 定 コ ン		01
△	VT682500	Capacitor	0.220 250V U.C.S	規 格 認 定 コ ン		02
△	VQ764500	Line Filter	PLAC1522R0R01B1	ラ イ ン フ ィ ル タ ー		03
	VA855400	Terminal		P C 用 カ ラ ゲ 端 子		01
	VG879900	Base Post Connector	VA-2P TE	ベ ー ス ツ キ ポ ス ト		01
	LB201530	Fuse Holder	PC-PH1	ヒ ュ ー ズ ホ ル ダ		01
	VA078900	Jumper Wire	0.55	ジ ャ ン パ ー 線		
△	KB003630	Fuse	T 5.00A 125V	ヒ ュ ー ズ	J,U,C,V	01
△	KB003090	Fuse	TL 3.15A	ヒ ュ ー ズ	H,W,B	01
△	SW101	Push Switch	ESB82 TV-3	プ ッ シ ュ S W	POWER	03
*	VU065000	Circuit Board	AD	A D シ ー ト	(XQ120D0)	
	VD841300	Ceramic Capacitor-B	100P 50V K	円 筒 セ ラ (B)		01
	VD841900	Ceramic Capacitor	270P 50V K	円 筒 セ ラ (B)		01
*	VS751300	Ceramic Capacitor-F	10000P 25V Z	円 筒 セ ラ (F)		01
	VT957300	Monolithic Ceramic Cap.	0.100 50V Z	積 層 セ ラ コ ン		01
	UJ837100	Electrolytic Cap.	10.00 16.0V	ケ ミ コ ン		01
	UJ838100	Electrolytic Cap.	100.00 16.0V	ケ ミ コ ン		01
	UJ847470	Electrolytic Cap.	47.00 25.0V	ケ ミ コ ン		01
	UJ848100	Electrolytic Cap.	100.00 25.0V	ケ ミ コ ン		01
	HF754470	Carbon Resistor	47.0 1/4 J	カ ー ボ ン 抵 抗		01
	HF755100	Carbon Resistor	100.0 1/4 J	カ ー ボ ン 抵 抗		01
	HF756330	Carbon Resistor	3.3K 1/4 J	カ ー ボ ン 抵 抗		01
	HF756470	Carbon Resistor	4.7K 1/4 J	カ ー ボ ン 抵 抗		01
	HF757100	Carbon Resistor	10.0K 1/4 J	カ ー ボ ン 抵 抗		01
	HF758100	Carbon Resistor	100.0K 1/4 J	カ ー ボ ン 抵 抗		01
	VA074400	Metal Film Resistor	10.0K 1/4 F	金 属 被 膜 抵 抗		01
	VB066300	Metal Film Resistor	2.2K 1/4 F	金 属 被 膜 抵 抗		01
	VB066700	Metal Film Resistor	3.3K 1/4 F	金 属 被 膜 抵 抗		01
	VB067000	Metal Film Resistor	4.3K 1/4 F	金 属 被 膜 抵 抗		01
	XM356A00	IC	NJM2068L-D	イ	OP AMP	03
	IR000450	IC	SN74HC04N	イ	INVERTER	01
	XI112A00	IC	AK5339-VP	イ	ADC	15

* New Parts (新規部品)

ランク : Japan only

REF NO.	PART NO.	DESCRIPTION	部 品 名	REMARKS	ランク
	X0199A00	IC	AK5390-VP	ADC	22
	VM640200	Relay	DC RY 12W-OH-K		05
	VF728200	Connector	52147-10P TE		01
	V1378700	MQ Connector Socket	MQ- 9P		01
	V1878700	Cable Holder	51048- 9P TE		01
	V1878900	Cable Holder	51048-11P TE		01
	VK024900	Wire Trap	52147-5P TE		01
	VQ047800	FFC Connector	52045-27P TE		02
	FZ006970	LC Filter	LS MT Y223NB		02
	VC218900	Transistor	2SC3330 S,T		01
	VB941200	Diode	1SS133,1SS176		01
	VA078900	Jumper Wire	0.55		
	--	Jumper Wire	FVP=2.0C26SB11-350	(VU07350)	
	--	Jumper Wire	FVP=2.0C26SB9-350	(VU07320)	
*	NX816610	Circuit Board	ANI1-1/2	(XQ114C0)	
*	NX816620	Circuit Board	ANI1-2/2	(XQ114C0)	
	UA654470	Mylar Capacitor	0.0470 50V J		01
	VD840100	Ceramic Capacitor-SL	10P 50V J		01
	VD840500	Ceramic Capacitor-SL	22P 50V J		01
	VD841800	Ceramic Capacitor-B	220P 50V K		01
	VD842600	Ceramic Capacitor-B	1000P 50V K		01
*	VT957300	Monolithic Ceramic Cap.	0.100 50V Z		01
	UJ837100	Electrolytic Cap.	10.00 16.0V		01
	UJ847470	Electrolytic Cap.	47.00 25.0V		01
	UJ866100	Electrolytic Cap.	1.00 50.0V		01
	UJ877470	Electrolytic Cap.	47.00 63.0V		01
	VJ097400	Electrolytic Cap.	10.00 50.0V		01
	UJ819100	Electrolytic Cap.	1000 6.3V		01
	--	Electrolytic Cap. (chip)	10.00 16.0V	(VU19540)	
	--	Electrolytic Cap. (chip)	47 16V	(VU19550)	
	HF754100	Carbon Resistor	10.0 1/4 J		01
	HF754390	Carbon Resistor	39.0 1/4 J		01
	HF754750	Carbon Resistor	75.0 1/4 J		01
	HF755560	Carbon Resistor	560.0 1/4 J		01
	--	Carbon Resistor	130.0K 1/4 J	(HF75813)	
	HF756470	Carbon Resistor	4.7K 1/4 J		01
	HF757100	Carbon Resistor	100.0K 1/4 J		01
	HF757120	Carbon Resistor	12.0K 1/4 J		01
	HF758100	Carbon Resistor	100.0K 1/4 J		01
*	HF758220	Carbon Resistor	220.0K 1/4 J		01
	HF758390	Carbon Resistor	220.0K 1/4 J		01
	HV755390	Flame Proof C. Resistor	390.0 1/4 J		01
	V8060800	Metal Film Resistor	20.0 1/4 F		01
	V8064200	Metal Film Resistor	510.0 1/4 F		01
	--	Metal Film Resistor	24.0K 1/4 F	(VR15980)	
	VA074100	Metal Film Resistor	4.7K 1/4 F		01
	V8066200	Metal Film Resistor	2.0K 1/4 F		01
	V8067300	Metal Film Resistor	6.8K 1/4 F		01
	V8068200	Metal Film Resistor	20.0 1/4 F		01
	V8068800	Metal Film Resistor	47.0K 1/4 F		01
	V1950900	Metal Film Resistor	RE35 2.2K 1/4 F		01
	V1951100	Metal Film Resistor	RE35 8.2K 1/4 F		01
	VR159200	Metal Film Resistor	47.0K 1/4 F		01
*	VR159800	Metal Film Resistor	24.0K 1/4 F		01
	XM356A00	IC	NJM2068L-D	OP AMP	01
	XM922A00	IC	NJM4558L	OP AMP	01
	VB994900	MQ Connector	B09P-MQ		01
	V1243100	LC Filter	DSS306-91B271M		01
	VC218700	Transistor	2SA1317 R,S,T		01
	IC1815M0	Transistor	2SC1815 Y,GR		01
	VC218900	Transistor	2SC3330 S,T		01
	VR744300	Transistor	2SD786S R		01
	VB941200	Diode	1SS133,1SS176		01
	VA078900	Jumper Wire	0.55		
*	VG223500	Angle Bracket, Jack			02
	VS763000	Cannon Connector	NC3FAHR1-0	INPUT A 1-8	03
	JK102	Phone Jack	HLJ7001-01-	INPUT B 1-8	01
	JK103	Phone Jack	HLJ4306 STEREO	INSERT I/O 1-8	02
	JK201	Phone Jack	HLJ7001-01-	INPUT 9-16	01

* New Parts (新規部品)

ランク : Japan only

REF NO.	PART NO.	DESCRIPTION		部 品 名	REMARKS	ランク
LD101	VH325200	LED	GL2PR6 RE	L E D	PEAK 1-8	01
LD102	VH325300	LED	GL2EG6 GR	L E D	SIGNAL 1-8	01
LD201	VH325200	LED	GL2PR6 RE	L E D	PEAK 9-16	01
LD202	VH325300	LED	GL2EG6 GR	L E D	SIGNAL 9-16	01
SW101	VQ907900	Slide Switch	SSSU112-S06N-1	ス ラ イ ド S W	+45V ON/OFF	01
* SW102	VT635600	Push Switch	SPUN22	プ ッ シ ュ S W	A/B,20dB 1-8	03
SW201	VQ901900	Push Switch	SPUN19-2N-W H6.5	プ ッ シ ュ S W	20dB 9-16	03
VR101	VT975100	Rotary Variable Resistor	(5K)	ロータリーVR 接点銀	GAIN 1-8	
VR201	VT975100	Rotary Variable Resistor	(5K)	ロータリーVR 接点銀	GAIN 9-16	
*	VU064700	Circuit Board	ANI2	A N I 2 シ ー ト	(XQ115C0)	
	UA654470	Mylar Capacitor	0.0470 50V J	マ イ ラ ー コ ン		01
	VD840100	Ceramic Capacitor-SL	10P 50V J	円筒セラ(SL)		01
	VD840700	Ceramic Capacitor-SL	33P 50V J	円筒セラ(SL)		01
	VD841300	Ceramic Capacitor-B	100P 50V K	円筒セラ(B)		01
	VD841800	Ceramic Capacitor-B	220P 50V K	円筒セラ(B)		01
	VD842600	Ceramic Capacitor-B	1000P 50V K	円筒セラ(B)		01
*	VT957300	Monolithic Ceramic Cap.	0.100 50V Z	積層セラコン		01
	UJ837100	Electrolytic Cap.	10.00 16.0V	ケミコン		01
	UJ847470	Electrolytic Cap.	0.100 50V Z	ケミコン		01
	UJ866100	Electrolytic Cap.	1.00 50.0V	ケミコン		01
	UJ819100	Electrolytic Cap.	1000 6.3V	ケミコン		01
	--	Electrolytic Cap. (chip)	10.00 16V	O S コ ン	(VU19540)	
	--	Electrolytic Cap. (chip)	47 16V	O S コ ン S A シ リ ー ズ	(VU19550)	
	HF754100	Carbon Resistor	10.0 1/4 J	カ ー ボ ン 抵 抗		01
	HF754390	Carbon Resistor	39.0 1/4 J	カ ー ボ ン 抵 抗		01
	HF754470	Carbon Resistor	220.0K 1/4 J	カ ー ボ ン 抵 抗		01
	HF754750	Carbon Resistor	75.0 1/4 J	カ ー ボ ン 抵 抗		01
	--	Carbon Resistor	130.0K 1/4 J	カ ー ボ ン 抵 抗	(HF75813)	
	HF756470	Carbon Resistor	4.7K 1/4 J	カ ー ボ ン 抵 抗		01
	HF757100	Carbon Resistor	100.0K 1/4 J	カ ー ボ ン 抵 抗		01
	HF757120	Carbon Resistor	12.0K 1/4 J	カ ー ボ ン 抵 抗		01
	HF758100	Carbon Resistor	100.0K 1/4 J	カ ー ボ ン 抵 抗		01
	HF758220	Carbon Resistor	220.0K 1/4 J	カ ー ボ ン 抵 抗		01
	HF758390	Carbon Resistor	390.0K 1/4 J	カ ー ボ ン 抵 抗		01
*	HV755390	Flame Proof C. Resistor	390.0 1/4 J	不 燃 化 カ ー ボ ン 抵 抗		01
	VB060600	Metal Film Resistor	16.0 1/4 F	金 属 被 膜 抵 抗		01
	VA074100	Metal Film Resistor	4.7K 1/4 F	金 属 被 膜 抵 抗		01
	VA074400	Metal Film Resistor	10.0K 1/4 F	金 属 被 膜 抵 抗		01
	VB065500	Metal Film Resistor	1.0K 1/4 F	金 属 被 膜 抵 抗		01
	VB066100	Metal Film Resistor	1.8K 1/4 F	金 属 被 膜 抵 抗		01
	VB068800	Metal Film Resistor	47.0K 1/4 F	金 属 被 膜 抵 抗		01
	V1950900	Metal Film Resistor	RE35 2.2K 1/4 F	金 属 被 膜 抵 抗		01
	V1951100	Metal Film Resistor	RE35 8.2K 1/4 F	金 属 被 膜 抵 抗		01
	VK682300	Metal Film Resistor	10.0K 1/4 F	金 属 被 膜 抵 抗		01
	VR159200	Metal Film Resistor	47.0K 1/4 F	金 属 被 膜 抵 抗		01
	XM356A00	IC	NJM2068L-D	I C	OP AMP	01
	XM922A00	IC	NJM4558L	I C	OP AMP	01
	VB994900	MQ Connector	B09P-MQ	M Q コ ネ ク タ		01
	VI243100	LC Filter	DSS306-91B271M	L C フ ィ ル タ ー		01
	VC218700	Transistor	2SA1317 R,S,T	ト ラ ン ジ ス タ		01
	IC1815M0	Transistor	2SC1815 Y,GR	ト ラ ン ジ ス タ		01
	VC218900	Transistor	2SC3330 S,T	ト ラ ン ジ ス タ		01
	VR744300	Transistor	2SD786S R	ト ラ ン ジ ス タ		01
	VB941200	Diode	1SS133,1SS176	ダ イ オ ー ド		01
	VA078900	Jumper Wire	0.55	ジ ャ ン パ ー 線		
	VG223500	Angle Bracket, Jack		J A C K ア ン グ ル		02
JK401	VS056300	Phone Jack	HLJ7001-01-	ホ ー ン ジ ャ ッ ク	INP.17,19,21,23	01
JK402	VS056300	Phone Jack	HLJ7001-01-	ホ ー ン ジ ャ ッ ク	INP.18,20,22,24	01
LD401	VH325200	LED	GL2PR6 RE	L E D	PEAK 17-24	01
LD402	VH325300	LED	GL2EG6 GR	L E D	SIGNAL 17-24	01
VR401	VT975100	Rotary Variable Resistor	(5K)	ロータリーVR 接点銀	GAIN 17-24	
*	NX816630	Circuit Board	ANO1-1/3	A N O 1 - 1 / 3 シ ー ト	(XQ117C0)	
	NX816640	Circuit Board	ANO1-2/3	A N O 1 - 2 / 3 シ ー ト	(XQ117C0)	
*	NX816650	Circuit Board	ANO1-3/3	A N O 1 - 3 / 3 シ ー ト	(XQ117C0)	
	UA353300	Mylar Capacitor	3000P 50V J	マ イ ラ ー コ ン		01
	UA353680	Mylar Capacitor	6800P 50V J	マ イ ラ ー コ ン		01
	VD840700	Ceramic Capacitor-SL	33P 50V J	円筒セラ(SL)		01
	VD841300	Ceramic Capacitor-B	100P 50V K	円筒セラ(B)		01

* New Parts (新規部品)

ランク : Japan only

REF NO.	PART NO.	DESCRIPTION	部 品 名	REMARKS	ランク
*	VT957300	Monolithic Ceramic Cap.	積層セラコン		01
	UJ847100	Electrolytic Cap.	ケミコン		01
	UJ847470	Electrolytic Cap.	ケミコン		01
	UJ848100	Electrolytic Cap.	ケミコン		01
*	UN848220	Electrolytic Cap.-BP	BPケミコン		01
	--	Electrolytic Cap. (chip)	OSコン	(VU19540)	
	HF754390	Carbon Resistor	カーボン抵抗		01
	HF754750	Carbon Resistor	カーボン抵抗		01
	HF755220	Carbon Resistor	カーボン抵抗		01
	HF755330	Carbon Resistor	カーボン抵抗		01
	HF756100	Carbon Resistor	カーボン抵抗		01
	HF757100	Carbon Resistor	カーボン抵抗		01
	HF757270	Carbon Resistor	カーボン抵抗		01
	HF758100	Carbon Resistor	カーボン抵抗		01
	HV754100	Flame Proof C. Resistor	不燃化カーボン抵抗		01
	VA074400	Metal Film Resistor	金属被膜抵抗		01
	VA074500	Metal Film Resistor	金属被膜抵抗		01
	VB065500	Metal Film Resistor	金属被膜抵抗		01
	VB067300	Metal Film Resistor	金属被膜抵抗		01
	VB067400	Metal Film Resistor	金属被膜抵抗		01
	VB067600	Metal Film Resistor	金属被膜抵抗		01
	VB067800	Metal Film Resistor	金属被膜抵抗		01
	VB069600	Metal Film Resistor	金属被膜抵抗		01
	VK682300	Metal Film Resistor	金属被膜抵抗		01
	VU330700	Metal Film Resistor	金属被膜抵抗		01
*	VU330900	Metal Film Resistor	金属被膜抵抗		01
*	VU331000	Metal Film Resistor	金属被膜抵抗		01
*	XM356A00	IC	IC	OP AMP	01
*	XR494A00	IC	IC	OP AMP	01
	VM640200	Relay	リレー 12V		05
	VB994900	MQ Connector	MQコネクタ		01
	VI378000	Base Post Connector	ベース付ポスト		01
	VI243100	LC Filter	LCフィルタ		01
	VC218900	Transistor	トランジスタ		01
	VK432900	Transistor	トランジスタ		01
	VB481900	Diode	ダイオード		01
	VB941200	Diode	ダイオード		01
	VA078900	Jumper Wire	ジャンパー線		
	VG223500	Angle Bracket, Jack	JACKアングル		02
	VT817500	Cannon Connector Plate	キャノン金具		02
	JK101	Phone Jack	ホンジャック	2TR IN ANA.1(L)	01
	JK102	Phone Jack	ホンジャック	2TR IN ANA.1(R)	01
	JK103	Pin Connector	ピンジャック 2P	2TR IN ANALOG 2	02
*	JK201	Cannon Connector	キャノンコネクタ	ST.OUT ANA.1(L)	03
*	JK202	Cannon Connector	キャノンコネクタ	ST.OUT ANA.1(R)	03
	JK301	Phone Jack	ホンジャック	AUX SEND 1	01
	JK302	Phone Jack	ホンジャック	AUX SEND 2	01
	JK303	Pin Connector	ピンジャック 2P	ST.OUT ANALOG 2	02
*	NX816660	Circuit Board	ANO2-1/3シート	(XQ118C0)	
*	NX816670	Circuit Board	ANO2-2/3シート	(XQ118C0)	
*	NX816680	Circuit Board	ANO2-3/3シート	(XQ118C0)	
	UA353300	Mylar Capacitor	マイラーコン		01
	UA353680	Mylar Capacitor	マイラーコン		01
	VD840700	Ceramic Capacitor-SL	円筒セラ(SL)		01
	VD840900	Ceramic Capacitor-SL	円筒セラ(SL)		01
	VD841300	Ceramic Capacitor-B	円筒セラ(B)		01
	VD841800	Ceramic Capacitor-B	円筒セラ(B)		01
*	VT957300	Monolithic Ceramic Cap.	積層セラコン		01
	UJ838100	Electrolytic Cap.	ケミコン		01
	UJ847470	Electrolytic Cap.	ケミコン		01
	UJ848470	Electrolytic Cap.	ケミコン		01
	VJ097400	Electrolytic Cap.	ケミコン		01
*	UN848100	Electrolytic Cap.-BP	BPケミコン		01
	--	Electrolytic Cap. (chip)	OSコン	(VU19540)	
	HF754390	Carbon Resistor	カーボン抵抗		01
	HF754750	Carbon Resistor	カーボン抵抗		01
	HF755220	Carbon Resistor	カーボン抵抗		01
	HF755330	Carbon Resistor	カーボン抵抗		01
	HF756200	Carbon Resistor	カーボン抵抗		01

* New Parts (新規部品)

ランク : Japan only

REF. NO.	PART NO.	DESCRIPTION	部 品 名	REMARKS	ランク
	HF756220	Carbon Resistor	2.2K 1/4 J	カ ー ボ ン 抵 抗	01
	HF757100	Carbon Resistor	10.0K 1/4 J	カ ー ボ ン 抵 抗	01
	HF757150	Carbon Resistor	15.0K 1/4 J	カ ー ボ ン 抵 抗	01
	HF757180	Carbon Resistor	18.0K 1/4 J	カ ー ボ ン 抵 抗	01
	HF757220	Carbon Resistor	22.0K 1/4 J	カ ー ボ ン 抵 抗	01
	HF757470	Carbon Resistor	47.0K 1/4 J	カ ー ボ ン 抵 抗	01
	HF758100	Carbon Resistor	100.0K 1/4 J	カ ー ボ ン 抵 抗	01
	HF758470	Carbon Resistor	470.0K 1/4 J	カ ー ボ ン 抵 抗	01
	HV754100	Flame Proof C. Resistor	10.0 1/4 J	不 燃 化 カ ー ボ ン 抵 抗	01
	VB063300	Metal Film Resistor	220.0 1/4 F	金 属 被 膜 抵 抗	01
	VA074100	Metal Film Resistor	4.7K 1/4 F	金 属 被 膜 抵 抗	01
	VA074400	Metal Film Resistor	10.0K 1/4 F	金 属 被 膜 抵 抗	01
	VA074500	Metal Film Resistor	11.0K 1/4 F	金 属 被 膜 抵 抗	01
	VA074600	Metal Film Resistor	15.0K 1/4 F	金 属 被 膜 抵 抗	01
	VB065500	Metal Film Resistor	1.0K 1/4 F	金 属 被 膜 抵 抗	01
	VB066500	Metal Film Resistor	2.7K 1/4 F	金 属 被 膜 抵 抗	01
	VB067300	Metal Film Resistor	6.8K 1/4 F	金 属 被 膜 抵 抗	01
	VB068100	Metal Film Resistor	22.0K 1/4 F	金 属 被 膜 抵 抗	01
	VK682300	Metal Film Resistor	10.0K 1/4 F	金 属 被 膜 抵 抗	01
	VK682700	Metal Film Resistor	100.0K 1/4 F	金 属 被 膜 抵 抗	01
*	VU330700	Metal Film Resistor	11.0K 1/4 F	金 属 被 膜 抵 抗	01
*	VU330900	Metal Film Resistor	18.0K 1/4 F	金 属 被 膜 抵 抗	01
*	VU332100	Metal Film Resistor	16.0K 1/4 F	金 属 被 膜 抵 抗	01
	VC745000	Metal Oxide Film Resistor	100.0 1W J	酸 化 金 属 被 膜 抵 抗	01
	XM356A00	IC	NJM2068L-D	イ ン テ ー ジ ン ー C	OP AMP
	XP844A00	IC	NJM4556AL	イ ン テ ー ジ ン ー C	OP AMP
	XR494A00	IC	NJM5532	イ ン テ ー ジ ン ー C	OP AMP
	VM640200	Relay	DC RY 12W-OH-K	リ レ ー 1 2 V	05
	VC719300	Terminal Plate	P-424	テ ー ミ ナ ル 金 具	01
	VA252400	Base Pin	MQ-12P TE	ベ ー ス 付 ピ ン	03
	VB390200	Connector Base Post	10.0 1/4 J	コ ネ ク タ ベ ー ス ポ ス ト	01
	VB994900	MQ Connector	B09P-MQ	M Q コ ネ ク タ	01
	V1378000	Base Post Connector	MQ-10P TE	ベ ー ス 付 ポ ス ト	01
	FZ007070	LC Filter	LS MT X222MB	L C フィ ル タ ー E M I	01
	V1243100	LC Filter	DSS306-91B271M	L C フィ ル タ ー	01
	VK432900	Transistor	2SD1915(F) S,T	ト ラ ン ジ ス タ	01
	VB481900	Diode	11ES4	ダ イ オ ー ド	01
	VB941200	Diode	1SS133,1SS176	ダ イ オ ー ド	01
	VA078900	Jumper Wire	0.55	ジ ャ ン パ ー 線	02
	VG223500	Angle Bracket, Jack		J A C K ア ン グ ル	02
*	VT960700	Mic. Plate		マ イ ク 金 具	05
*	VT572400	Cushion, MIC		M I C ク ッ シ ョ ン	01
*	VT572500	Cover, MIC		M I C カ バ ー	01
	—	Connector Assembly	MIC&SAN	東 葉 線 # 2 B	(VU06630)
	—	Connector Assembly	SAN&PH 2P 650L		(VU14410)
	JK101	Phone Jack	HLJ7001-01-	ホ ー ン ジ ャ ッ ク	AUX SEND 3
	JK102	Phone Jack	HLJ7001-01-	ホ ー ン ジ ャ ッ ク	AUX SEND 4
	JK103	Phone Jack	HLJ7001-01-	ホ ー ン ジ ャ ッ ク	C-R MON. OUT(L)
	JK104	Phone Jack	HLJ7001-01-	ホ ー ン ジ ャ ッ ク	C-R MON. OUT(R)
	JK201	Phone Jack	HLJ7001-01-	ホ ー ン ジ ャ ッ ク	AUX SEND 5
	JK202	Phone Jack	HLJ7001-01-	ホ ー ン ジ ャ ッ ク	AUX SEND 6
	JK203	Phone Jack	HLJ7001-01-	ホ ー ン ジ ャ ッ ク	STUDIO MON. O(L)
	JK204	Phone Jack	HLJ7001-01-	ホ ー ン ジ ャ ッ ク	STUDIO MON. O(R)
	JK301	Phone Jack	HLJ7001-01-	ホ ー ン ジ ャ ッ ク	PHONES
	VR201	Rotary Variable Resistor	A20Kx2 RK14K12B	二 連 ロ ー タ リ ー V R	STUDIO LEVEL
	VR301	Rotary Variable Resistor	A20Kx2 RK14K12B	二 連 ロ ー タ リ ー V R	T/B LEVEL
	VR302	Rotary Variable Resistor	A20Kx2 RK14K12B	二 連 ロ ー タ リ ー V R	PHONES LEVEL
	JE000270	Microphone	A20Kx2 RK14K12B	マ イ ク ロ ホ ン	03
	LB101380	Connector Pin	SAN-002T-0.8A	庄 着 端 子	01
	LB924020	Connector Housing	SAN-2P	ホ ー ド イ ン	01
	—	Connector Assembly	MIC&SAN	東 葉 線	(VU06630)
*	NX816690	Circuit Board	DA1/2	D A 1 / 2 シ ー ト	(XQ121C0)
*	NX816700	Circuit Board	DA2/2	D A 2 / 2 シ ー ト	(XQ121C0)
	UA353300	Mylar Capacitor	3000P 50V J	マ イ ラ ー コ ン	01
	UA353680	Mylar Capacitor	6800P 50V J	マ イ ラ ー コ ン	01
	UA354150	Mylar Capacitor	0.0150 50V J	マ イ ラ ー コ ン	01
	VK663100	Ceramic Capacitor-CH	22P 50V J	セ ラ コ ン C H	01
	VD840900	Ceramic Capacitor-SL	47P 50V J	円 筒 セ ラ (S L)	01

* New Parts (新規部品)

ランク : Japan only

REF NO.	PART NO.	DESCRIPTION		部 品 名	REMARKS	ランク
*	VD841300	Ceramic Capacitor-B	100P 50V K	円筒セラ (B)		01
	VT957300	Monolithic Ceramic Cap.	0.100 50V Z	積層セラコン		01
	UJ837100	Electrolytic Cap.	10.00 16.0V	ケミコン		01
	UJ837220	Electrolytic Cap.	22.00 16.0V	ケミコン		01
	UJ837470	Electrolytic Cap.	47.00 16.0V	ケミコン		01
	UJ838100	Electrolytic Cap.	100.00 16.0V	ケミコン		01
	UJ847470	Electrolytic Cap.	47.00 25.0V	ケミコン		01
	UJ848100	Electrolytic Cap.	100.00 25.0V	ケミコン		01
	UJ866100	Electrolytic Cap.	1.00 50.0V	ケミコン		01
	UN837100	Electrolytic Cap.-BP	10.00 16.0V	BPケミコン		01
*	UN848220	Electrolytic Cap.-BP	0.0150 50V J	BPケミコン	(VU19550)	01
	--	Electrolytic Cap. (chip)	47 16V	OSコン SAシリーズ		
	HF754390	Carbon Resistor	39.0 1/4 J	カーボン抵抗		01
	HF755150	Carbon Resistor	150.0 1/4 J	カーボン抵抗		01
	HF755180	Carbon Resistor	180.0 1/4 J	カーボン抵抗		01
	HF755360	Carbon Resistor	360.0 1/4 J	カーボン抵抗		01
*	HF755820	Carbon Resistor	820.0 1/4 J	カーボン抵抗		01
	HF756100	Carbon Resistor	1.0K 1/4 J	カーボン抵抗		01
	HF756750	Carbon Resistor	7.5K 1/4 J	カーボン抵抗		01
	HF757100	Carbon Resistor	10.0K 1/4 J	カーボン抵抗		01
	HF757150	Carbon Resistor	15.0K 1/4 J	カーボン抵抗		01
	HF758100	Carbon Resistor	100.0K 1/4 J	カーボン抵抗		01
	HF759100	Carbon Resistor	1.0M 1/4 J	カーボン抵抗		01
	HF759220	Carbon Resistor	2.2M 1/4 J	カーボン抵抗		01
	HV754100	Flame Proof C. Resistor	10.0 1/4 J	不燃化カーボン抵抗		01
	VB063700	Metal Film Resistor	330.0 1/4 F	金属被膜抵抗		01
	VA074100	Metal Film Resistor	4.7K 1/4 F	金属被膜抵抗		01
	VA074400	Metal Film Resistor	10.0K 1/4 F	金属被膜抵抗		01
	VA074600	Metal Film Resistor	15.0K 1/4 F	金属被膜抵抗		01
	VB065500	Metal Film Resistor	1.0K 1/4 F	金属被膜抵抗		01
	VB066200	Metal Film Resistor	2.0K 1/4 F	金属被膜抵抗		01
	VB067800	Metal Film Resistor	16.0K 1/4 F	金属被膜抵抗		01
	VB068000	Metal Film Resistor	20.0K 1/4 F	金属被膜抵抗		01
	VK682300	Metal Film Resistor	10.0K 1/4 F	金属被膜抵抗		01
	XN356A00	IC	NJM2068L-D	IC	OP AMP	01
*	XR494A00	IC	NJM5532	IC	OP AMP	
	IG130500	IC	NJM79L05A	IC	REGULATOR -5V	03
	XJ596A00	IC	NJM78L05A	IC	REGULATOR +5V	01
	IG142200	IC	TC74HC04AP	IC	INVERTER	03
	IR000450	IC	SN74HC04N	IC	INVERTER	03
	IR054150	IC	SN74HC541N	IC	BUFFER DRIVER	03
	XK280A00	IC	YSF210	IC	DIGITAL FILTER	10
*	XP551A00	IC	PCM1702U	IC	DAC	08
	XQ987A00	IC	PCM69AU	IC	DAC	07
	VM640200	Relay	DC RY 12W-OH-K	リレー 12V		05
	VF667600	Connector	52147-15P TE	コネクタ		01
	V1378700	MQ Connector Socket	MQ-9P	MQコネクタソケット		01
	V1378800	MQ Connector Socket	MQ-10P	MQコネクタソケット		01
	V1379200	MQ Connector Socket	MQ-12P	MQコネクタソケット		02
	V1878300	Cable Holder	51048-5P TE	ケーブルホルダー		01
	V1878700	Cable Holder	51048-9P TE	ケーブルホルダー		01
	V1878900	Cable Holder	51048-11P TE	ケーブルホルダー		01
	V1879300	Cable Holder	51048-15P TE	ケーブルホルダー		01
	VK025500	Wire Trap	52147-11P TE	ワイヤートラップ		01
	VP127700	FFC Connector	52045-24P TE	FFCコネクタ		01
	FZ006970	LC Filter	LS MT Y223NB	LCフィルター EMI		02
	VR529600	Quartz Crystal Unit	21.47727M AT-49	水晶振動子		03
	VC218700	Transistor	2SA1317 R,S,T	トランジスタ		01
	IC287820	Transistor	2SC2878 A,B	トランジスタ		01
	VC218900	Transistor	2SC3330 S,T	トランジスタ		01
	VB941200	Diode	1SS133,1SS176	ダイオード		01
	VN265700	Zener Diode	MTZJ27A 27.0V	ツェナーダイオード		01
	VA078900	Jumper Wire	0.55	ジャンパー線		
	--	Jumper Wire	FVP=2.0C26SB15-80	2678ジャンパーワイヤ	(VT64230)	
	--	Jumper Wire	FVP=2.0C26SB5-100	2678ジャンパーワイヤ	(VU07290)	
	--	Jumper Wire	FVP=2.0C26SB11-350	2678ジャンパーワイヤ	(VU07350)	
	--	Jumper Wire	FVP=2.0C26SB9-350	2678ジャンパーワイヤ	(VU07320)	
	--	Circuit Board	DC	DCシート	J,U,C,V (XQ122D0)	
	--	Circuit Board	DC	DCシート	H,B,W (XQ119A0)	

* New Parts (新規部品)

ランク : Japan only

REF NO.	PART NO.	DESCRIPTION	部 品 名	REMARKS	ランク
	UA355100	Mylar Capacitor	0.1000 50V J	マイラーコン	01
	VR169000	Monolithic Mylar Capacitor	ECQ-V1H334JL3	積層マイラーコン	01
	FH223470	Ceramic Capacitor-E	0.0047 500V M	セラコン E	01
	VS751300	Ceramic Capacitor-F	10000P 25V Z	円筒セラ (F)	01
	UJ697470	Electrolytic Cap.	47.00 100.0V	ケミコン	01
	UJ838100	Electrolytic Cap.	100.00 16.0V	ケミコン	01
	UJ848100	Electrolytic Cap.	100.00 25.0V	ケミコン	01
	UJ848470	Electrolytic Cap.	470.00 25.0V	ケミコン	01
	UJ866100	Electrolytic Cap.	1.00 50.0V	ケミコン	01
	UJ897100	Electrolytic Cap.	10.0 100.0V	ケミコン	01
*	VT598600	Electrolytic Cap.	22000 16.0USP	ケミコン	05
*	VT598700	Electrolytic Cap.	1000 100USP	ケミコン	05
*	VT947500	Electrolytic Cap.	22000 25.0USP	ケミコン	06
*	VT947800	Electrolytic Cap.	10000 16.0V USP	ケミコン	04
*	VU097300	Electrolytic Cap.	10000 35.0V USP	ケミコン	
	HF756220	Carbon Resistor	2.2K 1/4 J	カーボン抵抗	01
	HF756560	Carbon Resistor	5.6K 1/4 J	カーボン抵抗	01
	HF757100	Carbon Resistor	10.0K 1/4 J	カーボン抵抗	01
	HF757220	Carbon Resistor	22.0K 1/4 J	カーボン抵抗	01
	HF758100	Carbon Resistor	100.0K 1/4 J	カーボン抵抗	01
	VB067400	Metal Film Resistor	8.2K 1/4 F	金属被膜抵抗	01
	VB068800	Metal Film Resistor	47.0K 1/4 F	金属被膜抵抗	01
*	VC743400	Metal Oxide Film Resistor	22.0 1W J	酸化金属被膜抵抗	01
*	VC747900	Metal Oxide Film Resistor	1.5K 1W J	酸化金属被膜抵抗	01
*	VC749400	Metal Oxide Film Resistor	5.6K 1W J	酸化金属被膜抵抗	01
*	VC750200	Metal Oxide Film Resistor	12.0K 1W J	酸化金属被膜抵抗	01
	XH526A00	IC	PQ12RF1	IC	03
	XD853A00	IC	NJM7815FA	IC	03
	XD854A00	IC	NJM7915FA	IC	03
	XJ607A00	IC	NJM7805FA	IC	02
	XK309A00	IC	NJM7905FA	IC	03
	XN482A00	IC	STR9005	IC	07
	VR134900	Relay	DC JZ1APF	リレー 1 2 V	05
	V8966900	Style Pin	IMSA-6024	スタイルピン L=3 5	01
	LB932020	Base Post Connector	VH- 2P TE	ベースポスト	01
	LB932030	Base Post Connector	VH- 3P TE	ベースポスト	01
	LB932040	Base Post Connector	VH- 4P TE	ベースポスト	01
	LB932080	Base Post Connector	VH- 8P TE	ベースポスト	01
	V8389800	Connector Base Post	PHシリーズ 2P TE	コネクタベースポスト	01
	VB390600	Connector Base Post	PH-10P TE	コネクタベースポスト	01
	VK024800	Wire Trap	52147- 4P TE	ワイヤートラップ	01
	VK025200	Wire Trap	52147- 8P TE	ワイヤートラップ	01
	VK025300	Wire Trap	10.0K 1/4 J	ワイヤートラップ	01
	VK025500	Wire Trap	52147-11P TE	ワイヤートラップ	01
	VK025800	Wire Trap	52147-14P TE	ワイヤートラップ	01
	LB201530	Fuse Holder	PC-PH1	ヒューズホルダ	01
	FZ006970	LC Filter	LS MT Y223NB	LCフィルター EM	02
	VS150800	Transistor	2SC3200 GR	トランジスタ	01
	VM923000	Transistor	2SD2015	トランジスタ	03
	VB481900	Diode	11ES4	ダイオード	01
	VB845300	Diode Stack	S1WB(A)60 1.0A 60	ダイオードスタック	02
	VN011300	Diode Stack	D3SBA20 4.0A 200V	ダイオードスタック	03
*	VT682400	Diode Stack	D6SB60L 6.0A 600V	ダイオードスタック	04
*	VQ553200	Zener Diode	MTZJ5.1A 5.1V	ツェナーダイオード	01
*	VQ553900	Zener Diode	MTZJ6.8B 6.8V	ツェナーダイオード	01
*	VQ557800	Zener Diode	MTZJ27B 27.0V	ツェナーダイオード	01
*	VQ558500	Zener Diode	MTZJ33B 33.0V	ツェナーダイオード	01
	VA078900	Jumper Wire	0.55	ジャンパー線	
	--	Connector Assembly	DC 5VD	継材 A s s y	(VU14300)
	BB069510	Land Plate	#6951 A-B	ランド金具	01
*	KB003710	Fuse	T 6.30A 125V	ヒューズ	J,U,C,V
	KB003250	Fuse	TL 6.30A	ヒューズ	H,W,B
	KB003630	Fuse	T 5.00A 125V	ヒューズ	J,U,C,V
	KB003240	Fuse	TL 5.00A	ヒューズ	H,W,B
	KB003010	Fuse	TL 500mA	ヒューズ	H,W,B
	KB003470	Fuse	T 500mA 250V	ヒューズ	J,U,C,V
	VT579400	Circuit Board	FA	F A シ ー ト	(XQ125C0)
	VD016900	Flat Head Screw	3.0 X 4 MFZN2Y	+ 皿 小 ネ ジ	01
	VD842200	Ceramic Capacitor-B	470P 50V K	円筒セラ (B)	01

* New Parts (新規部品)

ランク : Japan only

REF NO.	PART NO.	DESCRIPTION		部 品 名	REMARKS	ランク
*	VT957300	Monolithic Ceramic Cap.	0.100 50V Z	積層セラコン		01
	UJ838100	Electrolytic Cap.	100.00 16.0V	ケミコン		01
	UJ847470	Electrolytic Cap.	47.00 25.0V	ケミコン		01
	UJ848220	Electrolytic Cap.	220.00 25.0V	ケミコン		01
	UJ749100	Electrolytic Cap.	1000 25.0V	ケミコン		02
	VC756300	Metal Oxide Film Resistor	10.0 2W J	酸化金属被膜抵抗		01
	VE445200	Resistor Array	RGLD8X103J	抵抗アレイ		01
*	XR383A00	IC	NJM7810FA	I C	REGULATOR +10V	02
	IG153500	IC	BA6218	I C	MOTOR DRIVER	04
	IR013800	IC	TC74HC138AP	I C	DECODER	02
	IR024550	IC	SN74HC245N	I C	TRANSCIEVER	06
	IR027350	IC	SN74HC273N	I C	D-FF	05
	VI878500	Cable Holder	51048-7P TE	ケーブルホルダー		01
	VI878900	Cable Holder	51048-11P TE	ケーブルホルダー		01
	VI879000	Cable Holder	51048-12P TE	ケーブルホルダー		01
	VI879100	Cable Holder	51048-13P TE	ケーブルホルダー		01
	FZ006970	LC Filter	LS MT Y223NB	LCフィルターEM I		02
*	VT646000	Slide Pot., Motor Drive	B10K	電動スライドVR	Faders	10
	VA078900	Jumper Wire	0.55	ジャンパー線		
*	VS944300	Fader Plate	UPPER	フェーダー金具(上)		09
*	VS944400	Fader Plate	LOWER	フェーダー金具(下)		08
	--	Jumper Wire	FVP=2.0C26SB12-80	2678ジャンパーワイヤ	(VT64550)	
	--	Jumper Wire	FVP=2.0C26SB13-70	2678ジャンパーワイヤ	(VT64560)	
	--	Jumper Wire	FVP=2.0C26SB12-60	2678ジャンパーワイヤ	(VT64570)	
	--	Jumper Wire	FVP=2.0C26SB11-460	2678ジャンパーワイヤ	(VU07360)	
	--	Jumper Wire	FVP=2.0C26SB11-60	2678ジャンパーワイヤ	(VT64540)	
	--	Jumper Wire	FVP=2.0C26SB7-60	2678ジャンパーワイヤ	(VT64520)	
*	VT580400	Circuit Board	JK2	JK2シート	(XR128B0)	
	VA761200	Ceramic Capacitor-CH	33P 50V J	セラコン(CH)		01
	VK663100	Ceramic Capacitor-CH	22P 50V J	セラコンCH		01
	VD841100	Ceramic Capacitor-SL	68P 50V J	円筒セラ(SL)		01
	VD841300	Ceramic Capacitor-B	100P 50V K	円筒セラ(B)		01
*	VT957300	Monolithic Ceramic Cap.	0.100 50V Z	積層セラコン		01
	UJ838100	Electrolytic Cap.	100.00 16.0V	ケミコン		01
	UJ847470	Electrolytic Cap.	47.00 25.0V	ケミコン		01
	VB835000	Coil	FL5R200QNT 20u	コイル20U		01
	HF754100	Carbon Resistor	10.0 1/4 J	カーボン抵抗		01
	HF754470	Carbon Resistor	47.0 1/4 J	カーボン抵抗		01
	HF755220	Carbon Resistor	220.0 1/4 J	カーボン抵抗		01
	HF755470	Carbon Resistor	470.0 1/4 J	カーボン抵抗		01
	HF756100	Carbon Resistor	1.0K 1/4 J	カーボン抵抗		01
	HF756470	Carbon Resistor	4.7K 1/4 J	カーボン抵抗		01
	HF757100	Carbon Resistor	10.0K 1/4 J	カーボン抵抗		01
	HF757220	Carbon Resistor	22.0K 1/4 J	カーボン抵抗		01
	HF758100	Carbon Resistor	100.0K 1/4 J	カーボン抵抗		01
	HF759100	Carbon Resistor	1.0M 1/4 J	カーボン抵抗		01
	VA074600	Metal Film Resistor	15.0K 1/4 F	金属被膜抵抗		01
	VB066800	Metal Film Resistor	3.6K 1/4 F	金属被膜抵抗		01
	VE445200	Resistor Array	RGLD8X103J	抵抗アレイ		01
	IG040000	IC	NJM4560ED	I C	OPAMP	04
	IG086700	IC	UPC319C	I C	COMPARATOR	05
	IG142250	IC	SN74HCU04N	I C	INVERTER	01
	IR015350	IC	SN74HC153N	I C	SELECTOR	03
	IR039350	IC	SN74HC393N	I C	COUNTER	04
*	XR152A00	IC	AM26LS30PC	I C	LINE DRIVER	05
	XB361A00	IC	UPD71055C	I C	PPI	06
	XH499B00	IC	HD63C01Y0RS37P	I C	CPU	08
	XQ964A00	IC	HD26LS32A	I C	LINE RECEIVER	04
*	VC719300	Terminal Plate	P-424	ターミナル金具		01
	VB390600	Connector Base Post	PH-10P TE	コネクタベースポスト		01
	VF667600	Connector	52147-15P TE	コネクタ		01
	VK025700	Wire Trap	52147-13P TE	ワイヤートラップ		01
	FZ006920	LC Filter	LS MT B271KB	LCフィルターEM I		01
	FZ006970	LC Filter	LS MT Y223NB	LCフィルターEM I		02
	VJ040900	Quartz Crystal Unit	10.752M AT-49	水晶発動子		04
	VL306800	Quartz Crystal Unit	4.9152M AT-49	水晶発動子		03
	VJ338400	Ceramic Resonator	500K CSU500P	セラミック発動子		02
	VB941200	Diode	1SS133,1SS176	ダイオード		01
	VD473200	Photo Coupler	6N137	フォトカプラ		05

* New Parts (新規部品)

ランク: Japan only

REF NO.	PART NO.	DESCRIPTION		部 品 名	REMARKS	ランク
JK101 JK102 JK201 JK301	VF325300	Digital Transistor	DTA123ES TP	デジタルトランジスタ		01
	VS707600	DIN Connector Plate		D I N 金 具		03
	VK437600	Pin Connector	YKC21-3182	ピンコネクタ 1P	TIME SMPTE	01
	VH395500	DIN Connector	5P YKF51-50	D I N コ ネ ク タ	CODE INPUT MTC	02
	VN997100	DIN Connector	8P TCS7927	ミニD I N コネクタ	TO HOST	04
JK301	VI466400	Connector	DINx3 YKF51-5046	複 合 コ ネ ク タ	MIDI IN,OUT,THRU	04
*	VT579100	Circuit Board	JK1	J K 1 シ ー ト	(XQ775B0)	
	VD840700	Ceramic Capacitor-SL	33P 50V J	円筒セラ (S L)		01
	VD841300	Ceramic Capacitor-B	100P 50V K	円筒セラ (B)		01
*	VT957300	Monolithic Ceramic Cap.	0.100 50V Z	積層セラコン		01
	UJ838100	Electrolytic Cap.	100.00 16.0V	ケミコン		01
	VP246100	Transformer, Pulse	P17H	パルストランス		07
	HF753470	Carbon Resistor	4.7 1/4 J	カーボン抵抗		01
	HF754100	Carbon Resistor	10.0 1/4 J	カーボン抵抗		01
	HF754390	Carbon Resistor	39.0 1/4 J	カーボン抵抗		01
	HF754430	Carbon Resistor	43.0 1/4 J	カーボン抵抗		01
	HF754470	Carbon Resistor	47.0 1/4 J	カーボン抵抗		01
	HF754750	Carbon Resistor	75.0 1/4 J	カーボン抵抗		01
	HF755110	Carbon Resistor	110.0 1/4 J	カーボン抵抗		01
	HF755220	Carbon Resistor	220.0 1/4 J	カーボン抵抗		01
	HF756220	Carbon Resistor	2.2K 1/4 J	カーボン抵抗		01
	HF756270	Carbon Resistor	2.7K 1/4 J	カーボン抵抗		01
	HF756470	Carbon Resistor	4.7K 1/4 J	カーボン抵抗		01
	XE683A00	IC	SN75121	I	LINE DRIVER	05
	XE737A00	IC	SN75124N	I	LINE RECEIVER	05
	XQ963A00	IC	HD26LS31	I	LINE DRIVER	04
	XQ964A00	IC	HD26LS32A	I	LINE RECEIVER	04
	LB932030	Base Post Connector	VH- 3P TE	ベースポスト		01
	VK025300	Wire Trap	52147- 9P TE	ワイヤートラップ		01
	VK025500	Wire Trap	52147-11P TE	ワイヤートラップ		01
	FZ006920	LC Filter	LS MT B271KB	LCフィルターEM I		01
	FZ006970	LC Filter	LS MT Y223NB	LCフィルターEM I		02
	VP246300	Noise Filter	ZJY51R5-2P	ノイズフィルター		04
	VB941200	Diode	1SS133,1SS176	ダイオード		01
	VA078900	Jumper Wire	0.55	ジャンパー線		
JK101	VT817500	Cannon Connector Plate		キャノン金具		02
	VS133800	Cannon Connector	NC3FAH1-0	キャノンコネクタ	2TR IN DIGITAL1	04
JK102	VT645900	Pin Connector	YKC21-3	ピンコネクタ 2連	2TR IN DIGI.2,3	03
	VI552200	Pin Connector	YKS11-0	1P BNCコネクタ	WORD CLOCK IN	05
JK104	VS133700	Cannon Connector	NC3MAH	キャノンコネクタ	STR OUT DIGITAL	04
JK105	VK437600	Pin Connector	YKC21-3182	ピンコネクタ 1P	STR OUT DIGITAL	01
JK106	VI552200	Pin Connector	YKS11-0	1P BNCコネクタ	WORD CLOCK OUT	05
JK201	VR336300	D-sub Connector	17LE-15P SE	Dサブコネクタ	METER	04
	SW101	Slide Switch	SSSF112-S06N1	スライドSW	WORD CLOCK	02
	VT578900	Circuit Board	MAIN	M A I N シ ー ト	(XQ127B0)	
	UB013470	Monolithic Ceramic Cap.	B 4700P 50V K	チップ積層セラコン		01
	UB051390	Monolithic Ceramic Cap.	SL 39P 50V J	チップ積層セラコン		01
	UB052120	Monolithic Ceramic Cap.	SL 120P 50V J	チップ積層セラコン		01
	UB052150	Monolithic Ceramic Cap.	SL 150P 50V J	チップ積層セラコン		01
	VJ899500	Monolithic Ceramic Cap.	CH 10P 50V D	チップ積層セラコン		01
	VJ903700	Monolithic Ceramic Cap.	CH 560P 50V J	チップ積層セラコン		01
	UB245100	Monolithic Ceramic Cap.	F 0.100 25V Z	チップ積層セラコン		01
	VR181300	Tantalum Capacitor	3.3/16V	チップタンタルコン		02
	UF037100	Electrolytic Cap. (chip)	10 16V	チップケミコン		01
	UF037470	Electrolytic Cap. (chip)	47 16V	チップケミコン		01
	UF038100	Electrolytic Cap. (chip)	100 16V	チップケミコン		01
	UF157470	Electrolytic Cap. (chip)	47 35V UUR1V4	チップケミコン		01
	YS740100	Chip Inductance	BLM21B2OPT 2125	チップインダクタ		03
	RD255100	Carbon Resistor (chip)	100.0 0.1 J	チップ抵抗		01
	RD255150	Carbon Resistor (chip)	150.0 0.1 J	チップ抵抗		01
	RD256150	Carbon Resistor (chip)	1.5K 0.1 J	チップ抵抗		01
	RD256330	Carbon Resistor (chip)	3.3K 0.1 J	チップ抵抗		01
	RD256750	Carbon Resistor (chip)	7.5K 0.1 J	チップ抵抗		01
	RD257100	Carbon Resistor (chip)	10.0K 0.1 J	チップ抵抗		01
	RD257360	Carbon Resistor (chip)	36.0K 0.1 J	チップ抵抗		01
	VI195600	Carbon Resistor (chip)	2.0K 1/10 D	チップ金被抵抗		01
	VI196000	Carbon Resistor (chip)	3.0K 1/10 D	チップ金被抵抗		01
	RD259100	Carbon Resistor (chip)	1.0M 0.1 J	チップ抵抗		01

* New Parts (新規部品)

ランク : Japan only

REF NO.	PART NO.	DESCRIPTION	部 品 名	REMARKS	ランク	
*	XQ959A00	IC	BA5302	C	DC/DC CONVERTER	08
	XC724A00	IC	SN74HC02NSR	C	NOR	01
	XC725A00	IC	SN74HC14NSR	C	INVERTER	03
	XC726A00	IC	SN74HC74NSR	C	DFF	01
	XC727A00	IC	SN74HC139NSR	C	DECODER	02
	XD830A00	IC	SN74HC04NSR	C	INVERTER	01
	XD831A00	IC	SN74HC08NSR	C	AND	01
	XD833A00	IC	SN74HC32NSR	C	OR	01
	XD835A00	IC	SN74HC138NSR	C	DECODER	02
	XD838A00	IC	SN74HC245NSR	C	BUFFER	04
	XH218A00	IC	SN74HC125NSR	C	BUFFER	02
*	XH222A00	IC	SN74HC257NSR	C	SELECTOR	02
	XH223A00	IC	SN74HC273NSR	C	D-FF	01
	XM161A00	IC	SN74HC163NSR	C	COUNTER	03
	XN242A00	IC	TC74HC123AF	C	MONO-FF	02
*	XN515A00	IC	SN74HC153NSR	C	4-1 SELECTOR	02
*	XQ967A00	IC	TC74HC164AF	C	SHIFT REGISTER	03
*	XQ968A00	IC	TC74HC251AF	C	MULTIPLEXER	03
*	XR160A00	IC	TC74HC21AF-TP1	C	AND	01
*	XR476A00	IC	MC74HC4046AF	C	PLL	08
	X1999A00	IC	UPD71051GB-3B4	C	SERIAL I/O	06
	XQ595A00	IC	SED1335F0B	C	LCDC	08
*	XQ958A00	IC	HD6417032-F20	C	CPU	
	XQ032A00	IC	LC321664AM-80-TRM	C	DRAM 1M	11
	XQ772A00	IC	UPD431000AGW-85LL	C	SRAM 1M	12
*	XR384A00	IC	CXK58257AM70SR	C	SRAM 256K	08
*	XR105E00	IC	M27C4001-10F1	C	EPROM 4M (UPPER)	
*	XR106E00	IC	M27C4001-10F1	C	EPROM 4M (LOWER)	
	XG948E00	IC	YM3436DK	C	DIR2	11
	X1686A00	IC	M52021FP	C	RESET	04
	XM309A00	IC	HD62098	C	MEG	12
	XM530A00	IC	YM3437C-F	C	DIT2	07
*	XQ962A00	IC	YSS228-F	C	DSP3	
	VF667600	Connector	52147-15P TE	コ ネ ク タ		01
	VF728200	Connector	52147-10P TE	コ ネ ク タ		01
	V1878700	Cable Holder	51048-9P TE	ケーブルホルダー		01
	VK025300	Wire Trap	52147-9P TE	ワイヤートラップ		01
	VK025500	Wire Trap	52147-11P TE	ワイヤートラップ		01
	VK025700	Wire Trap	52147-13P TE	ワイヤートラップ		01
	VP127700	FFC Connector	52045-24P TE	F F C コネクタ		01
	VQ047800	FFC Connector	52045-27P TE	F F C コネクタ		02
*	VU328200	Plug Connector	PHEC-100P TE	プラグ (ペロースタイプ)		04
	VJ532800	IC Socket	DICF-32CS-E	I C ソケット		02
	VN103600	Battery Holder	CR2032	バッテリーホルダー		03
	FZ006970	LC Filter	LS MT Y223NB	L C フィルター E M I		02
	V1927300	Quartz Crystal Unit	10.0K 0.1 J	水晶振動子		03
	VQ248800	Quartz Crystal Unit	3119A-AQA8024.576	水晶発振器 24.576M		10
*	VT641400	Quartz Crystal Unit	3119A-AQA8022.5792	水晶発振器 22.5792		08
*	VT641700	Quartz Crystal Unit	TD308C60MHZ	水晶発振器 60MHz		08
	VT332900	Diode	1SS355 TE-17	ダイオード		01
	--	Jumper Wire	FVP=2.0C26SB9-380	2678ジャンパーワイヤ	(VU07330)	
	VT579500	Circuit Board	OPT	O P T シート	(XQ128B0)	
*	VD841900	Ceramic Capacitor-B	270P 50V K	円筒セラ (B)		01
	--	Plug, Connector	PHEC-100P TE	プラグ (ペロースタイプ)	(VU32820)	
	V1879200	Cable Holder	270P 50V K	ケーブルホルダー		01
*	VT640300	Receptacle, Connector	PHEC-100P SE	レセプタクル (ペロース)		04
	--	Jumper Wire	FVP=2.0C26SB14-140	2678ジャンパーワイヤ	(VU07380)	
	NX816710	Circuit Board	PN1-1/6	P N 1 - 1 / 6 シート	(XQ123C0)	
*	NX816720	Circuit Board	PN1-2/6	P N 1 - 2 / 6 シート	(XQ123C0)	
*	NX816730	Circuit Board	PN1-3/6	P N 1 - 3 / 6 シート	(XQ123C0)	
*	NX816740	Circuit Board	PN1-4/6	P N 1 - 4 / 6 シート	(XQ123C0)	
*	NX816750	Circuit Board	PN1-5/6	P N 1 - 5 / 6 シート	(XQ123C0)	
*	NX816760	Circuit Board	PN1-6/6	P N 1 - 6 / 6 シート	(XQ123C0)	
*	VD842800	Ceramic Capacitor-X	1500P 16V N	円筒セラ (X)		01
	UJ838100	Electrolytic Cap.	100.00 16.0V	ケ ミ コ ン		01
	HF757100	Carbon Resistor	10.0K 1/4J	カーボン抵抗		01
	HF758100	Carbon Resistor	100.0K 1/4J	カーボン抵抗		01
	VQ320400	Tact Switch	SKHVBE091A	タク ト S W		01

* New Parts (新規部品)

ランク: Japan only

REF NO.	PART NO.	DESCRIPTION	部 品 名	REMARKS	ランク
*	VT646200	Encoder	EVQ WEZ F20 24B	14形エンコーダ	04
	VI878100	Cable Holder	51048-3P TE	ケーブルホルダー	01
	VI878200	Cable Holder	51048-4P TE	ケーブルホルダー	01
	VI878800	Cable Holder	51048-10P TE	ケーブルホルダー	01
	VI879100	Cable Holder	51048-13P TE	ケーブルホルダー	01
	VI879200	Cable Holder	51048-14P TE	ケーブルホルダー	01
	V0044800	FFC Connector	52044-18P SE	FFCコネクタ	01
	V0044900	FFC Connector	52044-19P SE	FFCコネクタ	01
	V0045300	FFC Connector	52044-23P SE	FFCコネクタ	01
	V0045500	FFC Connector	52044-26P SE	FFCコネクタ	02
*	VT389600	Base Post Connector	53259-4P SE	ベースポスト	01
	FZ006970	LC Filter	LS MT Y223NB	LCフィルターEM I	02
	VS368200	Rotary Variable Resistor	B10.0K RK09K1130BN	ロータリーVR 1連	01
	VB941200	Diode	1SS133,1SS176	ダイオード	01
	V0553900	Zener Diode	MTZJ6.8B 6.8V	ツェナーダイオード	01
*	VT816300	Thermistor	ERT-D2FGL332S 3.3K	サーミスタ	01
	VS132300	LED	SLR-325VCT31(TA)RE	LED	01
	IF007690	LED	LD101MG (GR)	LED LD101MG	02
	IF004940	LED	LD-101VR RE	LED	02
	VK272300	LED Level Meter	SLA-2651 10P GR	LEDレベルメーター	05
	VK272400	LED Level Meter	SLA-4651 10P YE	LEDレベルメーター	05
*	VT646100	LED Display	LB-402VN	LEDディスプレイ	05
	VA078900	Jumper Wire	0.55	ジャンパー線	
*	VT650300	Button, LED	TL/L-GY (x1)	ボタンLED単連	02
*	VT650400	Button, LED	TL/BE (x1)	ボタンLED単連	02
*	VT650500	Button, LED	TL/D-GY (x1)	ボタンLED単連	02
*	VT650700	Button, LED	TL/RE (x1)	ボタンLED単連	02
*	VT650800	Button, LED	TL/L-GY (x4)	ボタンLED4連	03
*	VT650900	Button, LED	BE/BE (x4)	ボタンLED4連	03
*	VT651000	Button, LED	OR/OR (x4)	ボタンLED4連	03
*	VT651100	Button, LED	TL/D-GY (x4)	ボタンLED4連	03
*	VT651300	Button, LED	L-GY/L-GY (x4)	ボタンLED4連	03
*	VT911700	LED Spacer	(A)	LEDスペーサ(a)	01
*	VT911800	LED Spacer	(B)	LEDスペーサ(b)	01
	--	LED Spacer	(C)	LEDスペーサ(c)	(VU36370)
	--	Jumper Wire	FVP=2.0C26SB10-85	2678ジャンパーワイヤ	(VT64380)
	--	Jumper Wire	FVP=2.0C26SB4-750	2678ジャンパーワイヤ	(VU14330)
	--	Jumper Wire	FVP=2.0C26SB3-80	2678ジャンパーワイヤ	(VT64410)
	--	Jumper Wire	FVP=2.0C26SB13-100	2678ジャンパーワイヤ	(VT64400)
	--	Jumper Wire	FVP=2.0C26SB14-80	2678ジャンパーワイヤ	(VT64390)
IC301	V0618300	IC	CXA-L10A	DC/AC INVERTER	12
*	NX816770	Circuit Board	PN2-1/4	PN2-1/4シート	(XQ124C0)
*	NX816780	Circuit Board	PN2-2/4	PN2-2/4シート	(XQ124C0)
*	NX816790	Circuit Board	PN2-3/4	PN2-3/4シート	(XQ124C0)
*	NX816800	Circuit Board	PN2-4/4	PN2-4/4シート	(XQ124C0)
*	VD842800	Ceramic Capacitor-X	1500P 16V N	円筒セラ(X)	01
	VD843800	Ceramic Capacitor-Y	10000P 16V N	円筒セラ(Y)	01
	HF757100	Carbon Resistor	10.0K 1/4 J	カーボン抵抗	01
	HF758100	Carbon Resistor	100.0K 1/4 J	カーボン抵抗	01
	V0320400	Tact Switch	SKHVBE091A	タクトSW	01
	VR101400	Encoder	EC16B24204 L=15	16形エンコーダ	04
*	VT646200	Encoder	EVQ WEZ F20 24B	14形エンコーダ	04
	VB858500	Connector Base Post	PH-6P SE	コネクタベースポスト	01
	VI878100	Cable Holder	51048-3P TE	ケーブルホルダー	01
	VI878700	Cable Holder	51048-9P TE	ケーブルホルダー	01
	VI878900	Cable Holder	51048-11P TE	ケーブルホルダー	01
	V0045700	FFC Connector	100.0K 1/4 J	FFCコネクタ	02
*	VU066200	Rotary Variable Resistor	A20.0K2 RK14K12D	二連ロータリーVR	03
	VB941200	Diode	1SS133,1SS176	ダイオード	01
	VS132300	LED	SLR-325VCT31(TA)RE	LED	01
	IF004940	LED	LD-101VR RE	LED	02
	VR266400	LED Display	LB-203VL	LEDディスプレイ	07
	VA078900	Jumper Wire	0.55	ジャンパー線	
*	VT650300	Button, LED	TL/L-GY (x1)	ボタンLED単連	02
*	VT650500	Button, LED	TL/D-GY (x1)	ボタンLED単連	02
*	VT650600	Button, LED	TL/GR (x1)	ボタンLED単連	02
*	VT651200	Button, LED	TL/GR (x4)	ボタンLED4連	02
	--	Jumper Wire	FVP=2.0C26SB11-250	2678ジャンパーワイヤ	(VT64330)
	--	Jumper Wire	FVP=2.0C26SB9-70	2678ジャンパーワイヤ	(VT64480)

* New Parts (新規部品)

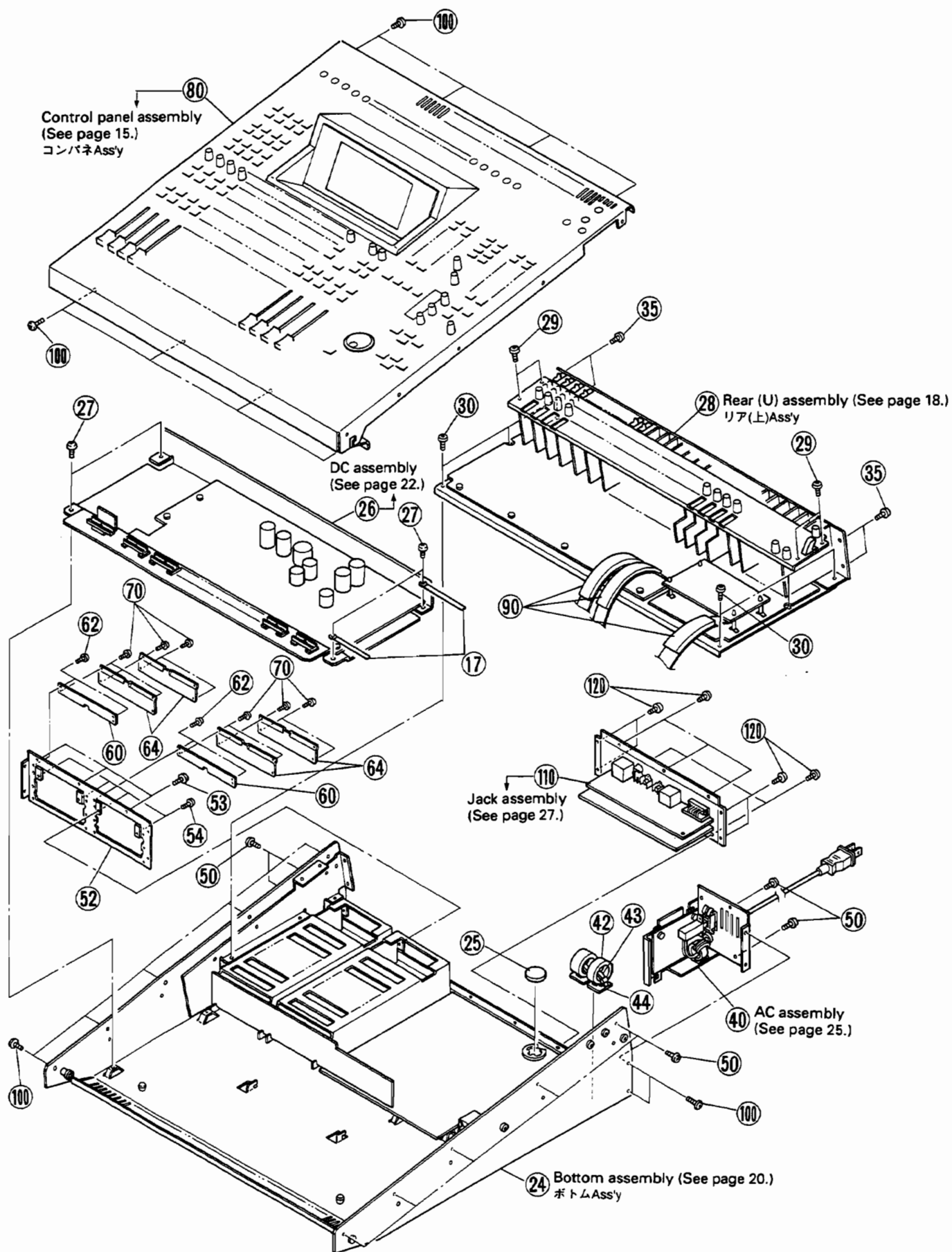
ランク: Japan only

REF NO.	PART NO.	DESCRIPTION		部 品 名	REMARKS	ランク
	--	Jumper Wire	FVP=2.0C26SB3-30	2 6 7 8 ジャンパーワイヤ	(VT64490)	
	VT580300	Circuit Board	SUB	S U B シ ー ト	(XQ126C0)	
	UB051100	Monolithic Ceramic Cap.	SL 10P 50V D	チップ積層セラコン		01
	UB245100	Monolithic Ceramic Cap.	F 0.100 25V Z	チップ積層セラコン		01
	UF038100	Electrolytic Cap. (chip)	100 16V	チップケミコン		01
	VS740100	Chip Inductance	BLM21B20PT 2125	チップインダクタ		03
*	RD154220	Carbon Resistor (chip)	22.0 1/4 J	チップ抵抗		01
	RD255100	Carbon Resistor (chip)	100.0 0.1 J	チップ抵抗		01
	RD256120	Carbon Resistor (chip)	1.2K 0.1 J	チップ抵抗		01
	RD257100	Carbon Resistor (chip)	10.0K 0.1 J	チップ抵抗		01
	RD257110	Carbon Resistor (chip)	11.0K 0.1 J	チップ抵抗		01
*	XR063A00	IC	M51951AML	IC	RESET	02
	XG725A00	IC	SN74HC14NSR	IC	INVERTER	03
	XC726A00	IC	SN74HC74NSR	IC	DFE	01
	XD830A00	IC	SN74HC04NSR	IC	INVERTER	01
	XD831A00	IC	SN74HC08NSR	IC	AND	01
	XD833A00	IC	SN74HC32NSR	IC	OR	01
	XD838A00	IC	SN74HC245NSR	IC	BUFFER	04
*	XE462A00	IC	TC74HC139AF-TP1	IC	DECODER	02
	XG903A00	IC	TC4052BF	IC	MULTIPLEXER	03
	XH223A00	IC	SN74HC273NSR	IC	D-FF	01
*	XQ967A00	IC	TC74HC164AF	IC	SHIFT REGISTER	03
*	XR384A00	IC	CXK58257AM70SR	IC	SRAM 256K	08
*	XR107B00	IC	HD6477034F	IC	CPU	
	XH887A00	IC	YMAB03	IC	RE-COUNTER	12
	VF667600	Connector	52147-15P TE	コネクター		01
	VF728200	Connector	52147-10P TE	コネクター		01
	VF982200	FFC Connector	52044-14P SW	FFCコネクター		02
	V1878600	Cable Holder	51048- 8P TE	ケーブルホルダー		04
	VK024700	Wire Trap	52147- 3P TE	ワイヤートラップ		01
	VK025100	Wire Trap	52147- 7P TE	ワイヤートラップ		01
	VK025500	Wire Trap	52147-11P TE	ワイヤートラップ		01
	VK025600	Wire Trap	52147-12P TE	ワイヤートラップ		01
	VK025700	Wire Trap	52147-13P TE	ワイヤートラップ		01
	VK025800	Wire Trap	52147-14P TE	ワイヤートラップ		01
	VM689000	FFC Connector	52045-23P TE	FFCコネクター		02
	VN773600	FFC Connector	52045-28P TE	FFCコネクター		02
	VP573800	FFC Connector	52045-18P TE	FFCコネクター		01
	VQ044900	FFC Connector	52044-19P SE	FFCコネクター		01
*	VQ045500	FFC Connector	52044-26P SE	FFCコネクター		02
	FZ006970	LC Filter	LS MT Y223NB	LCフィルターEM I		02
	V1927300	Quartz Crystal Unit	10.0K 0.1 J	水晶振動子		03
	VQ248400	Transistor Array	TD62783AF	トランジスタアレイ		04
	VQ248500	Transistor Array	TD62381F	トランジスタアレイ		04
	VT332900	Diode	1SS355 TE-17	ダイオード		01
	--	Jumper Wire	FVP=2.0C26SB8-460	2 6 7 8 ジャンパーワイヤ	(VU07300)	
*	VT641300	DC Assembly		D C A S S ' Y J		
*	VT641500	DC Assembly		D C A S S ' Y U,C,V		
*	VT641600	DC Assembly		D C A S S ' Y H,W,B		
△*	XQ976A00	Power Transformer		電源トランス	J	25
△*	XQ975A00	Power Transformer		電源トランス	U,C,V	25
△*	XQ977A00	Power Transformer		電源トランス	H,W,B	25
△*	XQ979A00	Power Transformer		電源トランス	J	09
△*	XQ978A00	Power Transformer		電源トランス	U,C,V	09
△*	XQ980A00	Power Transformer		電源トランス	H,W,B	09
	MG000610	AC Cord	2P 15A 2.1m	電源コード加工品	J	06
	VD279500	AC Cord	3P 10A 2.5m	電源コード	U,C,V	07
	VD279800	AC Cord	3P 6A 2.5m	電源コード	H,W	08
	VH890200	AC Cord	3P 10A 2.5m	電源コード	B	09
	VN103500	Lithium Battery	CR2032	リチウム電池		03
	VT379500	LCD	EDMMPU3BBF	液晶ディスプレイ		27
	JE000270	Microphone	WM-034C	マイクホン		03

* New Parts (新規部品)

ランク : Japan only

OVERALL ASSEMBLY (総組立)



REF NO.	PART NO.	DESCRIPTION		部 品 名	REMARKS	ランク
1	--	OVERALL ASSEMBLY	02R	総 組 立		
4	--	Connector Assembly	DC-JK2	束 線 (D C - J K 2)	(VT83750)	
5	--	Jumper Wire	FVP=2.0C26SB15-670	2 6 7 8 ジャンパーワイヤ	(VU07400)	
6	--	Jumper Wire	FVP=2.0C26SB10-800	2 6 7 8 ジャンパーワイヤ	(VU07340)	
7	--	Connector Assembly	DC-JK1	束 線 A s s y	(VT83520)	
8	--	Jumper Wire	FVP=2.0C26SB13-220	2 6 7 8 ジャンパーワイヤ	(VU07370)	
9	--	Jumper Wire	FVP=2.0C26SB15-180	2 6 7 8 ジャンパーワイヤ	(VU07390)	
11	--	Jumper Wire	FVP=2.0C26SB11-200	2 6 7 8 ジャンパーワイヤ	(VT64430)	
12	--	Jumper Wire	FVP=2.0C26SB9-165	2 6 7 8 ジャンパーワイヤ	(VU07310)	
13	--	Jumper Wire	FVP=2.0C26SB11-250	2 6 7 8 ジャンパーワイヤ	(VT64330)	
15	--	FFC Cable	BNCDP=1.25-K-24-155	F F C ケーブル B N C D	(VT83440)	
16	--	Jumper Wire	FVP=2.0C26SB10-170	2 6 7 8 ジャンパーワイヤ	(VU07340)	
17	--	FFC Cable	BNCDP=1.25-K-27-155	F F C ケーブル B N C D	(VT83460)	
17	C8817510	Cord Holder	S-14B	束 線 止 め	2pcs	03
24	--	Bottom Assembly		ボ ト ム A S S ' Y	J	(VT64100)
24	--	Bottom Assembly		ボ ト ム A S S ' Y	U,C,V	(VT64110)
24	--	Bottom Assembly		ボ ト ム A S S ' Y	H,W,B	(VT64120)
25	VN103500	Lithium Battery	CR2032	リ チ ウ ム 電 池		03
26	VT641300	DC Assembly		D C A s s y	J	
26	VT641500	DC Assembly		D C A s s y	U,C,V	
26	VT641600	DC Assembly		D C A s s y	H,W,B	
27	VC688800	Bind Head Tapping Screw-B	A4.0X8 MFZN2BL	+ バ イ ン ド B タ イ ト	4pcs	01
28	--	Rear Assembly	UPPER	リ ア 上 A S S ' Y		(VT64050)
29	VP157000	Bind Head Tapping Screw-B	A4.0X8 MFZN2BL	+ バ イ ン ド B タ イ ト	4pcs	01
30	VC688800	Bind Head Tapping Screw-B	A4.0X8 MFZN2BL	+ バ イ ン ド B タ イ ト	6pcs	01
35	VR779900	Bonding Tapping Screw-B	4.0X8 MFZN2BL	ボ ン デ ィ ン グ B タ イ ト	4pcs	
40	--	AC Assembly		A C A s s y	J	(VT64060)
40	--	AC Assembly		A C A s s y	U,C,V	(VT64070)
40	--	AC Assembly		A C A s s y	H,W	(VT64080)
40	--	AC Assembly		A C A s s y	B	(VT64090)
42	VC362700	Ferrite Core	FR25/15/12-1400L	フ ェ ラ イ ト コ ア	2pcs	04
43	CB069250	Cord Holder	BK-1	イ ン シ ュ ロ ッ ク タ イ	2pcs	01
44	CB835590	Holder, Band	TMS-20	バ ン ド 固 定 具	2pcs	01
50	VR779900	Bonding Tapping Screw-B	4.0X8 MFZN2BL	ボ ン デ ィ ン グ B タ イ ト	4pcs	
52	VT829000	IF Panel	02XR	イ フ パ ネ ル		08
53	VR779900	Bonding Tapping Screw-B	4.0X8 MFZN2BL	ボ ン デ ィ ン グ B タ イ ト	5pcs	
54	VP157000	Bind Head Tapping Screw-B	A3.0X8 MFZN2BL	+ バ イ ン ド B タ イ ト	4pcs	01
60	VT990600	IF Plate	BL-S	イ フ プ レ ー ト B L - S	2pcs	03
62	VR779900	Bonding Tapping Screw-B	4.0X8 MFZN2BL	ボ ン デ ィ ン グ B タ イ ト	4pcs	
64	VT956000	IF Panel	BL-L	イ フ プ レ ー ト B L - L	4pcs	04
70	VR779900	Bonding Tapping Screw-B	4.0X8 MFZN2BL	ボ ン デ ィ ン グ B タ イ ト	12pcs	
75	CB069250	Cord Holder	BK-1	イ ン シ ュ ロ ッ ク タ イ	4pcs	01
80	--	Control Panel Assembly		コ ン パ ネ A S S ' Y		(VT64040)
90	--	Cushion	(S)	ク ッ シ ョ ン (短)		(VU16250)
95	VA126100	Filament Tape	12X50	粘 着 テ ー プ	7pcs	03
100	VR779900	Bonding Tapping Screw-B	4.0X8 MFZN2BL	ボ ン デ ィ ン グ B タ イ ト	18pcs	
110	--	Jack Assembly		J K A s s y		(VT83680)
120	VR779900	Bonding Tapping Screw-B	4.0X8 MFZN2BL	ボ ン デ ィ ン グ B タ イ ト	10pcs	

* New Parts (新規部品)

ランク： Japan only

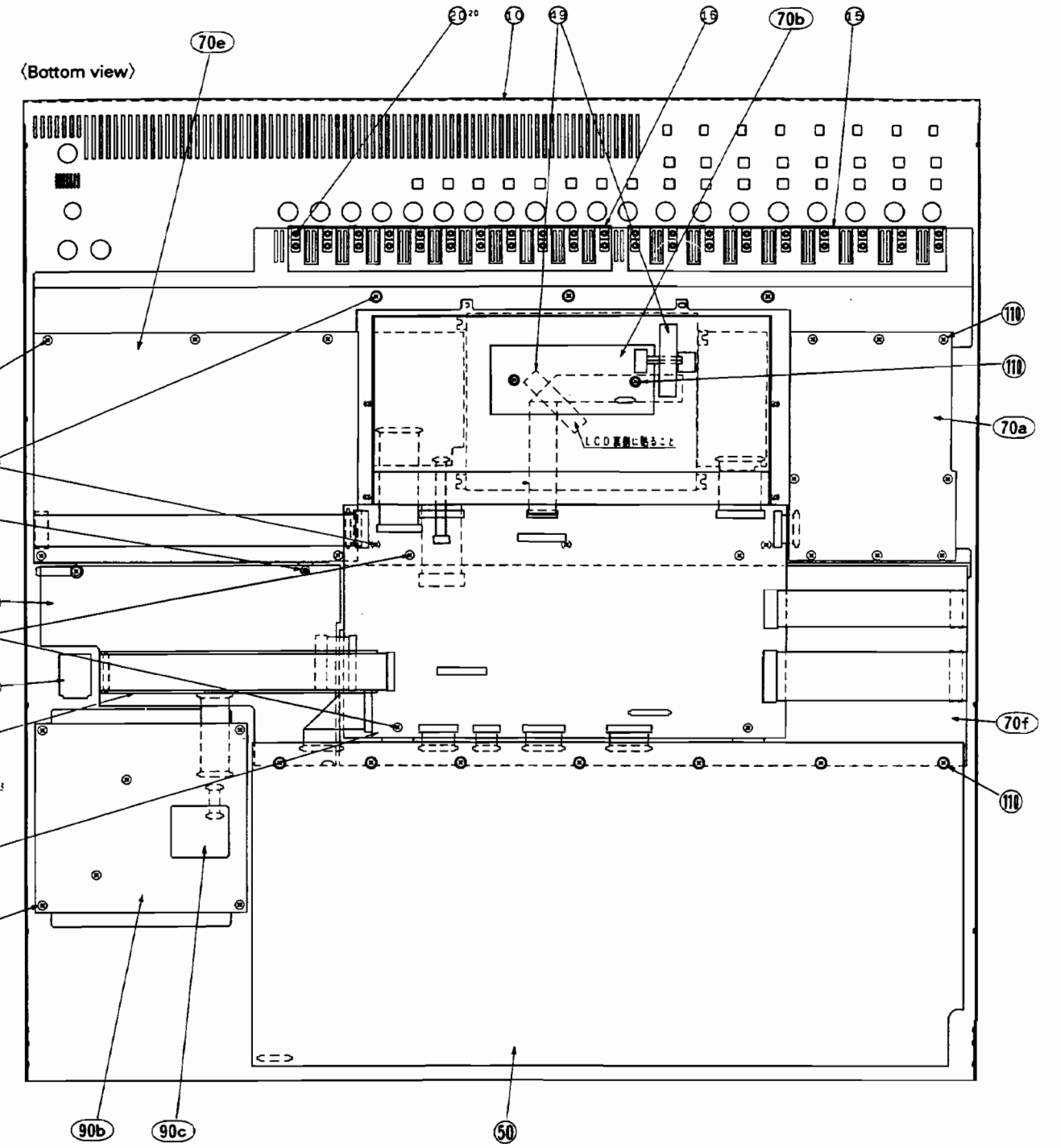
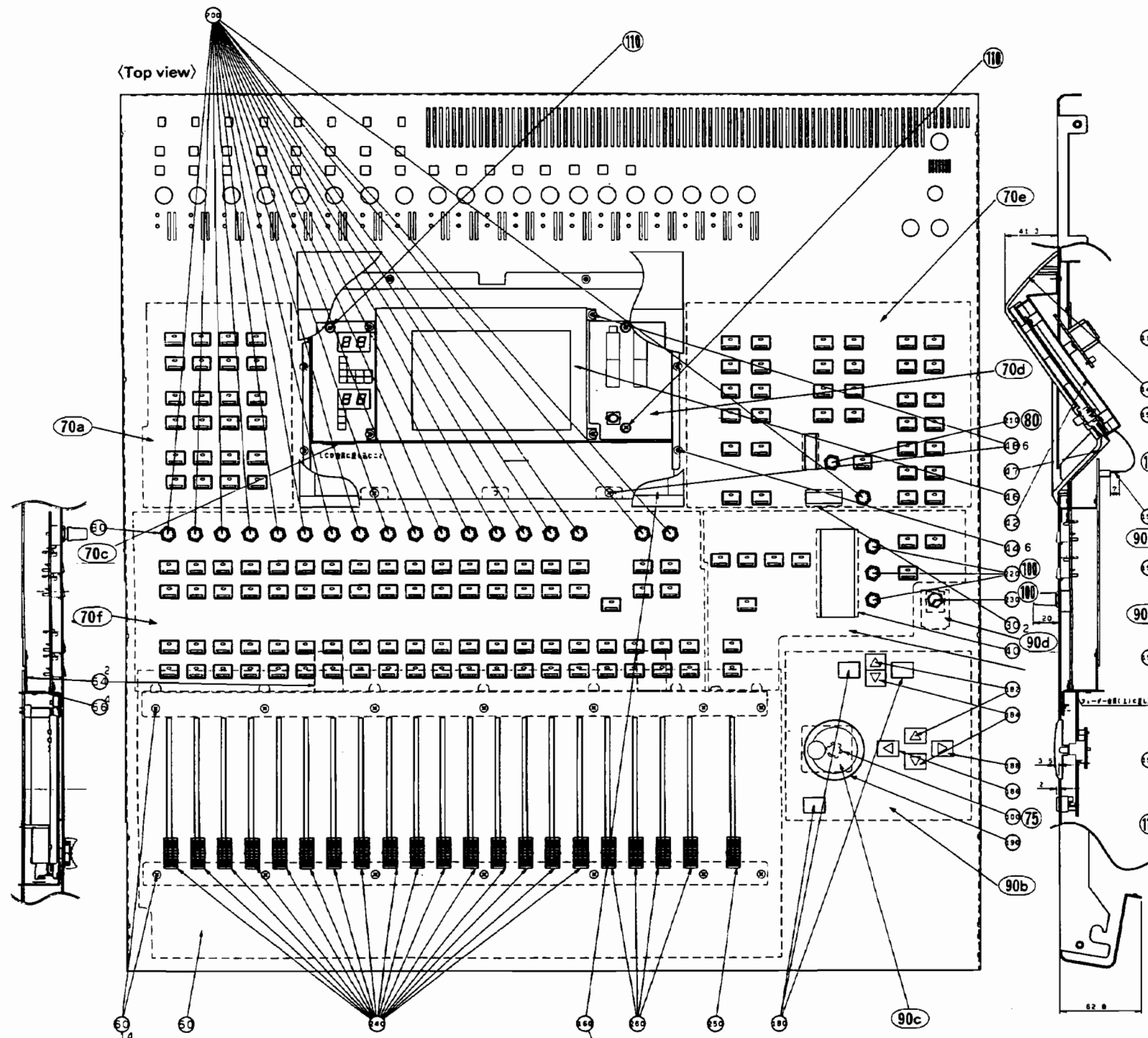
■ CONTROL PANEL ASSEMBLY (コンパネAss'y)

REF NO.	PART NO.	DESCRIPTION	部 品 名	REMARKS	ランク
	---	CONTROL PANEL ASSEMBLY	コンパネ A S S ' Y	02R (VT64040)	
2	---	FFC Cable	FFCケーブル BNC D	(VT83410)	
3	---	FFC Cable	FFCケーブル BNC D	(VT83470)	
4	---	FFC Cable	FFCケーブル BNC D	(VT83420)	
5	---	FFC Cable	FFCケーブル BNC D	(VT83430)	
6	---	FFC Cable	FFCケーブル BNC D	(VT83450)	
* 10	VS945200	Control Panel	コントロールパネル		29
15	---	Adhesive Tape	両面テープ (A)	(VU25690)	
16	---	Adhesive Tape	両面テープ (B)	(VU25700)	
* 20	VT652400	Lens, LED	LEDレンズ	PEAK,SIGNAL 40pcs	01
* 30	VS947300	Window	ウインドウ (ハ)	2pcs	05
* 40	VS947200	Window	ウインドウ (ロ)		07
* 42	VT739200	Angle Bracket, LCD	LCDアングル		07
44	VP157000	Bind Head Tapping Screw-B	+ バインド B タイ	6pcs	01
46	VT379600	LCD	液晶ディスプレイ		27
* 47	VT950900	Shield Plate, LCD	LCDシールド板		07
48	VP157000	Bind Head Tapping Screw-B	+ バインド B タイ	6pcs	01
49	VA126100	Filament Tape	粘着テープ	4pcs	03
50	VT579400	Circuit Board	F A シート		
* 54	VT859800	Sub-CPU Plate	S U B C P U 金具	2pcs	01
56	EP600190	Bind Head Tapping Screw-B	+ バインド B タイ	4pcs	01
60	VS182000	Flat Head Screw	+ 皿小ネジ	14pcs	01
* 70a	NX816710	Circuit Board	PN1-1/6	(VT57920)	
* 70b	NX816710	Circuit Board	PN1-2/6	(VT57920)	
* 70c	NX816710	Circuit Board	PN1-3/6	(VT57920)	
* 70d	NX816710	Circuit Board	PN1-4/6	(VT57920)	
* 70e	NX816710	Circuit Board	PN1-5/6	(VT57920)	
* 70f	NX816710	Circuit Board	PN1-6/6	(VT57920)	
75	---	Plate, Encoder	エンコーダー金具		
80	VJ388000	Hexagonal Nut	特殊六角ナット	20pcs	01
* 90a	NX816770	Circuit Board	PN2-1/4	(VT57930)	
* 90b	NX816780	Circuit Board	PN2-2/4	(VT57930)	
* 90c	NX816790	Circuit Board	PN2-3/4	(VT57930)	
* 90d	NX816800	Circuit Board	PN2-4/4	(VT57930)	
100	VJ388000	Hexagonal Nut	特殊六角ナット	5pcs	01
105	CB817510	Cord Holder	S-14B	束線止め	03
110	EP600230	Bind Head Tapping Screw-B	3.0X6 MFZN2BL	+ バインド B タイ	33pcs
140	VS945400	LCD Cover	LCDカバー		08
150	VP157000	Bind Head Tapping Screw-B	A3.0X8 MFZN2BL	+ バインド B タイ	6pcs
152	VT580300	Circuit Board	SUB	S U B シート	
154	EP600230	Bind Head Tapping Screw-B	3.0X6 MFZN2BL	+ バインド B タイ	4pcs
156	---	Cable Guard	ケーブルガード	(VU16290)	
158	---	Cushion	クッション (長)	(VU16240)	
* 160	VS947000	Window	ウインドウ (LCD)		15
* 180	VU075900	Top Cap Assembly	GY	トップキャップ Ass'y	ENTER, MEMORY 3pcs
* 182	VU076000	Top Cap Assembly	GY (U)	トップキャップ Ass'y	CURS., MEMORY 2pcs
* 184	VU076100	Top Cap Assembly	GY (D)	トップキャップ Ass'y	CURS., MEMORY 2pcs
* 186	VU076200	Top Cap Assembly	GY (L)	トップキャップ Ass'y	CURS.
* 188	VU076300	Top Cap Assembly	GY (R)	トップキャップ Ass'y	CURS.
* 190	VT651700	Encoder Knob		エンコーダーツマミ	DATA 02
200	VK092500	Knob	L-GY	ノブ	TAPE, TF, PAN 19pcs
* 210	VT651900	Knob	BE	ノブ	AUX SEND LEVEL 01
* 220	VT652000	Knob	GR	ノブ	EQUALIZER 3pcs
* 230	VT652100	Knob	BL/L-GY	ノブ (小)	C-R LEVEL 01
240	VR275600	Fader Knob	BL/S-GY	ノブ (フェーダー)	1-16Ch 16pcs
* 250	VT652200	Fader Knob	S-GY/RE	ノブ (フェーダー)	STEREO 02
260	VS086200	Fader Knob	S-GY/D-GY	ノブ (フェーダー)	17-24Ch 4pcs

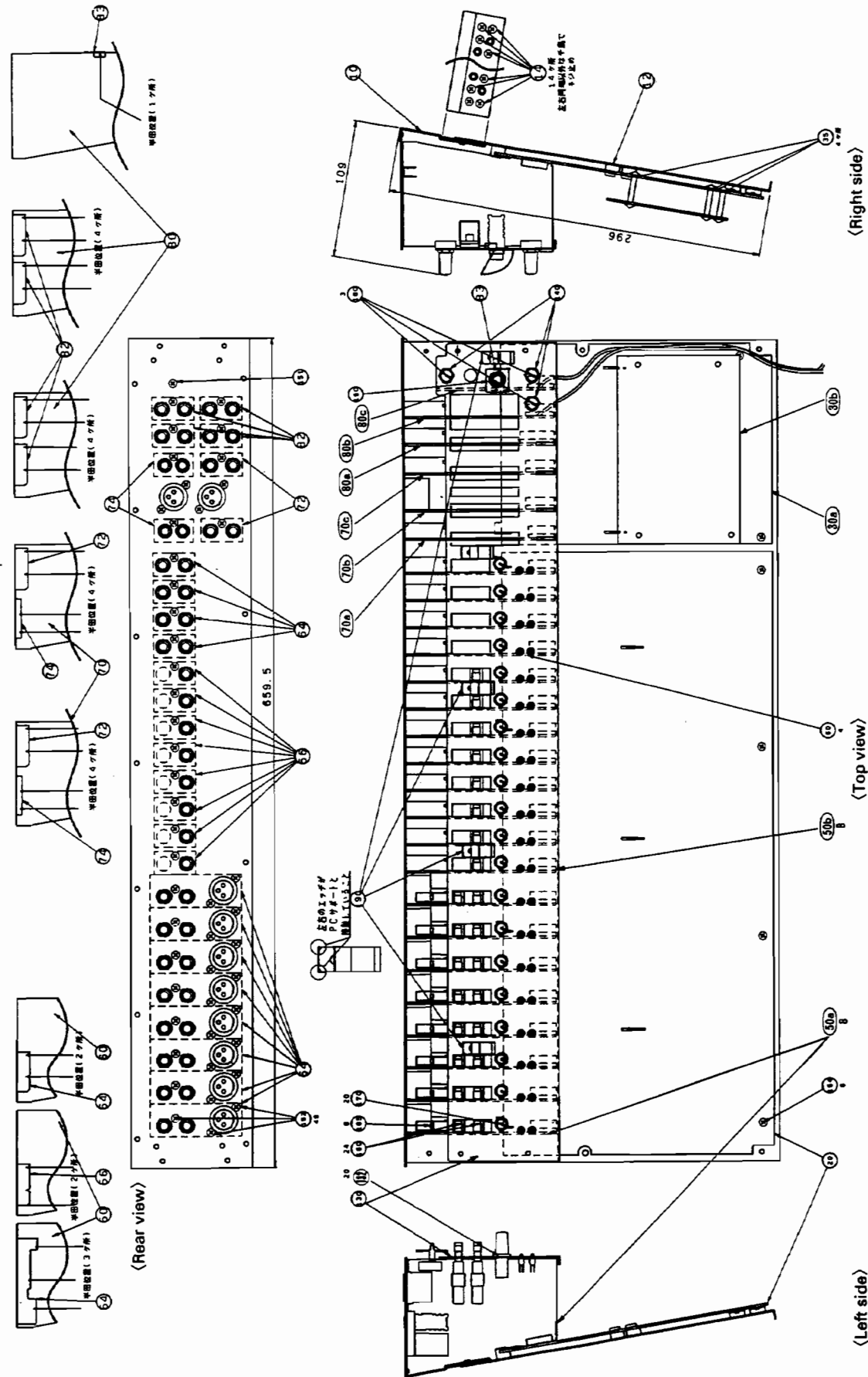
* New Parts (新規部品)

ランク : Japan only

● Control Panel Assembly (コンパネAss'y)



REAR (U) ASSEMBLY (リア上Ass'y)

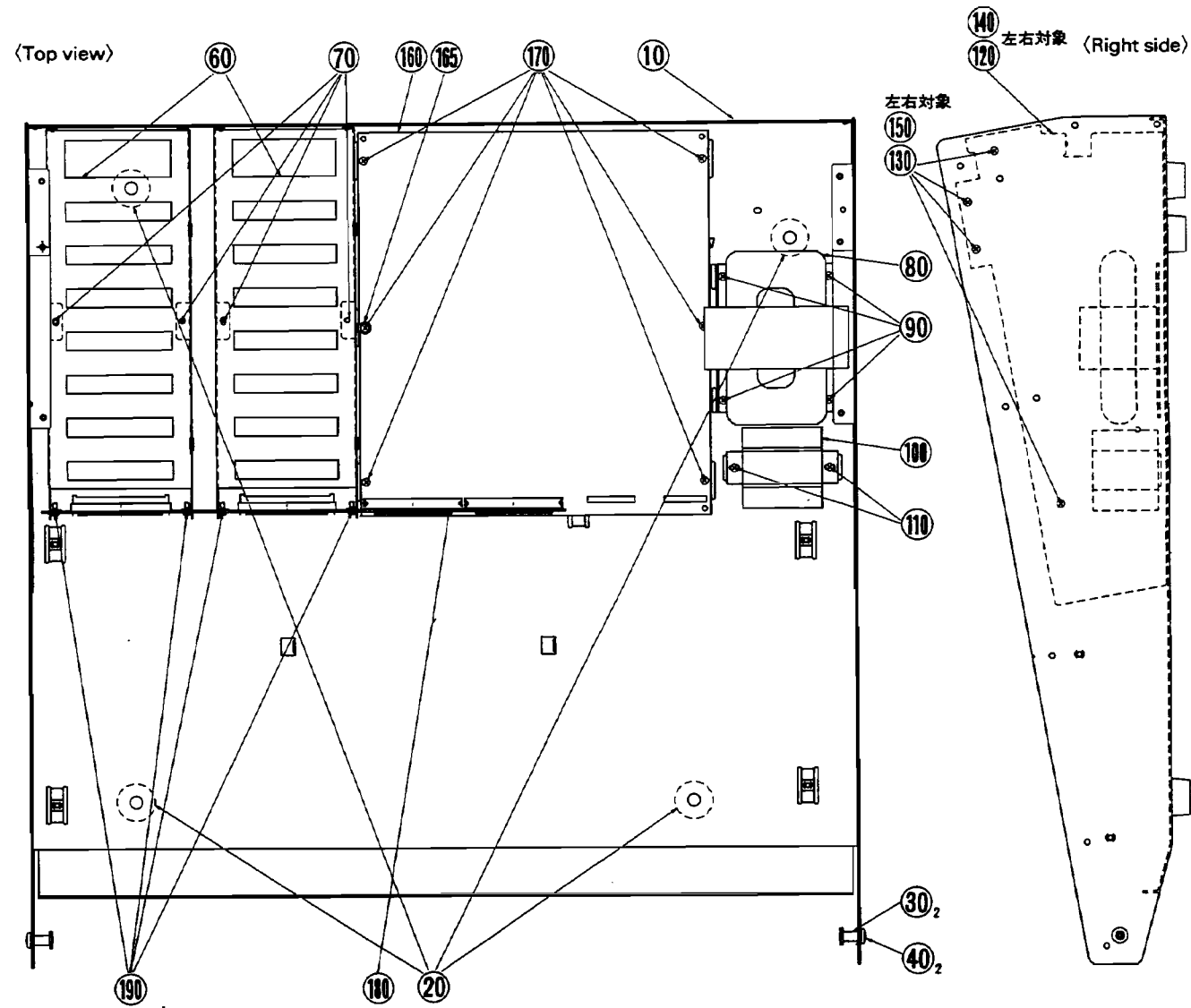


REF NO.	PART NO.	DESCRIPTION	部 品 名	REMARKS	ランク
		REAR ASSEMBLY	UPPER	リア上 A S S ' Y	02R (VT64050)
		Connector Assembly	UPPER	東線 CRレベル調整用	(VT96080)
* 10	VS943900	Rear Panel	UPPER	リアパネル(上)	
12		Shield Plate		シールド板	(VU10580)
14	VC688800	Bind Head Tapping Screw-B	UPPER	+バインドBタイト	14pcs
* 20	VU065000	Circuit Board	AD	A D シート	
* 30a	NX816690	Circuit Board	DA1/2	D A 1 / 2 シート	(VU06510)
* 30b	NX816700	Circuit Board	DA2/2	D A 2 / 2 シート	(VU06510)
35	VQ031600	Spacer	WLS-20-0	スペーサ P. C. B	4pcs
* 50a	NX816610	Circuit Board	ANI1-1/2	A N I 1 - 1 / 2 シート	8pcs (VU06460)
* 50b	NX816620	Circuit Board	ANI1-2/2	A N I 1 - 2 / 2 シート	8pcs (VU06460)
54		Film Cooper, Cannon Jack		銅フィルムキャノン	(VU12610)
56		Film Cooper, Phone Jack		銅フィルムホーン	(VU12620)
* 60	VU064700	Circuit Board	ANI2	A N I 2 シート	4pcs
64		Film Cooper, Phone Jack		銅フィルムホーン	(VU12620)
* 70a	NX816630	Circuit Board	ANO1-1/3	A N O 1 - 1 / 3 シート	(VU06480)
* 70b	NX816640	Circuit Board	ANO1-2/3	A N O 1 - 2 / 3 シート	(VU06480)
* 70c	NX816650	Circuit Board	ANO1-3/3	A N O 1 - 3 / 3 シート	(VU06480)
72		Film Cooper, Phone Jack		銅フィルムホーン	(VU12620)
74		Film Cooper, Pin		銅フィルムピン	(VU12630)
* 80a	NX816660	Circuit Board	ANO2-1/3	A N O 2 - 1 / 3 シート	(VU06490)
* 80b	NX816670	Circuit Board	ANO2-2/3	A N O 2 - 2 / 3 シート	(VU06490)
* 80c	NX816680	Circuit Board	ANO2-3/3	A N O 2 - 3 / 3 シート	(VU06490)
82		Film Cooper, Phone Jack		銅フィルムホーン	(VU12620)
83		Film Cooper, Headphones		銅フィルムヘッドホン	(VU12640)
* 130	VS943400	Support, PC		P C サポート	
132	VR991600	Hexagonal Nut	7.0X11X2 MFZN2BL	管 用 ナ ッ ト	20pcs
140	VJ388000	Hexagonal Nut	9.0 11X2 MFZN2BL	特殊六角ナット	3pcs
150	V8508600	Hexagonal Nut	12.0X14X2 MFZN2BL	特殊六角ナット	
151	VP157800	Bonding Head Screw	3.0X8 MFZN2BL	+ボンディングホネジ	
152	VR144900	Bonding Tapping Screw-B	3.0X6 MFZN2BL	ボンディングBタイト	48pcs
154	EP600190	Bind Head Tapping Screw-B	3.0X8 MFZN2BL	+バインドBタイト	6pcs
* 160	VT651400	Push Button	D-GY/S-GY	プッシュボタン	A/B,20dB 24pcs
165	VJ859500	Slide Knob	RE	スライドツマミ	+45V ON/OFF
170	VS085700	Knob	S-GY/D-GY	ノブ (小)	GAIN1-24 20pcs
* 180	VT652100	Knob	BL/L-GY	ノブ (小)	TB,ST,PH lev 3pcs
190		Terminal	HPC-10-20	接触子ハイポイント	(VU13210)

* New Parts (新規部品)

ランク : Japan only

■ BOTTOM ASSEMBLY (ボトムAss'y)

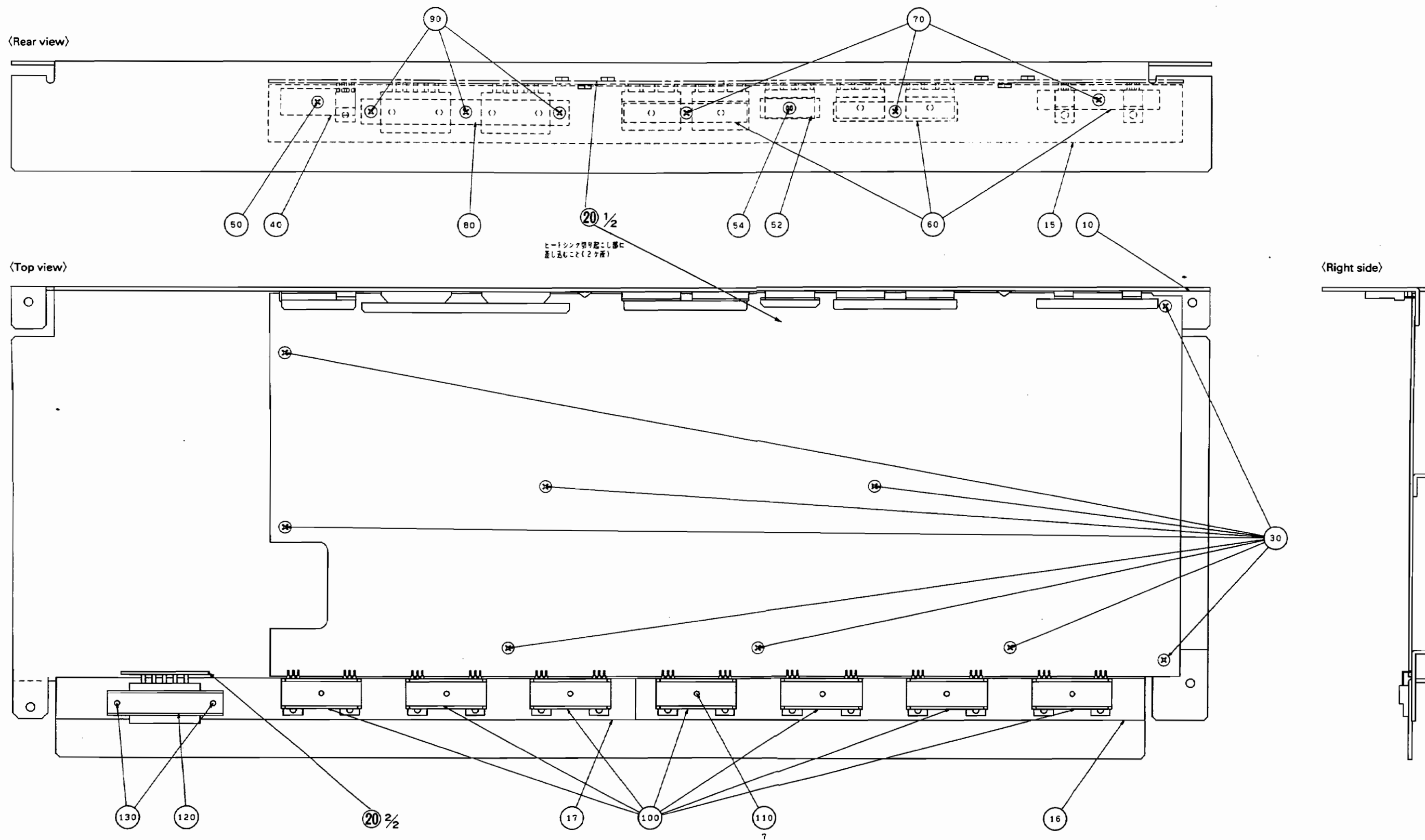


REF NO.	PART NO.	DESCRIPTION	部 品 名	REMARKS	コソ
	---	BOTTOM ASSEMBLY	ボトムアッセンブリ	J (VT64100)	
	---	Bottom Assembly	ボトムアッセンブリ	U,C,V (VT64110)	
	---	Bottom Assembly	ボトムアッセンブリ	H,W,B (VT64120)	
*	10	VS944100	Bottom Chassis	S-GY/D-GY	
	20	VJ155700	Foot	1058	ボトムシャーシ 足 4pcs
*	30	VT845200	Nut	6.0 MFZN2Y	連結金具ナット 2pcs
	40	EG360020	Bind Head Screw	6.0X16 MFZN2BL	+ バインド小ネジ 2pcs
*	60	VT594300	IF Plate		I F 金 具 2pcs
	70	VP157000	Bind Head Tapping Screw-B	A3.0X8 MFZN2BL	+ バインドBタイト 4pcs
Δ*	80	XQ976A00	Power Transformer		電源トランス J 25
Δ*	80	XQ975A00	Power Transformer		電源トランス U,C,V 25
Δ*	80	XQ977A00	Power Transformer		電源トランス H,W,B 25
	90	VP156800	Bind Head Screw	A4.0X8 MFZN2BL	+ バインド小ネジ 4pcs
Δ*	100	XQ979A00	Power Transformer		電源トランス J 09
Δ*	100	XQ978A00	Power Transformer		電源トランス U,C,V 09
Δ*	100	XQ980A00	Power Transformer		電源トランス H,W,B 09
	110	VP156800	Bind Head Screw	A4.0X8 MFZN2BL	+ バインド小ネジ 2pcs
*	120	VS944600	Angle Bracket	LEFT	アングル (R) 08
	125	CB817510	Cord Holder	S-14B	束 線 止 め 2pcs
	130	VP156800	Bind Head Screw	A4.0X8 MFZN2BL	+ バインド小ネジ 4pcs
*	140	VS944500	Angle Bracket	RIGHT	アングル (L) 08
	150	VP156800	Bind Head Screw	A4.0X8 MFZN2BL	+ バインド小ネジ 4pcs
	160	VT578900	Circuit Board	MAIN	M A I N シ ー ト 03
	165	CB817510	Cord Holder	S-14B	束 線 止 め 03
	170	EP600190	Bind Head Tapping Screw-B	3.0X8 MFZN2BL	+ バインドBタイト 6pcs
*	180	VT579500	Circuit Board	OPT	O P T シ ー ト 01
	190	EP600190	Bind Head Tapping Screw-B	3.0X8 MFZN2BL	+ バインドBタイト 4pcs

* New Parts (新規部品)

ランク: Japan only

■ DC ASSEMBLY (DC Ass'y)



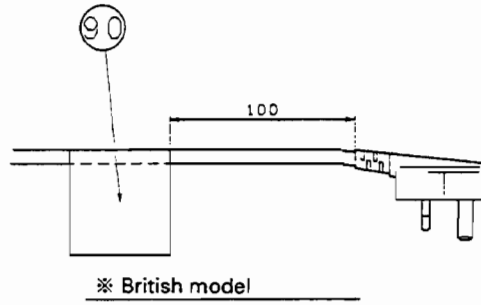
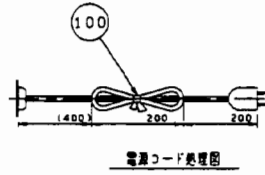
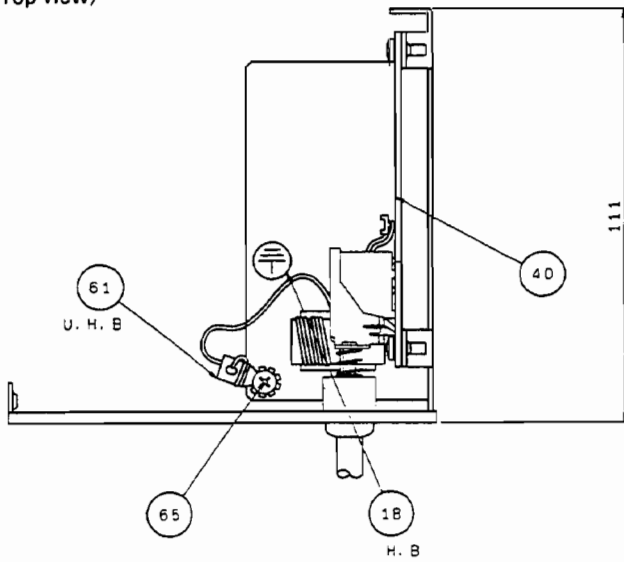
REF NO.	PART NO.	DESCRIPTION	部 品 名	REMARKS	ランク
*	VT641300	DC Assembly	D C A s s y	J	
*	VT641500	DC Assembly	D C A s s y	U,C,V	
*	VT641600	DC Assembly	D C A s s y	H,W,B	
* 10	VS944200	Heat Sink	ヒ ー ト シ ン ク		16
15	--	Insulation Sheet (U)	放 熱 シ ー ト (上)	(VU16210)	
16	--	Insulation Sheet (LA)	放 熱 シ ー ト (下 A)	(VU16220)	
17	--	Insulation Sheet (LB)	放 熱 シ ー ト (下 B)	(VU16280)	
20	--	Circuit Board DC	D C シ ー ト	JUCV	(VU06520)
20	--	Circuit Board DC	D C シ ー ト	H,B,W	(VU06530)
30	EP600190	Bind Head Tapping Screw-B	+ バ イ ン ド B タ イ ト	9pcs	01
* 40	VT974400	Transistor Holder	T R ・ 押 え ア ン グ ル		05
50	V8763800	Bind Head Screw SP 3.0X12 MFZN2Y	+ バ イ ン ド 小 ネ ジ		01
* 52	VL092400	Transistor Holder	T R 押 さ え 金 具		08
54	V8763800	Bind Head Screw SP 3.0X12 MFZN2Y	+ バ イ ン ド 小 ネ ジ		01
60	VR524600	Angle, Transistor S	T R ア ン グ ル S	3pcs	03
70	V8763800	Bind Head Screw SP 3.0X12 MFZN2Y	+ バ イ ン ド 小 ネ ジ	3pcs	01
80	--	Transistor Holder x2	T R ア ン グ ル 2 連	(VU13490)	
90	V8763800	Bind Head Screw SP 3.0X12 MFZN2Y	+ バ イ ン ド 小 ネ ジ	3pcs	01
100	VM512200	Transistor Holder	T R ホ ル ダ ー	7pcs	05
110	V8763800	Bind Head Screw SP 3.0X12 MFZN2Y	+ バ イ ン ド 小 ネ ジ	7pcs	01
120	--	Transistor Holder x1	T R ア ン グ ル 単 連	(VU13480)	
130	V8763800	Bind Head Screw SP 3.0X12 MFZN2Y	+ バ イ ン ド 小 ネ ジ	2pcs	01

* New Parts (新規部品)

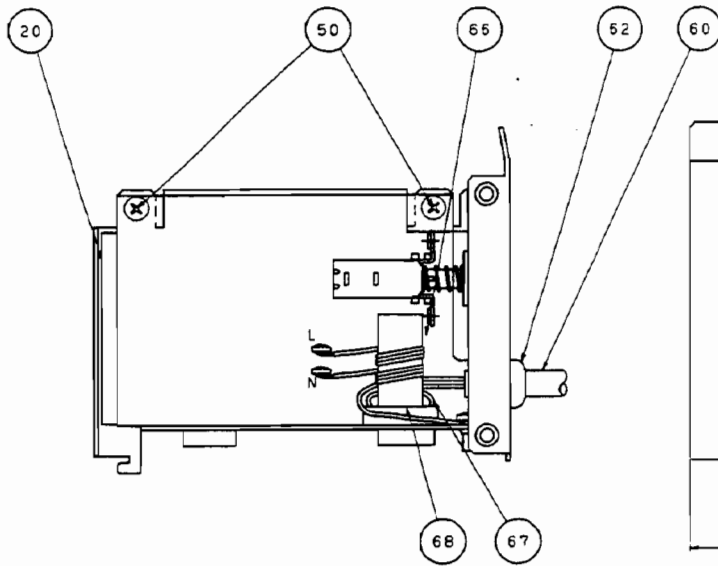
ランク : Japan only

AC ASSEMBLY (AC Ass'y)

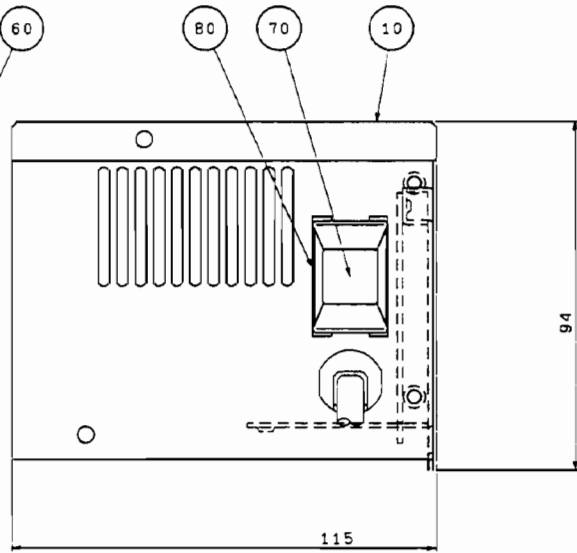
<Top view>



<Right side>



<Rear view>



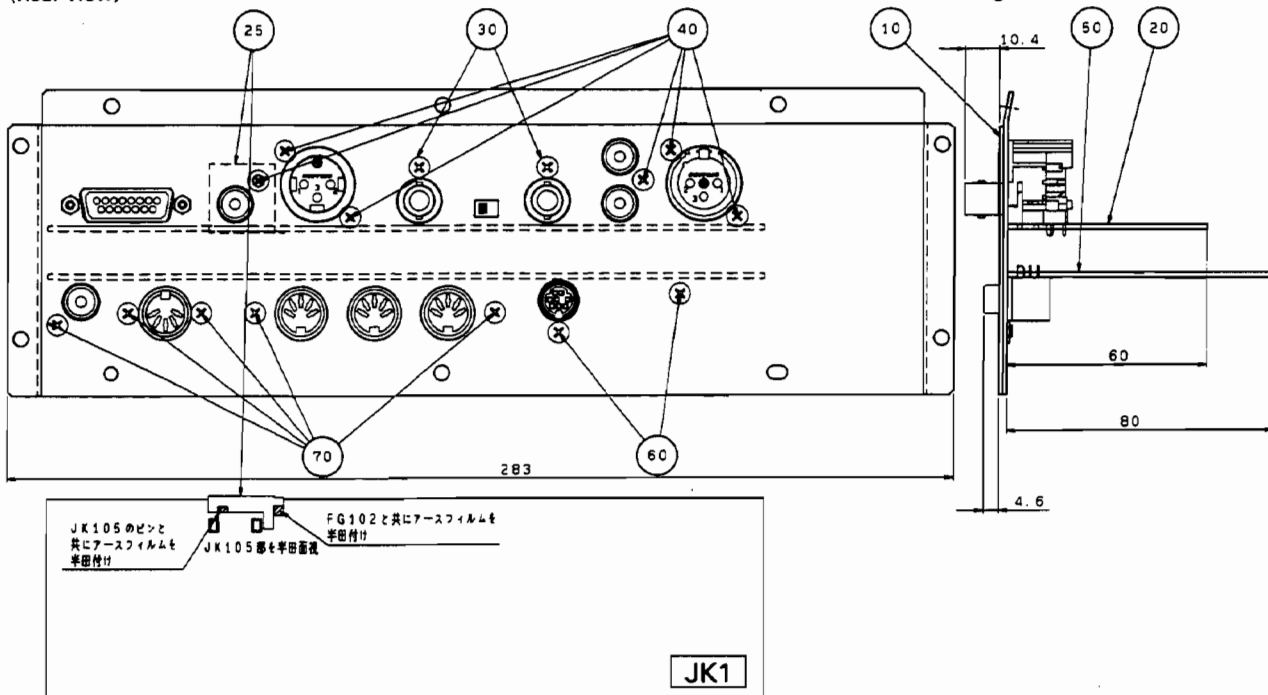
REF NO.	PART NO.	DESCRIPTION	部 品 名	REMARKS	ランク
	--	AC Assembly	A C A s s y	J (VT64060)	
	--	AC Assembly	A C A s s y	U,C,V (VT64070)	
	--	AC Assembly	A C A s s y	H,W (VT64080)	
	--	AC Assembly	A C A s s y	B (VT64090)	
* 10	VT747800	AC Panel	A C パ ネ ル	J	08
* 10	VT840700	AC Panel	A C パ ネ ル	U,C,V	08
* 10	VT837100	AC Panel	A C パ ネ ル	H,W,B	08
18	CA060690	Earth Mark	ア ー ス マ ー ク	H,W,B	01
20	--	Insulation Sheet	絶 縁 シ ー ト	(VU14360)	
* 40	VU065400	Circuit Board	A C シ ー ト	J,U,C,V	
* 40	VU065500	Circuit Board	A C シ ー ト	H,W,B	
50	EP600190	Bind Head Tapping Screw-B	3.0X8 MFZN2BL	+	01
60	MG000610	AC Cord	2P 15A 2.1m	電 源 コ ー ド 加 工 品	06
60	VD279500	AC Cord	3P 10A 2.5m	電 源 コ ー ド	07
60	VD279800	AC Cord	3P 6A 2.5m	電 源 コ ー ド	08
60	VH890200	AC Cord	3P 10A 2.5m	電 源 コ ー ド	09
61	LA003690	Rug Terminal		B	01
62	CB806850	Cord Holder	SR-6N3-4	ラ グ 端 子	01
62	CB032840	Cord Holder	SR-5N-4	コ ー ド ス ト ッ パ ー	02
65	VP156800	Bind Head Screw	A4.0X8 MFZN2BL	+	03
66	VC362700	Ferrite Core	FR25/15/12-1400L	+	04
67	CB069250	Cord Holder	BK-1	フ ェ ラ イ ト コ ア	01
68	CB835590	Holder, Band	TMS-20	イ ン シ ュ ロ ッ ク タ イ	01
70	VL812900	Knob, Power Switch		パ ン ド 固 定 具	03
80	VL813000	Escutcheon, Power Switch		P S W ノ ブ	03
90	VH096700	Caution Label	Cord-3P	コ ー ド 注 意 ラ ベ ル	01
100	CB033610	Cord Holder		束 線 止 め	01

* New Parts (新規部品)

ランク : Japan only

JACK ASSEMBLY (JK Ass'y)

(Rear view)



REF NO.	PART NO.	DESCRIPTION	部 品 名	REMARKS	ランク
	--	JACK ASSEMBLY	J K A s s y	02R (VT83680)	
* 10	VT816800	Jack Panel	J K パネル		08
* 20	VT579100	Circuit Board	J K 1 シート		
25	--	Film Cooper, Pin	銅フィルムピン単連	(VU19520)	
30	VP157800	Bonding Head Screw	+ボンディング小ネジ	2pcs	01
40	VN413300	Bonding Tapping Screw-B	ボンディングBタイト	6pcs	01
* 50	VT580400	Circuit Board	J K 2 シート		
60	VP157800	Bonding Head Screw	+ボンディング小ネジ	2pcs	01
70	VN413300	Bonding Tapping Screw-B	ボンディングBタイト	5pcs	01

* New Parts (新規部品)

ランク : Japan only