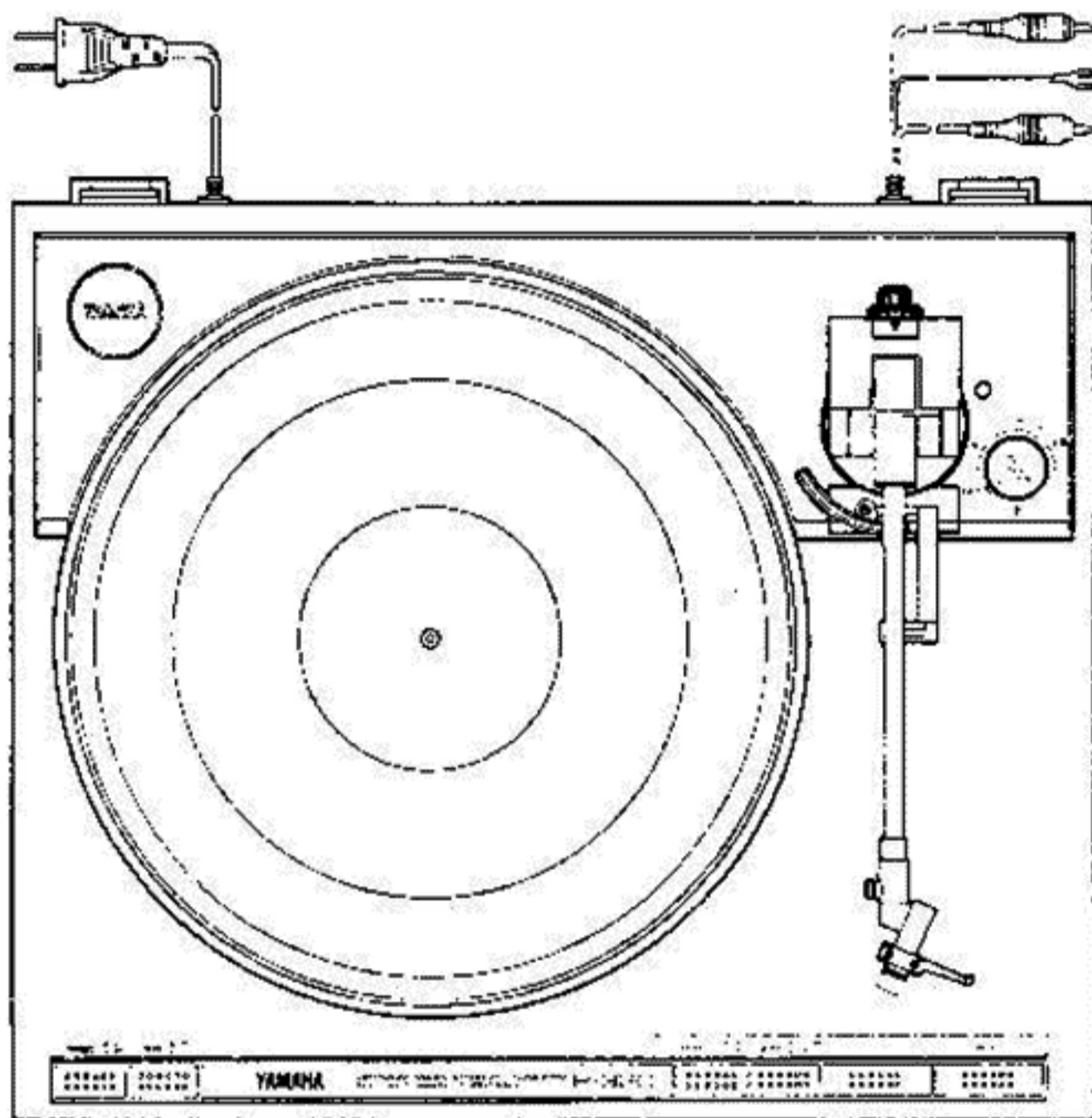


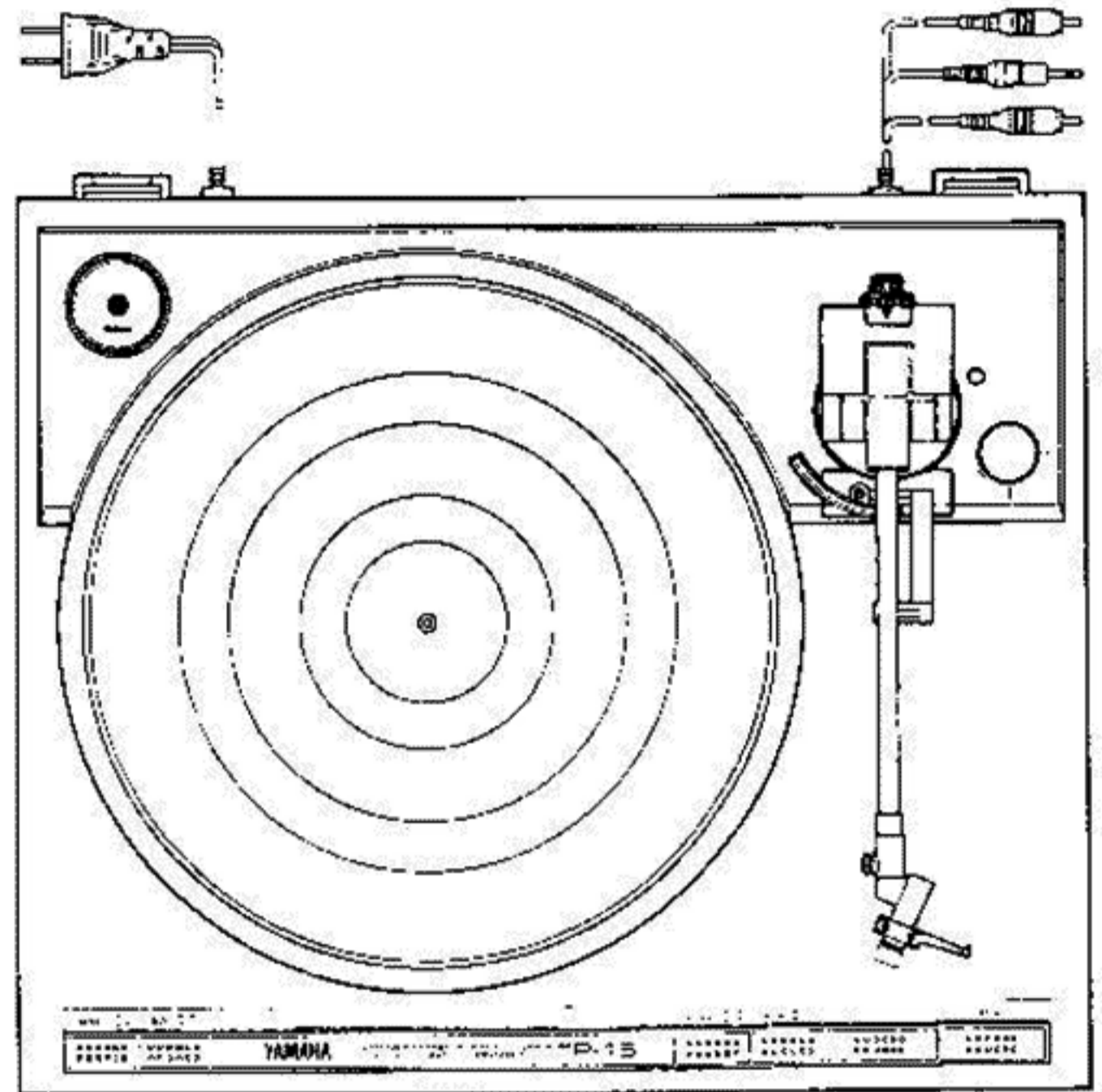
# STEREO TURNTABLE P-320/P-16

## SERVICE MANUAL

### ● P-320

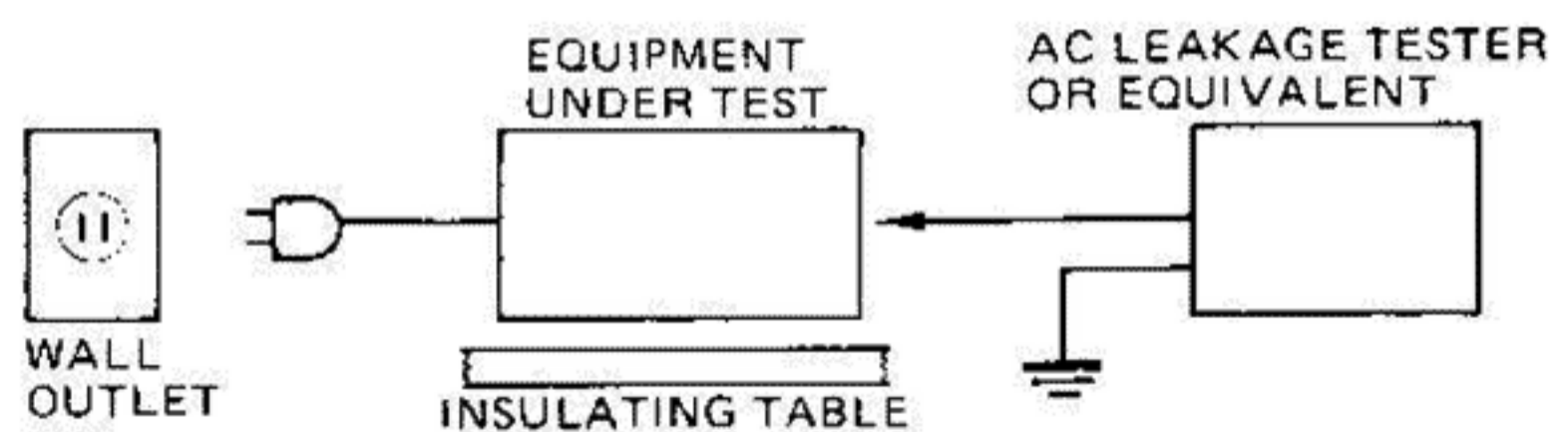


### ● P-16



## ■ TO SERVICE PERSONNEL

1. Critical Components Information.  
Components having special characteristics are marked  $\Delta$  and must be replaced with parts having specifications equal to those originally installed.
2. Leakage Current Measurement (For 120V Model Only).  
When service has been completed, it is imperative that you verify that all exposed conductive surfaces are properly insulated from supply circuits.
  - Meter impedance should be equivalent to 1500 ohm shunted by  $0.15\mu\text{F}$ .
  - Leakage current must not exceed 0.5mA.
  - Be sure to test for leakage with the AC plug in both polarities.



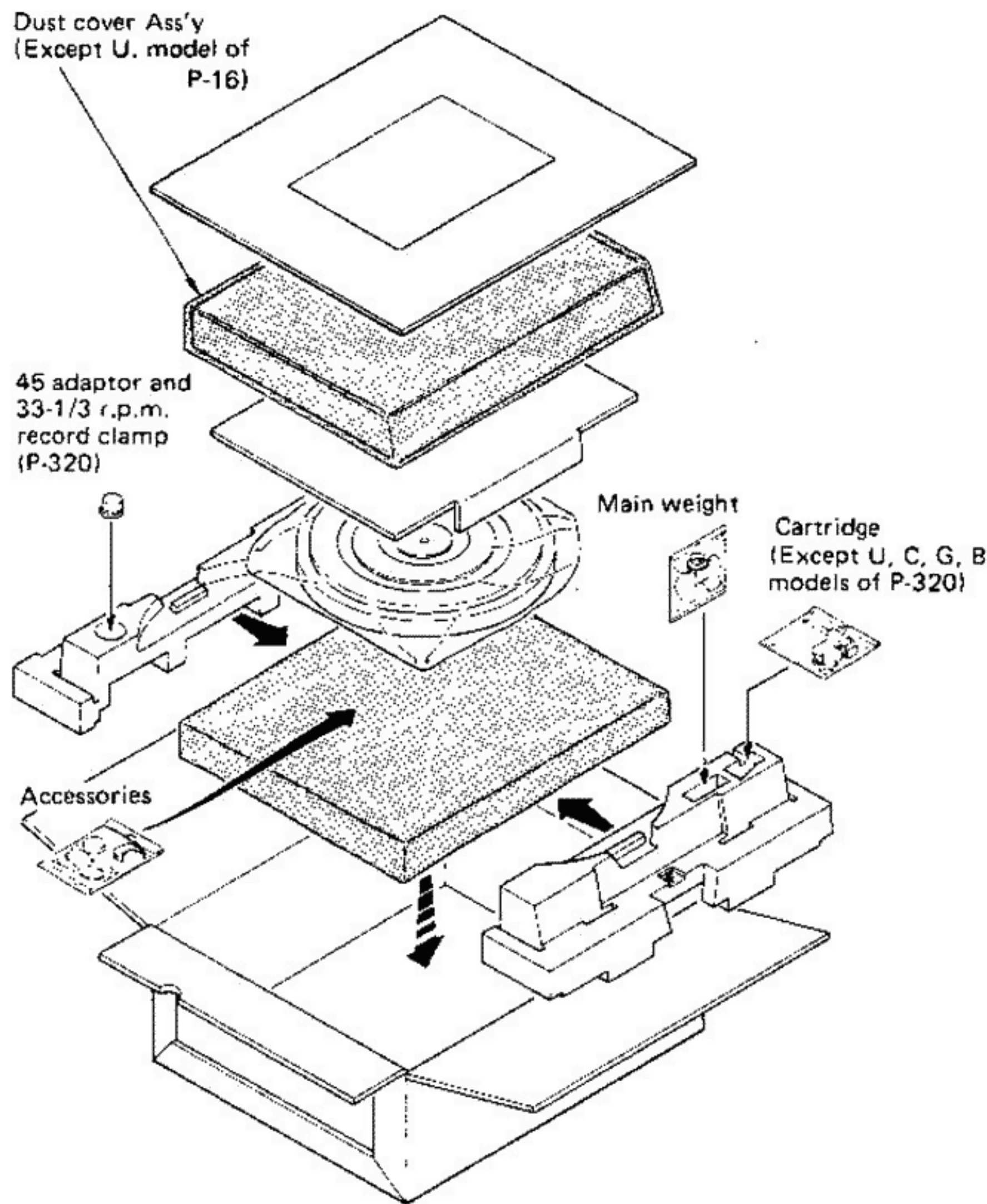
## ■ CONTENTS

PACKAGE INSTRUCTION .....	1
SPECIFICATIONS .....	1
INTERNAL VIEW .....	2
DISASSEMBLY PROCEDURES .....	2~4
ADJUSTMENTS .....	4/5

MECHANICAL DESCRIPTION .....	6~9
WIRING .....	10
SCHEMATIC DIAGRAM .....	11
PARTS LIST .....	12~19



## PACKAGE INSTRUCTION

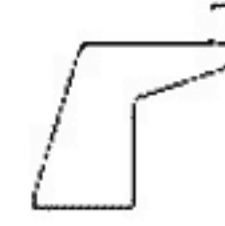


## ACCESSORIES

45 adaptor (P-16)



Overhang gauge (P-16)

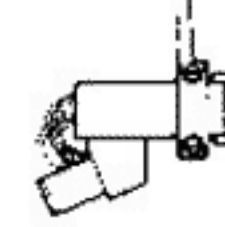


Add to U, C, G, B models of P-320

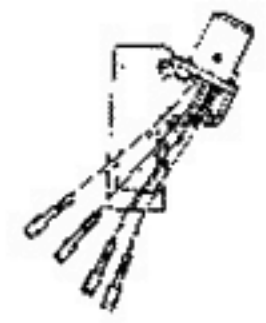
45 adaptor and 33-1/3 r.p.m. record clamp (P-320)



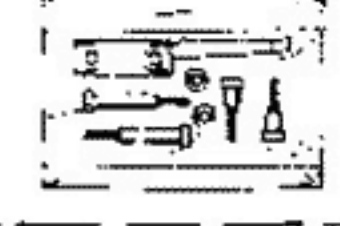
Headshell with cartridge (Except U, C models of P-320)



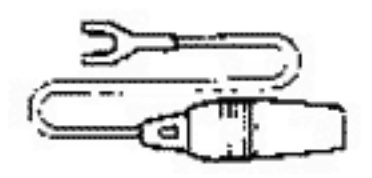
Headshell



Fixing screw Ass'y



Ground wire adaptor (P-16)



P-mount Headshell (Add to R, A, U, C models of P-320)



U: U.S.A. model  
C: Canadian model  
A: Australian model

G: European model  
B: British model  
R: General model

## SPECIFICATIONS

### TURNTABLE MOTOR SECTION

Drive System	Belt Drive
Motor	V Servo DC motor
Platter	30cm (12") diecast aluminum, Weight 0.9 kg (2 lbs) (including rubber mat)
Turntable Moment Inertia	100 kg-cm <sup>2</sup> (including rubber mat)
Speed	33-1/3 & 45 r.p.m.
Signal-to-Noise Ratio	Better than 70dB (DIN-B, IEC 98A WTD)
Wow and Flutter	Less than 0.04% wrms

### TONEARM SECTION

Arm Type	Swinging, straight arm
Tonearm Total & Effective Length	300/222 mm
Overhang	16 mm (5/8")
Tracking Force	Static balanced 0 - 3g, 0.1g steps
Effective Mass	11g (without cartridge)
Horizontal Tracking Error	-1° to 3°
Anti-Skating	Spring type
Offset Angle	23°
Arm Lifter	Oil damped system
Permissible Cartridge Weight	2.5 - 9g
Headshell	Resin, shield type Weight 3.2g (Including Finger hook, Nut and Volt)

### CARTRIDGE (Except U, C, G, B model of P-320)

Type	CG-7700 VM Type
Output	2.5mV
Tracking Force	2.0 ± 0.5g
Weight	6g

### GENERAL

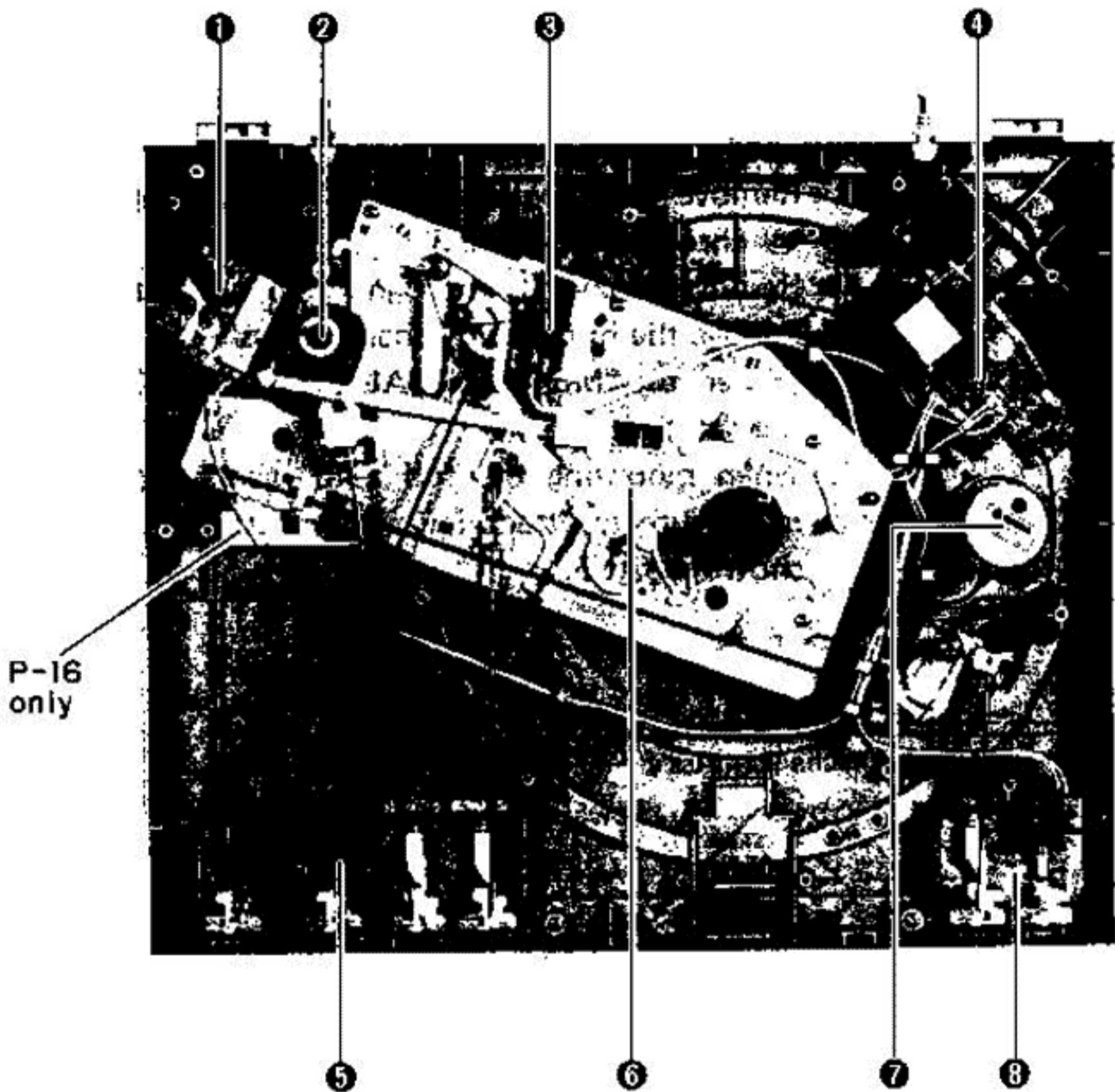
Power Supplies	120V AC 60Hz (U.S. & Canadian Models) 220V AC 50Hz (European Model) 240V AC 50Hz (British & Australian Models) 110 ~ 120V, 220 ~ 240V AC50/60Hz (General Model)
Power Consumption	1.5W
Cabinet	BMC (Bulk Molding Compound)
Dust Cover (Except U model of P-16)	Removable, transparent
Hinges (Except U model of P-16)	Detachable
Dimensions (W x H x D)	
Except U model of P-16	435 x 111 x 378 mm (17-1/8" x 4-3/8" x 15-1/4")
U model of P-16	435 x 100 x 378 mm (17-1/8" x 4" x 15-1/4")

### Weight

Except U model of P-16	5.8kg (12.8 lbs)
U model of P-16	5kg (11.0 lbs)

Specifications subject to change without notice.

## INTERNAL VIEW



- ① PU CORD ASS'Y
- ② RETURN ARM ASS'Y
- ③ MICROSWITCH
- ④ POWER CIRCUIT BOARD
- ⑤ SWITCH BASE ASS'Y (F, A)
- ⑥ FULL AUTO MECHANISM ASS'Y
- ⑦ MOTOR (JC00077)
- ⑧ SELECTOR SWITCH ASS'Y (F, A)

## DISASSEMBLY PROCEDURES

### NOTES ON DISASSEMBLY

Before disassembling the unit, remove the platter and headshell with cartridge, and securely tie the arm to the arm rest with string, etc. Then gently turn the unit upside down and place it on cloth, etc. Piled up on both sides to protect the arm and cabinet from damage.

#### 1. Bottom Cover removal

- a. Remove screws ① through ④ in fig. 1 and remove the acoustic insulator feet.
- b. Remove screws ⑤ through ⑨ in fig. 1 and remove the bottom cover.

#### 2. PU cord ass'y replacement

- a. Remove the tonearm wire.
- b. Remove screw ① in fig. 2 and replace the PU cord Ass'y.

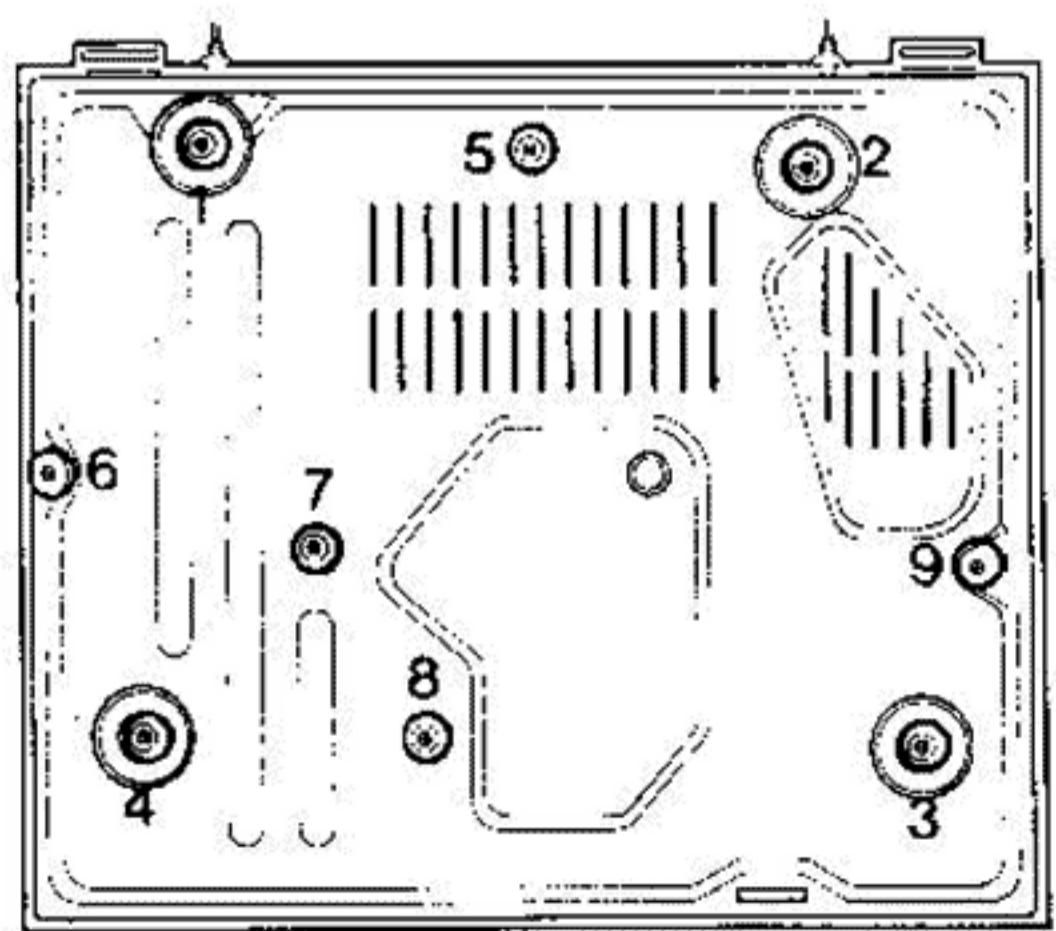


Fig. 1

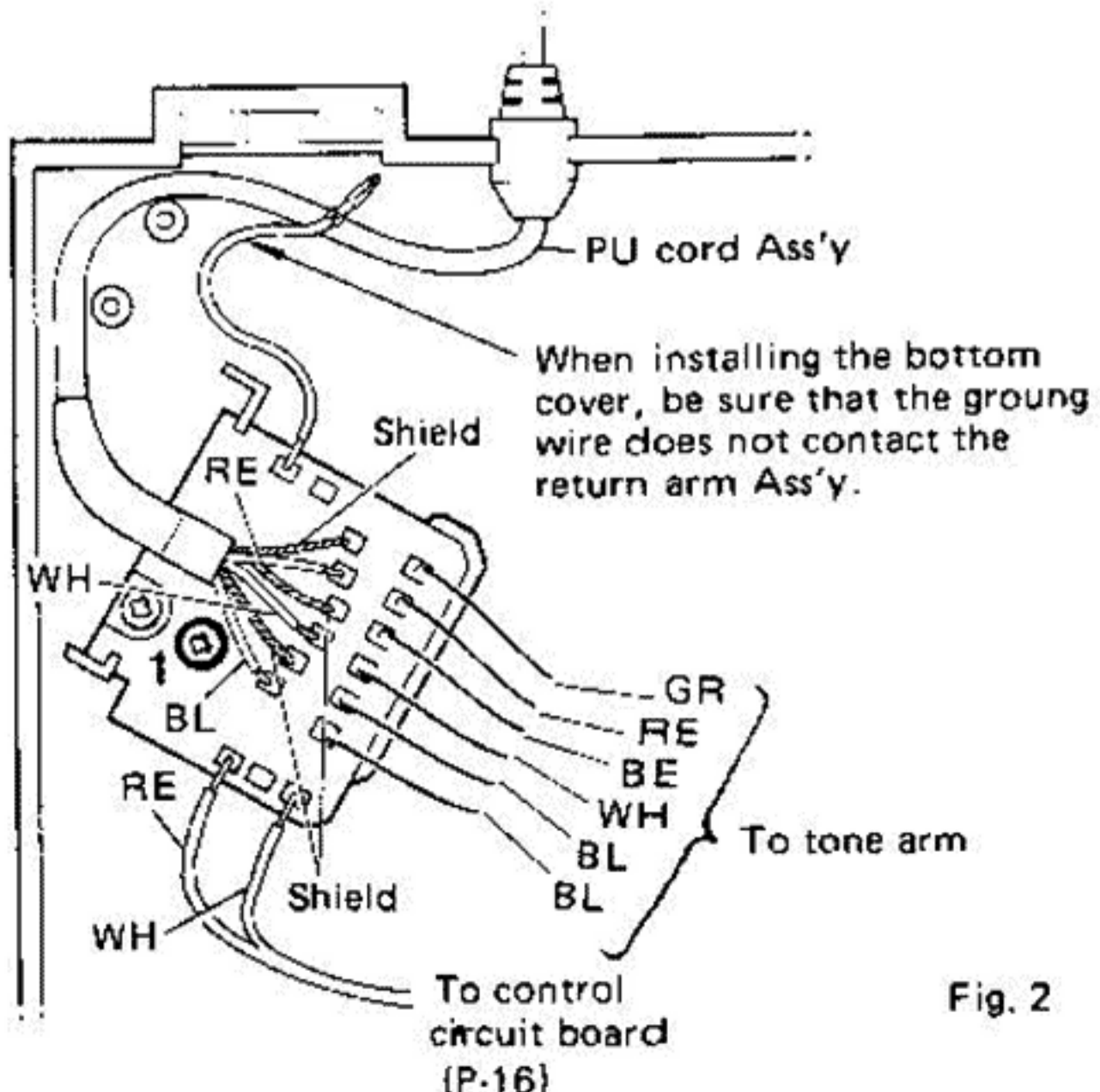


Fig. 2

**3. Full Auto Mechanism Ass'y removal**

- a. Before this work, be sure to remove the PU cord ass'y and motor.
- b. Remove the repeat rod.
- c. Remove the cueing rod. (F, A)
- d. Remove the cut rod. (F, A)
- e. Remove the play rod.
- f. Remove the size rod. (L)
  - \* Be careful for the position of spring when mounting. (Refer to fig. 4)
- g. Remove the micro switch.

- h. Remove plastic rivet ⑦ in fig. 3 and then remove the return rod.
  - \* Be careful not to lose the steel ball on the return rod.
- i. Remove the main shaft Ass'y by removing screws ⑧ through ⑩ in fig. 3.
- j. Remove screws ① through ⑥ in fig. 3 and then remove the full auto mechanism Ass'y. (Refer to "MECHANICAL DESCRIPTION" for the details.)
- k. When mounting the full auto mechanism Ass'y, make sure to attach it to the return arm Ass'y as shown in fig. 5.

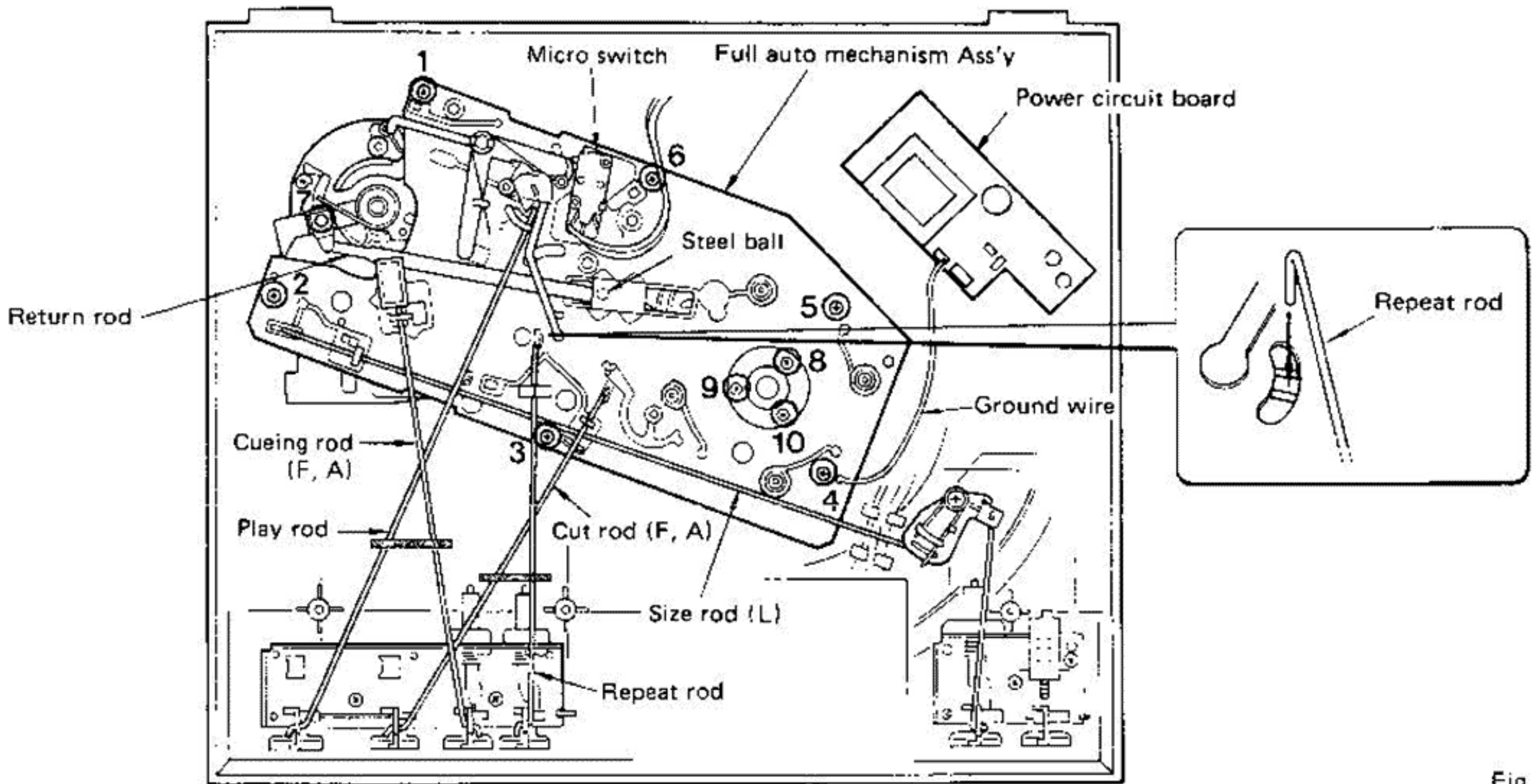


Fig. 3

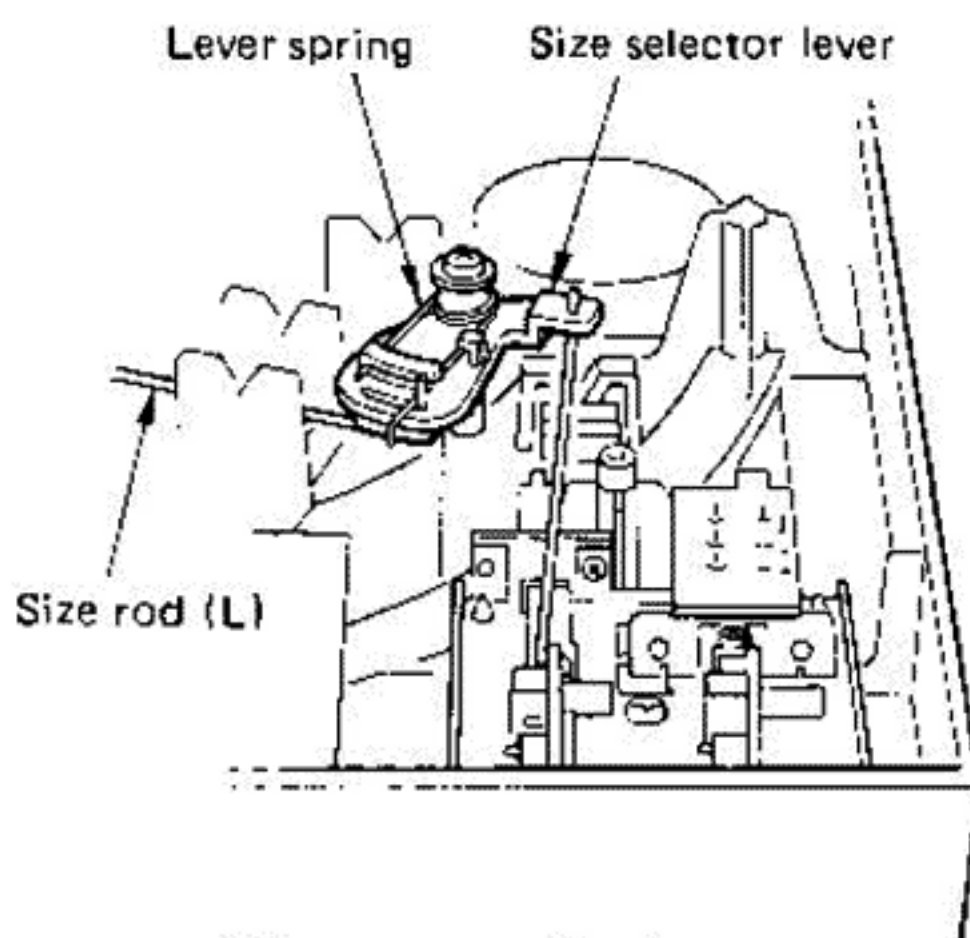


Fig. 4

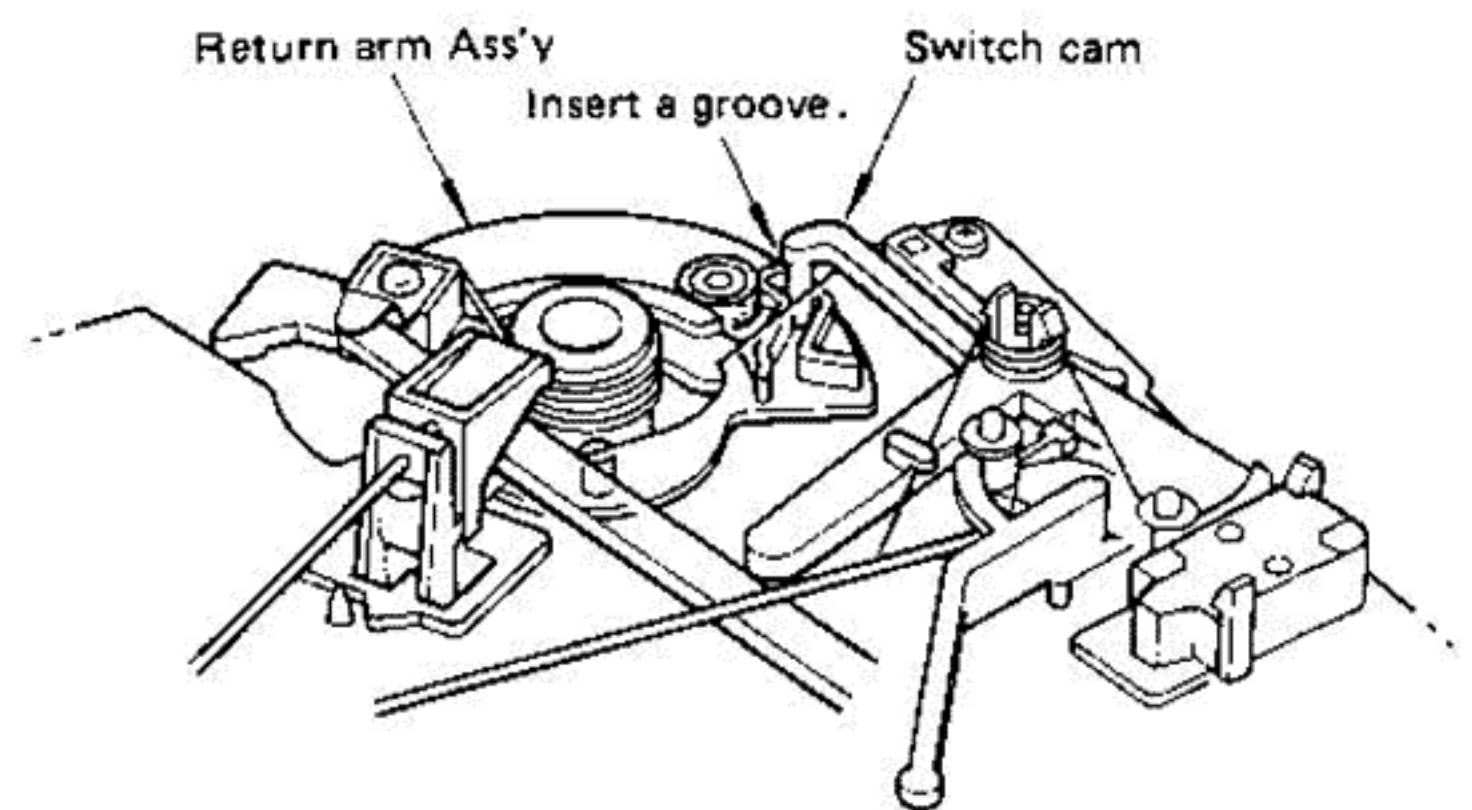
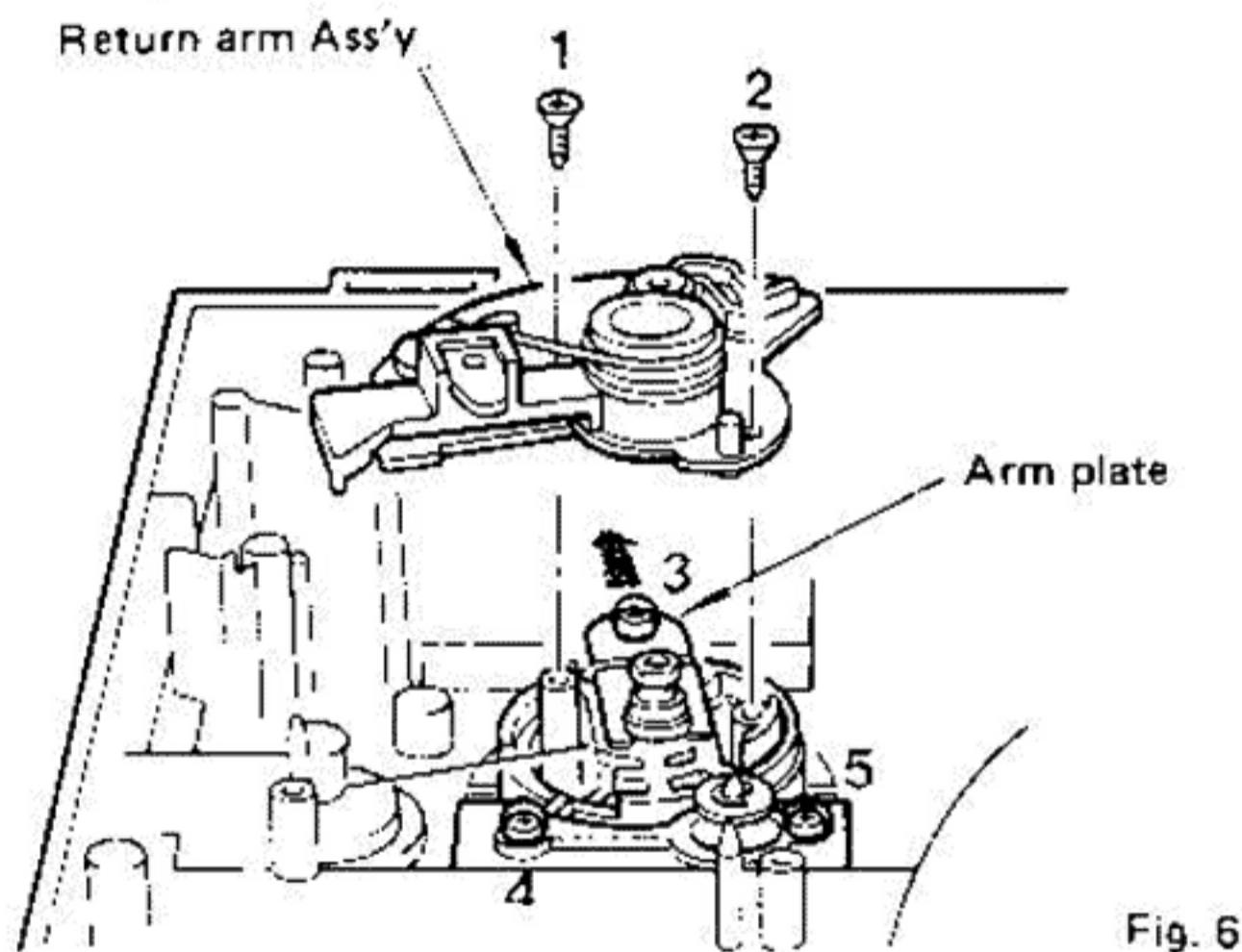


Fig. 5

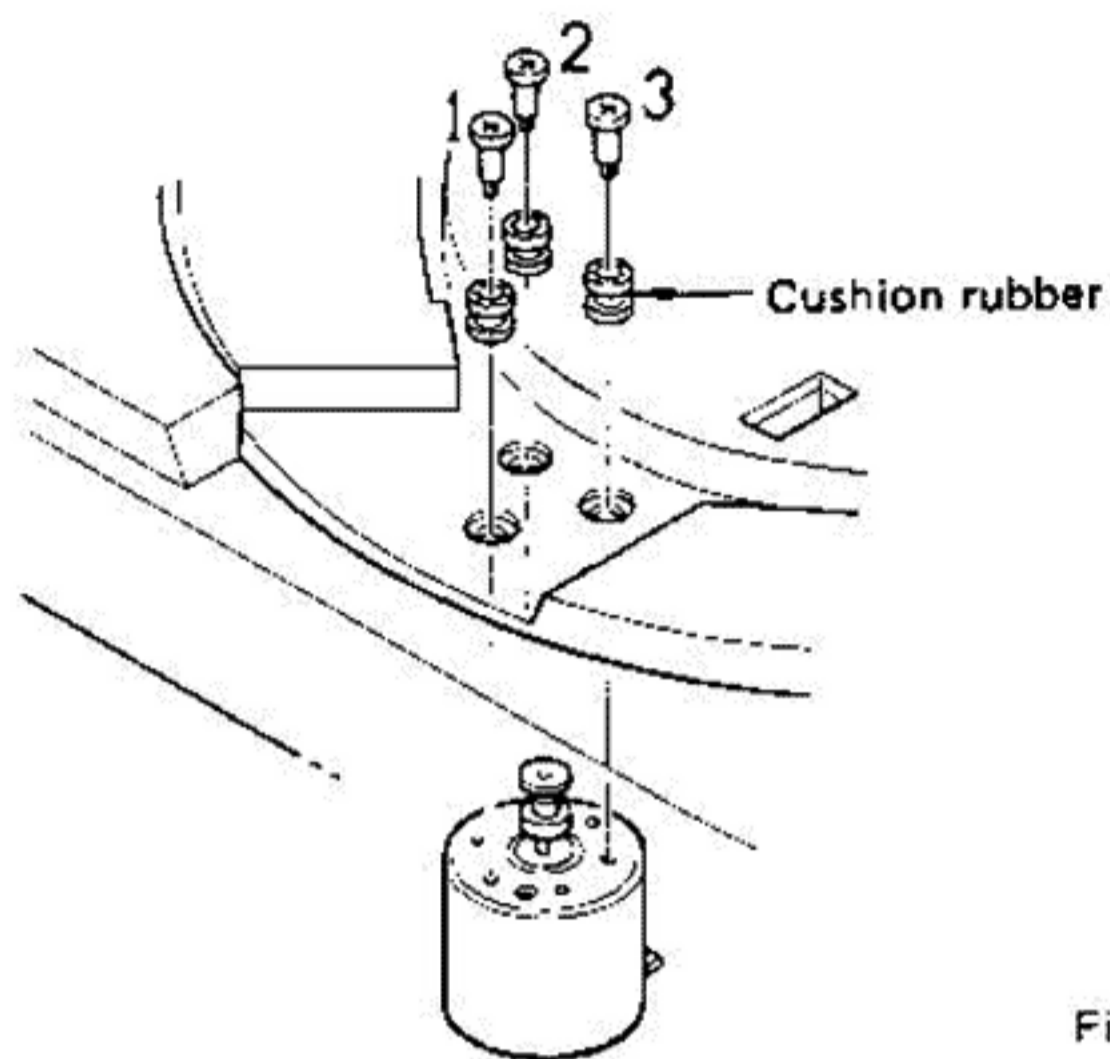
**4. Tonearm Unit removal**

- a. Before work, make sure that the PU cord Ass'y and full auto mechanism Ass'y are removed.
- b. Remove screws ① and ② in fig. 6 and then remove the return arm Ass'y.
- c. Remove screw ③ in fig. 6 and then pull out the arm plate in the direction of an arrow. In this way you can remove the tonearm.
- d. Remove screws ④ and ⑤ in fig. 8 and the EV arm Ass'y can be removed.



**5. Motor replacement**

- a. Disconnect motor connectors at Power circuit board.
- b. Remove screws ① through ③ in fig. 7 and replace the motor.



**ADJUSTMENTS**

● **BEFORE ADJUSTMENT**

Make sure that the following conditions are met for adjustment:

- a. Ambient temperature between 5 ~ 35°C and humidity is between 45% ~ 85%.  
However, these don't always apply as long as normal operation is assured and adjustment can be performed properly.

- b. The unit is located at a place free from vibration.
- c. The place for adjustment is. Protected against magnetic and noise disturbance from the surroundings.

● **INSTRUMENTS FOR ADJUSTMENT**

Test record (NEC: ES-1008) Stroboscope: Small size ⊖ driver

● **ADJUSTMENT OF MOTOR R.P.M.**

Place a stoboscope disc on turntable platter and run the motor. Adjust VR1 (33 r.p.m.) and VR2 (45 r.p.m.) so that the stroboscope pattern appears to be stationary.

\* Adjustment is possible through the holes provided uper the unit without removing the turntable platter. In this case, be sure to re-check for proper r.p.m. after adjustment.

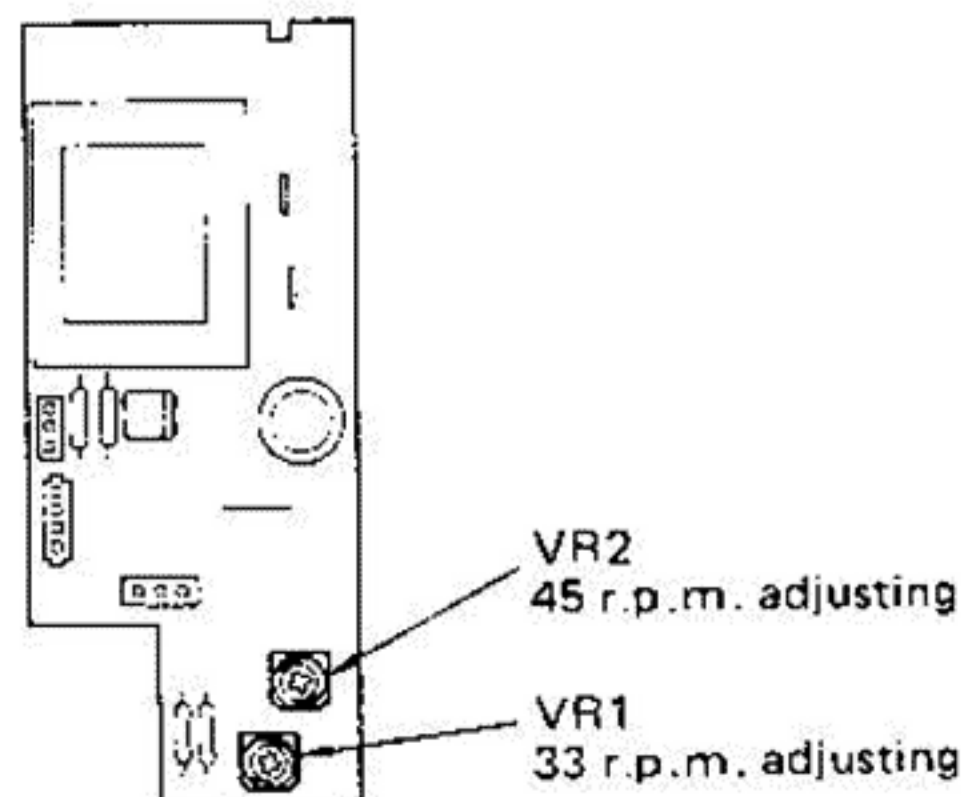
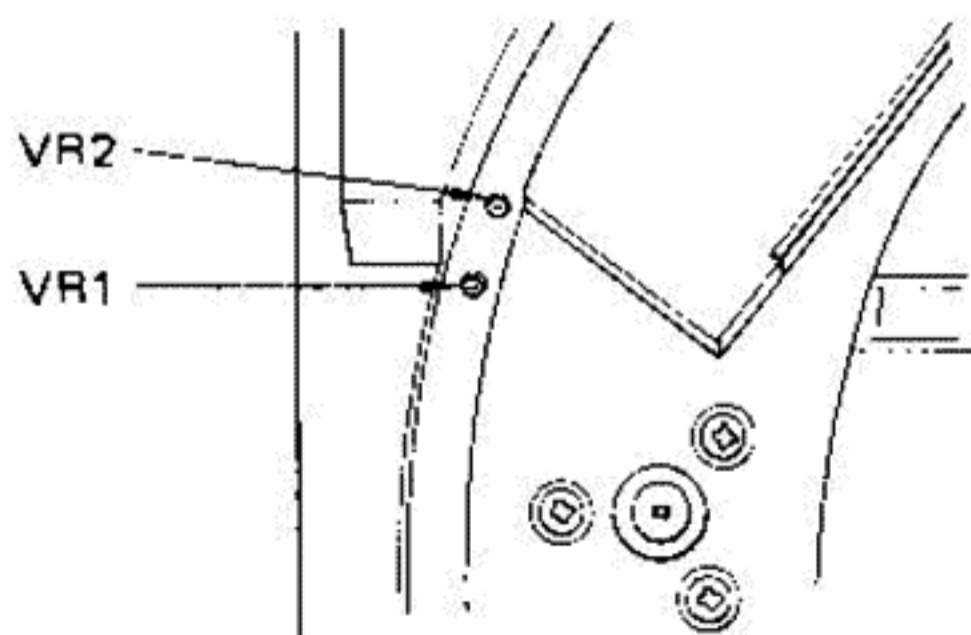


Fig. 8

● **CONFIRMATION OF CONTROL SIGNAL OUTPUT FOR AUTO FUNCTION OPERATION (P-16)**

Confirm that the voltage ( $4.5V \pm 1V$ ) comes out from control signal output plug whenever the tone arm is not on the arm rest.

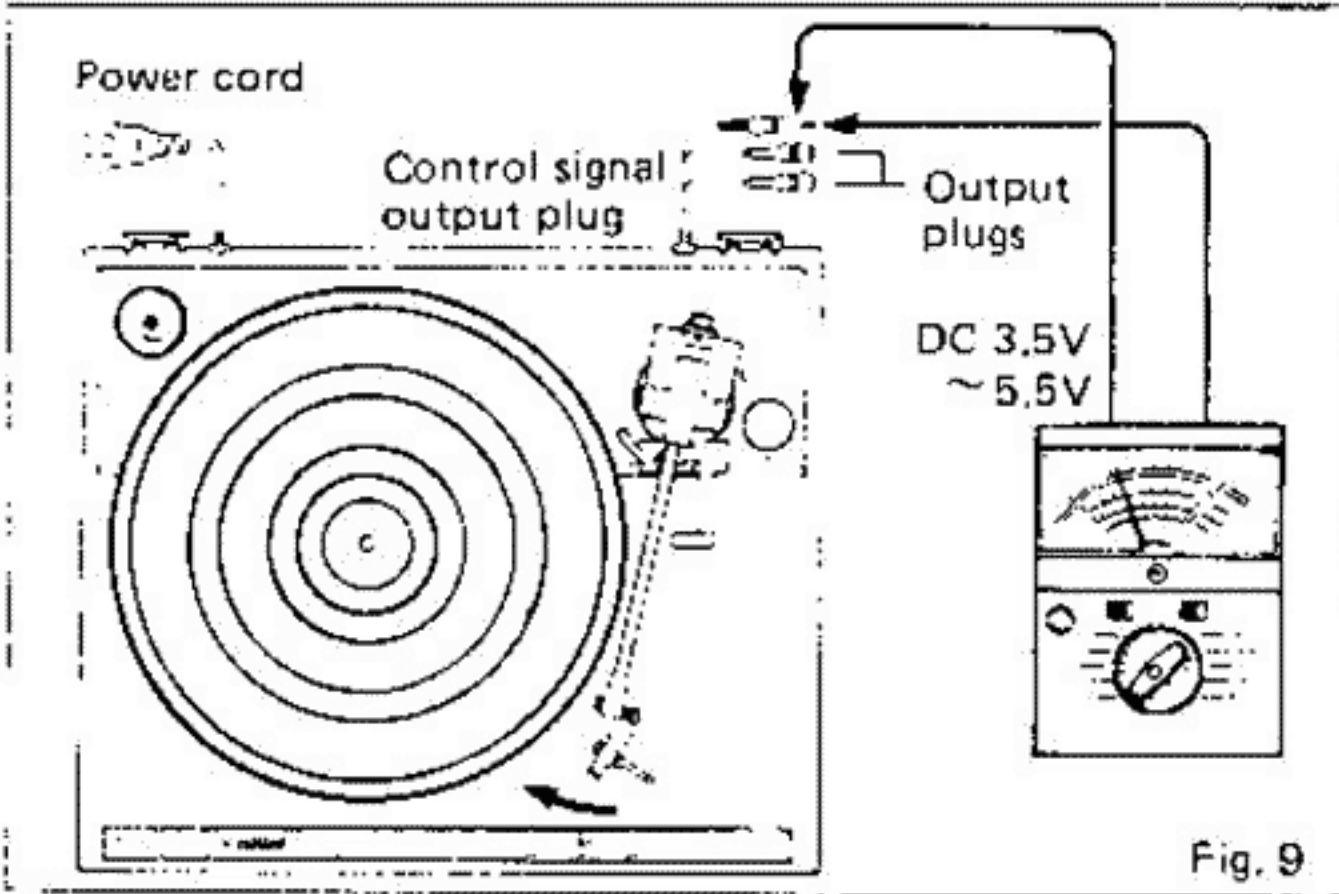


Fig. 9

**MECHANICAL ADJUSTMENT**

**1. Auto lead-in operation check**

Use test record (NEC: ES-1008) and check to ensure that tonearm leads in within the rating specified below.

Lead-in	Test record	Rating
30	Side 1 ①	$19 \pm 8$ count
17	Side 1 ⑤	$22 \pm 8$ count

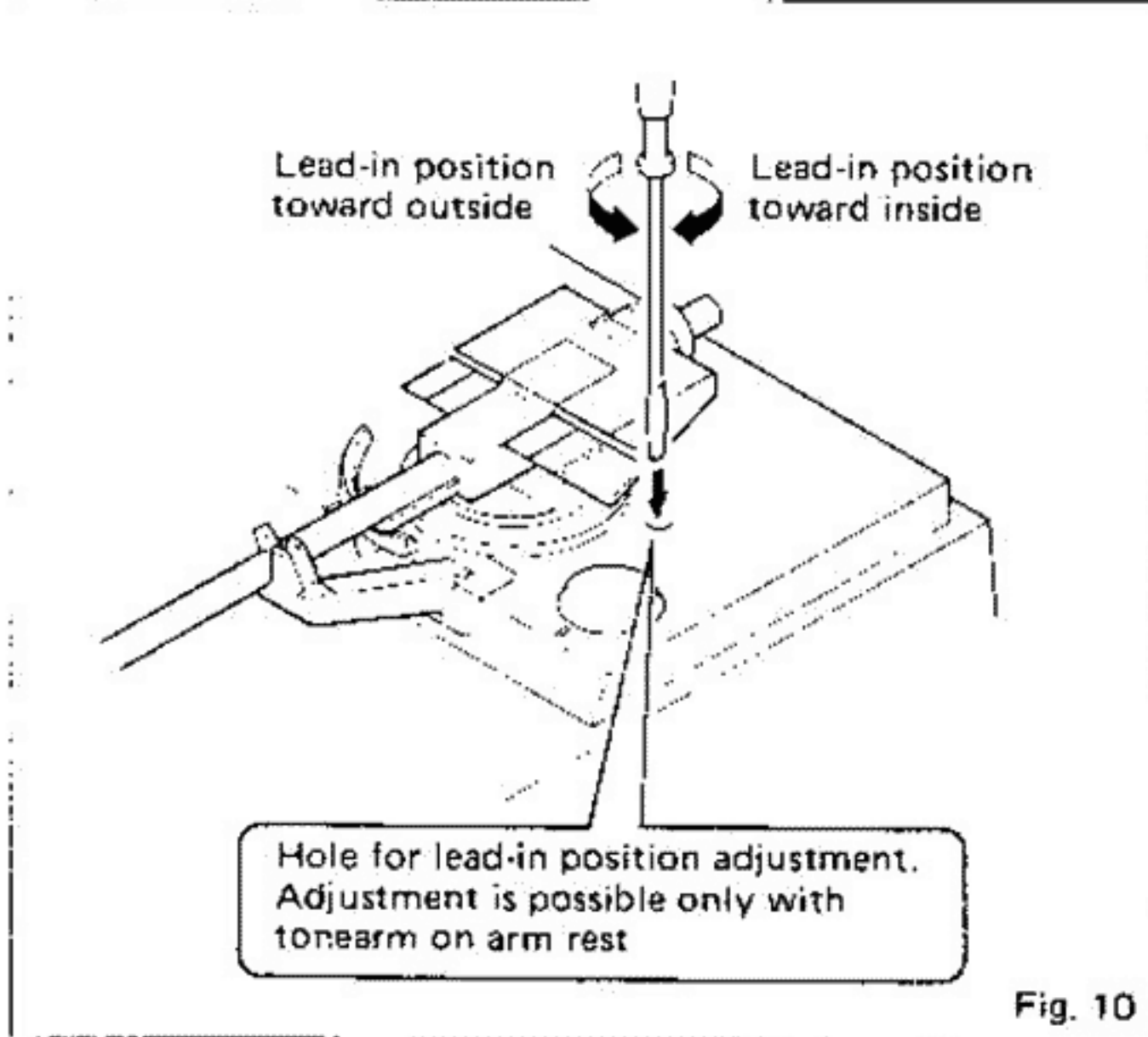


Fig. 10

**2. Auto-return operation check**

Adjust the auto-return operation of the tonearm at  $17 \pm 4$  count side ⑥ (P=3mm) and also check to ensure that it doesn't function before 26 count side 2 ④ (P=1mm) of the test record (NEC: ES-1008).

\*If a test record is not available, check for right auto-return operation with record in common use.

**3. Overhang operation check**

● **P-320**

Overhang is correct when stylus point contacts the perpendicular line on the reverse side of the turntable sheet lines up with the tip of the stylus.

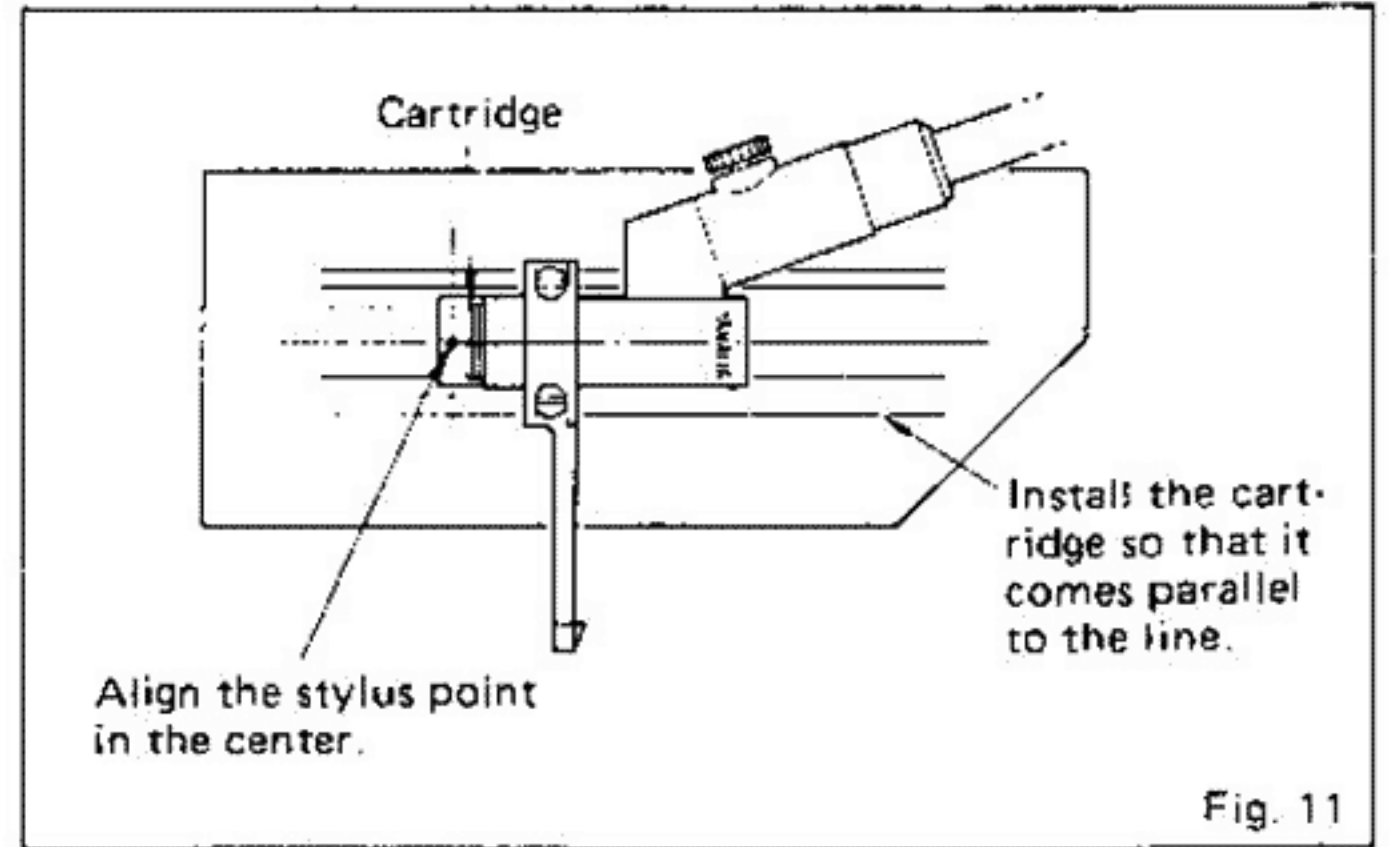


Fig. 11

● **P-16**

Overhang is correct when stylus point on the overhang gauge lines up with the tip of the stylus.

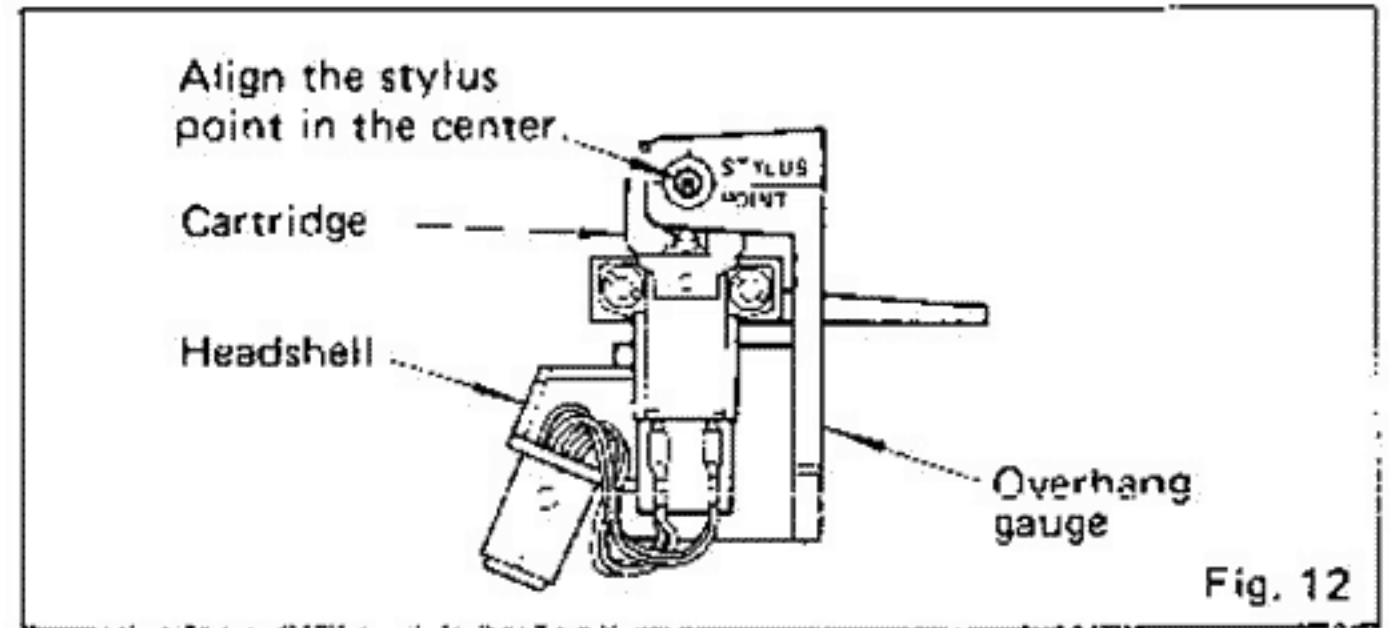


Fig. 12

**4. Stylus height adjustment**

When the tonearm is in the up position, the height of the stylus above the record should be about 6.5mm. If it is more or less than this, loosen the adjustment screw on the arm lifter, and adjust the height of the arm lifter so the distance of the stylus to the record is  $6.5mm \pm 1mm$ .

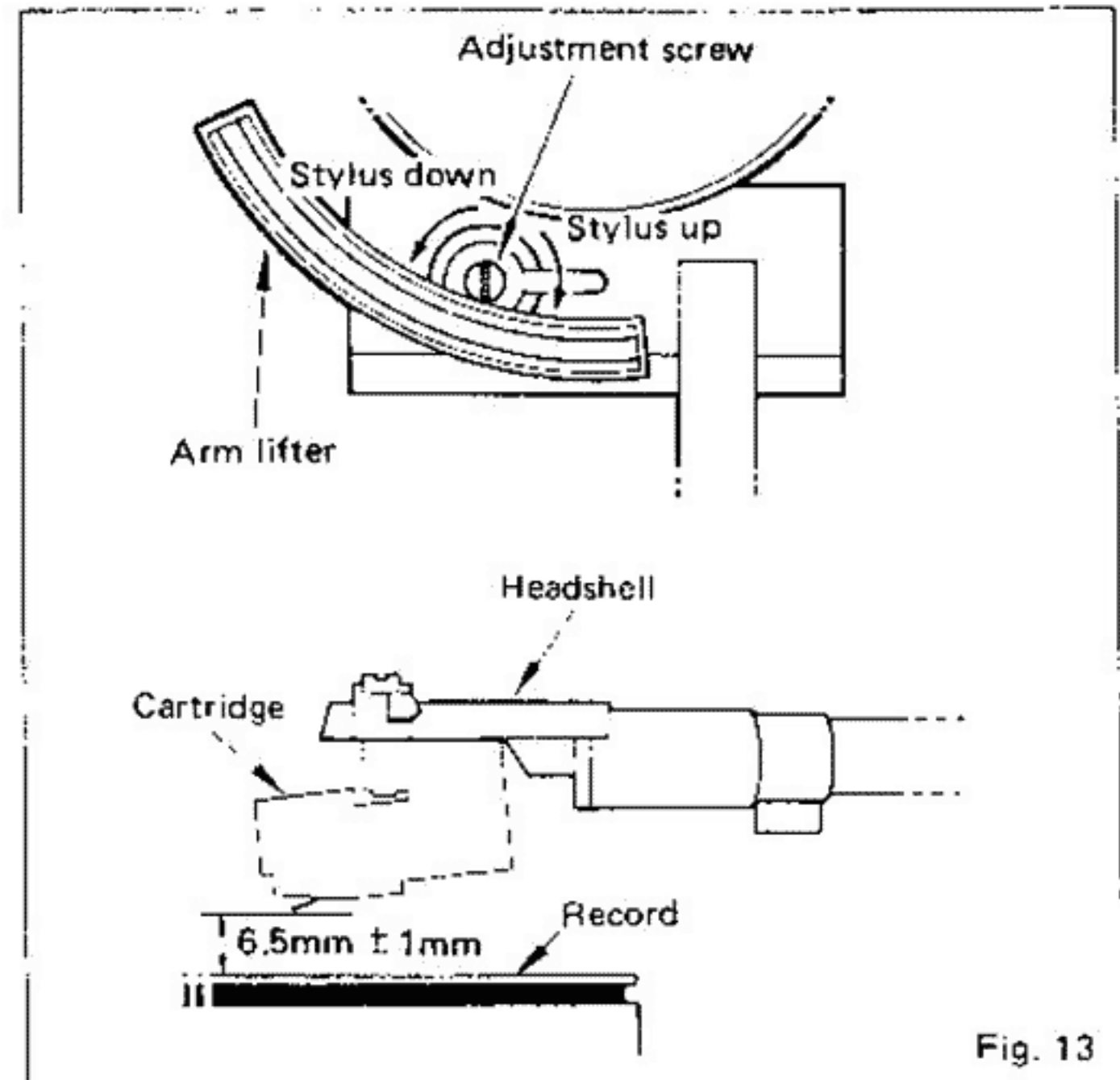
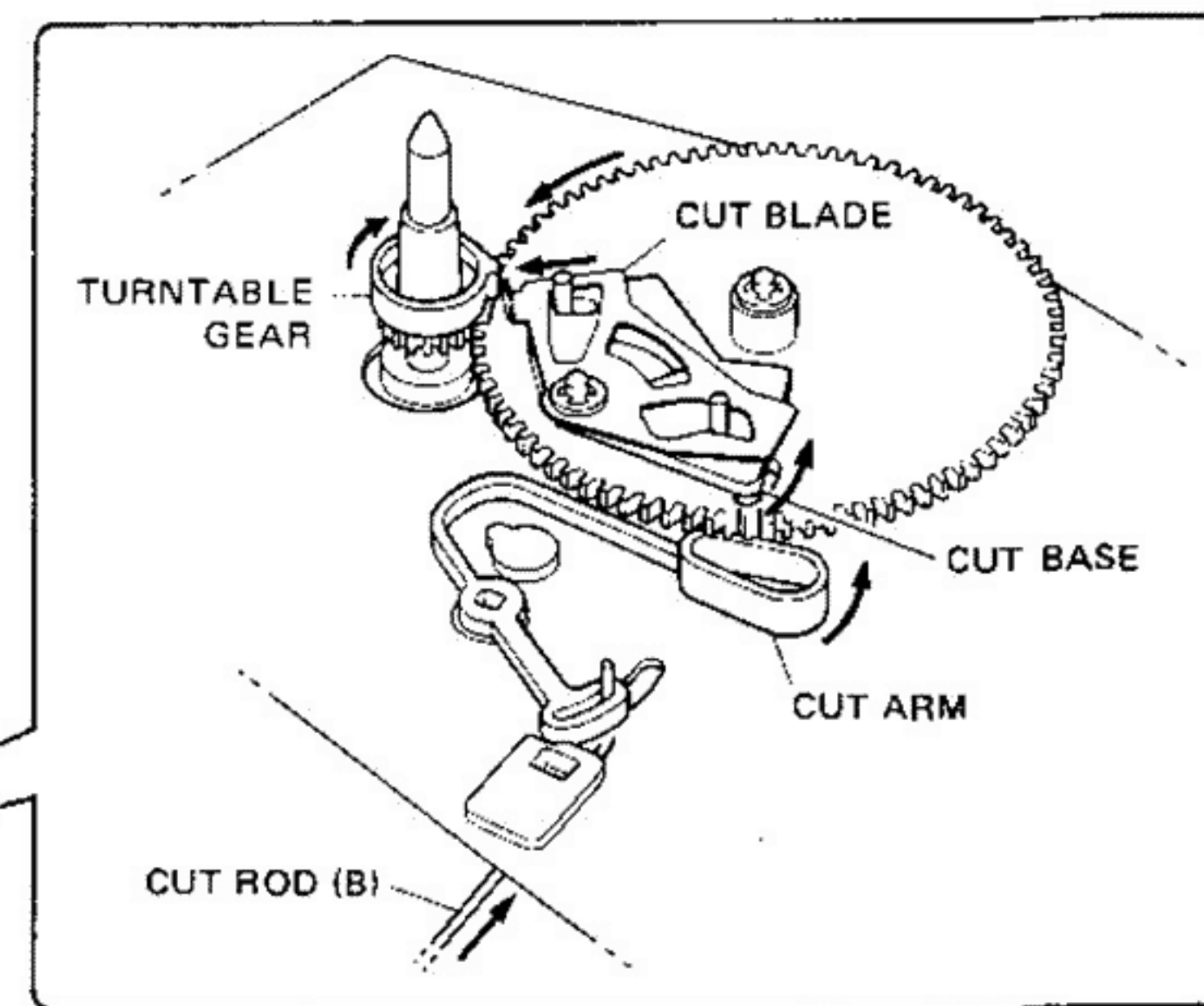
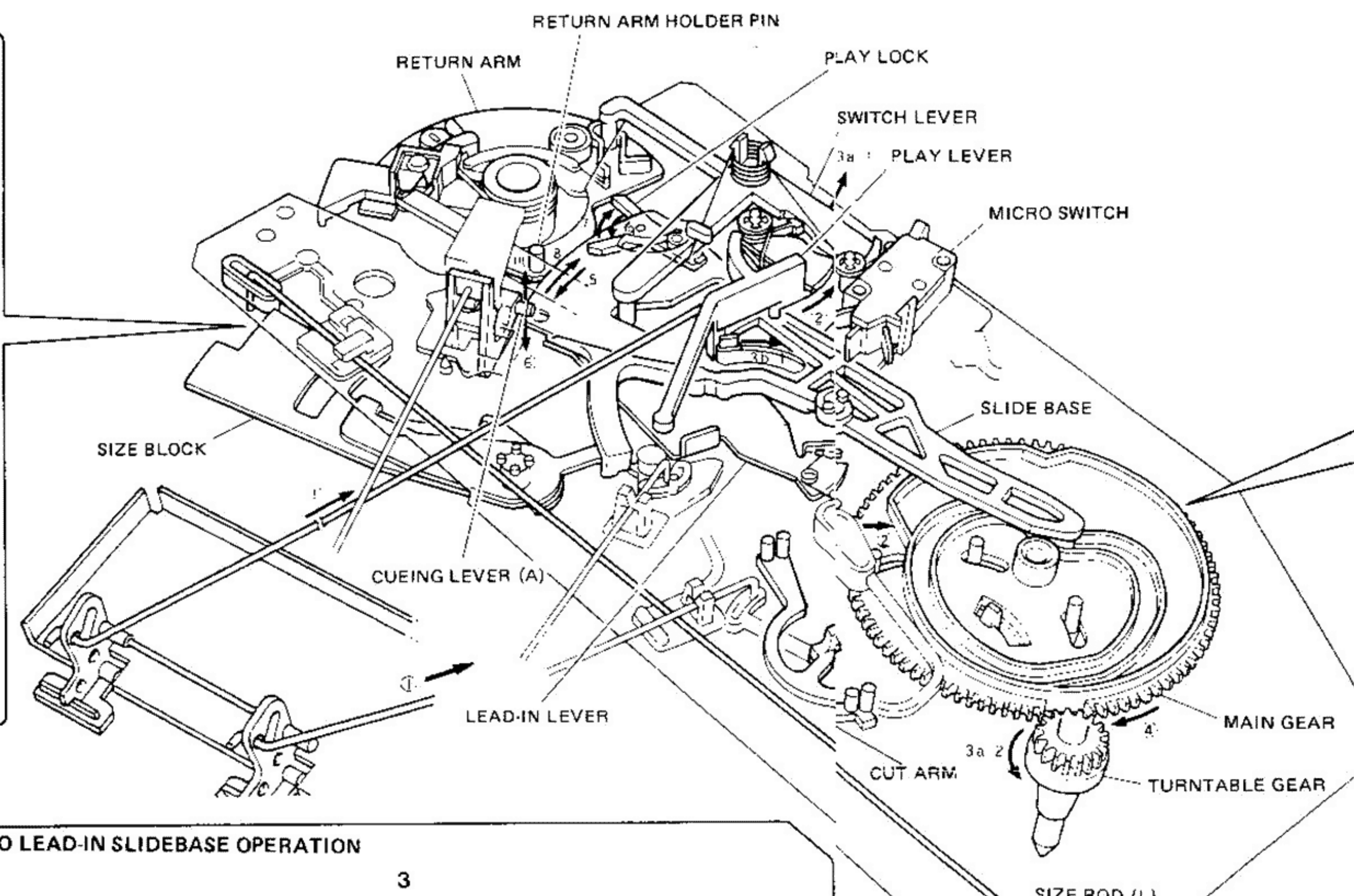
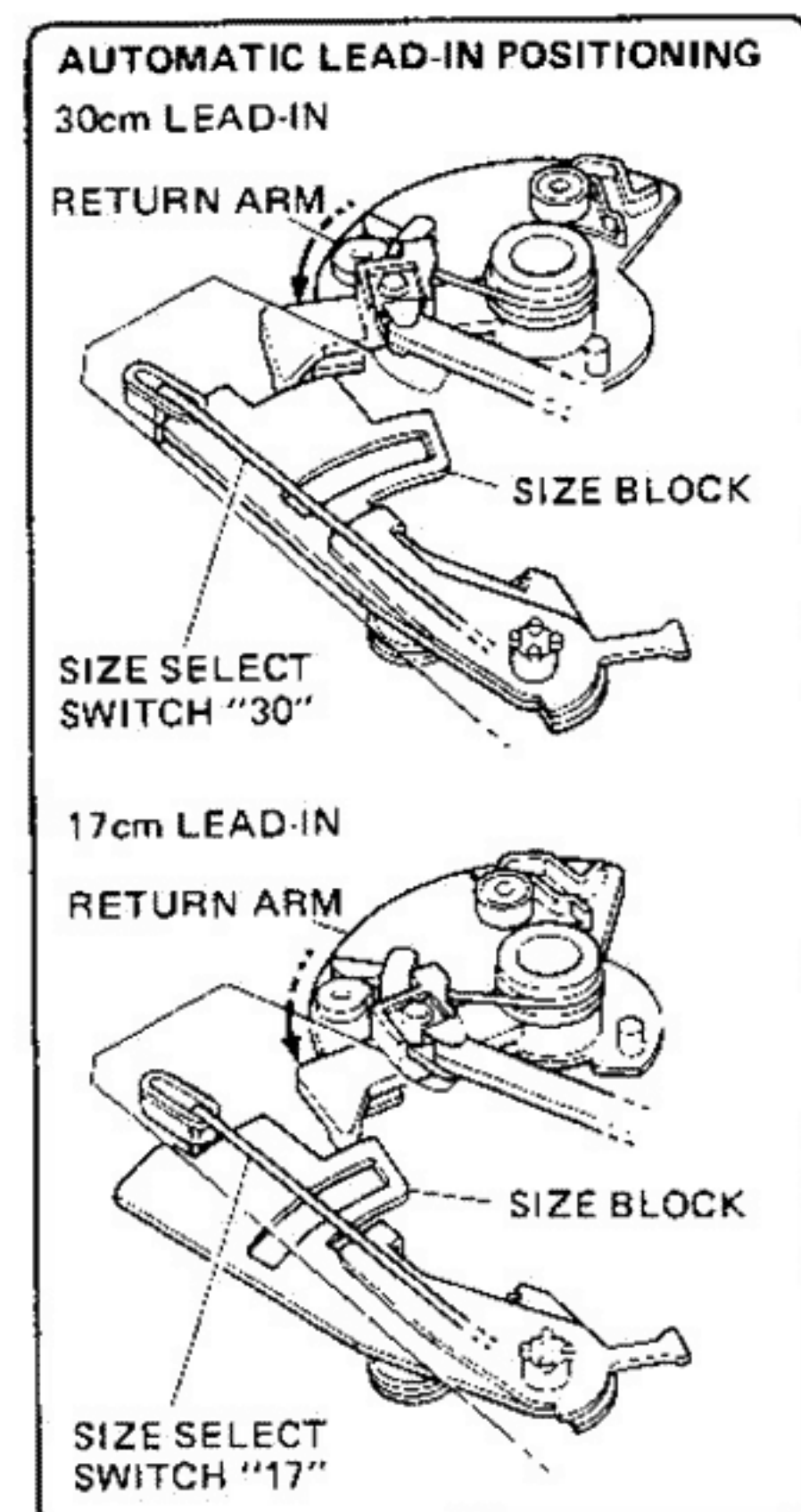


Fig. 13

# MECHANICAL DESCRIPTION

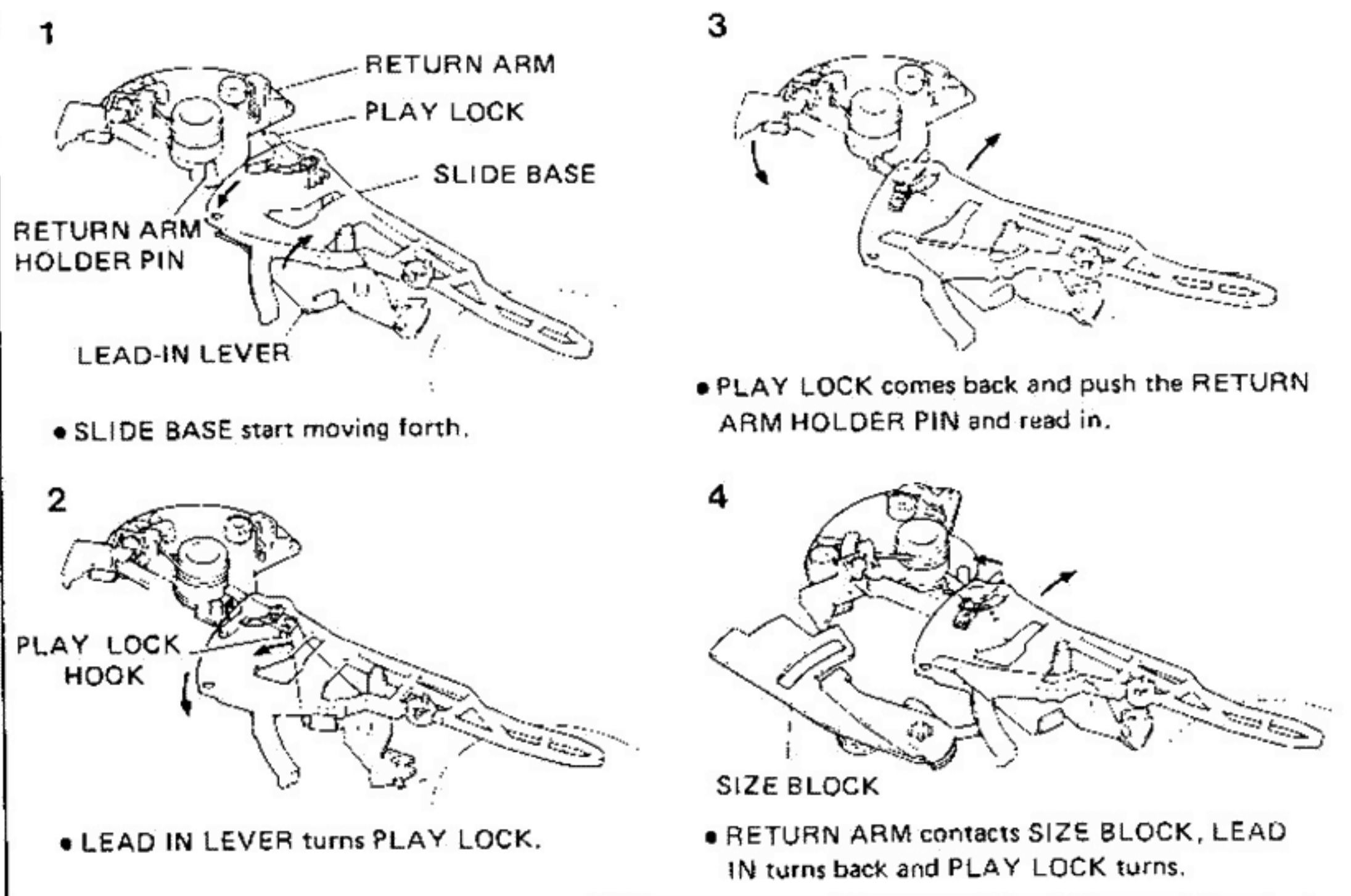
## AUTO LEAD-IN OPERATION



1. When PLAY button is pressed, PLAY LEVER moves and pushes SWITCH LEVER. Then it turns the MICROSWITCH to on. Also as the PLAY LEVER moves, LEAD-IN LEVER is actuated to these regular positions.

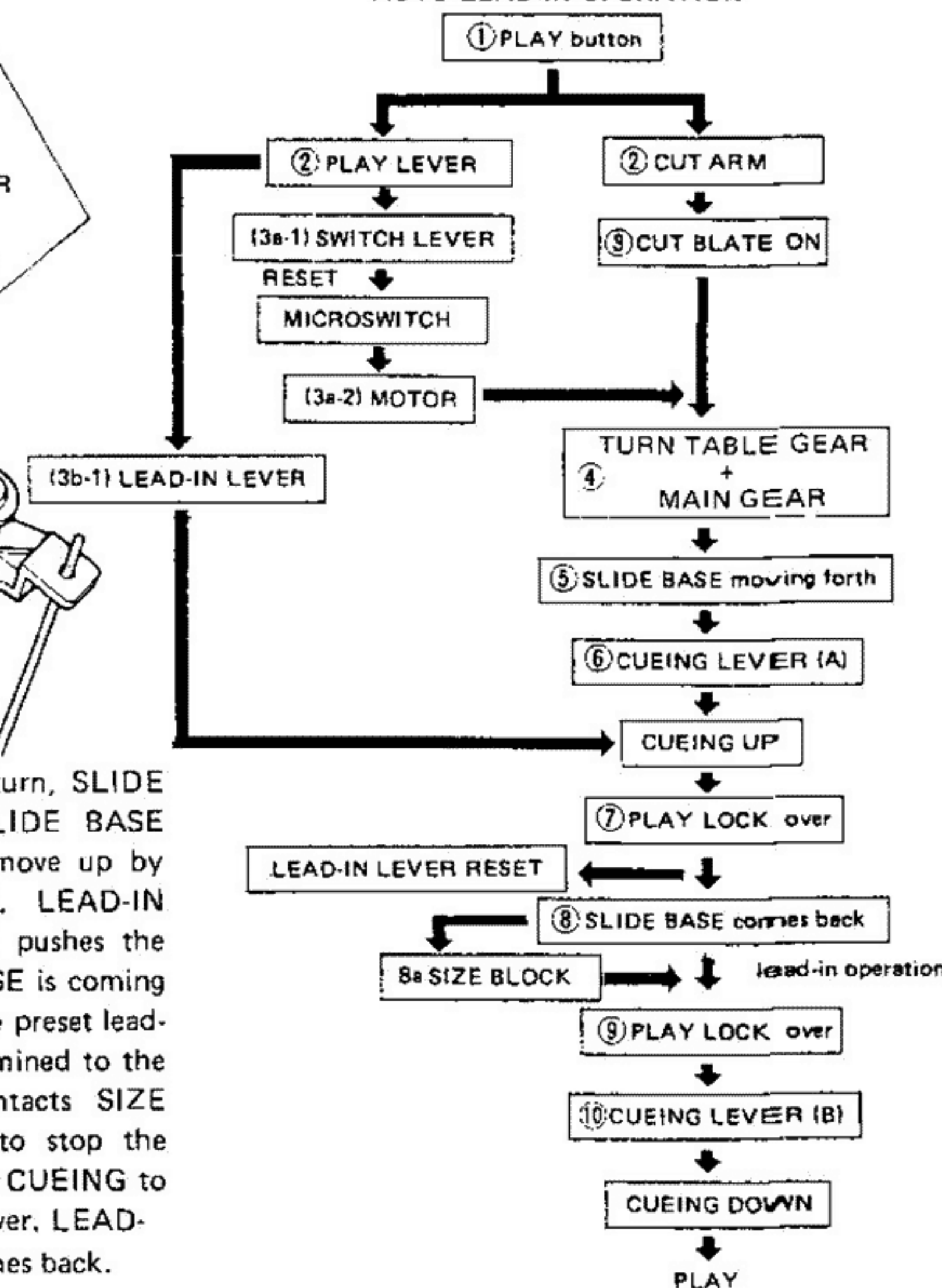
2. CUT ARM further pushes CUT BASE which causes the CUT BLADE to turn on. At this point, as the motor has already started revolving, TURNTABLE GEAR and MAIN GEAR engage and lead-in operation will commence. (MAIN GEAR makes a turn during one lead-in operation.)

### AUTO LEAD-IN SLIDEBASE OPERATION

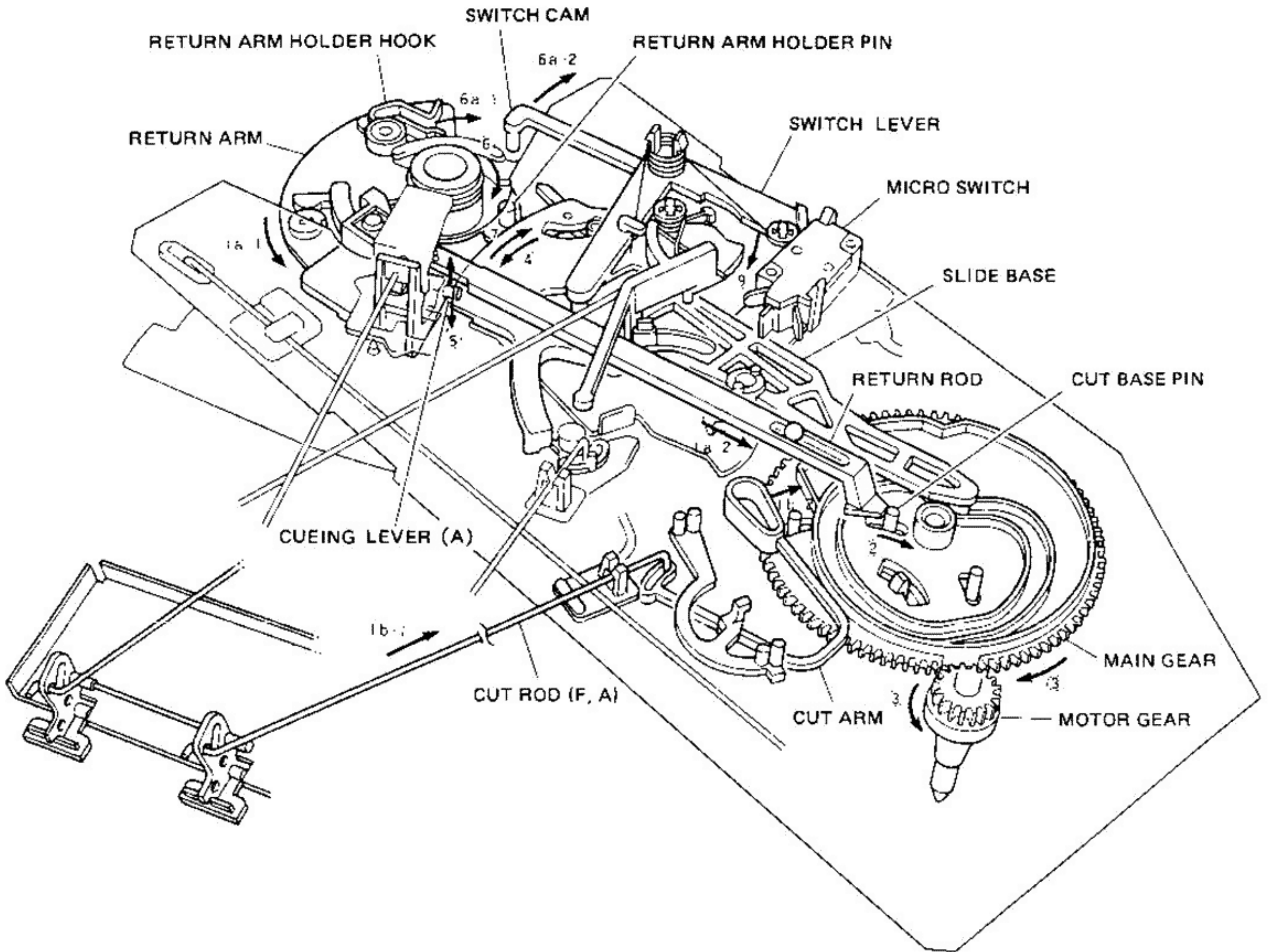


3. While the MAIN GEAR revolves a turn, SLIDE BASE reciprocates once. As the SLIDE BASE moves forth, it causes CUEING to move up by pushing the CUEING LEVER (A). LEAD-IN LEVER turns PLAY LOCK over and pushes the RETURN ARM PIN when SLIDE BASE is coming back, and the tonearm is carried to the preset lead-in position. The lead-in position determined to the position where RETURN ARM contacts SIZE BLOCK and it causes the tonearm to stop the movement to the inside. Also it causes CUEING to down and turning the PLAY LOCK over. LEAD-IN LEVER is reset as SLIDE BASE comes back.

### AUTO LEAD-IN OPERATION



**AUTO RETURN OPERATION**

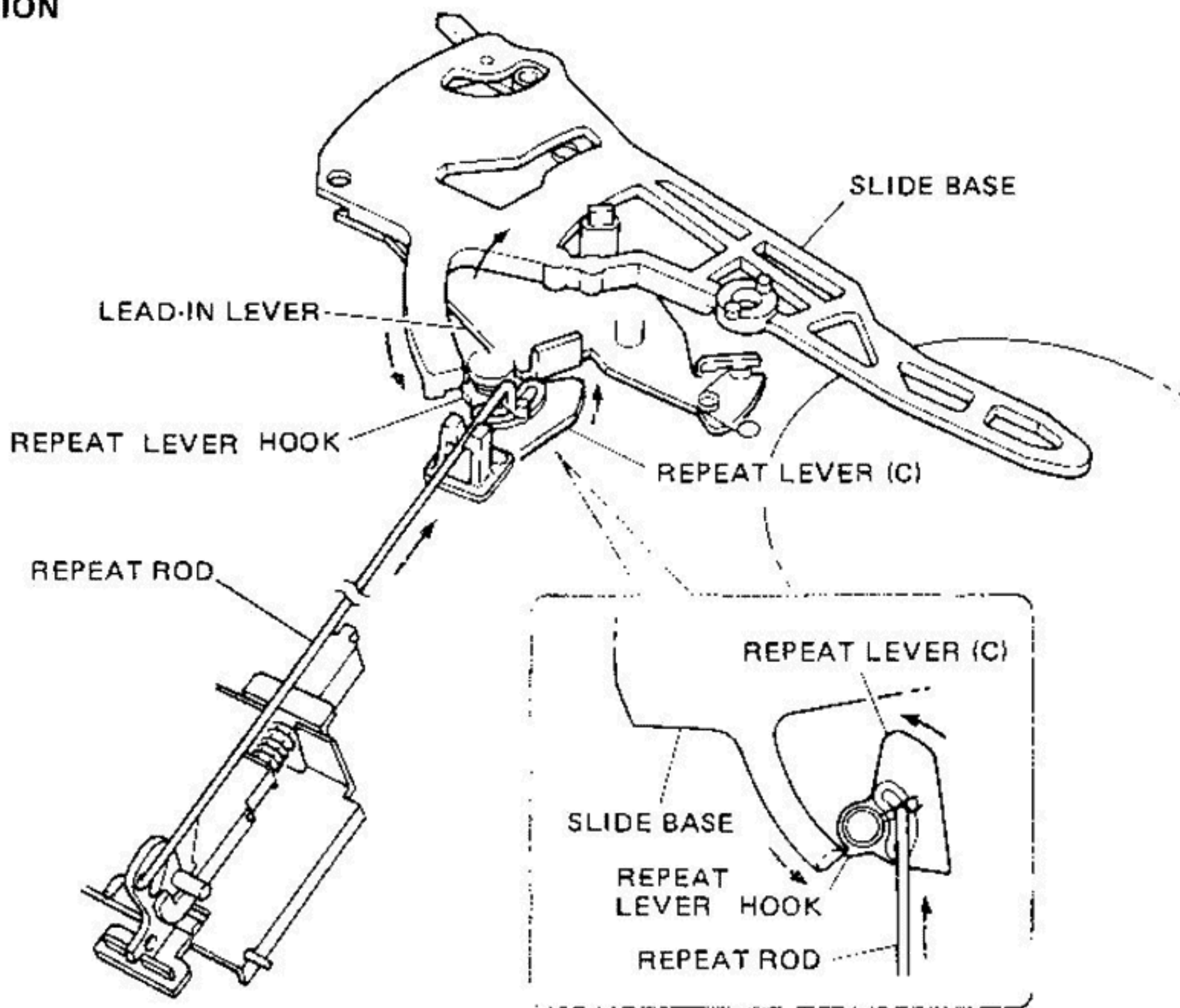


**AUTO RETURN OPERATION**

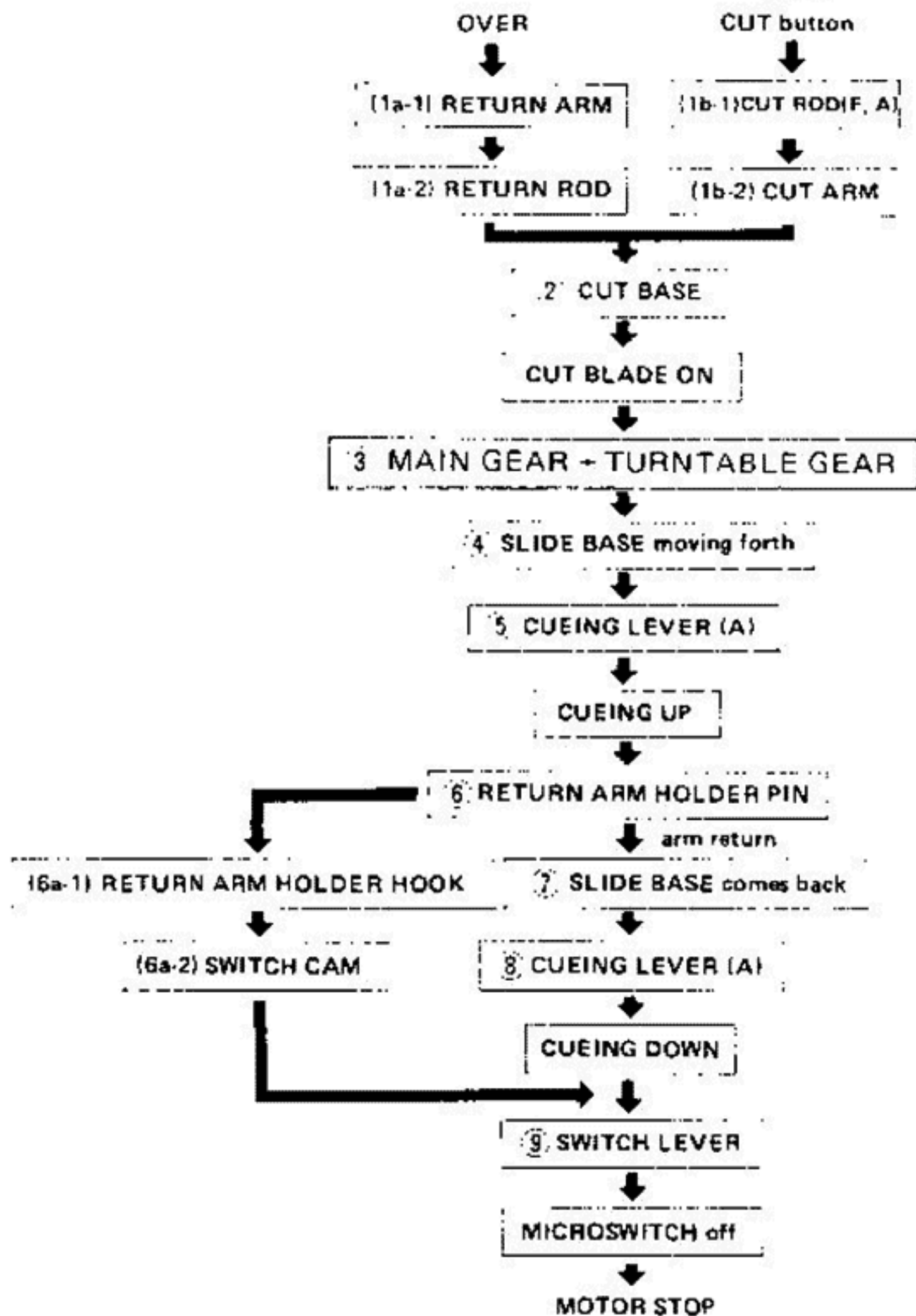
1. When record play is over and the stylus moves into the lead in groove, RETURN ROD moves CUT BASE by RETURN ARM. Or when CUT button is pressed to stop record play, CUT ARM moves CUT BASE by CUT ROD.
2. The actuation of CUT BASE causes the CUT BLADE to turn on and TURNTABLE GEAR and MAIN GEAR engage. Thus return operation will commence.

3. When MAIN GEAR rotates one turn, SLIDE BASE reciprocates once. As SLIDE BASE moves, it causes CUEING to move up by pushing the CUEING LEVER (B) and then PLAY LOCK pushes RETURN ARM PIN to bring the tonearm back to its original position. The coming back operation of SLIDE, BASE causes CUEING to move down and also it causes SWITCH LEVER to come off the MICROSWITCH. Thus the motor revolution stops.

# REPEAT OPERATION



## AUTO RETURN OPERATION

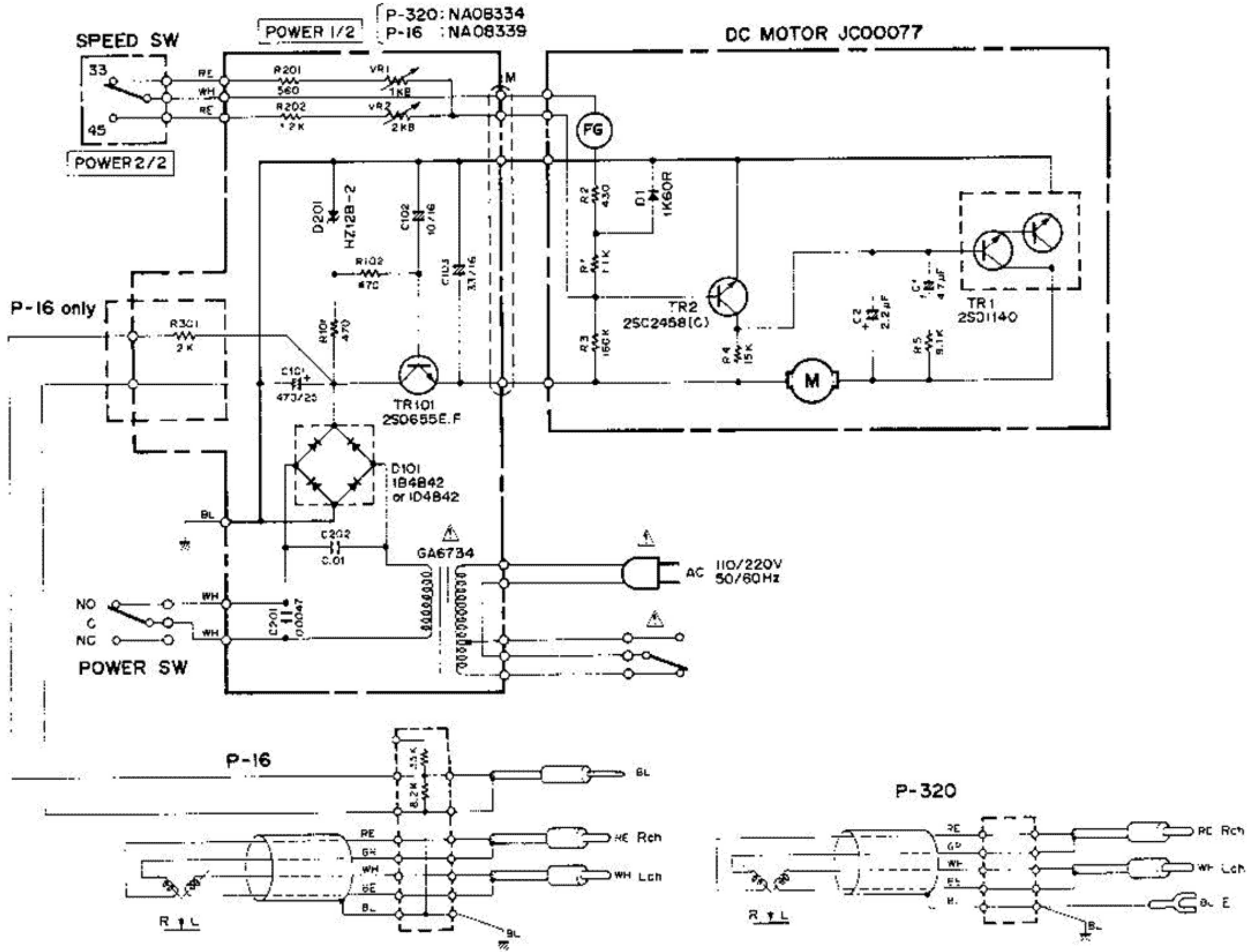


## REPEAT OPERATION

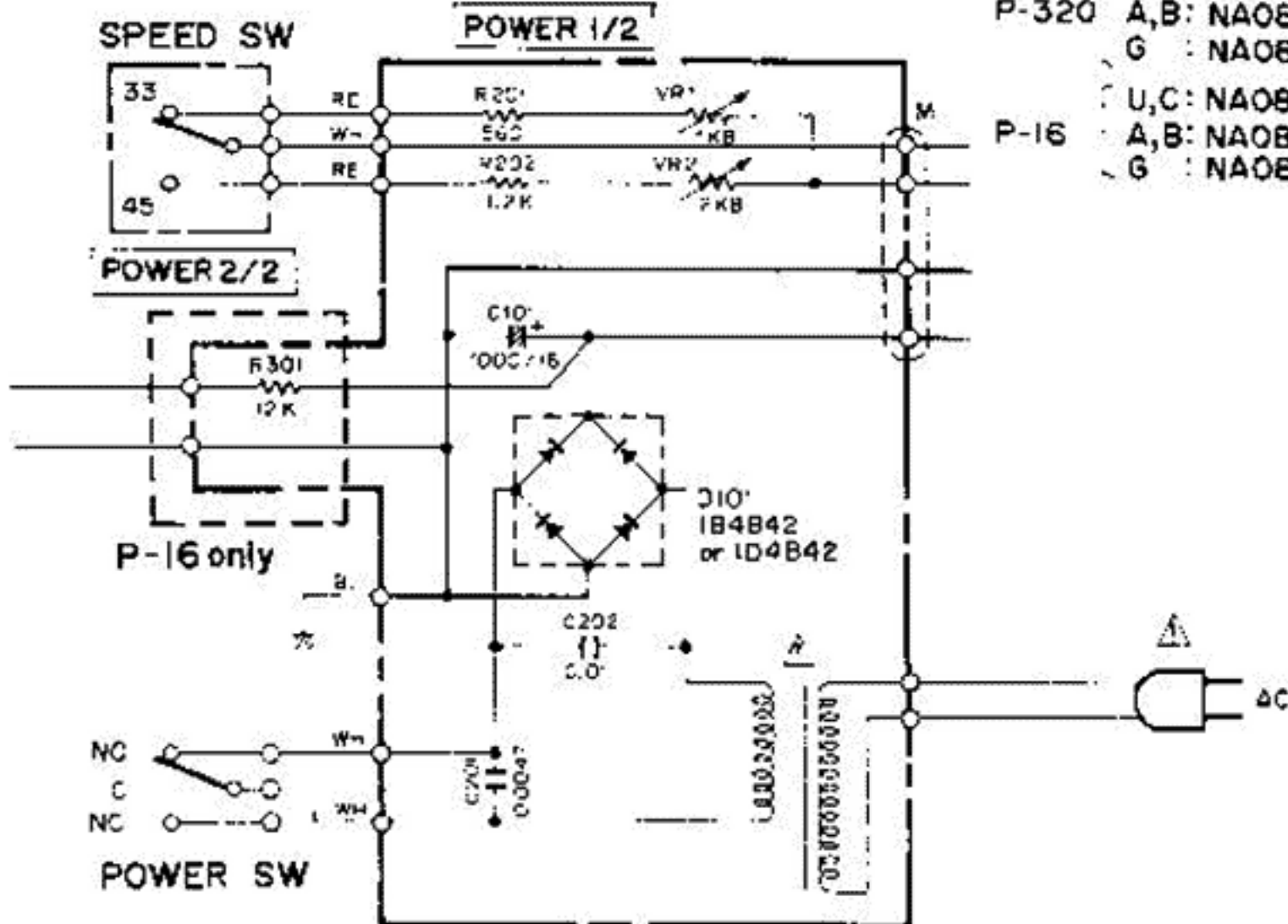
1. When REPEAT button is pressed, the switch is locked and moves REPEAT LEVER (C) by REPEAT ROD.
2. When record play is over and return operation and cut operation are actuated, REPEAT LEVER (C) causes LEAD-IN LEVER to bring back to the regular play position and thus lead-in operation will commence.



**SCHEMATIC DIAGRAM**



**OTHER MODELS**



- U,C : NA08335
- P-320 A,B : NA08337
- G : NA08336
- U,C : NA08340
- P-16 A,B : NA08344
- G : NA08343

- Power Transformer
- U,C : GA67351
  - A,B : GA67370
  - G : GA67360

- Components having special characteristics are marked  $\Delta$  and must be replaced with parts having specifications equal to those originally installed.
- Schematic diagram is subject to change without notice.

# PARTS LIST

P-320/P-16

## ■WARNING

Components having special characteristics are marked  $\Delta$  and must be replaced with parts having specifications equal to those originally installed.

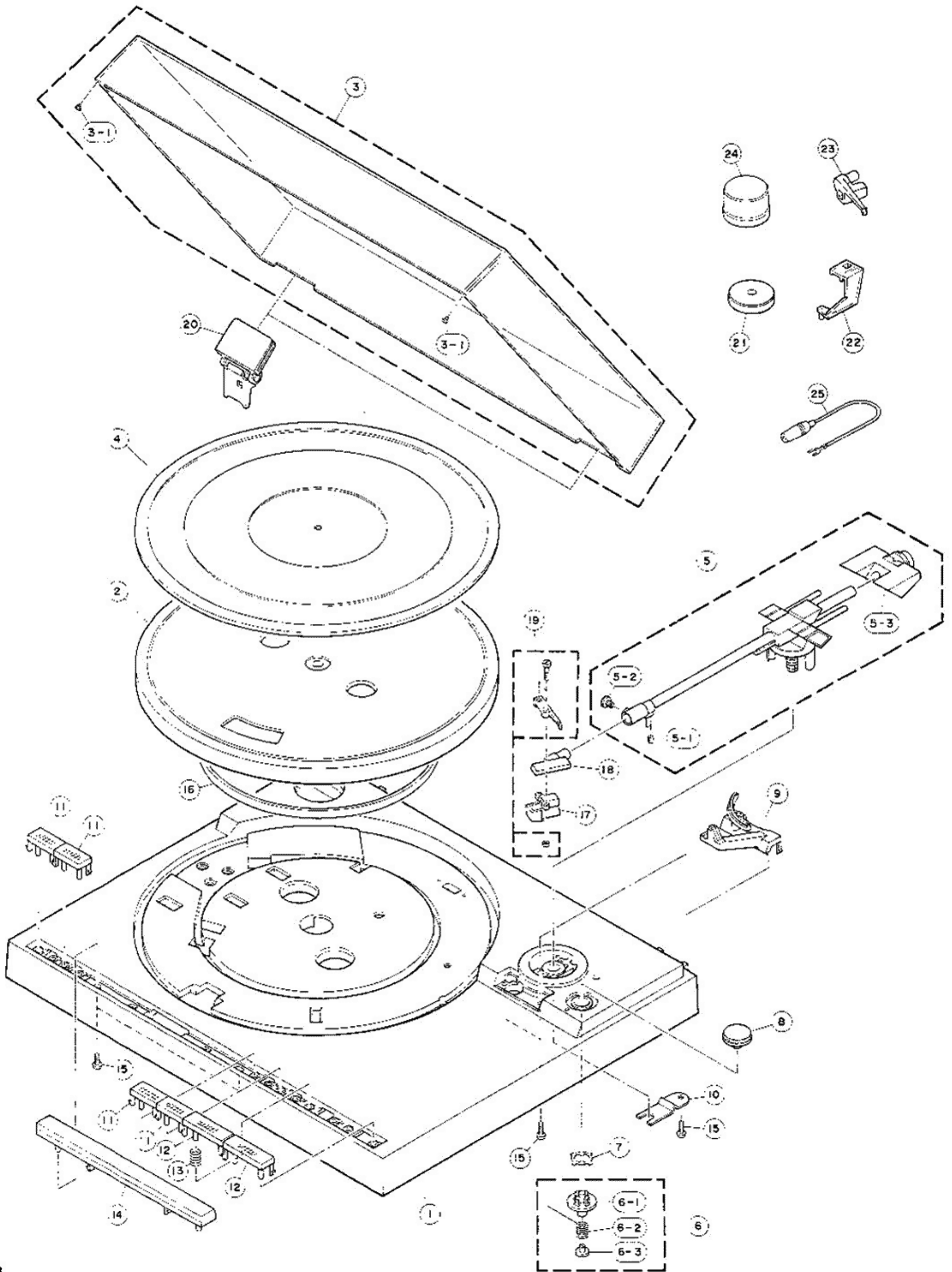
- Carbon resistors of this player are 1/6W.  
There is no discription about them in this parts list.  
Use the "Part NO." HF85 0000 or equivalent.

## ■ELECTRICAL PARTS

Ref. No.	Part No.	Description	部 品 名	Remarks	Common Model	Markets	ランク
*	NA 08 33 30	Power Circuit Board	パ ワ ー シ ー ト	P-320		J	
*	NA 08 33 40	"	"	"		R	
*	NA 08 33 50	"	"	"		U,C	
*	NA 08 33 60	"	"	"		G	
*	NA 08 33 70	"	"	"		A,B	
*	NA 08 33 80	"	"	P-16		J	
*	NA 08 33 90	"	"	"		R	
*	NA 08 34 00	"	"	"		U,C	
*	NA 08 34 30	"	"	"		G	
*	NA 08 34 40	"	"	"		A,B	
	Fi 22 34 70	Ceramic Cap	セ ラ コ ン	0.0047 $\mu$ F 25V	C201		
	Fi 22 41 00	"	"	0.01 $\mu$ F 25V	C202		
	UJ 13 91 00	Electrolytic Cap	ケ ミ コ ン	1000 $\mu$ F 16V	C101	J,U,A,G,C,E	
	UJ 14 84 70	"	"	470 $\mu$ F 25V	"	R	
	UJ 13 73 30	"	"	33 $\mu$ F 16V	C103	R	
	UJ 13 71 00	"	"	10 $\mu$ F 16V	C102	R	
	iD 06 55 10	Transistor	ト ラ ン ジ ス タ	2SD655 (E.F)	TR101		R
	iF 00 35 50	Zener Diode	ツェ ナ ー ダイ オ ード	HZ12B-2	D201		R
*	iH 00 14 70	Diode Bridge	ダイ オ ード ブ リ ッ ジ	1B4B42	D101	Inter Changeable	
	iH 00 16 80	"	"	1D4B42	"		
*	HT 99 01 00	Variable Resistor	メ タ ル グ レ ー ス ボ リ ュ ーム	B1k $\Omega$	VR1		
*	HT 99 01 10	"	"	B2k $\Omega$	VR2		
*	GA 67 33 00	Power Transformer	電 源 ト ラ ン ス			J	
*	GA 67 34 00	"	"			R	
*	GA 67 35 10	"	"			U,C	
*	GA 67 36 00	"	"			G	
*	GA 67 37 00	"	"			A,B	
*	KA 80 44 10	Push Switch	プ ッ シ ュ ス イ ッ チ	SUN121A			

\*New Parts (新規部品)

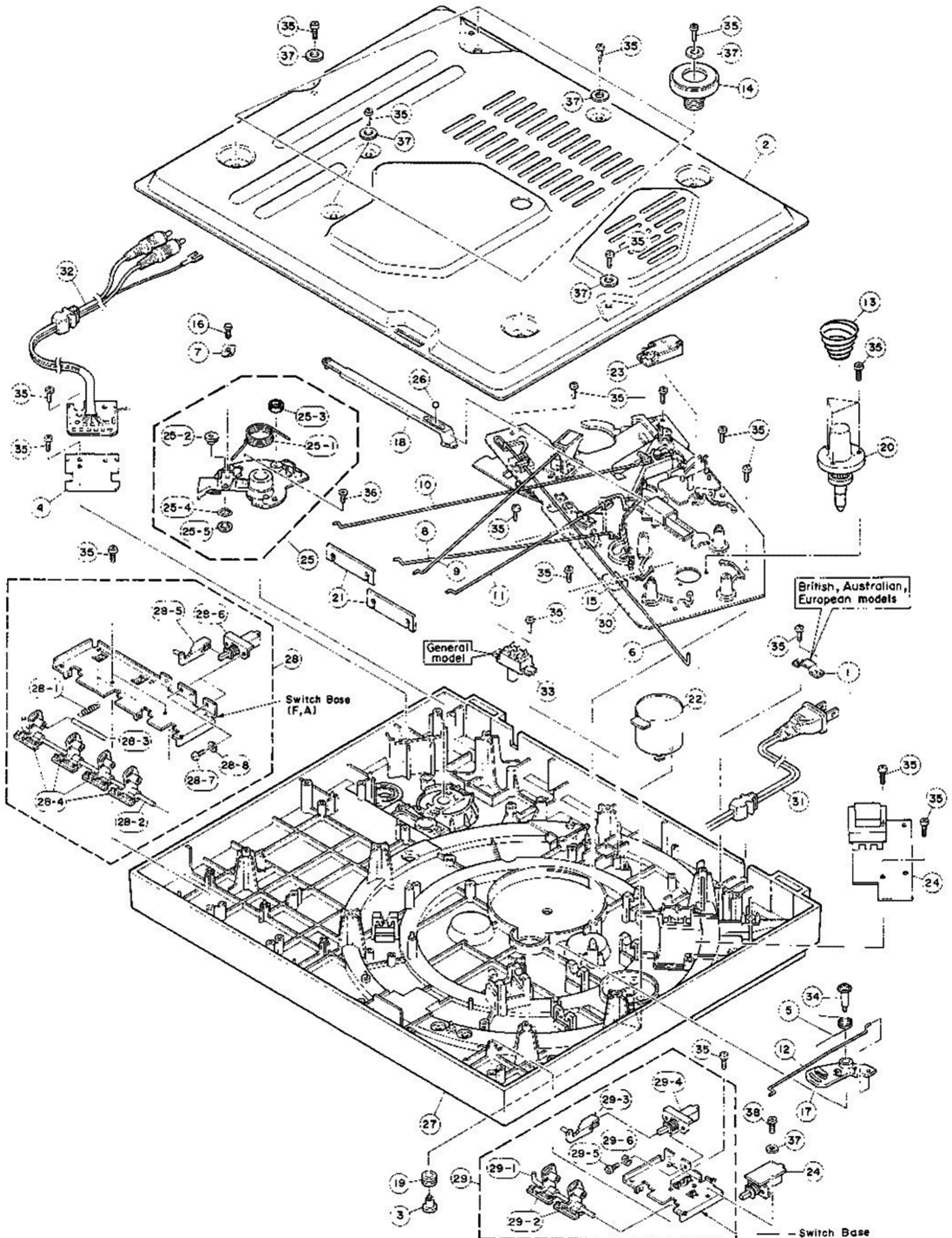
■ EXPLODED VIEW (TONE ARM EXTERNAL VIEW)



Ref. No.	Part No.	Description	部 品 名	Remarks	Common Model	Markets	ランク
※	1	NK 06 07 50	Cabinet	キャビネット	Silver		
※	"	NK 06 07 60	"	"	Black		
※	2	BA 08 95 30	Plater	ターンテーブル			
	3	NB 60 67 60	Dust Cover Ass'y	上 蓋 Ass'y		J.R.A.C.G.B	
	"	NB 60 67 60	"	"	P-320	U	
	3-1	CB 61 19 20	Cushion Rubber	クッションゴム			
※	4	CB 62 45 20	Plater Sheet	ターンテーブルシート	P-320	J.R.A.C.C.B	
※	"	CB 62 72 60	"	"	"	U	
※	"	CB 62 48 70	"	"	P-16	J.R.A.C.C.B	
※	"	CB 62 88 40	"	"	"	U	
	5	SS 06 03 30	Tone Arm Ass'y	YA-38	YA-38トーンアームユニット	P-200	
	5-1	EZ 00 10 60	Slotted Set Screw	M2.6×3	止ネジクボミ先		
	5-2	XX 60 04 30	Knob, Head Lock	ABS BL HT-20S	ヘッドロックつまみ		
	5-3	XX 60 04 40	Weight Ass'y		ウエイト Ass'y		
	6	NB 60 66 30	I.F.C. Ass'y		I F C Ass'y		
	6 1	CB 61 13 40	Spring Holder		スプリングホルダー		
	6-2	AA 61 16 50	Spring I.F.C.		I F C スプリング		
	6-3	CB 61 13 50	Spring Pusher		スプリング押え		
	7	BB 06 98 70	Friction Washer		フリクションワッシャー		
	8	NK 06 06 30	Knob, I.F.C.		I F C ツマミ	Silver	
	"	NK 06 06 40	"	"	"	Black	
	9	PB 06 22 80	Elevation Arm Ass'y		E V アーム Ass'y	P-200	
	10	AA 61 16 00	Arm Fixing Plate		アーム固定板		
※	11	CB 62 71 20	Button (S)		S ボタン	Silver	
※	"	CB 62 71 30	"	"	"	Black	
※	12	CB 62 71 40	Button (L)		L ボタン	Silver	
※	"	CB 62 71 50	"	"	"	Black	
	13	AA 62 11 20	Spring, Button		ボタンスプリング		
※	14	NK 06 05 80	Switch Plate Ass'y		スイッチプレート Ass'y	Silver P-320	
※	"	NK 06 05 90	"	"	"	Black "	
※	"	NK 06 06 90	"	"	"	Silver P-16	
※	"	NK 06 07 00	"	"	"	Black "	
	15	Ei 03 01 26	Binding Head Tapping Screw	3×12 ZMC2-Y	バインドタッピングネジ	PACK	
	16	CB 09 79 00	Belt		ベルト		
			Accessories		付 属 品		
	17	PX 60 01 40	Cartridge	CG-7700	カートリッジ		R.A.G.B
	"	PX 60 01 40	"	"	"	P-16	U.C
	"	SO 06 04 60	"	MC-705	"		J
	18	PB 06 23 70	Head Shell Ass'y		ヘッドシェル Ass'y (シェルリード線付)		
	19	PB 06 28 50	Fixing Screw Ass'y		カートリッジ止めネジ Ass'y		
※	20	PB 06 24 90	Hinge Ass'y		オートヒンジ Ass'y		R.A.C
	"	PB 06 24 00	"	"	"		J.G.B
	"	PB 06 24 90	"	"	"	P-320	U
	21	CB 61 27 80	EP Adaptor		E P アダプター	Black P-320	J
	"	CB 61 27 80	"	"	"	" P-16	
	22	CB 61 18 70	Stylus Gage		スタイラスゲージ	"	
※	23	PB 06 43 00	P-mount Head Sheli Ass'y		Pマウントシェル Ass'y	P-320	R.A.U.C
※	24	NB 61 84 30	Record Clamp Ass'y		レコードクランプ Ass'y	"	R.A.U.C.G.B
	25	Mi 08 20 90	Ground Wire Adaptor	φ3.5	中継プラグ	P-16	

※New Parts (新規部品)

EXPLODED VIEW (BOTTOM EXTERNAL VIEW)



Ref. No.	Part No.	Description	部 品 名	Remarks	Common Model	Markets	ランク
1	NK 06 07 50	Cabinet	キャビネット	Silver			
"	NK 06 07 60	"	"	Black			
2	BA 08 95 30	Plater	ターンテーブル				
3	NB 60 67 60	Dust Cover Ass'y	上 蓋 Ass'y			J.R.A.C.G.B	
"	NB 60 67 60	"	"	P-320		U	
3-1	CB 61 19 20	Cushion Rubber	クッションゴム				
4	CB 62 45 20	Plater Sheet	ターンテーブルシート	P-320		J.R.A.C.G.B	
"	CB 62 72 60	"	"	"		U	
"	CB 62 48 70	"	"	P-16		J.R.A.C.G.B	
"	CB 62 88 40	"	"	"		U	
5	SS 06 03 30	Tone Arm Ass'y	YA-38	YA-38トーンアームユニット		P-200	
5-1	EZ 00 10 60	Slotted Set Screw	M2.6×3	止ネジクボミ先			
5-2	XX 60 04 30	Knob, Head Lock	ABS BL HT-20S	ヘッドロックつまみ			
5-3	XX 60 04 40	Weight Ass'y		ウエイト Ass'y			
6	NB 60 66 30	I.F.C. Ass'y		I F C Ass'y			
6-1	CB 61 13 40	Spring Holder		スプリングホルダー			
6-2	AA 61 16 50	Spring I.F.C.		I F C スプリング			
6-3	CB 61 13 50	Spring Pusher		スプリング押え			
7	BB 06 98 70	Friction Washer		フリクションワッシャー			
8	NK 06 06 30	Knob, I.F.C.		I F C ツマミ	Silver		
"	NK 06 06 40	"		"	Black		
9	PB 06 22 80	Elevation Arm Ass'y		E V アーム Ass'y		P-200	
10	AA 61 16 00	Arm Fixing Plate		アーム固定板			
11	CB 62 71 20	Button (S)		S ボタン	Silver		
"	CB 62 71 30	"		"	Black		
12	CB 62 71 40	Button (L)		L ボタン	Silver		
"	CB 62 71 50	"		"	Black		
13	AA 62 11 20	Spring, Button		ボタンスプリング			
14	NK 06 05 80	Switch Plate Ass'y		スイッチプレート Ass'y	Silver P-320		
"	NK 06 05 90	"		"	Black "		
"	NK 06 06 90	"		"	Silver P-16		
"	NK 06 07 00	"		"	Black "		
15	Ei 03 01 26	Binding Head Tapping Screw	3×12 ZMC2-Y	バインドタッピングネジ	PACK		
16	CB 09 79 00	Belt		ベルト			
		Accessories		付 属 品			
17	PX 60 01 40	Cartridge	CG-7700	カートリッジ		R.A.G.B	
"	PX 60 01 40	"	"	"	P-16	U.C	
"	SQ 06 04 60	"	MC-705	"		J	
18	PB 06 23 70	Head Shell Ass'y		(ジドルリード兼付)			
19	PB 06 28 50	Fixing Screw Ass'y		カートリッジ止めネジ Ass'y			
20	PB 06 24 90	Hinge Ass'y		オートヒンジ Ass'y		R.A.C	
"	PB 06 24 00	"		"		J.G.B	
"	PB 06 24 90	"		"	P-320	U	
21	CB 61 27 80	EP Adaptor		E P アダプター	Black P-320	J	
"	CB 61 27 80	"		"	" P-16		
22	CB 61 18 70	Stylus Gage		スタイラスゲージ	"		
23	PB 06 43 00	P-mount Head Shell Ass'y		Pマウントシェル Ass'y	P-320	R.A.U.C	
24	NB 61 84 30	Record Clamp Ass'y		レコードクランパー Ass'y	"	R.A.U.C.G.B	
25	Mi 08 20 90	Ground Wire Adaptor	φ3.5	中継プラグ	P-16		

\*New Parts (新規部品)

Ref. No.	Part No.	Description	部 品 名	Remarks	Common Model	Markets	ランク
1	AA 06 42 40	Cord Stopper	コードストッパー			A,G,B	
2	AA 61 16 40	Bottom Cover	ボトムカバー				
3	AA 60 26 50	Screw with Step	段付ネジ				
4	AA 61 16 90	PU Base	P U ベース				
5	AA 61 17 50	Spring, Lever	レバースプリング				
6	AA 61 19 10	Size Rod (L)	サイズロッド(L)				
7	AA 61 23 60	Rod Plate (A)	ロッドプレート(A)				
8	AA 62 08 00	Cut Rod (F,A)	カットロッド(F,A)				
9	AA 62 08 20	Cueing Rod (F,A)	キューイングロッド(F,A)				
10	AA 62 08 30	Play Rod	プレイロッド				
11	AA 62 08 40	Repeat Rod	リピートロッド				
12	AA 62 08 50	Size Rod (S)	サイズロッド(S)				
13	AA 62 06 70	Spring, Ground (a)	アーススプリング(a)				
14	PB 06 41 00	Insulator Ass'y	インシュレーター Ass'y				
15	CA 07 59 60	Prevention Material	防音材(B)				
16	CB 09 96 00	Plastic Rivet	プラスチックリベット				
17	CB 61 12 90	Lever, Size Selector	サイズセレクターレバー				
18	CB 61 15 00	Return Rod	リターンロッド				
19	CB 09 81 60	Motor Cushion Rubber	モータークッションゴム				
20	NB 60 65 90	Main Shaft Ass'y	主 軸 Ass'y				
21	CB 63 09 20	Prevention Material	防音材(A)				
22	JC 00 07 70	Motor	モーター				
23	KA 60 06 10	Micro Switch	マイクロスイッチ				
24	NA 08 33 40	Power Circuit Board	パワーシート P 320			R	
	" NA 08 33 50	"	"	"		U.C	
	" NA 08 33 60	"	"	"		G	
	" NA 08 33 70	"	"	"		A,B	
	" NA 08 33 30	"	"	"		J	
	" NA 08 33 80	"	"	P-16		J	
	" NA 08 33 90	"	"	"		R	
	" NA 08 34 00	"	"	"		U.C	
	" NA 08 34 30	"	"	"		G	
	" NA 08 34 40	"	"	"		A,B	
25	NB 60 67 40	Revolution Arm Ass'y	回転アーム(A) Ass'y				
25-1	AA 61 20 80	Spring, Revolution Arm	回転アーム(A)スプリング				
25-2	CB 61 18 40	Holder Cam	ホルダーカム				
25-3	CB 61 21 90	Arm Brake	アームブレーキ				
25-4	EV 98 00 20	Washer	φ6 波型 座 金				
25-5	EV 52 26 00	Stop Ring	φ6 CS-Type C S 型 止 め 輪				
26	EZ 00 15 20	Steel Bowl	φ5 スチールボール				
27	NK 06 07 50	Cabinet	キャビネット	Silver			
	" NK 06 07 60	"	"	Black			
28	NB 61 83 60	Switch Base Ass'y (F,A)	スイッチベース Ass'y(F,A)		P-320		
28-1	AA 62 24 40	Spring	スプリング		P-220		
28-2	AA 62 07 60	Shaft, Switch	スイッチシャフト(L)				
28-3	AA 62 07 70	Pin, Switch	スイッチピン				
28-4	CB 62 73 10	Lever, Switch	スイッチレバー				
28-5	CB 62 73 20	Joint, Switch	スイッチジョイント				
28-6	KA 80 44 20	Push Switch	プッシュスイッチ				
28-7	EA 03 00 66	Pan Head Screw	3×6 ZMC2 Y ナベ小ネジ	PACK			
28-7	EV 30 03 06	Spring Lock Washer	φ3 ZMC2-Y バネ座金	PACK			
29	NB 61 83 80	Change Switch Ass'y(F,A)	切替スイッチ Ass'y(F,A)				
29-1	AA 62 07 50	Shaft, Switch	スイッチシャフト(S)				

\*New Parts (新規部品)





Ref. No	Part No.	Description	部 品 名	Remarks	Common Model	Markets	ランク
※	NB 61 84 00	Full Automatic Mechanism Ass'y	フルオートメカII Ass'y				
1	NB 60 71 70	Main Gear Ass'y	メインギヤ(A) Ass'y		P-500		
1-1	AA 61 37 80	Cut Blade	カットブレード		P-200		
1-2	CB 61 14 00	Cut Base	カットベース		"		
1-3	CB 61 13 80	Main Gear	メインギヤ		"		
2	CB 61 17 70	Play Lock	プレイロック				
3	CB 61 17 80	Play Cushion Rubber	プレイクッションゴム				
4	AA 61 19 40	Click Spring	クリックスプリング				
5	AA 61 19 50	Size Block	サイズブロック				
6	AA 61 19 60	Size Block Lever	サイズブロックレバー				
7	AA 61 19 70	Size Spring	サイズスプリング				
8	AA 61 19 80	Lead in Lever	リードインレバー				
9	AA 61 20 10	Brake Spring	ブレーキスプリング				
10	AA 61 20 20	Stopper Spring	ストッパースプリング				
11	AA 61 24 20	Lead Click Spring	リードクリックスプリング				
12	CB 61 17 90	Play Lever	プレイレバー				
13	CB 61 18 00	Switch Lever	スイッチレバー				
14	AA 61 20 30	Play Spring	プレイスプリング				
15	AA 61 20 40	Switch Spring	スイッチスプリング				
16	CB 61 51 40	Lead in Rubber	リードインゴム				
17	BB 06 99 60	Leaf Spring, Stopper	ストッパーストッパースプリング				
18	CB 61 18 10	Cueing Lever (A)	キューイングレバー(A)				
19	CB 61 18 20	" (B)	" (B)				
20	AA 61 20 60	Cueing Spring (A)	キューイングスプリング(A)				
21	AA 61 28 10	Repeat Spring	リピートスプリング				
22	CB 61 27 10	Repeat Lever	リピートレバー C				
23	EV 52 13 00	Stop Ring $\phi 3$ CS-Type	C S 型 止 め 輪				
24	Ei 02 00 46	Binding Head Tapping Screw M2x4 ZMC2-Y	バインドタッピングネジ	PACK			
25	Ei 02 00 66	" M2x6 ZMC2-Y	"	PACK			
26	EV 20 02 06	Plain Washer M2 ZMC2 Y	平 産 金	PACK			

\*New Parts (新規部品)