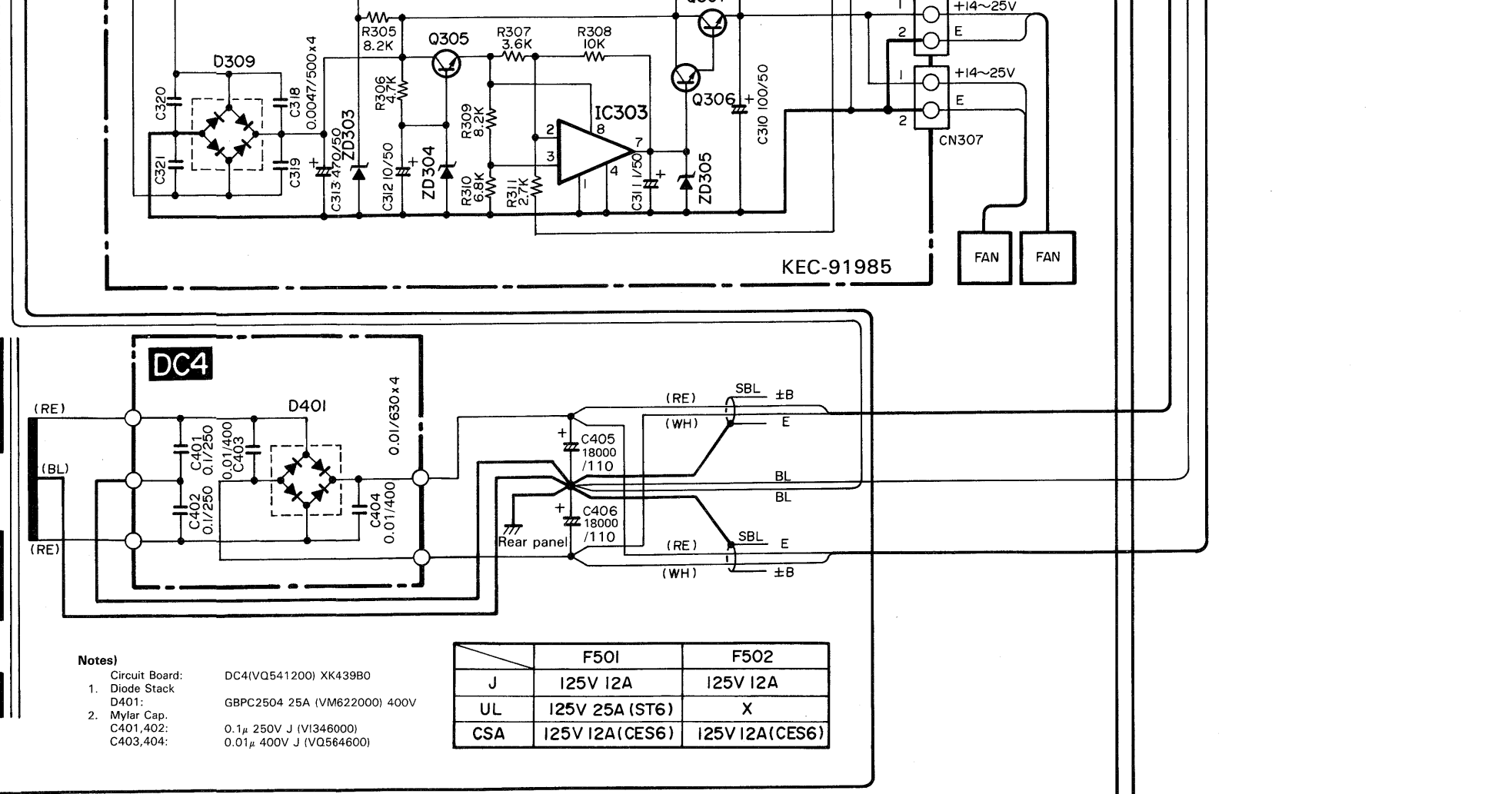
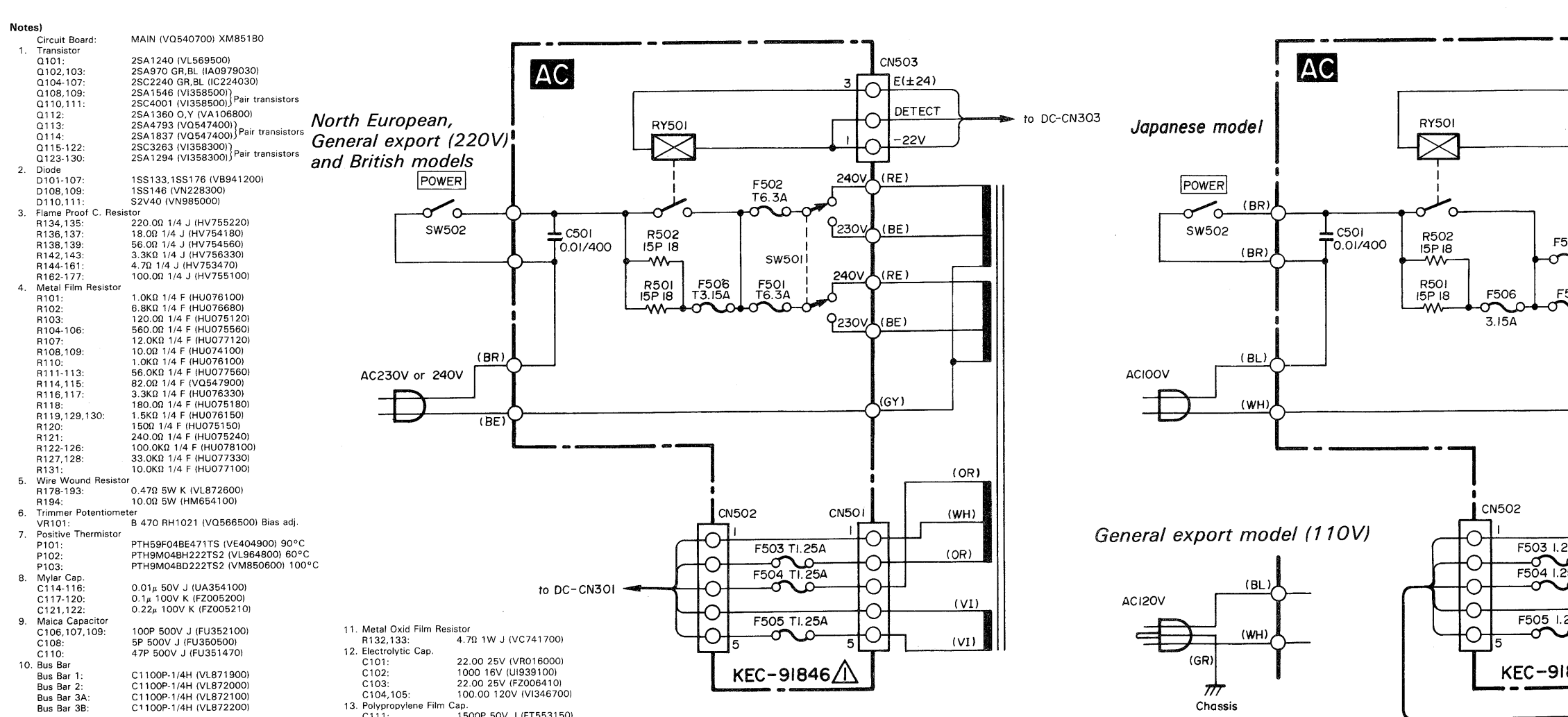
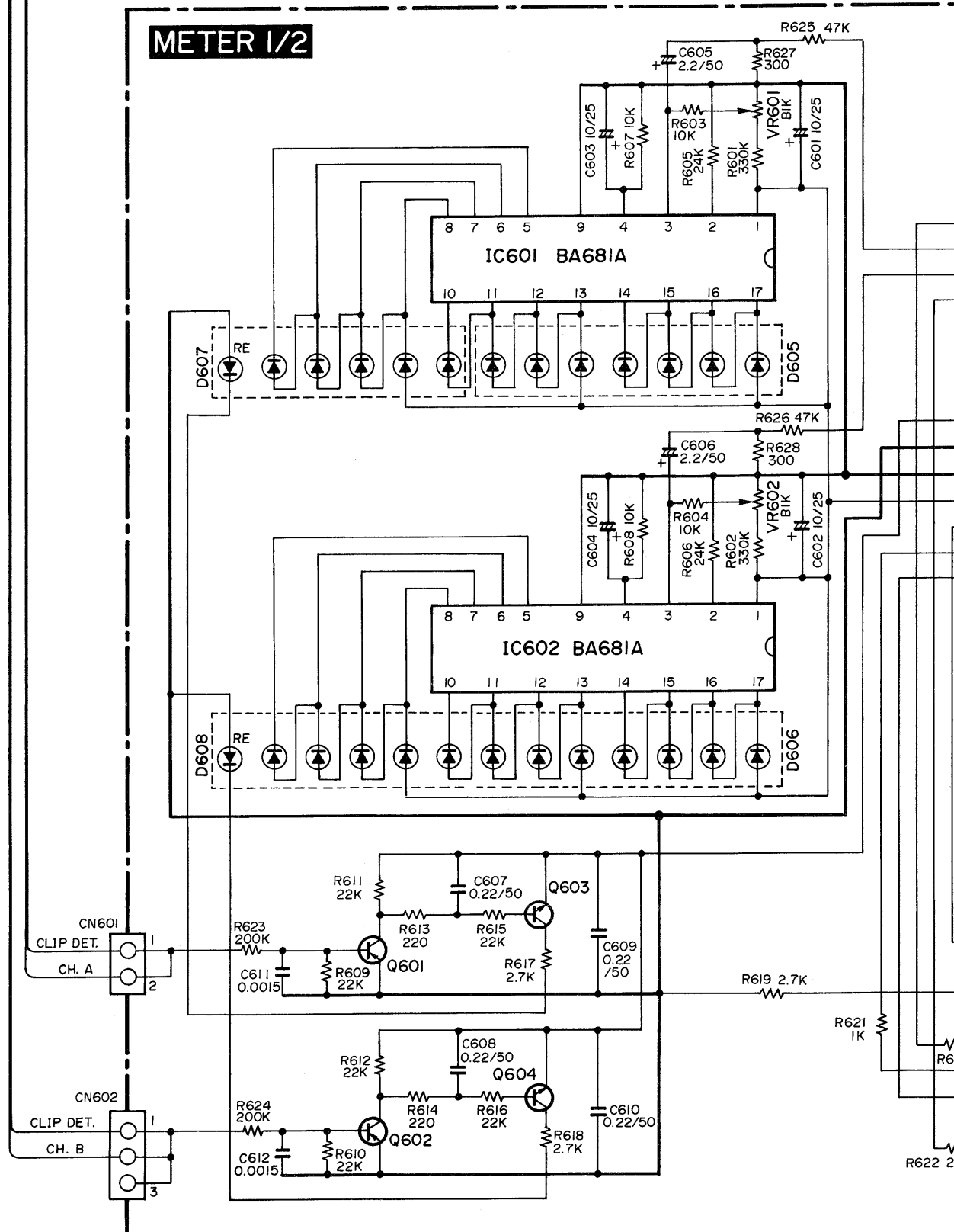
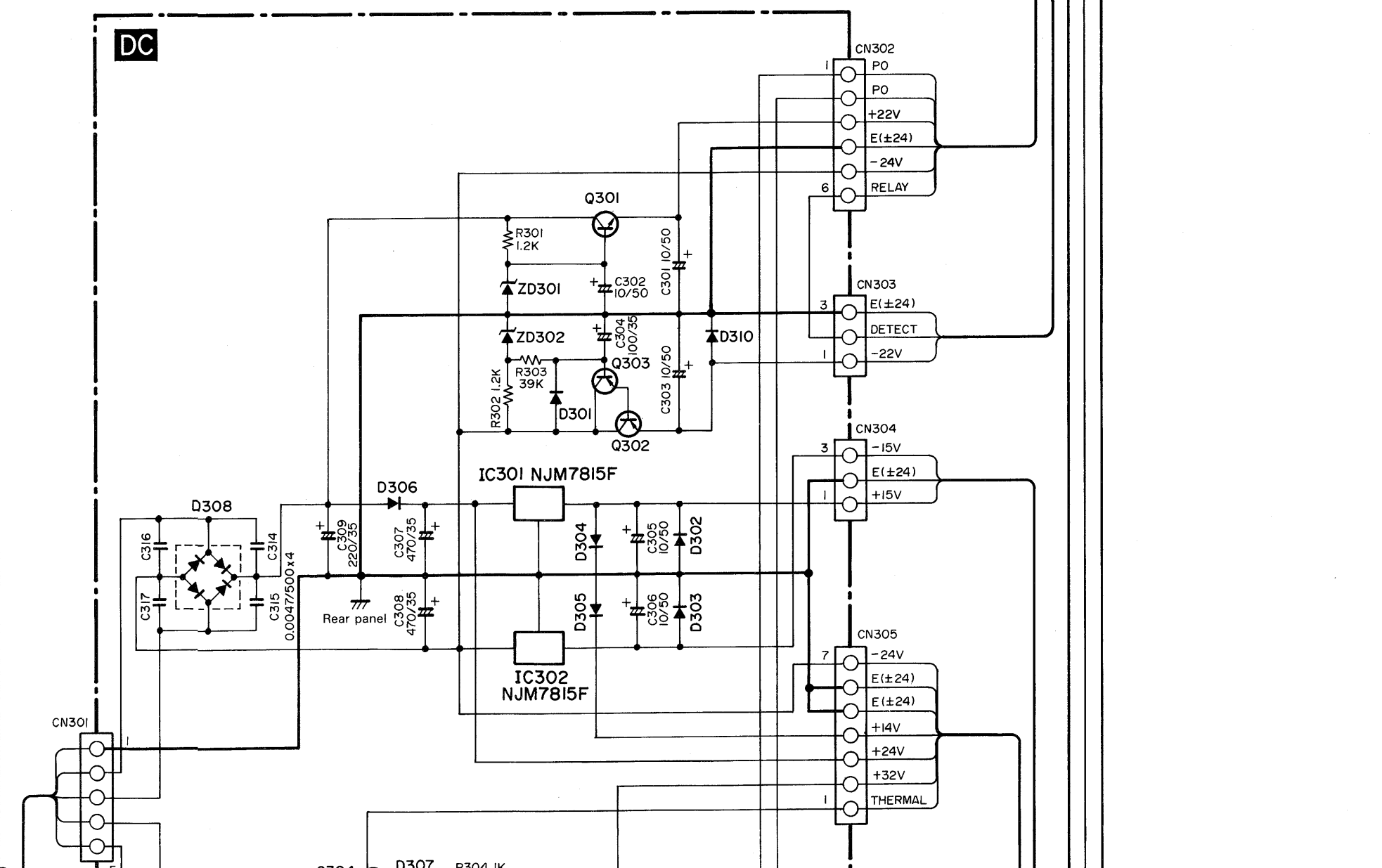
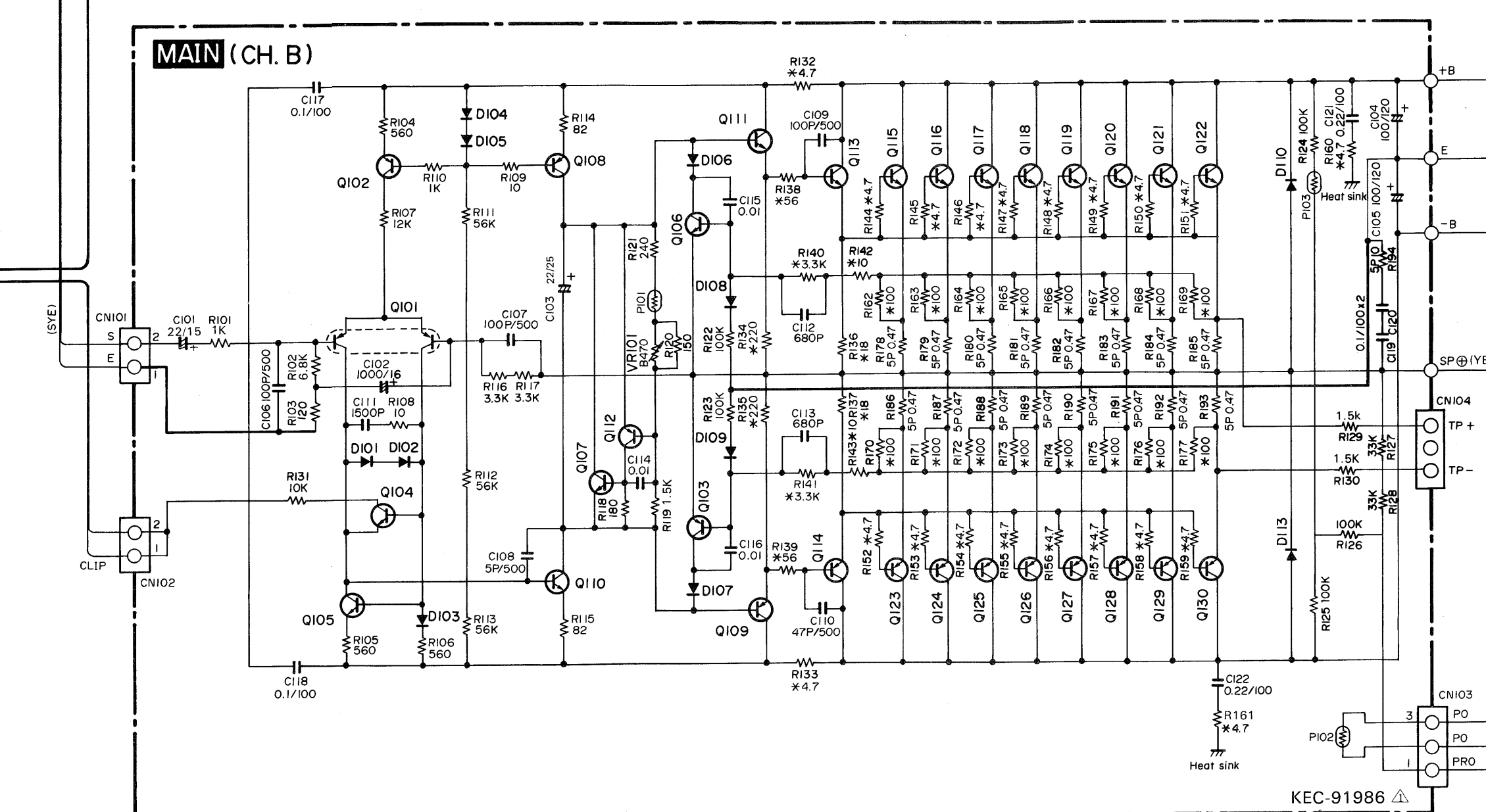
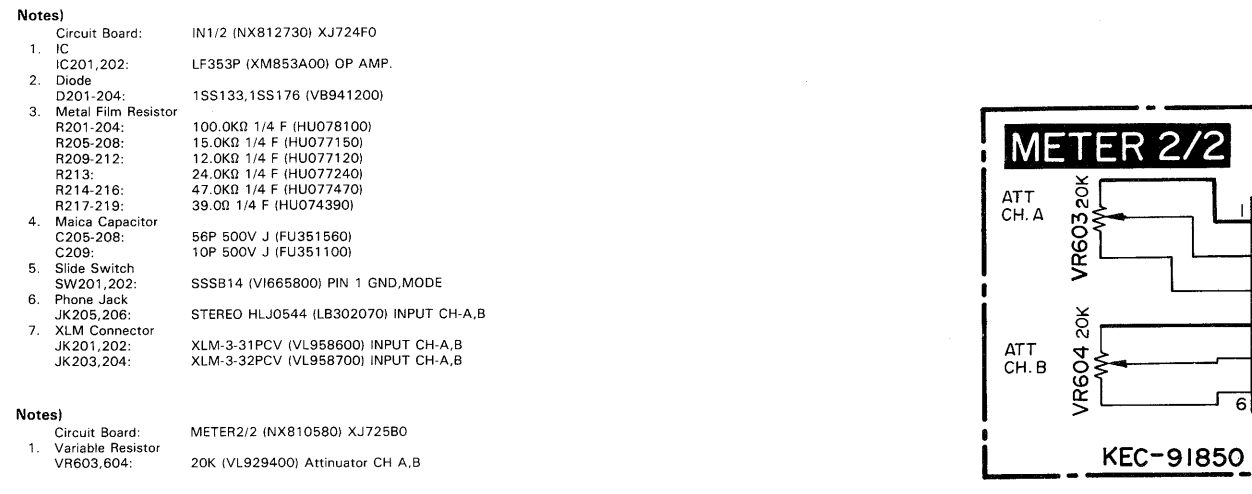


- Notes:
- 1. IC: LM7805
  - 2. Transistor: BC107
  - 3. Diode: 1N4148
  - 4. Resistor: 1/4W
  - 5. Capacitor: 50V
  - 6. Connector: D-sub 15-pin
  - 7. Terminal: 250MCM
  - 8. Component: 200 Ohm 1/4W
  - 9. Component: 100 Ohm 1/4W
  - 10. Component: 10 Ohm 1/4W
  - 11. Component: 1 Ohm 1/4W
  - 12. Component: 100 Ohm 1/4W
  - 13. Component: 1K 1/4W
  - 14. Component: 10K 1/4W
  - 15. Component: 100K 1/4W
  - 16. Component: 1M 1/4W
  - 17. Component: 10M 1/4W
  - 18. Component: 0.1uF
  - 19. Component: 0.01uF
  - 20. Component: 0.001uF
  - 21. Component: 100uF 50V
  - 22. Component: 100uF 25V
  - 23. Component: 100uF 10V
  - 24. Component: 100uF 5V
  - 25. Component: 100uF 2.5V
  - 26. Component: 100uF 1.5V
  - 27. Component: 100uF 0.5V
  - 28. Component: 100uF 0.25V
  - 29. Component: 100uF 0.1V
  - 30. Component: 100uF 0.05V
  - 31. Component: 100uF 0.025V
  - 32. Component: 100uF 0.01V
  - 33. Component: 100uF 0.005V
  - 34. Component: 100uF 0.0025V
  - 35. Component: 100uF 0.001V



- Notes:
- 1. IC: BA681A
  - 2. Transistor: BC107
  - 3. Diode: 1N4148
  - 4. Resistor: 1/4W
  - 5. Capacitor: 50V
  - 6. Connector: D-sub 15-pin
  - 7. Terminal: 250MCM
  - 8. Component: 200 Ohm 1/4W
  - 9. Component: 100 Ohm 1/4W
  - 10. Component: 10 Ohm 1/4W
  - 11. Component: 1 Ohm 1/4W
  - 12. Component: 100 Ohm 1/4W
  - 13. Component: 1K 1/4W
  - 14. Component: 10K 1/4W
  - 15. Component: 100K 1/4W
  - 16. Component: 1M 1/4W
  - 17. Component: 10M 1/4W
  - 18. Component: 0.1uF
  - 19. Component: 0.01uF
  - 20. Component: 0.001uF
  - 21. Component: 100uF 50V
  - 22. Component: 100uF 25V
  - 23. Component: 100uF 10V
  - 24. Component: 100uF 5V
  - 25. Component: 100uF 2.5V
  - 26. Component: 100uF 1.5V
  - 27. Component: 100uF 0.5V
  - 28. Component: 100uF 0.25V
  - 29. Component: 100uF 0.1V
  - 30. Component: 100uF 0.05V
  - 31. Component: 100uF 0.025V
  - 32. Component: 100uF 0.01V
  - 33. Component: 100uF 0.005V
  - 34. Component: 100uF 0.0025V
  - 35. Component: 100uF 0.001V

- Notes:
- 1. Transistor: BC107
  - 2. Diode: 1N4148
  - 3. Resistor: 1/4W
  - 4. Capacitor: 50V
  - 5. Connector: D-sub 15-pin
  - 6. Terminal: 250MCM
  - 7. Component: 200 Ohm 1/4W
  - 8. Component: 100 Ohm 1/4W
  - 9. Component: 10 Ohm 1/4W
  - 10. Component: 1 Ohm 1/4W
  - 11. Component: 100 Ohm 1/4W
  - 12. Component: 1K 1/4W
  - 13. Component: 10K 1/4W
  - 14. Component: 100K 1/4W
  - 15. Component: 1M 1/4W
  - 16. Component: 10M 1/4W
  - 17. Component: 0.1uF
  - 18. Component: 0.01uF
  - 19. Component: 0.001uF
  - 20. Component: 100uF 50V
  - 21. Component: 100uF 25V
  - 22. Component: 100uF 10V
  - 23. Component: 100uF 5V
  - 24. Component: 100uF 2.5V
  - 25. Component: 100uF 1.5V
  - 26. Component: 100uF 0.5V
  - 27. Component: 100uF 0.25V
  - 28. Component: 100uF 0.1V
  - 29. Component: 100uF 0.05V
  - 30. Component: 100uF 0.025V
  - 31. Component: 100uF 0.01V
  - 32. Component: 100uF 0.005V
  - 33. Component: 100uF 0.0025V
  - 34. Component: 100uF 0.001V
  - 35. Component: 100uF 0.0005V

- Notes:
- 1. IC: NJM7815F
  - 2. Transistor: BC107
  - 3. Diode: 1N4148
  - 4. Resistor: 1/4W
  - 5. Capacitor: 50V
  - 6. Connector: D-sub 15-pin
  - 7. Terminal: 250MCM
  - 8. Component: 200 Ohm 1/4W
  - 9. Component: 100 Ohm 1/4W
  - 10. Component: 10 Ohm 1/4W
  - 11. Component: 1 Ohm 1/4W
  - 12. Component: 100 Ohm 1/4W
  - 13. Component: 1K 1/4W
  - 14. Component: 10K 1/4W
  - 15. Component: 100K 1/4W
  - 16. Component: 1M 1/4W
  - 17. Component: 10M 1/4W
  - 18. Component: 0.1uF
  - 19. Component: 0.01uF
  - 20. Component: 0.001uF
  - 21. Component: 100uF 50V
  - 22. Component: 100uF 25V
  - 23. Component: 100uF 10V
  - 24. Component: 100uF 5V
  - 25. Component: 100uF 2.5V
  - 26. Component: 100uF 1.5V
  - 27. Component: 100uF 0.5V
  - 28. Component: 100uF 0.25V
  - 29. Component: 100uF 0.1V
  - 30. Component: 100uF 0.05V
  - 31. Component: 100uF 0.025V
  - 32. Component: 100uF 0.01V
  - 33. Component: 100uF 0.005V
  - 34. Component: 100uF 0.0025V
  - 35. Component: 100uF 0.001V