

MIXING CONSOLE/POWER SUPPLY

M2000

PW2000M

SERVICE MANUAL

M2000/PW2000M

| | |
|--|-------|
| ■ CONTENTS (目次) | |
| SPECIFICATIONS (総合仕様) | 2/5 |
| DIMENSIONS (寸法図) | 8 |
| PANEL LAYOUT (パネルレイアウト) | 9 |
| CIRCUIT BOARD LAYOUT & WIRING (ユニットレイアウトと基板結線図) | 20 |
| DISASSEMBLY PROCEDURE (分解手順) | 22 |
| LSI PIN DESCRIPTION (LSI端子機能表) | 36 |
| IC BLOCK DIAGRAM (ICブロック図) | 37 |
| INSPECTIONS (検査) | 39/55 |
| TEST PROGRAM (テストプログラム) | 51/65 |
| ERROR MESSAGES (エラーメッセージ) | 54/67 |
| MIDI IMPLEMENTATION CHART | 68 |
| CIRCUIT BOARD & CIRCUIT DIAGRAM (シート基板図と回路図) | 69 |

PA 011225

19940320-1100000-16 19940320-1600000-32
19940320-1350000-24 19940320-1850000-40

YAMAHA CORP.
HAMAMATSU, JAPAN
2.65K-7601 © PRINTED IN JAPAN '94.04

IMPORTANT NOTICE

This manual has been provided for the use of authorized Yamaha Retailers and their service personnel. It has been assumed that basic service procedures inherent to the industry, and more specifically Yamaha Products, are already known and understood by the users, and have therefore not been restated.

WARNING: Failure to follow appropriate service and safety procedures when servicing this product may result in personal injury, destruction of expensive components and failure of the product to perform as specified. For these reasons, we advise all Yamaha product owners that all service required should be performed by an authorized Yamaha Retailer or the appointed service representative.

IMPORTANT: The presentation or sale of this manual to any individual or firm does not constitute authorization, certification, recognition of any applicable technical capabilities, or establish a principal-agent relationship of any form.

The data provided is believed to be accurate and applicable to the unit(s) indicated on the cover. The research, engineering, and service departments of Yamaha are continually striving to improve Yamaha products. Modifications are, therefore, inevitable and changes in specification are subject to change without notice or obligation to retrofit. Should any discrepancy appear to exist, please contact the distributor's Service Division.

WARNING: Static discharges can destroy expensive components. Discharge any static electricity your body may have accumulated by grounding yourself to the ground buss in the unit (heavy gauge black wires connect to this buss).

IMPORTANT: Turn the unit OFF during disassembly and parts replacement. Recheck all work before you apply power to the unit.

This product uses a lithium battery for memory back-up.

WARNING: Lithium batteries are dangerous because they can be exploded by improper handling. Observe the following precautions when handling or replacing lithium batteries.

- Leave battery replacement to qualified service personnel.
- Always replace with batteries of the same type.
- When installing on the PC board, solder using the connection terminals provided on the battery cells. Never solder directly to the cells. Perform the soldering as quickly as possible.
- Never reverse the battery polarities when installing.
- Do not short the batteries.
- Do not attempt to recharge these batteries.
- Do not disassemble the batteries.
- Never heat batteries or throw them into fire.

ADVARSEL!

Lithiumbatteri. Eksplosionsfare.
Udskiftning ma kun foretages af en sagkyndig, og som beskrevet i servicemanualen.

WARNING: CHEMICAL CONTENT NOTICE!

The solder used in the production of this product contains LEAD. In addition, other electrical/electronic and/or plastic (where applicable) components may also contain traces of chemicals found by the California Health and Welfare Agency (and possibly other entities) to cause cancer and/or birth defects or other reproductive harm.

DO NOT PLACE SOLDER, ELECTRICAL/ELECTRONIC OR PLASTIC COMPONENTS IN YOUR MOUTH FOR ANY REASON WHAT SO EVER!

Avoid prolonged, unprotected contact between solder and your skin! When soldering, do not inhale solder fumes or expose eyes to solder/flux vapor!

If you come in contact with solder or components located inside the enclosure of this product, wash your hands before handling food.

■ WARNING

Components having special characteristics are marked Δ and must be replaced with parts having specifications equal to those originally installed.

Δ 印の部品は、安全を維持するために重要な部品です。交換をする場合は、安全のため必ず指定の部品をご使用下さい。

■ SPECIFICATIONS

General specifications (M2000)

| | |
|--|---|
| Total Harmonic Distortion (Master output) | Less than 0.1% (THD+N) 20 Hz–20 kHz @ +14 dB output into 600 Ω |
| Frequency Response (Master output) | +1/-3 dB 20 Hz–20 kHz @ +4 dB output into 600 Ω |
| Hum & Noise*1 (40 ch) | -128 dB Equivalent Input Noise. -97 dB Residual Output Noise. -80 dB (84 dB S/N) GROUP OUT Master fader at nominal level and all Ch assign SW's off. -64 dB (68 dB S/N) GROUP OUT Master fader and one Ch fader at nominal level. -79 dB (83 dB S/N) STEREO OUT MASTER fader at nominal level and all Ch assign SW's off and all Group to ST SW's off. -79 dB (83 dB S/N) MONO OUT Master fader at nominal level and all Ch assign SW's off and all Group to MONO SW's off. -77 dB (81 dB S/N) AUX OUT Master level control at nominal level and all Ch AUX Mix controls at minimum level. -92 dB (96 S/N) MATRIX OUT Master level control at nominal level and all Matrix Mix controls at minimum level. |
| Crosstalk | -80 dB @ 1 kHz adjacent inputs. -70 dB @ 1 kHz input to output. (Ch input) -50 dB @ 1 kHz input to output. (Stereo input) |
| Maximum Voltage Gain | 84 dB CH IN to GROUP OUT/ STEREO OUT (CH to ST) /MONO OUT (CH to MONO) 94 dB CH IN to STEREO OUT (Group to ST)/MONO OUT (Group to MONO) 104 dB CH IN to MONO OUT (Group to ST & ST TO MONO) 90 dB CH IN to MATRIX OUT (Group to MATRIX) 76 dB CH IN to AUX OUT (Pre Fader) 86 dB CH IN to AUX OUT (Post Fader) 70 dB CH IN to MONITOR OUT (CH IN CUE) 76 dB CH IN to DIRECT OUT 60 dB CH IN to CH INSERT OUT 44 dB ST IN to GROUP OUT/STEREO OUT (CH to ST)/MONO OUT (CH to MONO) 33 dB ST IN to AUX OUT (Pre Fader) 43 dB ST IN to AUX OUT (Post Fader) 30 dB ST IN to MONITOR OUT (ST IN CUE) 30 dB RETURN to GROUP OUT/STEREO OUT/MONO OUT 23 dB RETURN to AUX OUT 70 dB TALKBACK IN to GROUP OUT/STEREO OUT/MONO OUT 10 dB SUB IN to GROUP OUT/STEREO OUT/MONO OUT 6 dB SUB IN to AUX OUT/MONITOR OUT 20 dB 2TR IN to MONITOR OUT |

Ch Input PAD SW 26 dB

Ch Input Gain control 44 dB variable

Stereo Input Gain control 30 dB variable

Ch Input High Pass Filter 12 dB/octave roll-off 80 Hz at -3 dB point.

| | | | | |
|------------------------------|----------------|----------|-----------------|------------|
| Ch Input Equalization | ±15 dB maximum | HIGH | 12 kHz | (shelving) |
| | | HIGH-MID | 400 Hz – 8 kHz | (peaking) |
| | | LOW-MID | 80 Hz – 1.6 kHz | (peaking) |
| | | LOW | 80 Hz | (shelving) |

| | | | | |
|----------------------------------|----------------|------|----------------|------------|
| Stereo Input Equalization | ±15 dB maximum | HIGH | 12 kHz | (shelving) |
| | | MID | 300 Hz – 6 kHz | (peaking) |
| | | LOW | 80 Hz | (shelving) |

| | | | | |
|----------------------------|----------------|------|--------|------------|
| Return Equalization | ±15 dB maximum | HIGH | 12 kHz | (shelving) |
| | | LOW | 80 Hz | (shelving) |

Channel Peak Indicator Peak LED (red) turns on when post-EQ signal is above the level 3 dB lower than clipping level.

Channel Signal Indicator Signal LED (green) turns on when post-EQ signal is above the level 10 dB lower than nominal level.

Scene Memory (with MIDI control) Direct Scene recall switches (#1 – #8)
Switchable Scene recall (#1 – #128)

VU Meters (0 VU=+4 dB output @ 600 Ω load)
3 large, illuminated meters; 2 meters are switchable.
L; STEREO L/CUE L
R; STEREO R/CUE R
MONO; MONO
8 smaller, illuminated meters; all switchable.
#1; GROUP 1/MATRIX 1 A/AUX 1
#2; GROUP 2/MATRIX 2 A/AUX 2
#3; GROUP 3/MATRIX 3 A/AUX 3
#4; GROUP 4/MATRIX 4 A/AUX 4
#5; GROUP 5/MATRIX 1 B/AUX 5
#6; GROUP 6/MATRIX 2 B/AUX 6
#7; GROUP 7/MATRIX 3 B
#8; GROUP 8/MATRIX 4 B

VU Meter Peak Indicator Peak LED (red) built into each VU meter turns on when output signal is above the level 3 dB lower than clipping level.

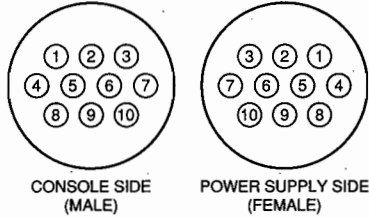
Phantom Power +48 V_{DC} is applied to balanced inputs for powering condenser microphones.

| | | | |
|-------------------|--------|---------|---------|
| Dimensions | Height | 223 mm | |
| | Depth | 785 mm | |
| | Width | 16 ch | 970 mm |
| | | 24 ch | 1202 mm |
| | 32 ch | 1434 mm | |
| | 40 ch | 1696 mm | |

| | | |
|---------------|-------|-------|
| Weight | 16 ch | 44 kg |
| | 24 ch | 54 kg |
| | 32 ch | 64 kg |
| | 40 ch | 76 kg |

Power consumption 300W

Accessory **Umbilical cable**
 Multi-conductor cable with locking connectors to supply power to the M2000 console. Approx. 3m (10') long.
 * Specifications subject to change without notice.



Umbilical Connector Pin Assignments

Power Supply (PW2000M)

Options Monaural Input Module (MN2000M)
 Stereo Input Module (ST2000M)
 Output Transformer (Rack Mount Type)
 Power Supply (PW2000M)

- 0 dB=0.775 Vrms.
- *1 20 Hz-20 kHz, Rs=150 Ω, Input Gain=Max, Input Pad=OFF,
 Input sensitivity = -60 dB

M2000/PW2000M

General specifications (PW2000M)

Dimensions (w × d × h)
 480 × 334.5 × 98 mm (18-7/8" × 13-3/16" × 3-1/2")

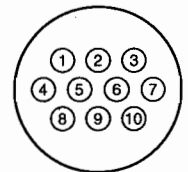
Weight
 13kg (28.5 lb)

Secondary
 ±17V 2.5A
 +12V 3.8A
 +48V 0.3A

Power requirements
 USA and Canadian models: 120VAC, 60Hz
 British model: 240V, 50Hz
 General model: 230VAC, 50Hz

PW2000M umbilical connector pin assignments

| Pin | Function |
|-----|----------|
| 1 | E (+48V) |
| 2 | E (+12V) |
| 3 | E (±17V) |
| 4 | +48V |
| 5 | +12V |
| 6 | +17V |
| 7 | -17V |
| 8 | GND |
| 9 | DETECT A |
| 10 | DETECT B |



Input/output specifications (M2000)

INPUT CHARACTERISTICS

| Connection | PAD | Gain Trim | Actual Load Impedance | For Use with Nominal | Input Level*2 | | | Connector in Mixer |
|--|-----|-----------|-----------------------|--|-------------------|-------------------|------------------|----------------------------------|
| | | | | | Sensitivity*5 | Nominal | Max. before Clip | |
| CH IN (1-*ch*1) INPUT A, B | 0 | -60 | A; 5 k Ω | 50-600 Ω Mics & 600 Ω Lines | -80 dB (0.078 mV) | -60 dB (0.775 mV) | -40 dB (7.75 mV) | A; XLR-3-31 type (Balanced) |
| | 26 | | | | -54 dB (1.55 mV) | -34 dB (15.5 mV) | -14 dB (155 mV) | |
| | 0 | -16 | B; 10 k Ω | | -36 dB (12.3 mV) | -16 dB (123 mV) | +4 dB (1.23 V) | B; Phone Jack [TRS] (Balanced)*4 |
| | 26 | | | | -10 dB (245 mV) | +10 dB (2.45 V) | +30 dB (24.5 V) | |
| ST IN (1, 2) [L, R] INPUT A, B | -20 | +10 | 10 k Ω | 600 Ω Lines | -40 dB (7.75 mV) | -20 dB (77.5 mV) | 0 dB (0.775 V) | A; Phone Jack (Unbalanced) |
| | +10 | | | | -10 dB (245 mV) | +10 dB (2.45 V) | +30 dB (24.5 V) | B; RCA Pin Jack (Unbalanced) |
| RETURN (1-4) [L, R] | -10 | +4 | 10 k Ω | 600 Ω Lines | -26 dB (38.8 mV) | -10 dB (245 mV) | +10 dB (2.45 V) | Phone Jack (Unbalanced) |
| | +4 | | | | -12 dB (195 mV) | +4 dB (1.23 V) | +24 dB (12.3 V) | |
| TALKBACK IN | | | 10 k Ω | 50-600 Ω Mics | -66 dB (0.388 mV) | -50 dB (2.45 mV) | -24 dB (48.9 mV) | XLR-3-31 type (Unbalanced) |
| 2TR IN (1, 2) [L, R] | | | 10 k Ω | 600 Ω Lines | -16 dB (123 mV) | -10 dB (245 mV) | +10 dB (2.45 V) | RCA Pin Jack (Unbalanced) |
| GROUP (1-8) SUB IN STEREO [L, R] SUB IN MONO SUB IN | | | 10 k Ω | 600 Ω Lines | -6 dB (388 mV) | +4 dB (1.23 V) | +24 dB (12.3 V) | Phone Jack (Unbalanced) |
| AUX (1-6) SUB IN MATRIX [L, R] SUB IN CUE [L, R] SUB IN | | | 10 k Ω | 600 Ω Lines | -2 dB (0.616 V) | +4 dB (1.23 V) | +24 dB (12.3 V) | Phone Jack (Unbalanced) |
| CH (1-*ch*1) INSERT IN | | | 10 k Ω | 600 Ω Lines | -20 dB (77.5 mV) | 0 dB (0.775 V) | +20 dB (7.75 V) | Phone Jack [TRS] (Unbalanced)*3 |
| GROUP (1-8) INSERT IN STEREO [L, R] INSERT IN MONO INSERT IN | | | 10 k Ω | 600 Ω Lines | -6 dB (388 mV) | 0 dB (0.775 V) | +20 dB (7.75 V) | Phone Jack [TRS] (Unbalanced)*3 |

*1) M2000 -16; 16ch, -24; 24ch, -32; 32ch, -40C; 40ch

*2) 0 dB is referenced to 0.775 Vrms.

*3) Insert Phone Jacks; T=OUT, R=IN, S=GND

*4) CH INPUT B Jacks; T=HOT, R=COLD, S=GND

*5) Sensitivity is the lowest level that will produce an output of +4 dB (1.23 V), or the nominal output level when the unit is set to maximum level.

OUTPUT CHARACTERISTICS

| Connection | Actual Source Impedance | For Use with Nominal | Output Level*2 | | Connector in Mixer |
|--|-------------------------|----------------------|-----------------|------------------|---------------------------------|
| | | | Nominal | Max. before clip | |
| GROUP OUT (1-8) STEREO OUT [L, R] MONO OUT AUX OUT (1-6) MATRIX A OUT (1-4) | 150 Ω | 600 Ω Lines | +4 dB (1.23 V) | +24 dB (12.3 V) | XLR-3-32 type (Balanced) |
| MATRIX B OUT (1-4) MONITOR OUT [L, R] | 75 Ω | 600 Ω Lines | +4 dB (1.23 V) | +20 dB (7.75 V) | Phone Jack (Unbalanced) |
| REC OUT [L, R] | 600 Ω | 10 k Ω Lines | -10 dB (245 mV) | +10 dB (2.45 V) | RCA Pin Jack (Unbalanced) |
| CH DIRECT OUT (1-*ch*1) | 600 Ω | 10 k Ω Lines | 0 dB (0.775 V) | +20 dB (7.75 V) | Phone Jack (Unbalanced) |
| CH INSERT OUT (1-*ch*1) GROUP INSERT OUT (1-8) STEREO INSERT OUT [L, R] MONO INSERT OUT | 600 Ω | 10 k Ω Lines | 0 dB (0.775 V) | +20 dB (7.75 V) | Phone Jack [TRS] (Unbalanced)*3 |
| PHONES OUT [L, R] | 100 Ω | 8 Ω Phones | 1 mW | 20 mW | Stereo Phone Jack (Unbalanced) |
| | | 40 Ω Phones | 3 mW | 75 mW | |

*1) M2000 -16; 16ch, -24; 24ch, -32; 32ch, -40C; 40ch

*2) 0 dB is referenced to 0.775 Vrms.

*3) Insert Phone Jacks; T=OUT, R=IN, S=GND

■ 総合仕様

仕様 (M2000)

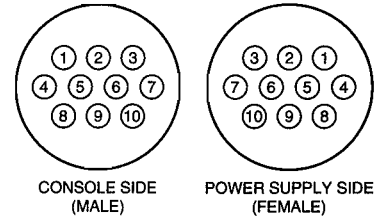
一般仕様

| | |
|---------------------------|---|
| 全高調波歪率 (Master output) | 0.1%以下 (THD+N) 20 Hz - 20 kHz @ +14 dB, 600 Ω |
| 周波数特性 (Master output) | +1/-3 dB 20 Hz - 20 kHz @ +4 dB, 600 Ω |
| ハム & ノイズ* (40 ch) | -128 dB入力換算ノイズ -97 dB残留ノイズ -80 dB (84 dB S/N) GROUP OUT Master fader at nominal level and all Ch assign SW's off. -64 dB (68 dB S/N) GROUP OUT Master fader and one Ch fader at nominal level. -79 dB (83 dB S/N) STEREO OUT MASTER fader at nominal level and all Ch assign SW's off and all Group → ST SW's off. -79 dB (83 dB S/N) MONO OUT Master fader at nominal level and all Ch assign SW's off and all Group → Mono SW's off. -77 dB (81 dB S/N) AUX OUT Master level control at nominal level and all Ch AUX Mix controls at minimum level. -92 dB (96 S/N) MATRIX OUT Master level control at nominal level and all Matrix Mix controls at minimum level. |
| クロストーク (@1 kHz) | -80 dB 入力ch間 -70 dB 入力ch - 出力ch間 (Ch input) -50 dB 入力ch - 出力ch間 (Stereo input) |
| 最大電圧利得 | 84 dB CH IN → GROUP OUT / STEREO OUT (CH → ST) / MONO OUT (CH → MONO) 94 dB CH IN → STEREO OUT (G → ST) / MONO OUT (G → MONO) 104 dB CH IN → MONO OUT (G → ST & ST → MONO) 90 dB CH IN → MATRIX OUT (G → MATRIX) 76 dB CH IN → AUX OUT (Pre Fader) 86 dB CH IN → AUX OUT (Post Fader) 70 dB CH IN → MONITOR OUT (CH IN CUE) 76 dB CH IN → DIRECT OUT 60 dB CH IN → CH INSERT OUT 44 dB ST IN → GROUP OUT / STEREO OUT (CH → ST) / MONO OUT (CH → MONO) 33 dB ST IN → AUX OUT (Pre Fader) 43 dB ST IN → AUX OUT (Post Fader) 30 dB ST IN → MONITOR OUT (ST IN CUE) 30 dB RETURN → GROUP OUT / STEREO OUT / MONO OUT 23 dB RETURN → AUX OUT 70 dB TALKBACK IN → GROUP OUT / STEREO OUT / MONO OUT 10 dB SUB IN → GROUP OUT / STEREO OUT / MONO OUT 6 dB SUB IN → AUX OUT / MONITOR OUT 20 dB 2TR IN → MONITOR OUT |

| | |
|-------------------------------------|--|
| PADスイッチ | 26 dB |
| モノラルGAINコントロール | 44 dB variable |
| ステレオGAINコントロール | 30 dB variable |
| ハイパスフィルター | 12 dB/octave roll-off 80 Hz at -3 dB point. |
| モノラルEQ | 最大可変幅±15 dB HIGH 12 kHz (シェルピング) HIGH-MID 400 Hz-8 kHz (ピーキング) LOW-MID 80 Hz-1.6 kHz (ピーキング) LOW 80 Hz (シェルピング) |
| ステレオEQ | 最大可変幅±15 dB HIGH 12 kHz (シェルピング) MID 300 Hz-6 kHz (ピーキング) LOW 80 Hz (シェルピング) |
| RETURN EQ | 最大可変幅±15 dB HIGH 12 kHz (シェルピング) LOW 80 Hz (シェルピング) |
| PEAKインジケータ | クリッピングの3 dB手前で赤色点灯 (ポストEQ) |
| SIGNALインジケータ | ノミナルレベルの10 dB手前で緑色点灯 (ポストEQ) |
| SCENE MEMORY (with MIDI control) | DIRECTスイッチ (#1 - #8) リコール可能シーン数 (#1 - #128) |
| VUメータ | (0 VU=+4 dB output @ 600 Ω load) 大型3連メータ、2つは切換式 L; STEREO L/CUE L R; STEREO R/CUE R MONO; MONO 小型8連メータ、すべて切換式 #1; GROUP 1/MATRIX 1 A/AUX 1 #2; GROUP 2/MATRIX 2 A/AUX 2 #3; GROUP 3/MATRIX 3 A/AUX 3 #4; GROUP 4/MATRIX 4 A/AUX 4 #5; GROUP 5/MATRIX 1 B/AUX 5 #6; GROUP 6/MATRIX 2 B/AUX 6 #7; GROUP 7/MATRIX 3 B #8; GROUP 8/MATRIX 4 B |
| VUメータPeakインジケータ | クリッピングレベルの3 dB手前で赤色点灯 |
| ファントム電源 | バランス型コンデンサー マイク用の+48 V電源 |

| | | | |
|--------|-------|---------|---------|
| 最大外形寸法 | 高さ | 223 mm | |
| | 奥行 | 785 mm | |
| | 幅 | 16 ch | 970 mm |
| | | 24 ch | 1202 mm |
| | | 32 ch | 1434 mm |
| 40 ch | | 1696 mm | |
| 重量 | 16 ch | 44 kg | |
| | 24 ch | 54 kg | |
| | 32 ch | 64 kg | |
| | 40 ch | 76 kg | |
| 消費電力 | 16 ch | 160 W | |
| | 24 ch | 180 W | |
| | 32 ch | 210 W | |
| | 40 ch | 230 W | |

付属品 パワーサプライケーブル
M2000に給電するためのロックコネクタ付き多芯コンダクターケーブル
3m 10ピン



ピン配置
パワーサプライ (PW2000M)

オプション モノラルインプットモジュール (MN2000M)
ステレオインプットモジュール (ST2000M)
出力トランス (ラックマウント型)
パワーサプライ (PW2000M)

- 0 dB=0.775 Vrms.
- * @20 Hz - 20 kHz, Rs=150Ω, INPUT GAIN=MAX, INPUT PAD=OFF (入力感度-60 dB)

M2000/PW2000M

仕様 (PW2000M)

最大外形寸法 (W×H×D)
480 × 98 × 334.5 mm

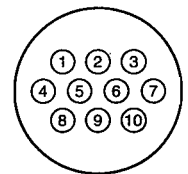
重量
13 kg

出力
±17 V 2.5 A
+12 V 3.8 A
+48 V 0.3 A

電源
100 V 50/60 Hz

専用コネクタ-接続一覧表

| ピンNo. | 信号名 |
|-------|-----------|
| 1 | +48 V GND |
| 2 | +12 V GND |
| 3 | ±17 V GND |
| 4 | +48 V |
| 5 | +12 V |
| 6 | +17 V |
| 7 | -17 V |
| 8 | FRAME GND |
| 9 | 電源リモート |
| 10 | 電源リモート |



入出力仕様 (M2000)

入力仕様

| 入力端子 | PAD | Gain | 入力インピーダンス | ソースインピーダンス | 入力レベル*2 | | | 使用コネクタ |
|--|-----|---------------|------------------|--|-------------------|-------------------|------------------|--|
| | | | | | 感度*5 | 規定レベル | 最大ノンクリップレベル | |
| CH IN (1-*ch*) INPUT A, B | 0 | -60 | A; 5 k Ω | 50-600 Ω Mics & 600 Ω Lines | -80 dB (0.078 mV) | -60 dB (0.775 mV) | -40 dB (7.75 mV) | A; XLR-3-31タイプ (バランス型) B; フォンジャック [TRS] (バランス型)*4 |
| | 26 | | | | -54 dB (1.55 mV) | -34 dB (15.5 mV) | -14 dB (155 mV) | |
| | 0 | -16 | B; 10 k Ω | | -36 dB (12.3 mV) | -16 dB (123 mV) | +4 dB (1.23 V) | |
| | 26 | | | | -10 dB (245 mV) | +10 dB (2.45 V) | +30 dB (24.5 V) | |
| ST IN (1, 2) [L, R] INPUT A, B | -20 | 10 k Ω | 10 k Ω | 600 Ω Lines | -40 dB (7.75 mV) | -20 dB (77.5 mV) | 0 dB (0.775 V) | A; フォンジャック (アンバランス型) B; RCAピンジャック (アンバランス型) |
| | +10 | | | | -10 dB (245 mV) | +10 dB (2.45 V) | +30 dB (24.5 V) | |
| RETURN (1-4) [L, R] | -10 | 10 k Ω | 10 k Ω | 600 Ω Lines | -26 dB (38.8 mV) | -10 dB (245 mV) | +10 dB (2.45 V) | フォンジャック (アンバランス型) |
| | +4 | | | | -12 dB (195 mV) | +4 dB (1.23 V) | +24 dB (12.3 V) | |
| TALKBACK IN | | | 10 k Ω | 50-600 Ω Mics | -66 dB (0.388 mV) | -50 dB (2.45 mV) | -24 dB (48.9 mV) | XLR-3-31タイプ (アンバランス型) |
| 2TR IN (1, 2) [L, R] | | | 10 k Ω | 600 Ω Lines | -16 dB (123 mV) | -10 dB (245 mV) | +10 dB (2.45 V) | RCAピンジャック (アンバランス型) |
| GROUP (1-8) SUB IN STEREO [L, R] SUB IN MONO SUB IN | | | 10 k Ω | 600 Ω Lines | -6 dB (388 mV) | +4 dB (1.23 V) | +24 dB (12.3 V) | フォンジャック (アンバランス型) |
| AUX (1-6) SUB IN MATRIX [L, R] SUB IN CUE [L, R] SUB IN | | | 10 k Ω | 600 Ω Lines | -2 dB (0.616 V) | +4 dB (1.23 V) | +24 dB (12.3 V) | フォンジャック (アンバランス型) |
| CH (1-*ch*) INSERT IN | | | 10 k Ω | 600 Ω Lines | -20 dB (77.5 mV) | 0 dB (0.775 V) | +20 dB (7.75 V) | フォンジャック [TRS] (アンバランス型)*3 |
| GROUP (1-8) INSERT IN STEREO [L, R] INSERT IN MONO INSERT IN | | | 10 k Ω | 600 Ω Lines | -6 dB (388 mV) | 0 dB (0.775 V) | +20 dB (7.75 V) | フォンジャック [TRS] (アンバランス型)*3 |

*1) M2000 -16; 16ch, -24; 24ch, -32; 32ch, -40C; 40ch

*2) 0 dB=0.775 Vrms.

*3) Insert フォンジャック; T=OUT, R=IN, S=アース

*4) CH INPUT B ジャック; T=HOT, R=COLD, S=アース

*5) 感度は、ノミナル出力レベルを最大位置にした状態で、規定レベル (+4 dB=1.23 V) を得るために必要な最低レベルです。

出力仕様

| 出力端子 | 出力インピーダンス | 負荷インピーダンス | 出力レベル*2 | | 使用コネクタ |
|---|--------------|---|-----------------|-----------------|------------------------------|
| | | | 規定レベル | 最大ノンクリップレベル | |
| GROUP OUT (1-8) STEREO OUT [L, R] MONO OUT AUX OUT (1-6) MATRIX A OUT (1-4) | 150 Ω | 600 Ω Lines | +4 dB (1.23 V) | +24 dB (12.3 V) | XLR-3-32タイプ (バランス型) |
| MATRIX B OUT (1-4) MONITOR OUT [L, R] | | | | | |
| REC OUT [L, R] | 600 Ω | 10 k Ω Lines | -10 dB (245 mV) | +10 dB (2.45 V) | RCAピンジャック (アンバランス型) |
| CH DIRECT OUT (1-*ch*) | 600 Ω | 10 k Ω Lines | 0 dB (0.775 V) | +20 dB (7.75 V) | フォンジャック (アンバランス型) |
| CH INSERT OUT (1-*ch*) GROUP INSERT OUT (1-8) STEREO INSERT OUT [L, R] MONO INSERT OUT | 600 Ω | 10 k Ω Lines | 0 dB (0.775 V) | +20 dB (7.75 V) | フォンジャック [TRS] (アンバランス型)*3 |
| PHONES OUT [L, R] | 100 Ω | 8 Ω Phones 40 Ω Phones | 1 mW 3 mW | 20 mW 75 mW | ステレオフォンジャック (アンバランス型) |

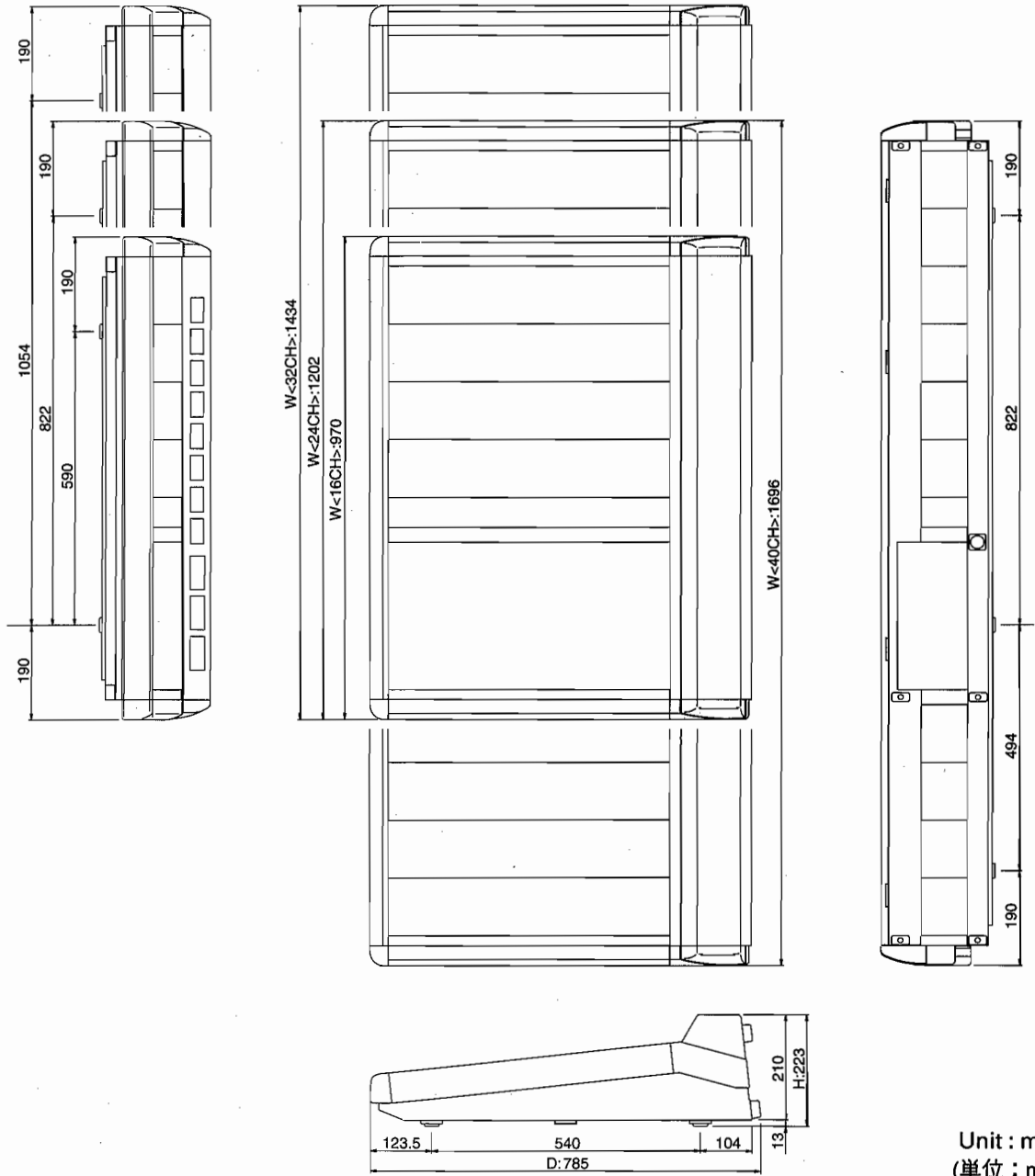
*1) M2000 -16; 16ch, -24; 24ch, -32; 32ch, -40C; 40ch

*2) 0 dB=0.775 Vrms.

*3) Insert フォンジャック; T=OUT, R=IN, S=アース

■ DIMENSIONS(寸法図)

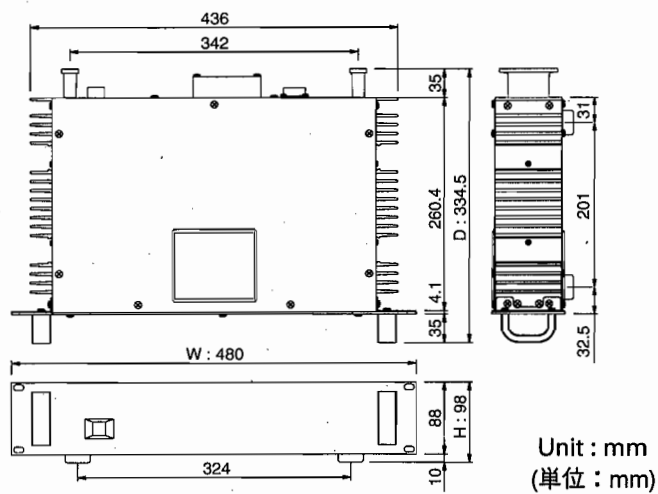
● M2000



Unit : mm
(単位 : mm)

M2000/PW2000M

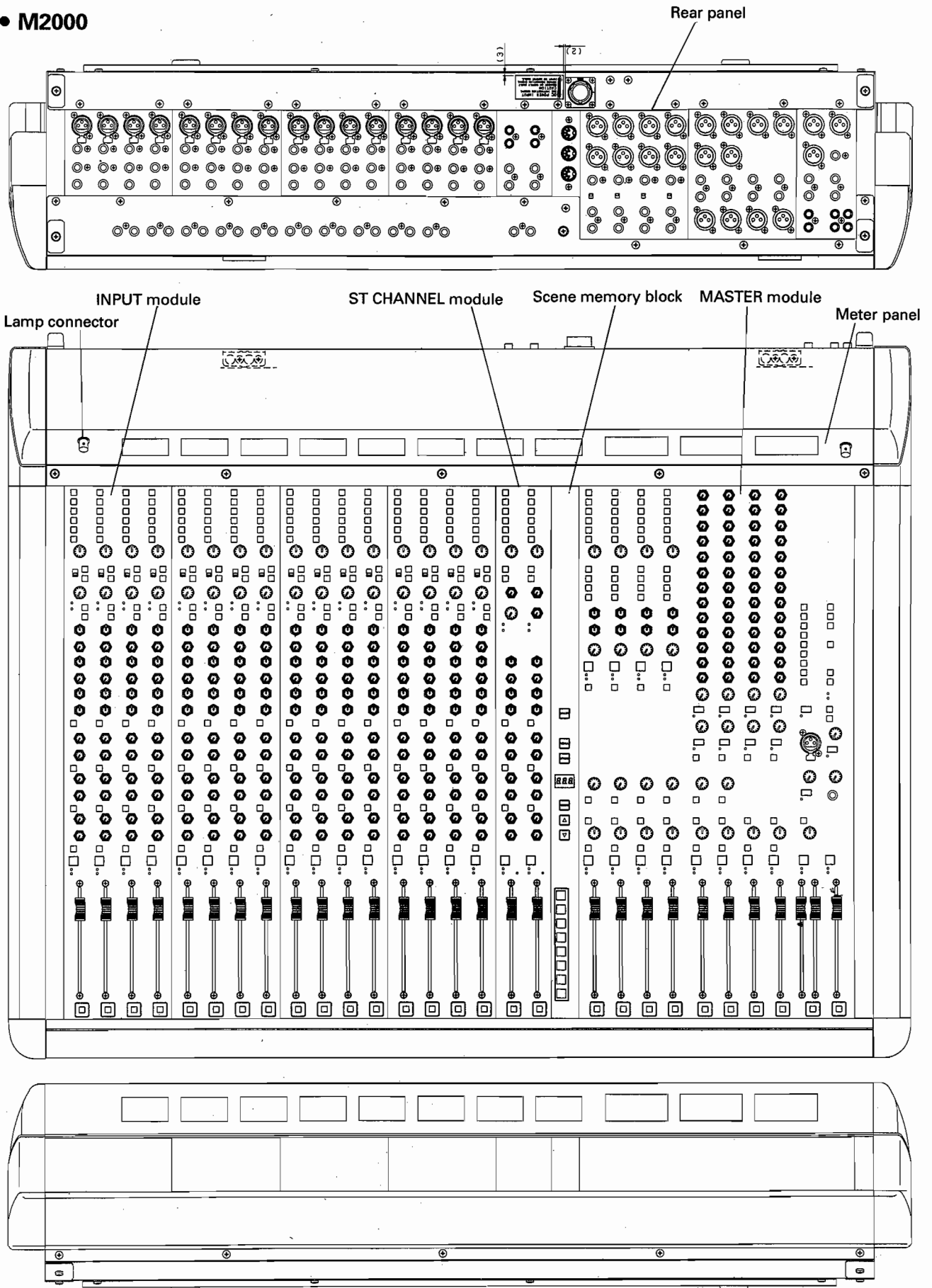
● PW2000M



Unit : mm
(単位 : mm)

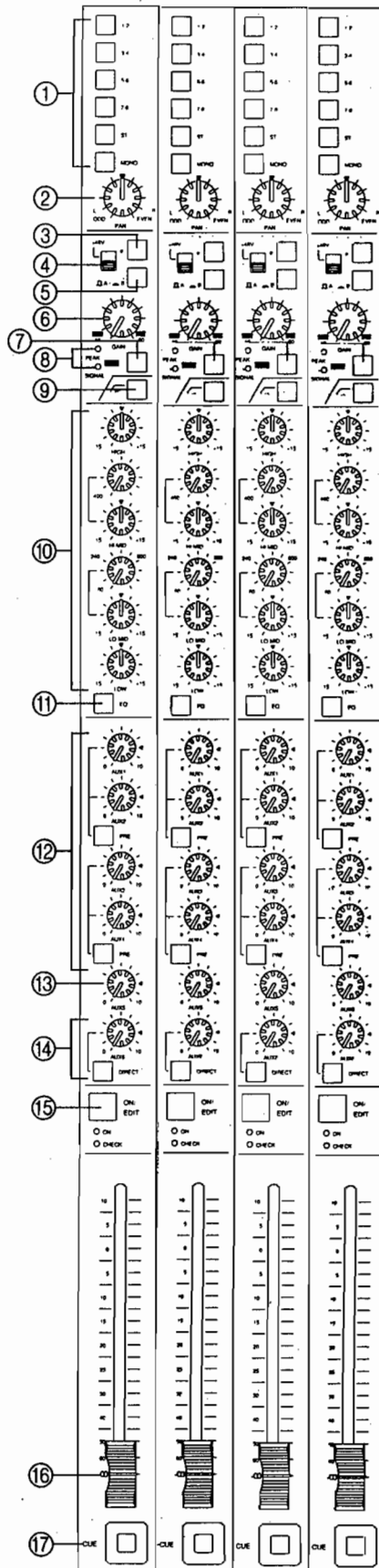
■ PANEL LAYOUT(パネルレイアウト)

● M2000



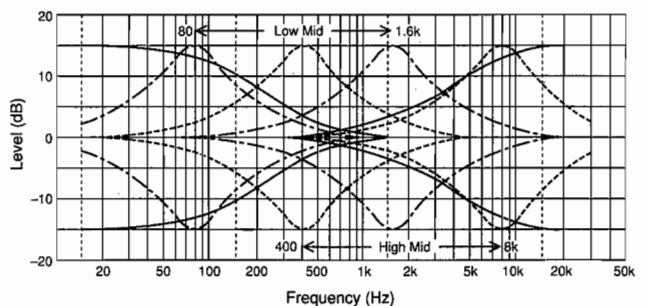
M2000/PW2000M

● INPUT Module (INPUTモジュール)



- ① Channel assign switches (1-2, 3-4, 5-6, 7-8, ST, MONO)
- ② PAN control
- ③ Phase (polarity) reverse switch(φ)
- ④ +48V phantom power switch
- ⑤ A/B input selector switch
- ⑥ GAIN control
- ⑦ 26dB pad switch
- ⑧ PEAK and SIGNAL LED indicators
- ⑨ High-pass filter switch (/80)
- ⑩ HIGH, HI-MID, LO-MID and LOW controls
- ⑪ EQ switch
- ⑫ Channel AUX controls (1-4) and switches (1-2, 3-4)
- ⑬ Channel AUX control (5)
- ⑭ Channel AUX control (6) and DIRECT switch
- ⑮ ON/EDIT switch, and ON and CHECK indicators
- ⑯ Channel fader
- ⑰ CUE switch

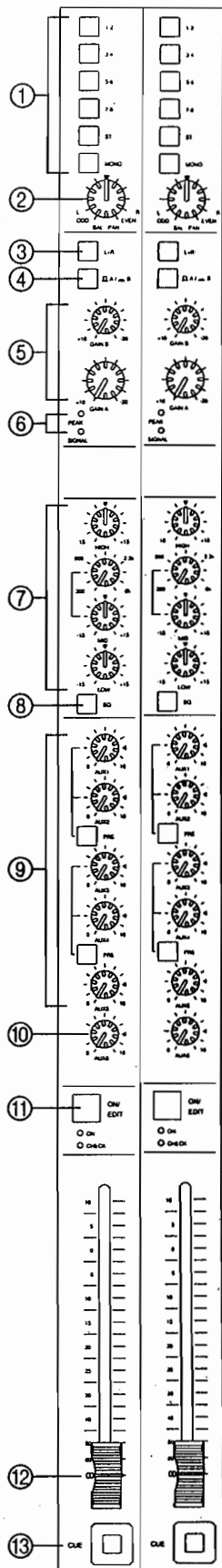
- ① チャンネルアサインスイッチ(1-2, 3-4, 5-6, 7-8, ST, MONO)
- ② PANコントロール
- ③ 位相切り換えスイッチ (φ)
- ④ +48Vファントム電源スイッチ
- ⑤ A/B入力セレクタースイッチ
- ⑥ GAINコントロール
- ⑦ 26dB PADスイッチ
- ⑧ PEAKとSIGNALインジケータ
- ⑨ ハイパスフィルタースイッチ (/80)
- ⑩ EQコントロール(HIGH、HI-MID、LO-MID、LOW)
- ⑪ EQスイッチ
- ⑫ AUX1-4コントロールとPREスイッチ(1-2、3-4)
- ⑬ AUX 5コントロール
- ⑭ AUX 6コントロールとDIRECTスイッチ
- ⑮ ON/EDITスイッチとONおよびCHECKインジケータ
- ⑯ チャンネルフェーダー
- ⑰ CUEスイッチ



——— LOW,HIGH
 - - - - - HIGH MID
 - · - · - LOW MID

M2000/PW2000M

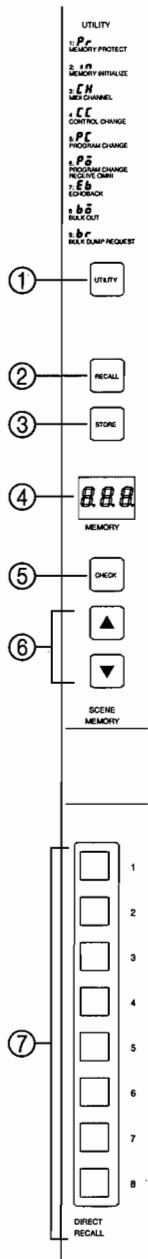
● ST CHANNEL Module (ST CH モジュール)



- ① Channel assign switches (1-2, 3-4, 5-6, 7-8, ST, MONO)
- ② Balance control (BAL/PAN)
- ③ L+R switch
- ④ A/B switch
- ⑤ GAIN A and GAIN B controls
- ⑥ PEAK and SIGNAL LED indicators
- ⑦ HIGH, MID and LOW controls
- ⑧ EQ switch
- ⑨ Channel AUX controls (1-5) and switches (1-2, 3-4)
- ⑩ Channel AUX control(6)
- ⑪ ON/EDIT switch, and ON and CHECK indicators
- ⑫ Channel fader
- ⑬ CUE switch

- ① チャンネルアサインスイッチ(1-2, 3-4, 5-6, 7-8, ST, MONO)
- ② バランスコントロール(BAL/PAN)
- ③ L+Rスイッチ
- ④ A/B入力セレクトスイッチ
- ⑤ GAIN AおよびGAIN Bコントロール
- ⑥ PEAKおよびSIGNAL LEDインジケータ
- ⑦ EQコントロール(HIGH, MID, LOW)
- ⑧ EQスイッチ
- ⑨ AUX1~5コントロールとPREスイッチ(1-2, 3-4)
- ⑩ AUX 6コントロール
- ⑪ ON/EDITスイッチとONおよびCHECKインジケータ
- ⑫ チャンネルフェーダー
- ⑬ CUEスイッチ

● Scene Memory Block (SCENE MEMORY ブロック)

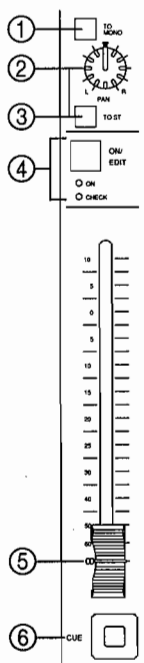
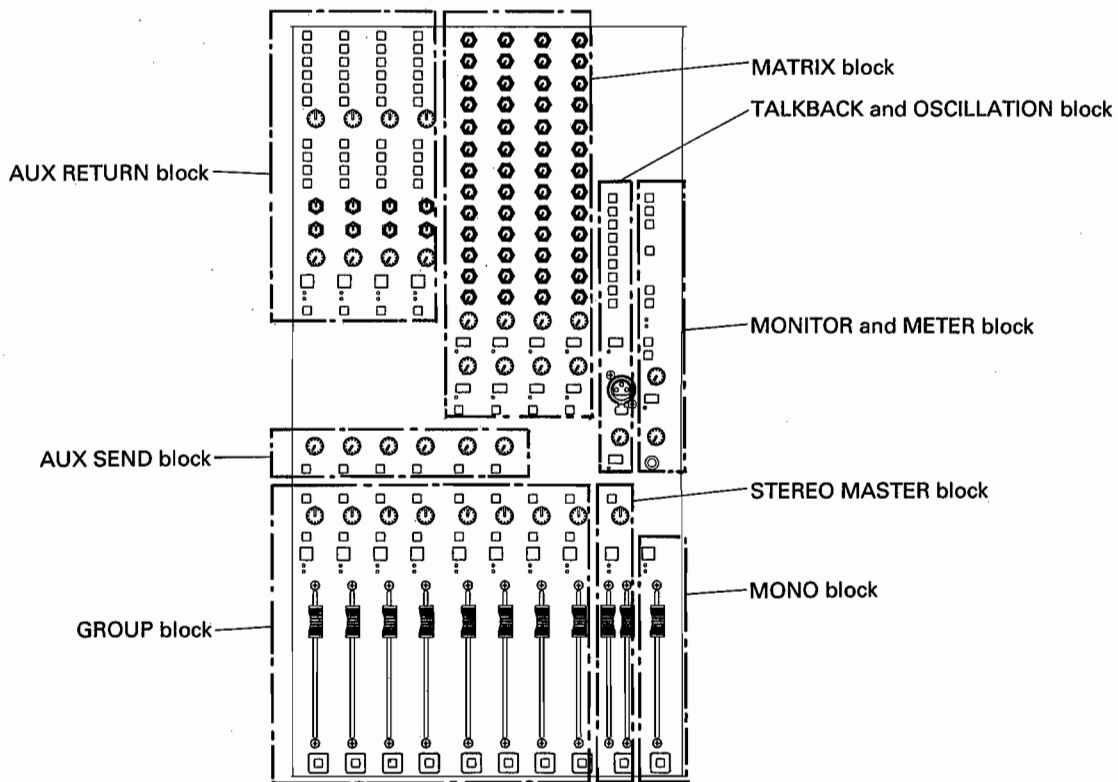


- ① UTILITY button
- ② RECALL button
- ③ STORE button
- ④ MEMORY display
- ⑤ CHECK button
- ⑥ ▲/▼ buttons
- ⑦ DIRECT RECALL buttons (1-8)

- ① UTILITYスイッチ
- ② RECALLスイッチ
- ③ STOREスイッチ
- ④ MEMORYディスプレイ
- ⑤ CHECKスイッチ
- ⑥ ▲/▼スイッチ
- ⑦ DIRECT RECALLスイッチ(1~8)

M2000/PW2000M

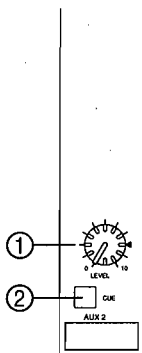
● MASTER Module (MASTER モジュール)



● GROUP block (GROUP ブロック)

- ① Group to mono switch (TO MONO)
- ② Group PAN control
- ③ Group to stereo assign switch (TO ST)
- ④ ON/EDIT switch, and ON and CHECK indicators
- ⑤ Group fader
- ⑥ Group CUE switch

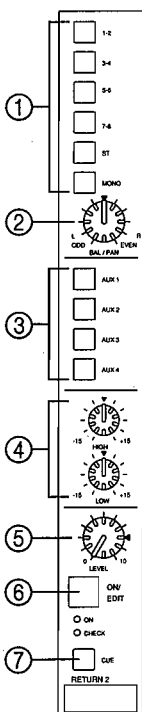
- ① TO MONOスイッチ
- ② PANコントロール
- ③ TO STスイッチ
- ④ ON/EDITスイッチおよびONとCHECKインジケーター
- ⑤ グループフェーダー
- ⑥ CUEスイッチ



● AUX SEND block (AUX SEND ブロック)

- ① LEVEL controls (master AUX SEND controls)
- ② AUX CUE switches

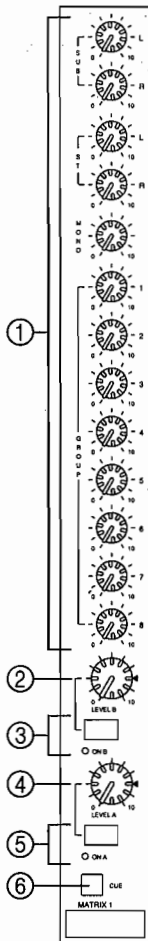
- ① LEVELコントロール(マスターAUX SENDコントロール)
- ② CUEスイッチ



● AUX RETURN block (AUX RETURN ブロック)

- ① RETURN assign switches (1-2, 3-4, 5-6, 7-8, ST, MONO)
- ② Balance control (BAL/PAN)
- ③ RETURN to AUX assign switches (AUX 1, AUX 2, AUX 3, AUX 4)
- ④ HIGH and LOW equalization controls
- ⑤ AUX RETURN LEVEL control
- ⑥ ON/EDIT switch, and ON and CHECK indicators
- ⑦ AUX RETURN CUE switch

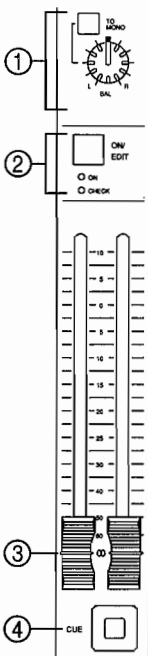
- ① リターンアサインスイッチ(1-2, 3-4, 5-6, 7-8, ST, MONO)
- ② バランスコントロール(BAL/PAN)
- ③ AUXアサインスイッチ(AUX 1, AUX 2, AUX 3, AUX 4)
- ④ EQコントロール(HIGH, LOW)
- ⑤ LEVELコントロール
- ⑥ ON/EDITスイッチおよびONとCHECKインジケーター
- ⑦ CUEスイッチ



● **MATRIX block** (MATRIX ブロック)

- ① Matrix input level controls (SUB L,R, ST L,R, MONO, GROUP 1-8)
- ② LEVEL B control
- ③ Output B ON switch and indicator
- ④ LEVEL A control
- ⑤ Output A ON switch and indicator
- ⑥ MATRIX CUE switch

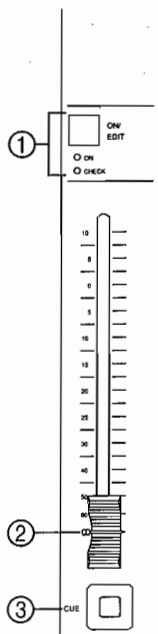
- ① 入力レベルコントロール(SUB L/R, ST L/R, MONO, GROUP 1-8)
- ② LEVEL B コントロール
- ③ B出力のONスイッチとインジケータ
- ④ LEVEL A コントロール
- ⑤ A出力のONスイッチとインジケータ
- ⑥ CUEスイッチ



● **STEREO MASTER block**
(STEREO MASTER ブロック)

- ① TO MONO switch and balance control (BAL)
- ② ON/EDIT switch, and ON and CHECK indicators
- ③ Master faders
- ④ Master CUE switch

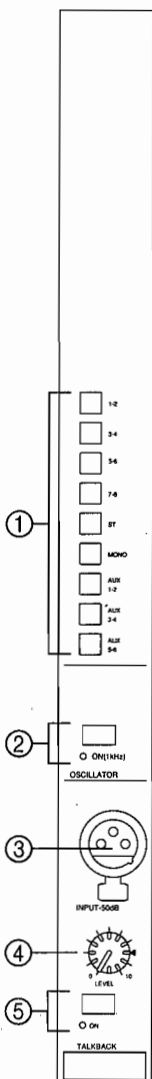
- ① TO MONOスイッチとバランスコントロール(BAL)
- ② ON/EDITスイッチおよびONとCHECKインジケータ
- ③ マスターフェダー
- ④ CUEスイッチ



● **MONO block** (モノブロック)

- ① ON/EDIT switch, and ON and CHECK indicators
- ② MONO fader
- ③ MONO CUE switch

- ① ON/EDITスイッチおよびONとCHECKインジケータ
- ② MONOフェーダー
- ③ CUEスイッチ

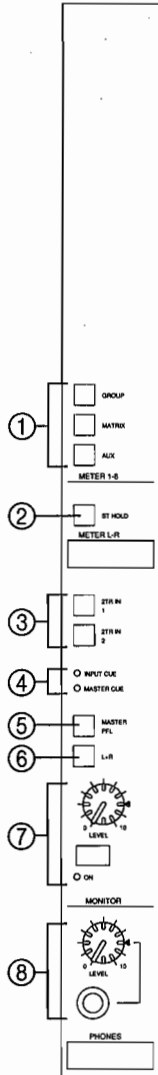


● **TALKBACK and OSCILLATOR block**
(TALKBACKとOSCILLATOR ブロック)

- ① Talkback assign switches (1-2, 3-4, 5-6, 7-8, ST, MONO, AUX1-2, AUX3-4, AUX5-6)
- ② OSCILLATOR ON switch and indicator
- ③ Talkback INPUT connector
- ④ Talkback LEVEL control
- ⑤ Talkback ON switch and indicator

- ① アサインスイッチ(1-2, 3-4, 5-6, 7-8, ST, MONO, AUX1-2, AUX3-4, AUX5-6)
- ② OSCILLATORのONスイッチとインジケータ
- ③ TALKBACKのINPUTコネクター
- ④ TALKBACKのLEVELコントロール
- ⑤ TALKBACKのONスイッチとインジケータ

M2000/PW2000M



● **MONITOR and METER block**
(MONITORとMETERブロック)

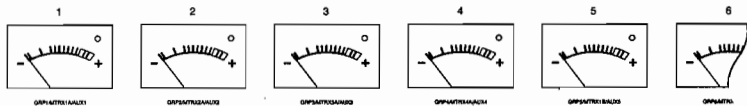
- ① **METER 1-8 selector switches (GROUP, MATRIX, AUX)**
- ② **METER L-R ST HOLD switch**
- ③ **2-track input switches (2TR IN 1 and 2)**
- ④ **INPUT CUE and MASTER CUE indicators**
- ⑤ **MASTER PFL switch**
- ⑥ **Monitor mono switch (L+R)**
- ⑦ **MONITOR LEVEL control, and ON switch and indicator**
- ⑧ **PHONES jack, and LEVEL control**

- ① **METER1～8セレクタースイッチ(GROUP, MATRIX, AUX)**
- ② **METER L-Rスイッチ(ST HOLD)**
- ③ **2TR INスイッチ(1と2)**
- ④ **INPUT CUEとMASTER CUEインジケーター**
- ⑤ **MASTER PFLスイッチ**
- ⑥ **モニターモノラルスイッチ(L+R)**
- ⑦ **LEVELコントロールおよびONスイッチとインジケーター**
- ⑧ **PHONESジャックとLEVELコントロール**

① **METER 1-8 selector switches (GROUP, MATRIX, AUX)**

Only one of these switches, which select which signals will appear on meters 1-8, can be depressed at a time. The large, illuminated VU meters will display as follows:

- (① **METER 1～8セレクタースイッチ (GROUP、MATRIX、AUX)**
どの信号をメーター1～8に反映するかを選択します。1度に押せるスイッチは1つです。各スイッチによって、VUメーターは以下の信号レベルを示します。)

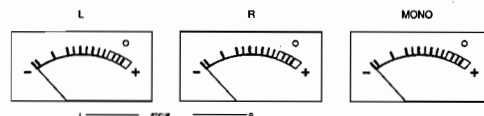


| Meter Switch | 1 | 2 | 3 | 4 | 5 | 6 | 7 | 8 |
|--------------|----|----|----|----|----|----|----|----|
| GROUP | 1 | 2 | 3 | 4 | 5 | 6 | 7 | 8 |
| MATRIX | 1A | 2A | 3A | 4A | 5A | 6A | 7A | 8A |
| AUX | 1 | 2 | 3 | 4 | 5 | 6 | - | - |

② **METER L-R ST HOLD switch**

Normally, whenever any CUE switch is operated, the L and R meters switch from indicating the main stereo output to indicating the monitor output. When the ST HOLD switch is depressed, however, the L and R meters will always indicate the main stereo output.

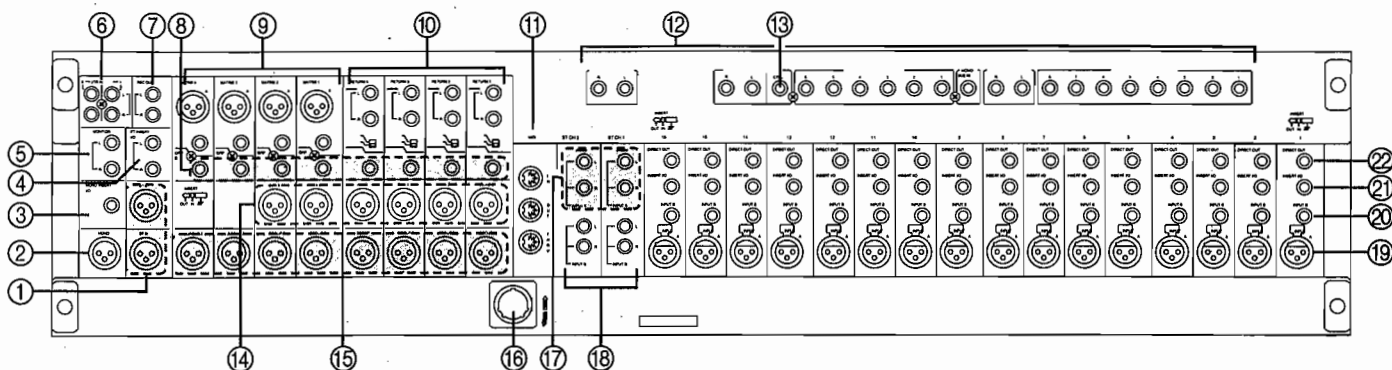
- (② **METER L-Rスイッチ (ST HOLD)**
通常、CUEスイッチをオンにすれば、LとRメーターはメインステレオ出力の表示からモニター出力の表示に切り換わります。このスイッチがオン(■)のとき、LとRメーターは常にメインステレオ出力を表示し続けます。)



NOTE: The PEAK indicators light when the signal level reaches 3dB below clipping.

(注意：クリッピングレベルの3 dB手前でPEAKインジケーターが点灯します。)

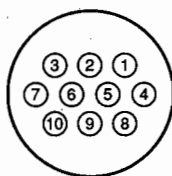
● Rear Panel (リアパネル)



- | | |
|---|---|
| <ul style="list-style-type: none"> ① STEREO outputs ② MONO output ③ MONO INSERT connector ④ STEREO INSERT connectors ⑤ MONITOR outputs (L, R) ⑥ 2-track in connectors (2TR IN1&2) ⑦ REC outputs ⑧ GROUP INSERT connectors (1-8) ⑨ MATRIX outputs (A,B) ⑩ AUX RETURN connectors and level switches ⑪ MIDI jacks (IN, OUT, THRU) ⑫ SUB IN connectors (GROUP 1-8, STEREO L, R, MONO, AUX 1-6, CUE, MATRIX) ⑬ CUE CTRL ⑭ AUX SEND connectors (1-6) ⑮ GROUP OUT connectors (1-8) ⑯ DC power input connector ⑰ INPUT A (Unbalanced 1/4 inch phone jacks) ⑱ INPUT B (RCA connectors) ⑲ INPUT A (Balanced XLR connectors) ⑳ INPUT B (Balanced 1/4 inch phone jacks) ㉑ INSERT I/O ㉒ DIRECT OUT | <ul style="list-style-type: none"> ① ST OUT(L,R) ② MONO OUT ③ MONO INSERT I/O ④ ST INSERT I/O ⑤ MONITOR OUT(L, R) ⑥ 2TR IN (1, 2) ⑦ REC OUT (L,R) ⑧ GROUP INSERT I/O (1-8) ⑨ MATRIX OUT (A, B) ⑩ AUX RETURN (1-4)とレベルスイッチ ⑪ MIDIジャック(IN, OUT, THRU) ⑫ SUB IN (GROUP, ST, MONO, AUX, CUE, MATRIX) ⑬ CUE CTRL ⑭ AUX OUT (1-6) ⑮ GROUP OUT (1-8) ⑯ DC POWER INPUT ⑰ ST INPUT A(アンバランス型1/4インチフォンジャック) ⑱ INPUT A(バランス型XLRコネクター) ⑲ INPUT B(バランス型1/4インチフォンジャック) ㉑ INSERT I/O ㉒ DIRECT OUT |
|---|---|

● DC power input connector pin assignments
(DC POWER INPUT専用コネクターピン配列表)

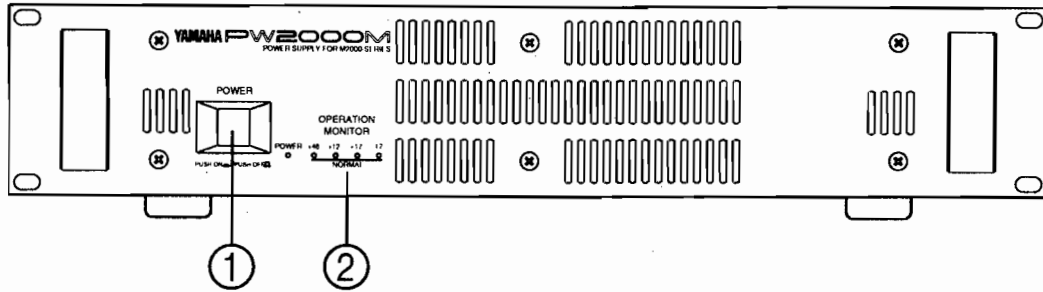
| Pin | Function |
|-----|----------|
| 1 | E (+48V) |
| 2 | E (+12V) |
| 3 | E (±17V) |
| 4 | +48V |
| 5 | +12V |
| 6 | +17V |
| 7 | -17V |
| 8 | GND |
| 9 | DETECT A |
| 10 | DETECT B |



M2000/PW2000M

■ PW2000M Panel Layout (PW2000Mパネルレイアウト)

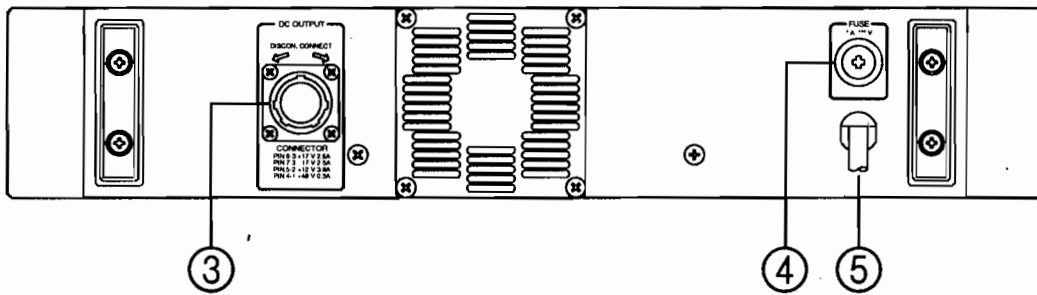
● Front Panel (フロントパネル)



- ① Power switch (POWER)
- ② Operating monitor (OPERATION MONITOR)

- ① POWER (電源スイッチ)
- ② OPERATION MONITOR (+48、+12、+17、-17V)

● Rear Panel (リアパネル)

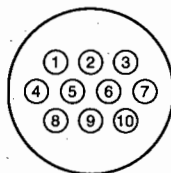


- ③ Umbilical connector (DC OUTPUT)
- ④ Main Fuse (FUSE)
- ⑤ Power cable

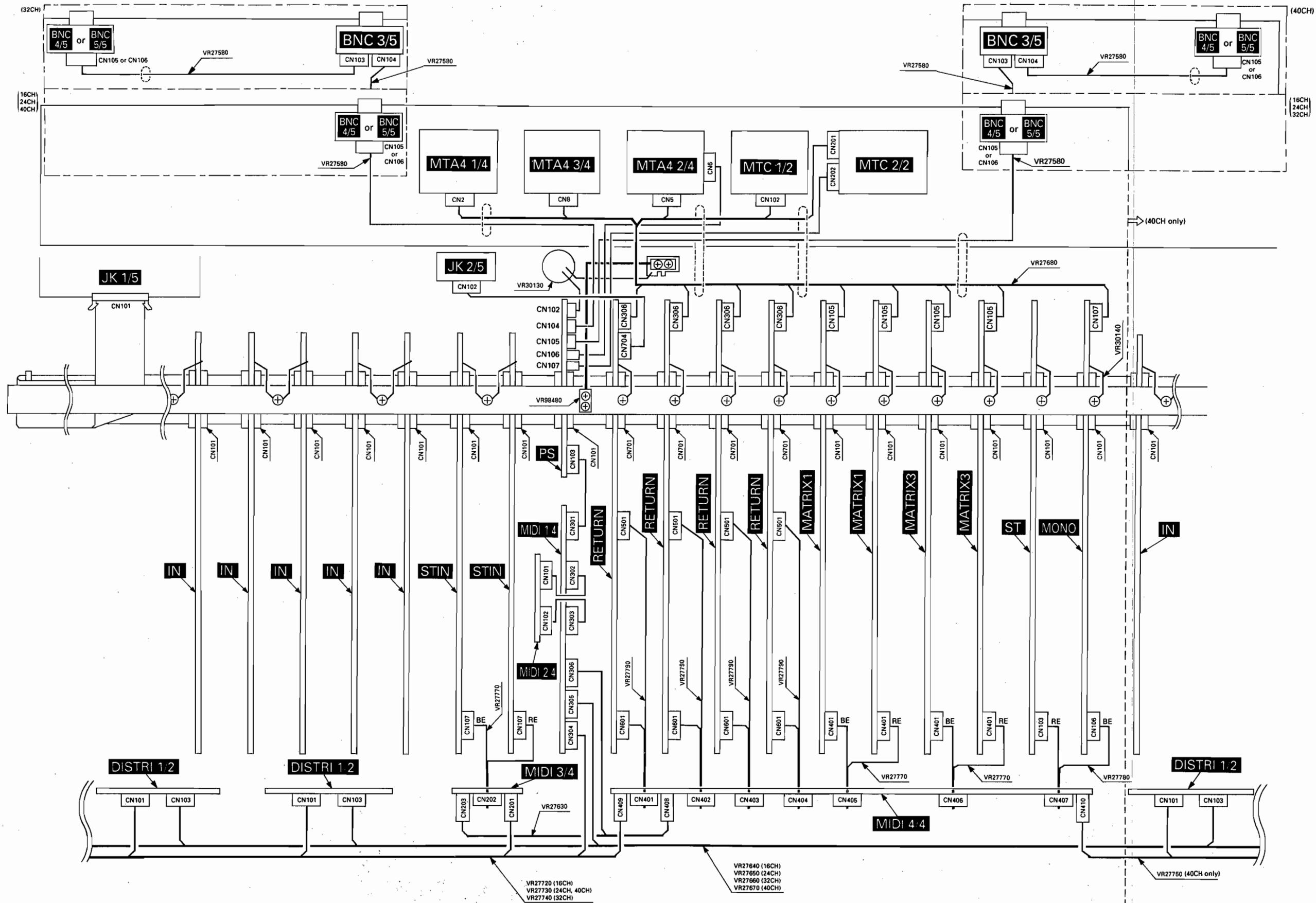
- ③ 専用コネクタ (DC OUTPUT)
- ④ FUSE
- ⑤ ACコード

PW2000M umbilical connector pin assignments (専用コネクタピン配列)

| Pin | Function |
|-----|----------|
| 1 | E (+48V) |
| 2 | E (+12V) |
| 3 | E (±17V) |
| 4 | +48V |
| 5 | +12V |
| 6 | +17V |
| 7 | -17V |
| 8 | GND |
| 9 | DETECT A |
| 10 | DETECT B |



■ CIRCUIT BOARD LAYOUT & WIRING (ユニットレイアウトと基板結線図)



■ DISASSEMBLY PROCEDURE (分解手順)

| | | | |
|----|--|----|---------------------------------|
| 1 | Meter Panel | 1 | メーターパネル |
| 2 | Front Pad | 2 | フロントパッド |
| 3 | INPUT Module | 3 | INPUTモジュール |
| 4 | ST CHANNEL Module | 4 | ST-CHモジュール |
| 5 | MASTER Module | 5 | MASTERモジュール |
| 6 | IN Circuit Board & Monaural Fader | 6 | INシートとMONOフェーダー |
| 7 | ST-IN Circuit Board & Stereo Fader | 7 | ST-INシートとSTフェーダー |
| 8 | RETURN Circuit Board & Monaural Fader | 8 | RETURNシートとMONOフェーダー |
| 9 | MATRIX1, MATRIX3 Circuit Boards & Monaural Fader | 9 | MATRIX1シートとMATRIX3シートとMONOフェーダー |
| 10 | ST1/2 Circuit Board & Monaural Fader | 10 | ST1/2シートとMONOシートとフェーダー |
| 11 | PS Circuit Board | 11 | PSシート |
| 12 | MIDI1/4 & MIDI2/4 Circuit Boards | 12 | MIDI1/4シートとMIDI2/4シート |
| 13 | MIDI3/4 Circuit Board | 13 | MIDI3/4シート |
| 14 | MIDI4/4 Circuit Board | 14 | MIDI4/4シート |
| 15 | ST2/2 Circuit Board | 15 | ST2/2シート |
| 16 | DISTR11/2 Circuit Board | 16 | DISTR11/2シート |
| 17 | DISTR12/2 Circuit Board | 17 | DISTR12/2シート |
| 18 | JK1/2 & JK2/2 Circuit Boards | 18 | JK1/2シートとJK2/2シート |
| 19 | BNC1/3, BNC2/3 & BNC3/3 Circuit Boards | 19 | BNC1/3シートとBNC2/3シートとBNC3/3シート |
| 20 | MTC Circuit Board | 20 | MTCシート |
| 21 | MTA4 Circuit Board | 21 | MTA4シート |
| 22 | Lithium Battery | 22 | リチウム電池 |

1 Meter Panel

1-1 Remove the screws marked as [1110] in the figure, then you can open the meter panel. (Fig. 1)

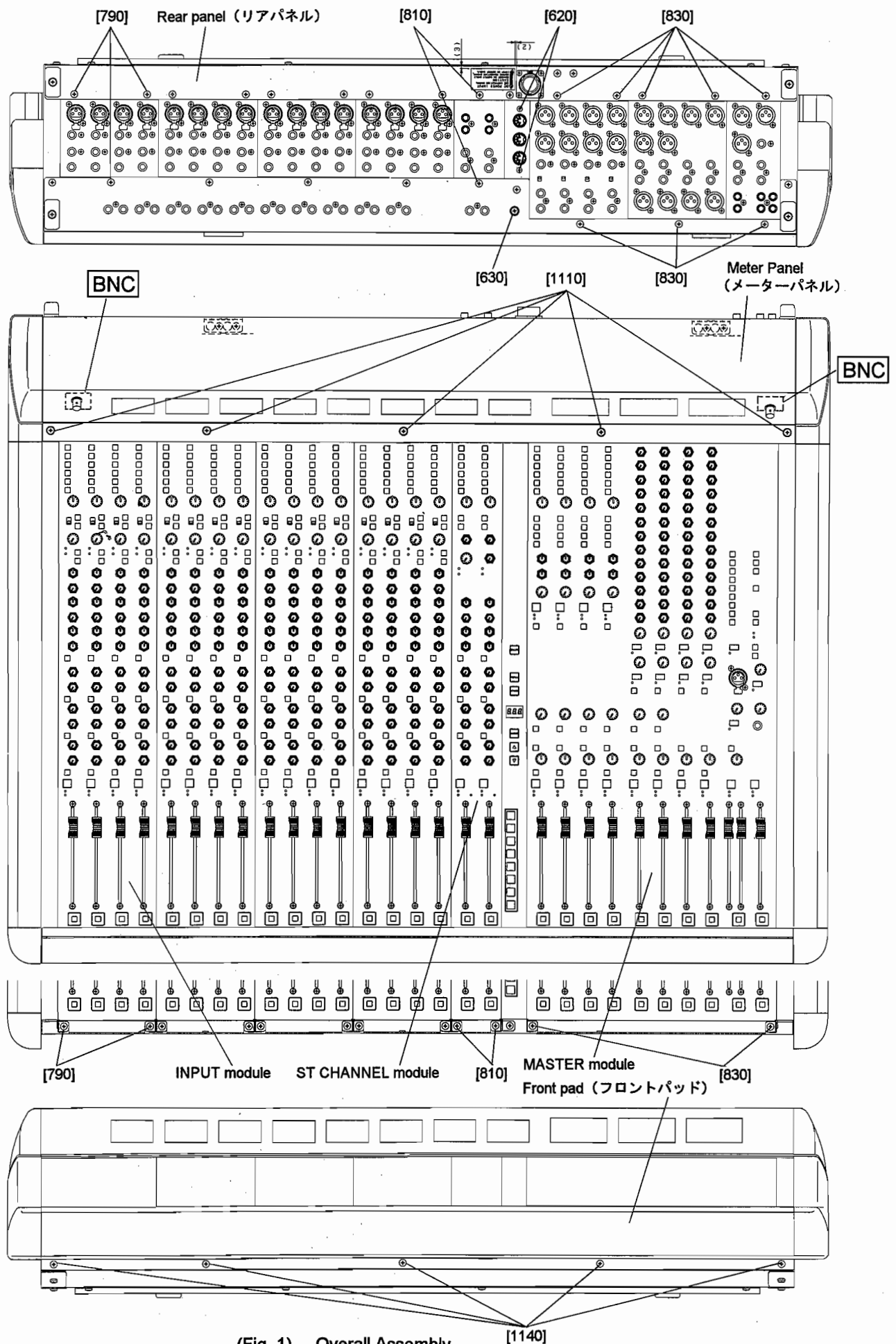
- * The screws marked [1110] are
 five (5) on a M2000-16.
 six (6) on a M2000-24.
 seven (7) on a M2000-36.
 eight (8) on a M2000-40c

1 メーターパネル

1-1 [1110]のネジを外し、メーターパネルを開けます。(図1)

- * [1110]のネジは、
 M2000-16: 5本
 M2000-24: 6本
 M2000-32: 7本
 M2000-40C: 8本
 あります。

| | | |
|---------|--|--------------------------|
| [620]: | Bind Head Tapping Screw-P (+バインドPタイト) | 3.0X8 ZMC2BL (EP630220) |
| [630]: | Bind Head Screw (+バインド小ネジ) | A4.0X8 FCM3BL (EL000320) |
| [790]: | Bind Head Tapping Screw-B (+バインドBタイト) | A4.0X8 ZMC2BL (VC688800) |
| [810]: | Bind Head Tapping Screw-B (+バインドBタイト) | A4.0X8 ZMC2BL (VC688800) |
| [830]: | Bind Head Tapping Screw-B (+バインドBタイト) | A4.0X8 ZMC2BL (VC688800) |
| [1110]: | Bind Head Screw (+バインド小ネジ) | A4.0X8 FCM3BL (EL000320) |
| [1140]: | Bind Head Screw (+バインド小ネジ) | A4.0X8 FCM3BL (EL000320) |



(Fig. 1) Overall Assembly

2 Front Pad

2-1 Remove the screws marked [1140], then the front pad can be removed. (Fig. 1)

- * The screws marked [1140] are
 - five (5) on a M2000-16.
 - six (6) on a M2000-24.
 - seven (7) on a M2000-36.
 - eight (8) on a M2000-40c

3 INPUT Module

3-1 Open the meter panel. (See procedure 1)

3-2 Remove the front pad. (See procedure 2)

3-3 M2000-16/24/32: Remove the two (2) screws marked [940] and two (2) screws marked [1060A], then raise up earth bars. (Fig. 2-A)

M2000-40C: Remove the two (2) screws marked [940] and two (2) screws marked [1010], then raise up earth bars. (Fig. 2-B)

3-4 Remove the five (5) screws marked [790] holding the INPUT module that you would like to remove. (Fig. 1)

3-5 Remove the two (2) screws marked [1080A] tightening the GND wires that are concerned with the INPUT module. (Fig. 2-A and Fig. 2-B)

3-6 Disconnect the flat cable connector, then take out the INPUT module of the unit.

4 ST CHANNEL Module

4-1 Open the meter panel. (See procedure 1)

4-2 Remove the front pad. (See procedure 2)

4-3 M2000-16/24/32: Remove the two (2) screws marked [940] and two (2) screws marked [1060A], then raise up earth bars. (Fig. 2-A)

M2000-40C: Remove the two (2) screws marked [940] and two (2) screws marked [1010], then raise up earth bars. (Fig. 2-B)

4-4 Remove the four (4) screws marked [810]. (Fig. 1)

4-5 Remove the screw marked [1080B] tightening the GND wire. (Fig. 2-A and Fig. 2-B)

4-6 Disconnect the flat cable connector, then take out the ST CHANNEL module of the unit.

2 フロントパッド

2-1 [1140]のネジを外し、フロントパッド外します。(図1)

- * [1140]のネジは、

| | |
|------------|----|
| M2000-16: | 5本 |
| M2000-24: | 6本 |
| M2000-32: | 7本 |
| M2000-40C: | 8本 |

 あります。

3 INPUTモジュール

3-1 メーターパネルを開けます。(1項参照)

3-2 フロントパッドを外します。(2項参照)

3-3 M2000-16/24/32: [940]のネジ2本と[1060A]のネジ2本を外し、アースバーを持ち上げます。(図2-A)

M2000-40C: [940]のネジ2本と[1010]のネジ2本を外し、アースバーを持ち上げます。(図2-B)

3-4 当該のINPUTモジュールを止めている[790]のネジ5本を外します。(図1)

[790]のネジは、リア側に3本とフロント側に2本あります。

3-5 アースバーに当該のINPUTモジュールからのアース線を止めている[1080A]のネジ2本を外します。(図2-Aと図2-B)

3-6 フラットケーブルのコネクタを外して、INPUTモジュールを本体から取り出します。

4 ST-CHモジュール

4-1 メーターパネルを開けます。(1項参照)

4-2 フロントパッドを外します。(2項参照)

4-3 M2000-16/24/32: [940]のネジ2本と[1060A]のネジ2本を外し、アースバーを持ち上げます。(図2-A)

M2000-40C: [940]のネジ2本と[1010]のネジ2本を外し、アースバーを持ち上げます。(図2-B)

4-4 [810]のネジ4本を外します。(図1)

[810]のネジは、リア側に2本とフロント側に2本あります。

4-5 アースバーにアース線を止めている[1080B]のネジ1本を外します。(図2-Aと図2-B)

4-6 フラットケーブルのコネクタを外して、ST-CHモジュールを本体から取り出します。

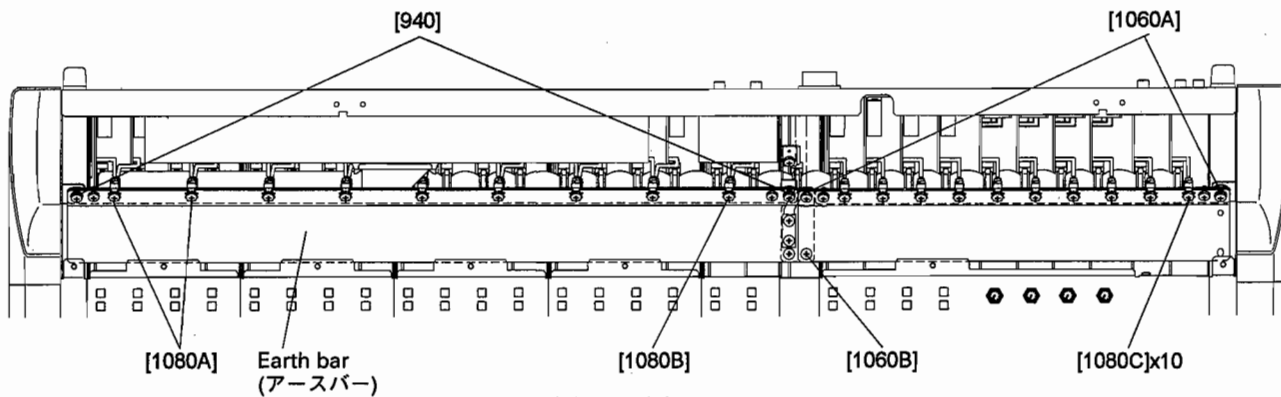
5 MASTERモジュール

- 5-1 メーターパネルを開けます。(1項参照)
- 5-2 フロントパッドを外します。(2項参照)
- 5-3 M200-16/24/32の場合は、[1060A]のネジ2本と[1060B]のネジ1本を外して、MASTERモジュール部分のアースバーを外します。(図2-A)
M200-40Cの場合は、[1060]のネジ4本を外して、MASTERモジュール部分のアースバーを外します。(図2-B)
- 5-4 MASTERモジュールを止めている[830]のネジ10本を外します。(図1)
[830]のネジは、リア側に8本とフロント側に2本あります。
- 5-5 フラットケーブルのコネクターを外します。
- 5-6 MIDI4/4シートのコネクターCN408とCN409を抜いて、MASTERモジュールを本体から取り出します。
- 5-7 アースバーにアース線を止めている[1080C]のネジ10本を外し、アースバーを外します。(図2-Aと図2-B)

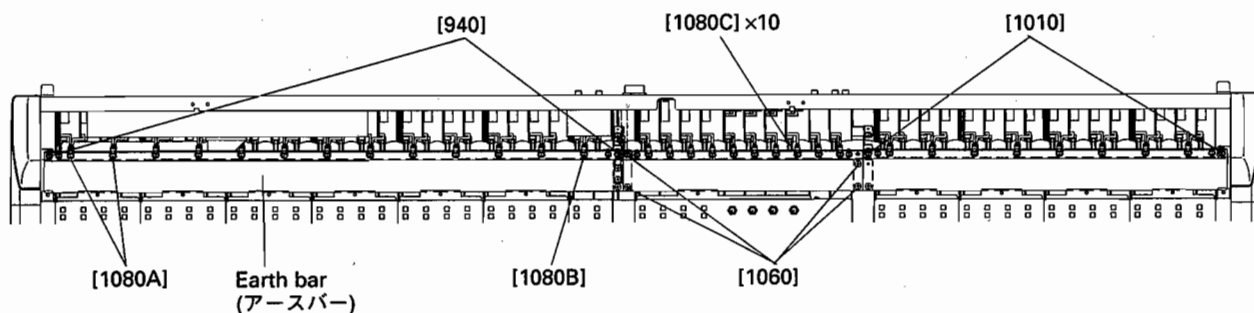
5 MASTER Module

- 5-1 Open the meter panel. (See procedure 1)
- 5-2 Remove the front pad. (See procedure 2)
- 5-3 M2000-16/24/32: Remove the two (2) screws marked [1060A] and the screw marked [1060B], then remove the earth bar that is located on the MASTER module. (Fig. 2-A)
M2000-40C: Remove the four (4) screws marked [1060], then remove the earth bar that is located on the MASTER module. (Fig. 2-B)
- 5-4 Remove the ten (10) screws marked [830]. (Fig. 1)
- 5-5 Disconnect the flat cable connectors.
- 5-6 Disconnect the connectors CN408 and CN409 from the MIDI4/4 circuit board, then take out the MASTER module of the unit.
- 5-7 Remove the ten (10) screws marked [1080C] tightening the GND wire, then remove the earth bar. (Fig. 2-A and Fig. 2-B)

M2000/PW2000M



(Fig. 2-A) M2000-16/24/32



(Fig. 2-B) M2000-40C

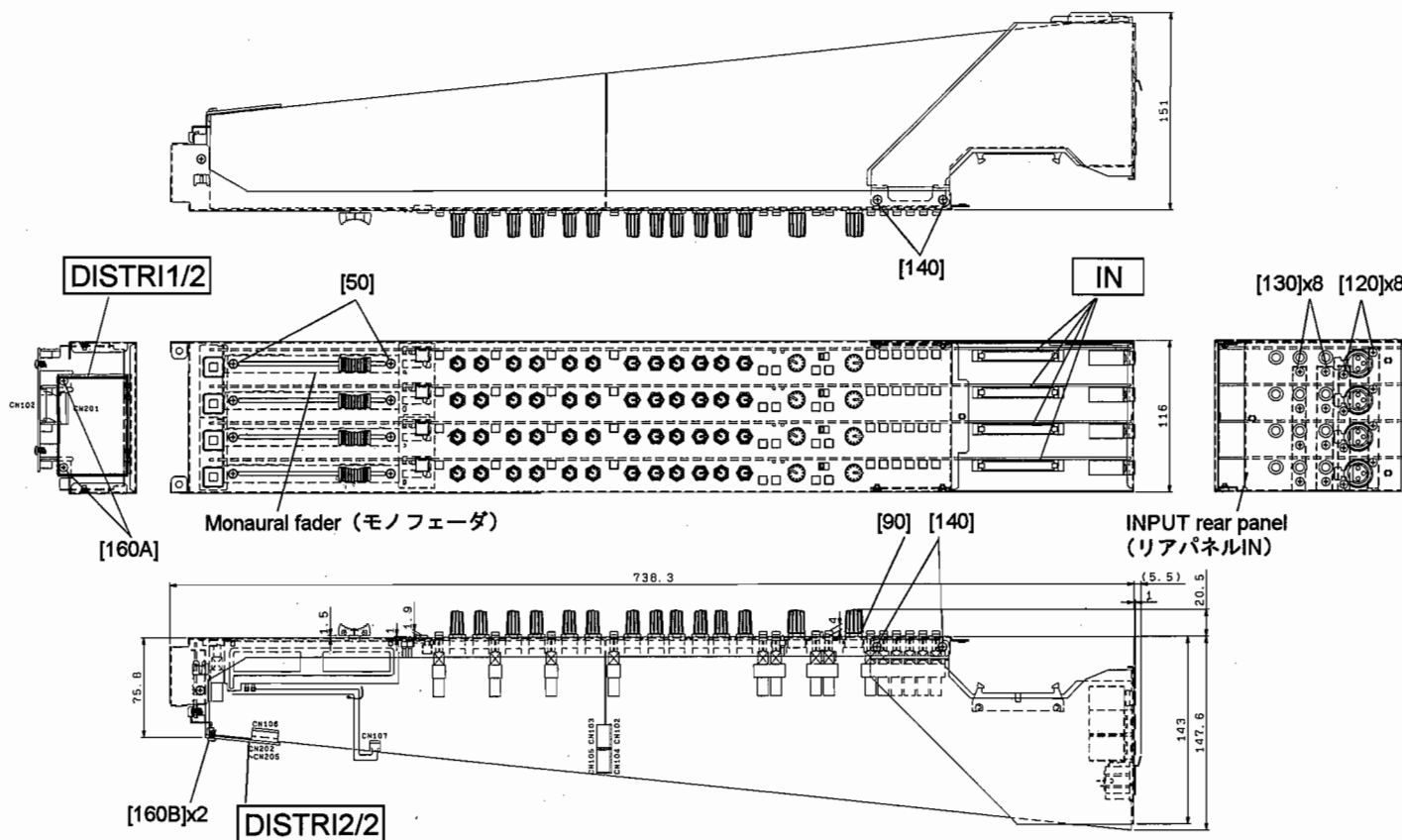
- [940]: Bind Head Screw (+バインド小ネジ) A4.0X8 FCM3BL (EL000320)
- [1060]: Bind Head Screw (+バインド小ネジ) A4.0X8 FCM3BL (EL000320)
- [1080]: Bind Head Screw (+バインド小ネジ) A4.0X8 FCM3BL (EL000320)
- [1110]: Bind Head Screw (+バインド小ネジ) A4.0X8 FCM3BL (EL000320)

6 INPUT Circuit Board & Monaural Fader

- 6-1 Open the meter panel. (See procedure 1)
 6-2 Remove the front pad. (See procedure 2)
 6-3 Remove the INPUT module. (See procedure 3)
 6-4 After the two (2) screws marked [50] have been removed, then the monaural fader can be removed. (Fig. 3)
 6-5 Remove the four (4) screws marked [140]. (Fig. 3)
 6-6 Remove the eight (8) screws marked [120] and eight (8) screws marked [130], then the INPUT rear panel can be removed. (Fig. 3)
 6-7 Pull off knobs that are attached to the IN circuit board that you would like to remove.
 Remove the fourteen (14) hexagonal nuts marked [90], then the IN circuit board can be removed. (Fig. 3)

6 INシートとMONOフェーダー

- 6-1 メーターパネルを開けます。(1項参照)
 6-2 フロントパッドを外します。(2項参照)
 6-3 INPUTモジュールを外します。(3項参照)
 6-4 [50]のネジ2本を外すと、MONOフェーダーを外すことができます。(図3)
 6-5 [140]のネジ4本を外します。(図3)
 6-6 [120]のネジ8本と[130]のネジ8本を外し、リアパネルINを外します。(図3)
 6-7 当該チャンネルのツマミ類を外し、[90]の六角ナット14個を外してINシートを外します。(図3)



(Fig. 3) INPUT module

- [50]: Flat Head Screw (+皿小ネジ) 3.0X6 ZMC2BL (EC030030)
 [90]: Hexagonal Nut (特殊六角ナット) 9 ZMC2BL (VJ388000)
 [120]: Bonding Head Screw (BONDING小ネジ) 3.0X6 FCM3BL (VC082800)
 [130]: Bind Head Tapping Screw-B (+バインドBタイト) A3.0X6 ZMC2BL (VP157900)
 [140]: Flat Head Screw (+皿小ネジ) B3.0X6 ZMC2BL (VS182000)
 [160]: Bind Head Tapping Screw-B (+バインドBタイト) A4.0X12 ZMC2BL (VD831800)

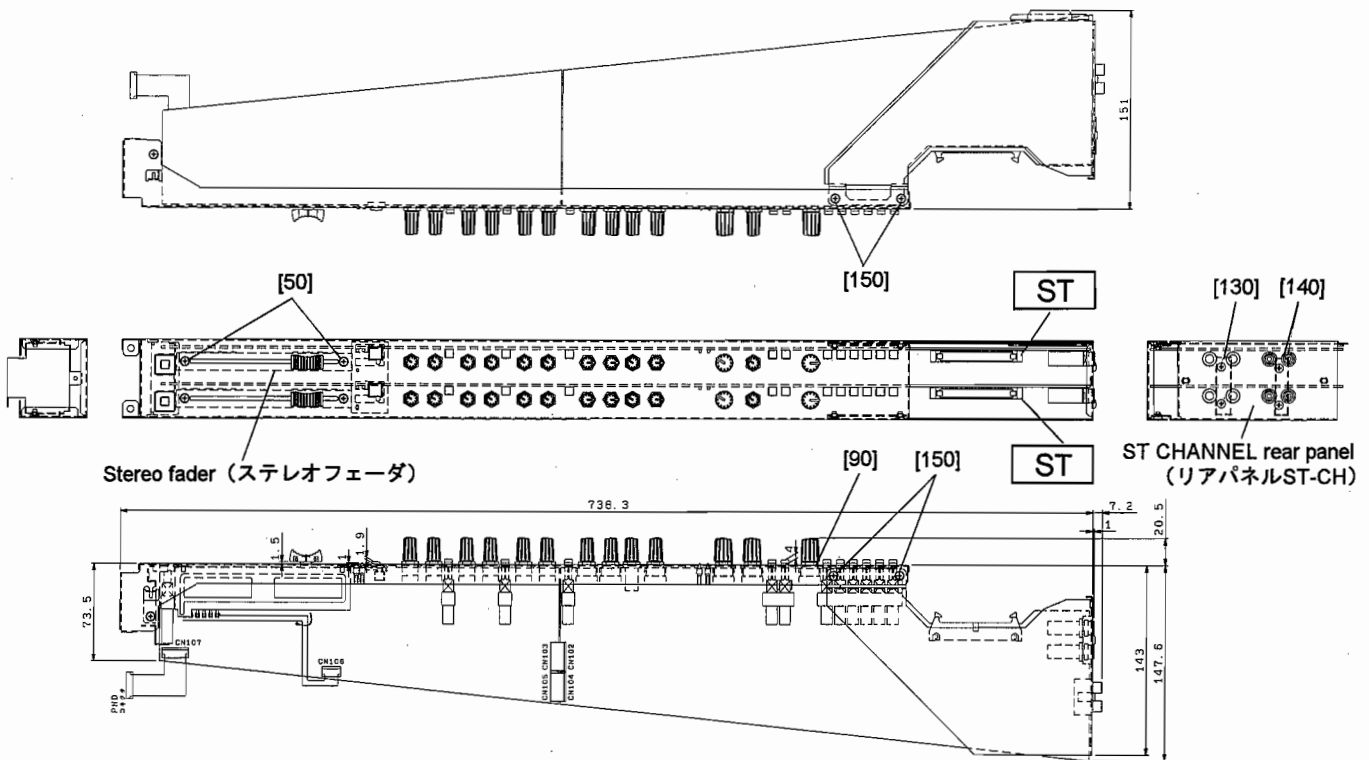
7 ST-IN Circuit Board & Stereo Fader

- 7-1 Open the meter panel. (See procedure 1)
- 7-2 Remove the front pad. (See procedure 2)
- 7-3 Remove the ST CHANNEL module. (See procedure 4)
- 7-4 After the two (2) screws marked [50] have been removed, then a stereo fader can be removed. (Fig. 4)
- 7-5 Remove the four (4) screws marked [150]. (Fig. 4)
- 7-6 Remove the two (2) screws marked [130] and two (2) screws marked [140], then the STCH rear panel can be removed. (Fig. 4)
- 7-7 Pull off knobs that are attached to the ST-IN circuit board that you would like to remove. Remove the twelve (12) hexagonal nuts marked [90], then the ST-IN circuit board can be removed. (Fig. 4)

7 ST-INシートとST-INフェーダー

- 7-1 メーターパネルを開けます。(1項参照)
- 7-2 フロントパッドを外します。(2項参照)
- 7-3 ST-CHモジュールを外します。(4項参照)
- 7-4 [50]のネジ2本を外すと、STフェーダーを外すことができます。(図4)
- 7-5 [150]のネジ4本を外します。(図4)
- 7-6 [130]のネジ2本と[140]のネジ2本を外し、リアパネルSTCHを外します。(図4)
- 7-7 ツマミ類を外し、[90]の六角ナット12個を外してST-INシートを外します。(図4)

M2000/PW2000M



(Fig. 4) ST CHANNEL Module

- [50]: Flat Head Screw (+皿小ネジ) 3.0X6 ZMC2BL (EC030030)
- [90]: Hexagonal Nut (特殊六角ナット) 9 ZMC2BL (VJ388000)
- [130]: Bind Head Tapping Screw-B (+バインドBタイト) A3.0X6 ZMC2BL (VP157900)
- [140]: Bind Head Tapping Screw-P (+バインドPタイト) 3.0X8 ZMC2BL (EP630220)
- [150]: Flat Head Screw (+皿小ネジ) B3.0X6 ZMC2BL (VS182000)

8 RETURN Circuit Board & Monaural Fader

- 8-1 Open the meter panel. (See procedure 1)
- 8-2 Remove the front pad. (See procedure 2)
- 8-3 Remove the MASTER module. (See procedure 5)
- 8-4 After the two (2) screws marked [50A] have been removed, then the monaural fader can be removed. (Fig. 5)
- 8-5 Remove the two (2) screws marked [290]. (Fig. 5)
- 8-6 Remove the sixteen (16) screws marked [270] and eight (8) screws marked [280], then the MA1 rear panel can be removed. (Fig. 5)
- 8-7 Pull off knobs that are attached to the RETURN circuit board that you try to remove. Remove the six (6) hexagonal nuts marked [130], then the RETURN circuit board can be removed. (Fig. 5)

* When you replace the RETURN circuit board with a new one, you should set the internal switches of the new RETURN circuit board according to the channel. (Refer to the RETURN circuit board section on page C6.)
The RETURN circuit board provided as a service parts is set for the RETURN 1 channel.

9 MATRIX1 and MATRIX3 Circuit Boards & Monaural Fader

- 9-1 Open the meter panel. (See procedure 1)
- 9-2 Remove the front pad. (See procedure 2)
- 9-3 Remove the MASTER module. (See procedure 5)
- 9-4 After the two (2) screws marked [50B] have been removed, then the monaural fader can be removed. (Fig. 5)
- 9-5 Remove the twenty (20) screws marked [310] and four (4) screws marked [320], then the MA2 rear panel can be removed. (Fig. 5)
- 9-6 Pull off knobs that are attached to the MATRIX circuit board that you try to remove. Remove the hexagonal nuts marked [150], then the MATRIX circuit board can be removed. (Fig. 5)

* When you replace the MATRIX1 or MATRIX3 circuit board with a new one, you should set the internal switches of the new MATRIX1 or MATRIX3 circuit board according to the channel. (Refer to the MATRIX1 or MATRIX3 circuit board section on page C8 and C10.)
The MATRIX1 circuit board provided as a service parts is used for the MATRIX 1 and MATRIX 2 channels. It is set for the MATRIX 1 channel.
The MATRIX3 circuit board provided as a service parts is used for the MATRIX 3 and MATRIX 4 channels. It is set for the MATRIX 3 channel.

8 RETURNシートとMONOフェーダー

- 8-1 メーターパネルを開けます。(1項参照)
- 8-2 フロントパッドを外します。(2項参照)
- 8-3 MASTERモジュールを外します。(5項参照)
- 8-4 [50A]のネジ2本を外すと、MONOフェーダーを外すことができます。(図5)
- 8-5 [290]のネジ2本を外します。(図5)
- 8-6 [270]のネジ16本と[280]のネジ8本を外し、リアパネルMA1を外します。(図5)
- 8-7 当該チャンネルのツマミ類を外し、[130]の六角ナット6個を外してRETURNシートを外します。(図5)

* RETURNシート交換時は、使用チャンネルに応じてシート内の短絡ソケットの設定が必要です。詳細についてはRETURNシート基板図のページを参照して下さい。
サービス用部品として供給されるRETURNシートは、RETURN1チャンネル用です。

9 MATRIX1シートとMATRIX3シートとMONOフェーダー

- 9-1 メーターパネルを開けます。(1項参照)
- 9-2 フロントパッドを外します。(2項参照)
- 9-3 MASTERモジュールを外します。(5項参照)
- 9-4 [50B]のネジ2本を外すと、MONOフェーダーを外すことができます。(図5)
- 9-5 [310]のネジ20本と[320]のネジ4本を外し、リアパネルMA2を外します。(図5)
- 9-6 当該チャンネルのツマミ類を外し、[150]の六角ナットを外してシートを外します。(図5)
[150]の六角ナットは、MATRIX1シートで17個、MATRIX3シートで16個あります。(図5)

* MATRIX1シートとMATRIX3シートの交換時は、使用チャンネルに応じてシート内の短絡ソケットの設定が必要です。詳細についてはシート基板図のページを参照して下さい。

MATRIX1とMATRIX2チャンネル用として供給されるサービス用のMATRIX1シートは、MATRIX1チャンネル用です。

また、MATRIX3とMATRIX4チャンネル用として供給されるサービス用のMATRIX3シートは、MATRIX3チャンネル用です。

10 ST1/2 and MONO Circuit Boards & Faders

- 10-1 Open the meter panel. (See procedure 1)
 - 10-2 Remove the front pad. (See procedure 2)
 - 10-3 Remove the MASTER module. (See procedure 5)
 - 10-4 After the two (2) screws marked [50] have been removed, then the monaural fader can be removed. (Fig. 5)
- To remove a stereo fader, remove the two (2) screws marked [70]. (Fig. 5)
- 10-5 Remove the two (2) screws marked [370]. (Fig. 5)
 - 10-6 Remove the six (6) screws marked [340], three (3) screws marked [350] and two (2) screws marked [360], then the MA3 rear panel can be removed. (Fig. 5)
 - 10-7 Pull off knobs that are attached to the ST1/2 circuit board that you try to remove.

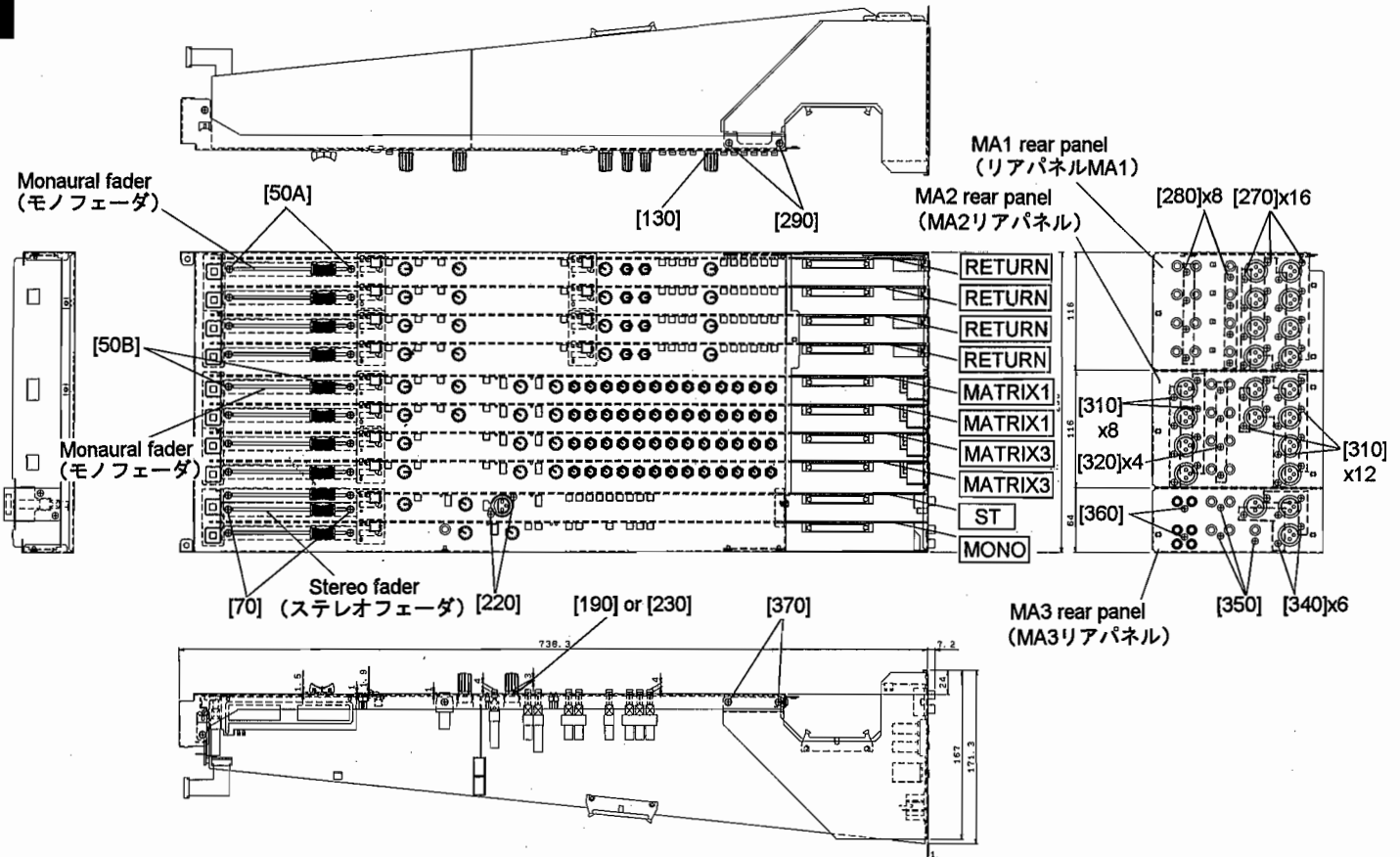
Remove the two (2) screws marked [200] and two (2) hexagonal nuts marked [190], then the ST1/2 circuit board can be removed. (Fig. 5)

The MONO circuit board can be removed by removing knobs and the two (2) hexagonal nuts marked [230]. (Fig. 5)

10 ST1/2シートとMONOシートとフェーダー

- 10-1 メーターパネルを開けます。(1項参照)
 - 10-2 フロントパッドを外します。(2項参照)
 - 10-3 MASTERモジュールを外します。(5項参照)
 - 10-4 [50]のネジ2本を外すと、MONOフェーダーを外すことができます。(図5)
 - [70]のネジ2本を外すと、STフェーダーを外すことができます。(図5)
 - 10-5 [370]のネジ2本を外します。(図5)
 - 10-6 [340]のネジ6本と[350]のネジ3本と[360]のネジ2本を外し、リアパネルMA3を外します。(図5)
 - 10-7 ST1/2シートはツマミ類を外し、[200]のネジ2本と[190]の六角ナット2個を外すことができます。(図5)
- MONOシートはツマミ類を外し、[230]の六角ナット2個を外すことができます。(図5)

M2000/PW2000M



- [50]: Flat Head Screw (+皿小ネジ) 3.0X6 ZMC2BL (EC030030)
- [70]: Flat Head Screw (+皿小ネジ) 3.0X6 ZMC2BL (EC030030)
- [130]: Hexagonal Nut (特殊六角ナット) 9 ZMC2BL (VJ388000)
- [150]: Hexagonal Nut (特殊六角ナット) 9 ZMC2BL (VJ388000)
- [190]: Hexagonal Nut (特殊六角ナット) 9 ZMC2BL (VJ388000)

(Fig. 5) MASTER Module

- [200]: Bonding Head Screw (BONDING小ネジ) 3.0X6 FCM3BL (VC082800)
- [230]: Hexagonal Nut (特殊六角ナット) 9 ZMC2BL (VJ388000)
- [270]: Bonding Head Screw (BONDING小ネジ) 3.0X6 FCM3BL (VC082800)
- [280]: Bind Head Tapping Screw-B (+バインドBタイト) A3.0X6 ZMC2BL (VP157900)
- [290]: Flat Head Screw (+皿小ネジ) B3.0X6 ZMC2BL (VS182000)
- [310]: Bonding Head Screw (BONDING小ネジ) 3.0X6 FCM3BL (VC082800)
- [320]: Bind Head Tapping Screw-B (+バインドBタイト) A3.0X6 ZMC2BL (VP157900)
- [340]: Bonding Head Screw (BONDING小ネジ) 3.0X6 FCM3BL (VC082800)
- [350]: Bind Head Tapping Screw-B (+バインドBタイト) A3.0X6 ZMC2BL (VP157900)
- [360]: Bind Head Tapping Screw-P (+バインドPタイト) 3.0X8 ZMC2BL (EP630220)
- [370]: Flat Head Screw (+皿小ネジ) B3.0X6 ZMC2BL (VS182000)

11 PS Circuit Board

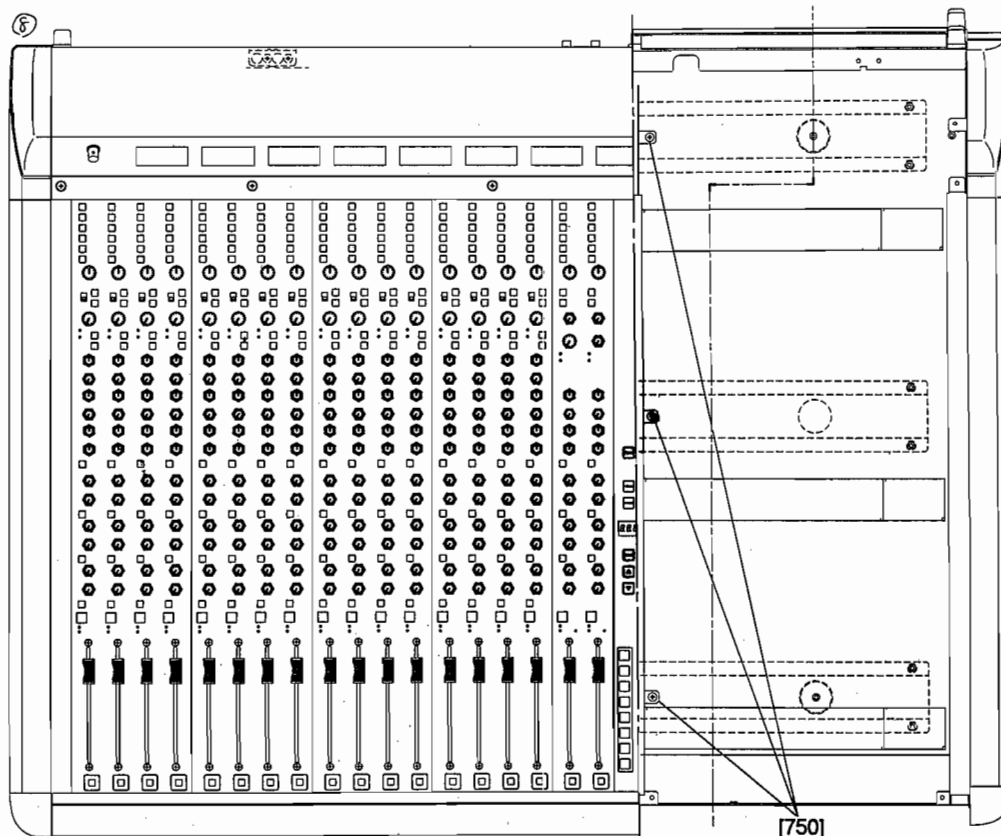
- * The PS circuit board is located on the right-side of the SCENE MEMORY panel.

- 11-1 Open the meter panel. (See procedure 1)
- 11-2 Remove the front pad. (See procedure 2)
- 11-3 Remove the MASTER module. (See procedure 5)
- 11-4 Remove the three (3) screws marked [750]. (Fig. 6)
- 11-5 Remove the four (4) screws marked [740], then remove the shield plate. (Fig. 7)
- 11-6 Remove the two (2) screws marked [620] and the screw marked [630] located on the rear panel. (Fig. 1)
- 11-7 Remove the two (2) screws marked [600] and two (2) screws marked [640], then the PS circuit board can be removed. (Fig. 8)

11 PSシート

- * PSシートは、シーンメモリーパネルに取り付けられています。

- 11-1 メーターパネルを開けます。(1項参照)
- 11-2 フロントパッドを外します。(2項参照)
- 11-3 MASTERモジュールを外します。(5項参照)
- 11-4 [750]のネジ3本を外します。(図6)
- 11-5 [740]のネジ4本を外し、シールドプレートを外します。(図7)
- 11-6 リアパネル上にある[620]のネジ2本と[630]のネジ1本を外します。(図1)
- 11-7 [600]のネジ2本と[640]のネジ2本を外し、PSシートを外します。(図8)



(Fig. 6)

- [750]: Bind Head Tapping Screw-B (+バインドBタイト) A4.0X8 ZMC2BL (VC688800)

12 MIDI1/4 & MIDI2/4 Circuit Boards

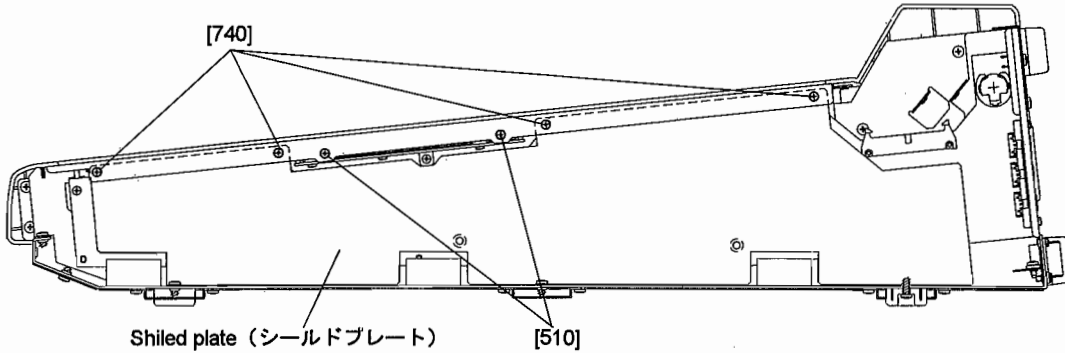
* The MIDI1/4 and MIDI2/4 circuit boards are located on the right-side of the SCENE MEMORY panel.

- 12-1 Open the meter panel. (See procedure 1)
- 12-2 Remove the front pad. (See procedure 2)
- 12-3 Remove the MASTER module. (See procedure 5)
- 12-4 Remove the three (3) screws marked [750]. (Fig. 6)
- 12-5 Remove the four (4) screws marked [740], then remove the shield plate. (Fig. 7)
- 12-6 Remove the three (3) screws marked [580], and then remove the MIDI1/4 circuit board from the spacers. (Fig. 8)
- 12-7 Remove the screw marked [500] and two (2) screws marked [510], then the MIDI2/4 circuit board can be removed. (Fig. 7 and Fig. 8)

12 MIDI1/4シートとMIDI2/4シート

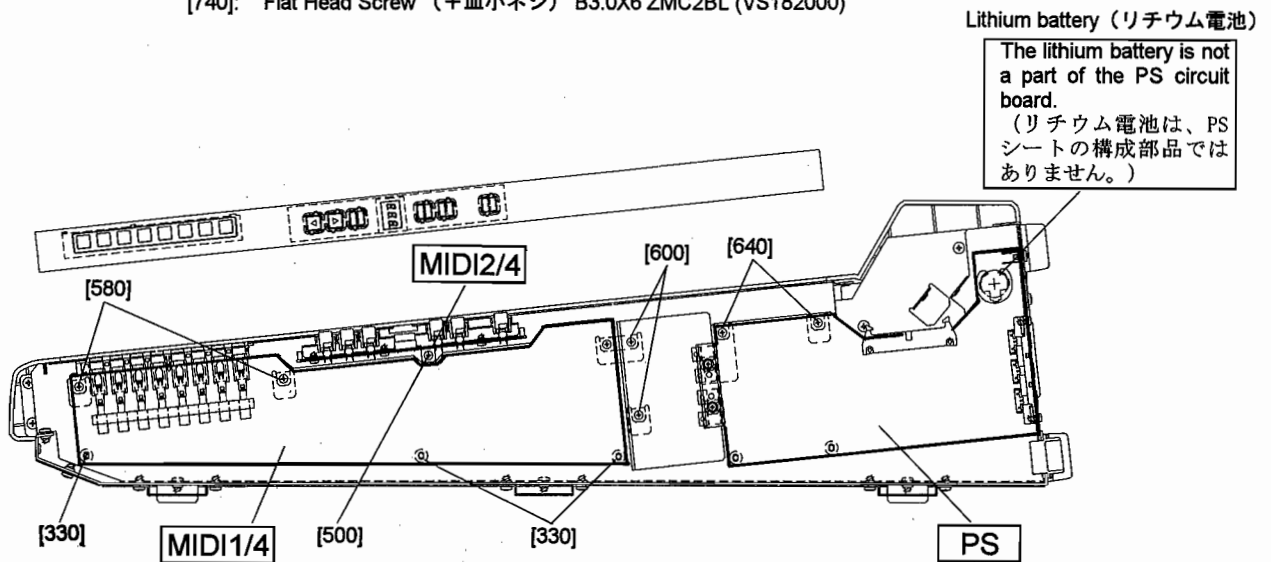
* MIDI1/4シートとMIDI2/4シートは、シーンメモリーパネルに取り付けられています。

- 12-1 メーターパネルを開けます。(1項参照)
- 12-2 フロントパッドを外します。(2項参照)
- 12-3 MASTERモジュールを外します。(5項参照)
- 12-4 [750]のネジ3本を外します。(図6)
- 12-5 [740]のネジ4本を外し、シールドプレートを外します。(図7)
- 12-6 [580]のネジ3本を外し、[330]のロックングカードスペーサー3箇所からMIDI1/4シートを外します。(図8)
- 12-7 [500]のネジ1本と[510]のネジ2本を外し、MIDI2/4シートを外します。(図7と図8)



(Fig. 7) SCENE memory panel

- [510]: Flat Head Screw (+皿小ネジ) B3.0X6 ZMC2BL (VS182000)
- [740]: Flat Head Screw (+皿小ネジ) B3.0X6 ZMC2BL (VS182000)



(Fig. 8) SNENE memory panel

- [500]: Bind Head Tapping Screw-B (+バインドBタイト) A3.0X6 ZMC2BL (VP157900)
- [580]: Bind Head Tapping Screw-B (+バインドBタイト) A3.0X6 ZMC2BL (VP157900)
- [600]: Bind Head Tapping Screw-B (+バインドBタイト) A3.0X6 ZMC2BL (VP157900)
- [640]: Bind Head Tapping Screw-B (+バインドBタイト) A3.0X6 ZMC2BL (VP157900)

Lithium battery (リチウム電池)

The lithium battery is not a part of the PS circuit board.
(リチウム電池は、PSシートの構成部品ではありません。)

13 MIDI3/4 Circuit Board

* The MIDI3/4 circuit board is located on the front-side of the ST CHANNEL module.

13-1 Remove the front pad. (See procedure 2)

13-2 Remove the screw marked [475A], then the MIDI3/4 circuit board can be removed. (Fig. 9)

14 MIDI4/4 Circuit Board

* The MIDI4/4 circuit board is located on the front-side of the MASTER module.

14-1 Remove the front pad. (See procedure 2)

14-2 Remove the three (3) screws marked [475B], then the MIDI4/4 circuit board can be removed. (Fig. 9)

15 ST2/2 Circuit Board

* The ST2/2 circuit board is located on the front-side of the MASTER module.

15-1 Remove the front pad. (See procedure 2)

15-2 Remove the two (2) screws marked [210], then the ST2/2 circuit board can be removed. (Fig. 9)

13 MIDI3/4シート

* MIDI3/4シートは、ST-CHモジュール前部に取り付けられています。

13-1 フロントパッドを外します。(2項参照)

13-2 [475A]のネジ1本を外し、MIDI3/4シートを外します。(図9)

14 MIDI4/4シート

* MIDI4/4シートは、MASTERモジュール前部に取り付けられています。

14-1 フロントパッドを外します。(2項参照)

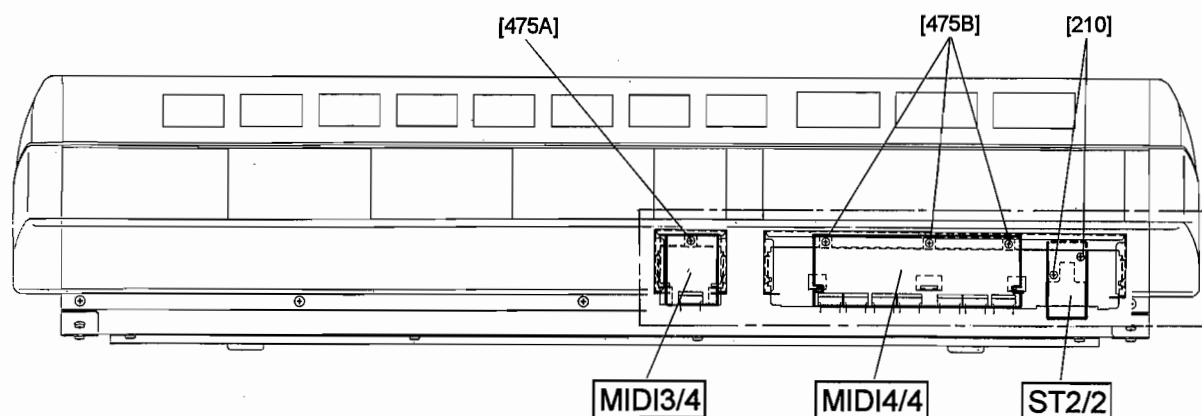
14-2 [475B]のネジ3本を外し、MIDI4/4シートを外します。(図9)

15 ST2/2シート

* ST2/2シートは、MASTERモジュール前部に取り付けられています。

15-1 フロントパッドを外します。(2項参照)

15-2 [210]のネジ2本を外し、ST2/2シートを外します。(図9)



(Fig. 9) Front side of the unit

[210]: Bind Head Tapping Screw-P (+バインドPタイト) 4.0X10 ZMC2BL (VC383800)

[475]: Bind Head Tapping Screw-B (+バインドBタイト) A3.0X6 ZMC2BL (VP157900)

16 DISTRI1/2 Circuit Board

* The DISTRI1/2 circuit board is located on the front-side of the INPUT module.

16-1 Remove the front pad. (See procedure 2)

16-2 Remove the two (2) screws marked [160A], then the DISTRI1/2 circuit board can be removed. (Fig. 3)

17 DISTRI2/2 Circuit Board

* The DISTRI2/2 circuit board is located on the bottom-side of the INPUT module.

17-1 Open the meter panel. (See procedure 1)

17-2 Remove the front pad. (See procedure 2)

17-3 Remove the INPUT module. (See procedure 3)

17-4 Remove the two (2) screws marked [160B], then the DISTRI2/2 circuit board can be removed. (Fig. 3)

18 JK1/5 & JK2/5 Circuit Boards

18-1 Open the meter panel. (See procedure 1)

18-2 Remove the ten (10) screws marked [770A], then the JK1/5 circuit board can be removed. (Fig. 10)

The JK2/5 circuit board can be removed by removing the screw marked [770B]. (Fig. 10)

16 DISTRI1/2シート

* DISTRI1/2シートは、INPUTモジュール前部に取
り付けられています。

16-1 フロントパッドを外します。(2項参照)

16-2 [160A]のネジ2本を外し、DISTRI1/2シートを外
します。(図3)

17 DISTRI2/2シート

* DISTRI2/2シートは、INPUTモジュール下部に取
り付けられています。

17-1 メーターパネルを開けます。(1項参照)

17-2 フロントパッドを外します。(2項参照)

17-3 INPUTモジュールを外します。(3項参照)

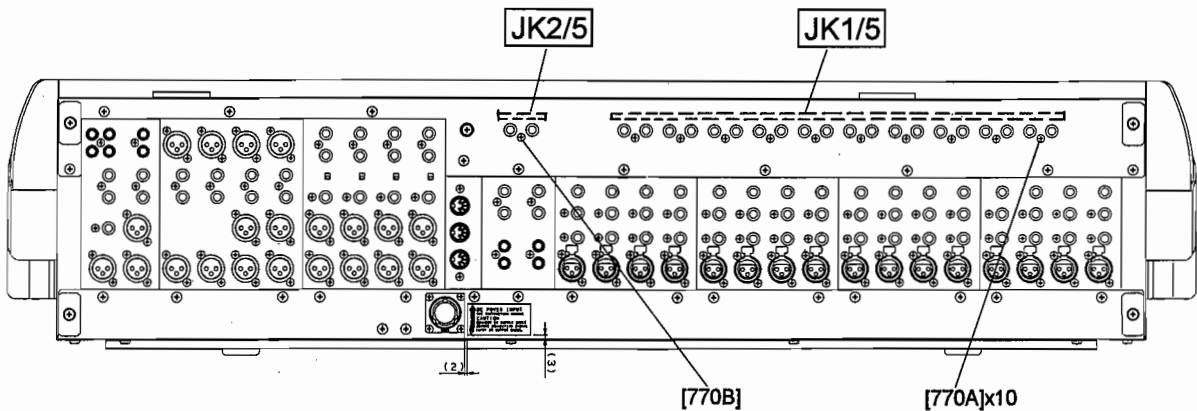
17-4 [160B]のネジ2本を外し、DISTRI2/2シートを外
します。(図3)

18 JK1/5シートとJK2/5シート

18-1 メーターパネルを開けます。(1項参照)

18-2 [770A]のネジ10本を外し、JK1/5シートを外しま
す。(図10)

[770B]のネジ1本を外し、JK2/5シートを外しま
す。(図10)



(Fig. 10) Rear Panel

[770]: Bind Head Tapping Screw-B (+バインドBタイト) A3.0X6 ZMC2BL (VP157900)

19 BNC3/5シートとBNC4/5シートとBNC5/5シート

* BNCシートは、ランプコネクタを取り付けているシートです。(図1)

- 19-1 メーターパネルを開けます。(1項参照)
19-2 ハンダを取り除き、六角ナットを緩めてシートを外します。

20 MTCシート

* MTCシートは、ST L, ST R, MONOメーターを取り付けているシートです。

- 20-1 メーターパネルを開けます。(1項参照)
20-2 [40]のネジ2本を外し、メーターホルダーと共にMTCシートを外します。(図11)
20-3 メーターのハンダを取り除き、[60]のネジ2本を外してMTCシートを外します。(図11)

21 MTA4シート

* MTA4シートは、GROUP/MATRIX/AUXメーターを取り付けているシートです。

- 21-1 メーターパネルを開けます。(1項参照)
21-2 [100]のネジ2本を外し、メーターホルダーと共にMTA4シートを外します。(図11)
21-3 メーターのハンダを取り除き、[120]のネジ1本を外してMTA4シートを外します。(図11)

19 BNC3/5, BNC4/5 & BNC5/5 Circuit Boards

* The BNC are circuit boards to connect the optional lamp assembly.

- 19-1 Open the meter panel. (See procedure 1)
19-2 Remove solders and loosen the hexagonal nut, then the BNC circuit board can be removed.

20 MTC Circuit Board

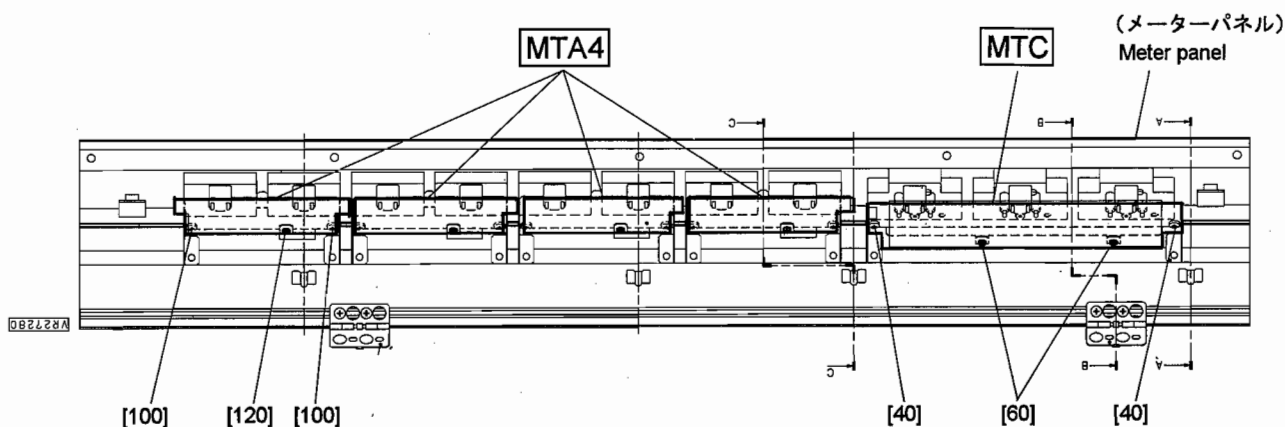
* There are ST L, ST R and MONO meters on the MTC circuit boards.

- 20-1 Open the meter panel. (See procedure 1)
20-2 Remove the two (2) screws marked [40], then remove the MTC circuit board with a meter holder. (Fig. 11)
20-3 Remove solders and remove the two (2) screws marked [60], then the MTC circuit board can be removed from the holder. (Fig. 11)

21 MTA4 Circuit Board

* There are GROUP/MATRIX/AUX meters on the MTA4 circuit boards.

- 21-1 Open the meter panel. (See procedure 1)
21-2 Remove the two (2) screws marked [100], then remove the MTA4 circuit board with a meter holder. (Fig. 11)
21-3 Remove solders and remove the screw marked [120], then the MTA4 circuit board can be removed from the holder. (Fig. 11)



(Fig. 11) Meter Panel

- [40]: Bind Head Tapping Screw-B (+パインドBタイト) A4.0X8 ZMC2BL (VC688800)
[60]: Bind Head Tapping Screw-B (+パインドBタイト) A3.0X6 ZMC2BL (VP157900)
[100]: Bind Head Tapping Screw-B (+パインドBタイト) A4.0X8 ZMC2BL (VC688800)
[120]: Bind Head Tapping Screw-B (+パインドBタイト) A3.0X6 ZMC2BL (VP157900)

22 Lithium Battery

* If you would like to preserve the scene memory data, you should save the data to the data filer like a Yamaha MDF2.

22-1 Turn off the power.

22-2 Open the meter panel. (See procedure 1)

22-3 Remove the battery from the holder on the PS circuit board as shown in the illustration. (Fig. 12)

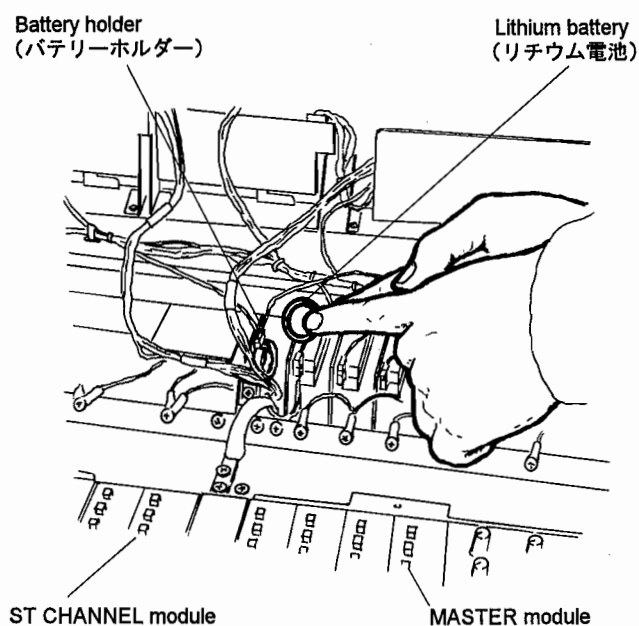
22 リチウム電池

* 必要に応じ、MIDIのBULK機能を使用して、シーンメモリーのデータをヤマハMDF2のようなデータ・ファイラーに保存しておきます。

22-1 電源をOFFにします。

22-2 メーターパネルを開けます。(1項参照)

22-3 図に示すように、リチウム電池を指で挟んでバッテリーホルダーから外します。(図12)



(Fig. 12) Lithium Battery

■ LSI PIN DESCRIPTION (LSI 端子機能表)

● HD63B03YP-N (XD245A00) CPU

| PIN NO. | NAME | I/O | FUNCTION | PIN NO. | NAME | I/O | FUNCTION |
|---------|-------|-----|------------------------|---------|------|-----|---------------------------|
| 1 | Vss | | Ground | 33 | Vcc | | Power supply |
| 2 | XTAL | I | } Clock | 34 | A15 | O | } Address bus |
| 3 | EXTAL | I | | | | | |
| 4 | MP0 | I | Mode program 0 | 35 | A14 | O | |
| 5 | MP1 | I | Mode program 1 | 36 | A13 | O | |
| 6 | /RES | I | Initial clear | 37 | A12 | O | |
| 7 | /STBY | I | Standby-mode signal | 38 | A11 | O | |
| 8 | /NMI | I | Non-maskable interrupt | 39 | A10 | O | |
| 9 | P20 | I/O | } Port 2 | 40 | A9 | O | |
| 10 | P21 | I/O | | | | | |
| 11 | P22 | I/O | | | | | |
| 12 | P23 | I/O | | | | | |
| 13 | P24 | I/O | | | | | |
| 14 | P25 | I/O | | | | | |
| 15 | P26 | I/O | | | | | |
| 16 | P27 | I/O | | | | | |
| 17 | P50 | I/O | } Port 5 | 41 | A8 | O | |
| 18 | P51 | I/O | | | | | |
| 19 | P52 | I/O | | | | | |
| 20 | P53 | I/O | | | | | |
| 21 | P54 | I/O | | | | | |
| 22 | P55 | I/O | | | | | |
| 23 | P56 | I/O | | | | | |
| 24 | P57 | I/O | | | | | |
| 25 | P60 | I/O | } Port 6 | 42 | Vss | | |
| 26 | P61 | I/O | | | | | |
| 27 | P62 | I/O | | | | | |
| 28 | P63 | I/O | | | | | |
| 29 | P64 | I/O | | | | | |
| 30 | P65 | I/O | | | | | |
| 31 | P66 | I/O | | | | | |
| 32 | P67 | I/O | | | | | |
| | | | | 43 | A7 | O | } Address bus |
| | | | | 44 | A6 | O | |
| | | | | 45 | A5 | O | |
| | | | | 46 | A4 | O | |
| | | | | 47 | A3 | O | |
| | | | | 48 | A2 | O | |
| | | | | 49 | A1 | O | |
| | | | | 50 | A0 | O | |
| | | | | 51 | D7 | I/O | } Data bus |
| | | | | 52 | D6 | I/O | |
| | | | | 53 | D5 | I/O | |
| | | | | 54 | D4 | I/O | |
| | | | | 55 | D3 | I/O | |
| | | | | 56 | D2 | I/O | |
| | | | | 57 | D1 | I/O | |
| | | | | 58 | D0 | I/O | |
| | | | | 59 | BA | O | Bus available |
| | | | | 60 | /LIR | O | Load instruction register |
| | | | | 61 | R/W | O | Read/Write control |
| | | | | 62 | /WR | O | Write control |
| | | | | 63 | /RD | O | Read control |
| | | | | 64 | E | O | Enable |

● M66008P (XM266A00) EXP. I/O

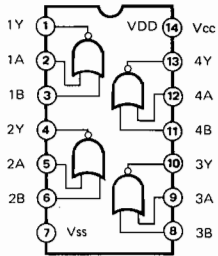
| PIN NO. | NAME | I/O | FUNCTION | PIN NO. | NAME | I/O | FUNCTION |
|---------|------|-----|---------------------|---------|------|-----|----------------------|
| 1 | DO | | Not used | 13 | D12 | O | Encode/Decode (CH4) |
| 2 | DI | I | Data | 14 | D11 | O | Encode/Decode (CH3) |
| 3 | CLK | I | Clock | 15 | D10 | O | Encode/Decode (CH2) |
| 4 | /CS | I | Chip select | 16 | D9 | O | Encode/Decode (CH1) |
| 5 | Vcc | | Power supply | 17 | D8 | O | Monitor select (CH8) |
| 6 | /S | I | Set in | 18 | D7 | O | Monitor select (CH7) |
| 7 | GND | | Ground | 19 | D6 | O | Monitor select (CH6) |
| 8 | D16 | O | Encode/Decode (CH8) | 20 | D5 | O | Monitor select (CH5) |
| 9 | D15 | O | Encode/Decode (CH7) | 21 | D4 | O | Monitor select (CH4) |
| 10 | D14 | O | Encode/Decode (CH6) | 22 | D3 | O | Monitor select (CH3) |
| 11 | D13 | O | Encode/Decode (CH5) | 23 | D2 | O | Monitor select (CH2) |
| 12 | GND | | Ground | 24 | D1 | O | Monitor select (CH1) |

Note 1) Encode/Decode (CH1-CH8): When L=Recording signal, When H=Playback signal

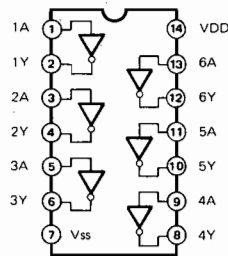
Note 2) Monitor select (CH1-CH8): When L=Not return, When H=Return

IC BLOCK DIAGRAM (ICブロック図)

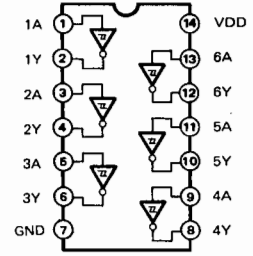
● SN74HC02N (IR000250)
Quad 2 Input NOR



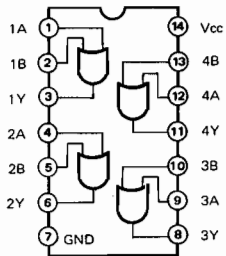
● SN74HC04N (IR000450)
Hex Inverter



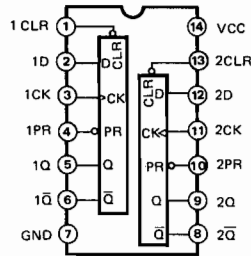
● SN74HC14N (IR001450)
Hex Inverter



● SN74HC32N (IR003250)
Quad 2 Input OR

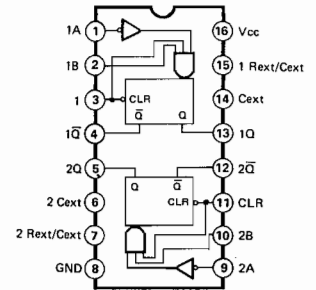


● SN74HC74N (IR007450)
Dual D-Type Flip-Flop

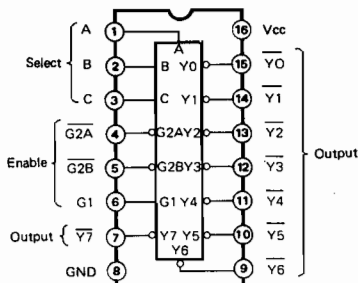


| INPUTS | | | | OUTPUTS | |
|--------|-----|-----|---|----------------|-----------------|
| PR | CLR | CLK | D | Q | Q̄ |
| L | H | X | X | H | L |
| H | L | X | X | L | H |
| L | L | X | X | H | H |
| H | H | ↑ | H | H | L |
| H | H | ↑ | L | L | H |
| H | H | L | X | Q _o | Q̄ _o |

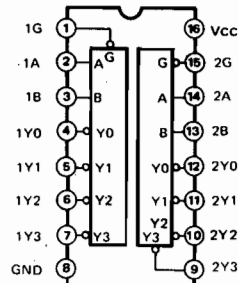
● HD74HC123AP (IR012310)
Dual Retriggerable Single Shot



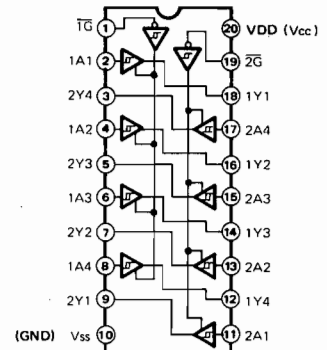
● SN74HC138N (IR013850)
3 to 8 Demultiplexer



● SN74HC139N (IR013950)
Dual 2 to 4 Demultiplexer

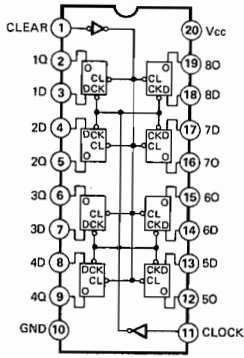


● TC74HC241AP (IR024100)
Octal 3-State Bus Buffer

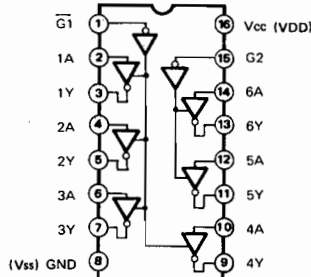


M2000/PW2000M

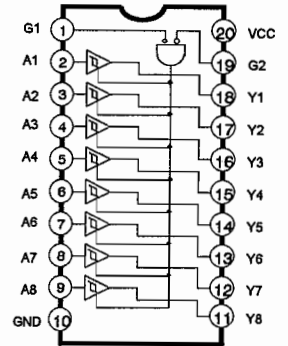
- SN74HC273N (IR027350)
Octal D-Type Flip-Flop



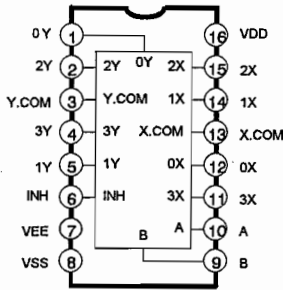
- SN74HC368N (IR036850)
Hex 3-State Bus Inverter



- SN74HC541N (IR054150)
Octal 3-State Buffer

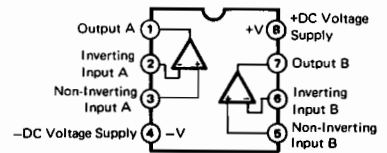


- TC4052BP (XA053A00)
Differential 4-Channel Multiplexer/Demultiplexer

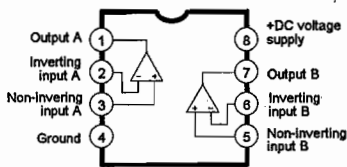


- NJM2068D-D (XA987A00)
- NJM072D (IG107000)
- NJM4556DD (XE803A00)
- BA4558-NK (XF128A00)
- NJM4560ED (IG040000)
- NJM4580DD (XM651A00)
- M5238AP (XM085A00)

Dual Operational Amplifier



- NJM2903 (IG031000)
Dual Single-Supply Comparator



■ INSPECTIONS

1 PREPARATIONS

Connect the M2000 and a PW2000M via the supplied DC power supply cable.

Activate the test program and execute the channel version settings. (Refer to the TEST PROGRAM section of this service manual.)

Unless specified, the signal applied should be an 1k Hz, -70 dBs sine wave and the impedance of the signal source should be 150 ohms.

The load resistance of each output terminal should be as follows:

| | |
|---------------------|--------------------------|
| PHONES(L, R)..... | 8 ohms (Greater than 5W) |
| INSERT OUT | 10k ohms |
| DIRECT OUT | 10k ohms |
| REC OUT (L, R)..... | 10k ohms |
| Other output | 600 ohms |

* The signal level referred to in these specifications is 0 dBs = 0.775 V.

Unless specified, set the controls and switches as follows:

1.1 MONO INPUT (1~16, 24, 32, 40)

| | |
|--|---|
| ASSIGN switch | ON during measurement only, OFF at all other times. |
| PAN control | CENTER |
| +48V switch | OFF |
| φ (Phase) switch..... | OFF |
| A/B select switch..... | A |
| GAIN trim..... | MAX (-60 dB) |
| PAD(26dB) switch | OFF |
| HPF(80Hz) switch..... | OFF |
| HIGH, HI-MID, LO-MID, LOW EQ(Gain) controls..... | CENTER |
| HI-MID, LO-MID EQ(Freq.) controls | MIN |
| EQ switch | OFF |
| AUX 1~6 level controls..... | MAX for measuring CH only, MIN for all others. |
| AUX 1-2 PRE(Fader) switch..... | OFF |
| AUX 3-4 PRE(Fader) switch..... | OFF |
| DIRECT(AUX6 level control) switch..... | OFF |
| ON/EDIT switch | Only measuring CH ON, all others OFF. |
| CUE switch | Only measuring CH ON, all others OFF. |
| Fader | MAX |

1.2 STEREO INPUT (1, 2)

| | |
|--|-----------------------------|
| ASSIGN switch | ON during measurement only. |
| BAL/PAN control | CENTER |
| L+R switch | OFF |
| A/B select switch..... | A |
| GAIN A trim | MAX (-20 dB) |
| GAIN B trim | MAX (-20 dB) |
| HIGH, MID, LOW EQ(Gain) controls | CENTER |
| MID EQ(Freq.) | MIN |
| EQ switch | OFF |

| | |
|--------------------------------|---|
| AUX 1~6 level controls..... | MAX for measuring CH only, MIN for all others. |
| AUX 1-2 PRE(Fader) switch..... | OFF |
| AUX 3-4 PRE(Fader) switch..... | OFF |
| ON/EDIT switch..... | Only measuring CH ON, all others OFF. |
| CUE switch..... | ON during measurement only, OFF at all other times. |
| Stereo Fader..... | MAX |

1.3 RETURN (1~4)

| | |
|------------------------------------|---|
| ASSIGN switch..... | ON during measurement only, OFF at all other times. |
| BAL/PAN control..... | CENTER |
| AUX1, AUX2, AUX3, AUX4 switch..... | ON during measurement only, OFF at all other times. |
| HIGH, LOW EQ controls..... | CENTER |
| Level control..... | MAX |
| ON/EDIT switch..... | ON during measurement only, OFF at all other times. |
| CUE switch..... | ON during measurement only, OFF at all other times. |
| -4/-10dB switch (Rear Panel)..... | +4dB |

1.4 GROUP (1~8)

| | |
|---------------------|---|
| TO MONO switch..... | ON during measurement only, OFF at all other times. |
| PAN control..... | CENTER |
| TO ST switch..... | ON during measurement only, OFF at all other times. |
| ON/EDIT switch..... | ON during measurement only, OFF at all other times. |
| Fader..... | MAX |
| CUE switch..... | ON during measurement only, OFF at all other times. |

1.5 STEREO

| | |
|---------------------|---|
| TO MONO switch..... | ON during measurement only, OFF at all other times. |
| BAL control..... | CENTER |
| ON/EDIT switch..... | ON during measurement only, OFF at all other times. |
| L Fader..... | MAX |
| R Fader..... | MAX |
| CUE switch..... | ON during measurement only, OFF at all other times. |

1.6 MONO

| | |
|---------------------|---|
| ON/EDIT switch..... | ON during measurement only, OFF at all other times. |
| Fader..... | MAX |
| CUE switch..... | ON during measurement only, OFF at all other times. |

1.7 AUX (1~6)

| | |
|--------------------|---|
| Level control..... | MAX |
| CUE switch..... | ON during measurement only, OFF at all other times. |

1.8 MATRIX (1~4)

- MIX level controls..... MAX during measurement only, MIN at all other times.
- OUT B level control..... MAX
- OUT B ON switch ON during measurement only, OFF at all other times.
- OUT A level control..... MAX
- OUT A ON switch MAX during measurement only, MIN at all other times.
- CUE switch ON during measurement only, OFF at all other times.

1.9 TALKBACK

- ASSIGN switch ON during measurement only, OFF at all other times.
- AUX 1-2, AUX 3-4, AUX 5-6 switch..... ON during measurement only, OFF at all other times.
- OSCILLATOR ON switch ON during measurement only, OFF at all other times.
- TALKBACK level control..... MAX
- TALKBACK ON switch ON during measurement only, OFF at all other times.

1.10 MONITOR

- 2TR IN 1, 2TR IN 2 switch 2TR IN 1
- MASTER PFL switch OFF
- L+R switch OFF
- MONITOR level control..... MAX
- MONITOR OUT ON switch..... ON during measurement only, OFF at all other times.
- PHONES level control MAX

1.11 METER

- METER 1~8 GROUP/MATRIX/AUX switch..... GROUP
- METER L, R STEREO HOLD switch OFF

2. GAIN

2.1. INPUT MODULE

In status 1, the output levels should be within the range given in Tables 2.1 to 2.3.

Table 2.1 Input Terminal [INPUT CH 1 TO 16, 24, 32, 40] Unit: dBs

| Condition | | | | | Measured output | | | | |
|----------------|-------------|------|---------|--------|-----------------------|-------|---------|-------|-------|
| Input terminal | Input level | Gain | 26dB SW | PRE SW | GROUP, ST | MONO | AUX 1~4 | AUX 5 | AUX 6 |
| ☆ A | -70 | MAX | OFF | OFF | +14±2.3 | +14±2 | +16±2 | +16±2 | +16±2 |
| A | -70 | MAX | OFF | ON | — | — | +6±2 | — | — |
| A | -70 | MAX | ON | OFF | -12±2.3* ¹ | — | — | — | — |
| A | -36 | MIN | OFF | OFF | +4±2.3* ¹ | — | — | — | — |
| B | -36 | MIN | OFF | OFF | +4±2.3* ¹ | — | — | — | — |
| CH-INS | -10 | MIN | OFF | OFF | +14±2.3* ¹ | — | — | — | — |

*1 Measuring can be performed at either one of GROUP 1 to 8, STEREO OUT (L, R).

- 1) In the condition shown by the ☆ mark, the level of DIRECT OUT should be 0 ± 2 dBs.
When the DIRECT switch is turned ON, no signal is obtained at AUX OUT 6, and the level of DIRECT OUT becomes $+6 \pm 2$ dBs.
- 2) When CUE switch of the INPUT module corresponding to each input channel in the condition shown by the ☆ mark is ON, the INPUT CUE LED of the MASTER module should light up and the levels of both the L and R outputs at MONITOR OUT should be 0 ± 2 dBs.
- 3) When the signal is applied to the B terminal, you should turn the A/B select switch to "B".
- 4) Only the ASSIGN switch that measures the output should be switched ON.
- 6) The difference in level between INPUT (CH 1 to 16, 24, 32, 40) of each output should be less than 2 dB.
- 7) The difference in level between GROUP 1 to 8, STEREO OUT (L, R), AUX OUT 1 to 6 and MONITOR OUT (L, R) should be less than 2 dB.
- 8) Check at least once that the output becomes zero when you minimize AUX level controls 1 to 6 and when turn off ASSIGN switch and ON/EDIT switch.

Table 2.2 MONO INPUT [1~16, 24, 32, 40] Unit: dBs

| Condition | Measured output | | | | | |
|-----------|-----------------|---------------|---------------|---------------|--------------|--------------|
| | GROUP OUT | | STEREO OUT | | REC OUT | |
| INPUT | | | L | R | L | R |
| PAN | 1,3,5,7 | 2,4,6,8 | | | | |
| LEFT | $+17 \pm 2.3$ | No output | $+17 \pm 2.3$ | No output | -7 ± 2.3 | No output |
| RIGHT | No output | $+17 \pm 2.3$ | No output | $+17 \pm 2.3$ | No output | -7 ± 2.3 |

- 1) Only the ASSIGN switch that measures the output should be switched ON.
- 2) Check at least once that the output of REC OUT (L, R) is within the range given in the table 2.2 when the output is obtained at the STEREO OUT (L, R).

Table 2.3 Input Terminal MONO INPUT [1~16, 24, 32, 40]

| Condition | Measured output |
|-------------|-----------------------|
| Input level | MONO INPUT INSERT OUT |
| -60 | 0 ± 2 [dBs] |

2.2. ST CHANNEL MODULE

In status 1, the output levels should be within the range given in Tables 2.4 to 2.5.

Table 2.4 Input Terminal [STEREO INPUT 1, 2] Unit: dBs

| Input terminal | Condition | | | | Measured output | | | |
|----------------|-------------|------|--------|--------|--------------------|-------------|-------------|-------------|
| | Input Level | Gain | PRE SW | L+R SW | GROUP, ST | MONO | AUX 1~4 | AUX 5, 6 |
| ☆ A[L,R] | -30 | MAX | OFF | OFF | $+14 \pm 2.3$ | $+17 \pm 2$ | $+19 \pm 2$ | $+19 \pm 2$ |
| | 0 | MIN | OFF | OFF | $+14 \pm 2.3$ | — | — | — |
| | 0 | MIN | ON | OFF | — | — | $+9 \pm 2$ | — |
| | 0 | MIN | ON | ON | $+17 \pm 2.3^{*1}$ | — | — | — |
| B[L,R] | -30 | MAX | OFF | OFF | $+14 \pm 2.3^{*1}$ | — | — | — |
| | 0 | MIN | OFF | OFF | $+14 \pm 2.3^{*1}$ | — | — | — |

*1 Measuring can be performed at either one of GROUP 1 to 8 and STEREO OUT (L, R).

- 1) Apply the same signals to STEREO INPUT (L, R) inputs.
- 2) Only the ASSIGN switch that measures the output should be switched ON.

- 3) The difference in level between STEREO INPUT 1, 2 of each output should be less than 2 dB.
- 4) The difference in level between GROUP 1 to 8, STEREO OUT (L, R) and AUX OUT 1 to 6 should be less than 2 dB.
- 5) Check at least once that the output becomes zero when you minimize the AUX level control of ST CHANNEL module and when turn off the ASSIGN switch and ON/EDIT switch.
- 6) You should turn the A/B select switch to "B" when the signal is applied to the INPUT B.

Next, in the condition shown by the ☆ mark, check that the level of each output should be within the range given in the table 2.5.

Table 2.5 Input Terminal [STEREO INPUT 1, 2]

Unit: dBs

| Input Terminal | Channel BAL/PAN | Measured output | | | |
|--------------------|-----------------|-----------------|-------------|-----------|-----------|
| | | G 1,3,5,7 L | G 2,4,6,8 R | MONITOR L | MONITOR R |
| A(L) ^{*1} | Left | +17±2.3 | No output | 0±2 | No output |
| A(R) | Right | No output | +17±2.3 | No output | 0±2 |
| B(L) | Left | +17±2.3 | No output | 0±2 | No output |
| B(R) | Right | No output | +17±2.3 | No output | 0±2 |

*1 Insert a phone plug to INPUT R, which is shorted with a 150 ohm resistance.

- 1) Only the ASSIGN switch that measures the output should be switched ON.
- 2) When you try to measure the output at the MONITOR OUT (L, R), you should turn on the CUE switch of the ST CHANNEL module. At that time, check that the INPUT CUE LED of the MASTER module lights up.
- 3) The difference in level between MONITOR OUT (L, R) should be less than 2 dB.

2.3. RETURN

The output levels of Table 2.6 should be obtained in status 1.

Table 2.6 Input Terminal [RETURN 1~4]

Unit: dBs

| Condition | | | Measured output | | | | | |
|----------------|-------------|--------|-----------------------|-----------------------|-------|---------|-----------|-----------|
| Input terminal | Input level | PAD SW | G 1,3,5,7 L | G 2,4,6,8 R | MONO | AUX 1~4 | MONITOR L | MONITOR R |
| L*1 | -6 | +4 | +10±2.3 | No output | 7±2.3 | 3±2.3 | 0±2 | No output |
| | -16 | -10 | +14±2.3 ^{*2} | — | — | — | — | — |
| R | -6 | +4 | No output | +10±2.3 | 7±2.3 | 3±2.3 | No output | 0±2 |
| | -16 | -10 | — | +14±2.3 ^{*3} | — | — | — | — |

*1 Connect a phone plug that shorts input at 150 ohms.

*2 Measuring can be performed at either one of GROUP 1, 3, 5, 7 or STEREO OUT L.

*3 Measuring can be performed at either one of GROUP 2, 4, 6, 8 or STEREO OUT R.

- 1) Only the ASSIGN switch that measures the output should be switched ON.
- 2) When measuring MONITOR OUT (L, R), you should turn on the CUE switch. At that time, check that the INPUT CUE LED of the MASTER module lights up.
- 3) Check at least once that the output becomes zero when you minimize RETURN level control and switch off the ASSIGN switch and ON/EDIT switch.
- 4) The difference in level between RETURN 1 to 4 of each output should be less than 2 dB.
- 5) The difference in output level between GROUP OUT 1 to 8, STEREO OUT (L, R), AUX OUT 1 to 4 should be less than 2 dB.

2.4 2 TR IN

The output levels of Table 2.7 should be obtained in status 1.

Table 2.7 INPUT 2TR IN 1, 2 Unit: dBs

| Condition | | | Measured output | | | |
|----------------|-------------|--------|-----------------|-----------|-----------|-----------|
| Input terminal | Input level | L+R SW | MONITOR L | MONITOR R | PHONES L | PHONES R |
| 2TR IN 1 L | -10 | OFF | +10±2 | No output | -12.5±2 | No output |
| R | -10 | OFF | No output | +10±2 | No output | -12.5±2 |
| R | -10 | ON | +7±2 | +7±2 | — | — |
| 2TR IN 2 L | -10 | OFF | +10±2 | No output | — | — |
| R | -10 | OFF | No output | +10±2 | — | — |

- 1) When you apply a signal to the 2 TR INPUT 2, set the switch at 2 TR IN 2.
- 2) The difference in level between 2 TR IN 1, 2 of each output should be less than 2 dB.
- 3) Check at least once that the output becomes zero when you press the INPUT CUE switch and when press MASTER CUE switch.
- 4) Check that no signal is obtained when you minimize PHONES level control.

2.5 TALKBACK

The output levels of Table 2.8 should be obtained in status 1.

Table 2.8 TALKBACK IN Unit: dBs

| Condition | | Measured output | |
|----------------|-------------|-----------------|--------|
| Input terminal | Input level | GROUP, ST, MONO | AUX1~6 |
| TB IN | -60 | 10±2 | 6±2 |

- 1) Check at least once that the output level becomes zero when the TB OUT switch is turned OFF or when you minimize the TALKBACK level control.
- 2) The difference in output levels between GROUP OUT 1 to 8, STEREO OUT (L, R), AUX OUT 1 to 6 should be less than 2 dB.

2.6 MASTER INSERT IN

The output levels of Table 2.9 should be obtained in status 1.

Table 2.9 Input Terminal [MASTER INSERT IN] Unit: dBs

| Input terminal | Input level | Output level corresponding to input |
|------------------|-------------|-------------------------------------|
| GROUP INSERT IN | -10 | +4±2 |
| STEREO INSERT IN | -10 | +4±2 |
| MONO INSERT IN | -10 | +4±2 |

- 1) The difference in output levels between GROUP OUT 1 to 8, STEREO OUT (L, R), MONITOR OUT should be less than 2 dB.

2.7 SUB IN

The output levels of Table 2.10 should be obtained in status 1.

Table 2.10 Input Terminal [SUB IN] Unit: dBs

| Condition | | Measured output | | |
|----------------|-------------|-----------------|-------------------|-------|
| Input terminal | Input level | INSERT OUT | MONITOR OUT [L,R] | |
| | | | PFL SW | |
| | | | OFF | ON |
| GROUP | +4 | 0±2 | +20±2 | +10±2 |
| STEREO L | +4 | 0±2 | +20±2 | +10±2 |
| STEREO R | +4 | 0±2 | +20±2 | +10±2 |
| MONO | +4 | 0±2 | +20±2 | +10±2 |
| AUX | +4 | — | +16±2 | +10±2 |
| CUE L,R | +4 | — | +10±2 | — |
| MATRIX SUB | +4 | — | +16±2 | +10±2 |

- 1) The difference in output level between GROUP OUT 1 to 8, STEREO OUT (L, R) should be less than 2 dB.
- 2) The difference in output level between MONITOR OUT (L, R) of each SUB IN should be less than 2 dB.
- 3) When measuring MONITOR OUT (L, R), you should turn on the CUE switch. At that time, check that the MASTER CUE LED lights up.
- 4) Apply signals to the CUE SUB IN (L, R) and turn on the INPUT CUE or MASTER CUE switch, check that the output given in Table 2.10 is obtained.
Check that the output becomes zero when CUE switch remains OFF.

2.8 GROUP PAN

In status 1, switch ON each ASSIGN switch of the INPUT module installed as channel 1, then switch ON the GROUP TO ST and the GROUP TO MONO switches of the assigned GROUP master channel.

You should get the output levels of Table 2.11 at this stage.

However, only the ASSIGN switch that measures the output should be switched ON, and the input level should be -80 dBs. (Set the input level at -70 dBs if the oscillator cannot generate -80 dBs and decrease the INPUT module FADER by 10 dB.)

Table 2.11 Input Terminal [MONO INPUT ch1] Unit: dBs

| Condition | | Measured output | | |
|-------------|-----------|-----------------|-----------|---------|
| Input level | GROUP PAN | STEREO | | MONO |
| | | L | R | |
| | CENTER | +14±2.5 | +14±2.5 | +14±2.5 |
| ch 1 | Left | +17±2.5 | No output | — |
| -80dBs | Right | No output | +17±2.5 | — |

2.9 ST TO MONO

In status 1, switch ON only the ST of the ASSIGN switch of the INPUT module installed as channel 1, and switch ON the ST TO MONO of the STEREO master, you should check that the output levels of Table 2.12 are obtained at this stage.

The input level should be -80 dBs. (Set the input level at -70 dBs if the oscillator cannot generate -80 dBs and decrease the INPUT module FADER by 10 dB.)

Table 2.12 Input Terminal [MONO INPUT ch1] Unit: dBs

| BAL control | MONO OUT |
|-------------|----------|
| CENTER | +17±2.5 |
| L | +14±2.5 |
| R | +14±2.5 |

2.10 MATRIX OUT

In status 1, apply the signal to the INPUT channel 1, switch ON each ASSIGN switch of this module, and set only one of the MATRIX MIX controls of the assigned GROUP master at maximum. You should get the output levels of Table 2.13 at this stage.

The input level should be -80 dBs. (Set the input level at -70 dBs if the oscillator cannot generate -80 dBs and decrease the INPUT module FADER by 10 dB.)

Table 2.13 Input Terminal [MONO INPUT ch1] Unit: dBs

| Input Terminal | Measure output | | | |
|----------------|----------------|---------|---------------|---------|
| | MATRIX | | MONITOR [L,R] | |
| | | | PFL SW | |
| | A | B | OFF | ON |
| 1ch A | +10±2.3 | +10±2.3 | +16±2.3 | +10±2.3 |

- 1) Check at least once that the output becomes zero when the MATRIX ON switch is turned off or when MATRIX LEVEL controls A and B are minimized.
- 2) The difference between output levels of MATRIX A OUT 1 to 4, MATRIX B OUT 1 to 4 should be less than 2 dB.
- 3) The CUE SW should be switched ON when measuring MONITOR OUT (L, R).

3. FREQUENCY CHARACTERISTICS

If the applied signal frequencies are 20 Hz, 20k Hz in status 1, the output level of each output terminal should be within $0 \begin{smallmatrix} +0.5 \\ -2.5 \end{smallmatrix}$ dB with 1k Hz used as reference.

4. EQ CHANGE CHARACTERISTICS

When each EQ control of INPUT module is operated in status 1, the output level of each frequency obtained in GROUP OUT 1 should fall within the range given in Table 4.1, with the output level when the GAIN control is set as a reference in the middle.

When you check the characteristics of the ST CHANNEL or RETURN module, apply signals each of L and R inputs and check that the output level of the Table 4.2 is obtained.

(You should measure the output of the GROUP OUT 2 when you apply a signal to the R input.)

Table 4.1 MONO INPUT EQ Characteristics [dBs]

| Control | GAIN | f-VR | Applied frequency | Change in amplitude |
|---------|------|------|-------------------|---------------------|
| LO | MAX | - | 80 Hz | +12±2 |
| | MIN | | | -12±2 |
| LO MID | MAX | MIN | 80 Hz | +15±2 |
| | MIN | | | -15±2 |
| | MAX | MAX | 1.6 kHz | +15±2 |
| | MIN | | | -15±2 |
| HI MID | MAX | MIN | 400 Hz | +15±2 |
| | MIN | | | -15±2 |
| | MAX | MAX | 8 kHz | +15±2 |
| | MIN | | | -15±2 |
| HI | MAX | - | 12 kHz | +12±2 |
| | MIN | | | -12±2 |

Table 4.2 STEREO INPUT EQ Change Characteristics [dBs]

| Control | GAIN | f-VR | Applied frequency | Change in amplitude |
|---------|------|------|-------------------|---------------------|
| LO | MAX | - | 80 Hz | +12±2 |
| | MIN | | | -12±2 |
| MID | MAX | MIN | 300 Hz | +15±2 |
| | MIN | | | -15±2 |
| | MAX | MAX | 6 kHz | +15±2 |
| | MIN | | | -15±2 |
| HI | MAX | - | 12 kHz | +12±2 |
| | MIN | | | -12±2 |

5. HPF CHANGE CHARACTERISTICS

In status 1, if the applied signal is 80 Hz and the HPF switch of INPUT module is turned ON, the output level of GROUP OUT 1 should be within -3 ± 2 dB, with the level when HPF is OFF as the reference.

6. SEPARATION

In status 1, if the ASSIGN switch 1-2 of the measured INPUT is switched ON and PAN control is rotated fully counterclockwise and the output level of GROUP OUT 1 is set at +20 dBs, the leakage level to GROUP OUT 2 should be less than -50 dBs. Also, if the PAN control is rotated fully clockwise and if the output level of GROUP OUT 2 is set at +20 dBs, the leakage level to GROUP OUT 1 should be less than -50 dBs.

Inspect for leakage between GROUP OUT 3-4, GROUP OUT 5-6, GROUP OUT 7-8 and STEREO OUT L-R in a similar manner.

In status 1, if the ASSIGN switch L-R of the measured INPUT is switched ON and PAN control is rotated fully counterclockwise and the output level of STEREO OUT L is set at +20 dBs, the leakage level to MONO OUT 2 should be less than -50 dBs.

Inspect for the separation of STEREO input in a similar manner with the leakage level is -30 dBs.

7. SIGNAL & PEAK LED LIGHT-UP LEVEL

When the signal in the Table 7 has been applied to the inputs of the INPUT and ST CHANNEL modules in status 1, the SIGNAL or PEAK LED should light up.

| Input terminal | SIGNAL LED | PEAK LED |
|----------------|-------------|-------------|
| MONO INPUT | -70 ± 2 | -43 ± 2 |
| STEREO INPUT | -30 ± 2 | -3 ± 2 |

8. DISTORTION FACTOR

Set each FADER and level controls to the NOMINAL POSITION of the INPUT and MASTER modules and apply signals to INPUT and ST CHANNEL module in status 1.

When a +14 dBs output is obtained at each output terminal of GROUP OUT 1 to 8, STEREO OUT (L, R), MONO OUT, AUX OUT 1 to 6, MATRIX OUT A, B 1 to 4 and MONITOR OUT (L, R), the distortion factor should be less than 0.1 %.

Also, when an output of -18.5 dBs is obtained at PHONES OUT (L/R), the distortion factor should be less than 0.1 %.

9. MAXIMUM OUTPUT

When a +24 dBs output is obtained at each output terminal of GROUP OUT 1 to 8, STEREO OUT (L, R), AUX OUT 1 to 6, MATRIX OUT A 1 to 4 in status 1, the distortion factor should be less than 1 %.

Also, the distortion factor should be less than 1 % when +20 dBs is obtained at each output terminal of DIRECT OUT, MATRIX OUT B 1 to 4 and MONITOR OUT (L, R).

Also, when -5 dBs output is obtained at PHONES OUT (L/R), the distortion factor should be less than 1 %.

10. VU METER

When the output level of GROUP OUT 1 to 8 is +4 dBs in status 1, the indication on the smaller VU meter should be 0 ± 1 VU.

When the meter selector switch is changed over to MATRIX, and when each output level of MATRIX OUT A, B 1 to 4 is +4 dBs, the smaller VU meter indication should be 0 ± 1 VU.

When the meter selector switch is changed over to AUX, and when each output level of AUX OUT 1 to 6 is +4 dBs, the indication of the smaller VU meters 1 to 6 should be 0 ± 1 VU and the indication of the smaller meters 7 and 8 should be less than -20 VU.

Check that the indication of the large VU meters is 0 ± 1 VU when the output levels of the STEREO OUT (L, R) and MONO OUT is +4 dBs.

Check that the indication of that is 0 ± 1 VU when the output of the MONITOR OUT (L, R) is +4 dBs. When the ST HOLD switch is turned ON, the output switches to STEREO OUT (L, R).

Also, check the built-in PEAK LED should light up when the output of GROUP OUT 1 to 8, STEREO OUT (L, R), MONO OUT, AUX OUT 1 to 6, MATRIX OUT A 1 to 4 is $+21 \pm 2$ dBs and the output of MATRIX OUT B 1 to 4 is $+17 \pm 2$ dBs.

11. NOISE LEVEL

When the HOT, COLD of the input of INPUT module is shorted with an 150 ohm in status 1, the noise level at GROUP OUT 1 should be less than -44 dBs.

* If the noise level is more than -44 dBs, find the noise level by input conversion. If this noise level is less than -128 dBs, then it is acceptable.

12. RESIDUAL NOISE

Set the FADER and AUX level controls of each INPUT and ST CHANNEL modules at MIN in status 1 and switch OFF the ASSIGN switch.

And then turn OFF each ON/EDIT switch of the MASTER module, check that when MASTER FADER and MASTER level control have been set at maximum or minimum, the noise level should fall within the levels shown in Table 12.

Table 12 Residual Noise Level Unit: dBs

| FADER & VR | GROUP(1~8) | STEREO L·R | MONO | AUX(1~6) | MATRIX A (1~4) | MATRIX B (1~4) | MONITOR L·R |
|------------|------------|------------|------|----------|----------------|----------------|-------------|
| MAX | -71 | -71 | -73 | -73 | -87 | -87 | -90 |
| MIN | -97 | -97 | -97 | -97 | -99 | -99 | -99 |

13. PHASE

The signal phase applied to each input terminal and the signal phase obtained at each output terminal should be the same.

- * Pin polarity of balanced type input / output terminal
 - PIN 1 GND
 - PIN 2 HOT (+)
 - PIN 3 COLD (-)

14. OSCILLATOR

In status 1, switch ON the TALKBACK and OSCILLATOR, and turn ON only the GROUP 1-2 of the TALKBACK ASSIGN switch.

You should check that the output of +20 ±2.5 dBs, 1 ±0.2 kHz, distortion 1 % or less is obtained at GROUP OUT 1.

15. CUE CONTROL

Check that the INPUT CUE LED would light up when the CUE CONTROL terminal is shorted to ground.

16. PHANTOM

Connect the input connector pins 1 and 2 of each INPUT module with a resistance (10k ohms, 1W or greater), and short pins 2 and 3. When the PHANTOM switch of the measuring INPUT module has been switched ON, a voltage of +35 ±3 V should be obtained at both ends of the load resistance.

17. STABILITY

17-1 Power Supply Voltage Fluctuation

Even a fluctuation of $\pm 10\%$ in the rated power supply voltage should pose no problems in the operations.

18. MEASURING EQUIPMENT

- * The output impedance of the oscillator should be less than 10 ohms.
- * The input impedance of the oscilloscope and the level meter should be more than 100k ohms.
- * Noise level should be measured using a 12.7 kHz, -6 dB/oct. low-pass filter.
- * We recommend that balanced input type measuring instruments are to be used. However, if usage of an unbalanced impedance input type measuring instrument is unavoidable, care should be taken because the maximum output level of the balance output terminal will drop.

■ PW2000M ADJUSTMENT (PW2000Mの調整)

After connecting the PW2000M and a M2000 via the supplied DC power supply cable, set the primary power voltage to the rated value.

Check that each output of the DC OUTPUT connector is as follows:

| OUTPUT TERMINAL | TRIMMER POTENTIOMETER | OUTPUT VOLTAGE | RIPPLE VOLTAGE | CONDITION |
|---------------------|-----------------------|-----------------|--------------------|--------------------|
| Pin 6 - Pin 3(+17V) | VR201 | +17 \pm 0.1 V | less than 5 m Vp-p | UNIT ON 30 SECONDS |
| Pin 7 - Pin 3(-17V) | N/A | -17 \pm 0.5 V | less than 5m Vp-p | UNIT ON 30 SECONDS |
| Pin 5 - Pin 2(+12V) | VR301 | +12 \pm 0.1 V | less than 5m Vp-p | UNIT ON 30 SECONDS |
| Pin 4 - Pin 1(+48V) | — | +48 \pm 2 V | less than 10m Vp-p | UNIT ON 30 SECONDS |

PW2000MとM2000を付属のケーブルで接続した後、PW200MのDC OUTPUT端子の各出力電圧が下表の範囲となるように調整します。

| 出力ピン | 調整用半固定抵抗 | 出力電圧 | リップル電圧 | 条件 |
|----------------|----------|-----------------|------------|--------------|
| 6ピン-3ピン (+17V) | VR201 | +17 \pm 0.1 V | 5m Vp-p以下 | 電源投入後 30秒以上後 |
| 7ピン-3ピン (-17V) | N/A | -17 \pm 0.5 V | 5m Vp-p以下 | 電源投入後 30秒以上後 |
| 5ピン-2ピン (+12V) | VR301 | +12 \pm 0.1 V | 5m Vp-p以下 | 電源投入後 30秒以上後 |
| 4ピン-1ピン (+48V) | なし | +48 \pm 2 V | 10m Vp-p以下 | 電源投入後 30秒以上後 |

■ TEST PROGRAM

A. TEST PROGRAM

1. LED TEST Test number 1
2. SWITCH TEST Test number 2
3. SCANNING TEST Test number 3
4. DISTRIBUTION TEST Test number 4
5. MIDI TEST Test number 5
6. RETURN TO PLAY MODE Test number 6
7. CHANNEL VERSION SETTING TO 16 CHANNEL Test number 16
- CHANNEL VERSION SETTING TO 24 CHANNEL Test number 24
- CHANNEL VERSION SETTING TO 32 CHANNEL Test number 32
- CHANNEL VERSION SETTING TO 40 CHANNEL Test number 40
8. FACTORY SETTINGS Test number 7
9. EXIT Test number 99
10. ROM VERSION DISPLAY Test number 8

The test programs from number 1 to 6 are utilized for testing the MIDI circuit board. Others are used for testing the M2000 unit.

The battery check is automatically performed when the test program is initiated, and if an error is detected, the LED display will show "NG". The SRAM check is always performed when the power is applied to the unit on normal operation.

B. HOW TO ENTER THE TEST PROGRAM

While pressing the DIRECT RECALL switches 6, 7 and 8, turn on the POWER switch of the PW2000M connected with the testing M2000.

C. EXIT

Recall the test sequence number 99, and press the RECALL, then the system exits the test and then goes into normal operation.

99 → RECALL

When the programs from 1 to 5 have been performed without any error, initiating the test 6 will abort the test program and then the M2000 goes into normal operation.

06 → RECALL

Without performing tests from 1 to 5, and then execute the test 6, "NG" error message will appear on the LED display to indicate that you have not completely performed the test.

D. PROCEEDING THROUGH THE TESTS

Use the Δ (UP) and ∇ (DOWN) switches to move through the various tests of the test program.

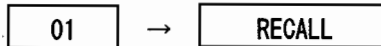
If you select the test number to be performed, you should press the RECALL switch to execute the test.

E. TEST RESULT

When the test is OK, "OK" will appear on the LED display, and if an error has occurred, "NG" appears.

1. LED TEST

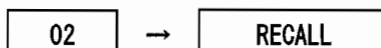
Check that each LED blinks in succession.



- 1) The LED display will indicate "000", "111", "222" "888" in sequence.
- 2) The LEDs in the UTILITY and the CHECK switches will light up in succession.
- 3) The LEDs in the DIRECT switches 1 to 8 will light up in sequence.
- 4) All LEDs will turn to OFF.

2. SWITCH TEST

Press the switches consecutively from the UTILITY to the DIRECT RECALL 8 according to the order indicated on the LED display.



When "S1" message is shown on the LED display, press the UTILITY, then "S2" will appear, you should press the RECALL, and so on.

The switch pressing order is as follows:

UTILITY → RECALL → STORE → CHECK → UP → DOWN → DIRECT RECALL 1 to 8

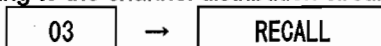
If all switches are good, the LED display will indicate "OK".

If the wrong switch is pressed, and you won't be able to proceed to test the next switch.

When you would like to quit the switch test during the test, press the DIRECT RECALL 8.

3. SCANNING TEST

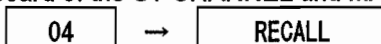
This test checks the circuit that is scanning to the channel distribution circuit.



The test result is indicated on the LED display.

4. DISTRIBUTION TEST

This test checks that the DISTR circuit board of the ST CHANNEL and MASTER modules works correctly.



The test result is indicated on the LED display.

5. MIDI TEST

After connecting the MIDI IN to MIDI OUT via a MIDI cable, execute the test.



The test result is indicated on the LED display.

6. CHANNEL VERSION SETTINGS

This test is utilized for setting the number of channels and checking each EDIT/ON switch of the MONO INPUT, STEREO INPUT, GROUP OUT 1 to 8, STEREO OUT, MONO OUT and RETURN 1 to 4.

For example, if the tested M2000 is 40-channels model, you should increase the number indicated on the LED display to "40" using the UP key to set, and then press the RECALL to activate the test. When the testing M2000 is 16-channels model, recall "16" to set the number of the channel.



(E.g. When checking 40-channels model)

Press the ON/EDIT switch according to the order indicated on the LED display.

The switch pressing order of a M2000-16/24/32 is as follows:

MONO INPUT → STEREO INPUT → GROUP OUT → MONO OUT → RETURN

The switch pressing order of a M2000-40 is as follows:

MONO INPUT 1 to 24 → STEREO INPUT → GROUP OUT → MONO OUT →

MONO INPUT 25 to 40 → RETURN

If you press the wrong switch, the system quits the test and goes in to the play mode.

When you want to exit the test during this program, you should press the RECALL switch.

TEST END

When the test ended without any error;

When all switches are good, the LED display will show "OK" and the test will end and all SCENE MEMORY will be set at OFF.

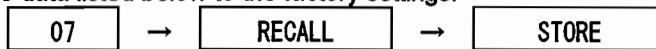
When an error has occurred;

If the width of the pulse is wrong when the ON/EDIT switch is pressed, "PUL" error message will appear on the LED display and the test will end.

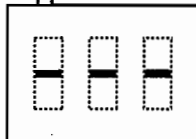
Also, if you press the wrong switch during the test or the connection between circuit boards in the unit is wrong, "NG" will appear on the LED display and the test will end.

7. FACTORY SETTINGS

This test is used initialize the data listed below to the factory settings.



When the test is initiated, the following display will appear on the LED for a second.



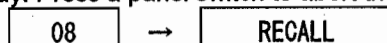
Factory settings:

- ① Memory Protect..... [OFF]
- ② MEMORY INITIALIZE [ALL]
- ③ MIDI CH [C1]
- ④ MIDI Control Change..... [ON]
- ⑤ MIDI Program Change [ON]
- ⑥ Program Change Receive OMNI..... [OFF]

- ⑦ MIDI Echoback..... [OFF]
- ⑧ MIDI Bulk Dump Request..... [ALL]
- ⑨ SCENE MEMORY No.1~128..... [No Data]
- ⑩ All channel ON/EDIT [OFF]

8. ROM VERSION DISPLAY

In order to verify the ROM version of the tested M2000, you may want to initiate the version display mode. To initiate this mode, select the test number 8 and then you should press the RECALL, the version of the ROM will be displayed on the LED display. Press a panel switch to abort the test.



■ ERROR MESSAGES

• Normal error messages

| Message | Description |
|---------------------------------------|---|
| $L\bar{o}$ Battery low | Appears briefly whenever UTILITY button is pressed. The voltage of the internal battery that retains the scene memories has dropped below 2.5V. |
| $P\bar{r}\bar{o}$ Memory protected | Appears after STORE button is pressed, or when a MIDI Bulk Dump is sent from another device. After 2 seconds, previous display returns. Indicates that the memory has been protected with utility 1. The store or Bulk Dump will not have any effect. |
| $n\bar{o}d$ No data | Appears after RECALL button is pressed. After 2 seconds, previous display returns. Indicates that there is no scene stored in the memory you tried to recall from. Also appears for 5 seconds after the power is turned on if there are no scenes stored in memory. |
| $E3$ | Appears after STORE button is pressed. After 2 seconds, previous display returns. Indicates that you did not select a memory with the ▲/▼ buttons into which to store the current scene. |

• System error messages

When you switch on the M2000, a hardware check is performed. If any of the following errors occur, all channels will be turned on, the error numbers will be displayed as shown, and operations such as MIDI and changing scene memories will be impossible.

| Message | Description |
|---------|---|
| $E0$ | An internal computer error has occurred. |
| $E1$ | A problem has occurred in the hardware. |
| $E2$ | The RAM holding the scene memories has lost its data. This happens when the internal battery has become exhausted. |

■ 検査

1 準備

- ・ コンソール本体と電源ユニット (PW2000M) を付属の接続ケーブルにより接続します。
- ・ テストプログラムを起動させて、チャンネルバージョンの設定を行います。(起動方法は、本サービスマニュアルのテストプログラムの項を参照。)
- ・ 指定ない場合、印可する信号は1 kHz、-70 dBs 正弦波・信号源インピーダンスは150 ΩとしてINPUT Aに入力します。また、各出力端子の負荷抵抗は下記の指示に従って下さい。

| | |
|--------------------|------------|
| PHONES [L,R]..... | 8 Ω 5 W以上) |
| INSERT OUT..... | 10 kΩ |
| DIRECT OUT..... | 10 kΩ |
| REC OUT [L,R]..... | 10 kΩ |
| その他出力..... | 600 Ω |

※ 本仕様書において取り扱う信号レベルは0 dBs = 0.775 Vです。

- ・ 特に指定のない場合、ツマミ類は1.1~1.11のように設定して下さい。

1.1 MONO INPUT (1~16, 24, 32, 40)

| | |
|--|-----------------|
| ASSIGN switch..... | 測定時のみON、他はOFF |
| PAN control..... | CENTER |
| +48V switch..... | OFF |
| φ (Phase) switch..... | OFF |
| A/B select switch..... | A |
| GAIN trim..... | MAX (-60 dB) |
| PAD(26dB) switch..... | OFF |
| HPF(80Hz) switch..... | OFF |
| HIGH, HI-MID, LO-MID, LOW EQ(Gain) controls..... | CENTER |
| HI-MID, LO-MID EQ(Freq.) controls..... | MIN |
| EQ switch..... | OFF |
| AUX 1~6 level controls..... | 測定CHのみMAX、他はMIN |
| AUX 1-2 PRE(Fader) switch..... | OFF |
| AUX 3-4 PRE(Fader) switch..... | OFF |
| DIRECT(AUX6 level control) switch..... | OFF |
| ON/EDIT switch..... | 測定CHのみON、他はOFF |
| CUE switch..... | 測定時のみON、他はOFF |
| Fader..... | MAX |

1.2 STEREO INPUT (1, 2)

| | |
|---------------------------------------|-----------------|
| ASSIGN switch..... | 測定時のみON |
| BAL/PAN control..... | CENTER |
| L+R switch..... | OFF |
| A/B select switch..... | A |
| GAIN A trim..... | MAX (-20 dB) |
| GAIN B trim..... | MAX (-20 dB) |
| HIGH, MID, LOW EQ(Gain) controls..... | CENTER |
| MID EQ(Freq.)..... | MIN |
| EQ switch..... | OFF |
| AUX 1~6 level controls..... | 測定CHのみMAX、他はMIN |
| AUX 1-2 PRE(Fader) switch..... | OFF |

| | |
|---------------------------------|----------------|
| AUX 3-4 PRE(Fader) switch | OFF |
| ON/EDIT switch | 測定CHのみON、他はOFF |
| CUE switch | 測定時のみON、他はOFF |
| Stereo Fader | MAX |

1.3 RETURN (1~4)

| | |
|-------------------------------------|---------------|
| ASSIGN switch | 測定時のみON、他はOFF |
| BAL/PAN control | CENTER |
| AUX1, AUX2, AUX3, AUX4 switch | 測定時のみON、他はOFF |
| HIGH, LOW EQ controls | CENTER |
| Level control | MAX |
| ON/EDIT switch | 測定時のみON、他はOFF |
| CUE switch | 測定時のみON、他はOFF |
| +4/-10dB switch (Rear Panel) | +4dB |

1.4 GROUP (1~8)

| | |
|----------------------|---------------|
| TO MONO switch | 測定時のみON、他はOFF |
| PAN control | CENTER |
| TO ST switch | 測定時のみON、他はOFF |
| ON/EDIT switch | 測定時のみON、他はOFF |
| Fader | MAX |
| CUE switch | 測定時のみON、他はOFF |

1.5 STEREO

| | |
|----------------------|---------------|
| TO MONO switch | 測定時のみON、他はOFF |
| BAL control | CENTER |
| ON/EDIT switch | 測定時のみON、他はOFF |
| L Fader | MAX |
| R Fader | MAX |
| CUE switch | 測定時のみON、他はOFF |

1.6 MONO

| | |
|----------------------|---------------|
| ON/EDIT switch | 測定時のみON、他はOFF |
| Fader | MAX |
| CUE switch | 測定時のみON、他はOFF |

1.7 AUX (1~6)

| | |
|---------------------|---------------|
| Level control | MAX |
| CUE switch | 測定時のみON、他はOFF |

1.8 MATRIX (1~4)

| | |
|---------------------------|----------------|
| MIX level controls | 測定時のみMAX、他はMIN |
| OUT B level control | MAX |
| OUT B ON switch | 測定時のみON、他はOFF |
| OUT A level control | MAX |
| OUT A ON switch | 測定時のみMAX、他はMIN |

CUE switch 測定時のみON、他はOFF

1.9 TALKBACK

ASSIGN switch 測定時のみON、他はOFF
 AUX 1-2, AUX 3-4, AUX 5-6 switch 測定時のみON、他はOFF
 OSCILLATOR ON switch 測定時のみON、他はOFF
 TALKBACK level control MAX
 TALKBACK ON switch 測定時のみON、他はOFF

1.10 MONITOR

2TR IN 1, 2TR IN 2 switch 2TR IN 1
 MASTER PFL switch OFF
 L+R switch OFF
 MONITOR level control MAX
 MONITOR OUT ON switch 測定時のみON、他はOFF
 PHONES level control MAX

1.11 METER

METER 1~8 GROUP/MATRIX/AUX switch GROUP
 METER L, R STEREO HOLD switch OFF

M2000/PW2000M

2 利得

2.1 MONO INPUT

1の状態でご出力端子には表2.1~2.3の出力レベルが得られることを確認します。

表2.1 入力端子 MONO INPUT [1~16, 24, 32, 40] 単位[dBs]

| 入力端子 | SWITCH, VOL条件 | | | | 被測定出力 | | | | |
|--------|---------------|------|-------------|--------|-----------|-------|---------|-------|-------|
| | 入力レベル | Gain | 26dB S W | PRE SW | GROUP, ST | MONO | AUX 1~4 | AUX 5 | AUX 6 |
| ☆ A | -70 | MAX | OFF | OFF | +14±2.3 | +14±2 | +16±2 | +16±2 | +16±2 |
| A | -70 | MAX | OFF | ON | — | — | +6±2 | — | — |
| A | -70 | MAX | ON | OFF | -12±2.3*1 | — | — | — | — |
| A | -36 | MIN | OFF | OFF | +4±2.3*1 | — | — | — | — |
| B | -36 | MIN | OFF | OFF | +4±2.3*1 | — | — | — | — |
| CH-INS | -10 | MIN | OFF | OFF | +14±2.3*1 | — | — | — | — |

*1 GROUP OUT 1~8、STEREO OUT [L,R]いずれか一つの出力端子で測定して下さい。

- ☆印の条件でDIRECT OUTに0±2 dBsの出力が得られること。また、DIRECT SWをONにしたときAUX 6 OUTの出力がなくなり、DIRECT OUTの出力が+6±2 dBsになることを確認します。
- ☆印の条件で各入力chに対応したCUE SWをONしたとき、MASTER部のINPUT CUE LEDが点灯しMONITOR OUT [L,R]共に0±2 dBsの出力が得られることを確認します。
- 入力がBのときは、A/B切り替えSWをBにして下さい。
- AサインSWは、必ず測定する出力のみONして下さい。
- 各出力のMONO INPUT (1~16, 24, 32, 40)間レベル差は、2 dB以内であることを確認します。
- GROUP OUT 1~8間、STEREO OUT [L,R]間、AUX OUT 1~6間、MONITOR OUT [L,R]間のレベル差が、2 dB以内であることを確認します。

- AUX level control 1~6を絞ったとき、アサインSW、ON/EDIT SWをOFFしたとき出力がなくなることを必ず一回は確認して下さい。

表2.2 MONO INPUT [1~16, 24, 32, 40]

単位[dBs]

| 条件 | 被測定出力 | | | | | |
|-------|-----------|---------|------------|---------|---------|--------|
| | GROUP OUT | | STEREO OUT | | REC OUT | |
| INPUT | 1,3,5,7 | 2,4,6,8 | L | R | L | R |
| PAN | | | | | | |
| 左 | +17±2.3 | 出力なし | +17±2.3 | 出力なし | -7±2.3 | 出力なし |
| 右 | 出力なし | +17±2.3 | 出力なし | +17±2.3 | 出力なし | -7±2.3 |

- アサインSWは必ず測定する出力のみONして下さい。
- STEREO OUT [L,R]に出力が得られているとき、REC OUT [L,R]に上記の出力が得られることを必ず一回は確認して下さい。

表2.3 入力端子 MONO INPUT [1~16, 24, 32, 40]

| 入力条件 | 被測定出力 |
|-------|-----------------------|
| 入力レベル | MONO INPUT INSERT OUT |
| -60 | 0±2 [dBs] |

2.2 STEREO INPUT

1の状態では各出力に表2.4~2.5の出力が得られることを確認します。

表2.4 入力端子 STEREO INPUT 1, 2

単位[dBs]

| 入力 端子 | SWITCH, VOLの条件 | | | | 被測定出力 | | | |
|----------|----------------|------|--------|--------|-----------------------|-------|---------|----------|
| | 入力レベル | Gain | PRE SW | L+R SW | GROUP, ST | MONO | AUX 1~4 | AUX 5, 6 |
| ☆ A[L,R] | -30 | MAX | OFF | OFF | +14±2.3 | +17±2 | +19±2 | +19±2 |
| | 0 | MIN | OFF | OFF | +14±2.3 | — | — | — |
| | 0 | MIN | ON | OFF | — | — | +9±2 | — |
| | 0 | MIN | ON | ON | +17±2.3* ¹ | — | — | — |
| B[L,R] | -30 | MAX | OFF | OFF | +14±2.3* ¹ | — | — | — |
| | 0 | MIN | OFF | OFF | +14±2.3* ¹ | — | — | — |

*1 GROUP OUT 1~8、STEREO OUT [L,R]いずれかの端子にて測定して下さい。

- L, R共に同じ信号を入力して下さい。
- アサインSWは必ず測定する出力のみONして下さい。
- 各出力のSTEREO INPUT 1, 2間のレベル差が2 dB以内であることを確認します。
- GROUP OUT 1~8間、STEREO OUT [L,R]間、AUX OUT 1~6間のレベル差が2 dB以内であることを確認します。
- STEREO INPUTのAUX level controlを絞ったとき、アサインSW、ON/EDIT SWをOFFしたとき出力がなくなることを必ず一回は確認して下さい。
- Bに入力したときはA/B切り替えSWはBにして下さい。

次に☆印の条件で表2.5の出力レベルが得られることを確認します。

表2.5 入力端子 STEREO INPUT 1, 2

単位[dBs]

| 入力端子 | ch BAL/PAN | 被測定出力 | | | |
|--------------------|------------|-------------|-------------|-----------|-----------|
| | | G 1,3,5,7 L | G 2,4,6,8 R | MONITOR L | MONITOR R |
| A(L)* ¹ | 左 | +17±2.3 | 出力なし | 0±2 | 出力なし |
| A(R) | 右 | 出力なし | +17±2.3 | 出力なし | 0±2 |
| B(L) | 左 | +17±2.3 | 出力なし | 0±2 | 出力なし |
| B(R) | 右 | 出力なし | +17±2.3 | 出力なし | 0±2 |

*1 150 ΩでショートしたフォーンプラグをR側に差し込んで下さい。

- ・アサインSWは必ず測定する出力のみONして下さい。
- ・MONITOR OUT [L,R]の出力を測定するときは、STEREO INPUTのCUE SWをONすること。このとき、MASTER部のINPUT CUE LEDが点灯することを確認します。
- ・MONITOR OUT [L,R]間レベル差が2 dB以内であることを確認します。

2.3 RETURN

1の状態を表2.6の出力が得られることを確認します。

表2.6 入力端子 RETURN 1~4

単位[dBs]

| 入力条件 | | | 被測定出力 | | | | | |
|------|-------|--------|-------------|-------------|-------|---------|-----------|-----------|
| 入力端子 | INレベル | PAD SW | G 1,3,5,7 L | G 2,4,6,8 R | MONO | AUX 1~4 | MONITOR L | MONITOR R |
| L*1 | -6 | +4 | +10±2.3 | 出力なし | 7±2.3 | 3±2.3 | 0±2 | 出力なし |
| | -16 | -10 | +14±2.3*2 | — | — | — | — | — |
| R | -6 | +4 | 出力なし | +10±2.3 | 7±2.3 | 3±2.3 | 出力なし | 0±2 |
| | -16 | -10 | — | +14±2.3*3 | — | — | — | — |

*1 150 ΩでショートしたフォーンプラグをRに差し込んで下さい。

*2 GROUP OUT 1, 3, 5, 7またはSTEREO OUT Lのいずれかの端子にて測定します。

*3 GROUP OUT 2, 4, 6, 8またはSTEREO OUT Rのいずれかの端子にて測定します。

- ・アサインSWは必ず測定する出力のみONして下さい。
- ・MONITOR OUT [L,R]の測定するときにはCUE SWをONすること。また、このときMASTER部のINPUT CUE L EDが点灯することを確認します。
- ・RETURN level controlを絞ったとき、アサインSW、ON/EDIT SWをOFFしたときに出力がなくなることを必ず一回は確認して下さい。
- ・各出力のRETURN 1~4間のレベル差が2 dB以内であることを確認します。
- ・GROUP OUT 1~8間、STEREO OUT [L,R]間、AUX OUT 1~4間の出力レベル差が2 dB以内であることを確認します。

2.4 2TR IN

表2.7の出力が得られることを確認します。

表2.7 INPUT 2TR IN 1, 2

単位[dBs]

| 測定条件 | | | 被測定出力 | | | |
|------------|-------|--------|-----------|-----------|----------|----------|
| 入力端子 | INレベル | L+R SW | MONITOR L | MONITOR R | PHONES L | PHONES R |
| 2TR IN 1 L | -10 | OFF | +10±2 | 出力なし | -12.5±2 | 出力なし |
| R | -10 | OFF | 出力なし | +10±2 | 出力なし | -12.5±2 |
| R | -10 | ON | +7±2 | +7±2 | — | — |
| 2TR IN 2 L | -10 | OFF | +10±2 | 出力なし | — | — |
| R | -10 | OFF | 出力なし | +10±2 | — | — |

- ・2TR IN 2に入力のときは2TR IN 2にSWを切り換えて下さい。
- ・各出力の2TR IN 1, 2の出力レベル差が2 dB以内であることを確認します。
- ・INPUT CUE SWを押したとき、MASTER CUE SWを押したときに出力が出ないことを必ず一回は確認して下さい。
- ・PHONES level controlを絞ったとき出力がなくなることを確認して下さい。

2.5 TALKBACK

1の状態では表2.8の出力が得られることを確認します。

表2.8 TALKBACK IN 単位[dBs]

| 測定条件 | | 被測定出力 | |
|-------|-------|-----------------|--------|
| 入力端子 | 入力レベル | GROUP, ST, MONO | AUX1~6 |
| TB IN | -60 | 10±2 | 6±2 |

- TALKBACK ON SWをOFF、またはTALKBACK level controlを絞ったときに出力が出なくなることを必ず一回は確認して下さい。
- GROUP OUT 1~8間、STEREO OUT [L,R]間、AUX OUT 1~6間の出力レベル差が2dB以内であることを確認します。

2.6 MASTER INSERT IN

1の状態では表2.9の出力レベルが得られることを確認します。

表2.9 入力端子 MASTER INSERT IN 単位[dBs]

| 入力端子 | 入力レベル | 入力に対応する出力レベル |
|------------------|-------|--------------|
| GROUP INSERT IN | -10 | +4±2 |
| STEREO INSERT IN | -10 | +4±2 |
| MONO INSERT IN | -10 | +4±2 |

- GROUP OUT 1~8間、STEREO OUT [L,R]間、MONO OUT間の出力レベル差が2 dB以内であることを確認します。

2.7 SUB IN

1の条件では表2.10の出力レベルが得られることを確認します。

表2.10 入力端子 SUB IN 単位[dBs]

| 測定条件 | | 被測定出力 | | |
|------------|-------|------------|-------------------|-------|
| 入力端子 | 入力レベル | INSERT OUT | MONITOR OUT [L,R] | |
| | | | PFL SW | |
| | | | OFF | ON |
| GROUP | +4 | 0±2 | +20±2 | +10±2 |
| STEREO L | +4 | 0±2 | +20±2 | +10±2 |
| STEREO R | +4 | 0±2 | +20±2 | +10±2 |
| MONO | +4 | 0±2 | +20±2 | +10±2 |
| AUX | +4 | — | +16±2 | +10±2 |
| CUE L,R | +4 | — | +10±2 | — |
| MATRIX SUB | +4 | — | +16±2 | +10±2 |

- GROUP INSERT OUT 1~8間、STEREO INSERT OUT [L,R]間の出力レベル差が2 dB以内であることを確認します。
- 各SUB INのMONITOR OUT [L,R]間の出力レベル差が2 dB以内であることを確認します。
- MONITOR OUTの測定のときはCUE SWをONにすること。そのときMASTER CUE LEDが点灯することを確認します。
- 入力端子がCUE SUB IN[L,R]の場合で、INPUT CUEあるいはMASTER CUEがONされたとき上記の出力レベルが得られることを確認します。CUE SWを押していない状態には出力がなくなることを確認して下さい。

2.8 GROUP PAN

1の状態ではMONO INPUT ch1のアサインSWをそれぞれONにして、アサインされたMASTERのGROUP TO ST SWおよびGROUP TO MONO SWをONにします。そのとき、GROUP PAN controlをCENTER、左、右にしたとき表2.11の各出力レベルが得られることを確認します。但しアサインSWは測定する出力のみONにします。また、入力レベルは-80 dBsとします。（発振器が対応できないときは、入力レベルを-70 dBsにして、MONO INPUTのFaderを10 dB下げて下さい。）

表2.11 入力端子 MONO INPUT ch1 単位[dBs]

| 測定条件 | | 被測定出力 | | |
|---------|-----------|---------|---------|---------|
| 入力端子レベル | GROUP PAN | STEREO | | MONO |
| | | L | R | |
| | CENTER | +14±2.5 | +14±2.5 | +14±2.5 |
| ch 1 | 左 | +17±2.5 | 出力なし | — |
| -80dBs | 右 | 出力なし | +17±2.5 | — |

2.9 ST to MONO

1の状態ではMONO INPUT ch1のSTEREO アサインSWのみをONにして、STEREO OUTのST TO MONO SWをONにして、BAL controlを回したとき表2.12の出力レベルが得られることを確認します。入力レベルは-80 dBsとして下さい。（発振器が対応できないときは、入力レベルを-70 dBsにして、MONO INPUTのFaderを10 dB下げて下さい。）

表2.12 入力端子 MONO INPUT ch1 単位[dBs]

| BAL control | MONO OUT |
|-------------|----------|
| CENTER | +17±2.5 |
| L | +14±2.5 |
| R | +14±2.5 |

2.10 MATRIX OUT

1の状態では、MONO INPUT ch1に入力を入れ、アサインSWをそれぞれONにした後アサインされた各々のMATRIX MIX level controlを一個だけMAXにします。そのとき、表2.13の出力レベルが得られることを確認します。入力レベルは-80 dBsとします。（発振器が対応できないときは、入力レベルを-70 dBsにして、MONO INPUTのFaderを10 dB下げて下さい。）

表2.13 入力端子 MONO INPUT ch1 単位[dBs]

| 入力端子 | 被測定出力 | | | |
|-------|---------|---------|---------------|---------|
| | MATRIX | | MONITOR [L,R] | |
| | | | PFL SW | |
| | A | B | OFF | ON |
| 1ch A | +10±2.3 | +10±2.3 | +16±2.3 | +10±2.3 |

- MATRIX ON SWをOFFした場合で、MATRIX level control A, Bを絞ったとき出力がなくなることを必ず一回は確認して下さい。
- MATRIX A OUT 1~4、MATRIX B OUT 1~4間の出力レベル差が2 dB以内であることを確認します。
- MONITOR OUT [L,R]を測定するときは、CUE SWを押して下さい。

3. 周波数特性

1の状態では、印可信号の周波数を20 Hz、20 kHzとしたとき、各出力端子の出力レベルは1 kHzを基準に 0 ± 0.5 dBの範囲にあることを確認します。

4 EQ変化特性

1の状態、MONO INPUTの各EQ controlをそれぞれ動かしたとき、GROUP OUT 1に得られる各周波数における出力レベルがGAIN controlセンター時の出力レベルを基準として、表4.1の範囲にあることを確認します。STEREO INPUT、RETURNの場合はL、Rにそれぞれ信号を印可し、同様に表4.2のレベルが得られることを確認します。(R入力の場合、GROUP OUT 2の出力を測定して下さい。MIDはSTEREO INPUTのみ対象とします。)

表4.1 MONO INPUT EQ変化特性 [dBs]

| ツマミ | GAIN | f-VR | 印可周波数 | 変化幅 |
|--------|------|------|---------|-------|
| LO | MAX | - | 80 Hz | +12±2 |
| | MIN | | | -12±2 |
| LO MID | MAX | MIN | 80 Hz | +15±2 |
| | MIN | | | -15±2 |
| | MAX | MAX | 1.6 kHz | +15±2 |
| | MIN | | | -15±2 |
| HI MID | MAX | MIN | 400 Hz | +15±2 |
| | MIN | | | -15±2 |
| | MAX | MAX | 8 kHz | +15±2 |
| | MIN | | | -15±2 |
| HI | MAX | - | 12 kHz | +12±2 |
| | MIN | | | -12±2 |

表4.2 STEREO INPUT EQ変化特性 [dBs]

| ツマミ | GAIN | f-VR | 印可周波数 | 変化幅 |
|-----|------|------|--------|-------|
| LO | MAX | - | 80 Hz | +12±2 |
| | MIN | | | -12±2 |
| MID | MAX | MIN | 300 Hz | +15±2 |
| | MIN | | | -15±2 |
| | MAX | MAX | 6 kHz | +15±2 |
| | MIN | | | -15±2 |
| HI | MAX | - | 12 kHz | +12±2 |
| | MIN | | | -12±2 |

5 HPF変化特性

1の状態印可信号を80Hzとし、MONO INPUT chのHPF (/80) SWをONしたとき、GROUP OUT 1の出力レベルがSW OFF時のレベルを基準として-3±2 dBの範囲内にあることを確認します。

6 セパレーション

1の状態MONO INPUT chのアサインSW 1-2をONし、PAN controlを左方向に回しきります。そしてGROUP OUT 1の出力レベルを+20 dBsとしたとき、GROUP OUT 2への漏れレベルが-50 dBs以下であることを確認します。また、PAN controlを右方向に回しきり、GROUP OUT 2の出力レベルを+20dBsとしたとき、GROUP OUT 1への洩れレベルが-50 dBs以下であることを確認します。

GROUP OUT 3-4、GROUP OUT 5-6、GROUP OUT 7-8、STEREO OUT間の洩れについても同様に測定して下さい。

また、1の状態MONO INPUT chのアサインSW STをONし、PAN controlを左方向に回しきり、STEREO OUT Lの出力レベルを+20 dBsとしたとき、MONO OUTへの漏れレベルが-50 dBs以下であることを確認します。

STEREO INPUTのセパレーションは、洩れレベルを-30 dBsとして同様に測定します。

7 LED(SIGNAL, PEAK)点灯レベル

1の状態ではMONO INPUT、STEREO INPUTの入力に信号を印可したとき、表7の印可信号レベルでSIGNAL、PEAK LEDが点灯することを確認します。

| 入力端子 | 単位[dBs] | |
|--------------|------------|----------|
| | SIGNAL LED | PEAK LED |
| MONO INPUT | -70±2 | -43±2 |
| STEREO INPUT | -30±2 | -3±2 |

8 歪率

1の状態ではINPUTおよびMASTERの各VR、FADERをNominal Positionとし、MONO INPUT、STEREO INPUTより信号を印可したときのGROUP OUT 1~8、STEREO OUT [L,R]、MONO OUT、AUX OUT 1~6、MATRIX OUT A, B 1~4、MONITOR OUT [L,R]の各出力端子に+14 dBsの出力が得られたときの歪率が0.1%以下であることを確認します。

また、PHONES OUT [L,R]に-18.5 dBsの出力が得られたときの歪率は0.1%以下であることを確認します。

9 最大出力

1の状態ではGROUP OUT 1~8、STEREO OUT [L,R]、MONO OUT、AUX OUT 1~6、MATRIX OUT A 1~4の各出力端子に+24 dBsの出力を得たときの歪率が1%以下であることを確認します。

また、DIRECT OUT、MATRIX B 1~4、MONITOR OUT [L,R]の各出力に+20 dBsを得たときの歪率が1%以下であることを確認します。

PHONES OUT [L,R]に-5 dBsの出力が得られたときの歪率は1%以下であることを確認します。

10 VUメーター

1の状態ではGROUP OUT 1~8の出力が+4 dBsのとき、small Meterの指示は0±1 VUであることを確認します。

METERセレクトSWをMATRIXに切り替え、MATRIX A, B 1~4の各出力レベルが4 dBsのとき、small Meterの指針は0±1 VUであることを確認します。

METERセレクトSWをAUXに切り替え、AUX 1~6の各出力レベルが4dBsのとき、small Meter 1~6の指針は0±1 VU、small Meter 7, 8の指針は-20 VU以下であることを確認します。

STEREO OUT [L,R]、MONO OUTの出力が+4 dBsのとき、large Meter指針は0±1 VUであることを確認します。

MONITOR OUT [L,R]の出力が+4 dBsのときLarge Meter 1, 2の指針は0±1 VUを示し、ST HOLD SWを押したときSTEREO OUT [L,R]の出力に切り替わることを確認します。

また、内蔵のPEAK LEDが点灯するのは、GROUP OUT 1~8、STEREO OUT [L,R]、MONO OUT、AUX OUT 1~6、MATRIX A OUT 1~4の各出力が+21±2 dBs、MATRIX B OUT1~4の各出力が+17±2 dBsの範囲内のときであることを確認します。

11 ノイズレベル

1の状態ではMONO INPUTのHOT、COLD間を150Ωで短絡したとき、GROUP OUT 1で得られるノイズレベルが-44 dBs以下であることを確認します。

* ノイズレベルが-44 dBs以上の場合は、入力換算でのノイズレベルを求め-128 dBs以下であれば可とします。

12 残留ノイズ

1の状態ですべてのMONO INPUT、STEREO INPUTのFADER、AUX level controlをMINに、アサインSWをOFFします。また、MASTERモジュール各出力のON/EDIT SWをONします。このとき、MASTER FADER、MASTER level controlを最大または最少にしたときのノイズレベルは表12のレベル以下であることを確認します。

表12 残留ノイズレベル

単位[dBs]

| FADER & VR | GROUP(1~8) | STEREO L・R | MONO | AUX(1~6) | MATRIX A (1~4) | MATRIX B (1~4) | MONITOR L・R |
|------------|------------|------------|------|----------|----------------|----------------|-------------|
| MAX | -71 | -71 | -73 | -73 | -87 | -87 | -90 |
| MIN | -97 | -97 | -97 | -97 | -99 | -99 | -99 |

13 位相

各入力端子に印可された信号と各出力端子で得られる信号は、同相であることを確認します。

- ・ バランス型入出力端子のピン配置

pin 1.....GND

pin 2.....+ (HOT)

pin 3.....- (COLD)

14 OSCILLATOR

1の状態ですべてTALKBACK SW、OSCILLATOR SWをONにし、TALKBACKアサインSWをGROUP 1-2のみONにします。このとき、GROUP OUT 1に出力レベル+20±2.5 dBs、周波数1±0.2 kHz、歪率1%以下の信号が得られることを確認します。

15 CUE CONTROL

CUE CONTROL端子をGNDに接続したとき、INPUT CUE LEDが点灯することを確認します。

16 PHANTOM

各MONO INPUTの入力コネクタAのピン①-②間に負荷抵抗10 kΩ (1 W以上)を接続し、ピン②-③間を短絡します。

測定chのPHANTOM SWをONにしたとき、負荷抵抗両端に+35±3 Vの電圧が得られることを確認します。

17 安定度

17.1 電源電圧変動

電源電圧を規定の±10%変化させても動作に異常のないことを確認します。

18 測定器

- ・ 発振器の出力インピーダンスは10 Ω以下のこと。
- ・ オシロスコープ・レベル計等の入力インピーダンスは100 kΩ以上のこと。
- ・ ノイズレベルは12.7kHz、-6 dB/Oct. LOW PASS FILTERを用いて測定すること。
- ・ 測定器は、バランス入力型を用いることが望ましい。ただし、やむを得ずアンバランス入力型の測定器を用いる場合は、バランス入出力端子の最大出力レベルが低下するので注意して下さい。

* PW2000Mの調整については、50ページを参照して下さい。

■ テストプログラム

A. テストプログラムの内容

- | | |
|-----------------------------|--------------|
| (1) LEDの点灯チェック | シーケンスナンバー#1 |
| (2) スイッチの動作チェック | シーケンスナンバー#2 |
| (3) SCAN動作チェック | シーケンスナンバー#3 |
| (4) DISTRI動作チェック | シーケンスナンバー#4 |
| (5) MIDI I/Oチェック | シーケンスナンバー#5 |
| (6) テストプログラムから通常動作に戻る | シーケンスナンバー#6 |
| (7) チャンネルバージョンの設定 16ch..... | シーケンスナンバー#16 |
| 24ch..... | シーケンスナンバー#24 |
| 32ch..... | シーケンスナンバー#32 |
| 40ch..... | シーケンスナンバー#40 |
| (8) ファクトリーセット | シーケンスナンバー#7 |
| (9) テストプログラムからの脱出..... | シーケンスナンバー#99 |
| (10) ROMのバージョン表示 | シーケンスナンバー#8 |

- ・ (1)～(6)はMIDIシート単体の検査時に使用し、(7)～(8)は本体総合検査時に使用します。
- ・ テストプログラム起動時にバッテリーチェックを自動的に行います。バッテリーがない場合、または電圧が低い場合は7-SEG LEDに"NG"を表示します。
- ・ S-RAMのチェックは通常動作時のPOWER ONのときに行います。

B. テストプログラムの起動方法

DIRECT RECALL 6, 7, 8 Keyを押しながら電源をONするとテストプログラムが起動されます。

C. テストプログラムの終了

次の方法を実行すると、テストプログラムから通常動作に戻ることができます。

| |
|----|
| 99 |
|----|

 →

| |
|--------|
| RECALL |
|--------|

テスト5までのチェックが終了すると、次の方法で通常動作に戻ることができます。

| |
|----|
| 06 |
|----|

 →

| |
|--------|
| RECALL |
|--------|

チェック項目の途中で脱出した場合は、7-SEG LEDに"NG"が表示されます。

D. テストプログラム各シーケンスの選択方法

△、▽Keyにより希望のシーケンスナンバーを7-SEG LEDに表示させRECALL Keyにより確定します。

E. "OK"または"NG"の応答

7-SEG LEDには、下記のテスト結果が表示されます。

 テストが"OK"のとき

 OK

 テストが"NG"のとき

 NG

1. LED点灯チェック

MIDIシート内LEDが全部点灯するか否かをチェックします。

| |
|----|
| 01 |
|----|

 →

| |
|--------|
| RECALL |
|--------|

- 1) 7-SEG LEDが000、111、222、..... 888と順次点灯します。
- 2) UTILITY、CHECK Key内蔵のLEDが点灯します。
- 3) DIRECT RECALL Key内蔵のLEDが1～8の順に点灯します。
- 4) LEDが消灯します。

2. スイッチの動作チェック

KeyのON/OFFが正常に動作することを確認します。

02 → RECALL

- 1) 7-SEG LEDに"S1"が点滅表示されます。
- 2) UTILITY Keyを押すと表示が"S2"の点滅表示になります。
- 3) 以下同様に、RECALL Key、STORE Key、CHECK Key、△Key、▽Key、DIRECT RECALL Key 1～8の順に押していきます。
- 4) 全部押し終わると、処理結果を7-SEG LEDに表示します。
 - ・ 押す順番を間違えたときは、正しいKeyを押すまでは表示は変わりません。
 - ・ 途中で終了したいときは、DIRECT RECALL Key 8を押して下さい。

3. SCAN動作チェック

チャンネルディストリビュータへスキャンする部分の動作確認を行います。

03 → RECALL

起動後チェック結果が7-SEG LEDに表示されます。

4. DISTRI動作チェック

割基板、DISTRI(STEREO INPUT用、MASTER MODULE用)シートの動作チェックを行います。

04 → RECALL

起動後チェック結果が7-SEG LEDに表示されます。

5. MIDI IN/OUTチェック

MIDI IN、MIDI OUT、MIDI THRUの信号系の動作確認を行います。

05 → RECALL

起動後チェック結果が7-SEG LEDに表示されます。

6. チャンネルバージョンの設定

16ch、24ch、32ch、40chの設定を行うとともに、各MONO INPUT (1～16, 24, 32, 40)、STEREO INPUT (1, 2)、GROUP OUT 1～8、STEREO OUT [L,R]、MONO OUT、RETURN 1～4のON/EDIT SWの動作確認を行います。設定するチャンネルバージョンに応じて、16, 24, 32, 40を7-SEG LEDに表示してRECALL Keyを押します。(下記に40chバージョンの場合を示します。)

40 → RECALL

7-SEG LEDに表示される順番に従ってON/EDIT SWを押していきます。

- ・ 16ch～32chの場合
MONO INPUT、STEREO INPUT、GROUP OUT、STEREO OUT、MONO OUT、RETURN
- ・ 40chの場合
MONO INPUT 1～24、STEREO INPUT、GROUP OUT、STEREO OUT、MONO OUT、MONO INPUT 25～40、RETURN
- ・ 押す順番を間違えたときはテストプログラムは強制終了され、プレイモードとなります。
- ・ 途中で終了したいときは、RECALL Keyを押します。
- ・ 正常終了の場合

全部押し終わると7-SEG LEDの表示は"OK"となり、テストプログラムを終了します。終了時点では、SCENE MEMORY No.は全てOFFにセットされます。

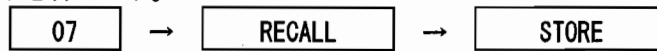
・ 異常終了の場合

ON/EDIT SWを押したときのパルス幅が正規と異なっている場合は、7-SEG LEDに"PUL"を表示したのち強制終了します。

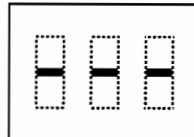
表示と異なるスイッチを押したり、内部配線の接続が違っている場合には、"NG"を7-SEG LEDに表示した後にテストプログラムを強制終了して、プレイモードとなります。

7. ファクトリーセット

工場出荷時のデータセットを行います。



7-SEG LEDの表示が下記のように1秒程度点灯します。

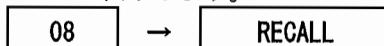


ファクトリーセットデータ

- ① Memory Protect [OFF]
- ② MEMORY INITIALIZE [ALL]
- ③ MIDI CH [C1]
- ④ MIDI Control Change [ON]
- ⑤ MIDI Program Change [ON]
- ⑥ Program Change Receive OMNI [OFF]
- ⑦ MIDI Echoback [OFF]
- ⑧ MIDI Bulk Dump Request [ALL]
- ⑨ SCENE MEMORY No.1~128 [No Data]
- ⑩ 全てのchannel ON/EDIT [OFF]

8. ROMのバージョン表示

ROMのバージョンを7-SEG LEDに表示します。



前面KEYを押すと、テストプログラムを終了します。

■ エラーメッセージ

| | |
|-----|---|
| Lō | 内蔵電池の電圧が2.5 V以下になった。 (電源を入れたときとUTILITYスイッチを押しUTILITYモードになる前に表示) |
| Prō | メモリーのストアやバルクダンプを受信したとき、メモリーにプロテクトがかかっている。 (2秒程度表示した後、元の表示に復帰) |
| nōd | データがストアされていないメモリーをリコールした。 (2秒程度表示した後、元の表示に復帰) すべてのメモリーにデータがストアされていないとき。 (電源を入れたとき5秒程度表示) |
| E3 | すべてのメモリーがストアされていない状態(MEMORYディスプレイの百の位右下のドットのみ点灯)で、シーンメモリー番号を選択せずにSTOREスイッチを押した。 |

本機の電源を入れると、CPUが関連するハードウェアに対して自動的にチェックを実行します。その結果エラーを検出すると、すべてのチャンネルがオンの状態になり、その後一切の操作とMIDIを受け付けなくなります。システムエラーメッセージを次に示します。

| | |
|----|-------------------|
| E0 | マイコン内部にエラーが発生した。 |
| E1 | 周辺ハードウェアに問題が発生した。 |
| E2 | メモリーのデータが消失した。 |

なお、エラーメッセージ"E2"は、前回電源を入れたときに"Lō"(バッテリー警告)がMEMORYディスプレイに表示されたにも関わらず、内蔵電池を交換しなかったとき起こります。

| Function ... | Transmitted | Recognized | Remarks |
|---|--------------|------------------|-------------|
| :Basic Default | : x | : 1 - 16, off | : memorized |
| :Channel Changed | : x | : 1 - 16, off | : |
| :Mode Default | : x | : OMNIoff/OMNION | : memorized |
| :Mode Messages | : x | : x | : |
| :Mode Altered | : ***** | : x | : |
| :Note | : x | : x | : |
| :Number : True voice | : ***** | : x | : |
| :Velocity Note ON | : x | : x | : |
| :Velocity Note OFF | : x | : x | : |
| :After Key's | : x | : x | : |
| :Touch Ch's | : x | : x | : |
| :Pitch Bender | : x | : x | : |
| :Control Change | : 1 - 70 : o | : o | : *1 |
| : True # | : 0/127 | : | : |
| :Prog | : o | : o | : *2 |
| :Change : True # | : 1 - 40 | : | : |
| :System Exclusive | : o | : o | : Bulk Dump |
| :System : Song Pos | : x | : x | : |
| :System : Song Sel | : x | : x | : |
| :Common : Tune | : x | : x | : |
| :System :Clock | : x | : x | : |
| :Real Time :Commands | : x | : x | : |
| :Aux :Local ON/OFF | : x | : x | : |
| :Aux :All Notes OFF | : x | : x | : |
| :Mes- :Active Sense | : x | : x | : |
| :sages:Reset | : x | : x | : |
| :Notes:*1 See Control Change chart. | | | |
| : *2 Fof program 1 - 128, memory 1 - 128 is selected. | | | |

Mode 1 : OMNI ON, POLY Mode 2 : OMNI ON, MONO o : Yes
 Mode 3 : OMNI OFF, POLY Mode 4 : OMNI OFF, MONO x : No

M2000/PW2000M

MIXING CONSLE

M2000

POWER SUPPLY

PW2000M

PARTS LIST

■ CONTENTS (目次)

| | |
|--|----|
| ELECTRICAL PARTS (電気部品) M2000 | 1 |
| OVERALL ASSEMBLY (総組立) M2000 | 17 |
| OVERALL ASSEMBLY (総組立) 1/5 M2000 | 20 |
| OVERALL ASSEMBLY (総組立) 2/5 M2000 | 22 |
| OVERALL ASSEMBLY (総組立) 3/5 M2000 | 24 |
| OVERALL ASSEMBLY (総組立) 4/5 M2000 | 26 |
| OVERALL ASSEMBLY (総組立) 5/5 M2000 | 28 |
| INPUT MODULE (INPUTモジュール) | 30 |
| ST CHANNEL MODULE (ST CHモジュール) | 33 |
| MASTER MODULE (MASTERモジュール) | 36 |
| METER ASSEMBLY (メーターAss'y) | 39 |
| OVERALL ASSEMBLY (総組立) PW2000M | 42 |
| ELECTRICAL PARTS (電気部品) PW2000M | 46 |

Notes) DESTINATION ABBREVIATION

| | |
|-------------------------|---------------------|
| J: Japanese model | A: Australian model |
| U: U.S.A model | E: European model |
| C: Canadian model | D: German model |
| X: General model | B: British model |
| M: South African model | I: Indonesian model |
| H: North European model | |

■ WARNING

Components having special characteristics are marked Δ and must be replaced with parts having specifications equal to those originally installed.

Δ 印の部品は、安全を維持するために重要な部品です。交換をする場合は、安全のため必ず指定の部品をご使用下さい。

- The numbers with "pc." or "pcs" in "Remarks" show quantities for each unit.
- The parts with "--" in "Part No." are not available as spare parts.

- 部品価格ランクは、変更になることがあります。
- Remarks欄に記されている数字は、使用個数です。
- 部品No.が"--"の部品は、サービス用部品として準備されていません。

■ ELECTRICAL PARTS (電気部品) M2000

| REF NO. | PART NO. | DESCRIPTION | 部 品 名 | REMARKS | ランク |
|---------|----------|---------------------------|-----------------|-------------------|-----------------|
| | | ELECTRICAL PARTS | 電 気 部 品 | | |
| * | NX813720 | Circuit Board | JK1/5 | JK 1 / 5 シート | (VR30710) |
| * | NX813730 | Circuit Board | JK2/5 | JK 2 / 5 シート | (VR30710) |
| * | NX813740 | Circuit Board | BNC3/5 | BNC 3 / 5 シート | (VR30720) |
| * | NX813750 | Circuit Board | BNC4/5 | BNC 4 / 5 シート | (VR30720) |
| * | NX813760 | Circuit Board | BNC5/5 | BNC 5 / 5 シート | (VR30720) |
| * | NX813770 | Circuit Board | DISTR11/2 | DISTR 11 / 2 シート | (VR03170) |
| * | NX813780 | Circuit Board | DISTR12/2 | DISTR 12 / 2 シート | (VR03170) |
| * | VR030200 | Circuit Board | IN | I N シート | |
| * | VR031000 | Circuit Board | MATRIX1 | MATRIX 1 シート | |
| * | VR031200 | Circuit Board | MATRIX3 | MATRIX 3 シート | |
| * | NX813790 | Circuit Board | MIDI1/4 | MIDI 1 / 4 シート | (VR03040) |
| * | NX813800 | Circuit Board | MIDI2/4 | MIDI 2 / 4 シート | (VR03040) |
| * | NX813810 | Circuit Board | MIDI3/4 | MIDI 3 / 4 シート | (VR03040) |
| * | NX813820 | Circuit Board | MIDI4/4 | MIDI 4 / 4 シート | (VR03040) |
| * | VR031500 | Circuit Board | MONO | M O N O シート | |
| * | NX813830 | Circuit Board | MTA4-1/4 | MTA 4 - 1 / 4 シート | (VR30550) |
| * | NX813830 | Circuit Board | MTA4-2/4 | MTA 4 - 2 / 4 シート | (VR30550) |
| * | NX813830 | Circuit Board | MTA4-3/4 | MTA 4 - 3 / 4 シート | (VR30550) |
| * | NX813830 | Circuit Board | MTA4-4/4 | MTA 4 - 4 / 4 シート | (VR30550) |
| * | NX813870 | Circuit Board | MTC1/2 | MTC 1 / 2 シート | (VR65770) |
| * | NX813880 | Circuit Board | MTC2/2 | MTC 2 / 2 シート | (VR65770) |
| * | VR030500 | Circuit Board | PS | P S シート | |
| * | VR030600 | Circuit Board | RETURN | R E T U R N シート | |
| * | VR031400 | Circuit Board | ST | S T シート | |
| * | VR030300 | Circuit Board | ST-IN | S T - I N シート | |
| | | | | | |
| * | NX813720 | Circuit Board | JK1/5 | JK 1 / 5 シート | (VR30710) |
| * | NX813730 | Circuit Board | JK2/5 | JK 2 / 5 シート | (VR30710) |
| * | NX813740 | Circuit Board | BNC3/5 | BNC 3 / 5 シート | (VR30720) |
| * | NX813750 | Circuit Board | BNC4/5 | BNC 4 / 5 シート | (VR30720) |
| * | NX813760 | Circuit Board | BNC5/5 | BNC 5 / 5 シート | (VR30720) |
| | FG612470 | Ceramic Capacitor-B | 470P 50V K | セラコン B | 01 |
| | FG651470 | Ceramic Capacitor-SL | 47P 50V J | セラコン (SL) | |
| | FG644100 | Ceramic Capacitor-F | 0.0100 50V Z | セラコン F | 01 |
| | UJ837470 | Electrolytic Cap. | 47.00 16.0V | ケミコン | 01 |
| | UJ847100 | Electrolytic Cap. | 10.00 25.0V | ケミコン | 01 |
| | HF754470 | Carbon Resistor | 47.0 1/4 J | カーボン抵抗 | 01 |
| | HF755560 | Carbon Resistor | 560.0 1/4 J | カーボン抵抗 | 01 |
| | -- | Carbon Resistor | 3.6K 1/4 J | カーボン抵抗 | (HF75636) |
| | HF756820 | Carbon Resistor | 8.2K 1/4 J | カーボン抵抗 | 01 |
| | -- | Carbon Resistor | 13.0K 1/4 J | カーボン抵抗 | (HF75713) |
| | HF757150 | Carbon Resistor | 15.0K 1/4 J | カーボン抵抗 | 01 |
| | HF757180 | Carbon Resistor | 18.0K 1/4 J | カーボン抵抗 | 01 |
| | HF757470 | Carbon Resistor | 47.0K 1/4 J | カーボン抵抗 | 01 |
| | VB068300 | Metal Film Resistor | 27.0K 1/4 F | 金属被膜抵抗 | 01 |
| | VB068600 | Metal Film Resistor | 39.0K 1/4 F | 金属被膜抵抗 | 01 |
| | VB068900 | Metal Film Resistor | 51.0K 1/4 F | 金属被膜抵抗 | 01 |
| | XA987A00 | IC | NJM2068D-D | I C | OP AMP |
| | LB202600 | Phone Jack | HLJ0520 | ホーンジャック | GROUP1-8/SUB IN |
| | VB858100 | Connector Base Post | PH- 2P SE | コネクタベースポスト | 01 |
| | VR633100 | Header | HIF3BAG40PA2.54 | ヘッダー | |
| | VA078900 | Jumper Wire | 0.55 | ジャンパー線 | |
| | VG223500 | Jack Holder | | JACKアングル | 02 |
| | -- | Connector Assembly | SAN&PH 4P 120L | 束線 # 2 8 | (VP96450) |
| | | | | | |
| * | NX813770 | Circuit Board | DISTR11/2 | DISTR 11 / 2 シート | (VR03170) |
| * | NX813780 | Circuit Board | DISTR12/2 | DISTR 12 / 2 シート | (VR03170) |
| | VC694800 | Semiconductive Cera. Cap. | 0.1000 25V Z | 半導体セラコン | 01 |
| | -- | Carbon Resistor | 200.0K 1/4 J | カーボン抵抗 | (HF75820) |

* New Parts (新規部品)

ランク : Japan only

| REF NO. | PART NO. | DESCRIPTION | 部 品 名 | REMARKS | ランク | |
|---------|----------|---------------------------|----------------|------------|------------|----|
| * | IR013850 | IC | SN74HC138N | I C | DECODER | 05 |
| | IR024100 | IC | TC74HC241AP | I C | BUS BUFFER | 03 |
| | VB389600 | Connector Base Post | PH-11P SE | コネクタベースポスト | | 01 |
| | VB389800 | Connector Base Post | PH- 2P TE | コネクタベースポスト | | 01 |
| | VB994900 | Connector | B09P-MQ | M Q コネ ク タ | | 01 |
| * | VR264100 | Connector Base Post | PHD-20P TE | コネクタベースポスト | | |
| | VA078900 | Jumper Wire | 0.55 | ジャンパー線 | | |
| | -- | Connector Assembly | SAN&PH 11P 60L | 束線#28 | (VR66560) | |
| | | | | | | |
| * | VR030200 | Circuit Board | IN | I N シ ー ト | (XN288B0) | |
| | UA353100 | Mylar Capacitor | 1000P 50V J | マイラコン | | 01 |
| | UA353240 | Mylar Capacitor | 2400P 50V J | マイラコン | | |
| | UA353620 | Mylar Capacitor | 6200P 50V J | マイラコン | | |
| | UA654120 | Mylar Capacitor | 0.0120 50V J | マイラコン | | 01 |
| | UA654300 | Mylar Capacitor | 0.0300 50V J | マイラコン | | 01 |
| | UA654330 | Mylar Capacitor | 0.0330 50V J | マイラコン | | 01 |
| | UA654390 | Mylar Capacitor | 0.0390 50V J | マイラコン | | 01 |
| | UA654910 | Mylar Capacitor | 0.0910 50V J | マイラコン | | 01 |
| | FG612220 | Ceramic Capacitor-B | 220P 50V K | セラコン B | | 01 |
| | FG612470 | Ceramic Capacitor-B | 470P 50V K | セラコン B | | 01 |
| | FG613100 | Ceramic Capacitor-SL | 1000P 50V K | セラコン B | | 01 |
| | FG651220 | Ceramic Capacitor-SL | 22P 50V J | セラコン (SL) | | 01 |
| | FG651330 | Ceramic Capacitor-SL | 33P 50V J | セラコン (SL) | | 01 |
| | FG651470 | Ceramic Capacitor-SL | 47P 50V J | セラコン (SL) | | 01 |
| | FG651680 | Ceramic Capacitor-SL | 68P 50V J | セラコン (SL) | | 01 |
| | FG651820 | Ceramic Capacitor-SL | 82P 50V J | セラコン (SL) | | 01 |
| | FG652100 | Ceramic Capacitor-SL | 100P 50V J | セラコン (SL) | | 01 |
| | FG644100 | Ceramic Capacitor-F | 0.0100 50V Z | セラコン F | | 01 |
| | UJ828220 | Electrolytic Cap. | 220.00 10.0V | ケミコン | | 01 |
| | UJ837470 | Electrolytic Cap. | 47.00 16.0V | ケミコン | | 01 |
| | UJ847100 | Electrolytic Cap. | 10.00 25.0V | ケミコン | | 01 |
| | UJ847220 | Electrolytic Cap. | 22.00 25.0V | ケミコン | | 01 |
| | UJ848220 | Electrolytic Cap. | 220.00 25.0V | ケミコン | | 01 |
| | UJ866100 | Electrolytic Cap. | 1.00 50.0V | ケミコン | | 01 |
| | UJ877470 | Electrolytic Cap. | 47.00 63.0V | ケミコン | | 01 |
| | VJ097400 | Electrolytic Cap. | 10.00 50.0V | ケミコン | | 01 |
| | UJ819100 | Electrolytic Cap. | 1000 6.3V | ケミコン | | 01 |
| | VN510800 | Electrolytic Cap.-BP | 2.20 50.0V | B P ケミコン | | 01 |
| | VC694800 | Semiconductive Cera. Cap. | 0.1000 25V Z | 半導体セラコン | | 01 |
| | HF754100 | Carbon Resistor | 10.0 1/4 J | カーボン抵抗 | | 01 |
| | -- | Carbon Resistor | 22.0 1/4 J | カーボン抵抗 | (HF75422) | |
| | HF754470 | Carbon Resistor | 47.0 1/4 J | カーボン抵抗 | | 01 |
| | HF755100 | Carbon Resistor | 100.0 1/4 J | カーボン抵抗 | | 01 |
| | HF755220 | Carbon Resistor | 220.0 1/4 J | カーボン抵抗 | | 01 |
| | HF755560 | Carbon Resistor | 560.0 1/4 J | カーボン抵抗 | | 01 |
| | HF756100 | Carbon Resistor | 1.0K 1/4 J | カーボン抵抗 | | 01 |
| | HF756160 | Carbon Resistor | 1.6K 1/4 J | カーボン抵抗 | | 01 |
| | -- | Carbon Resistor | 2.0K 1/4 J | カーボン抵抗 | (HF75620) | |
| | HF756240 | Carbon Resistor | 2.4K 1/4 J | カーボン抵抗 | | 01 |
| | -- | Carbon Resistor | 4.3K 1/4 J | カーボン抵抗 | (HF75643) | |
| | HF756470 | Carbon Resistor | 4.7K 1/4 J | カーボン抵抗 | | 01 |
| | -- | Carbon Resistor | 5.1K 1/4 J | カーボン抵抗 | (HF75651) | |
| | HF756560 | Carbon Resistor | 5.6K 1/4 J | カーボン抵抗 | | 01 |
| | HF756820 | Carbon Resistor | 8.2K 1/4 J | カーボン抵抗 | | 01 |
| | HF757100 | Carbon Resistor | 10.0K 1/4 J | カーボン抵抗 | | 01 |
| | HF757150 | Carbon Resistor | 15.0K 1/4 J | カーボン抵抗 | | 01 |
| | HF757180 | Carbon Resistor | 18.0K 1/4 J | カーボン抵抗 | | 01 |
| | HF757300 | Carbon Resistor | 30.0K 1/4 J | カーボン抵抗 | | 01 |
| | HF757330 | Carbon Resistor | 33.0K 1/4 J | カーボン抵抗 | | 01 |
| | HF757470 | Carbon Resistor | 47.0K 1/4 J | カーボン抵抗 | | 01 |

* New Parts (新規部品)

ランク: Japan only

M2000/PW2000M

| REF NO. | PART NO. | DESCRIPTION | | 部 品 名 | REMARKS | ランク |
|---------|----------|--------------------------|-----------------|---------------------|------------------------------|-----|
| | HF758100 | Carbon Resistor | 100.0K 1/4 J | カ ー ボ ン 抵 抗 | | 01 |
| | HF758220 | Carbon Resistor | 220.0K 1/4 J | カ ー ボ ン 抵 抗 | | 01 |
| | -- | Carbon Resistor | 390.0K 1/4 J | カ ー ボ ン 抵 抗 | (HF75839) | |
| | -- | Carbon Resistor | 680.0K 1/4 J | カ ー ボ ン 抵 抗 | (HF75868) | |
| | HV755390 | Flame Proof C. Resistor | 390.0 1/4 J | 不 燃 化 カ ー ボ ン 抵 抗 | | 01 |
| * | VB060800 | Metal Film Resistor | 20.0 1/4 F | 金 属 被 膜 抵 抗 | | 01 |
| | VB064200 | Metal Film Resistor | 510.0 1/4 F | 金 属 被 膜 抵 抗 | | 01 |
| | VA074100 | Metal Film Resistor | 4.7K 1/4 F | 金 属 被 膜 抵 抗 | | 01 |
| | VB066300 | Metal Film Resistor | 2.2K 1/4 F | 金 属 被 膜 抵 抗 | | 01 |
| | VB067300 | Metal Film Resistor | 6.8K 1/4 F | 金 属 被 膜 抵 抗 | | 01 |
| | VB067400 | Metal Film Resistor | 8.2K 1/4 F | 金 属 被 膜 抵 抗 | | 01 |
| | VB067900 | Metal Film Resistor | 18.0K 1/4 F | 金 属 被 膜 抵 抗 | | 01 |
| | VB068200 | Metal Film Resistor | 24.0K 1/4 F | 金 属 被 膜 抵 抗 | | 01 |
| | VB068800 | Metal Film Resistor | 47.0K 1/4 F | 金 属 被 膜 抵 抗 | | 01 |
| | VB069600 | Metal Film Resistor | 100.0K 1/4 F | 金 属 被 膜 抵 抗 | | 01 |
| | VB070400 | Metal Film Resistor | 220.0K 1/4 F | 金 属 被 膜 抵 抗 | | 01 |
| | IG040000 | IC | NJM4560ED | C | OP AMP | 04 |
| | IG107000 | IC | NJM072D | C | OP AMP | 04 |
| | XA987A00 | IC | NJM2068D-D | C | OP AMP | 01 |
| | IR000250 | IC | SN74HC02N | C | NOR | 03 |
| | IR007450 | IC | SN74HC74N | C | DFF | 04 |
| | IR012310 | IC | HD74HC123AP | C | MULTI VIBRATOR | 02 |
| | IR036850 | IC | SN74HC368N | C | BUS INVERTER | 02 |
| * | VQ907900 | Slide Switch | SSSU112-S06N-1 | ス ラ イ ド S W | +48V | 01 |
| * | VQ901600 | Push Switch | SPUN60 2/2*6 | プ ッ シ ュ S W 六 連 | ASSIGN | 06 |
| * | VQ901700 | Push Switch | SPUN20 2/2*2 | プ ッ シ ュ S W 二 連 | φ ,A/B,26dB/ 80 | 04 |
| * | VQ901900 | Push Switch | SPUN19-2N-W | プ ッ シ ュ S W | PRE1-2, PRE3-4 DIRECT, EQ | 03 |
| * | VQ902100 | Push Switch | SPUN19-2N-W | プ ッ シ ュ S W | CUE | 03 |
| * | VQ902900 | Light Touch Switch | EVQ PB | ラ イ ト タ ッ チ S W | EDIT/ON | |
| | KC001900 | Relay | DC RY12W | リ レ ー 1 2 V | | 07 |
| | -- | Style Pin | IMSA-6024-02E | ス タ イ ル ピ ン L = 2 5 | (VR66580) | |
| | LB202700 | Phone Jack | Stereo HLJ2305 | ホ ー ン ジャ ッ ク | INPUT B | 03 |
| | LB606940 | Phone Jack | Stereo HLJ2335 | ホ ー ン ジャ ッ ク | INS I/O/DIRECT O | 04 |
| | VM651800 | Cannon Connector | XLM-3-31PCH-L | キャ ノ ン コ ネ ク タ | INPUT A | 13 |
| | VL548500 | Connector Housing | FJ-8P | F J シ ョ ー ト プ ラ グ | | 01 |
| | VI378700 | Connector Socket | MQ-9P | M Q コ ネ ク タ ソ ケ ッ ト | | 01 |
| | VK217100 | Receptacle | FJ-8P | F J - リ セ プ タ ク ル | | 01 |
| | VB858200 | Connector Base Post | PH- 3P SE | コ ネ ク タ ベ ー ス ポ ス ト | | 01 |
| * | VR633100 | Header | HIF3BAG40PA2.54 | ヘ ッ ダ ー | | |
| * | VQ900600 | Rotary Variable Resistor | 5K | ロ ー タ リ ー V R | GAIN | 03 |
| * | VQ900700 | Rotary Variable Resistor | B50K | ロ ー タ リ ー V R | HIGH, LOW | 03 |
| * | VQ900800 | Rotary Variable Resistor | W20K | ロ ー タ リ ー V R | HM-GAIN,LM-GAIN | 03 |
| * | VQ901000 | Rotary Variable Resistor | A20K | ロ ー タ リ ー V R | AUX 1-6 | 03 |
| * | VQ900500 | Rotary Variable Resistor | A20K+C20K | 二 連 ロ ー タ リ ー V R | PAN | 03 |
| * | VQ900900 | Rotary Variable Resistor | C100Kx2 | 二 連 ロ ー タ リ ー V R | HM-f, LM-f | 03 |
| | IA093320 | Transistor | 2SA933S Q,R | ト ラ ン ジ ス タ | | 01 |
| | IC174070 | Transistor | 2SC1740S R,S | ト ラ ン ジ ス タ | | 01 |
| | VB941200 | Diode | 1SS133,1SS176 | ダ イ オ ー ド | | 01 |
| | VH325200 | LED | GL2PR6 RE | L E D | PEAK | 01 |
| | VH325300 | LED | GL2EG6 GR | L E D | SIGNAL, CHECK | 01 |
| | VJ471200 | LED | GL2HY6 YE | L E D | ON | 01 |
| | VA078900 | Jumper Wire | 0.55 | ジ ャ ン パ ー 線 | | |
| | VM485700 | Jack Holder | x1 | J A C K ア ン グ ル 単 連 | | 05 |
| * | VR034000 | Push Button | M.GY/S.GY | プ ッ シ ュ ボ タ ン | ASSGIN, φ ,A/B, | 03 |
| | | | | | 26dB, AUX PRE, DIRECT | |
| * | VR281300 | Push Button | GR/S.GY | プ ッ シ ュ ボ タ ン | /80, EQ | |
| * | VR281500 | Push Button | RE/S.GY | プ ッ シ ュ ボ タ ン | ST | |
| * | VR637000 | Push Button | Y.BR/S.GY | プ ッ シ ュ ボ タ ン | MONO | |

* New Parts (新規部品)

ランク : Japan only

| REF NO. | PART NO. | DESCRIPTION | | 部 品 名 | REMARKS | ランク |
|---------|----------|---------------------------|---------------|------------------|-----------|-----|
| * * | VR637100 | Push Button | S.GY/Y.BR | ブッシュボタン | CUE | |
| | VJ859500 | Knob | RE | スライドツマミ | +48V | 05 |
| | -- | Connector Assembly | SUM GND | 線 材 A s s y | (VR30140) | |
| Q101 | IC224030 | Transistor | 2SC2240 GR,BL | トランジスタ | | 01 |
| Q101 | VE415900 | Transistor | 2SC3329 GR,BL | トランジスタ | | 01 |
| * * | VR031000 | Circuit Board | MATRIX1 | M A T R I X 1シート | (XN293B0) | |
| | UA654330 | Mylar Capacitor | 0.0330 50V J | マイラーコン | | 01 |
| | FG612220 | Ceramic Capacitor-B | 220P 50V K | セラコン B | | 01 |
| | FG612470 | Ceramic Capacitor-B | 470P 50V K | セラコン B | | 01 |
| | FG651330 | Ceramic Capacitor-SL | 33P 50V J | セラコン (S L) | | 01 |
| | FG651470 | Ceramic Capacitor-SL | 47P 50V J | セラコン (S L) | | |
| | FG651680 | Ceramic Capacitor-SL | 68P 50V J | セラコン (S L) | | 01 |
| | FG651820 | Ceramic Capacitor-SL | 82P 50V J | セラコン (S L) | | 01 |
| | FG652100 | Ceramic Capacitor-SL | 100P 50V J | セラコン (S L) | | 01 |
| | FG652150 | Ceramic Capacitor-SL | 150P 50V J | セラコン (S L) | | 01 |
| | FG644100 | Ceramic Capacitor-F | 0.0100 50V Z | セラコン F | | 01 |
| | UJ828100 | Electrolytic Cap. | 100.00 10.0V | ケミコン | | 01 |
| | UJ828220 | Electrolytic Cap. | 220.00 10.0V | ケミコン | | 01 |
| | UJ837470 | Electrolytic Cap. | 47.00 16.0V | ケミコン | | 01 |
| | UJ847100 | Electrolytic Cap. | 10.00 25.0V | ケミコン | | 01 |
| | UJ847220 | Electrolytic Cap. | 22.00 25.0V | ケミコン | | 01 |
| | UJ847470 | Electrolytic Cap. | 47.00 25.0V | ケミコン | | 01 |
| | UJ848100 | Electrolytic Cap. | 100.00 25.0V | ケミコン | | 01 |
| | UJ848220 | Electrolytic Cap. | 220.00 25.0V | ケミコン | | 01 |
| | UJ866100 | Electrolytic Cap. | 1.00 50.0V | ケミコン | | 01 |
| | VG694800 | Semiconductive Cera. Cap. | 0.1000 25V Z | 半 導 体 セラコン | | 01 |
| | HF754100 | Carbon Resistor | 10.0 1/4 J | カーボン抵抗 | | 01 |
| | HF754470 | Carbon Resistor | 47.0 1/4 J | カーボン抵抗 | | 01 |
| | -- | Carbon Resistor | 62.0 1/4 J | カーボン抵抗 | (HF75462) | |
| | HF754750 | Carbon Resistor | 75.0 1/4 J | カーボン抵抗 | | 01 |
| | HF755100 | Carbon Resistor | 100.0 1/4 J | カーボン抵抗 | | 01 |
| | HF755220 | Carbon Resistor | 220.0 1/4 J | カーボン抵抗 | | 01 |
| | HF755560 | Carbon Resistor | 560.0 1/4 J | カーボン抵抗 | | 01 |
| | HF756100 | Carbon Resistor | 1.0K 1/4 J | カーボン抵抗 | | 01 |
| | HF756220 | Carbon Resistor | 2.2K 1/4 J | カーボン抵抗 | | 01 |
| | -- | Carbon Resistor | 3.0K 1/4 J | カーボン抵抗 | (HF75630) | |
| | HF756470 | Carbon Resistor | 4.7K 1/4 J | カーボン抵抗 | | 01 |
| | HF756560 | Carbon Resistor | 5.6K 1/4 J | カーボン抵抗 | | 01 |
| | -- | Carbon Resistor | 7.5K 1/4 J | カーボン抵抗 | (HF75675) | |
| | HF756820 | Carbon Resistor | 8.2K 1/4 J | カーボン抵抗 | | 01 |
| | HF757100 | Carbon Resistor | 10.0K 1/4 J | カーボン抵抗 | | 01 |
| | HF757120 | Carbon Resistor | 12.0K 1/4 J | カーボン抵抗 | | 01 |
| | HF757150 | Carbon Resistor | 15.0K 1/4 J | カーボン抵抗 | | 01 |
| | HF757180 | Carbon Resistor | 18.0K 1/4 J | カーボン抵抗 | | 01 |
| | HF757200 | Carbon Resistor | 20.0K 1/4 J | カーボン抵抗 | | 01 |
| | HF757300 | Carbon Resistor | 30.0K 1/4 J | カーボン抵抗 | | 01 |
| | HF758100 | Carbon Resistor | 100.0K 1/4 J | カーボン抵抗 | | 01 |
| | HF758220 | Carbon Resistor | 220.0K 1/4 J | カーボン抵抗 | | 01 |
| | -- | Carbon Resistor | 680.0K 1/4 J | カーボン抵抗 | (HF75868) | |
| | HV754100 | Flame Proof C. Resistor | 10.0 1/4 J | 不 燃 化 カーボン抵抗 | | 01 |
| | VA074400 | Metal Film Resistor | 10.0K 1/4 F | 金 属 被 膜 抵抗 | | 01 |
| | VA074500 | Metal Film Resistor | 11.0K 1/4 F | 金 属 被 膜 抵抗 | | 01 |
| | VA074600 | Metal Film Resistor | 15.0K 1/4 F | 金 属 被 膜 抵抗 | | 01 |
| | VB067000 | Metal Film Resistor | 4.3K 1/4 F | 金 属 被 膜 抵抗 | | 01 |
| | VB067800 | Metal Film Resistor | 16.0K 1/4 F | 金 属 被 膜 抵抗 | | 01 |
| | VB067900 | Metal Film Resistor | 18.0K 1/4 F | 金 属 被 膜 抵抗 | | 01 |
| | VB068000 | Metal Film Resistor | 20.0K 1/4 F | 金 属 被 膜 抵抗 | | 01 |
| | VB068200 | Metal Film Resistor | 24.0K 1/4 F | 金 属 被 膜 抵抗 | | 01 |
| | VB068500 | Metal Film Resistor | 36.0K 1/4 F | 金 属 被 膜 抵抗 | | 01 |

* New Parts (新規部品)

ランク : Japan only

| REF NO. | PART NO. | DESCRIPTION | 部 品 名 | REMARKS | ランク | |
|---------|----------|--------------------------|-----------------|--------------|---|----|
| | XA987A00 | IC | NJM2068D-D | IC | OP AMP | 01 |
| | XM651A00 | IC | NJM4580DD | IC | OP AMP | 02 |
| | IR000250 | IC | SN74HC02N | IC | NOR | 03 |
| | IR007450 | IC | SN74HC74N | IC | DFF | 04 |
| | IR012310 | IC | HD74HC123AP | IC | MULTI VIBRATOR | 02 |
| | IR036850 | IC | SN74HC368N | IC | BUS INVERTER | 02 |
| | XA053A00 | IC | TC4052BP | IC | MULTI PLEXER | 03 |
| * | VA983800 | Push Switch | SPUN | プッシュスイッチ | MRX CUE,AUX CUE | 03 |
| * | VQ901900 | Push Switch | SPUN19-2N-W | プッシュスイッチ | ON A, ON B, TO ST, TO MONO | 03 |
| * | VQ902900 | Light Touch Switch | EVQ PB | ライトタッチスイッチ | ON/EDIT | |
| * | VR633200 | Push Switch | SPUN19-2N-W | プッシュスイッチ | CUE | |
| | KC001900 | Relay | DC RY12W | リレー 12V | | 07 |
| | -- | Style Pin | IMSA-6024-02E | スタイルピン L=2.5 | (VR66580) | |
| | LB606940 | Phone Jack | Stereo HLJ2335 | ホーンジャック | MTX B/GRP INS | 04 |
| | VP953100 | Cannon Connector | XL3M-3-32PCH-L | キャノンコネクタ | MATRIX A,GROUP, AUX | 08 |
| * | VL549000 | Connector Housing | FJ-14P | FJショートプラグ | | 02 |
| * | VQ966000 | Receptacle | FJ-14P | FJリセプタクル | | 02 |
| * | VR984700 | Short Connector | 9206H-T 2P | 短絡コネクタ | | |
| | VB858100 | Connector Base Post | PH- 2P SE | コネクタベースポスト | | 01 |
| | VB858200 | Connector Base Post | PH- 3P SE | コネクタベースポスト | | 01 |
| | VB858800 | Connector Base Post | PH- 9P SE | コネクタベースポスト | | 01 |
| * | VR633100 | Header | HIF3BAG40PA2.54 | ヘッダー | | |
| * | VR702100 | Pin Header | 9202 2P-4 TE | ピンヘッダー | SW104-SW107 | |
| * | VQ901000 | Rotary Variable Resistor | A20K | ロータリーVR | SUB L,R, ST L,R MONO,GROUP1-8, LEVEL A,B AUX LEVEL | 03 |
| * | VQ900500 | Rotary Variable Resistor | A20K+C20K | 二連ロータリーVR | PAN | 03 |
| | IC174070 | Transistor | 2SC1740S R,S | トランジスタ | | 01 |
| | VB941200 | Diode | 1SS133,1SS176 | ダイオード | | 01 |
| | VH325300 | LED | GL2EG6 GR | LED | CHECK | 01 |
| | VJ471200 | LED | GL2HY6 YE | LED | ON A,ON B,ON | 01 |
| | VA078900 | Jumper Wire | 0.55 | ジャンパー線 | | |
| * | VG223500 | Jack Holder | | JACKアングル | | 02 |
| * | VR281500 | Push Button | RE/S.GY | プッシュボタン | TO ST | |
| * | VR637000 | Push Button | Y.BR/S.GY | プッシュボタン | TO MONO | |
| * | VR637100 | Push Button | S.GY/Y.BR | プッシュボタン | CUE | |
| * | VR667400 | Knob | S.GY/RE | プッシュツマミ | ONA, ON B | |
| | -- | Connector Assembly | SUM GND | 線材 Assy | (VR30140) | |
| * | VR031200 | Circuit Board | MATRIX3 | MATRIX3シート | (XN293B0) | |
| | UA654330 | Mylar Capacitor | 0.0330 50V J | マイラーコン | | 01 |
| | FG612220 | Ceramic Capacitor-B | 220P 50V K | セラコン B | | 01 |
| | FG612470 | Ceramic Capacitor-B | 470P 50V K | セラコン B | | 01 |
| | FG651330 | Ceramic Capacitor-SL | 33P 50V J | セラコン (SL) | | 01 |
| | FG651470 | Ceramic Capacitor-SL | 47P 50V J | セラコン (SL) | | |
| | FG651680 | Ceramic Capacitor-SL | 68P 50V J | セラコン (SL) | | 01 |
| | FG651820 | Ceramic Capacitor-SL | 82P 50V J | セラコン (SL) | | 01 |
| | FG652100 | Ceramic Capacitor-SL | 100P 50V J | セラコン (SL) | | 01 |
| | FG652150 | Ceramic Capacitor-SL | 150P 50V J | セラコン (SL) | | 01 |
| | FG644100 | Ceramic Capacitor-F | 0.0100 50V Z | セラコン F | | 01 |
| | UJ828100 | Electrolytic Cap. | 100.00 10.0V | ケミコン | | 01 |
| | UJ828220 | Electrolytic Cap. | 220.00 10.0V | ケミコン | | 01 |
| | UJ837470 | Electrolytic Cap. | 47.00 16.0V | ケミコン | | 01 |
| | UJ847100 | Electrolytic Cap. | 10.00 25.0V | ケミコン | | 01 |
| | UJ847220 | Electrolytic Cap. | 22.00 25.0V | ケミコン | | 01 |
| | UJ847470 | Electrolytic Cap. | 47.00 25.0V | ケミコン | | 01 |
| | UJ848100 | Electrolytic Cap. | 100.00 25.0V | ケミコン | | 01 |

* New Parts (新規部品)

ランク: Japan only

| REF NO. | PART NO. | DESCRIPTION | 部 品 名 | REMARKS | ランク |
|---------|----------|---------------------------|---------------------|-------------------|-----|
| | UJ848220 | Electrolytic Cap. | ケ ミ コ ン | | 01 |
| | UJ866100 | Electrolytic Cap. | ケ ミ コ ン | | 01 |
| | VC694800 | Semiconductive Cera. Cap. | 半 導 体 セ ラ コ ン | | 01 |
| | HF754100 | Carbon Resistor | カ ー ボ ン 抵 抗 | | 01 |
| | HF754470 | Carbon Resistor | カ ー ボ ン 抵 抗 | | 01 |
| | --- | Carbon Resistor | カ ー ボ ン 抵 抗 | (HF75462) | |
| | HF754750 | Carbon Resistor | カ ー ボ ン 抵 抗 | | 01 |
| | HF755100 | Carbon Resistor | カ ー ボ ン 抵 抗 | | 01 |
| | HF755220 | Carbon Resistor | カ ー ボ ン 抵 抗 | | 01 |
| | HF755560 | Carbon Resistor | カ ー ボ ン 抵 抗 | | 01 |
| | HF756100 | Carbon Resistor | カ ー ボ ン 抵 抗 | | 01 |
| | HF756220 | Carbon Resistor | カ ー ボ ン 抵 抗 | | 01 |
| | --- | Carbon Resistor | カ ー ボ ン 抵 抗 | (HF75630) | |
| | HF756470 | Carbon Resistor | カ ー ボ ン 抵 抗 | | 01 |
| | HF756560 | Carbon Resistor | カ ー ボ ン 抵 抗 | | 01 |
| | --- | Carbon Resistor | カ ー ボ ン 抵 抗 | (HF75675) | |
| | HF756820 | Carbon Resistor | カ ー ボ ン 抵 抗 | | 01 |
| | HF757100 | Carbon Resistor | カ ー ボ ン 抵 抗 | | 01 |
| | HF757120 | Carbon Resistor | カ ー ボ ン 抵 抗 | | 01 |
| | HF757150 | Carbon Resistor | カ ー ボ ン 抵 抗 | | 01 |
| | HF757180 | Carbon Resistor | カ ー ボ ン 抵 抗 | | 01 |
| | HF757200 | Carbon Resistor | カ ー ボ ン 抵 抗 | | 01 |
| | HF757300 | Carbon Resistor | カ ー ボ ン 抵 抗 | | 01 |
| | HF758100 | Carbon Resistor | カ ー ボ ン 抵 抗 | | 01 |
| | HF758220 | Carbon Resistor | カ ー ボ ン 抵 抗 | | 01 |
| | --- | Carbon Resistor | カ ー ボ ン 抵 抗 | (HF75868) | |
| | HV754100 | Flame Proof C. Resistor | 不 燃 化 カ ー ボ ン 抵 抗 | | 01 |
| | VA074400 | Metal Film Resistor | 金 属 被 膜 抵 抗 | | 01 |
| | VA074500 | Metal Film Resistor | 金 属 被 膜 抵 抗 | | 01 |
| | VA074600 | Metal Film Resistor | 金 属 被 膜 抵 抗 | | 01 |
| | VB067000 | Metal Film Resistor | 金 属 被 膜 抵 抗 | | 01 |
| | VB067800 | Metal Film Resistor | 金 属 被 膜 抵 抗 | | 01 |
| | VB067900 | Metal Film Resistor | 金 属 被 膜 抵 抗 | | 01 |
| | VB068000 | Metal Film Resistor | 金 属 被 膜 抵 抗 | | 01 |
| | VB068200 | Metal Film Resistor | 金 属 被 膜 抵 抗 | | 01 |
| | XA987A00 | IC | C | OP AMP | 01 |
| | XM651A00 | IC | C | OP AMP | 02 |
| | IR000250 | IC | C | NOR | 03 |
| | IR007450 | IC | C | DFF | 04 |
| | IR012310 | IC | C | MULTI VIBRATOR | 02 |
| | IR036850 | IC | C | BUS INVERTER | 02 |
| | XA053A00 | IC | C | MULTIPLEXER | 03 |
| | VA983800 | Push Switch | ブ ッ シ ュ S W | MRX CUE, ON A, B | 03 |
| * | VQ901900 | Push Switch | ブ ッ シ ュ S W | TO ST, TO MONO | 03 |
| * | VQ902900 | Light Touch Switch | ラ イ ト タ ッ チ S W | ON/EDIT | |
| * | VR633200 | Push Switch | ブ ッ シ ュ S W | CUE | |
| | KC001900 | Relay | リ レ ー 1 2 V | | 07 |
| | --- | Style Pin | ス タ イ ル ピ ン L = 2 5 | (VR66580) | |
| | LB606940 | Phone Jack | ホ ー ン ジ ャ ッ ク | MTX B/GRP INS | 04 |
| | VP953100 | Cannon Connector | キ ャ ノ ン コ ネ ク タ | MATRIX A, GROUP, | 08 |
| | --- | | | AUX | |
| * | VL549000 | Connector Housing | F J ショ ー ト プ ラ グ | | 02 |
| * | VQ966000 | Receptacle | F J - リ セ プ タ ク ル | | 02 |
| * | VR984700 | Short Pin | 短 絡 コ ネ ク タ | | |
| | VB858100 | Connector Base Post | コ ネ ク タ ベ ー ス ポ ス ト | | 01 |
| | VB858200 | Connector Base Post | コ ネ ク タ ベ ー ス ポ ス ト | | 01 |
| | VB858800 | Connector Base Post | コ ネ ク タ ベ ー ス ポ ス ト | | 01 |
| * | VR633100 | Header | ヘ ッ ダ ー | | |
| * | VR702100 | Pin Header | ピ ン ヘ ッ ダ ー | SW104-SW107 | |
| * | VQ901000 | Rotary Variable Resistor | ロ ー タ リ ー V R | SUB L, R, ST L, R | 03 |

* New Parts (新規部品)

ランク : Japan only

M2000/PW2000M

| REF NO. | PART NO. | DESCRIPTION | | 部 品 名 | REMARKS | ランク |
|---------|----------|---------------------------|---------------|-------------------|----------------------------------|-----|
| * | VQ900500 | Rotary Variable Resistor | A20K+C20K | 二連ロータリーVR | MONO, GROUP1-8, LEVEL A,B | 03 |
| | IC174070 | Transistor | 2SC1740S R,S | トランジスタ | PAN | 01 |
| | VB941200 | Diode | 1SS133,1SS176 | ダイオード | | 01 |
| | VH325300 | LED | GL2EG6 GR | L E D | CHECK | 01 |
| | VJ471200 | LED | GL2HY6 YE | L E D | ON A, ON B, ON | 01 |
| | VA078900 | Jumper Wire | 0.55 | ジャンパー線 | | |
| | VG223500 | Jack Holder | | JACKアングル | | 02 |
| * | VR281500 | Push Button | RE/S.GY | プッシュボタン | TO ST | |
| * | VR637000 | Push Button | Y.BR/S.GY | プッシュボタン | TO MONO | |
| * | VR637100 | Push Button | S.GY/Y.BR | プッシュボタン | CUE | |
| * | VR667400 | Knob | S.GY/RE | プッシュツマミ | ON A, ON B | |
| | -- | Connector Assembly | SUM GND | 線材 A s s y | (VR30140) | |
| | NX813790 | Circuit Board | MIDI1/4 | M I D I 1 / 4 シート | (VR03040) | |
| | NX813800 | Circuit Board | MIDI2/4 | M I D I 2 / 4 シート | (VR03040) | |
| | NX813810 | Circuit Board | MIDI3/4 | M I D I 3 / 4 シート | (VR03040) | |
| | NX813820 | Circuit Board | MIDI4/4 | M I D I 4 / 4 シート | (VR03040) | |
| | UA654100 | Mylar Capacitor | 0.0100 50V J | マイラーコン | | 01 |
| | -- | Ceramic Capacitor | 27P 50V J | セラコン C H | (VK66320) | |
| | UJ857100 | Electrolytic Cap. | 10.00 35.0V | ケミコン | | 01 |
| | UJ829100 | Electrolytic Cap. | 1000 10.0V | ケミコン | | 01 |
| | VC694800 | Semiconductive Cera. Cap. | 0.1000 25V Z | 半導体セラコン | | 01 |
| | VQ252700 | Carbon Resistor | 0.0 J | カーボン抵抗 | | |
| | -- | Carbon Resistor | 30.0 1/4 J | カーボン抵抗 | (HF75430) | |
| | HF756100 | Carbon Resistor | 1.0K 1/4 J | カーボン抵抗 | | 01 |
| | HF756270 | Carbon Resistor | 2.7K 1/4 J | カーボン抵抗 | | 01 |
| | HF756330 | Carbon Resistor | 3.3K 1/4 J | カーボン抵抗 | | 01 |
| | HF757100 | Carbon Resistor | 10.0K 1/4 J | カーボン抵抗 | | 01 |
| | -- | Carbon Resistor | 51.0K 1/4 J | カーボン抵抗 | (HF75751) | |
| | -- | Carbon Resistor | 200.0K 1/4 J | カーボン抵抗 | (HF75820) | |
| | HF759100 | Carbon Resistor | 1.0M 1/4 J | カーボン抵抗 | | 01 |
| | -- | Carbon Resistor | 4.7M 1/4 J | カーボン抵抗 | (HF75947) | |
| | VB065000 | Metal Film Resistor | 910.0 1/4 F | 金属被膜抵抗 | | 01 |
| | VB065900 | Metal Film Resistor | 1.5K 1/4 F | 金属被膜抵抗 | | 01 |
| | VB066400 | Metal Film Resistor | 2.4K 1/4 F | 金属被膜抵抗 | | 01 |
| | VE443500 | Resistor Array | RGLD4X103J | 抵抗アレイ | | 01 |
| | VE445200 | Resistor Array | RGLD8X103J | 抵抗アレイ | | 01 |
| | XM085A00 | IC | M5238AP | I C | OP AMP | 03 |
| | XH970A00 | IC | M62021L | I C | RESET | 04 |
| | IG031000 | IC | NJM2903 | I C | COMPARATOR | 05 |
| | IR000250 | IC | SN74HC02N | I C | NOR | 03 |
| | IR000450 | IC | SN74HC04N | I C | INVERTER | 03 |
| | IR001450 | IC | SN74HC14N | I C | INVERTER | 05 |
| | IR003250 | IC | SN74HC32N | I C | OR | 03 |
| | IR013850 | IC | SN74HC138N | I C | DECODER | 05 |
| | IR013950 | IC | SN74HC139N | I C | DECODER | 05 |
| | IR024100 | IC | TC74HC241AP | I C | BUS BUFFER | 03 |
| | IR027350 | IC | SN74HC273N | I C | DFF | 05 |
| | IR036850 | IC | SN74HC368N | I C | BUS INVERTER | 02 |
| | IR054150 | IC | SN74HC541N | I C | BUS DRIVER | 03 |
| | XD245A00 | IC | HD63B03YP-N | I C | CPU | 08 |
| | XM266A00 | IC | M66008P | I C | 16BIT, EXP | 05 |
| | XK761A00 | IC | HY6264ALP-10 | I C | SRAM 64K | 07 |
| * | XP180A00 | IC | M27C256B-12F1 | I C | ROM 256K | |
| | VK700800 | Push Switch | SKHQAC | プッシュSW | RECALL, STORE, SCENE MEM ▲, ▼ | 01 |
| | VK701000 | Push Switch | SKHQFM ORANGE | プッシュSW | UTILITY | 02 |
| | VK701100 | Push Switch | SKHQFN GREEN | プッシュSW | CHECK | 02 |

* New Parts (新規部品)

ランク: Japan only

| REF NO. | PART NO. | DESCRIPTION | 部 品 名 | REMARKS | ランク |
|---------|----------|---------------------------|-----------------|------------|-------------------------|
| * | VR266500 | Push Switch | SPUJ 2/2*8 | プッシュSW八連 | |
| | VB389800 | Connector Base Post | PH-2P TE | コネクタベースポスト | 01 |
| | VB390000 | Connector Base Post | PH-4P TE | コネクタベースポスト | 01 |
| | VB390100 | Connector Base Post | PH-5P TE | コネクタベースポスト | 01 |
| | VB390500 | Connector Base Post | PH-9P TE | コネクタベースポスト | 03 |
| | VB390600 | Connector Base Post | PH-10P TE | コネクタベースポスト | 01 |
| * | VR262300 | Connector Base Post | PHD-18P SE | コネクタベースポスト | |
| * | VR264100 | Connector Base Post | PHD-20P TE | コネクタベースポスト | |
| * | VR264200 | Connector Base Post | PHD-20P SE | コネクタベースポスト | |
| | VL184700 | IC Socket | DICF-28CS-E | ICソケット | 02 |
| | FZ006970 | LC Filter | LS MT Y223NB | LCフィルターEMI | 02 |
| | QU008500 | Ceramic Resonator | 8M CSA8.00MTZ | セラミック振動子 | 03 |
| | IC174070 | Transistor | 2SC1740S R,S | トランジスタ | 01 |
| | IG138700 | Transistor Array | TD62506P | トランジスタアレイ | 03 |
| | VB941200 | Diode | 1SS133,1SS176 | ダイオード | 01 |
| | VP155700 | LED | GL5HY40 YE | LED | 01 |
| * | VR266400 | LED Display | LB-203VL | LEDディスプレイ | DIRECT RECALL MEMORY |
| | VD473200 | Photo Coupler | 6N137 | フォトカプラ | 05 |
| | VN560100 | LED Holder | 8SEG | LEDホルダー5マル | 03 |
| * | VR309400 | LED Spacer | 8SEG | LEDスペーサー | |
| | -- | Connector Assembly | SAN&PH 11P 250L | 束線#24 | (VR66920) |
| | -- | Connector Assembly | SAN&PH 9P 60L | 束線#28 | (VN37520) |
| | | | | | |
| * | VR031500 | Circuit Board | MONO | MONOシート | (XN295B0) |
| | UA355100 | Mylar Capacitor | 0.1000 50V J | マイラーコン | 01 |
| | UA654330 | Mylar Capacitor | 0.0330 50V J | マイラーコン | 01 |
| | FG612220 | Ceramic Capacitor-B | 220P 50V K | セラコンB | 01 |
| | FG612470 | Ceramic Capacitor-B | 470P 50V K | セラコンB | 01 |
| | FG613100 | Ceramic Capacitor-B | 1000P 50V K | セラコンB | 01 |
| | FG651330 | Ceramic Capacitor-SL | 33P 50V J | セラコン(SL) | 01 |
| | FG651470 | Ceramic Capacitor-SL | 47P 50V J | セラコン(SL) | |
| | FG651680 | Ceramic Capacitor-SL | 68P 50V J | セラコン(SL) | 01 |
| | FG652100 | Ceramic Capacitor-SL | 100P 50V J | セラコン(SL) | 01 |
| | FG644100 | Ceramic Capacitor-F | 0.0100 50V Z | セラコンF | 01 |
| | UJ828220 | Electrolytic Cap. | 220.00 10.0V | ケミコン | 01 |
| | UJ837470 | Electrolytic Cap. | 47.00 16.0V | ケミコン | 01 |
| | UJ847100 | Electrolytic Cap. | 10.00 25.0V | ケミコン | 01 |
| | UJ847220 | Electrolytic Cap. | 22.00 25.0V | ケミコン | 01 |
| | UJ847470 | Electrolytic Cap. | 47.00 25.0V | ケミコン | 01 |
| | UJ848220 | Electrolytic Cap. | 220.00 25.0V | ケミコン | 01 |
| | UJ866100 | Electrolytic Cap. | 1.00 50.0V | ケミコン | 01 |
| | VC694800 | Semiconductive Cera. Cap. | 0.1000 25V Z | 半導体セラコン | 01 |
| | HF754100 | Carbon Resistor | 10.0 1/4 J | カーボン抵抗 | 01 |
| | HF754470 | Carbon Resistor | 47.0 1/4 J | カーボン抵抗 | 01 |
| | HF754750 | Carbon Resistor | 75.0 1/4 J | カーボン抵抗 | 01 |
| | HF755100 | Carbon Resistor | 100.0 1/4 J | カーボン抵抗 | 01 |
| | HF755220 | Carbon Resistor | 220.0 1/4 J | カーボン抵抗 | 01 |
| | -- | Carbon Resistor | 270.0 1/4 J | カーボン抵抗 | (HF75527) |
| | HF755560 | Carbon Resistor | 560.0 1/4 J | カーボン抵抗 | 01 |
| | HF756100 | Carbon Resistor | 1.0K 1/4 J | カーボン抵抗 | 01 |
| | HF756160 | Carbon Resistor | 1.6K 1/4 J | カーボン抵抗 | 01 |
| | HF756220 | Carbon Resistor | 2.2K 1/4 J | カーボン抵抗 | 01 |
| | HF756240 | Carbon Resistor | 2.4K 1/4 J | カーボン抵抗 | 01 |
| | HF756390 | Carbon Resistor | 3.9K 1/4 J | カーボン抵抗 | 01 |
| | -- | Carbon Resistor | 4.3K 1/4 J | カーボン抵抗 | (HF75643) |
| | HF756470 | Carbon Resistor | 4.7K 1/4 J | カーボン抵抗 | 01 |
| | HF756560 | Carbon Resistor | 5.6K 1/4 J | カーボン抵抗 | 01 |
| | HF757100 | Carbon Resistor | 10.0K 1/4 J | カーボン抵抗 | 01 |
| | HF757150 | Carbon Resistor | 15.0K 1/4 J | カーボン抵抗 | 01 |
| | HF757160 | Carbon Resistor | 16.0K 1/4 J | カーボン抵抗 | 01 |

* New Parts (新規部品)

ランク: Japan only

| REF NO. | PART NO. | DESCRIPTION | 部 品 名 | REMARKS | ランク | |
|---------|----------|---------------------------|-----------------|---------------------|--|----|
| | HF757180 | Carbon Resistor | 18.0K 1/4 J | カ ー ボ ン 抵 抗 | (HF75724) | 01 |
| | HF757220 | Carbon Resistor | 22.0K 1/4 J | カ ー ボ ン 抵 抗 | | 01 |
| | -- | Carbon Resistor | 24.0K 1/4 J | カ ー ボ ン 抵 抗 | | |
| | HF757470 | Carbon Resistor | 47.0K 1/4 J | カ ー ボ ン 抵 抗 | | 01 |
| | HF758100 | Carbon Resistor | 100.0K 1/4 J | カ ー ボ ン 抵 抗 | | 01 |
| | HF758220 | Carbon Resistor | 220.0K 1/4 J | カ ー ボ ン 抵 抗 | (HF75868) | 01 |
| | -- | Carbon Resistor | 680.0K 1/4 J | カ ー ボ ン 抵 抗 | | |
| | HV754100 | Flame Proof C. Resistor | 10.0 1/4 J | 不 燃 化 カ ー ボ ン 抵 抗 | | 01 |
| | VA074400 | Metal Film Resistor | 10.0K 1/4 F | 金 属 被 膜 抵 抗 | | 01 |
| | VA074500 | Metal Film Resistor | 11.0K 1/4 F | 金 属 被 膜 抵 抗 | | 01 |
| | VA074600 | Metal Film Resistor | 15.0K 1/4 F | 金 属 被 膜 抵 抗 | | 01 |
| | VB067000 | Metal Film Resistor | 4.3K 1/4 F | 金 属 被 膜 抵 抗 | | 01 |
| | VB067900 | Metal Film Resistor | 18.0K 1/4 F | 金 属 被 膜 抵 抗 | | 01 |
| | VB068000 | Metal Film Resistor | 20.0K 1/4 F | 金 属 被 膜 抵 抗 | | 01 |
| | VC731200 | Metal Oxide Film Resistor | 100.0 1W J | 酸 化 金 属 被 膜 抵 抗 | | 01 |
| | XA987A00 | IC | NJM2068D-D | I C | OP AMP | 01 |
| | XE803A00 | IC | NJM4556DD | I C | OP AMP | 03 |
| | XM651A00 | IC | NJM4580DD | I C | OP AMP | 02 |
| | IR000250 | IC | SN74HC02N | I C | NOR | 03 |
| | IR007450 | IC | SN74HC74N | I C | DFE | 04 |
| | IR012310 | IC | HD74HC123AP | I C | MULTI VIBRATOR | 02 |
| | IR036850 | IC | SN74HC368N | I C | BUS INVERTER | 02 |
| | VA983800 | Push Switch | SPUN | プ ッ シ ュ S W | PFL, MONI ON | 03 |
| | VQ901900 | Push Switch | SPUN19-2N-W | プ ッ シ ュ S W | ST HOLD, CUE | 03 |
| | VQ902400 | Push Switch | SPUN30 *3 | プ ッ シ ュ S W 三 連 | GRP/MTRX/AUX | 05 |
| | VQ902500 | Push Switch | SPUN20 2/2*2 | プ ッ シ ュ S W 二 連 | 2TR IN1/IN2 | 04 |
| | VQ902900 | Light Touch Switch | EVQ PB | ラ イ ト タ ッ チ S W | ON/EDIT | |
| | VR633200 | Push Switch | SPUN19-2N-W | プ ッ シ ュ S W | L+R | |
| | KC001900 | Relay | DC RY12W | リ レ ー 1 2 V | | 07 |
| | VL369700 | Relay | DC RY5W-K | リ レ ー 5 V | | 05 |
| | -- | Style Pin | IMSA-6024-02E | ス タ イ ル ピ ン L = 2 5 | (VR66580) | |
| | VR312000 | Pin Connector | YKC21-3088 4P | ピ ン ジャ ッ ク 4 P | 2TR IN L/R | |
| | LB202300 | Phone Jack | HLJ1520 | ホ ー ン ジャ ッ ク | PHONES | 02 |
| | LB202600 | Phone Jack | HLJ0520 | ホ ー ン ジャ ッ ク | MONITOR OUT L,R | 02 |
| | LB202700 | Phone Jack | Stereo HLJ2305 | ホ ー ン ジャ ッ ク | MONO I/O | 03 |
| | VP953100 | Cannon Connector | XL3M-3-32PCH-L | キ ャ ノ ン コ ネ ク タ | MONO OUT | 08 |
| | VL548500 | Connector Housing | FJ-8P | F J シ ョ ー ト プ ラ グ | | 01 |
| | VK217100 | Receptacle | FJ-8P | F J - リ セ プ タ ク ル | | 01 |
| | VB858200 | Connector Base Post | PH- 3P SE | コ ネ ク タ ベ ー ス ポ ス ト | | 01 |
| | VB858800 | Connector Base Post | PH- 9P SE | コ ネ ク タ ベ ー ス ポ ス ト | | 01 |
| | VR633100 | Header | HIF3BAG40PA2.54 | ヘ ッ ダ ー | | |
| | FZ004070 | LC Filter | LS MT X222MB | L C フィ ル タ ー E M I | | 03 |
| | VQ901400 | Rotary Variable Resistor | A20Kx2 | 二 連 ロ ー タ リ ー V R | PHONES, MONI LVL | 03 |
| | IA077730 | Transistor | 2SA777 Q,R | ト ラ ン ジ ス タ | | 02 |
| | IA093320 | Transistor | 2SA933S Q,R | ト ラ ン ジ ス タ | | 01 |
| | IC174070 | Transistor | 2SC1740S R,S | ト ラ ン ジ ス タ | | 01 |
| | VB941200 | Diode | 1SS133,1SS176 | ダ イ オ ー ド | | 01 |
| | VH325300 | LED | GL2EG6 GR | L E D | MASTER CUE, CHEC | 01 |
| | VJ471200 | LED | GL2HY6 YE | L E D | MONITOR ON, INPUT CUE, CUE | 01 |
| | VA078900 | Jumper Wire | 0.55 | ジ ャ ン パ ー 線 | | |
| | VG223500 | Jack Holder | | J A C K ア ン グ ル | | 02 |
| | VM485700 | Jack Holder | x1 | J A C K ア ン グ ル 単 連 | | 05 |
| | VR313300 | Pin Jack Holder | | P J ホ ル ダ ー | | |
| | VR034000 | Push Button | M.GY/S.GY | プ ッ シ ュ ボ タ ン | GROUP, MATRIX, | 03 |
| | | | | | AUX, ST HOLD, 2TR IN 1,2, PLF, L+R | |
| | VR637100 | Push Button | S.GY/Y.BR | プ ッ シ ュ ボ タ ン | CUE | |
| | VR667400 | Knob | S.GY/RE | プ ッ シ ュ ツ マ ミ | MONITOR ON | |

* New Parts (新規部品)

ランク : Japan only

| REF NO. | PART NO. | DESCRIPTION | 部 品 名 | REMARKS | ランク | |
|---------|----------|---------------------|----------------|---------------------|-----------|----|
| | -- | Connector Assembly | SUM GND | 線 材 A s s y | (VR30140) | |
| * | NX813830 | Circuit Board | MTA4-1/4 | M T A 4 - 1 / 4 シート | (VR30550) | |
| * | NX813830 | Circuit Board | MTA4-2/4 | M T A 4 - 2 / 4 シート | (VR30550) | |
| * | NX813830 | Circuit Board | MTA4-3/4 | M T A 4 - 3 / 4 シート | (VR30550) | |
| * | NX813830 | Circuit Board | MTA4-4/4 | M T A 4 - 4 / 4 シート | (VR30550) | |
| | FG644100 | Ceramic Capacitor-F | 0.0100 50V Z | セ ラ コ ン F | | 01 |
| | U1537220 | Electrolytic Cap. | 22.00 16.0V | ケ ミ コ ン | | 01 |
| | U1538100 | Electrolytic Cap. | 100.00 16.0V | ケ ミ コ ン | | 01 |
| | U1547470 | Electrolytic Cap. | 47.00 25.0V | ケ ミ コ ン | | 01 |
| | U1566100 | Electrolytic Cap. | 1.00 50.0V | ケ ミ コ ン | | 01 |
| | HF755100 | Carbon Resistor | 100.0 1/4 J | カ ー ボ ン 抵 抗 | | 01 |
| | HF755220 | Carbon Resistor | 220.0 1/4 J | カ ー ボ ン 抵 抗 | | 01 |
| | HF755330 | Carbon Resistor | 330.0 1/4 J | カ ー ボ ン 抵 抗 | | 01 |
| | HF756100 | Carbon Resistor | 1.0K 1/4 J | カ ー ボ ン 抵 抗 | | 01 |
| | HF756470 | Carbon Resistor | 4.7K 1/4 J | カ ー ボ ン 抵 抗 | | 01 |
| | HF756680 | Carbon Resistor | 6.8K 1/4 J | カ ー ボ ン 抵 抗 | | 01 |
| | HF757100 | Carbon Resistor | 10.0K 1/4 J | カ ー ボ ン 抵 抗 | | 01 |
| | HF757110 | Carbon Resistor | 11.0K 1/4 J | カ ー ボ ン 抵 抗 | | 01 |
| | -- | Carbon Resistor | 13.0K 1/4 J | カ ー ボ ン 抵 抗 | (HF75713) | |
| | -- | Carbon Resistor | 39.0K 1/4 J | カ ー ボ ン 抵 抗 | (HF75739) | |
| | HF757560 | Carbon Resistor | 56.0K 1/4 J | カ ー ボ ン 抵 抗 | | 01 |
| | VB066200 | Metal Film Resistor | 2.0K 1/4 F | 金 属 被 膜 抵 抗 | | 01 |
| | XF128A00 | IC | BA4558-NK | イ ン テ ー ジ ン ー C | OP AMP | 02 |
| | VM672900 | Lamp | 8V 100mA | ラ ン プ | | 02 |
| | VB858300 | Connector Base Post | PH- 4P SE | コネクタベースポスト | | 01 |
| | VB858400 | Connector Base Post | PH- 5P SE | コネクタベースポスト | | 01 |
| | VB858700 | Connector Base Post | PH- 8P SE | コネクタベースポスト | | 01 |
| | IA093320 | Transistor | 2SA933S Q,R | ト ラ ン ジ ス タ | | 01 |
| | IC174070 | Transistor | 2SC1740S R,S | ト ラ ン ジ ス タ | | 01 |
| | VB941200 | Diode | 1SS133,1SS176 | ダイ オード | | 01 |
| | VH325200 | LED | GL2PR6 RE | L E D | | 01 |
| | VA775300 | LED Spacer | BL | L E D ス ペ ー サ ー | | 01 |
| | VA078900 | Jumper Wire | 0.55 | ジャンパー線 | | |
| | -- | Connector Assembly | SAN&PH 5P 120L | 束 線 # 2 8 | (VM66630) | |
| * | NX813870 | Circuit Board | MTC1/2 | M T C 1 / 2 シート | (VR65770) | |
| * | NX813880 | Circuit Board | MTC2/2 | M T C 2 / 2 シート | (VR65770) | |
| | FG644100 | Ceramic Capacitor-F | 0.0100 50V Z | セ ラ コ ン F | | 01 |
| | U1537220 | Electrolytic Cap. | 22.00 16.0V | ケ ミ コ ン | | 01 |
| | U1538100 | Electrolytic Cap. | 100.00 16.0V | ケ ミ コ ン | | 01 |
| | U1547470 | Electrolytic Cap. | 47.00 25.0V | ケ ミ コ ン | | 01 |
| | U1566100 | Electrolytic Cap. | 1.00 50.0V | ケ ミ コ ン | | 01 |
| | HF755100 | Carbon Resistor | 100.0 1/4 J | カ ー ボ ン 抵 抗 | | 01 |
| | HF755220 | Carbon Resistor | 220.0 1/4 J | カ ー ボ ン 抵 抗 | | 01 |
| | HF755330 | Carbon Resistor | 330.0 1/4 J | カ ー ボ ン 抵 抗 | | 01 |
| | HF756100 | Carbon Resistor | 1.0K 1/4 J | カ ー ボ ン 抵 抗 | | 01 |
| | HF756470 | Carbon Resistor | 4.7K 1/4 J | カ ー ボ ン 抵 抗 | | 01 |
| | HF756680 | Carbon Resistor | 6.8K 1/4 J | カ ー ボ ン 抵 抗 | | 01 |
| | HF757100 | Carbon Resistor | 10.0K 1/4 J | カ ー ボ ン 抵 抗 | | 01 |
| | HF757110 | Carbon Resistor | 11.0K 1/4 J | カ ー ボ ン 抵 抗 | | 01 |
| | -- | Carbon Resistor | 13.0K 1/4 J | カ ー ボ ン 抵 抗 | (HF75713) | |
| | HF757150 | Carbon Resistor | 15.0K 1/4 J | カ ー ボ ン 抵 抗 | | 01 |
| | -- | Carbon Resistor | 39.0K 1/4 J | カ ー ボ ン 抵 抗 | (HF75739) | |
| | HF757560 | Carbon Resistor | 56.0K 1/4 J | カ ー ボ ン 抵 抗 | | 01 |
| | HF758100 | Carbon Resistor | 100.0K 1/4 J | カ ー ボ ン 抵 抗 | | 01 |
| | VB066200 | Metal Film Resistor | 2.0K 1/4 F | 金 属 被 膜 抵 抗 | | 01 |
| | VB066400 | Metal Film Resistor | 2.4K 1/4 F | 金 属 被 膜 抵 抗 | | 01 |
| | XF128A00 | IC | BA4558-NK | イ ン テ ー ジ ン ー C | OP AMP | 02 |
| | VM672900 | Lamp | 8V 100mA | ラ ン プ | | 02 |

* New Parts (新規部品)

ランク : Japan only

| REF NO. | PART NO. | DESCRIPTION | 部 品 名 | REMARKS | ランク |
|---------|----------|---------------------------|-----------------|----------------|-----------------|
| | VB858200 | Connector Base Post | PH- 3P SE | コネクタベースポスト | 01 |
| | VB858300 | Connector Base Post | PH- 4P SE | コネクタベースポスト | 01 |
| | VB858400 | Connector Base Post | PH- 5P SE | コネクタベースポスト | 01 |
| | VB858500 | Connector Base Post | PH- 6P SE | コネクタベースポスト | 01 |
| | IA093320 | Transistor | 2SA933S Q,R | トランジスタ | 01 |
| | IC174070 | Transistor | 2SC1740S R,S | トランジスタ | 01 |
| | VB941200 | Diode | 1SS133,1SS176 | ダイオード | 01 |
| | VH325200 | LED | GL2PR6 RE | LED | 01 |
| | VA277900 | LED Spacer | | LEDスペーサー | 01 |
| | VA775300 | LED Spacer | BL | LEDスペーサー | 01 |
| | VA078900 | Jumper Wire | 0.55 | ジャンパー線 | |
| | -- | Connector Assembly | SAN&PH 5P 120L | 束線 # 2 8 | (VM66630) |
| | | | | | |
| * | VR030500 | Circuit Board | PS | P S シート | (XN291A0) |
| | UA355100 | Mylar Capacitor | 0.1000 50V J | マイラーコン | 01 |
| | FG612270 | Ceramic Capacitor | 270P 50V K | セラコン B | 01 |
| | UJ828220 | Electrolytic Cap. | 220.00 10.0V | ケミコン | 01 |
| | UJ838220 | Electrolytic Cap. | 220.00 16.0V | ケミコン | 01 |
| | UJ878100 | Electrolytic Cap. | 100.00 63.0V | ケミコン | 01 |
| | VR641000 | Electrolytic Cap. | 1000.0 25.0 | ケミコン | 01 |
| | VF277000 | Electrolytic Cap. | 1000 16.0V | ケミコン | 01 |
| | VC694800 | Semiconductive Cera. Cap. | 0.1000 25V Z | 半導体セラコン | 01 |
| | HF755220 | Carbon Resistor | 220.0 1/4 J | カーボン抵抗 | 01 |
| | HF756100 | Carbon Resistor | 1.0K 1/4 J | カーボン抵抗 | 01 |
| | HF756330 | Carbon Resistor | 3.3K 1/4 J | カーボン抵抗 | 01 |
| | HF756560 | Carbon Resistor | 5.6K 1/4 J | カーボン抵抗 | 01 |
| | HF757470 | Carbon Resistor | 47.0K 1/4 J | カーボン抵抗 | 01 |
| | VC758300 | Metal Oxide Film Resistor | 68.0 2W J | 酸化金属被膜抵抗 | 01 |
| | XJ141A00 | IC | NJM78M09FA | I C | REGULATOR +9V |
| | XJ607A00 | IC | NJM7805FA | I C | REGULATOR +5V |
| | V1466400 | Connector | DINx3 YKF51-504 | 複合コネクタ | MIDI IN/OUT/THR |
| | LB933080 | Base Post Connector | VH-8P SE | ベースポスト | 01 |
| | VB390700 | Connector Base Post | PH-11P TE | コネクタベースポスト | 01 |
| | VB858100 | Connector Base Post | PH- 2P SE | コネクタベースポスト | 01 |
| | VR633100 | Header | HIF3BAG40PA2.54 | ヘッダー | |
| | VN103600 | Battery Holder | | バッテリーホルダー | 03 |
| | FZ006970 | LC Filter | LS MT Y223NB | LCフィルターEM I | 02 |
| | FZ006920 | LC Filter | LS MT B271KB | LCフィルターEM I | 01 |
| | IA093320 | Transistor | 2SA933S Q,R | トランジスタ | 01 |
| | IC174070 | Transistor | 2SC1740S R,S | トランジスタ | 01 |
| | VQ547400 | Pair Transistor | A1837/C4793 | ペアトランジスター | 04 |
| | VB941200 | Diode | 1SS133,1SS176 | ダイオード | 01 |
| | VA078900 | Jumper Wire | 0.55 | ジャンパー線 | |
| | V1474400 | Terminal Plate | | ターミナル金具 | 01 |
| | -- | Connector Assembly | METER PS | 線材 A s s y | (VR30580) |
| | -- | Connector Assembly | SAN&PH 6P 250L | 束線 # 2 4 | (VM76060) |
| | | | | | |
| * | VR030600 | Circuit Board | RETURN | R E T U R Nシート | (XN292B0) |
| | UA353100 | Mylar Capacitor | 1000P 50V J | マイラーコン | 01 |
| | UA654330 | Mylar Capacitor | 0.0330 50V J | マイラーコン | 01 |
| | UA654390 | Mylar Capacitor | 0.0390 50V J | マイラーコン | 01 |
| | FG612220 | Ceramic Capacitor-B | 220P 50V K | セラコン B | 01 |
| | FG612470 | Ceramic Capacitor-B | 470P 50V K | セラコン B | 01 |
| | FG651330 | Ceramic Capacitor-SL | 33P 50V J | セラコン (S L) | 01 |
| | FG651470 | Ceramic Capacitor-SL | 47P 50V J | セラコン (S L) | 01 |
| | FG651680 | Ceramic Capacitor-SL | 68P 50V J | セラコン (S L) | 01 |
| | FG651820 | Ceramic Capacitor-SL | 82P 50V J | セラコン (S L) | 01 |
| | FG652100 | Ceramic Capacitor-SL | 100P 50V J | セラコン (S L) | 01 |
| | FG644100 | Ceramic Capacitor-F | 0.0100 50V Z | セラコン F | 01 |
| | UJ828220 | Electrolytic Cap. | 220.00 10.0V | ケミコン | 01 |

* New Parts (新規部品)

ランク : Japan only

| REF NO. | PART NO. | DESCRIPTION | | 部 品 名 | REMARKS | ランク |
|---------|----------|---------------------------|----------------|---------------------|-----------------|-----|
| | UJ837470 | Electrolytic Cap. | 47.00 16.0V | ケ ミ コ ン | | 01 |
| | UJ847100 | Electrolytic Cap. | 10.00 25.0V | ケ ミ コ ン | | 01 |
| | UJ847220 | Electrolytic Cap. | 22.00 25.0V | ケ ミ コ ン | | 01 |
| | UJ848100 | Electrolytic Cap. | 100.00 25.0V | ケ ミ コ ン | | 01 |
| | UJ848220 | Electrolytic Cap. | 220.00 25.0V | ケ ミ コ ン | | 01 |
| | UJ866100 | Electrolytic Cap. | 1.00 50.0V | ケ ミ コ ン | | 01 |
| | VC694800 | Semiconductive Cera. Cap. | 0.1000 25V Z | 半 導 体 セ ラ コ ン | | 01 |
| | HF754100 | Carbon Resistor | 10.0 1/4 J | カ ー ボ ン 抵 抗 | | 01 |
| | HF754470 | Carbon Resistor | 47.0 1/4 J | カ ー ボ ン 抵 抗 | | 01 |
| | HF754750 | Carbon Resistor | 75.0 1/4 J | カ ー ボ ン 抵 抗 | | 01 |
| | HF755100 | Carbon Resistor | 100.0 1/4 J | カ ー ボ ン 抵 抗 | | 01 |
| | HF755220 | Carbon Resistor | 220.0 1/4 J | カ ー ボ ン 抵 抗 | | 01 |
| | HF755560 | Carbon Resistor | 560.0 1/4 J | カ ー ボ ン 抵 抗 | | 01 |
| | HF756100 | Carbon Resistor | 1.0K 1/4 J | カ ー ボ ン 抵 抗 | | 01 |
| | HF756220 | Carbon Resistor | 2.2K 1/4 J | カ ー ボ ン 抵 抗 | | 01 |
| | -- | Carbon Resistor | 3.0K 1/4 J | カ ー ボ ン 抵 抗 | (HF75630) | |
| | HF756470 | Carbon Resistor | 4.7K 1/4 J | カ ー ボ ン 抵 抗 | | 01 |
| | HF756560 | Carbon Resistor | 5.6K 1/4 J | カ ー ボ ン 抵 抗 | | 01 |
| | HF756820 | Carbon Resistor | 8.2K 1/4 J | カ ー ボ ン 抵 抗 | | 01 |
| | HF757100 | Carbon Resistor | 10.0K 1/4 J | カ ー ボ ン 抵 抗 | | 01 |
| | HF757180 | Carbon Resistor | 18.0K 1/4 J | カ ー ボ ン 抵 抗 | | 01 |
| | HF757330 | Carbon Resistor | 33.0K 1/4 J | カ ー ボ ン 抵 抗 | | 01 |
| | -- | Carbon Resistor | 43.0K 1/4 J | カ ー ボ ン 抵 抗 | (HF75743) | |
| | HF758100 | Carbon Resistor | 100.0K 1/4 J | カ ー ボ ン 抵 抗 | | 01 |
| | HF758220 | Carbon Resistor | 220.0K 1/4 J | カ ー ボ ン 抵 抗 | | 01 |
| | -- | Carbon Resistor | 680.0K 1/4 J | カ ー ボ ン 抵 抗 | (HF75868) | |
| | HV754100 | Flame Proof C. Resistor | 10.0 1/4 J | 不 燃 化 カ ー ボ ン 抵 抗 | | 01 |
| | VA074400 | Metal Film Resistor | 10.0K 1/4 F | 金 属 被 膜 抵 抗 | | 01 |
| | VA074500 | Metal Film Resistor | 11.0K 1/4 F | 金 属 被 膜 抵 抗 | | 01 |
| | VA074600 | Metal Film Resistor | 15.0K 1/4 F | 金 属 被 膜 抵 抗 | | 01 |
| | VB067000 | Metal Film Resistor | 4.3K 1/4 F | 金 属 被 膜 抵 抗 | | 01 |
| | VB067800 | Metal Film Resistor | 16.0K 1/4 F | 金 属 被 膜 抵 抗 | | 01 |
| | VB067900 | Metal Film Resistor | 18.0K 1/4 F | 金 属 被 膜 抵 抗 | | 01 |
| | VB068000 | Metal Film Resistor | 20.0K 1/4 F | 金 属 被 膜 抵 抗 | | 01 |
| | VB068200 | Metal Film Resistor | 24.0K 1/4 F | 金 属 被 膜 抵 抗 | | 01 |
| | VB068500 | Metal Film Resistor | 36.0K 1/4 F | 金 属 被 膜 抵 抗 | | 01 |
| | VB068900 | Metal Film Resistor | 51.0K 1/4 F | 金 属 被 膜 抵 抗 | | 01 |
| | XA987A00 | IC | NJM2068D-D | C | OP AMP | 01 |
| | XM651A00 | IC | NJM4580DD | C | OP AMP | 02 |
| | IR000250 | IC | SN74HC02N | C | NOR | 03 |
| | IR007450 | IC | SN74HC74N | C | DFF | 04 |
| | IR012310 | IC | HD74HC123AP | C | MULTI VIBRATOR | 02 |
| | IR036850 | IC | SN74HC368N | C | BUS INVERTER | 02 |
| | XA053A00 | IC | TC4052BP | C | MULTIPLEXER | 03 |
| | VQ545800 | Slide Switch | SSSF04 | ス ラ イ ド S W | -10dB/+4dB | 02 |
| * | VA983800 | Push Switch | SPUN | プ ッ シ ュ S W | AUX CUE,RTN CUE | 03 |
| * | VQ901600 | Push Switch | SPUN60 2/2*6 | プ ッ シ ュ S W 六 連 | ASSIGN | 06 |
| * | VQ901900 | Push Switch | SPUN19-2N-W | プ ッ シ ュ S W | TO ST,TO MONO | 03 |
| * | VQ902200 | Push Switch | SPUN40 2/2*4 | プ ッ シ ュ S W 四 連 | AUX1-4 | 05 |
| * | VQ902900 | Light Touch Switch | EVQ PB | ラ イ ト タ ッ チ S W | ON/EDIT | |
| | VR633200 | Push Switch | SPUN19-2N-W | プ ッ シ ュ S W | CUE | |
| | KC001900 | Relay | DC RY12W | リ レ ー 1 2 V | | 07 |
| | -- | Style Pin | IMSA-6024-02E | ス タ イ ル ピ ン L=2 5 | (VR66580) | |
| | LB202600 | Phone Jack | HLJ0520 | ホ ー ン ジャ ッ ク | RTN L, RTN R | 02 |
| | LB202700 | Phone Jack | Stereo HLJ2305 | ホ ー ン ジャ ッ ク | GRP INS I/O | 03 |
| | VP953100 | Cannon Connector | XLM-3-32PCH-L | キ ャ ノ ン コ ネ ク タ | GROUP, AUX | 08 |
| | VL549000 | Connector Housing | FJ-14P | F J シ ョ ー ト プ ラ グ | | 02 |
| | VQ966000 | Receptacle | FJ-14P | F J - リ セ プ タ ク ル | | 02 |
| | VR984700 | Short Connector | 9206H-T 2P | 短 絡 コ ネ ク タ | | |
| | VB858100 | Connector Base Post | PH- 2P SE | コ ネ ク タ ベ ー ス ポ ス ト | | 01 |

* New Parts (新規部品)

ランク : Japan only

M2000/PW2000M

| REF NO. | PART NO. | DESCRIPTION | | 部 品 名 | REMARKS | ランク |
|---------|----------|---------------------------|-----------------|---------------------|-----------------|-----|
| | VB858200 | Connector Base Post | PH- 3P SE | コネクタベースポスト | | 01 |
| | VB858300 | Connector Base Post | PH- 4P SE | コネクタベースポスト | | 01 |
| | VB858800 | Connector Base Post | PH- 9P SE | コネクタベースポスト | | 01 |
| * | VR633100 | Header | HIF3BAG40PA2.54 | ヘ ッ ダ ー | | |
| * | VR702400 | Pin Header | 9202 2P-8 TE | ピ ン ヘ ッ ダ ー | SW704-SW707 | |
| * | VQ901000 | Rotary Variable Resistor | A20K | ロ ー タ リ ー V R | AUX LEVEL | 03 |
| * | VQ900500 | Rotary Variable Resistor | A20K+C20K | 二 連 ロ ー タ リ ー V R | RTN BAL/PAN,PAN | 03 |
| * | VQ901200 | Rotary Variable Resistor | B50Kx2 | 二 連 ロ ー タ リ ー V R | LOW,HIGH | 03 |
| * | VQ901400 | Rotary Variable Resistor | A20Kx2 | 二 連 ロ ー タ リ ー V R | RTN LEVEL | 03 |
| | IC174070 | Transistor | 2SC1740S R,S | ト ラ ン ジ ス タ | | 01 |
| | VB941200 | Diode | 1SS133,1SS176 | ダ イ オ ー ド | | 01 |
| | VH325300 | LED | GL2EG6 GR | L E D | RTN CHECK,CHECK | 01 |
| | VJ471200 | LED | GL2HY6 YE | L E D | RTN ON, ON | 01 |
| | VA078900 | Jumper Wire | 0.55 | ジ ャ ン パ ー 線 | | |
| | VG223500 | Jack Holder | | J A C K ア ン グ ル | | 02 |
| | VM485700 | Jack Holder | x1 | J A C K ア ン グ ル 準 運 | | 05 |
| * | VR034000 | Push Button | M.GY/S.GY | プ ッ シ ュ ボ タ ン | ASSIGN | 03 |
| * | VR281400 | Push Button | BE/S.GY | プ ッ シ ュ ボ タ ン | AUX1-4 | |
| * | VR281500 | Push Button | RE/S.GY | プ ッ シ ュ ボ タ ン | ST, TO ST | |
| * | VR637000 | Push Button | Y.BR/S.GY | プ ッ シ ュ ボ タ ン | MONO, TO MONO | |
| * | VR637100 | Push Button | S.GY/Y.BR | プ ッ シ ュ ボ タ ン | CUE | |
| | -- | Connector Assembly | DIST RETURN | 線 材 A s s y | (VR27790) | |
| | -- | Connector Assembly | SUM GND | 線 材 A s s y | (VR30140) | |
| | | | | | | |
| * | VR031400 | Circuit Board | ST | S T シ ー ト | (XN294B0) | |
| | UA353100 | Mylar Capacitor | 1000P 50V J | マ イ ラ ー コ ン | | 01 |
| | UA353270 | Mylar Capacitor | 2700P 50V J | マ イ ラ ー コ ン | | |
| | UA353620 | Mylar Capacitor | 6200P 50V J | マ イ ラ ー コ ン | | |
| | UA353750 | Mylar Capacitor | 7500P 50V J | マ イ ラ ー コ ン | | |
| | UA654180 | Mylar Capacitor | 0.0180 50V J | マ イ ラ ー コ ン | | 01 |
| | UA654330 | Mylar Capacitor | 0.0330 50V J | マ イ ラ ー コ ン | | 01 |
| | UA654470 | Mylar Capacitor | 0.0470 50V J | マ イ ラ ー コ ン | | 01 |
| | FG612220 | Ceramic Capacitor-B | 220P 50V K | セ ラ コ ン B | | 01 |
| | FG612330 | Ceramic Capacitor-B | 330P 50V K | セ ラ コ ン B | | 01 |
| | FG612470 | Ceramic Capacitor-B | 470P 50V K | セ ラ コ ン B | | 01 |
| | FG613150 | Ceramic Capacitor-B | 1500P 50V K | セ ラ コ ン B | | 01 |
| | FG651330 | Ceramic Capacitor-SL | 33P 50V J | セ ラ コ ン (S L) | | 01 |
| | FG651470 | Ceramic Capacitor-SL | 47P 50V J | セ ラ コ ン (S L) | | |
| | FG651680 | Ceramic Capacitor-SL | 68P 50V J | セ ラ コ ン (S L) | | 01 |
| | FG651820 | Ceramic Capacitor-SL | 82P 50V J | セ ラ コ ン (S L) | | 01 |
| | FG652100 | Ceramic Capacitor-SL | 100P 50V J | セ ラ コ ン (S L) | | 01 |
| | FG644100 | Ceramic Capacitor-F | 0.0100 50V Z | セ ラ コ ン F | | 01 |
| | UJ828100 | Electrolytic Cap. | 100.00 10.0V | ケ ミ コ ン | | 01 |
| | UJ828220 | Electrolytic Cap. | 220.00 10.0V | ケ ミ コ ン | | 01 |
| | UJ837470 | Electrolytic Cap. | 47.00 16.0V | ケ ミ コ ン | | 01 |
| | UJ847100 | Electrolytic Cap. | 10.00 25.0V | ケ ミ コ ン | | 01 |
| | UJ847220 | Electrolytic Cap. | 22.00 25.0V | ケ ミ コ ン | | 01 |
| | UJ848100 | Electrolytic Cap. | 100.00 25.0V | ケ ミ コ ン | | 01 |
| | UJ848220 | Electrolytic Cap. | 220.00 25.0V | ケ ミ コ ン | | 01 |
| | UJ866100 | Electrolytic Cap. | 1.00 50.0V | ケ ミ コ ン | | 01 |
| | VC694800 | Semiconductive Cera. Cap. | 0.1000 25V Z | 半 導 体 セ ラ コ ン | | 01 |
| | HF754100 | Carbon Resistor | 10.0 1/4 J | カ ー ボ ン 抵 抗 | | 01 |
| | HF754470 | Carbon Resistor | 47.0 1/4 J | カ ー ボ ン 抵 抗 | | 01 |
| | HF754750 | Carbon Resistor | 75.0 1/4 J | カ ー ボ ン 抵 抗 | | 01 |
| | HF755100 | Carbon Resistor | 100.0 1/4 J | カ ー ボ ン 抵 抗 | | 01 |
| | HF755150 | Carbon Resistor | 150.0 1/4 J | カ ー ボ ン 抵 抗 | | 01 |
| | HF755220 | Carbon Resistor | 220.0 1/4 J | カ ー ボ ン 抵 抗 | | 01 |
| | -- | Carbon Resistor | 270.0 1/4 J | カ ー ボ ン 抵 抗 | (HF75527) | |
| | HF755560 | Carbon Resistor | 560.0 1/4 J | カ ー ボ ン 抵 抗 | | 01 |
| | HF756100 | Carbon Resistor | 1.0K 1/4 J | カ ー ボ ン 抵 抗 | | 01 |

* New Parts (新規部品)

ランク : Japan only

| REF NO. | PART NO. | DESCRIPTION | 部 品 名 | REMARKS | ランク | |
|---------|----------|--------------------------|-----------------|---------------------|--------------------------------|----|
| | HF756160 | Carbon Resistor | 1.6K 1/4 J | カ ー ボ ン 抵 抗 | (HF75620) | 01 |
| | HF756180 | Carbon Resistor | 1.8K 1/4 J | カ ー ボ ン 抵 抗 | | 01 |
| | -- | Carbon Resistor | 2.0K 1/4 J | カ ー ボ ン 抵 抗 | | |
| | HF756220 | Carbon Resistor | 2.2K 1/4 J | カ ー ボ ン 抵 抗 | | 01 |
| | HF756240 | Carbon Resistor | 2.4K 1/4 J | カ ー ボ ン 抵 抗 | | 01 |
| | HF756330 | Carbon Resistor | 3.3K 1/4 J | カ ー ボ ン 抵 抗 | | 01 |
| | HF756470 | Carbon Resistor | 4.7K 1/4 J | カ ー ボ ン 抵 抗 | | 01 |
| | HF757100 | Carbon Resistor | 10.0K 1/4 J | カ ー ボ ン 抵 抗 | | 01 |
| | HF757150 | Carbon Resistor | 15.0K 1/4 J | カ ー ボ ン 抵 抗 | | 01 |
| | HF757180 | Carbon Resistor | 18.0K 1/4 J | カ ー ボ ン 抵 抗 | | 01 |
| | HF757220 | Carbon Resistor | 22.0K 1/4 J | カ ー ボ ン 抵 抗 | (HF75724) | 01 |
| | -- | Carbon Resistor | 24.0K 1/4 J | カ ー ボ ン 抵 抗 | | |
| | HF757470 | Carbon Resistor | 47.0K 1/4 J | カ ー ボ ン 抵 抗 | (HF75751) | 01 |
| | -- | Carbon Resistor | 51.0K 1/4 J | カ ー ボ ン 抵 抗 | | |
| | HF758100 | Carbon Resistor | 100.0K 1/4 J | カ ー ボ ン 抵 抗 | | 01 |
| | HF758220 | Carbon Resistor | 220.0K 1/4 J | カ ー ボ ン 抵 抗 | (HF75868) | 01 |
| | -- | Carbon Resistor | 680.0K 1/4 J | カ ー ボ ン 抵 抗 | | |
| | HF759220 | Carbon Resistor | 2.2M 1/4 J | カ ー ボ ン 抵 抗 | | 01 |
| | HV754100 | Flame Proof C. Resistor | 10.0 1/4 J | 不 燃 化 カ ー ボ ン 抵 抗 | | 01 |
| | VA074400 | Metal Film Resistor | 10.0K 1/4 F | 金 属 被 膜 抵 抗 | | 01 |
| | VA074500 | Metal Film Resistor | 11.0K 1/4 F | 金 属 被 膜 抵 抗 | | 01 |
| | VA074600 | Metal Film Resistor | 15.0K 1/4 F | 金 属 被 膜 抵 抗 | | 01 |
| | VB067000 | Metal Film Resistor | 4.3K 1/4 F | 金 属 被 膜 抵 抗 | | 01 |
| | VB067800 | Metal Film Resistor | 16.0K 1/4 F | 金 属 被 膜 抵 抗 | | 01 |
| | VB067900 | Metal Film Resistor | 18.0K 1/4 F | 金 属 被 膜 抵 抗 | | 01 |
| | VB068000 | Metal Film Resistor | 20.0K 1/4 F | 金 属 被 膜 抵 抗 | | 01 |
| | VB068200 | Metal Film Resistor | 24.0K 1/4 F | 金 属 被 膜 抵 抗 | | 01 |
| | VB068500 | Metal Film Resistor | 36.0K 1/4 F | 金 属 被 膜 抵 抗 | | 01 |
| | XA987A00 | IC | NJM2068D-D | C | OP AMP | 01 |
| | XF128A00 | IC | BA4558-NK | C | OP AMP | 02 |
| | XM651A00 | IC | NJM4580DD | C | OP AMP | 02 |
| | IR000250 | IC | SN74HC02N | C | NOR | 03 |
| | IR007450 | IC | SN74HC74N | C | DFF | 04 |
| | IR012310 | IC | HD74HC123AP | C | MULTI VIBRATOR | 02 |
| | IR036850 | IC | SN74HC368N | C | BUS INVERTER | 02 |
| * | VA983800 | Push Switch | SPUN | プ ッ シ ュ S W | CUE | 03 |
| * | VQ901900 | Push Switch | SPUN19-2N-W | プ ッ シ ュ S W | OSC ON(1kHz) TB ON, TO MONO | 03 |
| * | VQ902300 | Push Switch | SPUN90 2/2*9 | プ ッ シ ュ S W 九 連 | ASSIGN switch | 07 |
| * | VQ902900 | Light Touch Switch | EVQ PB | ラ イ ト タ ッ チ S W | ON/EDIT | |
| | KC001900 | Relay | DC RY12W | リ レ ー 1 2 V | | 07 |
| | VL369700 | Relay | DC RY5W-K | リ レ ー 5 V | | 05 |
| | -- | Style Pin | IMSA-6024-02E | ス タ イ ル ピ ン L = 2 5 | (VR66580) | |
| | VM725600 | Pin Connector | YKC21-3045 | ピ ン ジ ャ ッ ク 2 P | REC OUT L/R | 02 |
| | LB606940 | Phone Jack | Stereo HLJ2335 | ホ ー ン ジ ャ ッ ク | ST INSERT I/O | 04 |
| | VM651800 | Cannon Connector | XLM-3-31PCH-L | キ ャ ノ ン コ ネ ク タ | TB INPUT | 13 |
| | VP953100 | Cannon Connector | XLM-3-32PCH-L | キ ャ ノ ン コ ネ ク タ | ST L, ST R | 08 |
| | VB858200 | Connector Base Post | PH- 3P SE | コ ネ ク タ ベ ー ス ポ ス ト | | 01 |
| | VB858700 | Connector Base Post | PH- 8P SE | コ ネ ク タ ベ ー ス ポ ス ト | | 01 |
| | VB858800 | Connector Base Post | PH- 9P SE | コ ネ ク タ ベ ー ス ポ ス ト | | 01 |
| * | VR633100 | Header | HIF3BAG40PA2.54 | ヘ ッ ダ ー | | |
| * | VQ901000 | Rotary Variable Resistor | A20K | ロ ー タ リ ー V R | TB LEVEL | 03 |
| * | VQ900500 | Rotary Variable Resistor | A20K+C20K | 二 連 ロ ー タ リ ー V R | BAL | 03 |
| | IA093320 | Transistor | 2SA933S Q,R | ト ラ ン ジ ス タ | | 01 |
| | IC174070 | Transistor | 2SC1740S R,S | ト ラ ン ジ ス タ | | 01 |
| | VB941200 | Diode | 1SS133,1SS176 | ダ イ オ ー ド | | 01 |
| | VH325300 | LED | GL2EG6 GR | L E D | | 01 |
| | VJ471200 | LED | GL2HY6 YE | L E D | | 01 |
| | VA078900 | Jumper Wire | 0.55 | ジ ャ ン パ ー 線 | | |
| | VG223500 | Jack Holder | | J A C K ア ン グ ル | | 02 |

* New Parts (新規部品)

ランク: Japan only

| REF NO. | PART NO. | DESCRIPTION | | 部 品 名 | REMARKS | ランク |
|---------|----------|---------------------------|----------------|---------------|----------------|-----|
| * | VR034000 | Push Button | M.GY/S.GY | プッシュボタン | ASSIGN | 03 |
| * | VR281400 | Push Button | BE/S.GY | プッシュボタン | AUX1-2,3-4,5-6 | |
| * | VR281500 | Push Button | RE/S.GY | プッシュボタン | ST | |
| * | VR637000 | Push Button | Y.BR/S.GY | プッシュボタン | MONO, TO MONO | |
| * | VR637100 | Push Button | S.GY/Y.BR | プッシュボタン | CUE | |
| * | VR667400 | Knob | S.GY/RE | プッシュツマミ | OSC ON, TB ON | |
| | -- | Connector Assembly | SUM GND | 線材 Assembly | (VR30140) | |
| | -- | Connector Assembly | SAN&PH 8P 250L | 東線 # 2 8 | (VQ25130) | |
| | | | | | | |
| * | VR030300 | Circuit Board | ST-IN | S T - I N シート | (XN289B0) | |
| | UA353100 | Mylar Capacitor | 1000P 50V J | マイラコン | | 01 |
| | UA353330 | Mylar Capacitor | 3300P 50V J | マイラコン | | |
| | UA353820 | Mylar Capacitor | 8200P 50V J | マイラコン | | |
| | UA654330 | Mylar Capacitor | 0.0330 50V J | マイラコン | | 01 |
| | UA654390 | Mylar Capacitor | 0.0390 50V J | マイラコン | | 01 |
| | FG612220 | Ceramic Capacitor-B | 220P 50V K | セラコン B | | 01 |
| | FG651220 | Ceramic Capacitor-SL | 22P 50V J | セラコン (SL) | | 01 |
| | FG651470 | Ceramic Capacitor-SL | 47P 50V J | セラコン (SL) | | |
| | FG651680 | Ceramic Capacitor-SL | 68P 50V J | セラコン (SL) | | 01 |
| | FG652100 | Ceramic Capacitor-SL | 100P 50V J | セラコン (SL) | | 01 |
| | FG644100 | Ceramic Capacitor-F | 0.0100 50V Z | セラコン F | | 01 |
| | UJ828220 | Electrolytic Cap. | 220.00 10.0V | ケミコン | | 01 |
| | UJ828470 | Electrolytic Cap. | 470.00 10.0V | ケミコン | | 01 |
| | UJ837470 | Electrolytic Cap. | 47.00 16.0V | ケミコン | | 01 |
| | UJ847100 | Electrolytic Cap. | 10.00 25.0V | ケミコン | | 01 |
| | UJ847220 | Electrolytic Cap. | 22.00 25.0V | ケミコン | | 01 |
| | UJ848220 | Electrolytic Cap. | 220.00 25.0V | ケミコン | | 01 |
| | UJ866100 | Electrolytic Cap. | 1.00 50.0V | ケミコン | | 01 |
| | VC694800 | Semiconductive Cera. Cap. | 0.1000 25V Z | 半導体セラコン | | 01 |
| | HF754100 | Carbon Resistor | 10.0 1/4 J | カーボン抵抗 | | 01 |
| | HF754470 | Carbon Resistor | 47.0 1/4 J | カーボン抵抗 | | 01 |
| | HF755150 | Carbon Resistor | 150.0 1/4 J | カーボン抵抗 | | 01 |
| | HF755220 | Carbon Resistor | 220.0 1/4 J | カーボン抵抗 | | 01 |
| | HF756100 | Carbon Resistor | 1.0K 1/4 J | カーボン抵抗 | | 01 |
| | HF756160 | Carbon Resistor | 1.6K 1/4 J | カーボン抵抗 | | 01 |
| | -- | Carbon Resistor | 2.0K 1/4 J | カーボン抵抗 | (HF75620) | |
| | HF756220 | Carbon Resistor | 2.2K 1/4 J | カーボン抵抗 | | 01 |
| | HF756240 | Carbon Resistor | 2.4K 1/4 J | カーボン抵抗 | | 01 |
| | -- | Carbon Resistor | 4.3K 1/4 J | カーボン抵抗 | (HF75643) | |
| | HF756470 | Carbon Resistor | 4.7K 1/4 J | カーボン抵抗 | | 01 |
| | -- | Carbon Resistor | 5.1K 1/4 J | カーボン抵抗 | (HF75651) | |
| | HF756560 | Carbon Resistor | 5.6K 1/4 J | カーボン抵抗 | | 01 |
| | HF756820 | Carbon Resistor | 8.2K 1/4 J | カーボン抵抗 | | 01 |
| | HF757100 | Carbon Resistor | 10.0K 1/4 J | カーボン抵抗 | | 01 |
| | HF757120 | Carbon Resistor | 12.0K 1/4 J | カーボン抵抗 | | 01 |
| | -- | Carbon Resistor | 13.0K 1/4 J | カーボン抵抗 | (HF75713) | |
| | HF757150 | Carbon Resistor | 15.0K 1/4 J | カーボン抵抗 | | 01 |
| | HF757330 | Carbon Resistor | 33.0K 1/4 J | カーボン抵抗 | | 01 |
| | HF757360 | Carbon Resistor | 36.0K 1/4 J | カーボン抵抗 | | 01 |
| | HF757470 | Carbon Resistor | 47.0K 1/4 J | カーボン抵抗 | | 01 |
| | HF758100 | Carbon Resistor | 100.0K 1/4 J | カーボン抵抗 | | 01 |
| | HF758220 | Carbon Resistor | 220.0K 1/4 J | カーボン抵抗 | | 01 |
| | -- | Carbon Resistor | 330.0K 1/4 J | カーボン抵抗 | (HF75833) | |
| | -- | Carbon Resistor | 390.0K 1/4 J | カーボン抵抗 | (HF75839) | |
| | -- | Carbon Resistor | 680.0K 1/4 J | カーボン抵抗 | (HF75868) | |
| | VB067900 | Metal Film Resistor | 18.0K 1/4 F | 金属被膜抵抗 | | 01 |
| | IG040000 | IC | NJM4560ED | I C | OP AMP | 04 |
| | XA987A00 | IC | NJM2068D-D | I C | OP AMP | 01 |
| | XF128A00 | IC | BA4558-NK | I C | OP AMP | 02 |
| | IR000250 | IC | SN74HC02N | I C | NOR | 03 |

* New Parts (新規部品)

ランク : Japan only

| REF NO. | PART NO. | DESCRIPTION | 部 品 名 | REMARKS | ランク | |
|--------------------|----------|--------------------------|-----------------|--------------|----------------------------|----|
| | IR007450 | IC | SN74HC74N | I C | DFF | 04 |
| | IR012310 | IC | HD74HC123AP | I C | MULTI VIBRATOR | 02 |
| | IR036850 | IC | SN74HC368N | I C | BUS INVERTER | 02 |
| * | VQ901600 | Push Switch | SPUN60 2/2*6 | プッシュSW六連 | ASSIGN | 06 |
| * | VQ901900 | Push Switch | SPUN19-2N-W | プッシュSW | EQ,PRE 1-2,3-4 | 03 |
| * | VQ902000 | Push Switch | SPUN20 2/2*2 | プッシュSW二連 | L+R, A/B | 04 |
| * | VQ902900 | Light Touch Switch | EVQ PB | ライトタッチSW | ON/EDIT | |
| * | VR633200 | Push Switch | SPUN19-2N-W | プッシュSW | CUE | |
| | KC001900 | Relay | DC RY12W | リレー 1 2 V | | 07 |
| | -- | Style Pin | IMSA-6024-02E | スタイルピンL=25 | (VR66580) | |
| | VM725600 | Pin Jack | YKC21-3045 | ピンジャック 2 P | INPUT B L/R | 02 |
| | LB202600 | Phone Jack | HLJ0520 | ホーンジャック | INPUT A L,R | 02 |
| * | VL548700 | Connector Housing | FJ-10P | FJショートプラグ | | 01 |
| | VK217300 | Receptacle | FJ-10P | FJ-リセプタクル | | 01 |
| | VB858500 | Connector Base Post | PH- 6P SE | コネクタベースポスト | | 01 |
| | VB858800 | Connector Base Post | PH- 9P SE | コネクタベースポスト | | 01 |
| * | VR633100 | Header | HIF3BAG40PA2.54 | ヘッダ | | |
| * | VQ901000 | Rotary Variable Resistor | A20K | ロータリーVR | AUX1-6 | 03 |
| * | VQ900500 | Rotary Variable Resistor | A20K+C20K | 二連ロータリーVR | BAL/PAN | 03 |
| * | VQ901100 | Rotary Variable Resistor | C10Kx2 | 二連ロータリーVR | GAIN A,B | 03 |
| * | VQ901200 | Rotary Variable Resistor | B50Kx2 | 二連ロータリーVR | LOW,HIGH | 03 |
| * | VQ901300 | Rotary Variable Resistor | W20Kx2 | 二連ロータリーVR | MID-GAIN | 03 |
| * | VQ901500 | Rotary Variable Resistor | C100Kx4 | 四連ロータリーVR | MID-f | 06 |
| | IA093320 | Transistor | 2SA933S Q,R | トランジスタ | | 01 |
| | IC150930 | Transistor | 2SC1509 O,R | トランジスタ | | 01 |
| | IC174070 | Transistor | 2SC1740S R,S | トランジスタ | | 01 |
| | VB941200 | Diode | 1SS133,1SS176 | ダイオード | | 01 |
| | VH325200 | LED | GL2PR6 RE | L E D | PEAK | 01 |
| | VH325300 | LED | GL2EG6 GR | L E D | SIGNAL, CHECK | 01 |
| | VJ471200 | LED | GL2HY6 YE | L E D | ON | 01 |
| | VA078900 | Jumper Wire | 0.55 | ジャンパー線 | | |
| | VG223500 | Jack Holder | | JACKアングル | | 02 |
| * | VR034000 | Push Button | M.GY/S.GY | プッシュボタン | ASSIGN,L+R,A/B, AUX PRE | 03 |
| * | VR281300 | Push Button | GR/S.GY | プッシュボタン | EQ | |
| * | VR281500 | Push Button | RE/S.GY | プッシュボタン | ST | |
| * | VR637000 | Push Button | Y.BR/S.GY | プッシュボタン | MONO | |
| * | VR637100 | Push Button | S.GY/Y.BR | プッシュボタン | CUE | |
| | -- | Connector Assembly | SUM GND | 線材 Assy | (VR30140) | |
| CONNECTOR ASSEMBLY | | | | | | |
| * | VR301300 | Connector Assembly | PS | 線材 Assy | Power supply | |
| | LB101710 | Connector Pin | SVH-21T-P1.1 | 圧着端子 | | 01 |
| | LB015080 | Connector Housing | VH-8P | ハウジング | | 01 |
| | LB605750 | Connector | SRCN PLUG 10P | 丸型コネクタ | | 08 |
| | -- | Earth Plate | | アース金具 | (VR03890) | |
| * | VR301500 | Connector Assembly | MONO FADER1 | 線材 Assy | Mono. fader | |
| | VB936800 | Connector Contact | SPH-002T-P0.5S | コンタクト | | 01 |
| | VB304400 | Connector Housing | PH-3P | コネクタハウジング | | 01 |
| | -- | Slide Variable Resistor | 10.0K RSA0K11A | スライドVR 100mm | (VR28070) | |
| * | VR301700 | Connector Assembly | ST FADER | 線材 Assy | Stereo fader | |
| | VB936800 | Connector Contact | SPH-002T-P0.5S | コンタクト | | 01 |
| | VB304700 | Connector Housing | PH-6P | コネクタハウジング | | 01 |
| | -- | Slide Variable Resistor | D10KX2 RSA0K12A | 二連スライドVR | (VR28110) | |

* New Parts (新規部品)

ランク : Japan only

■ OVERALL ASSEMBLY (総組立) M2000

| REF NO. | PART NO. | DESCRIPTION | 部 品 名 | REMARKS | ランク |
|---------|----------|---------------------------|-----------------|-----------------------|----------------|
| | -- | OVERALL ASSEMBLY | 総 組 立 | 16/24/32/40CH | |
| A | -- | Connector Assembly | LAMP2 | 2/2/3/3(VR27580) | |
| * B | VR276300 | Connector Assembly | MIDI1 | 線 材 A s s y | 1pc. |
| * C | VR276400 | Connector Assembly | MIDI2-16 | 線 材 A s s y | 16CH |
| * D | VR276500 | Connector Assembly | MIDI2-24 | 線 材 A s s y | 24CH |
| * E | VR276600 | Connector Assembly | MIDI2-32 | 線 材 A s s y | 32CH |
| * F | VR276700 | Connector Assembly | MIDI2-40 | 線 材 A s s y | 40CH |
| G | -- | Connector Assembly | METER | 線 材 A s s y | 1pc. (VR27680) |
| * H | VR277300 | Connector Assembly | MIDI BUSS-24 | 線 材 A s s y | |
| * I | VR277500 | Connector Assembly | MIDI BUS-MASTER | 線 材 A s s y | 40CH |
| * 10 | VR035600 | Main Chassis | 16CH | メインシャーシ16CH | 16CH |
| * 10 | VR035700 | Main Chassis | 24CH | メインシャーシ24CH | 24CH |
| * 10 | VR035800 | Main Chassis | 32CH | メインシャーシ32CH | 32CH |
| * 10 | VR035900 | Main Chassis | 40CH | メインシャーシ40CH | 40CH |
| 20 | CB806590 | Foot | ABS(BL) | ア ン プ レ ッ グ | 4/4/6/6pcs 01 |
| * 30 | VD831800 | Bind Head Tapping Screw-B | A4.0X12 ZMC2BL | + バインド B タイ ト | 1pc. 01 |
| * 40 | VR169700 | Side Chassis | L | サ イ ド シャ ー シ L | |
| * 50 | VR037500 | Side Pad | L small | サ イ ド パ ッ ド 小 L | 08 |
| * 60 | VR095400 | Side Plate | L small | サ ブ 金 具 小 L | |
| * 70 | VC388800 | Bind Head Tapping Screw-P | 4.0X10 ZMC2BL | + バインド P タイ ト | 2pcs 01 |
| * 80 | VC688800 | Bind Head Tapping Screw-B | A4.0X8 ZMC2BL | + バインド B タイ ト | 2pcs 01 |
| * 90 | VR037900 | Side Pad | C | サ イ ド パ ッ ド C | |
| * 100 | VC688800 | Bind Head Tapping Screw-B | A4.0X8 ZMC2BL | + バインド B タイ ト | 6pcs 01 |
| * 110 | VR037300 | Side Pad | L large | サ イ ド パ ッ ド 大 L | 09 |
| * 120 | VR037700 | Side Plate | L large | サ ブ 金 具 大 L | |
| * 130 | VC388800 | Bind Head Tapping Screw-P | 4.0X10 ZMC2BL | + バインド P タイ ト | 4pcs 01 |
| * 140 | VC688800 | Bind Head Tapping Screw-B | A4.0X8 ZMC2BL | + バインド B タイ ト | 3pcs 01 |
| * 150 | VR604100 | Connector Guard | | コ ネ ク タ ー ガ ー ド | |
| * 160 | VD831800 | Bind Head Tapping Screw-B | A4.0X12 ZMC2BL | + バインド B タイ ト | 1pc. 01 |
| * 170 | VC688800 | Bind Head Tapping Screw-B | A4.0X8 ZMC2BL | + バインド B タイ ト | 4pcs 01 |
| * 180 | VR169800 | Side Chassis | R | サ イ ド シャ ー シ R | |
| * 190 | VR037600 | Side Pad | R small | サ イ ド パ ッ ド 小 R | |
| * 200 | VR095500 | Side Plate | R small | サ ブ 金 具 小 R | |
| * 210 | VC388800 | Bind Head Tapping Screw-P | 4.0X10 ZMC2BL | + バインド P タイ ト | 2pcs 01 |
| * 220 | VC688800 | Bind Head Tapping Screw-B | A4.0X8 ZMC2BL | + バインド B タイ ト | 2 01 |
| * 230 | VR037900 | Side Pad | C | サ イ ド パ ッ ド C | |
| * 240 | VC688800 | Bind Head Tapping Screw-B | A4.0X8 ZMC2BL | + バインド B タイ ト | 6pcs 01 |
| * 250 | VR037400 | Side Pad | R large | サ イ ド パ ッ ド 大 R | 09 |
| * 260 | VR037800 | Side Plate | R large | サ ブ 金 具 大 R | |
| * 270 | VC388800 | Bind Head Tapping Screw-P | 4.0X10 ZMC2BL | + バインド P タイ ト | 4pcs 01 |
| * 280 | VC688800 | Bind Head Tapping Screw-B | A4.0X8 ZMC2BL | + バインド B タイ ト | 3pcs 01 |
| * 290 | VR604100 | Connector Guard | | コ ネ ク タ ー ガ ー ド | |
| * 300 | VD831800 | Bind Head Tapping Screw-B | A4.0X12 ZMC2BL | + バインド B タイ ト | 1pc. 01 |
| * 310 | VC688800 | Bind Head Tapping Screw-B | A4.0X8 ZMC2BL | + バインド B タイ ト | 4pcs 01 |
| * 320 | VR036000 | Frame | L | フ レ ー ム L | |
| * 330 | VR302300 | Support, PCB | KGLS-5RF | ロ ッ キ ン グ カ ー ド ス ー ン | 5pcs |
| * 340 | VC688800 | Bind Head Tapping Screw-B | A4.0X8 ZMC2BL | + バインド B タイ ト | 5pcs 01 |
| * 350 | VR036100 | Frame | R | フ レ ー ム R | 40CH |
| * 360 | VR604100 | Connector Guard | | コ ネ ク タ ー ガ ー ド | 40CH |
| * 370 | VD831800 | Bind Head Tapping Screw-B | A4.0X12 ZMC2BL | + バインド B タイ ト | 40CH 1pc. 01 |
| * 380 | VC688800 | Bind Head Tapping Screw-B | A4.0X8 ZMC2BL | + バインド B タイ ト | 40CH 4pcs 01 |
| * 390 | VR036200 | Cushion | S | ク ッ シ ョ ン S | 40CH 6pcs |
| * 400 | VR036300 | Cushion | L | ク ッ シ ョ ン L | 7/9/11/13pcs |
| * 410 | VR036400 | Rear Panel | 16CH | リ ア パ ネ ル 1 6 C H | 16CH |
| * 410 | VR036500 | Rear Panel | 24CH | リ ア パ ネ ル 2 4 C H | 24CH |
| * 410 | VR036600 | Rear Panel | 32CH | リ ア パ ネ ル 3 2 C H | 32CH |
| * 410 | VR036700 | Rear Panel | 40CH | リ ア パ ネ ル 4 0 C H | 40CH |
| * 420 | VR604100 | Connector Guard | | コ ネ ク タ ー ガ ー ド | 2/2/2/3pcs |
| * 430 | VD831800 | Bind Head Tapping Screw-B | A4.0X12 ZMC2BL | + バインド B タイ ト | 2/2/2/3pcs 01 |
| * 440 | VC688800 | Bind Head Tapping Screw-B | A4.0X8 ZMC2BL | + バインド B タイ ト | 3/3/3/4pcs 01 |

* New Parts (新規部品)

ランク: Japan only

| REF NO. | PART NO. | DESCRIPTION | 部 品 名 | REMARKS | ランク |
|--|----------|---------------------------|-----------------|-------------------|----------------|
| * 450 | VR036800 | Window | 8SEG | ウィンドウ 8 S E G | 09 |
| 460 | VN053800 | TB Escutcheon | | T B エスカッション | 07 |
| * 470a | NX813790 | Circuit Board | MIDI1/4 | M I D I 1 / 4 シート | (VR03040) |
| * 470b | NX813800 | Circuit Board | MIDI2/4 | M I D I 2 / 4 シート | (VR03040) |
| * 470c | NX813810 | Circuit Board | MIDI3/4 | M I D I 3 / 4 シート | (VR03040) |
| * 470d | NX813820 | Circuit Board | MIDI4/4 | M I D I 4 / 4 シート | (VR03040) |
| * 475 | VP157900 | Bind Head Tapping Screw-B | A3.0X6 ZMC2BL | + バインド B タイ | 4pcs |
| * 480 | VR036900 | Sheet Holder | 8SEG | シートホルダー 8 SEG | |
| * 500 | VP157900 | Bind Head Tapping Screw-B | A3.0X6 ZMC2BL | + バインド B タイ | 4pcs |
| 510 | VS182000 | Flat Head Screw | B3.0X6 ZMC2BL | + 皿 小 ネジ | 2pcs |
| * 520 | VR984900 | Push Button Assembly | <1> UTILITY | プッシュボタン大Assy | |
| * 530 | VR985000 | Push Button Assembly | <1> RECALL | プッシュボタン大Assy | |
| * 540 | VR985100 | Push Button Assembly | <1> STORE | プッシュボタン大Assy | |
| * 550 | VR985200 | Push Button Assembly | <1> CHECK | プッシュボタン大Assy | |
| * 560 | VR985300 | Push Button Assembly | <1> TRIANGL | プッシュボタン大Assy | 2pcs |
| 570 | VN680200 | Push Button Assembly | L | プッシュボタン (L) | 8pcs |
| 580 | VP157900 | Bind Head Tapping Screw-B | A3.0X6 ZMC2BL | + バインド B タイ | 3pcs |
| * 590 | VR037000 | Heat Sink | | ヒートシンク | |
| 600 | VP157900 | Bind Head Tapping Screw-B | A3.0X6 ZMC2BL | + バインド B タイ | 1pc. |
| * 610 | VR030500 | Circuit Board | PS | P S シート | |
| 615 | VN103500 | Lithium Battery | CR2032 | リチウム電池 | 03 |
| 620 | EP630220 | Bind Head Tapping Screw-P | 3.0X8 ZMC2BL | + バインド P タイ | 2pcs |
| 630 | EL000320 | Bind Head Screw | A4.0X8 FCM3BL | + バインド小ネジ | 1pc. |
| 640 | VP157900 | Bind Head Tapping Screw-B | A3.0X6 ZMC2BL | + バインド B タイ | 2pcs |
| * 650 | VR037100 | Trnsistor Holder | | トランジスターホルダ | 07 |
| 660 | VC214100 | Pan Head Screw | SP 3.0X16 ZMC2Y | + ナベ小ネジ | 2pcs |
| * 670 | VR301300 | Connector Assembly | PS | 線材 A s s y | |
| 670a | LB605750 | Connector | SRCN PLUG 10P | 丸型コネクタ | 08 |
| 680 | VP157900 | Bind Head Tapping Screw-B | A3.0X6 ZMC2BL | + バインド B タイ | 4pcs |
| 690 | EL000320 | Bind Head Screw | A4.0X8 FCM3BL | + バインド小ネジ | 2pcs |
| 700 | -- | Connector Assembly | SHUNT | 線材 A s s y | (VR98480) |
| 710 | EL000320 | Bind Head Screw | A4.0X8 FCM3BL | + バインド小ネジ | 2pcs |
| * 720 | VR037200 | Shield Plate | | シールドプレート | 11 |
| 730 | VN141100 | Support, PCB | KGPS-5RF | カードスペーサー | 2pcs |
| 740 | VS182000 | Flat Head Screw | B3.0X6 ZMC2BL | + 皿 小 ネジ | 4pcs |
| 750 | VC688800 | Bind Head Tapping Screw-B | A4.0X8 ZMC2BL | + バインド B タイ | 3pcs |
| * 760 | NX813720 | Circuit Board | JK1/5 | J K 1 / 5 シート | (VR30710) |
| * 760 | NX813730 | Circuit Board | JK2/5 | J K 2 / 5 シート | (VR30710) |
| * 770 | VP157900 | Bind Head Tapping Screw-B | A3.0X6 ZMC2BL | + バインド B タイ | 11pcs |
| * 780 | VR272500 | INPUT Module | | I N P U T モジュール | 4/6/8/10pcs |
| 790 | VC688800 | Bind Head Tapping Screw-B | A4.0X8 ZMC2BL | + バインド B タイ | 20/30/40/50pcs |
| * 800 | VR272600 | ST CHANNEL Module | | S T C H モジュール | |
| Notes) The MIDI3/4 circuit board and the connector assemblies are not included in the ST CHANNEL module. 注意) MIDI3/4シートと線材Ass'yは、ST CHモジュールの構成部品ではありません | | | | | |
| 810 | VC688800 | Bind Head Tapping Screw-B | A4.0X8 ZMC2BL | + バインド B タイ | 4pcs |
| * 820 | VR272700 | MASTER Module | | M A S T E R モジュール | |
| Notes) The MIDI4/4 circuit board and the connector assemblies are not included in the MASTER module. 注意) MIDI4/4シートと線材Ass'yは、MASTERモジュールの構成部品ではありません | | | | | |
| 830 | VC688800 | Bind Head Tapping Screw-B | A4.0X8 ZMC2BL | + バインド B タイ | 10pcs |
| * 840 | VR301800 | Connector Assembly | MC08-16 | 線材 A s s y | 16CH |
| * 840 | VR301900 | Connector Assembly | MC08-24 | 線材 A s s y | 24CH |
| * 840 | VR302000 | Connector Assembly | MC08-32 | 線材 A s s y | 32CH |
| * 840 | VR302100 | Connector Assembly | MC08-40 | 線材 A s s y | 40CH |
| * 850 | VR700500 | Angle Bracket | (Earth bar) | アングル (アースバー) | 1/1/1/2pcs |
| * 860 | EL000320 | Bind Head Screw | A4.0X8 FCM3BL | + バインド小ネジ | 1/1/1/2pcs |
| * 870 | VR268400 | Spacer | | スペーサー | 3/3/3/4pcs |
| * 880 | VR701300 | Earth Bar | 16IN | アースバー 1 6 I N | 16CH |
| * 880 | VR701400 | Earth Bar | 24IN | アースバー 2 4 I N | 24CH/40CH |
| * 880 | VR701500 | Earth Bar | 32IN | アースバー 3 2 I N | 32CH |
| * 890 | VR701100 | Joint Plate | A | 連結金具 A | |

* New Parts (新規部品)

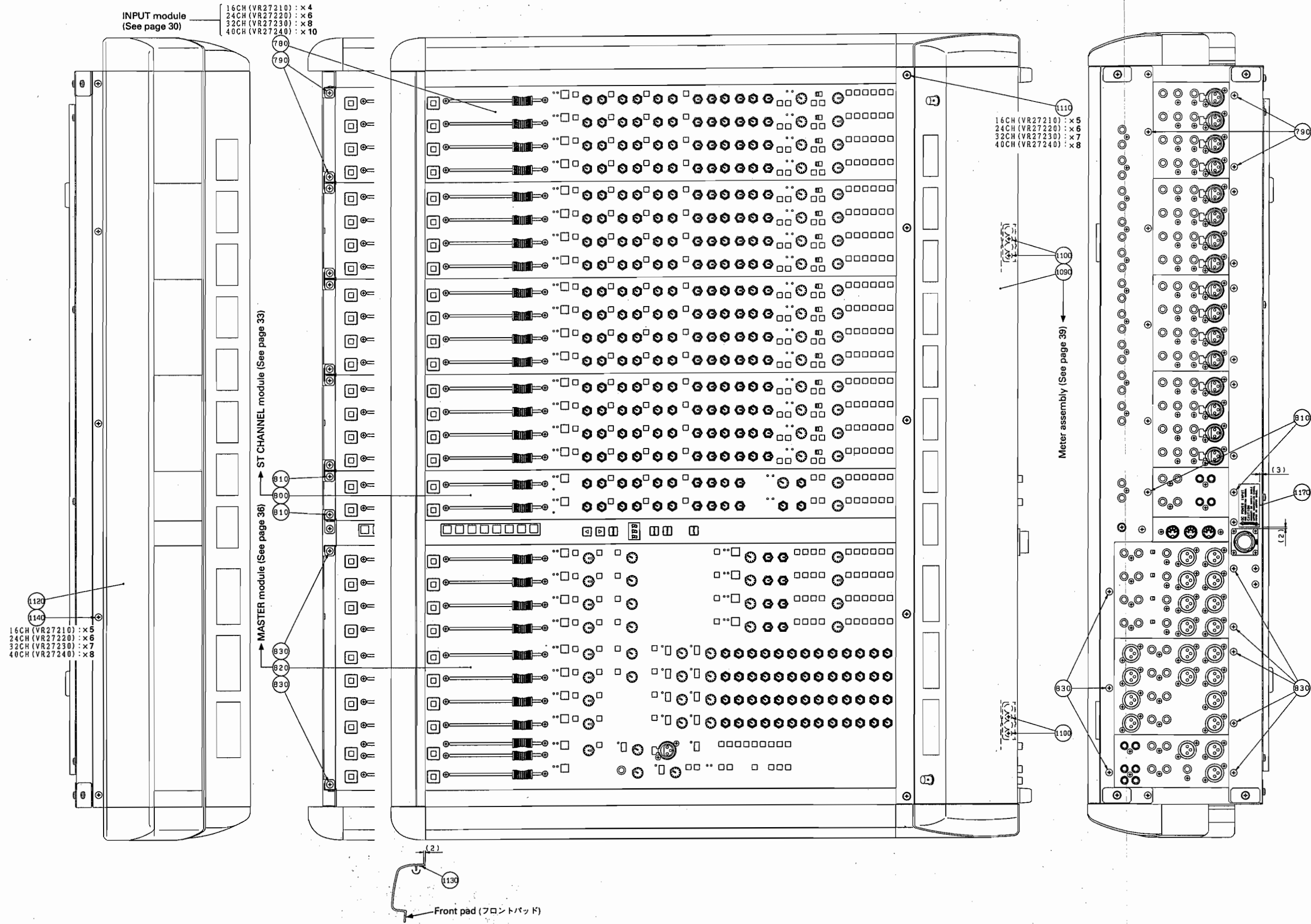
ランク : Japan only

| REF NO. | PART NO. | DESCRIPTION | | 部 品 名 | REMARKS | ランク |
|---------|----------|---------------------------|----------------|-----------------|-----------------|-----|
| * 900 | EL000320 | Bind Head Screw | A4.0X8 FCM3BL | + バインド小ネジ | 1pc. | 01 |
| * 910 | VR700600 | Sub-plate | 16IN | サブ金具 1 6 I N | 16CH | |
| * 910 | VR700700 | Sub-plate | 24IN | サブ金具 2 4 I N | 24/40CH | |
| * 910 | VR700800 | Sub-plate | 32IN | サブ金具 3 2 I N | 32CH | |
| 920 | EL000320 | Bind Head Screw | A4.0X8 FCM3BL | + バインド小ネジ | 2pcs | 01 |
| 930 | VG513400 | Insulation Bushing | 4M PM2800M | 絶 縁 ブ ッ シ ュ | 2pcs | 01 |
| 940 | EL000320 | Bind Head Screw | A4.0X8 FCM3BL | + バインド小ネジ | 2pcs | 01 |
| * 950 | VR701600 | Earth Bar | 40INR | アースバー 4 0 I N R | 40CH | |
| * 960 | VR701200 | Joint Plate | B | 連 結 金 具 B | 40CH | |
| 970 | EL000320 | Bind Head Screw | A4.0X8 FCM3BL | + バインド小ネジ | 40CH | 01 |
| * 980 | VR700900 | Sub-plate | 40INR | サブ金具 4 0 I N R | 40CH | |
| 990 | EL000320 | Bind Head Screw | A4.0X8 FCM3BL | + バインド小ネジ | 40CH 2pcs | 01 |
| 1000 | VG513400 | Insulation Bushing | 4M PM2800M | 絶 縁 ブ ッ シ ュ | 40CH 2pcs | 01 |
| 1010 | EL000320 | Bind Head Screw | A4.0X8 FCM3BL | + バインド小ネジ | 40CH 2pcs | 01 |
| * 1020 | VR701700 | Earth Bar | MA | アースバー M A | | |
| * 1030 | VR701000 | Sub-plate | MA | サ ブ 金 具 M A | | |
| 1040 | EL000320 | Bind Head Screw | A4.0X8 FCM3BL | + バインド小ネジ | 2pcs | 01 |
| 1050 | VG513400 | Insulation Bushing | 4M | 絶 縁 ブ ッ シ ュ | 16/24/32CH | 01 |
| 1060 | EL000320 | Bind Head Screw | A4.0X8 FCM3BL | + バインド小ネジ | 3/3/3/4pcs | 01 |
| 1070 | EL000320 | Bind Head Screw | A4.0X8 FCM3BL | + バインド小ネジ | 2pcs | 01 |
| 1080 | EL000320 | Bind Head Screw | A4.0X8 FCM3BL | + バインド小ネジ | 19/23/27/31 pcs | 01 |
| 1090 | -- | Meter Assembly | | メーター A s s y | | |
| 1100 | VC688800 | Bind Head Tapping Screw-B | A4.0X8 ZMC2BL | + バインド B タイト | 4/6/6/8pcs | 01 |
| 1110 | EL000320 | Bind Head Screw | A4.0X8 FCM3BL | + バインド小ネジ | 5/6/7/8pcs | 01 |
| * 1120 | VR038400 | Front Pad | 16CH | フロントパッド 1 6 C H | 16CH | |
| * 1120 | VR038500 | Front Pad | 24CH | フロントパッド 2 4 C H | 24CH | |
| * 1120 | VR038600 | Front Pad | 32CH | フロントパッド 3 2 C H | 32CH | |
| * 1120 | VR038700 | Front Pad | 40CH | フロントパッド 4 0 C H | 40CH | |
| * 1130 | VR035200 | Felt | 16CH | フェルト 1 6 C H | 16CH | 03 |
| * 1130 | VR035300 | Felt | 24CH | フェルト 2 4 C H | 24CH | 03 |
| * 1130 | VR035400 | Felt | 32CH | フェルト 3 2 C H | 32CH | 03 |
| * 1130 | VR035500 | Felt | 40CH | フェルト 4 0 C H | 40CH | 04 |
| 1140 | EL000320 | Bind Head Screw | A4.0X8 FCM3BL | + バインド小ネジ | 5/6/7/8pcs | 01 |
| 1170 | -- | Label | DC POWER INPUT | ラ ベ ル | (VR35720) | |
| | | ACCESSORIES | | 付 属 品 | | |
| | VD028900 | Power Cable | M2000-PW2000M | 接 続 ケ ー ブ ル | | 21 |
| * 910 | VR590400 | Power Supply Unit | PW2000M | 電 源 A s s y | J | |
| * 910 | VR590500 | Power Supply Unit | PW2000M | 電 源 A s s y | U,C,V | |
| * 910 | VR590600 | Power Supply Unit | PW2000M | 電 源 A s s y | H,W | |
| * 910 | VR590700 | Power Supply Unit | PW2000M | 電 源 A s s y | B | |

* New Parts (新規部品)

ランク: Japan only

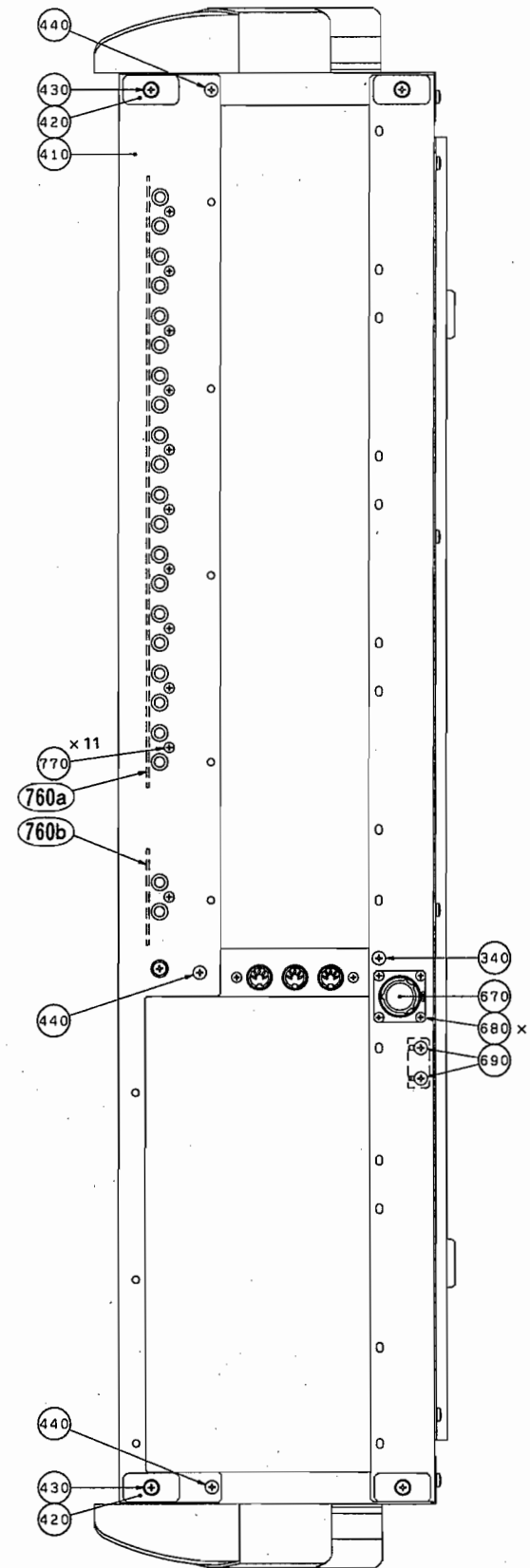
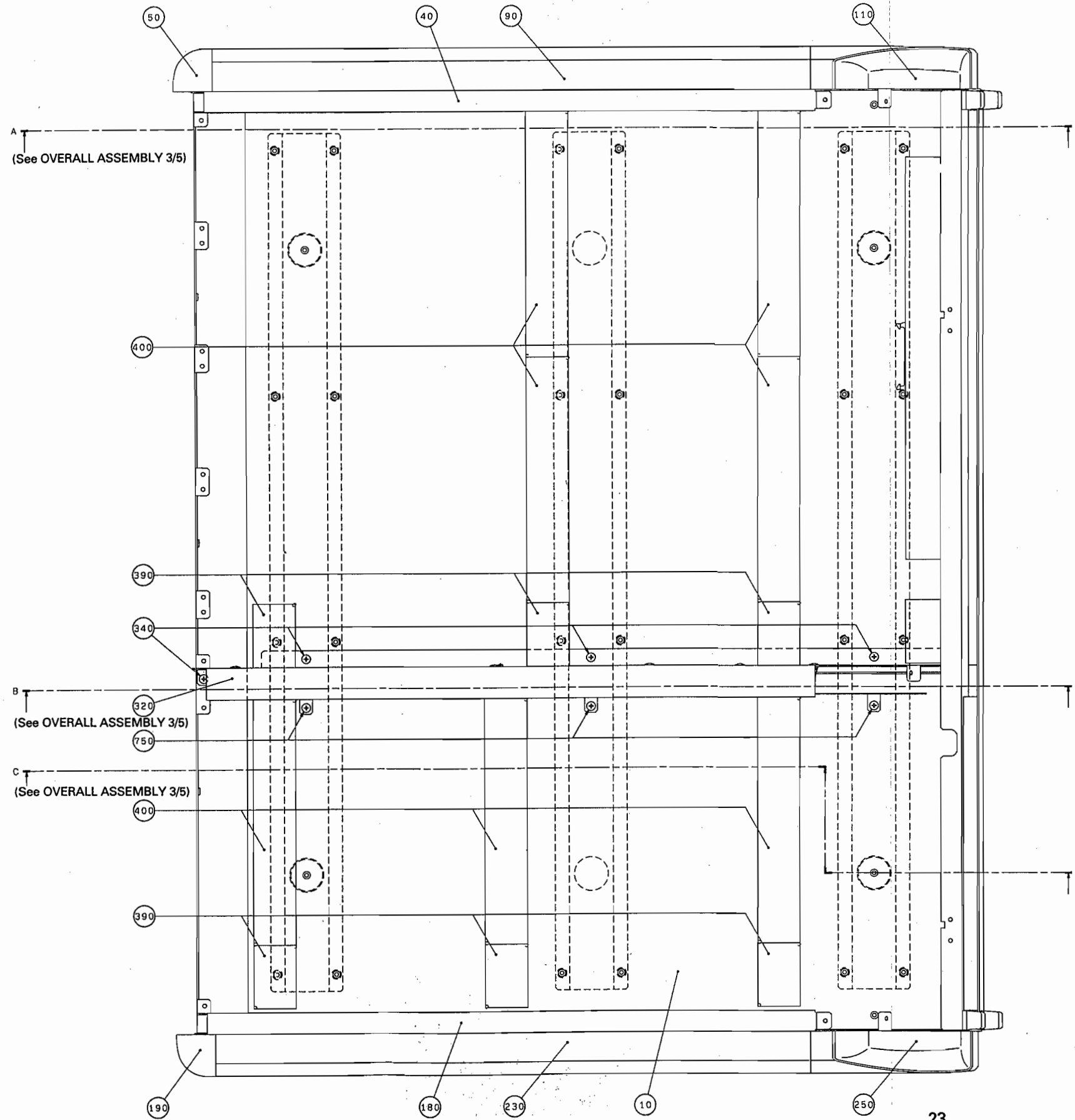
OVERALL ASSEMBLY (総組立) 1/5 M2000



M2000/PW2000M

OVERALL ASSEMBLY (総組立) 2/5 M2000

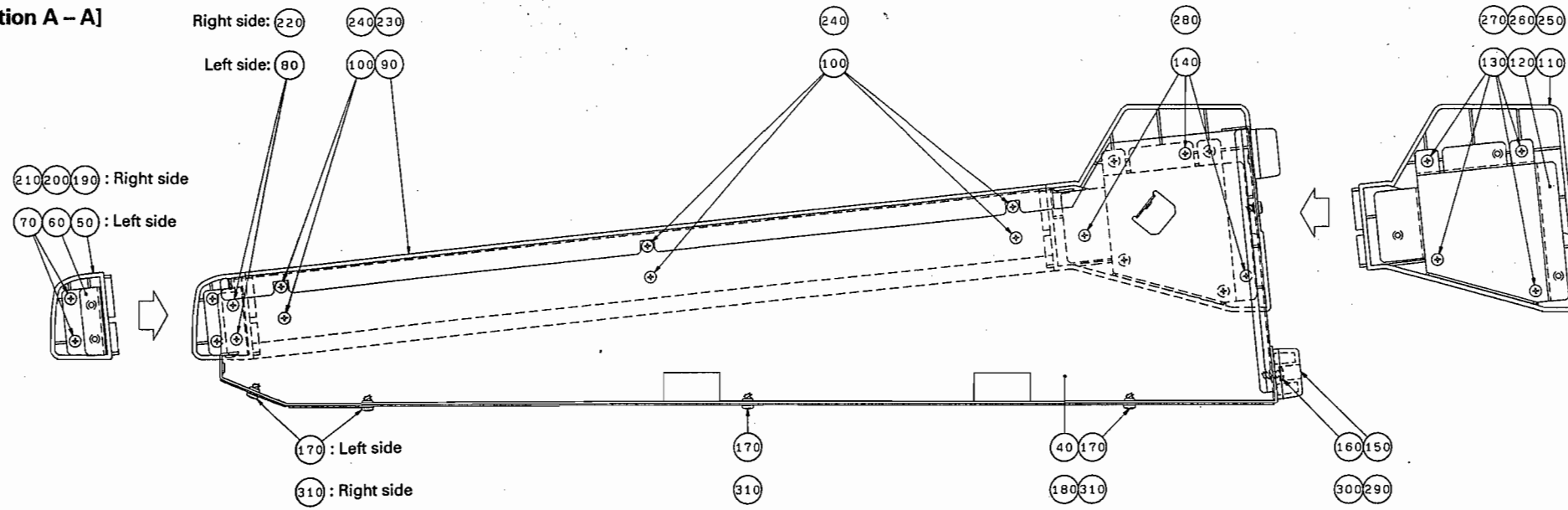
This figure shows the main chassis, frame, side pads, etc. (Modules are not installed.)
 (この図は、メインシャーシ、フレーム、サイドパッドなどの組立てを示しています。モジュールは組付けられていません。)



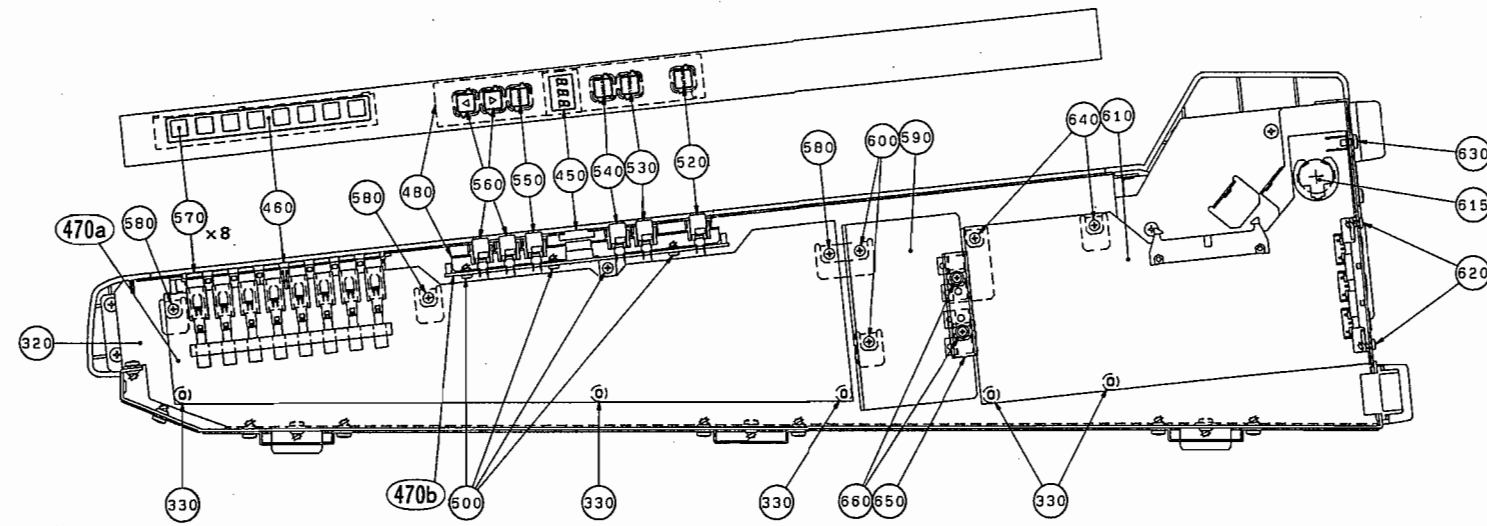
M2000/PW2000M

OVERALL ASSEMBLY (総組立) 3/5 M2000

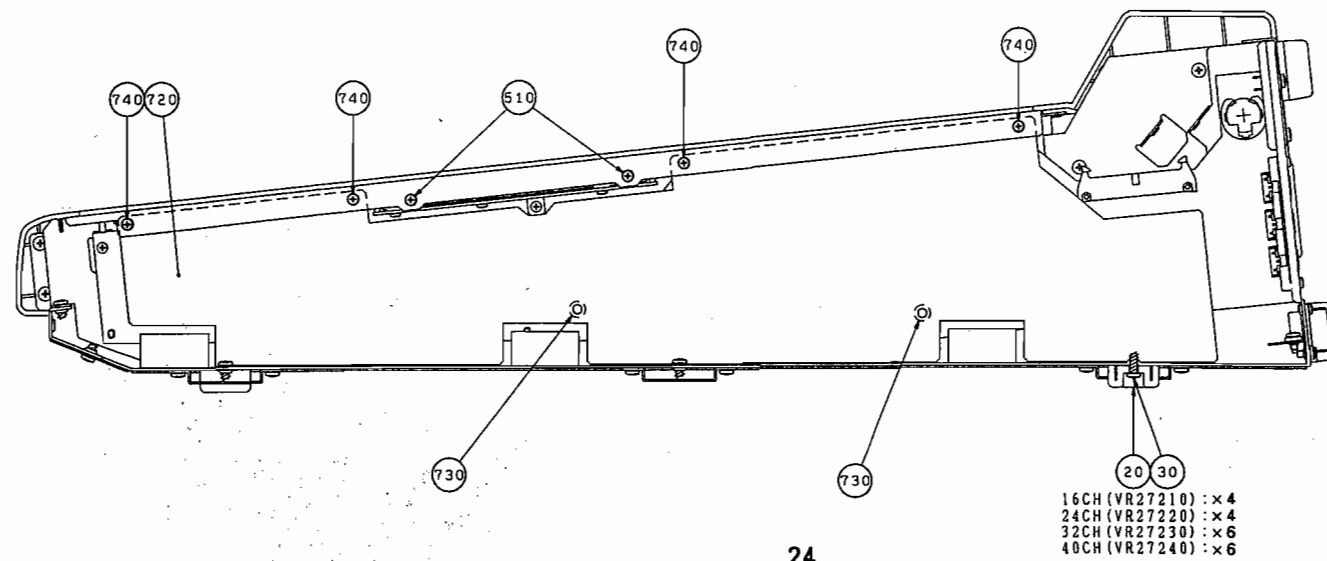
[Section A - A]



[Section B - B]

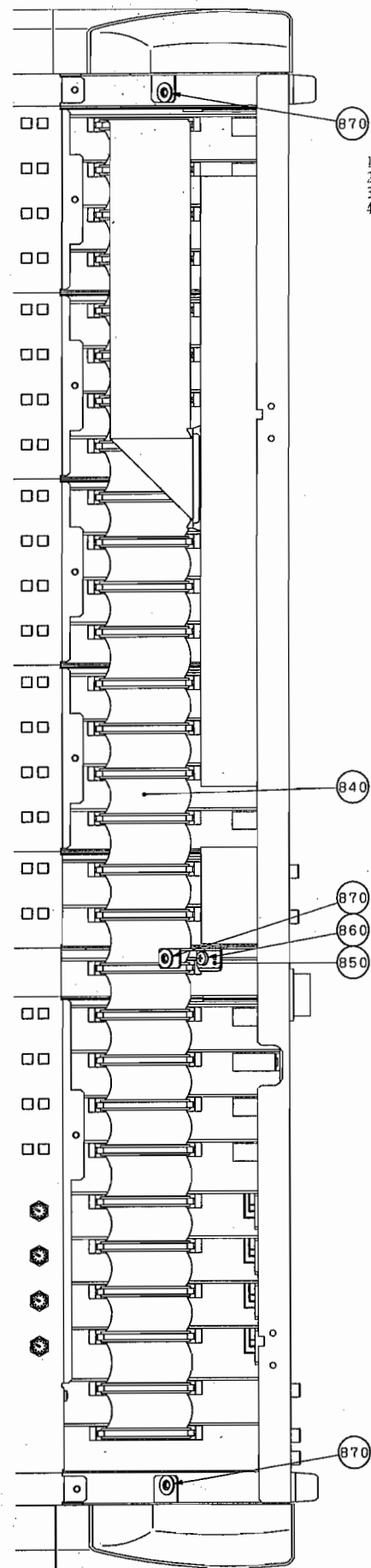
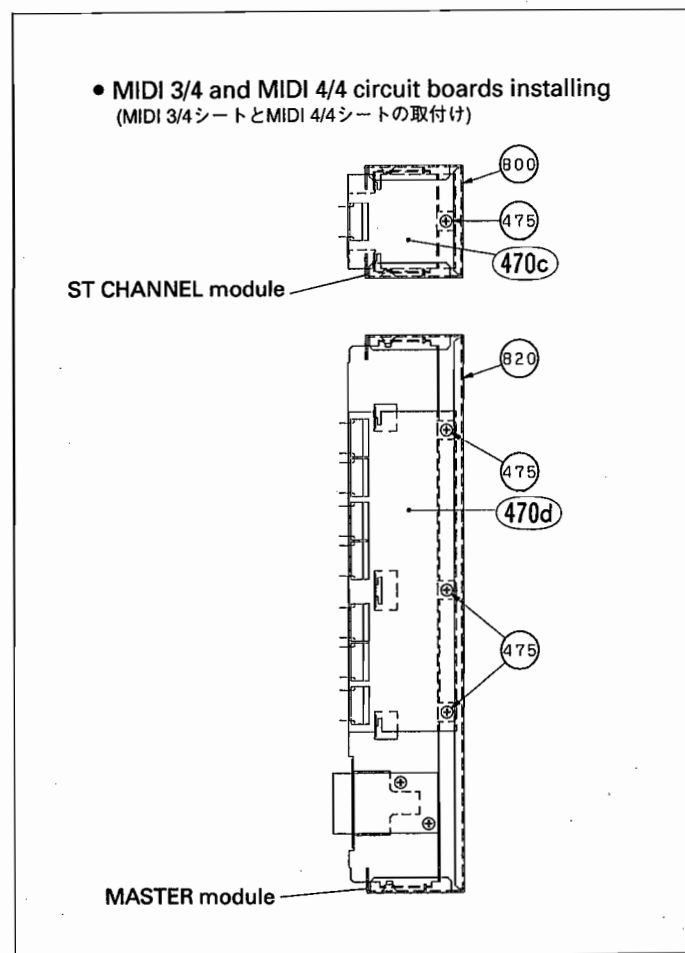


[Section C - C]



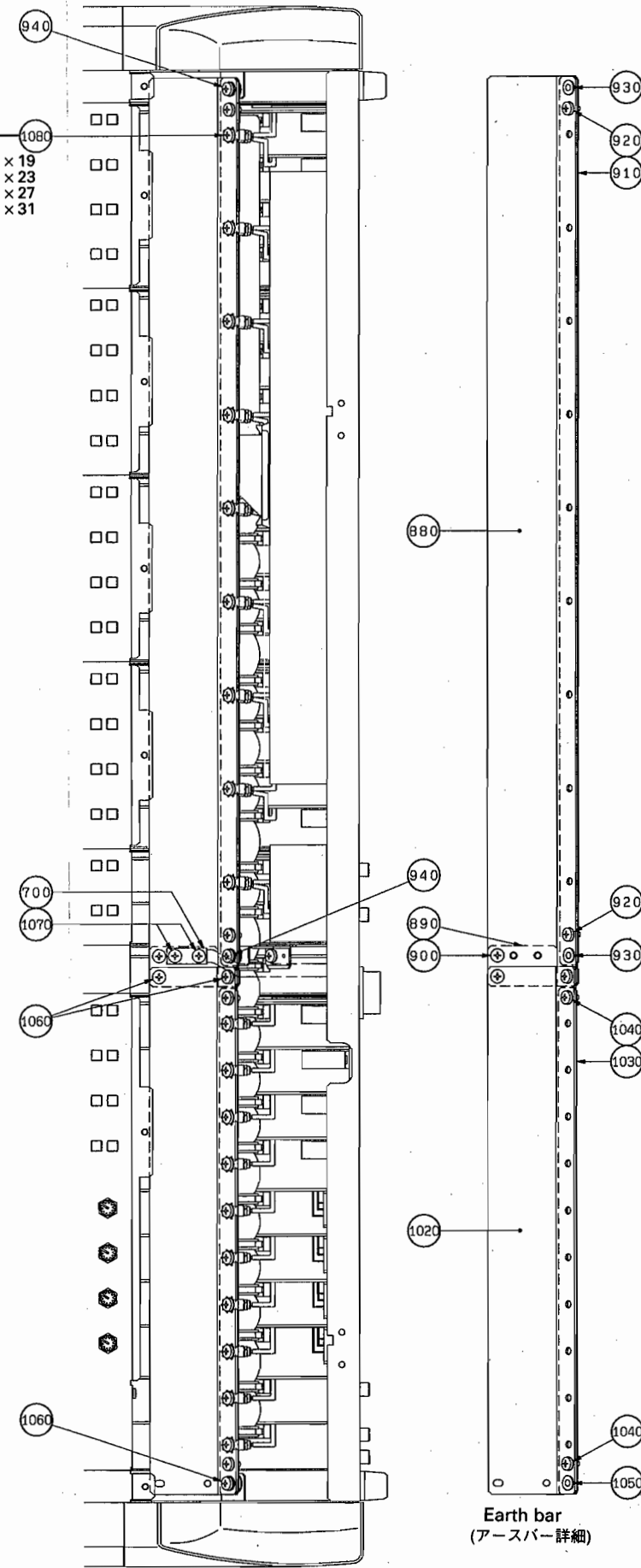
■ OVERALL ASSEMBLY (総組立) 4/5 M2000

M2000/PW2000M



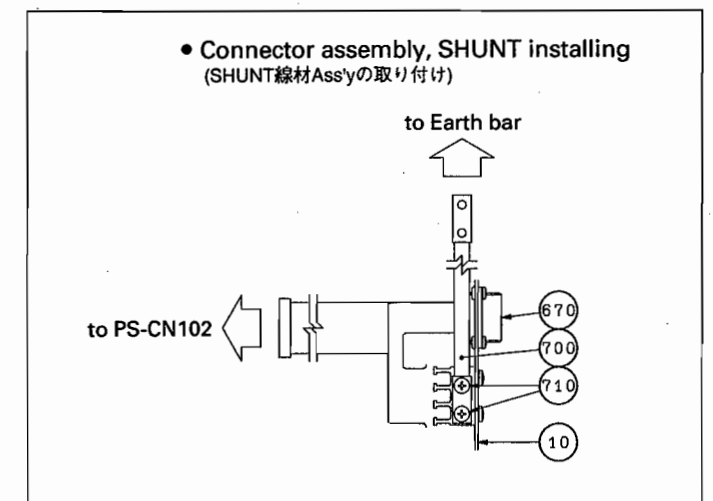
Underside of the meter panel
(メーターパネル下側 (1))
The earth bar has been removed.
(アースバー取外し後)

- 16CH (VR27210) : x 19
- 24CH (VR27220) : x 23
- 32CH (VR27230) : x 27
- 40CH (VR27240) : x 31



Underside of the meter panel
(メーターパネル下側 (2))

Earth bar
(アースバー詳細)

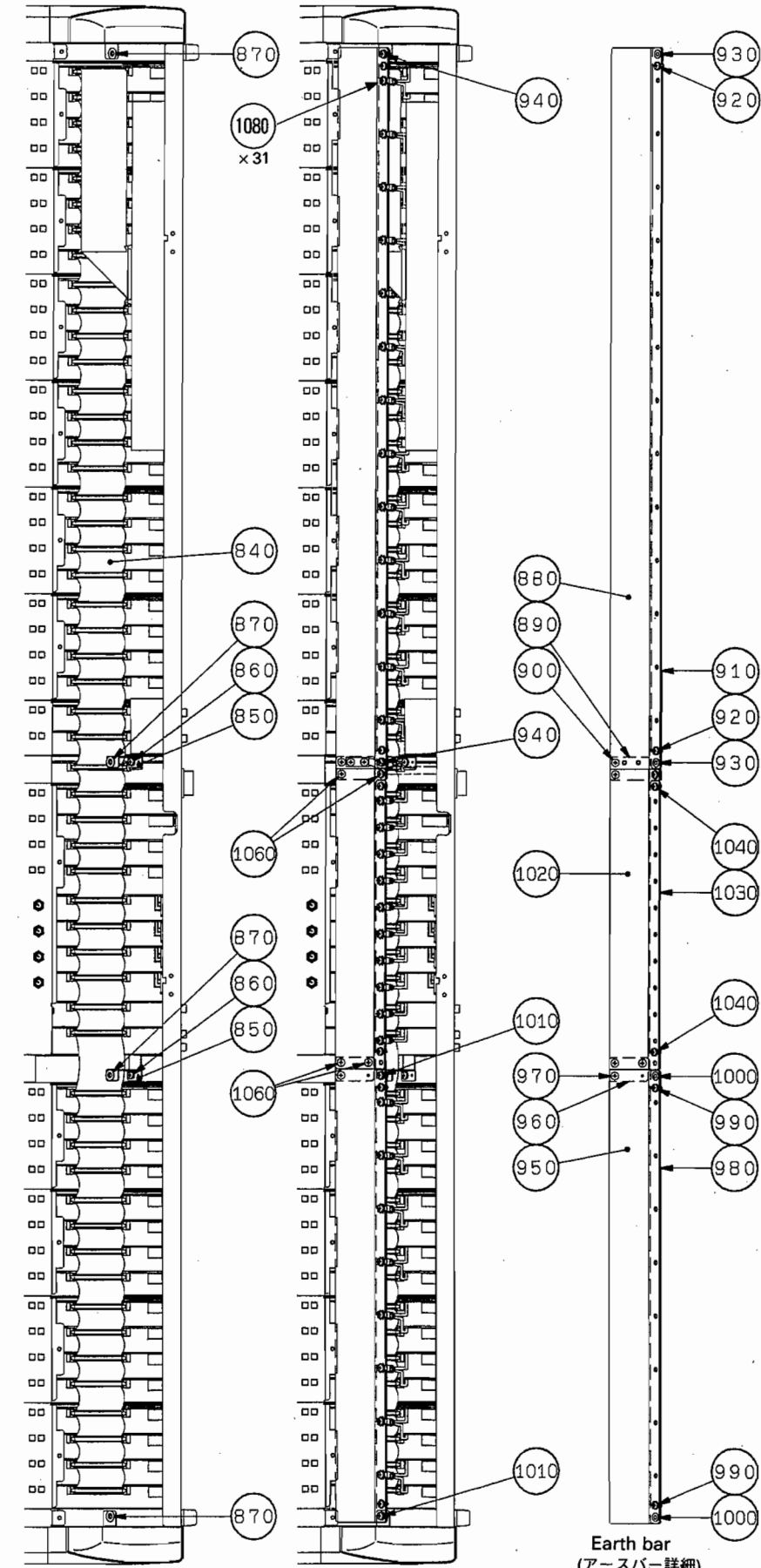
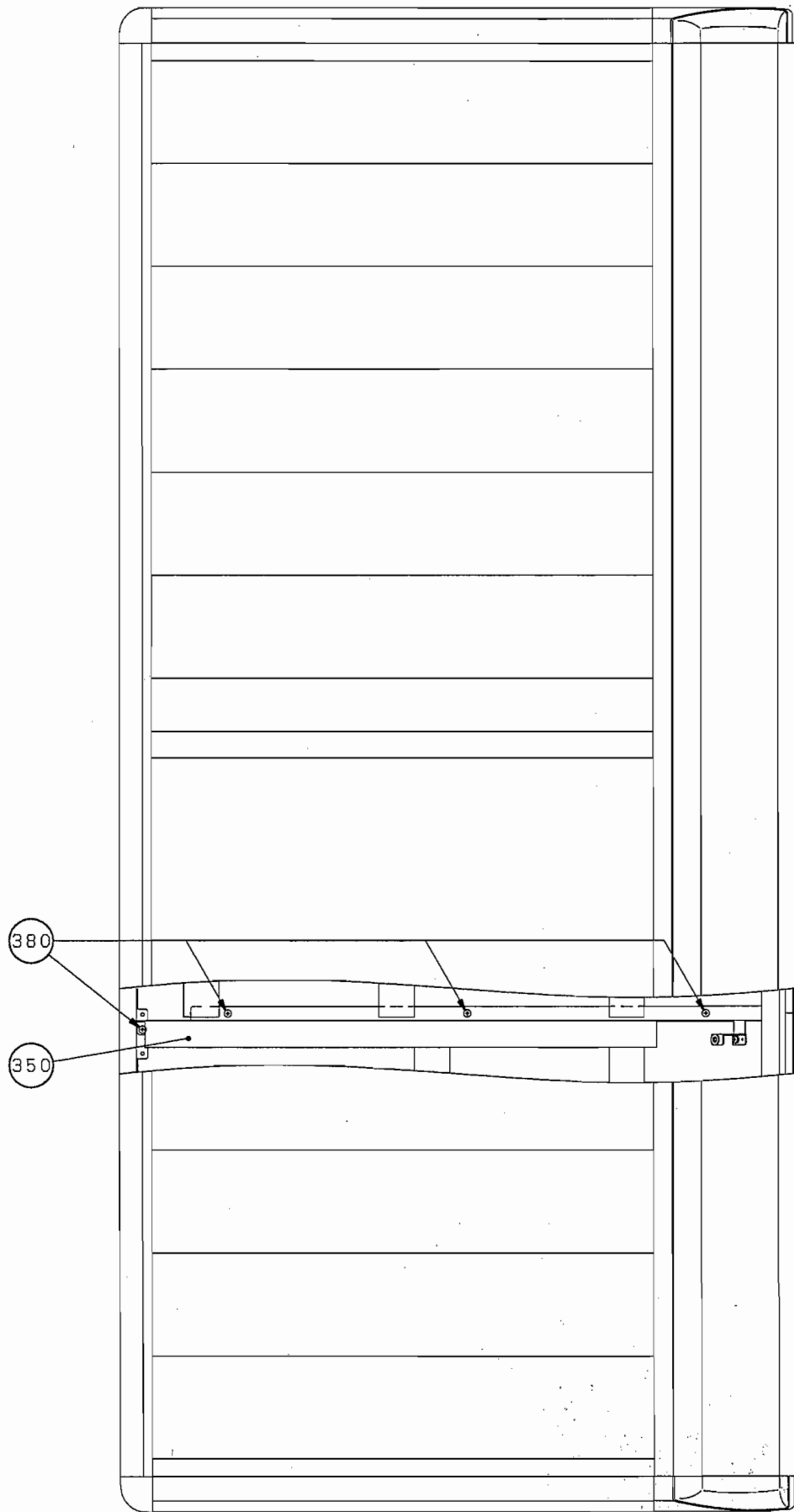


■ OVERALL ASSEMBLY (総組立) 5/5 M2000

M2000/PW2000M

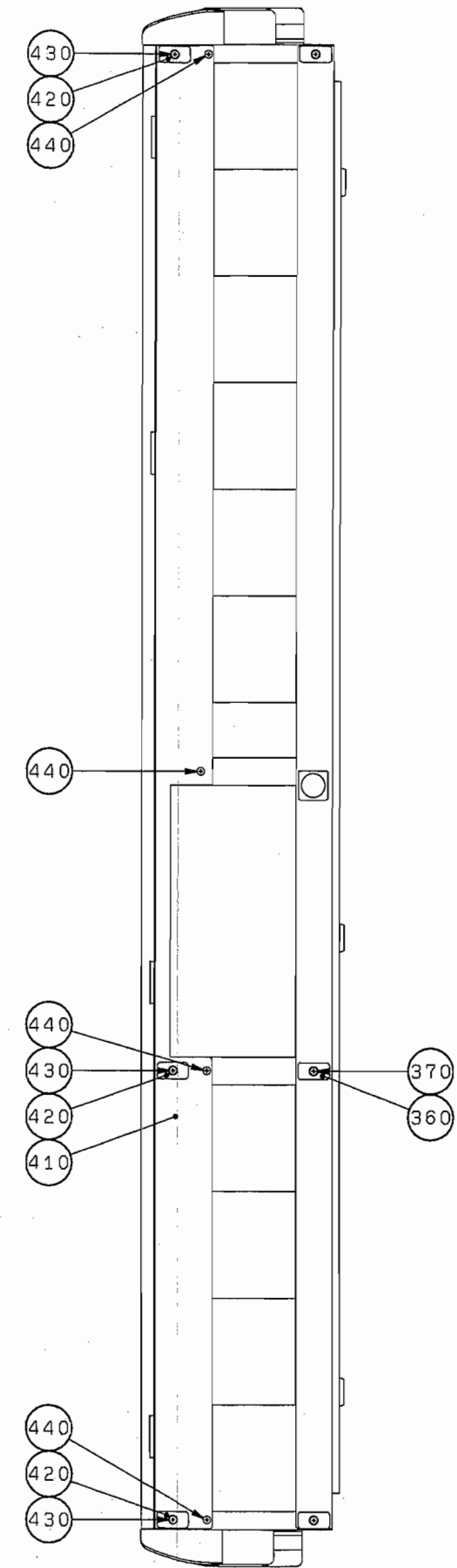
M2000-40C only

M2000/PW2000M



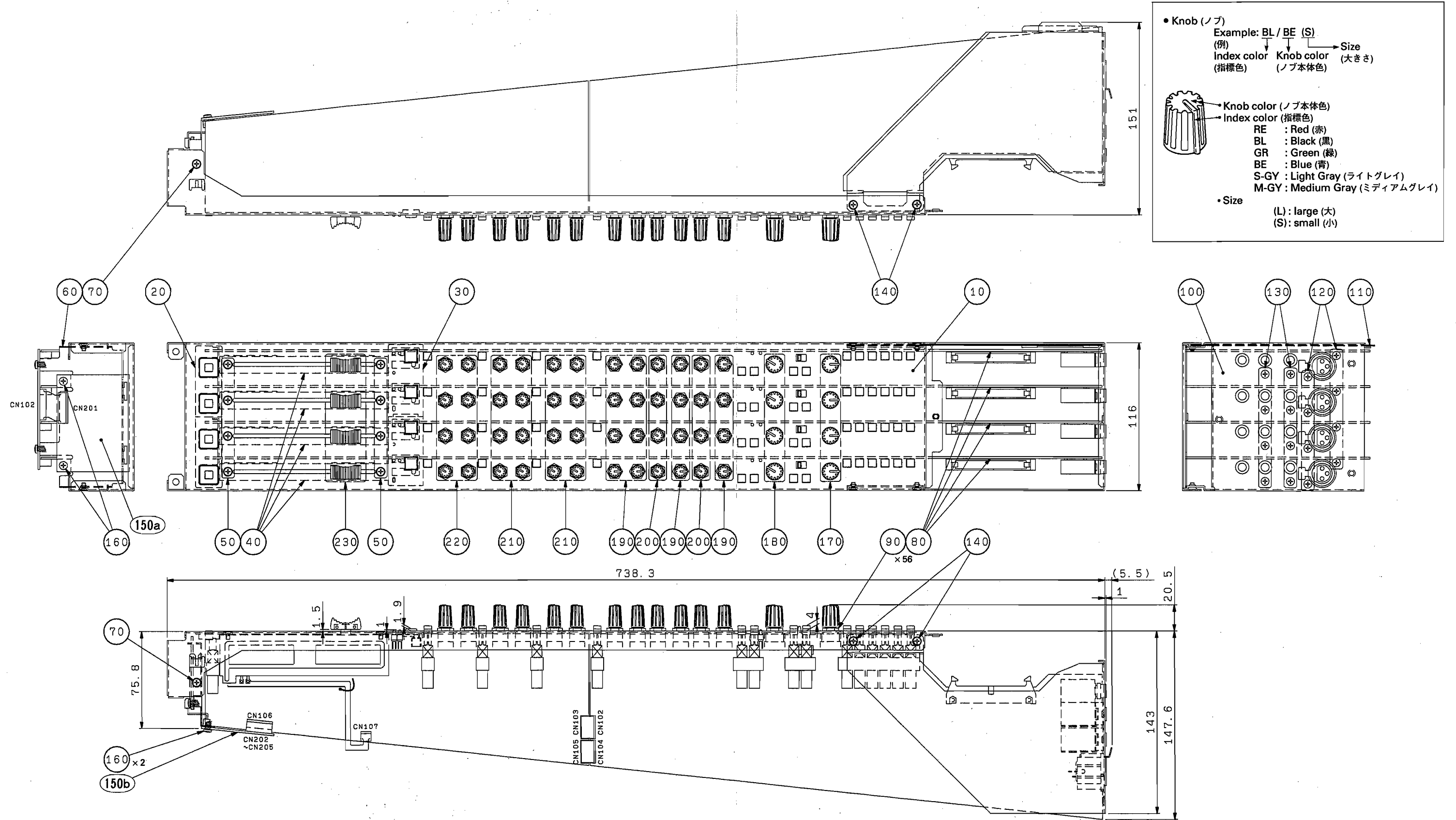
Underside of the meter panel
(メーターパネル下側 (1))
The earth bar has been removed.
(アースバー取外し後)

Underside of the meter panel
(メーターパネル下側 (2))



Earth bar
(アースバー詳細)

■ INPUT MODULE (INPUTモジュール)



M2000/PW2000M

■ INPUT MODULE (INPUTモジュール)

| REF NO. | PART NO. | DESCRIPTION | | 部 品 名 | REMARKS | ランク |
|---------|----------|---------------------------|----------------|--------------|-------------------|-----|
| * 10 | VR272500 | INPUT MODULE | | INPUTモジュール | | |
| * 20 | VR033600 | Module Panel, INPUT | | INパネル | | |
| * 30 | VR033700 | Escutcheon | CUE | エスカッションCUE | | 05 |
| * 30 | VR033800 | Button | ON/OFF | ボタンON/OFF | ON/EDIT | 05 |
| * 40 | VR301500 | Connector Assembly | MONO FADER1 | 線材 A s s y | | |
| 40a | --- | Slide Variable Resistor | 10.0K RSA0K11A | スライドVR100mm | FADER (VR28070) | |
| * 50 | EC030030 | Flat Head Screw | 3.0X6 ZMC2BL | +皿小ネジ | 8pcs | 01 |
| * 60 | VR034100 | Sheet Holder | IN | シートホルダーIN | | 05 |
| * 70 | VS182000 | Flat Head Screw | B3.0X6 ZMC2BL | +皿小ネジ | 2pcs | |
| * 80 | VR030200 | Circuit Board | IN | INシート | 4pcs | |
| * 90 | VJ388000 | Hexagonal Nut | 9 ZMC2BL | 特殊六角ナット | 56pcs | 01 |
| * 100 | VR033900 | Rear Panel | IN | リアパネルIN | | |
| * 110 | VR671000 | Insulation Sheet | IN | 絶縁シートIN | | |
| * 120 | VC082800 | Bonding Head Screw | 3.0X6 FCM3BL | BONDING小ネジ | 8pcs | 01 |
| * 130 | VP157900 | Bind Head Tapping Screw-B | A3.0X6 ZMC2BL | +バインドBタイト | 8pcs | 01 |
| * 140 | VS182000 | Flat Head Screw | B3.0X6 ZMC2BL | +皿小ネジ | 4pcs | |
| * 150a | NX813770 | Circuit Board | DISTR11/2 | DISTR11/2シート | | |
| * 150b | NX813780 | Circuit Board | DISTR12/2 | DISTR12/2シート | | |
| * 160 | VP157900 | Bind Head Tapping Screw-B | A3.0X6 ZMC2BL | +バインドBタイト | 4pcs | 01 |
| * 170 | VN938600 | Knob | RE//S-GY (L) | ノブ (大) | PAN (4pcs) | 03 |
| * 180 | VN938500 | Knob | BL/M-G (L) | ノブ (大) | GAIN (4pcs) | 03 |
| * 190 | VM563600 | Knob | S-GY/GR (S) | ノブ (小) | HIGH, HM, LM, LOW | 03 |
| * 200 | VQ193800 | Knob | GR/S-GY (S) | ノブ (小) | HM-f, LM-f (8pc) | 03 |
| * 210 | VQ453600 | Knob | BL/BE (S) | ノブ (小) | AUX 1,2,3,4 | 03 |
| * 220 | VM695700 | Knob | S-GY/BE (S) | ノブ (小) | AUX 5,6 (8pcs) | 03 |
| * 230 | VR275600 | Fader Knob | BL/S-GY | ノブ (フェーダー) | CH FADER (4pcs) | |

M2000/PW2000M

* New Parts (新規部品)

ランク: Japan only

■ ST CHANNEL MODULE (ST CHモジュール)

(NOTE) The MIDI 3/4 circuit board is not a part of the ST CHANNEL module. (See page 26.)

(注意) MIDI 3/4シートはST CHモジュールの構成部品ではありません。別添ご手配下さい。(26ページ参照)

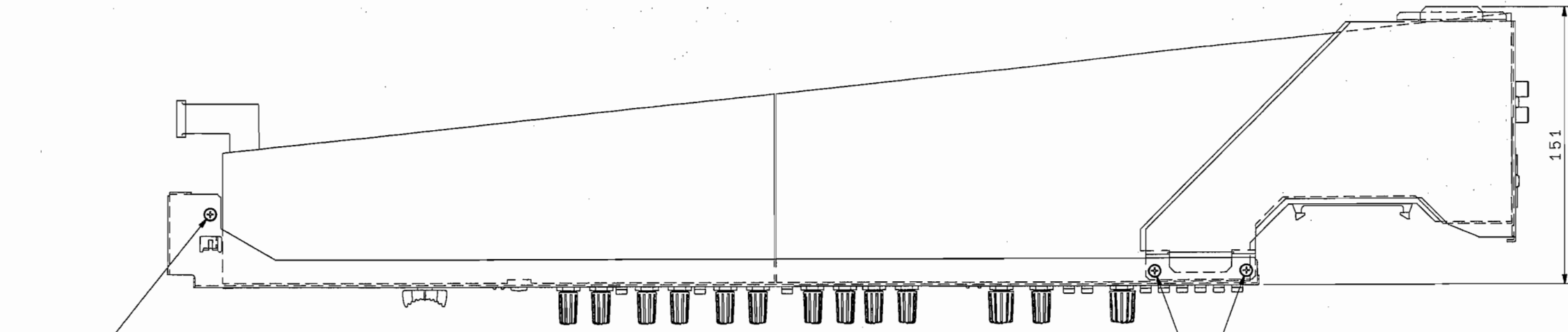
| REF NO. | PART NO. | DESCRIPTION | | 部 品 名 | REMARKS | ランク |
|---------|----------|---------------------------|-----------------|--------------|-----------------|-----|
| * | VR272600 | ST CHANNEL MODULE | | STCHモジュール | | |
| * 10 | VR034200 | Module Panel | ST-CHANNEL | STCHパネル | | |
| * 20 | VR033700 | Escutcheon | CUE | エスカッションCUE | | 05 |
| * 30 | VR033800 | Button | ON/OFF | ボタンON/OFF | ON/EDIT | 05 |
| * 40 | VR301700 | Connector Assembly | ST FADER | 線材 Ass'y | 2pcs | |
| 40a | -- | Slide Variable Resistor | D10KX2 RSA0K12A | 二連スライドVR | FADER (VR28110) | |
| * 50 | EC030030 | Flat Head Screw | 3.0X6 ZMC2BL | +皿小ネジ | 4pcs | 01 |
| * 60 | VR034400 | Sheet Holder | ST CH | シートホルダSTCH | | |
| * 70 | VS182000 | Flat Head Screw | B3.0X6 ZMC2BL | +皿小ネジ | 2pcs | |
| * 80 | VR030300 | Circuit Board | ST-IN | ST-INシート | 2pcs | |
| * 90 | VJ388000 | Hexagonal Nut | 9 ZMC2BL | 特殊六角ナット | 24pcs | 01 |
| * 100 | VR991600 | Hexagonal Nut | 7 ZMC2BL | 管用ナット 7X11X2 | 2pcs | |
| * 110 | VR034300 | Rear Panel | ST CH | リアパネルSTCH | | |
| * 120 | VR671000 | Insulation Sheet | IN | 絶縁シートIN | | |
| * 130 | VP157900 | Bind Head Tapping Screw-B | A3.0X6 ZMC2BL | +バインドBタイト | 2pcs | 01 |
| * 140 | EP630220 | Bind Head Tapping Screw-P | 3.0X8 ZMC2BL | +バインドPタイト | 2pcs | 01 |
| * 150 | VS182000 | Flat Head Screw | B3.0X6 ZMC2BL | +皿小ネジ | 4pcs | |
| * 180 | VR277700 | Connector Assembly | DIST MATRIX | 線材 Ass'y | | |
| * 190 | VN938600 | Knob | RE/S-GY (L) | ノブ (大) | BAL/PAN (2pcs) | 03 |
| * 200 | VN938500 | Knob | BL/M-GY (L) | ノブ (大) | GAIN A (2pcs) | 03 |
| * 210 | VN938700 | Knob | BL/M-GY (S) | ノブ (小) | GAIN B (2pcs) | 03 |
| * 220 | VM563600 | Knob | S-GY/GR (S) | ノブ (小) | HIGH, MID, LOW | 03 |
| * 230 | VQ193800 | Knob | GR/S-GY (S) | ノブ (小) | MID-f (2pcs) | 03 |
| * 240 | VQ453600 | Knob | BL/BE (S) | ノブ (小) | AUX 1,2,3,4 | 03 |
| * 250 | VM695700 | Knob | S-GY/BE (S) | ノブ (小) | AUX 5,6 (4pcs) | 03 |
| * 260 | VR629500 | Fader Knob | S-GY/BL | ノブ (フェーダー) | ST FADER (2pcs) | |

M2000/PW2000M

* New Parts (新規部品)

ランク: Japan only

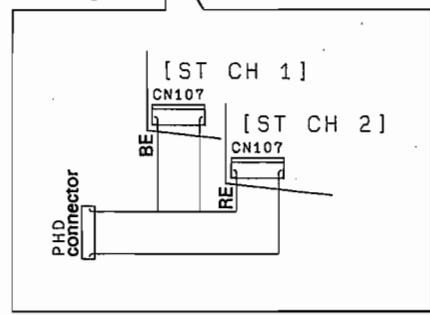
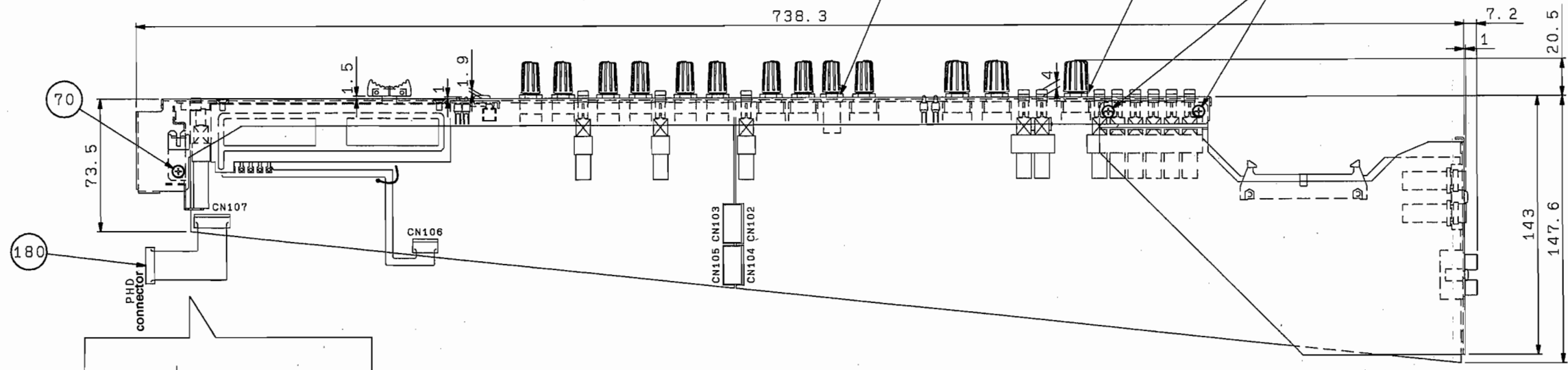
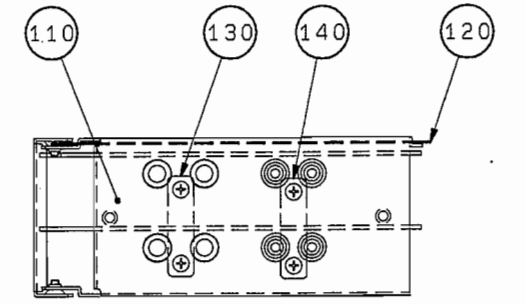
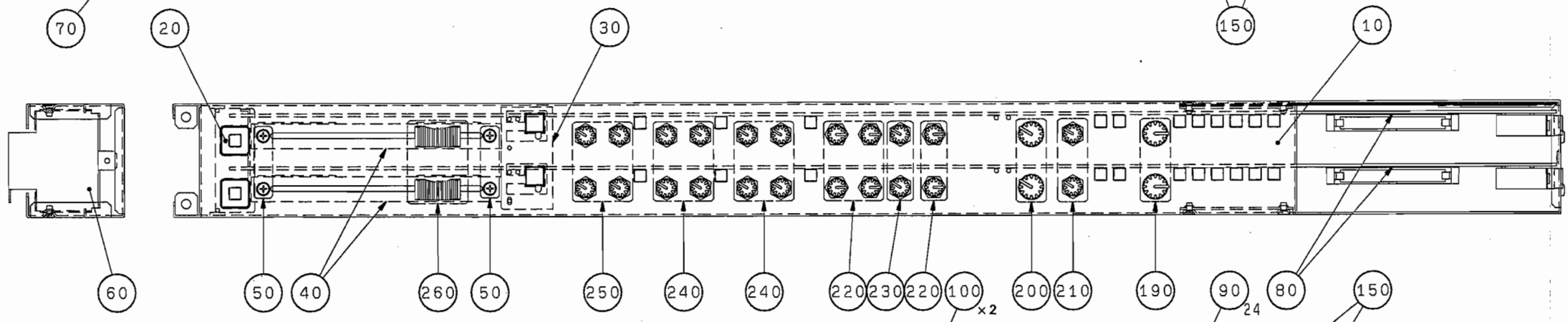
■ ST CHANNEL MODULE (ST CHモジュール)



● Knob (ノブ)
 Example: BL / BE (S)
 (例) Index color (指標色) Knob color (ノブ本体色) Size (大きさ)

Knob color (ノブ本体色)
 Index color (指標色)
 RE : Red (赤)
 BL : Black (黒)
 GR : Green (緑)
 BE : Blue (青)
 S-GY : Light Gray (ライトグレイ)
 M-GY : Medium Gray (ミディアムグレイ)

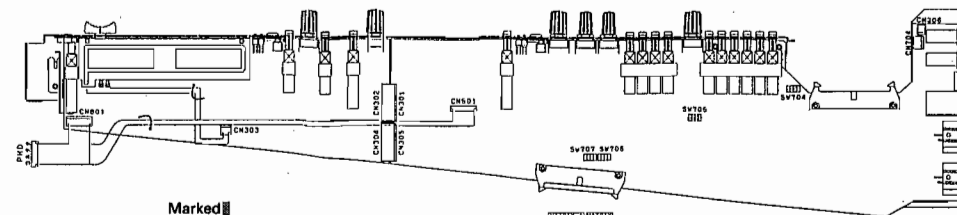
● Size
 (L) : large (大)
 (S) : small (小)



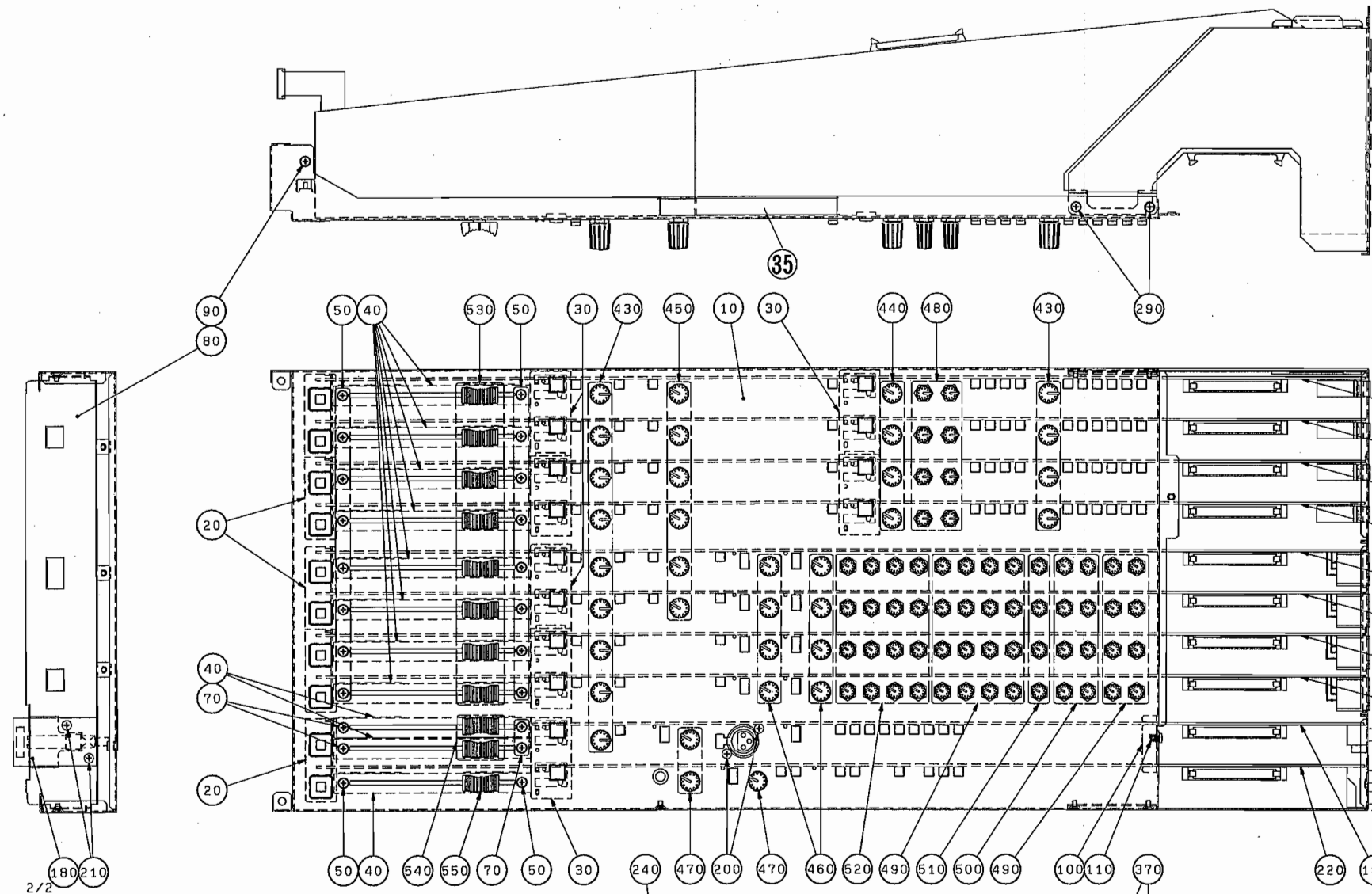
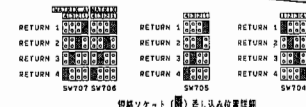
■ MASTER MODULE (MASTERモジュール)

● RETURN Circuit Board (Refer to page C6)

A RETURN circuit board is utilized for RETURN1, RETURN2, RETURN3 or RETURN4.
The RETURN circuit board provided as a service part is set for RETURN1.
If you would like to replace the RETURN2, RETURN3 or RETURN4 with this board, you should attempt to change internal short connectors as shown below.
RETURNシートは、RETURN1、RETURN2、RETURN3、あるいはRETURN4シートとして使用します。
サービス用のRETURNシートは、RETURN1用ですので、これをRETURN2、RETURN3あるいはRETURN4シートとして使用する場合は、下記のように短絡ソケットの変更が必要となります。



Marked
Short connector (短絡ソケット)
Pin header (ピンヘッダー)

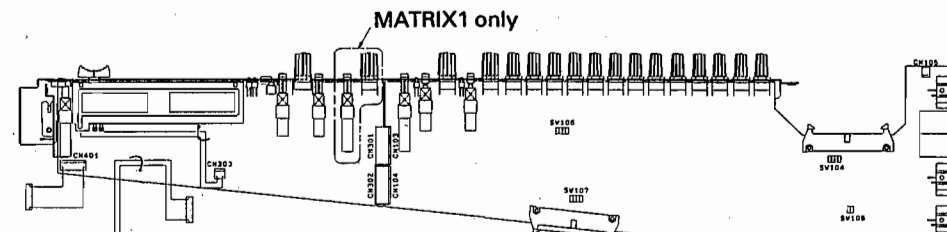


- 120 RETURN 1 (RETURN)
- 120 RETURN 2 (RETURN)
- 120 RETURN 3 (RETURN)
- 120 RETURN 4 (RETURN)
- 140 MATRIX 1 (MATRIX 1)
- 140 MATRIX 2 (MATRIX 1)
- 160 MATRIX 3 (MATRIX 3)
- 160 MATRIX 4 (MATRIX 3)

● MATRIX1 and MATRIX3 Circuit Board (Refer to page C8 and C10)

A MATRIX1 circuit board is utilized for MATRIX1 or MATRIX2.
The MATRIX1 circuit board provided as a service part is set for MATRIX1.
If you would like to replace the MATRIX2 with this board, you should attempt to change internal short connectors as shown below.
MATRIX1シートは、MATRIX1あるいはMATRIX2シートとして使用します。
サービス用のMATRIX1シートは、MATRIX1用ですので、これをMATRIX2シートとして使用する場合は、下記のように短絡ソケットの変更が必要となります。

A MATRIX3 circuit board is utilized for MATRIX3 or MATRIX4.
The MATRIX3 circuit board provided as a service part is set for MATRIX3.
If you would like to replace the MATRIX4 with this board, you should attempt to change internal short connectors as shown below.
MATRIX1シートは、MATRIX3あるいはMATRIX4シートとして使用します。
サービス用のMATRIX3シートは、MATRIX3用ですので、これをMATRIX4シートとして使用する場合は、下記のように短絡ソケットの変更が必要となります。



Marked
Short connector (短絡ソケット)
Pin header (ピンヘッダー)



● Knob (ノブ)
Example: BL / BE (S)
(例) Index color (指標色) Knob color (ノブ本体色) Size (大きさ)

Knob color (ノブ本体色)
Index color (指標色)

- RE : Red (赤)
- BL : Black (黒)
- GR : Green (緑)
- BE : Blue (青)
- S-GY : Light Gray (ライトグレイ)
- M-GY : Medium Gray (ミディアムグレイ)

● Size
(L) : large (大)
(S) : small (小)

NOTES) The MIDI 4/4 circuit board is not a part of the MASTER module. (See page 26.)

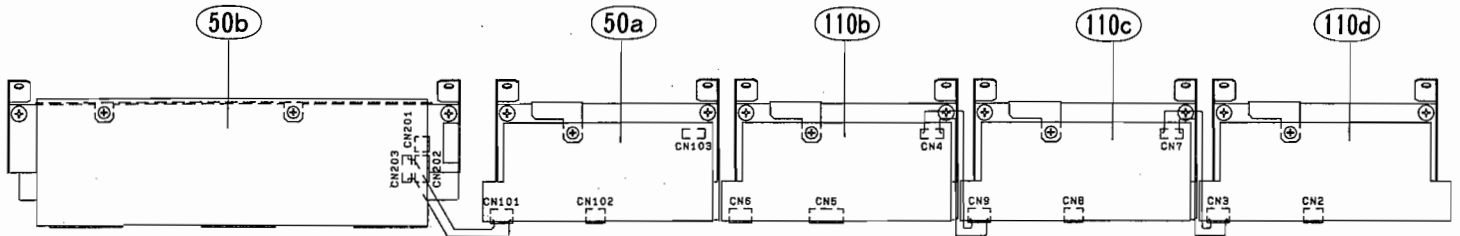
注意) MIDI 4/4シートはMASTERモジュールの構成部品ではありません。別添ご手配下さい。(26ページ参照)

| REF NO. | PART NO. | DESCRIPTION | | 部 品 名 | REMARKS | ランク |
|---------|----------|---------------|---------------------------|----------------|-------------|-----------------|
| * | VR272700 | MASTER MODULE | | MASTERモジュール | | |
| * | 10 | VR034500 | Module Panel | MA | MAパネル | |
| * | 20 | VR033700 | Escutcheon | CUE | エスカッションCUE | 2pcs |
| * | 30 | VR033800 | Button | ON/OFF | ボタンON/OFF | ON/EDIT (3pcs) |
| * | 35 | VP498500 | Insulation Sheet | METER | 絶縁シート | 03 |
| * | 40 | VR301500 | Connector Assembly | MONO FADER1 | 線材 Assy | 11pcs |
| | 40a | -- | Slide Variable Resistor | 10.0K RSA0K11A | スライドVR100mm | FADER (VR28070) |
| | 50 | EC030030 | Flat Head Screw | 3.0X6 ZMC2BL | +皿小ネジ | 18pcs |
| | 70 | EC030030 | Flat Head Screw | 3.0X6 ZMC2BL | +皿小ネジ | 4pcs |
| | 75 | CB095100 | Cord Binder | K-103G | コードキーブ | 01 |
| * | 80 | VR034700 | Sheet Holder | MA | シートホルダーMA | |
| | 90 | VS182000 | Flat Head Screw | B3.0X6 ZMC2BL | +皿小ネジ | 2pcs |
| * | 100 | VR313400 | Angle Bracket | STMN | アングルSTMN | |
| | 110 | VP157900 | Bind Head Tapping Screw-B | A3.0X6 ZMC2BL | +バインドBタイト | 1pc |
| * | 120 | VR030600 | Circuit Board | RETURN | RETURNシート | 4pcs |
| | 130 | VJ388000 | Hexagonal Nut | 9 ZMC2BL | 特殊六角ナット | 24pcs |
| * | 140 | VR031000 | Circuit Board | MATRIX1 | MATRIX1シート | 2pcs |
| | 150 | VJ388000 | Hexagonal Nut | 9 ZMC2BL | 特殊六角ナット | 34pcs |
| * | 160 | VR031200 | Circuit Board | MATRIX3 | MATRIX3シート | 2pcs |
| | 170 | VJ388000 | Hexagonal Nut | 9 ZMC2BL | 特殊六角ナット | 32pcs |
| * | 180 | VR031400 | Circuit Board | ST | STシート | |
| | 190 | VJ388000 | Hexagonal Nut | 9 ZMC2BL | 特殊六角ナット | 2pcs |
| | 200 | VC082800 | Bonding Head Screw | 3.0X6 FCM3BL | BONDING小ネジ | 2pcs |
| | 210 | VP157900 | Bind Head Tapping Screw-B | A3.0X6 ZMC2BL | +バインドBタイト | 2pcs |
| * | 220 | VR031500 | Circuit Board | MONO | MONOシート | |
| | 230 | VJ388000 | Hexagonal Nut | 9 ZMC2BL | 特殊六角ナット | 2pcs |
| | 240 | VS182000 | Flat Head Screw | B3.0X6 ZMC2BL | +皿小ネジ | 1pc |
| * | 250 | VR671200 | Rear Panel | MA1 | リアパネルMA1 | |
| * | 260 | VR671100 | Insulation Sheet | MA | 絶縁シートMA | |
| | 270 | VC082800 | Bonding Head Screw | 3.0X6 FCM3BL | BONDING小ネジ | 16pcs |
| | 280 | VP157900 | Bind Head Tapping Screw-B | A3.0X6 ZMC2BL | +バインドBタイト | 8pcs |
| | 290 | VS182000 | Flat Head Screw | B3.0X6 ZMC2BL | +皿小ネジ | 2pcs |
| * | 300 | VR671300 | Rear Panel | MA2 | リアパネルMA2 | |
| | 310 | VC082800 | Bonding Head Screw | 3.0X6 FCM3BL | BONDING小ネジ | 20pcs |
| | 320 | VP157900 | Bind Head Tapping Screw-B | A3.0X6 ZMC2BL | +バインドBタイト | 4pcs |
| * | 330 | VR671400 | Rear Panel | MA3 | リアパネルMA3 | |
| | 340 | VC082800 | Bonding Head Screw | 3.0X6 FCM3BL | BONDING小ネジ | 6pcs |
| | 350 | VP157900 | Bind Head Tapping Screw-B | A3.0X6 ZMC2BL | +バインドBタイト | 3pcs |
| | 360 | EP630220 | Bind Head Tapping Screw-P | 3.0X8 ZMC2BL | +バインドPタイト | 2pcs |
| | 370 | VS182000 | Flat Head Screw | B3.0X6 ZMC2BL | +皿小ネジ | 2pcs |
| * | 400 | VR277700 | Connector Assembly | DIST MATRIX | 線材 Assy | 2pcs |
| * | 410 | VR277800 | Connector Assembly | DIST ST | 線材 Assy | |
| * | 420 | VR302200 | Connector Assembly | MC08-MASTER | 線材 Assy | |
| | 430 | VN938600 | Knob | RE//S-GY (L) | ノブ(大) | BAL/PAN, PAN |
| * | 440 | VR690600 | Knob | BE/S-GY (L) | ノブ(大) | RTN LEVEL |
| | 450 | VM706600 | Knob | S-GY/BE (L) | ノブ(大) | AUX LEVEL |
| | 460 | VP094500 | Knob | BL/S-GY (L) | ノブ(大) | LEVEL A,B |
| | 470 | VN938500 | Knob | BL/M-GY (L) | ノブ(大) | MONI, TB, PHONE |
| | 480 | VM563600 | Knob | S-GY/GR (S) | ノブ(小) | HIGH, LOW |
| | 490 | VN938700 | Knob | BL/M-GY (S) | ノブ(小) | SUB L,R, GRP1-4 |
| | 500 | VQ453500 | Knob | BL/RE (S) | ノブ(小) | ST L,R |
| | 510 | VQ453100 | Knob | BL/Y-BR (S) | ノブ(小) | MONO |
| | 520 | VM706800 | Knob | S-GY/M-GY (S) | ノブ(小) | GRP 5-8 |
| * | 530 | VR282600 | Fader Knob | BL/M-GY | ノブ(フェーダー) | GRP FADER |
| * | 540 | VR282700 | Fader Knob | BL/RE | ノブ(フェーダー) | ST FADER |
| * | 550 | VR629600 | Fader Knob | BL/Y-BR | ノブ(フェーダー) | MONO FADER |

* New Parts (新規部品)

ランク: Japan only

■ METER ASSEMBLY (メータ-Ass'y)



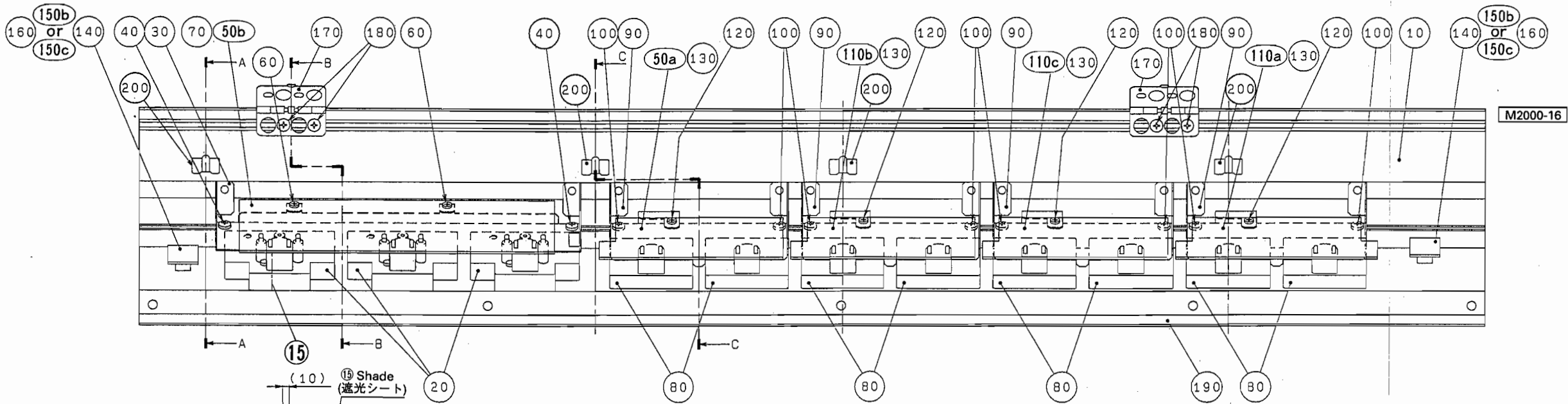
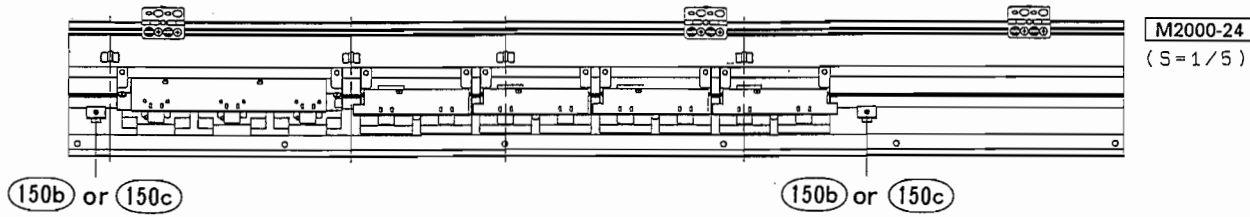
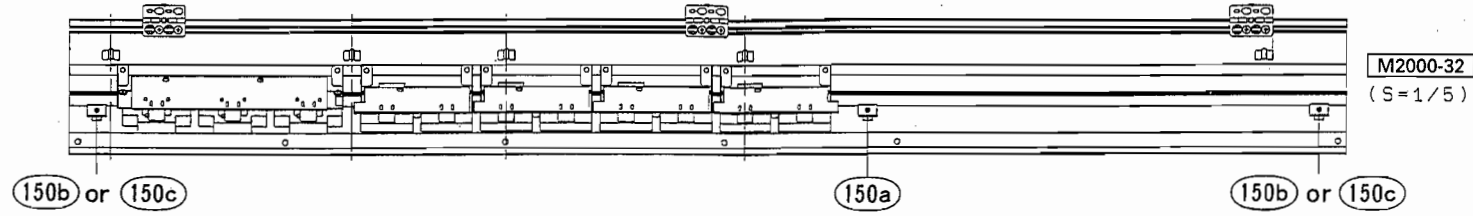
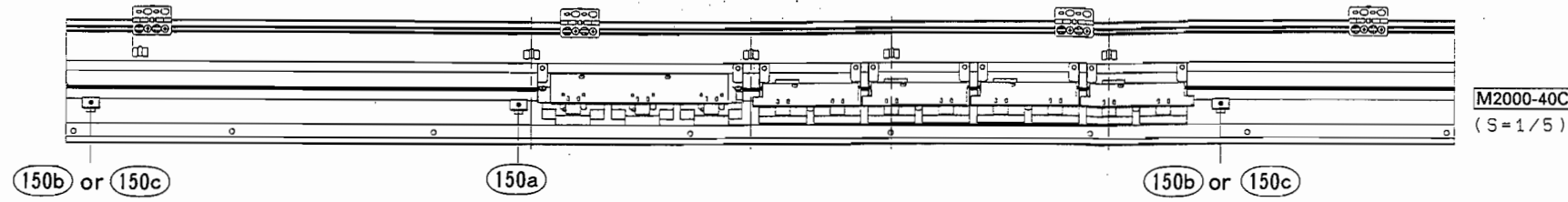
M2000/PW2000M

| REF NO. | PART NO. | DESCRIPTION | 部 品 名 | REMARKS | ランク |
|---------|----------|---------------------------|---------------|-------------|--------------|
| | -- | METER ASSEMBLY | メータ-Ass'y | | |
| | -- | Meter Assembly | メータ-Ass'y | (VR27280) | |
| | -- | Meter Assembly | メータ-Ass'y | (VR27290) | |
| | -- | Meter Assembly | メータ-Ass'y | (VR27300) | |
| | -- | Meter Assembly | メータ-Ass'y | (VR27310) | |
| * 10 | VR034800 | Meter Panel | メータパネル16CH | 16CH | |
| * 10 | VR034900 | Meter Panel | メータパネル24CH | 24CH | |
| * 10 | VR035000 | Meter Panel | メータパネル32CH | 32CH | |
| * 10 | VR035100 | Meter Panel | メータパネル40CH | 40CH | |
| * 15 | VS187800 | Shade | 遮光シート | | |
| * 20 | VR625000 | Analog Meter | VU MG-113 | アナログメーター | ST L,R, MONO |
| * 30 | VR672000 | Meter Holder | S/M | メータホルダS/M | |
| * 40 | VC688800 | Bind Head Tapping Screw-B | A4.0X8 ZMC2BL | +バインドBタイト | 01 |
| * 50a | NX813870 | Circuit Board | MTC1/2 | MTC1/2シート | (VR65770) |
| * 50b | NX813880 | Circuit Board | MTC2/2 | MTC2/2シート | (VR65770) |
| * 60 | VP157900 | Bind Head Tapping Screw-B | A3.0X6 ZMC2BL | +バインドBタイト | 2pcs 01 |
| * 80 | VR625100 | Analog Meter | VU MG-118 | アナログメーター | GRP/MTRX/AUX |
| * 90 | VM519600 | Meter Holder | GRP | メータホルダ | 4pcs 06 |
| * 100 | VC688800 | Bind Head Tapping Screw-B | A4.0X8 ZMC2BL | +バインドBタイト | 8pcs 01 |
| * 110a | NX813830 | Circuit Board | MTA4-1/4 | MTA4-1/4シート | (VR30550) |
| * 110b | NX813830 | Circuit Board | MTA4-2/4 | MTA4-2/4シート | (VR30550) |
| * 110c | NX813830 | Circuit Board | MTA4-3/4 | MTA4-3/4シート | (VR30550) |
| * 110d | NX813830 | Circuit Board | MTA4-4/4 | MTA4-4/4シート | (VR30550) |
| * 120 | VP157900 | Bind Head Tapping Screw-B | A3.0X6 ZMC2BL | +バインドBタイト | 4pcs 01 |
| * 140 | VR625200 | BNC Connector | 31-10T | BNCコネクタ | LAMP (3pcs) |
| * 150a | NX813740 | Circuit Board | BNC3/5 | BNC3/5シート | (VR30720) |
| * 150b | NX813750 | Circuit Board | BNC4/5 | BNC4/5シート | (VR30720) |
| * 150c | NX813760 | Circuit Board | BNC5/5 | BNC5/5シート | (VR30720) |
| * 170 | AA829940 | Hinge | - | 蝶番 | 4pcs 04 |
| * 180 | VC688800 | Bind Head Tapping Screw-B | A4.0X8 ZMC2BL | +バインドBタイト | 8pcs 01 |
| * 190 | VR035200 | Felt | 16CH | フェルト16CH | 16CH 03 |
| * 190 | VR035300 | Felt | 24CH | フェルト24CH | 24CH 03 |
| * 190 | VR035400 | Felt | 32CH | フェルト32CH | 32CH 03 |
| * 190 | VR035500 | Felt | 40CH | フェルト40CH | 16CH 04 |
| * 200 | CB095100 | Cord Holder | K-103G | コードキープ | 5pcs 01 |

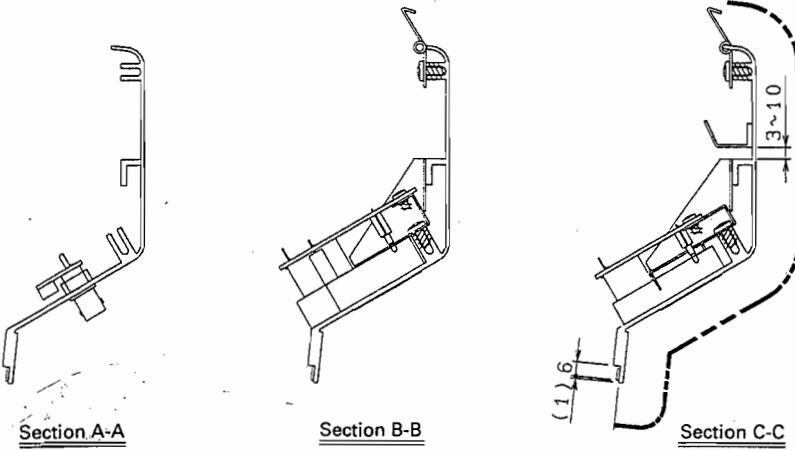
* New Parts (新規部品)

ランク: Japan only

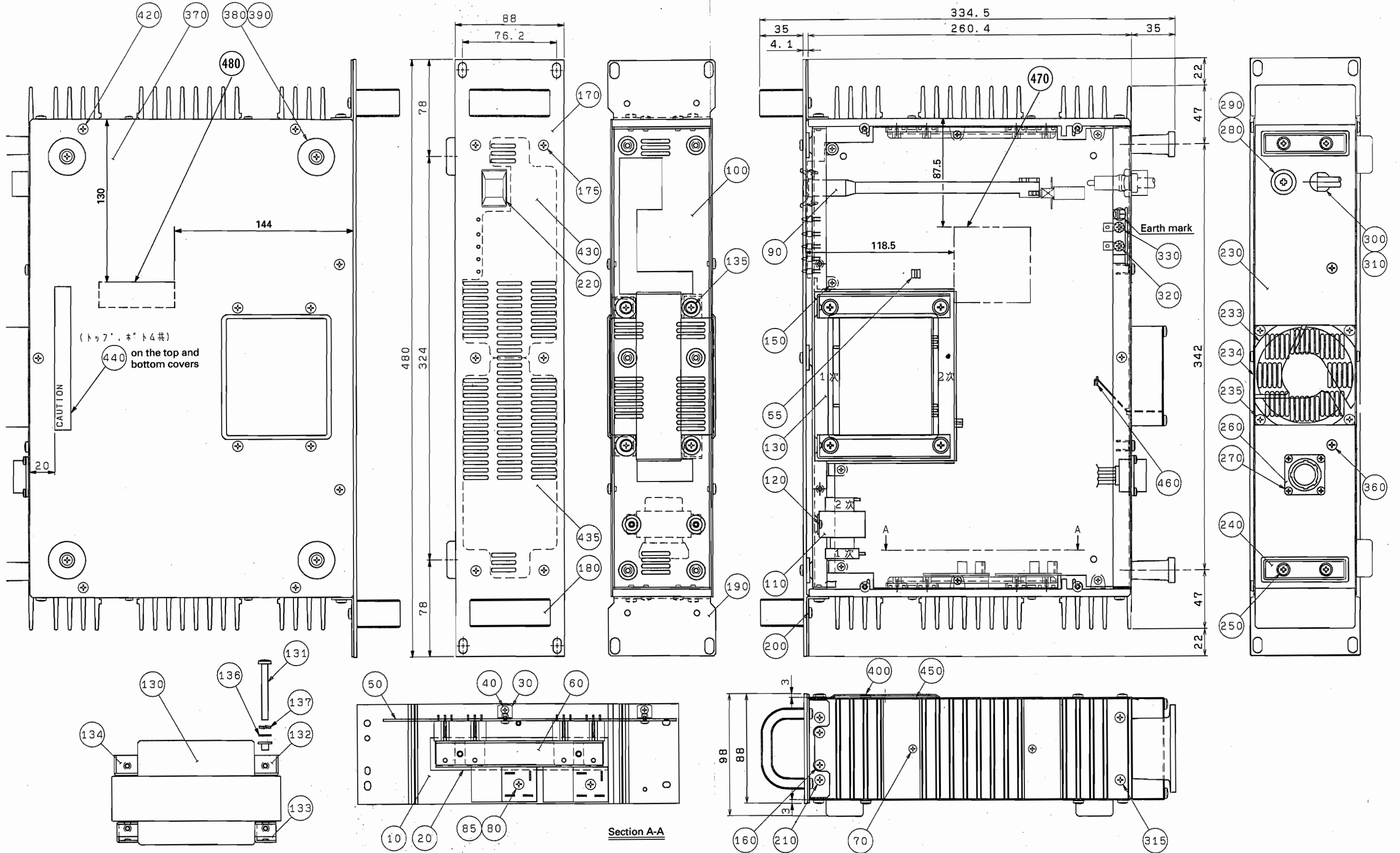
● Meter Assembly



| | Length (mm) |
|-----------|-------------|
| M2000-16 | 888 |
| M2000-24 | 1120 |
| M2000-32 | 1352 |
| M2000-40C | 1614 |



OVERALL ASSEMBLY (総組立) PW2000M



M2000/PW2000M

| REF NO. | PART NO. | DESCRIPTION | | 部 品 名 | REMARKS | ランク |
|---------|----------|---------------------------|-----------------|---------------|-----------|-----|
| * | VR590400 | Power Supply Unit | PW2000M | 電 源 A s s y | J | |
| * | VR590500 | Power Supply Unit | PW2000M | 電 源 A s s y | U,C,V | |
| * | VR590600 | Power Supply Unit | PW2000M | 電 源 A s s y | H,W | |
| * | VR590700 | Power Supply Unit | PW2000M | 電 源 A s s y | B | |
| | CB069250 | Cord Holder | BK-1 | インシュロックタイ | 3pcs | 01 |
| | CA060690 | Earth Mark | | アースマーク | H,B,W | 01 |
| 10 | VI502200 | Heat Sink | | ヒートシンク | 2pcs | 12 |
| 20 | VG236100 | Insulation Sheet | BFG-20AD K-1191 | 放熱シート | 2pcs | 05 |
| 30 | VI502400 | Sheet Holder | | シートホルダー | 4pcs | 02 |
| 40 | EG330410 | Bind Head Screw | A3.0X6 FCM3BL | + バインド小ネジ | 4pcs | 01 |
| 50 | VR658000 | Circuit Board | DC | D C シート | J | |
| 50 | VR658100 | Circuit Board | DC | D C シート | U,C,V | |
| 50 | VR658200 | Circuit Board | DC | D C シート | H,B,W | |
| 55 | VI048500 | PC Support | CDX-730 | P C サポート | 2pcs | 01 |
| 60 | VI752000 | Transistor Holder | | T R. 押さえアングル | 2pcs | 05 |
| 70 | VB421200 | Bind Head Screw | PW3.0X16 ZMC2BL | + バインド小ネジ | 4pcs | |
| 80 | VE702600 | Bind Head Screw | SP4.0X16 FCM3BL | + バインド小ネジ | 2pcs | |
| 85 | VN369700 | Insulation Sheet | BFG-20AD | 放熱シート | 2pcs | 02 |
| 90 | VN144300 | Push Rod | DEQ5E | プッシュロッド | | 05 |
| 100 | VR590800 | Sub Chassis | | サブシャーシ | | |
| 110 | XA237B00 | Power Transformer | | 電源トランス | J | 09 |
| 110 | XA238C00 | Power Transformer | | 電源トランス | U,C,V | 09 |
| 110 | XA239B00 | Power Transformer | | 電源トランス | H,B,W | 09 |
| 120 | EG330410 | Bind Head Screw | A3.0X6 FCM3BL | + バインド小ネジ | 2pcs | 01 |
| 130 | XN821A00 | Power Transformer | | 電源トランス | J | |
| 130 | XN822A00 | Power Transformer | | 電源トランス | U,C,V | |
| 130 | XN823A00 | Power Transformer | | 電源トランス | H,B,W | |
| 131 | EE650250 | Pan Head Screw | 5.0X50 ZMC2Y | + ナベ小ネジ | 4pcs | 01 |
| 132 | VR752900 | Trans. Holder | U(L) | トランス金具 | | |
| 133 | VR629300 | Trans. Holder | D | トランス金具 | 2pcs | |
| 134 | VR659300 | Trans. Holder | U(R) | トランス金具 | | |
| 135 | EG340340 | Bind Head Screw | 4.0X6 ZMC2BL | + バインド小ネジ | 4pcs | 01 |
| 136 | ET500220 | Plain Washer | 5.0X10X1 ZMC2BL | 平座金みがき丸 | 4pcs | 01 |
| 137 | ET700060 | Spring Washer | #2 5.0 ZMC2BL | バネ座金 | 4pcs | 01 |
| 150 | EG330410 | Bind Head Screw | A3.0X6 FCM3BL | + バインド小ネジ | 8pcs | 01 |
| 160 | VR060200 | Bind Head Tapping Screw-B | 4.0X16 ZMC2BL | + バインドBタイト | 4pcs | |
| 170 | VR591500 | Front Panel | | フロントパネル | | |
| 175 | VR060200 | Bind Head Tapping Screw-B | 4.0X16 ZMC2BL | + バインドBタイト | 6pcs | |
| 180 | VI512500 | Handle | | 把 手 | 2pcs | 07 |
| 190 | VS168100 | Corner Angle Bracket | | コーナーアングル | 2pcs | |
| 200 | VI336000 | Bind Head Screw | SP4.0X10 FCM3BL | + バインド小ネジ | 4pcs | 01 |
| 210 | VR060200 | Bind Head Tapping Screw-B | 4.0X16 ZMC2BL | + バインドBタイト | 4pcs | |
| 220 | VL813000 | Escutcheon, Power Switch | | P S W エスカッション | | 03 |
| 230 | VR590900 | Rear Panel | | リアパネル | J | |
| 230 | VR591000 | Rear Panel | | リアパネル | U,C,V | |
| 230 | VR591100 | Rear Panel | | リアパネル | H,B,W | |
| 233 | -- | Fan Assembly | | ファン A s s y | (VR59120) | |
| 233a | VN073900 | DC Fan | CF80-T213N1D | D C ファン | | 11 |
| 233b | VB936800 | Connector Contact | SPH-002T-P0.5S | コネクタ | | 01 |
| 233c | VB304300 | Connector Housing | PH-2P | コネクタハウジング | | 01 |
| 234 | VR637200 | Angle Bracket, Fan | | ファン金具 | | |
| 235 | EG340260 | Bind Head Screw | 4.0X30 FCM3BL | + バインド小ネジ | 4pcs | 01 |
| 240 | CB811820 | Cord Reel | | コードリール | 2pcs | 02 |
| 250 | EP600860 | Bind Head Tapping Screw-B | 4.0X10 FCM3BL | + バインドBタイト | 4pcs | 01 |
| 260 | -- | Connector Assembly | PW DC OUT | 束 線 | (VR67490) | |
| 260a | LB605760 | Connector (Socket) | SRCN 10P | 丸型コネクタ | | 08 |
| 260b | LB101710 | Connector Pin | SVH-21T-P1.1 | 圧着端子 | 9pcs | 01 |
| 260c | LA003690 | Lug Terminal | | ラゲ端子 | | 01 |
| 260d | LB015030 | Connector Housing | VH-3P | ハウジング | | 01 |

* New Parts (新規部品)

ランク : Japan only

| REF NO. | PART NO. | DESCRIPTION | | 部 品 名 | REMARKS | ランク |
|---------|----------|---------------------------|---------------------------|-------------------|-------------------|-------------|
| 260e | LB015060 | Connector Housing | VH-6P | ハ ウ ジ ン グ | | 01 |
| 270 | EP630280 | Bind Head Tapping Screw-B | 3.0X10 FCM3BL | + バ イ ン ド B タ イ ト | 4pcs | 01 |
| 280 | LB200490 | Fuse Holder | S-N2059 | ヒ ュ ー ズ ホ ル ダ | J,U,C,V | 04 |
| 280 | VR551700 | Fuse Holder | 3455HS1 | ヒ ュ ー ズ ホ ル ダ | H,B,W | |
| 290 | KB001280 | Fuse | T 6.00A 250V | ヒ ュ ー ズ | J | 02 |
| △ | 290 | KB001250 | Fuse | T 6.00A 250VOA | ヒ ュ ー ズ | U,C,V |
| △ | 290 | KB003090 | Fuse | TR3.15A | ヒ ュ ー ズ | H,B,W |
| △ | 300 | MG000610 | AC Cord | 2P 15A 2.1m | 電 源 コ ー ド | J |
| △ | 300 | VD279600 | AC Cord | 3P 10A 2.5m | 電 源 コ ー ド | U,C,V |
| △ | 300 | VD279800 | AC Cord | 3P 6A 2.5m | 電 源 コ ー ド | H,W |
| △ | 300 | VH890200 | AC Cord | 3P 10A 2.5m | 電 源 コ ー ド | B |
| | 310 | CB806850 | Cord Holder | SR-6N3-4 | コ ー ド ス ト ッ パ ー | J,U,C,V |
| | 310 | CB032840 | Cord Holder | SR-5N-4 | コ ー ド ス ト ッ パ ー | H,B,W |
| * | 315 | VR060200 | Bind Head Tapping Screw-B | 4.0X16 ZMC2BL | + バ イ ン ド B タ イ ト | 4pcs |
| | 320 | EG340360 | Bind Head Screw | 4.0X8 ZMC2BL | + バ イ ン ド 小 ネ ジ | 1pc. |
| | 330 | LA003690 | Lug Terminal | | ラ グ 端 子 | U,C,V,H,B,W |
| | 360 | VK464300 | Bonding Head Screw | 4.0X8 FCM3-BL | ボ ン デ ィ ン グ コ ネ ジ | 2pcs |
| * | 370 | VR591300 | Bottom Cover | | ボ ト ム カ バ ー | |
| | 380 | CB806590 | Foot | ABS(BL) | ア ン プ レ ッ グ | 4pcs |
| | 390 | EP600860 | Bind Head Tapping Screw-B | 4.0X10 FCM3BL | + バ イ ン ド B タ イ ト | 4pcs |
| | 400 | VB778900 | Bind Head Tapping Screw-B | A4.0X8 FCM3BL | + バ イ ン ド B タ イ ト | 10pcs |
| | 420 | VB778900 | Bind Head Tapping Screw-B | A4.0X8 FCM3BL | + バ イ ン ド B タ イ ト | 13pcs |
| * | 430 | VR629400 | Filter | LEFT | フ ィ ル タ ー L | |
| * | 430 | VR751300 | Filter | RIGHT | フ ィ ル タ ー R | |
| | 440 | CB813440 | Label | CAUTION | 注 意 書 | U,C,V |
| * | 450 | VR591400 | Top Cover | | ト ッ プ カ バ ー | |
| * | 460 | VR778800 | Cord Clamp | UAM3-03-0 | ミ ニ ク ラ ン プ | |
| * | 470 | VS259500 | Rubber Cushion | T | ゴ ム ク ッ シ ョ ン T | |
| * | 480 | VS259600 | Rubber Cushion | B | ゴ ム ク ッ シ ョ ン B | |

M2000/PW2000M

* New Parts (新規部品)

ランク : Japan only

■ ELECTRICAL PARTS (PW2000M)

| REF NO. | PART NO. | DESCRIPTION | 部 品 名 | REMARKS | ランク |
|---------|----------|----------------------------|-------------------|-----------------|-----|
| | | ELECTRICAL PARTS | 電 気 部 品 | | |
| * | VR658000 | Circuit Board | D C シ ー ト | J (XN889B0) | |
| * | VR658100 | Circuit Board | D C シ ー ト | U,C,V (XN889B0) | |
| * | VR658200 | Circuit Board | D C シ ー ト | H,B,W (XN889B0) | |
| | EP630300 | Bind Head Tapping Screw-C | ＋バインドCタイト | | 01 |
| | UA353100 | Mylar Capacitor | マ イ ラ ー コ ン | | 01 |
| | FZ000650 | Mylar Capacitor | マ イ ラ ー コ ン | | 02 |
| | VE326000 | Monolithic Mylar Capacitor | 積 層 マ イ ラ ー コ ン | | 01 |
| | F6644100 | Ceramic Capacitor-F | セ ラ コ ン F | | 01 |
| | FH223470 | Ceramic Capacitor-E | セ ラ コ ン E | | 01 |
| | UJ748470 | Electrolytic Cap. | ケ ミ コ ン | | 01 |
| | UJ778220 | Electrolytic Cap. | ケ ミ コ ン | | 01 |
| | UJ837100 | Electrolytic Cap. | ケ ミ コ ン | | 01 |
| | UJ837220 | Electrolytic Cap. | ケ ミ コ ン | | 01 |
| | UJ837470 | Electrolytic Cap. | ケ ミ コ ン | | 01 |
| | UJ847100 | Electrolytic Cap. | ケ ミ コ ン | | 01 |
| | UJ847470 | Electrolytic Cap. | ケ ミ コ ン | | 01 |
| | UJ848100 | Electrolytic Cap. | ケ ミ コ ン | | 01 |
| | UJ857100 | Electrolytic Cap. | ケ ミ コ ン | | 01 |
| | UJ857470 | Electrolytic Cap. | ケ ミ コ ン | | 01 |
| | UJ858100 | Electrolytic Cap. | ケ ミ コ ン | | 01 |
| | UJ896470 | Electrolytic Cap. | ケ ミ コ ン | | 01 |
| | UJ739100 | Electrolytic Cap. | ケ ミ コ ン | | 01 |
| | VA274100 | Electrolytic Cap. | ケ ミ コ ン | | 07 |
| | VI486600 | Electrolytic Cap. | ケ ミ コ ン | | 09 |
| | VR609200 | Electrolytic Cap. | ケ ミ コ ン | | 01 |
| | F1383220 | Capacitor | 規 格 認 定 コ ン | H,B,W | 01 |
| | F1383470 | Capacitor | 規 格 認 定 コ ン | | 01 |
| | FR203220 | Capacitor | 規 格 認 定 コ ン | | 04 |
| | GE901370 | Coil | コ イ ル | | 05 |
| | HF754100 | Carbon Resistor | カ ー ボ ン 抵 抗 | | 01 |
| | -- | Carbon Resistor | カ ー ボ ン 抵 抗 | (HF75482) | |
| | -- | Carbon Resistor | カ ー ボ ン 抵 抗 | (HF75575) | |
| | HF756100 | Carbon Resistor | カ ー ボ ン 抵 抗 | | 01 |
| | HF756220 | Carbon Resistor | カ ー ボ ン 抵 抗 | | 01 |
| | HF756240 | Carbon Resistor | カ ー ボ ン 抵 抗 | | 01 |
| | HF756270 | Carbon Resistor | カ ー ボ ン 抵 抗 | | 01 |
| | -- | Carbon Resistor | カ ー ボ ン 抵 抗 | (HF75630) | |
| | HF756330 | Carbon Resistor | カ ー ボ ン 抵 抗 | | 01 |
| | -- | Carbon Resistor | カ ー ボ ン 抵 抗 | (HF75636) | |
| | HF756470 | Carbon Resistor | カ ー ボ ン 抵 抗 | | 01 |
| | HF756560 | Carbon Resistor | カ ー ボ ン 抵 抗 | | 01 |
| | HF757100 | Carbon Resistor | カ ー ボ ン 抵 抗 | | 01 |
| | HF757180 | Carbon Resistor | カ ー ボ ン 抵 抗 | | 01 |
| | HF757200 | Carbon Resistor | カ ー ボ ン 抵 抗 | | 01 |
| | HF757220 | Carbon Resistor | カ ー ボ ン 抵 抗 | | 01 |
| | HF758100 | Carbon Resistor | カ ー ボ ン 抵 抗 | | 01 |
| | HV754220 | Flame Proof C. Resistor | 不 燃 化 カ ー ボ ン 抵 抗 | | 01 |
| | VA074100 | Metal Film Resistor | 金 属 被 膜 抵 抗 | | 01 |
| | VA074600 | Metal Film Resistor | 金 属 被 膜 抵 抗 | | 01 |
| | VB067300 | Metal Film Resistor | 金 属 被 膜 抵 抗 | | 01 |
| | VB067600 | Metal Film Resistor | 金 属 被 膜 抵 抗 | | 01 |
| | VC740900 | Metal Oxide Film Resistor | 酸 化 金 属 被 膜 抵 抗 | | 01 |
| | VC746200 | Metal Oxide Film Resistor | 酸 化 金 属 被 膜 抵 抗 | | 01 |
| | VC748800 | Metal Oxide Film Resistor | 酸 化 金 属 被 膜 抵 抗 | | 01 |
| | HM052220 | Wire Wound Resistor | セ メ ン ト 抵 抗 | | 01 |
| | HM052470 | Wire Wound Resistor | セ メ ン ト 抵 抗 | | 02 |
| | HW914150 | Fuse Resistor | ヒ ュ ー ズ 抵 抗 | | 02 |
| | IG107000 | IC | IC | OP AMP | 04 |
| | XC721A00 | IC | IC | REGULATOR -12V | 02 |

* New Parts (新規部品)

ランク : Japan only

M2000/PW2000M

| REF NO. | PART NO. | DESCRIPTION | | 部 品 名 | REMARKS | ランク |
|---------|----------|-----------------------|-----------------|-------------|-----------------------------|-----|
| | XD706A00 | IC | NJM7809FA | I C | REGULATOR +9V | 02 |
| | XJ608A00 | IC | NJM7812FA | I C | REGULATOR +12V | 02 |
| | VF576000 | Push Switch | ESB-8236V | プ ッ シ ュ S W | POWER switch | 03 |
| | KB001280 | Fuse | T 6.00A 250V | ヒ ュ ー ズ | J | 02 |
| | KB001250 | Fuse | T 6.00A 250V | ヒ ュ ー ズ | U,C,V | 02 |
| | KB003070 | Fuse | TR2.00A | ヒ ュ ー ズ | H,B,W | 01 |
| | KB003570 | Fuse | T 2.00A 250V | ヒ ュ ー ズ | J,U,C,V | 01 |
| | KB003250 | Fuse | TR6.30A | ヒ ュ ー ズ | H,B,W | |
| | VJ102400 | Relay | G4W1112TP-USTV8 | リレーDC12V | | |
| | VA854400 | Terminal | | PC用カラゲ端子 | | 01 |
| | LB932030 | Base Post Connector | VH-3P TE | ベースポスト | | 01 |
| | LB932060 | Base Post Connector | VH-6P TE | ベースポスト | | 01 |
| | VB389800 | Connector Base Post | PH-2P TE | コネクタベースポスト | | 01 |
| | LB201530 | Fuse Holder | PC-FH1 | ヒューズホルダ | | 01 |
| | VA024800 | Trimmer Potentiometer | B10.0K | 半固定VR | +17V, +12v adj. | 02 |
| | IA093700 | Transistor | 2SA937 Q,R,S | トランジスタ | | 01 |
| | VF163700 | Transistor | 2SA1265N R,O | トランジスタ | | 04 |
| | IB056010 | Transistor | 2SB560V16MP E,F | トランジスタ | | 02 |
| | IB059630 | Transistor | 2SB596 O,Y | トランジスタ | | 04 |
| | IC1815M0 | Transistor | 2SC1815 Y,GR | トランジスタ | | 01 |
| | IC202180 | Transistor | 2SC2021 Q,R,S | トランジスタ | | 01 |
| | IC224030 | Transistor | 2SC2240 GR,BL | トランジスタ | | 01 |
| | VC211000 | Transistor | 2SC3421 O,Y | トランジスタ | | 02 |
| | VF163900 | Transistor | 2SC3182N R,O | トランジスタ | | 04 |
| | ID043810 | Transistor | 2SD438-MP E,F | トランジスタ | | 01 |
| | ID052630 | Transistor | 2SD526 O,Y | トランジスタ | | 04 |
| | VB941200 | Diode | 1SS133,1SS176 | ダイオード | | 01 |
| | VE170000 | Diode | 1SR35-100A 52 | ダイオード | | 01 |
| | VB845300 | Diode Stack | S1WB(A)60 | ダイオードスタック | | 02 |
| | VM622000 | Diode Stack | GBPC2504 | ダイオードスタック | | 07 |
| | VQ272500 | Zener Diode | MTZJ5.6C 5.6V | ツェナーダイオード | | |
| | VQ555000 | Zener Diode | MTZJ10C 10.0V | ツェナーダイオード | | |
| | VQ556100 | Zener Diode | MTZJ15C 15.0V | ツェナーダイオード | | |
| | VQ556800 | Zener Diode | MTZJ20C 20.0V | ツェナーダイオード | | |
| | VQ557500 | Zener Diode | MTZJ24B 24.0V | ツェナーダイオード | | |
| | VQ558000 | Zener Diode | MTZJ27D 27.0V | ツェナーダイオード | | |
| | VQ558700 | Zener Diode | MTZJ33D 33.0V | ツェナーダイオード | | |
| | VH325300 | LED | GL2EG6 | L E D | POWER,+17, -17, +12, +48 | 01 |
| | IL000690 | Insulation Sheet | CSSX-G509 | 放熱シート | | 01 |
| | VA078900 | Jumper Wire | 0.55 | ジャンパー線 | | |
| | VI474400 | Terminal Plate | | ターミナル金具 | | 01 |
| | BA808520 | Heat Sink | T220M 25L | ヒートシンク | | 03 |
| | VF660100 | Transistor Spacer | | トランジスタスペーサ | | 01 |
| | VM679600 | Diode Spacer | GBPC2504 | ダイオードスペーサ | | 06 |
| | -- | Connector Assembly | PW DI | 束線 | (VR67170) | |
| | -- | Connector Assembly | PW DD | 束線 | (VR67190) | |
| | -- | Fuse Label | T2A L | ヒューズラベル | H,B,W (VQ50210) | |
| | -- | Fuse Label | T6.3AL | ヒューズラベル | H,B,W (VR72540) | |
| | XA237B00 | Power Transformer | | 電源トランス | J | 09 |
| | XA238C00 | Power Transformer | | 電源トランス | U,C,V | 09 |
| | XA239B00 | Power Transformer | | 電源トランス | H,B,W | 09 |
| | XN821A00 | Power Transformer | | 電源トランス | J | |
| | XN822A00 | Power Transformer | | 電源トランス | U,C,V | |
| | XN823A00 | Power Transformer | | 電源トランス | H,B,W | |
| | MG000610 | AC Cord | 2P 15A 2.1m | 電源コード | J | 06 |
| | VD279600 | AC Cord | 3P 10A 2.5m | 電源コード | U,C,V | 08 |

* New Parts (新規部品)

ランク: Japan only

| REF NO. | PART NO. | DESCRIPTION | | 部 品 名 | REMARKS | ランク |
|---------|----------|--------------------|----------------|-------------------|-----------|-----|
| ⚠ ⚠ | VD279800 | AC Cord | 3P 6A 2.5m | 電 源 コ ー ド | H,W | 08 |
| | VH890200 | AC Cord | 3P 10A 2.5m | 電 源 コ ー ド | B | 09 |
| ⚠ ⚠ | KB001280 | Fuse | T 6.00A 250V | ヒ ュ ー ズ | J | 02 |
| | KB001250 | Fuse | T 6.00A 250V0A | ヒ ュ ー ズ | U,C,V | 02 |
| ⚠ | KB003090 | Fuse | TR3.15A | ヒ ュ ー ズ | H,B,W | 01 |
| | -- | Fan Assembly | | フ ザ ン A s s y | (VR59120) | |
| | VN073900 | DC Fan | CF80-T213N1D | D C フ ザ ン | | 11 |
| | VB936800 | Connector Contact | SPH-002T-P0.5S | コ ン タ ク ト | | 01 |
| | VB304300 | Connector Housing | PH-2P | コ ネ ク タ ハ ウ ジ ン グ | | 01 |
| | -- | Connector Assembly | PW DC OUT | 束 線 | (VR67490) | |
| | LB605760 | Connector (Socket) | SRCN 10P | 丸 型 コ ネ ク タ | | 08 |
| | LB101710 | Connector Pin | SVH-21T-P1.1 | 圧 着 端 子 | | 01 |
| | LA003690 | Lug Terminal | | ラ グ 端 子 | | 01 |
| | LB015030 | Connector Housing | VH-3P | ハ ウ ジ ン グ | | 01 |
| | LB015060 | Connector Housing | VH-6P | ハ ウ ジ ン グ | | 01 |

* New Parts (新規部品)

ランク : Japan only

M2000/PW2000M

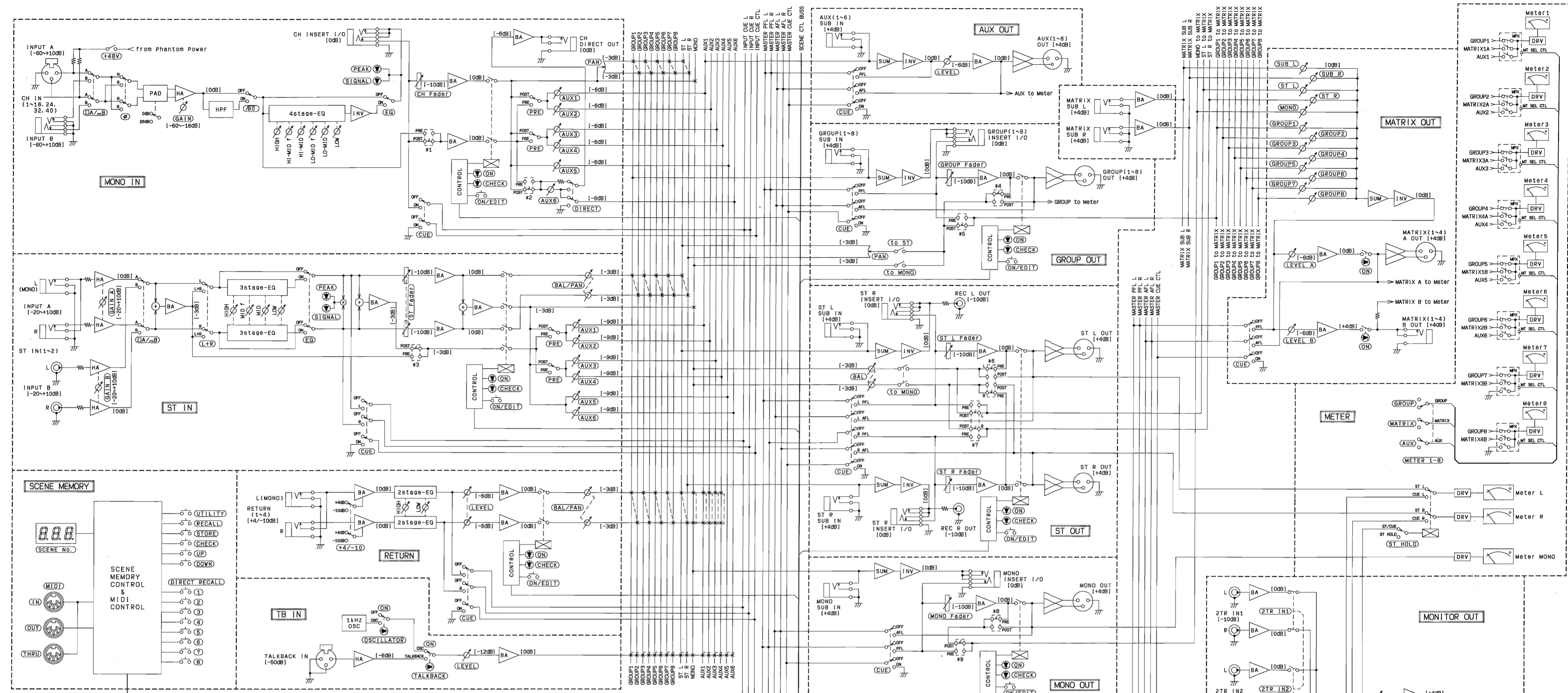
■ CIRCUIT BOARD & CIRCUIT DIAGRAM (シート基板図と回路図)

● CONTENTS (目次)

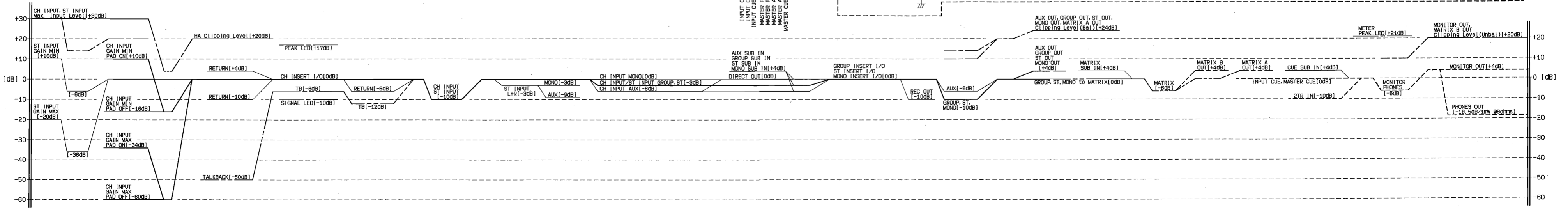
| | |
|-------------------------------------|----------|
| BLOCK & LEVEL DIAGRAM | page C1 |
| IN CIRCUIT BOARD | page C2 |
| ST-IN CIRCUIT BOARD | page C4 |
| RETURN CIRCUIT BOARD | page C6 |
| MATRIX1 CIRCUIT BOARD | page C8 |
| MATRIX3 CIRCUIT BOARD | page C10 |
| ST CIRCUIT BOARD | page C12 |
| MONO CIRCUIT BOARD | page C14 |
| MIDI CIRCUIT BOARD (1/4, 2/4) | page C16 |
| MIDI CIRCUIT BOARD (3/4, 4/4) | page C18 |
| DISTRIB & PS CIRCUIT BOARDS | page C20 |
| DC CIRCUIT BOARD (PW2000M) | page C22 |
| JK & BNC CIRCUIT BOARDS | page C24 |
| MTC CIRCUIT BOARD | page C26 |
| MTA4 CIRCUIT BOARD | page C28 |

M2000 BLOCK & LEVEL DIAGRAM

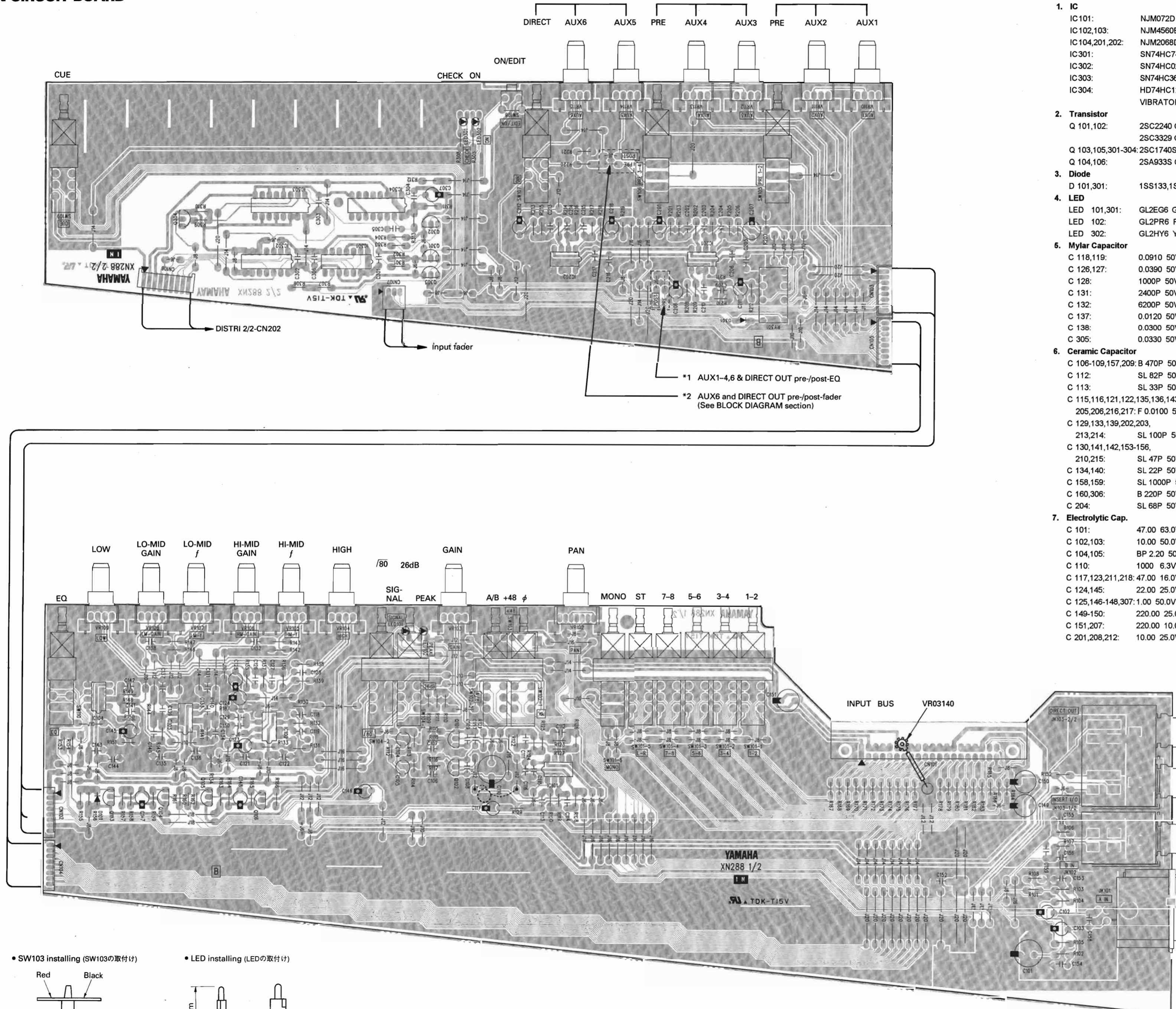
M2000/PW2000M



- #1 CH INPUT AUX(1-4,6) & DIRECT [pre EQ / post EQ] Jumper : factory set - post EQ
- #2 CH INPUT AUX6 & DIRECT OUT [pre Fader / post Fader] Jumper : factory set - post Fader
- #3 ST INPUT AUX(1-4) [pre EQ / post EQ] Jumper : factory set - post EQ
- #4 GROUP to ST/MONO/MATRIX [pre ON sw. / post ON sw.] Jumper : factory set - pre ON sw.
- #5 GROUP to MATRIX [pre GROUP Fader / post GROUP Fader] Jumper : factory set - post GROUP Fader
- #6 ST to MONO/MATRIX [pre ON sw. / post ON sw.] Jumper : factory set - pre ON sw.
- #7 ST to MATRIX [pre ST L/R Fader / post ST L/R Fader] Jumper : factory set - post ST L/R Fader
- #8 MONO to MATRIX [pre ON sw. / post ON sw.] Jumper : factory set - pre ON sw.
- #9 MONO to MATRIX [pre MONO Fader / post MONO Fader] Jumper : factory set - post MONO Fader

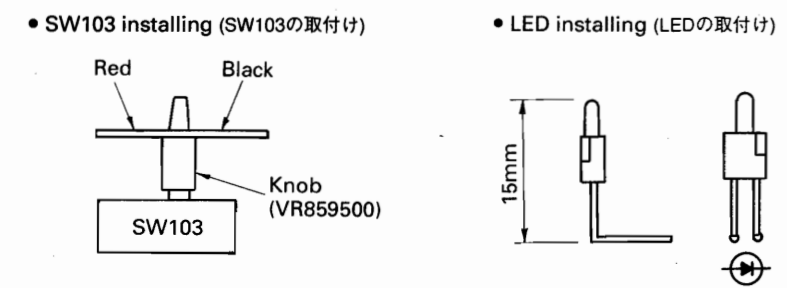


IN CIRCUIT BOARD



Notes

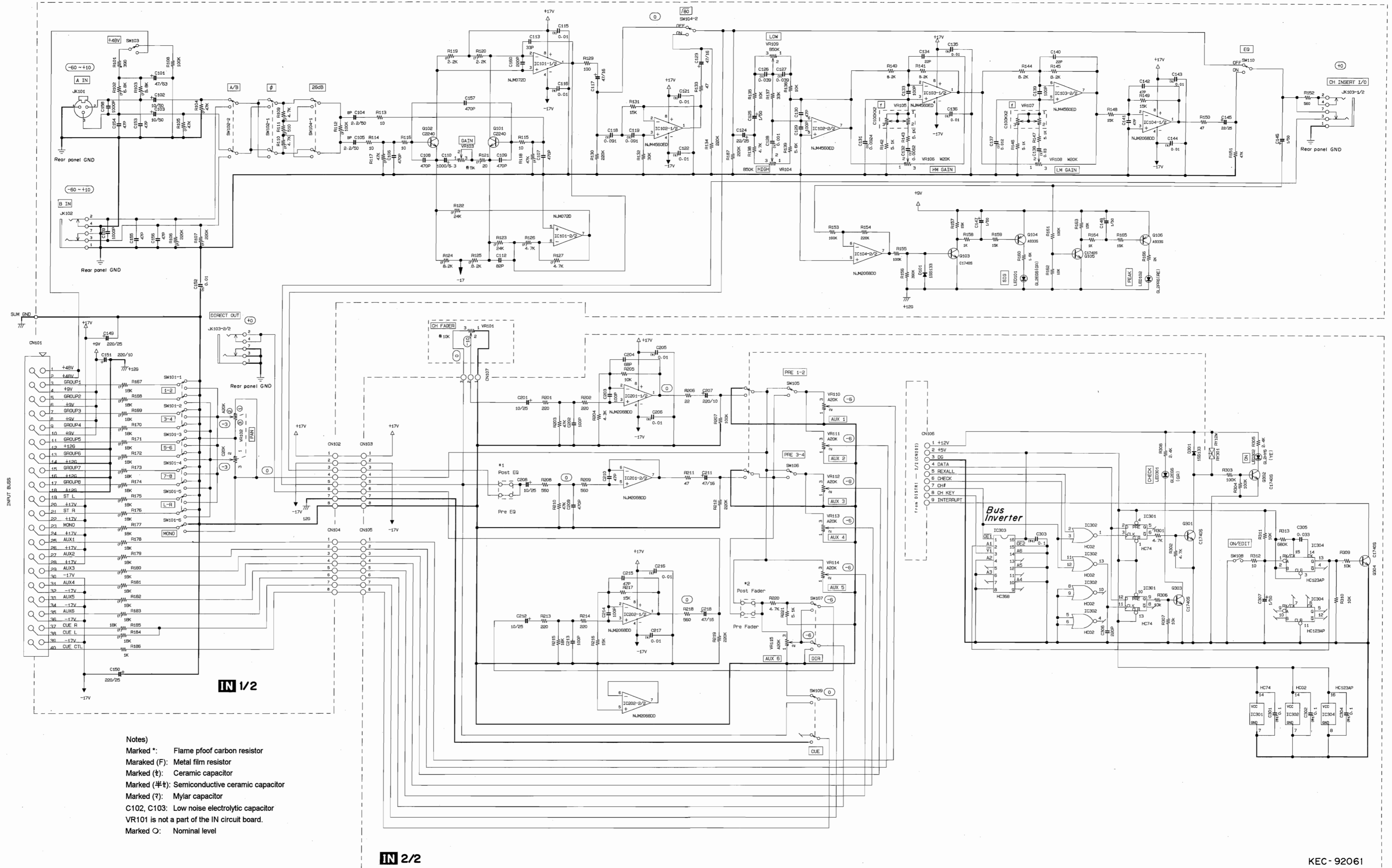
- Circuit Board: IN (VR030200) XN288B0
- IC**
 - IC101: NJM072D (IG107000) OP AMP
 - IC102,103: NJM4560ED (IG040000) OP AMP
 - IC104,201,202: NJM2068D-D (XA987A00) OP AMP
 - IC301: SN74HC74N (IR007450) DFF
 - IC302: SN74HC02N (IR000250) NOR
 - IC303: SN74HC368N (IR036850) BUS INVERTER
 - IC304: HD74HC123AP (IR012310) MULTI VIBRATOR
 - Transistor**
 - Q 101,102: 2SC2240 GR,BL (IC224030) or 2SC3329 GR,BL (VE415900)
 - Q 103,105,301-304: 2SC1740S R,S (IC174070)
 - Q 104,106: 2SA933S Q,R (A093320)
 - Diode**
 - D 101,301: 1SS133,1SS176 (VB941200)
 - LED**
 - LED 101,301: GL2EG6 GR (VH325300) SIGNAL, CHECK
 - LED 102: GL2PR6 RE (VH325200) PEAK
 - LED 302: GL2HY6 YE (VJ471200) ON
 - Mylar Capacitor**
 - C 118,119: 0.0910 50V J (UA654910)
 - C 126,127: 0.0390 50V J (UA654390)
 - C 128: 1000P 50V J (UA353100)
 - C 131: 2400P 50V J (UA353240)
 - C 132: 6200P 50V J (UA353620)
 - C 137: 0.0120 50V J (UA654120)
 - C 138: 0.0300 50V J (UA654300)
 - C 305: 0.0330 50V J (UA654330)
 - Ceramic Capacitor**
 - C 106-109,157,209: B 470P 50V K (FG612470)
 - C 112: SL 82P 50V J (FG651820)
 - C 113: SL 33P 50V J (FG651330)
 - C 115,116,121,122,135,136,143,144,152, 205,206,216,217: F 0.0100 50V Z (FG644100)
 - C 129,133,139,202,203, 213,214: SL 100P 50V J (FG652100)
 - C 130,141,142,153-156, 210,215: SL 47P 50V J (FG651470)
 - C 134,140: SL 22P 50V J (FG651220)
 - C 158,159: SL 1000P 50V K (FG613100)
 - C 160,306: B 220P 50V K (FG612220)
 - C 204: SL 68P 50V J (FG651680)
 - Electrolytic Cap.**
 - C 101: 47.00 63.0V (UJ877470)
 - C 102,103: 10.00 50.0V (VJ097400)
 - C 104,105: BP 2.20 50.0V (VN510800)
 - C 110: 1000 6.3V (UJ819100)
 - C 117,123,211,218: 47.00 16.0V (UJ837470)
 - C 124,145: 22.00 25.0V (UJ847220)
 - C 125,146-148,307: 1.00 50.0V (UJ866100)
 - C 149-150: 220.00 25.0V (UJ848220)
 - C 151,207: 220.00 10.0V (UJ828220)
 - C 201,208,212: 10.00 25.0V (UJ847100)
 - Semiconductive Cera. Cap.**
 - C 301-304: 0.1000 25V Z (VC694800)
 - Carbon Resistor**
 - R 108,153,155,161, 207,303,304: 100.0K 1/4 J (HF758100)
 - R 113-116,312: 10.0 1/4 J (HF754100)
 - R 129: 100.0 1/4 J (HF755100)
 - R 130,134,154,187,212,219: 220.0K 1/4 J (HF758220)
 - R 131,148,149,157,159, 163,165,216,217: 15.0K 1/4 J (HF757150)
 - R 132: 30.0K 1/4 J (HF757300)
 - R 133,150,211: 47.0 1/4 J (HF754470)
 - R 135,136,162,205,306, 307,309-311: 10.0K 1/4 J (HF757100)
 - R 137: 33.0K 1/4 J (HF757300)
 - R 138,220,301,302: 4.7K 1/4 J (HF756470)
 - R 139: 5.6K 1/4 J (HF756560)
 - R 140,141,144,145: 8.2K 1/4 J (HF756820)
 - R 142,143,146,147, 221: 5.1K 1/4 J (HF75651)
 - R 151,203,210: 47.0K 1/4 J (HF757470)
 - R 152,208,209,218: 560.0 1/4 J (HF755560)
 - R 156: 390.0K 1/4 J (HF758390)
 - R 158,164,186: 1.0K 1/4 J (HF756100)
 - R 160: 1.6K 1/4 J (HF756160)
 - R 166: 2.0K 1/4 J (HF756200)
 - R 201,202,213,214: 220.0 1/4 J (HF755220)
 - R 204: 4.3K 1/4 J (HF75643)
 - R 206: 22.0 1/4 J (HF75422)
 - R 215: 18.0K 1/4 J (HF757180)
 - R 305,308: 2.4K 1/4 J (HF756240)
 - R 313: 680.0K 1/4 J (HF75868)
 - Flame Proof Carbon Resistor**
 - R 101: 390.0 1/4 J (HV755390)
 - Metal Film Resistor**
 - R 102,103: 6.8K 1/4 F (VB067300)
 - R 104,105,117,118: 47.0K 1/4 F (VB068800)
 - R 106,107: 220.0K 1/4 F (VB070400)
 - R 109,110,126,127: 4.7K 1/4 F (VA074100)
 - R 111: 510.0 1/4 F (VB064200)
 - R 112: 100.0K 1/4 F (VB069600)
 - R 119,120: 2.2K 1/4 F (VB066300)
 - R 121: 20.0 1/4 F (VB060800)
 - R 122,123: 24.0K 1/4 F (VB068200)
 - R 124,125: 8.2K 1/4 F (VB067400)
 - R 167-185: 18.0K 1/4 F (VB067900)
 - Rotary Variable Resistor**
 - VR 102: A20K+C20K (VQ900500) PAN
 - VR 103: 5K (VQ900600) GAIN
 - VR 104,109: B50K (VQ900700) HIGH, LOW
 - VR 105,107: C100Kx2 (VQ900900) HM-f, LM-f
 - VR 106,108: W20K (VQ900800) HM-GAIN, LM-GAIN
 - VR 110-115: A20K (VQ901000) AUX 1-5
 - Slide Switch**
 - SW103: SSSU112-S06N-1 (VQ907900) +48V
 - Push Switch**
 - SW101: SPUN60 2/2*6 (VQ901600) ASSIGN 1-2/3-4/5-6/7-8/ST/MONO
 - SW102,104: SPUN20 2/2*2 (VQ901700) ϕ /A/B, 26dB/80
 - SW105-107,110: SPUN19-2N-W (VQ901900) PRE1-2, PRE3-4, DIRECT, EQ
 - SW108: EVQ PB (VQ902900) EDIT/ON
 - SW109: SPUN19-2N-W (VQ902100) CUE
 - Relay**
 - RY 301: DC RY12W (KC001900)
 - Phone Jack**
 - JK 102: Stereo HLJ2305 (LB202700) INPUT B
 - JK 103: Stereo HLJ2335 (LB606940) INS I/O, DIRECT OUT
 - Cannon Connector**
 - JK 101: XLM-3-31PCH-L (VM651800) INPUT A
 - Connector**
 - CN 101: HIF3BAG40PA2.54 (VR633100)
 - CN 102,104: FJ-P 8P (VL548500)
 - CN 103,105: FJ-R 8P (VK217100)
 - CN 106: MQ-9P (VJ378700)
 - CN 107: PH-3P SE (VB858200)
 - Push Button**
 - : M.GY/S.GY (VR034000) ASSIGN, ϕ , A/B, PRE, DIRECT
 - : GR/S.GY (VR281300) EQ,/80
 - : RE/S.GY (VR281500) ST
 - : Y.BR/S.GY (VR637000) MONO
 - : S.GY/Y.BR (VR637100) CUE
 - Knob**
 - : RE (VJ859500) +48V



Component side (部品側)

3NA-VR03020

IN CIRCUIT BOARD



- Notes
- Marked *: Flame proof carbon resistor
 - Marked (F): Metal film resistor
 - Marked (t): Ceramic capacitor
 - Marked (t): Semiconductive ceramic capacitor
 - Marked (T): Mylar capacitor
 - C102, C103: Low noise electrolytic capacitor
 - VR101 is not a part of the IN circuit board.
 - Marked O: Nominal level

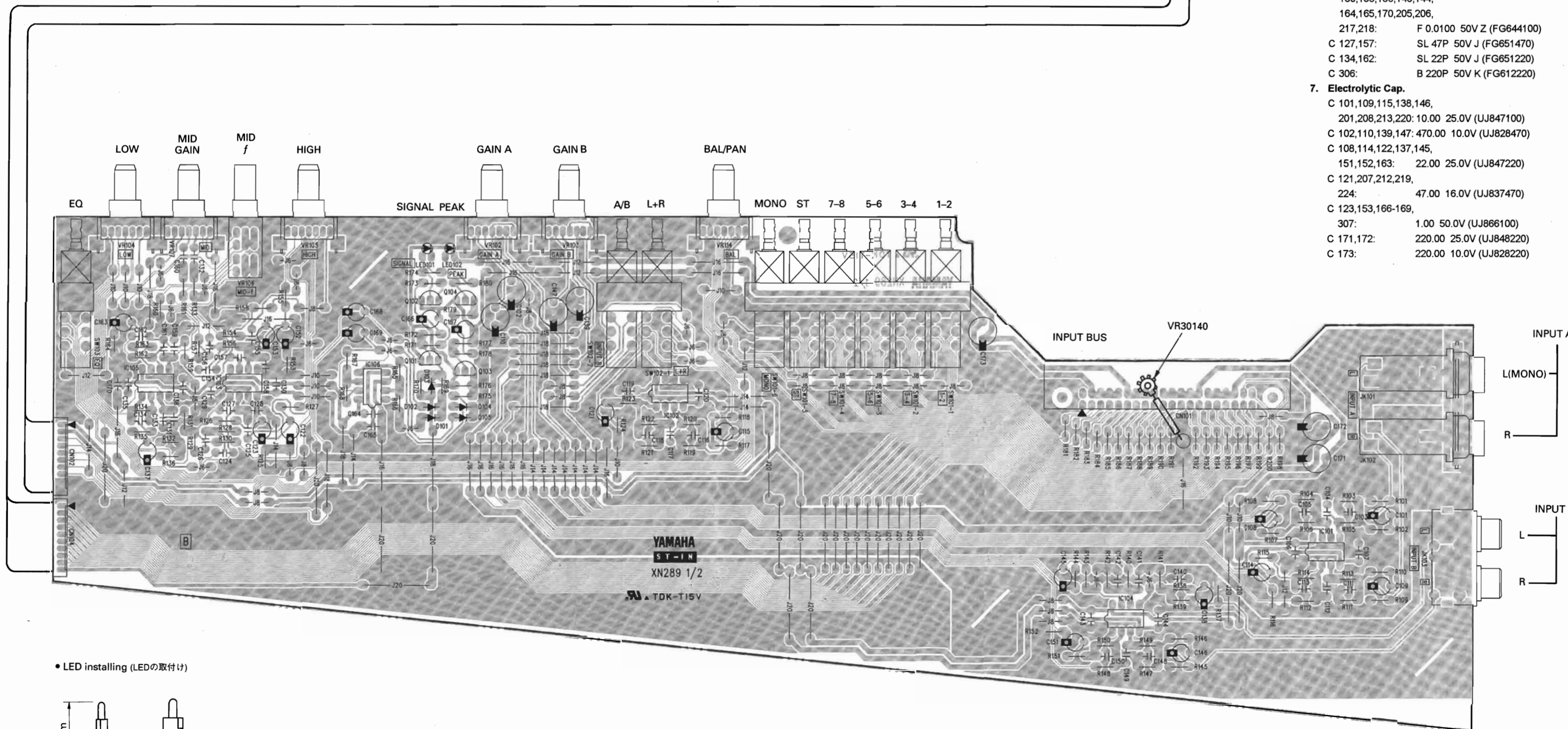
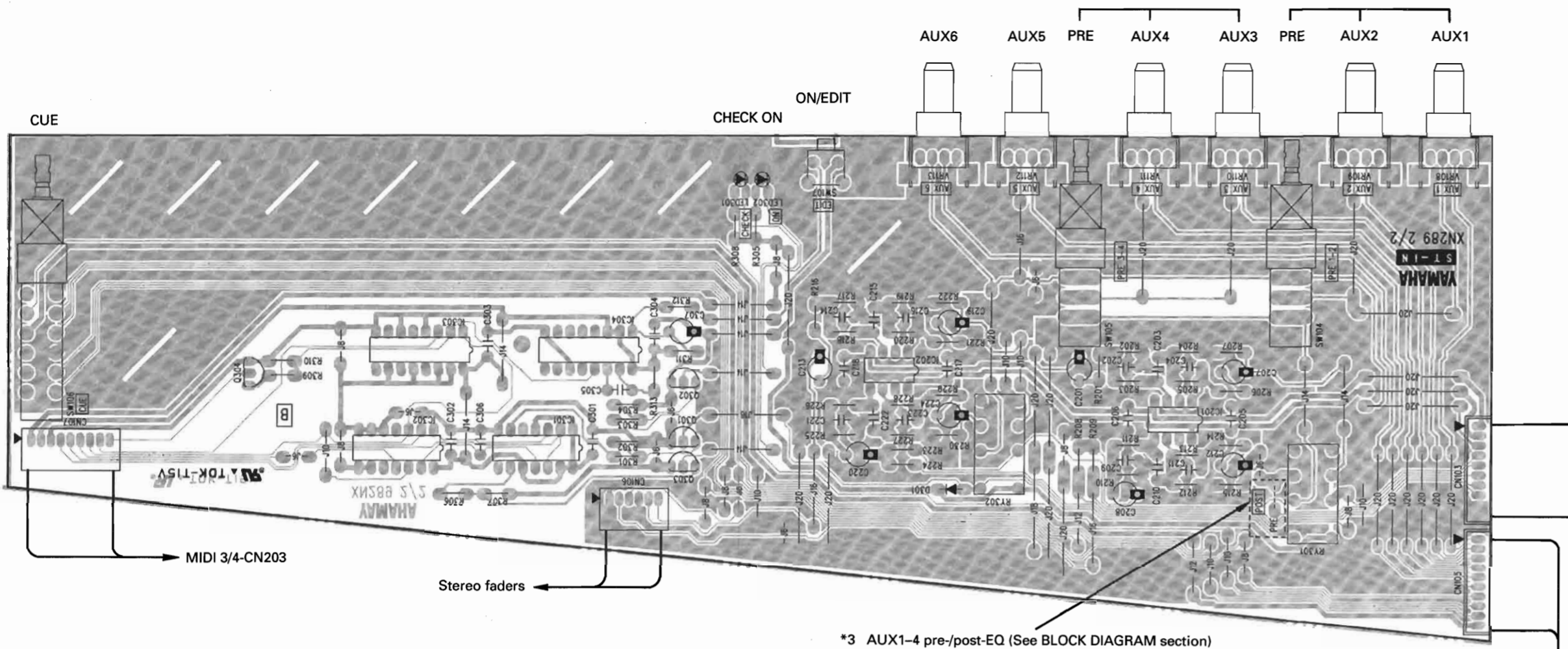
IN 2/2

KEC-92061

*1 CH INPUT AUX(1/2/3/4/6) & DIRECT [Pre EQ/Post EQ] Jumper: factory set = Post EQ
 *2 CH INPUT AUX6 & DIRECT OUT [Pre Fader/Post Fader] Jumper: factory set = Post Fader

11225

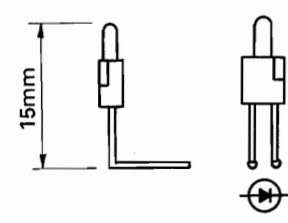
■ ST-IN CIRCUIT BOARD



Notes

- Circuit Board: ST-IN (VR030300) XN289B0
- IC**
 IC101,102,104,201,202: NJM2068D-D (XA987A00) OP AMP
 IC103,105: NJM4560ED (IG040000) OP AMP
 IC106: BA4558-NK (XF128A00) OP AMP
 IC301: SN74HC74N (IR007450) DFF
 IC302: SN74HC02N (IR000250) NOR
 IC303: SN74HC368N (IR036850) BUS INVERTER
 IC304: HD74HC123AP (IR012310) MULTI VIBRATOR
 - Transistor**
 Q 101,103,302-304: 2SC1740S R,S (IC174070)
 Q 102,104: 2SA933S Q,R (IA093320)
 Q 301: 2SC1509 O,R (IC150930)
 - Diode**
 D 101-105,301: 1SS133,1SS176 (VB941200)
 - LED**
 LED 101,301: GL2EG6 GR (VH325300) SIGNAL, CHECK
 LED 102: GL2PR6 RE (VH325200) PEAK
 LED 302: GL2HY6 YE (VJ471200) ON
 - Mylar Capacitor**
 C 124,126,154,156: 0.0390 50V J (UA654390)
 C 125,155: 1000P 50V J (UA353100)
 C 131,159: 3300P 50V J (UA353300)
 C 132,160: 8200P 50V J (UA353820)
 C 305: 0.0330 50V J (UA654330)
 - Ceramic Capacitor**
 C 103,104,111,112,117,128,133,140,141,148,149,158,161,202,203,210,214,215,222: SL 100P 50V J (FG652100)
 C 105,113,116,118,142,150,204,209,211,216,221,223: SL 68P 50V J (FG651680)
 C 106,107,119,120,129,130,135,136,143,144,164,165,170,205,206,217,218: F 0.0100 50V Z (FG644100)
 C 127,157: SL 47P 50V J (FG651470)
 C 134,162: SL 22P 50V J (FG651220)
 C 306: B 220P 50V K (FG612220)
 - Electrolytic Cap.**
 C 101,109,115,138,146,201,208,213,220: 10.00 25.0V (UJ847100)
 C 102,110,139,147: 470.00 10.0V (UJ828470)
 C 108,114,122,137,145,151,152,163: 22.00 25.0V (UJ847220)
 C 121,207,212,219,224: 47.00 16.0V (UJ837470)
 C 123,153,166-169,307: 1.00 50.0V (UJ866100)
 C 171,172: 220.00 25.0V (UJ848220)
 C 173: 220.00 10.0V (UJ828220)
 - Semiconductive Cera. Cap.**
 C 301-304: 0.1000 25V Z (VC694800)
 - Carbon Resistor**
 R 101,109,137,145: 36.0K 1/4 J (HF757360)
 R 102,110,138,146: 12.0K 1/4 J (HF757120)
 R 103,111,139,147: 2.2K 1/4 J (HF756220)
 R 104,112,140,148: 150.0 1/4 J (HF755150)
 R 105,113,120,141,149,201,203,211,216,218,226: 220.0 1/4 J (HF755220)
 R 106,114,119,121,122,126,129,142,150,154,157,205,210,212,213,220,225,227,228,306,307,309-311: 10.0K 1/4 J (HF757100)
 R 107,115,135,143,151,163,206,221,312: 10.0 1/4 J (HF754100)
 R 108,116,124,125,144,152,153,207,215,222,230: 220.0K 1/4 J (HF758220)
 R 117,118,131,134,159,162,208,209,223,224: 8.2K 1/4 J (HF756820)
 R 123,214,229: 47.0 1/4 J (HF754470)
 R 127,155,301,302: 4.7K 1/4 J (HF756470)
 R 128,156: 33.0K 1/4 J (HF757330)
 R 130,158: 5.6K 1/4 J (HF756560)
 R 132,133,160,161: 5.1K 1/4 J (HF75651)
 R 136,164,202,217: 47.0K 1/4 J (HF757470)
 R 165,167,169,175,303,304: 100.0K 1/4 J (HF758100)
 R 166,168: 330.0K 1/4 J (HF758330)
 R 170: 390.0K 1/4 J (HF75839)
 R 171,173,177,179: 15.0K 1/4 J (HF757150)
 R 172,178,200: 1.0K 1/4 J (HF756100)
 R 174: 1.6K 1/4 J (HF756160)
 R 176: 13.0K 1/4 J (HF75713)
 R 180: 2.0K 1/4 J (HF75620)
 R 204,219: 4.3K 1/4 J (HF75643)
 R 305,308: 2.4K 1/4 J (HF756240)
 R 313: 680.0K 1/4 J (HF75868)
 - Metal Film Resistor**
 R 181-199: 18.0K 1/4 F (VB067900)
 - Rotary Variable Resistor**
 VR 102,103: C10Kx2 (VQ901100) GAIN A,B
 VR 104,105: B50Kx2 (VQ901200) LOW,HIGH
 VR 106: C100Kx4 (VQ901500) MID-f
 VR 107: W20Kx2 (VQ901300) MID-GAIN
 VR 108-113: A20K (VQ901000) AUX1-6
 VR 114: A20K+C20K (VQ900500) BAL/PAN
 - Push Switch**
 SW101: SPUN60 2/2*6 (VQ901600) ASSIGN
 SW102: SPUN20 2/2*2 (VQ902000) L+R, A/B
 SW103-105: SPUN19-2N-W (VQ901900) EQ,PRE 1-2,3-4
 SW106: SPUN19-2N-W (VR633200) CUE
 SW107: EVQ PB (VQ902900) ON/EDIT
 - Relay**
 RY 301,302: DC RY12W (KC001900)
 - Pin Jack**
 JK 103: YKC21-3045 (VM725600) INPUT B L/R
 - Phone Jack**
 JK 101,102: HLJ0520 (LB202600) INPUT A L,R
 - Connector**
 CN 101: HIF3BAG40PA2.54 (VR633100)
 CN 102,104: FJ-P 10P (VL548700)
 CN 103,105: FJ-R 10P (VK217300)
 CN 106: PH- 6P SE (VB858500)
 CN 107: PH- 9P SE (VB858800)
 - Push Button**
 : M.GY/S.GY (VR034000) ASSIGN, L+R, A/B, PRE
 : GR/S-GY (VR281300) EQ
 : RE/S-GY (VR281500) ST
 : Y-BR/S-GY (VR637000) MONO
 : S-GY/Y-BR (VR637100) CUE

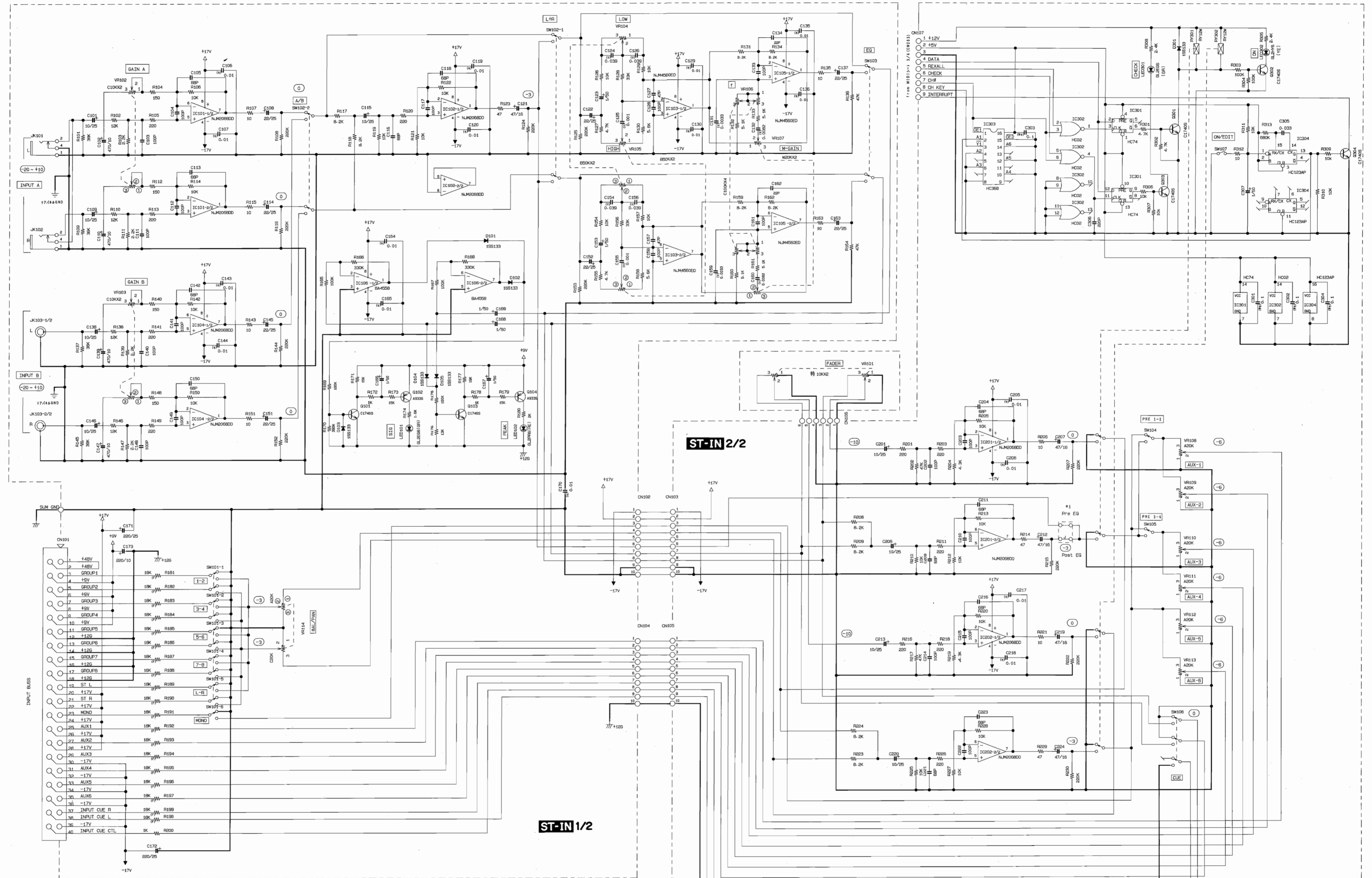
• LED installing (LEDの取付け)



Component side (部品側)

3NA-VR03030

■ ST-IN CIRCUIT BOARD



- Notes
- Marked (F): Metal film resistor
 - Marked (t): Ceramic capacitor
 - Marked (半t): Semiconductive ceramic capacitor
 - Marked (T): Mylar capacitor
 - VR101 is not a part of the IN circuit board.
 - Marked O: Nominal level

*1 ST INPUT AUX (1/2/3/4) [Pre EQ/Post EQ] Jumper : factory set = Post EQ

KEC-92062

11235

RETURN CIRCUIT BOARD

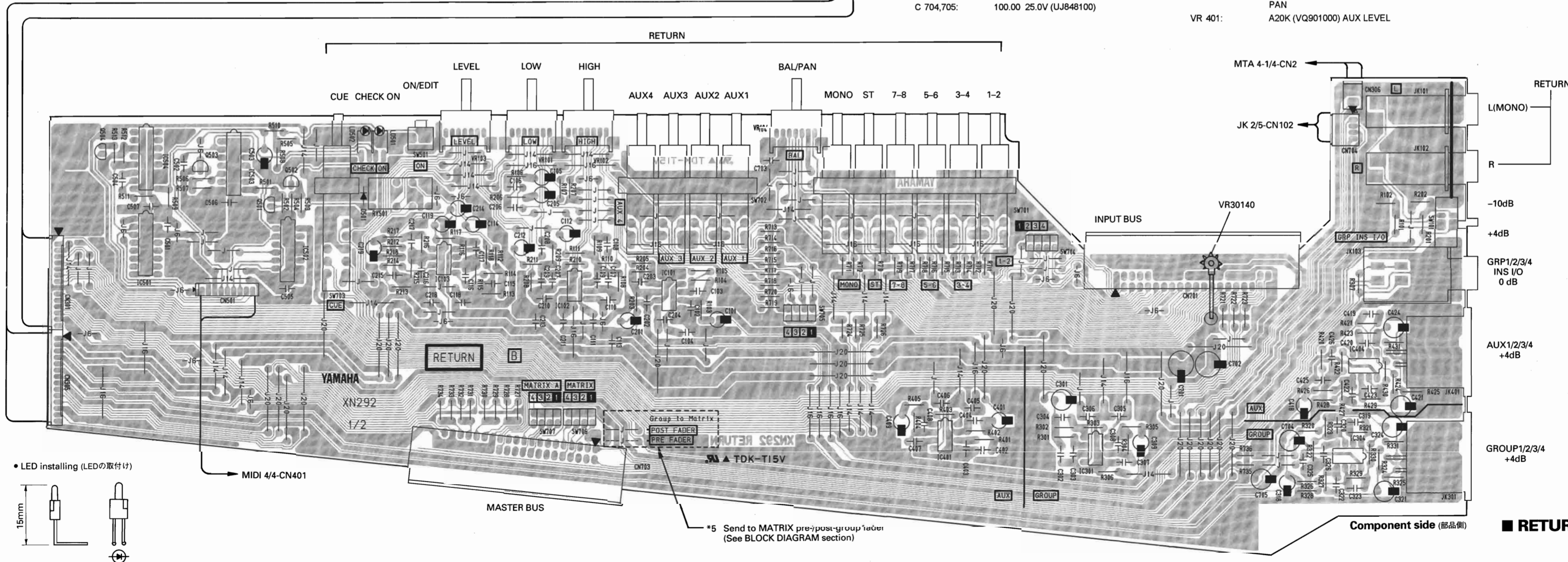
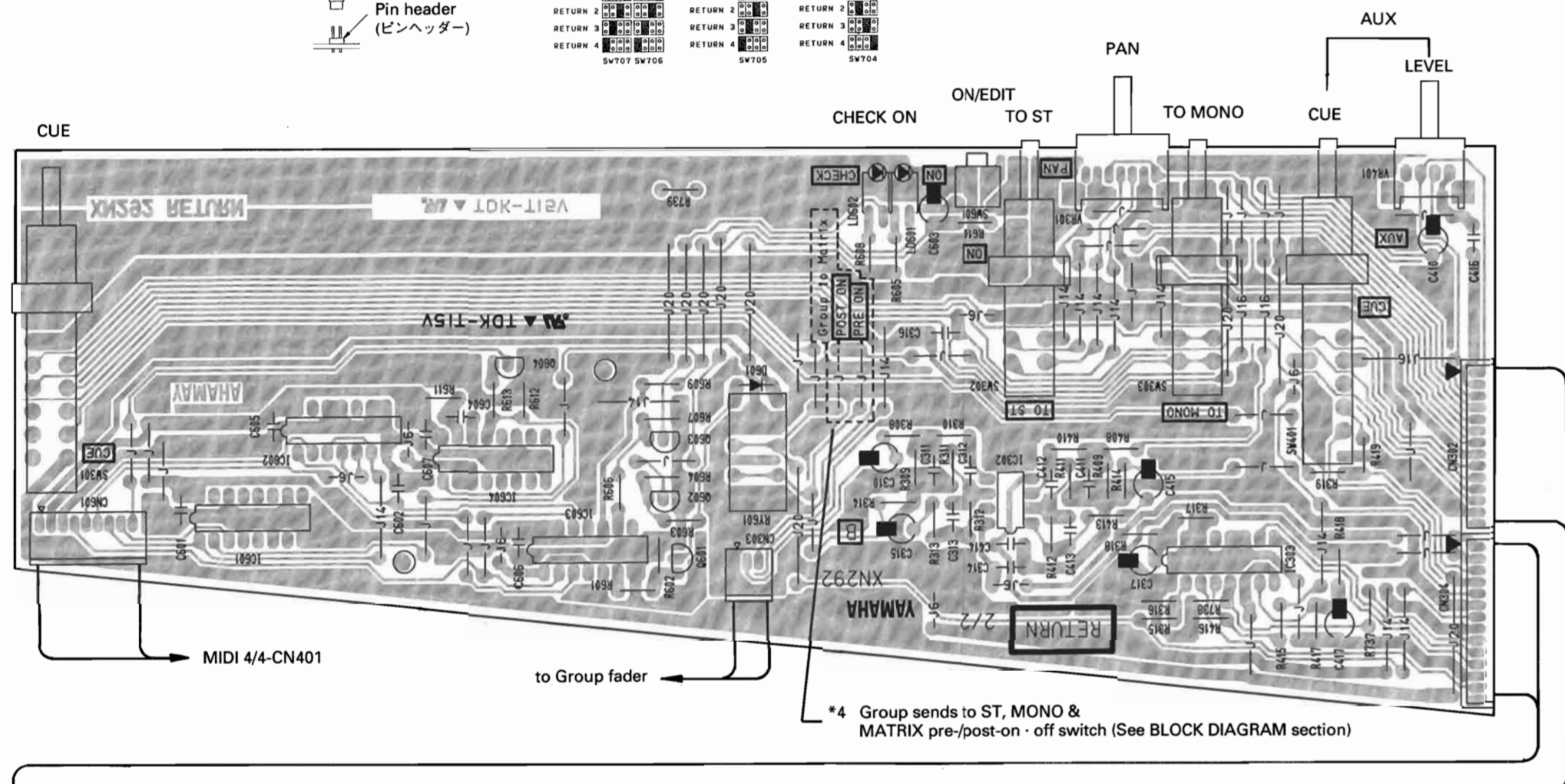
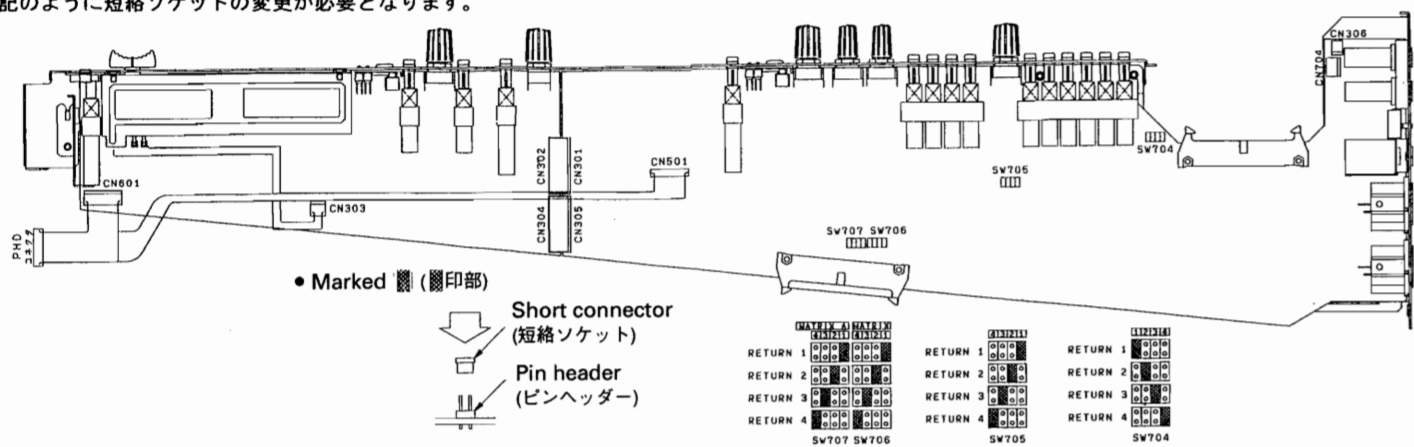
※ A RETURN circuit board is utilized for RETURN1, RETURN2, RETURN3 or RETURN4.

The RETURN circuit board provided as a service part is set for RETURN1.

If you would like to replace the RETURN2, RETURN3 or RETURN4 with this board, you should attempt to change internal short connectors as shown below.

RETURNシートは、RETURN1、RETURN2、RETURN3、あるいはRETURN4シートとして使用します。

サービス用のRETURNシートは、RETURN1用ですので、これをRETURN2、RETURN3あるいはRETURN4シートとして使用する場合は、下記のように短絡ソケットの変更が必要となります。



Notes

Circuit Board: RETURN (VR030600) XN292B0

- IC**
IC101-103,301,302, 401,403: NJM2068D-D (XA987A00) OP AMP
IC303: TC4052BP (XA053A00) MULTIPLEXER
IC304,404: NJM4580DD (XM651A00) OP AMP
IC501,601: SN74HC368N (IR036850) BUS INVERTER
IC502,602: SN74HC02N (IR002250) NOR
IC503,603: SN74HC74N (IR007450) DFF
IC504,604: HD74HC123AP (IR012310) MULTI VIBRATOR
- Transistor**
Q 501-504,601-604:2SC1740S R,S (IC174070)
- Diode**
D 501,601: 1SS133,1SS176 (VB941200)
- LED**
LED 501,601: GL2HY6 YE (VJ471200) RTN ON, ON
LED 502,602: GL2EG6 GR (VH325300) RTN CHECK, CHECK
- Mylar Capacitor**
C 106,108,206,208: 0.0390 50V J (UA654390)
C 107,207: 1000P 50V J (UA353100)
C 504,604: 0.0330 50V J (UA654330)
- Ceramic Capacitor**
C 102,110,115,116,202,210, 215,216,311,312,408,411, 412: SL 100P 50V J (FG652100)
C 103,109,203,209,307,404, 407: SL 47P 50V J (FG651470)
C 104,111,113,118,204, 211,213,218,305,306, 314,316,325,326,405, 406,414,416,425,426, 703: F 0.0100 50V Z (FG644100)
C 117,217,308,313, 413: SL 68P 50V J (FG651680)
C 302,402,502,602: B 220P 50V K (FG612220)
C 303,403: B 470P 50V K (FG612470)
C 304: SL 82P 50V J (FG651820)
C 319,320,322,323,419, 420,422,423: SL 33P 50V J (FG651330)
C 101,112,114,201,212,214, 310,317,410,417: 10.00 25.0V (UJ847100)
C 105,205,503,603: 1.00 50.0V (UJ866100)
C 119,219,309,315: 47.00 16.0V (UJ837470)
C 301,321,324,401, 421,424: 220.00 10.0V (UJ828220)
C 318,409,415,418: 22.00 25.0V (UJ847220)
C 701,702: 220.00 25.0V (UJ848220)
C 704,705: 100.00 25.0V (UJ848100)
- Electrolytic Cap.**
C 101,112,114,201,212,214, 310,317,410,417: 10.00 25.0V (UJ847100)
C 105,205,503,603: 1.00 50.0V (UJ866100)
C 119,219,309,315: 47.00 16.0V (UJ837470)
C 301,321,324,401, 421,424: 220.00 10.0V (UJ828220)
C 318,409,415,418: 22.00 25.0V (UJ847220)
C 701,702: 220.00 25.0V (UJ848220)
C 704,705: 100.00 25.0V (UJ848100)

8. Semiconductive Cera. Cap.

C 501,505-507,601, 605-607: 0.1000 25V Z (VC694800)

9. Carbon Resistor

- R 101,201: 43.0K 1/4 J (HF75743)
R 102,113,202,213,309,325,331,425,431,503,504,603,604: 100.0K 1/4 J (HF758100)
- R 103,106,109,115,116, 203,206,209,215,216, 411,412,506,507,509, 512,513,606,607,609, 612,613,739: 10.0K 1/4 J (HF757100)
R 104,108,204,208: 33.0K 1/4 J (HF757330)
R 105,111,117,205,211,217, 305,313,405,413: 47.0 1/4 J (HF754470)
R 107,207,318,418,501,502, 601,602: 4.7K 1/4 J (HF756470)
R 110,210,317,417: 5.6K 1/4 J (HF756560)
R 112,114,212,214,308,310, 408,410: 220.0 1/4 J (HF755220)
R 118,218,306,314, 414: 220.0K 1/4 J (HF758220)
R 301,401: 100.0 1/4 J (HF755100)
R 307: 560.0 1/4 J (HF755560)
R 315,415,737: 8.2K 1/4 J (HF756820)
R 316,416,738: 3.0K 1/4 J (HF75630)
R 319,419,723: 1.0K 1/4 J (HF756100)
R 324,330,424,430: 75.0 1/4 J (HF754750)
R 409: 18.0K 1/4 J (HF757180)
R 505,508,605,608: 2.2K 1/4 J (HF756220)
R 510,610: 10.0 1/4 J (HF754100)
R 511,611: 680.0K 1/4 J (HF758680)
- #### 10. Flame Proof Carbon Resistor
- R 735,736: 10.0 1/4 J (HV754100)
- #### 11. Metal Film Resistor
- R 302,711,712: 24.0K 1/4 F (VB068200)
R 303,403,404: 15.0K 1/4 F (VA074600)
R 304: 16.0K 1/4 F (VB067800)
R 311: 4.3K 1/4 F (VB067000)
R 312,320,322,326,420, 422,426: 10.0K 1/4 F (VA074400)
R 321,329,421,429,701-710, 721,722,724-734: 18.0K 1/4 F (VB067900)
R 323,327,423,427: 20.0K 1/4 F (VB068000)
R 328,428: 11.0K 1/4 F (VA074500)
R 402: 36.0K 1/4 F (VB068500)
R 713-720: 51.0K 1/4 F (VB068900)
- #### 12. Rotary Variable Resistor
- VR 101,102: B50Kx2 (VQ901200) LOW, HIGH
VR 103: A20Kx2 (VQ901400) RTN LEVEL
VR 104,301: A20K+C20K (VQ900500) RTN BAL/PAN, PAN
VR 401: A20K (VQ901000) AUX LEVEL

13. Slide Switch

SW101: SSSF04 (VQ545800) -10dB/+4dB

14. Push Switch

- SW301: SPUN19-2N-W (VR633200) CUE
SW302,303: SPUN19-2N-W (VQ901900) TO ST, TO MONO
SW401,703: SPUN (VA983800) AUX CUE, RTN CUE
SW501,601: EVQ PB (VQ902900) RTN ON/EDIT, ON/EDIT
SW701: SPUN60 2/2*6 (VQ901600) ASSIGN
SW702: SPUN40 2/2*4 (VQ902200) AUX1-4

15. Pin Header

SW704-707: 9202 2P-8 TE (VR702400)

16. Short Connector

: 9206H-T 2P (VR984700) for SW704-707

17. Relay

RY 501,601: DC RY12W (KC001900)

18. Phone Jack

- JK 101,201: HLJ0520 (LB202600) RTN L, RTN R
JK 103: Stereo HLJ2305 (LB202700) GRP INS I/O

19. Cannon Connector

JK 301,401: XLM-3-32PCH-L (VP953100) GROUP, AUX

20. Connector

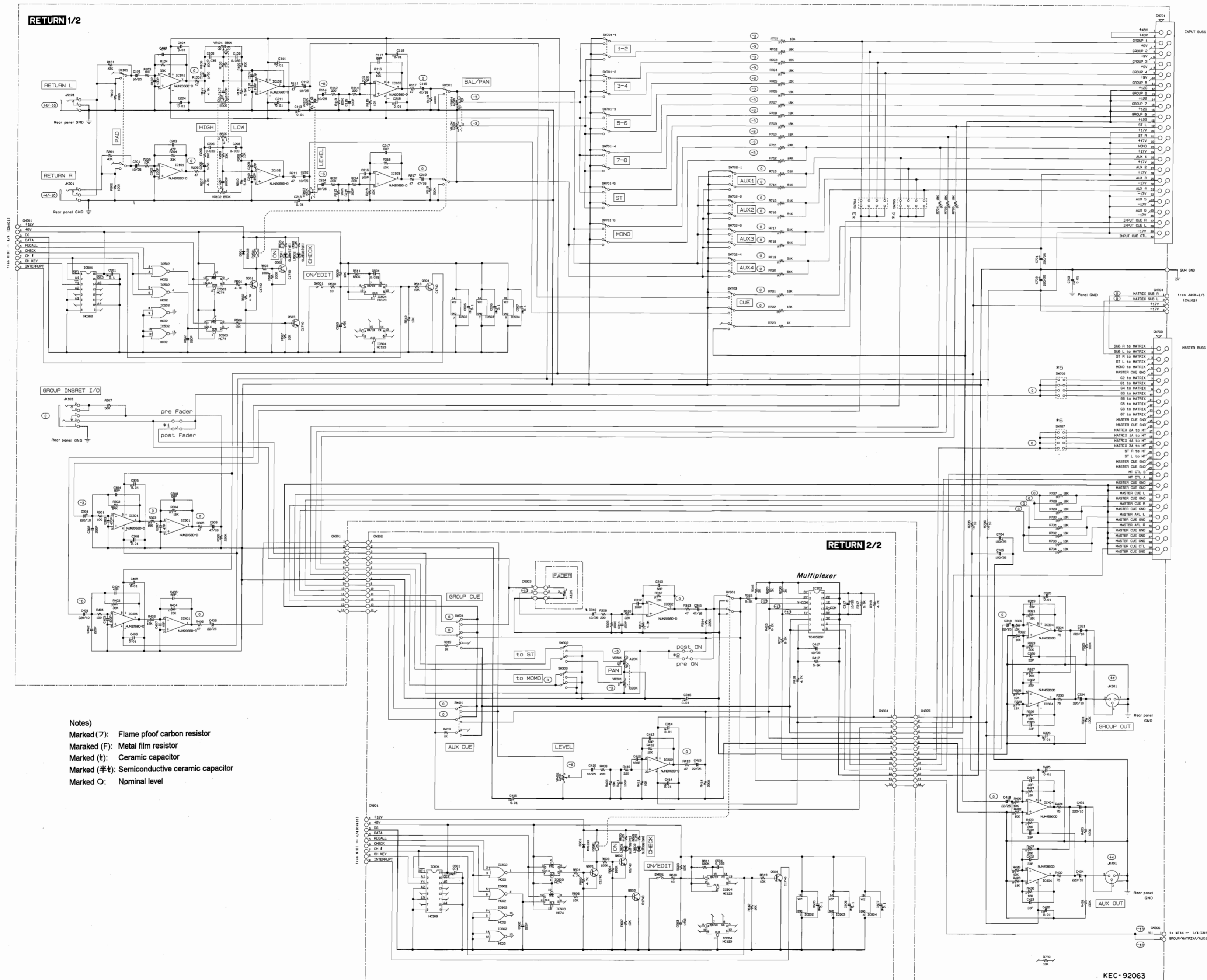
- CN 301,305: FJ-P 14P (VL549000)
CN 302,304: FJ-R 14P (VQ966000)
CN 303: PH- 3P SE (VB858200)
CN 306: PH- 2P SE (VB858100)
CN 501: DIST RETURN (VR277900)
CN 601: PH- 9P SE (VB858000)
CN 701,703: HIF3BAG40PA2.54 (VR633100)
CN 704: PH- 4P SE (VB858300)

21. Push Button

- : M.GY/S.GY (VR034000) 1-2, 3-4, 5-6, 7-8
: BE/S.GY (VR281400) AUX 1-4
: RE/S.GY (VR281500) ST, TO ST
: Y.BR/S.GY (VR637000) MONO, TO MONO
: S.GY/Y.BR (VR637100) RETURN CUE, AUX CUE, CUE

3NA-VR03060

RETURN CIRCUIT BOARD



- Notes)
- Marked (7): Flame proof carbon resistor
 - Marked (F): Metal film resistor
 - Marked (t): Ceramic capacitor
 - Marked (#t): Semiconductive ceramic capacitor
 - Marked O: Nominal level

- *1 GROUP to MATRIX [pre GROUP Fader / post GROUP Fader] Jumper : factory set = post GROUP Fader
- *2 GROUP to ST/MONO [pre ON sw. / post ON sw.] Jumper : factory set = pre ON sw.
- *3 GROUP 1/2/3/4 select switch
- *4 AUX 1/2/3/4 select switch
- *5 GROUP 1/2/3/4 to MATRIX select switch
- *6 MATRIX 1A/2A/3A/4A to METER select switch

11225

MATRIX1 CIRCUIT BOARD

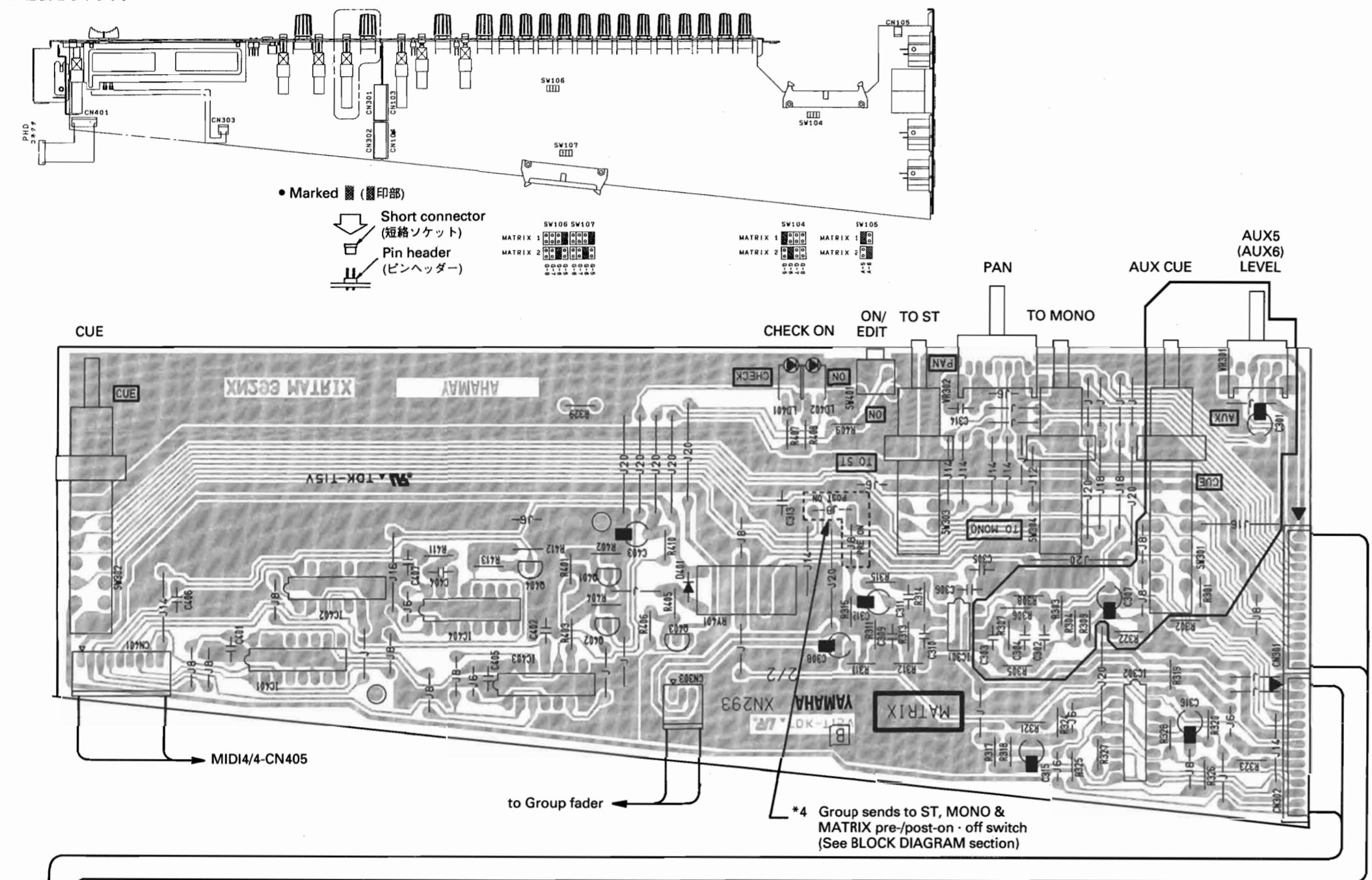
A MATRIX1 circuit board is utilized for MATRIX1 or MATRIX2.

The MATRIX1 circuit board provided as a service part is set for MATRIX1.

If you would like to replace the MATRIX2 with this board, you should attempt to change internal short connectors as shown below.

MATRIX1シートは、MATRIX1あるいはMATRIX2シートとして使用します。

サービス用のMATRIX1シートは、MATRIX1用ですので、これをMATRIX2シートとして使用する場合は、下記のように短絡ソケットの変更が必要となります。



Notes

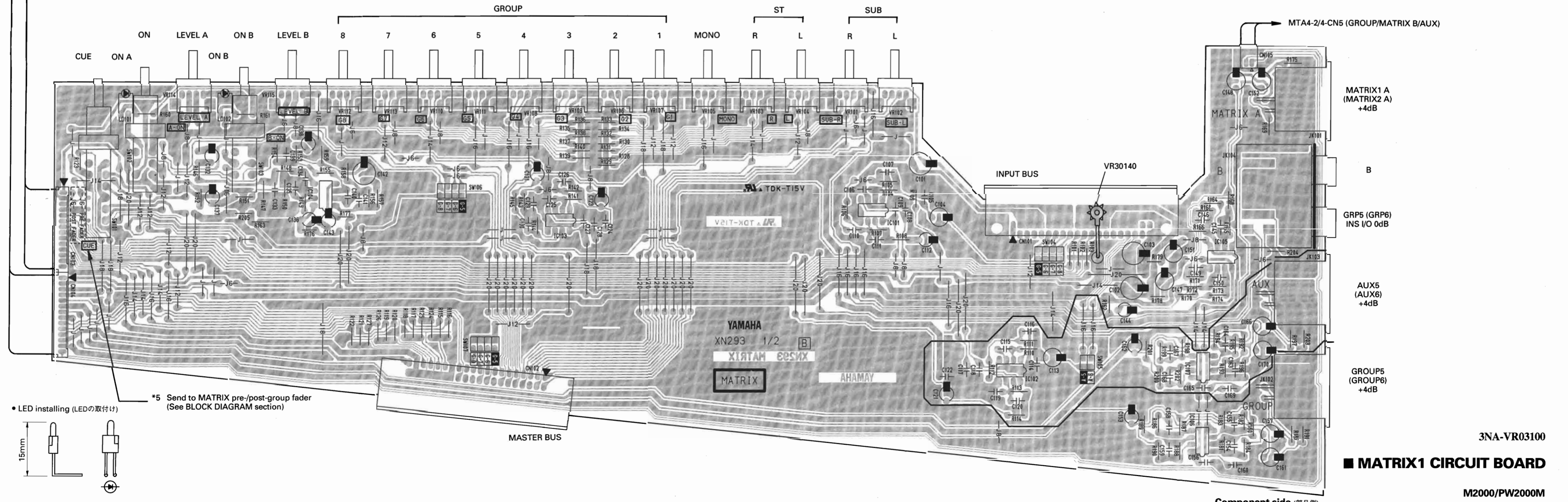
- Circuit Board: MATRIX1 (VR031000) XN293B0
- IC**
 - IC101-103,301: NJM2068D-D (XA987A00) OP AMP
 - IC104-107: NJM4580DD (XM651A00) OP AMP
 - IC302: TC4052BP (XA053A00) MULTI PLEXER
 - IC401: SN74HC368N (IR036850) BUS INVERTER
 - IC402: SN74HC02N (IR000250) NOR
 - IC403: SN74HC74N (IR007450) DFF
 - IC404: HD74HC123AP (IR012310) MULTI VIBRATOR
 - Transistor**
 - Q 401-404: 2SC1740S R,S (IC174070)
 - Diode**
 - D 401: 1SS133,1SS176 (VB941200)
 - LED**
 - LED 101,102,402: GL2HY6 YE (VJ471200) ON A, ON B, ON
 - LED 401: GL2EG6 GR (VH325300) CHECK
 - Mylar Capacitor**
 - C 404: 0.0330 50V J (UA654330)
 - Ceramic Capacitor**
 - C 105,114,124,402: B 220P 50V K (FG612220)
 - C 106,115,125: B 470P 50V K (FG612470)
 - C 107,141: SL 82P 50V J (FG651820)
 - C 108,109,117,118,122,127, 128,156,160,165,169,305, 306: F 0.0100 50V Z (FG644100)
 - C 110,116,119,129: SL 47P 50V J (FG651470)
 - C 111,304,311: SL 68P 50V J (FG651680)
 - C 120,126,130,133,134,139, 140,302,303,309,310,313, 314: SL 100P 50V J (FG652100)
 - C 135: SL 150P 50V J (FG652150)
 - C 145,146,149,150,154, 155,158,159,163,164, 167,168: SL 33P 50V J (FG651330)
 - Electrolytic Cap.**
 - C 101,104,113,142,148,152, 157,161,166,170: 220.00 10.0V (UJ828220)
 - C 102,103: 220.00 25.0V (UJ848220)
 - C 112,131,137,312: 47.00 16.0V (UJ837470)
 - C 121,144,153,162, 307: 22.00 25.0V (UJ847220)
 - C 123: 100.00 10.0V (UJ828100)
 - C 132,138,301,308, 315,316: 10.00 25.0V (UJ847100)
 - C 136,143: 47.00 25.0V (UJ847470)
 - C 147,151: 100.00 25.0V (UJ848100)
 - C 403: 1.00 50.0V (UJ866100)

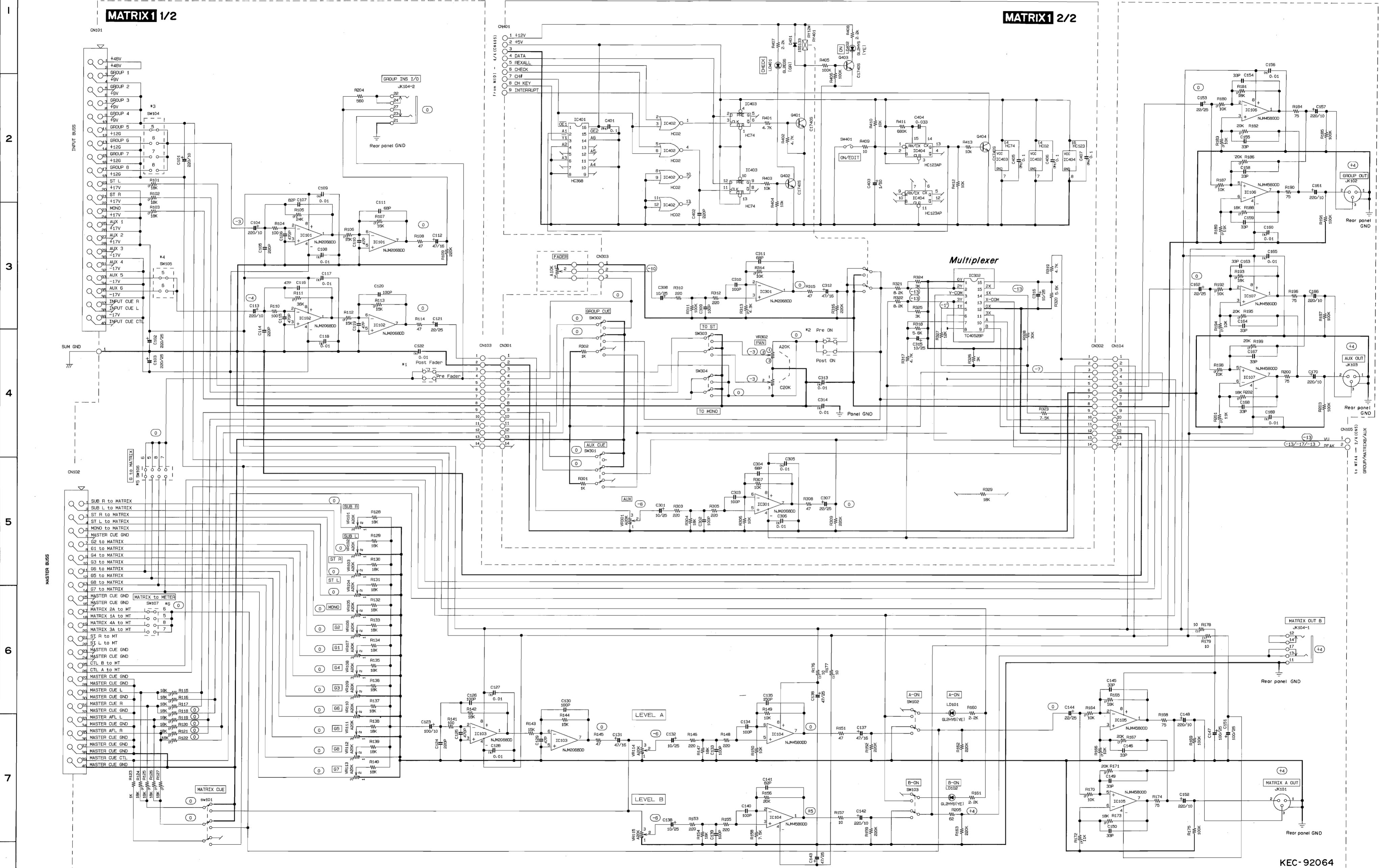
8. Semiconductive Cera. Cap.

- C 401,405-407: 0.1000 25V Z (VC694800)
- 9. Carbon Resistor**
- R 104,110,141: 100.0 1/4 J (HF755100)
 - R 108,114,145,151, 308,315: 47.0 1/4 J (HF754470)
 - R 109,152,159,162,163, 309,316: 220.0K 1/4 J (HF758220)
 - R 123,301,302: 1.0K 1/4 J (HF756100)
 - R 128-140,142,147,154, 304,329: 18.0K 1/4 J (HF75180)
 - R 143,144: 15.0K 1/4 J (HF75150)
 - R 146,148,153,155,303, 305,310,312: 220.0 1/4 J (HF755220)
 - R 149,150,306,307,403, 404,410,412,413: 10.0K 1/4 J (HF757100)
 - R 156: 20.0K 1/4 J (HF757200)
 - R 157,409: 10.0 1/4 J (HF754100)
 - R 158,323: 7.5K 1/4 J (HF75675)
 - R 160,161,407,408: 2.2K 1/4 J (HF756220)
 - R 168,174,184,190, 196,200: 75.0 1/4 J (HF754750)
 - R 169,175,185,191,197, 203,311,405,406: 100.0K 1/4 J (HF758100)
 - R 204: 560.0 1/4 J (HF755560)
 - R 205: 62.0 1/4 J (HF75462)
 - R 317,319,401,402, 407,408: 4.7K 1/4 J (HF756470)
 - R 318,320: 5.6K 1/4 J (HF756560)
 - R 321,322: 8.2K 1/4 J (HF756820)
 - R 324-326: 3.0K 1/4 J (HF75630)
 - R 327: 12.0K 1/4 J (HF757120)
 - R 328: 30.0K 1/4 J (HF757300)
 - R 411: 680.0K 1/4 J (HF75868)
- 10. Flame Proof Carbon Resistor**
- R 176-179: 10.0 1/4 J (HV754100)
- 11. Metal Film Resistor**
- R 101-103,115-122,124-127,165,173, 181,188,193,202: 18.0K 1/4 F (VB067900)
 - R 105: 24.0K 1/4 F (VB068200)
 - R 106,112,113: 15.0K 1/4 F (VA074600)
 - R 107: 16.0K 1/4 F (VB067800)
 - R 111: 36.0K 1/4 F (VB068500)
 - R 164,166,170,180,183,187, 192,194,198,314: 10.0K 1/4 F (VA074400)
 - R 167,171,182,186, 195,199: 20.0K 1/4 F (VB068000)
 - R 172,189,201: 11.0K 1/4 F (VA074500)
 - R 313: 4.3K 1/4 F (VB067000)

12. Rotary Variable Resistor

- VR 101-115,301: A20K (VQ901000) SUB R,L, ST R,L, MONO, GROUP1-8, LEVEL A,B, AUX LEVEL
 - VR 302: A20K+C20K (VQ900500) PAN
- 13. Push Switch**
- SW101,301: SPUN (VA983800) MRX CUE, AUX CUE
 - SW102,103,303, 304: SPUN19-2N-W (VQ901900) ON A, ON B, TO ST, TO MONO
 - SW302: SPUN19-2N-W (VR633200) CUE
 - SW401: EVQ PB (VQ902900) ON/EDIT
- 14. Pin Header**
- SW104-107: 9202 2P-4 TE (VR702100) SW104-SW107
- 15. Short Connector**
- : 9206H-T 2P (VR984700) for SW104-107
- 16. Relay**
- RY 401: DC RY12W (KC001900)
- 17. Phone Jack**
- JK 104: Stereo HLJ2335 (LB606940) MATRIX B/GROUP INS I/O
- 18. Cannon Connector**
- JK 101-103: XLM-3-32PCH-L (VP953100) MATRIX A, GROUP, AUX
- 19. Connector**
- CN 101,102: HIF3BAG40PA2.54 (VR633100)
 - CN 103,104: FJ-P 14P (VL549000)
 - CN 105: PH- 2P SE (VB858100)
 - CN 301,302: FJ-R 14P (VQ966000)
 - CN 303: PH- 3P SE (VB858200)
 - CN 401: PH- 9P SE (VB858800)
- 20. Push Button**
- : RE/S.GY (VR281500) TO ST
 - : Y.BR/S.GY (VR637000) TO MONO
 - : S.GY/Y.BR (VR637100) MATRIX CUE, AUX CUE, CUE
- 21. Knob**
- : S.GY/RE (VR667400) ON A, ON B





- Notes
- Marked (7): Flame proof carbon resistor
 - Marked (F): Metal film resistor
 - Marked (C): Ceramic capacitor
 - Marked (SC): Semiconductive ceramic capacitor
 - Marked (N): Nominal level
- *1 GROUP to MATRIX [pre GROUP Fader / post GROUP Fader] Jumper : factory set = post GROUP Fader
 - *2 GROUP to ST/MONO/MATRIX [pre ON sw. / post ON sw.] Jumper : factory set = pre ON sw.
 - *3 GROUP 5/6/7/8 select switch
 - *4 AUX 5/6 select switch
 - *5 GROUP to MATRIX 5/6/7/8 select switch
 - *6 MATRIX to METER 1A/2A/3A/4A select switch

KEC-92064

11225

MATRIX3 CIRCUIT BOARD

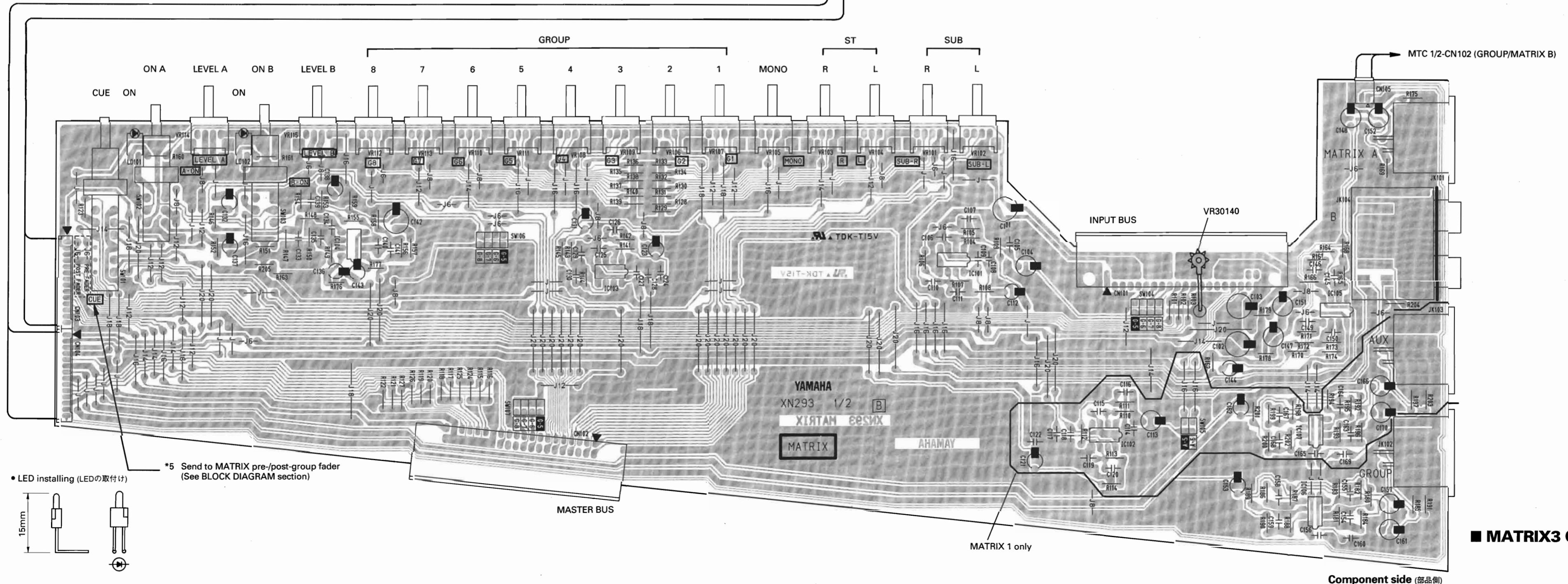
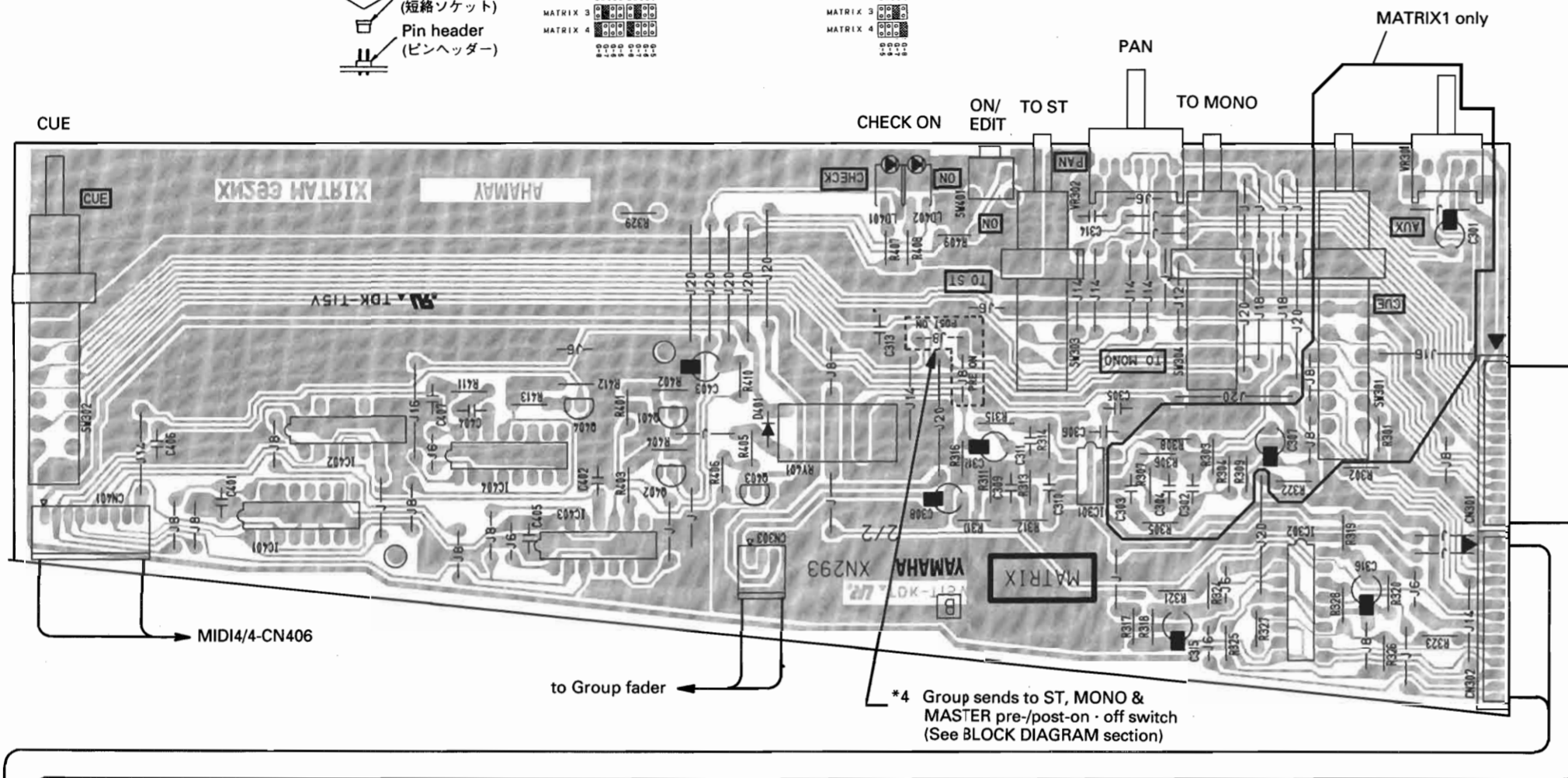
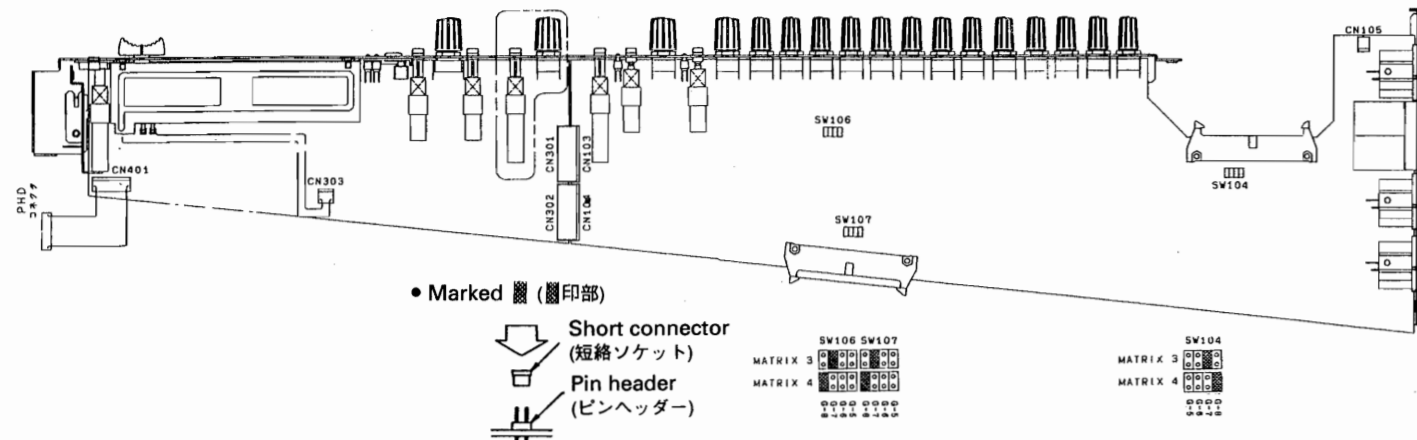
A MATRIX3 circuit board is utilized for MATRIX3 or MATRIX4.

The MATRIX3 circuit board provided as a service part is set for MATRIX3.

If you would like to replace the MATRIX4 with this board, you should attempt to change internal short connectors as shown below.

MATRIX1シートは、MATRIX3あるいはMATRIX4シートとして使用します。

サービスのMATRIX3シートは、MATRIX3用ですので、これをMATRIX4シートとして使用する場合は、下記のように短絡ソケットの変更が必要となります。



Notes

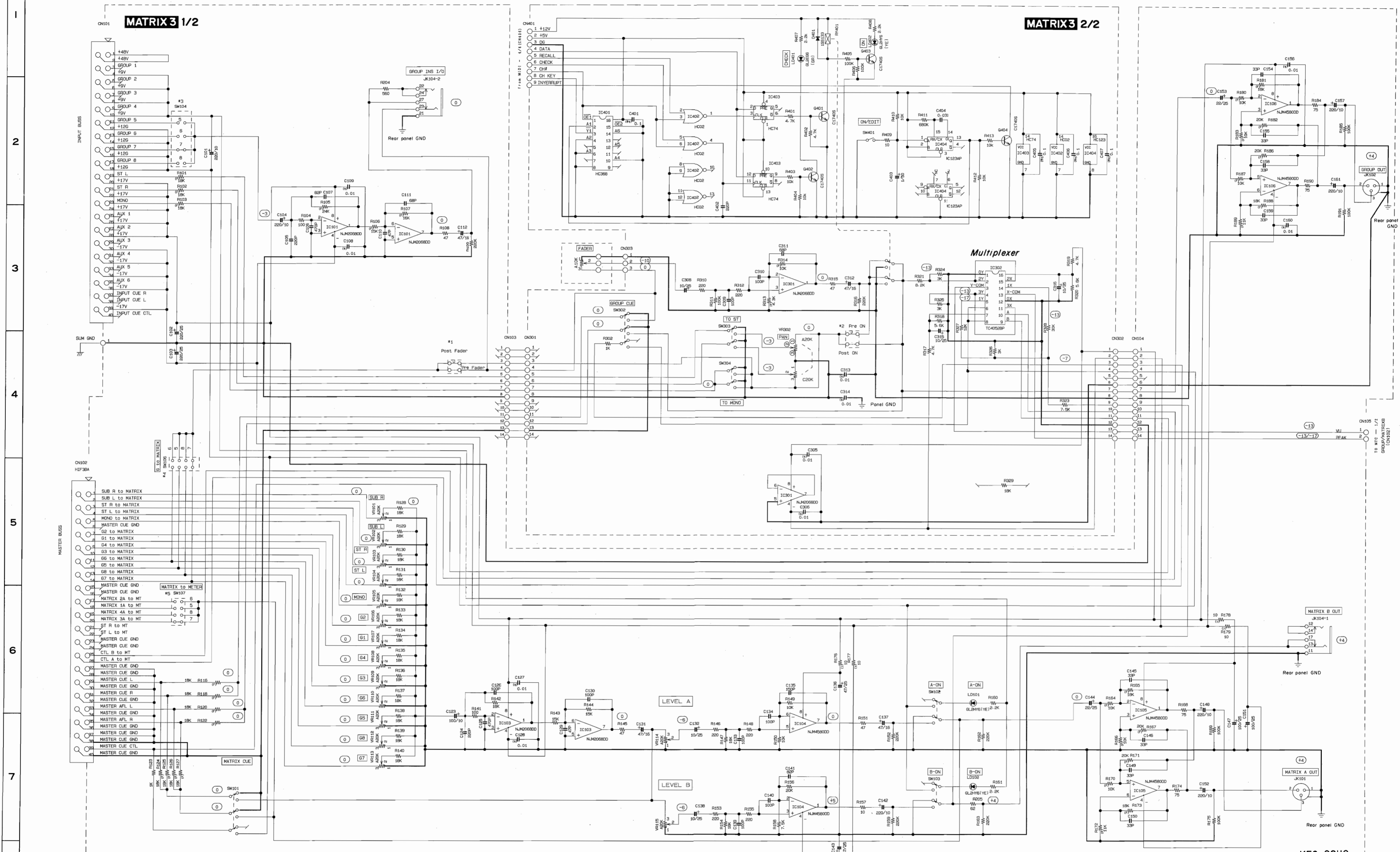
- Circuit Board: MATRIX3 (VR031200) XN293B0
- IC**
 IC101,103,301: NJM2068D-D (XA987A00) OP AMP
 IC104-106: NJM4580DD (XM651A00) OP AMP
 IC302: TC4052BP (XA053A00) MULTIPLEXER
 IC401: SN74HC368N (IR036850) BUS INVERTER
 IC402: SN74HC02N (IR000250) NOR
 IC403: SN74HC74N (IR007450) DFF
 IC404: HD74HC123AP (IR012310) MULTI VIBRATOR
 - Transistor**
 Q 401-404: 2SC1740S R,S (IC174070)
 - Diode**
 D 401: 1SS133,1SS176 (VB941200)
 - LED**
 LED 101,102,402: GL2HY6 YE (VJ471200) ON A, ON B, ON
 LED 401: GL2EG6 GR (VH325300) CHECK
 - Mylar Capacitor**
 C 404: 0.0330 50V J (UA654330)
 - Ceramic Capacitor**
 C 105,124,402: B 220P 50V K (FG612220)
 C 106,125: B 470P 50V K (FG612470)
 C 107,141: SL 82P 50V J (FG651820)
 C 108,109,127,128,156,160, 305,306,313,314: F 0.0100 50V Z (FG644100)
 C 110,129: SL 47P 50V J (FG651470)
 C 111,311: SL 68P 50V J (FG651680)
 C 126,130,133,134,139, 140,309,310: SL 100P 50V J (FG652100)
 C 135: SL 150P 50V J (FG652150)
 C 145,146,149,150,154, 155,158,159: SL 33P 50V J (FG651330)
 - Electrolytic Cap.**
 C 101,104,142,148,152, 157,161: 220.00 10.0V (UJ828220)
 C 102,103: 220.00 25.0V (UJ848220)
 C 112,131,137,312: 47.00 16.0V (UJ837470)
 C 123: 100.00 10.0V (UJ828100)
 C 132,138,308,315, 316: 10.00 25.0V (UJ847100)
 C 136,143: 47.00 25.0V (UJ847470)
 C 144,153: 22.00 25.0V (UJ847220)
 C 147,151: 100.00 25.0V (UJ848100)
 C 403: 1.00 50.0V (UJ866100)

- Semiconductive Cera. Cap.**
 C 401,405-407: 0.1000 25V Z (VC694800)
- Carbon Resistor**
 R 104,141: 100.0 1/4 J (HF755100)
 R 108,145,151,315: 47.0 1/4 J (HF754470)
 R 109,152,159,162, 163,316: 220.0K 1/4 J (HF758220)
 R 123,302: 1.0K 1/4 J (HF756100)
 R 128-140,142,147, 154,329: 18.0K 1/4 J (HF757180)
 R 143,144: 15.0K 1/4 J (HF757150)
 R 146,148,153,155, 310,312: 220.0 1/4 J (HF755220)
 R 149,150,403,404, 410,412,413: 10.0K 1/4 J (HF757100)
 R 156: 20.0K 1/4 J (HF757200)
 R 157,409: 10.0 1/4 J (HF754100)
 R 158,323: 7.5K 1/4 J (HF75675)
 R 160,161,407,408: 2.2K 1/4 J (HF756220)
 R 168,174,184,190: 75.0 1/4 J (HF754750)
 R 169,175,185,191, 311,405,406: 100.0K 1/4 J (HF758100)
 R 204: 560.0 1/4 J (HF755560)
 R 205: 62.0 1/4 J (HF75462)
 R 304,307: Jumper wire
 R 317,319,401,402: 4.7K 1/4 J (HF756470)
 R 318,320: 5.6K 1/4 J (HF756560)
 R 321: 8.2K 1/4 J (HF756820)
 R 324-326: 3.0K 1/4 J (HF75630)
 R 327: 12.0K 1/4 J (HF757120)
 R 328: 30.0K 1/4 J (HF757300)
 R 411: 680.0K 1/4 J (HF75868)
- Flame Proof Carbon Resistor**
 R 176-179: 10.0 1/4 J (HV754100)
- Metal Film Resistor**
 R 101-103,116,118,120,122,124-127, 165,173,181,188: 18.0K 1/4 F (VB067900)
 R 105: 24.0K 1/4 F (VB068200)
 R 106: 15.0K 1/4 F (VA074600)
 R 107: 16.0K 1/4 F (VB067800)
 R 164,166,170,180, 183,187,314: 10.0K 1/4 F (VA074400)
 R 167,171,182,186: 20.0K 1/4 F (VB068000)
 R 172,189: 11.0K 1/4 F (VA074500)
 R 313: 4.3K 1/4 F (VB067000)

- Rotary Variable Resistor**
 VR 101-115: A20K (VQ901000) SUB R,L, ST R,L, MONO, GROUP1-8, LEVEL A,B A20K+C20K (VQ900500) PAN
 VR 302
- Push Switch**
 SW101: SPUN (VA983800) MATRIX CUE
 SW102,103,303, 304: SPUN19-2N-W (VQ901900) ON A, ON B, TO ST, TO MON
 SW302: SPUN19-2N-W (VR633200) CUE
 SW401: EVQ PB (VQ902900) ON/EDIT
- Pin Header**
 SW104,106,107: 9202 2P-4 TE (VR702100)
- Short Connector**
 : 9206H-2 P (VR984700) for SW104,106,107
- Relay**
 RY 401: DC RY12W (KC001900)
- Phone Jack**
 JK 104: Stereo HLJ2335 (LB606940) MTX B/GRP
- Cannon Connector**
 JK 101,102: XLM-3-32PCH-L (VP953100) MATRIX A, GROUP, AUX
- Connector**
 CN 101,102: HIF3BAG40PA2.54 (VR633100)
 CN 103,104: FJ-P 14P (VL549000)
 CN 105: PH-2P SE (VB858100)
 CN 301,302: FJ-R 14P (VQ966000)
 CN 303: PH-3P SE (VB858200)
 CN 304: PH-9P SE (VB858800)
- Push Button**
 : RE/S.GY (VR281500) TO ST
 : Y.BR/S.GY (VR637000) SO MONO
 : S.GY/Y.BR (VR637100) MATRIX CUE, CUE
- Knob**
 : S.GY/RE (VR667400) ON A, ON B

3NA-VR31200

MATRIX3 CIRCUIT BOARD



Notes

- Marked (7): Flame proof carbon resistor
- Marked (F): Metal film resistor
- Marked (t): Ceramic capacitor
- Marked (半t): Semiconductive ceramic capacitor
- Marked O: Nominal level

- *1 GROUP to MATRIX [pre GROUP Fader / post GROUP Fader] Jumper : factory set = post GROUP Fader
- *2 GROUP to ST/MONO/MATRIX [pre ON sw. / post ON sw.] Jumper : factory set = pre ON sw.
- *3 GROUP 5/6/7/8 select switch
- *4 GROUP to MATRIX 5/6/7/8 select switch
- *5 MATRIX to METER 1A/2A/3A/4A select switch

■ ST CIRCUIT BOARD

Notes

- Circuit Board: ST (VR031400) XN294B0
- IC**
 - IC101: BA4558-NK (XF128A00) OP AMP
 - IC102-106: NJM2068D-D (XA987A00) OP AMP
 - IC107,108: NJM4580DD (XM651A00) OP AMP
 - IC301: SN74HC74N (IR007450) DFF
 - IC302: SN74HC02N (IR000250) NOR
 - IC303: SN74HC368N (IR036850) BUS INVERTER
 - IC304: HD74HC123AP (IR012310) MULTI VIBRATOR

- Transistor**
 - Q 101: 2SA933S Q,R (IA093320)
 - Q 301-304: 2SC1740S R,S (IC174070)

- Diode**
 - D 101-103,301: 1SS133,1SS176 (VB941200)

- LED**
 - LED 101,102,302: GL2HY6 YE (VJ471200) TB ON, OSC ON, ON
 - LED 301: GL2EG6 GR (VH325300) CHECK

- Mylar Capacitor**
 - C 115,123: 2700P 50V J (UA353270)
 - C 116,117: 1000P 50V J (UA353100)
 - C 120: 7500P 50V J (UA353750)
 - C 121: 6200P 50V J (UA353620)
 - C 122: 0.0180 50V J (UA654180)
 - C 128: 0.0470 50V J (UA654470)
 - C 305: 0.0330 50V J (UA654330)

- Ceramic Capacitor**
 - C 103: B 1500P 50V K (FG613150)
 - C 104: B 330P 50V K (FG612330)
 - C 105,113,207,213,233,240: SL 68P 50V J (FG651680)
 - C 107-109,118,119,126,127,205,206,214-216,225,226,231,232,236,249,250: F 0.0100 50V Z (FG644100)
 - C 111,112,211,212,238,239: SL 100P 50V J (FG652100)
 - C 124,125,208,234: SL 47P 50V J (FG651470)
 - C 202,228,306: B 220P 50V K (FG612220)
 - C 203,229: B 470P 50V K (FG612470)
 - C 204,230: SL 82P 50V J (FG651820)
 - C 219-222,243-246: SL 33P 50V J (FG651330)

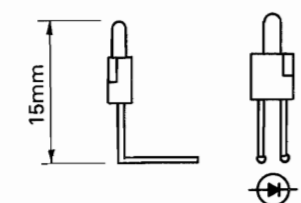
- Electrolytic Cap.**
 - C 101,106,110,132,210,237: 10.00 25.0V (UJ847100)
 - C 102: 100.00 10.0V (UJ828100)
 - C 114,209,217,235,241: 47.00 16.0V (UJ837470)
 - C 129,130: 220.00 25.0V (UJ848220)
 - C 131,201,223,224,227,247,248,247,248: 220.00 10.0V (UJ828220)
 - C 218,242: 22.00 25.0V (UJ847220)
 - C 251,252: 100.00 25.0V (UJ848100)
 - C 307: 1.00 50.0V (UJ866100)

- Semiconductive Cera. Cap.**
 - C 301-304: 0.1000 25V Z (VG694800)

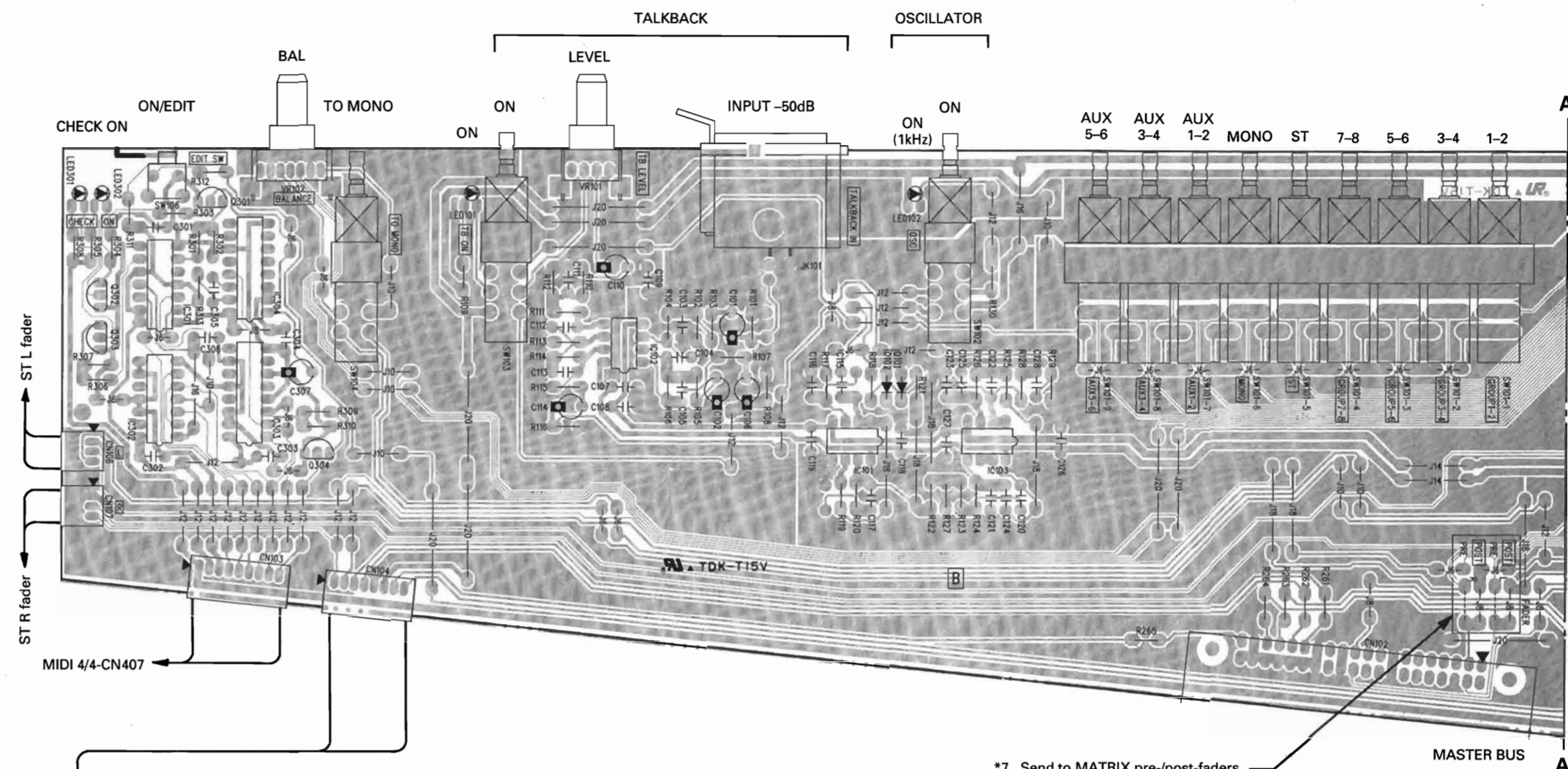
- Carbon Resistor**
 - R 101,102: 22.0K 1/4 J (HF757220)
 - R 103,104,202,231: 100.0 1/4 J (HF755100)
 - R 105: 150.0 1/4 J (HF755150)
 - R 106: 24.0K 1/4 J (HF75724)
 - R 107,115,128: 47.0 1/4 J (HF754470)
 - R 108,116,129,206,214,215,235,243,244: 220.0K 1/4 J (HF758220)
 - R 109,130: 1.6K 1/4 J (HF756160)
 - R 110,111,208,209,237,238: 220.0 1/4 J (HF755220)
 - R 112: 18.0K 1/4 J (HF757180)
 - R 113: 3.3K 1/4 J (HF756330)
 - R 114,306,307,309-311: 10.0K 1/4 J (HF757100)
 - R 117,118,226,227,255,256,303,304: 100.0K 1/4 J (HF758100)
 - R 119: 51.0K 1/4 J (HF75751)
 - R 120: 2.2M 1/4 J (HF759220)
 - R 121: 2.2K 1/4 J (HF756220)
 - R 122: 1.8K 1/4 J (HF756180)
 - R 123-126: 15.0K 1/4 J (HF757150)
 - R 127,228,257,265: 1.0K 1/4 J (HF756100)
 - R 148,149,301,302: 4.7K 1/4 J (HF756470)
 - R 205,213,234,242,312: 10.0 1/4 J (HF754100)
 - R 207,236: 560.0 1/4 J (HF755560)
 - R 210,239: 47.0K 1/4 J (HF757470)
 - R 224,225,253,254: 75.0 1/4 J (HF754750)
 - R 229,258: 2.0K 1/4 J (HF75620)
 - R 268,269: 270.0 1/4 J (HF75527)

- Flame Proof Carbon Resistor**
 - R 305,308: 2.4K 1/4 J (HF756240)
 - R 313: 680.0K 1/4 J (HF75868)
 - R 266,267: 10.0 1/4 J (HV754100)
- Metal Film Resistor**
 - R 131-140,201,230: 24.0K 1/4 F (VB068200)
 - R 141,219,220,248,249,259-264: 18.0K 1/4 F (VB067900)
 - R 142-147: 36.0K 1/4 F (VB068500)
 - R 203,232: 15.0K 1/4 F (VA074600)
 - R 204,233: 16.0K 1/4 F (VB067800)
 - R 211,240: 4.3K 1/4 F (VB067000)
 - R 212,216-218,241,245-247: 10.0K 1/4 F (VA074400)
 - R 221,222,250,251: 20.0K 1/4 F (VB068000)
 - R 223,252: 11.0K 1/4 F (VA074500)
- Rotary Variable Resistor**
 - VR 101: A20K (VQ901000) TB LEVEL
 - VR 102: A20K+C20K (VQ900500) BAL
- Push Switch**
 - SW101: SPUN90 2/2*9 (VQ902300) ASSIGN switch
 - SW102-104: SPUN19-2N-W (VQ901900) OSC ON(1kHz), TB ON, TO MONO
 - SW105: SPUN (VA983800) CUE
 - SW106: EVQ PB (VQ902900) ON/EDIT
- Relay**
 - RY 101: DC RY5W-K (VL369700)
 - RY 301: DC RY12W (KC001900)
- Pin Connector**
 - JK 104: YKC21-304S (VM725600) REC OUT L/R
 - JK 105: Stereo HLJ2335 (LB606940) ST INSERT I/O L/R
- Phone Jack**
 - JK 105: Stereo HLJ2335 (LB606940) ST INSERT I/O L/R
- Cannon Connector**
 - JK 101: XLM-3-31PCH-L (VM651800) TB INPUT
 - JK 102,103: XLM-3-32PCH-L (VP953100) ST L, ST R
- Connector**
 - CN 101,102: HIF3BAG40PA2.54 (VR633100)
 - CN 103: PH-9P SE (VB858800)
 - CN 104: PH-8P SE (VB858700)
 - CN 105: SAN&PH 8P 200L (VP91350)
 - CN 106,107: PH-3P SE (VB858200)
- Push Button**
 - : M.GY/S.GY (VR034000) ASSIGN
 - : BE/S.GY (VR281400) AUX 1-2, 3-4, 5-6
 - : RE/S.GY (VR281500) ST
 - : Y.BR/S.GY (VR637000) MONO, TO MONO
 - : S.GY/Y.BR (VR637100) CUE
- Knob**
 - : S.GY/RE (VR667400) OSC ON, TB ON

• LED installing (LEDの取付け)

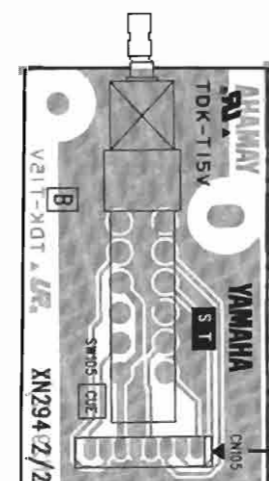


• ST 1/2 Circuit Board

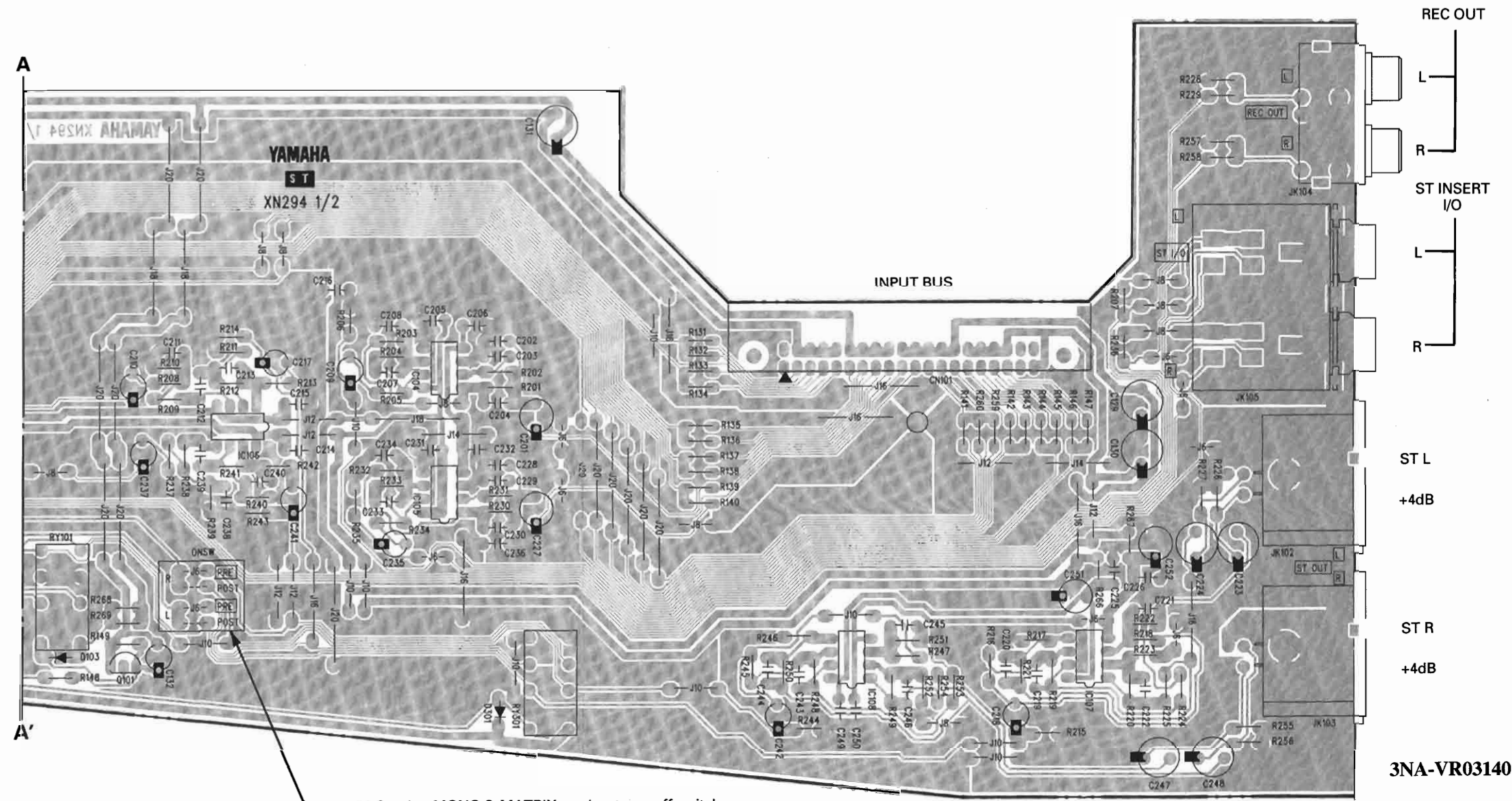


*7 Send to MATRIX pre-/post-faders (See BLOCK DIAGRAM section)

• ST 2/2 Circuit Board

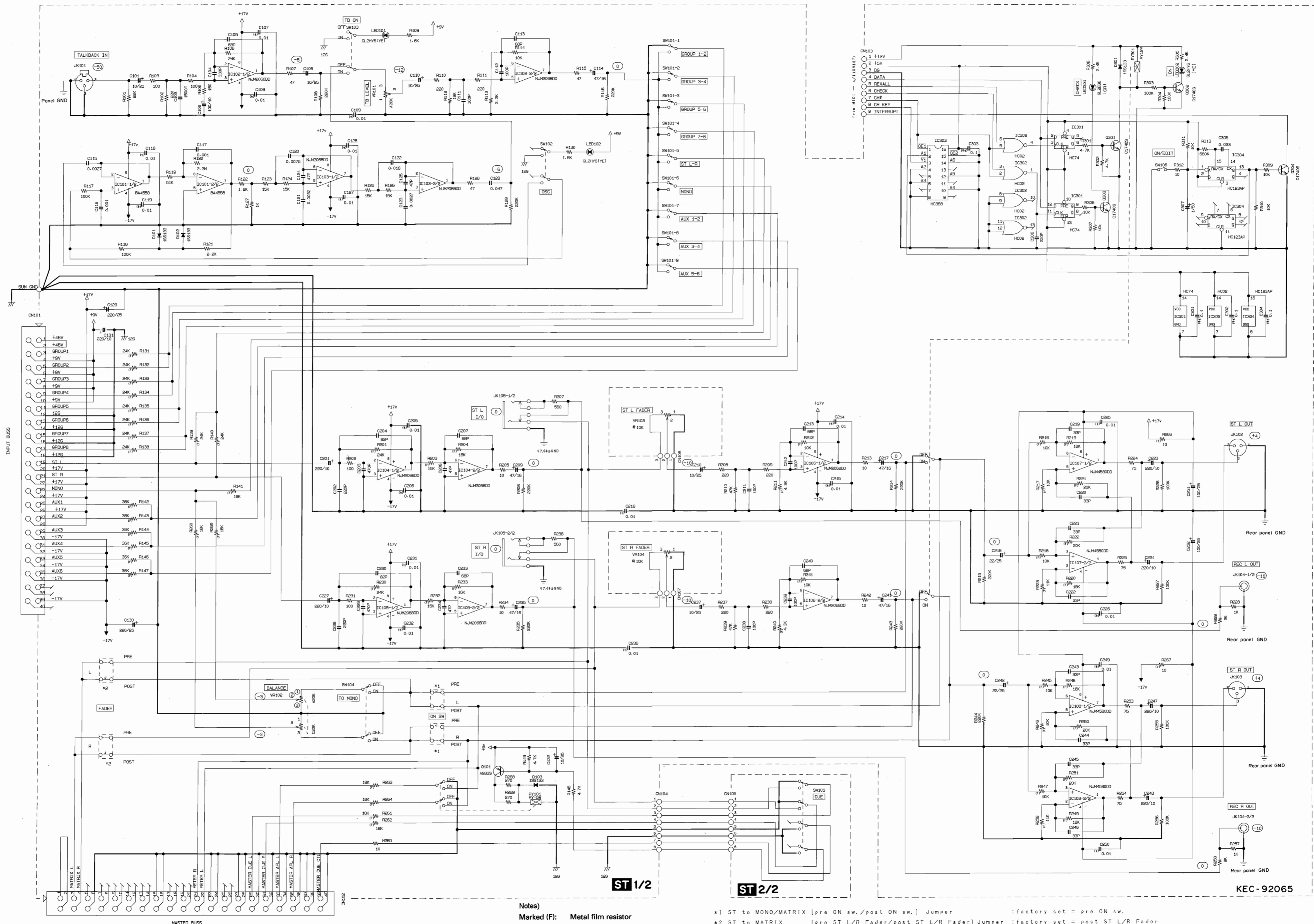


Component side (部品側)



*6 Send to MONO & MATRIX pre-/post-on · off switch (See BLOCK DIAGRAM section)

Component side (部品側) ■ ST CIRCUIT BOARD



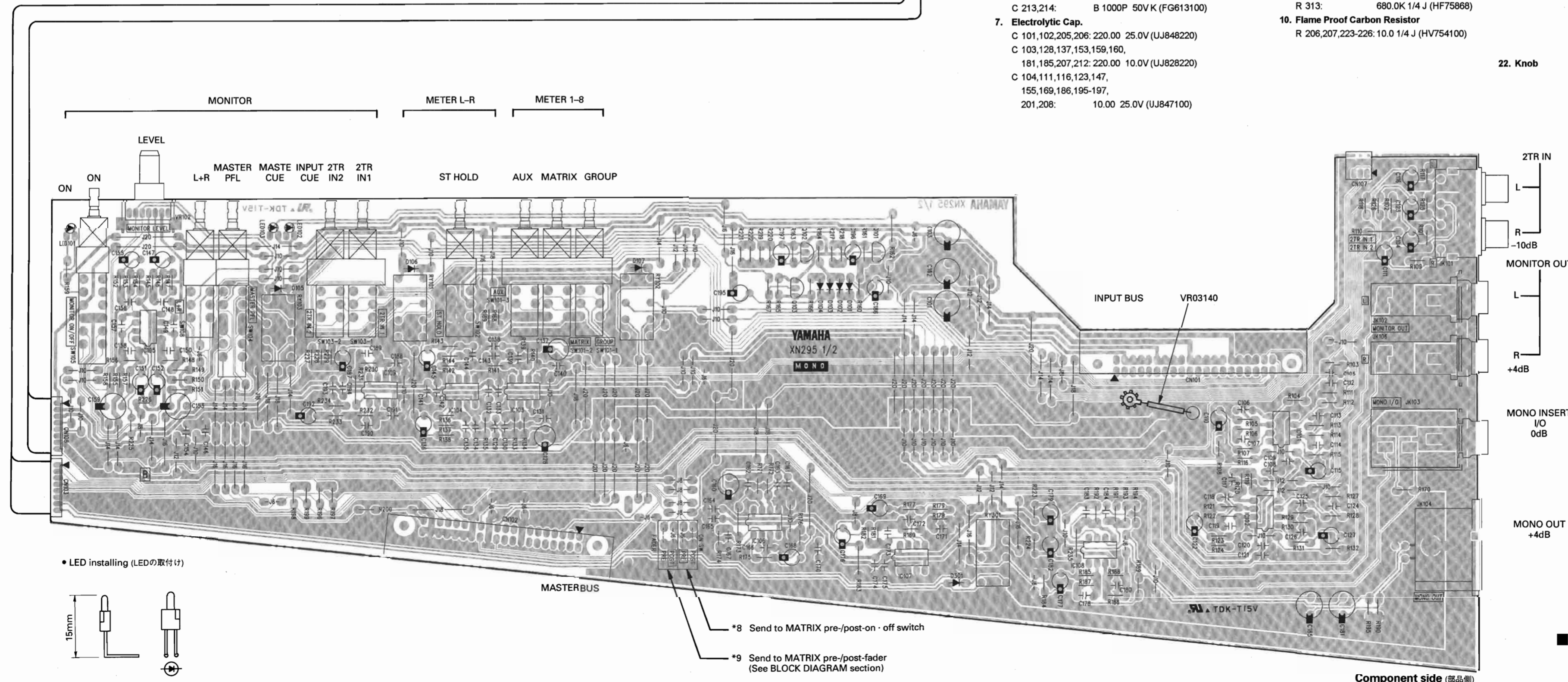
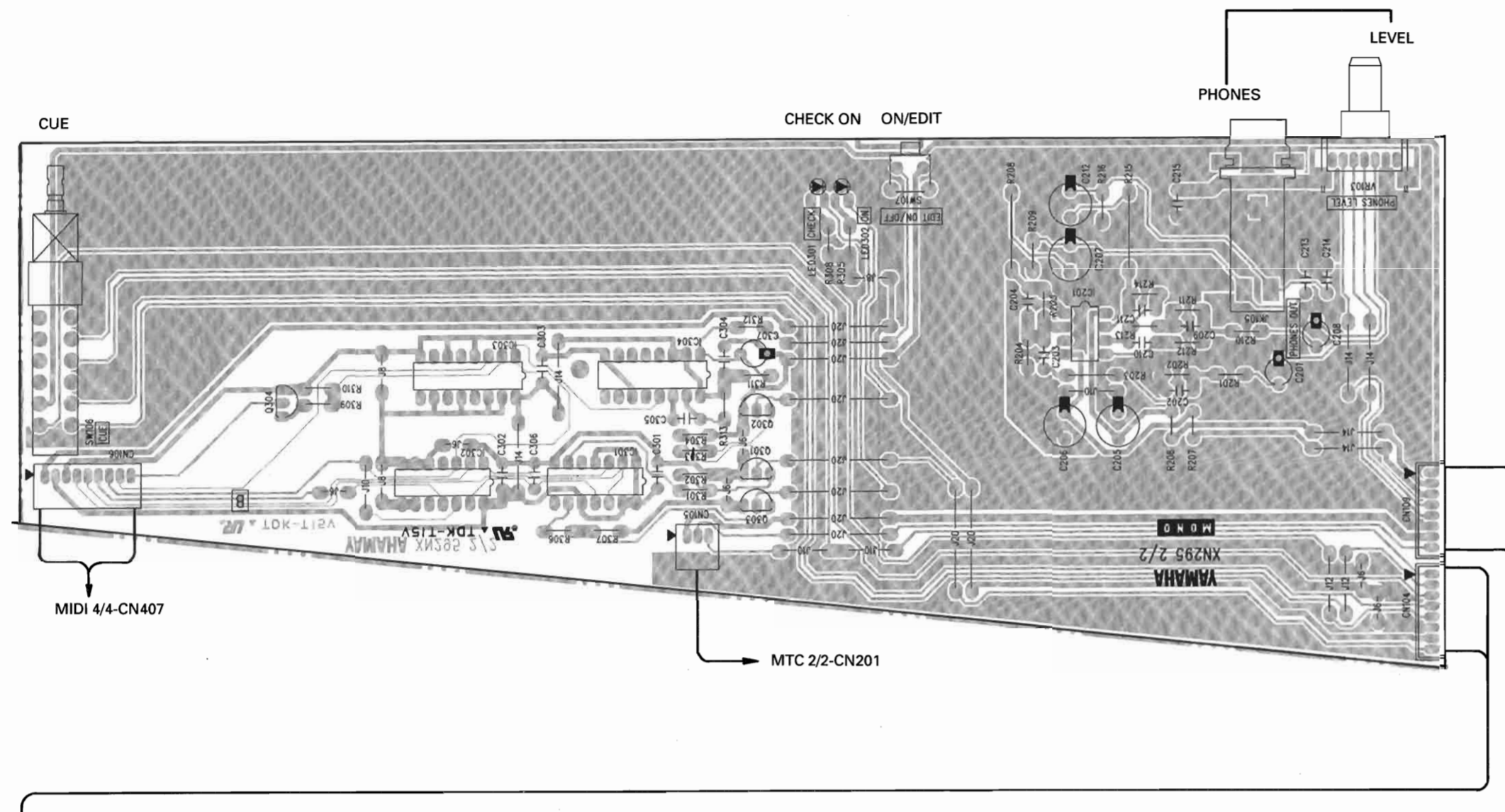
Notes

- Marked (F): Metal film resistor
- Marked (7): Flame proof carbon resistor
- Marked (z): Ceramic capacitor
- Marked (z): Semi conductive ceramic capacitor
- VR103 and VR104 are not parts of the ST circuit board.
- Marked ○: Nominal level

*1 ST to MONO/MATRIX [pre ON sw./post ON sw.] Jumper : factory set = pre ON sw.
 *2 ST to MATRIX [pre ST L/R Fader/post ST L/R Fader] Jumper : factory set = post ST L/R Fader

11225

MONO CIRCUIT BOARD



Notes

- Circuit Board: MONO (VR031500) XN295B0
- IC**
 IC101-104,106,107, 109: NJM2068D-D (XA987A00) OP AMP
 IC105,108: NJM4580DD (XM651A00) OP AMP
 IC201: NJM4556DD (XE803A00) OP AMP
 IC301: SN74HC74N (IR007450) DFF
 IC302: SN74HC02N (IR000250) NOR
 IC303: SN74HC368N (IR036850) BUS INVERTER
 IC304: HD74HC123AP (IR012310) MULTI VIBRATOR
 - Transistor**
 Q 101,103: 2SA933S Q,R (IA093320)
 Q 102: 2SA777 Q,R (IA077730)
 Q 301-304: 2SC1740S R,S (IC174070)
 - Diode**
 D 101-107,301: 1SS133,1SS176 (VB941200)
 - LED**
 LED 101,102,302: GL2HY6 YE (VJ471200) MONITOR ON, INPUT CUE, CUE
 LED 103,301: GL2EG6 GR (VH325300) MASTER CUE, CHECK
 - Mylar Capacitor**
 C 146,154: 0.1000 50V J (UA355100)
 C 305: 0.0330 50V J (UA654330)
 - Ceramic Capacitor**
 C 105,112,117,124,129, 138,161,306: B 220P 50V K (FG612220)
 C 106,113,118,125,130, 139,148,149,156,157, 162,171,172,202,203, 209,210: SL 100P 50V J (FG652100)
 C 107,114,119,126,135, 144,150,158,167,173, 189,190,204,211: SL 68P 50V J (FG651680)
 C 108,109,120,121,132, 133,141,142,164,165, 170,174,175,193,194, 215: F 0.0100 50V Z (FG644100)
 C 131,140,163: B 470P 50V K (FG612470)
 C 134,143,166,188, 191: SL 47P 50V J (FG651470)
 C 178,180,183,184: SL 33P 50V J (FG651330)
 C 213,214: B 1000P 50V K (FG613100)
 - Electrolytic Cap.**
 C 101,102,205,206: 220.00 25.0V (UJ848220)
 C 103,128,137,153,159,160, 181,185,207,212: 220.00 10.0V (UJ828220)
 C 104,111,116,123,147, 155,169,186,195-197, 201,208: 10.00 25.0V (UJ847100)

- C 110,115,122,127,177, 187: 22.00 25.0V (UJ847220)
 C 136,145,168,176, 192: 47.00 16.0V (UJ837470)
 C 151,152,179,182: 47.00 25.0V (UJ847470)
 C 307: 1.00 50.0V (UJ866100)
- Semiconductive Cera. Cap.**
 C 301-304: 0.1000 25V Z (VC694800)
 - Carbon Resistor**
 R 101,103,109,111,117, 119,125,127: 22.0K 1/4 J (HF757220)
 R 102,104,110,112,118, 120,126,128,145,147, 152,154,177,179,201, 203,210,212: 220.0 1/4 J (HF755220)
 R 105,113,121,129: 4.3K 1/4 J (HF75643)
 R 106,114,122,130,148, 156,165,166,205,214, 306,307,309-311: 10.0K 1/4 J (HF757100)
 R 107,115,123,131,137, 143,175,182,233: 47.0 1/4 J (HF754470)
 R 108,116,124,132,138,144,176, 183,184,229,234: 220.0K 1/4 J (HF758220)
 R 134,140,172: 100.0 1/4 J (HF755100)
 R 146,153,202,211, 230: 18.0K 1/4 J (HF757180)
 R 149,155: 3.9K 1/4 J (HF756390)
 R 150,157,189,194: 75.0 1/4 J (HF754750)
 R 151,158,190,195, 209,216,303,304: 100.0K 1/4 J (HF758100)
 R 159,162,167: 1.6K 1/4 J (HF756160)
 R 160,161,163,164,204, 213,301,302: 4.7K 1/4 J (HF756470)
 R 168: 2.2K 1/4 J (HF756220)
 R 169: 5.6K 1/4 J (HF756560)
 R 170: 560.0 1/4 J (HF755560)
 R 178: 47.0K 1/4 J (HF757470)
 R 200: 1.0K 1/4 J (HF756100)
 R 217-222: 270.0 1/4 J (HF75527)
 R 227,228: 24.0K 1/4 J (HF75724)
 R 231: 16.0K 1/4 J (HF757160)
 R 232: 15.0K 1/4 J (HF757150)
 R 305,308: 2.4K 1/4 J (HF756240)
 R 312: 10.0 1/4 J (HF754100)
 R 313: 680.0K 1/4 J (HF75868)
 - Flame Proof Carbon Resistor**
 R 206,207,223-226: 10.0 1/4 J (HV754100)

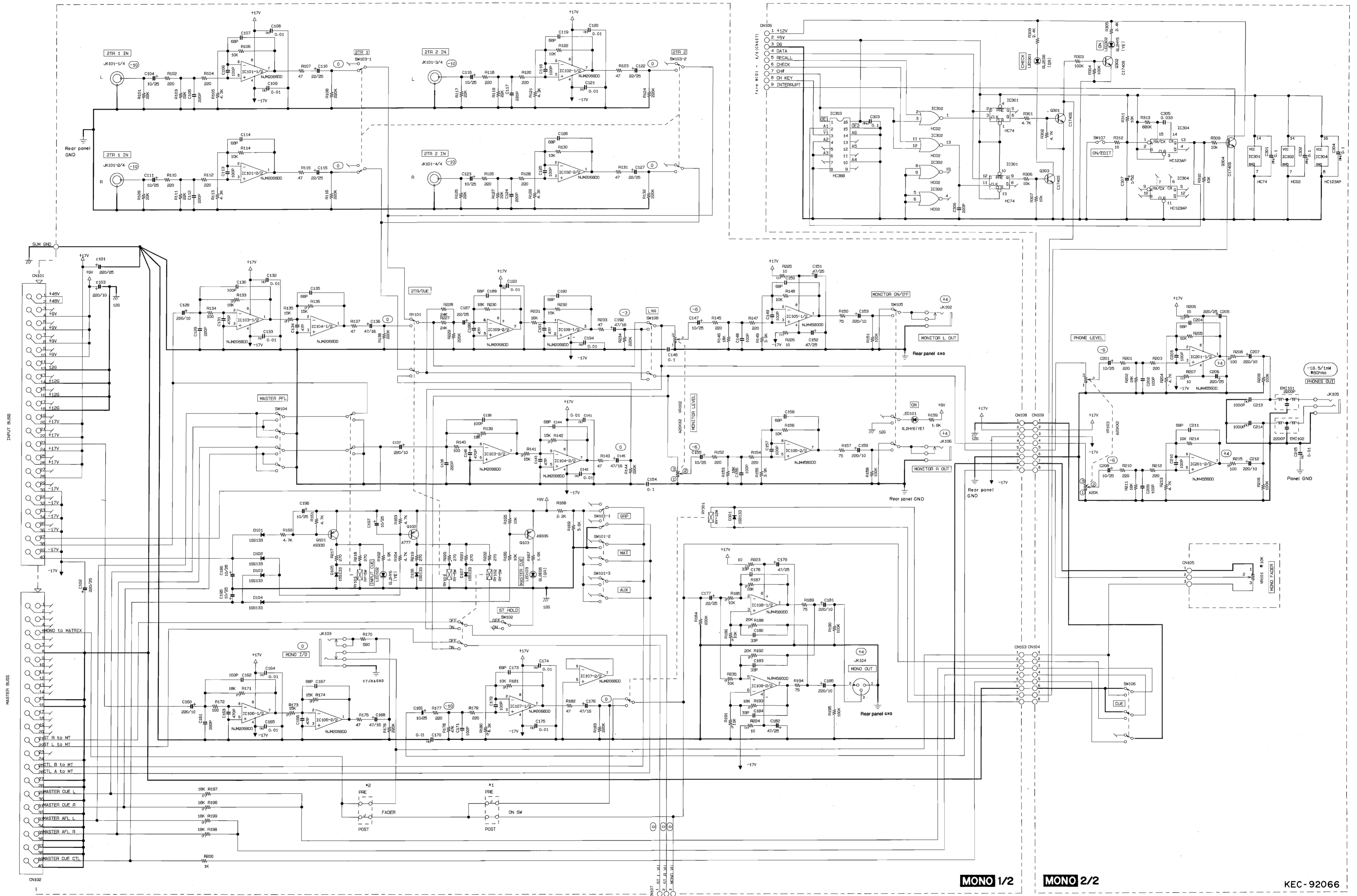
- Metal Film Resistor**
 R 133,139,171,187, 193,196-199: 18.0K 1/4 F (VB067900)
 R 135,136,141,142, 173,174: 15.0K 1/4 F (VA074600)
 R 180: 4.3K 1/4 F (VB067000)
 R 181,185,186,235: 10.0K 1/4 F (VA074400)
 R 188,192: 20.0K 1/4 F (VB068000)
 R 191: 11.0K 1/4 F (VA074500)
- Metal Oxide Film Resistor**
 R 208,215: 100.0 1W J (VC731200)
- Rotary Variable Resistor**
 VR 102,103: A20Kx2 (VQ901400) MONITOR LEVEL, PHONES
- LC Filter**
 : LS MT X222MB (FZ007070)
- Relay**
 RY 101-103: DC RY5W-K (VL369700)
 RY 301: DC RY12W (KC001900)
- Push Switch**
 SW101: SPUN30*3(VQ902400) GROUP/MATRIX/AUX METER SELECT
 SW102,108: SPUN19-2N-W (VQ901900) ST HOLD, CUE
 SW103: SPUN20 2/2*2 (VQ902500) 2TR IN1/IN2
 SW104,105: SPUN (VA983800) MASTER PFL, MONITOR ON
 SW106: SPUN19-2N-W (VR633200) L+R
 SW107: EVQ PB (VQ902900) ON/EDIT
- Pin Connector**
 JK 101: YKC21-3088 4P (VR312000) 2TR IN L/R
- Phone Jack**
 JK 102,106: HLJ0520 (LB202600) MONITOR OUT L,R
 JK 103: Stereo HLJ2305 (LB202700) MONO I/O
 JK 105: HLJ1520 (LB202300) PHONES
- Cannon Connector**
 JK 104: XLM-3-32PCH-L (VP953100) MONO OUT
- Connector**
 CN 101,102: HIF3BAG40PA2.54 (VR633100)
 CN 103,108: FJ-P 8P (VL548500)
 CN 104,109: FJ-R 8P (VL217100)
 CN 105,107: PH- 3P SE (VB858200)
 CN 106: PH- 9P SE (VB858800)
- Push Button**
 : M.GY/S.GY (VR034000) GROUP, MATRIX, AUX, ST HOLD, 2TR IN 1,2, MASTER PFL L+R
 : S.GY/Y.BR (VR637100) CUE
- Knob**
 : S.GY/RE (VR667400) MONITOR ON

3NA-VR03150

MONO CIRCUIT BOARD

M2000 CIRCUIT DIAGRAM (MONO 1/2, MONO 2/2)

M2000/PW2000M



MONO 1/2 **MONO 2/2** **KEC-92066**

- Notes**
 Marked (7): Flame proof carbon resistor
 Marked (F): Metal film resistor
 Marked 1P: Metal oxide film resistor
- Marked (t):** Ceramic capacitor
Marked (#t): Semiconductive ceramic capacitor
 VR101 is not a part of the MONO circuit board.
 Marked O: Nominal level

- *1 MONO to MATRIX [pre ON sw./post ON sw.] Jumper: factory set = pre ON sw.
 *2 MONO to MATRIX [pre MONO Fader/post MONO Fader] Jumper: factory set = post MONO fader

M2000 CIRCUIT DIAGRAM (MONO 1/2, MONO 2/2) C15

M2000/PW2000M

■ MIDI CIRCUIT BOARD (1/4, 2/4)

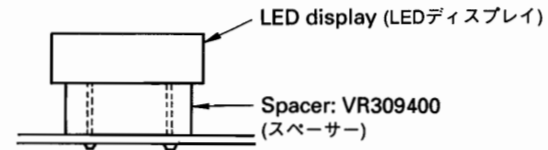
Notes

- Circuit Board: MIDI1/4 (NX813790) XN290B0
 - Circuit Board: MIDI2/4 (NX813800) XN290B0
 - Circuit Board: MIDI3/4 (NX813810) XN290B0
 - Circuit Board: MIDI4/4 (NX813820) XN290B0
1. IC
 - IC 201,401-404: TC74HC241AP (IR024100) BUS BUFFER
 - IC 202,307,405-408: SN74HC138N (IR013850) DECODER
 - IC 203,409: SN74HC368N (IR036850) BUS INVERTER
 - IC 301: HD63B03YP-N (XD245A00) CPU
 - IC 302: M27C256B-12F1 (XP180A00) ROM 256K
 - IC 303,309-311: SN74HC541N (IR054150) BUS DRIVER
 - IC 304: HY6264ALP-10 (XK761A00) SRAM 64K
 - IC 305: SN74HC139N (IR013950) DECODER
 - IC 308: M66008P (XM266A00) 16BIT, EXP
 - IC 312: SN74HC273N (IR027350) DFF
 - IC 314: SN74HC14N (IR001450) INVERTER
 - IC 315: NJM2903 (IG031000) COMPARATOR
 - IC 316: M5238AP (XM085A00) OP AMP
 - IC 317: SN74HC02N (IR000250) NOR
 - IC 318: SN74HC32N (IR003250) OR
 - IC 319: SN74HC04N (IR000450) INVERTER
 - IC 320: M62021L (XH970A00) RESET
 2. Transistor
 - Q 301-306: 2SC1740S R,S (IC174070)
 3. Transistor Array
 - IC 313: TD62506P (IG138700)
 4. Diode
 - D 101-106,301-312: 1SS133,1SS176 (VB941200)
 5. LED
 - LED 301-308: GL5HY40 YE (VP155700) DIRECT RECALL 1-8
 6. LED Display
 - LD 101: LB-203VL (VR266400) MEMORY
 7. Photo Coupler
 - PC 301: 6N137 (VD473200)
 8. Mylar Capacitor
 - C 314: 0.0100 50V J (UA654100)

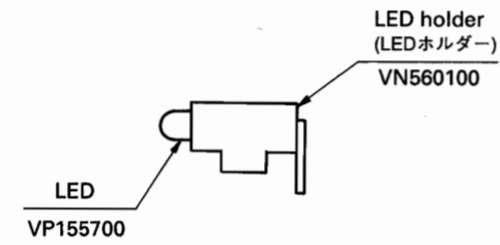
9. Ceramic Capacitor
 - C 311,312: 27P 50V J (VK66320)
10. Electrolytic Cap.
 - C 303: 1000 10.0V (UJ829100)
 - C 307: 10.00 35.0V (UJ857100)
11. Semiconductive Cera. Cap.
 - C 201-203,301,302,304-306,309,310,313,315-326,401-409: 0.1000 25V Z (VC694800)
12. Carbon Resistor
 - FL 301-322: 0.0 J (VQ252700)
 - R 201: 200.0K 1/4 J (HF75820)
 - R 301,312-316: 1.0K 1/4 J (HF756100)
 - R 302,303: 3.3K 1/4 J (HF756330)
 - R 304,305: 1.0M 1/4 J (HF759100)
 - R 306,307,325: 10.0K 1/4 J (HF757100)
 - R 311,326: 4.7M 1/4 J (HF75947)
 - R 317: 2.7K 1/4 J (HF756270)
 - R 318-324: 30.0 1/4 J (HF75430)
 - R 401: 51.0K 1/4 J (HF75751)
13. Metal Film Resistor
 - R 308: 2.4K 1/4 F (VB066400)
 - R 309: 1.5K 1/4 F (VB065900)
 - R 310: 910.0 1/4 F (VB065000)
14. Resistor Array
 - RA 301-303,305-309: RGLD8X103J (VE445200)
 - RA 304: RGLD4X103J (VE443500)
15. LC Filter
 - EM 301: LS MT Y223NB (FZ006970)
16. Ceramic Resonator
 - CL 301: 8M CSA8.00MTZ (QU008500)
17. Push Switch
 - SW101: SKHQFM ORANGE (VK701000) UTILITY
 - SW102,103,105,106: SKHQAC (VK700800) RECALL, STORE, SCENE MEMORY ▲,▼
 - SW104: SKHQFN GREEN (VK701100) CHECK
 - SW301: SPUJ 2/2*8 (VR266500) DIRECT RECALL 1-8

18. Connector
 - CN 101,102: SAN&PH 9P 60L (VN37520)
 - CN 201: PHD-20P TE (VR264100)
 - CN 202,401-407: PHD-18P SE (VR262300)
 - CN 203: PH- 2P TE (VB389800)
 - CN 301: SAN&PH 11P 250L (VR66920)
 - CN 302,303: PH- 9P TE (VB390500)
 - CN 304: PHD-20P SE (VR264200)
 - CN 305,409,410: PH-10P TE (VB390600)
 - CN 306: PH- 5P TE (VB390100)
 - CN 408: PH- 4P TE (VB390000)

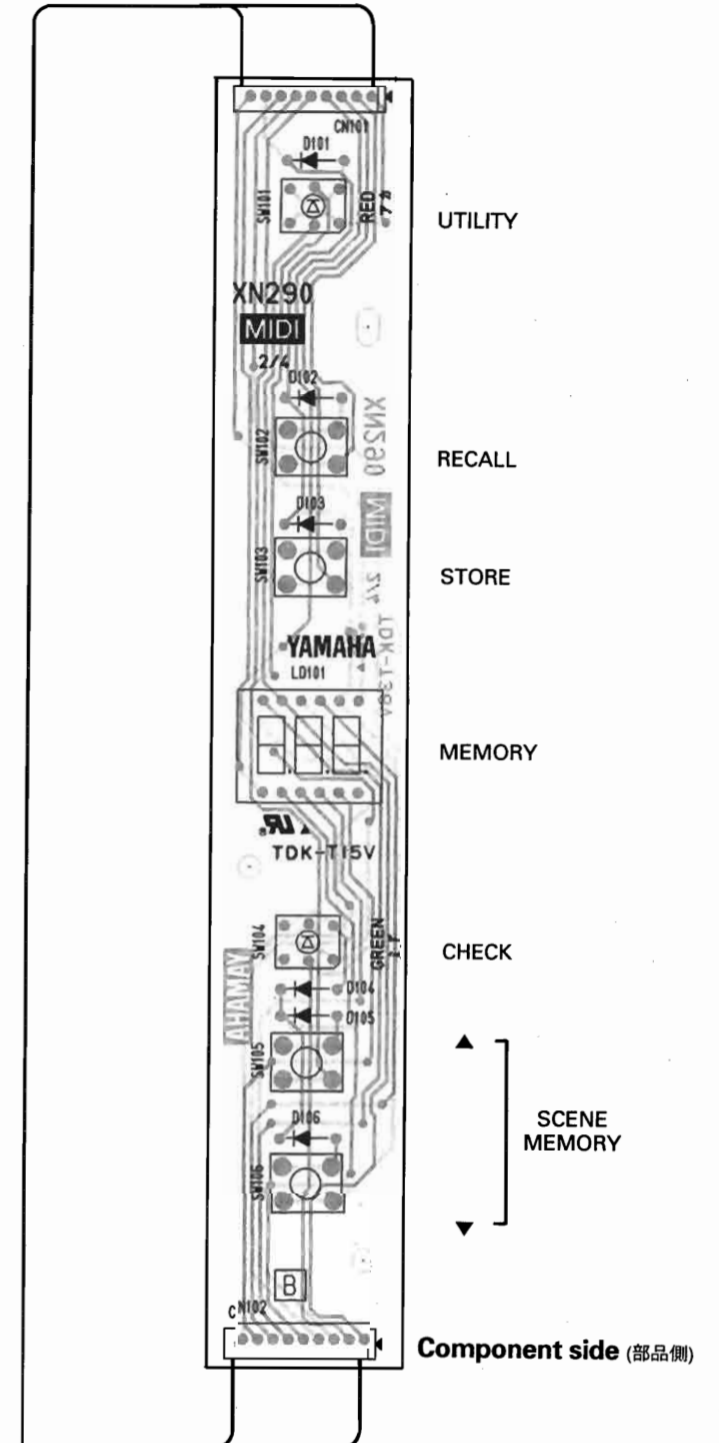
• LED display installing (LED ディスプレイの取付け)



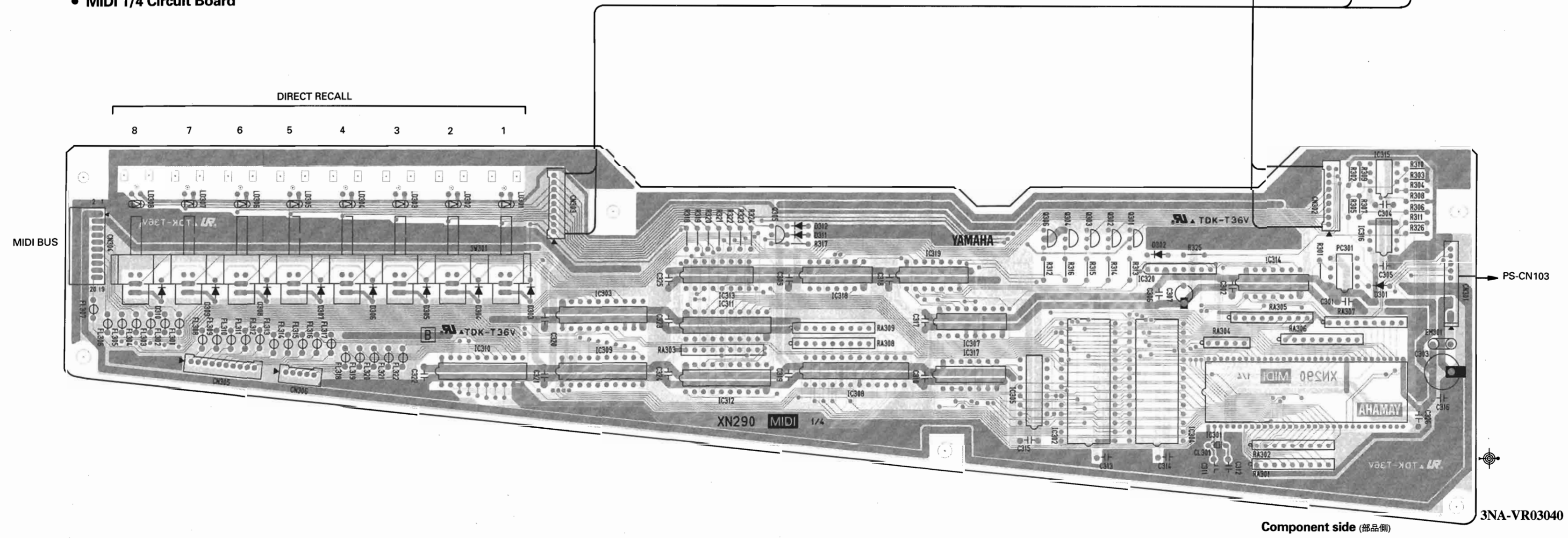
• LED installing (LEDの取付け)

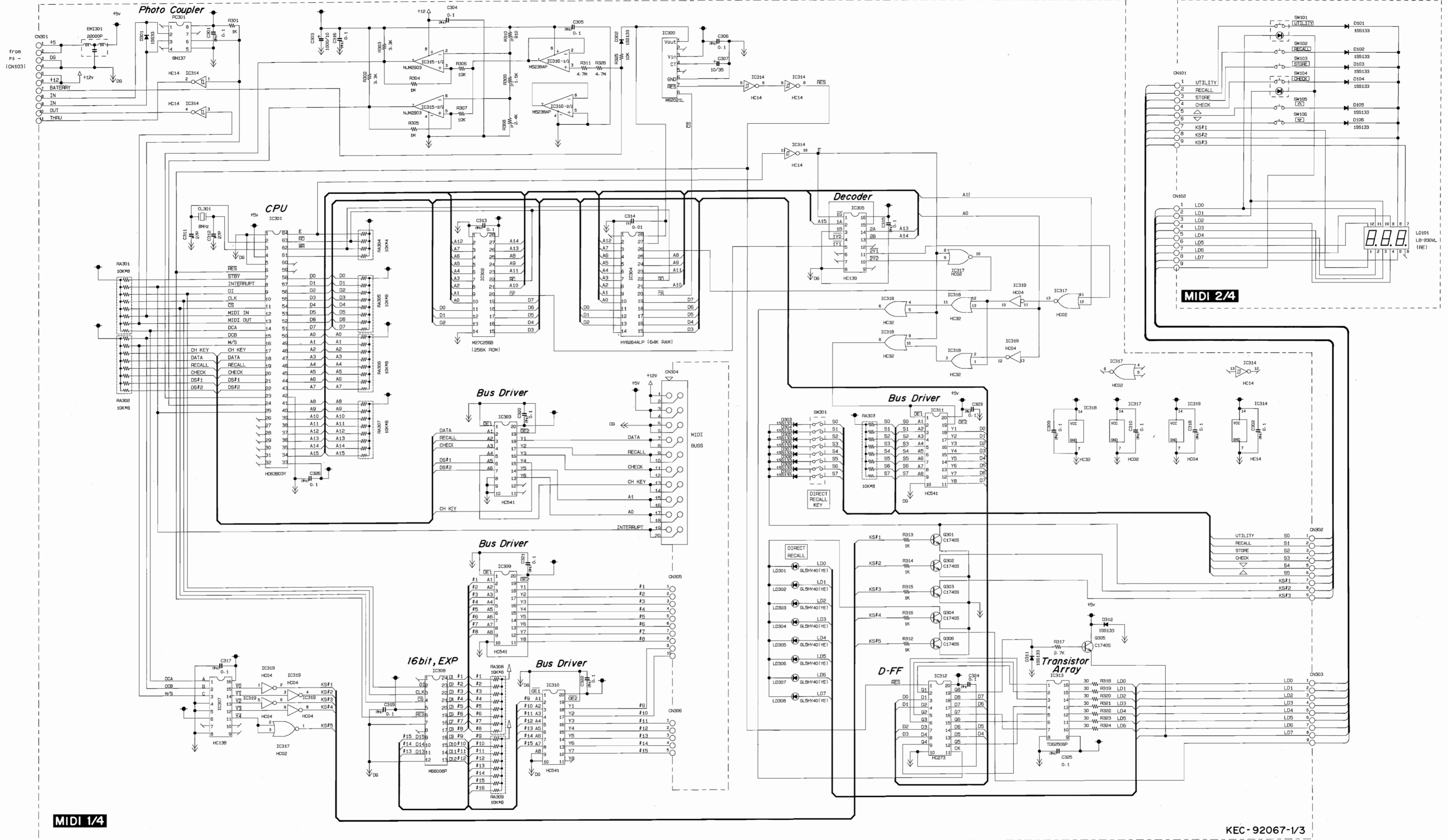


• MIDI 2/4 Circuit Board



• MIDI 1/4 Circuit Board





MIDI 1/4

MIDI 2/4

KEC-92067-1/3

- Notes
- Marked (F): Metal film resistor
 - Marked (t): Ceramic capacitor
 - Marked (半t): Semiconductive ceramic capacitor
 - Marked (*): Ceramic capacitor-CH
- Notes
- Marked (半t): Semiconductive ceramic capacitor

■ MIDI CIRCUIT BOARD (3/4, 4/4)

Notes)

Circuit Board: MIDI1/4 (NX813790) XN290B0
 Circuit Board: MIDI2/4 (NX813800) XN290B0
 Circuit Board: MIDI3/4 (NX813810) XN290B0
 Circuit Board: MIDI4/4 (NX813820) XN290B0

1. IC
 IC201,401-404: TC74HC241AP (IR024100) BUS BUFFER
 IC202,307,405-408: SN74HC138N (IR013850) DECODER
 IC203,409: SN74HC368N (IR036850) BUS INVERTER
 IC301: HD63B03YP-N (XD245A00) CPU
 IC302: M27C256B-12F1 (XP180A00) ROM 256K
 IC303,309-311: SN74HC541N (IR054150) BUS DRIVER
 IC304: HY6264ALP-10 (XK761A00) SRAM 64K
 IC305: SN74HC139N (IR013950) DECODER
 IC308: M66008P (XM266A00) 16BIT, EXP
 IC312: SN74HC273N (IR027350) DFF
 IC314: SN74HC14N (IR001450) INVERTER
 IC315: NJM2903 (IG031000) COMPARATOR
 IC316: M5238AP (XM085A00) OP AMP
 IC317: SN74HC02N (IR000250) NOR
 IC318: SN74HC32N (IR003250) OR
 IC319: SN74HC04N (IR000450) INVERTER
 IC320: M62021L (XH970A00) RESET

2. Transistor
 Q 301-306: 2SC1740S R,S (IC174070)

3. Transistor Array
 IC313: TD62506P (IG138700)

4. Diode
 D 101-106,301-312: 1SS133,1SS176 (VB941200)

5. LED
 LED 301-308: GL5HY40 YE (VP155700) DIRECT
 RECALL 1-8

6. LED Display
 LD 101: LB-203VL (VR266400) MEMORY

7. Photo Coupler
 PC 301: 6N137 (VD473200)

8. Mylar Capacitor
 C 314: 0.0100 50V J (UA654100)

9. Ceramic Capacitor
 C 311,312: 27P 50V J (VK66320)

10. Electrolytic Cap.
 C 303: 1000 10.0V (UJ829100)
 C 307: 10.00 35.0V (UJ857100)

11. Semiconductive Cera. Cap.
 C 201-203,301,302,304-306,
 309,310,313,315-326,
 401-409: 0.1000 25V Z (VC694800)

12. Carbon Resistor

- FL 301-322: 0.0 J (VQ252700)
 R 201: 200.0K 1/4 J (HF75820)
 R 301,312-316: 1.0K 1/4 J (HF756100)
 R 302,303: 3.3K 1/4 J (HF756330)
 R 304,305: 1.0M 1/4 J (HF759100)
 R 306,307,325: 10.0K 1/4 J (HF757100)
 R 311,326: 4.7M 1/4 J (HF75947)
 R 317: 2.7K 1/4 J (HF756270)
 R 318-324: 30.0 1/4 J (HF75430)
 R 401: 51.0K 1/4 J (HF75751)

13. Metal Film Resistor

- R 308: 2.4K 1/4 F (VB066400)
 R 309: 1.5K 1/4 F (VB065900)
 R 310: 910.0 1/4 F (VB065000)

14. Resistor Array

- RA 301-303,
 305-309: RGLD8X103J (VE445200)
 RA 304: RGLD4X103J (VE443500)

15. LC Filter

- EM 301: LS MT Y223NB (FZ006970)

16. Ceramic Resonator

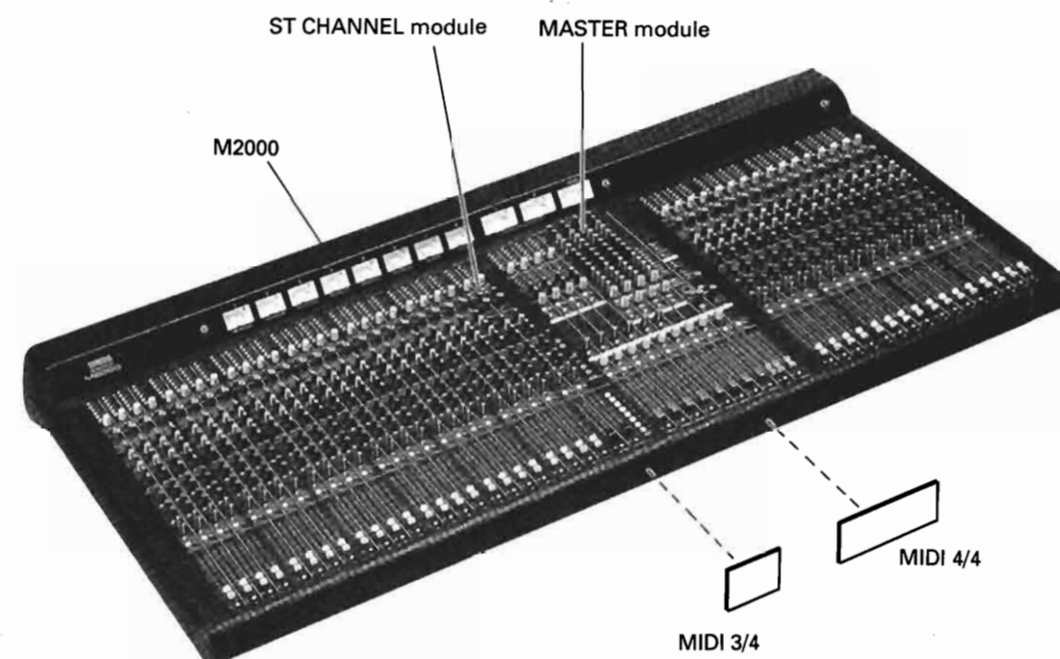
- CL 301: 8M CSA8.00MTZ (QU008500)

17. Push Switch

- SW101: SKHQFM ORANGE (VK701000) UTILITY
 SW102,103,105,
 106: SKHQAC (VK700800) RECALL, STORE,
 SCENE MEMORY ▲,▼
 SW104: SKHQFN GREEN (VK701100) CHECK
 SW301: SPUJ 2/2"8 (VR266500) DIRECT
 RECALL 1-8

18. Connector

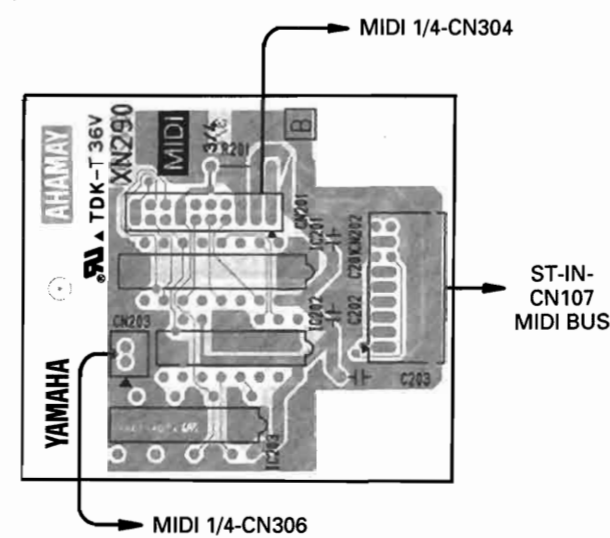
- CN 101,102: SAN&PH 9P 60L (VN37520)
 CN 201: PHD-20P TE (VR264100)
 CN 202,401-407: PHD-18P SE (VR262300)
 CN 203: PH-2P TE (VB389800)
 CN 301: SAN&PH 11P 250L (VR66920)
 CN 302,303: PH-9P TE (VB390500)
 CN 304: PHD-20P SE (VR264200)
 CN 305,409,410: PH-10P TE (VB390600)
 CN 306: PH-5P TE (VB390100)
 CN 408: PH-4P TE (VB390000)



- The MIDI 3/4 circuit board is located on the front-side of the ST CHANNEL module. But, it is not a part of the module.
- The MIDI 4/4 circuit board is located on the front-side of the MASTER module. But, it is not a part of the module.

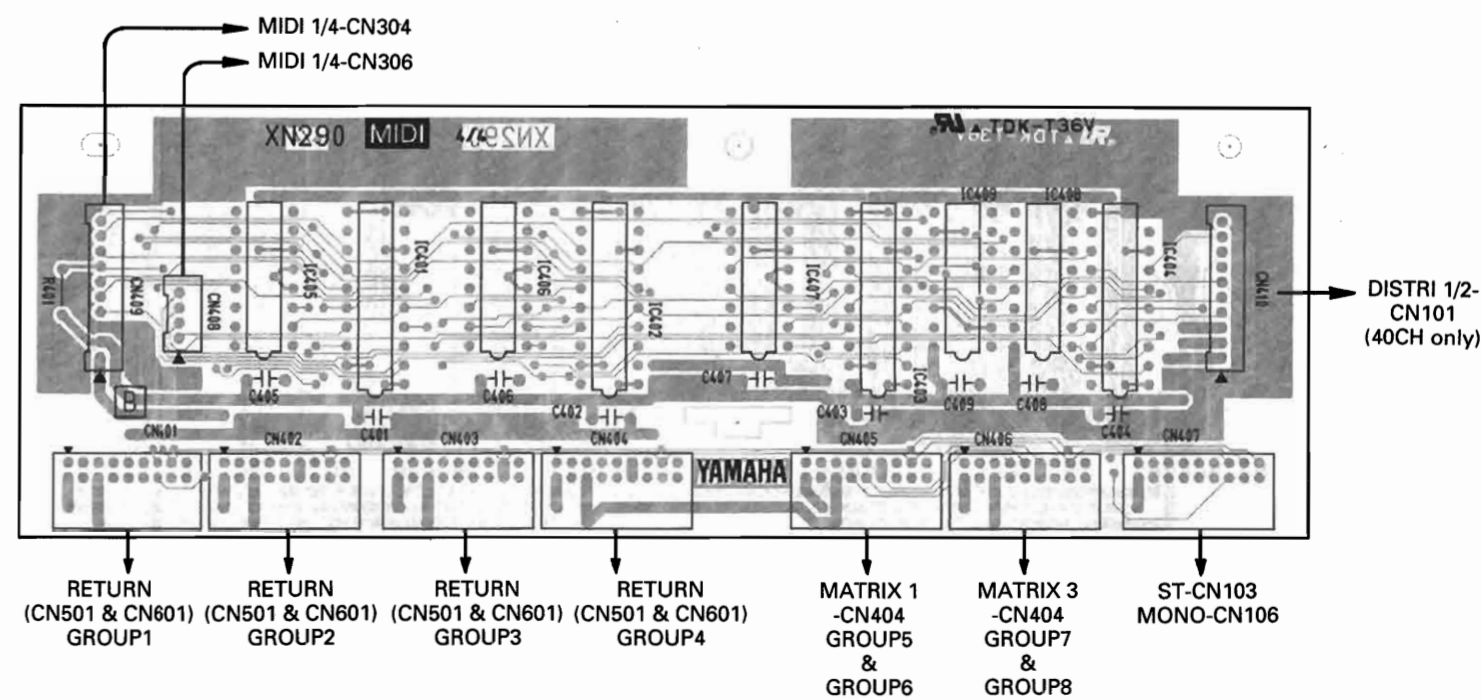
- MIDI3/4シートは、STCHANNELモジュール前部に取付けられていますが、モジュールの構成部品ではありません。
- MIDI4/4シートは、MASTERモジュール前部に取付けられていますが、モジュールの構成部品ではありません。

● MIDI 3/4 Circuit Board



Component side (部品側)

● MIDI 4/4 Circuit Board



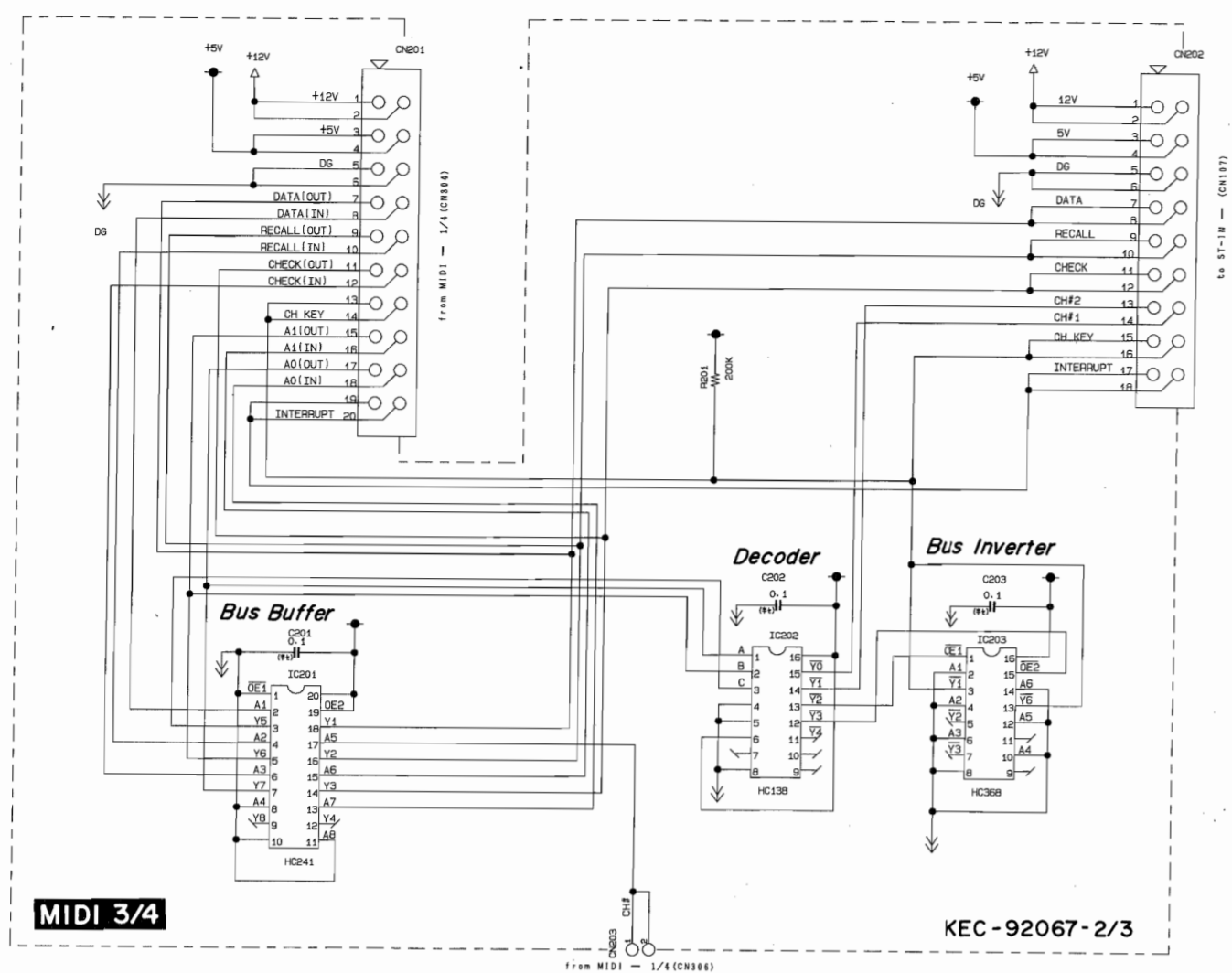
Component side (部品側)

3NA-VR03040

■ MIDI CIRCUIT BOARD (3/4, 4/4)

M2000 CIRCUIT DIAGRAM (MIDI 3/4, MIDI 4/4)

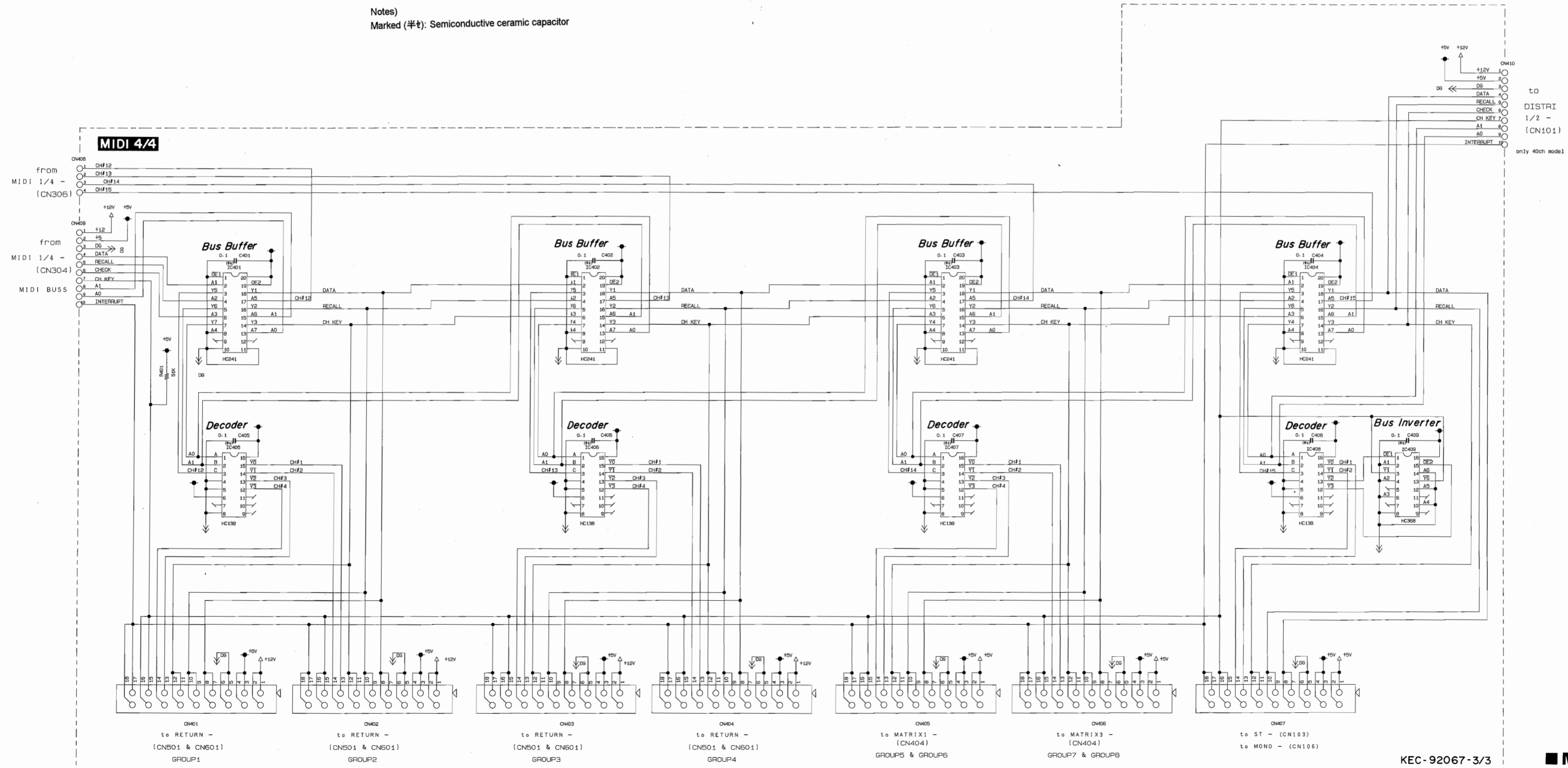
M2000/PW2000M



MIDI 3/4

KEC-92067-2/3

Notes
Marked (#t): Semiconductive ceramic capacitor



MIDI 4/4

KEC-92067-3/3

to
DISTR
1/2 -
(CN101)
only 40ch mode!

1125

■ DISTRI & PS CIRCUIT BOARDS

Notes

- Circuit Board: DISTRI1/2 (NX813770) XN298B0
 Circuit Board: DISTRI2/2 (NX813780) XN298B0
- IC**
 IC101: TC74HC241AP (IR024100) BUS BUFFER
 IC201: SN74HC138N (IR013850) DECODER
 - Semiconductive Cera. Cap.**
 C 101,201: 0.1000 25V Z (VC694800)
 - Carbon Resistor**
 R 101: 200.0K 1/4 J (HF75820)
 - Connector**
 CN 101: PHD-20P TE (VR264100)
 CN 102: PH-11P SE (VB389600)
 CN 103: PH-2P TE (VB389800)
 CN 201: SAN&PH 11P 60L (VR66560)
 CN 202-205: B09P-MQ (VB994900)

Notes

- Circuit Board: PS (VR030500) XN291A0
- IC**
 IC101: NJM78M09FA (XJ141A00) REGULATOR +9V
 IC102: NJM7805FA (XJ607A00) REGULATOR +5V
 - Transistor**
 Q 101,105,106: 2SC1740S R,S (IC174070)
 Q 102: 2SA933S Q,R (IA093320)
 - Pair Transistor**
 Q 103,104: C4793/A1837 (VQ547400)
 - Diode**
 D 101-103: 1SS133,1SS176 (VB941200)
 - Mylar Capacitor**
 C 109-112: 0.1000 50V J (UA355100)
 - Ceramic Capacitor**
 C 113,114: 270P 50V K (FG612270)
 - Electrolytic Cap.**
 C 101,102: 1000.0 25.0 RS (VR641000)
 C 103: 1000 16.0V (VF277000)
 C 104: 100.00 63.0V (UJ878100)
 C 105,107: 220.00 16.0V (UJ838220)
 C 106,108: 220.00 10.0V (UJ828220)
 - Semiconductive Cera. Cap.**
 C 115: 0.1000 25V Z (VC694800)

9. Carbon Resistor

- R 101: 47.0K 1/4 J (HF757470)
 R 102,103: 5.6K 1/4 J (HF756560)
 R 104-108: 220.0 1/4 J (HF755220)
 R 109,110: 3.3K 1/4 J (HF756330)
 R 111,112: 1.0K 1/4 J (HF756100)

10. Metal Oxide Film Resistor

- R 113,114: 68.0 2W J (VC758300)

11. LC Filter

- EM 101,102: LS MT Y223NB (FZ006970)
 EM 103-109: LS MT B271KB 270P (FZ006920)

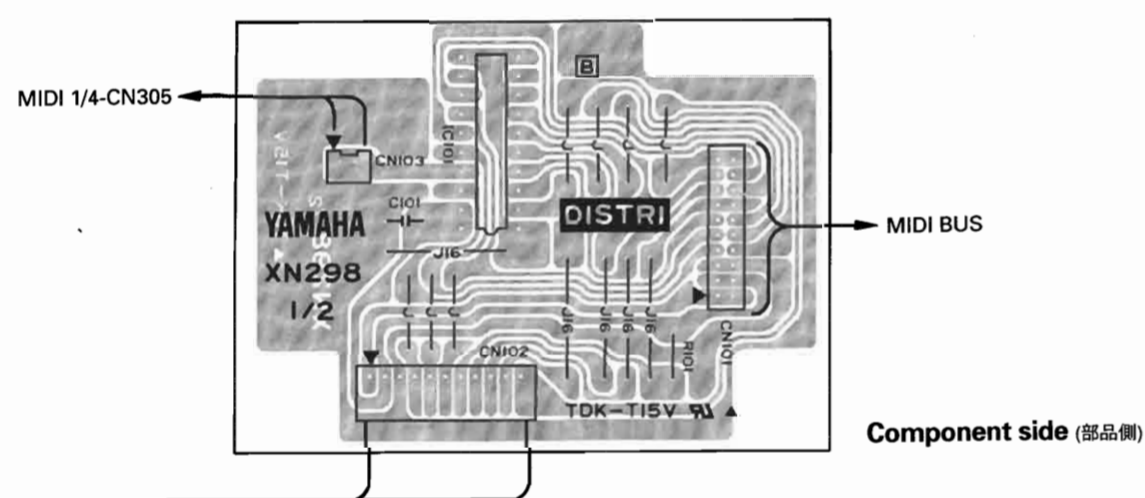
12. DIN Connector

- JK 101: DINx3 YKF51-504 (VI466400) MIDI IN/OUT/THRU

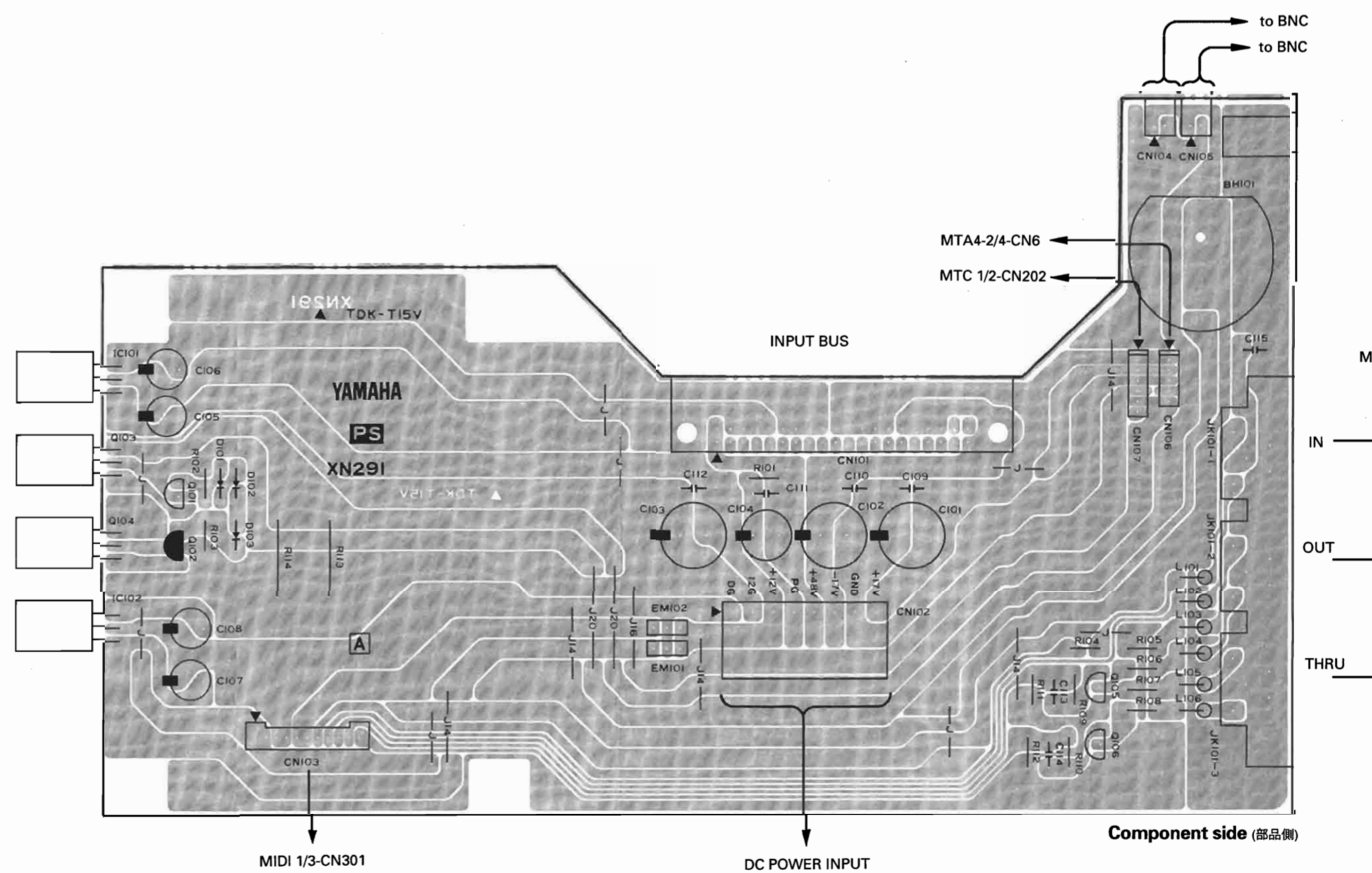
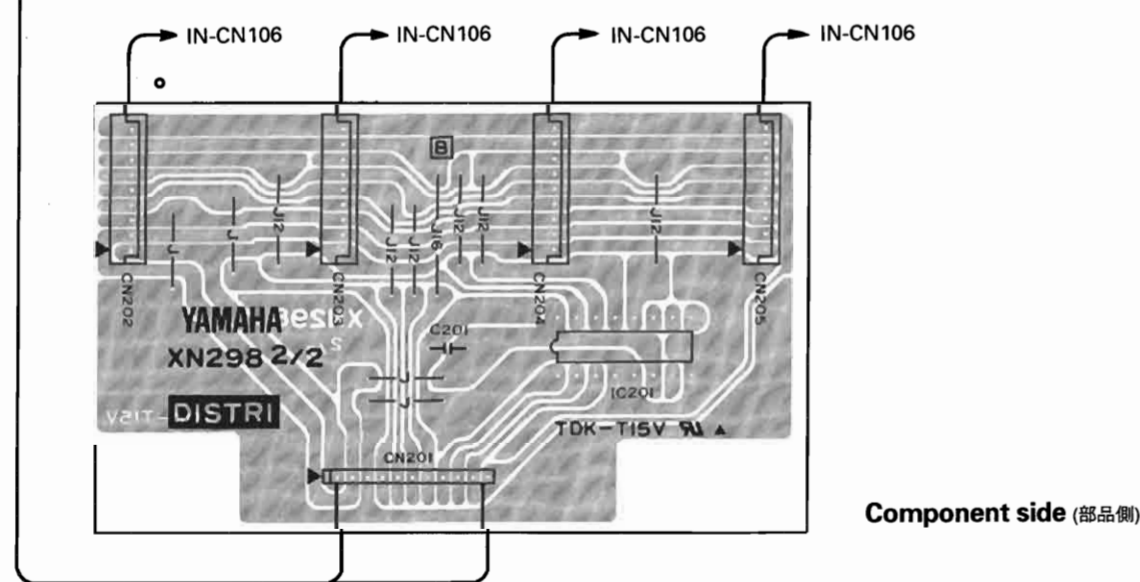
13. Connector

- CN 101: HIF3BAG40PA2.54 (VR633100)
 CN 102: VH-8P SE (LB933080)
 CN 103: PH-11P TE (VB390700)
 CN 104,105: PH-2P SE (VB858100)
 CN 106: METER PS (VR30580)
 CN 107: SAN&PH 6P 250L (VM76060)

● DISTRI 1/2 Circuit Board



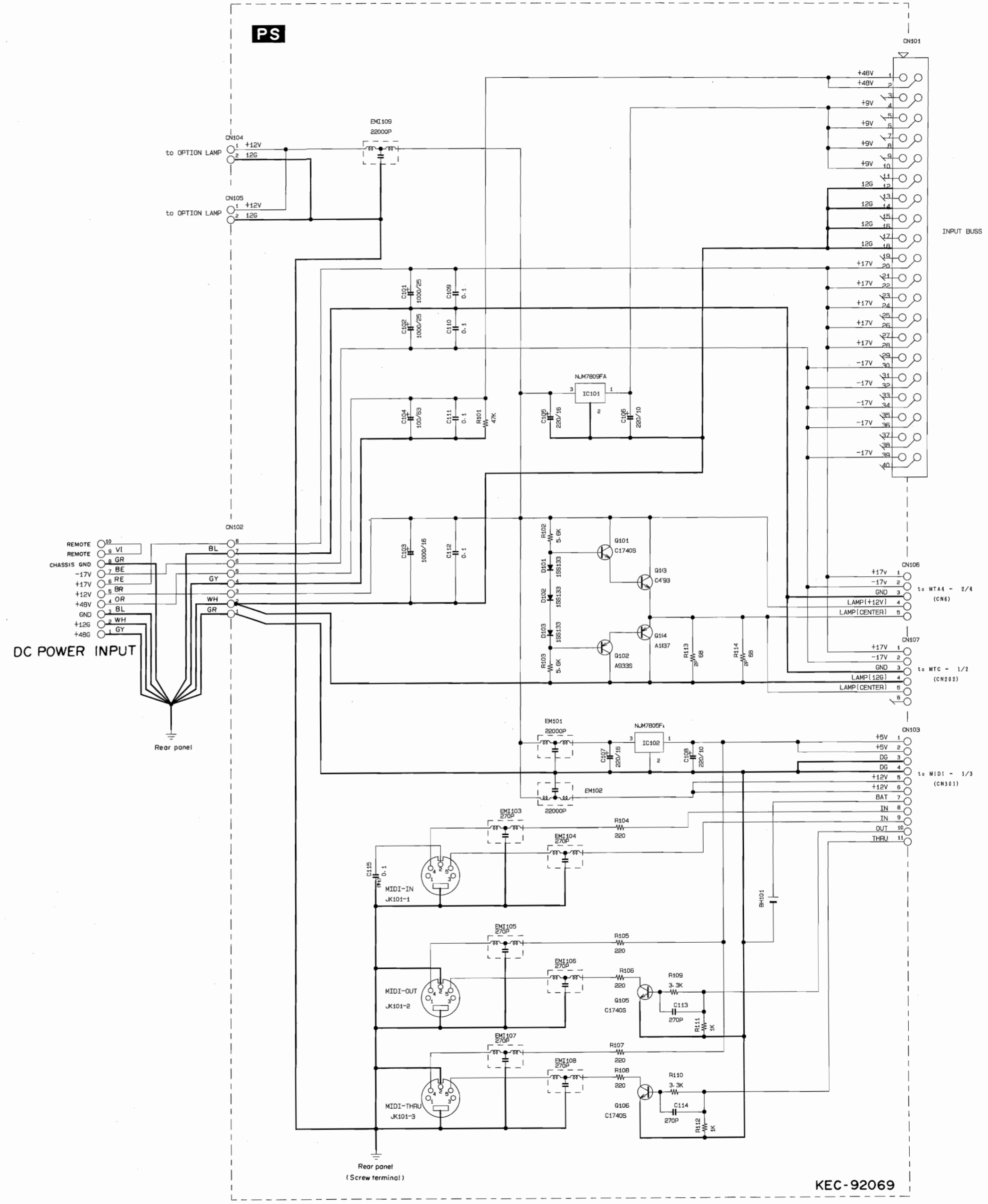
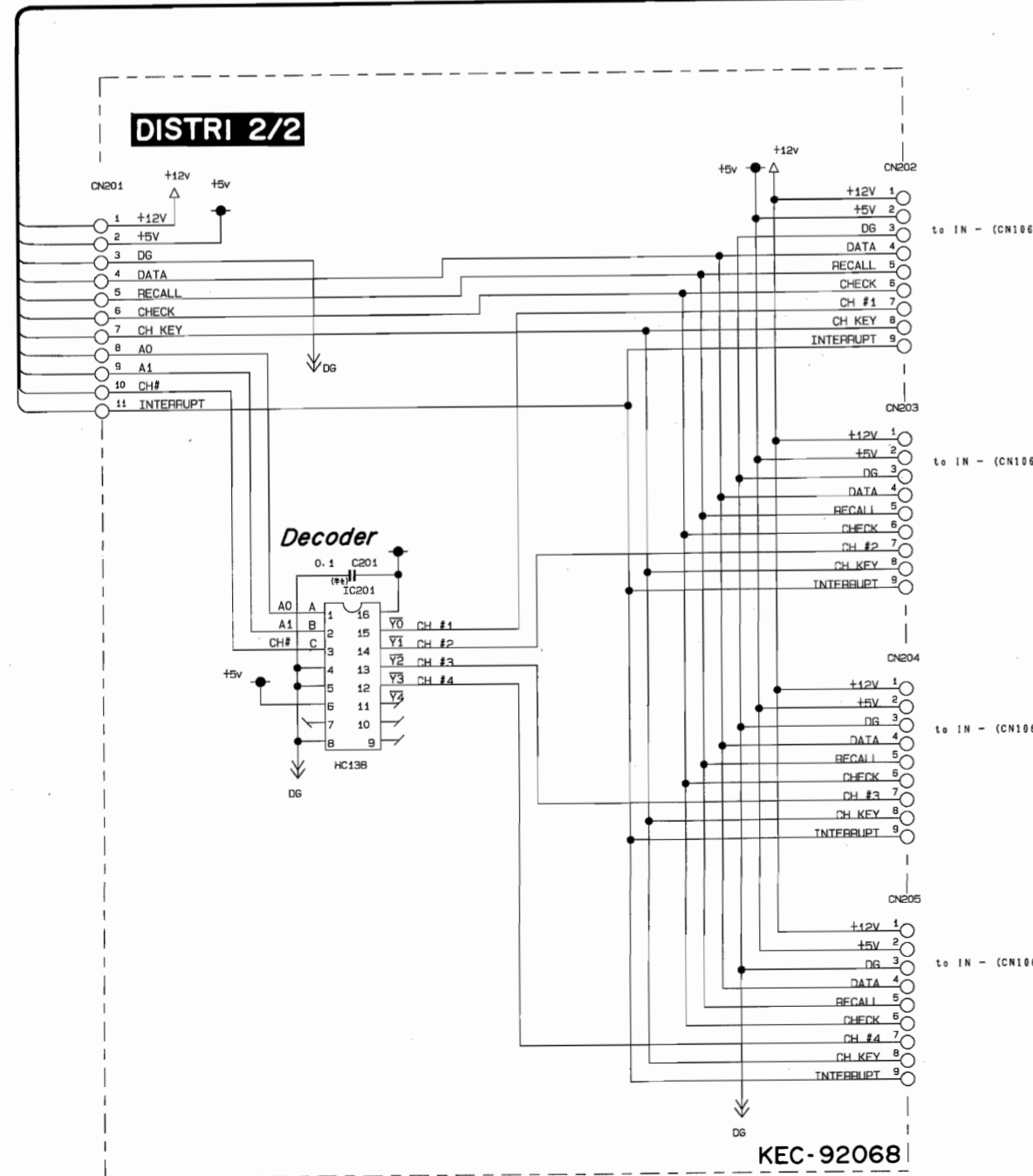
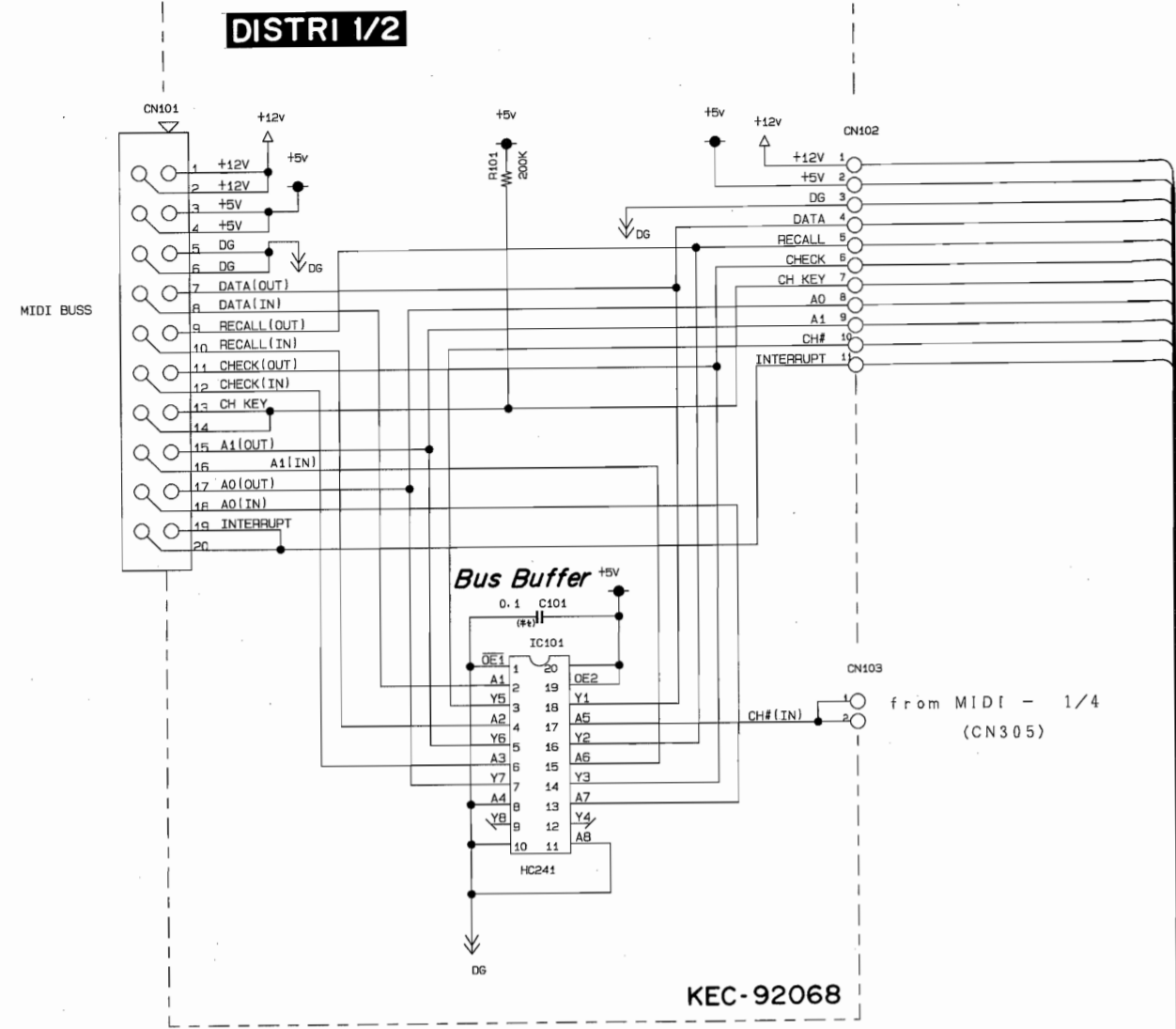
● DISTRI 2/2 Circuit Board



3NA-VR03170: DISTRI
 3NA-VR03050: PS

■ DISTRI & PS CIRCUIT BOARDS

■ M2000 CIRCUIT DIAGRAM (DISTRI 1/2, DISTR 2/2, PS)



Notes
 Maraked 2P: Metal oxide film resistor
 C101, C102 and C103 are electrolytic capacitor-RS

11225

DC CIRCUIT BOARD (PW2000M)

Notes

- Circuit Board: DC (VR658000) J (XN889B0)
 DC (VR658100) U,C,V (XN889B0)
 DC (VR658200) H,B,W (XN889B0)
- IC**
 IC 201: NJM7812FA (XJ608A00) REGULATOR +12V
 IC 202: NJM7912FA (XC721A00) REGULATOR -12V
 IC 203,204,301,302,401: NJM072D (IG107000) OP AMP
 IC 205: NJM7809FA (XD706A00) REGULATOR +9V
 - Transistor**
 Q101,103: 2SC2021 Q,R,S (IC202180)
 Q102: 2SA937 Q,R,S (IA093700)
 Q201,202,301,302: 2SC1815 Y,GR (IC1815M0)
 Q203,207,208,304,307,308: 2SD438-MP E,F (ID043810)
 Q204,303,407: 2SD526 O,Y (ID052630)
 Q205,206,305,306,402: 2SC3182N R,O (VF163900)
 Q209,213,214: 2SB560V16MP E,F (IB056010)
 Q210: 2SB596 O,Y (IB059630)
 Q211,212: 2SA1265N R,O (VF163700)
 Q401,404: 2SC3421 O,Y (VC211000)
 Q403,405,406: 2SC2240 GR,BL (IC224030)
 - Diode**
 D101-103,207,209,307,402: 1SR35-100A 52 (VE170000)
 D202-206,208,302-306: 1SS133,1SS176 (VB941200)
 - Diode Stack**
 D201,301: GBPC2504 (VM622000)
 D401: S1WB(A)60 (VB845300)
 - Zener Diode**
 ZD101,102: MTZJ20C 20.0V (VQ556800)
 ZD103,201: MTZJ15C 15.0V (VQ556100)
 ZD301: MTZJ10C 10.0V (VQ555000)
 ZD401: MTZJ33D 33.0V (VQ558700)
 ZD402: MTZJ27D 27.0V (VQ558000)
 ZD403,404: MTZJ5.6C 5.6V (VQ272500)
 ZD405,406: MTZJ24B 24.0V (VQ557500)
 - LED**
 LED101-105: GL2EG6 (VH325300) POWER,+17, -17,+12,+48
 - Mylar Capacitor**
 C201-204,301-304: 0.0100 630V M (FZ000650)
 C219,223,316,408: 1000P 50V J (UA353100)
 - Monolithic Mylar Capacitor**
 C306: 0.10 50V J (VE326000)
 - Ceramic Capacitor**
 C212,213,220,221,308,309,317,318,320,412: F 0.0100 50V Z (FG644100)
 C401-404,407: E 0.0047 500V M (FH223470)
 - Electrolytic Cap.**
 C103: 1000 16.0V (UJ739100)
 C205,206: 33000 35.0V (VI486600)
 C207,208,214: 47.00 35.0V (UJ857470)
 C209,210,322: 47.00 16.0V (UJ837470)
 C211,307: 10.00 16.0V (UJ837100)
 C215,216: 100.00 35.0V (UJ858100)
 C217,218,409: 10.00 35.0V (UJ857100)
 C222,225,319: 470.00 25.0V (UJ748470)
 C224: 22.00 16.0V (UJ837220)
 C305: 47000 25.0V (VR609200)
 C310,312,321: 47.00 25.0V (UJ847470)
 C311: 100.00 25.0V (UJ848100)
 C314,315: 10.00 25.0V (UJ847100)
 C405: 2200 80V (VA274100)
 C410: 220.00 63.0V (UJ778220)
 C411: 4.7 100.0V (UJ896470)
 - Capacitor**
 C101,102: 2200P 400V (FI383220)
 C104: 0.220 250V (FR203220)
 C105,106: 4700P 400V (FI383470) H,B,W

12. Carbon Resistor

- R101-103,106,107,210,211,224,225,310,311,416: 1.0K 1/4 J (HF756100)
 R104,108,112,202,216,230: 3.3K 1/4 J (HF756330)
 R105,109,113,201,206,207,301,306,307,410,414: 10.0K 1/4 J (HF757100)
 R110,111: 750.0 1/4 J (HF75575)
 R114-116,220,234,320,409,413: 2.2K 1/4 J (HF756220)
 R203: 18.0K 1/4 J (HF757180)
 R204,305: 2.4K 1/4 J (HF756240)
 R205: 3.6K 1/4 J (HF75636)
 R217,231,317,406: 100.0K 1/4 J (HF758100)
 R219,233,235,319,408: 4.7K 1/4 J (HF756470)
 R302: 82.0 1/4 J (HF75482)
 R303: 20.0K 1/4 J (HF757200)
 R304,418: 3.0K 1/4 J (HF75630)
 R316,405,411,412: 5.6K 1/4 J (HF756560)
 R323,415: 10.0 1/4 J (HF754100)
 R401,402: 2.7K 1/4 J (HF756270)
 R417: 22.0K 1/4 J (HF757220)

13. Flame Proof Carbon Resistor

- R218,232,318: 22.0 1/4 J (HV754220)

14. Metal Film Resistor

- R208,221: 12.0K 1/4 F (VB067600)
 R209,222,309,322: 4.7K 1/4 F (VA074100)
 R223,236: 15.0K 1/4 F (VA074600)
 R308,321: 6.8K 1/4 F (VB067300)

15. Metal Oxide Film Resistor

- R403: 330.0 1W J (VC746200)
 R404: 2.2 1W J (VC740900)
 R407: 3.3K 1W J (VC748800)

16. Wire Wound Resistor

- R212,213,226,227,312,313: 0.22 5W K (HM052220)
 R214,215,228,229,314,315: 0.47 5W K (HM052470)

17. Fuse Resistor

- FR201,202,301: FN11150J 15 1W (HW914150)

18. Trimmer Potentiometer

- VR201,301: B10.0K (VA024800) +17V adj, +12V adj.

19. Coil

- L101: SC-05-100 1.0mH (GE901370)

20. Push Switch

- SW101: ESB-8236V (VF576000) POWER switch

21. Relay

- RY101: G4W1112TP-USTV8 (VJ102400)

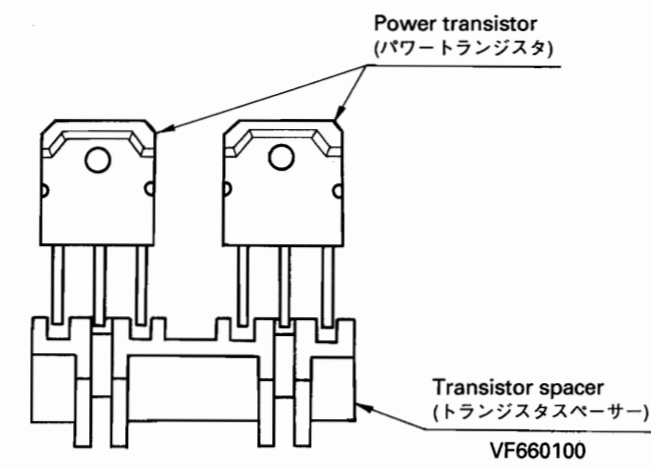
22. Fuse

- F201,301: T 6.00A 250V (KB001280) J
 T 6.00A 250V (KB001250) U,C,V
 TR2.00A (KB003070) H,B,W
 T 2.00A 250V (KB003570) J,U,C,V
 TR6.30A (KB003250) H,B,W

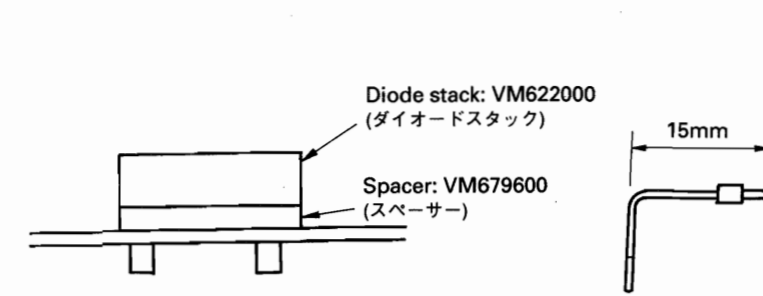
23. Connector

- CN101: VH-3P TE (LB932030)
 CN102: VH-6P TE (LB932060)
 CN103: PH-2P TE (VB389800)
 CN: PW DI (VR67170)
 CN: PW DD (VR67190)

Power transistor installing (パワートランジスタの取付け)

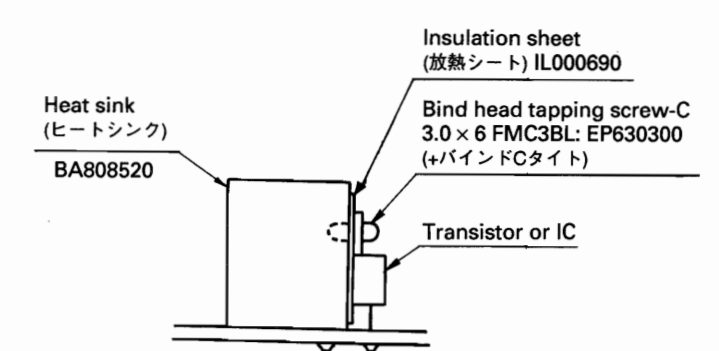


D201, D301 installing

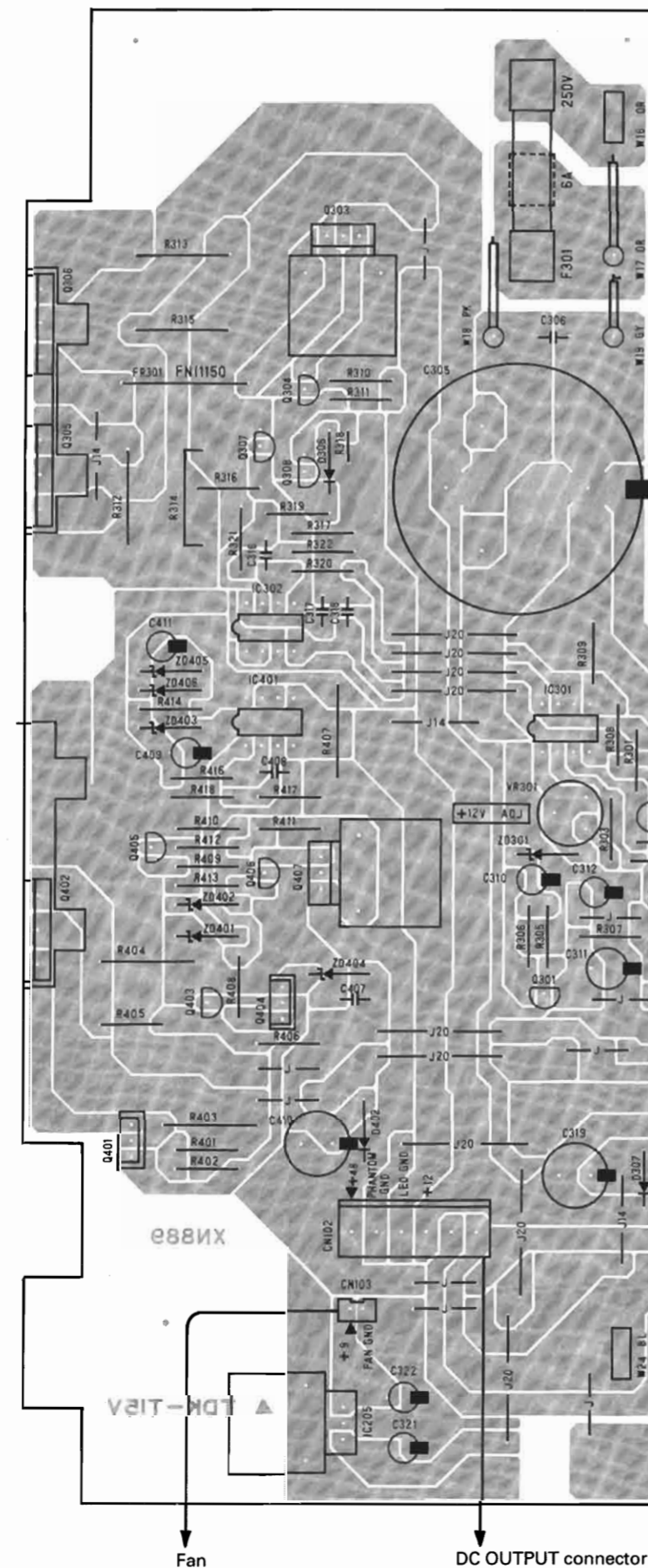


LED installing (LEDの取付け)

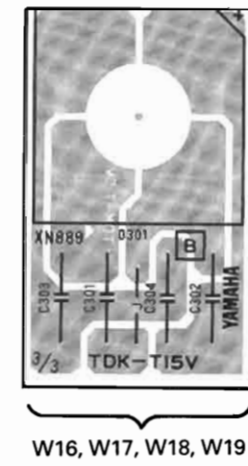
Heat sink (ヒートシンクの取付け)



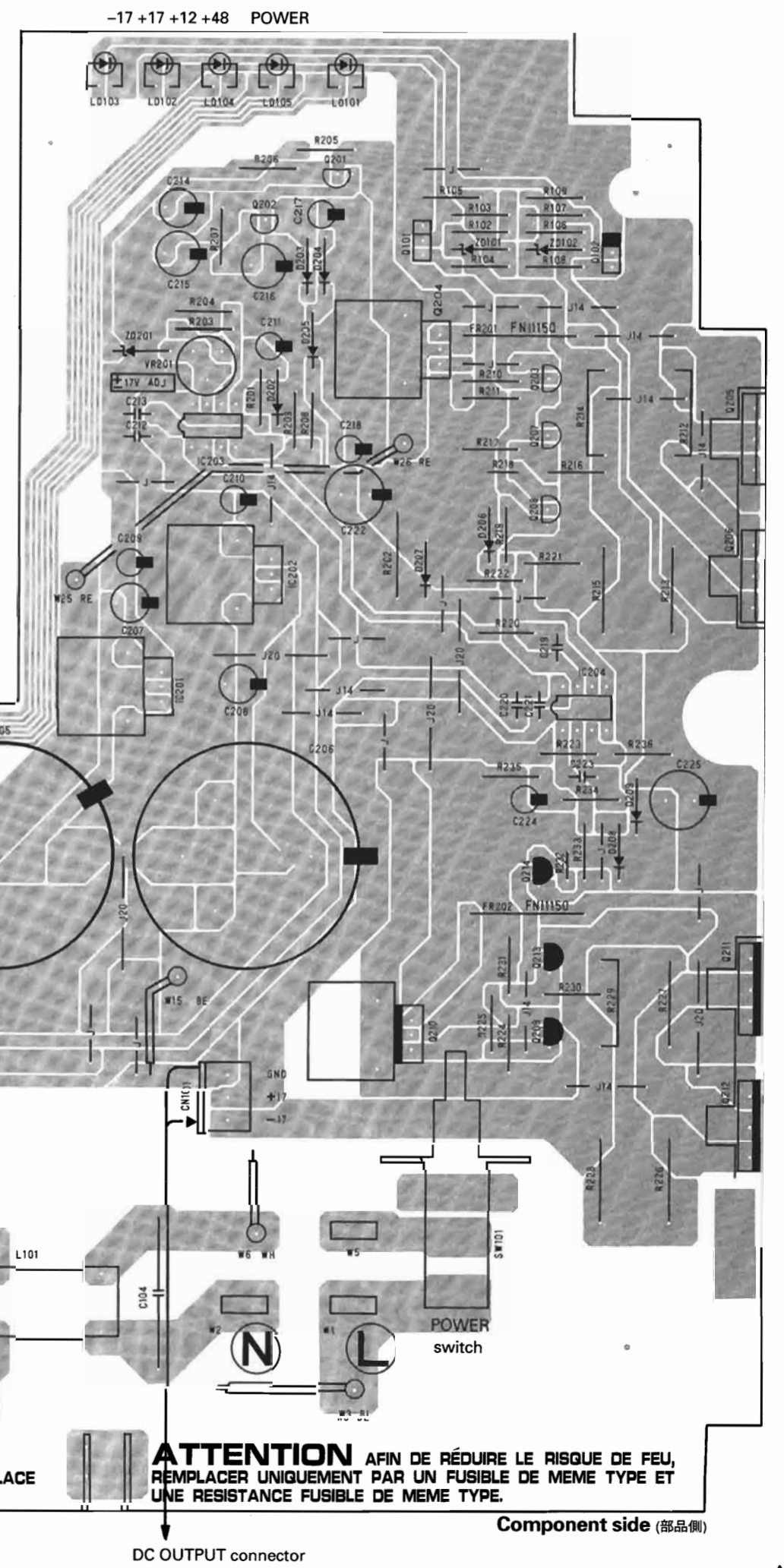
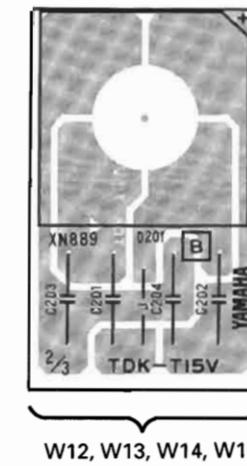
DC 1/3



DC 3/3

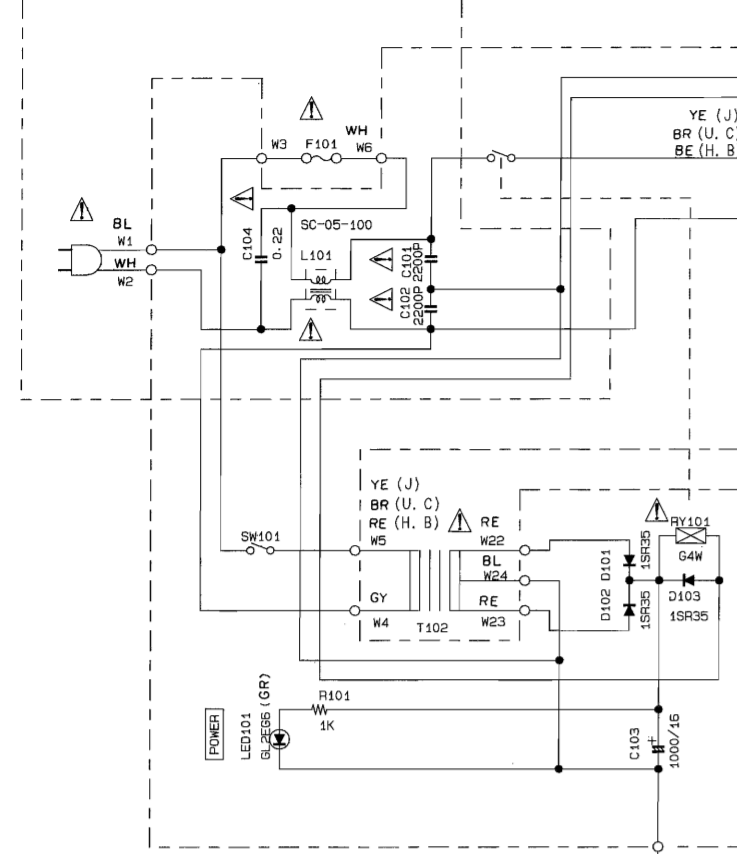


DC 2/3

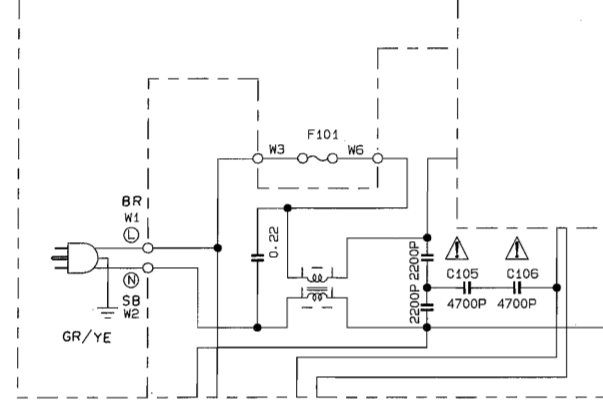


PW2000M OVERALL CIRCUIT DIAGRA

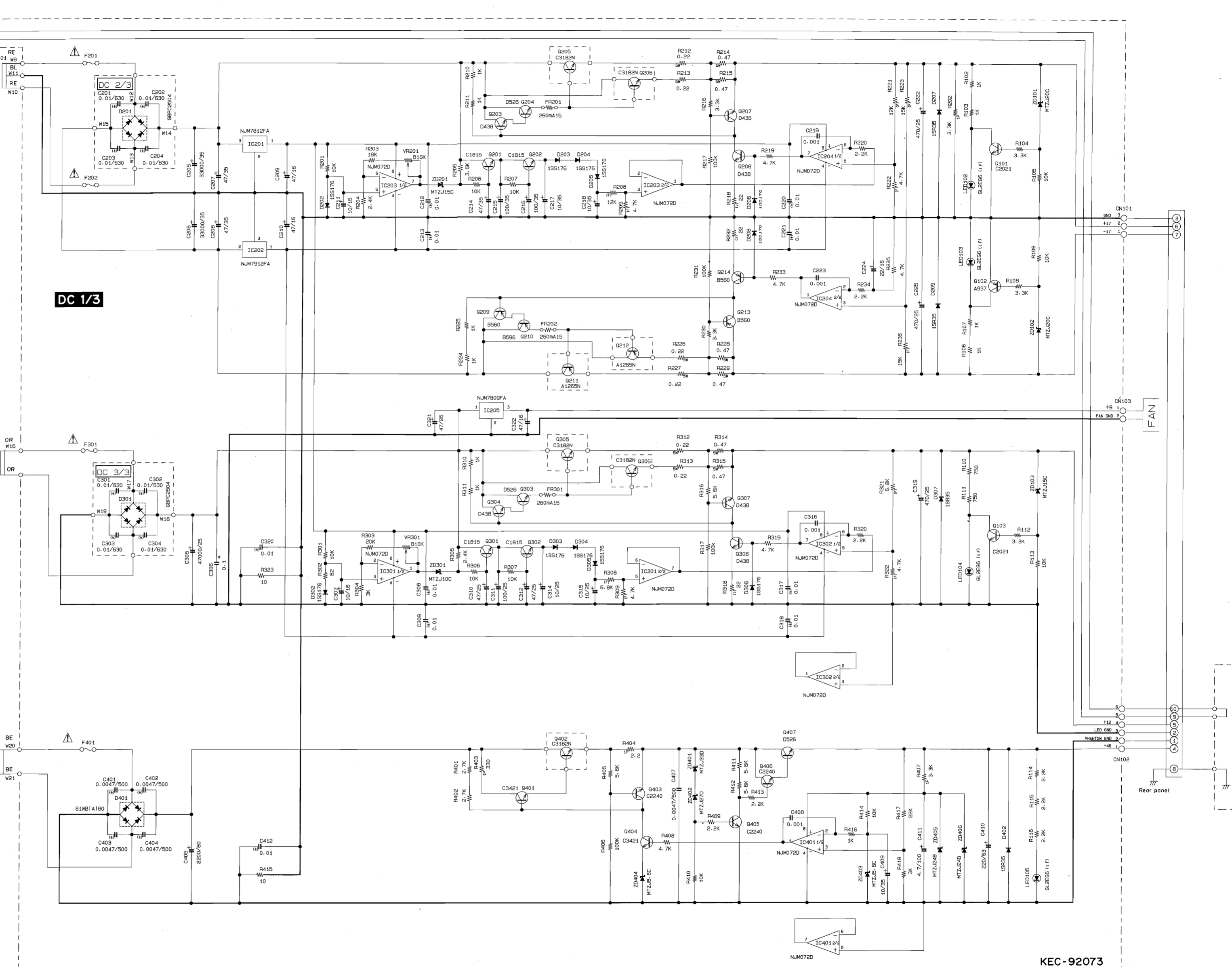
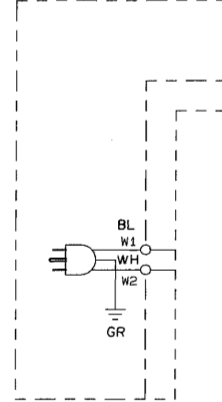
* Japanese model



* European model



* U.S. and Canadian models



| | | | | | | | |
|-----|---------|---------|---------------|--------------|--------------|--------------|-----------|
| | T101 | T102 | F101 | F201 | F202 | F301 | F401 |
| J | XN821A0 | XA237B0 | 6A 250V | 6A 250V | 6A 250V | 6A 250V | 2A 250V |
| U.C | XN822A0 | XA238C0 | 6A 250V | 6A 250V | 6A 250V | 6A 250V | 2A 250V |
| H.B | XN823A0 | XA239B0 | T3. 15AL 250V | T6. 3AL 250V | T6. 3AL 250V | T6. 3AL 250V | T2AL 250V |

- Notes)
 Marked (7): Flame proof carbon resistor 1/4
 Maraked (F): Metal film resistor (±1%)
 Maraked 1W: Metal oxide film resistor
 Maraked 5W: Wire wound resistor
 Marked (t): Ceramic capacitor
 C306: Monolithic mylar capacitor

WARNING
 Components having special characteristics are marked Δ and must be replaced with parts having specifications equal to those originally installed.
 Δ 印の部品は、安全を維持するために重要な部品です。交換をする場合は、安全のため必ず指定の部品をご使用下さい。

KEC-92073

1225

■ JK & BNC CIRCUIT BOARDS

Notes)

- Circuit Board: JK1/5 (NX813720) XN297A0
- Circuit Board: JK2/5 (NX813730) XN297A0
- Circuit Board: BNC3/5 (NX813740) XN297A0
- Circuit Board: BNC4/5 (NX813750) XN297A0
- Circuit Board: BNC5/5 (NX813760) XN297A0

1. IC

- IC201: NJM2068D-D (XA987A00) OP AMP

2. Ceramic Capacitor

- C 202,208: B 470P 50V K (FG612470)
- C 203,209: SL 47P 50V J (FG651470)
- C 205,206: F 0.0100 50V Z (FG644100)

3. Electrolytic Cap.

- C 201,207: 10.00 25.0V (UJ847100)
- C 204,210: 47.00 16.0V (UJ837470)

4. Carbon Resistor

- R 111-120: 15.0K 1/4 J (HF757150)
- R 122,137,138: 18.0K 1/4 J (HF757180)
- R 129-134: 13.0K 1/4 J (HF75713)
- R 201,206: 3.6K 1/4 J (HF75636)
- R 202,207: 8.2K 1/4 J (HF756820)
- R 203,205,210: 47.0 1/4 J (HF754470)
- R 204,209: 560.0 1/4 J (HF755560)
- R 208: 47.0K 1/4 J (HF757470)

5. Metal Film Resistor

- R 101-110: 39.0K 1/4 F (VB068600)
- R 121,135,136: 27.0K 1/4 F (VB068300)
- R 123-128: 51.0K 1/4 F (VB068900)

6. Phone Jack

- JK 101-122: HLJ0520 (LB202600) GROUP1-8,ST SUB IN L,R, MONO SUB IN, AUX SUB IN1-6, CUE SUB IN L,R, MATRIX SUB IN L,R

7. Connector

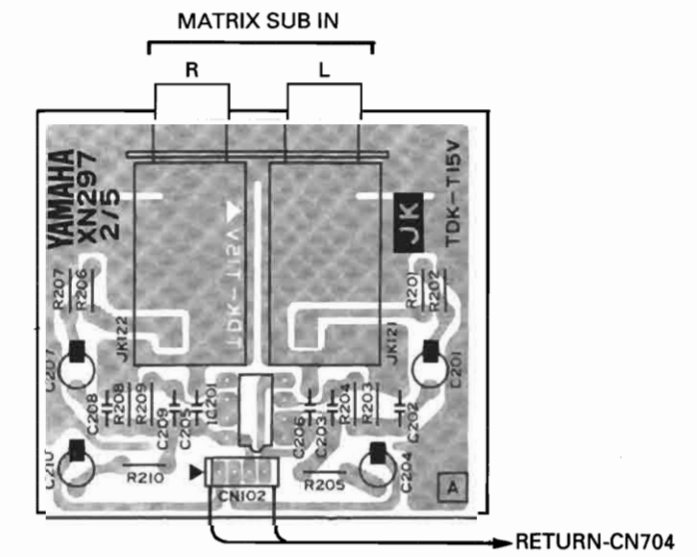
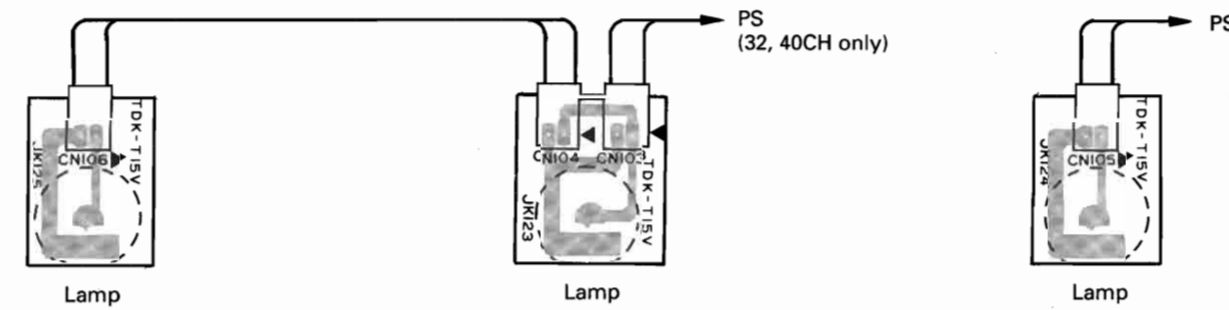
- CN 101: HIF3BAG40PA2.54 (VR633100)
- CN 102: SAN&PH 4P 120L (VP96450)
- CN 103-106: PH- 2P SE (VB858100)

● BNC 5/5 Circuit Board

● BNC 3/5 Circuit Board

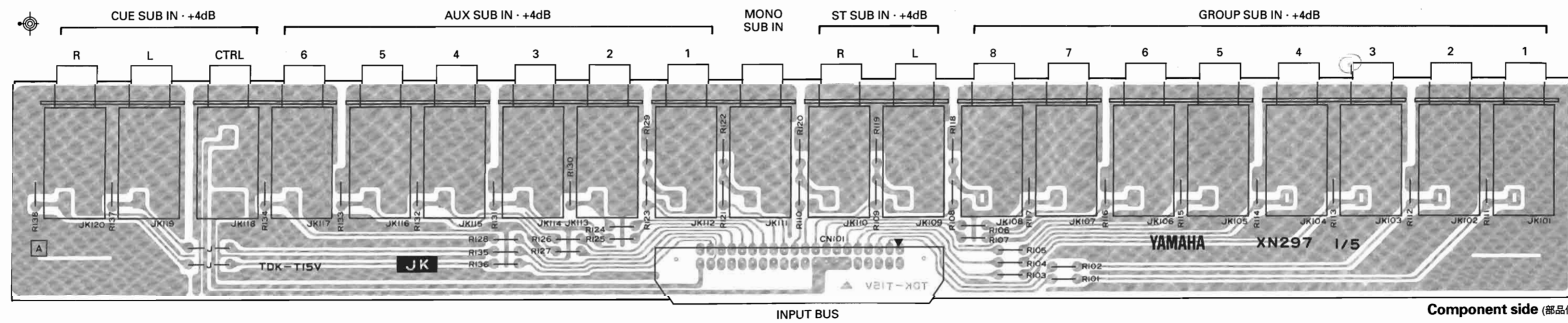
● BNC 4/5 Circuit Board

● JK 2/5 Circuit Board



Component side (部品側)

● JK 1/5 Circuit Board



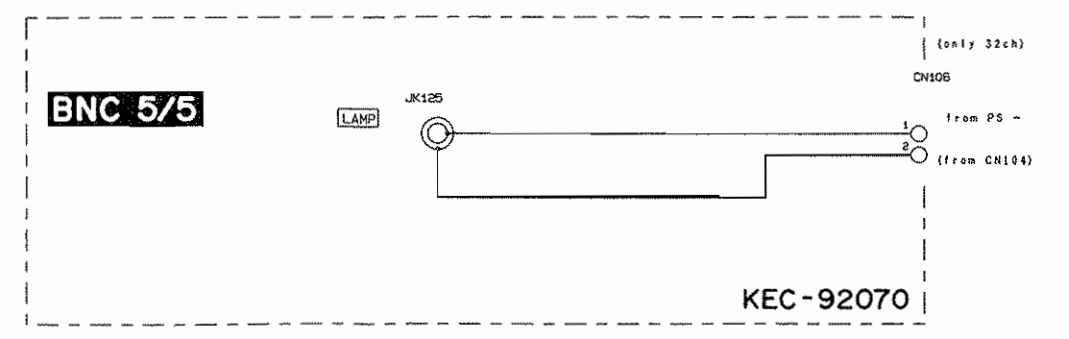
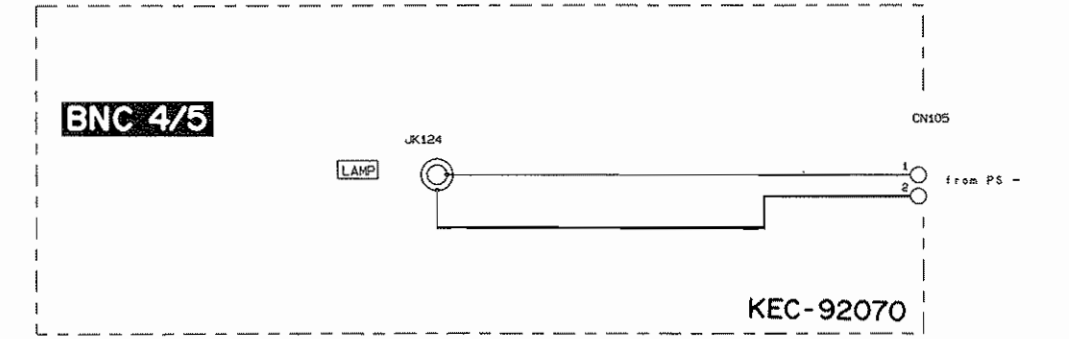
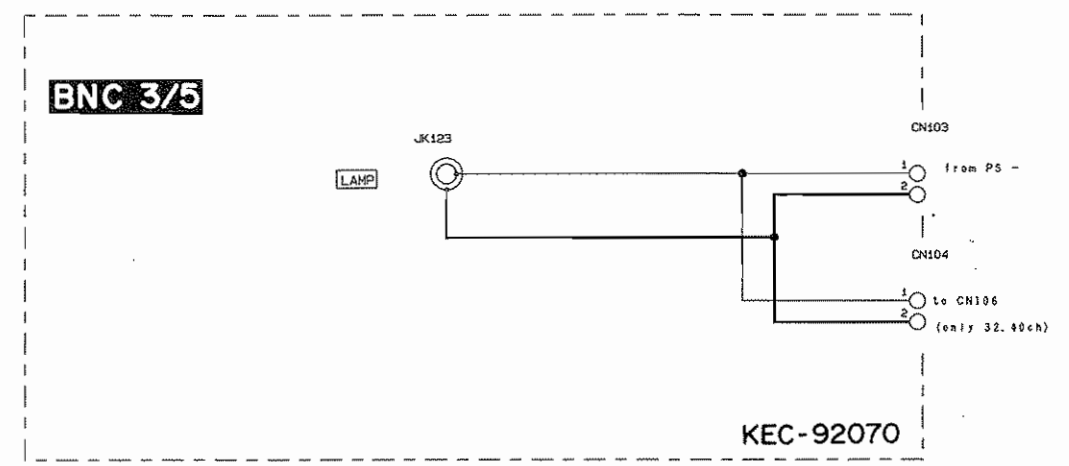
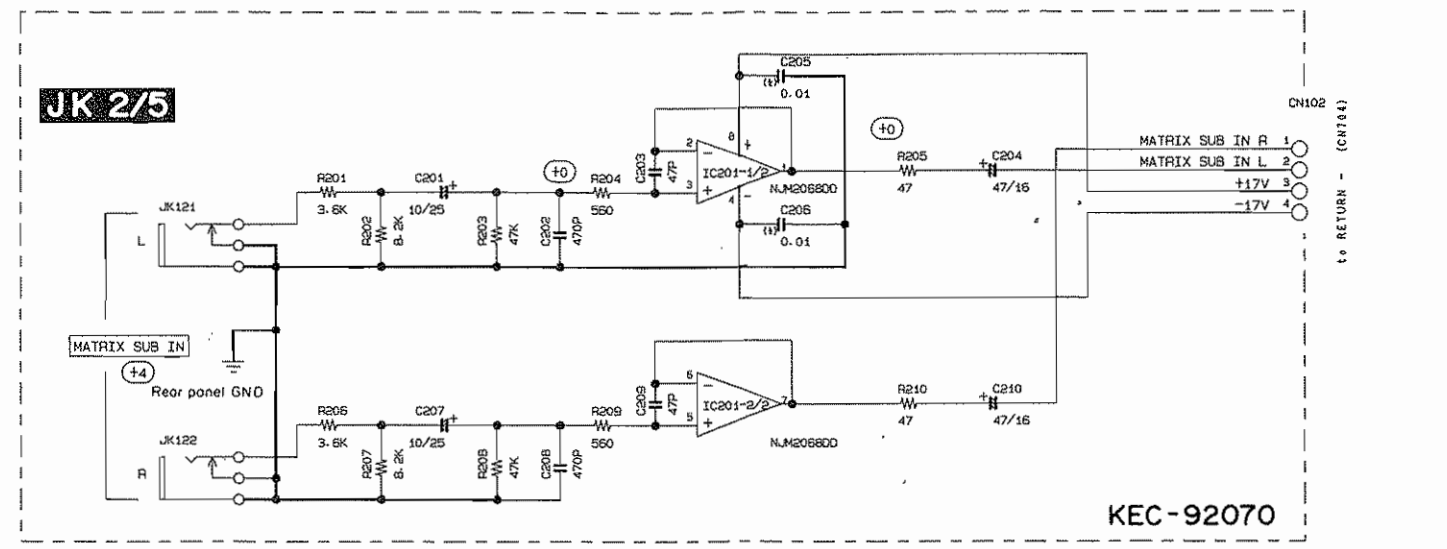
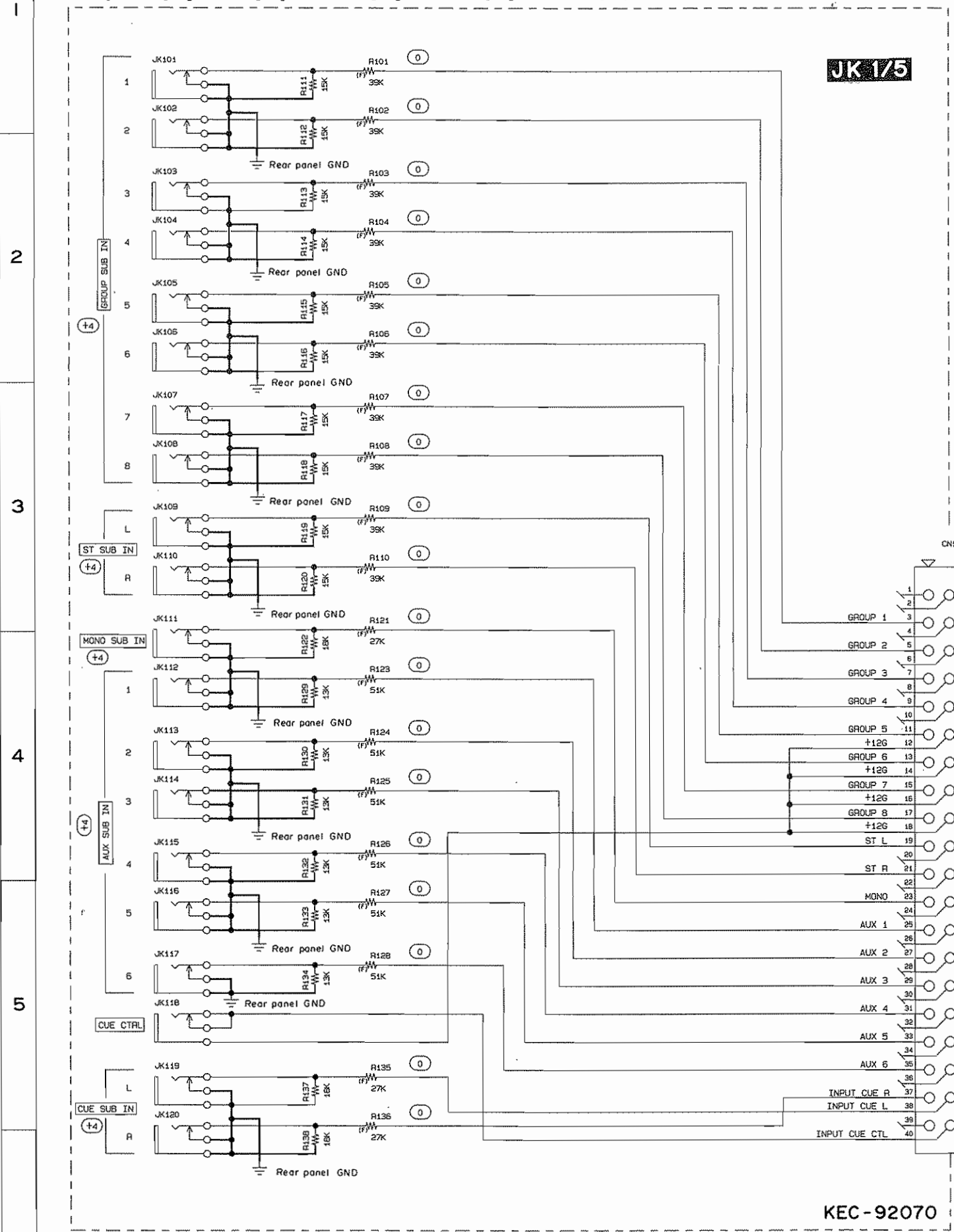
Component side (部品側)

M2000 CIRCUIT DIAGRAM

(JK 1/5, JK 2/5, BNC 3/5, BNC 4/5, BNC 5/5)

M2000/PW2000M

M2000/PW2000M



Marked ○: Nominal level

MTC CIRCUIT BOARD

Notes)

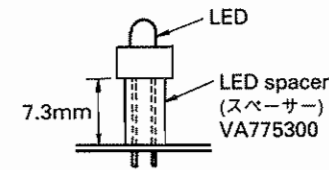
Circuit Board: MTC1/2 (NX813870) XN994B0
 Circuit Board: MTC2/2 (NX813880) XN994B0

1. **IC**
 IC101,201,202: BA4558-NK (XF128A00) OP AMP
2. **Transistor**
 Q 101,103,201,203, 205: 2SC1740S R,S (IC174070)
 Q 102,104,202,204, 206: 2SA933S Q,R (IA093320)
3. **Diode**
 D 101-106,201-209: 1SS133,1SS176 (VB941200)
4. **LED**
 LED 101,102, 201-203: GL2PR6 RE (VH325200)
5. **Ceramic Capacitor-F**
 C 104,105: 0.0100 50V Z (FG644100)
6. **Electrolytic Cap.**
 C 101,102,209,210, 215,216: 47.00 25.0V (UI547470)
 C 103,106,109,110,201,202, 205,206,211,212: 1.00 50.0V (UI566100)
 C 107,111,203,207, 213: 22.00 16.0V (UI537220)
 C 108,112,204,208, 214: 100.00 16.0V (UI538100)

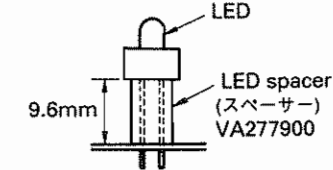
7. **Carbon Resistor**
 R 101,112,203,206,213, 216,225,228: 10.0K 1/4 J (HF757100)
 R 102,113,202,212, 224: 100.0 1/4 J (HF755100)
 R 103,114: 1.0K 1/4 J (HF756100)
 R 104,115: 11.0K 1/4 J (HF757110)
 R 105,116: 56.0K 1/4 J (HF757560)
 R 106,117: 39.0K 1/4 J (HF75739)
 R 107,109,118,120,207,209, 217,219,229,231: 4.7K 1/4 J (HF756470)
 R 108,119,208,218, 230: 220.0 1/4 J (HF755220)
 R 110,121,210,220, 232: 13.0K 1/4 J (HF75713)
 R 123,124,127,128,234,235, 238,239,242,243: 330.0 1/4 J (HF755330)
 R 125,126,129,130,236,237, 240,241,244,245: 6.8K 1/4 J (HF756680)
 R 201,205,211,215,223, 227: 100.0K 1/4 J (HF758100)
 R 204,214,226: 15.0K 1/4 J (HF757150)
8. **Metal Film Resistor**
 R 111,122: 2.0K 1/4 F (VB066200)
 R 221,222,233: 2.4K 1/4 F (VB066400)

9. **Lamp**
 LP 101,102: 8V 100mA (VM672900)
10. **Connector Base Post**
 CN 101: PH- 5P SE (VB858400)
 CN 102: PH- 4P SE (VB858300)
 CN 201: PH- 3P SE (VB858200)
 CN 202: PH- 6P SE (VB858500)
 CN 203: SAN&PH 5P 120L (VM66630)

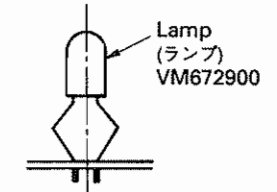
• LED1, LED2 installing (LED1, 2の取付け)



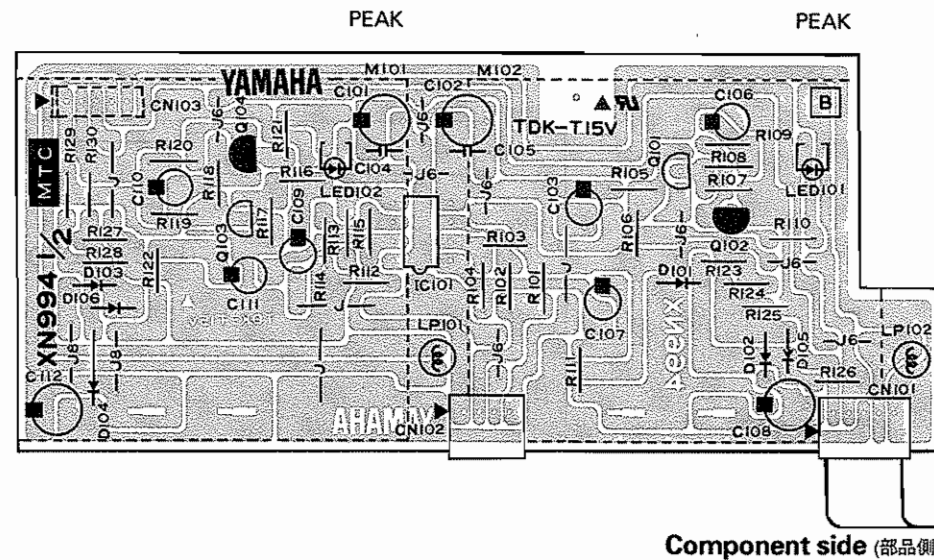
• LED201-LED203 installing (LED201~203の取付け)



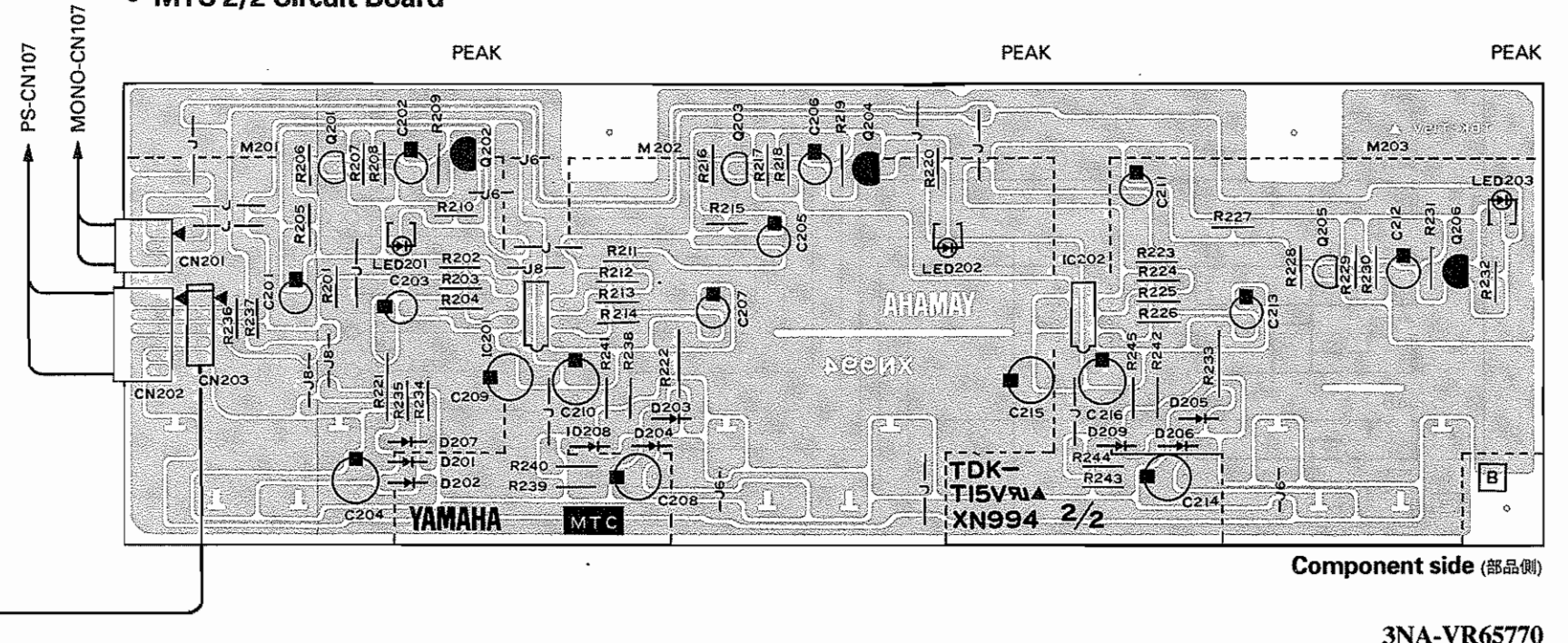
• LP101, LP102 installing (LP101, 102の取付け)



• MTC 1/2 Circuit Board



• MTC 2/2 Circuit Board

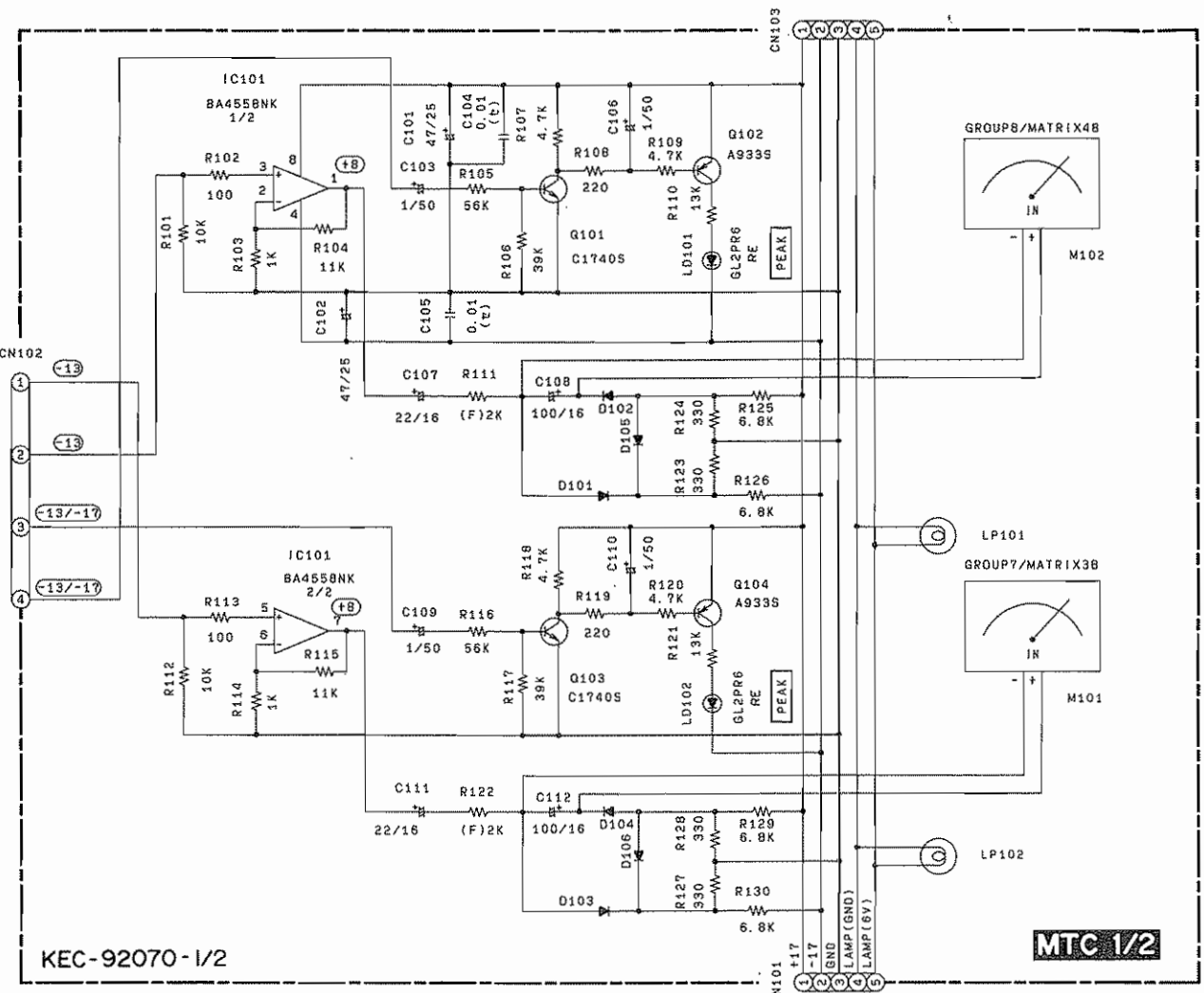


3NA-VR65770

MTC CIRCUIT BOARD

M2000 CIRCUIT DIAGRAM (MTC 1/2, MTC 2/2)

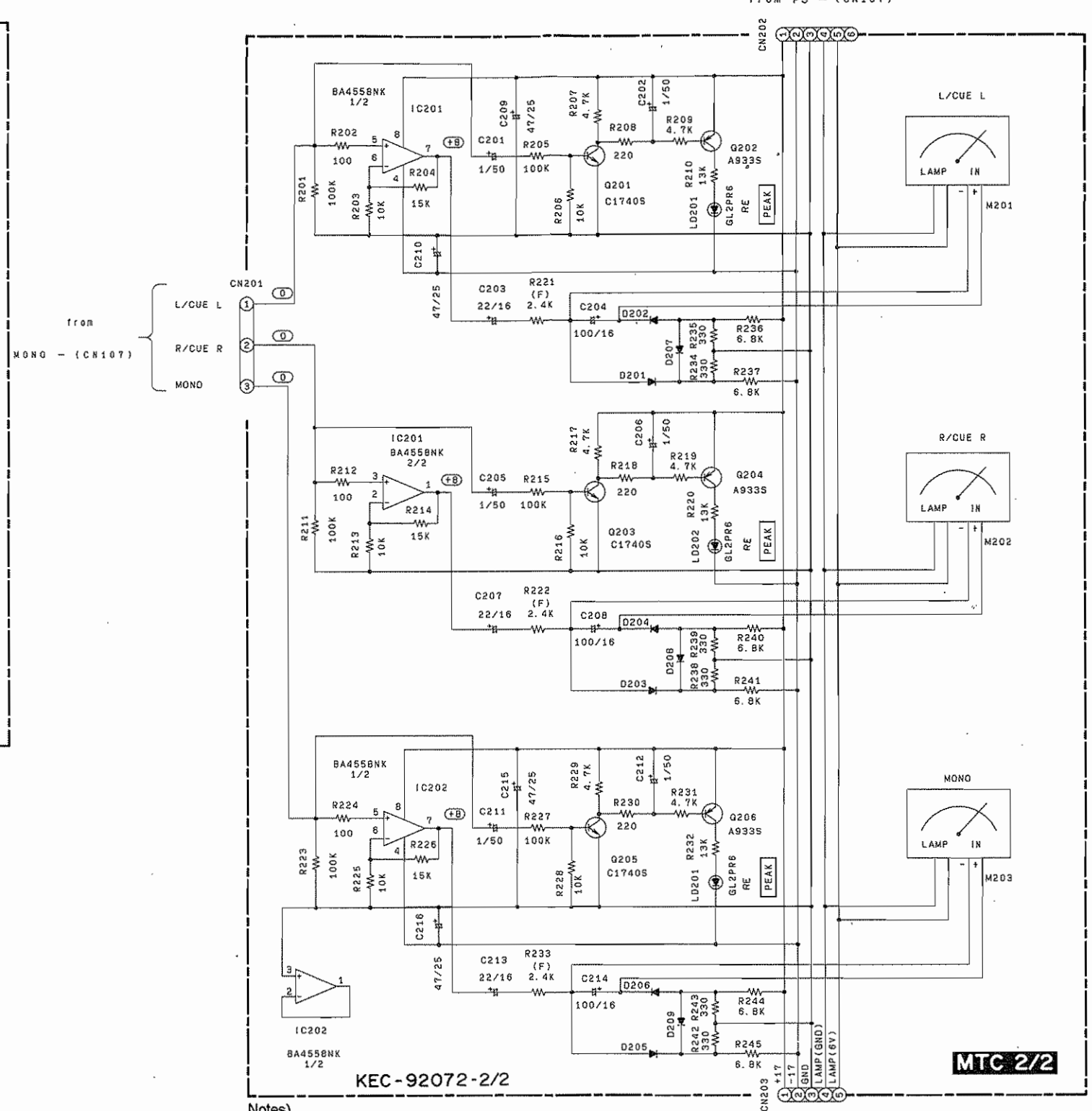
1
2
3
4
5
6



KEC-92070-1/2

MTC 1/2

Notes)
Maraked (F): Metal film resistor
Marked O: Nominal level



KEC-92072-2/2

MTC 2/2

Notes)
Maraked (F): Metal film resistor
Marked O: Nominal level

MTA4 CIRCUIT BOARDS

Notes)

- Circuit Board: MTA4-1/4 (NX813830) XK039C0
- Circuit Board: MTA4-2/4 (NX813840) XK039C0
- Circuit Board: MTA4-3/4 (NX813850) XK039C0

1. IC

IC1-3: BA4558-NK (XF128A00) OP AMP

2. Transistor

- Q 1,3,5,7,9,11: 2SC1740S R,S (IC174070)
- Q 2,4,6,8,10,12: 2SA933S Q,R (IA093320)

3. Diode

D 1-18: 1SS133,1SS176 (VB941200)

4. LED

LED 1-6: GL2PR6 RE (VH325200)

5. Ceramic Capacitor-F

C 11,12,23,24,35,
36: 0.0100 50V Z (FG644100)

6. Electrolytic Cap.

- C 1,2,5,6,13,14,17,18,25,
26,29,30: 1.00 50.0V (UI566100)
- C 3,7,15,19,27,31: 22.00 16.0V (UI537220)
- C 4,8,16,20,28,32: 100.00 16.0V (UI538100)
- C 9,10,21,22,33,34: 47.00 25.0V (UI547470)

7. Carbon Resistor

- R 1,13,24,35,46,57: 100.0 1/4 J (HF755100)
- R 2,12,23,34,45,56: 10.0K 1/4 J (HF757100)
- R 3,14,25,36,47,58: 1.0K 1/4 J (HF756100)
- R 4,15,26,37,48,59: 11.0K 1/4 J (HF757110)
- R 5,16,27,38,49,60: 56.0K 1/4 J (HF757560)
- R 6,17,28,39,50,61: 39.0K 1/4 J (HF75739)
- R 7,9,18,20,29,31,40,42,51,
53,62,64: 4.7K 1/4 J (HF756470)
- R 8,19,30,41,52,63: 220.0 1/4 J (HF755220)
- R 10,21,32,43,54,
65: 13.0K 1/4 J (HF75713)
- R 68,69,72,73,76,77,80,81,
84,85,88,89: 330.0 1/4 J (HF755330)
- R 70,71,74,75,78,79,82,
83,86,87,90,91: 6.8K 1/4 J (HF756680)

8. Metal Film Resistor

R 11,22,33,44,55,
66: 2.0K 1/4 F (VB066200)

9. Lamp

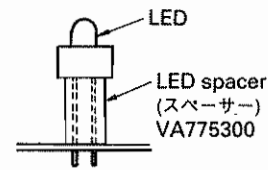
LP 1-7: 8V 100mA (VM672900)

10. Connector Base Post

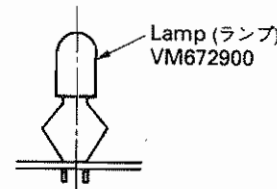
- CN 2,8: PH- 4P SE (VB858300)
- CN 3,6,9: PH- 5P SE (VB858400)
- CN 4,7: SAN&PH 5P 120L (VM66630)
- CN 5: PH- 8P SE (VB858700)

※MTA 4-4/4 is not used in a M2000.
(MTA 4-4/4シートは、M2000には使用されていません。)

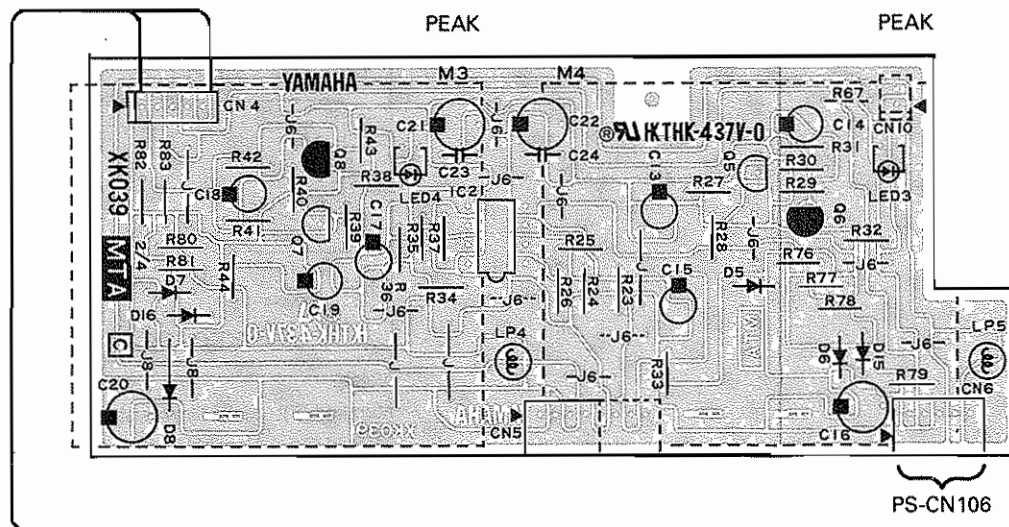
● LED1-LED6 installing
(LED1~6の取付け)



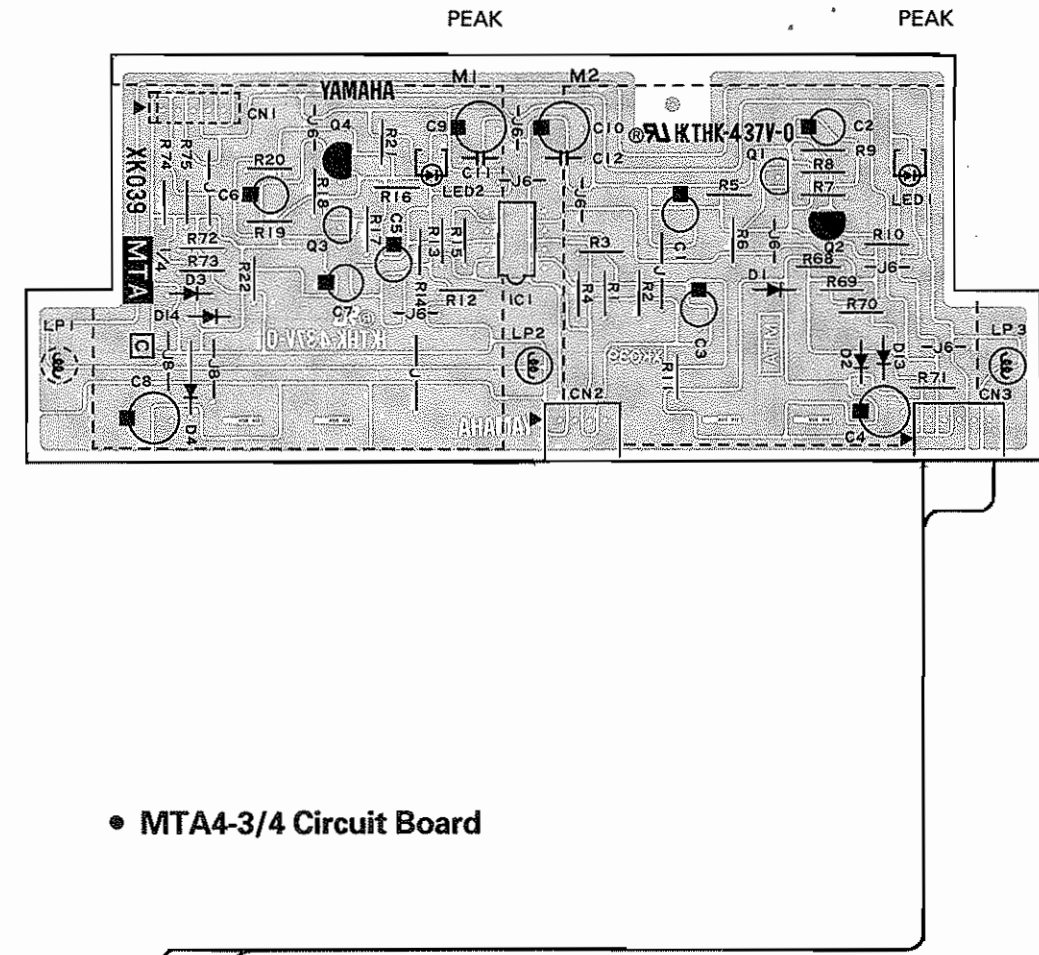
● LP1-LP7 installing
(LP1~7の取付け)



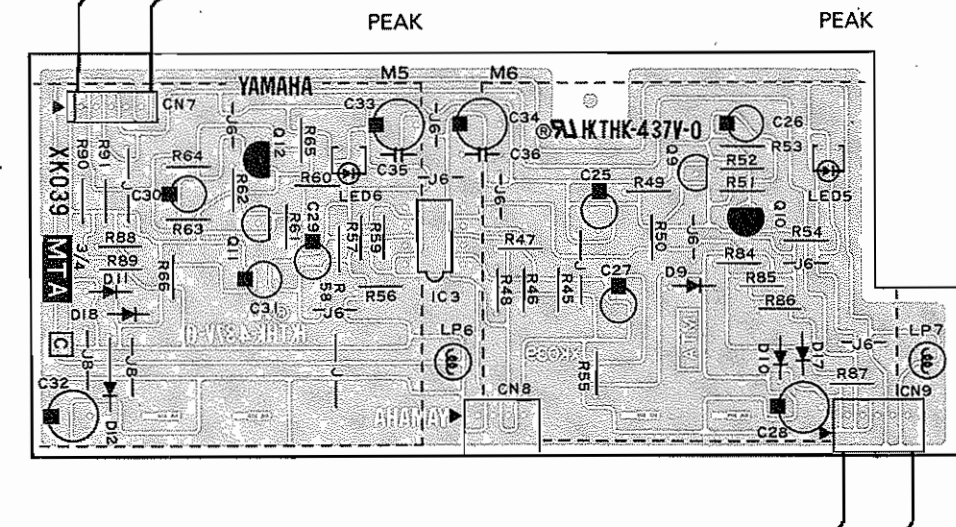
● MTA4-2/4 Circuit Board



● MTA4-1/4 Circuit Board



● MTA4-3/4 Circuit Board



3NA-VR30550 ▲

MTA4 CIRCUIT BOARDS

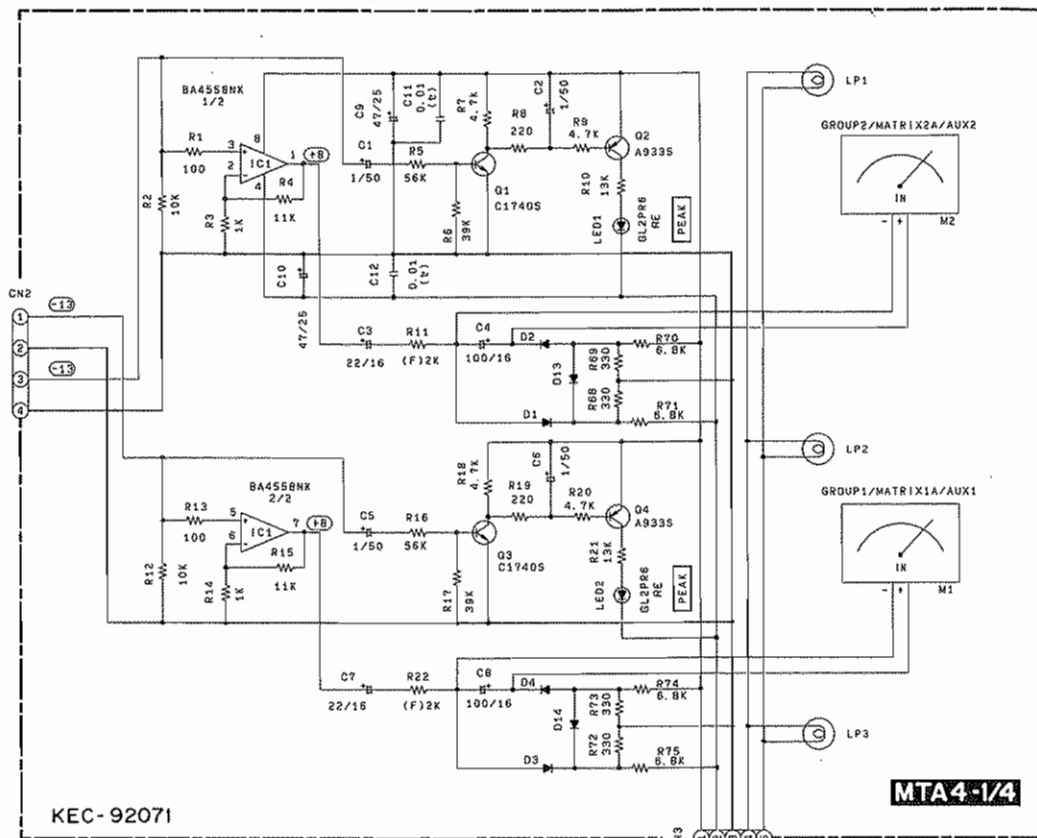
M2000 CIRCUIT DIAGRAM
(MTA4-1/4, MTA4-2/4, MTA4-3/4)

M2000/PW2000M

M2000/PW2000M

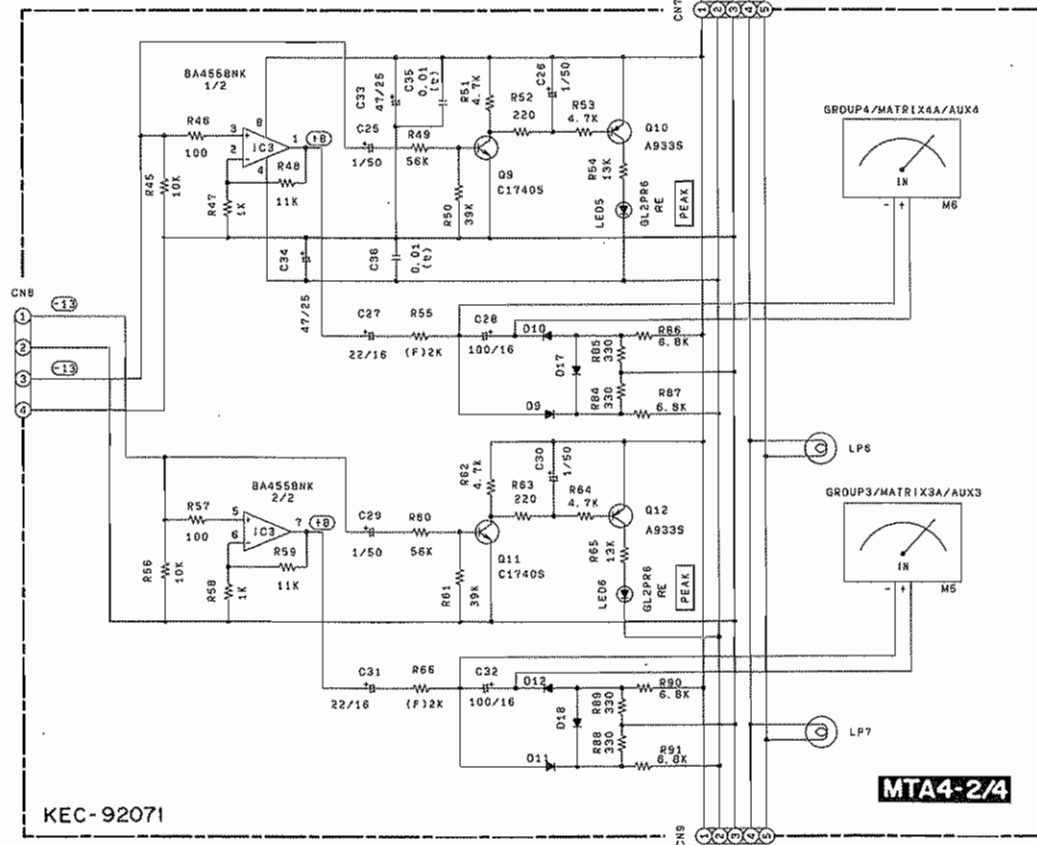
GROUP1/MATRIX1A/AUX1
VU

GROUP2/MATRIX2A/AUX2
VU



GROUP3/MATRIX3A/AUX3
VU

GROUP4/MATRIX4A/AUX4
VU

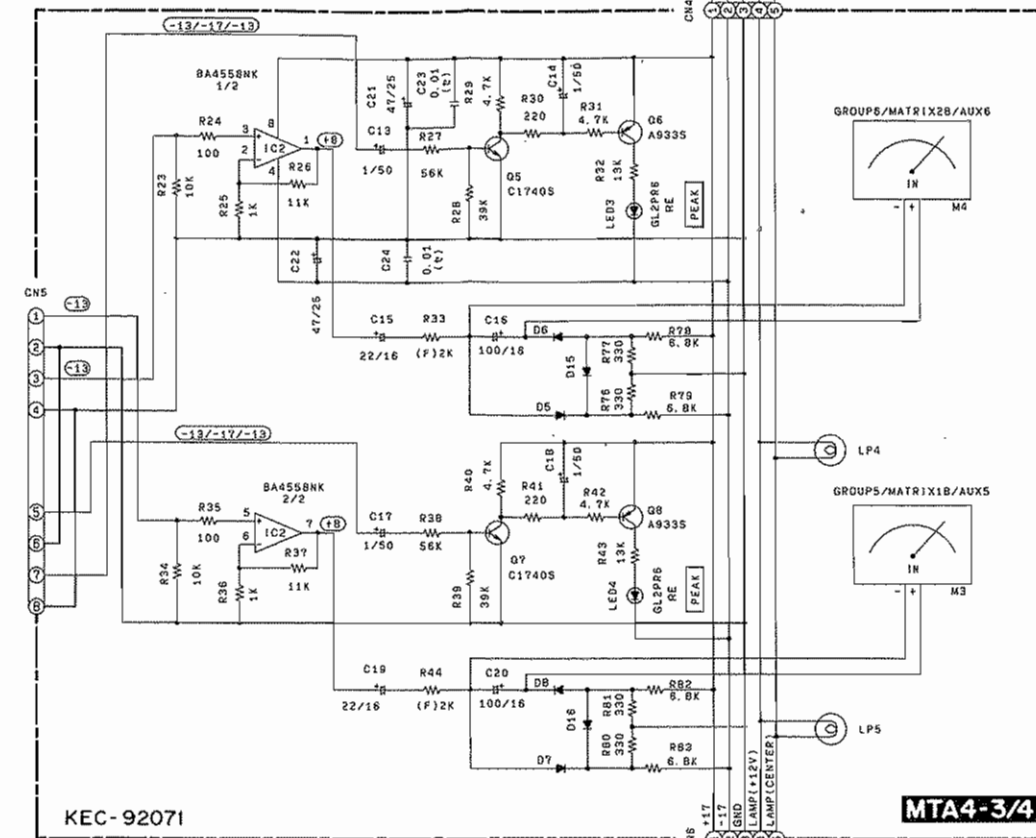


GROUP5/MATRIX1B/AUX5
VU

GROUP6/MATRIX2B/AUX6
VU

GROUP5/MATRIX1B/AUX5
PEAK

GROUP6/MATRIX2B/AUX6
PEAK



Notes

Marked (F): Metal film resistor

Marked O: Nominal level