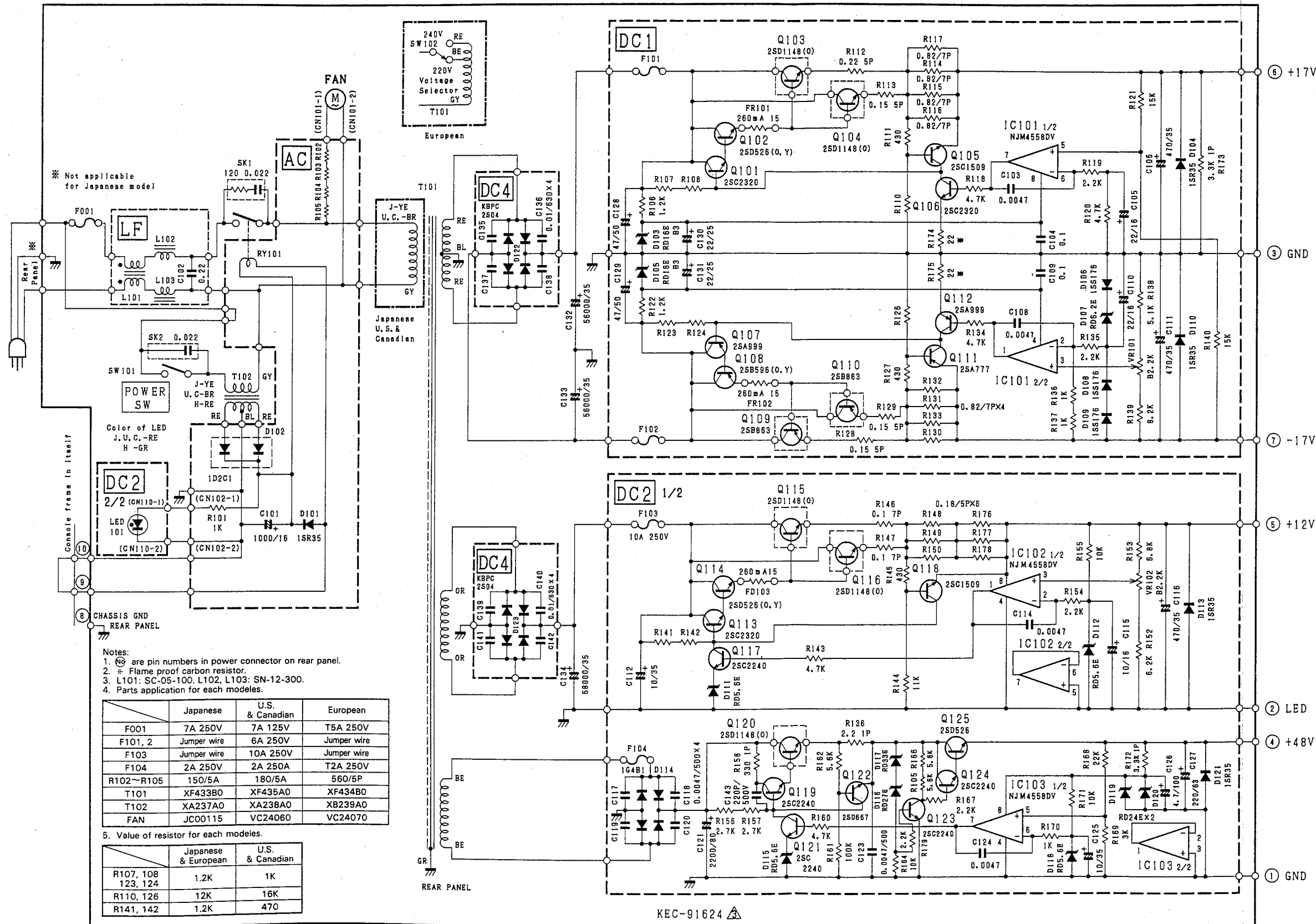


# POWER SUPPLY PW2800



Notes)  
 • Circuit Board: DC1 (VG505300) XF436A J  
 • Circuit Board: DC1 (VG505500) XF436A U, C  
 • Circuit Board: DC1 (VG505600) XF436A H

- IC  
IC101: RC4558D-V (IG001390) OP AMP
- Transistor  
Q111: 25A777 R (IA077750)  
Q107, 112: 25A999 E, F (IA099910)  
Q108: 25B596 O, Y (IB059630)  
Q105: 25C1509 R (IC150950)  
Q101, 106: 25C2320 E, F (IC232010)  
Q102: 25D526 O, Y (ID052630)
- Diode  
D104, 110: 1SR35-100A (IH001430)  
D106, 108, 109: 1S5176 (VA240700)
- Zener Diode  
D107: RD6.2EB2 6.2V (IF001470)  
D103, 105: RD16EB3 16.0V (IF005680)
- Flame Proof Carbon Resisto  
22.0 1/4 J (HV354220)
- Metal Oxide Film Resistor  
3.3K 1W (HL316330)
- Wire Wound Resistor  
0.15 5W K (HM052150)  
0.82 7W K (VG872000)
- Fuse Resistor  
FN1150J 15 1W (HW914150)
- Trimmer Potentiometer  
B2.2K 3P RHA0QJ3 (HT410400) 17V adj.
- Fuse  
T 6.00A 250V (KB001250) U, C

Notes)  
 • Circuit Board: DC2 (VG505900) XF437B J  
 • Circuit Board: DC2 (VG506000) XF437B U, C  
 • Circuit Board: DC2 (VG506100) XF437B H

- IC  
IC102, IC103: NJM4558D-V (IG001390) OP AMP
- Transistor  
Q118: 25C1509 R (IC150950)  
Q117, 119, 121, 123, 124: 25C2240 GR, BL (IC224000)  
Q113: 25C2320 E, F (IC232010)  
Q114, 125: 25D526 O, Y (ID052630)  
Q122: 25D667 C, D (ID066700)
- Diode  
D113, 121: 1SR35-100A (IH001430)
- Diode Stack  
D114: 1G4B1 1.5A 400V (IH001400)
- Zener Diode  
D111, 112, 115, 118: RD5.6EB3 5.6V (IF001690)  
D117: RD33EB2 33.0V (IF005650)  
D116: RD27EB3 27.0V (IF005660)  
D119, 120: RD24EB2 24.0V (IF005670)
- LED  
LED101: LN222RP RE (IF001720) J, U, C  
LN322GP GR (IF002180) H
- Metal Oxide Film Resistor  
2.2 1W (HL313220)  
330.0 1W (HL315330)  
3.3K 1W (HL316330)
- Wire Wound Resistor  
0.1 7W K (VG872100)  
0.18 5W K (VG872200)
- Fuse Resistor  
FN1150J 15 1W (HW914150)
- Trimmer Potentiometer  
VR102: B2.2K 3P RHA0QJ3 (HT410400) +12V adj.
- Fuse  
T 2.00A 250V (KB000350) J  
T 2.00A 250V (KB001240) U, C  
T 10.00A 250V (KB001390) U, C  
T 2.00A 250V (KB000750) H

Notes)  
 • Circuit Board: DC4 (VA770200)

- Diode Stack  
KBPC25-04 20A (IH000390)

Notes)  
 • Circuit Board: LF (VD781300)

- Ceramic Cap.  
0.22 250V U.C.S (FR203220)
- Coil  
L101: SC-05-100 (GE801370)  
L102, 103: SN-12-300 (VD781200)
- Ceramic Cap.  
0.022 250V S.U (FR164220)
- Fuse  
T 7.00A 250V (KB001300) J  
T 7.00A 125V (KB001520) U, C  
T 5.00A 250V (KB000780) H

Notes)  
 • Circuit Board: AC (VC171200) XB691B J  
 • Circuit Board: AC (VC171500) XB691B U, C  
 • Circuit Board: AC (VC171600) XB691B H

- Diode  
D101: 1SR35-100A (IH001430)
- Diode Stack  
D102: 1D2C1 2.0 200V (VB493200)
- Wire Wound Resistor  
560.0 5W K H (HM555660)
- Relay  
DC AR62217 (TV-5) (VA912700)

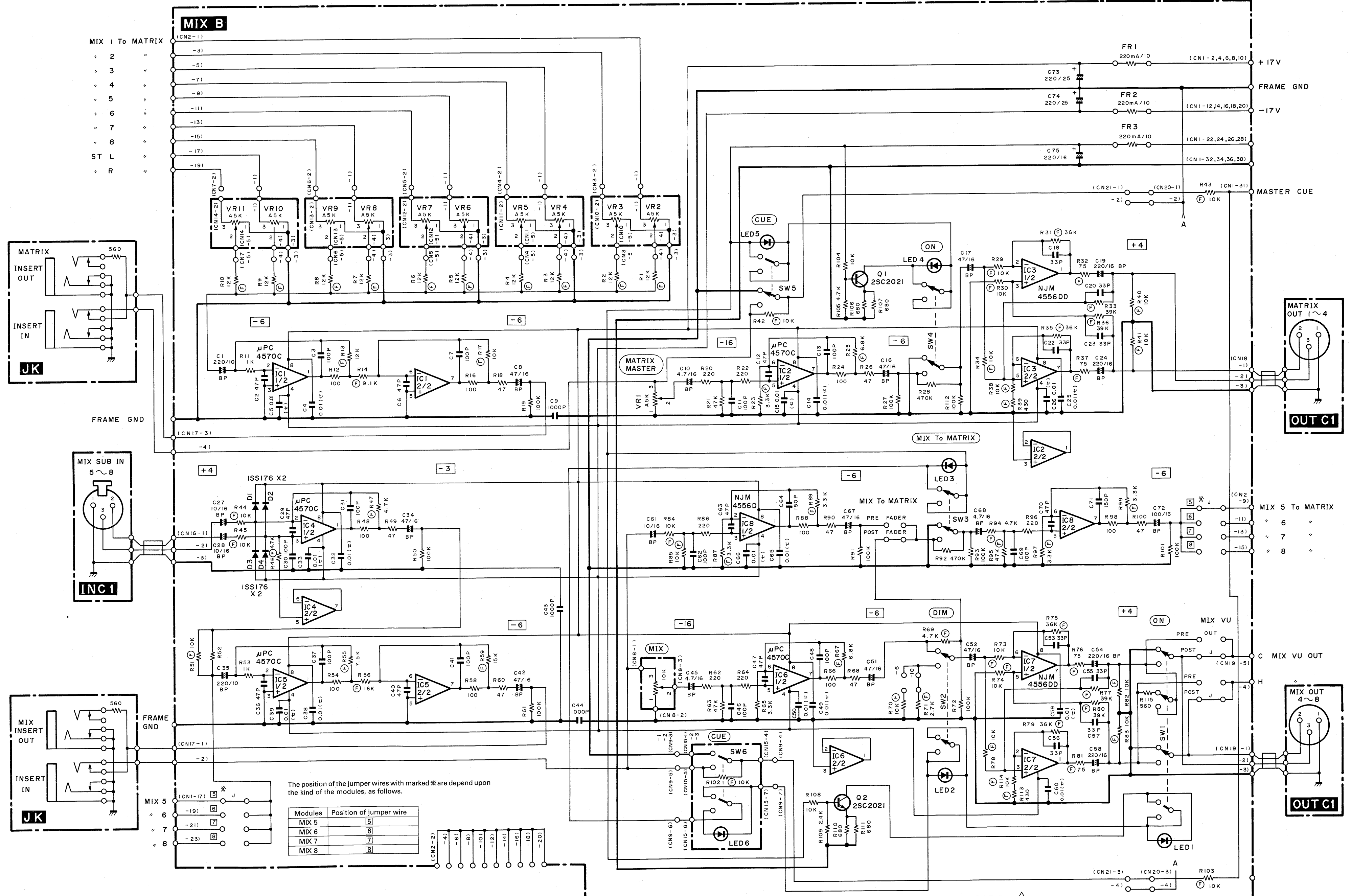
- Notes:  
 1. No are pin numbers in power connector on rear panel.  
 2. \* Flame proof carbon resistor.  
 3. L101: SC-05-100. L102, L103: SN-12-300.  
 4. Parts application for each models.

	Japanese	U.S. & Canadian	European
F001	7A 250V	7A 125V	T5A 250V
F101, 2	Jumper wire	6A 250V	Jumper wire
F103	Jumper wire	10A 250V	Jumper wire
F104	2A 250V	2A 250A	T2A 250V
R102~R105	150/5A	180/5A	560/5P
T101	XF433B0	XF435A0	XF434B0
T102	XA237A0	XA238A0	XB239A0
FAN	JC00115	VC24060	VC24070

5. Value of resistor for each models.

	Japanese & European	U.S. & Canadian
R107, 108, 123, 124	1.2K	1K
R110, 126	12K	16K
R141, 142	1.2K	470

MIXB MODULE (MIXB, JK, INC1, OUTC1)



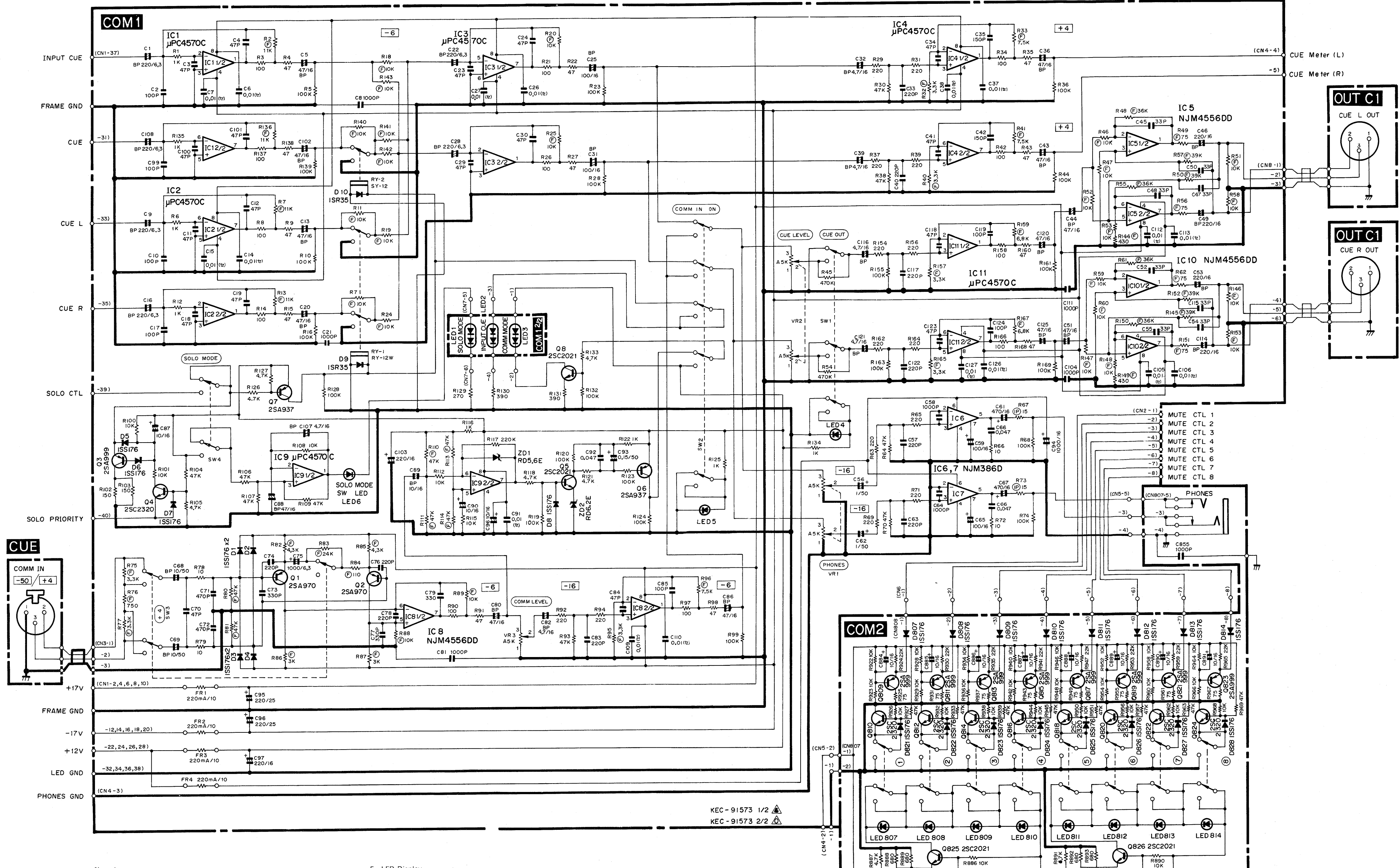
The position of the jumper wires with marked \* are depend upon the kind of the modules, as follows.

Modules	Position of jumper wire
MIX 5	5
MIX 6	6
MIX 7	7
MIX 8	8

- Notes:
- 1. Circuit Board: MIXB1 (VF561300) XE691C0
  - 2. Transistor: Q1, 2: 2SC2021 R, S (IC202170)
  - 3. Diode: D1-4: ISS133 (IF003450)
  - 4. LED: LED 2: LN242RP RE (VA262300) DIM
  - 5. Variable Resistor: VR1: A5.0K (VF228900) MATRIX MASTER; VR2-11: A5.0K (VF229000) MIX1-8, ST L/R
  - 6. Push Switch: SW1: SPUJ12 (VA258100) ON; SW2-5: SPUJ12 (VA258000) DIM, MIX TO MATRIX, MATRIX, CUE; SW6: SPUY12 (VC040500) CUE/SOLO
  - 7. Fuse Resistor: FR 1-3: 10.0 1/2 K (IHW904100)
  - 8. Difference of MIXB1-4:
 

J	Part number
MIXB1	VF561300
MIXB2	adapt MIXB1
MIXB3	adapt MIXB1
MIXB4	adapt MIXB1
  - 9. Connector: INC1 (VC088800) XB499A0; JK (VC087000) XB501A0; OUTC1 (VC086900) XB500A0
  - 10. Phone Jack: XLB-3-11 Jack (LB302320) INPUT, AUX SUB IN, AUX RTN IN, MIX SUB IN; STEREO HLJ2335 (LB606940) INPUT; XLB-3-32 Jack (LB302340) MIX OUT, ST OUT, CUE OUT, AUX OUT, MATRIX OUT

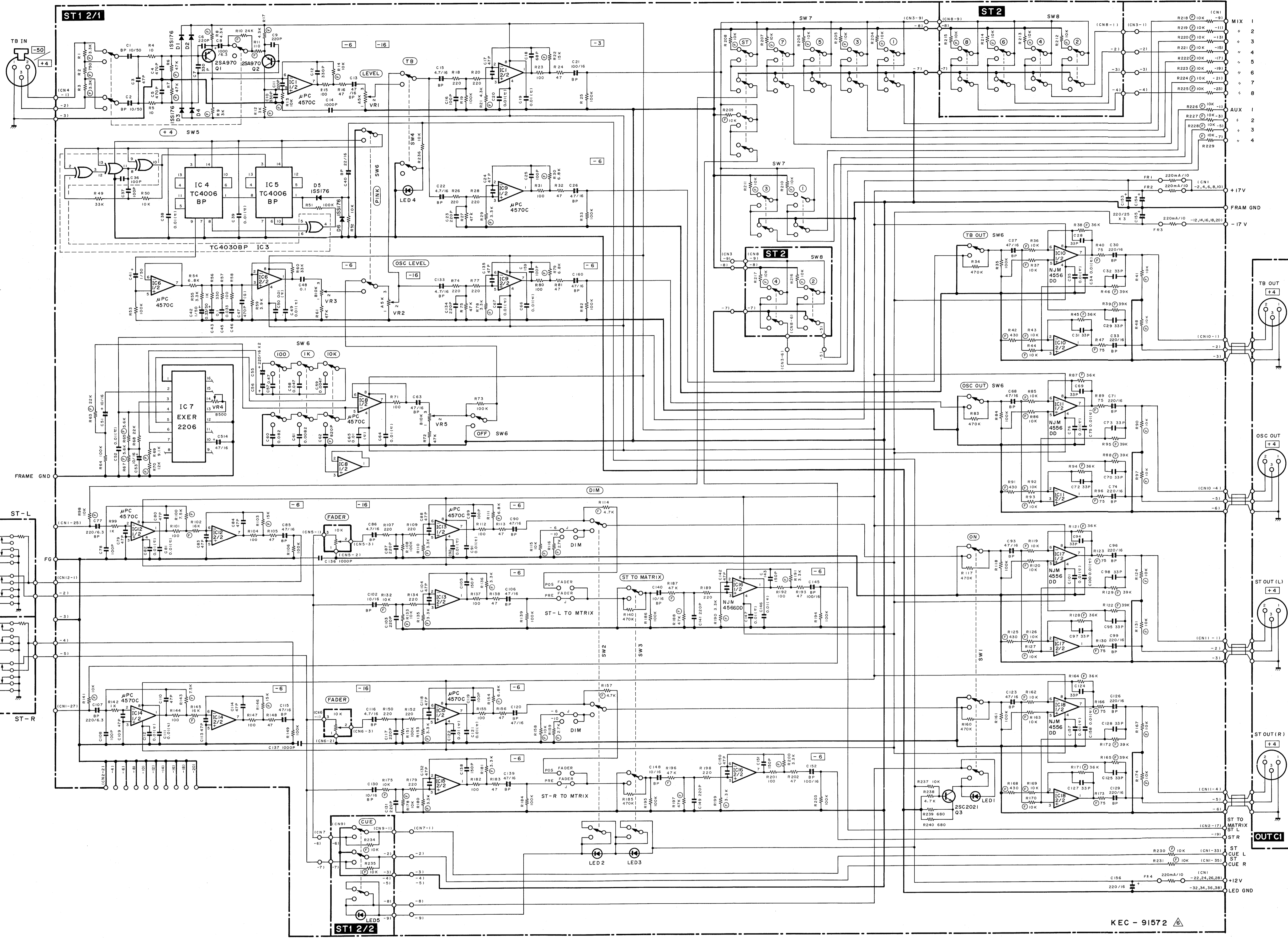
COMM MODULE (COM1, COM2, CUE, OUTC1)



- Notes:
- 1. Circuit Board: COM1 (VF561400) XE694B0
  - 2. Transistor: Q1, 2: 2SA970 GR (IA097020); Q3: 2SA999 E, F (IA099910); Q4: 2SC2320 E, F (IC232010); Q5, 8: 2SC2021 R, S (IC202170); Q6, 7: 2SA937 O, R, S (IA093700)
  - 3. Diode: D1-8: ISS133 (IF003450); D9: ISR35-100A (IH001430)
  - 4. Zener Diode: ZD1: RD5.6E3 5.6V (IF001690); ZD2: RD6.2E2 6.2V (IF001470)
  - 5. LED Display: LED1: LN2020RP2 (VA273400) SOLO; LED2: LN2020YP4 (VA273600) INPUT; LED3: LN2020GP3 (VA273500) COMM IN
  - 6. Variable Resistor: VR3: A5.0K x 2 (VF228700) PHONES, CUE LEVEL; VR5: A5.0K (VF228900) COMM LEVEL
  - 7. Push Switch: SW1, 3: SPUJ12 (VA258100) CUE OUT ON, +4; SW2: SPUJ12 (VC811300) COMM IN ON; SW4: SPUY12 (VC040500) SOLO MODE
  - 8. Relay: RY1: DC RY12W (KC001900); RY2: DC SY-12 (VA248100)
  - 9. Metal Oxide Film Resistor: R15: 15.0 1W J (VC728800)
  - 10. Fuse Resistor: FR1-4: 10.0 1/2 K (IHW904100)
  - 11. Circuit Board: COM2 (VH490600) X8370B0
  - 12. Transistor: Q809, 811, 813, 815: Q817, 819, 821, 823: Q810, 812, 814, 816, 818, 820, 822, 824: Q826: 2SA999 E, F (IA099910); 2SC2320 E, F (IC232010); 2SC2021 R, S (IC202170)
  - 13. Diode: D807-814, 821-828: ISS176 (VA240700)
  - 14. Push Switch: SW805: SPUY82 (VC040400) MUTE MASTER 1-8
  - 15. Phone Jack: JK801: JL3A X-G4631 (LB202520) PHONES
  - 16. Circuit Board: CUE (VH100300) X8520C0
  - 17. Connector: XLB-3-31 Jack (LB302320) COMM IN



TB/ST MODULE (ST1, ST2, JK, OUTC1)

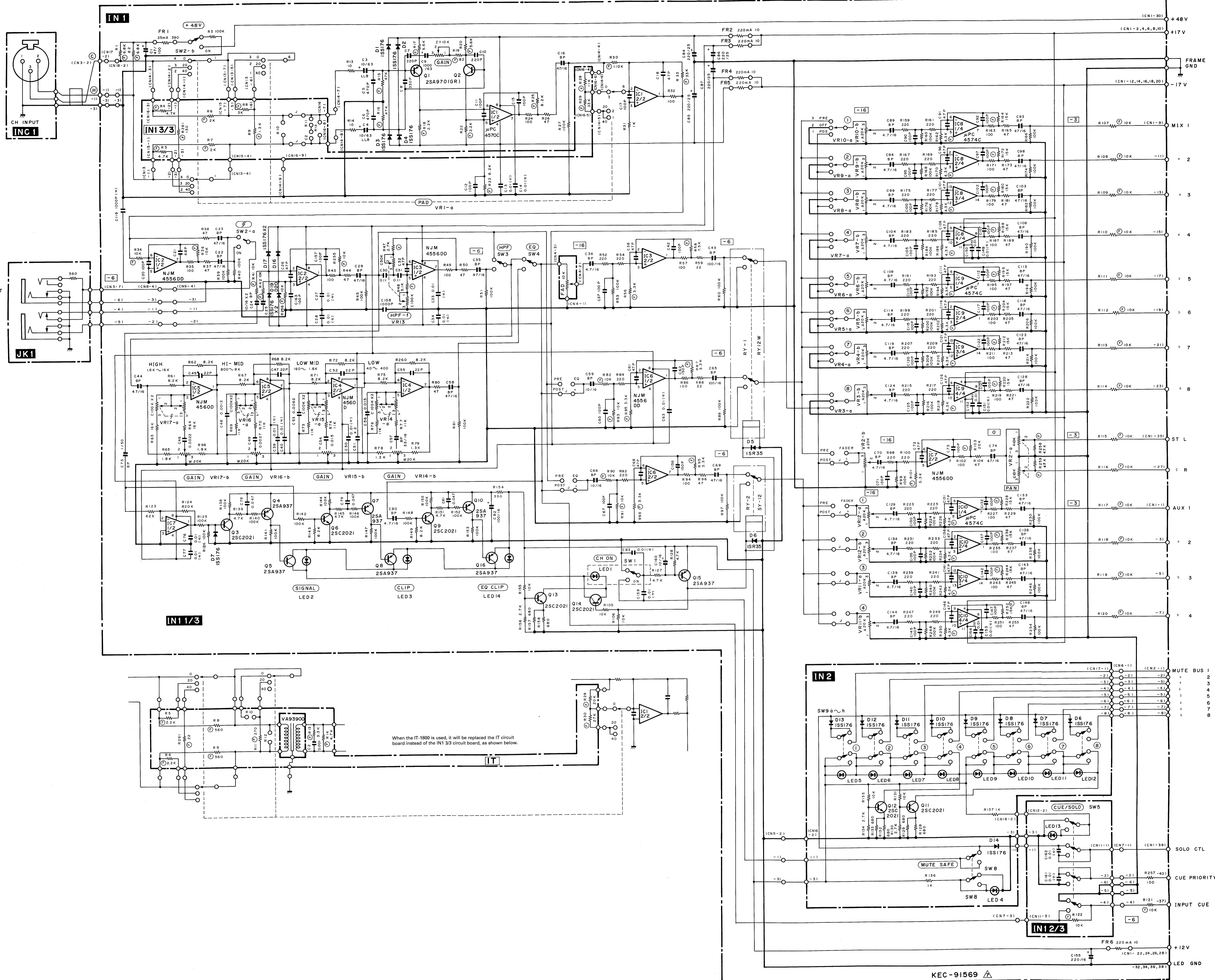


- Notes:
- Circuit Board: ST1 (VF561000) XE69280
  - IC: 1, 2, 6, 8, 9, 12-15: APC4570C (KC520001) OP AMP  
 IC2: TC4030BP (IG001790) XOR  
 IC4, 5: TC4006BP (IG001800) SHIFT REGISTER  
 IC7: XR-2206CP (XA243001) FUNC. GENERATOR  
 IC10, 11, 16-18: NJM4556DD (XE803A00) OP AMP
  - Transistor: 2SA970 BR (IA097020)  
 Q1, 2: 2SC2021 R, S (IC202170)
  - Diode: D1-6: 1SS133 (IF003450)
  - LED: LED2: LN242RP RE (VA262300) DIM
  - Variable Resistor: VR1, 2: A5.0K (VF228900) TB, OSC LEVEL
  - Trimmer Potentiometer: B10.0K 3P RHE (VA788000) OSC LEVEL adj.  
 VR3: B470 3P RHE (VA787500) OSC DIST. adj.
  - Push Switch: SW1-3, 5: SPUJ12 (VA258100) ON, DIM, ST TO MATRIX, +4  
 SW4: SPUJ12 (VA258000) TALK BACK ON  
 SW6: SPUJ70 (VC040300) CUE SOLO  
 SW7: SPUJ70 (VF229400) 1-3-5-7 ST, AUX1-3  
 SW9: SPUJ12 (VA258300) PINK, 10K, 1K, 100, OFF

- \* Circuit Board: ST2 (VF560900) XE693A0
- Metal Film Resistor: R12-217: 10.0K 1/8F (BCB24900)
  - Push Switch: SW8: SPUJ60 (VF229500) CUE SOLO
- \* Circuit Board: JK (VC087000) XB501A0
- Phone Jack: STEREO HLJ2335 (LB606940) INPUT
- \* Circuit Board: OUTC1 (VC086000) XB500A0
- Connector: XLB-3-32 Jack (LB302340) MIX OUT, ST OUT, CUE OUT, AUX OUT, MATRIX OUT

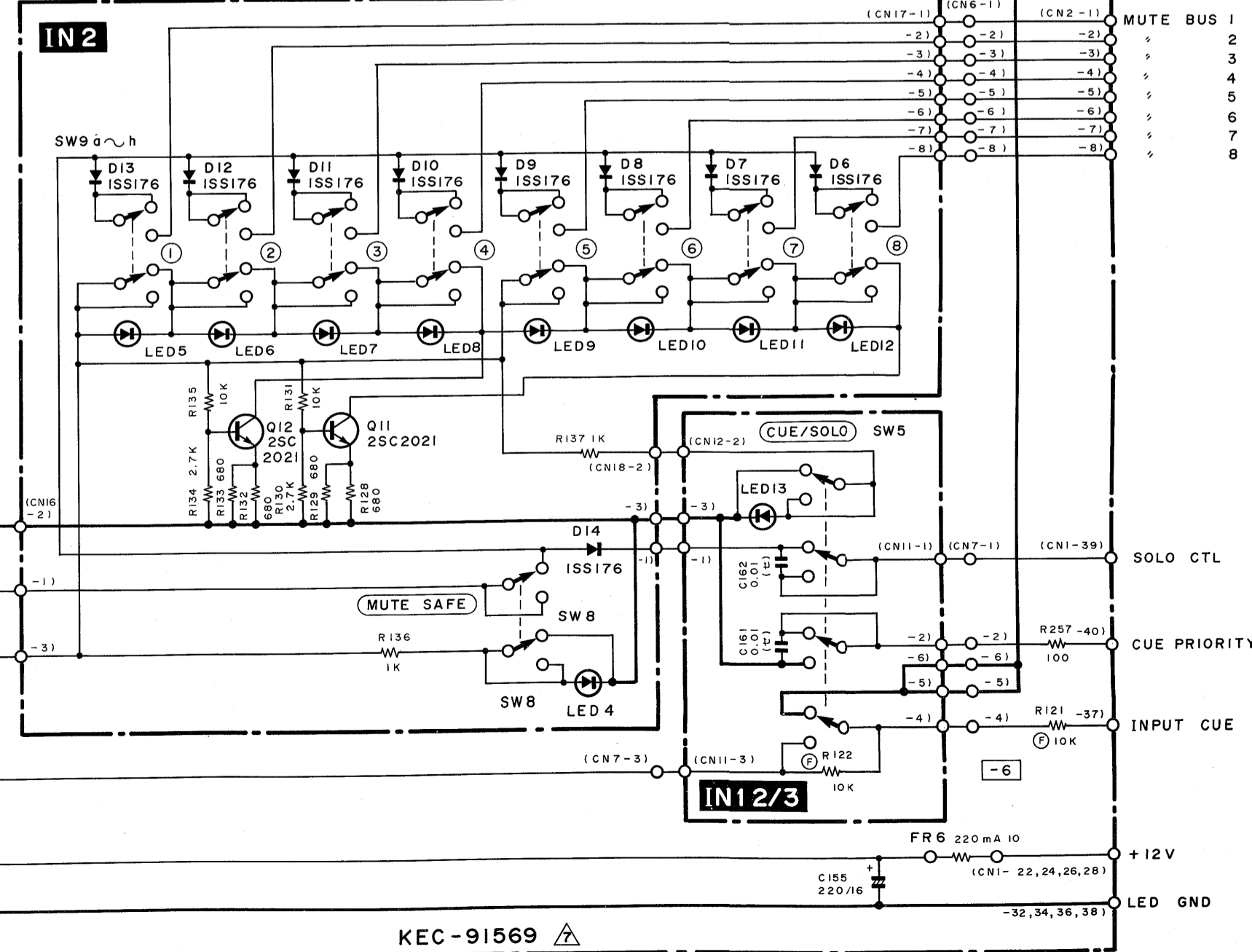
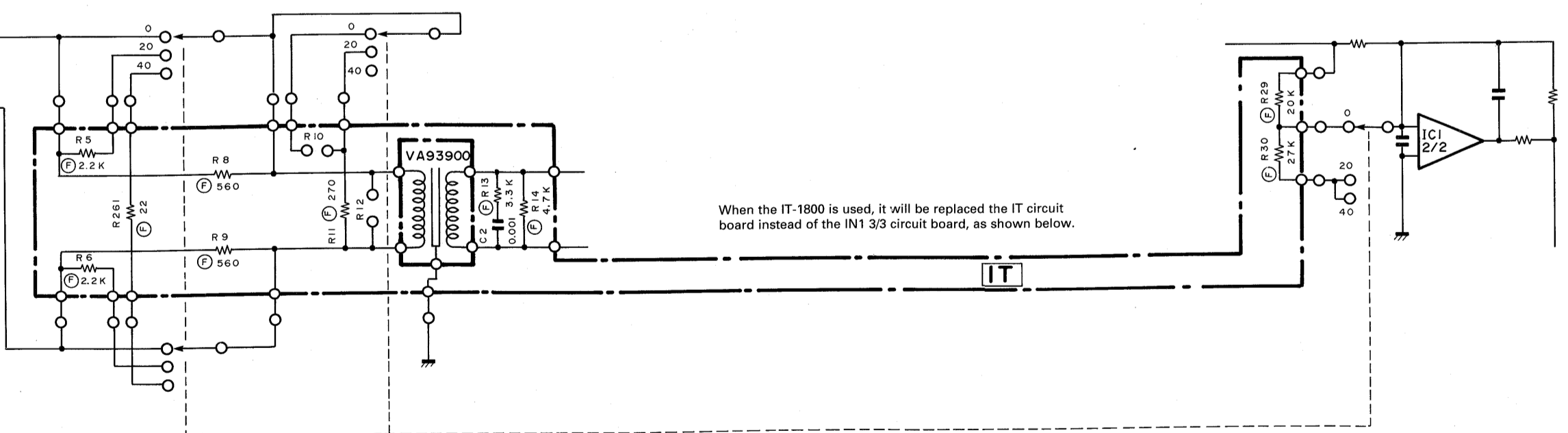
KEC - 91572

**INPUT MODULE (IN1, IN2, INC1, JK1)**



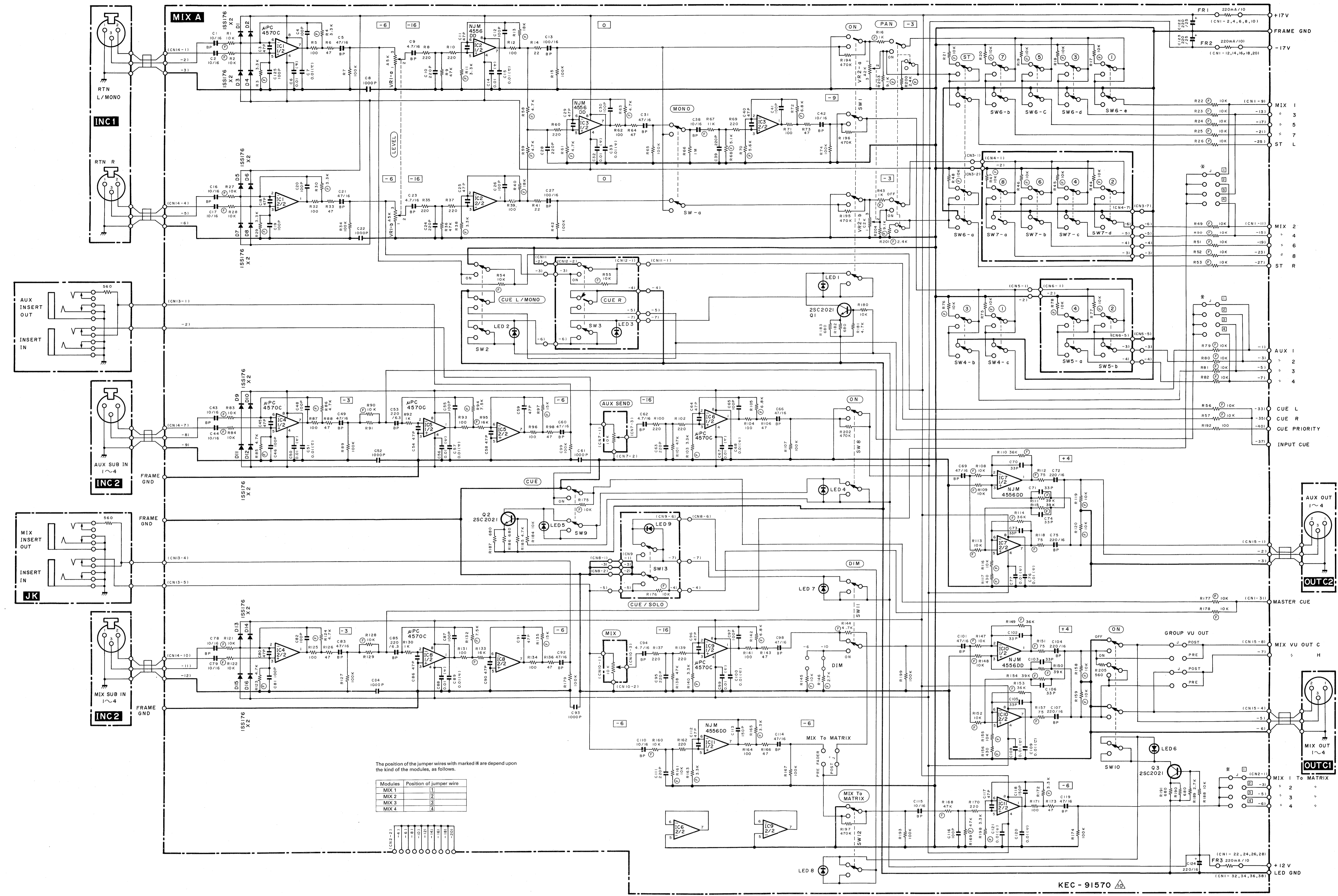
- Notes:
- Circuit Board IN1 (VF561100) XE68880
  - IC1: #PC4570C (XC520001) OP AMP
  - IC2, 3, 6, 7: NJM4556DD (XE803A00) OP AMP
  - IC4, 5: NJM4556DD (IG000000) OP AMP
  - IC8-10: #PC4574C (XF971A00) OP AMP
  - Transistor Q1, 2: 2SA970 GR (IA097020)
  - Q3, 6, 9, 13, 14: 2SC2021 R, S (IC202170)
  - Q4, 5, 7, 8, 10, 15, 16: 2SA937 Q, R, S (IA093700)
  - Diode D1-4, 7, 17-20: 1SS133 (IF003450)
  - D5, 6: 1SR35-100A (IH001430)
  - LED 2: LN3220P GR (IF002180) SIG
  - LED 3, 4: LN222P RE (IF001720) CLIP
  - Variable Resistor VR2: AC10K + A20K RK12 (VH593800) LEVEL/PAN
  - VR11, 12: A20K \* 2 RK12 (VC294500) AUX1/2, 3/4
  - VR13: RK12K122 (VC042200) HRF
  - VR14-17: RK12 (VH609600) HGH, HI, MID, LO, MID, LOW
  - Potentiometer with SW VR1: RD10K SRBU23 (VD697000) GAIN/PAD
  - VR3-10: A20K SRBU13 (VD696700) 1-8
  - Push Switch SW1: SPUJ12 (VA257900) ON
  - SW2: SPUJ20 (VC039900) +48V, 6
  - SW3, 4: SPUY12 (VA258000) EQ, HRF
  - SW5: SPUY12 (VA258300) CUE/SOLO
  - Relay RY1: DC RY12W (KCO01900)
  - RY2: DC SY-12 (VA248100)
  - Fuse Resistor FR1: 390.0 1/4 (HW295390)
  - FR2-6: 10.0 1/2 (PHW404100)
  - Jumper wires for altering PRE/POST:
    - AUX 1, 2, 3 & 4 send controls
    - STEREO mix controls
    - AUX SEND
    - Primary MIX 1-8 controls & STEREO mix controls

- Circuit Board IN2 (VC085900) XB36480
- Transistor Q11, 12: 2SC2021 R, S (IC202170)
- Diode D5-14: 1SS176 (VA240700)
- LED 1: LN242RP RE (VA262300) MUTE/SAFE
- LED 5-12: LN442YP YE (VA247600) MUTE 1-8
- Push Switch SW8: SPUJ12 (VA258000) MUTE/SAFE
- SW9: SPUY6 8 (VA258400) MUTE 1-8
- Circuit Board INC1 (VC088000) XB499A0
- Connector: XLB-3-11 Jack (LB302320)
- INPUT, AUX SUB IN, AUX RTN IN, MIX SUB IN
- Circuit Board JK1 (VA710400) XA258C0
- Phone Jack: STEREO HLJ2335 (LB606940) INSERT





**MIXA MODULE (MIXA-1, MIXA-2, JK, INC1, OUTC1, OUTC2)**



The position of the jumper wires with marked  $\otimes$  are depend upon the kind of the modules, as follows.

Modules	Position of jumper wire
MIX 1	1
MIX 2	2
MIX 3	3
MIX 4	4

- Notes
- Circuit Board: MIXA1-1 (VF561200) XE689D0
  - IC: IC1, 4-6, 8, 9:  $\mu$ PC4570C (XC520001) OP AMP  
IC2, 3, 7, 10, 11: NJM4558DD (XK680A00) OP AMP
  - Transistor: Q1-3: 2SC2021 R, S IC202170
  - Diode: D1-16: 1SS133 (IF003450)
  - LED: LED 7: LN242RP RE (VA262300) DIM
  - Variable Resistor: VR1: A5.0K  $\times$  2 (VF228700) LEVEL  
VR2: C2.0K (VF228800) AUX BAL/PAN
  - Push Switch: SW1, 2, 10: SPUJ12 (VA258100) AUX RETURN ON, CUE L/MONO, ON  
SW4: (VH305700) AUX1-3-MONO  
SW6: SPUJ50 (VF229100) 1-3-5-7-ST  
SW8, 9, 11, 12: SPUJ12 (VA258000) AUX SEND ON, CUE, DIM, MIX TO MATRIX  
SW13: SPUJ12 (VF405000) CUE/SOLO
  - Difference of MIXA1 1-4:
 

MIXA1-1	J	Part number
MIXA1-1	①	VF561200
MIXA1-2	②	adapt MIXA1-1
MIXA1-3	③	adapt MIXA1-1
MIXA1-4	④	adapt MIXA1-1
  - Jumper wires for altering PRE/POST:
    - MIX OUT meter function
- \* Circuit Board: MIXA2 (VF560800) XE690B0
- Push Switch: SW3: SPUJ12 (VA258100) CUE R  
SW5: SPUJ20 (VH098900) AUX2-4  
SW7: SPUJ40 (VF229200) 2-4-6-8
  - Metal Film Resistor: R44-47, 55, 77, 78: 10.0K 1/6 F (VC824900)
- \* Circuit Board: JK (VC087000) XB501A0
- Phone Jack: STEREO HLJ235 (ILB069400) INPUT
- \* Circuit Board: INC1 (VC086800) XB499A0
- Connector: XLB-3-11 Jack (LB302320) INPUT, AUX SUB IN, AUX RTN IN, MIX SUB IN
- \* Circuit Board: OUTC1 (VC086900) XB500A0
- Connector: XLB-3-32 Jack (LB302340) MIX OUT, ST OUT, CUE OUT, MATRIX OUT, OSC OUT, TB OUT
- \* Circuit Board: OUTC2 (VG468900) XC285A0
- Connector: XLB-3-32 Jack (LB302340) AUX OUT