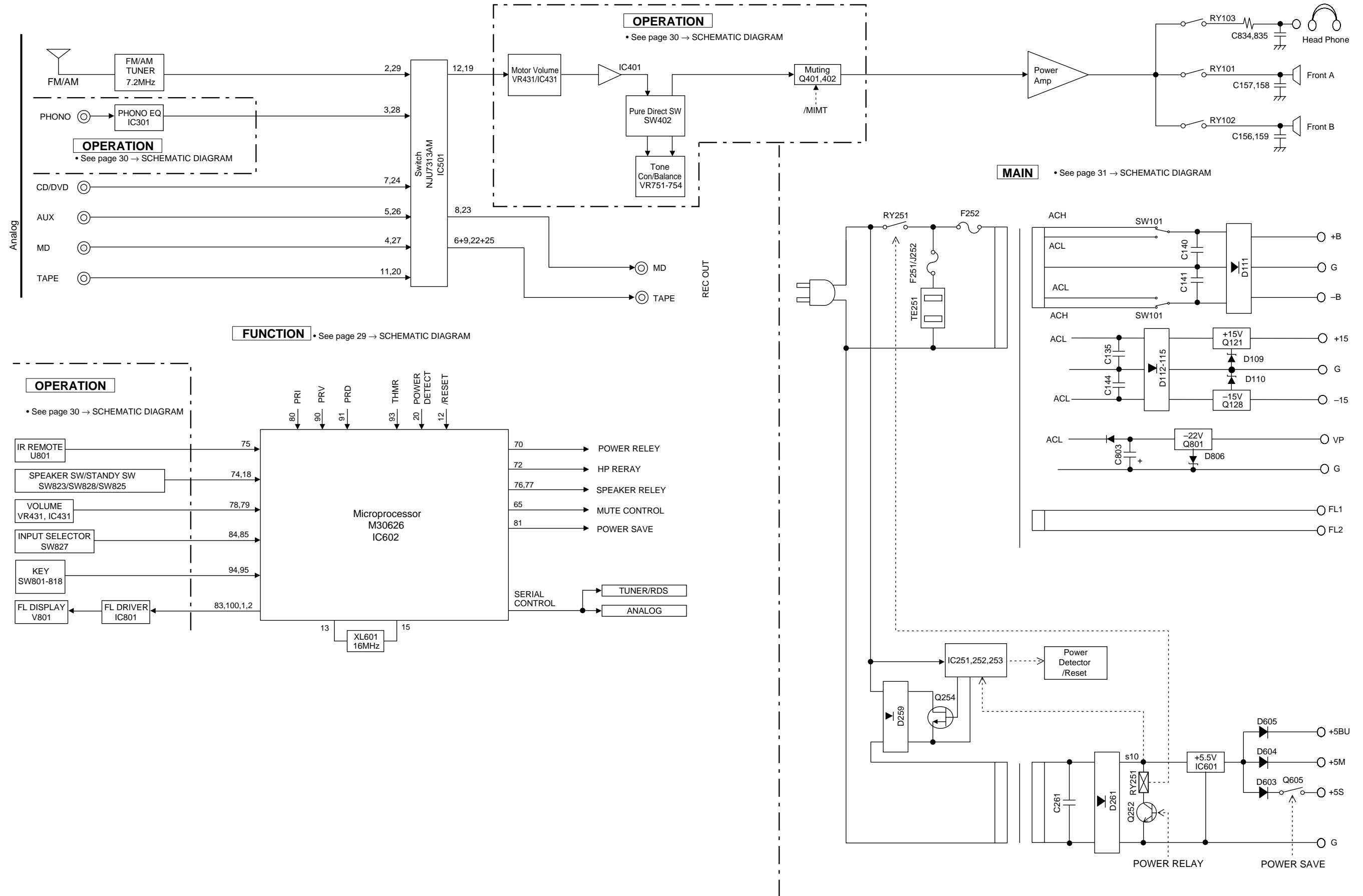


■ BLOCK DIAGRAM



SCHEMATIC DIAGRAM (FUNCTION)

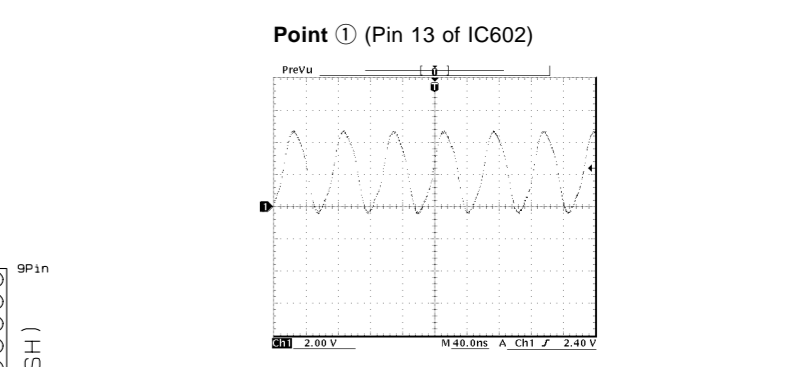
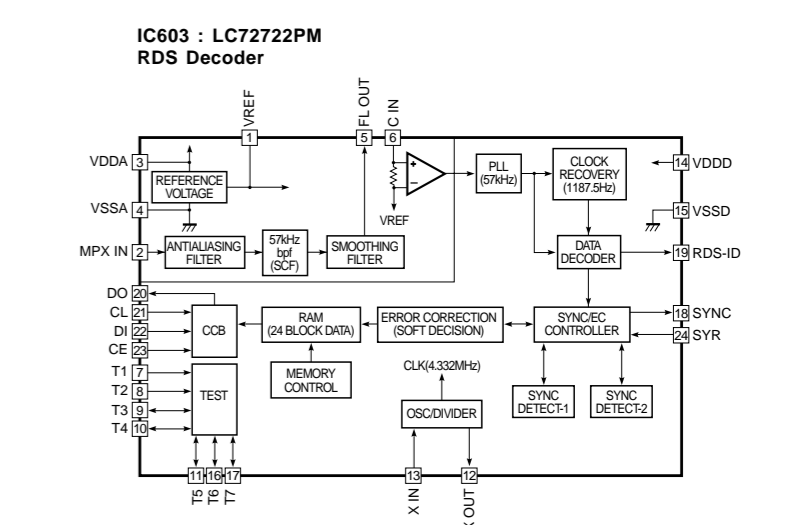
NOTICE (mode1)
(U)..... U.S.A
(C)..... CANADA
(R)..... GENERAL
(T)..... CHINA
(K)..... KOREA
(A)..... AUSTRALIA
(B)..... BRITISH
(G)..... EUROPE
(L)..... SINGAPORE
(E)..... SOUTH EUROPE
(V)..... TAIWAN

Table with 2 columns: REMARKS, PARTS NAME. Lists various resistor types like CARBON FILM RESISTOR, METAL OXIDE FILM RESISTOR, etc.

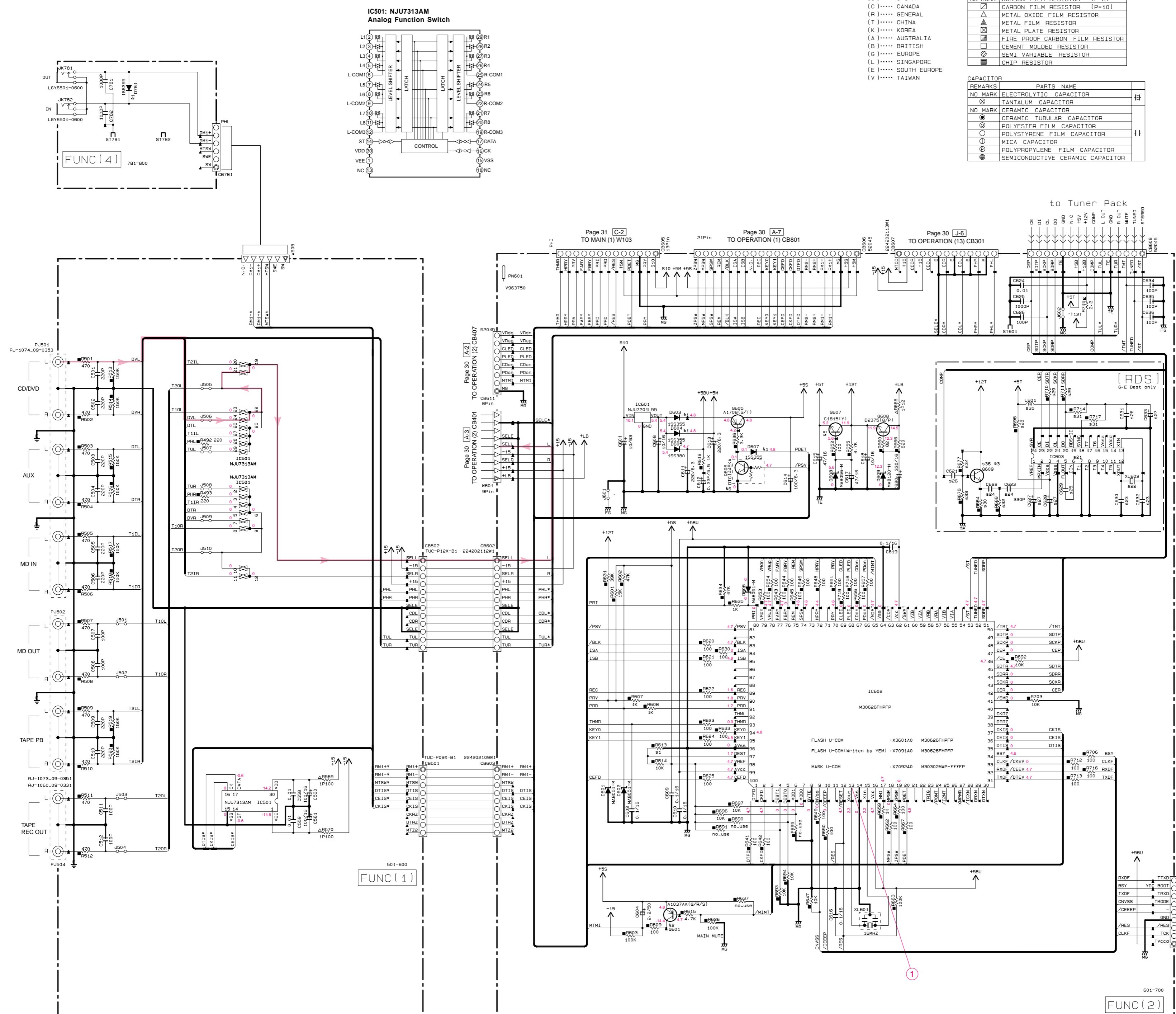
Table with 2 columns: REMARKS, PARTS NAME. Lists various capacitor types like ELECTROLYTIC CAPACITOR, TANTALUM CAPACITOR, etc.

Table with 6 columns: Mark, Reference Parts Number, Parts Name, and others. Lists interchangeable parts at manufacture-stage.

Table with 3 columns: Mark, Reference Parts Number, Parts Name. Lists interchangeable parts at manufacture-stage.



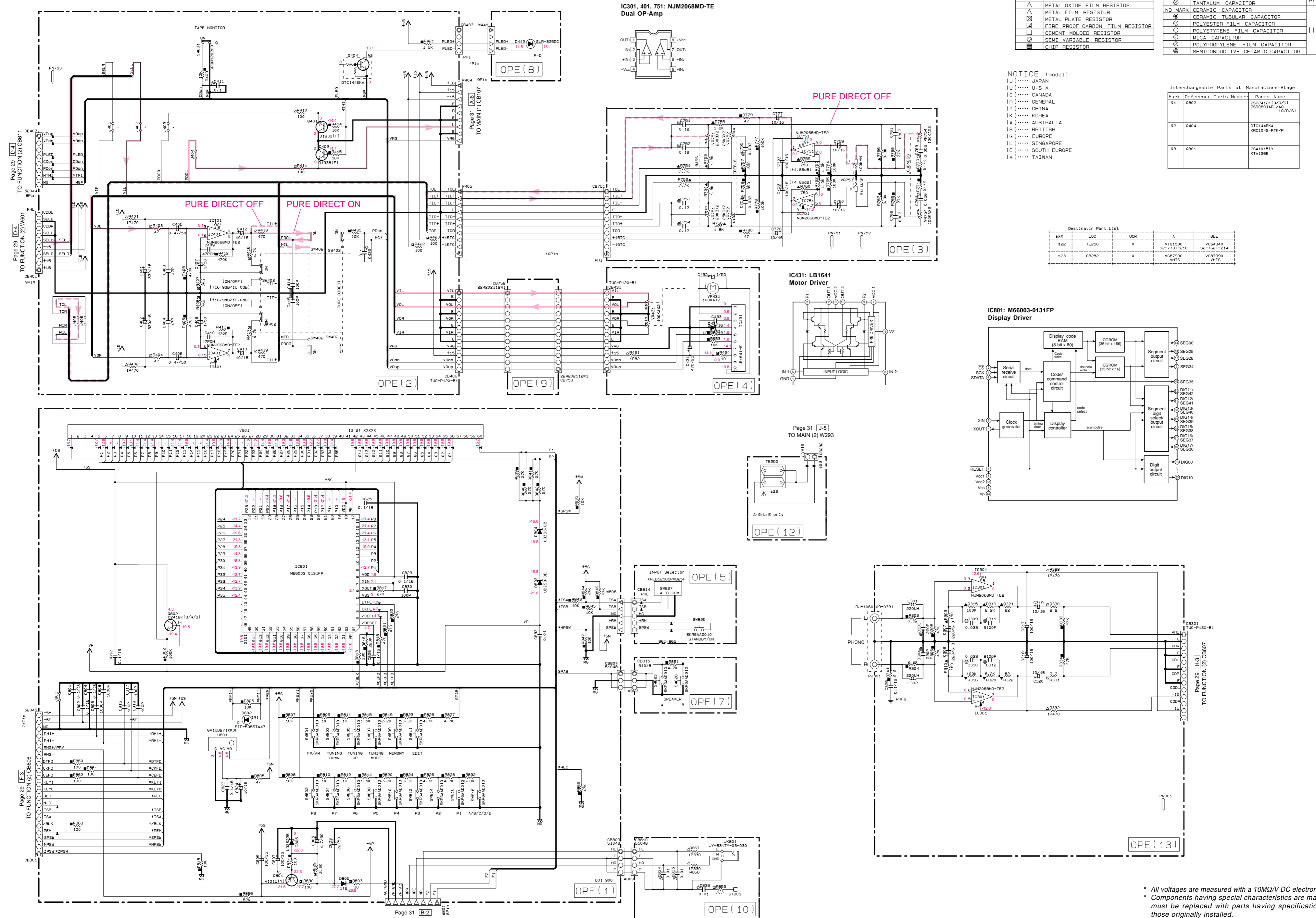
\* All voltages are measured with a 10MΩ/V DC electronic volt meter.
\* Components having special characteristics are marked Δ, and must be replaced with parts having specifications equal to those originally installed.
\* Schematic diagram is subject to change without notice.



1
2
3
4
5
6
7
8

601-700
FUNC (2)

SCHEMATIC DIAGRAM (OPERATION)



RESISTOR		CAPACITOR	
REMARKS	PARTS NAME	REMARKS	PARTS NAME
NO MARK	CARBON FILM RESISTOR (P=5)	NO MARK	ELECTROLYTIC CAPACITOR
△	CARBON FILM RESISTOR (P=10)	⊗	TANTALUM CAPACITOR
□	METAL OXIDE FILM RESISTOR	⊙	CERAMIC CAPACITOR
△	METAL FILM RESISTOR	○	CERAMIC TUBULAR CAPACITOR
□	METAL PLATE RESISTOR	○	POLYESTER FILM CAPACITOR
△	FIRE PROOF CARBON FILM RESISTOR	○	POLYSTYRENE FILM CAPACITOR
□	CEMENT MOLDED RESISTOR	○	MICA CAPACITOR
△	SEMI VARIABLE RESISTOR	○	POLYPROPYLENE FILM CAPACITOR
□	CHIP RESISTOR	○	SEMICONDUCTIVE CERAMIC CAPACITOR

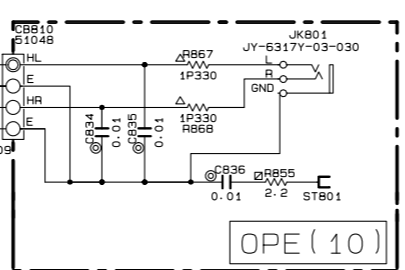
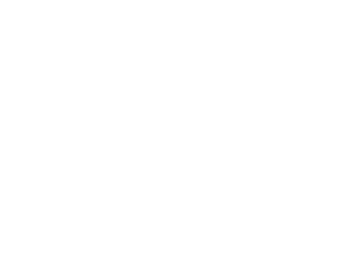
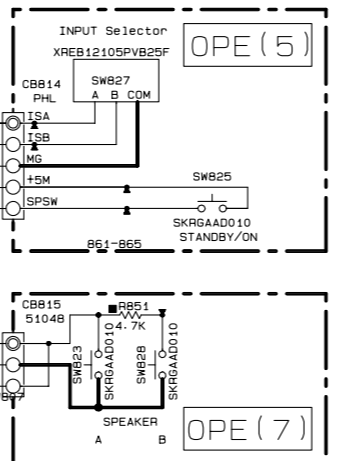
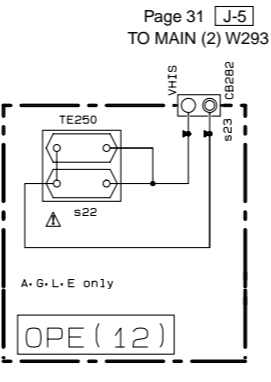
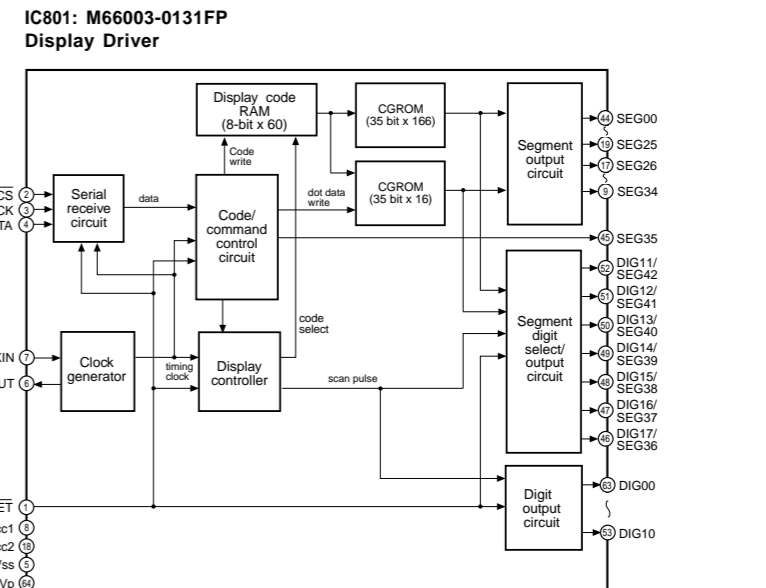
NOTICE (model)  
 (J)..... JAPAN  
 (U)..... U.S.A  
 (C)..... CANADA  
 (R)..... GENERAL  
 (T)..... CHINA  
 (K)..... KOREA  
 (A)..... AUSTRALIA  
 (B)..... BRITISH  
 (G)..... EUROPE  
 (L)..... SINGAPORE  
 (E)..... SOUTH EUROPE  
 (V)..... TAIWAN

Interchangeable Parts at Manufacture-Stage

Mark	Reference Parts Number	Parts Name
△1	0802	2SC2412K (I/R/S) 2SD0601AR (A/R/S) (I/R/S)
△2	0404	DTC144EKA KRC1045-RTK/P
△3	0801	2SA1015(Y) KTA1266

Destination Part List

SXX	LOC	UCR	A	GLE
920	TE250	X	V91500 S2-7731-210	VU54340 S2-7521-214
923	CB282	X	V687990 VW15	V687990 VW15



\* All voltages are measured with a 10MΩ/V DC electronic volt meter.  
 \* Components having special characteristics are marked △ and must be replaced with parts having specifications equal to those originally installed.  
 \* Schematic diagram is subject to change without notice.

SCHEMATIC DIAGRAM (MAIN)

NOTICE [mode1]
(J)..... JAPAN
(U)..... U. S. A
(C)..... CANADA
(R)..... GENERAL
(T)..... CHINA
(K)..... KOREA
(A)..... AUSTRALIA
(B)..... BRITISH
(G)..... EUROPE
(L)..... SINGAPORE
(E)..... SOUTH EUROPE
(V)..... TAIWAN

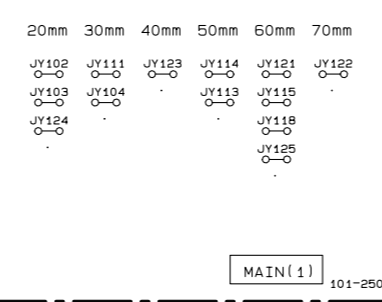
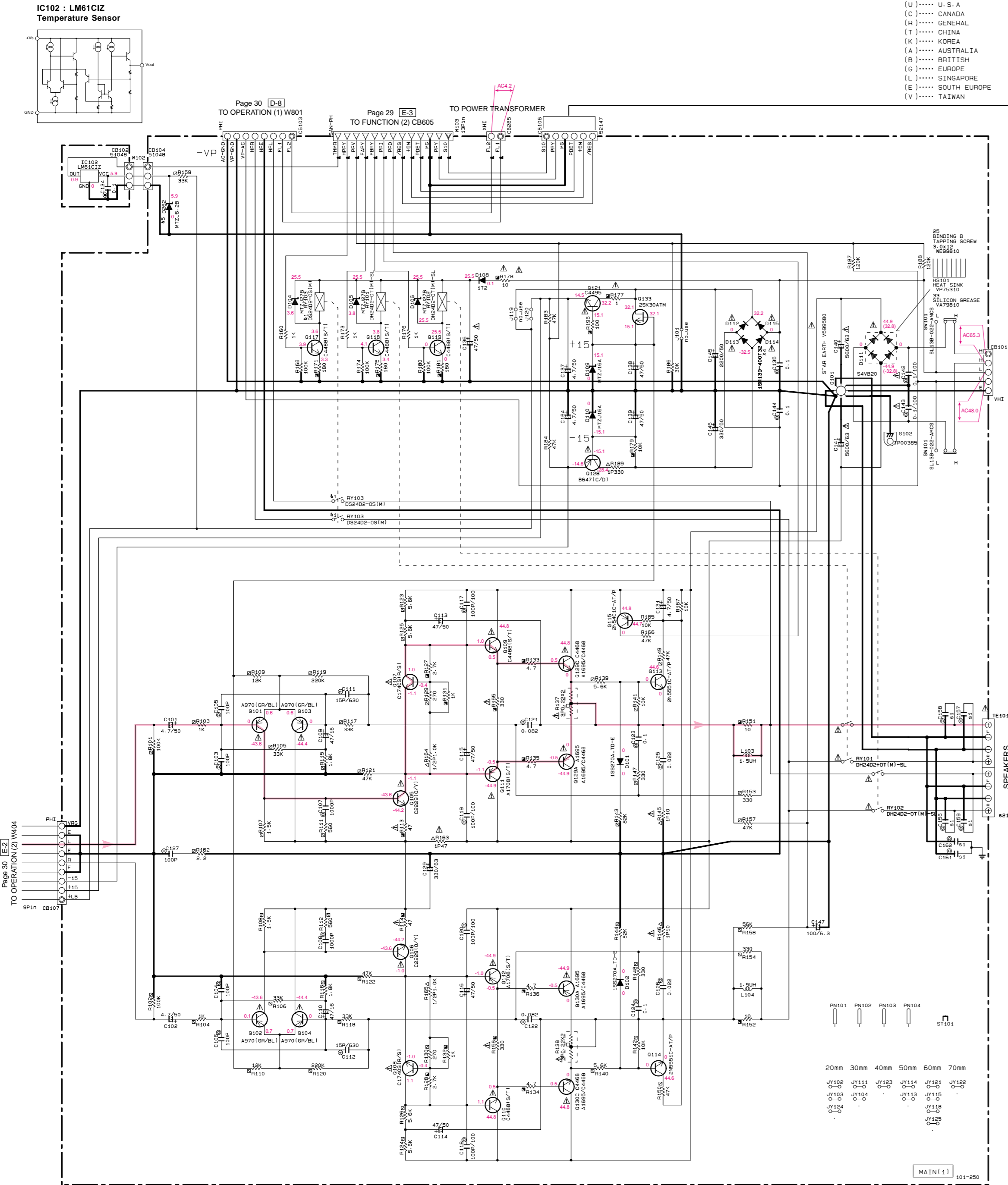
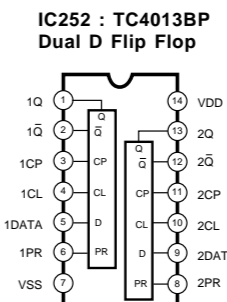
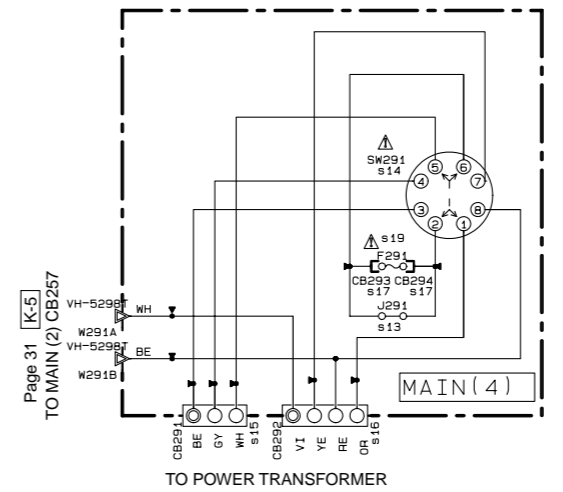
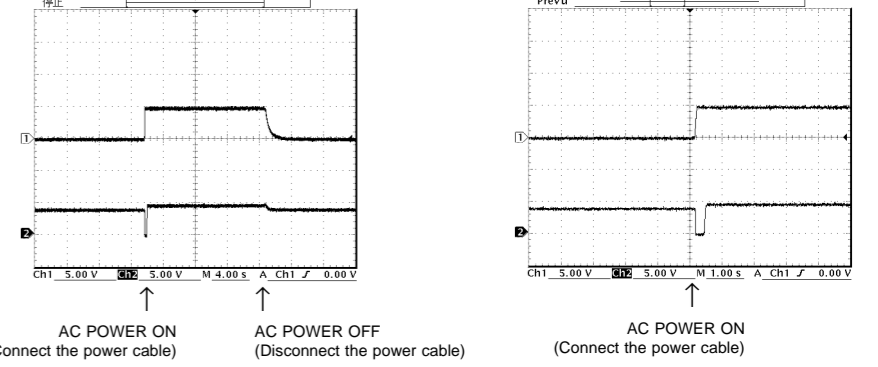
Table with 2 columns: REMARKS, PARTS NAME. Lists various resistor types like CARBON FILM RESISTOR, METAL OXIDE FILM RESISTOR, etc.

Table with 7 columns: Reference No, U-C, R, A, B, G-E, L. Lists component reference numbers and their specifications.

Table with 2 columns: REMARKS, PARTS NAME. Lists various capacitor types like ELECTROLYTIC CAPACITOR, TANTALUM CAPACITOR, etc.

Table with 2 columns: Mark, Reference Parts Number, Parts Name. Lists interchangeable parts for components like resistors and capacitors.

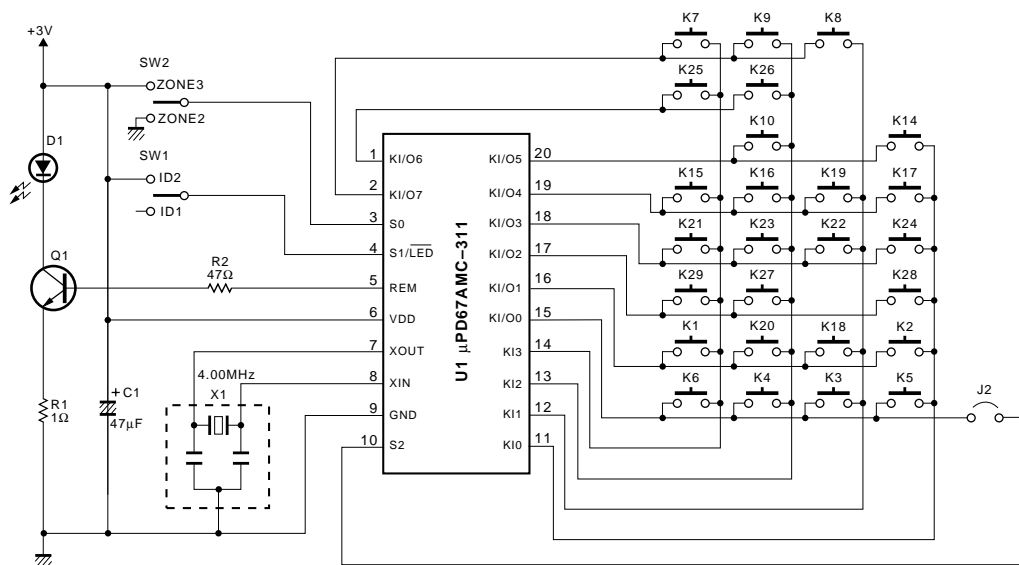
Point ②
CH 1 : (+) of C252
CH 2 : Collector of Q251



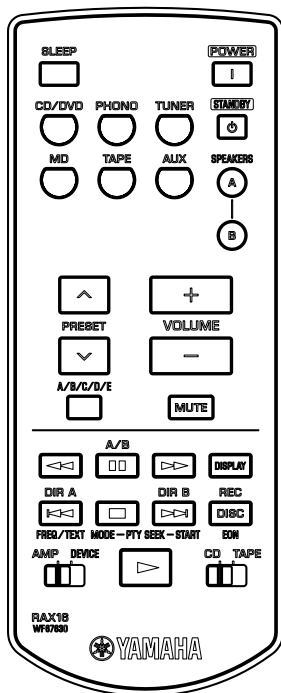
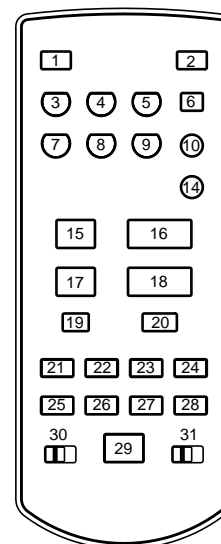
\* All voltages are measured with a 10MΩ/V DC electronic volt meter.
\* Components having special characteristics are marked Δ and must be replaced with parts having specifications equal to those originally installed.
\* Schematic diagram is subject to change without notice.

# REMOTE CONTROL RAX16

## SCHEMATIC DIAGRAM



## KEY NO. LAYOUT



## YAMAHA RAX16 IR CODE TABLE

Key No.	Key Name	Code (ID2)			
		AMP (RDS)	CD	DEVICE	
1	SLEEP		7D-93		
2	POWER		7D-B2		
3	CD/DVD		7D-87		
4	PHONO		7D-88		
5	TUNER		7D-89		
6	STANDBY		7D-B1		
7	MD		7D-86		
8	TAPE		7D-8B		
9	AUX		7D-8A		
10	SPEAKERS-A		7D-E7		
11	(no key)		(no code)		
12	(no key)		(no code)		
13	(no key)		(no code)		
14	SPEAKERS-B		7D-E8		
15	PRESET (+)		7D-F5		
16	VOLUME (+)		7D-8D		
17	PRESET (-)		7D-F6		
18	VOLUME (-)		7D-8E		
19	A/B/C/D/E		7D-F7		
20	MUTE		7D-94		
21	Device	(no code)	REW	7A-0D	REW 7A-01
22	Device	(no code)	PAUSE	7A-09	A/B 7A-06
23	Device	(no code)	FF	7A-0C	FF 7A-02
24	Device	(no code)	DISPLAY	79-0A	(no code)
25	Device	FREQ/TEXT	7D-23	SKIP (-)	7A-0B DIR A 7A-07
26	Device	MODE-PTY	7D-25	STOP	7A-09 STOP 7A-03
27	Device	SEEK-START	7D-26	SKIP (+)	7A-0A DIR B 7A-40
28	Device	EON	7D-24	DISC SKIP	7A-4F REC 7A-04
29	Device	(no code)	PLAY	7A-08	PLAY 7A-00
30	AMP/DEVICE				
31	CD/TAPE				