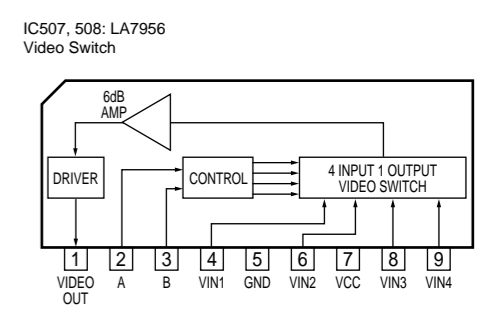
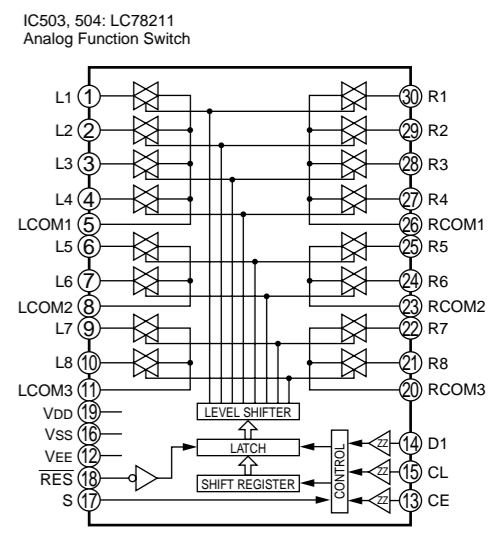
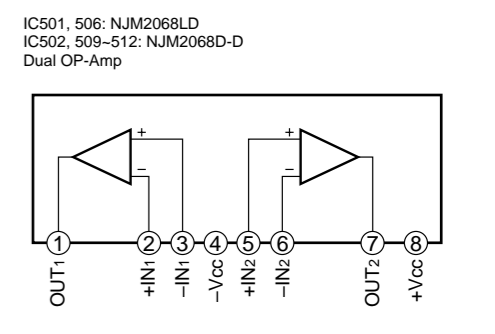
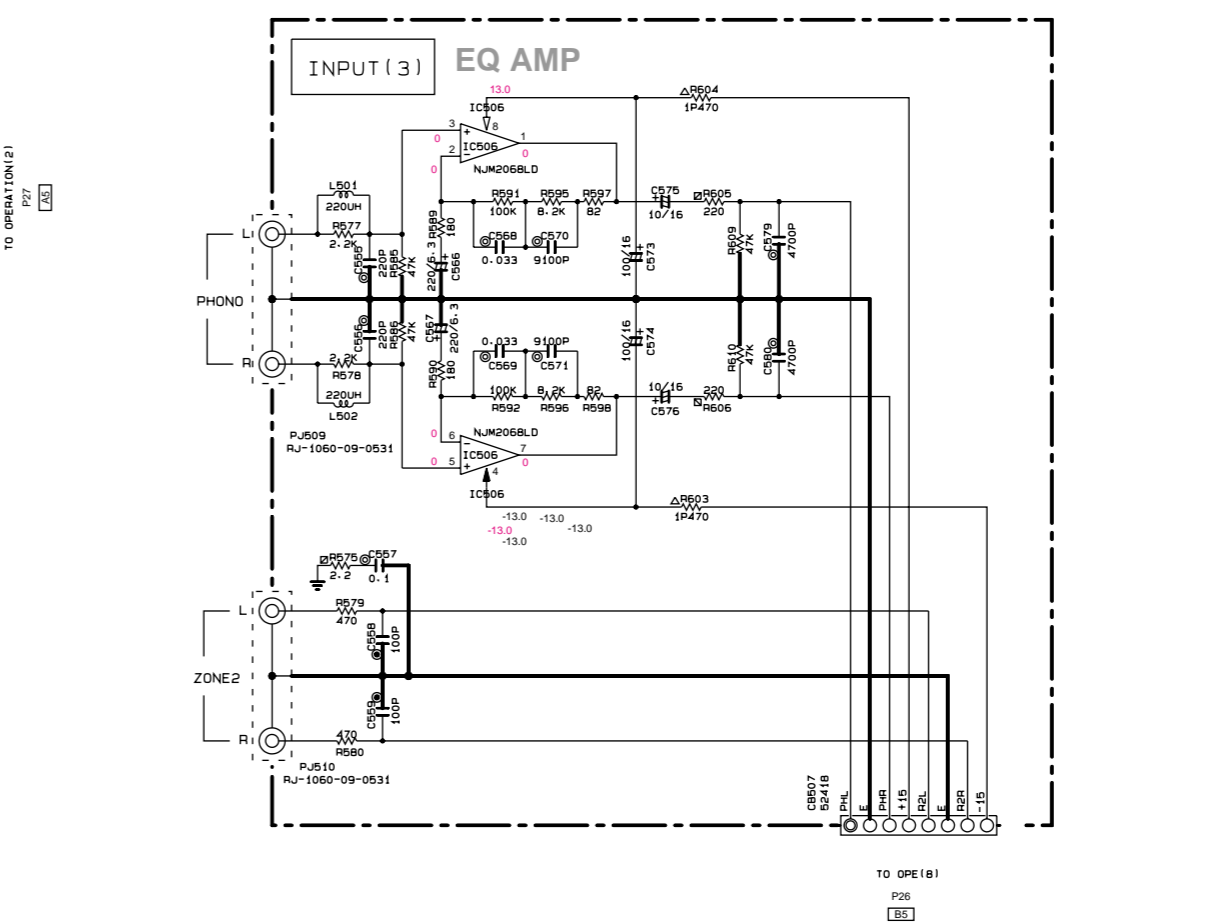
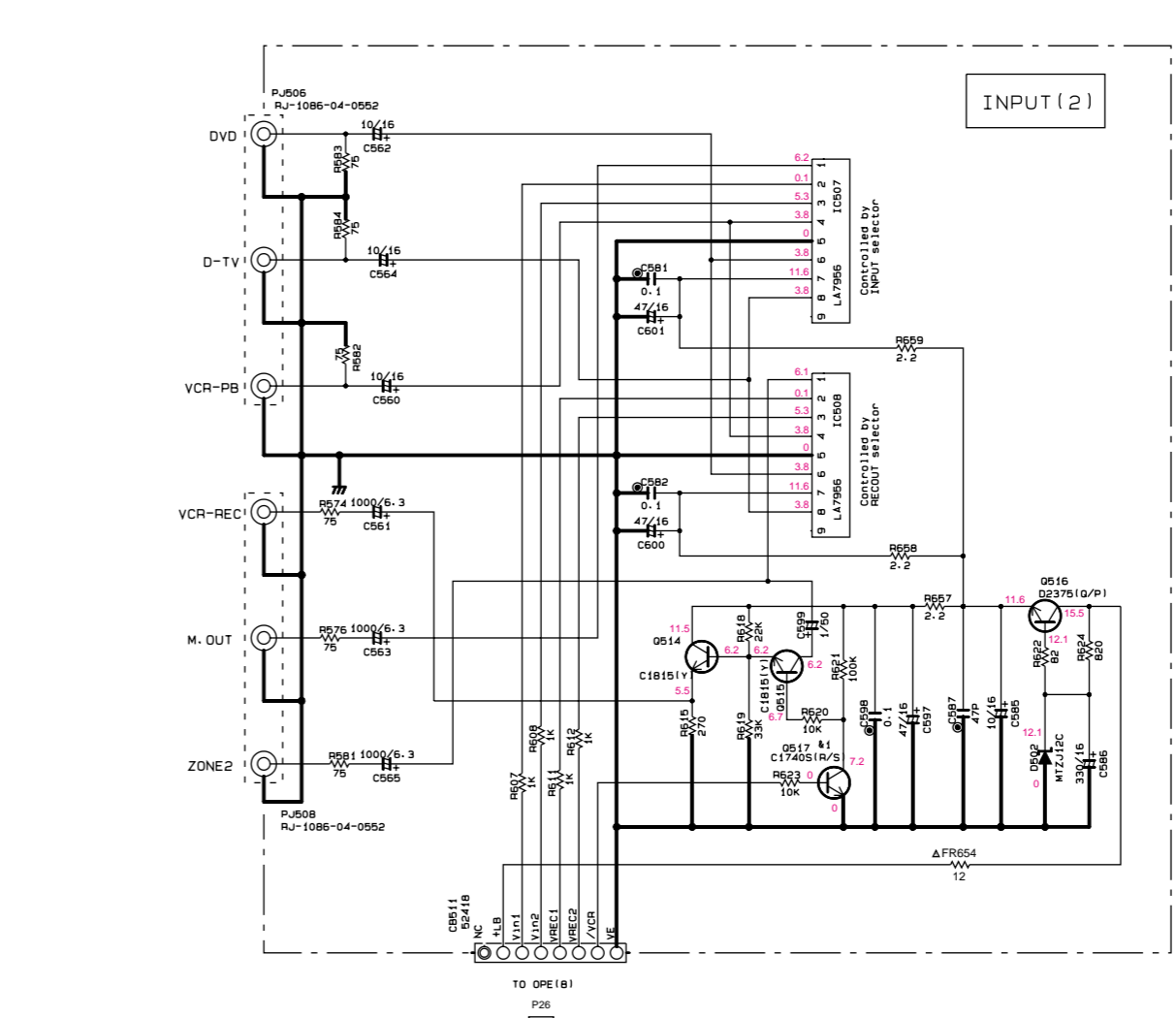
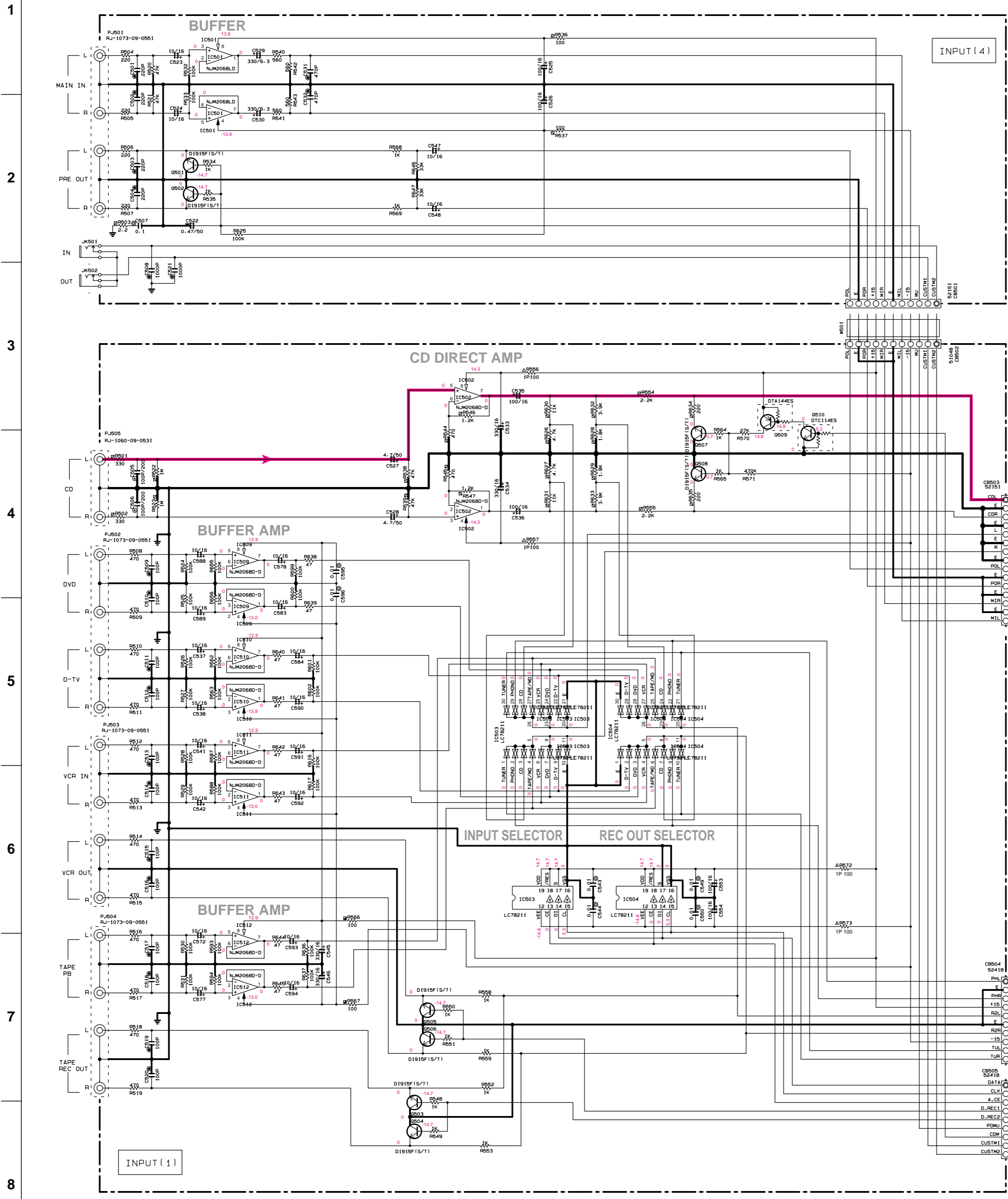


SCHEMATIC DIAGRAM (INPUT)



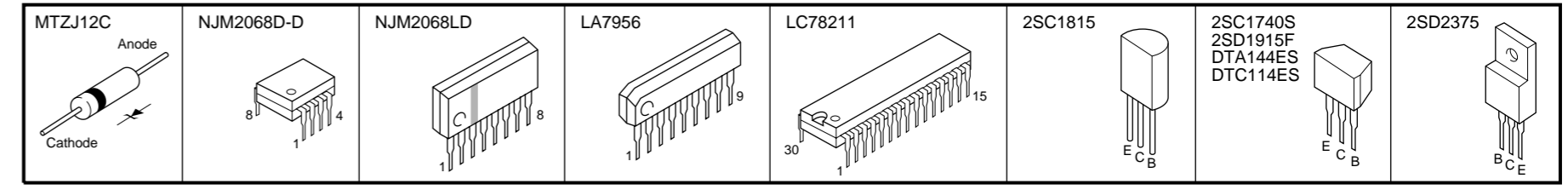
★ All voltage are measured with a 10M Ω /V DC electric volt meter.
 ★ Components having special characteristics are marked Δ and must be replaced with parts having specifications equal to those originally installed.
 ★ Schematic diagram is subject to change without notice.

NOTICE (model)
 (J)..... JAPANESE
 (U)..... U.S.A
 (C)..... CANADIAN
 (R)..... GENERAL
 (A)..... AUSTRALIAN
 (B)..... BRITISH
 (G)..... EUROPEAN
 (T)..... CHINA
 (L)..... SINGAPORE

REMARKS	PARTS NAME
NO MARK	CARBON FILM RESISTOR (P=5)
\square	CARBON FILM RESISTOR (P=10)
Δ	METAL FILM RESISTOR
\square	METAL PLATE RESISTOR
\square	FIRE PROOF CARBON FILM RESISTOR
\square	CEMENT MOLDED RESISTOR
\square	SEMI VARIABLE RESISTOR
\square	CHIP RESISTOR

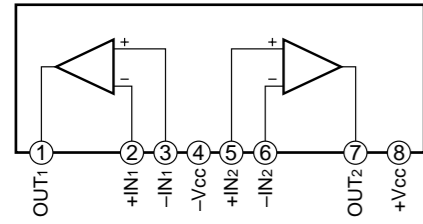
REMARKS	PARTS NAME
NO MARK	ELECTROLYTIC CAPACITOR
\square	TANTALUM CAPACITOR
NO MARK	CERAMIC CAPACITOR
\square	CERAMIC TUBULAR CAPACITOR
\square	POLYESTER FILM CAPACITOR
\square	POLYSTYRENE FILM CAPACITOR
\square	MICA CAPACITOR
\square	POLYPROPYLENE FILM CAPACITOR
\square	SEMICONDUCTIVE CERAMIC CAPACITOR

Interchangeable Parts at Manufacture Stage		
Max. Reference Parts Number	Parts Name	
41 0517	2SC1740S 2SD1915F 2SC2603(E/F) 2SC3114(G/R/S)	

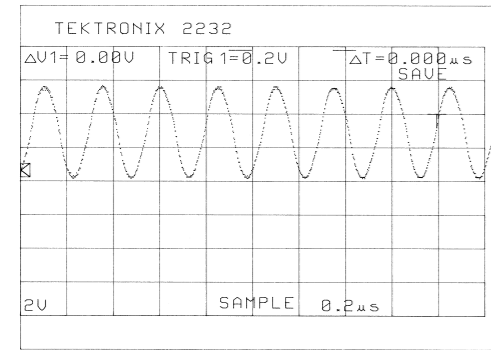


RX-777
SCHEMATIC DIAGRAM (OPERATION 1/2)

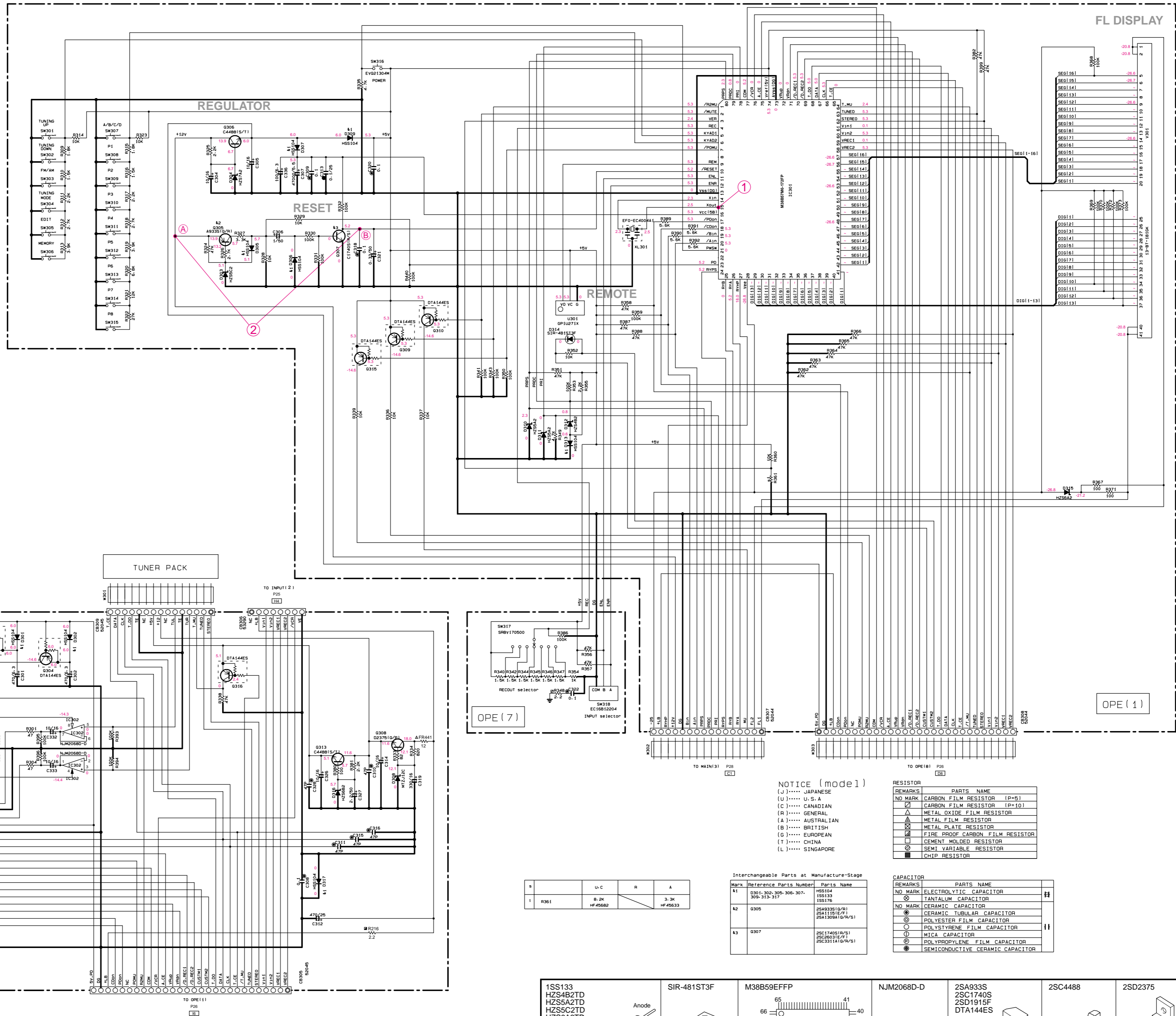
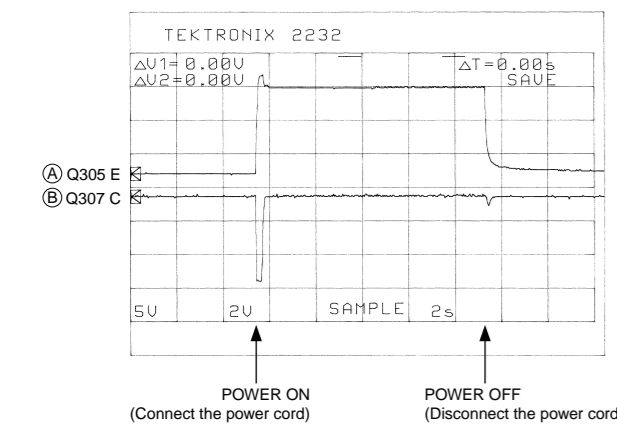
IC302: NJM2068D-D
 Dual OP-Amp



Point ① Pin 15 of IC301



Point ② emitter of Q305
 and collector of Q307



NOTICE (model)
 (J)..... JAPANESE
 (U)..... U.S. A
 (C)..... CANADIAN
 (R)..... GENERAL
 (A)..... AUSTRALIAN
 (B)..... BRITISH
 (G)..... EUROPEAN
 (T)..... CHINA
 (L)..... SINGAPORE

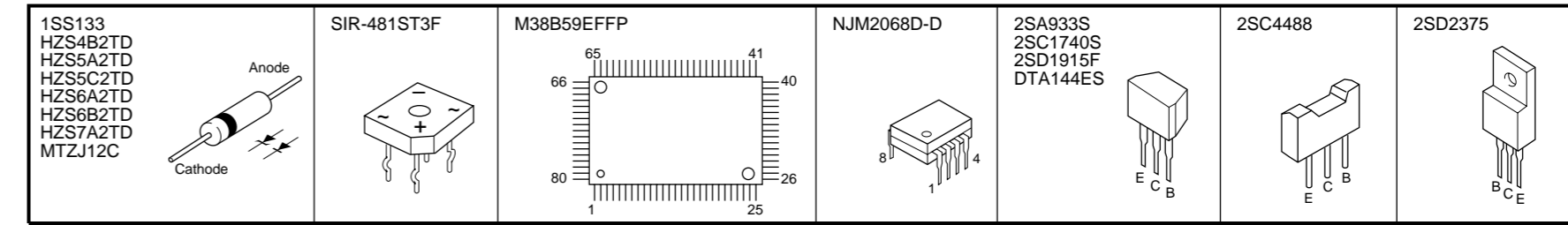
REMARKS	PARTS NAME
NO MARK	CARBON FILM RESISTOR (P+B)
□	CARBON FILM RESISTOR (P=10)
△	METAL OXIDE FILM RESISTOR
▲	METAL FILM RESISTOR
⊠	METAL PLATE RESISTOR
■	FIRE-PROOF CARBON FILM RESISTOR
⊞	CEMENT MOLDED RESISTOR
⊚	SEMI-VARIABLE RESISTOR
■	CHIP RESISTOR

Interchangeable Parts at Manufacture-Stage

Mark	Reference Parts Number	Parts Name
41	D91-300-306-308-307-309-313-317	H5S104 H5S133 H5S176
42	0305	2SA933S(G/P) 2SA1151E(P) 2SA1308(G/R/S)
43	0307	2SC1740S(I/R/S) 2SC8033E(V) 2SC3311(G/R/S)

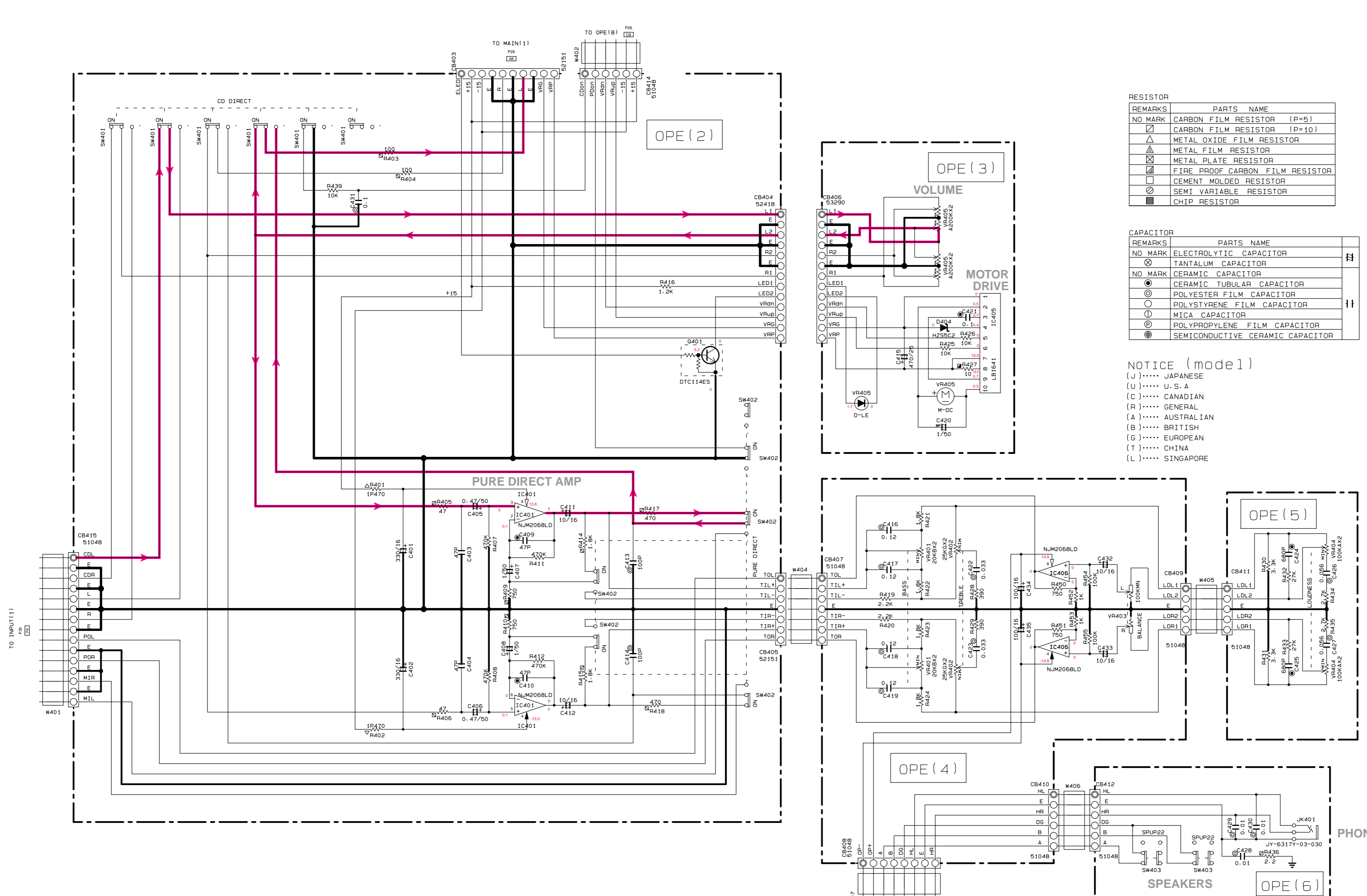
REMARKS	PARTS NAME
NO MARK	ELECTROLYTIC CAPACITOR
⊗	TANTALUM CAPACITOR
NO MARK	CERAMIC CAPACITOR
⊙	CERAMIC TUBULAR CAPACITOR
○	POLYESTER FILM CAPACITOR
○	POLYSTYRENE FILM CAPACITOR
⊖	MICA CAPACITOR
⊕	POLYPROPYLENE FILM CAPACITOR
⊙	SEMICONDUCTIVE CERAMIC CAPACITOR

U-C	R	A
8-2K	HF45682	HF45633



★ All voltage are measured with a 10MΩ/V DC electric volt meter.
 ★ Components having special characteristics are marked Δ and must be replaced with parts having specifications equal to those originally installed.
 ★ Schematic diagram is subject to change without notice.

■ SCHEMATIC DIAGRAM (OPERATION 2/2)



RESISTOR

REMARKS	PARTS NAME
NO MARK	CARBON FILM RESISTOR (P=5)
□	CARBON FILM RESISTOR (P=10)
△	METAL OXIDE FILM RESISTOR
▲	METAL FILM RESISTOR
⊠	METAL PLATE RESISTOR
▤	FIRE PROOF CARBON FILM RESISTOR
□	CEMENT MOLDED RESISTOR
⊙	SEMI VARIABLE RESISTOR
■	CHIP RESISTOR

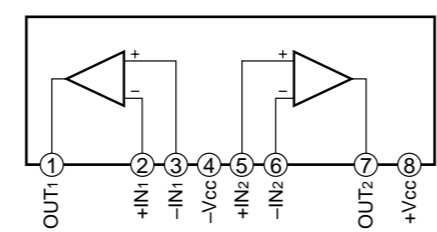
CAPACITOR

REMARKS	PARTS NAME
NO MARK	ELECTROLYTIC CAPACITOR
⊗	TANTALUM CAPACITOR
NO MARK	CERAMIC CAPACITOR
⊙	CERAMIC TUBULAR CAPACITOR
⊖	POLYESTER FILM CAPACITOR
○	POLYSTYRENE FILM CAPACITOR
⊕	MICA CAPACITOR
⊖	POLYPROPYLENE FILM CAPACITOR
⊙	SEMICONDUCTIVE CERAMIC CAPACITOR

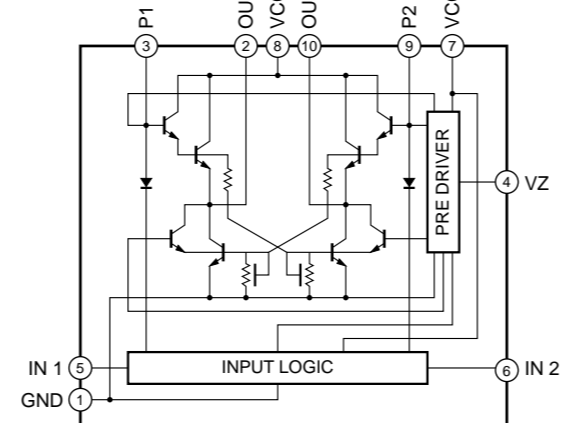
NOTICE (model)

(J)..... JAPANESE
 (U)..... U. S. A
 (C)..... CANADIAN
 (R)..... GENERAL
 (A)..... AUSTRALIAN
 (B)..... BRITISH
 (G)..... EUROPEAN
 (T)..... CHINA
 (L)..... SINGAPORE

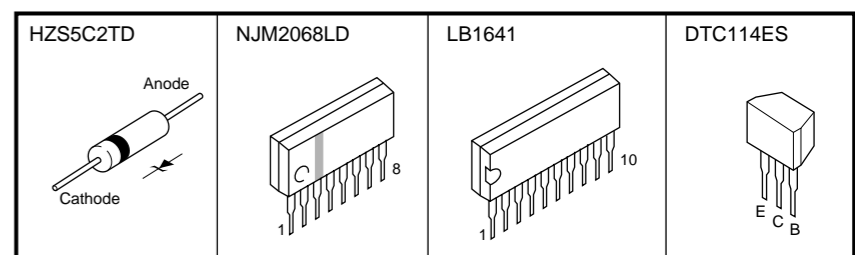
IC401: NJM2068LD
Dual OP-Amp



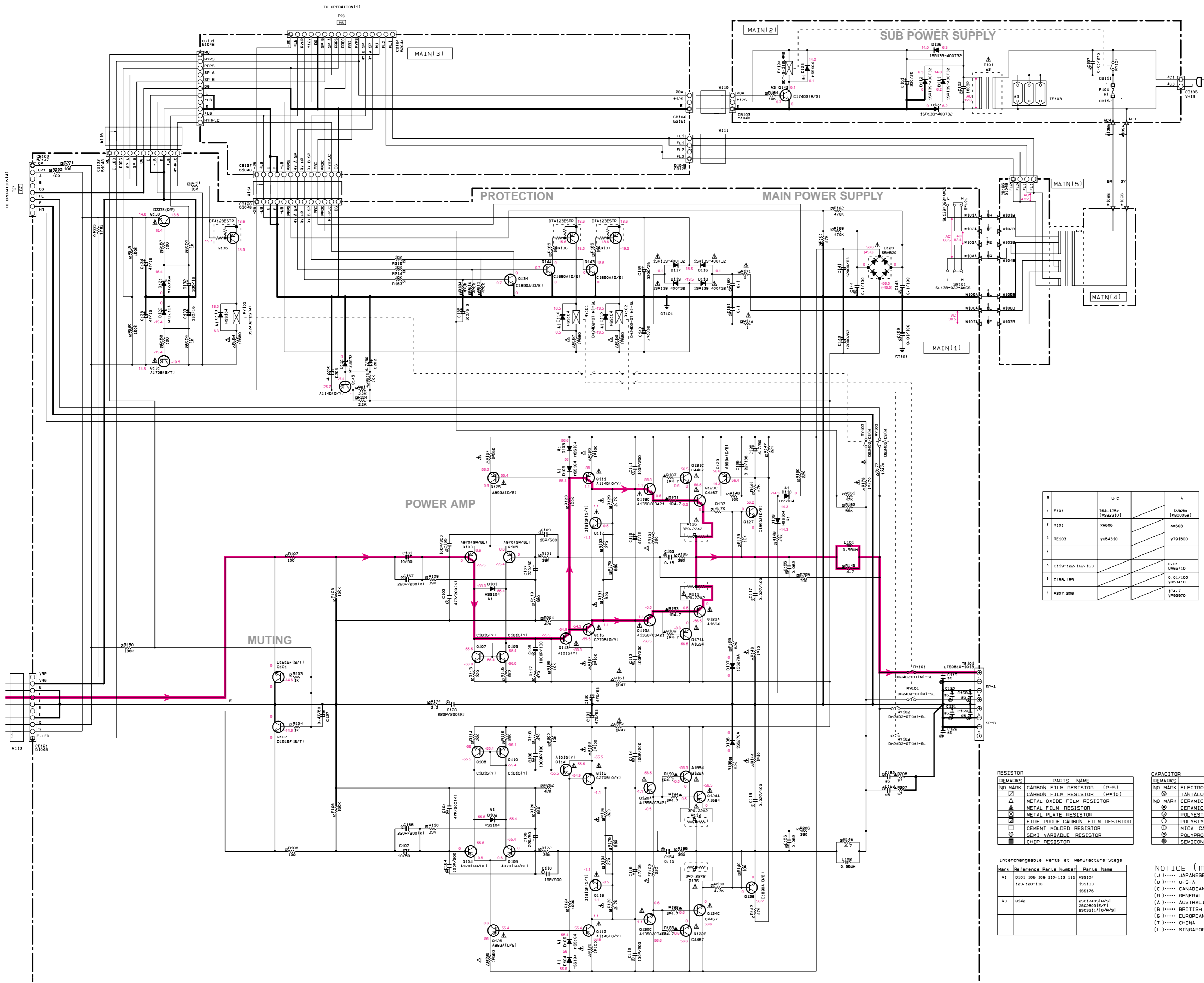
IC405: LB1641
Motor Driver



★ All voltage are measured with a 10MΩ/V DC electric volt meter.
 ★ Components having special characteristics are marked Δ and must be replaced with parts having specifications equal to those originally installed.
 ★ Schematic diagram is subject to change without notice.



RX-777
SCHEMATIC DIAGRAM (MAIN)



1SR139 1SS133 1SS270A MTZ116A MTZ127D	Anode Cathode
S5VB20	
2SC1740S 2SD1915F DTA123ESTP	
2SA893A 2SA970 2SA1015 2SA1145 2SC1815 2SC1890A 2SC2705	
2SA1358 2SC3421	
2SA1694 2SC4467	
2SA1708 2SC4488	

S	U-C	A
1 F101	T6AL 125V LV682101	B300W (H800069)
2 T101	W606	W606
3 TE103	VU64310	VT91500
4		
5 C119-122, 162-163		0.01 W65410
6 C168-169		0.01/100 W653410
7 R207-208		1/4.7 V993970

REMARKS	PARTS NAME
NO MARK	CARBON FILM RESISTOR (P=5)
□	CARBON FILM RESISTOR (P=10)
△	METAL OXIDE FILM RESISTOR
▭	METAL FILM RESISTOR
▭	METAL PLATE RESISTOR
▭	FINE PROOF CARBON FILM RESISTOR
▭	CEMENT MOLDED RESISTOR
▭	SEMI VARIABLE RESISTOR
▭	CHIP RESISTOR

REMARKS	PARTS NAME
NO MARK	ELECTROLYTIC CAPACITOR
⊗	TANTALUM CAPACITOR
NO MARK	CERAMIC CAPACITOR
⊙	CERAMIC TUBULAR CAPACITOR
⊙	POLYESTER FILM CAPACITOR
○	POLYSTYRENE FILM CAPACITOR
⊙	MICA CAPACITOR
⊙	POLYPROPYLENE FILM CAPACITOR
⊙	SEMICONDUCTIVE CERAMIC CAPACITOR

Interchangeable Parts at Manufacture-Stage

Mark	Reference Parts Number	Parts Name
41	0101-106-109-110-113-115 123-128-130	H55104 195133 195176
43	0142	2SC1740S(B/S) 2SC3631E/F/1 2SC3311A(G/R/S)

NOTICE (model)

(J)..... JAPANESE
 (U)..... U.S.A.
 (C)..... CANADIAN
 (R)..... GENERAL
 (A)..... AUSTRALIAN
 (B)..... BRITISH
 (G)..... EUROPEAN
 (T)..... CHINA
 (L)..... SINGAPORE

★ All voltage are measured with a 10MΩ/V DC electric volt meter.
 ★ Components having special characteristics are marked Δ and must be replaced with parts having specifications equal to those originally installed.
 ★ Schematic diagram is subject to change without notice.