

STEREO RECEIVER RX-830/AVR-75

SERVICE MANUAL

IMPORTANT NOTICE

This manual has been provided for the use of authorized Yamaha Retailers and their service personnel. It has been assumed that basic service procedures inherent to the industry, and more specifically Yamaha Products, are already known and understood by the users, and have therefore not been restated.

WARNING: Failure to follow appropriate service and safety procedures when servicing this product may result in personal injury, destruction of expensive components and failure of the product to perform as specified. For these reasons, we advise all Yamaha product owners that all service required should be performed by an authorized Yamaha Retailer or the appointed service representative.


IMPORTANT: The presentation or sale of this manual to any individual or firm does not constitute authorization, certification, recognition of any applicable technical capabilities, or establish a principle-agent relationship of any form.

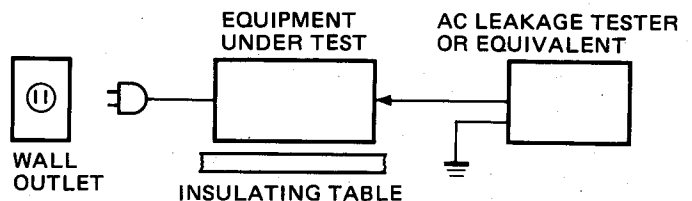
The data provided is believed to be accurate and applicable to the unit(s) indicated on the cover. The research, engineering, and service departments of Yamaha are continually striving to improve Yamaha products. Modifications are, therefore, inevitable and specifications are subject to change without notice or obligation to retrofit. Should any discrepancy appear to exist, please contact the distributor's Service Division.

WARNING: Static discharges can destroy expensive components. Discharge any static electricity your body may have accumulated by grounding yourself to the ground buss in the unit (heavy gauge black wires connect to this buss).

IMPORTANT: Turn the unit OFF during disassembly and parts replacement. Recheck all work before you apply power to the unit.

■ TO SERVICE PERSONNEL

- Critical Components Information.**
Components having special characteristics are marked  and must be replaced with parts having specifications equal to those originally installed.
- Leakage Current Measurement (For 120V Model Only).**
When service has been completed, it is imperative that you verify that all exposed conductive surfaces are properly insulated from supply circuits.
 - Meter impedance should be equivalent to 1500 ohm shunted by 0.15 μ F.
 - Leakage current must not exceed 0.5mA.
 - Be sure to test for leakage with the AC plug in both polarities.



- POLARIZATION (U model only)**
This receiver product is equipped with a polarized alternating-current line plug (a plug having one blade wider than the other). This plug will fit into the power outlet only one way. This is a safety feature.

■ CONTENTS

FRONT PANEL	1	DISPLAY PIN CONNECTION	14
REAR PANELS	1, 2	μ -COM DATA	15
SPECIFICATIONS	3, 4	BLOCK DIAGRAM	16
DIMENSIONS	4	WIRING	17
INTERNAL VIEW	4	PRINTED CIRCUIT BOARD	18~21
DISASSEMBLY PROCEDURES	5	SCHEMATIC DIAGRAM	22, 23
ADJUSTMENTS	5~11	PARTS LIST	24~34
IC BLOCK	11~13	REMOTE CONTROL TRANSMITTER	35~43

100238

YAMAHA

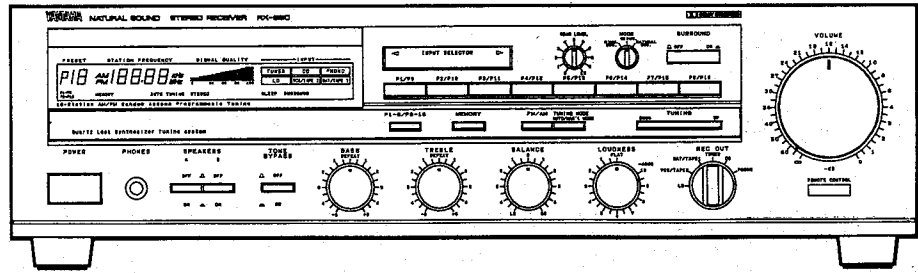
YAMAHA CORPORATION HAMAMATSU, JAPAN

1.75K-756 © Printed in Japan '89.8

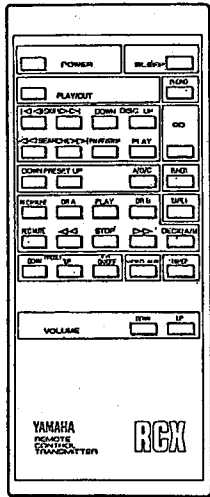
RX-830/AVR-75

FRONT PANEL

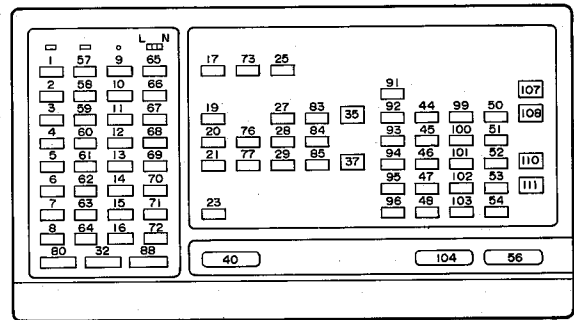
RX-830



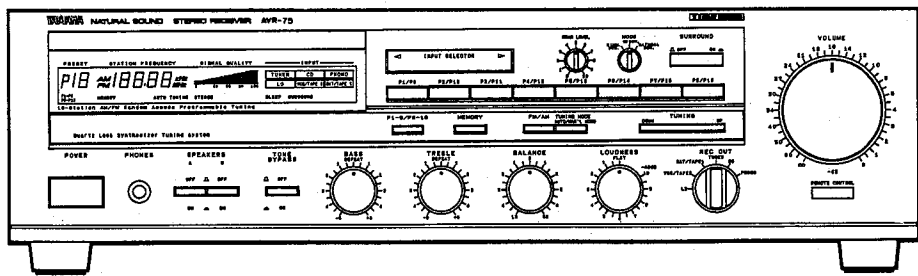
AVR-75 Remote Control Transmitter



RX-830 Remote Control Transmitter

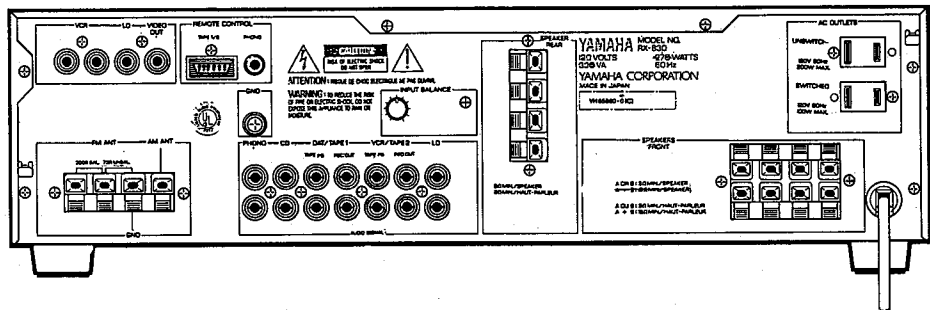


AVR-75

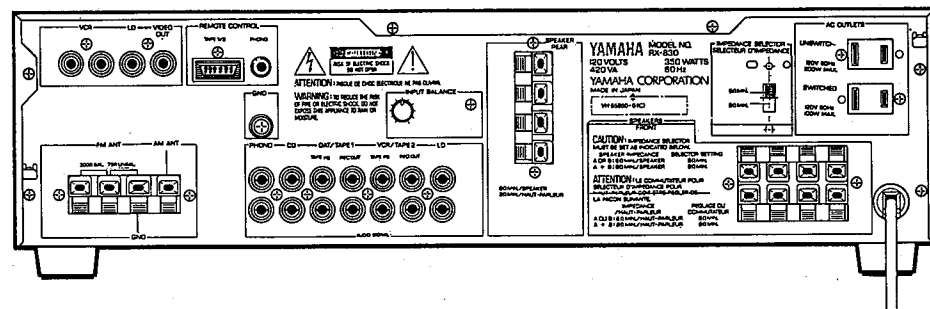


REAR PANELS

RX-830 U model

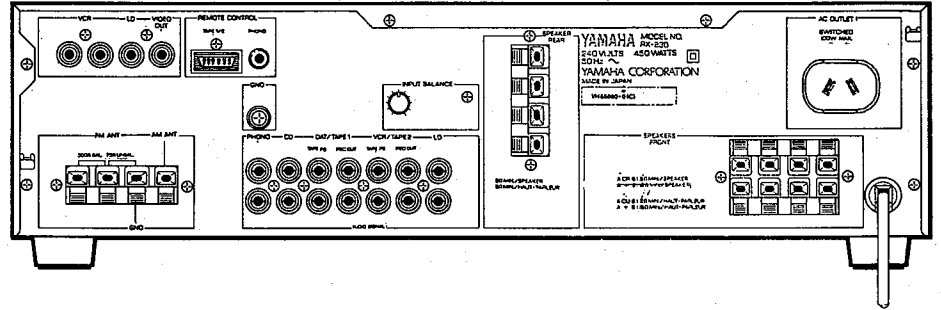


RX-830 C model

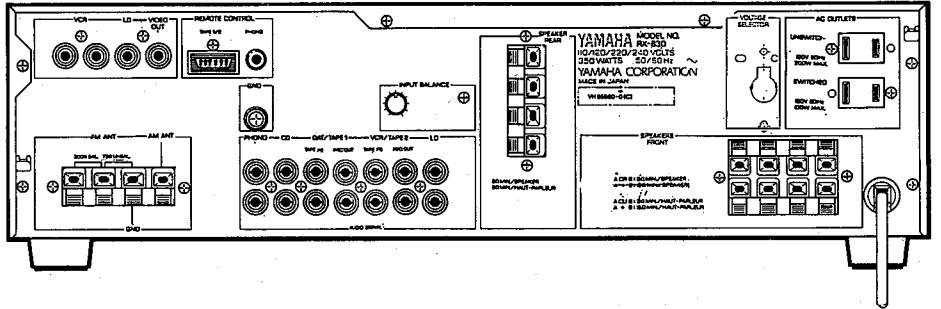


RX-830/AVR-75

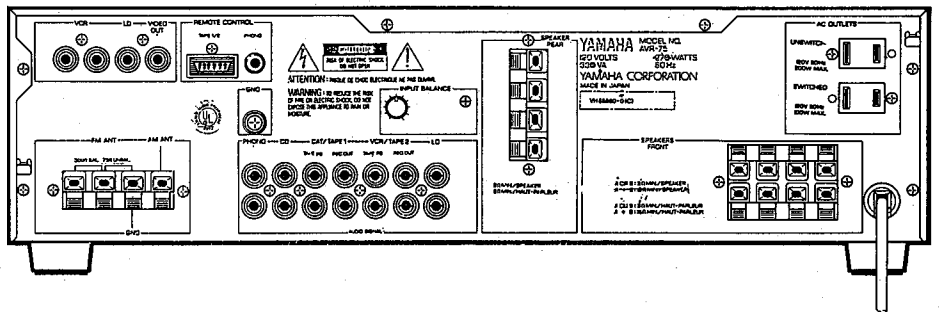
RX-830 A model



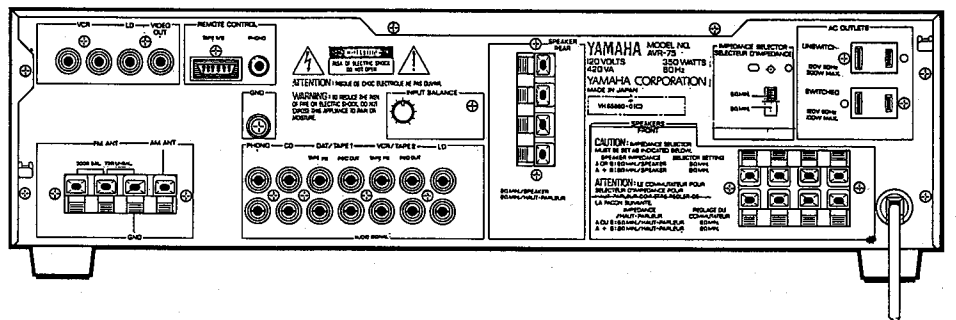
RX-830 P model



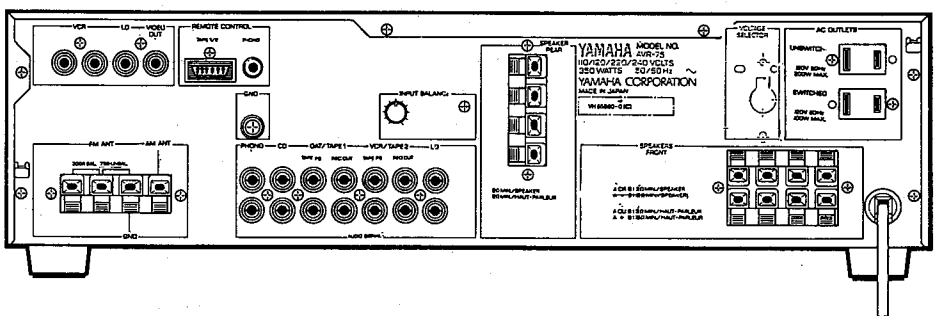
AVR-75 U model



AVR-75 C model



AVR-75 R,P model



RX-830/AVR-75

■ SPECIFICATIONS

AUDIO SECTION

Minimum RMS Output Power per Channel (Front)	
8 ohms, 20 Hz to 20 kHz, 0.015% THD	70 W
6 ohms, 20 Hz to 20 kHz, 0.03% THD	75 W
Output Power per Channel (Rear)	
8 ohms, 1 kHz, 0.1% THD, rear amp direct measurement	15 W
Dynamic Power per Channel (IHF)	
8/6/4/2 ohms	115/140/156/180 W
Power Band Width	
8 ohms, 35 W, 0.1% THD	10 Hz to 50 kHz
Damping Factor	
8 ohms, 1 kHz	50
Input Sensitivity/Impedance	
PHONO	2.5 mV/47 k-ohms
CD/TAPE/VCR/LD	150 mV/47 k-ohms
Input Sensitivity (New IHF)	
PHONO	0.3 mV
CD/TAPE/VCR/LD	17.9 mV
Maximum Input Signal Level (1 kHz, 0.01% THD)	
PHONO	110 mV
Output Level/Impedance	
REC OUT	150 mV/1 k-ohms
Headphone Jack Rated Output/Impedance	
8 ohms, 0.02 % THD	0.8 V/220 ohms
Frequency Response (20 Hz to 20 kHz)	
CD/TAPE/VCR/LD	±0.5 dB
RIAA Equalization Deviation	
PHONO	±0.5 dB
Total Harmonic Distortion (20 Hz to 20 kHz)	
PHONO to REC OUT (3 V)	0.007%
CD/TAPE/VCR/LD to SP OUT (35 W/8 ohms)	0.009%
Intermodulation Distortion	
CD/TAPE/VCR/LD (Rated Output/8 ohms)	0.01%
Signal-to-Noise Ratio (IHF-A Network)	
PHONO (5 mV Input Shorted)	92 dB
CD/TAPE/VCR/LD (Shorted)	98 dB
Residual Noise (IHF-A Network)	200 µV
Channel Separation (1 kHz/10 kHz, Vol. -30 dB)	
PHONO (Input Shorted)	59 dB
CD/TAPE/VCR/LD (Input 5.1 k-ohms Terminated)	57 dB
Tone Control Characteristics	
BASS: Boost/cut	±10 dB (50 Hz)
Turnover Frequency	350 Hz
TREBLE: Boost/cut	±10 dB (20 kHz)
Turnover Frequency	3.5 kHz

Continuous Loudness Control-40 dB (1 kHz)
(Level related equalization)

VIDEO SECTION

Input Sensitivity/Impedance	1 V/75 ohms
Output Level/Impedance	1 V/75 ohms
Maximum Input Level/Impedance	More than 1.5 V/75 ohms

FM SECTION

Tuning Range	87.5 to 107.9 MHz
50 dB Quieting Sensitivity	
Mono	1.55 µV (15.1 dBf)
Stereo	21 µV (37.7 dBf)
Usable Sensitivity	
IHF Mono, 1 kHz, 100% mod., 75 ohms	0.8 µV (9.3 dBf)
Limiting Sensitivity	0.94 µV
Image Response Ratio	45 dB
IF Response Ratio	80 dB
Spurious Response Ratio	70 dB
AM Suppression Ratio	55 dB
Capture Ratio	1.5 dB
Alternate Channel Selectivity	55 dB
Signal-to-Noise Ratio (IHF) Mono/Stereo	81/76 dB
Harmonic Distortion (1 kHz)	
Mono/Stereo	0.07%
Stereo Separation (1 kHz)	52 dB
Frequency Response	
30 Hz to 15 kHz	0 ±0.5 dB

AM SECTION

Tuning Range	530 to 1,610 kHz
Usable Sensitivity	100 µV/m
Selectivity	32 dB
Signal-to-Noise Ratio	50 dB
Image Response Ratio	40 dB
Spurious Response Ratio	50 dB
Harmonic Distortion (400 Hz)	0.3%

AUDIO SECTION

Output Level/Impedance
 FM (100% mod., 1 kHz) 500 mV/3.3 k-ohms
 AM (30% mod., 400 Hz) 150 mV/3.3 k-ohms

GENERAL

Power Supply
 [U.S.A. and Canada models] AC 120 V, 60 Hz
 [General model PX model]
 AC 110-120/220-240 V, 60/50 Hz
 [Australian model] AC 240V 50Hz
 Power Consumption 350 W

AC Outlets
 Switched 100 W max.
 Unswitched 200 W max.

Dimensions (W x H x D) 435 x 126 x 291 mm
 (17-1/8" x 4-15/16" x 11-7/16")

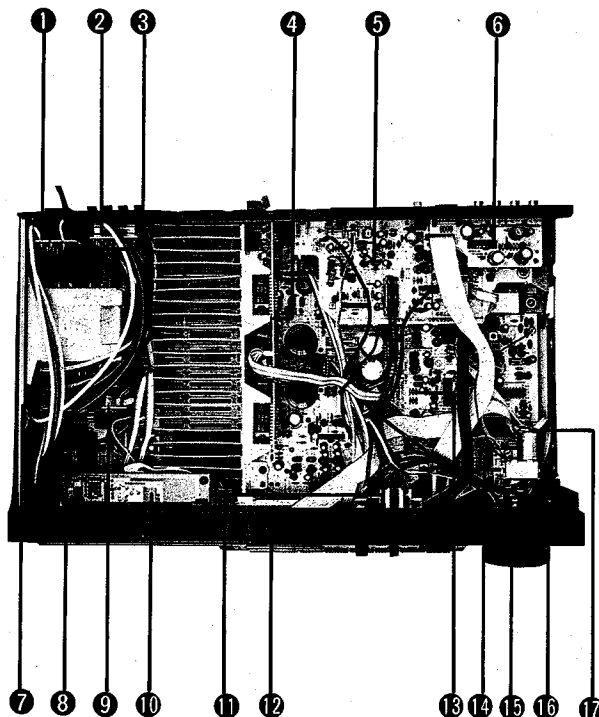
Weight 7.5 kg (16 lbs. 8 oz.)

AccessoriesAM loop antenna x 1
 Indoor FM antenna x 1
 Remote control cable (mini-plug) x 1
 Remote control cable (6-pin) x 1
 Remote control transmitter x 1
 Battery x 2

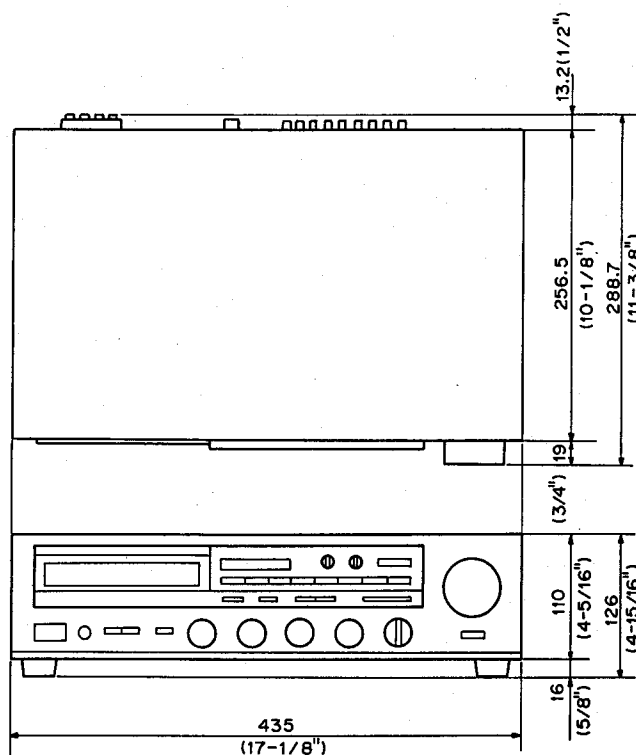
Specifications subject to change without notice.

UU,S,A model RGeneral model
 CCanadian model PPX model
 AAustlalian model

INTERNAL VIEW



DIMENSIONS



- ① Main Circuit Board (11)
 (U,C,R,P models)
 Main Circuit Board (13)
 (A,model only)
- ② Main Circuit Board (12)
 (R,P models)
- ③ Main Circuit Board (4)
- ④ Surround Circuit Board (2)
- ⑤ Surround Circuit Board (1)
- ⑥ Main Circuit Board (6)
- ⑦ Main Circuit Board (9)
- ⑧ Main Circuit Board (3)
- ⑨ Main Circuit Board (5)
- ⑩ LCD Circuit
- ⑪ Surround Circuit Board (3)
- ⑫ Surround Circuit Board (4)
- ⑬ Main Circuit Board (1)
- ⑭ Main Circuit Board (2)
- ⑮ Main Circuit Board (10)
- ⑯ Main Circuit Board (8)
- ⑰ Main Circuit Board (7)

RX-830/AVR-75

■ DISASSEMBLY PROCEDURES (Remove parts in disassembly order as numbered)

1. Removal of Top Cover

Remove 7 screws (①) in Fig.1 and slide the Top Cover back and up.

2. Removal of Front Panel

Remove 4 screws (②) and 4 hooks in Fig.1, and pull the Front Panel forward.

3. Removal of Rear Panel

Remove 16 screws (③) in Fig.1.

4. Removal of Radiator

a. Remove 3 screws (④) in Fig.1.

b. Remove 1 plastic rivet (⑥) in Fig.2.

c. Remove 4 screws (⑦) in Fig.2.

5. Check of Main Circuit Board (1) and replacement of parts.

a. Remove 3 screws (⑤) in Fig.1.

b. Remove the Main Chassis as shown in Fig.2.

In this condition it is possible for you to check the Main circuit Board (1), and replace the parts.

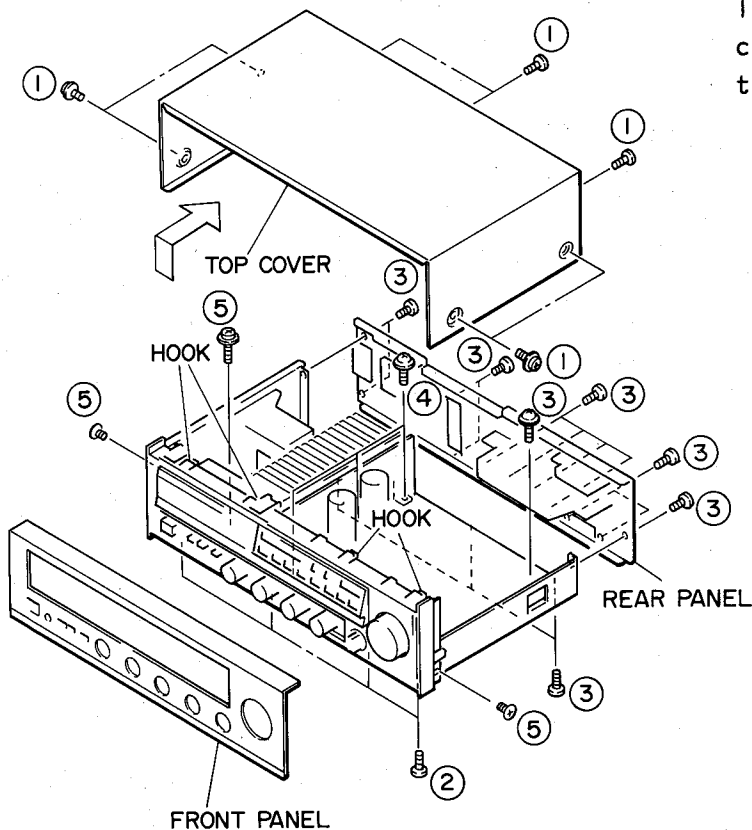


Fig.1.

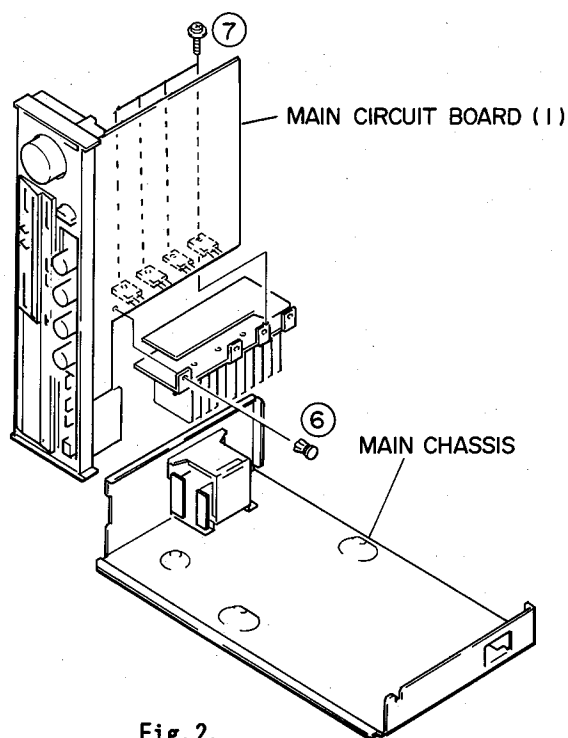


Fig.2.

■ ADJUSTMENTS

1. Before adjustment

- 1) After the power switch is pushed on, wait for 5 minutes before measuring, to be sure of the most stable operation.
- 2) Adjust the OSC coil and IFT with a nonferrous screw driver.
- 3) Set the switches to the following positions.
TUNING MODE.....AUTO
- 4) Proceed with the AM section adjustments after having finished the FM section adjustment.
- 5) $0\text{dB}\mu = 1\mu\text{V}$ Ex.: $60\text{dB}\mu = 1\text{mV}$

2. Measuring instruments abbreviation

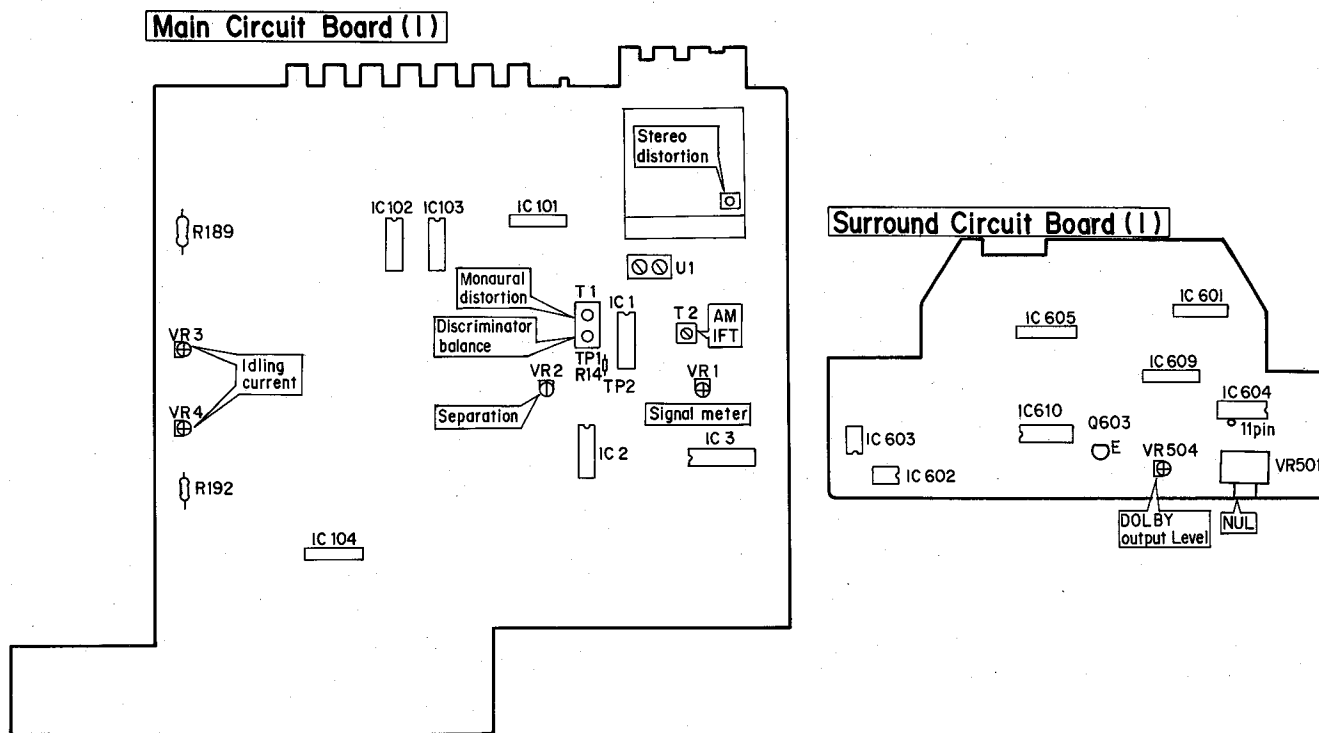
- | | |
|---------|---------------------------|
| FM SG | : FM signal generator |
| SSG | : Stereo signal generator |
| AM SG | : AM signal generator |
| DIST.M | : Distortion meter |
| FC | : Frequency counter |
| A.C.V.M | : AC voltmeter |
| D.C.V.M | : DC voltmeter |
| OSC | : Oscilloscope |

<POWER SUPPLY CHECK>

Check that the following voltages are obtained respectively across each test point and ground on main circuit.

Test point	Rating or standard	C model	Remark
C199 (+)	+B +50V±5V	+40V±5V	Make sure that AC line voltage comes within Models AC line voltage U.C 120V±10% A 240V±10%
C200 (-)	-B -50V±5V	-40V±5V	
C215 (+)	+C +28V±3V	+28V±3V	
C216 (-)	-C -28V±3V	-28V±3V	
D106 Anode	+40V +40V±5V	+34V±5V	
Q123 EMITTER	+12V +12.6V±0.5V	+12.6V±0.5V	
Q124 EMITTER	-12V -12.6V±0.5V	-12.6V±0.5V	
D107 Anode	+9V +9.5V±0.5V	+9.5V±0.5V	
D108 Cathode	-9V -9.5V±0.5V	-9.5V±0.5V	
IC4 64pin	5V +5.0V±0.3V	+5.0V±0.3V	

TEST POINT



<AUDIO SECTION >

Step	Item to be adjusted	Connection terminal	Instrument required	Adjustment locations	Adjustment method	Rating or standard	Remarks
1	IDLING CURRENT	Across the terminal of R189	DCVM	VR3 (L ch)	After the POWER switch is turned on, wait about 5 minutes in nonloaded condition.	2.5mV ~3.5mV DC	non signal
		Across the terminal of R192		VR4 (R ch)			
2	DOLBY DISTORTION	REAR CH. SP OUTPUT	DIST-M ACVM	VR504	Make distortion minimum.	11V±0.5V 1.5% or less	CD INPUT terminal 400Hz 150mV

RX-830/AVR-75

<FM TUNER SECTION>

- Use 19kHz L.P.F. to measure the output.
- 100% modulation means that the Frequency Deviation is 75kHz.
- Shorting IC4(49pin) and GND makes it possible to preset as given in the under-mentioned table, but if the shortening is conducted, the memory that user preset puts out. Therefore, use the method only when the preset has to be done by all means.

	SW107 ※ (R, P models)		P1/P9	P2/P10	P3/P11	P4/P12	P5/P13	P6/P14	P7/P15	P8/P16
U.C	AM 10kHz	FM 100kHz	AM 630kHz	AM 1080kHz	AM 1440kHz	FM 87.5MHz	FM 95.1MHz	FM 98.1MHz	FM 101.5MHz	FM 107.9MHz
A	AM 9kHz	FM 50kHz	AM 630kHz	AM 1080kHz	AM 1440kHz	FM 87.5MHz	FM 95.1MHz	FM 98.1MHz	FM 101.5MHz	FM 108.0MHz

Note :※ Marked.

U,C models change by step of AM10kHz, FM200kHz.

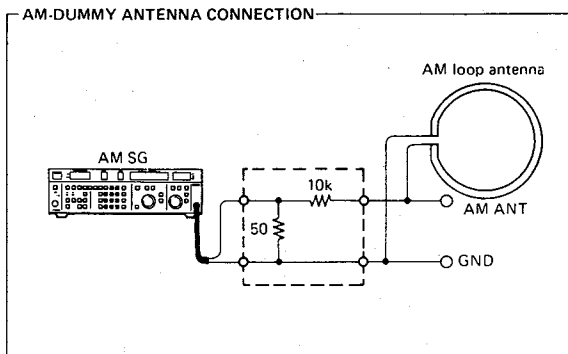
A model change by step of AM9kHz, FM50kHz.

Step	Item to be adjusted	Connection terminal	Instrument required	Adjustment locations	Adjustment method	Rating or standard	Remarks
1	Discriminator balance	FM ANT 300Ω	FM SG 98.1MHz 70dB μ MONO 100Hz 100% MOD	T1 (Discriminator balance)	Receive 98.1MHz and adjust so that digital voltmeter reading is 0 ±50mV.	0 ±50mV DCVM	Tuned point.
		TP1 and TP2	DCVM				
2	Monaural distortion	FM ANT 300Ω	FM SG 98.1MHz 70dB μ MONO 100Hz 100% MOD	T1 (Monaural distortion)	Reduce distortion to minimum		
		REC OUT	DIST-M LPF, OSC				
3	Stereo distortion	FM ANT 300Ω	FM SG, SSG 98.1MHz 70dB μ STEREO L,R 1kHz 100% MOD	FRONT-END IFT	Same as step 2.	-46dB or less (1kHz)	Confirm that STEREO indicator lights up.
		REC OUT	DIST-M LPF, OSC				
4	Confirmation of Monaural distortion	FM ANT 300Ω	FM SG 98.1MHz 70dB μ MONO 1kHz 100% MOD		Confirm that the monaural distortion is satisfied the specifications.	-56dB or less (1kHz)	If not, return to step 2 and re-adjust.
		REC OUT	DIST-M LPF, OSC				

Step	Item to be adjusted	Connection terminal	Instrument required	Adjustment locations	Adjustment method	Rating or standard	Remarks
5	Sensitivity	FM ANT 300Ω	FM SG 98.1MHz MONO 1kHz 100% MOD		Lower the output level of FM SG from 15dBμ so that ACVM reading (S/N) is 30dB. (Ratio between the modulation (S) and non-modulation (N) is 30dB). And confirm that the SG level satisfied the specifications.	10dBμ or less	
		REC OUT	ACVM OSC				
6	Separation adjustment	FM ANT 300Ω	FM SG SSG 98.1MHz 70dB μ STEREO L,R 1kHz 100% MOD	VR2 (SEPARATION)	Set SSG output to L or R and make signal leakage for opposite channel minimum.	More than 36dB	
		REC OUT	ACVM L.P.F				
7	Confirmation of discriminator balance	FM ANT 300Ω	FM SG 98.1MHz 70dB μ MONO 1kHz 100% MOD		Receive 98.1MHz and adjust so that digital voltmeter reading is 0 ±50mV.	0 ±50mV DCVM	Tuned point
		TP1 and TP2	DCVM				
8	Signal meter	FM ANT 300Ω	FM SG 98.1MHz 45dB μ MONO 1kHz 30% MOD	VR1	Adjust that all signal quality indicators light up.		Confirm that all signal quality indicators go off at detuned point.
		TP3 and GND	DCVM				
9	Confirmation of auto search reception	FM ANT 300Ω	FM SG 98.1MHz 32dB μ/300Ω MONO 1kHz 30% MOD		Check that auto search reception is possible with UP/DOWN key.		Confirm that muting is performed at auto reception.

<AM TUNER SECTION>

- Connect the AM loop antenna to the AM ANT terminal.
- Connect the AM dummy antenna for adjustment to AM AG.
- Check that the AM SG precision is within $\pm 0.1\text{kHz}$.



Step	Item to be adjusted	Connection terminal	Instrument required	Adjustment locations	Adjustment method	Rating or standard
1	IFT adjustment	AM ANT	AM dummy antenna AM SG 1080kHz 50dB μ 400Hz, 30% MOD	T2	Adjust so that the detector output is maximum.	
		REC OUT	ACVM OSC			
2	Confirmation of sensitivity	AM ANT	AM dummy antenna AM SG 630kHz 1080kHz 1440kHz 400Hz, 30% MOD		Lower the output level of AM SG from 80dB μ so that ACVM reading (S/N) is 20dB (Ratio between the modulation (S) and non-moduration (N) is 20dB). And confirm that the SG level is satisfied the specifications.	60dB μ or less
		REC OUT	ACVM			
3	Signal meter full scale	AM ANT	AM dummy antenna AM SG 1080kHz 100dB μ 400Hz, 30% MOD		All signal quality indicators light up.	When not adjusted none light.
4	Confirmation of auto-search	AM ANT	AM dummy antenna Am SG 1080kHz 65dB μ 400Hz, 30% MOD		Check that auto search reception is possible with the UP/DOWN key.	Sound is muted during search operation.

RX-830/AVR-75

(DIGITAL CONTROL SECTION)

Step	Confirmation item	Connection terminal	Instrument required	Operation key	Confirmation method
1	Preset memory	300Ω FM ANT	FM SG.SSG 98.1MHz 70dBμ STEREO.L.R 1kHz.100% MOD	·FM.AM ·TUNING MODE (AUTO) ·TUNING (UP or DOWN) ·MEMORY ·PRESET STATION ·PI-P8/P9-PI6	1.Receive FM 98.1MHz by means of auto search. 2.Press MEMORY key→MEMORY indicator flashes about 5 seconds. 3.Press PI→MEMORY indicator goes off and PI is displayed.
		AM ANT	AM SG AM dummy antenna 1080kHz ±0.1kHz 65dBμ 400Hz.30% MOD		4.Receive AM 1080kHz. 5.Press TUNING MODE key →AUTO indicator goes off. 6.Press PI-8/P9-16 key→P9-16 indicator flashes. 7.Press MEMORY key→MEMORY indicator flashes about 5 seconds. 8.Press PI5 →MEMORY indicator goes off and PI5 is displayed. 9.Press PI and PI5 and check that content is read out properly.
2	Tuning mode	Same as step 1	Same as step 1	·FM.AM ·TUNING MODE (MAN'L) ·TUNING (UP or DOWN)	1.Tune to FM 98.1MHz. 2.Press TUNING MODE key →AUTO,STEREO indicators go off. 3.Tune to AM 1080kHz →AUTO indicator goes off. 4.Check that Manual Search reception is possible with the UP/DOWN key.
3	Last station memory			PRESET STATION PI POWER	1.Press PI. →FM 98.1MHz is displayed. 2.Turn POWER key off. 3.After 5 seconds,turn POWER key on. 4.Check that PI content →PI and FM 98.1MHz is displayed.

< DOLBY SECTION >

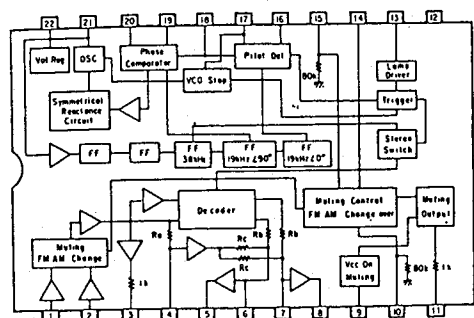
Step	Item to be adjusted	Connection Terminal	Instrument required	Adjustment locations	Adjustment method	Rating or standard
1	Confirmation of frequency response (6kHz)	Q603 Emitter	ACVM A.F.OSC		Read the numerical value of each ACVM when 400Hz & 6kHz signal is input to either Lch or Rch.	Within 2dB based on 400Hz. (150mV RMS)
2	Dolby Output Adjustment	IC604(11pin)	ACVM A.F.OSC	VR504	Read Output Level of IC604's 11pin when signal of 400Hz & 150mV is input to either Lch or Rch	190mV±5mV
3	Confirmation of frequency characteristics	Rear SP Output	ACVM A.F.OSC	See Table 1.		
4	S/N confirmation of surround Mode	Rear SP Output	ACVM A.F.OSC		Confirm the reading of the SP OUT according to each mode respectively when the signal of 400Hz, 150mV, is input.	DOLBY MODE : More than 55dB SIMULATED,NATURAL MODE: More than 60dB
5	Confirmation of SURROUND Amp.	Rear SP Output	ACVM A.F.OSC		Check the reading of the SP OUT when Signal of 400Hz,55mV RMS is input to input terminal.	21dBV±3dB(11V,8 Ω)

Table 1 : Confirmation of Frequency Characteristics by each mode

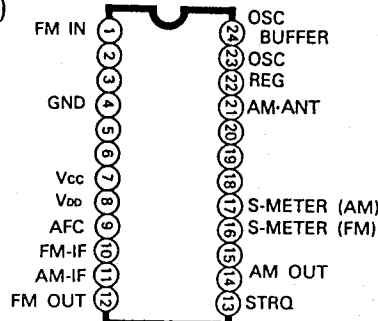
Lch or Rch Input	NATURAL MODE		SIMULATE MODE	DOLBY MODE
	L	R	Both Channel	Both Channel
200Hz	0	1 ± 1	-3.5dB ± 1dB	7kHz is -3 ± ¼dB DELAY TIME 20±4mSEC making 400Hz=0dB the basis of the calculation.
1kHz	6 ± 1	Less than	2.5dB ± 1dB	
4kHz	Less than	7.0±2	Less than -6.5dB	
10kHz	5 ± 2	4.5±2	1.5dB±1dB	
400Hz	<0.7%		<0.7%	<1.5%
VR501 NUL				Read the REAR SP OUT Terminal when a 1kHz signal (the same level and inphase) is input to both Lch and Rch simultaneously. Less than -30dB(1kHz)

IC BLOCK

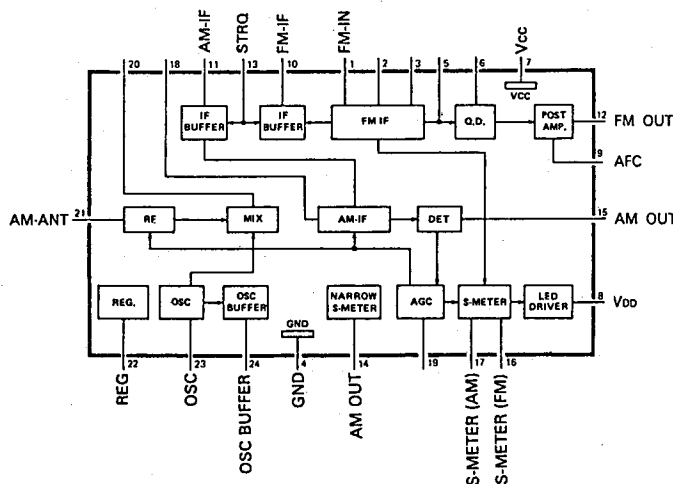
IC2 : LA3401
(MPX)



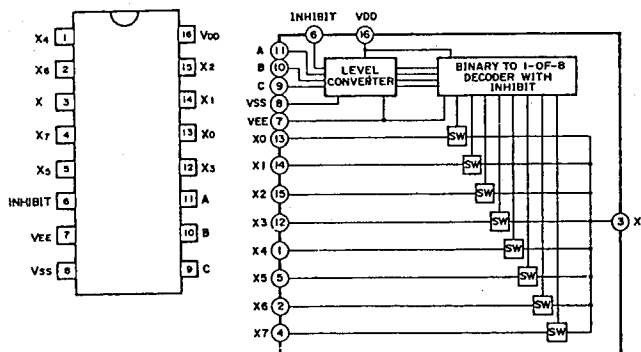
IC1 : LA1266
(AM/FM IF)



Pin No.	Function
1	Input (AM)
2	Input (FM)
3	Composite Amp Output
4	Separation Adi
5	Post Amp Output
6	Post Amp Input
7	Post Amp Input
8	Post Amp Output
9	Muting ON (Vcc)
10	AM/FM Select
11	Muting Output
12	GND
13	Stereo Indicator
14	Mute Select
15	Muting
16	Pilot Detector Filter
17	Pilot Detector Filter, VCO Stop
18	PLL Input
19	Loop Filter
20	Loop Filter
21	OSC
22	Vcc



IC102,103 : TC4051BP
(Single 8-Channel Multiplexer/Demultiplexer)

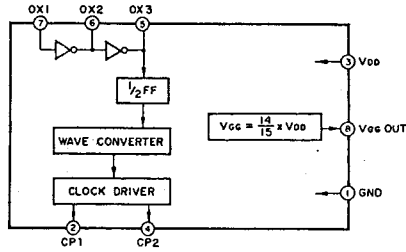


Truth Table

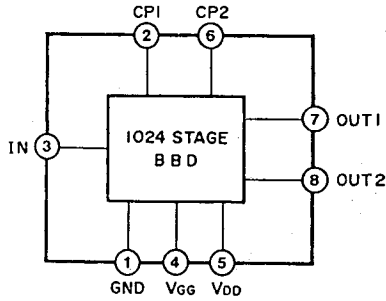
INHIBIT	CONTROL INPUT			"ON" CHANNEL
	C	B	A	
L	L	L	L	X ₀
L	L	L	H	X ₁
L	L	H	L	X ₂
L	L	H	H	X ₃
L	H	L	L	X ₄
L	H	L	H	X ₅
L	H	H	L	X ₆
L	H	H	H	X ₇
H	X	X	X	NONE

H: HIGH LEVEL L: LOW LEVEL X: H or L

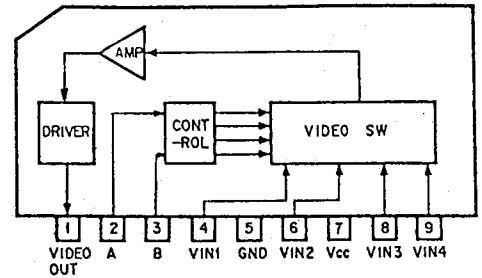
IC603 : MN3101
(Delay Time Controller)



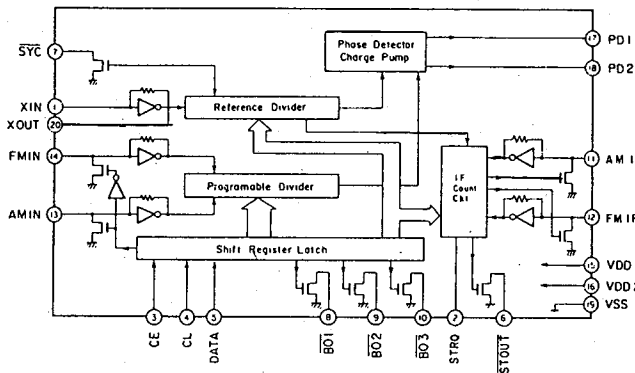
IC602 : MN3007Y
(Delay)



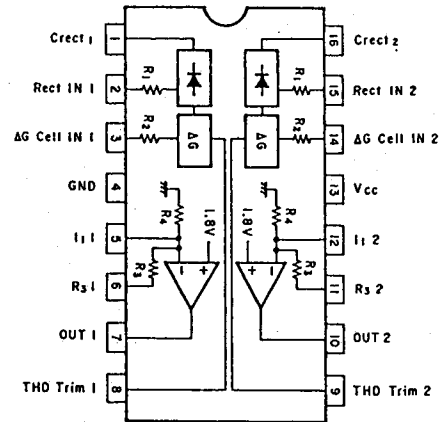
IC301 : LA7952
(Video Switch)



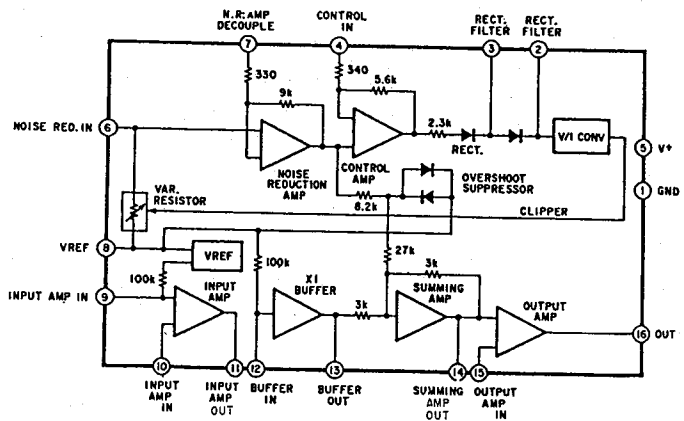
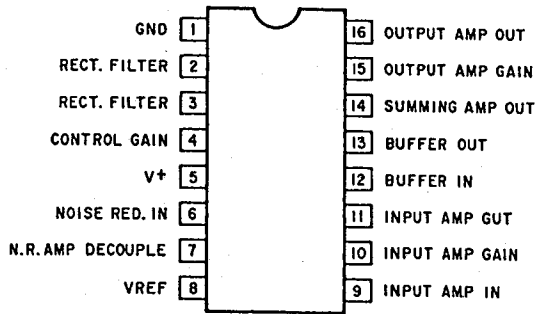
IC3 : LM7000N
(PLL)



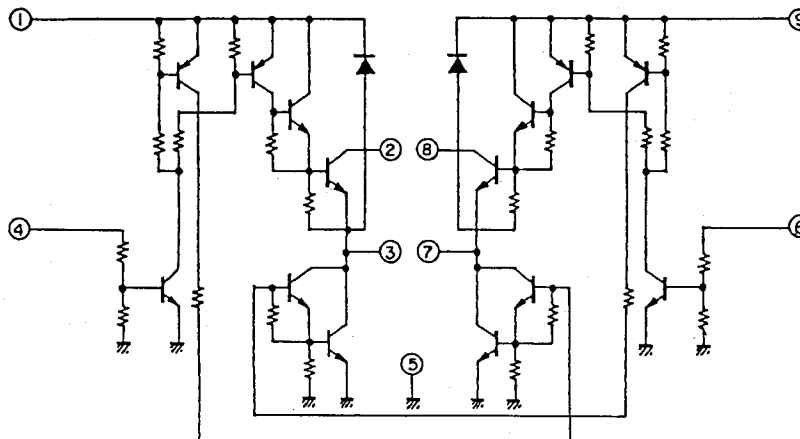
IC610 : μPC1571
(Compressor)



IC604 : LA2730
(Dolby Encoder/Decoder)

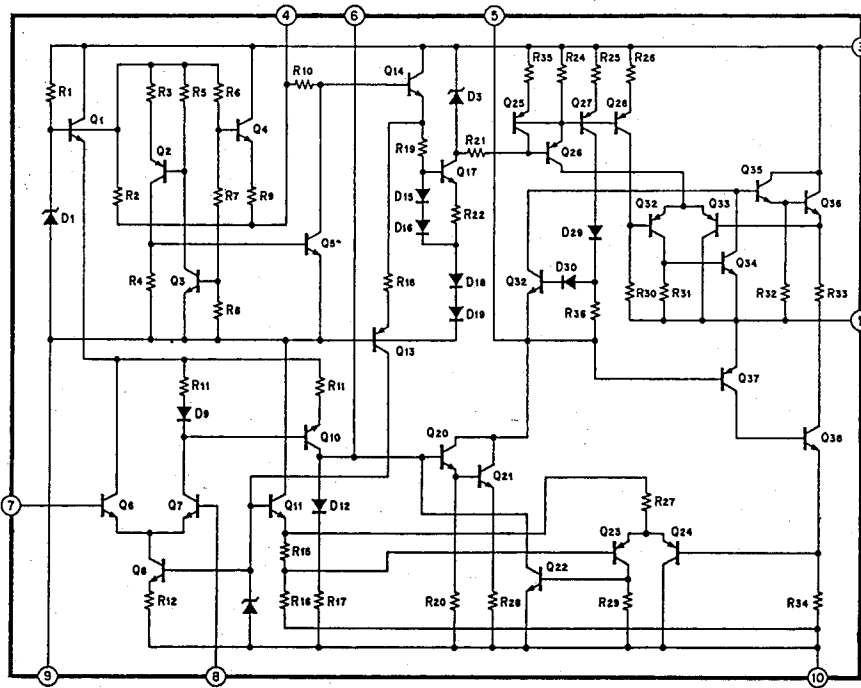


IC5 : M54542L
(MOTOR DRIVE)

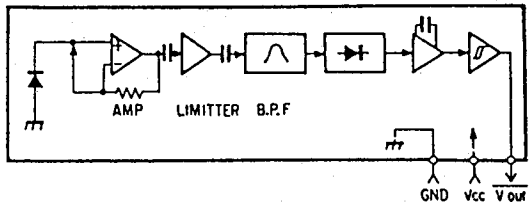


RX-830/AVR-75

IC607, 608 : μ PC1188H
(Power IC)

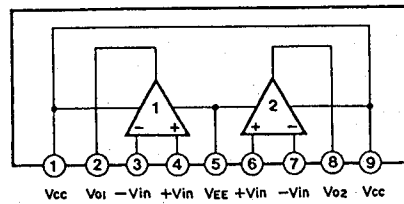


U2 : GPIU501X
(Remote Control Receptor Unit)



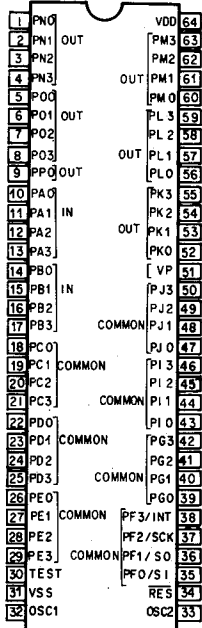
IC605, 606 : NJM4558S
(Ope-Amp)
IC601, 609 : μ PC4570HA
(Ope-Amp)

IC101, 104 : NJM2043S
(Pre-Amp)



μ-COM DATA

IC4 : LC6554H-4084
(4-Bit μ - COM)



PIN	I/O	FUNCTION	OPTION	PIN	I/O	FUNCTION	OPTION
1	PN 0	0 TP 0	PD	64	V _{DD}	- V _{DD}	
2	PN 1	0 TP 1	PD	63	PM 3	0 PLRS	PD
3	PN 2	0 TP 2	PD	62	PM 2	0 OUT 3	PD
4	PN 3	0 TP 3	PD	61	PM 1	0 OUT 2	PD
5	PO 0	0 D1	OD	60	PM 0	0 OUT 1	PD
6	PD 1	0 D2	OD	59	PL 3	0 CDV	OD
7	PD 2	0 D3	OD	58	PL 2	0 VCR 2	OD
8	PD 3	0 D4	OD	57	PL 1	0 VCR 1	OD
9	PP 0	0 D5	OD	56	PL 0	0 TAPE/VCR	OD
10	PA 0	I KI	-(EX PD)	55	PK 3	0 DAT	OD
11	PA 1	I K2	-(EX PD)	54	PK 2	0 TUN	OD
12	PA 2	I K3	-(EX PD)	53	PK 1	0 CD	OD
13	PA 3	I K4	-(EX PD)	52	PK 0	0 PHONO	OD
14	PB 0	I CDD		51	V _p	- V _p	
15	PB 1	I SLEEP		50	PJ 3	0 A MUT	
16	PB 2	I 8-6		49	PJ 2	0 TEST	
17	PB 3	I HOLD		48	PJ 1	0 MUTE	
18	PC 0	0 PON		47	PJ 0	0 WIDE	
19	PC 1	I AI		46	PI 3	0 T MUT	
20	PC 2	I A2		45	PI 2	0 MONO	
21	PC 3	I PSW		44	PI 1	0 INH	
22	PD 0	0 VI		43	PI 0	0 CE 2	
23	PD 1	0 V2		42	PG 3	0 STRO	
24	PD 2	0 VOLUP		41	PG 2	0 CE 1	
25	PD 3	0 VOLDN		40	PG 1	0 C1	
26	PE 0	0 SP.A		39	PG 0	0 DATA	
27	PE 1	0 SP.B		38	PF 3	I REMO	
28	PE 2	I PODN		37	PF 2	0 STO	
29	PE 3	0 STBY		36	PF 1	I STSG	
30	TEST	- TEST		35	PF 0	I ST	

Input Selector

Function (display)	LD	VCR2	VCR1	TAPE2	TAPE1	DAT/TUNER	CD	PHONO
PM0 (60)	I	0	I	0	I	0	I	0
PM1 (61)	I	I	0	0	I	I	0	0
PM2 (62)	I	I	I	I	0	0	0	0
PDO (22)	I	I	0	-	-	-	-	-
PD1 (23)	0	I	I	-	-	-	-	-

Remote Control (PHONO)

VOL	UP	DOWN
Pin No. PD2 (24)	I	0
Pin No. PD3 (25)	0	I

Remote Control (Tape)

Function (display)	PLAY	◀	▶	□	REC/PAUSE	REC/MUTE	A/B	DIR A	DIR B
PA0 (10)	0	I	0	I	I	0	I	0	I
PA1 (11)	0	I	I	0	0	I	I	G	0
PA2 (12)	I	0	0	0	I	I	I	I	I
PA3 (13)	0	0	0	0	0	0	I	I	I

remote Control Terminal (Tape)



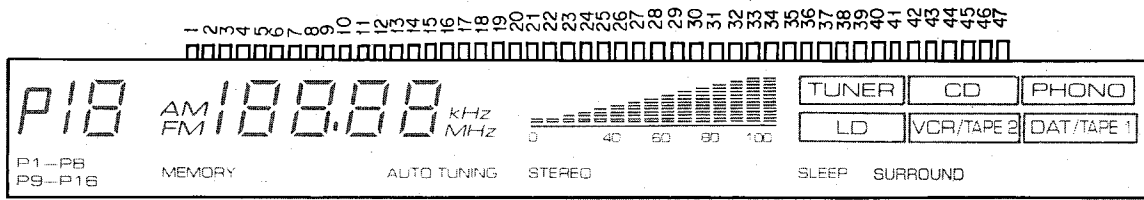
NC
TR0 (PA0)
TR1 (PA1)
TR2 (PA2)
TR3 (PA3)
NC

When checking the Remote Control function, connect the Remote Control Cable and Pin-plug cable securely.
(Pin-plug cable forms Remote Control GND circuit.)

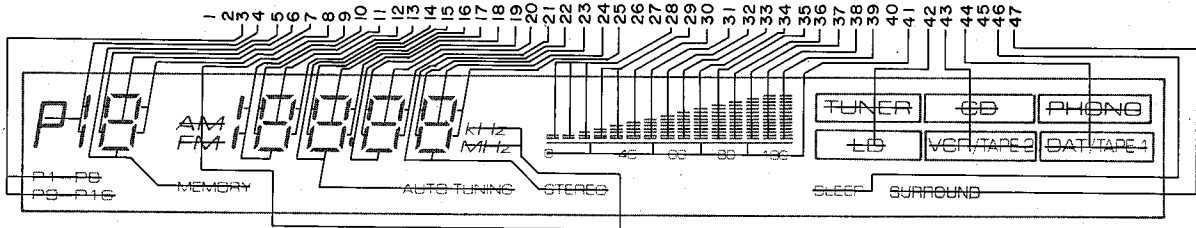
RX-830/AVR-75

■ DISPLAY Pin Connection

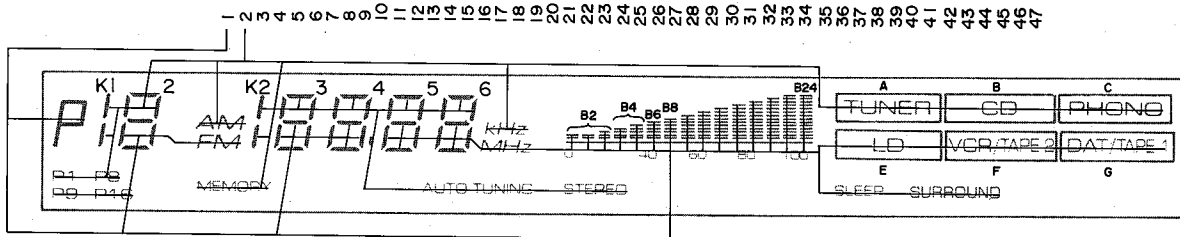
LCD : LCD8049MJP (AVR-75)
 LCD8049BJP (RX-830)



SEGMENT



COMMON



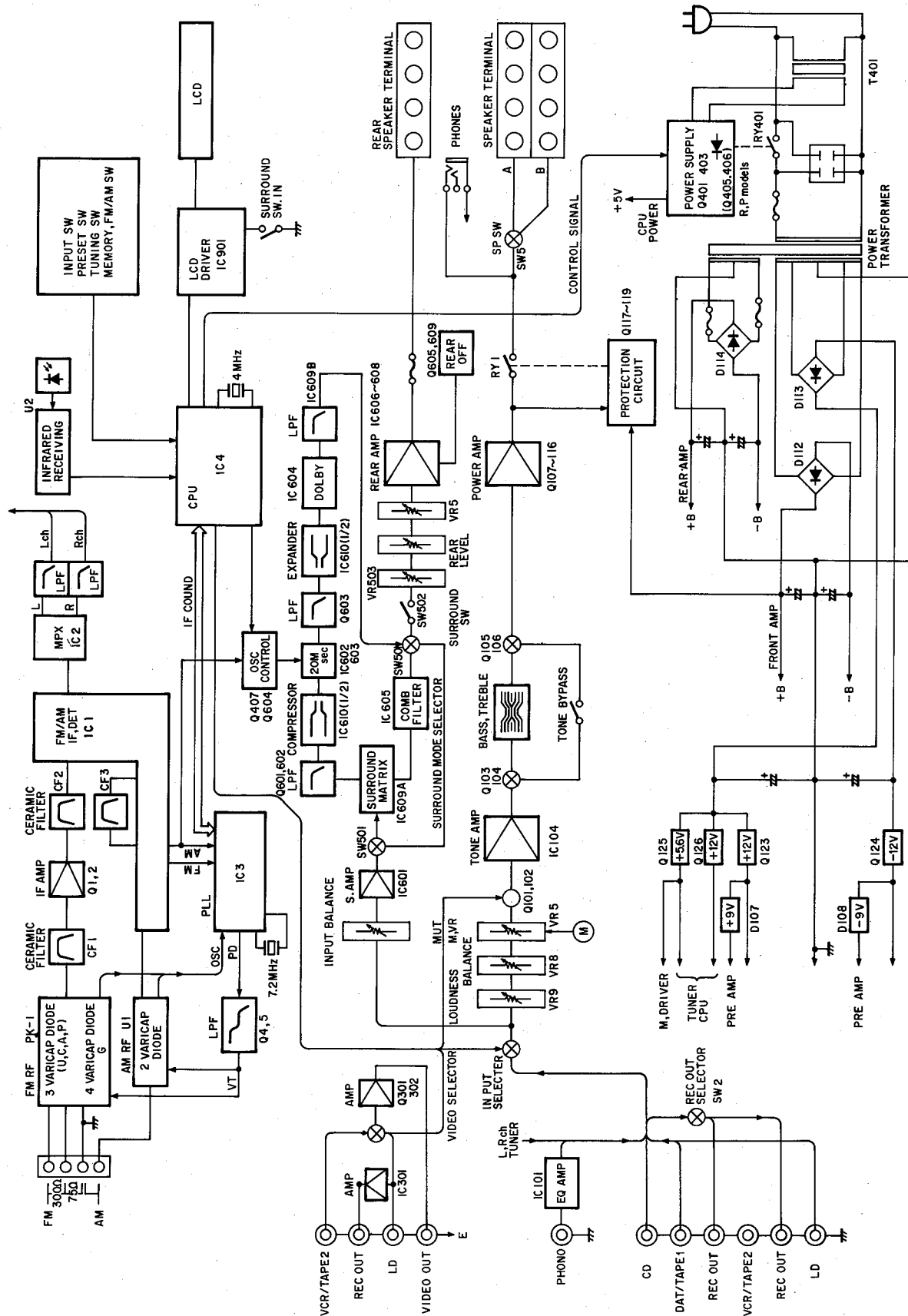
NO	1	2	3	4	5	6	7	8	9	10	11	12	13	14	15	16	17	18
COM1	-	COM	P1-P8	K1	MEMORY	2f	2a	2b	AM kHz	K2	3f	3a	3b	1)	4f	4a	4b	COL
COM2	COM	-	P9-P18	P	2d	2e	2g	2c	FM MHz	3d	3e	3g	3c	4d	4e	4g	4c	5d

NO	19	20	21	22	23	24	25	26	27	28	29	30	31	32	33	34	35	36
COM1	5f	5a	5b	STEREO	6f	6a	6b	-	-	-	-	-	-	-	-	-	-	-
COM2	5e	5g	5c	6d	6e	6g	6c	-	-	B2	B4	B6	B8	B10	B12	B14	B16	B18

NO	37	38	39	40	41	42	43	44	45	46	47
COM1	-	-	-	-	-	A	B	C	-	-	-
COM2	B20	B22	B24	-	2)	E	F	G	-	SLEEP	3)

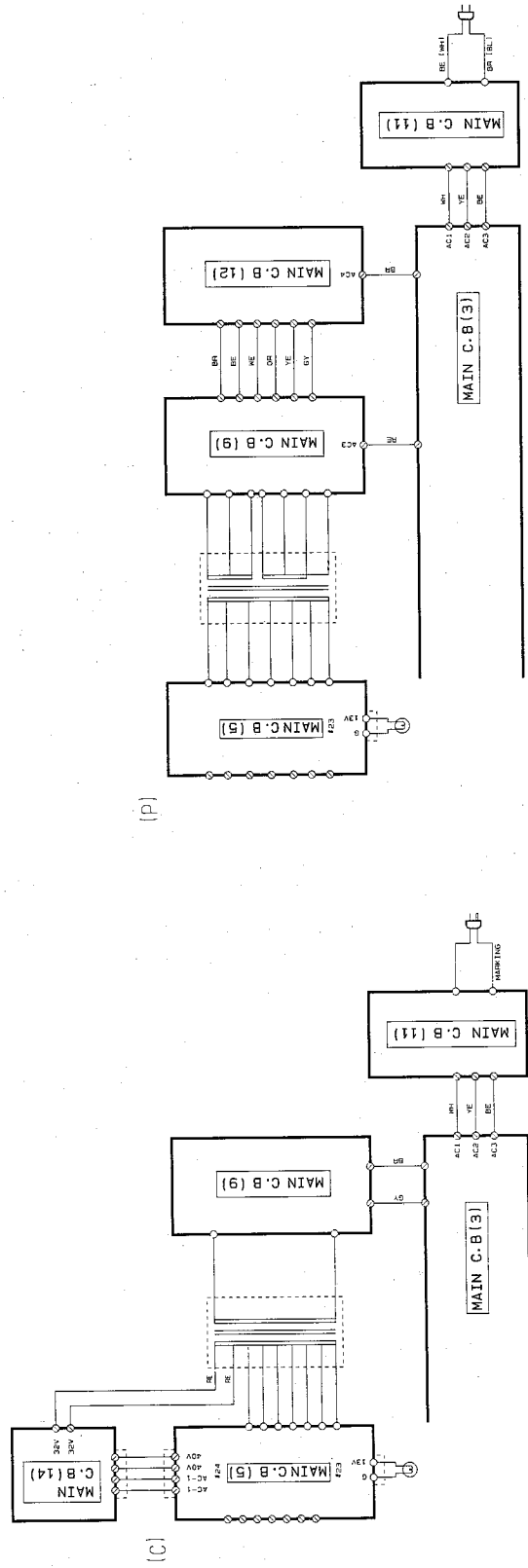
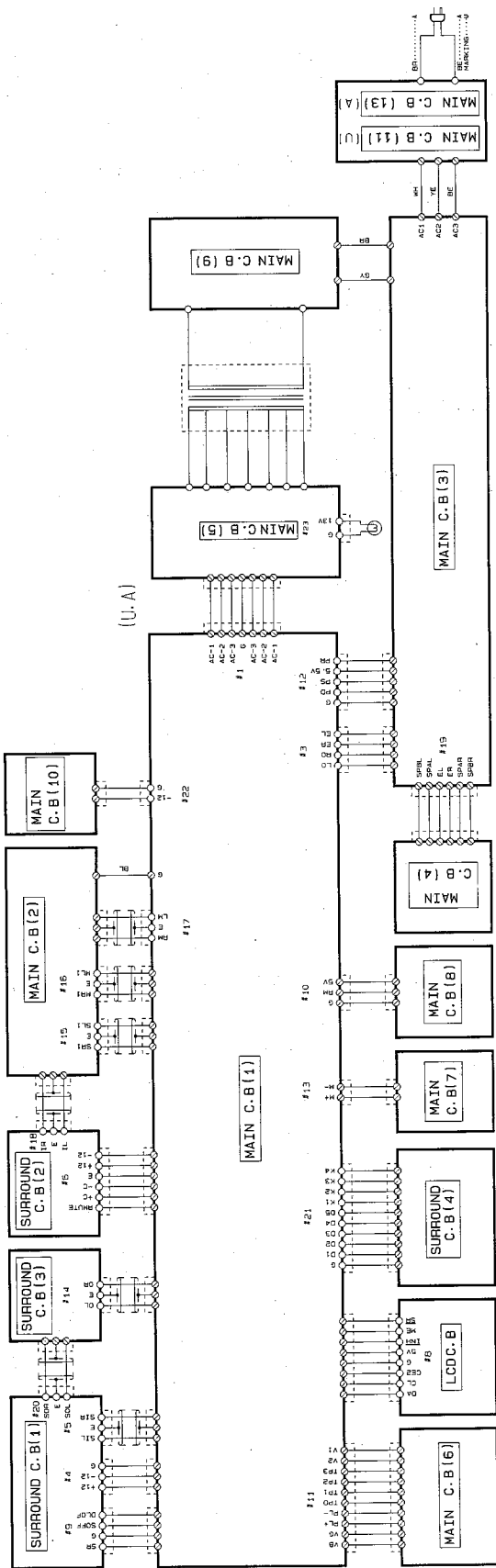
- 1) AUTO TUNING
- 2) 0 — 40 — 60 — 80 — 100
- 3) SURROUND

■ BLOCK DIAGRAM



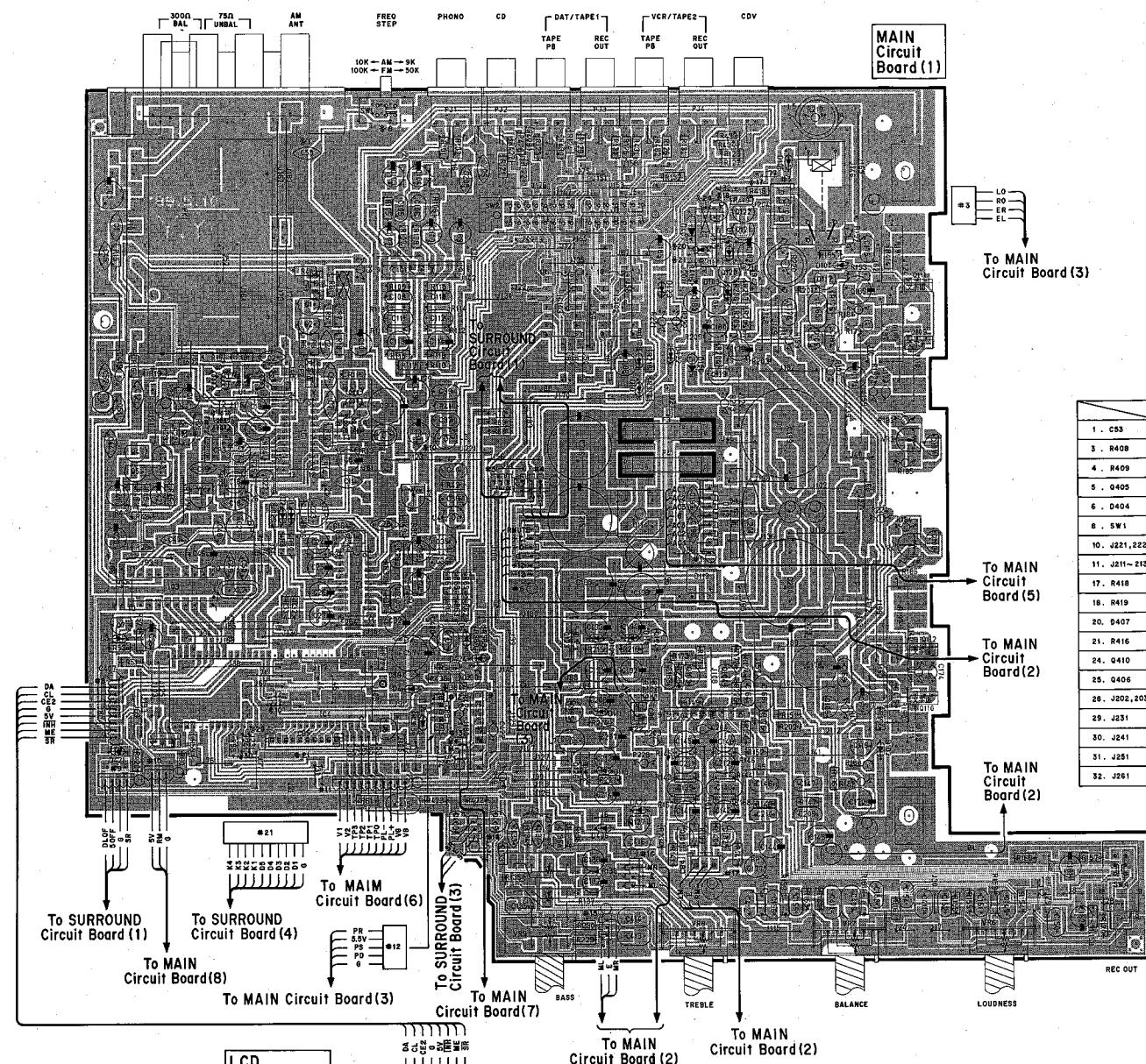
RX-830/AVR-75

WIRING

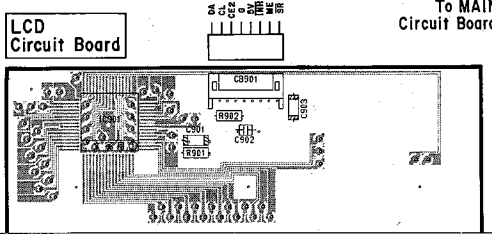
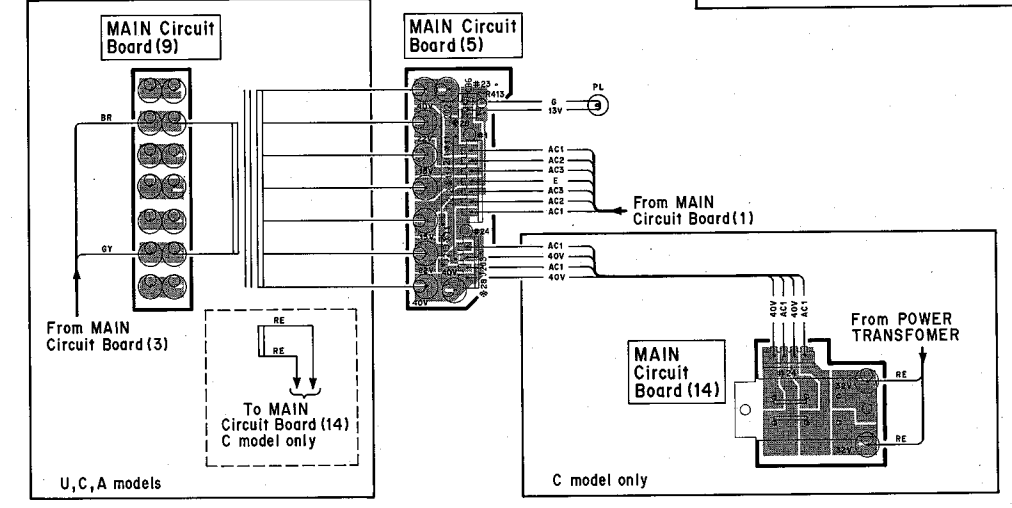
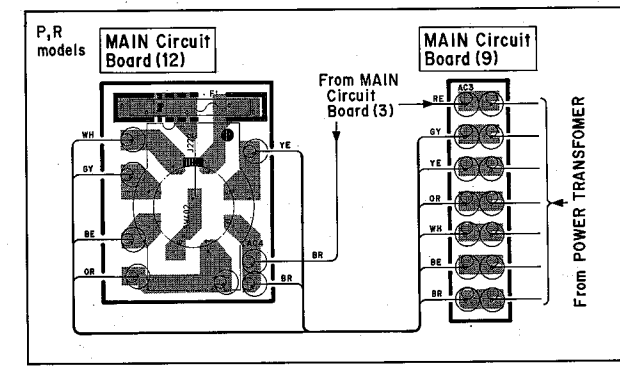
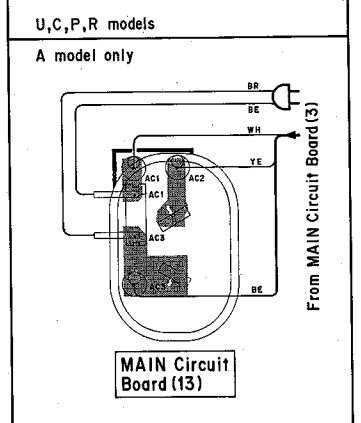
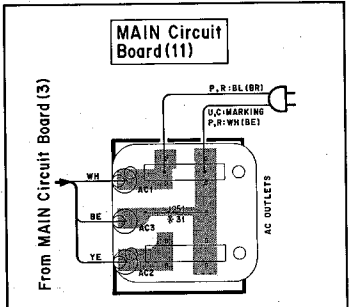
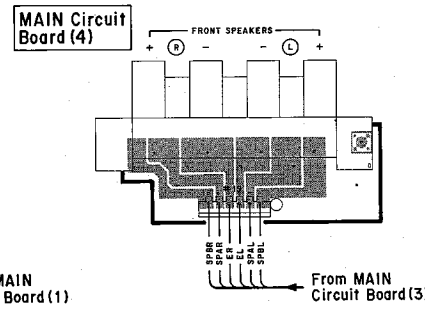
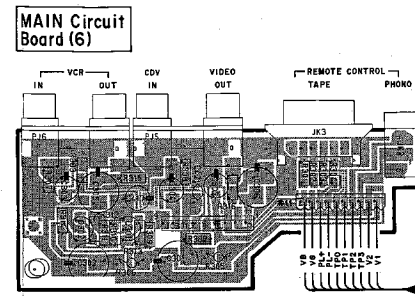


PRINTED CIRCUIT BOARD (Pattern Side) (Note) 文字面: Component Side

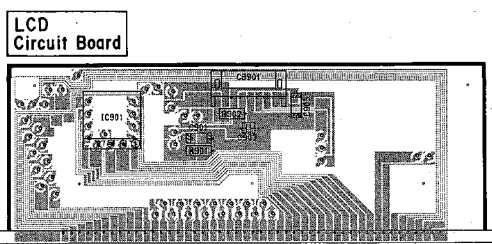
1
2
3
4
5
6
7



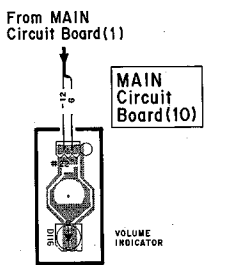
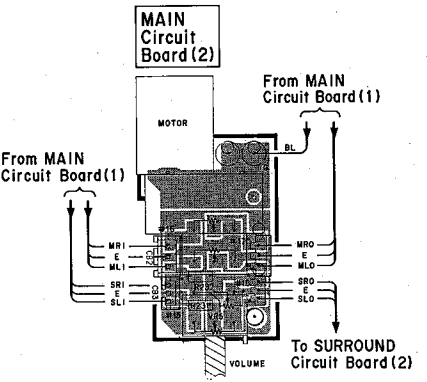
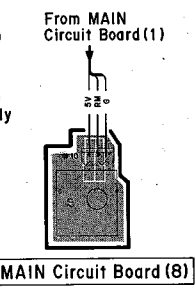
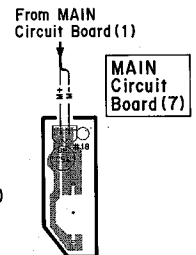
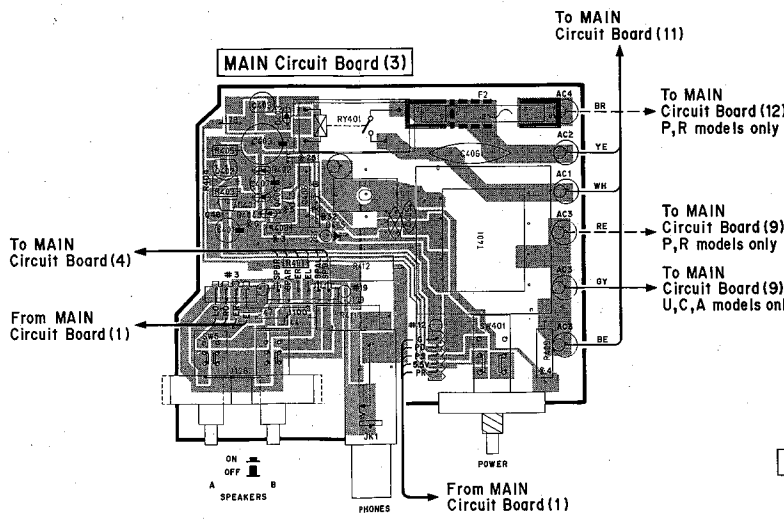
	U	C	R,P	A
1. C55	OPEN		0.01	OPEN
3. R40B	OPEN		10K	OPEN
4. R40D	1/2P 2.2M		OPEN	
5. Q405	X			X
6. Q404	OPEN		MTZ13C	OPEN
8. SW1	X			X
10. J251, 222	X			X
11. J211-213	X		X	
17. R41B	OPEN	1K	OPEN	
18. R41D	SHORT	22	SHORT	
20. Q407	OPEN	HZ16-SL	OPEN	
21. R41E	SHORT	52K	SHORT	
24. Q410	X		X	
25. Q406	X		X	X
28. J202, 203		X		
29. J231			X	
30. J241	X			X
31. J251			X	
32. J251			X	



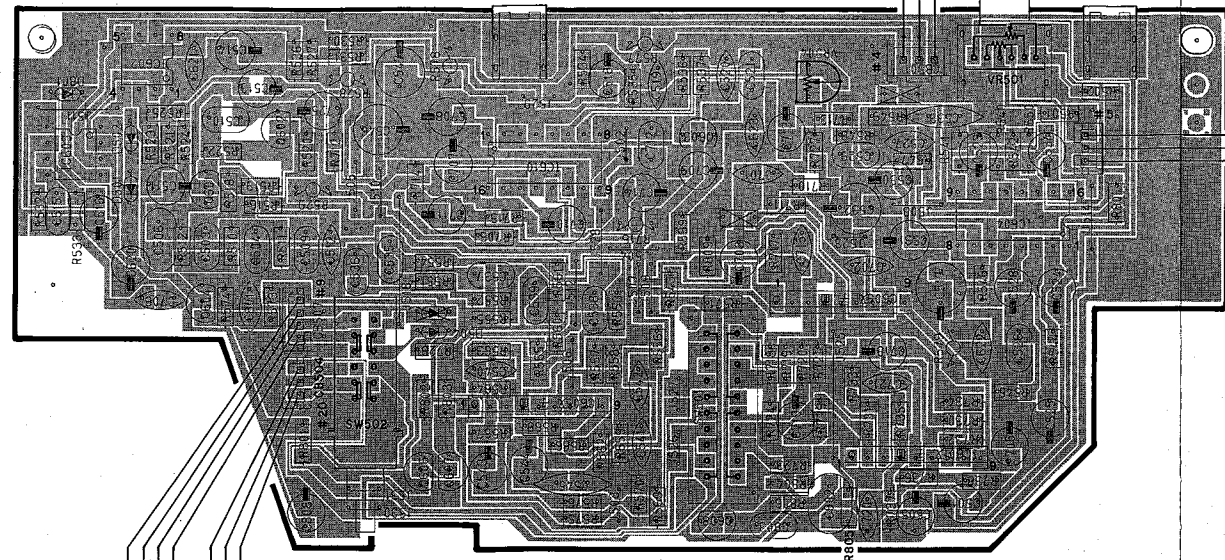
PATTERN SIDE



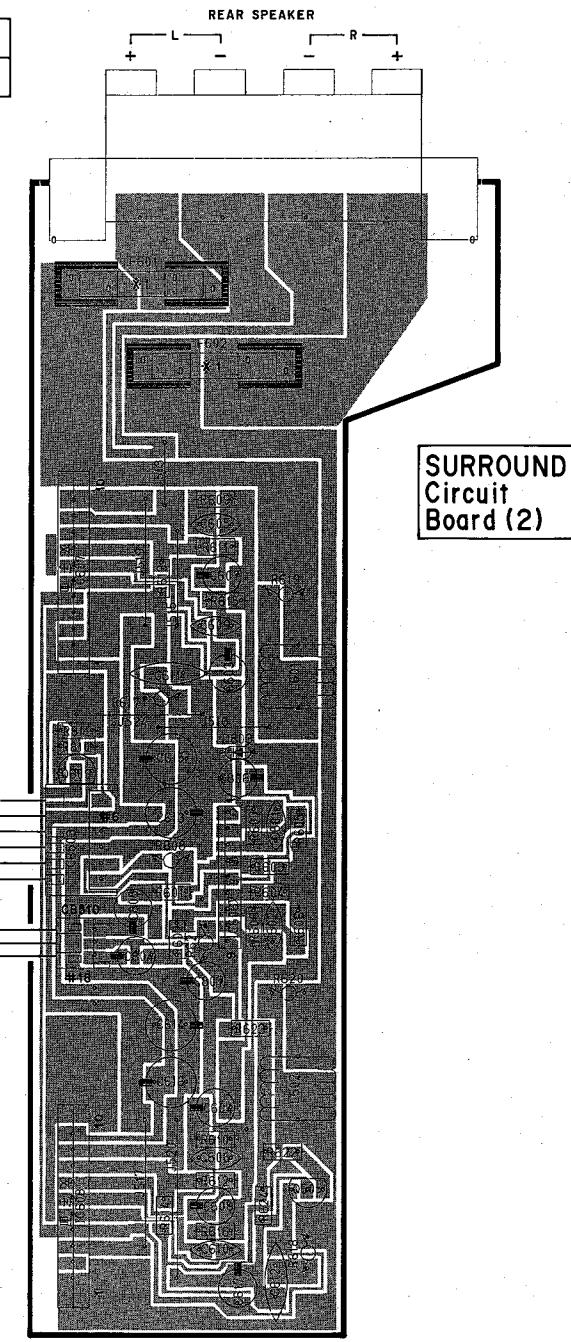
PARTS SIDE



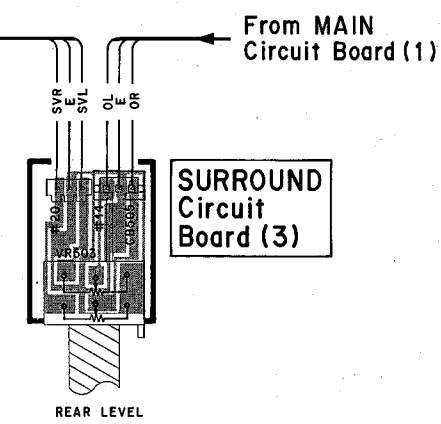
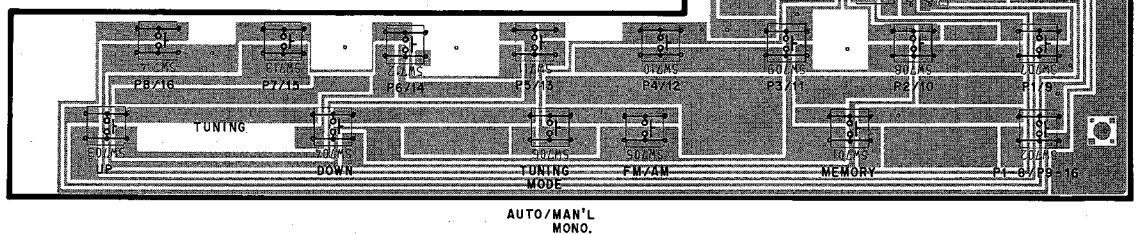
SURROUND Circuit Board (1)

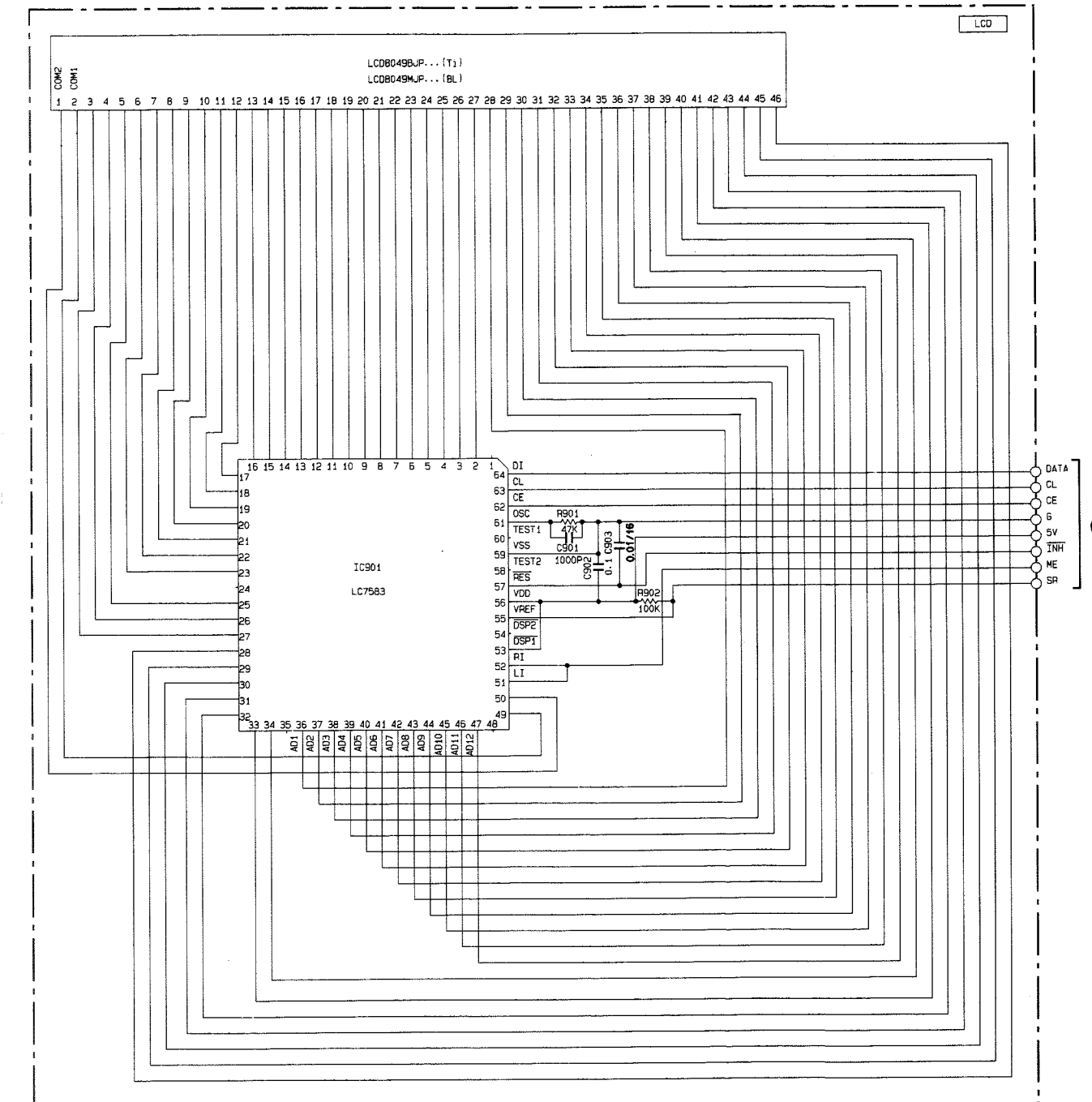
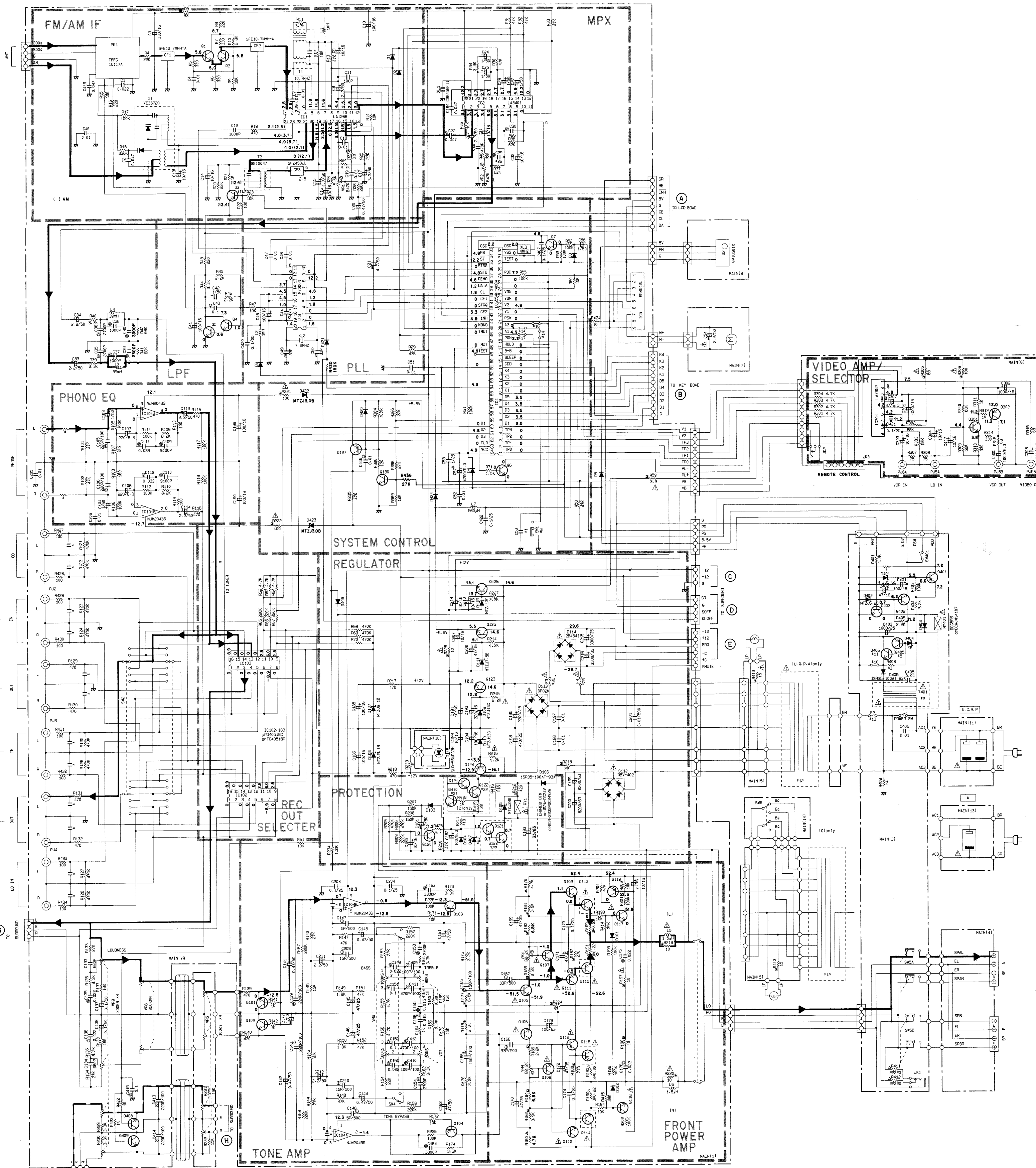


	U,C,R,P	A
*1 F601,602	2.5A 250V	T2.0A 250V



SURROUND Circuit Board (4)





MAIN

D1-401, 405	2543331G.RI	SP5411191E.F1	SP5413101A.S.11
D103, 104, 119	2543701G.R.BL		
D124	2559501E.F1		
SW-S.7, 117, 118, 120, 121, 440	25C17405E.F1	SP5C33121A.S.11	SP5C36031E.F1
G1, 2, 301	25C2531A.B.C		
D501, 502, 493, 498, 499	25C2919A.B		
SR, 128, 402	25C431E.F1		
D107, 108	25C2241G.R.BL		
D105, 106	25C27651G.V1		
D123, 109	25C23131G.S1		
D111, 112	254135B		
D109, 110	25C3481		
K400	25C25771G.P.V1		
D127, 302	2541015Y		
D110, 116	25414611G.V1		
D113, 114	25C2805G.V1		
D130	25C1815Y		

V	U	C	R.P	A	
11	C53	OPEN		5.01	OPEN
12	T401	X2083		X2082	X2084
13	R408	OPEN		10K	OPEN
14	R409	1/2W 2.2M		OPEN	
15	Q405	OPEN		25C17405E.F1	SP5411191E.F1
16	D404	OPEN		MTL23C	OPEN
17	SW402	OPEN		V48580	OPEN
18	SW1	OPEN		V48430	OPEN
19	F1	OPEN		3.5A250V	OPEN
20	J	SHORT		OPEN	SHORT
21	Q405	OPEN		25C25771G.P.V1	OPEN
22	HF93	HF964	HF965	HF965	X5139
23	F2	3A250V			2A250V
24	J	OPEN		SHORT	OPEN
25					
26	J	OPEN		SHORT	SHORT
27	J	SHORT		OPEN	
28	R415	SHORT	80K	SHORT	
29	R211	80K	180K	80K	
30	Q212	2P320	2P310	2P320	
31	Q410	OPEN	25C17405E.F1	SP5411191E.F1	OPEN
32	Q122	25C17405E.F1	SP5411191E.F1	25C17405E.F1	SP5411191E.F1
33	Q407	OPEN	H118-XL	OPEN	
34					
35	F3.4	3A250V			2.5A250V
36	C29, 30	1100P			750P/100

NOTICE
 (J)..... Japanese model
 (U)..... U.S.A model
 (C)..... Canadian model
 (A)..... Australian model
 (G)..... European model
 (B)..... British model
 (S)..... Germany model
 (P)..... RP model

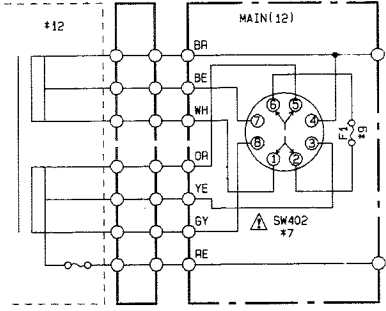
RESISTOR

REMARKS	PARTS NAME
NO MARK	CARBON FILM RESISTOR (1/4W)
Ω	CARBON FILM RESISTOR (1/4W)
△	METAL OXIDE FILM RESISTOR
▲	METAL FILM RESISTOR
□	METAL PLATE RESISTOR
■	FIRE PROOF CARBON FILM RESISTOR
⊞	CEMENT MOLDED RESISTOR
⊟	SEMI VARIABLE RESISTOR
⊠	CHIP RESISTOR

CAPACITOR

REMARKS	PARTS NAME
NO MARK	ELECTROLYTIC CAPACITOR
⊕	TANTALUM CAPACITOR
NO MARK	CERAMIC CAPACITOR
⊙	POLYSTYRENE FILM CAPACITOR
○	POLYESTER FILM CAPACITOR
⊖	MICA CAPACITOR
⊗	POLYPROPYLENE FILM CAPACITOR
●	SEMICONDUCTIVE CERAMIC CAPACITOR

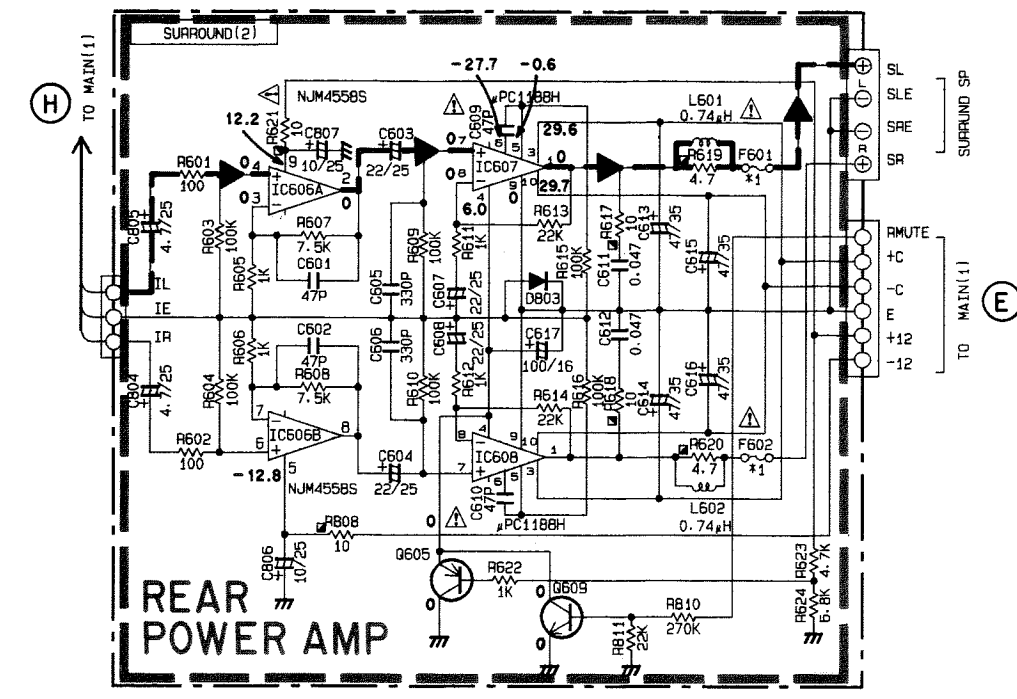
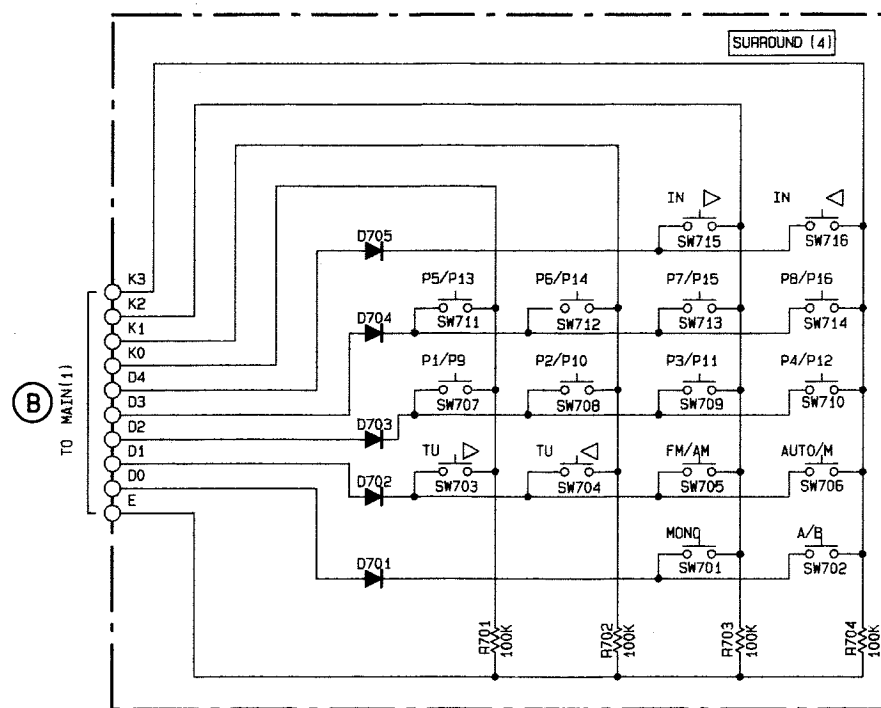
Unless otherwise specified
 DTKK 18113



1
2
3
4
5
6
7
8
9
10

■ SCHEMATIC DIAGRAM

Unless otherwise specified
DIODE 15S133



LAST NO.	UN LISTED NO.
C 808	
R 811	
Q 609	
D 803	
IC 610	

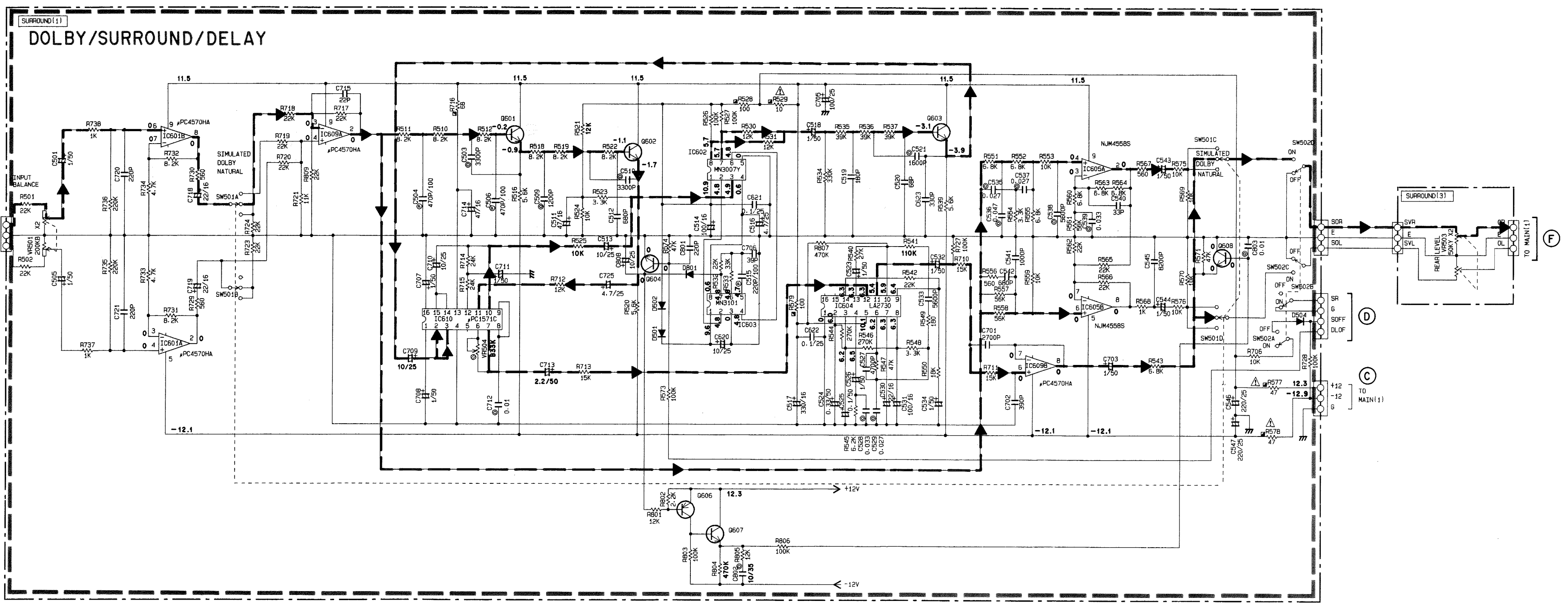
9601-603, 607, 609	2SC1815Y
9604-608	2SC2878(A, B)
9605-606	2SA1015Y

NOTICE
(J)..... Japanese model
(U)..... U.S.A model
(C)..... Canadian model
(A)..... Australian model
(G)..... European model
(B)..... British model
(R)..... General model
(P)..... P.P model

REMARKS	PARTS NAME
NO MARK	ELECTROLYTIC CAPACITOR
⊗	TANTALUM CAPACITOR
NO MARK	CERAMIC CAPACITOR
⊙	POLYESTER FILM CAPACITOR
⊖	POLYSTYRENE FILM CAPACITOR
⊕	MICA CAPACITOR
⊗	POLYPROPYLENE FILM CAPACITOR
⊙	SEMICONDUCTIVE CERAMIC CAPACITOR

REMARKS	PARTS NAME
NO MARK	CARBON FILM RESISTOR (1/6W)
⊗	CARBON FILM RESISTOR (1/4W)
⊕	METAL OXIDE FILM RESISTOR
⊖	METAL FILM RESISTOR
⊙	METAL PLATE RESISTOR
⊗	FIRE PROOF CARBON FILM RESISTOR
⊕	SEMENT MOLDED RESISTOR
⊖	SEMI VARIABLE RESISTOR
⊙	CHIP RESISTOR

	U.C.R.P.	A
*1 F601-602	2-54250V	TR-04250V




■ PIN CONNECTION DIAGRAM OF TRANSISTORS, DIODE AND ICS.

2SA1491 2SC3855 2SC2577	2SA933S 2SC1740S	2SA970 2SA1015 2SA1015 2SC1815 2SC2878 2SC2240	2SA1115 2SA1310 2SC3312 2SC535	2SC2705 2SB560 2SD438	2SD1913	D10DES	DF02M	RBV-402LF-4	2B4841	μ PC4570H, NMJ2043S	LA3401	MN3101 MN3007Y	A1266	LM7000N	LA7952 NJM4558S	LC6554H	TC4051BP LA2730 μ PC157LC	2SA1358 2SC3421	M54542L	μ PC1188H

PARTS LIST

ELECTRICAL PARTS

■ WARNING

- Components having special characteristics are marked  and must be replaced with parts having specifications equal to those originally installed.
- Carbon resistors 1/6 W are not included in the ELECTRICAL PARTS list. For the parts No. of the carbon resistor, refer to the last Page.

Ref. No.	Part No.	Description	部品名		Remarks	Common Model	Markets	ランク
	VG: 56: 30: 00	Main Circuit Board			メインシート		U	
	VG: 56: 31: 00	//			//		R,P	
	VH: 28: 15: 00	//			//		A	
	VH: 66: 15: 00	//			//		C	
	VA: 76: 12: 00	Ceramic Cap.	33pF	50V	セラコン	C49,50		
	VA: 30: 26: 00	//	0.01 μ F	500V	//	C201		
	FI: 41: 41: 00	//	0.01 μ F	VA-I	フォーミングセラコン	C406	Inter-changeable	
	FI: 51: 41: 00	//	0.01 μ F	DNS	//	//		
	FG: 21: 14: 70	//	47pF	50V	セラコン	C44		
	FG: 21: 21: 00	//	100pF	50V	//	C11		
	FG: 21: 24: 70	//	470pF	50V	//	C28		
	FG: 21: 26: 80	//	680pF	50V	//	C133,134		
	FG: 21: 31: 00	//	1000pF	50V	//	C12		
	FG: 24: 41: 00	//	0.01 μ F	50V	//	C4,6,7,18,19,45,47,48,51,52 197,198,205,206,405		
	FG: 24: 41: 00	//	0.01 μ F	50V	//	C53	R,P	
	FG: 24: 42: 20	//	0.022 μ F	50V	//	C1		
	FG: 24: 44: 70	//	0.047 μ F	50V	//	C2,184,419		
	FZ: 00: 58: 80	//	0.1 μ F	25V	積層セラコン	C58,173,174,203,204, 407,420~422		
	FU: 35: 05: 00	Mica Cap.	5pF	500V	マイカコン	C147,148		
	FU: 35: 11: 50	//	15pF	500V	//	C209,210		
	FU: 35: 13: 30	//	33pF	500V	//	C167,168		
	UA: 25: 31: 00	Mylar Cap.	1000pF	50V	マイラーコン	C37,38		
	FA: 15: 31: 10	//	1100pF	50V	//	C29,30	U,C,R,P	
	UT: 45: 27: 50	Polypropylene Film Cap.	750pF	100V	ポリプロコン	C29,30	A	
	UA: 25: 32: 70	Mylar Cap.	2700pF	50V	マイラーコン	C35,36,153,154		
	UA: 25: 33: 30	//	3300pF	50V	//	C39,40,163,164		
	UA: 25: 39: 10	//	9100pF	50V	//	C109,110		
	UA: 25: 41: 00	//	0.01 μ F	50V	//	C416		
	UA: 25: 41: 50	//	0.015 μ F	50V	//	C155,156		
	UA: 25: 42: 20	//	0.022 μ F	50V	//	C135,136,149,150,175,176		
	UA: 25: 43: 30	//	0.033 μ F	50V	//	C111,112		
	UA: 25: 44: 70	//	0.047 μ F	50V	//	C22		
	UA: 25: 51: 00	//	0.1 μ F	50V	//	C43,151,152,415		
	UT: 45: 21: 50	Polypropylene Film Cap.	150pF	100V	ポリプロコン	C165,166		
	UT: 45: 21: 00	//	100pF	100V	//	C409,410		
	UT: 45: 22: 20	//	220pF	100V	//	C105,106,139,140,413,414		
	UT: 45: 24: 70	//	470pF	100V	//	C411,412		
*	UJ: 85: 74: 70	Electrolytic Cap.	47 μ F	35V	ケミコン	C171,172		
	UJ: 11: 74: 70	//	47 μ F	6.3V	//	C307		
	UJ: 11: 81: 00	//	100 μ F	6.3V	//	C182		
	UJ: 11: 82: 20	//	220 μ F	6.3V	//	C107,108		
	UJ: 11: 91: 00	//	1000 μ F	6.3V	//	C305,306		
	UJ: 13: 71: 00	//	10 μ F	16V	//	C9,13,14,16,31,32,179,180,191,192, 207,213,214,303,304,417		
	UJ: 13: 74: 70	//	47 μ F	16V	//	C208,402		
	UJ: 13: 81: 00	//	100 μ F	16V	//	C10,41,46,185,186, 189,190,194,401		
	UJ: 13: 82: 20	//	220 μ F	16V	//	C193		
	UJ: 13: 83: 30	//	330 μ F	16V	//	C3		
	UJ: 14: 74: 70	//	47 μ F	25V	//	C145,146		
	UJ: 15: 74: 70	//	47 μ F	35V	//	C169,170		
	UJ: 16: 54: 70	//	0.47 μ F	50V	//	C20,141~144		
	UJ: 16: 61: 00	//	1 μ F	50V	//	C24~27,56,103,104		

*New Parts (新規部品)

Ref. No.	Part No.	Description	部 品 名	Remarks	Common Model	Markets	ランク
	UJ 16 62 20	Electrolytic Cap.	2.2 μ F 50V	ケ ミ コ ン	C8,33,34,113,114,211,212		
	UJ 46 63 30	//	3.3 μ F 50V	//	C17		
	UJ 16 64 70	//	4.7 μ F 50V	//	C15		
	UW 67 73 30	//	33 μ F 63V	//	C183		
	UJ 16 74 70	//	47 μ F 50V	//	C161,162		
	UJ 13 91 00	//	1000 μ F 16V	//	C301,302		
	UJ 14 91 00	//	1000 μ F 25V	//	C196,403		
	UH 14 93 30	//	3300 μ F 25V	//	C195		
※	UH 15 93 30	//	3300 μ F 35V	//	C215,216		
	UH 17 81 00	//	100 μ F 63V	//	C178		
	UL 46 61 00	//	1 μ F 50V	ローノイズケミコン	C42		
	FM 11 61 00	//	1 μ F 50V	B P コ ン	C177		
	FM 11 62 20	//	2.2 μ F 50V	//	C23,54,181		△
	UK 16 64 70	//	4.7 μ F 50V	//	C21		
	UJ 16 51 00	//	0.1 μ F 50V	ケ ミ コ ン	C137,138		
	VB 17 01 00	//	4700 μ F 5.5V	バックアップケミコン	C57	Inter-changeable	
	VC 61 37 00	//	4700 μ F 5.5V	//	//		
※	VG 91 75 00	//	8200 μ F 63V	ブロックケミコン	C199,200		
	VC 36 20 00	Coil	1mH	固 定 コ イ ル	L1,2		
	VE 35 47 00	//	560 μ H	//	L7		
	VC 79 37 00	//	1.5 μ H	空 心 コ イ ル	L5,6		△
	GE 90 18 50	Inductor	39mH	固 定 イ ン ダ ク タ ー	L3,4		
	GE 10 04 70	AM IFT Coil	450kHz	AM IFT コ イ ル	T2		
	VC 21 86 00	Discr Coil, FM	10.7MHz	FM 検 波 コ イ ル	T1		
	XC 08 20 01	Power Transformer		電 源 ト ラ ン ス	T401	R,P	△
	XC 08 30 01	//		//	//	U,C	△
	XC 08 40 01	//		//	//	A	△
	VC 21 90 00	AM Ceramic Filter	SFZ450JL	AMセラミックフィルター	CF3		
	GG 00 06 70	FM Ceramic Filter	SFE10.7MMH-A	FMセラミックフィルター	CF1,2		
	GG 00 07 50	Ceramic Resonator	CSB456F11	セラミック振動子	XL1		
	VD 82 76 00	//	4MHz	//	XL3		
	VC 21 91 00	Quartz Crystal	7.2MHz	水 晶 振 動 子	XL2	Inter-changeable	
	QU 00 38 00	//	7.2MHz	//	//		
	HG 30 92 20	Carbon Film Resistor	2.2M Ω 1/2W	カ ー ボ ン 抵 抗	R409	U,C	
※	VH 78 97 00	Metal Oxide Film Resistor	4.7k Ω 1/2W	酸 金 抵 抗	R179,180		
	HL 32 52 20	//	220 Ω 2W	//	R411,412		
	HL 42 58 20	//	820 Ω 2W	//	R212	U,R,A,P	
	HL 32 53 30	//	330 Ω 2W	//	R212	C	
	HL 93 22 20	//	0.22 Ω 3W	//	R189~192		
	HV 45 33 30	Flame Proof Carbon Resistor	3.3 Ω 1/4W	不 燃 化 カ ー ボ ン 抵 抗	R59		△
	HV 45 41 00	//	10 Ω 1/4W	//	R197,198,219,220,228,424		△
	HV 45 41 50	//	15 Ω 1/4W	//	R413		
	HV 45 42 20	//	22 Ω 1/4W	//	R213		
	HV 45 43 30	//	33 Ω 1/4W	//	R3,224		
	HV 45 46 80	//	68 Ω 1/4W	//	R305		△
	HV 45 51 00	//	100 Ω 1/4W	//	R221,222,306		△
	HV 45 52 70	//	270 Ω 1/4W	//	R187,188		△

※New Parts (新規部品)

RX-830/AVR-75

Ref. No.	Part No.	Description	部 品 名	Remarks	Common Model	Markets	ランク
	HV 45 62 20	Flame Proof Carbon Resistor	2.2kΩ 1/4W	不燃化カーボン抵抗	R185,186		
	HV 45 63 90	//	3.9kΩ 1/4W	//	R181,182		
	HV 45 66 80	//	6.8kΩ 1/4W	//	R177,178,183,184		
	VB 86 12 00	Pre-set Potentiometer	B2.2kΩ	半 固 定 抵 抗	VR3,4		
	VB 86 18 00	//	B47kΩ	//	VR1,2		
※	VG 80 61 00	Potentiometer	特80kΩ	可 変 抵 抗 器	VR7		
※	VG 80 62 00	//	特100kΩ	//	VR6		
※	VG 80 63 00	//	MN250kΩ	//	VR8		
※	VG 80 64 00	//	B300kΩ×4	//	VR9		
※	VG 80 65 00	Potentiometer with Motor	Y100kΩ×4	モーター付可変抵抗器	VR5		
	iA 09 33 70	Transistor	2SA933S(Q,R)	ト ラ ン ジ ス タ ー	Q3,401		
	iA 11 15 10	//	2SA1115(E,F)	//	//		
	iA 13 10 00	//	2SA1310(R,S,T)	//	//		
	iA 09 33 70	//	2SA933S(Q,R)	//	Q405	R,P	
	iA 11 15 10	//	2SA1115(E,F)	//	//	R,P	
	iA 13 10 00	//	2SA1310(R,S,T)	//	//	R,P	
	iA 10 15 21	//	2SA1015(Y)	//	Q127,302		
	iB 05 60 20	//	2SB560(E,F)	//	Q124		
	iC 05 35 40	//	2SC535(A,B,C)	//	Q1,2,301		
	iC 18 15 C0	//	2SC1815(Y)	//	Q130		
	iA 09 70 00	//	2SA970(GR,BL)	//	Q103,104,119		
	iC 17 40 70	//	2SC1740S(S,R)	//	Q410	C	
	iC 33 12 00	//	2SC3312(R,S,T)	//	//	C	
	iC 26 03 20	//	2SC2603(E,F)	//	//	C	
	iC 17 40 70	//	2SC1740S(S,R)	//	Q122	U,R,A,P	
	iC 33 12 00	//	2SC3312(R,S,T)	//	//	U,R,A,P	
	iC 26 03 20	//	2SC2603(E,F)	//	//	U,R,A,P	
	iD 04 38 10	//	2SD438(E,F)	//	Q122	C	
	iC 17 40 70	//	2SC1740S(S,R)	//	Q4,5,7,117,118, 120,121		
	iC 33 12 00	//	2SC3312(R,S,T)	//	//		
	iC 26 03 20	//	2SC2603(E,F)	//	//		
	iC 22 40 00	//	2SC2240(GR,BL)	//	Q107,108		
	iC 25 77 00	//	2SC2577(O,P,Y)	//	Q406	R,P	
	iC 27 05 00	//	2SC2705(O,Y)	//	Q105,106		
	iC 28 78 20	//	2SC2878(A,B)	//	Q101,102,403,408,409		
	iD 04 38 10	//	2SD438(E,F)	//	Q6,125,402		
	VC 40 80 00	//	2SD1913(R,S)	//	Q123,126		
	iX 60 85 10	//	2SA1358	//	Q111,112		
	iX 60 85 20	//	2SC3421	//	Q109,110		
	iF 00 34 50	Diode	ISS133	ダ イ オ ー ド	D1~6,101~104,403, 406,420,421,424		
	iF 00 84 80	//	ISR35-100A	//	D106,405		
※	VG 43 86 00	Zener Diode	MTZJ7.5B	ツェナーダイオード	D111		
※	VG 43 81 00	//	MTZJ6.2C	//	D402		
※	VG 43 92 00	//	MTZJ9.1B	//	D107,108		
※	VG 43 78 00	//	MTZJ5.6C	//	D401		
※	VG 44 06 00	//	MTZJ13C	//	D109,110,115		
※	VG 44 06 00	//	MTZJ13C	//	D404	R,P	
※	VG 44 25 00	//	MTZJ24B	//	D105		
※	iF 00 20 80	//	HZ16-3L	//	D407	C	
※	VG 43 59 00	//	MTZJ3.0B	//	D422,423		

※New Parts (新規部品)

Ref. No	Part No.	Description	部 品 名	Remarks	Common Model	Markets	ランク
	iH 00:09:90	Diode, Bridge	2B4B4I	ダイオードブリッジ	DI14		
	VC 97:15:00	//	RBV-402	//	DI12		
	VE 36:79:00	//	DF02M	//	DI13		
	iF 00:42:70	LED	SLR-55URC3H	L E D	DI16		
	iG 00:17:70	IC	TC4051BP	I G	IC102,103		
	iG 15:81:00	//	LA340I	//	IC2		
	iG 08:02:00	//	NJM2043S	//	IC101,104		
	XB 76:00:01	//	LAI266	//	IC1		
	XD 52:40:01	//	LA7952	//	IC301		
※	XF 36:9C:00	//	LC6554H-4084	//	IC4		
	XB 81:80:01	//	LM7000N	//	IC3		
	iG 05:49:00	//	M54542L	//	IC5		
	KA 80:45:50	Switch, Push	2-2	プッシュスイッチ	SW401		
	KA 90:69:10	Switch, Rotary	4-6 NS	リモートロータリースイッチ	SW2		
	VA 96:18:00	Voltage Selector		電圧切換器	SW402	R,P	
	VA 94:53:00	Switch, Slide	2-2 NS	スライドスイッチ	SW1	R,P	
※	VG 60:42:00	Switch, Push	2-2S	プッシュスイッチ	SW4		
※	VG 60:40:00	//	2-2 2連	//	SW5		
※	VH 58:39:00	Switch, Slide	S-J0950-5	スライドスイッチ	SW6	C	
	KB 00:03:70	Fuse	3.5A 250V	ヒューズ	F1	R,P	
	KB 00:07:50	//	2A 250V	ヒューズタイムラグ	F2	A	
	KB 00:25:90	//	UL ST-4 5A 250V	ヒューズ	F2	U,C,R,P	
※	VG 80:60:00	//	MT-4 3A 250V	//	F3,4	U,C,R,P	
※	KB 00:22:10	//	2.5A 250V	ヒューズタイムラグ	F3,4	A	
	KC 00:19:40	Relay	DH24D2-OTM	リレー	RY1		
	KC 00:20:00	//	JR2A-DC24V	//	//		
	VC 27:86:00	//	G5R-2232P DC24V 2A	//	//		
	VE 99:92:00	//	DCAJW14117	//	RY401		
	VC 36:44:00	Pin Jack	2P	ピンジャック	PJ5,6		
	LB 20:22:90	//	2P	//	PJ1		
	LB 40:10:30	//	4P	//	PJ2~4		
	LB 30:17:20	Phone Jack		ホーンジャック	JK1		
	LB 10:07:30	Mini Jack		ミニジャック	JK2		
	VF 92:65:00	Remote Control Receptor Unit	GPU501X	リモコン受光ユニット	U2		
	VC 21:93:00	FM Front-end Pack	TFFGIU117A	FMフロントエンドパック	PK1		
	VE 36:72:00	AM Coil Pack		AMコイルパック	U1		
	LB 60:83:90	ST Connector Socket	6P	STコネクタースOCKET	JK3		
	LB 91:80:40	Base Pin, XH	i-Type 4P	XHベースピン	CB10		
	LB 91:80:30	//	i-Type 3P	//	CB2,4		
	VD 00:45:00	Base Pin, PH	i-Type 2P	PHベースピン	CB9,6		

※New Parts (新規部品)

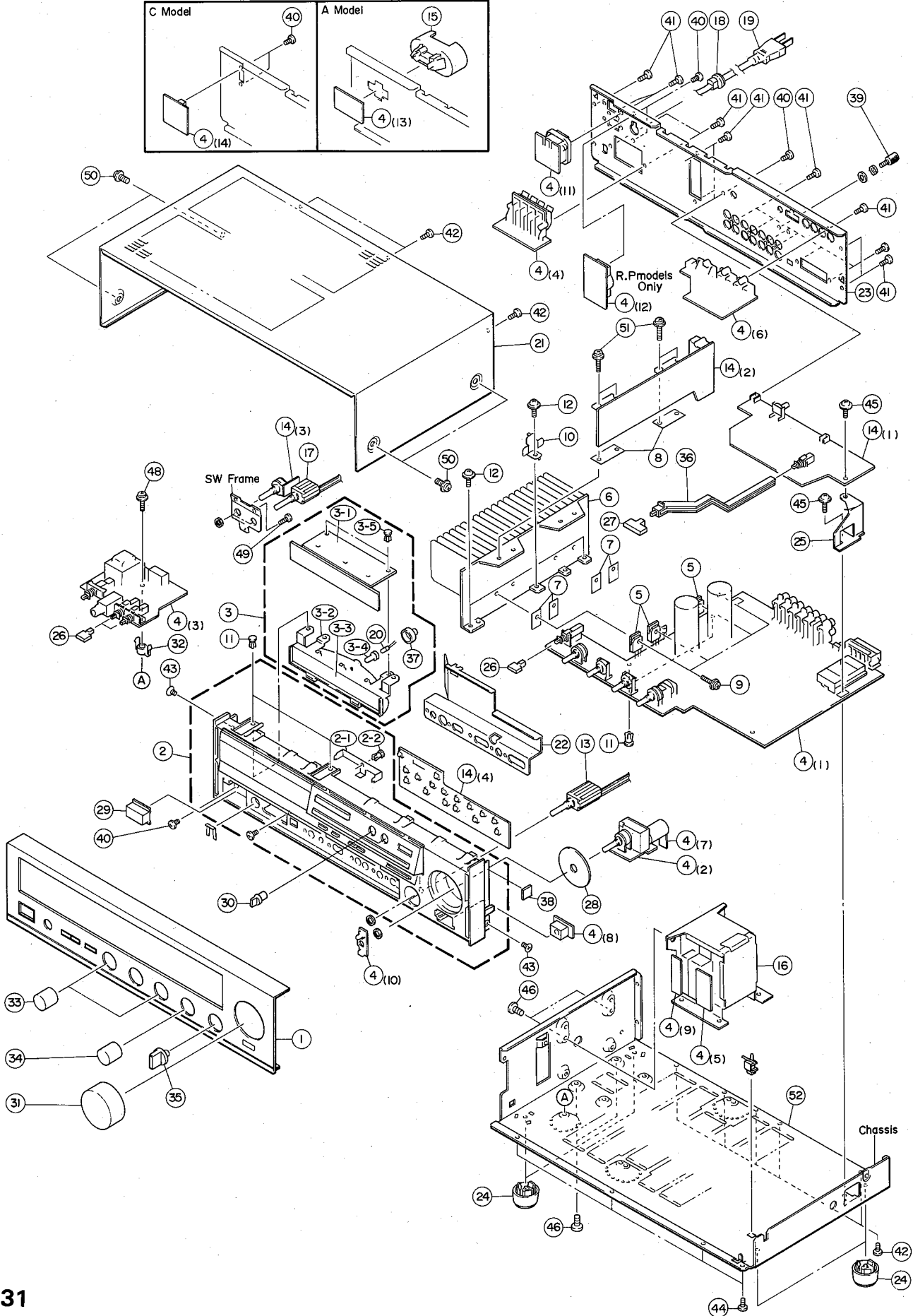
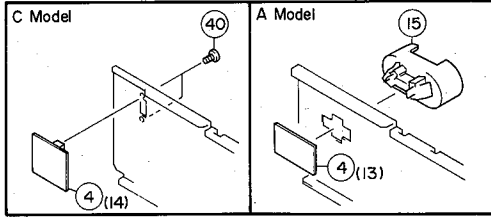
Ref. No.	Part No.	Description			部 品 名	Remarks	Common Model	Markets	ランク
	VD 00 46 00	Base Pin, PH	i-Type	3P	PH ベ ー ス ピ ン	CB3			
	VD 00 48 00	//	i-Type	5P	//	CB8			
	VD 00 53 00	//	i-Type	10P	//	CB5			
	LB 20 18 80	Fuse Holder Pin	PC-FHI		ヒューズホルダーピン				
	LB 40 14 60	AC Outlet	M7031-C		AC アウトレット			U,C,R,P	
	VG 74 17 00	Speaker Terminal	8P		スピーカーターミナル				
	VE 36 52 00	Antenna Terminal	4P		アンテナターミナル				
	LA 00 24 10	Wrapping Terminal	I-Type P=10	2P	ラッピング端子板			A	
	BB 06 95 10	Ground Metal			ランド金具				
	VG 56 36 00	Surround Circuit Board			サラウンドシート			U,C,R,P	
	VH 54 44 00	//			//			A	
	FG 21 12 20	Ceramic Cap.	22pF	50V	セラコン	C715			
	FG 21 13 30	//	33pF	50V	//	C540			
	FG 21 13 90	//	39pF	50V	//	C706			
	FG 21 14 70	//	47pF	50V	//	C601,602,609,610			
	FG 21 16 80	//	68pF	50V	//	C520			
	FG 21 21 80	//	180pF	50V	//	C519			
	FG 21 22 20	//	220pF	50V	//	C720,721,801			
	FG 21 23 30	//	330pF	50V	//	C605,606,623			
	FG 21 23 90	//	390pF	50V	//	C702			
	FG 21 26 80	//	680pF	50V	//	C512,542			
	FG 21 31 00	//	1000pF	50V	//	C541			
	FG 71 32 70	//	2700pF	50V	//	C701			
	FG 21 34 70	//	4700pF	50V	//	C527			
	FG 21 35 60	//	5600pF	50V	//	C533			
	FG 21 38 20	//	8200pF	50V	//	C545			
	FG 24 44 70	//	0.047 μ F	50V	//	C611,612			
	FZ 00 58 80	//	0.1 μ F	25V	積層セラコン	C621,622			
	FA 15 31 20	Mylar Cap.	1200pF	50V	マイラーコン	C509			
	FA 15 31 60	//	1600pF	50V	//	C521			
	UA 25 33 30	//	3300pF	50V	//	C503,510			
	UA 25 35 60	//	5600pF	50V	//	C538			
	UA 25 41 00	//	0.01 μ F	50V	//	C712,803			
	UA 25 42 70	//	0.027 μ F	50V	//	C529,535,537			
	UA 25 43 30	//	0.033 μ F	50V	//	C528,539			
	UA 25 44 70	//	0.047 μ F	50V	//	C536			
	UT 45 22 20	Polypropylene Film Cap.	220pF	100V	ポリプロコン	C515			
	UT 45 24 70	//	470pF	100V	//	C504,506			
	UJ 13 72 20	Electrolytic Cap.	22 μ F	16V	ケミコン	C718,719,530			
	UJ 13 74 70	//	47 μ F	16V	//	C511,714			
	UJ 13 81 00	//	100 μ F	16V	//	C514,531,617			
	UJ 13 83 30	//	330 μ F	16V	//	C517			
	UJ 14 64 70	//	4.7 μ F	25V	//	C516,725,804,805			
	UJ 14 71 00	//	10 μ F	25V	//	C513,620,709,710,806~808			
	UJ 14 72 20	//	22 μ F	25V	//	C603,604,607,608			
	UJ 14 81 00	//	100 μ F	25V	//	C705			

*New Parts (新規部品)

Ref. No.	Part No.	Description	部 品 名			Remarks	Common Model	Markets	ランク
	UJ 14 82 20	Electrolytic Cap.	220 μ F	25V	ケ ミ コ ン	C546,547			
	UJ 15 71 00	//	10 μ F	35V	//	C802			
	UJ 15 74 70	//	47 μ F	35V	//	C613~616			
	UJ 16 51 00	//	0.1 μ F	50V	//	C525			
	UJ 16 53 30	//	0.33 μ F	50V	//	C524			
	UJ 16 61 00	//	1 μ F	50V	//	C501,505,518,523,526,532,534 543,544,703,707,708,711			
	UJ 16 62 20	//	2.2 μ F	50V	//	C713			
	GD 90 06 80	Coil	0.74 μ H		空 心 コ イ ル	L601,602			
	HV 45 34 70	Flame Proof Carbon Resistor	4.7 Ω	1/4W	不 燃 化 カ ー ボ ン 抵 抗	R619,620			
	HV 45 41 00	//	10 Ω	1/4W	//	R529,617,618,621,808			
	HV 45 44 70	//	47 Ω	1/4W	//	R577,578			
	HV 45 46 80	//	68 Ω	1/4W	//	R716			
	HV 45 51 00	//	100 Ω	1/4W	//	R528,579			
※	VB 86 17 00	Pre-set Potentiometer	B33k Ω		半 固 定 抵 抗	VR504			
	VH 08 10 00	Potentiometer, Rotary	B200k Ω ×2		ロ ー タ リ ー VR	VR501			
※	VH 49 27 00	//	Y50k Ω ×2	ϕ 16	//	VR503			
	IA 10 15 21	Transistor	2SA1015(Y)		ト ラ ン ジ ス タ ー	Q605,606			
	IC 18 15 20	//	2SC1815(Y)		//	Q601~603,607,609			
	IC 28 78 20	//	2SC2878(A,B)		//	Q603,608			
	IF 00 34 50	Diode	ISS133		ダ イ オ ー ド	D501,502,504,701~705, 801,803			
	IG 03 75 00	IC	MN3101		I C	IC603			
	IG 07 68 00	//	NJM4558S		//	IC605,606			
	IG 10 27 00	//	μ PC1188H		//	IC607,608			
	XB 24 70 01	//	μ PC4570HA		//	IC601,609			
	XD 38 60 01	//	LA2730		//	IC604			
	XE 38 70 01	//	μ PC1571C		//	IC610			
	XC 10 30 01	//	MN3007Y		//	IC602			
	VE 32 73 00	Switch			ラ イ ト タ ッ チ ス イ ッ チ	SW701~716			
	VG 19 88 00	//	4/3		リ モ ー ト ス イ ッ チ	SW501			
	VG 60 46 00	Switch, Push	4/2		プ ッ シ ュ ス イ ッ チ	SW502			
	VG 80 59 00	Fuse	2.5A	250V	ヒ ュ ー ズ タ イ ラ ッ シ ュ	F601,602		U,C,R,P	
	KB 00 13 30	//	T2.0A	250V	ヒ ュ ー ズ タ イ ム ラ グ	F601,602		A	
	LB 91 80 30	Base Pin, XH	i-Type	3P	XH ベ ー ス ピ ン	CB501			
	LB 91 90 60	//	I-Type	6P	//	CB503			
	VD 00 46 00	Base Pin, PH	i-Type	3P	PH ベ ー ス ピ ン	CB504~506			
	VD 00 47 00	//	i-Type	4P	//	CB507			
	VB 85 82 00	//	I-Type	3P	//	CB510			
	LB 20 18 80	Fuse Holder Pin	PC-FHI		ヒ ュ ー ズ ホ ル ダ ー ピ ン				
	VG 74 10 00	Speaker Terminal	4P		ス ピ ー カ ー タ ー ミ ナ ル				
	BB 07 13 60	Screw Terminal			ネ ジ 端 子				

※New Parts (新規部品)

RX-830/AVR-75
EXPLODED VIEW



EXPLODED VIEW PARTS

Ref. No.	Part No.	Description	部 品 名	Remarks	Common Model	Markets	ランク
※	1	VH 28 10 00	Front Panel Unit	フロントパネルユニット	Black RX-830	U,C,A,P	
※	//	VH 28 11 00	//	//	Titan RX-830	U,C,A,P	
※	//	VG 56 22 00	//	//	Black AVR-75	U,C,R,P	
※	2	VH 28 12 00	Sub Chassis Unit	サブシャーシユニット	Black RX-83		
※	//	VH 28 13 00	//	//	Titan RX-830		
※	//	VG 56 24 00	//	//	Black AVR-75		
	2-1	VH 08 37 00	Ground Plate	アースプレート			
	2-2	CB 60 56 20	Plastic Rivet	プラスチックリベット			
※	3	VG 56 25 00	LCD Unit	L C D ユニット	Black RX-830/AVR-75		
※	//	VH 23 81 00	//	//	Titan RX-830		
※	3-1	VG 78 64 00	LCD Indicator Circuit Board	L C D 表示シート	Black		
※	//	VH 23 74 00	//	//	Titan		
	3-2	VG 43 31 00	Reflector, LCD	リフレクターLCD			
	3-3	VG 43 33 00	Sheet, LCD	シートLCD			
	3-4	VF 44 45 00	Lamp Cap	ランプキャップ			
	3-5	CB 60 56 20	Plastic Rivet	プラスチックリベット			
※	4	VG 56 30 00	Main Circuit Board	メインシート		U	
※	//	VG 56 31 00	//	//		R,P	
※	//	VH 28 15 00	//	//		A	
※	//	VH 66 15 00	//	//		C	
※	5	iX 60 95 20	Transistor	2SA1491	トランジスター	Q115,116	
※	//	iX 60 95 50	//	2SC3855	//	Q113,114	
※	6	VG 43 30 00	Radiator	ラジエター			
	7	VG 42 89 00	Sheet	19×21	放熱シート		
※	8	VG 42 91 00	//	32×15	//		
	9	EZ 00 13 50	Cup Tight Screw	3×14 FCRM3-BI	カップタイトネジ		
	10	BB 07 09 60	Pusher, TR		トランジスタ押え		
	11	CB 60 56 20	Plastic Rivet		プラスチックリベット		
	12	EK 33 60 10	BW Head Tapping Screw	3×8 FCM3-BI	BW ヘッドタッピングネジ	2種ミゾ	
※	13	VG 84 09 00	Remote Rotary Switch, Operate		リモートロータリーSW操作部		
※	14	VG 56 36 00	Surround Circuit Board		サラウンドシート	U,C,R,P	
※	//	VH 54 44 00	//	//	//	A	
※	15	VC 62 61 00	AC Outlet		A C アウトレット	A	
※	16	XF 96 3A 00	Power Transformer		電源トランス	U	
※	//	XF 96 4B 00	//	//	//	C	
※	//	XF 96 5A 00	//	//	//	R,P	
※	//	XG 13 9A 00	//	//	//	A	
※	17	VG 80 74 00	Remote Rotary Switch, Operate		リモートロータリーSW操作部		
	18	CB 62 01 90	Cord Stopper		コードストッパー	R,A,P	
	//	CB 62 02 00	//	//	//	U,C	
	19	MG 00 22 20	AC Power Cord	10A 125V	A C 電源コード	U,C	
	//	MG 00 16 30	//	6A 250V	//	Inter-changeable	R,P
	//	VE 37 10 00	//	6A 250V	//		R,P
	//	MG 00 23 10	//	7.5A 250V	//		A
	20	VH 47 16 00	Lamp	115mA 14.5V	ランプ		
	21	AA 62 55 20	Top Cover		トップカバー	Black RX-830/AVR-75	R-3
※	//	VH 24 94 00	//	//	//	Titan RX-830	
	22	VG 64 66 00	Frame, Shield		シールドフレーム		RX-330
※	23	VH 24 95 00	Rear Panel		リヤパネル	RX-830	P
※	//	VH 24 96 00	//	//	//	//	U
※	//	VH 24 97 00	//	//	//	//	A
※	//	VH 65 85 00	//	//	//	//	C

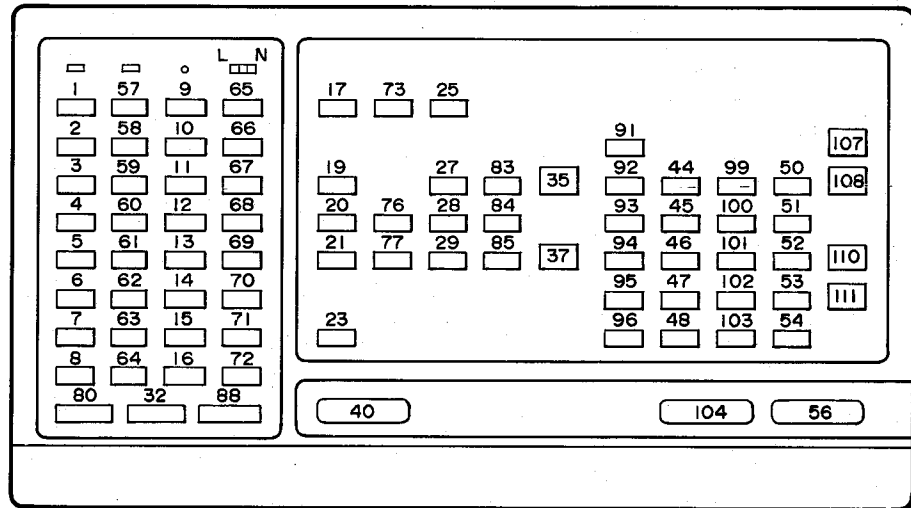
※New Parts (新規部品)

Ref. No.	Part No.	Description	部 品 名	Remarks	Common Model	Markets	ランク
※	23	VG 42 80 00	Rear Panel		リ ヤ パ ネ ル	AVR-75	R,P
※	//	VG 42 81 00	//		//	//	U
※	//	VH 65 86 00	//		//	//	C
	24	CB 62 07 30	Leg		脚	A-750	
	25	VA 77 29 00	Support, P.C.B		基 板 サ ポ ー ト		
	26	VG 42 93 00	Button	1/6/25	ボ タ ン	Black	RX-330
	//	VG 42 96 00	//	1/6/25	//	Titan	RX-1130
	27	CB 66 07 90	//	3×14	//	Black	AX-900
※	//	VH 64 90 00	//	3×14	//	Titan	
	28	VH 08 78 00	Shield Plate		シ ー ル ド プ レ ー ト		RX-330
	29	CB 66 08 10	Button		ボ タ ン	Black POWER	AX-900
	//	VE 54 43 00	//		//	//	AX-700D
	30	VC 40 57 00	Knob		ノ ブ	Black	RX-700
	//	VE 94 10 00	//		//	Titan	KX-R700
	31	VG 42 86 00	//	φ48 LED	//	Black VOLUME	RX-730
	//	VG 42 88 00	//	φ48 LED	//	Titan //	RX-1130
	32	VG 42 85 00	Spacer		ス ペ ー サ ー		RX-530
	33	CB 63 82 40	Knob	φ20	ノ ブ	Black BASS, TREBLE BALANCE	A-520
※	//	VG 93 85 00	//	φ20	//	Titan //	
	34	CB 63 82 60	//	φ20	//	Black LOUDNESS	R-3
※	//	VG 93 86 00	//	φ20	//	Titan //	
	35	CB 63 82 80	//	φ20	//	Black REC OUT	A-520
※	//	VH 21 56 00	//	φ20	//	Titan //	
※	36	VG 42 99 00	Rod		ロ ッ ド		
	37	VG 65 04 00	Ring		リ ン グ		RX-330
	38	VH 62 55 00	Damper		ダ ン パ ー		
	39	AA 62 73 10	Ground Terminal	STG-3×13	G N D タ ー ミ ナ ル		
	40	ED 33 00 66	Binding Head Screw	3×6 FCRM3-BI	バ イ ン ド 小 ネ ジ	PACK	
	41	EZ 00 04 60	Tapping Head Screw	3×8 FCM3-BI	ポ ン テ ィ ン グ タ ッ ピ ン グ ネ ジ		
	42	EI 33 00 86	Binding Head Tapping Screw	3×8 FCRM3-BI	バ イ ン ド タ ッ ピ ン グ ネ ジ	PACK	
	43	EO 33 00 66	Flat Head Tapping Screw	3×6 ZMC2-BI	皿 タ ッ ピ ン グ ネ ジ	PACK	
	44	EI 33 01 06	Binding Head Tapping Screw	3×10 ZMC2-BI	バ イ ン ド タ ッ ピ ン グ ネ ジ	PACK	
	45	EK 33 60 10	BW Head Tapping Screw	3×8 FCM3-BI	B W ヘ ッ ド タ ッ ピ ン グ ネ ジ		
	46	EI 34 00 86	Binding Head Tapping Screw	4×8 FCRM3-BI	バ イ ン ド タ ッ ピ ン グ ネ ジ	PACK	
	47	EI 03 00 66	//	3×6 ZMC2-Y	//	PACK	
	48	EZ 00 13 50	Cup Tight Screw	3×14 FCRM3-BI	カ ッ プ B タ イ ト ネ ジ		
	49	EN 32 00 10	Pan Head Tapping Screw	2.6×8 FCM3-BI	ナ ベ タ ッ ピ ン グ ネ ジ		
	50	EK 36 50 40	BW Head Screw	4×8 FCM3-BI	B W ヘ ッ ド 小 ネ ジ		
※	//	EX 60 11 50	BW Head S-Tyte Screw	4×8 FNM3-BI	B W ヘ ッ ド S タ イ ト ネ ジ	RX-830(Ti)	
	51	VG 42 65 00	Chassis		シ ャ ー シ		RX-330
		CB 06 92 51	Binding Tie	BK-I	イ ン シ ュ ロ ッ ク タイ	PACK	

※New Parts (新規部品)

RX-830/AVR-75

REMOTE CONTROL TRANSMITTER

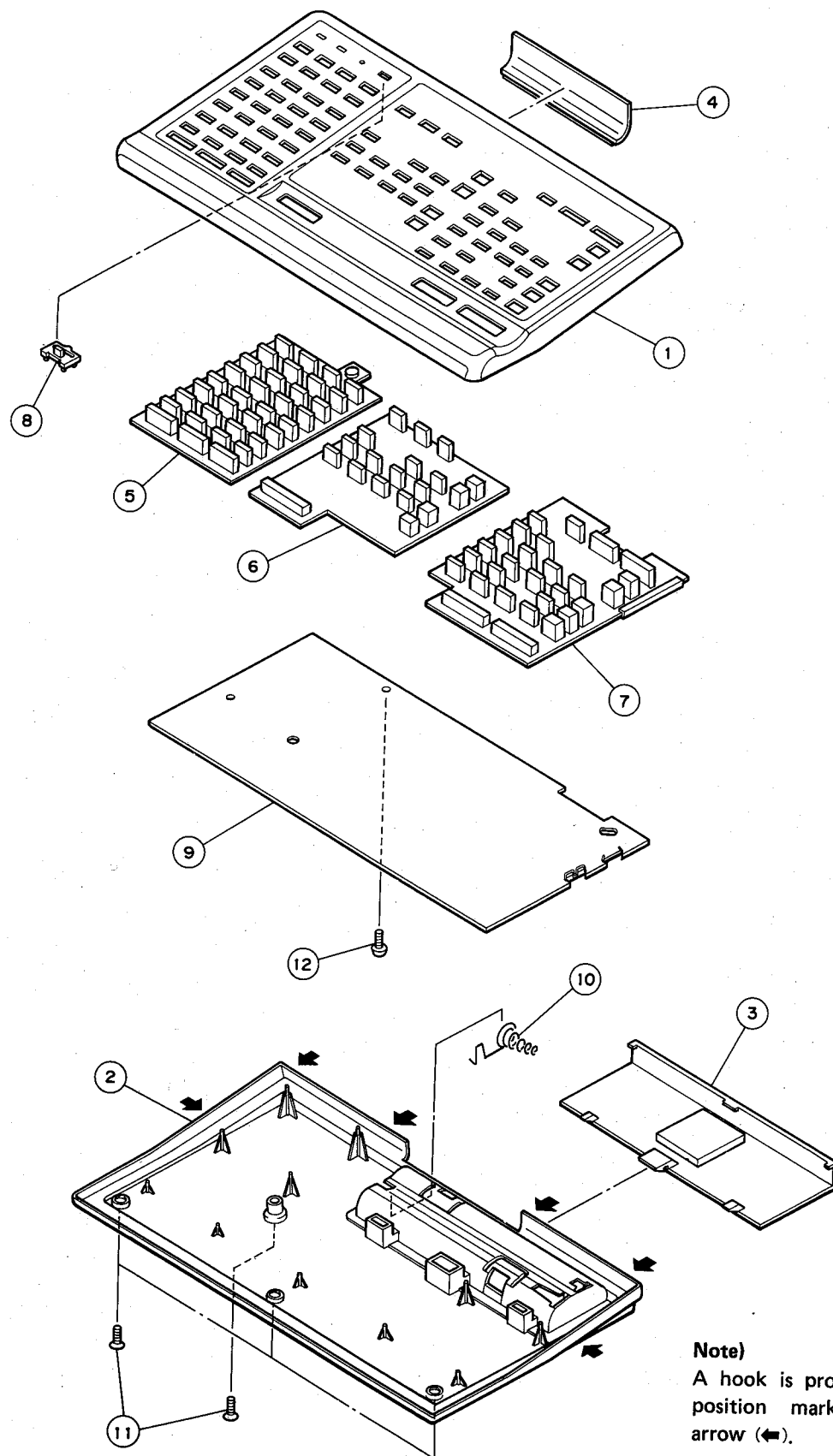


Key No.	CONTROL CODE	FUNCTION	FUNCTION							
			RX-1130	RX-980	RX-830	AVC-70	AV-55	MRX-90M EX	MRX-90M J	
1~16		LEARNING	○	○	○	○	○	○	○	
17	7A-5C	EQ PRESET DOWN	○	○	○	○	○	○	○	
18	7A-1E	—	○	○	○	○	○	○	○	
19	7C-01	LD OPEN/CLOSE	○	○	○	○	○	○	○	
20	7C-02	LD CHAPTER" —"	○	○	○	○	○	○	○	
21	7C-0A	LD STILL ◀	○	○	○	○	○	○	○	
22	—	—	○	○	○	○	○	○	○	
23	7A-57	SLEEP	○	○	○	○	○	○	○	
24	—	—	○	○	○	○	○	○	○	
25	7A-5A	EQ ON/FLAT	○	○	○	○	○	○	○	
26	—	—	○	○	○	○	○	○	○	
27	7C-04	LD PAUSE/STOP	○	○	○	○	○	○	○	
28	7C-06	LD SEARCH ◀◀	○	○	○	○	○	○	○	
29	7C-12	LD SOUND	○	○	○	○	○	○	○	
30	—	—	○	○	○	○	○	○	○	
31	7A-1C	MUTING	○	○	○	○	○	○	○	
32	—	LEARNING	○	○	○	○	○	○	○	
33	—	—	○	○	○	○	○	○	○	
34	7A-55	—	○	○	○	○	○	○	○	
35	7A-17	LD	○	○	○	○	○	○	○	
36	7A-54	—	○	○	○	○	○	○	○	
37	7A-0F	VCR 1	○	○	○	○	○	○	○	
38	7A-13	VCR 2	○	○	○	○	○	○	○	
39	—	—	○	○	○	○	○	○	○	
40	7A-1F	POWER	○	○	○	○	○	○	○	
41	7A-52	DELAY TIME UP	○	○	○	○	○	○	○	
42	7A-58	MODE UP	○	○	○	○	○	○	○	
43	—	—	○	○	○	○	○	○	○	
44	7A-0A	CD SKIP ▶▶	○	○	○	○	○	○	○	
45	7A-0C	CD SEARCH ▶▶	○	○	○	○	○	○	○	
46	7A-11	TUNER PRESET DOWN	○	○	○	○	○	○	○	
47	7A-07	TAPE DIR A	○	○	○	○	○	○	○	
48	7A-01	TAPE ◀◀	○	○	○	○	○	○	○	
49	—	—	○	○	○	○	○	○	○	
50	7A-4F	CD DISC UP	○	○	○	○	○	○	○	
51	7A-08	CD PLAY	○	○	○	○	○	○	○	
52	7A-12	P1-8/P9-18	○	○	○	○	○	○	○	
53	7A-40	TAPE DIR B	○	○	○	○	○	○	○	
54	7A-02	TAPE ▶▶	○	○	○	○	○	○	○	
55	—	—	○	○	○	○	○	○	○	
56	(7A-1A)	(VOLUME UP)	○	○	○	○	○	○	○	

Key No.	CONTROL CODE	FUNCTION	FUNCTION							
			RX-1130	RX-980	RX-830	AVC-70	AV-55	MRX-90M EX	MRX-90M J	
57~72		LEARNING	○	○	○	○	○	○	○	
73	7A-5B	EQ PRESET UP	○	○	○	○	○	○	○	
74	7A-1D	—	○	○	○	○	○	○	○	
75	—	—	○	○	○	○	○	○	○	
76	7C-03	LD CHAPTER" +"	○	○	○	○	○	○	○	
77	7C-0B	LD STILL ▶	○	○	○	○	○	○	○	
78	—	—	○	○	○	○	○	○	○	
79	—	—	○	○	○	○	○	○	○	
80	—	LEARNING	○	○	○	○	○	○	○	
81	—	—	○	○	○	○	○	○	○	
82	—	—	○	○	○	○	○	○	○	
83	7C-05	LD PLAY	○	○	○	○	○	○	○	
84	7C-07	LD SEARCH ▶▶	○	○	○	○	○	○	○	
85	7C-13	LD DISPLAY	○	○	○	○	○	○	○	
86	—	—	○	○	○	○	○	○	○	
87	—	—	○	○	○	○	○	○	○	
88	—	LEARNING	○	○	○	○	○	○	○	
89	7A-53	DELAY TIME DOWN	○	○	○	○	○	○	○	
90	7A-59	MODE DOWN	○	○	○	○	○	○	○	
91	7A-0E	PHONO PLAY/CUT	○	○	○	○	○	○	○	
92	7A-0B	CD SKIP ◀◀	○	○	○	○	○	○	○	
93	7A-0D	CD SEARCH ◀◀	○	○	○	○	○	○	○	
94	7A-06	TAPE DECK A/B	○	○	○	○	○	○	○	
95	7A-04	TAPE REC/PAUSE	○	○	○	○	○	○	○	
96	7A-05	TAPE REC MUTE	○	○	○	○	○	○	○	
97	7A-5F	REAR LEVEL DOWN	○	○	○	○	○	○	○	
98	—	—	○	○	○	○	○	○	○	
99	7A-50	CD DISC DOWN	○	○	○	○	○	○	○	
100	7A-09	CD PAUSE/STOP	○	○	○	○	○	○	○	
101	7A-10	TUNER PRESET UP	○	○	○	○	○	○	○	
102	7A-00	TAPE PLAY	○	○	○	○	○	○	○	
103	7A-03	TAPE STOP	○	○	○	○	○	○	○	
104	(7A-1B)	(VOLUME DOWN)	○	○	○	○	○	○	○	
105	7A-56	SURROUND ON/OFF	○	○	○	○	○	○	○	
106	7A-5E	REAR LEVEL UP	○	○	○	○	○	○	○	
107	7A-14	PHONO	○	○	○	○	○	○	○	
108	7A-15	CD	○	○	○	○	○	○	○	
109	—	—	○	○	○	○	○	○	○	
110	7A-16	TUNER	○	○	○	○	○	○	○	
111	7A-18	TAPE 1	○	○	○	○	○	○	○	
112	7A-19	TAPE 2	○	○	○	○	○	○	○	

RX-830/AVR-75

EXPLODED VIEW



Note)
A hook is provided at each position marked with an arrow (↔).

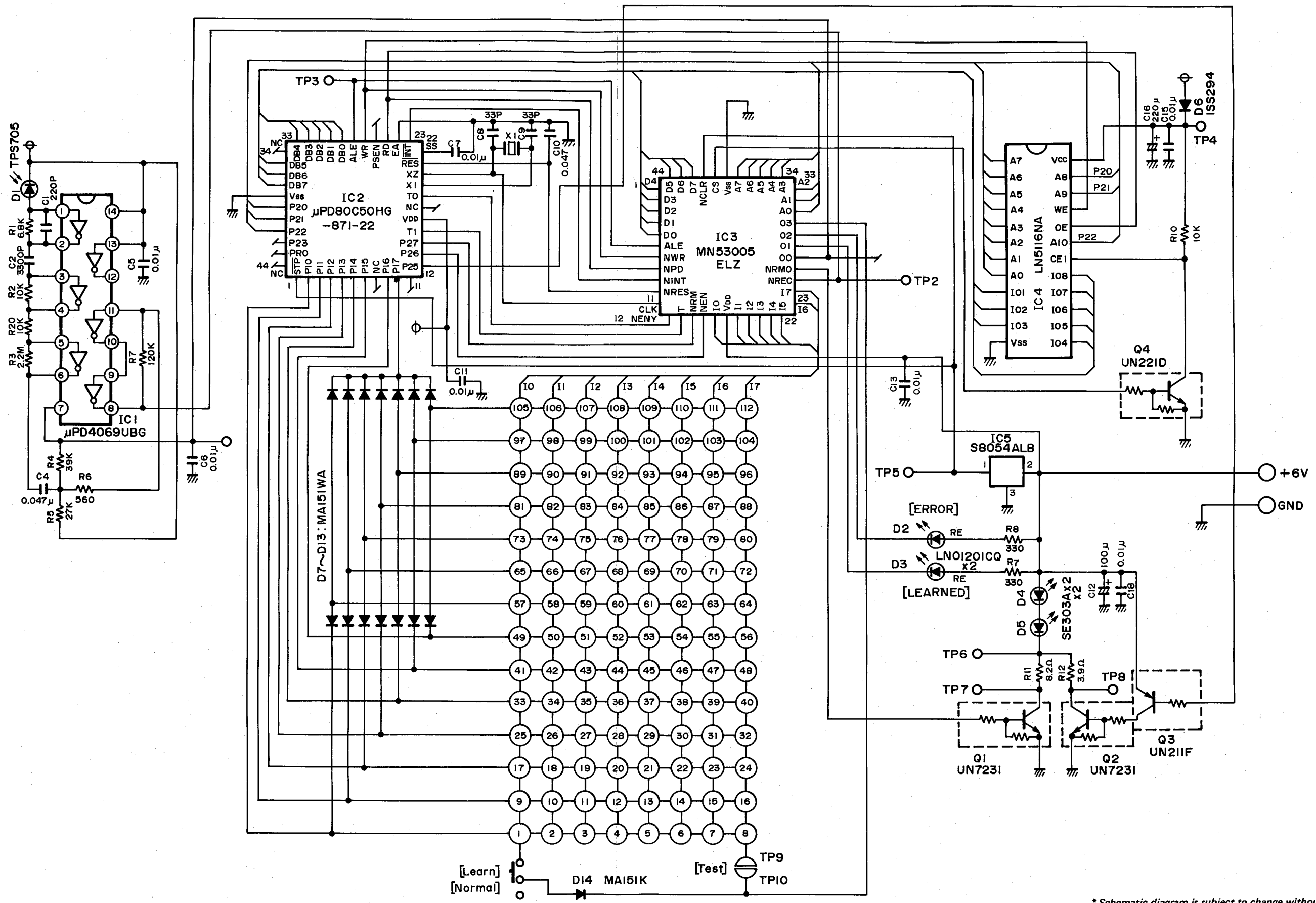
1
2
3
4
5
6
7

RX-830 (E)

Ref. No.	Part No.	Description	部品名	Remarks	Common Model	Markets	ランク
※	VG 80 79 00	Remote Control Transmitter	リモートコントロールトランスミッター				
※	1 CX 60 79 00	Case (A) Ass'y	上 ケース Ass'y				
	2 CX 60 79 10	Case (B)	下 ケース		UR66CS200		
	3 CX 60 79 30	Lid	電池 蓋		UR66EC201		
	4 CX 60 79 50	Filter, Smoke	スモーク板		UR66SB257		
	5 CX 60 79 60	Rubber, Contact (A)	ゴム接点 (A)		UR66CT202		
※	6 CX 60 80 20	// (B)	// (B)		UR66CT203H		
※	7 CX 60 80 80	//	//		UR66CT204H		
	8 CX 60 80 90	Knob	ツマミ		UR66VTM83		
	9 NX 60 39 20	P.C. Board Ass'y	プリント基板 Ass'y		UR66VPB77		
	10 LX 60 25 20	Terminal, Battery	共通電極板		UR66TD239		
	11 EO 32 00 66	Flat Head Tapping Screw 2x6 FCRM3-BI	皿タッピングネジ	PACK	XTS2+6GFZ		
	12 EJ 02 00 56	Pan Head Tapping Screw 2x5 ZMC2-Y	ナベタッピングネジ	PACK	XTB+5GFZ		
	NX 60 39 20	P.C. Board Ass'y	プリント基板 Ass'y		UR66VPB77		
	IX 61 22 80	Photo Diode TPS705	フォトダイオード	D1			
	IX 61 42 80	LED (Red) LN01201CQ	L E D	D2,3			
	IX 61 22 90	LED SE303AS	赤外線 L E D	D4,5			
	QX 60 02 70	Ceramic Resonator CSA737MTTF	セラミック発振子	X1			
	UJ 11 81 00	Electrolytic Cap 100μF 6.3V	ケミコン	C12	ECEA1AU1011		
	UJ 11 82 20	// 220μF 6.3V	//	C16	ECEA1AU2211		
	LX 60 25 30	Terminal, Battery	電極板	-	UR66TD209		
	LX 60 25 40	//	//	+	UR66TD208		

※New Parts (新規部品) NR

RX-830/AVR-75



* Schematic diagram is subject to change without notice.

IC DATA

IC2 : μ PD80C50HG-871-22
MICRO COMPUTER

Pin No.	Pin Name	Function
1	STOP	Microcomputer hard stop
2	P10	KEY SCAN OUTPUT
3	P11	
4	P12	
5	P13	
6	P14	
7	P15	
8	NC	
9	P16	
10	P17	
11	P24	SRAM OUTPUT (A12)
12	P25	Base band waveform output
13	P26	Data bus opened to GATE ARRAY at LOW and to SRAM at High
14	P27	Modulated waveform envelope output
15	T1	ALE of clock input
16	V _{DD}	+6V
17	NC	N.C.
18	T0	Light receiving waveform envelope input
19	X1	Main clock (7.36MHz)
20	X2	
21	RES	RESET INPUT
22	SS	Single step
23	INT	Both edges of light receiving envelope or key scan interrupt
24	EA	Internal ROM at Low and external ROM at High
25	RD	Read timing output to GATE ARRAY and SRAM
26	PSEN	N.C.
27	WR	Write timing output to GATE ARRAY and SRAM
28	ALE	Address fetch timing output
29	DB0	Data exchange with GATE ARRAY, SRAM
30	DB1	
31	DB2	
32	DB3	
33	DB4	
34	NC	
35	DB5	
36	DB6	
37	DB7	
38	V _{SS}	GND
39	P20	(A8)
40	P21	SRAM OUTPUT (A9)
41	P22	(A10)
42	P23	(A11)
43	PRO	N.C.
44	NC	

IC3 : MN53005ELZ
GATE ARRAY (Learning Disital Processing)

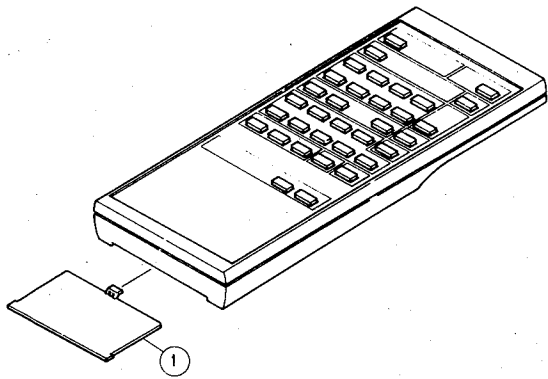
Pin No.	Pin Name	Function
1	D4	Data exchange with microcomputer
2	D3	
3	D2	
4	D1	
5	D0	
6	ALE	Address latch timing input from microcomputer
7	NWR	Data input timing input from microcomputer
8	NRD	Data output timing input from microcomputer
9	NINT	Interrupt output to microcomputer
10	NRES	Reset output to microcomputer
11	CLK	Main clock (7.36MHz)
12	NENV	Light receiving waveform envelope output
13	T	ALE of clock output
14	NRM	Modulated waveform envelope input
15	NEN	Data bus opened to GATE ARRAY at Low and to SRAM at High
16	IO	KEY SCAN INPUT
17	V _{DD}	+ 6V
18	I1	KEY SCAN INPUT
19	I2	
20	I3	
21	I4	
22	I5	
23	I6	
24	I7	
25	NREC	Receiving waveform input
26	NRMO	Modulated waveform output
27	O0	Pre-amplifier control
28	O1	"LEARNED" Control
29	O2	"ERROR" Control
30	O3	Slide sw SCAN OUTPUT
31	A0	SRAM address
32	A1	
33	A2	
34	A3	
35	A4	
36	A5	
37	A6	
38	A7	
39	V _{SS}	GND
40	CS	SRAM \overline{CS} control output
41	NCLR	RESET INPUT
42	D7	Data exchange with microcomputer
43	D6	
44	D5	

■ Trouble-shooting

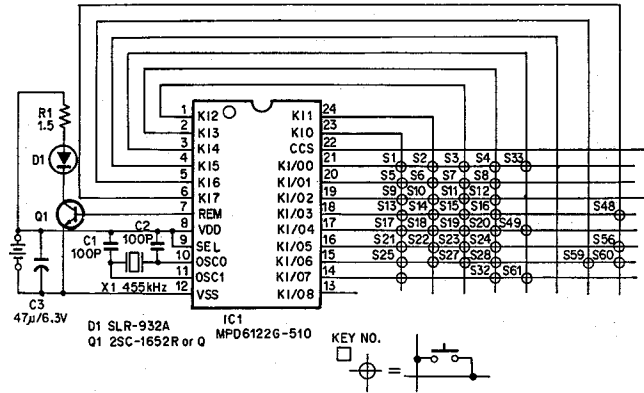
Symptom	Possible cause
Nothing operates even when power is turned "ON".	No.1 pin of IC5 (Reset IC) is left at "L". X1 (Oscillator) is open.
When signal is transmitted in NORM mode, "LEARNED" indicator lights only for a moment and goes OFF immediately.	C12 (100 μ F bypass capacitor) is open. R11, R12 is shorted.
Indicator lights but signal is not transmitted.	D4, D5 (Infrared LED) is open. Q1, Q2, Q3 is open or shorted. R11, R12 is open.
Indicator lights when power is turned "ON" and nothing more is done.	Carbon contact point is shorted.
Learned data is erased immediately when battery is removed.	C16 (220 μ F) is open. D6 is open or shorted. Q4 is shorted.
Learning error occurs.	Each terminal of SRAM is shorted. Q4 is open or shorted.
Learning transmitting code is faulty.	Q4 is open or shorted. Each terminal of SRAM is shorted.

- < power is turned "ON" > in above table actually means that battery is inserted.
- Where said as "that is open or shorted", it is possible that part is damaged.

EXPLODED VIEW



SCHEMATIC DIAGRAM



KEY NO.	DATA CODE							FUNCTION	
	D ₀	D ₁	D ₂	D ₃	D ₄	D ₅	D ₆		D ₇
1	0	0	0	0	0	0	0	0	DECK PLAY
2	1	0	0	0	0	0	0	0	DECK REW
3	0	1	0	0	0	0	0	0	DECK FF
4	1	1	0	0	0	0	0	0	DECK STOP
5	0	0	1	0	0	0	0	0	DECK REC PAUSE
6	1	0	1	0	0	0	0	0	DECK REC MUTE
7	0	1	1	0	0	0	0	0	DECK DECK A/B
8	1	1	1	0	0	0	0	0	DECK DIR. A
9	0	0	0	1	0	0	0	0	CD PLAY
10	1	0	0	1	0	0	0	0	CD PAUSE/STOP
11	0	1	0	1	0	0	0	0	CD SKIP ▷▷
12	1	1	0	1	0	0	0	0	CD SKIP ◁◁
13	0	0	1	1	0	0	0	0	CD SEARCH ▷▷
14	1	0	1	1	0	0	0	0	CD SEARCH ◁◁
15	0	1	1	1	0	0	0	0	PHONO PLAY/CUT
16	1	1	1	1	0	0	0	0	AMP TAPE 2
17	0	0	0	0	1	0	0	0	TUNER PRESET UP
18	1	0	0	0	1	0	0	0	TUNER PRESET DOWN

KEY NO.	DATA CODE							FUNCTION	
	D ₀	D ₁	D ₂	D ₃	D ₄	D ₅	D ₆		D ₇
19	0	1	0	0	1	0	0	0	TUNER P1-8/P9-16
21	0	0	1	0	1	0	0	0	AMP PHONO
22	1	0	1	0	1	0	0	0	AMP CD
23	0	1	1	0	1	0	0	0	AMP TUNER
24	1	1	1	0	1	0	0	0	AMP LD
25	0	0	0	1	1	0	0	0	AMP TAPE 1
27	0	1	0	1	1	0	0	0	VOL. UP
28	1	1	0	1	1	0	0	0	VOL. DOWN
32	1	1	1	1	1	0	0	0	POWER ON/OFF
33	0	0	0	0	0	0	1	0	DECK DIR. B
48	1	1	1	1	0	0	1	0	CD DISC No. UP
49	0	0	0	0	1	0	1	0	CD DISC No. DOWN
56	1	1	1	0	1	0	1	0	SLEEP
59	0	1	0	1	1	0	1	0	EQ ON/FLAT
60	1	1	0	1	1	0	1	0	EQ PRESET UP
61	0	0	1	1	1	0	1	0	EQ PRESET DOWN
	C ₀	C ₁	C ₂	C ₃	C ₄	C ₅	C ₆	C ₇	
	0	1	0	1	1	1	1	0	CUSTOM CODE

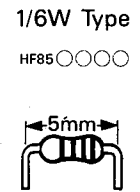
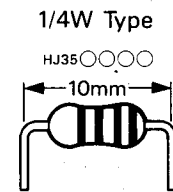
PARTS LIST

Ref. No.	Part No.	Description	部品名	Remarks/Markets	Common Model	リンク
*	VG 91 77 00	Remote Control Transmitter	リモコントランスミッター			
I	CX 60 72 00	Lid	電池 ケース		K-PM1-562-01	
		Dry Cell	AAA,R03	単 4 乾 電池		

*New Parts (新規部品)

Parts List for Carbon Resistors

Value	1/4W Type Part No.	1/6W Type Part No.	Value	1/4W Type Part No.	1/6W Type Part No.
1.0 Ω	HJ353100	HF853100	12KΩ	HJ357120	HF857120
1.8 "	HJ353180	*	15 "	HJ357150	HF857150
2.2 "	HJ353220	HF853220	18 "	HJ357180	HF857180
3.3 "	HJ353330	HF853330	22 "	HJ357220	HF857220
4.7 "	HJ353470	HF853470	27 "	HJ357270	HF857270
5.6 "	HJ353560	HF853560	33 "	HJ357330	HF857330
10 "	HJ354100	HF854100	39 "	HJ357390	HF857390
15 "	HJ354150	HF854150	47 "	HJ357470	HF857470
22 "	HJ354220	HF854220	56 "	HJ357560	HF857560
27 "	HJ354270	HF854270	68 "	HJ357680	HF857680
33 "	HJ354330	HF854330	82 "	HJ357820	HF857820
39 "	HJ354390	HF854390	91 "	HJ357910	HF857910
47 "	HJ354470	HF854470	100 "	HJ358100	HF858100
56 "	HJ354560	HF854560	120 "	HJ358120	HF858120
68 "	HJ354680	HF854680	150 "	HJ358150	HF858150
82 "	HJ354820	HF854820	180 "	HJ358180	HF858180
100 "	HJ355100	HF855100	220 "	HJ358220	HF858220
110 "	HJ355110	HF855110	270 "	HJ358270	HF858270
120 "	HJ355120	HF855120	330 "	HJ358330	HF858330
150 "	HJ355150	HF855150	390 "	HJ358390	HF858390
160 "	HJ355160	*	470 "	HJ358470	HF858470
180 "	HJ355180	HF855180	560 "	HJ358560	HF858560
220 "	HJ355220	HF855220	680 "	HJ358680	HF858680
270 "	HJ355270	HF855270	820 "	HJ358820	HF858820
330 "	HJ355330	HF855330	1.0MΩ	HJ359100	HF859100
390 "	HJ355390	HF855390	1.2 "	HJ359120	*
470 "	HJ355470	HF855470	1.5 "	HJ359150	HF859150
510 "	*	HF855510	1.8 "	HJ359180	HF859180
560 "	HJ355560	HF855560	2.2 "	HJ359220	HF859220
680 "	HJ355680	HF855680	3.3 "	HJ359330	HF859330
820 "	HJ355820	HF855820	3.9 "	HJ359390	*
910 "	HJ355910	HF855910	4.7 "	HJ359470	HF859470
1.0KΩ	HJ356100	HF856100			
1.2 "	HJ356120	HF856120			
1.5 "	HJ356150	HF856150			
1.8 "	HJ356180	HF856180			
2.0 "	HJ356200	HF856200			
2.2 "	HJ356220	HF856220			
2.4 "	HJ356240	HF856240			
2.7 "	HJ356270	HF856270			
3.0 "	HJ356300	HF856300			
3.3 "	HJ356330	HF856330			
3.6 "	HJ356360	HF856360			
3.9 "	HJ356390	HF856390			
4.7 "	HJ356470	HF856470			
5.1 "	HJ356510	HF856510			
5.6 "	HJ356560	HF856560			
6.8 "	HJ356680	HF856680			
8.2 "	HJ356820	HF856820			
9.1 "	HJ356910	HF856910			
10 "	HJ357100	HF857100			



RX-830/AVR-75

RX-830/AVR-75

YAMAHA

RX-830/AVR-75
