

1 ■ BLOCK DIAGRAMS

AUDIO Section Block Diagram

DIGITAL1 • See page 127-135 → SCHEMATIC DIAGRAM

DAC • See page 134 → SCHEMATIC DIAGRAM

AMP • See page 140, 141 → SCHEMATIC DIAGRAM

FUNCTION (2)

• See page 138 → SCHEMATIC DIAGRAM

OPERATION (2)

• See page 139 → SCHEMATIC DIAGRAM

VIDEO (1) • See page 144, 145 → SCHEMATIC DIAGRAM

AUDIO INPUT/OUTPUT

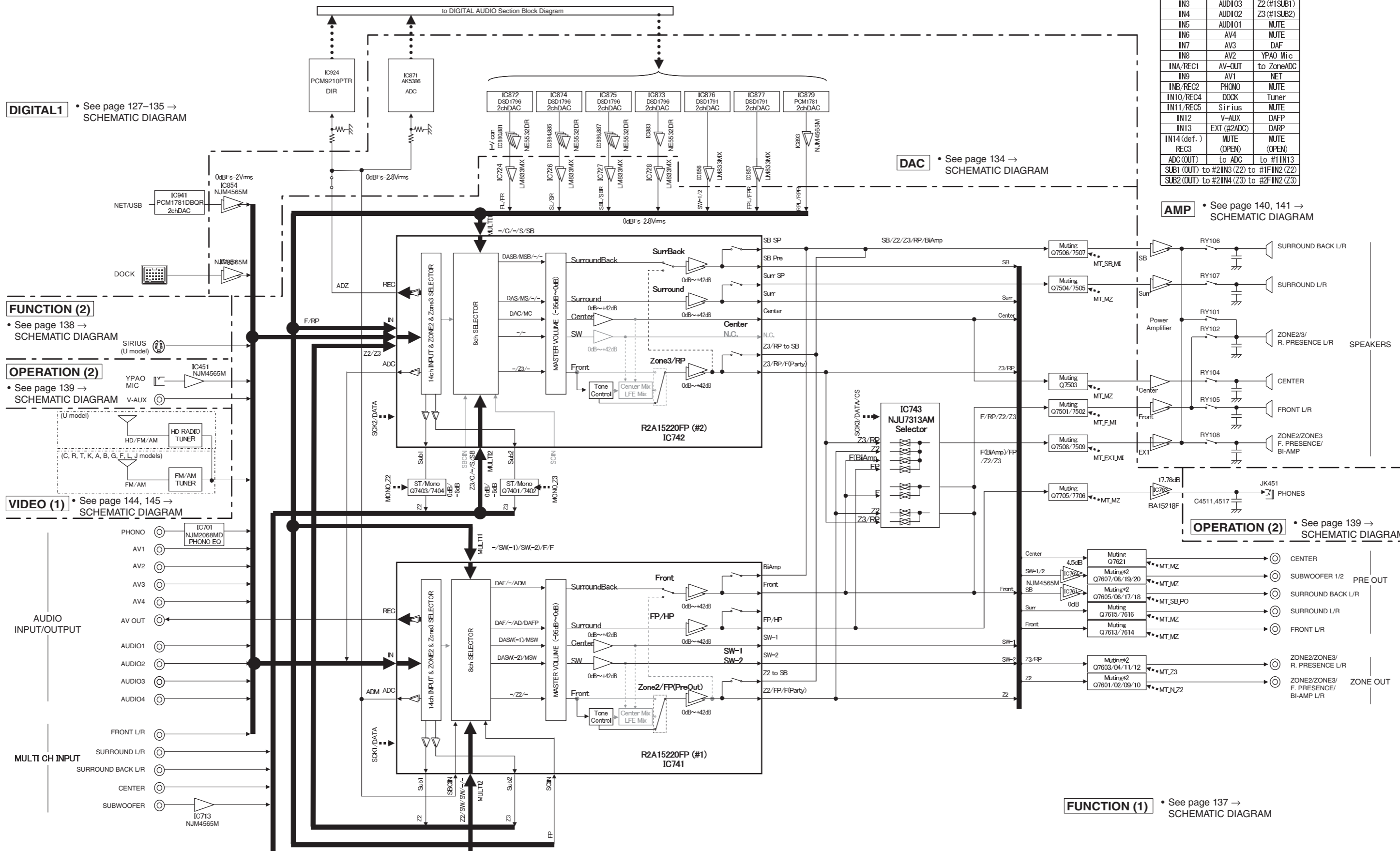
- PHONO
- AV1
- AV2
- AV3
- AV4
- AV OUT
- AUDIO1
- AUDIO2
- AUDIO3
- AUDIO4

MULTI CH INPUT

- FRONT L/R
- SURROUND L/R
- SURROUND BACK L/R
- CENTER
- SUBWOOFER

7

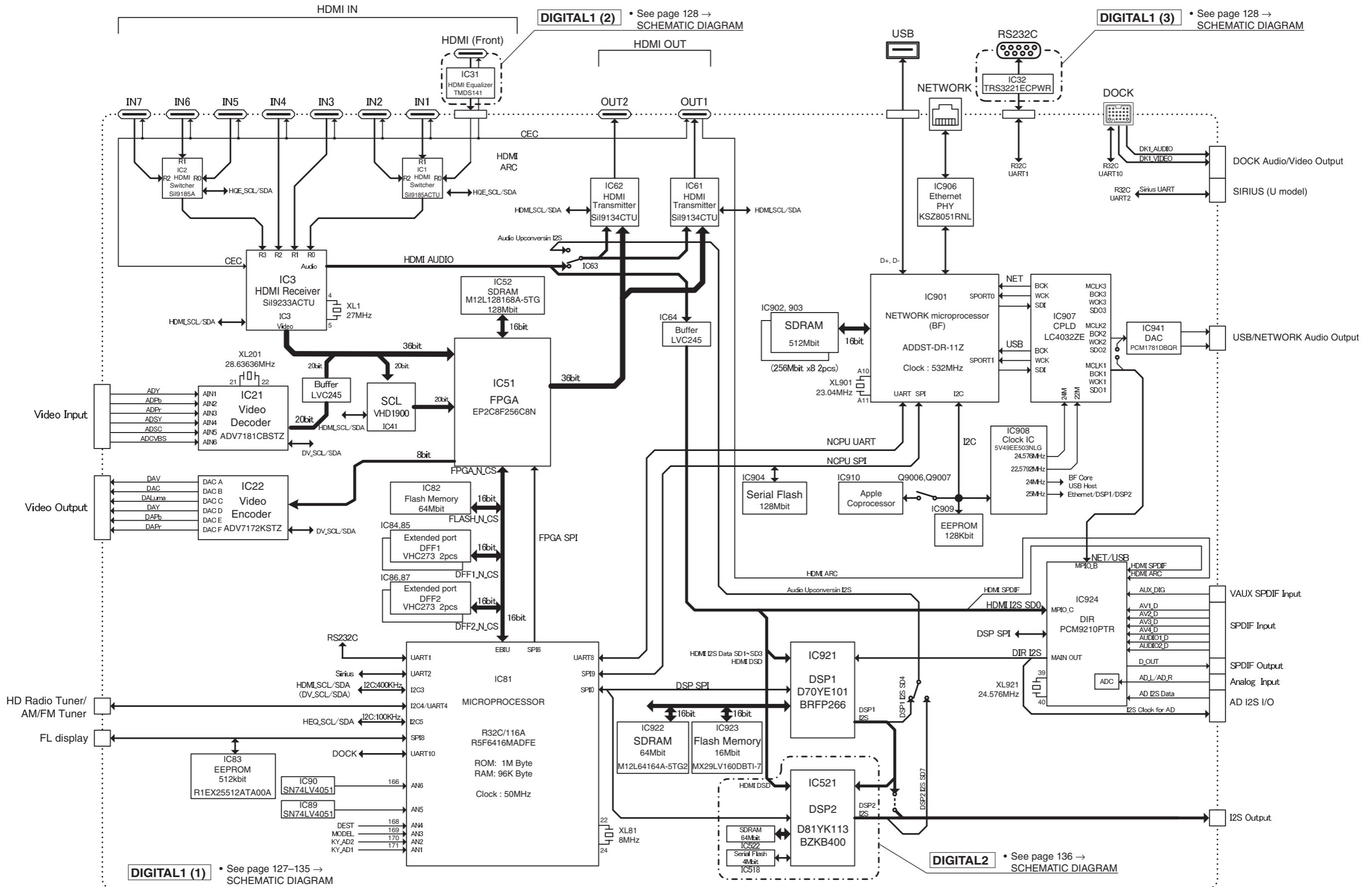
	#1	#2
IN1	MULTI CH	MUTE
IN2	AUD104	MUTE
IN3	AUD103	Z2 (#1SUB1)
IN4	AUD102	Z3 (#1SUB2)
IN5	AUD101	MUTE
IN6	AV4	MUTE
IN7	AV3	DAF
IN8	AV2	YPAO Mic
INA/REC1	AV-OUT	to ZoneADC
IN9	AV1	NET
INB/REC2	PHONO	MUTE
IN10/REC4	DOCK	Tuner
IN11/REC5	Sirius	MUTE
IN12	V-AUX	DAFP
IN13	EXT (#2ADC)	DAFP
IN14 (def.)	MUTE	MUTE
REC3	(OPEN)	(OPEN)
ADC (OUT)	to ADC	to #1IN13
SUB1 (OUT)	to #2IN3 (Z2)	#1IN2 (Z2)
SUB2 (OUT)	to #2IN4 (Z3)	#2IN2 (Z3)



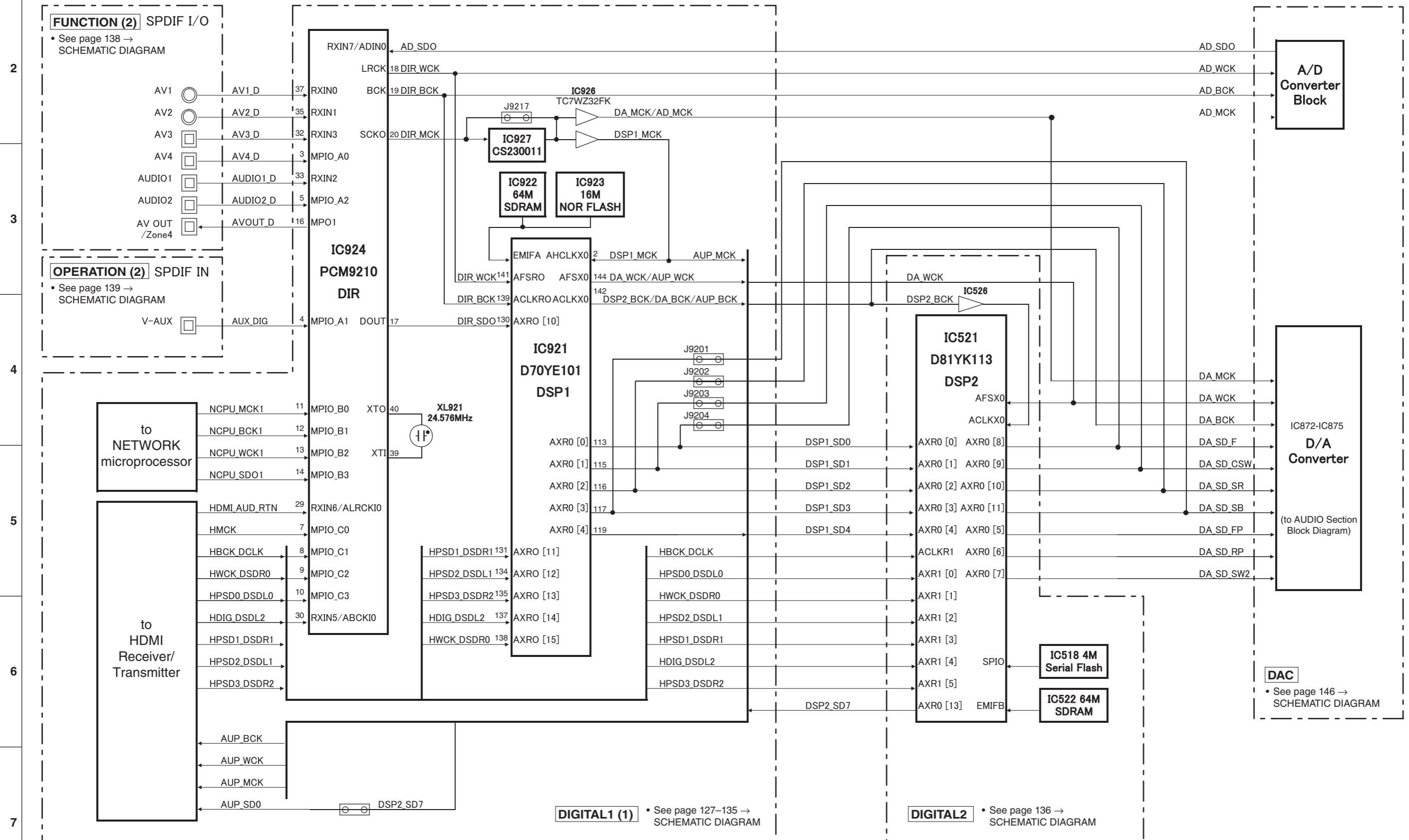
OPERATION (2) • See page 139 → SCHEMATIC DIAGRAM

FUNCTION (1) • See page 137 → SCHEMATIC DIAGRAM

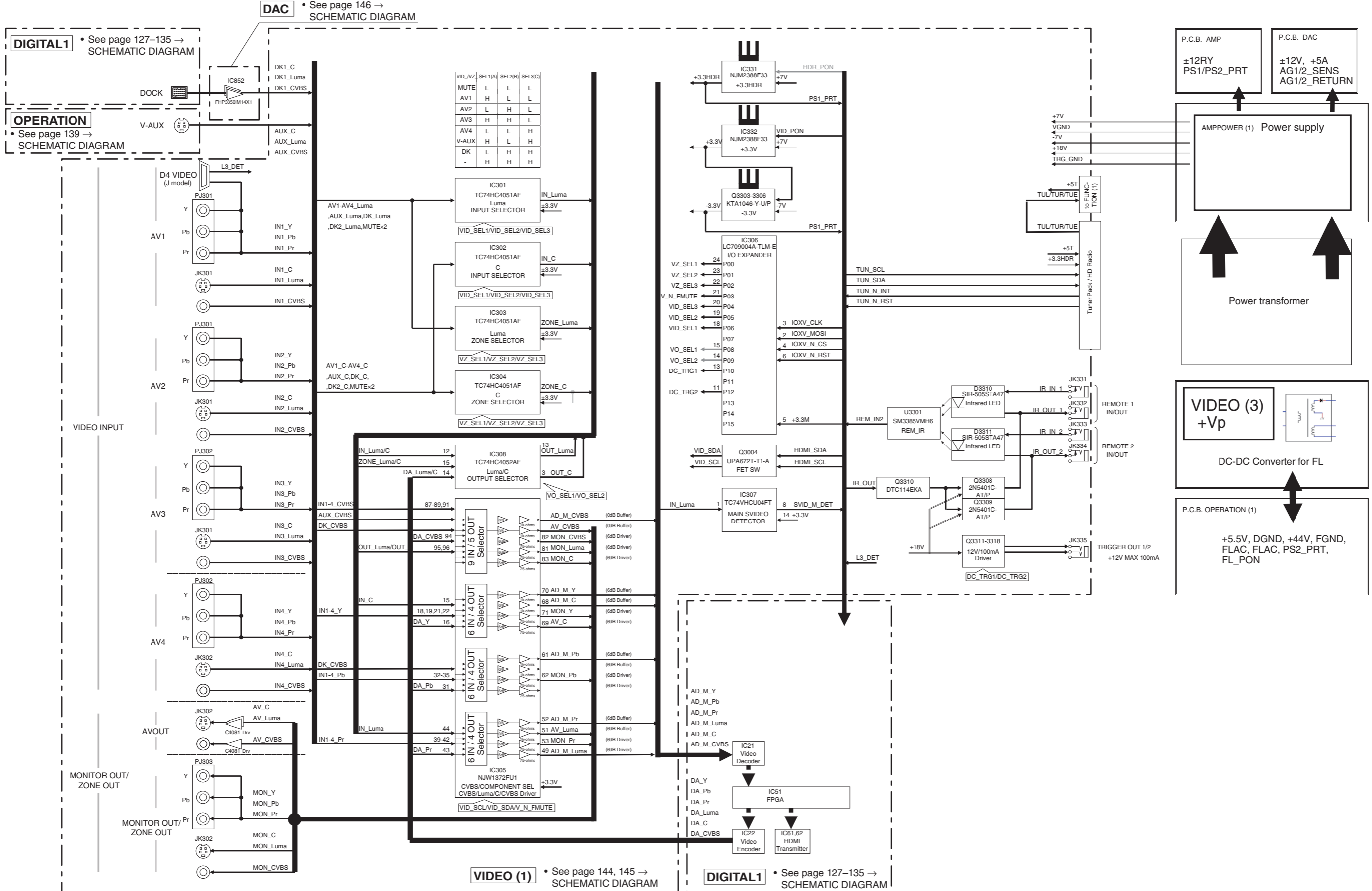
DIGITAL P.C.B. Section Block Diagram



DIGITAL AUDIO Section Block Diagram



VIDEO Section Block Diagram



Power Supply Section Block Diagram

1
2
3
4
5
6
7

Power Transformer

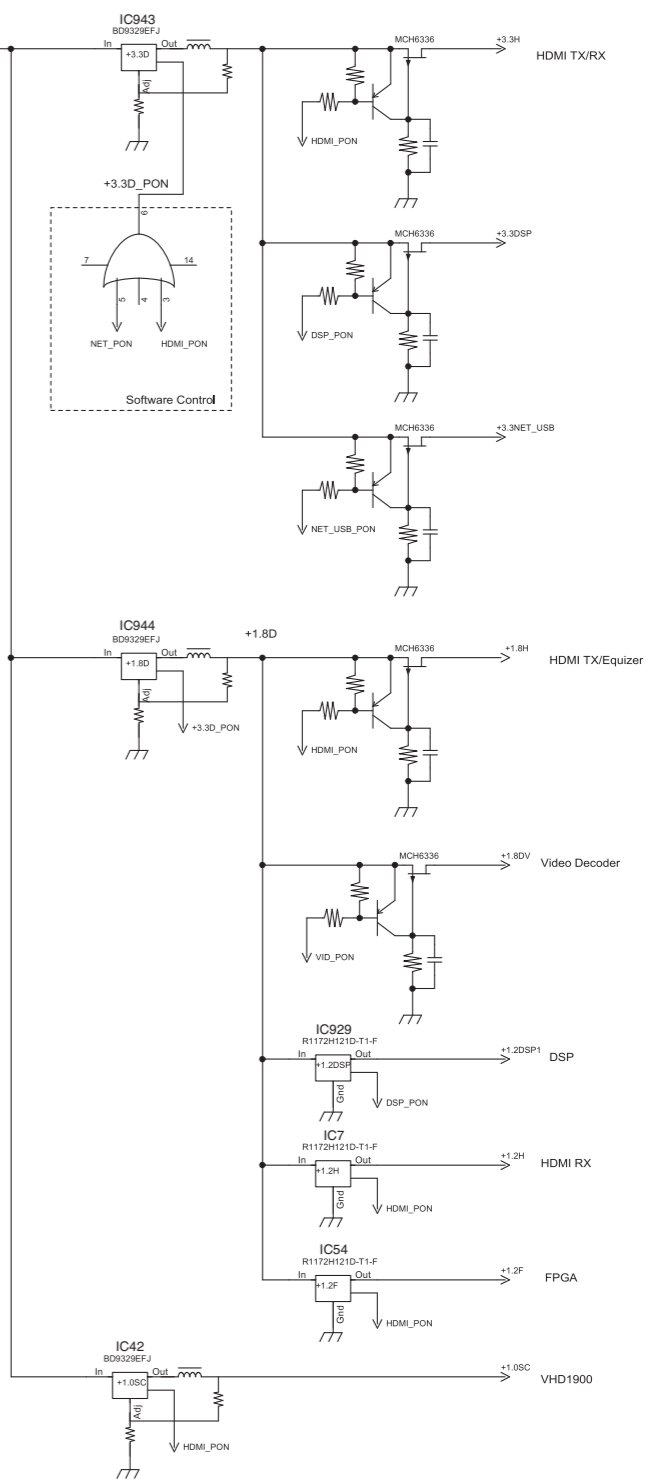
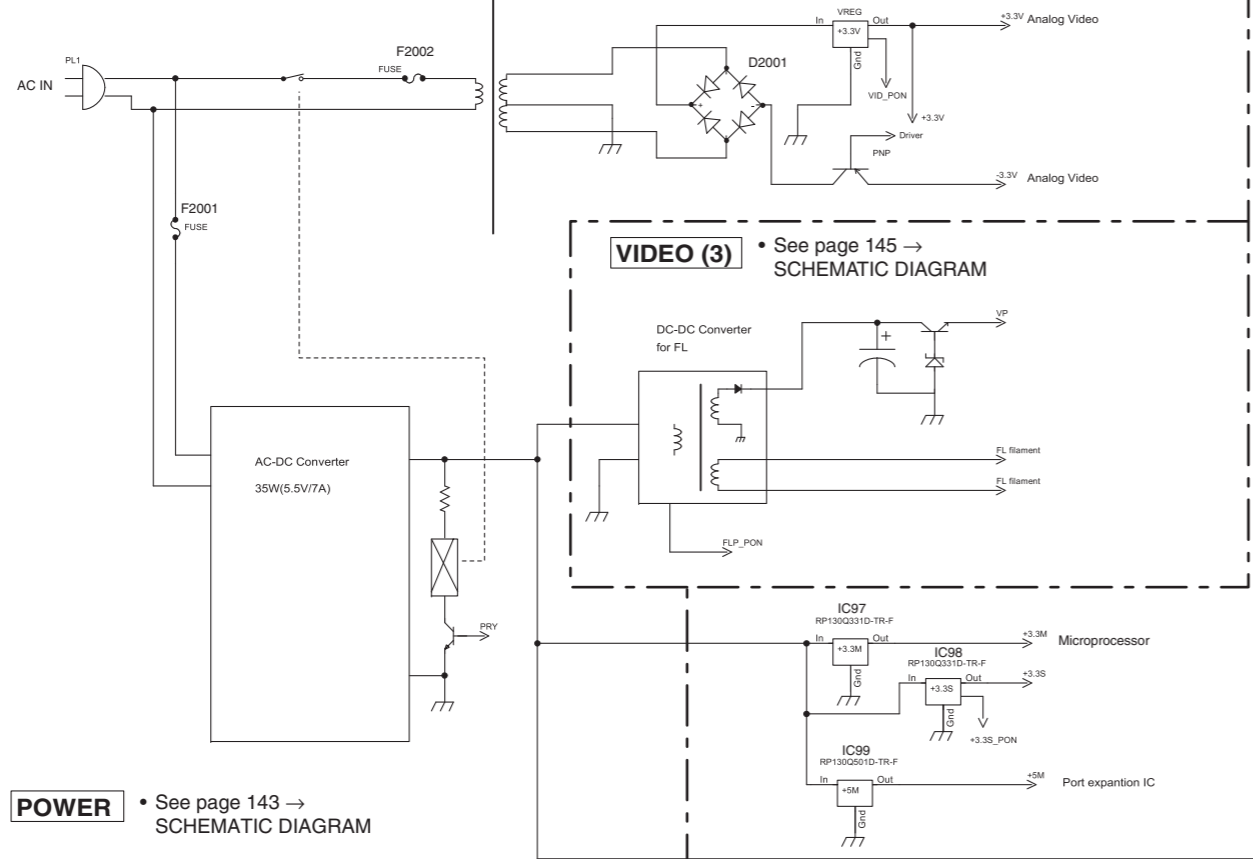
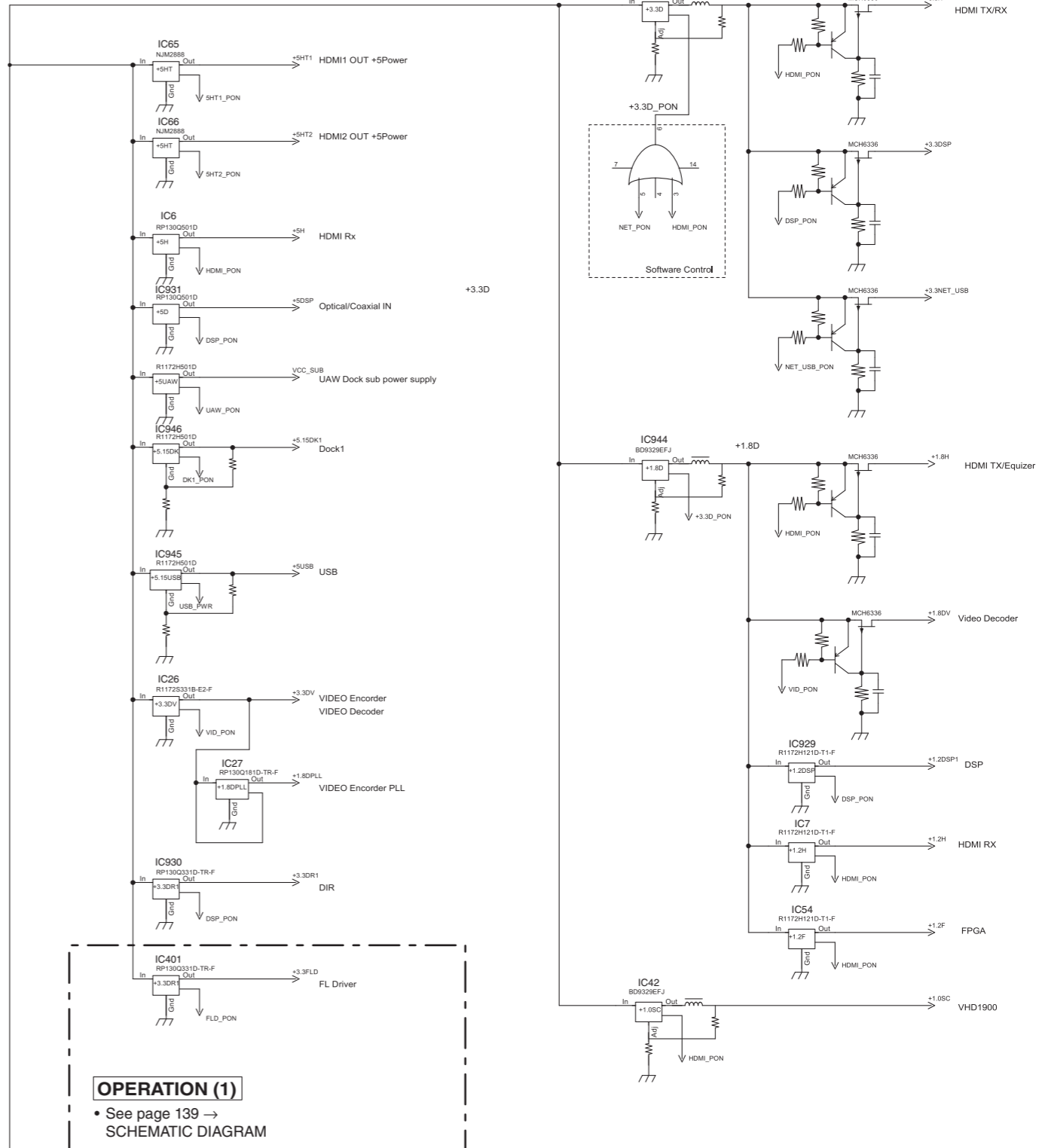
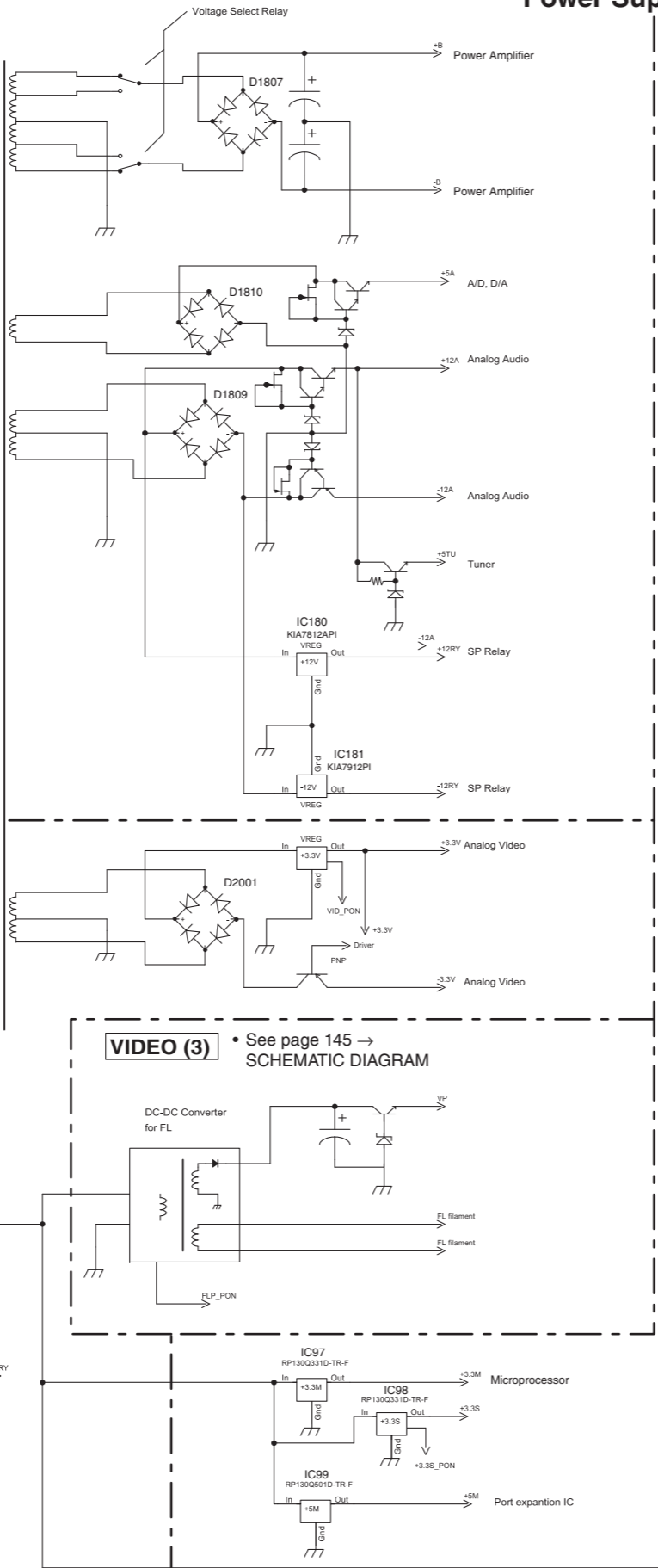
AMPPOWER • See page 142 → SCHEMATIC DIAGRAM

VIDEO (3) • See page 145 → SCHEMATIC DIAGRAM

POWER • See page 143 → SCHEMATIC DIAGRAM

OPERATION (1) • See page 139 → SCHEMATIC DIAGRAM

DIGITAL 1 • See page 127-135 → SCHEMATIC DIAGRAM



AV RECEIVER

RX-A3010/RX-V3071

RX-A3010/RX-V3071

SERVICE MANUAL

CAUTION: When the DIGITAL1 P.C.B. or IC83 on DIGITAL1 P.C.B. is replaced, this unit will not operate properly without additional setting.

In such a case, report the serial number of this unit to the following e-mail address.

Yamaha Corporation will reply providing the setting procedure to make this unit operate properly.

注意： DIGITAL1 P.C.B. または DIGITAL1 P.C.B. の IC83 を交換すると本機が正常に動作しなくなり、正常動作のための追加設定が必要になります。

そのような場合には本機のシリアルナンバーを下記の E メールアドレスへご連絡ください。

折り返し、本機が正常に動作するための追加設定方法をご連絡します。

E-mail: ycav-ysiss@gmx.yamaha.com

IMPORTANT NOTICE

This manual has been provided for the use of authorized YAMAHA Retailers and their service personnel.

It has been assumed that basic service procedures inherent to the industry, and more specifically YAMAHA Products, are already known and understood by the users, and have therefore not been restated.

WARNING: Failure to follow appropriate service and safety procedures when servicing this product may result in personal injury, destruction of expensive components, and failure of the product to perform as specified. For these reasons, we advise all YAMAHA product owners that any service required should be performed by an authorized YAMAHA Retailer or the appointed service representative.

IMPORTANT: The presentation or sale of this manual to any individual or firm does not constitute authorization, certification or recognition of any applicable technical capabilities, or establish a principle-agent relationship of any form.

The data provided is believed to be accurate and applicable to the unit(s) indicated on the cover. The research, engineering, and service departments of YAMAHA are continually striving to improve YAMAHA products. Modifications are, therefore, inevitable and specifications are subject to change without notice or obligation to retrofit. Should any discrepancy appear to exist, please contact the distributor's Service Division.

WARNING: Static discharges can destroy expensive components. Discharge any static electricity your body may have accumulated by grounding yourself to the ground buss in the unit (heavy gauge black wires connect to this buss).

IMPORTANT: Turn the unit OFF during disassembly and part replacement. Recheck all work before you apply power to the unit.

CONTENTS

TO SERVICE PERSONNEL	2-3
FRONT PANELS	4-5
REAR PANELS	5-9
REMOTE CONTROL PANELS	10
SPECIFICATIONS / 参考仕様	11-18
INTERNAL VIEW	19
SERVICE PRECAUTIONS / サービス時の注意事項	19
DISASSEMBLY PROCEDURES / 分解手順	20-23
UPDATING FIRMWARE / ファームウェアのアップデート	24-25
SELF-DIAGNOSTIC FUNCTION / ダイアグ (自己診断機能)	26-71

POWER AMPLIFIER ADJUSTMENT / パワーアンプ調整	72-73
DISPLAY DATA	74-76
IC DATA	77-91
BLOCK DIAGRAMS	93-97
PRINTED CIRCUIT BOARDS	98-125
PIN CONNECTION DIAGRAMS	126
SCHEMATIC DIAGRAMS	127-146
REPLACEMENT PARTS LIST	147-176
REMOTE CONTROL	177-180
ADVANCED SETUP	181
システム設定を変更する	182
FIRMWARE UPDATING PROCEDURE	183-194
ファームウェア更新手順	195-200



このサービスマニュアルは、エコマーク認定の再生紙を使用しています。
This Service Manual uses recycled paper.

101222

Copyright © 2011 YAMAHA CORPORATION All rights reserved.
This manual is copyrighted by YAMAHA and may not be copied or
redistributed either in print or electronically without permission.

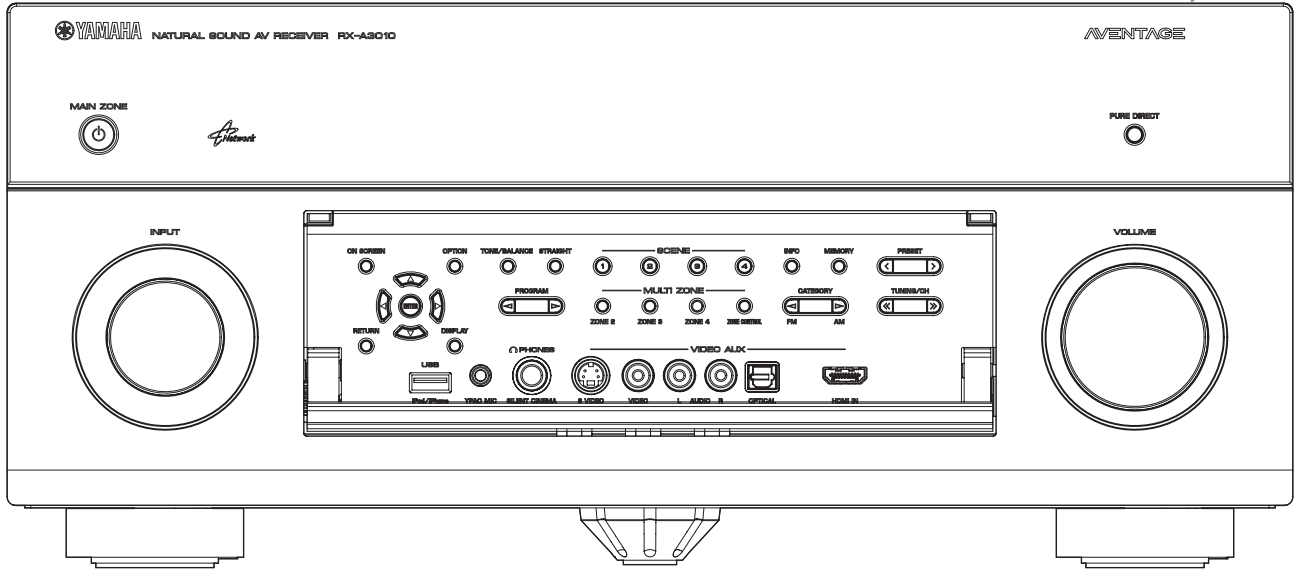
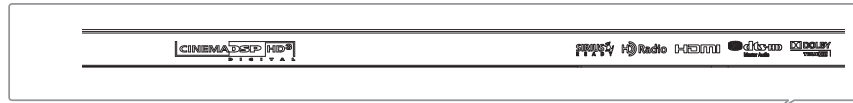


YAMAHA CORPORATION
P.O.Box 1, Hamamatsu, Japan

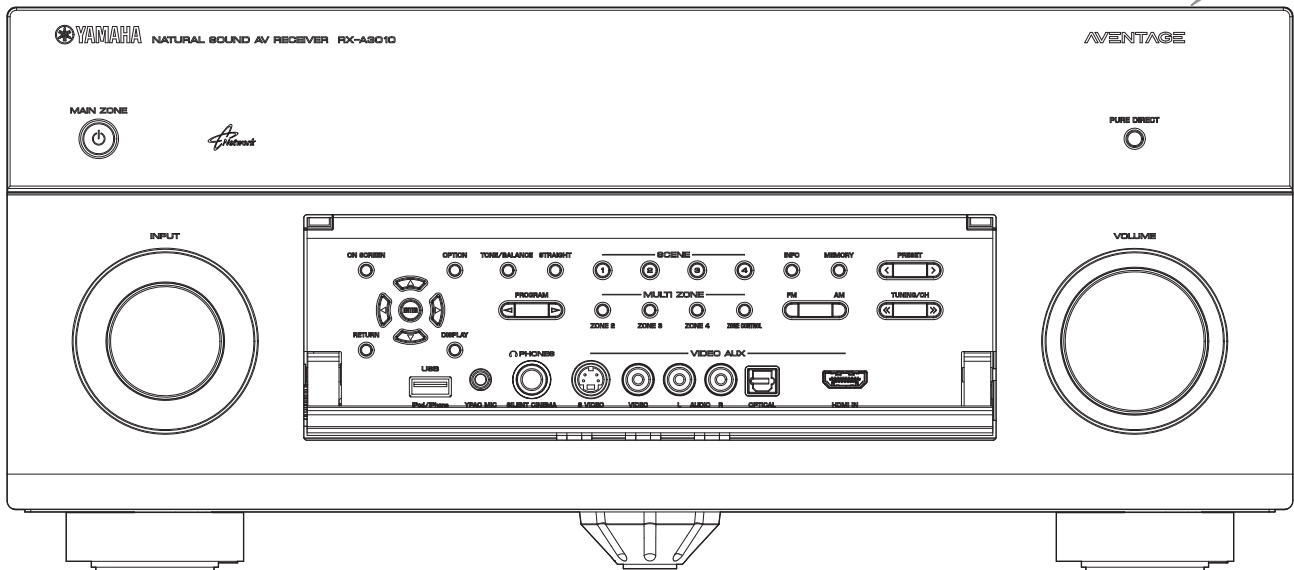
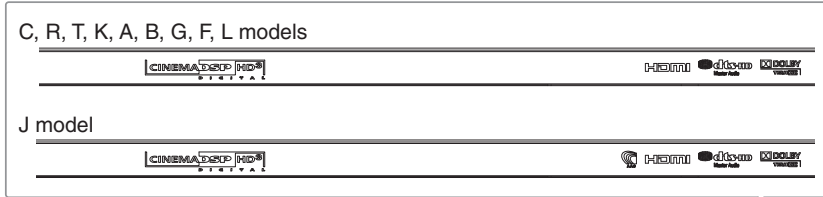
'11.11

FRONT PANELS

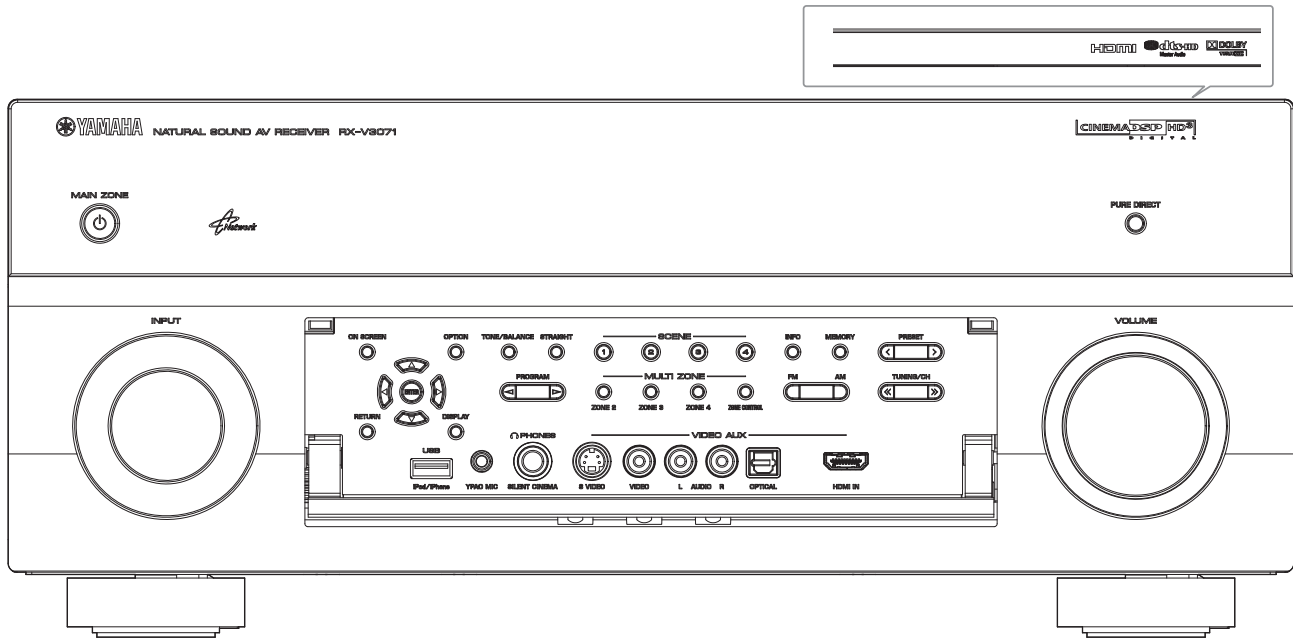
RX-A3010 (U model)



RX-A3010 (C, R, T, K, A, B, G, F, L, J models)

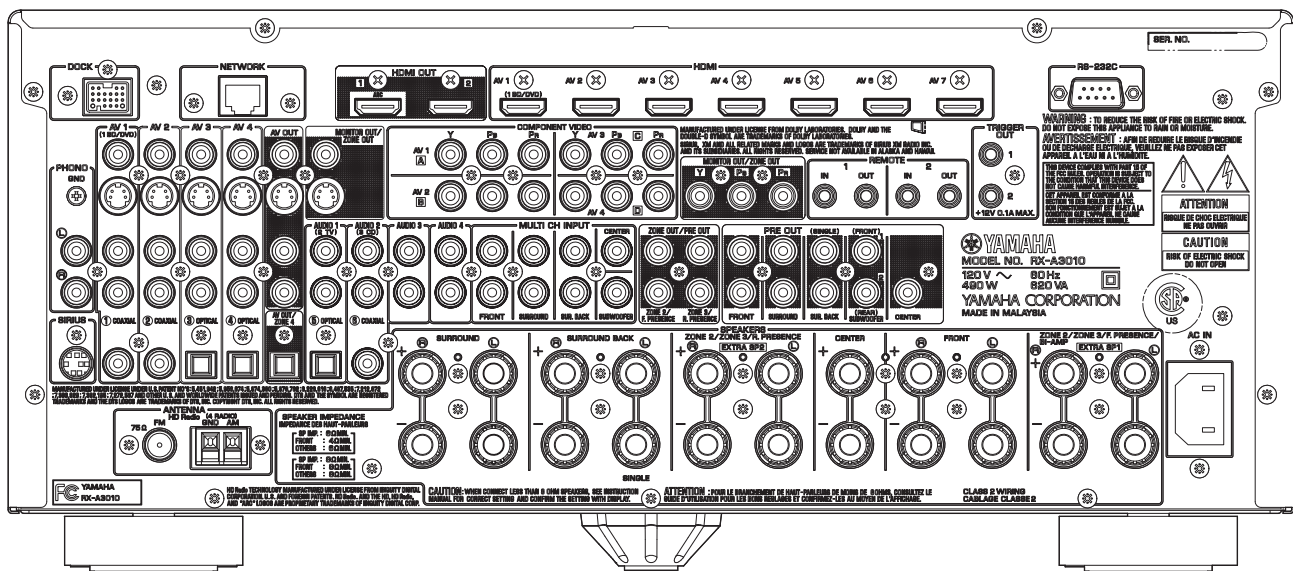


RX-V3071 (T, A models)



REAR PANELS

RX-A3010 (U model)



RX-A3010/RX-V3071

A	B
C	D

AMP 1/2

RX-A3010/RX-V3071

AMP 1/2

RESISTOR

REMARKS	PARTS NAME
NO MARK	CARBON FILM RESISTOR (P=5)
☒	CARBON FILM RESISTOR (P=10)
△	METAL OXIDE FILM RESISTOR
▲	METAL FILM RESISTOR
⊠	METAL PLATE RESISTOR
▣	FIRE PROOF CARBON FILM RESISTOR
□	CEMENT MOLDED RESISTOR
⊙	SEMI VARIABLE RESISTOR
■	CHIP RESISTOR

CAPACITOR

REMARKS	PARTS NAME
NO MARK	ELECTROLYTIC CAPACITOR
⊗	TANTALUM CAPACITOR
NO MARK	CERAMIC CAPACITOR
●	CERAMIC TUBULAR CAPACITOR
⊙	POLYESTER FILM CAPACITOR
○	POLYSTYRENE FILM CAPACITOR
⊖	MICA CAPACITOR
⊕	POLYPROPYLENE FILM CAPACITOR
⊗	SEMICONDUCTIVE CERAMIC CAPACITOR
⊙	POLYPHENYLENE SULFIDE FILM CAPACITOR

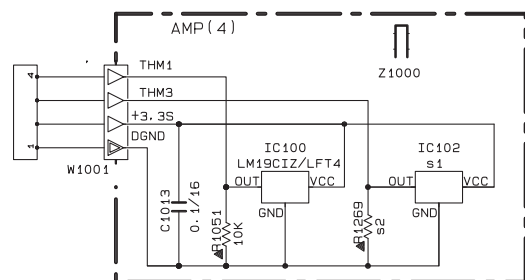
NOTICE (model)

- (J)..... JAPAN
- (U)..... U. S. A
- (C)..... CANADA
- (R)..... GENERAL
- (T)..... CHINA
- (K)..... KOREA
- (A)..... AUSTRALIA
- (B)..... BRITISH
- (G)..... EUROPE
- (L)..... SINGAPORE
- (E)..... SOUTH EUROPE
- (V)..... TAIWAN
- (F)..... RUSSIAN
- (P)..... LATIN AMERICA
- (S)..... BRAZIL
- (H)..... THAI

Destination Part List

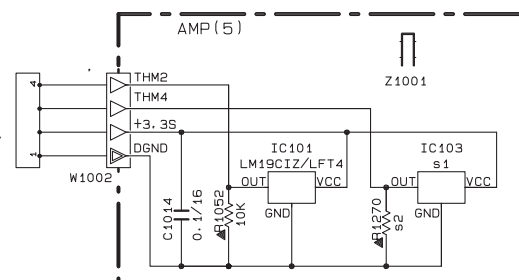
SXX	LOC	J	U	C	RTA	KBGLF
s1	IC102 IC103	X	X	YA381A0 LM19CIZ/LFT4	X	X
s2	R1269 R1270	X	X	RF35710 10K	X	X
s3	C1020 C1019 C1022 C1067 C1065 C1066 C1068 C1069 C1021	WE10210 220P/100	WN16480 220P/100	WN16480 220P/100	WN16480 220P/100	WE10210 220P/100
s4	C1012 C1008 C1006 C1010 C1055 C1051 C1059 C1057 C1053	WE10090 220P/630	WJ60830 220P/100	WJ60830 220P/100	WJ60830 220P/100	WE10090 220P/630
s5	C1082 C1033 C1035 C1085 C1086 C1084 C1032 C1083 C1035 C1034	WE10090 220P/630	WN16420 220P/100	WN16420 220P/100	WN16420 220P/100	WE10090 220P/630
s6	TE150	WU73050 MST-226VD-01-GI	WU72920 MST-226VD-01-76	WU72920 MST-226VD-01-76	WU73050 MST-226VD-01-GI	WU73060 MST-226VD-01-GI
s7	TE151 TE152 TE153	WU73070 MST-224VD-01-GI	WU73010 MST-224VD-01-76	WU73010 MST-224VD-01-76	WU73070 MST-224VD-01-GI	WU73270 MST-224VD-01-GI
s8	C1549 C1548 C1539 C1554 C1546 C1545 C1540 C1091 C1088 C1089 C1543 C1026 C1095 C1037 C1087 C1039 C1036 C1542	WJ61060 0.022/100	WN16550 0.022/100	WN16550 0.022/100	WN16550 0.022/100	WJ61060 0.022/100

Page 132 J9
to DIGITAL1 (1)_CB93



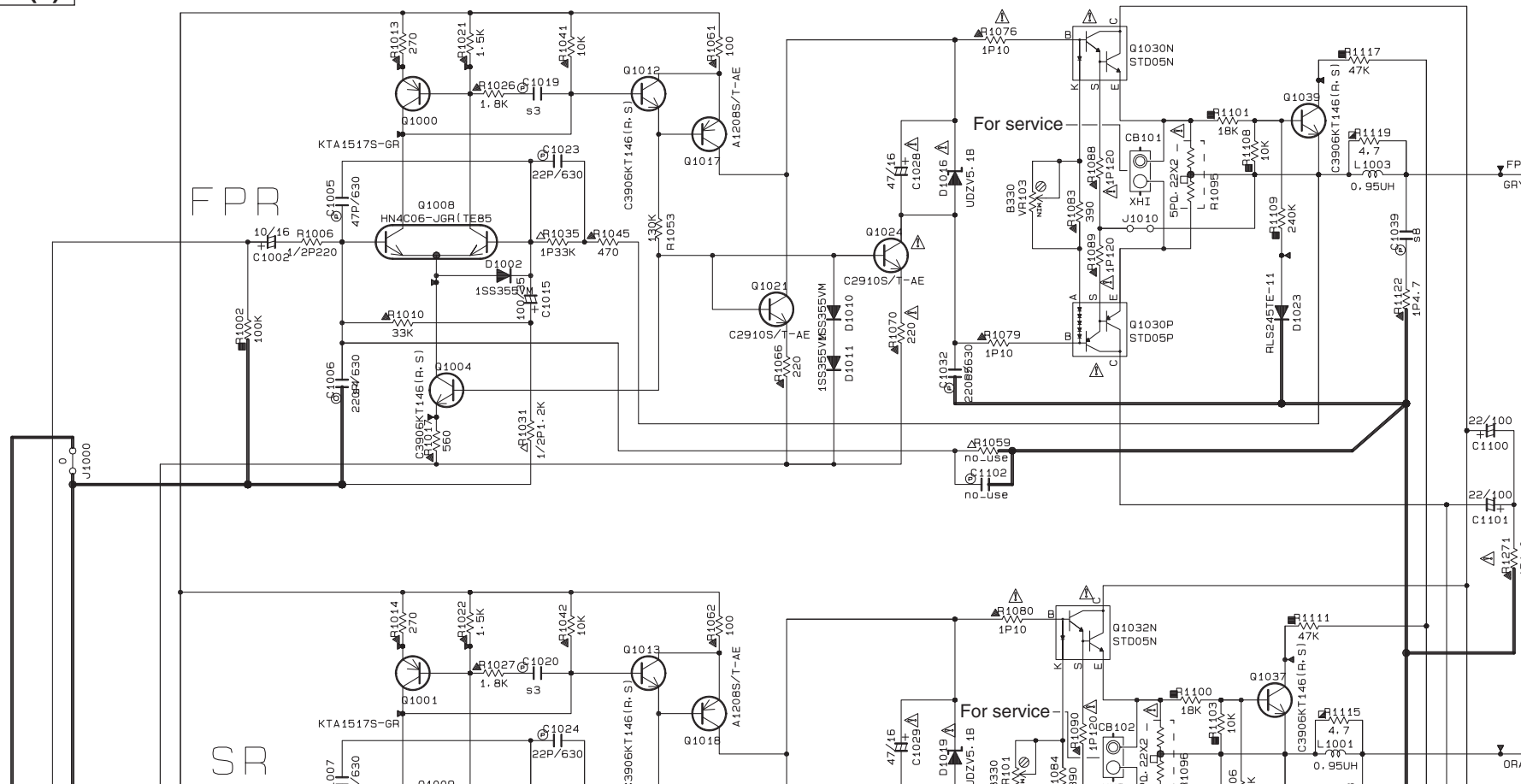
AMP (4)

Page 132 I9
to DIGITAL1 (1)_CB84



AMP (5)

AMP (2)



Page 141 D9
to AMP (3)_W1512B

Page 141 L9
to AMP (3)_W1513B

Page 1
to FUNC

A	B
C	D

H

I

J

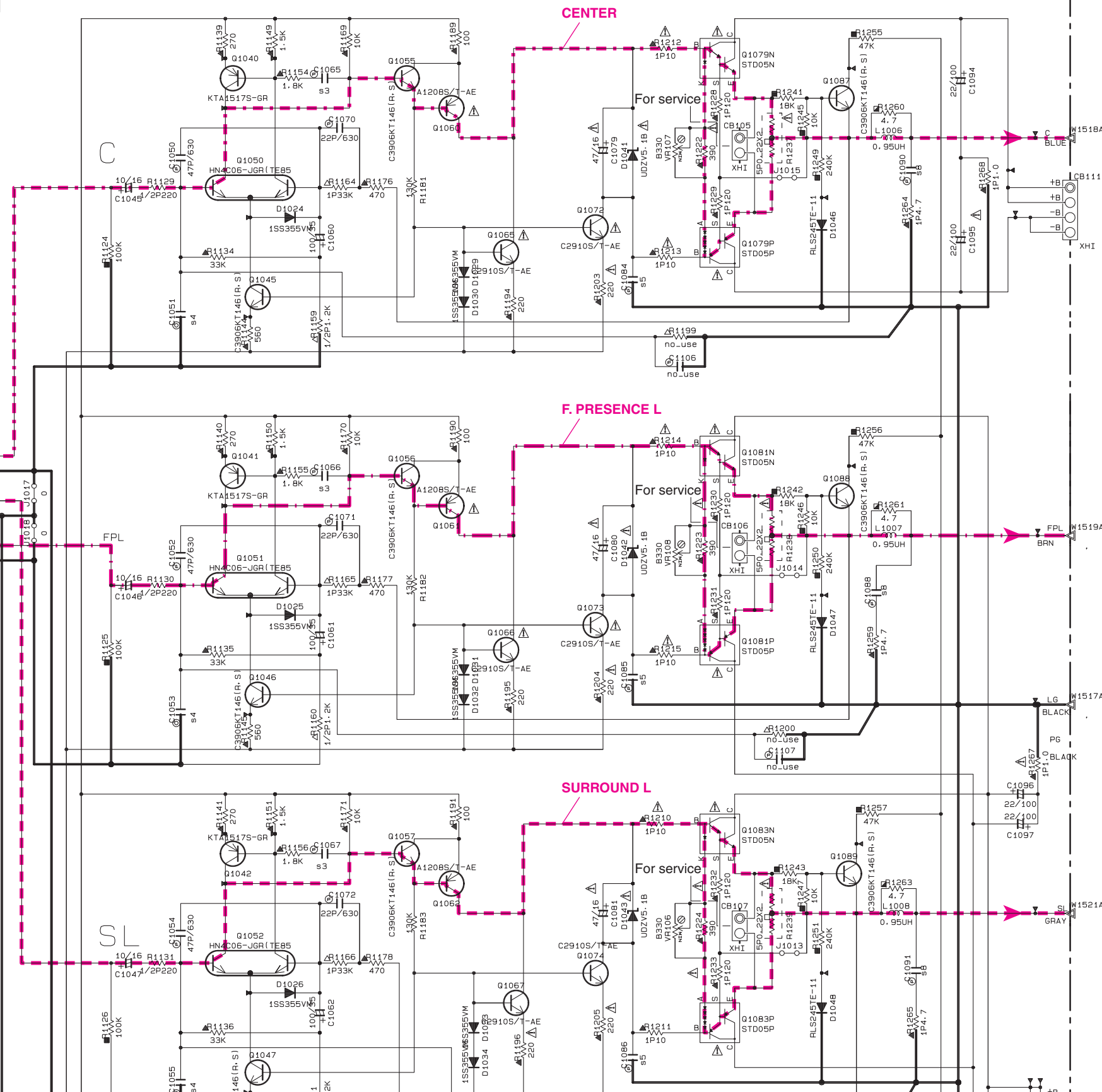
K

L

M

N

AMP (1)



Page 137 H9 to FUNCTION (1)_W708

Page 141 E9 to AMP (3)_W1518B

Page 142 D10 to AMPPOWER (1)_W1809

Page 141 D9 to AMP (3)_W1519B

Page 141 J9 to AMP (3)_W1517B

Page 141 L9 to AMP (3)_W1521B

Page 142 D10

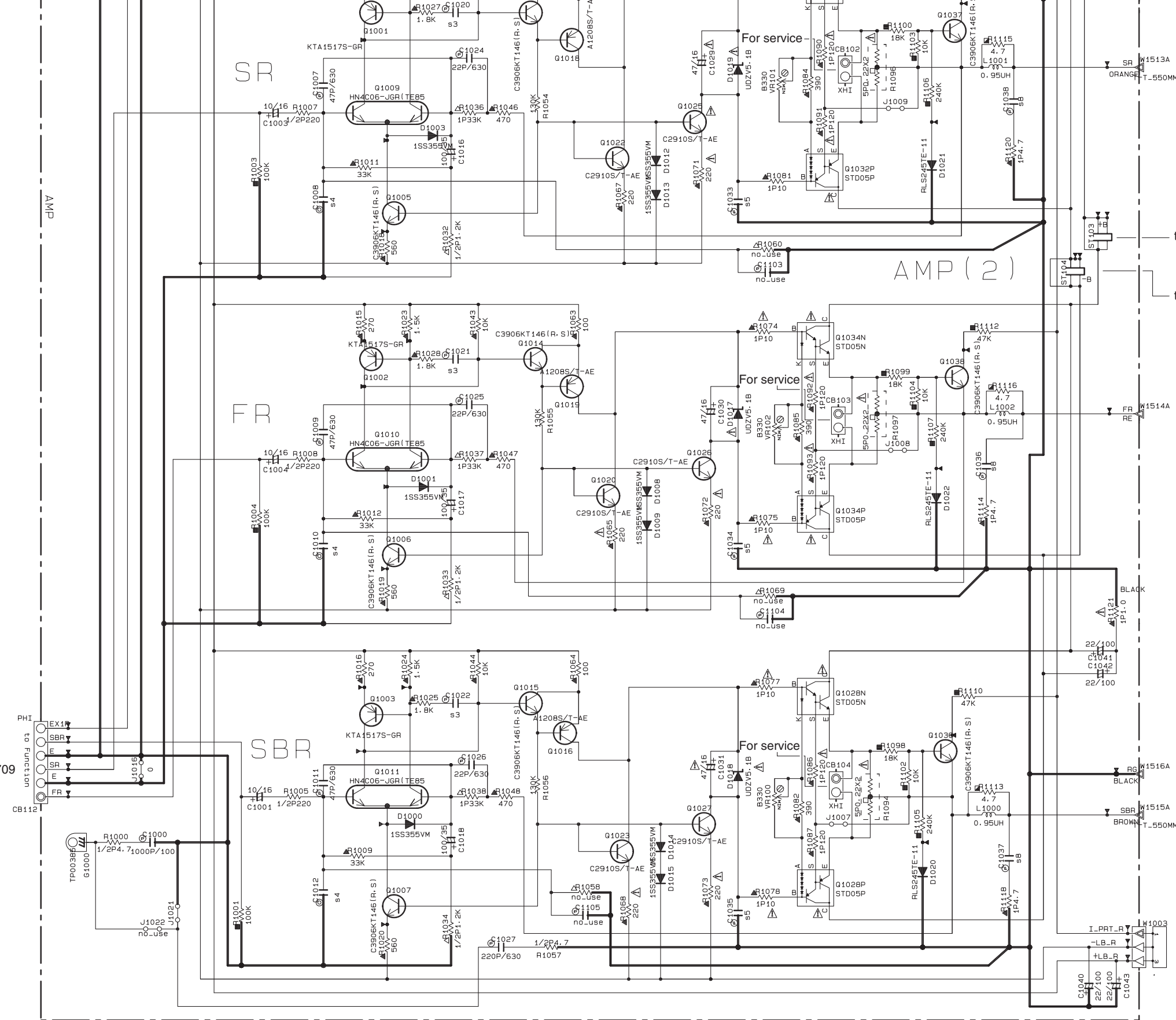
6

7

8

9

10



Page 137 **H9**
to FUNCTION (1)_W709

Page 141 **L9**
to AMP (3)_W1513B

Page 142 **E10**
to AMPPOWER (1)_W1807A

Page 142 **E10**
to AMPPOWER (1)_W1807B

Page 141 **F9**
to AMP (3)_W1514B

Page 141 **J9**
to AMP (3)_W1516B

Page 141 **K9**
to AMP (3)_W1515B

Page 142 **B1**
to AMPPOWER (1)_CB181

★ Components having special characteristics are marked Δ and must be replaced with parts having specifications equal to those originally installed.
★ Schematic diagram is subject to change without notice.

● Δ 印のある部品は、安全性確保部品を示しています。部品の交換が必要な場合、パーツリストに記載されている部品を使用してください。
● 本回路図は標準回路図です。改良のため予告なく変更することがあります。

A	B
C	D

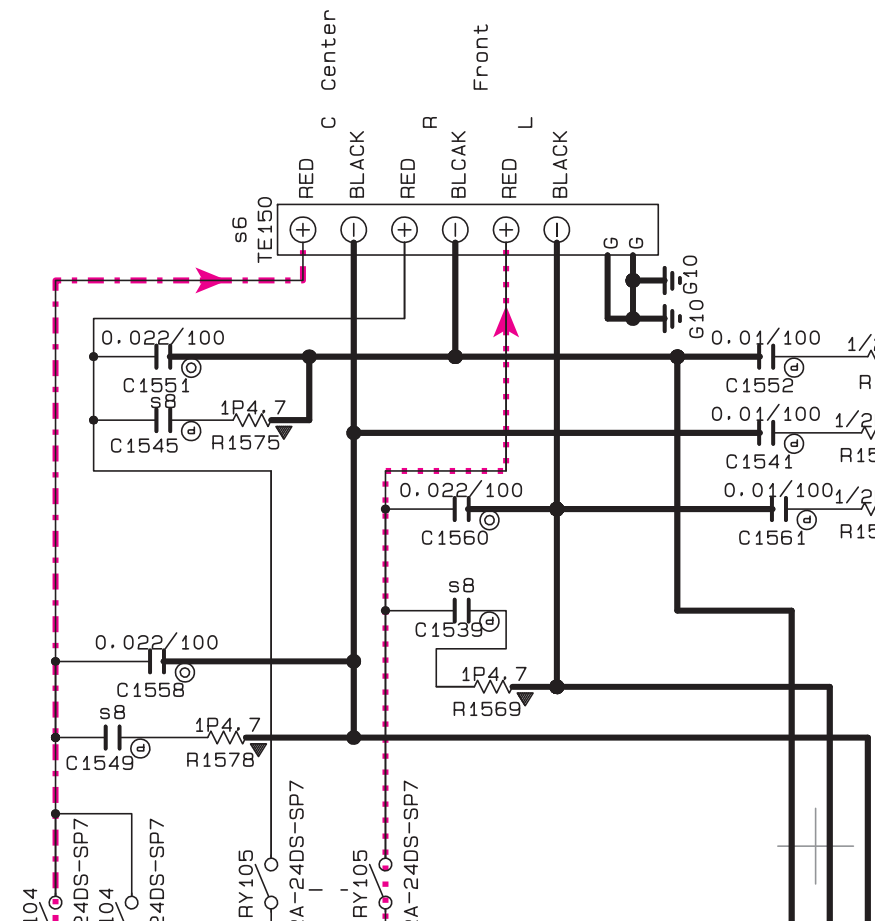
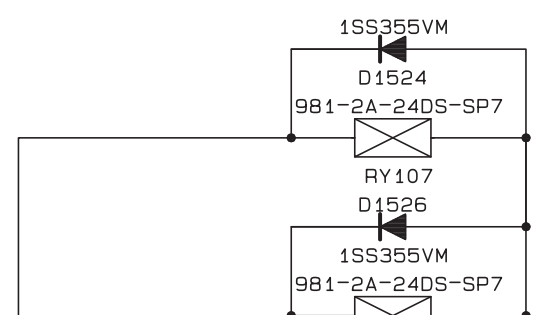
A	B
C	D



AMP 2/2

AMP (3)

— CENTER — — FRONT —
L/R



H

I

J

K

L

M

N

RX-A3010/RX-V3071

RESISTOR

REMARKS	PARTS NAME
NO MARK	CARBON FILM RESISTOR (P=5)
☒	CARBON FILM RESISTOR (P=10)
△	METAL OXIDE FILM RESISTOR
▲	METAL FILM RESISTOR
⊠	METAL PLATE RESISTOR
▨	FIRE PROOF CARBON FILM RESISTOR
□	CEMENT MOLDED RESISTOR
⊙	SEMI VARIABLE RESISTOR
■	CHIP RESISTOR

CAPACITOR

REMARKS	PARTS NAME	Symbol
NO MARK	ELECTROLYTIC CAPACITOR	⌘
⊗	TANTALUM CAPACITOR	⌘
NO MARK	CERAMIC CAPACITOR	⊥
●	CERAMIC TUBULAR CAPACITOR	⊥
◎	POLYESTER FILM CAPACITOR	⊥
○	POLYSTYRENE FILM CAPACITOR	⊥
⊖	MICA CAPACITOR	⊥
Ⓟ	POLYPROPYLENE FILM CAPACITOR	⊥
Ⓢ	SEMICONDUCTIVE CERAMIC CAPACITOR	⊥
Ⓣ	POLYPHENYLENE SULFIDE FILM CAPACITOR	⊥

NOTICE (model)

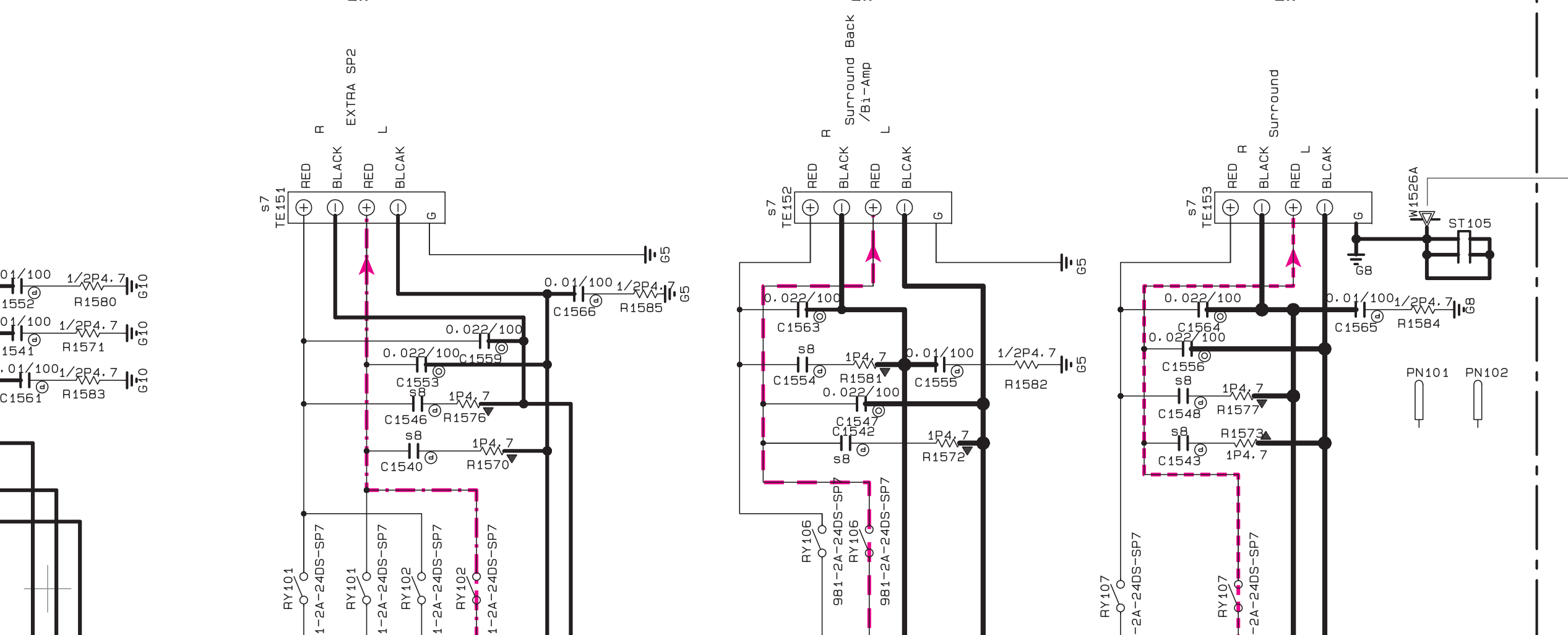
- (J)..... JAPAN
- (U)..... U.S.A
- (C)..... CANADA
- (R)..... GENERAL
- (T)..... CHINA
- (K)..... KOREA
- (A)..... AUSTRALIA
- (B)..... BRITISH
- (G)..... EUROPE
- (L)..... SINGAPORE
- (E)..... SOUTH EUROPE
- (V)..... TAIWAN
- (F)..... RUSSIAN
- (P)..... LATIN AMERICA
- (S)..... BRAZIL
- (H)..... THAI

SPEAKERS

— ZONE2/ZONE3/R. PRESENCE —
L/R

— SURROUND BACK —
L/R

— SURROUND —
L/R



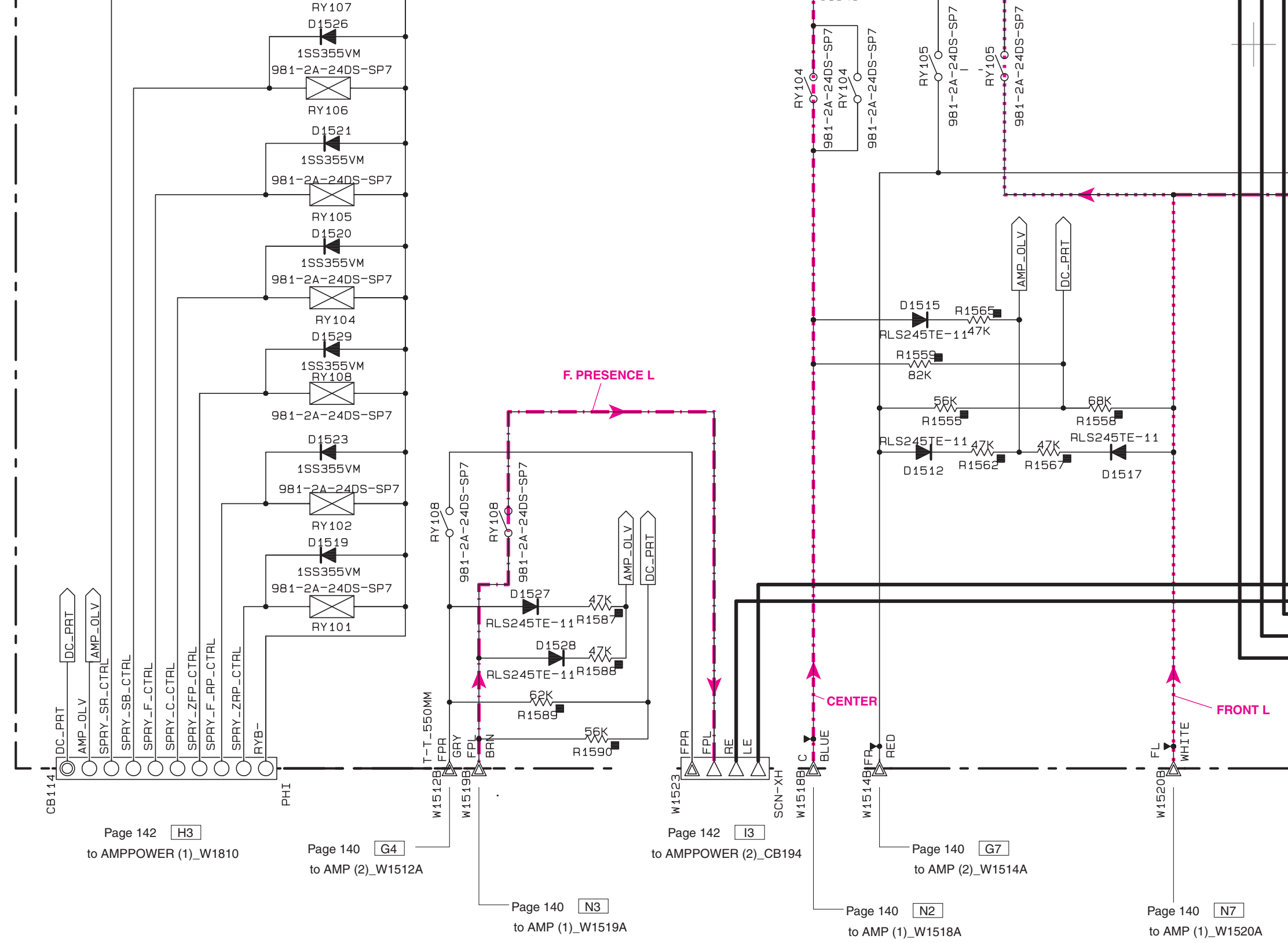
6

7

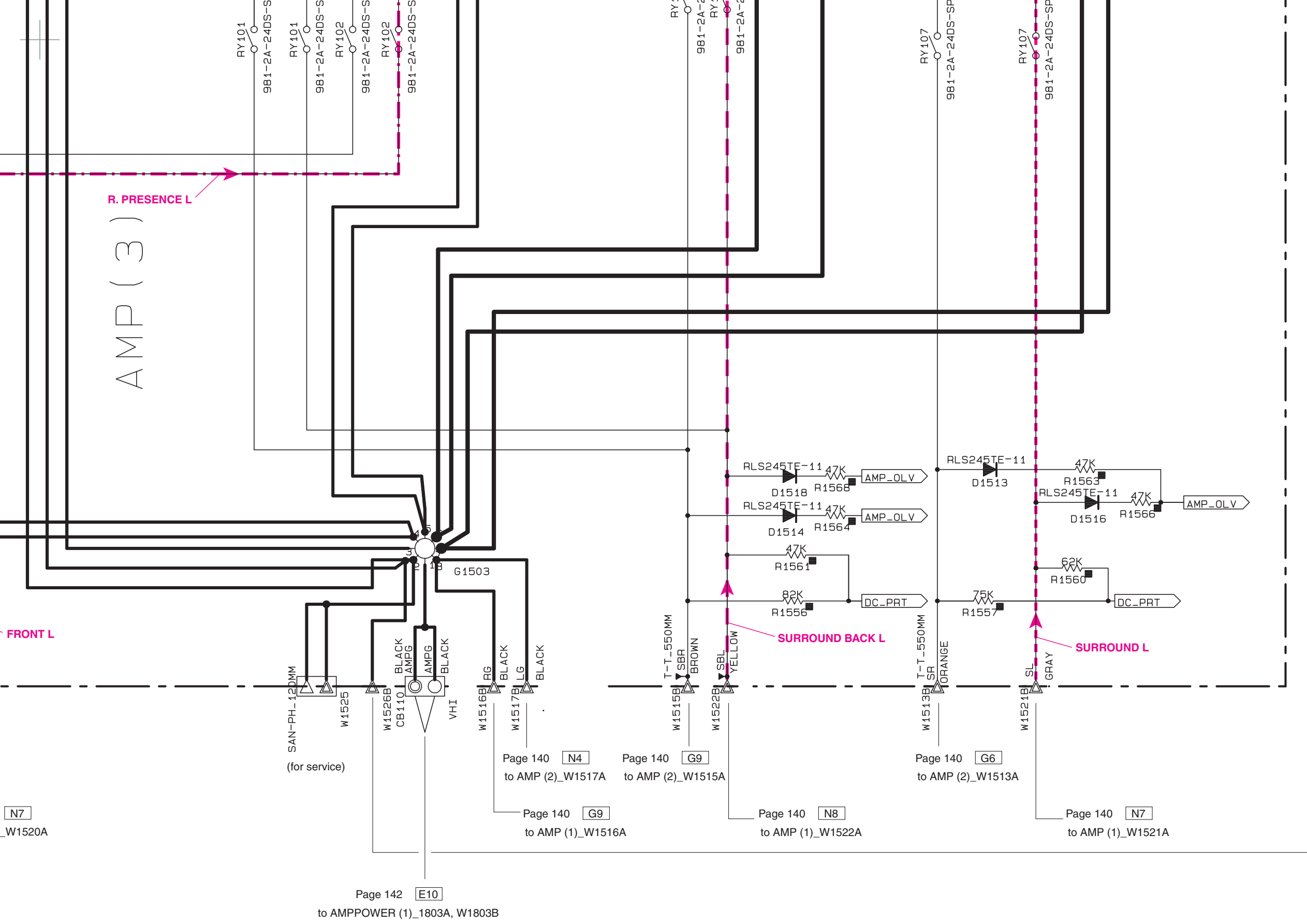
8

9

10



A	B
C	D



★ Components having special characteristics are marked Δ and must be replaced with parts having specifications equal to those originally installed.
 ★ Schematic diagram is subject to change without notice.

● Δ 印のある部品は、安全性確保部品を示しています。部品の交換が必要な場合、パーツリストに記載されている部品を使用してください。
 ● 本回路図は標準回路図です。改良のため予告なく変更することがあります。

A	B
C	D

H I J K L M N

Notes)

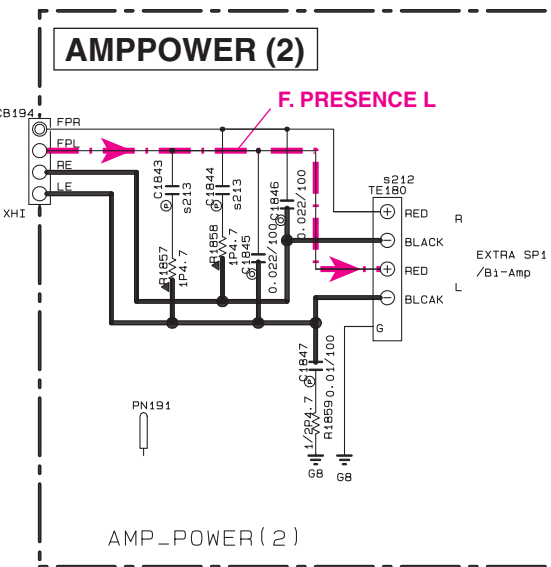
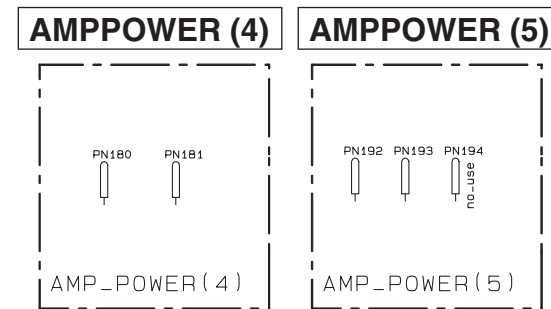
Safety measures

- Some internal parts in this product contain high voltages and are dangerous. Be sure to take safety measures during servicing, such as wearing insulating gloves.
- Note that the capacitors indicated below are dangerous even after the power is turned off because an electric charge remains and a high voltage continues to exist there. Before starting any repair work, connect a discharging resistor (5 k-ohms/10 W) to the terminals of each capacitor indicated below to discharge electricity. The time required for discharging is about 30 seconds per each. C1822-1828 on AMPPOWER (1) P.C.B.

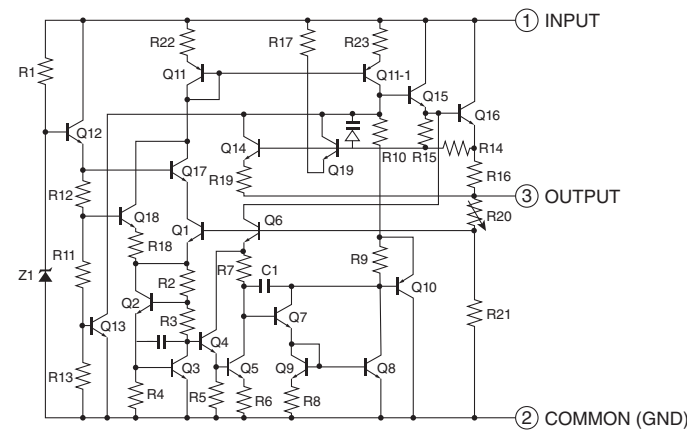
注意)

安全対策

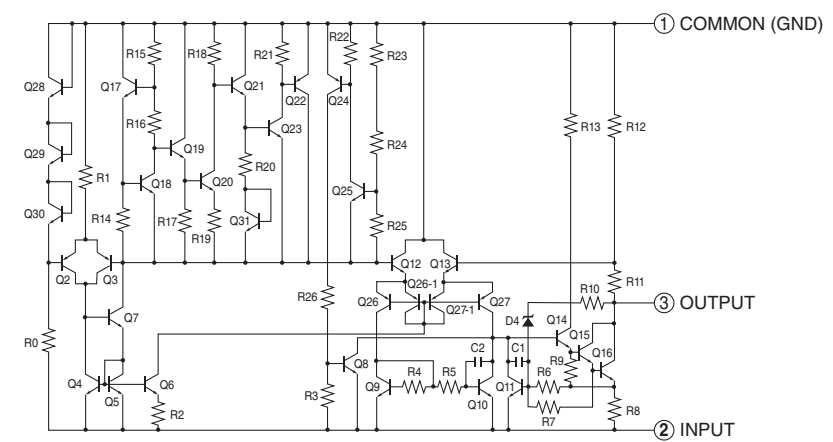
- この製品の内部には高電圧部分があり危険です。修理の際は、絶縁性の手袋を使用するなどの安全対策を行ってください。
- 下記のコンデンサには電源を OFF にした後も電荷が残り、高電圧が維持されており危険です。修理作業前に放電用抵抗 (5 kΩ/10 W) を下記の各コンデンサの端子間に接続して放電してください。放電所用時間は各々約 30 秒間です。AMPPOWER (1) P.C.B. の C1822 ~ 1828



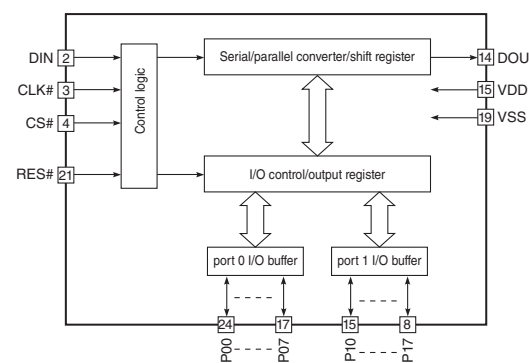
IC180: KIA7812API Voltage regulator



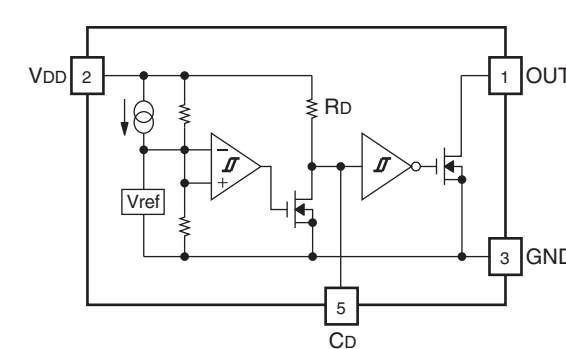
IC181: KIA7912PI Voltage regulator



IC182: LC709004A-TLM-E I/O-expander for microcontroller



IC184: R3112N421A-TR-F Low voltage detector with output delay



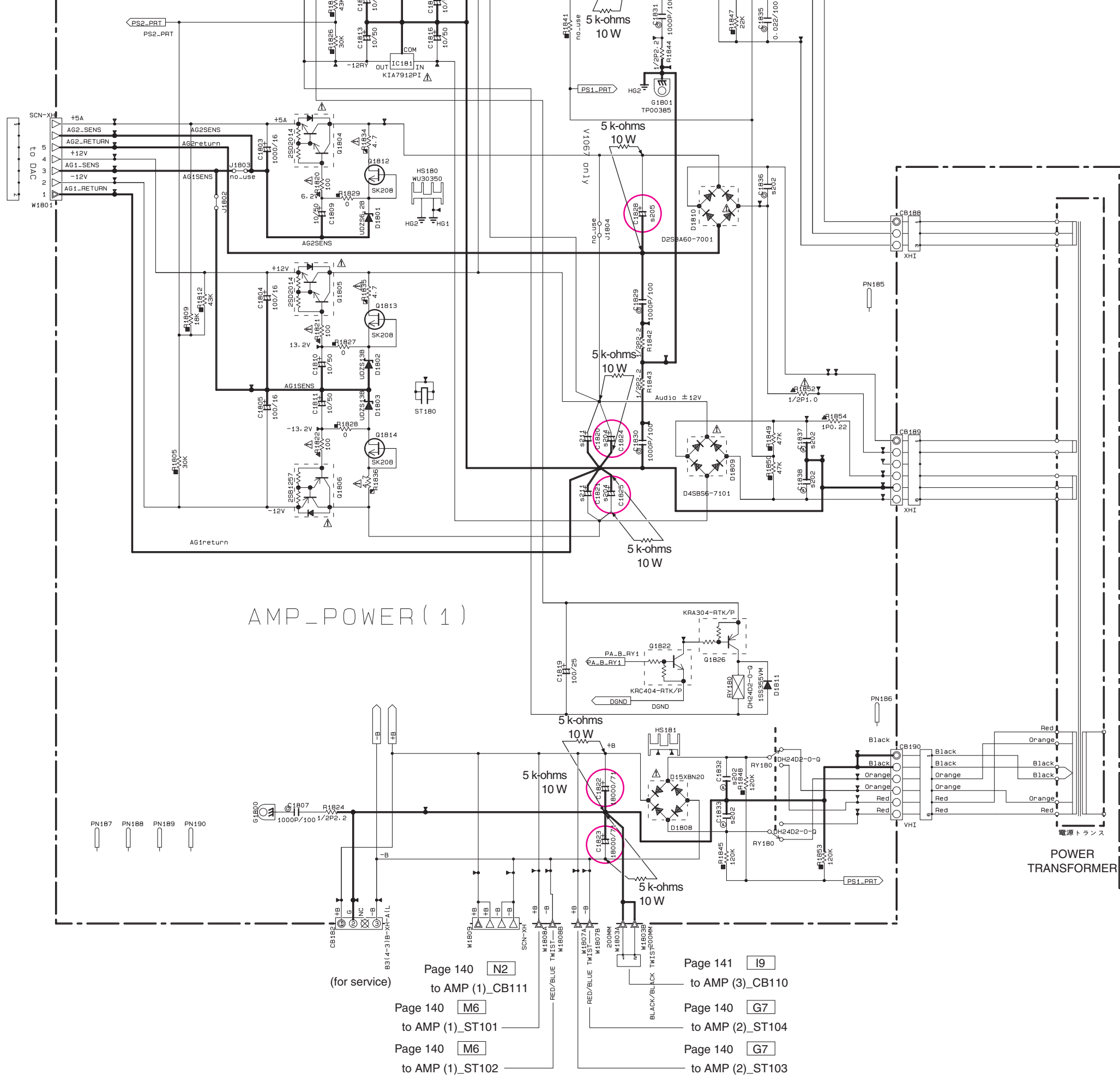
Page 141 B9 to AMP (3)_CB114

Page 141 E9 to AMP (3)_W1523

ZONE2/ZONE3/
F. PRESENCE/
BI-AMP
L/R
SPEAKERS

AMPPOWER (3) R model

Destination Part List										
sXX	LOC	J	U	C	R	T	K	A	BGF	L
s202	C1833 C1838 C1832 C1837 C1836	W020970 0.027/100	WJ61060 0.022/100	WJ61060 0.022/100	WJ61060 0.022/100	WJ61060 0.022/100	WJ61060 0.022/100	WJ61060 0.022/100	W020970 0.027/100	WJ61060 0.022/100
s203	C1841 C1839	WU53660 0.047/630	WU53660 0.047/630	WU53660 0.047/630	W085240 0.022/630	W085240 0.022/630	W085240 0.022/630	W085240 0.022/630	W085240 0.022/630	W085240 0.022/630
s204	C1825 C1824	W078540 6800/25	UR04968 6800/25	UR04968 6800/25	UR04968 6800/25	UR04968 6800/25	UR04968 6800/25	UR04968 6800/25	W078540 6800/25	UR04968 6800/25
s205	C1828	WT91980 10000/16	UR03A10 10000/16	UR03A10 10000/16	UR03A10 10000/16	UR03A10 10000/16	UR03A10 10000/16	UR03A10 10000/16	WT91980 10000/16	WT91980 10000/16
s206	R1871	RD35000 0	RD35612 1.2K	RD35627 2.7K	RD35647 4.7K	RD35668 5.6K	RD35710 10K	RD35715 15K	RD35747 47K	RD35810 100K
s207	SW181	X	X	X	WV38290 SL14	X	X	X	X	X
s208	F181	X	X	X	WB76060 6.3A250V	X	X	X	X	X
s209	CB198 CB199	X	X	X	WN10300 TP00351-31	X	X	X	X	X
s210	CB201	X	X	X	V937790 B4P75-VH	X	X	X	X	X
s211	C1820	W013350	UR04033	UR04033	UR04033	UR04033	UR04033	UR04033	W013350	UR04033

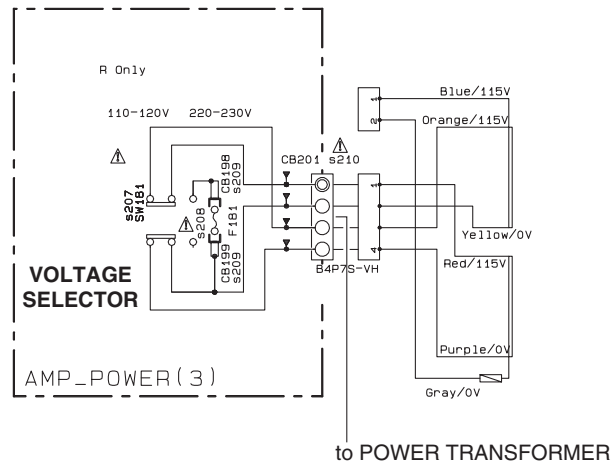


6
7
8
9
10

142

A	B
C	D

AMPPOWER (3) R model



s207	SW181		X	X	X	X	X	X	X	X
s208	F181		X	X	X	X	X	X	X	X
s209	CB198 CB199		X	X	X	X	X	X	X	X
s210	CB201		X	X	X	X	X	X	X	X
s211	C1820 C1821	WR13360 3300/25	UR04933 3300/25	UR04933 3300/25	UR04933 3300/25	UR04933 3300/25	UR04933 3300/25	UR04933 3300/25	WR13360 3300/25	UR04933 3300/25
s212	TE180	MU73070 MST-224VD-01-GI	MU73070 MST-224VD-01-76	MU73070 MST-224VD-01-76	MU73070 MST-224VD-01-GI	MU73070 MST-224VD-01-GI	MU73070 MST-224VD-01-GI	MU73070 MST-224VD-01-GI	MU73070 MST-224VD-01-GI	MU73070 MST-224VD-01-GI
s213	C1843 C1844	WJ61060 0.022/100	WN16550 0.022/100	WN16550 0.022/100	WN16550 0.022/100	WN16550 0.022/100	WN16550 0.022/100	WN16550 0.022/100	WJ61060 0.022/100	WJ61060 0.022/100

RESISTOR

REMARKS	PARTS NAME
NO MARK	CARBON FILM RESISTOR (P=5)
□	CARBON FILM RESISTOR (P=10)
△	METAL OXIDE FILM RESISTOR
▲	METAL FILM RESISTOR
⊠	METAL PLATE RESISTOR
■	FIRE PROOF CARBON FILM RESISTOR
□	CEMENT MOLDED RESISTOR
⊗	SEMI VARIABLE RESISTOR
■	CHIP RESISTOR

CAPACITOR

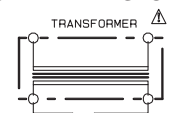
REMARKS	PARTS NAME
NO MARK	ELECTROLYTIC CAPACITOR
⊗	TANTALUM CAPACITOR
NO MARK	CERAMIC CAPACITOR
●	CERAMIC TUBULAR CAPACITOR
⊙	POLYESTER FILM CAPACITOR
○	POLYSTYRENE FILM CAPACITOR
①	MICA CAPACITOR
⊕	POLYPROPYLENE FILM CAPACITOR
⊗	SEMICONDUCTIVE CERAMIC CAPACITOR
⊙	POLYPHENYLENE SULFIDE FILM CAPACITOR

NOTICE (model)

(J)..... JAPAN
 (U)..... U. S. A
 (C)..... CANADA
 (R)..... GENERAL
 (T)..... CHINA
 (K)..... KOREA
 (A)..... AUSTRALIA
 (B)..... BRITISH
 (G)..... EUROPE
 (L)..... SINGAPORE
 (E)..... SOUTH EUROPE
 (V)..... TAIWAN
 (F)..... RUSSIAN
 (P)..... LATIN AMERICA
 (S)..... BRAZIL
 (H)..... THAI

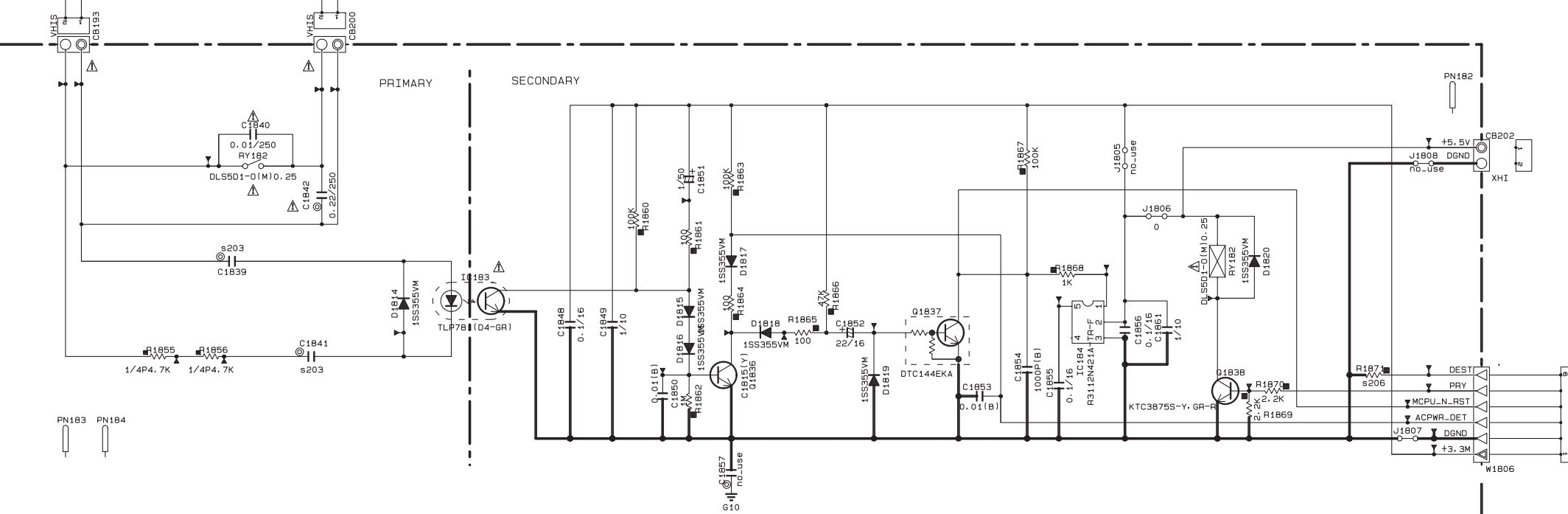
to POWER_W2004A, W2004B

to POWER TRANSFORMER



TRANSFORMER Number

MODEL	J	UC	R	AL	TK	BGF
RX-V1067	YC650	YC642	YC643	YC644	YC645	YC651
RX-V2067	YC652	YC646	YC647	YC649	YC648	YC654
RX-V3067	YC653	YC646	YC647	YC649	YC648	YC655



Page 143 M4
to POWER_W2005

Page 135 B7
to DIGITAL1 (1)_CB942

★ Components having special characteristics are marked △ and must be replaced with parts having specifications equal to those originally installed.
 ★ Schematic diagram is subject to change without notice.

● △印のある部品は、安全性確保部品を示しています。部品の交換が必要な場合、パーツリストに記載されている部品を使用してください。
 ● 本回路図は標準回路図です。改良のため予告なく変更することがあります。

A	B
C	D

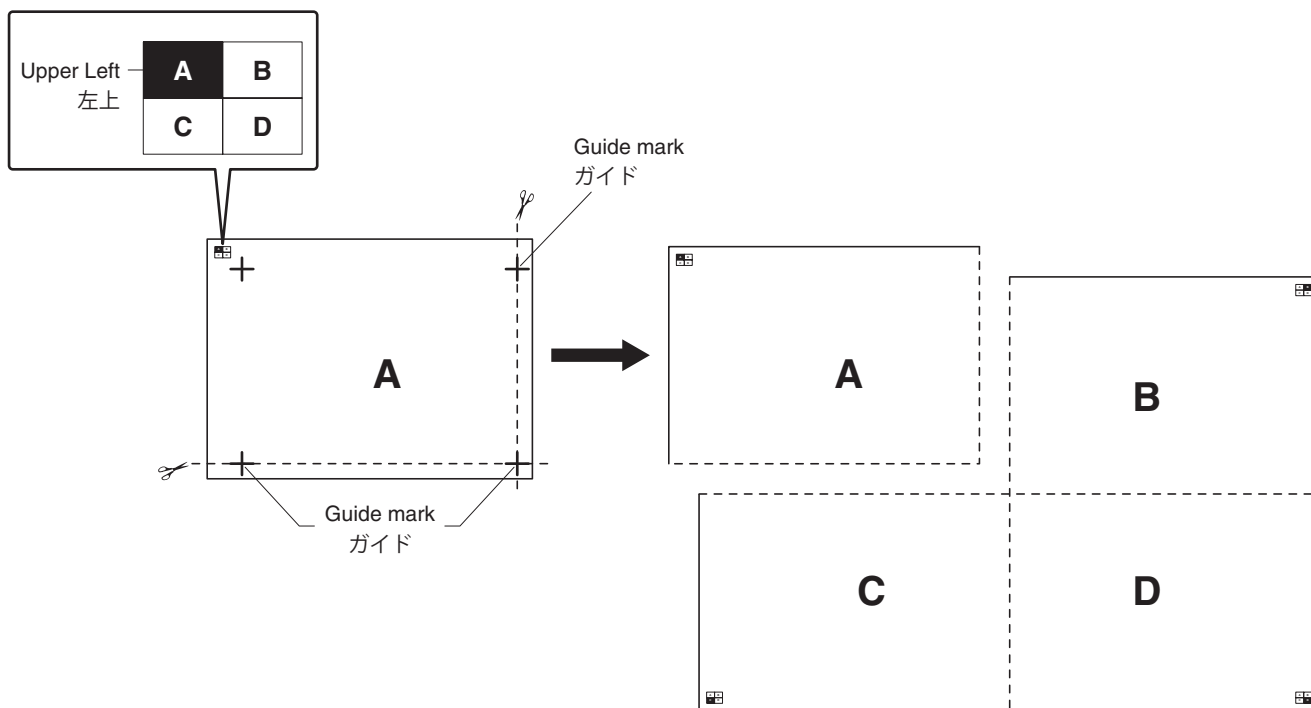
AV RECEIVER

RX-A3010/RX-V3071

SCHEMATIC DIAGRAMS

Each schematic diagram is divided into equal pieces to enable printout by conventional printers.
 Cut along the guide marks and put them together.
 Overall location of each schematic diagram is described by the following symbol.

各回路図は、一般的に使用されているプリンタで印刷できる大きさに分割されています。
 印刷した各回路図を、ガイドに沿って切って貼り合わせてください。
 各回路図の貼り合わせ位置は以下の記号で表しています。



■ CONTENTS

SCHEMATIC DIAGRAMS

DIGITAL1 Board	127-135
DIGITAL2 Board	136
FUNCTION Board	137-138
OPERATION Board	139
AMP Board	140-141
AMPPOWER Board	142
POWER Board	143
VIDEO Board	144-145
DAC Board	146

A	B
C	D

DAC

RX-A3010/RX-V3071

DAC

1

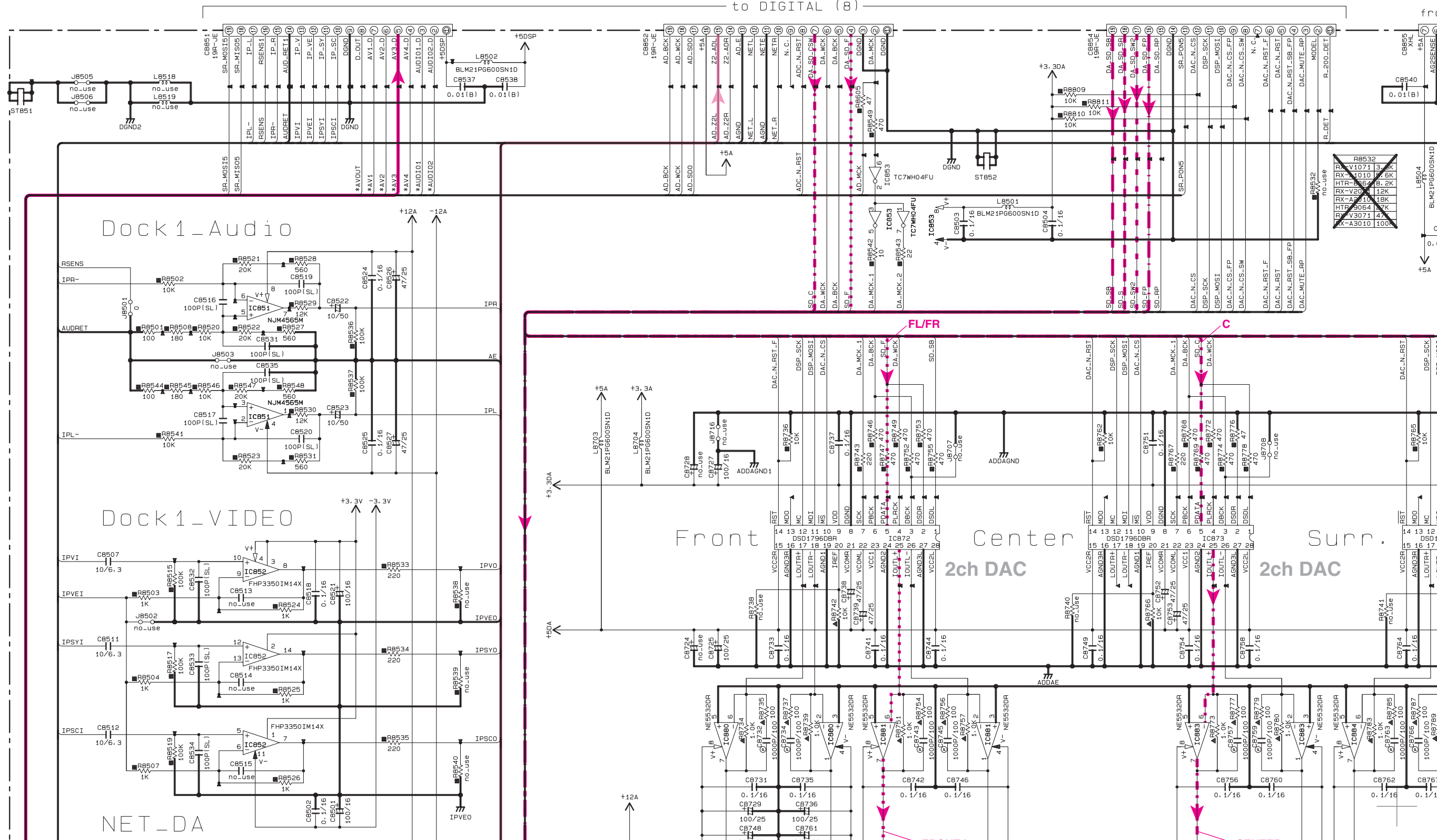
Page 135 M2
to DIGITAL1 (1)_CB943

Page 135 M3
to DIGITAL1 (1)_CB944

Page 135 M6
to DIGITAL1 (1)_CB945

Page 135 M7
to AMPPO

to DIGITAL (8)



2

3

4

5

Dock 1 - Audio

Dock 1 - VIDEO

Front

Center
2ch DAC

Surr.
2ch DAC

NET_DA

FRONT I

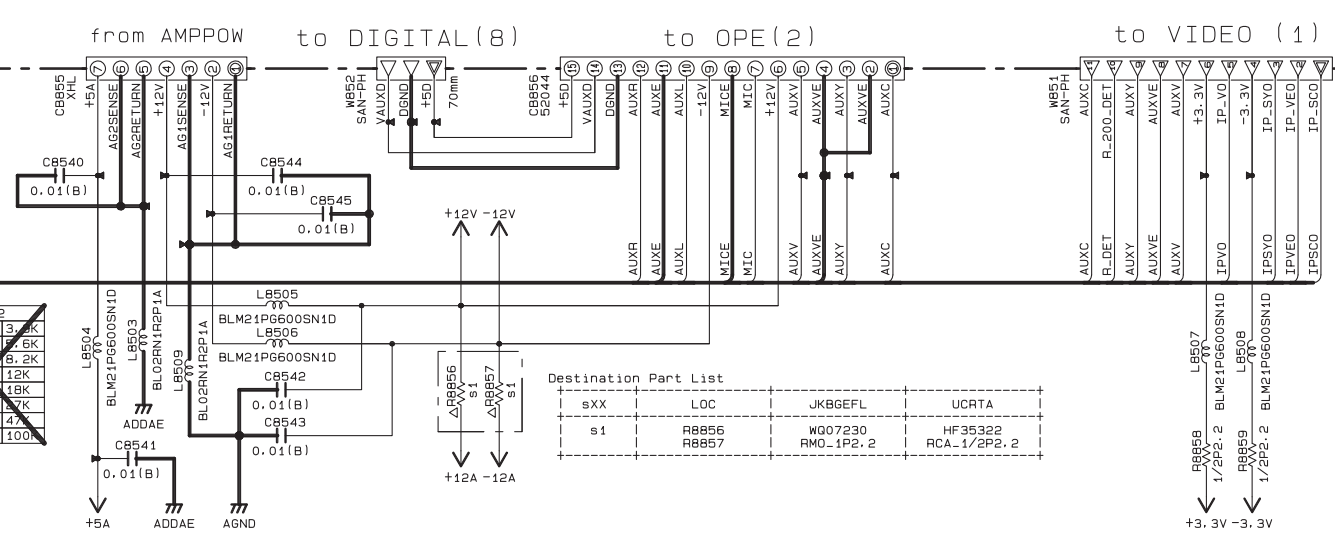
CENTER

A	B
C	D

DAC

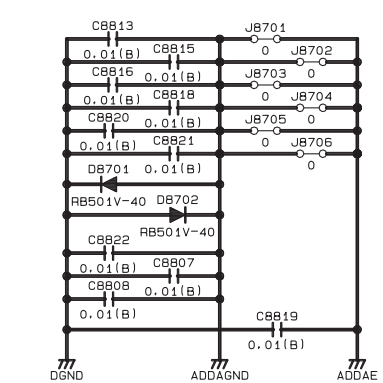
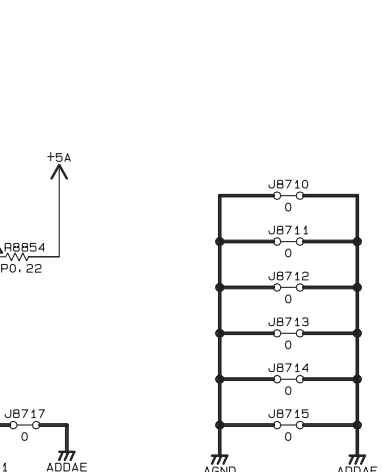
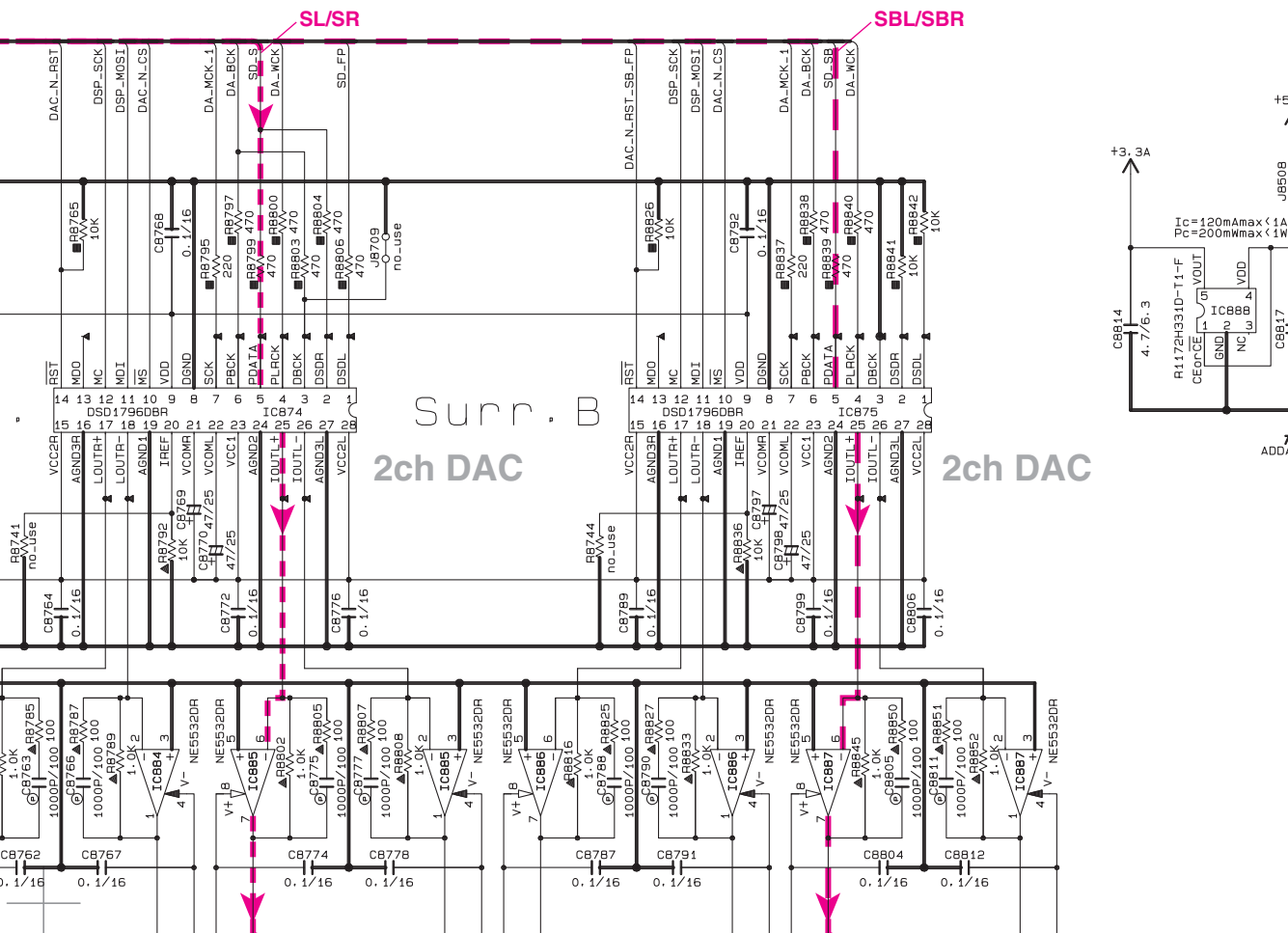


Page 142 **B6** to AMPPPOWER (1)_W1801
 Page 134 **A4** to DIGITAL1 (1)_CB923
 Page 139 **H2** to OPERATION (2)_CB452
 Page 144 **M6** to VIDEO (1)_CB304



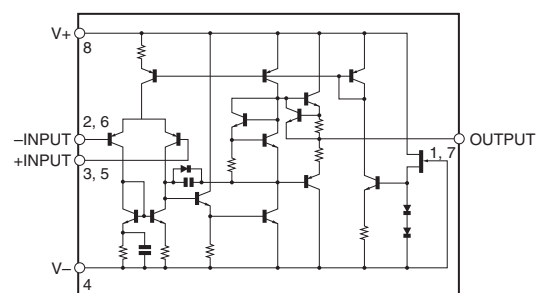
Destination Part List

sXX	LOC	JKBGEFL	UCRTA
s1	R8856	W007230	HF3532P
	R8857	RM0_1P2_2	RCA_1/2P2_2

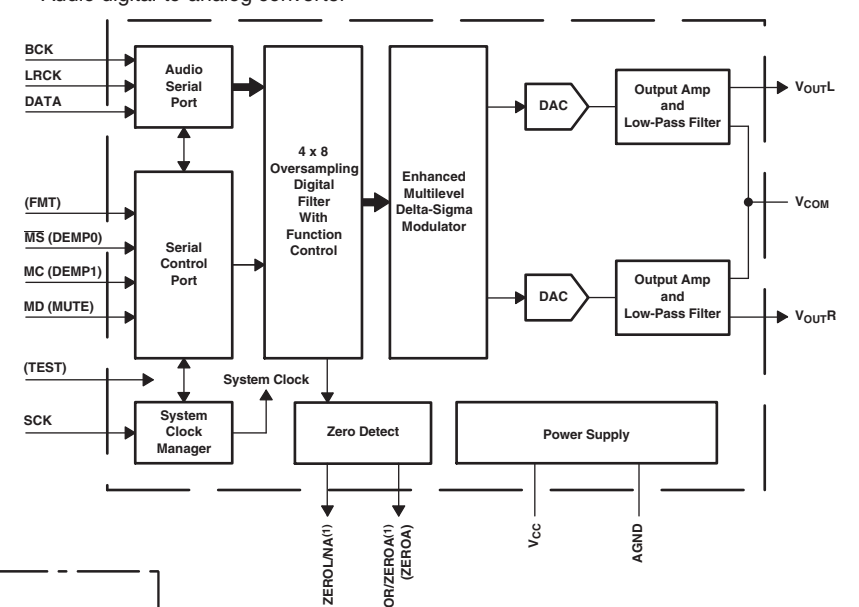


RESISTOR	REMARKS	PARTS NAME
----------	---------	------------

IC851, 855, 893: NJM4565M (TE1)
Dual operational amplifier

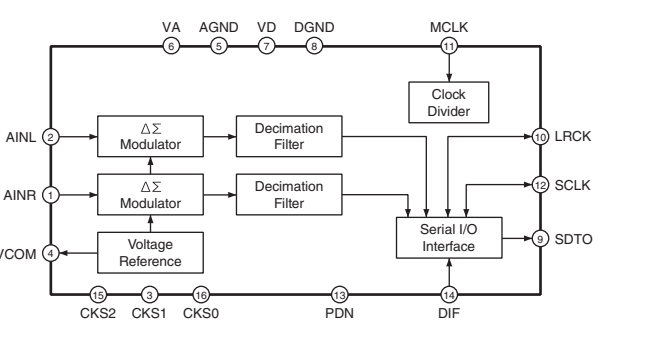


IC879: PCM1781DBQR
Audio digital-to-analog converter

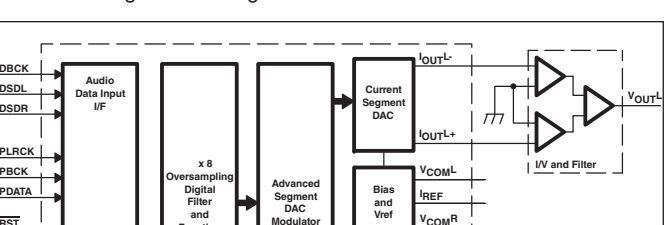


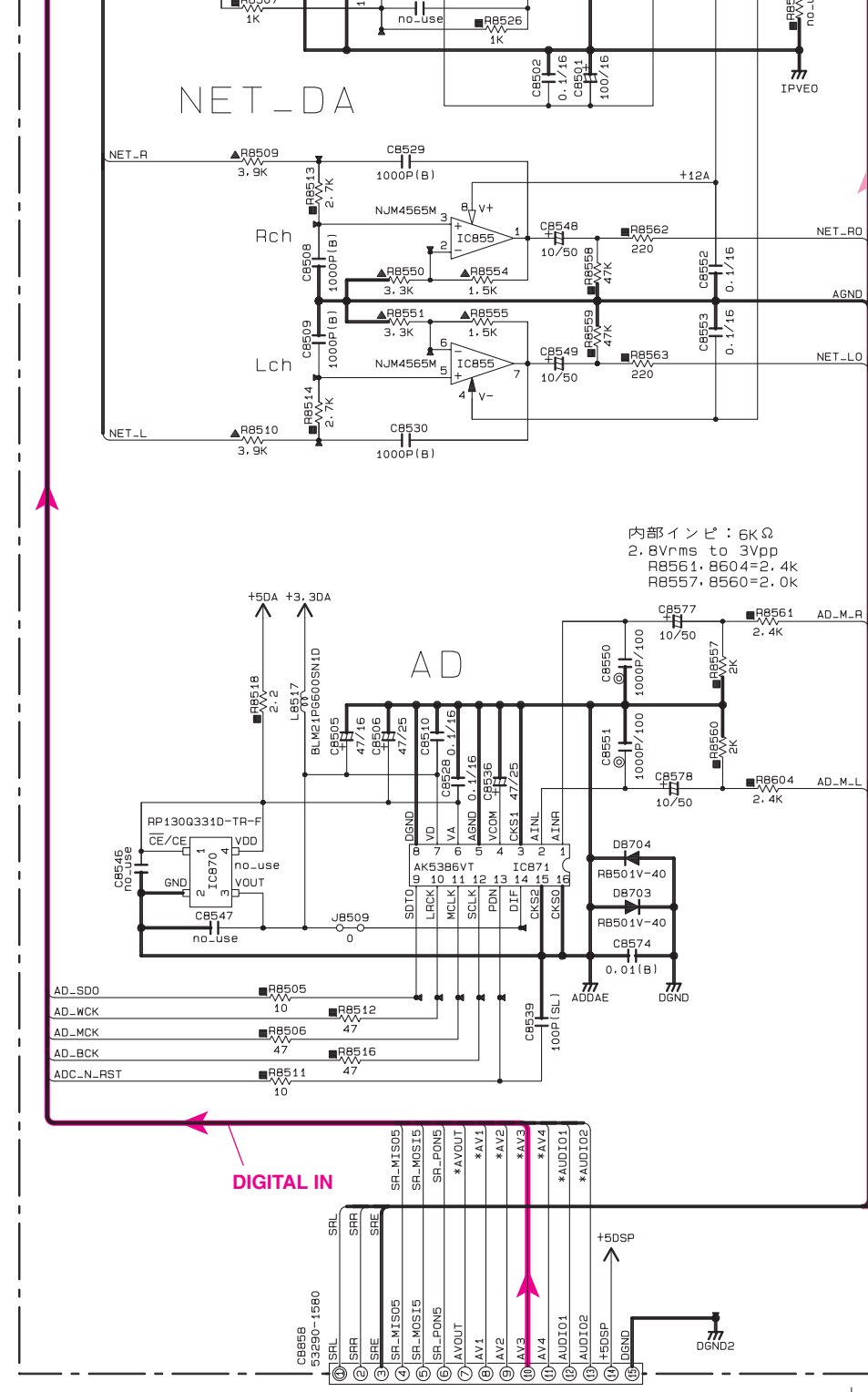
(1) Open-drain output for the PCM1782
 NOTE: Signal names in parentheses () are for the PCM1781.

IC871: AK5386VT
192 kHz 24-bit ΔΣ ADC

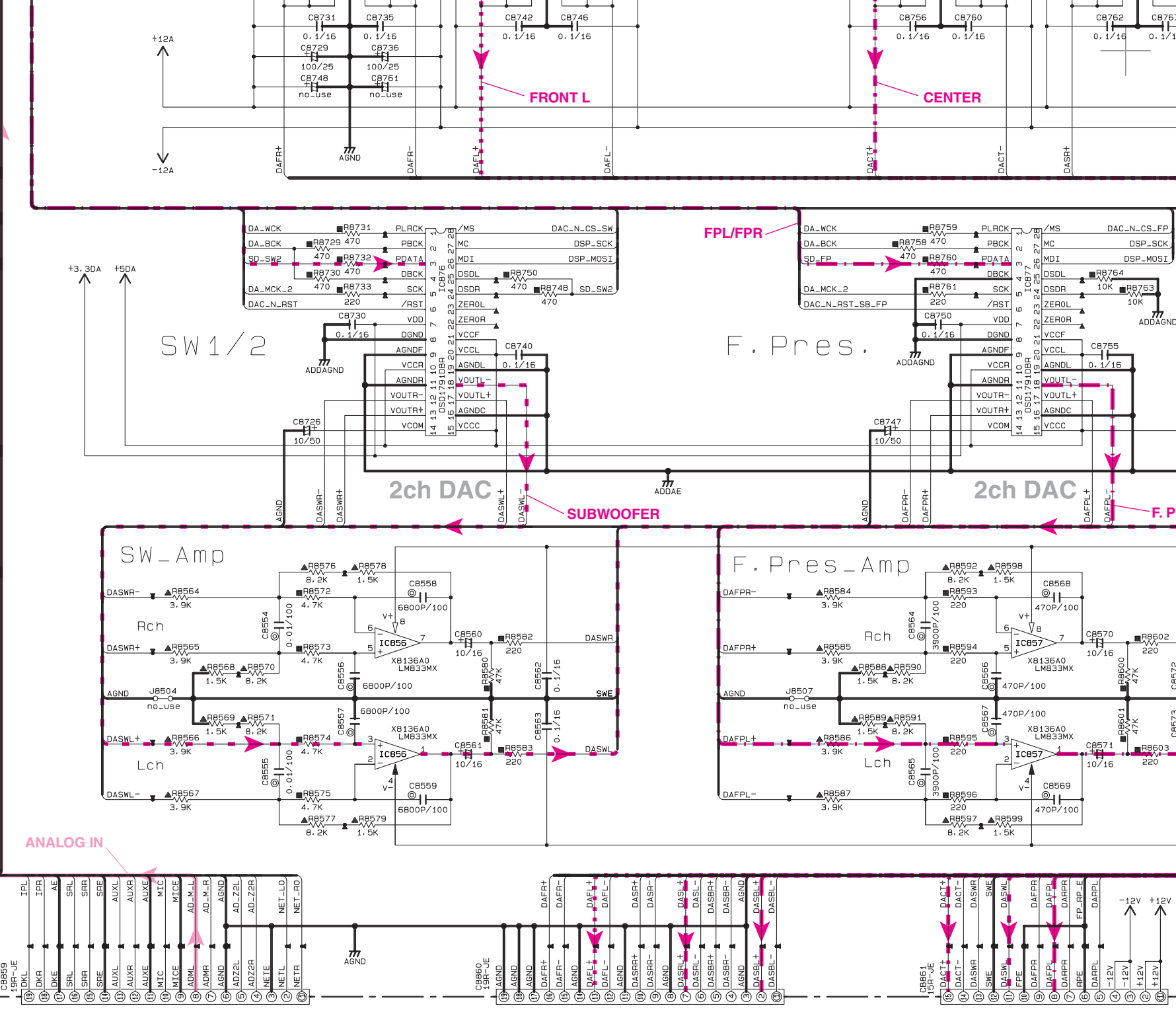


IC872-875: DSD1796DBR
24-bit, 192-kHz sampling, advanced segment, audio stereo digital-to-analog converter





Page 138 **A2**
to FUNCTION (2)_CB781



Page 137 **B2**
to FUNCTION (1)_CB701

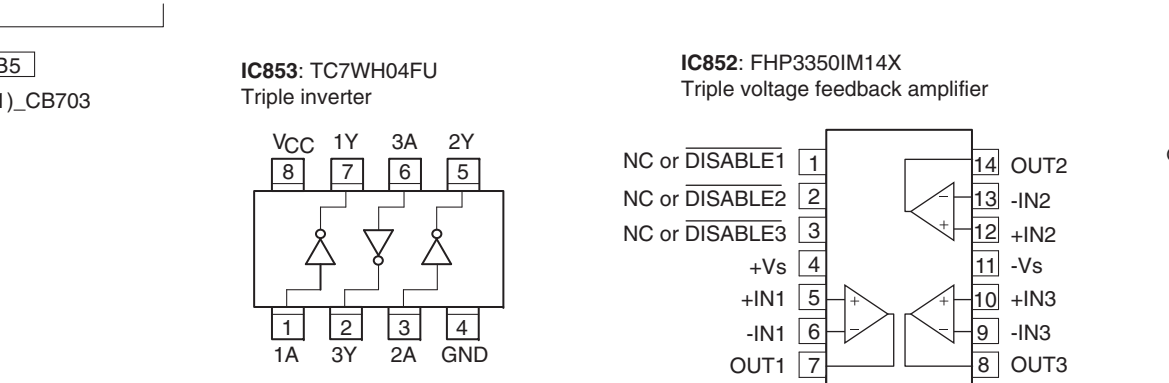
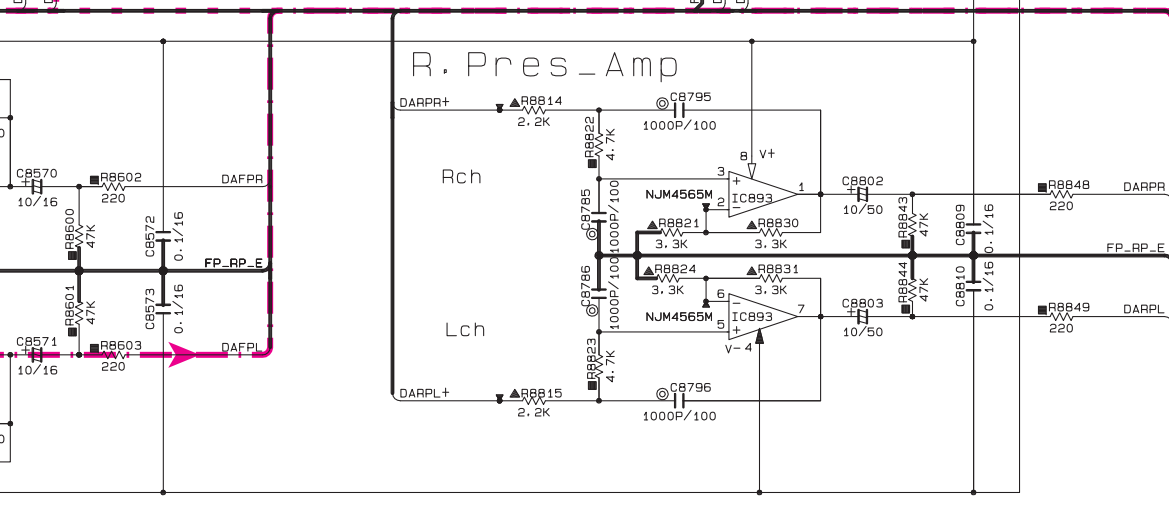
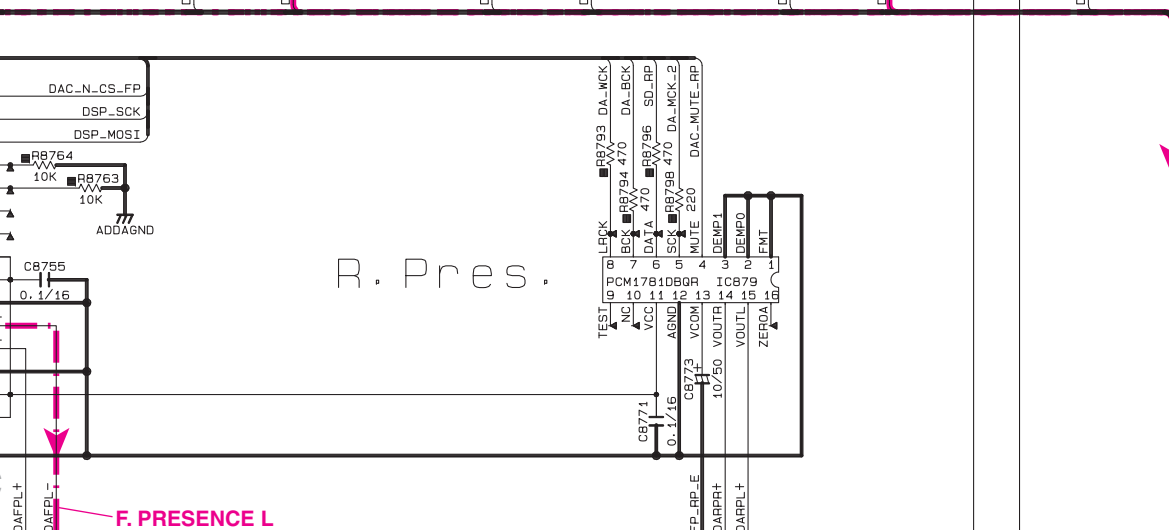
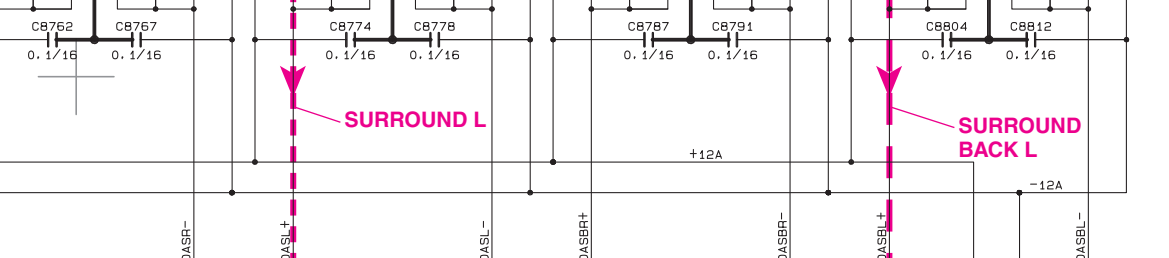
Page 137 **B4**
to FUNCTION (1)_CB702

Page 137 **B5**
to FUNCTION (1)_CB703

★ Components having special characteristics are marked Δ and must be replaced with parts having specifications equal to those originally installed.
★ Schematic diagram is subject to change without notice.

● Δ 印のある部品は、安全性確保部品を示しています。部品の交換が必要な場合、パーツリストに記載されている部品を使用してください。
● 本回路図は標準回路図です。改良のため予告なく変更することがあります。

A	B
C	D



RESISTOR

REMARKS	PARTS NAME
NO MARK	CARBON FILM RESISTOR (P=5)
<input checked="" type="checkbox"/>	CARBON FILM RESISTOR (P=10)
<input type="checkbox"/>	METAL OXIDE FILM RESISTOR
<input type="checkbox"/>	METAL FILM RESISTOR
<input type="checkbox"/>	METAL PLATE RESISTOR
<input type="checkbox"/>	FIRE PROOF CARBON FILM RESISTOR
<input type="checkbox"/>	CEMENT MOLDED RESISTOR
<input type="checkbox"/>	SEMI VARIABLE RESISTOR
<input type="checkbox"/>	CHIP RESISTOR

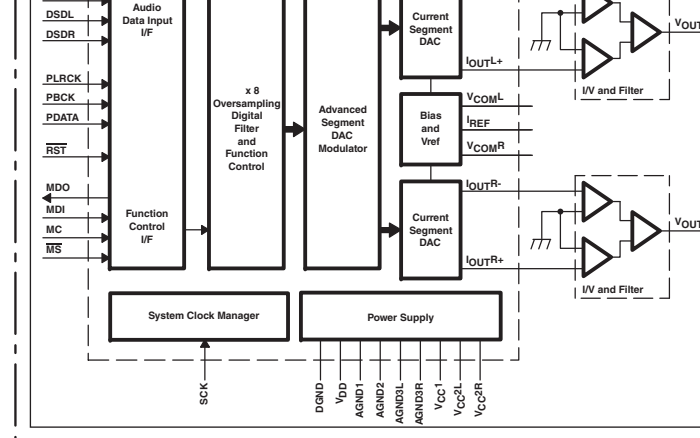
CAPACITOR

REMARKS	PARTS NAME	UNIT
NO MARK	ELECTROLYTIC CAPACITOR	μF
<input checked="" type="checkbox"/>	TANTALUM CAPACITOR	μF
NO MARK	CERAMIC CAPACITOR	
<input checked="" type="checkbox"/>	CERAMIC TUBULAR CAPACITOR	
<input type="checkbox"/>	POLYESTER FILM CAPACITOR	
<input type="checkbox"/>	POLYSTYRENE FILM CAPACITOR	
<input type="checkbox"/>	MICA CAPACITOR	
<input type="checkbox"/>	POLYPROPYLENE FILM CAPACITOR	
<input type="checkbox"/>	SEMICONDUCTIVE CERAMIC CAPACITOR	
<input type="checkbox"/>	POLYPHENYLENE SULFIDE FILM CAPACITOR	

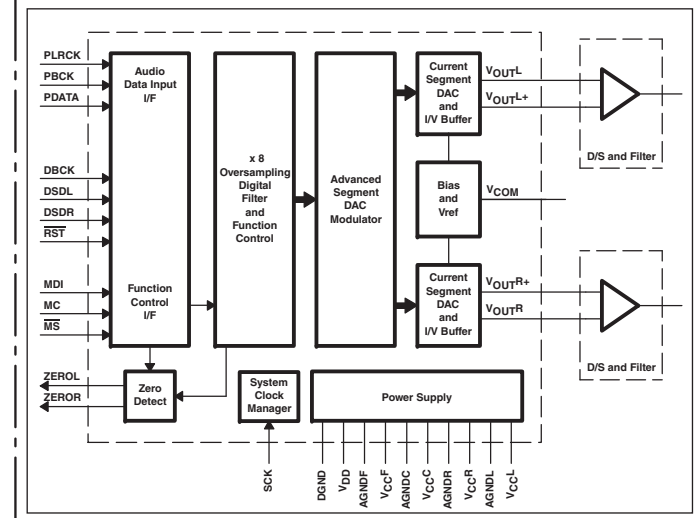
NOTICE (model)

(J)..... JAPAN
 (U)..... U. S. A
 (C)..... CANADA
 (R)..... GENERAL
 (T)..... CHINA
 (K)..... KOREA
 (A)..... AUSTRALIA
 (B)..... BRITISH
 (G)..... EUROPE
 (L)..... SINGAPORE
 (E)..... SOUTH EUROPE
 (V)..... TAIWAN
 (F)..... RUSSIAN
 (P)..... LATIN AMERICA
 (S)..... BRAZIL
 (H)..... THAI

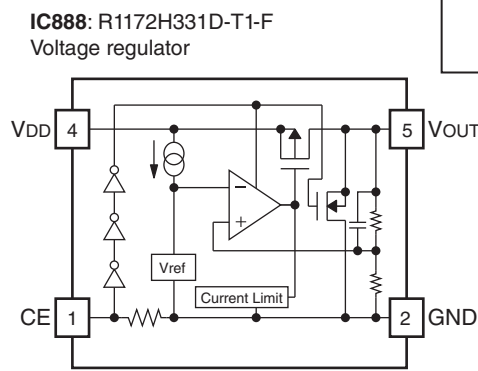
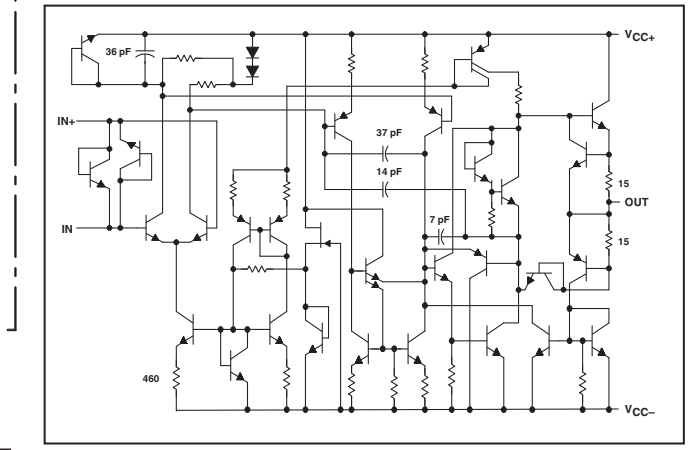
WY50590 : JKBGEFL
 WY50600 : UCRTA
 R. C. D. L. J : 850 1-8999
 other : 851-899



IC876, 877: DSD1791DBR
 24-bit, 192 kHz sampling, advanced segment, audio stereo digital-to-analog converter



IC880, 881, 883-887: NE5532DR
 Dual low-noise operational amplifiers



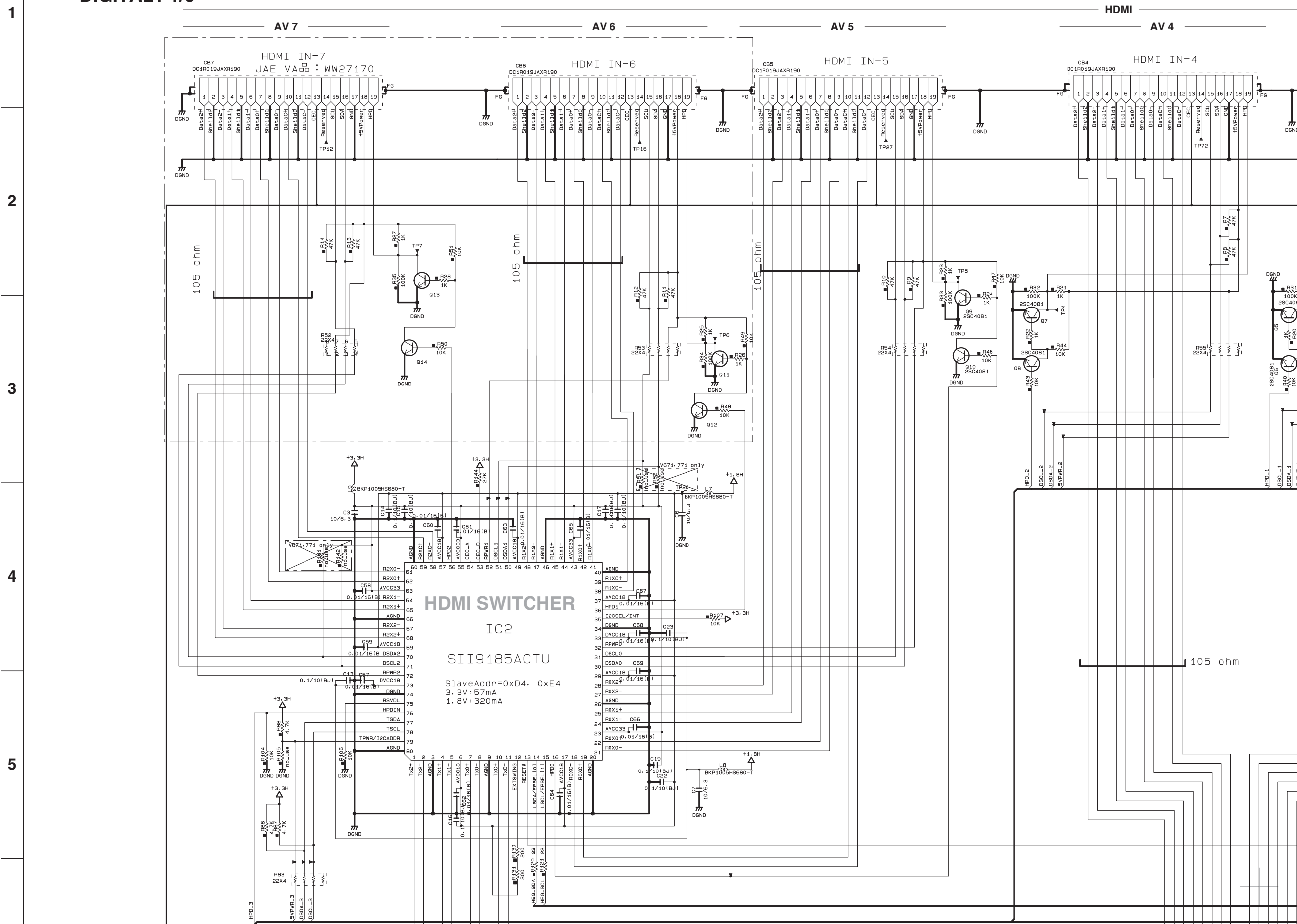
Pin No.	Symbol	Description
1	CE	Chip Enable Pin
2	GND	Ground Pin
3	NC	No Connection
4	VDD	Input Pin
5	VOUT	Output Pin of Voltage Regulator

A	B
C	D

DAC

A	B
C	D

■ SCHEMATIC DIAGRAMS
DIGITAL1 1/9

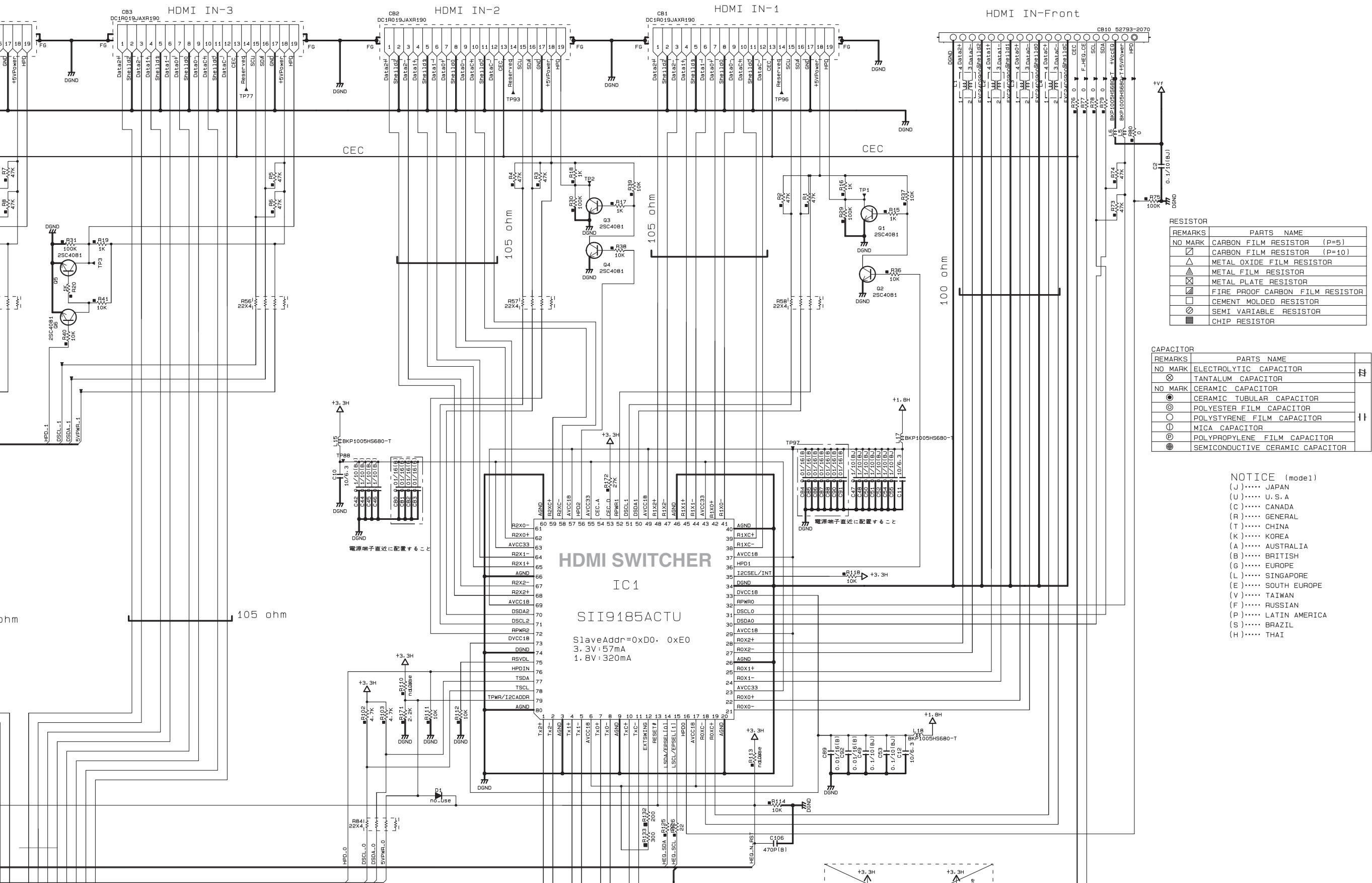


AV 3

AV 2

AV 1
(1 BD/DVD)

Page 128 [J7]
to DIGITAL1 (2)_CB32



RESISTOR

REMARKS	PARTS NAME
NO MARK	CARBON FILM RESISTOR (P=5)
☐	CARBON FILM RESISTOR (P=10)
△	METAL OXIDE FILM RESISTOR
▲	METAL FILM RESISTOR
⊠	METAL PLATE RESISTOR
▣	FIRE PROOF CARBON FILM RESISTOR
□	CEMENT MOLDED RESISTOR
⊙	SEMI VARIABLE RESISTOR
■	CHIP RESISTOR

CAPACITOR

REMARKS	PARTS NAME
NO MARK	ELECTROLYTIC CAPACITOR
⊗	TANTALUM CAPACITOR
NO MARK	CERAMIC CAPACITOR
⊙	CERAMIC TUBULAR CAPACITOR
⊖	POLYESTER FILM CAPACITOR
○	POLYSTYRENE FILM CAPACITOR
⊕	MICA CAPACITOR
⊖	POLYPROPYLENE FILM CAPACITOR
⊙	SEMICONDUCTIVE CERAMIC CAPACITOR

NOTICE (model)

(J)..... JAPAN
 (U)..... U.S.A
 (C)..... CANADA
 (R)..... GENERAL
 (T)..... CHINA
 (K)..... KOREA
 (A)..... AUSTRALIA
 (B)..... BRITISH
 (G)..... EUROPE
 (L)..... SINGAPORE
 (E)..... SOUTH EUROPE
 (V)..... TAIWAN
 (F)..... RUSSIAN
 (P)..... LATIN AMERICA
 (S)..... BRAZIL
 (H)..... THAI

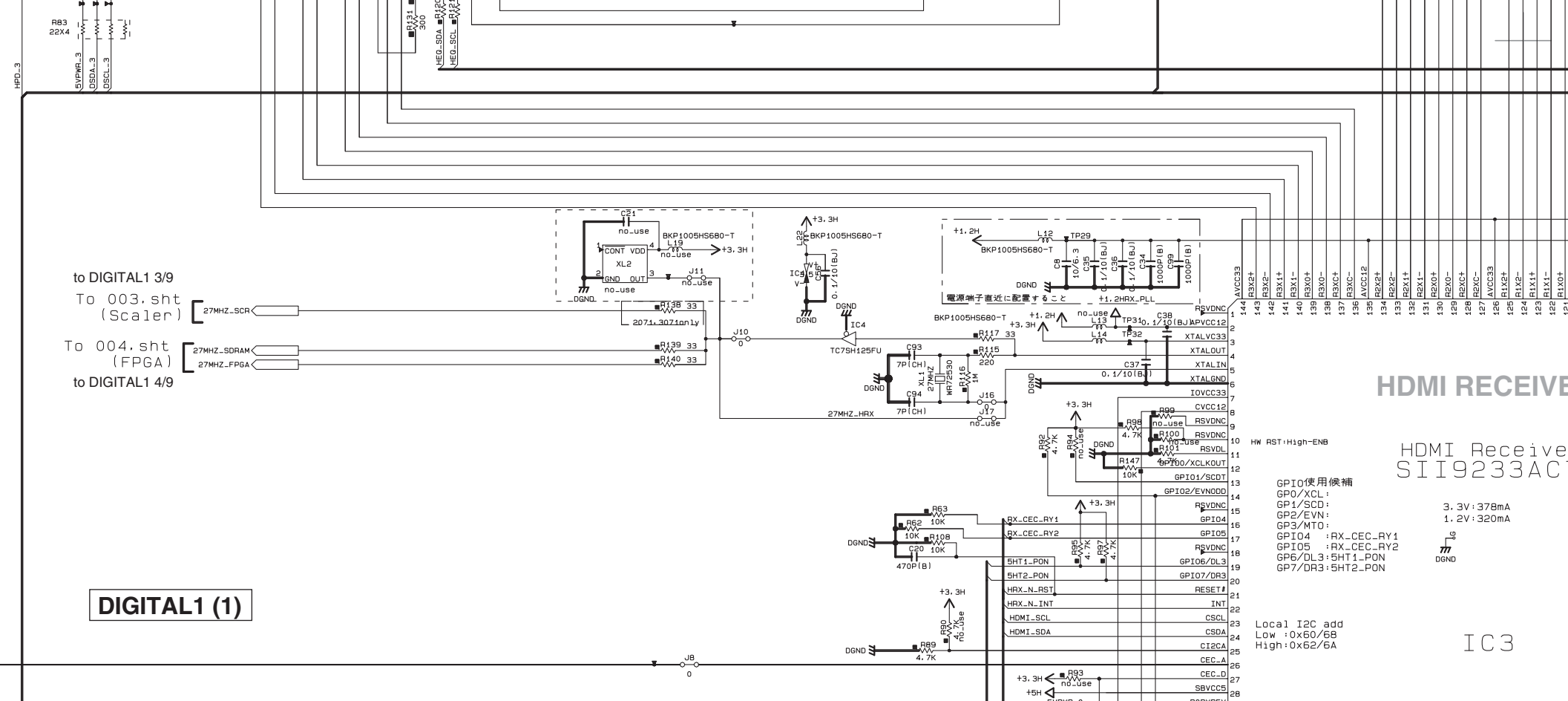
6

7

8

9

10



HDMI RECEIVER

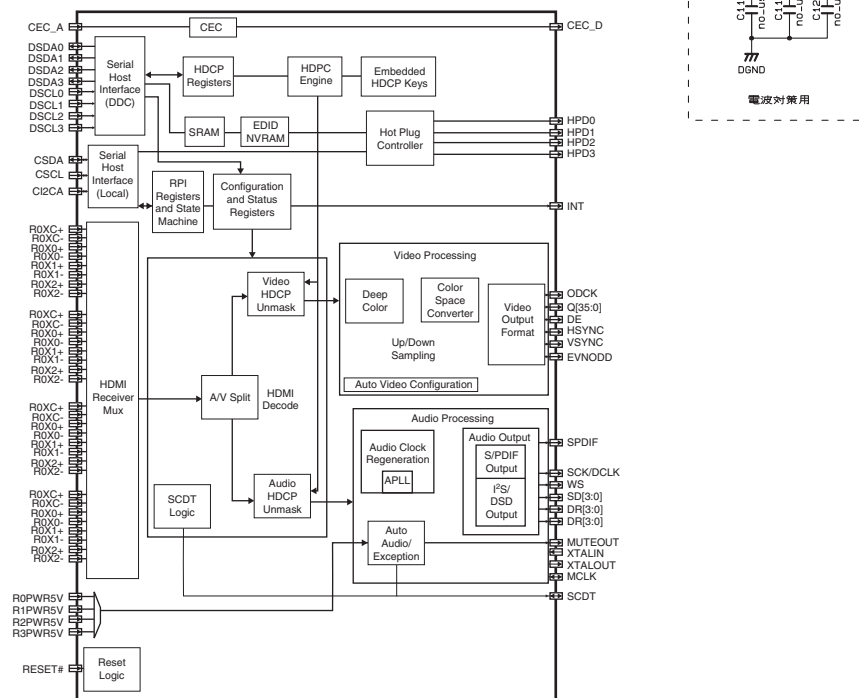
HDMI Receiver SII9233ACT

GPIO使用候補
 GP0/XCL: 3.3V: 378mA
 GP2/EVNI: 1.2V: 320mA
 GP3/MT0:
 GP104: RX_CEC_RY1
 GP105: RX_CEC_RY2
 GP6/DL3: 5HT1_PON
 GP7/DR3: 5HT2_PON

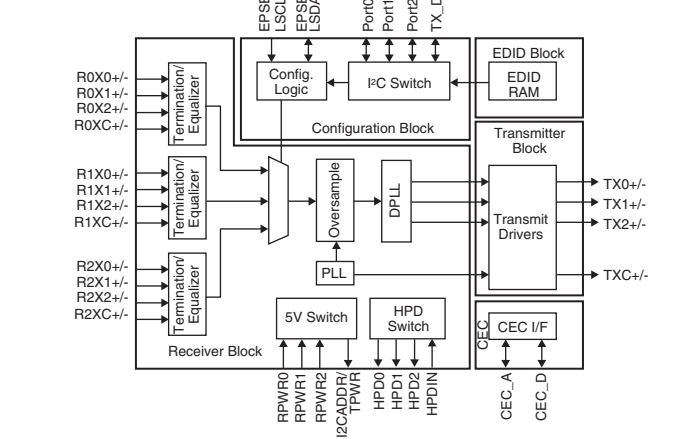
IC3

No replacement part available
 サービス部品供給なし

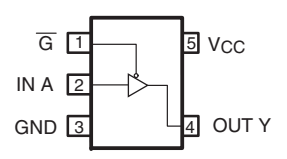
IC3: Sii9233ACTU HDMI receiver



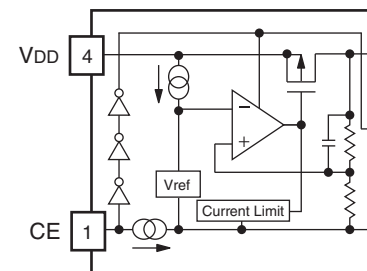
IC1, 2: Sii9185ACTU HDMI switcher



IC4: TC7SH125FU Bus buffer



IC5: RP130Q121D-TR-F Voltage regulator

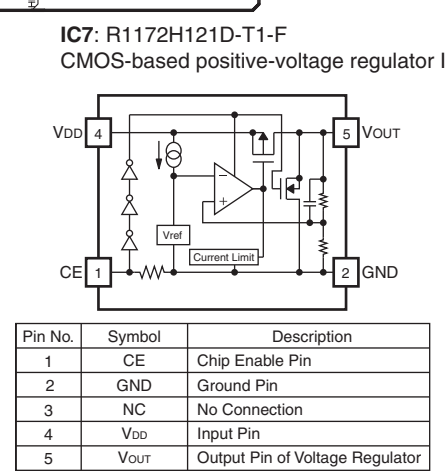
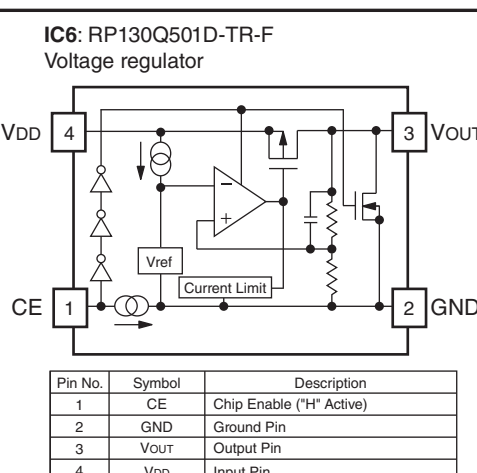
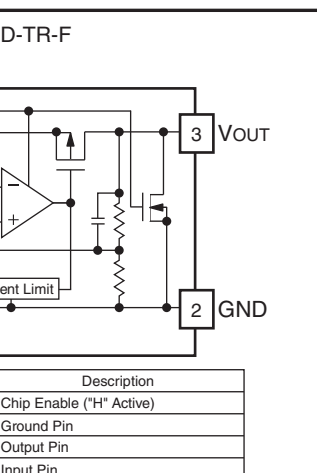
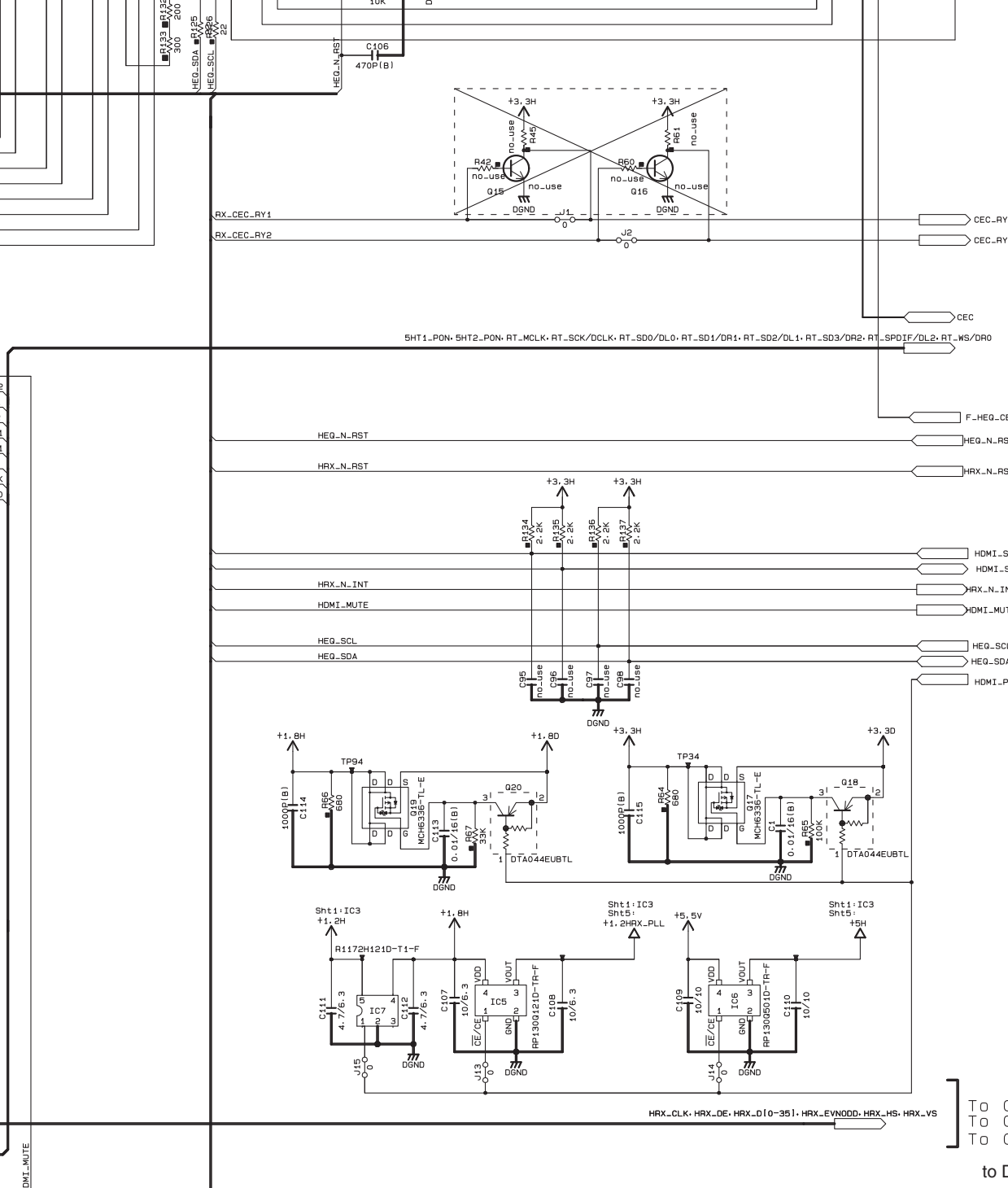
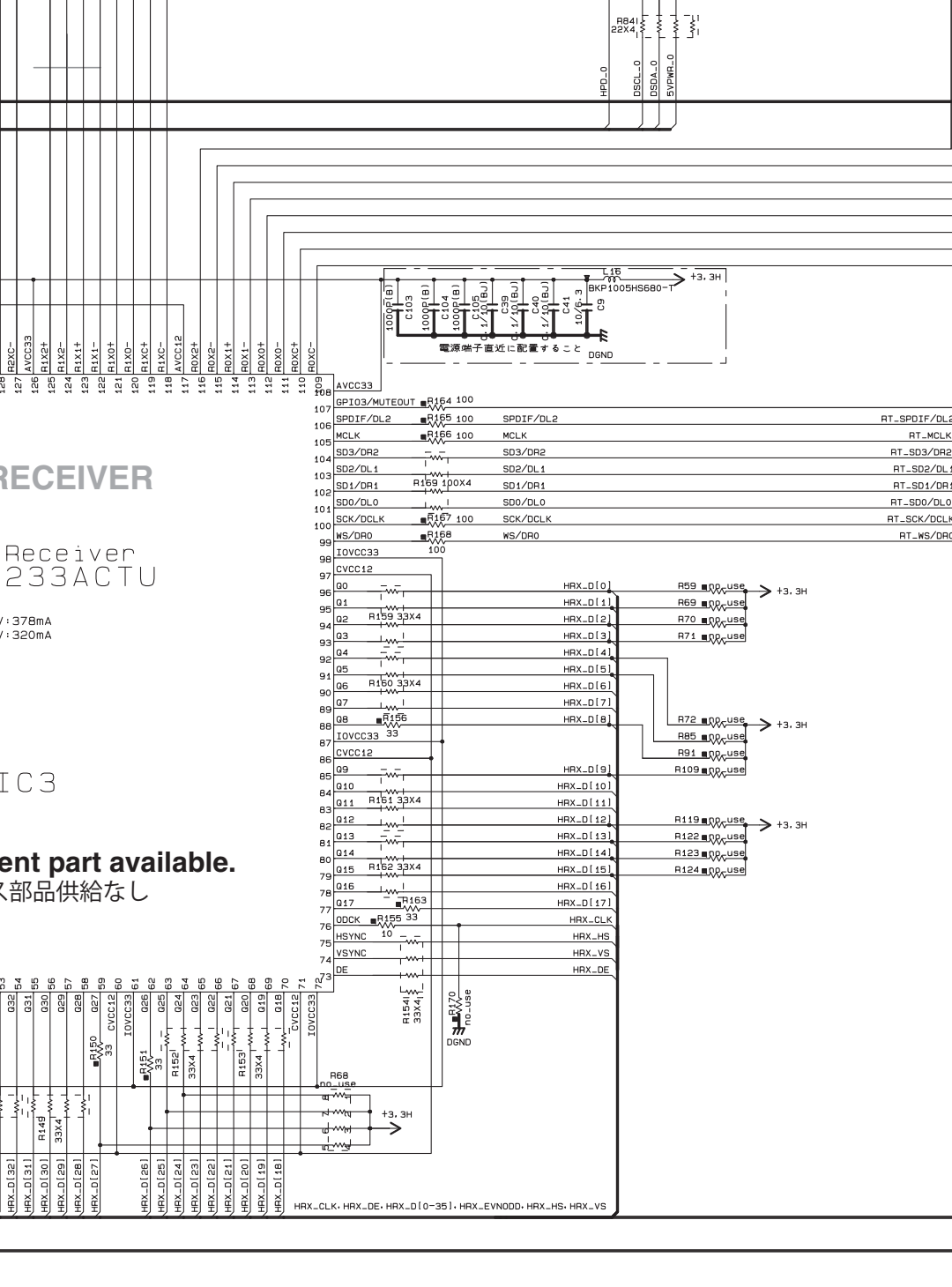


Pin No.	Symbol	Description
1	CE	Chip Enable ("H" Active)
2	GND	Ground Pin
3	Vout	Output Pin
4	VDD	Input Pin

RX-A3010/RX-V3071

A	B
C	D

DIGITAL1 1/9



Sheet 1: HDMI Rx

IC/CB/XL: 1-300
OTHER: 1-300

- ★ Components having special characteristics are marked Δ and must be replaced with parts having specifications equal to those originally installed.
- ★ Schematic diagram is subject to change without notice.
- Δ印のある部品は、安全性確保部品を示しています。部品の交換が必要な場合、パーツリストに記載されている部品を使用してください。
- 本回路図は標準回路図です。改良のため予告なく変更することがあります。

A	B
C	D

RX-A3010/RX-V3071

DIGITAL1 2/9

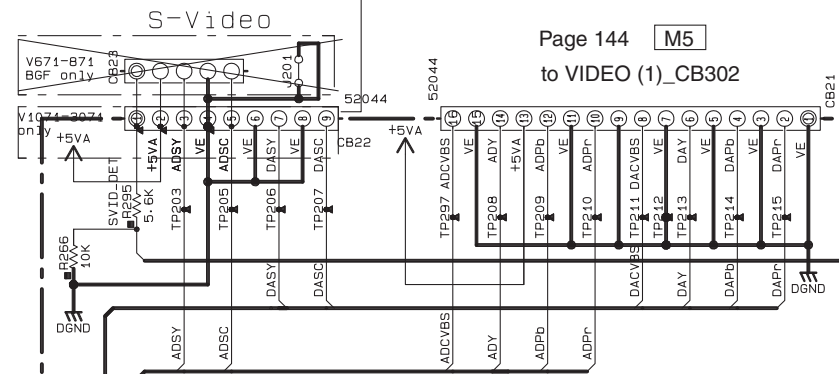
1

2

3

4

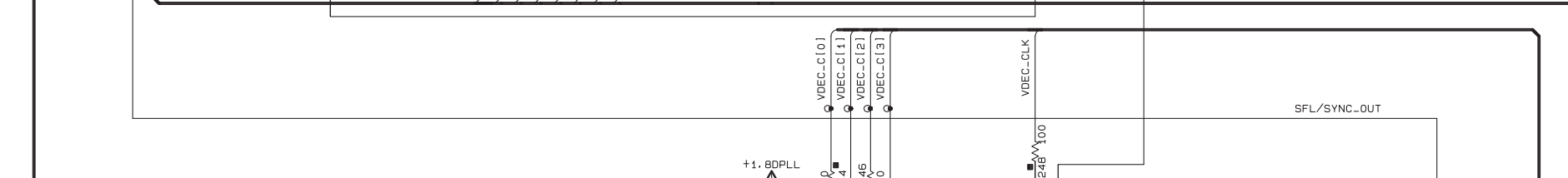
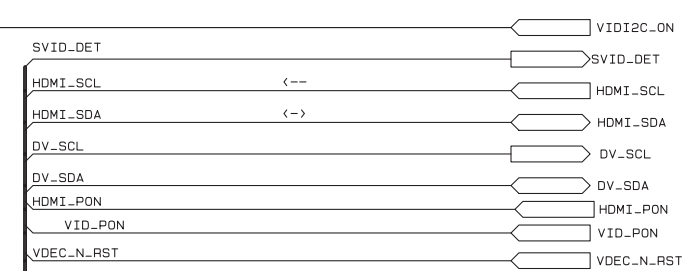
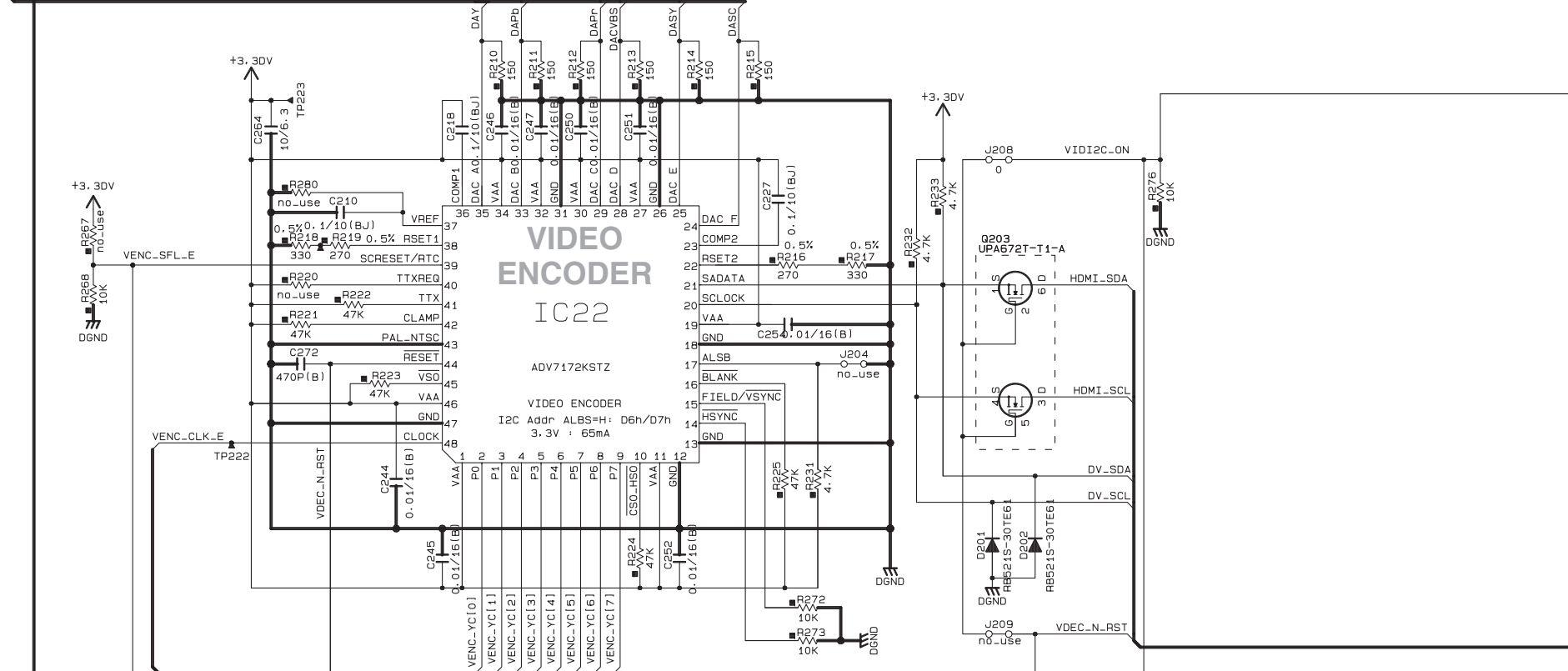
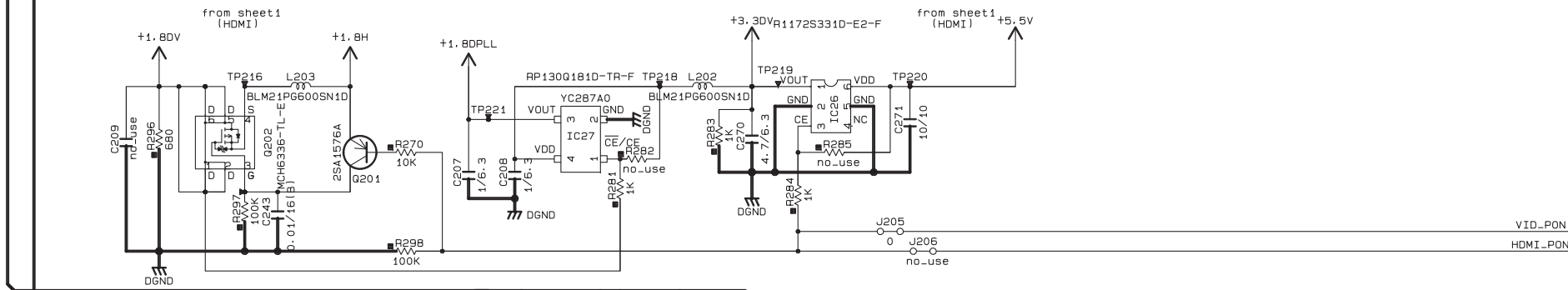
5



Page 144 M6 to VIDEO (1)_CB303

Page 144 M5 to VIDEO (1)_CB302

DIGITAL1 (1)



H

I

J

K

L

M

N

VIDEO AUX
HDMI IN
HDMI IN-FrontPanel

CB31
DC1R019JAXR190

DIGITAL (2)

DIGITAL1 (2)

HDMI Support JIG
WU06290

No replacement part available.

サービス部品供給なし

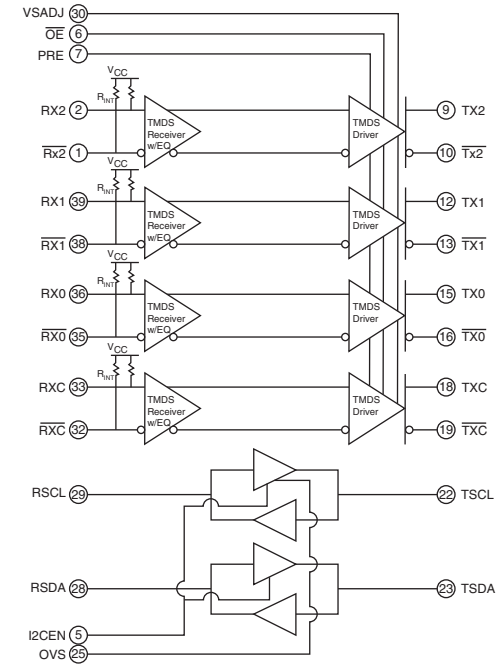
OVS High | Low | OPEN
Vo1 | 0.8v | 0.65v | 0.5v

I2CEN	/OE	PRE
Low HiZ	ENB	00B
High	ENB	3.50B

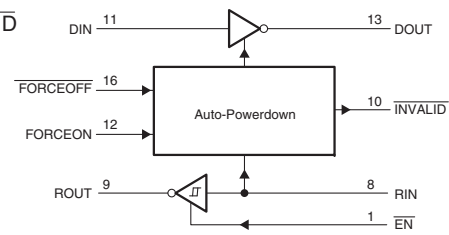
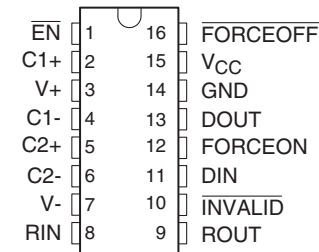
HDMI
Equalizer

3.3V · 130mA

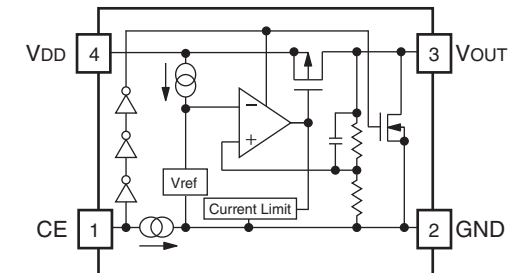
IC31: TMD5141RHAR
HDMI switch



IC32: TRS3221ECPWR
3 V to 5.5 V single channel RS-232 line driver/receiver
with ±15 kV IEC ESD protection



IC33: RP130Q331D-TR-F
Voltage regulator



Pin No.	Symbol	Description
1	CE	Chip Enable ("H" Active)
2	GND	Ground Pin
3	VOUT	Output Pin
4	VDD	Input Pin

- VIDI2C_ON
- SVID_DET
- HDMI_SCL
- HDMI_SDA
- DV_SCL
- DV_SDA
- HDMI_PON
- VID_PON
- VDEC_N_RST

to DIGITAL1 6/9

to sheet6
(u-com)

to DIGITAL1 4/9

to sheet4
(FPGA)

6

7

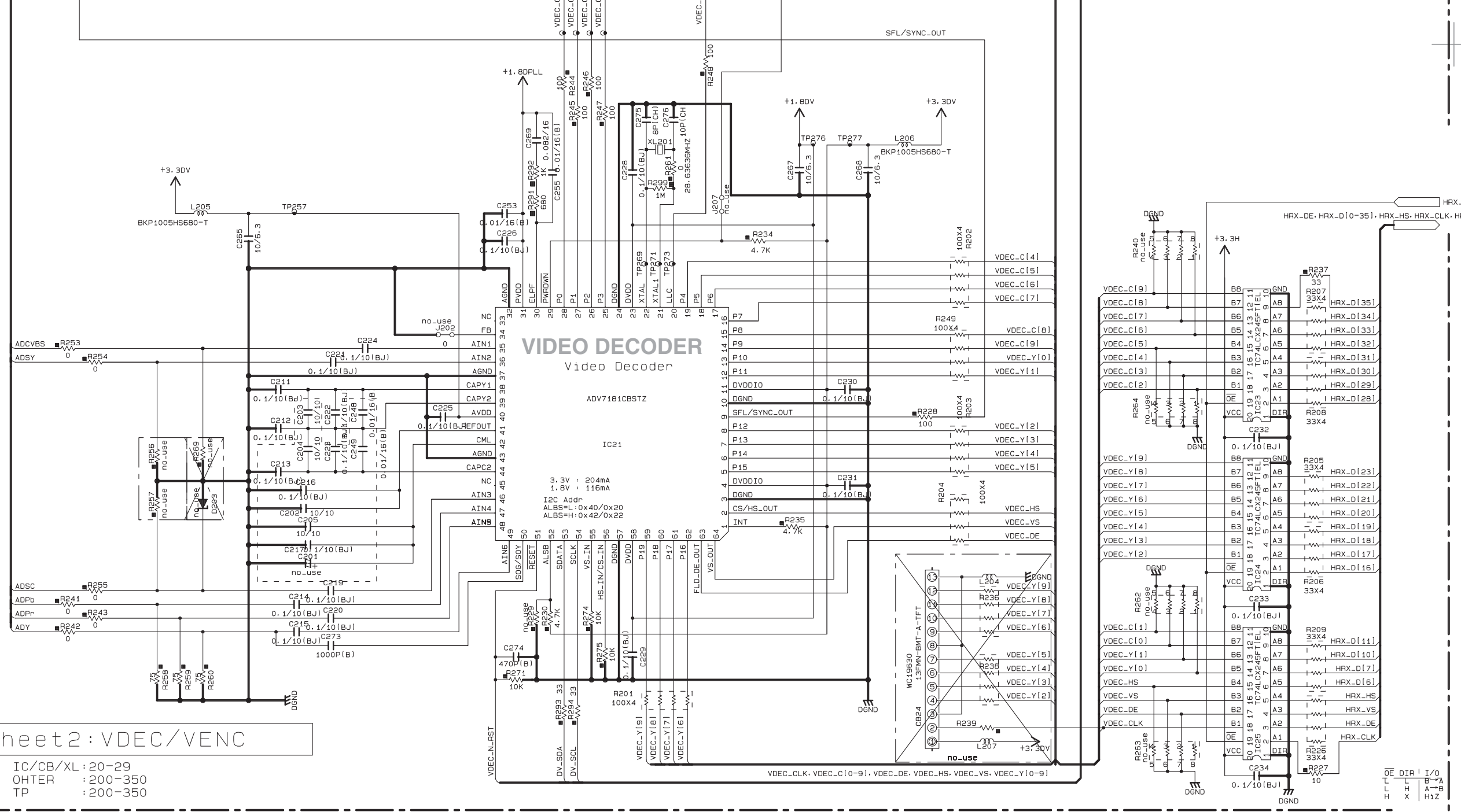
8

9

10

Sheet2:VDEC/VENC

IC/CB/XL: 20-29
OHTER: 200-350
TP: 200-350

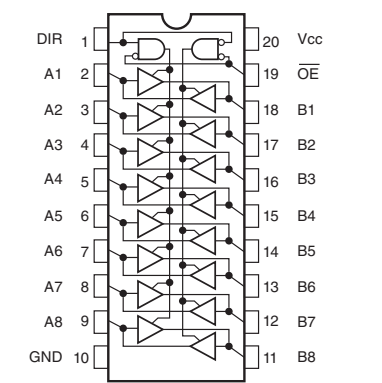


REMARKS	PARTS NAME	
NO MARK	ELECTROLYTIC CAPACITOR	⊘
⊗	TANTALUM CAPACITOR	⊗
NO MARK	CERAMIC CAPACITOR	
⊙	CERAMIC TUBULAR CAPACITOR	⊙
⊖	POLYESTER FILM CAPACITOR	⊖
○	POLYSTYRENE FILM CAPACITOR	○
①	MICA CAPACITOR	①
Ⓟ	POLYPROPYLENE FILM CAPACITOR	Ⓟ
●	SEMICONDUCTIVE CERAMIC CAPACITOR	●

REMARKS	PARTS NAME
NO MARK	CARBON FILM RESISTOR (P=5)
⊠	CARBON FILM RESISTOR (P=10)
△	METAL OXIDE FILM RESISTOR
▲	METAL FILM RESISTOR
⊞	METAL PLATE RESISTOR
⊞	FIRE PROOF CARBON FILM RESISTOR
□	CEMENT MOLDED RESISTOR
⊕	SEMI VARIABLE RESISTOR
■	CHIP RESISTOR

NOTICE (mode1)
 (J)..... JAPAN
 (U)..... U.S.A
 (C)..... CANADA
 (R)..... GENERAL
 (T)..... CHINA
 (K)..... KOREA
 (A)..... AUSTRALIA
 (B)..... BRITISH
 (G)..... EUROPE
 (L)..... SINGAPORE
 (E)..... SOUTH EUROPE
 (V)..... TAIWAN
 (F)..... RUSSIAN
 (P)..... LATIN AMERICA
 (S)..... BRAZIL
 (H)..... THAI

IC23-25: TC74LCX245FT
 Low voltage octal bus transceiver
 with 5-V tolerant inputs and outputs



★ Components having special characteristics are marked △ and must be replaced with parts having specifications equal to those originally installed.
 ★ Schematic diagram is subject to change without notice.

● △印のある部品は、安全性確保部品を示しています。部品の交換が必要な場合、パーツリストに記載されている部品を使用してください。
 ● 本回路図は標準回路図です。改良のため予告なく変更することがあります。

A	B
C	D

to sheet4 (FPGA)

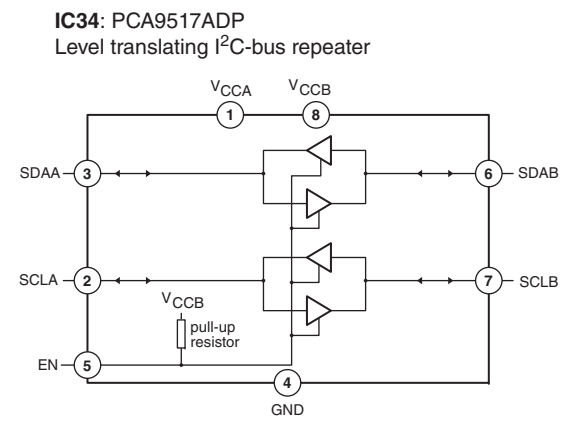
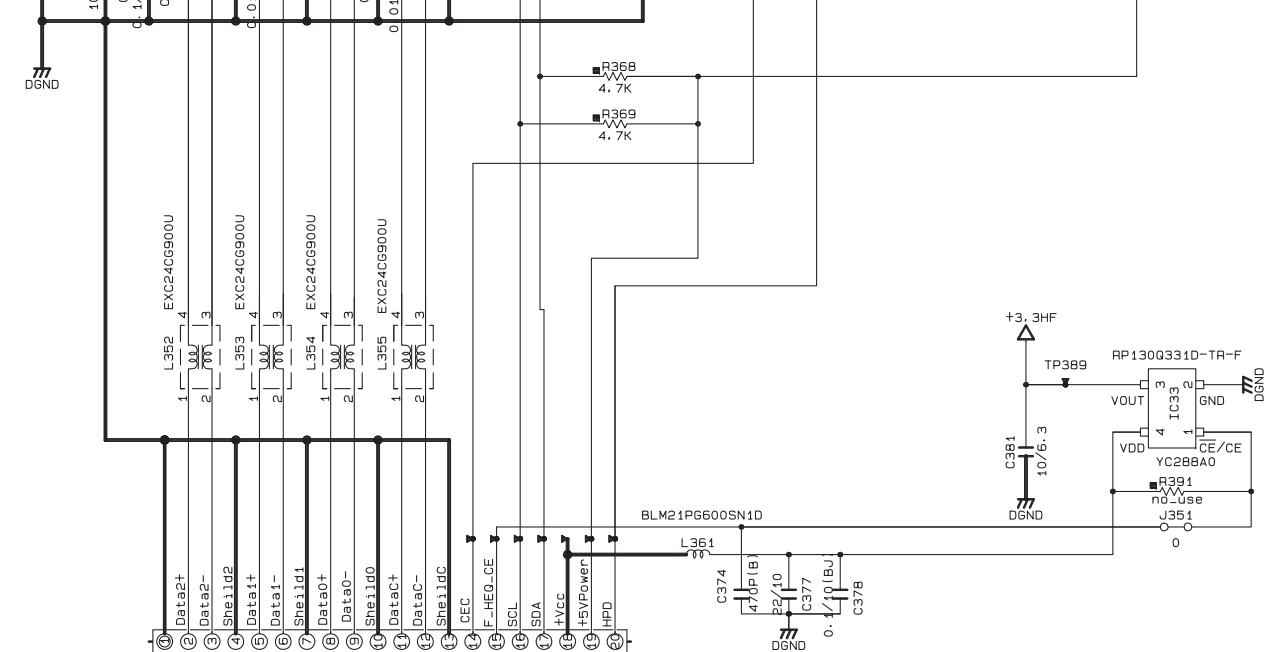
HRX_VSEL

HRX_CLK, HRX_VS

to DIGITAL1 1/9

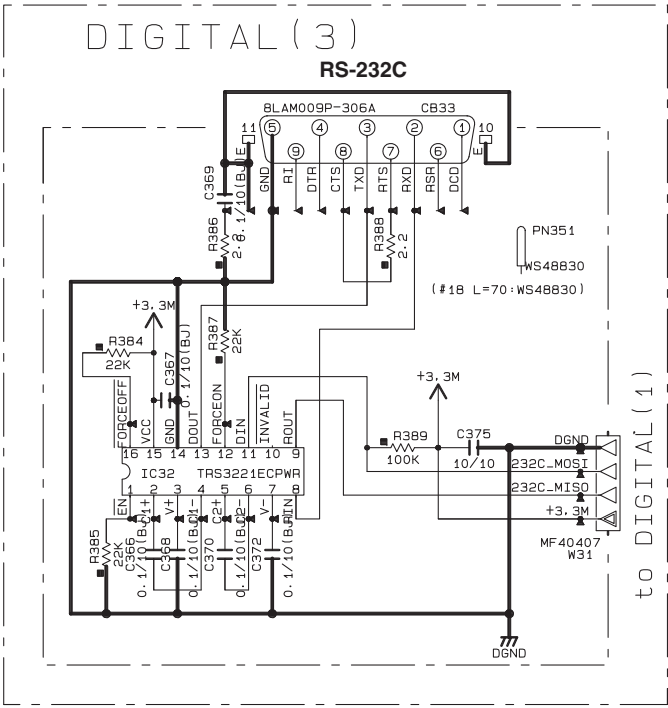
to sheet1 (HDMI Rx)

Pin No.	Symbol	Description
1	CE	Chip Enable ("H" Active)
2	GND	Ground Pin
3	VOUT	Output Pin
4	VDD	Input Pin



IC22: ADV7172KSTZ
Digital PAL/NTSC video encoder

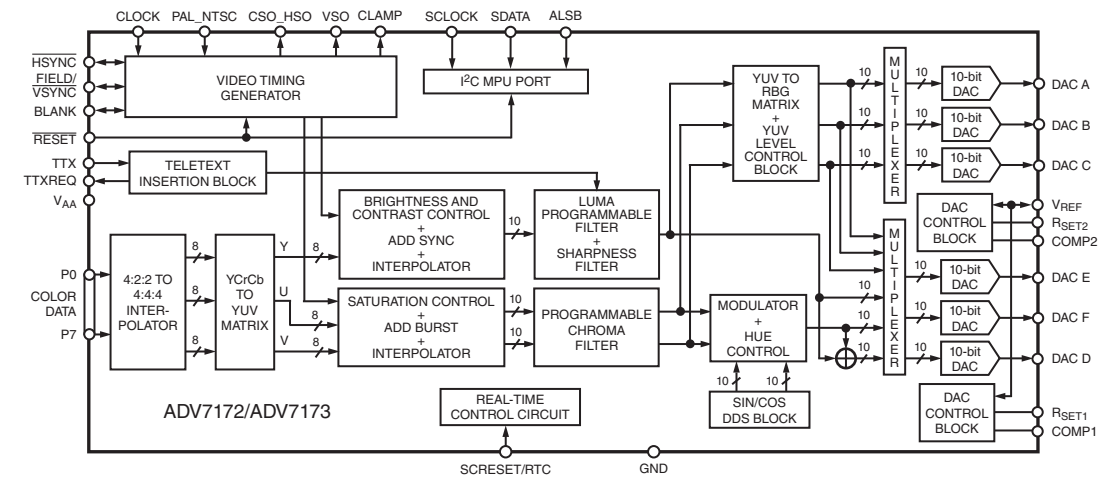
DIGITAL1 (3)



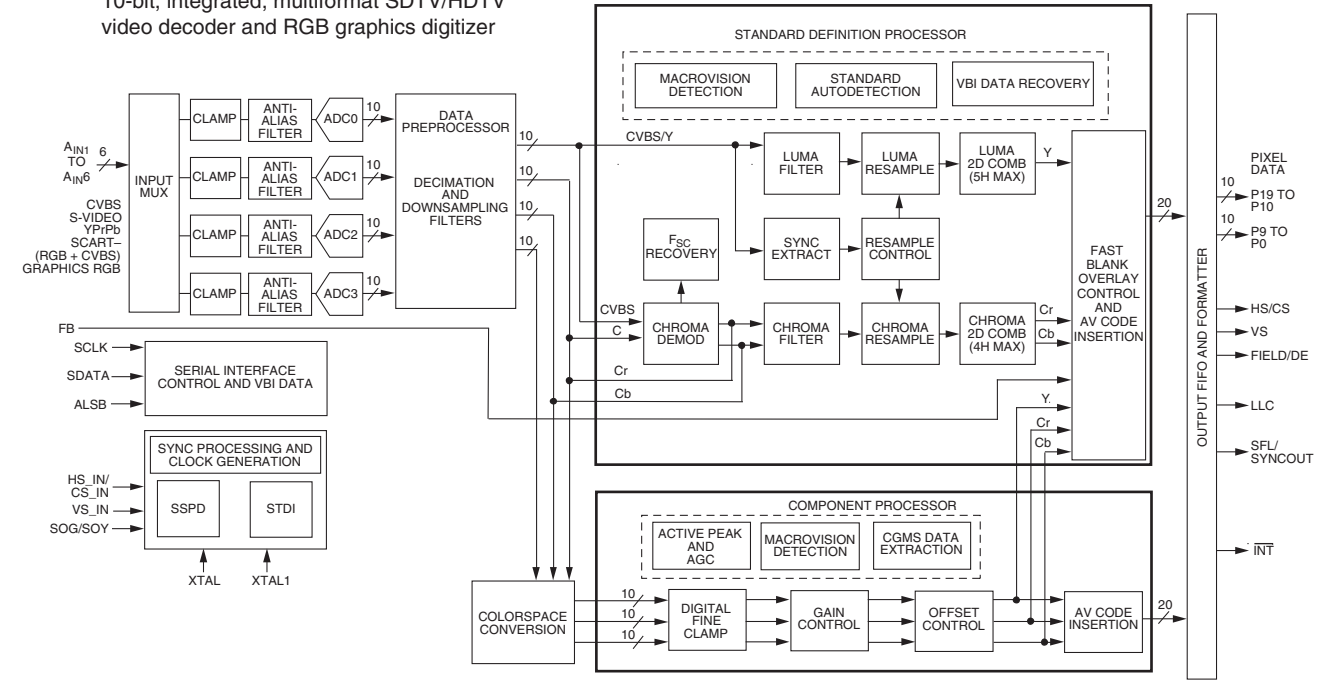
Page 127 **L1**
to DIGITAL1 (1)_CB10

IC/CB/XL : 30-39
OHTER : 351-399
TP : 351-399

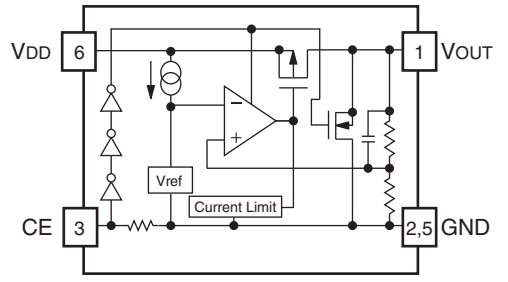
Page 132 **D9**
to DIGITAL1 (1)_CB88



IC21: ADV7181CBSTZ
10-bit, integrated, multiformat SDTV/HDTV video decoder and RGB graphics digitizer

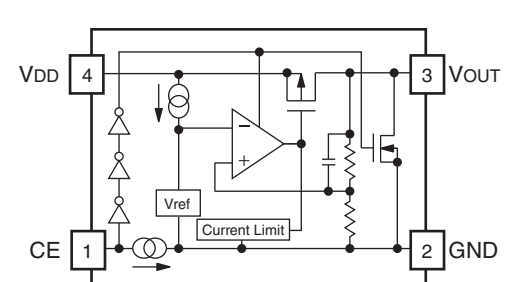


IC26: R1172S331D-E2-F
CMOS-based positive-voltage regulator IC



Pin No.	Symbol	Description
1	VOUT	Output Pin
2, 5	GND	Ground Pin
3	CE	Chip Enable Pin ("H" Active)
4	NC	No Connection
6	VDD	Input Pin

IC27: RP130Q181D-TR-F
Voltage regulator



Pin No.	Symbol	Description
1	CE	Chip Enable ("H" Active)
2	GND	Ground Pin
3	VOUT	Output Pin
4	VDD	Input Pin

ceiver outputs

Vcc

OE

B1

B2

B3

B4

B5

B6

B7

B8

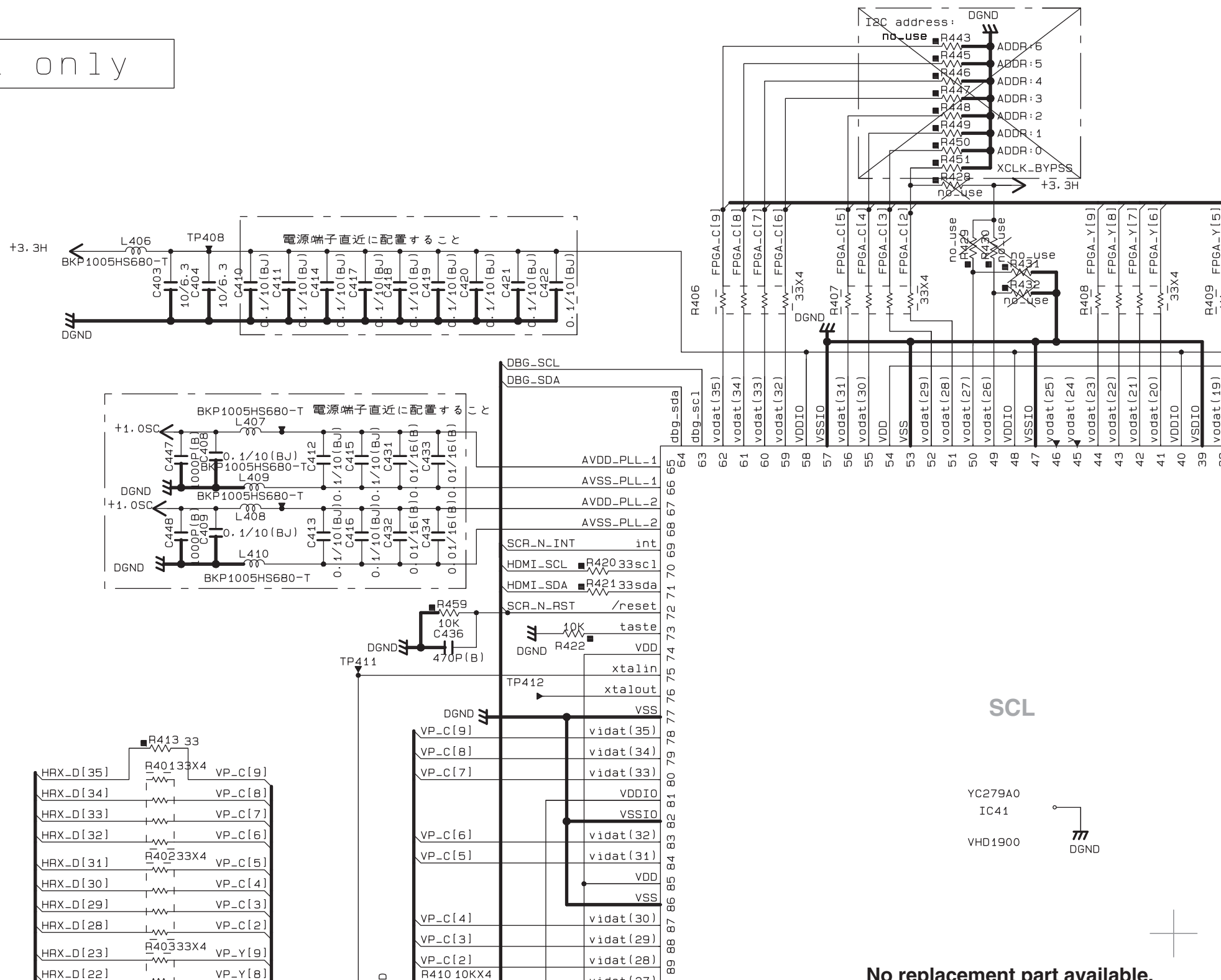
A	B
C	D

A	B
C	D

DIGITAL1 3/9

DIGITAL1 (1)

2071, 3071 only



No replacement part available.

A	B
C	D

H

I

J

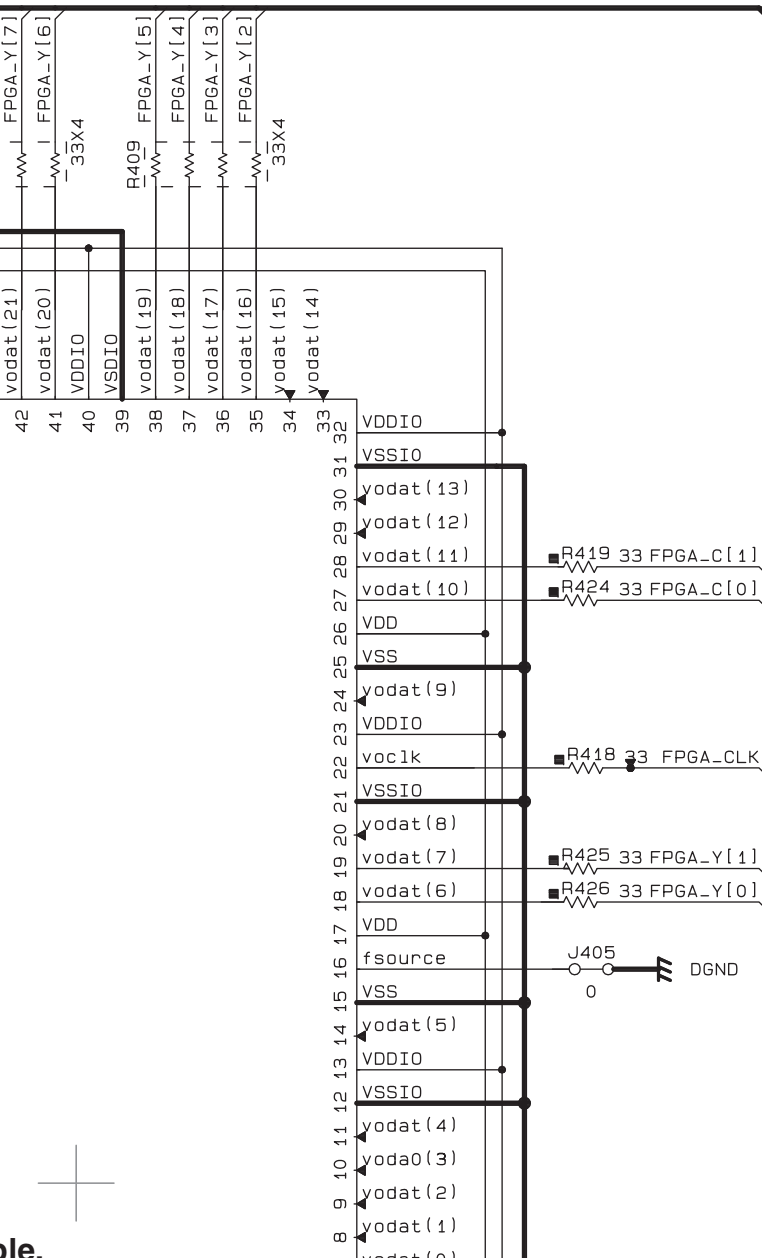
K

L

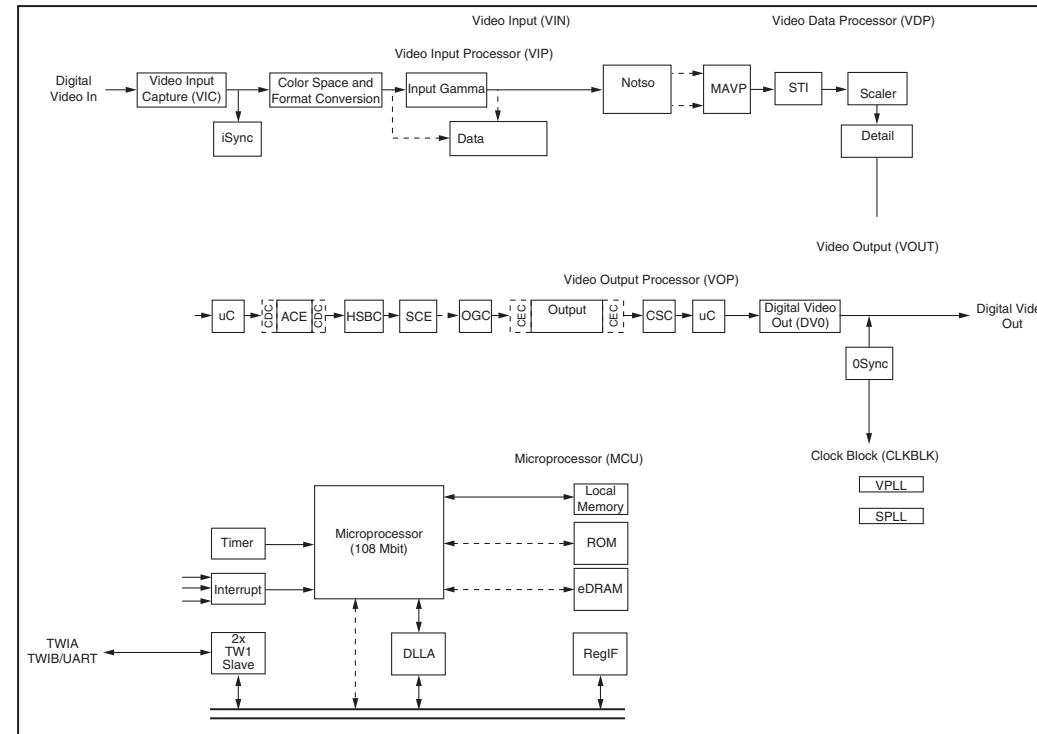
M

N

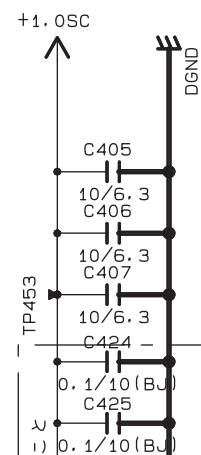
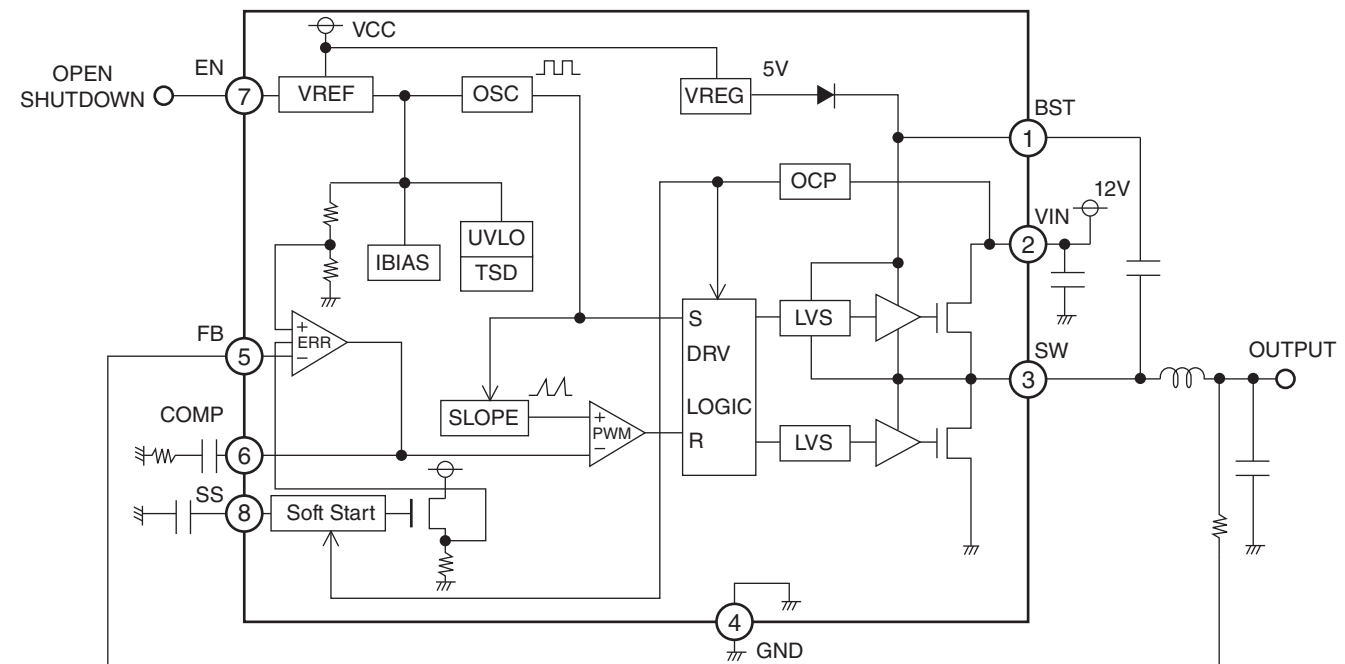
RX-A3010/RX-V3071



IC41: VHD1900EVG
Video processor



IC42: BD9329AEFJ-E2
1ch step-down DC/DC converter



6

7

8

9

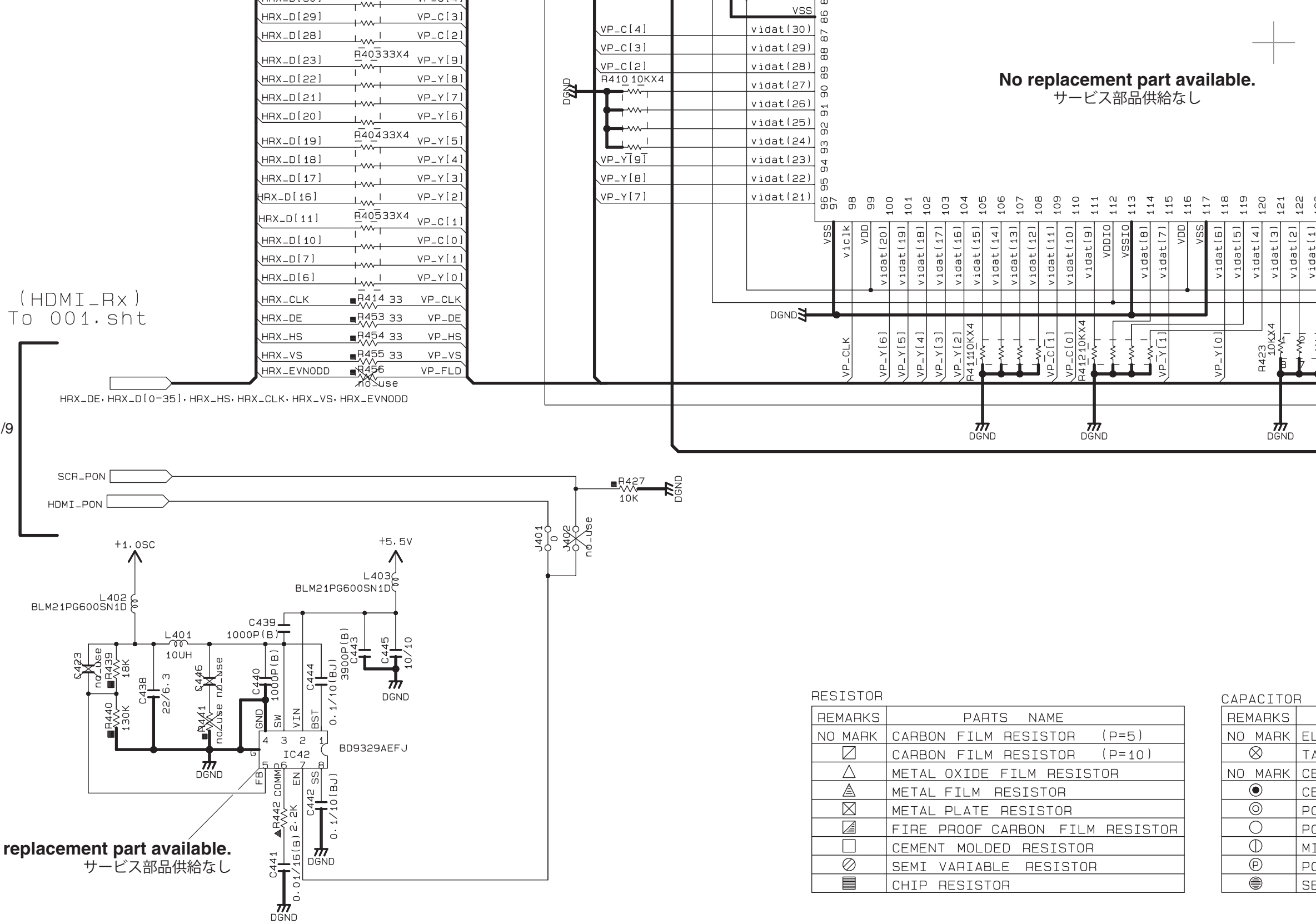
10

(HDMI_Rx)
To 001.sht

to DIGITAL1 1/9

No replacement part available.
サービス部品供給なし

No replacement part available.
サービス部品供給なし

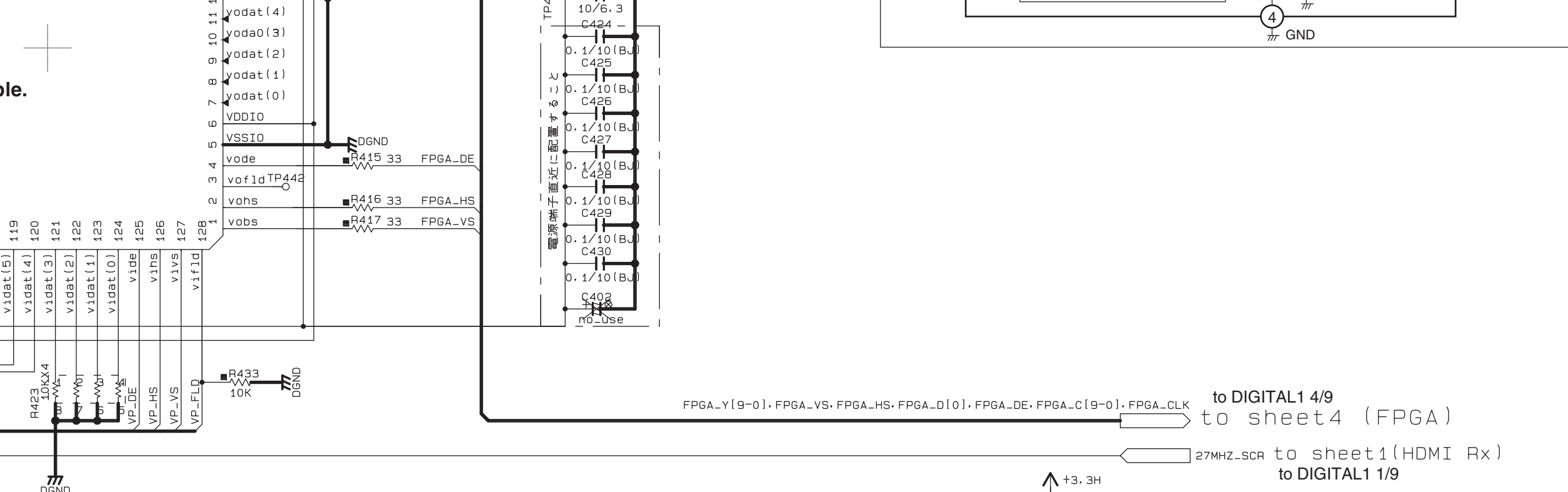


RESISTOR

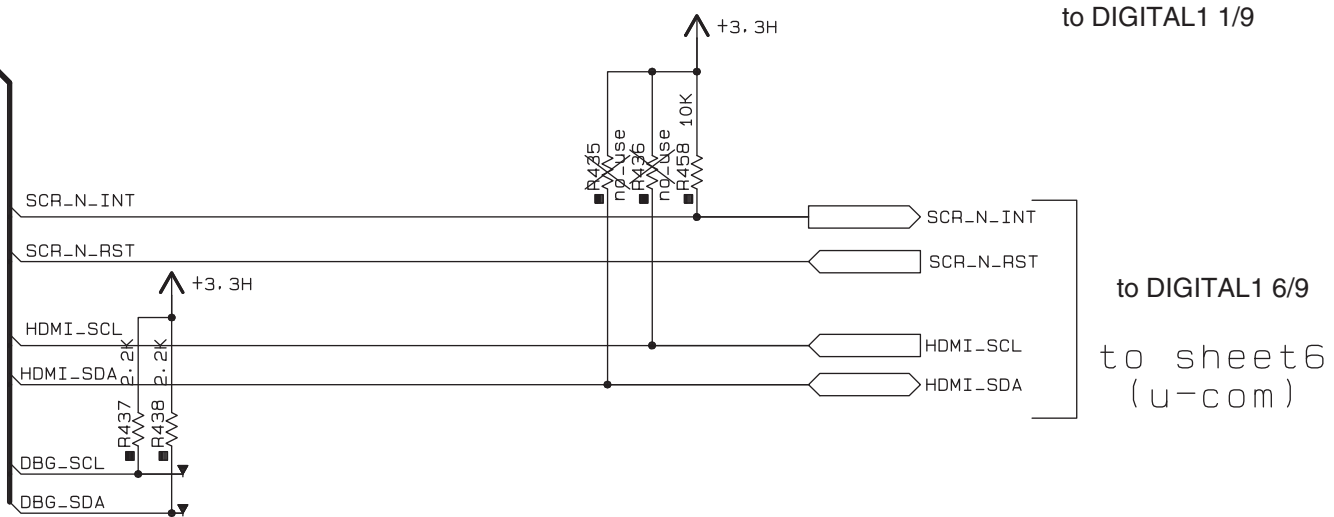
REMARKS	PARTS NAME
NO MARK	CARBON FILM RESISTOR (P=5)
☐	CARBON FILM RESISTOR (P=10)
△	METAL OXIDE FILM RESISTOR
▲	METAL FILM RESISTOR
⊗	METAL PLATE RESISTOR
▨	FIRE PROOF CARBON FILM RESISTOR
□	CEMENT MOLDED RESISTOR
⊘	SEMI VARIABLE RESISTOR
■	CHIP RESISTOR

CAPACITOR

REMARKS	PARTS NAME
NO MARK	EL
⊗	TA
NO MARK	CE
●	CE
⊙	PC
○	PC
⊖	MI
⊕	PC
⊗	SE



FPGA_Y[9-0], FPGA-VS, FPGA-HS, FPGA-D[0], FPGA-DE, FPGA-C[9-0], FPGA-CLK to DIGITAL1 4/9
 to sheet4 (FPGA)
 27MHZ_SCR to sheet1(HDMI Rx)
 to DIGITAL1 1/9



to DIGITAL1 6/9
 to sheet6
 (u-com)

CAPACITOR

REMARKS	PARTS NAME	
NO MARK	ELECTROLYTIC CAPACITOR	⌘
⊗	TANTALUM CAPACITOR	
NO MARK	CERAMIC CAPACITOR	⌘
●	CERAMIC TUBULAR CAPACITOR	
◎	POLYESTER FILM CAPACITOR	
○	POLYSTYRENE FILM CAPACITOR	
Ⓛ	MICA CAPACITOR	
Ⓟ	POLYPROPYLENE FILM CAPACITOR	
Ⓢ	SEMICONDUCTIVE CERAMIC CAPACITOR	

Sheet3:Scaler

IC/CB/XL : 40-
 OHTER : 400-499
 TP : 400-499

- ★ Components having special characteristics are marked Δ and must be replaced with parts having specifications equal to those originally installed.
- ★ Schematic diagram is subject to change without notice.
- Δ印のある部品は、安全性確保部品を示しています。部品の交換が必要な場合、パーツリストに記載されている部品を使用してください。
- 本回路図は標準回路図です。改良のため予告なく変更することがあります。

A	B
C	D

A	B
C	D

RX-A3010/RX-V3071

DIGITAL1 4/9

1

2

3

4

5

A

B

C

D

E

F

G

to DIGITAL1 1/9
To 001.sht
(HDMI Rx)

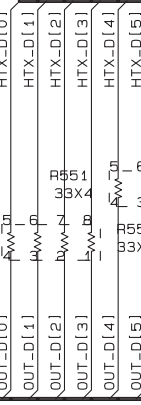
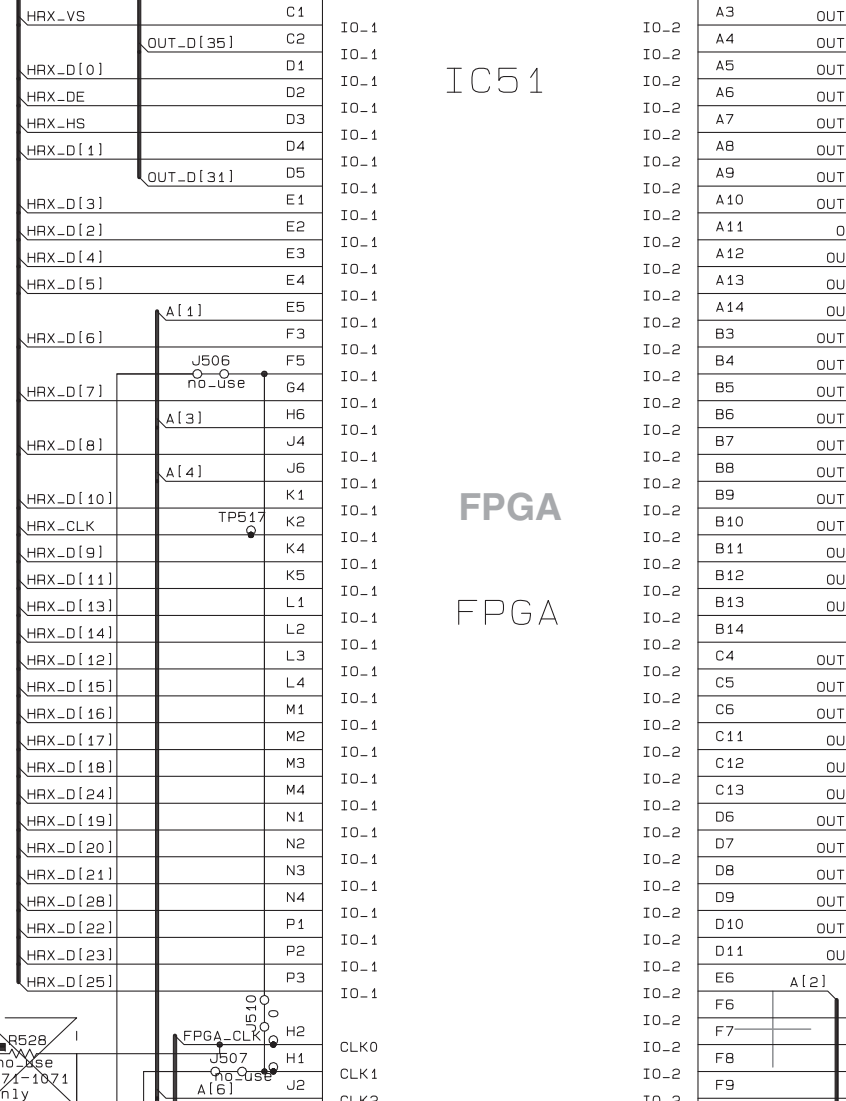
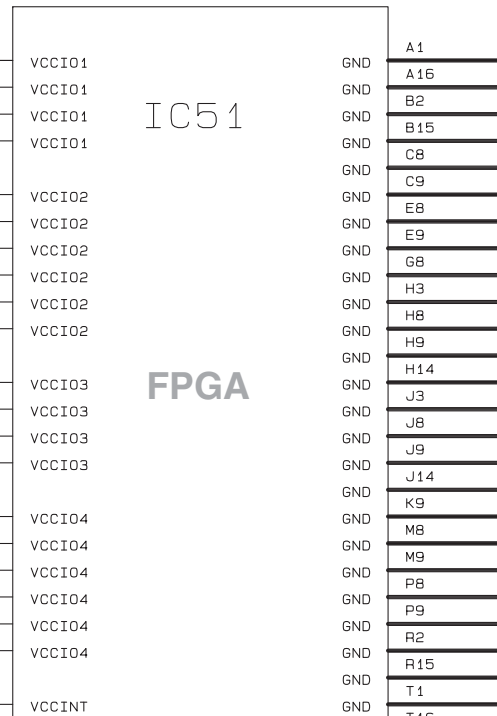
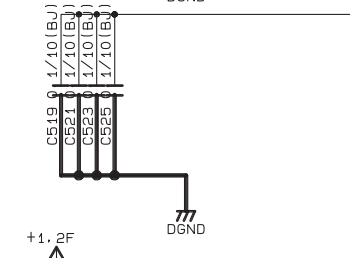
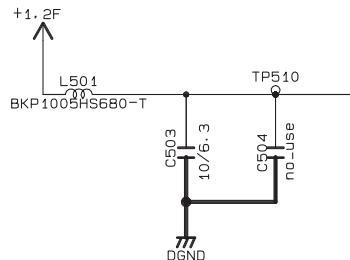
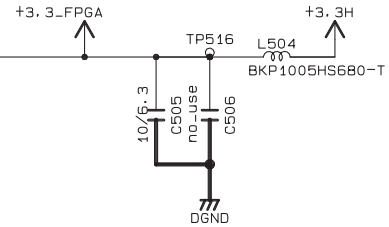
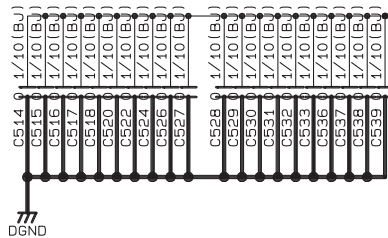
To 003.sht
(SCALER)
to DIGITAL1 3/9

27MHZ-SDRAM
27MHZ-FPGA
HRX_VS, HRX_HS, HRX_EVNODD, HRX_D[35-0], HRX_DE, HRX_CLK

FPGA_CLK, FPGA_C[0-9], FPGA_DE, FPGA_D[0], FPGA_HS, FPGA_VS, FPGA_Y[0-9]

FPGA_Y[1]
FPGA_Y[0]
FPGA_C[1]
FPGA_C[0]

No replacement part available.
サービス部品供給なし



H

I

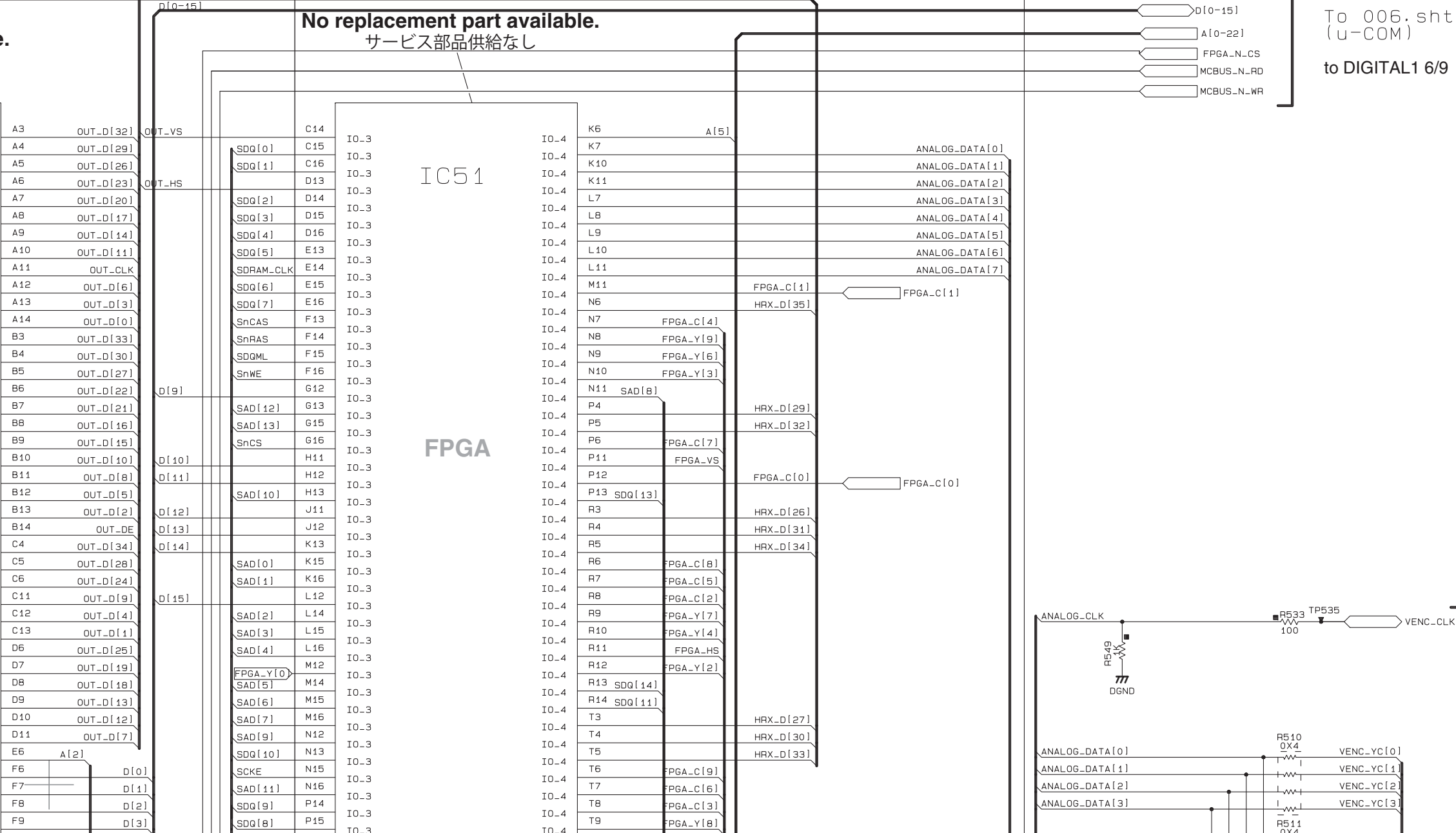
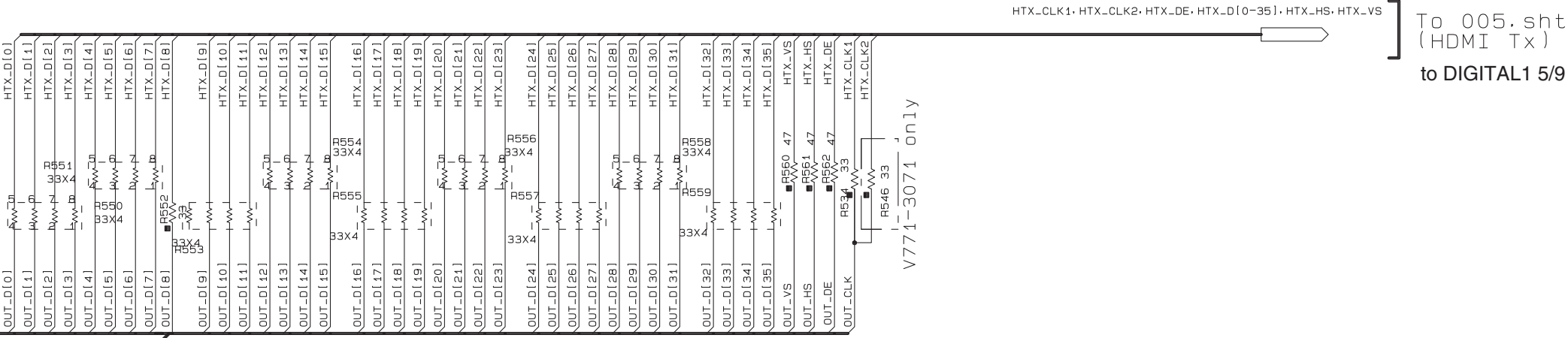
J

K

L

M

N



To 002.sht
VDEC/ENC

6

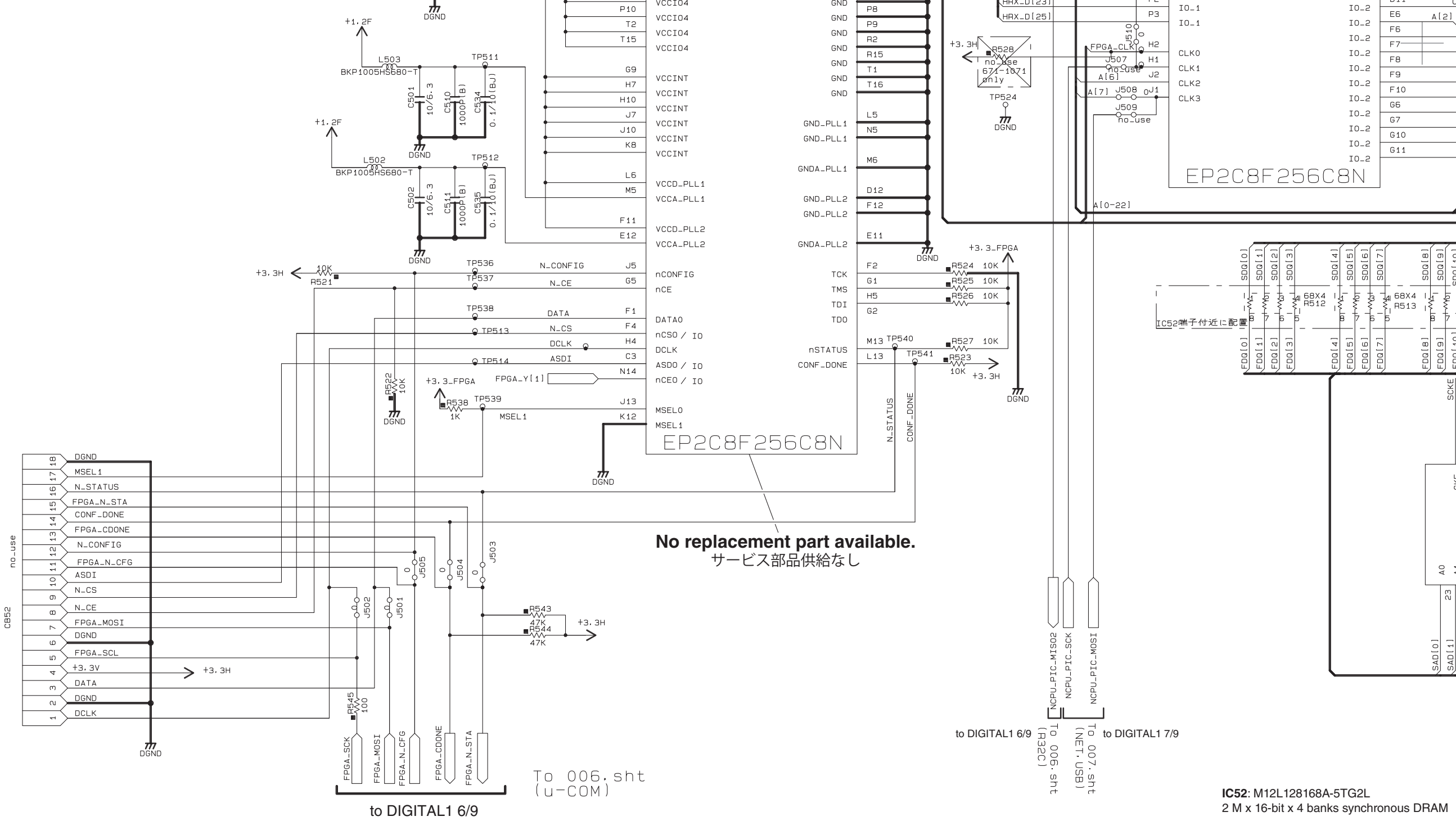
7

8

9

10

130



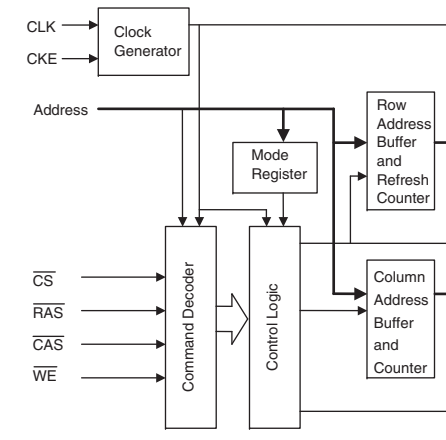
No replacement part available.
サービス部品供給なし

NOTICE (mode1)
(J)..... JAPAN
(U)..... U. S. A
(C)..... CANADA
(R)..... GENERAL
(T)..... CHINA
(K)..... KOREA
(A)..... AUSTRALIA
(B)..... BRITISH
(G)..... EUROPE
(L)..... SINGAPORE
(E)..... SOUTH EUROPE
(V)..... TAIWAN
(F)..... RUSSIAN
(P)..... LATIN AMERICA
(S)..... BRAZIL
(H)..... THAI

RESISTOR	
REMARKS	PARTS NAME
NO MARK	CARBON FILM RESISTOR (P=5)
□	CARBON FILM RESISTOR (P=10)
△	METAL OXIDE FILM RESISTOR
▲	METAL FILM RESISTOR
▣	METAL PLATE RESISTOR
⊠	FIRE PROOF CARBON FILM RESISTOR
□	CEMENT MOLDED RESISTOR
⊕	SEMI VARIABLE RESISTOR
■	CHIP RESISTOR

CAPACITOR	
REMARKS	PARTS NAME
NO MARK	ELECTROLYTIC CAPACITOR
⊗	TANTALUM CAPACITOR
NO MARK	CERAMIC CAPACITOR
●	CERAMIC TUBULAR CAPACITOR
⊙	POLYESTER FILM CAPACITOR
○	POLYSTYRENE FILM CAPACITOR
Ⓜ	MICA CAPACITOR
Ⓟ	POLYPROPYLENE FILM CAPACITOR
Ⓢ	SEMICONDUCTIVE CERAMIC CAPACITOR

IC52: M12L128168A-5TG2L
2 M x 16-bit x 4 banks synchronous DRAM



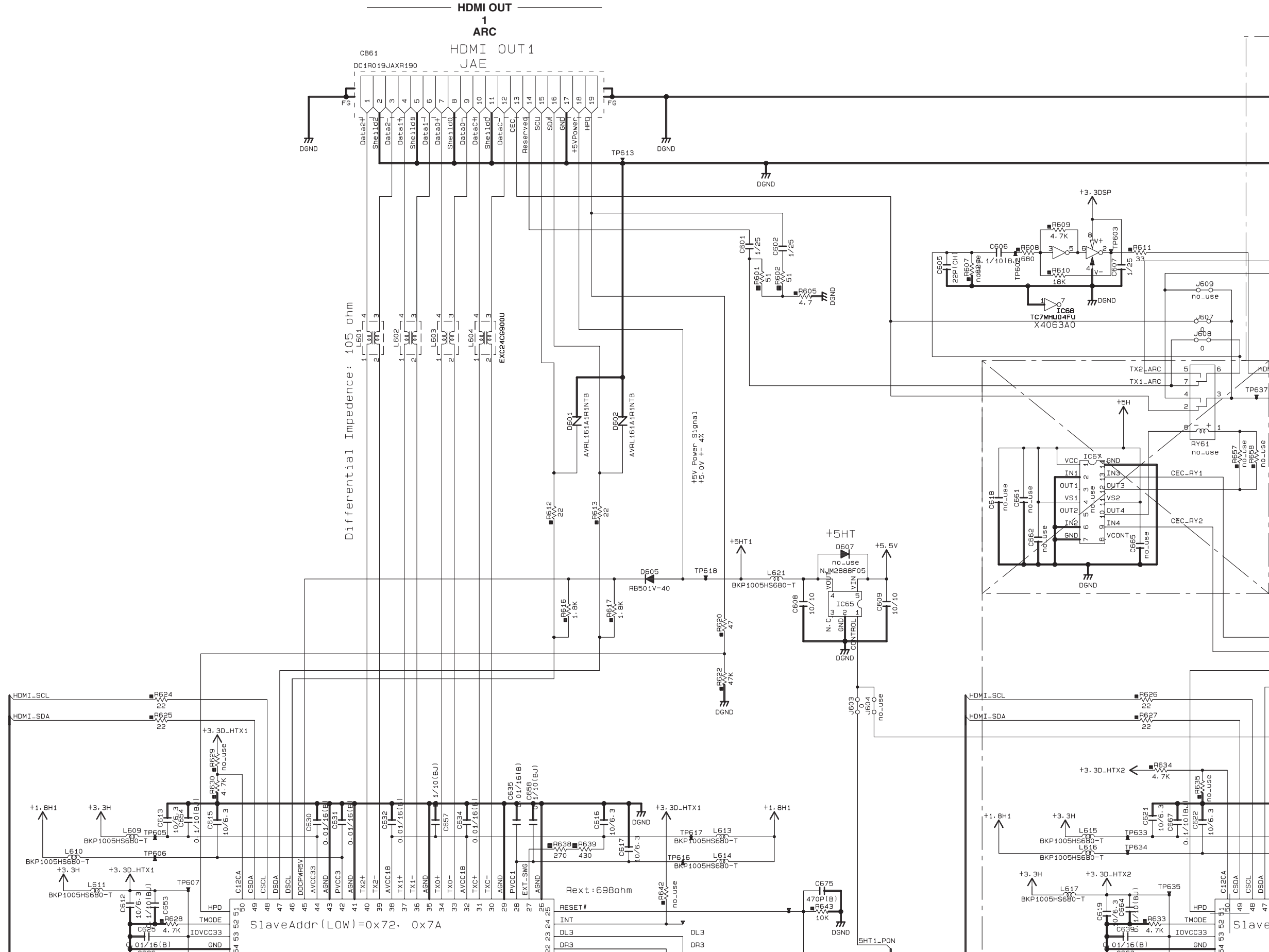
RX-A3010/RX-V3071

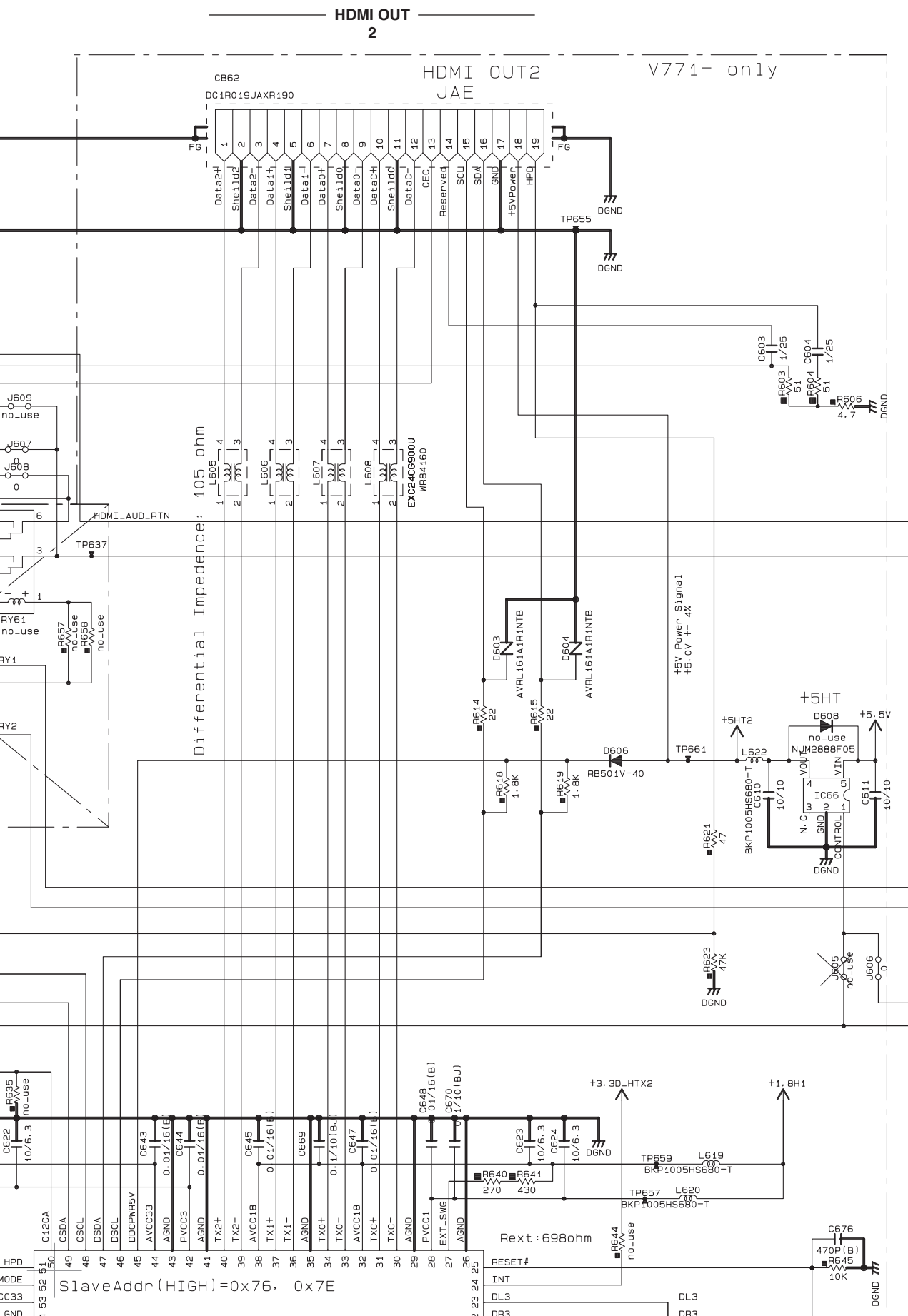
A	B
C	D

DIGITAL1 4/9

A	B
C	D

DIGITAL1 5/9





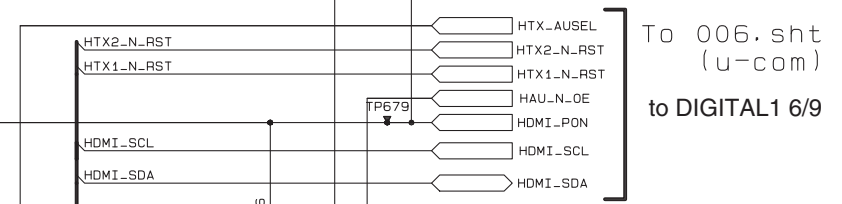
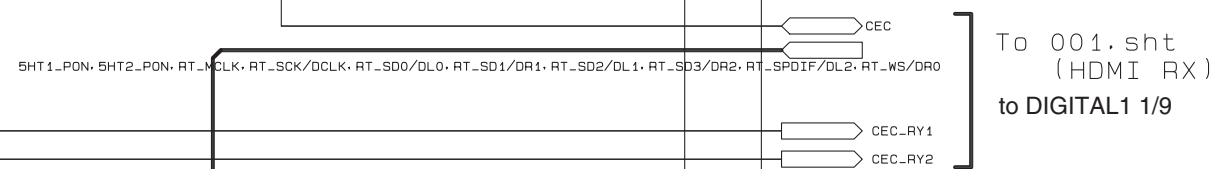
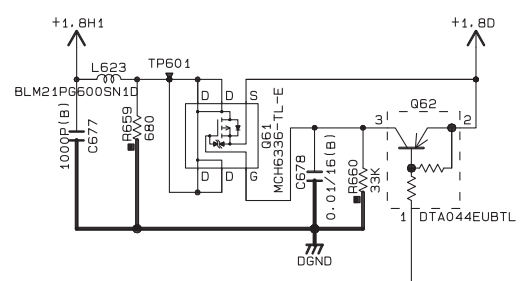
RESISTOR

REMARKS	PARTS NAME
NO MARK	CARBON FILM RESISTOR (P=5)
☒	CARBON FILM RESISTOR (P=10)
△	METAL OXIDE FILM RESISTOR
▲	METAL FILM RESISTOR
⊠	METAL PLATE RESISTOR
▣	FIRE PROOF CARBON FILM RESISTOR
□	CEMENT MOLDED RESISTOR
⊗	SEMI VARIABLE RESISTOR
■	CHIP RESISTOR

CAPACITOR

REMARKS	PARTS NAME
NO MARK	ELECTROLYTIC CAPACITOR
⊗	TANTALUM CAPACITOR
NO MARK	CERAMIC CAPACITOR
●	CERAMIC TUBULAR CAPACITOR
⊙	POLYESTER FILM CAPACITOR
○	POLYSTYRENE FILM CAPACITOR
⊖	MICA CAPACITOR
⊕	POLYPROPYLENE FILM CAPACITOR
⊗	SEMICONDUCTIVE CERAMIC CAPACITOR

NOTICE (mode1)
 (J)..... JAPAN
 (U)..... U. S. A
 (C)..... CANADA
 (R)..... GENERAL
 (T)..... CHINA
 (K)..... KOREA
 (A)..... AUSTRALIA
 (B)..... BRITISH
 (G)..... EUROPE
 (L)..... SINGAPORE
 (E)..... SOUTH EUROPE
 (V)..... TAIWAN
 (F)..... RUSSIAN
 (P)..... LATIN AMERICA
 (S)..... BRAZIL
 (H)..... THAI



Next: 698ohm

SlaveAddr (HIGH) = 0x76, 0x7E

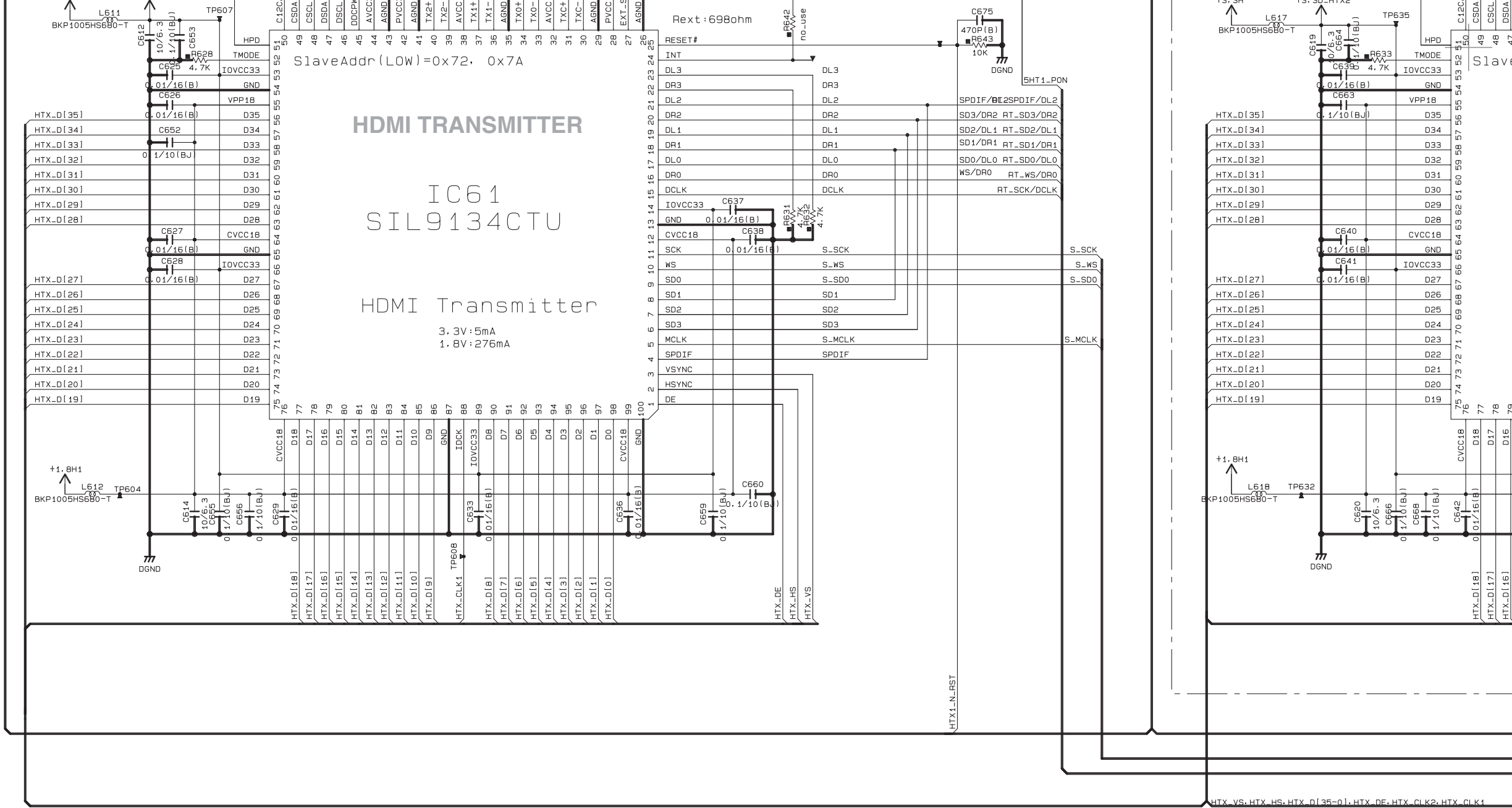
6

7

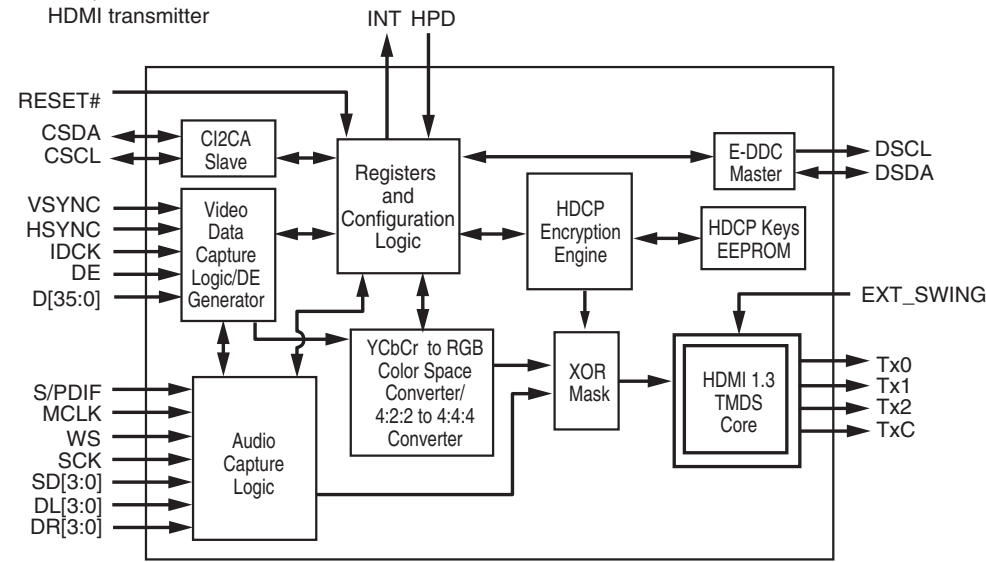
8

9

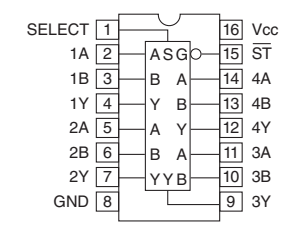
10



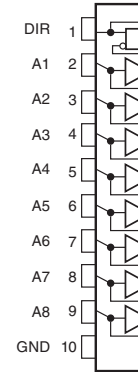
IC61, 62: Sil9134CTU
HDMI transmitter

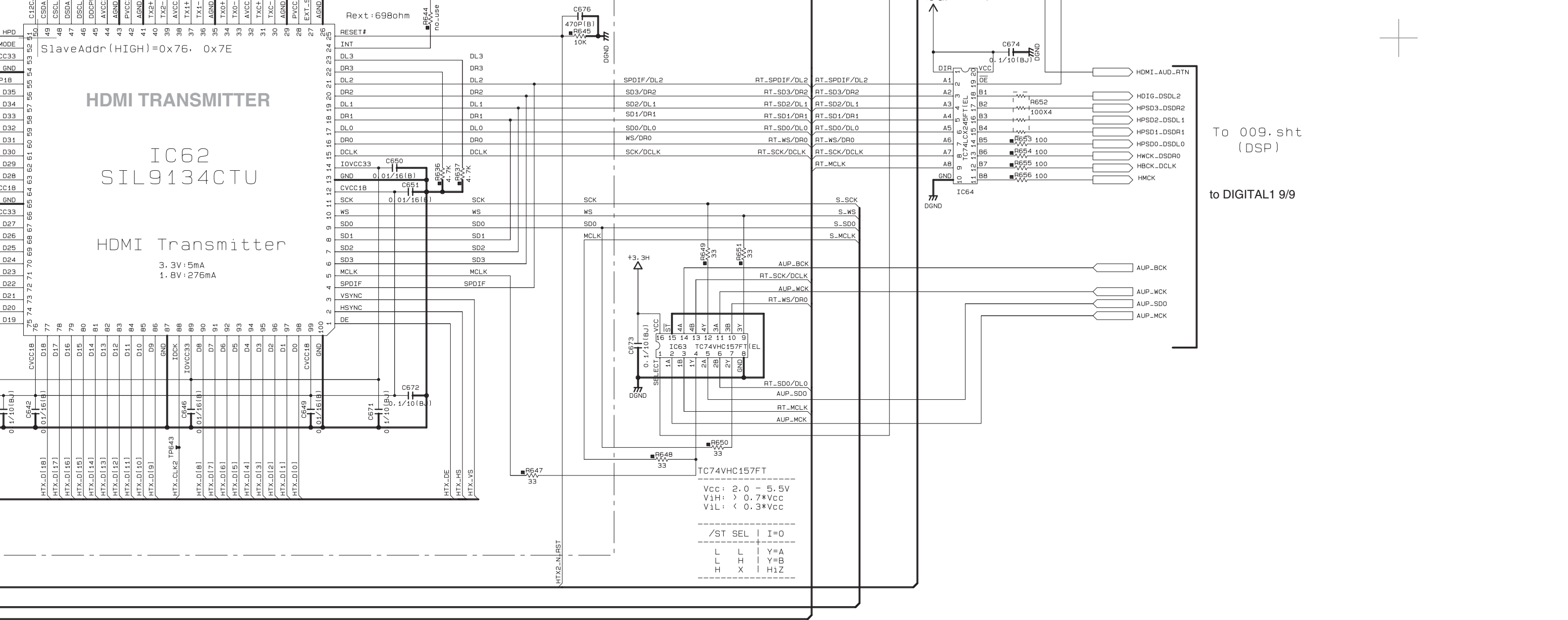


IC63: TC74VHC157FT
Quad 2-channel multiplexer



IC64: TC74LVC
Low voltage octal buffer with 5-V tolerance





HDMI TRANSMITTER

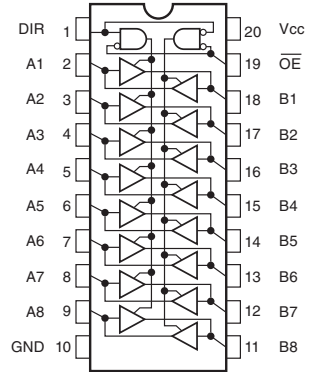
IC62
SIL9134CTU

HDMI Transmitter
3.3V : 5mA
1.8V : 276mA

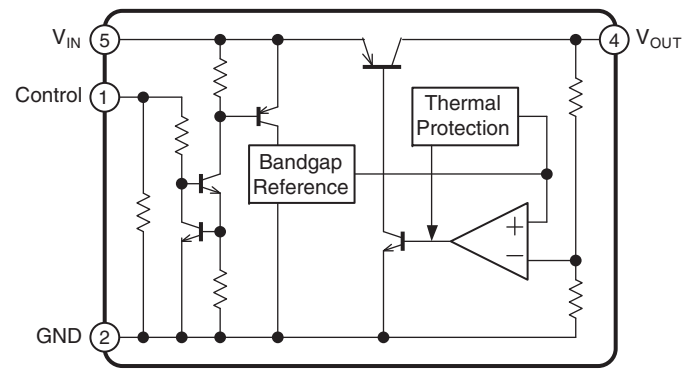
To 009.sht
(DSP)
to DIGITAL1 9/9

HTX_VS, HTX_HS, HTX_D[35-0], HTX_DE, HTX_CLK2, HTX_CLK1
To 004.sht
(FPGA)
to DIGITAL1 4/9

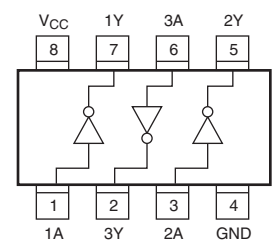
IC64: TC74LCX245FT
Low voltage octal bus transceiver
with 5-V tolerant inputs and outputs



IC65, 66: NJM2888F05
Low dropout voltage regulator



IC68: TC7WHU04FU
Triple inverter



- ★ Components having special characteristics are marked Δ and must be replaced with parts having specifications equal to those originally installed.
- ★ Schematic diagram is subject to change without notice.

- Δ 印のある部品は、安全性確保部品を示しています。部品の交換が必要な場合、パーツリストに記載されている部品を使用してください。
- 本回路図は標準回路図です。改良のため予告なく変更することがあります。

Sheet 5 : HDMI Tx

DIGITAL1 (1)

A	B
C	D

A	B
C	D

RX-A3010/RX-V3071

DIGITAL1 6/9

1

2

3

4

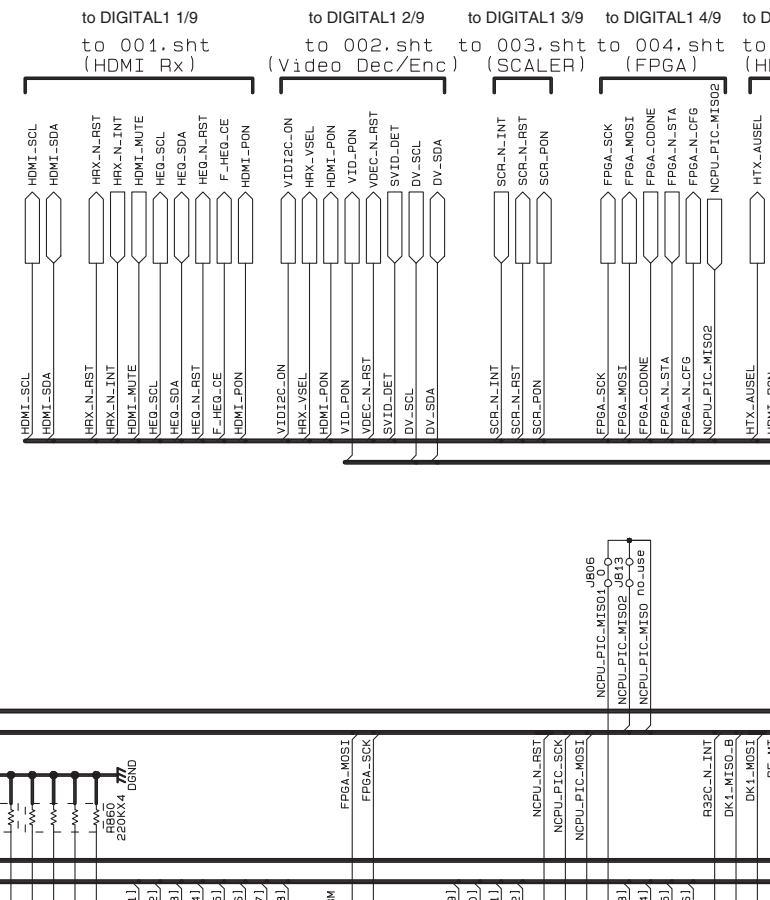
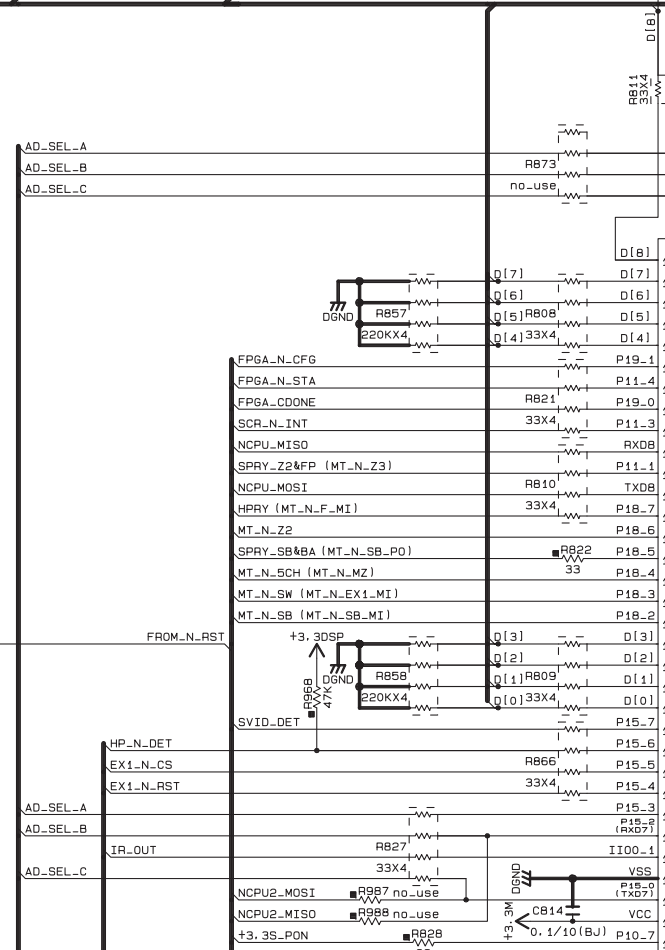
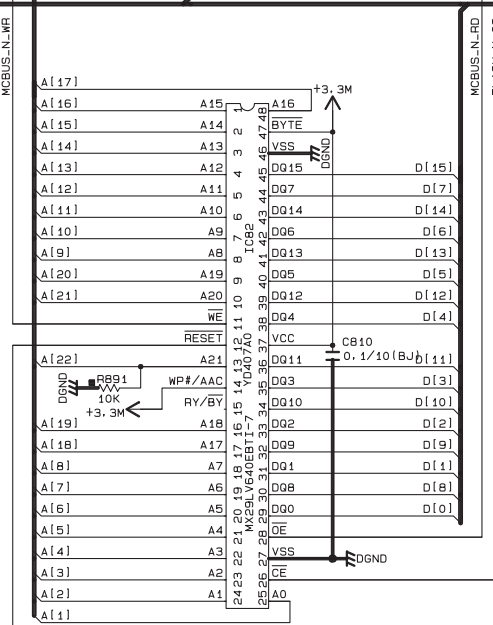
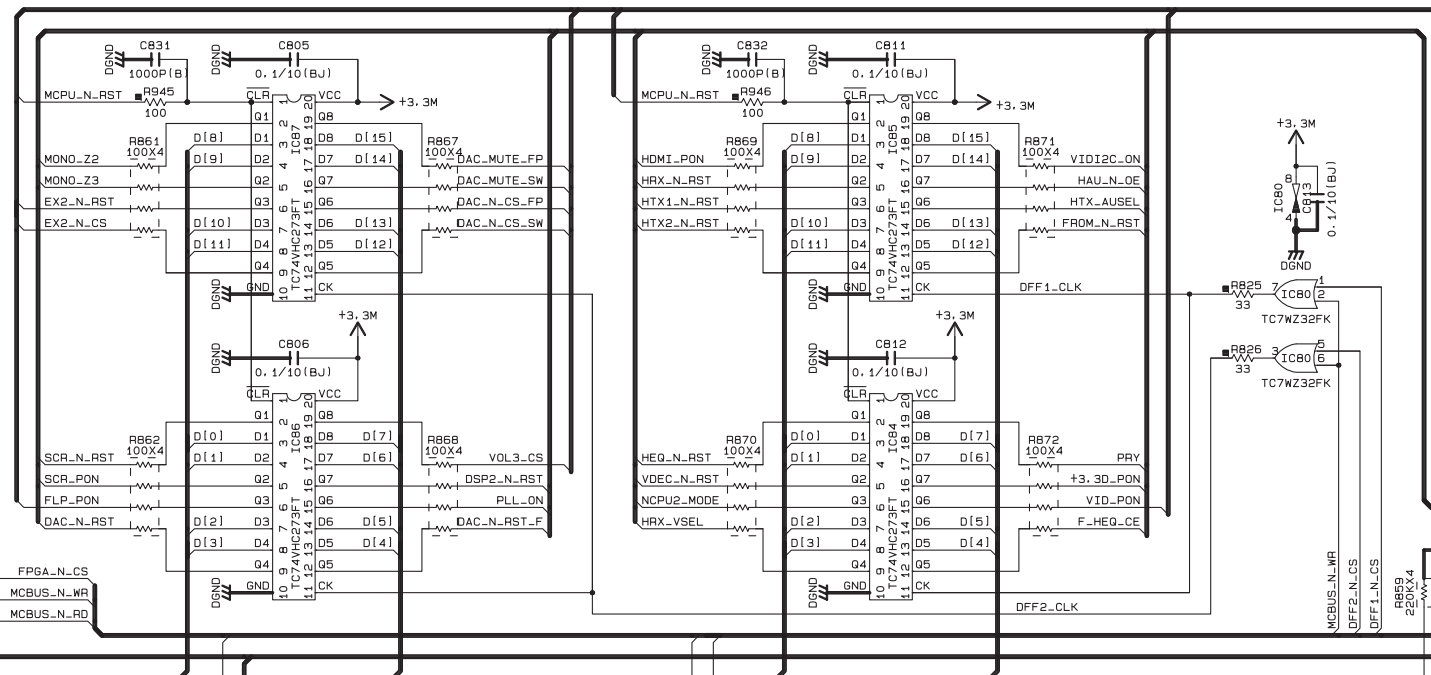
5

NOTICE (model)
 (J)..... JAPAN
 (U)..... U. S. A
 (C)..... CANADA
 (R)..... GENERAL
 (T)..... CHINA
 (K)..... KOREA
 (A)..... AUSTRALIA
 (B)..... BRITISH
 (G)..... EUROPE
 (L)..... SINGAPORE
 (E)..... SOUTH EUROPE
 (V)..... TAIWAN
 (F)..... RUSSIAN
 (P)..... LATIN AMERICA
 (S)..... BRAZIL
 (H)..... THAI

to DIGITAL1 3/9
 to 003.sht (FPGA)

REMARKS	PARTS NAME
NO MARK	CARBON FILM RESISTOR (P=5)
□	CARBON FILM RESISTOR (P=10)
△	METAL OXIDE FILM RESISTOR
▲	METAL FILM RESISTOR
⊠	METAL PLATE RESISTOR
⊞	FIRE PROOF CARBON FILM RESISTOR
⊞	CEMENT MOLDED RESISTOR
⊞	SEMI VARIABLE RESISTOR
■	CHIP RESISTOR

REMARKS	PARTS NAME	Symbol
NO MARK	ELECTROLYTIC CAPACITOR	⌘
⊗	TANTALUM CAPACITOR	⊗
NO MARK	CERAMIC CAPACITOR	⊞
●	CERAMIC TUBULAR CAPACITOR	●
⊙	POLYESTER FILM CAPACITOR	⊙
○	POLYSTYRENE FILM CAPACITOR	○
⊖	MICA CAPACITOR	⊖
⊕	POLYPROPYLENE FILM CAPACITOR	⊕
⊙	SEMICONDUCTIVE CERAMIC CAPACITOR	⊙



MICROPROCESSOR

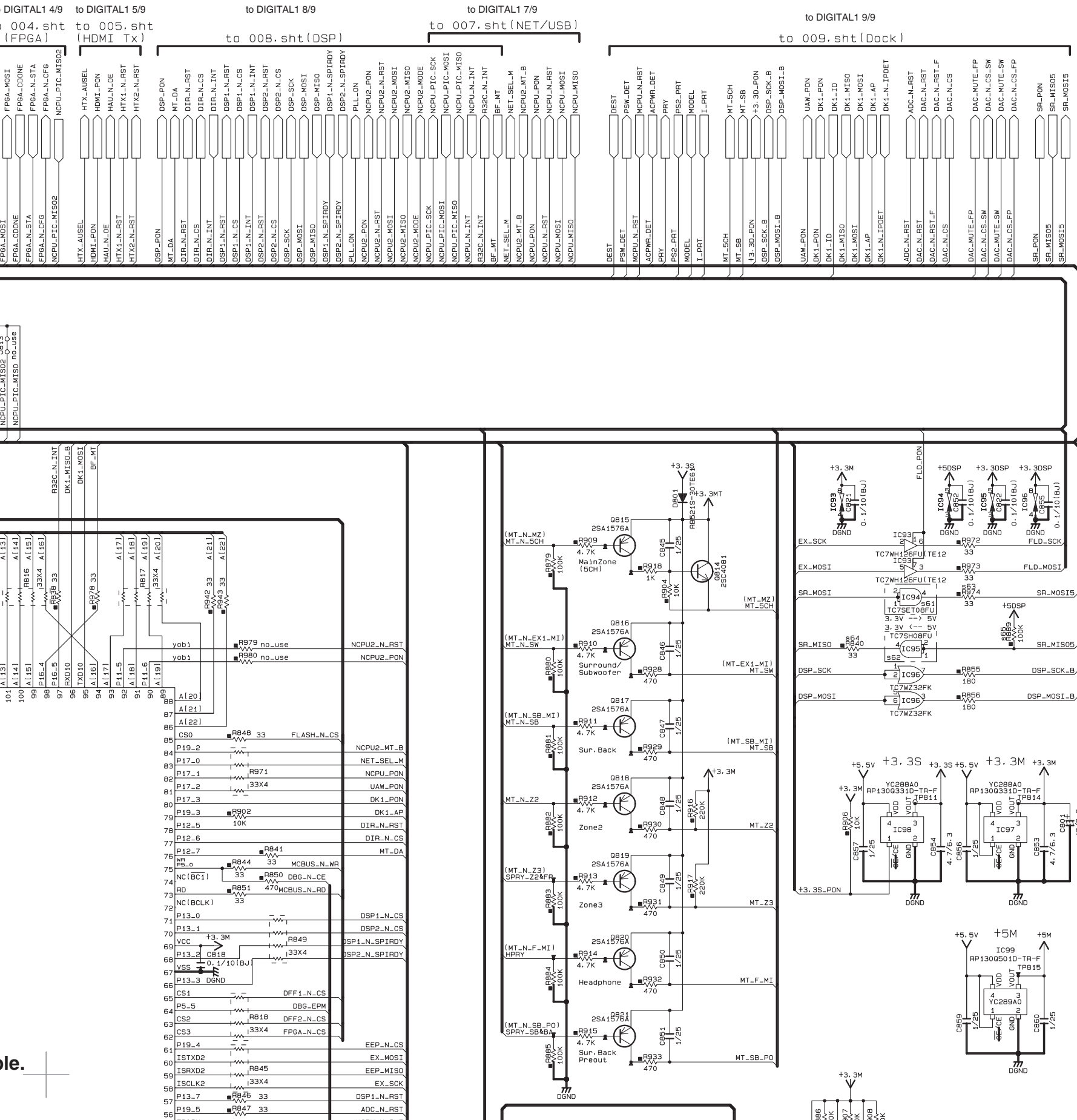


YD400A0

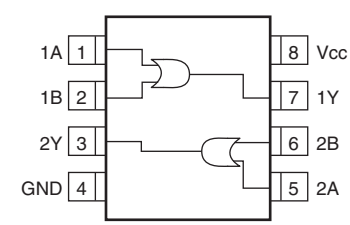
R5F6416MDFE

No replacement part available.
 サービス部品供給なし

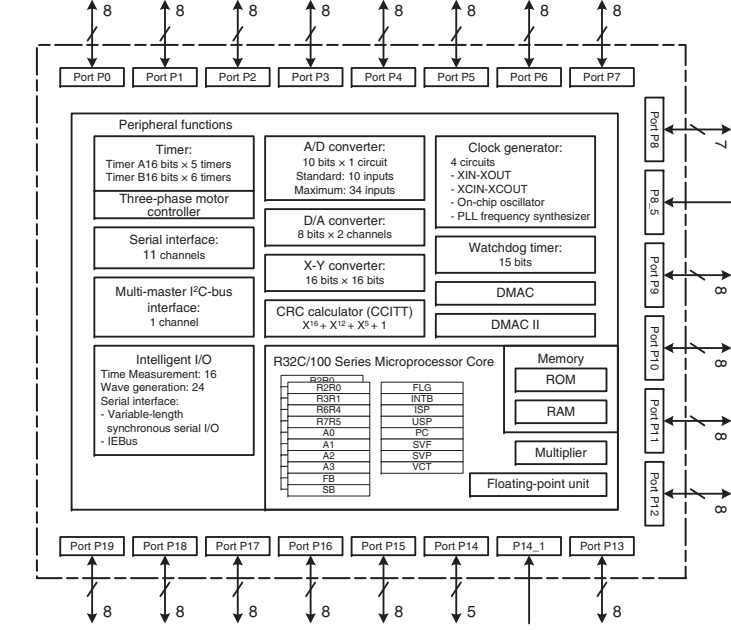
A	B
C	D



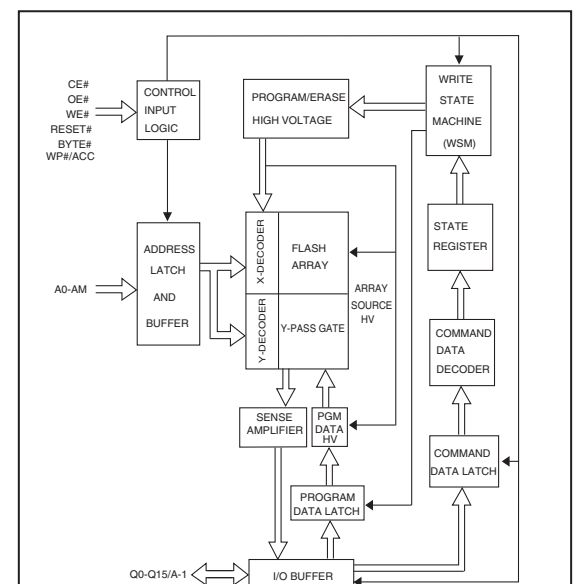
IC80, 96: TC7WZ32FK (TE85L, F)
Dual 2-input OR gate



IC81: R5F6416MADFE
Single chip 32-bit microprocessor



IC82: MX29LV640EBTI-70G
64 M-bit single voltage 3V only flash memory



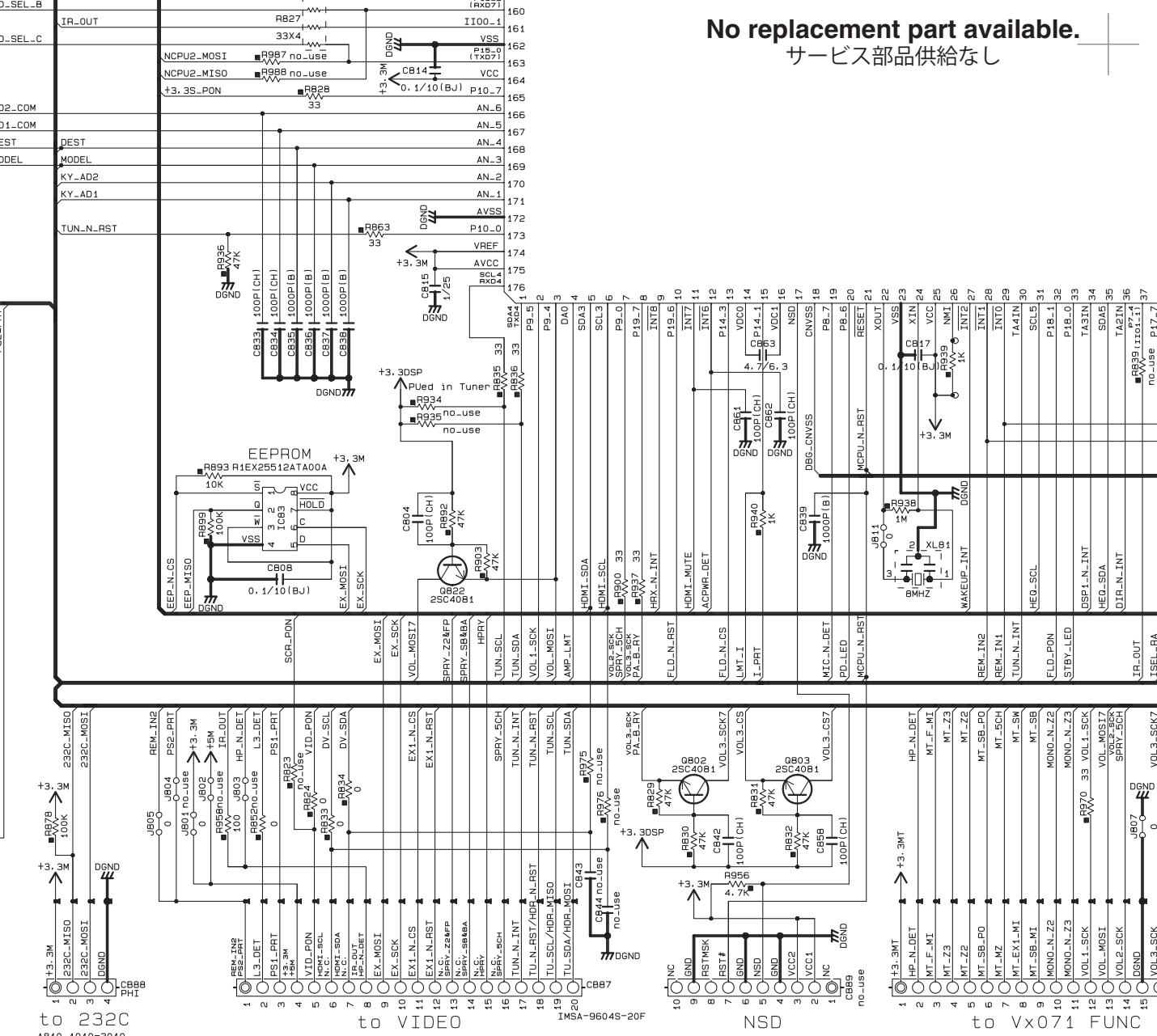
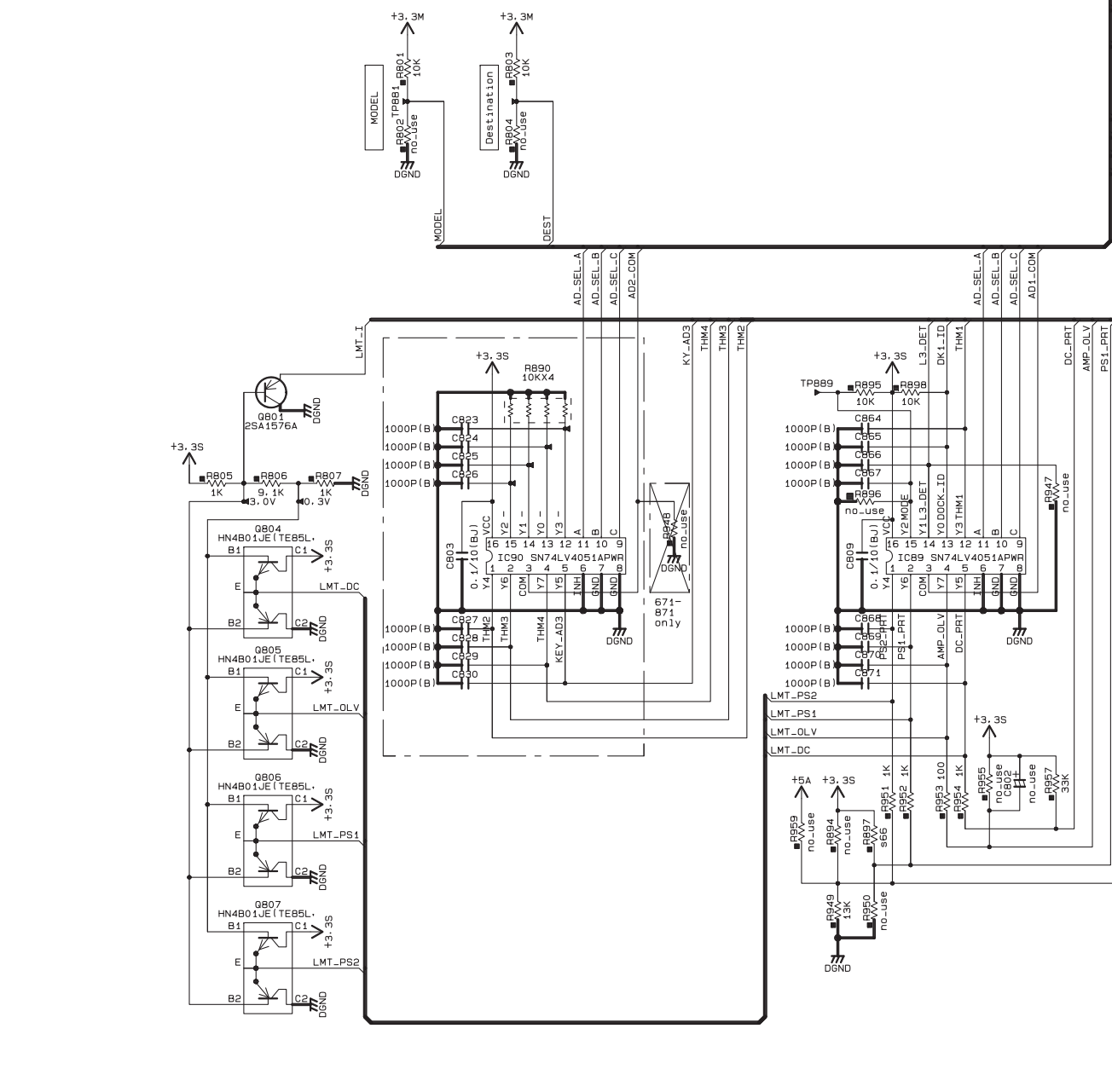
6

7

8

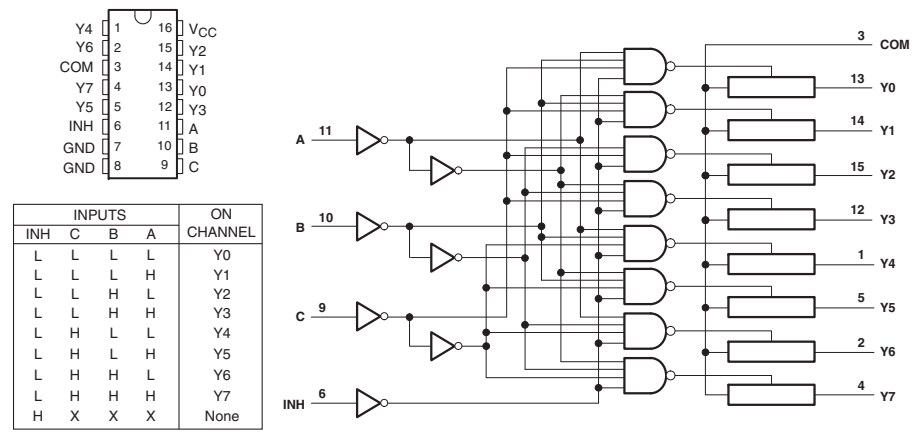
9

10

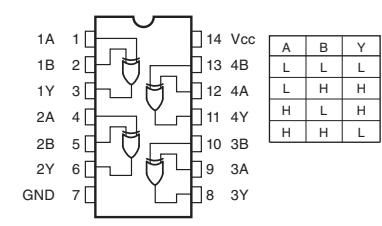


No replacement part available.
サービス部品供給なし

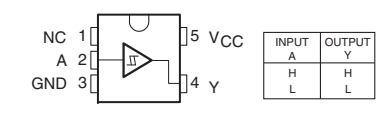
IC89, 90: SN74LV4051APWR
8-channel analog multiplexers/demultiplexers



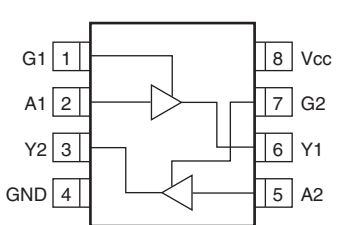
IC91: TC74VHC86FT (EL)
Quad exclusive OR gate



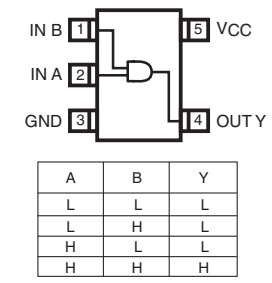
IC92: SN74LVC1G17DCKR
Single schmitt-trigger buffer



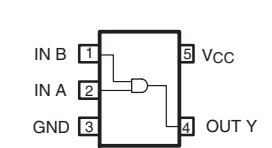
IC93: TC7WH126FU
Dual bus buffer



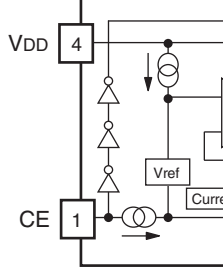
IC94: TC7SET08FU
2 input AND gate



IC95: TC7SH08FU
2-input AND gate



IC97, 98: RP130C
Voltage regulator



132

RX-A3010/RX-V3071

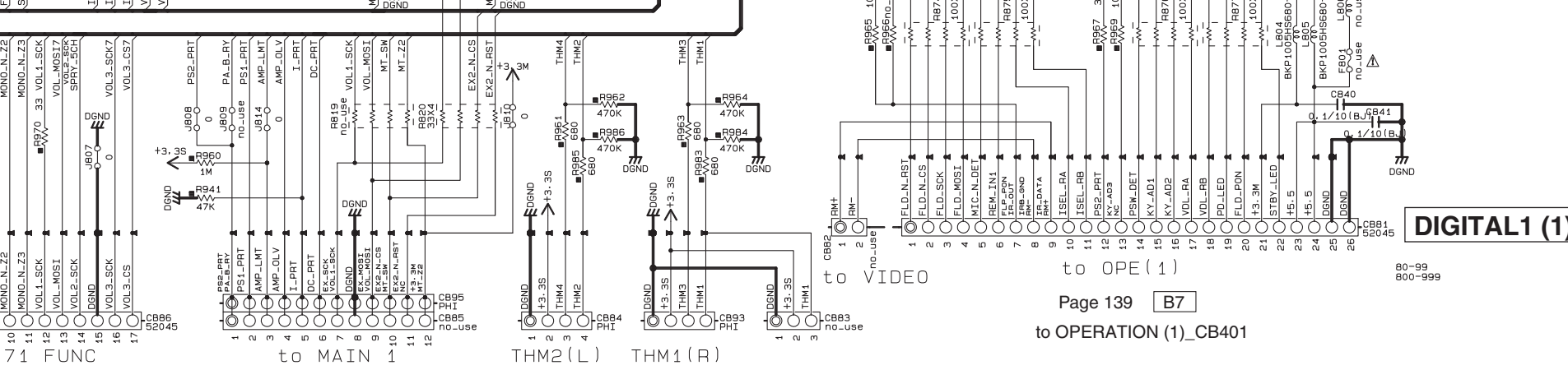
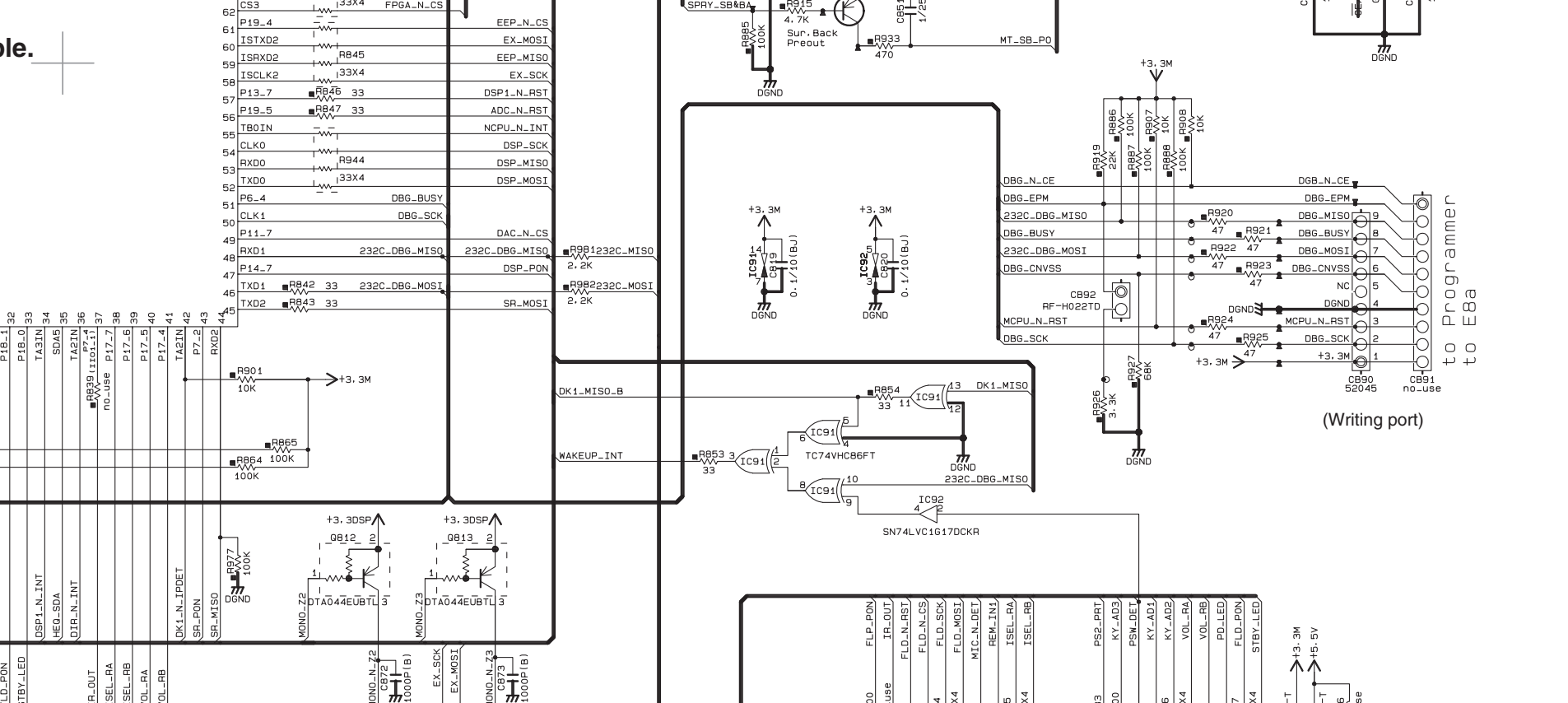
A	B
C	D

DIGITAL1 6/9

Page 128 **J9**
to DIGITAL1 (3)_W31

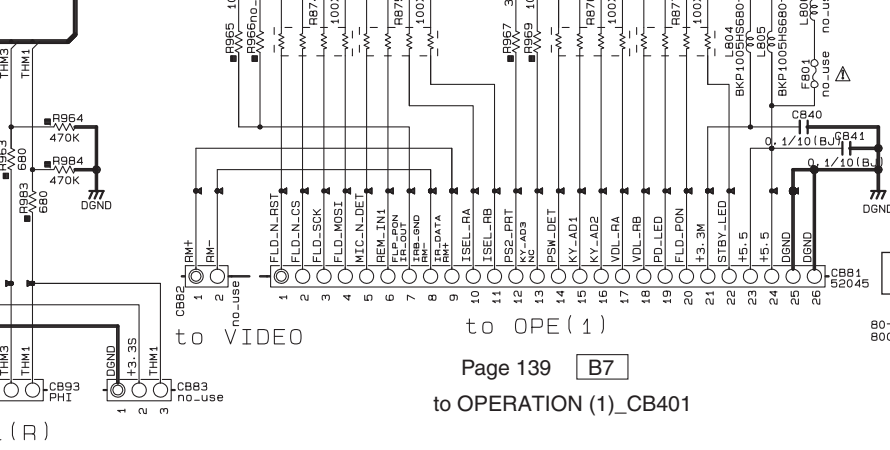
Page 145 **L2**
to VIDEO (1)_CB335

Page 137 **G9**
to FUNCTION (1)_CB705



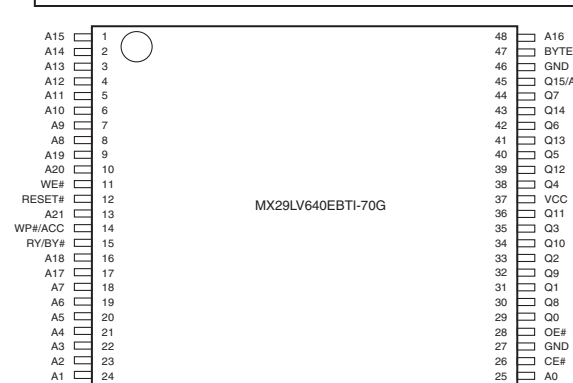
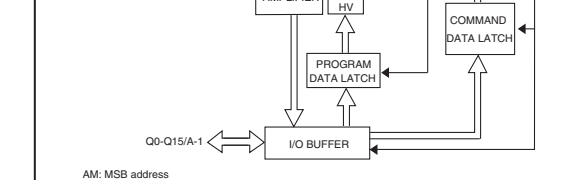
IC97, 98: RP130Q331D-TR-F Voltage regulator

Pin No.	Symbol	Description
1	CE	Chip Enable ("H" Active)
2	GND	Ground Pin
3	Vout	Output Pin
4	Vdd	Input Pin

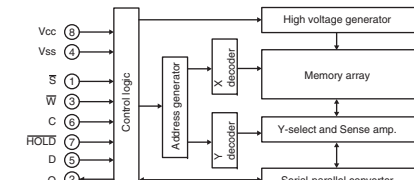


IC99: RP130Q501D-TR-F Voltage regulator

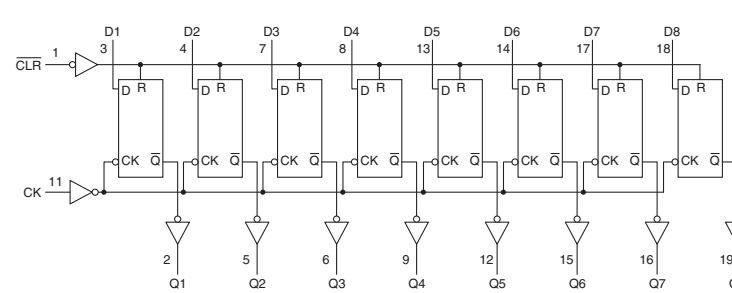
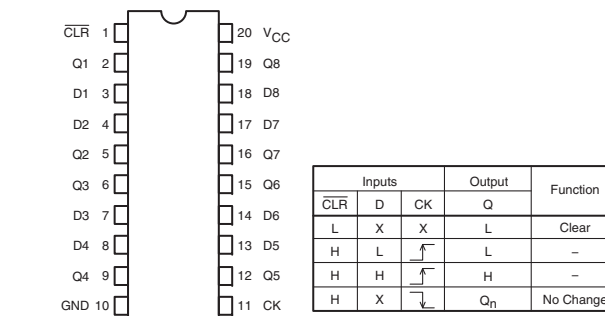
Pin No.	Symbol	Description
1	CE	Chip Enable ("H" Active)
2	GND	Ground Pin
3	Vout	Output Pin
4	Vdd	Input Pin



IC83: R1EX25512ATA00A 64 K word x 8-bit serial peripheral interface EEPROM



IC84-87: TC74VHC273FT (EL,K) Octal D-type flip-flop with clear



★ Components having special characteristics are marked Δ and must be replaced with parts having specifications equal to those originally installed.
★ Schematic diagram is subject to change without notice.

● Δ 印のある部品は、安全性確保部品を示しています。部品の交換が必要な場合、パーツリストに記載されている部品を使用してください。
● 本回路図は標準回路図です。改良のため予告なく変更することがあります。

A	B
C	D

DIGITAL1 7/9

DIGITAL1 (1)

NET/USB +3.3V

NET/USB +1.2V

SDRAM

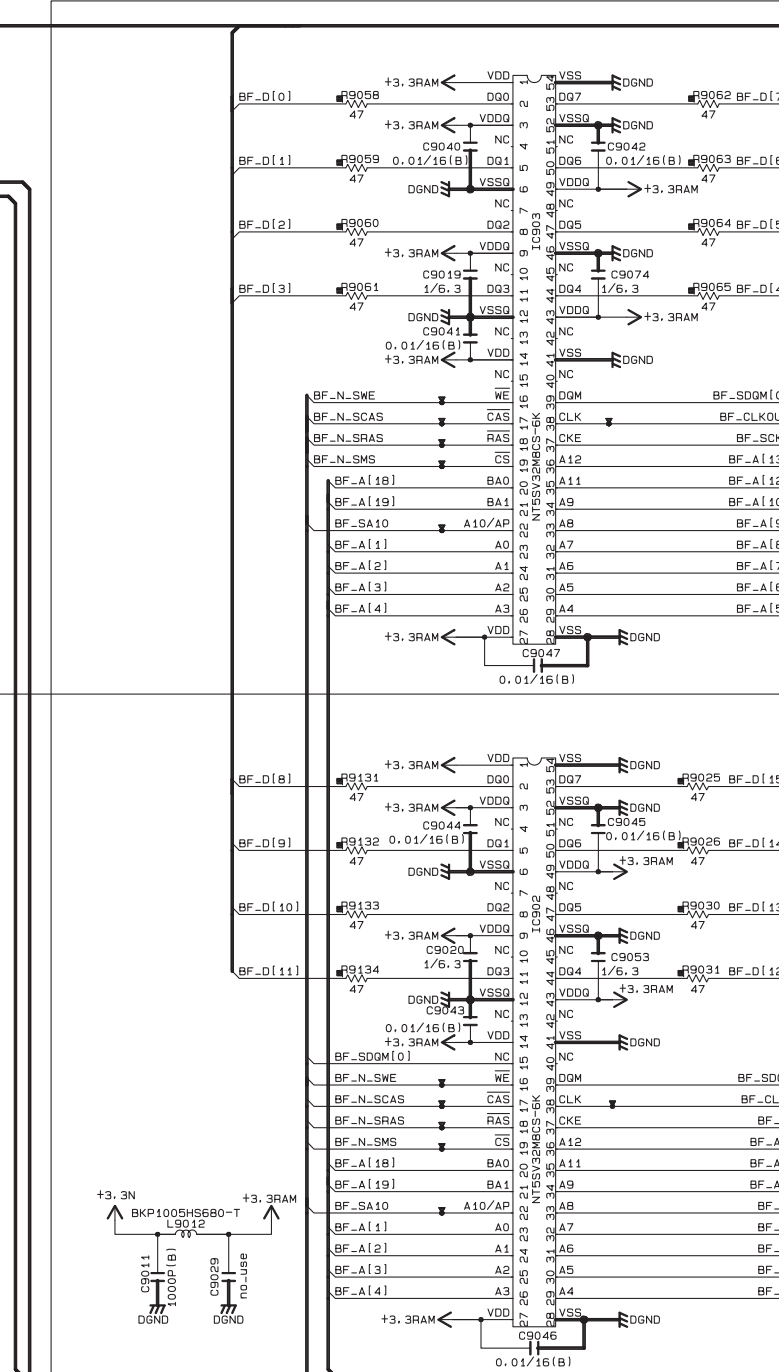
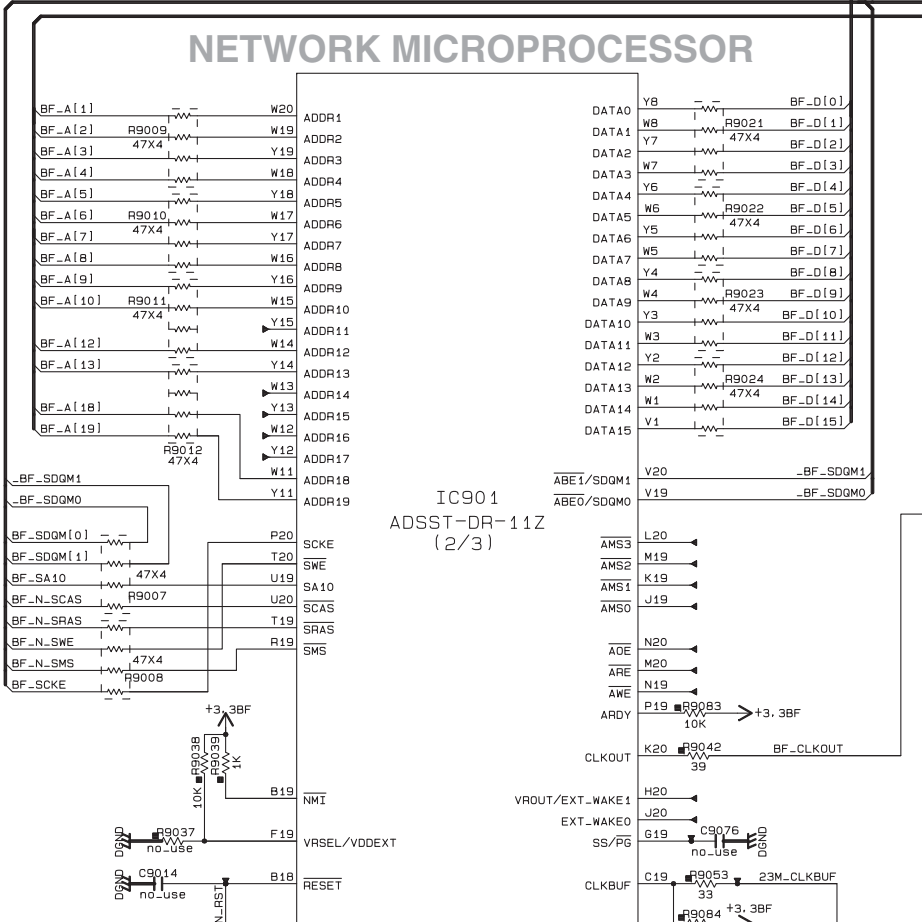
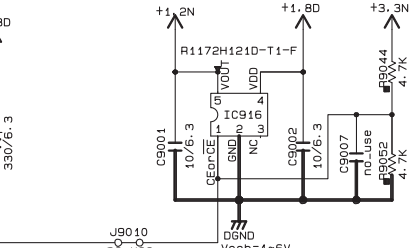
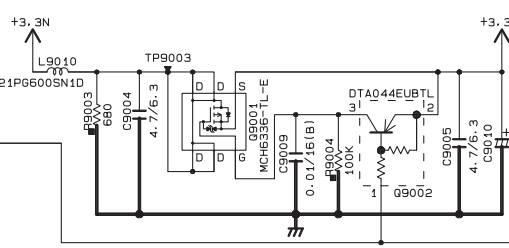
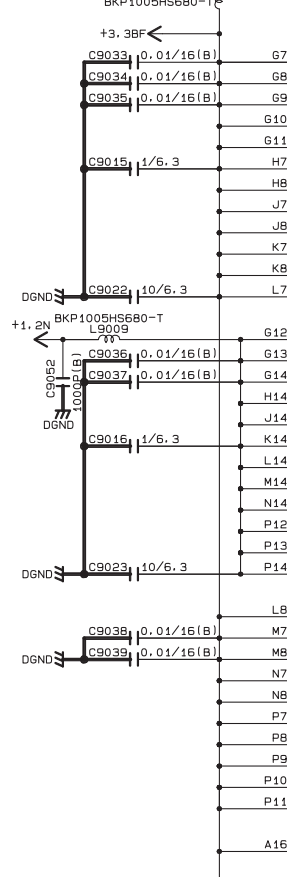
1

2

3

4

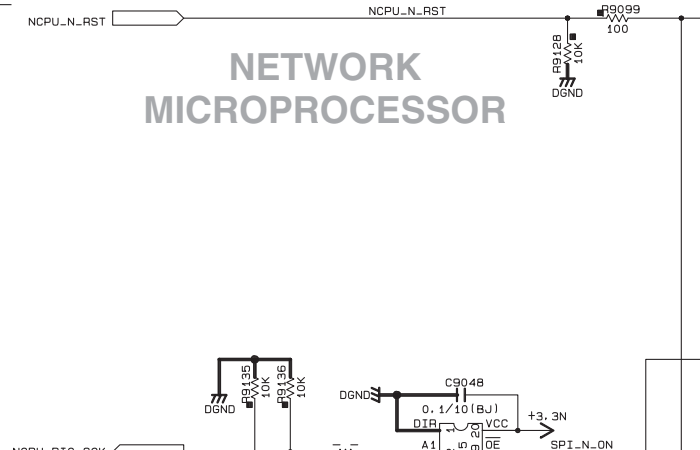
5



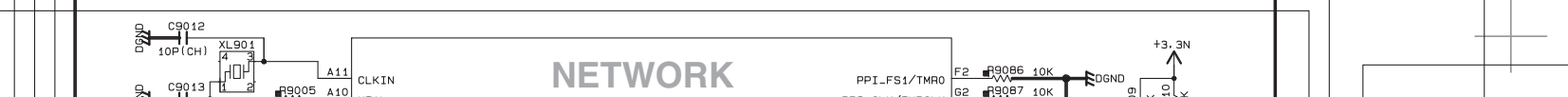
No replacement part available.
サービス部品供給なし

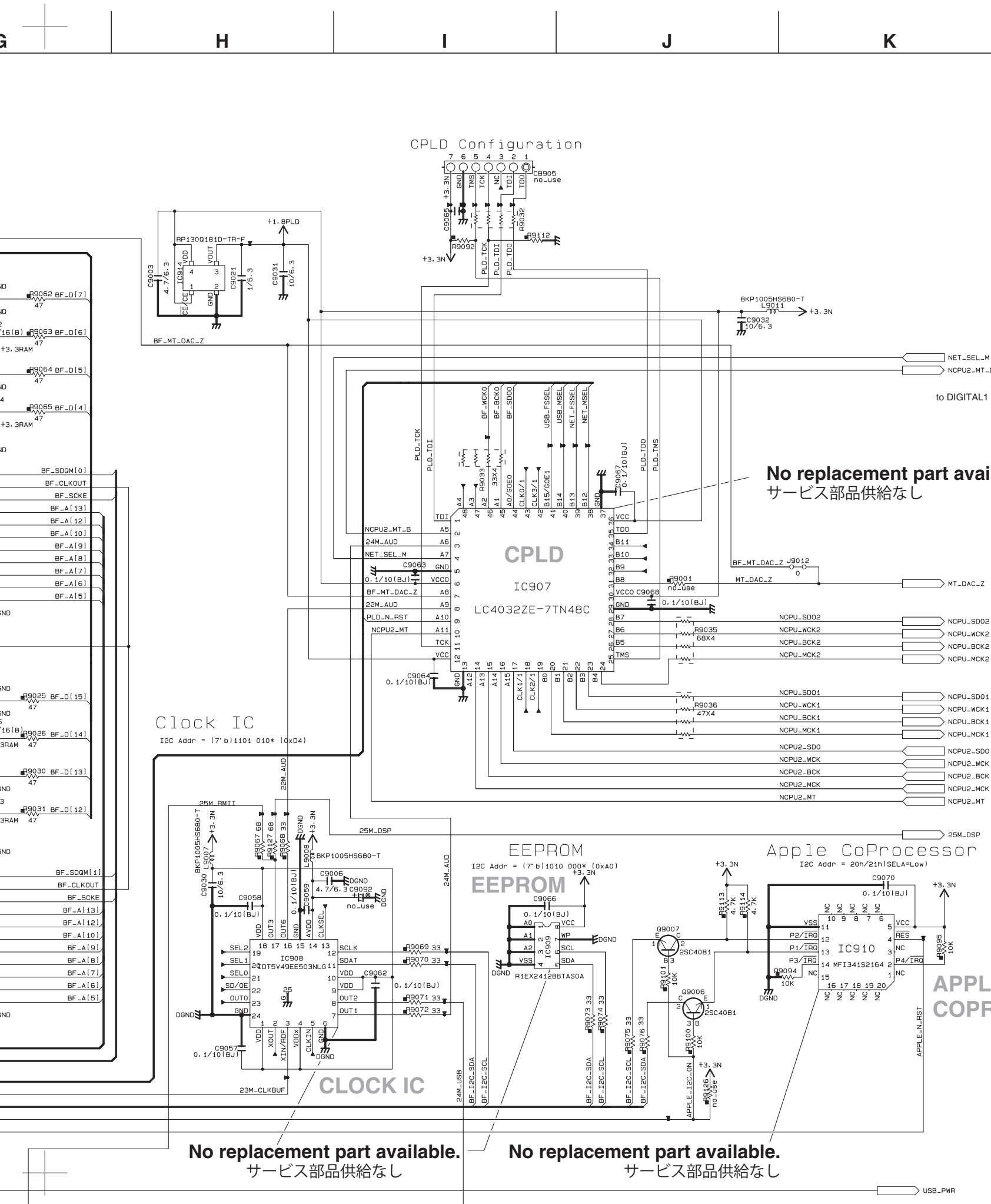
No replacement part available.
サービス部品供給なし

NETWORK MICROPROCESSOR



NETWORK MICROPROCESSOR

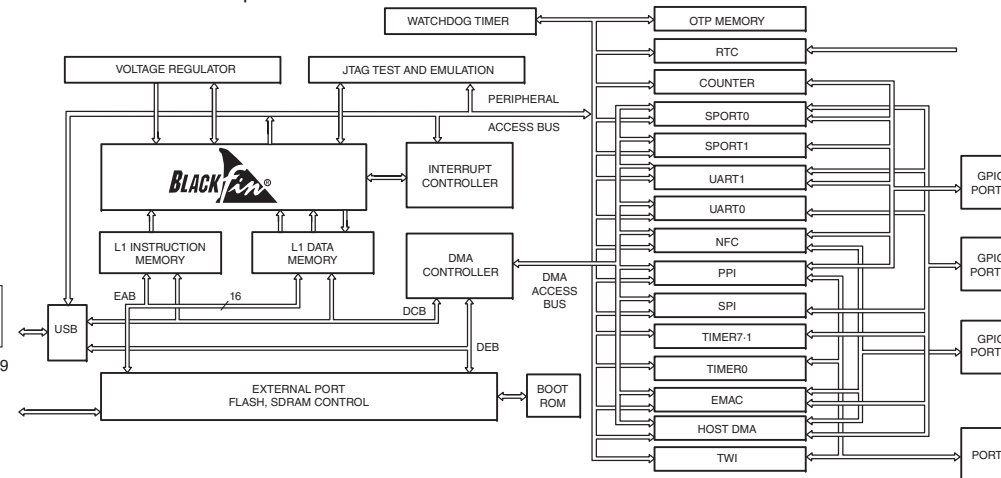




No replacement part available. サービス部品供給なし

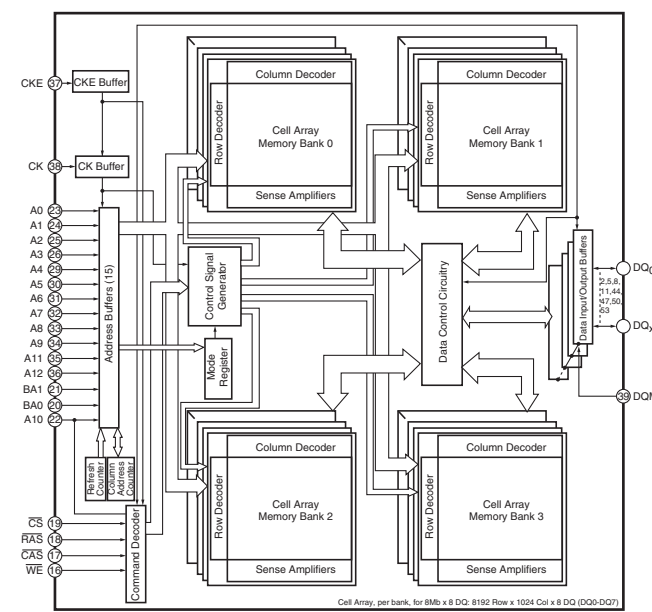
No replacement part available. サービス部品供給なし

IC901: ADSST-DR-11Z Blackfin embedded processor

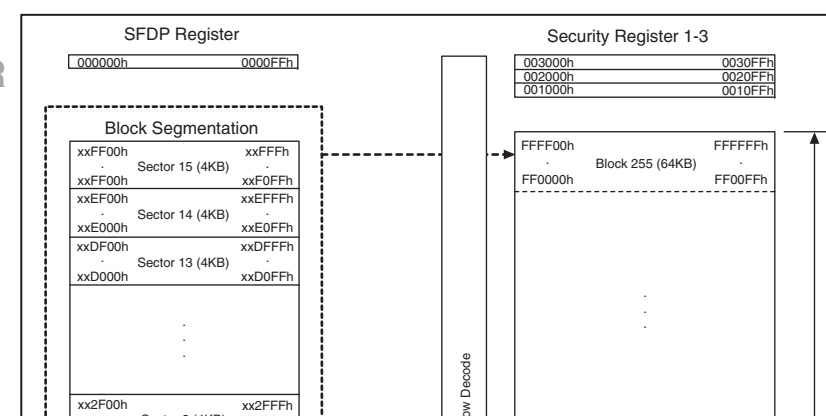


No replacement part available. サービス部品供給なし

IC902, 903: NT5SV32M8CS-6K 256 Mb x 8 SDRAM



IC904: W25Q128BVF1G 128 M-bit serial flash memory



6

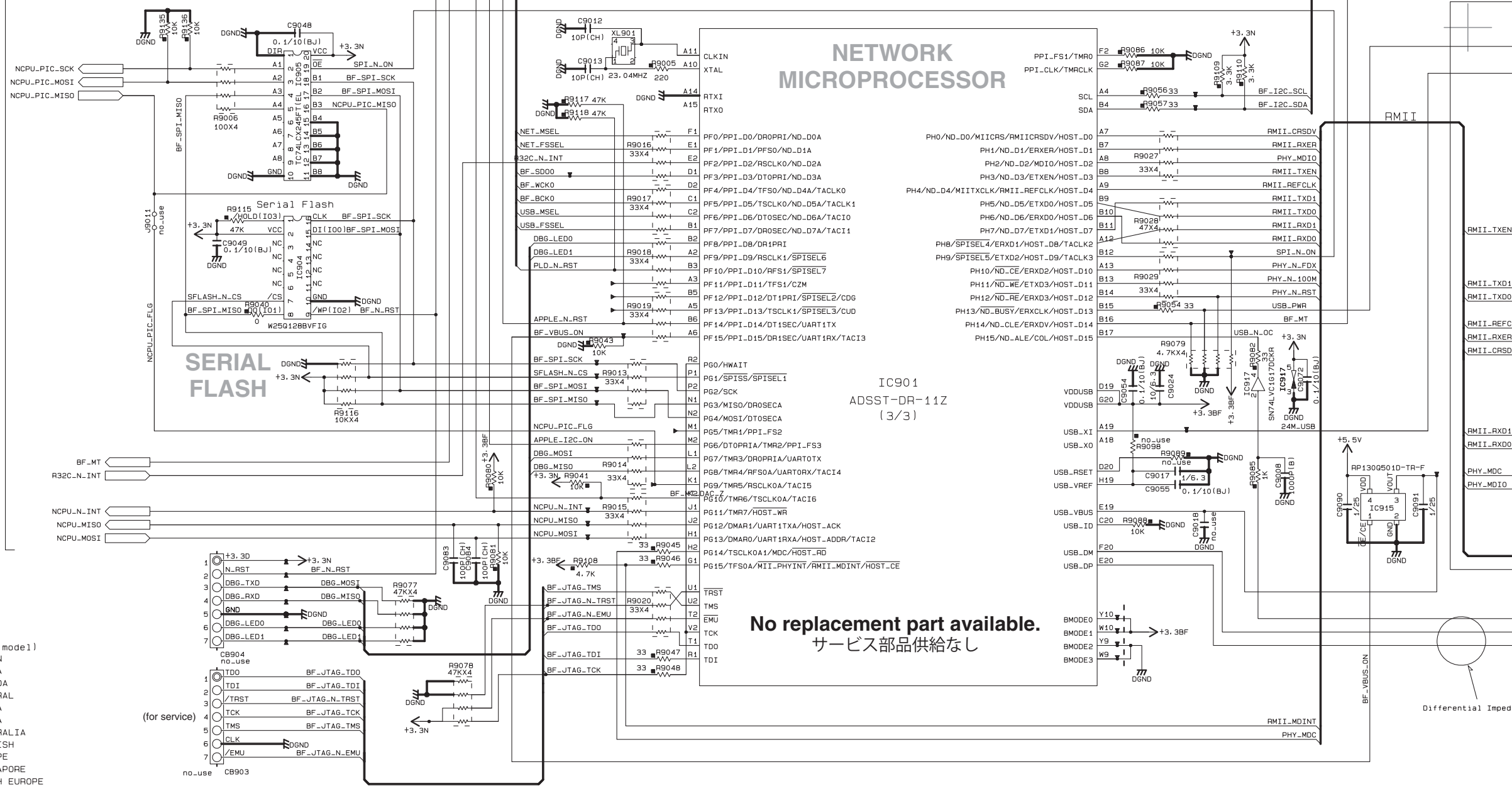
7

8

9

10

to DIGITAL1 6/9



- NOTICE (model)
- (J)..... JAPAN
 - (U)..... U.S.A
 - (C)..... CANADA
 - (R)..... GENERAL
 - (T)..... CHINA
 - (K)..... KOREA
 - (A)..... AUSTRALIA
 - (B)..... BRITISH
 - (G)..... EUROPE
 - (L)..... SINGAPORE
 - (E)..... SOUTH EUROPE
 - (V)..... TAIWAN
 - (F)..... RUSSIAN
 - (P)..... LATIN AMERICA
 - (S)..... BRAZIL
 - (H)..... THAI

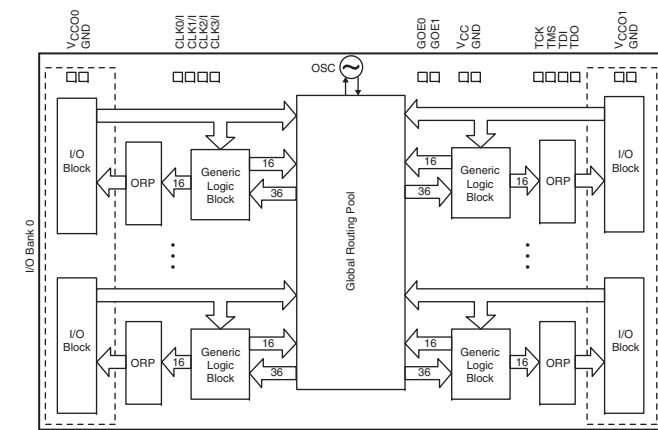
REMARKS	PARTS NAME
NO MARK	CARBON FILM RESISTOR (P=5)
□	CARBON FILM RESISTOR (P=10)
△	METAL OXIDE FILM RESISTOR
▲	METAL FILM RESISTOR
⊠	METAL PLATE RESISTOR
⊡	FIRE PROOF CARBON FILM RESISTOR
□	CEMENT MOLDED RESISTOR
⊙	SEMI VARIABLE RESISTOR
■	CHIP RESISTOR

REMARKS	PARTS NAME
NO MARK	ELECTROLYTIC CAPACITOR
⊗	TANTALUM CAPACITOR
NO MARK	CERAMIC CAPACITOR
◎	CERAMIC TUBULAR CAPACITOR
⊙	POLYESTER FILM CAPACITOR
○	POLYSTYRENE FILM CAPACITOR
⊖	MICA CAPACITOR
⊕	POLYPROPYLENE FILM CAPACITOR
●	SEMICONDUCTIVE CERAMIC CAPACITOR

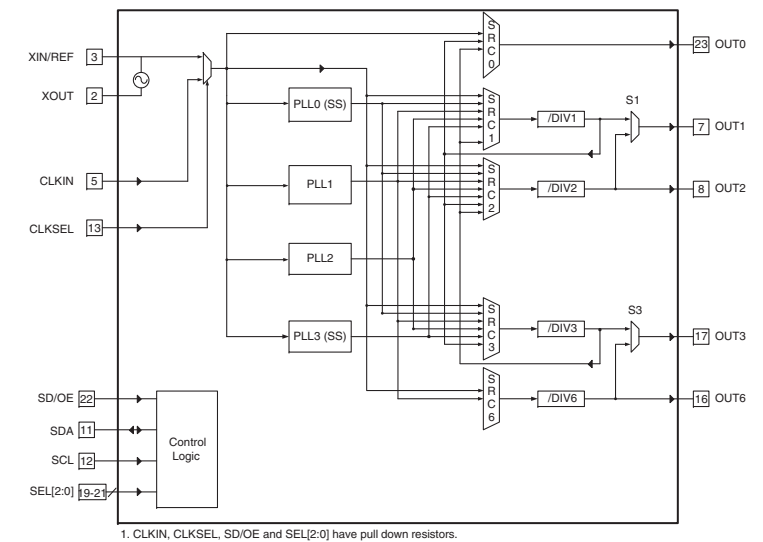
- ★ Components having special characteristics are marked △ and must be replaced with parts having specifications equal to those originally installed.
- ★ Schematic diagram is subject to change without notice.

- △印のある部品は、安全性確保部品を示しています。部品の交換が必要な場合、パーツリストに記載されている部品を使用してください。
- 本回路図は標準回路図です。改良のため予告なく変更することがあります。

IC907: LC4032ZE-7TN48C
1.8 V in-system programmable ultra low power PLDs

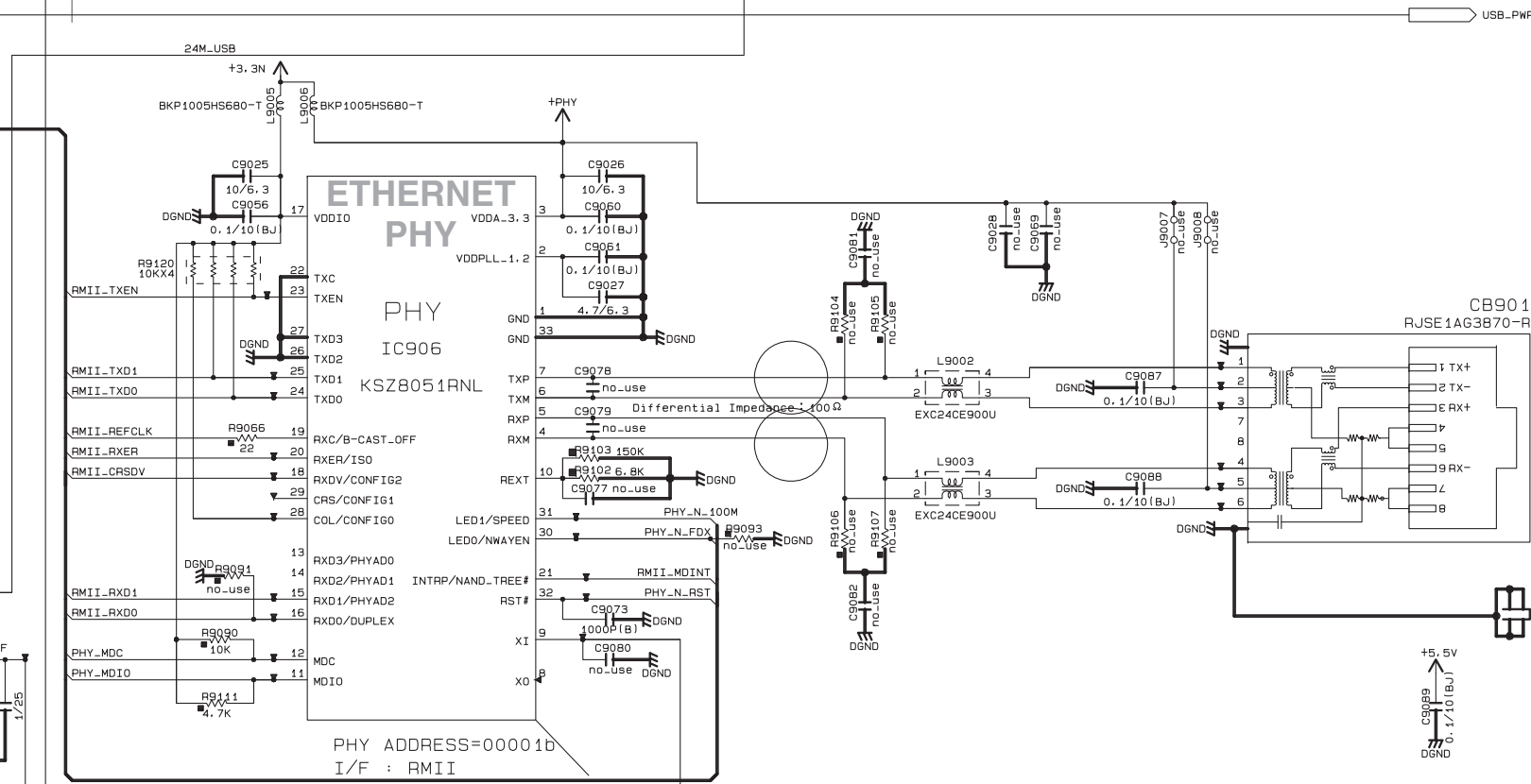


IC908: 5V49EE503-027NLG18
Clock synthesizer

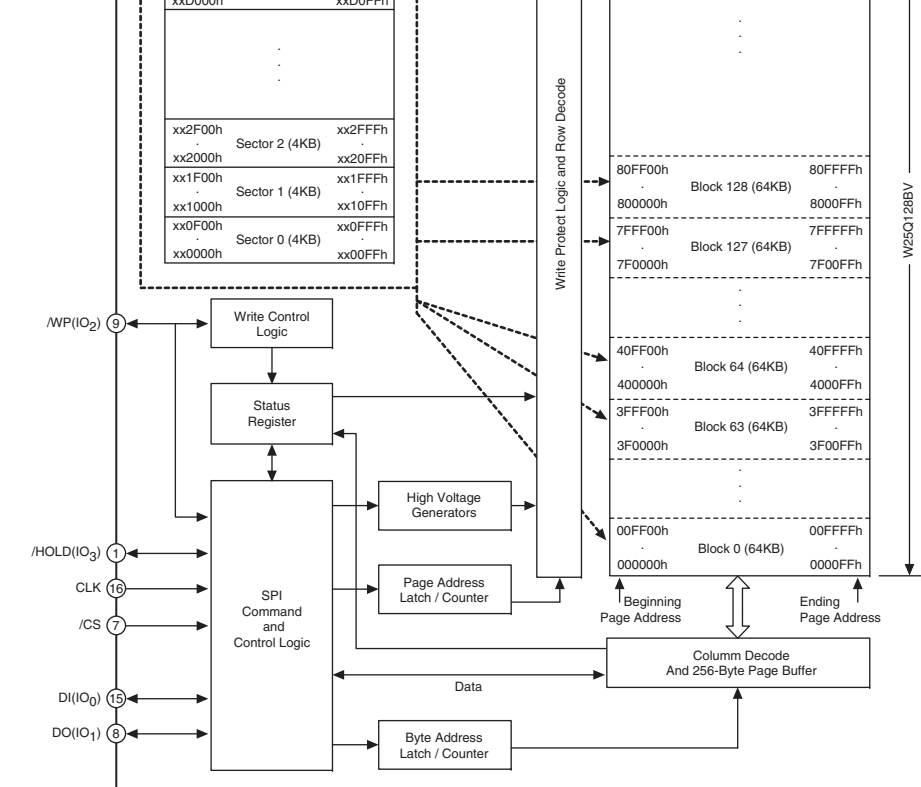


No replacement part available.
サービス部品供給なし

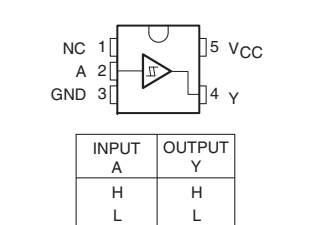
No replacement part available.
サービス部品供給なし



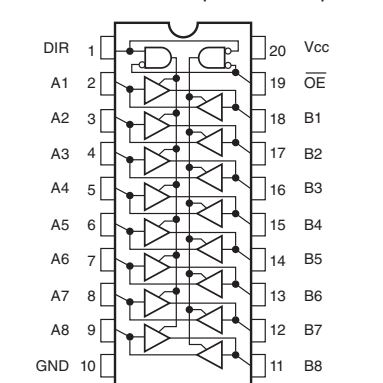
No replacement part available.
サービス部品供給なし



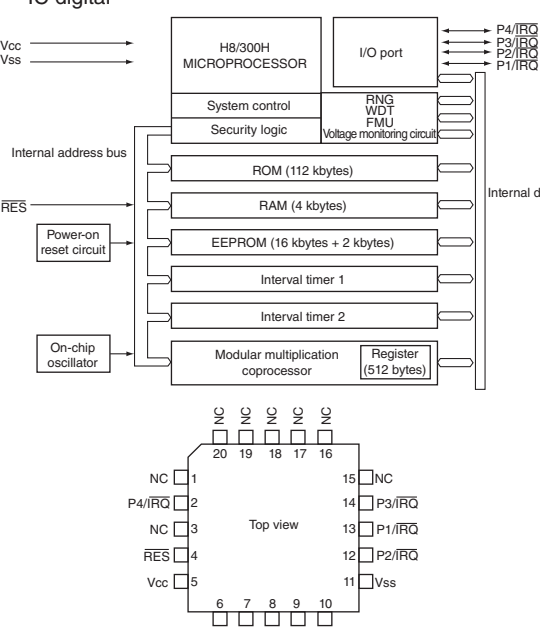
IC917: SN74LVC1G17DCKR
Single schmitt-trigger buffer



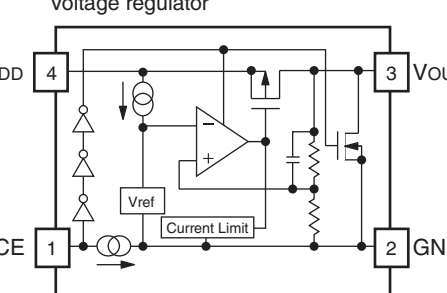
IC905: TC74LCX245FT
Low voltage octal bus transceiver with 5-V tolerant inputs and outputs



IC910: MFI341S2164
IC digital

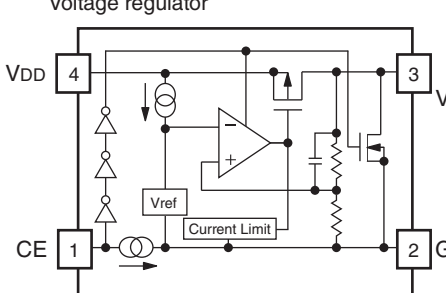


IC914: RP130Q181D-TR-F
Voltage regulator



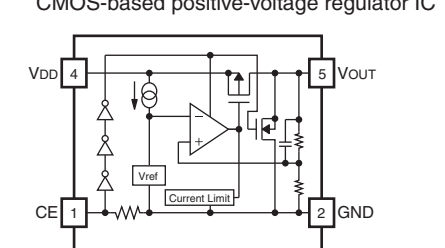
Pin No.	Symbol	Description
1	CE	Chip Enable ("H" Active)
2	GND	Ground Pin
3	VOUT	Output Pin
4	VDD	Input Pin

IC915: RP130Q501D-TR-F
Voltage regulator



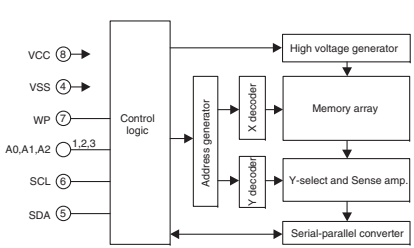
Pin No.	Symbol	Description
1	CE	Chip Enable ("H" Active)
2	GND	Ground Pin
3	VOUT	Output Pin
4	VDD	Input Pin

IC916: R1172H121D-T1-F
CMOS-based positive-voltage regulator IC



Pin No.	Symbol	Description
1	CE	Chip Enable Pin
2	GND	Ground Pin
3	NC	No Connection
4	VDD	Input Pin
5	VOUT	Output Pin of Voltage Regulator

IC909: R1EX24128BTAS0A
16 K word x 8-bit I2C interface EEPROM



A	B
C	D

A	B
C	D

RX-A3010/RX-V3071

DIGITAL1 8/9

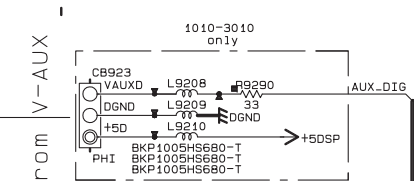
Destination Part List			
sXX	LOC	JCRTKABGLF	U
961	IC94	X	X8398A0 TC7SET08FU
962	IC95	X	XR680A0 TC7SH08FU
963	R974	X	RD45433 33
964	R840	X	RD45433 33
965	R889	X	RD45810 100K
966	R897	RD45630	RD45647 4.7K
981	C9212	UF43710	UF03710 10/16
991	R9421	X	RD45410 10
992	R9422	X	RD45810 100K
993	Q9402	X	WN78190 DTA043EUBTL
994	Q9401	X	DTC044EUBTL
995	C9402	UF43710	UF03710 10/16
996	C9413	US66310	US63410 0.01/16(B)
997	R9419	WA62070	WB78470 1P6.8

REMARKS	PARTS NAME
NO MARK	CARBON FILM RESISTOR (P=5)
□	CARBON FILM RESISTOR (P=10)
△	METAL OXIDE FILM RESISTOR
▲	METAL FILM RESISTOR
⊠	METAL PLATE RESISTOR
■	FIRE PROOF CARBON FILM RESISTOR
□	CEMENT MOLDED RESISTOR
⊕	SEMI VARIABLE RESISTOR
■	CHIP RESISTOR

REMARKS	PARTS NAME
NO MARK	ELECTROLYTIC CAPACITOR
⊗	TANTALUM CAPACITOR
NO MARK	CERAMIC CAPACITOR
⊙	CERAMIC TUBULAR CAPACITOR
⊚	POLYESTER FILM CAPACITOR
○	POLYSTYRENE FILM CAPACITOR
○	MICA CAPACITOR
⊙	POLYPROPYLENE FILM CAPACITOR
●	SEMICONDUCTIVE CERAMIC CAPACITOR

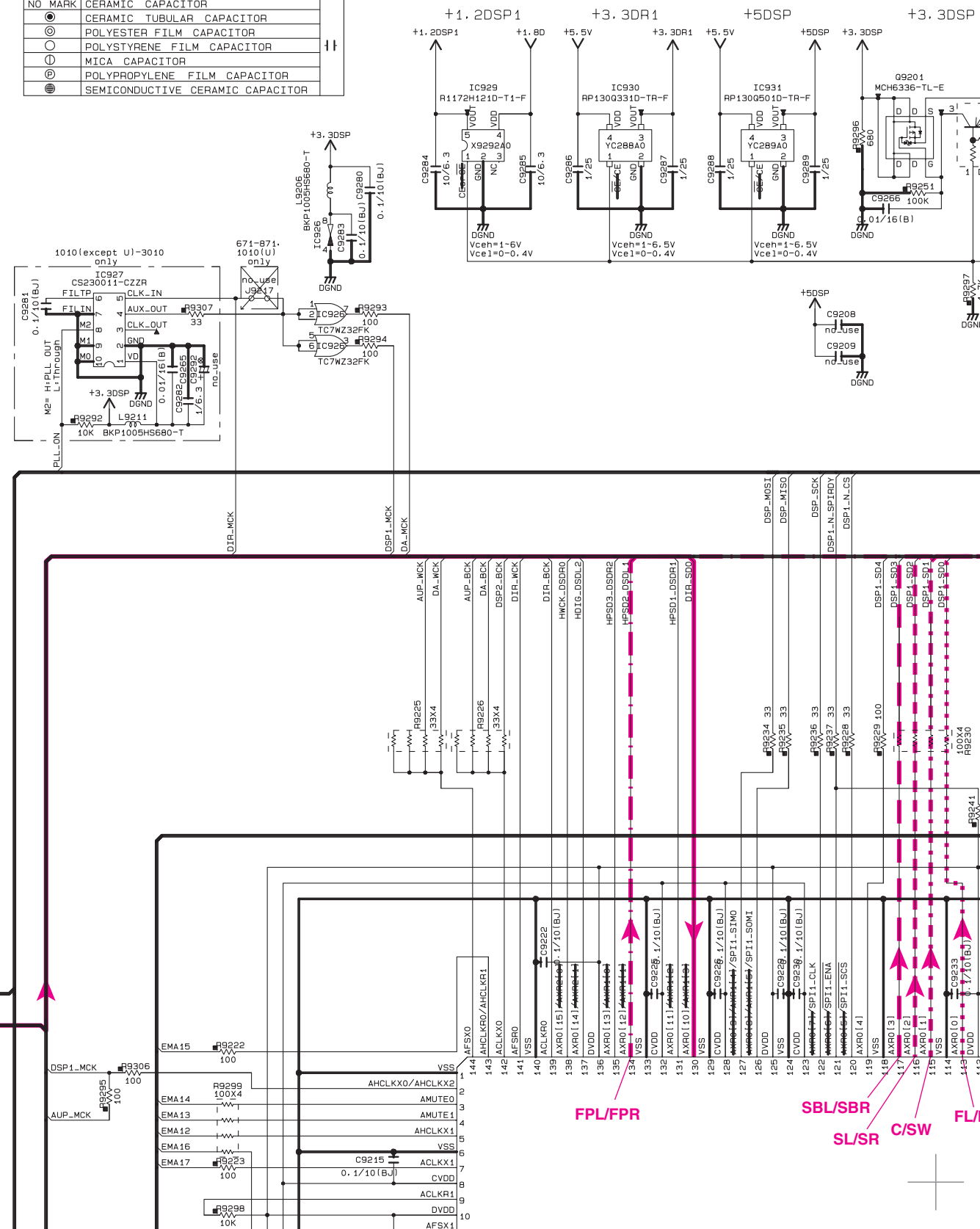
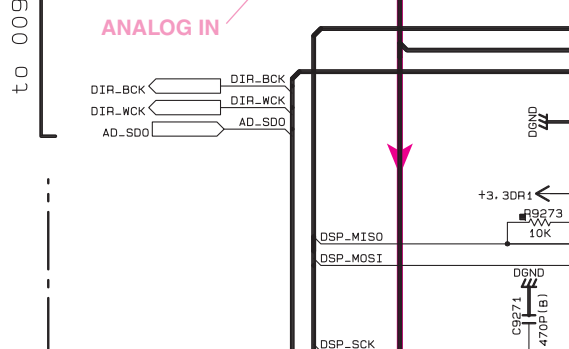
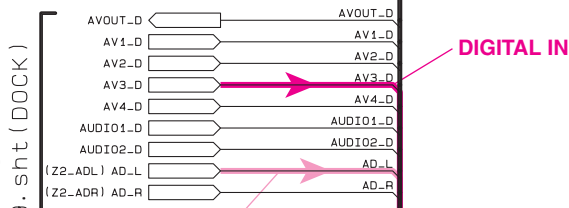
NOTICE (mode1)

- (J)..... JAPAN
- (U)..... U. S. A
- (C)..... CANADA
- (R)..... GENERAL
- (T)..... CHINA
- (K)..... KOREA
- (A)..... AUSTRALIA
- (B)..... BRITISH
- (G)..... EUROPE
- (L)..... SINGAPORE
- (E)..... SOUTH EUROPE
- (V)..... TAIWAN
- (F)..... RUSSIAN
- (P)..... LATIN AMERICA
- (S)..... BRAZIL
- (H)..... THAI



Page 146 12 to DAC_W852

to DIGITAL1 9/9



A	B
C	D

H

I

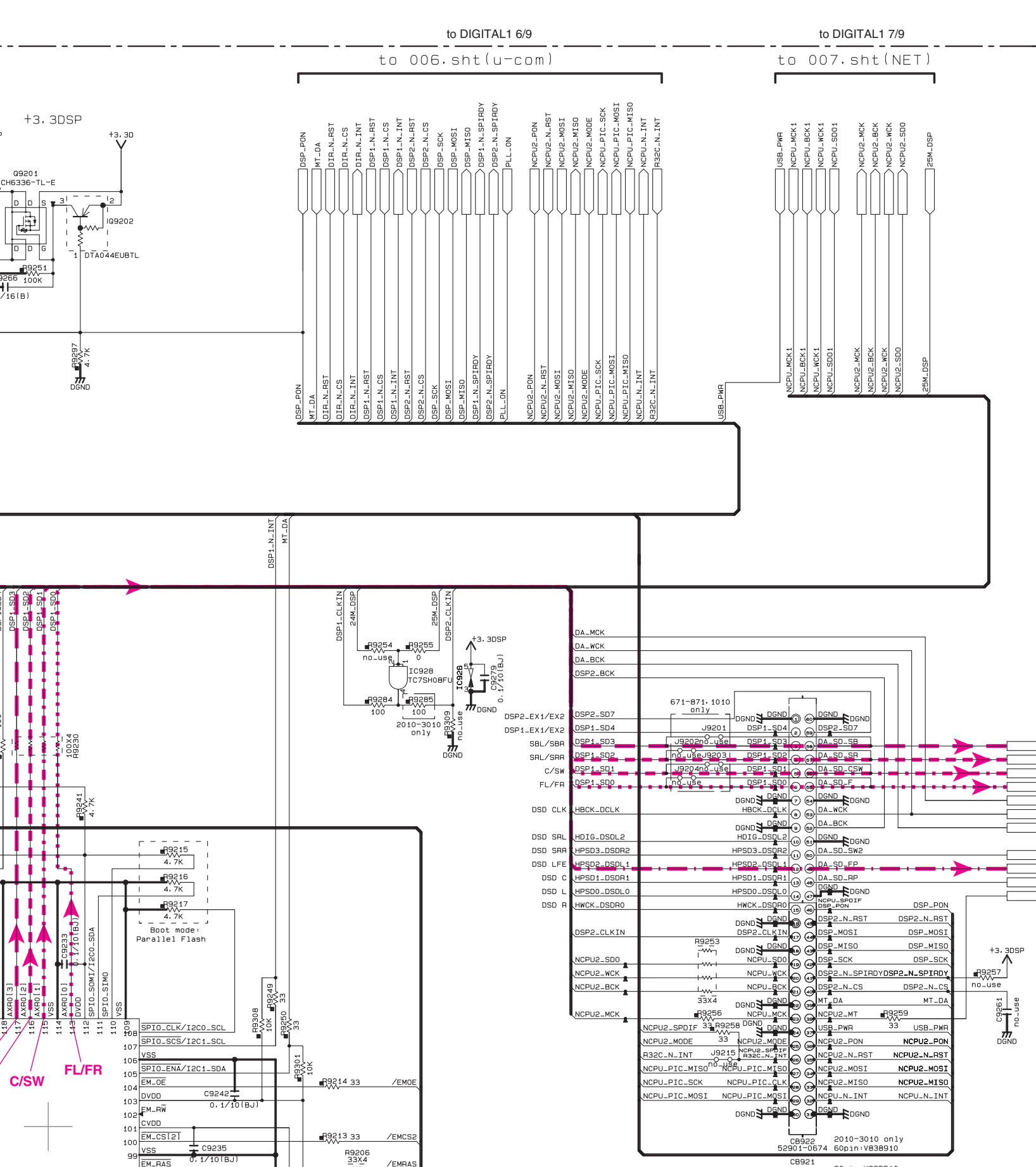
J

K

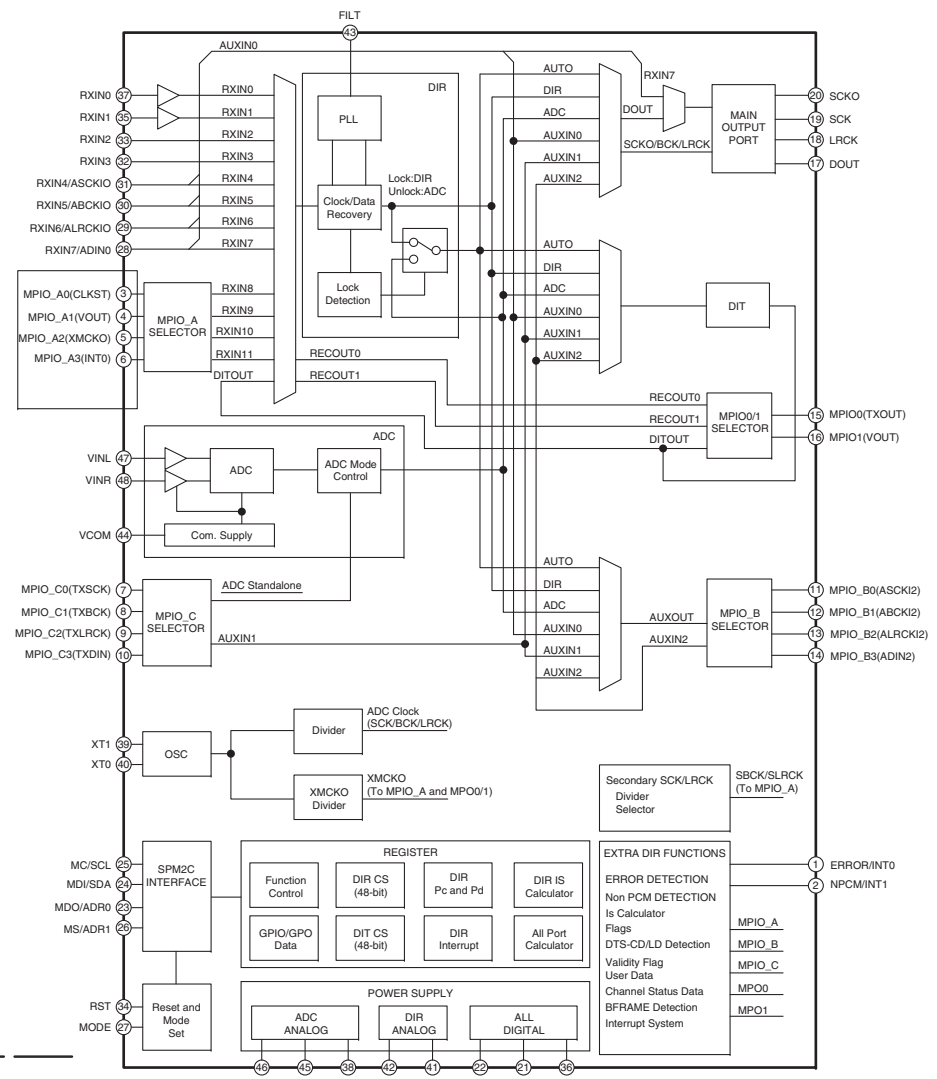
L

M

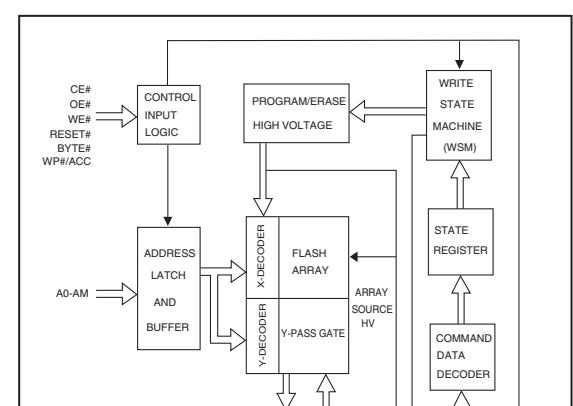
N



IC924: PCM9210PTR
216-kHz digital audio interface transceiver (DIX) with stereo ADC and routing



IC923: MX29LV160DBTI-70G
16 M-bit 3 V supply flash memory



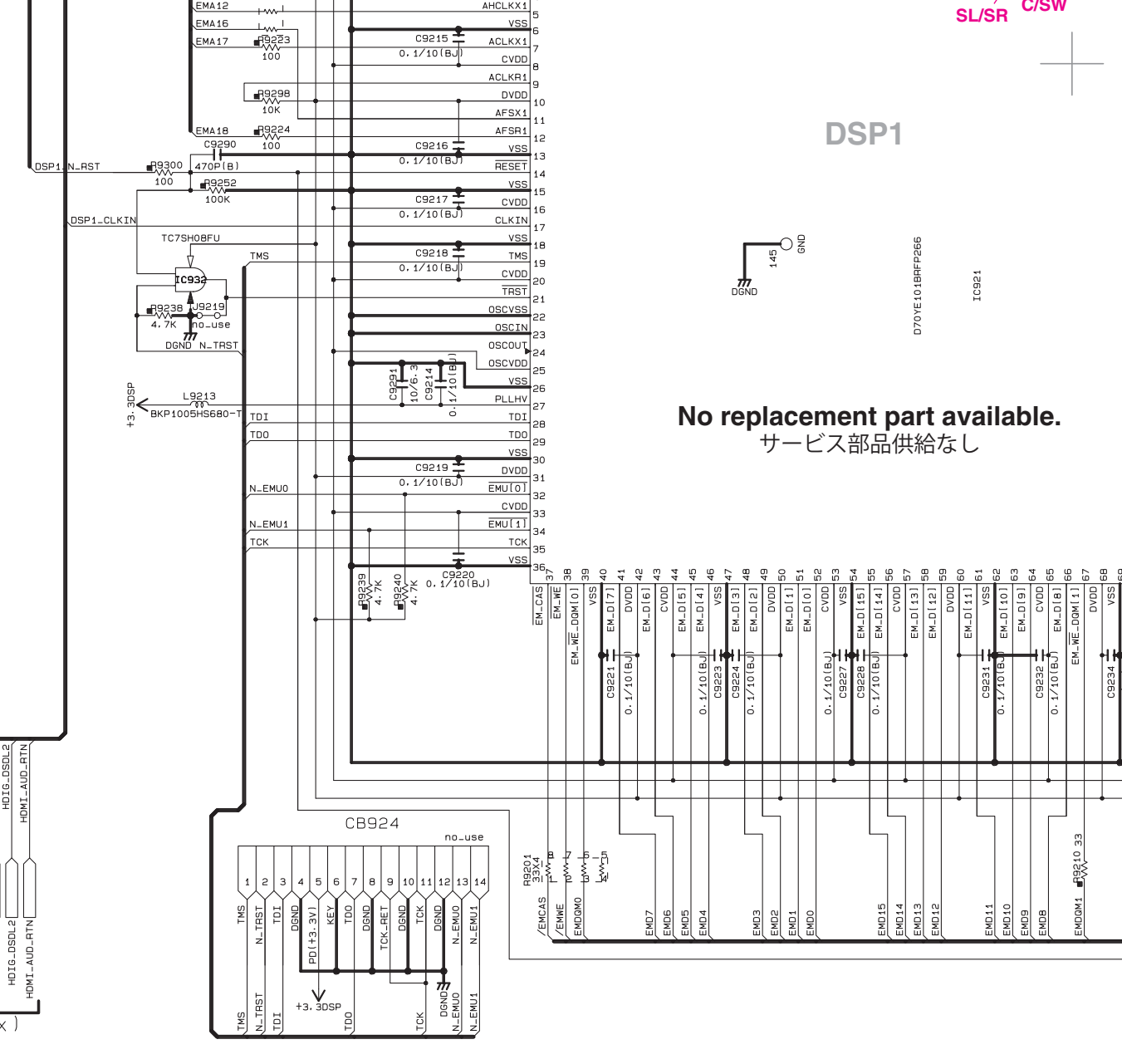
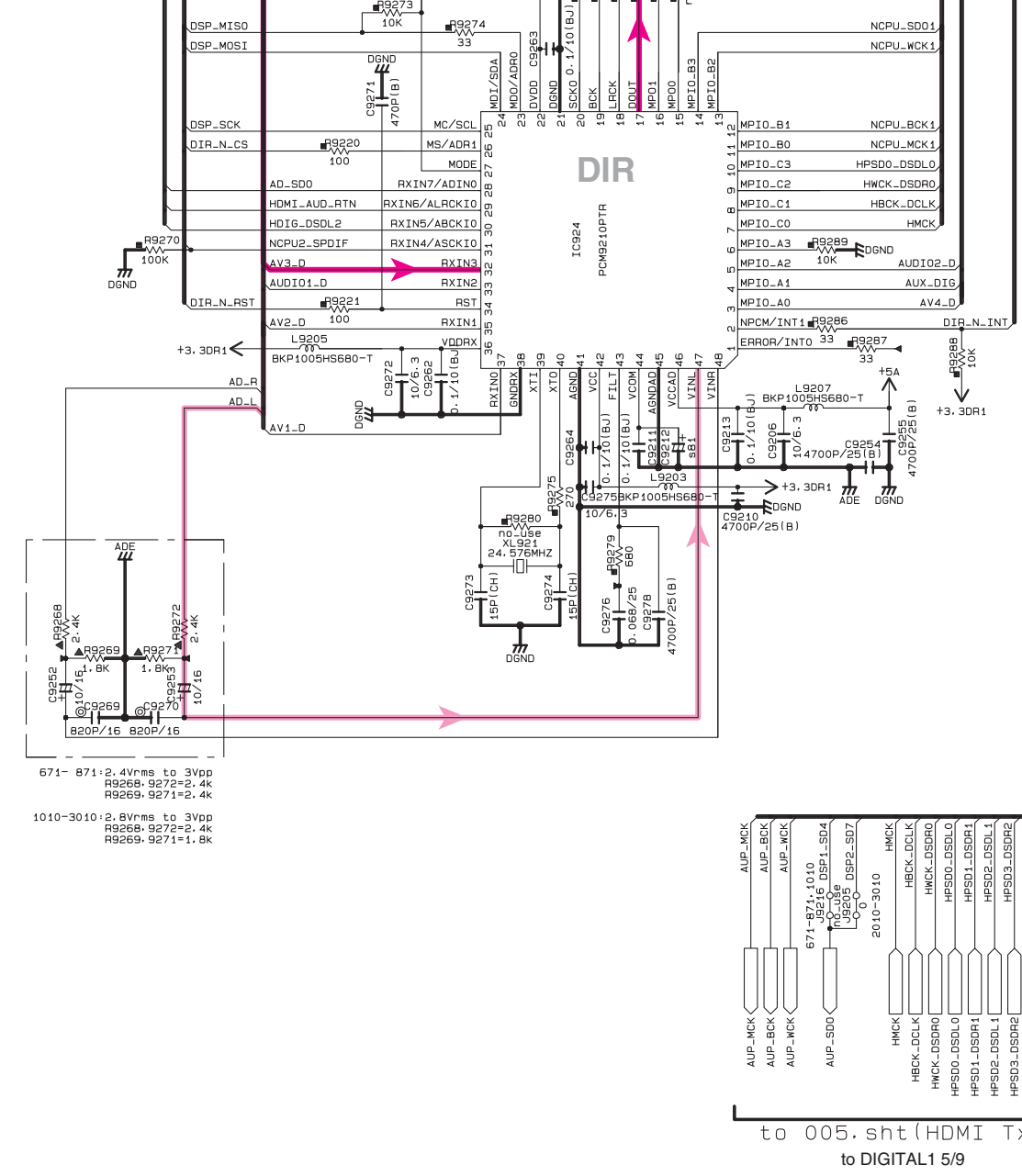
6

7

8

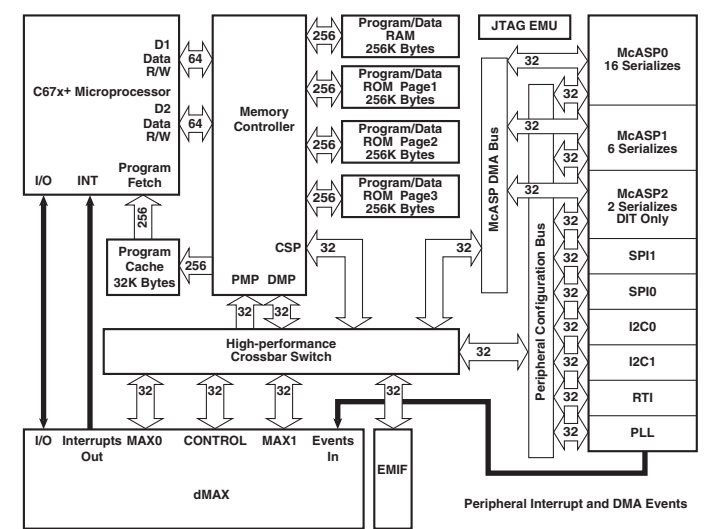
9

10

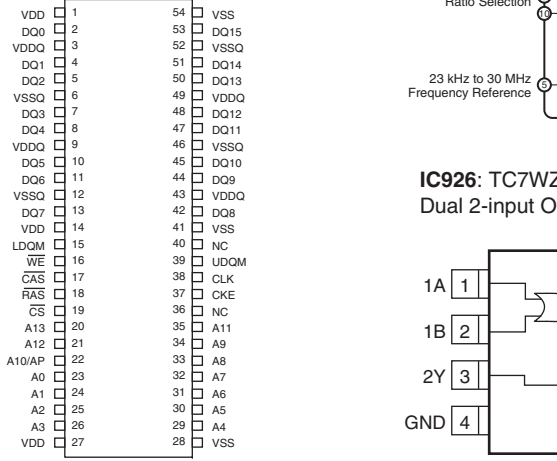
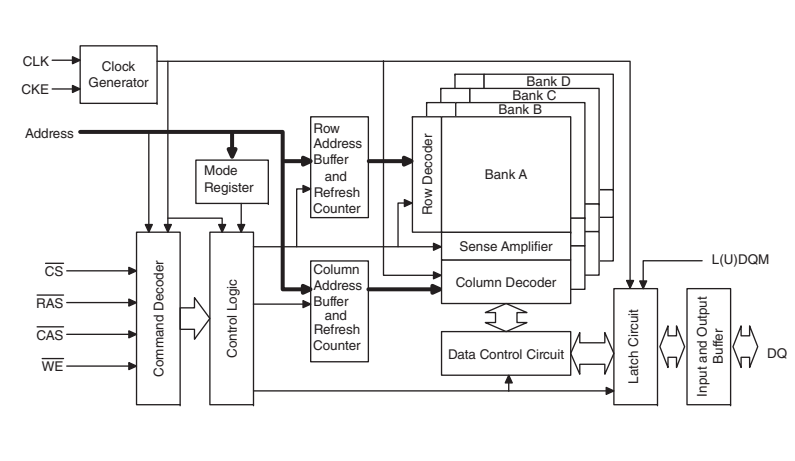


No replacement part available.
サービス部品供給なし

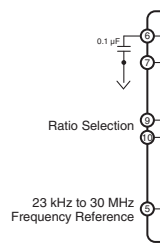
IC921: D70YE101BRFP266
Floating-point digital signal processors



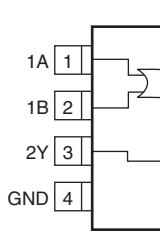
IC922: M12L64164A-5TG
1M x 16-bit x 4 banks synchronous DRAM

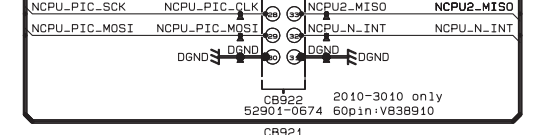
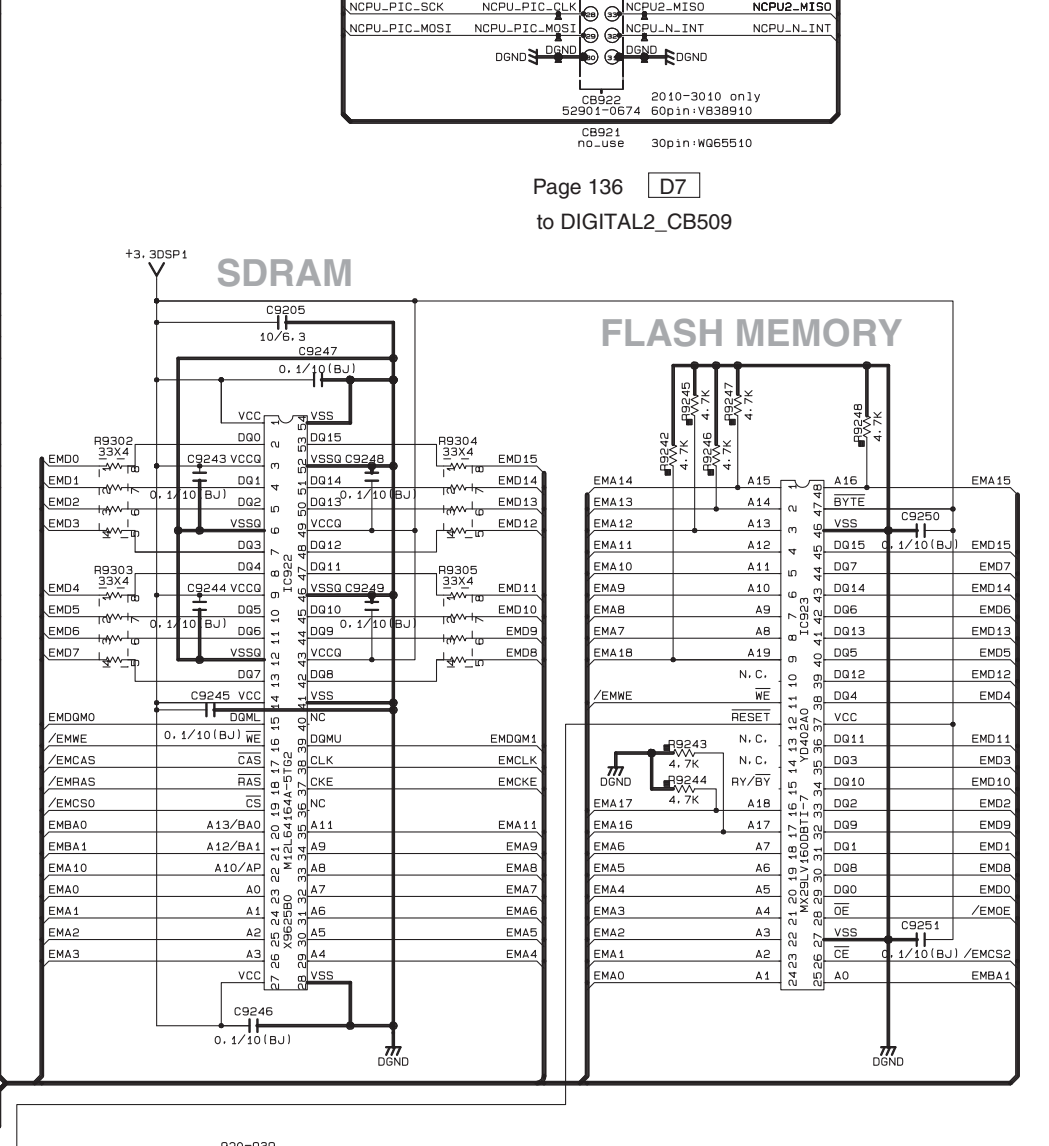
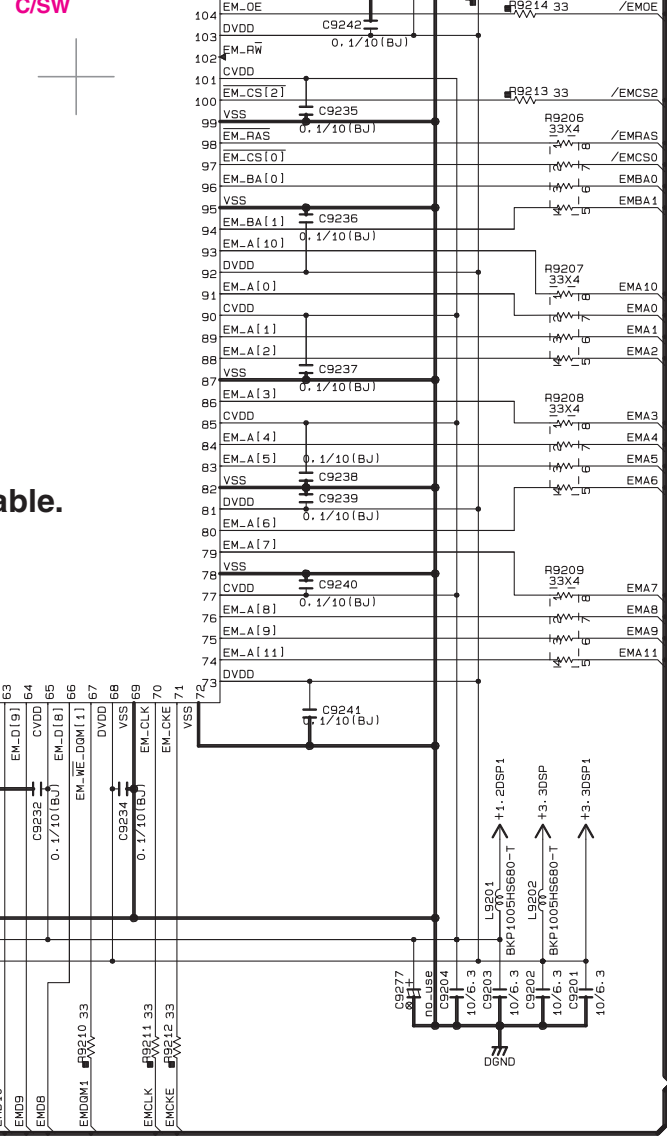


IC927: CS2300
Clock multiplier

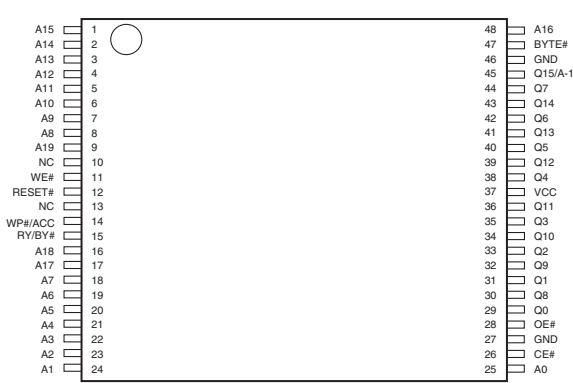
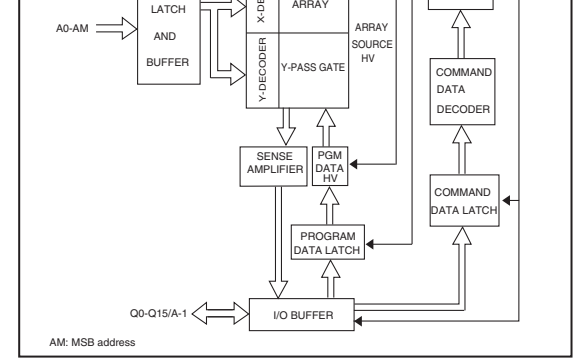


IC926: TC7WZ3
Dual 2-input OR

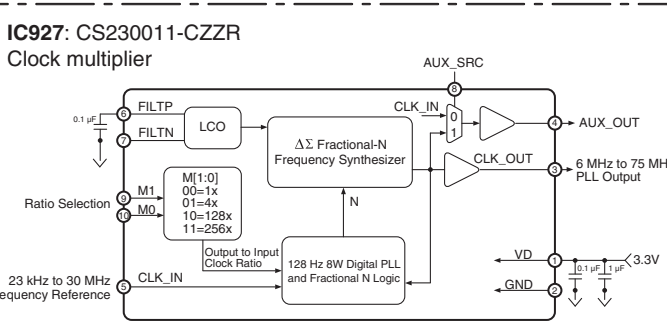




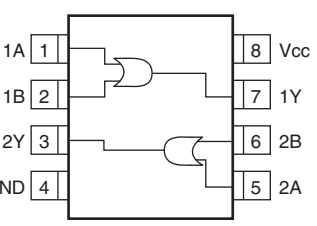
Page 136 [D7]
to DIGITAL2_CB509



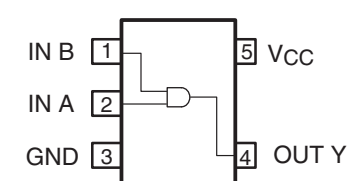
DIGITAL1 (1) DIGITAL8: DIR1&DSP1



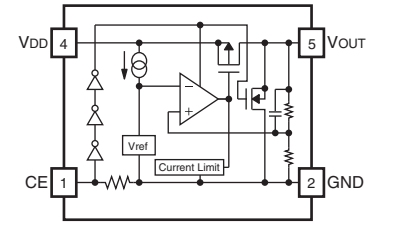
IC926: TC7WZ32FK (TE85L, F) Dual 2-input OR gate



IC928, 932: TC7SH08FU 2-input AND gate

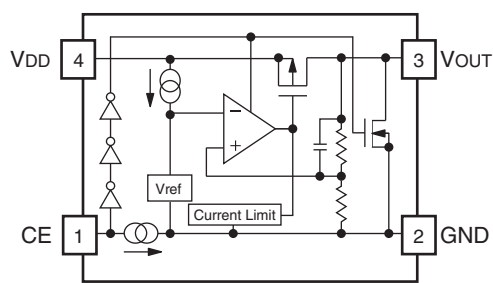


IC929: R1172H121D-T1-F CMOS-based positive-voltage regulator IC



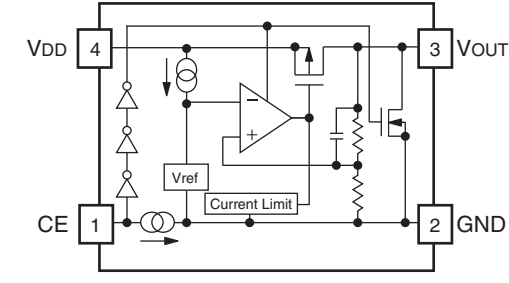
Pin No.	Symbol	Description
1	CE	Chip Enable Pin
2	GND	Ground Pin
3	NC	No Connection
4	VDD	Input Pin
5	VOUT	Output Pin of Voltage Regulator

IC930: RP130Q331D-TR-F Voltage regulator



Pin No.	Symbol	Description
1	CE	Chip Enable ("H" Active)
2	GND	Ground Pin
3	Vout	Output Pin
4	VDD	Input Pin

IC931: RP130Q501D-TR-F Voltage regulator



Pin No.	Symbol	Description
1	CE	Chip Enable ("H" Active)
2	GND	Ground Pin
3	Vout	Output Pin
4	VDD	Input Pin

★ Components having special characteristics are marked Δ and must be replaced with parts having specifications equal to those originally installed.
★ Schematic diagram is subject to change without notice.

● Δ印のある部品は、安全性確保部品を示しています。部品の交換が必要な場合、パーツリストに記載されている部品を使用してください。
● 本回路図は標準回路図です。改良のため予告なく変更することがあります。

RX-A3010/RX-V3071

A	B
C	D

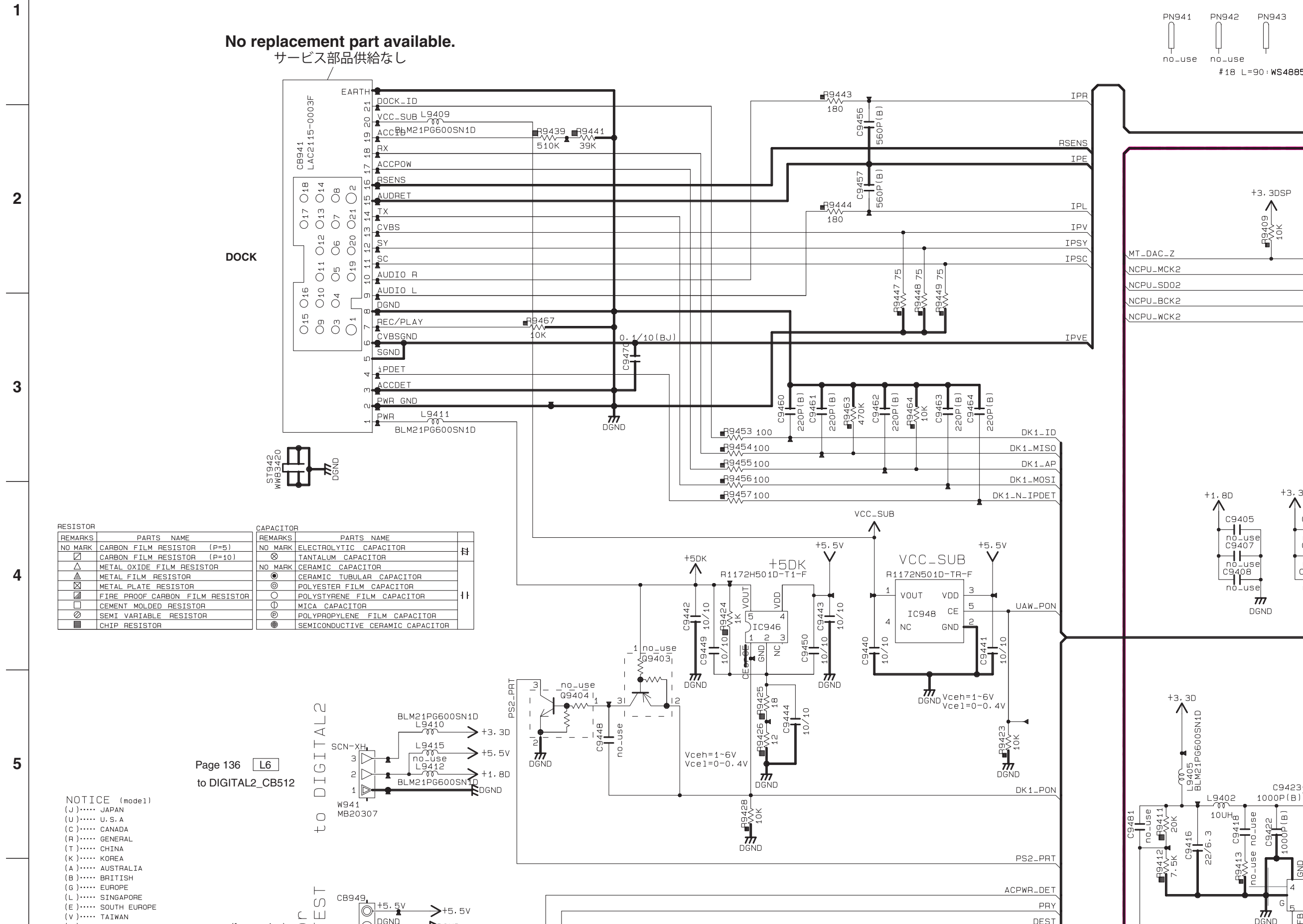
DIGITAL1 8/9

A	B
C	D

DIGITAL1 9/9

No replacement part available.
サービス部品供給なし

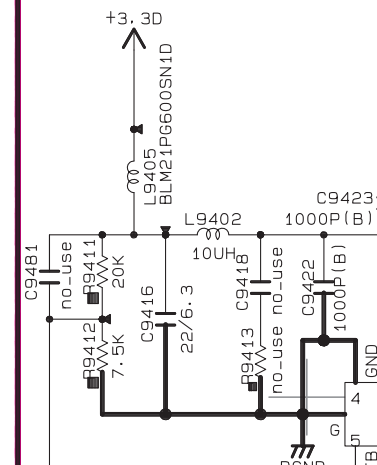
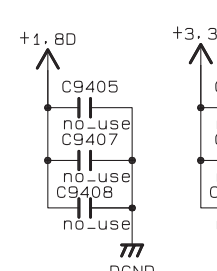
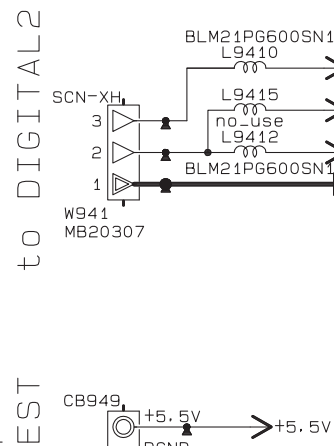
PN941 no_use
PN942 no_use
PN943 no_use
#18 L=90:WS4885



RESISTOR		CAPACITOR	
REMARKS	PARTS NAME	REMARKS	PARTS NAME
NO MARK	CARBON FILM RESISTOR (P=5)	NO MARK	ELECTROLYTIC CAPACITOR
□	CARBON FILM RESISTOR (P=10)	⊗	TANTALUM CAPACITOR
△	METAL OXIDE FILM RESISTOR	NO MARK	CERAMIC CAPACITOR
▲	METAL FILM RESISTOR	●	CERAMIC TUBULAR CAPACITOR
▣	METAL PLATE RESISTOR	◎	POLYESTER FILM CAPACITOR
▤	FIRE PROOF CARBON FILM RESISTOR	○	POLYSTYRENE FILM CAPACITOR
▥	CEMENT MOLDED RESISTOR	⊕	MICA CAPACITOR
⊖	SEMI VARIABLE RESISTOR	⊙	POLYPROPYLENE FILM CAPACITOR
■	CHIP RESISTOR	●	SEMICONDUCTIVE CERAMIC CAPACITOR

Page 136 L6
to DIGITAL2_CB512

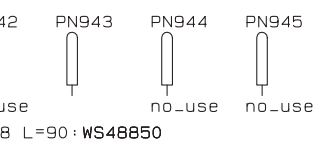
NOTICE (model)
(J)..... JAPAN
(U)..... U.S. A
(C)..... CANADA
(R)..... GENERAL
(T)..... CHINA
(K)..... KOREA
(A)..... AUSTRALIA
(B)..... BRITISH
(G)..... EUROPE
(L)..... SINGAPORE
(E)..... SOUTH EUROPE
(V)..... TAIWAN



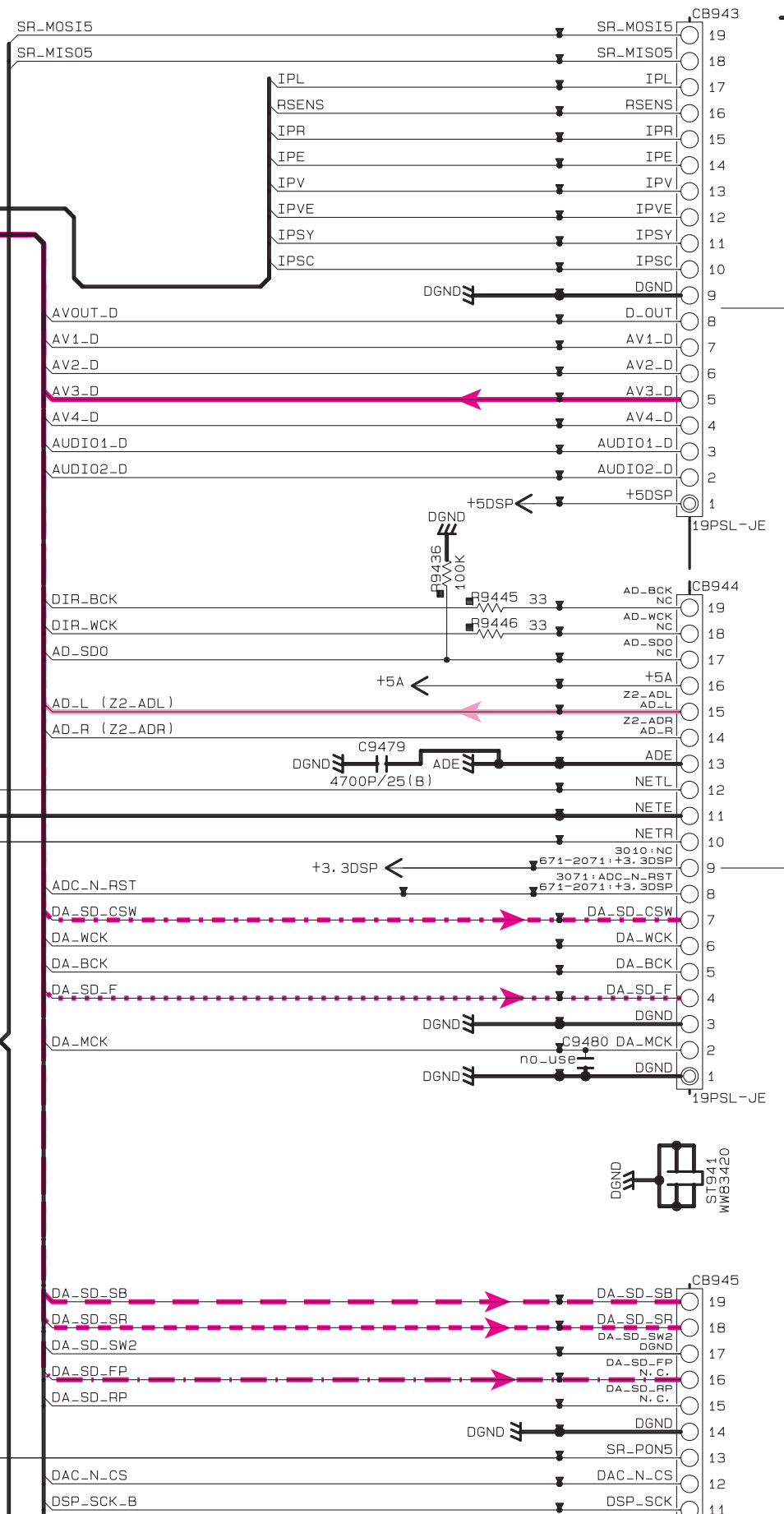
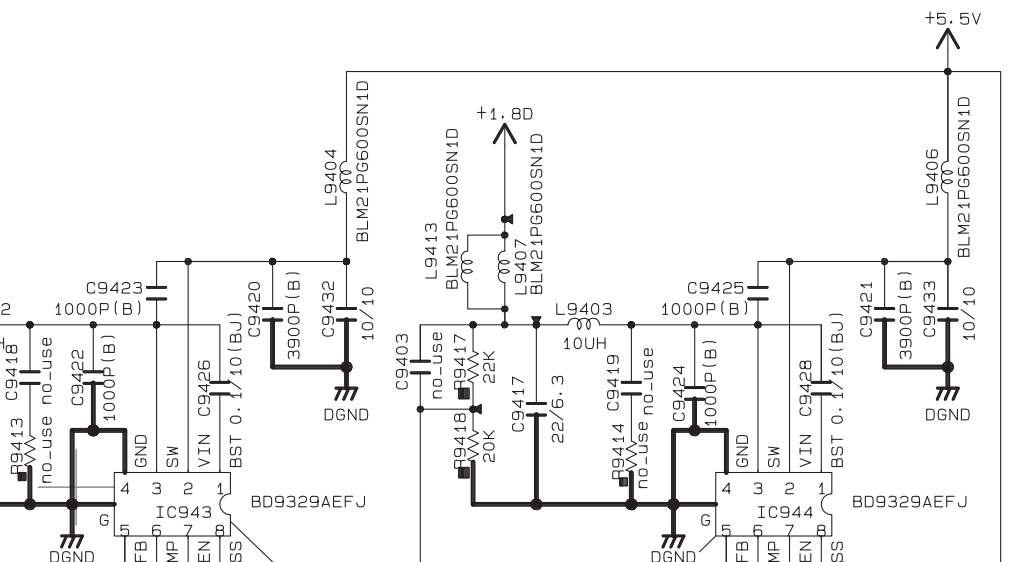
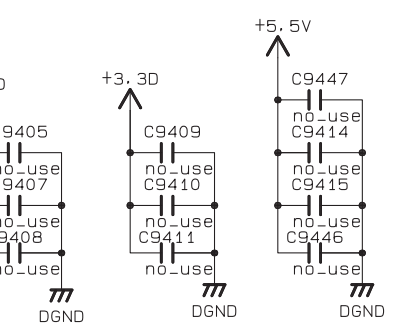
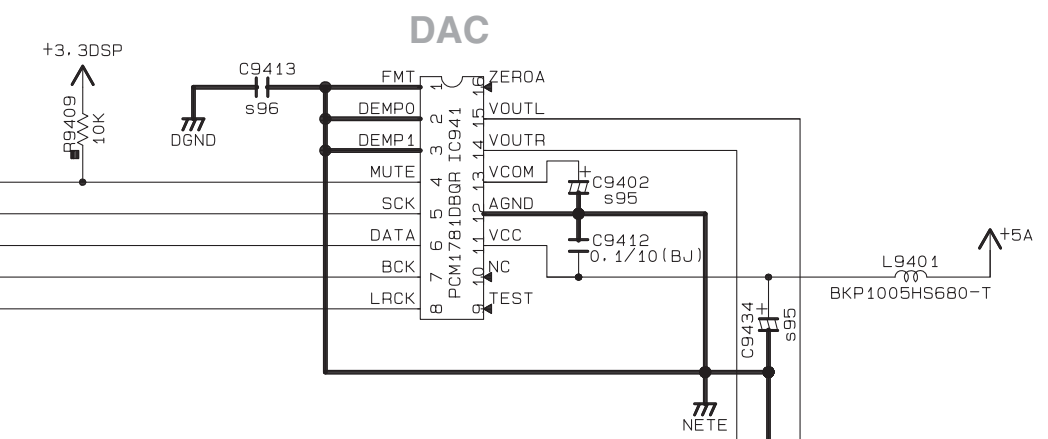
A	B
C	D



RX-A3010/RX-V3071



WS48850



Page 146 B2 to DAC_CB851

Page 146 B2 to DAC_CB852

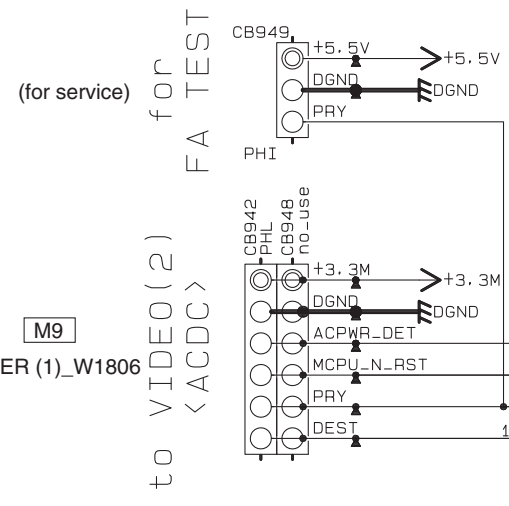
671-871 to OPE(2)
1010-2010 to FUNC(2)
3010 to DAC(1)

U only

- (Y)..... CHINA
- (K)..... KOREA
- (A)..... AUSTRALIA
- (B)..... BRITISH
- (G)..... EUROPE
- (L)..... SINGAPORE
- (E)..... SOUTH EUROPE
- (V)..... TAIWAN
- (F)..... RUSSIAN
- (P)..... LATIN AMERICA
- (S)..... BRAZIL
- (H)..... THAI

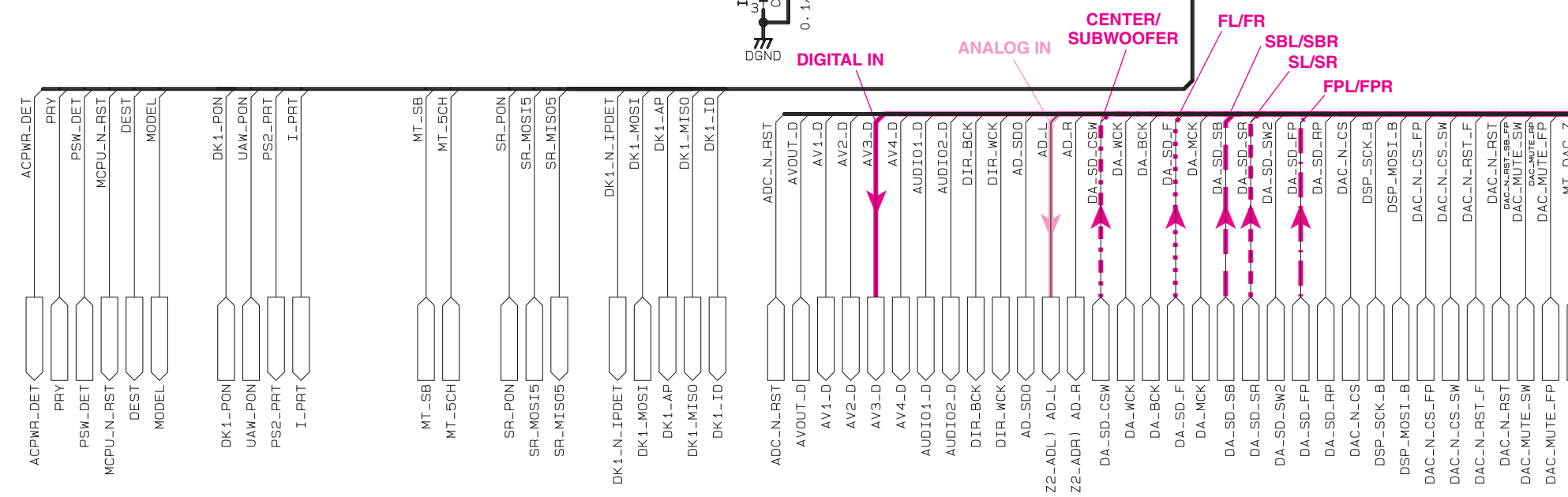
6

Page 142 M9
to AMPPOWER (1)_W1806



(for service) for FA TEST
to VIDEO(2) <ACDC>

7



8

to 006.sht(u-com)
to DIGITAL1 6/9

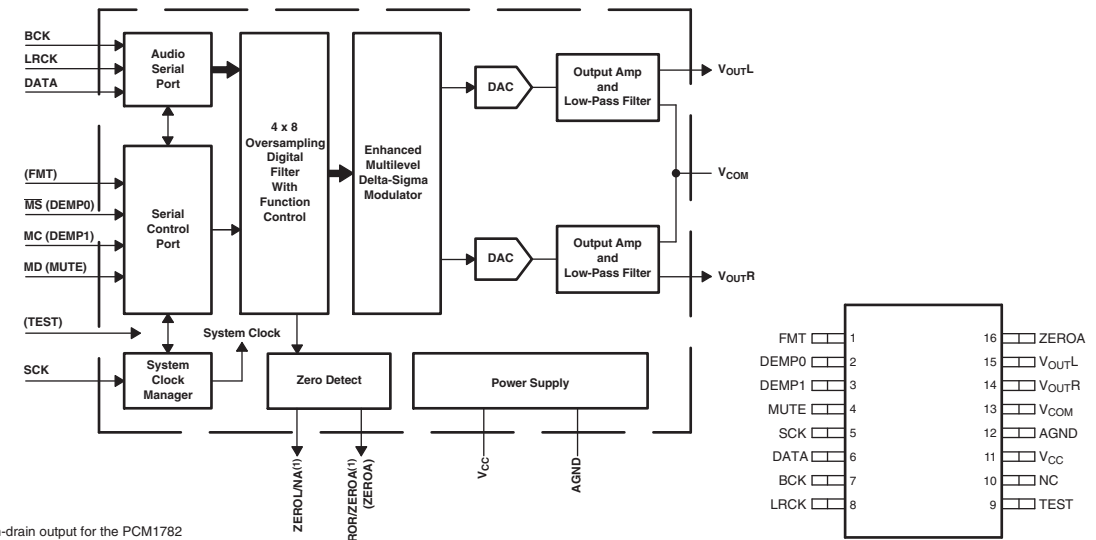
to 008.sht(DSP)
to DIGITAL1 8/9

9



- ★ Components having special characteristics are marked Δ and must be replaced with parts having specifications equal to those originally installed.
- ★ Schematic diagram is subject to change without notice.
- Δ 印のある部品は、安全性確保部品を示しています。部品の交換が必要な場合、パーツリストに記載されている部品を使用してください。
- 本回路図は標準回路図です。改良のため予告なく変更することがあります。

IC941: PCM1781DBQR
Audio digital-to-analog converter



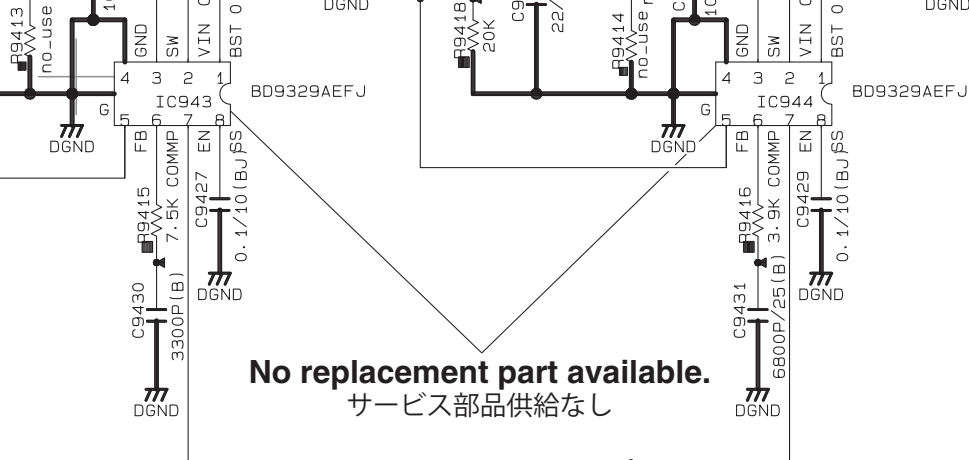
(1) Open-drain output for the PCM1782
NOTE: Signal names in parentheses () are for the PCM1781.

10

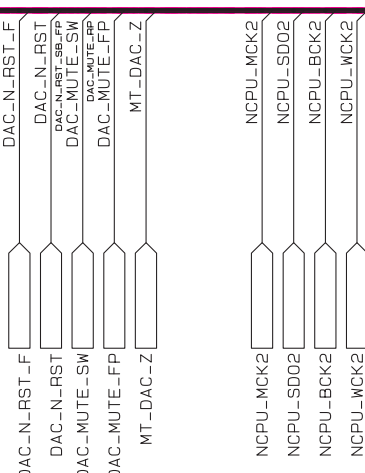
RX-A3010/RX-V3071

A	B
C	D

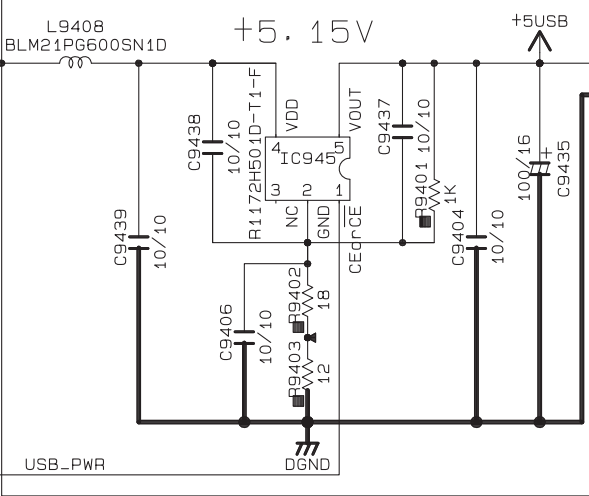
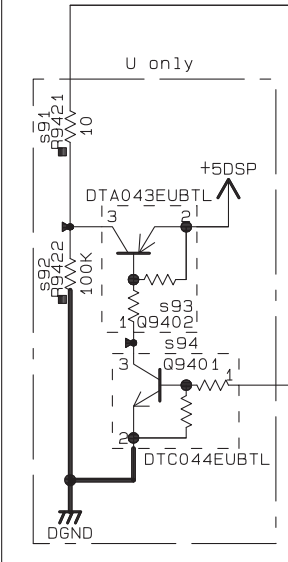
DIGITAL1 9/9



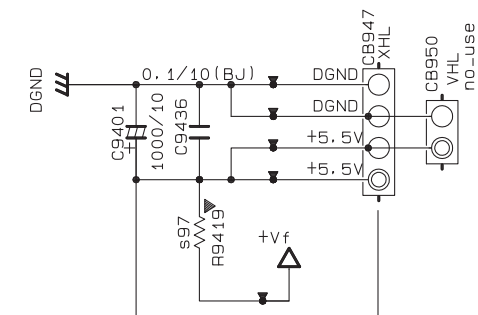
No replacement part available.
サービス部品供給なし



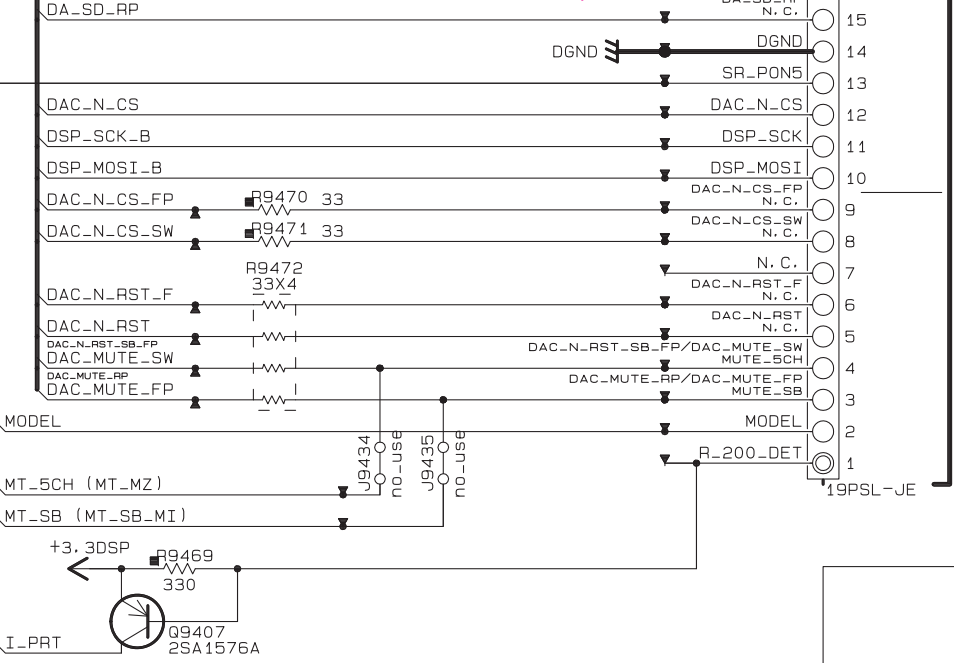
to 007.sht (BF)
to DIGITAL1 7/9



USB Bus Power



Page 143 M6
to POWER_W2001

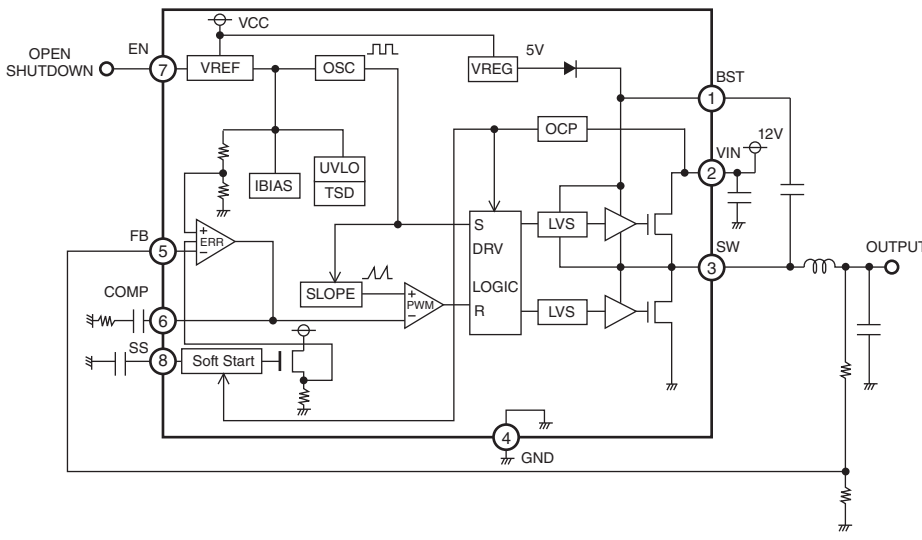


Page 146 G2
to DAC_CB854

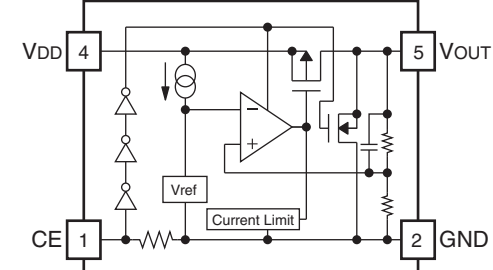
Page 139 H7
to OPERATION (2)_W4502

671-871 to VIDEO (2)
1010-3010 to POWER (1)
671-871 to OPE (7)
1010-3010 to OPE (2)

IC943, 944 : BD9329AEFJ-E2
1ch step-down DC/DC converter

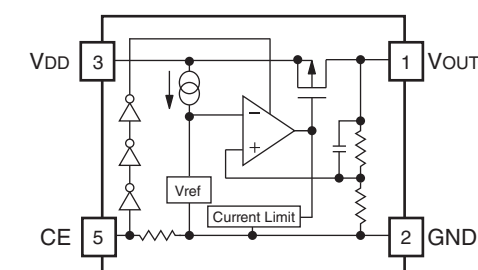


IC945, 946: R1172H501D-T1-F
Voltage regulator



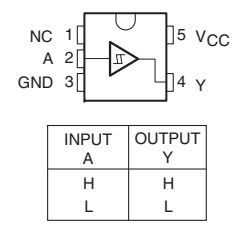
Pin No.	Symbol	Description
1	CE	Chip Enable Pin ("H" Active)
2	GND	Ground Pin
3	NC	No Connection
4	VDD	Input Pin
5	VOUT	Output Pin

IC948: R1172N501D-TR-F
Voltage regulator



Pin No.	Symbol	Description
1	Vout	Output Pin
2	GND	Ground Pin
3	VDD	Input Pin
4	NC	No Connection
5	CE	Chip Enable Pin ("H" Active)

IC949: SN74LVC1G17DCKR
Single schmitt-trigger buffer



INPUT	OUTPUT
A	Y
H	H
L	L

A	B
C	D

A	B
C	D

RX-A3010/RX-V3071

DIGITAL2

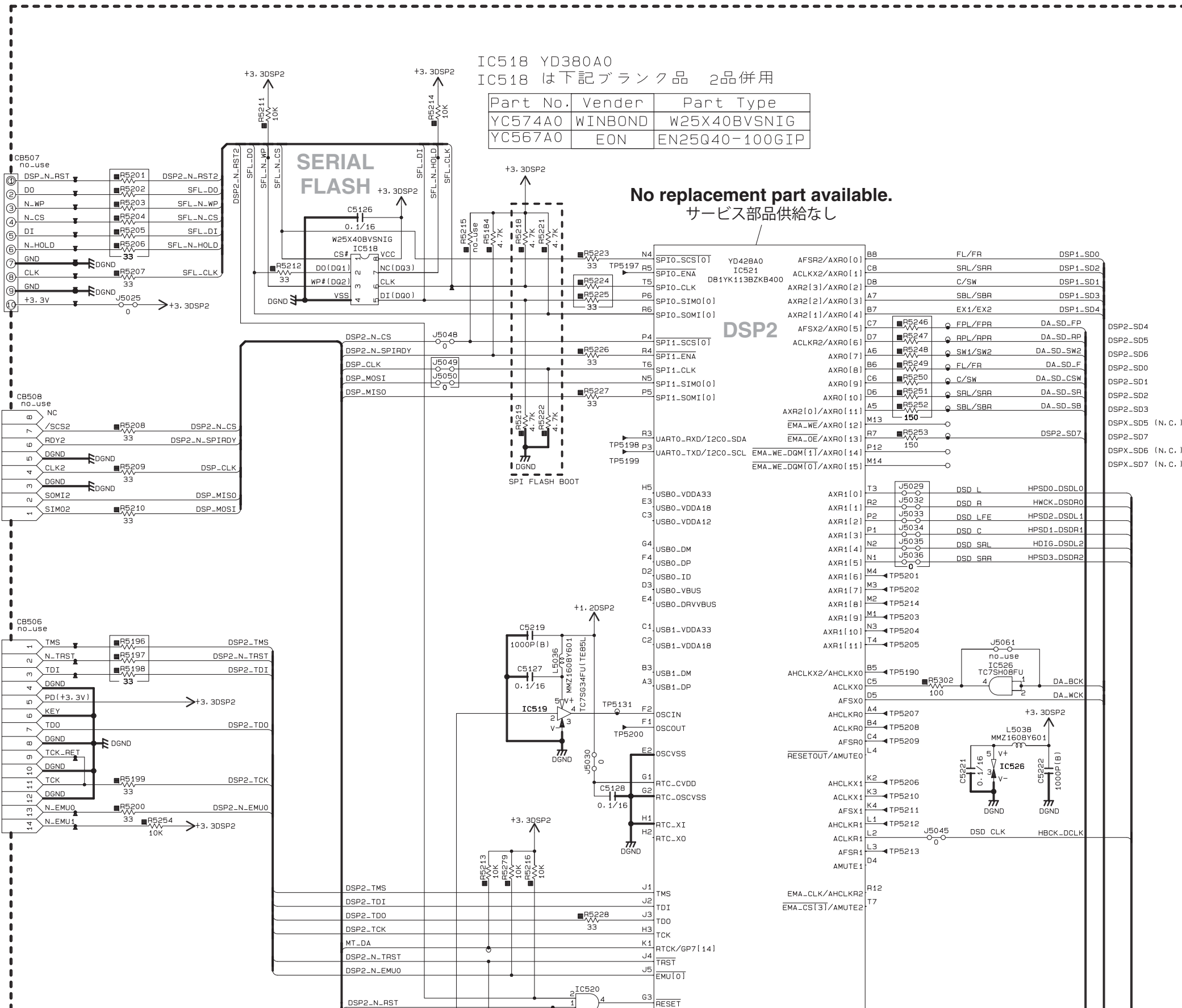
1

2

3

4

5



IC518 YD380A0
IC518 は下記ブランク品 2品併用

Part No.	Vender	Part Type
YC574A0	WINBOND	W25X40BVSNIQ
YC567A0	EON	EN25Q40-100GIP

No replacement part available.
サービス部品供給なし

DSP2_EMB_A[0]	
DSP2_EMB_A[1]	R5262
DSP2_EMB_A[2]	47X4
DSP2_EMB_A[3]	
DSP2_EMB_A[4]	
DSP2_EMB_A[5]	R5263
DSP2_EMB_A[6]	47X4
DSP2_EMB_A[7]	
DSP2_EMB_A[8]	
DSP2_EMB_A[9]	R5264
DSP2_EMB_A[10]	47X4
DSP2_EMB_A[11]	

DSP2_EMB_BA0	R527
DSP2_EMB_BA1	R527

DSP2_EMB_N_CS	
DSP2_EMB_N_RAS	R5265
DSP2_EMB_N_CAS	47X4
DSP2_EMB_N_WE	
DSP2_EMB_SDCKE	R527
DSP2_EMB_SDCLK	R527
DSP2_EMB_DQM0	
DSP2_EMB_DQM1	R5266
DSP2_EMB_DQM3	47X4
DSP2_EMB_DQM2	

DSP2_EMB_D[0]	
DSP2_EMB_D[1]	R5267
DSP2_EMB_D[2]	47X4
DSP2_EMB_D[3]	
DSP2_EMB_D[4]	
DSP2_EMB_D[5]	R5268
DSP2_EMB_D[6]	47X4
DSP2_EMB_D[7]	
DSP2_EMB_D[8]	
DSP2_EMB_D[9]	R5269
DSP2_EMB_D[10]	47X4
DSP2_EMB_D[11]	
DSP2_EMB_D[12]	
DSP2_EMB_D[13]	R5270
DSP2_EMB_D[14]	47X4
DSP2_EMB_D[15]	
DSP2_EMB_D[16]	
DSP2_EMB_D[17]	R5271
DSP2_EMB_D[18]	47X4
DSP2_EMB_D[19]	
DSP2_EMB_D[20]	
DSP2_EMB_D[21]	R5272
DSP2_EMB_D[22]	47X4
DSP2_EMB_D[23]	
DSP2_EMB_D[24]	
DSP2_EMB_D[25]	R5273
DSP2_EMB_D[26]	47X4
DSP2_EMB_D[27]	
DSP2_EMB_D[28]	
DSP2_EMB_D[29]	R5274
DSP2_EMB_D[30]	47X4
DSP2_EMB_D[31]	

H

I

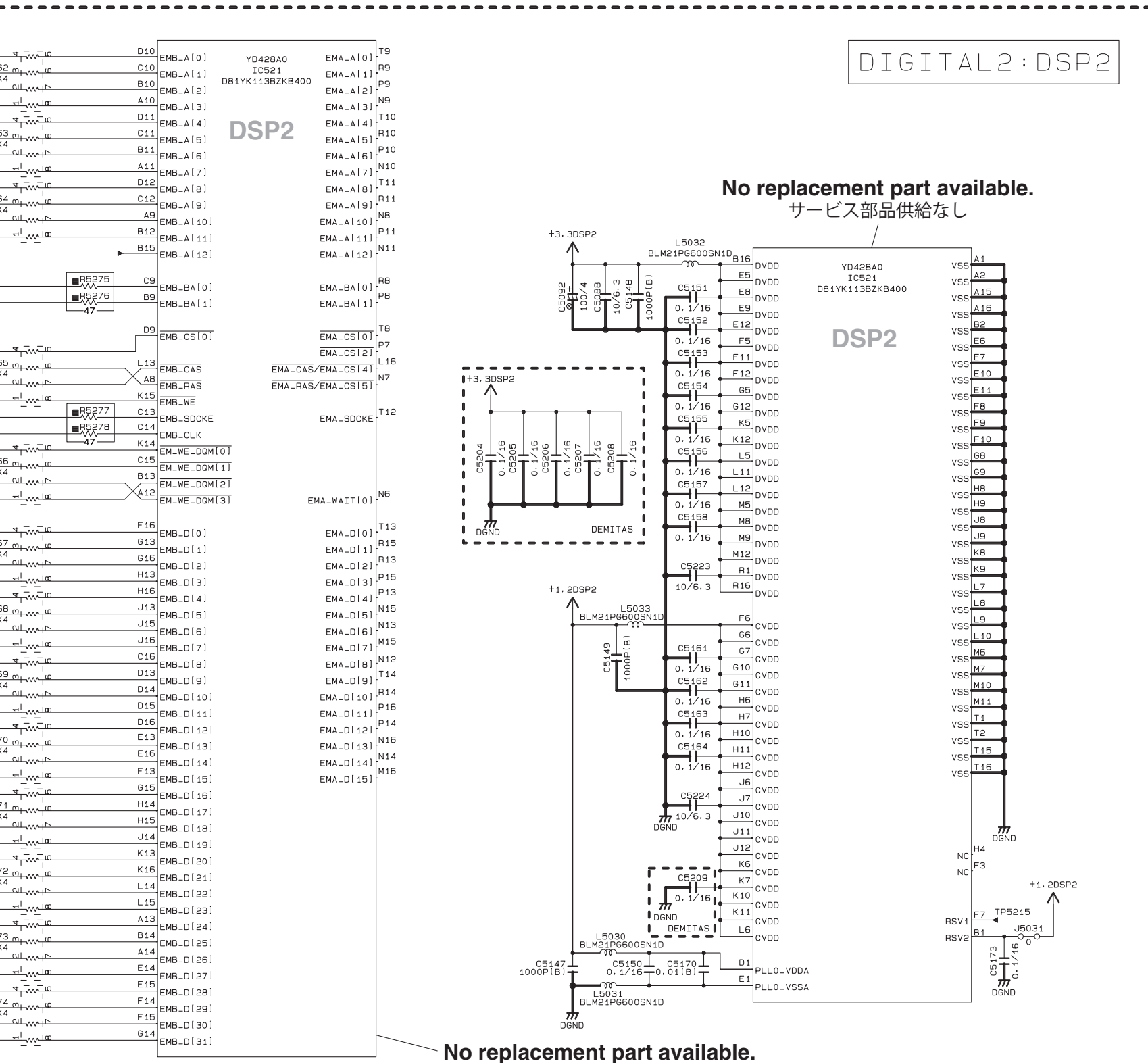
J

K

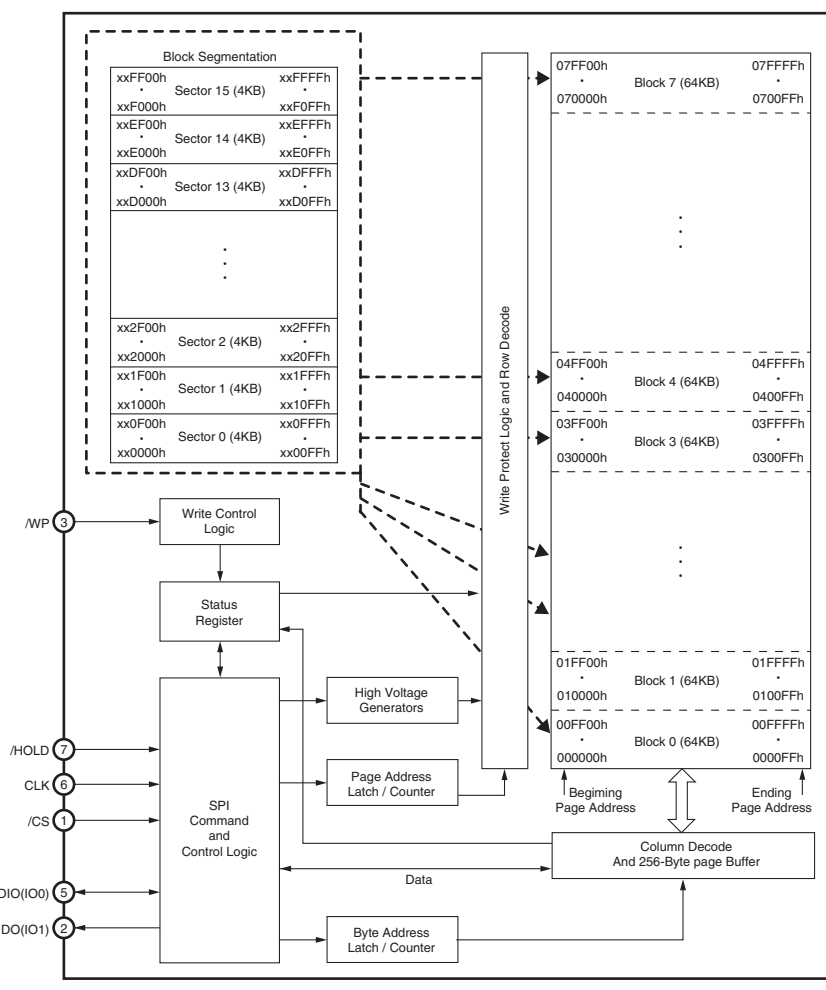
L

M

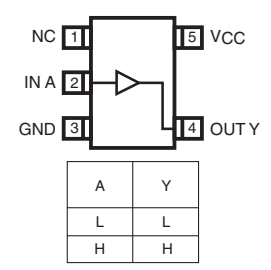
N



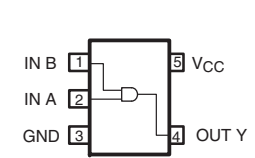
IC518: W25X40BVSNIQ
4 M-bit serial flash memory



IC519: TC7SG34FU-TE85L
NON-inverter



IC520, 525, 526: TC7SH08FU
2-input AND gate



6

7

8

9

10

NOTICE (model)
 (J)..... JAPAN
 (U)..... U. S. A
 (C)..... CANADA
 (R)..... GENERAL
 (T)..... CHINA
 (K)..... KOREA
 (A)..... AUSTRALIA
 (B)..... BRITISH
 (G)..... EUROPE
 (L)..... SINGAPORE
 (E)..... SOUTH EUROPE
 (V)..... TAIWAN
 (F)..... RUSSIAN
 (P)..... LATIN AMERICA
 (S)..... BRAZIL
 (H)..... THAI

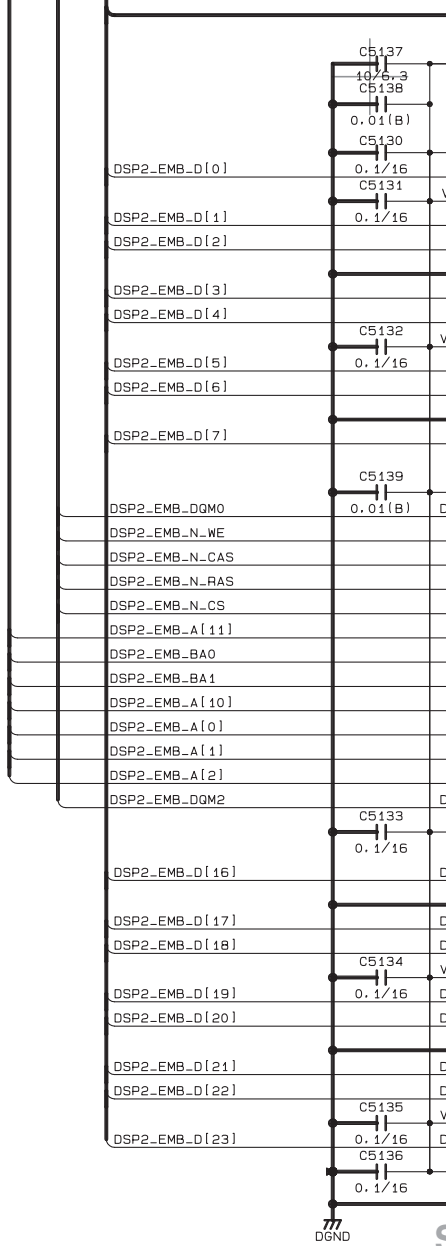
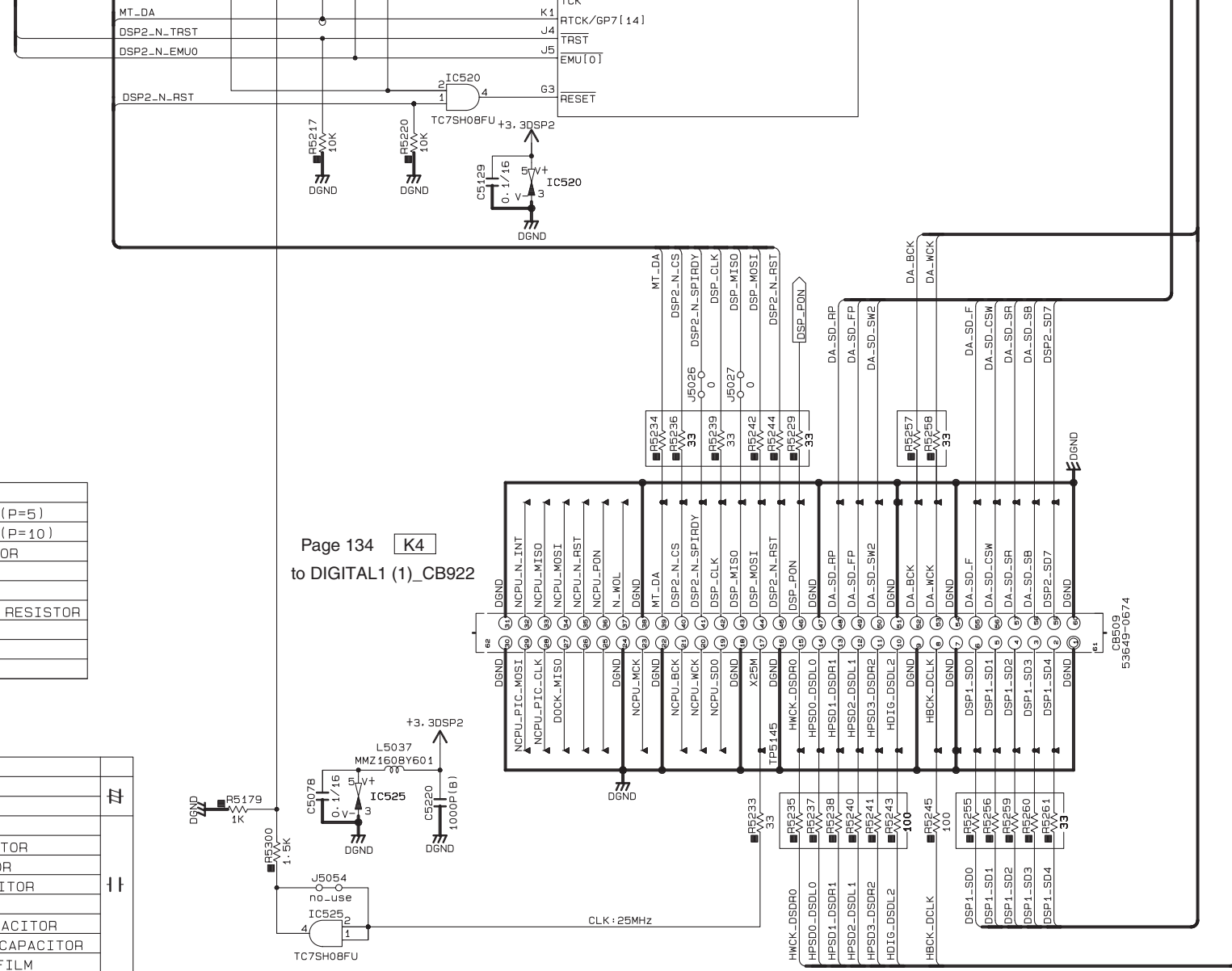
RESISTOR

REMARKS	PARTS NAME
NO MARK	CARBON FILM RESISTOR (P=5)
□	CARBON FILM RESISTOR (P=10)
△	METAL OXIDE FILM RESISTOR
▲	METAL FILM RESISTOR
⊠	METAL PLATE RESISTOR
■	FIRE PROOF CARBON FILM RESISTOR
□	CEMENT MOLDED RESISTOR
⊘	SEMI VARIABLE RESISTOR
■	CHIP RESISTOR

CAPACITOR

REMARKS	PARTS NAME	Symbol
NO MARK	ELECTROLYTIC CAPACITOR	⌘
⊗	TANTALUM CAPACITOR	⌘
NO MARK	CERAMIC CAPACITOR	⊥
●	CERAMIC TUBULAR CAPACITOR	⊥
◎	POLYESTER FILM CAPACITOR	⊥
○	POLYSTYRENE FILM CAPACITOR	⊥
⊖	MICA CAPACITOR	⊥
Ⓟ	POLYPROPYLENE FILM CAPACITOR	⊥
⊙	SEMICONDUCTIVE CERAMIC CAPACITOR	⊥
Ⓢ	POLYPHENYLENE SULFIDE FILM CAPACITOR	⊥

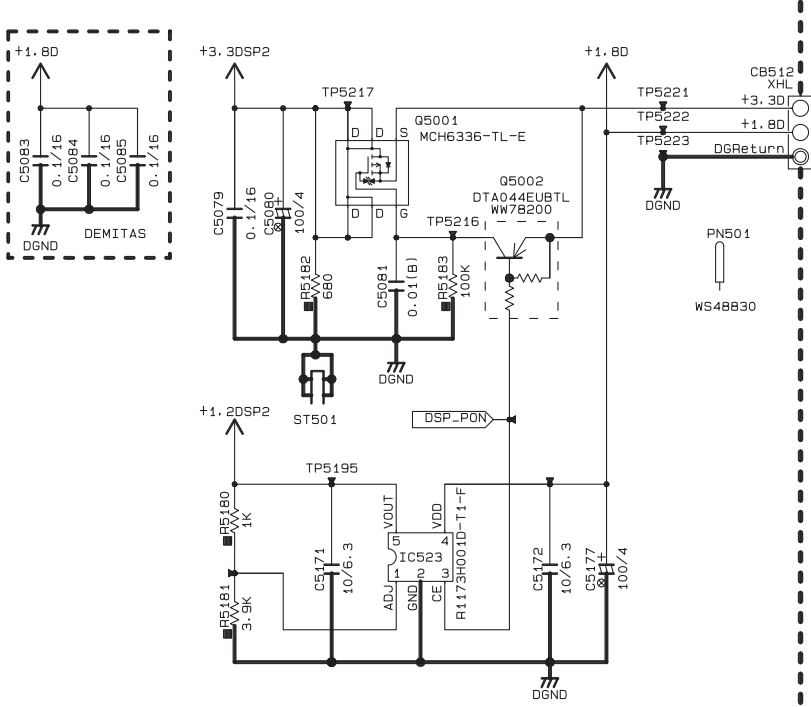
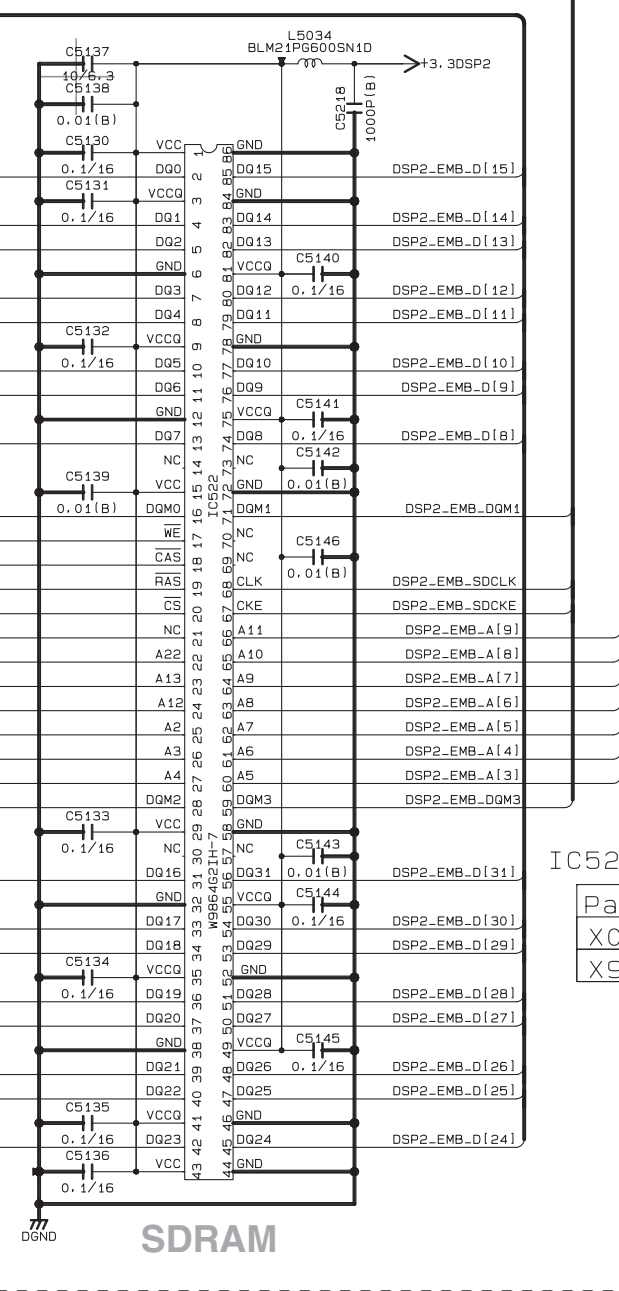
Page 134 K4
 to DIGITAL1 (1)_CB922



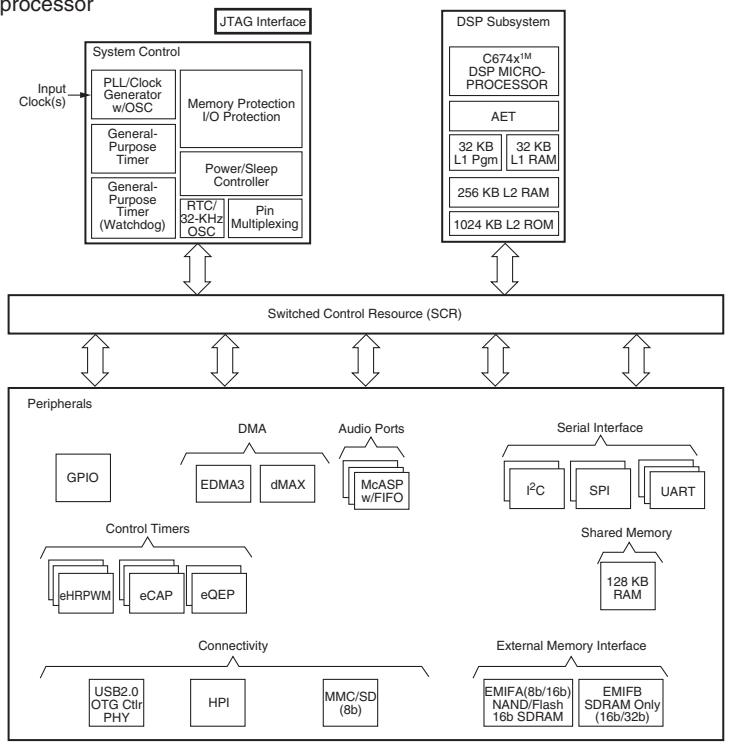
★ Components having special characteristics are marked △ and must be replaced with parts having specifications equal to those originally installed.
 ★ Schematic diagram is subject to change without notice.

● △印のある部品は、安全性確保部品を示しています。部品の交換が必要な場合、パーツリストに記載されている部品を使用してください。
 ● 本回路図は標準回路図です。改良のため予告なく変更することがあります。

A	B
C	D



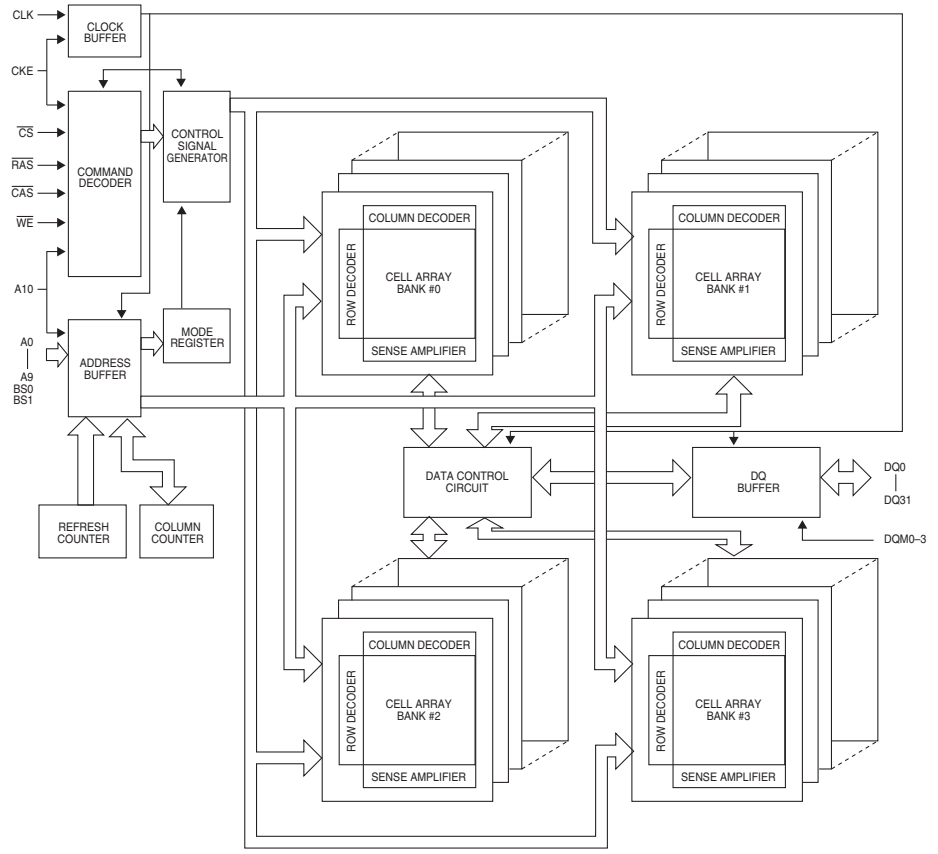
IC521: D81YK113BZKB400
Digital signal processor



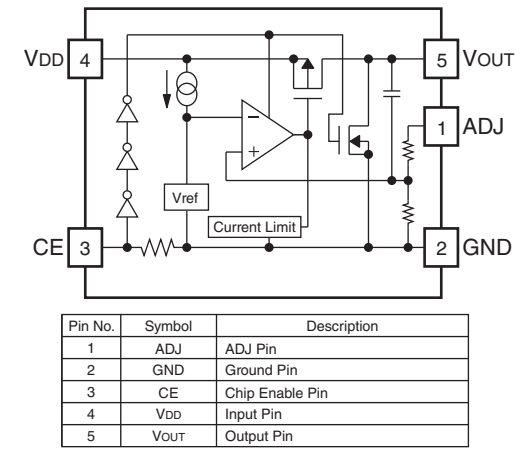
IC522 は下記2品併用

Part No.	Vender	Part Type
X0176D0	WINBOND	W9864G2IH-7
X9150B0	ESMT	M12L64322A-6TG2U

IC522: W9864G2IH-7
128/64 M SDRAM



IC523: R1173H001D-T1-FE
Voltage regulator



Pin No.	Symbol	Description
1	ADJ	ADJ Pin
2	GND	Ground Pin
3	CE	Chip Enable Pin
4	VDD	Input Pin
5	VOUT	Output Pin

R, C, D, L, J : 5001-5999
WY50620 : ALL other : 501-599

A	B
C	D

FUNCTION 1/2

Page 146 D9 to DAC_CB859

Page 146 F9 to DAC_CB860

Page 146 G9 to DAC_CB861

F. PRESENCE L

A

B

C

D

E

F

G

1

2

3

4

5

PHONO

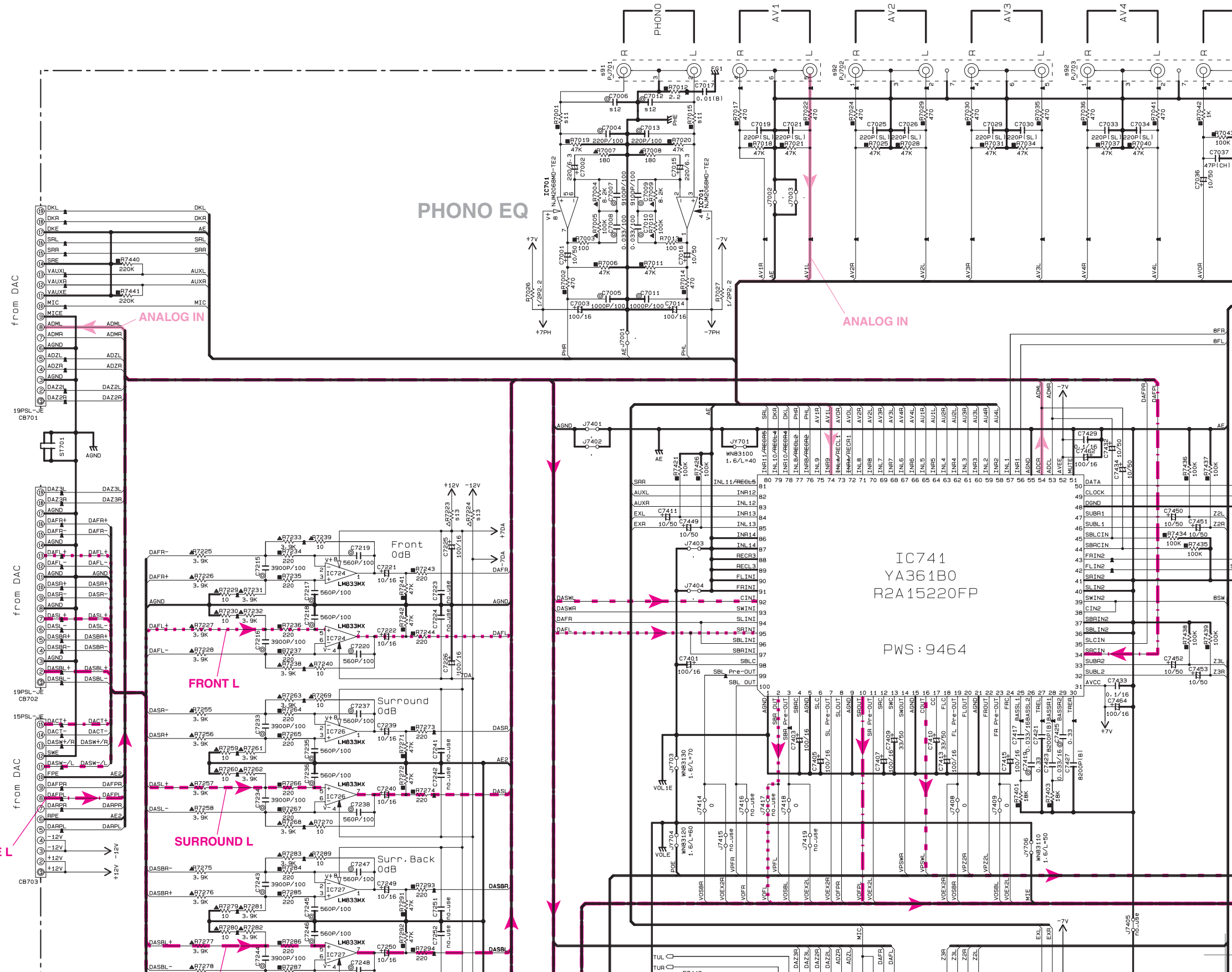
AV 1

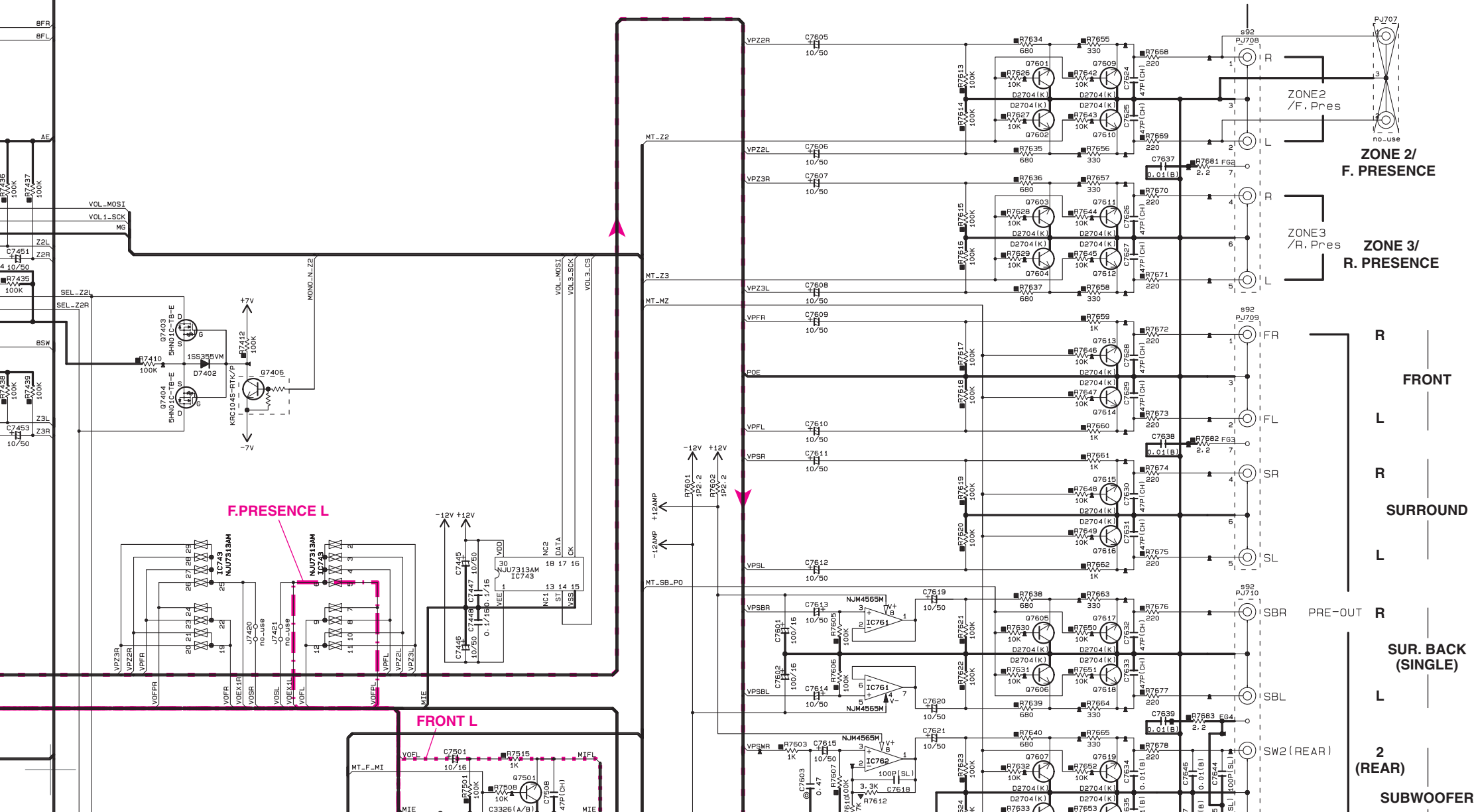
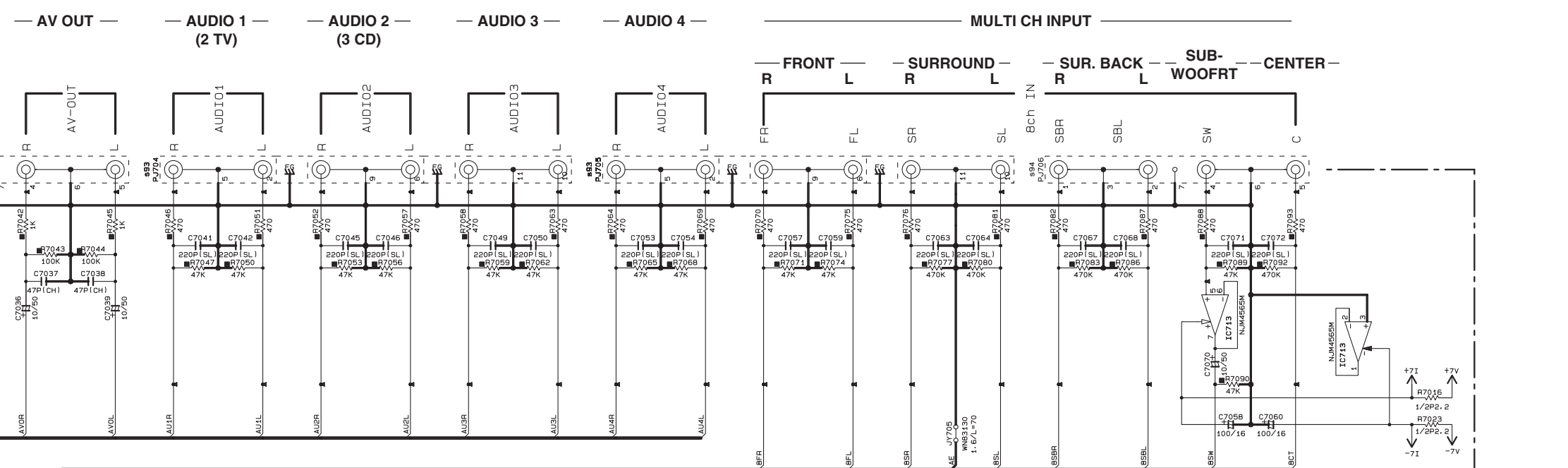
AV 2

AV 3

AV 4

AV OUT





ZONE 2/
F. PRESENCE

ZONE 3/
R. PRESENCE

FRONT

L

R

SURROUND

L

R

SUR. BACK
(SINGLE)

L

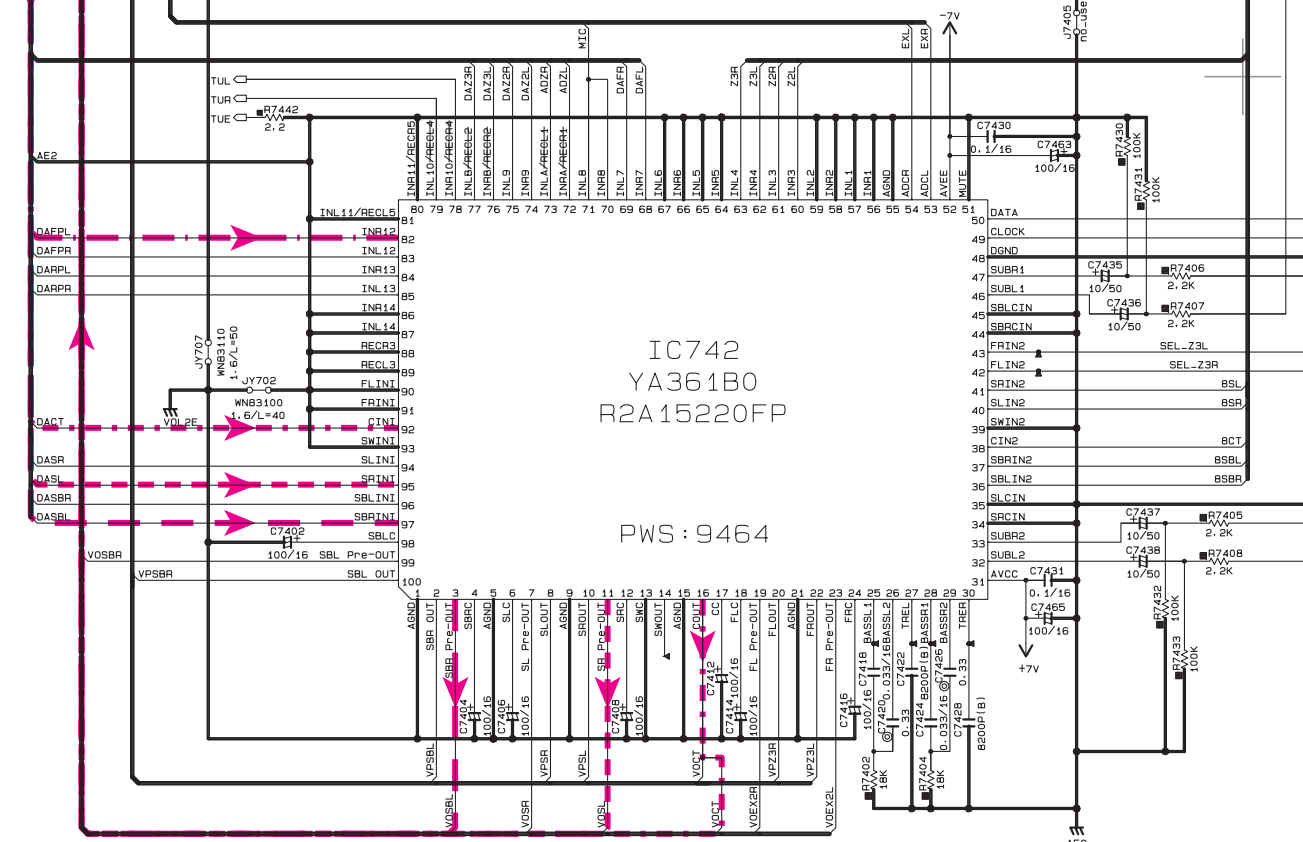
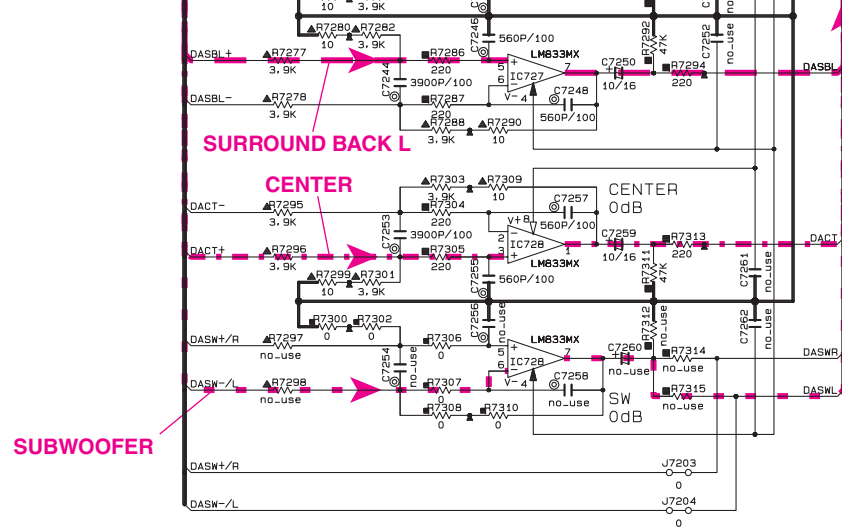
2
(REAR)

SUBWOOFER

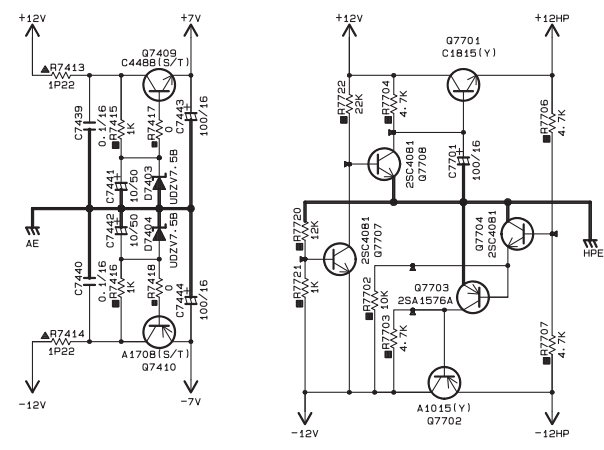
F.PRESENCE L

FRONT L

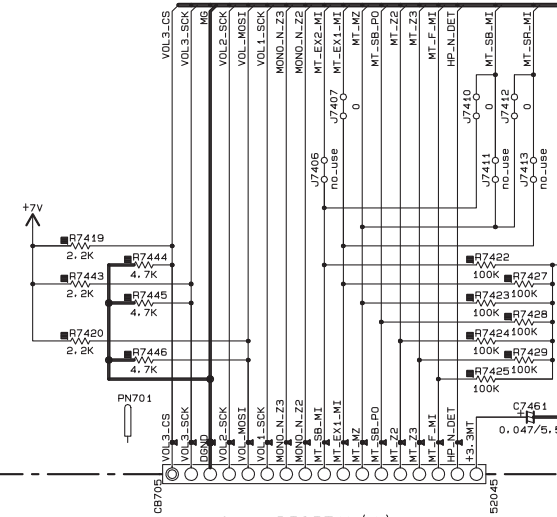
6



7



8



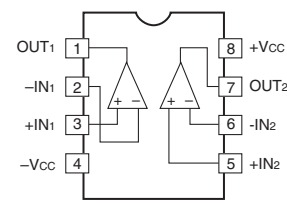
9

from DIGITAL(1)
Page 132 H9
to DIGITAL1 (1)_CB86

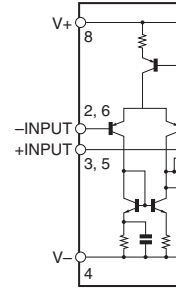
10

- ★ Components having special characteristics are marked Δ and must be replaced with parts having specifications equal to those originally installed.
- ★ Schematic diagram is subject to change without notice.
- Δ 印のある部品は、安全性確保部品を示しています。部品の交換が必要な場合、パーツリストに記載されている部品を使用してください。
- 本回路図は標準回路図です。改良のため予告なく変更することがあります。

IC701: NJM2068MD-TE2
Dual operational amplifier



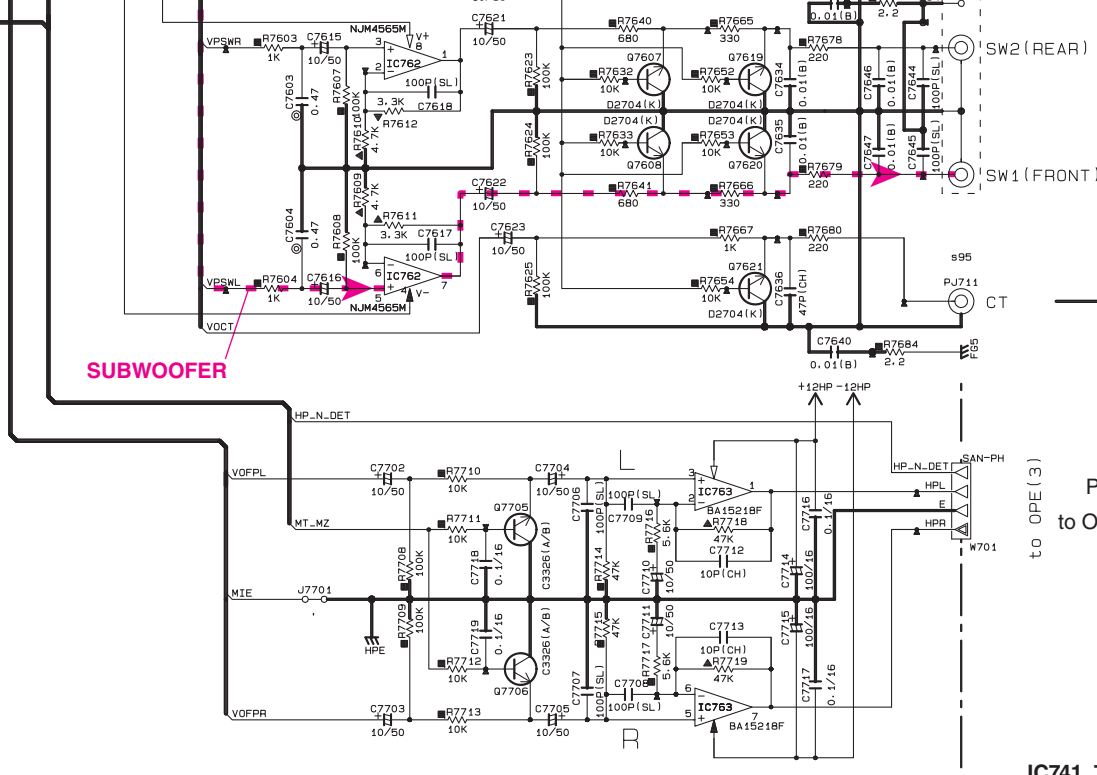
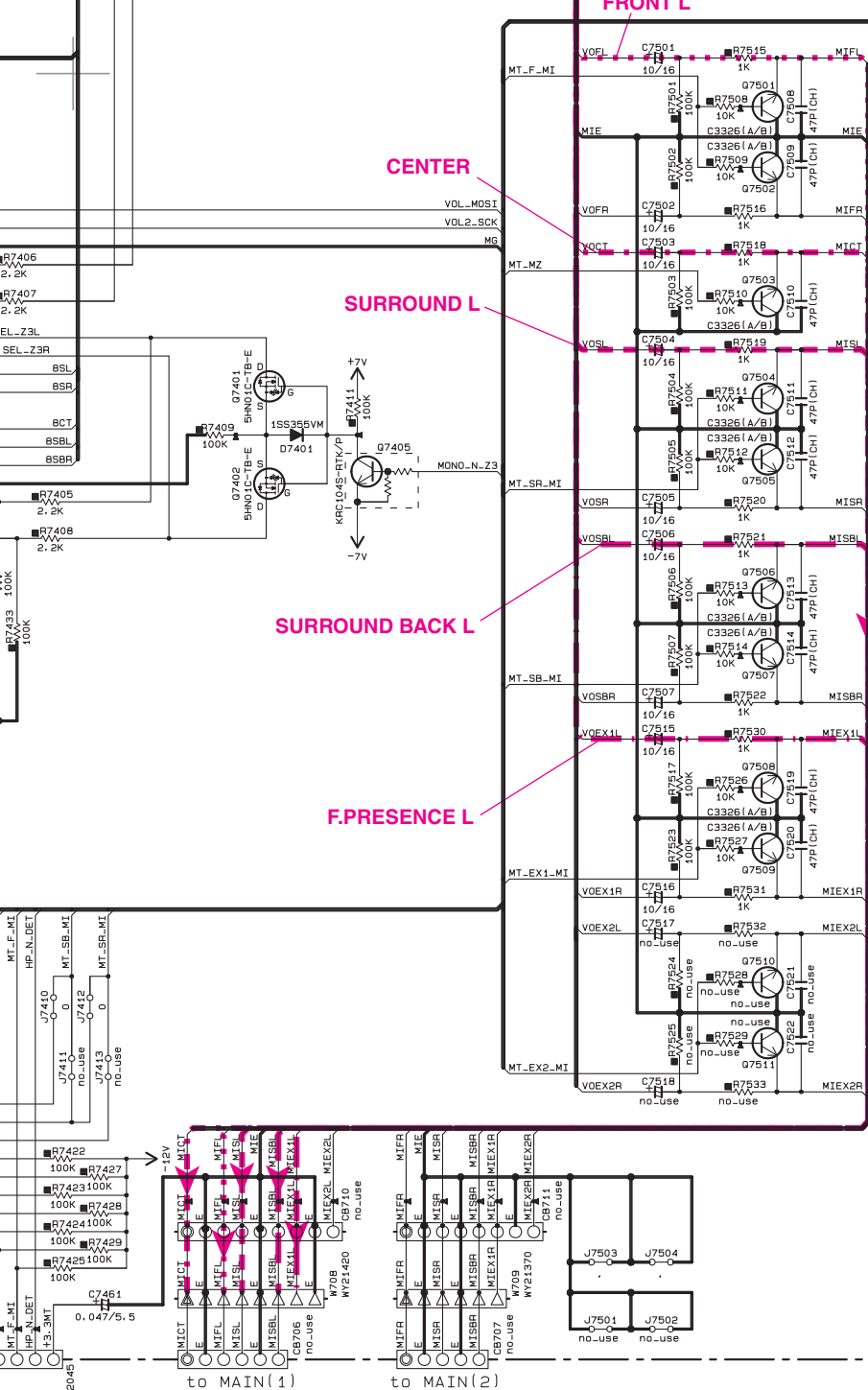
IC713, 761, 762
Dual operational amplifier



RX-A3010/RX-V3071

A	B
C	D

FUNCTION 1/2

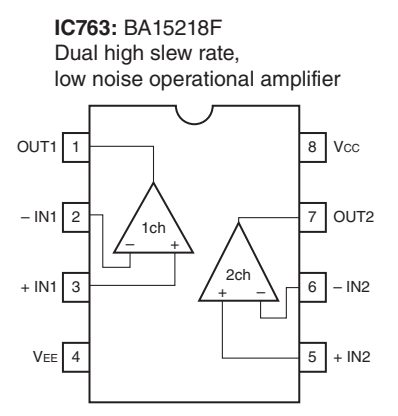
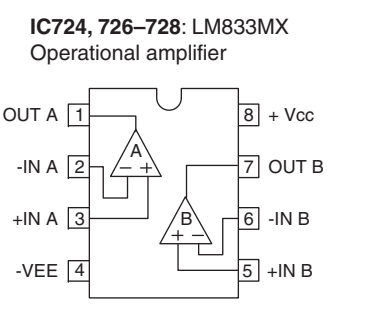
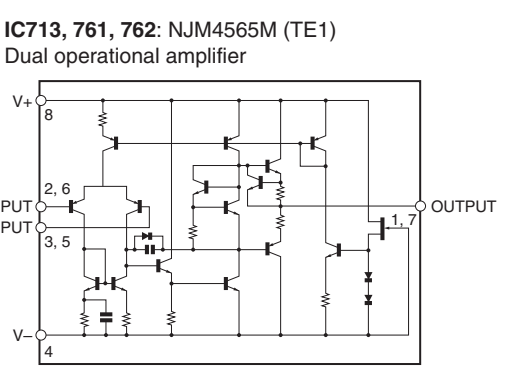


2 (REAR)
SUBWOOFER
1 (FRONT)
CENTER

Page 139 H6
to OPERATION (2)_CB454

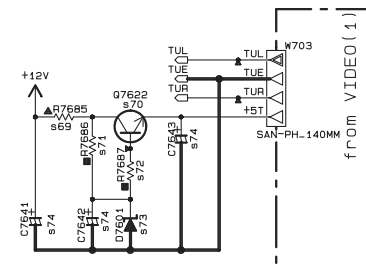
Page 140 H3
to AMP (1)_CB113

Page 140 B9
to AMP (2)_CB112

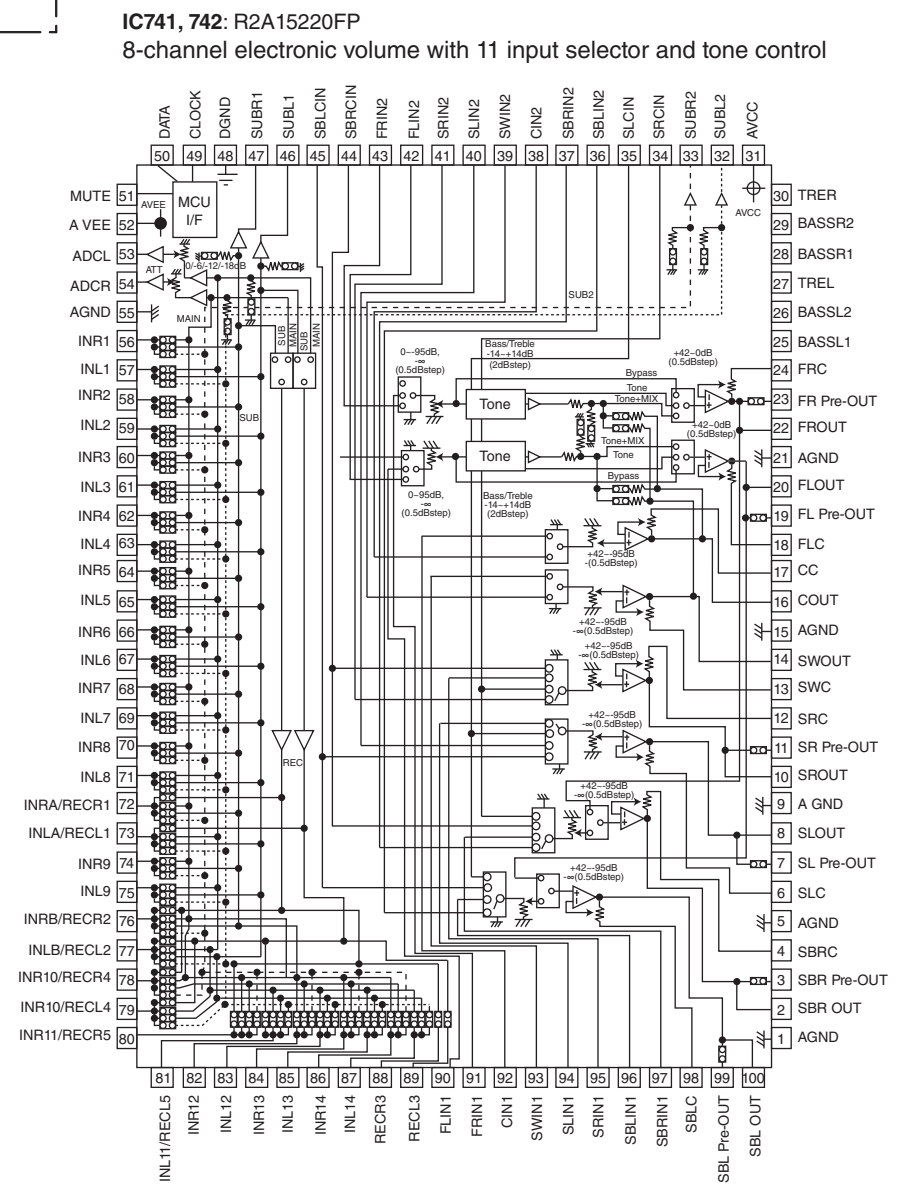
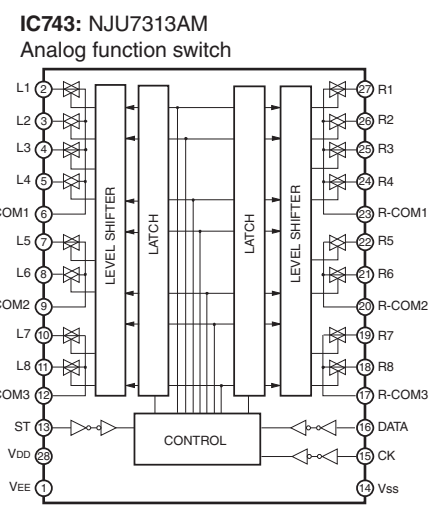


R.C.L. J: 7001-7999
other: 701-799

FUNCTION (1) FUNC (1)



Page 145 H2
to VIDEO (1)_CB333



A	B
C	D

A	B
C	D

RX-A3010/RX-V3071

FUNCTION 2/2

1

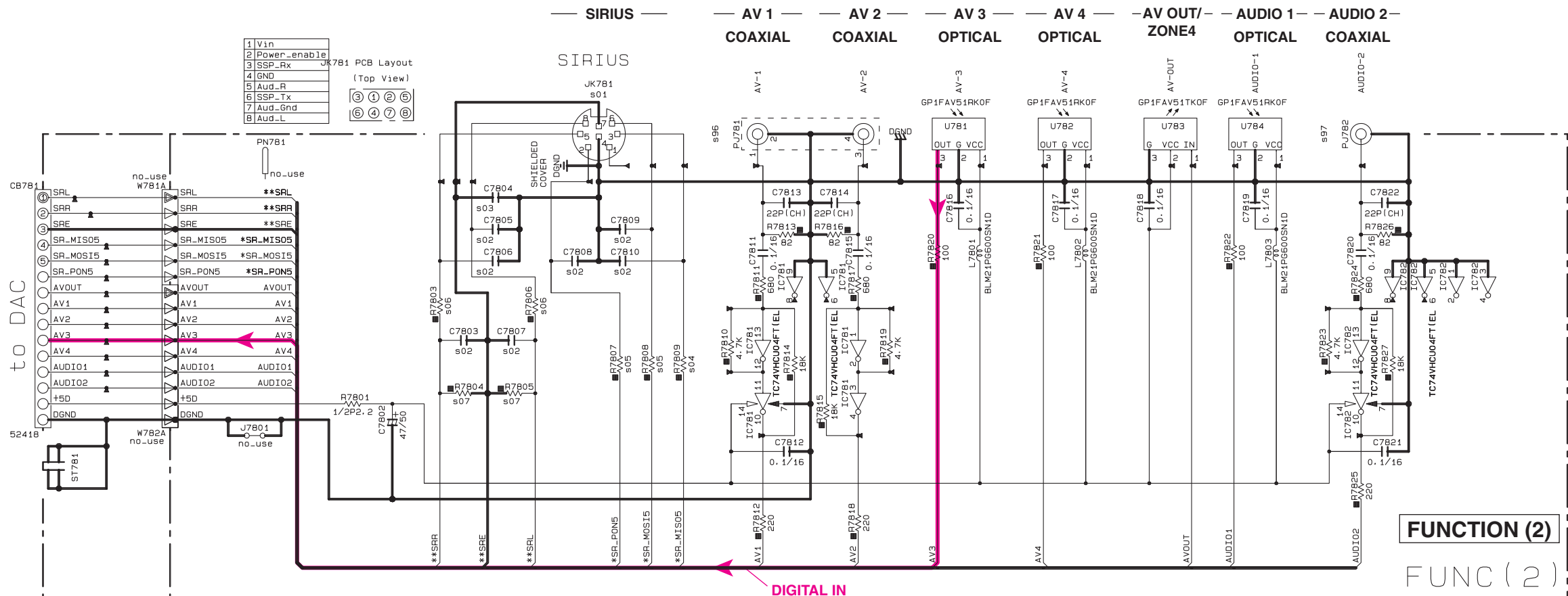
2

3

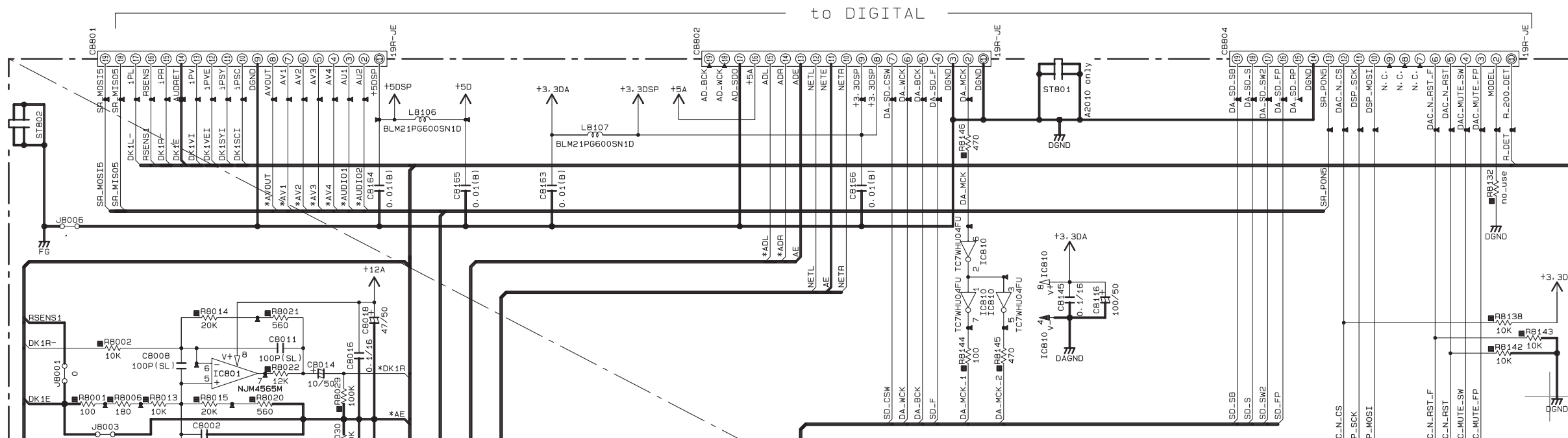
4

5

Page 146 B9 to DAC_CB858



FUNCTION (2)
FUNC (2)



H

I

J

K

L

M

N

REMARKS	PARTS NAME
NO MARK	CARBON FILM RESISTOR (P=5)
□	CARBON FILM RESISTOR (P=10)
△	METAL OXIDE FILM RESISTOR
▲	METAL FILM RESISTOR
⊗	METAL PLATE RESISTOR
⊠	FIRE PROOF CARBON FILM RESISTOR
□	CEMENT MOLDED RESISTOR
⊕	SEMI VARIABLE RESISTOR
■	CHIP RESISTOR

REMARKS	PARTS NAME
NO MARK	ELECTROLYTIC CAPACITOR
⊗	TANTALUM CAPACITOR
NO MARK	CERAMIC CAPACITOR
●	CERAMIC TUBULAR CAPACITOR
⊙	POLYESTER FILM CAPACITOR
○	POLYSTYRENE FILM CAPACITOR
⊖	MICA CAPACITOR
⊕	POLYPROPYLENE FILM CAPACITOR
⊙	SEMICONDUCTIVE CERAMIC CAPACITOR
⊖	POLYPHENYLENE SULFIDE FILM CAPACITOR

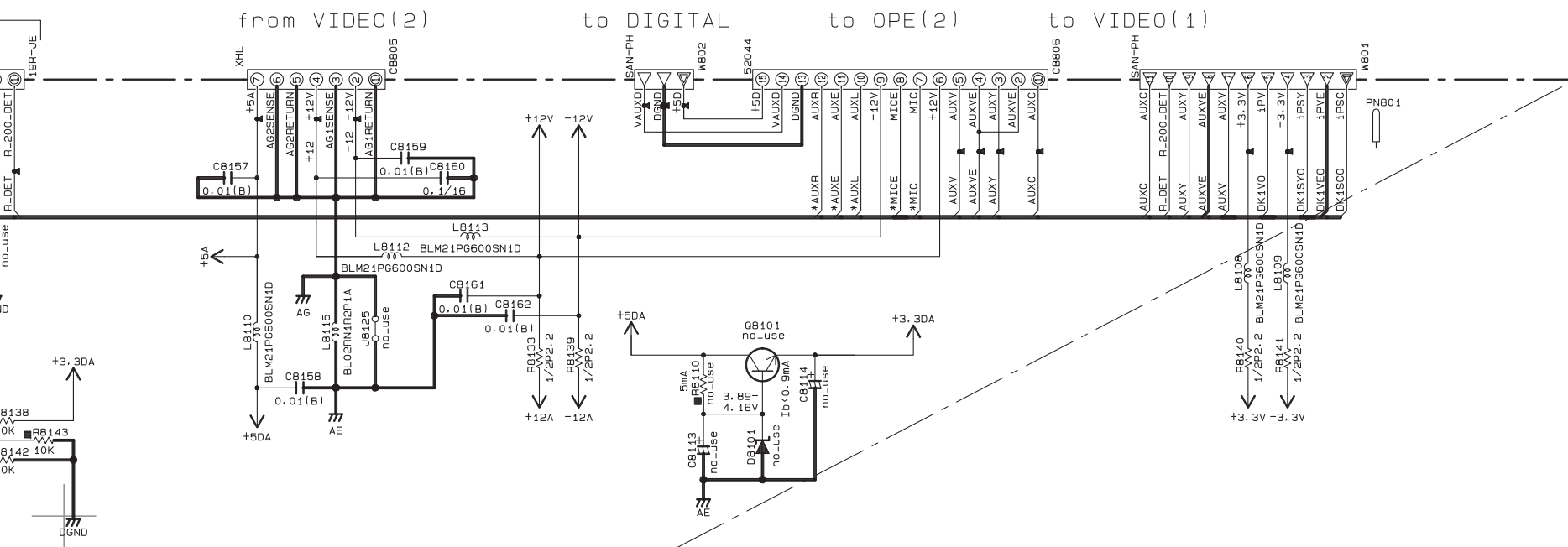
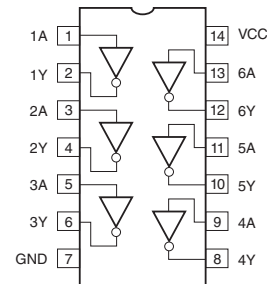
Destination Part List					
sXX	LOC	J	U	CRT	KABGLF
s1	JK781	X	VV26950 MD-SB130-90	X	X
s2	C7803 C7805-7810	X	US06222 220P(SL)	X	X
s3	C7804	X	US06310 1000P(B)	X	X
s4	R7809	X	RD35410 10	X	X
s5	R7807 R7808	X	RD35433 33	X	X
s6	R7803 R7806	X	RD35547 470	X	X
s7	R7804 R7805	X	RD35810 100K	X	X
s11	R7001 R7015	RD35447 47	RD35447 47	RD35447 47	RD35622 2.2K
s12	C7006 C7012	X	X	X	WJ60830 220P/100
s13	R7223 R7224	WQ07230 1P2.2	HF35322 1/2P2.2	WQ07230 1P2.2	WQ07230 1P2.2

Destination Part List					
sXX	LOC	J	U	CRT	KABGLF
s69	R7685	WW96750 18	X	WW96750 18	WW96750 18
s70	Q7622	VPB7270 C448B(S/T)	X	VPB7270 C448B(S/T)	VPB7270 C448B(S/T)
s71	R7686	RD35615 1.5K	X	RD35615 1.5K	RD35615 1.5K
s72	R7687	RD35510 100	X	RD35510 100	RD35510 100
s73	D7601	WY16330 UDZV5.6B	X	WY16330 UDZV5.6B	WY16330 UDZV5.6B
s74	C7641-7643	UR06747 47/50	X	UR06747 47/50	UR06747 47/50

Destination Part List					
sXX	LOC	J	U	CRT	KABGLF
s91	PJ701	V979680 MSP-244V6-03	V804130 MSP-244V6-01NI	V804130 MSP-244V6-01NI	V804130 MSP-244V6-01NI
s92	PJ703, 703 PJ708-710	V979670 MSP-244V1-03	V704670 MSP-244V1-01NI	V704670 MSP-244V1-01NI	V704670 MSP-244V1-01NI
s93	PJ704 PJ705	WH23790 MSP-246V1-03	V704680 MSP-246V1-01NI	V704680 MSP-246V1-01NI	V704680 MSP-246V1-01NI
s94	PJ706	WU84990 MSP-244V1-33-GI	WR09560 MSP-244V1-19NI	WR09560 MSP-244V1-19NI	WR09560 MSP-244V1-19NI
s95	PJ711	WU84980 MSP-241V1-10-GI	V718970 MSP-241V1-01NI	V718970 MSP-241V1-01NI	V718970 MSP-241V1-01NI
s96	PJ781	VZ72640 YKC21-3936V	V571530 YKC21-4226	V571530 YKC21-4226	V571530 YKC21-4226
s97	PJ782	V228340 YKC21-3915V	V879570 MSP-251V-05NI	V879570 MSP-251V-05NI	V879570 MSP-251V-05NI

NOTICE (model)
 (J)..... JAPAN
 (U)..... U.S.A
 (C)..... CANADA
 (R)..... GENERAL
 (T)..... CHINA
 (K)..... KOREA
 (A)..... AUSTRALIA
 (B)..... BRITISH
 (G)..... EUROPE
 (L)..... SINGAPORE
 (E)..... SOUTH EUROPE
 (V)..... TAIWAN
 (F)..... RUSSIAN
 (P)..... LATIN AMERICA
 (S)..... BRAZIL
 (H)..... THAI

IC781, 782: TC74VHC04FT
Hex inverters



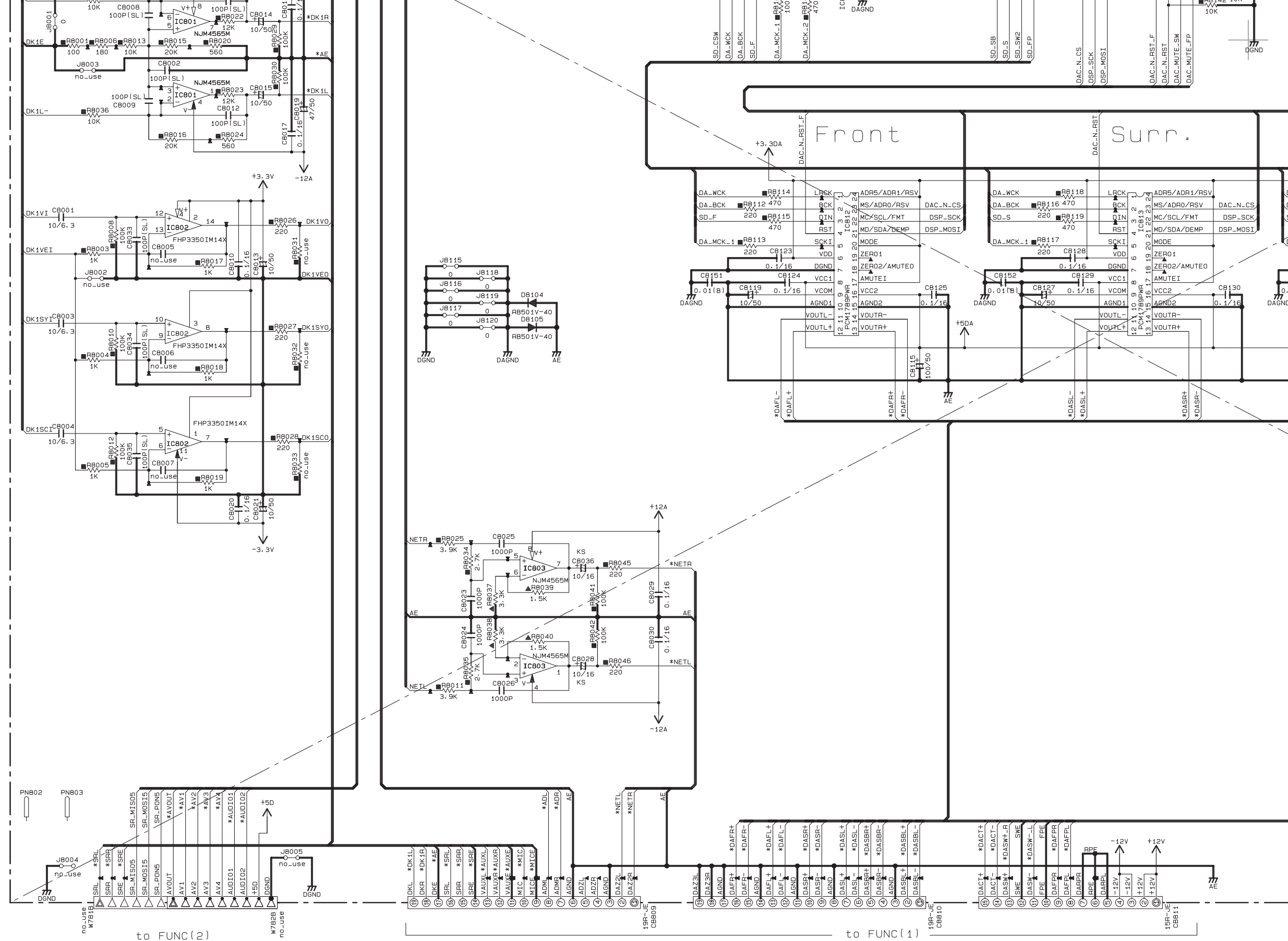
6

7

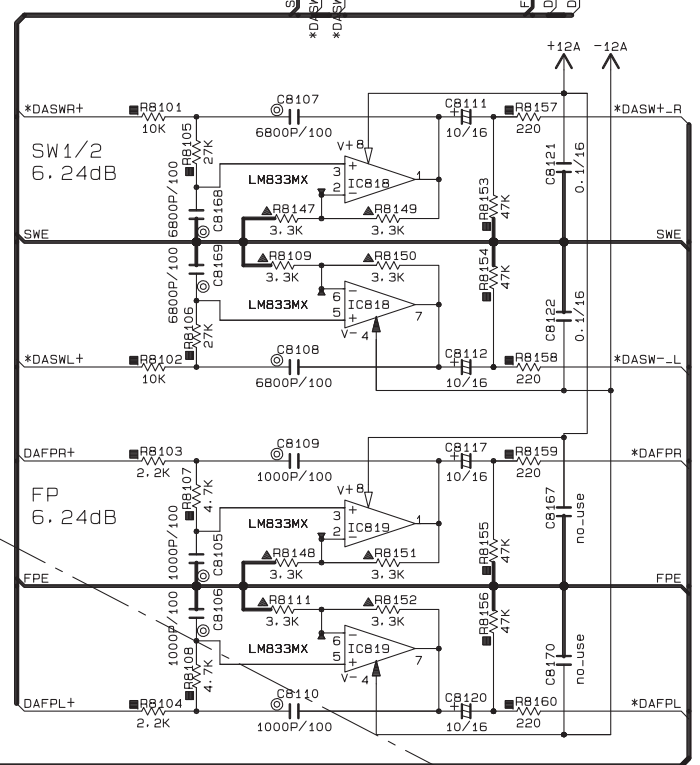
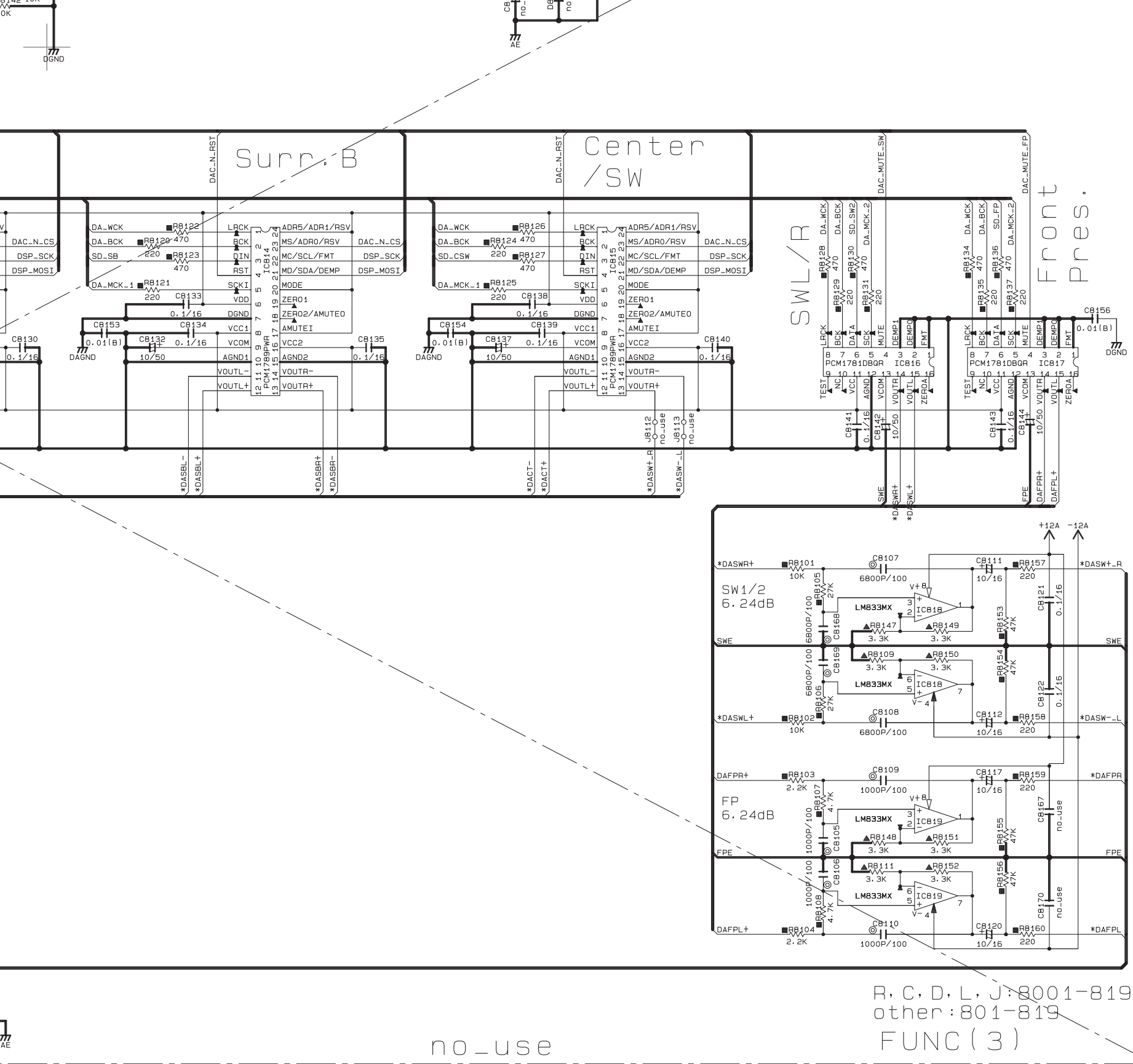
8

9

10



A	B
C	D



R, C, D, L, J: 8001-8199
 other: 801-819
 FUNC(3)

no_use

- ★ Components having special characteristics are marked Δ and must be replaced with parts having specifications equal to those originally installed.
- ★ Schematic diagram is subject to change without notice.

- Δ 印のある部品は、安全性確保部品を示しています。部品の交換が必要な場合、パーツリストに記載されている部品を使用してください。
- 本回路図は標準回路図です。改良のため予告なく変更することがあります。

A	B
C	D

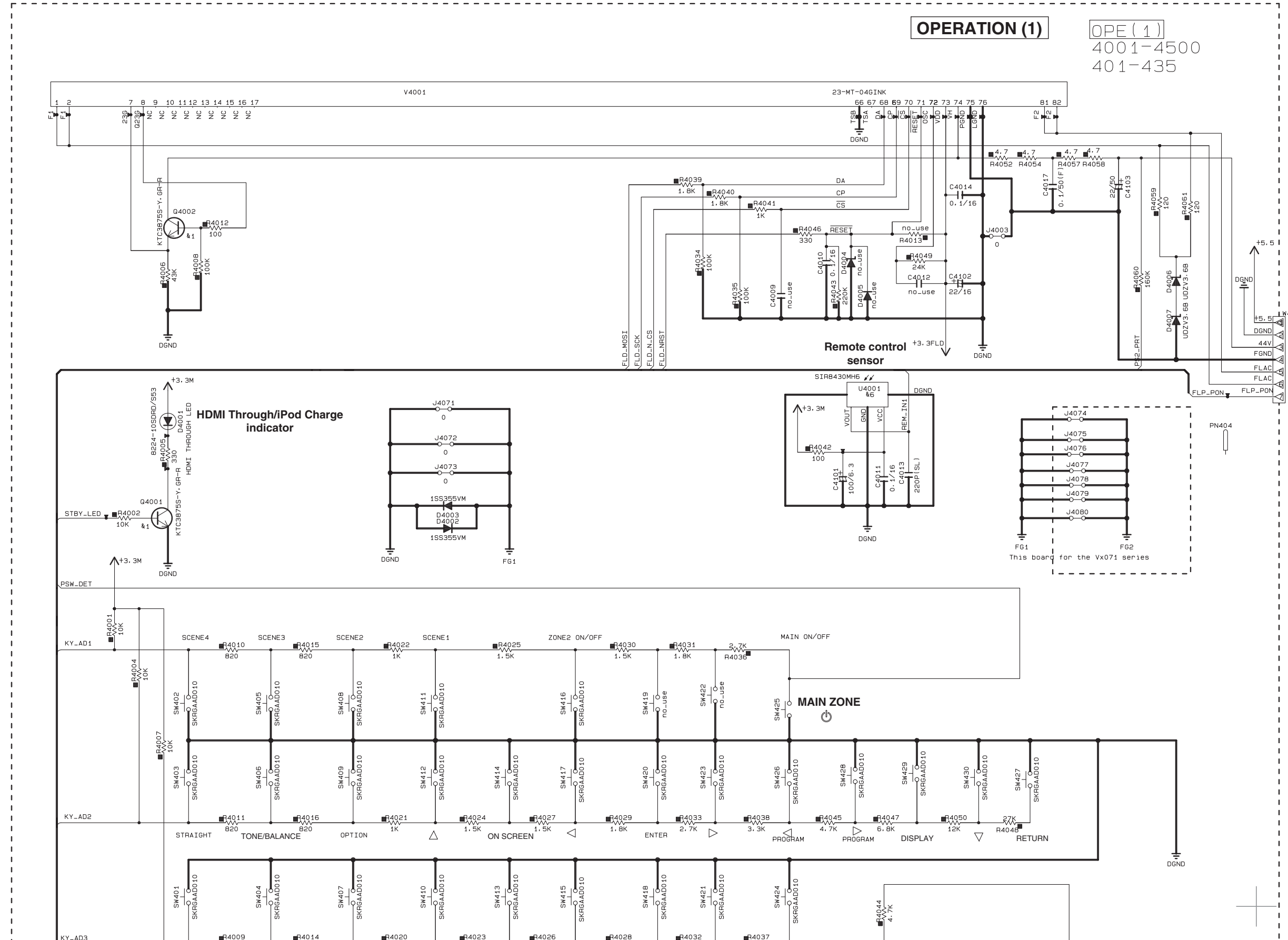
A	B
C	D

OPERATION

OPERATION

OPERATION (1)

OP(1)
4001-4500
401-435



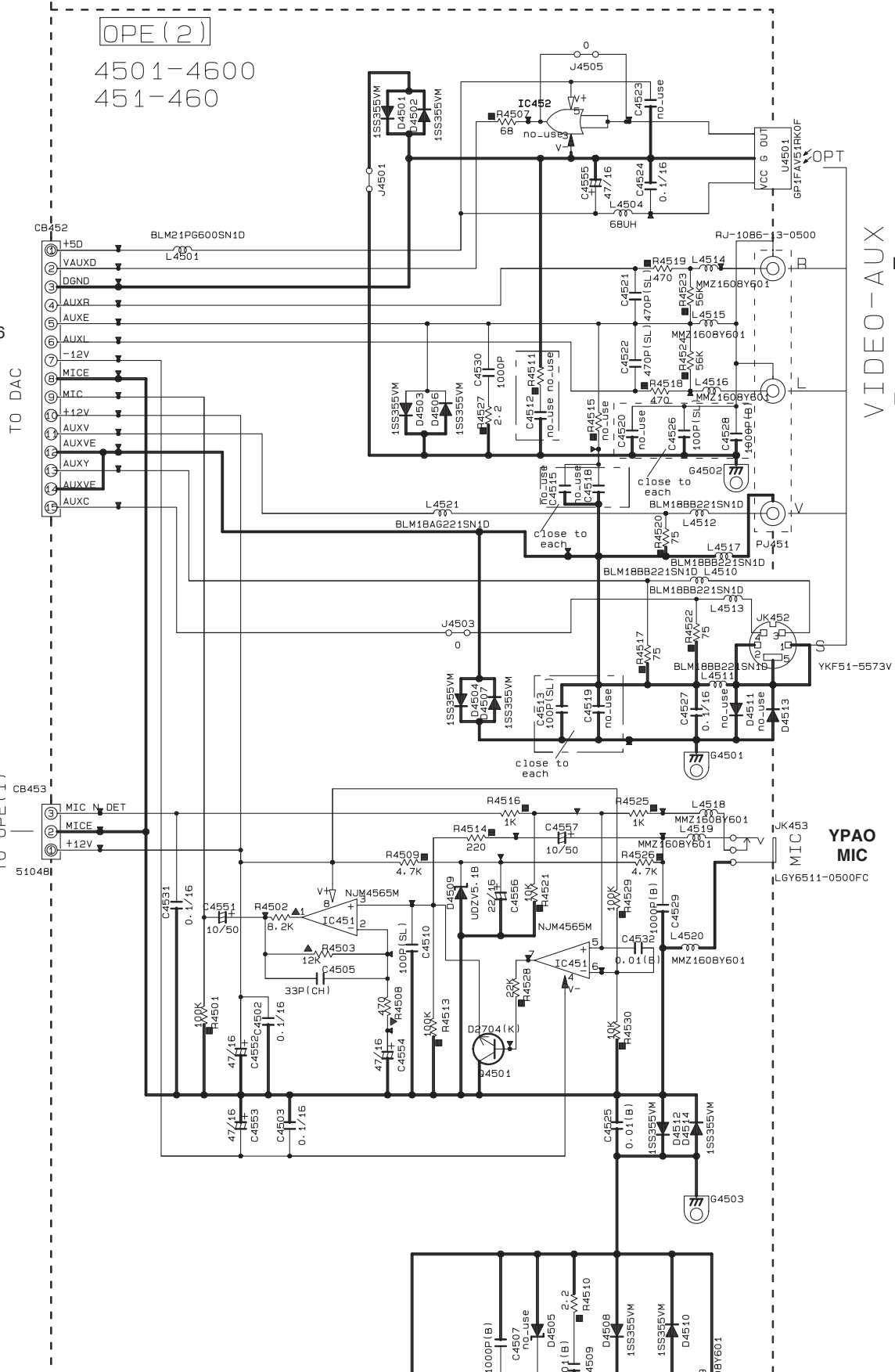
A	B
C	D

OPERATION

RX-A3010/RX-V3071

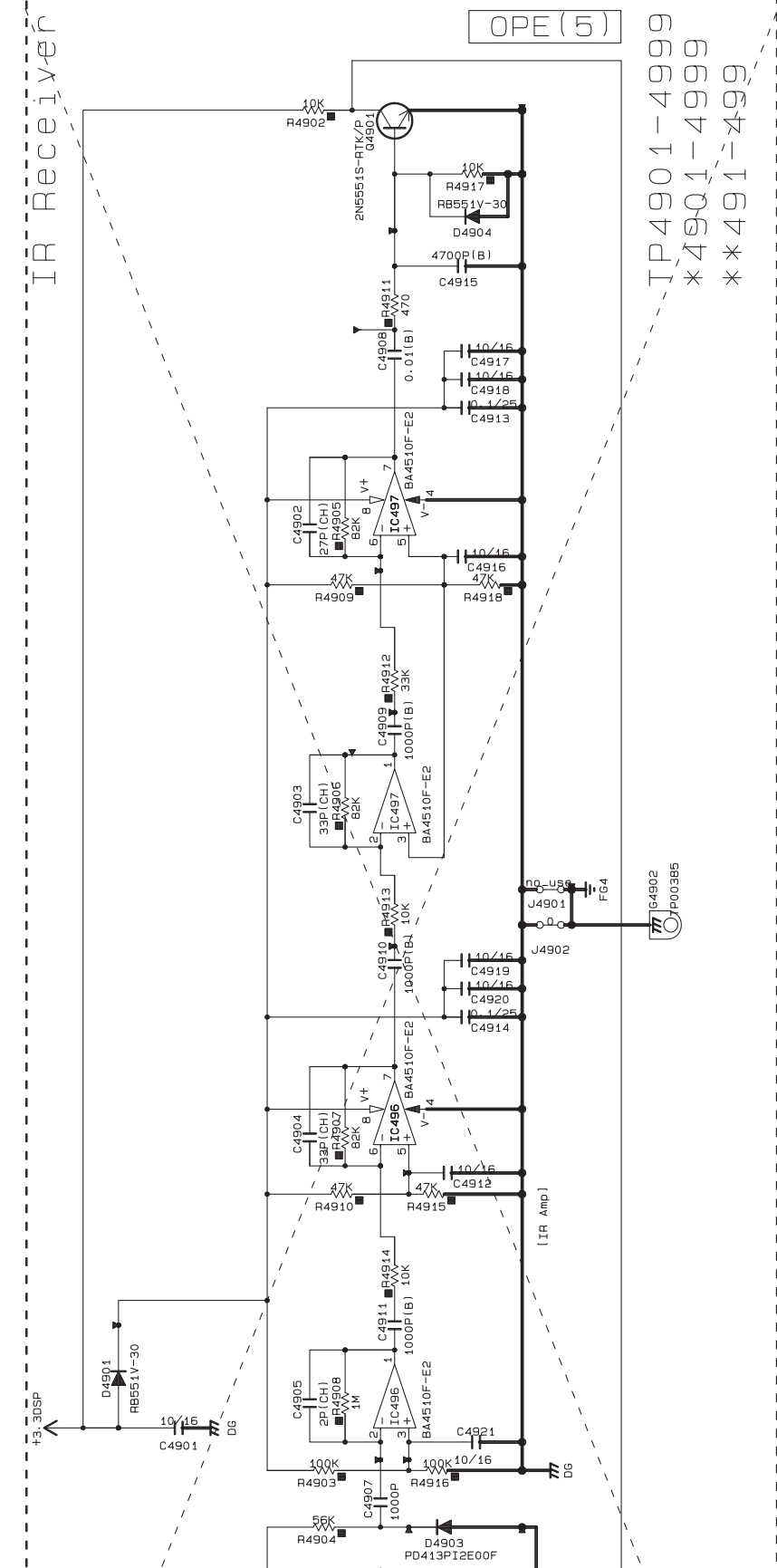
OPE (2)

4501-4600
451-460



no-use

OPE (5)



Page 146 J2 to DAC_CB856

Page 145 F9 to VIDEO (3)_CB362

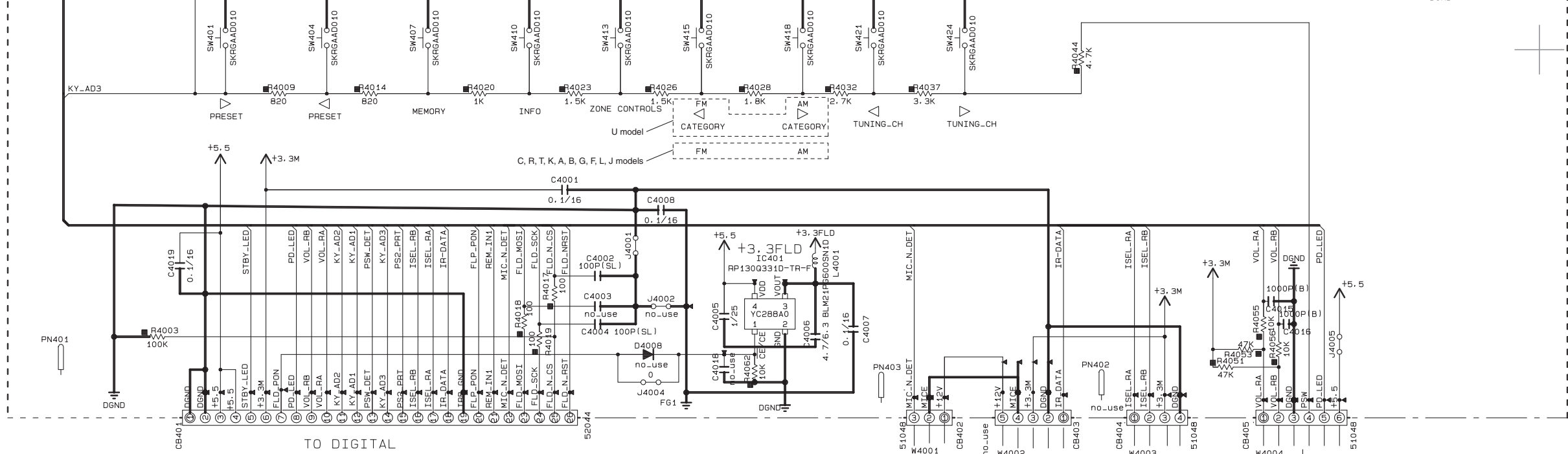
6

7

8

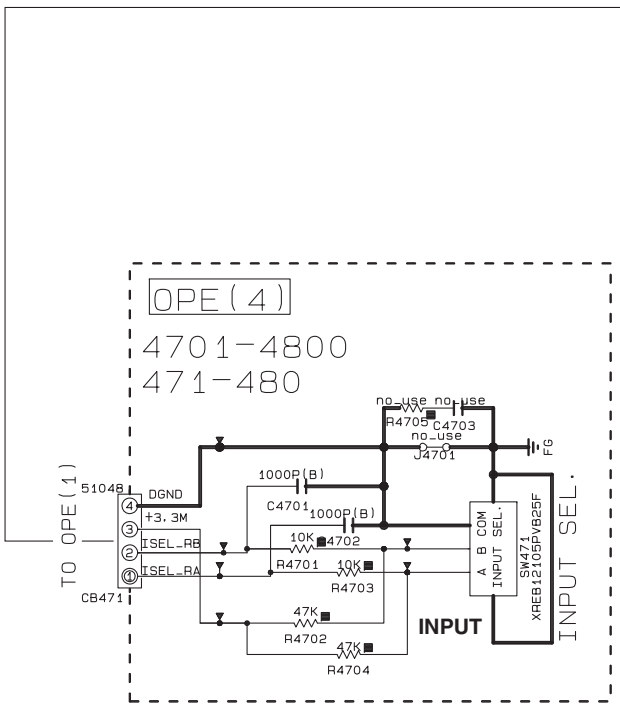
9

10

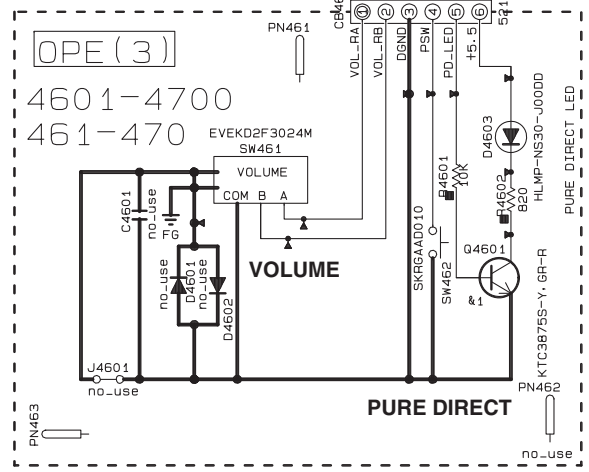


Page 132 K8
to DIGITAL1 (1)_CB81

TO OPE (2) TO OPE (5) TO OPE (4) TO OPE (3)



OPERATION (4)



OPERATION (3)

Key detection for A/D port
Key input (A/D) pull-up resistance 10 k-ohms

Ohm	0	+ 0.82 k	+ 0.82 k	+ 1.0 k
V	0 - 0.125	0.125 - 0.358	0.358 - 0.577	0.577 - 0.820
A/D conversion value (3.3 V=255)	0 - 9	10 - 27	28 - 44	45 - 60
KY_AD1 (139 pin of the microprocessor)	SCENE	SCENE	SCENE	SCENE
	4	3	2	1

Ohm	0	+ 0.82 k	+ 0.82 k	+ 1.0 k
V	0 - 0.125	0.125 - 0.358	0.358 - 0.577	0.577 - 0.820
A/D conversion value (3.3 V=255)	0 - 9	10 - 27	28 - 44	45 - 60
KY_AD2 (138 pin of the microprocessor)	STRAIGHT	TONE	OPTION	△
		BALANCE		

Ohm	0	+ 0.82 k	+ 0.82 k	+ 1.0 k
V	0 - 0.125	0.125 - 0.358	0.358 - 0.577	0.577 - 0.820
A/D conversion value (3.3 V=255)	0 - 9	10 - 27	28 - 44	45 - 60
KY_AD3 (14 pin of the IC902)	PRESET	PRESET	MEMORY	INFO
	>	<		

PURE DIRECT indicator

NOTICE (model)

- (J)..... JAPAN
- (U)..... U. S. A
- (C)..... CANADA
- (R)..... GENERAL
- (T)..... CHINA
- (K)..... KOREA
- (A)..... AUSTRALIA
- (B)..... BRITISH
- (G)..... EUROPE
- (L)..... SINGAPORE
- (E)..... SOUTH EUROPE
- (V)..... TAIWAN
- (F)..... RUSSIAN
- (P)..... LATIN AMERICA
- (S)..... BRAZIL
- (H)..... THAI

CAPACITOR

REMARKS	PARTS N
NO MARK	ELECTROLYTIC CAPACITOR
⊗	TANTALUM CAPACITOR
NO MARK	CERAMIC CAPACITOR
⊙	CERAMIC TUBULAR CAPACITOR
⊖	POLYESTER FILM CAPACITOR
○	POLYSTYRENE FILM CAPACITOR
Ⓢ	MICA CAPACITOR
Ⓣ	POLYPROPYLENE FILM CAPACITOR
Ⓥ	SEMICONDUCTIVE CAPACITOR
Ⓦ	POLYPHENYLENE SULFONATE CAPACITOR

RX-A3010/RX-V3071

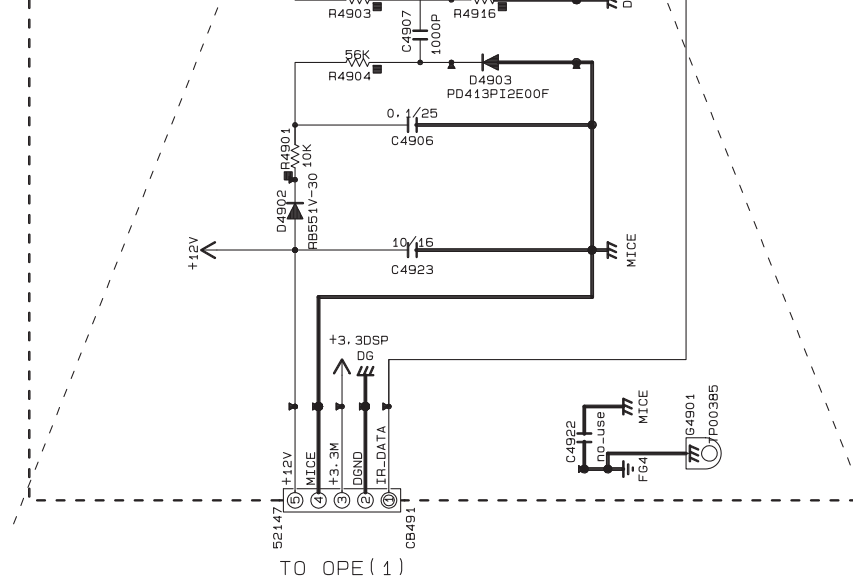
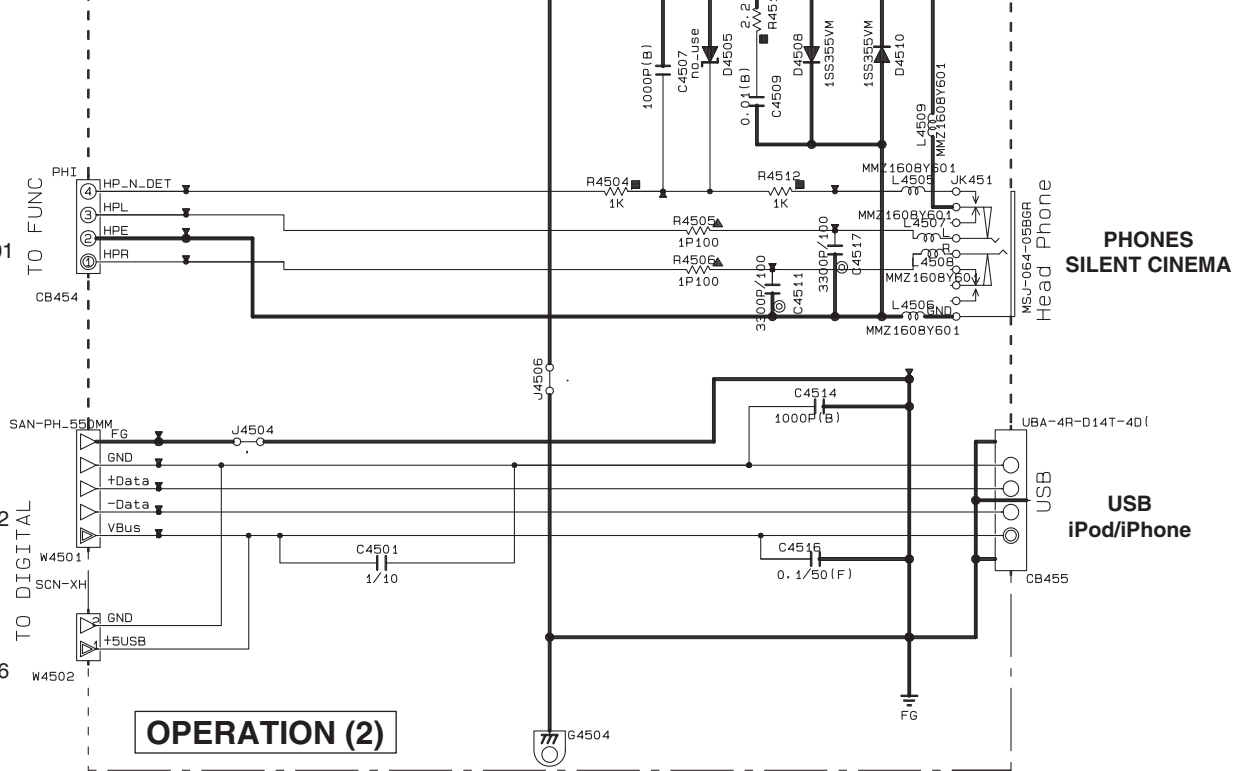
A	B
C	D

OPERATION

Page 137 L7
to FUNCTION (1)_W701

Page 133 K8
to DIGITAL1 (1)_CB902

Page 135 M8
to DIGITAL1 (1)_CB946



+ 0.82 k	+ 1.0 k	+ 1.5 k	+ 1.5 k	+ 1.8 k	+ 2.7 k
0.358 - 0.577	0.577 - 0.828	0.828 - 1.078	1.078 - 1.299	1.299 - 1.535	1.535 - 1.777
28 - 44	45 - 63	64 - 83	84 - 100	101 - 118	119 - 137
SCENE 2	SCENE 1	ZONE2 ON/OFF	ZONE3 ON/OFF	ZONE4 ON/OFF	MAIN ZONE

+ 0.82 k	+ 1.0 k	+ 1.5 k	+ 1.5 k	+ 1.8 k	+ 2.7 k	+ 3.3 k	+ 4.7 k	+ 6.8 k	+ 12.0 k	+ 22.0 k
0.358 - 0.577	0.577 - 0.828	0.828 - 1.078	1.078 - 1.299	1.299 - 1.535	1.535 - 1.777	1.777 - 2.010	2.010 - 2.241	2.241 - 2.476	2.476 - 2.709	2.709 - 2.940
28 - 44	45 - 63	64-83	84 - 100	101 - 118	119 - 137	138 - 155	156 - 173	174 - 191	192 - 209	210 - 227
OPTION	△	ON SCREEN	◀	ENTER	▶	PROGRAM <	PROGRAM >	DISPLAY	▽	RETURN

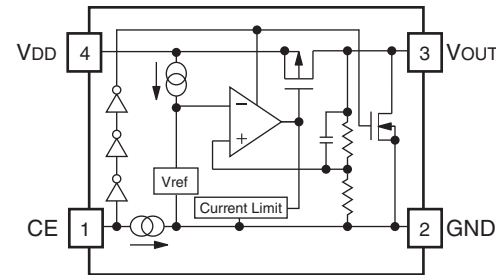
+ 0.82 k	+ 1.0 k	+ 1.5 k	+ 1.5 k	+ 1.8 k	+ 2.7 k	+ 3.3 k	+ 4.7 k
0.358 - 0.577	0.577 - 0.828	0.828 - 1.078	1.078 - 1.299	1.299 - 1.535	1.535 - 1.777	1.777 - 2.010	2.010 - 2.241
28 - 44	45 - 63	64 - 83	84 - 100	101 - 118	119 - 137	138 - 155	156 - 173
MEMORY	INFO	ZONE CONTROLS	FM	AM	TUNING/CH <<	TUNING/CH >>	PURE DIRECT

PARTS NAME	Symbol
ELECTROLYTIC CAPACITOR	⌘
ALUMINUM CAPACITOR	⌘
CERAMIC CAPACITOR	⌘
CERAMIC TUBULAR CAPACITOR	⌘
POLYESTER FILM CAPACITOR	⌘
POLYSTYRENE FILM CAPACITOR	⌘
PAPER CAPACITOR	⌘
POLYPROPYLENE FILM CAPACITOR	⌘
SEMICONDUCTIVE CERAMIC CAPACITOR	⌘
POLYPHENYLENE SULFIDE FILM CAPACITOR	⌘

REMARKS	PARTS NAME
NO MARK	CARBON FILM RESISTOR (P=5)
⊠	CARBON FILM RESISTOR (P=10)
△	METAL OXIDE FILM RESISTOR
▲	METAL FILM RESISTOR
⊞	METAL PLATE RESISTOR
⊞	FIRE PROOF CARBON FILM RESISTOR
□	CEMENT MOLDED RESISTOR
⊗	SEMI VARIABLE RESISTOR
■	CHIP RESISTOR

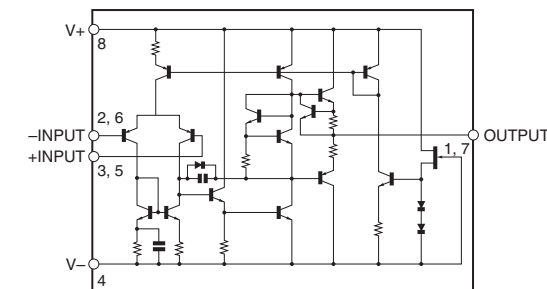
VFD	MIC AMP
KEY INPUT	INPUT SELECTOR
V-AUX	VOLUME
FRONT HDMI	IR RECEIVER for Learning (IDLING ADJUSTMENT JIG)

IC401: RP130Q331D-TR-F
Voltage regulator



Pin No.	Symbol	Description
1	CE	Chip Enable ("H" Active)
2	GND	Ground Pin
3	Vout	Output Pin
4	VDD	Input Pin

IC451: NJM4565M (TE1)
Dual operational amplifier



★ Components having special characteristics are marked △ and must be replaced with parts having specifications equal to those originally installed.
★ Schematic diagram is subject to change without notice.

● △印のある部品は、安全性確保部品を示しています。部品の交換が必要な場合、パーツリストに記載されている部品を使用してください。
● 本回路図は標準回路図です。改良のため予告なく変更することがあります。

A	B
C	D

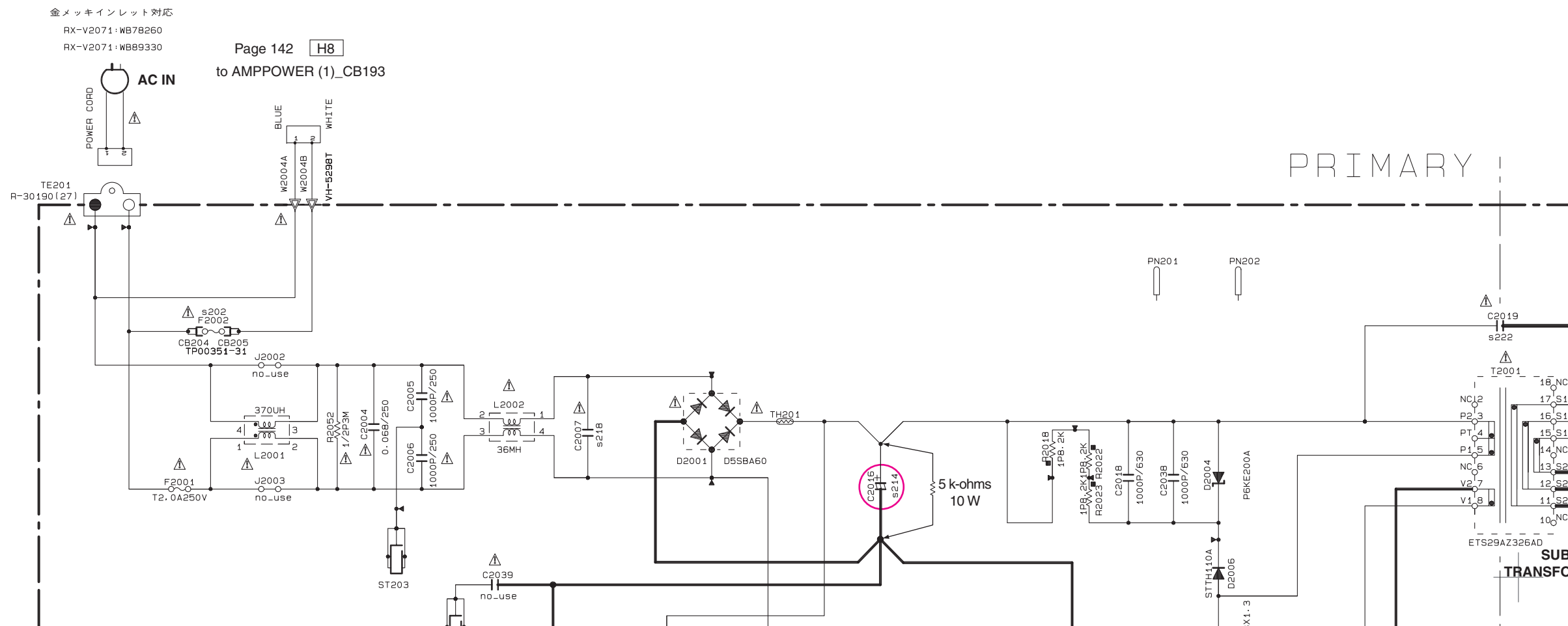
A	B
C	D

POWER

POWER

RESISTOR

REMARKS	PARTS NAME
NO MARK	CARBON FILM RESISTOR (P=5)
□	CARBON FILM RESISTOR (P=10)
△	METAL OXIDE FILM RESISTOR
▲	METAL FILM RESISTOR
⊠	METAL PLATE RESISTOR
⊞	FIRE PROOF CARBON FILM RESISTOR
□	CEMENT MOLDED RESISTOR
⊗	SEMI VARIABLE RESISTOR
■	CHIP RESISTOR



A	B
C	D

POWER

RX-A3010/RX-V3071

NAME
RESISTOR (P=5)
RESISTOR (P=10)
RESISTOR
RESISTOR
RESISTOR
RESISTOR
RESISTOR
RESISTOR
RESISTOR
RESISTOR

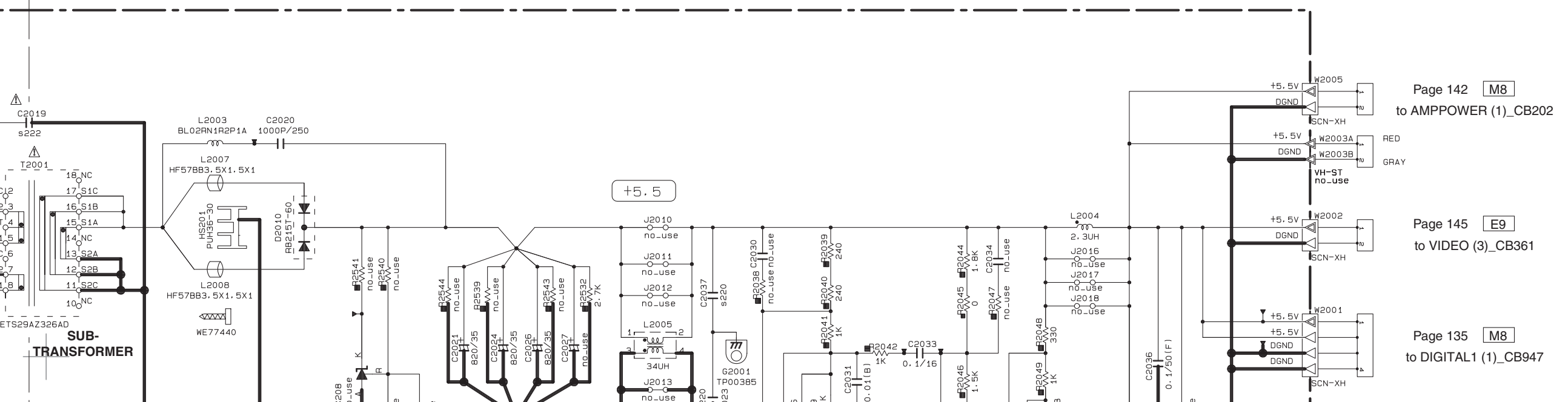
CAPACITOR	
REMARKS	PARTS NAME
NO MARK	ELECTROLYTIC CAPACITOR
⊗	TANTALUM CAPACITOR
NO MARK	CERAMIC CAPACITOR
●	CERAMIC TUBULAR CAPACITOR
⊙	POLYESTER FILM CAPACITOR
○	POLYSTYRENE FILM CAPACITOR
①	MICA CAPACITOR
Ⓟ	POLYPROPYLENE FILM CAPACITOR
Ⓢ	SEMICONDUCTIVE CERAMIC CAPACITOR
Ⓣ	POLYPHENYLENE SULFIDE FILM CAPACITOR

NOTICE (model)

(J)..... JAPAN
 (U)..... U. S. A
 (C)..... CANADA
 (R)..... GENERAL
 (T)..... CHINA
 (K)..... KOREA
 (A)..... AUSTRALIA
 (B)..... BRITISH
 (G)..... EUROPE
 (L)..... SINGAPORE
 (E)..... SOUTH EUROPE
 (V)..... TAIWAN
 (F)..... RUSSIAN
 (P)..... LATIN AMERICA
 (S)..... BRAZIL
 (H)..... THAI

Destination Part List					
sXX	LOC	J	UC	R	TKABGLF
s202	F2002	WU53640 T10AH250V	WQ21120 10A125V	WQ21120 10A125V	WB76060 T6.3AL250V
s213	R2006 R2005	RD15847 470K	RD15847 470K	RD15847 470K	RD15910 1M
s214	C2016	WU98970 390/200	WU98970 390/200	WU46420 390/400	WU98980 100/400
s215	R2025	WU98540 3P0.27	WU98540 3P0.27	WU98540 3P0.27	WQ52610 3P0.33
s218	C2007	V615040 0.068/250	WR97740 0.022/250	WR97740 0.022/250	WR97740 0.022/250
s220	C2037 C2023	X	US06322 2200P(B)	US06322 2200P(B)	US06322 2200P(B)
s221	R2533 R2534	V807260 1P33K	V807260 1P33K	V807260 1P33K	V807300 1P100K
s222	C2019	WH03590 1000P/250	WH03590 1000P/250	WH03610 2200P/250	WH03610 2200P/250
s226	R2545	RD35722 22K	RD35722 22K	RD35718 18K	RD35712 12K

SECONDARY



Page 142 **M8**
to AMPPOWER (1)_CB202

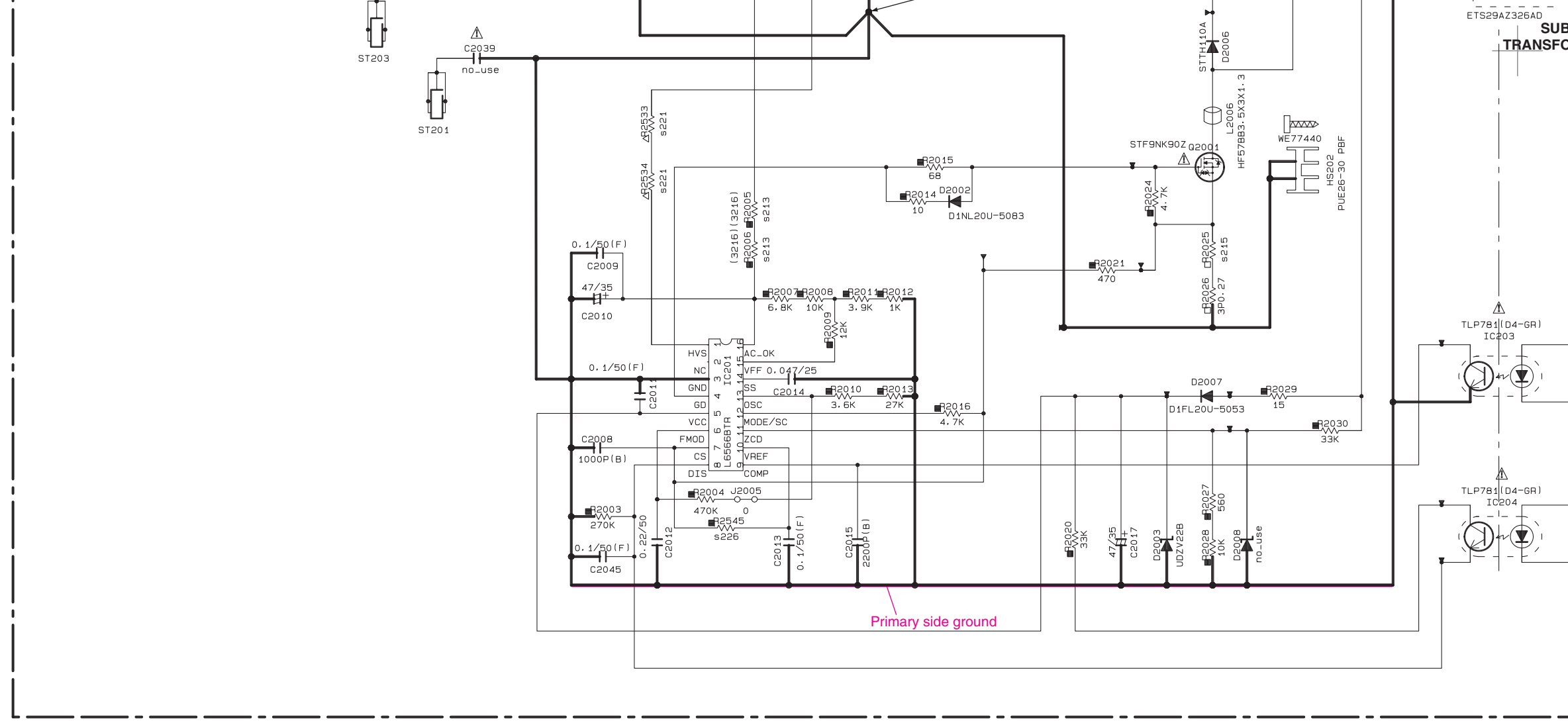
Page 145 **E9**
to VIDEO (3)_CB361

Page 135 **M8**
to DIGITAL1 (1)_CB947

6

7

8

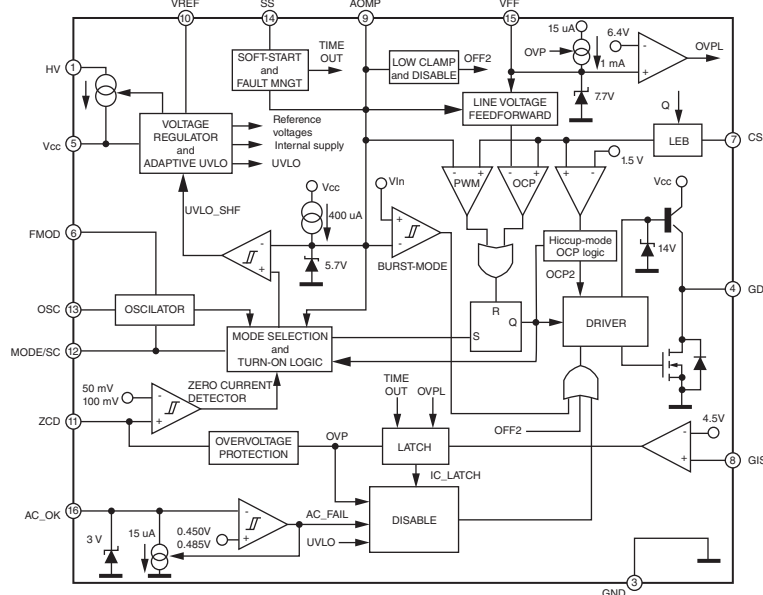


Primary side ground

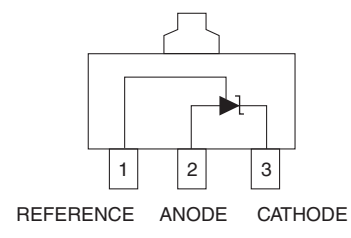
9

10

IC201: L6566BTR
Multi mode controller for SMPS



IC205: NJM431U
Adjustable precision shunt regulator



Notes)

Safety measures

- Some internal parts in this product contain high voltages and are dangerous. Be sure to take safety measures.
- Note that the capacitors indicated below are dangerous even after the power is turned off because they store charge. Before starting any repair work, connect a discharging resistor (5 k-ohms/10 W) to the terminals of the capacitors. The time required for discharging is about 30 seconds per each.

C2016 on POWER P.C.B.

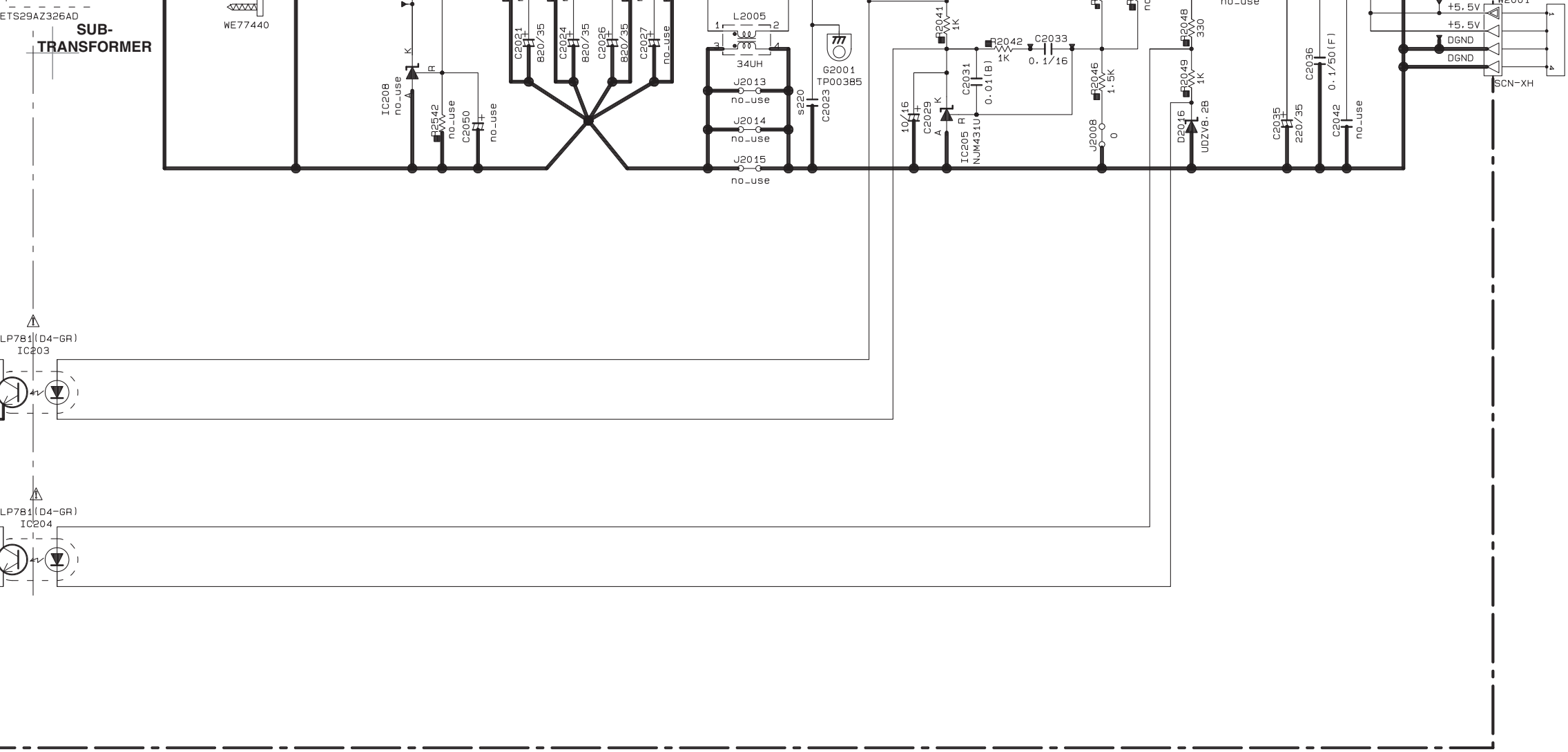
注意)

安全対策

- この製品の内部には高電圧部分があり危険です。修理の際は、絶縁性の手袋を使用するなどの安全対策を必ず行ってください。
- 下記のコンデンサには電源を OFF にした後も電荷が残り、高電圧が維持されており危険です。修理作業前、下記各コンデンサの端子間に接続して放電してください。放電所用時間は各々約 30 秒間です。

POWER P.C.B. の C2016

A	B
C	D



sure to take safety measures during servicing, such as wearing insulating gloves.
 rned off because an electric charge remains and a high voltage continues to exist there.
 o the terminals of each capacitor indicated below to discharge electricity.

するなどの安全対策を行ってください。
 危険です。修理作業前に放電用抵抗(5 kΩ/10 W)を
 30 秒間です。

- ★ Components having special characteristics are marked Δ and must be replaced with parts having specifications equal to those originally installed.
- ★ Schematic diagram is subject to change without notice.

- Δ 印のある部品は、安全性確保部品を示しています。部品の交換が必要な場合、パーツリストに記載されている部品を使用してください。
- 本回路図は標準回路図です。改良のため予告なく変更することがあります。

A	B
C	D

A	B
C	D

RX-A3010/RX-V3071

VIDEO 1/2

1

2

3

4

5

COMPONENT VIDEO

AV 1 (D4 VIDEO) (J model)

AV 2

AV 1

AV 2

AV 1

AV 2

AV 1

AV 4

AV 3

AV 4

AV 3

AV 4

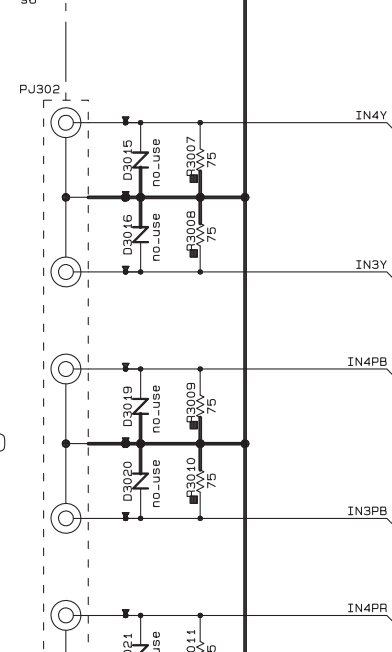
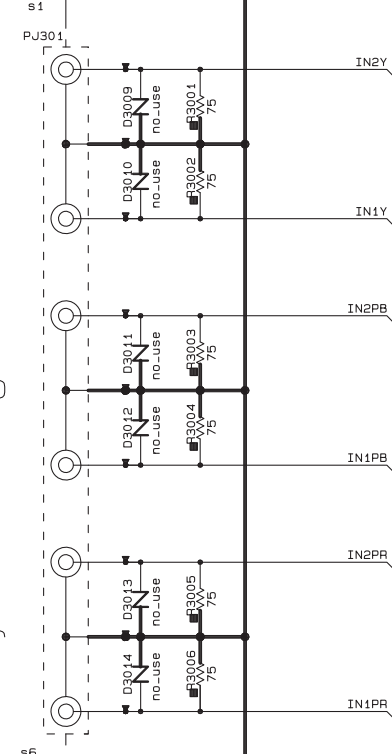
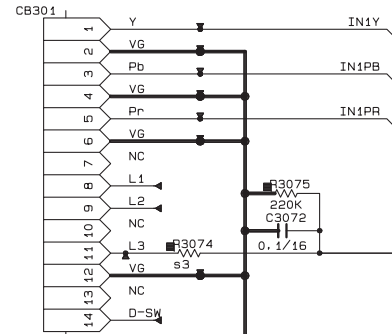
Y

Pb

Pr

Y

Pb

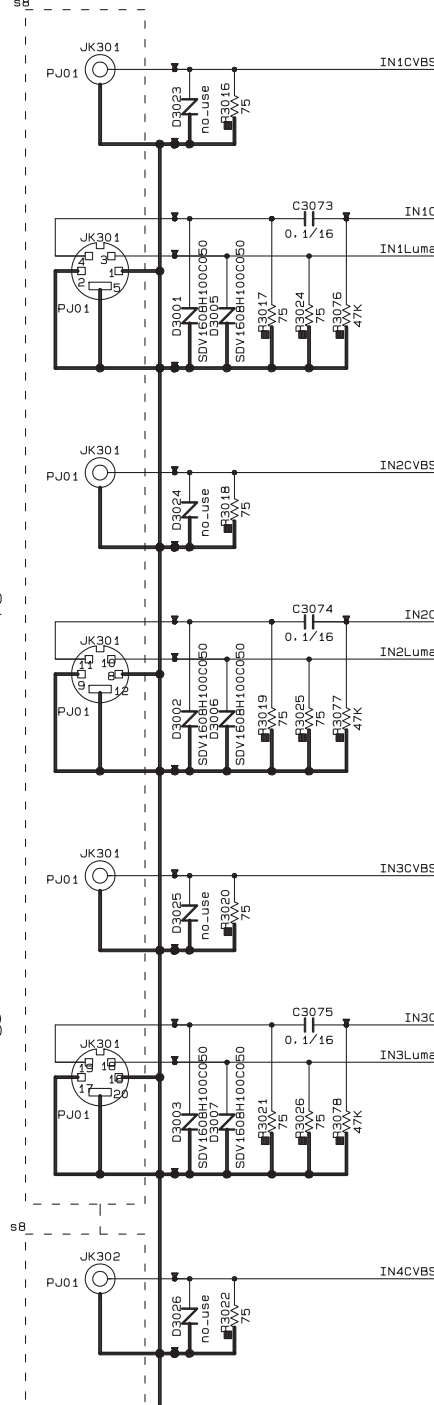


AV 1

AV 2

AV 3

AV 4

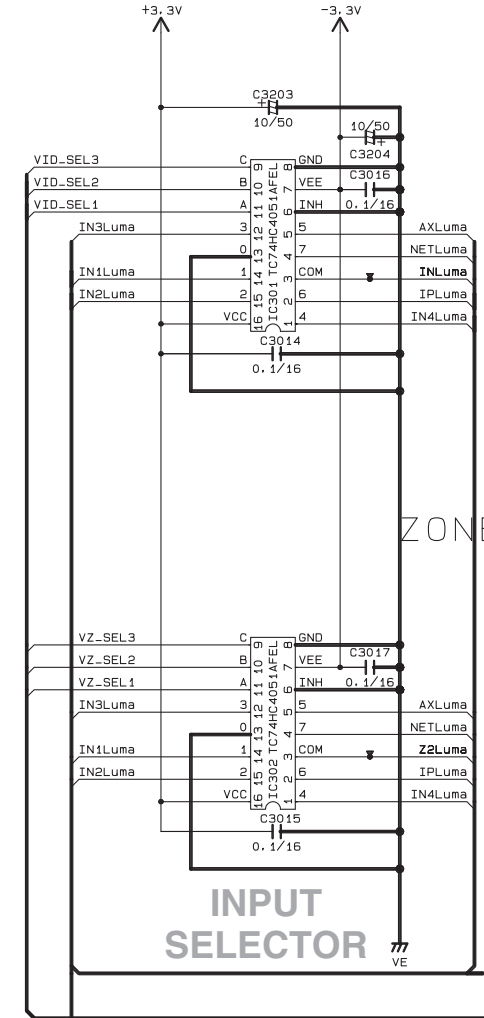


E

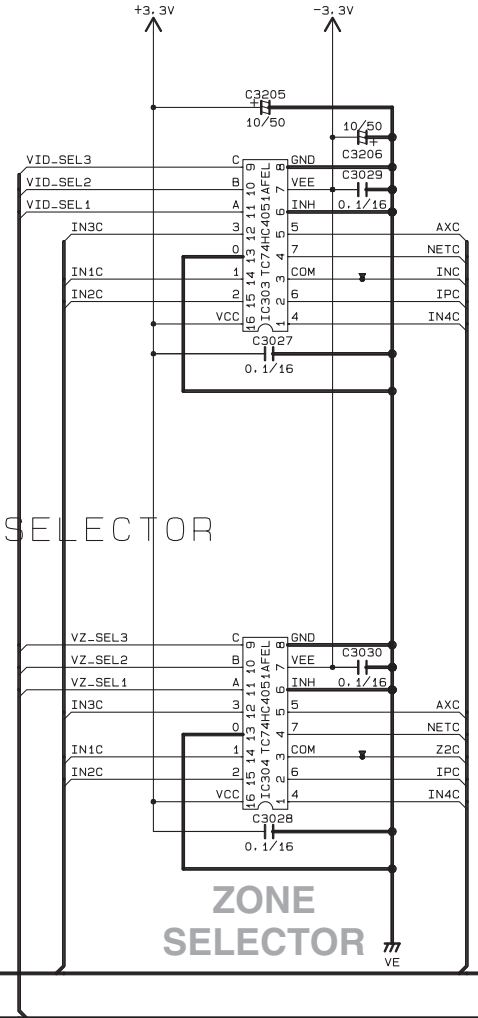
F

G

INPUT SELECTOR



ZONE SELECTOR



H

I

J

K

L

M

N

VIDEO (1)

VIDEO (1)

(TP3001~3299)
**301~329
*3001~3299
[部品ID]

I/O EXPANDER

I/O EXPANDER

OUTPUT SELECTOR

OUTPUT SELECTOR

MAIN SVIDEO DETECTOR
SVIDEO DETECTOR

NOTICE (model)

- (J)..... JAPAN
- (U)..... U.S.A
- (C)..... CANADA
- (R)..... GENERAL
- (T)..... CHINA
- (K)..... KOREA
- (A)..... AUSTRALIA
- (B)..... BRITISH
- (G)..... EUROPE
- (L)..... SINGAPORE
- (E)..... SOUTH EUROPE
- (V)..... TAIWAN
- (F)..... RUSSIAN
- (P)..... LATIN AMERICA
- (S)..... BRAZIL
- (H)..... THAI

RESISTOR

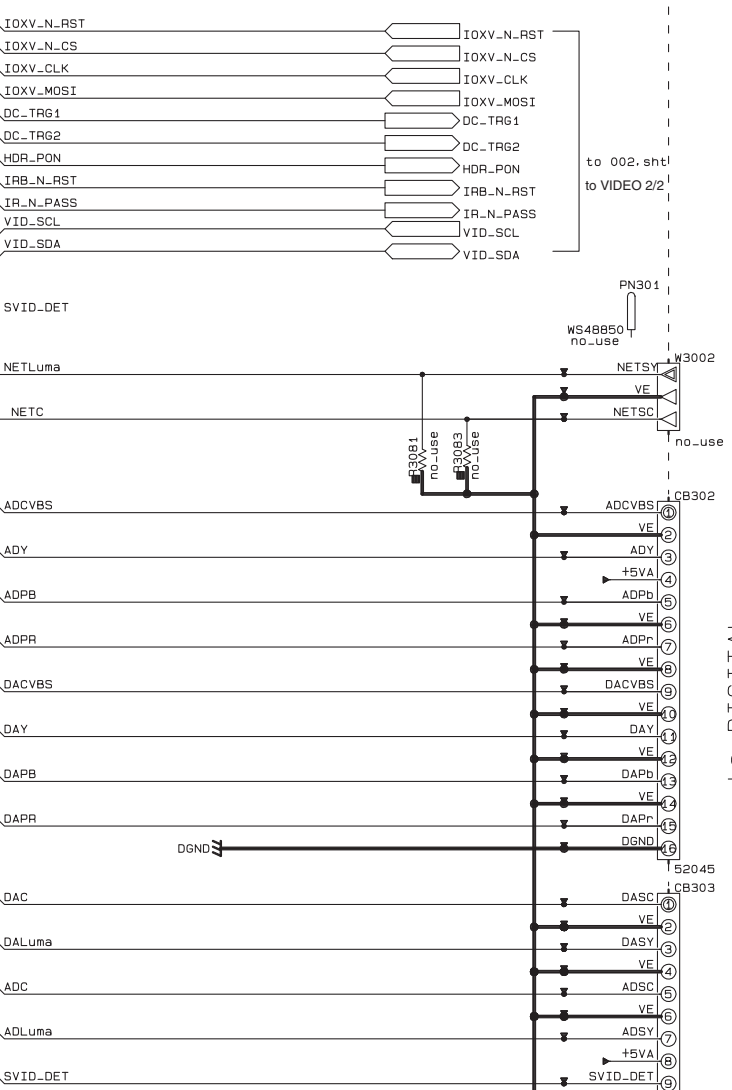
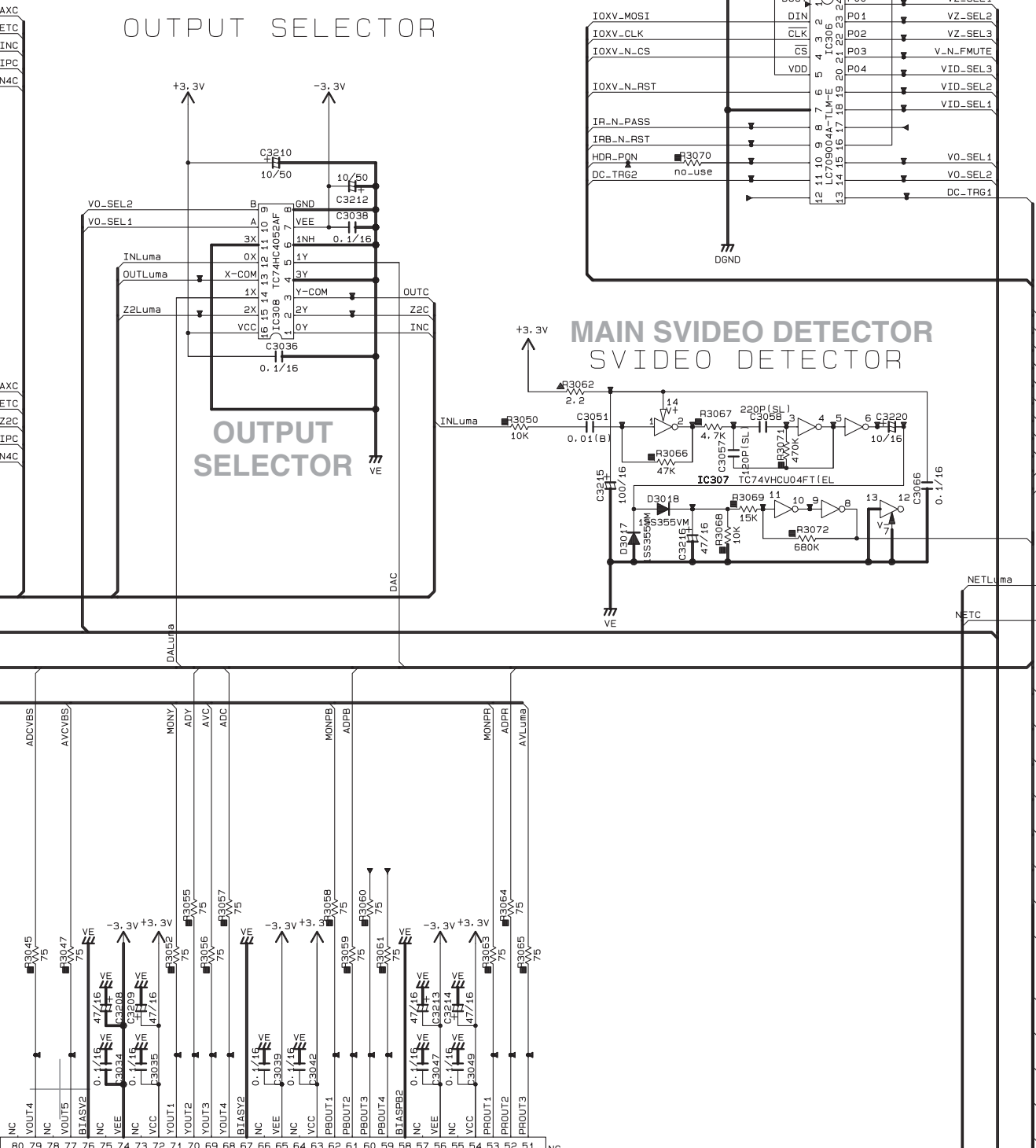
REMARKS	PARTS NAME
NO MARK	CARBON FILM RESISTOR (P=5)
□	CARBON FILM RESISTOR (P=10)
△	METAL OXIDE FILM RESISTOR
▲	METAL FILM RESISTOR
⊠	METAL PLATE RESISTOR
■	FIRE PROOF CARBON FILM RESISTOR
□	CEMENT MOLDED RESISTOR
⊗	SEMI VARIABLE RESISTOR
■	CHIP RESISTOR

CAPACITOR

REMARKS	PARTS NAME
NO MARK	ELECTROLYTIC CAPACITOR
⊗	TANTALUM CAPACITOR
NO MARK	CERAMIC CAPACITOR
⊙	CERAMIC TUBULAR CAPACITOR
⊕	POLYESTER FILM CAPACITOR
○	POLYSTYRENE FILM CAPACITOR
Ⓜ	MICA CAPACITOR
Ⓟ	POLYPROPYLENE FILM CAPACITOR
Ⓢ	SEMICONDUCTIVE CERAMIC CAPACITOR
Ⓣ	POLYPHENYLENE SULFIDE FILM CAPACITOR

Destination Part List

sXX	LOC	J	U	CRTKAL	BGF
s1	CB301	WD39840 YKF45-3011	X	X	X
s3	R3074	RD35810 100K	X	X	X
s6	PJ302 PJ301	WU79240 RJ-1146+08-0500	WG58320 RJ-1146+08-0H00	WG58320 RJ-1146+08-0H00	WG58320 RJ-1146+08-0H00
s7	PJ303	WU79230 RJ-1086+07-2531	WT86610 RJ-1086+07-2H31	WT86610 RJ-1086+07-2H31	WT86610 RJ-1086+07-2H31
s8	JK302 JK301	WY79560 MSP-862V1-01-61	WJ21540 PJ01	WJ21540 PJ01	WJ21540 PJ01



to DIGITAL1 (1)_CB21

to DIGITAL1 (1)_CB22

Page 128 B1

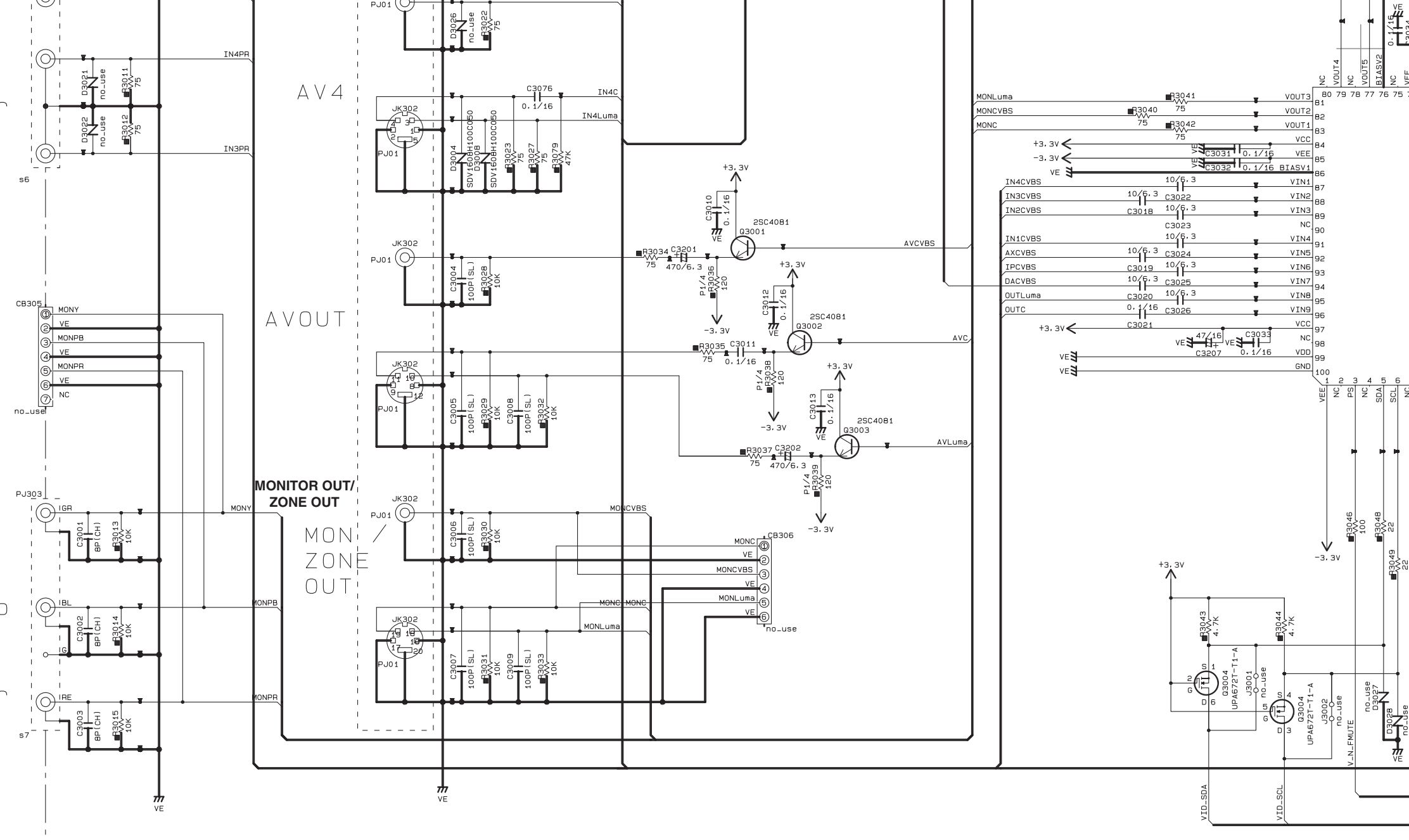
Page 128 A1

6
7
8
9
10

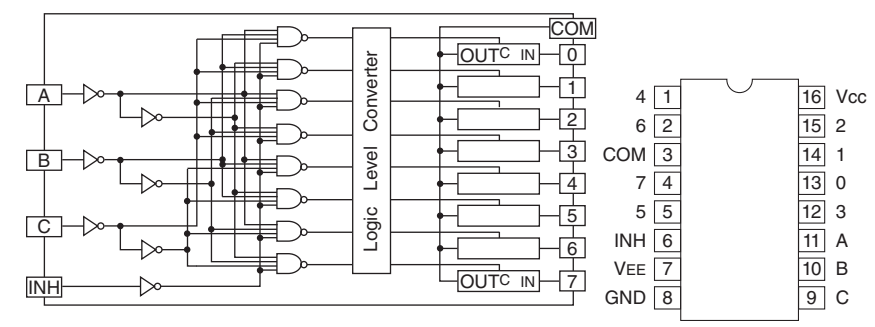
MONITOR OUT/
ZONE OUT

MON /
ZONE
OUT

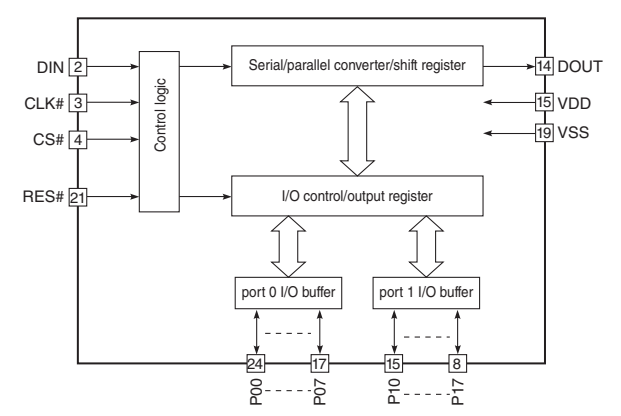
AV4
Pr
AV3



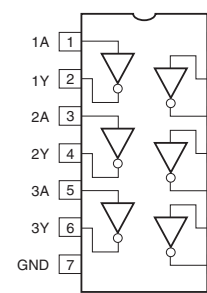
IC301-304: TC74HC4051AFEL
8-channel analog multiplexer/demultiplexer



IC306: LC709004A-TLM-E
I/O-expander for microcontroller



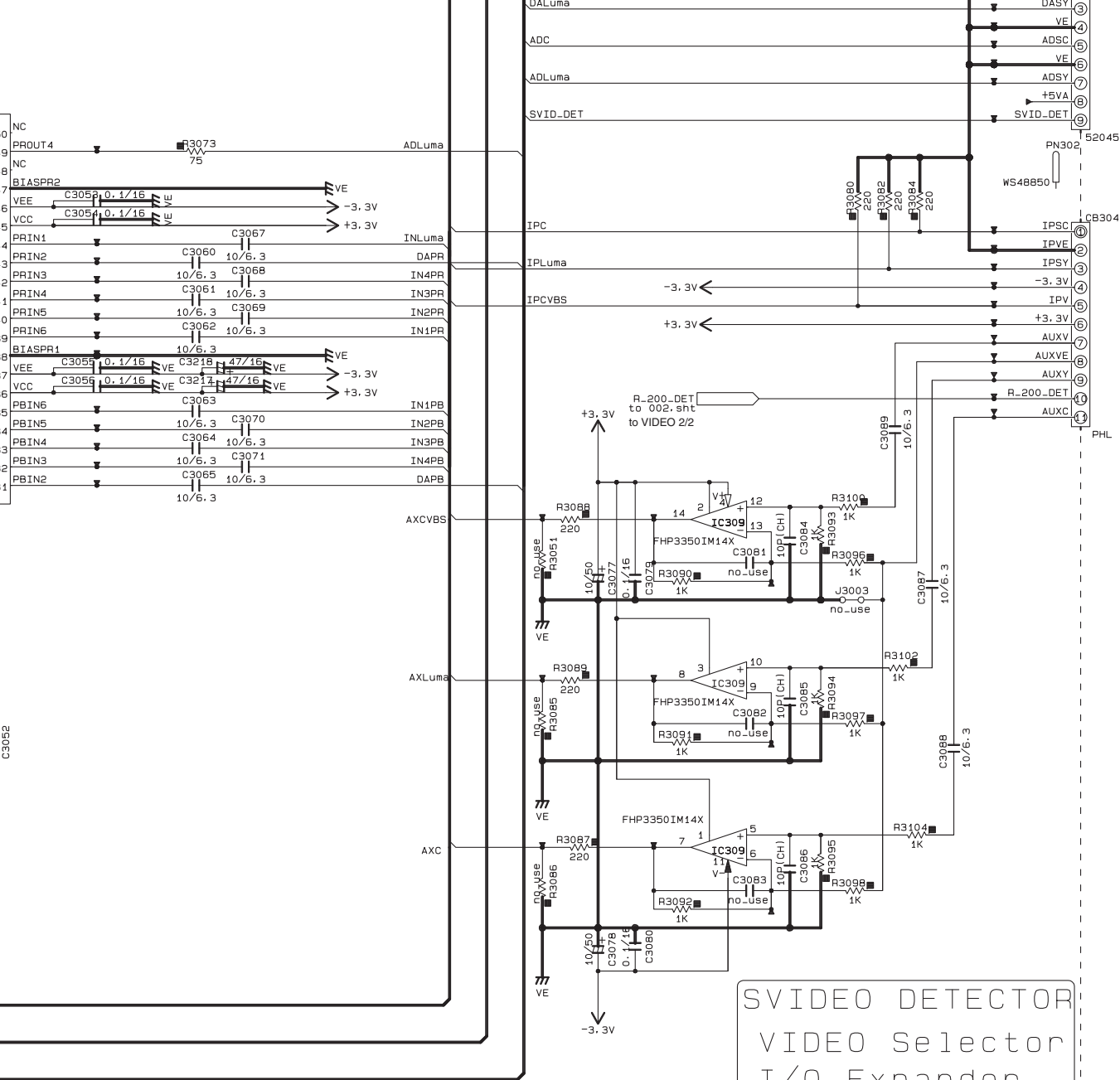
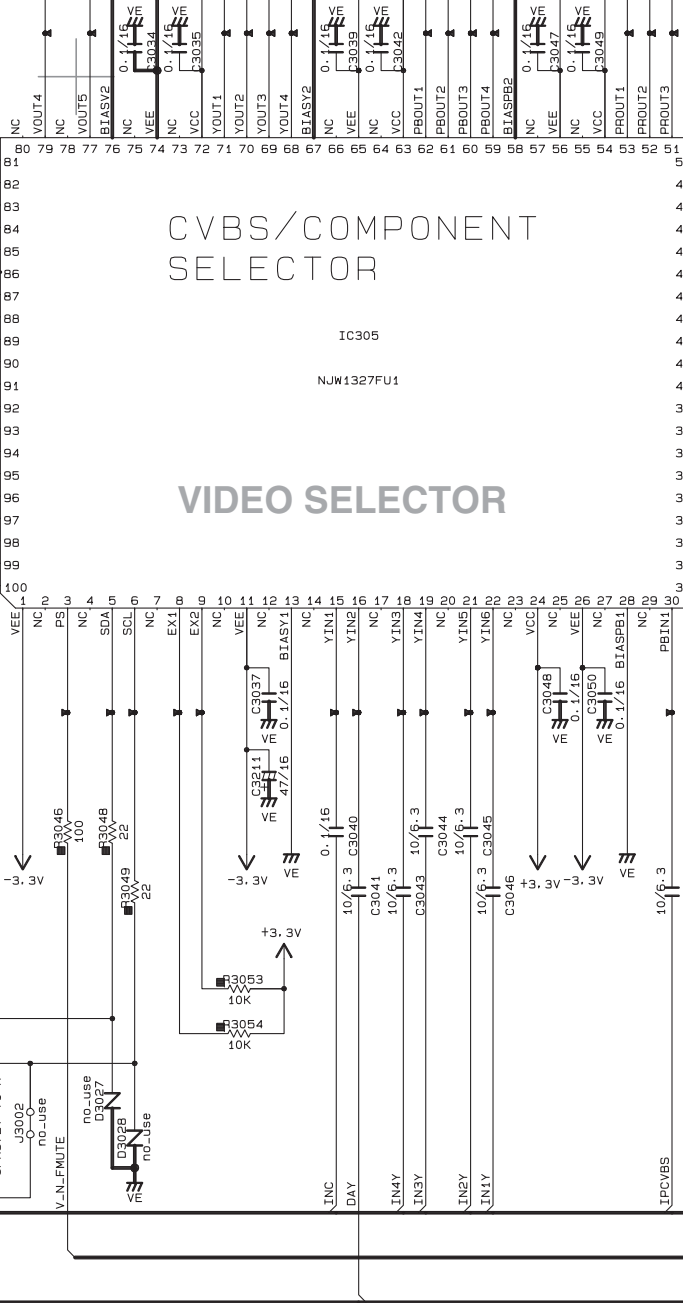
IC307: TC74VHCU
Hex inverters



★ Components having special characteristics are marked Δ and must be replaced with parts having specifications equal to those originally installed.
★ Schematic diagram is subject to change without notice.

● Δ 印のある部品は、安全性確保部品を示しています。部品の交換が必要な場合、パーツリストに記載されている部品を使用してください。
● 本回路図は標準回路図です。改良のため予告なく変更することがあります。

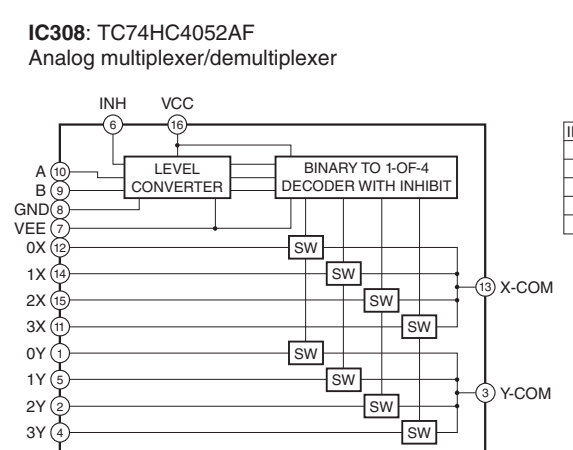
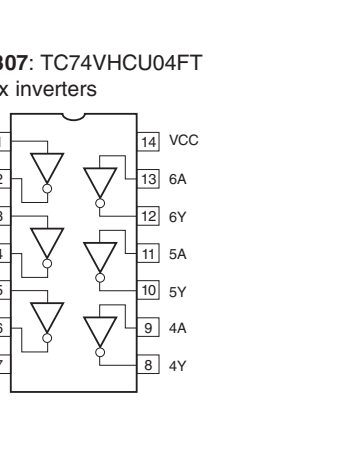
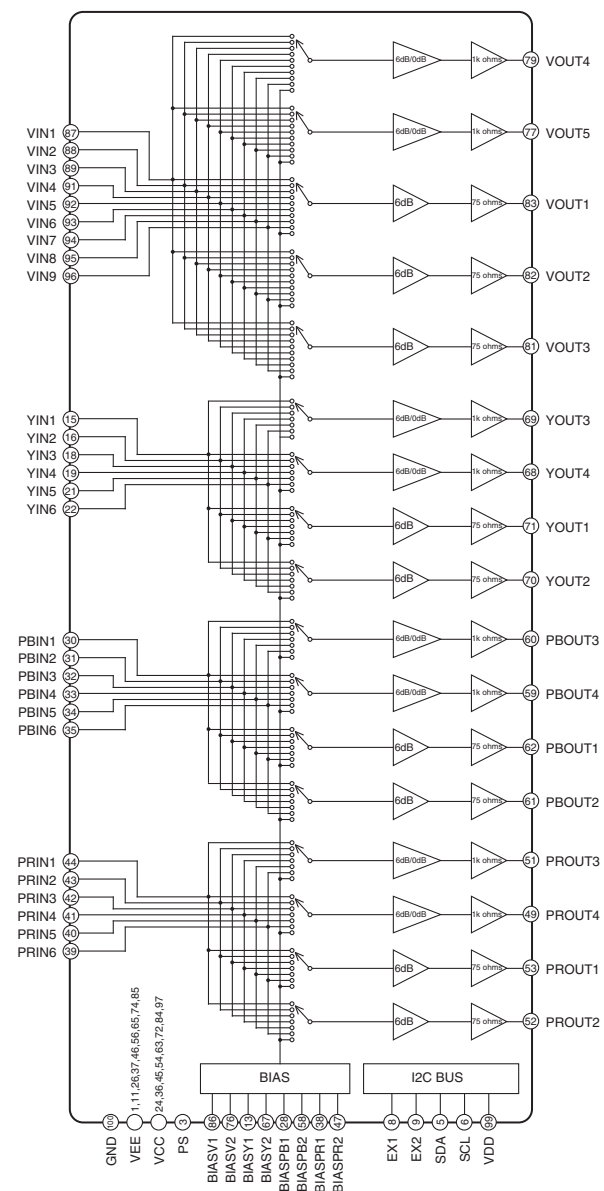
A	B
C	D



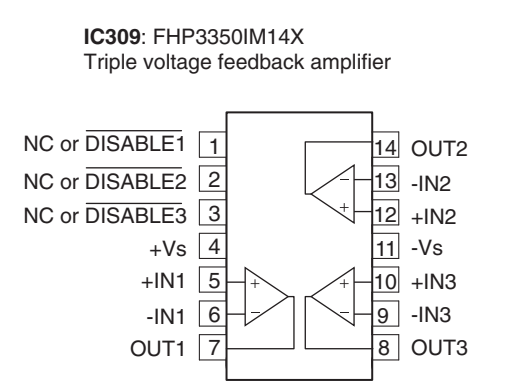
Page 128 A1
to DIGITAL1 (1)_CB22

Page 146 K2
to DAC_W851

IC305: NJW1327FU1
Multi input SD/HD video interface with I²C control



INHIBIT	B	A	
0	0	0	0x, 0y
0	0	1	1x, 1y
0	1	0	2x, 2y
0	1	1	3x, 3y
1	X	X	NONE



A	B
C	D

VIDEO 2/2

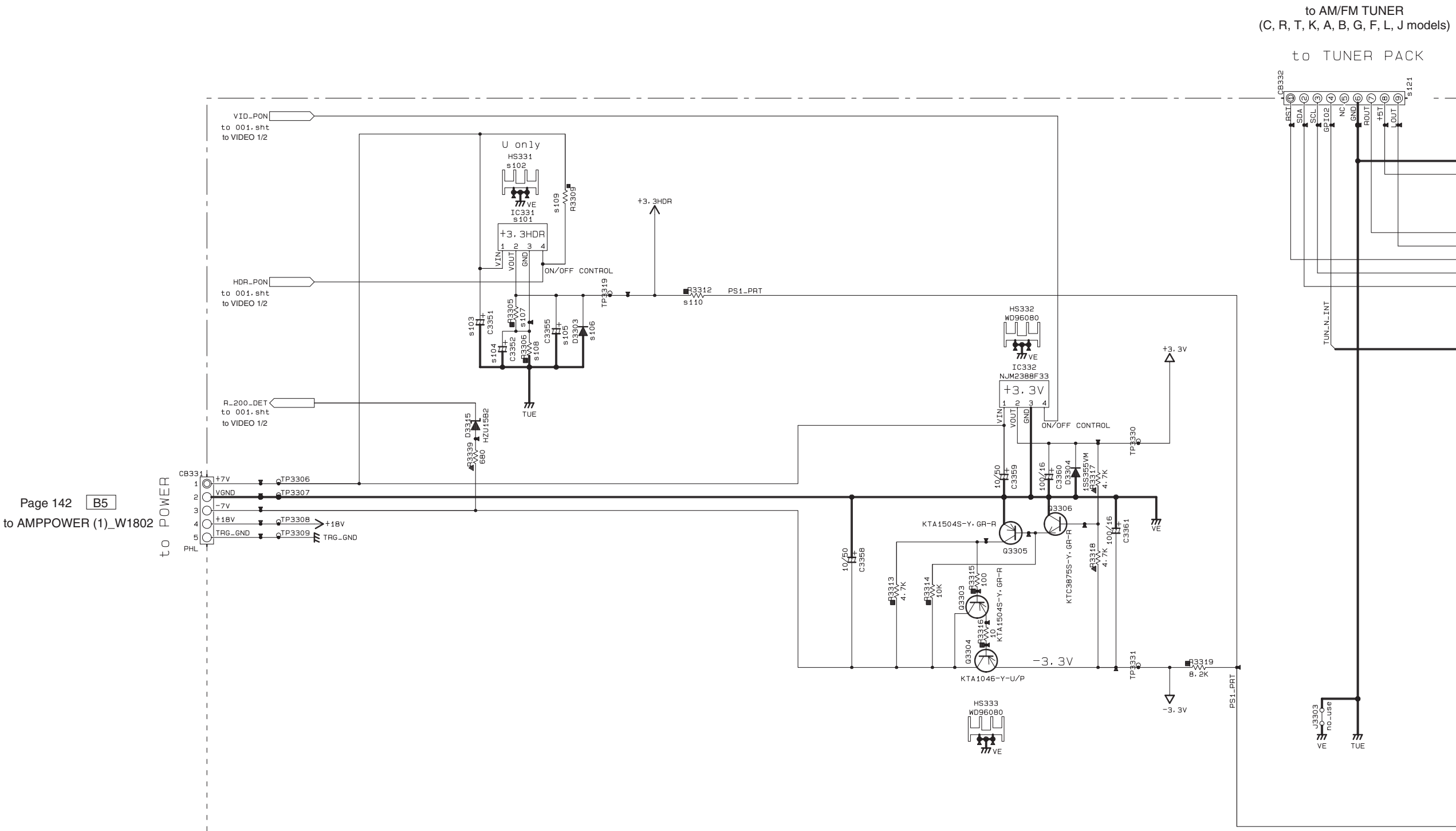
1

2

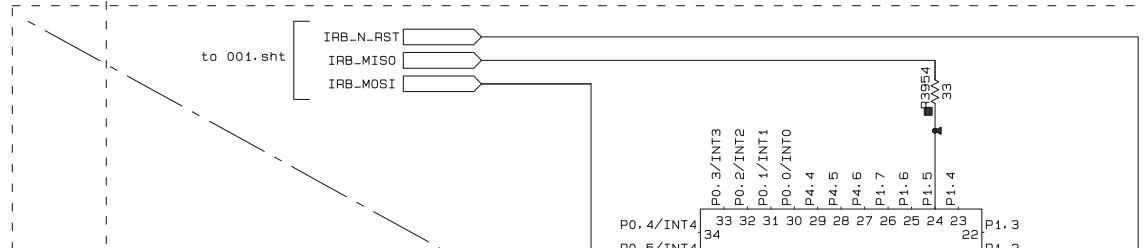
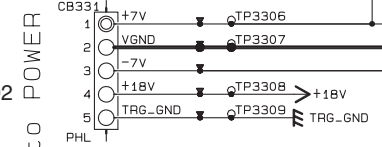
3

4

5



Page 142 [B5] to AMPPOWER (1)_W1802

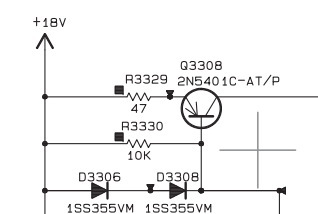
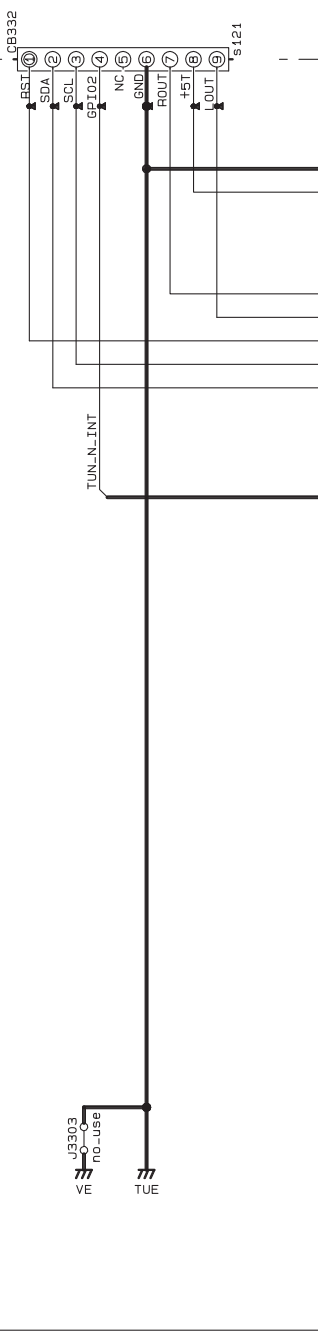


No Use

[部品ID]
(TP3951~3999)
**396~399
*3951~3999

to AM/FM TUNER
(C, R, T, K, A, B, G, F, L, J models)

to TUNER PACK



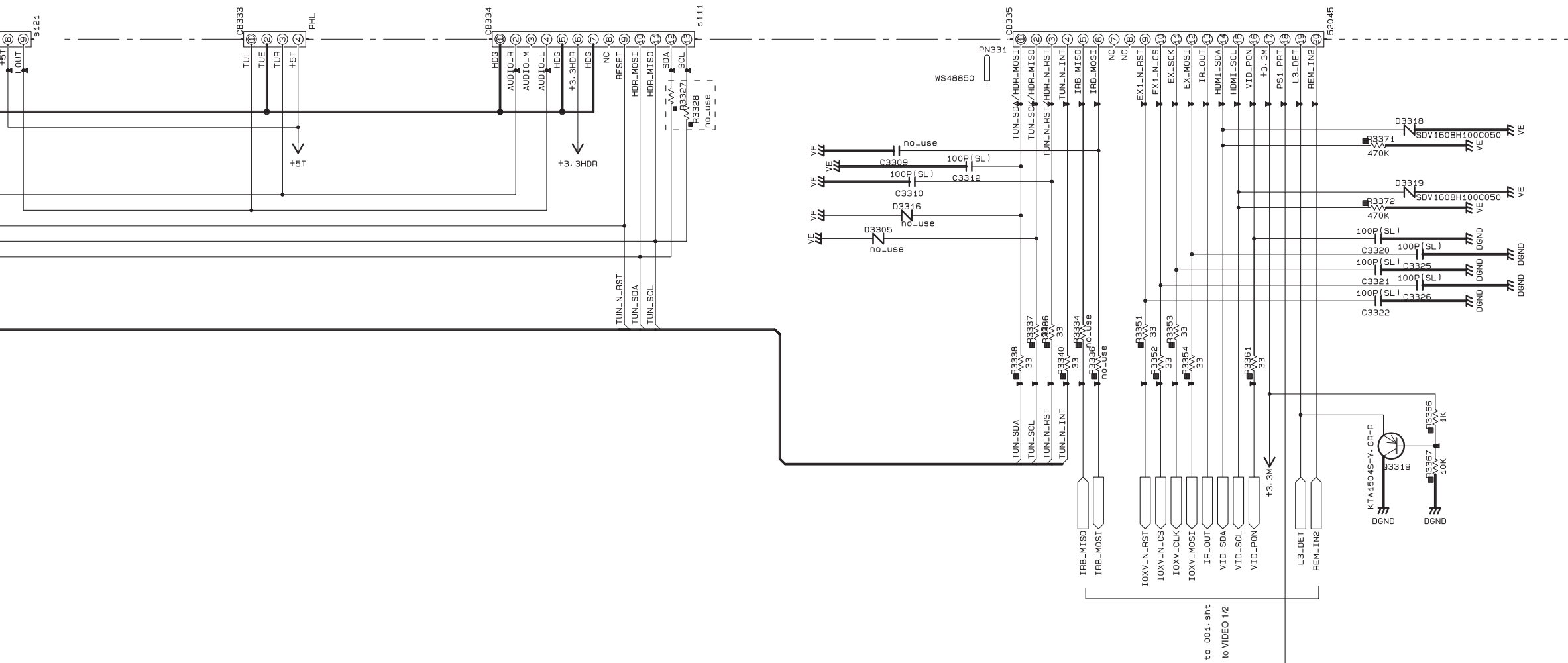


NER
L, J models)
PACK
to FUNCTION

Page 137 **K8**
to FUNCTION (1)_W703

to HD RADIO TUNER
(U model)
to HD RADIO

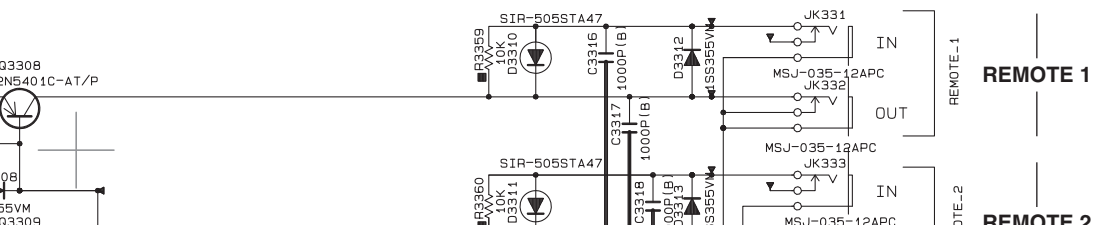
Page 132 **E9**
to DIGITAL1 (1)_CB87
to DIGITAL



VIDEO (1)

VIDEO (1)
[VIDEO]

(TP3301~3500)
**331~350
*3301~3500
[部品ID]



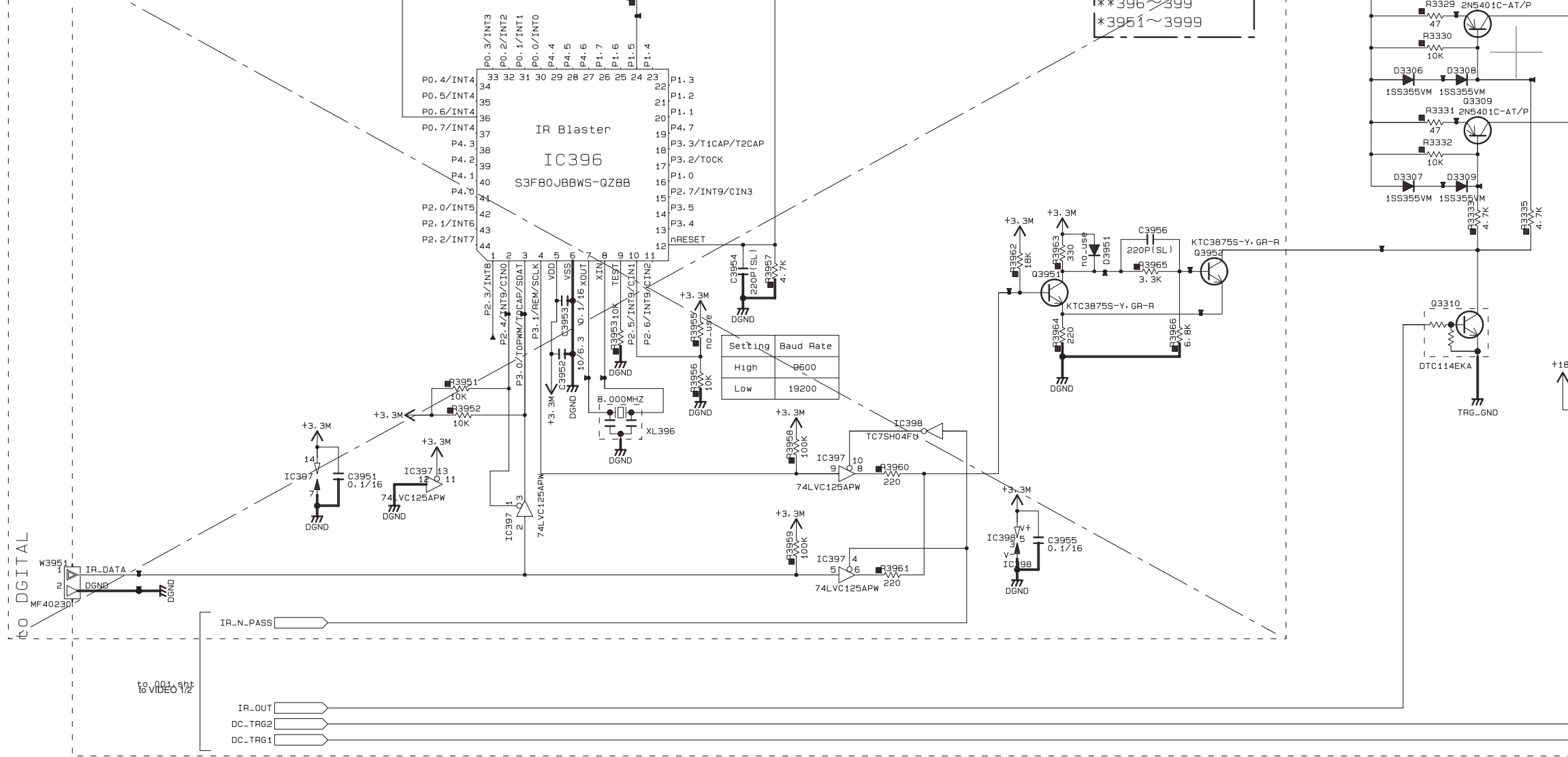
REMARKS	PARTS NAME	SYMBOL
NO MARK	ELECTROLYTIC CAPACITOR	⌘
⊗	TANTALUM CAPACITOR	⌘

Destination Part List						
sXX	L0C	J	U	CRTKAL	B6F	
s101	IC331	X	X624BA0	X	X	

6

7

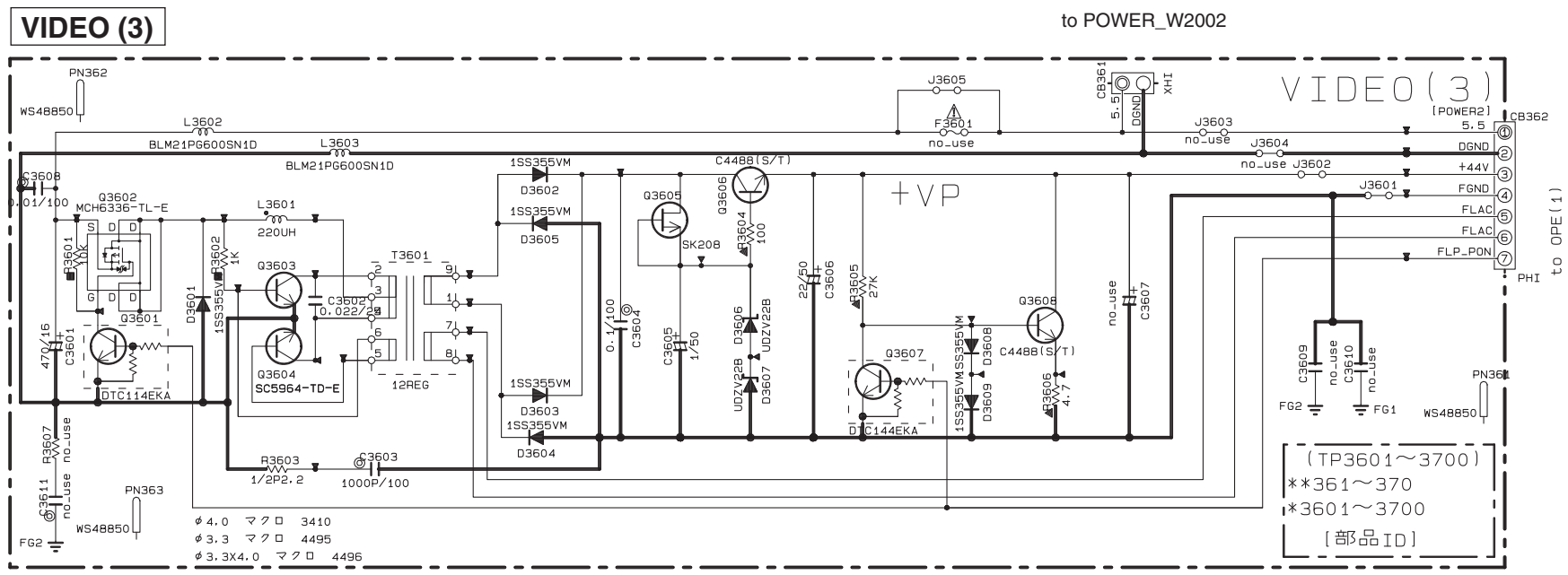
8



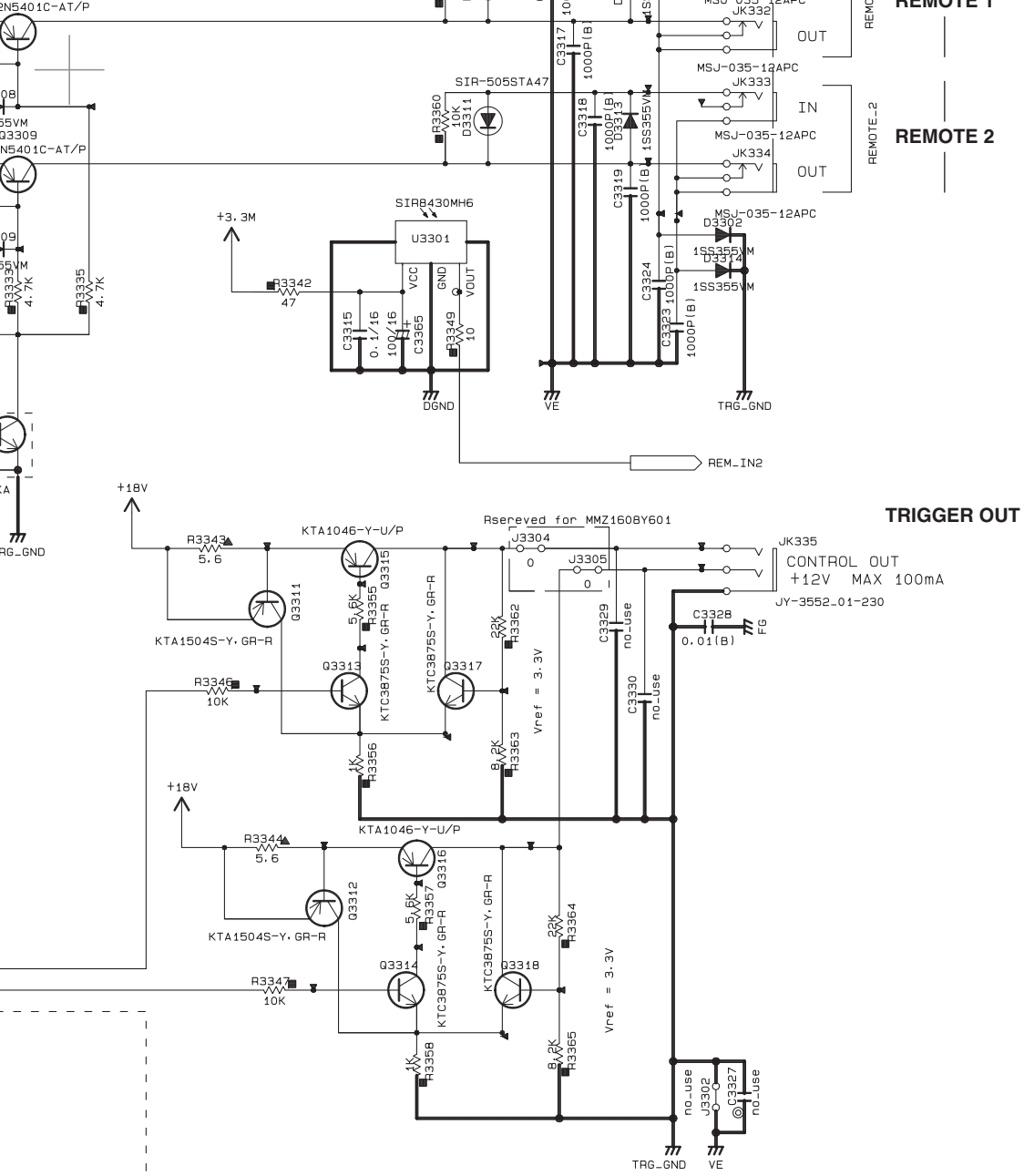
Page 143 M5
to POWER_W2002

9

10



Page 139 G3
to OPERATION (1)_W4005



CAPACITOR

REMARKS	PARTS NAME	
NO MARK	ELECTROLYTIC CAPACITOR	⊘
⊗	TANTALUM CAPACITOR	⊗
NO MARK	CERAMIC CAPACITOR	
●	CERAMIC TUBULAR CAPACITOR	●
⊙	POLYESTER FILM CAPACITOR	⊙
○	POLYSTYRENE FILM CAPACITOR	○
⊖	MICA CAPACITOR	⊖
⊕	POLYPROPYLENE FILM CAPACITOR	⊕
⊗	SEMICONDUCTIVE CERAMIC CAPACITOR	⊗
⊙	POLYPHENYLENE SULFIDE FILM CAPACITOR	⊙

RESISTOR

REMARKS	PARTS NAME	
NO MARK	CARBON FILM RESISTOR (P=5)	
⊠	CARBON FILM RESISTOR (P=10)	⊠
△	METAL OXIDE FILM RESISTOR	△
▲	METAL FILM RESISTOR	▲
⊠	METAL PLATE RESISTOR	⊠
⊠	FIRE PROOF CARBON FILM RESISTOR	⊠
⊠	CEMENT MOLDED RESISTOR	⊠
⊠	SEMI VARIABLE RESISTOR	⊠
■	CHIP RESISTOR	■

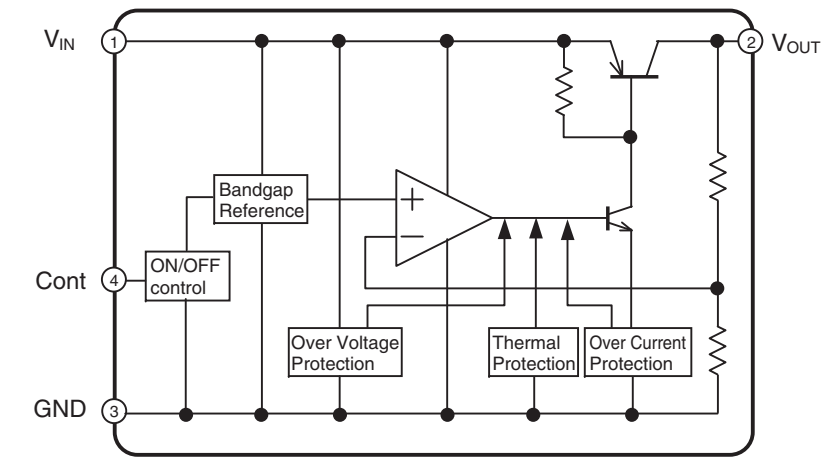
Destination Part List

sXX	LOC	J	U	CRTKAL	BGF
s101	IC331	X	X6248A0 NJM2388F33	X	X
s102	HS331	X	WD96080 BPUE16-25/H17	X	X
s103	C3351	X	UR06710 10/50	X	X
s104	C3352	X	UR03810 100/16	X	X
s105	C3355	X	UR03810 100/16	X	X
s106	D3303	X	WW78390 1SS355VM	X	X
s107	R3305	X	RD35610 1K	X	X
s108	R3306	X	RD35410 10	X	X
s109	R3309	X	RD35000 0	X	X
s110	R3312	X	RD356B2 B, 2K	X	X
s111	CB334	X	VQ04460 52044	X	X
s121	CB332	VQ04440 52044	X	VQ04440 52044	VQ04440 52044

NOTICE (model)
 (J)..... JAPAN
 (U)..... U. S. A
 (C)..... CANADA
 (R)..... GENERAL
 (T)..... CHINA
 (K)..... KOREA
 (A)..... AUSTRALIA
 (B)..... BRITISH
 (G)..... EUROPE
 (L)..... SINGAPORE
 (E)..... SOUTH EUROPE
 (V)..... TAIWAN
 (F)..... RUSSIAN
 (P)..... LATIN AMERICA
 (S)..... BRAZIL
 (H)..... THAI

VIDEO Power Supply
 HD RADIO Power Supply
 RDS
 Trigger OUT
 Remote I/O
 IR Blaster

IC331, 332: NJM2388F33
 Low dropout voltage regulator with ON/OFF control



- ★ Components having special characteristics are marked △ and must be replaced with parts having specifications equal to those originally installed.
- ★ Schematic diagram is subject to change without notice.
- △印のある部品は、安全性確保部品を示しています。部品の交換が必要な場合、パーツリストに記載されている部品を使用してください。
- 本回路図は標準回路図です。改良のため予告なく変更することがあります。

A	B
C	D