

AV RECEIVER

RX-V675/HTR-6066/ RX-A730/TSR-6750

SERVICE MANUAL

Note:

When the DIGITAL P.C.B. or IC82 on DIGITAL (1) P.C.B. is replaced, this unit will display "Internal Error" and will not operate properly. The model name MUST be written to the backup IC (EEPROM: IC82 on DIGITAL (1) P.C.B.) to have proper operation. (For detailed procedure, refer to related Service News or Service Bulletin. Or contact your local Yamaha representative.)

IMPORTANT NOTICE

This manual has been provided for the use of authorized Yamaha Retailers and their service personnel. It has been assumed that basic service procedures inherent to the industry, and more specifically Yamaha Products, are already known and understood by the users, and have therefore not been restated.

WARNING: Failure to follow appropriate service and safety procedures when servicing this product may result in personal injury, destruction of expensive components, and failure of the product to perform as specified. For these reasons, we advise all Yamaha product owners that any service required should be performed by an authorized Yamaha Retailer or the appointed service representative.

IMPORTANT: The presentation or sale of this manual to any individual or firm does not constitute authorization, certification or recognition of any applicable technical capabilities, or establish a principle-agent relationship of any form.

The data provided is believed to be accurate and applicable to the unit(s) indicated on the cover. The research, engineering, and service departments of Yamaha are continually striving to improve Yamaha products. Modifications are, therefore, inevitable and specifications are subject to change without notice or obligation to retrofit. Should any discrepancy appear to exist, please contact the distributor's Service Division.

WARNING: Static discharges can destroy expensive components. Discharge any static electricity your body may have accumulated by grounding yourself to the ground buss in the unit (heavy gauge black wires connect to this buss).

IMPORTANT: Turn the unit OFF during disassembly and part replacement. Recheck all work before you apply power to the unit.

■ CONTENTS

TO SERVICE PERSONNEL	2
FRONT PANELS	3-4
REAR PANELS	5-8
REMOTE CONTROL PANEL	9
SPECIFICATIONS	10-14
INTERNAL VIEW	15-16
SERVICE PRECAUTIONS	16
DISASSEMBLY PROCEDURES	17-24
UPDATING FIRMWARE	25-27
SELF-DIAGNOSTIC FUNCTION	28-70
POWER AMPLIFIER ADJUSTMENT	71
DISPLAY DATA	72-73
IC DATA	74-94
PIN CONNECTION DIAGRAMS	95-97
BLOCK DIAGRAMS	98-101
WIRING DIAGRAMS	102-103
PRINTED CIRCUIT BOARDS	104-125
SCHEMATIC DIAGRAMS	127-142
REPLACEMENT PARTS LIST	143-163
REMOTE CONTROL	164-166
ADVANCED SETUP	167-168
FIRMWARE UPDATING PROCEDURE	169-180

■ TO SERVICE PERSONNEL

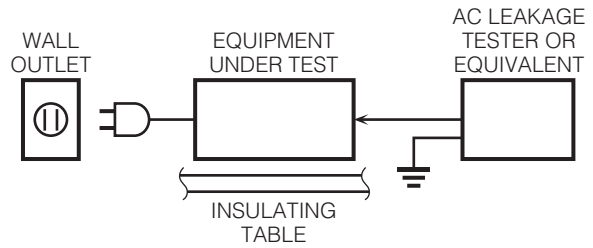
1. Critical Components Information

Components having special characteristics are marked Δ and must be replaced with parts having specifications equal to those originally installed.

2. Leakage Current Measurement (For 120V Models Only)

When service has been completed, it is imperative to verify that all exposed conductive surfaces are properly insulated from supply circuits.

- Meter impedance should be equivalent to 1500 ohms shunted by 0.15 μ F.



- Leakage current must not exceed 0.5mA.
- Be sure to test for leakage with the AC plug in both polarities.



For U model

“CAUTION”

“F3701: FOR CONTINUED PROTECTION AGAINST RISK OF FIRE, REPLACE ONLY WITH SAME TYPE 2A, 250V FUSE.”

“F3702: FOR CONTINUED PROTECTION AGAINST RISK OF FIRE, REPLACE ONLY WITH SAME TYPE 8A, 125V FUSE.”

For C model

CAUTION

F3701: REPLACE WITH SAME TYPE 2A, 250V FUSE.

F3702: REPLACE WITH SAME TYPE 8A, 125V FUSE.

ATTENTION

F3701: UTILISER UN FUSIBLE DE RECHANGE DE MÊME TYPE DE 2A, 250V.

F3702: UTILISER UN FUSIBLE DE RECHANGE DE MÊME TYPE DE 8A, 125V.

WARNING: CHEMICAL CONTENT NOTICE!

This product contains chemicals known to the State of California to cause cancer, or birth defects or other reproductive harm.

DO NOT PLACE SOLDER, ELECTRICAL/ELECTRONIC OR PLASTIC COMPONENTS IN YOUR MOUTH FOR ANY REASON WHATSOEVER!

Avoid prolonged, unprotected contact between solder and your skin! When soldering, do not inhale solder fumes or expose eyes to solder/flux vapor!

If you come in contact with solder or components located inside the enclosure of this product, wash your hands before handling food.

About lead free solder

All of the P.C.B.s installed in this unit and solder joints are soldered using the lead free solder.

Among some types of lead free solder currently available, it is recommended to use one of the following types for the repair work.

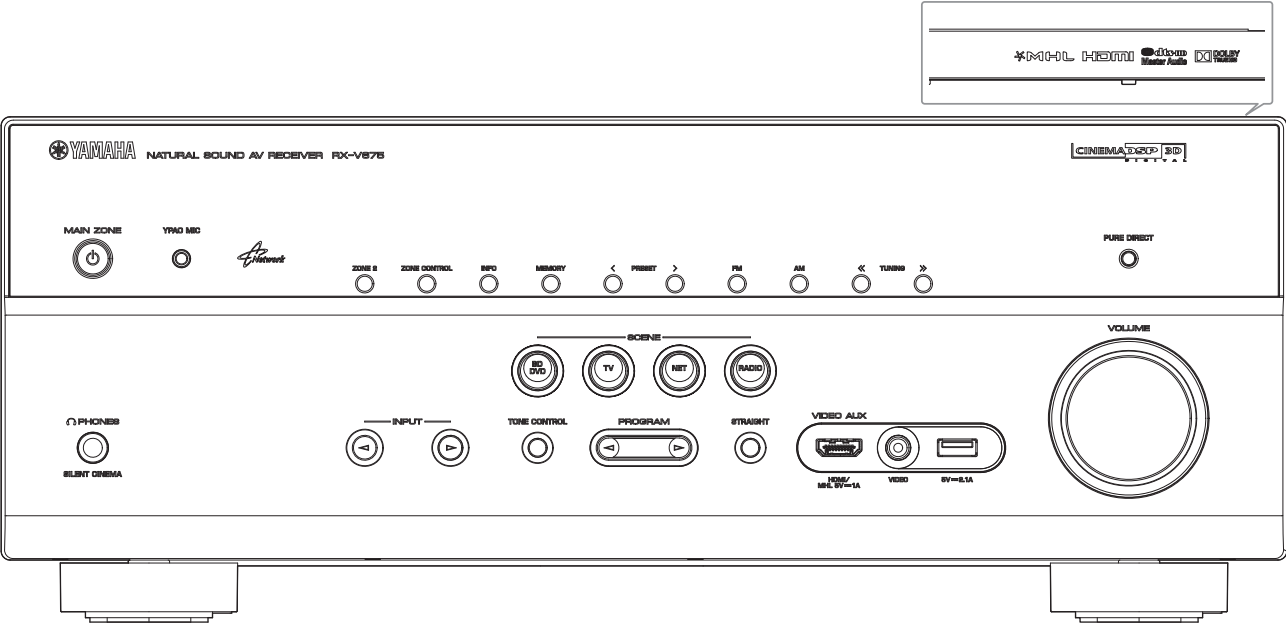
- Sn + Ag + Cu (tin + silver + copper)
- Sn + Cu (tin + copper)
- Sn + Zn + Bi (tin + zinc + bismuth)

Caution:

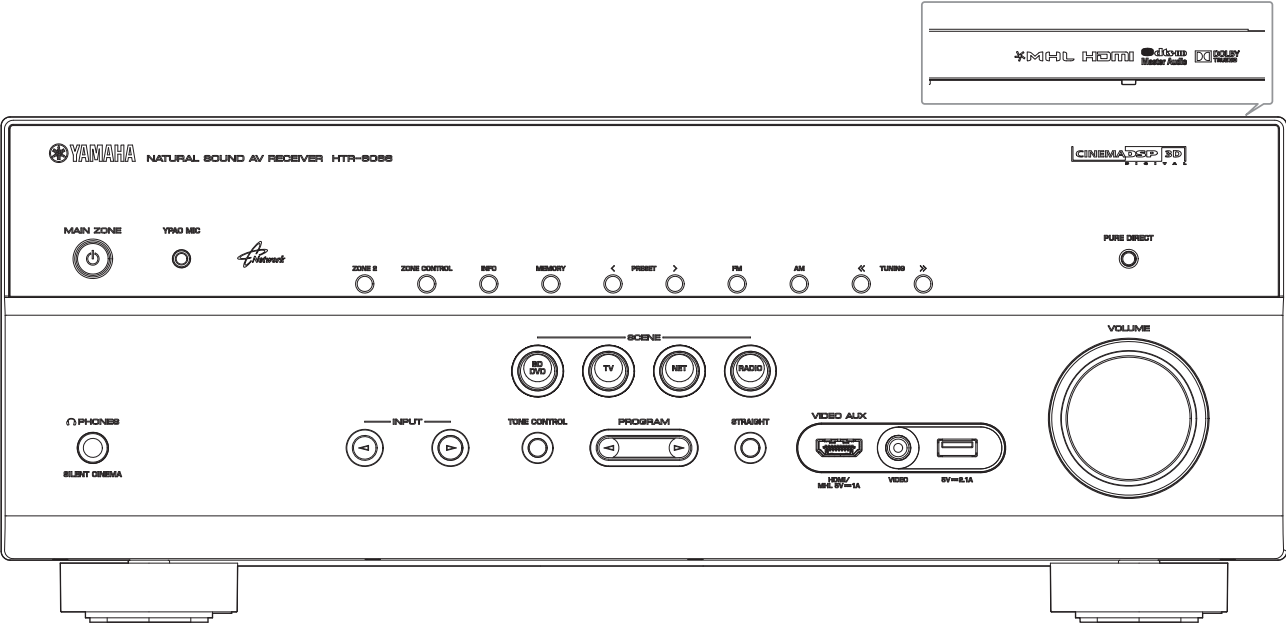
As the melting point temperature of the lead free solder is about 30°C to 40°C (50°F to 70°F) higher than that of the lead solder, be sure to use a soldering iron suitable to each solder.

FRONT PANELS

RX-V675 (U, C, R, T, A, B, G, F, L, S, H models)

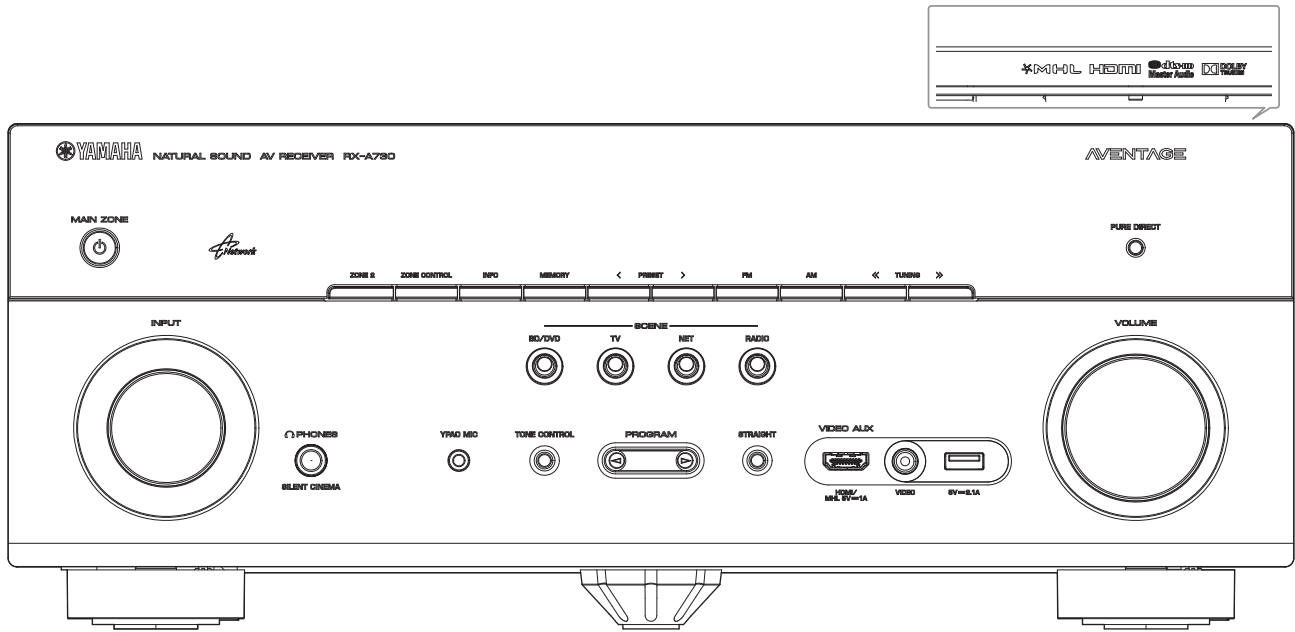


HTR-6066 (G, F models)

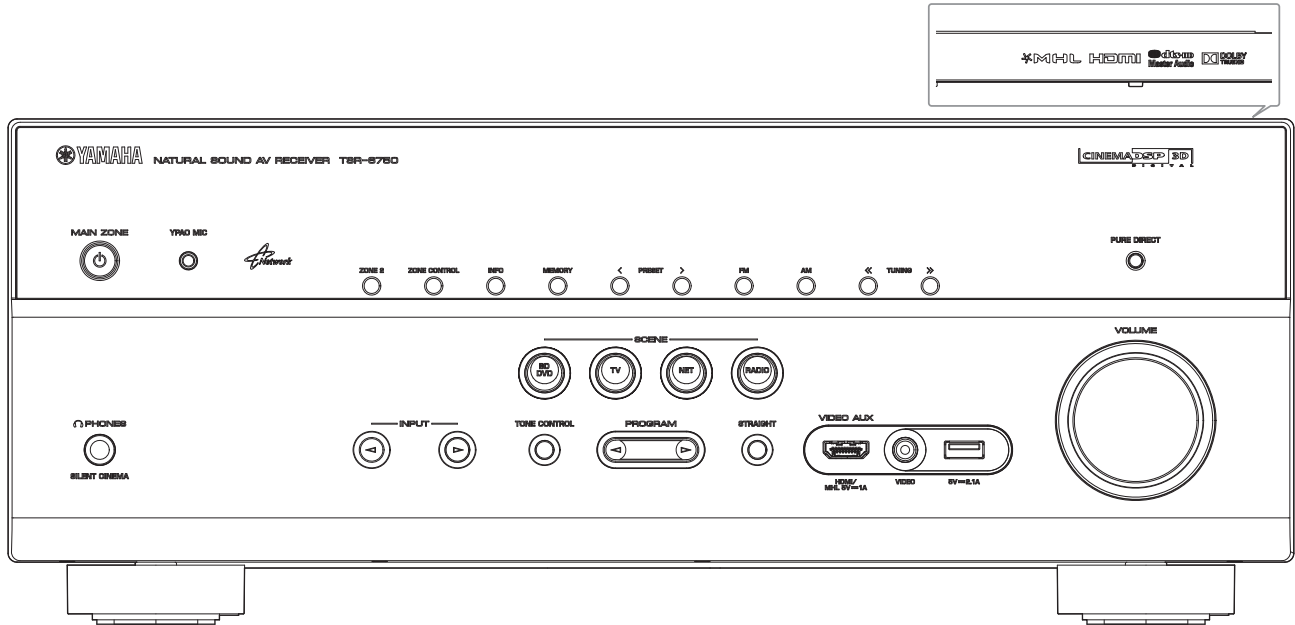


RX-V675/HTR-6066/
RX-A730/TSR-6750

RX-A730 (U, C, A, B, G, L models)



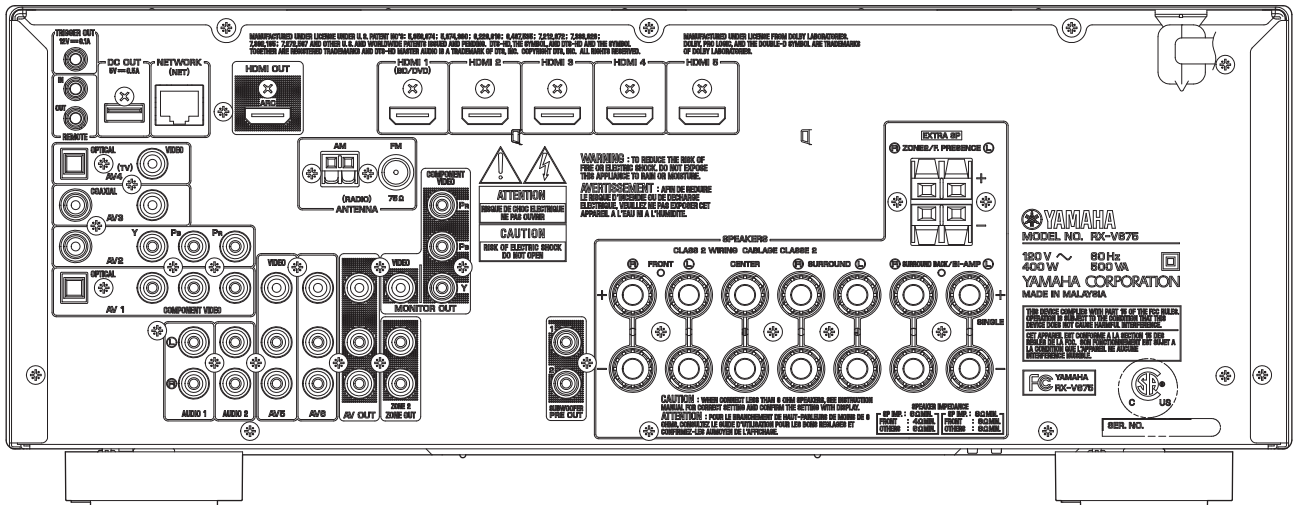
TSR-6750 (U model)



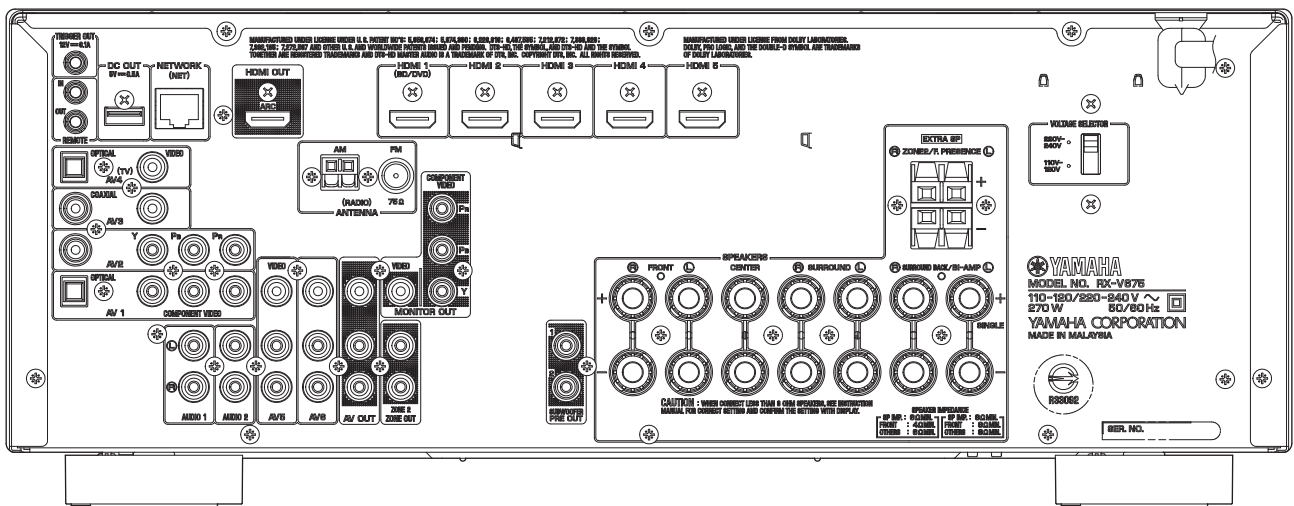
RX-V675/HTR-6066/
RX-A730/TSR-6750

REAR PANELS

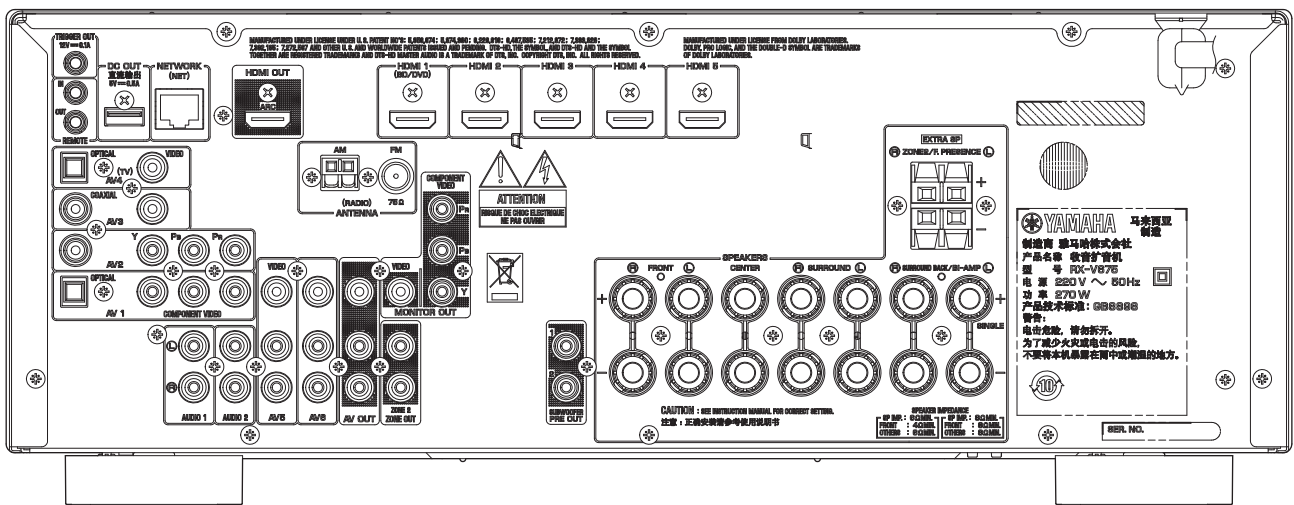
RX-V675 (U, C models)



RX-V675 (R, S models)

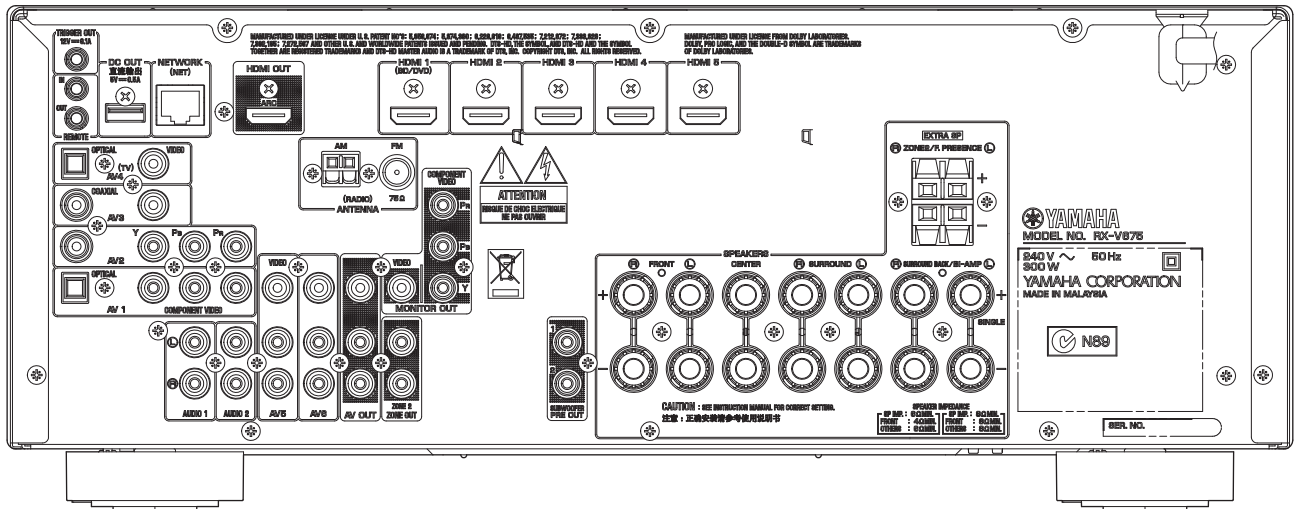


RX-V675 (T model)

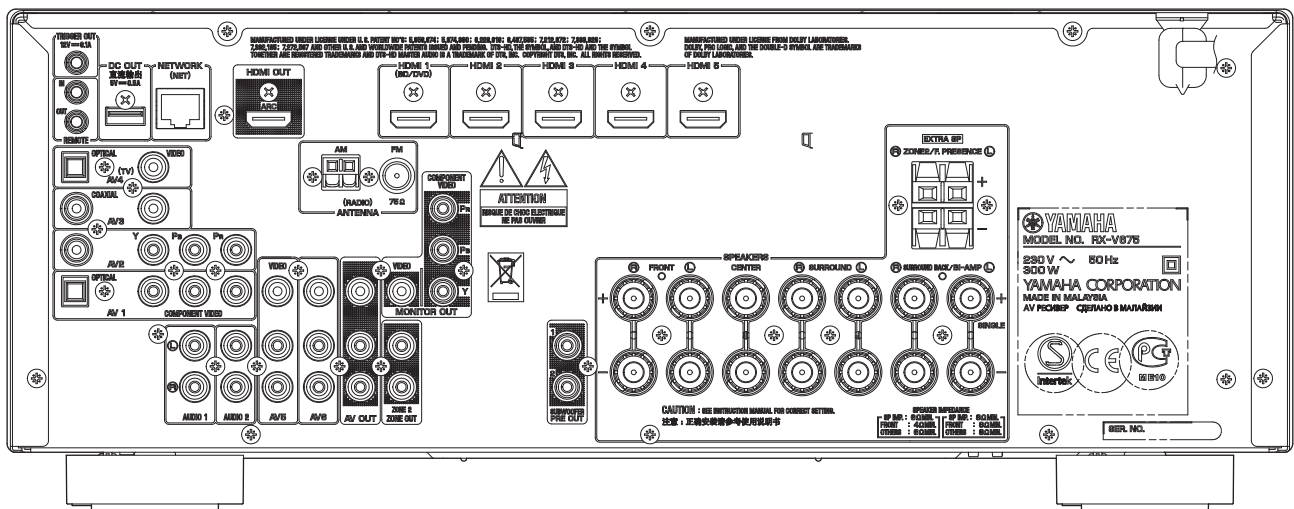


RX-V675/HTR-6066/RX-A730/TSR-6750

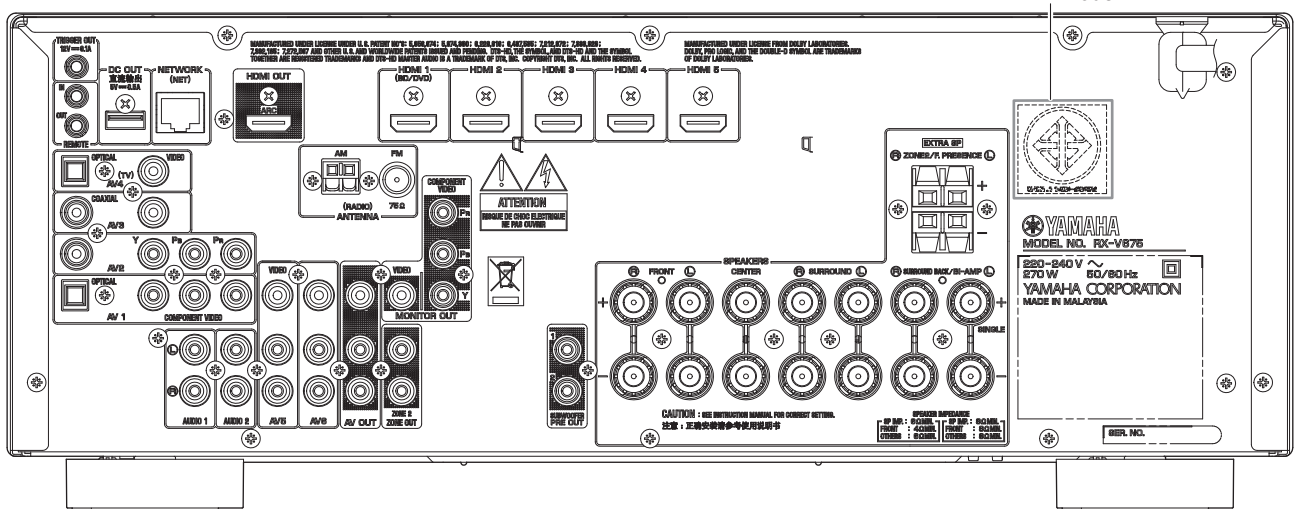
RX-V675 (A model)



RX-V675 (B, G, F models)



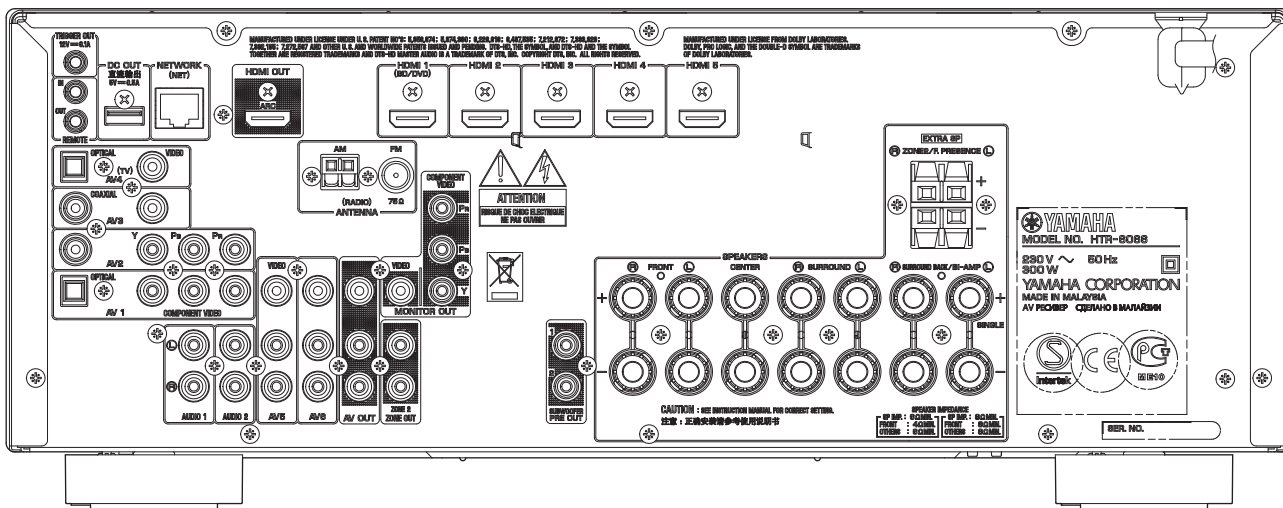
RX-V675 (L, H models)



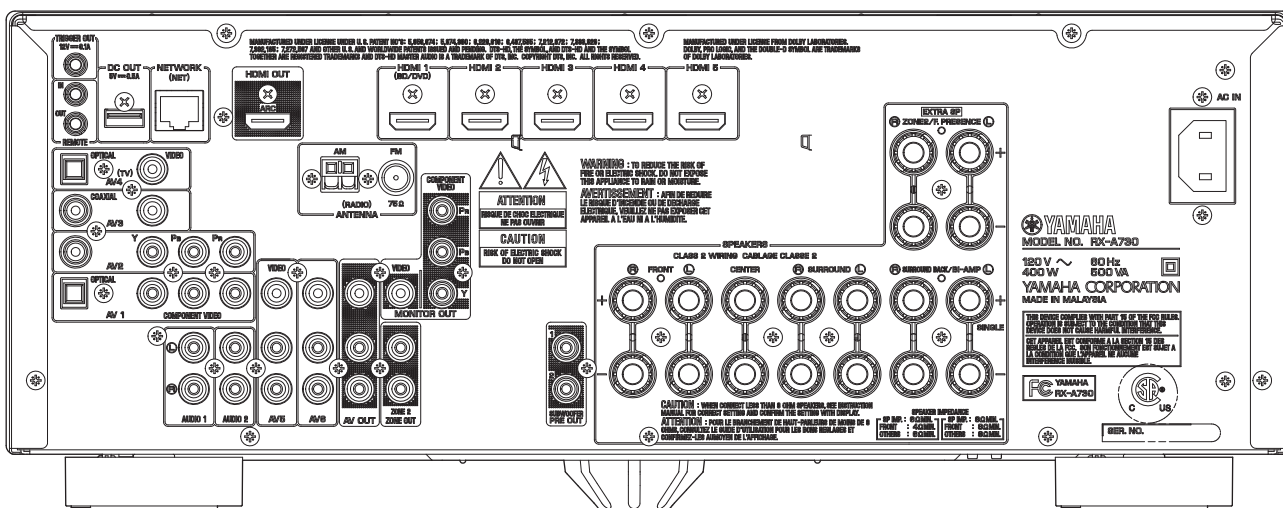
H model

RX-V675/HTR-6066/RX-A730/TSR-6750

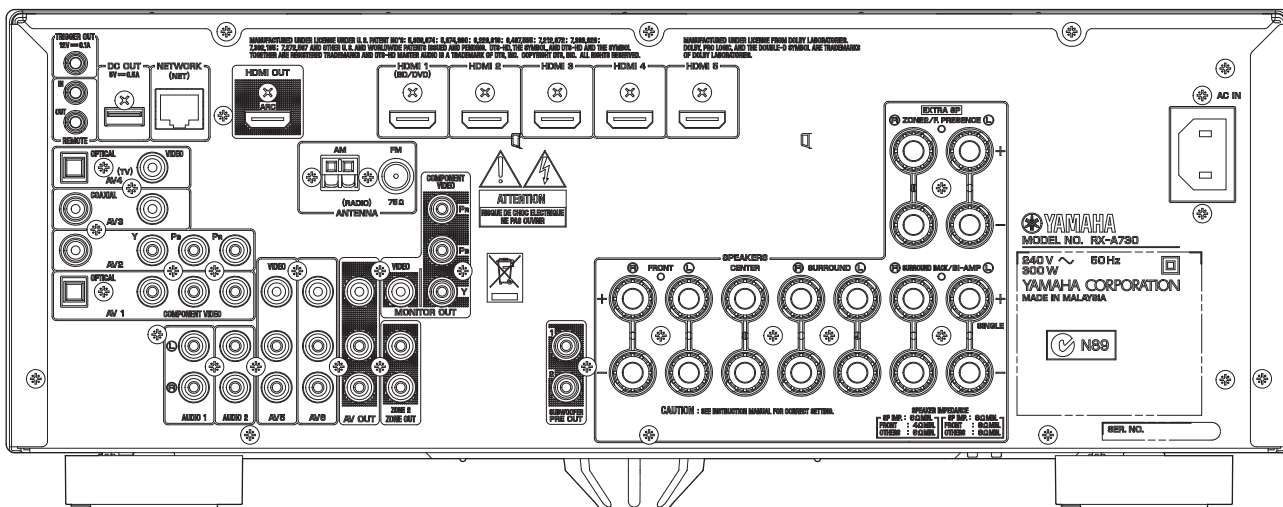
HTR-6066 (G, F models)



RX-A730 (U, C models)

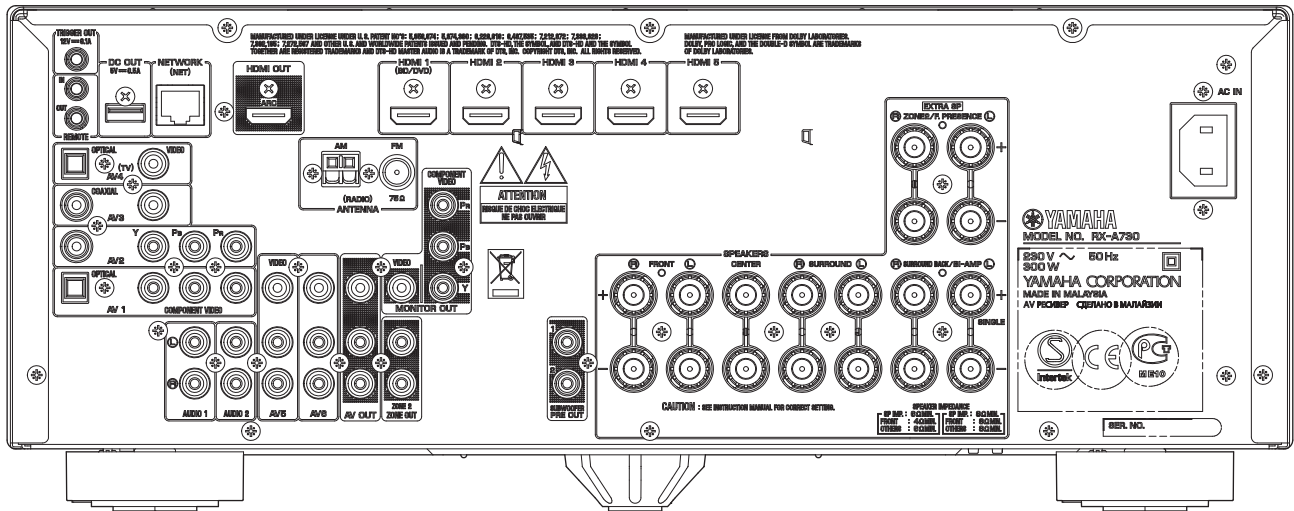


RX-A730 (A model)

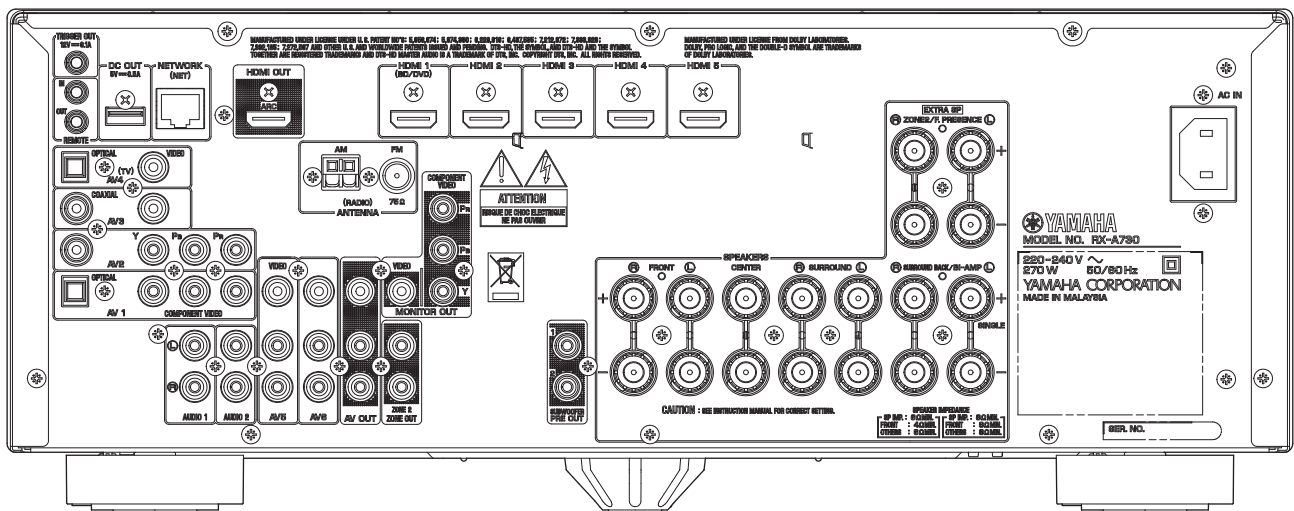


RX-V675/HTR-6066/
 RX-A730/TSR-6750

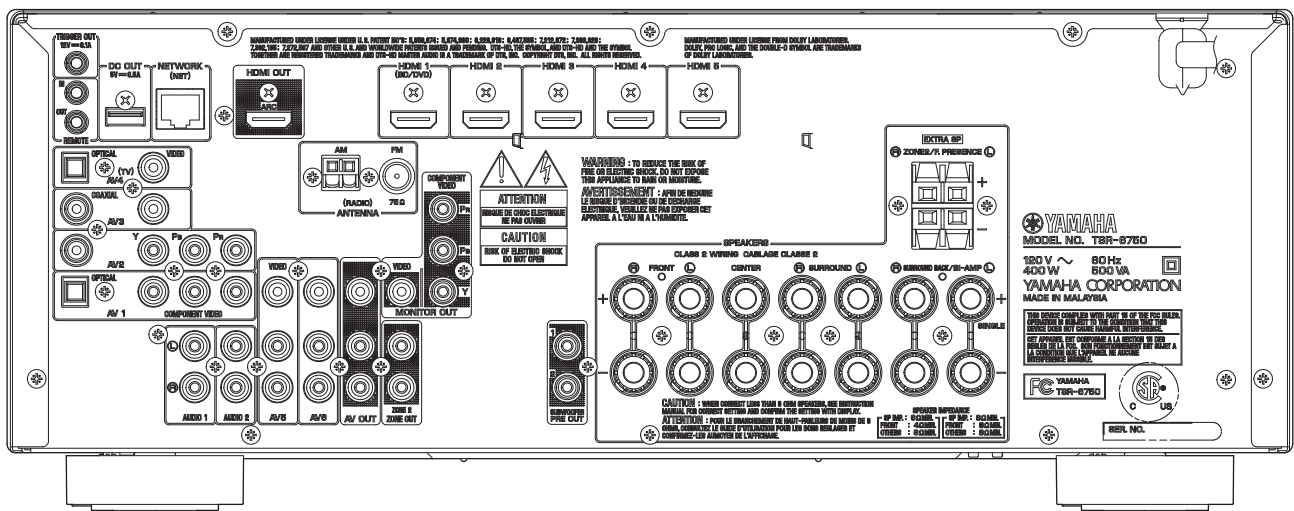
RX-A730 (B, G models)



RX-A730 (L model)



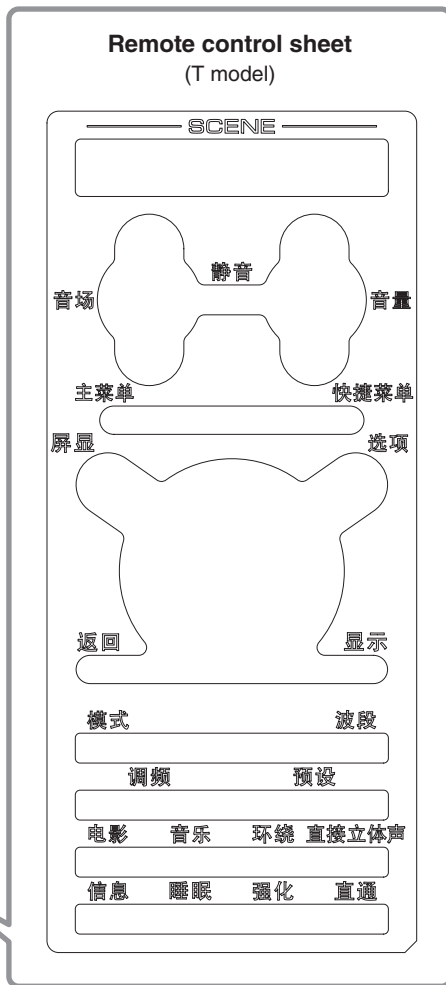
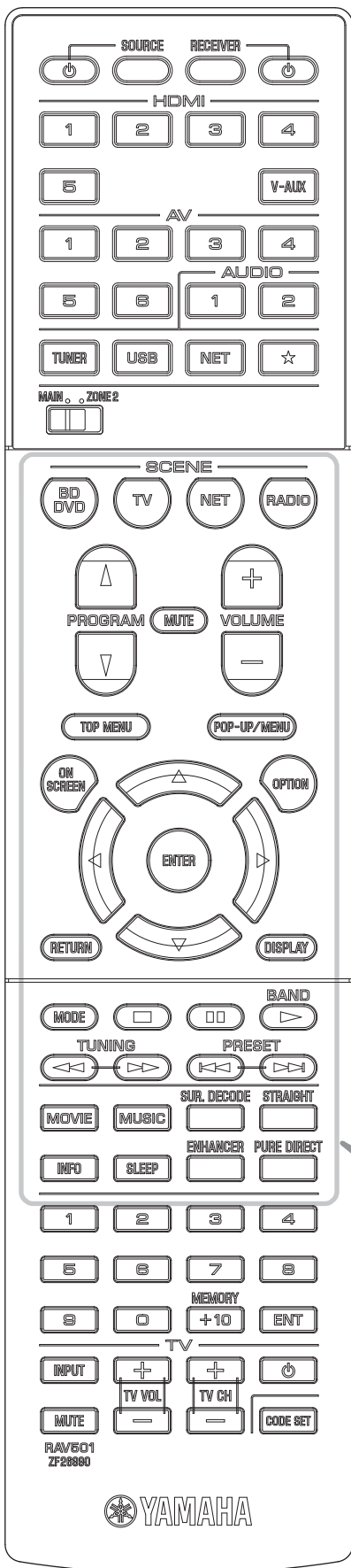
TSR-6750 (U model)



RX-V675/HTR-6066/RX-A730/TSR-6750

REMOTE CONTROL PANEL

RAV501



RX-V675/HTR-6066/
RX-A730/TSR-6750

■ SPECIFICATIONS

■ Audio Section

Rated Output Power (Power Amp. Section)

(1 kHz, 0.9 % THD)

– 1 channel driven –

U, C, R, T, A, B, G, F, L, S, H models (8 ohms)	
FRONT L/R	125 W/ch
CENTER	125 W
SURROUND L/R	125 W/ch
SURROUND BACK L/R	125 W/ch

B, G, F models (4 ohms)

FRONT L/R	150 W/ch
-----------	----------

– 2 channels driven simultaneously –

U, C, R, T, A, B, G, F, L, S, H models (8 ohms)	
FRONT L/R	105 W + 105 W
CENTER	105 W
SURROUND L/R	105 W + 105 W
SURROUND BACK L/R	105 W + 105 W

(20 Hz to 20 kHz, 0.09 % THD)

– 2 channels driven simultaneously –

U, C, R, T, A, B, G, F, L, S, H models (8 ohms)	
FRONT L/R	90 W + 90 W

Maximum Effective Output Power (JEITA) [R, T, L, H models]

(1 channel driven, 1 kHz, 10 % THD, 8 ohms)

FRONT L/R	150 W/ch
CENTER	150 W
SURROUND L/R	150 W/ch
SURROUND BACK L/R	150 W/ch

Dynamic Power Per Channel (IHF)

FRONT L/R (1 channel driven)	
(8 / 6 / 4 / 2 ohms)	130 / 170 / 200 / 240 W

Damping Factor (20 Hz to 20 kHz, 8 ohms)

FRONT L/R to SPEAKER-A	100 or more
------------------------	-------------

Input Sensitivity/Input Impedance (1 kHz, 100 W/8 ohms)

AV5 etc.	200 mV / 47 k-ohms
----------	--------------------

Maximum Input Signal (1 kHz, 0.5 % THD)

AV5 etc. (EFFECT ON)	2.3 V
----------------------	-------

Output Level/Output Impedance

AV OUT	200 mV / 1.2 k-ohms
SUBWOOFER (2 ch stereo and FRONT SP: small)	
	1 V / 1.2 k-ohms
ZONE2 OUT	200 mV / 1.2 k-ohms

Headphone Jack Rated Output/Output Impedance

(1 kHz, 50 mV, 8 ohms)	
AV5 etc. input	100 mV / 560 ohms

Frequency Response (10 Hz to 100 kHz)

AV5 etc., FRONT	0 / -3 dB
-----------------	-----------

Total Harmonic Distortion (20 Hz to 20 kHz, 50 W/8 ohms)

AV5 etc. (PURE DIRECT) to FRONT SP OUT	0.06 % or less
--	----------------

Signal to Noise Ratio (IHF-A Network) (Input shorted 250 mV)

AV5 etc. (PURE DIRECT) to SP OUT	100 dB or more
----------------------------------	----------------

Residual Noise (IHF-A Network)

FRONT L/R to SP OUT	150 μ V or less
---------------------	---------------------

Channel Separation (1 kHz / 10 kHz)

AV5 etc. (Input 5.1 k-ohms shorted)	
	60 dB or more / 45 dB or more

Volume Control/Step

	MUTE / -80 dB to +16.5 dB / 0.5 dB step
--	---

Tone Control Characteristics

Bass	
Boost/Cut	\pm 6 dB / 0.5 dB step, at 50 Hz
Turnover frequency	350 Hz
Treble	
Boost/Cut	\pm 6 dB / 0.5 dB step, at 20 kHz
Turnover frequency	3.5 kHz

Filter Characteristics

FRONT, CENTER, SURROUND, SURROUND BACK small (H.P.F.)	
	fc=40/60/80/90/100/110/120/160/200 Hz, 12 dB/oct.
SUBWOOFER small (L.P.F.)	
	fc=40/60/80/90/100/110/120/160/200 Hz, 24 dB/oct.

Optical Jack, Coaxial Jack Support Frequencies

	32 kHz to 96 kHz
--	------------------

■ Video Section

Video Signal Type

Monitor out (Wall paper)	
U, C, R models	NTSC
T, A, B, G, F, L, S, H models	PAL
Video conversion	
	NTSC/PAL

Composite Video Signal Level

	1 Vp-p / 75 ohms
--	------------------

Component Video Signal Level

Y	1 Vp-p / 75 ohms
Pb/Pr	0.7 Vp-p / 75 ohms

Video Maximum Input Level (VIDEO Conversion Off)

	1.5 Vp-p or more
--	------------------

Video Signal to Noise Ratio

	50 dB or more
--	---------------

Monitor Out Frequency Response (VIDEO Conversion Off)

Component video signal level	5 Hz to 60 MHz, -3 dB
------------------------------	-----------------------

■ FM Section

Tuning Range

U, C models	87.5 to 107.9 MHz
R, L, S, H models	87.5 to 108.0 / 87.50 to 108.00 MHz
T, A, B, G, F models	87.50 to 108.00 MHz

50 dB Quieting Sensitivity (IHF) (1 kHz, 100 % MOD.)

Mono	3 μ V (20.8 dBf)
------	----------------------

Signal to Noise Ratio (IHF)

Mono	71 dB
Stereo	69 dB

Harmonic Distortion (1 kHz)

Mono	0.3 %
Stereo	0.5 %

Antenna Input

	75 ohms unbalanced
--	--------------------

■ AM Section

Tuning Range

U, C models	530 to 1,710 kHz
R, L, S, H models	530 to 1,710 / 531 to 1,611 kHz
T, A, B, G, F models	531 to 1,611 kHz

Antenna

.....	Loop antenna
-------	--------------

■ General

Power Supply

U, C models	AC 120 V, 60 Hz
R, S models	AC 110–120/220–240 V, 50/60 Hz
T model	AC 220 V, 50 Hz
A model	AC 240 V, 50 Hz
B, G, F models	AC 230 V, 50 Hz
L, H models	AC 220–240 V, 50/60 Hz

Power Consumption

U, C models	400 W / 500 VA
R, T, L, S, H models	270 W
A, B, G, F models	300 W

Standby Power Consumption (reference data)

HDMI control: OFF / Standby through: OFF	
U, C models	0.10 W or less
R, T, A, B, G, F, L, S, H models	0.15 W or less
HDMI control: ON / Standby through: ON	
INPUT: HDMI1 (HDMI no signal)	
.....	3.0 W or less
Network standby: ON	
.....	3.0 W or less

Maximum Power Consumption [R, L, S, H models]

.....	590 W
-------	-------

Dimensions (W x H x D)

[RX-V675/HTR-6066/TSR-6750]	
.....	435 x 171 x 364 mm (17-1/8" x 6-3/4" x 14-3/8")
[RX-A730]	
.....	435 x 171 x 367 mm (17-1/8" x 6-3/4" x 14-1/2")

Weight

[RX-V675/HTR-6066/TSR-6750]	
.....	10.0 kg (22 lbs.)
[RX-A730]	
.....	10.4 kg (22.9 lbs.)

Finish

[RX-V675]	
T model	Gold color
U, C, R, T, A, B, G, F, L, S, H models	Black color
U, A, B, G, F, L, H models	Titanium color
[HTR-6066]	
G, F models	Black color
[RX-A730]	
U, C, A, B, G, L models	Black color
B, G models	Titanium color
[TSR-6750]	
U model	Black color

Accessories

Remote control	x 1
Batteries (R03, AAA, UM-4)	x 2
FM antenna (1.4 m)	x 1
AM antenna (1.0 m)	x 1
YPAO microphone (6.0 m)	x 1
Remote control sheet (T model)	x 1
Antenna isolator (T model)	x 1
Conversion plug (T model)	x 1
Power cable (2.0 m) (RX-A730)	x 1

* Specifications are subject to change without notice.

U	U.S.A. model	G	European model
C	Canadian model	F	Russian model
R	General model	L	Singapore model
T	Chinese model	S	Brazilian model
A	Australian model	H	Thai model
B	British model		



Manufactured under license from Dolby Laboratories. Dolby, Pro Logic, Surround EX and the double-D symbol are trademarks of Dolby Laboratories.



DTS-HD, the Symbol, & DTS-HD and the Symbol together are registered trademarks & DTS-HD Master Audio is a trademark of DTS, Inc.

Product includes software. © DTS, Inc. All Rights Reserved.



AirPlay, the AirPlay logo, iPad, iPhone, iPod, iPod nano, and iPod touch are trademarks of Apple Inc., registered in the U.S. and other countries.



Fraunhofer Institut Integrierte Schaltungen

MPEG Layer-3 audio coding technology licensed from Fraunhofer IIS and Thomson.



This receiver supports network connections.



HDMI, the HDMI Logo, and High-Definition Multimedia Interface are trademarks or registered trademarks of HDMI Licensing LLC in the United States and other countries.



MHL and the MHL logo are a trademark, registered trademark or service mark of MHL, LLC in the United States and/or other countries.

RX-V675/HTR-6066/
RX-A730/TSR-6750

x.v.Color™

“x.v.Color” is a trademark of Sony Corporation.

**SILENT™
CINEMA**

“SILENT CINEMA” is a trademark of Yamaha Corporation.



DLNA™ and DLNA CERTIFIED™ are trademarks or registered trademarks of Digital Living Network Alliance. All rights reserved. Unauthorized use is strictly prohibited.

Windows™

Windows is a registered trademark of Microsoft Corporation in the United States and other countries.

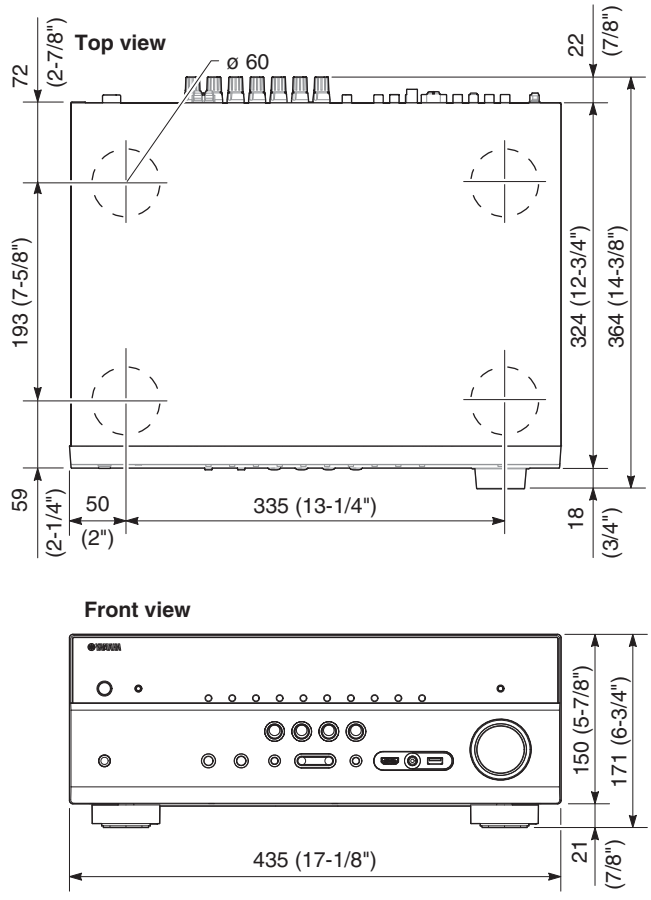
Internet Explorer, Windows Media Audio and Windows Media Player are either registered trademarks or trademarks of Microsoft Corporation in the United States and/or other countries.

Android™

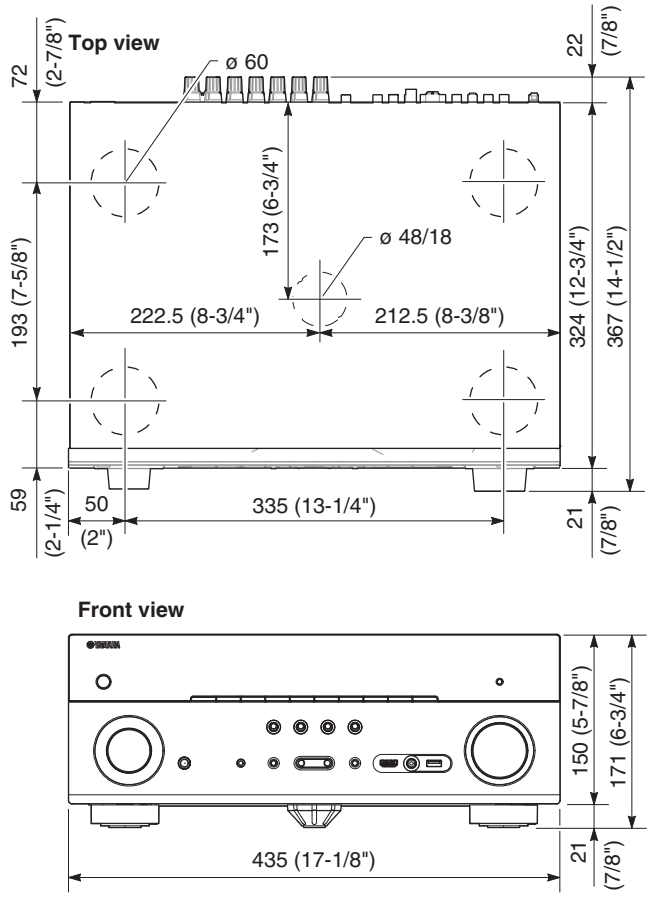
Android is a trademark of Google Inc.

• **DIMENSIONS**

RX-V675/HTR-6066/TSR-6750



RX-A730



Unit: mm (inch)

Unit: mm (inch)

RX-V675/HTR-6066/
RX-A730/TSR-6750

• SET MENU TABLE

MAIN MENU	SUB-MENU	PARAMETER	VALUE [INITIAL VALUE]		
Speaker Setup	Auto	Measure	Optimizes the speaker configuration automatically using YPAO.		
		Result	Not Available		
	Manual	Power Amp Assign		[Basic] / 7ch +1ZONE / 5ch BI-AMP	
		Configuration	Front	Large / [Small] * "Front" is automatically set to "Large" when "Subwoofer" is set to "None".	
			Center	Large / [Small] / None	
			Surround		
			Surround Back	Large x1 / Large x2 / Small x1 / [Small x2] / None * This setting is not available when "Power Amp Assign" is set to "5ch BI-AMP"; or when "Surround" is set to "None".	
			Front Presence	[Use] / None	
			Subwoofer	Use / None └─> [Normal] / Reverse	
			Extra Bass	[Off] / On * This setting is not available when "Subwoofer" is set to "None", or when "Front" is set to "Small".	
			Bass Cross Over	40 / 60 / [80] / 90 / 100 / 110 / 120 / 160 / 200 Hz	
		Distance		Meter / Feet	
			Front L		
			Front R		
			Center		
			Surround L		
			Surround R	0.30 to 24.00 m, [3.00 m], 0.05 m step	
			Surround Back L	1.0 to 80.0 ft, [10.0 ft], 0.2 ft step	
			Surround Back R		
			Front Presence L		
			Front Presence R		
			Subwoofer		
		Level	Front L		
			Front R		
			Center		
	Surround L				
	Surround R		-10.0 to +10.0 dB, [0.0 dB], 0.5 dB step		
	Surround Back L				
	Surround Back R				
	Front Presence L				
	Front Presence R				
	Subwoofer				
	Parametric EQ		Manual / YPAO : Flat / YPAO : Front / YPAO : Natural / Through * Select "ENTER"		
Front L Front R Center Surround L Surround R Surround Back L Surround Back R Front Presence L Front Presence R		Band	▶ Band: #1 to #7 ▲ Gain: -20.0 to +6.0 dB, [0.0 dB], 0.5 dB step		
		Frequency	▶ Frequency: 31.3 Hz to 16.0 kHz, [62.5 Hz] ▲ Gain: -20.0 to +6.0 dB, [0.0 dB], 0.5 dB step		
		Q	▶ Q: 0.500 to 10.080, [1.000] ▲ Gain: -20.0 to +6.0 dB, [0.0 dB], 0.5 dB step		
		PEQ Data Copy	Flat > Manual / Front > Manual / Natural > Manual * Select "ENTER"		
		PEQ Data Clear	OK / CANCEL * Select "ENTER"		
		Test Tone	[Off] / On		
		Sound Setup	Lipsync	Delay Enable	HDMI1 / HDMI2 / HDMI3 / HDMI4 / HDMI5 / AV1 / AV2 / AV3 / AV4 / AV5 / AV6 / V-AUX / AUDIO1 / AUDIO2 Disable / [Enable]
				Auto/Manual Select	[Auto] / Manual
				Adjustment	0 to 500 ms, [0 ms], 1 ms step

RX-V675/HTR-6066/
RX-A730/TSR-6750

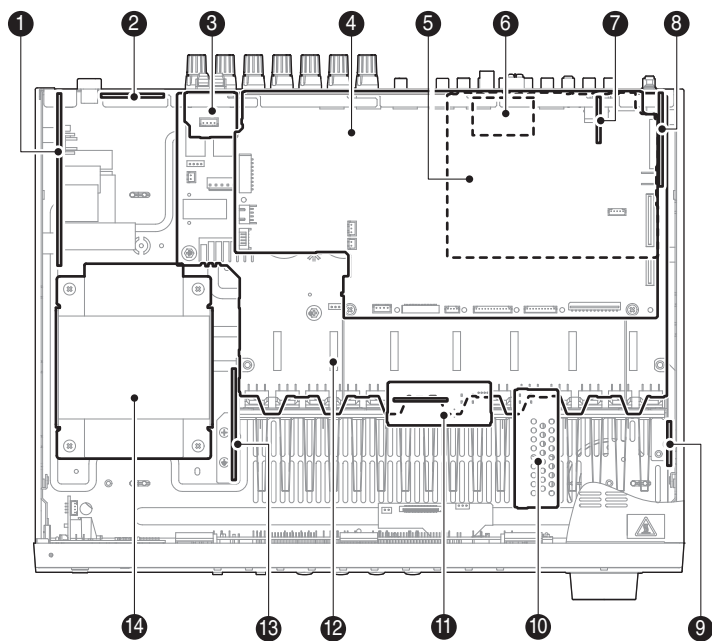
MAIN MENU	SUB-MENU		PARAMETER		VALUE [INITIAL VALUE]	
Sound Setup	Dynamic Range				[Maximum] / Standard / Minimum/Auto	
	Max. Volume				-30.0 to +15.0 dB, 5.0 dB step / [+16.5 dB (Maximum volume)]	
	Initial Volume				[Off] / On	
			Select "On"		Mute, -80.0 to +16.5 dB, [-40.0 dB], 0.5 dB step	
Adaptive DSP Level				Off / [On]		
Video Setup	Video Mode				[Direct] / Processing	
			Select "Processing"	Resolution	Through / [Auto] / 480p/576p / 720p / 1080i / 1080p / 4K * Select "ENTER"	
				Aspect	[Through] / 16:9 Normal	
HDMI Setup	HDMI Control				[Off] / On	
			TV Audio Input		AV1 / AV2 / AV3 / [AV4] / AV5 / AV6 / AUDIO1 / AUDIO2	
			ARC (Audio Return Channel)		Off / [On]	
			Standby Sync		Off / On / [Auto]	
	Audio Output	Amp				Off / [On]
			HDMI OUT (TV)		[Off] / On	
	* This setting is available only when "HDMI Control" is set to "Off".					
Standby Through				[Off] / On * This setting is available only when "HDMI Control" is set to "Off".		
Network Setup	IP Address	DHCP			Off / [On]	
				Select "Off"		
				IP Address	xxx.xxx.xxx. x	
				Subnet Mask	xxx.xxx.xxx. x	
				Default Gateway	xxx.xxx.xxx. x	
				DNS Server (P) Primary	x. x. x. x	
			DNS Server (S) Secondary	x. x. x. x		
	Network Standby				[Off] / On	
	MAC Address	Filter			[Off] / On	
	Filter		Select "On"			
		MAC Address 1-5	xx : xx : xx : xx : xx : xx			
		MAC Address 6-10	xx : xx : xx : xx : xx : xx			
Network Name					Input is possible to 15 characters	
Multi Zone Setup	Main Zone Set	Zone Rename			Input is possible to 9 characters	
	Zone2 Set	Max. Volume			-30.0 to +15.0 dB, 5.0 dB step / [+16.5 dB (Maximum volume)] * This setting is available only when "Power Amp Assign" is set to "7ch +1ZONE".	
		Initial Volume			[Off] / On	
			Select "On"		Mute, -80.0 to +16.5 dB, [-40.0 dB], 0.5 dB step * This setting is available only when "Power Amp Assign" is set to "7ch +1ZONE".	
	Zone Rename				Input is possible to 9 characters	
Function Setup	Display Set	Dimmer (Front Display)			-4 to 0 (higher to brighter), [0], 1 step	
		Short Message			[On] / Off	
		Wall Paper			[Picture1] / Picture2 / Picture3 / Gray	
	Trigger Output	Trigger Mode			[Power] / Source / Manual	
				Select "Source"	HDMI1-5, AV1-6, V-AUX, AUDIO1-2, TUNER, Rhapsody, Pandora, AirPlay, SERVER, NET RADIO, USB Low / [High]	
				Select "Manual"	Low / [High]	
	Target Zone				Main / Zone2 / [All]	
	DC OUT	Power Mode				[Continuous] / Main Zone Power Sync.
Memory Guard				[Off] / On		
ECO Setup	Auto Power Standby				Off / 2 Hours / 4 Hours / 8 Hours / 12 Hours U, C, R, T, K, A, L, S, H models: [Off] B, G, F models: [8 Hours]	
	ECO Mode				[Off] / On	
Language Setup					[English (English)] / 日本語 (Japanese) / Français (French) / Deutsch (German) / Español (Spanish) / Русский (Russian) / Italiano (Italian) / 中文 (Chinese)	

RX-V675/HTR-6066/
RX-A730/TSR-6750

INTERNAL VIEW

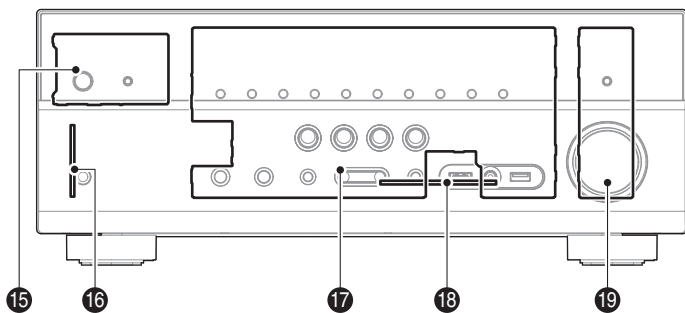
RX-V675/HTR-6066/TSR-6750

Top view



- 1 OPERATION (3) P.C.B.
- 2 MAIN (2) P.C.B. (R, S models)
- 3 OPERATION (8) P.C.B.
- 4 DIGITAL (1) P.C.B.
- 5 OPERATION (2) P.C.B.
- 6 AM/FM TUNER
- 7 OPERATION (9) P.C.B.
- 8 OPERATION (4) P.C.B.
- 9 MAIN (6) P.C.B.
- 10 MAIN (4) P.C.B.
- 11 MAIN (3) P.C.B.
- 12 MAIN (1) P.C.B.
- 13 MAIN (5) P.C.B.
- 14 POWER TRANSFORMER
- 15 OPERATION (6) P.C.B.
- 16 OPERATION (7) P.C.B.
- 17 OPERATION (1) P.C.B.
- 18 DIGITAL (2) P.C.B.
- 19 OPERATION (5) P.C.B.

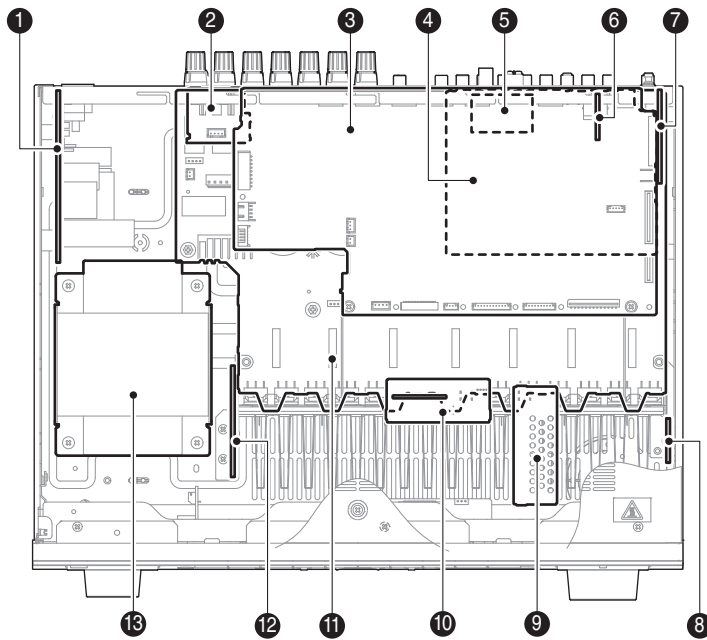
Front view



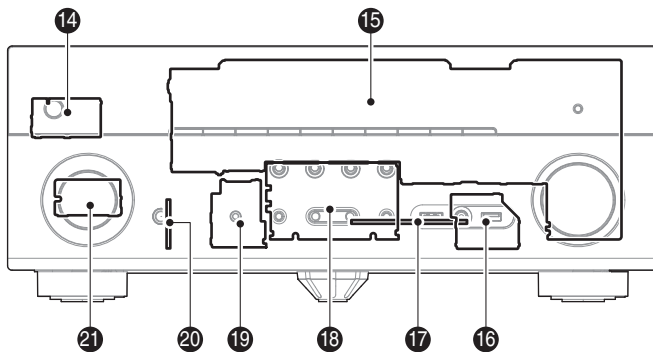
RX-V675/HTR-6066/
RX-A730/TSR-6750

RX-A730

Top view



Front view



- ① OPERATION (3) P.C.B.
- ② OPERATION (8) P.C.B.
- ③ DIGITAL (1) P.C.B.
- ④ OPERATION (2) P.C.B.
- ⑤ AM/FM TUNER
- ⑥ OPERATION (9) P.C.B.
- ⑦ OPERATION (4) P.C.B.
- ⑧ MAIN (6) P.C.B.
- ⑨ MAIN (4) P.C.B.
- ⑩ MAIN (3) P.C.B.
- ⑪ MAIN (1) P.C.B.
- ⑫ MAIN (5) P.C.B.
- ⑬ POWER TRANSFORMER
- ⑭ OPERATION (5) P.C.B.
- ⑮ OPERATION (1) P.C.B.
- ⑯ OPERATION (12) P.C.B.
- ⑰ DIGITAL (2) P.C.B.
- ⑱ OPERATION (11) P.C.B.
- ⑲ OPERATION (6) P.C.B.
- ⑳ OPERATION (7) P.C.B.
- ㉑ OPERATION (10) P.C.B.

■ SERVICE PRECAUTIONS

Safety measures

- Some internal parts in this product contain high voltages and are dangerous. Be sure to take safety measures during servicing, such as wearing insulating gloves.
- Note that the capacitors indicated below are dangerous even after the power is turned off because an electric charge remains and a high voltage continues to exist there. Before starting any repair work, connect a discharging resistor (5 k-ohms/10 W) to the terminals of each capacitor indicated below to discharge electricity. The time required for discharging is about 30 seconds per each.

C1084 and C1085 on MAIN (1) P.C.B.

C3706 on OPERATION (3) P.C.B.

For details, refer to "PRINTED CIRCUIT BOARDS".

■ DISASSEMBLY PROCEDURES

RX-V675/HTR-6066/TSR-6750

(Remove parts in the order as numbered.)
Disconnect the power cable from the AC outlet.

1. Removal of Top Cover

- a. Remove 4 screws (①) and 5 screws (②). (Fig. 1)
- b. Lift the rear of the top cover to remove it. (Fig. 1)

2. Removal of Front Panel Unit

- a. Remove 6 screws (③), and remove W3001 and W3007. (Fig. 1)
- b. Remove CB8, CB82, CB308, CB343, CB411, CB412, CB947 and CB952. (Fig. 1)
- c. Release 2 hooks, and remove the front panel unit. (Fig. 1)

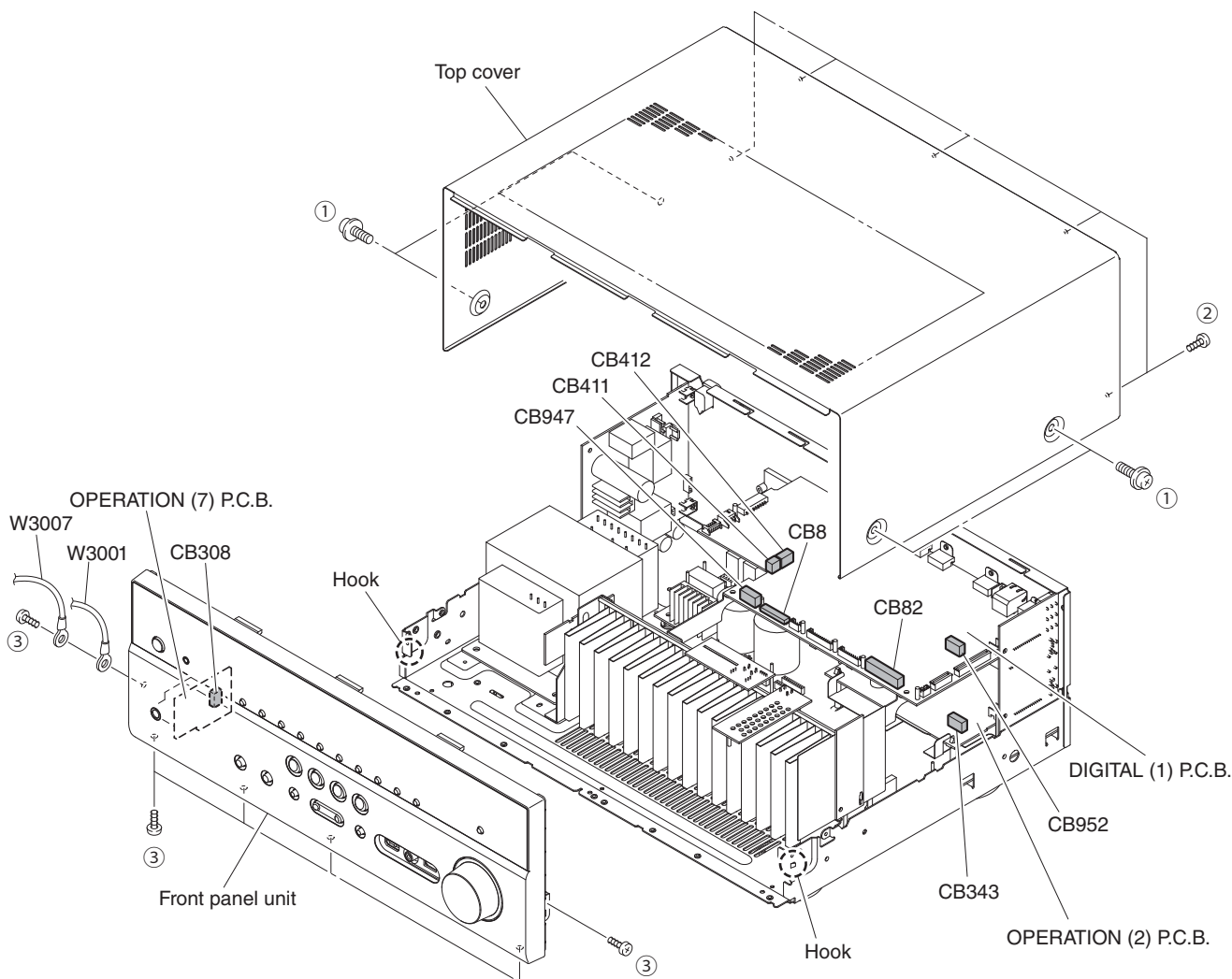


Fig. 1

3. Removal of DIGITAL (1) P.C.B.

- a. Remove screw (4) and 7 screws (5). (Fig. 3)
- b. Remove 3 screws. (6). (Fig. 2)
- c. Remove CB76, CB78, CB79, CB80, CB942 and CB944. (Fig. 2)
- d. Unlock and remove CB946 and CB948. (Fig. 2)
- e. Remove the DIGITAL (1) P.C.B. which is connected directly to the OPERATION (4) P.C.B. with board-to-board connectors. (Fig. 2)

4. Removal of AMP Unit and Power Transformer

- a. Remove screw (7), 2 screws (8), 3 screws (9) and 4 screws (10). (Fig. 2)
- b. Remove 3 screws (11). (Fig. 3)
- c. Remove the AMP unit together with the power transformer. (Fig. 2)

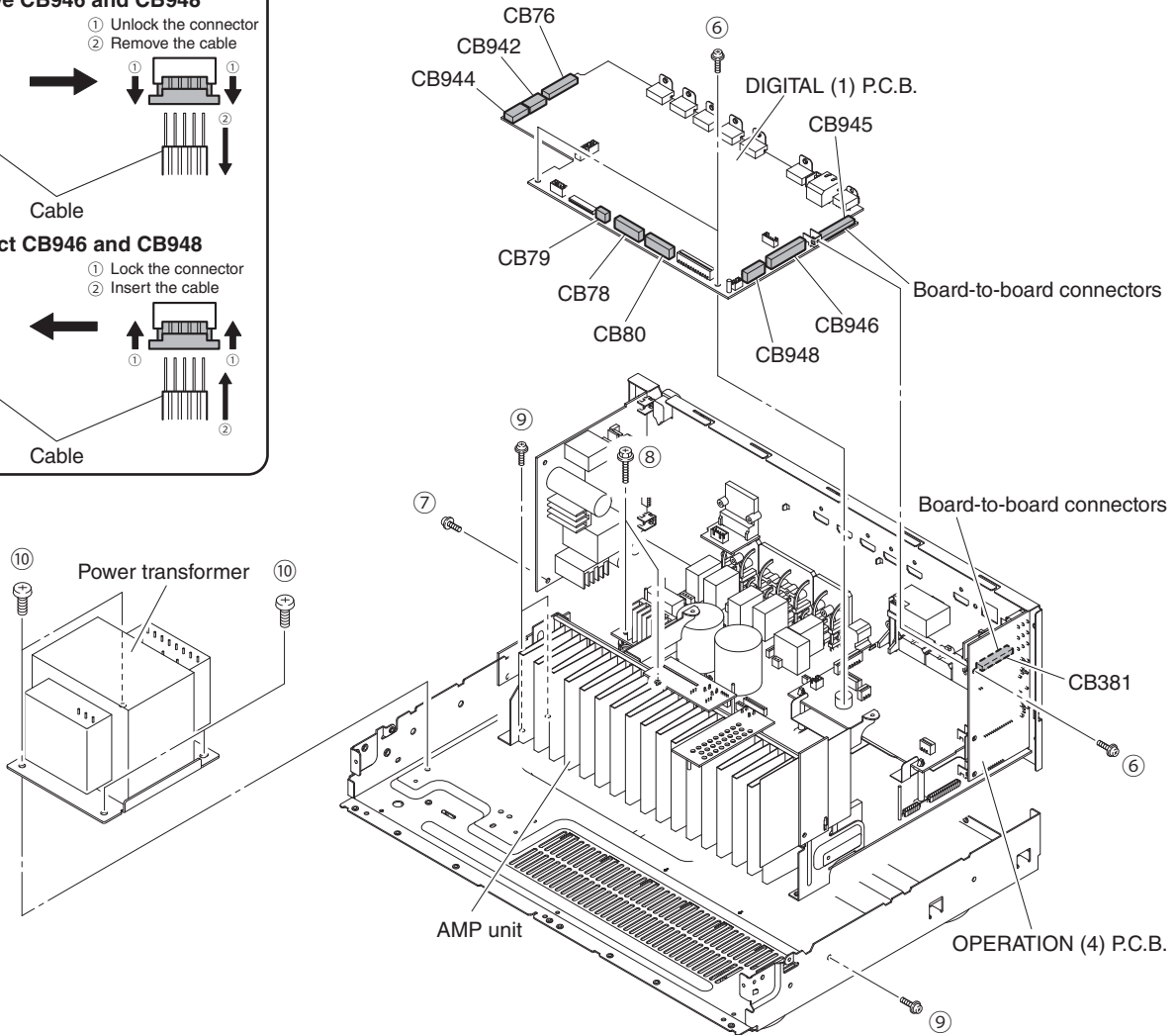
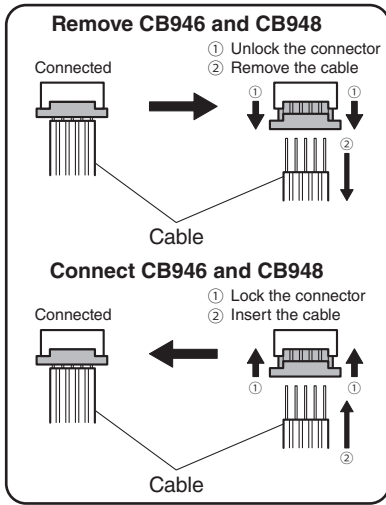


Fig. 2

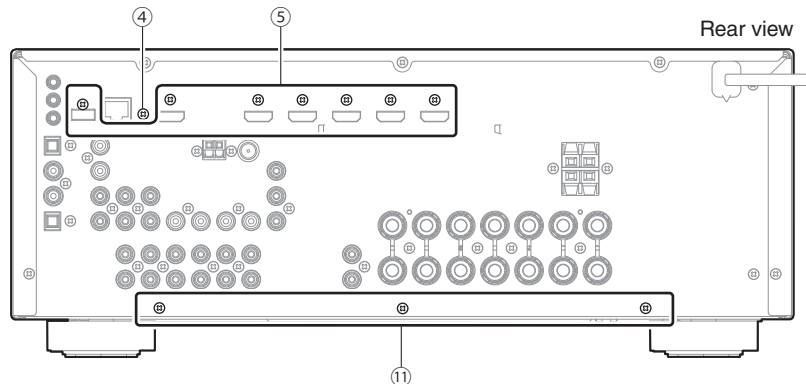


Fig. 3

When checking the MAIN (1) P.C.B.:

- Place the P.C.B.s (with rear panel) upright. (Fig. 4)
- Connect the heatsink and rear panel to the chassis with a ground lead or the like. (Fig. 4)
- Reconnect all cables (connectors) that have been disconnected.
- When connecting the flexible flat cable, be careful with polarity.

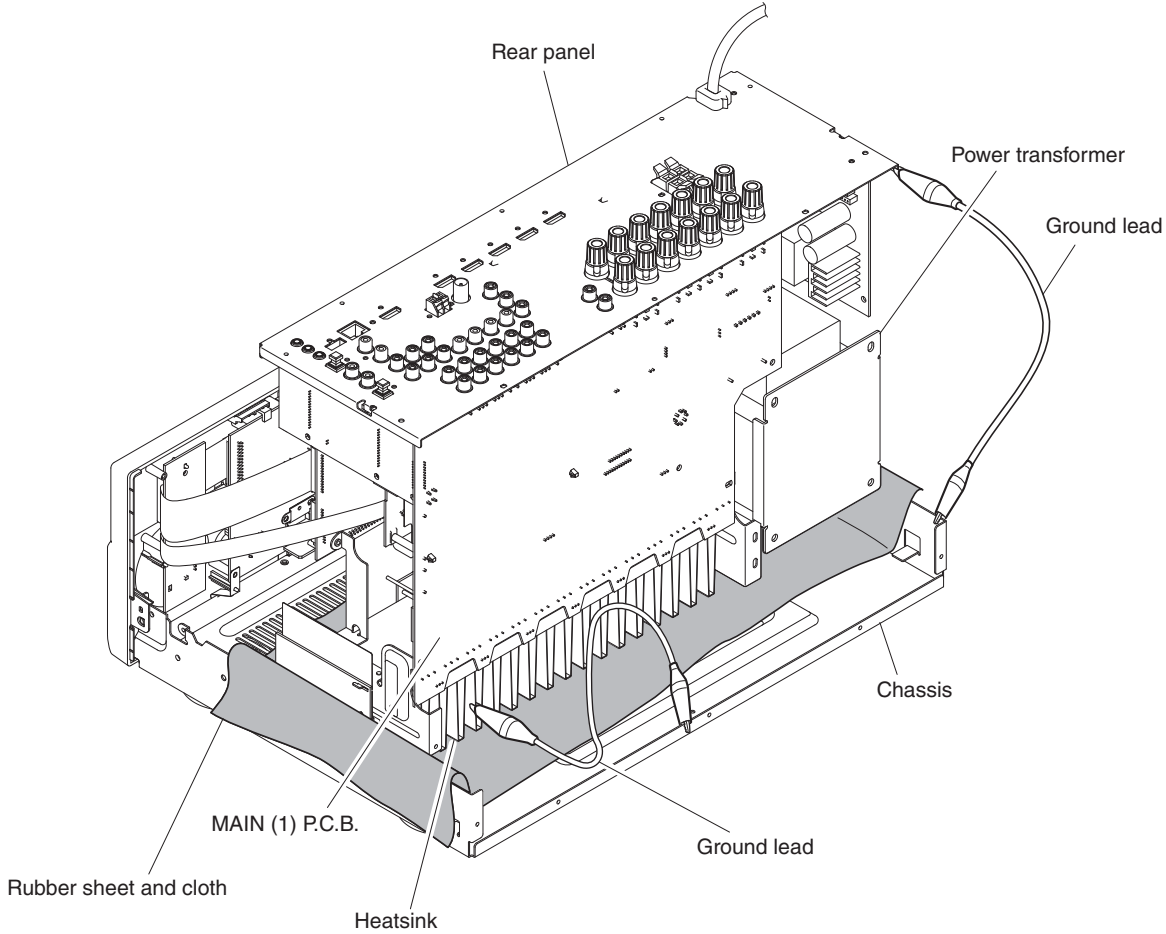


Fig. 4

RX-V675/HTR-6066/
RX-A730/TSR-6750

When checking the DIGITAL (1) P.C.B.:

- Put the rubber sheet and cloth over this unit, and place the DIGITAL (1) P.C.B. on them. (Fig. 5)
- Connect ST951 on DIGITAL (1) P.C.B. to the chassis with a ground lead. (Fig. 5)
- Reconnect all cables (connectors) that have been disconnected. Be sure to use the P.C.B. CHECKING JIG (Part No. ZF454800) to connect between the following connectors.
CB945 on DIGITAL (1) P.C.B. – CB381 on OPERATION (4) P.C.B.
- When connecting the flexible flat cable, be careful with polarity.

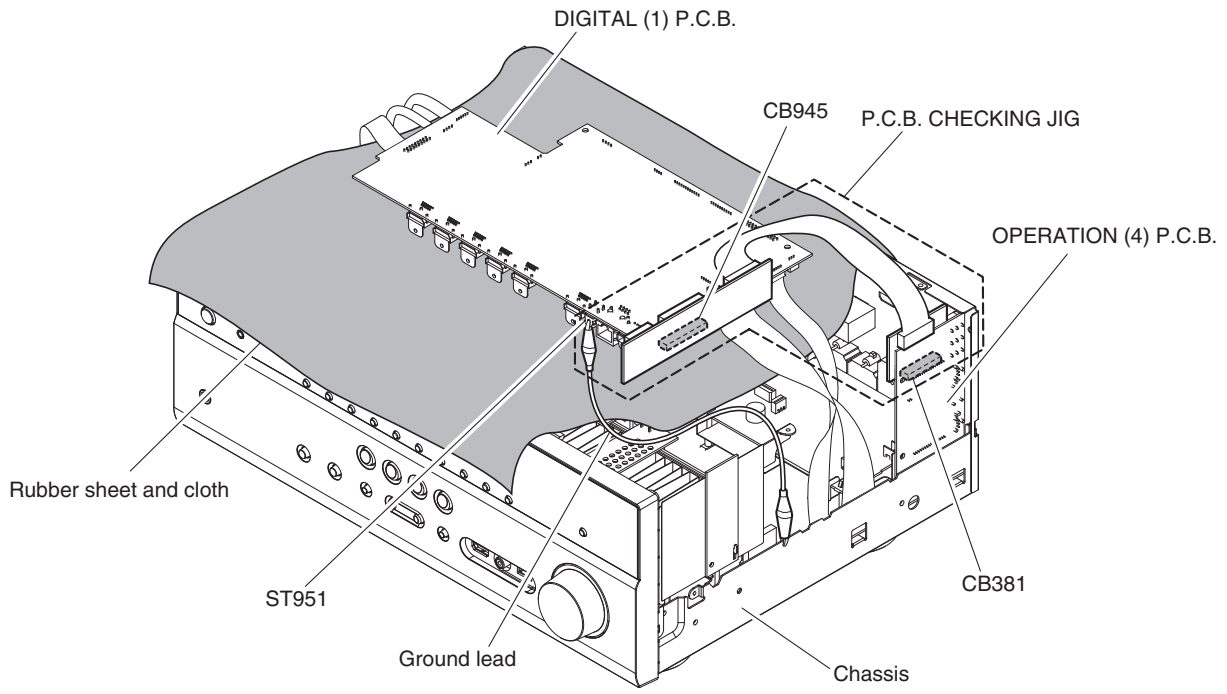


Fig. 5

RX-A730

(Remove parts in the order as numbered.)
Disconnect the power cable from the AC outlet.

1. Removal of Top Cover

- a. Remove 4 screws (①), 5 screws (②) and screw (③). (Fig. 1)
- b. Lift the rear of the top cover to remove it. (Fig. 1)

2. Removal of Front Panel Unit and Sub-Chassis Unit

- a. Remove knob (INPUT) and knob (VOLUME). (Fig. 1)
- b. Remove 6 screws (④) and then remove the front panel unit. (Fig. 1)
- c. Remove 2 push rivets and then remove the side plate (L) and side plate (R). (Fig. 1)
- d. Remove CB8, CB82, CB302, CB343, CB411, CB412, CB947 and CB952. (Fig. 1)
- e. Remove 2 screws (⑤) and then remove the sub-chassis unit. (Fig. 1)

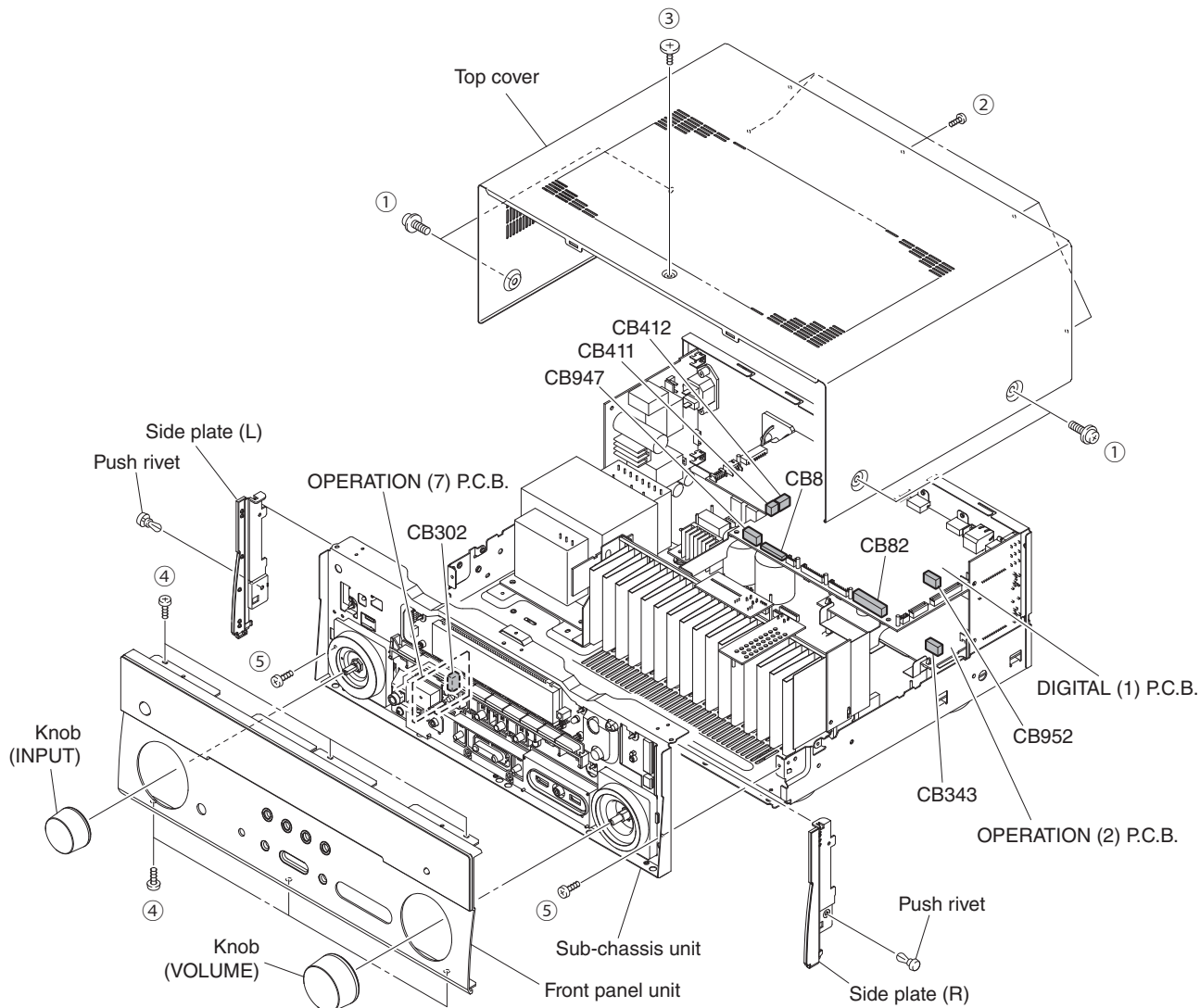


Fig. 1

3. Removal of DIGITAL (1) P.C.B.

- Remove screw (6) and 7 screws (7). (Fig. 3)
- Remove 3 screws. (8). (Fig. 2)
- Remove CB76, CB78, CB79, CB80, CB942 and CB944. (Fig. 2)
- Unlock and remove CB946 and CB948. (Fig. 2)
- Remove the DIGITAL (1) P.C.B. which is connected directly to the OPERATION (4) P.C.B. with board-to-board connectors. (Fig. 2)

4. Removal of AMP Unit and Power Transformer

- Remove screw (9), 2 screws (10), 3 screws (11) and 4 screws (12). (Fig. 2)
- Remove 3 screws (13). (Fig. 3)
- Remove the AMP unit together with the power transformer. (Fig. 2)

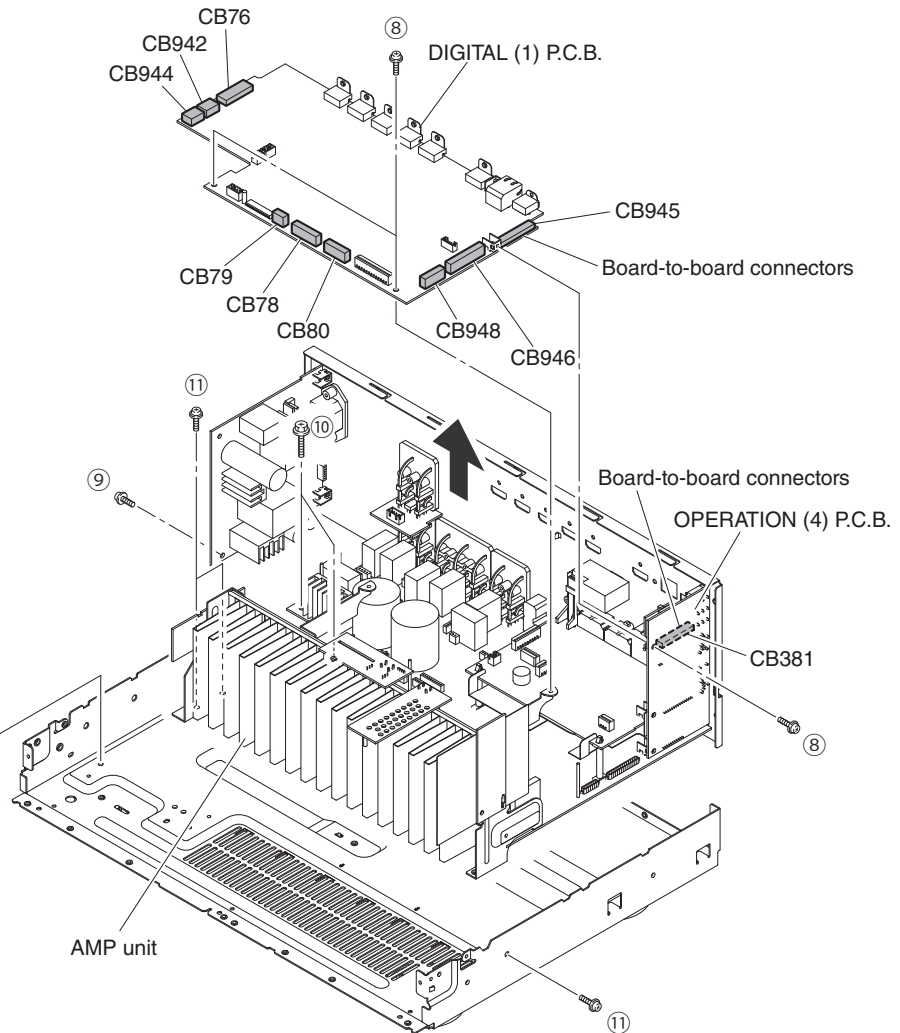
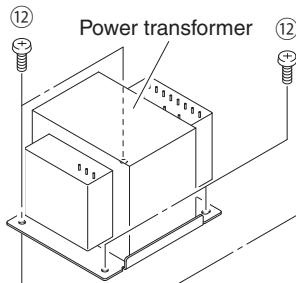
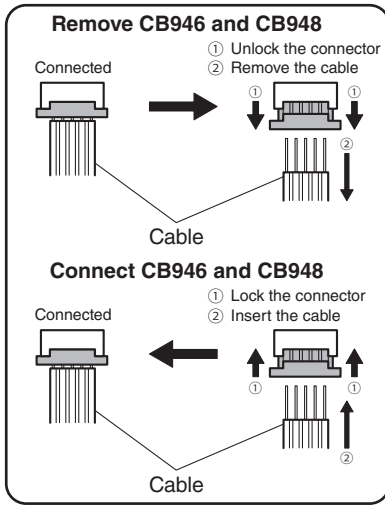


Fig. 2

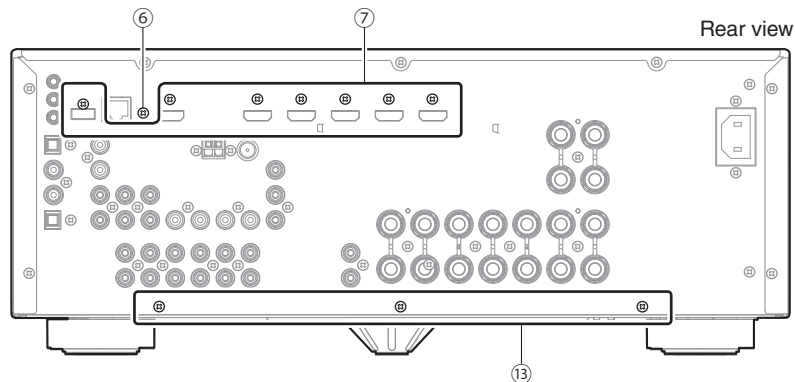


Fig. 3

When checking the MAIN (1) P.C.B.:

- Place the P.C.B.s (with rear panel) upright. (Fig. 4)
- Connect the heatsink and rear panel to the chassis with a ground lead or the like. (Fig. 4)
- Reconnect all cables (connectors) that have been disconnected.
- When connecting the flexible flat cable, be careful with polarity.

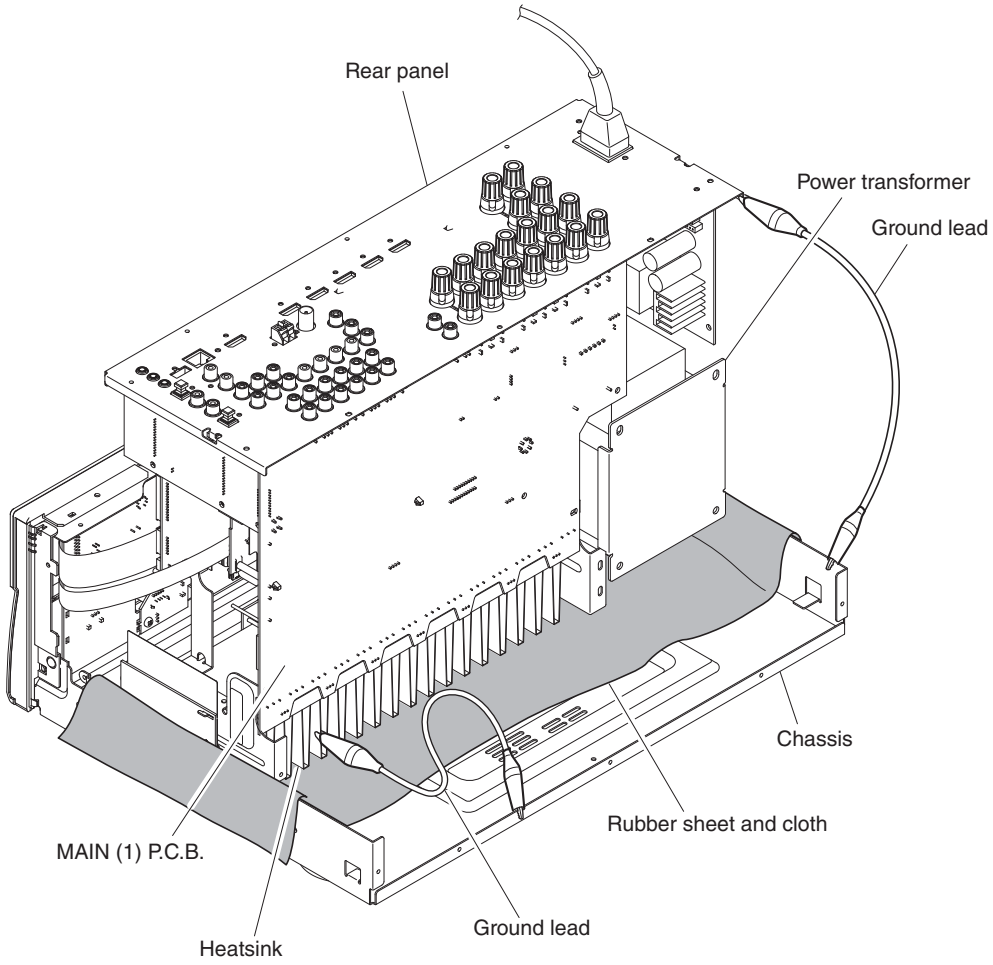


Fig. 4

RX-V675/HTR-6066/
RX-A730/TSR-6750

When checking the DIGITAL (1) P.C.B.:

- Put the rubber sheet and cloth over this unit, and place the DIGITAL (1) P.C.B. on them. (Fig. 5)
- Connect ST951 on DIGITAL (1) P.C.B. to the chassis with a ground lead. (Fig. 5)
- Reconnect all cables (connectors) that have been disconnected. Be sure to use the P.C.B. CHECKING JIG (Part No. ZF454800) to connect between the following connectors.
CB945 on DIGITAL (1) P.C.B. – CB381 on OPERATION (4) P.C.B.
- When connecting the flexible flat cable, be careful with polarity.

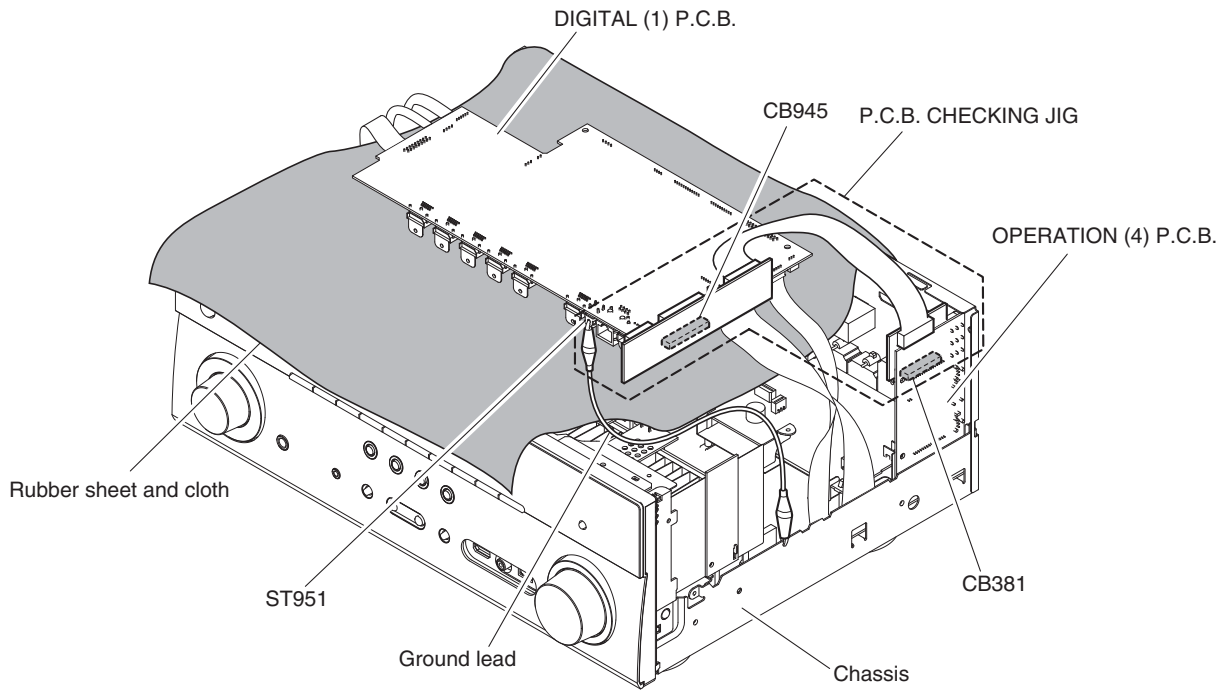


Fig. 5

■ UPDATING FIRMWARE

When the following parts are replaced, the firmware must be updated to the latest version.

DIGITAL P.C.B.

FPGA Flash ROM: IC77 on DIGITAL (1) P.C.B.

DSP (TI) Flash ROM: IC923 on DIGITAL (1) P.C.B.

NETWORK Flash ROM: IC953 on DIGITAL (1) P.C.B.

● Confirmation of firmware version and checksum

Before and after updating the firmware, check the firmware version and checksum by using the self-diagnostic function menu.

Start up the self-diagnostic function and select "S4. ROM VERSION/CHECKSUM" menu.

Using the sub-menu, have the firmware version and checksum displayed, and note them down.

(For details, refer to "SELF-DIAGNOSTIC FUNCTION")


* When the firmware version is different from written one after updating, perform the updating procedure again from the beginning again.

● Initializing the back-up IC (EEPROM: IC82 on DIGITAL P.C.B.)

After updating the firmware, the back-up IC MUST be initialized by the following procedure to store the setting information (soundfield parameters, system memory and tuner presetting, etc.) properly.

Start up the self-diagnostic function and select "S3. FACTORY PRESET" menu.

(For details, refer to "SELF-DIAGNOSTIC FUNCTION")

Select "PRESET RSRV", press the "MAIN ZONE  key to turn off the power once and turn on the power again. Then the back-up IC is initialized.

● Required Tools

- USB storage device
- Firmware
R0331-xxxx.bin

● Preparation

1. Download the latest firmware from the specified download source to the folder of the PC.
2. Copy the latest firmware from the PC to the root folder of the USB storage device.

Note: When the latest firmware is copied to a sub-folder of the USB storage device, the update will not proceed.

● **Operation Procedures**

1. Insert the USB storage device to the USB jack. (Fig. 1)
2. While pressing the “PURE DIRECT” key, connect the power cable to the AC outlet. (Fig. 1)

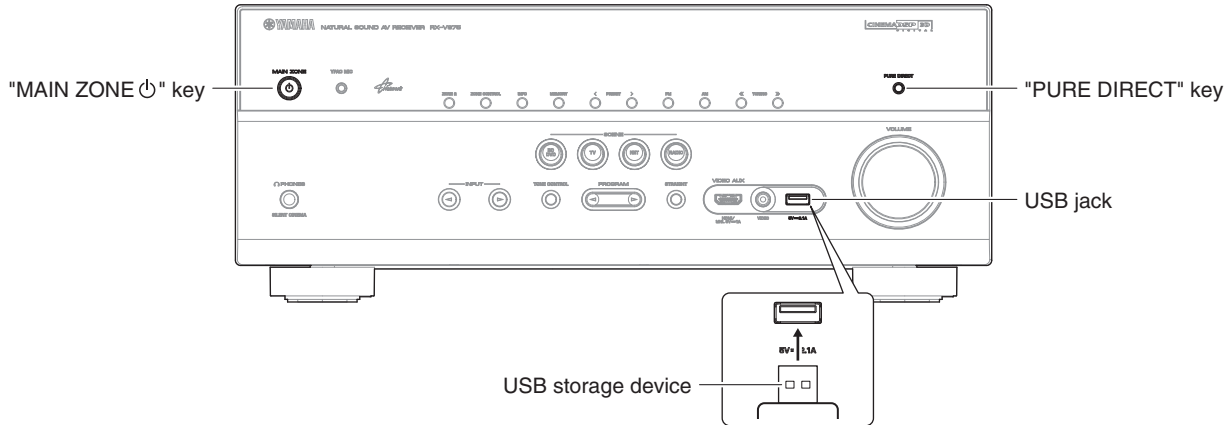


Fig. 1

3. The USB UPDATE mode is activated and “USB UPDATE” is displayed. Writing of the firmware starts automatically. (Fig. 2)

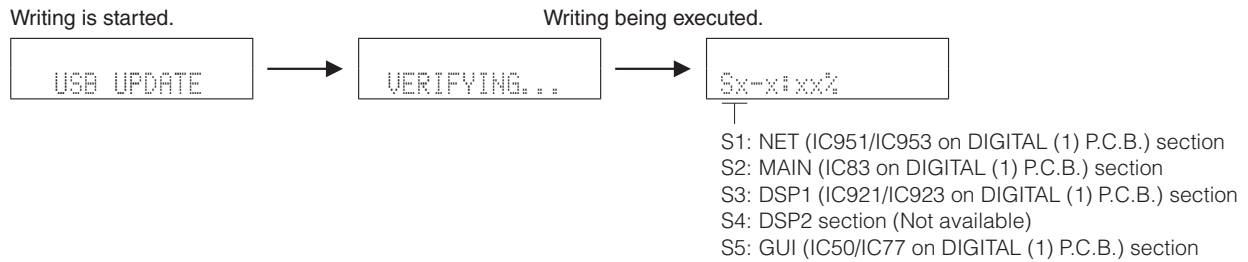


Fig. 2

- * If “ERROR! xxxx” is displayed during writing of the firmware, refer to “List of Error Messages” to determine the cause and perform the updating procedure again from the beginning.

4. When writing of the firmware is completed, “UPDATE SUCCESS”, “PLEASE...” and “POWER OFF!” are displayed repeatedly. (Fig. 3)



Fig. 3

5. Press the “MAIN ZONE” key to turn off the power. (Fig. 1)
6. Remove the USB storage device from the USB jack. (Fig. 1)
7. Start up the self-diagnostic function and check that the firmware version and checksum are the same as written ones. (For details, refer to “Confirmation of firmware version and checksum”)

List of Error Messages

Display



Error number

Error Number	Error Message	Cause
0001	Microprocessor clearing error	Microprocessor failure
0002	Microprocessor writing error	
0004	Microprocessor checksum error	Microprocessor failure / Mismatch of checksum
0008	DSP1 status port error	DSP1 failure / Malfunction of communication with microprocessor
0010	DSP1 checksum error	
0020	DSP1 data reception time out	
0040	DSP1 checksum calculation time out	
0080	DSP2 status port error	DSP2 failure / Malfunction of communication with microprocessor
0100	DSP2 checksum error	
0200	DSP2 data reception time out	
0400	DSP2 checksum calculation time out	
0800	GUI Flash ROM clearing error	GUI Flash ROM failure / Malfunction of communication with microprocessor
1000	GUI Flash ROM writing error	
2000	GUI Flash ROM checksum error	
4000	Destination judging error	No destination is written on EEPROM.

* The error number is displayed in the 4-digit hexadecimal notation.

* The error numbers are added when a multiple number of errors occur at the same time.

Example If errors by the error number "0002" and "0008" occur at the same time, the error number will be displayed as "000A"

■ SELF-DIAGNOSTIC FUNCTION

This unit has self-diagnostic functions that are intended for inspection, measurement and location of faulty point.

There are 26 main menu items, each of which has sub-menu items.

Listed in the table below are main menu items and sub-menu items.

Note: Some of the menu items listed below may not apply to the models covered in this service manual.

No.	Main menu	No.	Sub-menu
A: Audio system			
A1	DSP AUDIO	1	DSP MARGIN
		2	DSP NON MARGIN
		3	INVALID ITEM (Not for service)
		4	DSP FULL CENTER
		5	DSP FULL SURROUND
		6	DSP FULL SURROUND BACK
		7	DSP FULL SUBWOOFER
A2	DIRECT AUDIO	1	ANALOG DIRECT VH
		2	ANALOG DIRECT VL
A3	HDMI AUDIO	1	HDMI AUTO
		2	INVALID ITEM (Not for service)
		3	ARC1
		4	INVALID ITEM (Not for service)
		5	INVALID ITEM (Not for service)
A4	SPEAKERS SET	1	BI-AMP
		2	ZONE/TONE=MAX
		3	ZONE/TONE=MIN
		4	INVALID ITEM (Not for service)
		5	INVALID ITEM (Not for service)
		6	D-PARTY MODE
		7	FULL MUTE
		8	INVALID ITEM (Not for service)
		9	INVALID ITEM (Not for service)
		10	INVALID ITEM (Not for service)
		11	INVALID ITEM (Not for service)
		12	INVALID ITEM (Not for service)
		13	INVALID ITEM (Not for service)
A5	MULTI CHANNEL INPUT (Not for service)	1	MULTI CHANNEL INPUT 8 ohms
		2	MULTI CHANNEL INPUT 6 ohms
A6	MIC CHECK	1	MIC ROUTE CHECK
A7	MANUAL TEST	1	TEST ALL
		2	TEST FRONT L
		3	TEST CENTER
		4	TEST FRONT R
		5	TEST SURROUND R
		6	TEST SURROUND BACK R
		7	TEST SURROUND BACK L
		8	TEST SURROUND L
		9	TEST FRONT PRESENCE L
		10	TEST FRONT PRESENCE R
		11	INVALID ITEM (Not for service)
		12	INVALID ITEM (Not for service)
		13	TEST LFE 1
		14	INVALID ITEM (Not for service)

No.	Main menu	No.	Sub-menu
D: Display system			
D1	FL CHECK	1	FL CHECK
		2	ALL SEGMENT OFF
		3	ALL SEGMENT ON
		4	CHECK PATTERN 1
		5	CHECK PATTERN 2
Z: Zone system			
Z1	ZONE TEST	1	AV1 (Not for service)
		2	AV2 (Not for service)
		3	AV3 (Not for service)
		4	AV4 (Not for service)
		5	AV5
		6	AV6
		7	AUDIO1
		8	AUDIO2
		9	V-AUX (Not for service)
		10	PHONO (Not for service)
U: Universal system			
U1	USB	1	USB FRONT 1 TRACK
		2	USB FRONT 2 TRACK
		3	USB_VBUS HIGH POWER
N: Network system			
N1	NETWORK	1	IP ADDRESS CHECK
		2	MAC ADDRESS CHECK
		3	LINE NOISE 100 MDI (Not for service)
		4	LINE NOISE 100 MDIX (Not for service)
		5	LINE NOISE 10 MDI (Not for service)
		6	LINE NOISE 10 MDIX (Not for service)
		7	EXT TEST
		8	MAC ADDRESS
C: Communication system			
C1	DIGITAL PCB CHECK	1	ALL
		2	BUS FLASH ROM
		3	BUS FPGA
		4	I2C
		5	FPGA RAM
		6	BUS DIR
		7	BUS DSP
		8	EEPROM
		9	INVALID ITEM (Not for service)
		10	INVALID ITEM (Not for service)
C2	NETWORK IC CHECK	1	ALL
		2	LINK CHECK
		3	PHY TEST
		4	BUS RAM
		5	APL ID CHECK

No.	Main menu	No.	Sub-menu
V: Video system			
V1	ANALOG VIDEO CHECK	1	ANALOG BYPASS
		2	INVALID ITEM (Not for service)
		3	INVALID ITEM (Not for service)
		4	MUTE CHECK
		5	TEST PATTERN (Not for service)
		6	VIDEO IN
V2	DIGITAL VIDEO CHECK	1	LOOPBACK TEST 1
		2	LOOPBACK TEST 2
		3	LOOPBACK TEST 3
		4	INVALID ITEM (Not for service)
		5	INVALID ITEM (Not for service)
		6	INVALID ITEM (Not for service)
		7	HDMI REPEAT
		8	DIGITAL CVBS
		9	INVALID ITEM (Not for service)
		10	DIGITAL COMPONENT
		11	DIGITAL COMPONENT SC
		12	GUI-VIDEO OUT
V3	TEST PATTERN	1	480i
		2	480p
		3	720p 60Hz
		4	1080i 60Hz
		5	1080p 60Hz
		6	576i
		7	576p
		8	720p 50Hz
		9	1080i 50Hz
		10	1080p 50Hz
		11	1080p 24Hz
		12	1080p 24Hz 3D/FP
		13	720p 60Hz 3D/FP
		14	720p 50Hz 3D/FP
		15	1080i 60Hz 3D/FP
		16	1080i 60Hz 3D/SS
		17	1080i 50Hz 3D/SS
		18	720p 60Hz 3D/TB
		19	720p 50Hz 3D/TB
		20	1080p 24Hz 3D/TB
		21	4k 24Hz
T: Troubleshooting Information			
T1	TROUBLE SHOOTING INFORMATION	1	OPERATING TIME
		2	POWER-RELAY ON
		3	POWER AMP B
		4	OUTPUT LEVEL
		5	POWER OFF TIME-OUT
T2	USAGE ENVIRONMENT	1	MAIN ZONE HIGHEST VOLUME
		2	ZONE 2 HIGHEST VOLUME
		3	INVALID ITEM (Not for service)
		4	THM1/THM2 HIGHEST TEMPERATURE
		5	THM3/THM4 HIGHEST TEMPERATURE (Not for service)

No.	Main menu	No.	Sub-menu
T3	EXTERNAL EVENT	1	HISTORY 1
		2	HISTORY 2
		3	HISTORY 3
		4	HISTORY 4
		5	HISTORY 5
		6	HISTORY 6
		7	HISTORY 7
		8	HISTORY 8
T4	INTERNAL INFOMATION	1	DSP INFORMATION
		2	BU ERROR (Not for service)
		3	NRC (Net Restart Counter) (Not for service)
		4	INVALID ITEM (Not for service)
P: Power and protection system			
P1	SYSTEM MONITOR	1	DC
		2	PS
		3	THM
		4	INVALID ITEM (Not for service)
		5	OUTPUT LEVEL
		6	LIMITER CONTROL
		7	L3 (J model) (Not for service)
		8	KEY
		9	USB-VBUS (Not for service)
P2	PROTECTION HISTORY	1	HISTORY 1
		2	HISTORY 2
		3	HISTORY 3
		4	HISTORY 4
S: System and version system			
S1	FIRMWARE UPDATE	1	FIRMWARE UPDATE (Not for service)
S2	SET INFORMATION	1	MODEL
		2	DESTINATION
S3	FACTORY PRESET	1	PRESET INHIBIT/RESERVE
S4	ROM VERSION/CHECKSUM	1	SYSTEM VERSION
		2	MICROPROCESSOR VERSION
		3	MICROPROCESSOR CHECKSUM
		4	FLASH ROM VERSION
		5	FLASH ROM CHECKSUM
		6	NETWORK MICROPROCESSOR VERSION
		7	NETWORK MICROPROCESSOR CHECKSUM
		8	DSP1 VERSION
		9	DSP1 CHECKSUM
		10	INVALID ITEM (Not for service)
		11	INVALID ITEM (Not for service)
		12	GUI VERSION
		13	FPGA GUI VERSION
		14	FPGA SD VERSION
		15	FPGA HD VERSION
		16	INVALID ITEM (Not for service)

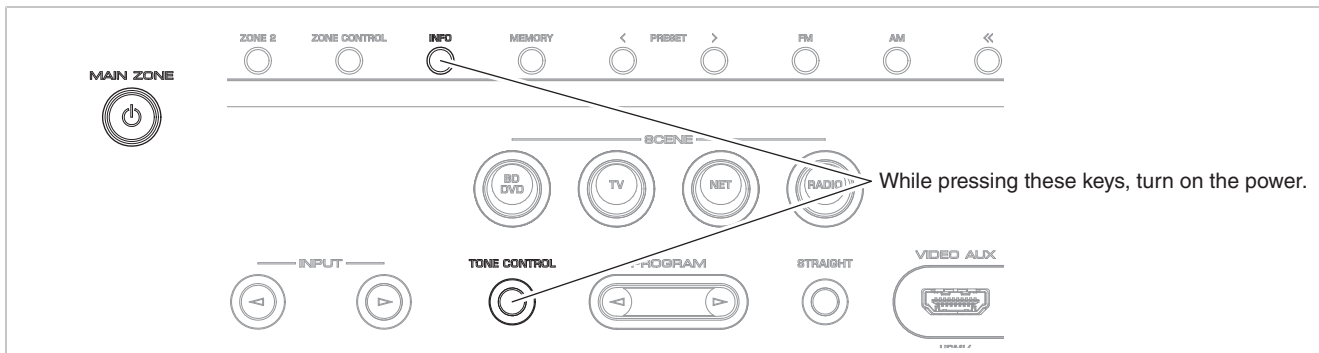
● Starting Self-Diagnostic Function

While pressing the “TONE CONTROL” and “INFO” keys, press the “MAIN ZONE ⏻” key to turn on the power, and release those 2 keys.

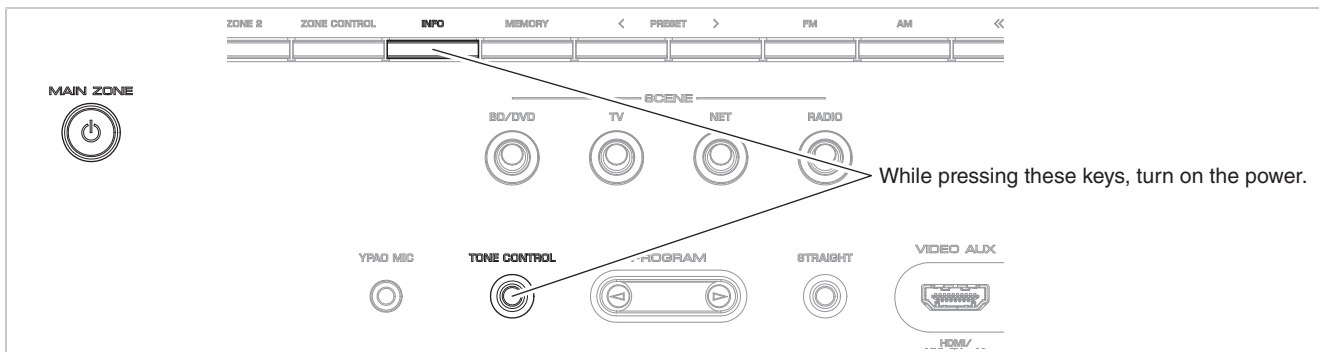
The self-diagnostic function mode is activated.

Keys of this unit

RX-V675/HTR-6066/TSR-6750



RX-A730



● Starting Self-Diagnostic Function in the protection cancel mode

If the protection function works and causes hindrance to troubleshooting, cancel the protection function by the procedure below, and it will be possible to enter the self-diagnostic function mode. (The protection functions other than the excess current detect function will be disabled.)

While pressing the “TONE CONTROL” and “INFO” keys, press the “MAIN ZONE ⏻” key to turn on the power and keep pressing those 2 keys and “MAIN ZONE ⏻” key for 3 seconds or longer.

The self-diagnostic function mode is activated with the protection functions disabled.

In this mode, the “SLEEP” segment of the FL display flashes to indicate that the mode is self-diagnostic function mode with the protection functions disabled.

CAUTION!

Using this unit with the protection function disabled may cause further damage to this unit. Use special care for this point when using this mode.

RX-V675/HTR-6066/
RX-A730/TSR-6750

● **Canceling Self-Diagnostic Function**

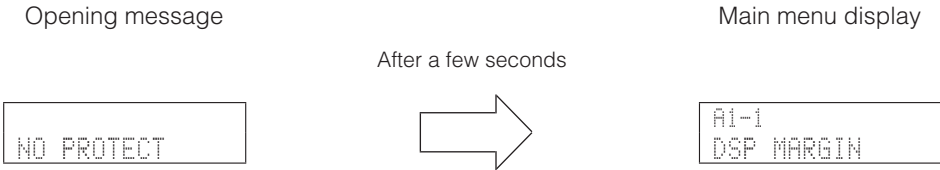
- 1. Before canceling self-diagnostic function, execute setting for “S3. FACTORY PRESET” menu. (Memory initialization inhibited or Memory initialized).
 - * In order to keep the user memory preserved, be sure to select PRESET INHIBIT (Memory initialization inhibited).
- 2. Press the “MAIN ZONE ⏻” key to turn off the power.

● **Display provided when Self-Diagnostic Function started**

The display is as described below depending on the situation when the power to this unit is turned off.

1. When the power is turned off by usual operation:

“NO PROTECT” is displayed. Then “A1-1. DSP MARGIN” is displayed in a few seconds.



2. When the protection function worked to turn off the power:

The information of protection function which worked at that time is displayed. Then “A1-1. DSP MARGIN” is displayed in a few seconds.

Note: At that time if you restart the self-diagnostic function after turning off the power once, “NO PROTECT” will be displayed. That is because that situation is equal to “1. When the power is turned off by usual operation:”.

However history of the protection function is stored in memory as backup data. For details, refer to “P2. PROTECTION HISTORY” menu.

2-1. When there is a history of protection function due to excess current.



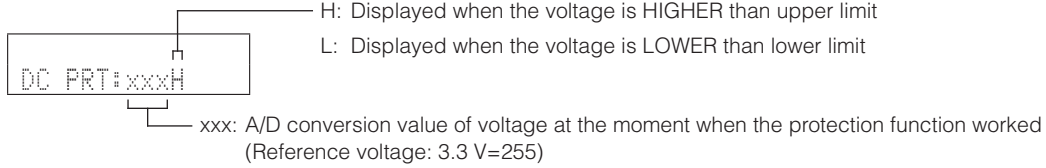
Cause: An excessive current flowed through the power amplifier.

Supplementary information: As over current of the power amplifier is detected, check condition of each power transistor.

Turning on the power without correcting the abnormality will cause the protection function to work immediately and the power supply will instantly be shut off.

- Notes:**
- **Applying the power to this unit without correcting the abnormality can be dangerous and cause additional circuit damage. To avoid this, if “I PROTECT” protection function works 1 time, the power will not turn on even when the “MAIN ZONE ⏻” key is pressed. In order to turn on the power again, start up the self-diagnostic function.**
 - **The output transistors in each amplifier channel should be checked for damage before applying power to this unit.**
 - **Amplifier current should be monitored by measuring DC voltage across the emitter resistors for each channel.**

2-2. When the protection function worked due to abnormal DC output.

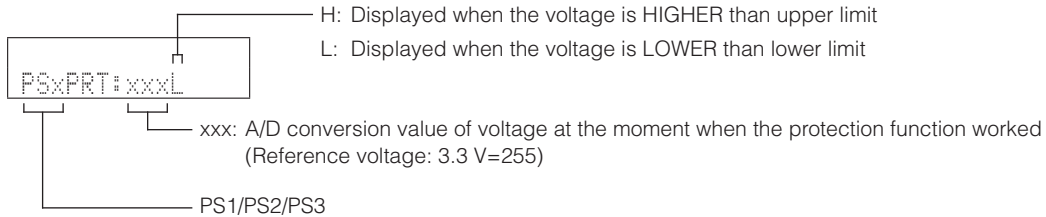


Cause: DC output of the power amplifier is abnormal.

Supplementary information: The protection function worked due to a DC voltage appearing at the speaker terminal. A cause could be a defect in the amplifier.

Turning on the power without correcting the abnormality will cause the protection function to work in 5 seconds and the power supply will be shut off.

2-3. When the protection function worked due to abnormal voltage in the power supply section.



Cause: The voltage in the power supply section is abnormal.

Supplementary information: The protection function worked due to a defect or overload in the power supply.

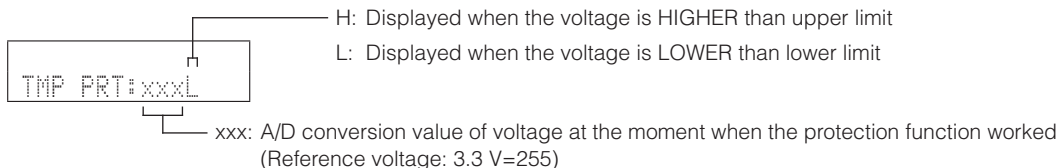
Turning on the power without correcting the abnormality will cause the protection function to work in 1 seconds and the power supply will be shut off.

Notes:

- Applying the power to this unit without correcting the abnormality can be dangerous and cause additional circuit damage. To avoid this, if “PS” and “DC” protection function works 3 times consecutively, the power will not turn on even when the “MAIN ZONE ⏻” key is pressed. In order to turn on the power again, start up the self-diagnostic function.
- The output transistors in each amplifier channel should be checked for damage before applying power to this unit.
- Amplifier current should be monitored by measuring DC voltage across the emitter resistors for each channel.

RX-V675/HTR-6066/
RX-A730/TSR-6750

2-4. When the protection function worked due to excessive heatsink temperature.



Cause: The temperature of the heatsink is excessive.

Supplementary information: The protection function worked due to the temperature limit being exceeded. Causes could be poor ventilation or a defect related to the thermal sensor.

Turning on the power without correcting the abnormality will cause the protection function to work in 1 seconds and the power supply will be shut off.

● History of protection function

When the protection function has worked, its history is stored in memory as backup data.

Even if no abnormality is noted while servicing the unit, an abnormality which has occurred previously can be defined as long as the backup data has been stored.

For details, refer to “P2. PROTECTION HISTORY” menu.

● Operation procedure of Main menu and Sub-menu

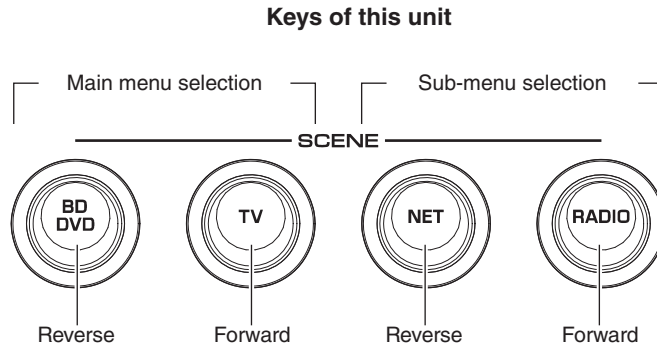
There are 26 main menu items, each of which has sub-menu items.

Main menu selection

Select the main menu using “SCENE TV” (forward) and “SCENE BD/DVD” (reverse) keys.

Sub-menu selection

Select the sub-menu using “SCENE RADIO” (forward) and “SCENE NET” (reverse) keys.



● Functions in Self-Diagnostic Function mode

In addition to the self-diagnostic function menu items, functions listed below are available.

- Power ON/OFF
- Master volume
- Muting
- Input selection
- Zone control

* Functions related to the tuner and the set menu are not available.

● Initial settings when Self-Diagnostic Function started

The following initial settings are used when self-diagnostic function is started.

- Master volume: -20 dB / Zone volume: +2.5dB
- Input: HDMI1 / Zone input: AUDIO1
- Main menu: A1-1. DSP MARGIN
- Speaker setting: LARGE, Bass out to SWFR (All channels)
- HDMI Control: Off
- Zone 2: On

* When self-diagnostic function is canceled, these settings are restored to those before starting self-diagnostic function.

● **Details of Self-Diagnostic Function menu**

A1. DSP AUDIO

This menu is used to check audio signal route via DSP.

A1-1. DSP MARGIN

The audio signal is output including the head margin via DSP.

* When input source is stereo, signal is assigned as below.

- Front L: Front L, Center, Surround L, Surround Back L
- Front R: Front R, Surround R, Surround Back R
- Front L +10 dB: Subwoofer

```
A1-1
DSP MARGIN
```

A1-2. DSP NON MARGIN

The SUBWOOFER signal is output including the head margin via DSP.

The audio signal other than SUBWOOFER is output without including the head margin via DSP.

```
A1-2
DSP NON MARGIN
```

A1-3. INVALID ITEM

Not for service.

```
A1-3
INVALID ITEM
```

A1-4. DSP FULL CENTER

The audio signal is output to only CENTER channel in digital full bit without including the head margin.

```
A1-4
DSP FULL C
```

A1-5. DSP FULL SURROUND

The audio signal is output to only SURROUND L/R channels in digital full bit without including the head margin.

```
A1-5
DSP FULL SUR
```

RX-V675/HTR-6066/
RX-A730/TSR-6750

A1-6. DSP FULL SURROUND BACK

The audio signal is output to only SURROUND BACK L/R channel in digital full bit without including the head margin.

```
A1-6
DSP FULL SB
```

A1-7. DSP FULL SUBWOOFER

The audio signal is output to only SUBWOOFER channel in digital full bit without including the head margin.

```
A1-7
DSP FULL SW
```

A2. DIRECT AUDIO

This menu is used to check audio signal route of PURE DIRECT mode.

A2-1. DIRECT VH

The analog input audio signal is output to FRONT L/R in PURE DIRECT mode.

VH: Voltage High, RY101 on MAIN (1) P.C.B.: Off

```
A2-1
DIRECT :VH
```

A2-2. DIRECT VL

The analog input audio signal is output to FRONT L/R in PURE DIRECT mode.

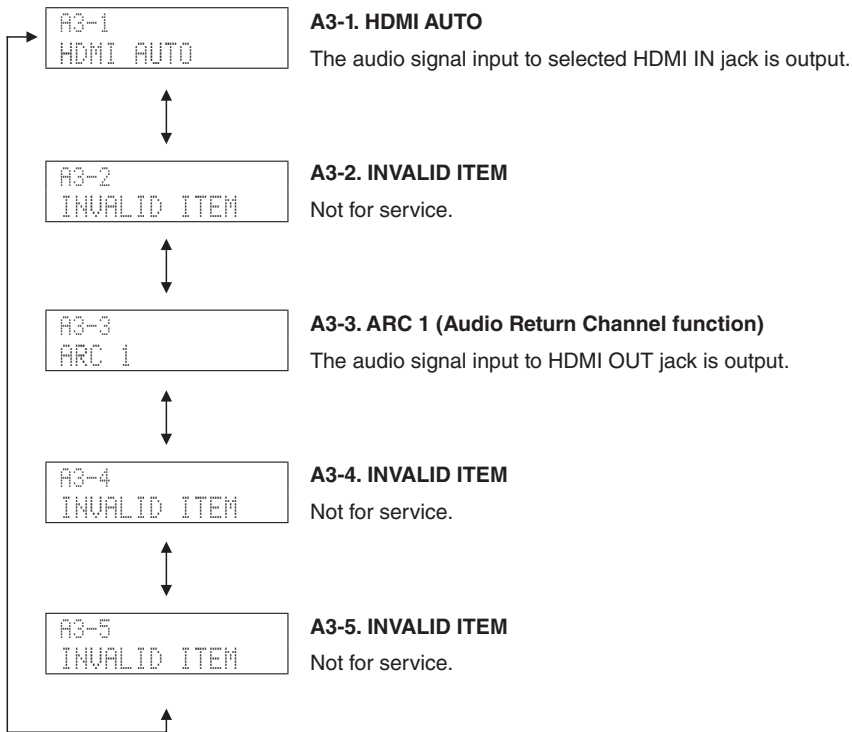
VL: Voltage Low, RY101 on MAIN (1) P.C.B.: On

```
A2-2
DIRECT :VL
```

A3. HDMI AUDIO

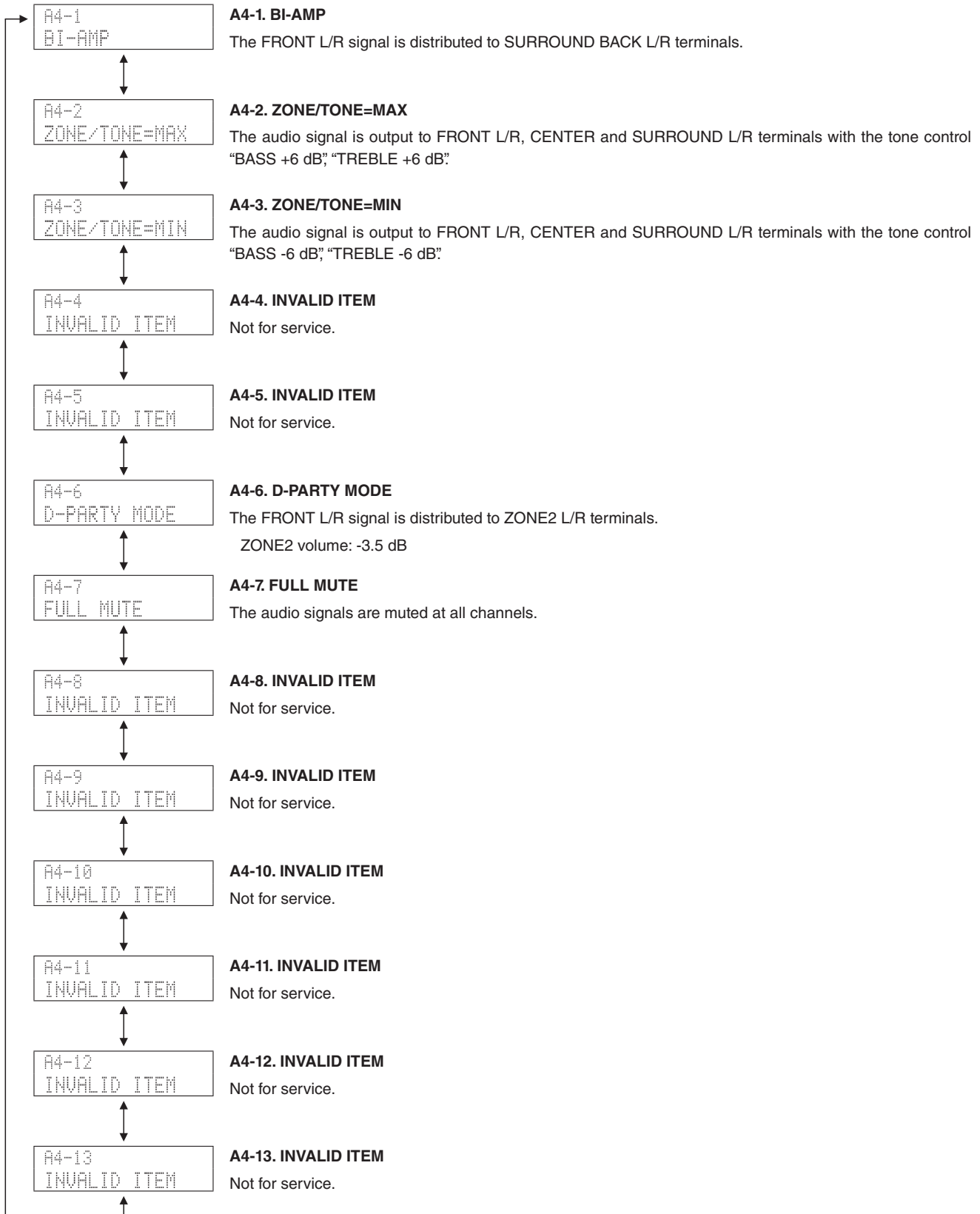
This menu is used to check the route of audio signal input to HDMI IN/OUT jack.

- * Before check using "A3-3. ARC 1" menu, be sure to connect a TV monitor equipped with Audio Return Channel function to this unit in advance.



A4. SPEAKERS SET

This menu is used to check the speaker output.



RX-V675/HTR-6066/
RX-A730/TSR-6750

A5. MULTI CHANNEL INPUT

Not for service.



A6. MIC CHECK

A6-1. MIC ROUTE CHECK

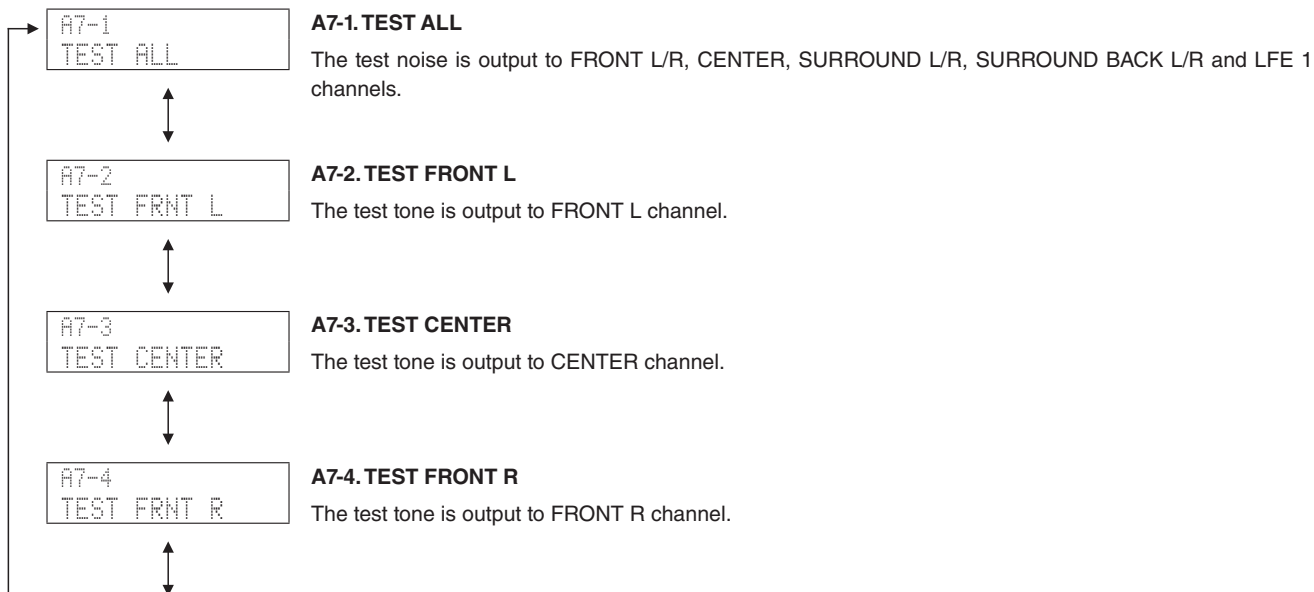
The audio signal input to the YPAO MIC jack is output to FRONT L and FRONT R channels via A/D-D/A.



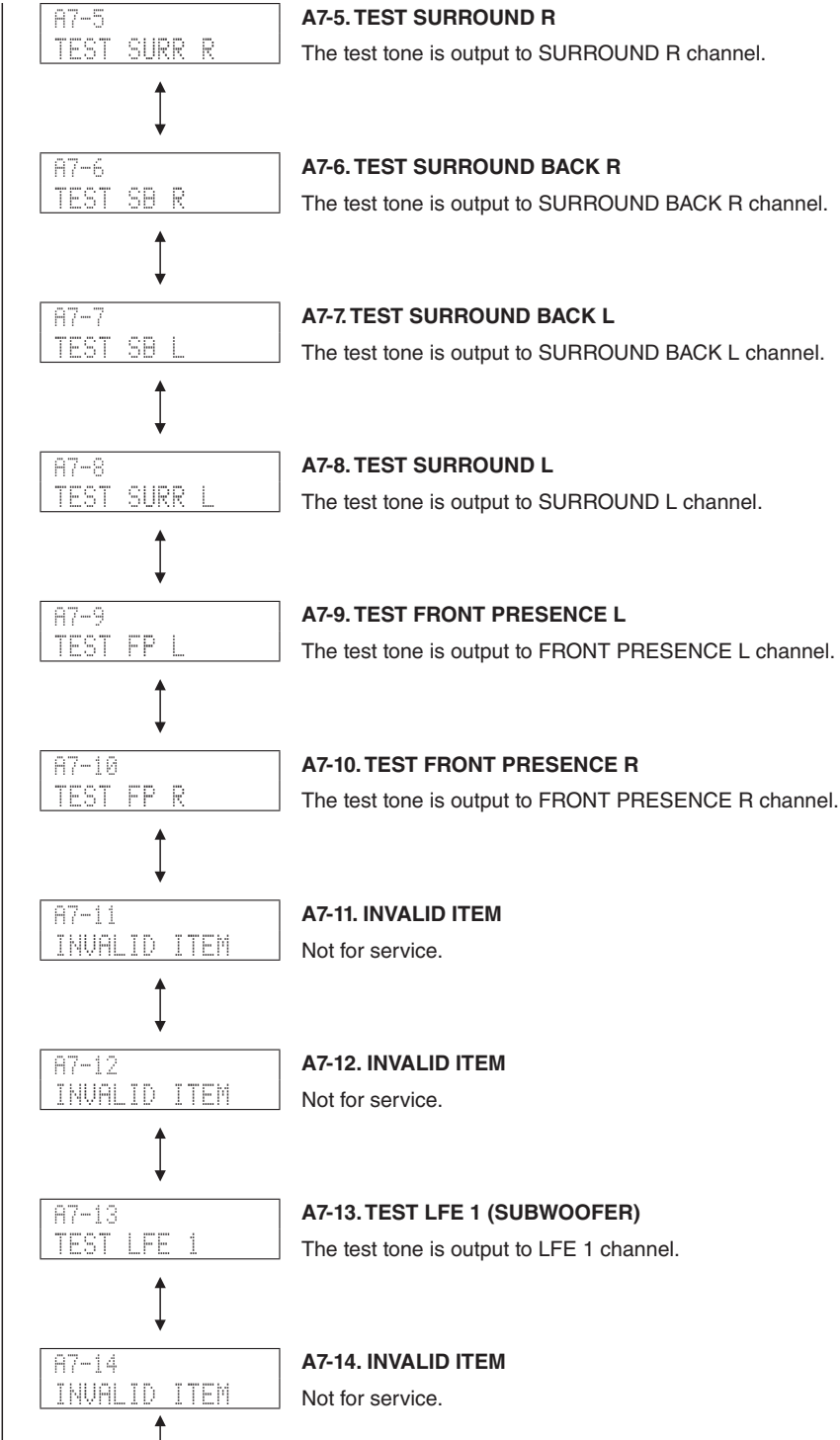
A7. MANUAL TEST

The test noise generated by built-in noise generator in DSP is output to the channels specified by the sub-menu.

	Test noise	Test tone
for SUBWOOFER	30 Hz to 80 Hz pink noise	50 Hz sine wave
for other than SUBWOOFER	500 Hz to 2 kHz pink noise	1 kHz sine wave



RX-V675/HTR-6066/
RX-A730/TSR-6750



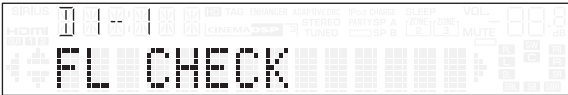
RX-V675/HTR-6066/
RX-A730/TSR-6750

D1. FL CHECK

This menu is used to check operation of the FL display.

FL display

D1-1. INITIAL DISPLAY



D1-2. ALL SEGMENT OFF

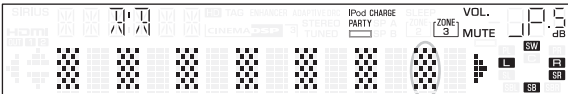


D1-3. ALL SEGMENT ON

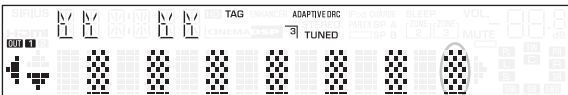


* After check, change to next menu at once.

D1-4. CHECK PATTERN 1



D1-5. CHECK PATTERN 2



Example
Lighting on segments in lattice.

■	■	■	■	■	■	■	■	■	■
■	■	■	■	■	■	■	■	■	■
■	■	■	■	■	■	■	■	■	■
■	■	■	■	■	■	■	■	■	■
■	■	■	■	■	■	■	■	■	■
■	■	■	■	■	■	■	■	■	■
■	■	■	■	■	■	■	■	■	■
■	■	■	■	■	■	■	■	■	■
■	■	■	■	■	■	■	■	■	■
■	■	■	■	■	■	■	■	■	■

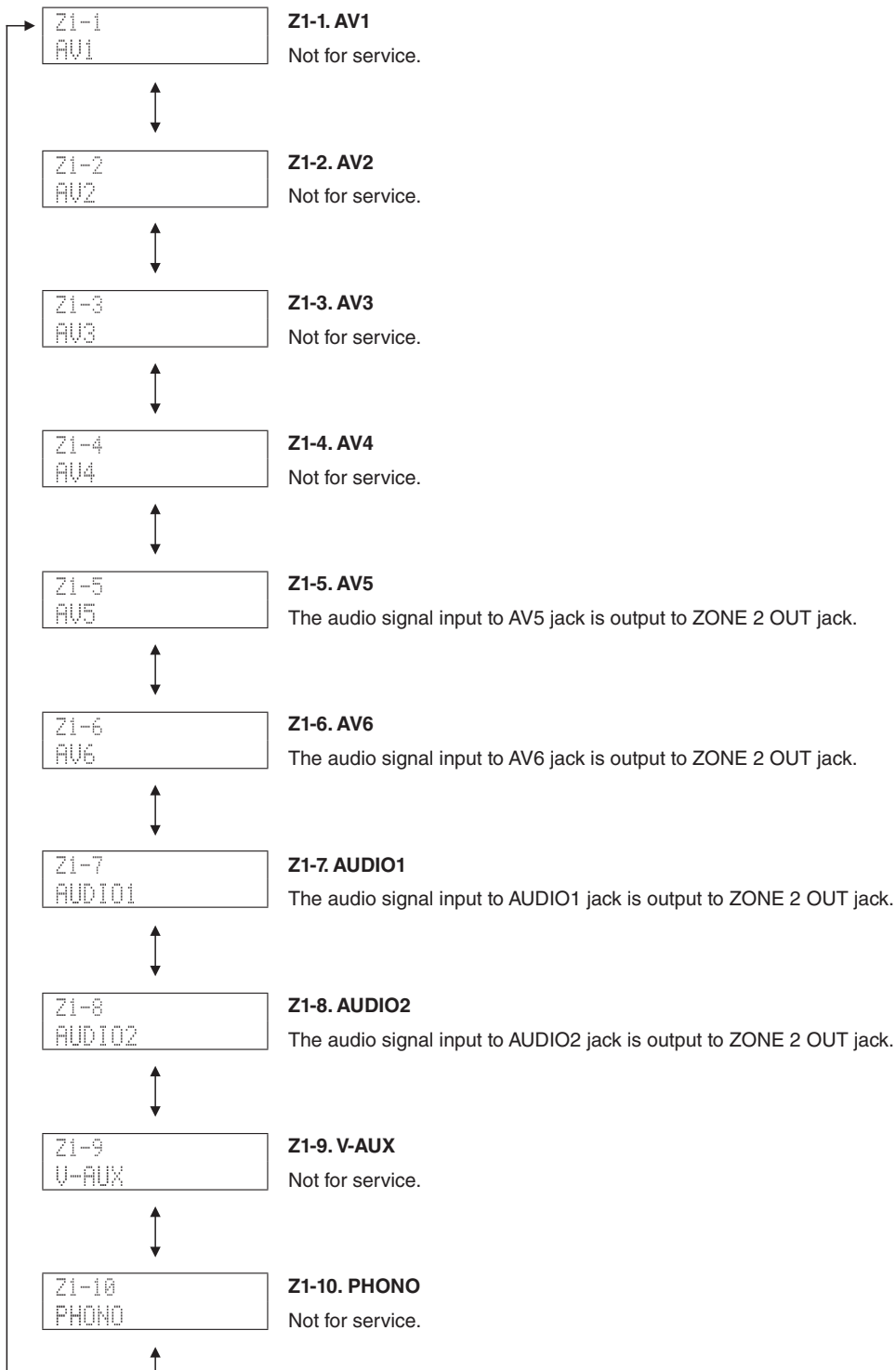
Short Normal

Segment conditions of the FL tube is checked by turning ON and OFF all segments.
 Next, a short between segments next to each other is checked by turning ON and OFF all segments alternately (in lattice).
 (In the above example, the segments in the second row from the top are shorted.)

RX-V675/HTR-6066 / RX-A730/TSR-6750

Z1. ZONE TEST

This menu is used to check audio signal route to ZONE2 OUT jack.



RX-V675/HTR-6066/
RX-A730/TSR-6750

U1. USB

This menu is used to check the audio signal route from USB storage device.

U1-1. USB FRONT 1 TRACK

The 1st music file stored in the USB storage device connected to the USB jack is reproduced.
* Copy 2 or more music files from PC to the root folder of the USB storage device in advance.



U1-2. USB FRONT 2 TRACK

The 2nd music file stored in the USB storage device connected to the USB jack is reproduced.



U1-3. USB_VBUS HIGH POWER

The output current (USB_VBUS) of USB jack is output at up to 2.1A/5V.



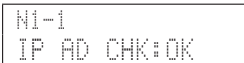
N1. NETWORK

This menu is used to check functions related to NETWORK.
Connect between LAN port of broadband router and NETWORK jack of this unit with a network cable.

- * When the network condition varies while sub-menu is displayed (e.g., the network is deactivated once), the correct result will not be displayed.
In that case, once turn off the power to this unit, then start up the self-diagnostic function again and select this menu.

N1-1. IP ADDRESS CHECK

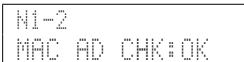
This menu is used to check that IP address can be obtained.



OK: Connected (IP address obtained)
NG: No traffic / Disconnected

N1-2. MAC ADDRESS CHECK

This menu is used to check that MAC address is written.



OK: Normal
NG: Unwritten

RX-V675/HTR-6066/
RX-A730/TSR-6750

N1-3. LINE NOISE 100 MDI

Not for service.

```
N1-3
LN MDI 100
```

N1-4. LINE NOISE 100 MDIX

Not for service.

```
N1-4
LN MDIX 100
```

N1-5. LINE NOISE 10 MDI

Not for service.

```
N1-5
LN MDI 10
```

N1-6. LINE NOISE 10 MDIX

Not for service.

```
N1-6
LN MDIX 10
```

N1-7. EXT TEST

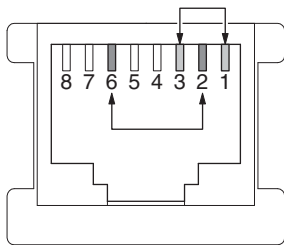
Transmission/reception of the NETWORK jack is checked.

With the power turned off, short the pins of the NETWORK jack as shown in the figure below.

Start up the self-diagnostic function and select this menu.

Transmission/reception test is executed and its result is displayed.

Note: Be sure to return the shorted pins to their original condition after executing this test.



NETWORK jack

```
N1-7
EXT TEST:OK
```

- OK: Normal
- NG: Abnormal
- : Checking

N1-8. MAC ADDRESS

Written MAC address is displayed.

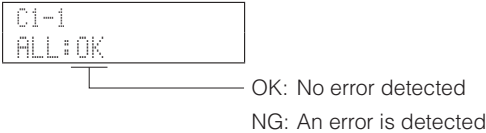
```
N1-8
00A0DExxxxxx
```

C1. DIGITAL P.C.B. CHECK

This menu is used to check the communication and bus line connection between devices on DIGITAL P.C.B.

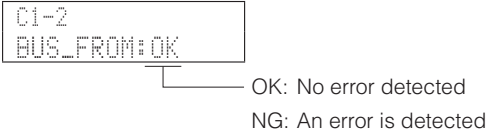
C1-1. ALL

The synthetic judgment result of sub-menu C1-2 to C1-8 is displayed.



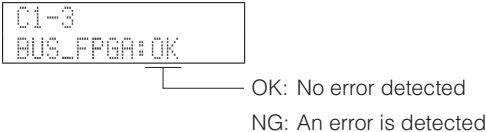
C1-2. BUS FLASH ROM

FLASH ROM (IC77)'s reading/writing are checked.



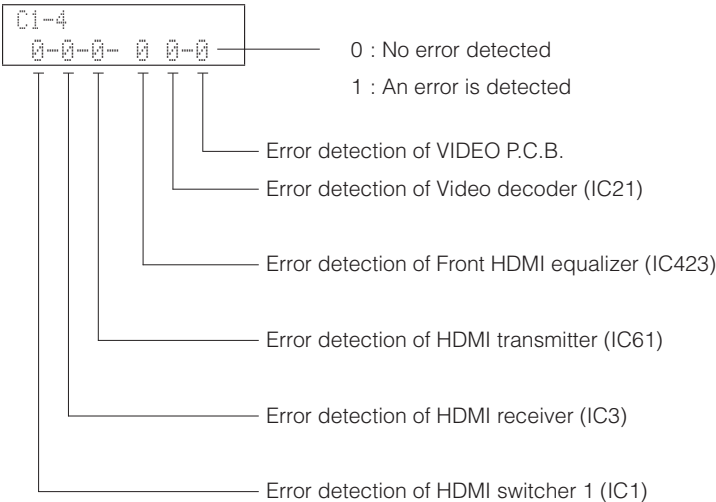
C1-3. BUS FPGA

Communication and bus line connection between microprocessor (IC83) and FPGA (IC50) are checked.



C1-4. I2C

The I2C (Inter integrated circuit) bus line connection is checked.



RX-V675/HTR-6066/
RX-A730/TSR-6750

C1-5. FPGA RAM

SDRAM (IC53)'s reading/writing are checked.

```
C1-5  
FPGA_RAM:OK
```

OK: No error detected
NG: An error is detected

C1-6. BUS DIR1

Communication and bus line connection between microprocessor (IC83) and DIR (IC924) are checked.

```
C1-6  
DIR_BUS:OK
```

OK: No error detected
NG: An error is detected

C1-7. BUS DSP1

Communication and bus line connection between microprocessor (IC83) and DSP (IC921) are checked.

```
C1-7  
DSP_BUS:OK
```

OK: No error detected
NG: An error is detected

C1-8. EEPROM

EEPROM (IC82)'s reading is checked.

```
C1-8  
EEPROM:OK
```

OK: No error detected
NG: An error is detected

C1-9. INVALID ITEM

Not for service.

```
C1-9  
INVALID ITEM
```

C1-10. INVALID ITEM

Not for service.

```
C1-10  
INVALID ITEM
```

RX-V675/HTR-6066/
RX-A730/TSR-6750

C2. NETWORK IC CHECK

This menu is used to check the communication and bus line connection between devices related to network.

C2-1. ALL

The synthetic judgment result of sub-menu C2-2 to C2-5 is displayed.

```
C2-1
ALL:OK Ext. JIG
```

When test result using the "C2-2. LINK CHECK" menu is NG, the sub-menu C2-2 is NG, "Ext. JIG" is displayed.

OK: No error detected
 NG: An error is detected
 --: Checking

C2-2. LINK CHECK

LAN cable connection is checked.

Connect between NETWORK jack of this unit and LAN port of broadband router with a network cable.

- * When the network condition varies while sub-menu is displayed (e.g., the network is deactivated once), the correct result will not be displayed. In that case, once turn off the power to this unit, then start up the self-diagnostic function again and select this menu.

```
C2-2
LINK CHK:OK
```

OK: Normal
 NG: Disconnected
 --: Checking

C2-3. PHY (Ethernet PHYceiver) TEST

Communication and bus line connection between PHY (IC955) and NETWORK microprocessor (IC951) are checked.

```
C2-3
PHY TEST:OK
```

OK: No error detected
 NG: An error is detected
 --: Checking

C2-4. BUS RAM

Communication and bus line connection between SDRAM (IC952) and NETWORK microprocessor (IC951) are checked.

```
C2-4
RAM BUS:OK
```

OK: No error detected
 NG: An error is detected
 --: Checking

RX-V675/HTR-6066/
RX-A730/TSR-6750

C2-5. APL (Apple) ID CHECK

Apple authentication IC (IC956) device ID is checked.

```
C2-5
APL ID:OK
```

OK: No error detected
 NG: An error is detected
 --: Checking

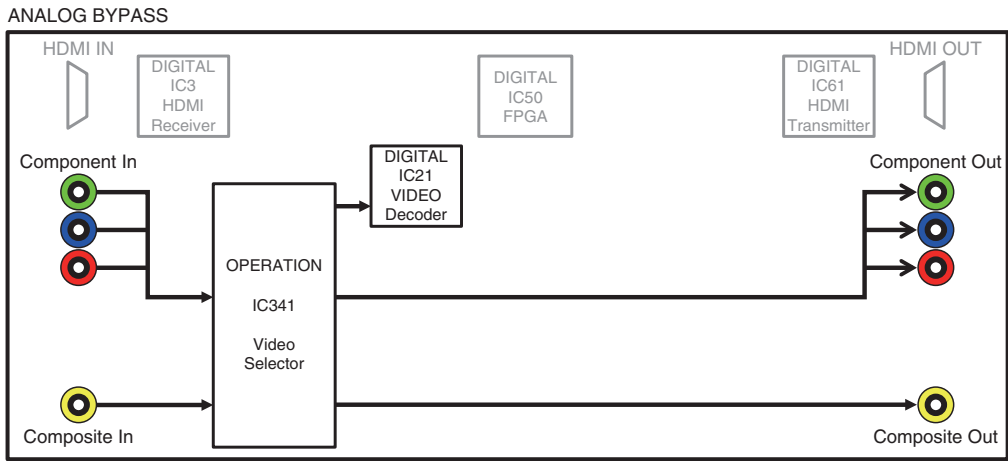
V1. ANALOG VIDEO CHECK

This menu is used to check the analog video signal route.

V1-1. ANALOG BYPASS

The video signal is converted and output as shown below.

```
V1-1
ANALOG BYPASS
```



V1-2. INVALID ITEM

Not for service.

```
V1-2
INVALID ITEM
```

V1-3. INVALID ITEM

Not for service.

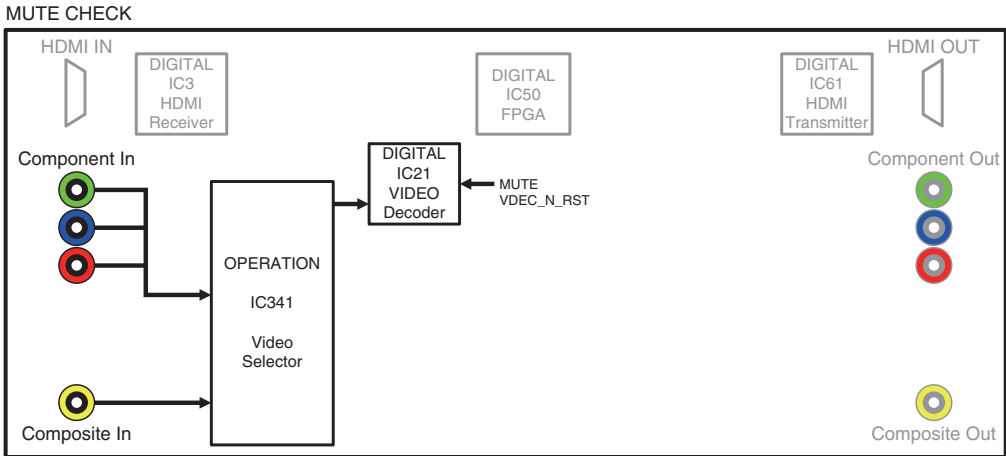
```
V1-3
INVALID ITEM
```

RX-V675/HTR-6066/
RX-A730/TSR-6750

V1-4. MUTE CHECK

The video signal is muted.

```
V1-4
MUTE CHECK
```



V1-5. TEST PATTERN

Not for service.

```
V1-5
TEST PATTERN
```

V1-6. VIDEO INFORMATION

The information of input analog video signals is displayed.

```
V1-6
VID IN:480i60
```

V2. DIGITAL VIDEO CHECK

This menu is used to check the digital video signal route.

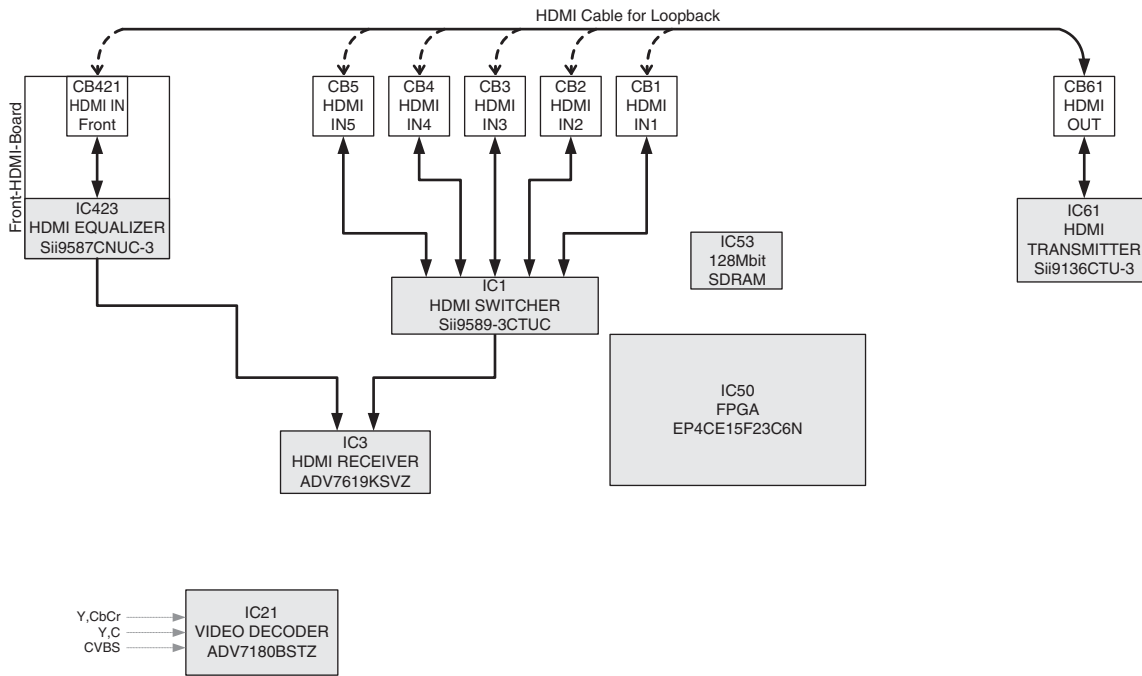
V2-1. LOOPBACK TEST 1

Execute the test for all HDMI IN jacks by repeating the procedure below.

1. Select sub-menu other than V2-1.
2. Connect between any of the HDMI IN jacks and HDMI OUT jack with an HDMI cable.
3. Select V2-1. The test result is displayed in a few seconds.



OK: No error detected
 NG: An error is detected
 --: Checking

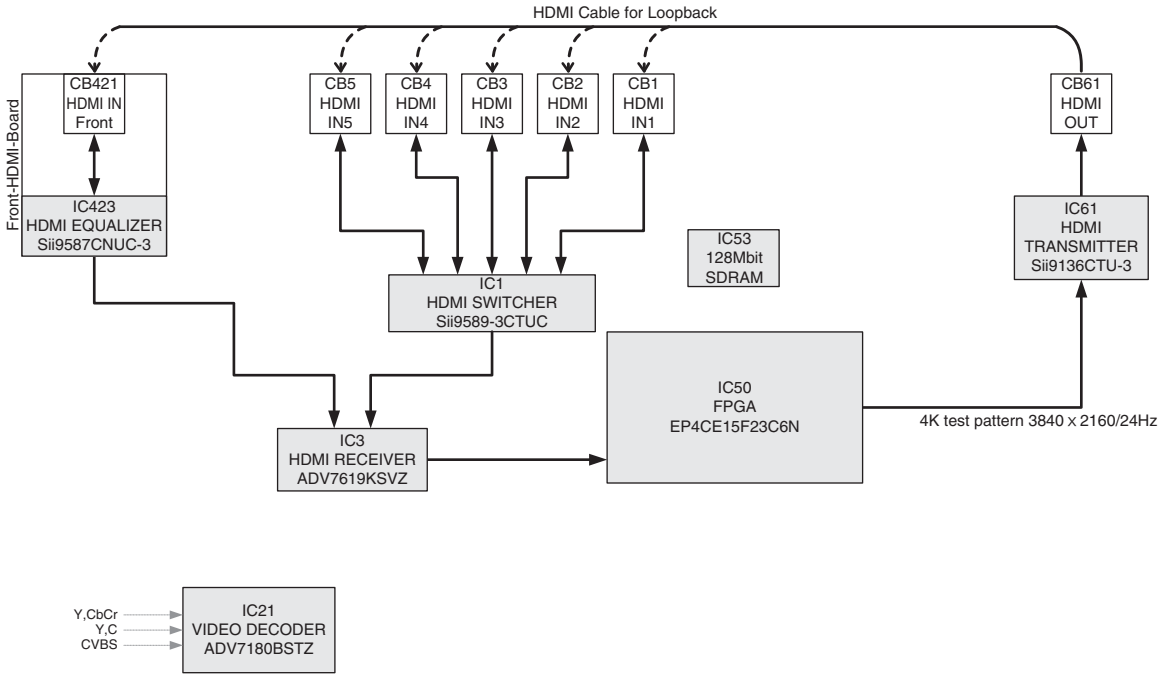
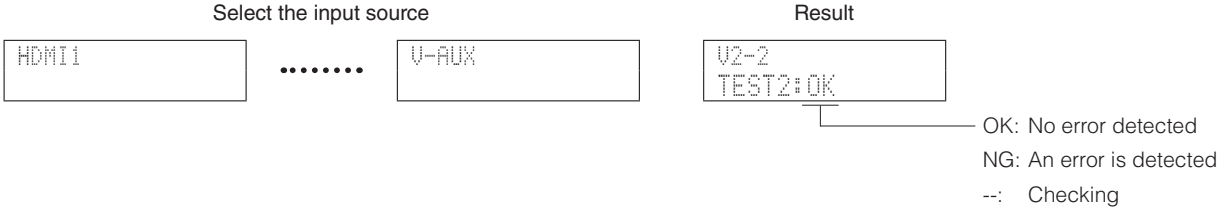


RX-V675/HTR-6066/
RX-A730/TSR-6750

V2-2. LOOPBACK TEST 2

Execute the test for all HDMI IN jacks by repeating the procedure below.

1. Select sub-menu other than V2-2.
2. Connect between any of the HDMI IN jacks and HDMI OUT jack with an HDMI cable.
3. Select the input source corresponding to the connected HDMI IN jack by using "INPUT <" and "INPUT >" keys (RX-V675/HTR-6066/TSR-6750) / "INPUT" knob (RX-A730).
4. Select V2-2. The test result is displayed in a few seconds.

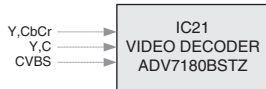
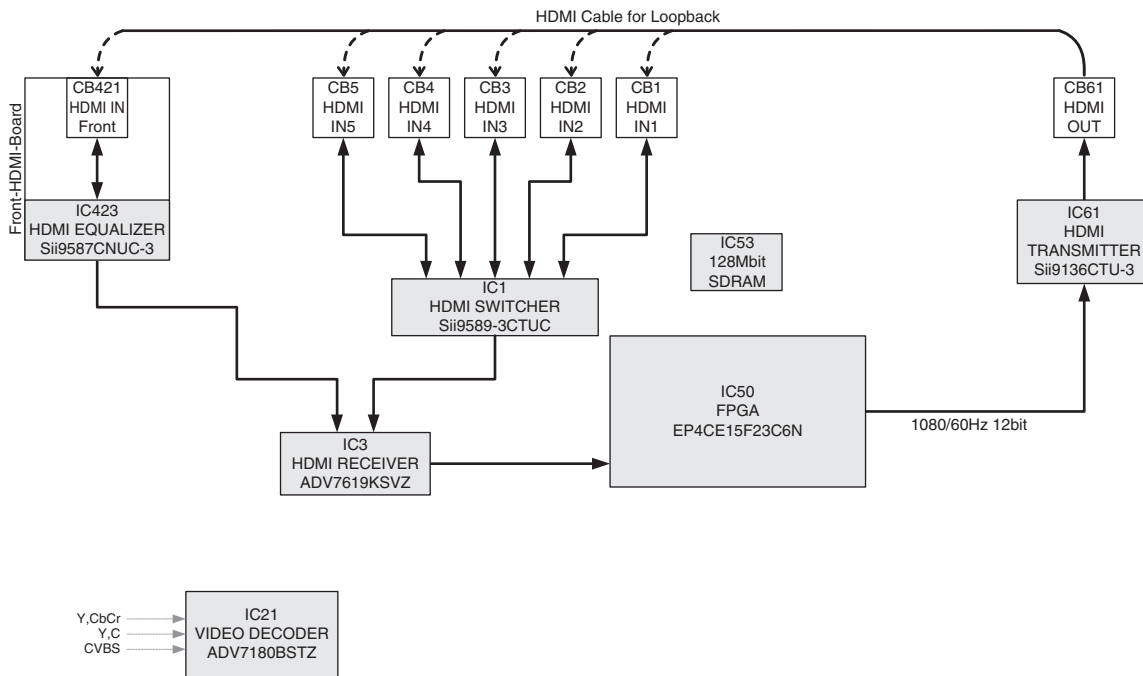
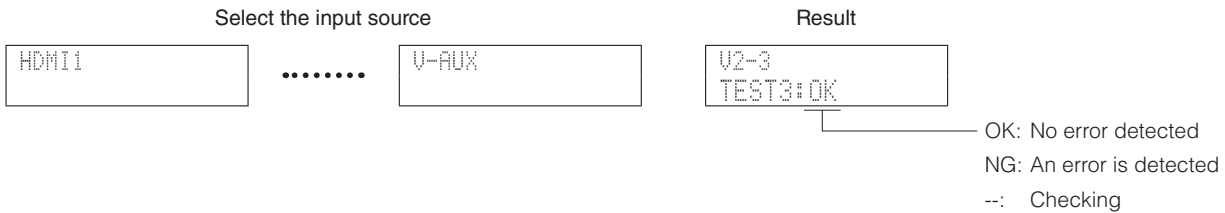


RX-V675/HTR-6066/
RX-A730/TSR-6750

V2-3. LOOPBACK TEST 3

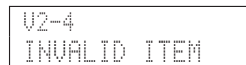
Execute the test for all HDMI IN jacks by repeating the procedure below.

1. Select sub-menu other than V2-3.
2. Connect between any of the HDMI IN jacks and HDMI OUT jack with an HDMI cable.
3. Select the input source corresponding to the connected HDMI IN jack by using "INPUT <" and "INPUT >" keys (RX-V675/HTR-6066/TSR-6750) / "INPUT" knob (RX-A730).
4. Select V2-3. The test result is displayed in a few seconds.



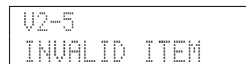
V2-4. INVALID ITEM

Not for service.



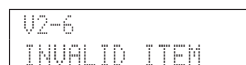
V2-5. INVALID ITEM

Not for service.



V2-6. INVALID ITEM

Not for service.

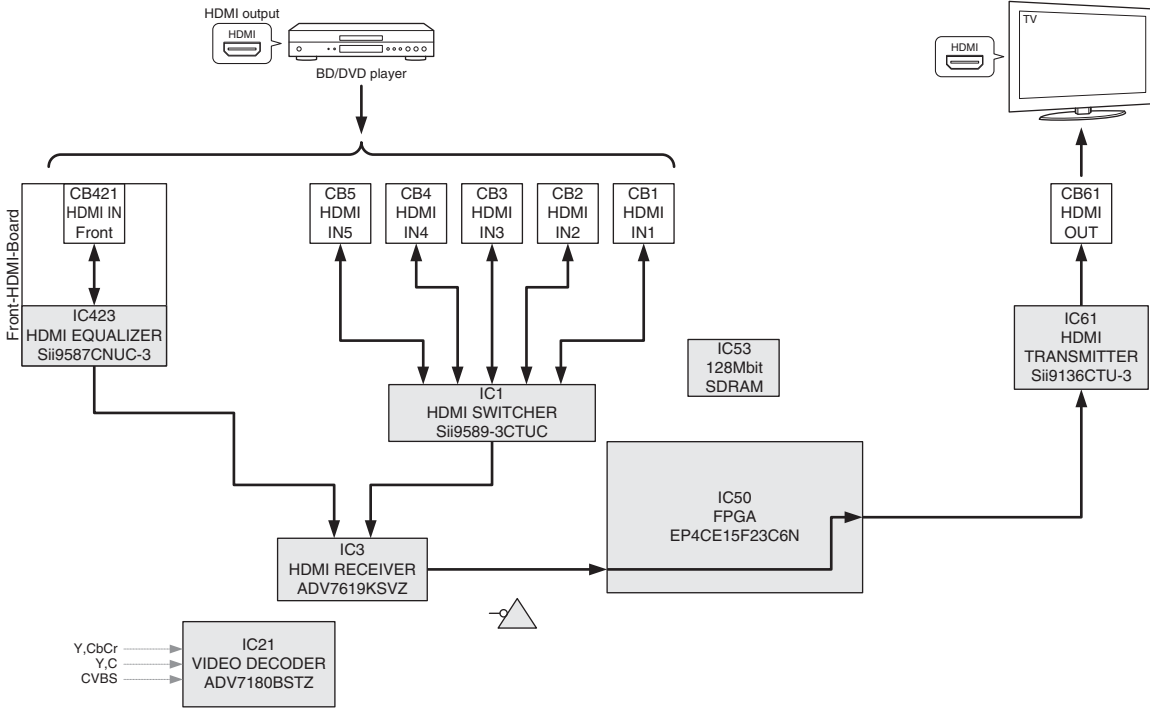


V2-7. HDMI REPEAT

The video/audio signals input to HDMI IN jack are output to HDMI OUT jack.

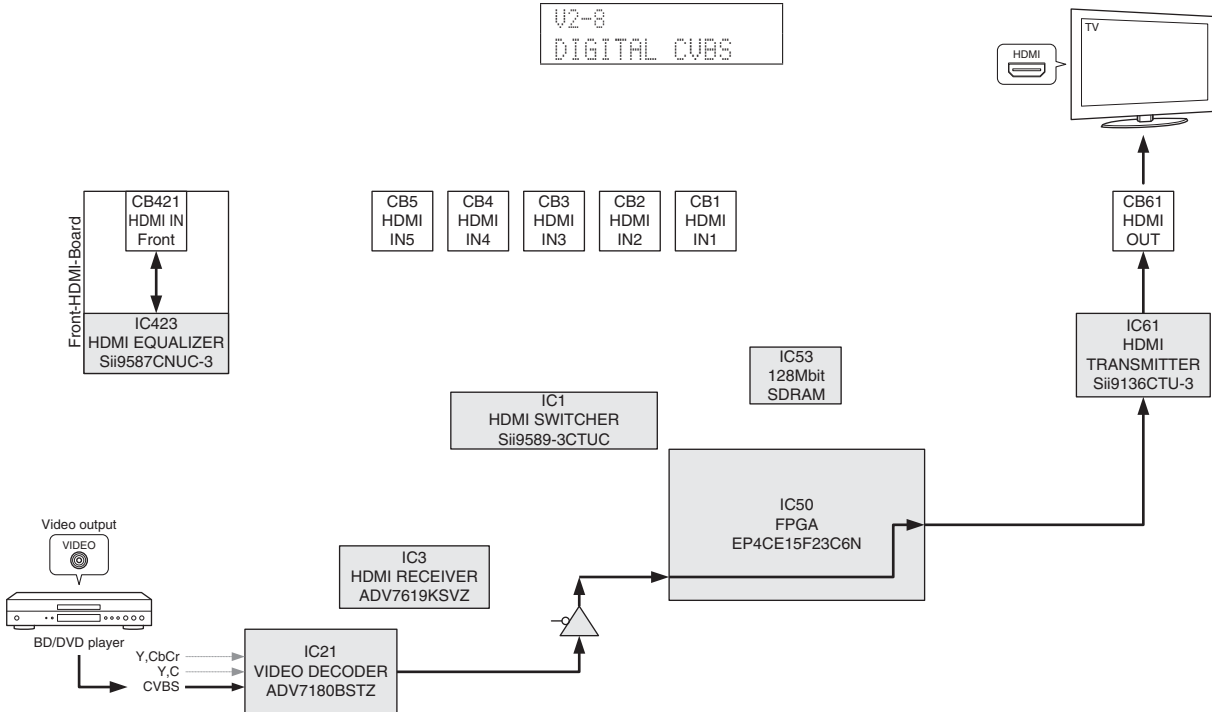


The Deep Color video signals is input, "30" bit or "36" bit is displayed.



V2-8. DIGITAL CVBS

The video (CVBS) signal is converted and output as shown below.



RX-V675/HTR-6066 / RX-A730/TSR-6750

V2-9. INVALID ITEM

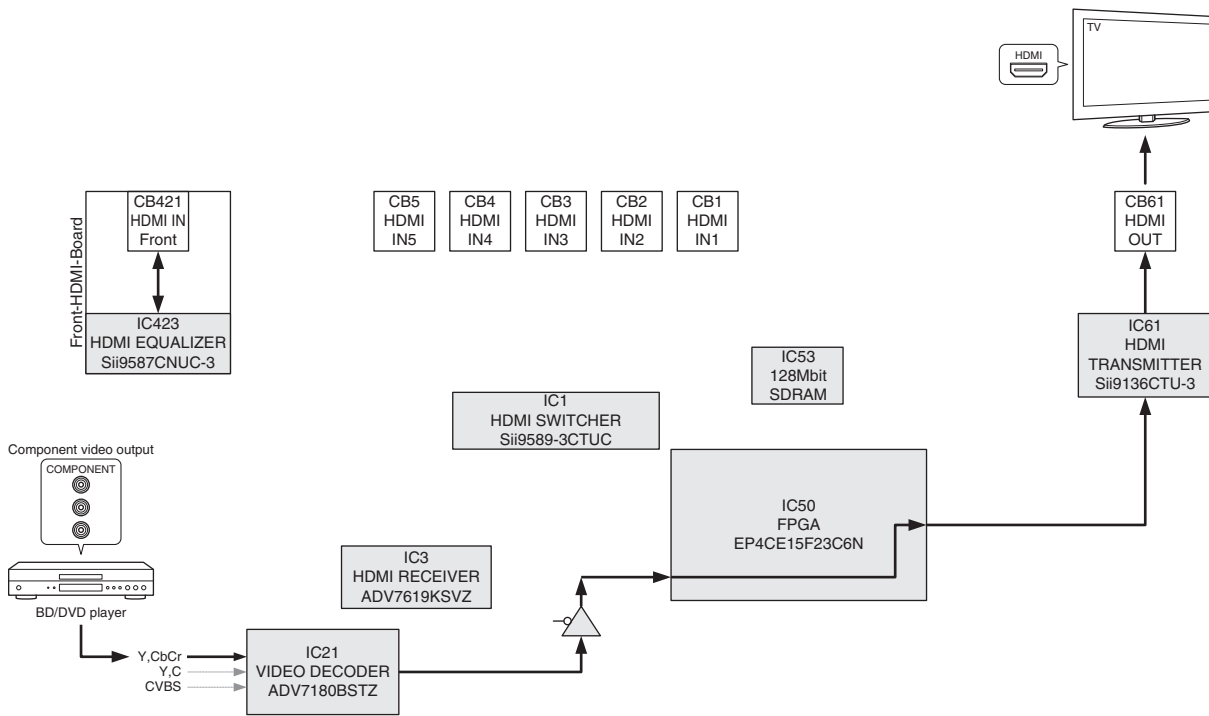
Not for service.

V2-9
INVALID ITEM

V2-10. DIGITAL COMPONENT

The component video (Y, Cb, Cr) signal is converted and output as shown below.

V2-10
DIGITAL Cmp

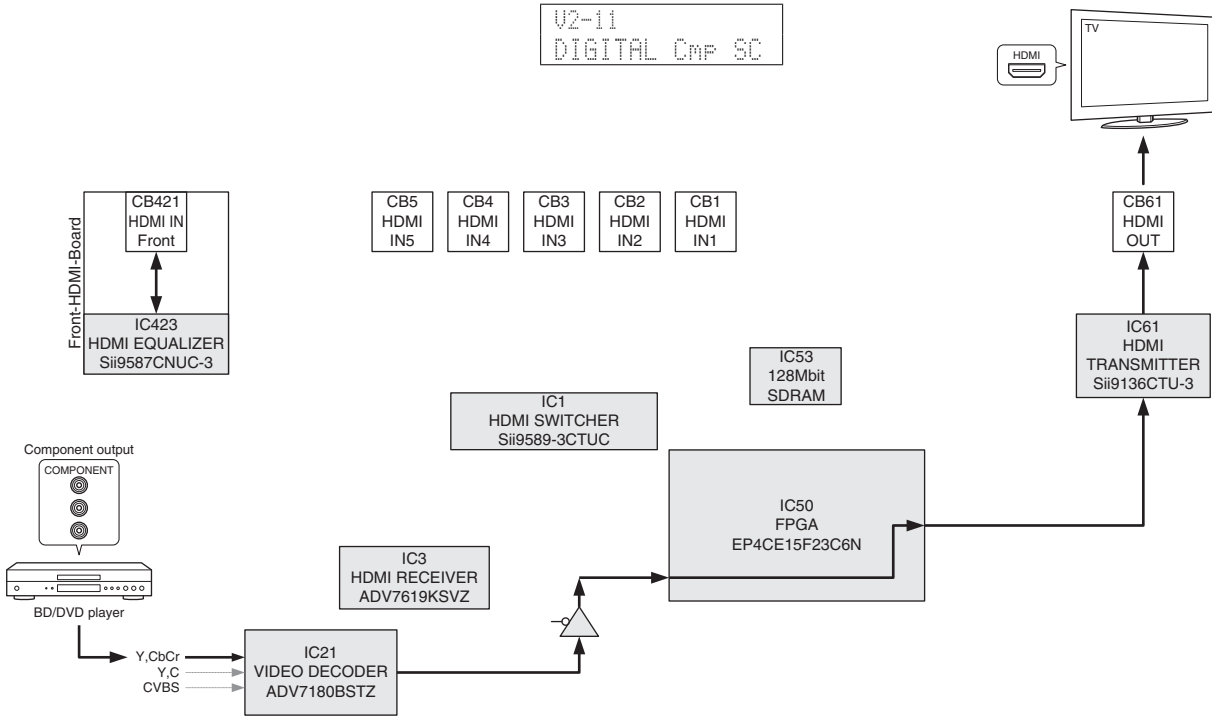


RX-V675/HTR-6066/
RX-A730/TSR-6750

V2-11. DIGITAL COMPONENT SC

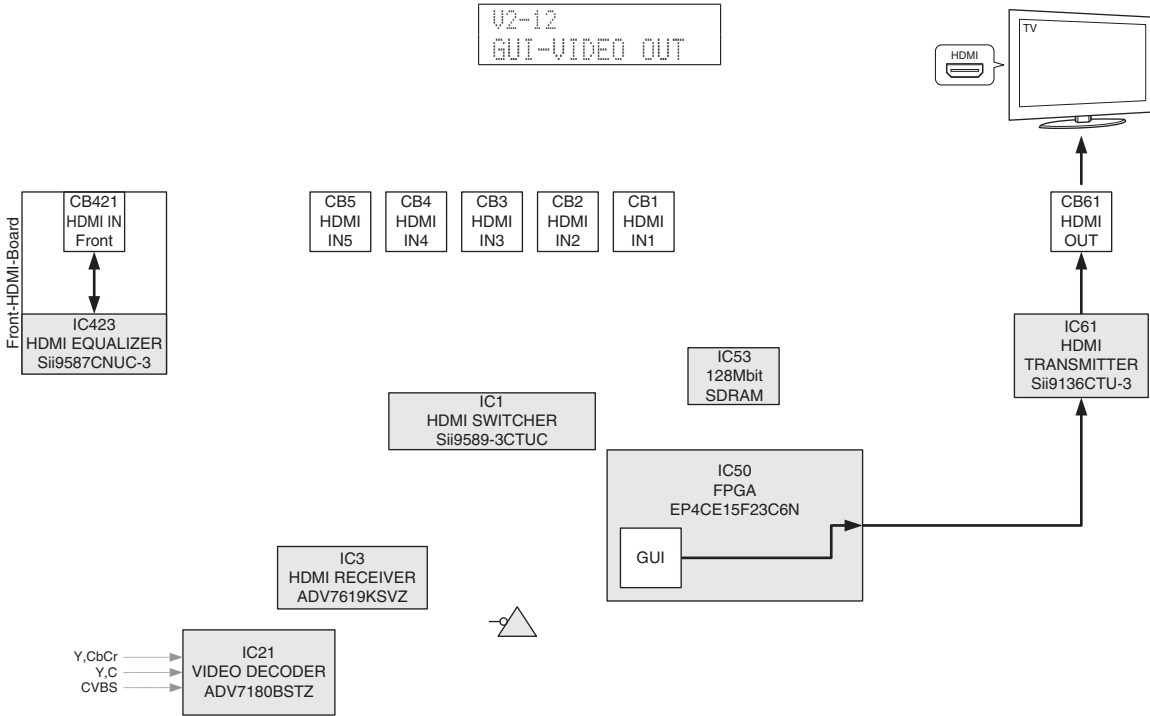
The component video (Y, Cb, Cr) signal is converted and output as shown below.

HDMI video output up-scaling: 480i/p, 576i/p only => 1080p



V2-12. GUI (Graphical User Interface)-VIDEO OUT

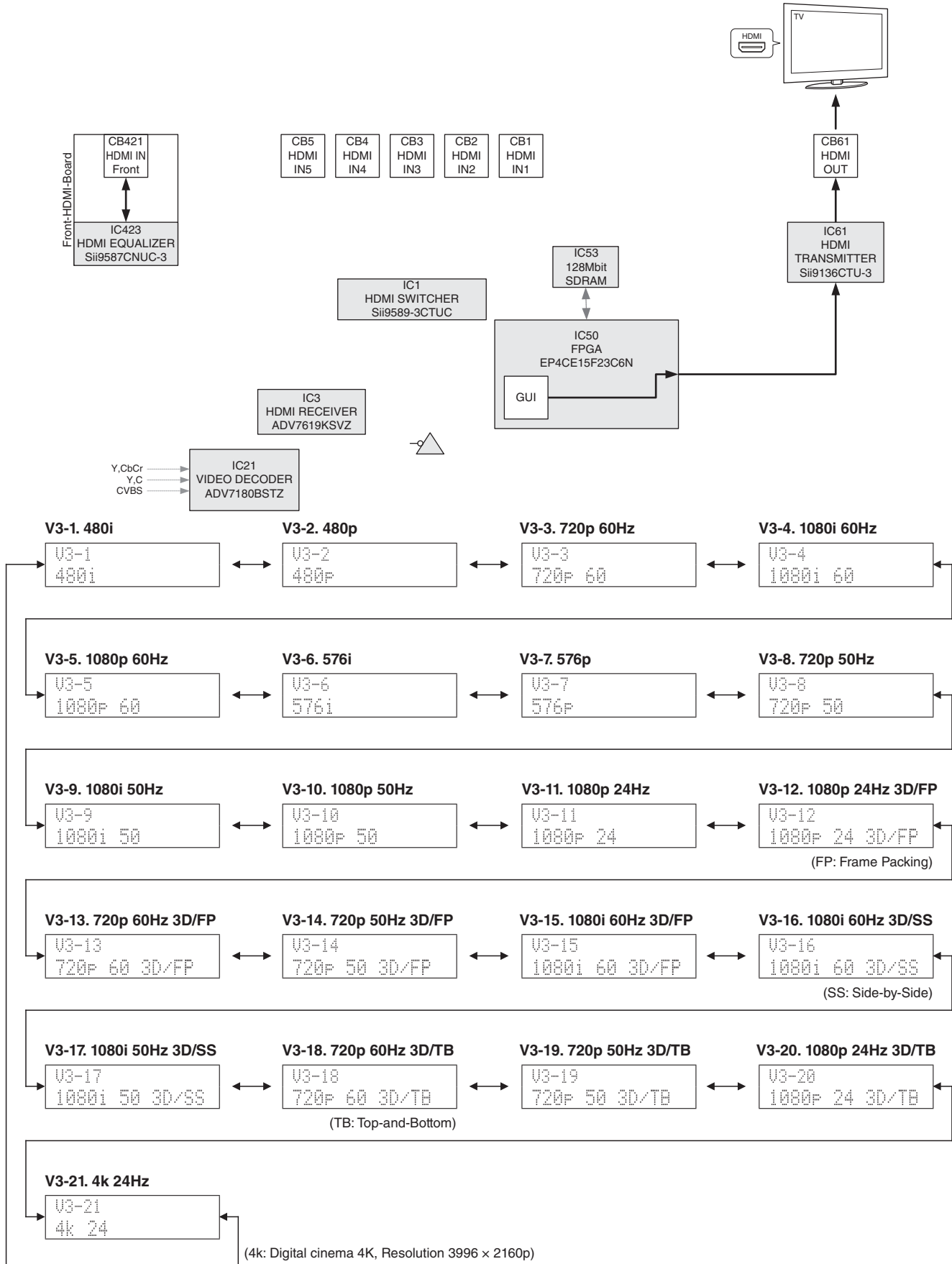
The GUI is output from FPGA (IC50 on DIGITAL P.C.B.).



RX-V675/HTR-6066 / RX-A730/TSR-6750

V3. TEST PATTERN

The video signal is output to HDMI OUT jack with its resolution converted as shown below.



RX-V675/HTR-6066/ RX-A730/TSR-6750

T1. TROUBLE SHOOTING INFORMATION

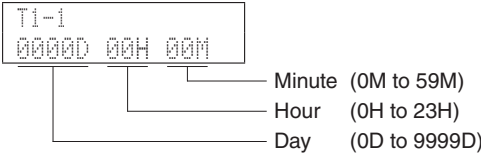
This menu is used to display the operating time and operation frequency of this unit.

* The operating time and operation frequency during the self-diagnostic function mode will not be stored.

T1-1. OPERATING TIME

The operating time of this unit is displayed.

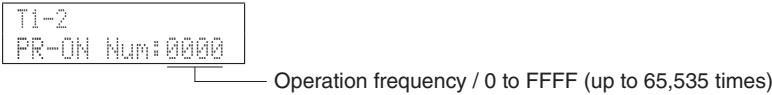
The operating time will be erased by pressing the "STRAIGHT" key.



T1-2. POWER-RELAY ON

The operation frequency of the power relay (RY371) is displayed in hexadecimal notation.

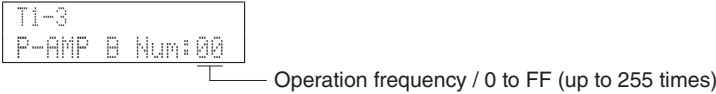
The operation frequency will be erased by pressing the "STRAIGHT" key.



T1-3. POWER AMP B

The operation frequency of the POWER AMP B relay (RY101) is displayed in hexadecimal notation.

The operation frequency will be erased by pressing the "STRAIGHT" key.



T1-4. OUTPUT LEVEL

The maximum value of the speaker output level is displayed in hexadecimal notation.

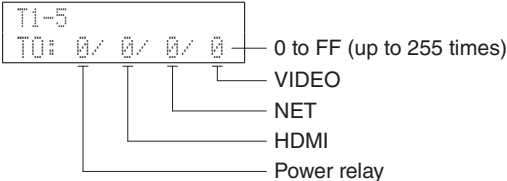
The maximum value will be erased by pressing the "STRAIGHT" key.



T1-5. POWER OFF TIME-OUT

The number of time-out times of each module when the power is turned off will be displayed in hexadecimal notation.

All the number of time-out times will be erased by pressing the "STRAIGHT" key.



RX-V675/HTR-6066/
RX-A730/TSR-6750

T2. USAGE ENVIRONMENT

This menu is used to display the maximum level of the MAIN ZONE / ZONE 2 volume and the maximum value of the detected heatsink temperature when this unit is operated.

* The maximum level of the MAIN ZONE / ZONE 2 volume and the maximum value of the detected heatsink temperature during the self-diagnostic function mode will not be stored.

T2-1. MAIN ZONE HIGHEST VOLUME

The maximum value of the MAIN ZONE volume level maintained for longer than 1 minute is displayed.
The maximum value of the MAIN ZONE volume level will be erased by pressing the "STRAIGHT" key.

```
T2-1
MAIN VOL: -----
```

Maximum value / -80.0 to +16.5 dB

T2-2. ZONE 2 HIGHEST VOLUME

The maximum value of the ZONE 2 volume level maintained for longer than 1 minute is displayed.
The maximum value of the ZONE 2 volume level will be erased by pressing the "STRAIGHT" key.

```
T2-2
Z2 VOL: -----
```

Maximum value / -80.0 to +16.5 dB

T2-3. INVALID ITEM

Not for service.

```
T2-3
INVALID ITEM
```

T2-4. THM1/THM2 HIGHEST TEMPERATURE

The minimum value of the detected heatsink temperature is displayed in hexadecimal notation.
The minimum value of the detected heat sink temperature will be erased by pressing the "STRAIGHT" key.

Normal value

THM1: 51 to FF

THM2: 51 to FF

```
T2-4
THM MIN: 6E/67
```

Heatsink temperature / 0 (High) to FF (Low)

THM2

THM1

T2-5. THM3/THM4 HIGHEST TEMPERATURE

Not for service.

```
T2-5
THM MIN: --/--
```

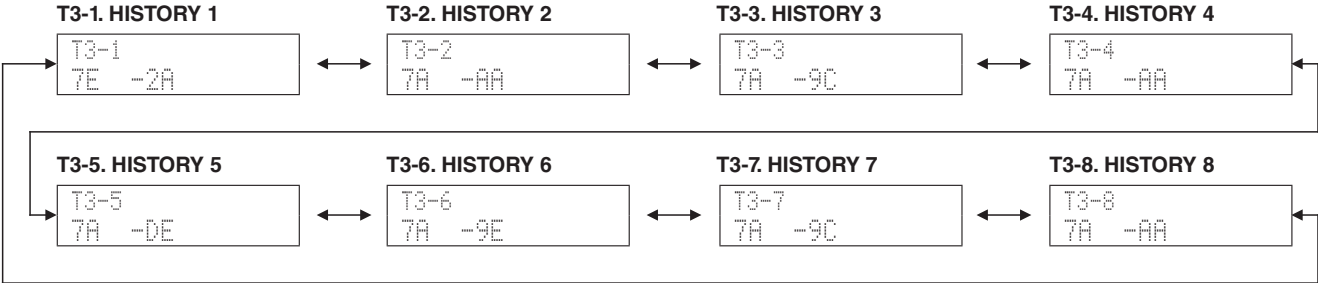
T3. EXTERNAL EVENT

This menu is used to display the history of key operation.

- * No matter how many times the same key is pressed, it will be stored only once as its history.
- * The key operation during the self-diagnostic function mode will not be stored.

All history of key operation will be erased by pressing the "STRAIGHT" key.

- * Numeric values in the figure are given as reference only.



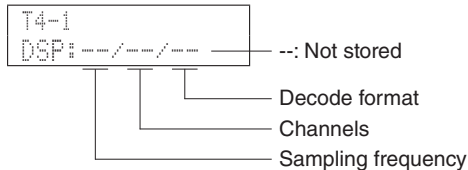
List of key operation

Key number	Display			Key name
	AD value 1	AD value 2	AD value 3	
0205	77 – 89	FF	FF	MAIN ZONE ϕ
0208	40 – 53	FF	FF	ZONE 2
020F	77 – 89	00 – 09	FF	MAIN ZONE ϕ + STRAIGHT (Advanced setup mode)
0211	xx	FF	FF	HD Radio CDM mode (U model)
0212	xx	FF	FF	HD Radio SPLIT mode (U model)
0300	2D – 3F	FF	FF	SCENE 1 (BD/DVD)
0301	1C – 2C	FF	FF	SCENE 2 (TV)
0302	0A – 1B	FF	FF	SCENE 3 (NET)
0303	00 – 09	FF	FF	SCENE 4 (RADIO)
0500	FF	9C – AD	FF	PROGRAM \triangleright
0501	FF	8A – 9B	FF	PROGRAM \triangleleft
0526	FF	0 – 9	FF	STRAIGHT
0529	FF	FF	9C – AD	PURE DIRECT
0800	FF	0A – 1B	FF	TONE CONTROL
0A00	FF	FF	2D – 3F	INFO
0C00	FF	FF	D2 – E3	ZONE CONTROL
2C00	FF	FF	8A – 9B	TUNING \gg
2C01	FF	FF	77 – 89	TUNING \ll
2C02	FF	FF	65 – 76	AM
2C03	FF	FF	54 – 64	FM
2C04	FF	FF	00 – 09	PRESET \triangleright
2C05	FF	FF	0A – 1B	PRESET \triangleleft
2C06	FF	FF	40 – 53	MEMORY
0101				VOLUME knob (-)
0102				VOLUME knob (+)
0103				INPUT knob (-) (RX-A730)
0104				INPUT knob (+) (RX-A730)
7A	xxxx			* For the details of the remote control key display, refer to "REMOTE CONTROL"
7E	xxxx			

T4. INTERNAL INFORMATION

T4-1. DSP INFORMATION

This menu is used to display the DSP information stored in memory as backup data before rebooting. The DSP information will be erased by pressing the 'STRAIGHT' key.



Sampling frequency

Display	Sampling frequency [kHz]
0	32
1	44.1
2	48
3	64
4	88.2
5	96
6	128
7	176.4
8	192
10	8
11	11
12	12
13	16
14	22.05
15	24
16	"Unknown"

Channels

Display	Channels
0	Dual Mono
1	1/0
2	2/0
3	3/0
4	2/1
5	3/1
6	2/2
7	3/2
8	2/3
9	3/3
10	2/4
11	3/4
12	HD Multi channel
13	"Unknown"

Decode format

Display	Decode format
0	Analog
1	PCM
2	Dolby Digital
3	Dolby Digital EX
4	DTS
5	DTS 9624
6	DTS ES Matrix
7	DTS ES Discrete
8	DTS 96 ES Matrix
9	AAC
10	DSD
11	Multi PCM
12	Dolby Digital Plus
13	Dolby Digital Plus EX
14	Dolby True HD
15	Dolby True HD EX
16	DTS Express
17	DTS HD
18	DTS HD Master Audio
19	Digital
20	MP3
21	WMA
22	FLAC
25	"Unknown"

T4-2. BU ERROR

Not for service.



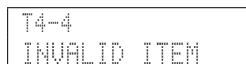
T4-3. NRC (Net Restart Counter)

Not for service.



T4-4. INVALID ITEM

Not for service.



RX-V675/HTR-6066/RX-A730/TSR-6750

P1. SYSTEM MONITOR

This menu is used to display the A/D conversion value of the microprocessor which detects panel keys and protection functions by using the sub-menu.

When "P1-8. KEY" sub-menu is selected, keys become inoperable due to detection of the values of all keys.

However, it is possible to advance to the next menu by pressing the "SCENE RADIO" (forward) key or "SCENE NET" (reverse) key on the remote control.

* Numeric values in the figure are given as reference only.

P1-1. DC

Power amplifier DC (DC voltage) output is detected.

The voltage at 5 pin (DC_PRT) of IC78 is displayed.

Normal value: 32 to 74

(Reference voltage: 3.3 V=255)

* If DC becomes out of the normal value range, the protection function works to turn off the power.



```

P1-1
DC: 50
  
```

P1-2. PS

Power supply voltage (PS) protection detection.

The voltage at 2 pin (PS1_PRT)/1 pin (PS2_PRT)/13 pin (PS3_PRT) of IC78 are displayed.

Voltage detects

PS1: ACBL, AC12, AC5, ±7

PS2: -VP, +5T, ±5V

PS3: +5.5V

Normal value

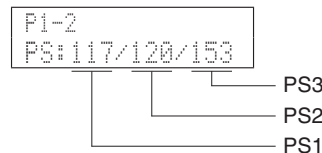
PS1: 51 to 179

PS2: 92 to 147 (PURE DIRECT mode: 139 to 193)

PS3: 132 to 168

(Reference voltage: 3.3 V=255)

* If PS1, PS2 or PS3 becomes out of the normal value range, the protection function works to turn off the power.



P1-3. THM

Temperature of the heatsink (THM) is detected.
 The voltage at 12 pin (THM1) of IC78/1 pin (THM2) of IC76 are displayed.

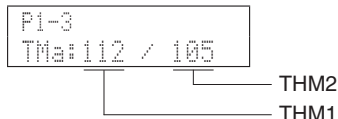
Normal value

THM1: 42 to 255

THM2: 42 to 255 (U, C models)

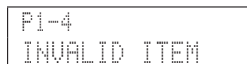
(Reference voltage: 3.3 V=255)

* If THM1 or THM2 becomes out of the normal value range, the protection function works to turn off the power.



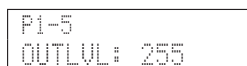
P1-4. INVALID ITEM

Not for service.



P1-5. OUTPUT LEVEL

Output level of speaker output is detected.
 The voltage at 4 pin (AMP_OLV) of IC78 is displayed.
 (Reference voltage: 3.3 V=255)



P1-6. LIMITER CONTROL

Power limiter control is detected.
 The voltage at 4 pin (AMP_LMT) of IC83 is displayed.
 (Reference voltage: 3.3 V=255)



P1-7. L3 (J model)

Not for service.



RX-V675/HTR-6066/
 RX-A730/TSR-6750

P1-8. KEY

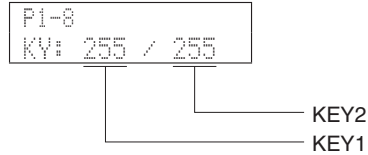
Panel key is detected.

When the A/D conversion value of the panel key becomes out of the specified range, normal operation will not be available.

In that case, check the constant of voltage dividing resistor, solder condition, etc. Refer to table.

* When "P1-8. KEY" menu is selected, keys become inoperable due to detection of the values of all keys. However, it is possible to advance to the next menu by pressing the "SCENE RADIO" (forward) key or "SCENE NET" (reverse) key on the remote control.

(Reference voltage: 3.3 V=255)



Display	KEY1
0 – 11	RADIO (SCENE4)
12 – 32	NET (SCENE3)
33 – 54	TV (SCENE2)
55 – 75	BD/DVD (SCENE1)
76 – 96	ZONE CONTROL
97 – 119	ZONE2
120 – 142	INPUT > <small>(RX-V675/HTR-6066/TSR-6750 models)</small>
143 – 172	INPUT < <small>(RX-V675/HTR-6066/TSR-6750 models)</small>
173 – 202	MAIN ZONE ⏻
203 – 235	TONE CONTROL
255	Key off

Display	KEY2
0 – 11	PURE DIRECT
12 – 32	TUNING >>
33 – 54	TUNING <<
55 – 77	AM
78 – 99	FM
100 – 121	PRESET >
122 – 144	PRESET <
145 – 166	MEMORY
167 – 186	INFO
187 – 205	STRAIGHT
206 – 226	PROGRAM >
227 – 246	PROGRAM <
255	Key off

P1-9. USB-VBUS

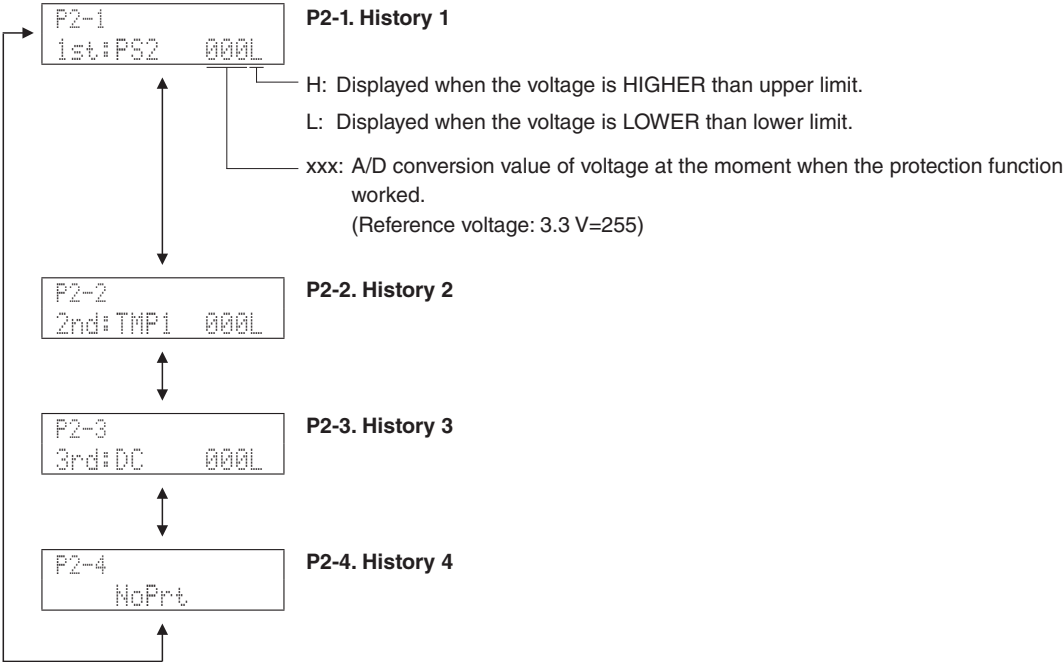
Not for service.



P2. PROTECTION HISTORY

This menu is used to display the history of protection function.
All history of protection function will be erased by pressing the "STRAIGHT" key.

* Numeric values in the figure are given as reference only.



S1. FIRMWARE UPDATE

Not for service.



RX-V675/HTR-6066/
RX-A730/TSR-6750

S2. SET INFORMATION

The model name and destination of this unit are displayed.

S2-1. MODEL

The model name of this unit is displayed.

```
S2-1
MDL:V675 255
```

Not for service.

Model name

V675 : RX-V675

6066 : HTR-6066

A730 : RX-A730

6750 : TSR-6750

S2-2. DESTINATION

The destination of this unit is displayed.

```
S2-2
DEST:U 28
```

A/D conversion value

Destination

Destination	J	U	C	R (R, S)	T	K	A	BG (B, G, F)	L (L, H)
A/D conversion value (3.3 V=255)	0 – 12	13 – 39	40 – 67	68 – 92	93 – 115	116 – 140	141 – 169	199 – 221	222 – 244

S3. FACTORY PRESET

This menu is used to reserve/inhibit initialization of the back-up IC (EEPROM: IC82 on DIGITAL P.C.B.).

```
S3-1
PRESET:INH
```


S3-1. PRESET INHIBIT (Initialization inhibited)

Initialization of the back-up IC is not executed. Select this sub-menu to protect the values set by the user.



```
S3-1
PRESET:RSRV
```

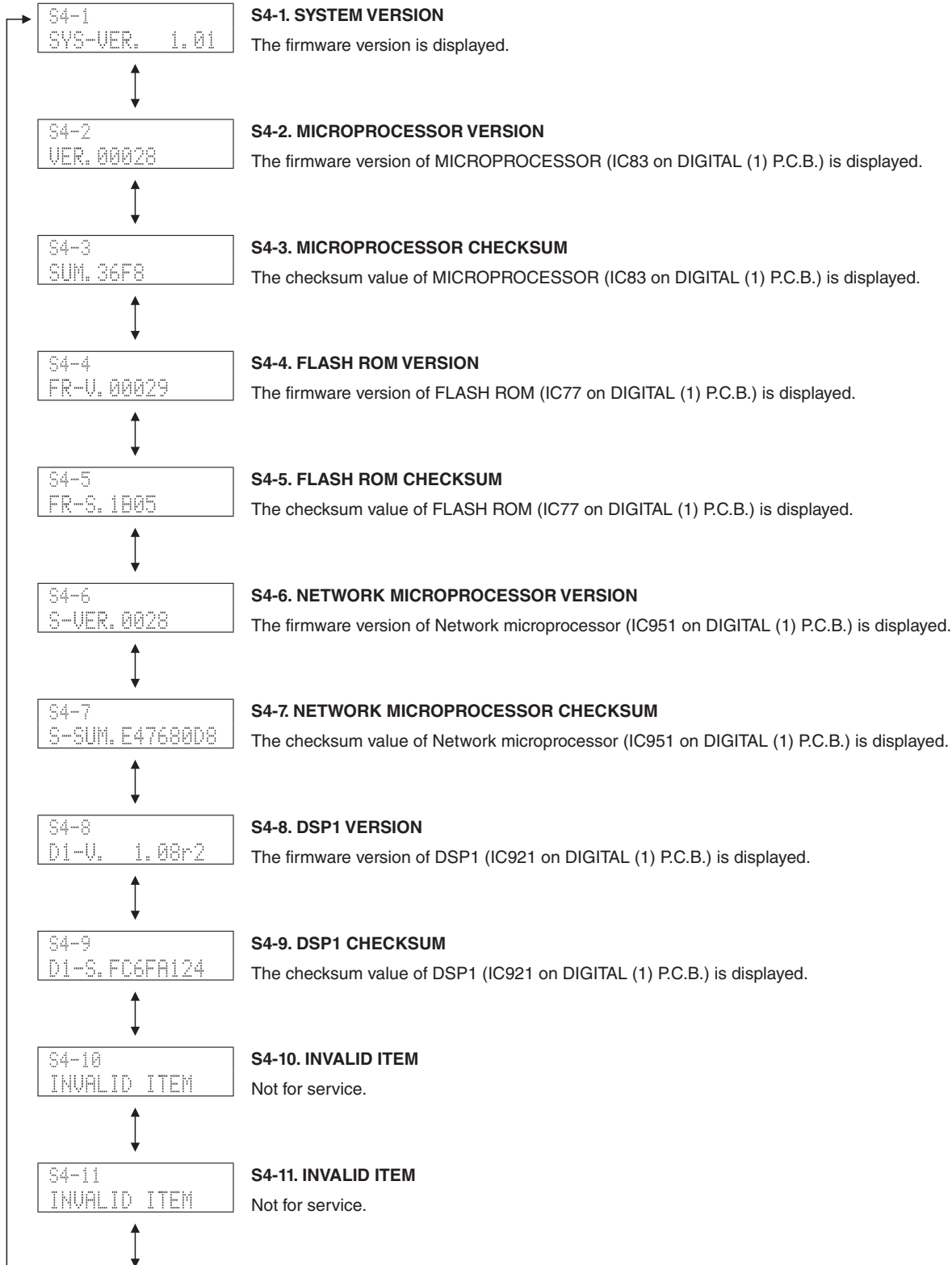
S3-1. PRESET RESERVED (Initialization reserved)

Initialization of the back-up IC is reserved. (Actual initialization is executed when the power is turned on next.) To reset to the original factory settings or to reset the backup IC, select this sub-menu and press the "MAIN ZONE  key to turn off the power.

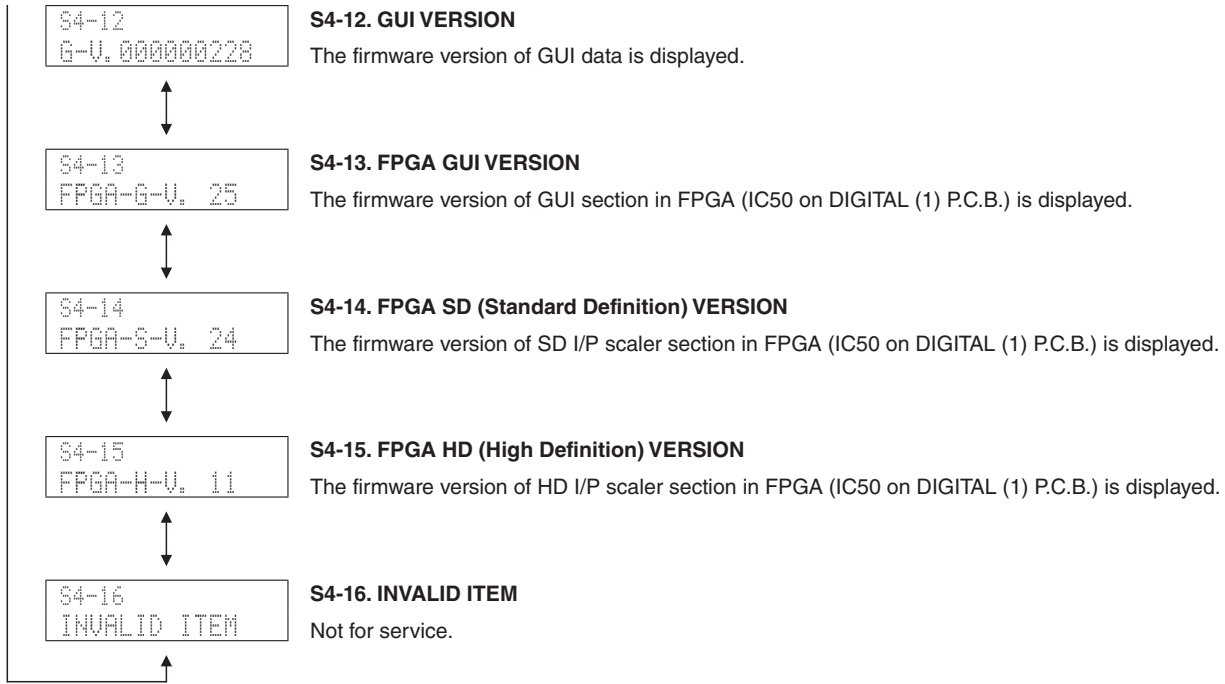
CAUTION: Before setting to the PRESET RESERVED, write down the existing preset memory content of the tuner. (This is because setting to the PRESET RESERVED will cause the user memory content to be erased.)

S4. ROM VERSION/CHECKSUM

The firmware version and checksum values are displayed.
The checksum is obtained by adding the data at every 8-bit and expressing the result as a hexadecimal notation.
* Numeric values in the figure are given as reference only.



RX-V675/HTR-6066/
RX-A730/TSR-6750



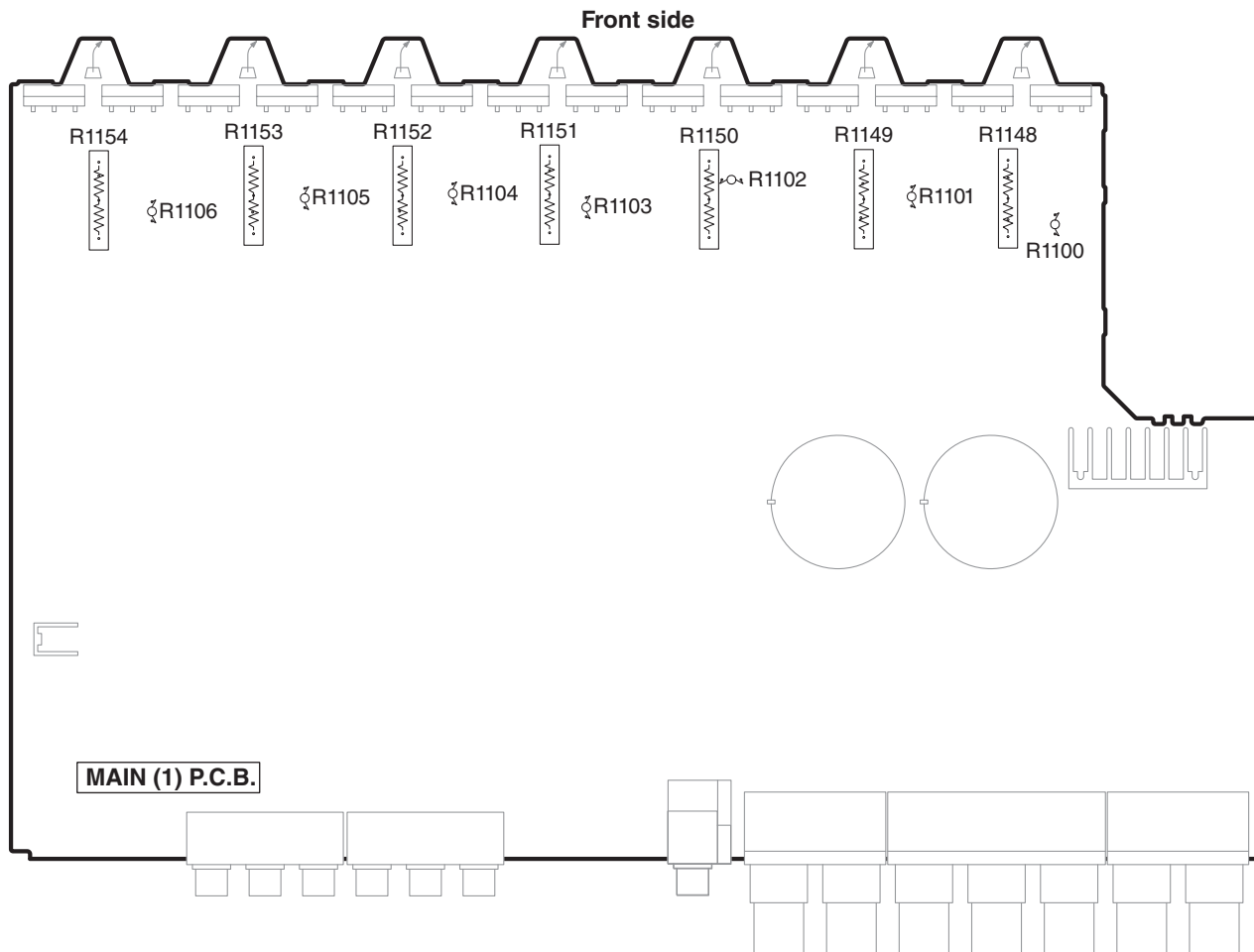
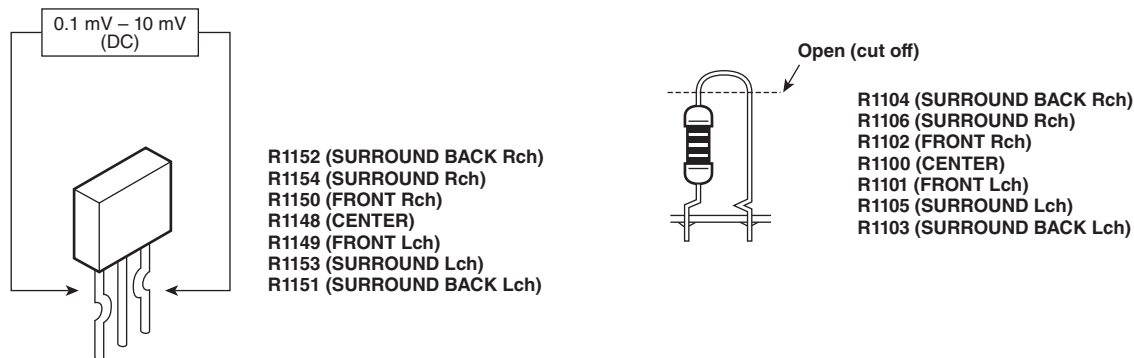
■ POWER AMPLIFIER ADJUSTMENT

1. Right after power is turned on, confirm that the voltage across the terminals of R1152 (SURROUND BACK Rch), R1154 (SURROUND Rch), R1150 (FRONT Rch), R1148 (CENTER), R1149 (FRONT Lch), R1153 (SURROUND Lch) and R1151 (SURROUND BACK Lch) are within the confines of 0.1 mV to 10 mV.
2. If measured voltage exceeds 10 mV, open (cut off) R1104 (SURROUND BACK Rch), R1106 (SURROUND Rch), R1102 (FRONT Rch), R1100 (CENTER), R1101 (FRONT Lch), R1105 (SURROUND Lch) and R1103 (SURROUND BACK Lch), and then reconfirm the voltage.

Attention

If the measured voltage exceeds 10 mV after repairing the power amplifier, check other parts again for any possible defect before cutting the resistor.

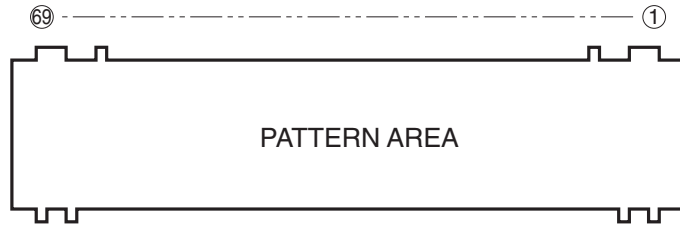
3. Confirm that the voltage is within the confines of 0.2 mV to 15 mV after 60 minutes.



RX-V675/HTR-6066/
 RX-A730/TSR-6750

■ DISPLAY DATA

● V3001 : 18-MT-11GNAK (OPERATION P.C.B.)



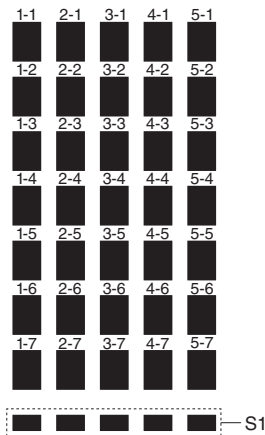
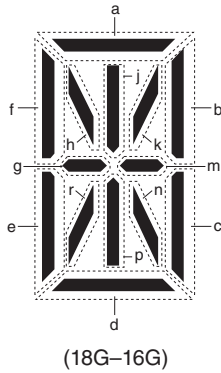
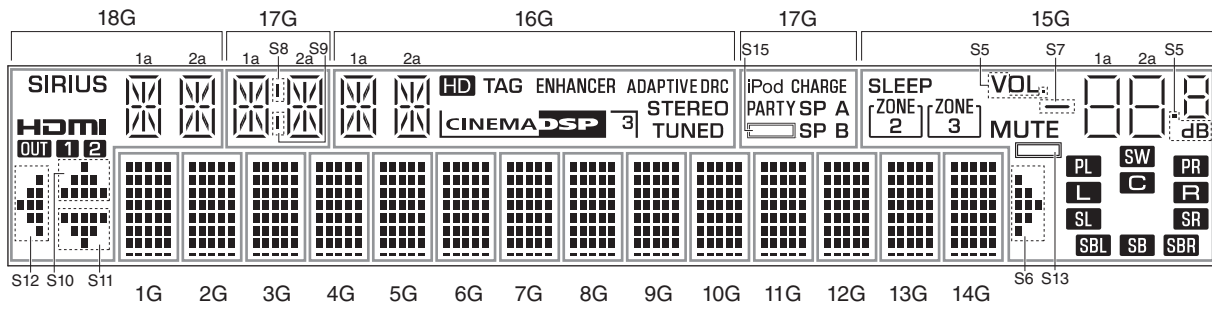
● PIN CONNECTION

Pin No.	69	68	67	66	65	64	63	62	61	60	59	58	57	56	55	54	53	52	51	50	49	48	47	46	45	44	43	42	41	40	39	38	37	36	35
Connection	F2	NX	NP	NP	P1	P2	P3	P4	P5	P6	P7	P8	P9	P10	P11	P12	P13	P14	P15	P16	P17	P18	P19	P20	P21	P22	P23	P24	P25	P26	P27	P28	P29	P30	P31

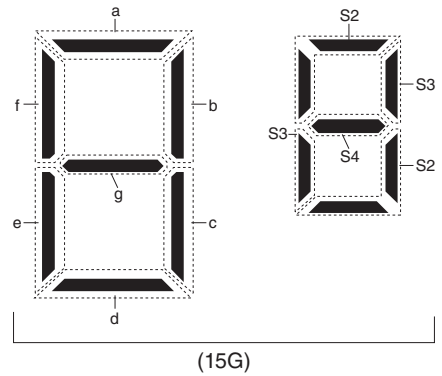
Pin No.	34	33	32	31	30	29	28	27	26	25	24	23	22	21	20	19	18	17	16	15	14	13	12	11	10	9	8	7	6	5	4	3	2	1
Connection	P32	P33	P34	P35	P36	NX	NX	NX	NX	NX	NX	NX	18G	17G	16G	15G	14G	13G	12G	11G	10G	9G	8G	7G	6G	5G	4G	3G	2G	1G	NP	NP	NX	F1

Note : 1) F1, F2 Filament pin 2) NP No pin 3) NX No extend pin 4) 1G-18G Grid pin

● GRID ASSIGNMENT



(1G-14G)



● ANODE CONNECTION

	18G	17G	16G	15G	1G-14G
P1	1a	1a	1a	S5	1-1
P2	1h	1h	1h	S7	2-1
P3	1j	1j	1j	1d	3-1
P4	1k	1k	1k	2d	4-1
P5	1b	1b	1b	S2	5-1
P6	1f	1f	1f	1e	1-2
P7	1m	1m	1m	2e	2-2
P8	1g	1g	1g	S3	3-2
P9	1c	1c	1c	1c	4-2
P10	1e	1e	1e	2c	5-2
P11	1r	1r	1r	S4	1-3
P12	1p	1p	1p	1g	2-3
P13	1n	1n	1n	2g	3-3
P14	1d	1d	1d	1f	4-3
P15	2a	2a	2a	2f	5-3
P16	2h	2h	2h	1b	1-4
P17	2j	2j	2j	2b	2-4
P18	2k	2k	2k	1a	3-4
P19	2b	2b	2b	2a	4-4
P20	2f	2f	2f	PL	5-4
P21	2m	2m	2m	SW	1-5
P22	2g	2g	2g	PR	2-5
P23	2c	2c	2c	L	3-5
P24	2e	2e	2e	C	4-5
P25	2r	2r	2r	R	5-5
P26	2p	2p	2p	SL	1-6
P27	2n	2n	2n	SR	2-6
P28	2d	2d	2d	SBL	3-6
P29	SIRIUS	S8	HD	SB	4-6
P30	OUT	S9	TAG	SBR	5-6
P31	HDMI	iPod CHARGE	CINEMA DSP	S6	1-7
P32	1	SP B	3	S13	2-7
P33	2	S15	STEREO	MUTE	3-7
P34	S12	SP A	TUNED	ZONE 2	4-7
P35	S10	PARTY	ENHANCER	ZONE 3	5-7
P36	S11	-	ADAPTIVE DRC	SLEEP	S1

Pin No.	Function Name	TYPE (1)	PULL (2)	Detail of Function
1	AXR1[0]/GP4[0]	I/O	IPD	McASP1 serial data
2	UART0_RXD/I2C0_SDA/TM64P0_IN12/GP5[8]/BOOT[8]	I	IPU	BOOT[8]
		I	IPU	UART0 receive data
		I/O	IPU	I2C0 serial data
		I	IPU	Timer0 lower input
3	UART0_TXD/I2C0_SCL/TM64P0_OUT12/GP5[9]/BOOT[9]	I	IPU	BOOT[9]
		O	IPU	UART0 transmit data
		I/O	IPU	I2C0 serial clock
		O	IPU	Timer0 lower output
4	AXR1[10]/GP5[10]	I/O	IPU	McASP1 serial data
5	DVDD (I/O supply)	PWR		3.3-V I/O supply voltage pins
6	AXR1[11]/GP5[11]	I/O	IPU	McASP1 serial data
7	SPI1_ENA /UART2_RXD/GP5[12]	I/O	IPU	SPI1 enable
		I	IPU	UART2 receive data
8	SPI1_SCS[0] /UART2_TXD/GP5[13]	I/O	IPU	SPI1 chip select
		O	IPU	UART2 transmit data
9	SPI0_SCS[0] /UART0_RTS/EQEP0B/GP5[4]/BOOT[4]	I/O	IPU	SPI0 chip select
		I	IPU	eQEP0B quadrature input
		I	IPU	BOOT[4]
		O	IPU	UART0 ready-to-send output
10	CVDD (Core supply)	PWR		1.2-V core supply voltage pins
11	SPI0_CLK/EQEP11/GP5[2]/BOOT[2]	I/O	IPD	SPI0 clock
		I	IPD	eQEP1 index
		I	IPD	BOOT[2]
12	SPI0_ENA /UART0_CTS/EQEP0A/GP5[3]/BOOT[3]	I/O	IPU	SPI0 enable
		I	IPU	eQEP0A quadrature input
		I	IPU	BOOT[3]
		I	IPU	UART0 clear-to-send input
13	SPI1_SOMI[0]/I2C1_SCL/GP5[5]/BOOT[5]	I/O	IPU	SPI1 data/slave-out-master-in
		I	IPU	BOOT[5]
		I/O	IPU	I2C1 serial clock
14	SPI1_SIMO[0]/I2C1_SDA/GP5[6]/BOOT[6]	I/O	IPU	SPI1 data/slave-in-master-out
		I	IPU	BOOT[6]
		I/O	IPU	I2C1 serial Data
15	DVDD (I/O supply)	PWR		3.3-V I/O supply voltage pins
16	SPI1_CLK/EQEP1S/GP5[7]/BOOT[7]	I/O	IPD	SPI1 clock
		I	IPD	eQEP1 strobe
		I	IPD	BOOT[7]
17	SPI0_SOMI[0]/EQEP0I/GP5[0]/BOOT[0]	I/O	IPD	SPI0 data/slave-out-master-in
		I	IPD	eQEP0 index
		I	IPD	BOOT[0]
18	SPI0_SIMO[0]/EQEP0S/GP5[1]/BOOT[1]	I/O	IPD	SPI0 data/slave-in-master-out
		I	IPD	eQEP0 strobe
		I	IPD	BOOT[1]
19	EMA_WAIT[0]/ UHPI_HRDY/GP2[10]	I	IPU	EMIFA wait input/interrupt
		I/O	IPU	UHPI ready
20	CVDD (Core supply)	PWR		1.2-V core supply voltage pins
21	EMA_CS[3] /AMUTE2/GP2[6]	O	IPU	EMIFA Async chip select
		O	IPU	McASP2 mute output
22	EMA_OE /UHPI_HDS1/AXR0[13]/GP2[7]	O	IPU	EMIFA output enable
		I/O	IPU	UHPI data strobe
23	EMA_CS[2] /UHPI_HCS/GP2[5]/BOOT[15]	O	IPU	EMIFA Async chip select
		I	IPU	BOOT[15]
		I/O	IPU	UHPI chip select
24	EMA_OE/UHPI_HDS1/AXR0[13]/GP2[7] DVDD (I/O supply)	I/O	IPU	McASP0 serial data
		PWR		3.3-V I/O supply voltage pins
25	EMA_BA[0]/ GP1[14]	O	IPU	EMIFA bank address
26	EMA_BA[1]/ UHPI_HHWIL/GP1[13]	O	IPU	EMIFA bank address
		I/O	IPU	UHPI half-word identification control

Pin No.	Function Name	TYPE (1)	PULL (2)	Detail of Function
27	EMA_A[10]/ GP1[10]	O	IPU	EMIFA address bus
28	CVDD (Core supply)	PWR		1.2-V core supply voltage pins
29	EMA_A[0]/ GP1[0]	O	IPD	EMIFA address bus
30	EMA_A[1]/MMCSA_CLK/UHPI_HCNTL0/GP1[1]	O	IPU	EMIFA address bus
		I/O	IPU	UHPI access control
		O	IPU	MMCSA_CLK
31	EMA_A[2]/MMCSA_CMD/UHPI_HCNTL1/GP1[2]	O	IPU	EMIFA address bus
		I/O	IPU	UHPI access control
		I/O	IPU	MMCSA_CMD
32	EMA_A[3]/ GP1[3]	O	IPD	EMIFA address bus
33	DVDD (I/O supply)	PWR		3.3-V I/O supply voltage pins
34	EMA_A[4]/ GP1[4]	O	IPD	EMIFA address bus
35	EMA_A[5]/ GP1[5]	O	IPD	EMIFA address bus
36	EMA_A[6]/ GP1[6]	O	IPD	EMIFA address bus
37	EMA_A[7]/ GP1[7]	O	IPD	EMIFA address bus
38	CVDD (Core supply)	PWR		1.2-V core supply voltage pins
39	EMA_A[8]/ GP1[8]	O	IPU	EMIFA address bus
40	EMA_A[9]/ GP1[9]	O	IPU	EMIFA address bus
41	EMA_A[11]/ GP1[11]	O	IPU	EMIFA address bus
42	EMA_A[12]/ GP1[12]	O	IPU	EMIFA address bus
43	DVDD (I/O supply)	PWR		3.3-V I/O supply voltage pins
44	EMA_D[0]/MMCSA_DAT[0]/UHPI_HD[0]/GP0[0]/BOOT[12]	I/O	IPU	EMIFA data bus
		I	IPU	BOOT[12]
		I/O	IPU	UHPI data bus
		I/O	IPU	MMC/SD data
45	EMA_D[1]/MMCSA_DAT[1]/UHPI_HD[1]/GP0[1]	I/O	IPU	EMIFA data bus
		I/O	IPU	UHPI data bus
		I/O	IPU	MMC/SD data
46	EMA_D[2]/MMCSA_DAT[2]/UHPI_HD[2]/GP0[2]	I/O	IPU	EMIFA data bus
		I/O	IPU	UHPI data bus
		I/O	IPU	MMC/SD data
47	DVDD (I/O supply)	PWR		3.3-V I/O supply voltage pins
48	EMA_D[3]/MMCSA_DAT[3]/UHPI_HD[3]/GP0[3]	I/O	IPU	EMIFA data bus
		I/O	IPU	UHPI data bus
		I/O	IPU	MMC/SD data
49	EMA_D[4]/MMCSA_DAT[4]/UHPI_HD[4]/GP0[4]	I/O	IPU	EMIFA data bus
		I/O	IPU	UHPI data bus
		I/O	IPU	MMC/SD data
50	CVDD (Core supply)	PWR		1.2-V core supply voltage pins
51	EMA_D[5]/MMCSA_DAT[5]/UHPI_HD[5]/GP0[5]	I/O	IPU	EMIFA data bus
		I/O	IPU	UHPI data bus
		I/O	IPU	MMC/SD data
52	EMA_D[6]/MMCSA_DAT[6]/UHPI_HD[6]/GP0[6]	I/O	IPU	EMIFA data bus
		I/O	IPU	UHPI data bus
		I/O	IPU	MMC/SD data
53	DVDD (I/O supply)	PWR		3.3-V I/O supply voltage pins
54	EMA_D[7]/MMCSA_DAT[7]/UHPI_HD[7]/GP0[7]/BOOT[13]	I/O	IPU	EMIFA data bus
		I	IPU	BOOT[13]
		I/O	IPU	UHPI data bus
		I/O	IPU	MMC/SD data
55	EMA_WE /UHPI_HRW/AXR0[12]/GP2[3]/BOOT[14]	O	IPU	EMIFA SDRAM write enable
		I	IPU	BOOT[14]
		I/O	IPU	UHPI read/write
		I/O	IPU	McASP0 serial data
56	CVDD (Core supply)	PWR		1.2-V core supply voltage pins
57	EMB_CAS	O	IPU	EMIFB column address strobe
58	DVDD (I/O supply)	PWR		3.3-V I/O supply voltage pins
59	EMB_WE	O	IPU	EMIFB write enable
60	EMB_WE_DQM[0] /GP5[15]	O	IPU	EMIFB write enable/data mask for EMB_D.

Pin No.	Function Name	TYPE (1)	PULL (2)	Detail of Function
61	CVDD (Core supply)	PWR		1.2-V core supply voltage pins
62	EMB_D[7]/GP6[7]	I/O	IPD	EMIFB SDRAM data bus
63	EMB_D[6]/GP6[6]	I/O	IPD	EMIFB SDRAM data bus
64	EMB_D[5]/GP6[5]	I/O	IPD	EMIFB SDRAM data bus
65	DVDD (I/O supply)	PWR		3.3-V I/O supply voltage pins
66	EMB_D[4]/GP6[4]	I/O	IPD	EMIFB SDRAM data bus
67	CVDD (Core supply)	PWR		1.2-V core supply voltage pins
68	EMB_D[3]/GP6[3]	I/O	IPD	EMIFB SDRAM data bus
69	CVDD (Core supply)	PWR		1.2-V core supply voltage pins
70	EMB_D[2]/GP6[2]	I/O	IPD	EMIFB SDRAM data bus
71	DVDD (I/O supply)	PWR		3.3-V I/O supply voltage pins
72	EMB_D[1]/GP6[1]	I/O	IPD	EMIFB SDRAM data bus
73	EMB_D[0]/GP6[0]	I/O	IPD	EMIFB SDRAM data bus
74	EMB_D[15]/GP6[15]	I/O	IPD	EMIFB SDRAM data bus
75	DVDD (I/O supply)	PWR		3.3-V I/O supply voltage pins
76	EMB_D[14]/GP6[14]	I/O	IPD	EMIFB SDRAM data bus
77	CVDD (Core supply)	PWR		1.2-V core supply voltage pins
78	EMB_D[13]/GP6[13]	I/O	IPD	EMIFB SDRAM data bus
79	EMB_D[12]/GP6[12]	I/O	IPD	EMIFB SDRAM data bus
80	EMB_D[11]/GP6[11]	I/O	IPD	EMIFB SDRAM data bus
81	DVDD (I/O supply)	PWR		3.3-V I/O supply voltage pins
82	EMB_D[10]/GP6[10]	I/O	IPD	EMIFB SDRAM data bus
83	EMB_D[9]/GP6[9]	I/O	IPD	EMIFB SDRAM data bus
84	EMB_D[8]/GP6[8]	I/O	IPD	EMIFB SDRAM data bus
85	EMB_WE_DQM[1]/GP5[14]	O	IPU	EMIFB write enable/data mask for EMB_D
86	EMB_CLK	O	IPU	EMIF SDRAM clock
87	DVDD (I/O supply)	PWR		3.3-V I/O supply voltage pins
88	EMB_SDCKE	I/O	IPU	EMIFB SDRAM clock enable
89	EMB_A[12]/GP3[13]	O	IPD	EMIFB SDRAM row/column address bus
90	DVDD (I/O supply)	PWR		3.3-V I/O supply voltage pins
91	EMB_A[11]/GP7[13]	O	IPD	EMIFB SDRAM row/column address bus
92	EMB_A[9]/GP7[11]	O	IPD	EMIFB SDRAM row/column address bus
93	CVDD (Core supply)	PWR		1.2-V core supply voltage pins
94	EMB_A[8]/GP7[10]	O	IPD	EMIFB SDRAM row/column address bus
95	EMB_A[7]/GP7[9]	O	IPD	EMIFB SDRAM row/column address bus
96	EMB_A[6]/GP7[8]	O	IPD	EMIFB SDRAM row/column address bus
97	EMB_A[5]/GP7[7]	O	IPD	EMIFB SDRAM row/column address bus
98	EMB_A[4]/GP7[6]	O	IPD	EMIFB SDRAM row/column address
99	DVDD (I/O supply)	PWR		3.3-V I/O supply voltage pins
100	EMB_A[3]/GP7[5]	O	IPD	EMIFB SDRAM row/column address
101	EMB_A[2]/GP7[4]	O	IPD	EMIFB SDRAM row/column address
102	EMB_A[1]/GP7[3]	O	IPD	EMIFB SDRAM row/column address
103	EMB_A[0]/GP7[2]	O	IPD	EMIFB SDRAM row/column address
104	CVDD (Core supply)	PWR		1.2-V core supply voltage pins
105	EMB_A[10]/GP7[12]	O	IPD	EMIFB SDRAM row/column address bus
106	EMB_BA[1]/GP7[0]	O	IPU	EMIFB SDRAM bank address
107	EMB_BA[0]/GP7[1]	O	IPU	EMIFB SDRAM bank address
108	EMB_CS[0]	O	IPU	EMIFB SDRAM chip select 0
109	DVDD (I/O supply)	PWR		3.3-V I/O supply voltage pins
110	EMB_RAS	O	IPU	EMIFB SDRAM row address strobe
111	AXR0[0]/AFSR2/GP3[0]	I/O	IPD	McASP0 serial data
		O	IPD	McASP2 serial data
112	AXR0[1]/ACLKX2/GP3[1]	I/O	IPD	McASP0 serial data
		O	IPD	McASP2 transmit bit clock
113	AXR0[2]/AXR2[3]/GP3[2]	I/O	IPD	McASP0 serial data
		O	IPD	McASP2 serial data
114	CVDD (Core supply)	PWR		1.2-V core supply voltage pins
115	AXR0[3]/AXR2[2]/GP3[3]	I/O	IPD	McASP0 serial data
		O	IPD	McASP2 serial data

Pin No.	Function Name	TYPE (1)	PULL (2)	Detail of Function
116	AXR0[4]/ AXR2[1]/GP3[4]	I/O	IPD	McASP0 serial data
		O	IPD	McASP2 serial data
117	AXR0[5]/AFSX2/GP3[5]	I/O	IPD	McASP0 serial data
		O	IPD	McASP2 transmit frame sync
118	AXR0[6]/ACLKR2/GP3[6]	I/O	IPD	McASP0 serial data
		I/O	IPD	McASP2 receive bit clock
119	DVDD (I/O supply)	PWR		3.3-V I/O supply voltage pins
120	AXR0[7]/GP3[7]	I/O	IPD	McASP0 serial data
121	AXR0[8]/GP3[8]	I/O	IPU	McASP0 serial data
122	UART1_RXD/AXR0[9]/GP3[9]	I	IPD	UART1 receive data
		(3) I/O	IPD	McASP0 serial data
123	UART1_TXD/AXR0[10]/GP3[10]	O	IPD	UART1 transmit data
		(3) I/O	IPD	McASP0 serial data
124	AXR0[11]/ AXR2[0]/GP3[11]	I/O	IPD	McASP0 serial data
		O	IPD	McASP2 serial data
125	AHCLKX0/AHCLKX2/USB_REFCLKIN/GP2[11]	I/O	IPD	McASP0 transmit master clock
		O	IPD	McASP2 transmit master clock
		I	IPD	USB_REFCLKIN. Optional 48 MHz clock input
126	ACLKX0/ECAP0/APWM0/GP2[12]	I/O	IPD	Enhanced capture 0/input or auxiliary PWM 0 output
		I/O	IPD	McASP0 transmit bit clock
127	AFSX0/GP2[13]/BOOT[10]	I	IPD	BOOT[10]
		I/O	IPD	McASP0 transmit frame sync
128	DVDD (I/O supply)	PWR		3.3-V I/O supply voltage pins
129	AHCLKR0/GP2[14]/BOOT[11]	I	IPD	BOOT[11]
		I/O	IPD	McASP0 receive master clock
130	ACLKR0/ECAP1/APWM1/GP2[15]	I/O	IPD	Enhanced capture 1/input or auxiliary PWM 1 output
		I/O	IPD	McASP0 receive bit clock
131	AFSR0/GP3[12]	I/O	IPD	McASP0 receive frame sync
132	AMUTE1/EPWMTZ/GP4[14]	I/O	IPD	eHRPWM0 trip zone input
		I/O	IPD	eHRPWM1 trip zone input
		I/O	IPD	eHRPWM2 trip zone input
		O	IPD	McASP1 mute output
133	RSV2	PWR		Reserved. For proper device operation, this pin must be tied directly to CVDD
134	USB0_VDDA12	(4) PWR		USB0 PHY 1.2-V LDO output for bypass cap
135	USB0_VDDA18	PWR		USB0 PHY 1.8-V supply input
136	NC	–	–	–
137	USB0_DP	A		USB0 PHY data plus
138	USB0_DM	A		USB0 PHY data minus
139	NC	–	–	–
140	USB0_VDDA33	PWR		USB0 PHY 3.3-V supply
141	PLL0_VDDA	PWR		PLL analog VDD (1.2-V filtered supply)
142	PLL0_VSSA	GND		PLL analog VSS (for filter)
143	OSCIN	I		Oscillator input
144	OSCVSS	GND		Oscillator ground (for filter only)
145	OSCOUT	O		Oscillator output
146	RESET	I		Device reset input
147	CVDD (Core supply)	PWR		1.2-V core supply voltage pins
148	RTC_XI	I		Low-frequency (32-kHz) oscillator receiver for real-time clock
149	RTC_CVDD	PWR		RTC module core power (isolated from rest of chip CVDD)
150	TRST	I	IPD	JTAG test reset
151	DVDD (I/O supply)	PWR		3.3-V I/O supply voltage pins
152	TMS	I	IPU	JTAG test mode select
153	TDI	I	IPU	JTAG test data input
154	CVDD (Core supply)	PWR		1.2-V core supply voltage pins
155	TCK	I	IPU	JTAG test clock
156	TDO	O	IPD	JTAG test data output
157	GP7[14]	(5) I/O	IPD	General-Purpose IO signal
158	DVDD (I/O supply)	PWR		3.3-V I/O supply voltage pins
159	CVDD (Core supply)	PWR		1.2-V core supply voltage pins

Pin No.	Function Name	TYPE (1)	PULL (2)	Detail of Function
160	AHCLKX1/EPWM0B/GP3[14]	I/O	IPD	eHRPWM0 B output
		I/O	IPD	McASP1 transmit master clock
161	CVDD (Core supply)	PWR		1.2-V core supply voltage pins
162	ACLKX1/EPWM0A/GP3[15]	I/O	IPD	eHRPWM0 A output
		I/O	IPD	McASP1 transmit bit clock
163	AFSX1/EPWMSYNCO/EPWMSYNCO/GP4[10]	I/O	IPD	Sync input to eHRPWM0 module or sync output to external PWM
		I/O	IPD	McASP1 transmit frame sync
164	DVDD (I/O supply)	PWR		3.3-V I/O supply voltage pins
165	ACLKR1/ECAP2/APWM2/GP4[12]	I/O	IPD	enhanced capture 2/input or auxiliary PWM 2 output
		I/O	IPD	McASP1 receive bit clock
166	AFSR1/GP4[13]	I/O	IPD	McASP1 receive frame sync
167	CVDD (Core supply)	PWR		1.2-V core supply voltage pins
168	AXR1[8]/EPWM1A/GP4[8]	I/O	IPD	eHRPWM1 A (with high-resolution)
		I/O	IPD	McASP1 serial data
169	AXR1[7]/EPWM1B/GP4[7]	I/O	IPD	eHRPWM1 B
		I/O	IPD	McASP1 serial data
170	AXR1[6]/EPWM2A/GP4[6]	I/O	IPD	eHRPWM2 A (with high-resolution)
		I/O	IPD	McASP1 serial data
171	AXR1[5]/EPWM2B/GP4[5]	I/O	IPD	eHRPWM2 B
		I/O	IPD	McASP1 serial data
172	DVDD (I/O supply)	PWR		3.3-V I/O supply voltage pins
173	AXR1[4]/EQEP1B/GP4[4]	I	IPD	eQEP1B quadrature input
		I/O	IPD	McASP1 serial data
174	AXR1[3]/EQEP1A/GP4[3]	I	IPD	eQEP1A quadrature input
		I/O	IPD	McASP1 serial data
175	AXR1[2]/GP4[2]	I/O	IPD	McASP1 serial data
176	AXR1[1]/GP4[1]	I/O	IPD	McASP1 serial data

(1) I = Input, O = Output, I/O = Bidirectional, Z = High impedance, PWR = Supply voltage, GND = Ground, A = Analog signal.

Note: The pin type shown refers to the input, output or high-impedance state of the pin function when configured as the the signal name highlighted in bold. All multiplexed signals may enter a high-impedance state when the configured function is input-only or the configured function supports high-Z operation. All GPIO signals can be used as input or output. For multiplexed pins where functions have different types (ie., input versus output), the table reflects the pin function direction for that particular peripheral.

(2) IPD = Internal Pulldown resistor, IPU = Internal Pullup resistor

(3) 122, 123 pin: As these signals are internally pulled down while the device is in reset, it is necessary to externally pull them high with resistors if UART1 boot mode is used.

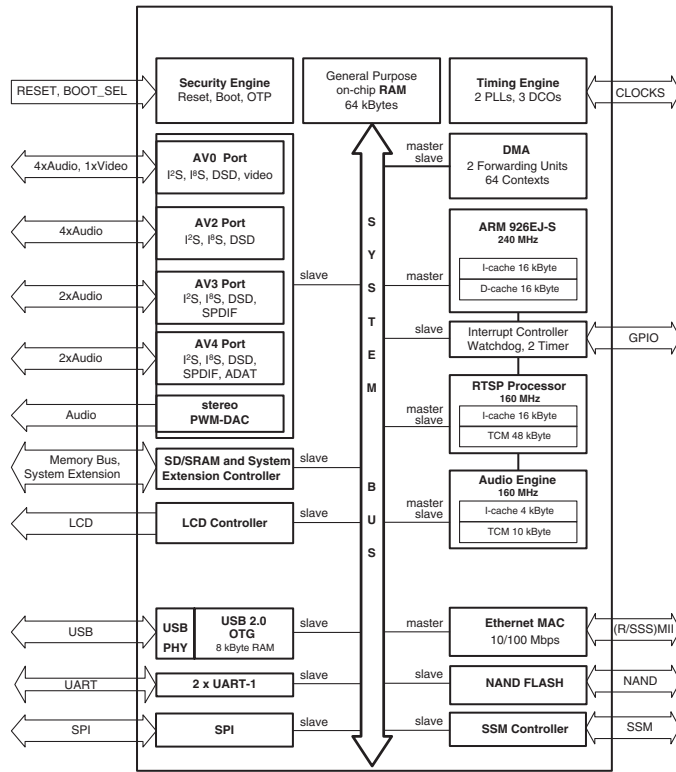
(4) 134 pin: Core power supply LDO output for USB PHY. This pin must be connected via a 0.22-mF capacitor to VSS. When the USB peripheral is not used, the USB_VDDA12 signal should still be connected via a 1-mF capacitor to VSS.

(5) 157 pin: GP7[14] is initially configured as a reserved function after reset and will not be in a predictable state. This signal will only be stable after the GPIO configuration for this pin has been completed. Users should carefully consider the system implications of this pin being in an unknown state after reset.

IC951: DM860A (DIGITAL (1) P.C.B.)

Network microprocessor

* **No replacement part available.**



	1	2	3	4	5	6	7	8	9	10	11	12	13	14	15	16	17	18	
A	USBDN	VDD33 USBC	VSS33 USBC	n.c.	n.c.	VDD33	RFLCKP	RFRXQP	RFRXIP	HIGHZ	SSMD0	SSMD4	SSMCMD	RXD1	TDO	TDI	A0	A1	A
B	USBDP	VDD33 USBT	VSS33 USBT	n.c.	n.c.	VSS	RFLCKN	RFRXQN	RFRXIN	TEST1	SSMD1	SSMD5	TXD1	RXD0	TMS	SPICLK	SPINCS1	A2	B
C	VSS12 USB	USBREXT	USBXO	USBXI	NRES12 OUT	VSS	RREF	n.c.	n.c.	SSMCKL	SSMD2	SSMD6	TXD0	TCK	SPINCS0	A3	A4	A5	C
D	VDD12 USB	USBVBUS	USBATST	NRES33 OUT	NRES33 REF	NRES12 REF	VDD33	VDD12	SSMWP	SSMCP	SSMD3	SSMD7	NRESET	SPDI	SPIDO	A6	A7	A8	D
E	VSS33 RTC	USBIID	USBVB USDRV	NC		VDD12 CORE	VDD12 CORE	VDD33IO	VDD33IO	VDD12 CORE	VDD12 CORE	VDD33IO	VDD33IO		A9	A10	A11	A12	E
F	VDD33 RTC	RTCXIN	VDD33 PLL	NC	VDD33IO	VSS	VSS	VSS	VSS	VSS	VSS	VSS	VSS	VDD12 CORE	A13_RAS	A14_CAS	A15_BA0	A16_BA1	F
G	VDD12 DCO	RTXCOUT	VSS33 PLL	NC	VDD33IO	VSS	VSS	VSS	VSS	VSS	VSS	VSS	VSS	VDD12 CORE	A17_DQ M0	A18_DQ M1	A19	A20	G
H	VSS12 DCO	VSS12 PLL	VDD12 PLL	NC	VDD12 CORE	VSS	VSS	VSS	VSS	VSS	VSS	VSS	VSS	VDD33IO	A21	A22	A23	NCS3	H
J	PDOUT1	VC01	XTALO	NC	VDD12 CORE	VSS	VSS	VSS	VSS	VSS	VSS	VSS	VSS	VDD33IO	NCS0	NCS1	NCS2	MEMCKE	J
K	PDOUT0	VC00	XTALI	AOUTLP	VDD33IO	VSS	VSS	VSS	VSS	VSS	VSS	VSS	VSS	VDD12 CORE	MEMCLK	NWE	NOE	NWAIT	K
L	AV0CLK	AOUTLN	AOUTRN	AOUTRP	VDD33IO	VSS	VSS	VSS	VSS	VSS	VSS	VSS	VSS	VDD12 CORE	D3	D2	D1	D0	L
M	AV0 CTRL0	AV0 CTRL1	AV0 CTRL2	AV0 DATA3	VDD12 CORE	VSS	VSS	VSS	VSS	VSS	VSS	VSS	VSS	VDD33IO	D7	D6	D5	D4	M
N	AV0 DATA2	AV0 DATA1	AV0 DATA0	AV1 DATA3	VDD12 CORE	VSS	VSS	VSS	VSS	VSS	VSS	VSS	VSS	VDD33IO	D11	D10	D9	D8	N
P	AV1 DATA2	AV1 DATA1	AV1 DATA0	AV2 DATA3		VDD33IO	VDD33IO	VDD12 CORE	VDD12 CORE	VDD33IO	VDD33IO	VDD12 CORE	VDD12 CORE		FD0	FD1	D13	D12	P
R	AV2CLK	AV2 CTRL1	AV2 DATA2	AV3CLK	AV3 DATA1	LCDD11	LCDD7	LCDD3	LCD CTRL0	VPP	MIITXEN	MIITXCLK	MIIRXER	MIICRS	FD2	FD3	FD4	D14	R
T	AV2 CTRL0	AV2 DATA1	AV3 CTRL1	AV3 DATA0	LCDD14	LCDD10	LCDD6	LCDD2	LCD CTRL1	LCDDCLK	MIITXER	MIIRXCLK	MIICOL	MII RXDV	FD5	FD6	FD7	D15	T
U	AV2 DATA0	AV3 CTRL0	AV4 DATA1	LCDD16	LCDD13	LCDD9	LCDD5	LCDD1	LCD CTRL2	MIITXD0	MIITXD2	MIIRXD0	MIIRXD2	MIIMDIO	NFCE0	FCLE	NFWE	NFRB	U
V	NC	AV4 DATA0	LCDD17	LCDD15	LCDD12	LCDD8	LCDD4	LCDD0	LCD CTRL3	MIITXD1	MIITXD3	MIIRXD1	MIIRXD3	MIIMDC	MIPHY CLK	NFWP	NFRE	FALE	V
	1	2	3	4	5	6	7	8	9	10	11	12	13	14	15	16	17	18	

RX-V675/HTR-6066/ RX-A730/TSR-6750

AV-Port 0

Pin No.	Function Name	I/O	Detail of Function
M4	AV0DATA[3:0]	I/O	Audio/video data. Several formats are supported.
N1			
N2			
N3			
N4	AV1DATA[3:0]	I/O	Video data, together with AV0DATA[3:0]: AV0DATA[3:0] = video[3:0] AV1DATA[3:0] = video[7:4]
P1			
P2			
P3			
L1	AV0CLK	I/O	Data clock. Depending on the AV-Port 0 configuration, this clock is a bit- or byte-clock which is used to transmit or receive the AV0DATA[*] synchronously.
M1	AV0CTRL0	I/O	Configurable sync signal: <ul style="list-style-type: none"> Serial audio formats: LRCK input or output. Video formats: PSYNC input or output.
M2	AV0CTRL1	I/O	Configurable sync signal: <ul style="list-style-type: none"> Serial audio formats: Master clock output. Video formats: DVALID input or output.
M3	AV0CTRL2	I/O	Configurable sync signal: <ul style="list-style-type: none"> Video formats: FSYNC input or output.

AV-Port 2

Pin No.	Function Name	I/O	Detail of Function
P4	AV2DATA[3:0]	I/O	Audio data. Several formats are supported.
R3			
T2			
U1			
R1	AV2CLK	I/O	Data clock. Depending on the AV-Port 2 configuration this clock is a bit-clock which is used to transmit or receive the AV2DATA[*] synchronously.
T1	AV2CTRL0	I/O	Configurable sync signal: Serial audio formats: LRCK input or output.
R2	AV2CTRL1	I/O	Configurable sync signal: Serial audio formats: Master clock output.

AV-Port 3

Pin No.	Function Name	I/O	Detail of Function
R5	AV3DATA[1:0]	I/O	Audio data. Several formats are supported.
T4			
R4	AV3CLK	I/O	Data clock. Depending on the AV-Port 3 configuration this clock is a bit-clock which is used to transmit or receive the AV3DATA[*] synchronously.
U2	AV3CTRL0	I/O	Configurable sync signal: Serial audio formats: LRCK input or output.
T3	AV3CTRL1	I/O	Configurable sync signal: Serial audio formats: Master clock output.

AV-Port 4

Pin No.	Function Name	I/O	Detail of Function
U3	AV4DATA[1:0]	I/O	Audio data. Several formats are supported.
V2			

PWM-DAC

Pin No.	Function Name	I/O	Detail of Function
K4	AOUTLP	O	Left channel PWM output (positive).
L2	AOUTLN	O	Left channel PWM output (negative).
L4	AOUTRP	O	Right channel PWM output (positive).
L3	AOUTRN	O	Right channel PWM output (negative).

UART Interface

Pin No.	Function Name	I/O	Detail of Function
B14	RXD0	I	UART-0 receive signal.
C13	TXD0	O	UART-0 transmit signal.
A14	RXD1	I	UART-1 receive signal.
B13	TXD1	O	UART-1 transmit signal.

Serial Peripheral Interface (SPI)

Pin No.	Function Name	I/O	Detail of Function
D14	SPIDIN	I	SPI data receive.
D15	SPIDOUT	O	SPI data transmit.
B16	SPICLK	I/O	SPI clock.
C15	SPINCS0	I/O	Multi-master mode: Chip-select input (used to detect bus conflict). Master only mode: Chip-select 1 output. Slave mode: Chip-select input.
B17	SPINCS1	I/O	Multi-master mode: Chip-select 2 output. Master only mode: Chip-select 2 output. Slave mode: Not used.

External Memory Interface

Pin No.	Function Name	I/O	Detail of Function
T18	D[15:0]	I/O	Data bus for external memory and peripheral access.
R18			
P17			
P18			
N15			
N16			
N17			
N18			
M15			
M16			
M17			
M18			
L15			
L16			
L17			
L18			
E18	A[12:0]	O	Address bus for external memory and peripheral access.
E17			
E16			
E15			
D18			
D17			
D16			
C18			
C17			
C16			
B18			
A18			
A17			
F15	A13_RAS	O	SRAM: Address output SDRAM: Row access strobe
F16	A14_CAS	O	SRAM: Address output SDRAM: Column access strobe
F17	A15_BA0	O	SRAM: Address output SDRAM: Bank select
F18	A16_BA1	O	SRAM: Address output SDRAM: Bank select
G15	A17_DQM0	O	SRAM: Address output SDRAM: Data mask
G16	A18_DQM1	O	SRAM: Address output SDRAM: Data mask
H17	A[23:19]	O	Address bus for external memory and peripheral access.
H16			
H15			
G18			
G17			

RX-V675/HTR-6066/
RX-A730/TSR-6750

Pin No.	Function Name	I/O	Detail of Function
H18	NCS[3:0]	O	Chip select signals. The active memory range for NCS[n] (active low) can be configured. <ul style="list-style-type: none"> • NCS[0] supports SRAM, can be used for booting. • NCS[1] supports SDRAM or SRAM. • NCS[2] supports SRAM. • NCS[3] supports SRAM.
J17			
J16			
J15			
K17	NOE	O	Output enable, asserted (low) for read operations.
K16	NWE	O	Write enable, asserted (low) for write operations.
K18	NWAIT	I	External wait line. If NWAIT is asserted, memory access will be stalled. Can be configured as either low-active (default) or high-active.
K15	MEMCLK	O	SDRAM system clock.
J18	MEMCKE	O	SDRAM clock enable.

NAND-Flash Interface

Pin No.	Function Name	I/O	Detail of Function
T17	FD[7:0]	I/O	Bi-directional data bus.
T16			
T15			
R17			
R16			
R15			
P16			
P15			
V18	FALE	O	Address latch enable; pull-up/down defines boot mode.
U16	FCLE	O	Command latch enable; pull-up/down defines boot mode.
U15	NFCE0	O	Chip-enable, low-active.
U18	NFRB	I	Ready/busy. NAND flash is busy when NFRB is low.
V17	NFRE	O	Read enable, low-active.
U17	NFWE	O	Write enable, low-active.
V16	NFWP	O	Write protect, low-active.

Ethernet MAC-Phy Interface (MII)

Pin No.	Function Name	I/O	MII	RMII	SMII
U14	MIIDIO	I/O	Management data	Management data	
V14	MIIMDC	O	Management clock	Management clock	
V13	MIIRXD[3]	I	RxD 3	RxD 1	
U13	MIIRXD[2]	I	RxD 2	RxD 0	
V12	MIIRXD[1]	I	RxD 1		Rx-Sync
U12	MIIRXD[0]	I	RxD 0		RxD
T12	MIIRXCLK	I	Receive clock		Receive clock
R13	MIIRXER	I	Receive error	Receive error	
T14	MIIRXDV	I	Receive data valid	Carrier sense/data valid	
V11	MIITXD[3]	O	TxD 3	TxD 1	
U11	MIITXD[2]	O	TxD 2	TxD 0	
V10	MIITXD[1]	O	TxD 1		Tx-Sync
U10	MIITXD[0]	O	TxD 0		TxD
R12	MIITXCLK	I	Transmit clock		Transmit clock
T11	MIITXER	O	Transmit error		
R11	MIITXEN	O	Transmit data enable	Transmit data enable	
T13	MIICOL	I	MII ethernet collision		
R14	MIICRS	I	MII carrier sense		
V15	MIIPHYCLK	O	25.000 MHz clock	50.000 MHz clock	125.000 MHz clock

USB 2.0 OTG

Pin No.	Function Name	I/O	Detail of Function
B1	USBD+	I/O	Positive data line that is connected to the serial USB cable.
A1	USBD-	I/O	Negative data line that is connected to the serial USB cable.
E2	USBID	I	USB ID pin of mini-AB receptacle.
C2	USBREXT	I	External bias resistor (2K7, 1%); connect resistor to VSSUSB.
D2	USBVBUS	I	VBUS voltage sense.
E3	USBVBUSDRV	O	Control signal to control VBUS 5V voltage source.
C4	USBXTALI	I	Oscillator circuit input for a 24.000 MHz crystal (optional). Without external crystal, pull this pin to GND.
C3	USBXTALO	O	Oscillator circuit output for a 24.000 MHz crystal (optional). Without external crystal, leave this pin open.
D3	USBATST	-	Do not connect.

Power-on Reset Pins

Pin No.	Function Name	I/O	Detail of Function
D6	NRES12REF	I	Voltage reference input. NRES12OUT is release when this input voltage exceeds VTH12.
C5	NRES12OUT	O	Open-drain reset (active low) for 1.2V core power supply.
D5	NRES33REF	I	Voltage reference input. NRES33OUT is release when this input voltage exceeds VTH33.
D4	NRES33OUT	O	Open-drain reset (active low) for 3.3V core power supply

Real-Time Clock (RTC) Pins (RTC is Not Supported)

Pin No.	Function Name	I/O	Detail of Function
F2	RTCXIN	I	No connection. Leave this pin open circuit.
G2	RTCXOUT	O	No connection. Leave this pin open circuit.
F1	VDD33RTC	Power	No connection. Leave this pin open circuit.
E1	VSS33RTC	Power	Ground (0 V) for RTC

LCD Interface

Pin No.	Function Name	I/O	TFT Mode	LCD STN monochr.	LCD STN monochr. (double)	LCD STN color	LCD STN color (bias)
V3	LCDD[17]	O	RED5				
U4	LCDD[16]	O	RED4				
V4	LCDD[15]	O	RED3				
T5	LCDD[14]	O	RED2				
U5	LCDD[13]	O	RED1				
V5	LCDD[12]	O	(RED0)				
R6	LCDD[11]	O	GREEN5				
T6	LCDD[10]	O	GREEN4				
U6	LCDD[9]	O	GREEN3				
V6	LCDD[8]	O	GREEN2				
R7	LCDD[7]	O	GREEN1		DATAHIGH3	DATA7	DATA7
T7	LCDD[6]	O	GREEN0		DATAHIGH2	DATA6	DATA6
U7	LCDD[5]	O	BLUE5		DATAHIGH1	DATA5	DATA5
V7	LCDD[4]	O	BLUE4		DATAHIGH0	DATA4	DATA4
R8	LCDD[3]	O	BLUE3	DATA3	DATALOW3	DATA3	DATA3
T8	LCDD[2]	O	BLUE2	DATA2	DATALOW2	DATA2	DATA2
U8	LCDD[1]	O	BLUE1	DATA1	DATALOW1	DATA1	DATA1
V8	LCDD[0]	O	(BLUE0)	DATA0	DATALOW0	DATA0	DATA0
T10	LCDCCLK	O	Byte clock	CL2	CL2	CL2	CL2
V9	LCDCCTRL[3]	O	Display off	Display off	Display off	Display off	Display off
U9	LCDCCTRL[2]	O	Vsync	FLM	FLM	FLM	FLM
T9	LCDCCTRL[1]	O	HSync	CL1	CL1	CL1	CL1
R9	LCDCCTRL[0]	O	DVALID			M/Bias	

RX-V675/HTR-6066/
RX-A730/TSR-6750

SSM Interface

Pin No.	Function Name	I/O	Detail of Function
D12	SSMD[7:0]	I/O	Data lines.
C12			
B12			
A12			
D11			
C11			
B11			
A11			
C10	SSMCLK	O	Clock output.
A13	SSMCMD	O	Command output.
D10	SSMCP	I	Card power input (high = off).
D9	SSMWP	I	Write protect input (low = protect).

External PLL Pins

Pin No.	Function Name	I/O	Detail of Function
J2	VCO[1:0]	I	External oscillator inputs, typically coming from an external VCO. Together with the external loop-filter and the internal clock dividers, each PDOUT/VCO pair can form a complete PLL.
K2			
J1	PDOUT[1:0]	O	Phase discriminator outputs. These signals are charge-pump type outputs. Each of them can be used to feed the loop-filter of a PLL structure.
K1			

Global Pins

Pin No.	Function Name	I/O	Detail of Function
D13	NRESET	I	Reset (active low). When asserted, the chip is placed in the reset state and the peripheral pins are configured as inputs. After deassertion of NRESET, the chip is clocked by XTALI and starts booting from the port configured by the FCLE, FALE pins. The NRESET signal must be asserted after power-up.
K3	XTALI	I	Oscillator circuit input. Internal system clock will be derived from XTALI (internal clock multiplier).
J3	XTALO	O	Oscillator circuit output.
C7	RREF	I	Reference current. Connect a 3.0 k-ohms $\pm 1\%$ resistor to GND.
B10	TEST1	I	Reserved. Connect to VDD for normal operation.
A10	HIGHZ	I	Reserved. Connect to VDD for normal operation.
E4	n.c.	-	Pins must be left unconnected (18x).
F4			
G4			
H4			
J4			
V1			
A4			
A5			
B4			
B5			
C8			
C9			

JTAG Interface

Pin No.	Function Name	I/O	Detail of Function
B15	TMS	I	JTAG mode select.
C14	TCK	I	JTAG clock.
A16	TDI	I	JTAG serial data input.
A15	TDO	O	JTAG serial data output.

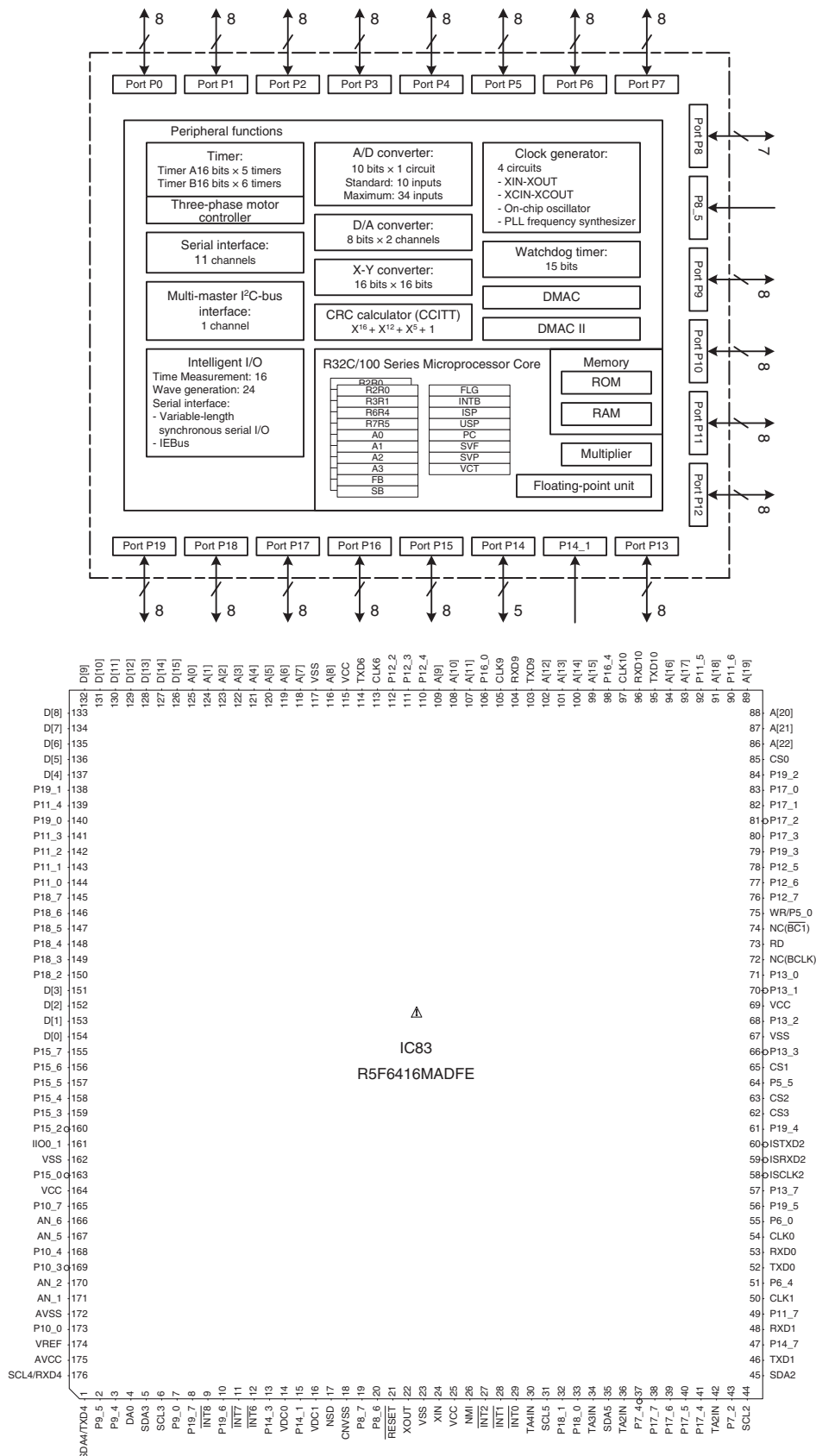
Power Supply Pins

Pin No.	Function Name	Detail of Function	Pin No.	Function Name	Detail of Function
A6	VDD33	I/O power supply (+3.3 V).	K13	VSS	Ground (0 V).
E8			L6		
E9			L7		
E12			L8		
E13			L9		
F5			L10		
G5			L11		
H14			L12		
J14			L13		
K5			M6		
L5			M7		
M14			M8		
N14			M9		
P6			M10		
P7			M11		
P10			M12		
P11			M13		
D7			N6		
F6			N7		
F7			N8		
F8	N9				
F9	N10				
F10	N11				
F11	N12				
F12	N13				
F13	B6				
G6	C6				
G7	R10	VPP			
G8	A2	VDD33USB	Power supply (+3.3 V) for USB interface. Ground (0 V).		
G9	B2				
G10	A3	VSS33USB	Ground (0 V).		
G11	B3				
G12	F3	VDD33PLL	Power supply (+3.3V) for PLL.		
G13	G3	VSS33PLL	Ground (0 V).		
H6	VSS	Ground (0 V).	E6	VDD12	Power supply (+1.2V).
H7			E7		
H8			E10		
H9			E11		
H10			F14		
H11			G14		
H12			H5		
H13			J5		
J6			K14		
J7			L14		
J8			M5		
J9			N5		
J10			P8		
J11			P9		
J12	P12				
J13	P13				
K6	D8				
K7	D1	VDD12USB	Power supply (+1.2V) for USB interface.		
K8	C1	VSS12USB	Ground (0 V).		
K9	H3	VDD12PLL	Power supply (+1.2V) for PLL.		
K10	H2	VSS12PLL	Ground (0 V).		
K11	G1	VDD12DCO	Power supply (+1.2V) for DCO.		
K12	H1	VSS12DCO	Ground (0 V).		

RX-V675/HTR-6066/
RX-A730/TSR-6750

IC83: R5F6416MADFE (DIGITAL (1) P.C.B.)
Microprocessor

* No replacement part available.



RX-V675/HTR-6066/
RX-A730/TSR-6750

Pin No.	Port Name	Function Name	I/O			Detail of Function
			Related Power Supply		I/O	
			OFF	ON		
1	SRXD4/SDA4/TXD4/ANEX1/P9_6	TUN_SDA	PRY	O	I/O	Tuner I2C data
		HDR_MOSI	PRY	O	O	HD radio transmission data
2	CLK4/ANEX0/P9_5	VOL1_SCK	PRY/DSP_PON	O	O	VOL1 (R2A15220FP #1) communication clock
3	N_CTS4/N_N_RTS4/N_SS4/TB4IN/DA1/P9_4	VOL_MOSI	PRY/DSP_PON	O	O	VOL1 communication data
4	N_CTS3/N_N_RTS3/N_SS3/TB3IN/DA0/P9_3	AMP_LMT	PRY	I	O	Limiter control
5	IEOUT/ISTXD2/OUTC2_0/SRXD3/SDA3/TXD3/TB2IN/P9_2	HDMI_SDA	HDMI_PON	O	I/O	HDMI 400k I2C data
6	IEIN/ISRXD2/STXD3/SCL3/RXD3/TB1IN/P9_1	HDMI_SCL	HDMI_PON	O	O	HDMI 400k I2C clock
7	CLK3/TB0IN/P9_0	SPRY_5CH	PRY	O	O	SP relay 5CH (L, C, R, SRL, SRR)
8	P19_7	PA_B_RY	PRY	O	O	Power amplifier B power supply control
9	N_INT8/P14_6	HAU_INT	HDMI_PON	O	I	Mute signal from HDMI, RX1 and RX2
10	P19_6	HRX1_MT	HDMI_PON	O	I	Mute signal from HDMI RX1 (for HAU_N_INT distinction)
11	N_INT7/P14_5	HTX1_N_INT	HDMI_PON	O	I	HDMI TX CEC interrupt
12	N_INT6/P14_4	PWR_DET	AC	I	I	AC power detect
13	P14_3	FLD_N_CS	FLD_PON	O	O	FLD chip select
14	VDC0	VDC0				---
15	P14_1 (for exclusive use of the input)	I_PRT	PRY	I	I	Current protection
16	VDC1	VDC1				---
17	NSD	NSD				Debugger
18	CNVSS	DBG_CNVSS				---
19	XCIN/P8_7	MIC_N_DET	DSP_PON	O	I	Microphone detection
20	XCOUT/P8_6	PD_LED	PRY	O	O	Pure direct LED
21	RESET	MCPU_N_RST				---
22	XOUT	XOUT				---
23	VSS	VSS				---
24	XIN	XIN				---
25	VCC	VCC				---
26	NMI/P8_5	NMI				---
27	N_INT2/P8_4	WAKEUP_INT	AC	O	I	Power switch, MISO interrupt of RS-232C (sleep return)
28	N_INT1/P8_3	REM_IN2	AC	O	I	Remote control pulse input 2
29	N_INT0/P8_2	REM_IN1	AC	O	I	Remote control pulse input 1
30	UD0B/UD1B/IIO1_5/N_RTS5/N_CTS5/N_SS5/U/TA4IN/P8_1	TUN_N_INT	PRY	O	I	Interrupt from tuner
		---	AC	O	O	No used
31	UD0A/UD1A/RXD5/SCL5/STXD5/U/TA4OUT/P8_0	---	AC	O	O	No used
32	P18_1	HSW2_N_INT	HDMI_PON	O	I	Sii9589 (2) interrupt
33	P18_0	HSW1_N_INT	HDMI_PON	O	I	Sii9589 (1) interrupt
34	UD0B/UD1B/IIO1_4/CLK5/TA3IN/P7_7	FHDMI_N_INT	HDMI_PON	O	I	Front HDMI interrupt
35	UD0A/UD1A/IIO1_3/N_RTS8/N_CTS8/TXD5/SDA5/SRXD5/TA3OUT/P7_6	---	AC	O	O	No used
36	IIO1_2/RXD8/W/TA2IN/P7_5	DAU_N_INT	DSP_PON	O	I	Interrupt from DIR1, DIR2 and DSP
37	IIO1_1/CLK8/W/TA2OUT/P7_4	---	AC	O	O	No used
38	P17_7	---	AC	O	O	No used
39	P17_6	---	AC	O	O	No used
40	P17_5	VOL_RA	AC	I	I	Volume A
41	P17_4	VOL_RB	AC	I	I	Volume B
42	IIO1_0/TXD8/N_SS2/N_RTS2/N_CTS2/V/TA1IN/P7_3	HRX_N_INT	HDMI_PON	O	I	HDMI RX (ADV7619) interrupt
43	CLK2/V/TA1OUT/P7_2	NCPU_SPI_REQ	NCPU_PON	O	I	BridgeCO request
44	MSCL/IEIN/ISRXD2/OUTC2_2/IIO1_7/STXD2/SCL2/RXD2/TA0IN/TB5IN/P7_1	DV_SCL	HDMI_PON	O	O	D-VIDEO/A-VIDEO/F-HDMI 400k I2C clock
45	TA0OUT/TXD2/SDA2/SRXD2/IIO1_6/OUTC2_0/ISTXD2/IEOUT/MSDA/P7_0	DV_SDA	HDMI_PON	O	I/O	D-VIDEO/A-VIDEO/F-HDMI 400k I2C data
46	TXD1/SDA1/SRXD1/P6_7	232C_DBG_MOSI	AC	O	O	RS-232C transmission data / Debug / E8a
47	P14_7	DSP_PON	DSP_PON	O	O	DSP power supply

RX-V675/HTR-6066/RX-A730/TSR-6750

Pin No.	Port Name	Function Name	I/O			Detail of Function
			Related Power Supply			
				OFF	ON	
48	RXD1/SCL1/STXD1/P6_6	232C_DBG_MISO	AC	O	I	RS-232C reception data / Debug / E8a
49	P11_7	---	AC	O	O	No used
50	CLK1/P6_5	DBG_SCK	AC	O	I	E8a
51	N_CTS1/N_RTS1/N_SS1/OUTC2_1/ ISCLK2/P6_4	DBG_BUSY	AC	O	O	E8a
52	TXD0/SDA0/SRXD0/P6_3	DSP_MOSI	DSP_PON	O	O	DSP/DIR/DAC transmission data
53	TB2IN/RXD0/SCL0/STXD0/P6_2	DSP_MISO	DSP_PON	I	I	DSP/DIR/DAC reception data
54	TB1IN/CLK0/P6_1	DSP_SCK	DSP_PON	O	O	DSP/DIR/DAC communication clock
55	TB0IN/N_CTS0/N_RTS0/N_SS0/P6_0	NCPU_SPI_RDY	NCPU_PON	O	I	BridgeCO data ready
56	P19_5	---	AC	O	O	No used
57	D31/OUTC2_7/P13_7	DSP1_N_RST	DSP_PON	O	O	DSP1 reset
58	D30/OUTC2_1/ISCLK2/P13_6	---				Serial spare
59	D29/OUTC2_2/ISRXD2/IEIN/P13_5	---				Serial spare
60	D28/OUTC2_0/ISTXD2/IEOUT/P13_4	---				Serial spare
61	P19_4	EEP_N_CS	AC	O	O	EEPROM chip select
62	RDY/CS3/N_CTS7/N_RTS7/P5_7	FPGA_N_CS	HDMI_PON	O	B	External bus FPGA chip select
63	ALE/CS2/RXD7/P5_6	DFF2_N_CS	AC	O	B	External bus DFF2 chip select
64	HOLD/CLK7/P5_5	DBG_EPM	AC	I	I	E8a
65	HLDA/CS1/TXD7/P5_4	DFF1_N_CS	AC	O	B	External bus DFF1 chip select
66	D27/OUTC2_3/P13_3	---	AC	O	O	No used
67	VSS	VSS				---
68	D26/OUTC2_6/P13_2	DSP1_N_SPIRDY	DSP_PON	O	I	DSP1 SPI ready
69	VCC	VCC				---
70	D25/OUTC2_5/P13_1	---	AC	O	O	No used
71	D24/OUTC2_4/P13_0	DSP1_N_CS	DSP_PON	O	O	DSP1 chip select
72	CLKOUT/BCLK/P5_3	NC(BCLK)	AC	O	B	External bus
73	RD/P5_2	MCBUS_N_RD	AC	O	B	External bus
74	WR1/BC1/P5_1	NC(BC1)	AC	O	B	External bus
75	WR0/WR/P5_0	MCBUS_N_WR	HDMI_PON	I	B	External bus
		DBG_N_CE	AC	I	I	E8a
76	D23/P12_7	MT_DA	DSP_PON	O	O	Mute digital audio
77	D22/P12_6	DIR1_N_CS	DSP_PON	O	O	DIR1 chip select
78	D21/P12_5	DIR_N_RST	DSP_PON	O	O	DIR reset
79	P19_3	---	AC	O	O	No used
80	P17_3	DIR1_N_INT	DSP_PON	O	I	Interrupt from DIR1 (for DAU_N_INT distinction)
81	P17_2	---	AC	O	O	No used
82	P17_1	NCPU_PON	NCPU_PON	O	O	NET / USB power supply
83	P17_0	NCPU_VBUSDRV	NCPU_PON	O	I	USB VBUS drive
84	P19_2	USB_VBUS_PON	NCPU_PON	O	O	USB VBUS power supply control
85	CS0/A23/TXD6/SDA6/SRXD6/P4_7	FLASH_N_CS	AC	O	O	External bus flash ROM chip select
86	CS1/A22/RXD6/SCL6/STXD6/P4_6	A[22]	AC	O	B	External bus
87	CS2/A21/CLK6/P4_5	A[21]	AC	O	B	External bus
88	CS3/A20/N_CTS6/N_RTS6/N_SS6/ P4_4	A[20]	AC	O	B	External bus
89	A19/TXD3/SDA3/SRXD3/OUTC2_0/ ISTXD2/IEOUT/P4_3	A[19]	AC	O	B	External bus
90	P11_6	HTX2_AUSEL	DSP_PON	O	O	HDMI TX2 sound select (main/zone ADC)
91	A18/RXD3/SCL3/STXD3/ISRXD2/IEIN/ P4_2	A[18]	AC	O	B	External bus
92	P11_5	DFF_FROM_N_RST	AC	O	O	Reset of DFF and external ROM
93	A17/CLK3/P4_1	A[17]	AC	O	B	External bus
94	A16/N_CTS3/N_RTS3/N_SS3/P4_0	A[16]	AC	O	B	External bus
95	P16_7/TXD10	EX_MOSI	AC	O	O	FL/EEPROM transmission data
96	P16_6/RXD10	EEP_MISO	AC	O	I	EEPROM reception data
97	P16_5/CLK10	EX_SCK	AC	O	O	FL/EEPROM communication clock
98	P16_4/N_CTS10/N_RTS10	NCPU_AMUTE	NCPU_PON	O	I	Mute signal from BridgeCO
99	A15/[A15/D15]/TA4IN/U/P3_7	A[15]	AC	O	B	External bus
100	A14/[A14/D14]/TA4OUT/U/P3_6	A[14]	AC	O	B	External bus

Pin No.	Port Name	Function Name	I/O			Detail of Function
			Related Power Supply			
				OFF	ON	
101	A13/[A13/D13]/TA2IN/W/P3_5	A[13]	AC	O	B	External bus
102	A12/[A12/D12]/TA2OUT/W/P3_4	A[12]	AC	O	B	External bus
103	P16_3/TXD9	NCPU_SPI_MOSI	NCPU_PON	O	O	Data (master out slave in)
104	P16_2/RXD9	NCPU_SPI_MISO	NCPU_PON	O	I	Data (master in slave out)
105	P16_1/CLK9	NCPU_SPI_SCK	NCPU_PON	O	O	Clock (master out slave in)
106	P16_0/N_CTS9/N_RTS9	NCPU_N_RST	NCPU_PON	O	O	Network microprocessor reset
107	A11/[A11/D11]/TA1IN/V/P3_3	A[11]	AC	O	B	External bus
108	A10/[A10/D10]/TA1OUT/V/P3_2	A[10]	AC	O	B	External bus
109	A9/[A9/D9]/TA3OUT/UD0B/UD1B/P3_1	A[9]	AC	O	B	External bus
110	D20/P12_4	AD_SEL_A	+3.3S_PON	O	O	AD select A
111	D19/N_CTS6/N_RTS6/N_SS6/P12_3	AD_SEL_B	+3.3S_PON	O	O	AD select B
112	D18/RXD6/SCL6/STXD6/P12_2	AD_SEL_C	+3.3S_PON	O	O	AD select C
113	D17/CLK6/P12_1	FPGA_SCK	HDMI_PON	O	O	FPGA clock (at Boot)
114	D16/TXD6/SDA6/SRXD6/P12_0	FPGA_MOSI	HDMI_PON	O	O	FPGA transmission data (at Boot)
115	VCC	VCC				---
116	A8/[A8/D8]/TA0OUT/UD0A/UD1A/P3_0	A[8]	AC	O	B	External bus
117	VSS	VSS				---
118	A7/[A7/D7]/AN2_7/P2_7/TXD10	A[7]	AC	O	B	External bus
119	A6/[A6/D6]/AN2_6/P2_6/RXD10	A[6]	AC	O	B	External bus
120	A5/[A5/D5]/AN2_5/P2_5/CLK10	A[5]	AC	O	B	External bus
121	A4/[A4/D4]/AN2_4/P2_4/N_CTS10/N_RTS10	A[4]	AC	O	B	External bus
122	A3/[A3/D3]/AN2_3/P2_3/TXD9	A[3]	AC	O	B	External bus
123	A2/[A2/D2]/AN2_2/P2_2/RXD9	A[2]	AC	O	B	External bus
124	A1/[A1/D1]/BC2/[BC2/D1]/AN2_1/P2_1/CLK9	A[1]	AC	O	B	External bus
125	A0/[A0/D0]/BC0/[BC0/D0]/AN2_0/P2_0/N_CTS9/N_RTS9	A[0]	AC	O	B	External bus
126	D15/N_INT5/IIO0_7/IIO1_7/P1_7	D[15]	AC	I	B	External bus
127	D14/N_INT4/IIO0_6/IIO1_6/P1_6	D[14]	AC	I	B	External bus
128	D13/N_INT3/IIO0_5/IIO1_5/P1_5	D[13]	AC	I	B	External bus
129	D12/IIO0_4/IIO1_4/P1_4	D[12]	AC	I	B	External bus
130	D11/IIO0_3/IIO1_3/P1_3	D[11]	AC	I	B	External bus
131	D10/IIO0_2/IIO1_2/P1_2	D[10]	AC	I	B	External bus
132	D9/IIO0_1/IIO1_1/P1_1	D[9]	AC	I	B	External bus
133	IIO0_0/IIO1_0/D8/P1_0	D[8]	AC	I	B	External bus
134	AN0_7/D7/P0_7	D[7]	AC	I	B	External bus
135	AN0_6/D6/P0_6	D[6]	AC	I	B	External bus
136	AN0_5/D5/P0_5	D[5]	AC	I	B	External bus
137	AN0_4/D4/P0_4	D[4]	AC	I	B	External bus
138	P19_1	FPGA_N_CFG	HDMI_PON	O	O	FPGA nCONF
139	WR3/BC3/P11_4	FPGA_N_STA	HDMI_PON	I	I	FPGA nSTATUS
140	P19_0	FPGA_CDONE	HDMI_PON	I	I	FPGA CONF DONE
141	IIO1_3/N_RTS8/N_CTS8/WR2/CS3/P11_3	DIAG_CHECK	AC	O	O	Diag inspection result output / OK=High, NG=Low
142	IIO1_2/RXD8/CS2/P11_2	NDAC_N_MT	DSP_PON	O	O	Net zone DAC mute
143	IIO1_1/CLK8/CS1/P11_1	SPRY_Z2&FP	PRY	O	O	SP relay zone 2 and front presence
144	IIO1_0/TXD8/CS0/P11_0	NCPU_SPI_N_CS	NCPU_PON	O	O	Network microprocessor SPI chip select
145	P18_7	HPRY	PRY	O	O	HP relay
146	P18_6	MT_N_Z2	+3.3S_PON	O	O	Mute zone2 (line out)
147	P18_5	SPRY_SB&BA	PRY	O	O	SP relay surround back and Bi-Amp
148	P18_4	MT_N_5CH	+3.3S_PON	O	O	Mute 5ch (L, C, R, SRL, SRR preout/main in)
149	P18_3	MT_N_SW	+3.3S_PON	O	O	Mute subwoofer (Preout)
150	P18_2	MT_N_SB	+3.3S_PON	O	O	Mute SB/BA/Z2/FP (Preout/Main in)
151	AN0_3/D3/P0_3	D[3]	AC	I	B	External bus
152	AN0_2/D2/P0_2	D[2]	AC	I	B	External bus
153	AN0_1/D1/P0_1	D[1]	AC	I	B	External bus
154	AN0_0/D0/P0_0	D[0]	AC	I	B	External bus

RX-V675/HTR-6066/RX-A730/TSR-6750

Pin No.	Port Name	Function Name	I/O			Detail of Function
			Related Power Supply			
			OFF	ON		
155	IIO0_7/N_RTS6/N_CTS6/N_SS6/AN15_7/P15_7	SVID_DET	VID_PON	I	I	S-video detect
156	IIO0_6/CLK6/AN15_6/P15_6	HP_N_DET	DSP_PON	O	I	Headphone detection
157	IIO0_5/RXD6/SCL6/STXD6/AN15_5/P15_5	---	AC	O	O	No used
158	IIO0_4/TXD6/SDA6/SRXD6/AN15_4/P15_4	DC_TRG1	PRY	O	O	Control out 1
159	IIO0_3/N_RTS7/N_CTS7/AN15_3/P15_3	DSP1_N_INT	DSP_PON	O	I	Interrupt from DSP1 (for DAU_N_INT distinction)
160	IIO0_2/RXD7/AN15_2/P15_2	UART spare	AC	O	O	No used, spare for UART
161	IIO0_1/CLK7/AN15_1/P15_1	---	AC	O	O	No used
162	VSS	VSS				---
163	IIO0_0/TXD7/AN15_0/P15_0	UART spare	AC	O	O	No used, spare for UART
164	VCC	VCC				---
165	KI3/AN_7/P10_7	+3.3S_PON	+3.3S_PON	O	O	+3.3S power supply
166	KI2/AN_6/P10_6	AD2_COM	+3.3S_PON	O	I	AD selector 2 COM input
167	KI1/AN_5/P10_5	AD1_COM	+3.3S_PON	O	I	AD selector 1 COM input
168	KI0/AN_4/P10_4	HSW_2CHIP	AC	I	I	HDMI SW number distinction
169	AN_3/P10_3	---	AC	O	O	No used
170	AN_2/P10_2	KY_AD2	AC	O	I	Key 2
171	AN_1/P10_1	KY_AD1	AC	O	I	Key 1
172	AVSS	AVSS				---
173	AN_0/P10_0	TUN_N_RST	PRY	O	O	Tuner reset
		HDR_N_RST	PRY	O	O	HD radio reset
174	VREF	VREF				---
175	AVCC	AVCC				---
176	STXD4/SCL4/RXD4/ADTRG/P9_7	TUN_SCL	PRY	O	O	Tuner I2C clock
		HDR_MISO	PRY	O	I	HD radio reception data

Key detection for A/D port
Key input (A/D) pull-up resistance 10 k-ohms

	0 Ω	+ 1.0 kΩ	+ 1.0 kΩ	+ 1.5 kΩ	+ 1.5 kΩ	+ 2.2 kΩ	+ 3.3 kΩ	+ 4.7 kΩ	22 kΩ	33 kΩ
Detected voltage value at 171 pin	0 – 0.15 V	0.15 – 0.42 V	0.43 – 0.70 V	0.71 – 0.97 V	0.98 – 1.24 V	1.25 – 1.53 V	1.54 – 1.84 V	1.85 – 2.22 V	2.23 – 2.62 V	2.63 – 3.04 V
A/D value (3.3 V=255)	0 – 11	12 – 32	33 – 54	55 – 75	76 – 96	97 – 119	120 – 142	143 – 163	182 – 197	198 – 209
KEY1	RADIO (SCENE4)	NET (SCENE3)	TV (SCENE2)	BD/DVD (SCENE1)	ZONE CONTROL	ZONE2	INPUT > <small>(RX-V675/HTR-6066/TSR-6750 models)</small>	INPUT <	MAIN ZONE Ⓞ (power)	TONE CONTROL

	0 Ω	+ 1.0 kΩ	+ 1.0 kΩ	+ 1.5 kΩ	+ 1.8 kΩ	+ 2.2 kΩ	+ 3.3 kΩ	+ 4.7 kΩ	+ 6.8 kΩ	+ 10 kΩ	+ 22 kΩ	+ 68 kΩ
Detected voltage value at 170 pin	0 – 0.15 V	0.16 – 0.42 V	0.43 – 0.70 V	0.71 – 0.99 V	1.00 – 1.27 V	1.28 – 1.56 V	1.57 – 1.86 V	1.87 – 2.14 V	2.15 – 2.39 V	2.40 – 2.65 V	2.66 – 2.91 V	2.92 – 3.17 V
A/D value (3.3 V=255)	0 – 11	12 – 32	33 – 54	55 – 77	78 – 99	100 – 121	122 – 144	145 – 166	167 – 186	187 – 205	206 – 226	227 – 246
KEY2	PURE DIRECT	TUNING >>	TUNING <<	AM	FM	PRESET >	PRESET <	MEMORY	INFO	STRAIGHT	PROGRAM >	PROGRAM <

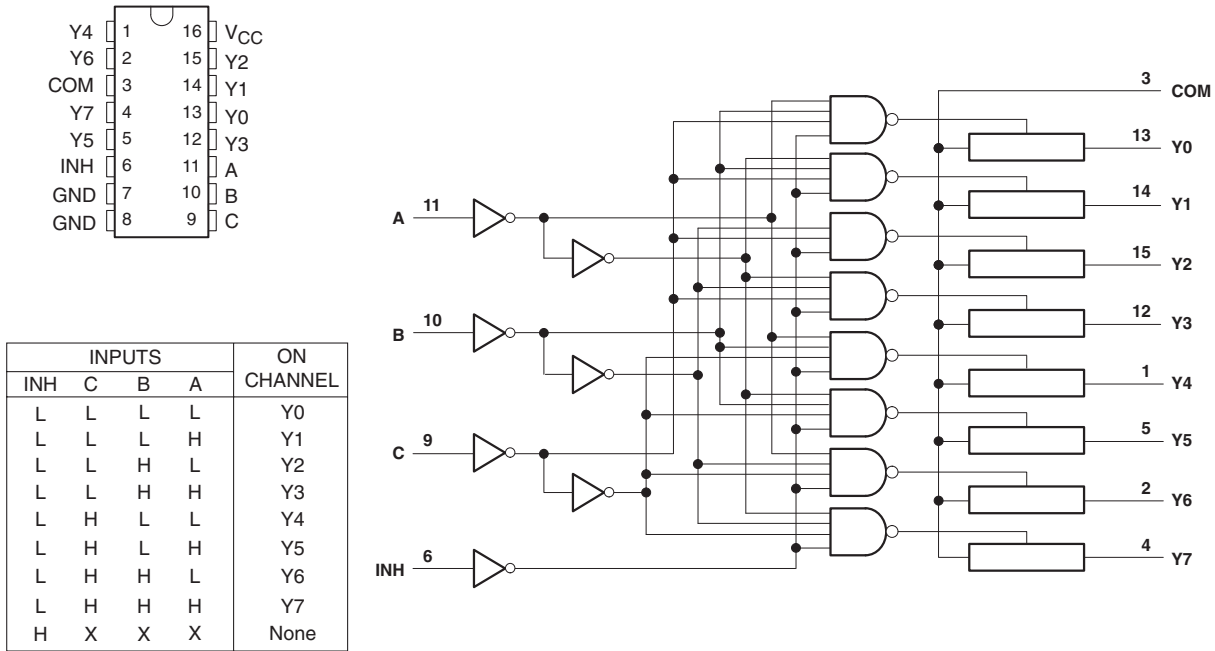
Destination detection for A/D port
Pull-up resistance 10 k-ohms

R753 on DIGITAL P.C.B.	0 Ω	1.2 kΩ	2.7 kΩ	4.7 kΩ	6.8 kΩ	10 kΩ	15 kΩ	47 kΩ	100 kΩ
Detected voltage value at 111 pin	0 – 0.16 V	0.17 – 0.51 V	0.52 – 0.87 V	0.88 – 1.92 V	1.93 – 1.49 V	1.50 – 1.81 V	1.82 – 2.35 V	2.36 – 2.86 V	2.87 – 3.15 V
A/D value (3.3 V=255)	0 – 12	13 – 39	40 – 67	68 – 92	93 – 115	116 – 140	141 – 169	199 – 221	222 – 244
Destination	J	U	C	R, S	T	K	A	B, G, F	L, H

• **Microprocessor extended port**

IC76, 78: SN74LV4051APWR (DIGITAL (1) P.C.B.)

8-channel analog multiplexers/demultiplexers



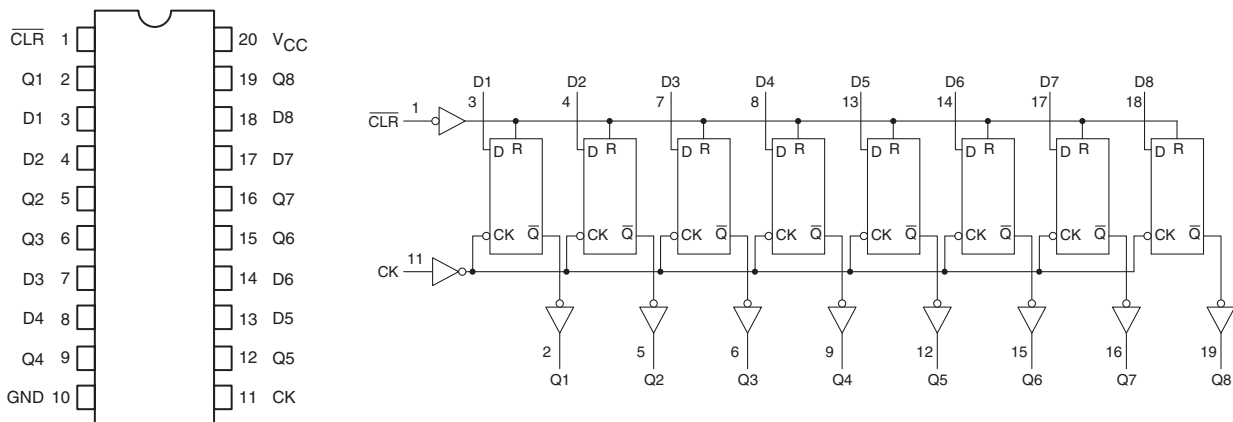
IC76

Pin No.	Port Name	Function Name	I/O			Detail of Function
			Related Power Supply			
			OFF	ON		
1	Y4	THM2	+3.3S_PON	I	I	Temperature detection 2
2	Y6	(Spare)	+3.3S_PON	I	I	---
4	Y7	(Spare)	+3.3S_PON	I	I	---
5	Y5	DEST	+3.3S_PON	I	I	Destination distinction
12	Y3	MODEL	+3.3S_PON	I	I	Model distinction
13	Y0	MHL_VBUS_PRT	+3.3S_PON	I	I	MHL overcurrent detection (spare)
14	Y1	USB_VBUS_PRT	+3.3S_PON	I	I	Front USB overcurrent detection
15	Y2	(Spare)	+3.3S_PON	I	I	---

IC78

Pin No.	Port Name	Function Name	I/O			Detail of Function
			Related Power Supply			
			OFF	ON		
1	Y4	PS2_PRT	+3.3S_PON	I	I	Power supply protection 2
2	Y6	PS1_PRT	+3.3S_PON	I	I	Power supply protection 1
4	Y7	AMP_OLV	PRY	I	I	Amplifier output level detection
5	Y5	DC_PRT	PRY	I	I	DC protection
12	Y3	THM1	+3.3S_PON	I	I	Temperature detection 1
13	Y0	PS3_PRT	AC	I	I	Power supply protection 3
14	Y1	L3_DET	VID_PON	I	I	D terminal L3 detection
15	Y2	MODE	+3.3S_PON	I	I	Special mode distinction

IC79, 81: TC74VHC273FT (EL,K) (DIGITAL (1) P.C.B.)
Octal D-type flip-flop with clear



Inputs			Output	Function
CLR	D	CK	Q	
L	X	X	L	Clear
H	L	↑	L	-
H	H	↑	H	-
H	X	↓	Q _n	No Change

IC79

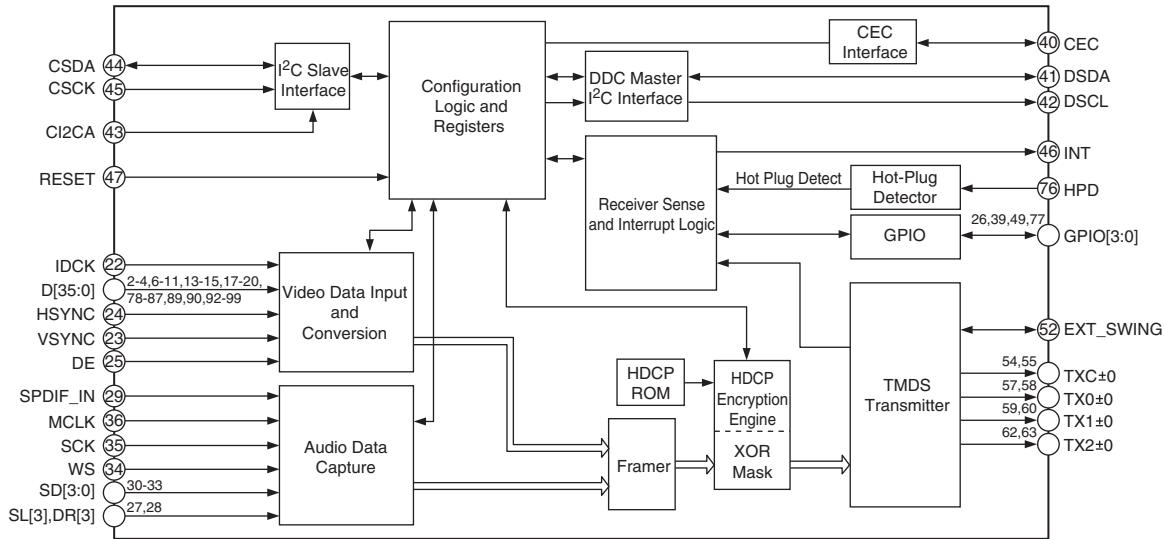
Pin No.	R32C external bus data	Function Name	I/O			Detail of Function
			Related Power Supply			
			OFF	ON		
2	D[8]	HDMI_PON	HDMI_PON	O	O	HDMI power supply (Necessary for DSP, A-VIDEO drive)
5	D[9]	HRTX_N_RST	HDMI_PON	O	O	HDMI receiver/transmitter reset
6	D[10]	MHLVB_PON	HDMI_PON	O	O	MHL VBUS power supply control H: feeding permission, L: feeding prohibition
9	D[11]	FLD_PON	FLD_PON	O	O	FL driver +3.3V power supply control
12	D[12]	FLD_N_RST	FLD_PON	O	O	FLD reset
15	D[13]	HTX_AUSEL	HDMI_PON	O	O	HDMI transmitter sound select
16	D[14]	HAU_N_OE	HDMI_PON	O	O	HDMI to DIR sound output enable
19	D[15]	STBY_LED	AC	O	O	Standby LED control

IC81

Pin No.	R32C external bus data	Function Name	I/O			Detail of Function
			Related Power Supply			
			OFF	ON		
2	D[0]	HSW_N_RST	HDMI_PON	O	O	HDMI switcher reset (L period: more than 5ms)
5	D[1]	VDEC_N_RST	HDMI_PON	O	O	Video decoder reset
6	D[2]	WIFI_PON	WIFI_PON	O	O	WiFi adaptor power supply control
9	D[3]	---	AC	O	O	No used
12	D[4]	FHDMI_N_RST	HDMI_PON	O	O	Front HDMI reset
15	D[5]	VID_PON	VID_PON	O	O	Video power supply
16	D[6]	+3.3D_PON	+3.3D_PON	O	O	OR of HDMI_PON, DSP_PON, NET_USB_PON
19	D[7]	PRY	PRY	O	O	Power relay

RX-V675/HTR-6066/
RX-A730/TSR-6750

IC61: Sii9136CTU-3 (DIGITAL (1) P.C.B.)
HDMI transmitter



Pin No.	Port Name	Function Name	I/O		Detail of Function	
			Related Power Supply			
			OFF	ON		
26	GPIO0	NC	HDMI_PON	---	O	Unconnected: output low setting
77	GPIO1	NC	HDMI_PON	---	O	Unconnected: output low setting
39	GPIO2	CEC_EN	HDMI_PON	---	O	CEC function of HDMI TX1 / effective/invalidity (spare)
49	GPIO3	5HT*_PON	HDMI_PON	---	O	HDMI out * 5VPWR output control

RX-V675/HTR-6066/
RX-A730/TSR-6750

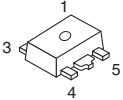
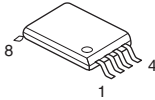
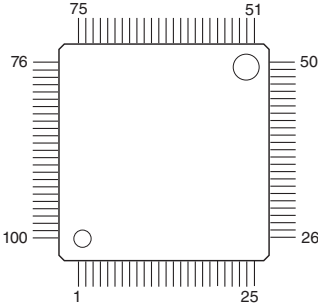
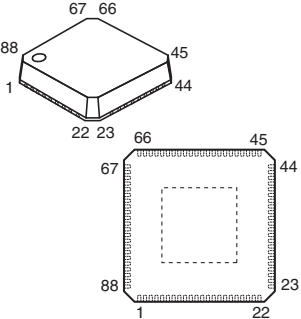
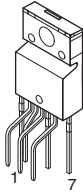
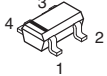
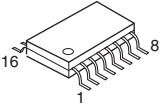
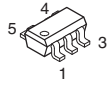
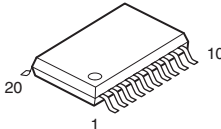
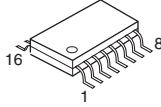
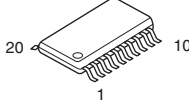
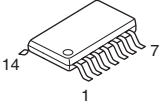
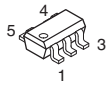
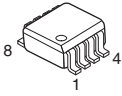

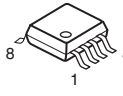
PIN CONNECTION DIAGRAMS

• ICs

<p>A3V56S30FTP-G6</p>	<p>ADV7180BSTZ</p>	<p>ADV7619KSVZ</p>	<p>BD00GA3WEFJ-E2 BD9328FJ BD9329AEFJ-E2</p>	<p>BD7541G-TR</p>	<p>BD7542F-E2</p>
<p>D80YK113CPTP400</p>		<p>DM860A-AQE</p>	<p>EN29LV640AB-90TIP</p>		
<p>EP4CE15F23C6N</p>	<p>KIA7912PI</p>	<p>LAN8700C-AEZG-TR</p>	<p>LM19CIZ/LF</p>		
<p>M12L64164A-5TG</p>	<p>M66003-0131FP-R</p>	<p>MFI337S3959</p>	<p>MX29GL256FLT21-90Q</p>	<p>NCP380HMUAJAATBG</p>	
<p>NJM41033V (TE2)</p>	<p>NJM4565M (TE1)</p>	<p>NJM7812FA</p>	<p>NJW1329FH3</p>	<p>NT5SV8M16HS-6K</p>	
<p>PCM5101PWR</p>	<p>PCM9211PTR</p>	<p>R2A15220FP</p>	<p>R5F6416MADFE</p>	<p>R1163N501B-TR-FE R1172N301D-TR-F</p> <p>R1171S501B-E2-FE</p>	

RX-V675/HTR-6066/RX-A730/TSR-6750

• ICs

<p>R1172H121D-T1-F R1172H501D-T1-F RP170H331B-T1-FE</p> 	<p>R1EX25512ATA00A</p> 	<p>SiI9136CTU-3 SiI9589-3CTUC</p> 	<p>SiI9587CNUC-3</p> 	<p>STR-Y6753</p> 	
<p>RP130Q121D-TR-F RP130Q181D-TR-F RP130Q251D-TR-FE RP130Q331D-TR-F RP130Q501D-TR-F</p> 					
<p>SN74LV4051APWR</p> 	<p>SN74LVC1G17DCKR</p> 	<p>TC74LCX245FT</p> 	<p>TC74VHC157FT</p> 	<p>TC74VHC273FT (EL,K)</p> 	
<p>TC74VHCU04FT</p> 	<p>TC7SET08FU TC7SH08FU TC7SH32FU TC7SH86FU</p> 	<p>TC7WH126FU</p> 	<p>TL431ACLPR</p>  <p>1: CATHODE 2: ANODE 3: REF</p>	<p>W25Q80BVSSIG</p> 	

RX-V675/HTR-6066/
RX-A730/TSR-6750

• Diodes

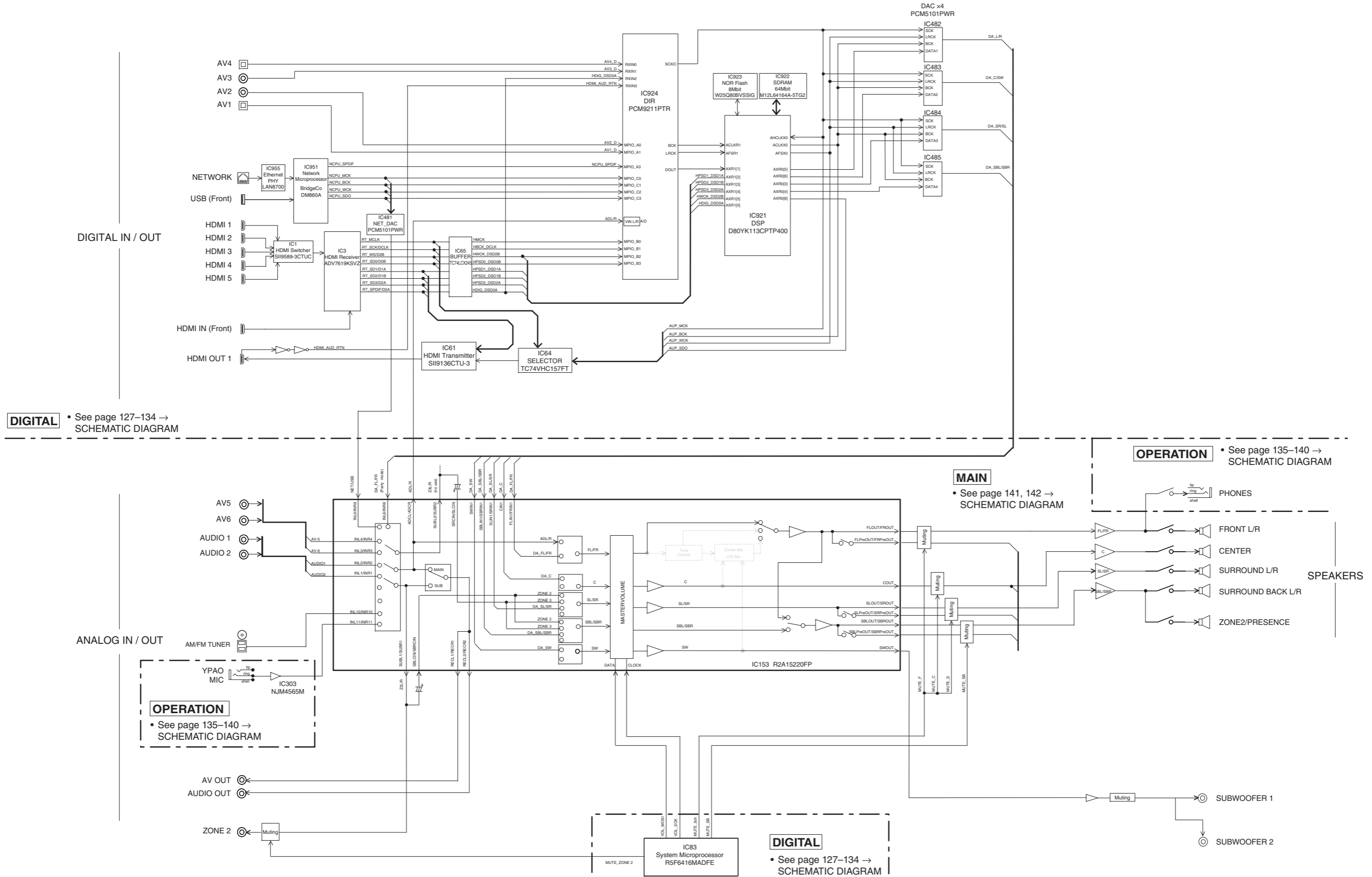
<p>1SS355VMTE-17 1SS400TE61</p>	<p>DBL155G</p>	<p>P6KE200A</p>	<p>RB051L-40</p>	<p>RB162L-40</p>	<p>RB501V-40 RB521S-30</p>
<p>RBQ30T65A</p> <p>1: Anode 2: Cathode 3: Anode</p>	<p>RS103-B-D-V50</p>	<p>RS603M-B-C-J80</p>	<p>TFZGTR6.8B TFZGTR13B TFZGTR24B</p>	<p>UDZV4.3B UDZV5.1B UDZV24B UDZV36B</p>	<p>UF1K</p>
					<p>US1002FL</p>

• Transistors

<p>2N5401C-AT/P</p>	<p>2N5551C-AT</p>	<p>2SA1576UBTLR</p>	<p>2SA1695 O,P,Y 2SC4468 O,P,Y</p>	<p>2SA1708</p>	<p>2SA1770S/T-AN</p>	<p>2SA949 2SC2229</p>	<p>2SC3906K</p>
<p>2SC4081 T106</p>	<p>2SC4081UBTLR</p>	<p>2SC4115S</p>	<p>2SC4614S/T-AN</p>	<p>2SC5964-TD-E</p>	<p>2SD2704 K</p>	<p>DTA044EUBTL DTC014EUBTL DTC044EUBTL</p> <p>1: IN 2: GND 3: OUT</p>	
							<p>DTC023JUBTL</p> <p>1: IN 2: GND 3: OUT</p>
<p>HN4B01JE</p> <p>1. BASE 1 (B1) 2. EMITTER (E) 3. BASE 2 (B2) 4. COLLECTOR 2 (C2) 5. COLLECTOR 1 (G2)</p>	<p>INA6002AC1-TH12-1W INC6002AC1-T112-1W</p>	<p>KTA1046-Y-U/PFY KTA1837-U/P</p>	<p>KTC3875S</p>	<p>MCH6336-TL-E</p> <p>1. Drain 2. Drain 3. Gate 4. Source 5. Drain 6. Drain</p>	<p>RAL035P01</p> <p>1. DRAIN 2. DRAIN 3. GATE 4. SOURCE 5. DRAIN 6. DRAIN</p>	<p>μPA672T-T1-A</p> <p>1. Source 1 (S1) 2. Gate 1 (G1) 3. Drain 2 (D2) 4. Source 2 (S2) 5. Gate 2 (G2) 6. Drain 1 (D1)</p>	

BLOCK DIAGRAMS

AUDIO Section Block Diagram



DIGITAL • See page 127-134 → SCHEMATIC DIAGRAM

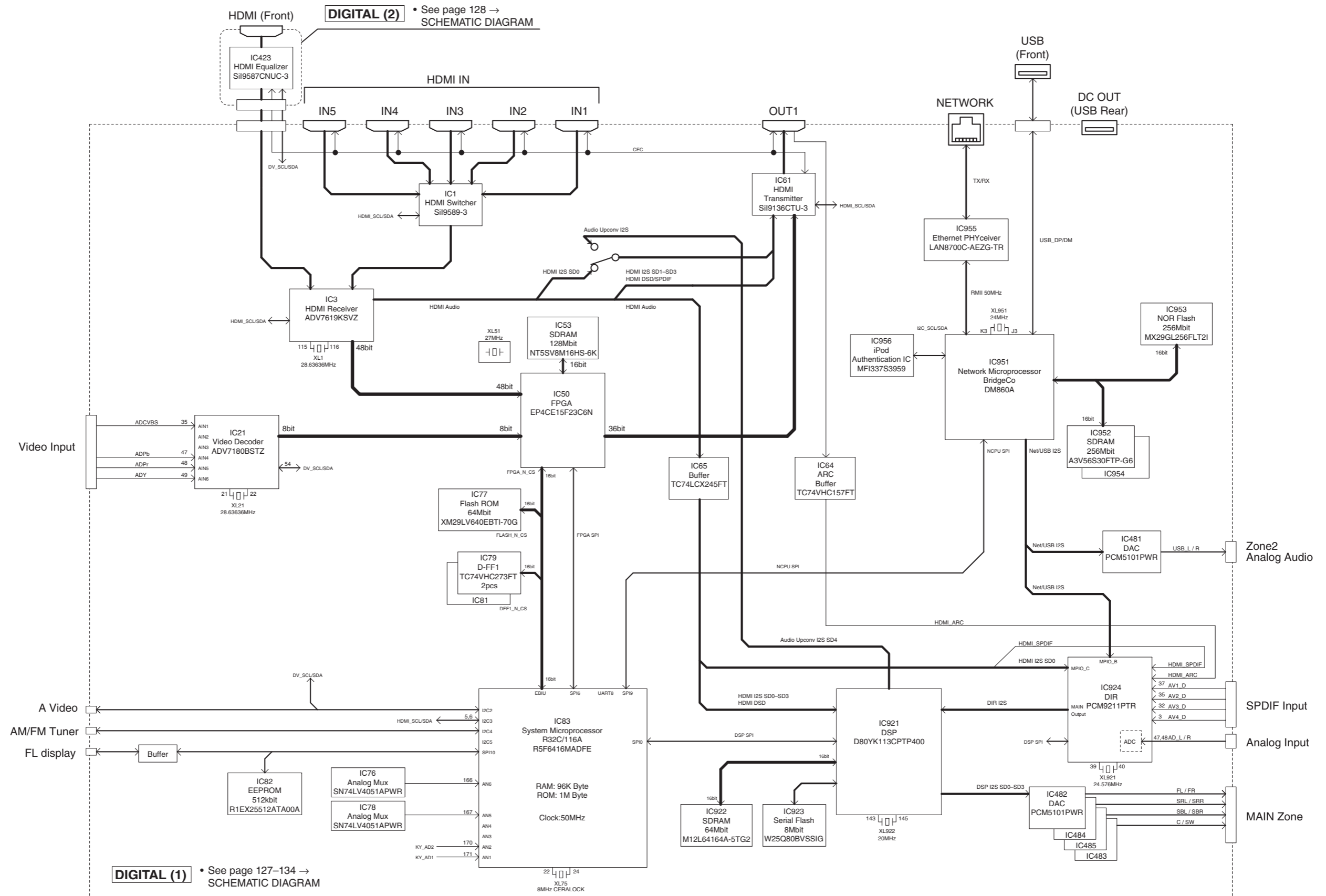
OPERATION • See page 135-140 → SCHEMATIC DIAGRAM

MAIN • See page 141, 142 → SCHEMATIC DIAGRAM

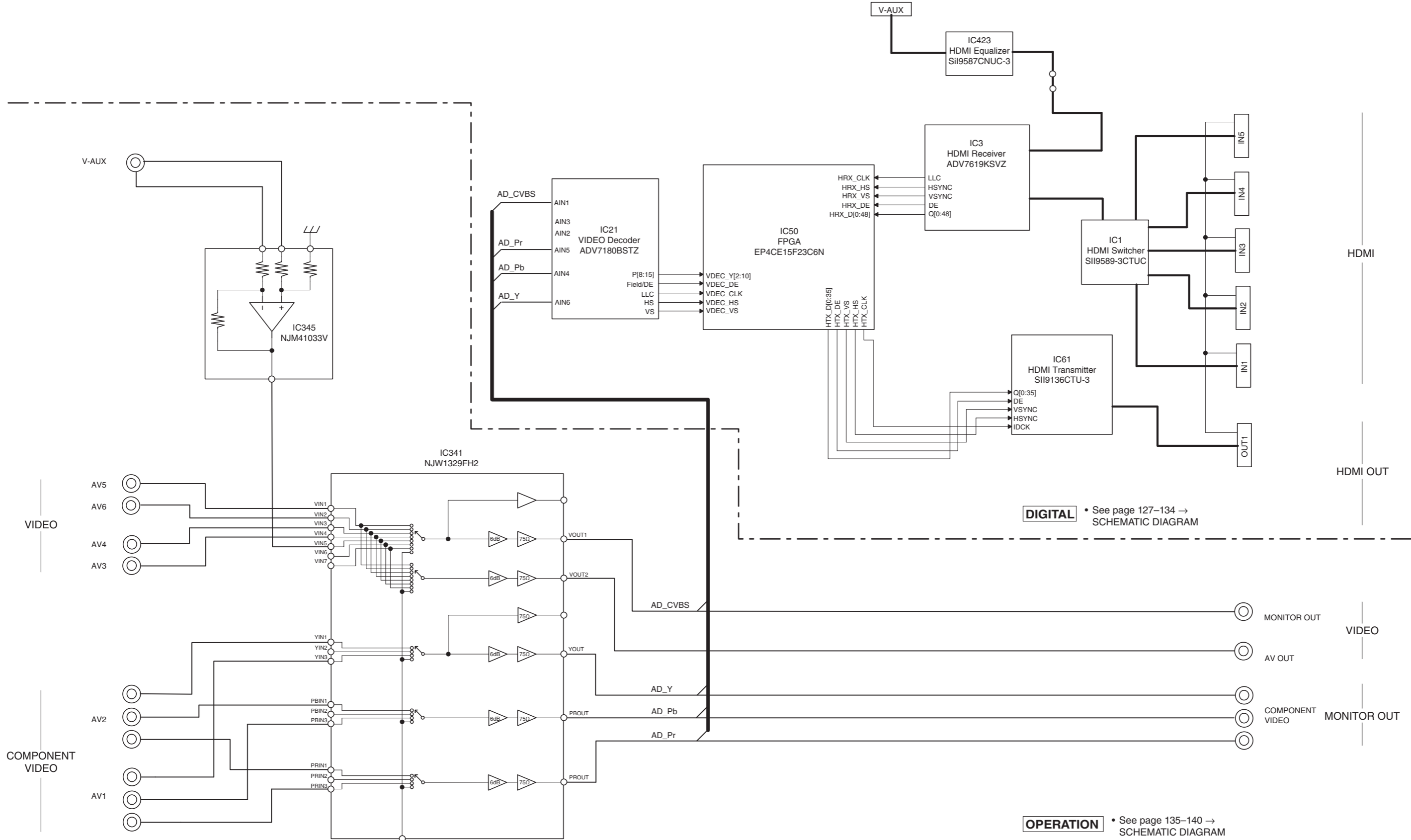
OPERATION • See page 135-140 → SCHEMATIC DIAGRAM

DIGITAL • See page 127-134 → SCHEMATIC DIAGRAM

DIGITAL P.C.B. Section Block Diagram



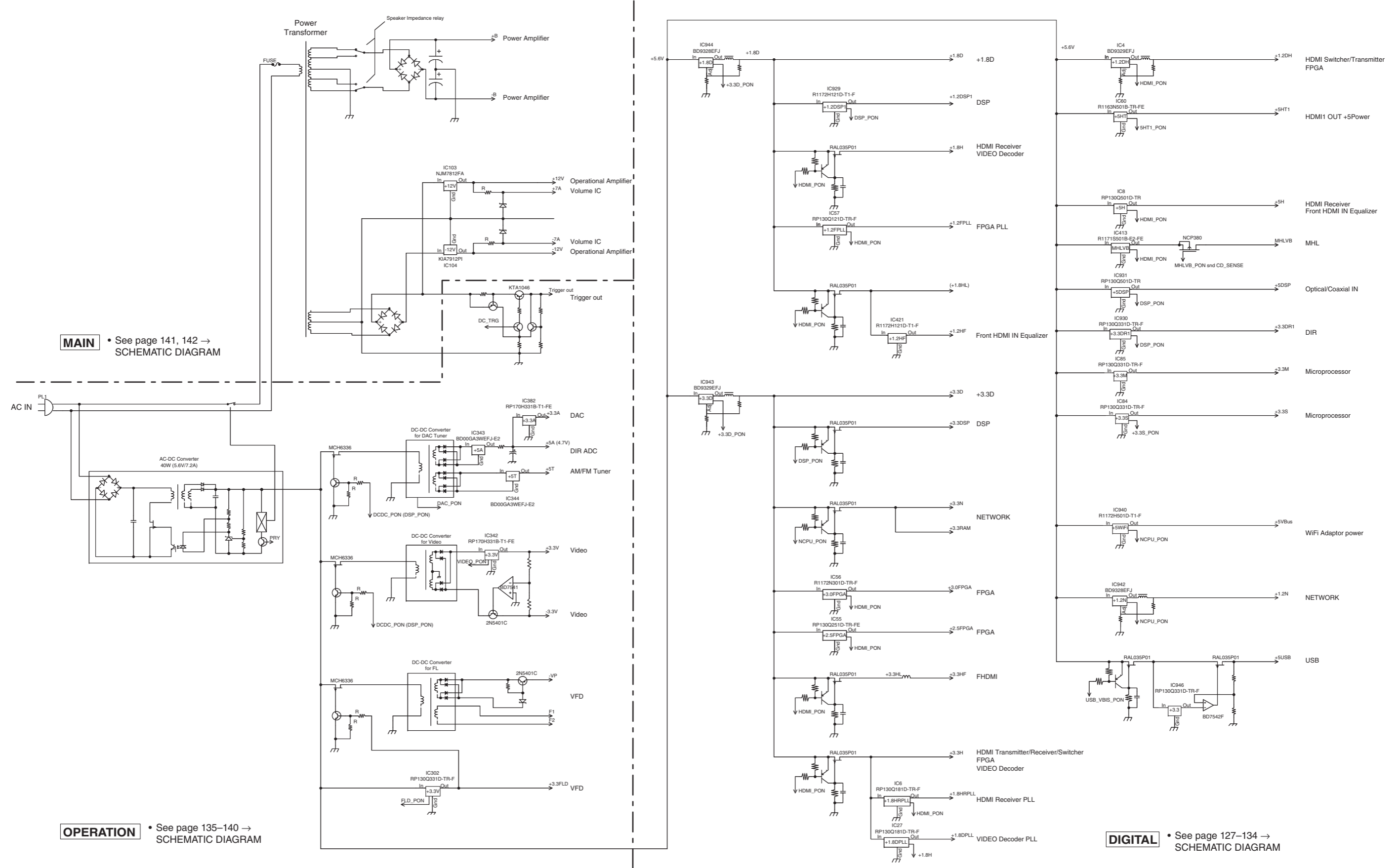
VIDEO Section Block Diagram



DIGITAL • See page 127-134 → SCHEMATIC DIAGRAM

OPERATION • See page 135-140 → SCHEMATIC DIAGRAM

Power Supply Section Block Diagram



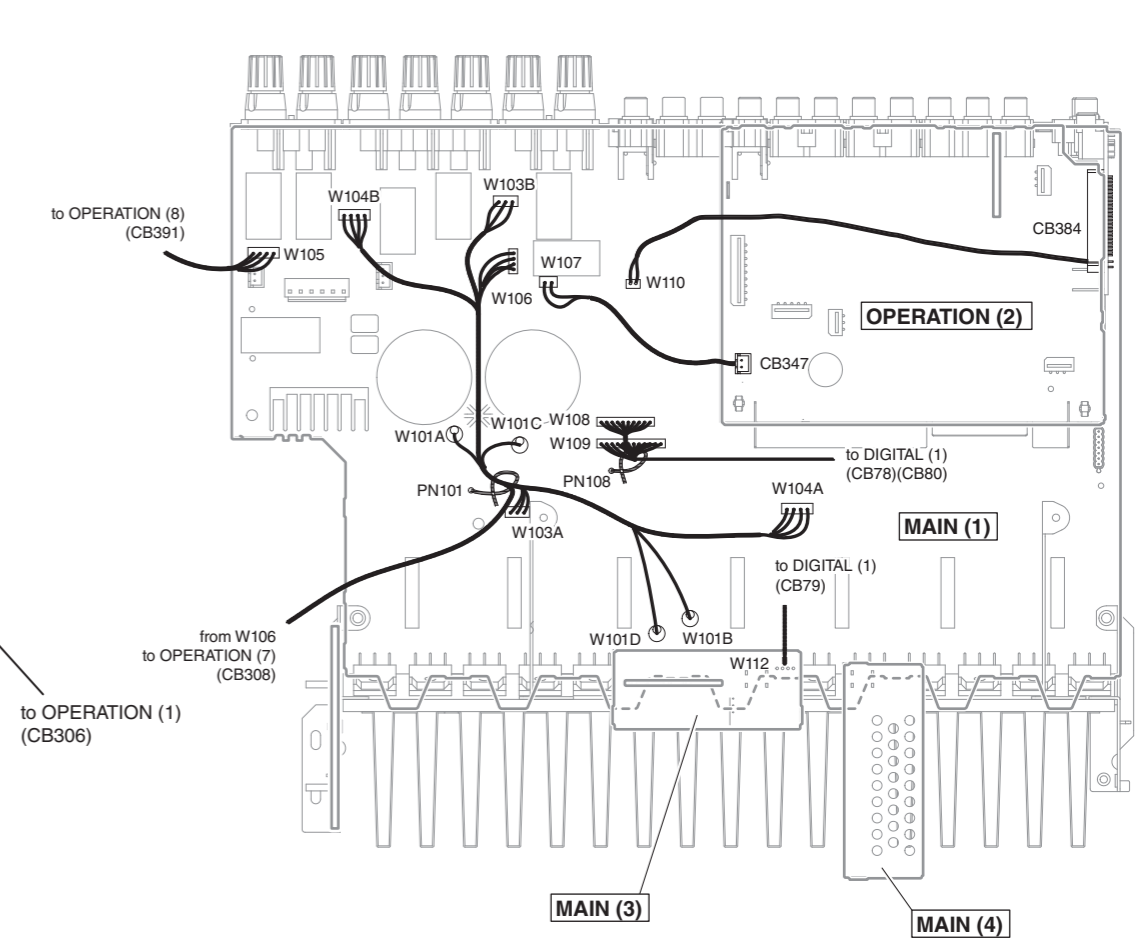
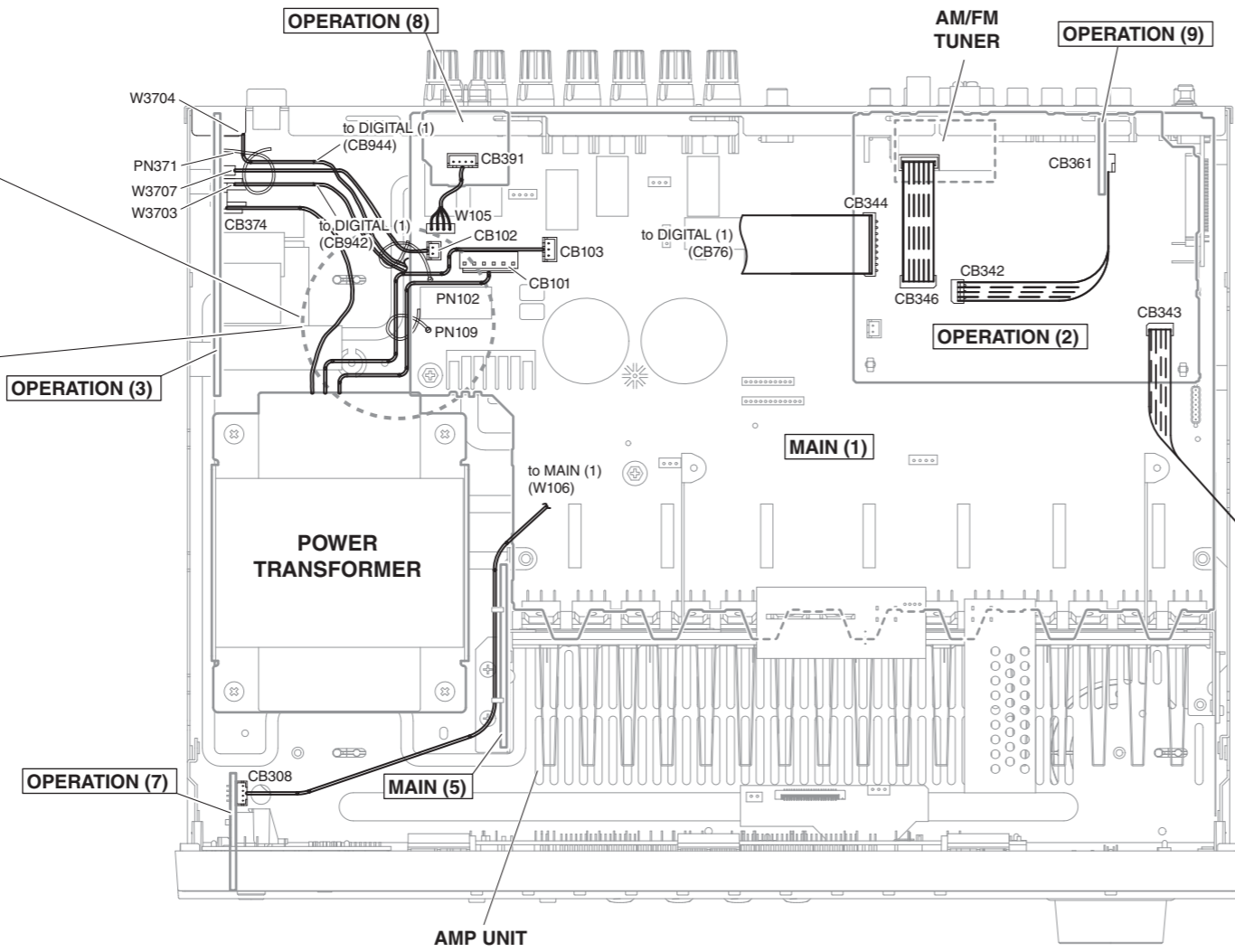
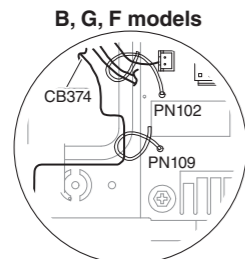
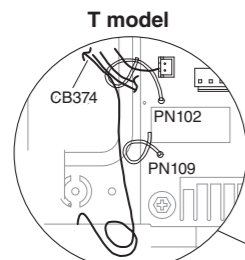
MAIN • See page 141, 142 → SCHEMATIC DIAGRAM

OPERATION • See page 135-140 → SCHEMATIC DIAGRAM

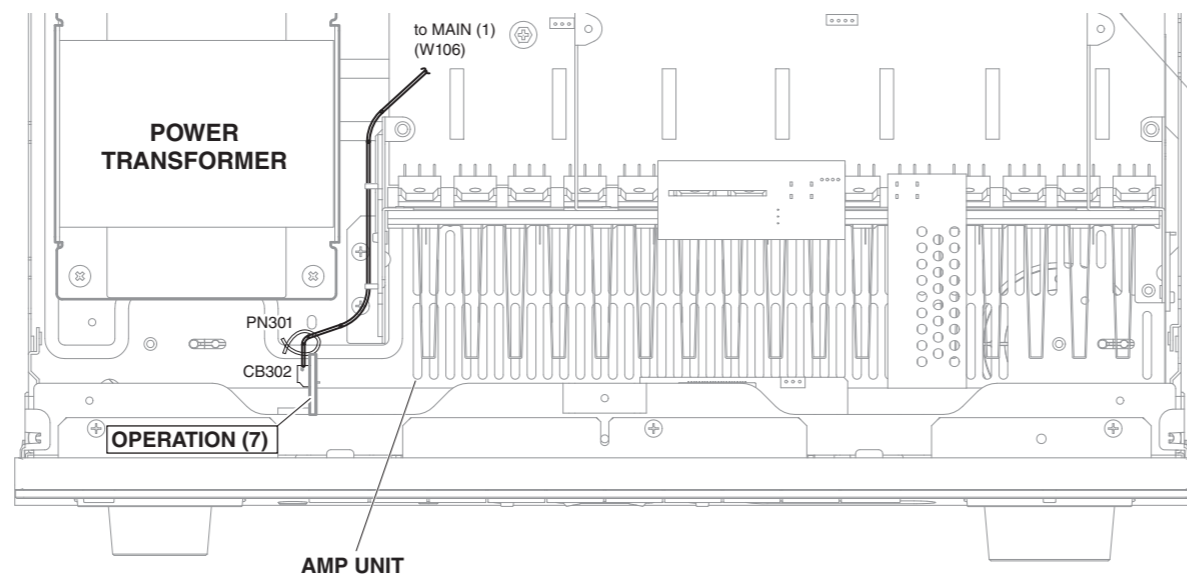
DIGITAL • See page 127-134 → SCHEMATIC DIAGRAM

• AMP UNIT

Top view
RX-V675/HTR-6066/TSR-6750



RX-A730



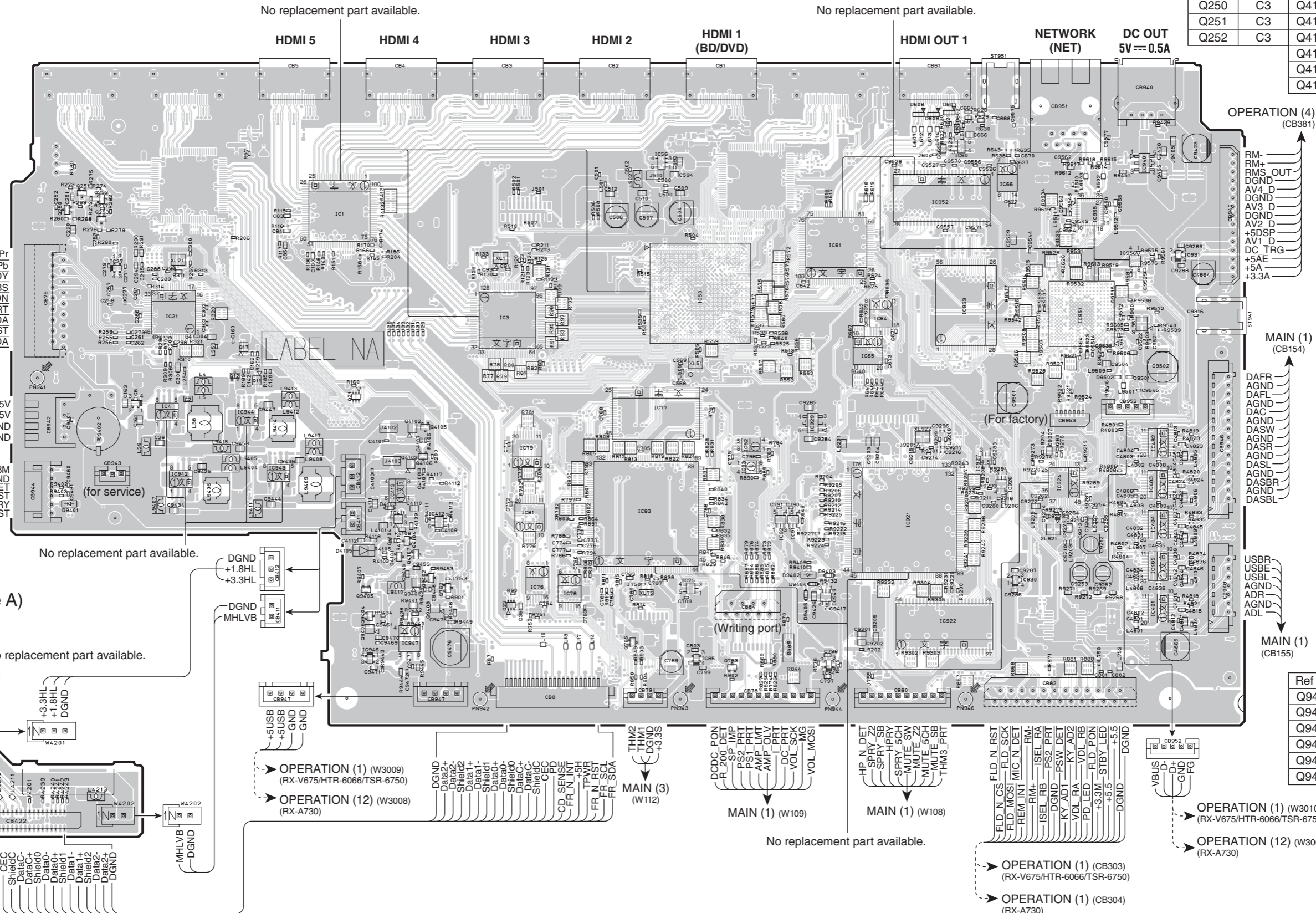
PRINTED CIRCUIT BOARDS

DIGITAL (1) (Side A)

• Semiconductor Location

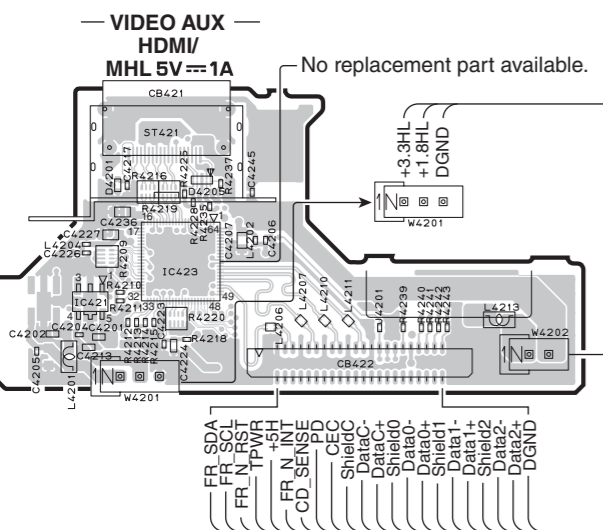
Ref no.	Location	Ref no.	Location
D38	E5	D9401	C5
D602	H3	D9402	G5
D607	H2	D9403	G5
D608	H2	D9404	G5
D609	H2	D9405	G5
D4103	D5	D9501	I4
D4105	D5	D9502	I4
D4201	A6	IC1	D3
D4205	B6		

Ref no.	Location	Ref no.	Location	Ref no.	Location	Ref no.	Location	Ref no.	Location	Ref no.	Location	Ref no.	Location	Ref no.	Location	Ref no.	Location	Ref no.	Location	Ref no.	Location	Ref no.	Location			
IC3	E4	IC50	F4	IC65	G4	IC78	F5	IC84	G6	IC411	E5	IC481	I5	IC921	H5	IC929	G4	IC943	D5	IC951	I4	Q11	D4	Q253	C3	
IC4	C4	IC56	F4	IC66	H3	IC79	E4	IC85	F6	IC412	E5	IC482	I4	IC922	H5	IC930	H5	IC944	D4	IC952	H3	Q12	D4	Q762	E5	
IC8	C4	IC60	H3	IC75	F5	IC81	E5	IC91	G5	IC413	E5	IC483	I5	IC924	H5	IC931	I3	IC946	D6	IC953	H4	Q17	D4	Q763	G6	
IC21	C4	IC61	G3	IC76	E5	IC82	G4	IC92	G5	IC421	A6	IC484	I5	IC926	H5	IC940	I3	IC947	E6	IC955	I3	Q21	D4	Q765	F6	
IC27	C3	IC64	G4	IC77	F4	IC83	F5	IC93	G5	IC423	B6	IC485	I5	IC927	H4	IC942	C5	IC949	G5	IC956	I3	Q22	E5	Q4101	E5	
																							Q250	C3	Q4102	E4
																							Q251	C3	Q4103	E5
																							Q252	C3	Q4104	E5
																									Q4105	E4
																									Q4106	E4
																									Q4107	E5



Ref no.	Location
Q9401	E5
Q9402	E5
Q9404	D5
Q9405	D5
Q9406	D5
Q9408	E5

DIGITAL (2) (Side A)

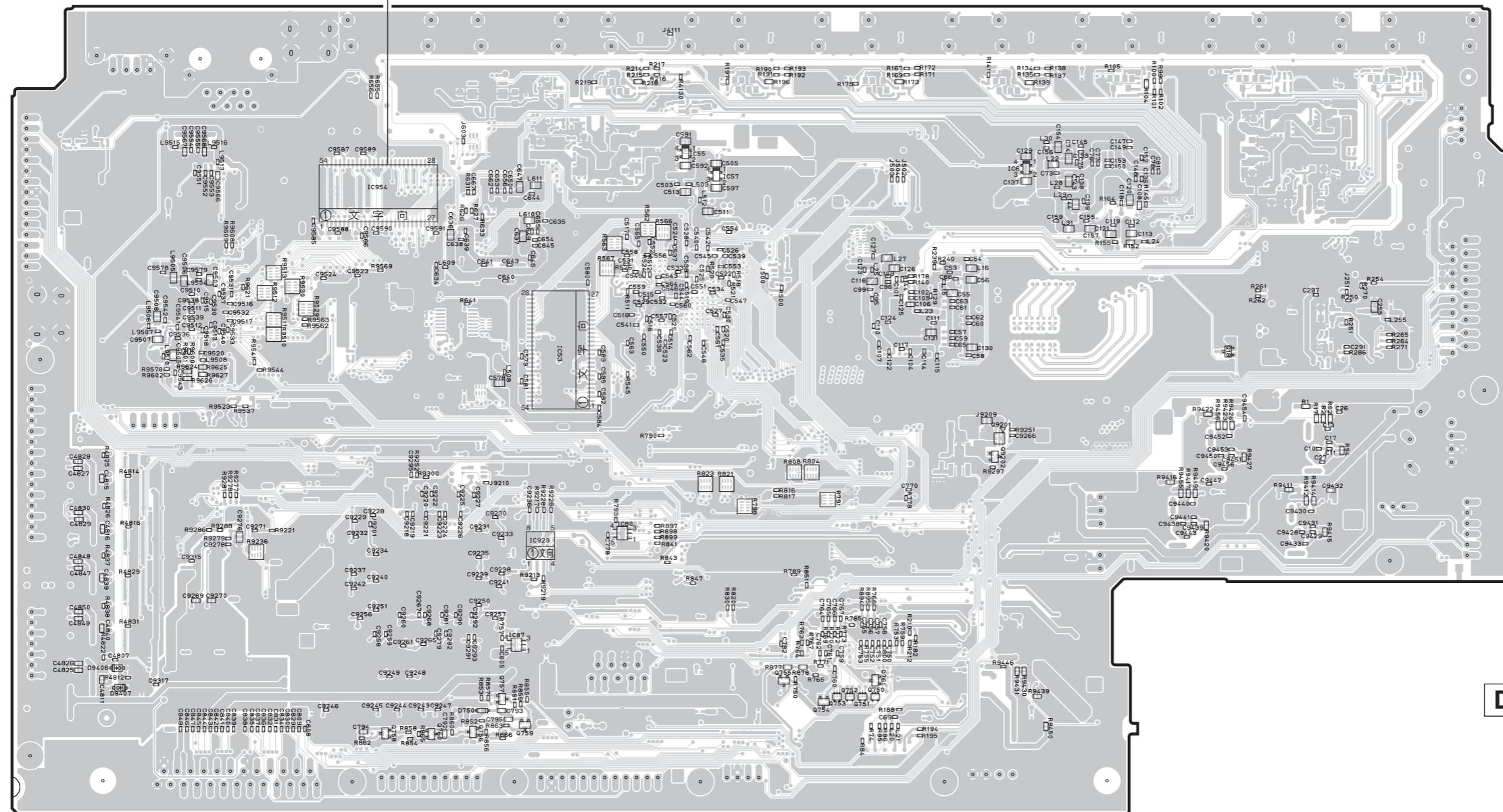


RX-V675/HTR-6066/TSR-6750

RX-A730

DIGITAL (1) (Side B)

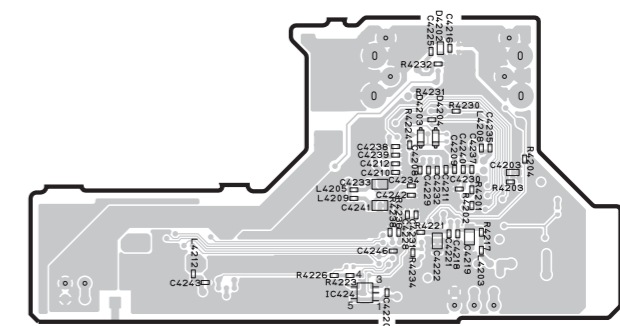
No replacement part available.



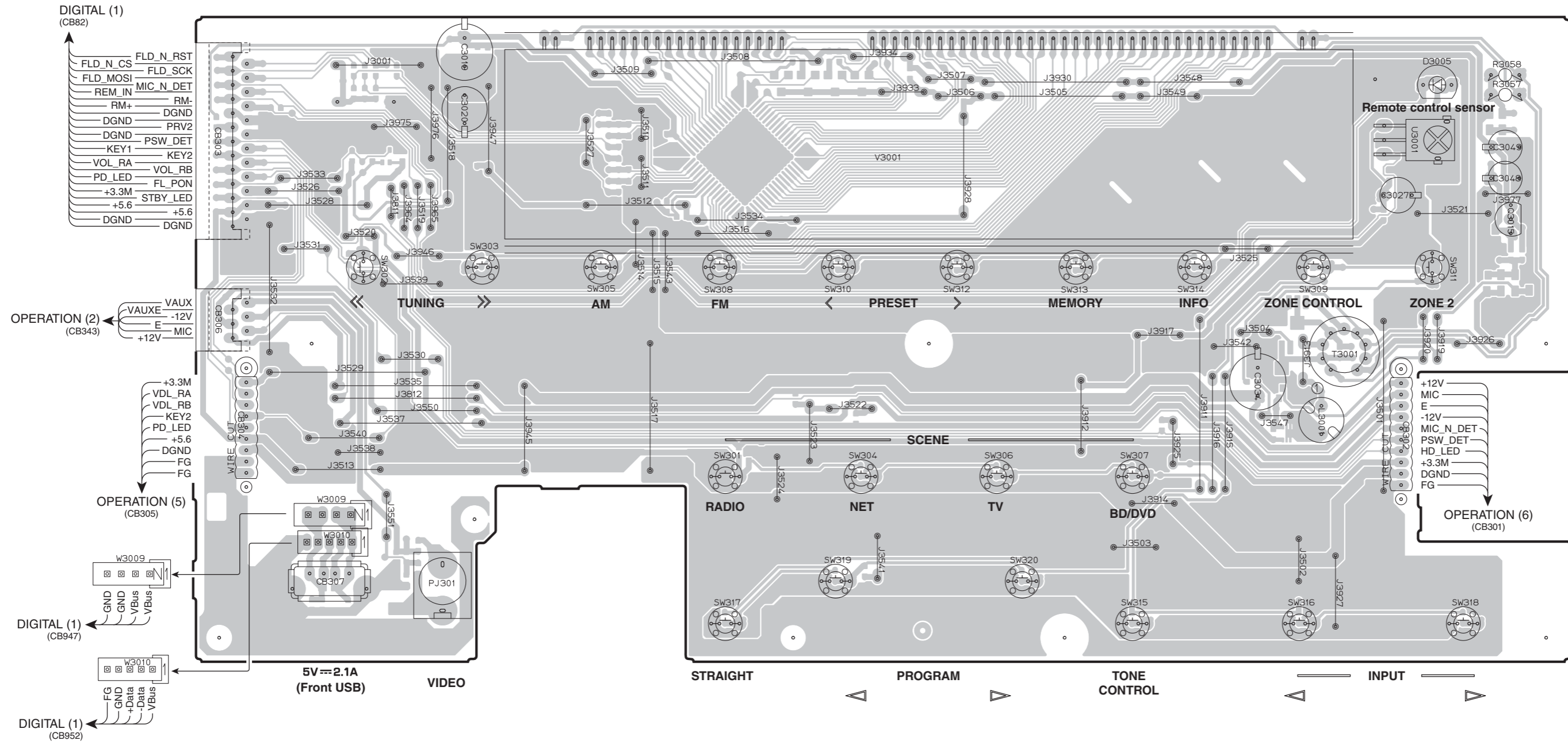
• Semiconductor Location

Ref no.	Location
D750	D6
D4202	I6
D4203	I6
D4204	I6
D9406	B5
D9407	B5
IC6	F3
IC53	D4
IC55	E3
IC57	E3
IC80	D5
IC87	D5
IC424	I7
IC923	D5
IC954	C3
Q18	G4
Q750	E5
Q751	E5
Q752	E5
Q753	E5
Q754	E6
Q755	E5
Q756	C6
Q757	D6
Q758	C6
Q759	D6
Q760	C6
Q761	E5
Q9201	F4
Q9202	F4

DIGITAL (2) (Side B)



OPERATION (1) (Side A)



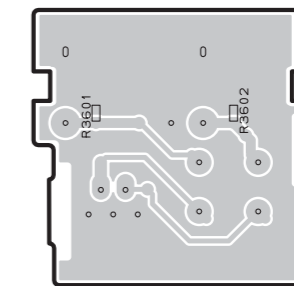
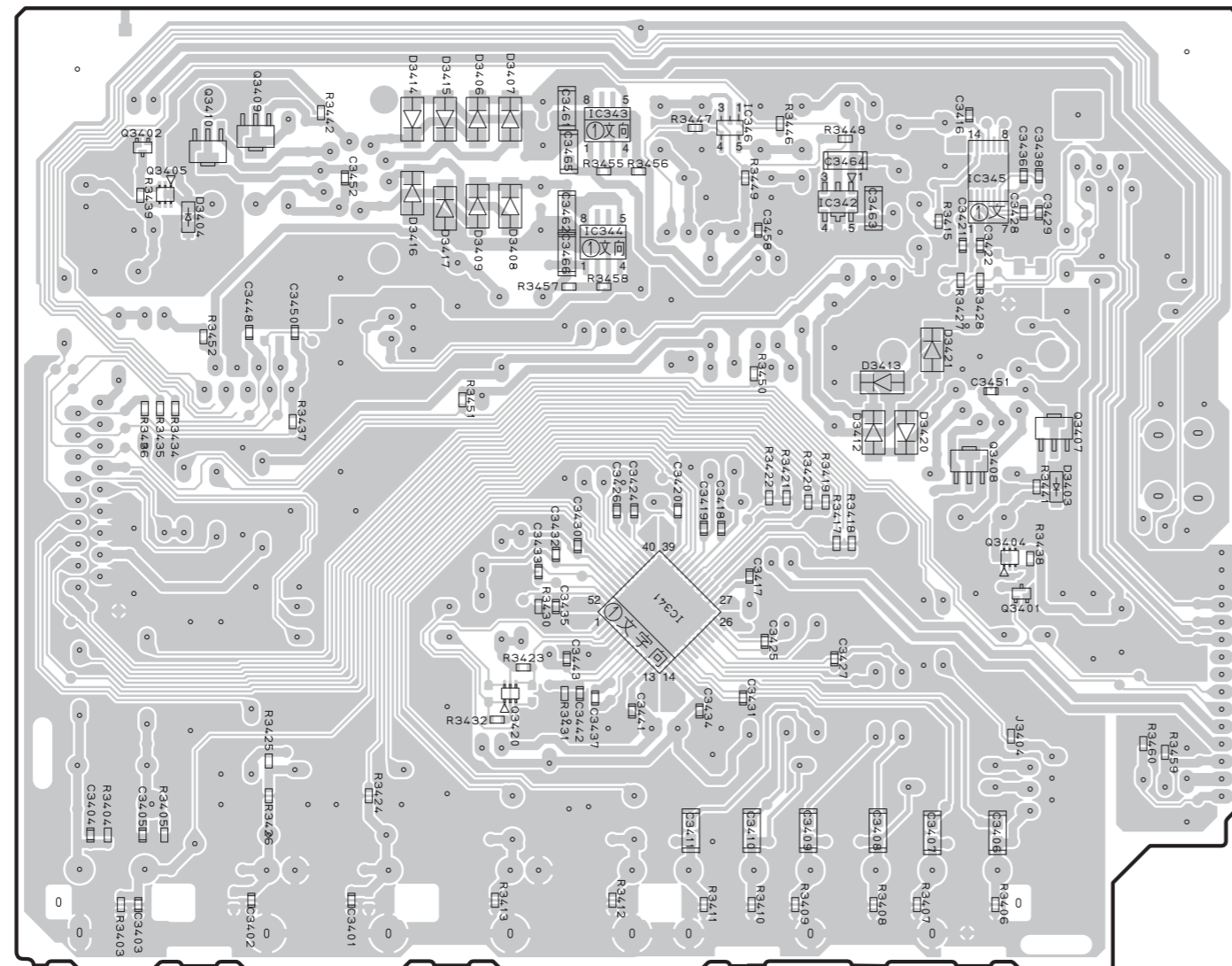
• Semiconductor Location

Ref no.	Location
D3005	I3
Q3015	J3

RX-V675/HTR-6066/TSR-6750

OPERATION (2) (Side B)

OPERATION (9) (Side B)



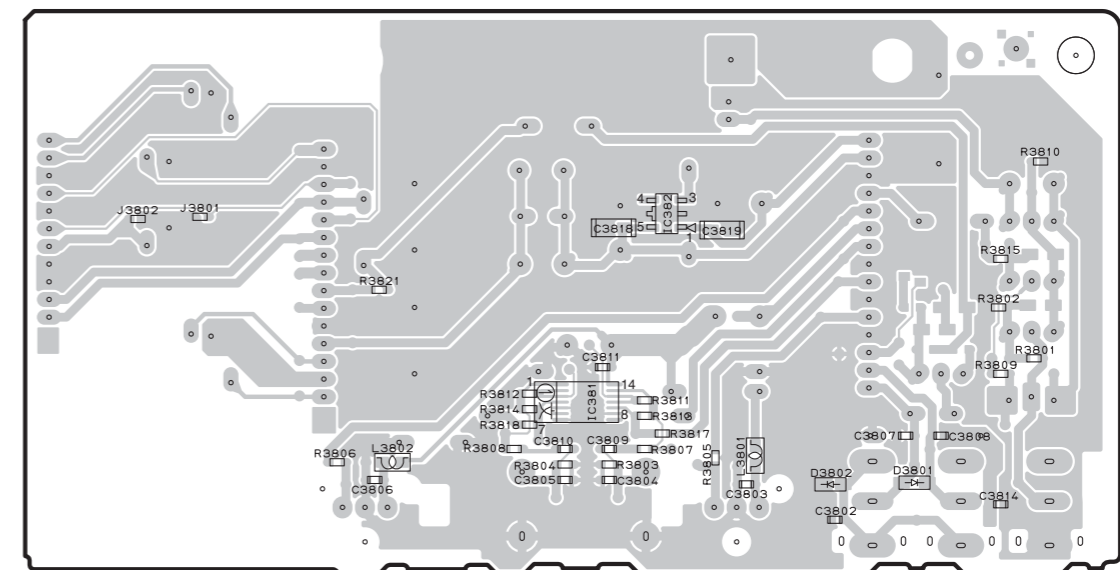
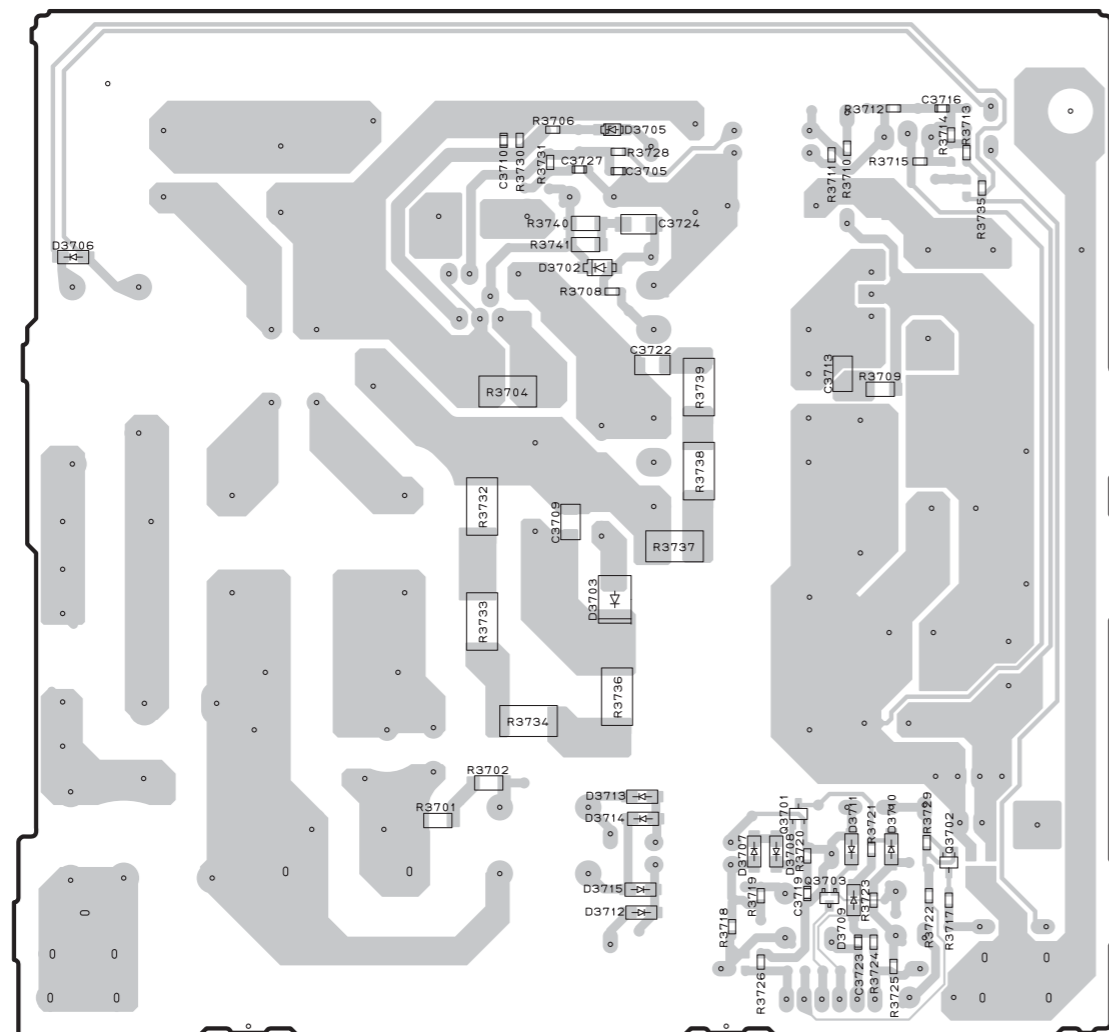
• Semiconductor Location

Ref no.	Location	Ref no.	Location
D3403	F4	IC342	E3
D3404	B3	IC343	D3
D3406	D3	IC344	D3
D3407	D3	IC345	E3
D3408	D3	IC346	D3
D3409	D3	Q3401	F5
D3412	E4	Q3402	B3
D3413	E4	Q3404	F5
D3414	C3	Q3405	B3
D3415	C3	Q3407	F4
D3416	C3	Q3408	E4
D3417	C3	Q3409	C3
D3420	E4	Q3410	C3
D3421	E4	Q3420	D5
IC341	D5		

RX-V675/HTR-6066/TSR-6750

OPERATION (3) (Side B)

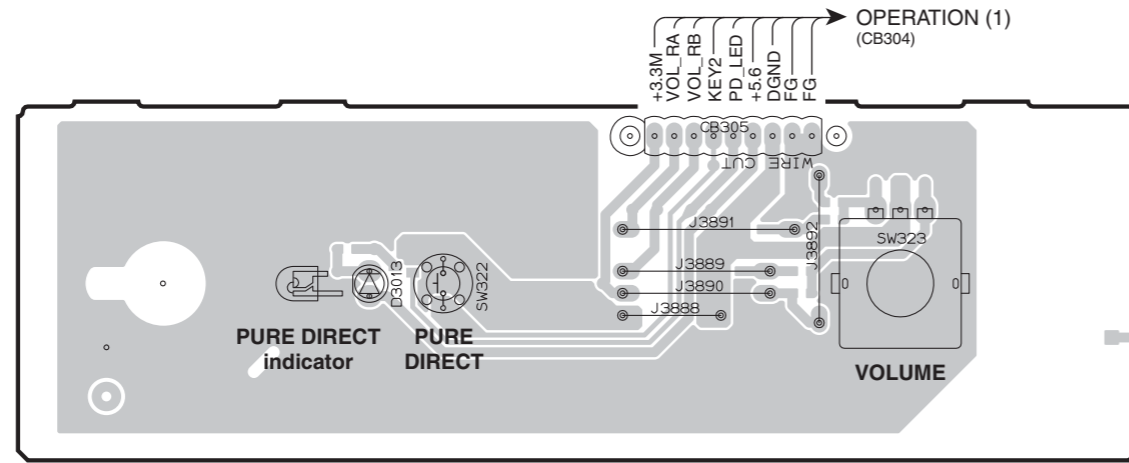
OPERATION (4) (Side B)



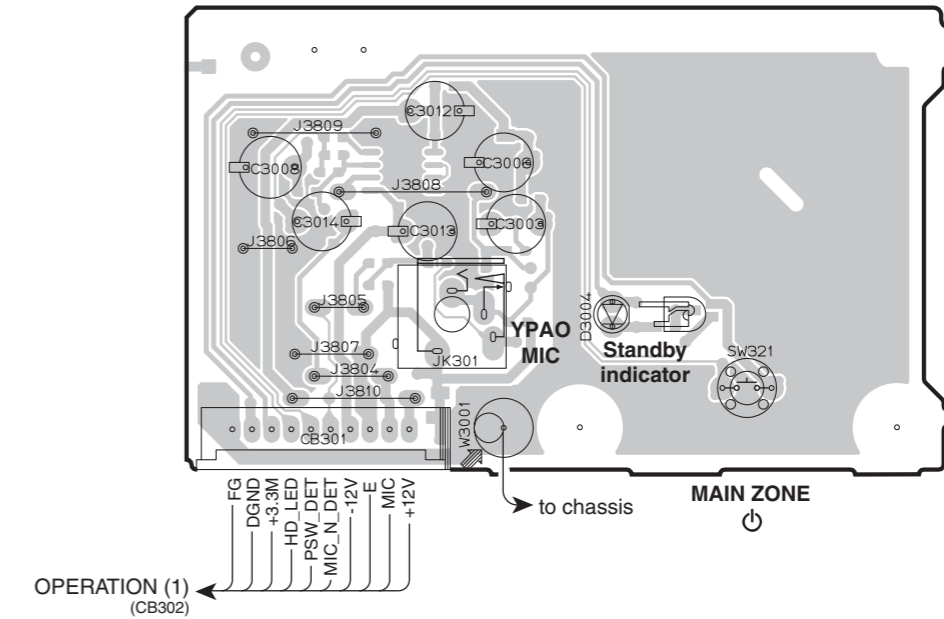
• Semiconductor Location

Ref no.	Location	Ref no.	Location
D3702	C4	D3713	C5
D3703	C5	D3714	C6
D3705	C3	D3715	C6
D3706	B4	D3801	I4
D3707	D6	D3802	I4
D3708	D6	IC381	H4
D3709	D6	IC382	H4
D3710	D6	Q3701	D6
D3711	D6	Q3702	D6
D3712	C6	Q3703	D6

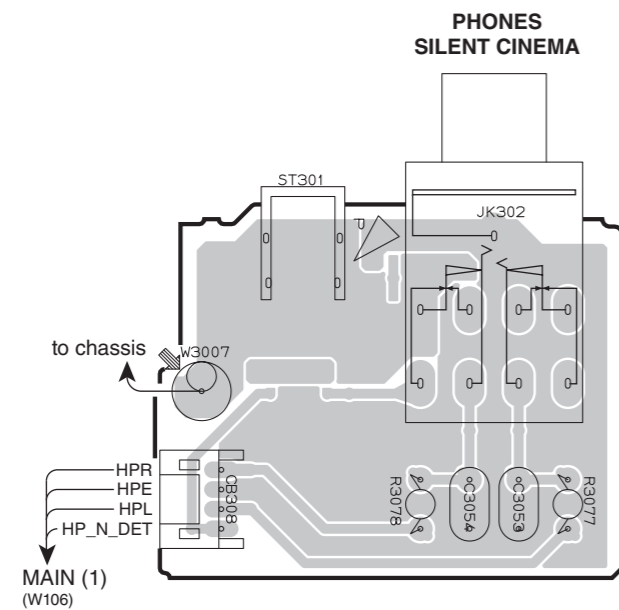
OPERATION (5) (Side A)



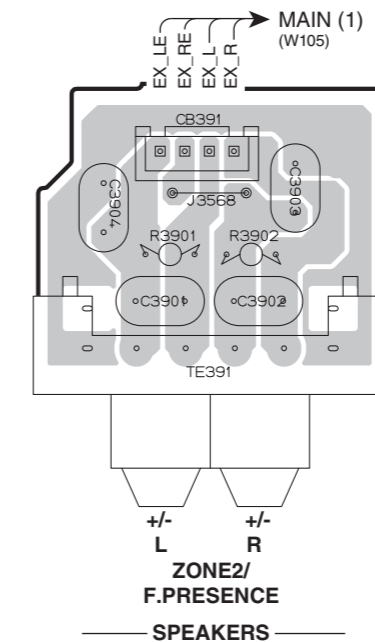
OPERATION (6) (Side A)



OPERATION (7) (Side A)



OPERATION (8) (Side A)

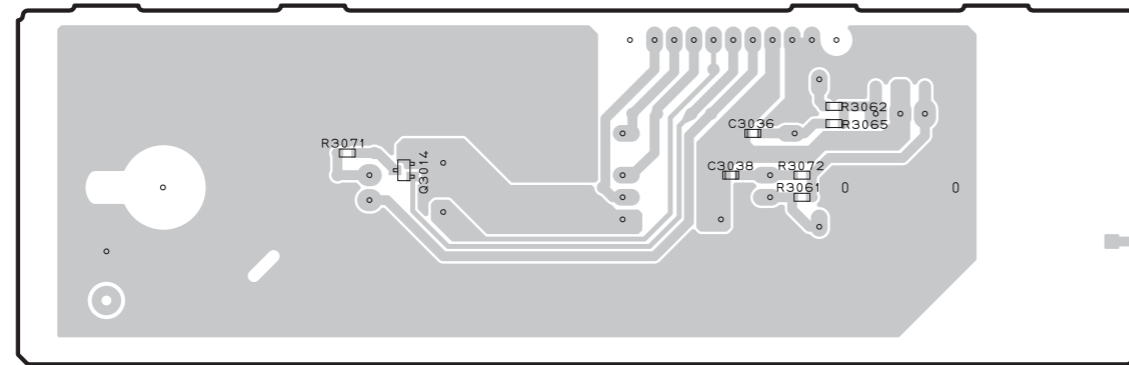


• Semiconductor Location

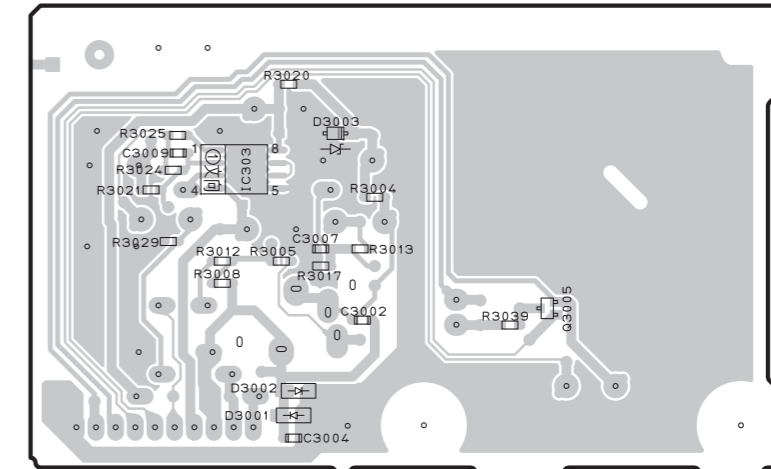
Ref no.	Location
D3004	I3
D3013	C3

RX-V675/HTR-6066/TSR-6750

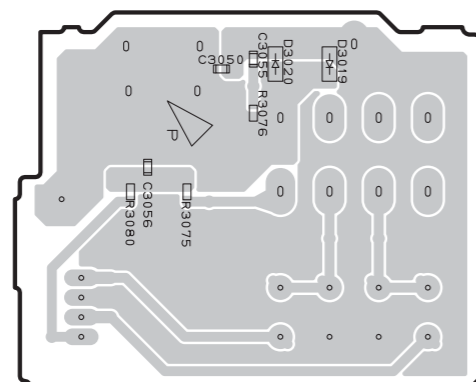
OPERATION (5) (Side B)



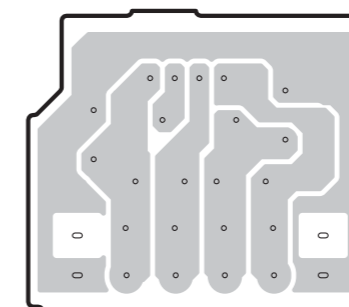
OPERATION (6) (Side B)



OPERATION (7) (Side B)



OPERATION (8) (Side B)



• Semiconductor Location

Ref no.	Location
D3001	H3
D3002	H3
D3003	H2
D3019	C6
D3020	C6
IC303	G3
Q3005	H3
Q3014	C3

RX-A730

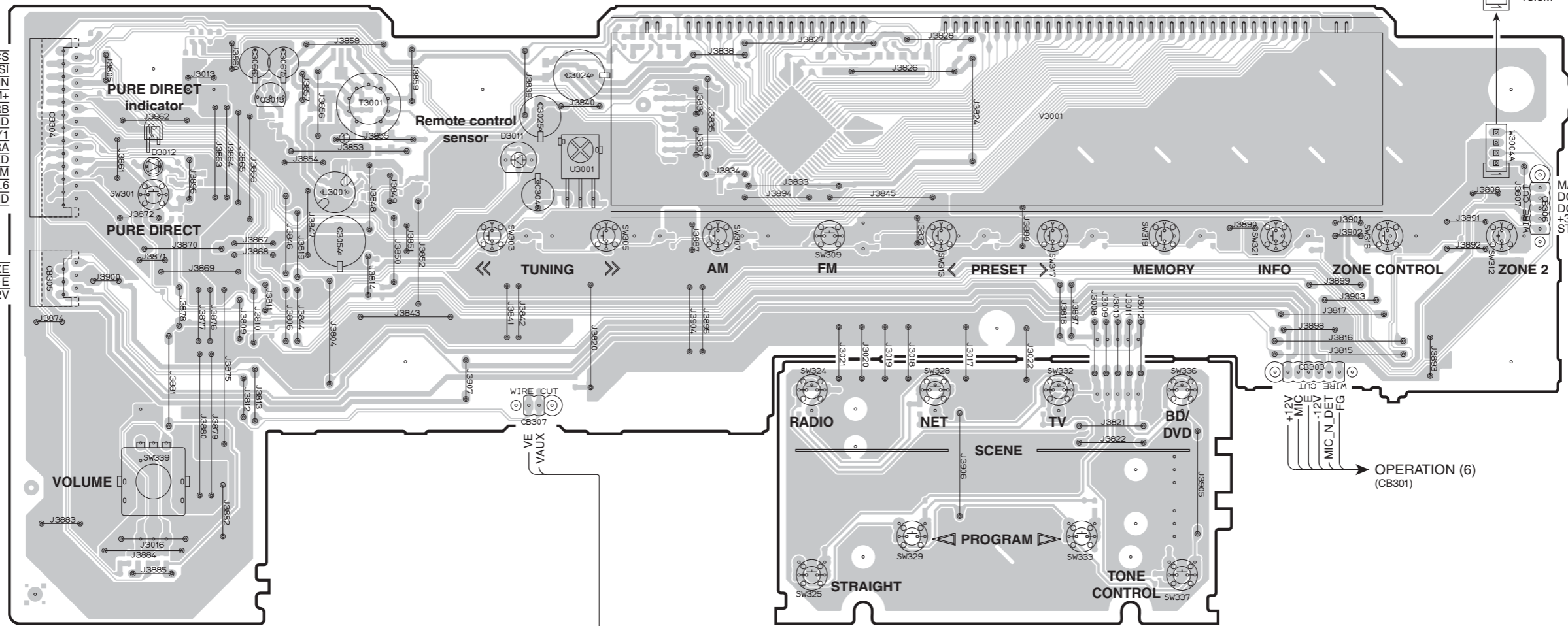
OPERATION (1) (Side A)

DIGITAL (1)
(CB82)

- FLD_N_RST
- FLD_SCK
- MIC_N_DET
- RM-
- ISEL_RA
- PRV2
- PSW_DET
- KEY2
- VOL_RB
- FL_PON
- STBY_LED
- +5.6
- DGND
- FLD_N_CS
- FLD_MOST
- REM_IN
- RM+
- ISEL_RB
- KEY1
- VOL_RA
- PD_LED
- +3.3M
- DGND

VAUX -12V
VAUXE E
MIC +12V

OPERATION (2)
(CB343)



OPERATION (10)
(W3004B)

- ISEL_RB
- DGND
- ISEL_RA
- +3.3M

MASW
DGND
+3.3M
STBY_LED

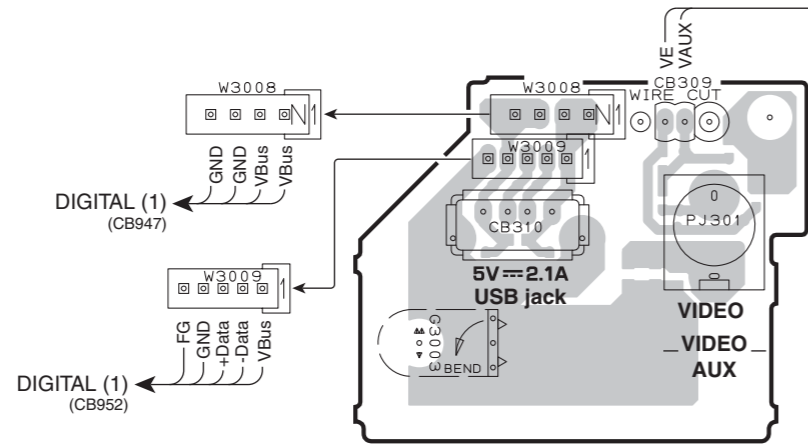
OPERATION (5)
(CB308)

+12V
MIC
-12V
MIC_N_DET
FG

OPERATION (6)
(CB301)

OPERATION (11) (Side A)

OPERATION (12) (Side A)



• Semiconductor Location

Ref no.	Location
D3011	E2
D3012	C2
Q3015	C2

RX-A730

1

OPERATION (1) (Side B)

2

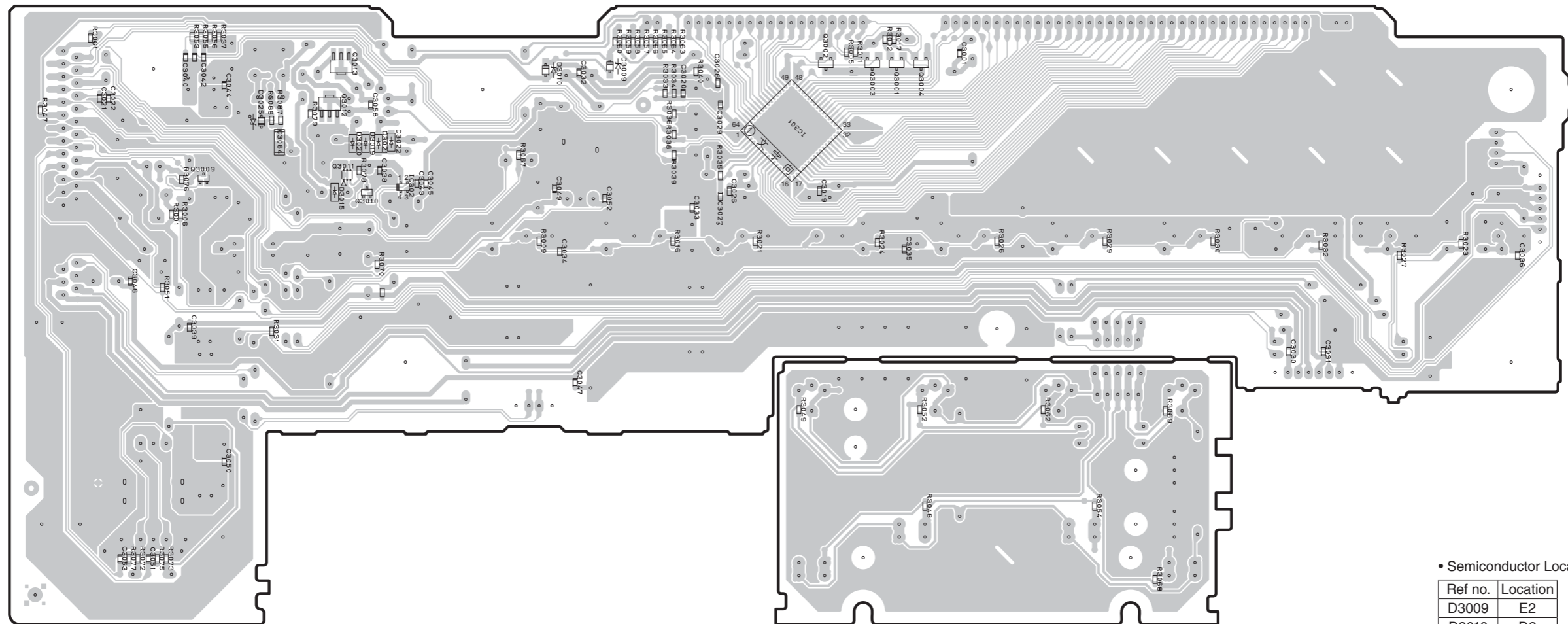
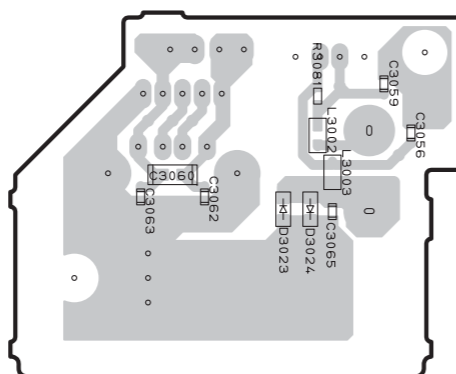
3

4

5

6

7

**OPERATION (11)** (Side B)**OPERATION (12)** (Side B)

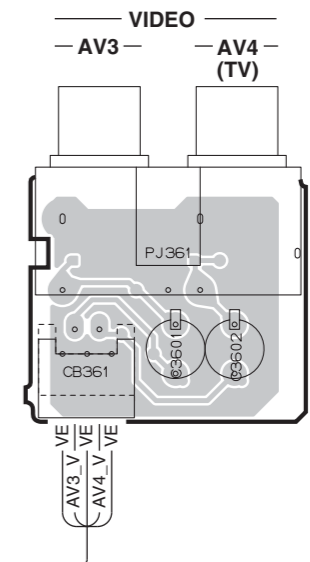
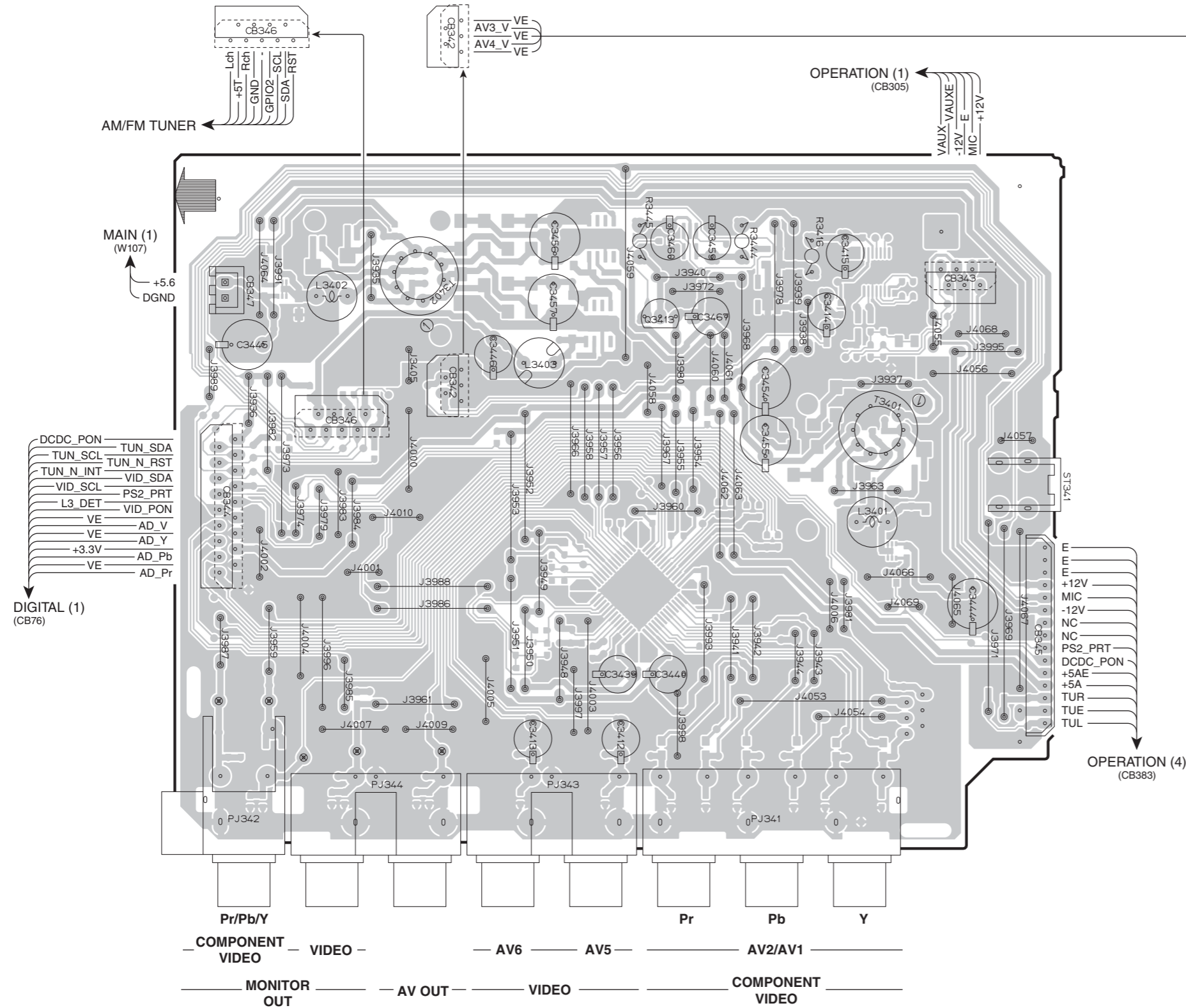
• Semiconductor Location

Ref no.	Location
D3009	E2
D3010	D2
D3015	C3
D3019	C2
D3020	C2
D3021	C2
D3022	C2
D3023	D6
D3024	D6
D3025	C2
IC301	E2
IC302	C3
Q3001	F2
Q3002	F2
Q3003	F2
Q3004	F2
Q3009	B3
Q3010	C3
Q3011	C3
Q3012	C2
Q3013	C2

RX-A730

OPERATION (2) (Side A)

OPERATION (9) (Side A)



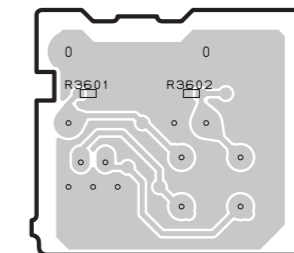
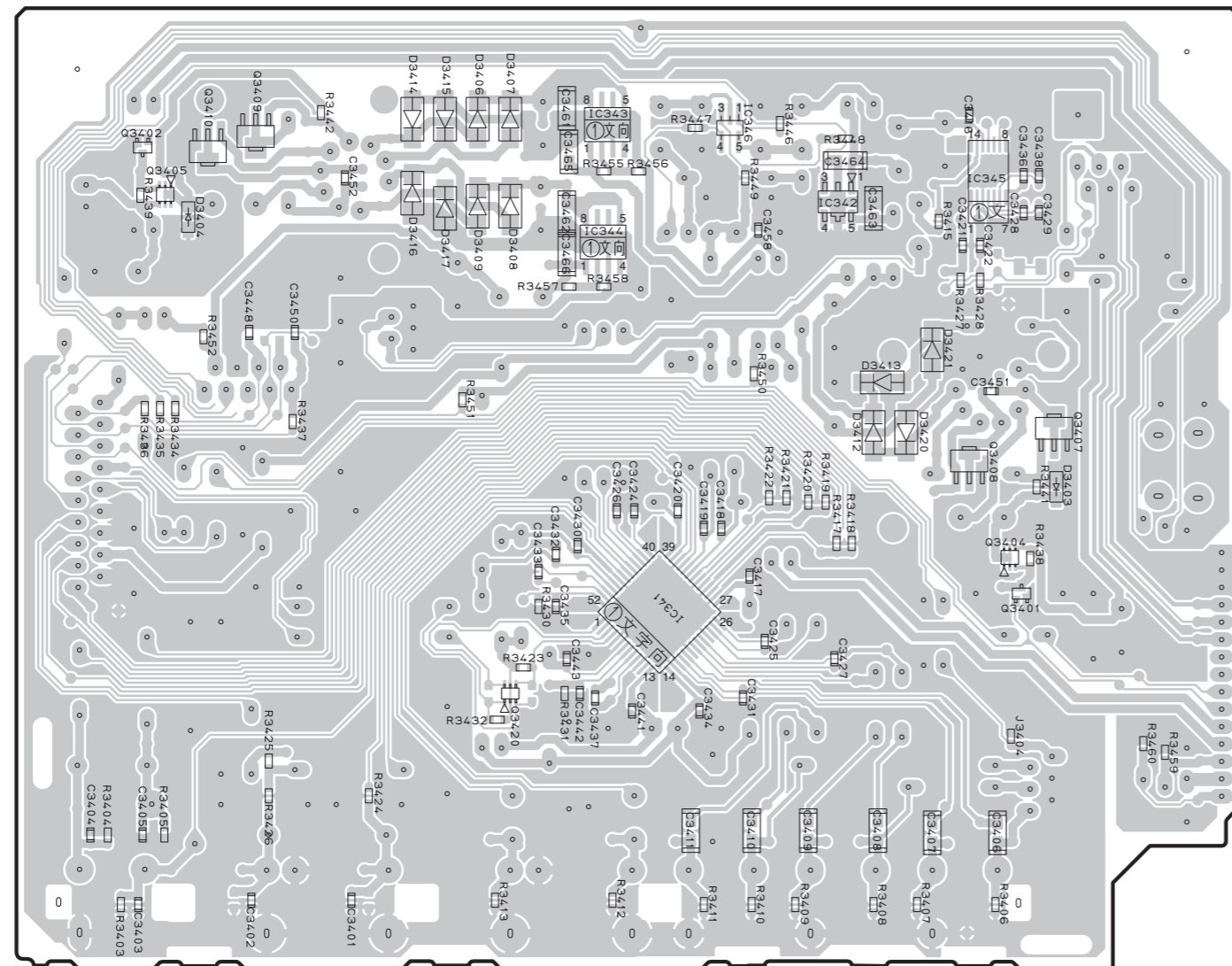
• Semiconductor Location

Ref no.	Location
Q3413	E3

RX-A730

OPERATION (2) (Side B)

OPERATION (9) (Side B)



• Semiconductor Location

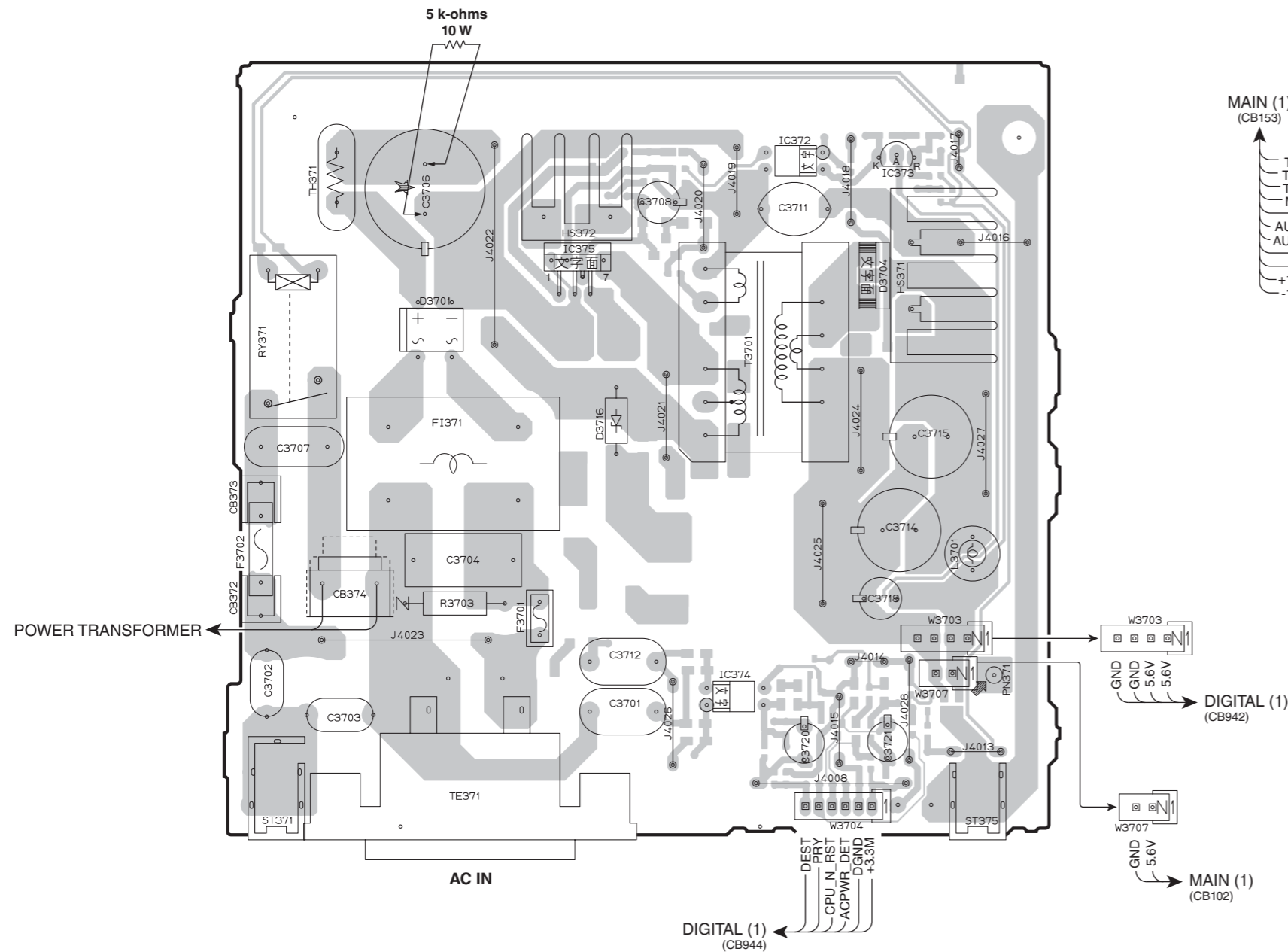
Ref no.	Location	Ref no.	Location
D3403	F4	IC342	E3
D3404	B3	IC343	D3
D3406	D3	IC344	D3
D3407	D3	IC345	E3
D3408	D3	IC346	D3
D3409	D3	Q3401	F5
D3412	E4	Q3402	B3
D3413	E4	Q3404	F5
D3414	C3	Q3405	B3
D3415	C3	Q3407	F4
D3416	C3	Q3408	E4
D3417	C3	Q3409	C3
D3420	E4	Q3420	D5
IC341	D5		

RX-A730

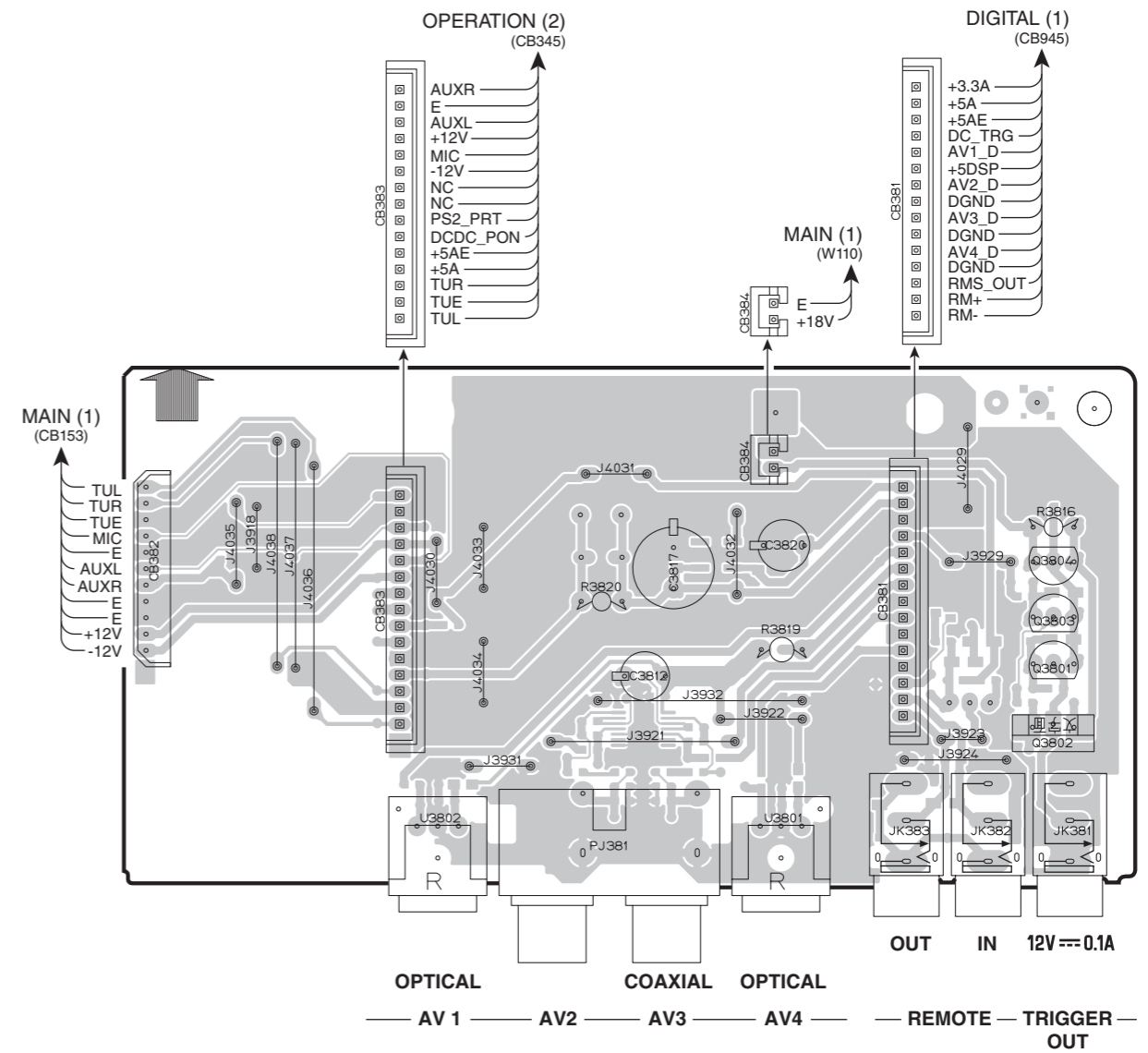
OPERATION (3) (Side A)

• Semiconductor Location

Ref no.	Location
D3701	C4
D3704	E4
D3716	D4
IC372	D3
IC373	E3
IC374	D6
IC375	C4
Q3801	J4
Q3802	J4
Q3803	J4
Q3804	J4



OPERATION (4) (Side A)



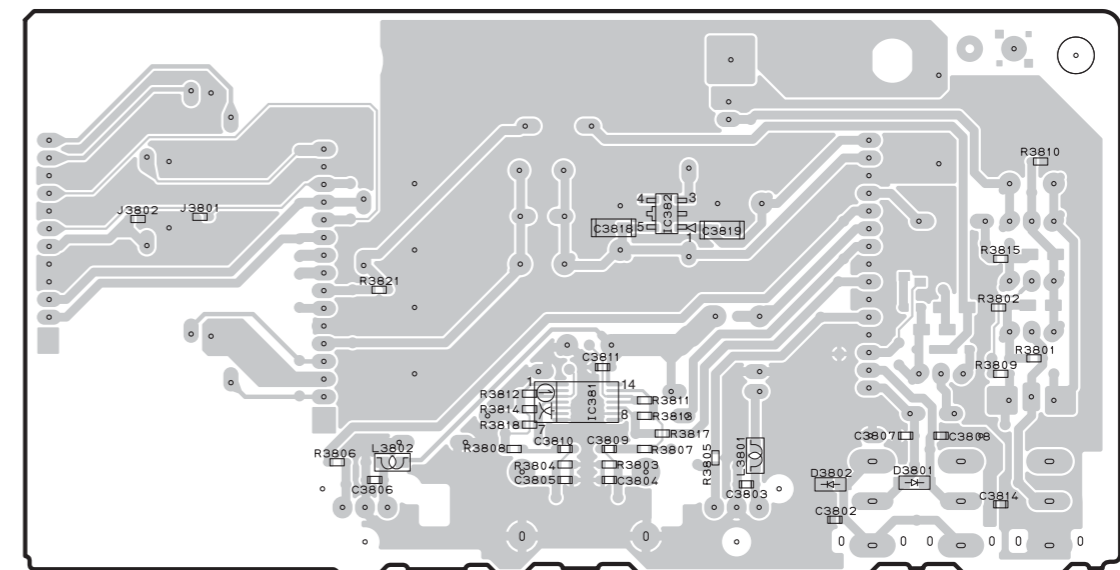
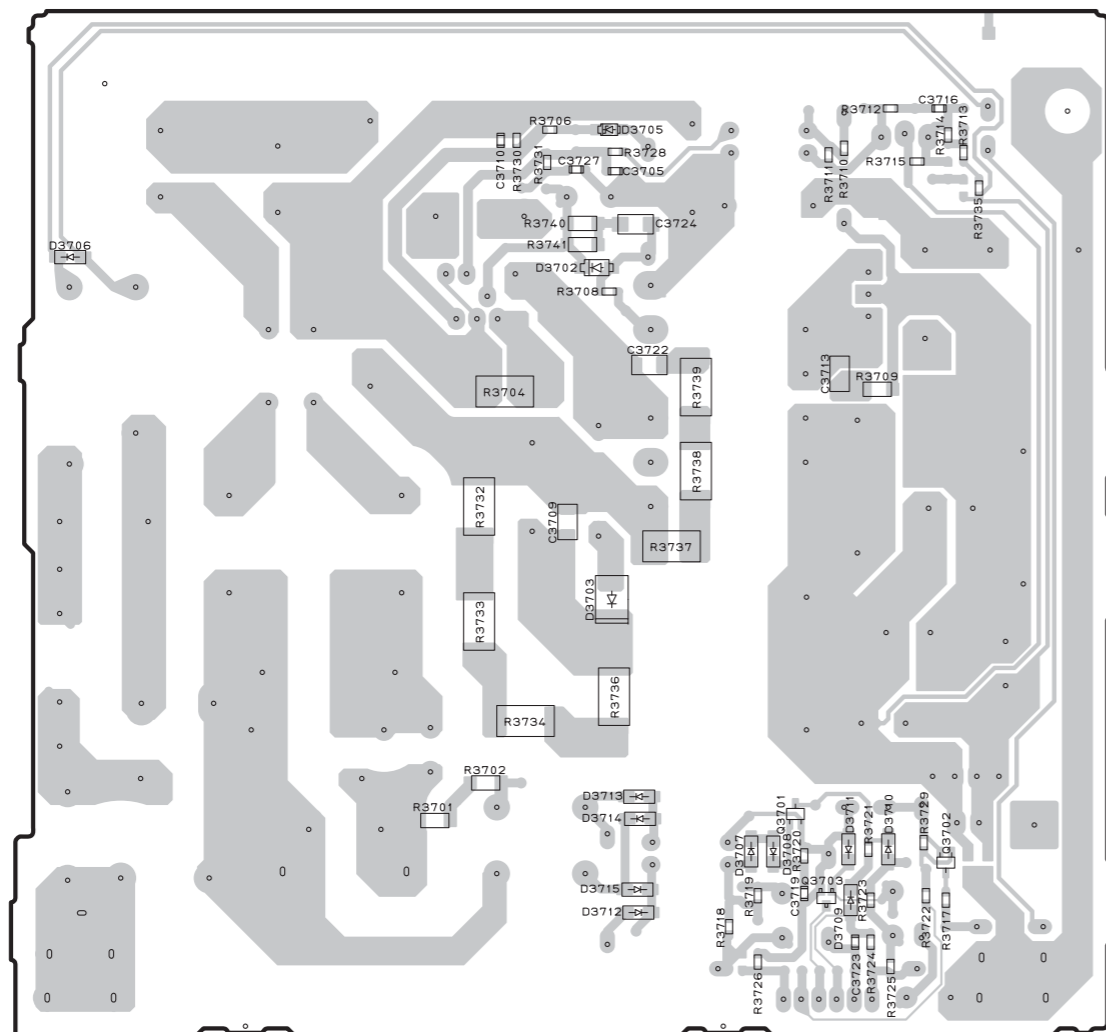
Safety measures

- Some internal parts in this product contain high voltages and are dangerous. Be sure to take safety measures during servicing, such as wearing insulating gloves.
- Note that the capacitors indicated below are dangerous even after the power is turned off because an electric charge remains and a high voltage continues to exist there. Before starting any repair work, connect a discharging resistor (5 k-ohms/10 W) to the terminals of each capacitor indicated below to discharge electricity. The time required for discharging is about 30 seconds per each. C3706 on OPERATION (3) P.C.B.

RX-A730

OPERATION (3) (Side B)

OPERATION (4) (Side B)

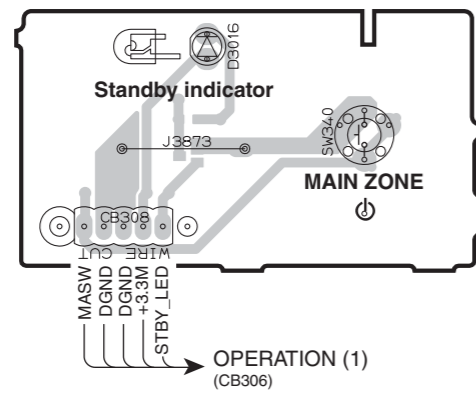


• Semiconductor Location

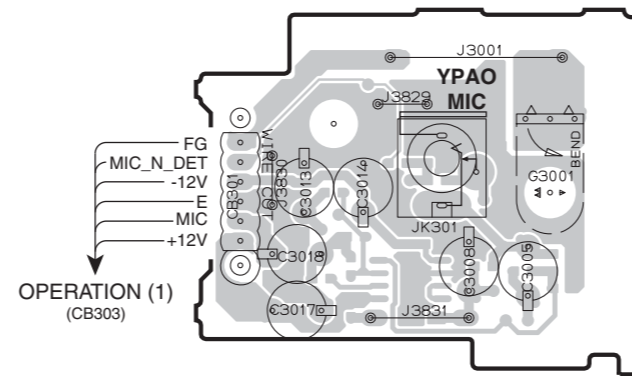
Ref no.	Location	Ref no.	Location
D3702	C4	D3713	C5
D3703	C5	D3714	C6
D3705	C3	D3715	C6
D3706	A4	D3801	I4
D3707	D6	D3802	I4
D3708	D6	IC381	H4
D3709	D6	IC382	H4
D3710	D6	Q3701	D6
D3711	D6	Q3702	D6
D3712	C6	Q3703	D6

RX-A730

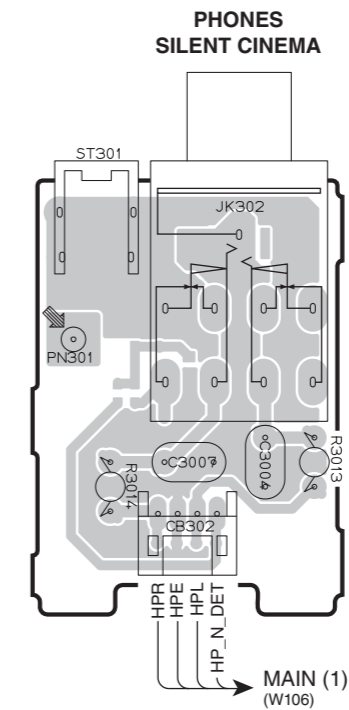
OPERATION (5) (Side A)



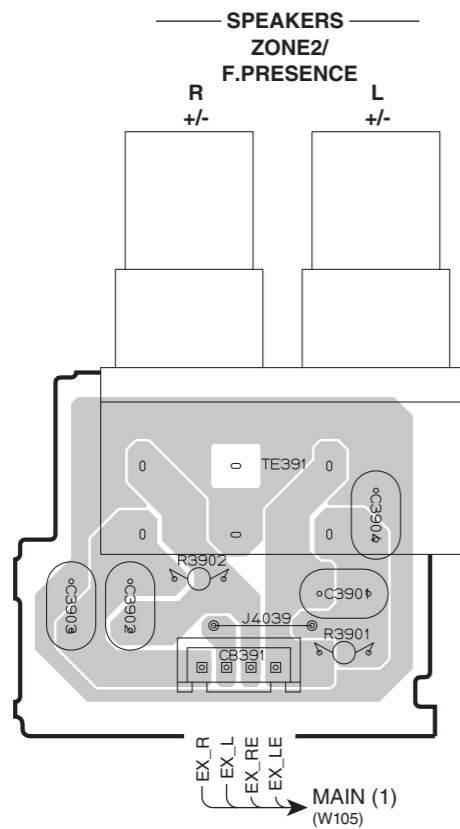
OPERATION (6) (Side A)



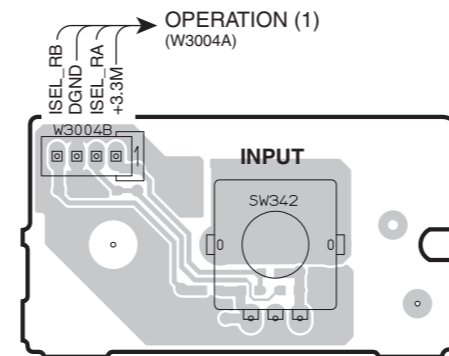
OPERATION (7) (Side A)



OPERATION (8) (Side A)



OPERATION (10) (Side A)

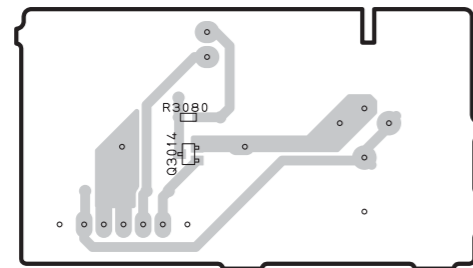


• Semiconductor Location

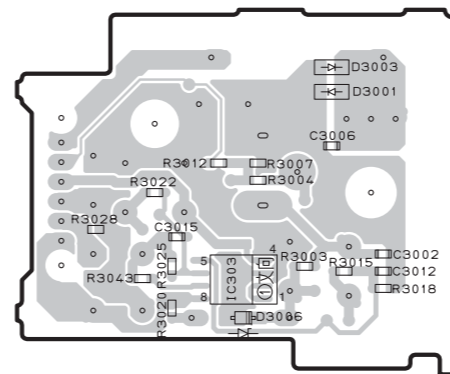
Ref no.	Location
D3016	C2

RX-A730

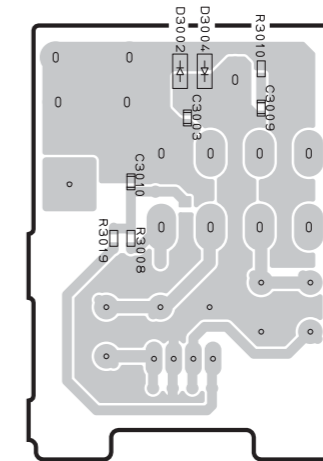
OPERATION (5) (Side B)



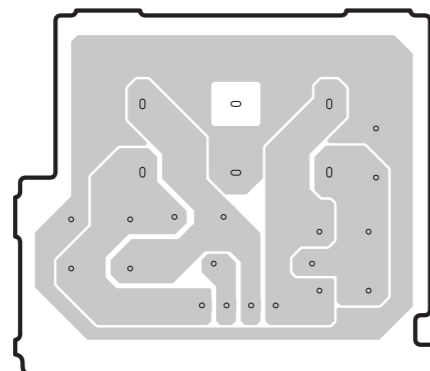
OPERATION (6) (Side B)



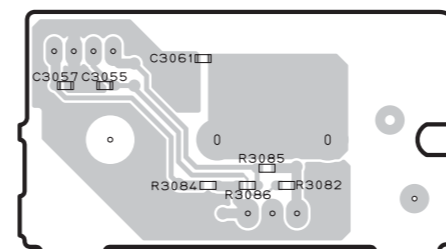
OPERATION (7) (Side B)



OPERATION (8) (Side B)



OPERATION (10) (Side B)



• Semiconductor Location

Ref no.	Location
D3001	F2
D3002	H2
D3003	F2
D3004	H2
D3006	E3
IC303	E3
Q3014	B3

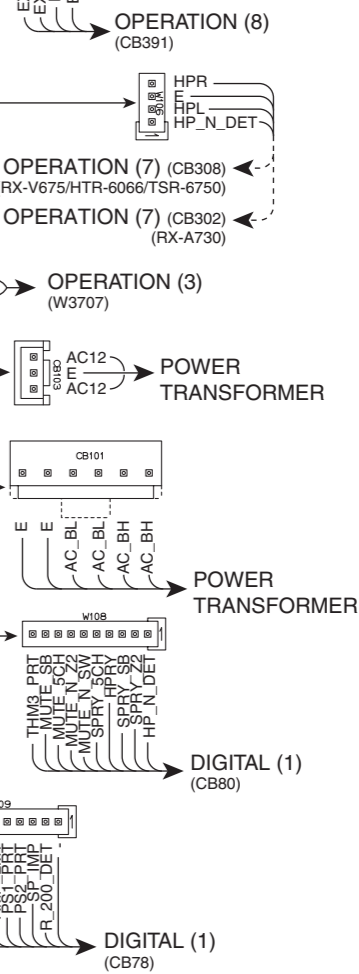
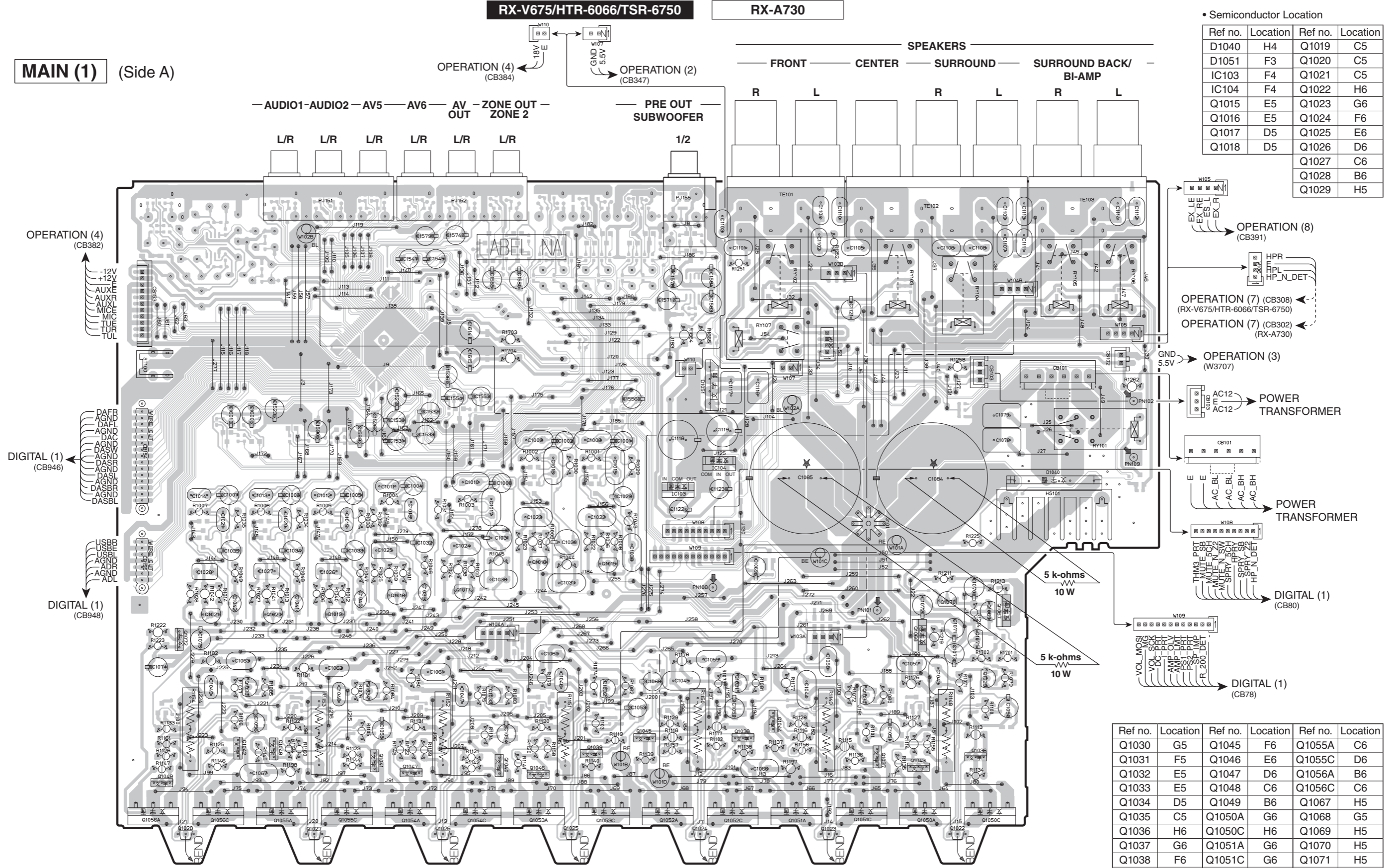
RX-V675/HTR-6066/TSR-6750

RX-A730

• Semiconductor Location

Ref no.	Location	Ref no.	Location
D1040	H4	Q1019	C5
D1051	F3	Q1020	C5
IC103	F4	Q1021	C5
IC104	F4	Q1022	H6
Q1015	E5	Q1023	G6
Q1016	E5	Q1024	F6
Q1017	D5	Q1025	E6
Q1018	D5	Q1026	D6
		Q1027	C6
		Q1028	B6
		Q1029	H5

MAIN (1) (Side A)



Ref no.	Location	Ref no.	Location	Ref no.	Location
Q1030	G5	Q1045	F6	Q1055A	C6
Q1031	F5	Q1046	E6	Q1055C	D6
Q1032	E5	Q1047	D6	Q1056A	B6
Q1033	E5	Q1048	C6	Q1056C	C6
Q1034	D5	Q1049	B6	Q1067	H5
Q1035	C5	Q1050A	G6	Q1068	G5
Q1036	H6	Q1050C	H6	Q1069	H5
Q1037	G6	Q1051A	G6	Q1070	H5
Q1038	F6	Q1051C	G6	Q1071	H5
Q1039	E6	Q1052A	F6	Q1072	B5
Q1040	E6	Q1052C	F6		
Q1041	D6	Q1053A	E6		
Q1042	C6	Q1053C	E6		
Q1043	G6	Q1054A	D6		
Q1044	F6	Q1054C	D6		

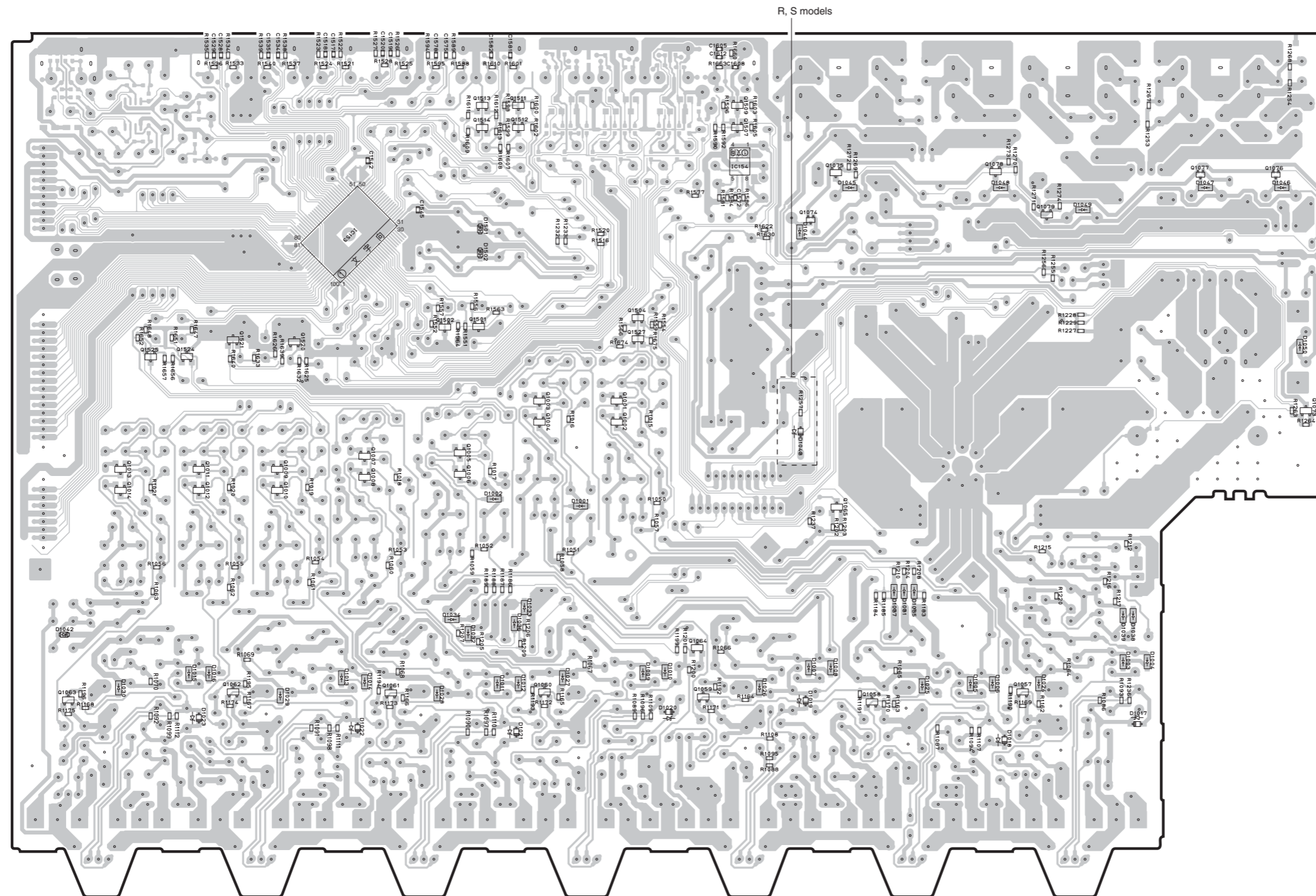
Safety measures

- Some internal parts in this product contain high voltages and are dangerous. Be sure to take safety measures during servicing, such as wearing insulating gloves.
- Note that the capacitors indicated below are dangerous even after the power is turned off because an electric charge remains and a high voltage continues to exist there. Before starting any repair work, connect a discharging resistor (5 k-ohms/10 W) to the terminals of each capacitor indicated below to discharge electricity. The time required for discharging is about 30 seconds per each. C1084, C1085 on MAIN (1) P.C.B.

RX-V675/HTR-6066/TSR-6750

RX-A730

MAIN (1) (Side B)

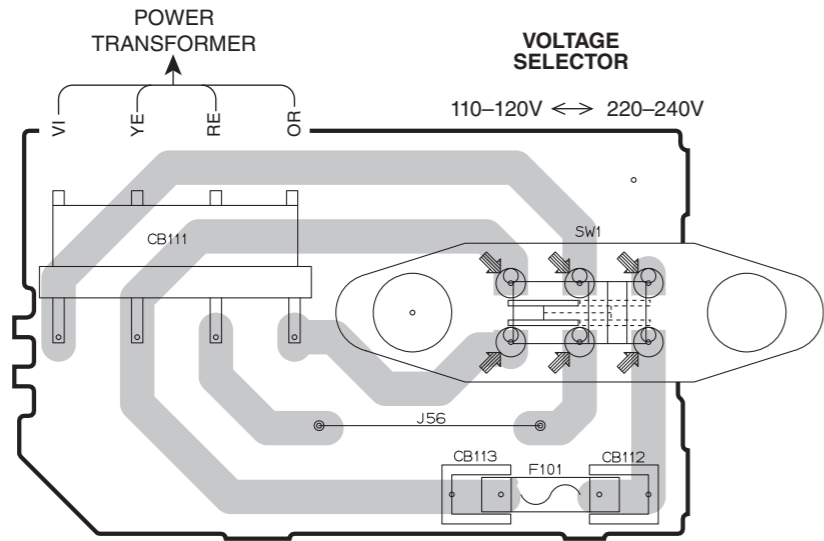


• Semiconductor Location

Ref no.	Location	Ref no.	Location
D1001	D5	D1501	D3
D1002	D4	D1502	D3
D1003	G5	IC153	C3
D1004	G5	IC154	E3
D1005	G5	Q1001	E4
D1006	G5	Q1002	E4
D1007	F5	Q1003	D4
D1008	F5	Q1004	D4
D1009	E5	Q1005	D4
D1010	E5	Q1006	D4
D1011	D5	Q1007	C4
D1012	D5	Q1008	C4
D1013	C5	Q1009	C4
D1014	C5	Q1010	C4
D1015	B5	Q1011	B4
D1016	C5	Q1012	B4
D1017	G6	Q1013	B4
D1018	G6	Q1014	B4
D1019	F6	Q1057	G5
D1020	E4	Q1058	F6
D1021	D6	Q1059	E6
D1022	C6	Q1060	D5
D1023	B6	Q1061	C5
D1024	G5	Q1062	C5
D1025	F5	Q1063	B6
D1026	E5	Q1064	E5
D1027	D5	Q1065	F5
D1028	D5	Q1073	H4
D1029	C6	Q1074	F3
D1030	B5	Q1075	F3
D1031	F5	Q1076	H3
D1032	D5	Q1077	H3
D1033	D5	Q1078	G3
D1034	D5	Q1079	G3
D1035	F5	Q1501	D4
D1036	D5	Q1502	D4
D1037	F5	Q1504	E4
D1038	G5	Q1507	E3
D1039	G5	Q1509	E6
D1042	B5	Q1511	D2
D1043	F4	Q1512	D3
D1044	F3	Q1513	D2
D1045	F3	Q1514	D3
D1046	H3	Q1520	C4
D1047	H3	Q1521	C4
D1048	G3	Q1524	B4
D1049	G3	Q1525	B4
D1050	H4	Q1527	E4

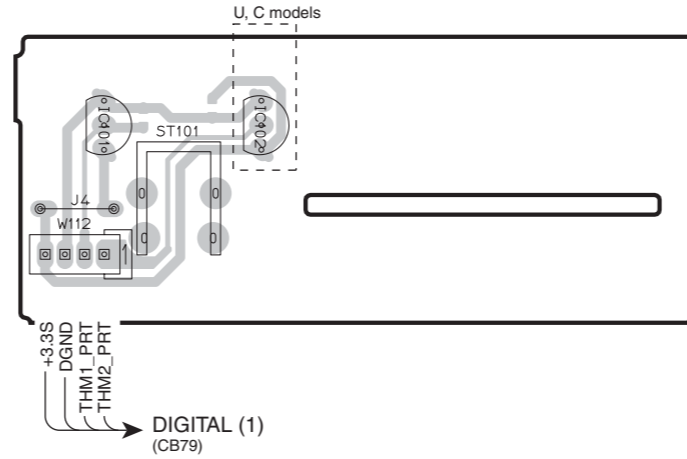
MAIN (2) (Side A)

R, S models

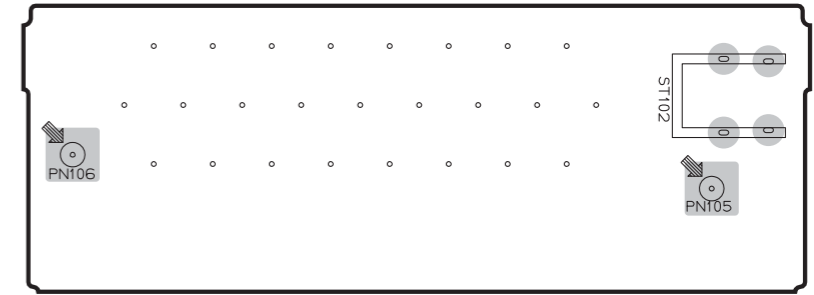


MAIN (3) (Side A)

U, C models



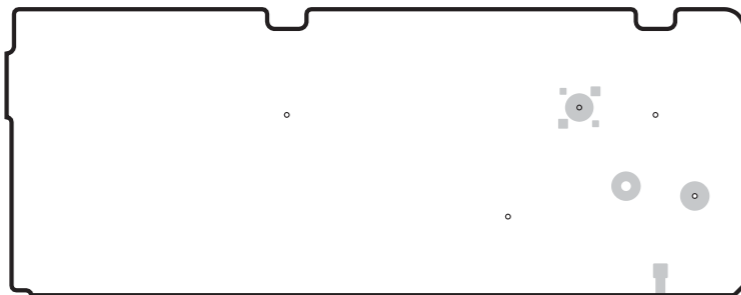
MAIN (4) (Side A)



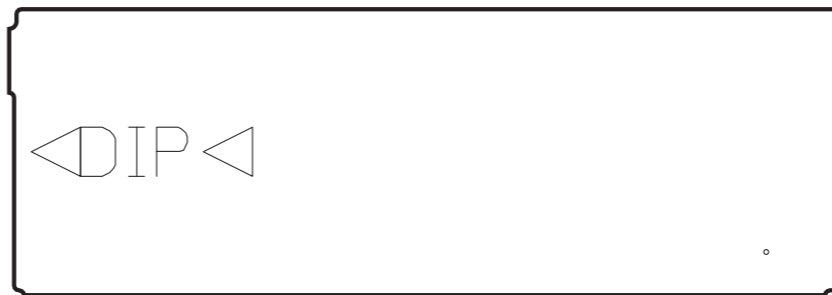
• Semiconductor Location

Ref no.	Location
IC101	E2
IC102	F2

MAIN (5) (Side A)



MAIN (6) (Side A)



RX-V675/HTR-6066/TSR-6750

RX-A730

1

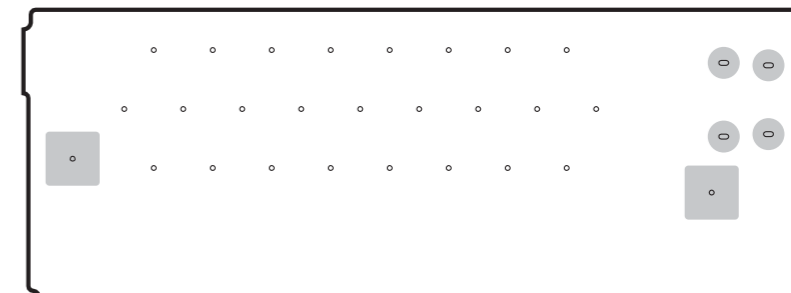
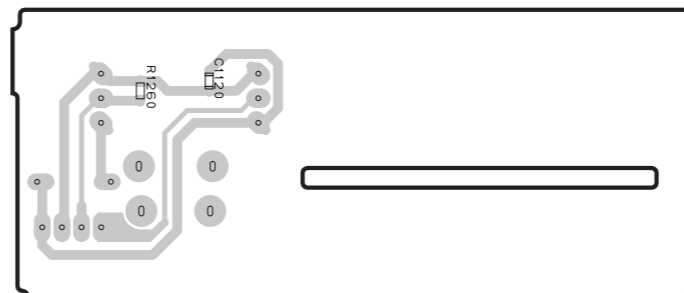
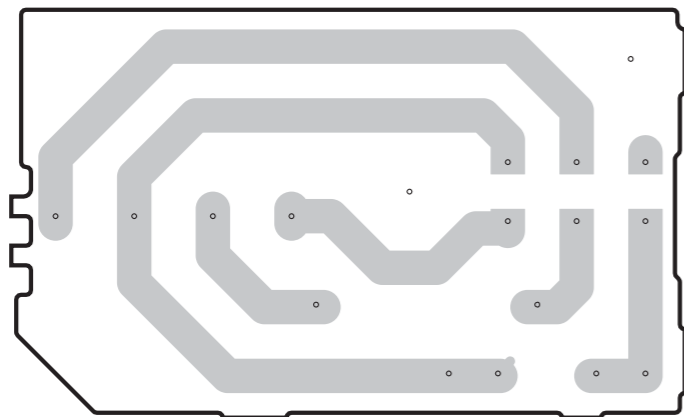
MAIN (2) (Side B)

R, S models

MAIN (3) (Side B)

MAIN (4) (Side B)

2



3

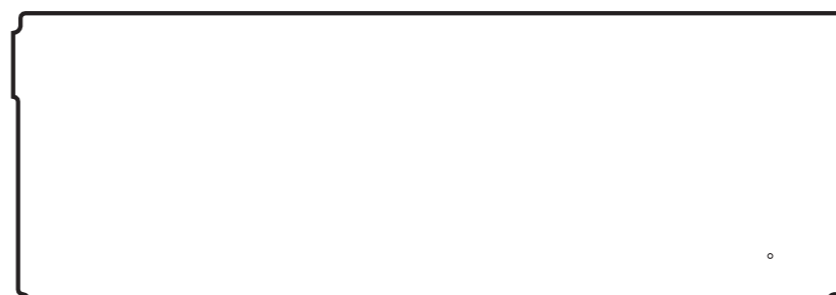
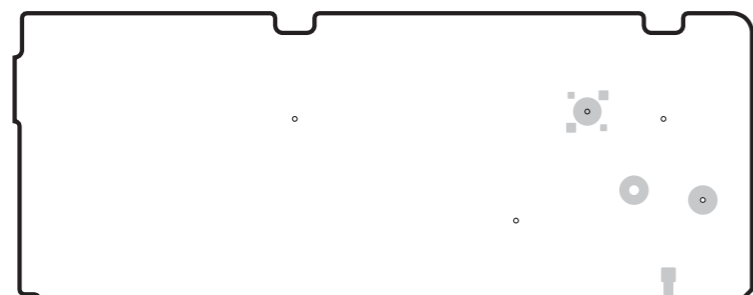
4

5

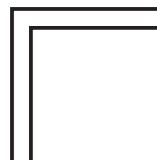
MAIN (5) (Side B)

MAIN (6) (Side B)

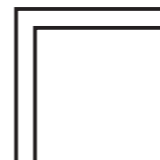
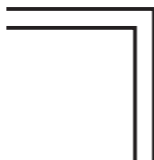
6



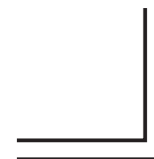
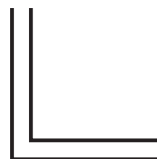
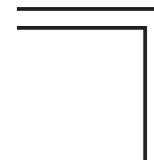
7

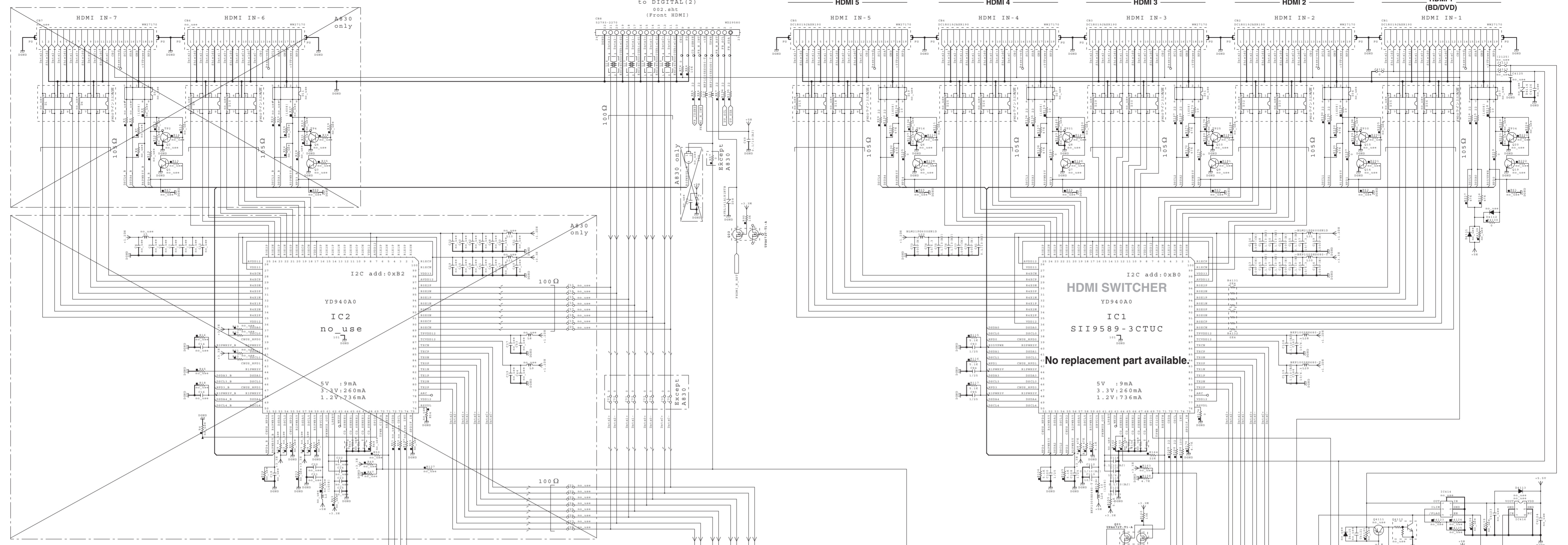


MEMO



MEMO





Page 128 M2 to DIGITAL (2)_W4202

Page 128 JB to DIGITAL (2)_W4201

RESISTOR

RESISTOR	PARTS	NAME
NO MARK	CARBON FILM RESISTOR	(1/4W)
NO MARK	CARBON FILM RESISTOR	(1/10W)
A	METAL OXIDE FILM RESISTOR	
M	METAL FILM RESISTOR	
NO MARK	THICK FILM RESISTOR	
NO MARK	PRECISION FILM RESISTOR	
NO MARK	PRECISION FILM RESISTOR	
NO MARK	PRECISION FILM RESISTOR	
NO MARK	PRECISION FILM RESISTOR	

NOTICE (model)

(J) JAPAN
(C) U.S.A.
(K) CANADA
(T) CHINA
(S) SOUTH KOREA
(K) KOREA
(A) AUSTRALIA
(B) BRITAIN
(S) SWITZERLAND
(L) SWITZERLAND
(S) SWITZERLAND
(F) SWITZERLAND
(S) SWITZERLAND
(S) SWITZERLAND
(S) SWITZERLAND

CAPACITOR

CAPACITOR	PARTS	NAME
NO MARK	ELECTROLYTIC CAPACITOR	
NO MARK	PHOTODUPLICATION CAPACITOR	
NO MARK	CERAMIC CAPACITOR	
NO MARK	CERAMIC CAPACITOR	
NO MARK	CERAMIC CAPACITOR	
NO MARK	CERAMIC CAPACITOR	
NO MARK	CERAMIC CAPACITOR	
NO MARK	CERAMIC CAPACITOR	
NO MARK	CERAMIC CAPACITOR	
NO MARK	CERAMIC CAPACITOR	

No replacement part available.

No replacement part available.

No replacement part available.

HDMI RECEIVER

IC3
ADV7619KSVZ

3.3V: 101mA
1.8V: 475mA

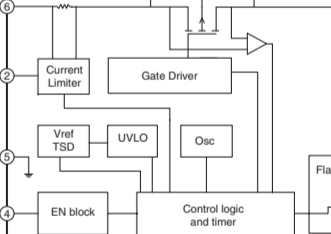
HDMI SWITCHER

IC1
SI9589-3CTUC

5V: 9mA
3.3V: 260mA
1.2V: 736mA

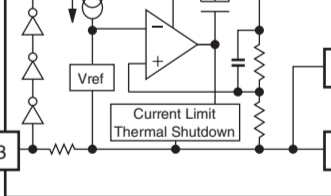
IC11: NCP380HMUAJAATBG

Fixed / Adjustable current-limiting power-distribution switches



IC13: R1175S01B-E2-FE

CMOS-based LDO regulator IC



Pin No.	Symbol	Description
1	Vout	Output Pin
2, 5	GND	Ground Pin
3	CE	Chip Enable Pin ("H" Active)
4	NC	No Connection
6	Vin	Input Pin

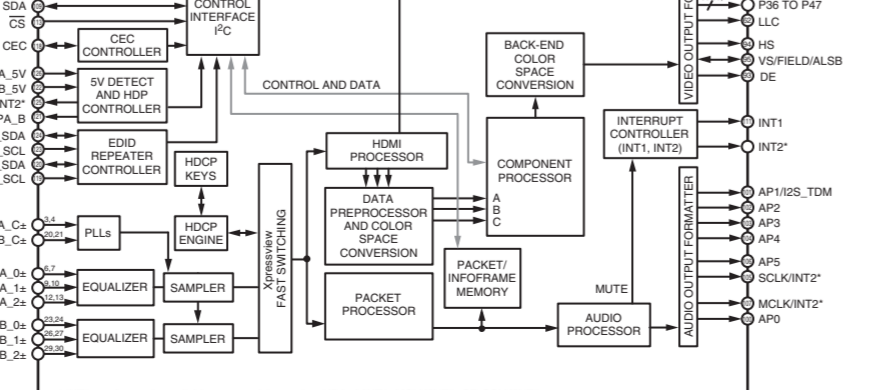
DIGITAL (1)

Sheet 1: HDMI Rx

IC/CR/XTL: 1-19, 40-44, 411-419
QDTR: 1-1, 2-49, 400-449, 451, 451-459

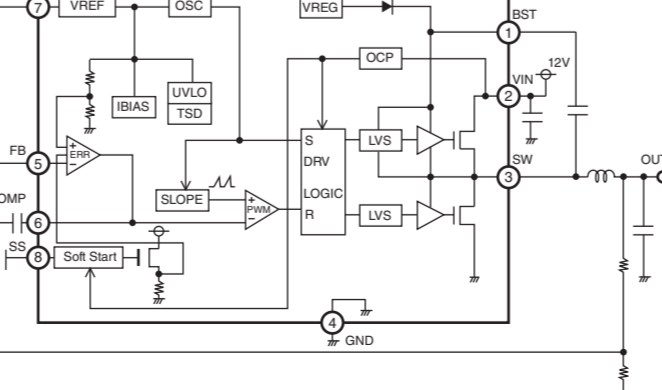
IC3: ADV7619KSVZ

Dual port, Xpressview, 3 GHz HDMI receiver



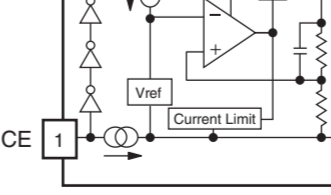
IC4: BD9329AEFJ-E2

1ch step-down DC/DC converter



IC6: RP130Q181D-TR-F

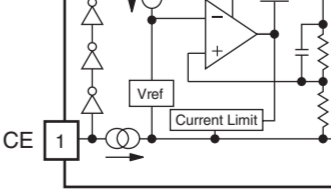
Voltage regulator



Pin No.	Symbol	Description
1	CE	Chip Enable ("H" Active)
2	GND	Ground Pin
3	Vout	Output Pin
4	Vin	Input Pin

IC8: RP130Q501D-TR-F

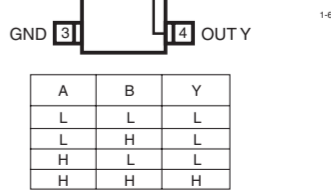
Voltage regulator



Pin No.	Symbol	Description
1	CE	Chip Enable ("H" Active)
2	GND	Ground Pin
3	Vout	Output Pin
4	Vin	Input Pin

IC12: TC7SET08FU

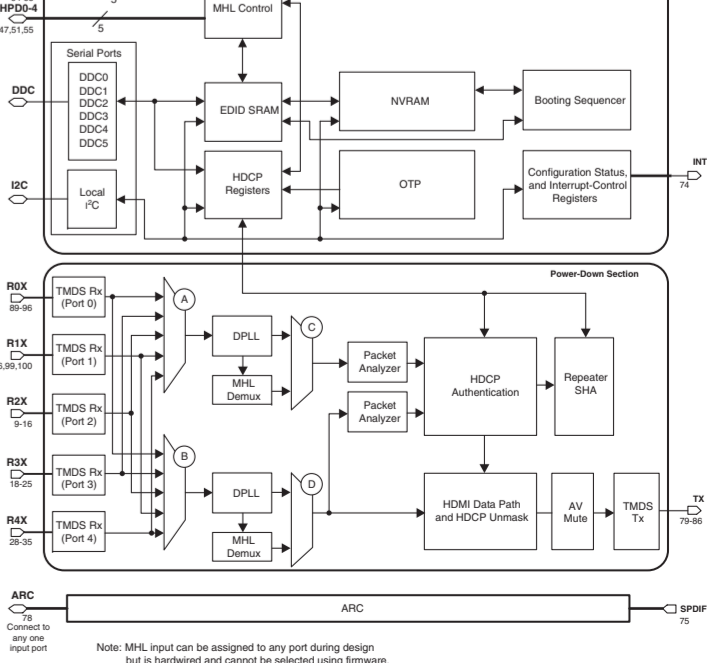
2 input AND gate



A	B	Y
L	L	L
L	H	L
H	L	L
H	H	H

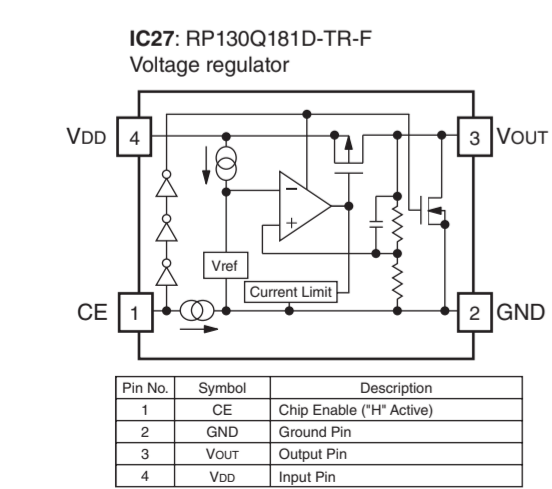
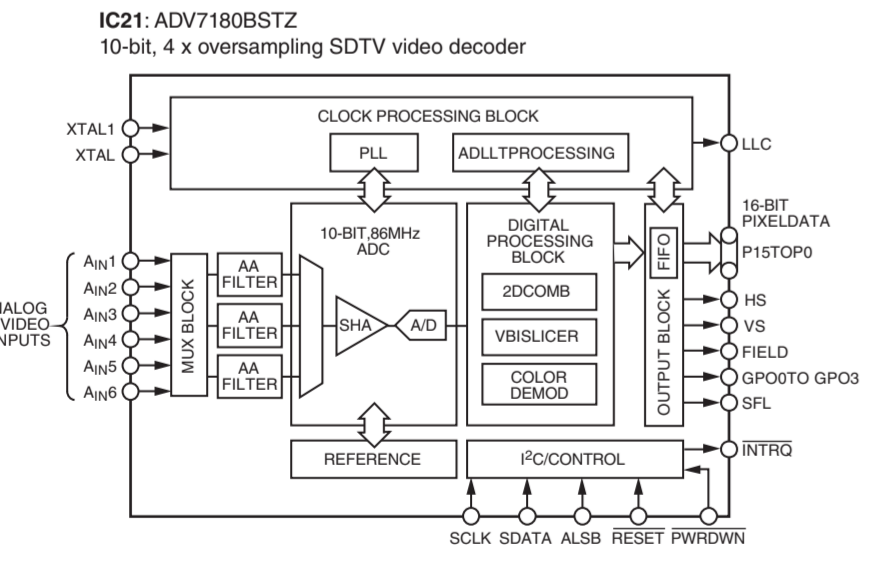
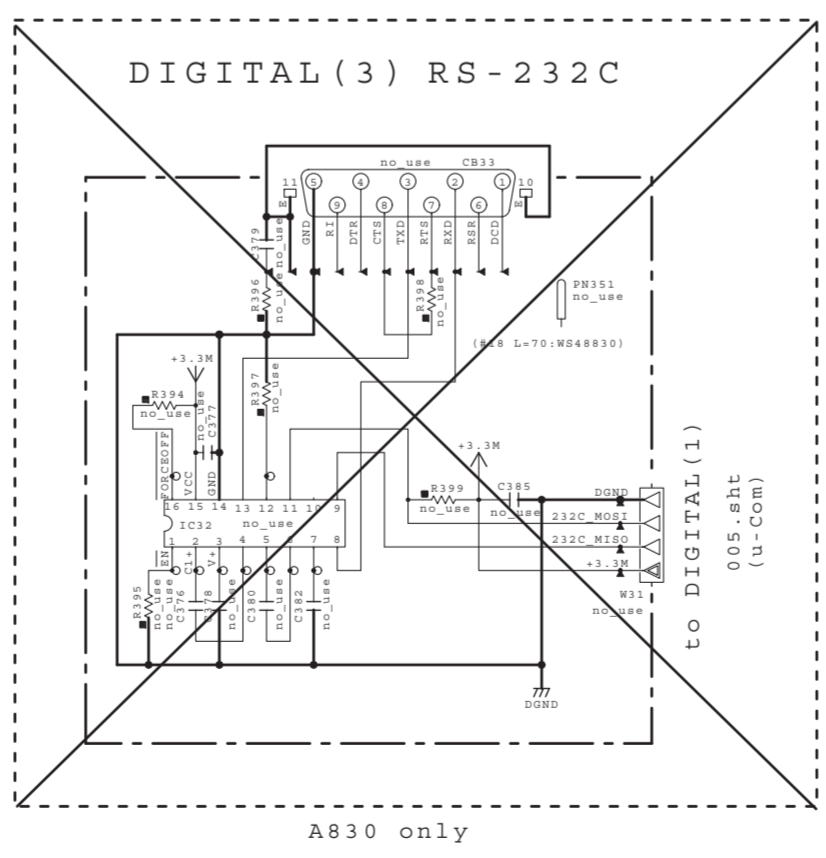
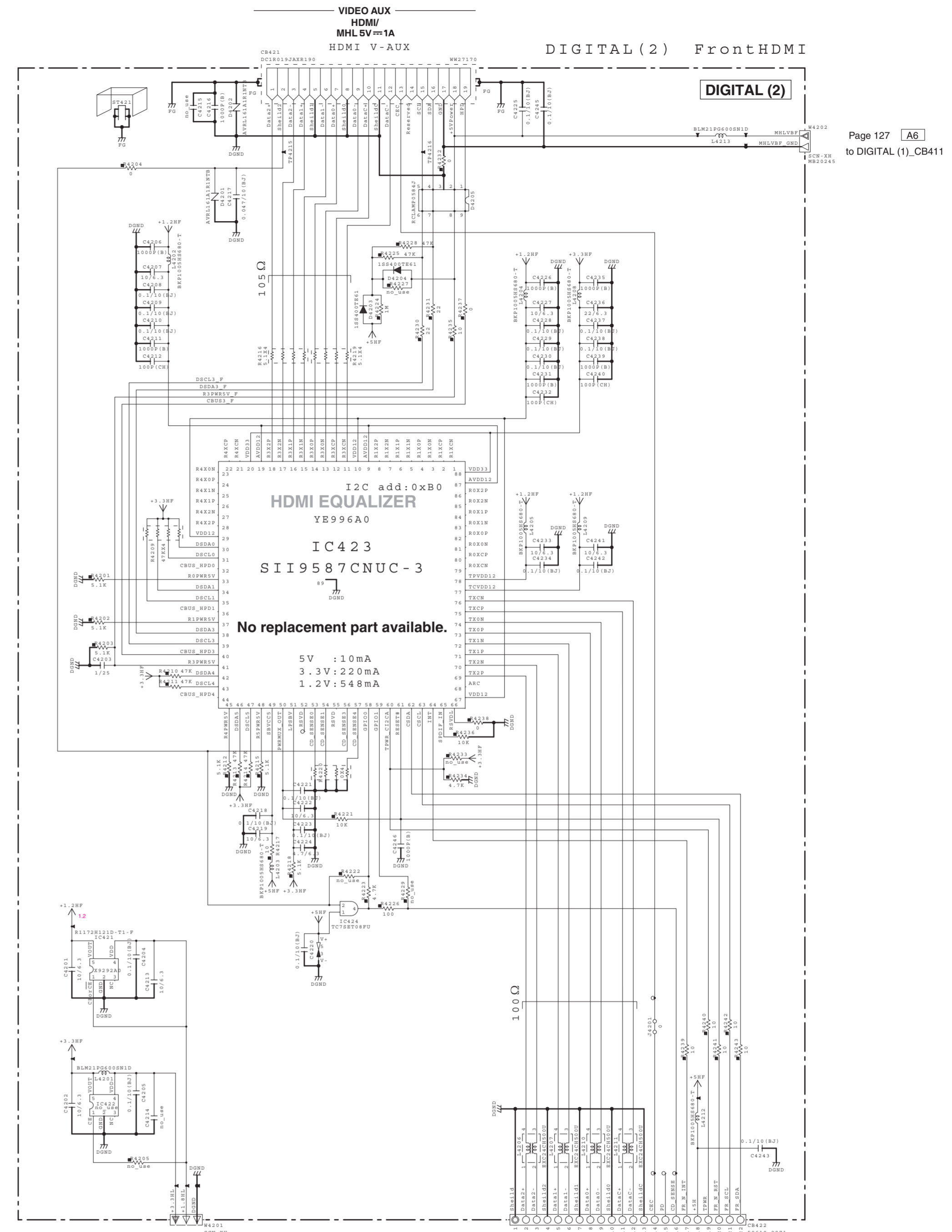
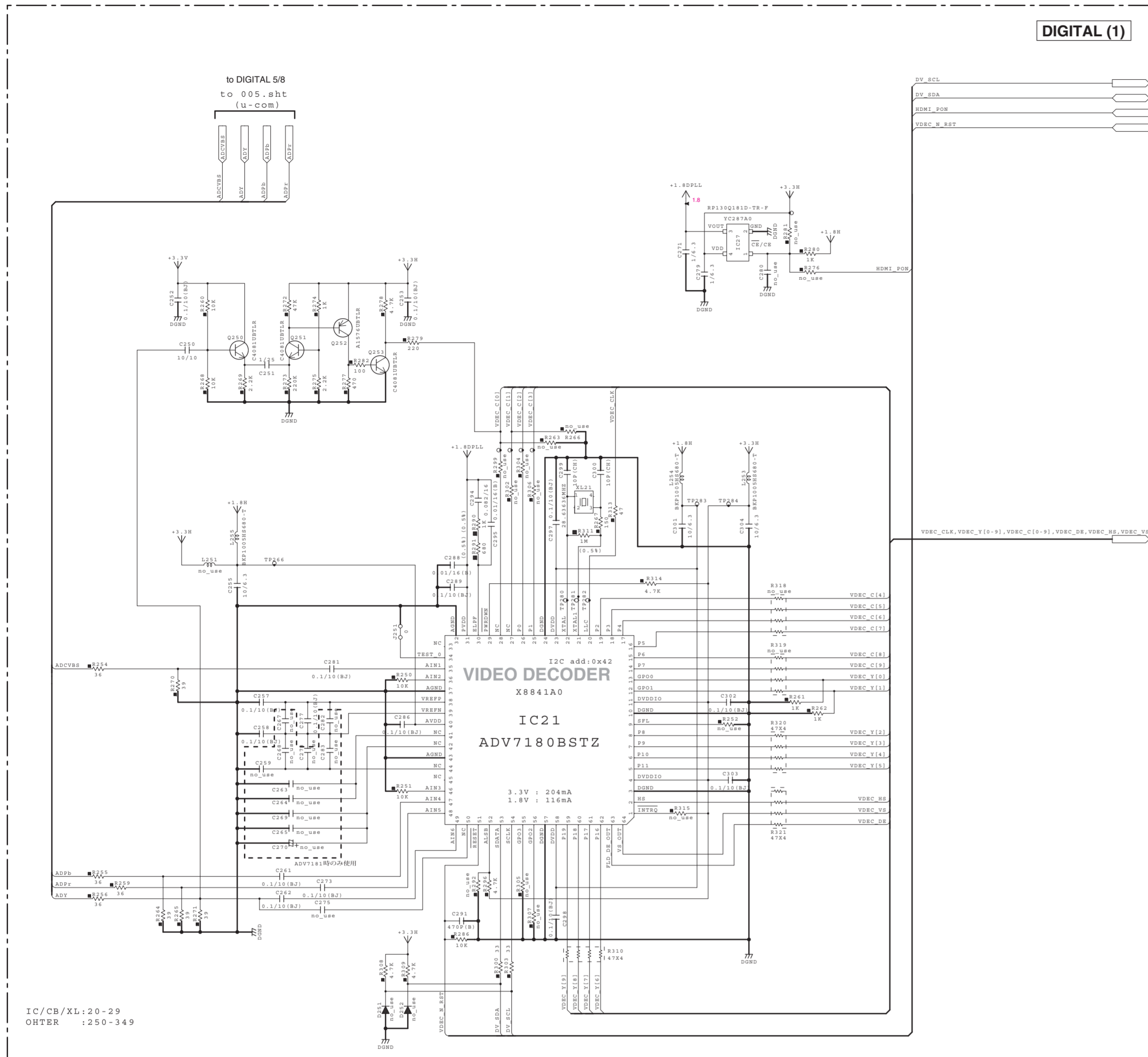
IC1: SI9589-3CTUC

HDMI port processors



* All voltages are measured with a 10MΩV DC electronic voltmeter.
* Components having special characteristics are marked A, and must be replaced with parts having specifications equal to those originally installed.
* Schematic diagram is subject to change without notice.

DIGITAL 2/8



RESISTOR

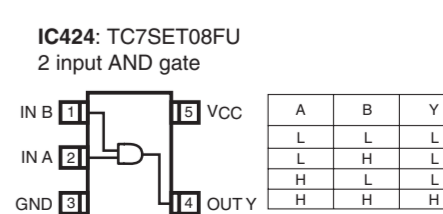
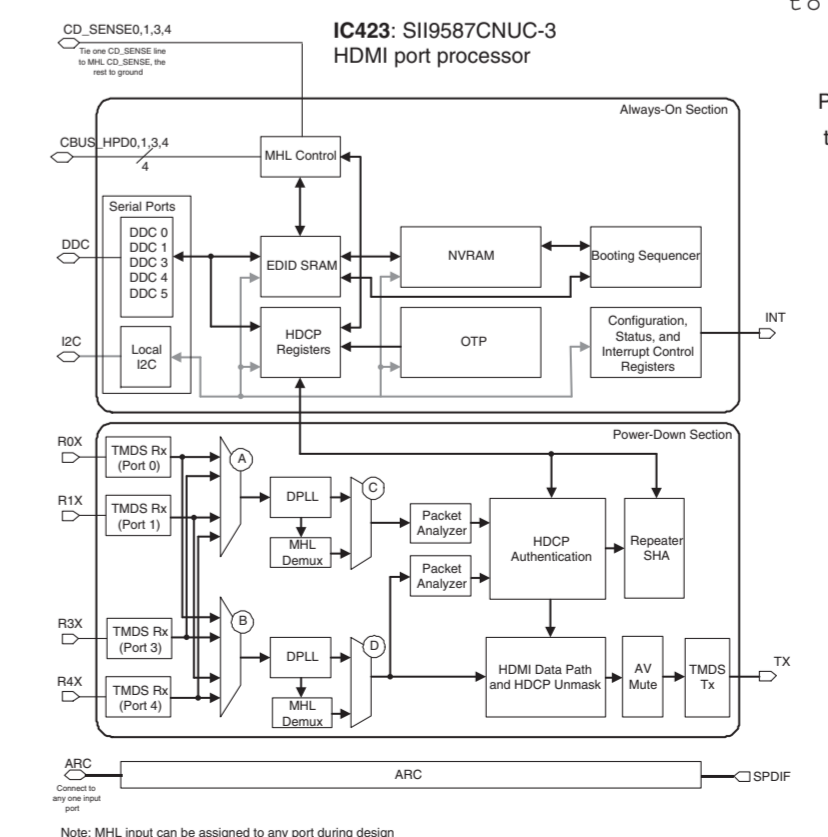
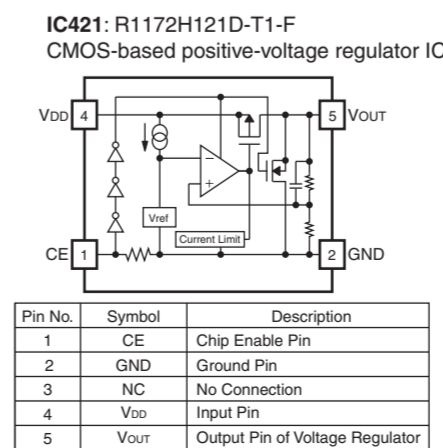
SYMBOL	PARTS	NAME
R0	RESISTOR	RESISTOR (Pull)
R1	CARBON FILM RESISTOR	RESISTOR
R2	METAL OXIDE FILM RESISTOR	RESISTOR
R3	METAL FILM RESISTOR	RESISTOR
R4	METAL STATE RESISTOR	RESISTOR
R5	FILM THICK CARBON FILM RESISTOR	RESISTOR
R6	CONDUCTIVE RESISTOR	RESISTOR
R7	PRINT VARIABLE RESISTOR	RESISTOR
R8	CHIP RESISTOR	RESISTOR

CAPACITOR

SYMBOL	PARTS	NAME
C0	NONPOLARIZED CAPACITOR	CAPACITOR
C1	NONPOLARIZED CERAMIC CAPACITOR	CAPACITOR
C2	CERAMIC TOWER CAPACITOR	CAPACITOR
C3	POLYESTER FILM CAPACITOR	CAPACITOR
C4	WETTER	CAPACITOR
C5	POLYPROPYLENE FILM CAPACITOR	CAPACITOR
C6	WETTER	CAPACITOR
C7	POLYPROPYLENE FILM CAPACITOR	CAPACITOR
C8	NONPOLARIZED CERAMIC CAPACITOR	CAPACITOR
C9	POLYBUTYLENE SULFIDE FILM CAPACITOR	CAPACITOR
C10	WETTER	CAPACITOR

NOTICE (model)

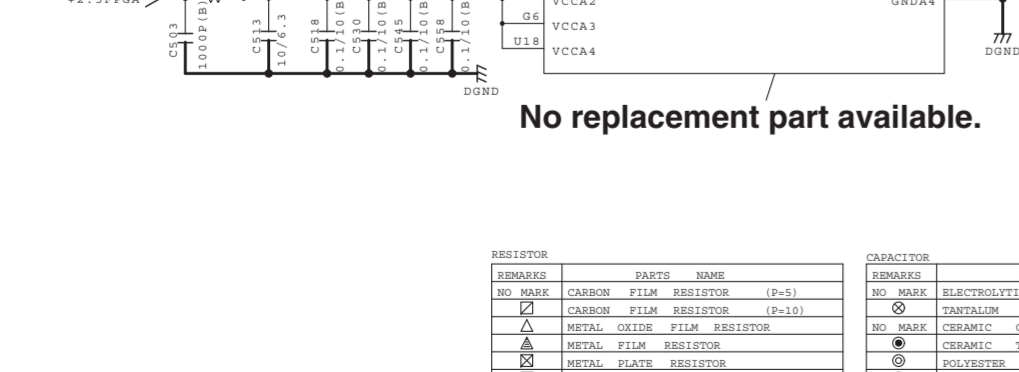
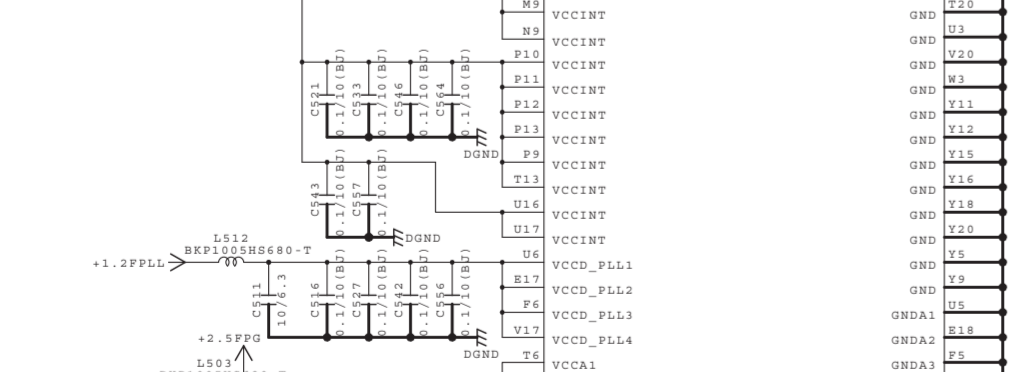
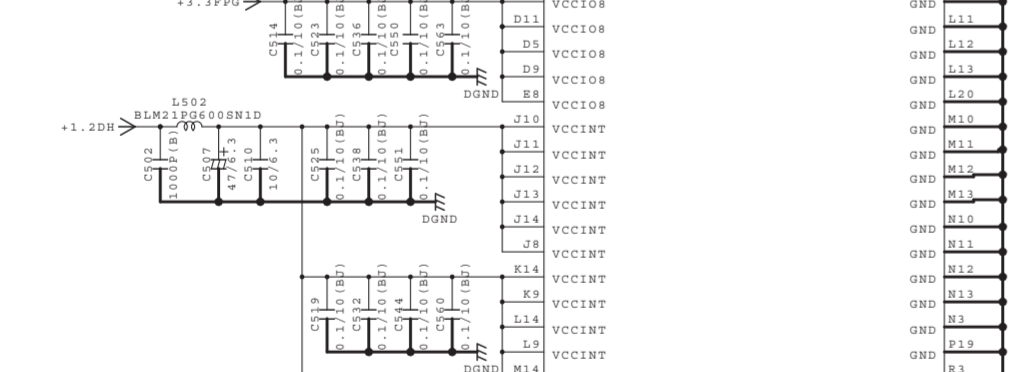
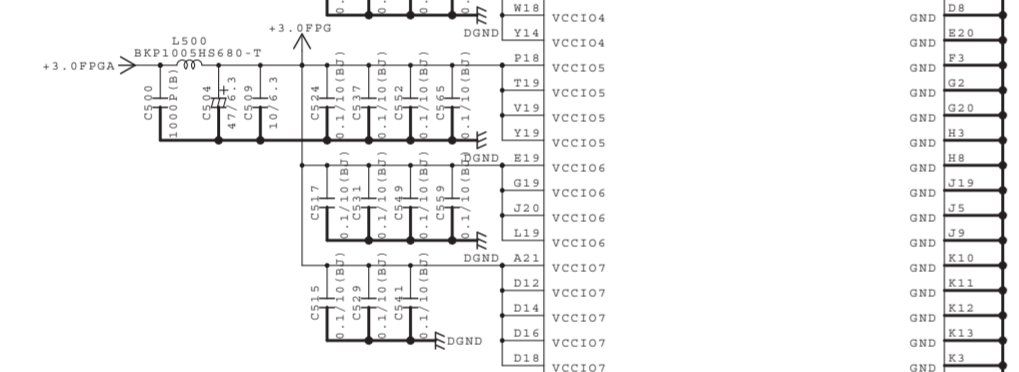
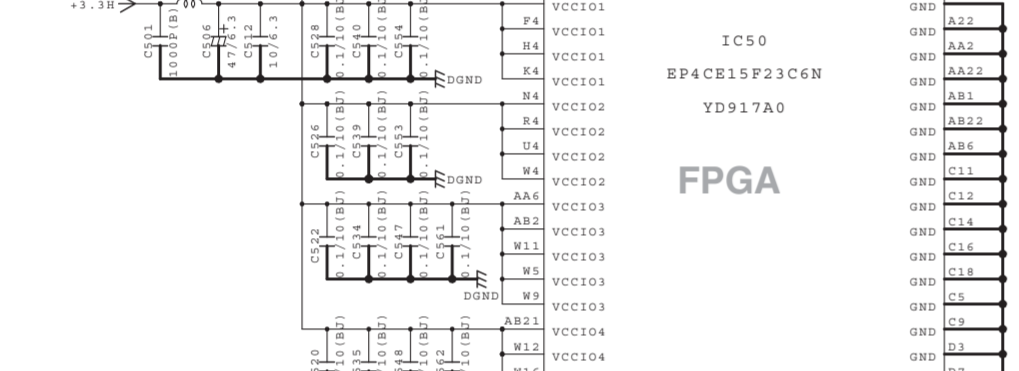
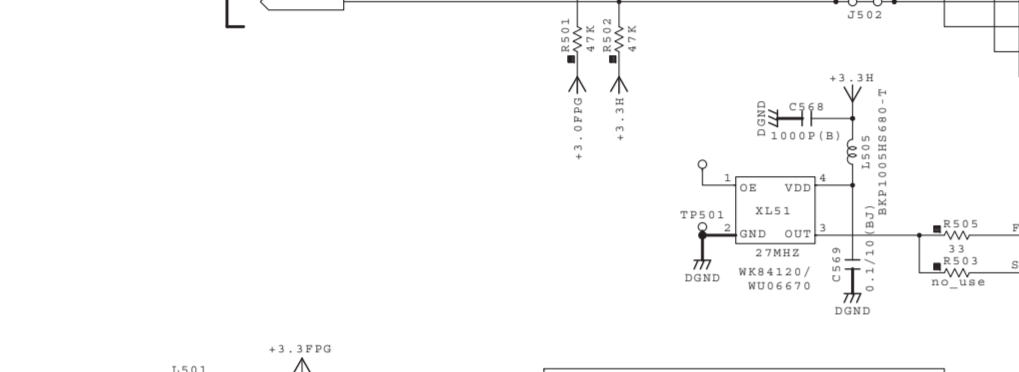
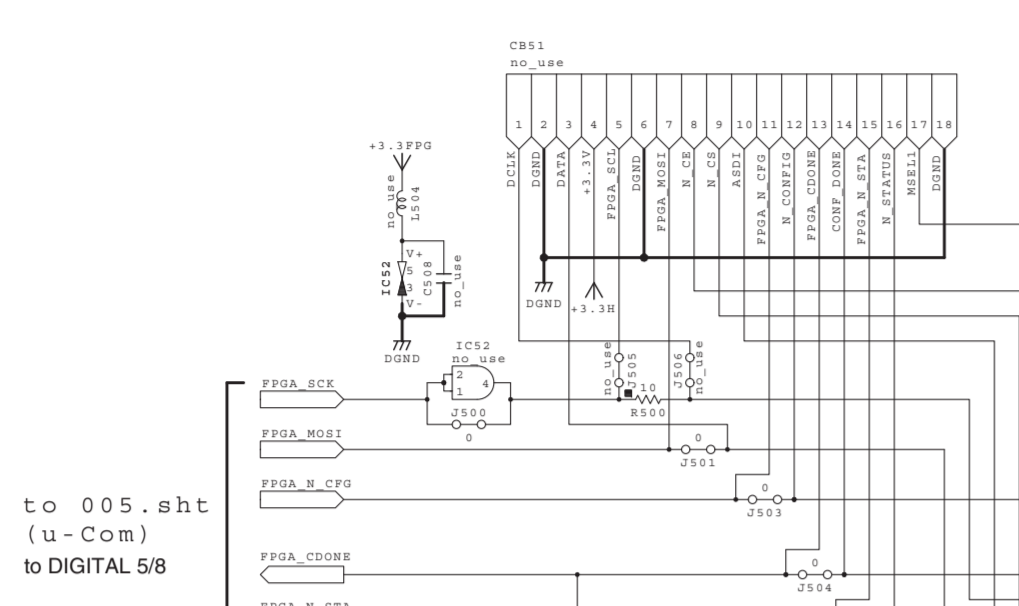
(*) U.S.A.
(*) CANADA
(*) CHINA
(*) INDIA
(*) JAPAN
(*) KOREA
(*) MALAYSIA
(*) MEXICO
(*) PHILIPPINES
(*) SINGAPORE
(*) SOUTH AFRICA
(*) SOUTH KOREA
(*) TAIWAN
(*) THAILAND
(*) HONGKONG
(*) LATIN AMERICA
(*) BRAZIL
(*) TRAIL



* All voltages are measured with a 10MΩ/V DC electronic voltmeter.
* Components having special characteristics are marked A, and must be replaced with parts having specifications equal to those originally installed.
* Schematic diagram is subject to change without notice.

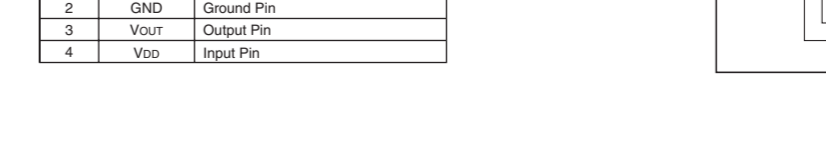
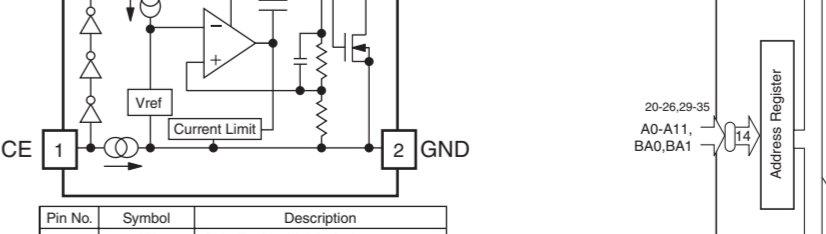
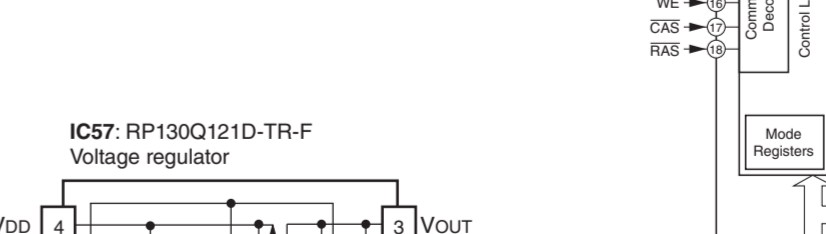
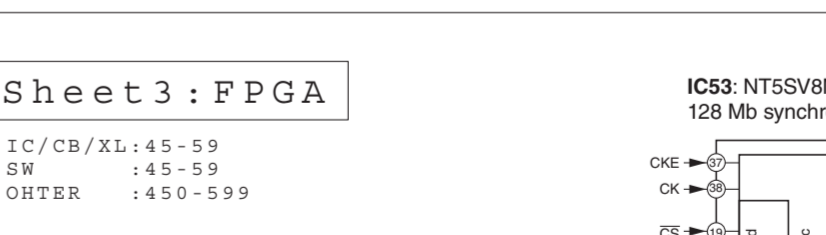
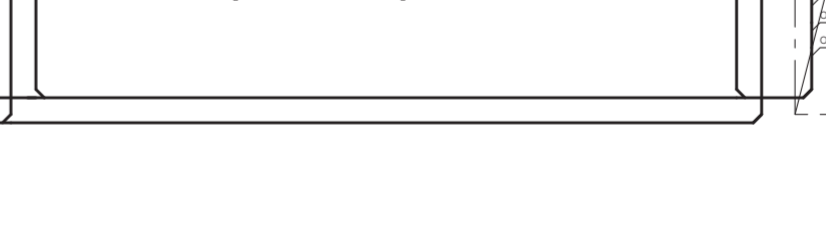
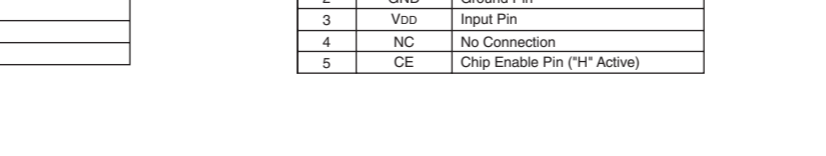
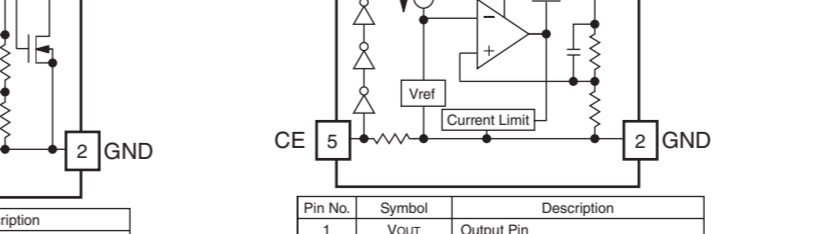
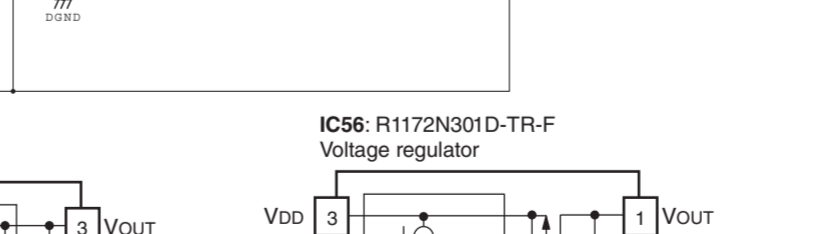
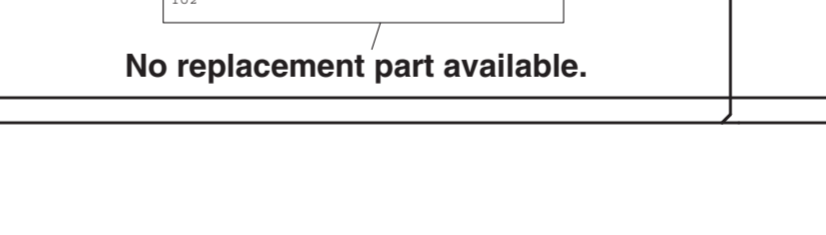
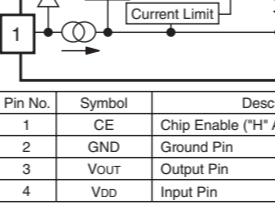
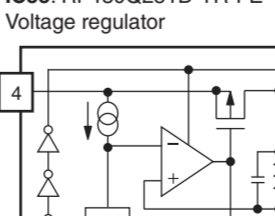
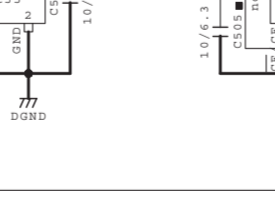
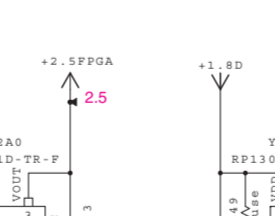
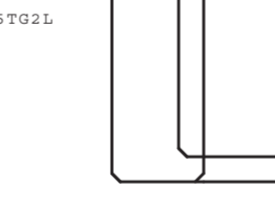
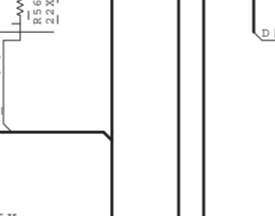
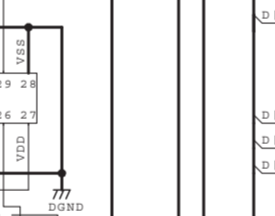
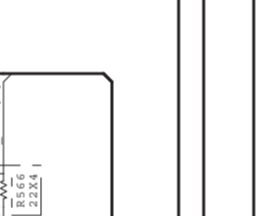
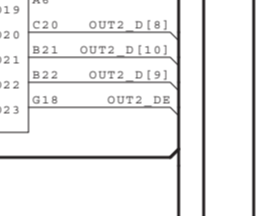
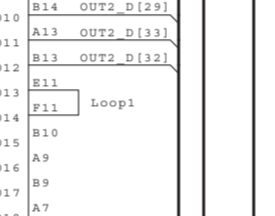
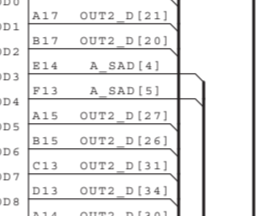
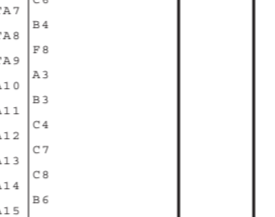
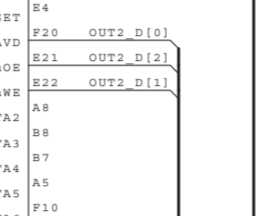
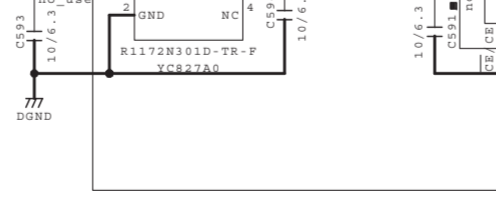
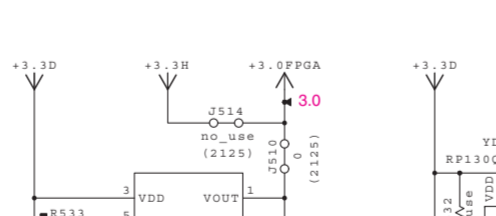
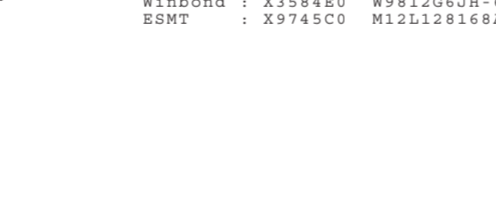
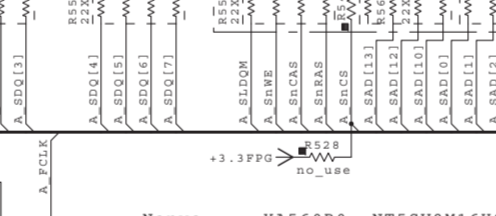
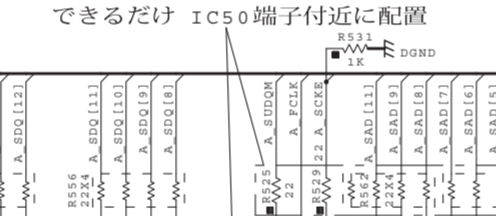
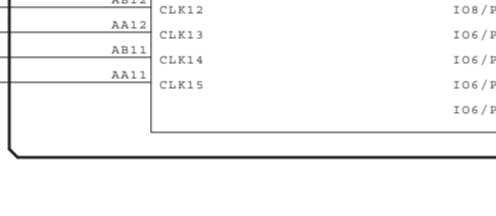
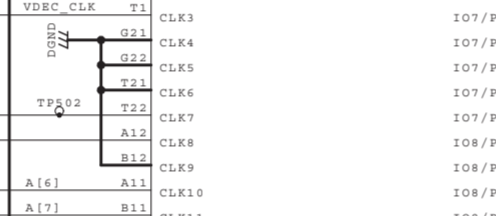
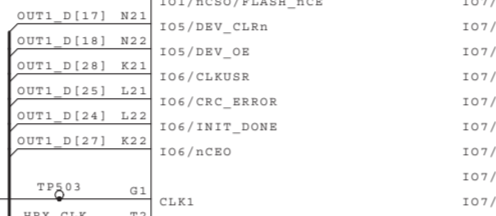
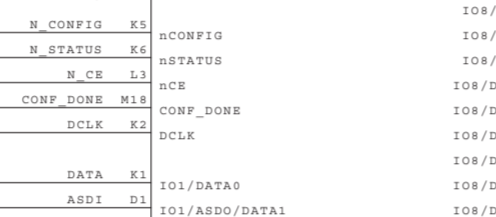
DIGITAL 3/8

to 001.sht (HDMI Rx) to DIGITAL 1/8
to 002.sht (VDec) to DIGITAL 2/8
to 005.sht (u-Com) to DIGITAL 5/8

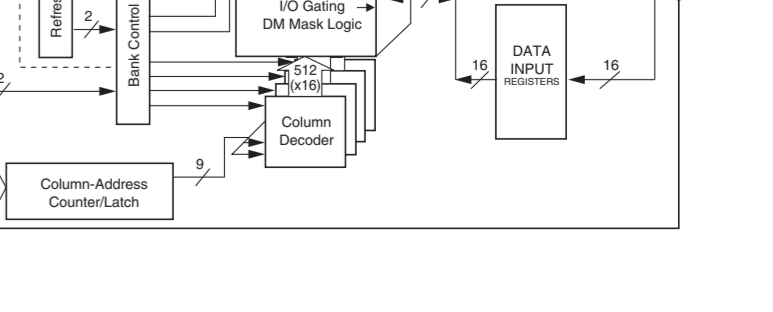
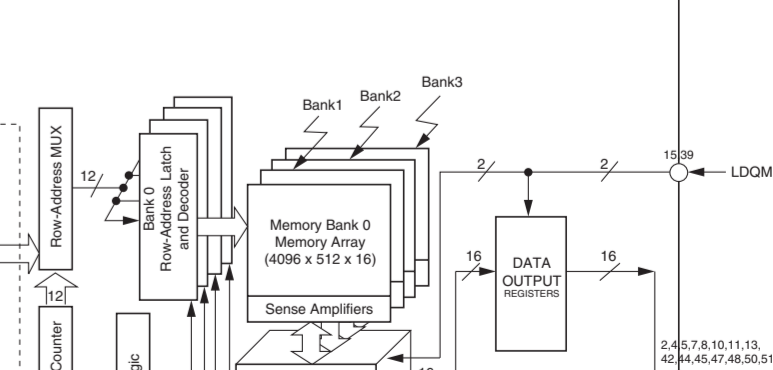
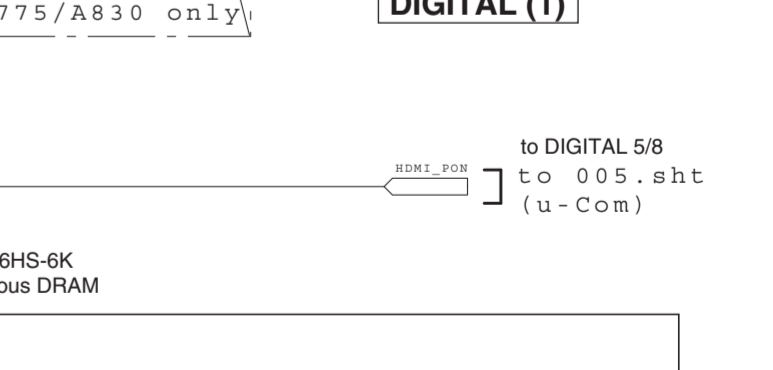
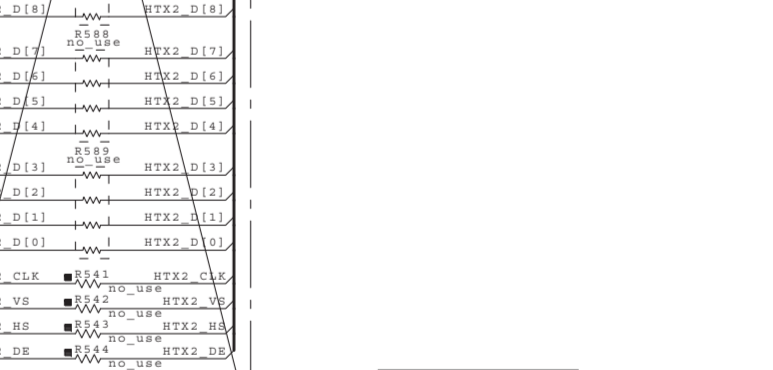
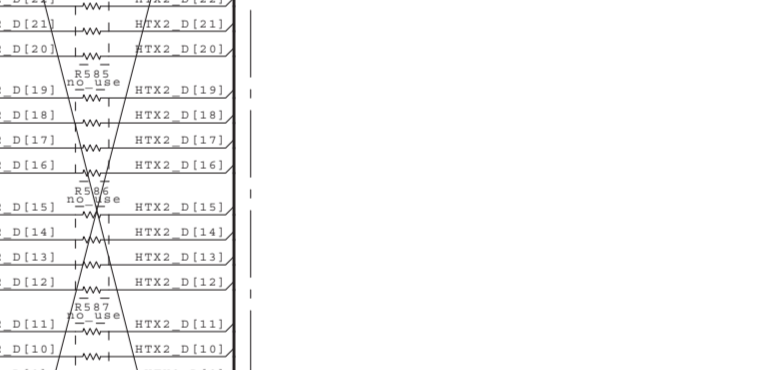
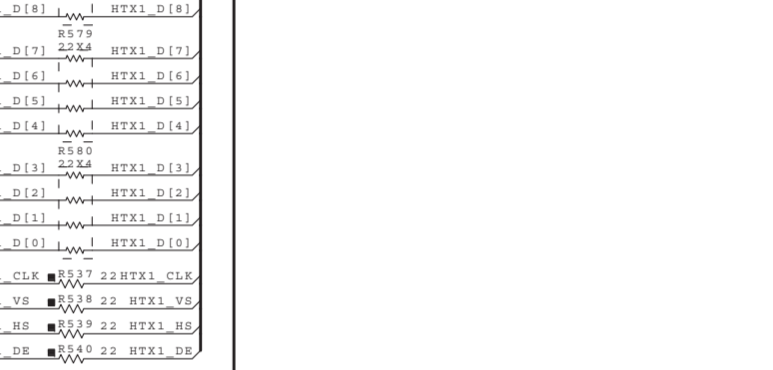
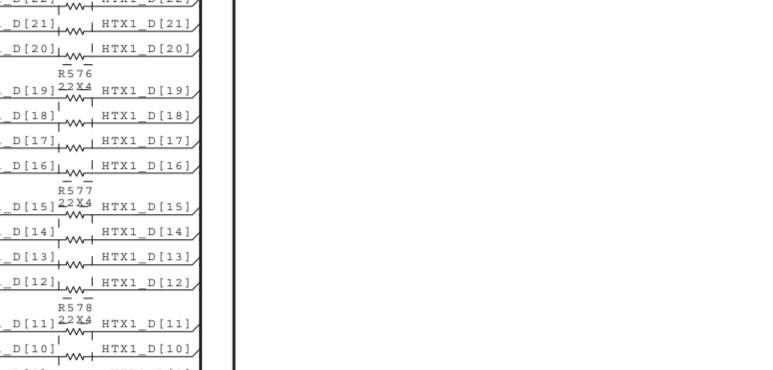
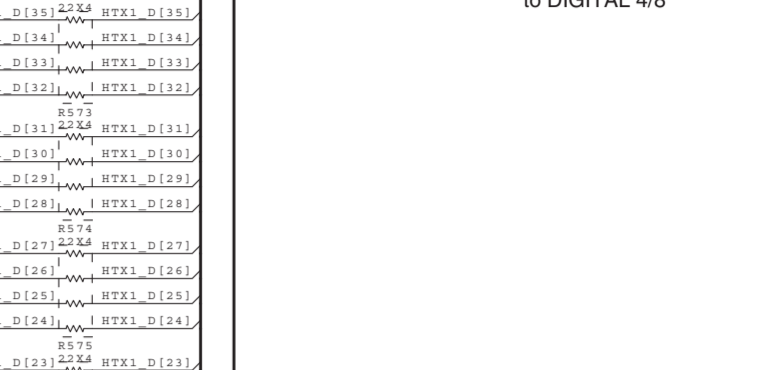


No replacement part available.

No replacement part available.



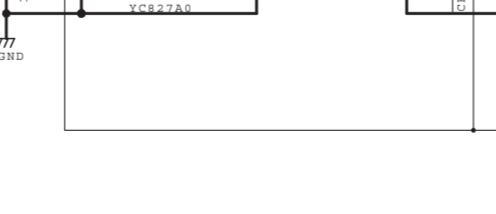
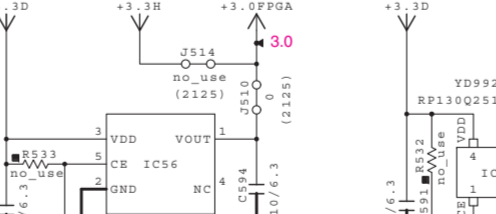
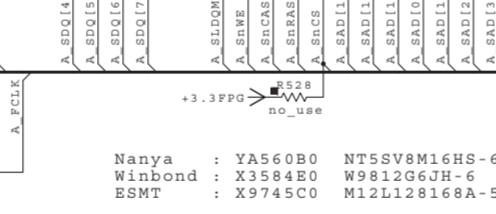
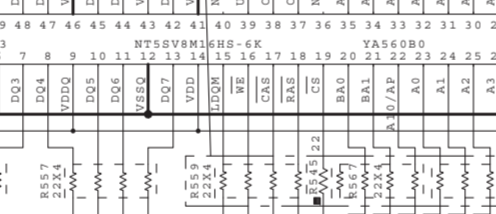
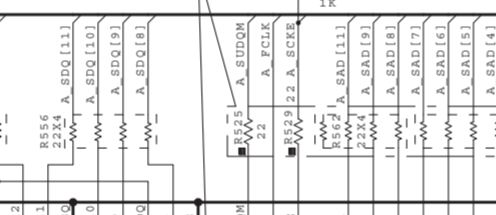
to 004.sht (HDMI Tx) to DIGITAL 4/8



No replacement part available.

No replacement part available.

できるだけ IC50 端子付近に配置



NOTICE (model)
(1) JAPAN
(2) U.S.A
(3) CANADA
(4) GENERAL
(5) CHINA
(6) KOREA
(7) AUSTRALIA
(8) BRITAIN
(9) EUROPE
(10) SINGAPORE
(11) HONGKONG
(12) POLYESTER FILM CAPACITOR
(13) POLYPROPYLENE FILM CAPACITOR
(14) CERAMIC CAPACITOR
(15) POLYBENZOTRIAZOLE PAPER CAPACITOR
(16) POLYIMIDE FILM CAPACITOR
(17) POLYESTER FILM CAPACITOR
(18) POLYPROPYLENE FILM CAPACITOR
(19) POLYIMIDE FILM CAPACITOR
(20) POLYESTER FILM CAPACITOR
(21) POLYPROPYLENE FILM CAPACITOR
(22) POLYIMIDE FILM CAPACITOR
(23) POLYESTER FILM CAPACITOR
(24) POLYPROPYLENE FILM CAPACITOR
(25) POLYIMIDE FILM CAPACITOR
(26) POLYESTER FILM CAPACITOR
(27) POLYPROPYLENE FILM CAPACITOR
(28) POLYIMIDE FILM CAPACITOR
(29) POLYESTER FILM CAPACITOR
(30) POLYPROPYLENE FILM CAPACITOR
(31) POLYIMIDE FILM CAPACITOR
(32) POLYESTER FILM CAPACITOR
(33) POLYPROPYLENE FILM CAPACITOR
(34) POLYIMIDE FILM CAPACITOR
(35) POLYESTER FILM CAPACITOR
(36) POLYPROPYLENE FILM CAPACITOR
(37) POLYIMIDE FILM CAPACITOR
(38) POLYESTER FILM CAPACITOR
(39) POLYPROPYLENE FILM CAPACITOR
(40) POLYIMIDE FILM CAPACITOR
(41) POLYESTER FILM CAPACITOR
(42) POLYPROPYLENE FILM CAPACITOR
(43) POLYIMIDE FILM CAPACITOR
(44) POLYESTER FILM CAPACITOR
(45) POLYPROPYLENE FILM CAPACITOR
(46) POLYIMIDE FILM CAPACITOR
(47) POLYESTER FILM CAPACITOR
(48) POLYPROPYLENE FILM CAPACITOR
(49) POLYIMIDE FILM CAPACITOR
(50) POLYESTER FILM CAPACITOR
(51) POLYPROPYLENE FILM CAPACITOR
(52) POLYIMIDE FILM CAPACITOR
(53) POLYESTER FILM CAPACITOR
(54) POLYPROPYLENE FILM CAPACITOR
(55) POLYIMIDE FILM CAPACITOR
(56) POLYESTER FILM CAPACITOR
(57) POLYPROPYLENE FILM CAPACITOR
(58) POLYIMIDE FILM CAPACITOR
(59) POLYESTER FILM CAPACITOR
(60) POLYPROPYLENE FILM CAPACITOR
(61) POLYIMIDE FILM CAPACITOR
(62) POLYESTER FILM CAPACITOR
(63) POLYPROPYLENE FILM CAPACITOR
(64) POLYIMIDE FILM CAPACITOR
(65) POLYESTER FILM CAPACITOR
(66) POLYPROPYLENE FILM CAPACITOR
(67) POLYIMIDE FILM CAPACITOR
(68) POLYESTER FILM CAPACITOR
(69) POLYPROPYLENE FILM CAPACITOR
(70) POLYIMIDE FILM CAPACITOR
(71) POLYESTER FILM CAPACITOR
(72) POLYPROPYLENE FILM CAPACITOR
(73) POLYIMIDE FILM CAPACITOR
(74) POLYESTER FILM CAPACITOR
(75) POLYPROPYLENE FILM CAPACITOR
(76) POLYIMIDE FILM CAPACITOR
(77) POLYESTER FILM CAPACITOR
(78) POLYPROPYLENE FILM CAPACITOR
(79) POLYIMIDE FILM CAPACITOR
(80) POLYESTER FILM CAPACITOR
(81) POLYPROPYLENE FILM CAPACITOR
(82) POLYIMIDE FILM CAPACITOR
(83) POLYESTER FILM CAPACITOR
(84) POLYPROPYLENE FILM CAPACITOR
(85) POLYIMIDE FILM CAPACITOR
(86) POLYESTER FILM CAPACITOR
(87) POLYPROPYLENE FILM CAPACITOR
(88) POLYIMIDE FILM CAPACITOR
(89) POLYESTER FILM CAPACITOR
(90) POLYPROPYLENE FILM CAPACITOR
(91) POLYIMIDE FILM CAPACITOR
(92) POLYESTER FILM CAPACITOR
(93) POLYPROPYLENE FILM CAPACITOR
(94) POLYIMIDE FILM CAPACITOR
(95) POLYESTER FILM CAPACITOR
(96) POLYPROPYLENE FILM CAPACITOR
(97) POLYIMIDE FILM CAPACITOR
(98) POLYESTER FILM CAPACITOR
(99) POLYPROPYLENE FILM CAPACITOR
(100) POLYIMIDE FILM CAPACITOR

All voltages are measured with a 10MΩ DC electronic voltmeter.
Components having special characteristics are marked Δ and must be replaced with parts having specifications equal to those originally installed.
Schematic diagram is subject to change without notice.

Sheet 3 : FPGA

IC/CB/XL: 45-59
SW : 45-59
OHTER : 450-599

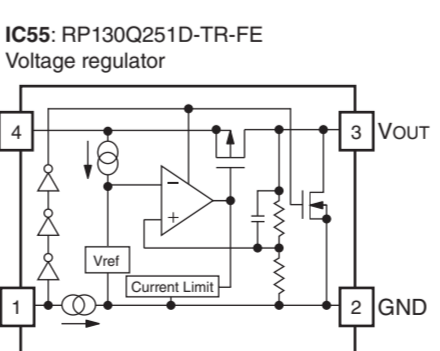


Table with 4 columns: Pin No., Symbol, Description, and Value. Rows include CE, GND, Vout, and Vcc.

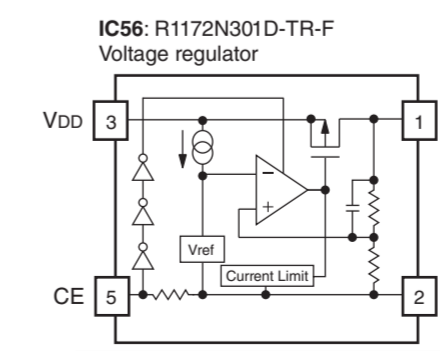


Table with 4 columns: Pin No., Symbol, Description, and Value. Rows include CE, GND, Vout, and Vcc.

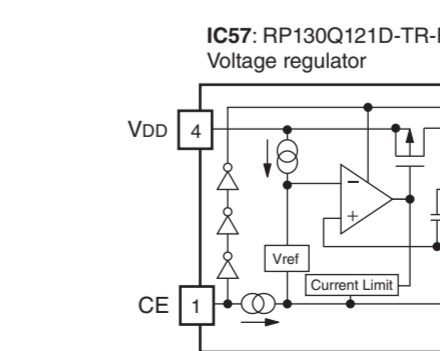
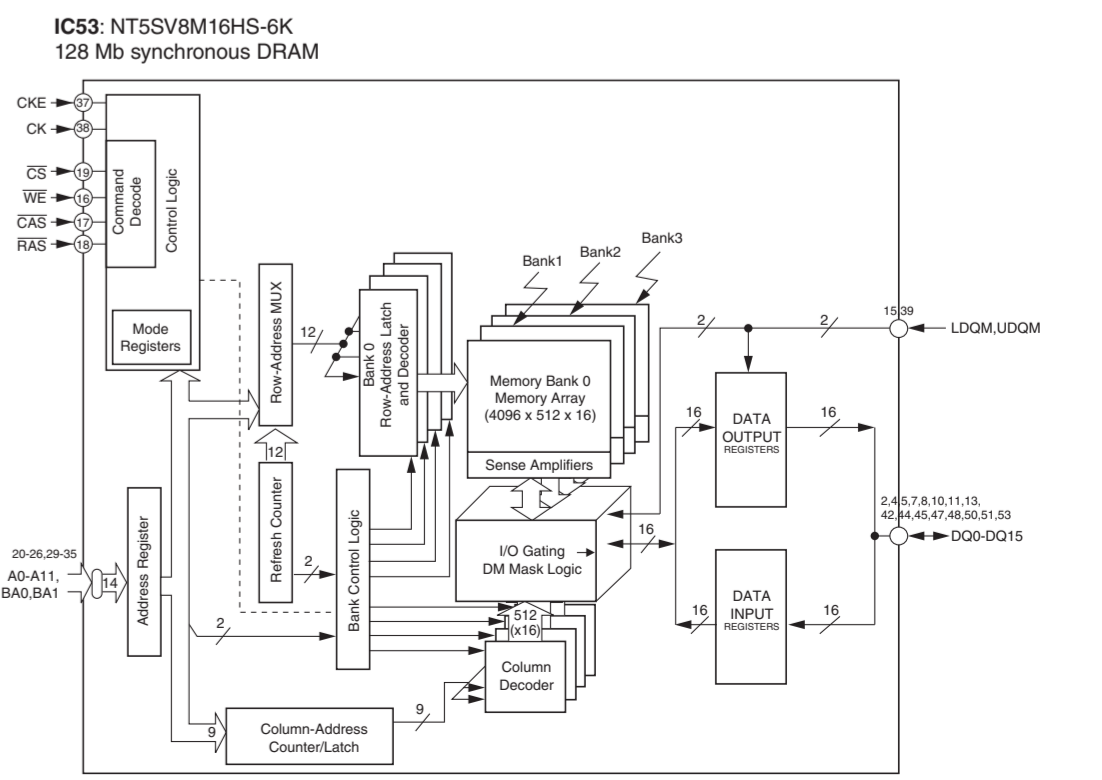


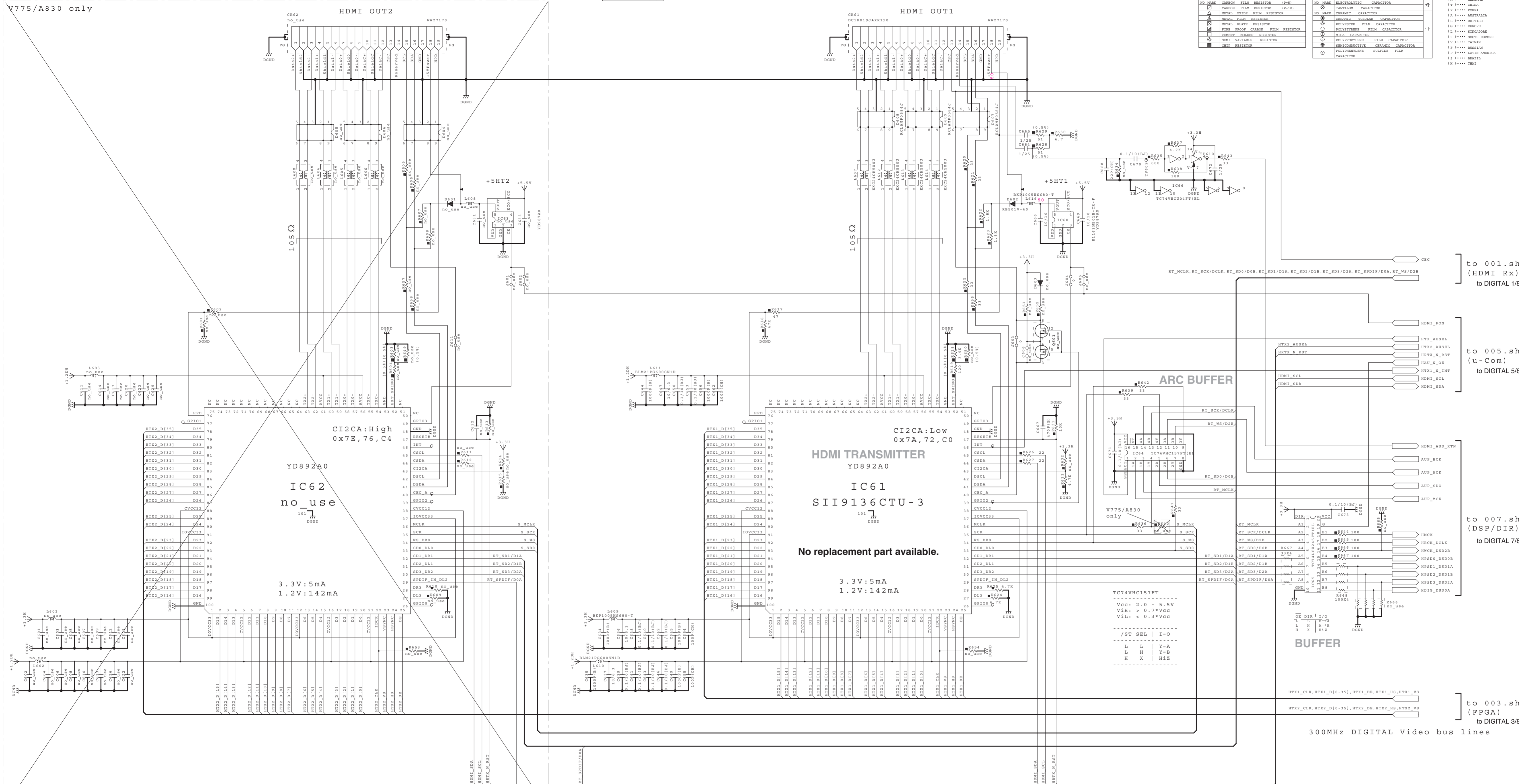
Table with 4 columns: Pin No., Symbol, Description, and Value. Rows include CE, GND, Vout, and Vcc.



DIGITAL (1)

DIGITAL 4/8

DIGITAL (1)



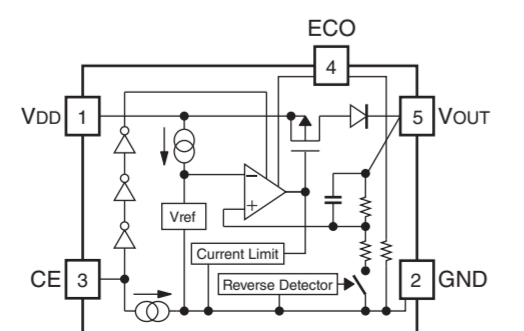
RESISTOR	PARTS NAME	VALUE
R1	CARBON FILM RESISTOR (E=1%)	10K
R2	METAL OXIDE FILM RESISTOR	10K
R3	METAL FILM RESISTOR	10K
R4	METAL FILM RESISTOR	10K
R5	METAL FILM RESISTOR	10K
R6	METAL FILM RESISTOR	10K
R7	METAL FILM RESISTOR	10K
R8	METAL FILM RESISTOR	10K
R9	METAL FILM RESISTOR	10K
R10	METAL FILM RESISTOR	10K
R11	METAL FILM RESISTOR	10K
R12	METAL FILM RESISTOR	10K
R13	METAL FILM RESISTOR	10K
R14	METAL FILM RESISTOR	10K
R15	METAL FILM RESISTOR	10K
R16	METAL FILM RESISTOR	10K
R17	METAL FILM RESISTOR	10K
R18	METAL FILM RESISTOR	10K
R19	METAL FILM RESISTOR	10K
R20	METAL FILM RESISTOR	10K
R21	METAL FILM RESISTOR	10K
R22	METAL FILM RESISTOR	10K
R23	METAL FILM RESISTOR	10K
R24	METAL FILM RESISTOR	10K
R25	METAL FILM RESISTOR	10K
R26	METAL FILM RESISTOR	10K
R27	METAL FILM RESISTOR	10K
R28	METAL FILM RESISTOR	10K
R29	METAL FILM RESISTOR	10K
R30	METAL FILM RESISTOR	10K
R31	METAL FILM RESISTOR	10K
R32	METAL FILM RESISTOR	10K
R33	METAL FILM RESISTOR	10K
R34	METAL FILM RESISTOR	10K
R35	METAL FILM RESISTOR	10K
R36	METAL FILM RESISTOR	10K
R37	METAL FILM RESISTOR	10K
R38	METAL FILM RESISTOR	10K
R39	METAL FILM RESISTOR	10K
R40	METAL FILM RESISTOR	10K
R41	METAL FILM RESISTOR	10K
R42	METAL FILM RESISTOR	10K
R43	METAL FILM RESISTOR	10K
R44	METAL FILM RESISTOR	10K
R45	METAL FILM RESISTOR	10K
R46	METAL FILM RESISTOR	10K
R47	METAL FILM RESISTOR	10K
R48	METAL FILM RESISTOR	10K
R49	METAL FILM RESISTOR	10K
R50	METAL FILM RESISTOR	10K
R51	METAL FILM RESISTOR	10K
R52	METAL FILM RESISTOR	10K
R53	METAL FILM RESISTOR	10K
R54	METAL FILM RESISTOR	10K
R55	METAL FILM RESISTOR	10K
R56	METAL FILM RESISTOR	10K
R57	METAL FILM RESISTOR	10K
R58	METAL FILM RESISTOR	10K
R59	METAL FILM RESISTOR	10K
R60	METAL FILM RESISTOR	10K
R61	METAL FILM RESISTOR	10K
R62	METAL FILM RESISTOR	10K
R63	METAL FILM RESISTOR	10K
R64	METAL FILM RESISTOR	10K
R65	METAL FILM RESISTOR	10K
R66	METAL FILM RESISTOR	10K
R67	METAL FILM RESISTOR	10K
R68	METAL FILM RESISTOR	10K
R69	METAL FILM RESISTOR	10K
R70	METAL FILM RESISTOR	10K
R71	METAL FILM RESISTOR	10K
R72	METAL FILM RESISTOR	10K
R73	METAL FILM RESISTOR	10K
R74	METAL FILM RESISTOR	10K
R75	METAL FILM RESISTOR	10K
R76	METAL FILM RESISTOR	10K
R77	METAL FILM RESISTOR	10K
R78	METAL FILM RESISTOR	10K
R79	METAL FILM RESISTOR	10K
R80	METAL FILM RESISTOR	10K
R81	METAL FILM RESISTOR	10K
R82	METAL FILM RESISTOR	10K
R83	METAL FILM RESISTOR	10K
R84	METAL FILM RESISTOR	10K
R85	METAL FILM RESISTOR	10K
R86	METAL FILM RESISTOR	10K
R87	METAL FILM RESISTOR	10K
R88	METAL FILM RESISTOR	10K
R89	METAL FILM RESISTOR	10K
R90	METAL FILM RESISTOR	10K
R91	METAL FILM RESISTOR	10K
R92	METAL FILM RESISTOR	10K
R93	METAL FILM RESISTOR	10K
R94	METAL FILM RESISTOR	10K
R95	METAL FILM RESISTOR	10K
R96	METAL FILM RESISTOR	10K
R97	METAL FILM RESISTOR	10K
R98	METAL FILM RESISTOR	10K
R99	METAL FILM RESISTOR	10K
R100	METAL FILM RESISTOR	10K

CAPACITOR	PARTS NAME	VALUE
C1	ELECTROLYTIC CAPACITOR	100µF
C2	TANTALUM CAPACITOR	10µF
C3	CERAMIC CAPACITOR	10µF
C4	CERAMIC CAPACITOR	10µF
C5	POLYESTER FILM CAPACITOR	10µF
C6	POLYESTER FILM CAPACITOR	10µF
C7	POLYESTER FILM CAPACITOR	10µF
C8	POLYESTER FILM CAPACITOR	10µF
C9	POLYESTER FILM CAPACITOR	10µF
C10	POLYESTER FILM CAPACITOR	10µF
C11	POLYESTER FILM CAPACITOR	10µF
C12	POLYESTER FILM CAPACITOR	10µF
C13	POLYESTER FILM CAPACITOR	10µF
C14	POLYESTER FILM CAPACITOR	10µF
C15	POLYESTER FILM CAPACITOR	10µF
C16	POLYESTER FILM CAPACITOR	10µF
C17	POLYESTER FILM CAPACITOR	10µF
C18	POLYESTER FILM CAPACITOR	10µF
C19	POLYESTER FILM CAPACITOR	10µF
C20	POLYESTER FILM CAPACITOR	10µF
C21	POLYESTER FILM CAPACITOR	10µF
C22	POLYESTER FILM CAPACITOR	10µF
C23	POLYESTER FILM CAPACITOR	10µF
C24	POLYESTER FILM CAPACITOR	10µF
C25	POLYESTER FILM CAPACITOR	10µF
C26	POLYESTER FILM CAPACITOR	10µF
C27	POLYESTER FILM CAPACITOR	10µF
C28	POLYESTER FILM CAPACITOR	10µF
C29	POLYESTER FILM CAPACITOR	10µF
C30	POLYESTER FILM CAPACITOR	10µF
C31	POLYESTER FILM CAPACITOR	10µF
C32	POLYESTER FILM CAPACITOR	10µF
C33	POLYESTER FILM CAPACITOR	10µF
C34	POLYESTER FILM CAPACITOR	10µF
C35	POLYESTER FILM CAPACITOR	10µF
C36	POLYESTER FILM CAPACITOR	10µF
C37	POLYESTER FILM CAPACITOR	10µF
C38	POLYESTER FILM CAPACITOR	10µF
C39	POLYESTER FILM CAPACITOR	10µF
C40	POLYESTER FILM CAPACITOR	10µF
C41	POLYESTER FILM CAPACITOR	10µF
C42	POLYESTER FILM CAPACITOR	10µF
C43	POLYESTER FILM CAPACITOR	10µF
C44	POLYESTER FILM CAPACITOR	10µF
C45	POLYESTER FILM CAPACITOR	10µF
C46	POLYESTER FILM CAPACITOR	10µF
C47	POLYESTER FILM CAPACITOR	10µF
C48	POLYESTER FILM CAPACITOR	10µF
C49	POLYESTER FILM CAPACITOR	10µF
C50	POLYESTER FILM CAPACITOR	10µF
C51	POLYESTER FILM CAPACITOR	10µF
C52	POLYESTER FILM CAPACITOR	10µF
C53	POLYESTER FILM CAPACITOR	10µF
C54	POLYESTER FILM CAPACITOR	10µF
C55	POLYESTER FILM CAPACITOR	10µF
C56	POLYESTER FILM CAPACITOR	10µF
C57	POLYESTER FILM CAPACITOR	10µF
C58	POLYESTER FILM CAPACITOR	10µF
C59	POLYESTER FILM CAPACITOR	10µF
C60	POLYESTER FILM CAPACITOR	10µF
C61	POLYESTER FILM CAPACITOR	10µF
C62	POLYESTER FILM CAPACITOR	10µF
C63	POLYESTER FILM CAPACITOR	10µF
C64	POLYESTER FILM CAPACITOR	10µF
C65	POLYESTER FILM CAPACITOR	10µF
C66	POLYESTER FILM CAPACITOR	10µF
C67	POLYESTER FILM CAPACITOR	10µF
C68	POLYESTER FILM CAPACITOR	10µF
C69	POLYESTER FILM CAPACITOR	10µF
C70	POLYESTER FILM CAPACITOR	10µF
C71	POLYESTER FILM CAPACITOR	10µF
C72	POLYESTER FILM CAPACITOR	10µF
C73	POLYESTER FILM CAPACITOR	10µF
C74	POLYESTER FILM CAPACITOR	10µF
C75	POLYESTER FILM CAPACITOR	10µF
C76	POLYESTER FILM CAPACITOR	10µF
C77	POLYESTER FILM CAPACITOR	10µF
C78	POLYESTER FILM CAPACITOR	10µF
C79	POLYESTER FILM CAPACITOR	10µF
C80	POLYESTER FILM CAPACITOR	10µF
C81	POLYESTER FILM CAPACITOR	10µF
C82	POLYESTER FILM CAPACITOR	10µF
C83	POLYESTER FILM CAPACITOR	10µF
C84	POLYESTER FILM CAPACITOR	10µF
C85	POLYESTER FILM CAPACITOR	10µF
C86	POLYESTER FILM CAPACITOR	10µF
C87	POLYESTER FILM CAPACITOR	10µF
C88	POLYESTER FILM CAPACITOR	10µF
C89	POLYESTER FILM CAPACITOR	10µF
C90	POLYESTER FILM CAPACITOR	10µF
C91	POLYESTER FILM CAPACITOR	10µF
C92	POLYESTER FILM CAPACITOR	10µF
C93	POLYESTER FILM CAPACITOR	10µF
C94	POLYESTER FILM CAPACITOR	10µF
C95	POLYESTER FILM CAPACITOR	10µF
C96	POLYESTER FILM CAPACITOR	10µF
C97	POLYESTER FILM CAPACITOR	10µF
C98	POLYESTER FILM CAPACITOR	10µF
C99	POLYESTER FILM CAPACITOR	10µF
C100	POLYESTER FILM CAPACITOR	10µF

Sheet 4: HDMI Tx

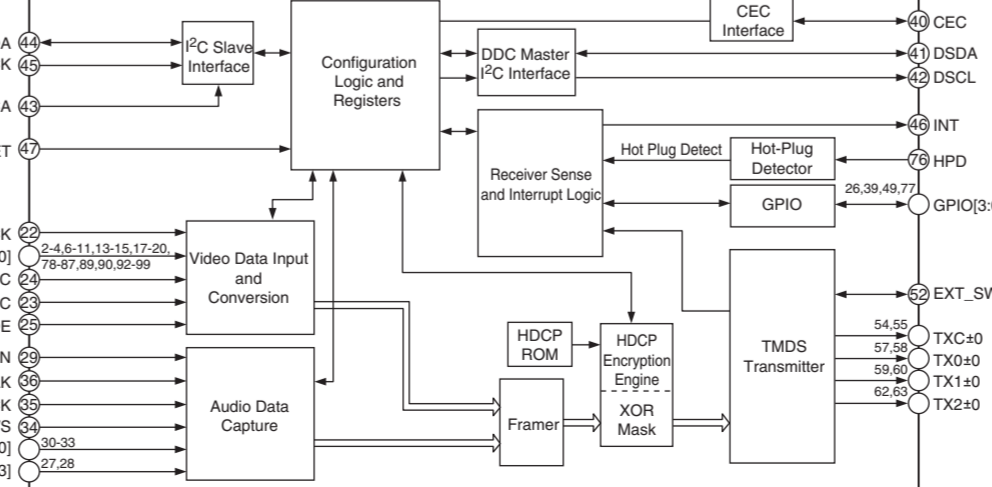
IC/CB/XL: 60-74
OHTER : 600-749

IC60: R1163N501B-TR-FE CMOS-based manual mode switching LDO regulator

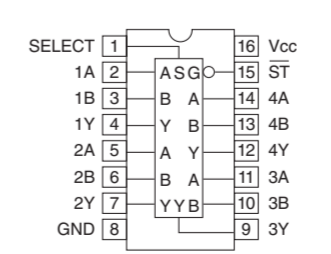


Pin No.	Symbol	Description
1	VDD	Input Pin
2	GND	Ground Pin
3	CE	Chip Enable Pin ("H" Active)
4	ECO	MODE Alternative Pin
5	VOUT	Output Pin

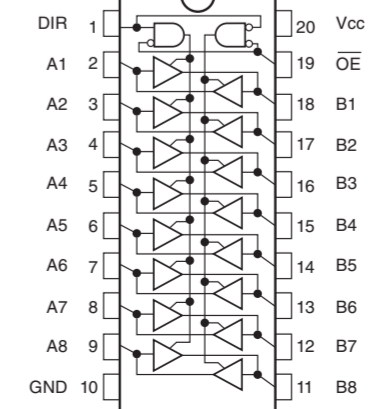
IC61: SII9136CTU-3 HDMI deep color transmitter



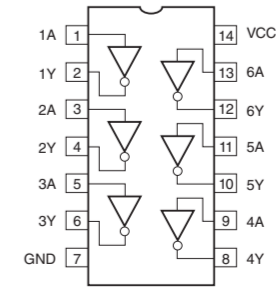
IC64: TC74VHC157FT Quad 2-channel multiplexer



IC65: TC74LX245FT Low voltage octal bus transceiver with 5-V tolerant inputs and outputs

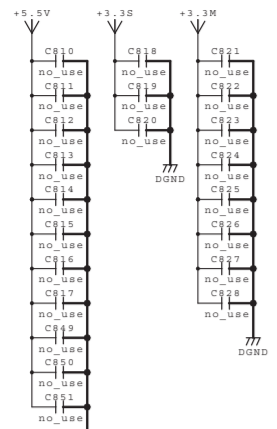


IC66: TC74VHC04FT Hex inverters

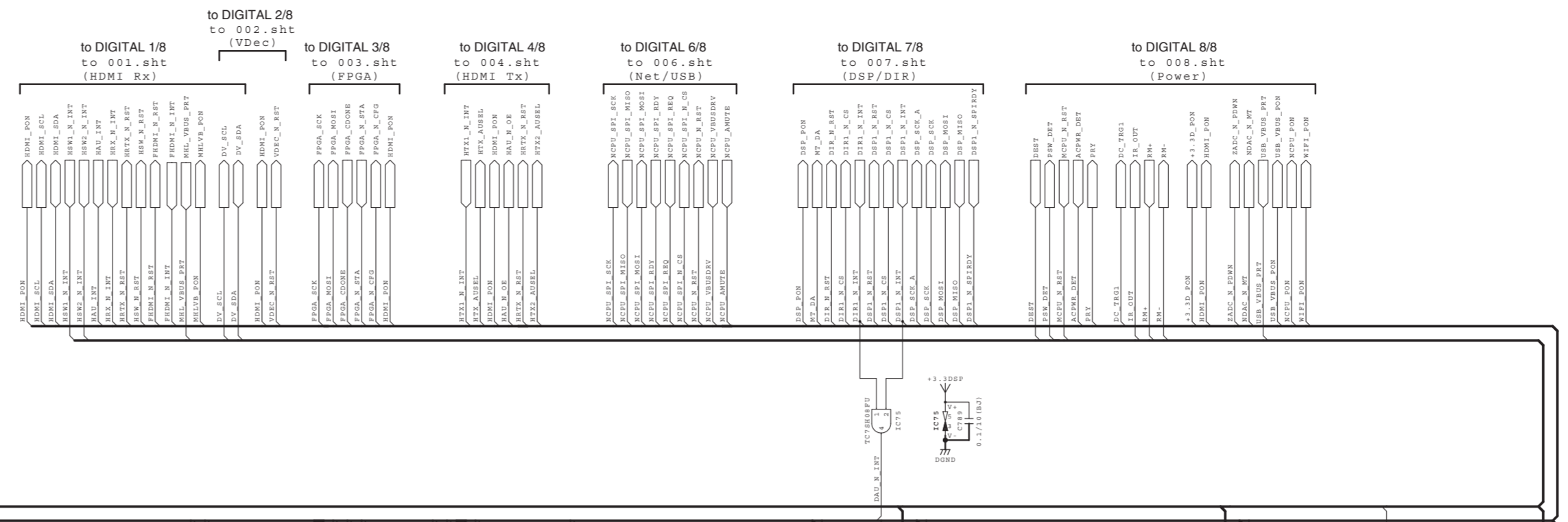
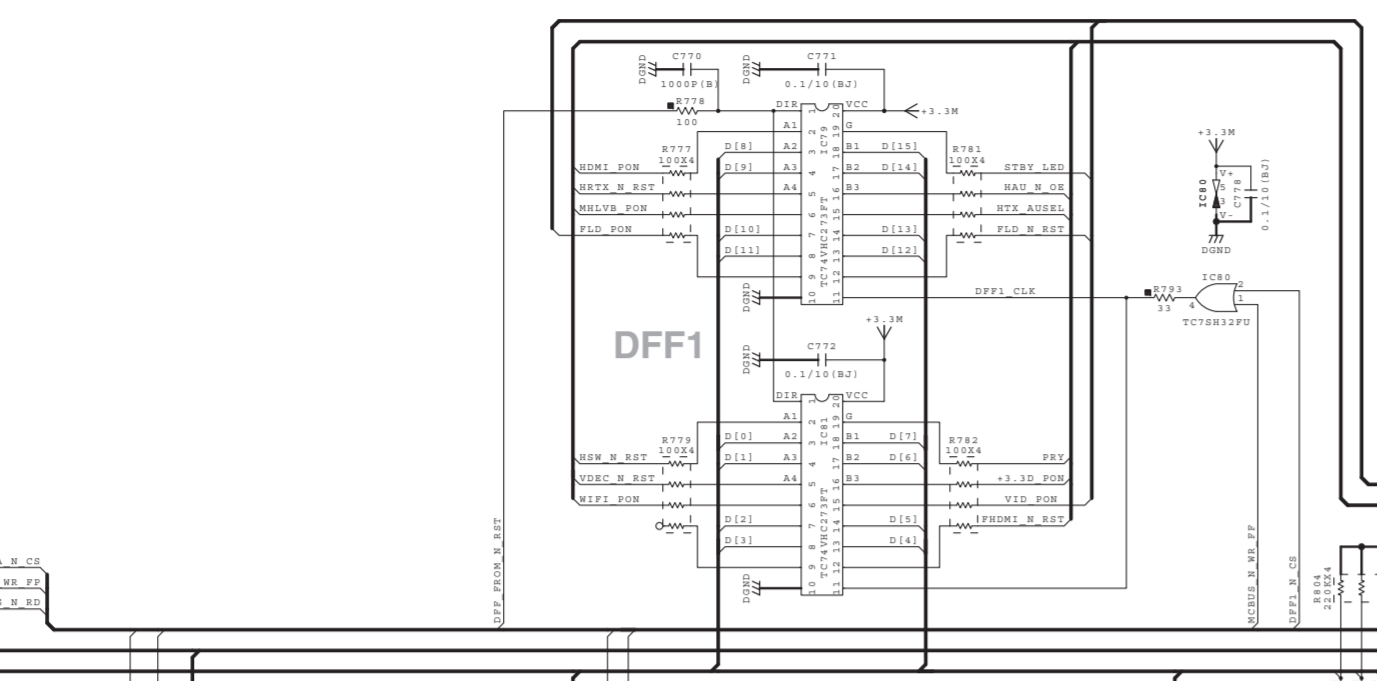


* All voltages are measured with a 10MΩ/V DC electronic voltmeter.
 * Components having special characteristics are marked A, and must be replaced with parts having specifications equal to those originally installed.
 * Schematic diagram is subject to change without notice.

DIGITAL 5/8



DIGITAL (1)



to DIGITAL 3/8 (PPGA)

Table with 2 columns: PARTS, VALUE. Lists various electronic components like resistors, capacitors, and diodes.

NOTICE (models)
Written by YEM YF2C3A0
R5C Blank: X069790 R5C29LV6408BT-700
R5C Blank: TC97980 R5C29LV6408-90TIP

FLASH ROM

IC75: TC7SH08FU 2-input AND gate

IC76: SN74LV4051APWR 8-channel analog multiplexers/demultiplexers

IC77: EN29LV640AB-90TIP 64 M-bit flash memory boot sector flash memory, CMOS 3.0 volt-only

IC78: R1EX2512ATA00A 64 K word x 8-bit serial peripheral interface EEPROM

IC79: R1C74VHC273FT (EL-K) Octal D-type flip-flop with clear

IC80: TC7SH32FU 2-input OR gate

IC81: R1C75H86FU Exclusive OR gate

IC82: SN74LVC1G17DCKR Single schmitt-trigger buffer

IC83: TC7WH126FU Dual bus buffer

IC84: 85: RP130Q331D-TR-F Voltage regulator

IC85: TC7SH86FU Exclusive OR gate

IC86: SN74LVC1G17DCKR Single schmitt-trigger buffer

IC87: TC7WH126FU Dual bus buffer

IC88: R1EX2512ATA00A 64 K word x 8-bit serial peripheral interface EEPROM

IC89: TC7SH86FU Exclusive OR gate

IC90: SN74LVC1G17DCKR Single schmitt-trigger buffer

IC91: TC7WH126FU Dual bus buffer

IC92: R1EX2512ATA00A 64 K word x 8-bit serial peripheral interface EEPROM

IC93: TC7WH126FU Dual bus buffer

IC94: R1EX2512ATA00A 64 K word x 8-bit serial peripheral interface EEPROM

IC95: TC7WH126FU Dual bus buffer

IC96: R1EX2512ATA00A 64 K word x 8-bit serial peripheral interface EEPROM

IC97: TC7WH126FU Dual bus buffer

IC98: R1EX2512ATA00A 64 K word x 8-bit serial peripheral interface EEPROM

IC99: TC7WH126FU Dual bus buffer

IC100: R1EX2512ATA00A 64 K word x 8-bit serial peripheral interface EEPROM

IC101: TC7WH126FU Dual bus buffer

IC102: R1EX2512ATA00A 64 K word x 8-bit serial peripheral interface EEPROM

IC103: TC7WH126FU Dual bus buffer

IC104: R1EX2512ATA00A 64 K word x 8-bit serial peripheral interface EEPROM

IC105: TC7WH126FU Dual bus buffer

IC106: R1EX2512ATA00A 64 K word x 8-bit serial peripheral interface EEPROM

IC107: TC7WH126FU Dual bus buffer

IC108: R1EX2512ATA00A 64 K word x 8-bit serial peripheral interface EEPROM

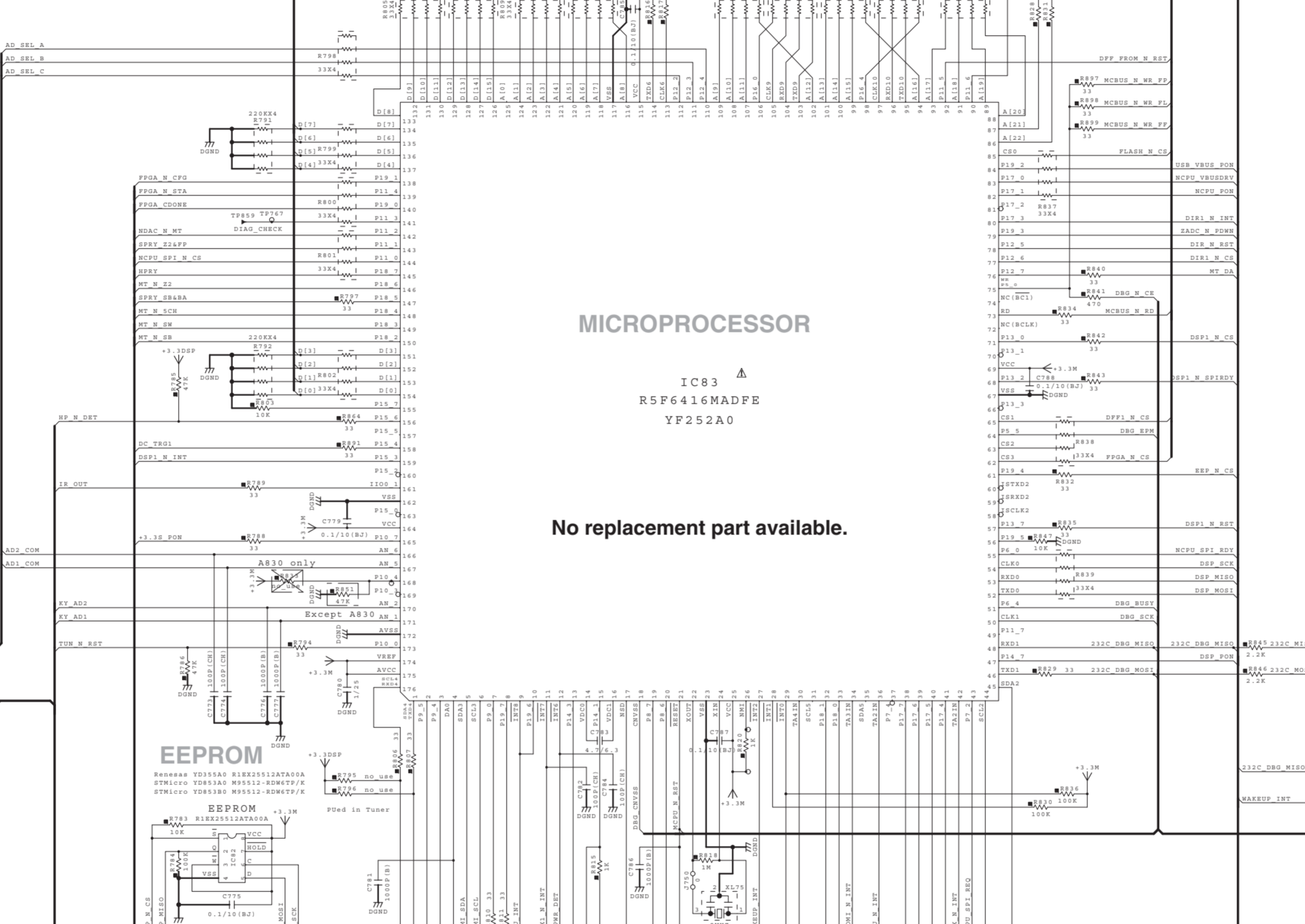
IC109: TC7WH126FU Dual bus buffer

IC110: R1EX2512ATA00A 64 K word x 8-bit serial peripheral interface EEPROM

IC111: TC7WH126FU Dual bus buffer

IC112: R1EX2512ATA00A 64 K word x 8-bit serial peripheral interface EEPROM

IC113: TC7WH126FU Dual bus buffer



No replacement part available.

Sheet 5 : u - Com

IC/CB/XL: 75-99

OTHER : 750-999

- * All voltages are measured with a 10MΩ/V DC electronic voltmeter.
* Components having special characteristics are marked Δ and must be replaced with parts having specifications equal to those originally installed.
* Schematic diagram is subject to change without notice.

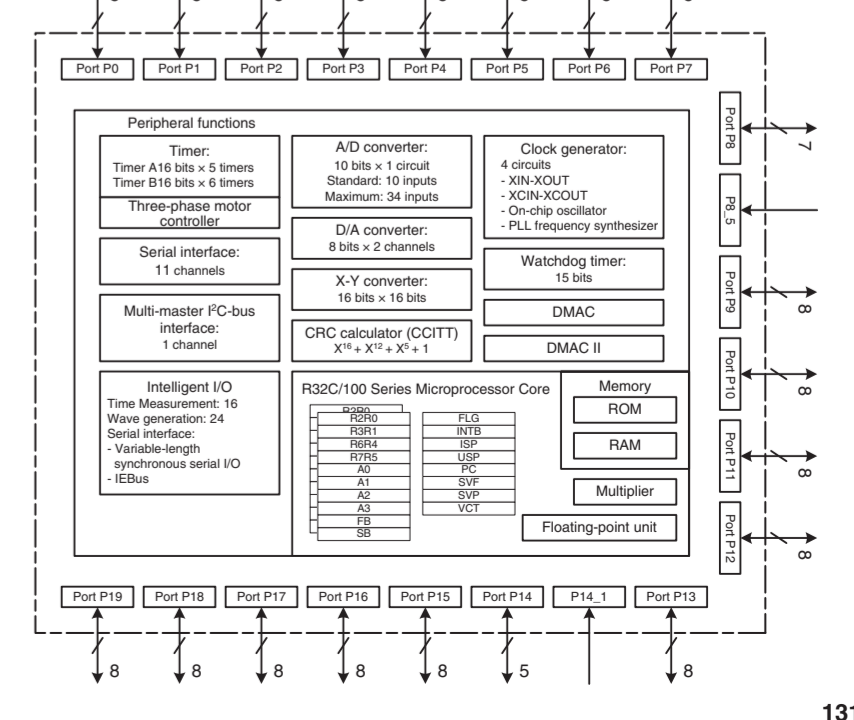


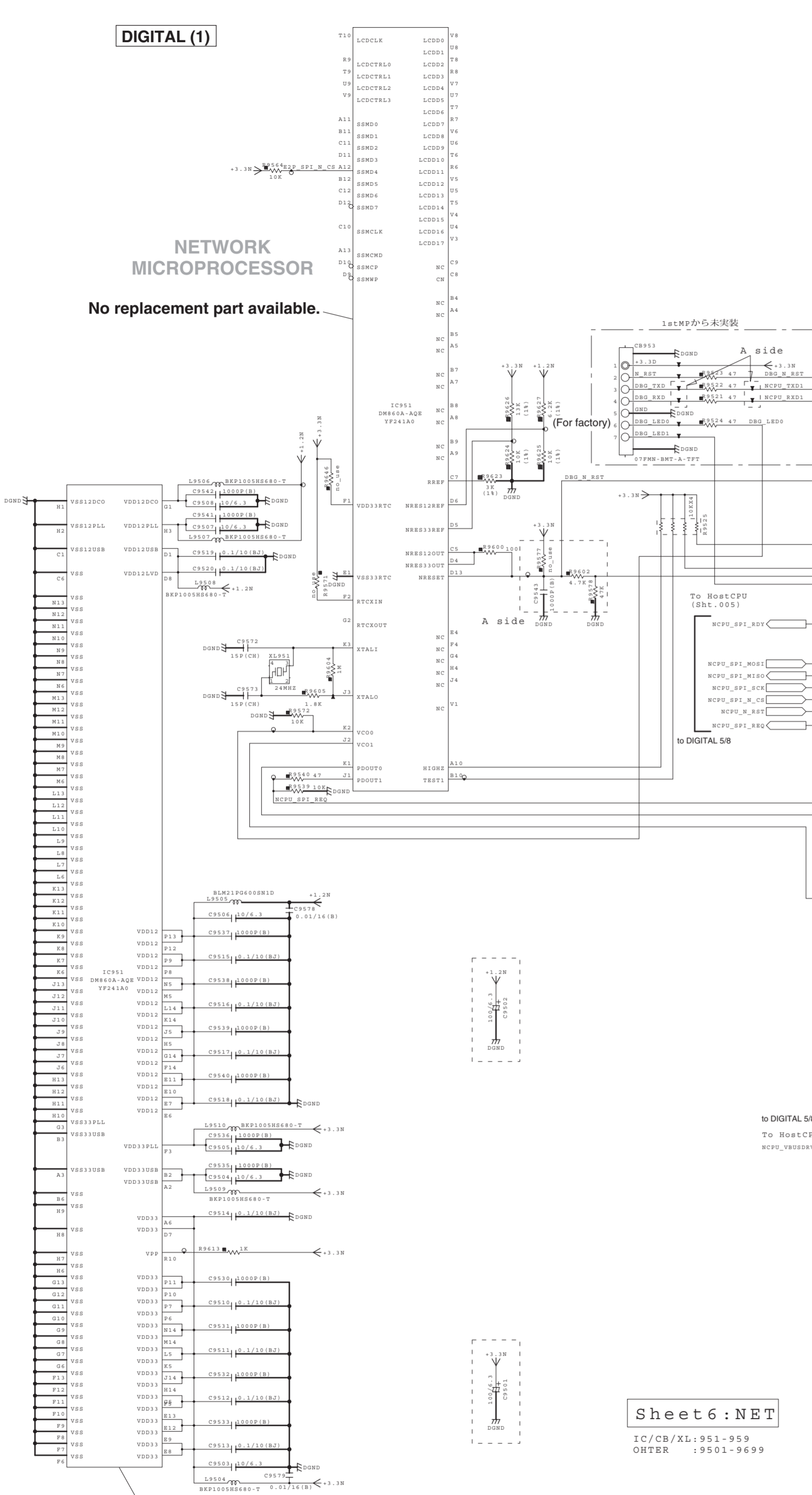
Table with 4 columns: Pin No., Symbol, Description, and a small schematic diagram of the voltage regulator.

DIGITAL 6/8

DIGITAL (1)

NETWORK MICROPROCESSOR

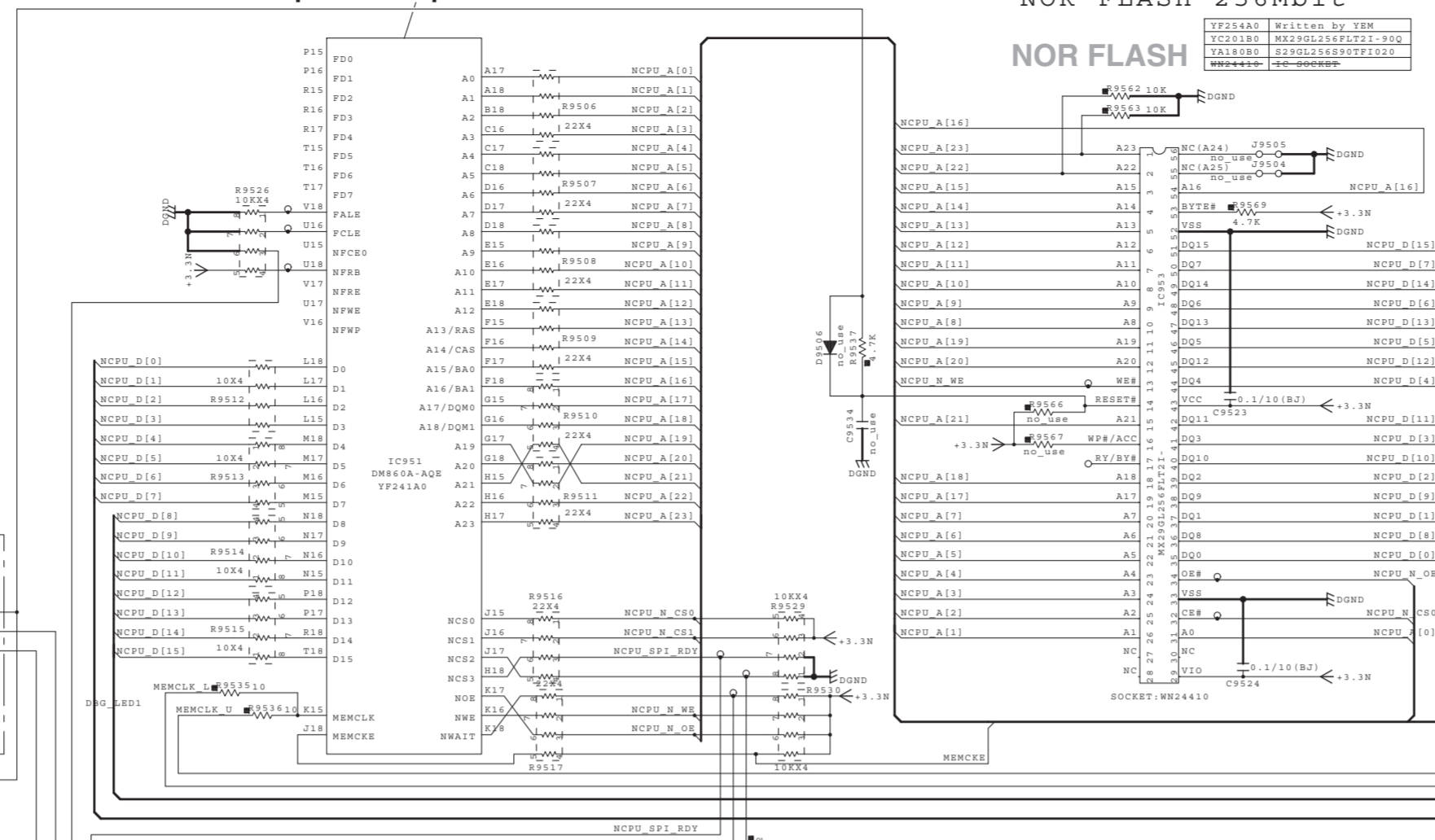
No replacement part available.



Sheet 6 : NET
IC/CB/XL: 951-959
OHTER : 9501-9699

NETWORK MICROPROCESSOR

No replacement part available.

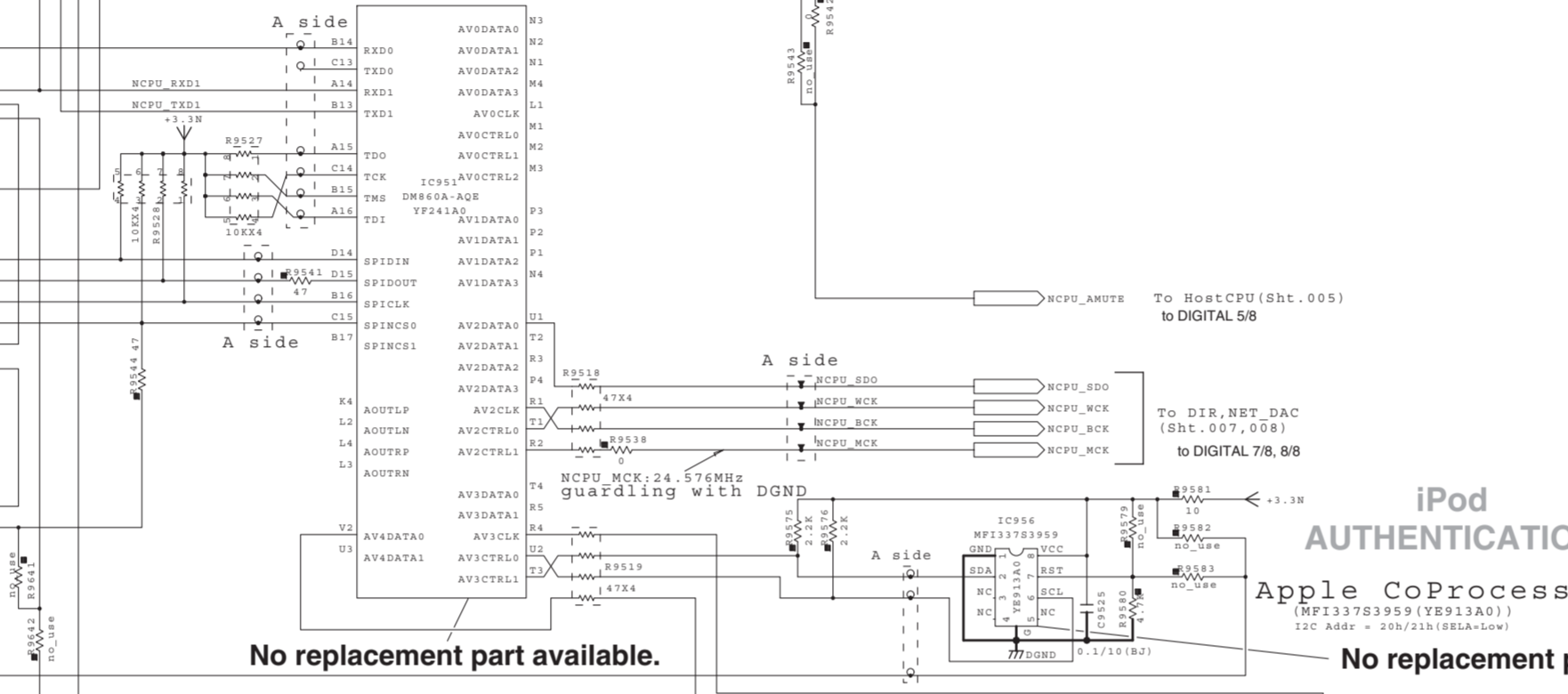


NOR FLASH 256Mbit

No replacement part available.

SDRAM 256Mbit A-side

No replacement part available.

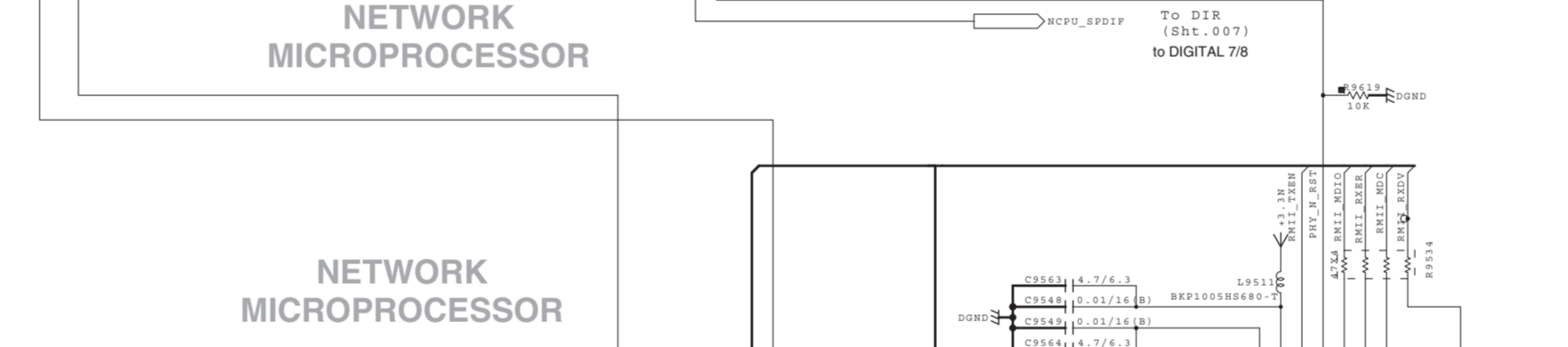


SDRAM 256Mbit B-side

No replacement part available.

iPod AUTHENTICATION Apple CoProcessor

No replacement part available.



NETWORK MICROPROCESSOR

No replacement part available.

NETWORK MICROPROCESSOR

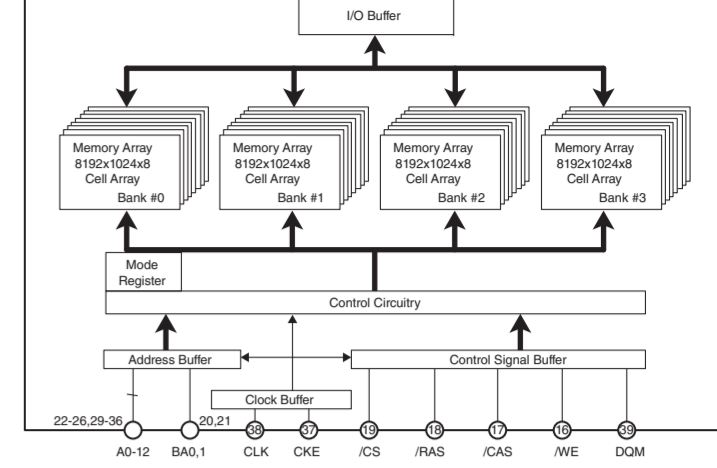
No replacement part available.

ETHERNET PHY

No replacement part available.

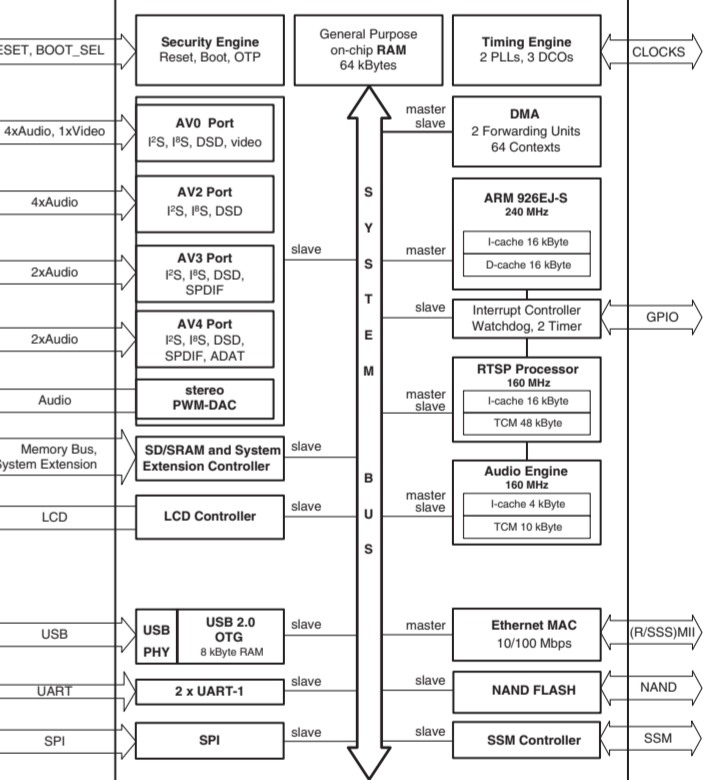
IC952, 954: A3V56S30FTP-G6

256 Mb synchronous DRAM



IC951: DM860A-AQE

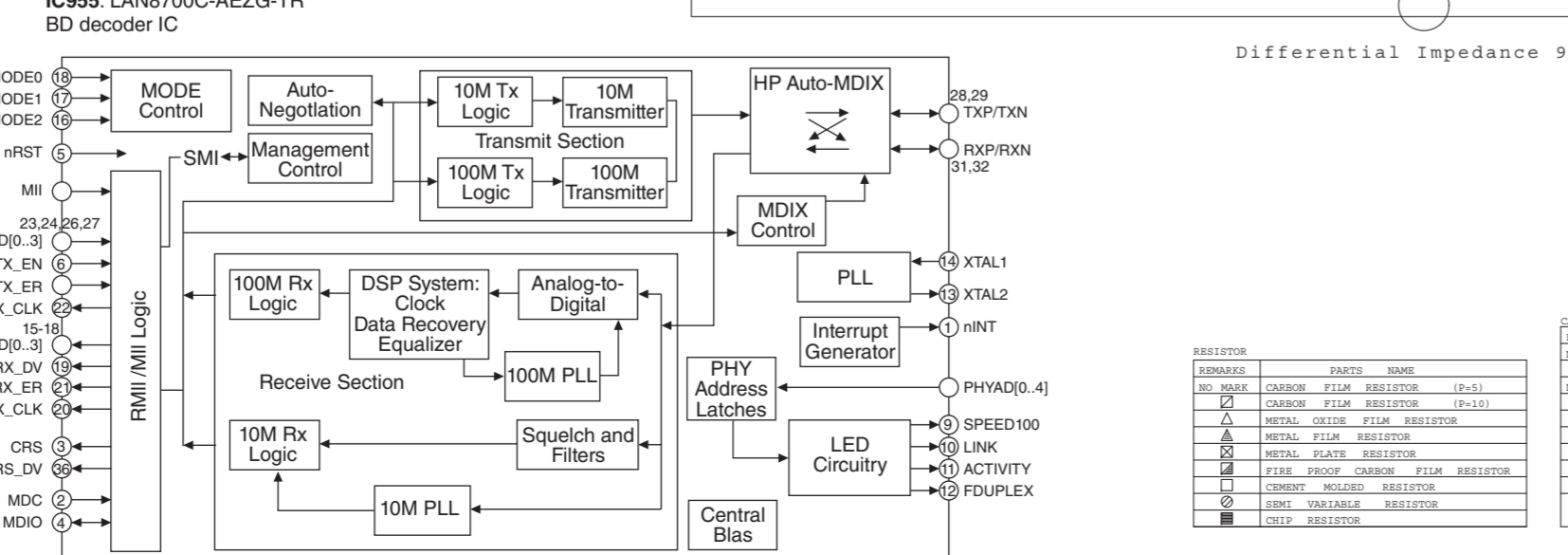
Network microprocessor



Ethernet NETWORK (NET)

NETWORK MICROPROCESSOR

No replacement part available.



* Components having special characteristics are marked Δ and must be replaced with parts having specifications equal to those originally installed.
* Schematic diagram is subject to change without notice.

Table with columns: RESISTOR, VALUE, TOLERANCE, CODE, NAME, UNIT, VALUE, CODE, NAME, UNIT. Lists various resistor values and their corresponding codes.

Table with columns: CAPACITOR, VALUE, TOLERANCE, CODE, NAME, UNIT, VALUE, CODE, NAME, UNIT. Lists various capacitor values and their corresponding codes.

NOTICE (model)

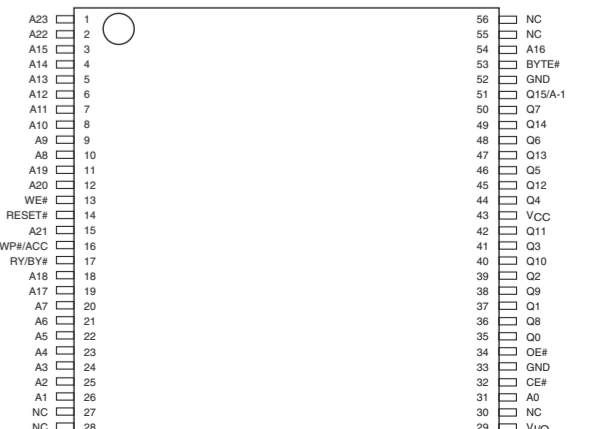
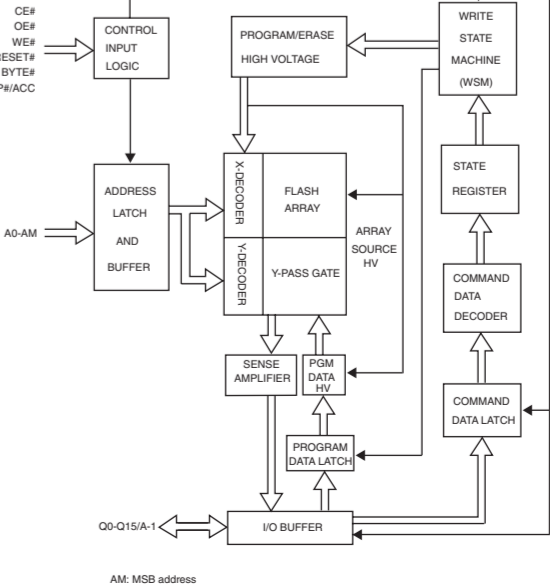
- (J) JAPAN
(D) D.R.A
(C) CHINA
(G) GENERAL
(T) TAIWAN
(K) KOREA
(A) AUSTRALIA
(B) BRITISH
(E) EUROPE
(L) LITHUANIA
(S) SOUTH AFRICA
(F) FINLAND
(H) HUNGARY
(P) POLAND
(M) MALAYSIA
(I) INDIA
(N) NETHERLANDS
(R) RUSSIA
(C) CANADA
(U) U.S.A

Page 135 [M7] to OPERATION (1), W3010 (RX-V675/HTR-6066/TSR-6750)

Page 138 [K9] to OPERATION (12), W3009 (RX-A730)

IC953: MX29GL256FT2-90Q

Signal voltage 3V only flash memory



DIGITAL 7/8

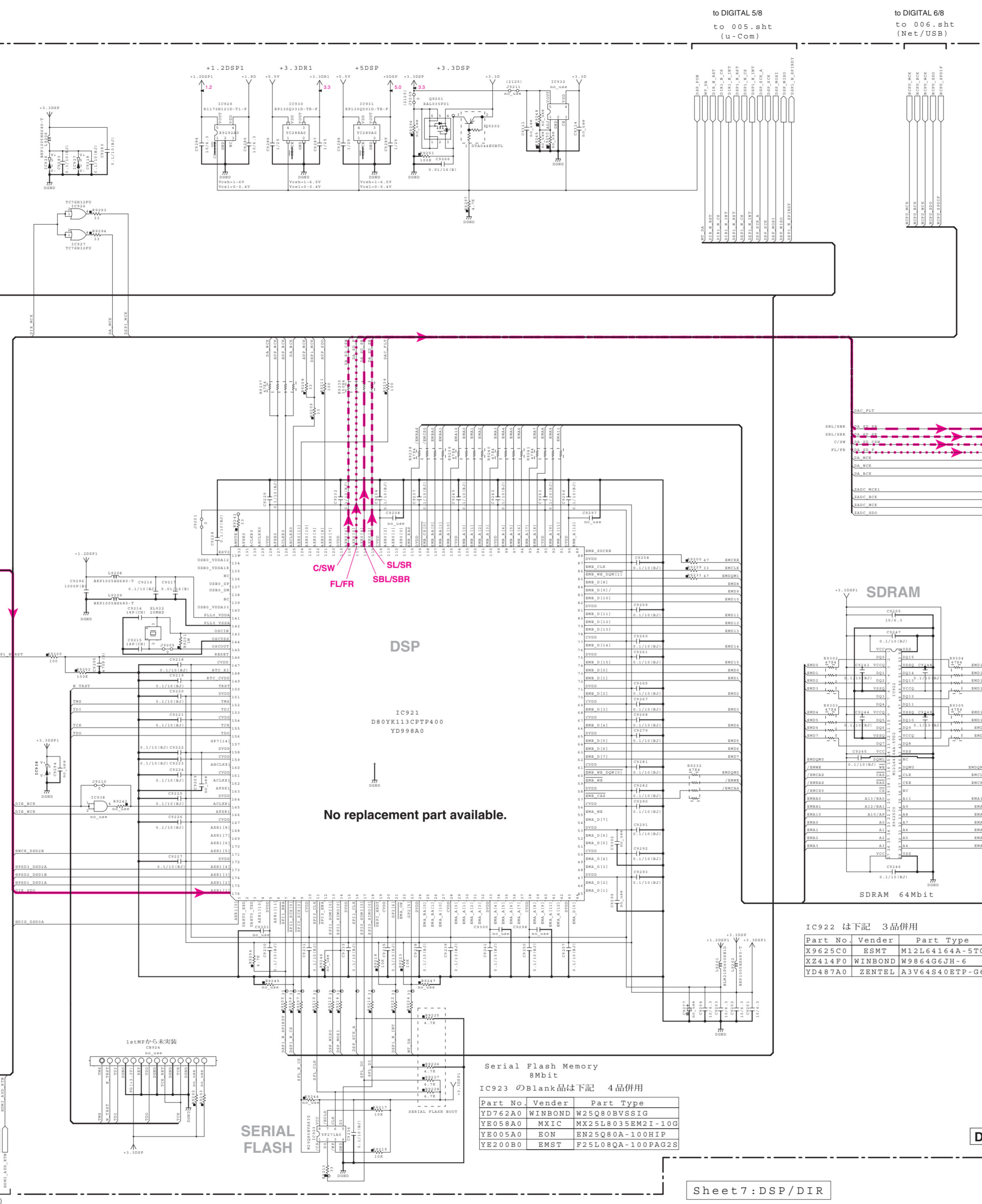
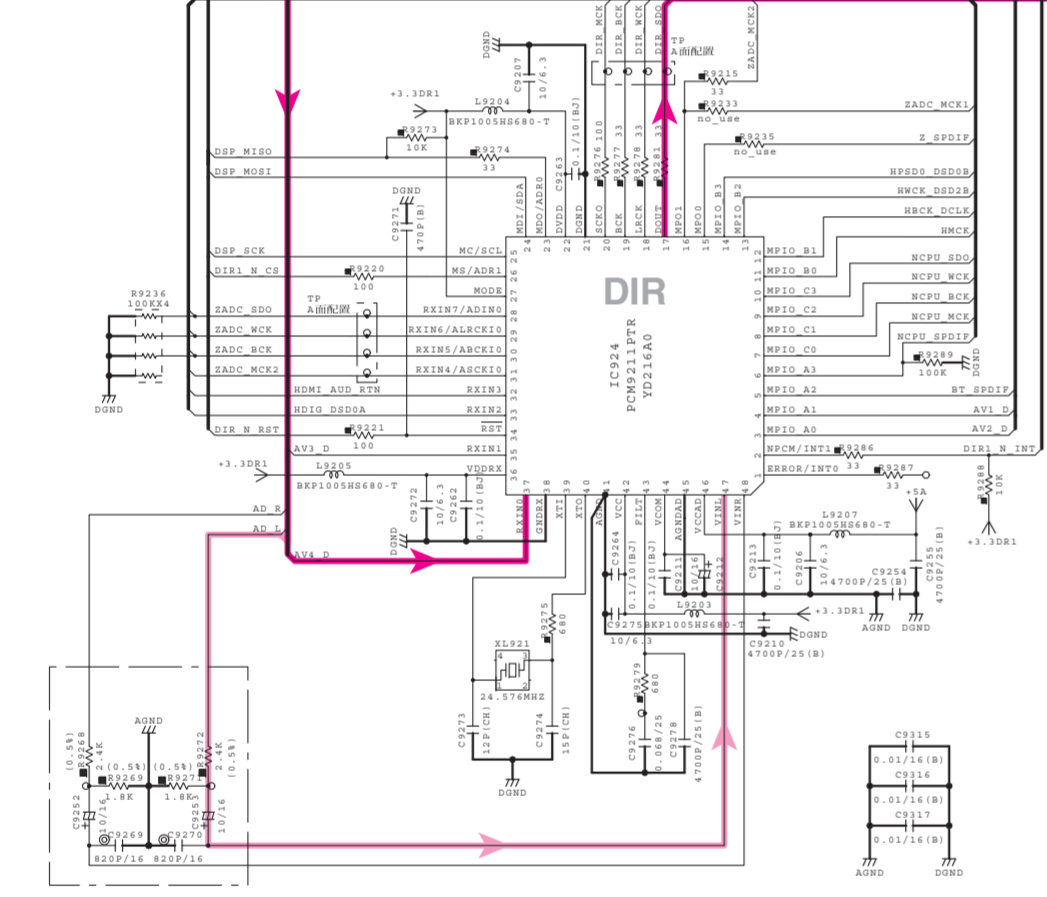
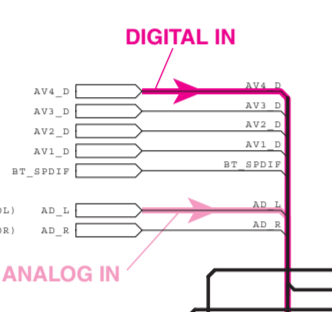
NOTICE (model)
 (J) JAPAN
 (C) U.S.A.
 (K) CANADA
 (S) GERMANY
 (E) CHINA
 (K) KOREA
 (A) AUSTRALIA
 (B) BRITISH
 (G) EUROPE
 (L) SINGAPORE
 (E) SOUTH AFRICA
 (V) TAIWAN
 (P) RUSSIAN
 (F) LATIN AMERICA
 (S) BRAZIL
 (H) THAI

RESISTOR

MARKING	PARTS NAME
NO MARK	CARBON FILM RESISTOR (P-1)
□	CARBON FILM RESISTOR (P-1)
△	METAL OXIDE FILM RESISTOR
□	METAL FILM RESISTOR
□	METAL STATE RESISTOR
□	FILM PROOF CARBON FILM RESISTOR
□	CHEMIST RESISTOR
□	TEMP. VARIABLE RESISTOR
□	CHIP RESISTOR

CAPACITOR

MARKING	PARTS NAME
NO MARK	ELECTROLYTIC CAPACITOR
□	TANTALUM CAPACITOR
□	CERAMIC CAPACITOR
□	CERAMIC VARIABLE CAPACITOR
□	POLYESTER FILM CAPACITOR
□	POLYPROPYLENE FILM CAPACITOR
□	POLYPROPYLENE CERAMIC CAPACITOR
□	POLYBUTYLENE SULFIDE FILM CAPACITOR



IC922 は下記 3品併用

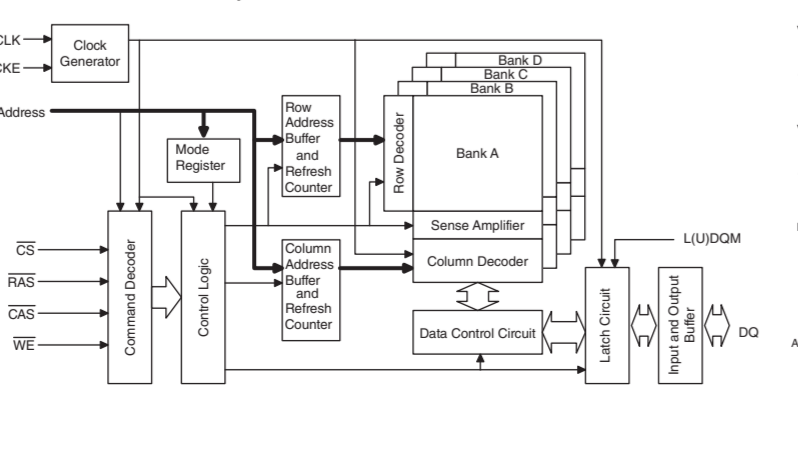
Part No.	Vendor	Part Type
X9625C0	SSMT	M12L64164A-5TG2M
XZ414F0	WINBOND	W9864G6JH-6
YD487A0	ZENTEL	A3V64S40BTP-G6

IC923 のBlank品は下記 4品併用

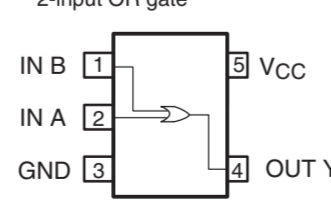
Part No.	Vendor	Part Type
YD762A0	WINBOND	W25Q80BVSS1G
YE058A0	MXIC	MX25L8035EM2-10G
YE005A0	EON	EN25Q80A-100HP
YE200B0	EMST	F25L08QA-100PAG2S

Sheet 7: DSP/DIR
 IC/CB/XL: 921-939
 OHTER : 9201-9399

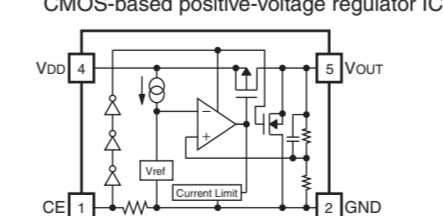
IC922: M12L64164A-5TG



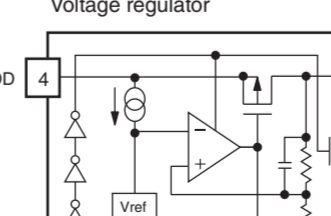
IC926, 927: TC7SH32FU



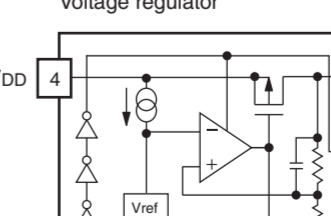
IC929: R1172H121D-1-F



IC930: RP130Q331D-TR-F



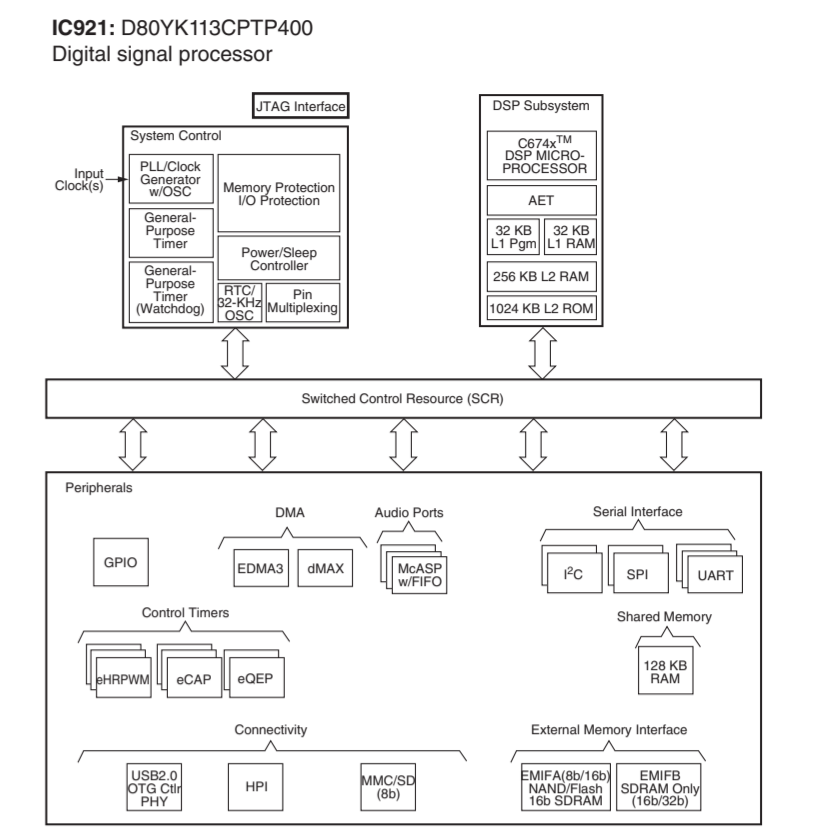
IC931: RP130Q501D-TR-F



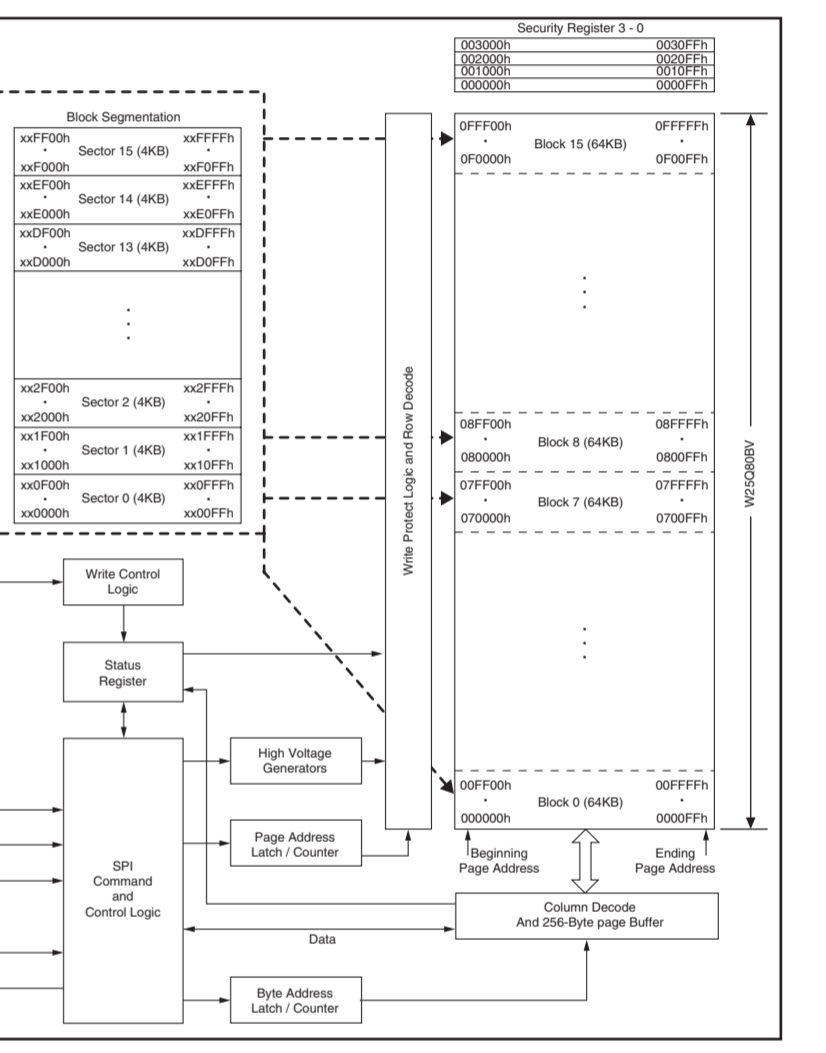
Pin No.	Symbol	Description
1	CE	Chip Enable Pin
2	GND	Ground Pin
3	NC	No Connection
4	V _{in}	Input Pin
5	V _{out}	Output Pin of Voltage Regulator

Pin No.	Symbol	Description
1	CE	Chip Enable (T ^H Active)
2	GND	Ground Pin
3	V _{out}	Output Pin
4	V _{in}	Input Pin

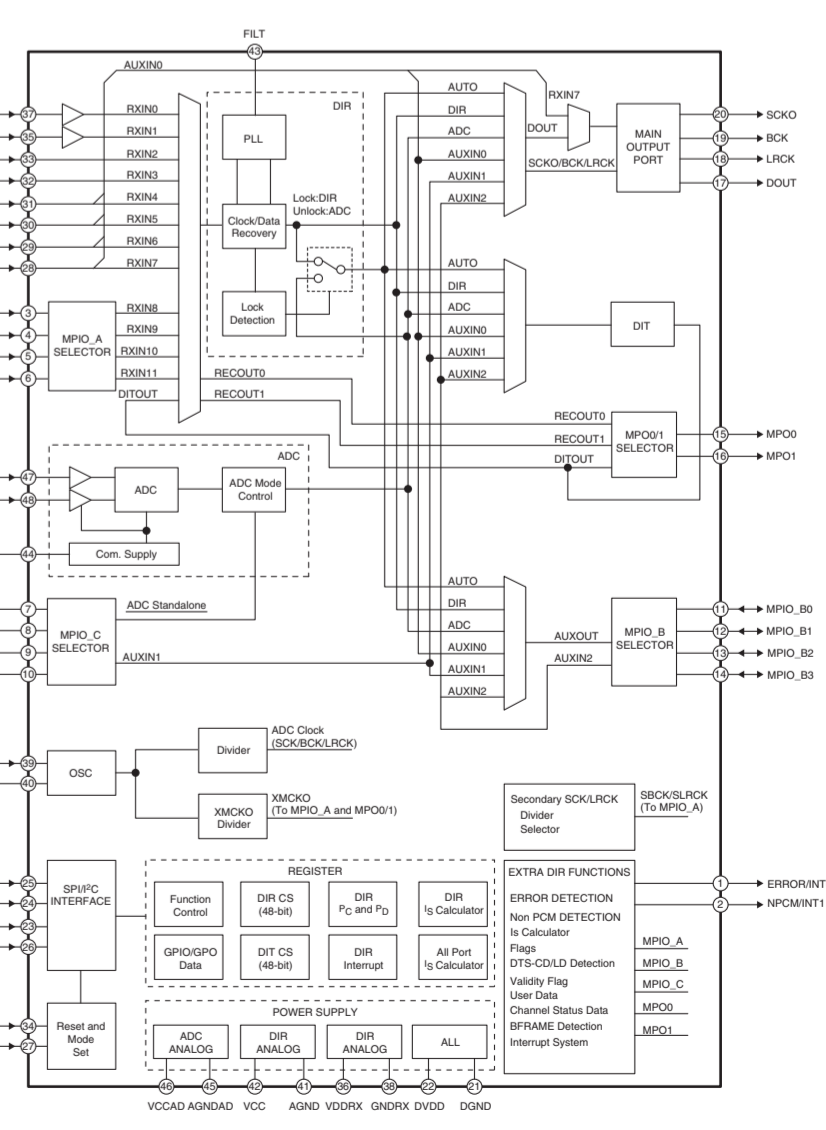
Pin No.	Symbol	Description
1	CE	Chip Enable (T ^H Active)
2	GND	Ground Pin
3	V _{out}	Output Pin
4	V _{in}	Input Pin



IC923: W25Q80BVSS1G



IC924: PCM9211PTR

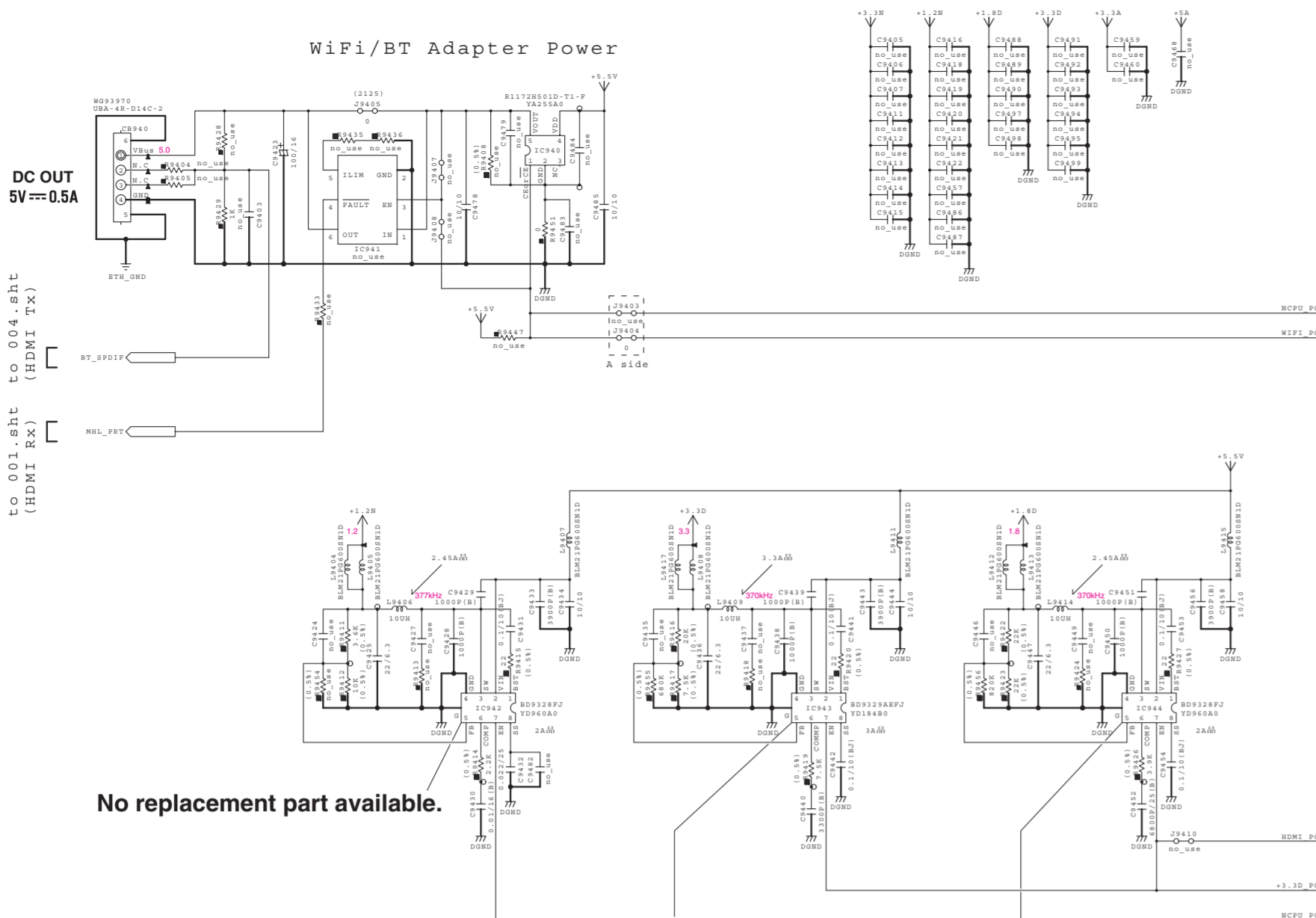


* All voltages are measured with a 10MΩ/V DC electronic voltmeter.
 * Components having special characteristics are marked Δ, and must be replaced with parts having specifications equal to those originally installed.
 * Schematic diagram is subject to change without notice.

DIGITAL 8/8

DIGITAL (1)

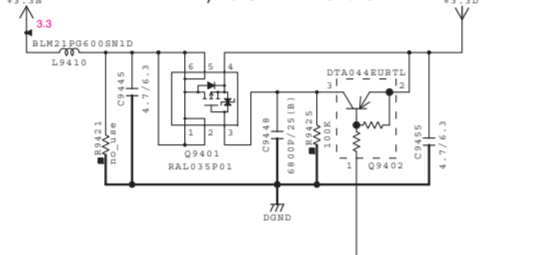
WiFi/BT Adapter Power



No replacement part available.

No replacement part available. No replacement part available.

NET/USB +3.3V



RESISTOR

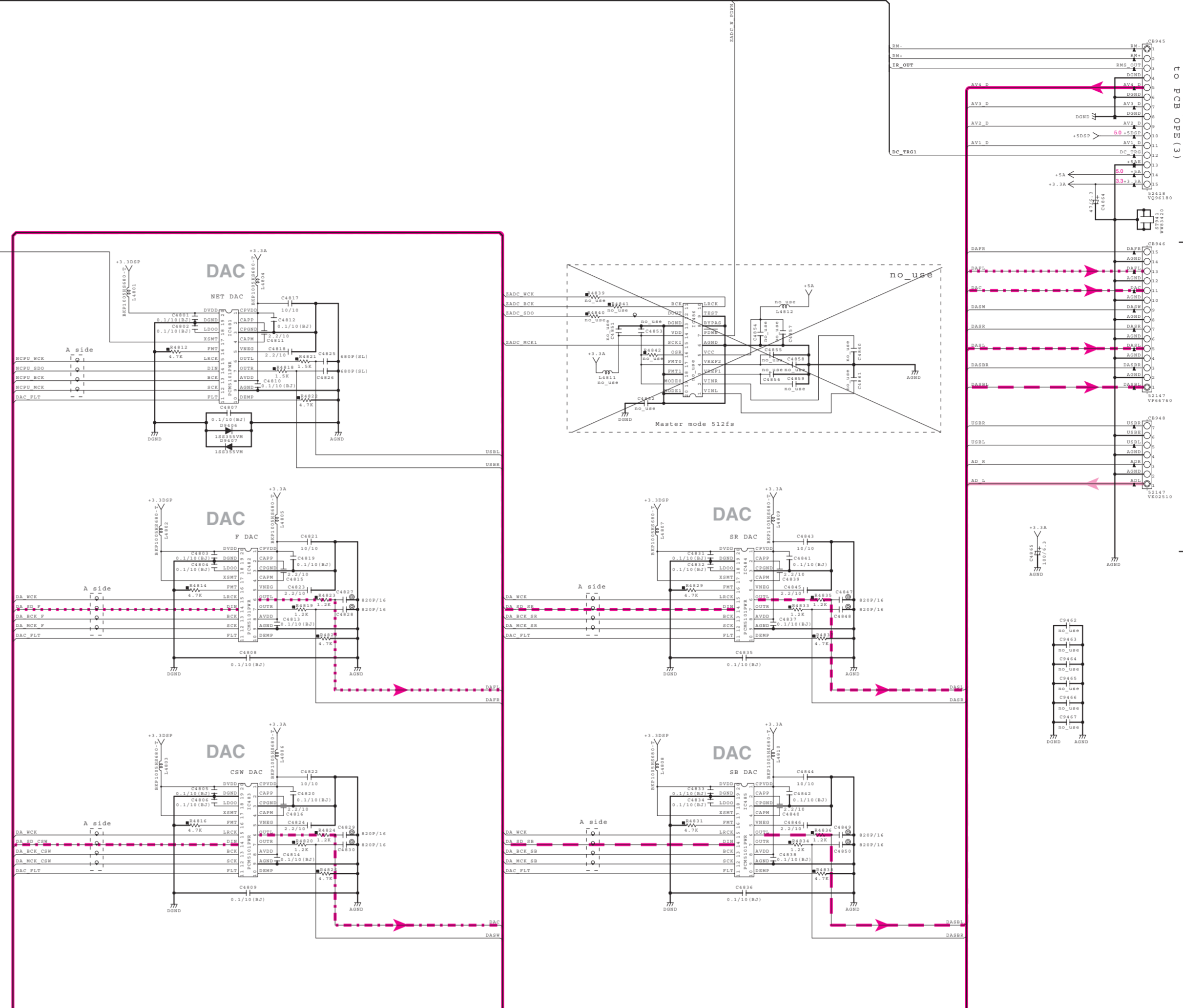
RESISTOR	PARTS NAME
NO MARK	CARBON FILM RESISTOR (P=5)
△	CARBON FILM RESISTOR (P=10)
□	METAL OXIDE FILM RESISTOR
▢	METAL FILM RESISTOR
⊠	METAL PLATE RESISTOR
⊡	FIRE PROOF CARBON FILM RESISTOR
⊞	CONDUCT. MELTED RESISTOR
⊟	SEM. VARIABLE RESISTOR
⊠	CHIP RESISTOR

CAPACITOR

CAPACITOR	PARTS NAME
NO MARK	ELECTROLYTIC CAPACITOR
⊖	TANTALUM CAPACITOR
NO MARK	CERAMIC CAPACITOR
⊖	CERAMIC TUBULAR CAPACITOR
⊖	POLYESTER FILM CAPACITOR
⊖	POLYPROPYLENE FILM CAPACITOR
⊖	NICOL CAPACITOR
⊖	POLYPROPYLENE FILM CAPACITOR
⊖	SEMICONDUCTIVE CERAMIC CAPACITOR
⊖	POLYBENZYLENE SULFIDE FILM CAPACITOR

NOTICE (model)

(J) JAPAN
(U) U.S.A
(C) CANADA
(A) AUSTRALIA
(K) KOREA
(L) SINGAPORE
(S) SOUTH KOREA
(T) TAIWAN
(P) POLAND
(R) RUSSIA
(B) BRAZIL
(H) HONG KONG



Page 137 [J1] to OPERATION (4)_CB381 (RX-V675/HTR-6066/TSR-6750)

Page 140 [J1] to OPERATION (4)_CB381 (RX-A730)

Page 142 [C6] to MAIN (1)_CB154

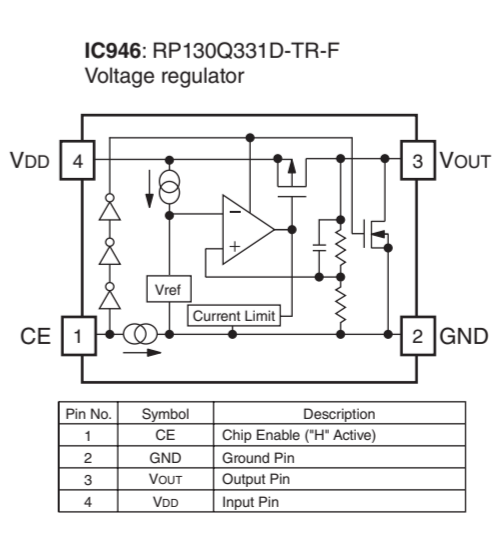
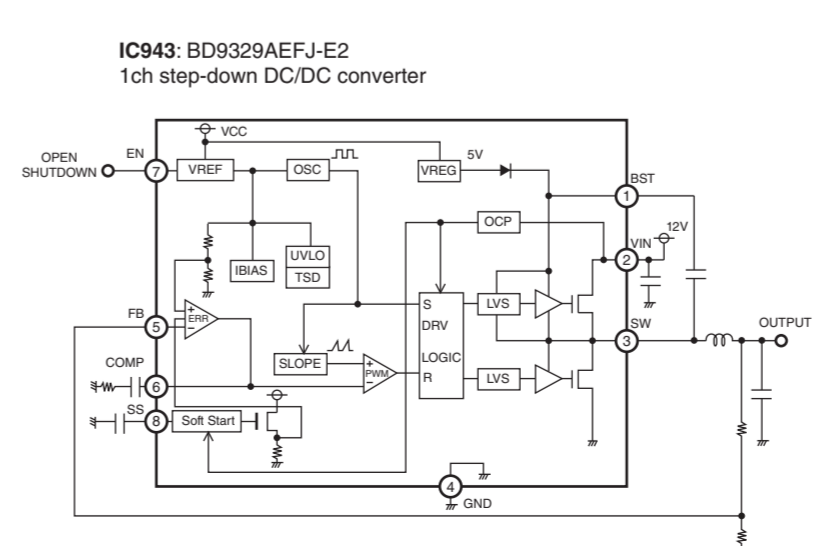
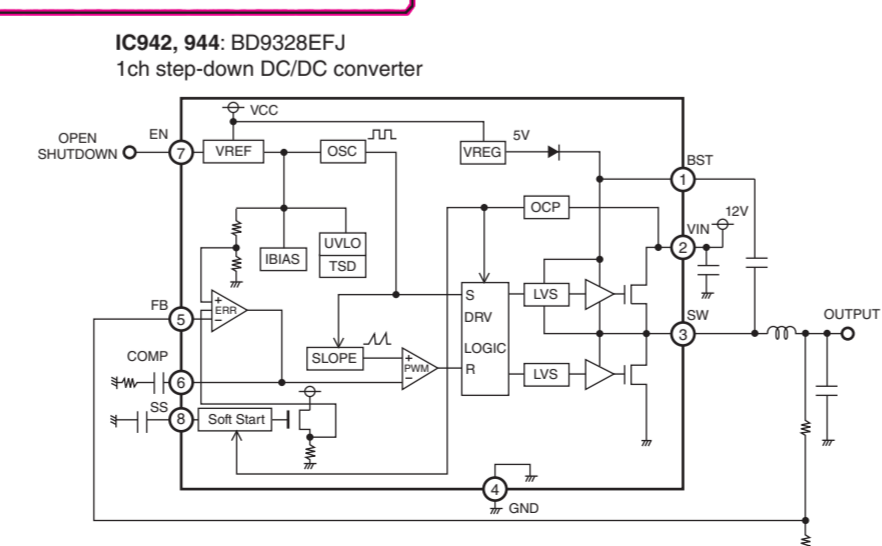
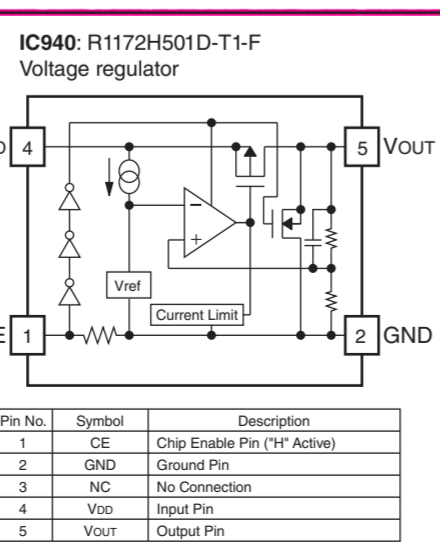
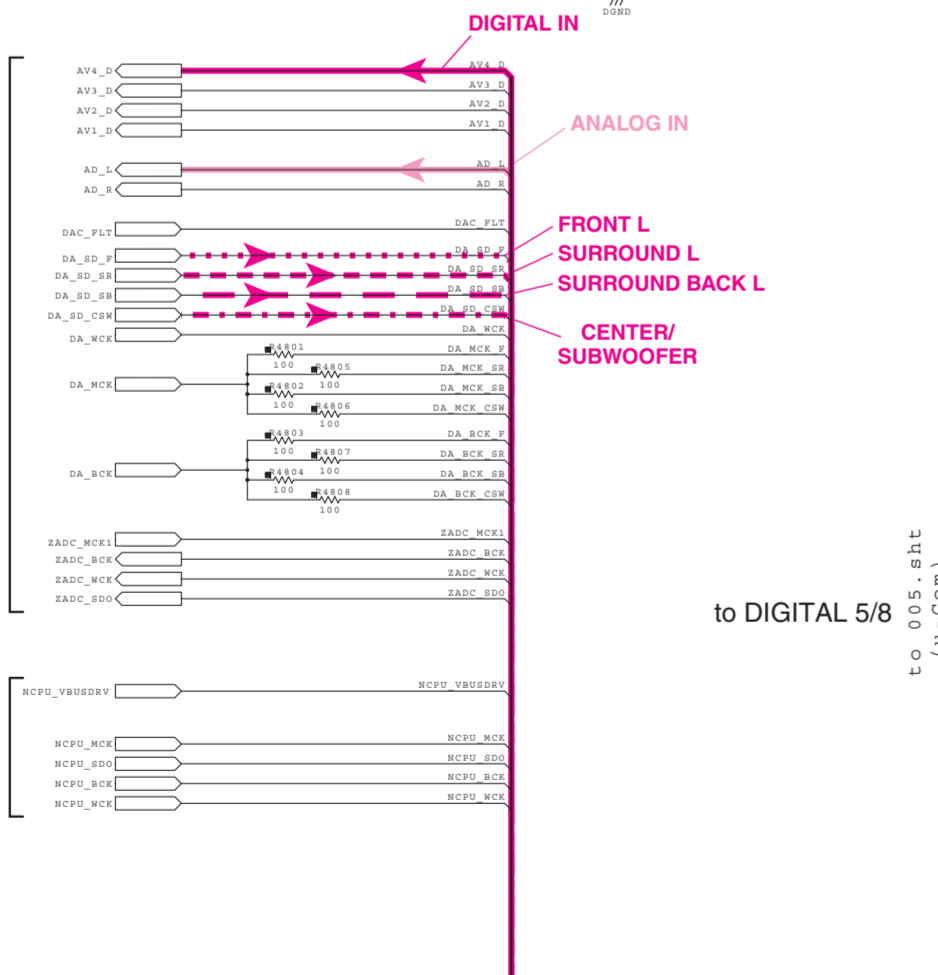
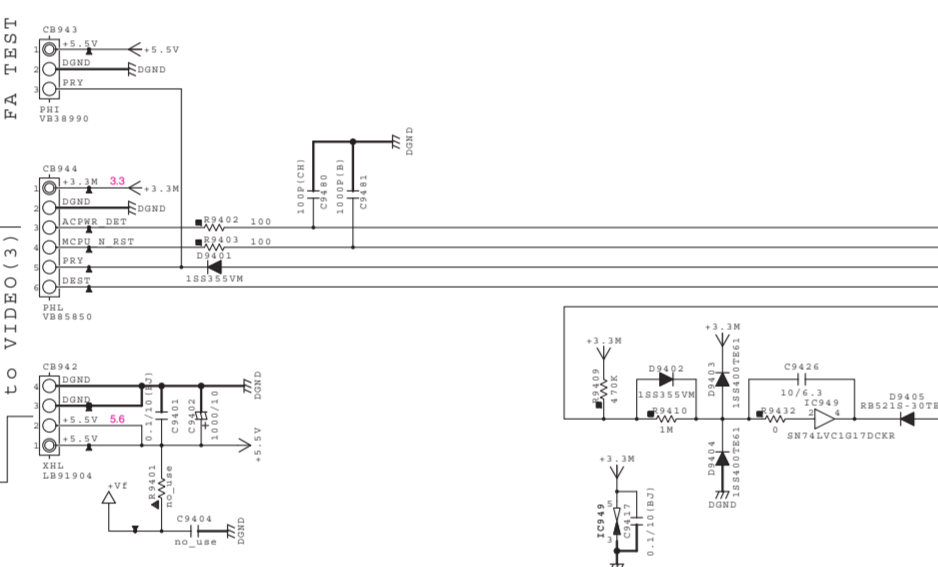
Page 142 [C6] to MAIN (1)_CB155

Page 137 [I9] to OPERATION (3)_W3704 (RX-V675/HTR-6066/TSR-6750)

Page 140 [I9] to OPERATION (3)_W3704 (RX-A730)

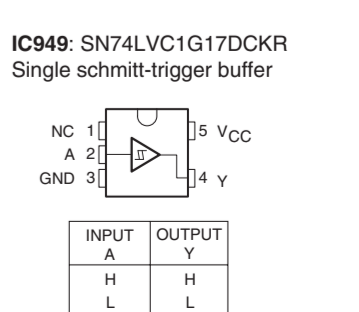
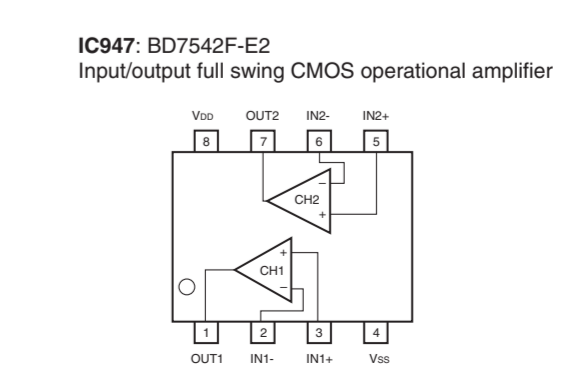
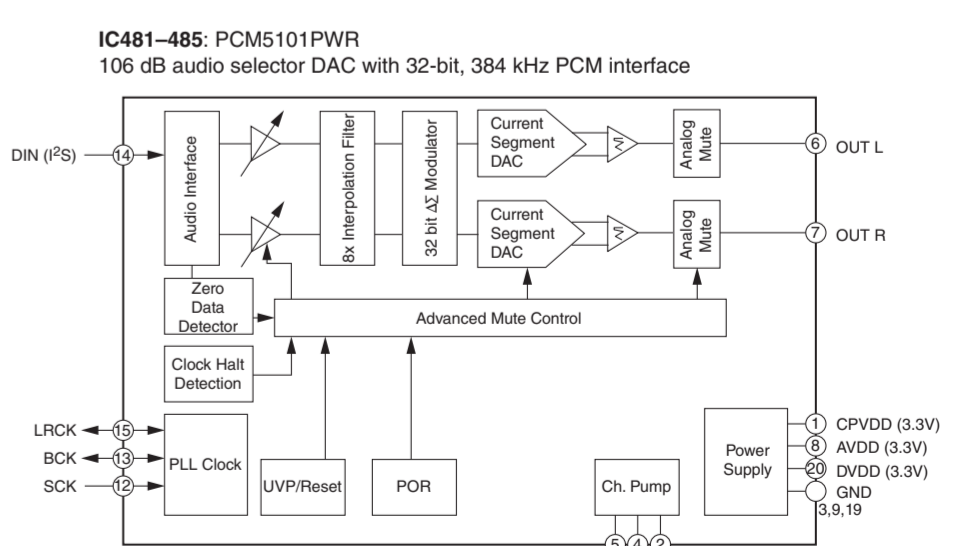
Page 137 [I10] to OPERATION (3)_W3703 (RX-V675/HTR-6066/TSR-6750)

Page 140 [I10] to OPERATION (3)_W3703 (RX-A730)



Sheet 8 : Power

IC/CB/XL: 940-949 & 481-489
ST/PN/W: 941-949 & 481-489
QWTR: .9403-9499 & 4803-4899



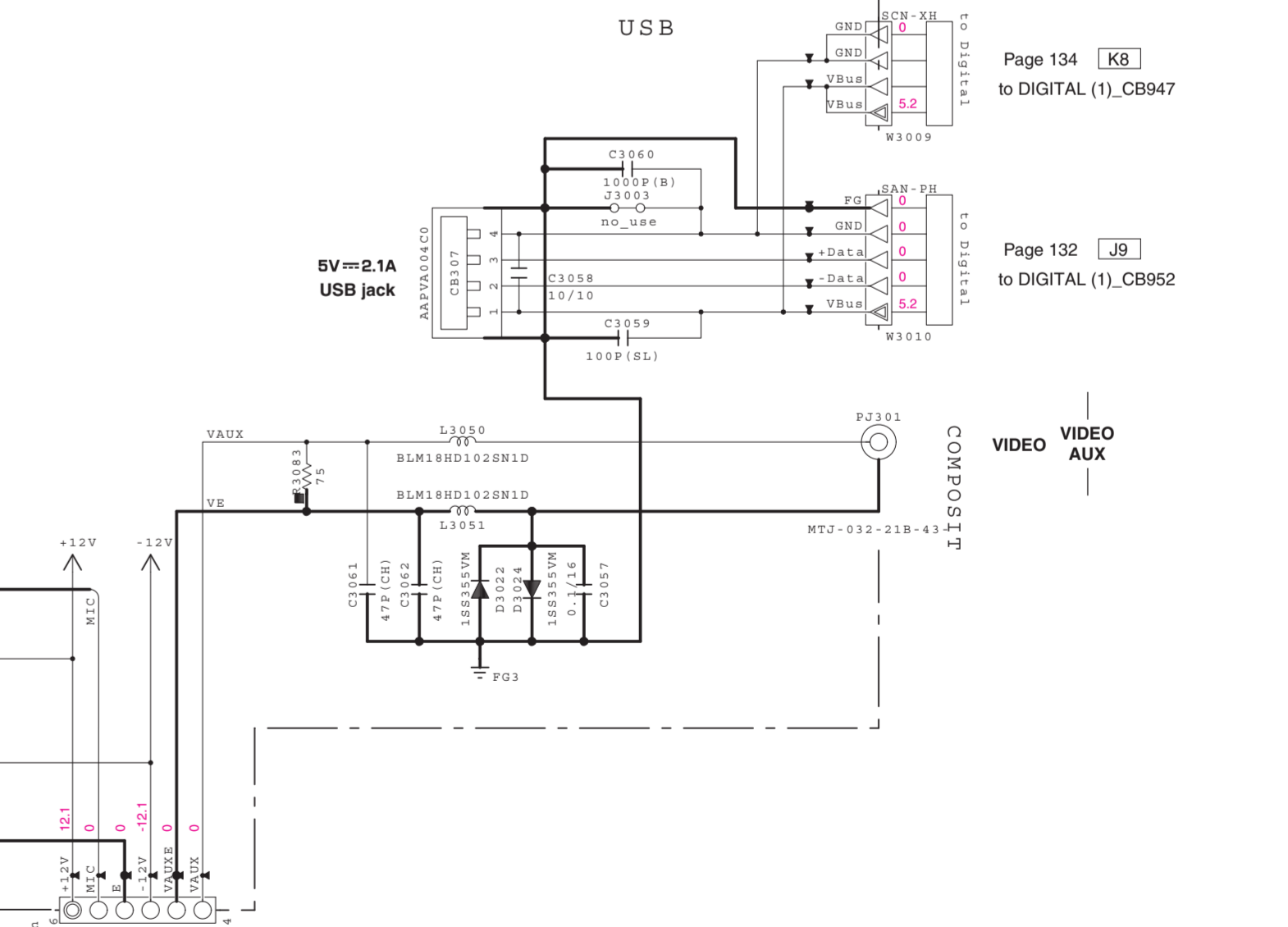
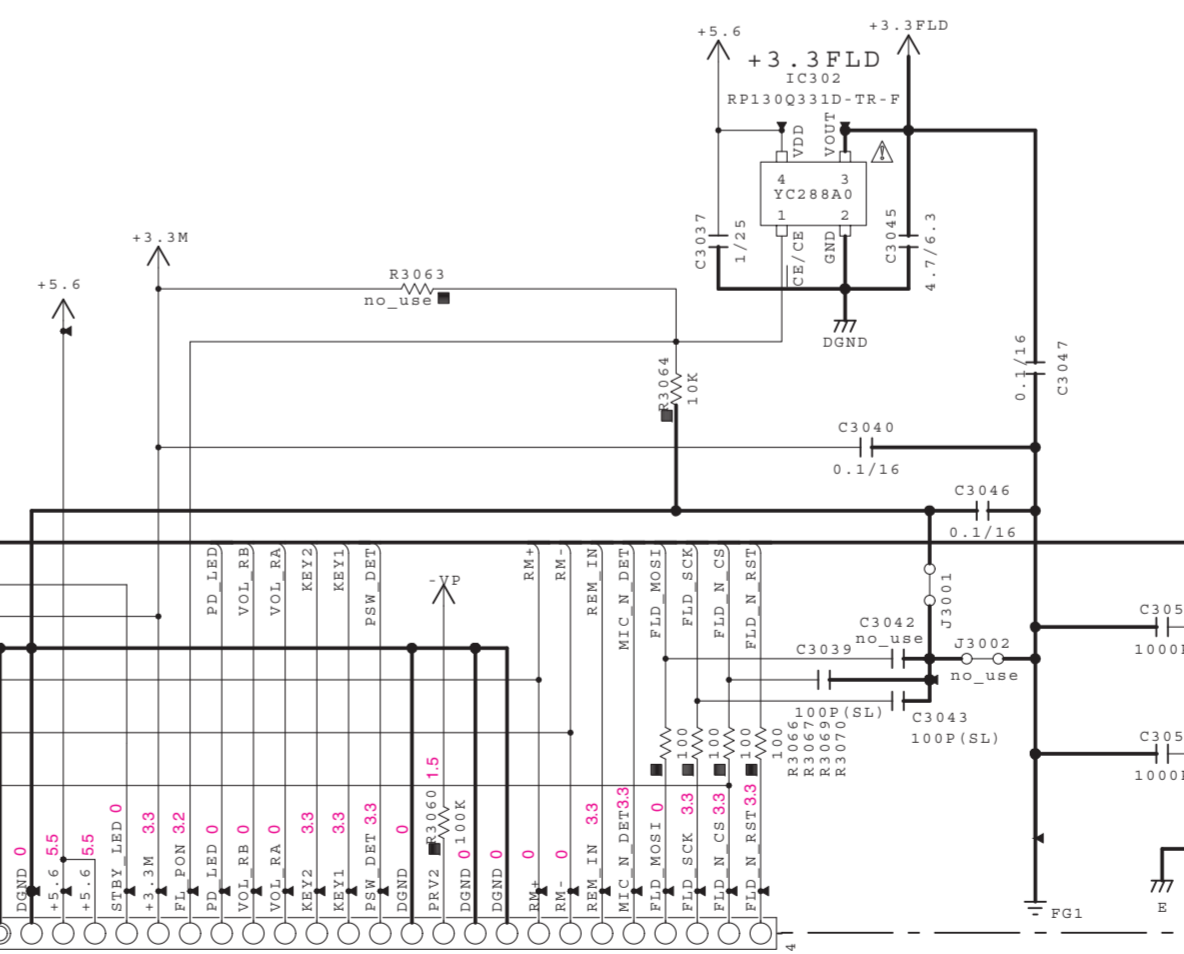
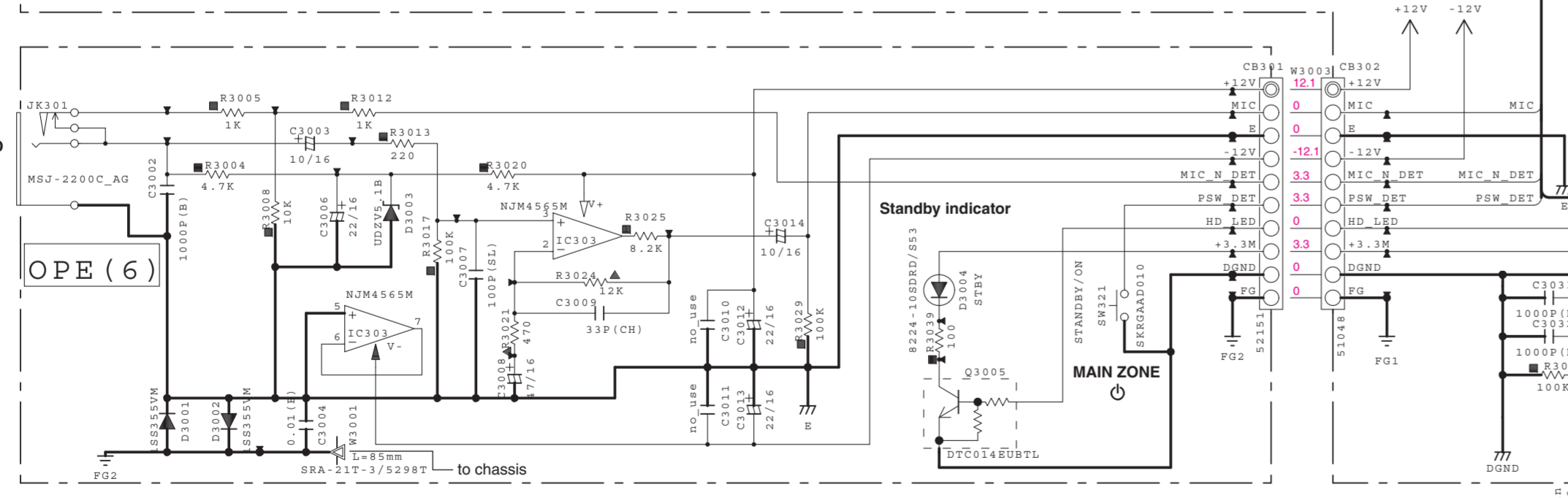
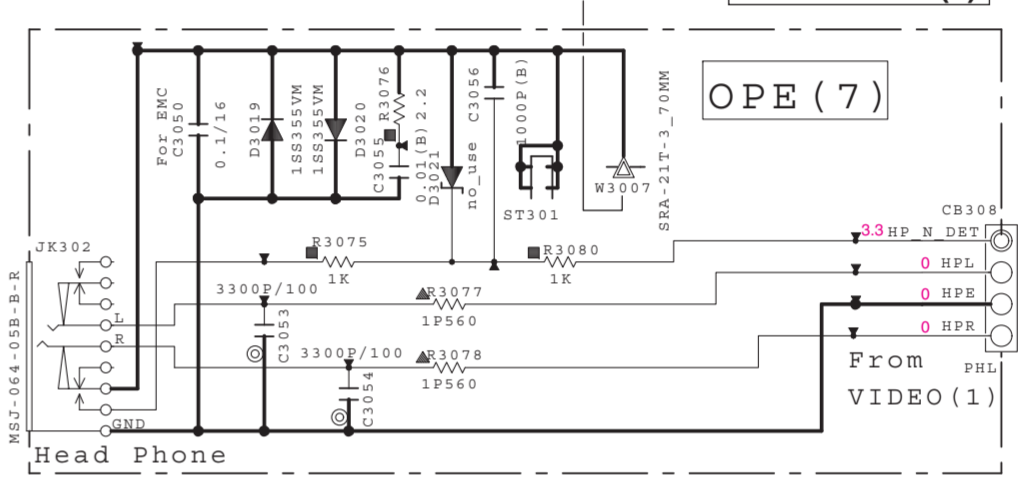
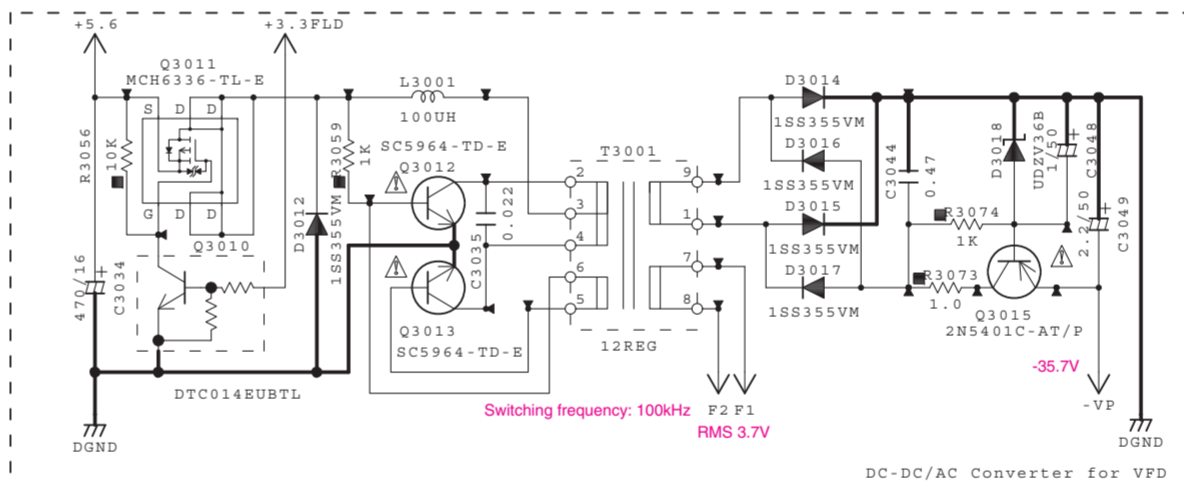
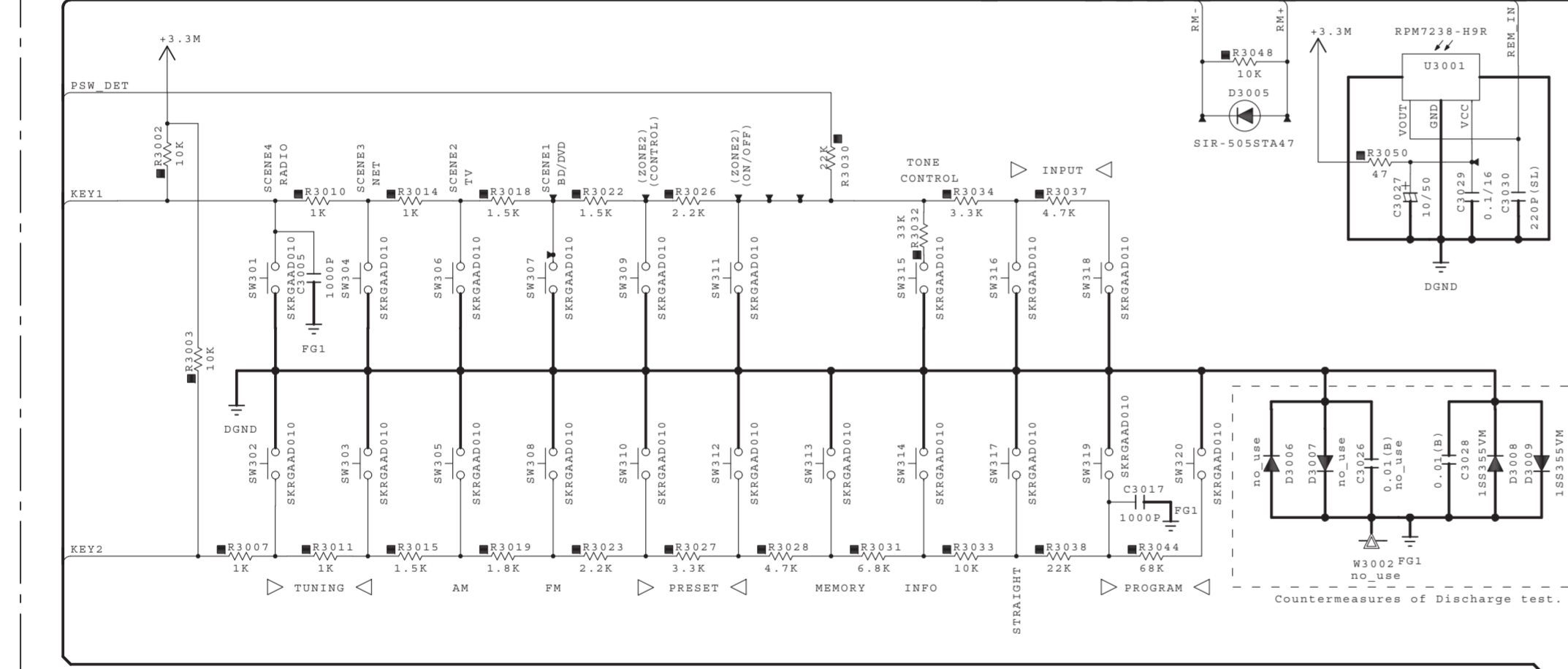
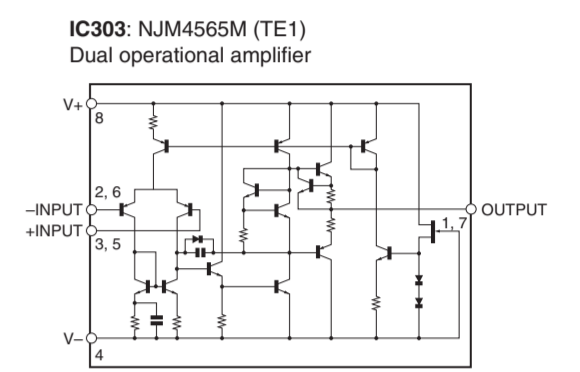
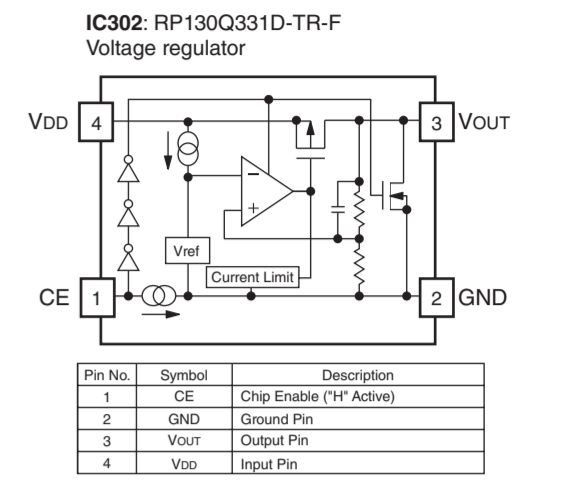
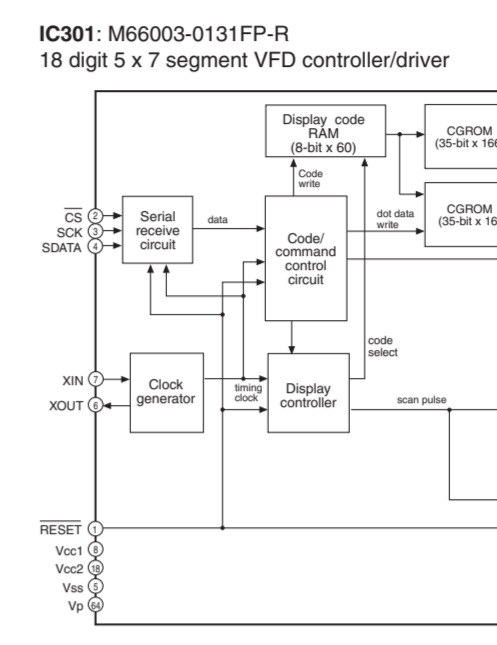
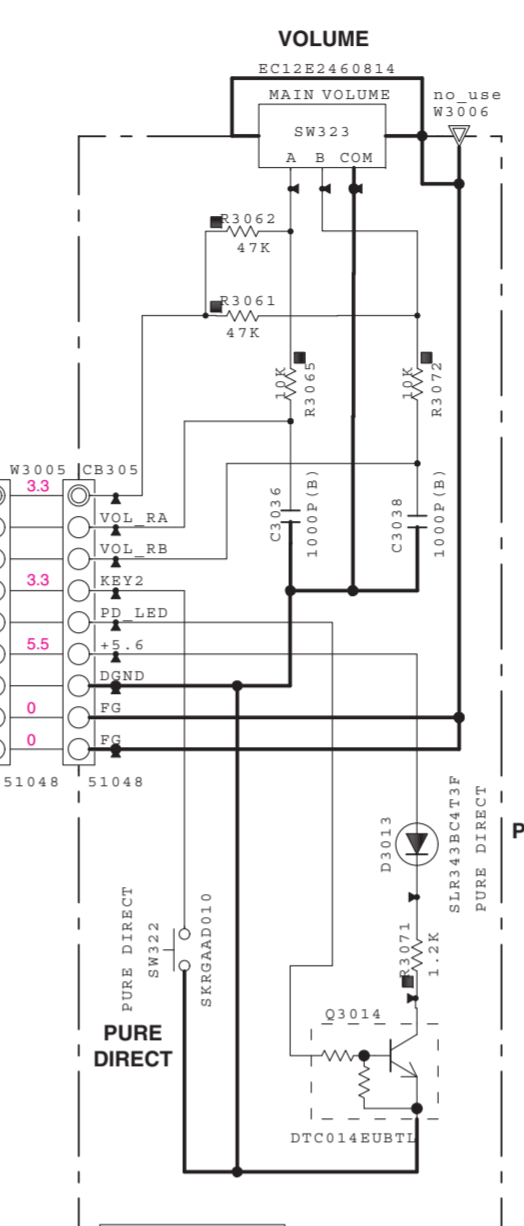
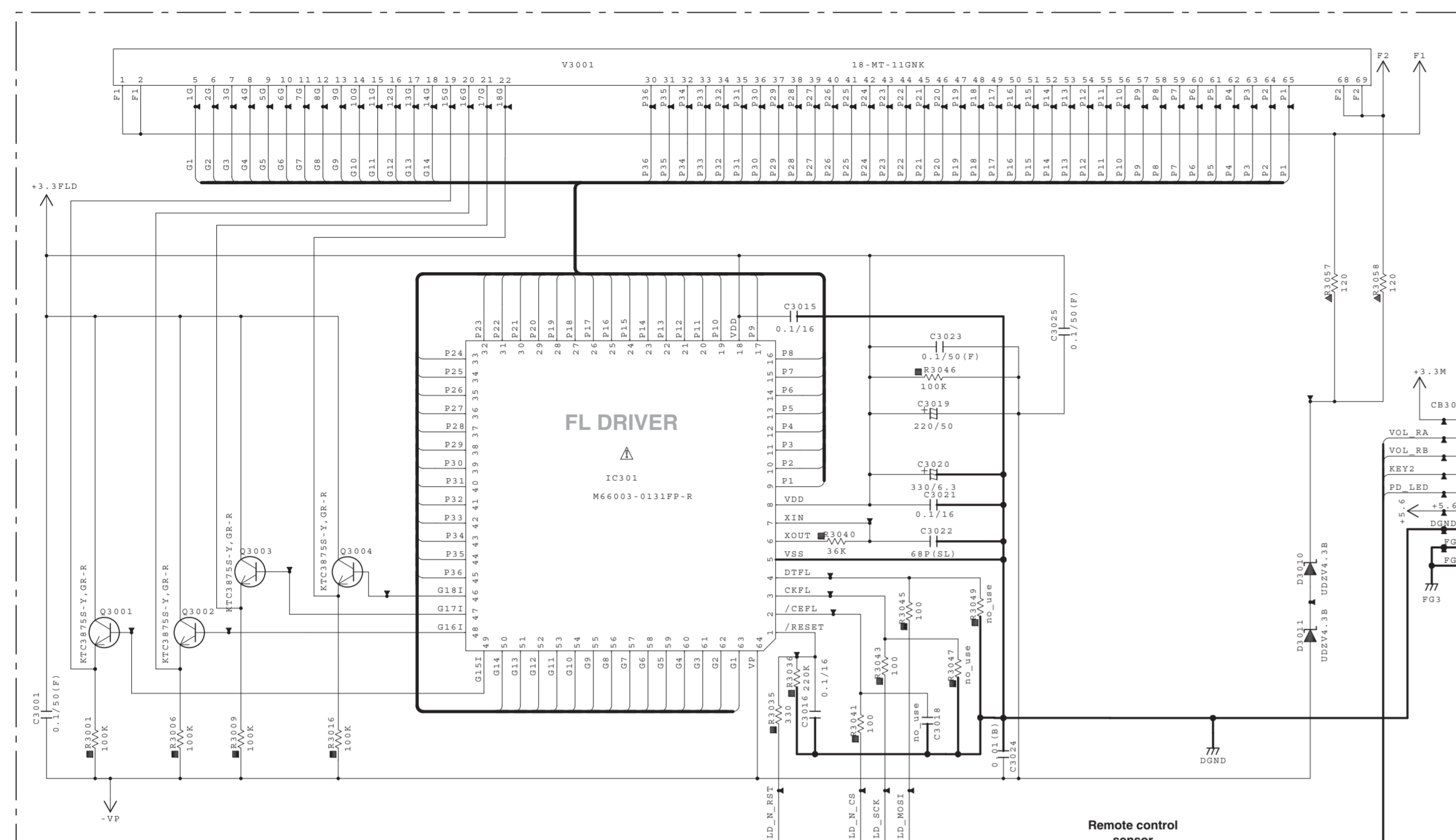
* All voltages are measured with a 10MΩ/V DC electronic voltmeter.
* Components having special characteristics are marked A, and must be replaced with parts having specifications equal to those originally installed.
* Schematic diagram is subject to change without notice.

REMARKS	PARTS NAME
NO MARK	CARBON FILM RESISTOR (P-5)
NO MARK	CARBON FILM RESISTOR (P-10)
NO MARK	METAL OXIDE FILM RESISTOR
NO MARK	METAL FILM RESISTOR
NO MARK	METAL PLATE RESISTOR
NO MARK	FIBRE PROOF CARBON FILM RESISTOR
NO MARK	CEMENT MOLDED RESISTOR
NO MARK	SEMI VARIABLE RESISTOR
NO MARK	CHIP RESISTOR

REMARKS	PARTS NAME
NO MARK	ELECTROLYTIC CAPACITOR
NO MARK	TANTALUM CAPACITOR
NO MARK	CERAMIC CAPACITOR
NO MARK	CERAMIC TUBULAR CAPACITOR
NO MARK	POLYESTER FILM CAPACITOR
NO MARK	POLYSTYRENE FILM CAPACITOR
NO MARK	MICA CAPACITOR
NO MARK	POLYPROPYLENE FILM CAPACITOR
NO MARK	SEMICONDUCTIVE CERAMIC CAPACITOR
NO MARK	POLYPHENYLENE SULFIDE FILM CAPACITOR

NOTICE (model)

(J)..... JAPAN
(U)..... U.S.A
(C)..... CANADA
(R)..... GENERAL
(T)..... CHINA
(K)..... KOREA
(A)..... AUSTRALIA
(S)..... BRITISH
(G)..... EUROPE
(L)..... SINGAPORE
(B)..... SOUTH EUROPE
(V)..... TAIWAN
(P)..... RUSSIAN
(F)..... LATIN AMERICA
(S)..... BRAZIL
(H)..... THAI



Key detection for A/D port
Key input (A/D) pull-up resistance 10 k-ohms

Detected voltage value	A/D value	KEY1
0.0	0-11	RADIO (SCENE)
0-0.15V	12-32	NET (SCENE)
0.15-0.42V	33-54	TV (SCENE)
0.43-0.70V	55-75	B/DVD (SCENE)
0.71-0.97V	76-96	ZONE CONTROL
0.98-1.24V	97-119	ZONE2
1.25-1.53V	120-142	INPUT >
1.54-1.84V	143-163	INPUT <
1.85-2.22V	162-197	MAIN ZONE (Speaker)
2.23-2.62V	198-209	ZONE CONTROL
2.63-3.04V		

Detected voltage value	A/D value	KEY2
0.0	0-11	PURE DIRECT
0-0.15V	12-32	TUNING >
0.15-0.42V	33-54	TUNING <
0.43-0.70V	55-77	AM
0.71-0.99V	78-99	FM
1.00-1.27V	100-121	PRESET >
1.28-1.56V	122-144	PRESET <
1.57-1.86V	145-166	MEMORY
1.87-2.39V	167-196	INFO
2.40-2.65V	197-205	STRAIGHT
2.66-2.91V	206-226	PROGRAM >
2.92-3.17V	227-246	PROGRAM <

Page 131 [K9] to DIGITAL (1)_CB82

Page 136 [F1] to OPERATION (2)_CB343

* All voltages are measured with a 10MΩ/V DC electronic voltmeter.
* Components having special characteristics are marked Δ, and must be replaced with parts having specifications equal to those originally installed.
* Schematic diagram is subject to change without notice.

OPERATION 2/3

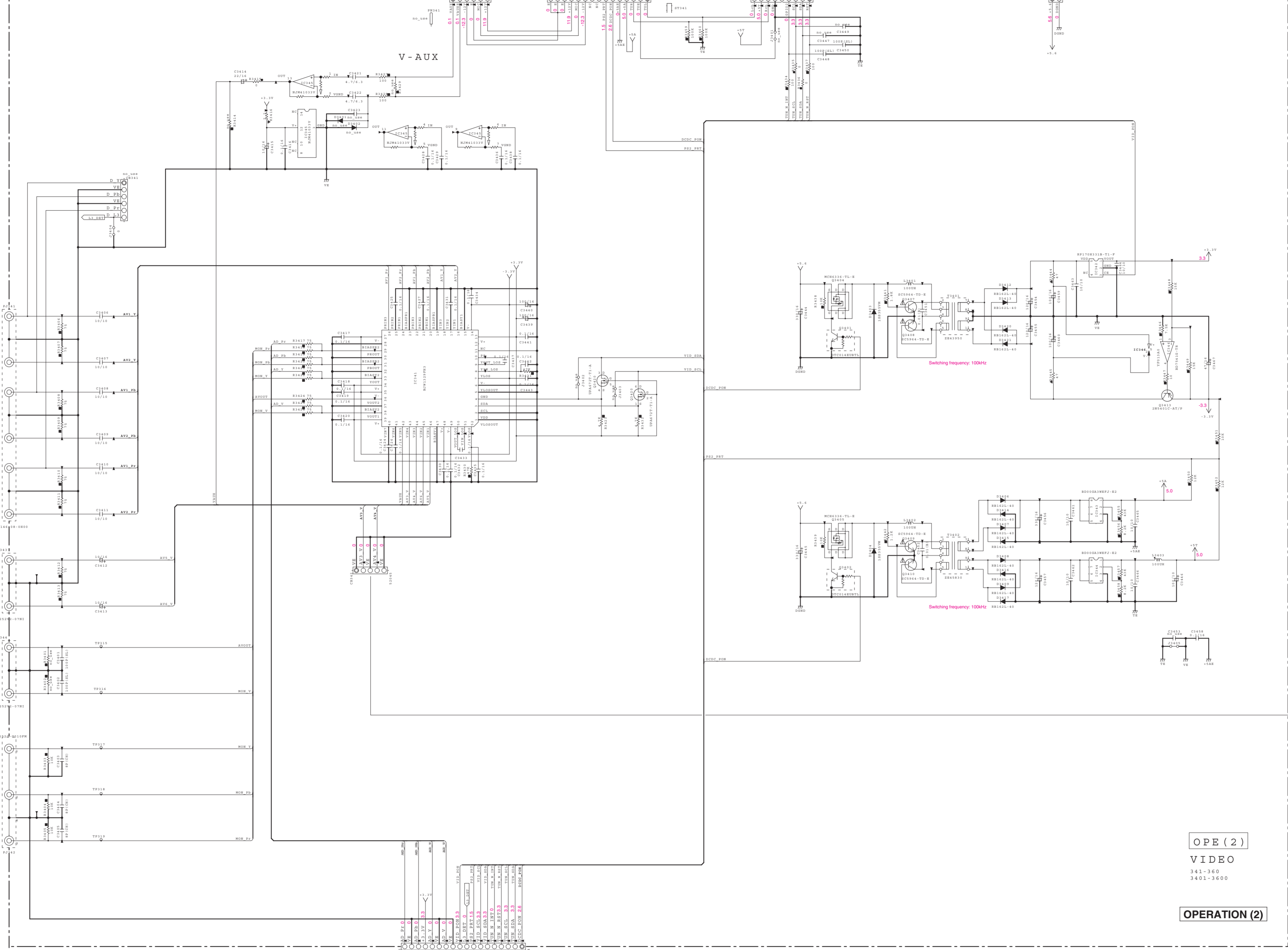
Page 135 **K9**
to OPERATION (1)_CB306
to OPE (1)

Page 137 **K4**
to OPERATION (4)_CB383
to OPE (4)

to AM/FM TUNER
to TUNER Pack

Page 141 **H9**
to MAIN (1)_W107

- COMPONENT VIDEO
- AV 1
- AV 2
- AV 1
- AV 2
- AV 1
- AV 2
- AV 1
- AV 2
- VIDEO
- AV 5
- AV 6
- AV OUT
- AV OUT
- MONITOR OUT
- MON OUT
- COMPONENT VIDEO
- MONITOR OUT
- MON OUT
- Pb
- Pr



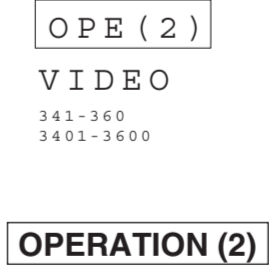
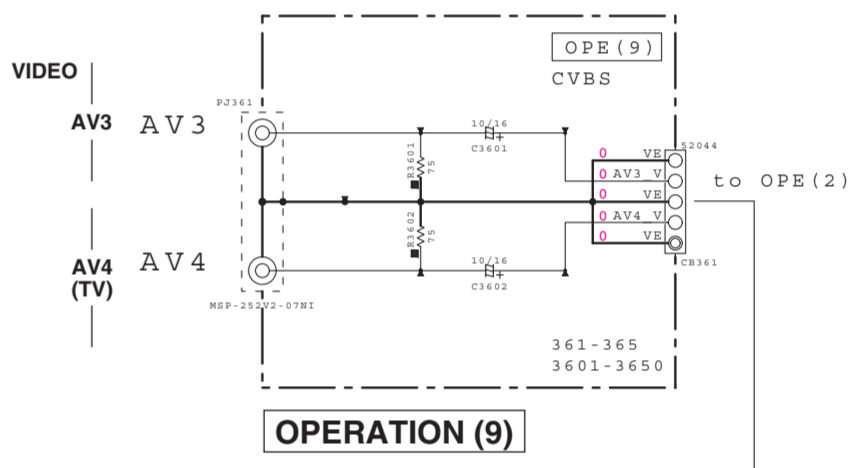
NOTICE (model)
(2) JAPAN
(3) U.S.A
(4) CANADA
(5) GENERAL
(6) CHINA
(7) KOREA
(8) AUSTRALIA
(9) BRITISH
(10) EUROPE
(11) SINGAPORE
(12) SOUTH EUROPE
(13) TAIWAN
(14) RUSSIAN
(15) LATIN AMERICA
(16) BRAZIL
(17) THAI

RESISTOR

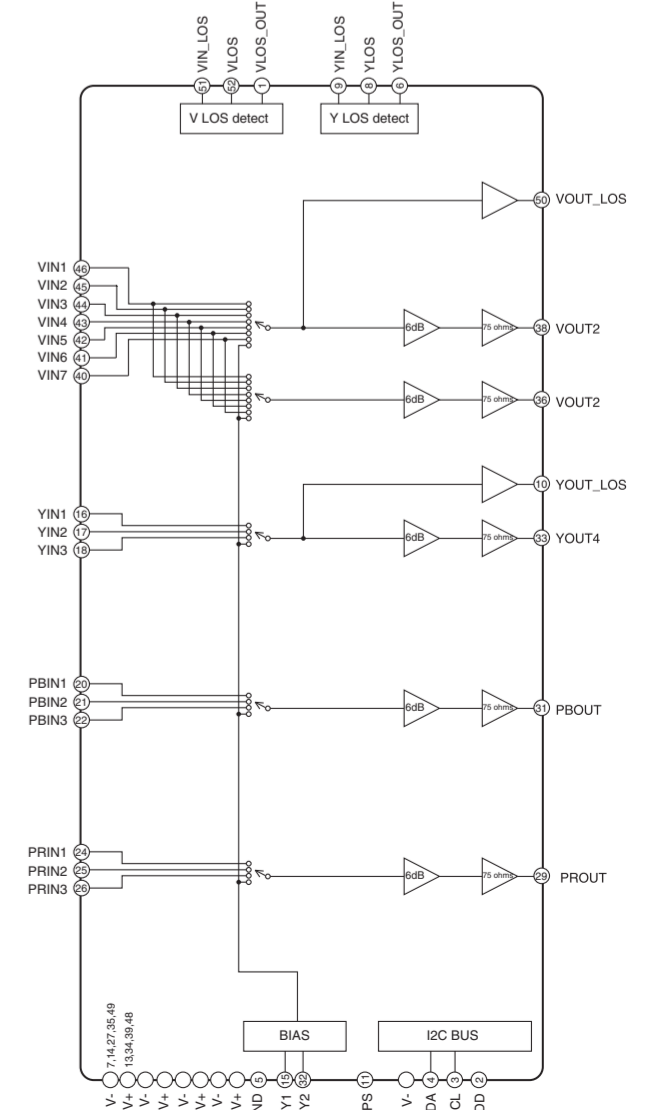
REMARKS	PARTS NAME
NO MARK	CARBON FILM RESISTOR (P=5)
□	CARBON FILM RESISTOR (P=10)
△	METAL OXIDE FILM RESISTOR
□	METAL FILM RESISTOR
□	METAL PLATE RESISTOR
□	FIRE PROOF CARBON FILM RESISTOR
□	CEMENT MOLDED RESISTOR
□	SEMI VARIABLE RESISTOR
□	CHIP RESISTOR

CAPACITOR

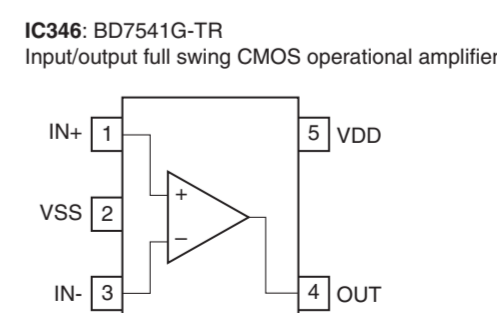
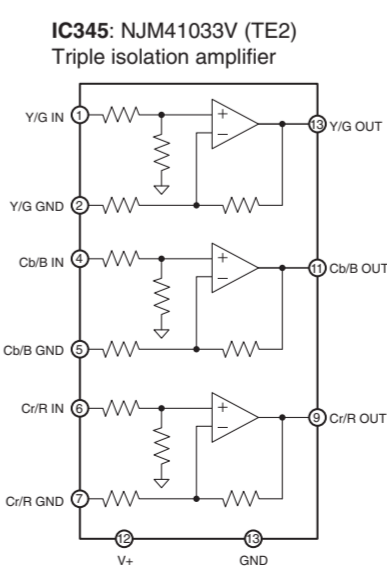
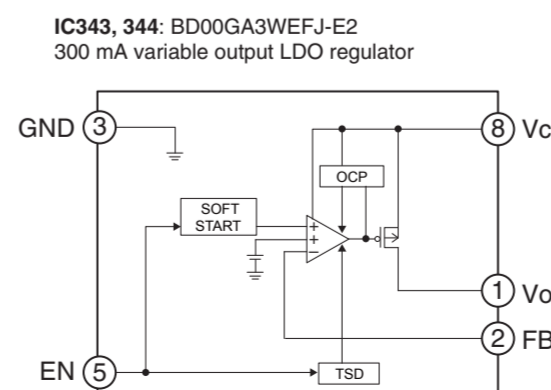
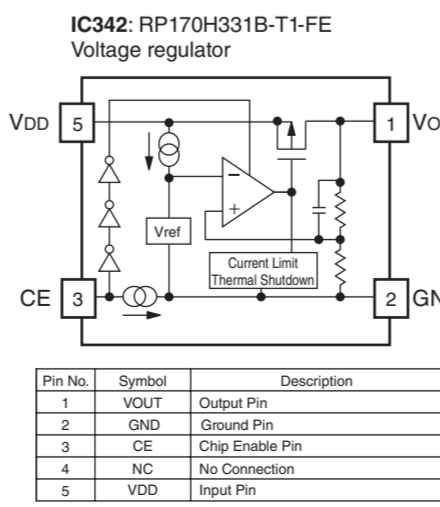
REMARKS	PARTS NAME
NO MARK	ELECTROLYTIC CAPACITOR
□	TANTALUM CAPACITOR
NO MARK	CERAMIC CAPACITOR
□	CERAMIC TUBULAR CAPACITOR
□	POLYESTER FILM CAPACITOR
□	POLYETHYLENE FILM CAPACITOR
□	MICA CAPACITOR
□	POLYPROPYLENE FILM CAPACITOR
□	SEMICONDUCTIVE CERAMIC CAPACITOR



IC341: NJW1329FH3
Multi input wide band video interface with IC control



to DIGITAL
Page 131 **E9**
to DIGITAL (1)_CB76



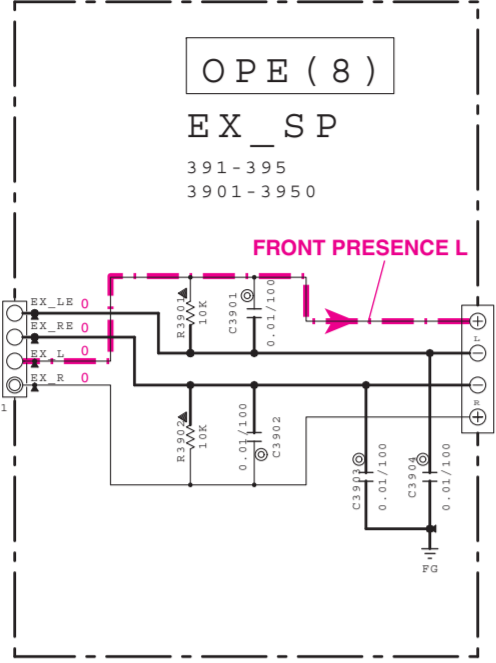
* All voltages are measured with a 10MΩ/V DC electronic voltmeter.
* Components having special characteristics are marked Δ, and must be replaced with parts having specifications equal to those originally installed.
* Schematic diagram is subject to change without notice.

OPERATION 3/3

Page 141 [H9] to MAIN (1)_W105

Page 134 [M2] to DIGITAL (1)_CB945 to DIGITAL

OPERATION (8)

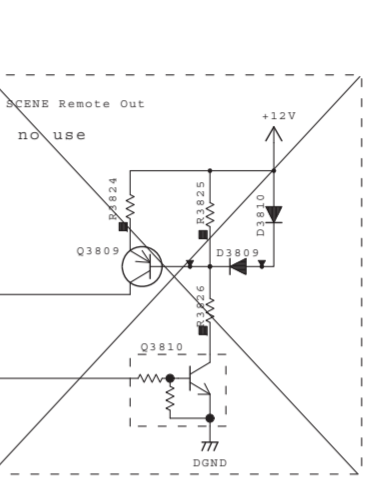


Page 141 [H2] to MAIN (1)_W105

TRIGGER OUT 12V ±0.1A
CONTROL OUT +12V MAX 100mA

OPERATION (4)

OPERATION (4) CONNECT

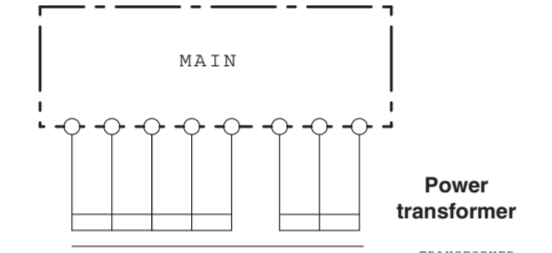


to OPE (2)
Page 136 [G1] to OPERATION (2)_CB345

- NOTICE (model)
(J) JAPAN
(U) U.S.A
(C) CANADA
(S) GENERAL
(Z) CHINA
(K) KOREA
(A) AUSTRALIA
(B) BRITISH
(E) EUROPE
(L) SINGAPORE
(S) SOUTH EUROPE
(T) TAIWAN
(R) RUSSIAN
(D) LATIN AMERICA
(B) BRAZIL
(S) TRAI

Table with 2 columns: REMARKS, PARTS NAME. Lists various resistor types like CARBON FILM RESISTOR, METAL OXIDE FILM RESISTOR, etc.

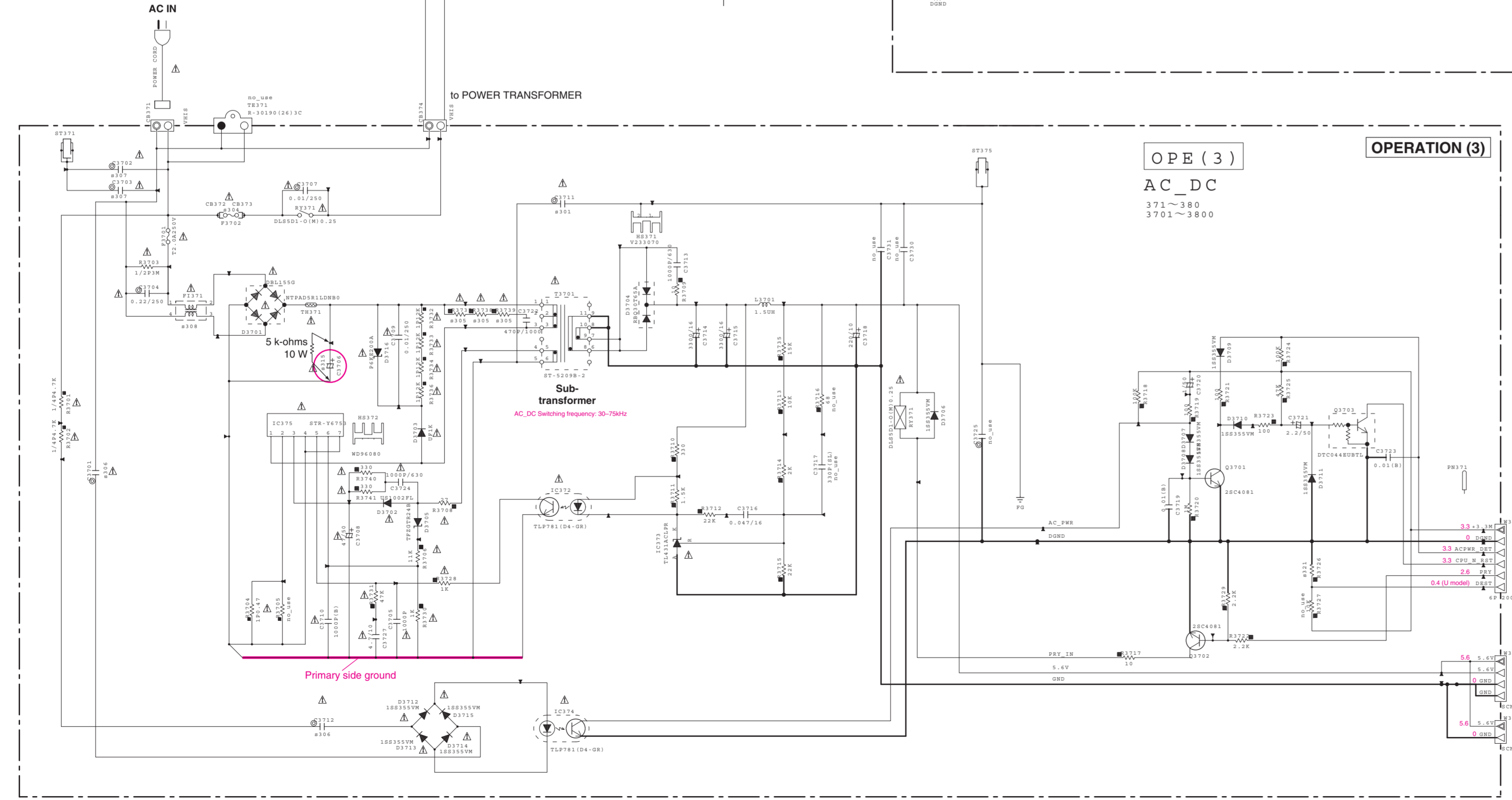
Table with 2 columns: REMARKS, PARTS NAME. Lists various capacitor types like ELECTROLYTIC CAPACITOR, TANTALUM CAPACITOR, etc.



to POWER TRANSFORMER

- AV4 OPTICAL AV - 4
AV3 COAXIAL AV - 3
AV2 AV - 2
AV1 OPTICAL AV - 1

OPERATION (3) OPE (3) AC_DC 371~380 3701~3800



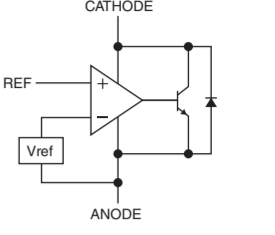
Safety measures
Some internal parts in this product contain high voltages and are dangerous. Be sure to take safety measures during servicing, such as wearing insulating gloves.
Note that the capacitors indicated below are dangerous even after the power is turned off because an electric charge remains and a high voltage continues to exist there. Before starting any repair work, connect a discharging resistor (5 k-ohms/10 W) to the terminals of each capacitor indicated below to discharge electricity. The time required for discharging is about 30 seconds per each. C3706 on OPERATION (3) P.C.B.

Page 134 [B6] to DIGITAL (1)_CB944

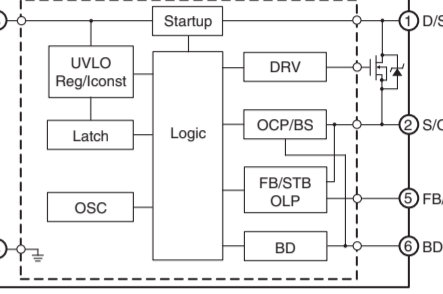
Page 134 [B6] to DIGITAL (1)_CB942

Page 141 [H9] to MAIN (1)_CB102

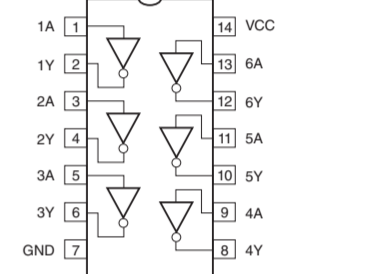
IC373: TL431ACLPR Adjustable precision shunt regulators



IC375: STR-Y6753 Switching regulator



IC381: TC74VHC04FT Hex inverters



IC382: RP170H31B-T1-FE Voltage regulator

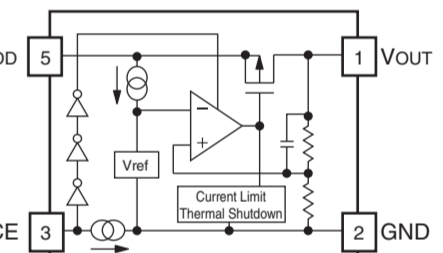


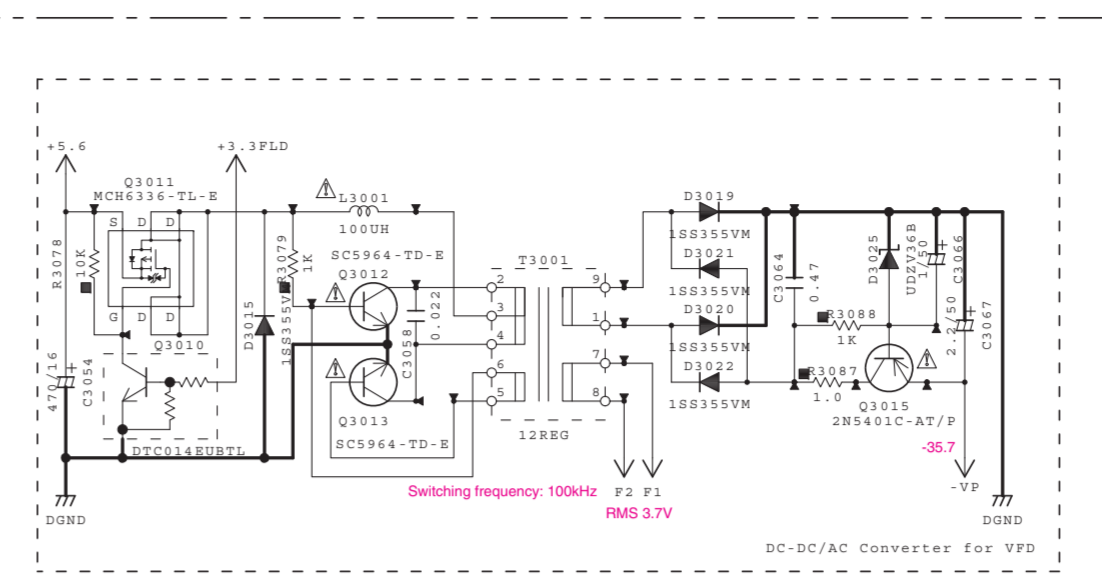
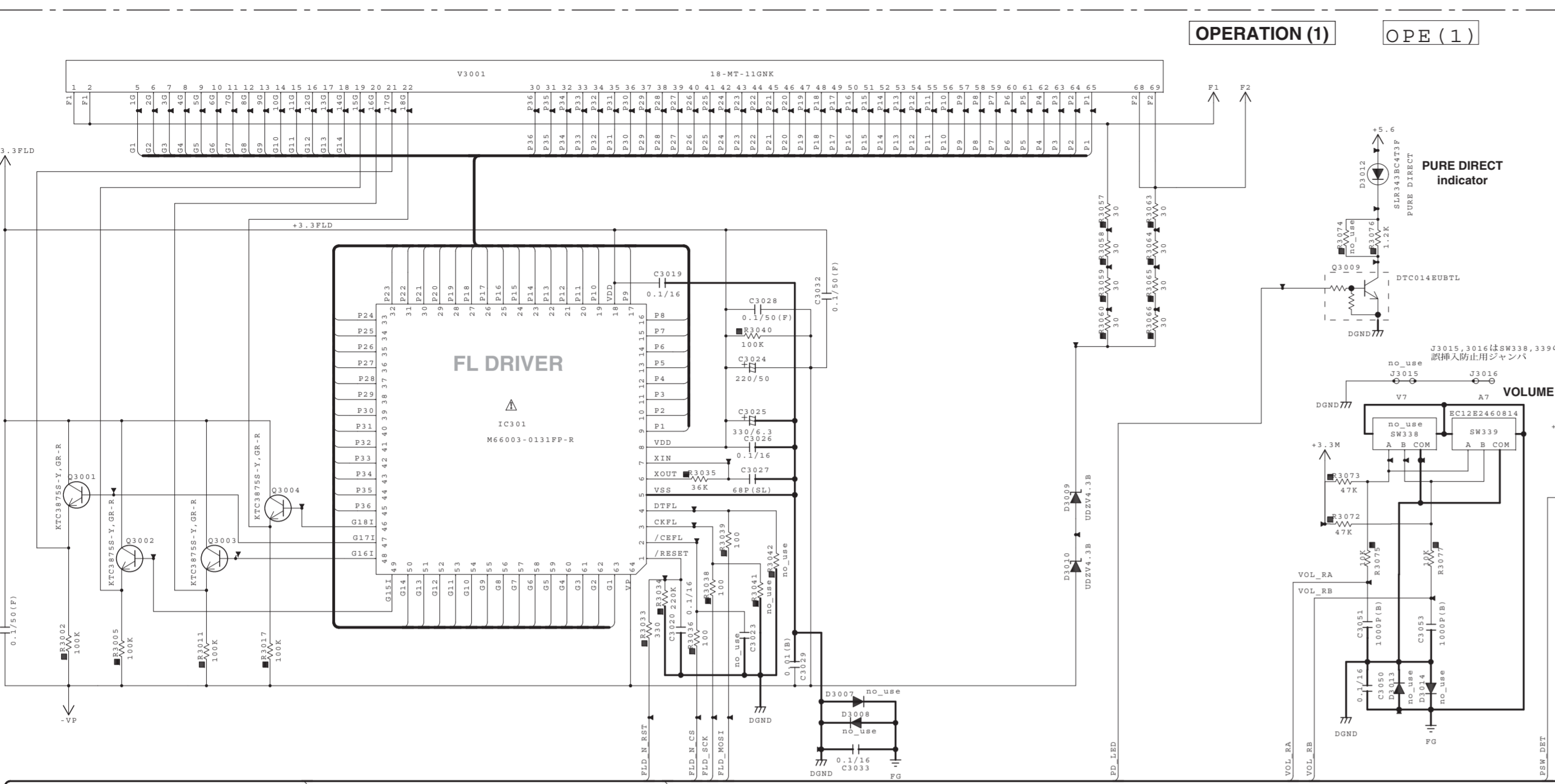
Table with 4 columns: Pin No., Symbol, Description. Lists pins 1 (VOUT), 2 (GND), 3 (CE), 4 (NC), 5 (VDD).

Discontinuation Part List table with columns: #, LOC, U, C, B, T, A, BOP, LR. Lists various component part numbers and their locations.

All voltages are measured with a 10MΩ/V DC electronic voltmeter.
Components having special characteristics are marked Δ, and must be replaced with parts having specifications equal to those originally installed.
Schematic diagram is subject to change without notice.

OPERATION 1/3

OPERATION (1) OPE (1)



CAPACITOR

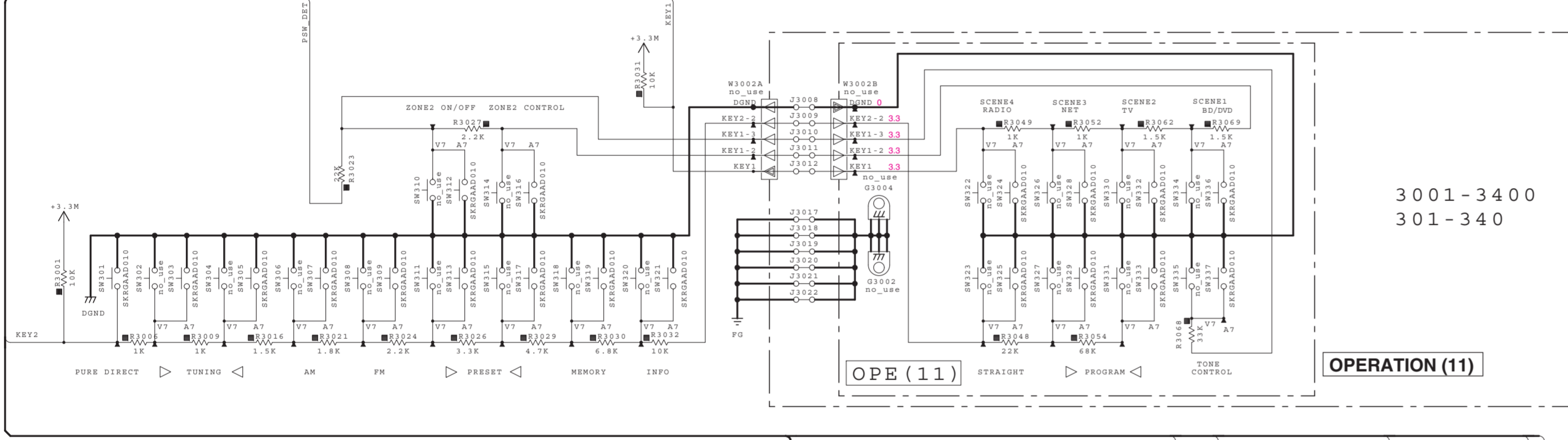
REMARKS	PARTS NAME
NO MARK	ELECTROLYTIC CAPACITOR
⊗	TANTALUM CAPACITOR
NO MARK	CERAMIC CAPACITOR
⊙	CERAMIC TUBULAR CAPACITOR
⊖	POLYESTER FILM CAPACITOR
⊕	POLYSTYRENE FILM CAPACITOR
⊖	MICA CAPACITOR
⊕	POLYPROPYLENE FILM CAPACITOR
⊖	SEMICONDUCTIVE CERAMIC CAPACITOR
⊕	POLYPHENYLENE SULFIDE FILM CAPACITOR

RESISTOR

REMARKS	PARTS NAME
NO MARK	CARBON FILM RESISTOR (P=5)
⊠	CARBON FILM RESISTOR (P=10)
⊠	METAL OXIDE FILM RESISTOR
⊠	METAL FILM RESISTOR
⊠	METAL PLATE RESISTOR
⊠	FIRE PROOF CARBON FILM RESISTOR
⊠	CEMENT MOLDED RESISTOR
⊠	SEMI VARIABLE RESISTOR
⊠	CHIP RESISTOR

NOTICE (model)

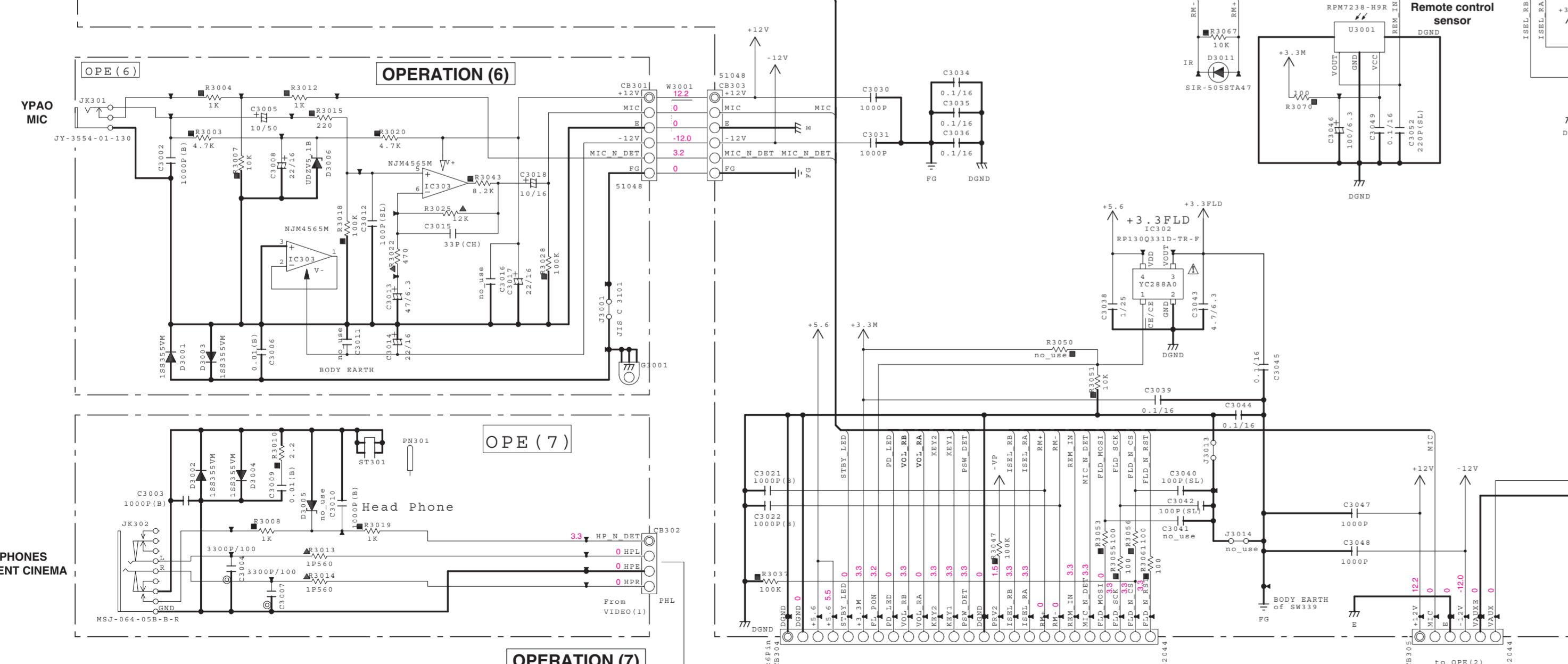
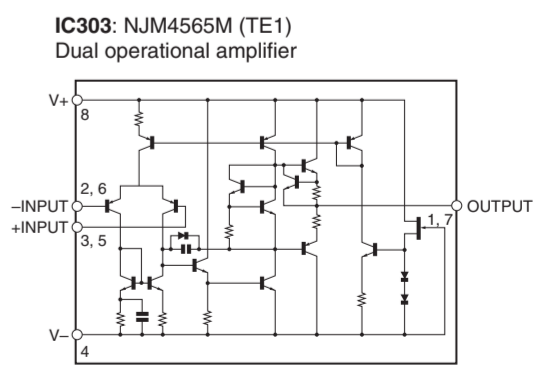
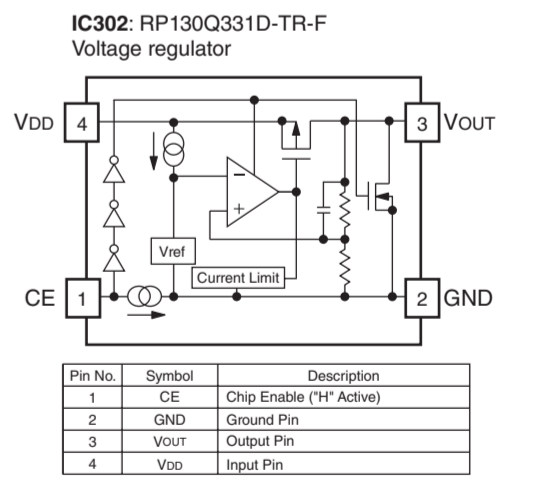
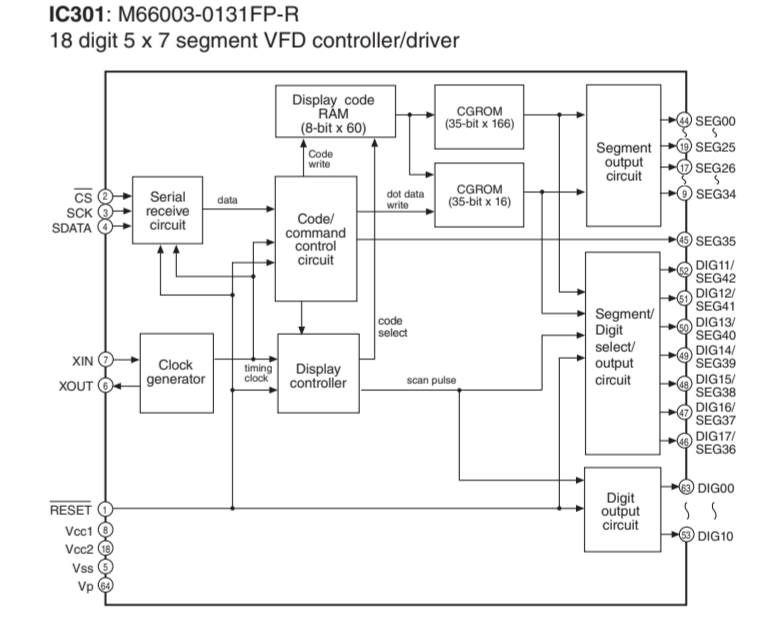
(J)..... JAPAN
 (U)..... U.S.A
 (C)..... CANADA
 (R)..... GENERAL
 (T)..... CHINA
 (K)..... KOREA
 (A)..... AUSTRALIA
 (B)..... BRITISH
 (G)..... EUROPE
 (L)..... SINGAPORE
 (E)..... SOUTH EUROPE
 (V)..... TAIWAN
 (P)..... RUSSIAN
 (S)..... LATIN AMERICA
 (H)..... THAI



Key detection for A/D port
Key input (A/D) pull-up resistance 10 k-ohms

Detected voltage value at 170 pin	0.0	+10k	+10k	+15k	+15k	+22k	+33k	+47k	22k	33k
AD value (3.3V-255)	0-0.15V	0.15-0.42V	0.43-0.70V	0.71-0.97V	0.98-1.24V	1.25-1.53V	1.54-1.84V	1.85-2.22V	2.23-2.62V	2.63-3.04V
KEY1	RADIO (SCENE4)	NET (SCENE5)	TV (SCENE2)	BD/DVD	ZONE CONTROL	ZONE2	INPUT	MAIN ZONE (power)	PROGRAM	TOUR CONTROL

Detected voltage value at 170 pin (3.3V-255)	0.0	+10k	+10k	+15k	+15k	+22k	+33k	+47k	+68k	+10k	+22k	+68k
AD value (3.3V-255)	0-0.15V	0.16-0.42V	0.43-0.70V	0.71-0.99V	1.00-1.27V	1.28-1.56V	1.57-1.86V	1.87-2.14V	2.15-2.39V	2.40-2.65V	2.66-2.91V	2.92-3.17V
KEY2	PURE DIRECT	TUNING	TUNING	AM	FM	PRESET	PRESET	MEMORY	INFO	STRAIGHT	PROGRAM	PROGRAM



Page 134 [K8] to DIGITAL (1)_CB947

Page 132 [J9] to DIGITAL (1)_CB952

Page 141 [H2] to MAIN (1)_W106

Page 131 [K9] to DIGITAL (1)_CB82

Page 139 [E1] to OPERATION (2)_CB343

* All voltages are measured with a 10MΩ/V DC electronic voltmeter.
 * Components having special characteristics are marked Δ and must be replaced with parts having specifications equal to those originally installed.
 * Schematic diagram is subject to change without notice.

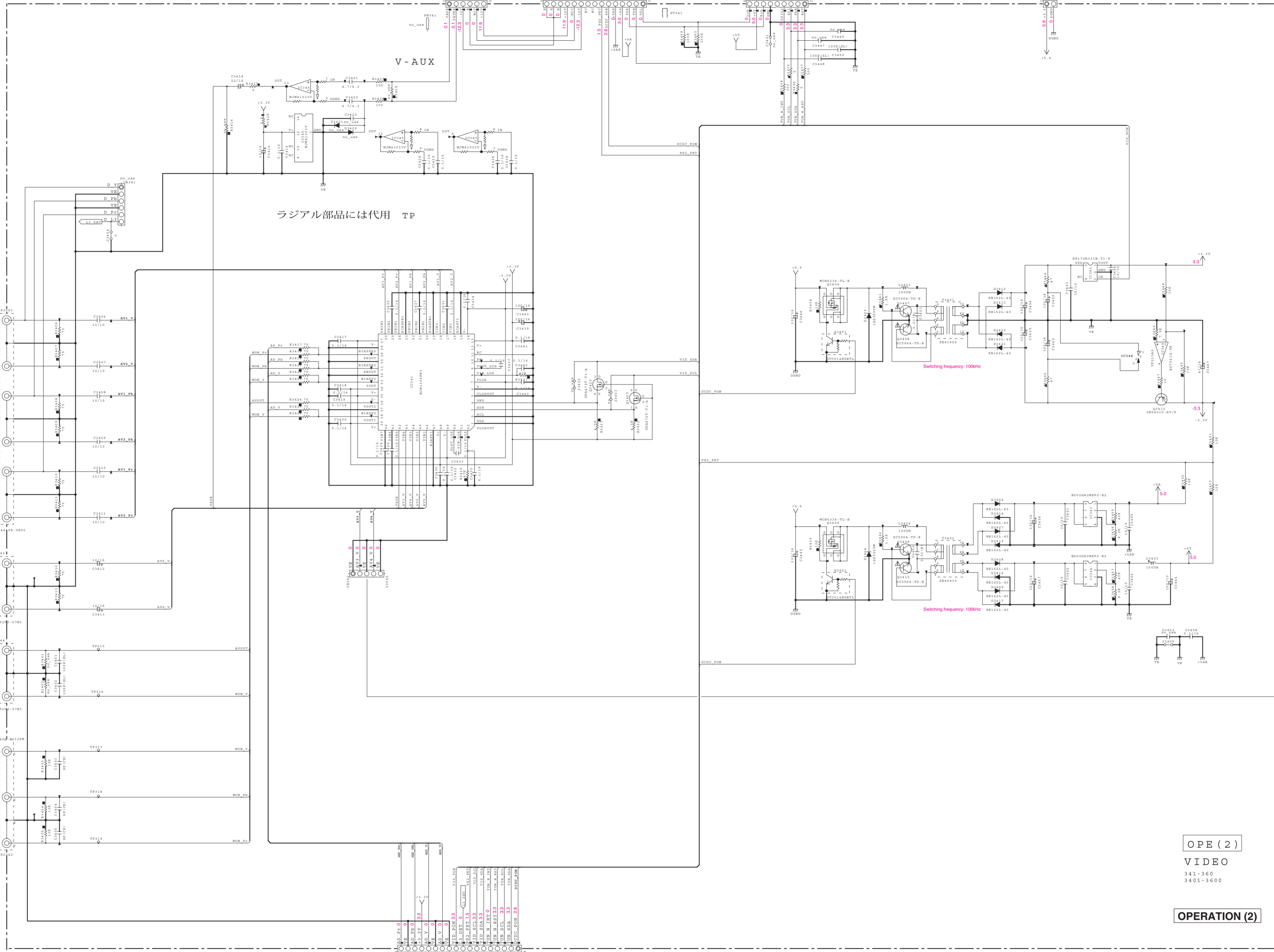
OPERATION 2/3

Page 138 H10 to OPERATION (1)_CB305 to OPE (1)

Page 140 K4 to OPERATION (4)_CB383 to OPE (4)

to AM/FM TUNER to TUNER Pack

Page 141 H9 to MAIN (1)_W107

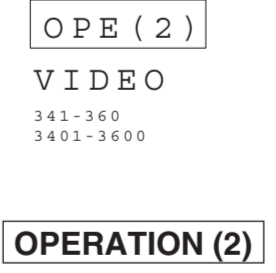
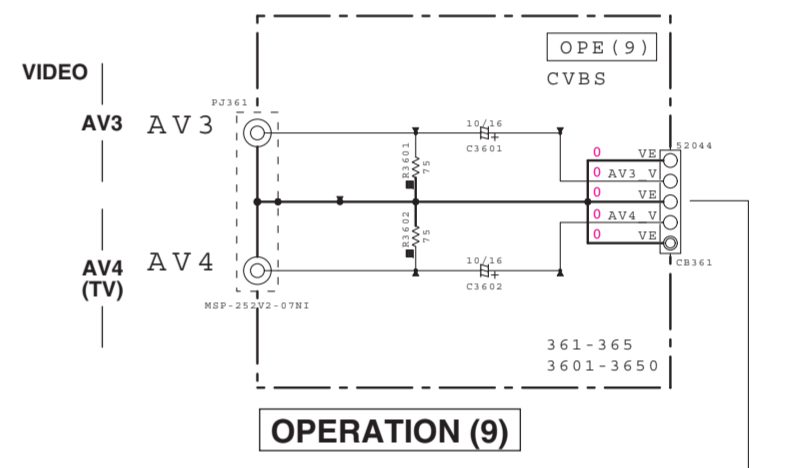


ラジアル部品には代用 TP

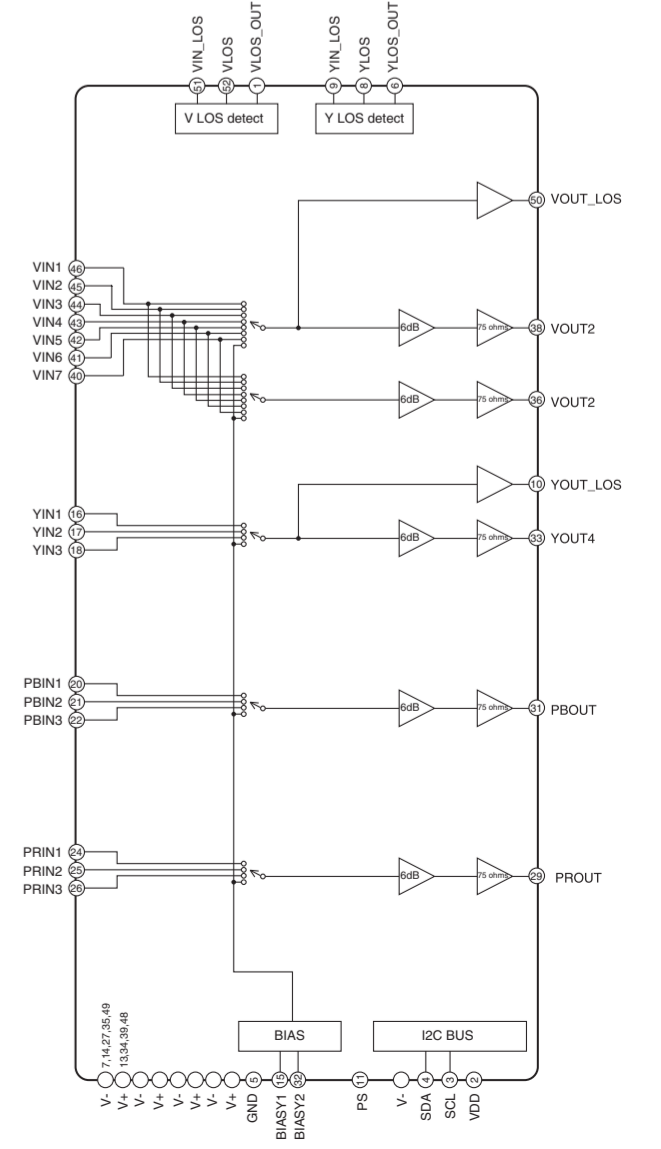
- NOTICE (model)
- (J) JAPAN
 - (U) U.S.A
 - (C) CANADA
 - (K) GENERAL
 - (F) CHINA
 - (S) KOREA
 - (A) AUSTRALIA
 - (B) BRITISH
 - (G) EUROPE
 - (L) SINGAPORE
 - (E) SOUTH EUROPE
 - (V) TAIWAN
 - (P) RUSSIAN
 - (F) LATIN AMERICA
 - (S) BRAZIL
 - (R) THAI

REMARKS	PARTS NAME
HO MARK	CARBON FILM RESISTOR (P=5)
△	CARBON FILM RESISTOR (P=10)
▲	METAL OXIDE FILM RESISTOR
■	METAL FILM RESISTOR
□	METAL LEAF RESISTOR
◆	FIRE PROOF CARBON FILM RESISTOR
◎	CEMENT MOLDED RESISTOR
○	TEMP. VARIABLE RESISTOR
■	CHIP RESISTOR

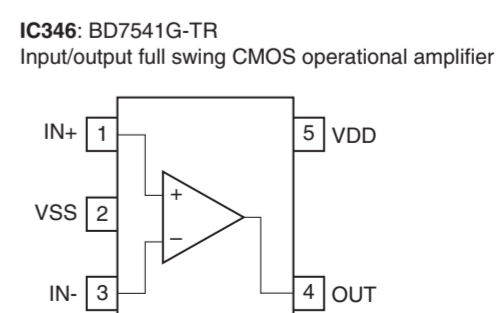
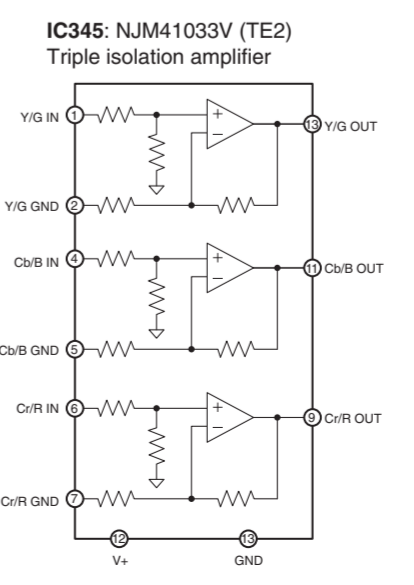
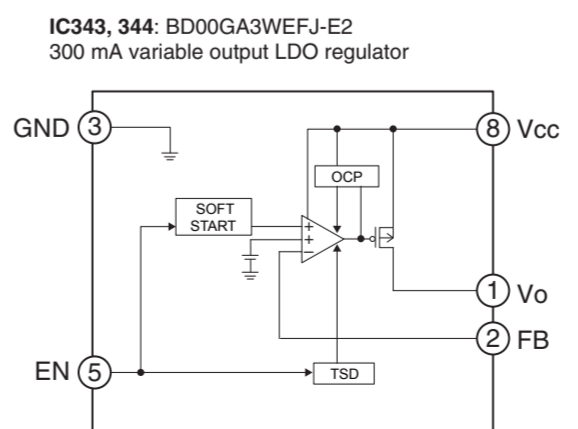
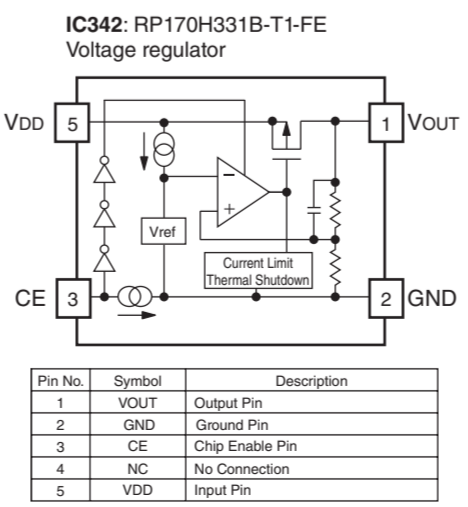
REMARKS	PARTS NAME
HO MARK	ELECTROLYTIC CAPACITOR
○	NONPOLAR CAPACITOR
HO MARK	CERAMIC CAPACITOR
●	CERAMIC TUBULAR CAPACITOR
○	POLYESTER FILM CAPACITOR
○	POLYESTER FILM CAPACITOR
○	MICA CAPACITOR
○	POLYPROPYLENE FILM CAPACITOR
○	SEMICONDUCTIVE CERAMIC CAPACITOR



IC341: NJW1329FH3 Multi input wide band video interface with I²C control



to DIGITAL Page 131 E9 to DIGITAL (1)_CB76



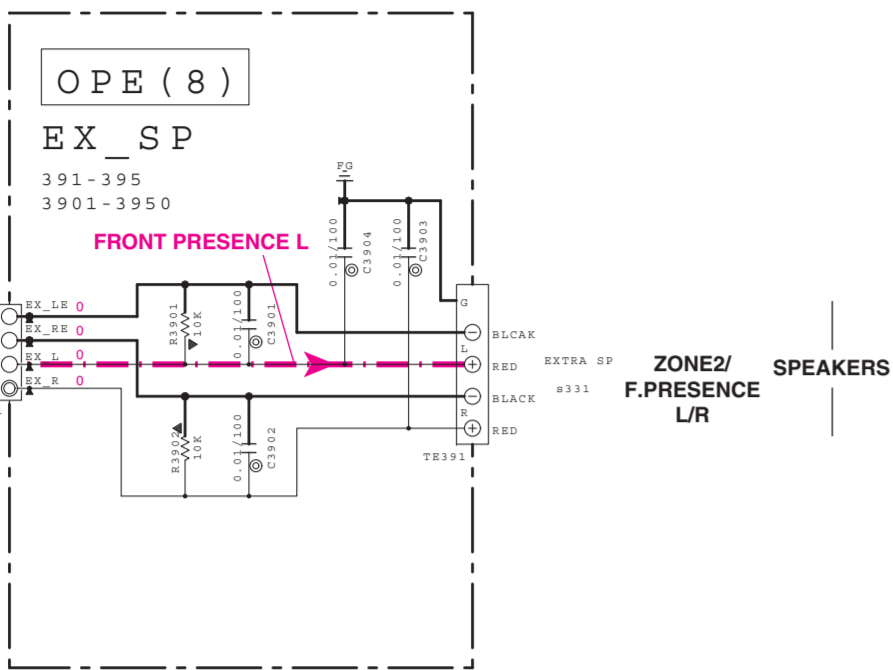
* All voltages are measured with a 10MΩ/V DC electronic voltmeter.
 * Components having special characteristics are marked Δ, and must be replaced with parts having specifications equal to those originally installed.
 * Schematic diagram is subject to change without notice.

OPERATION 3/3

Page 141 H9 to MAIN (1)_W110

Page 134 M2 to DIGITAL (1)_CB945 to DIGITAL

OPERATION (8)



TRIGGER OUT 12V±0.1A CONTROL OUT +12V MAX 100mA

OPERATION (4)

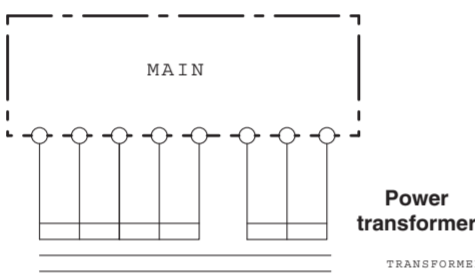
OPERATION (4) OPE (4) CONNECT 381-390 3801-3900

NOTICE (model)

- (J) JAPAN (U) U.S.A (C) CANADA (R) GENERAL (F) CHINA (K) KOREA (A) AUSTRALIA (B) BRITISH (O) EUROPE (L) SINGAPORE (S) SOUTH EUROPE (V) TAIWAN (P) RUSSIAN (D) LATIN AMERICA (S) BRAZIL (R) RUS

Table with 2 columns: RESISTOR, PARTS NAME. Lists various resistor types like CARBON FILM, METAL OXIDE FILM, etc.

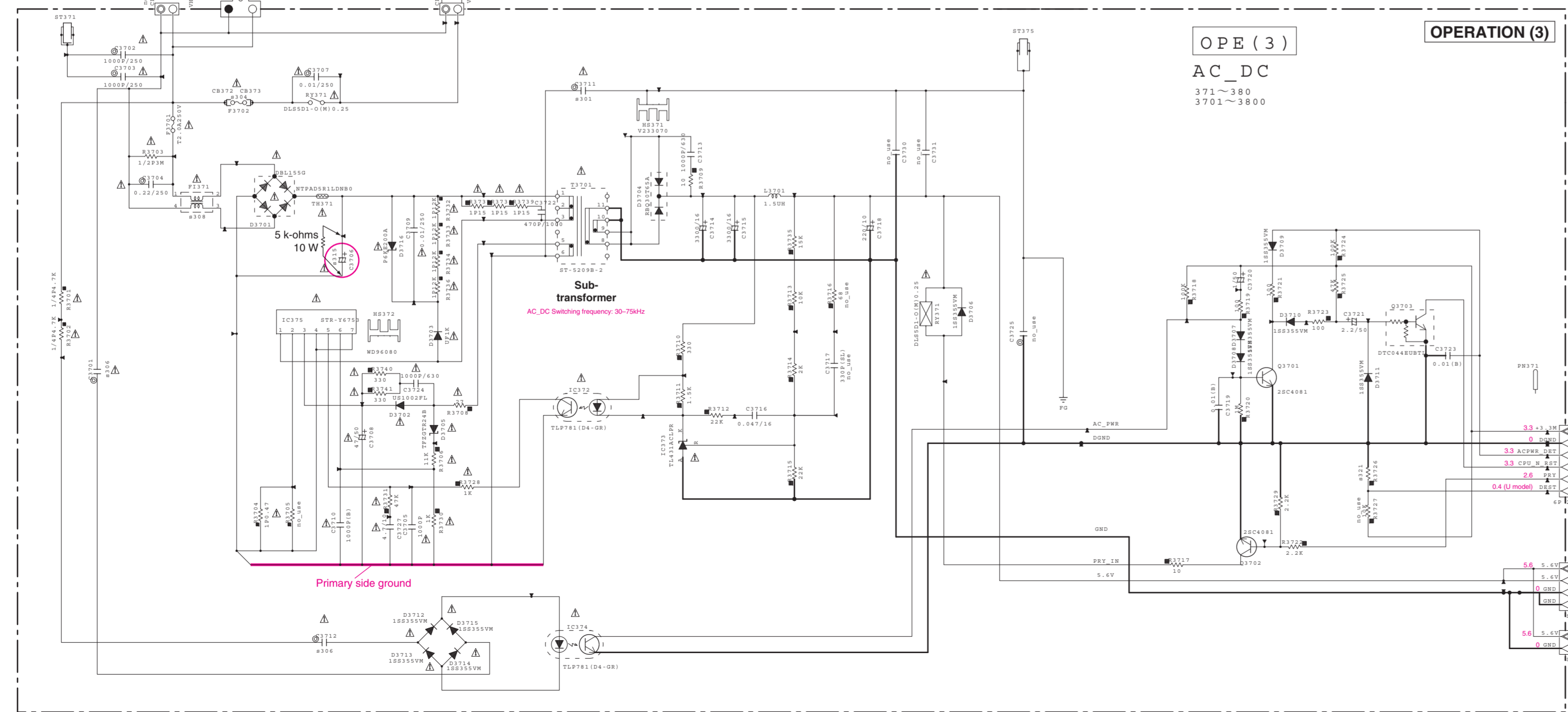
Table with 2 columns: CAPACITOR, PARTS NAME. Lists various capacitor types like ELECTROLYTIC, TANTALUM, CERAMIC, etc.



Power transformer

AC IN

to POWER TRANSFORMER



OPE (3) AC_DC 371-380 3701-3800

OPERATION (3)

Page 142 C5 to MAIN (1)_CB153

Safety measures

- Some internal parts in this product contain high voltages and are dangerous. Be sure to take safety measures during servicing... Note that the capacitors indicated below are dangerous even after the power is turned off...

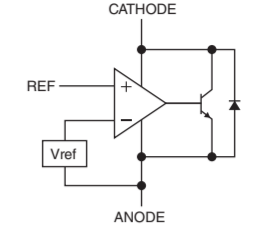
Page 134 B6 to DIGITAL (1)_CB944

Page 134 B6 to DIGITAL (1)_CB942

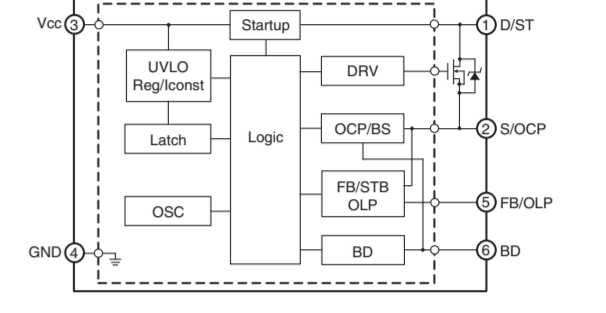
Page 141 H9 to MAIN (1)_CB102

Destination Part List table with columns: REF, LOC, U, C, A, BG, L. Lists various electronic components and their locations.

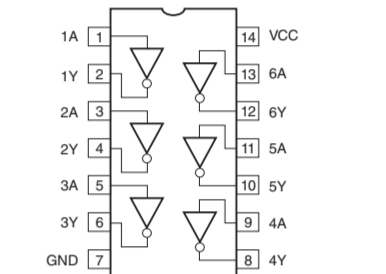
IC373: TL431ACLPR Adjustable precision shunt regulators



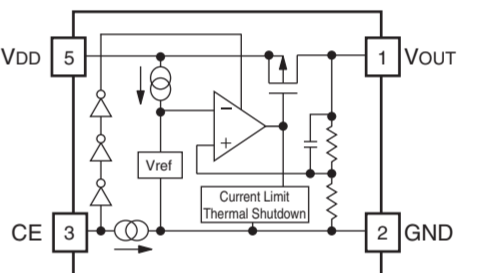
IC375: STR-Y6753 Switching regulator



IC381: TC74VHC04FT Hex inverters

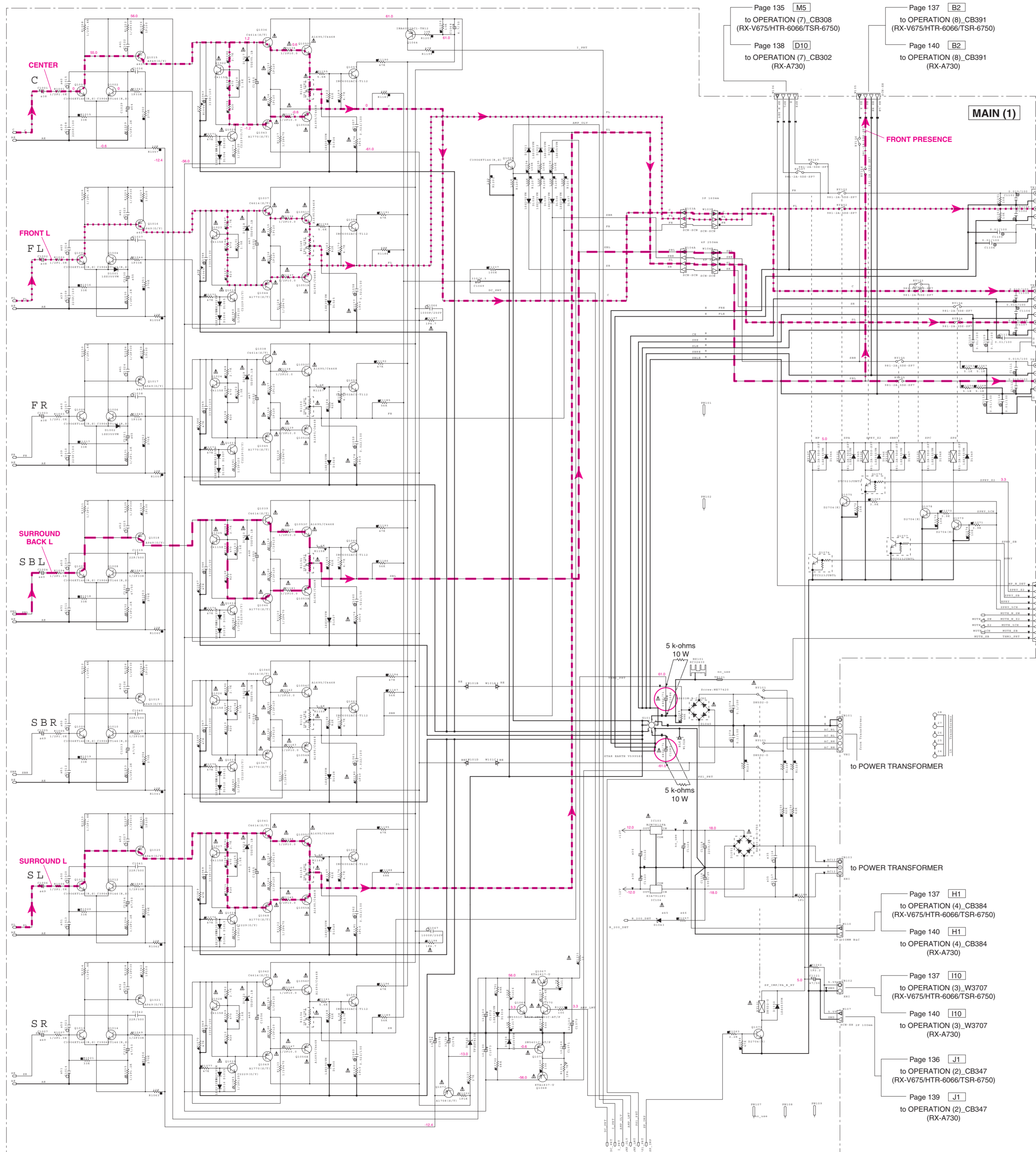


IC382: RP170H331B-T1-FE Voltage regulator



Pin No. Symbol Output Pin Description table for IC382.

All voltages are measured with a 10MΩ/V DC electronic voltmeter. Components having special characteristics are marked Δ and must be replaced with parts having specifications equal to those originally installed.

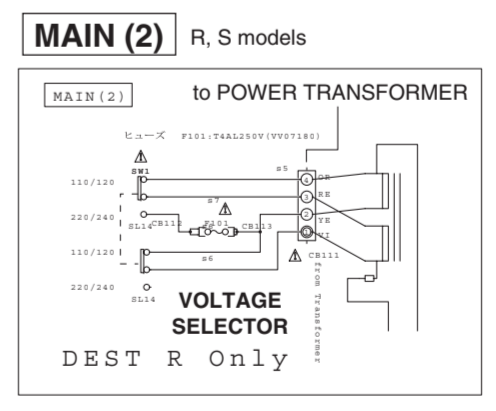
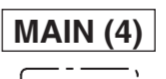
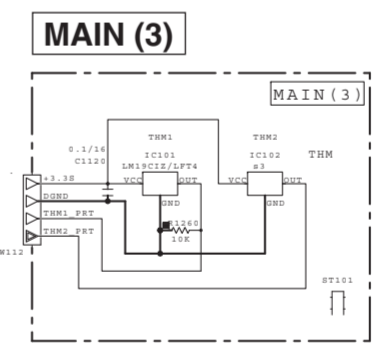
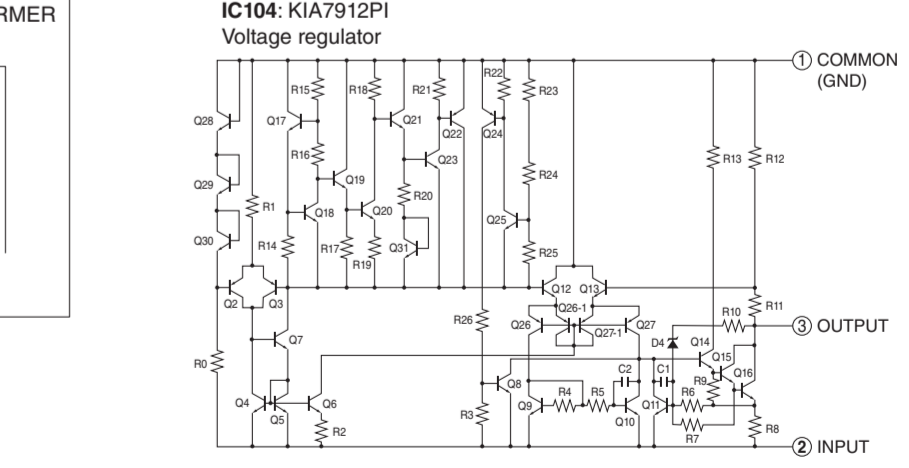
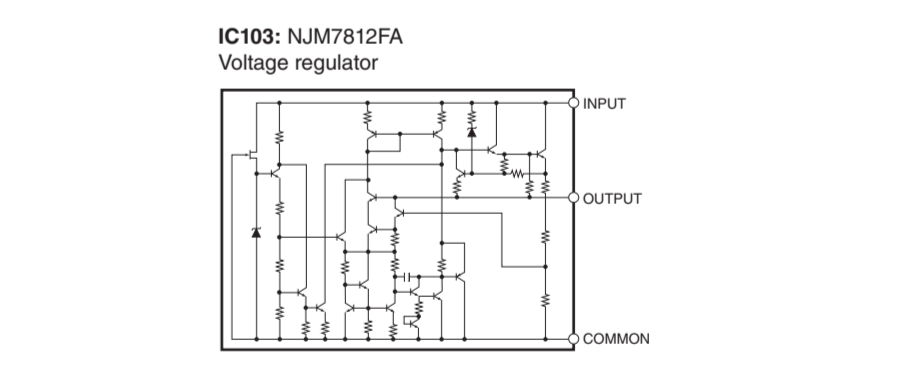


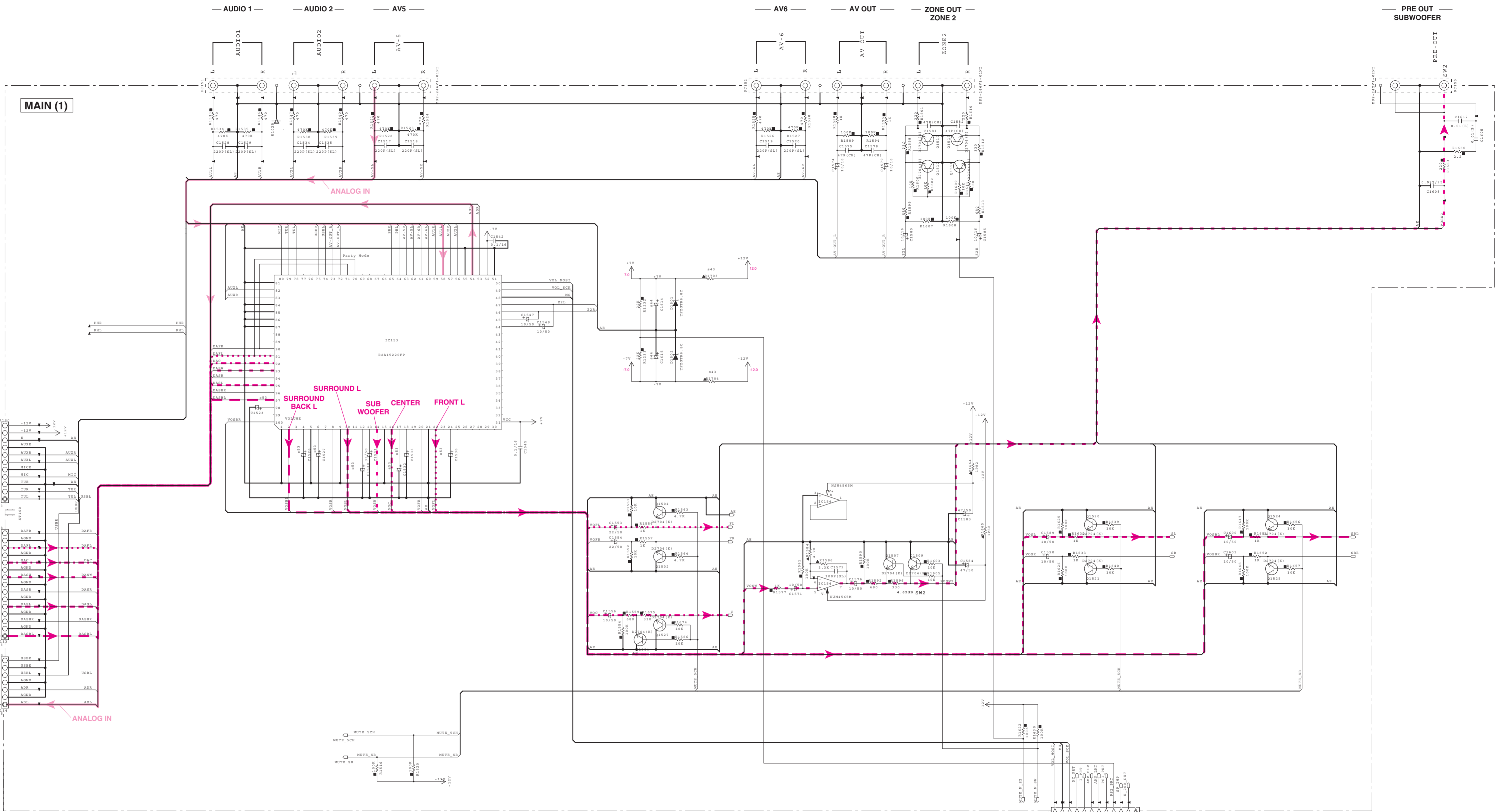
REMARKS	PARTS NAME
NO MARK	CARBON FILM RESISTOR (P=5)
□	CARBON FILM RESISTOR (P=10)
△	METAL OXIDE FILM RESISTOR
▴	METAL FILM RESISTOR
▾	METAL PLATE RESISTOR
■	FIRE PROOF CARBON FILM RESISTOR
⊖	CEMENT MOLDED RESISTOR
⊕	SMT VARIABLE RESISTOR
⊗	CHIP RESISTOR

REMARKS	PARTS NAME
NO MARK	ELECTROLYTIC CAPACITOR
⊕	TANTALUM CAPACITOR
⊖	CERAMIC CAPACITOR
⊗	CERAMIC TUBULAR CAPACITOR
⊙	POLYESTER FILM CAPACITOR
○	POLYSTYRENE FILM CAPACITOR
⊕	MICA CAPACITOR
⊙	POLYPROPYLENE FILM CAPACITOR
⊗	SEMICONDUCTIVE CERAMIC CAPACITOR

Destination Part List		CC	SA	TA	CHINA	THAI
R1	RES1	W12100	X	X	X	X
R2	RES2	W12100	X	X	X	X
R3	RES3	W12100	X	X	X	X
R4	RES4	W12100	X	X	X	X
R5	RES5	W12100	X	X	X	X
R6	RES6	W12100	X	X	X	X
R7	RES7	W12100	X	X	X	X
R8	RES8	W12100	X	X	X	X
R9	RES9	W12100	X	X	X	X
R10	RES10	W12100	X	X	X	X
R11	RES11	W12100	X	X	X	X
R12	RES12	W12100	X	X	X	X
R13	RES13	W12100	X	X	X	X
R14	RES14	W12100	X	X	X	X
R15	RES15	W12100	X	X	X	X
R16	RES16	W12100	X	X	X	X
R17	RES17	W12100	X	X	X	X
R18	RES18	W12100	X	X	X	X
R19	RES19	W12100	X	X	X	X
R20	RES20	W12100	X	X	X	X
R21	RES21	W12100	X	X	X	X
R22	RES22	W12100	X	X	X	X
R23	RES23	W12100	X	X	X	X
R24	RES24	W12100	X	X	X	X
R25	RES25	W12100	X	X	X	X
R26	RES26	W12100	X	X	X	X
R27	RES27	W12100	X	X	X	X
R28	RES28	W12100	X	X	X	X
R29	RES29	W12100	X	X	X	X
R30	RES30	W12100	X	X	X	X
R31	RES31	W12100	X	X	X	X
R32	RES32	W12100	X	X	X	X
R33	RES33	W12100	X	X	X	X
R34	RES34	W12100	X	X	X	X
R35	RES35	W12100	X	X	X	X
R36	RES36	W12100	X	X	X	X
R37	RES37	W12100	X	X	X	X
R38	RES38	W12100	X	X	X	X
R39	RES39	W12100	X	X	X	X
R40	RES40	W12100	X	X	X	X
R41	RES41	W12100	X	X	X	X
R42	RES42	W12100	X	X	X	X
R43	RES43	W12100	X	X	X	X
R44	RES44	W12100	X	X	X	X
R45	RES45	W12100	X	X	X	X
R46	RES46	W12100	X	X	X	X
R47	RES47	W12100	X	X	X	X
R48	RES48	W12100	X	X	X	X
R49	RES49	W12100	X	X	X	X
R50	RES50	W12100	X	X	X	X
R51	RES51	W12100	X	X	X	X
R52	RES52	W12100	X	X	X	X
R53	RES53	W12100	X	X	X	X
R54	RES54	W12100	X	X	X	X
R55	RES55	W12100	X	X	X	X
R56	RES56	W12100	X	X	X	X
R57	RES57	W12100	X	X	X	X
R58	RES58	W12100	X	X	X	X
R59	RES59	W12100	X	X	X	X
R60	RES60	W12100	X	X	X	X
R61	RES61	W12100	X	X	X	X
R62	RES62	W12100	X	X	X	X
R63	RES63	W12100	X	X	X	X
R64	RES64	W12100	X	X	X	X
R65	RES65	W12100	X	X	X	X
R66	RES66	W12100	X	X	X	X
R67	RES67	W12100	X	X	X	X
R68	RES68	W12100	X	X	X	X
R69	RES69	W12100	X	X	X	X
R70	RES70	W12100	X	X	X	X
R71	RES71	W12100	X	X	X	X
R72	RES72	W12100	X	X	X	X
R73	RES73	W12100	X	X	X	X
R74	RES74	W12100	X	X	X	X
R75	RES75	W12100	X	X	X	X
R76	RES76	W12100	X	X	X	X
R77	RES77	W12100	X	X	X	X
R78	RES78	W12100	X	X	X	X
R79	RES79	W12100	X	X	X	X
R80	RES80	W12100	X	X	X	X
R81	RES81	W12100	X	X	X	X
R82	RES82	W12100	X	X	X	X
R83	RES83	W12100	X	X	X	X
R84	RES84	W12100	X	X	X	X
R85	RES85	W12100	X	X	X	X
R86	RES86	W12100	X	X	X	X
R87	RES87	W12100	X	X	X	X
R88	RES88	W12100	X	X	X	X
R89	RES89	W12100	X	X	X	X
R90	RES90	W12100	X	X	X	X

Destination Part List		CC	SA	TA	CHINA	THAI
C1	RES1	W12100	X	X	X	X
C2	RES2	W12100	X	X	X	X
C3	RES3	W12100	X	X	X	X
C4	RES4	W12100	X	X	X	X
C5	RES5	W12100	X	X	X	X
C6	RES6	W12100	X	X	X	X
C7	RES7	W12100	X	X	X	X
C8	RES8	W12100	X	X	X	X
C9	RES9	W12100	X	X	X	X
C10	RES10	W12100	X	X	X	X
C11	RES11	W12100	X	X	X	X
C12	RES12	W12100	X	X	X	X
C13	RES13	W12100	X	X	X	X
C14	RES14	W12100	X	X	X	X
C15	RES15	W12100	X	X	X	X
C16	RES16	W12100	X	X	X	X
C17	RES17	W12100	X	X	X	X
C18	RES18	W12100	X	X	X	X
C19	RES19	W12100	X	X	X	X
C20	RES20	W12100	X	X	X	X
C21	RES21	W12100	X	X	X	X
C22	RES22	W12100	X	X	X	X
C23	RES23	W12100	X	X	X	X
C24	RES24	W12100	X	X	X	X
C25	RES25	W12100	X	X	X	X
C26	RES26	W12100	X	X	X	X
C27	RES27	W12100	X	X	X	X
C28	RES28	W12100	X	X	X	X
C29	RES29	W12100	X	X	X	X
C30	RES30	W12100	X	X	X	X
C31	RES31	W12100	X	X	X	X
C32	RES32	W12100	X	X	X	X
C33	RES33	W12100	X	X	X	X
C34	RES34	W12100	X	X	X	X
C35	RES35	W12100	X	X	X	X
C36	RES36	W12100	X	X	X	X
C37	RES37	W12100	X	X	X	X
C38	RES38	W12100	X	X	X	X
C39	RES39	W12100	X	X	X	X
C40	RES40	W12100	X	X	X	X
C41	RES41	W12100	X	X	X	X
C42	RES42	W12100	X	X	X	X
C43	RES43	W12100	X	X	X	X
C44	RES44	W12100	X	X	X	X
C45	RES45	W12100	X	X	X	X
C46	RES46	W12100	X	X	X	X
C47	RES47	W12100	X	X	X	X
C48	RES48	W12100	X	X	X	X
C49	RES49	W12100	X	X	X	X
C50	RES50	W12100	X	X	X	X
C51	RES51	W12100	X	X	X	X
C52	RES52	W12100	X	X	X	X
C53	RES53	W12100	X	X	X	X
C54	RES54	W12100	X	X	X	X
C55	RES55	W12100	X	X	X	X
C56	RES56	W12100	X	X	X	X
C57	RES57	W12100	X	X	X	X
C58	RES58	W12100	X	X	X	X
C59	RES59	W12100	X	X	X	X
C60	RES60	W12100	X	X	X	X
C61	RES61	W12100	X	X	X	X
C62	RES62	W12100	X	X	X	X
C63	RES63	W12100	X	X	X	X
C64	RES64	W12100	X	X	X	X
C65	RES65	W12100	X	X	X	X
C66	RES66	W12100	X	X	X	X
C67	RES67	W12100	X	X	X	X
C68	RES68	W12100	X	X	X	X
C69	RES69	W12100	X	X	X	X
C70	RES70	W12100	X	X	X	X
C71	RES71	W12100	X	X	X	X
C72	RES72	W12100	X	X	X	X
C73	RES73	W12100	X	X	X	X
C74	RES74	W12100	X	X	X	X
C75	RES75	W12100	X	X	X	X
C76	RES76	W12100	X	X	X	X
C77	RES77	W12100	X	X	X	X
C78	RES78	W12100	X	X	X	X
C79	RES79	W12100	X	X	X	X
C80	RES80	W12100	X	X	X	X
C81	RES81	W12100	X	X	X	X
C82	RES82	W12100	X	X	X	X
C83	RES83	W12100	X	X	X	X
C84	RES84	W12100	X	X	X	X
C85	RES85	W12100	X	X	X	X
C86	RES86	W12100	X	X	X	X
C87	RES87	W12100	X	X	X	X
C88	RES88	W12100	X	X	X	X
C89	RES89	W12100	X	X	X	X
C90	RES90	W12100	X	X	X	X





Page 137 **J6**
to OPERATION (4)_CB382
(RX-V675/HTR-6066/TSR-6750)

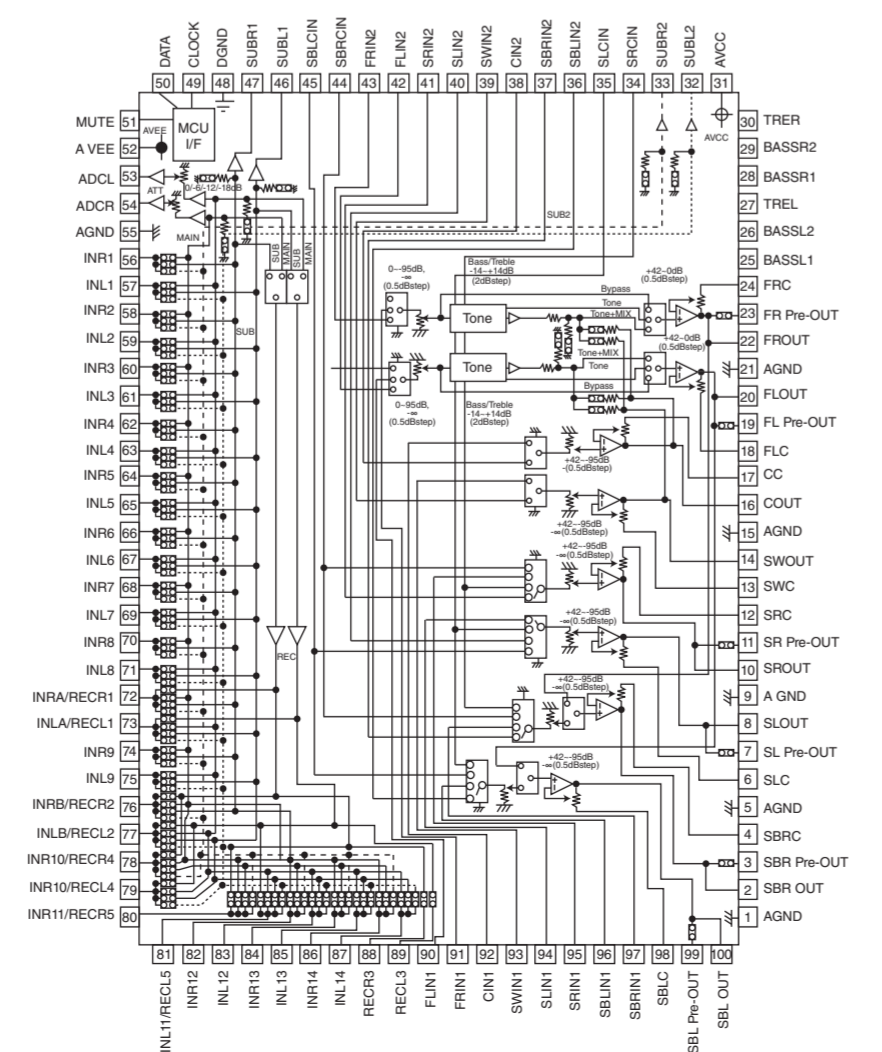
Page 140 **J6**
to OPERATION (4)_CB382
(RX-A730)

Page 134 **M3**
to DIGITAL (1)_CB946

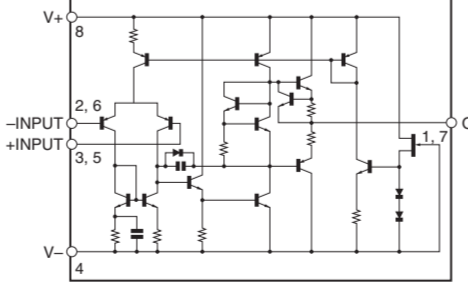
Page 134 **M4**
to DIGITAL (1)_CB948

Page 131 **H9**
to DIGITAL (1)_CB78

IC153: R2A15220FP
8-channel electronic volume with 11 input selector and tone control



IC154: NJM4565M (TE1)
Dual operational amplifier



NOTICE (model)

(J)..... JAPAN
(U)..... U.S.A
(C)..... CANADA
(B)..... GENERAL
(T)..... CHINA
(K)..... KOREA
(A)..... AUSTRALIA
(S)..... BRITISH
(G)..... EUROPE
(L)..... SINGAPORE
(R)..... SOUTH EUROPE
(V)..... TAIWAN
(P)..... RUSSIAN
(D)..... LATIN AMERICA
(E)..... BRAZIL
(S)..... THAI

RESISTOR

REMARKS	PARTS NAME
NO MARK	CARBON FILM RESISTOR (P-5)
□	CARBON FILM RESISTOR (P-10)
△	METAL OXIDE FILM RESISTOR
▲	METAL FILM RESISTOR
■	METAL PLATE RESISTOR
▣	FIRE PROOF CARBON FILM RESISTOR
▤	CEMENT MOLDED RESISTOR
⊗	SEMI-VARIABLE RESISTOR
⊕	TRIP-RESISTOR

CAPACITOR

REMARKS	PARTS NAME
NO MARK	ELECTROLYTIC CAPACITOR
⊗	TANTALUM CAPACITOR
NO MARK	CERAMIC CAPACITOR
⊙	CERAMIC TUBULAR CAPACITOR
⊚	POLYESTER FILM CAPACITOR
⊛	POLYESTER-FILM CAPACITOR
⊜	MICA CAPACITOR
⊝	POLYPROPYLENE FILM CAPACITOR
⊞	SEMICONDUCTIVE CERAMIC CAPACITOR

* All voltages are measured with a 10MΩ/V DC electronic voltmeter.
* Components having special characteristics are marked Δ, and must be replaced with parts having specifications equal to those originally installed.
* Schematic diagram is subject to change without notice.

■ REPLACEMENT PARTS LIST

• ELECTRICAL COMPONENT PARTS

WARNING

- Components having special characteristics are marked Δ and must be replaced with parts having specifications equal to those originally installed.

ABBREVIATIONS IN THIS LIST ARE AS FOLLOWS:

C.A.EL.CHP	: CHIP ALUMI.ELECTROLYTIC CAP	LED.CHP	: CHIP LED
C.CE	: CERAMIC CAP	LED.DSPLY	: LED DISPLAY
C.CE.ARRAY	: CERAMIC CAP ARRAY	LED.INFRD	: LED,INFRARED
C.CE.CHP	: CHIP CERAMIC CAP	PHOT.CPL	: PHOTO COUPLER
C.CE.M.CHP	: CHIP MULTILAYER CERAMIC CAP	PHOT.INTR	: PHOTO INTERRUPTER
C.CE.SAFTY	: RECOGNIZED CERAMIC CAP	PHOT.RFLCT	: PHOTO REFLECTOR
C.CE.TUBLR	: CERAMIC TUBULAR CAP	PHOT.TR	: PHOTO TRANSISTOR
C.CE.SMI	: SEMI CONDUCTIVE CERAMIC CAP	PIN.TEST	: PIN,TEST POINT
C.EL	: ELECTROLYTIC CAP	PTC.THERM	: POSITIVE TEMPERATURE COEFFICIENT THERMISTOR
C.EL.BP	: BIPOLAR ELECTROLYTIC CAP	R.ANTI.SURGE	: FIXED ANTI SURGE RESISTOR
C.EL.CHP	: CHIP ELECTROLYTIC CAP	R.ARRAY	: RESISTOR ARRAY
C.MICA	: MICA CAP	R.CAR.	: CARBON RESISTOR
C.ML.FLM	: MULTILAYER FILM CAP	R.CAR.CHP	: CHIP RESISTOR
C.MP	: METALLIZED POLYESTER FILM CAP	R.CAR.FP	: FLAME PROOF CARBON RESISTOR
C.MYLAR	: MYLAR FILM CAP	R.CEMENT	: CEMENT RESISTOR
C.MYLAR.ML	: MULTILAYER MYLAR FILM CAP	R.CHP	: CHIP RESISTOR
C.NIOB.OXD	: NIOBIUM OXIDE CAP	R.FUS	: FUSIBLE RESISTOR
C.PAPER	: PAPER CAPACITOR	R.MTL.CHP	: CHIP METAL FILM RESISTOR
C.PLS	: POLYSTYRENE FILM CAP	R.MTL.FLM	: METAL FILM RESISTOR
C.POL	: POLYESTER FILM CAP	R.MTL.OXD	: METAL OXIDE FILM RESISTOR
C.PP	: POLYPROPYLENE FILM CAP	R.MTL.PLAT	: METAL PLATE RESISTOR
C.PP.CHP	: CHIP POLYPROPYLENE FILM CAP	RSNR.CE	: CERAMIC RESONATOR
C.TNTL	: TANTALIUM CAP	RSNR.CRYS	: CRYSTAL RESONATOR
C.TNTL.CHP	: CHIP TANTALIUM CAP	SCR.BND.HD	: BIND HEAD B-TIGHT SCREW
C.TRIM	: TRIMMER CAP	SCR.TERM	: SCREW TERMINAL
CN	: CONNECTOR	SCR.TR	: SCREW,TRANSISTOR
CN.BS.PIN	: CONNECTOR,BASE PIN	SURG.PRTCT	: SURGE PROTECTOR
CN.CANNON	: CONNECTOR,CANNON	SUPRT.PCB	: P.C.B. SUPPORT
CN.DIN	: CONNECTOR,DIN	SW.LEVER	: LEVER SWITCH
CN.FLAT	: CONNECTOR,FLAT CABLE	SW.MICRO	: MICRO SWITCH
CN.FFC	: CONNECTOR,FLEXIBLE FLAT CABLE	SW.LEAF	: LEAF SWITCH
CN.HDMI	: HDMI CONNECTOR	SW.PUSH	: PUSH SWITCH
CN.PHOTO.R	: PHOTO FIBER SENSOR,RECEIVED	SW.RT	: ROTARY SWITCH
CN.PHOTO.T	: PHOTO FIBER SENSOR,TRANSMITTED	SW.RT.ENC	: ROTARY ENCODER
D.SCHOTTKY	: SCHOTTKY BARRIER DIODE	SW.RT.MTR	: ROTARY SWITCH WITH MOTOR
DIODE.ARRAY	: DIODE ARRAY	SW.SLIDE	: SLIDE SWITCH
DIODE.BRG	: DIODE BRIDGE	SW.TACT	: TACT SWITCH
DIODE.CHP	: CHIP DIODE	TERM.SP	: SPEAKER TERMINAL
DIODE.VAR	: VARACTOR DIODE	TERM.WRAP	: WRAPPING TERMINAL
DIODE.ZENR	: ZENER DIODE	THRMST.CHP	: CHIP THERMISTOR
DIODE.Z.CHP	: CHIP ZENER DIODE	TR	: TRANSISTOR
DIODE.PHOT	: PHOTO DIODE	TR.CHP	: CHIP TRANSISTOR
FER.BEAD	: FERRITE BEADS	TR.DGT	: DIGITAL TRANSISTOR
FER.CORE	: FERRITE CORE	TR.DGT.CHP	: CHIP DIGITAL TRANSISTOR
FET.CHP	: CHIP FET	TR.PAIR	: PAIR TRANSISTOR
FL.DSPLY	: FLUORESCENT DISPLAY	TRANS	: TRANSFORMER
FLTR.CE	: CERAMIC FILTER	TRANS.PULS	: PULSE TRANSFORMER
FLTR.COMB	: COMB FILTER MODULE	TRANS.PWR	: POWER TRANSFORMER
FLTR.LC.RF	: LC FILTER,EMI	VARISTOR.C	: CHIP VARISTOR
FUSE.CHP	: CHIP FUSE	VOLT.SELCT	: VOLTAGE SELECTOR
GND.MTL	: GROUND PLATE	VR	: ROTARY POTENTIOMETER
GND.TERM	: GROUND TERMINAL	VR.MTR	: POTENTIOMETER WITH MOTOR
JUMPER.CN	: JUMPER CONNECTOR	VR.SLIDE	: SLIDE POTENTIOMETER
JUMPER.TST	: JUMPER,TEST POINT	VR.SW	: POTENTIOMETER WITH SWITCH
L.DTCT	: LIGHT DETECTING MODULE	VR.TRIM	: TRIMMER POTENTIOMETER

DIGITAL

Ref No.	Part No.	Description	Markets
*	ZF534400	P. C. B.	DIGITAL
CB1-5	WW271700	CN. HDMI	19P HDMI
CB8	WD295800	CN. BS. PIN	22P 52793 SE
CB61	WW271700	CN. HDMI	19P HDMI
CB76	VQ044800	CN. BS. PIN	18P
CB78	VB390800	CN. BS. PIN	12P
CB79	VB390000	CN. BS. PIN	4P
CB80	VB390600	CN. BS. PIN	10P
CB82	VPO82900	CN. BS. PIN	25P
CB83	VG518300	PIN. BASE	2P RF TE
CB84	VQ047200	CN. BS. PIN	9P
CB411	LB918020	CN. BS. PIN	2P
CB412	VL844700	CN. BS. PIN	3P
CB421	WW271700	CN. HDMI	19P HDMI
CB422	VY939900	CN. BS. PIN	22P 52610 TE
CB940	WG939700	CN. USB	4P SE
CB942	LB919040	CN. BS. PIN	4P
CB943	VB389900	CN. BS. PIN	3P
CB944	VB858500	CN. BS. PIN	6P
CB945	VQ961800	CN. BS. PIN	15P
CB946	VF667600	CN. BS. PIN	15P
CB947	VL844800	CN. BS. PIN	4P
CB948	VK025100	CN. BS. PIN	7P
CB951	WH237300	CN. LAN	8P LU1T041A-LF
CB952	VB390100	CN. BS. PIN	5P
C2	WJ344400	C. CE. CHP	22uF 6.3V
C10-11	US663100	C. CE. CHP	1000pF 50V
C13	US634100	C. CE. CHP	0.01uF 16V
C17	US625100	C. CE. CHP	0.1uF 10V
C26	US625100	C. CE. CHP	0.1uF 10V
C27	US663390	C. CE. CHP	3900pF 50V
C28	WD758300	C. CE. CHP	10uF 10V
C53-54	US663100	C. CE. CHP	1000pF 50V
C55-56	WG888300	C. CE. M. CHP	10uF 6.3V
C57	US625100	C. CE. CHP	0.1uF 10V
C58-59	US634100	C. CE. CHP	0.01uF 16V
C60-62	US625100	C. CE. CHP	0.1uF 10V
C63	US634100	C. CE. CHP	0.01uF 16V
C65	US625100	C. CE. CHP	0.1uF 10V
C66	US634100	C. CE. CHP	0.01uF 16V
C69	US625100	C. CE. CHP	0.1uF 10V
C73	US663100	C. CE. CHP	1000pF 50V
C74	WG888300	C. CE. M. CHP	10uF 6.3V
C75-76	US625100	C. CE. CHP	0.1uF 10V
C77	US662100	C. CE. CHP	100pF 50V
C78	US663100	C. CE. CHP	1000pF 50V
C81	US625100	C. CE. CHP	0.1uF 10V
C83-85	US046100	C. CE. CHP	1uF 25V
C93-94	US661100	C. CE. CHP	10pF 50V D
C95	US625100	C. CE. CHP	0.1uF 10V
C96	US662100	C. CE. CHP	100pF 50V
C99	US663100	C. CE. CHP	1000pF 50V
C100	US046100	C. CE. CHP	1uF 25V
C101	US662470	C. CE. CHP	470pF 50V
C102	US663100	C. CE. CHP	1000pF 50V
C104-105	US625100	C. CE. CHP	0.1uF 10V
C106	WG251600	C. CE. CHP	4.7uF 6.3V

* New Parts

Ref No.	Part No.	Description	Markets
C107	US625100	C. CE. CHP	0.1uF 10V
C108	US046100	C. CE. CHP	1uF 25V
C109	US663100	C. CE. CHP	1000pF 50V
C110	US625100	C. CE. CHP	0.1uF 10V
C111	US634100	C. CE. CHP	0.01uF 16V
C112	US625100	C. CE. CHP	0.1uF 10V
C113	WG888300	C. CE. M. CHP	10uF 6.3V
C114-115	US625100	C. CE. CHP	0.1uF 10V
C116	WJ344400	C. CE. CHP	22uF 6.3V
C117-119	US625100	C. CE. CHP	0.1uF 10V
C120-121	WG888300	C. CE. M. CHP	10uF 6.3V
C122	US625100	C. CE. CHP	0.1uF 10V
C123	US663100	C. CE. CHP	1000pF 50V
C124-125	US625100	C. CE. CHP	0.1uF 10V
C126	WG888300	C. CE. M. CHP	10uF 6.3V
C127-128	US663100	C. CE. CHP	1000pF 50V
C129-131	WG888300	C. CE. M. CHP	10uF 6.3V
C133	US662100	C. CE. CHP	100pF 50V
C136	US662100	C. CE. CHP	100pF 50V
C137	WG888300	C. CE. M. CHP	10uF 6.3V
C138-139	US625100	C. CE. CHP	0.1uF 10V
C142	US634100	C. CE. CHP	0.01uF 16V
C143-144	WG888300	C. CE. M. CHP	10uF 6.3V
C145	US625100	C. CE. CHP	0.1uF 10V
C147-148	US625100	C. CE. CHP	0.1uF 10V
C149	US663100	C. CE. CHP	1000pF 50V
C150	US625100	C. CE. CHP	0.1uF 10V
C152	US625100	C. CE. CHP	0.1uF 10V
C153	US663100	C. CE. CHP	1000pF 50V
C154	WG888300	C. CE. M. CHP	10uF 6.3V
C155	US625100	C. CE. CHP	0.1uF 10V
C156	US663100	C. CE. CHP	1000pF 50V
C157	WG888300	C. CE. M. CHP	10uF 6.3V
C159-160	US663100	C. CE. CHP	1000pF 50V
C161	WD758300	C. CE. CHP	10uF 10V
C162	US634100	C. CE. CHP	0.01uF 16V
C163	WD758300	C. CE. CHP	10uF 10V
C250	WD758300	C. CE. CHP	10uF 10V
C251	US046100	C. CE. CHP	1uF 25V
C252-253	US625100	C. CE. CHP	0.1uF 10V
C255	WG888300	C. CE. M. CHP	10uF 6.3V
C257-258	US625100	C. CE. CHP	0.1uF 10V
C261-262	US625100	C. CE. CHP	0.1uF 10V
C271	WJ932500	C. CE. CHP	1uF 6.3V
C273	US625100	C. CE. CHP	0.1uF 10V
C277	US625100	C. CE. CHP	0.1uF 10V
C279	WJ932500	C. CE. CHP	1uF 6.3V
C281	US625100	C. CE. CHP	0.1uF 10V
C286	US625100	C. CE. CHP	0.1uF 10V
C288	US634100	C. CE. CHP	0.01uF 16V
C289	US625100	C. CE. CHP	0.1uF 10V
C291	US662470	C. CE. CHP	470pF 50V
C294	US034820	C. CE. CHP	0.082uF 16V K
C295	US634100	C. CE. CHP	0.01uF 16V
C297-298	US625100	C. CE. CHP	0.1uF 10V
C299-300	US661100	C. CE. CHP	10pF 50V D
C301	WG888300	C. CE. M. CHP	10uF 6.3V

* New Parts

RX-V675/HTR-6066/
RX-A730/TSR-6750

RX-V675/HTR-6066/TSR-6750

RX-A730

DIGITAL

Ref No.	Part No.	Description	Markets
C302-303	US625100	C. CE. CHP 0. 1uF 10V	
C304	WG888300	C. CE. M. CHP 10uF 6. 3V	
C500-503	US663100	C. CE. CHP 1000pF 50V	
C504	UF417470	C. EL. CHP 47uF 6. 3V	
C505	WG888300	C. CE. M. CHP 10uF 6. 3V	
C506-507	UF417470	C. EL. CHP 47uF 6. 3V	
C509-513	WG888300	C. CE. M. CHP 10uF 6. 3V	
C514-554	US625100	C. CE. CHP 0. 1uF 10V	
C556-565	US625100	C. CE. CHP 0. 1uF 10V	
C568	US663100	C. CE. CHP 1000pF 50V	
C569	US625100	C. CE. CHP 0. 1uF 10V	
C578	WG888300	C. CE. M. CHP 10uF 6. 3V	
C579-585	US625100	C. CE. CHP 0. 1uF 10V	
C591-594	WG888300	C. CE. M. CHP 10uF 6. 3V	
C597	WG888300	C. CE. M. CHP 10uF 6. 3V	
C634-635	US663100	C. CE. CHP 1000pF 50V	
C636-637	WG888300	C. CE. M. CHP 10uF 6. 3V	
C638-643	US625100	C. CE. CHP 0. 1uF 10V	
C644-645	US663100	C. CE. CHP 1000pF 50V	
C646	US625100	C. CE. CHP 0. 1uF 10V	
C647	WG888300	C. CE. M. CHP 10uF 6. 3V	
C649	US663100	C. CE. CHP 1000pF 50V	
C650	US625100	C. CE. CHP 0. 1uF 10V	
C653	US625100	C. CE. CHP 0. 1uF 10V	
C654-655	US662100	C. CE. CHP 100pF 50V	
C656	US663100	C. CE. CHP 1000pF 50V	
C662	US662100	C. CE. CHP 100pF 50V	
C664-665	US046100	C. CE. CHP 1uF 25V	
C666	WD758300	C. CE. CHP 10uF 10V	
C667	US662470	C. CE. CHP 470pF 50V	
C668	US661220	C. CE. CHP 22pF 50V	
C669	WD758300	C. CE. CHP 10uF 10V	
C670-671	US625100	C. CE. CHP 0. 1uF 10V	
C672	US046100	C. CE. CHP 1uF 25V	
C673	US625100	C. CE. CHP 0. 1uF 10V	
C750-753	US663100	C. CE. CHP 1000pF 50V	
C754	US625100	C. CE. CHP 0. 1uF 10V	
C755-762	US663100	C. CE. CHP 1000pF 50V	
C763	US625100	C. CE. CHP 0. 1uF 10V	
C764-767	US663100	C. CE. CHP 1000pF 50V	
C768	US625100	C. CE. CHP 0. 1uF 10V	
C769	UF027330	C. EL. CHP 33uF 10V	
C770	US663100	C. CE. CHP 1000pF 50V	
C771-772	US625100	C. CE. CHP 0. 1uF 10V	
C773-774	US662100	C. CE. CHP 100pF 50V	
C775	US625100	C. CE. CHP 0. 1uF 10V	
C776-777	US663100	C. CE. CHP 1000pF 50V	
C778-779	US625100	C. CE. CHP 0. 1uF 10V	
C780	US046100	C. CE. CHP 1uF 25V	
C781	US663100	C. CE. CHP 1000pF 50V	
C782	US662100	C. CE. CHP 100pF 50V	
C783	WG251600	C. CE. CHP 4. 7uF 6. 3V	
C784	US662100	C. CE. CHP 100pF 50V	
C785	US625100	C. CE. CHP 0. 1uF 10V	
C786	US663100	C. CE. CHP 1000pF 50V	
C787-791	US625100	C. CE. CHP 0. 1uF 10V	
C792-795	US046100	C. CE. CHP 1uF 25V	

* New Parts

Ref No.	Part No.	Description	Markets
C796	US625100	C. CE. CHP 0. 1uF 10V	
C797	US046100	C. CE. CHP 1uF 25V	
C798	WG251600	C. CE. CHP 4. 7uF 6. 3V	
C799	US046100	C. CE. CHP 1uF 25V	
C800	US663100	C. CE. CHP 1000pF 50V	
C801-802	US625100	C. CE. CHP 0. 1uF 10V	
C803	WG251600	C. CE. CHP 4. 7uF 6. 3V	
C805	US625100	C. CE. CHP 0. 1uF 10V	
C808-809	US663100	C. CE. CHP 1000pF 50V	
C829-830	US662100	C. CE. CHP 100pF 50V	
C831-832	US663100	C. CE. CHP 1000pF 50V	
C834-848	US663100	C. CE. CHP 1000pF 50V	
C4101	US625100	C. CE. CHP 0. 1uF 10V	
C4103-4104	US625100	C. CE. CHP 0. 1uF 10V	
C4107-4108	US634100	C. CE. CHP 0. 01uF 16V	
C4109	US625100	C. CE. CHP 0. 1uF 10V	
C4110-4111	WD758300	C. CE. CHP 10uF 10V	
C4112	US046100	C. CE. CHP 1uF 25V	
C4201-4202	WK716800	C. CE. M. CHP 10uF 6. 3V	
C4203	US046100	C. CE. CHP 1uF 25V	
C4204-4205	US625100	C. CE. CHP 0. 1uF 10V	
C4206	US663100	C. CE. CHP 1000pF 50V	
C4207	WG888300	C. CE. M. CHP 10uF 6. 3V	
C4208-4210	US625100	C. CE. CHP 0. 1uF 10V	
C4211	US663100	C. CE. CHP 1000pF 50V	
C4212	US662100	C. CE. CHP 100pF 50V	
C4213	WK716800	C. CE. M. CHP 10uF 6. 3V	
C4216	US663100	C. CE. CHP 1000pF 50V	
C4217	US624470	C. CE. CHP 0. 047uF 10V	
C4218	US625100	C. CE. CHP 0. 1uF 10V	
C4219	WG888300	C. CE. M. CHP 10uF 6. 3V	
C4220-4221	US625100	C. CE. CHP 0. 1uF 10V	
C4222	WG888300	C. CE. M. CHP 10uF 6. 3V	
C4223	US625100	C. CE. CHP 0. 1uF 10V	
C4224	WG251600	C. CE. CHP 4. 7uF 6. 3V	
C4225	US625100	C. CE. CHP 0. 1uF 10V	
C4226	US663100	C. CE. CHP 1000pF 50V	
C4227	WG888300	C. CE. M. CHP 10uF 6. 3V	
C4228-4230	US625100	C. CE. CHP 0. 1uF 10V	
C4231	US663100	C. CE. CHP 1000pF 50V	
C4232	US662100	C. CE. CHP 100pF 50V	
C4233	WG888300	C. CE. M. CHP 10uF 6. 3V	
C4234	US625100	C. CE. CHP 0. 1uF 10V	
C4235	US663100	C. CE. CHP 1000pF 50V	
C4236	WJ344400	C. CE. CHP 22uF 6. 3V	
C4237-4238	US625100	C. CE. CHP 0. 1uF 10V	
C4239	US663100	C. CE. CHP 1000pF 50V	
C4240	US662100	C. CE. CHP 100pF 50V	
C4241	WG888300	C. CE. M. CHP 10uF 6. 3V	
C4242-4243	US625100	C. CE. CHP 0. 1uF 10V	
C4245	US625100	C. CE. CHP 0. 1uF 10V	
C4246	US663100	C. CE. CHP 1000pF 50V	
C4801-4810	US625100	C. CE. CHP 0. 1uF 10V	
C4811	WV169100	C. CE. CHP 2. 2uF 10V	
C4812-4814	US625100	C. CE. CHP 0. 1uF 10V	
C4815-4816	WV169100	C. CE. CHP 2. 2uF 10V	
C4817	WD758300	C. CE. CHP 10uF 10V	

* New Parts

DIGITAL

Ref No.	Part No.	Description	Markets
C4818	WV169100	C. CE. CHP	2. 2uF 10V
C4819-4820	US625100	C. CE. CHP	0. 1uF 10V
C4821-4822	WD758300	C. CE. CHP	10uF 10V
C4823-4824	WV169100	C. CE. CHP	2. 2uF 10V
C4825-4826	US062680	C. CE. CHP	680pF 50V B
C4827-4830	WB571200	C. MYLA. CHP	0. 00082uF 16V
C4831-4838	US625100	C. CE. CHP	0. 1uF 10V
C4839-4840	WV169100	C. CE. CHP	2. 2uF 10V
C4841-4842	US625100	C. CE. CHP	0. 1uF 10V
C4843-4844	WD758300	C. CE. CHP	10uF 10V
C4845-4846	WV169100	C. CE. CHP	2. 2uF 10V
C4847-4850	WB571200	C. MYLA. CHP	0. 00082uF 16V
C4864	UF417470	C. EL. CHP	47uF 6. 3V
C4865	UF418100	C. EL. CHP	100uF 6. 3V
C9201-9207	WG888300	C. CE. M. CHP	10uF 6. 3V
C9210	US643470	C. CE. CHP	4700pF 25V
C9211	US625100	C. CE. CHP	0. 1uF 10V
C9212	UF437100	C. EL. CHP	10uF 16V
C9213	US625100	C. CE. CHP	0. 1uF 10V
C9214-9215	US661180	C. CE. CHP	18pF 50V
C9216	US625100	C. CE. CHP	0. 1uF 10V
C9217	US634100	C. CE. CHP	0. 01uF 16V
C9218-9251	US625100	C. CE. CHP	0. 1uF 10V
C9252-9253	UF437100	C. EL. CHP	10uF 16V
C9254-9255	US643470	C. CE. CHP	4700pF 25V
C9256-9265	US625100	C. CE. CHP	0. 1uF 10V
C9266	US634100	C. CE. CHP	0. 01uF 16V
C9267-9268	US625100	C. CE. CHP	0. 1uF 10V
C9269-9270	WB571200	C. MYLA. CHP	0. 00082uF 16V
C9271	US662470	C. CE. CHP	470pF 50V
C9272	WG888300	C. CE. M. CHP	10uF 6. 3V
C9273	US661120	C. CE. CHP	12pF 50V
C9274	US661150	C. CE. CHP	15pF 50V
C9275	WG888300	C. CE. M. CHP	10uF 6. 3V
C9276	UB214680	C. CE. CHP	0. 068uF 25V
C9278	US643470	C. CE. CHP	4700pF 25V
C9279-9283	US625100	C. CE. CHP	0. 1uF 10V
C9284-9285	WG888300	C. CE. M. CHP	10uF 6. 3V
C9286-9289	US046100	C. CE. CHP	1uF 25V
C9290-9293	US625100	C. CE. CHP	0. 1uF 10V
C9295	US662470	C. CE. CHP	470pF 50V
C9296	US663100	C. CE. CHP	1000pF 50V
C9315-9317	US634100	C. CE. CHP	0. 01uF 16V
C9318	US625100	C. CE. CHP	0. 1uF 10V
C9401	US625100	C. CE. CHP	0. 1uF 10V
C9402	WH772100	C. EL	1000uF 10V
C9417	US625100	C. CE. CHP	0. 1uF 10V
C9423	UF438100	C. EL. CHP	100uF 16V
C9425	WJ344400	C. CE. CHP	22uF 6. 3V
C9426	WG888300	C. CE. M. CHP	10uF 6. 3V
C9428-9429	US663100	C. CE. CHP	1000pF 50V
C9430	US634100	C. CE. CHP	0. 01uF 16V
C9431	US625100	C. CE. CHP	0. 1uF 10V
C9432	US044220	C. CE. CHP	0. 022uF 25V B
C9433	US663390	C. CE. CHP	3900pF 50V
C9434	WD758300	C. CE. CHP	10uF 10V
C9436	WJ344400	C. CE. CHP	22uF 6. 3V

* New Parts

Ref No.	Part No.	Description	Markets
C9438-9439	US663100	C. CE. CHP	1000pF 50V
C9440	US663330	C. CE. CHP	3300pF 50V
C9441-9442	US625100	C. CE. CHP	0. 1uF 10V
C9443	US663390	C. CE. CHP	3900pF 50V
C9444	WD758300	C. CE. CHP	10uF 10V
C9445	WG251600	C. CE. CHP	4. 7uF 6. 3V
C9447	WJ344400	C. CE. CHP	22uF 6. 3V
C9448	US643680	C. CE. CHP	6800pF 25V
C9450-9451	US663100	C. CE. CHP	1000pF 50V
C9452	US643680	C. CE. CHP	6800pF 25V
C9453-9454	US625100	C. CE. CHP	0. 1uF 10V
C9455	WG251600	C. CE. CHP	4. 7uF 6. 3V
C9456	US663390	C. CE. CHP	3900pF 50V
C9458	WD758300	C. CE. CHP	10uF 10V
C9461	US634100	C. CE. CHP	0. 01uF 16V
C9469	US625100	C. CE. CHP	0. 1uF 10V
C9470	US046100	C. CE. CHP	1uF 25V
C9471	WG251600	C. CE. CHP	4. 7uF 6. 3V
C9472	US625100	C. CE. CHP	0. 1uF 10V
C9473	US663150	C. CE. CHP	1500pF 50V
C9475	US663100	C. CE. CHP	1000pF 50V
C9476	UF128470	C. EL. CHP	470uF 10V
C9478	WD758300	C. CE. CHP	10uF 10V
C9480	US662100	C. CE. CHP	100pF 50V
C9481	US663100	C. CE. CHP	1000pF 50V
C9485	WD758300	C. CE. CHP	10uF 10V
C9501-9502	UF418100	C. EL. CHP	100uF 6. 3V
C9503-9509	WG888300	C. CE. M. CHP	10uF 6. 3V
C9510-9528	US625100	C. CE. CHP	0. 1uF 10V
C9530-9533	US663100	C. CE. CHP	1000pF 50V
C9535-9545	US663100	C. CE. CHP	1000pF 50V
C9548-9557	US634100	C. CE. CHP	0. 01uF 16V
C9562	US044220	C. CE. CHP	0. 022uF 25V B
C9563-9568	WG251600	C. CE. CHP	4. 7uF 6. 3V
C9570-9571	WJ932500	C. CE. CHP	1uF 6. 3V
C9572-9573	US661150	C. CE. CHP	15pF 50V
C9575	US634100	C. CE. CHP	0. 01uF 16V
C9577-9579	US634100	C. CE. CHP	0. 01uF 16V
C9585	US625100	C. CE. CHP	0. 1uF 10V
C9586-9587	WJ932500	C. CE. CHP	1uF 6. 3V
C9588-9589	US634100	C. CE. CHP	0. 01uF 16V
C9590-9591	US625100	C. CE. CHP	0. 1uF 10V
D38	WE674800	VARIABLE RESISTOR	AVRL161A1R1NTB
D602	VV220700	DIODE	RB501V-40
D750	WR148500	DIODE	RB521S-30TE61
D4103	WR148500	DIODE	RB521S-30TE61
D4105	V6267600	DIODE	RB051L-40
D4201-4202	WE674800	VARIABLE RESISTOR	AVRL161A1R1NTB
D4203-4204	WJ785100	DIODE	1SS400TE61 TE-
D9401-9402	WW783900	DIODE	1SS355VM
D9403-9404	WJ785100	DIODE	1SS400TE61 TE-
D9405	WR148500	DIODE	RB521S-30TE61
D9406-9407	WW783900	DIODE	1SS355VM
D9501-9502	WE674800	VARIABLE RESISTOR	AVRL161A1R1NTB
IC6	YC287A00	IC	RP130Q181D-TR-F
IC8	YC289A00	IC	RP130Q501D-TR
IC21	X8841A00	IC	ADV7180BSTZ

* New Parts

DIGITAL

Ref No.	Part No.	Description	Markets
IC27	YC287A00	IC	RP130Q181D-TR-F
IC53	YA560B00	IC	NT5SV8M16HS-6K
IC55	YD992A00	IC	RP130Q251D-TR-FE
IC56	YC827A00	IC	R1172N301D-TR-F
IC57	YC286A00	IC	RP130Q121D-TR-F
IC60	YD987A00	IC	R1163N501B-TR-FE
IC64	X0199B00	IC	TC74VHC157FT (EL, K)
IC65	X7787A00	IC	TC74LCX245FT (EL, K)
IC66	XZ509A00	IC	TC74VHC04FT INVER
IC75	XR680A00	IC	TC7SH08FU (TE85L, JF)
IC76	X5875A00	IC	SN74LV4051APWR
* IC77	YF253D00	IC. MEMORY	EN29LV640AB-90TIP (written)
IC78	X5875A00	IC	SN74LV4051APWR
IC79	X7942B00	IC	TC74VHC273FT (EL, K)
IC80	XW633A00	IC	TC7SH32FU
IC81	X7942B00	IC	TC74VHC273FT (EL, K)
IC82	YD355A00	IC. MEMORY	R1EX25512ATA00A EE
IC84-85	YC288A00	IC	RP130Q331D-TR-F
IC87	XR680A00	IC	TC7SH08FU (TE85L, JF)
IC91	X8121A00	IC	TC7SH86FU EX-OR
IC92	X4453A00	IC	SN74LVC1G17DCKR
IC93	X9692A00	IC	TC7WH126FU
IC411	YE997A00	IC	NCP380HMUAJAATBG
IC412	X8398A00	IC	TC7SET08FU (T5L, JF)
IC413	YF097A00	IC	R1171S501B-E2-FE
IC421	X9292A00	IC	R1172H121D-T1-F
IC424	X8398A00	IC	TC7SET08FU (T5L, JF)
IC481-485	YD570A00	IC	PCM5101PWR
IC922	X9625C00	IC. MEMORY	M12L64164A-5TG2Y
* IC923	YF271B00	IC. MEMORY	W25Q80BVSSIG (written)
IC924	YD216A00	IC	PCM9211PTR
IC926-927	XW633A00	IC	TC7SH32FU
IC929	X9292A00	IC	R1172H121D-T1-F
IC930	YC288A00	IC	RP130Q331D-TR-F
IC931	YC289A00	IC	RP130Q501D-TR
IC940	YA255A00	IC	R1172H501D-T1-F
IC946	YC288A00	IC	RP130Q331D-TR-F
IC947	YE478A00	IC	BD7542F-E2 OPAMP
IC949	X4453A00	IC	SN74LVC1G17DCKR
* IC953	YF254E00	IC. MEMORY	MX29GL256FLT21-90Q (written)
PN941-944	WS488500	STYLE. PIN	L=90 #18
PN946	WS488500	STYLE. PIN	L=90 #18
Q11	WZ703400	FET	RAL035P01
Q12	WW782000	TR. DGT	DTA044EUBTL
Q17	WZ703400	FET	RAL035P01
Q18	WW782000	TR. DGT	DTA044EUBTL
Q21-22	WE834500	FET	UPA672T-T1-A
Q250-251	WZ461800	TR. CHP	2SC4081UBTLR
Q252	WZ461700	TR. CHP	2SA1576UBTLR
Q253	WZ461800	TR. CHP	2SC4081UBTLR
Q750-753	WY001400	TR. ARRAY	HN4B01JE
Q754-759	WZ461700	TR. CHP	2SA1576UBTLR
Q760	WZ461800	TR. CHP	2SC4081UBTLR
Q761	WZ461700	TR. CHP	2SA1576UBTLR
Q762	WZ461800	TR. CHP	2SC4081UBTLR
Q763	WZ461700	TR. CHP	2SA1576UBTLR
Q765	WZ461700	TR. CHP	2SA1576UBTLR

* New Parts

Ref No.	Part No.	Description	Markets
Q4101	WZ461700	TR. CHP	2SA1576UBTLR
Q4102-4103	WZ703400	FET	RAL035P01
Q4104	WW782300	TR. DGT	DTA044EUBTL
Q4105-4106	WW782000	TR. DGT	DTA044EUBTL
Q4107	WW782300	TR. DGT	DTA044EUBTL
Q9201	WZ703400	FET	RAL035P01
Q9202	WW782000	TR. DGT	DTA044EUBTL
Q9401	WZ703400	FET	RAL035P01
Q9402	WW782000	TR. DGT	DTA044EUBTL
Q9404	WW782000	TR. DGT	DTA044EUBTL
Q9405	WW782100	TR. DGT	DTA044EUBTL
Q9406	WZ703400	FET	RAL035P01
Q9408	WZ703400	FET	RAL035P01
R9441	WZ713400	R. CHP	0.027Ω 1/3W
R9610	WZ749000	R. CHP	12.4KΩ 1/16W
R9614-9615	WZ748900	R. CHP	49.9Ω 1/16W
R9617-9618	WZ748900	R. CHP	49.9Ω 1/16W
XL1	WZ730400	RSNR. CRYST	28.63636MHz DSX321
XL21	WZ730400	RSNR. CRYST	28.63636MHz DSX321
XL51	WK841200	RESONATOR	27MHz DS0321SRAB
XL75	WA782500	RSNR. CE	8MHz
XL921	WS190000	RSNR. CRYST	24.576MHz DSX321G
XL922	WN318100	RSNR. CRYST	20MHz DSX321G
XL951	WJ081300	RSNR. CRYST	24MHz DSX321G

* New Parts

RX-V675/HTR-6066/TSR-6750

OPERATION

Ref No.	Part No.	Description	Markets
*	ZF535200	P. C. B. OPERATION	U
*	ZF535300	P. C. B. OPERATION	C
*	ZF535400	P. C. B. OPERATION	RS
*	ZF535500	P. C. B. OPERATION	T
*	ZF535600	P. C. B. OPERATION	A
*	ZF535700	P. C. B. OPERATION	BGF
*	ZF535800	P. C. B. OPERATION	LH
CB301	VK026900	CN 10P	
CB303	VQ045400	CN. BS. PIN 25P	
CB306	VQ044200	CN. BS. PIN 6P	
CB307	WQ680200	CN. USB 4P TE AAPVA004C0	
CB308	VB858300	CN. BS. PIN 4P	
CB342	VQ046900	CN. BS. PIN 5P	
CB343	VQ047000	CN. BS. PIN 6P	
CB344	VP573800	CN. BS. PIN 18P	
CB345	VQ961800	CN. BS. PIN 15P	
CB346	VQ047200	CN. BS. PIN 9P	
CB347	LB918020	CN. BS. PIN 2P	
CB361	VQ044100	CN. BS. PIN 5P	
CB371	VG879900	CN. BS. PIN 2P	
CB372-373	WN103000	CLIP. FUSE TP00351-31	
CB374	VG879900	CN. BS. PIN 2P	
CB381	VQ963600	CN. BS. PIN 15P	
CB382	VQ961400	CN. BS. PIN 11P	
CB383	VQ963600	CN. BS. PIN 15P	
CB384	VB389800	CN. BS. PIN 2P	
CB391	VL844800	CN. BS. PIN 4P	
C3001	US065100	C. CE. CHP 0. 1uF 50V B	
C3002	US063100	C. CE. CHP 1000pF 50V B	
C3003	UM397100	C. EL 10uF 16V	
C3004	US064100	C. CE. CHP 0. 01uF 50V B	
C3005	US163100	C. CE. CHP 1000pF 50V	
C3006	WV360900	C. EL 22uF 16V	
C3007	US062100	C. CE. CHP 100pF 50V B	
C3008	UM397470	C. EL 47uF 16V	
C3009	US061330	C. CE. CHP 33pF 50V B	
C3012-3013	WV360900	C. EL 22uF 16V	
C3014	UM397100	C. EL 10uF 16V	
C3015-3016	US035100	C. CE. CHP 0. 1uF 16V B	
C3017	US163100	C. CE. CHP 1000pF 50V	
C3019	UR268220	C. EL 220uF 50V	
C3020	UM388330	C. EL 330uF 6. 3V	
C3021	US035100	C. CE. CHP 0. 1uF 16V B	
C3022	US061680	C. CE. CHP 68pF 50V B	
C3023	US065100	C. CE. CHP 0. 1uF 50V B	
C3024	US064100	C. CE. CHP 0. 01uF 50V B	
C3025	US065100	C. CE. CHP 0. 1uF 50V B	
C3027	UM417100	C. EL 10uF 50V	
C3028	US064100	C. CE. CHP 0. 01uF 50V B	
C3029	US035100	C. CE. CHP 0. 1uF 16V B	
C3030	US062220	C. CE. CHP 220pF 50V B	
C3031-3032	US063100	C. CE. CHP 1000pF 50V B	
C3034	WH773700	C. EL 470uF 16V	
C3035	WY034800	C. CE. CHP 0. 022uF 50V	
C3036	US063100	C. CE. CHP 1000pF 50V B	
C3037	US046100	C. CE. CHP 1uF 25V	
C3038	US063100	C. CE. CHP 1000pF 50V B	

* New Parts

Ref No.	Part No.	Description	Markets
C3039	US062100	C. CE. CHP 100pF 50V B	
C3040	US035100	C. CE. CHP 0. 1uF 16V B	
C3043	US062100	C. CE. CHP 100pF 50V B	
C3044	WM490200	C. CE. M. CHP 0. 47uF 50V	
C3045	WG251600	C. CE. CHP 4. 7uF 6. 3V	
C3046-3047	US035100	C. CE. CHP 0. 1uF 16V B	
C3048	UM416100	C. EL 1uF 50V	
C3049	UM416220	C. EL 2. 2uF 50V	
C3050	US035100	C. CE. CHP 0. 1uF 16V B	
C3051-3052	US163100	C. CE. CHP 1000pF 50V	
C3053-3054	WJ609500	C. MYLAR 3300pF 100V	
C3055	US064100	C. CE. CHP 0. 01uF 50V B	
C3056	US063100	C. CE. CHP 1000pF 50V B	
C3057	US035100	C. CE. CHP 0. 1uF 16V B	
C3058	WD758300	C. CE. CHP 10uF 10V	
C3059	US062100	C. CE. CHP 100pF 50V B	
C3060	US063100	C. CE. CHP 1000pF 50V B	
C3061-3062	US061470	C. CE. CHP 47pF 50V B	
C3401-3402	US062100	C. CE. CHP 100pF 50V B	
C3403-3405	US060800	C. CE. CHP 8pF 50V B	
C3406-3411	WD758300	C. CE. CHP 10uF 10V	
C3412-3413	UR237100	C. EL 10uF 16V	
C3414	UR837220	C. EL 22uF 16V	
C3415	UR237100	C. EL 10uF 16V	
C3416-3420	US135100	C. CE. CHP 0. 1uF 16V	
C3421-3422	WG251600	C. CE. CHP 4. 7uF 6. 3V	
C3424-3438	US135100	C. CE. CHP 0. 1uF 16V	
C3439-3440	UR238100	C. EL 100uF 16V	
C3441-3443	US135100	C. CE. CHP 0. 1uF 16V	
C3444-3445	WH773500	C. EL 330uF 16V	
C3446	WH771300	C. EL 100uF 10V	
C3448	US062100	C. CE. CHP 100pF 50V B	
C3450	US062100	C. CE. CHP 100pF 50V B	
C3451-3452	US064100	C. CE. CHP 0. 01uF 50V B	
C3454-3455	WH773300	C. EL 120uF 16V	
C3456	WH773500	C. EL 330uF 16V	
C3457	WH773300	C. EL 120uF 16V	
C3458	US135100	C. CE. CHP 0. 1uF 16V	
C3459-3460	UR238100	C. EL 100uF 16V	
C3461-3466	WD758300	C. CE. CHP 10uF 10V	
C3467	UR237470	C. EL 47uF 16V	
C3601-3602	UR237100	C. EL 10uF 16V	
△ C3701	WJ361200	C. POL. MTL 0. 047uF 400V	UC
△ C3701	WJ361800	C. POL. MTL 0. 022uF 630V	RTABGFLSH
△ C3702-3703	WQ902300	C. CE. SAFTY 1000pF 250V	UCRABGFLSH
△ C3704	V5877700	C. MYLAR 0. 22uF 250V	
△ C3705	US163100	C. CE. CHP 1000pF 50V	
C3706	ZE600100	C. EL 270uF 220V	UC
C3706	ZE600200	C. EL 220uF 400V	RS
C3706	WW751700	C. EL 100uF 400V	TABGFLH
△ C3707	WQ939400	C. CE. SAFTY 0. 01uF 250V	
△ C3708	UR867470	C. EL 47uF 50V	
△ C3709	WJ322400	C. CE. M. CHP 0. 01uF 250V	
△ C3710	US063100	C. CE. CHP 1000pF 50V B	
△ C3711	WY685500	C. CE. SAFTY 3300pF 250V	UC
△ C3711	WQ902200	C. CE. SAFTY 2200pF 250V	RABGFLSH
△ C3711	WY896500	C. CE. SAFTY 1500pF 250V	T

* New Parts

RX-V675/HTR-6066/
RX-A730/TSR-6750

RX-V675/HTR-6066/TSR-6750

OPERATION

	Ref No.	Part No.	Description	Markets
△	C3712	WJ361200	C. POL. MTL 0.047uF 400V	UC
△	C3712	WJ361800	C. POL. MTL 0.022uF 630V	RTABGFLSH
	C3713	WJ322300	C. CE. M. CHP 1000pF 630V	
	C3714-3715	ZF616900	C. EL 3300uF 16V	
	C3716	US034470	C. CE. CHP 0.047uF 16V B	
	C3718	WH771600	C. EL 220uF 10V	
	C3719	US064100	C. CE. CHP 0.01uF 50V B	
	C3720	V7887800	C. EL 1uF 50V	
	C3721	WJ335500	C. EL 2.2uF 50V	
	C3722	ZE673300	C. CE. CHP 470pF 1000V	
	C3723	US064100	C. CE. CHP 0.01uF 50V B	
△	C3724	WJ322300	C. CE. M. CHP 1000pF 630V	
△	C3727	ZG415000	C. CE. M. CHP 4.7uF 10V	
	C3802	US064100	C. CE. CHP 0.01uF 50V B	
	C3803	US035100	C. CE. CHP 0.1uF 16V B	
	C3804-3805	US061220	C. CE. CHP 22pF 50V B	
	C3806	US035100	C. CE. CHP 0.1uF 16V B	
	C3807-3808	US063100	C. CE. CHP 1000pF 50V B	
	C3809-3811	US035100	C. CE. CHP 0.1uF 16V B	
	C3812	UR238100	C. EL 100uF 16V	
	C3814	US035100	C. CE. CHP 0.1uF 16V B	
	C3817	UU238470	C. EL 470uF 16V	
	C3818-3819	WD758300	C. CE. CHP 10uF 10V	
	C3820	UR367470	C. EL 47uF 50V	
	C3901-3904	WJ610200	C. MYLAR 0.01uF 100V	
	D3001-3002	WW783900	DIODE 1SS355VM	
	D3003	WY163200	DIODE. ZENR UDZV5. 1B	
	D3004	WR095700	LED 8224-10SDRD/S530A3	
	D3005	V2598200	LED SIR-505ST	
	D3008-3009	WW783900	DIODE 1SS355VM	
	D3010-3011	WY163000	DIODE. ZENR UDZV4. 3B	
	D3012	WW783900	DIODE 1SS355VM	
	D3013	WPO80300	LED. BLUE Blue SLR343BC4T3F	
	D3014-3017	WW783900	DIODE 1SS355VM	
	D3018	WY165200	DIODE. ZENR UDZV36B	
	D3019-3020	WW783900	DIODE 1SS355VM	
	D3022	WW783900	DIODE 1SS355VM	
	D3024	WW783900	DIODE 1SS355VM	
	D3403-3404	WW783900	DIODE 1SS355VM	
	D3406-3409	ZF305000	DIODE. CHP RB162L-40 TE25 TP	
	D3412-3417	ZF305000	DIODE. CHP RB162L-40 TE25 TP	
	D3420-3421	ZF305000	DIODE. CHP RB162L-40 TE25 TP	
△	D3701	WW872000	DIODE. BRG DBL155G 1.5A 600	
△	D3702	ZE932800	DIODE US1002FL	
△	D3703	ZE932600	DIODE UF1K	
	D3704	ZF519800	D. SCHOTTKY RBQ30T65A 30A 65V	
	D3705	ZA385400	DIODE. ZENR TFZGTR24B 24V	
△	D3706-3715	WW783900	DIODE 1SS355VM	
	D3716	WY727900	DIODE. ZENR P6KE200A 200V	
	D3801-3802	WW783900	DIODE 1SS355VM	
△	F3701	WR944000	FUSE 2A 250V	
△	F3702	WQ211100	FUSE 8A 125V	UCRS
	F3702	VV071800	FUSE 4A 250V	TABGFLH
△	IC301	X6386A00	IC M66003-0131FP	
△	IC302	YC288A00	IC RP130Q331D-TR-F	
	IC303	X7378A00	IC NJM4565M (TE1)	
	IC341	YD948A00	IC NJW1329FH2	

* New Parts

	Ref No.	Part No.	Description	Markets
	IC342	YF016A00	IC RP170H331B-T1-FE	
	IC343-344	YF077A00	IC BD00GA3WEFJ-E2	
	IC345	YE018A00	IC NJM41033V	
	IC346	YF013A00	IC BD7541G-TR OPAMP	
△	IC372	WP388200	PHOT. CPL TLP781 (D4-GR, F)	
△	IC373	YA276A00	IC TL431AC 2.5-36V	
△	IC374	WP388200	PHOT. CPL TLP781 (D4-GR, F)	
△	IC375	YE895A00	IC STR-Y6753	
	IC381	XZ509A00	IC TC74VHC04FT INVER	
	IC382	YF016A00	IC RP170H331B-T1-FE	
	JK301	WJ117300	JACK. MNI MSJ-2200C AG	
	JK302	WZ975700	JACK. PHONE MSJ-064-05B-B-RF	
	JK381-383	V9435700	JACK. MINI MSJ-035-12APC	
	PJ301	WZ631700	JACK. PIN 1P MTJ-032-21B-NI	
	PJ341	WG583200	JACK. PIN 6P RJ-1146+08-0H00	
	PJ342	WH381400	JACK. PIN 3P JACK G, B, R	
	PJ343-344	V7190000	JACK. PIN 2P	
	PJ361	V7190000	JACK. PIN 2P	
	PJ381	V9420700	JACK. PIN 2P MSP-252V1-30N1	
	Q3001-3004	WC529400	TR KTC3875S Y GR RTK	
	Q3005	WW782100	TR. DGT DTC014EUBTL	
	Q3010	WW782100	TR. DGT DTC014EUBTL	
	Q3011	WQ381000	FET MCH6336-TL-E	
△	Q3012-3013	WW223000	TR 2SC5964-TD-E	
	Q3014	WW782100	TR. DGT DTC014EUBTL	
△	Q3015	WC397700	TR 2N5401C-AT	
	Q3401-3402	WW782100	TR. DGT DTC014EUBTL	
	Q3404-3405	WQ381000	FET MCH6336-TL-E	
△	Q3407-3410	WW223000	TR 2SC5964-TD-E	
	Q3413	WC397700	TR 2N5401C-AT	
	Q3420	WE834500	FET UPA672T-T1-A	
	Q3701-3702	VQ986700	TR 2SC4081 T106	
	Q3703	WW782300	TR. DGT DTC044EUBTL	
	Q3801	WC398400	TR 2N5551C-AT	
	Q3802	ZA348800	TR KTA1046-Y-U/PFY	
	Q3803	WC398400	TR 2N5551C-AT	
	Q3804	WC397700	TR 2N5401C-AT	
	R3057-3058	WW969500	R. MTL. OXD 120Ω 1/4W	
	R3077-3078	V8071400	R. MTL. FLM 560Ω 1W	
	R3416	WW965300	R. MTL. OXD 2.2Ω 1/4W	
	R3444-3445	WW968500	R. MTL. OXD 47Ω 1/4W	
△	R3701-3702	WRO33300	R. CHP 4.7KΩ 1/4W	
△	R3703	WU547900	R. ANTI. SURGE 3MΩ 1/2W	
△	R3704	ZE673100	R. CAR. CHP 0.47Ω 1W	
△	R3732-3734	ZE673900	R. CAR. CHP 12KΩ 1W	
△	R3736	ZE673900	R. CAR. CHP 12KΩ 1W	
△	R3737	VE995200	R. CAR. CHP 15Ω 1W	UCTABGFLH
△	R3737	WH158700	R. CHP 10Ω 1W J	RS
△	R3738	VE995200	R. CAR. CHP 15Ω 1W	UCTABGFLH
△	R3738	WH158700	R. CHP 10Ω 1W J	RS
△	R3739	VE995200	R. CAR. CHP 15Ω 1W	UCTABGFLH
△	R3739	WH158700	R. CHP 10Ω 1W J	RS
	R3816	WW966300	R. MTL. OXD 5.6Ω 1/4W	
	R3819	WC860100	R. MTL. FLM 2.2Ω 1W	
	R3820	V8070100	R. MTL. FLM 2.2Ω 1W	
	R3901-3902	WW974100	R. MTL. OXD 10KΩ 1/4W	
△	RY371	WQ804100	RELAY DC DLS5D1-0 (M) 0.25	

* New Parts

RX-V675/HTR-6066/
RX-A730/TSR-6750

OPERATION

Ref No.	Part No.	Description	Markets
SW301-322	WD483100	SW. TACT	SKRGAAD010
SW323	V9597100	SW. RT. ENC	EC12E2460802
△ T3701	YE896A00	TRANS. PWR	
TE391	WB213900	TERM. SP	MSP-113V2-03 PUSH
△ TH371	WF544600	PTC. THERMISTOR	NTPAD5R1LDNBO 5. 1
U3001	WR153900	L. DTCT	RPM7238-H9R
U3801-3802	WH169900	CN. PHOTO. R	1P GP1FAV51RKOF
* V3001	ZG266300	FL. DSPLY	18-MT-11GNAK
	ZA889400	SPACER	4. 3x8x30
	WE774200	SCR. BND. HD	3x10 MFZN2W3

* New Parts

Ref No.	Part No.	Description	Markets
* ZF543100	P. C. B.	OPERATION	U
* ZF543200	P. C. B.	OPERATION	C
* ZF543300	P. C. B.	OPERATION	A
* ZF543400	P. C. B.	OPERATION	BG
* ZF543500	P. C. B.	OPERATION	L
CB302	VB858300	CN. BS. PIN	4P
CB304	VQ045400	CN. BS. PIN	25P
CB305	VQ044200	CN. BS. PIN	6P
CB310	WQ680200	CN. USB	4P TE AAPVA004C0
CB342	VQ046900	CN. BS. PIN	5P
CB343	VQ047000	CN. BS. PIN	6P
CB344	VP573800	CN. BS. PIN	18P
CB345	VQ961800	CN. BS. PIN	15P
CB346	VQ047200	CN. BS. PIN	9P
CB347	LB918020	CN. BS. PIN	2P
CB361	VQ044100	CN. BS. PIN	5P
CB372-373	WN103000	CLIP. FUSE	TP00351-31
CB374	VG879900	CN. BS. PIN	2P
CB381	VQ963600	CN. BS. PIN	15P
CB382	VQ961400	CN. BS. PIN	11P
CB383	VQ963600	CN. BS. PIN	15P
CB384	VB389800	CN. BS. PIN	2P
CB391	VL844800	CN. BS. PIN	4P
C3001	US065100	C. CE. CHP	0. 1uF 50V B
C3002-3003	US063100	C. CE. CHP	1000pF 50V B
C3004	WJ609500	C. MYLAR	3300pF 100V
C3005	UR267100	C. EL	10uF 50V
C3006	US064100	C. CE. CHP	0. 01uF 50V B
C3007	WJ609500	C. MYLAR	3300pF 100V
C3008	WV360900	C. EL	22uF 16V
C3009	US064100	C. CE. CHP	0. 01uF 50V B
C3010	US063100	C. CE. CHP	1000pF 50V B
C3012	US062100	C. CE. CHP	100pF 50V B
C3013	UM387470	C. EL	47uF 16V
C3014	WV360900	C. EL	22uF 16V
C3015	US061330	C. CE. CHP	33pF 50V B
C3017	WV360900	C. EL	22uF 16V
C3018	UM397100	C. EL	10uF 16V
C3019-3020	US035100	C. CE. CHP	0. 1uF 16V B
C3021-3022	US063100	C. CE. CHP	1000pF 50V B
C3024	UR268220	C. EL	220uF 50V
C3025	UM388330	C. EL	330uF 6. 3V
C3026	US035100	C. CE. CHP	0. 1uF 16V B
C3027	US061680	C. CE. CHP	68pF 50V B
C3028	US065100	C. CE. CHP	0. 1uF 50V B
C3029	US064100	C. CE. CHP	0. 01uF 50V B
C3030-3031	US163100	C. CE. CHP	1000pF 50V
C3032	US065100	C. CE. CHP	0. 1uF 50V B
C3033-3036	US035100	C. CE. CHP	0. 1uF 16V B
C3038	US046100	C. CE. CHP	1uF 25V
C3039	US035100	C. CE. CHP	0. 1uF 16V B
C3040	US062100	C. CE. CHP	100pF 50V B
C3042	US062100	C. CE. CHP	100pF 50V B
C3043	WG251600	C. CE. CHP	4. 7uF 6. 3V
C3044-3045	US035100	C. CE. CHP	0. 1uF 16V B
C3046	UM388100	C. EL	100uF 6. 3V
C3047-3048	US163100	C. CE. CHP	1000pF 50V

* New Parts

RX-V675/HTR-6066/
RX-A730/TSR-6750

RX-A730

OPERATION

Ref No.	Part No.	Description	Markets
C3049-3050	US035100	C. CE. CHP	0. 1uF 16V B
C3051	US063100	C. CE. CHP	1000pF 50V B
C3052	US062220	C. CE. CHP	220pF 50V B
C3053	US063100	C. CE. CHP	1000pF 50V B
C3054	WH773700	C. EL	470uF 16V
C3055	US063100	C. CE. CHP	1000pF 50V B
C3056	US061470	C. CE. CHP	47pF 50V B
C3057	US063100	C. CE. CHP	1000pF 50V B
C3058	WY034800	C. CE. CHP	0. 022uF 50V
C3059	US061470	C. CE. CHP	47pF 50V B
C3060	WD758300	C. CE. CHP	10uF 10V
C3061	US035100	C. CE. CHP	0. 1uF 16V B
C3062	US062100	C. CE. CHP	100pF 50V B
C3063	US063100	C. CE. CHP	1000pF 50V B
C3064	WM490200	C. CE. M. CHP	0. 47uF 50V
C3065	US135100	C. CE. CHP	0. 1uF 16V
C3066	UM416100	C. EL	1uF 50V
C3067	UM416220	C. EL	2. 2uF 50V
C3401-3402	US062100	C. CE. CHP	100pF 50V B
C3403-3405	US060800	C. CE. CHP	8pF 50V B
C3406-3411	WD758300	C. CE. CHP	10uF 10V
C3412-3413	UR237100	C. EL	10uF 16V
C3414	UR837220	C. EL	22uF 16V
C3415	UR237100	C. EL	10uF 16V
C3416-3420	US135100	C. CE. CHP	0. 1uF 16V
C3421-3422	WG251600	C. CE. CHP	4. 7uF 6. 3V
C3424-3438	US135100	C. CE. CHP	0. 1uF 16V
C3439-3440	UR238100	C. EL	100uF 16V
C3441-3443	US135100	C. CE. CHP	0. 1uF 16V
C3444-3445	WH773500	C. EL	330uF 16V
C3446	WH771300	C. EL	100uF 10V
C3448	US062100	C. CE. CHP	100pF 50V B
C3450	US062100	C. CE. CHP	100pF 50V B
C3451-3452	US064100	C. CE. CHP	0. 01uF 50V B
C3454-3455	WH773300	C. EL	120uF 16V
C3456	WH773500	C. EL	330uF 16V
C3457	WH773300	C. EL	120uF 16V
C3458	US135100	C. CE. CHP	0. 1uF 16V
C3459-3460	UR238100	C. EL	100uF 16V
C3461-3466	WD758300	C. CE. CHP	10uF 10V
C3467	UR237470	C. EL	47uF 16V
C3601-3602	UR237100	C. EL	10uF 16V
△ C3701	WJ361200	C. POL. MTL	0. 047uF 400V UC
△ C3701	WJ361800	C. POL. MTL	0. 022uF 630V ABGL
△ C3702-3703	WQ902300	C. CE. SAFTY	1000pF 250V
△ C3704	V5877700	C. MYLAR	0. 22uF 250V
△ C3705	US163100	C. CE. CHP	1000pF 50V
C3706	ZE600100	C. EL	270uF 220V UC
C3706	WW751700	C. EL	100uF 400V ABGL
△ C3707	WQ939400	C. CE. SAFTY	0. 01uF 250V
△ C3708	UR867470	C. EL	47uF 50V
△ C3709	WJ322400	C. CE. M. CHP	0. 01uF 250V
△ C3710	US063100	C. CE. CHP	1000pF 50V B
△ C3711	WY685500	C. CE. SAFTY	3300pF 250V UC
△ C3711	WQ902200	C. CE. SAFTY	2200pF 250V ABGL
△ C3712	WJ361200	C. POL. MTL	0. 047uF 400V UC
△ C3712	WJ361800	C. POL. MTL	0. 022uF 630V ABGL

* New Parts

Ref No.	Part No.	Description	Markets
C3713	WJ322300	C. CE. M. CHP	1000pF 630V
C3714-3715	ZF616900	C. EL	3300uF 16V
C3716	US034470	C. CE. CHP	0. 047uF 16V B
C3718	WH771600	C. EL	220uF 10V
C3719	US064100	C. CE. CHP	0. 01uF 50V B
C3720	V7887800	C. EL	1uF 50V
C3721	WJ335500	C. EL	2. 2uF 50V
C3722	ZE673300	C. CE. CHP	470pF 1000V
C3723	US064100	C. CE. CHP	0. 01uF 50V B
△ C3724	WJ322300	C. CE. M. CHP	1000pF 630V
△ C3727	ZG415000	C. CE. M. CHP	4. 7uF 10V
C3802	US064100	C. CE. CHP	0. 01uF 50V B
C3803	US035100	C. CE. CHP	0. 1uF 16V B
C3804-3805	US061220	C. CE. CHP	22pF 50V B
C3806	US035100	C. CE. CHP	0. 1uF 16V B
C3807-3808	US063100	C. CE. CHP	1000pF 50V B
C3809-3811	US035100	C. CE. CHP	0. 1uF 16V B
C3812	UR238100	C. EL	100uF 16V
C3814	US035100	C. CE. CHP	0. 1uF 16V B
C3817	UU238470	C. EL	470uF 16V
C3818-3819	WD758300	C. CE. CHP	10uF 10V
C3820	UR367470	C. EL	47uF 50V
C3901-3904	WJ610200	C. MYLAR	0. 01uF 100V
D3001-3004	WW783900	DIODE	1SS355VM
D3006	WY163200	DIODE. ZENR	UDZV5. 1B
D3009-3010	WY163000	DIODE. ZENR	UDZV4. 3B
D3011	V2598200	LED	SIR-505ST
D3012	WPO80300	LED. BLUE	Blue SLR343BC4T3F
D3015	WW783900	DIODE	1SS355VM
D3016	WR095700	LED	8224-10SDRD/S530A3
D3019-3024	WW783900	DIODE	1SS355VM
D3025	WY165200	DIODE. ZENR	UDZV36B
D3403-3404	WW783900	DIODE	1SS355VM
D3406-3409	ZF305000	DIODE. CHP	RB162L-40 TE25 TP
D3412-3417	ZF305000	DIODE. CHP	RB162L-40 TE25 TP
D3420-3421	ZF305000	DIODE. CHP	RB162L-40 TE25 TP
△ D3701	WW872000	DIODE. BRG	DBL155G 1. 5A 600
△ D3702	ZE932800	DIODE	US1002FL
△ D3703	ZE932600	DIODE	UF1K
D3704	ZF519800	D. SCHOTTKY	RBQ30T65A 30A 65V
△ D3705	ZA385400	DIODE. ZENR	TFZGTR24B 24V
△ D3706-3715	WW783900	DIODE	1SS355VM
△ D3716	WY727900	DIODE. ZENR	P6KE200A 200V
D3801-3802	WW783900	DIODE	1SS355VM
△ F3701	WR944000	FUSE	2A 250V
△ F3702	WQ211100	FUSE	8A 125V UC
F3702	VV071800	FUSE	4A 250V ABGL
△ IC301	X6386A00	IC	M66003-0131FP
△ IC302	YC288A00	IC	RP130Q331D-TR-F
△ IC303	X7378A00	IC	NJM4565M (TE1)
IC341	YD948A00	IC	NJW1329FH2
IC342	YF016A00	IC	RP170H331B-T1-FE
IC343-344	YF077A00	IC	BD00GA3WEFJ-E2
IC345	YE018A00	IC	NJM41033V
IC346	YF013A00	IC	BD7541G-TR OPAMP
△ IC372	WP388200	PHOT. CPL	TLP781 (D4-GR, F)
△ IC373	YA276A00	IC	TL431AC 2. 5-36V

* New Parts

RX-V675/HTR-6066/
RX-A730/TSR-6750

RX-A730

OPERATION

Ref No.	Part No.	Description	Markets
△	IC374	WP388200 PHOT. CPL	TLP781 (D4-GR, F)
△	IC375	YE895A00 IC	STR-Y6753
	IC381	XZ509A00 IC	TC74VHCU04FT INVER
	IC382	YF016A00 IC	RP170H331B-T1-FE
	JK301	WC814400 JACK. MNI	JY-3554-01-130
	JK302	WZ975700 JACK. PHONE	MSJ-064-05B-B-RF
	JK381-383	V9435700 JACK. MINI	MSJ-035-12APC
	PJ301	WZ631700 JACK. PIN	1P MTJ-032-21B-NI
	PJ341	WG583200 JACK. PIN	6P RJ-1146+08-0H00
	PJ342	WH381400 JACK. PIN	3P JACK G. B. R
	PJ343-344	V7190000 JACK. PIN	2P
	PJ361	V7190000 JACK. PIN	2P
	PJ381	V9420700 JACK. PIN	2P MSP-252V1-30NI
	Q3001-3004	WC529400 TR	KTC3875S Y GR RTK
	Q3009-3010	WW782100 TR. DGT	DTC014EUBTL
	Q3011	WQ381000 FET	MCH6336-TL-E
△	Q3012-3013	WW223000 TR	2SC5964-TD-E
	Q3014	WW782100 TR. DGT	DTC014EUBTL
△	Q3015	WC397700 TR	2N5401C-AT
	Q3401-3402	WW782100 TR. DGT	DTC014EUBTL
	Q3404-3405	WQ381000 FET	MCH6336-TL-E
△	Q3407-3410	WW223000 TR	2SC5964-TD-E
	Q3413	WC397700 TR	2N5401C-AT
	Q3420	WE834500 FET	UPA672T-T1-A
	Q3701-3702	VQ986700 TR	2SC4081 T106
	Q3703	WW782300 TR. DGT	DTC044EUBTL
	Q3801	WC398400 TR	2N5551C-AT
	Q3802	ZA348800 TR	KTA1046-Y-U/PFY
	Q3803	WC398400 TR	2N5551C-AT
	Q3804	WC397700 TR	2N5401C-AT
	R3013-3014	V8071400 R. MTL. FLM	560 Ω 1W
	R3416	WW965300 R. MTL. OXD	2. 2 Ω 1/4W
	R3444-3445	WW968500 R. MTL. OXD	47 Ω 1/4W
△	R3701-3702	WRO33300 R. CHP	4. 7K Ω 1/4W
△	R3703	WU547900 R. ANTI. SURGE	3M Ω 1/2W
△	R3704	ZE673100 R. CAR. CHP	0. 47 Ω 1W
△	R3732-3734	ZE673900 R. CAR. CHP	12K Ω 1W
△	R3736	ZE673900 R. CAR. CHP	12K Ω 1W
△	R3737-3739	VE995200 R. CAR. CHP	15 Ω 1W
	R3816	WW966300 R. MTL. OXD	5. 6 Ω 1/4W
	R3819	WC860100 R. MTL. FLM	2. 2 Ω 1W
	R3820	V8070100 R. MTL. FLM	2. 2 Ω 1W
	R3901-3902	WW974100 R. MTL. OXD	10K Ω 1/4W
△	RY371	WQ804100 RELAY	DC DLS5D1-O (M) 0. 25
	SW301	WD483100 SW. TACT	SKRGAAD010
	SW303	WD483100 SW. TACT	SKRGAAD010
	SW305	WD483100 SW. TACT	SKRGAAD010
	SW307	WD483100 SW. TACT	SKRGAAD010
	SW309	WD483100 SW. TACT	SKRGAAD010
	SW312-313	WD483100 SW. TACT	SKRGAAD010
	SW316-317	WD483100 SW. TACT	SKRGAAD010
	SW319	WD483100 SW. TACT	SKRGAAD010
	SW321	WD483100 SW. TACT	SKRGAAD010
	SW324-325	WD483100 SW. TACT	SKRGAAD010
	SW328-329	WD483100 SW. TACT	SKRGAAD010
	SW332-333	WD483100 SW. TACT	SKRGAAD010
	SW336-337	WD483100 SW. TACT	SKRGAAD010

Ref No.	Part No.	Description	Markets
SW339	V9597100	SW. RT. ENC	EC12E2460802
SW340	WD483100	SW. TACT	SKRGAAD010
SW342	WQ291600	SW. RT. ENC	XREB12105PVB25FINA
△	T3701	YE896A00 TRANS. PWR	
	TE371	ZD538700 INLET. AC	2P R-30190 (26) CCC
	TE391	WW726500 TERM. SP	4P
	TE391	WW728900 TERM. SP	4P
	TE391	WW726500 TERM. SP	4P
△	TH371	WF544600 PTC. THERMISTOR	NTPAD5R1LDNBO 5. 1
	U3001	WR153900 L. DTCT	RPM7238-H9R
	U3801-3802	WH169900 CN. PHOTO. R	1P GP1FAV51RK0F
*	V3001	ZG266300 FL. DSPLY	18-MT-11GNAK
		ZA889400 SPACER	4. 3x8x30
		WE774200 SCR. BND. HD	3x10 MFZN2W3

* New Parts

* New Parts

RX-V675/HTR-6066/
RX-A730/TSR-6750

RX-V675/HTR-6066/TSR-6750

RX-A730

MAIN

Ref No.	Part No.	Description	Markets
*	ZF534700	P. C. B.	MAIN UC
*	ZF534800	P. C. B.	MAIN RS
*	ZF534900	P. C. B.	MAIN TA
*	ZF535000	P. C. B.	MAIN B
*	ZF535100	P. C. B.	MAIN GFLH
	CB101	LB932060 CN. BS. PIN	6P
	CB102	LB918020 CN. BS. PIN	2P
	CB103	LB918030 CN. BS. PIN	3P
	CB111	V9377900 CN. BS. PIN	4P RS
△	CB112-113	WN077700 CLIP. FUSE	CLIP PFC5000-0202F RS
	CB153	VQ963200 CN. BS. PIN	11P
	C1001	UR257100 C. EL	10uF 35V UCRTAS
	C1001	UR067100 C. EL	10uF 50V B
	C1001	ZD241900 C. EL	10uF 50V GFLH
	C1002	UR257100 C. EL	10uF 35V UCRTAS
	C1002	UR067100 C. EL	10uF 50V B
	C1002	ZD241900 C. EL	10uF 50V GFLH
	C1003	UR257100 C. EL	10uF 35V UCRTAS
	C1003	UR067100 C. EL	10uF 50V B
	C1003	ZD241900 C. EL	10uF 50V GFLH
	C1004	UR257100 C. EL	10uF 35V UCRSTA
	C1004	UR267100 C. EL	10uF 50V BGFLH
	C1005	UR257100 C. EL	10uF 35V UCRTAS
	C1005	UR267100 C. EL	10uF 50V BGFLH
	C1006	UR257100 C. EL	10uF 35V UCRTAS
	C1006	UR267100 C. EL	10uF 50V BGFLH
	C1007	UR257100 C. EL	10uF 35V UCRTAS
	C1007	UR267100 C. EL	10uF 50V BGFLH
	C1008	WN164200 C. PP	220pF 100V UCRTAS
	C1008	WE100900 C. PP	220pF 630V K BGFLH
	C1009	WN164200 C. PP	220pF 100V UCRTAS
	C1009	WE100900 C. PP	220pF 630V K BGFLH
	C1010	WN164200 C. PP	220pF 100V UCRTAS
	C1010	WE100900 C. PP	220pF 630V K BGFLH
	C1011	WN164200 C. PP	220pF 100V UCRTAS
	C1011	WJ608300 C. MYLAR	220pF 100V BGFLH
	C1012	WN164200 C. PP	220pF 100V UCRTAS
	C1012	WJ608300 C. MYLAR	220pF 100V BGFLH
	C1013	WN164200 C. PP	220pF 100V UCRTAS
	C1013	WJ608300 C. MYLAR	220pF 100V BGFLH
	C1014	WN164200 C. PP	220pF 100V UCRTAS
	C1014	WJ608300 C. MYLAR	220pF 100V BGFLH
	C1015	WQ107500 C. PP	120pF 100V UCRTAS
	C1015	WE100600 C. PP	120pF 630V K BGFLH
	C1016	WQ107500 C. PP	120pF 100V UCRTAS
	C1016	WE100600 C. PP	120pF 630V K BGFLH
	C1017	WQ107500 C. PP	120pF 100V UCRTAS
	C1017	WE100600 C. PP	120pF 630V K BGFLH
	C1018	WQ107500 C. PP	120pF 100V UCRTAS
	C1018	WW179700 C. MYLAR	120pF 100V BGFLH
	C1019	WQ107500 C. PP	120pF 100V UCRTAS
	C1019	WW179700 C. MYLAR	120pF 100V BGFLH
	C1020	WQ107500 C. PP	120pF 100V UCRTAS
	C1020	WW179700 C. MYLAR	120pF 100V BGFLH
	C1021	WQ107500 C. PP	120pF 100V UCRTAS
	C1021	WW179700 C. MYLAR	120pF 100V BGFLH
	C1022	WN164900 C. PP	3300pF 100V UCRTAS

* New Parts

Ref No.	Part No.	Description	Markets
C1022	WJ609500	C. MYLAR	3300pF 100V BGFLH
C1023	WN164900	C. PP	3300pF 100V UCRTAS
C1023	WJ609500	C. MYLAR	3300pF 100V BGFLH
C1024	WN164900	C. PP	3300pF 100V UCRTAS
C1024	WJ609500	C. MYLAR	3300pF 100V BGFLH
C1025	WN164900	C. PP	3300pF 100V UCRTAS
C1025	WJ609500	C. MYLAR	3300pF 100V BGFLH
C1026	WN164900	C. PP	3300pF 100V UCRTAS
C1026	WJ609500	C. MYLAR	3300pF 100V BGFLH
C1027	WN164900	C. PP	3300pF 100V UCRTAS
C1027	WJ609500	C. MYLAR	3300pF 100V BGFLH
C1028	WN164900	C. PP	3300pF 100V UCRTAS
C1028	WJ609500	C. MYLAR	3300pF 100V BGFLH
C1029	UR067470	C. EL	47uF 50V UCRTABS
C1029	UR267470	C. EL	47uF 50V GFLH
C1030	UR068100	C. EL	100uF 50V UCRTABS
C1030	UR268100	C. EL	100uF 50V GFLH
C1031	UR068100	C. EL	100uF 50V UCRTABS
C1031	UR268100	C. EL	100uF 50V GFLH
C1032-1035	UR067470	C. EL	47uF 50V
C1036	WQ627600	C. CE	22pF 500V UCRTAS
C1036	WE100200	C. PP	22pF 630V K BGFLH
C1037	WQ627600	C. CE	22pF 500V UCRTAS
C1037	WE100200	C. PP	22pF 630V K BGFLH
C1038	WQ627600	C. CE	22pF 500V UCRTAS
C1038	WE100200	C. PP	22pF 630V K BGFLH
C1039-1042	WQ627600	C. CE	22pF 500V
C1043-1049	WJ608400	C. MYLAR	330pF 100V
C1050	UR067100	C. EL	10uF 50V
C1050	UR067100	C. EL	10uF 50V UCRTAS
C1050	ZD241900	C. EL	10uF 50V B
C1050	UR397100	C. EL	10uF 100V GFLH
C1051	UR067100	C. EL	10uF 50V UCRTAS
C1051	ZD241900	C. EL	10uF 50V B
C1051	UR397100	C. EL	10uF 100V GFLH
C1052	UR067100	C. EL	10uF 50V UCRTAS
C1052	ZD241900	C. EL	10uF 50V B
C1052	UR397100	C. EL	10uF 100V GFLH
C1053	UR067100	C. EL	10uF 50V UCRTAS
C1053	ZD241900	C. EL	10uF 50V B
C1053	UU267100	C. EL	10uF 50V GFLH
C1054	UR067100	C. EL	10uF 50V UCRTAS
C1054	ZD241900	C. EL	10uF 50V B
C1054	UU267100	C. EL	10uF 50V GFLH
C1055	UR067100	C. EL	10uF 50V UCRTAS
C1055	ZD241900	C. EL	10uF 50V B
C1055	UU267100	C. EL	10uF 50V GFLH
C1056	UR067100	C. EL	10uF 50V UCRTAS
C1056	ZD241900	C. EL	10uF 50V B
C1056	UU267100	C. EL	10uF 50V GFLH
C1057-1063	WJ610600	C. MYLAR	0.022uF 100V
C1066-1067	WN156000	C. PP	1000pF 250V
C1068	UR866470	C. EL	4.7uF 50V
C1069	UR818330	C. EL	330uF 6.3V
C1070-1073	UR297100	C. EL	10uF 100V
C1074	UR267330	C. EL	33uF 50V
C1075	ZD295900	C. EL	10uF 16V UCRTAS

* New Parts

RX-V675/HTR-6066/
RX-A730/TSR-6750

RX-V675/HTR-6066/TSR-6750

RX-A730

MAIN

Ref No.	Part No.	Description	Markets
* C1075	ZD242000	C. EL 47uF 50V	B
C1075	UR367470	C. EL 47uF 50V	GFLH
C1078-1079	WJ611400	C. MYLAR 0. 1uF 100V J	
△ C1084-1085	WN331300	C. EL 6800uF 71V	
C1101-1102	WJ610400	C. MYLAR 0. 015uF 100V	
C1103-1104	WJ610200	C. MYLAR 0. 01uF 100V	
C1105-1107	WJ610400	C. MYLAR 0. 015uF 100V	
C1108-1110	WJ610200	C. MYLAR 0. 01uF 100V	
C1111-1112	WJ610400	C. MYLAR 0. 015uF 100V	
C1113-1114	WJ610200	C. MYLAR 0. 01uF 100V	
C1116	WN165500	C. PP 0. 022uF 100V	UCRTAS
C1116	WJ610600	C. MYLAR 0. 022uF 100V	BGFLH
C1117	WN165500	C. PP 0. 022uF 100V	UCRTAS
C1117	WJ610600	C. MYLAR 0. 022uF 100V	BGFLH
C1117	WN165500	C. PP 0. 022uF 100V	
C1118	URO49220	C. EL 2200uF 25V	
C1119	URO49100	C. EL 1000uF 25V	
C1120	US135100	C. CE. CHP 0. 1uF 16V	
C1121	URO67470	C. EL 47uF 50V	
C1122	UR247100	C. EL 10uF 25V	UCRTAS
C1122	UR267100	C. EL 10uF 50V	BGFLH
C1123	UR247100	C. EL 10uF 25V	UCRTAS
C1123	UR267100	C. EL 10uF 50V	BGFLH
C1517-1520	US062220	C. CE. CHP 220pF 50V B	
C1523	UR238100	C. EL 100uF 16V	UCRTAGFLSH
C1523	URO38100	C. EL 100uF 16V	B
C1526	UR238100	C. EL 100uF 16V	UCRTAGFLSH
C1526	URO38100	C. EL 100uF 16V	B
C1527	UR238100	C. EL 100uF 16V	UCRTAGFLSH
C1527	URO38100	C. EL 100uF 16V	B
C1528-1529	US062220	C. CE. CHP 220pF 50V B	
C1530	UR238100	C. EL 100uF 16V	UCRTAGFLSH
C1530	URO38100	C. EL 100uF 16V	B
C1531	UR267330	C. EL 33uF 50V	
C1532	UR238100	C. EL 100uF 16V	UCRTAGFLSH
C1532	URO38100	C. EL 100uF 16V	B
C1533	UR238100	C. EL 100uF 16V	UCRTAGFLSH
C1533	URO38100	C. EL 100uF 16V	B
C1534-1535	US062220	C. CE. CHP 220pF 50V B	
C1536	UR238100	C. EL 100uF 16V	UCRTAGFLSH
C1536	URO38100	C. EL 100uF 16V	B
C1542	US035100	C. CE. CHP 0. 1uF 16V B	
C1545	US035100	C. CE. CHP 0. 1uF 16V B	
C1547	UR267100	C. EL 10uF 50V	
C1549	UR267100	C. EL 10uF 50V	
C1553-1554	UR267220	C. EL 22uF 50V	
C1556	UR267100	C. EL 10uF 50V	
C1571	UR267100	C. EL 10uF 50V	
C1572	US062100	C. CE. CHP 100pF 50V B	
C1574	UM397100	C. EL 10uF 16V	
C1575	US061470	C. CE. CHP 47pF 50V B	
C1576	UR267100	C. EL 10uF 50V	
C1578	US061470	C. CE. CHP 47pF 50V B	
C1579	UM397100	C. EL 10uF 16V	
C1580	UR837100	C. EL 10uF 16V	
C1581-1582	US061470	C. CE. CHP 47pF 50V B	
C1583-1584	UR267470	C. EL 47uF 50V	

* New Parts

Ref No.	Part No.	Description	Markets
C1585	UR837100	C. EL 10uF 16V	
C1589-1590	UR267100	C. EL 10uF 50V	
C1600-1601	UR267100	C. EL 10uF 50V	
C1605	US064100	C. CE. CHP 0. 01uF 50V B	
C1608	US044220	C. CE. CHP 0. 022uF 25V B	
C1612	US064100	C. CE. CHP 0. 01uF 50V B	
C1614	UR267470	C. EL 47uF 50V	UCRTAS
C1614	UR067470	C. EL 47uF 50V	B
* C1614	ZD242000	C. EL 47uF 50V	GFLH
C1615	UR267470	C. EL 47uF 50V	UCRTAS
C1615	UR067470	C. EL 47uF 50V	B
* C1615	ZD242000	C. EL 47uF 50V	GFLH
△ D1001-1016	WW783900	DIODE 1SS355VM	
△ D1017-1023	WY163200	DIODE. ZENR UDZV5. 1B	
△ D1024-1039	WW783900	DIODE 1SS355VM	
△ D1040	WB212700	DIODE. BRG RS603M 6A 200V	
D1042	ZA384800	DIODE. ZENR TFZGTR13B	
D1043	WY164800	DIODE. ZENR UDZV24B	RS
D1044-1050	WW783900	DIODE 1SS355VM	
D1051	WB121700	DIODE. BRG RS103 1.0A 200V	
△ D1501-1502	ZA384200	DIODE. ZENR TFZGTR6. 8B 6. 8V TP	
△ F101	VV071800	FUSE 4A 250V	RS
G101	V5995800	PLATE. GND	
IC101	YA381A00	IC LM19C1Z/LF THERMAL	
IC102	YA381A00	IC LM19C1Z/LF THERMAL	UC
△ IC103	XJ608A00	IC NJM7812FA	
△ IC104	X4154A00	IC KIA7912PI	
IC153	YA361B00	IC R2A15220FP	
IC154	X7378A00	IC NJM4565M (TE1)	
PJ151-152	V7046800	JACK. PIN 6P MSP-246V1-01NI	
PJ155	V9392100	JACK. PIN MSP-242V1-02NIFELF	
Q1001-1014	WF549900	TR 2SC3906K T146 R, S	
Q1015-1021	V3966800	TR 2SA949 O, Y	
△ Q1022-1028	ZD495300	TR 2SC4115S S	
△ Q1029-1035	VR325600	TR 2SC2229 O, Y	
△ Q1036-1042	V4096100	TR 2SC4614 S, T	
△ Q1043-1049	V4096000	TR 2SA1770 S, T	
△ Q1050-1056	VR355900	TR. PAIR A1695/C4468 OPY	(1X630850, 1X630860)
Q1057-1063	ZF457100	TR INC6002AC1-T112-1W	
Q1064	ZF457000	TR INA6002AC1-TH12-1W	
Q1065	WF549900	TR 2SC3906K T146 R, S	
△ Q1067-1068	WC292600	TR KTA1837-U	
△ Q1069-1070	WC398400	TR 2N5551C-AT	
△ Q1071	WC397700	TR 2N5401C-AT	
△ Q1072	VP872600	TR 2SA1708 S, T	
Q1073	WC883400	TR 2SD2704 K	
Q1074	WW782200	TR. DGT DTC023JUBTL	
Q1075	WC883400	TR 2SD2704 K	
Q1076-1077	WW782200	TR. DGT DTC023JUBTL	
Q1078-1079	WC883400	TR 2SD2704 K	
Q1501-1502	WC883400	TR 2SD2704 K	
Q1504	WC883400	TR 2SD2704 K	
Q1507	WC883400	TR 2SD2704 K	
Q1509	WC883400	TR 2SD2704 K	
Q1511-1514	WC883400	TR 2SD2704 K	
Q1520-1521	WC883400	TR 2SD2704 K	
Q1524-1525	WC883400	TR 2SD2704 K	

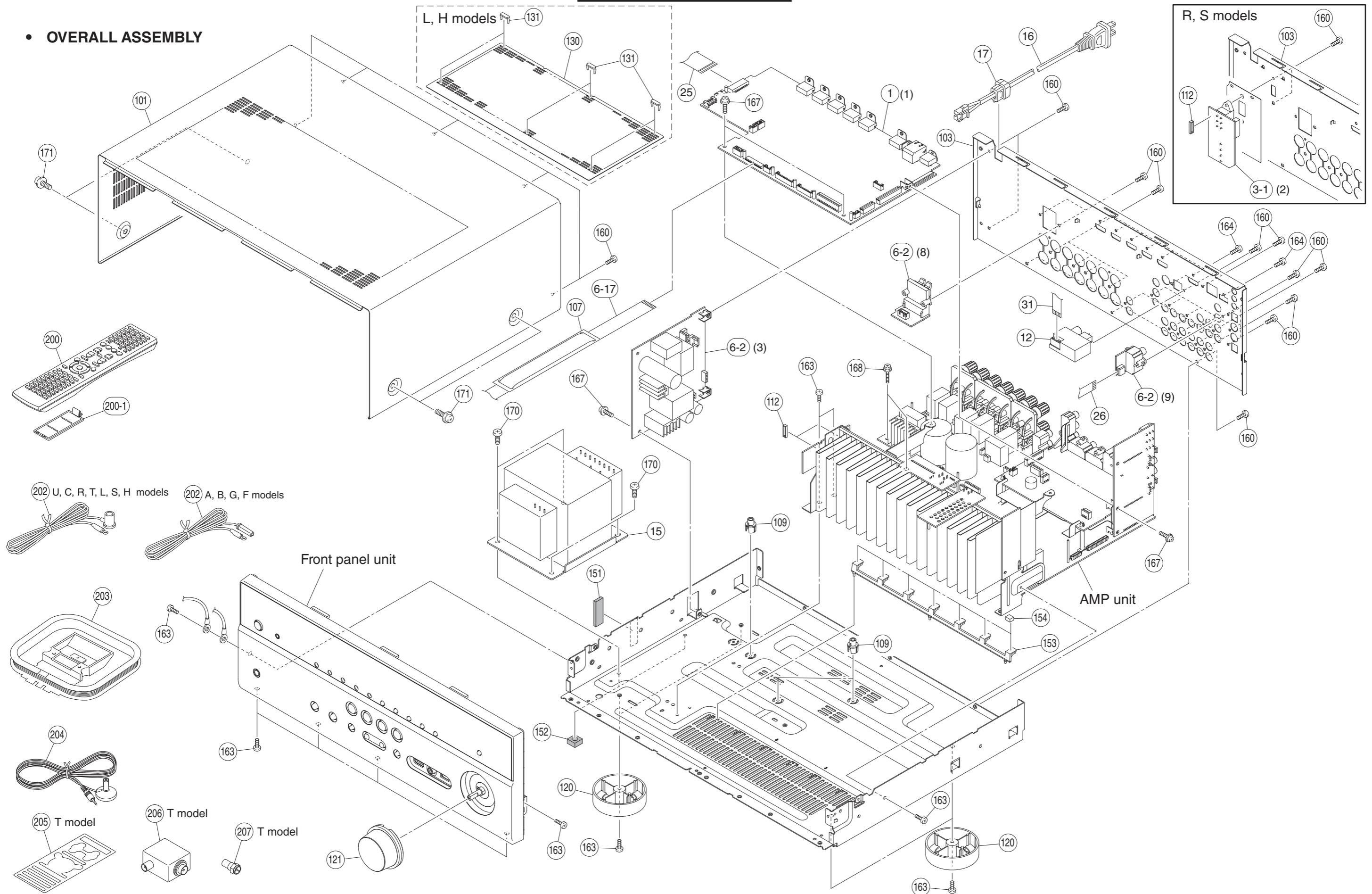
* New Parts

RX-V675/HTR-6066/
RX-A730/TSR-6750

• OVERALL ASSEMBLY

L, H models

R, S models



RX-V675/HTR-6066/TSR-6750

Ref No.	Part No.	Description	Remarks	Markets
* 1	ZF534400	P. C. B. ASSEMBLY	DIGITAL	
* 3-1	ZF534700	P. C. B. ASSEMBLY	MAIN	UC
* 3-1	ZF534800	P. C. B. ASSEMBLY	MAIN	RS
* 3-1	ZF534900	P. C. B. ASSEMBLY	MAIN	TA
* 3-1	ZF535000	P. C. B. ASSEMBLY	MAIN	B
* 3-1	ZF535100	P. C. B. ASSEMBLY	MAIN	GFLH
* 6-2	ZF535200	P. C. B. ASSEMBLY	OPERATION	U
* 6-2	ZF535300	P. C. B. ASSEMBLY	OPERATION	C
* 6-2	ZF535400	P. C. B. ASSEMBLY	OPERATION	RS
* 6-2	ZF535500	P. C. B. ASSEMBLY	OPERATION	T
* 6-2	ZF535600	P. C. B. ASSEMBLY	OPERATION	A
* 6-2	ZF535700	P. C. B. ASSEMBLY	OPERATION	BGF
* 6-2	ZF535800	P. C. B. ASSEMBLY	OPERATION	LH
6-17	ZA116600	FLEXIBLE FLAT CABLE	22P 210mm P=1.0	
12	WW891000	AM/FM TUNER	FAEH08-W02	UCRTLSH
12	WW891100	AM/FM TUNER	FAEH08-E02	ABGF
△ * 15	YF260A00	POWER TRANSFORMER		UC
△ * 15	YF261A00	POWER TRANSFORMER		RS
△ * 15	YF262A00	POWER TRANSFORMER		T
△ * 15	YF263A00	POWER TRANSFORMER		ALH
△ * 15	YF264A00	POWER TRANSFORMER		BGF
△ 16	WR336800	POWER CABLE	2m	UC
△ 16	WY042500	POWER CABLE	1.8m	R
△ 16	WY042600	POWER CABLE	1.8m	T
△ 16	WY042100	POWER CABLE	1.8m	A
△ 16	WY041100	POWER CABLE	1.8m	B
△ 16	WR336900	POWER CABLE	2m	GFL
△ 16	ZC898500	POWER CABLE	1.8m	S
△ 16	WY094600	POWER CABLE	1.8m	H
17	V2438700	CORD STOPPER	10P1	
* 25	ZF457300	FLEXIBLE FLAT CABLE	18P 200mm P=1.25	
* 26	ZF457600	FLEXIBLE FLAT CABLE	5P 100mm P=1.25	
31	WY194600	FLEXIBLE FLAT CABLE	9P 100mm P=1.25	
101	ZA554700	TOP COVER		GD
101	ZA554500	TOP COVER		BL
101	ZA554600	TOP COVER		TI
* 103	ZF096600	REAR PANEL		RX-V675 UC
* 103	ZG305600	REAR PANEL		TSR-6750 U
* 103	ZF096700	REAR PANEL		RX-V675 RS
* 103	ZF097000	REAR PANEL		RX-V675, HTR-6066 TABGFLH
* 107	ZF611400	FFC BARRIER		
109	WQ664500	SUPPORT	H8	
* 112	ZG891700	CABLE CLAMP	RBWS-0409E-V0	
120	ZE253400	LEG	D60 H21 Black	

* New Parts

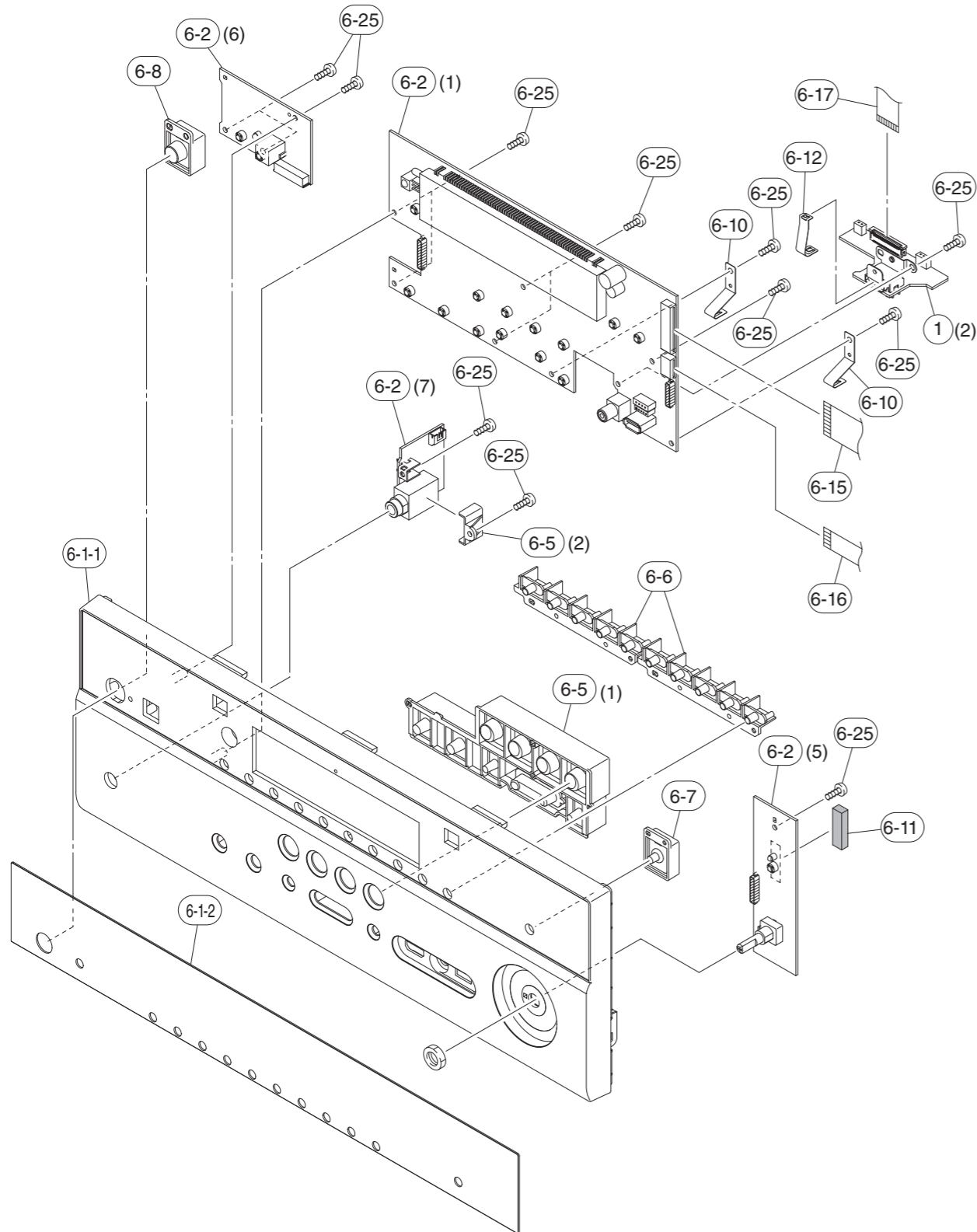
Finish GD: Gold color, BL: Black color, TI: Titanium color

Ref No.	Part No.	Description	Remarks	Markets
121	ZA168900	KNOB	D52	GD
121	ZA168700	KNOB	D52	BL
121	ZA168800	KNOB	D52	TI
130	WR306100	SHEET	TOP PANEL	LH
131	WJ053800	RIVET	TOP PANEL	LH
151	V5881100	CUSHION	5x8x25	
152	WC879000	DAMPER	SCREW MASK	
* 153	ZF102700	SUPPORT	TRANSISTOR	
* 154	ZF101600	DAMPER	6x6x3	
160	WE774100	BIND HEAD BONDING B-T. SCREW	3x8 MFZN2B3	
163	WE774300	BIND HEAD B-TIGHT SCREW	3x8 MFZN2W3	
164	WE877900	BIND HEAD S-TIGHT SCREW	3x6 MFZN2W3	
167	WF002600	PW HEAD B-TIGHT SCREW	3x8 MFZN2W3	
168	WE774600	HEXAGONAL HEAD B-TIGHT SCREW	3x18 MFZN2W3	
170	WU048900	BIND HEAD S-TIGHT SCREW	4x10 MFZN2W3	
171	VDO69600	PW HEAD S-TIGHT SCREW	4x8-10 MFN133	GD, TI
171	VH313200	PW HEAD S-TIGHT SCREW	4x8-10 MFN13BL	BL
		ACCESSORIES		
* 200	ZF269900	REMOTE CONTROL	RAV501	000-224700100
200-1	AAX82380	BATTERY COVER	Black	CG-2209
202	V6267000	FM ANTENNA	1.4m 1pc	UCRTLSH
202	VQ147100	FM ANTENNA	1.4m 1pc	ABGF
203	VR248500	AM ANTENNA	1.0m 1pc	
204	WN649600	YPAO MICROPHONE	6m 1pc	EM6022L-HN1700
205	ZC175500	REMOTE CONTROL SHEET	1pc	T
206	ZG306200	ANTENNA ISOLATOR	11D05Z42 1pc	T
207	ZG306400	CONVERSION PLUG	EP-6004-02-01 1pc	T
		BATTERY	R03, AAA, UM-4 2pcs	
		SERVICE TOOL		
* ZF454800		PCB CHECKING JIG	for RX-V675/V775/A830	with CABLE

* New Parts

Finish GD: Gold color, BL: Black color, TI: Titanium color

• FRONT PANEL UNIT



Ref No.	Part No.	Description	Remarks	Markets
* 1	ZF534400	P. C. B. ASSEMBLY	DIGITAL	
* 6-1-1	ZF102300	FRONT PANEL		GD
* 6-1-1	ZF102100	FRONT PANEL		BL
* 6-1-1	ZF102200	FRONT PANEL		TI
* 6-1-2	ZF102400	WINDOW SHEET		RX-V675
* 6-1-2	ZF102500	WINDOW SHEET		HTR-6066
* 6-1-2	ZG306000	WINDOW SHEET		TSR-6750
* 6-2	ZF535200	P. C. B. ASSEMBLY	OPERATION	U
* 6-2	ZF535300	P. C. B. ASSEMBLY	OPERATION	C
* 6-2	ZF535400	P. C. B. ASSEMBLY	OPERATION	RS
* 6-2	ZF535500	P. C. B. ASSEMBLY	OPERATION	T
* 6-2	ZF535600	P. C. B. ASSEMBLY	OPERATION	A
* 6-2	ZF535700	P. C. B. ASSEMBLY	OPERATION	BGF
* 6-2	ZF535800	P. C. B. ASSEMBLY	OPERATION	LH
6-5	ZA281500	BUTTON	SCENE	GD
6-5	ZA281300	BUTTON	SCENE	BL
6-5	ZA281400	BUTTON	SCENE	TI
6-6	WT823900	BUTTON	TUNER	
6-7	WT871300	BUTTON	PURE DIRECT	
6-8	WT843800	BUTTON	POWER	
6-10	ZA582300	EARTH PLATE	OPERATION	
6-11	V5881100	CUSHION	5x8x25	
6-12	ZA582400	EARTH PLATE	HDMI	
6-15	ZF457200	FLEXIBLE FLAT CABLE	25P 300mm P=1.25	
6-16	ZA116800	FLEXIBLE FLAT CABLE	6P 300mm P=1.25	
6-17	ZA116600	FLEXIBLE FLAT CABLE	22P 210mm P=1.0	
6-25	WE774800	BIND HEAD P-TIGHT SCREW	3x8 MFZN2W3	

* New Parts

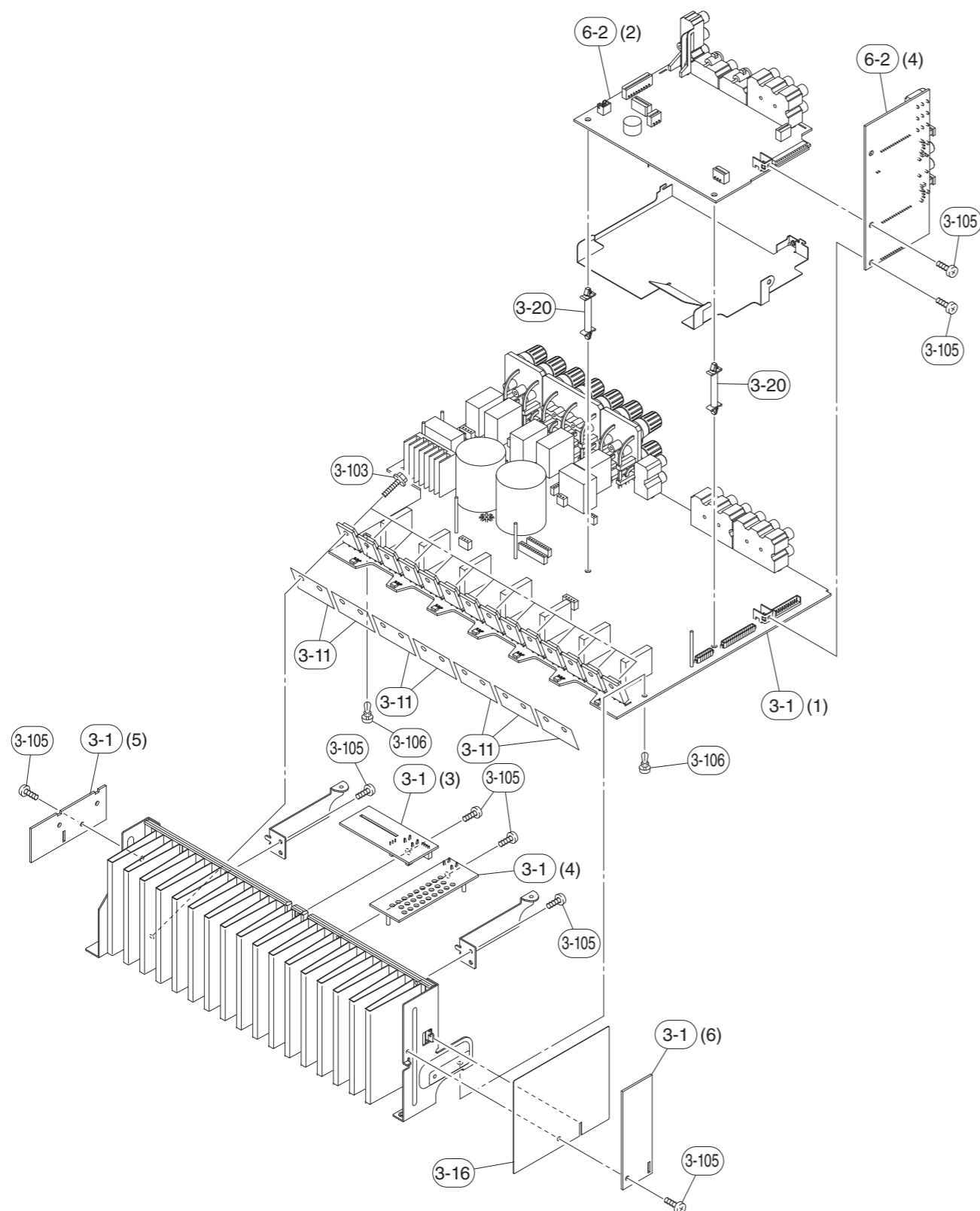
Finish GD: Gold color, BL: Black color, TI: Titanium color

RX-V675/HTR-6066/TSR-6750

• AMP UNIT

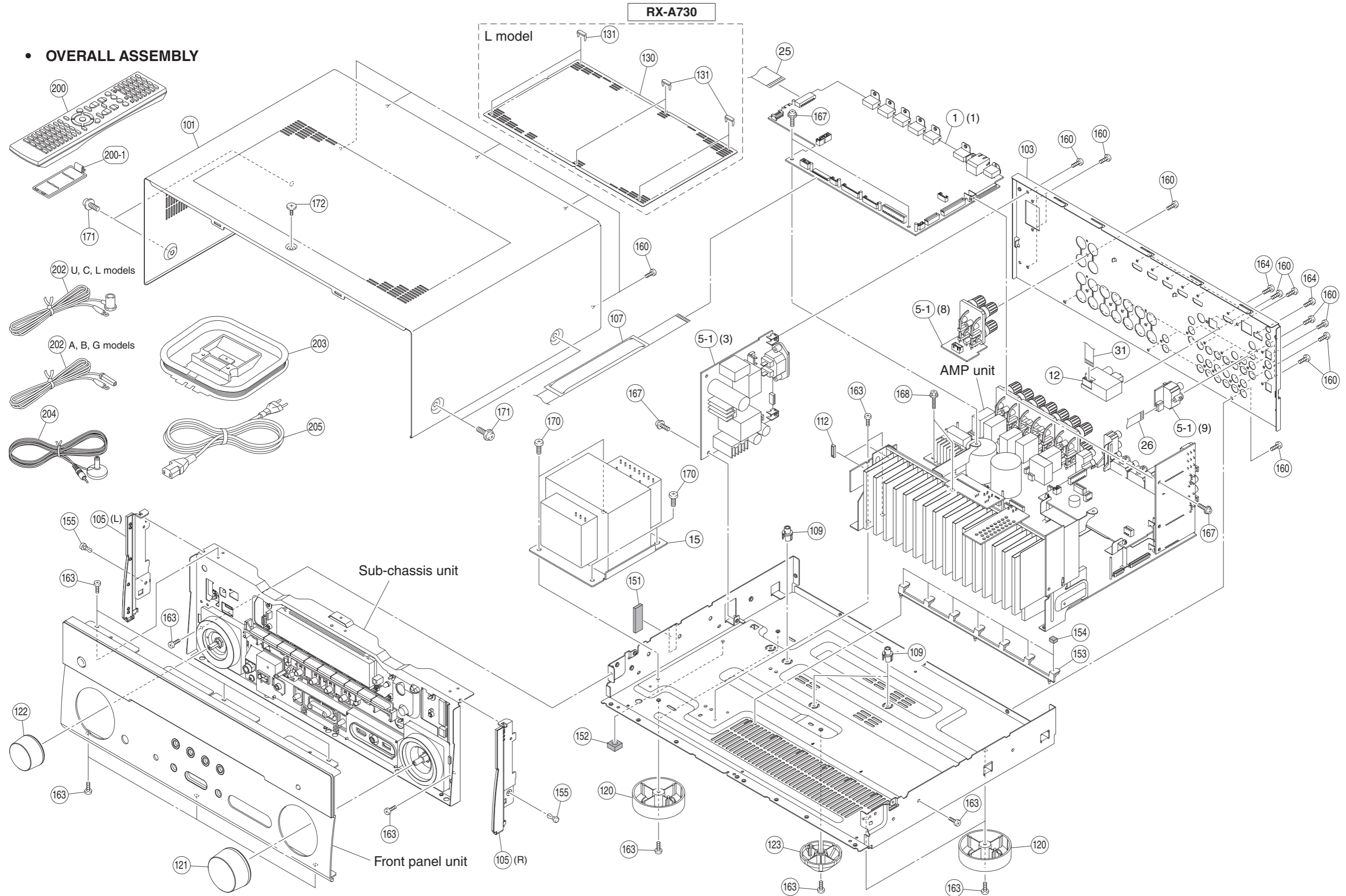
Ref No.	Part No.	Description	Remarks	Markets
* 3-1	ZF534700	P. C. B. ASSEMBLY	MAIN	UC
* 3-1	ZF534800	P. C. B. ASSEMBLY	MAIN	RS
* 3-1	ZF534900	P. C. B. ASSEMBLY	MAIN	TA
* 3-1	ZF535000	P. C. B. ASSEMBLY	MAIN	B
* 3-1	ZF535100	P. C. B. ASSEMBLY	MAIN	GFLH
3-11	WQ753200	RADIATION SHEET	40x23x0.06 MICA	
3-16	ZF101700	FFC BARRIER		
3-20	ZE764000	LOCK SUPPORT	LSB-28 YASUTOMI	
3-103	WM220800	HEXAGONAL HEAD B-TIGHT SCREW	3x15 SP MFZN2W3	
3-105	WE774300	BIND HEAD B-TIGHT SCREW	3x8 MFZN2W3	
3-106	VQ368600	PUSH RIVET	P3555-B	
* 6-2	ZF535200	P. C. B. ASSEMBLY	OPERATION	U
* 6-2	ZF535300	P. C. B. ASSEMBLY	OPERATION	C
* 6-2	ZF535400	P. C. B. ASSEMBLY	OPERATION	RS
* 6-2	ZF535500	P. C. B. ASSEMBLY	OPERATION	T
* 6-2	ZF535600	P. C. B. ASSEMBLY	OPERATION	A
* 6-2	ZF535700	P. C. B. ASSEMBLY	OPERATION	BGF
* 6-2	ZF535800	P. C. B. ASSEMBLY	OPERATION	LH

* New Parts



1
2
3
4
5
6
7

• OVERALL ASSEMBLY



RX-A730

L model

AMP unit

Sub-chassis unit

Front panel unit

RX-A730

Ref No.	Part No.	Description	Remarks	Markets
* 1	ZF534400	P. C. B. ASSEMBLY	DIGITAL	
* 5-1	ZF543100	P. C. B. ASSEMBLY	OPERATION	U
* 5-1	ZF543200	P. C. B. ASSEMBLY	OPERATION	C
* 5-1	ZF543300	P. C. B. ASSEMBLY	OPERATION	A
* 5-1	ZF543400	P. C. B. ASSEMBLY	OPERATION	BG
* 5-1	ZF543500	P. C. B. ASSEMBLY	OPERATION	L
12	WW891000	AM/FM TUNER	FAEH08-W02	UCL
12	WW891100	AM/FM TUNER	FAEH08-E02	ABG
△ * 15	YF260A00	POWER TRANSFORMER		UC
△ * 15	YF263A00	POWER TRANSFORMER		AL
△ * 15	YF264A00	POWER TRANSFORMER		BG
* 25	ZF457300	FLEXIBLE FLAT CABLE	18P 200mm P=1.25	
* 26	ZF457600	FLEXIBLE FLAT CABLE	5P 100mm P=1.25	
31	WY194600	FLEXIBLE FLAT CABLE	9P 100mm P=1.25	
101	WQ665500	TOP COVER		BL
101	WQ665700	TOP COVER		TI
* 103	ZF098300	REAR PANEL		UC
* 103	ZF098500	REAR PANEL		ABGL
105	WW982200	SIDE PLATE	1pair	BL
105	WW982300	SIDE PLATE	1pair	TI
* 107	ZF611400	FFC BARRIER		
109	WQ664500	SUPPORT	H8	
* 112	ZG891700	CABLE CLAMP	RBWS-0409E-V0	
120	ZE253400	LEG	D60 H21 Black	
121	WW981000	KNOB	D48 VOLUME	BL
121	WW981100	KNOB	D48 VOLUME	TI
122	WW981300	KNOB	D38 INPUT	BL
122	WW981400	KNOB	D38 INPUT	TI
123	WV139700	CENTER LEG	D48	
130	WK667900	SHEET	TOP PANEL	L
131	WJ053800	RIVET	TOP PANEL	L
151	V5881100	CUSHION	5x8x25	
152	WC879000	DAMPER	SCREW MASK	
* 153	ZF102700	SUPPORT	TRANSISTOR	
* 154	ZF101600	DAMPER	6x6x3	
155	VQ368600	PUSH RIVET	P3555-B	
160	WE774100	BIND HEAD BONDING B-T. SCREW	3x8 MFZN2B3	
163	WE774300	BIND HEAD B-TIGHT SCREW	3x8 MFZN2W3	
164	WE877900	BIND HEAD S-TIGHT SCREW	3x6 MFZN2W3	
167	WF002600	PW HEAD B-TIGHT SCREW	3x8 MFZN2W3	
168	WE774600	HEXAGONAL HEAD B-TIGHT SCREW	3x18 MFZN2W3	
* 170	WU048900	BIND HEAD S-TIGHT SCREW	4x10 MFZN2W3	
171	VH313200	PW HEAD S-TIGHT SCREW	4x8-10 MFN13BL	BL
171	VDO69600	PW HEAD S-TIGHT SCREW	4x8-10 MFN133	TI

* New Parts

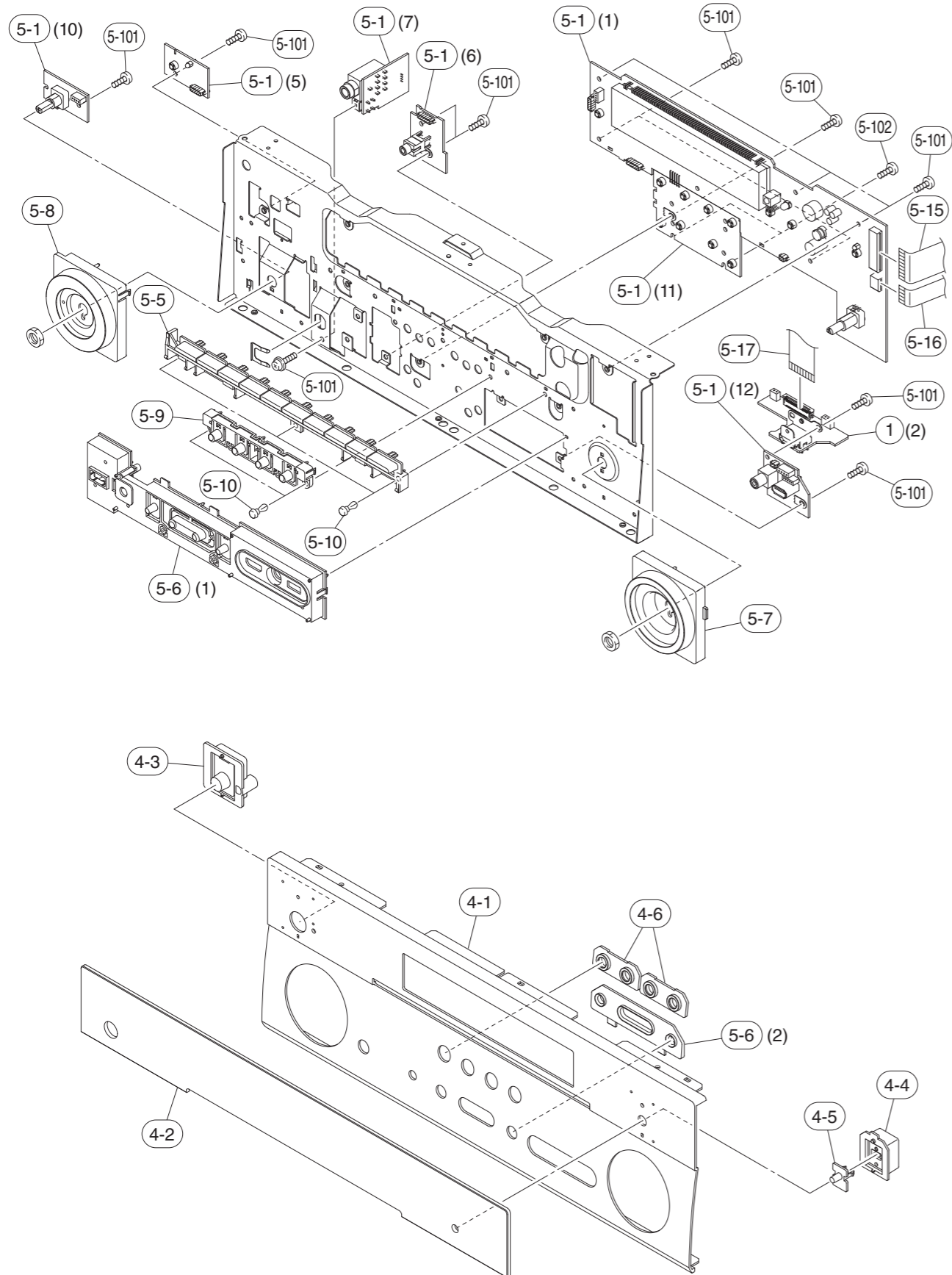
Finish BL: Black color, TI: Titanium color

Ref No.	Part No.	Description	Remarks	Markets
172	WE200500	DISH HEAD B-TIGHT SCREW	3x6 MFN13BL	BL
172	WE200400	DISH HEAD B-TIGHT SCREW	3x6 MFN133	TI
		ACCESSORIES		
* 200	ZF269900	REMOTE CONTROL	RAV501	000-224700100
200-1	AAX82380	BATTERY COVER	Black	CG-2209
202	V6267000	FM ANTENNA	1.4m 1pc	UCL
202	VQ147100	FM ANTENNA	1.4m 1pc	ABG
203	VR248500	AM ANTENNA	1.0m 1pc	
204	WN649600	YPAO MICROPHONE	6m 1pc	EM6022L-HN1700
△ 205	WU900300	POWER CABLE	2m 1pc	UC
△ 205	WB750900	POWER CABLE	2m 1pc	A
△ 205	WU900200	POWER CABLE	2m 1pc	B
△ 205	WU900100	POWER CABLE	2m 1pc	G
△ 205	WQ577000	POWER CABLE	2m 1pc	L
		BATTERY	RO3, AAA, UM-4 2pcs	

* New Parts

Finish BL: Black color, TI: Titanium color

• FRONT PANEL UNIT and SUB-CHASSIS UNIT



Ref No.	Part No.	Description	Remarks	Markets
* 1	ZF534400	P. C. B. ASSEMBLY	DIGITAL	
* 4-1	ZF096300	FRONT PANEL		BL
* 4-1	ZF096400	FRONT PANEL		TI
* 4-2	ZF097600	SHEET WINDOW	RX-A730	
4-3	WW980100	BUTTON	POWER	
4-4	WW980500	BUTTON	PURE DIRECT	
4-5	WU155600	BUTTON LENS	PURE DIRECT	
4-6	WW961500	ESCUTCHEON	SCENE	BL
4-6	WW961600	ESCUTCHEON	SCENE	TI
* 5-1	ZF543100	P. C. B. ASSEMBLY	OPERATION	U
* 5-1	ZF543200	P. C. B. ASSEMBLY	OPERATION	C
* 5-1	ZF543300	P. C. B. ASSEMBLY	OPERATION	A
* 5-1	ZF543400	P. C. B. ASSEMBLY	OPERATION	BG
* 5-1	ZF543500	P. C. B. ASSEMBLY	OPERATION	L
5-5	WW983400	BUTTON	TUNER	
5-6	ZA567100	BUTTON CASE		BL
5-6	ZA567200	BUTTON CASE		TI
5-7	WW981600	ESCUTCHEON	VOLUME	BL
5-7	WW981700	ESCUTCHEON	VOLUME	TI
5-8	WW981900	ESCUTCHEON	INPUT	BL
5-8	WW982000	ESCUTCHEON	INPUT	TI
5-9	WW983100	BUTTON	SCENE	BL
5-9	WW983200	BUTTON	SCENE	TI
5-10	VQ368600	PUSH RIVET	P3555-B	
5-15	WR482100	FLEXIBLE FLAT CABLE	25P 250mm P=1.25	
* 5-16	ZF457400	FLEXIBLE FLAT CABLE	6P 250mm P=1.25	
5-17	ZA116600	FLEXIBLE FLAT CABLE	22P 210mm P=1.0	
5-101	WE774300	BIND HEAD B-TIGHT SCREW	3x8 MFZN2W3	
5-102	WF266600	BIND HEAD P-TIGHT SCREW	3x8 MFZN2B3	

* New Parts

Finish BL: Black color, TI: Titanium color

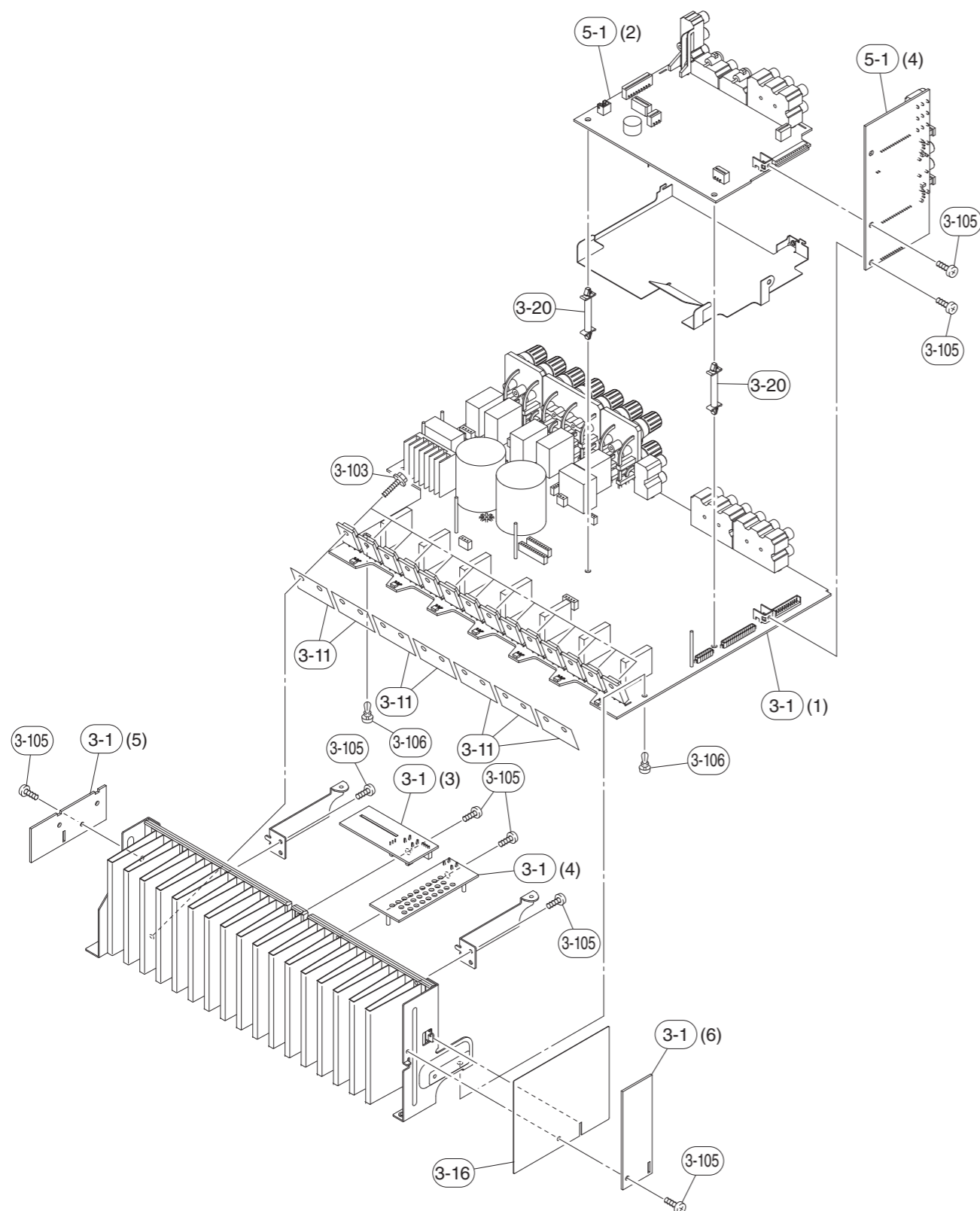
RX-A730

• AMP UNIT

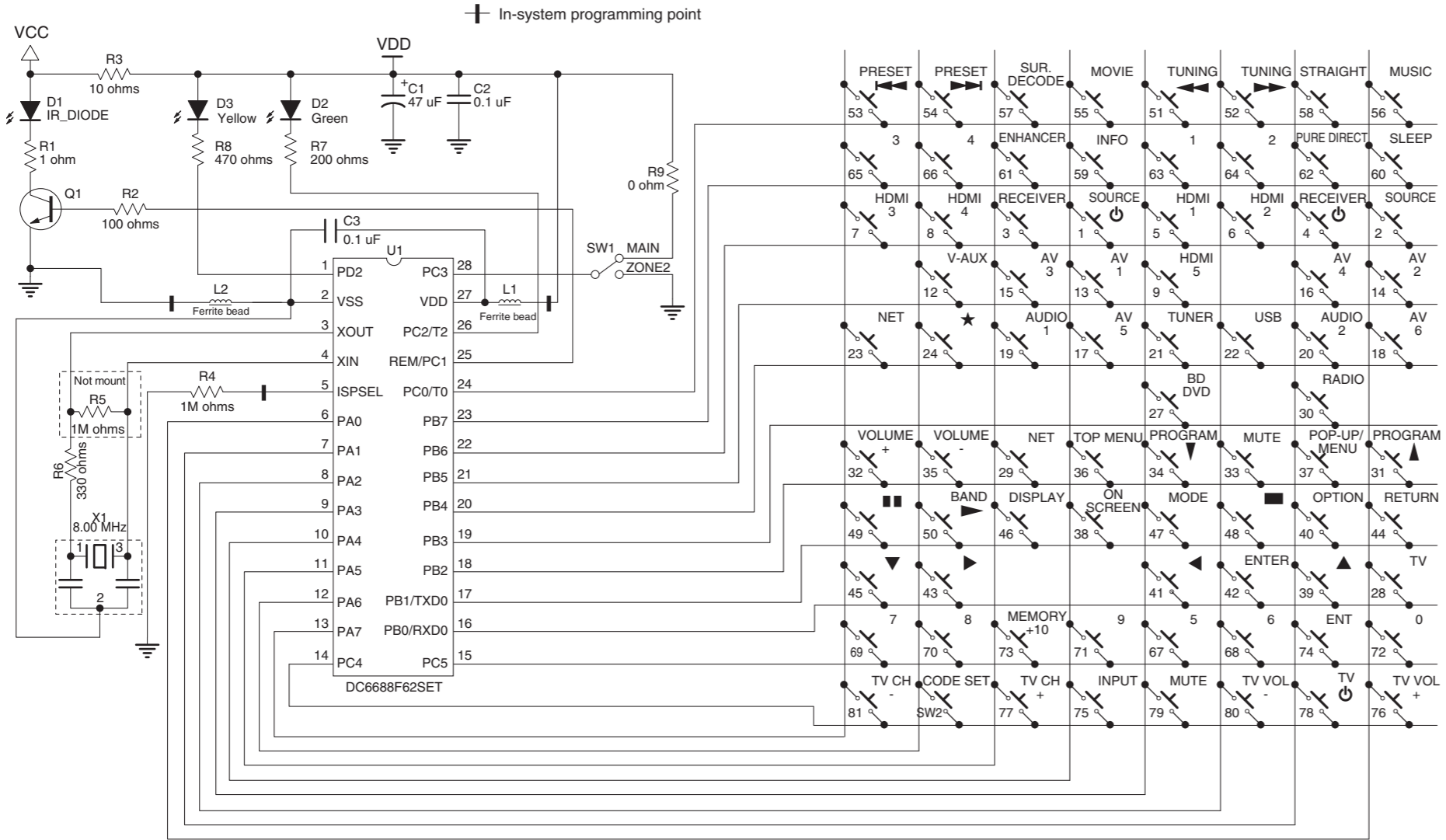
Ref No.	Part No.	Description	Remarks	Markets
* 3-1	ZF534700	P. C. B. ASSEMBLY	MAIN	UC
* 3-1	ZF534900	P. C. B. ASSEMBLY	MAIN	A
* 3-1	ZF535000	P. C. B. ASSEMBLY	MAIN	B
* 3-1	ZF535100	P. C. B. ASSEMBLY	MAIN	GL
3-11	WQ753200	RADIATION SHEET	40x23x0.06 MICA	
3-16	ZF101700	FFC BARRIER		
3-20	ZE764000	LOCK SUPPORT	LSB-28 YASUTOMI	
3-103	WM220800	HEXAGONAL HEAD B-TIGHT SCREW	3x15 SP MFZN2W3	
3-105	WE774300	BIND HEAD B-TIGHT SCREW	3x8 MFZN2W3	
3-106	VQ368600	PUSH RIVET	P3555-B	
* 5-1	ZF543100	P. C. B. ASSEMBLY	OPERATION	U
* 5-1	ZF543200	P. C. B. ASSEMBLY	OPERATION	C
* 5-1	ZF543300	P. C. B. ASSEMBLY	OPERATION	A
* 5-1	ZF543400	P. C. B. ASSEMBLY	OPERATION	BG
* 5-1	ZF543500	P. C. B. ASSEMBLY	OPERATION	L

* New Parts

1
2
3
4
5
6
7

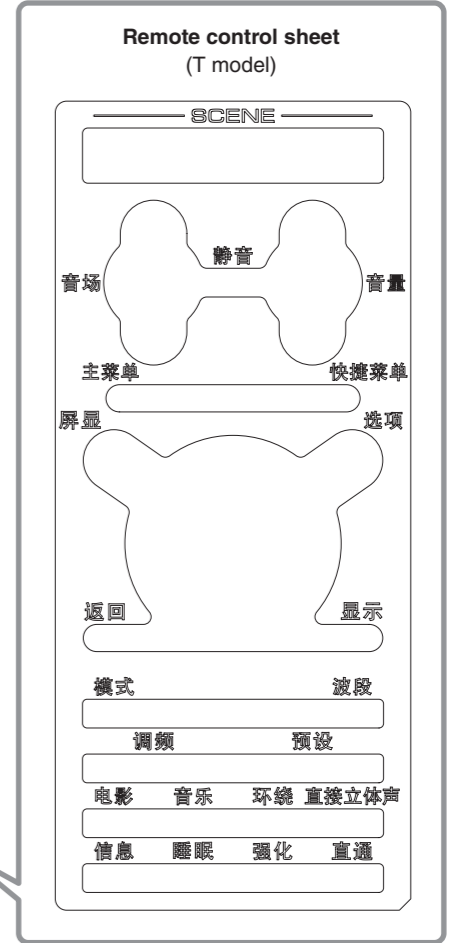
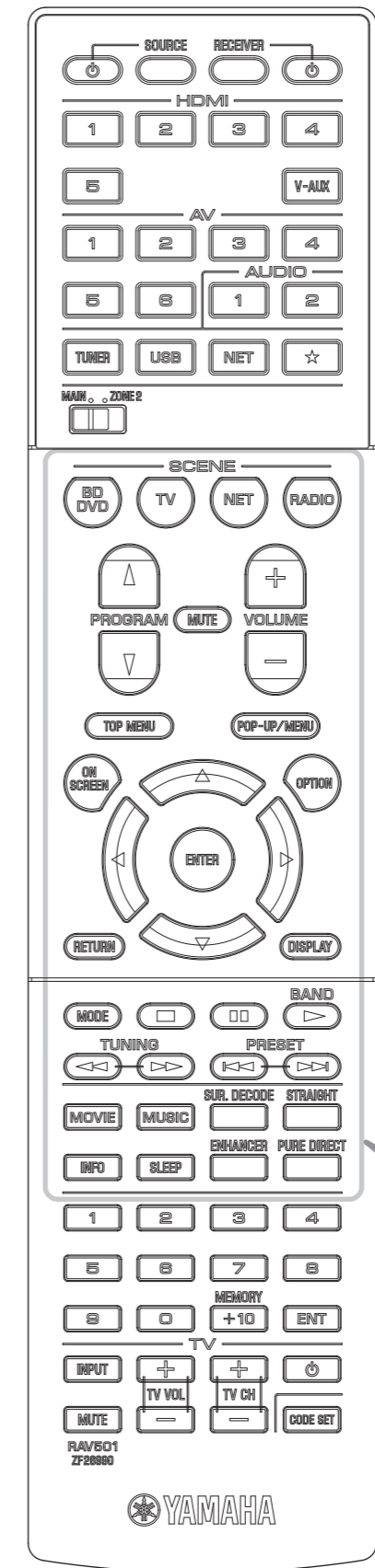


REMOTE CONTROL SCHEMATIC DIAGRAM

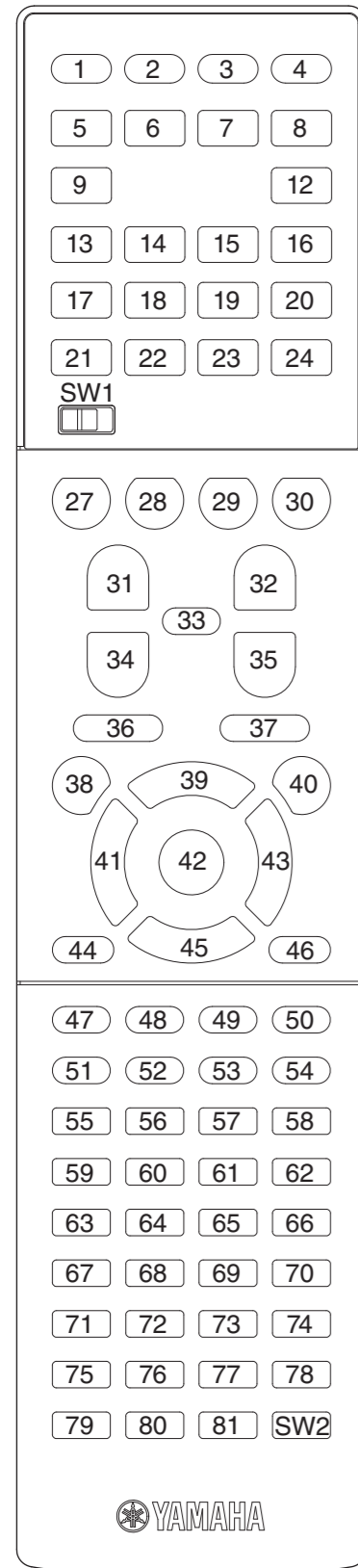


PANEL

RAV501



KEY NO. LAYOUT

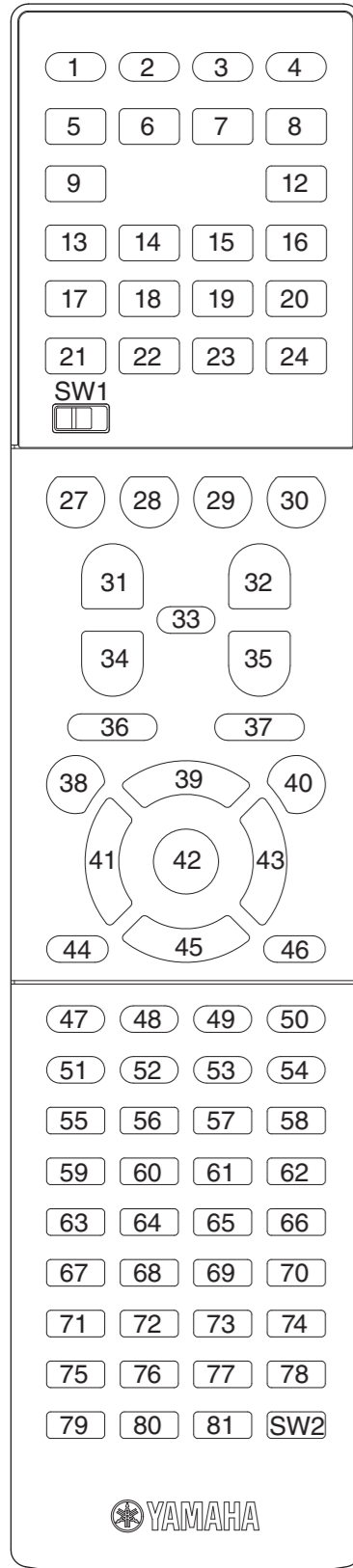


KEY CODE
RECEIVER MODE

Key No.	FUNCTION		ID-1 (5019)		ID-2 (5020)	
	(U, C, R, T, A, B, G, F, L, S, H models)	Remote control sheet (T model)	MAIN	ZONE2	MAIN	ZONE2
SW1	MAIN/ZONE2		[MAIN]	[ZONE2]	[MAIN]	[ZONE2]
SW2	CODE SET		[CODE SET]	[CODE SET]	[CODE SET]	[CODE SET]
K2	SOURCE		select RCU "mode: SOURCE"			
K3	RECEIVER		select RCU "mode: RECEIVER"			
"RECEIVER" (mode fixed)	K4 RECEIVER		7E-2A	7A-453A	7E-2AD4	7A-453B
	K5 HDMI-1		7A-4738	7A-4837	7A-4739	7A-4836
	K6 HDMI-2		7A-4A35	7A-4B34	7A-4A34	7A-4B35
	K7 HDMI-3		7A-4D32	7A-4E31	7A-4D33	7A-4E30
	K8 HDMI-4		7A-502F	7A-512E	7A-502E	7A-512F
	K9 HDMI-5		7A-700F	7A-710E	7A-700E	7A-710F
	K12 V-AUX		7A-55	7A-D8	7A-55AB	7A-D826
	K13 AV-1		7A-532C	7A-542B	7A-532D	7A-542A
	K14 AV-2		7A-5629	7A-5728	7A-5628	7A-5729
	K15 AV-3		7A-5926	7A-5A25	7A-5927	7A-5A24
	K16 AV-4		7A-5C23	7A-5D22	7A-5C22	7A-5D23
	K17 AV-5		7A-5F20	7A-601F	7A-5F21	7A-601E
	K18 AV-6		7A-621D	7A-631C	7A-621C	7A-631D
	K19 AUDIO-1		7A-651A	7A-6619	7A-651B	7A-6618
	K20 AUDIO-2		7A-6817	7A-6916	7A-6816	7A-6917
	K21 TUNER		7A-16	7A-D2	7A-16E8	7A-D22C
	K22 USB		7F01-720D	7F01-730C	7F01-720C	7F01-730D
	K23 NET		7F01-3F	7F01-40	7F01-3FC1	7F01-40BE
	K24 ★		7A-14	7A-D0	7A-14EA	7A-D02E
	K27 BD/DVD (SCENE)		7A-007F	7A-017E	7A-007E	7A-017F
	K28 TV (SCENE)		7A-037C	7A-047B	7A-037D	7A-047A
	K29 NET (SCENE)		7A-0679	7A-0778	7A-0678	7A-0779
	K30 RADIO (SCENE)		7A-0976	7A-0A75	7A-0977	7A-0A74
	K31 PROGRAM ▲	音场	7A-58	-	7A-58A6	-
	K32 VOLUME (+)	音量	7A-1A	7A-DA	7A-1AE4	7A-DA24
	K33 MUTE	静音	7A-1C	7A-DC	7A-1CE2	7A-DC22
	K34 PROGRAM ▼	音场	7A-59	-	7A-59A7	-
	K35 VOLUME (-)	音量	7A-1B	7A-DB	7A-1BE5	7A-DB25
	K38 ON SCREEN	屏显	7A-84	7A-3B44	7A-847A	7A-3B45
	K40 OPTION	选项	7A-6B14	7A-6C13	7A-6B15	7A-6C12
	K55 MOVIE	电影	7A-88	-	7A-8876	-
	K56 MUSIC	音乐	7A-89	-	7A-8977	-
	K57 SUR. DECODE	环绕	7A-8D	-	7A-8D73	-
	K58 STRAIGHT	直接立体声	7A-56	-	7A-56A8	-
	K59 INFO	信息	7A-2758	7A-2857	7A-2759	7A-2856
	K60 SLEEP	睡眠	7A-30	7A-31	7A-30CE	7A-31CF
	K61 ENHANCER	强化	7A-94	-	7A-946A	-
	K62 PURE DIRECT	直通	7A-DD	-	7A-DD23	-

K41 [◀ cursor -LEFT] + K27 [SCENE -BD/DVD]	ID-1		
K41 [◀ cursor -LEFT] + K28 [SCENE -TV]		ID-2	
K43 [▶ cursor -RIGHT] + K27 [SCENE -BD/DVD]	MAIN		MAIN
K43 [▶ cursor -RIGHT] + K28 [SCENE -TV]		ZONE2	ZONE2
K43 [▶ cursor -RIGHT] + K29 [SCENE -NET]			

KEY NO. LAYOUT



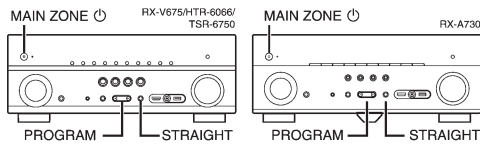
KEY CODE
SOURCE MODE

Key No.	FUNCTION (U, C, R, A, B, G, F, L, S, H models)	Remote control sheet (T model)	IR code in "RECEIVER" mode				IR code in "SOURCE" mode	K24	K23	K22	K21	K20	K19	K18	K17	K16	K15	K14	K13	K12	K9	K8	K7	K6	K5					
			ID-1		ID-2		ID-1 / ID-2	[☆]	[NET]	[USB]	[TUNER]	[AU-DIO-2]	[AU-DIO-1]	[AV-6]	[AV-5]	[AV-4]	[AV-3]	[AV-2]	[AV-1]	[V-AUX]	[HDMI-5]	[HDMI-4]	[HDMI-3]	[HDMI-2]	[HDMI-1]					
			MAIN	ZONE2	MAIN	ZONE2	MAIN / ZONE2 / ZONE3																							
"SOURCE/RECEIVER"	K1	SOURCE		7F01-50	7F01-70	7F01-50AE	7F01-708E																							
	K36	TOP MENU	主菜单	7A-A0DF	7A-A1DE	7A-A0DE	7A-A1DF	* SOURCE *																	* RECEIVER *					
	K37	POP-UP MENU		transmit "RECEIVER" code then switch RCU to "SOURCE" mode																										
	K39			7A-9D	7A-2B54	7A-9D63	7A-2B55																							
	K41			7A-9F	7A-2D52	7A-9F61	7A-2D53																							
	K42	ENTER		7A-DE	7A-2F50	7A-DE20	7A-2F51																							
	K43			7A-9E	7A-2E51	7A-9E60	7A-2E50	* SOURCE *																	* RECEIVER *					
	K44	RETURN		7A-AA	7A-3C43	7A-AA54	7A-3C42																							
	K45			7A-9C	7A-2C53	7A-9C62	7A-2C52																							
	K46	DISPLAY		7F01-60	7F01-80	7F01-609E	7F01-807E																							
	K47	MODE	模式	7F01-66	7F01-86	7F01-6698	7F01-8678																							
	K48			7F01-69	7F01-89	7F01-6997	7F01-8977																							
	K49			7F01-67	7F01-87	7F01-6799	7F01-8779																							
	K50	BAND	波段	7F01-68	7F01-88	7F01-6896	7F01-8876	* SOURCE *																	* RECEIVER *					
	K51	(REW) / TUNING (-)	调频	7F01-6A	7F01-8A	7F01-6A94	7F01-8A74																							
	K52	(FF) / TUNING (+)		7F01-6B	7F01-8B	7F01-6B95	7F01-8B75																							
	K53	(SKIP) / PRESET (-)	预设	7F01-6C	7F01-8C	7F01-6C92	7F01-8C72																							
	K54	(SKIP) / PRESET (+)		7F01-6D	7F01-8D	7F01-6D93	7F01-8D73																							
	K63	1		7F01-51	7F01-71	7F01-51AF	7F01-718F																							
	K64	2		7F01-52	7F01-72	7F01-52AC	7F01-728C																							
	K65	3		7F01-53	7F01-73	7F01-53AD	7F01-738D																							
	K66	4		7F01-54	7F01-74	7F01-54AA	7F01-748A																							
	K67	5		7F01-55	7F01-75	7F01-55AB	7F01-758B																							
	K68	6		7F01-56	7F01-76	7F01-56A8	7F01-7688	* SOURCE *																	* RECEIVER *					
	K69	7		7F01-57	7F01-77	7F01-57A9	7F01-7789																							
	K70	8		7F01-58	7F01-78	7F01-58A6	7F01-7886																							
	K71	9		7F01-59	7F01-79	7F01-59A7	7F01-7987																							
	K72	0		7F01-5A	7F01-7A	7F01-5AA4	7F01-7A84																							
	K73	+10 / MEMORY		7F01-5B	7F01-7B	7F01-5BA5	7F01-7B85																							
	K74	ENT		7F01-5C	7F01-7C	7F01-5CA2	7F01-7C82																							
"SOURCE" (mode fixed)	K75	TV -INPUT		* SOURCE (TV) *																						* TV -INPUT				
	K76	TV -VOL (+)																												* TV -VOL (+)
	K77	TV -CH (+)																												* TV -CH (+)
	K78	TV -																												* TV -
	K79	TV -MUTE																												* TV -MUTE
	K80	TV -VOL (-)																												* TV -VOL (-)
	K81	TV -CH (-)																												* TV -CH (-)

■ ADVANCED SETUP

Configure the system settings of the unit while viewing the front display.

- 1 Set the unit to standby mode.
- 2 While holding down STRAIGHT on the front panel, press MAIN ZONE \odot .



- 3 Press PROGRAM to select an item.
- 4 Press STRAIGHT to select a setting.
- 5 Press MAIN ZONE \odot to set the unit to standby mode and turn it on again.

The new settings take effect.

ADVANCED SETUP menu items

Item	Function
SP IMP.	Changes the speaker impedance setting.
REMOTE ID	Selects the unit's remote control ID.
TU	(R, T, L, H models) Changes the FM/AM tuning frequency setting.
TV FORMAT	Switches the video signal type.
MON.CHK	Removes the limitation on HDMI video output.
INIT	Restores the default settings.
UPDATE	Updates the firmware.
VERSION	Checks the version of firmware currently installed on the unit.

Changing the speaker impedance setting (SP IMP.)

SP IMP. •• 8Ω MIN

Change the unit's speaker impedance settings depending on the impedance of the speakers connected.

Settings	
6 Ω MIN	Select this option when you connect 6-ohm speakers to the unit. You can also use 4-ohm speakers as the front speakers.
8 Ω MIN (default)	Select this option when you connect 8-ohm or higher speakers to the unit.

Selecting the remote control ID (REMOTE ID)

REMOTE ID •• ID1

Change the unit's remote control ID so that it matches the remote control's ID (default: ID1). When using multiple Yamaha AV receivers, you can set each remote control with a unique remote control ID for its corresponding receiver.

Settings	
ID1 (default), ID2	

■ Changing the remote control ID of the remote control

Perform each of the following steps within 1 minute. Otherwise, the setting will be automatically canceled.

- 1 Press CODE SET on the remote control.
- 2 Press RECEIVER.
- 3 Use the numeric keys to enter "5019" (ID1) or "5020" (ID2).

Once the remote control ID is registered successfully, SOURCE blinks twice. If it blinks six times, registration failed. Repeat from Step 1.



• The registered remote control codes are not cleared even if you change the remote control ID.

Changing the FM/AM tuning frequency setting (TU)

(R, T, L, H models)

TU ••• FM50/AM9

Change the FM/AM tuning frequency setting of the unit depending on your country or region.

Settings

FM100/AM10	Select this when you want to adjust the FM frequency by 100-kHz steps and AM by 10-kHz steps.
FM50/AM9 (default)	Select this when you want to adjust the FM frequency by 50-kHz steps and AM by 9-kHz steps.

Switching the video signal type (TV FORMAT)

TV FORMAT • NTSC

Switch the video signal type of the unit so that it matches to the format of your TV.

Settings

NTSC, PAL

Default

U, C, R models: NTSC

T, A, B, G, L, F, S, H models: PAL

Removing the limitation on HDMI video output (MON.CHK)

MON.CHK •••• YES

The unit automatically detects resolutions supported by a TV connected to the HDMI OUT jack.

Disable the monitor check function if you want to specify a resolution in "Resolution" when the unit cannot detect the TV's resolution or when you want to specify a different resolution than the detected resolution.

Settings

YES (default)	Enables the monitor check function. (Outputs video signals with a resolution supported by the TV only.)
SKIP	Disables the monitor check function. (Outputs video signals with a specified resolution regardless of compatibility with the TV.)



• Reset to "YES" if the unit becomes inoperable because video from the unit cannot be displayed on the TV after "MON.CHK" has been set to "SKIP".

Restoring the default settings (INIT)

INIT •••• CANCEL

Restores the default settings for the unit.

Choices

VIDEO	Restores the default settings for video configurations.
ALL	Restores the default settings for the unit.
CANCEL	Does not perform an initialization.

Updating the firmware (UPDATE)

UPDATE.....USB

New firmware that provides additional features or product improvements will be released as needed. Updates can be downloaded from our website. If the unit is connected to the Internet, you can download the firmware via the network. For details, refer to the information supplied with updates.

■ Firmware update procedure

Do not perform this procedure unless firmware update is necessary. Also, make sure you read the information supplied with updates before updating the firmware.

- 1 Press **STRAIGHT** repeatedly to select "USB" or "NETWORK" and press **INFO** to start firmware update.

Choices

USB	Update the firmware using a USB memory device.
NETWORK	Update the firmware via the network.



- If the unit detects newer firmware over the network, the corresponding message will be displayed after ON SCREEN is pressed. In this case, you can also update the unit's firmware by following the procedure in "Updating the unit's firmware via the network".

Checking the firmware version (VERSION)

VERSION • XX.XX

Check the version of firmware currently installed on the unit.



- You can also check the firmware version in "System" in the "Information" menu.
- It may take a while until the firmware version is displayed.

FIRMWARE UPDATING PROCEDURE

! IMPORTANT NOTICE

Do not attempt to update your Yamaha receiver using any other data file except those provided directly from the Yamaha website or through your network connection.

Follow the instructions carefully and do not attempt any other procedures not specified in the instructions provided by Yamaha.

Improperly updated products may cause improper operation, and any parts or service required to restore proper operation will not be covered under the Yamaha Limited Warranty.

Choose from the following 2 methods to update to the latest firmware.

Click here for [Firmware Update Through the Internet](#)

(Connection to the Internet is required)

Click here for [Firmware Update by USB](#)

(A USB thumb drive is required)

In case of error, see the [Troubleshooting](#) section

Firmware Update Through the Internet

Requirement: Internet connection

Your receiver is connected to the Internet if you can receive Internet radio stations.

(See owner's manual for details)

1 Power off the receiver (Standby mode)

2 Enter the ADVANCED SETUP mode

While pressing the **STRAIGHT** key, press the **MAIN ZONE** ϕ key and keep **STRAIGHT** key pressed until "ADVANCED SETUP" appears on the front panel display.

* "ADVANCED SETUP" is displayed only for a few seconds.

3 Select "FIRM UPDATE" from the menu

- Press the **PROGRAM** key until "UPDATE: USB" is displayed.
- Then, press **STRAIGHT** key until "UPDATE: NETWORK" is displayed.



4 Start firmware update

- Press **INFO** key to start the update.
(Update process may take up to 15 minutes)

* If "UPDATE SUCCESS" appears, this means your receiver is already up-to-date. In this case, power off to exit from Advanced Setup. Your AV receiver is ready for normal use.

Firmware update in progress



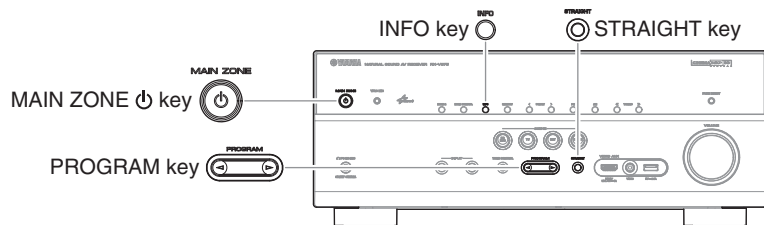

! Caution

DO NOT interrupt power during the update.

In case the power is accidentally cut off resulting in a condition where you can't recover normal operation, refer to the troubleshooting method (**Troubleshooting CASE 2**) on the last page.

- When completed, "UPDATE SUCCESS" appears on the display.

- Turn off the power of the receiver by pressing the **MAIN ZONE** ϕ key.



5 Check the updated firmware version

- Power on the AV receiver and press the **ON SCREEN** key on the remote control.
- Select "Information" > "System".
- Confirm that the firmware version is updated to the latest version.

ON SCREEN key 



Congratulations!

You have completed the firmware update. Your AV receiver is ready for normal use.

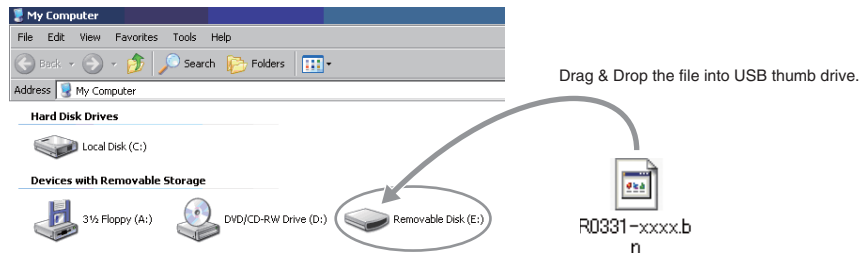
Firmware Update by USB

Requirement: USB thumb drive, with enough free space to store over 25MB.
(File system with FAT16 or FAT32 format)

Firmware file provided by YAMAHA, "R0331-xxxx.bin".

1 Prepare USB thumb drive for the update

Download the firmware, unzip and copy "R0331-xxxx.bin" into the root directory of the USB thumb drive.



2 Power off the receiver (Standby mode)

3 Insert the USB thumb drive

USB port is located at the lower left corner of the front panel.

4 Enter the ADVANCED SETUP mode

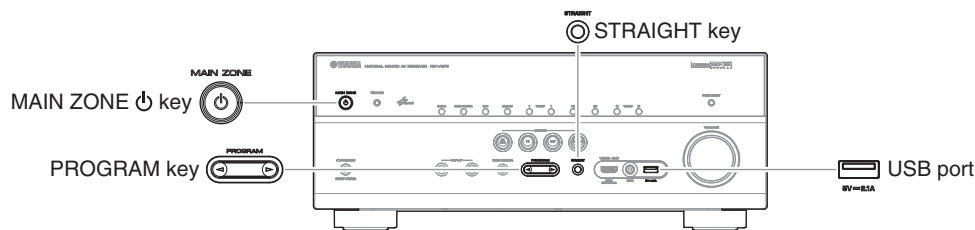
While pressing the **STRAIGHT** key, press the **MAIN ZONE** \downarrow key and keep **STRAIGHT** key pressed until "ADVANCED SETUP" appears on the front panel display.

ADVANCED SETUP

5 Select firmware update from the menu

Press the **PROGRAM** key until "UPDATE: USB" is displayed.

UPDATE: USB

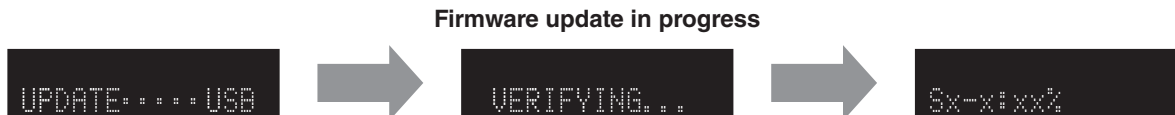


RX-V675/HTR-6066/TSR-6750

6 Start firmware update

- a. Press **INFO** key to start the update.
(Update process may take up to 10 minutes)

* If "UPDATE SUCCESS" appears, this means your receiver is already up-to-date. In this case, power off to exit from Advanced Setup. Your AV receiver is ready for normal use.



! Caution

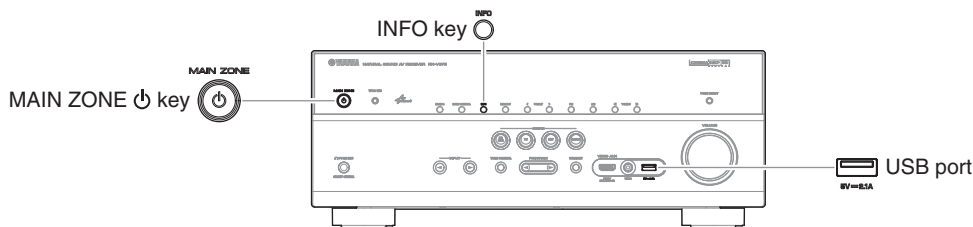
DO NOT interrupt power during the update.

In case the power is accidentally cut off resulting in a condition where you can't recover normal operation, refer to the troubleshooting method (**Troubleshooting CASE 2**) on the last page.

- b. When completed, "UPDATE SUCCESS" appears on the display.

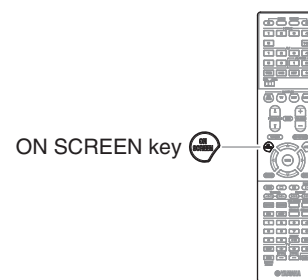


- c. Turn off the power of the receiver by pressing the **MAIN ZONE** key.



7 Check the updated firmware version

- a. Power on the AV receiver and press the **ON SCREEN** key on the remote control.
b. Select "Information" > "System".
c. Confirm that the firmware version is updated to the latest version.



Congratulations!

You have completed the firmware update. Your AV receiver is ready for normal use.

Troubleshooting

CASE 1 Error message appeared during the update

Cause: For some reason, the receiver can't read the firmware data.

Method: For your solution, check the following

[Update through Internet]

- Check Internet connection.
Your Internet connection is working by playing an Internet radio station.
(See owner's manual for details)

[Update by USB thumb drive]

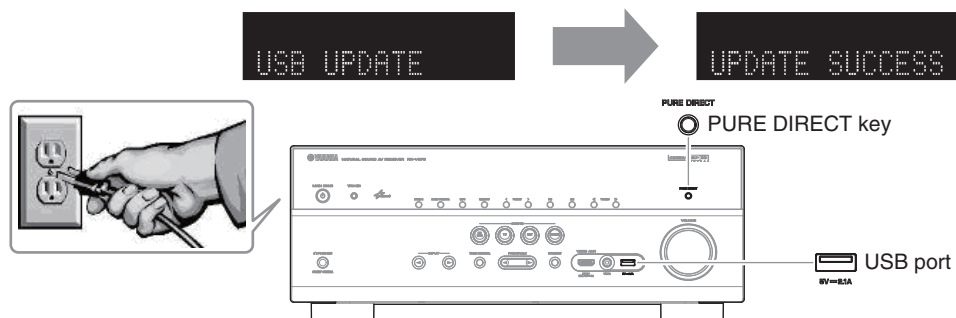
- USB thumb drive is connected properly to the receiver.
- USB thumb drive is not password protected.
(AV receiver cannot read data from a security protected USB thumb drive)
- Make sure the USB thumb drive is inserted before the receiver is powered on for the update.
- The firmware data, R0331-xxxx.bin is stored in the root directory of the USB thumb drive.
- There is no other data except the firmware data in the USB thumb drive.
- No folders are created in the USB thumb drive.
Else, retry the update by USB using another USB thumb drive.

CASE 2 Firmware update doesn't start for other reasons

- Receiver doesn't power up after the update.
- Or, error message appeared when confirming the firmware version.

Recovery method using USB method:

1. Unplug the AC power cable from wall outlet.
2. Insert the USB thumb drive which has the firmware data stored inside, into the USB port located on the front panel.
3. Press and hold the **PURE DIRECT** key and keep it pressed while you plug the AC power cable back into the wall outlet again.
"USB UPDATE" will appear on the front display. Then, release the **PURE DIRECT** key.
4. The update will start automatically.
5. When "UPDATE SUCCESS" appears on the display, firmware update is completed.
Power off the receiver and remove the USB thumb drive.
6. Confirm updated firmware version.



RX-A730

FIRMWARE UPDATING PROCEDURE

IMPORTANT NOTICE

Do not attempt to update your Yamaha receiver using any other data file except those provided directly from the Yamaha website or through your network connection.

Follow the instructions carefully and do not attempt any other procedures not specified in the instructions provided by Yamaha.

Improperly updated products may cause improper operation, and any parts or service required to restore proper operation will not be covered under the Yamaha Limited Warranty.

Choose from the following 2 methods to update to the latest firmware.

Click here for [Firmware Update Through the Internet](#)

(Connection to the Internet is required)

Click here for [Firmware Update by USB](#)

(A USB thumb drive is required)

In case of error, see the [Troubleshooting](#) section

Firmware Update Through the Internet

Requirement: Internet connection

Your receiver is connected to the Internet if you can receive Internet radio stations.

(See owner's manual for details)

1 Power off the receiver (Standby mode)

2 Enter the ADVANCED SETUP mode

While pressing the **STRAIGHT** key, press the **MAIN ZONE** \odot key and keep **STRAIGHT** key pressed until "ADVANCED SETUP" appears on the front panel display.

* "ADVANCED SETUP" is displayed only for a few seconds.

3 Select "FIRM UPDATE" from the menu

- Press the **PROGRAM** key until "UPDATE: USB" is displayed.
- Then, press **STRAIGHT** key until "UPDATE: NETWORK" is displayed.



4 Start firmware update

- Press **INFO** key to start the update.
(Update process may take up to 15 minutes)

* If "UPDATE SUCCESS" appears, this means your receiver is already up-to-date. In this case, power off to exit from Advanced Setup. Your AV receiver is ready for normal use.

Firmware update in progress



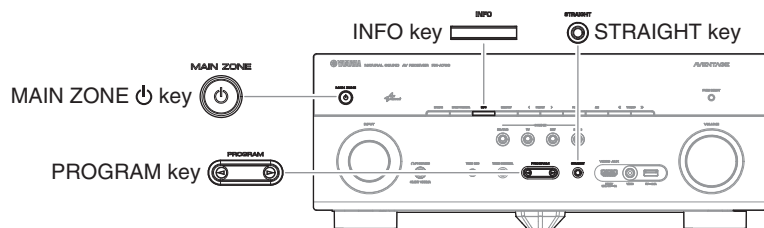

! Caution

DO NOT interrupt power during the update.

In case the power is accidentally cut off resulting in a condition where you can't recover normal operation, refer to the troubleshooting method (**Troubleshooting CASE 2**) on the last page.

- When completed, "UPDATE SUCCESS" appears on the display.

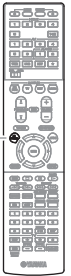
- Turn off the power of the receiver by pressing the **MAIN ZONE** \odot key.



RX-A730

5 Check the updated firmware version

- a. Power on the AV receiver and press the **ON SCREEN** key on the remote control.
- b. Select "Information" > "System".
- c. Confirm that the firmware version is updated to the latest version.

ON SCREEN key **Congratulations!**

You have completed the firmware update. Your AV receiver is ready for normal use.

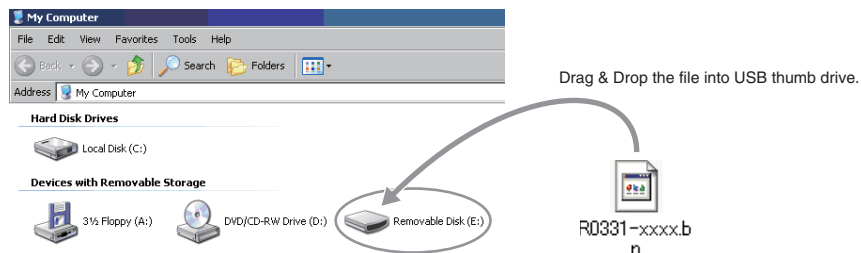
Firmware Update by USB

Requirement: USB thumb drive, with enough free space to store over 25MB.
(File system with FAT16 or FAT32 format)

Firmware file provided by YAMAHA, "R0331-xxxx.bin".

1 Prepare USB thumb drive for the update

Download the firmware, unzip and copy "R0331-xxxx.bin" into the root directory of the USB thumb drive.



2 Power off the receiver (Standby mode)

3 Insert the USB thumb drive

USB port is located at the lower left corner of the front panel.

4 Enter the ADVANCED SETUP mode

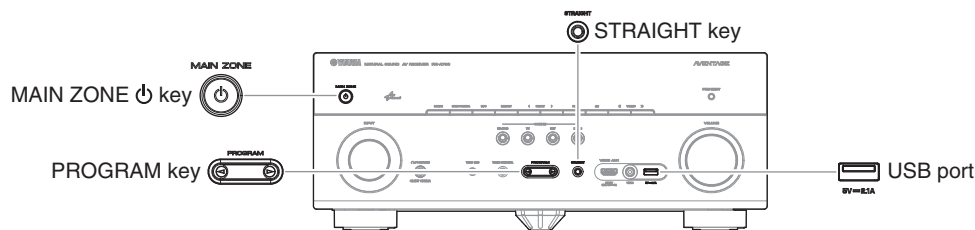
While pressing the **STRAIGHT** key, press the **MAIN ZONE** key and keep **STRAIGHT** key pressed until "ADVANCED SETUP" appears on the front panel display.

ADVANCED SETUP

5 Select firmware update from the menu

Press the **PROGRAM** key until "UPDATE: USB" is displayed.

UPDATE: USB



RX-A730

6 Start firmware update

- a. Press **INFO** key to start the update.
(Update process may take up to 10 minutes)
- * If "UPDATE SUCCESS" appears, this means your receiver is already up-to-date. In this case, power off to exit from Advanced Setup. Your AV receiver is ready for normal use.

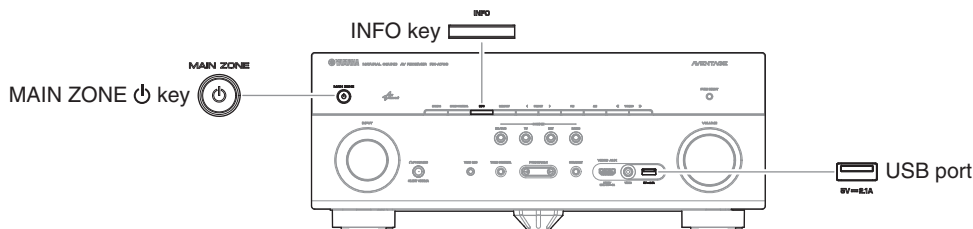


- ! Caution**
DO NOT interrupt power during the update.
In case the power is accidentally cut off resulting in a condition where you can't recover normal operation, refer to the troubleshooting method (**Troubleshooting CASE 2**) on the last page.

- b. When completed, "UPDATE SUCCESS" appears on the display.

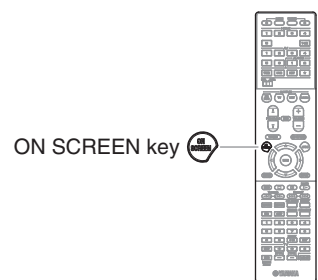


- c. Turn off the power of the receiver by pressing the **MAIN ZONE** key.



7 Check the updated firmware version

- a. Power on the AV receiver and press the **ON SCREEN** key on the remote control.
- b. Select "Information" > "System".
- c. Confirm that the firmware version is updated to the latest version.



Congratulations!

You have completed the firmware update. Your AV receiver is ready for normal use.

RX-V675/HTR-6066/
RX-A730/TSR-6750

Troubleshooting

CASE 1 Error message appeared during the update

Cause: For some reason, the receiver can't read the firmware data.

Method: For your solution, check the following

[Update through Internet]

- Check Internet connection.
Your Internet connection is working by playing an Internet radio station.
(See owner's manual for details)

[Update by USB thumb drive]

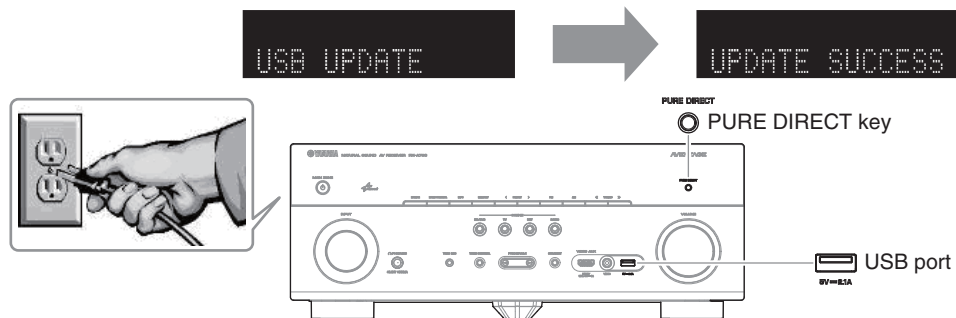
- USB thumb drive is connected properly to the receiver.
- USB thumb drive is not password protected.
(AV receiver cannot read data from a security protected USB thumb drive)
- Make sure the USB thumb drive is inserted before the receiver is powered on for the update.
- The firmware data, R0331-xxxx.bin is stored in the root directory of the USB thumb drive.
- There is no other data except the firmware data in the USB thumb drive.
- No folders are created in the USB thumb drive.
Else, retry the update by USB using another USB thumb drive.

CASE 2 Firmware update doesn't start for other reasons

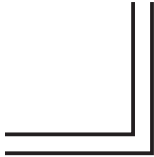
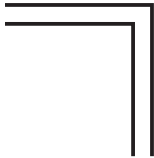
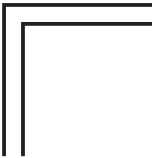
- Receiver doesn't power up after the update.
- Or, error message appeared when confirming the firmware version.

Recovery method using USB method:

1. Unplug the AC power cable from wall outlet.
2. Insert the USB thumb drive which has the firmware data stored inside, into the USB port located on the front panel.
3. Press and hold the **PURE DIRECT** key and keep it pressed while you plug the AC power cable back into the wall outlet again.
"USB UPDATE" will appear on the front display. Then, release the **PURE DIRECT** key.
4. The update will start automatically.
5. When "UPDATE SUCCESS" appears on the display, firmware update is completed.
Power off the receiver and remove the USB thumb drive.
6. Confirm updated firmware version.



MEMO



RX-V675/HTR-6066/
RX-A730/TSR-6750

**RX-V675/HTR-6066/
RX-A730/TSR-6750**

