

# AV RECEIVER/AV AMPLIFIER RX-SL100/RX-SL100RDS

## SERVICE MANUAL

### IMPORTANT NOTICE

This manual has been provided for the use of authorized YAMAHA Retailers and their service personnel. It has been assumed that basic service procedures inherent to the industry, and more specifically YAMAHA Products, are already known and understood by the users, and have therefore not been restated.

**WARNING:** Failure to follow appropriate service and safety procedures when servicing this product may result in personal injury, destruction of expensive components, and failure of the product to perform as specified. For these reasons, we advise all YAMAHA product owners that any service required should be performed by an authorized YAMAHA Retailer or the appointed service representative.

**IMPORTANT:** The presentation or sale of this manual to any individual or firm does not constitute authorization, certification or recognition of any applicable technical capabilities, or establish a principle-agent relationship of any form.

The data provided is believed to be accurate and applicable to the unit(s) indicated on the cover. The research, engineering, and service departments of YAMAHA are continually striving to improve YAMAHA products. Modifications are, therefore, inevitable and specifications are subject to change without notice or obligation to retrofit. Should any discrepancy appear to exist, please contact the distributor's Service Division.

**WARNING:** Static discharges can destroy expensive components. Discharge any static electricity your body may have accumulated by grounding yourself to the ground buss in the unit (heavy gauge black wires connect to this buss).

**IMPORTANT:** Turn the unit OFF during disassembly and part replacement. Recheck all work before you apply power to the unit.

RX-SL100/RX-SL100RDS

## CONTENTS

TO SERVICE PERSONNEL .....	2	AMP ADJUSTMENT / アンプ部調整 .....	36
FRONT PANELS .....	4	DISPLAY DATA .....	37
REAR PANELS .....	5~6	IC DATA .....	38~43
REMOTE CONTROL PANELS .....	6	BLOCK DIAGRAM .....	44~45
SPECIFICATIONS .....	7~10	PIN CONNECTION DIAGRAM .....	46
INTERNAL VIEW .....	10	PRINTED CIRCUIT BOARD .....	47~57
DISASSEMBLY PROCEDURES / 分解手順 .....	11~13	SCHEMATIC DIAGRAM .....	59~65
SELF DIAGNOSIS FUNCTION (DIAG) / 自己診断機能 (ダイヤグ) .....	14~35	PARTS LIST .....	67~81
D-AMP MODULE TROUBLESHOOTING / D-アンプモジュールの故障診断 .....	35	REMOTE CONTROL .....	82~83




このサービスマニュアルは、エコマーク認定の再生紙を使用しています。  
This Service Manual uses recycled paper.



## ■ TO SERVICE PERSONNEL

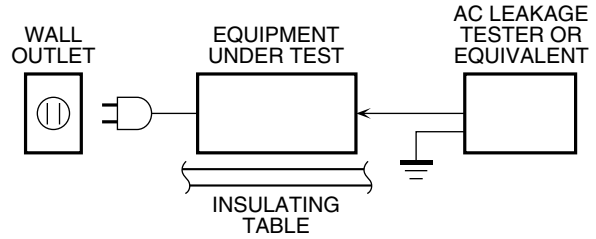
### 1. Critical Components Information

Components having special characteristics are marked  and must be replaced with parts having specifications equal to those originally installed.

### 2. Leakage Current Measurement (For 120V Models Only)

When service has been completed, it is imperative to verify that all exposed conductive surfaces are properly insulated from supply circuits.

- Meter impedance should be equivalent to 1500 ohm shunted by 0.15µF.



- Leakage current must not exceed 0.5mA.
- Be sure to test for leakage with the AC plug in both polarities.



#### “CAUTION”

“F1: FOR CONTINUED PROTECTION AGAINST RISK OF FIRE, REPLACE ONLY WITH SAME TYPE 5A, 125V FUSE.”

#### CAUTION

F1: REPLACE WITH SAME TYPE 5A, 125V FUSE.

#### ATTENTION

F1: UTILISER UN FUSIBLE DE RECHANGE DE MEME TYPE DE 5A, 125V.

## WARNING: CHEMICAL CONTENT NOTICE!

The solder used in the production of this product contains LEAD. In addition, other electrical/electronic and/or plastic (where applicable) components may also contain traces of chemicals found by the California Health and Welfare Agency (and possibly other entities) to cause cancer and/or birth defects or other reproductive harm.

DO NOT PLACE SOLDER, ELECTRICAL/ELECTRONIC OR PLASTIC COMPONENTS IN YOUR MOUTH FOR ANY REASON WHATSOEVER!

Avoid prolonged, unprotected contact between solder and your skin! When soldering, do not inhale solder fumes or expose eyes to solder/flux vapor!

If you come in contact with solder or components located inside the enclosure of this product, wash your hands before handling food.

## About Lead Free Solder / 無鉛ハンダについて

The P.C.B.s installed in this unit are soldered using the following solder.

本機に搭載されている基板のハンダ付けに使用されているハンダは下記の通りです。

	Component Side / 部品面	Foil Side / ハンダ面
DIGITAL P.C.B.	Lead Solder / 鉛入りハンダ	Lead Solder / 鉛入りハンダ
INPUT P.C.B.	—	Lead Free Solder / 無鉛ハンダ
MAIN P.C.B.	Lead Solder / 鉛入りハンダ	Lead Free Solder / 無鉛ハンダ
POWER P.C.B.	—	Lead Free Solder / 無鉛ハンダ

Among some types of lead free solder currently available, it is recommended to use one of the following types for the repair work.

- Sn + Ag + Cu (tin + silver + copper)
- Sn + Cu (tin + copper)
- Sn + Zn + Bi (tin + zinc + bismuth)

無鉛ハンダにはいくつかの種類がありますが、修理時には下記のような無鉛ハンダの使用を推奨します。

- Sn+Ag+Cu(錫+銀+銅)
- Sn+Cu(錫+銅)
- Sn+Zn+Bi(錫+亜鉛+ビスマス)

### Caution:

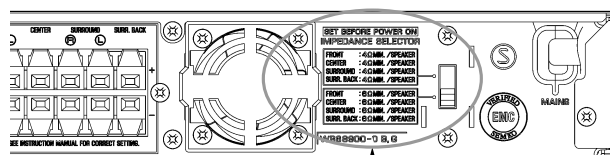
1. As the melting point temperature of the lead free solder is about 30°C to 40°C (50°F to 70°F) higher than that of the lead solder, be sure to use a soldering iron suitable to each solder.
2. If lead solder must be used, be sure to remove lead free solder from each terminal section of the parts to be replaced and from the area around it completely before soldering, or make sure that the lead free solder and lead solder melt together fully.

### 注意：

- ① 無鉛ハンダの融点温度は通常の鉛入りハンダに比べ30～40°C程度高くなっていますので、それぞれのハンダに合ったハンダごてをご使用ください。
- ② 鉛入りハンダを使わざるを得ない場合は、あらかじめ交換する部品端子部やその周辺部の無鉛ハンダをすべて取り除くか、あるいは無鉛ハンダと鉛入りハンダが十分に溶けた状態となるようにハンダ付けしてください。

## ■ IMPEDANCE SELECTOR

(B, G models only)



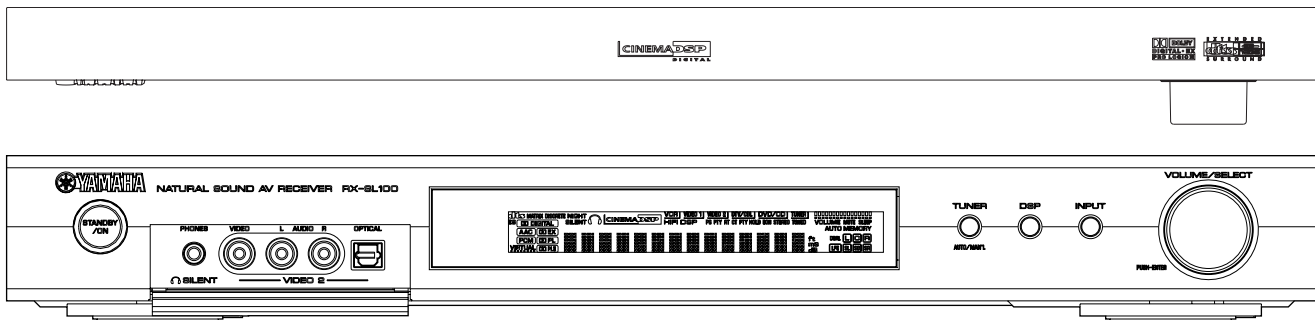
### IMPEDANCE SELECTOR

#### WARNING:

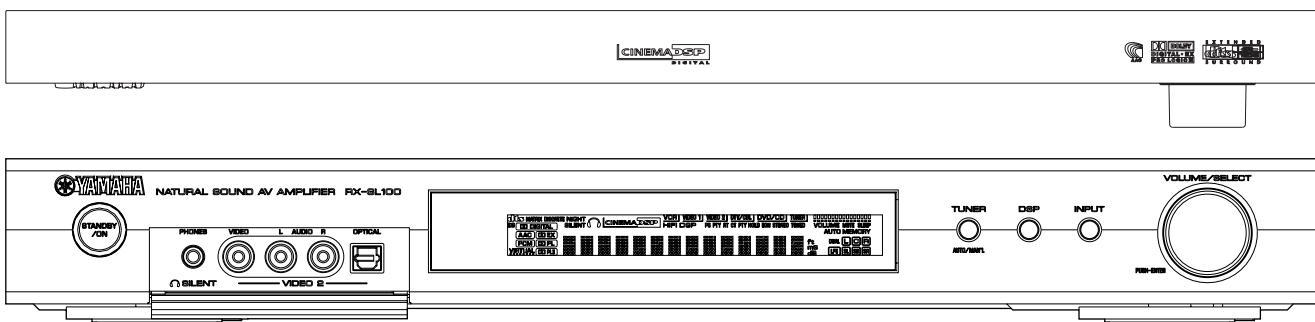
Do not change the IMPEDANCE SELECTOR switch setting while the power to this unit is on, otherwise this unit may be damaged.

# FRONT PANELS

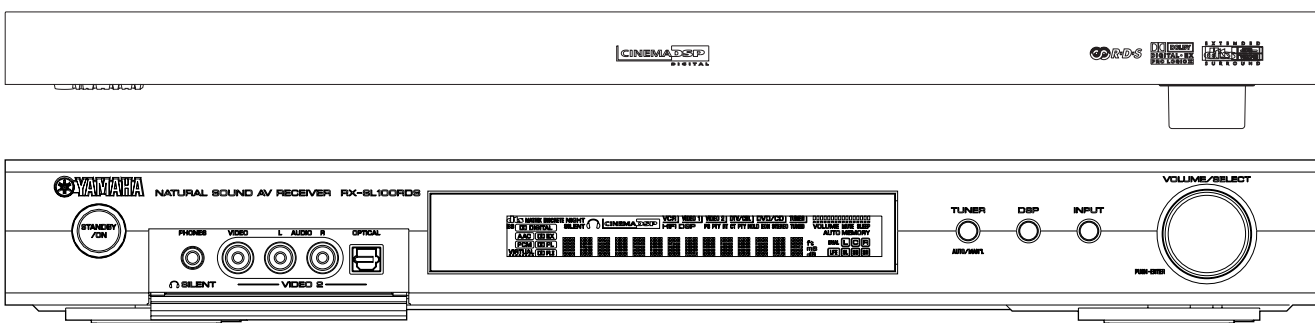
RX-SL100 (U, C, A, L, R, T, K models)



RX-SL100 (J model)



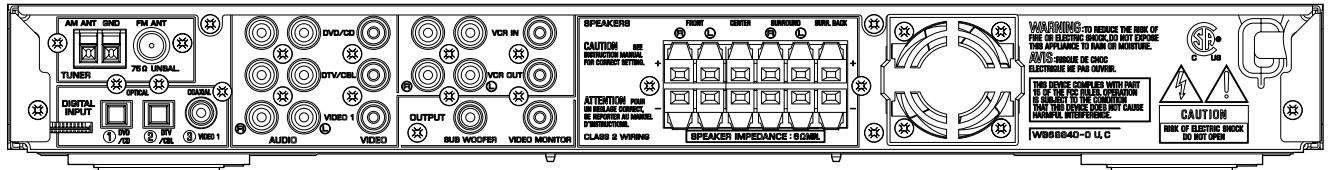
RX-SL100RDS (B, G models)



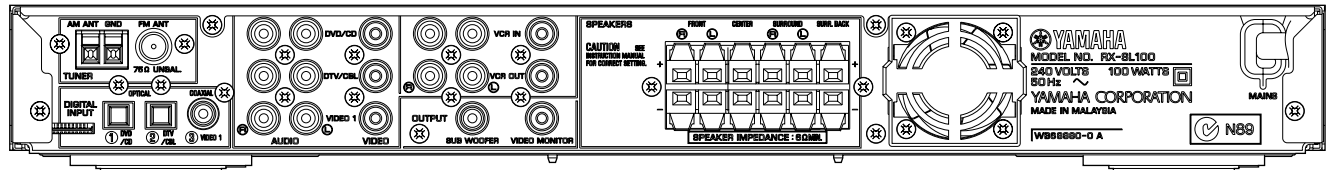
RX-SL100/RX-SL100RDS

# REAR PANELS

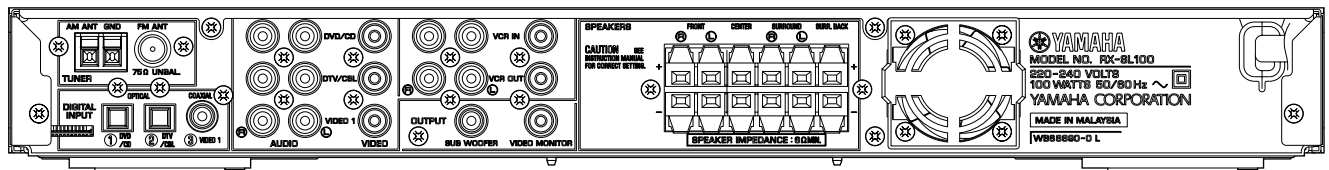
## RX-SL100 (U, C models)



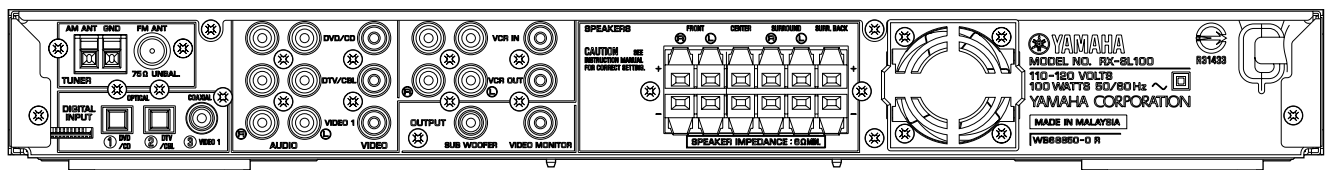
## RX-SL100 (A model)



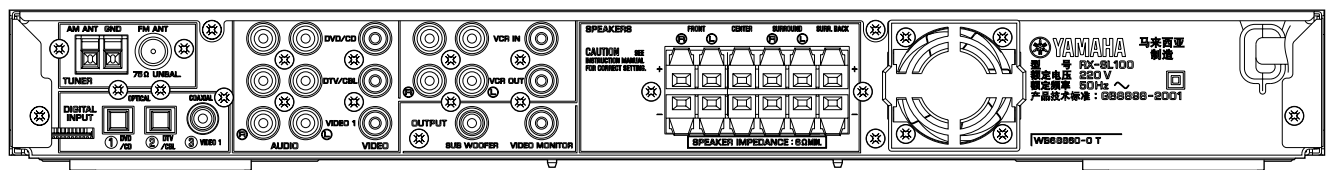
## RX-SL100 (L model)



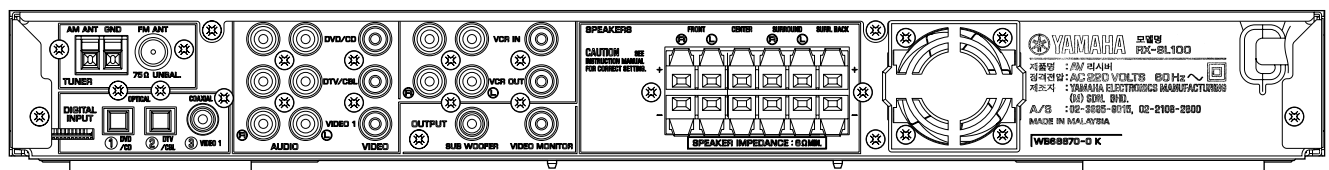
## RX-SL100 (R model)



## RX-SL100 (T model)

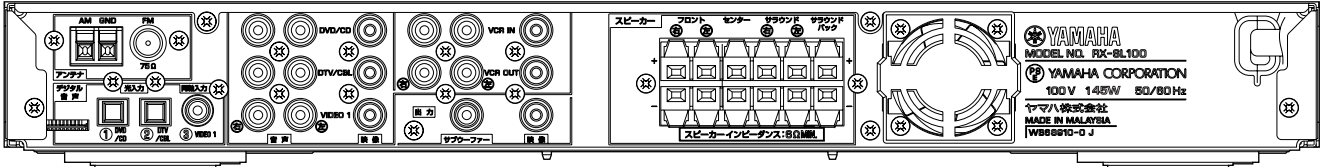


## RX-SL100 (K model)

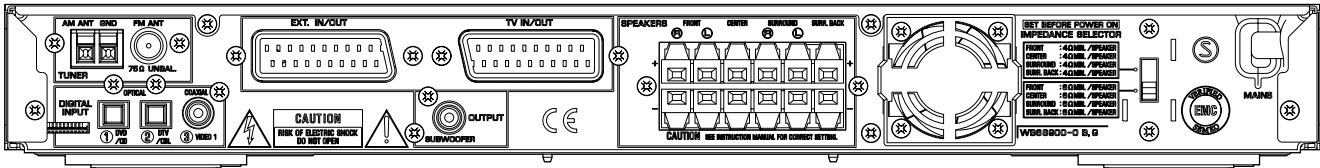


RX-SL100/RX-SL100RDS

RX-SL100 (J model)



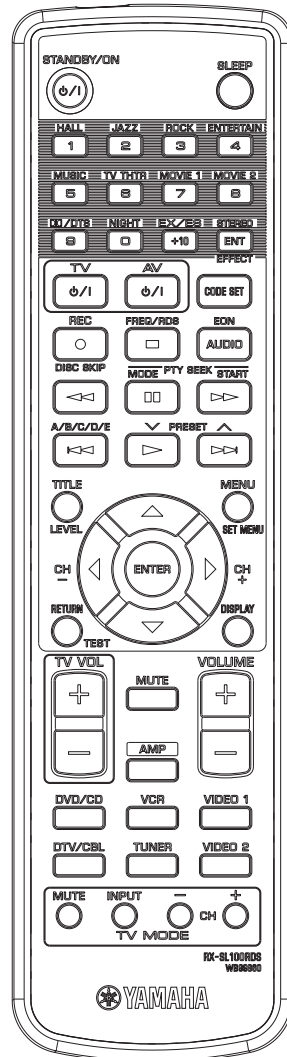
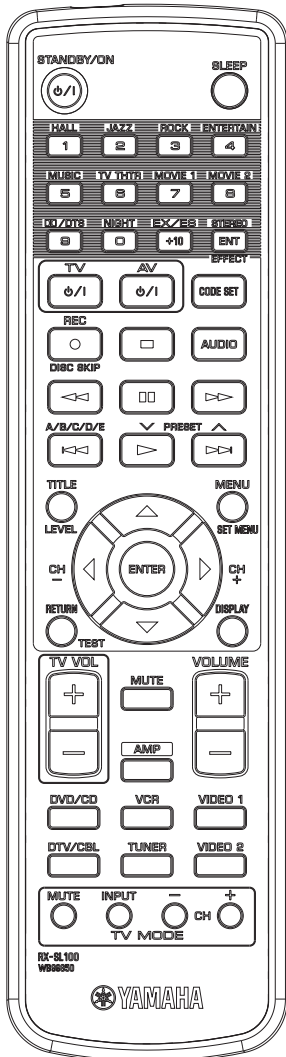
RX-SL100RDS (B, G models)



■ REMOTE CONTROL PANELS

RX-SL100

RX-SL100RDS



RX-SL100/RX-SL100RDS

## ■ SPECIFICATIONS / 参考仕様

### ■ Audio Section / オーディオ部

#### Minimum RMS Output Power (Power Amp. Section) / 定格出力 (パワーアンプ部)

(1 kHz)

## FRONT L/R

U, C models (0.9% THD, 6 ohms) ..... (FTC) 65W + 65W

A, B, G, L, R, T, K, J models (0.9% THD, 6 ohms) ... 70W + 70W

## CENTER, SURROUND BACK

U, C models (0.9% THD, 6 ohms) ..... (FTC) 65W + 65W

A, B, G, L, R, T, K, J models (0.9% THD, 6 ohms) ... 70W + 70W

## SURROUND L/R

U, C models (0.9% THD, 6 ohms) ..... (FTC) 65W + 65W

A, B, G, L, R, T, K, J models (0.9% THD, 6 ohms) ... 70W + 70W

#### Maximum Power / 実用最大出力 (EIAJ, 1kHz, 10% THD)

## FRONT L/R

A, B, G, L, R, T, K, J models (6 ohms) ..... 100W

## CENTER, SURROUND BACK

A, B, G, L, R, T, K, J models (6 ohms) ..... 100W

## SURROUND L/R

A, B, G, L, R, T, K, J models (6 ohms) ..... 100W

#### Input Sensitivity / Input Impedance (入力感度/入力インピーダンス)

(U, C, A, L, R, T, K, J models)

DVD/CD, etc. .... 150 mV / 47 k-ohms

(B, G models)

VIDEO 2, EXT. IN, TV IN ..... 150 mV / 47 k-ohms

#### Maximum Input Signal Level / 最大許容入力 (1 kHz, 0.5% THD)

(U, C, A, L, R, T, K, J models)

DVD/CD, etc. .... 2.0 V or more

(B, G models)

VIDEO 2, EXT. IN, TV IN ..... 2.0 V or more

#### Output Level / Output Impedance (出力電圧/出力インピーダンス)

## VCR OUT

DVD/CD, etc. (U, C, A, L, R, T, K, J models)

..... 150 mV / 820 ohms

EXT., TV (B, G models) ..... 150 mV / 1 k-ohms

SUB WOOFER (FRONT SP: Small) ... 3.8 V / 1.2 k-ohms

#### Headphone Jack Rated Output / Impedance (ヘッドフォン出力/出力インピーダンス)

DVD/CD, etc. (1 kHz, 35 mV, 8 ohms) ... 100 mV / 100 ohms

#### Frequency Response / 周波数特性

DVD/CD, etc. to FRONT L/R (20 Hz to 50 kHz) ... +0/-3.0 dB

#### Total Harmonic Distortion / 全高調波歪率 (1 kHz, 35W, 6 ohms)

(U, C, A, L, R, T, K, J models)

DVD/CD, etc. (Effect Off) to FRONT L/R ... 0.04 % or less

(B, G models)

EXT. IN (Effect Off) to FRONT L/R ..... 0.04 % or less

#### Signal to Noise Ratio / 信号対雑音比 (IHF-A network)

(U, C, A, L, R, T, K, J models)

DVD/CD, etc. (Input shorted, 250 mV, Effect Off) to FRONT L/R ..... 98 dB or more

(B, G models)

EXT. IN (Input shorted, 250 mV, Effect Off) to FRONT L/R ..... 98 dB or more

#### Residual Noise / 残留ノイズ (IHF-A network)

FRONT L/R ..... 150  $\mu$ V or less

#### Channel Separation / チャンネルセパレーション

(Vol -30 dB, Effect Off)

DVD/CD, etc. (Input 5.1 k-ohms shorted, 1 kHz/10 kHz)

..... 60 dB or more/45 dB or more

#### Tone Control Characteristics / トーンコントロール特性

## BASS

Boost/Cut .....  $\pm$ 10 dB (60Hz)

## TREBLE

Boost/Cut .....  $\pm$ 10 dB (20kHz)

#### Filter Characteristics / フィルター特性

FRONT L/R, SURROUND L/R SP Small (H.P.F.)

..... 90 Hz, 12 dB / oct.

SUBWOOFER (L.P.F.) ..... 90 Hz, 18 dB / oct.

### ■ Video Section / ビデオ部

#### Video Signal Type / ビデオ信号方式

U, C, R, K, J models ..... NTSC

A, B, G, L, T models ..... PAL

#### Video Signal Level / ビデオ信号

..... 1 Vp-p / 75 ohms

#### Maximum Input Level / 最大許容入力

..... 1.5 Vp-p or more

#### Signal to Noise Ratio / 信号対雑音比

..... 50 dB or more

#### Monitor Out Frequency Response / モニターアウト周波数帯域

Video Signal Level ..... 5 Hz to 10 MHz, -3 dB

### ■ FM Section / FM部

#### Tuning Range

U, C models ..... 87.5 to 107.9 MHz

A, B, G, T, K models ..... 87.5 to 108.0 MHz

L, R models ..... 87.5 to 108.0 / 87.50 to 108.00 MHz

J model ..... 76.0 to 90.0 MHz

#### 50dB Quieting Sensitivity / 50dB SN感度 (IHF)

(1kHz, 100% Mod.)

Mono ..... 2.8  $\mu$ V (20.2 dBf)

#### Signal to Noise Ratio / 信号対雑音比 (IHF)

Mono / Stereo ..... 73 dB / 70 dB

#### Harmonic Distortion / 歪率

(1 kHz)

Mono / Stereo ..... 0.5 % / 0.5 %

#### Antenna Input / アンテナ入力

..... 75 ohms unbalanced

### ■ AM Section / AM部

#### Tuning Range / 受信周波数範囲

U, C models ..... 530 to 1,710 kHz

A, B, G, T, K, J models ..... 531 to 1,611 kHz

L, R models ..... 530 to 1,710 / 531 to 1,611 kHz

#### Antenna / アンテナ入力

..... Loop Antenna

■ General / 総合

Power Supply / 電源電圧

U, C models .....	AC 120 V, 60 Hz
A model .....	AC 240 V, 50 Hz
B, G models .....	AC 230 V, 50 Hz
L model .....	AC 220 – 240 V, 50/60 Hz
R model .....	AC 110 – 120 V, 50/60 Hz
T model .....	AC 220 V, 50 Hz
K model .....	AC 220 V, 60 Hz
J model .....	AC 100V, 50/60 Hz

Power Consumption / 消費電力

U, C models .....	100 W
A, B, G, L, R, T, K models .....	100 W
J model .....	145 W

Standby Power Consumption (reference data) / 待機時消費電力(参考値)

U, C, R, J models .....	0.8 W
A, L, T, K models .....	0.9 W
B, G models (Scart Off/On) .....	0.9 W / 2.5 W

Dimensions / 寸法 (W x H x D)

..... 435 x 55.5 x 330 mm (17-1/8" x 2-3/16" x 13")

Weight / 重量

..... 6.4 kg (14 lbs. 2 oz.)

Finish / 仕上げ

..... Silver color

Accessories / 付属品

Remote Control x 1, Battery (Manganese Dry) x 2, Indoor FM Antenna x 1, AM Loop Antenna x 1, Cable Tag x 6 pairs

\* Specifications are subject to change without notice due to product improvements.

※ 参考仕様および外観は予告なく変更されることがあります。

U .....	U.S.A. model	C ....	Canadian model
A .....	Australian model	B ....	British model
G .....	European model	L ....	Singapore model
R .....	General model	T ....	Chinese model
K .....	Korean model	J ....	Japanese model



Manufactured under license from Dolby Laboratories.  
 "Dolby", "Pro Logic", "Surround EX", and the double-D symbol are trademarks of Dolby Laboratories.

ドルビーラボラトリーズからの実施権に基づき製造されています。ドルビー、DOLBY、ドルビーデジタル、PRO LOGIC、サラウンドEXおよびダブルD記号は、ドルビーラボラトリーズの商標です。

"SILENT CINEMA" is a trademark of YAMAHA CORPORATION.  
 「サイレントシアター/SILENT THEATER」はヤマハ株式会社の登録商標です。



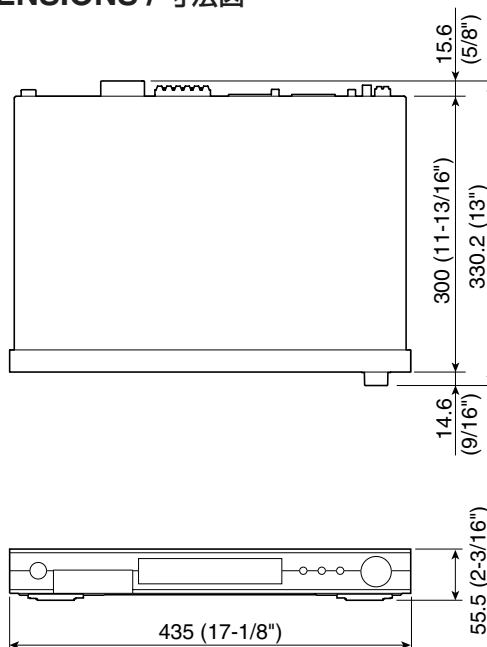
"DTS", "DTS-ES Extended Surround" and "Neo: 6" are trademarks of Digital Theater Systems, Inc.

DTS、DTS-ES ExtendedサラウンドおよびNeo:6はデジタルシアターシステムズの登録商標です。



AACロゴマークはドルビーラボラトリーズの商標です。

DIMENSIONS / 寸法図



Unit : mm (inch)  
 単位: mm (インチ)



## • Set Menu Table / セットメニュー

	No.	MAIN MENU	SUB MENU	VALUE [INITIAL]
BASIC	1	SETUP	ROOM	S, [M], L
			SWFR	[YES], NONE
			SPEAKERS	2, 3, 4, 5, [6]
			SETTING OK	[SET], CANCEL
			CHECK OK	[Yes], No
	2	SP LEVEL	L-R	[Center] $\pm 10$ step
			C	-10 to +10 dB, 1 dB step
			SL	-10 to +10 dB, 1 dB step
			SB	-10 to +10 dB, 1 dB step
			SR	-10 to +10 dB, 1 dB step
			SWFR	-20 to 0 dB, 1 dB step
SOUND	1	SPEAKER SET	CENTER SP	LRG, [SML], NON
			FRONT SP	[LARGE], SMALL
			SUR. SP	LRG, [SML], NON
			SUR. BACK	LRG, [SML], NON
			BASS OUT	[BOTH], FRNT, SWFR
	2	SP DISTANCE	UNIT	meters, [feet] (U, C models) / [meters], feet (A, B, G, L, R, T, K, J models)
			FRONT	0.3 to 24.0 m [3.0 m], 0.1 m step 1.0 to 80.0 ft [10.0 ft], 0.5 ft step
			CENTER	0.3 to 24.0 m [3.0 m], 0.1 m step 1.0 to 80.0 ft [10.0 ft], 0.5 ft step
			SUR	0.3 to 24.0 m [3.0 m], 0.1 m step 1.0 to 80.0 ft [10.0 ft], 0.5 ft step
			SUR. BACK	0.3 to 24.0 m [2.1 m], 0.1 m step 1.0 to 80.0 ft [7.0 ft], 0.5 ft step
	3	LFE LEVEL	SP LFE	-20 to [0 dB], 1 dB step
			HP LFE	-20 to [0 dB], 1 dB step
	4	D. RANGE	SP D.R	[MAX], STD, MIN
			HP D.R	[MAX], STD, MIN
	5	CENTER GEQ	100 Hz	-6 to +6 dB [0 dB], 1 dB step
			300 Hz	-6 to +6 dB [0 dB], 1 dB step
			1 kHz	-6 to +6 dB [0 dB], 1 dB step
			3 kHz	-6 to +6 dB [0 dB], 1 dB step
			10 kHz	-6 to +6 dB [0 dB], 1 dB step
	5	SP TONE CTRL	SP BASS	-10 to +10 dB [0 dB], 1 dB step
			SP TRBL	-10 to +10 dB [0 dB], 1 dB step
	6	HP TONE CTRL	HP BASS	-6 to +3 dB [0 dB], 1 dB step
			HP TRBL	-6 to +3 dB [0 dB], 1 dB step
INPUT	1	INPUT ASSIGN	OPT 1	VCR, VIDEO1, DTV/CBL, [DVD/CD]
			OPT 2	VCR, VIDEO1, [DTV/CBL], DVD/CD
			COAX	VCR, [VIDEO1], DTV/CBL, DVD/CD
	2	INPUT MODE	SET	AUTO, LAST, [Fixed]
			VCR	AUTO, dts, AAC (J model only), Analog
			VIDEO1	AUTO, dts, AAC (J model only), Analog
			VIDEO2	AUTO, dts, AAC (J model only), Analog
			DTV/CBL	AUTO, dts, AAC (J model only), Analog
			DVD/CD	AUTO, dts, AAC (J model only), Analog
OPTION	1	DISPLAY SET	DIMMER	-4 to [0], 1 step
	2	MEM. GUARD		[OFF], ON
	3	AUDIO MUTE		[- $\infty$ ], -50 dB, -20 dB
	4	DUAL MONO	(J model only)	[MAIN], SUB, ALL
	5	Freq. Step	(R, L models only)	9 kHz, [10 kHz]
	6	GUI Lang	(J model only)	[ENG], JPN
	7	STB SCART	(B, G models only)	[ON], OFF

• The variable range of the parameter (Min/Max/Step) / パラメーターの可変範囲 (最小/最大/ステップ)

		Unit
DSP LEVEL	-6 / +3 / 1	dB
DELAY	1 / 99 / 1	ms

6 ch Stereo Parameter		Unit
CT LEVEL	0 / 100 / 1	%
SL LEVEL	0 / 100 / 1	%
SR LEVEL	0 / 100 / 1	%
SB LEVEL	0 / 100 / 1	%

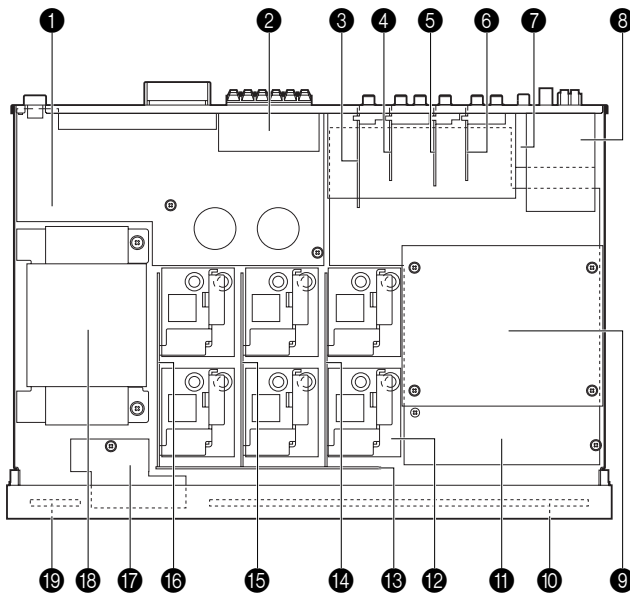
Pro Logic II / IIx Parameter		Unit
PLII / PLIIx	PLII / PLIIx	

Pro Logic II Music Parameter		Unit
PANORAMA	OFF / ON	
DIMENSIONS	-3 / +3 / 1	
CT WIDTH	0 / 7 / 1	

DTS Neo:6 Music Parameter		Unit
C. IMAGE	0 / 0.5 / 0.1	

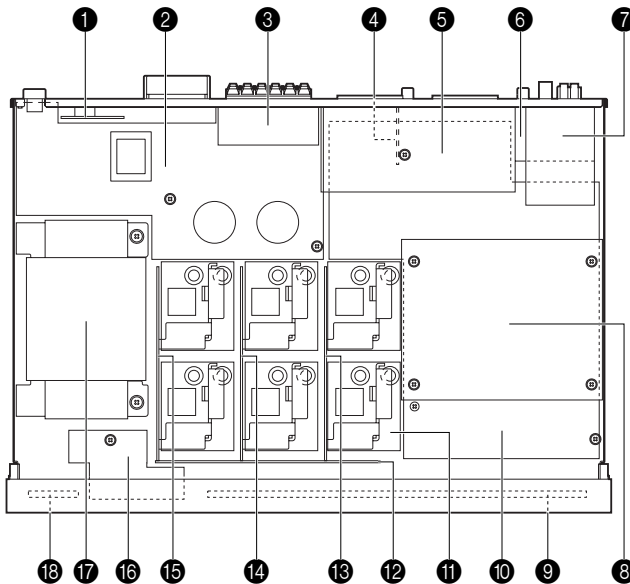
■ INTERNAL VIEW

RX-SL100



- ① POWER (1) P.C.B.
- ② POWER (3) P.C.B.
- ③ POWER (11) P.C.B.
- ④ POWER (8) P.C.B.
- ⑤ POWER (10) P.C.B.
- ⑥ POWER (7) P.C.B.
- ⑦ INPUT (2) P.C.B.
- ⑧ AM / FM TUNER
- ⑨ DIGITAL P.C.B.
- ⑩ POWER (4) P.C.B.
- ⑪ INPUT (1) P.C.B.
- ⑫ D-AMP MODULE
- ⑬ MAIN (4) P.C.B.
- ⑭ MAIN (3) P.C.B.
- ⑮ MAIN (2) P.C.B.
- ⑯ MAIN (1) P.C.B.
- ⑰ POWER (5) P.C.B.
- ⑱ POWER TRANSFORMER

RX-SL100RDS



- ① POWER (2) P.C.B.
- ② POWER (1) P.C.B.
- ③ POWER (3) P.C.B.
- ④ POWER (9) P.C.B.
- ⑤ POWER (12) P.C.B.
- ⑥ INPUT (2) P.C.B.
- ⑦ AM / FM TUNER
- ⑧ DIGITAL P.C.B.
- ⑨ POWER (4) P.C.B.
- ⑩ INPUT (1) P.C.B.
- ⑪ D-AMP MODULE
- ⑫ MAIN (4) P.C.B.
- ⑬ MAIN (3) P.C.B.
- ⑭ MAIN (2) P.C.B.
- ⑮ MAIN (1) P.C.B.
- ⑯ POWER (5) P.C.B.
- ⑰ POWER TRANSFORMER
- ⑱ POWER (6) P.C.B.

RX-SL100/RX-SL100RDS

## ■ DISASSEMBLY PROCEDURES / 分解手順

\* The description below uses RX-SL100RDS (G model) as a representative model.

(Remove parts in the order as numbered.)  
Disconnect the power cable from the AC outlet.

### 1. Removal of Top Cover (Fig. 1)

- Remove 2 screws (①) and 4 screws (②).
- Slide the Top Cover rearward to remove it.

### 2. Removal of Front Panel (Fig. 1)

- Remove 2 screw (③) and 5 screws (④).
- Remove CB161, CB305, CB401 and CB410.
- Remove the Front Panel forward.

### 3. Removal of DIGITAL P.C.B. (Fig. 2)

- Remove 4 screws (⑤).
- Remove CB301 ~ CB303, CB306 ~ CB308.
- Remove the DIGITAL P.C.B. upward.

### 4. Removal of MAIN (1) ~ (4) and D-AMP Modules

- Remove 3 screws (⑥). (Fig. 4)
- Remove CB71 ~ 73, CB601, CB631, CB661 and CB695. (Fig. 2)
- Remove MAIN (1) ~ (4) and D-AMP Modules leftward. (Fig. 2)

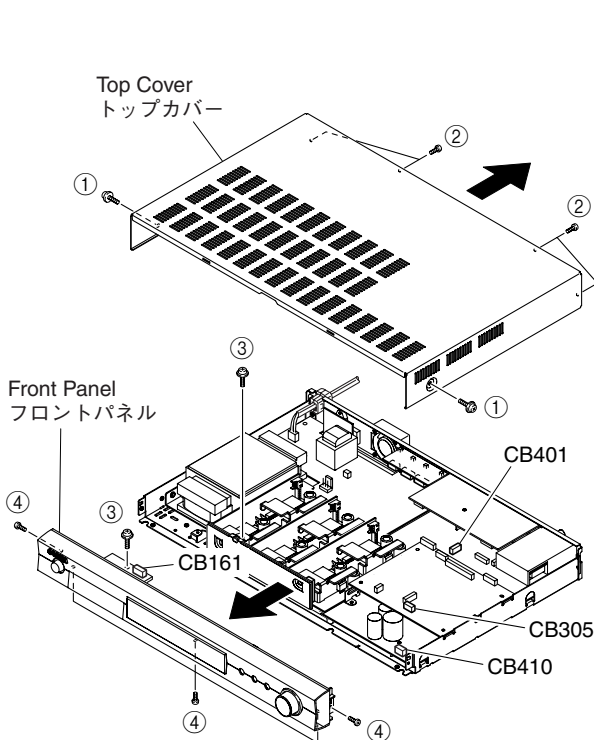


Fig. 1

※ 本項目では、代表としてRX-SL100RDS (G model)について記述します。

(番号順に部品を取り外してください。)  
AC電源コンセントから、電源コードを抜いてください。

### 1. トップカバーの外し方 (Fig. 1)

- ①のネジ2本、②のネジ4本を外します。
- トップカバーを後方へスライドさせ、取り外します。

### 2. フロントパネルの外し方 (Fig. 1)

- ③のネジ2本、④のネジ5本を外します。
- CB161、CB305、CB401、CB410を外します。
- フロントパネルを前方に外します。

### 3. DIGITAL P.C.B.の外し方 (Fig. 2)

- ⑤のネジ4本を外します。
- CB301～CB303、CB306～CB308を外します。
- DIGITAL P.C.B.を上方に取り外します。

### 4. MAIN (1)～(4)、D-AMP MODULEの外し方

- ⑥のネジ3本を外します。(Fig. 3)
- CB71～CB73、CB601、CB631、CB661、CB695を外します。(Fig. 2)
- MAIN (1)～(4)、D-AMP MODULEを左方向に取り外します。(Fig. 2)

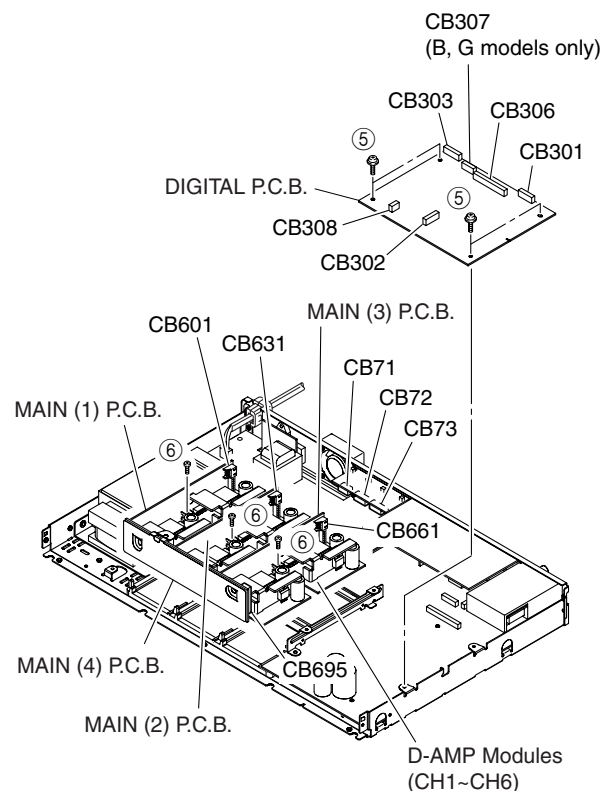


Fig. 2

**5. Removal of Rear Panel (Fig. 3)**

- a. Remove 1 screw (⑦) and 3 screws (⑧).
- b. Remove the Rear Panel rearward.
- c. Remove CB4, CB6, CB51, CB404 and CB406.

**6. Removal of INPUT (1) and POWER (9) P.C.B. (Fig. 4)**

- a. Remove 2 screws (⑨) and then remove the Support/PCB.
- b. Remove 2 screws (⑩).
- c. Remove the INPUT (1) and POWER (9) P.C.B.s.

**7. Removal of POWER (1) P.C.B. (Fig. 4)**

- a. Remove CB9.
- b. Remove 3 screws (⑪).
- c. Remove the POWER (1) P.C.B..

**8. Removal of Power Transformer (Fig. 4)**

- a. Remove 4 screws (⑫).
- b. Remove the Power Transformer.

**5. リアパネルの外し方 (Fig. 3)**

- a. ⑦のネジ1本、⑧のネジ3本を外します。
- b. リアパネルを後方に外します。
- c. CB4、CB6、CB51、CB404、CB406を外します。

**6. INPUT (1) P.C.B.、POWER (9) P.C.B.の外し方 (Fig. 4)**

- a. ⑨のネジ2本を外し、サポート/PCBを取り外します。
- b. ⑩のネジ2本を外します。
- c. INPUT (1) P.C.B.、POWER (9) P.C.B.を外します。

**7. POWER (1) P.C.B.の外し方 (Fig. 4)**

- a. CB9を外します。
- b. ⑪のネジ3本を外します。
- c. POWER (1) P.C.B.を外します。

**8. 電源トランスの外し方 (Fig. 4)**

- a. ⑫のネジ4本を外します。
- b. 電源トランスを外します。

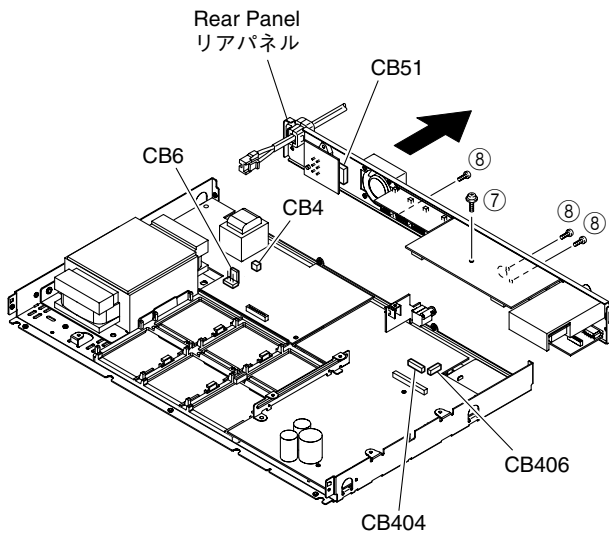


Fig. 3

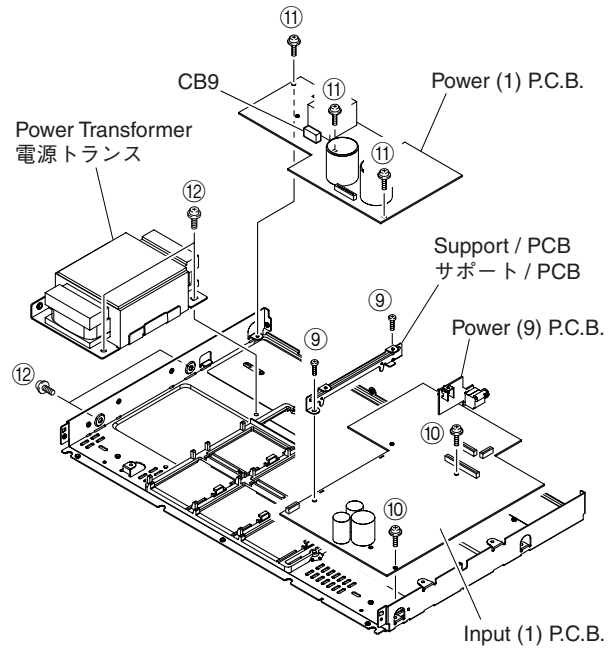


Fig. 4

**When checking the P.C.B.:**

- Remove the Front Panel, Rear Panel, P.C.B.s, Power Transformer and place all of the upside down for checking. (Fig. 5)
- Reconnect all cables (connectors) that have been disconnected.

Be sure to use the extension cable for servicing for the following section.

DIGITAL P.C.B. CB301 – INPUT (2) P.C.B. CB552:

MFA15400 (15P 400mm)

DIGITAL P.C.B. CB302 – INPUT (1) P.C.B. CB411:

MFA15200 (15P 200mm)

**P.C.B.チェックをする場合には**

- シャーシからフロントパネル、リアパネル、P.C.B.、電源トランスを取り外し、すべてを裏返しに置いてチェックします。(Fig. 5)
- 外したケーブル(コネクタ)をすべて接続してください。ただし次の区間は、サービス用延長ケーブルを使用してください。

DIGITAL P.C.B. CB301 – INPUT (2) P.C.B. CB552:  
MFA15400 (15P 400mm)

DIGITAL P.C.B. CB302 – INPUT (1) P.C.B. CB411:  
MFA15200 (15P 200mm)

DIGITAL P.C.B. CB303 – POWER (1) P.C.B. CB5:

MFA18400 (18P 400mm)

DIGITAL P.C.B. CB306 – INPUT (1) P.C.B. CB409:

MFA40400 (40P 400mm)

DIGITAL P.C.B. CB307 – POWER (12) P.C.B. CB303:

MFA15400 (15P 400mm) [B, G models only]

- When connecting the flat cable, use care for the polarity.
- In this unit, each ground of the following P.C.B.s is grounded to the chassis. When any of these P.C.B.s has been removed from the chassis, be sure to reconnect its ground to the chassis with a jumper wire or the like.

1. POWER (1) P.C.B.:  
G1 (near the sub-transformer)
2. POWER (5) P.C.B.:  
G161 (input terminal on the front)
3. POWER (7), (8), (10), (11) P.C.B.:  
PJ201, PJ221, PJ261, PJ281 (pin jack)  
(U, C, A, L, R, T, K, J models)
4. POWER (12) P.C.B.:  
CB302, CB304 (SCART terminal) (B, G models)
5. INPUT (1) P.C.B.:  
G401, G402
6. DIGITAL P.C.B.:  
G1, G2, G3, G4

DIGITAL P.C.B. CB303 – POWER (1) P.C.B. CB5:

MFA18400 (18P 400mm)

DIGITAL P.C.B. CB306 – INPUT (1) P.C.B. CB409:

MFA40400 (40P 400mm)

DIGITAL P.C.B. CB307 – POWER (12) P.C.B. CB303:

MFA15400 (15P 400mm) [B, G models only]

- フラットケーブルを接続する際、極性に注意してください。
- 本機では下記P.C.B.のアースがシャーシに接続されています。これらのP.C.B.をシャーシより取り外した場合は、リード線などでアースをシャーシに接続してください。

1. POWER (1) P.C.B.:  
G1 (サブトランス近く)
2. POWER (5) P.C.B.:  
G161 (フロント側入力端子)
3. POWER (7), (8), (10), (11) P.C.B.:  
PJ201, PJ221, PJ261, PJ281 (ピンジャック)  
(U, C, A, L, R, T, K, J models)
4. POWER (12) P.C.B.:  
CB302, CB304 (SCART端子) (B, G models)
5. INPUT (1) P.C.B.:  
G401, G402
6. DIGITAL P.C.B.:  
G1, G2, G3, G4

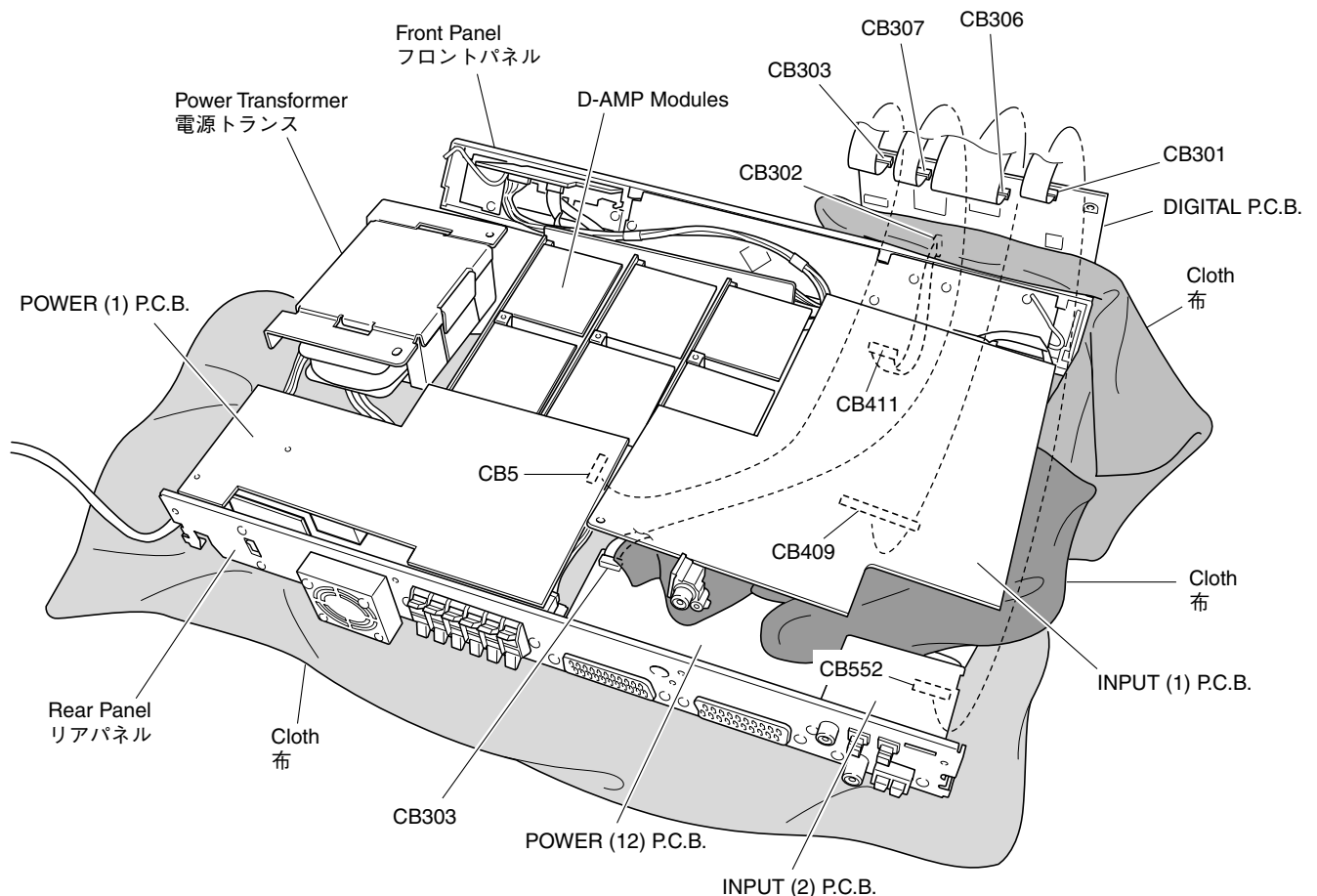


Fig. 5

## ■ SELF DIAGNOSIS FUNCTION (DIAG) / 自己診断機能 (ダイヤグ)

There are 15 DIAG menu items, each of which has sub-menu items. Listed in the table below are menu items and sub-menu items.

ダイヤグメニューは15個あり、そのそれぞれにサブメニューがあります。下表はメニュー一覧です。

No	DIAG menu	sub-menu
1	DSP THROUGH 1. ANALOG BYPASS	1. ANALOG BYPASS
		2. YSS 0dB
		3. YSS Front 0dB
		4. YSS FULL BIT
		5. YSS FULL BIT F
2	RAM THROUGH 2. RAM 0dB	RAM 0dB
3	PRO LOGIC / NEO6 3. PRO LOGIC I	1. PRO LOGIC I
		2. PRO LOGIC II
		3. Neo:6
4	SPEAKERS SET 4. MAIN: SML 0dB	1. MAIN: SMALL 0dB
		2. CENTER: NONE
		3. LFE/BASS: MAIN
		4. Front Mix: 5ch
		5. Rear Center power
		6. Tone Control Flat
		7. Tone Control +10dB
		8. Tone Control -10dB
5	HEADPHONE TEST 5. MAIN 12dB	1. MAIN 12 dB margin
		2. MAIN 15 dB margin
6	OTHER INPUT 6. EXTERNAL DEC	EXTERNAL DECODER (Not applied to this model / このモデルには適用されません)
7	DISPLAY CHECK 7. VFD CHECK	1. VFD CHECK (Initial display / 初期表示)
		2. VFD DISP OFF (All segments OFF / 全セグメント消灯)
		3. VFD DISP ALL (All segments ON 100% / 全セグメント点灯100%)
		4. VFD DIMMER (All segments ON 50% / 全セグメント点灯50%)
		5. CHECKED PATTERN (ON in lattice / 格子状点灯)
8	MANUAL TEST 8. TEST ALL	1. TEST ALL
		2. TEST MAIN L
		3. TEST CENTER
		4. TEST MAIN R
		5. TEST REAR R
		6. TEST REAR CENTER
		7. TEST REAR L
		8. TEST LFE
9	FACTORY PRESET 9. PRESET INHI	1. PRESET INHIBITED (memory initialization inhibited / メモリーの初期化禁止)
		2. PRESET RESERVED (memory initialized / メモリーの初期化)
10	AD DATA CHECK /FAN TEST DC: 98% UC: 38%	1. DC (protection) / UC (protection)
		2. THM/Fan
		3. REC-OUT (Not applied to this model / このモデルには適用されません)
		4. IMP SW (Not applied to this model / このモデルには適用されません)
		5. K0/K1 (panel key)
		6. FAN DRIVE TEST: HIGH
		7. FAN DRIVE TEST: MID
		8. FAN DRIVE TEST: LOW

No	DIAG menu	sub-menu
11	IF STATUS IS1:440308C000	1. INSIDE STATUS 1 (5 Byte)
		2. INSIDE STATUS 2 (3 Byte)
		3. CHANNEL STATUS 1 (5 Byte)
		4. CHANNEL STATUS 2 (5 Byte)
		5. CHANNEL STATUS 3 (5 Byte)
		6. CHANNEL STATUS 4 (5 Byte)
		7. CHANNEL STATUS 5 (4 Byte)
		8. BSI (YSS) 1 (5 Byte)
		9. BSI (YSS) 2 (5 Byte)
		10. BSI (YSS) 3 (5 Byte)
		11. BSI (YSS) 4 (4 Byte)
		12. BSI (CS) 1 (5 Byte)
		13. BSI (CS) 2 (5 Byte)
		14. BSI (CS) 3 (5 Byte)
		15. BSI (CS) 4 (5 Byte)
		16. BSI (CS) 5 (1 Byte)
		17. YSS938-1 (5 Byte)
		18. YSS938-2 (5 Byte)
		19. YSS938-3 (4 Byte)
		20. SECOND DECODER (3 Byte)
		21. Mute Trigger (5 Byte)
12	DSP RAM CHECK YSS BUS:NoEr	1. YSS938 BUS CHECK
		2. PLD/SRAM BUS CHECK
13	SD DL CODE RDV:XXXXXXXX	1. ROM DATA Version
		2. TOC Area 0
		3. TOC Area 1
		4. TOC Area 2
		5. TOC Area 3
		6. TOC Area 4
		7. TOC Area 5
		8. Sum check Area 0
		9. Sum check Area 1
		10. Sum check Area 2
		11. Sum check Area 3
		12. Sum check Area 4
		13. Sum check Area 5
14	SOFT SWITCH 14.SW :PCB	1. SW MODE
		2. MODEL SETTING
		3. DESTINATION
		4. RDS EXIST
		5. ZONE 2 EXIST
		6. VIDEO FORMAT
15	ROM VERSION/CHECK SUM/ PORT VER. XXXXX	1. VERSION
		2. CHECK SUM ALL/PROGRAM
		3. PORT
		4. AAC PORT

## ● Starting DIAG

Press the “STANDBY/ON” key while simultaneously pressing the “INPUT” key.

## ● Starting DIAG in the protection cancel mode

If the protection function works and causes hindrance to trouble diagnosis, cancel the protection function as described below, and it will be possible to enter the DIAG mode. (The protection functions other than the excess current detect function will be disabled.)

Press the “STANDBY/ON” key while simultaneously pressing the “INPUT” key. At this time, keep pressing the “INPUT” key for 3 seconds or longer.

In this mode, the “SLEEP” segment of the FL display of the main unit flashes to indicate that the mode is DIAG mode with the protection functions disabled.

### CAUTION!

Using this product with the protection function disabled may cause damage to itself. Use special care for this point when using this mode.

## ● Canceling DIAG

- ① Before canceling DIAG, execute setting for PRESET of DIAG menu No.9 (Memory initialization inhibited or Memory initialized).  
\* In order to keep the user memory stored, be sure to select PRESET INHIBITED (Memory initialization inhibited).
- ② Turn off the power by pressing the “STANDBY/ON” key of the main unit.

## ● ダイアグの起動

“INPUT”キーを押しながら“STANDBY/ON”キーを押すと、ダイアグが起動します。

## ● プロテクション解除モードでの起動

プロテクションが動作することにより、故障箇所の診断に支障をきたすような場合は、次の方法によりプロテクションを解除した状態でダイアグモードに入ることができます。(過電流検出以外のプロテクション動作を解除する)

“INPUT”キーを押しながら“STANDBY/ON”キーを押します。このとき、“INPUT”キーを3秒以上押し続けてください。

このモードでは本体FLの“SLEEP”セグメントが点滅し、プロテクションを解除した状態でのダイアグモードであることを知らせます。

### 注意!

プロテクションを解除した状態でのダイアグモードは、危険な状態でもプロテクションが作動しないため、動作させると、機器を破壊することがあります。このモードを使用する場合は十分注意してください。

## ● ダイアグの解除

- ① ダイアグを解除する前に、ダイアグメニューNo.9のFACTORY PRESET (メモリーの初期化禁止/またはメモリーの初期化)の設定をします。  
※ ユーザーメモリーを保持したい場合は、必PRESET INHIBITED (メモリー初期化禁止)を選択してください。
- ② 本体の“STANDBY/ON”キーを押し、パワーオフにします。



## ● Display provided when DIAG started

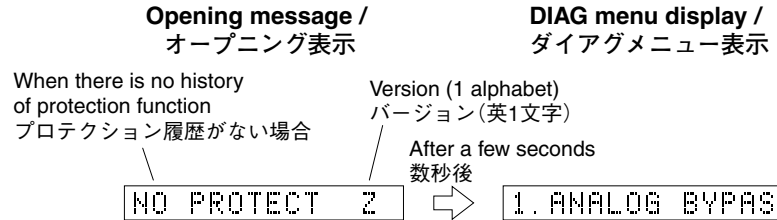
The FL display of the main unit displays the protection function history data and the version (1 alphabet) and the DIAG menu [sub-menu (ANALOG BYPASS) of DIAG menu No.1 DSP THROUGH] a few seconds later.

## ● ダイアグ起動時の表示

本体のFLディスプレイにプロテクション履歴情報とバージョン(英1文字)が表示され、数秒後にダイアグメニュー(No.1 DSP THROUGHのサブメニューANALOG BYPASS)になります。

### When there is no history of protection function:

### プロテクション履歴がない場合:



### When there is a history of protection function:

### プロテクション履歴がある場合:



**Cause:** An excessive current flowed through the power amplifier.

**Supplementary information:** As current of the power transistor is detected, the abnormal channel can be identified by checking the current detect transistor.

Turning on the power without correcting the abnormality will cause the protection function to work immediately and the power supply will instantly be shut off.

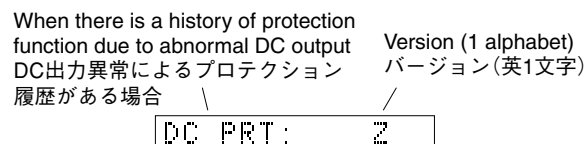
原因： パワーアンプに過電流が流れた。

補足： パワートランジスタの電流を検出していますので、電流検出トランジスタをチェックすれば異常チャンネルが特定できます。

異常状態のままパワーオンすると、瞬時にプロテクションがかかり、すぐに電源が切れます。

#### Note)

- Applying the power to a unit without correcting the abnormality can be dangerous and cause additional circuit damage.
- The output transistors in each amplifier channel should be checked for damage before applying any power.
- Amplifier current should be monitored by measuring across the emitter resistors for each channel.

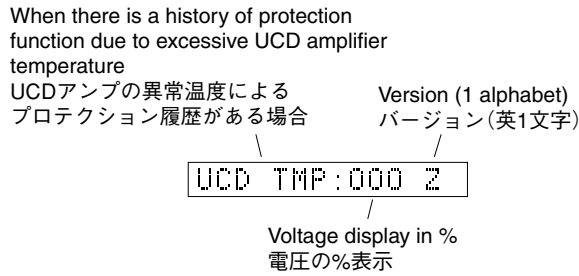


**Cause:** DC output of the power amplifier is abnormal.

Turning on the power without correcting the abnormality will cause the protection function to work 3 seconds later and the power supply will be shut off.

原因： パワーアンプのDC出力が異常。

異常状態のままパワーオンすると、3秒後にプロテクションがかかり、電源が切れます。



**Cause:** The temperature of the UCD amplifier is excessive.  
**Supplementary information:** The abnormal voltage is displayed in % based on 5V as 500%.

Turning on the power without correcting the abnormality will cause the protection function to work 1 second later and the power supply will be shut off.

原因：UCDアンプの温度が異常。  
 補足：異常時の電圧の状態を、5Vを500%とした値で%表示します。  
 異常状態のままパワーオンすると、1秒後にプロテクションがかかり、電源が切れます。



**Cause:** Abnormal temperature of radiator  
**Supplementary information:** The abnormal voltage is displayed in % based on 5V as 500%.

Turning on the power without correcting the abnormality will cause the protection function to work 1 second later and the power supply will be shut off.

原因：放熱器の温度が異常。  
 補足：異常時の電圧の状態を、5Vを500%とした値で表示します。  
 異常状態のままパワーオンすると、1秒後にプロテクションがかかり、電源が切れます。

- \* Additional causes of protection can be due to loose connections, associated components, CPU, etc.
- \* For the protection voltage value, refer to DIAG menu No.10 described later.

- ※ 前記の異常原因の他に、コネクタのはずれやCPU周辺などに原因がある場合があります。
- ※ プロテクションの電圧値に関しては、後述のダイアグメニューNo.10を参照してください。

**● History of protection function**

When the protection function has worked, its history is stored in memory with a backup. Even if no abnormality is noted while servicing the unit, an abnormality which has occurred previously can be defined as long as the backup data has been stored.  
 The history of the protection function is cleared when DIAG is cancelled by selecting PRESET RESERVED (Memory initialized) of DIAG menu No.9 or when the backup data is erased.

**● プロテクションの履歴**

プロテクションが働いた場合、履歴をバックアップして記憶しています。サービスのときに異常が認められなくても、バックアップが残っていれば、お客様のところで起きた異常を区別できます。  
 プロテクションの履歴は、ダイアグメニューNo.9でPRESET RESERVED(メモリーの初期化)を選んでダイアグを解除した場合や、バックアップが消えたときにはクリアされます。

**● Display during menu operation**

During the DIAG operation, the function at work is indicated on the FL indicator. The contents displayed during the function operation are described in the later section on details of functions.

**● メニュー動作中の表示**

ダイアグ中、本体のFLディスプレイに動作中の機能が表示されます。機能動作中の表示内容については、後述の機能詳細で記述します。

## ● Operation procedure of DIAG menu and SUB-MENU

### Entering Menu Select Mode

There are 15 MENU items, each of which has some SUB-MENU items.

To select a DIAG MENU item or a SUB-MENU item, press the "TUNER" key to enter the menu select mode. (The "TUNER" segment of the FL display on this unit flashes to indicate that the menu select mode is at work.)

\* When about 5 seconds elapse with no menu item selected, the menu select mode is cancelled. (The "TUNER" segment lights up.)

Pressing the "TUNER" key again will restore the menu select mode setting.

### Selection of DIAG MENU item or SUB-MENU item

While in the menu select mode, turn the "VOLUME/SELECT" knob. Items advance forward when the knob is turned clockwise and rearward when it is turned counterclockwise.

### Switching selection of DIAG MENU item and SUB-MENU item

While in the menu select mode, press the "VOLUME/SELECT" knob. Each pressing changes between the DIAG MENU item selection state and SUB-MENU item selection state alternately.

## ● Functions in DIAG mode

In addition to the DIAG menu items, functions as listed below are available.

- Input selection
- Center/Rear/Rear Center/Subwoofer level adjustment
- Muting
- Power on/off
- Master volume

\* Functions related to the tuner and the set menu are not available.

\* It is possible to confirm Menu No.11 IF STATUS while keeping the signal process (operation status) of each DIAG menu by pressing the "INPUT" key twice.

## ● Initial settings used to start DIAG

The following initial settings are used when starting DIAG. When DIAG is canceled, these settings are restored to those before starting DIAG.

- Master volume: -40dB
- Input: DVD (6CH INPUT OFF)
- Effect level: 0dB
- Audio mute: OFF
- Speaker setting: LARGE / BASS OUT = BOTH
- DIAG menu: DSP THROUGH (1. ANALOG BYPASS)

## ● ダイアグメニューとサブメニューの操作

### メニュー選択モードへの入り方

ダイアグにはNo.1～15のメニューがあり、そのそれぞれにサブメニューがあります。

ダイアグメニューまたはサブメニューを選択するときは、“TUNER”キーを押してメニュー選択モードにします。(本体FLの“TUNER”セグメントが点滅し、メニュー選択モード中であることを知らせます。)

※ メニュー選択操作が行われずに約5秒経過すると、メニュー選択モードが解除されます。(“TUNER”セグメントが点灯します。)

再び“TUNER”キーを押すと、メニュー選択モードになります。

### ダイアグメニューまたはサブメニューの選択

メニュー選択モード中に“VOLUME/SELECT”ツマミを回します。右に回すと順送り、左に回すと逆送りされます。

### ダイアグメニュー選択とサブメニュー選択の切り換え

メニュー選択モード中に、“VOLUME/SELECT”ツマミを押します。ダイアグメニューを選択できる状態とサブメニューを選択できる状態が繰り返し切り換わります。

## ● ダイアグ中の機能

ダイアグメニューの他に、以下の機能が動作します。

- ・ インプット切り換え
- ・ センター、リア、リアセンター、サブウーファーレベル調整
- ・ ミューティング
- ・ パワーオン/オフ
- ・ マスターボリューム

※ チューナー関連、セットメニュー関連は機能しません。

※ “INPUT”キーを2回押すことにより、各ダイアグメニューの信号処理(動作状態)を維持したままメニューNo.11“IF STATUS”の確認ができます。

## ● ダイアグ開始時の初期設定

ダイアグ開始時に以下のような設定になります。ダイアグ解除時にはダイアグ開始前の状態に戻ります。

- ・ マスターボリューム：-40dB
- ・ インプット：DVD (6CH INPUT オフ)
- ・ エフェクトレベル：0dB
- ・ オーディオミュート：オフ
- ・ スピーカー設定：LARGE / BASS OUT = BOTH
- ・ ダイアグメニュー：DSP THROUGH (1. ANALOG BYPASS)

● **Details of DIAG menu**

With full-bit output specified in some modes, it is possible to execute 0dBFS output without head margin in each channel.

**1. DSP THROUGH**

Sub DSP of YSS938 is selected for MAIN L/R output.

**ANALOG BYPASS**

- The signal for L/R is output as it is without passing through the DSP section.

1. ANALOG BYPASS

Reference data

INPUT: DVD ANALOG

SWFR: 50 Hz, Others: 1 kHz

Input level	Volume	SPEAKER OUTPUT (1 kHz)				SUBWOOFER OUTPUT (50 Hz)
		FRONT L/R	CENTER	SURROUND L/R	SURROUND BACK	
Both ch, -20 dBm	-10 dB	+19.5 dBm	- ∞	- ∞	- ∞	- ∞

**YSS 0dB**

- The signal is output including the head margin.  
Head margin:  
Main L/R: 0dBFS, Center: -6dBFS,  
Rear Center: -6dBFS, RL/RR: -12dBFS,  
SWFR: Add L/R signal at -20dBFS.

1. YSS 0dB

Reference data

INPUT: DVD ANALOG

SWFR: 50 Hz, Others: 1 kHz

Input level	Volume	SPEAKER OUTPUT (1 kHz)				SUBWOOFER OUTPUT (50 Hz)
		FRONT L/R	CENTER	SURROUND L/R	SURROUND BACK	
Both ch, -20 dBm	-10 dB	+16.9 dBm	+27.0 dBm	+27.0 dBm	+27.0 dBm	-1.3 dBm

**YSS Front 0dB**

- The front CH signal including the head margin is output at the main CH.  
Head margin:  
Main L/R: 0dBFS, Center: -6dBFS,  
Rear Center: -6dBFS, RL/RR: -12dBFS,  
SWFR: Add L/R signal at -20dBFS.

1. YSS Front 0dB

Reference data

INPUT: DVD ANALOG

SWFR: 50 Hz, Others: 1 kHz

Input level	Volume	SPEAKER OUTPUT (1 kHz)				SUBWOOFER OUTPUT (50 Hz)
		FRONT L/R	CENTER	SURROUND L/R	SURROUND BACK	
Both ch, -20 dBm	-10 dB	+22.5 dBm	- ∞	- ∞	- ∞	- ∞

● **ダイアグメニュー詳細**

一部のモードでフルビット指定することで、各チャンネルのヘッドマージンを廃して0dBFS出力することが可能です。

**1. DSP THROUGH**

MAIN L/R出力にはYSS938のSub DSPが選択されます。

**ANALOG BYPASS**

- L/Rは、DSP部を通らずにそのまま出力されます。

**YSS 0dB**

- ヘッドマージンを含んで出力されます。  
ヘッドマージン：  
Main L/R: 0dBFS, Center: -6dBFS,  
Rear Center: -6dBFS, RL/RR: -12dBFS,  
SWFR: L/Rを-20dBfsにて加算

**YSS Front 0dB**

- ヘッドマージンを含んで、フロントCHがメインCHに出力されます。  
ヘッドマージン：  
Main L/R: 0dBFS, Center: -6dBFS,  
Rear Center: -6dBFS, RL/RR: -12dBFS,  
SWFR: L/Rを-20dBfsにて加算

**YSS FULL BIT**

- The signal is output in digital full bit without including the head margin. The SWFR signal is output but not in digital full bit.

**YSS FULL BIT**

- ヘッドマージンを含まず、デジタルフルビットで出力されます。SWFRは出力されますが、デジタルフルビットではありません。

1. YSS FULL BIT

Reference data

INPUT: DVD ANALOG

SWFR: 50 Hz, Others: 1 kHz

Input level	Volume	SPEAKER OUTPUT (1 kHz)				SUBWOOFER OUTPUT (50 Hz)
		FRONT L/R	CENTER	SURROUND L/R	SURROUND BACK	
Both ch, -20 dBm	-10 dB	+16.9 dBm	+27.2 dBm	+27.2 dBm	+27.2 dBm	-1.3 dBm

**YSS FULL BIT F**

- The front CH signal is output in digital full bit at the main CH.

**YSS FULL BIT F**

- フロントCHがメインCHに、デジタルフルビットで出力されま

1. FULL BIT F

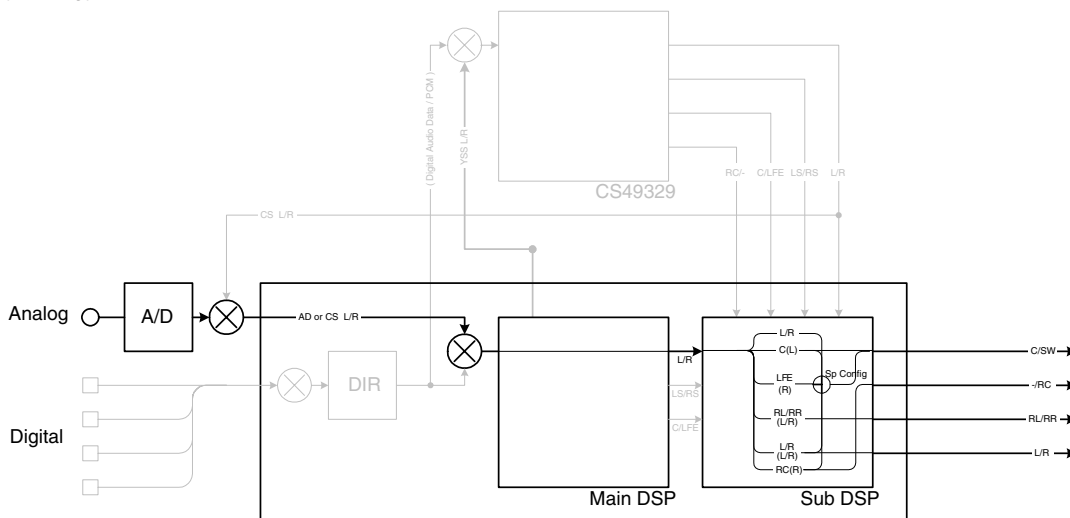
Reference data

INPUT: DVD ANALOG

SWFR: 50 Hz, Others: 1 kHz

Input level	Volume	SPEAKER OUTPUT (1 kHz)				SUBWOOFER OUTPUT (50 Hz)
		FRONT L/R	CENTER	SURROUND L/R	SURROUND BACK	
Both ch, -20 dBm	-10 dB	+16.9 dBm	- ∞	- ∞	- ∞	- ∞

DSP THROUGH ~  
YSS (Analog)



(Shaded items not used in this example)

**2. RAM THROUGH**

The main L/R signal is output from Sub DSP of YSS938.  
 The CT, RC, RL/RR, FL/FR signals are output through Sub DSP - DRAM.

**2. RAM THROUGH**

Main L/RはYSS938のSub DSPより出力されます。  
 CT、RC、RL/RR、FL/FRはSub DSP - DRAM経由で出力されます。

RAM 0dB

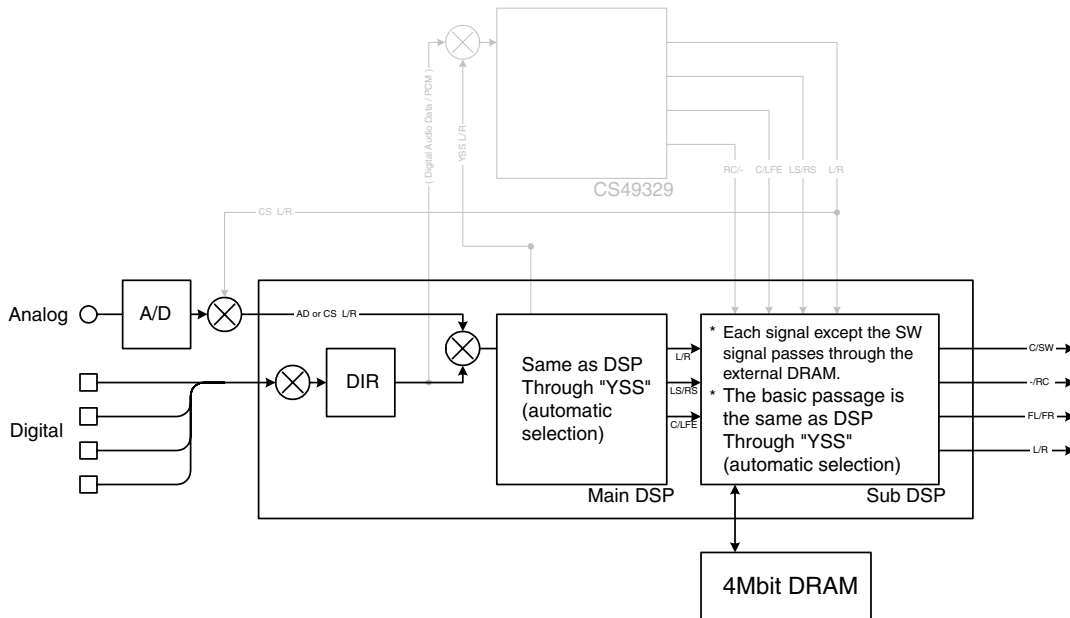
RAM 0dB

2. RAM 0dB

Reference data  
 INPUT: DVD ANALOG  
 SWFR: 50 Hz, Others: 1 kHz

Input level	Volume	SPEAKER OUTPUT (1 kHz)				SUBWOOFER OUTPUT (50 Hz)
		FRONT L/R	CENTER	SURROUND L/R	SURROUND BACK	
Both ch, -20 dBm	-10 dB	-∞	+21.2 dBm	-∞	-∞	-∞

RAM THROUGH ~  
 (Auto)



(Shaded items not used in this example)

### 3. PRO LOGIC

#### PRO LOGIC I

#### 3. PRO LOGIC I

Reference data

INPUT: DVD ANALOG

SWFR: 50 Hz, Others: 1 kHz

Input level	Volume	SPEAKER OUTPUT (1 kHz)				SUBWOOFER OUTPUT (50 Hz)
		FRONT L/R	CENTER	SURROUND L/R	SURROUND BACK	
Each ch, -20 dBm	-10 dB	+17.0 dBm	- ∞	- ∞	- ∞	-10.2 dBm
Both ch, -20 dBm	-10 dB	- ∞	+30.0 dBm	- ∞	- ∞	- ∞

### 3. PRO LOGIC

#### PRO LOGIC I

#### PRO LOGIC II

#### PRO LOGIC II

#### 3. PRO LOGIC II

Reference data

INPUT: DVD ANALOG

SWFR: 50 Hz, Others: 1 kHz

Input level	Volume	SPEAKER OUTPUT (1 kHz)				SUBWOOFER OUTPUT (50 Hz)
		FRONT L/R	CENTER	SURROUND L/R	SURROUND BACK	
Each ch, -20 dBm	-10 dB	+17.0 dBm	- ∞	- ∞	- ∞	-10.2 dBm
Both ch, -20 dBm	-10 dB	- ∞	+30.0 dBm	- ∞	- ∞	- ∞

The L/C/R/RL/RR signals undergo the Pro-Logic processing and C/RL/RR signals are output through Sub DSP-DRAM. Sub DSP is selected for MAIN L/R output.

Using the sub-menu, it is possible to select PRO LOGIC I, II (Movie). The Auto Input Balance function is always off.

When the Dolby Digital Multi input is used, the function is the same as in the Dolby Digital Normal mode.

The LFE signal is not output when decoding in the PRO LOGIC I, II mode.

L/C/R/RL/RRはYSS938によりプロロジック処理され、C/RL/RRはSub DSP-DRAM経由で出力されます。MAIN L/R出力にはSub DSPが選択されます。

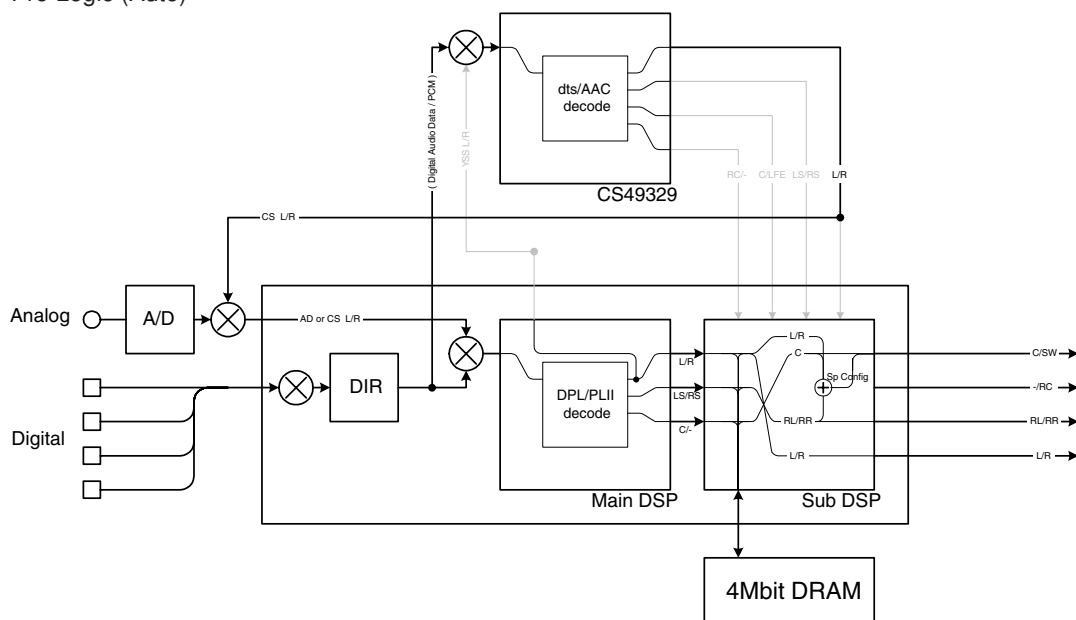
サブメニューでPRO LOGIC I、II (Movie)を選択可能です。常時Auto Input Balance offです。

「AAC入力時はCS49329でデコード後、L/Rはプロロジック処理されます。(J modelのみ)」

Dolby Digital Multi入力時は、通常のDolby Digital Normalと同じ動作をします。

PRO LOGIC I、IIデコード時は、LFEは出力されません。

Dolby Pro Logic (Auto)



(Shaded items not used in this example)

RX-SL100/RX-SL100RDS

Neo:6

Neo:6



Reference data

INPUT: DVD ANALOG

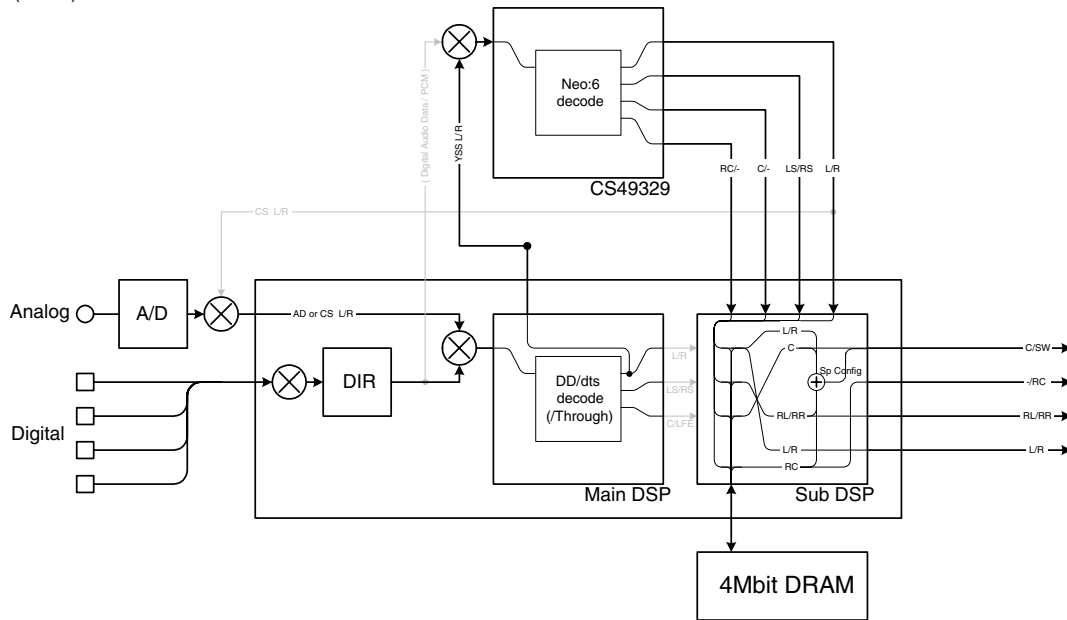
SWFR: 50 Hz, Others: 1 kHz

Input level	Volume	SPEAKER OUTPUT (1 kHz)				SUBWOOFER OUTPUT (50 Hz)
		FRONT L/R	CENTER	SURROUND L/R	SURROUND BACK	
Each ch, -20 dBm	-10 dB	+17.0 dBm	- ∞	- ∞	- ∞	-10.2 dBm
Both ch, -20 dBm	-10 dB	- ∞	+30.0 dBm	- ∞	- ∞	- ∞

L/C/R/RL/RC/RR signals are NEO:6 processed by CS49329 and C/RL/RC/RR signals are output through Sub DSP-DRAM. CS49329 is selected for the MAIN L/R output. The NEO:6 mode is fixed to Cinema 6ch. When DD/dts input is used, the signal is decoded by YSS-938 and then L/R signal is NEO:6 processed by CS49329. When AAC input is used, the signal is muted. When NEO:6 decoding is used, the LFE signal is not output.

L/C/R/RL/RC/RRはCS49329によりNEO:6処理され、C/RL/RC/RRはSub DSP-DRAM経由で出力されます。MAIN L/R出力にはCS49329が選択されます。NEO:6のモードはCinema 6ch固定です。DD/dts入力時はYSS-938でデコード後、L/RをCS49329でNEO:6処理。AAC入力時はミュートされます。NEO:6デコード時は、LFEは出力されません。

Neo:6 (Auto)



(Shaded items not used in this example)



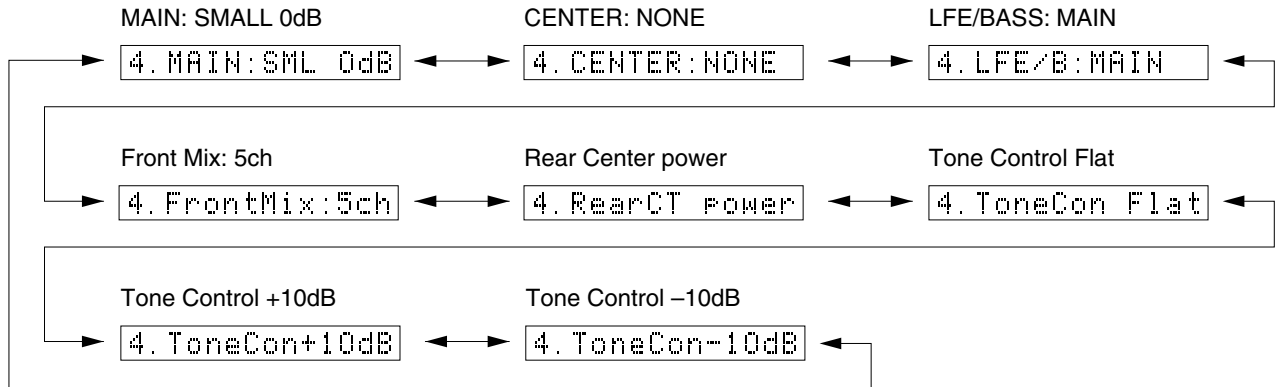
#### 4. SPEAKERS SET

The input signal is automatically identified and switched in the priority order of dts → DOLBY DIGITAL → AAC → PCM AUDIO → Analog (A/D) according to the signal detection. The signals output from the DSP block are the same as 1. DSP THROUGH: YSS 0dB.

#### 4. SPEAKERS SET

入力は信号検出によって、dts → DOLBY DIGITAL → AAC → PCM AUDIO → アナログ(A/D)の優先順で自動判別切り換えされます。

DSP部からは、No.1 DSP THROUGHのYSS 0dBと同様の信号が出力されます。



The analog switch settings for each sub-menu are as shown in the table below.

各サブメニューにおけるアナログスイッチの設定は以下の通りです。

Sub-menu		CENTER SP	REAR SP	MAIN SP	MAIN LEVEL	LFE/BASS
1	MAIN: SMALL 0dB	LARGE	LARGE	SMALL	0dB	SWFR
2	CENTER: NONE	NONE	LARGE	LARGE	0dB	BOTH
3	LFE/BASS: MAIN	SMALL	SMALL	LARGE	0dB	MAIN
4	FRONT MIX: 5CH	LARGE	LARGE	LARGE	0dB	BOTH
5	REAR CENTER: POWER	LARGE	LARGE	LARGE	0dB	BOTH

**LARGE:** This mode is used with a speaker with high bass reproduction performance (a large unit). Full bandwidth signals are output.

**SMALL:** This mode is used with a speaker with low bass reproduction performance (a small unit). The signals of 90 Hz or less are mixed into the channel specified by LFE/BASS.

**NONE:** This mode is used with no center speaker. The center content is reduced by 3 dB and distributed to MAIN L/R.

**LARGE :** 低音再生能力の高い(ユニットの大きい)スピーカーを使用するモードです。全帯域が出力されます。

**SMALL :** 低音再生能力の低い(ユニットの小さい)スピーカーを使用するモードです。90Hz以下がLFE/BASSで指定したチャンネルにミックスされません。

**NONE :** スピーカーを使用しないモードです。センター成分は-3dBされて、MAIN L/R に振り分けられません。

Sub-menu		Treble	Bass
6	Tone Control Flat	0 dB	0 dB
7	Tone Control +10dB	+10 dB	+10 dB
8	Tone Control -10dB	-10 dB	-10 dB

Reference data  
 INPUT: DVD ANALOG (Both ch)

Sub-menu	Input level	Volume	SPEAKER OUTPUT (1 kHz)				SUBWOOFER OUTPUT (50 Hz)
			FRONT L/R	CENTER	SURROUND L/R	SURROUND BACK	
1 MAIN: SMALL 0dB	1 kHz Both ch, -20 dBm	-10 dB	+17.0 dBm	- ∞	- ∞	- ∞	- ∞
2 CENTER: NONE	1 kHz Both ch, -20 dBm	-10 dB	+13.7 dBm	+27.0 dBm	- ∞	- ∞	- ∞
3 LFE/BASS: MAIN	50 Hz Both ch, -20 dBm	-10 dB	- ∞	- ∞	- ∞	- ∞	+6.9 dBm
4 Front Mix: 5ch	1 kHz Both ch, -20 dBm	-10 dB	+17.0 dBm	- ∞	- ∞	- ∞	- ∞
5 Rear Center Power	1 kHz Both ch, -20 dBm	-10 dB	- ∞	- ∞	- ∞	+27.0 dBm	- ∞
6 Tone Control Flat	1 kHz Both ch, -20 dBm	-10 dB	+17.0 dBm	+27.0 dBm	+27.0 dBm	+27.0 dBm	-1.5 dBm
7 Tone Control +10dB	1 kHz Both ch, -20 dBm	-10 dB	+18.5 dBm	+27.0 dBm	+27.0 dBm	+27.0 dBm	-1.5 dBm
8 Tone Control -10dB	1 kHz Both ch, -20 dBm	-10 dB	+15.4 dBm	+27.0 dBm	+27.0 dBm	+27.0 dBm	-1.5 dBm

**5. HEADPHONE TEST**

The signal is output including the head margin.

**MAIN 12dB MARGIN**

Reference data  
 INPUT: DVD ANALOG  
 SWFR: 50 Hz, Others: 1 kHz

5. MAIN 12dB

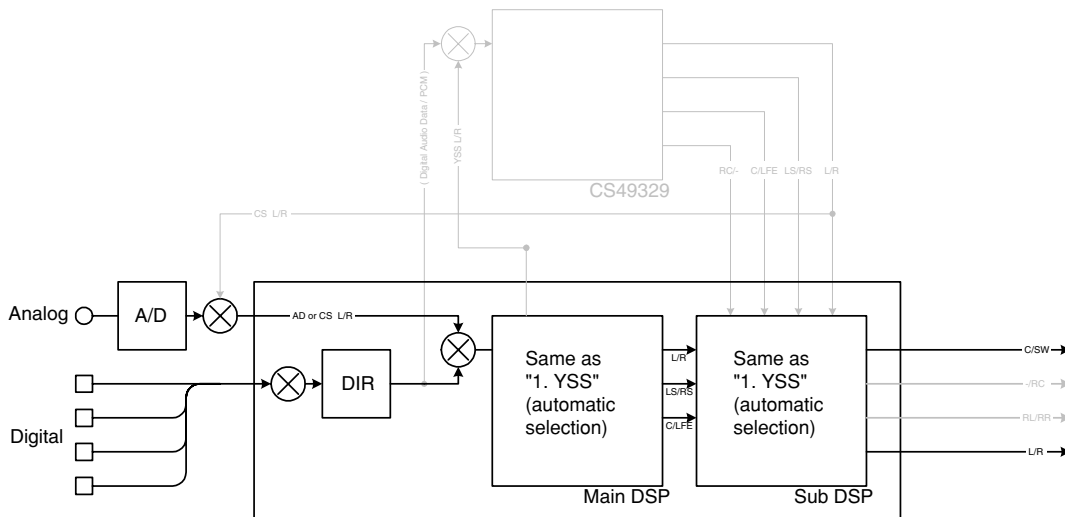
Input level	Volume	SPEAKER OUTPUT (1 kHz)				SUBWOOFER OUTPUT (50 Hz)
		FRONT L/R	CENTER	SURROUND L/R	SURROUND BACK	
Each ch, -20 dBm	-10 dB	+16.8 dBm	- ∞	- ∞	- ∞	- ∞

**MAIN 15dB MARGIN**

Reference data  
 INPUT: DVD ANALOG  
 SWFR: 50 Hz, Others: 1 kHz

5. MAIN 15dB

Input level	Volume	SPEAKER OUTPUT (1 kHz)				SUBWOOFER OUTPUT (50 Hz)
		FRONT L/R	CENTER	SURROUND L/R	SURROUND BACK	
Both ch, -20 dBm	-10 dB	+19.5 dBm	- ∞	- ∞	- ∞	- ∞



(Shaded items not used in this example)

RX-SL100/RX-SL100RDS

## 6. OTHER INPUT

The signal input through the 6CH INPUT terminals is output.  
(Not applied to this model.)

### EXTERNAL DECODER

6. EXTERNAL DEC

## 6. OTHER INPUT

6CH入力した信号が出力されます。(このモデルには適用されません。)

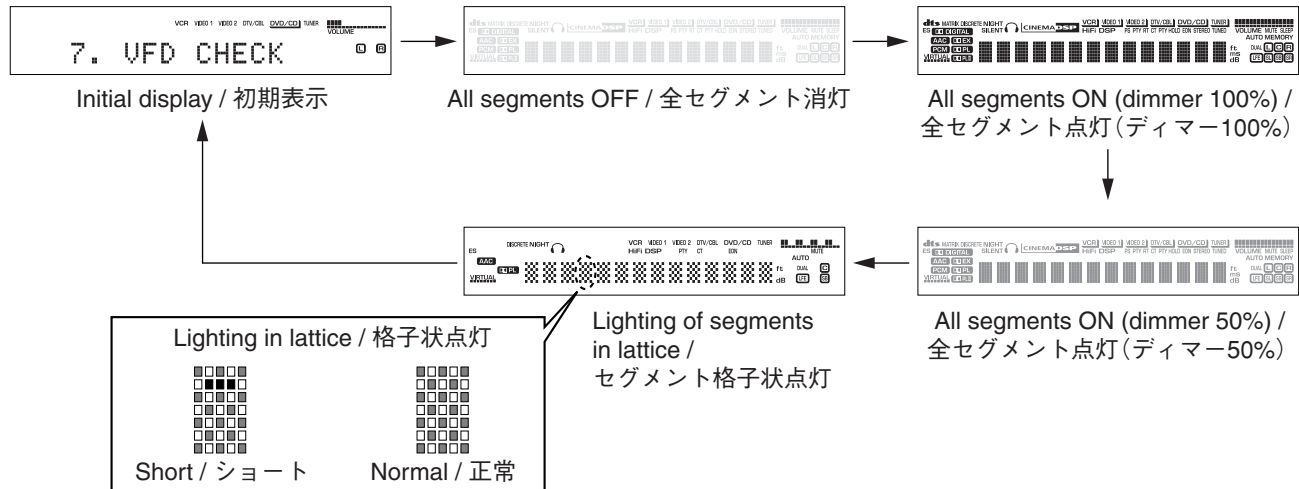
### EXTERNAL DECODER

## 7. DISPLAY CHECK

This program is used to check the FL display section. The display condition varies as shown below according to the sub-menu operation. The signals are processed using EFFECT OFF (The L/R signal is output using ANALOG MAIN BYPASS.)

## 7. DISPLAY CHECK

FL表示部のチェックプログラムです。サブメニュー操作により、表示状態が以下のように変わります。信号処理はEFFECT OFF (ANALOG MAIN BYPASSでL/Rを出力)です。



Segment conditions of the FL driver and the FL tube are checked by turning ON and OFF all segments. Next, the operation of the FL driver is checked by using the dimmer control. Then a short between segments next to each other is checked by turning ON and OFF all segments alternately (in lattice). (In the above example, the segments in the second row from the top are shorted.)

全セグメント消灯・全セグメント点灯によりFLドライバー、FL管のセグメントの不良を確認します。

次に、ディマーコントロールによってFLドライバーの動作チェックを行います。

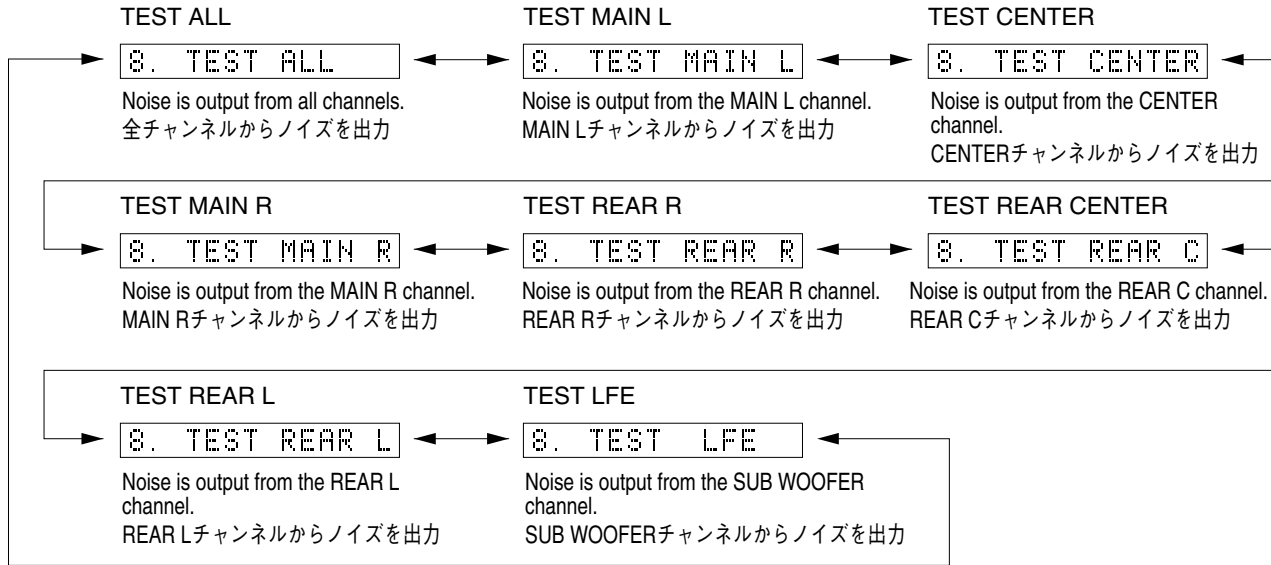
さらに全セグメントを交互(格子状)に点灯/消灯することで、隣り合うセグメントのショートをチェックします。

### 8. MANUAL TEST

The noise generator built into the DSP outputs the test noise through the channels specified by the sub-menu. The noise frequency for LFE is 35 to 250 Hz. Other than that, the center frequency is 800 Hz.

### 8. MANUAL TEST

DSP内蔵のノイズ発生回路によって、サブメニューで指定したチャンネルへテストノイズを出力します。LFE用のノイズ周波数は35~250Hz、それ以外は中心周波数800Hzとなります。



### 9. FACTORY PRESET

This menu is used to reserve and inhibit initialization of the back-up RAM. The signals are processed using EFFECT OFF. (The L/R signal is output using ANALOG MAIN BYPASS.)

### 9. FACTORY PRESET

バックアップ用RAM (音場プログラムのパラメーターやセットメニュー内容等)の初期化を予約/禁止します。信号処理はEFFECT OFFと同じです(ANALOG MAIN BYPASSで、L/Rを出力)。

9. PRESET INHI

**PRESET INHIBIT** (Initialization inhibited) / **PRESET INHIBIT** (初期化禁止)

RAM initialization is not executed. Select this sub-menu to protect the values set by the user. RAMの初期化は行われません。ユーザーの設定値を保護するときは、こちらを選択してください。

9. PRESET RSRV

**PRESET RESERVED** (Initialization reserved) / **PRESET RESERVED** (初期化予約)

Initialization of the back-up RAM is reserved. (Actually, initialization is executed the next time that the power is turned on.) Select this sub-menu to reset to the original factory settings or to reset the RAM.

バックアップRAMの初期化が予約されます。(実際に初期化されるのは、次回の電源投入時です。)工場出荷時やRAMをリセットしたいときは、こちらを選択してください。

**CAUTION:** Before setting to the PRESET RESERVED, write down the existing preset memory content of the Tuner in a table as shown below. (This is because setting to the PRESET RESERVED will cause the user memory content to be erased.)

注意： PRESET RESERVEDを選んで初期化をする前に、チューナーのユーザーメモリー内容を下表に書き写してください。(初期化をすると、ユーザーメモリーの内容は消えてしまいます。)

Preset group	P1	P2	P3	P4	P5	P6	P7	P8
A								
B								
C								
D								
E								

## • PRESET STATIONS / プリセット局

STATION		FM FACTORY PRESET DATA (MHz)		
PAGE	NO.	U, C	R, T, K, A, B, G, L	J
A/C/E	1	87.5	87.5	76.0
	2	90.1	90.1	83.0
	3	95.1	95.1	84.0
	4	98.1	98.1	86.0
	5	107.9	108.0	90.0
	6	88.1	88.1	78.0
	7	106.1	106.1	88.0
	8	107.9	108.0	82.1

STATION		AM FACTORY PRESET DATA (kHz)		
PAGE	NO.	U, C, R, T, K	A, B, G, L	J
B/D	1	630	630	630
	2	1080	1080	1080
	3	1440	1440	1440
	4	530	531	531
	5	1710	1611	1611
	6	900	900	900
	7	1350	1350	1350
	8	1400	1404	1404

### 10. AD DATA CHECK/FAN TEST

This menu is used to display the A/D conversion value of the terminals which detects panel keys of the main unit and protection functions in % using the sub-menu. During signal processing, the condition before execution is maintained.

When K0/K1 menu is selected, keys become non-operable due to detection of the values of all keys. However, it is possible to advance to the next sub-menu by turning the VOLUME of the main unit while in the menu select mode. When using this function, note that turning the VOLUME more than 2 clicks will cause the volume value to change.

\* The figures in the diagram are given as reference only.

#### DC (protection detection)

DC protection value (Normal value: 26 to 46) U, C, A, L, R, T, K models  
(Normal value: 42 to 68) B, G models

If DC is out of the normal value range, the protection function works to turn off the power.

DC:98% UC: 38%

#### UC (Detected value of D-AMP module temperature)

The ambient temperature of the D-AMP module is detected by TH661.

The voltage is displayed in % using the detected value of the temperature. The reference voltage is 5V. (Normal value: 0 to 59)

#### THM/Fan (temperature detection/fan drive level)

THM: 500% display of the voltage based on the temperature detected value. Reference voltage : 5V (Normal value: 0 to 272)

Fan: Current fan drive level on the left and the past fan drive history on the right.

THM205%5Fan\_/\_

5 levels from 0 to 4  
0~4の5段階

#### REC-OUT

Not applied to this model.

REC-OUT:

### 10. AD DATA CHECK/FAN TEST

本体パネルキー、プロテクションなどを検出している端子のA/D変換の値を、サブメニューで%表示します。信号処理は実行前の状態を維持します。

K0/K1のメニューにすると、全キーの値を検出するためキー操作はできなくなりますが、メニュー選択モード中に本体のVOLUMEを回すことにより、次のサブメニューに進めることができます。このとき2クリック以上回すと、ボリューム値が変化するので注意してください。

※図中の数値は参考例です。

#### DC (プロテクションの検出)

DCプロテクションの値 (正常値26~46)

DCは正常値を外れるとプロテクションが働き、電源オフされます。

#### UC(D-AMPモジュール温度検出値)

D-AMPモジュールの雰囲気温度をTH661で検出します。

温度検出値の電圧を%表示、基準電圧は5V(正常値0~59)

#### THM/Fan (温度検出/ファン駆動レベル)

THM: 温度検出値で電圧の500%表示、基準電圧は5V (正常値0~272)

Fan: 左側は現在のファン駆動レベル、右側は過去のファン駆動履歴

#### REC-OUT

このモデルには適用されません。

**IMP SW** (Impedance)  
Not applied to this model.

**IMP SW** (インピーダンス)  
このモデルには適用されません。

IMP:8 PL:55%

**K0/K1** (Panel key of main unit)  
A/D of the key fails to function properly when the standard value is deviated. In this case, check the constant of partial pressure resistor, solder condition, etc. Refer to table 1.

**K0/K1** (本体パネルキー)  
キーのA/Dは基準値から外れると、正常な動きをしません。Table 1をご覧になり、各キーの分圧抵抗の定数、ハンダ不良等の確認をしてください。

K0:100%K1: %

[Table 1]

Display (%)	K0	K1
0 - 5	ENTER	
6 - 15	INPUT	
15 - 28	DSP	
28 - 46	TUNER	

**FAN DRIVE TEST** (For models so equipped)  
HIGH

**FAN DRIVE TEST** (ファン駆動テスト)  
HIGH : ファン駆動強

FAN TEST:HIGH

**FAN DRIVE TEST** (For models so equipped)  
MID

**FAN DRIVE TEST** (ファン駆動テスト)  
MID : ファン駆動中

FAN TEST:MID

**FAN DRIVE TEST** (For models so equipped)  
LOW

**FAN DRIVE TEST** (ファン駆動テスト)  
LOW : ファン駆動弱

FAN TEST:LOW

### 11. IF STATUS (Input function status)

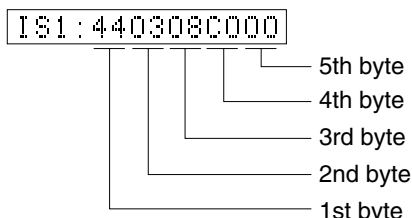
Using the sub-menu, the status data is displayed one after another in the hexadecimal notation.

During signal processing, the status before execution of this menu is maintained.

\* Numeric values in the figure example are for reference.

#### IS1, 2 (Internal status):

Indicates the status information of the microprocessor.



<1st byte> Digital input/output setting value

Upper 4 bits: REC OUT selected /

lower 4 bits: INPUT selected

Value	Choice	Preset name	Value	Choice	Preset name
0	NONE		4	OPTD	
1	OPTA	VIDEO2	6	OPTF	
2	OPTB	DVD/CD	8	COAXA	VIDEO1
3	OPTC	DTV/CBL	9	COAXB	

<2nd byte> Fs information of reproduction signal

Display	00	01	02	03	04	05	06	0A	0B	0C	0D
Fs (kHz)	Analog	32	44.1	48	64	88.2	96	Unknown NRM	Unknown DBL	Unknown QUAD	Not defined

<3rd byte> Audio code mode information of reproduction signal

Display	00	01	02	03	04	05	06	07	08	09	0A	0B	0C	0D
Audio Code	1+1	1/0	2/0	3/0	2/1	3/1	2/2	3/2	2/3	3/3	OVER 6.1	MULTI MONO	MULTI PCE	Unknown

<4th byte> Format information of reproduction signal

\*1: Analog processing used for digital reproduction is not possible because of a commercial bit or 4-ch audio reason.

Display	Signal format
00	Analog (Unlock)
01	Incorrect digital (*1)
10	PCM Audio
20	Digital Data
21	IEC1937 Data
22	None PCM
23	Unknown
50	dts
51	Red dts
54	dts-ES MATRIX
58	dts-ES DISCRETE
5C	dts-ES (Both flag)
60	AAC
C0	Dolby Digital
C1	D.D. Karaoke
C4	D.D.6.1 (D.D.EX)

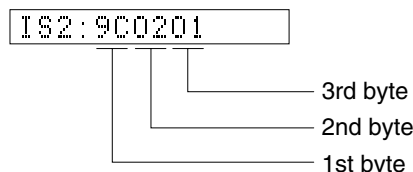
### 11. IF STATUS

サブメニュー操作により、以下のステータス情報を順次16進数で表示します。信号処理は、本メニュー実行前の状態を維持します。

※図中の数値は参考例です。

#### IS 1, 2 (内部ステータス):

マイコンのステータス情報を表示します。



<第1バイト> デジタル入出力設定値

上位4bit REC OUT 選択 /

下位4bit INPUT 選択

<第2バイト> 再生信号のFs情報

<第3バイト> 再生信号のオーディオコードモード情報

<第4バイト> 再生信号のフォーマット情報

\*1: 業務用ビットや4chオーディオなどの理由で、デジタル再生できずアナログ処理されます。

<5th byte> Signal processing status information  
 \*2: With digital signals other than 32 kHz, 44.1 kHz and 48 kHz, through processing method is used for reproducible signals.

<第5バイト>信号処理ステータス情報  
 \*2: 32kHz、44.1kHz、48kHz以外のデジタル信号の場合、再生可能な信号についてはスルー処理されます。

bit7	MUTE request	bit3	-
bit6	Red dts flashing	bit2	Through & bypass (*2)
bit5	6.1/EX processing	bit1	-
bit4	FULL MUTE (ON: 1)	bit0	dts analog mute

**CS1-5:** Indicates channel status information of the input signal (IEC60958).

**CS 1-5:** 入力信号のIEC60958チャンネルステータス情報を表示します。

CS1:0299000200 ----- CS5:00000000

**BY1-4:** Indicates information of the bit stream included in the DOLBY DIGITAL signal.

**BY1-4:** DOLBY DIGITAL信号に含まれるビットストリームインフォメーション情報を表示します。

BY1:1E40E1301B ----- BY4:01FFFFFF

**BS1-5:** Indicates information of the bit stream included in the dts signal.

**BS1-5:** dts信号に含まれるビットストリームインフォメーション情報を表示します。

BS1:000070FFFF ----- BS5:C4

**YS1-3:** Indicates device status information of YSS938 (IC601).  
 \* The numeric value in the figure is an example for reference.

**YS1-3:** YSS938 (IC601)のデバイスステータス情報を表示します  
 ※ 図中数値は参考例です。

YS1:FEO2004F97

YS2:0101418000

YS3:1A41803D

Byte No.	Function
1	YSS MUTE Reg
2	YSS MODE Reg
3	YSS IPORT BIT 7-0
4	YSS IPORT BIT 14-8
5	YSS OPORT

Byte No.	Function
1	IEC 1937 Preamble Pc
2	Data Stream Reg
3	Status Reg
4	YSS ZERO Reg
5	MIREG

Byte No.	Function
1	DIR Status
2	DIR fs
3	DIR fs count
4	YSS ZEROBF

**SD:** CS49329 Unsolicited Messages (AUTODETECT\_RESPONSE)

**SD:** CS49329 Unsolicited Messages (AUTODETECT\_RESPONSE)

SD :000001

**MTT:** Mute Trigger

**MTT:** Mute Trigger

MTT:0020000007

Byte No.	Function
1	Mute condition
2	Factor of the last mute
3	Error count of YSS938-FSCNT
4	Mute count by YSS938-FSCNT
5	Error factor of down load of CS49329



## 12. DSP RAM CHECK

This menu is used to self-diagnose whether or not the bus connection for the YSS938 and the external RAM is made properly.

During signal processing, the status before execution of this menu is maintained.

The address bus and the data bus are checked and the connection condition is displayed.

When no error is detected, "NoEr" appears on display.

### YSS938 BUS CHECK

```
YSS  BUS:NoEr
```

Display	Description
WAIT	Bus is being checked.
NoEr	No error detected.
DATA	Data bus shorted or open.
RSCS	/RAS or /CAS shorted, or open.
ADDR	Address bus shorted or open.

### YSS938 BUS CHECK

YSS938と外付けRAMとのバス接続の正否を自己診断します。信号処理は、このメニューを実行する前の状態を維持します。アドレスバス、データバスのチェックを行い、接続正否を表示します。

エラーが検出されなかった場合は、“NoEr”と表示されます。

## PLD/SRAM BUS CHECK

```
SD  BUS:None
```

Display	Description
WAIT	Bus is being checked.
NoEr	No error detected.
EDxx	Data bus shorted or open. (XX: 00-07)
EAXx	Address bus shorted or open. (XX: 00-0E)

## PLD/SRAM BUS CHECK

## 13. SD DL CODE

This menu is used to display the data version of the FLASH ROM, TOC information and sum calculated value for the second decoder.

### RDV

Displays the data version.

```
RDV:XXXXXXXX
```

### TA 0-5

Displays the TOC information.

```
TA0:0502629A ----- TA5:FFFFFFFF
```

### SA 0-5

Displays the sum calculated value.

```
SA0:984E984E ----- SA5:FFFFFFFF
```

## 13. SD DL CODE

2ndデコーダ用FLASH ROMのデータバージョン、TOC情報およびサム算出値を表示します。

### RDV

データバージョンを表示します。

### TA 0-5

TOC情報を表示します。

### SA 0-5

サム算出値を表示します。

**14. SOFT SW**

This menu is used to switch the function settings on P.C.B. through the software so as to activate the product.

The protection function follows the P.C.B. settings. When connected to AC or in the maker preset state, the unit is initialized to the P.C. B. setting. Display of each function after initialization varies depending on settings on P.C.B. The operation mode can be changed by selecting the sub-menu and then using the DSP key. With SOFT selected for the SW mode, the settings become effective.

**SW MODE:** PCB or SOFT can be selected.

```
14. SW : PCB
```

**MODEL SETTING:** SL100

```
14. MODEL : SL100
```

**DESTINATION:** J, AT, UC, L, K, GB, none or R can be selected.

```
14. DEST : UC
```

**RDS:** NOT or EXIST are displayed.

```
14. RDS : NOT
```

**ZONE2:** NOT

```
14. ZONE2 : NOT
```

**VIDEO FORMAT:** NTSC or PAL are displayed.

```
14. VIDED : PAL
```

**14. SOFT SW**

P.C.B.上の機能設定をソフト的に切り替えて、製品を動作させる機能です。

プロテクション機能は、P.C.B.の設定に従います。AC接続またはメーカープリセットで、P.C.B.の設定に初期化されます。初期化後の各機能の表示は、P.C.B.上の設定によります。操作は、サブメニューを選んだ後、DSPキーで切り替えます。SWモードをSOFTにすると、設定が有効になります。

**SW MODE :** PCBまたはSOFTを選択できます。

**MODEL SETTING :** SL100

**DESTINATION :** J、AT、UC、L、K、GB、none、Rのいずれかを選択できます。

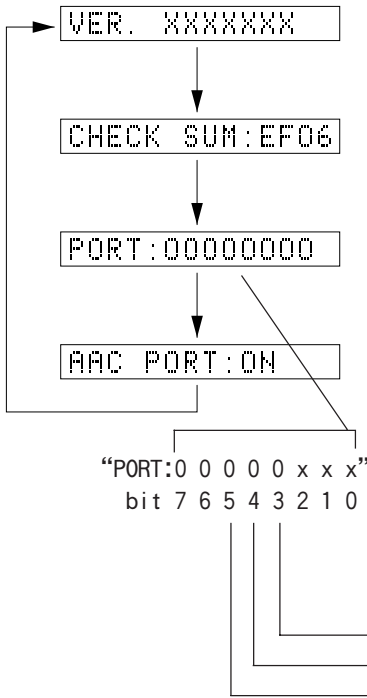
**RDS :** NOTまたはEXISTを表示します。

**ZONE2 :** NOT

**VIDEO FORMAT :** NTSCまたはPALを表示します。

### 15. MICROPROCESSOR INFORMATION

The version, checksum and the port specified by the microprocessor are displayed. The signal is processed using EFFECT OFF. The checksum is obtained by adding the data at every 8 bits for each program area and expressing the result as a 4-figure hexadecimal data.



**Version / バージョン情報**

Release 1 digit / Main version 2 digit / DSP version 2 digit / GUI version 2 digit

**Checksum / チェックサム表示**

A: All area

**Check of port setting for judging microprocessor function**

マイコンの機能判定用ポート設定確認

**Display of AAC function detection port state**

AAC機能検出ポート状態表示

### 15. マイコン情報

サブメニューは4つあります。

プログラムのバージョン、チェックサム、マイコンの指定ポートを表示します。

信号はエフェクトOFFです。チェックサムは、プログラムエリア別にデータを8ビットごとに加算していき、4桁の16進データで現したものです。

\*1

Dest 0	Dest 1	Dest 2	Dest	AM/FM	Video Format
0	0	0	J	531-1611 kHz / 9 kHz 76.0-90.0 MHz / 100 kHz	NTSC
0	1	0	U, C	530-1710 kHz / 10 kHz 87.5-107.9 MHz / 200 kHz	NTSC
1	0	0	A, T	531-1611 kHz / 9 kHz 87.5-108.0 MHz / 50 kHz	PAL
0	0	1	K	531-1611 kHz / 9 kHz 87.5-108.0 MHz / 50 kHz	NTSC
1	0	1	G, B	531-1611 kHz / 9 kHz 87.5-108.0 MHz / 50 kHz	PAL
1	1	0	L	530-1710 kHz / 10 kHz 87.5-108.0 MHz / 100 kHz	PAL
1	1	0		531-1611 kHz / 9 kHz 87.5-108.0 MHz / 50 kHz	
1	1	1	R	530-1710 kHz / 10 kHz 87.5-108.0 MHz / 100 kHz	NTSC
1	1	1		531-1611 kHz / 9 kHz 87.5-108.0 MHz / 50 kHz	

## ■ D-AMP MODULE TROUBLESHOOTING / D-AMPモジュールの故障診断

When the D-AMP module is working properly, the sine wave signal appears at the speaker terminal in the no signal applied state. The sine wave signal is about 400kHz, about 200mVRMS and lower than DC offset 50mV based on the negative (-) side. When this signal is not observed, it is possible that the D-AMP module has failed. In such case, replace the D-AMP module.

D-AMPモジュールが正常に動作している場合、入力無信号状態で-(マイナス)側を基準に約400kHz、約200mVRMS、DCオフセット50mV以下のサイン波がスピーカー端子に現れます。この信号が観測されない場合、D-AMPモジュールが故障している可能性があります。その場合、D-AMPモジュールを交換してください。

RX-SL100/RX-SL100RDS

## ■ AMP ADJUSTMENT / アンプ部調整

### Condition

- Start adjustment 5 sec or more after the power is turned on.
- Headphones are not plugged in.
- No input signal.

### 条件

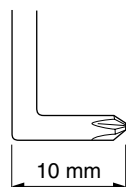
- 電源を入れてから5秒間以上経過後に調整を始めます。
- ヘッドホンは差し込みません。
- 無信号

### Equipment required

Screwdriver with angled shank as shown below

### 必要なツール

下記寸法の先端L型ドライバー

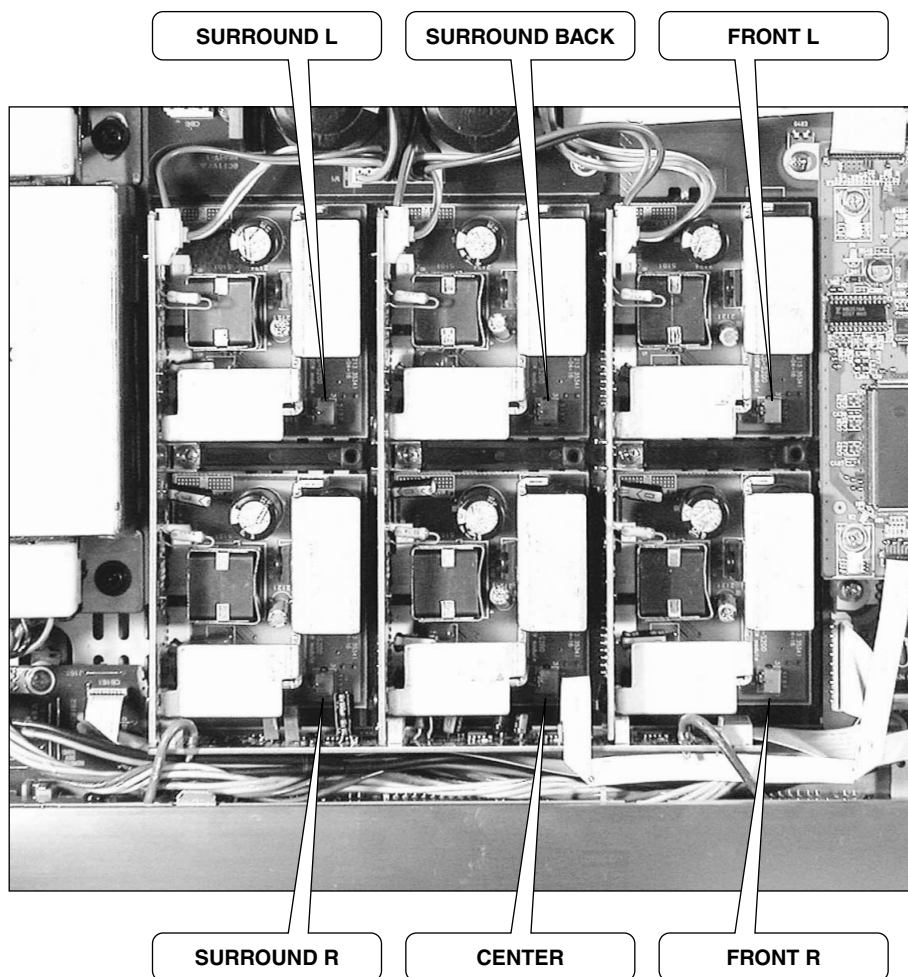


### DC Offset Adjustment

Adjust the potentiometer on each D-Amp Module so that the DC voltage becomes  $0 \pm 10$  mV at each speaker output.

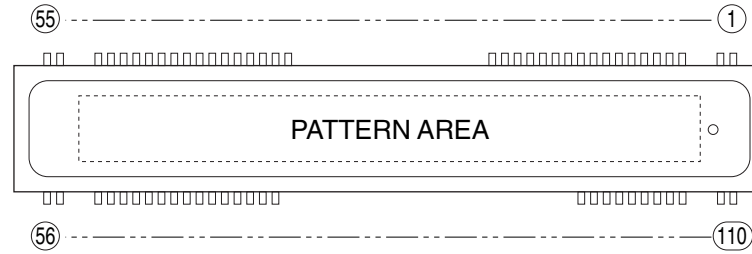
### DCオフセット調整

各スピーカー出力端子のDC電圧が $0 \pm 10$ mVになるように、各D-アンプモジュールの半固定VRを調整します。



## ■ DISPLAY DATA

### ● V101 : HNA-16SM08T (WB569700)

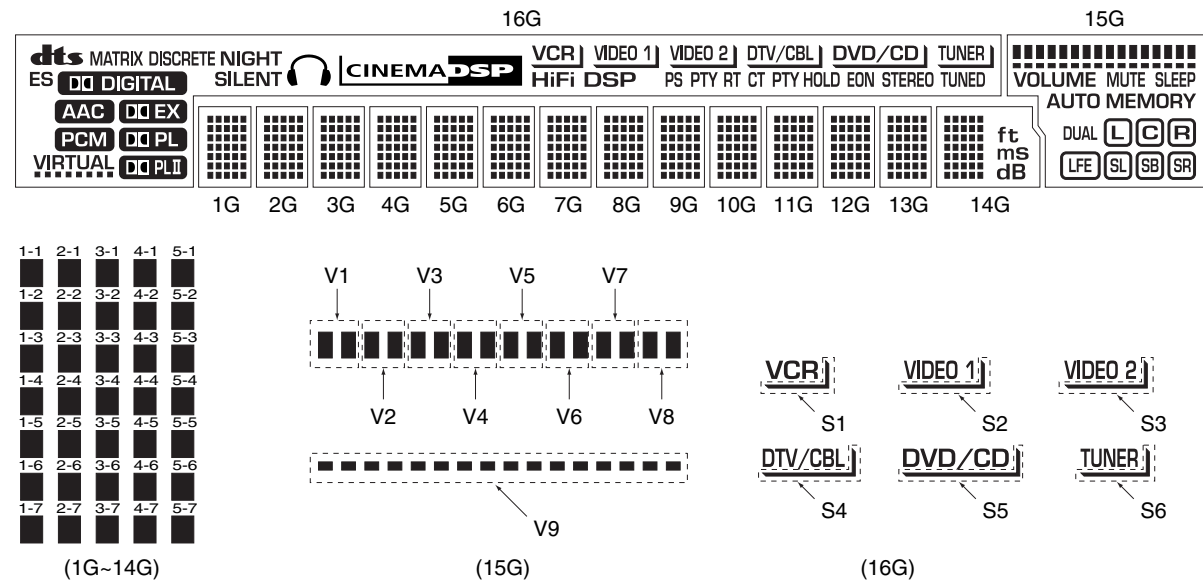


### ● PIN CONNECTION

PIN NO.	28	27	26	25	24	23	22	21	20	19	18	17	16	15	14	13	12	11	10	9	8	7	6	5	4	3	2	1
CONNECTION	NP	NP	NP	NP	NP	NP	NP	NP	NX	15G	14G	13G	12G	11G	10G	9G	8G	7G	6G	5G	4G	3G	2G	1G	NP	NP	F1	F1
PIN NO.	55	54	53	52	51	50	49	48	47	46	45	44	43	42	41	40	39	38	37	36	35	34	33	32	31	30	29	
CONNECTION	F2	F2	NP	NP	P24	P25	P26	P27	P28	P29	P30	P31	P32	P33	P34	P35	P36	P37	P38	NP	NP	NP	NP	NP	NP	NP	NP	
PIN NO.	56	57	58	59	60	61	62	63	64	65	66	67	68	69	70	71	72	73	74	75	76	77	78	79	80	81	82	
CONNECTION	F2	F2	NP	NP	P23	P22	P21	P20	P19	P18	P17	P16	P15	P14	P13	P12	P11	P10	P9	NP	NP	NP	NP	NP	NP	NP	NP	
PIN NO.	83	84	85	86	87	88	89	90	91	92	93	94	95	96	97	98	99	100	101	102	103	104	105	106	107	108	109	110
CONNECTION	NP	NP	NP	NP	NP	NP	NP	NP	NP	NP	NP	NP	NP	NP	NX	P8	P7	P6	P5	P4	P3	P2	P1	NP	NP	F1	F1	

Note : 1) F1, F2 ..... Filament 2) NP ..... No pin 3) NC ..... No connection 4) NX ..... No extened 5) 1G ~ 16G ..... Grid 6) P1 ~ 38 ..... Anode

### ● GRID ASSIGNMENT

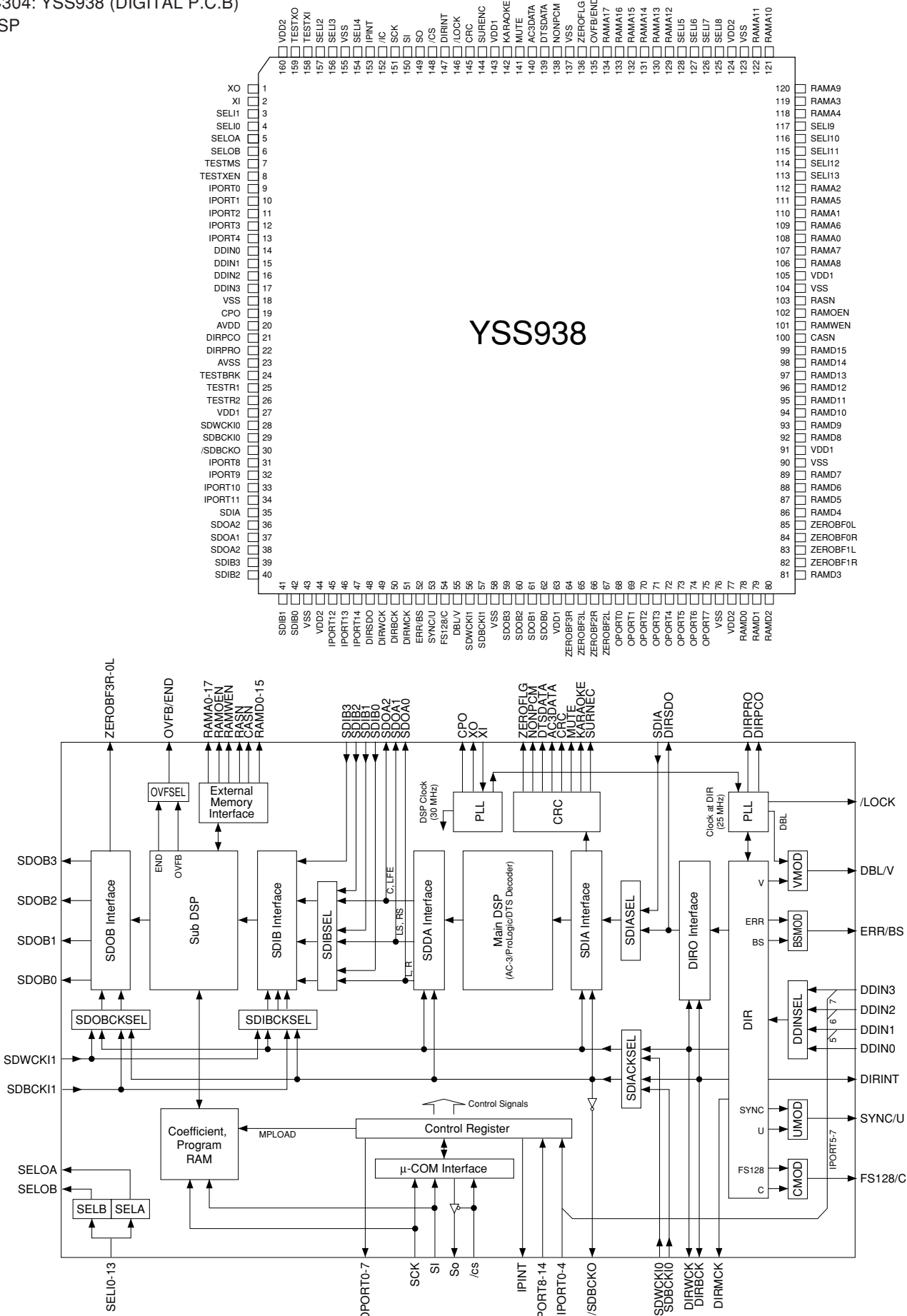


### ● ANODE CONNECTION

	16G	15G	14G	13G~1G
P1	<b>dts</b>	V1	1-1	1-1
P2	<b>ES</b>	V2	2-1	2-1
P3	<b>MATRIX</b>	V3	3-1	3-1
P4	<b>DISCRETE</b>	V4	4-1	4-1
P5	<b>DIGITAL</b>	V5	5-1	5-11
P6	<b>AAC</b>	V6	1-2	1-2
P7	<b>PCM</b>	V7	2-2	2-2
P8	<b>VIRTUAL</b>	V8	3-2	3-2
P9	<b>EX</b>	V9	4-2	4-2
P10	<b>PL</b>	<b>VOLUME</b>	5-2	5-2
P11	<b>PLII</b>	<b>MUTE</b>	1-3	1-3
P12	<b>NIGHT</b>	<b>SLEEP</b>	2-3	2-3
P13	<b>SILENT</b>	<b>AUTO</b>	3-3	3-3
P14		<b>MEMORY</b>	4-3	4-3
P15	<b>CINEMA DSP</b>	<b>DUAL</b>	5-3	5-3
P16	<b>VCR</b>	<b>L</b>	1-4	1-4
P17	<b>S1</b>	<b>C</b>	2-4	2-4
P18	<b>VIDEO 1</b>	<b>R</b>	3-4	3-4
P19	<b>S2</b>	<b>LFE</b>	4-4	4-4
P20	<b>VIDEO 2</b>	<b>SL</b>	5-4	5-4
P21	<b>S3</b>	<b>SB</b>	1-5	1-5
P22	<b>DTV/CBL</b>	<b>SR</b>	2-5	2-5
P23	<b>S4</b>	-	3-5	3-5
P24	<b>DVD/CD</b>	-	4-5	4-5
P25	<b>S5</b>	-	5-5	5-5
P26	<b>TUNER</b>	-	1-6	1-6
P27	<b>S6</b>	-	2-6	2-6
P28	<b>HiFi DSP</b>	-	3-6	3-6
P29	<b>PS</b>	-	4-6	4-6
P30	<b>PTY</b>	-	5-6	5-6
P31	<b>RT</b>	-	1-7	1-7
P32	<b>CT</b>	-	2-7	2-7
P33	<b>PTY HOLD</b>	-	3-7	3-7
P34	<b>EON</b>	-	4-7	4-7
P35	<b>STEREO</b>	-	5-7	5-7
P36	<b>TUNED</b>	-	<b>ft</b>	-
P37	-	-	<b>ms</b>	-
P38	-	-	<b>dB</b>	-

IC DATA

IC304: YSS938 (DIGITAL P.C.B)  
DSP



IC304: YSS938 (DIGITAL P.C.B)

DSP

No.	Name	I/O	Function
1	XO	O	Crystal oscillator connecting terminal
2	XI	I	Crystal oscillator connecting terminal (24.576MHz)
3	SEL1	I+	Built-in selector input 1 (Unconnected) (AXD)
4	SEL0	I+	Built-in selector input 0 (GND)
5	SELOA	O+	Built-in selector output A (ISEL)
6	SELOB	O+	Built-in selector output B (Unconnected) (RSEL)
7	TESTMS	I+	Test terminal (Unconnected)
8	TESTXEN	I+	Test terminal (Unconnected)
9	IPORT0	I+	General purpose input terminal (CXDTA)
10	IPORT1	I+	General purpose input terminal (CXDTB)
11	IPORT2	I+	General purpose input terminal
12	IPORT3	I+	General purpose input terminal
13	IPORT4	I+	General purpose input terminal
14	DDIN0	Is	DIR: Digital audio interface data input terminal 0 (ISEL)
15	DDIN1	Is	DIR: Digital audio interface data input terminal 1/General purpose input terminal (Pull down)
16	DDIN2	Is	DIR: Digital audio interface data input terminal 2/General purpose input terminal (Pull down)
17	DDIN3	Is	DIR: Digital audio interface data input terminal 3/General purpose input terminal (Pull down)
18	VSS		Ground terminal
19	CPO	A	PLL filter connecting terminal
20	AVDD		+3.3V power terminal (for DIR)
21	DIRPCO	A	DIR: PLL filter connecting terminal
22	DIRPRO	A	DIR: PLL filter connecting terminal
23	AVSS		Ground terminal (for DIR)
24	TESTBRK	I+	Test terminal (Unconnected)
25	TESTR1	I+	PLL initialization signal input terminal for DSP (/ICD)
26	TESTR2	I+	Test terminal (Unconnected)
27	VDD1		+3.3V power terminal (for terminal section)
28	SDWCKI0	I+	Word clock input terminal for SDIA, SDOA, SDIB, SDOB interface (Unconnected) (WCKG)
29	SDBCKI0	I+	Bit clock input terminal for SDIA, SDOA, SDIB, SDOB interface (Unconnected) (BCKG)
30	/SDBCK0	O	DIRBCK or SDBCKI0 invert clock output terminal (Unconnected)
31	IPORT8	I+	IPINT general purpose input terminal
32	IPORT9	I+	IPINT general purpose input terminal (NONPCM)
33	IPORT10	I+	IPINT general purpose input terminal (NONPCM)
34	IPORT11	I+	IPINT general purpose input terminal (MUTE)
35	SDIA	I	AC-3/DTS bit stream (or PCM) data input terminal to Main DSP (SDIA)
36	SDOA2	O	PCM output terminal from Main DSP (C/LFE output) (Unconnected)
37	SDOA1	O	PCM output terminal from Main DSP (LS/RS output) (Unconnected)
38	SDOA0	O	PCM output terminal from Main DSP (L/R output)
39	SDIB3	I+	PCM input terminal 3 to Sub DSP
40	SDIB2	I+	PCM input terminal 2 to Sub DSP
41	SDIB1	I+	PCM input terminal 1 to Sub DSP
42	SDIB0	I+	PCM input terminal 0 to Sub DSP
43	VSS		Ground terminal
44	VDD2		+2.5V power terminal (for internal circuit)
45	IPORT12	I+	IPINT general purpose input terminal (DIRINT)
46	IPORT13	I+	IPINT general purpose input terminal (DBL)
47	IPORT14	I+	IPINT general purpose input terminal (DBL)
48	DIRSDO	O	AC-3/DTS bit stream (or PCM) data output terminal from DIR
49	DIRWCK	O	DIR: Serial data word clock (fs) output terminal (WCK)
50	DIRBCK	O	DIR: Serial data bit clock (64fs) output terminal (BCK)
51	DIRMCK	O	DIR: Serial data master clock (256fs or 128fs) output terminal (MCK)
52	ERR/BS	O	DIR: Data error detect output/block start output terminal (Unconnected)
53	SYNC/U	O	DIR: Serial data synchronous timing output/user data output terminal (Unconnected)
54	FS128/C	O	DIR: Serial data master clock 128fs output/channel status output terminal (Unconnected) (FS128)
55	DBL/V	O	DIR: Double rate clock output/validity flag output terminal (DBL)

## IC304: YSS938 (DIGITAL P.C.B)

## DSP

No.	Name	I/O	Function	
56	SDWCKI1	I+	Word clock input terminal for SDIB, SDOB interface (Unconnected)	(WCKG)
57	SDBCKI1	I+	Bit clock input terminal for SDIB, SDOB interface (Unconnected)	(BCKG)
58	VSS		Ground terminal	
59	SDOB3	O	PCM output terminal from Sub DSP	
60	SDOB2	O	PCM output terminal from Sub DSP	
61	SDOB1	O	PCM output terminal from Sub DSP	
62	SDOB0	O	PCM output terminal from Sub DSP	
63	VDD1		+3.3V power terminal (for terminal section)	
64	ZEROBF3R	O+	SDOB3 Rch zero flag output terminal (Unconnected)	(ZF3R)
65	ZEROBF3L	O+	SDOB3 Lch zero flag output terminal (Unconnected)	(ZF3L)
66	ZEROBF2R	O+	SDOB2 Rch zero flag output terminal (Unconnected)	(ZF2R)
67	ZEROBF2L	O+	SDOB2 Lch zero flag output terminal (Unconnected)	(ZF2L)
68	OPORT0	O	General purpose output terminal	(/RINH1)
69	OPORT1	O	General purpose output terminal	(/RINH2)
70	OPORT2	O	General purpose output terminal	(/ICDA)
71	OPORT3	O	General purpose output terminal (Unconnected)	(/ICAD)
72	OPORT4	O	General purpose output terminal	(DPS)
73	OPORT5	O	General purpose output terminal (Unconnected)	(RST)
74	OPORT6	O	General purpose output terminal (Unconnected)	(ERROR)
75	OPORT7	O	General purpose output terminal	(/PRST)
76	VSS		Ground terminal	
77	VDD2		+2.5V power terminal (for internal circuit)	
78	RAMD0	I+/O	Sub DSP: External memory data terminal 0	
79	RAMD1	I+/O	Sub DSP: External memory data terminal 1	
80	RAMD2	I+/O	Sub DSP: External memory data terminal 2	
81	RAMD3	I+/O	Sub DSP: External memory data terminal 3	
82	ZEROBF1R	O+	SDOB1 Rch zero flag output terminal (Unconnected)	(ZF1R)
83	ZEROBF1L	O+	SDOB1 Lch zero flag output terminal (Unconnected)	(ZF1L)
84	ZEROBF0R	O+	SDOB0 Rch zero flag output terminal (Unconnected)	(ZF0R)
85	ZEROBF0L	O+	SDOB0 Lch zero flag output terminal (Unconnected)	(ZF0L)
86	RAMD4	I+/O	Sub DSP: External memory data terminal 4	
87	RAMD5	I+/O	Sub DSP: External memory data terminal 5	
88	RAMD6	I+/O	Sub DSP: External memory data terminal 6	
89	RAMD7	I+/O	Sub DSP: External memory data terminal 7	
90	VSS		Ground terminal	
91	VDD1		+3.3V power terminal (for terminal section)	
92	RAMD8	I+/O	Sub DSP: External memory data terminal 8	
93	RAMD9	I+/O	Sub DSP: External memory data terminal 9	
94	RAMD10	I+/O	Sub DSP: External memory data terminal 10	
95	RAMD11	I+/O	Sub DSP: External memory data terminal 11	
96	RAMD12	I+/O	Sub DSP: External memory data terminal 12	
97	RAMD13	I+/O	Sub DSP: External memory data terminal 13	
98	RAMD14	I+/O	Sub DSP: External memory data terminal 14	
99	RAMD15	I+/O	Sub DSP: External memory data terminal 15	
100	CASN	O	Sub DSP: Column address strobe output terminal for external DRAM	
101	RAMWEN	O	Sub DSP: Write enable terminal for external memory	
102	RAMOEN	O	Sub DSP: Output enable terminal for external memory	
103	RASN	O	Sub DSP: Low address strobe output terminal for external DRAM	
104	VSS		Ground terminal	
105	VDD1		+3.3V power terminal (for terminal section)	
106	RAMA8	O	Sub DSP: External memory address terminal 8	
107	RAMA7	O	Sub DSP: External memory address terminal 7	
108	RAMA0	O	Sub DSP: External memory address terminal 0	
109	RAMA6	O	Sub DSP: External memory address terminal 6	
110	RAMA1	O	Sub DSP: External memory address terminal 1	

## IC304: YSS938 (DIGITAL P.C.B)

## DSP

No.	Name	I/O	Function	
111	RAMA5	O	Sub DSP: External memory address terminal 5	
112	RAMA2	O	Sub DSP: External memory address terminal 2	
113	SELI13	I+	Built-in selector input 13 (Unconnected)	
114	SELI12	I+	Built-in selector input 12 (Unconnected)	
115	SELI11	I+	Built-in selector input 11 (Unconnected)	
116	SELI10	I+	Built-in selector input 10 (Unconnected)	
117	SELI9	I+	Built-in selector input 9 (Unconnected)	(CXB)
118	RAMA4	O	Sub DSP: External memory address terminal 4	
119	RAMA3	O	Sub DSP: External memory address terminal 3	
120	RAMA9	O	Sub DSP: External memory address terminal 9 (Unconnected)	
121	RAMA10	O	Sub DSP: External memory address terminal 10 (Unconnected)	
122	RAMA11	O	Sub DSP: External memory address terminal 11 (Unconnected)	
123	VSS		Ground terminal	
124	VDD2		+2.5V power terminal (for internal circuit)	
125	SELI8	I+	Built-in selector input 8	(CXA)
126	SELI7	I+	Built-in selector input 7	(GND)
127	SELI6	I+	Built-in selector input 6 (Unconnected)	(OPTF)
128	SELI5	I+	Built-in selector input 5	
129	RAMA12	O	Sub DSP: External memory address terminal 12 (Unconnected)	
130	RAMA13	O	Sub DSP: External memory address terminal 13 (Unconnected)	
131	RAMA14	O	Sub DSP: External memory address terminal 14 (Unconnected)	
132	RAMA15	O	Sub DSP: External memory address terminal 15 (Unconnected)	
133	RAMA16	O	Sub DSP: External memory address terminal 16 (Unconnected)	
134	RAMA17	O	Sub DSP: External memory address terminal 17 (Unconnected)	
135	OVFB/END	O	Sub DSP: Overflow/program end detect terminal (Unconnected)	
136	ZEROFLG	O	Main DSP: Zero flag output terminal (Unconnected)	
137	VSS		Ground terminal	
138	NONPCM	O	Main DSP: Non-PCM data detect terminal	
139	DTSDATA	O	Main DSP: DTS data detect terminal (Unconnected)	
140	AC3DATA	O	Main DSP: AC3 data detect terminal (Unconnected)	
141	MUTE	O	Main DSP: Auto mute detect terminal	
142	KARAOKE	O	Main DSP: AC3 KARAOKE data detect terminal (Unconnected)	
143	VDD1	+3.3V	power terminal (for terminal section)	
144	SURENC	O	Main DSP: AC-3 2/0 mode Dolby surround encode input detect terminal (Unconnected)	
145	CRC	O	Main DSP: AC3 CRC error detect terminal (Unconnected)	
146	/LOCK	O	DIR: PLL lock detect terminal (Unconnected)	
147	DIRINT	O	DIR: Interrupt output terminal	
148	/CS	Is	Microprocessor interface chip select input terminal	(/CSY)
149	SO	Ot	Microprocessor interface data output terminal	(SDDY)
150	SI	Is	Microprocessor interface data input terminal	(SDMYB)
151	SCK	Is	Microprocessor interface clock input terminal	(SCKYB)
152	/IC	Is	Initial clear input terminal	(/ICYP)
153	IPINT	O+	Interrupt output terminal by IPORT 8-14	
154	SELI4	I+	Built-in selector input 4 (Unconnected)	(OPTD)
155	VSS		Ground terminal	
156	SELI3	I+	Built-in selector input 3	(OPTC)
157	SELI2	I+	Built-in selector input 2	(OPTB)
158	TESTXI	I	Test terminal (should be always connected to VSS)	
159	TESTXO	O	Test terminal (Unconnected)	
160	VDD2	+2.5V	power terminal (for internal circuit)	

Is: Schmidt trigger input terminal

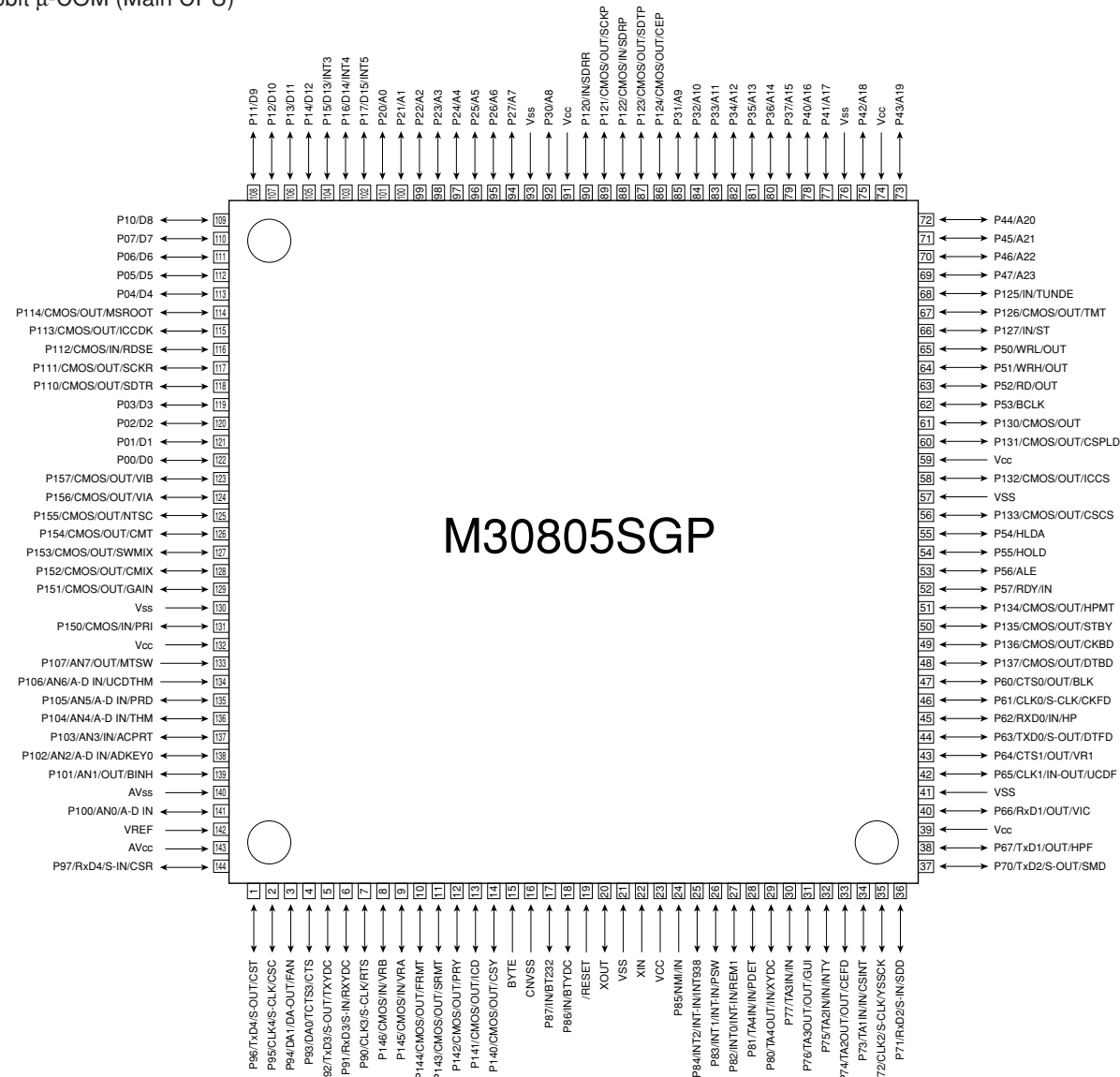
I+: Input terminal with pull-up resistor

O: Digital output terminal

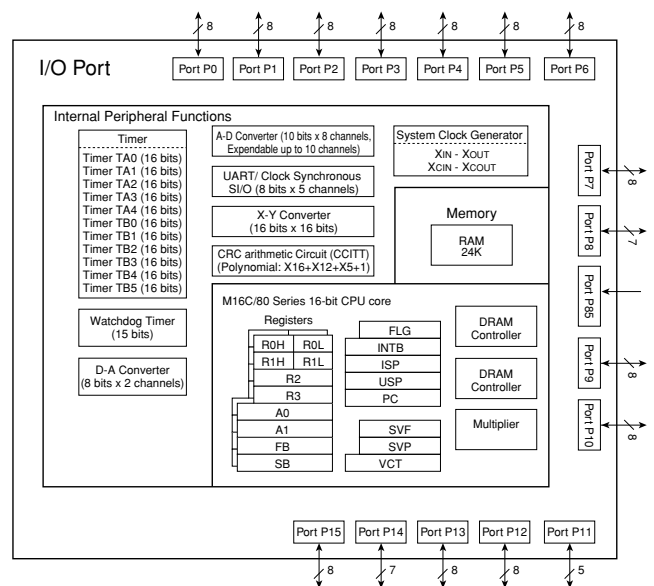
Ot: 3-state digital output terminal

A: Analog terminal

IC307: M30805SGP (DIGITAL P.C.B)  
16bit μ-COM (Main CPU)



M30805SGP



IC307: M30805SGP (DIGITAL P.C.B)  
16bit μ-COM (Main CPU)

Pin	Pin Name	Type	I/O	Function	Name	Detail Of Function
1	P96	TxD4	S-OUT	dsp	CST	CS493x TxD
2	P95	CLK4	S-CLK	dsp	CSC	CS493x CLOCK OUT (Necessary Pullup)
3	P94	DA1	DA-OUT	amp	FAN	Fun Control D-A OUT [0~Vcc]
4	P93	(DA0)	CTS3	f/gui	CTS	Flash ROM Write RS232C CTS [CTS]
5	P92	TxD3	S-OUT	f/gui	TXYDC	Flash ROM Write YDC DATA OUT/RS232C TXD
6	P91	RxD3	S-IN	f/gui	RXYDC	Flash ROM Write YDC DATA IN/RS232C RXD
7	P90	CLK3	S-CLK	f/gui	RTS	Flash ROM Write YDC CLK/RS232C RTS
8	P146	CMOS	IN	uop	VRB	Rotary Encoder B IN (Necessary Pullup)
9	P145	CMOS	IN	uop	VRA	Rotary Encoder A IN (Necessary Pullup)
10	P144	CMOS	OUT	amp	FRMT	Front Ch Mute L: Mute
11	P143	CMOS	OUT	amp	SRMT	UCD Enable L: disable
12	P142	CMOS	OUT	amp	PRY	Power Relay Output H: Relay ON
13	P141	CMOS	OUT	dsp	/ICD	YSS938 /CODEC /DEM OUT
14	P140	CMOS	OUT	dsp	CSY	YSS938 CE OUT
15	BYTE	-	-	bus		Connect to VSS(GND) (Select 16bit Bus)
16	CNVSS	-	-			Connect to Vcc (+5V) Through Resistor (2.2 ohms)
17	P87	-	IN		BT232	Write in RS232C Boot H: Boot (Necessary Pulldown)
18	P86	-	IN		BTYDC	Write in YDC Boot L: Boot (Necessary Pulldown)
19	/RESET	-	-	RESET		[L: RESET]
20	XOUT	-	-	20MHz OUT		(Include Feedback Resistor)
21	VSS	-	-	GND		(Include Feedback Resistor)
22	XIN	-	-	20MHz IN		(Include Feedback Resistor)
23	VCC	-	-			Power Supply (Back up) +5V
24	P85	/NMI	IN			Connect to Vcc (+5V) Through Resistor (10 k-ohms) (NMI Function not in use)
25	P84	/INT2	INT-IN	dsp	INT938	YSS938 IPINT/MUTE/DIR (INT) Down Edge
26	P83	/INT1	INT-IN	uop	PSW	Standby SW IN Up Edge
27	P82	/INT0	INT-IN	uop	REM1	Remo. Con. IN Down Edge
28	P81	TA4IN	IN	amp	PDET	Power Down DETECT INT IN Down Edge
29	P80	TA4OUT	IN		XYDC	When Bootup: Discriminate CLOCK for Bootup [L: 20MHz] (Necessary Pulldown)
30	P77	TA3IN	IN-OUT			
31	P76	TA3OUT	OUT	gui	GUI	GUI/Select Input Monitor/(SCART) BA2_B L: GUI
32	P75	TA2IN	IN	gui	/INTY	YGV619(GUI) /INT IN (INT Agreement with Setup Condition of Resistor)
33	P74	TA2OUT	OUT	disp	CEFD	FL Driver GE OUT
34	P73	TA1IN	IN	dsp	CSINT	CS-DSP INT
35	P72	CLK2	S-CLK	dsp	YSSCK	YSS938 CLK OUT (Necessary Pullup ,Serial/O-0)
36	P71	RxD2	S-IN	dsp	SDD	YSS938 DATA IN (RxD) (Necessary Pullup ,Serial/O-0)
37	P70	TxD2	S-OUT	dsp	SDM	YSS938 DATA OUT (TxD) (Necessary Pullup ,Serial/O-0)
38	P67	TxD1	OUT	amp	HPF	Head Phone Amp. Filter L: Main Large
39	Vcc	-	-			Power Supply (Backup) +5V
40	P66	RxD1	OUT	amp	VIC	Video Select C/(SCART)BA2_A
41	VSS	-	-	GND		
42	P65	CLK1	IN-OUT	amp	UCDF	UCD Clock Frequency Select (3 State) IN: Automatic
43	P64	/CTS1	OUT	amp	/VR1	VCR Rec Out Mute/(SCART)BLANK L: Mute ON
44	P63	TxD0	S-OUT	disp	DTFD	FL Driver TxD (Necessary Pullup) [H: Used]
45	P62	RxD0	IN	uop	/HP	HEAD PHONE Detect (Necessary Pullup) [H: Used]
46	P61	CLK0	S-CLK	disp	CKFD	FL Driver CLOCK OUT (Serial/O-2)
47	P60	/CTS0	OUT	disp	/BLK	FL Driver Light off L: Reset
48	P137	CMOS	OUT	amp	DTBD	BD38xx Data Line for Control (Soft Serial)
49	P136	CMOS	OUT	amp	CKBD	BD38xx Serial Clock (Soft Serial, Necessary Pullup)
50	P135	CMOS	OUT	amp	STBY	SCART Terminal Stanby cold/hot H: Active
51	P134	CMOS	OUT	amp	HPMT	Head Phone Mute L: Mute
52	P57	/RDY	IN	gui	YGV619(GUI)/WAIT	(Pullup Necessary Resistor)
53	P56	ALE	-	bus		(Unconnected)
54	P55	/HOLD	-	bus		Connect to Vcc(+5) Through Resistor (100 k-ohms)
55	P54	HLDA	-	bus		(Unconnected)
56	P133	CMOS	OUT	dsp	/CSCS	CS493x CS OUT



IC307: M30805SGP (DIGITAL P.C.B)  
 16bit  $\mu$ -COM (Main CPU)

Pin	Pin Name	Type	I/O	Function	Name	Detail Of Function
57	VSS	-	-	GND		
58	P132	CMOS	OUT	dsp	/ICCS	CS493x RESET OUT
59	Vcc	-	-			Power Supply (Backup) +5V
60	P131	CMOS	OUT	dsp	/CSPLD	DIG EXTERNAL IC CE OUT (When Use PLD)
61	P130	CMOS	OUT	gui		YGV619(GUI)/RESET OUT [L: RESET]
62	P53	BCLK	-	bus		(Unconnected)
63	P52	/RD	OUT	bus		Read in Bus CE
64	P51	/WRH	OUT	bus		Write in Bus (Uneven) CE
65	P50	/WRL	OUT	bus		Write in Bus (Even) CE (Necessary Pullup/Prevent FlashWrite Error)
66	P127	-	IN	tuner	/ST	STEREO/MONO IN (Necessary Pullup) [L: STEREO]
67	P126	CMOS	OUT	tuner	TMT	TUNER MUTE OUT H: Mute ON
68	P125	-	IN	tuner	TUNED	STATION IN (Necessary Pullup) [L: Tuned]
69	P47	/A23	-	bus		Bus (ADDRESS), Composite CS
70	P46	A22	-	bus		Bus (ADDRESS), Composite CS
71	P45	A21	-	bus		Bus (ADDRESS)
72	P44	A20	-	bus		Bus (ADDRESS)
73	P43	A19	-	bus		Bus (ADDRESS)
74	Vcc	-	-			Power Supply (Backup) +5V
75	P42	A18	-	bus		Bus (ADDRESS)
76	Vss	-	-	GND		
77	P41	A17	-	bus		Bus (ADDRESS)
78	P40	A16	-	bus		Bus (ADDRESS)
79	P37	A15	-	bus		Bus (ADDRESS)
80	P36	A14	-	bus		Bus (ADDRESS)
81	P35	A13	-	bus		Bus (ADDRESS)
82	P34	A12	-	bus		Bus (ADDRESS)
83	P33	A11	-	bus		Bus (ADDRESS)
84	P32	A10	-	bus		Bus (ADDRESS)
85	P31	A9	-	bus		Bus (ADDRESS)
86	P124	CMOS	OUT	tuner	CEP	PLL IC Chip Enable OUT/Distination Discriminate 1 [L: Address H: Data]
87	P123	CMOS	OUT	tuner	SDTP	PLL IC TxD
88	P122	CMOS	IN	tuner	SDRP	PLL IC RxD (Necessary Pullup)
89	P121	CMOS	OUT	tuner	SCKP	PLL IC CLOCK/Distination Discriminate 0 (Necessary Pullup)
90	P120	-	IN	tuner	SDRR	RDS IC RxD (Necessary Pullup)
91	Vcc	-	-			Power Supply (Backup) +5V
92	P30	A8	-	bus		Bus (ADDRESS)
93	Vss	-	-	GND		
94	P27	A7	-	bus		Bus (ADDRESS)
95	P26	A6	-	bus		Bus (ADDRESS)
96	P25	A5	-	bus		Bus (ADDRESS)
97	P24	A4	-	bus		Bus (ADDRESS)
98	P23	A3	-	bus		Bus (ADDRESS)
99	P22	A2	-	bus		Bus (ADDRESS)
100	P21	A1	-	bus		Bus (ADDRESS)
101	P20	A0	-	bus		Bus (ADDRESS)
102	P17	D15	(/INT5)	bus		Bus (DATA)
103	P16	D14	(/INT4)	bus		Bus (DATA)
104	P15	D13	(/INT3)	bus		Bus (DATA)
105	P14	D12	-	bus		Bus (DATA)
106	P13	D11	-	bus		Bus (DATA)
107	P12	D10	-	bus		Bus (DATA)
108	P11	D9	-	bus		Bus (DATA)
109	P10	D8	-	bus		Bus (DATA)
110	P07	D7	-	bus		Bus (DATA)
111	P06	D6	-	bus		Bus (DATA)
112	P05	D5	-	bus		Bus (DATA)

 IC307: M30805SGP (DIGITAL P.C.B)  
 16bit  $\mu$ -COM (Main CPU)

Pin	Pin Name	Type	I/O	Function	Name	Detail Of Function
113	P04	D4	-	bus		Bus (DATA)
114	P114	CMOS	OUT	amp	MSROOT	Main Signal Root L: DSP / H: Analog
115	P113	CMOS	OUT	dsp	/ICCDK	CODEC Reset
116	P112	CMOS	IN	tuner	RDSE	RDS Enable, RDS Yes or No
117	P111	CMOS	OUT	tuner	SCKR	RDS Clock
118	P110	CMOS	OUT	tuner	SDTR	RDS TxD
119	P03	D3	-	bus		Bus (DATA)
120	P02	D2	-	bus		Bus (DATA)
121	P01	D1	-	bus		Bus (DATA)
122	P00	D0	-	bus		Bus (DATA)
123	P157	CMOS	OUT	amp	VIB	Video Select B/(SCART)BA1_B
124	P156	CMOS	OUT	amp	VIA	Video Select A/(SCART)BA1_A
125	P155	CMOS	OUT	amp	NTSC	NTSC/PAL Select H: NTSC
126	P154	CMOS	OUT	amp	/CMT	Mute Center L: Mute
127	P153	CMOS	OUT	amp	/SWMIX	SWFR Mix H: Mix
128	P152	CMOS	OUT	amp	/CMIX	Center Mix H: Mix
129	P151	CMOS	OUT	amp	GAIN	Gain Control H: A2 Gain
130	Vss	-	-	GND		
131	P150	CMOS	IN	amp	PRI	UCD Overload Detect
132	Vcc	-	-			Power Supply (Back up) +5V
133	P107	AN7	OUT	amp	/MTSW	MUTE LFE [L: MUTE]
134	P106	AN6	A-D IN	amp	UCDTHM	UCD Temperature Detect
135	P105	AN5	A-D IN	amp	PRD	DC Detect
136	P104	AN4	A-D IN	amp	THM	Temperature Detect [0~VREF]
137	P103	AN3	IN	amp	ACPRT	Detect Short-circuit of Trans Harf-wave (Necessary Pullup)
138	P102	AN2	A-D IN	uop	ADKEY0	Operation Button Detect [0~VREF]
139	P101	(AN1)	OUT	bus	/BINH	Bus Line Voltage Select IC 4245 /OE L: Active
140	AVss	-	-	GND		
141	P100	AN0	A-D IN			(Unconnected) [0~VREF]
142	VREF	-	-			A-D,D-A Power Supply (+5V) (Connect Non Backup Power)
143	AVcc	-	-			Connect to VCC (+5V) (Connect Backup Power)
144	P97	RxD4	S-IN	dsp	CSR	CS493x RxD (Necessary pullup)

IC317: YGV619 (DIGITAL P.C.B)

Video Display

No.	Name	I/O	Function
1	AVSS1	I	Ground for Analog Logic of PLLDCK (GND)
2	AVDD1	I	Power Supply for Analog Logic of PLLDCK (+3.3 V)
3	A23	I	CPU Address Bus bit 23 (for CSMEM)
4	A22	I	CPU Address Bus bit 22 (for CSMEM)
5	A21	I	CPU Address Bus bit 21 (for CSMEM)
6	A20	I	CPU Address Bus bit 20 (for CSMEM)
7	A19	I	CPU Address Bus bit 19 (for CSMEM)
8	VSS	I	Ground for Digital Logic & I/O (GND)
9	A18	I	CPU Address Bus bit 18 (for CSMEM)
10	VDD	I	Power Supply for Digital Logic & I/O (+3.3 V)
11	A17	I	CPU Address Bus bit 17 (for CSMEM)
12	A16	I	CPU Address Bus bit 16 (for CSMEM)
13	A15	I	CPU Address Bus bit 15 (for CSMEM)
14	A14	I	CPU Address Bus bit 14 (for CSMEM)
15	A13	I	CPU Address Bus bit 13 (for CSMEM)
16	A12	I	CPU Address Bus bit 12 (for CSMEM)
17	A11	I	CPU Address Bus bit 11 (for CSMEM)
18	A10	I	CPU Address Bus bit 10 (for CSMEM)
19	A9	I	CPU Address Bus bit 9 (for CSMEM)
20	VSS	I	Ground for Digital Logic & I/O (GND)
21	A8	I	CPU Address Bus bit 8 (for CSMEM)
22	A7	I	CPU Address Bus bit 7 (for CSMEM and CSREG)
23	A6	I	CPU Address Bus bit 6 (for CSMEM and CSREG)
24	A5	I	CPU Address Bus bit 5 (for CSMEM and CSREG)
25	VDD	I	Power Supply for Digital Logic & I/O (+3.3 V)
26	A4	I	CPU Address Bus bit 4 (for CSMEM and CSREG)
27	A3	I	CPU Address Bus bit 3 (for CSMEM and CSREG)
28	A2	I	CPU Address Bus bit 2 (for CSMEM and CSREG)
29	A1/WR3	I	Write Strobe for D31-24 (LWD=1) / Address bit 1 (LWD=0)
30	/WR2	I	Write Strobe for D23-16 (LWD=1) / not use (LWD=0) (Unconnected)
31	/WR1	I	Write Strobe for D15-8
32	VSS	I	Ground for Digital Logic & I/O (GND)
33	/WR0	I	Write Strobe for D7-0
34	/RD	I	Read Strobe
35	/RESET	I	Power On Reset
36	VDD	I	Power Supply for Digital Logic & I/O (+3.3 V)
37	/CSREG	I	Chip Select for Register Port Access
38	/CSMEM	I	Chip Select for Memory Port Access
39	LWD	I	Select CPU Data Bus Width (32 bits/16 bits)
40	/LEND	I	Endian Select
41	/SYCKS	I	System Clock Select (Unconnected)
42	/DREQ	O	Direct Memory Access Request
43	VSS	I	Ground for Digital Logic & I/O (GND)
44	/READY	O	Data Access Ready (Unconnected)
45	/WAIT	O	Data Access Wait
46	/INT	O	Interrupt
47	D31	I/O	CPU Data Bus (Unconnected)
48	VDD	I	Power Supply for Digital Logic & I/O (+3.3 V)
49	D30	I/O	CPU Data Bus (Unconnected)
50	D29	I/O	CPU Data Bus (Unconnected)
51	D28	I/O	CPU Data Bus (Unconnected)
52	D27	I/O	CPU Data Bus (Unconnected)
53	D26	I/O	CPU Data Bus (Unconnected)
54	D25	I/O	CPU Data Bus (Unconnected)
55	D24	I/O	CPU Data Bus (Unconnected)
56	VSS	I	Ground for Digital Logic & I/O (GND)
57	D23	I/O	CPU Data Bus (Unconnected)
58	D22	I/O	CPU Data Bus (Unconnected)
59	D21	I/O	CPU Data Bus (Unconnected)
60	VDD	I	Power Supply for Digital Logic & I/O (+3.3 V)

IC317: YGV619 (DIGITAL P.C.B)

Video Display

No.	Name	I/O	Function
61	D20	I/O	CPU Data Bus (Unconnected)
62	D19	I/O	CPU Data Bus (Unconnected)
63	D18	I/O	CPU Data Bus (Unconnected)
64	D17	I/O	CPU Data Bus (Unconnected)
65	D16	I/O	CPU Data Bus (Unconnected)
66	VSS	I	Ground for Digital Logic & I/O (GND)
67	D15	I/O	CPU Data Bus
68	D14	I/O	CPU Data Bus
69	D13	I/O	CPU Data Bus
70	D12	I/O	CPU Data Bus
71	D11	I/O	CPU Data Bus
72	VDD	I	Power Supply for Digital Logic & I/O (+3.3 V)
73	D10	I/O	CPU Data Bus
74	D9	I/O	CPU Data Bus
75	D8	I/O	CPU Data Bus
76	VSS	I	Ground for Digital Logic & I/O (GND)
77	D7	I/O	CPU Data Bus
78	D6	I/O	CPU Data Bus
79	D5	I/O	CPU Data Bus
80	D4	I/O	CPU Data Bus
81	D3	I/O	CPU Data Bus
82	D2	I/O	CPU Data Bus
83	D1	I/O	CPU Data Bus
84	D0	I/O	CPU Data Bus
85	VSS	I	Ground for Digital Logic & I/O (GND)
86	SYCKOUT	O	X'TAL Output for System Clock (Unconnected)
87	SYCKIN	I	X'TAL Input or Clock generator Input for System Clock
88	VDD	I	Power Supply for Digital Logic & I/O (+3.3 V)
89	/TEST2	I	Test Use Only (Connect to Pull Up Resistance)
90	/TEST1	I	Test Use Only (Connect to Pull Up Resistance)
91	/TEST0	I	Test Use Only (Connect to Pull Up Resistance)
92	SDQ0	I/O	SDRAM Data
93	SDQ15	I/O	SDRAM Data
94	SDQ1	I/O	SDRAM Data
95	VSS	I	Ground for Digital Logic & I/O (GND)
96	SDQ14	I/O	SDRAM Data
97	SDQ2	I/O	SDRAM Data
98	SDQ13	I/O	SDRAM Data
99	SDQ3	I/O	SDRAM Data
100	VDD	I	Power Supply for Digital Logic & I/O (+3.3 V)
101	SDQ12	I/O	SDRAM Data
102	VSS	I	Ground for Digital Logic & I/O (GND)
103	SDQ4	I/O	SDRAM Data
104	SDQ11	I/O	SDRAM Data
105	SDQ5	I/O	SDRAM Data
106	SDQ10	I/O	SDRAM Data
107	SDQ6	I/O	SDRAM Data
108	VSS	I	Ground for Digital Logic & I/O (GND)
109	SDQ9	I/O	SDRAM Data
110	SDQ7	I/O	SDRAM Data
111	SDQ8	I/O	SDRAM Data
112	DQM0	O	SDRAM Data Mask
113	VDD	I	Power Supply for Digital Logic & I/O (+3.3 V)
114	/WE	O	SDRAM Write Enable
115	VSS	I	Ground for Digital Logic & I/O (GND)
116	DQM1	O	SDRAM Data Mask
117	/CAS	O	SDRAM Column Address Strobe
118	SDCLK	I/O	SDRAM Clock
119	AVSS2	I	Ground for Analog Logic of PLLVCK (GND)
120	AVDD2	I	Power Supply for Analog Logic of PLLVCK (+3.3 V)

## IC317: YGV619 (DIGITAL P.C.B)

## Video Display

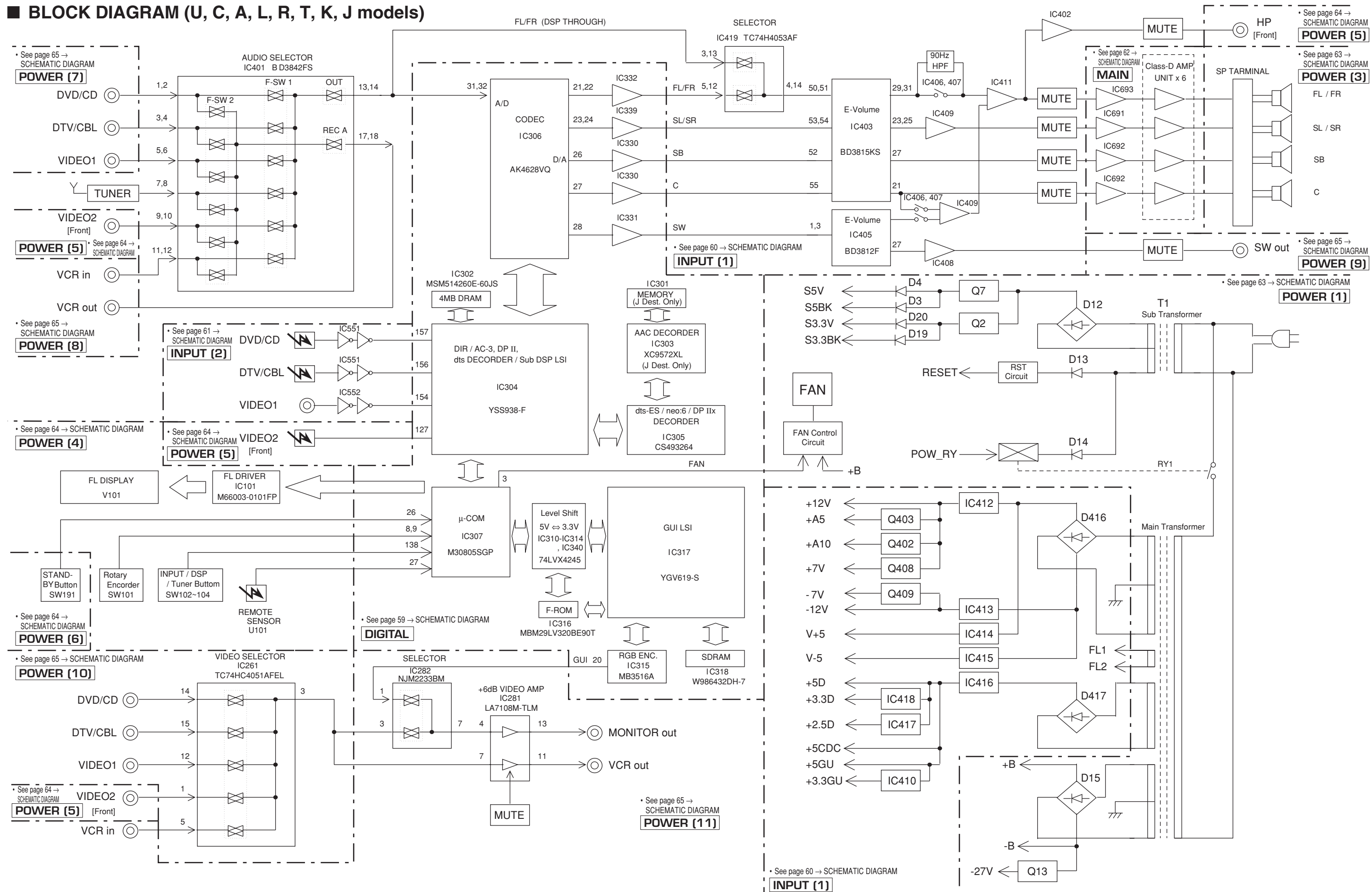
No.	Name	I/O	Function
121	/RAS	O	SDRAM Row Address Strobe
122	/SCS	O	Chip Select for SDRAM Access
123	SBA1	O	SDRAM Bank Address
124	SA11	O	SDRAM Address (Unconnected)
125	VSS	I	Ground for Digital Logic & I/O (GND)
126	SBA0	O	SDRAM Bank Address
127	VDD	I	Power Supply for Digital Logic & I/O (+3.3 V)
128	SA12	O	SDRAM Address (Unconnected)
129	SA9	O	SDRAM Address
130	SA10	O	SDRAM Address
131	SA8	O	SDRAM Address
132	SA0	O	SDRAM Address
133	SA1	O	SDRAM Address
134	SA6	O	SDRAM Address
135	VSS	I	Ground for Digital Logic & I/O (GND)
136	SA7	O	SDRAM Address
137	SA2	O	SDRAM Address
138	SA5	O	SDRAM Address
139	VDD	I	Power Supply for Digital Logic & I/O (+3.3 V)
140	SA3	O	SDRAM Address
141	SA4	O	SDRAM Address
142	DQM2	O	SDRAM Data Mask
143	DQM3	O	SDRAM Data Mask
144	VSS	I	Ground for Digital Logic & I/O (GND)
145	SDQ16	I/O	SDRAM Data
146	SDQ31	I/O	SDRAM Data
147	SDQ17	I/O	SDRAM Data
148	SDQ30	I/O	SDRAM Data
149	SDQ18	I/O	SDRAM Data
150	VSS	I	Ground for Digital Logic & I/O (GND)
151	SDQ29	I/O	SDRAM Data
152	VDD	I	Power Supply for Digital Logic & I/O (+3.3 V)
153	SDQ19	I/O	SDRAM Data
154	SDQ28	I/O	SDRAM Data
155	SDQ20	I/O	SDRAM Data
156	SDQ27	I/O	SDRAM Data
157	VSS	I	Ground for Digital Logic & I/O (GND)
158	SDQ21	I/O	SDRAM Data
159	SDQ26	I/O	SDRAM Data
160	SDQ22	I/O	SDRAM Data
161	SDQ25	I/O	SDRAM Data
162	SDQ23	I/O	SDRAM Data
163	VSS	I	Ground for Digital Logic & I/O (GND)
164	SDQ24	I/O	SDRAM Data
165	VDD	I	Power Supply for Digital Logic & I/O (+3.3 V)
166	/CSYNC	O	Composite Sync. (or Vertical Sync.)
167	/HSYNC	O	Horizontal Sync.
168	/BLANK	O	Display Enable Timing
169	FSC	O	Sub Carrier Clock
170	AT1	O	Attribute bit Out
171	VSS	I	Ground for Digital Logic & I/O (GND)
172	AT0	O	Attribute bit Out
173	GCKOUT	O	Clock for Digital Output (Unconnected)
174	DRO5	O	Digital R Output (Unconnected)
175	DRO4	O	Digital R Output (Unconnected)
176	DRO3	O	Digital R Output (Unconnected)
177	VSS	I	Ground for Digital Logic & I/O (GND)
178	DRO2	O	Digital R Output (Unconnected)
179	DRO1	O	Digital R Output (Unconnected)
180	VDD	I	Power Supply for Digital Logic & I/O (+3.3 V)

## IC317: YGV619 (DIGITAL P.C.B)

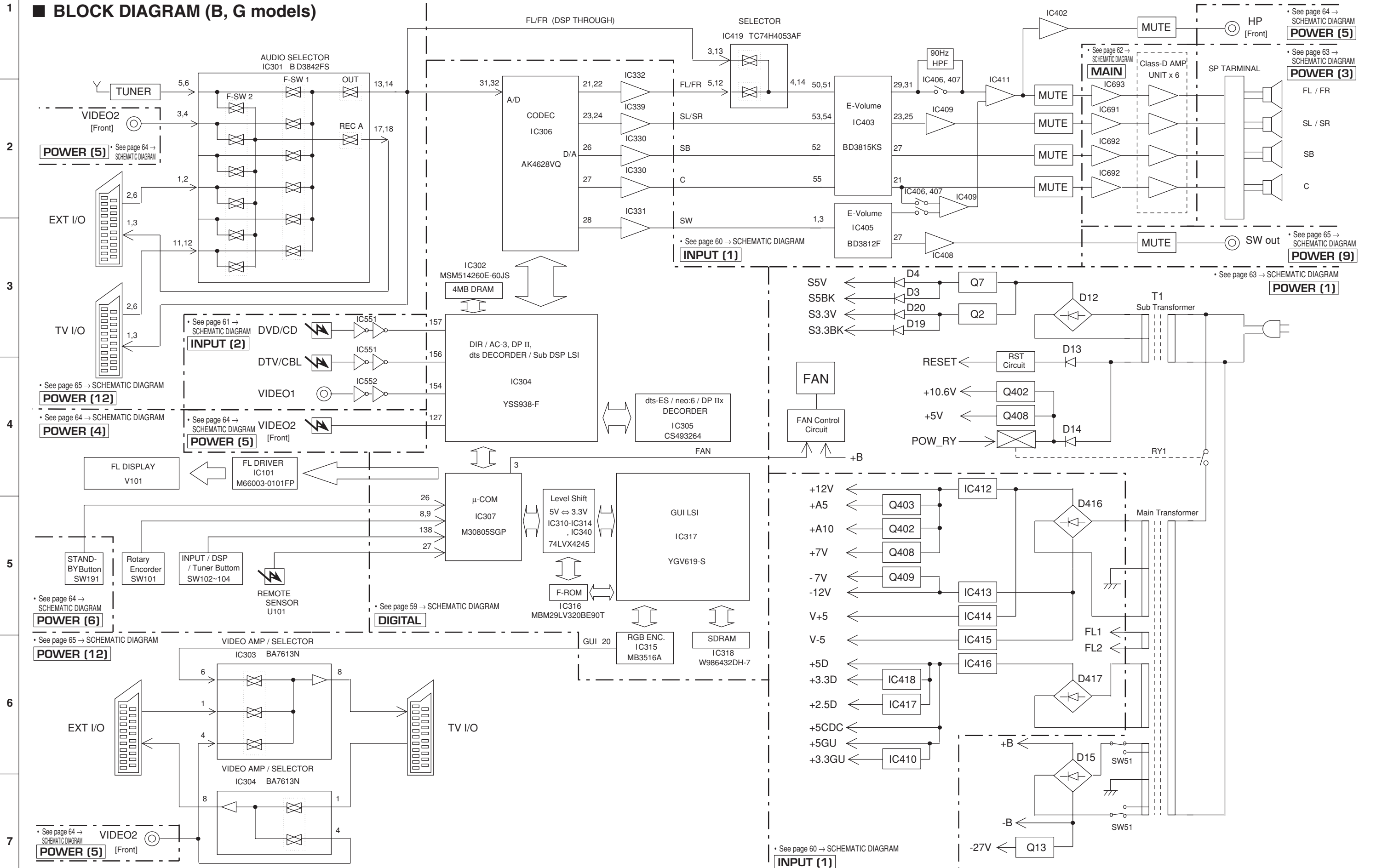
## Video Display

No.	Name	I/O	Function
181	DRO0	O	Digital R Output (Unconnected)
182	DGO5	O	Digital G Output (Unconnected)
183	DGO4	O	Digital G Output (Unconnected)
184	VSS	I	Ground for Digital Logic & I/O (GND)
185	DGO3	O	Digital G Output (Unconnected)
186	DGO2	O	Digital G Output (Unconnected)
187	DGO1	O	Digital G Output (Unconnected)
188	DGO0	O	Digital G Output (Unconnected)
189	DBO5	O	Digital B Output (Unconnected)
190	VSS	I	Ground for Digital Logic & I/O (GND)
191	DBO4	O	Digital B Output (Unconnected)
192	DBO3	O	Digital B Output (Unconnected)
193	VDD	I	Power Supply for Digital Logic & I/O (+3.3 V)
194	DBO2	O	Digital B Output (Unconnected)
195	DBO1	O	Digital B Output (Unconnected)
196	DBO0	O	Digital B Output (Unconnected)
197	VSS	I	Ground for Digital Logic & I/O (GND)
198	AVSS4	I	Ground for Analog Logic of DAC (GND)
199	B	O	Linear B
200	AVSS4	I	Ground for Analog Logic of DAC (GND)
201	G	O	Linear G
202	AVSS4	I	Ground for Analog Logic of DAC (GND)
203	R	O	Linear R
204	AVSS4	I	Ground for Analog Logic of DAC (GND)
205	REXT	I	External Resistance for DAC Amplitude Control
206	AVDD4	I	Power Supply for Analog Logic of DAC (+3.3 V)
207	AVDD3	I	Power Supply for Digital Logic of DAC (+3.3V)
208	AVSS3	I	Ground for Digital Logic of DAC (GND)
209	DRI5	I	Digital R Input (Unconnected)
210	DRI4	I	Digital R Input (Unconnected)
211	DRI3	I	Digital R Input (Unconnected)
212	DRI2	I	Digital R Input (Unconnected)
213	VSS	I	Ground for Digital Logic & I/O (GND)
214	DRI1	I	Digital R Input (Unconnected)
215	VDD	I	Power Supply for Digital Logic & I/O (+3.3 V)
216	DRI0	I	Digital R Input (Unconnected)
217	DGI5	I	Digital G Input (Unconnected)
218	DGI4	I	Digital G Input (Unconnected)
219	DGI3	I	Digital G Input (Unconnected)
220	DGI2	I	Digital G Input (Unconnected)
221	DGI1	I	Digital G Input (Unconnected)
222	DGI0	I	Digital G Input (Unconnected)
223	DBI5	I	Digital B Input (Unconnected)
224	DBI4	I	Digital B Input (Unconnected)
225	VSS	I	Ground for Digital Logic & I/O (GND)
226	DBI3	I	Digital B Input (Unconnected)
227	DBI2	I	Digital B Input (Unconnected)
228	DBI1	I	Digital B Input (Unconnected)
229	VDD	I	Power Supply for Digital Logic & I/O (+3.3 V)
230	DBI0	I	Digital B Input (Unconnected)
231	GCKIN	I	External Clock Input
232	/GCKS	I	GCK Select (Unconnected)
233	/HSIN	I	Connect External Horizontal Sync. (Unconnected)
234	/VSIN	I	Reset Vertical Timing (Unconnected)
235	/TCKS	I	Test Use Only (Open)
236	TCK80	I	Test Use Only (Connect to Pull Up Resistance)
237	VSS	I	Ground for Digital Logic & I/O (GND)
238	DCKOUT	O	X*TAL Output for Dot Clock
239	DCKIN	I	X*TAL Input or Clock generator Input for Dot Clock
240	VDD	I	Power Supply for Digital Logic & I/O (+3.3 V)

# BLOCK DIAGRAM (U, C, A, L, R, T, K, J models)



1 ■ BLOCK DIAGRAM (B, G models)



• See page 64 → SCHEMATIC DIAGRAM  
**POWER (5)**

• See page 63 → SCHEMATIC DIAGRAM  
**POWER (3)**

• See page 65 → SCHEMATIC DIAGRAM  
**POWER (9)**

• See page 63 → SCHEMATIC DIAGRAM  
**POWER (1)**

• See page 61 → SCHEMATIC DIAGRAM  
**INPUT (2)**

• See page 64 → SCHEMATIC DIAGRAM  
**POWER (5)**

• See page 64 → SCHEMATIC DIAGRAM  
**POWER (6)**

• See page 65 → SCHEMATIC DIAGRAM  
**POWER (12)**

• See page 64 → SCHEMATIC DIAGRAM  
**POWER (5)**

• See page 59 → SCHEMATIC DIAGRAM  
**DIGITAL**

• See page 60 → SCHEMATIC DIAGRAM  
**INPUT (1)**

## ■ PIN CONNECTION DIAGRAM

### • ICs

<p>NJM78M12FA</p>	<p>NJM78M05DL1A</p>	<p>0NJM79M12DL1A</p>	<p>NJM79M05DL1A</p>	<p>μPC29M33T-E1</p>	<p>PQ05RA1</p>
<p>PQ3RD13</p>	<p>PQ025EN5MZPH</p>	<p>PQ1CG21H2F</p>	<p>BA7613N</p>	<p>BA15218F NJM2068MD-TE2 NJM2233BM μPC4570G2</p>	<p>TC74HCU04AFEL TC74VHCT08AFT</p>
<p>74LCX07MTCX BD3812F-E2</p>	<p>74VHC153MTC LA7108M</p>	<p>TC74HC4053AF</p>	<p>TC74HC4051AFEL</p>	<p>74LVX4245MTCX BD3842FS-E2 LC72722PM MB3516APF-G-BND</p>	<p>CY62256LL-70SNCT</p>
<p>MSM514260E-60JS</p>	<p>CS493264-CL CS493292-CLR</p>	<p>AK4628VQ</p>	<p>MBM29LV320BE90T</p>	<p>BD3815KS</p>	
<p>M66003-0101FP</p>	<p>W986432DH-7</p>	<p>XC9572XL-10TQ100C</p>	<p>M30802SGP M30805SGP</p>		
<p>YSS938</p>	<p>YGV619</p>				

### • Diodes

<p>1N4002S</p>	<p>1SR154 1SS355 1SS380 MA8047-M MA8056-M MA8062-H MA8062-M MA8075-H MA8100-H</p> <p>MA8110-H MA8120-M MA8270-M RB051L-40 RB501V-40 UDZ5.1B UDZ7.5B UDZS5.6BTE-17</p> <p>SB01-05Q</p>	
<p>S1NB20</p>	<p>D2SBA20</p>	<p>D5SB20</p>

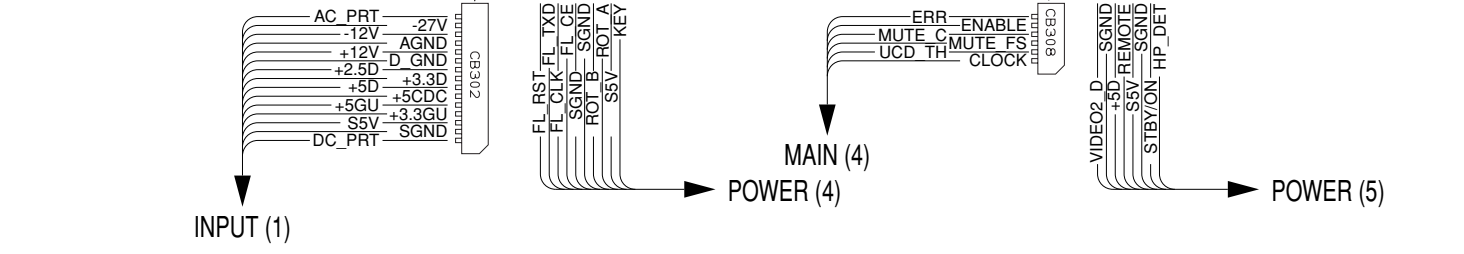
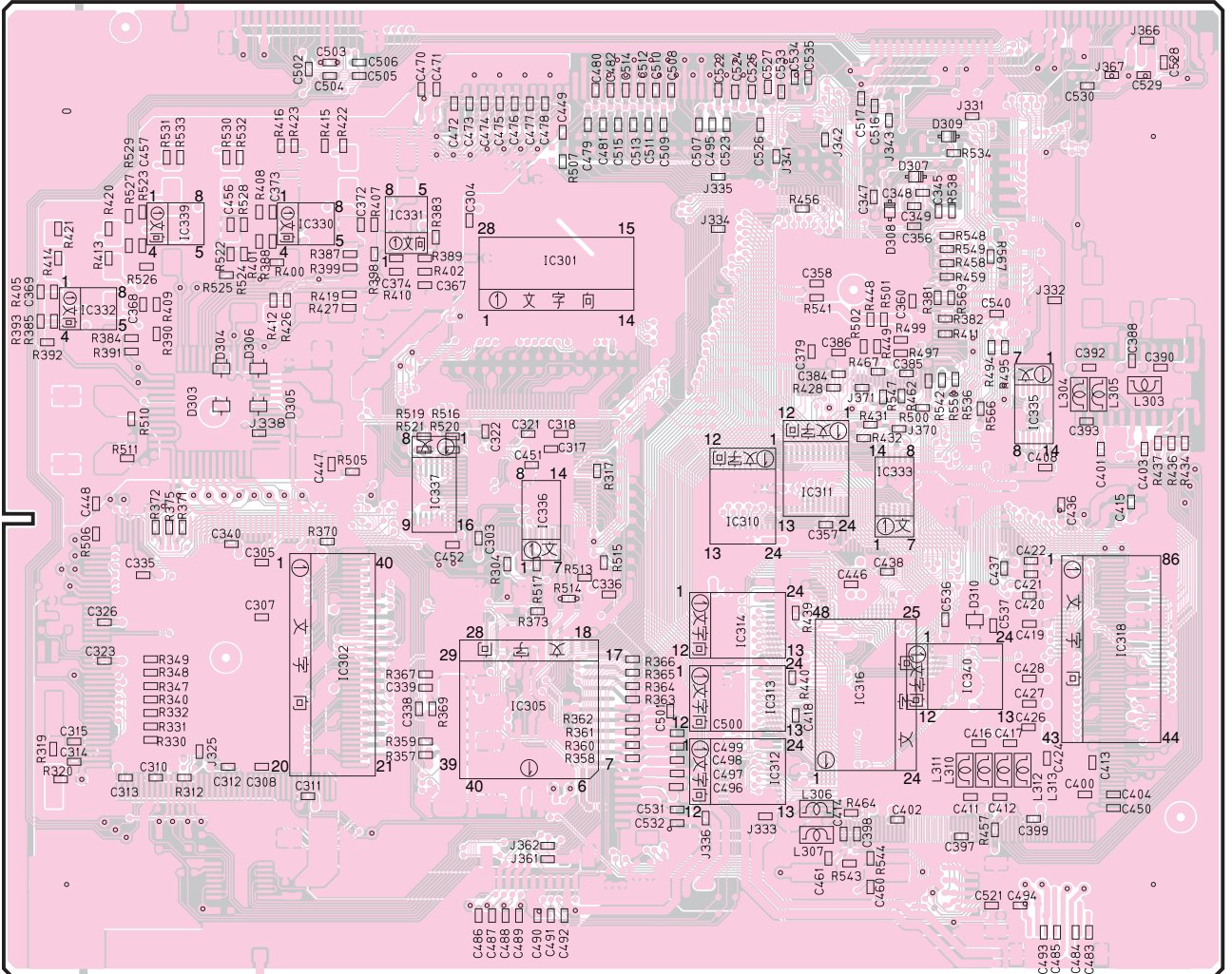
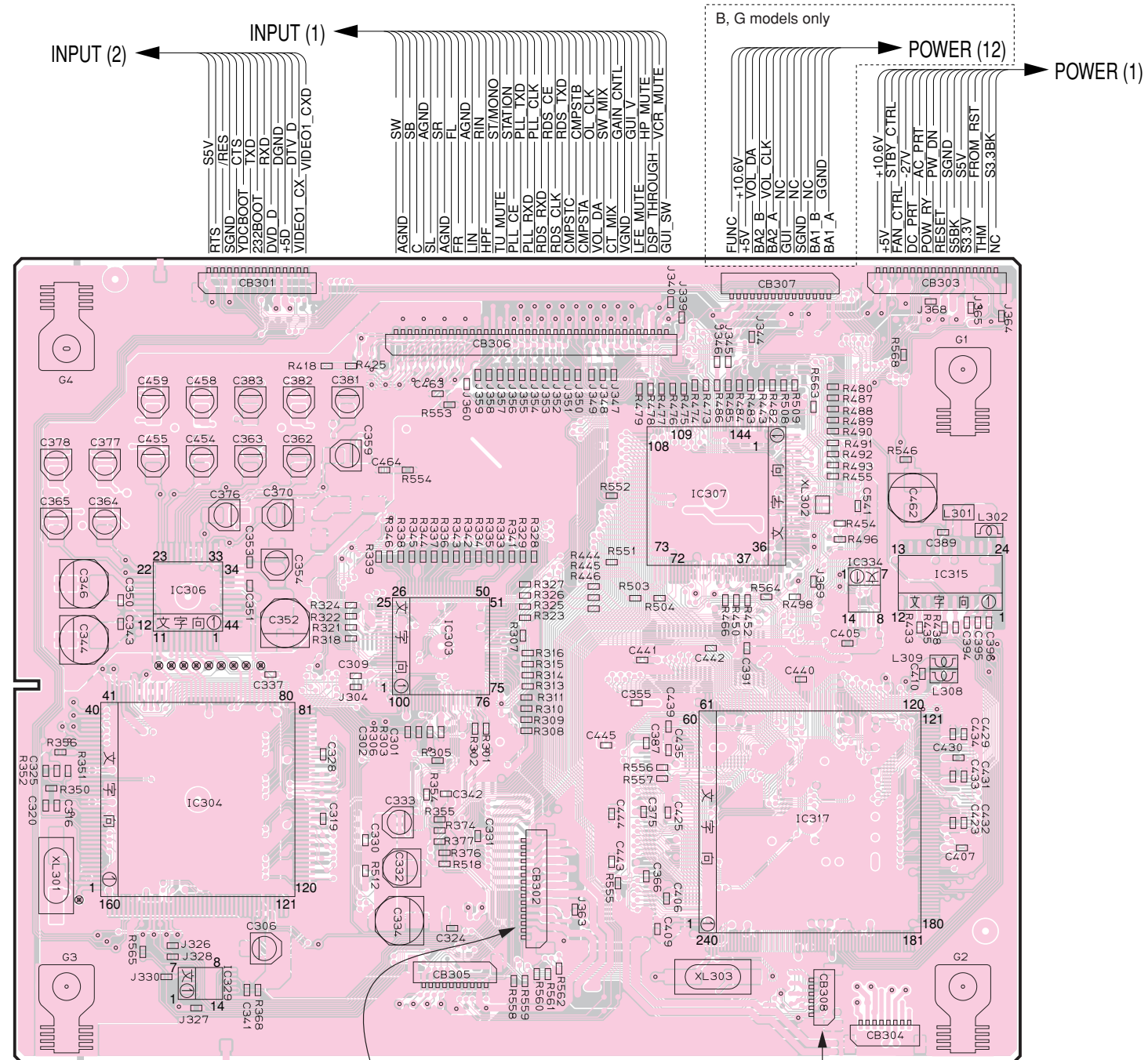
### • Transistors

<p>2SA1015 2SC1815</p>	<p>2SA1674 2SC3330</p>	<p>2SD2396</p>
<p>2SC4488</p>	<p>2SA1037K 2SC3326 2SC2412K 2SD1938F DTA114EKA DTC114EKA DTC144EKA</p>	<p>2SD1760</p>

1 ■ PRINTED CIRCUIT BOARD (Foil side)

DIGITAL P. C. B. (Lead Type Device)

DIGITAL P. C. B. (Surface Mount Device)



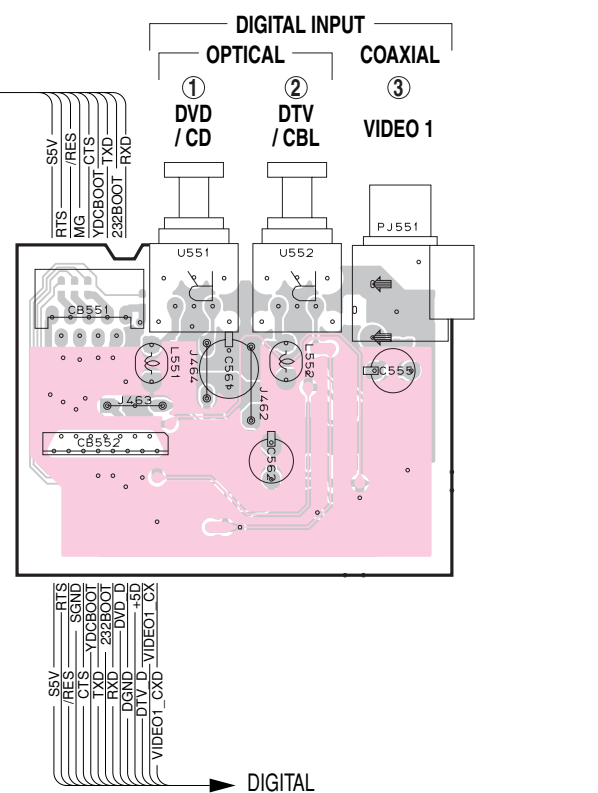
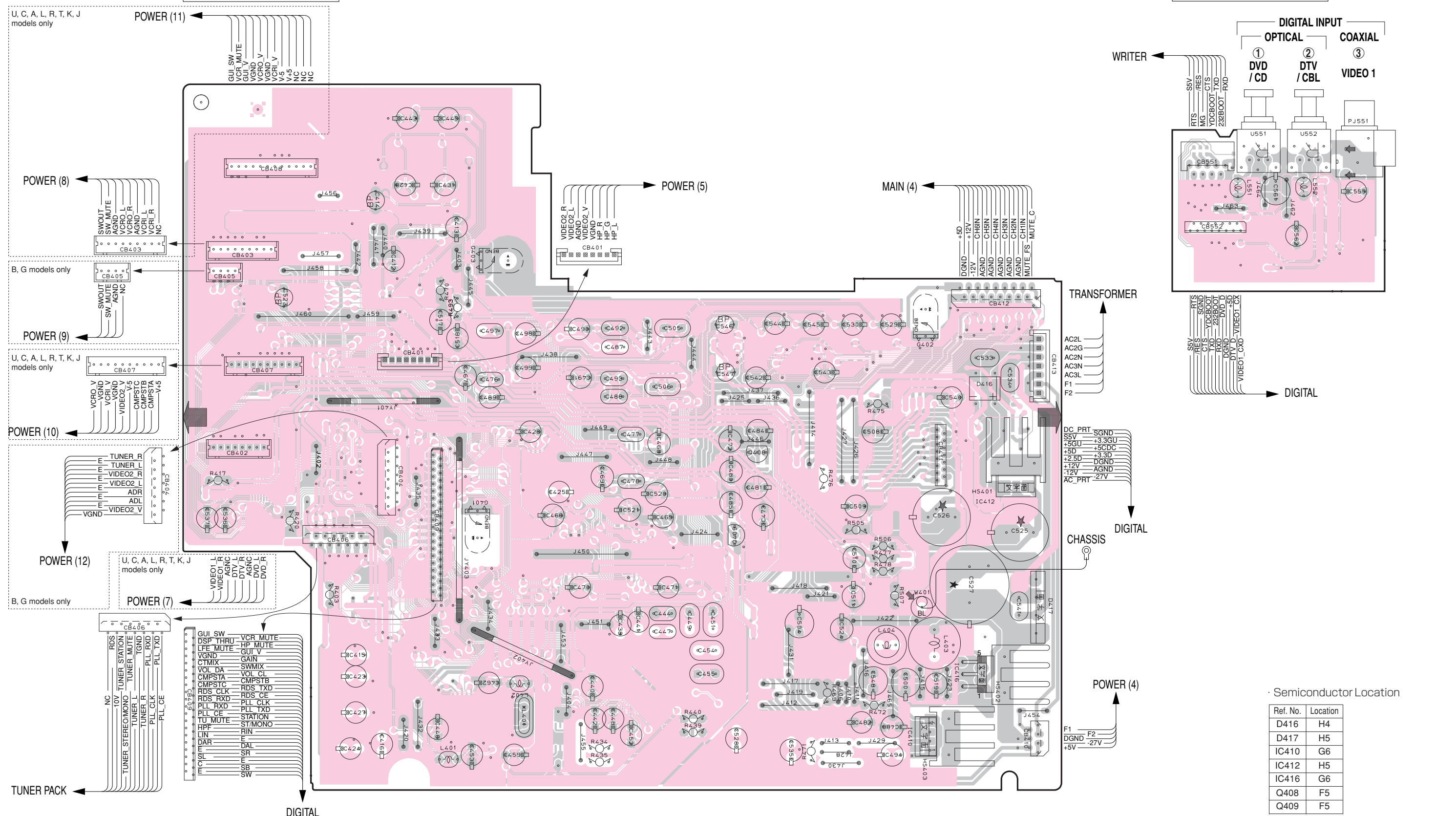
· Semiconductor Location

Ref. No.	Location	Ref. No.	Location	Ref. No.	Location	Ref. No.	Location	Ref. No.	Location	Ref. No.	Location
D303	G4	D309	I3	IC305	H5	IC313	H5	IC329	B6	IC335	J4
D304	G4	IC301	H3	IC306	A4	IC314	H5	IC330	G3	IC336	H4
D305	G4	IC307	D3	IC307	D3	IC315	E4	IC331	G3	IC337	G4
D306	G4	IC302	G5	IC310	I4	IC316	I5	IC332	F4	IC339	G3
D307	I3	IC303	C4	IC311	I4	IC317	D5	IC333	I4	IC340	I5
D308	I3	IC304	B5	IC312	H5	IC318	J5	IC334	D4		

PRINTED CIRCUIT BOARD (Foil side)

INPUT (1) P. C. B. (Lead Type Device)

INPUT (2) P. C. B. (Lead Type Device)



TRANSFORMER

CHASSIS

DIGITAL

POWER (4)

- AC2L
- AC2G
- AC2N
- AC3L
- AC3N
- AC3L
- F1
- F2

- DC PRT
- SSV
- +3.3GU
- +5GU
- +5DC
- +5D
- +3.3D
- +2.5D
- +12V
- DGND
- 12V
- AC\_PRT
- 27V

- SSV
- RTS
- RES
- CTS
- YDCBOOT
- TXD
- 232BOOT
- DVD D
- DGND
- DVD D
- +5D
- VIDEO1\_CXD
- VIDEO1\_CX

- SSV
- RTS
- RES
- CTS
- YDCBOOT
- TXD
- 232BOOT
- DVD D
- DGND
- DVD D
- +5D
- VIDEO1\_CXD
- VIDEO1\_CX

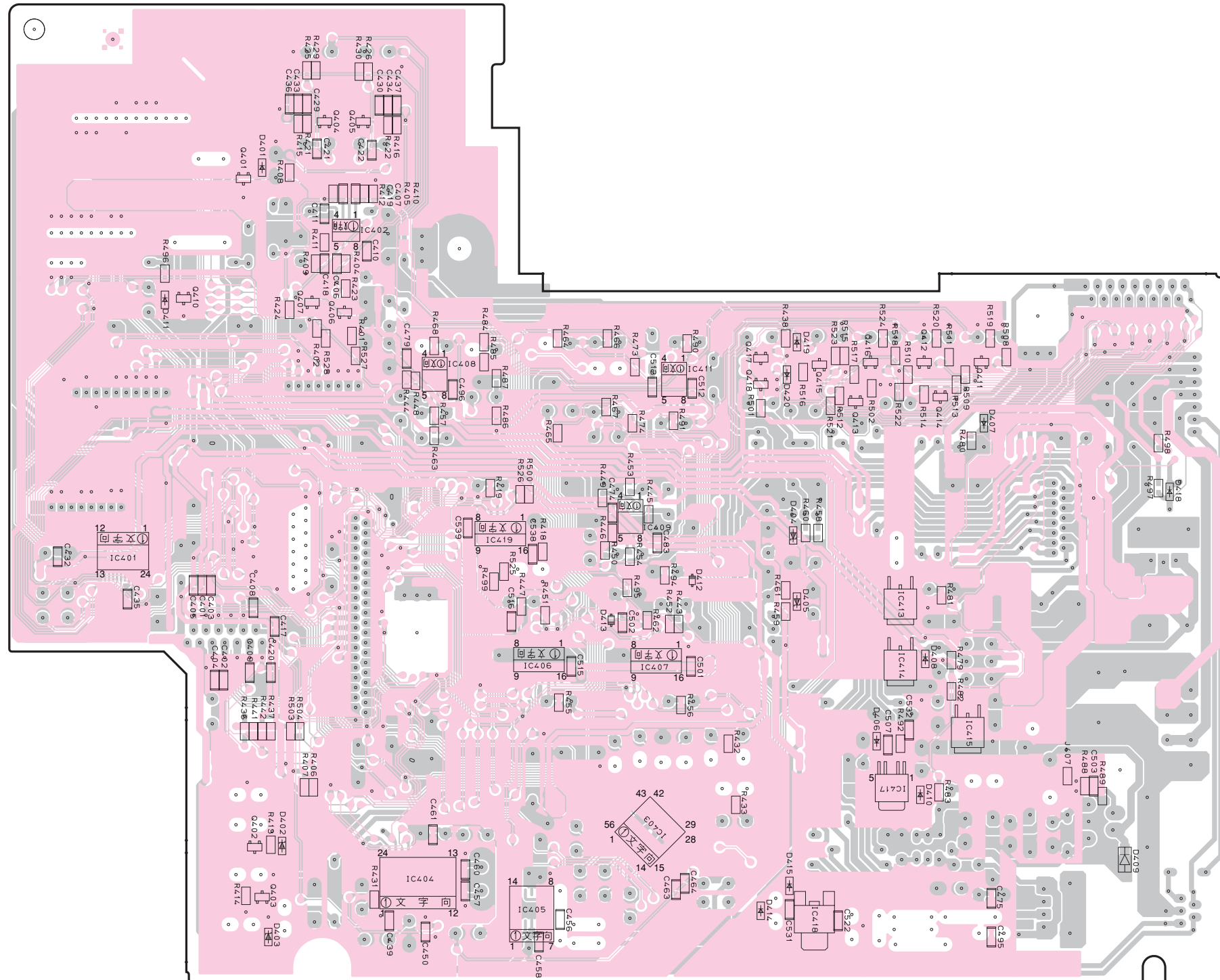
Semiconductor Location

Ref. No.	Location
D416	H4
D417	H5
IC410	G6
IC412	H5
IC416	G6
Q408	F5
Q409	F5

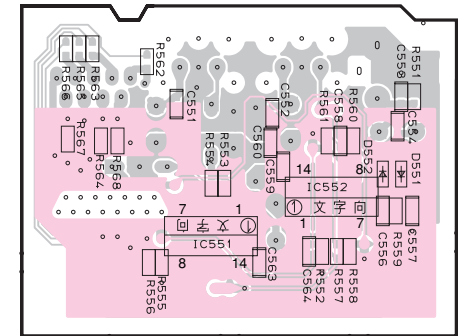


1 ■ PRINTED CIRCUIT BOARD (Foil side)

INPUT (1) P. C. B. (Surface Mount Device)



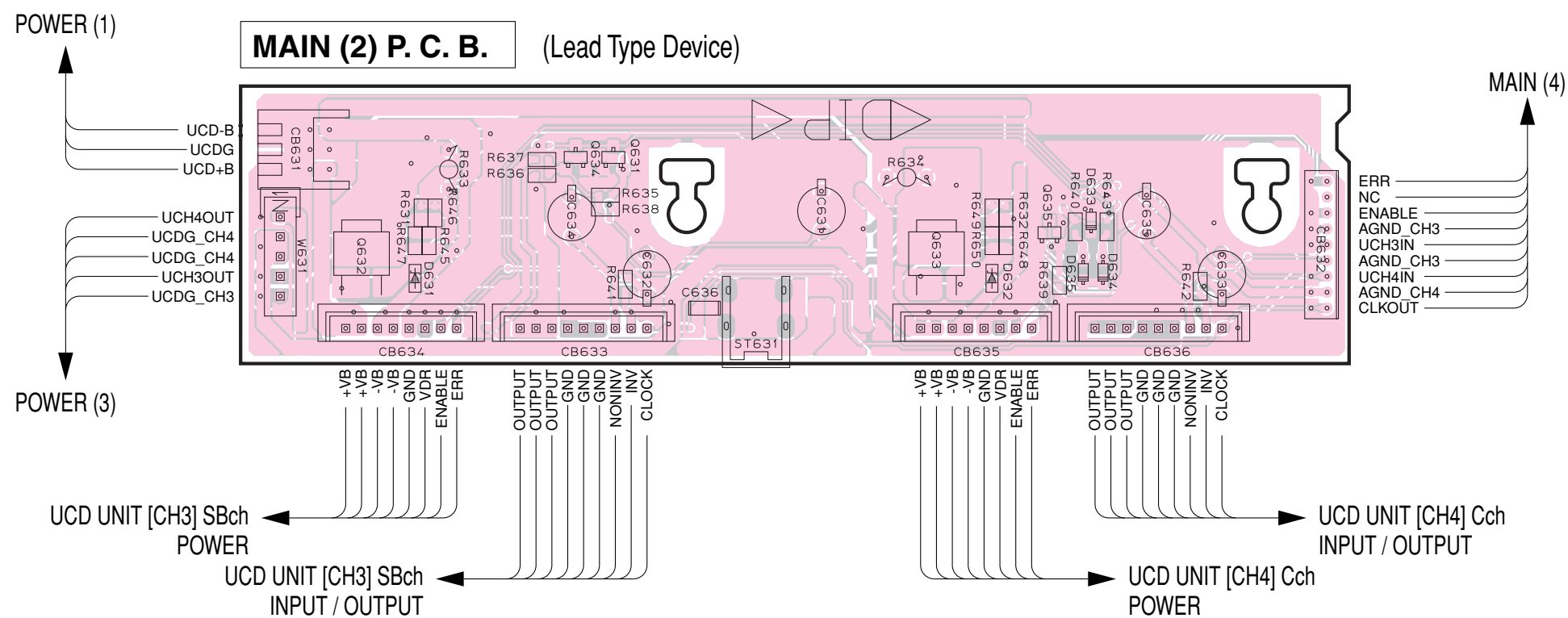
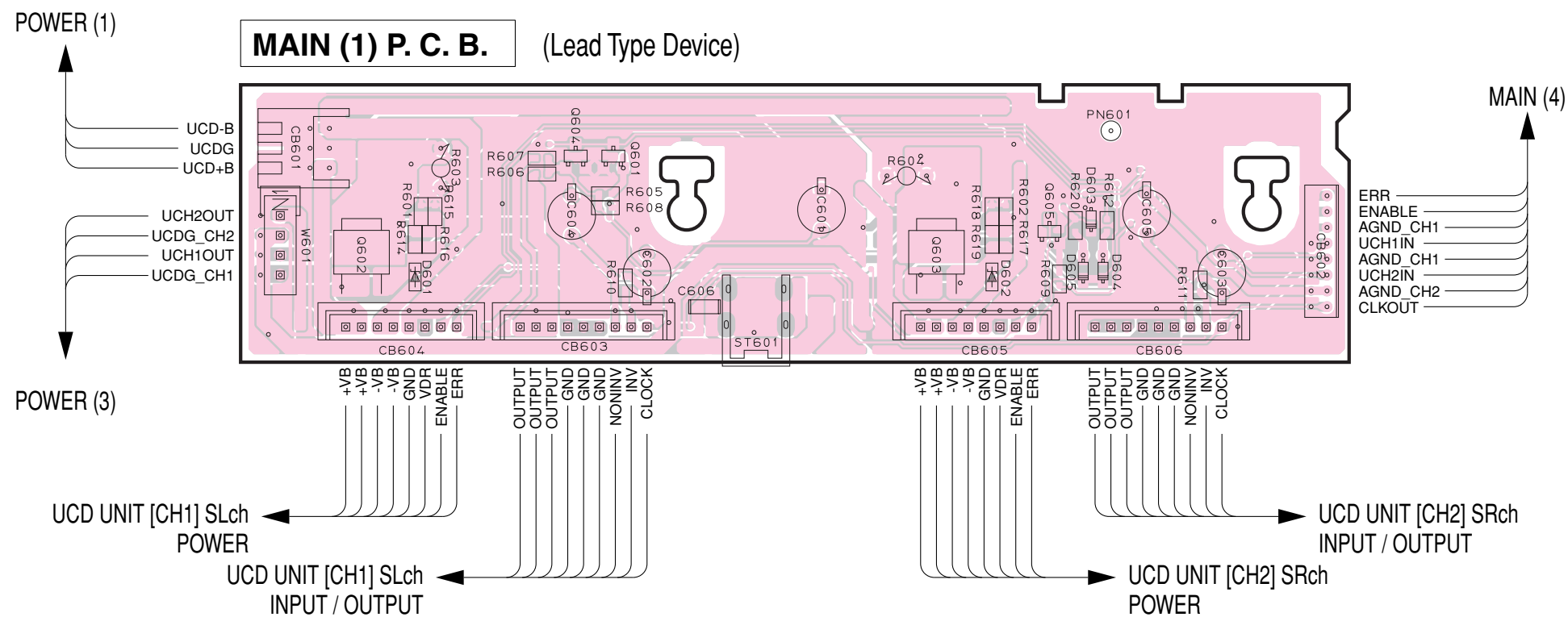
INPUT (2) P. C. B. (Surface Mount Device)



· Semiconductor Location

Ref. No.	Location	Ref. No.	Location
D401	C3	IC408	D4
D402	C6	IC409	D5
D403	C7	IC411	E4
D404	E5	IC413	F5
D405	E5	IC414	F5
D406	F6	IC415	F6
D407	F4	IC417	F6
D408	F5	IC418	E7
D409	G6	IC419	D5
D410	F6	IC551	I3
D411	B4	IC552	I3
D412	E5	Q401	C3
D413	D5	Q402	C6
D414	E6	Q403	C6
D415	E6	Q404	C3
D418	G4	Q405	C3
D419	E4	Q406	C2
D420	E4	Q407	C2
D551	I3	Q410	B4
D552	I3	Q411	F4
IC401	B5	Q412	F4
IC402	C3	Q413	F4
IC403	E6	Q414	F4
IC404	C7	Q415	E4
IC405	D6	Q416	F4
IC406	D5	Q417	E4
IC407	E5	Q418	E4

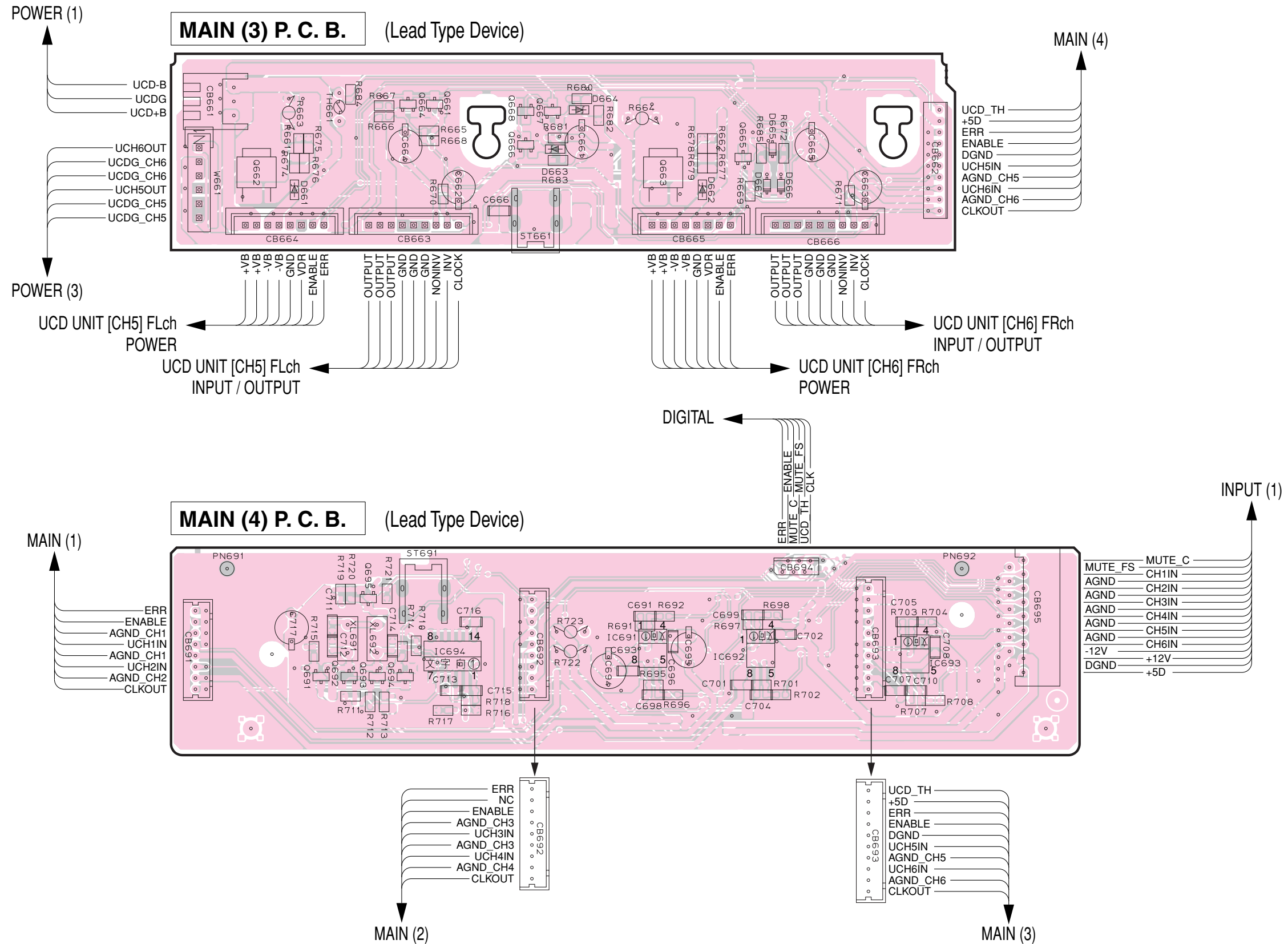
PRINTED CIRCUIT BOARD (Foil side)



Semiconductor Location

Ref. No.	Location
D601	D3
D602	F3
D603	G2
D604	G3
D605	G3
D631	D5
D632	F5
D633	G5
D634	G5
D635	G5
Q601	E2
Q602	D3
Q603	F3
Q604	E2
Q605	G2
Q631	E5
Q632	D5
Q633	F5
Q634	E5
Q635	G5

1 ■ PRINTED CIRCUIT BOARD (Foil side)

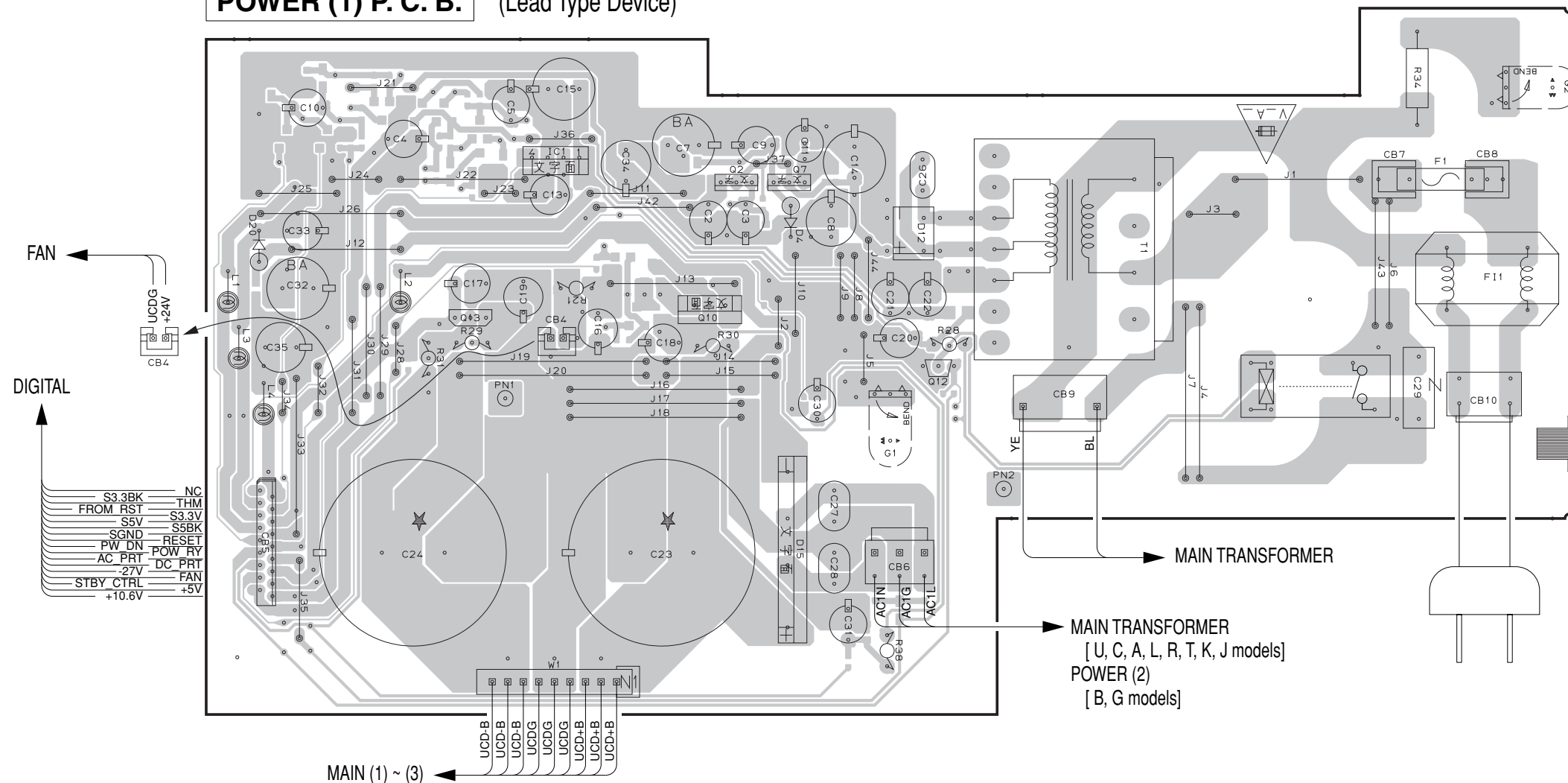


· Semiconductor Location

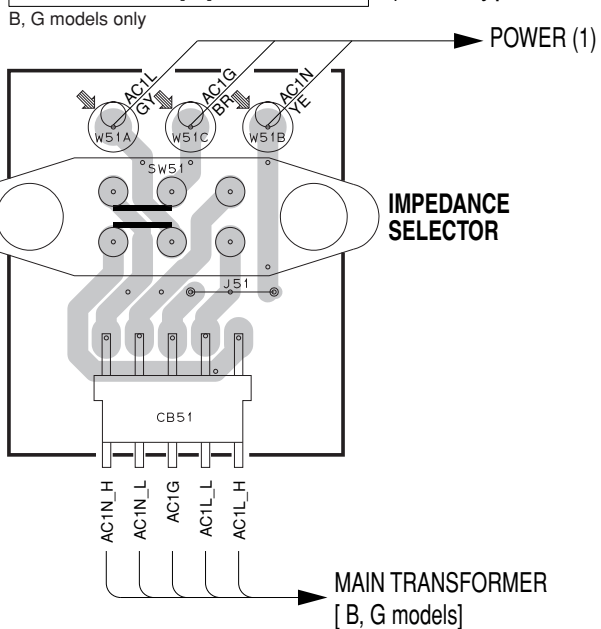
Ref. No.	Location
D661	C3
D662	F3
D663	E2
D664	E2
D665	F2
D666	F3
D667	F3
IC691	E5
IC692	F5
IC693	G5
IC694	D5
Q661	D2
Q662	C2
Q663	F2
Q664	D2
Q665	F2
Q666	E2
Q667	E2
Q668	E2
Q691	D5
Q692	D5
Q693	D5
Q694	D5
Q695	D5

PRINTED CIRCUIT BOARD (Foil side)

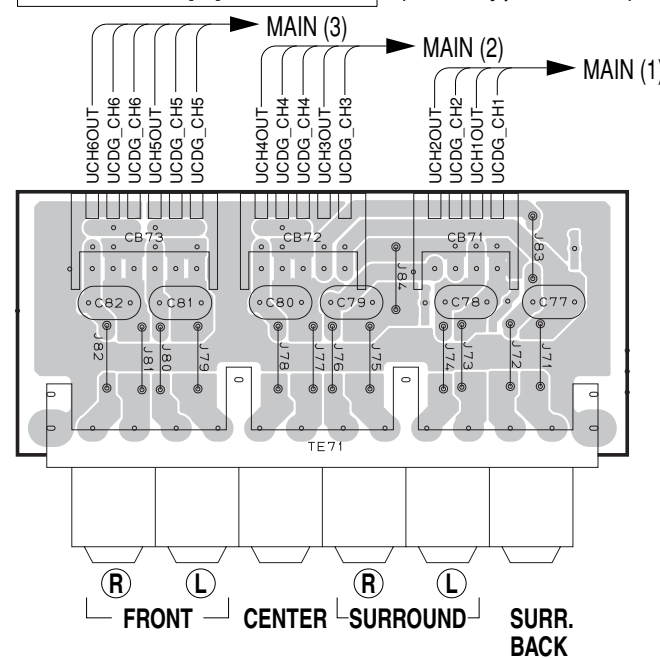
POWER (1) P. C. B. (Lead Type Device)



POWER (2) P. C. B. (Lead Type Device)



POWER (3) P. C. B. (Lead Type Device)

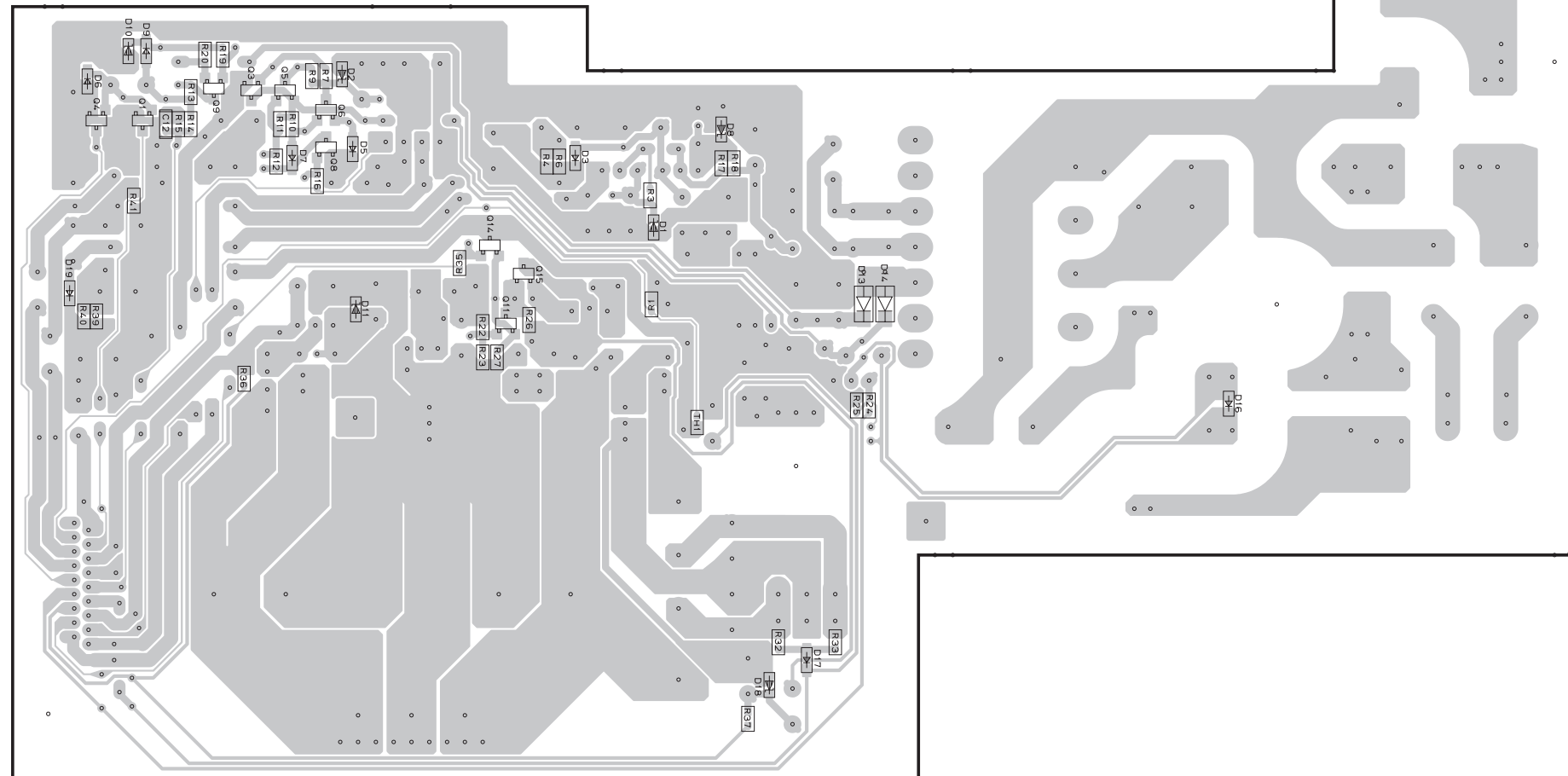


· Semiconductor Location

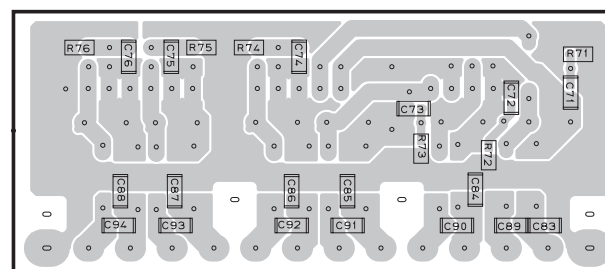
Ref. No.	Location
D4	E2
D12	F2
D15	E4
D20	C3
IC1	D2
Q2	E2
Q7	E2
Q10	E3
Q12	F3
Q13	D3

## 1 ■ PRINTED CIRCUIT BOARD (Foil side)

## POWER (1) P. C. B. (Surface Mount Device)



## 5 POWER (3) P. C. B. (Surface Mount Device)



## · Semiconductor Location

Ref. No.	Location	Ref. No.	Location
D1	E2	D17	E4
D2	C2	D18	E4
D3	D2	D19	B3
D5	D2	Q1	C2
D6	C2	Q3	C2
D7	C2	Q4	C2
D8	E2	Q5	C2
D9	C2	Q6	C2
D10	C2	Q8	C2
D11	D3	Q9	C2
D13	F3	Q11	D3
D14	F3	Q14	D2
D16	G3	Q15	D3

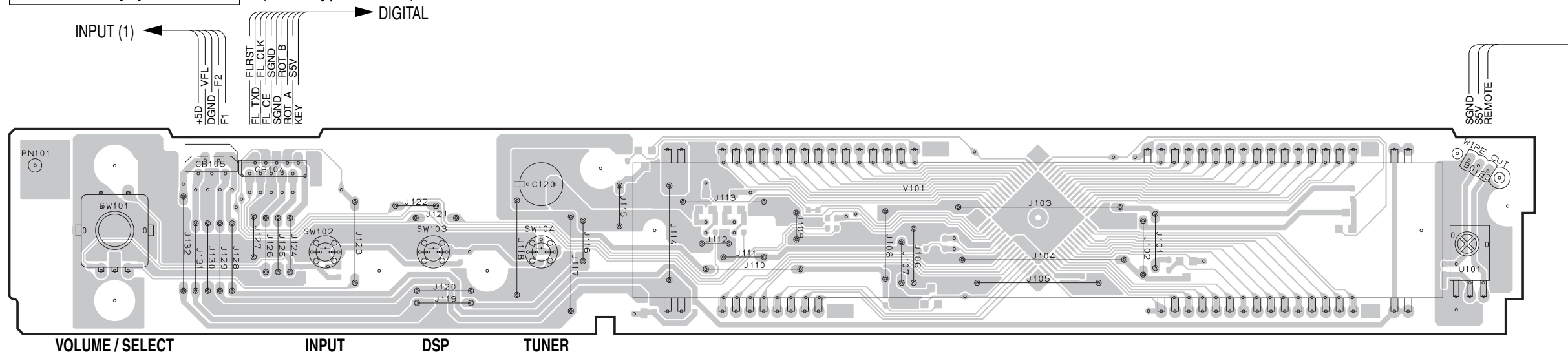
6

7

PRINTED CIRCUIT BOARD (Foil side)

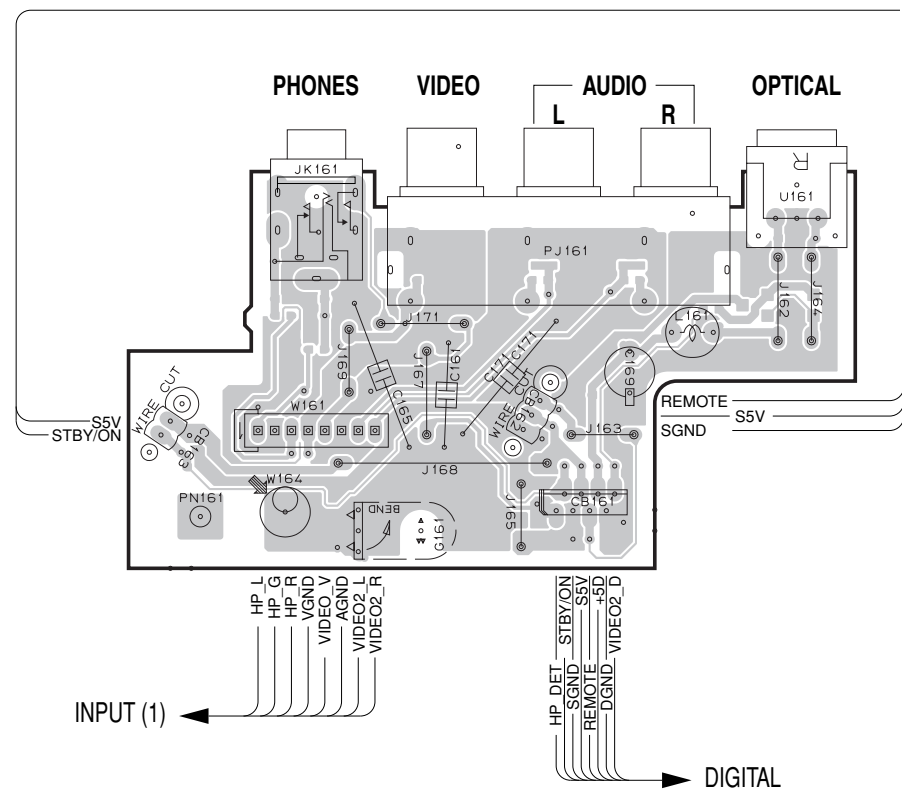
POWER (4) P. C. B.

(Lead Type Device)



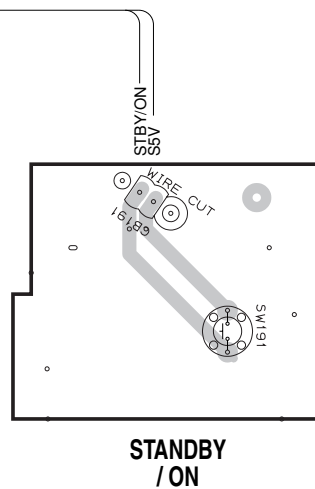
POWER (5) P. C. B.

(Lead Type Device)



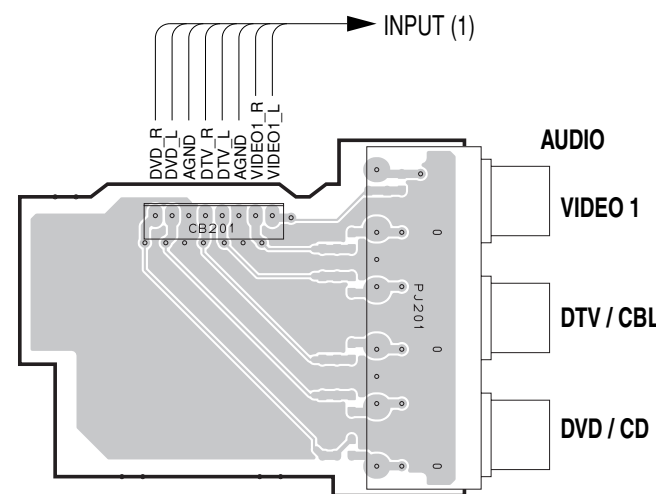
POWER (6) P. C. B.

(Lead Type Device)



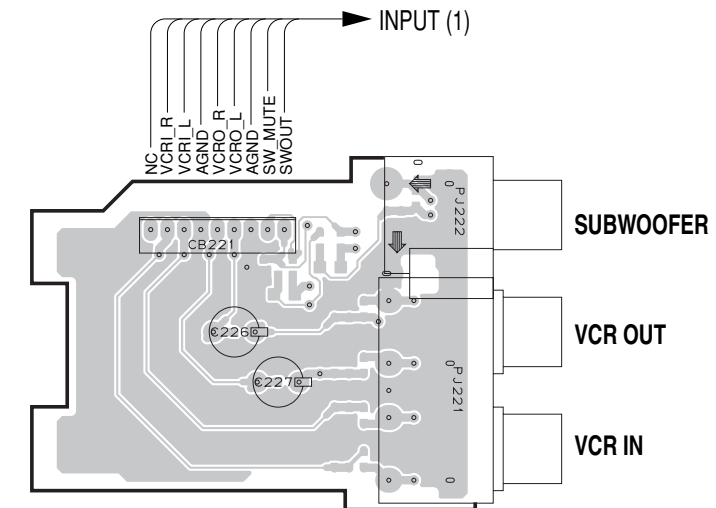
POWER (7) P. C. B.

(Lead Type Device)



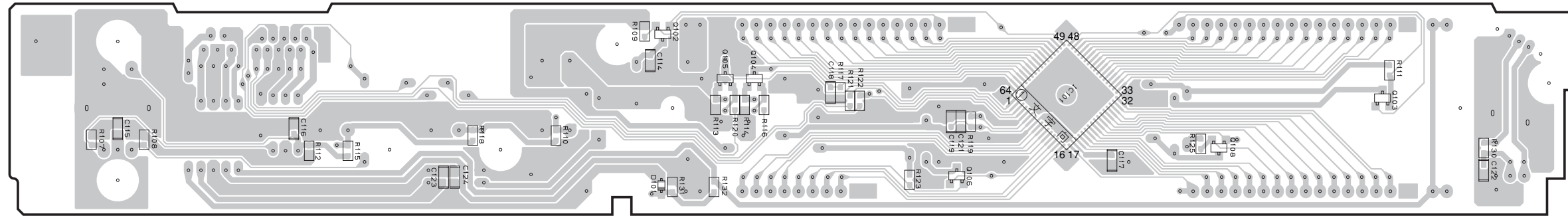
POWER (8) P. C. B.

(Lead Type Device)

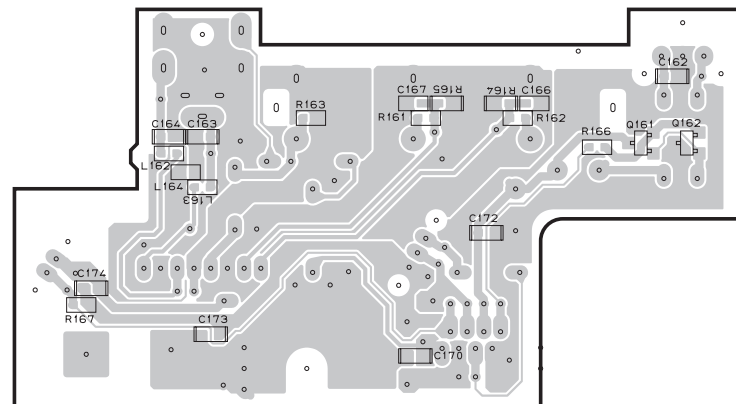


1 ■ PRINTED CIRCUIT BOARD (Foil side)

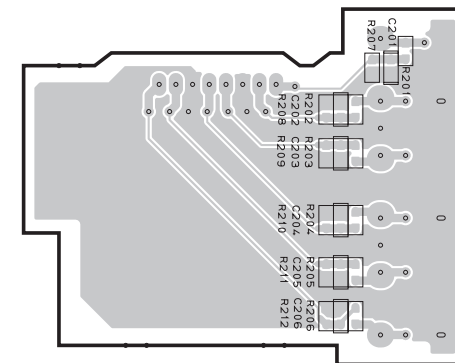
**POWER (4) P. C. B.** (Surface Mount Device)



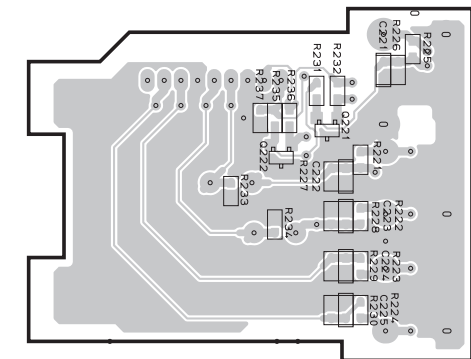
**POWER (5) P. C. B.** (Surface Mount Device)



**POWER (7) P. C. B.**  
(Surface Mount Device)



**POWER (8) P. C. B.**  
(Surface Mount Device)



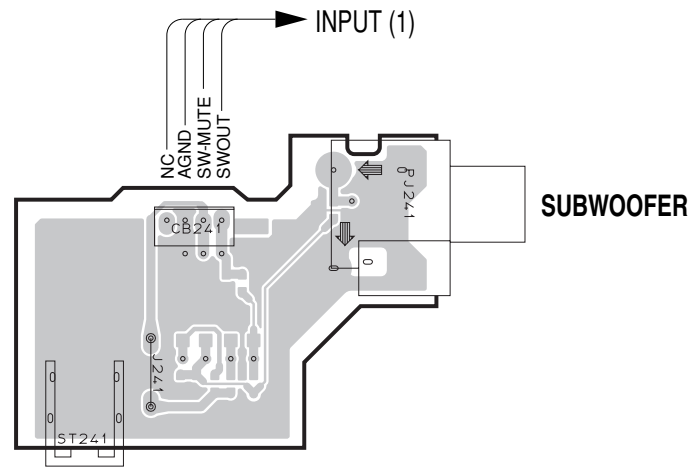
· Semiconductor Location

Ref. No.	Location	Ref. No.	Location
D101	D3	Q106	E3
IC101	F3	Q108	G3
Q102	D2	Q161	C5
Q103	H3	Q221	I5
Q104	D3	Q222	I5

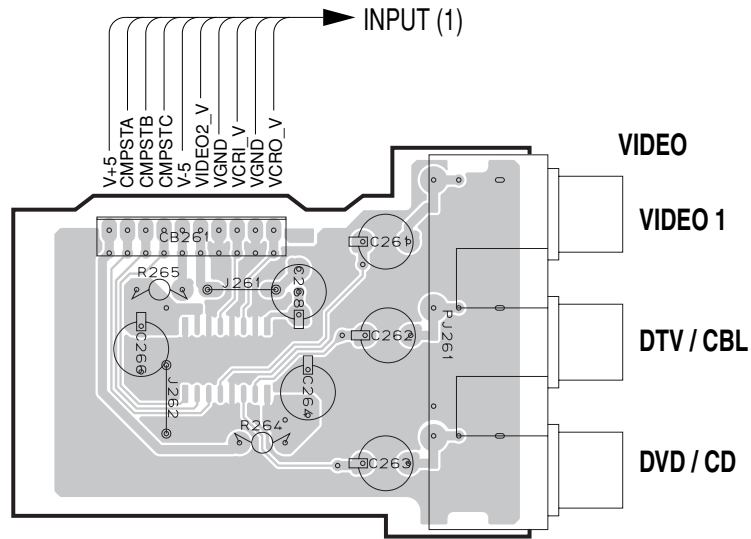
PRINTED CIRCUIT BOARD (Foil side)

**POWER (9) P. C. B.** (Lead Type Device)

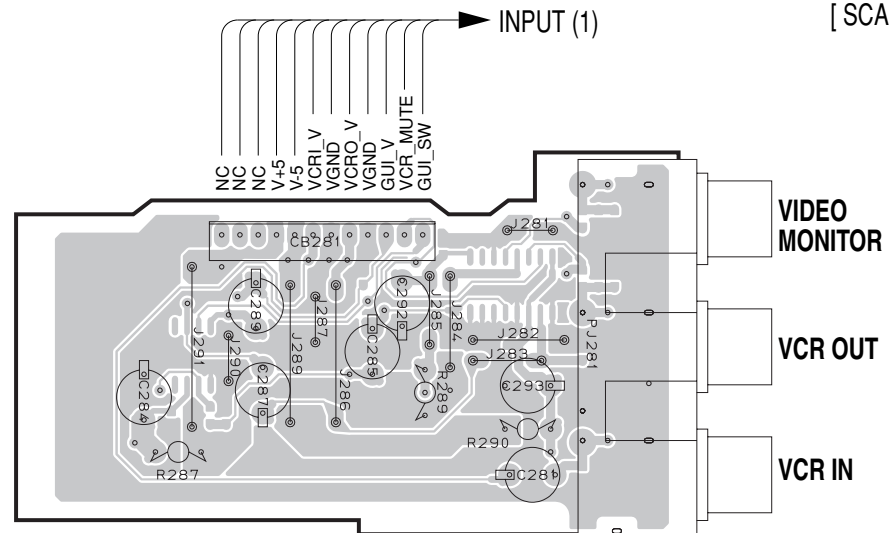
B, G models only



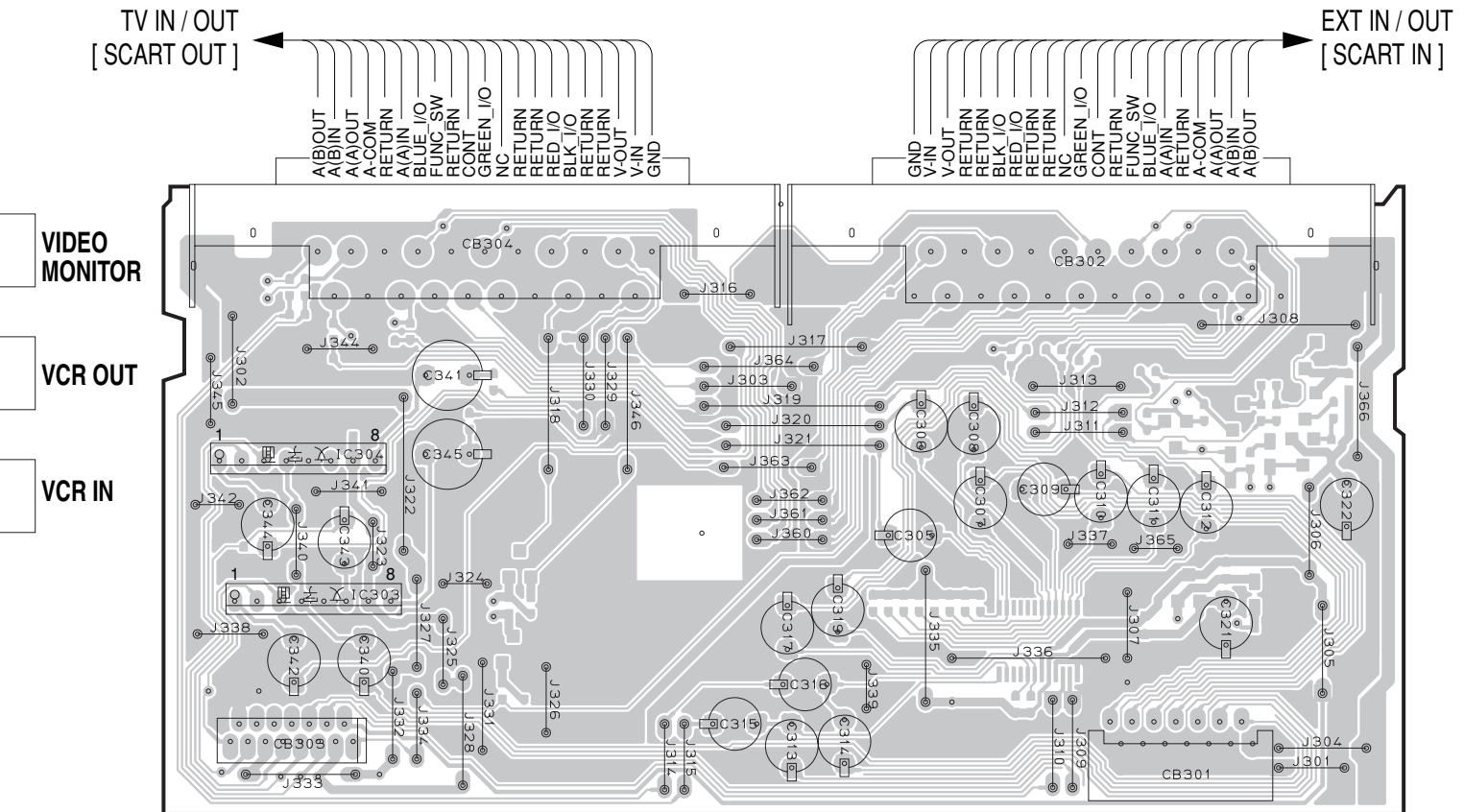
**POWER (10) P. C. B.** (Lead Type Device)



**POWER (11) P. C. B.** (Lead Type Device)



**POWER (12) P. C. B.** (Lead Type Device)



· Semiconductor Location

Ref. No.	Location
IC303	E6
IC304	E5





SCHEMATIC DIAGRAM (DIGITAL)

REMARKS	PARTS NAME	NOTICE	Interchangeable Parts at Manufacturer's Stage
NO MARK	CARBON FILM RESISTOR (DHS)	(J) JAPAN	RESISTOR PARTS NUMBER
NO MARK	CARBON FILM RESISTOR (EPA)	(U) U.S.A	RESISTOR PARTS NUMBER
NO MARK	METAL GLAZE FILM RESISTOR	(C) CANADA	RESISTOR PARTS NUMBER
NO MARK	METAL FILM RESISTOR	(R) GENERAL	RESISTOR PARTS NUMBER
NO MARK	METAL PLATE RESISTOR	(T) CHINA	RESISTOR PARTS NUMBER
NO MARK	CONCENT. CARBON FILM RESISTOR	(K) KOREA	RESISTOR PARTS NUMBER
NO MARK	CONCENT. METAL RESISTOR	(A) AUSTRALIA	RESISTOR PARTS NUMBER
NO MARK	SEMI-VARIABLE RESISTOR	(B) BRITISH	RESISTOR PARTS NUMBER
NO MARK	CHIP RESISTOR	(D) EUROPE	RESISTOR PARTS NUMBER
		(L) SINGAPORE	RESISTOR PARTS NUMBER

REMARKS	PARTS NAME	NOTICE
NO MARK	ELECTROLYTIC CAPACITOR	
NO MARK	FANFOLD CAPACITOR	
NO MARK	CERAMIC CAPACITOR	
NO MARK	CERAMIC TUBULAR CAPACITOR	
NO MARK	NON-VOLATILE FILM CAPACITOR	
NO MARK	POLYESTER FILM CAPACITOR	
NO MARK	POLYPROPYLENE FILM CAPACITOR	
NO MARK	SEMICONDUCTOR CERAMIC CAPACITOR	
NO MARK	POLYVINYLENE SULFIDE FILM CAPACITOR	

REMARKS	PARTS NAME	NOTICE
NO MARK	DIODE	
NO MARK	TRANSISTOR	
NO MARK	IC	
NO MARK	RELAY	
NO MARK	CONNECTOR	
NO MARK	SWITCH	
NO MARK	SENSOR	
NO MARK	ACTUATOR	
NO MARK	VALVE	
NO MARK	SOLENOID	
NO MARK	RELAY	
NO MARK	CONNECTOR	
NO MARK	SWITCH	
NO MARK	SENSOR	
NO MARK	ACTUATOR	
NO MARK	VALVE	
NO MARK	SOLENOID	

REMARKS	PARTS NAME	NOTICE
NO MARK	INDUCTOR	
NO MARK	TRANSFORMER	
NO MARK	COIL	
NO MARK	RELAY	
NO MARK	CONNECTOR	
NO MARK	SWITCH	
NO MARK	SENSOR	
NO MARK	ACTUATOR	
NO MARK	VALVE	
NO MARK	SOLENOID	

REMARKS	PARTS NAME	NOTICE
NO MARK	RESISTOR	
NO MARK	CAPACITOR	
NO MARK	DIODE	
NO MARK	TRANSISTOR	
NO MARK	IC	
NO MARK	RELAY	
NO MARK	CONNECTOR	
NO MARK	SWITCH	
NO MARK	SENSOR	
NO MARK	ACTUATOR	
NO MARK	VALVE	
NO MARK	SOLENOID	

REMARKS	PARTS NAME	NOTICE
NO MARK	RESISTOR	
NO MARK	CAPACITOR	
NO MARK	DIODE	
NO MARK	TRANSISTOR	
NO MARK	IC	
NO MARK	RELAY	
NO MARK	CONNECTOR	
NO MARK	SWITCH	
NO MARK	SENSOR	
NO MARK	ACTUATOR	
NO MARK	VALVE	
NO MARK	SOLENOID	

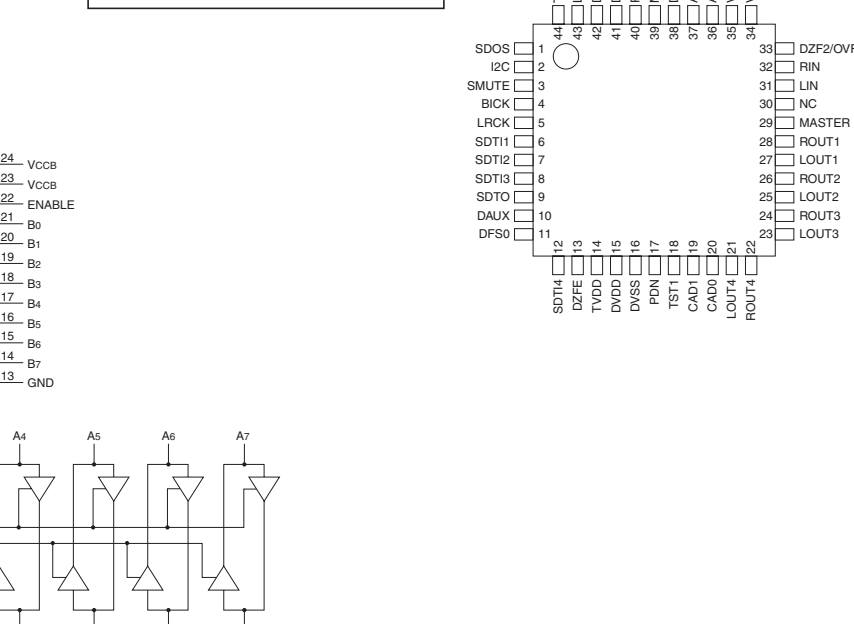
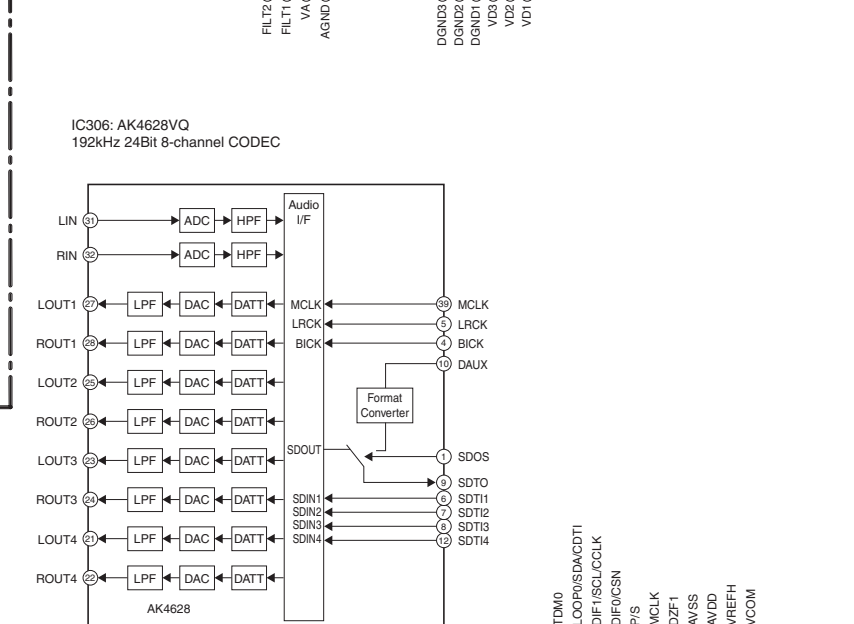
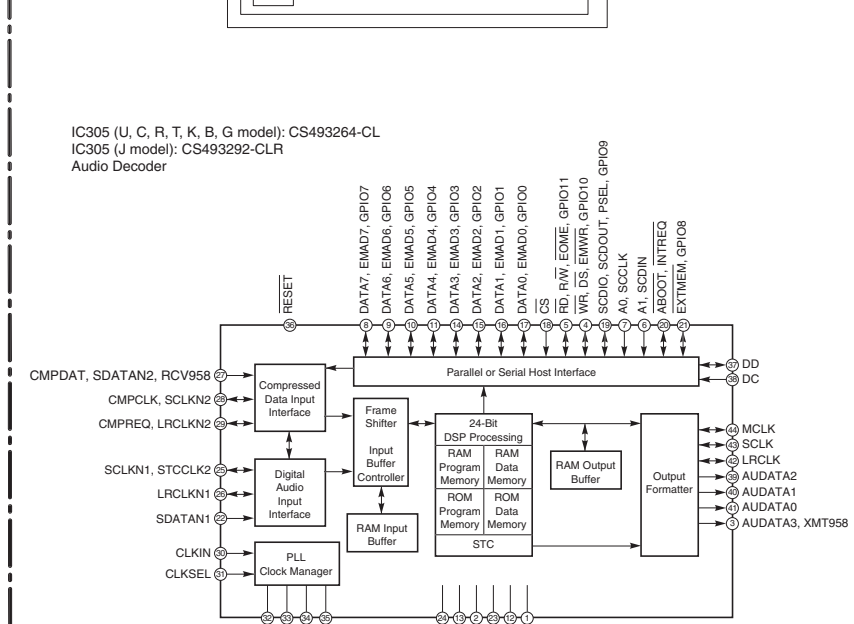
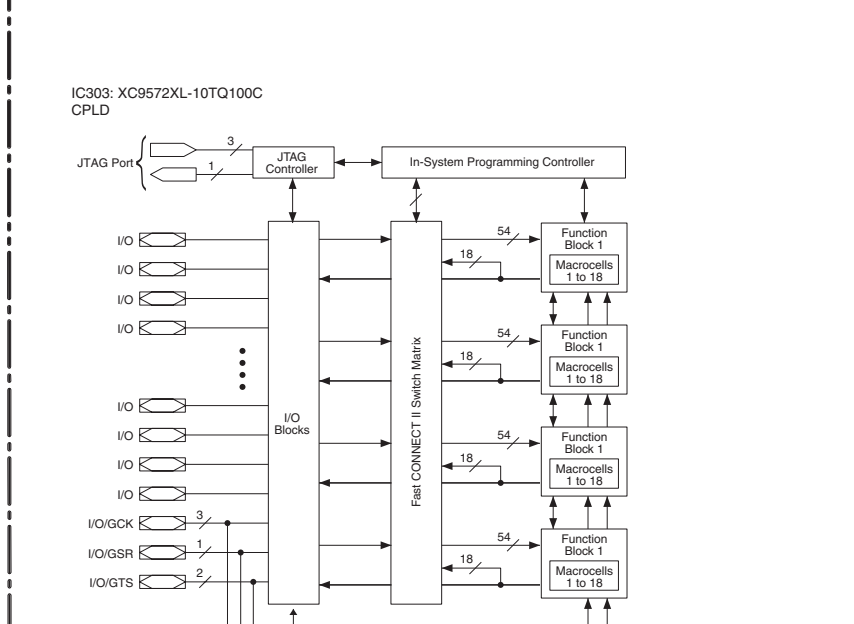
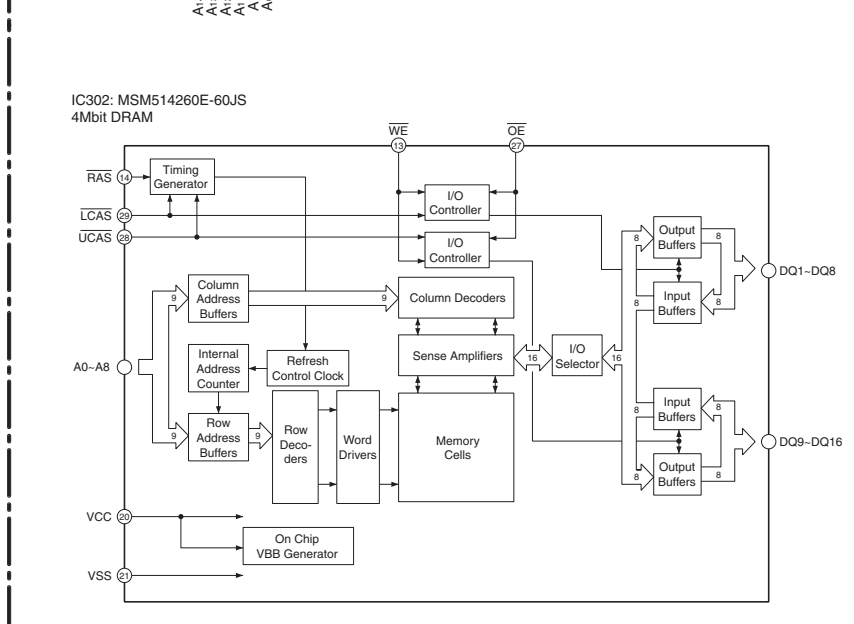
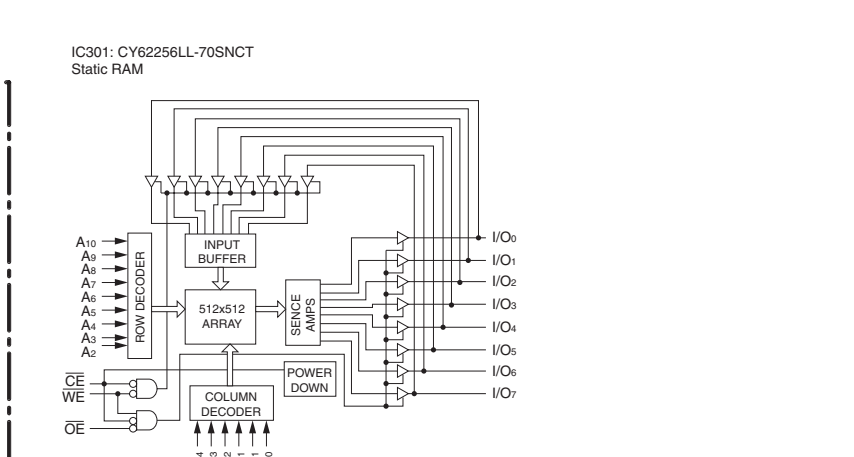
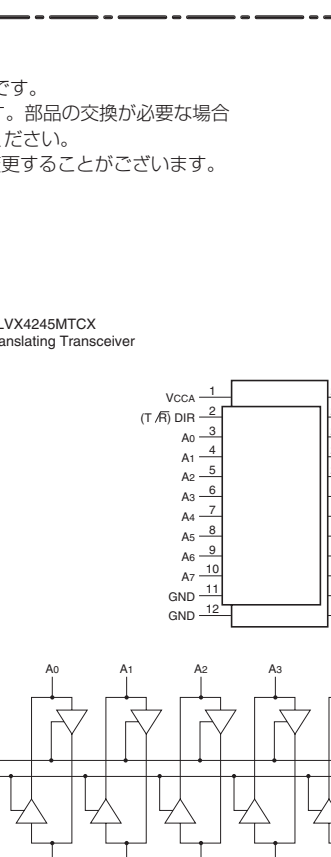
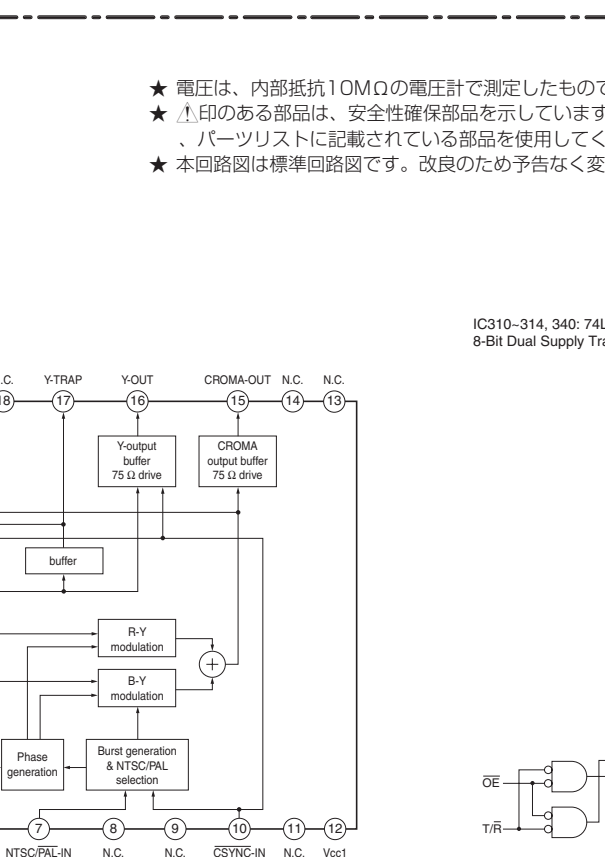
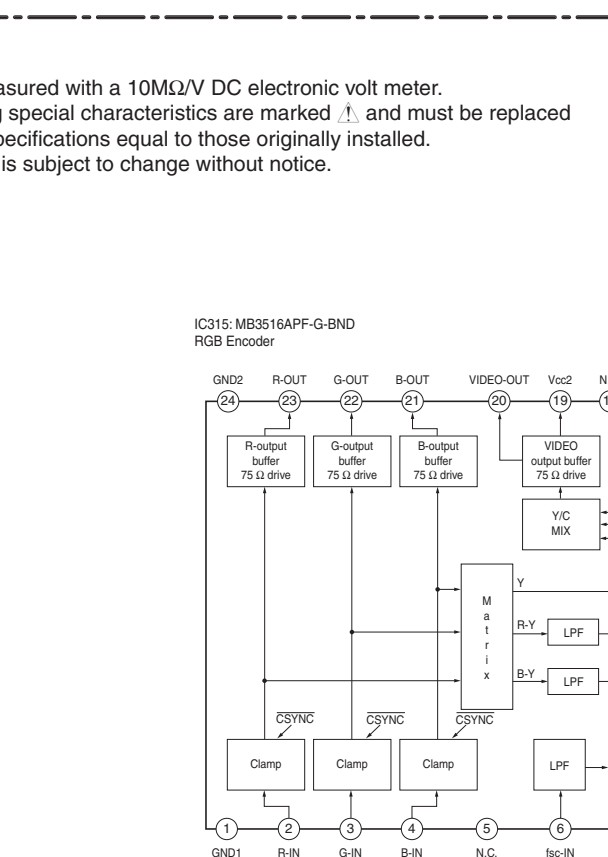
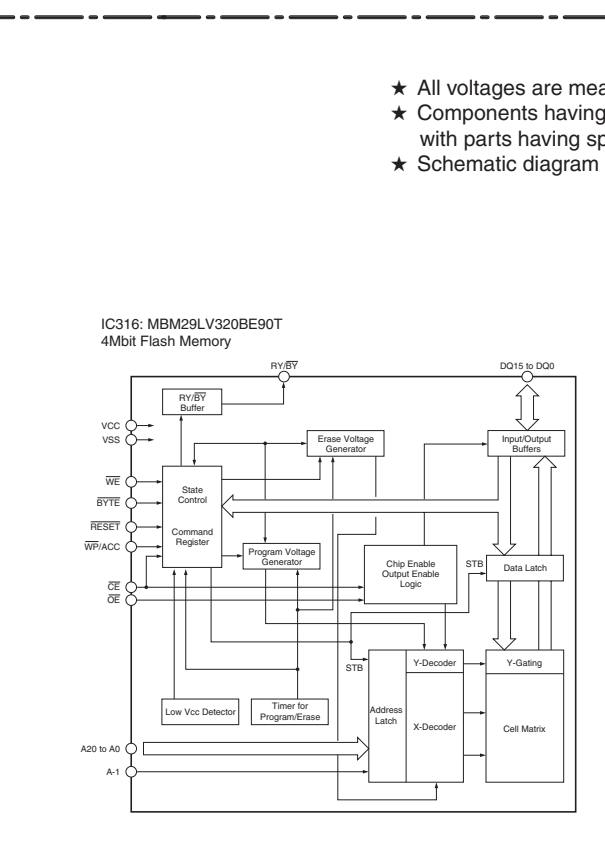
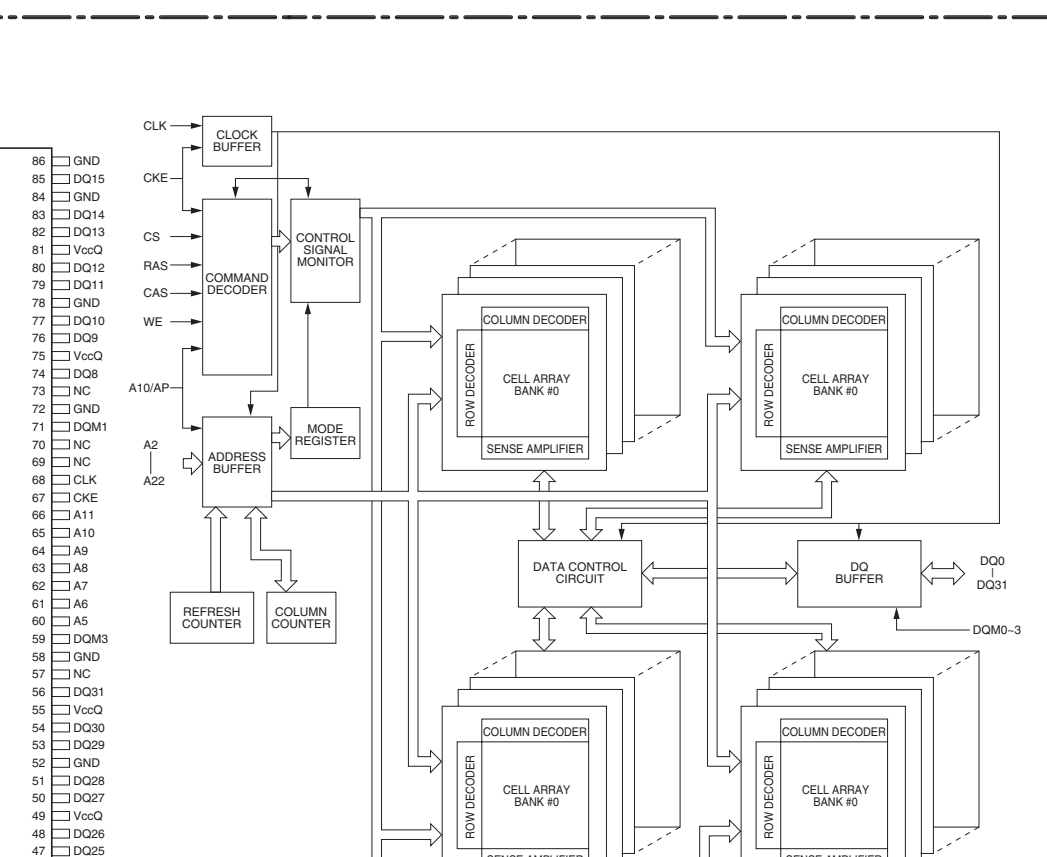
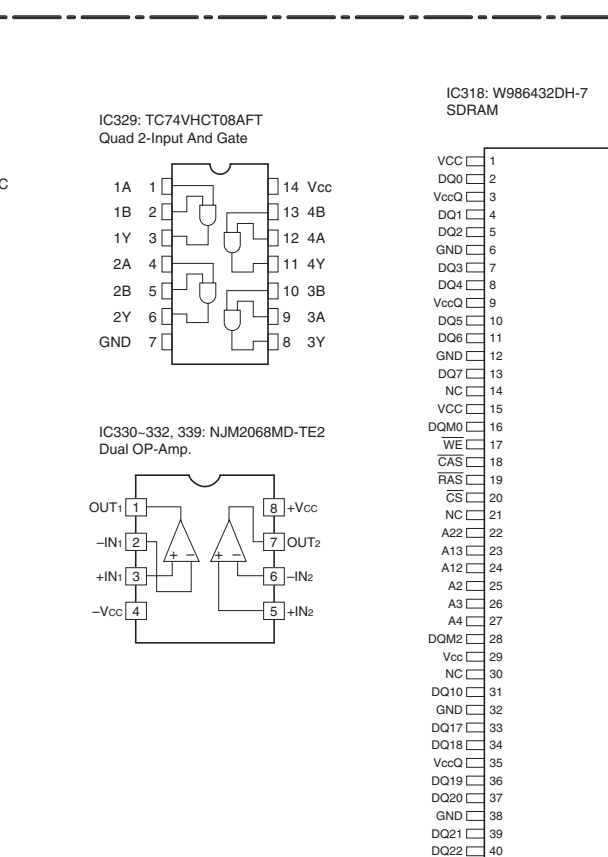
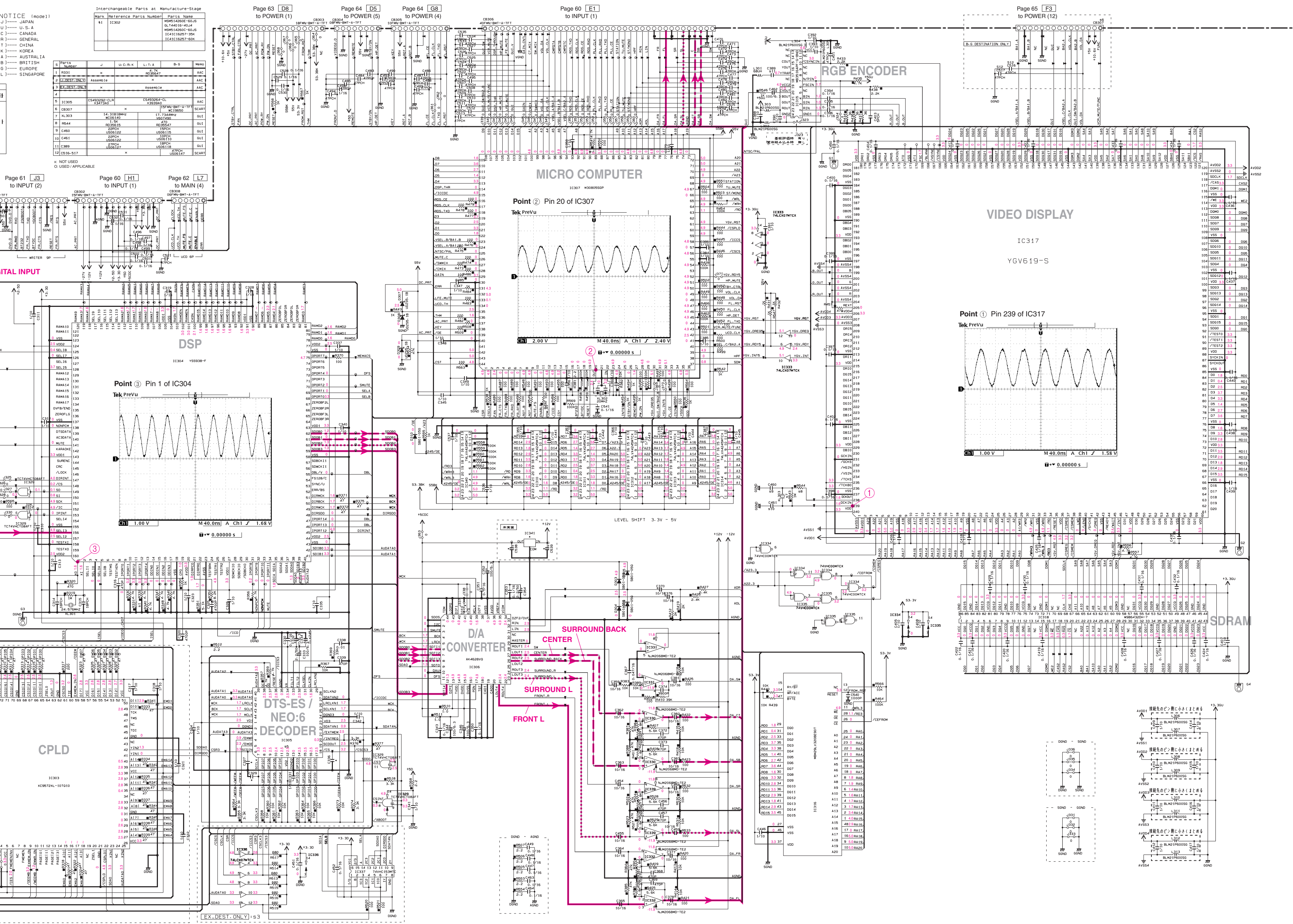
REMARKS	PARTS NAME	NOTICE
NO MARK	RESISTOR	
NO MARK	CAPACITOR	
NO MARK	DIODE	
NO MARK	TRANSISTOR	
NO MARK	IC	
NO MARK	RELAY	
NO MARK	CONNECTOR	
NO MARK	SWITCH	
NO MARK	SENSOR	
NO MARK	ACTUATOR	
NO MARK	VALVE	
NO MARK	SOLENOID	

REMARKS	PARTS NAME	NOTICE
NO MARK	RESISTOR	
NO MARK	CAPACITOR	
NO MARK	DIODE	
NO MARK	TRANSISTOR	
NO MARK	IC	
NO MARK	RELAY	
NO MARK	CONNECTOR	
NO MARK	SWITCH	
NO MARK	SENSOR	
NO MARK	ACTUATOR	
NO MARK	VALVE	
NO MARK	SOLENOID	

REMARKS	PARTS NAME	NOTICE
NO MARK	RESISTOR	
NO MARK	CAPACITOR	
NO MARK	DIODE	
NO MARK	TRANSISTOR	
NO MARK	IC	
NO MARK	RELAY	
NO MARK	CONNECTOR	
NO MARK	SWITCH	
NO MARK	SENSOR	
NO MARK	ACTUATOR	
NO MARK	VALVE	
NO MARK	SOLENOID	

REMARKS	PARTS NAME	NOTICE
NO MARK	RESISTOR	
NO MARK	CAPACITOR	
NO MARK	DIODE	
NO MARK	TRANSISTOR	
NO MARK	IC	
NO MARK	RELAY	
NO MARK	CONNECTOR	
NO MARK	SWITCH	
NO MARK	SENSOR	
NO MARK	ACTUATOR	
NO MARK	VALVE	
NO MARK	SOLENOID	

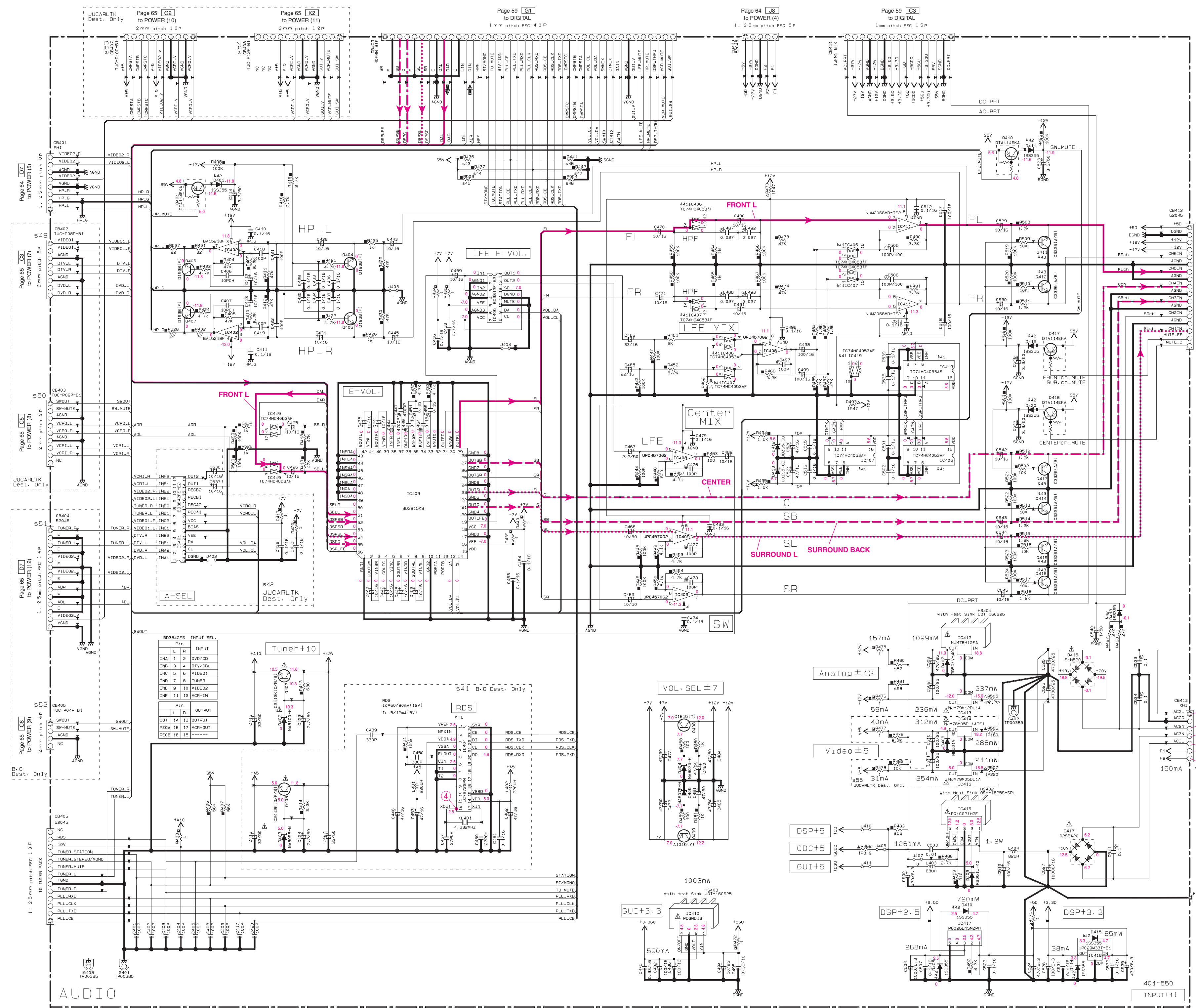
REMARKS	PARTS NAME	NOTICE
NO MARK	RESISTOR	
NO MARK	CAPACITOR	
NO MARK	DIODE	
NO MARK	TRANSISTOR	
NO MARK	IC	
NO MARK	RELAY	
NO MARK	CONNECTOR	
NO MARK	SWITCH	
NO MARK	SENSOR	
NO MARK	ACTUATOR	
NO MARK	VALVE	
NO MARK	SOLENOID	



\* All voltages are measured with a 10MΩ DC electronic volt meter.  
 \* Components having special characteristics are marked ! and must be replaced with parts having specifications equal to those originally installed.  
 \* Schematic diagram is subject to change without notice.

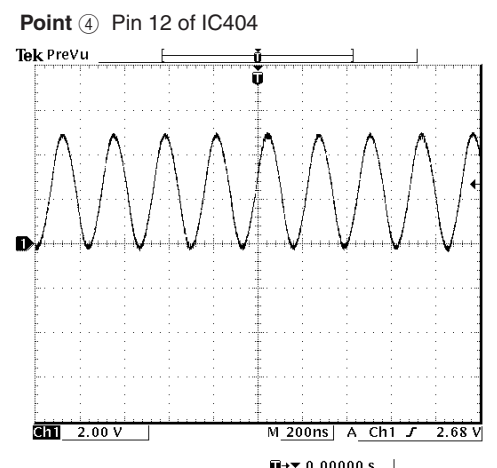
\* 電圧は、内部抵抗10MΩの電圧計で測定したものです。  
 \* ！印のある部品は、安全確保部品を示しています。部品の交換が必要な場合は、必ず！印に記されている部品を使用してください。  
 \* 本回路図は標準回路図です。改良のため予告なく変更することがございます。

■ SCHEMATIC DIAGRAM (INPUT 1/2)



★ All voltages are measured with a 10MΩ/V DC electronic volt meter.  
 ★ Components having special characteristics are marked  $\Delta$  and must be replaced with parts having specifications equal to those originally installed.  
 ★ Schematic diagram is subject to change without notice.

★ 電圧は、内部抵抗10MΩの電圧計で測定したものです。  
 ★  $\Delta$ 印のある部品は、安全性確保部品を示しています。部品の交換が必要な場合、パーツリストに記載されている部品を使用してください。  
 ★ 本回路図は標準回路図です。改良のため予告なく変更することがございます。



NOTICE (made)

(J)..... JAPAN  
 (U)..... U.S.A.  
 (C)..... CANADA  
 (R)..... GENERAL  
 (T)..... CHINA  
 (K)..... KOREA  
 (A)..... AUSTRALIA  
 (B)..... BRITISH  
 (G)..... EUROPE  
 (L)..... SINGAPORE

REMARKS	PARTS NAME
NO MARK	CARBON FILM RESISTOR (P=5)
$\Delta$	CARBON FILM RESISTOR (P=10)
$\square$	METAL OXIDE FILM RESISTOR
$\square$	METAL FILM RESISTOR
$\square$	METAL PLATE RESISTOR
$\square$	FINE PROOF CARBON FILM RESISTOR
$\square$	CEMENT MOLDED RESISTOR
$\square$	SEMI VARIABLE RESISTOR
$\square$	CHIP RESISTOR

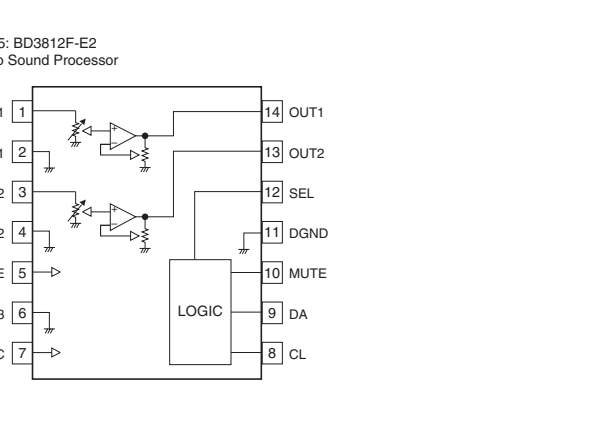
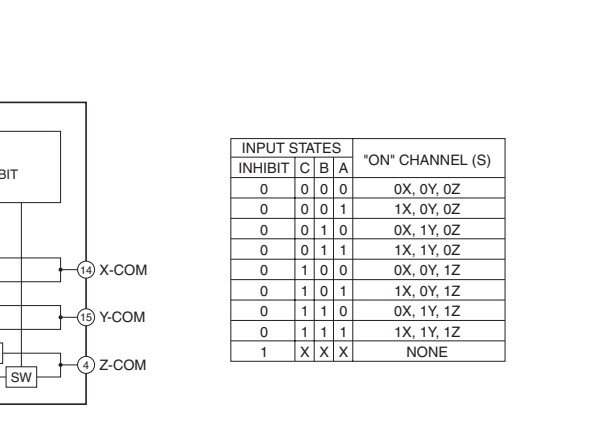
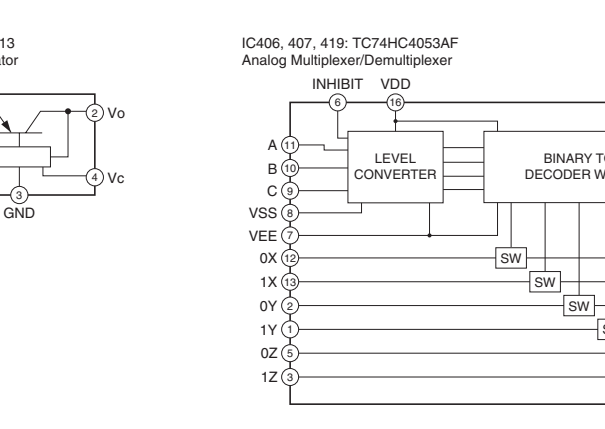
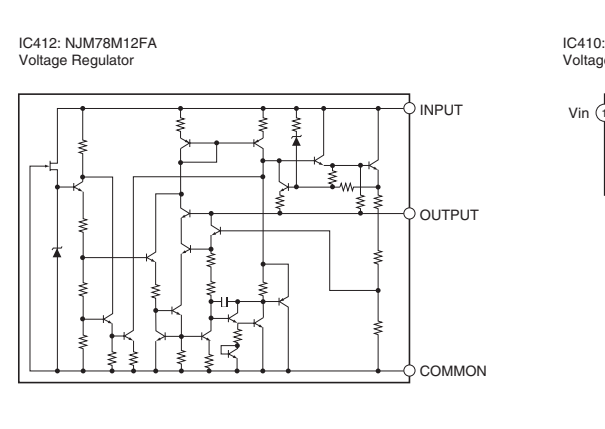
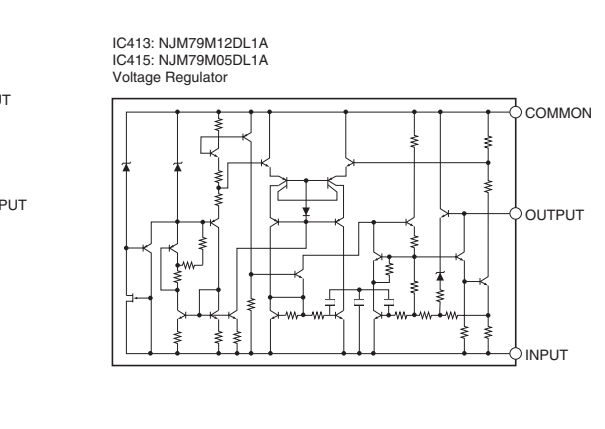
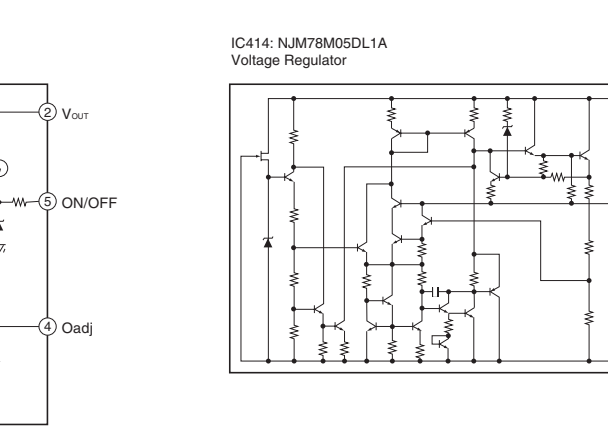
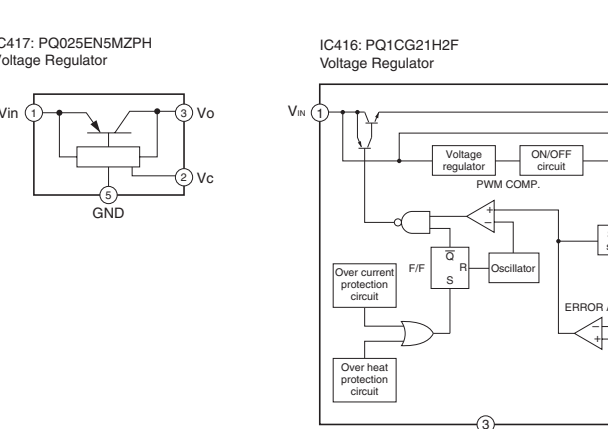
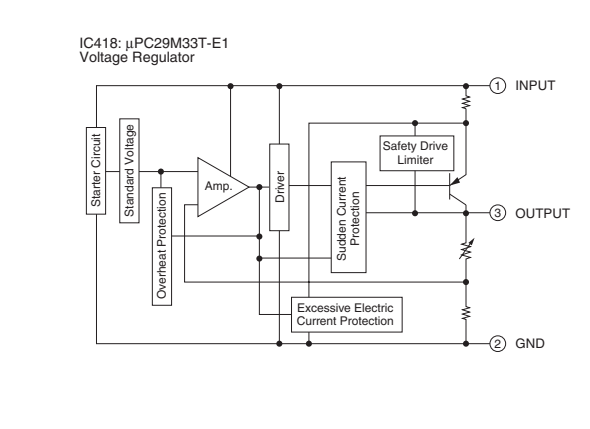
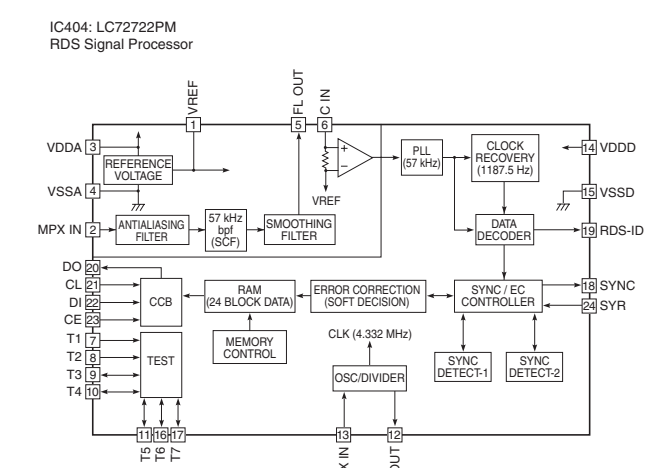
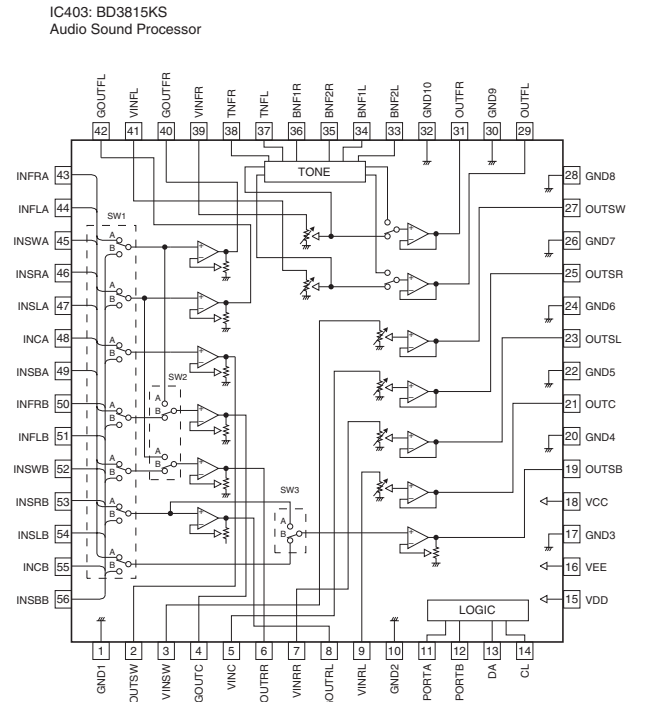
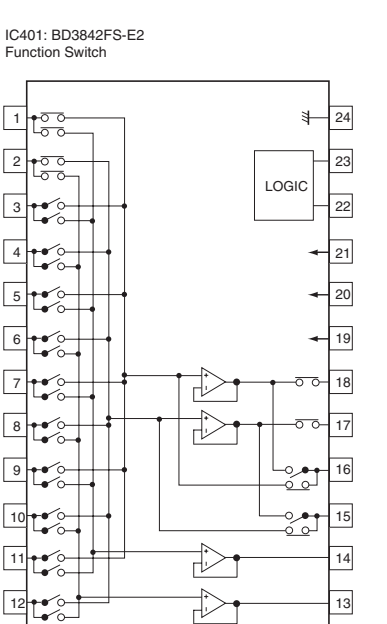
CAPACITOR	PARTS NAME
NO MARK	ELECTROLYTIC CAPACITOR
$\square$	TANTALUM CAPACITOR
$\square$	CERAMIC CAPACITOR
$\square$	CERAMIC TUBULAR CAPACITOR
$\square$	POLYESTER FILM CAPACITOR
$\square$	POLYSTYRENE FILM CAPACITOR
$\square$	MICA CAPACITOR
$\square$	POLYPROPYLENE FILM CAPACITOR
$\square$	SEMICONDUCTIVE CERAMIC CAPACITOR

Interchangeable Parts at Manufacture-Stage

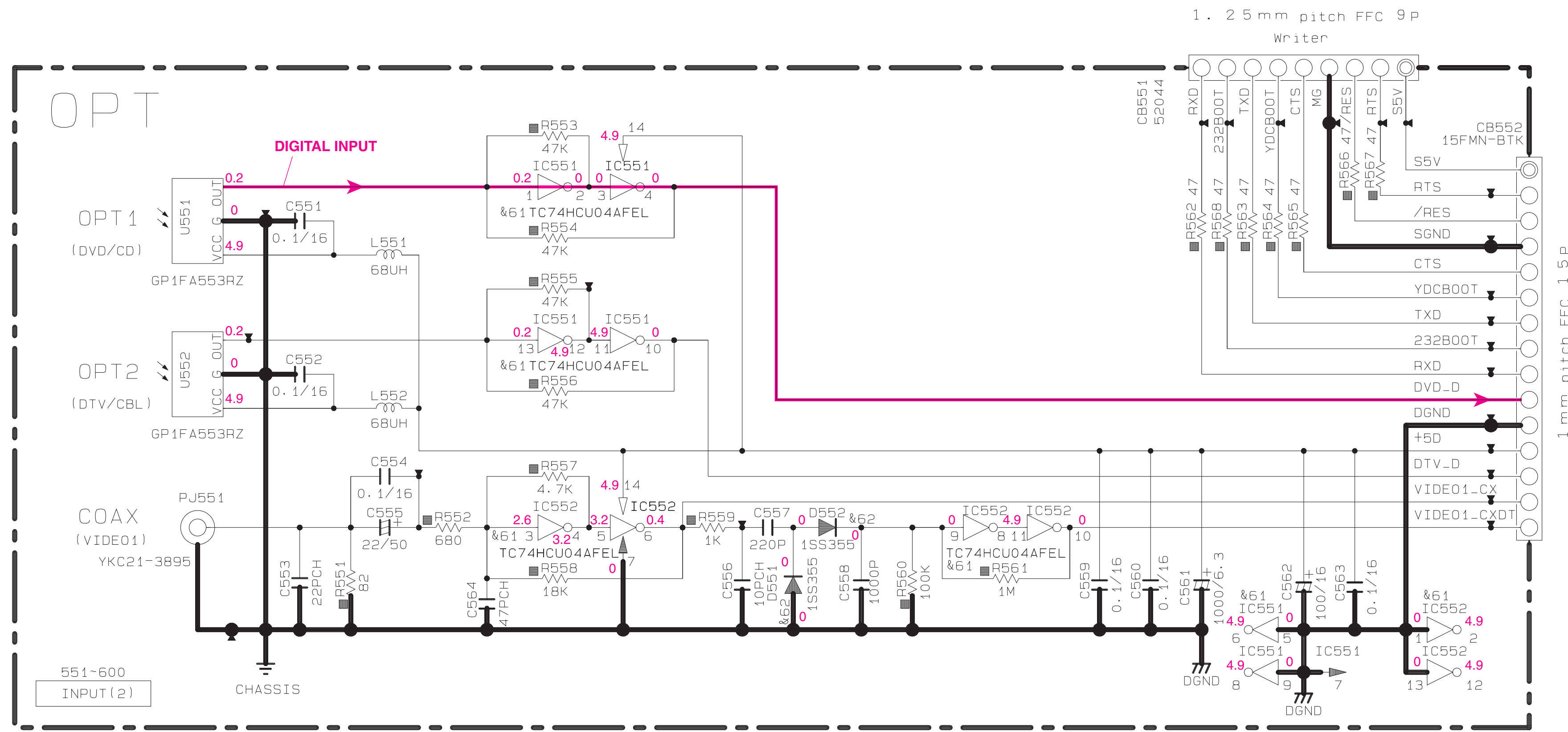
Mark	Reference Parts Number	Parts Name
K41	IC406, IC407, IC419	TC74HC4053AF M74HC4053JX
K42	D401, D406, D410, D411, D414, D415, D418, D419, D420	1S9355 M4111
K43	G411, G412, G413, G414, G415, G416	2SC3328(4/B) 2SA3328(1/B)
K44		
K45		

Reference No	J	U-C	A-T	K	L	R	B-G
S41	$\Delta$	$\Delta$	$\Delta$	$\Delta$	$\Delta$	$\Delta$	$\Delta$
S42	$\Delta$	$\Delta$	$\Delta$	$\Delta$	$\Delta$	$\Delta$	$\Delta$
S43	$\Delta$	$\Delta$	$\Delta$	$\Delta$	$\Delta$	$\Delta$	$\Delta$
S44	$\Delta$	$\Delta$	$\Delta$	$\Delta$	$\Delta$	$\Delta$	$\Delta$
S45	$\Delta$	$\Delta$	$\Delta$	$\Delta$	$\Delta$	$\Delta$	$\Delta$
S46	$\Delta$	$\Delta$	$\Delta$	$\Delta$	$\Delta$	$\Delta$	$\Delta$
S47	$\Delta$	$\Delta$	$\Delta$	$\Delta$	$\Delta$	$\Delta$	$\Delta$
S48	$\Delta$	$\Delta$	$\Delta$	$\Delta$	$\Delta$	$\Delta$	$\Delta$
S49	$\Delta$	$\Delta$	$\Delta$	$\Delta$	$\Delta$	$\Delta$	$\Delta$
S50	$\Delta$	$\Delta$	$\Delta$	$\Delta$	$\Delta$	$\Delta$	$\Delta$
S51	$\Delta$	$\Delta$	$\Delta$	$\Delta$	$\Delta$	$\Delta$	$\Delta$
S52	$\Delta$	$\Delta$	$\Delta$	$\Delta$	$\Delta$	$\Delta$	$\Delta$
S53	$\Delta$	$\Delta$	$\Delta$	$\Delta$	$\Delta$	$\Delta$	$\Delta$
S54	$\Delta$	$\Delta$	$\Delta$	$\Delta$	$\Delta$	$\Delta$	$\Delta$
S55	$\Delta$	$\Delta$	$\Delta$	$\Delta$	$\Delta$	$\Delta$	$\Delta$
S56	$\Delta$	$\Delta$	$\Delta$	$\Delta$	$\Delta$	$\Delta$	$\Delta$
S57	$\Delta$	$\Delta$	$\Delta$	$\Delta$	$\Delta$	$\Delta$	$\Delta$
S58	$\Delta$	$\Delta$	$\Delta$	$\Delta$	$\Delta$	$\Delta$	$\Delta$
S59	$\Delta$	$\Delta$	$\Delta$	$\Delta$	$\Delta$	$\Delta$	$\Delta$
S60	$\Delta$	$\Delta$	$\Delta$	$\Delta$	$\Delta$	$\Delta$	$\Delta$

X: NOT USED  
 OUSED / APPLICABLE



■ SCHEMATIC DIAGRAM (INPUT 2/2)



Page 59 B3  
to DIGITAL

NOTICE (model)  
 (J)..... JAPAN  
 (U)..... U. S. A  
 (C)..... CANADA  
 (R)..... GENERAL  
 (T)..... CHINA  
 (K)..... KOREA  
 (A)..... AUSTRALIA  
 (B)..... BRITISH  
 (G)..... EUROPE  
 (L)..... SINGAPORE

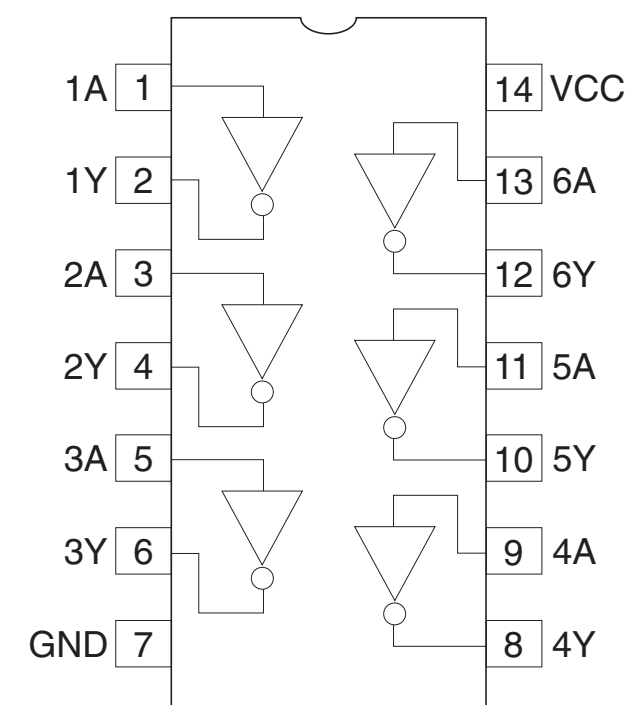
REMARKS	PARTS NAME
NO MARK	CARBON FILM RESISTOR (P=5)
□	CARBON FILM RESISTOR (P=10)
△	METAL OXIDE FILM RESISTOR
▲	METAL FILM RESISTOR
⊠	METAL PLATE RESISTOR
▨	FIRE PROOF CARBON FILM RESISTOR
□	CEMENT MOLDED RESISTOR
⊙	SEMI VARIABLE RESISTOR
■	CHIP RESISTOR

REMARKS	PARTS NAME
NO MARK	ELECTROLYTIC CAPACITOR
⊗	TANTALUM CAPACITOR
NO MARK	CERAMIC CAPACITOR
●	CERAMIC TUBULAR CAPACITOR
◎	POLYESTER FILM CAPACITOR
○	POLYSTYRENE FILM CAPACITOR
⊖	MICA CAPACITOR
Ⓟ	POLYPROPYLENE FILM CAPACITOR
⊕	SEMICONDUCTIVE CERAMIC CAPACITOR

Interchangeable Parts at Manufacture-Stage

Mark	Reference Parts Number	Parts Name
&61	IC551, IC552	TC74HCU04AFEL MM74HCU04SJX
&62	D551, D552	1SS355 MA111
&63		
&64		

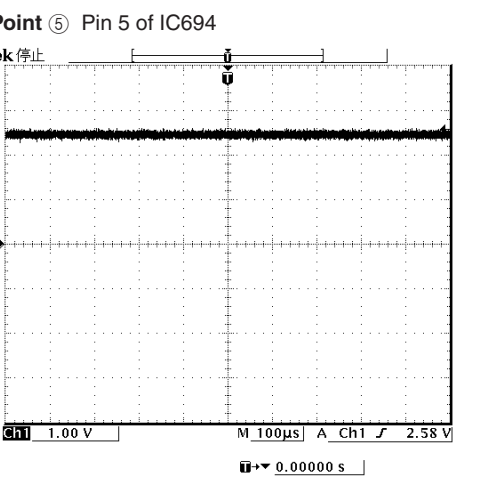
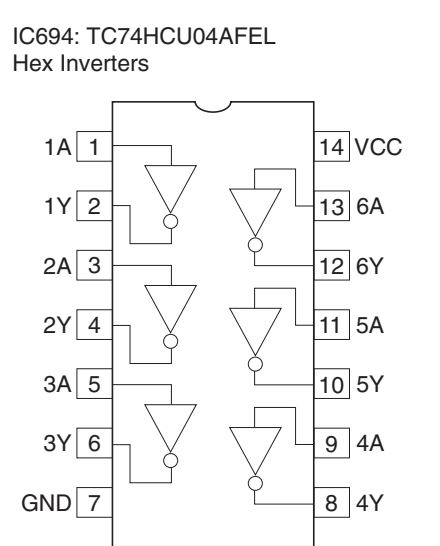
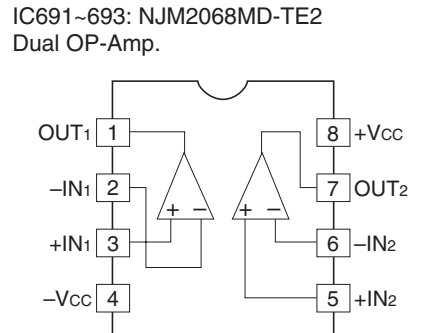
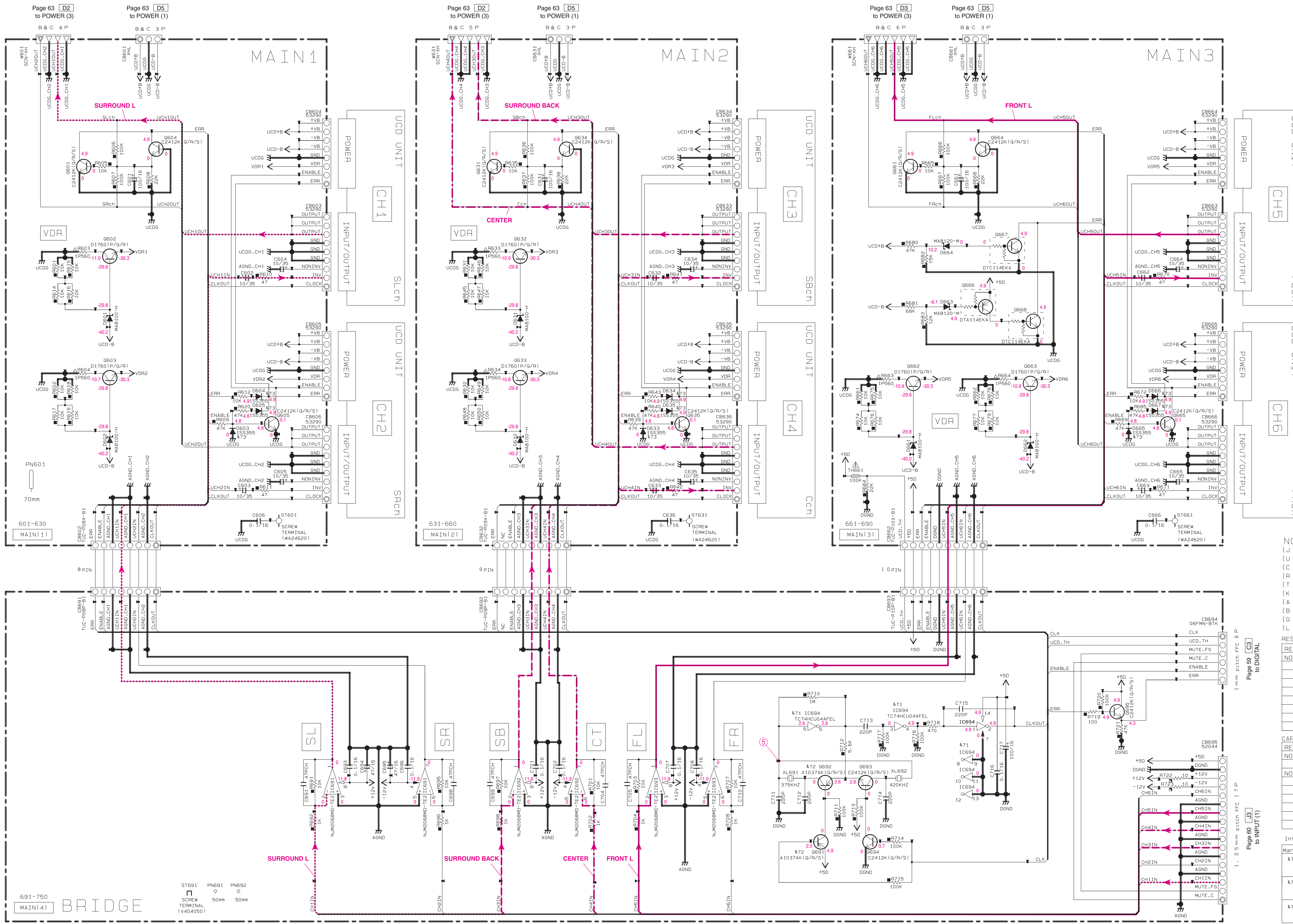
IC551, 552: TC74HCU04AFEL  
Hex Inverters



- ★ All voltages are measured with a 10MΩ/V DC electronic volt meter.
- ★ Components having special characteristics are marked  $\nabla$  and must be replaced with parts having specifications equal to those originally installed.
- ★ Schematic diagram is subject to change without notice.

- ★ 電圧は、内部抵抗10MΩの電圧計で測定したものです。
- ★  $\nabla$ 印のある部品は、安全性確保部品を示しています。部品の交換が必要な場合、パーツリストに記載されている部品を使用してください。
- ★ 本回路図は標準回路図です。改良のため予告なく変更することがございます。

RX-SL100/RX-SL100RDS  
**SCHEMATIC DIAGRAM (MAIN)**



NOTICE (model)  
 (J)..... JAPAN  
 (U)..... U.S.A  
 (C)..... CANADA  
 (R)..... GENERAL  
 (T)..... CHINA  
 (K)..... KOREA  
 (A)..... AUSTRALIA  
 (B)..... BRITISH  
 (G)..... EUROPE  
 (L)..... SINGAPORE

REMARKS	PARTS NAME
NO MARK	CARBON FILM RESISTOR (P=5)
NO MARK	CARBON FILM RESISTOR (P=10)
△	METAL OXIDE FILM RESISTOR
▲	METAL FILM RESISTOR
□	METAL PLATE RESISTOR
■	FIRE PROOF CARBON FILM RESISTOR
□	CEMENT MOLDED RESISTOR
□	SEMI VARIABLE RESISTOR
■	CHIP RESISTOR

REMARKS	PARTS NAME
NO MARK	ELECTROLYTIC CAPACITOR
⊗	TANTALUM CAPACITOR
NO MARK	CERAMIC CAPACITOR
⊙	CERAMIC TUBULAR CAPACITOR
⊖	POLYESTER FILM CAPACITOR
○	POLYSTYRENE FILM CAPACITOR
○	MICA CAPACITOR
⊙	POLYPROPYLENE FILM CAPACITOR
⊙	SEMICONDUCTIVE CERAMIC CAPACITOR

Interchangeable Parts at Manufacture-Stage

Mark	Reference Parts Number	Parts Name
471	IC694	TC74HCU04FEL MM74HCU04S-JX
472	0691-0692	25A1037AK(I0-R-S) 25A1235A1E-F1
473	0603-0604-0605-0633-0634-0639-0665-0666-0667	1S5355 MA111

★ All voltages are measured with a 10MΩ/V DC electronic volt meter.  
 ★ Components having special characteristics are marked ! and must be replaced with parts having specifications equal to those originally installed.  
 ★ Schematic diagram is subject to change without notice.

★ 電圧は、内部抵抗10MΩの電圧計で測定したものです。  
 ★ !印のある部品は、安全性確保部品を示しています。部品の交換が必要な場合、パーツリストに記載されている部品を使用してください。  
 ★ 本回路図は標準回路図です。改良のため予告なく変更することがございます。

SCHEMATIC DIAGRAM (POWER 1/3)

NOTICE (model)  
 (J)..... JAPAN  
 (U)..... U.S.A  
 (C)..... CANADA  
 (R)..... GENERAL  
 (T)..... CHINA  
 (K)..... KOREA  
 (A)..... AUSTRALIA  
 (B)..... BRITISH  
 (G)..... EUROPE  
 (L)..... SINGAPORE

REMARKS	PARTS NAME
NO MARK	CARBON FILM RESISTOR (P=5)
☑	CARBON FILM RESISTOR (P=10)
△	METAL OXIDE FILM RESISTOR
▴	METAL FILM RESISTOR
☒	METAL PLATE RESISTOR
▣	FIRE PROOF CARBON FILM RESISTOR
□	CEMENT MOLDED RESISTOR
⊕	SEMI VARIABLE RESISTOR
■	CHIP RESISTOR

REMARKS	PARTS NAME
NO MARK	ELECTROLYTIC CAPACITOR
⊗	TANTALUM CAPACITOR
NO MARK	CERAMIC CAPACITOR
⊙	CERAMIC TUBULAR CAPACITOR
⊖	POLYESTER FILM CAPACITOR
○	POLYSTYRENE FILM CAPACITOR
Ⓜ	MICA CAPACITOR
Ⓜ	POLYPROPYLENE FILM CAPACITOR
Ⓜ	SEMICONDUCTIVE CERAMIC CAPACITOR

Interchangeable Parts at Manufacture-Stage

Mark	Reference Parts Number	Parts Name
41	RY1	SDT-S-112LMR2 DL51201-01M1
42	05, 09	2SA1037AK(G/R/S) 2SA1235A(E/F)
43	Q13	2SA1674(R/S) 2SB1237(G/R)
44	TE71	YKD21-50120 LGR1C10-0001FM
45	D15	D5S820 TS6P03G-C1
46	05-D7, 09, D16, D17	1S5395 MA111
47		

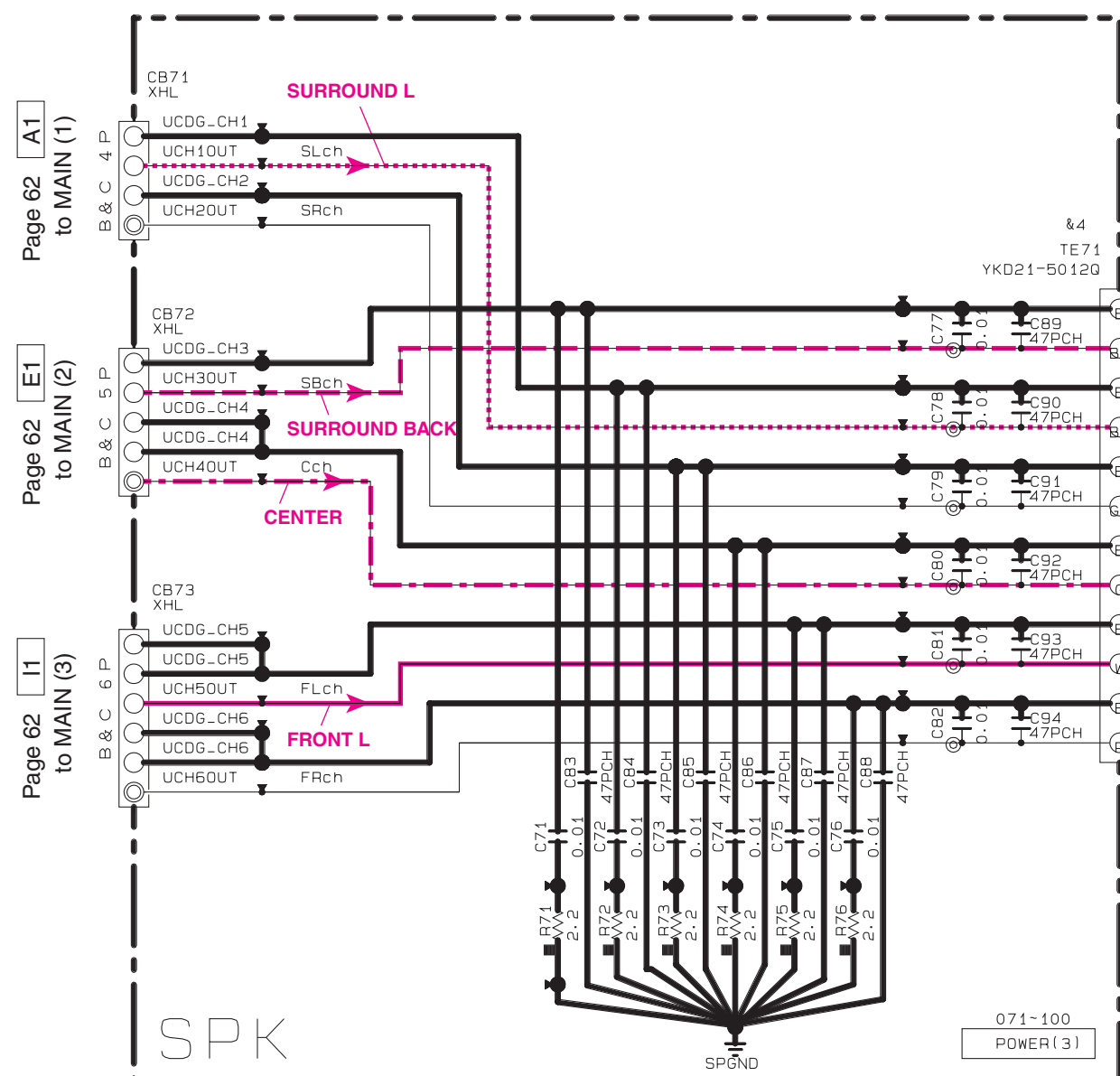
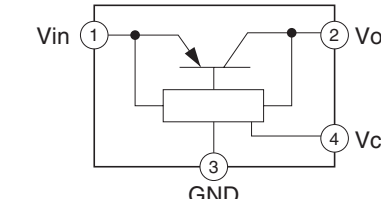
Reference No	J	U.C	R	L	A	B.G	T.K
s1	T1	X4607	X4608	X4609	X4610	X4611	X4612
F1	5A125V V5B2300	5A125V V5B2300	5A125V V5B2300	2A250V V194280	2A250V V194280	2A250V V194280	2A250V V194280
R34	X	V673000	X	X	X	X	X
SCART_PS	X	X	X	X	X	X	X
SW51	X	X	X	X	X	VZ07550	X
CB51	X	X	X	X	X	LB93305	X
W51A, W51B, W51C	X	X	X	X	X	WC28790	X
R36	56K RD35756	56K RD35756	56K RD35756	56K RD35756	56K RD35756	68K RD35768	56K RD35756
R37	18K RD35718	18K RD35718	18K RD35718	18K RD35718	18K RD35718	27K RD35727	18K RD35718
s11							
s12							
s13							
s14							
s15							

x: NOT USED  
 O: USED / APPLICABLE

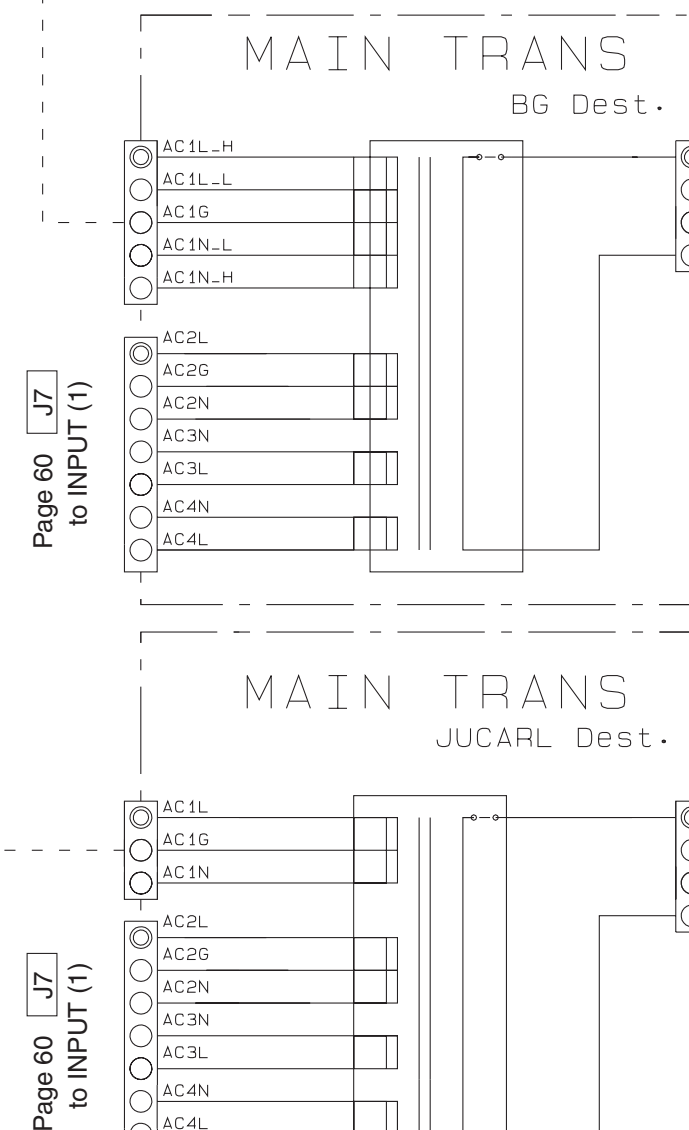
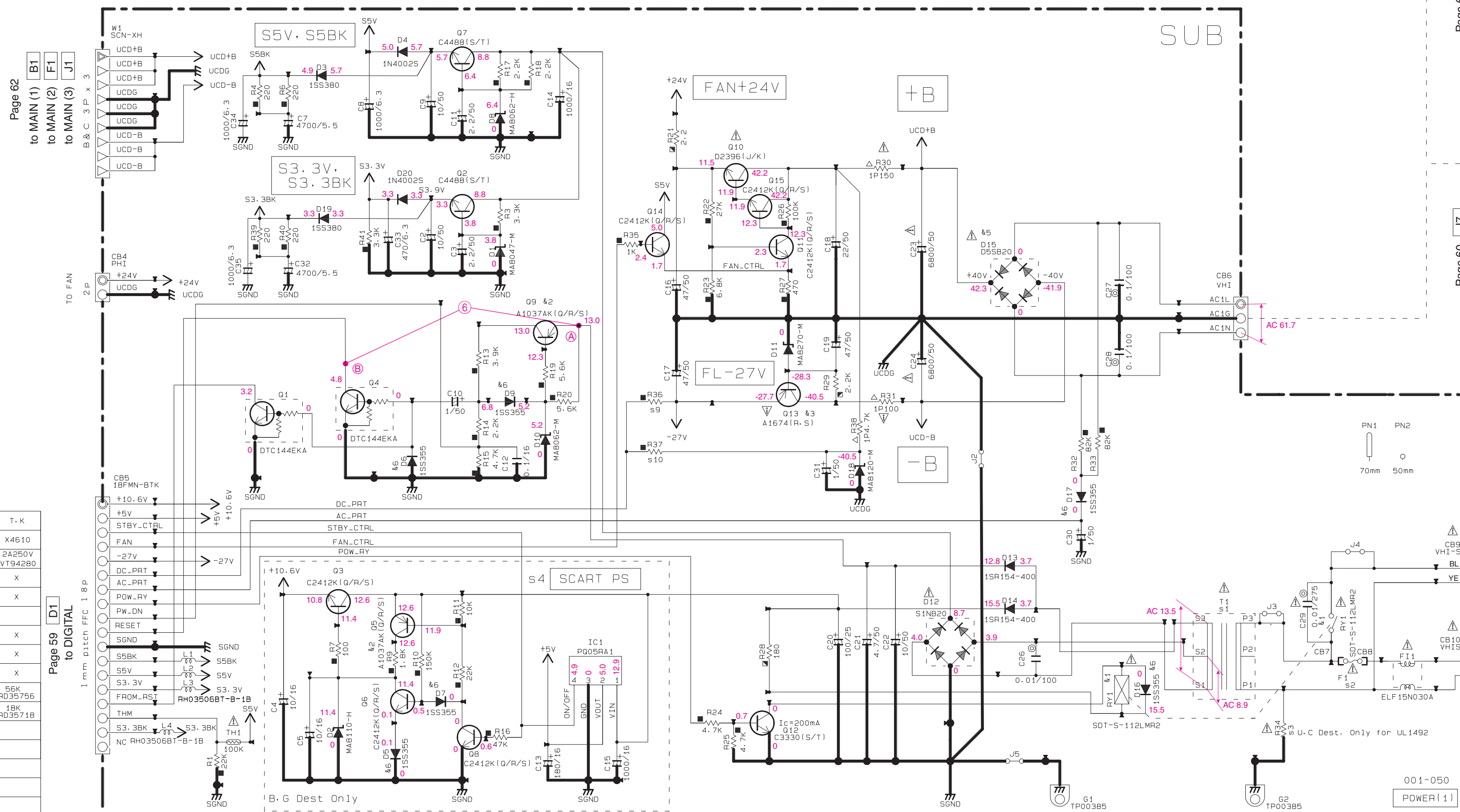
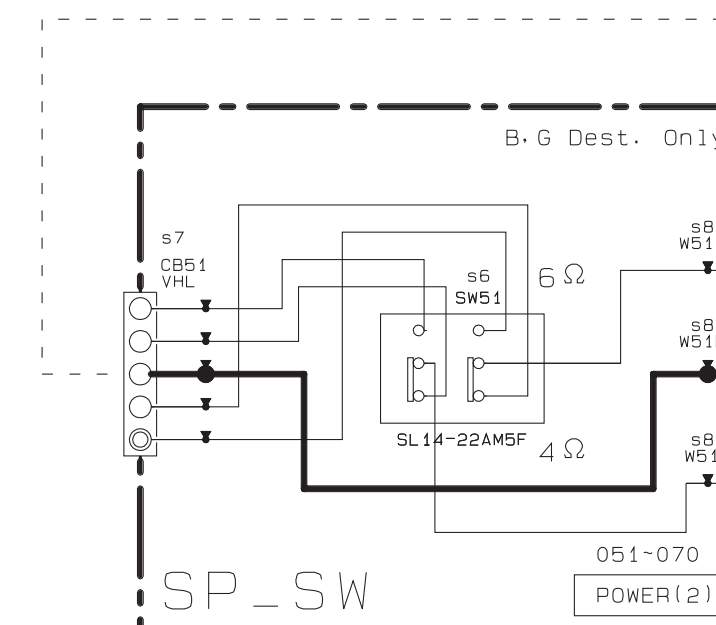
- All voltages are measured with a 10MΩ/V DC electronic volt meter.
- Components having special characteristics are marked **⊕** and must be replaced with parts having specifications equal to those originally installed.
- Schematic diagram is subject to change without notice.

- 電圧は、内部抵抗10MΩの電圧計で測定したものです。
- ⊕印のある部品は、安全性確保部品を示しています。部品の交換が必要な場合、パーツリストに記載されている部品を使用してください。
- 本回路図は標準回路図です。改良のため予告なく変更することがございます。

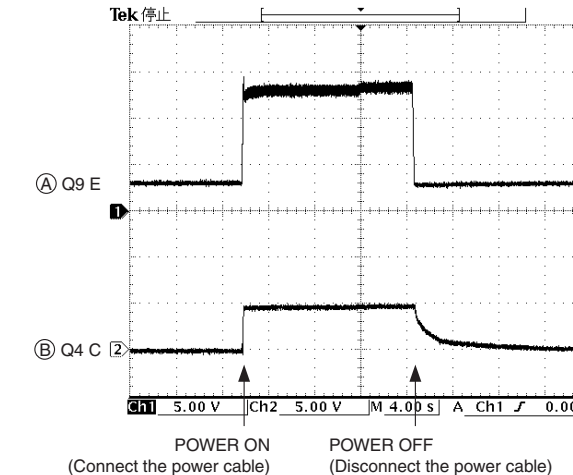
IC1: PQ05RA1  
Voltage Regulator



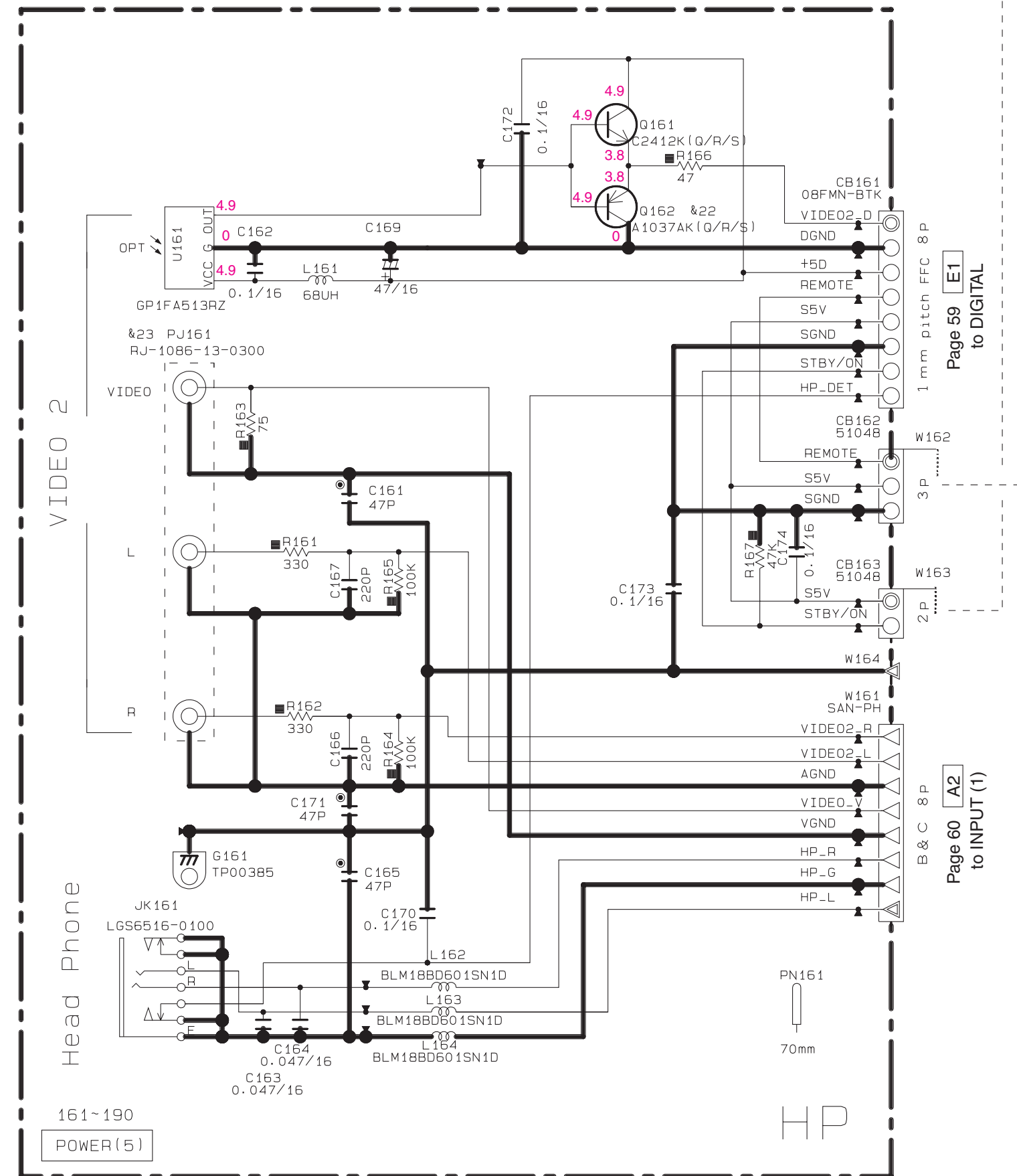
SURROUND BACKch (BROWN)  
 SURROUND Lch (BLUE)  
 SURROUND Rch (GRAY)  
 CENTERch (GREEN)  
 FRONT Lch (WHITE)  
 FRONT Rch (RED)



Point ⊕ emitter of Q9 and collector of Q4



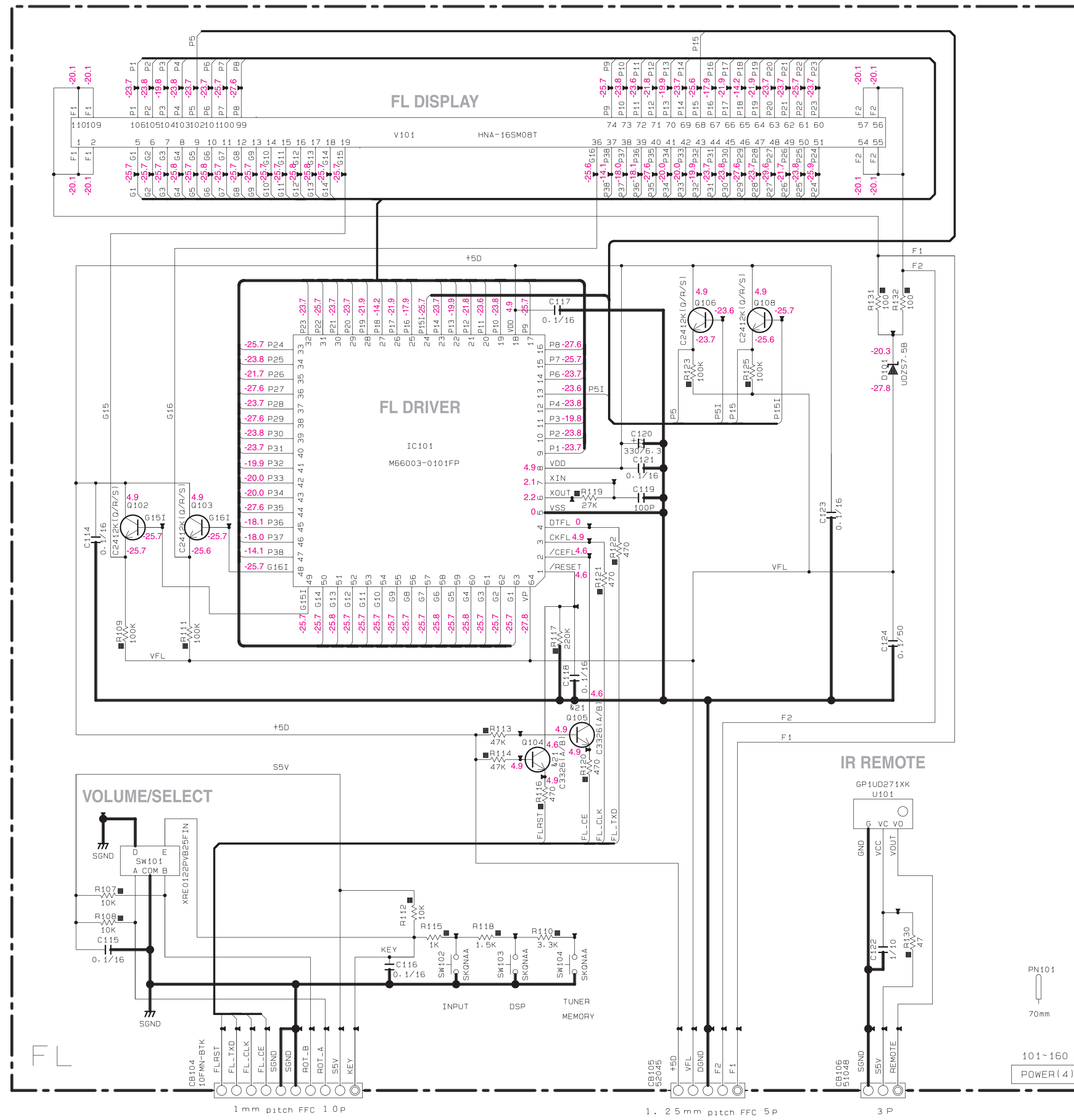
POWER ON (Connect the power cable)  
 POWER OFF (Disconnect the power cable)



161~190  
POWER (5)

★ All voltages are measured with a 10MΩ/V DC electronic volt meter.  
 ★ Components having special characteristics are marked with a triangle and must be replaced with parts having specifications equal to those originally installed.  
 ★ Schematic diagram is subject to change without notice.

★ 電圧は、内部抵抗10MΩの電圧計で測定したものです。  
 ★ 三角形のある部品は、安全性確保部品を示しています。部品の交換が必要な場合、パーツリストに記載されている部品を使用してください。  
 ★ 本回路図は標準回路図です。改良のため予告なく変更することがございます。



FL

Page 59 [E1] to DIGITAL

Page 60 [G1] to INPUT (1)

NOTICE (model)  
 (J)..... JAPAN  
 (U)..... U.S.A  
 (C)..... CANADA  
 (R)..... GENERAL  
 (T)..... CHINA  
 (K)..... KOREA  
 (A)..... AUSTRALIA  
 (B)..... BRITISH  
 (G)..... EUROPE  
 (L)..... SINGAPORE

RESISTOR

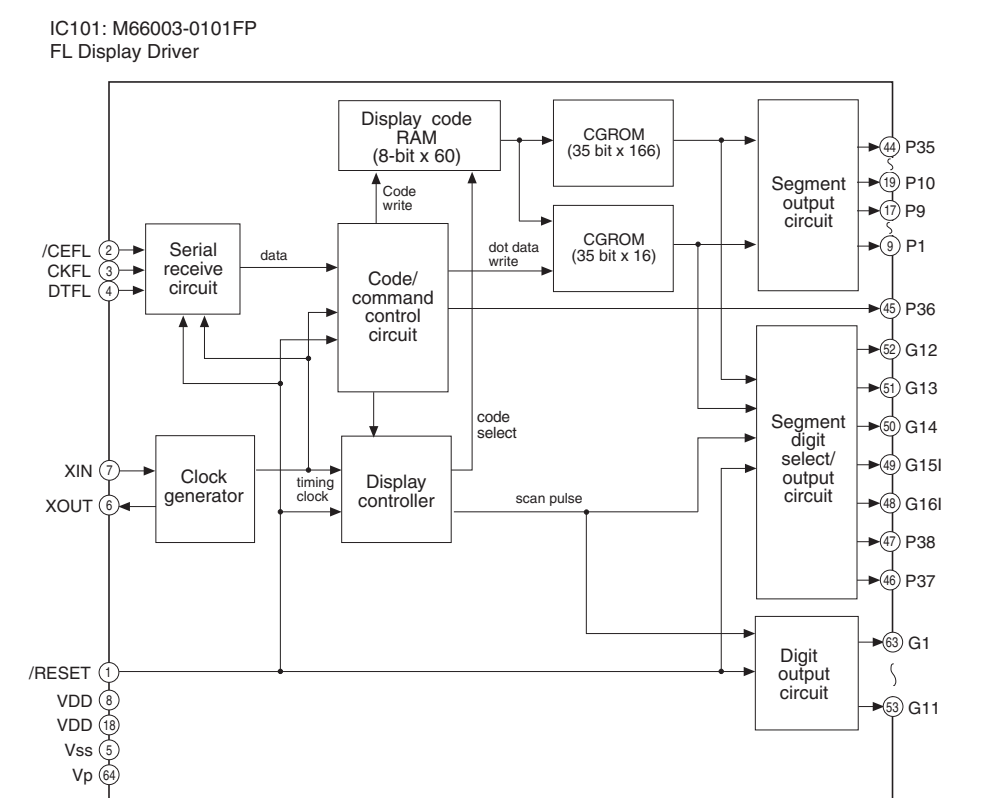
REMARKS	PARTS NAME
NO MARK	CARBON FILM RESISTOR (P=5)
⊠	CARBON FILM RESISTOR (P=10)
△	METAL OXIDE FILM RESISTOR
⊡	METAL FILM RESISTOR
⊞	METAL PLATE RESISTOR
⊟	FIRE PROOF CARBON FILM RESISTOR
⊞	CEMENT MOLDED RESISTOR
⊞	SEMI VARIABLE RESISTOR
⊞	CHIP RESISTOR

CAPACITOR

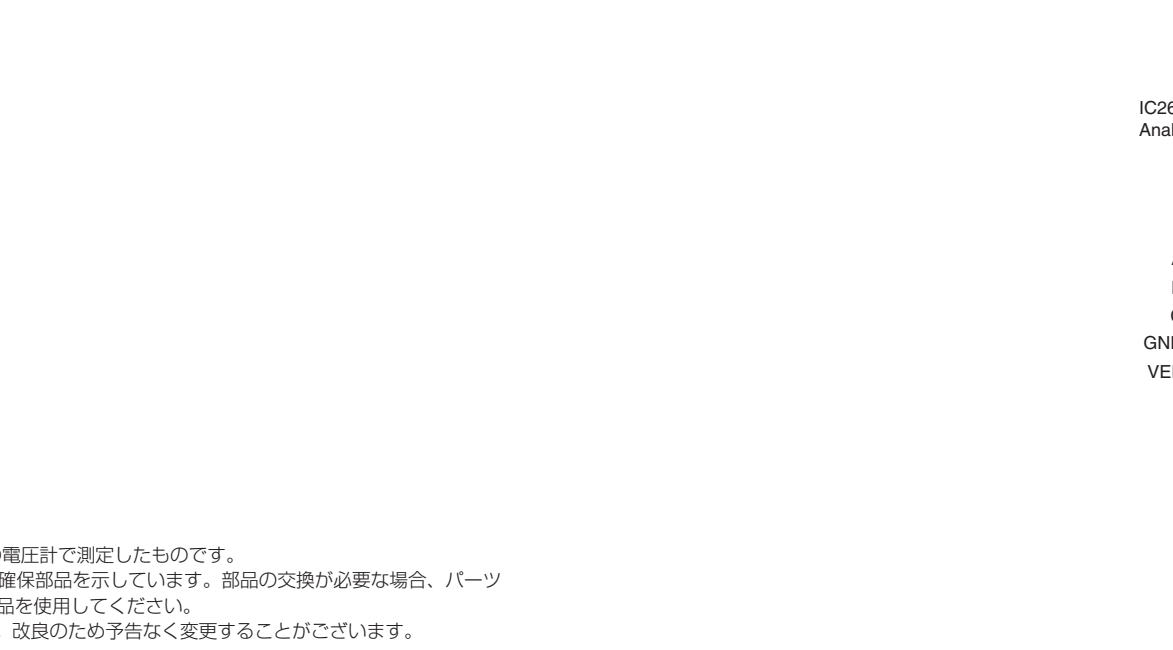
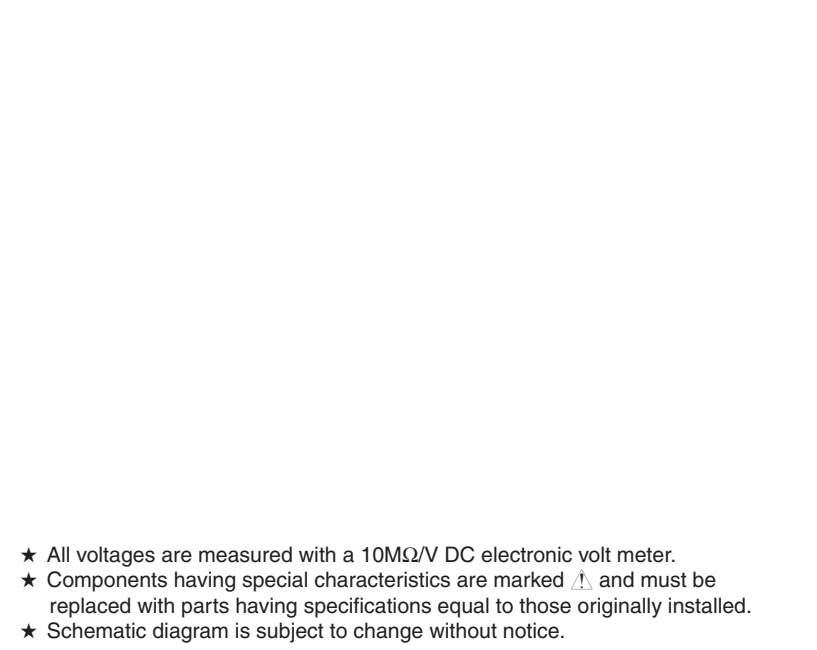
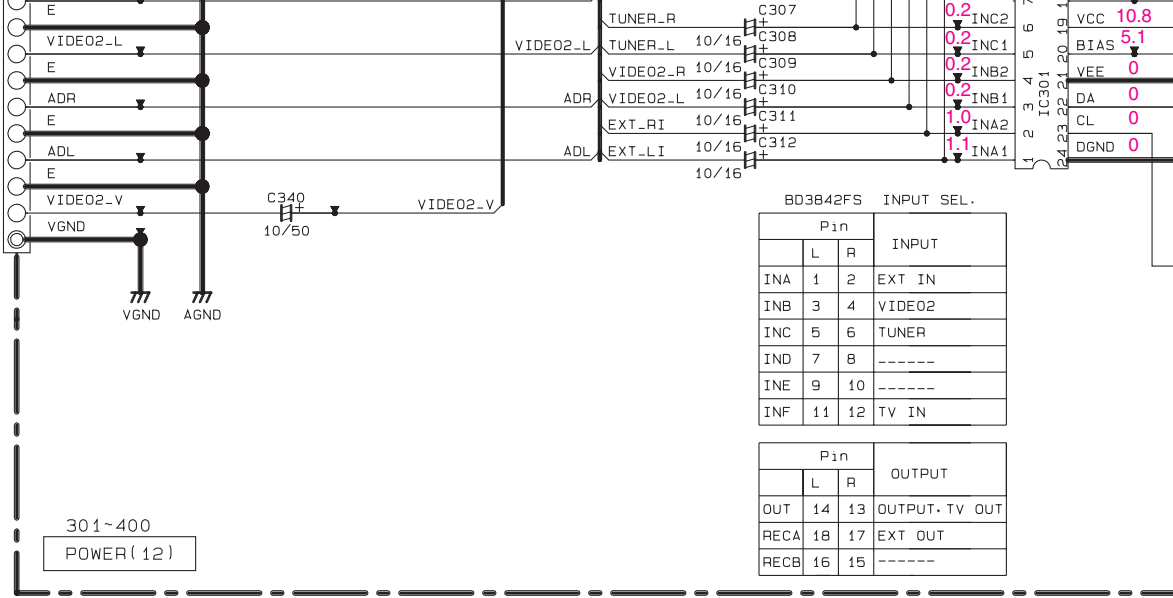
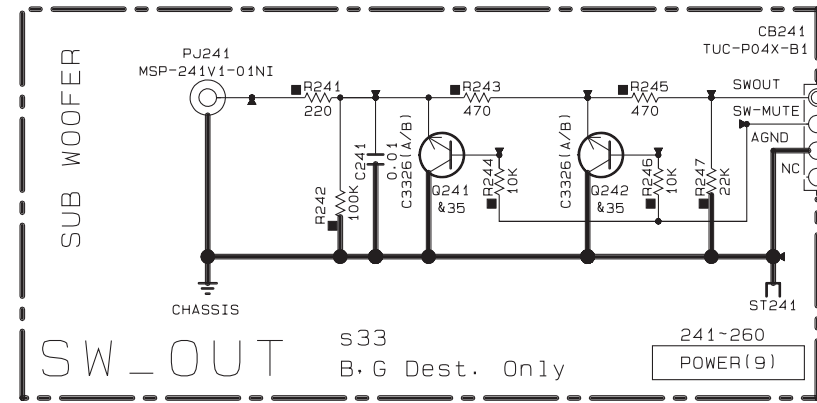
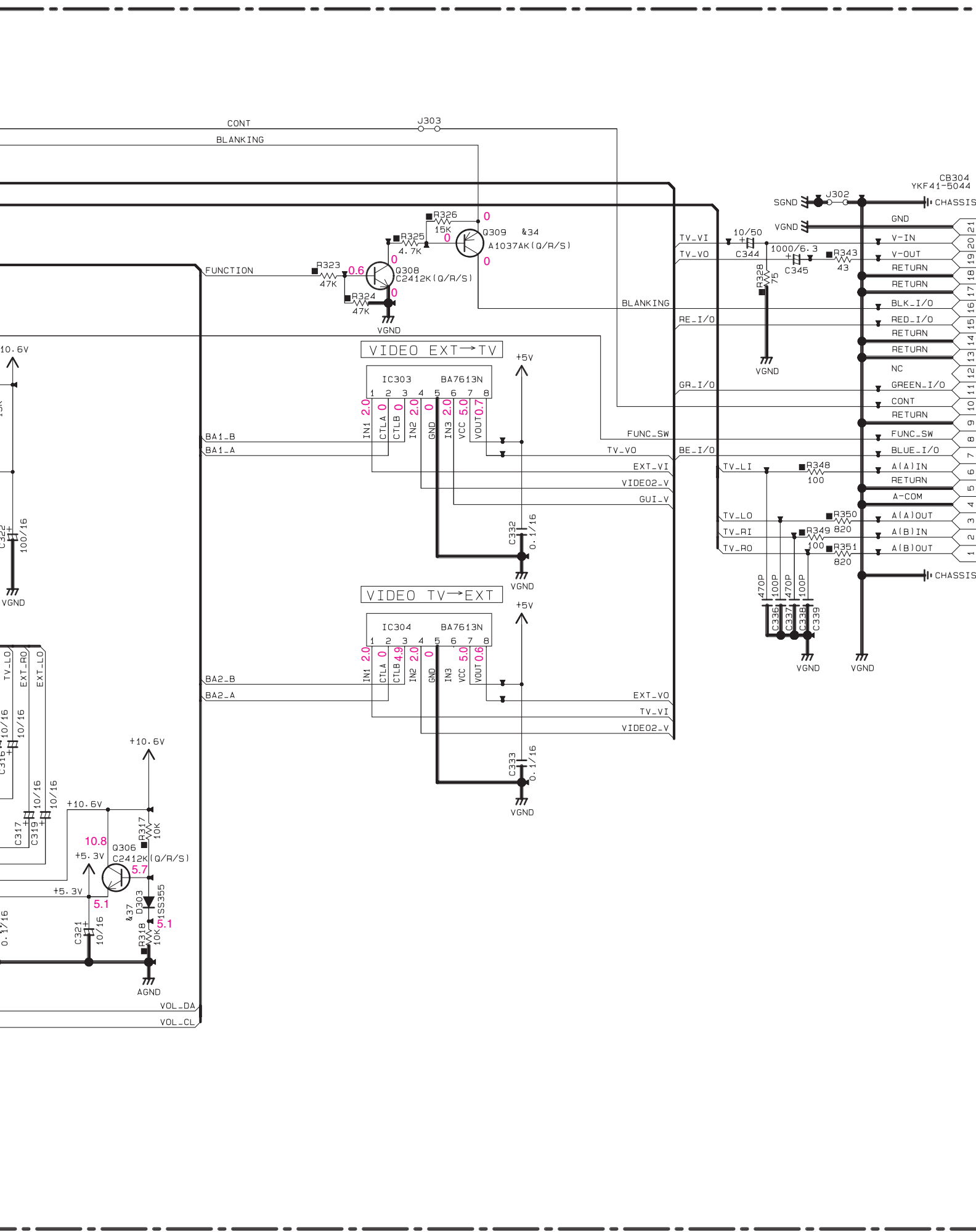
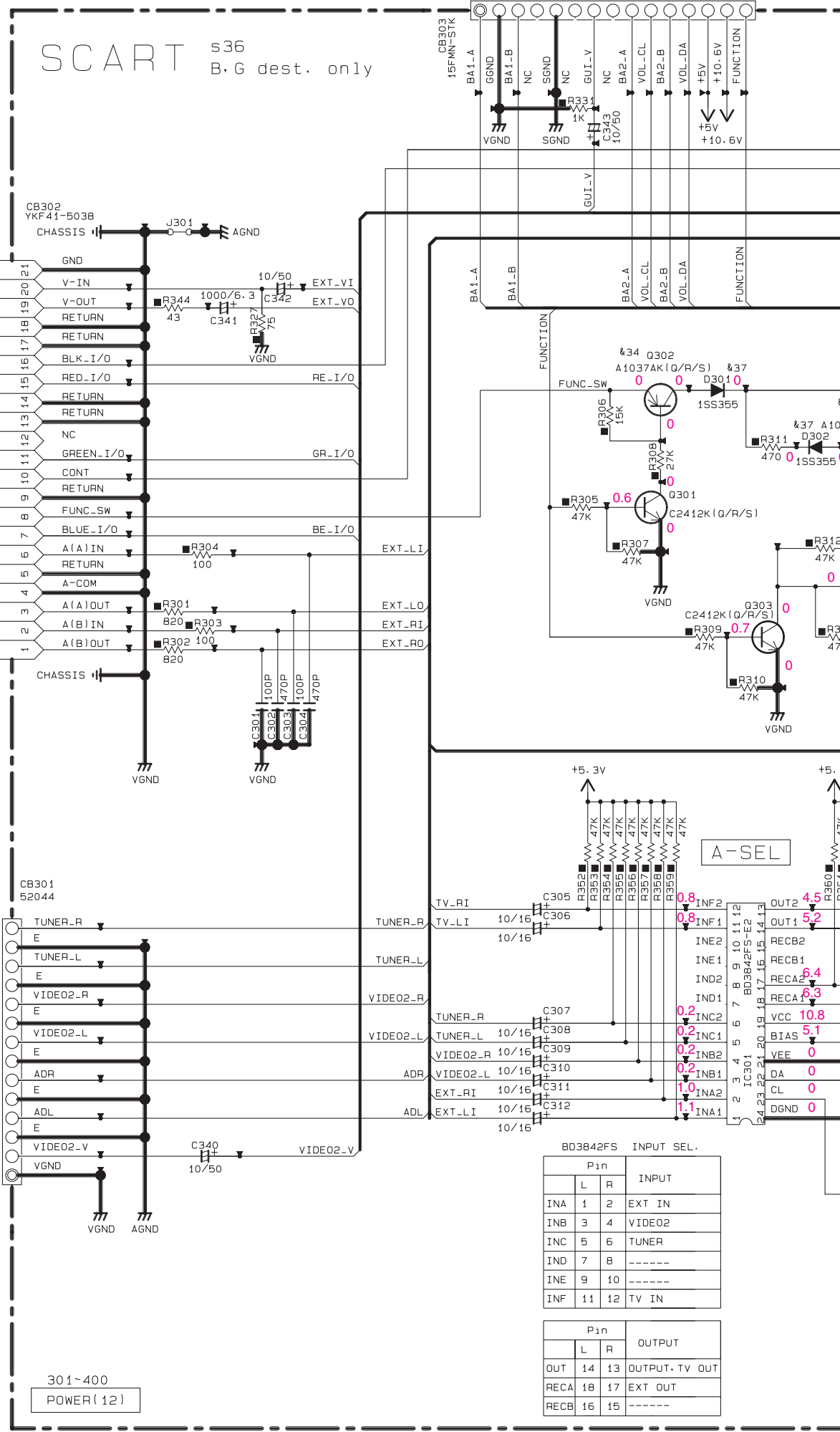
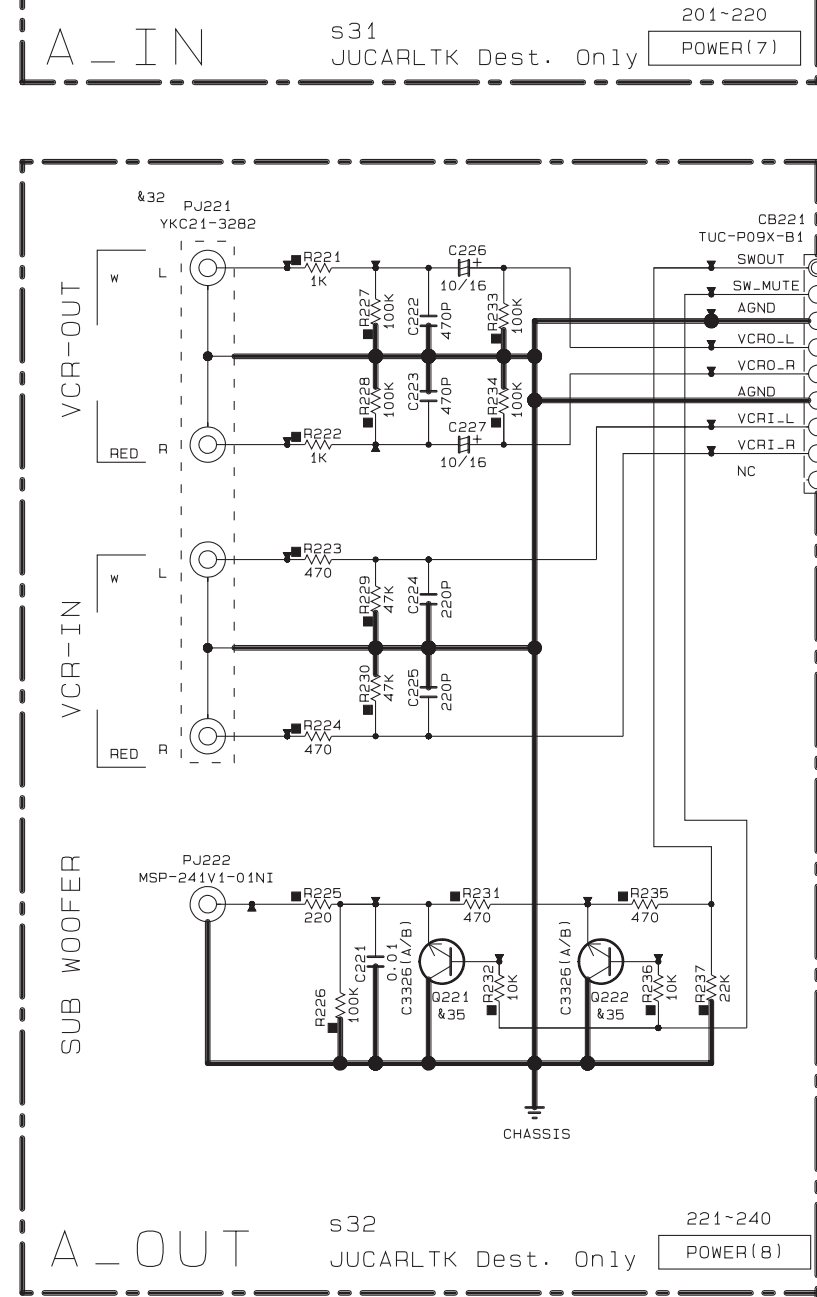
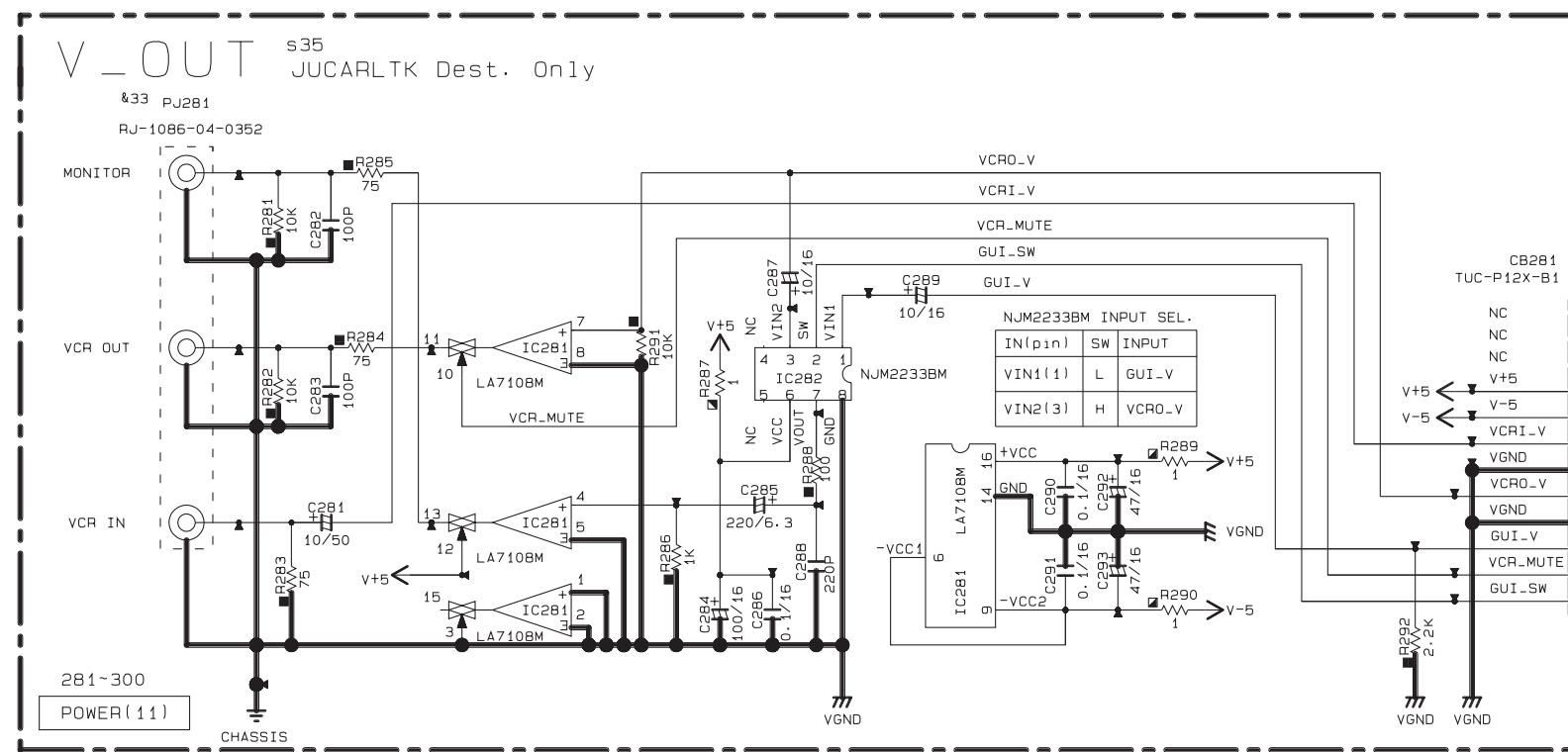
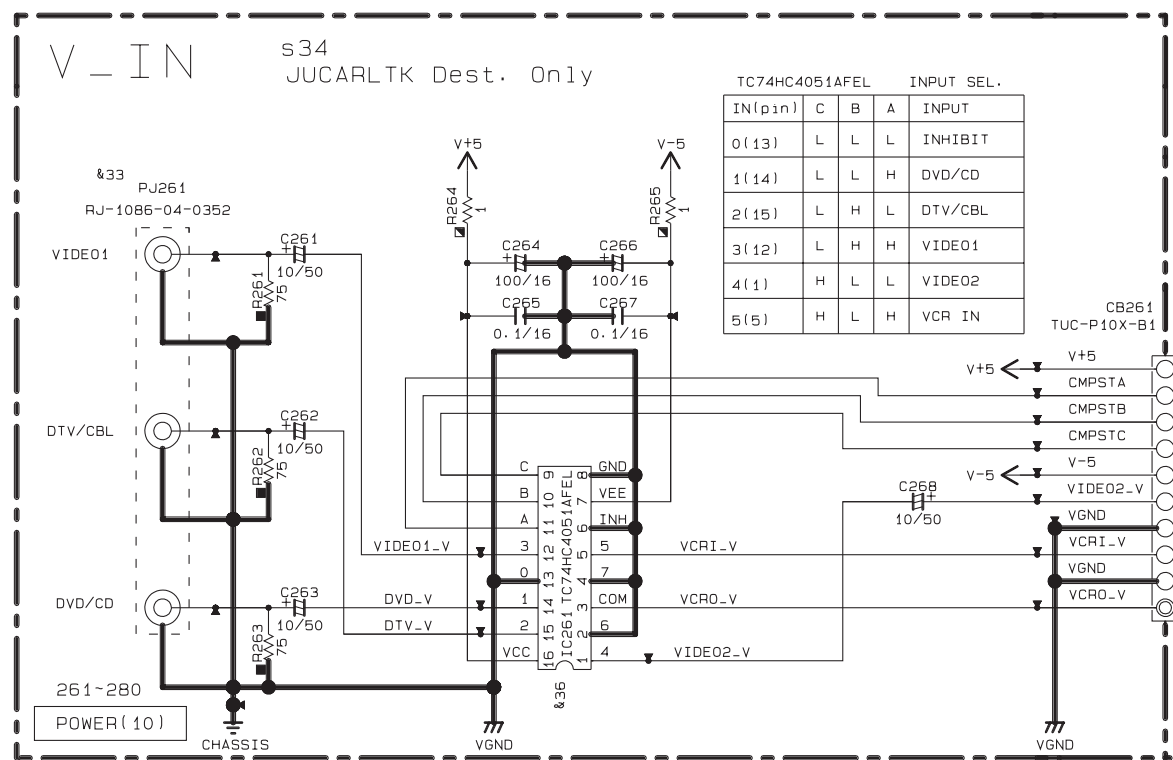
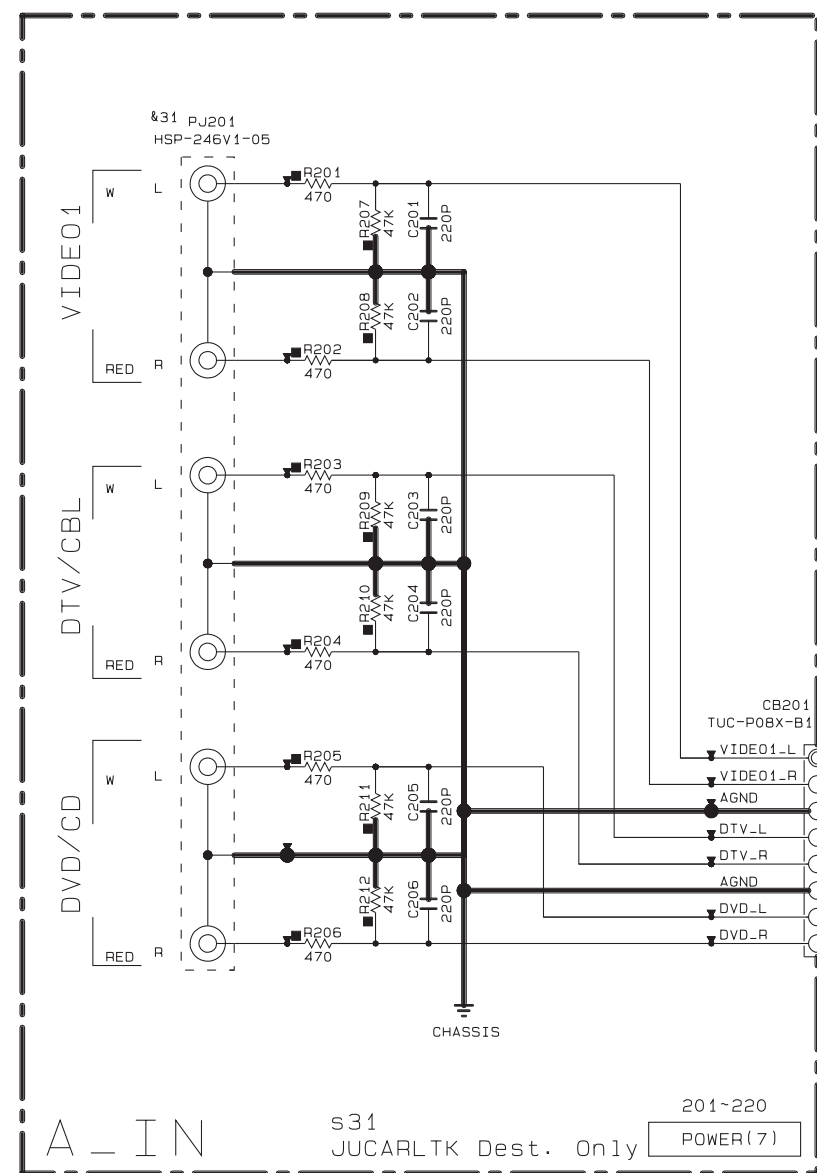
REMARKS	PARTS NAME
NO MARK	ELECTROLYTIC CAPACITOR
⊗	TANTALUM CAPACITOR
NO MARK	CERAMIC CAPACITOR
⊙	CERAMIC TUBULAR CAPACITOR
⊖	POLYESTER FILM CAPACITOR
⊕	POLYSTYRENE FILM CAPACITOR
⊖	MICA CAPACITOR
⊖	POLYPROPYLENE FILM CAPACITOR
⊖	SEMICONDUCTIVE CERAMIC CAPACITOR

Interchangeable Parts at Manufacture-Stage

Mark	Reference Parts Number	Parts Name
⊠21	0104, 0105	25C33261A/B1 25C33261B1
⊠22	0162	25A1037AK10/R/S1 25A1235A1E/F1
⊠23	PJ161	RJ-1086-13-0300A YKC21-3039N
⊠24		



SCHEMATIC DIAGRAM (POWER 3/3)



NOTICE (model)  
 (J)..... JAPAN  
 (U)..... U.S.A  
 (C)..... CANADA  
 (R)..... GENERAL  
 (T)..... CHINA  
 (K)..... KOREA  
 (A)..... AUSTRALIA  
 (B)..... BRITISH  
 (G)..... EUROPE  
 (L)..... SINGAPORE

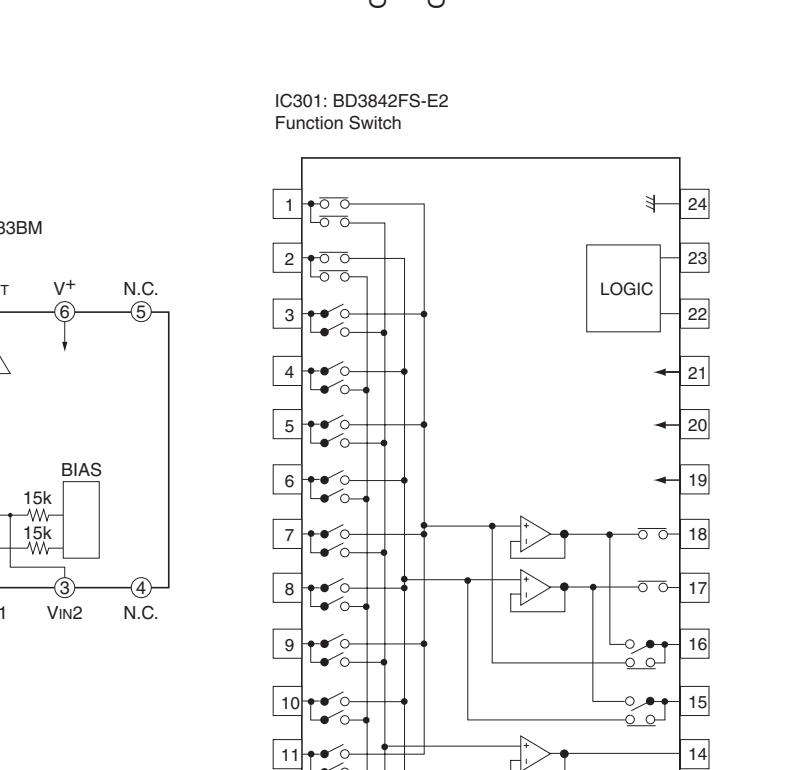
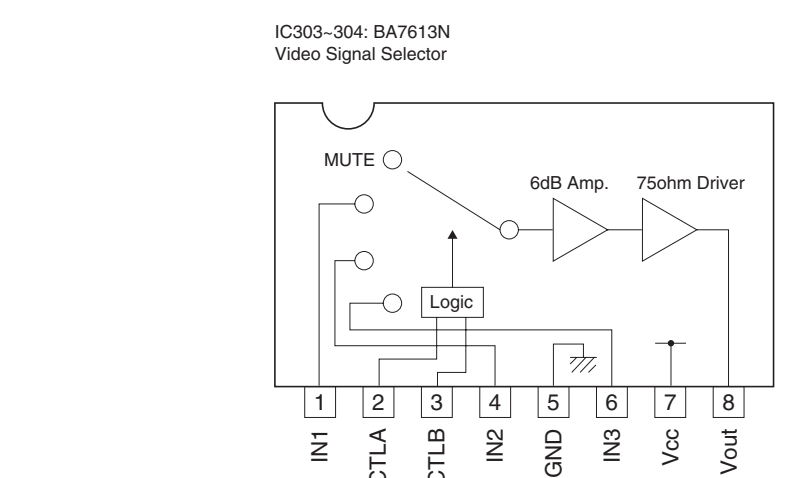
REMARKS	PARTS NAME
NO MARK	CARBON FILM RESISTOR (P=5)
□	CARBON FILM RESISTOR (P=10)
△	METAL OXIDE FILM RESISTOR
▭	METAL FILM RESISTOR
▩	METAL PLATE RESISTOR
⊠	FIRE PROOF CARBON FILM RESISTOR
⊞	CEMENT MOLDED RESISTOR
⊚	SEMI VARIABLE RESISTOR
⊙	CHIP RESISTOR

REMARKS	PARTS NAME
NO MARK	ELECTROLYTIC CAPACITOR
⊗	TANTALUM CAPACITOR
NO MARK	CERAMIC CAPACITOR
⊙	CERAMIC TUBULAR CAPACITOR
⊚	POLYESTER FILM CAPACITOR
⊖	POLYSTYRENE FILM CAPACITOR
⊕	MICA CAPACITOR
⊙	POLYPROPYLENE FILM CAPACITOR
⊚	SEMICONDUCTIVE CERAMIC CAPACITOR

Mark	Reference Parts Number	Parts Name
431	PJ201	HSP-246V1-05
432	PJ221	YK21-3961N
433	PJ261, PJ281	AJ-1086-04-0352A
434	G302, G305, G309	2S41037AK(G/R/S)
435	G221, G222, G241, G242	2S33261A(B)
436	IC261	TC74HC4051AFEL
437	G301-G303	1S5355

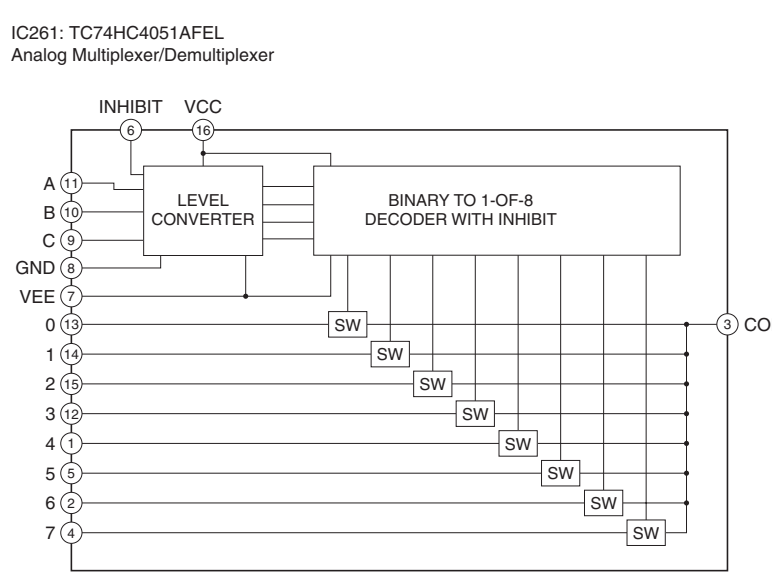
Reference No	JUCARLTK	B-G
431	○	×
432	○	×
433	×	○
434	○	×
435	○	×
436	○	×
437	×	○
438		
439		
440		

○: NOT USED  
 ×: USED / APPLICABLE

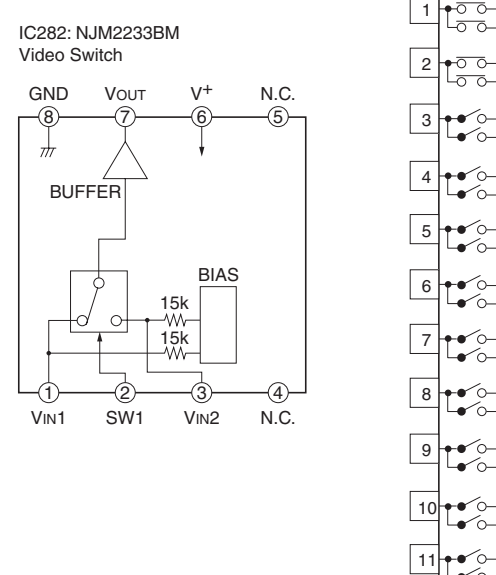
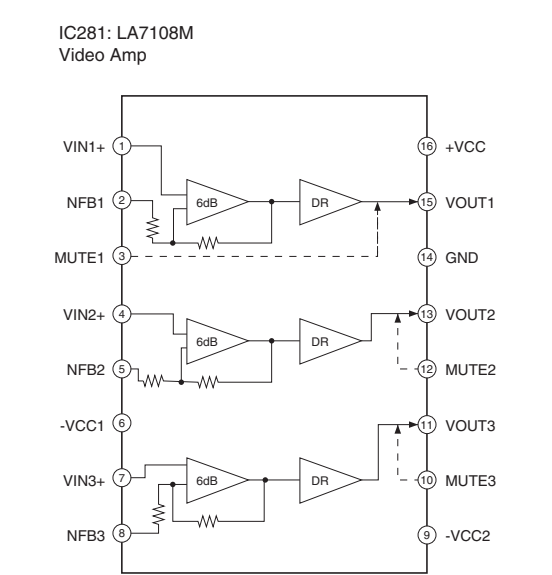


\* All voltages are measured with a 10MΩ/2V DC electronic volt meter.  
 \* Components having special characteristics are marked with a special symbol and must be replaced with parts having specifications equal to those originally installed.  
 \* Schematic diagram is subject to change without notice.

\* 電圧は、内部抵抗10MΩの電圧計で測定したものです。  
 \* 1印のある部品は、安全性能部品を示しています。部品の交換が必要な場合、パーツリストに記載されている部品を使用してください。  
 \* 本回路図は標準回路図です。改良のため予告なく変更することがございます。



INHIBIT	C	B	A	ON CHANNEL
0	0	0	0	0
0	0	0	1	1
0	0	1	0	2
0	0	1	1	3
0	1	0	0	4
0	1	0	1	5
0	1	1	0	6
0	1	1	1	7
1	X	X	X	NONE







# PARTS LIST

## ■ ELECTRICAL PARTS

### ■ WARNING

- Components having special characteristics are marked  and must be replaced with parts having specifications equal to those originally installed.
- 印のある部分は、安全確保部品を示しています。部品の交換が必要な場合、パーツリストに記載されている部品を使用してください。
- 部品価格ランクは、予告なく変更することがあります。

### ABBREVIATIONS IN THIS LIST ARE AS FOLLOWS:

C.A.EL.CHP	: CHIP ALUMI.ELECTROLYTIC CAP	L.EMIT	: LIGHT EMITTING MODULE
C.CE	: CERAMIC CAP	LED.DSPLY	: LED DISPLAY
C.CE.ARRAY	: CERAMIC CAP ARRAY	LED.INFRD	: LED,INFRARED
C.CE.CHP	: CHIP CERAMIC CAP	MODUL.RF	: MODULATOR,RF
C.CE.ML	: MULTILAYER CERAMIC CAP	PHOT.CPL	: PHOTO COUPLER
C.CE.M.CHP	: CHIP MULTILAYER CERAMIC CAP	PHOT.INTR	: PHOTO INTERRUPTER
C.CE.SAFTY	: RECOGNIZED CERAMIC CAP	PHOT.RFLCT	: PHOTO REFLECTOR
C.CE.TUBLR	: CERAMIC TUBULAR CAP	PIN.TEST	: PIN,TEST POINT
C.CE.SMI	: SEMI CONDUCTIVE CERAMIC CAP	PLST.RIVET	: PLASTIC RIVET
C.EL	: ELECTROLYTIC CAP	R.ARRAY	: RESISTOR ARRAY
C.MICA	: MICA CAP	R.CAR.	: CARBON RESISTOR
C.ML.FLM	: MULTILAYER FILM CAP	R.CAR.CHP	: CHIP RESISTOR
C.MP	: METALLIZED PAPER CAP	R.CAR.FP	: FLAME PROOF CARBON RESISTOR
C.MYLAR	: MYLAR FILM CAP	R.FUS	: FUSABLE RESISTOR
C.MYLAR.ML	: MULTILAYER MYLAR FILM CAP	R.MTL.CHP	: CHIP METAL FILM RESISTOR
C.PAPER	: PAPER CAPACITOR	R.MTL.FLM	: METAL FILM RESISTOR
C.PLS	: POLYSTYRENE FILM CAP	R.MTL.OXD	: METAL OXIDE FILM RESISTOR
C.POL	: POLYESTER FILM CAP	R.MTL.PLAT	: METAL PLATE RESISTOR
C.POLY	: POLYETHYLENE FILM CAP	RSNR.CE	: CERAMIC RESONATOR
C.PP	: POLYPROPYLENE FILM CAP	RSNR.CRYS	: CRYSTAL RESONATOR
C.TNTL	: TANTALUM CAP	R.TW.CEM	: TWIN CEMENT FIXED RESISTOR
C.TNTL.CHP	: CHIP TANTALUM CAP	R.WW	: WIRE WOUND RESISTOR
C.TRIM	: TRIMMER CAP	SCR.BND.HD	: BIND HEAD B-TITE SCREW
CN	: CONNECTOR	SCR.BW.HD	: BW HEAD TAPPING SCREW
CN.BS.PIN	: CONNECTOR,BASE PIN	SCR.CUP	: CUP TITE SCREW
CN.CANNON	: CONNECTOR,CANNON	SCR.TERM	: SCREW TERMINAL
CN.DIN	: CONNECTOR,DIN	SCR.TR	: SCREW,TRANSISTOR
CN.FLAT	: CONNECTOR,FLAT CABLE	SUPRT.PCB	: SUPPORT,P.C.B.
CN.POST	: CONNECTOR,BASE POST	SURG.PRTCT	: SURGE PROTECTOR
COIL.MX.AM	: COIL,AM MIX	SW.TACT	: TACT SWITCH
COIL.AT.FM	: COIL,FM ANTENNA	SW.LEAF	: LEAF SWITCH
COIL.DT.FM	: COIL,FM DETECT	SW.LEVER	: LEVER SWITCH
COIL.MX.FM	: COIL,FM MIX	SW.MICRO	: MICRO SWITCH
COIL.OUTPT	: OUTPUT COIL	SW.PUSH	: PUSH SWITCH
DIOD.ARRAY	: DIODE ARRAY	SW.RT.ENC	: ROTARY ENCODER
DIODE.BRG	: DIODE BRIDGE	SW.RT.MTR	: ROTARY SWITCH WITH MOTOR
DIODE.CHP	: CHIP DIODE	SW.RT	: ROTARY SWITCH
DIODE.VAR	: VARACTOR DIODE	SW.SLIDE	: SLIDE SWITCH
DIOD.Z.CHP	: CHIP ZENER DIODE	TERM.SP	: SPEAKER TERMINAL
DIODE.ZENR	: ZENER DIODE	TERM.WRAP	: WRAPPING TERMINAL
DSCR.CE	: CERAMIC DISCRIMINATOR	THRMST.CHP	: CHIP THERMISTOR
FER.BEAD	: FERRITE BEADS	TR.CHP	: CHIP TRANSISTOR
FER.CORE	: FERRITE CORE	TR.DGT	: DIGITAL TRANSISTOR
FET.CHP	: CHIP FET	TR.DGT.CHP	: CHIP DIGITAL TRANSISTOR
FL.DSPLY	: FLUORESCENT DISPLAY	TRANS	: TRANSFORMER
FLTR.CE	: CERAMIC FILTER	TRANS.PULS	: PULSE TRANSFORMER
FLTR.COMB	: COMB FILTER MODULE	TRANS.PWR	: POWER TRANSFORMER ASS'Y
FLTR.LC.RF	: LC FILTER,EMI	TUNER.AM	: TUNER PACK,AM
GND.MTL	: GROUND PLATE	TUNER.FM	: TUNER PACK,FM
GND.TERM	: GROUND TERMINAL	TUNER.PK	: FRONT-ENDTUNER PACK
HOLDER.FUS	: FUSE HOLDER	VR	: ROTARY POTENTIOMETER
IC.PRTCT	: IC PROTECTOR	VR.MTR	: POTENTIOMETER WITH MOTOR
JUMPER.CN	: JUMPER CONNECTOR	VR.SW	: POTENTIOMETER WITH ROTARY SW
JUMPER.TST	: JUMPER,TEST POINT	VR.SLIDE	: SLIDE POTENTIOMETER
L.DTCT	: LIGHT DETECTING MODULE	VR.TRIM	: TRIMMER POTENTIOMETER

**Note)** Those parts marked with “#” are not included in the P.C.B. ass'y.

P.C.B. DIGITAL

Schm Ref.	PART NO.	Description	Remarks	Markets	部 品 名	Rank	
*	WC277200	P. C. B.	DIGITAL		J	P C B デジタル	
*	WC277300	P. C. B.	DIGITAL		UCRK	P C B デジタル	
*	WC277400	P. C. B.	DIGITAL		BG	P C B デジタル	
*	WC277500	P. C. B.	DIGITAL		TAL	P C B デジタル	
*	CB301	WC196500	CN	15P TE FMN		FMNコネクター	
*	CB302	WC196500	CN	15P TE FMN		FMNコネクター	
*	CB303	WC196800	CN	18P TE FMN		FMNコネクター	
*	CB304	WC195800	CN	8P TE FMN		FMNコネクター	
*	CB305	WC196000	CN	10P TE FMN		FMNコネクター	
*	CB306	WC199000	CN	40P TE FMN		FMNコネクター	
*	CB307	WC196500	CN	15P TE FMN	BG	FMNコネクター	
*	CB308	WC195600	CN	6P TE FMN		FMNコネクター	
	D303	WB081800	DIODE	SB01-050		ショットキダイオード	
	D304	WB081800	DIODE	SB01-050		ショットキダイオード	
	D305	WB081800	DIODE	SB01-050		ショットキダイオード	
	D306	WB081800	DIODE	SB01-050		ショットキダイオード	
	D307	VU171900	DIODE. ZENR	UDZ5.1B 5.1V		ツェナーダイオード	01
	D308	VU171900	DIODE. ZENR	UDZ5.1B 5.1V		ツェナーダイオード	01
	D309	VU171900	DIODE. ZENR	UDZ5.1B 5.1V		ツェナーダイオード	01
	D310	WB081800	DIODE	SB01-050		ショットキダイオード	
	G1	WB438000	TERM. GND	M4 SD00433-21		アース端子	
	G2	WB438000	TERM. GND	M4 SD00433-21		アース端子	
	G3	WB438000	TERM. GND	M4 SD00433-21		アース端子	
	G4	WB438000	TERM. GND	M4 SD00433-21		アース端子	
	IC301	XW433A00	IC	CY62256LL-70SNCT	J	メモリIC 256K	05
	IC302	XV077B00	IC	MSM514260E-60JS		メモリIC 4M	07
	IC303	X4075B00	IC	XC9572XL-10Q100C	J	IC	07
	IC304	X0238B00	IC	YSS938		IC	13
	IC305	X3473A00	IC	CS493292-CLR	J	IC	15
*	IC305	X3939A00	IC	CS493264-CL	UCRTKBG	IC	
	IC306	X3807A00	IC	AK4628V0		IC	
	IC307	X2965A00	IC. CPU	M30805SGP		CPU/周辺IC	09
*	IC310	X3097A00	IC	74LVX4245MTCX		ロジックIC TSSOP	03
*	IC311	X3097A00	IC	74LVX4245MTCX		ロジックIC TSSOP	03
*	IC312	X3097A00	IC	74LVX4245MTCX		ロジックIC TSSOP	03
*	IC313	X3097A00	IC	74LVX4245MTCX		ロジックIC TSSOP	03
*	IC314	X3097A00	IC	74LVX4245MTCX		ロジックIC TSSOP	03
	IC315	X2314A00	IC	MB3516APF-G-BND		IC	04
*	IC316	X4924B00	IC. EPROM	MBM29LV320BE90T	written	メモリIC	
	IC317	X2479A00	IC	YGV619		IC PQFP	12
	IC318	X0176A00	IC	W986432DH-7 SDRAM		メモリIC	15
*	IC329	X3586A00	IC	TC74VHCT08AFT AND		ロジックIC SOP	
	IC330	X3505A00	IC	NJM2068MD-TE2		アンプIC SOP	02
	IC331	X3505A00	IC	NJM2068MD-TE2		アンプIC SOP	02
	IC332	X3505A00	IC	NJM2068MD-TE2		アンプIC SOP	02
	IC333	X3542A00	IC	74LCX07MTCX		ロジックIC	01
	IC334	X3724A00	IC	74VHC00MTCX		ロジックIC	01
	IC335	X3724A00	IC	74VHC00MTCX		ロジックIC	01
	IC336	X3542A00	IC	74LCX07MTCX	UCRTKBG	ロジックIC	01
*	IC337	X5191A00	IC	74VHC153MTC	UCRTKBG	ロジックIC	
	IC339	X3505A00	IC	NJM2068MD-TE2		アンプIC SOP	02
*	IC340	X3097A00	IC	74LVX4245MTCX		ロジックIC TSSOP	03
	XL301	V3625700	RSNR. CRYST	24.576MHz		水晶振動子	03

\* New Parts \* 新規部品(マーク#の部品は、基板に含まれません)

RX-SL100/RX-SL100RDS

P.C.B. DIGITAL & P.C.B. INPUT

Schm Ref.	PART NO.	Description	Remarks	Markets	部 品 名	Rank
* XL302	V9460000	RSNR. CE	20MHz CSTCW20MOX53			セラミック振動子 01
* XL303	WC061400	RSNR. CRY5	14.31818MHz SMD-49		JUCRK	水晶振動子
	XL303 V6074900	RSNR. CRY5	17.734475MHz		TABGL	水晶振動子 03
* * * * *	WC276400	P. C. B.	INPUT		J	P C B インプット
	WC276500	P. C. B.	INPUT		UC	P C B インプット
	WC276600	P. C. B.	INPUT		R	P C B インプット
	WC276700	P. C. B.	INPUT		TA	P C B インプット
	WC276800	P. C. B.	INPUT		K	P C B インプット
	WC276900	P. C. B.	INPUT		BG	P C B インプット
	WC277000	P. C. B.	INPUT		L	P C B インプット
	CB401	VB390400	CN. BS. PIN	8P		ベースピン 01
	CB402	V7825800	CN	8P TE TUC SERIES	JUCRTKA	コネクタープラグ
	CB403	V7825900	CN	9P TE TUC SERIES	JUCRTKA	コネクタープラグ
	CB404	VN394900	CN. BS. PIN	14P	BG	F F Cコネクタ
	CB405	V7825400	CN	4P TE TUC SERIES	BG	コネクタープラグ 01
	CB406	VM923600	CN. BS. PIN	13P		F F Cコネクタ 01
	CB407	V7826000	CN	10P TE TUC SERIES	JUCRTKA	コネクタープラグ 01
	CB408	V7826200	CN	12P TE TUC SERIES	JUCRTKA	コネクタープラグ 01
* CB409	WB497000	CN. BS. PIN	40P TE FMN			F F Cコネクタ
	CB410	VQ046900	CN. BS. PIN	5P		F F Cコネクタ 01
	CB411	V7414400	CN	15P TE FMN		F M Nコネクタ 01
	CB412	VM973500	CN. BS. PIN	17P		F F Cコネクタ 01
* CB413	LB918070	CN. BS. PIN	7P			ベース付ポスト 01
	CB551	VQ044400	CN. BS. PIN	9P		F F Cコネクタ 01
	CB552	V7414400	CN	15P TE FMN		F M Nコネクタ 01
	C412	UM397100	C. EL	10uF 16V		ケミコン 01
	C413	UM397100	C. EL	10uF 16V		ケミコン 01
	C414	UN866330	C. EL	3.3uF 50V		B Pケミコン 01
	C415	UR867330	C. EL	33uF 50V		ケミコン 01
	C416	UR867330	C. EL	33uF 50V	BG	ケミコン 01
	C423	UR866220	C. EL	2.2uF 50V		ケミコン 01
	C424	UR866220	C. EL	2.2uF 50V	BG	ケミコン 01
	C425	UM397100	C. EL	10uF 16V		ケミコン 01
	C426	UM397100	C. EL	10uF 16V		ケミコン 01
	C427	UR867330	C. EL	33uF 50V	BG	ケミコン 01
	C428	UM397100	C. EL	10uF 16V		ケミコン 01
	C431	UM397100	C. EL	10uF 16V		ケミコン 01
	C438	UM397100	C. EL	10uF 16V		ケミコン 01
	C440	UM397100	C. EL	10uF 16V		ケミコン 01
	C441	UM397100	C. EL	10uF 16V		ケミコン 01
	C442	UM397100	C. EL	10uF 16V		ケミコン 01
	C443	UM397100	C. EL	10uF 16V		ケミコン 01
	C444	UA653470	C. MYLAR	4700pF 50V		マイラーコン 01
	C445	UM397100	C. EL	10uF 16V		ケミコン 01
	C446	UR837470	C. EL	47uF 16V	BG	ケミコン 01
	C447	UA653470	C. MYLAR	4700pF 50V		マイラーコン 01
	C448	UM397100	C. EL	10uF 16V		ケミコン 01
	C449	UA655180	C. MYLAR	0.18uF 50V		マイラーコン 01
	C451	UA655150	C. MYLAR	0.15uF 50V		マイラーコン 01
	C452	UM397100	C. EL	10uF 16V		ケミコン 01

\* New Parts \* 新規部品(マーク#の部品は、基板に含まれません)

RX-SL100/RX-SL100RDS

## P.C.B. INPUT

Schm Ref.	PART NO.	Description	Remarks	Markets	部 品 名	Rank	
C453	UR837470	C. EL	47uF 16V		BG	ケミコン	01
C454	UA655180	C. MYLAR	0.18uF 50V			マイラーコン	01
C455	UA655150	C. MYLAR	0.15uF 50V			マイラーコン	01
C459	UM397100	C. EL	10uF 16V			ケミコン	01
C462	UR837470	C. EL	47uF 16V		BG	ケミコン	01
C465	UM397220	C. EL	22uF 25V			ケミコン	01
C466	UM397330	C. EL	33uF 16V			ケミコン	01
C467	UM416220	C. EL	2.2uF 50V			ケミコン	01
C468	UM417100	C. EL	10uF 50V			ケミコン	01
C469	UM417100	C. EL	10uF 50V			ケミコン	01
C470	UM397100	C. EL	10uF 16V			ケミコン	01
C471	UM397100	C. EL	10uF 16V			ケミコン	01
C472	UR867470	C. EL	47uF 50V			ケミコン	01
C473	UR867470	C. EL	47uF 50V			ケミコン	01
C476	UA652100	C. MYLAR	100pF 50V			マイラーコン	01
C477	UA652100	C. MYLAR	100pF 50V			マイラーコン	01
C478	UA652100	C. MYLAR	100pF 50V			マイラーコン	01
C480	UR867470	C. EL	47uF 50V			ケミコン	01
C481	UR867470	C. EL	47uF 50V			ケミコン	01
C482	UR838100	C. EL	100uF 16V			ケミコン	01
C484	UR867470	C. EL	47uF 50V			ケミコン	01
C485	UR867470	C. EL	47uF 50V			ケミコン	01
C486	V7409000	C. EL	180uF 16V			ケミコン	02
C487	UA654270	C. MYLAR	0.027uF 50V			マイラーコン	01
C488	UA654270	C. MYLAR	0.027uF 50V			マイラーコン	01
C489	UM397100	C. EL	10uF 16V			ケミコン	01
C490	UM397100	C. EL	10uF 16V			ケミコン	01
C491	UM397100	C. EL	10uF 16V			ケミコン	01
C492	UA654270	C. MYLAR	0.027uF 50V			マイラーコン	01
C493	UA654270	C. MYLAR	0.027uF 50V			マイラーコン	01
C494	VR193400	C. OS	10uF 25V			OSコン	03
C497	UA652100	C. MYLAR	100pF 50V			マイラーコン	01
C498	UR838100	C. EL	100uF 16V			ケミコン	01
C499	UR838100	C. EL	100uF 16V			ケミコン	01
C500	UR819100	C. EL	1000uF 6.3V			ケミコン	01
C504	UR819100	C. EL	1000uF 6.3V			ケミコン	01
C505	UT652100	C. PP	100pF 100V			PPコン	01
C506	UT652100	C. PP	100pF 100V			PPコン	01
C508	UR848470	C. EL	470uF 25V			ケミコン	01
C509	UR848100	C. EL	100uF 25V			ケミコン	01
C510	UR848100	C. EL	100uF 25V		JUCRTKA	ケミコン	01
C511	UR848100	C. EL	100uF 25V		JUCRTKA	ケミコン	01
C517	UR838100	C. EL	100uF 16V			ケミコン	01
C518	UR838100	C. EL	100uF 16V			ケミコン	01
C519	UR838100	C. EL	100uF 16V			ケミコン	01
C520	UM397470	C. EL	47uF 16V			ケミコン	01
C521	UM397470	C. EL	47uF 16V			ケミコン	01
C523	UN866330	C. EL	3.3uF 50V			B P ケミコン	01
C524	UR818470	C. EL	470uF 6.3V			ケミコン	01
C525	UR749470	C. EL	4700uF 25V			ケミコン	05
C526	UR749470	C. EL	4700uF 25V			ケミコン	05
C527	WC019400	C. EL	10000uF 16V			ケミコン	
C528	UR818100	C. EL	100uF 6.3V			ケミコン	01

\* New Parts \* 新規部品(マーク#の部品は、基板に含まれません)

## P.C.B. INPUT

Schm Ref.	PART NO.	Description	Remarks	Markets	部 品 名	Rank
C529	UM397100	C. EL	10uF 16V		ケミコン	01
C530	UM397100	C. EL	10uF 16V		ケミコン	01
C533	UA655100	C. MYLAR	0.1uF 50V		マイラーコン	01
C534	UA655100	C. MYLAR	0.1uF 50V		マイラーコン	01
C535	UR818470	C. EL	470uF 6.3V		ケミコン	01
C536	UM397100	C. EL	10uF 16V	JUCRTKA	ケミコン	01
C537	UM397100	C. EL	10uF 16V	JUCRTKA	ケミコン	01
C540	UR866100	C. EL	1uF 50V		ケミコン	01
C541	UA655100	C. MYLAR	0.1uF 50V		マイラーコン	01
C542	UM397100	C. EL	10uF 16V		ケミコン	01
C543	UM397100	C. EL	10uF 16V		ケミコン	01
C544	UM397100	C. EL	10uF 16V		ケミコン	01
C545	UM397100	C. EL	10uF 16V		ケミコン	01
C546	UN866330	C. EL	3.3uF 50V		B P ケミコン	01
C547	UN866330	C. EL	3.3uF 50V		B P ケミコン	01
C548	UR819100	C. EL	1000uF 6.3V		ケミコン	01
C555	UR867220	C. EL	22uF 50V		ケミコン	01
C561	UR819100	C. EL	1000uF 6.3V		ケミコン	01
C562	UR838100	C. EL	100uF 16V		ケミコン	01
D401	VT332900	D1ODE	1SS355		ダイオード	01
D402	VU995500	D1ODE. ZENR	MA8100-H 10.3V		ツェナーダイオード	02
D403	VU993000	D1ODE. ZENR	MA8056-M 5.6V	BG	ツェナーダイオード	01
D404	VU994300	D1ODE. ZENR	MA8075-H 7.7V		ツェナーダイオード	
D405	VU994300	D1ODE. ZENR	MA8075-H 7.7V		ツェナーダイオード	
D406	VT332900	D1ODE	1SS355		ダイオード	01
D407	VV220700	D1ODE. SHOT	RB501V-40		ショットキーダイオード	01
D408	VV220700	D1ODE. SHOT	RB501V-40	JUCRTKA	ショットキーダイオード	01
D409	V6267600	D1ODE	RB051L-40		ダイオード	01
D410	VT332900	D1ODE	1SS355		ダイオード	01
D411	VT332900	D1ODE	1SS355		ダイオード	01
D412	VU172000	D1ODE. ZENR	UDZS5.6BTE-17 5.6V		ツェナーダイオード	01
D413	VU172000	D1ODE. ZENR	UDZS5.6BTE-17 5.6V		ツェナーダイオード	01
D414	VT332900	D1ODE	1SS355		ダイオード	01
D415	VT332900	D1ODE	1SS355		ダイオード	01
△ D416	VR253700	D1ODE. BRG	S1NB20 1A 200V		D I ブリッジ X 4	02
△ D417	V4269600	D1ODE. BRG	D2SBA20 1.5A 200V		ダイオードブリッジ	
D418	VT332900	D1ODE	1SS355		ダイオード	01
D419	VT332900	D1ODE	1SS355		ダイオード	01
D420	VT332900	D1ODE	1SS355		ダイオード	01
D551	VT332900	D1ODE	1SS355		ダイオード	01
D552	VT332900	D1ODE	1SS355		ダイオード	01
IC401	X4258A00	IC	BD3842FS-E2	JUCRTKA	IC	
IC402	XS377A00	IC	BA15218F 0P AMP		アンプ IC	01
IC403	X3546A00	IC	BD3815KS		IC	
* IC404	X0082A00	IC	LC72722PM	BG	IC SOP	
IC405	X3545A00	IC	BD3812F-E2		IC	
IC406	XY879A00	IC	TC74HC4053AF (EL)		ロジック IC SOP	03
IC407	XY879A00	IC	TC74HC4053AF (EL)		ロジック IC SOP	03
IC408	XF291A00	IC	uPC4570G2		IC	03
IC409	XF291A00	IC	uPC4570G2		IC	03
△ IC410	XY045A00	IC	PQ3RD13 3.3V1A		電源 IC	03
△ IC411	X3505A00	IC	NJM2068MD-TE2		アンプ IC SOP	02
△ IC412	XJ602A00	IC	NJM78M12FA		IC	02

\* New Parts \* 新規部品(マーク#の部品は、基板に含まれません)

## P.C.B. INPUT

Schm Ref.	PART NO.	Description	Remarks	Markets	部 品 名	Rank	
* △	IC413	X2593A00	IC	NJM79M12DL1A(TE1)		電源 IC SMT	02
* △	IC414	XS534A00	IC	NJM78M05DL1A(TE1)	JUCRTKA	電源 IC T O-2 5 2	02
* △	IC415	X4822A00	IC	NJM79M05DL1A	JUCRTKA	電源 IC	
△	IC416	XY455A00	IC	PQ1CG21H2F SW		電源 IC S I L	04
*	IC417	X5052A00	IC	PQ025EN5MZPH		電源 IC Q F P	
	IC418	XU965A00	IC	uPC29M33T-E1 3.3V		電源 IC	03
	IC419	XY879A00	IC	TC74HC4053AF(EL)		ロジック IC S O P	03
	IC551	XD598A00	IC	TC74HCU04AFEL INV		ロジック IC	01
	IC552	XD598A00	IC	TC74HCU04AFEL INV		ロジック IC	01
*	L403	WB754900	COIL	LHFP13BB680K		コイル 6 8 u H	
	PJ551	V4483900	JACK. PIN	1P YKC21-3895		ピンジャック	
	Q401	VV655000	TR. DGT	DTA114EKA		デジタルトランジスタ	01
△	Q402	VV556400	TR	2SC2412K Q, R, S		トランジスタ	01
△	Q403	VV556400	TR	2SC2412K Q, R, S	BG	トランジスタ	01
	Q404	VZ725900	TR	2SD1938F S, T		トランジスタ	
	Q405	VZ725900	TR	2SD1938F S, T		トランジスタ	
	Q406	VZ725900	TR	2SD1938F S, T		トランジスタ	
	Q407	VZ725900	TR	2SD1938F S, T		トランジスタ	
	Q408	iC181510	TR	2SC1815 Y		トランジスタ	01
	Q409	iA101510	TR	2SA1015 Y		トランジスタ	01
	Q410	VV655000	TR. DGT	DTA114EKA		デジタルトランジスタ	01
	Q411	VD303700	TR	2SC3326 A, B		トランジスタ	01
	Q412	VD303700	TR	2SC3326 A, B		トランジスタ	01
	Q413	VD303700	TR	2SC3326 A, B		トランジスタ	01
	Q414	VD303700	TR	2SC3326 A, B		トランジスタ	01
	Q415	VD303700	TR	2SC3326 A, B		トランジスタ	01
	Q416	VD303700	TR	2SC3326 A, B		トランジスタ	01
	Q417	VV655000	TR. DGT	DTA114EKA		デジタルトランジスタ	01
	Q418	VV655000	TR. DGT	DTA114EKA		デジタルトランジスタ	01
	R403	HV753100	R. CAR. FP	1 Ω 1/4W		不燃化カーボン抵抗	01
	R417	HV753100	R. CAR. FP	1 Ω 1/4W	JUCRTKA	不燃化カーボン抵抗	01
	R420	HV753100	R. CAR. FP	1 Ω 1/4W	JUCRTKA	不燃化カーボン抵抗	01
	R434	HV753100	R. CAR. FP	1 Ω 1/4W		不燃化カーボン抵抗	01
	R435	HV753100	R. CAR. FP	1 Ω 1/4W		不燃化カーボン抵抗	01
	R439	HV753100	R. CAR. FP	1 Ω 1/4W		不燃化カーボン抵抗	01
	R440	HV753100	R. CAR. FP	1 Ω 1/4W		不燃化カーボン抵抗	01
*	R469	WB784600	R. MTL. FLM	3.9 Ω 1W		金属被膜抵抗	
	R470	VP940200	R. MTL. OXD	47 Ω 1W		酸化金属被膜抵抗	01
	R471	HV753100	R. CAR. FP	1 Ω 1/4W		不燃化カーボン抵抗	01
	R472	HV753100	R. CAR. FP	1 Ω 1/4W		不燃化カーボン抵抗	01
	R475	HV753100	R. CAR. FP	1 Ω 1/4W		不燃化カーボン抵抗	01
	R476	HV753100	R. CAR. FP	1 Ω 1/4W		不燃化カーボン抵抗	01
	R477	HV753100	R. CAR. FP	1 Ω 1/4W	JUCRTKA	不燃化カーボン抵抗	01
	R478	HV753100	R. CAR. FP	1 Ω 1/4W	JUCRTKA	不燃化カーボン抵抗	01
	R493	VP940200	R. MTL. OXD	47 Ω 1W		酸化金属被膜抵抗	01
	R505	VU224000	R. MTL. FLM	0.22 Ω 1W		金属被膜抵抗	01
*	R506	WB785400	R. MTL. OXD	180 Ω 1W	JUCRTKA	酸化金属被膜抵抗	
	R507	VP940600	R. MTL. OXD	220 Ω 1W	JUCRTKA	酸化金属被膜抵抗	01
	U551	WB001400	CN. PHOT. SN	1P GP1FA553RZ		光ファイバ受信器	04
	U552	WB001400	CN. PHOT. SN	1P GP1FA553RZ		光ファイバ受信器	04
	XL401	V3930900	RSNR. CRYST	4.332MHz	BG	水晶振動子	05
		EG330360	SCR. BND. HD	3x6 MFZN2BL		バインド小ネジ	01

\* New Parts \* 新規部品(マーク#の部品は、基板に含まれません)

## P.C.B. MAIN

Schm Ref.	PART NO.	Description	Remarks	Markets	部 品 名	Rank
*	WC275400	P. C. B.	MAIN		P C B メイン	
CB601	LB919030	CN. BS. PIN	3P		ベース付ポスト	01
CB602	V7827500	SOCKET	8P SE TUC SERIES		コネクターソケット	
CB603	V0963000	CN. BS. PIN	9P		ウエハー	01
CB604	V0962900	CN. BS. PIN	8P		ウエハー	01
CB605	V0962900	CN. BS. PIN	8P		ウエハー	01
CB606	V0963000	CN. BS. PIN	9P		ウエハー	01
CB631	LB919030	CN. BS. PIN	3P		ベース付ポスト	01
CB632	V7827600	SOCKET	9P SE TUC SERIES		コネクターソケット	
CB633	V0963000	CN. BS. PIN	9P		ウエハー	01
CB634	V0962900	CN. BS. PIN	8P		ウエハー	01
CB635	V0962900	CN. BS. PIN	8P		ウエハー	01
CB636	V0963000	CN. BS. PIN	9P		ウエハー	01
CB661	LB919030	CN. BS. PIN	3P		ベース付ポスト	01
CB662	V7827700	SOCKET	10P SE TUC SERIES		コネクターソケット	
CB663	V0963000	CN. BS. PIN	9P		ウエハー	01
CB664	V0962900	CN. BS. PIN	8P		ウエハー	01
CB665	V0962900	CN. BS. PIN	8P		ウエハー	01
CB666	V0963000	CN. BS. PIN	9P		ウエハー	01
CB691	V7825800	CN	8P TE TUC SERIES		コネクタープラグ	
CB692	V7825900	CN	9P TE TUC SERIES		コネクタープラグ	
CB693	V7826000	CN	10P TE TUC SERIES		コネクタープラグ	01
* CB694	WB832600	CN	6P TE		F M N コネクター	
CB695	VF982300	CN. BS. PIN	17P		F F C コネクター	01
C601	UR838100	C. EL	100uF 16V		ケミコン	01
C602	UR857100	C. EL	10uF 35V		ケミコン	01
C603	UR857100	C. EL	10uF 35V		ケミコン	01
C604	UR857100	C. EL	10uF 35V		ケミコン	01
C605	UR857100	C. EL	10uF 35V		ケミコン	01
C631	UR838100	C. EL	100uF 16V		ケミコン	01
C632	UR857100	C. EL	10uF 35V		ケミコン	01
C633	UR857100	C. EL	10uF 35V		ケミコン	01
C634	UR857100	C. EL	10uF 35V		ケミコン	01
C635	UR857100	C. EL	10uF 35V		ケミコン	01
C661	UR838100	C. EL	100uF 16V		ケミコン	01
C662	UR857100	C. EL	10uF 35V		ケミコン	01
C663	UR857100	C. EL	10uF 35V		ケミコン	01
C664	UR857100	C. EL	10uF 35V		ケミコン	01
C665	UR857100	C. EL	10uF 35V		ケミコン	01
C694	UM397470	C. EL	47uF 16V		ケミコン	01
C695	UM397470	C. EL	47uF 16V		ケミコン	01
C717	UR838100	C. EL	100uF 16V		ケミコン	01
D601	VU995500	D10DE. ZENR	MA8100-H 10. 3V		ツェナーダイオード	02
D602	VU995500	D10DE. ZENR	MA8100-H 10. 3V		ツェナーダイオード	02
D603	VT332900	D10DE	1SS355		ダイオード	01
D604	VT332900	D10DE	1SS355		ダイオード	01
D605	VT332900	D10DE	1SS355		ダイオード	01
D631	VU995500	D10DE. ZENR	MA8100-H 10. 3V		ツェナーダイオード	02
D632	VU995500	D10DE. ZENR	MA8100-H 10. 3V		ツェナーダイオード	02
D633	VT332900	D10DE	1SS355		ダイオード	01
D634	VT332900	D10DE	1SS355		ダイオード	01
D635	VT332900	D10DE	1SS355		ダイオード	01
D661	VU995500	D10DE. ZENR	MA8100-H 10. 3V		ツェナーダイオード	02

\* New Parts \* 新規部品(マーク#の部品は、基板に含まれません)

## P.C.B. MAIN

Schm Ref.	PART NO.	Description	Remarks	Markets	部 品 名	Rank
D662	VU995500	D10DE. ZENR	MA8100-H 10.3V		ツェナーダイオード	02
D663	VU996200	D10DE. ZENR	MA8120-M 12.0V		ツェナーダイオード	01
D664	VU996200	D10DE. ZENR	MA8120-M 12.0V		ツェナーダイオード	01
D665	VT332900	D10DE	1SS355		ダイオード	01
D666	VT332900	D10DE	1SS355		ダイオード	01
D667	VT332900	D10DE	1SS355		ダイオード	01
IC691	X3505A00	IC	NJM2068MD-TE2		アンプ IC SOP	02
IC692	X3505A00	IC	NJM2068MD-TE2		アンプ IC SOP	02
IC693	X3505A00	IC	NJM2068MD-TE2		アンプ IC SOP	02
IC694	XD598A00	IC	TC74HCU04AFEL INV		ロジック IC	01
PN601	V9637500	PIN	L=70 #18		スタイルピン	
Q601	VV556400	TR	2SC2412K Q, R, S		トランジスタ	01
Q602	Vi334100	TR	2SD1760 F5 P, Q, R		トランジスタ	01
Q603	Vi334100	TR	2SD1760 F5 P, Q, R		トランジスタ	01
Q604	VV556400	TR	2SC2412K Q, R, S		トランジスタ	01
Q605	VV556400	TR	2SC2412K Q, R, S		トランジスタ	01
Q631	VV556400	TR	2SC2412K Q, R, S		トランジスタ	01
Q632	Vi334100	TR	2SD1760 F5 P, Q, R		トランジスタ	01
Q633	Vi334100	TR	2SD1760 F5 P, Q, R		トランジスタ	01
Q634	VV556400	TR	2SC2412K Q, R, S		トランジスタ	01
Q635	VV556400	TR	2SC2412K Q, R, S		トランジスタ	01
Q661	VV556400	TR	2SC2412K Q, R, S		トランジスタ	01
Q662	Vi334100	TR	2SD1760 F5 P, Q, R		トランジスタ	01
Q663	Vi334100	TR	2SD1760 F5 P, Q, R		トランジスタ	01
Q664	VV556400	TR	2SC2412K Q, R, S		トランジスタ	01
Q665	VV556400	TR	2SC2412K Q, R, S		トランジスタ	01
Q666	VV655000	TR. DGT	DTA114EKA		デジタルトランジスタ	01
Q667	VV655400	TR. DGT	DTC114EKA		デジタルトランジスタ	01
Q668	VV655400	TR. DGT	DTC114EKA		デジタルトランジスタ	01
Q691	VV556500	TR	2SA1037K Q, R, S		トランジスタ	01
Q692	VV556500	TR	2SA1037K Q, R, S		トランジスタ	01
Q693	VV556400	TR	2SC2412K Q, R, S		トランジスタ	01
Q694	VV556400	TR	2SC2412K Q, R, S		トランジスタ	01
Q695	VV556400	TR	2SC2412K Q, R, S		トランジスタ	01
R603	VP940900	R. MTL. OXD	560 Ω 1W		酸化金属被膜抵抗	
R604	VP940900	R. MTL. OXD	560 Ω 1W		酸化金属被膜抵抗	
R633	VP940900	R. MTL. OXD	560 Ω 1W		酸化金属被膜抵抗	
R634	VP940900	R. MTL. OXD	560 Ω 1W		酸化金属被膜抵抗	
R663	VP940900	R. MTL. OXD	560 Ω 1W		酸化金属被膜抵抗	
R664	VP940900	R. MTL. OXD	560 Ω 1W		酸化金属被膜抵抗	
R722	HV754100	R. CAR. FP	10 Ω 1/4W		不燃化カーボン抵抗	01
R723	HV754100	R. CAR. FP	10 Ω 1/4W		不燃化カーボン抵抗	01
ST601	WA246200	SCR. TERM	3.5		スクリューターミナル	
ST631	WA246200	SCR. TERM	3.5		スクリューターミナル	
ST661	WA246200	SCR. TERM	3.5		スクリューターミナル	
ST691	V4040500	SCR. TERM	M3		スクリューターミナル	01
TH661	WC310100	THRMST	NTSA0WF104FN6A0		温度検知用サーミスタ	
* XL691	WB924700	RSNR. CE	375KHz CSBLA375K		セラロック	
* XL692	WC511200	RSNR. CE	420K CSBLA420KECE		セラミック発振子	

\* New Parts \* 新規部品(マーク#の部品は、基板に含まれません)



## P.C.B. POWER

Schm Ref.	PART NO.	Description	Remarks	Markets	部 品 名	Rank	
*	WC275600	P. C. B.	POWER		J	P C B 集 成 パワー	
*	WC275700	P. C. B.	POWER		UC	P C B 集 成 パワー	
*	WC275800	P. C. B.	POWER		R	P C B 集 成 パワー	
*	WC275900	P. C. B.	POWER		TK	P C B 集 成 パワー	
*	WC276000	P. C. B.	POWER		A	P C B 集 成 パワー	
*	WC276100	P. C. B.	POWER		BG	P C B 集 成 パワー	
*	WC276200	P. C. B.	POWER		L	P C B 集 成 パワー	
*	CB4	VB389800	CN. BS. PIN	2P		ベースピン	01
*	CB5	WA894400	CN. BS. PIN	18P TE FMN		FMN コネクター	
	CB6	LB932030	CN. BS. PIN	3P		ベースポスト	01
	CB7	VP206500	HOLDER. FUS	EYF-52BCT		ヒューズホルダー	01
	CB8	VP206500	HOLDER. FUS	EYF-52BCT		ヒューズホルダー	01
▲	CB9	VT807100	CN. BS. PIN	2P		ベースポスト	01
▲	CB10	VG879900	CN. BS. PIN	2P		ベースピン	01
*	CB51	LB933050	CN. BS. PIN	5P SE VH	BG	ベースポスト	01
*	CB71	LB919040	CN. BS. PIN	4P		ベース付ポスト	01
*	CB72	LB919050	CN. BS. PIN	5P		ベース付ポスト	01
*	CB73	LB919060	CN. BS. PIN	6P		ベース付ポスト	01
*	CB104	V6217900	CN. BS. PIN	10P TE FMN		FFC コネクター	
	CB105	VQ046900	CN. BS. PIN	5P		FFC コネクター	01
	CB106	Vi878100	CN. BS. PIN	3P		ケーブルホルダー	01
	CB161	V6217800	CN. BS. PIN	8P TE FMN		FFC コネクター	01
	CB162	Vi878100	CN. BS. PIN	3P		ケーブルホルダー	01
	CB163	Vi878000	CN. BS. PIN	2P		ケーブルホルダー	01
	CB191	Vi878000	CN. BS. PIN	2P		ケーブルホルダー	01
	CB201	V7827500	SOCKET	8P SE TUC SERIES	JUCRKA	コネクターソケット	
	CB221	V7827600	SOCKET	9P SE TUC SERIES	JUCRKA	コネクターソケット	
	CB241	V7827100	SOCKET	4P TE TUC SERIES	BG	コネクターソケット	
	CB261	V7827700	SOCKET	10P SE TUC SERIES	JUCRKA	コネクターソケット	
	CB281	V7827900	SOCKET	12P TE TUC SERIES	JUCRKA	コネクターソケット	
	CB301	VF982200	CN. BS. PIN	14P	BG	コネクター	02
	CB302	WA247900	CN	21P YKF41-5038	BG	R G B コネクタ	03
*	CB303	V7414100	CN	15P SE FMN	BG	FMN コネクタ	
*	CB304	WB497100	CN	21P YKF41-5044	BG	R G B コネクタ	
	C2	UR867100	C. EL	10uF 50V		ケミコン	01
	C3	UR866220	C. EL	2.2uF 50V		ケミコン	01
	C4	UR837100	C. EL	10uF 16V	BG	ケミコン	01
	C5	UR837100	C. EL	10uF 16V	BG	ケミコン	01
	C7	VF992600	C. EL	4700uF 5.5V		バックアップケミコン	02
	C8	UR819100	C. EL	1000uF 6.3V		ケミコン	01
	C9	UR867100	C. EL	10uF 50V		ケミコン	01
	C10	UR866100	C. EL	1uF 50V		ケミコン	01
	C11	UR866220	C. EL	2.2uF 50V		ケミコン	01
	C13	V7409000	C. EL	180uF 16V	BG	ケミコン	02
	C14	UR839100	C. EL	1000uF 16V		ケミコン	01
	C15	UR839100	C. EL	1000uF 16V	BG	ケミコン	01
	C16	UR867470	C. EL	47uF 50V		ケミコン	01
	C17	UR867470	C. EL	47uF 50V		ケミコン	01
	C18	UR867220	C. EL	22uF 50V		ケミコン	01
	C19	UR867470	C. EL	47uF 50V		ケミコン	01
	C20	UR848100	C. EL	100uF 25V		ケミコン	01
	C21	UR866470	C. EL	4.7uF 50V		ケミコン	01
	C22	UR867100	C. EL	10uF 50V		ケミコン	01

\* New Parts \* 新規部品(マーク#の部品は、基板に含まれません)

P.C.B. POWER

Schm Ref.	PART NO.	Description	Remarks	Markets	部 品 名	Rank
* △	C23	WC272500 C.EL	6800uF 50V		ケミコン	
* △	C24	WC272500 C.EL	6800uF 50V		ケミコン	
	C26	VR325100 C.MYLAR	0.01uF 100V		マイラーコン	01
	C27	VT898000 C.MYLAR	0.1uF 100V		マイラーコン	
	C28	VT898000 C.MYLAR	0.1uF 100V		マイラーコン	
△	C29	V6185300 C.CE.SAFTY	0.01uF 275V		規格認定コン	
	C30	UR866100 C.EL	1uF 50V		ケミコン	01
	C31	UR866100 C.EL	1uF 50V		ケミコン	01
	C32	VF992600 C.EL	4700uF 5.5V		バックアップケミコン	02
	C33	UR818470 C.EL	470uF 6.3V		ケミコン	01
	C34	UR819100 C.EL	1000uF 6.3V		ケミコン	01
	C35	UR819100 C.EL	1000uF 6.3V		ケミコン	01
	C77	UA654100 C.MYLAR	0.01uF 50V		マイラーコン	01
	C78	UA654100 C.MYLAR	0.01uF 50V		マイラーコン	01
	C79	UA654100 C.MYLAR	0.01uF 50V		マイラーコン	01
	C80	UA654100 C.MYLAR	0.01uF 50V		マイラーコン	01
	C81	UA654100 C.MYLAR	0.01uF 50V		マイラーコン	01
	C82	UA654100 C.MYLAR	0.01uF 50V		マイラーコン	01
	C120	UM388330 C.EL	330uF 6.3V		ケミコン	01
	C169	UR837470 C.EL	47uF 16V		ケミコン	01
	C226	UR837100 C.EL	10uF 16V	JUCRTKA	ケミコン	01
	C227	UR837100 C.EL	10uF 16V	JUCRTKA	ケミコン	01
	C261	UR867100 C.EL	10uF 50V	JUCRTKA	ケミコン	01
	C262	UR867100 C.EL	10uF 50V	JUCRTKA	ケミコン	01
	C263	UR867100 C.EL	10uF 50V	JUCRTKA	ケミコン	01
	C264	UR838100 C.EL	100uF 16V	JUCRTKA	ケミコン	01
	C266	UR838100 C.EL	100uF 16V	JUCRTKA	ケミコン	01
	C268	UR867100 C.EL	10uF 50V	JUCRTKA	ケミコン	01
	C281	UR867100 C.EL	10uF 50V	JUCRTKA	ケミコン	01
	C284	UR838100 C.EL	100uF 16V	JUCRTKA	ケミコン	01
	C285	UR818220 C.EL	220uF 6.3V	JUCRTKA	ケミコン	01
	C287	UR837100 C.EL	10uF 16V	JUCRTKA	ケミコン	01
	C289	UR837100 C.EL	10uF 16V	JUCRTKA	ケミコン	01
	C292	UR837470 C.EL	47uF 16V	JUCRTKA	ケミコン	01
	C293	UR837470 C.EL	47uF 16V	JUCRTKA	ケミコン	01
	C305	UR837100 C.EL	10uF 16V	BG	ケミコン	01
	C306	UR837100 C.EL	10uF 16V	BG	ケミコン	01
	C307	UR837100 C.EL	10uF 16V	BG	ケミコン	01
	C308	UR837100 C.EL	10uF 16V	BG	ケミコン	01
	C309	UR837100 C.EL	10uF 16V	BG	ケミコン	01
	C310	UR837100 C.EL	10uF 16V	BG	ケミコン	01
	C311	UR837100 C.EL	10uF 16V	BG	ケミコン	01
	C312	UR837100 C.EL	10uF 16V	BG	ケミコン	01
	C313	UR837100 C.EL	10uF 16V	BG	ケミコン	01
	C314	UR837100 C.EL	10uF 16V	BG	ケミコン	01
	C315	UR837100 C.EL	10uF 16V	BG	ケミコン	01
	C316	UR837100 C.EL	10uF 16V	BG	ケミコン	01
	C317	UR837100 C.EL	10uF 16V	BG	ケミコン	01
	C319	UR837100 C.EL	10uF 16V	BG	ケミコン	01
	C321	UR837100 C.EL	10uF 16V	BG	ケミコン	01
	C322	UR838100 C.EL	100uF 16V	BG	ケミコン	01
	C340	UR867100 C.EL	10uF 50V	BG	ケミコン	01
	C341	UR819100 C.EL	1000uF 6.3V	BG	ケミコン	01

\* New Parts \* 新規部品(マーク#の部品は、基板に含まれません)

RX-SL100/RX-SL100RDS

## P.C.B. POWER

Schm Ref.	PART NO.	Description	Remarks	Markets	部 品 名	Rank
C342	UR867100	C. EL	10uF 50V		BG ケミコン	01
C343	UR867100	C. EL	10uF 50V		BG ケミコン	01
C344	UR867100	C. EL	10uF 50V		BG ケミコン	01
C345	UR819100	C. EL	1000uF 6.3V		BG ケミコン	01
D1	VU992200	D1ODE. ZENR	MA8047-M 4.7V		ツェナーダイオード	
* D2	VU995900	D1ODE. ZENR	MA8110-H 11.3V		BG ツェナーダイオード	
D3	VV833200	D1ODE	1SS380		ダイオード	01
D4	VV307700	D1ODE	1N4002S		ダイオード	01
D5	VT332900	D1ODE	1SS355		BG ダイオード	01
D6	VT332900	D1ODE	1SS355		ダイオード	01
D7	VT332900	D1ODE	1SS355		BG ダイオード	01
D8	VU993500	D1ODE. ZENR	MA8062-H 6.4V		ツェナーダイオード	01
D9	VT332900	D1ODE	1SS355		ダイオード	01
D10	VU993400	D1ODE. ZENR	MA8062-M 6.2V		ツェナーダイオード	01
D11	VU999500	D1ODE. ZENR	MA8270-M 27V		ツェナーダイオード	01
△ D12	VR253700	D1ODE. BRG	S1NB20 1A 200V		D1ブリッジ X4	02
D13	VT532500	D1ODE	1SR154-400		ダイオード	01
D14	VT532500	D1ODE	1SR154-400		ダイオード	01
△ D15	VN011400	D1ODE. BRG	D5SB20 5A 200V		ダイオード	03
D16	VT332900	D1ODE	1SS355		ダイオード	01
D17	VT332900	D1ODE	1SS355		ダイオード	01
D18	VU996200	D1ODE. ZENR	MA8120-M 12.0V		ツェナーダイオード	01
D19	VV833200	D1ODE	1SS380		ダイオード	01
D20	VV307700	D1ODE	1N4002S		ダイオード	01
D101	VU172300	D1ODE. ZENR	UDZ7.5B 7.5V		ツェナーダイオード	01
D301	VT332900	D1ODE	1SS355		BG ダイオード	01
D302	VT332900	D1ODE	1SS355		BG ダイオード	01
D303	VT332900	D1ODE	1SS355		BG ダイオード	01
△ F1	VS823000	FUSE	T5A 125V		JUCR ヒューズ	01
△ F1	VT942800	FUSE	2A 250V		TKABGL ヒューズ250V	01
△ Fi1	WB754600	FLTR	ELF15N030A		ラインフィルタ	
IC1	XL450A00	IC	PQ05RA1 +5V 1.0A		BG 電源IC TO-220	03
IC101	X2874A00	IC	M66003-0101FP FLD		アンプIC	08
IC261	XY549A00	IC	TC74HC4051AFEL		JUCRKA ロジックIC SOP	02
IC281	XW911A00	IC	LA7108M VIDEO AMP		JUCRKA アンプIC	04
IC282	XZ004A00	IC	NJM2233BM		JUCRKA IC	03
IC301	X4258A00	IC	BD3842FS-E2		BG IC	
* IC303	XR866A00	IC	BA7613N		BG アンプIC SIP	
* IC304	XR866A00	IC	BA7613N		BG アンプIC SIP	
JK161	WB071300	JACK. MNI	LGS6516-0100		ミニジャック	03
L161	GE901970	COIL	68uH		コイル	01
PJ161	V6753000	JACK. PIN	3P		ピンジャック	
PJ201	V2069700	JACK. PIN	6P		JUCRKA ピンジャック	05
PJ221	VM725900	JACK. PIN	4P		JUCRKA ピンジャック	02
PJ222	V7189700	JACK. PIN	1P		JUCRKA ピンジャック	01
PJ241	V7189700	JACK. PIN	1P		BG ピンジャック	01
PJ261	VV852500	JACK. PIN	3P		JUCRKA ピンジャック	03
PJ281	VV852500	JACK. PIN	3P		JUCRKA ピンジャック	03
PN1	V9637500	PIN	L=70 #18		スタイルピン	
PN101	V9637500	PIN	L=70 #18		スタイルピン	
PN161	V9637500	PIN	L=70 #18		スタイルピン	
Q1	VV655700	TR. DGT	DTC144EKA		デジタルトランジスタ	01
Q2	VP872700	TR	2SC4488 S, T		トランジスタ	01

\* New Parts \* 新規部品(マーク#の部品は、基板に含まれません)

## P.C.B. POWER

Schm Ref.	PART NO.	Description	Remarks	Markets	部 品 名	Rank	
Q3	VV556400	TR	2SC2412K O, R, S		BG	トランジスタ	01
Q4	VV655700	TR. DGT	DTC144EKA			デジタルトランジスタ	01
Q5	VV556500	TR	2SA1037K O, R, S		BG	トランジスタ	01
Q6	VV556400	TR	2SC2412K O, R, S		BG	トランジスタ	01
Q7	VP872700	TR	2SC4488 S, T			トランジスタ	01
Q8	VV556400	TR	2SC2412K O, R, S		BG	トランジスタ	01
Q9	VV556500	TR	2SA1037K O, R, S			トランジスタ	01
△ Q10	VR510800	TR	2SD2396 J, K			トランジスタ	02
Q11	VV556400	TR	2SC2412K O, R, S			トランジスタ	01
Q12	VC218900	TR	2SC3330 R, S, T			トランジスタ	01
△ Q13	VG805300	TR	2SA1674 R, S			トランジスタ	01
Q14	VV556400	TR	2SC2412K O, R, S			トランジスタ	01
Q15	VV556400	TR	2SC2412K O, R, S			トランジスタ	01
Q102	VV556400	TR	2SC2412K O, R, S			トランジスタ	01
Q103	VV556400	TR	2SC2412K O, R, S			トランジスタ	01
Q104	VD303700	TR	2SC3326 A, B			トランジスタ	01
Q105	VD303700	TR	2SC3326 A, B			トランジスタ	01
Q106	VV556400	TR	2SC2412K O, R, S			トランジスタ	01
Q108	VV556400	TR	2SC2412K O, R, S			トランジスタ	01
Q161	VV556400	TR	2SC2412K O, R, S			トランジスタ	01
Q162	VV556500	TR	2SA1037K O, R, S			トランジスタ	01
Q221	VD303700	TR	2SC3326 A, B		JUCRTKA	トランジスタ	01
Q222	VD303700	TR	2SC3326 A, B		JUCRTKA	トランジスタ	01
Q241	VD303700	TR	2SC3326 A, B		BG	トランジスタ	01
Q242	VD303700	TR	2SC3326 A, B		BG	トランジスタ	01
Q301	VV556400	TR	2SC2412K O, R, S		BG	トランジスタ	01
Q302	VV556500	TR	2SA1037K O, R, S		BG	トランジスタ	01
Q303	VV556400	TR	2SC2412K O, R, S		BG	トランジスタ	01
Q304	VV556400	TR	2SC2412K O, R, S		BG	トランジスタ	01
Q305	VV556500	TR	2SA1037K O, R, S		BG	トランジスタ	01
Q306	VV556400	TR	2SC2412K O, R, S		BG	トランジスタ	01
Q308	VV556400	TR	2SC2412K O, R, S		BG	トランジスタ	01
Q309	VV556500	TR	2SA1037K O, R, S		BG	トランジスタ	01
R21	HV753220	R. CAR. FP	2.2Ω 1/4W			不燃化カーボン抵抗	01
R28	HV755180	R. CAR. FP	180Ω 1/4W			不燃化カーボン抵抗	01
R29	HV756220	R. CAR. FP	2.2KΩ 1/4W			不燃化カーボン抵抗	01
△ R30	VP940500	R. MTL. OXD	150Ω 1W			酸化金属被膜抵抗	01
△ R31	VP940400	R. MTL. OXD	100Ω 1W			酸化金属被膜抵抗	01
△ R34	V6730000	R. CAR.	2.2MΩ 1/2W		UC	放電抵抗	01
R38	VP941500	R. MTL. OXD	4.7KΩ 1W			酸化金属被膜抵抗	01
R264	HV753100	R. CAR. FP	1Ω 1/4W		JUCRTKA	不燃化カーボン抵抗	01
R265	HV753100	R. CAR. FP	1Ω 1/4W		JUCRTKA	不燃化カーボン抵抗	01
R287	HV753100	R. CAR. FP	1Ω 1/4W		JUCRTKA	不燃化カーボン抵抗	01
R289	HV753100	R. CAR. FP	1Ω 1/4W		JUCRTKA	不燃化カーボン抵抗	01
R290	HV753100	R. CAR. FP	1Ω 1/4W		JUCRTKA	不燃化カーボン抵抗	01
△ RY1	V6017400	RELAY	DC SDT-S-112LMR2			リレー 12V	04
ST241	V4040500	SCR. TERM	M3		BG	スクリュウ/ターミナル	01
SW51	VZ075500	SW. SLIDE	SL14-22AM5F		BG	スライドSW	03
SW101	V6091700	SW. RT. ENC	XRE0122PVB25FINB-2			ロータリーエンコーダ	04
SW102	VV020300	SW. TACT	SKQNAA			タクトSW	01
SW103	VV020300	SW. TACT	SKQNAA			タクトSW	01
SW104	VV020300	SW. TACT	SKQNAA			タクトSW	01
SW191	VV020300	SW. TACT	SKQNAA			タクトSW	01

\* New Parts \* 新規部品(マーク#の部品は、基板に含まれません)

P.C.B. POWER & Chip Parts

Schm Ref.	PART NO.	Description	Remarks	Markets	部 品 名	Rank
* T1	X4607A00	TRANS. PWR		J	電源トランス	
* T1	X4608A00	TRANS. PWR		UC	電源トランス	
* T1	X4609A00	TRANS. PWR		R	電源トランス	
* T1	X4610A00	TRANS. PWR		TKL	電源トランス	
* T1	X4611A00	TRANS. PWR		A	電源トランス	
* T1	X4612A00	TRANS. PWR		BG	電源トランス	
* TE71	WB966000	TERM. SP	YKD21-5012Q PUSH		スピーカターミナル	
TH1	V7962300	THRMST. CHP	NCP18WF104J03RB		チップサーミスタ	01
U101	V8210200	L. DTCT	GP1UD271XK		リモコン受光ユニット	03
U161	WB547900	L. DTCT	1P GP1FA513RZ		光ファイバ受信器	03
* V101	WB569700	FL. DSPLY	HNA-16SM08T		蛍光表示管	
* V101	WC255500	SHEET			シート/F L	
* V101	V6203300	SPACER			スペーサー F L	
* V101	WB692100	SUPRT			サポート/F L	
	UF017470	C. EL. CHP	47uF 6.3V		チップケミコン	01
	UF018100	C. EL. CHP	100uF 6.3V		チップケミコン	01
	UF037100	C. EL. CHP	10uF 16V		チップケミコン	01
	UF066220	C. EL. CHP	2.2uF 50V		チップケミコン	01
	US034470	C. CE. M. CHP	0.047uF 16V		チップセラコン	01
	US060500	C. CE. CHP	5pF 50V		チップセラコン	01
	US061100	C. CE. M. CHP	10pF 50V		チップセラコン	01
	US061150	C. CE. CHP	15pF 50V		チップセラコン	01
	US061180	C. CE. CHP	18pF 50V		チップセラコン	01
	US061220	C. CE. M. CHP	22pF 50V		チップセラコン	01
	US061270	C. CE. M. CHP	27pF 50V		チップセラコン	01
	US061470	C. CE. M. CHP	47pF 50V		チップセラコン	01
	US062100	C. CE. M. CHP	100pF 50V		チップセラコン	01
	US062220	C. CE. CHP	220pF 50V		チップセラコン	01
	US062330	C. CE. M. CHP	330pF 50V		チップセラコン	01
	US062470	C. CE. M. CHP	470pF 50V		チップセラコン	01
	US063100	C. CE. M. CHP	1000pF 50V		チップセラコン	01
	US063390	C. CE. CHP	3900pF 50V		チップセラコン	01
	US063470	C. CE. CHP	4700pF 50V		チップセラコン	01
	US064100	C. CE. M. CHP	0.01uF 50V		チップセラコン	01
	US126100	C. CE. CHP	1uF 10V		チップセラ F	01
	US135100	C. CE. CHP	0.1uF 16V		チップセラコン	01
	US135330	C. CE. CHP	0.33uF 16V		チップセラ (F)	01
	V3480600	C. CE. CHP	1uF 10V		チップセラ	01
	RD350000	R. CHP	0Ω 1/16W		チップ抵抗	01
	RD353100	R. CHP	1Ω 1/16W		チップ抵抗	01
	RD353220	R. CHP	2.2Ω 1/16W		チップ抵抗	01
	RD354220	R. CHP	22Ω 1/16W		チップ抵抗	01
	RD354360	R. CHP	36Ω 1/16W		チップ抵抗	01
	RD354430	R. CHP	43Ω 1/16W		チップ抵抗	01
	RD354470	R. CHP	47Ω 1/16W		チップ抵抗	01
	RD354750	R. CHP	75Ω 1/16W		チップ抵抗	01
	RD354820	R. CHP	82Ω 1/16W		チップ抵抗	01
	RD355100	R. CHP	100Ω 1/16W		チップ抵抗	01

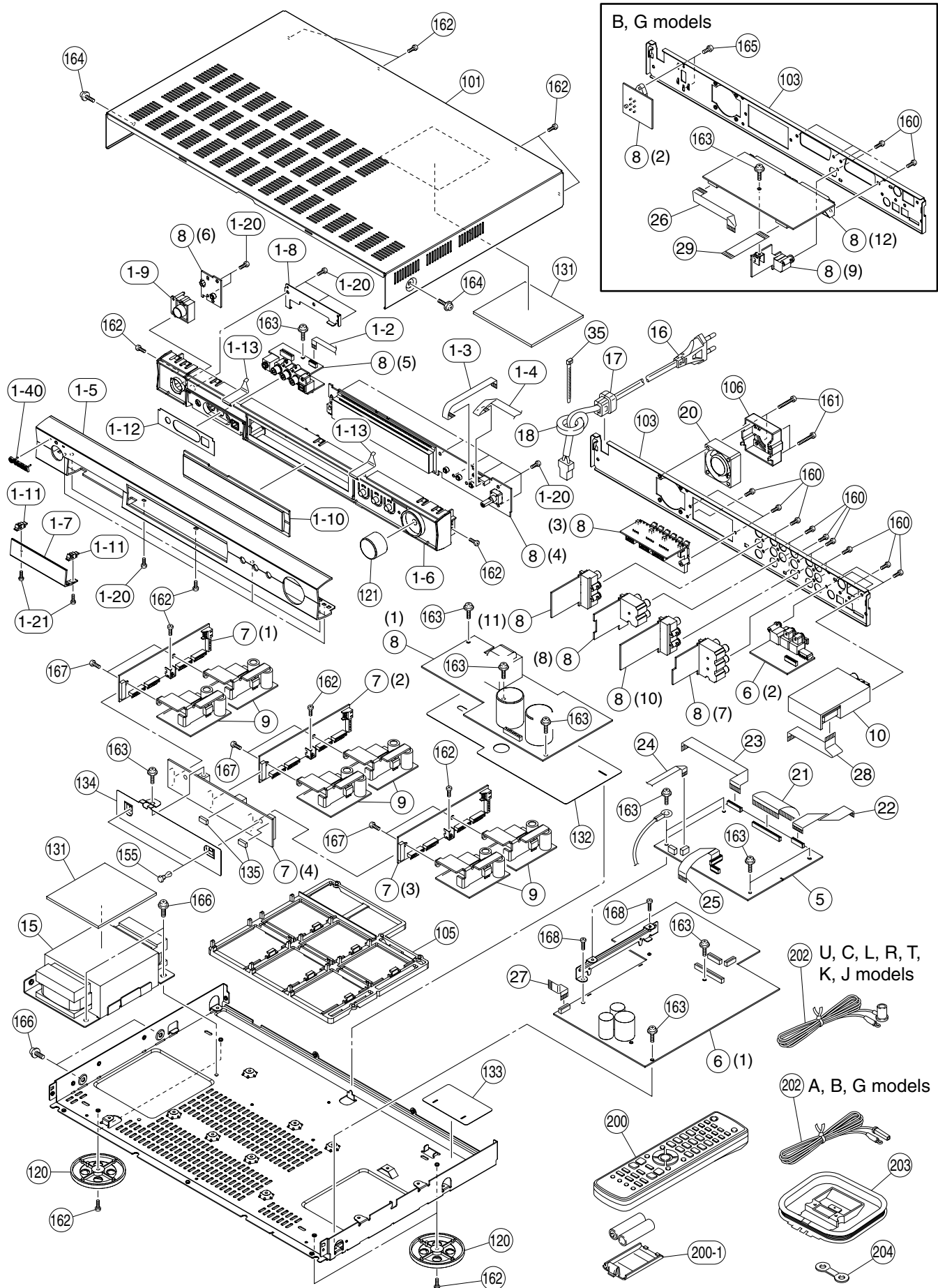
\* New Parts \* 新規部品(マーク#の部品は、基板に含まれません)

Chip Parts

Schm Ref.	PART NO.	Description	Remarks	Markets	部 品 名	Rank
	RD355220	R. CHP	220Ω 1/16W		チップ抵抗	01
	RD355270	R. CHP	270Ω 1/16W		チップ抵抗	01
	RD355330	R. CHP	330Ω 1/16W		チップ抵抗	01
	RD355470	R. CHP	470Ω 1/16W		チップ抵抗	01
	RD355620	R. CHP	620Ω 1/16W		チップ抵抗	01
	RD355680	R. CHP	680Ω 1/16W		チップ抵抗	01
	RD355820	R. CHP	820Ω 1/16W		チップ抵抗	01
	RD355910	R. CHP	910Ω 1/16W		チップ抵抗	01
	RD356100	R. CHP	1KΩ 1/16W		チップ抵抗	01
	RD356120	R. CHP	1.2KΩ 1/16W		チップ抵抗	01
	RD356150	R. CHP	1.5KΩ 1/16W		チップ抵抗	01
	RD356180	R. CHP	1.8KΩ 1/16W		チップ抵抗	01
	RD356200	R. CHP	2KΩ 1/16W		チップ抵抗	01
	RD356220	R. CHP	2.2KΩ 1/16W		チップ抵抗	01
	RD356240	R. CHP	2.4KΩ 1/16W		チップ抵抗	01
	RD356270	R. CHP	2.7KΩ 1/16W		チップ抵抗	01
	RD356330	R. CHP	3.3KΩ 1/16W		チップ抵抗	01
	RD356390	R. CHP	3.9KΩ 1/16W		チップ抵抗	01
	RD356470	R. CHP	4.7KΩ 1/16W		チップ抵抗	01
	RD356510	R. CHP	5.1KΩ 1/16W		チップ抵抗	01
	RD356560	R. CHP	5.6KΩ 1/16W		チップ抵抗	01
	RD356680	R. CHP	6.8KΩ 1/16W		チップ抵抗	01
	RD356820	R. CHP	8.2KΩ 1/16W		チップ抵抗	01
	RD357100	R. CHP	10KΩ 1/16W		チップ抵抗	01
	RD357120	R. CHP	12KΩ 1/16W		チップ抵抗	01
	RD357150	R. CHP	15KΩ 1/16W		チップ抵抗	01
	RD357180	R. CHP	18KΩ 1/16W		チップ抵抗	01
	RD357220	R. CHP	22KΩ 1/16W		チップ抵抗	01
	RD357270	R. CHP	27KΩ 1/16W		チップ抵抗	01
	RD357330	R. CHP	33KΩ 1/16W		チップ抵抗	01
	RD357390	R. CHP	39KΩ 1/16W		チップ抵抗	01
	RD357470	R. CHP	47KΩ 1/16W		チップ抵抗	01
	RD357560	R. CHP	56KΩ 1/16W		チップ抵抗	01
	RD357680	R. CHP	68KΩ 1/16W		チップ抵抗	01
	RD357820	R. CHP	82KΩ 1/16W		チップ抵抗	01
	RD358100	R. CHP	100KΩ 1/16W		チップ抵抗	01
	RD358150	R. CHP	150KΩ 1/16W		チップ抵抗	01
	RD358220	R. CHP	220KΩ 1/16W		チップ抵抗	01
	RD359100	R. CHP	1MΩ 1/16W		チップ抵抗	01

\* New Parts \* 新規部品(マーク#の部品は、基板に含まれません)

EXPLODED VIEW



MECHANICAL PARTS

Schm Ref.	PART NO.	Description	Remarks	Markets	部品名	Rank
* 1-2	MFA08300	FLEXIBLE FLAT CABLE	8P 300mm P=1.0		カード電線	
* 1-3	MFA10100	FLEXIBLE FLAT CABLE	10P 100mm P=1.0		カード電線	
1-4	MF105100	FLEXIBLE FLAT CABLE	5P 100mm P=1.25		カード電線 C & C	01
* 1-5	WB689800	FRONT PANEL		SI	J	フロントパネル
* 1-5	WB689400	FRONT PANEL		SI	UCRTKAL	フロントパネル
* 1-5	WB689600	FRONT PANEL		SI	BG	フロントパネル
* 1-6	WB690600	SUB PANEL		SI		サブパネル
* 1-7	WB690000	PANEL, LID		SI		パネル/リッド
* 1-8	WB689300	SPRING, LID				スプリング/リッド
* 1-9	WB691000	BUTTON		SI		ボタン/パワー
* 1-10	WB690900	WINDOW PANEL, LID				ウインドウ
* 1-11	WB691800	HINGE, LID		SI		ヒンジ/リッド
* 1-12	WB692800	PLATE, SP		SI		プレート/S P
* 1-13	WD075100	EARTH PLATE			UCRTKABGL	アースプレート
1-20	EP630220	BIND HEAD P-TIGHT SCREW	3x8 MFZNB2BL			バインドPタイトネジ
1-21	VG893800	BIND HEAD P-TIGHT SCREW	2x6 MFZNB2BL			バインドPタイトネジ
1-40	V6034100	EMBLEM				エンブレム
* 5	WC277200	P.C.B. ASS'Y	DIGITAL		J	P C B デジタル
* 5	WC277300	P.C.B. ASS'Y	DIGITAL		UCRK	P C B デジタル
* 5	WC277500	P.C.B. ASS'Y	DIGITAL		TAL	P C B デジタル
* 5	WC277400	P.C.B. ASS'Y	DIGITAL		BG	P C B デジタル
* 6	WC276400	P.C.B. ASS'Y	INPUT		J	P C B インプット
* 6	WC276500	P.C.B. ASS'Y	INPUT		UC	P C B インプット
* 6	WC276600	P.C.B. ASS'Y	INPUT		R	P C B インプット
* 6	WC276700	P.C.B. ASS'Y	INPUT		TA	P C B インプット
* 6	WC276800	P.C.B. ASS'Y	INPUT		K	P C B インプット
* 6	WC276900	P.C.B. ASS'Y	INPUT		BG	P C B インプット
* 6	WC277000	P.C.B. ASS'Y	INPUT		L	P C B インプット
* 7	WC275400	P.C.B. ASS'Y	MAIN			P C B メイン
* 8	WC275600	P.C.B. ASS'Y	POWER		J	P C B 集成 パワー
* 8	WC275700	P.C.B. ASS'Y	POWER		UC	P C B 集成 パワー
* 8	WC275800	P.C.B. ASS'Y	POWER		R	P C B 集成 パワー
* 8	WC275900	P.C.B. ASS'Y	POWER		TK	P C B 集成 パワー
* 8	WC276000	P.C.B. ASS'Y	POWER		A	P C B 集成 パワー
* 8	WC276100	P.C.B. ASS'Y	POWER		BG	P C B 集成 パワー
* 8	WC276200	P.C.B. ASS'Y	POWER		L	P C B 集成 パワー
9	WB877000	D-AMP MODULE	UCD100W AMP MODULE			D-アンプモジュール
10	WB423900	AM/FM TUNER	ENG04705Q		J	AM/FM チューナ
* 10	WB424000	AM/FM TUNER	ENG06709Q		UCRKL	AM/FM チューナ
* 10	WB424100	AM/FM TUNER	ENG07711Q		ABG	AM/FM チューナ
* 15	X5009A00	POWER TRANSFORMER			J	電源トランス
* 15	X5010A00	POWER TRANSFORMER			UC	電源トランス
* 15	X5011A00	POWER TRANSFORMER			R	電源トランス
* 15	X5012A00	POWER TRANSFORMER			TK	電源トランス
* 15	X5013A00	POWER TRANSFORMER			A	電源トランス
* 15	X5014A00	POWER TRANSFORMER			BG	電源トランス
* 15	X5015A00	POWER TRANSFORMER			L	電源トランス
16	V2723100	POWER CABLE	1.8m		J	電源コード
* 16	V9293500	POWER CABLE	2m		UC	電源コード
16	VN363200	POWER CABLE	2m		R	電源コード
16	VZ542500	POWER CABLE	2m		T	電源コード
* 16	V8013000	POWER CABLE	2m		K	電源コード
16	V2296800	POWER CABLE	2m		A	電源コード
16	VV437300	POWER CABLE	2m		B	電源コード

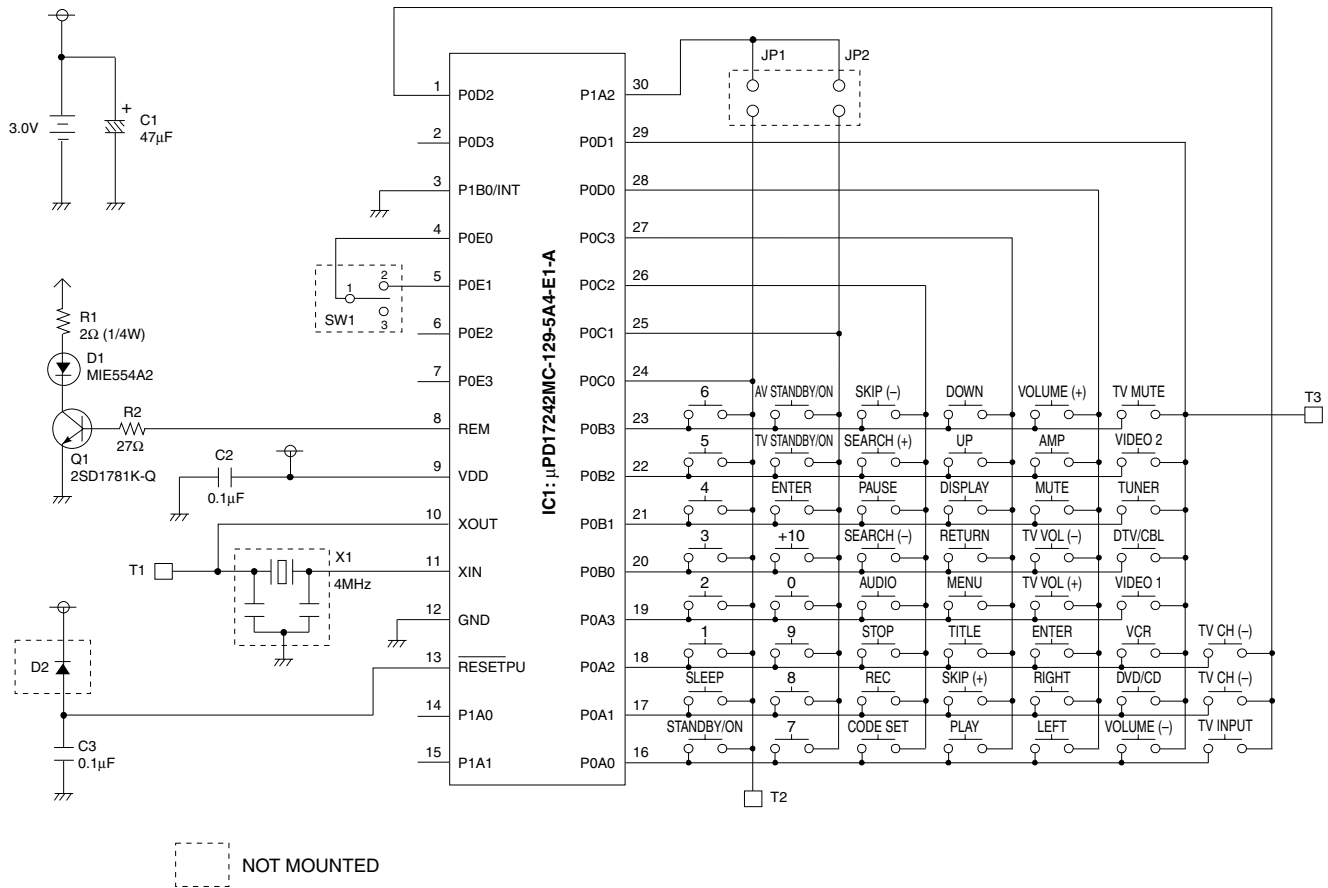
\* New Parts \* 新規部品(マーク#の部品は、基板に含まれません)

Schm	Ref.	PART NO.	Description	Remarks	Markets	部 品 名	Rank	
* △	16	V9293600	POWER CABLE	2m		GL	電源コード	
	17	V2438700	CORD STOPPER	10P1			コードストッパー	02
*	18	VB933800	FERRITE CORE	BP53RB310190100A		UCRTKABG	フェライトコア	
*	20	WC272400	DC FAN MOTOR	DC D04R-24TM05 (EX)			D C ファンモーター	
*	21	MFA40060	FLEXIBLE FLAT CABLE	40P 60mm P=1.0			カード電線	
*	22	MFA15120	FLEXIBLE FLAT CABLE	15P 120mm P=1.0			カード電線	
*	23	MFA18120	FLEXIBLE FLAT CABLE	18P 120mm P=1.0			カード電線	
*	24	MFA06180	FLEXIBLE FLAT CABLE	6P 180mm P=1.0			カード電線	
*	25	WC588900	SUMI CARD	15P 70mm P=1.0			スミカード	
*	26	MFA15120	FLEXIBLE FLAT CABLE	15P 120mm P=1.0		BG	カード電線	
	27	MF117070	FLEXIBLE FLAT CABLE	17P 70mm P=1.25			カード電線 C & C	
	28	MF113100	FLEXIBLE FLAT CABLE	13P 100mm P=1.25			カード電線 C & C	01
	29	MF114070	FLEXIBLE FLAT CABLE	14P 70mm P=1.25		BG	カード電線 C & C	
	35	VU590000	CABLE TIE	CBTD001B			インシュロックタイ	
*	101	WB688100	TOP COVER		SI		トップカバー	
*	103	WB689100	REAR PANEL			J	リヤパネル	
*	103	WB688400	REAR PANEL			UC	リヤパネル	
*	103	WB688500	REAR PANEL			R	リヤパネル	
*	103	WB688600	REAR PANEL			T	リヤパネル	
*	103	WB688700	REAR PANEL			K	リヤパネル	
*	103	WB688800	REAR PANEL			A	リヤパネル	
*	103	WB689000	REAR PANEL			BG	リヤパネル	
*	103	WB688900	REAR PANEL			L	リヤパネル	
*	105	WB979700	SUPPORT/UCD				サポート/UCD	
*	106	WB692500	COVER/FAN				カバー/ファン	
*	120	WB690200	LEG				レッグ	
*	121	WB691400	KNOB D25.6		SI		ノブ D 2 5 . 6	
*	131	WC838900	DAMPER	3/80/90			ダンパー	
*	132	WB692600	SHEET/POWER				シート/パワー	
*	133	WB692700	SHEET/DIGITAL				シート/デジタル	
*	134	WC654600	SHHET/BARRIER				シート/バリア	
	135	V6773900	DAMPER/SIDE				ダンパー/サイド	
	155	VQ368600	PUSH RIVET	P3555-B			プッシュリベット	01
	160	VN413300	BIND HEAD BONDING B-T. SCREW	3x8 MFZN2BL			ボンディングBタイトネジ	01
	161	VV220300	BIND HEAD B-TIGHT SCREW	3x30 MFZN2BL			バインドBタイトネジ	01
	162	EP600250	BIND HEAD B-TIGHT SCREW	3x8 MFZN2Y			バインドBタイトネジ	01
	163	VT669300	PW HEAD B-TIGHT SCREW	3x8-8 MFC2			PWヘッドBタイトネジ	01
	164	V5633800	TAPPING B-TITE SCREW	3x6-8 MFN133			Bタイトタッピングネジ	
	165	EP630210	BIND HEAD S-TIGHT SCREW	3x6 MFZN2BL		BG	バインドSタイトネジ	01
	166	21991500	PW HEAD S-TIGHT SCREW	4x8-10 MFC2BL			PWヘッドSタイトネジ	01
	167	EP600780	BIND HEAD B-TIGHT SCREW	4x8 MFC2BL			バインドBタイトネジ	01
	168	VY731200	BONDING HEAD TAPPING SCREW	3x10 MFN133			ボンディングBタイトネジ	01
			ACCESSORIES				付属品	
*	200	WB998500	REMOTE CONTROL	RX-SL100	RRC4001-1507E	JUCRTKA	リモコン	
*	200	WB998600	REMOTE CONTROL	RX-SL100RDS	RRC4001-1508E	BG	リモコン	
	200-1	AAX51940	BATTERY COVER	103RRS-141-04L	103RRS-141-04L		電池蓋	
	202	V6267000	INDOOR FM ANTENNA	1.4m 1pc		JUCRTKL	F M簡易アンテナ	03
	202	VQ147100	INDOOR FM ANTENNA	1.4m 1pc		ABG	F M簡易アンテナ	02
	203	WC192200	ANTENNA, AM LOOP	3083-100-0Y01			A M ループアンテナ	05
*	204	WC571300	CABLE TAG ASS'Y	6pairs/set			ケーブルタグASS Y	
		VH214900	BATTERY	SUM-3N			乾電池	

\* New Parts \* 新規部品(マーク#の部品は、基板に含まれません)

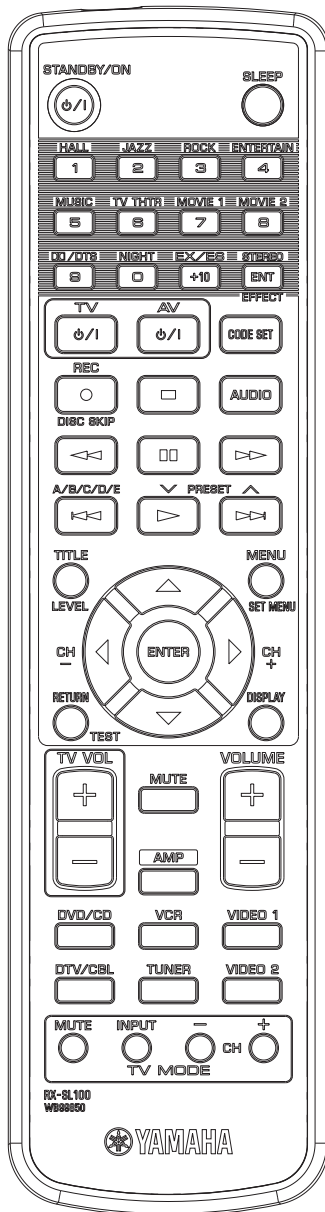
## RX-SL100/RX-SL100RDS

# REMOTE CONTROL

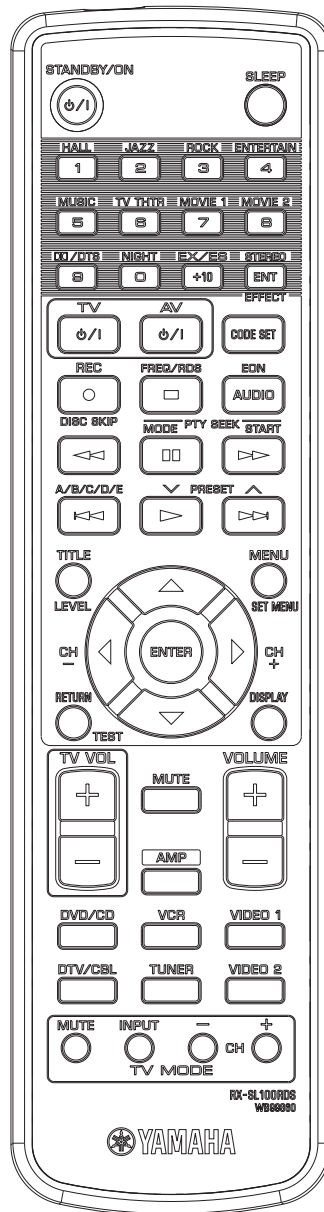




RX-SL100



RX-SL100RDS



Key No.	Function	CODE	
		AMP	TUNER
1	STANDBY/ON	7A-1F	-
2	SLEEP	7A-57	-
3	1	7A-88	7A-E5
4	2	7A-89	7A-E6
5	3	7A-8A	7A-E7
6	4	7A-8B	7A-E8
7	5	7A-8C	7A-E9
8	6	7A-8D	7A-EA
9	7	7A-8E	7A-EB
10	8	7A-8F	7A-EC
11	9	7A-90	-
12	0	7A-95	-
13	+10	7A-97	-
14	ENTER	7A-56	-
15	TV STANDBY/ON	-	-
16	AV STANDBY/ON	-	-
17	CODE SET	-	-
18	REC	-	-
19	STOP	-	7A-A4
20	AUDIO	-	7A-A5
21	SEARCH (-)	-	-
22	PAUSE	-	7A-A6
23	SEARCH (+)	-	7A-A7
24	SKIP (-)	-	7A-12
25	PLAY	-	7A-11
26	SKIP (+)	-	7A-10
27	TITLE	7A-86	-
28	MENU	7A-9C	-
29	RETURN	7A-85	-
30	DISPLAY	-	-
31	UP	7A-98	-
32	DOWN	7A-99	-
33	LEFT	7A-53	-
34	RIGHT	7A-52	-
35	ENTER	7A-DE	-
36	TV VOL (+)	-	-
37	TV VOL (-)	-	-
38	MUTE	7A-1C	7A-1C
39	AMP	-	-
40	VOLUME (+)	7A-1A	7A-1A
41	VOLUME (-)	7A-1B	7A-1B
42	DVD/CD	7A-C1	-
43	VCR	7A-0F	-
44	VIDEO 1	7A-13	-
45	DTV/CBL	7A-54	-
46	TUNER	7A-16	-
47	VIDEO 2	7A-55	-
48	TV MUTE	-	-
49	TV INPUT	-	-
50	TV CH (-)	-	-
51	TV CH (-)	-	-

RX-SL100/RX-SL100RDS

# RX-SL100/RX-SL100RDS

---

