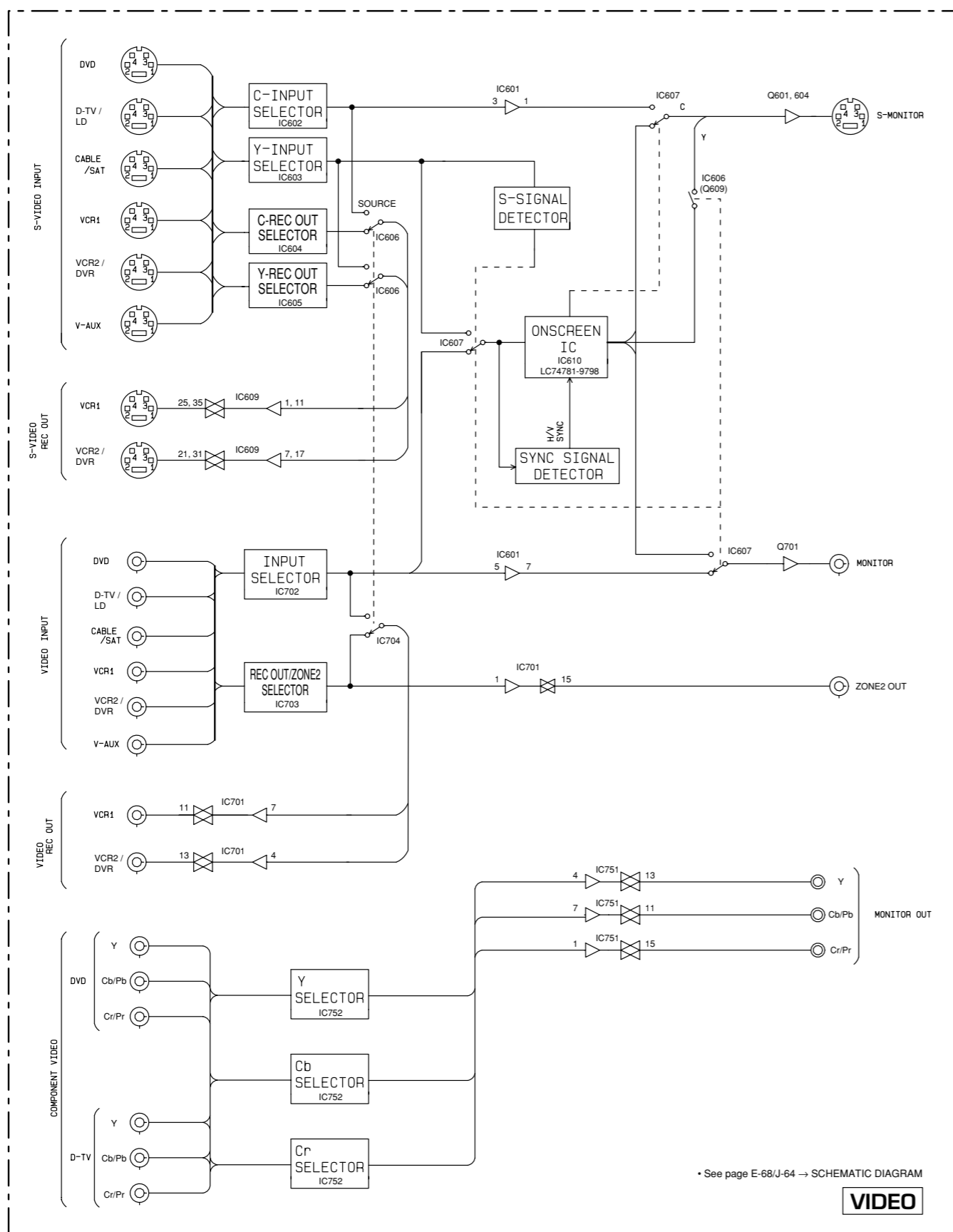


1 ■ BLOCK DIAGRAM (1/2)



2

3

4

5

6

7

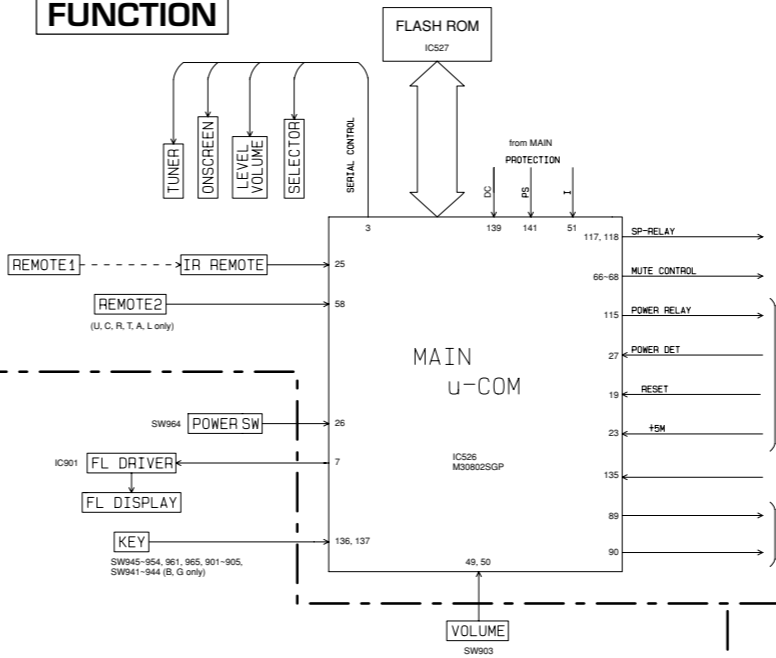
BLOCK DIAGRAM (2/2)

* 1: See page E-70/J-66 → SCHEMATIC DIAGRAM **POWER**

• See page E-66/J-62 → SCHEMATIC DIAGRAM **DSP**

• See page E-64/J-60 → SCHEMATIC DIAGRAM **FUNCTION**

FUNCTION

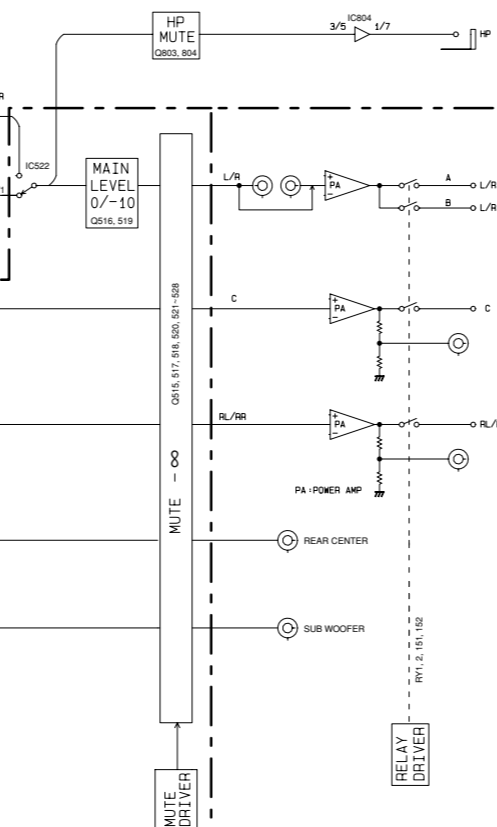


• See page E-65/J-61 → SCHEMATIC DIAGRAM **OPERATION**

OPERATION

OPERATION

• See page E-67/J-63 → SCHEMATIC DIAGRAM

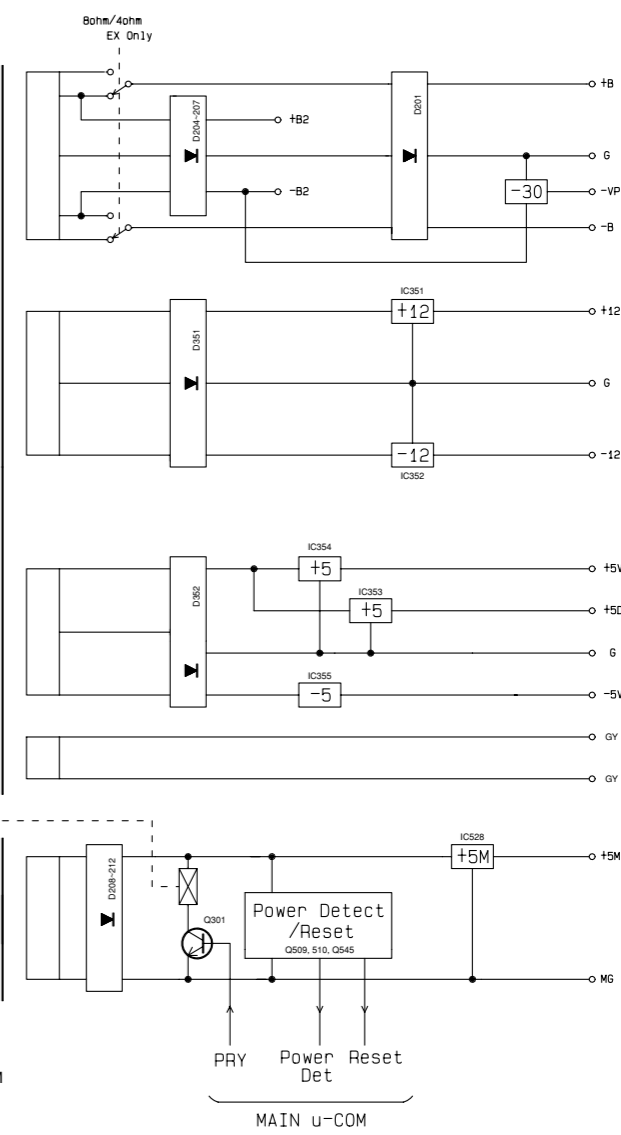


• See page E-69/J-65 → SCHEMATIC DIAGRAM **MAIN**

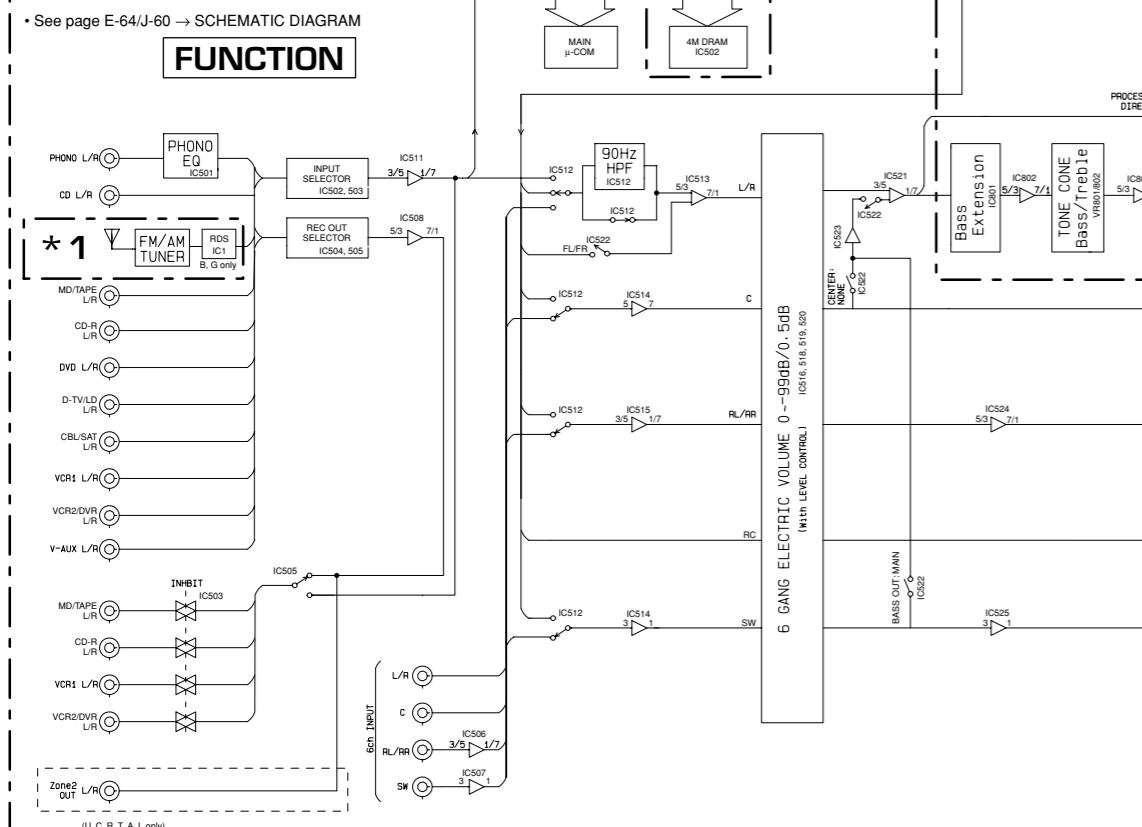
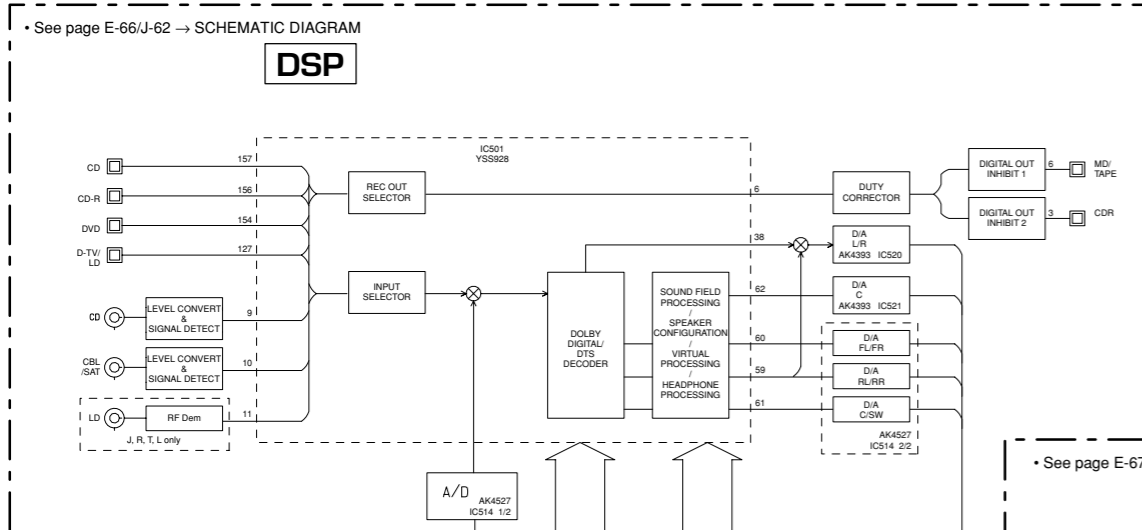
MAIN

• See page E-70/J-66 → SCHEMATIC DIAGRAM **POWER**

POWER

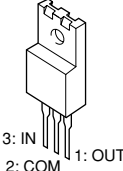
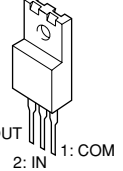
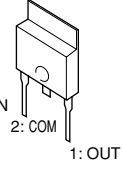
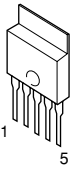
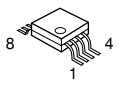
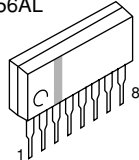
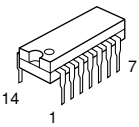
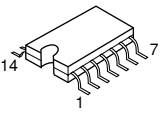
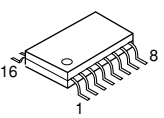
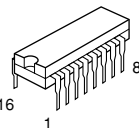
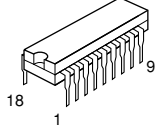
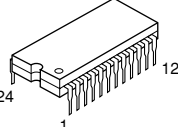
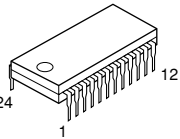
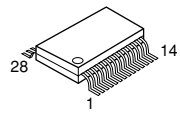
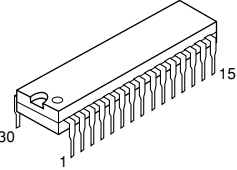
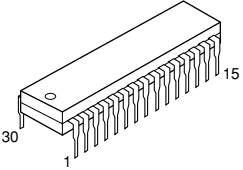
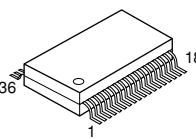
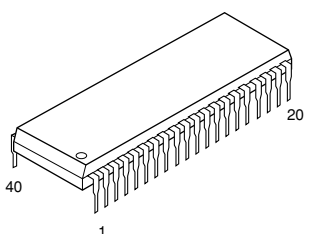
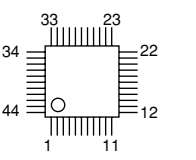
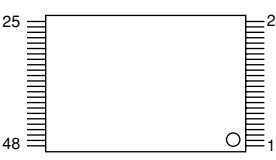
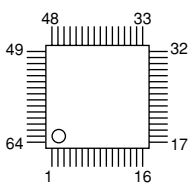
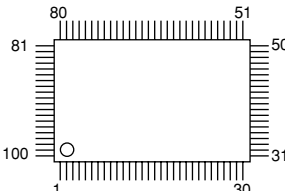
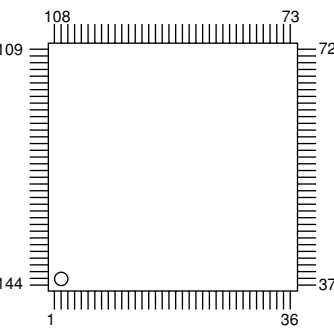
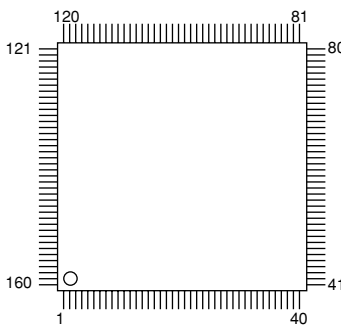


MAIN u-COM

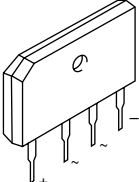
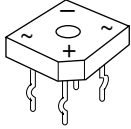
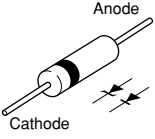
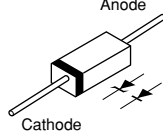


PIN CONNECTION DIAGRAM

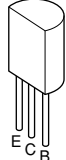
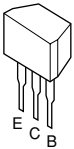
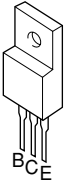
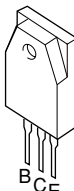
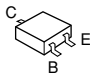
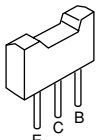
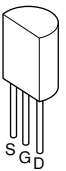
• ICs

<p>AN78N05 NJM7805FA NJM7812FA NJM78M05FA</p>  <p>3: IN 2: COM 1: OUT</p>	<p>NJM79M05FA NJM79M12FA</p>  <p>3: OUT 2: IN 1: COM</p>	<p>μPC29M33T-E1</p>  <p>3: IN 2: COM 1: OUT</p>	<p>PQ025EZ5MZP</p>  <p>1 5</p>
<p>NJM2068MD NJM2904M TK15420M μPC4570G2</p>  <p>8 1 4</p>	<p>NJM2068LD NJM4556AL</p>  <p>1 8</p>	<p>TC4066BP</p>  <p>14 1 7</p>	<p>TC74HC00AF TC74HCU04AF TC74VHCT08AF</p>  <p>14 1 7</p>
<p>ADM202JRN-REEL7 CS3310-KS LA7104M LA7108M</p>  <p>16 1 8</p>	<p>TC74HC4051AP TC74HC4053AP TC74HCU04AP</p>  <p>16 1 8</p>	<p>BU2092</p>  <p>18 1 9</p>	<p>LC72722</p>  <p>24 1 12</p>
<p>LC74781-9798</p>  <p>24 1 12</p>	<p>AK4393-VF-E2 CY62256LL</p>  <p>28 1 14</p>	<p>LC78211 LC78213</p>  <p>30 1 15</p>	<p>LC78212</p>  <p>30 1 15</p>
<p>LA7109</p>  <p>36 1 18</p>	<p>MSM514260C-60JS</p>  <p>40 1 20</p>	<p>AK4527VQ</p>  <p>33 23 22 12 11 1 44</p>	<p>MBM29F400BC-70</p>  <p>25 24 48 1</p>
<p>LC75710NE LC75712E</p>  <p>48 33 32 17 16 1 49 64 1</p>	<p>PM4007A</p>  <p>80 51 50 31 30 1 81 100 1</p>	<p>M30802SGP</p>  <p>108 73 72 37 36 1 109 144 1</p>	<p>YSS928</p>  <p>120 81 80 41 40 1 121 160 1</p>

• Diodes

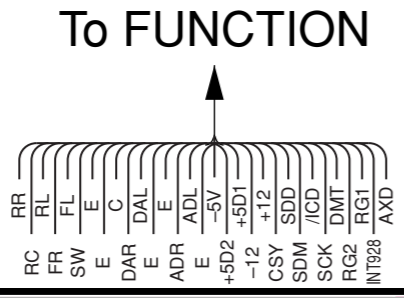
<p>1N4002S 1SR139 1SS133 1SS270A 1T2 HZS7B2TD MTZJ4.7C MTZJ5.1A MTZJ5.6B</p>	<p>MTZJ6.8A MTZJ9.1A MTZJ11B MTZJ12A MTZJ12C MTZJ16A MTZJ22A MTZJ30.0A</p>	<p>1SS355 RB501V-40</p>
<p>D2SBA20</p> 	<p>S5VB20</p> 	 

• Transistors

<p>2SA893A 2SA1015 2SB949 2SC535 2SC1815 2SC1890A 2SC2240 2SC2878</p> 	<p>2SA933S 2SC1740S 2SD1915F 2SD1991A DTA144ES DTC114ES</p> 	<p>2SB1565 2SD2396</p> 	<p>2SA1492</p> 
<p>2SA1037 2SC2412K 2SC3326 DTA144EKA DTC144EKA</p> 	<p>2SA1708 2SA1770 2SC4488 2SC4614</p> 	<p>2SK246</p> 	

1 ■ PRINTED CIRCUIT BOARD (Foil side)

DSP P. C. B.



Circuit No.	J.R.T.L	U.C.	A.B.G
C594, 596, 661, 663, 665, 686, 717, 719, 721	O	X	O
R564, 711	X	O	O

X: NOT USED
O: USED / APPLICABLE

• Semiconductor Location

Ref. No.	Location
D501	F6
D502	F5
D503	F5
D504	F5
D505	F5
D506	F5
D507	F5
D509	F4
D511	F6
D512	F3
D513	F3
D527	C5
D528	C5
D529	C5
D531	C5
IC501	E5
IC502	E4
IC503	E6
IC504	D6
IC505	F4
IC506	F3
IC509	F6
IC512	F6
IC513	D4
IC520	D4
IC521	C5
IC523	B4
Q506	F6
Q507	F7

2

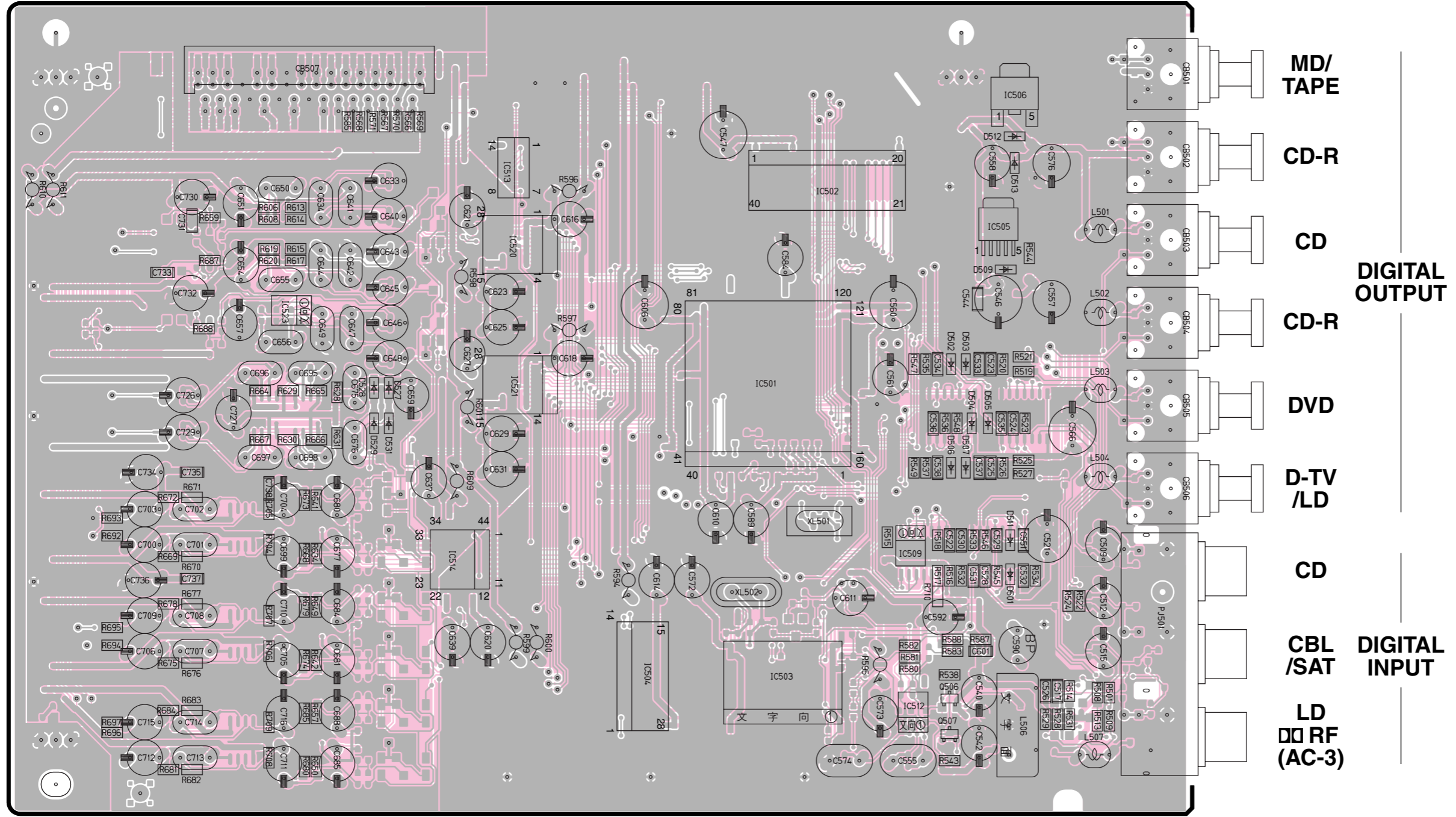
3

4

5

6

7



MD/
TAPE

CD-R

CD

DIGITAL
OUTPUT

CD-R

DVD

D-TV
/LD

CD

DIGITAL
INPUT

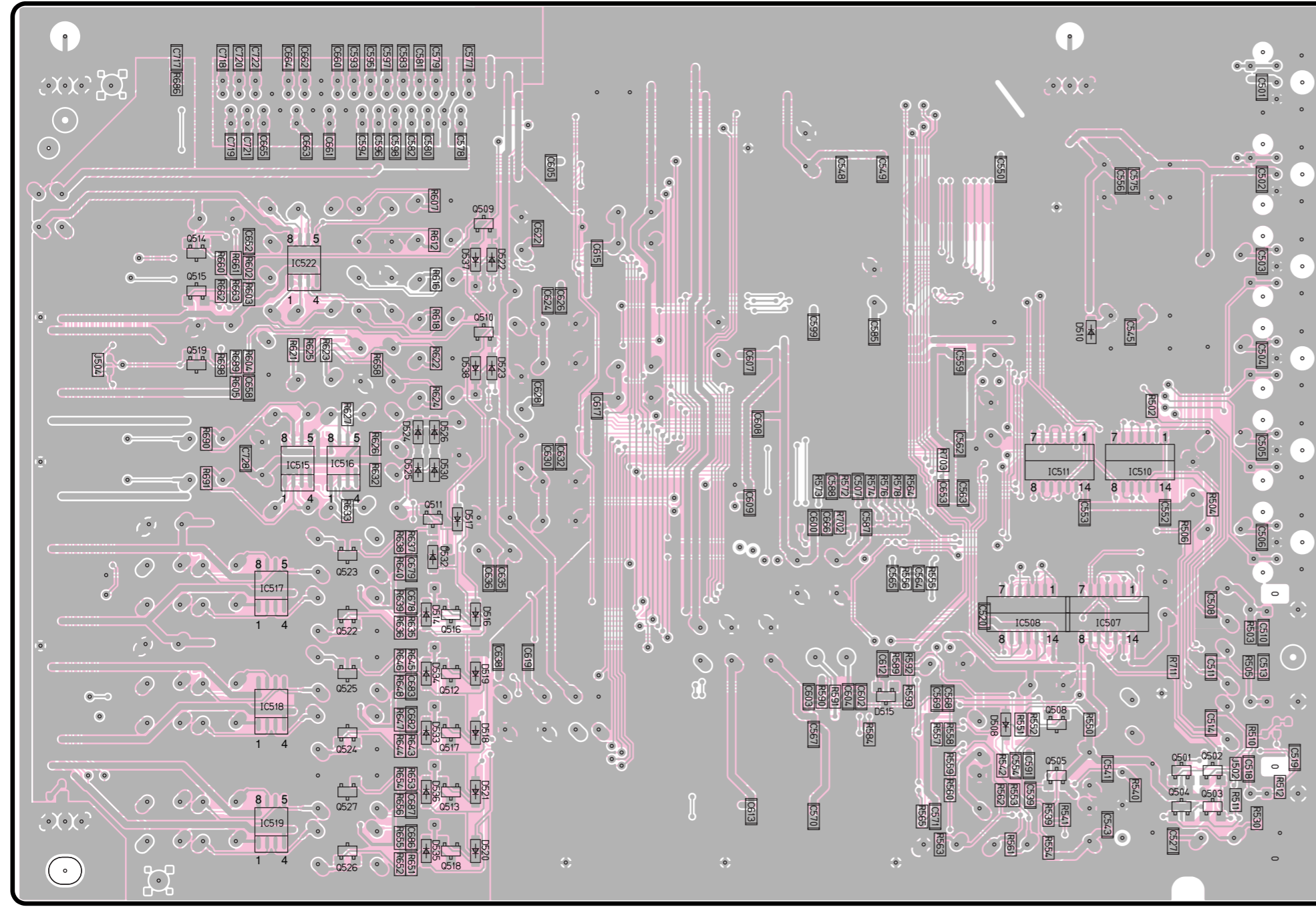
CBL
/SAT

LD
RF
(AC-3)

1 ■ PRINTED CIRCUIT BOARD (Foil side)

• Semiconductor Location

Ref. No.	Location
D508	F6
D510	F4
D514	C6
D515	E6
D516	C6
D517	C5
D518	C6
D519	C6
D520	C7
D521	C7
D522	C4
D523	C4
D524	C5
D525	C5
D526	C5
D530	C5
D532	C5
D533	C6
D534	C6
D535	C7
D536	C7
D537	C4
D538	C4
IC507	F6
IC508	F6
IC510	F5
IC511	F5
IC515	B5
IC516	B5
IC517	B5
IC518	B6
IC519	B7
IC522	B4
Q501	G6
Q502	G6
Q503	G7
Q504	G7
Q505	F6
Q508	F6
Q509	C4
Q510	C4
Q511	C5
Q512	C6
Q513	C7
Q514	B4
Q515	B4
Q516	C6
Q517	C6
Q518	C7
Q519	B4
Q522	B6
Q523	B5
Q524	B6
Q525	B6
Q526	B7
Q527	B7

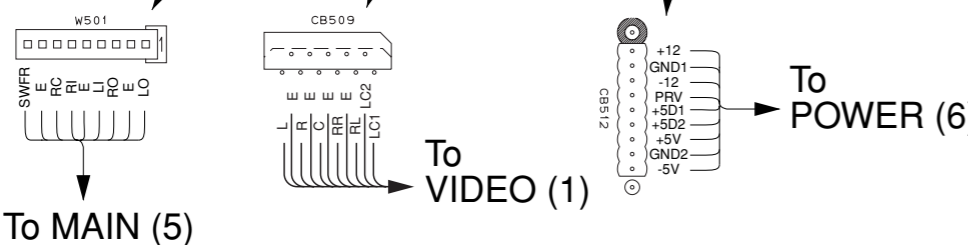
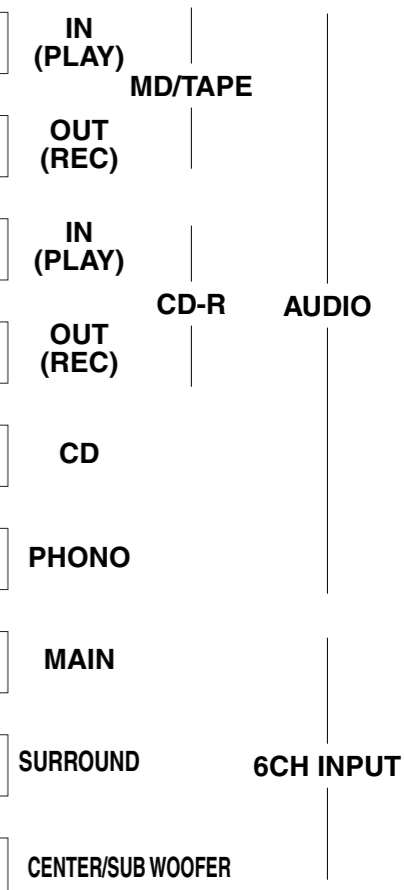
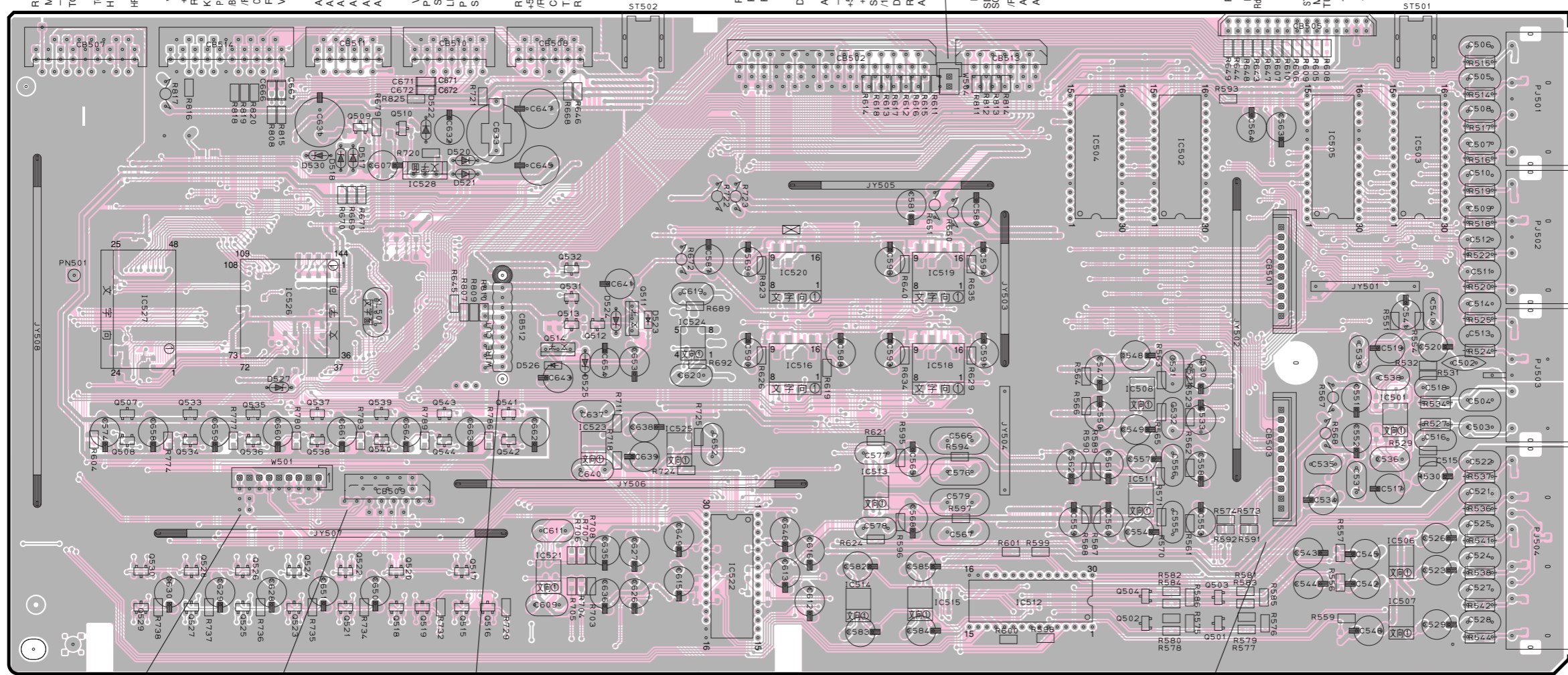
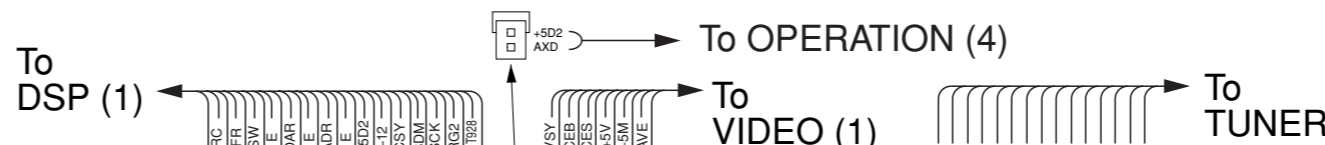
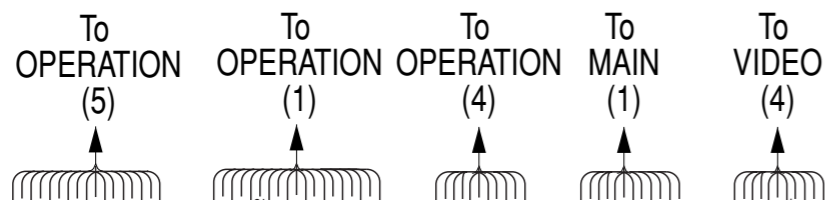


PRINTED CIRCUIT BOARD (Foil side)

FUNCTION P. C. B.

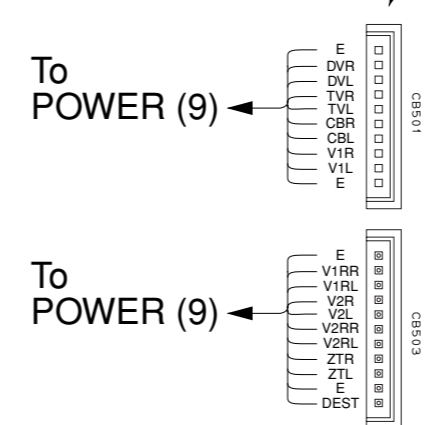
Semiconductor Location

Ref. No.	Location	Ref. No.	Location	Ref. No.	Location	Ref. No.	Location	Ref. No.	Location	Ref. No.	Location
D517	B3	D525	D4	IC504	F3	IC513	E5	IC521	C5	IC528	C3
D518	B3	D526	C4	IC505	G3	IC514	E5	IC522	D5	Q501	G6
D520	C3	D527	B5	IC506	H5	IC515	E5	IC523	D5	Q502	F6
D521	C3	D530	B3	IC507	H6	IC516	E4	IC524	D4	Q503	G5
D522	C3	IC501	H5	IC508	F4	IC518	E4	IC525	D5	Q504	F5
D523	D4	IC502	G3	IC511	F5	IC519	E4	IC526	B4	Q507	A5
D524	D4	IC503	H3	IC512	F5	IC520	E4	IC527	A4	Q508	A5



Circuit No.	J	U,C	R,T	A,L	B,G
C503, 504, 675	X	X	X	O	O
C548, 549, 574	X	O	O	O	X
C670-674	X	O	X	X	X
Q505-508	X	O	O	O	X
R560	O	X	X	O	O
R561	O	O	X	X	X
R563, 565, 573, 574, 591, 592, 603, 604, 641, 677	X	X	O	O	X
R593, 673	X	X	O	X	X
R676	X	X	X	X	O
R696	O	O	O	X	X
R698	O	O	O	O	X
R699	O	X	X	X	O

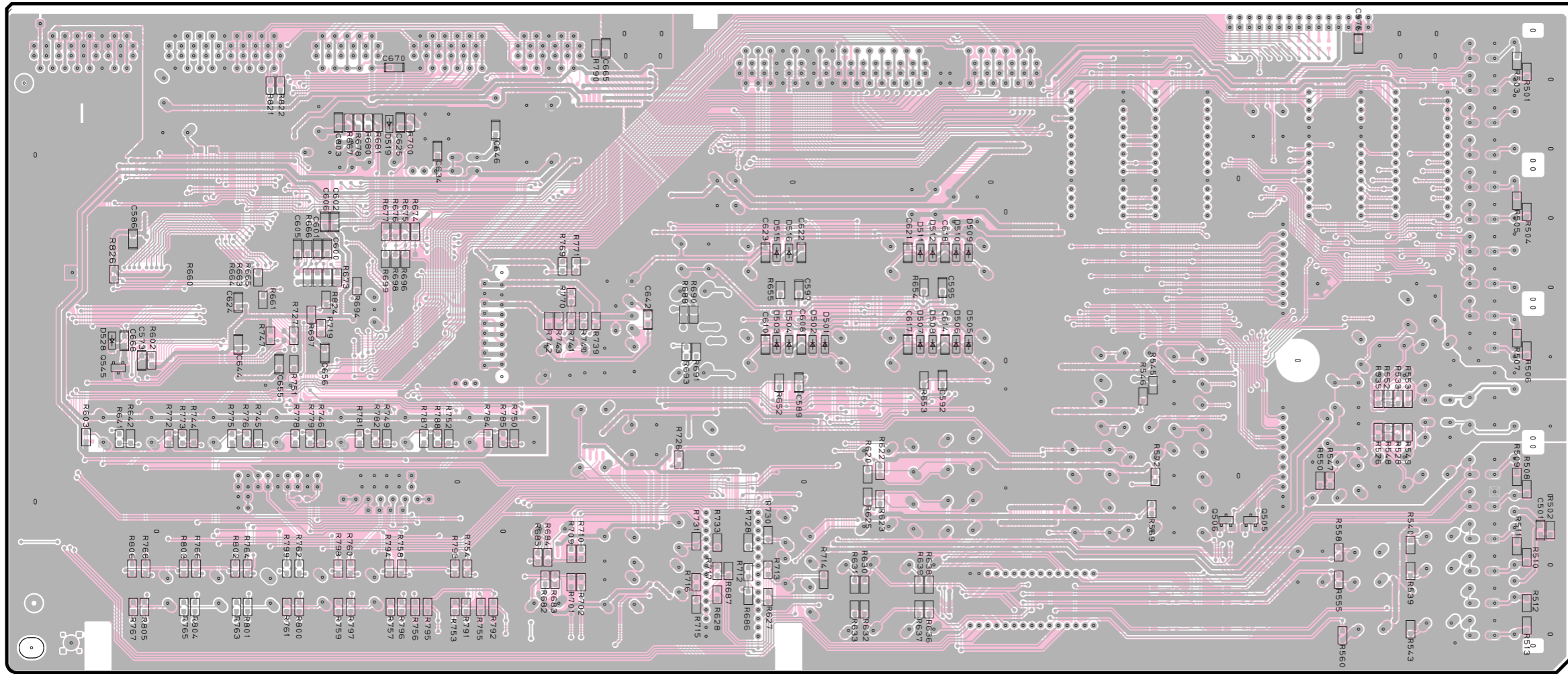
X: NOT USED
O: USED / APPLICABLE



Semiconductor Location

Ref. No.	Location	Ref. No.	Location	Ref. No.	Location	Ref. No.	Location
Q509	B3	Q519	C6	Q529	A6	Q539	C5
Q510	C3	Q520	C5	Q530	A5	Q540	C5
Q511	D4	Q521	B6	Q531	C4	Q541	C5
Q512	D4	Q522	B5	Q532	C4	Q542	C5
Q513	C4	Q523	B6	Q533	B5	Q543	C5
Q514	C4	Q524	B5	Q534	B5	Q544	C5
Q515	C6	Q525	B6	Q535	B5		
Q516	C6	Q526	B5	Q536	B5		
Q517	C5	Q527	B6	Q537	B5		
Q518	C6	Q528	B5	Q538	B5		

1 ■ PRINTED CIRCUIT BOARD (Foil side)



• Semiconductor Location

Ref. No.	Location
D501	E4
D502	E4
D503	E4
D504	E4
D505	F4
D506	F4
D507	E4
D508	E4
D509	F3
D510	F3
D511	E3
D512	E3
D515	E3
D516	E3
D519	C3
D528	A4
Q505	G5
Q506	G5
Q545	A4

1 ■ PRINTED CIRCUIT BOARD (Foil side)

2

3

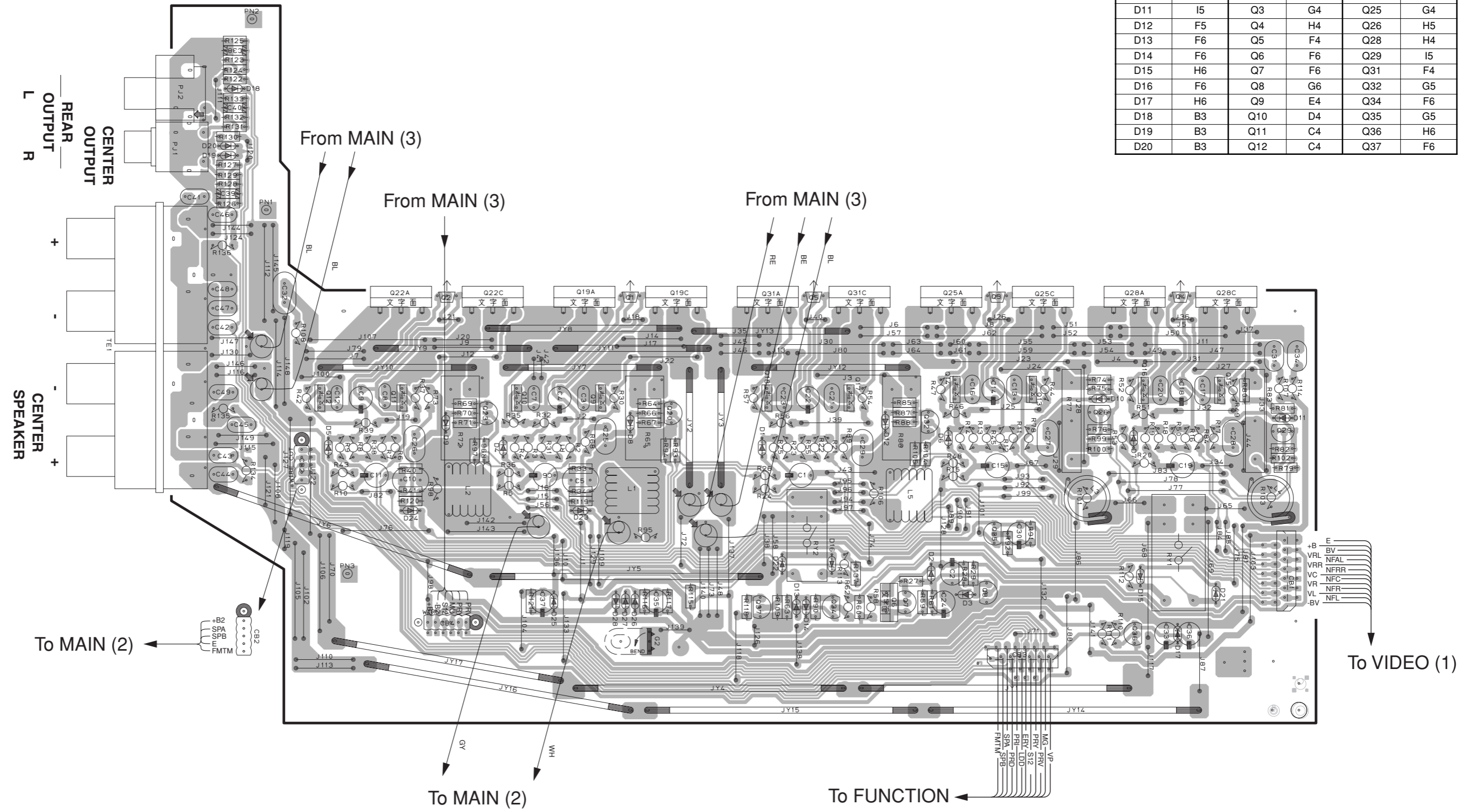
4

5

6

7

MAIN (1) P. C. B.



Circuit No.	J	U, C	R, T	A, B, G, L
C38-40	X	X	O	O
C41-49, 151-156	X	X	O	O
C205, 212, 213	X	X	O	X
D202, 203, 208	X	X	O	X
J201	O	O	X	O
J202, 203	O	X	X	X
Q201-203	X	X	O	X
R134-135	X	X	O	O
R201, 202, 208	X	X	O	X
SW201	X	O	O	O

X: NOT USED
 O: USED / APPLICABLE

• Semiconductor Location

Ref. No.	Location	Ref. No.	Location	Ref. No.	Location
D1	F5	D21	I6	Q13	G4
D2	G6	D22	F5	Q14	G4
D3	G6	D23	E5	Q15	H4
D4	D5	D24	C5	Q16	H4
D5	C5	D25	D6	Q17	F4
D6	G5	D26	E6	Q18	F4
D7	H5	D27	E6	Q19	E4
D8	E5	D28	E6	Q20	E5
D9	D5	Q1	E4	Q22	D4
D10	H5	Q2	D4	Q23	D5
D11	I5	Q3	G4	Q25	G4
D12	F5	Q4	H4	Q26	H5
D13	F6	Q5	F4	Q28	H4
D14	F6	Q6	F6	Q29	I5
D15	H6	Q7	F6	Q31	F4
D16	F6	Q8	G6	Q32	G5
D17	H6	Q9	E4	Q34	F6
D18	B3	Q10	D4	Q35	G5
D19	B3	Q11	C4	Q36	H6
D20	B3	Q12	C4	Q37	F6

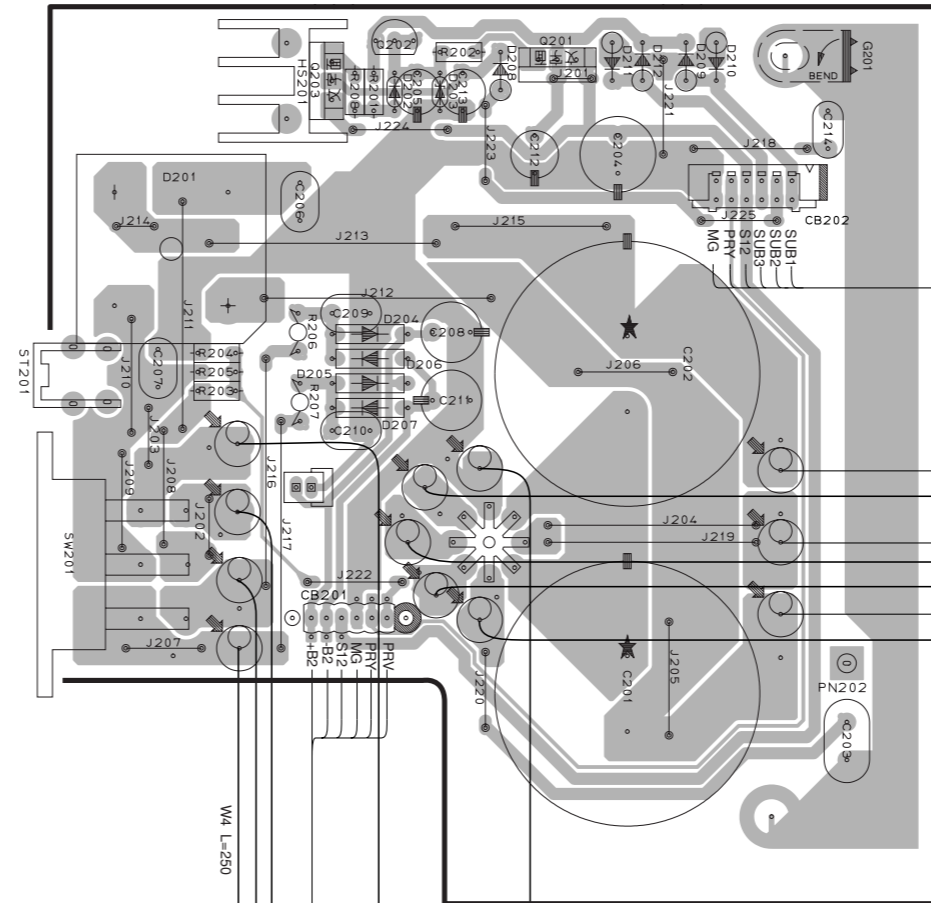
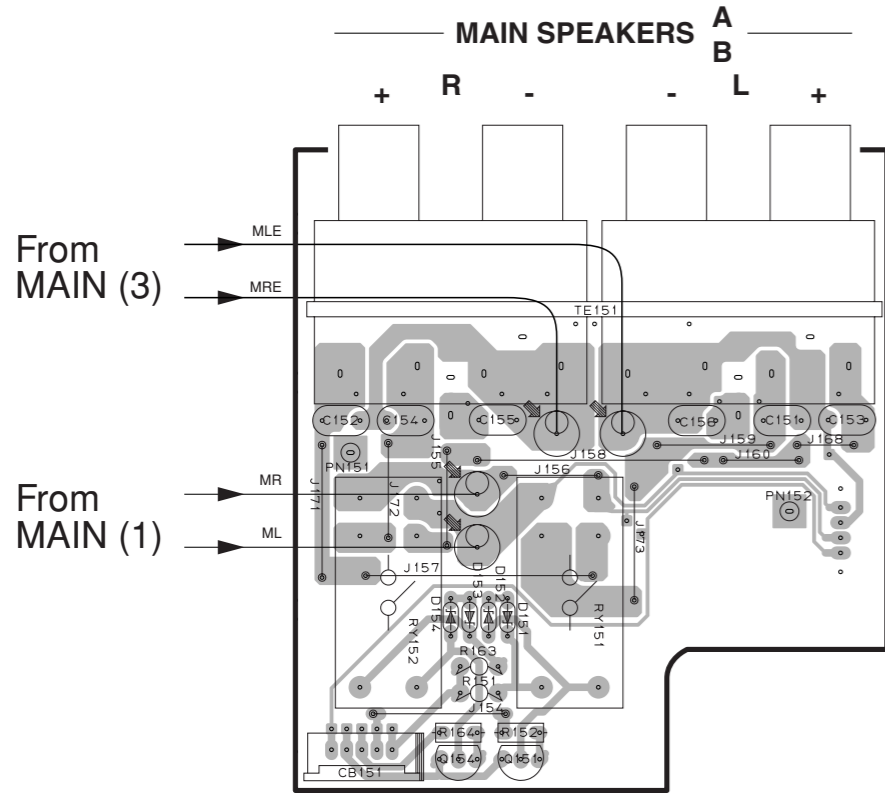
PRINTED CIRCUIT BOARD (Foil side)

• Semiconductor Location

Ref. No.	Location
D151	B4
D152	B4
D153	B4
D154	B4
D201	E3
D202	F2
D203	F2
D204	F3
D205	F3
D206	F3
D207	F3
D208	F2
D209	G2
D210	G2
D211	G2
D212	G2
Q151	B4
Q154	B4
Q201	G2
Q202	F2
Q203	F2

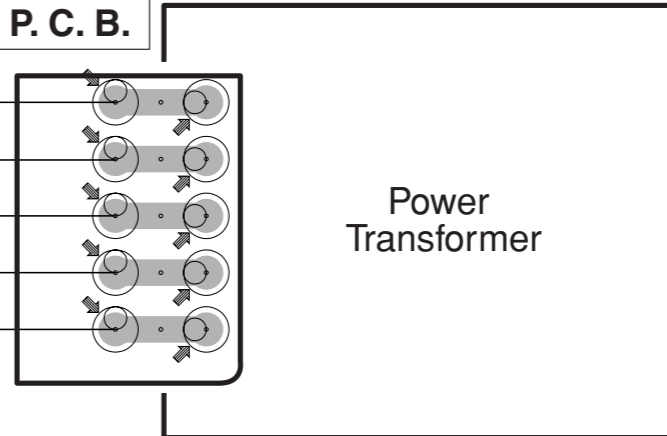
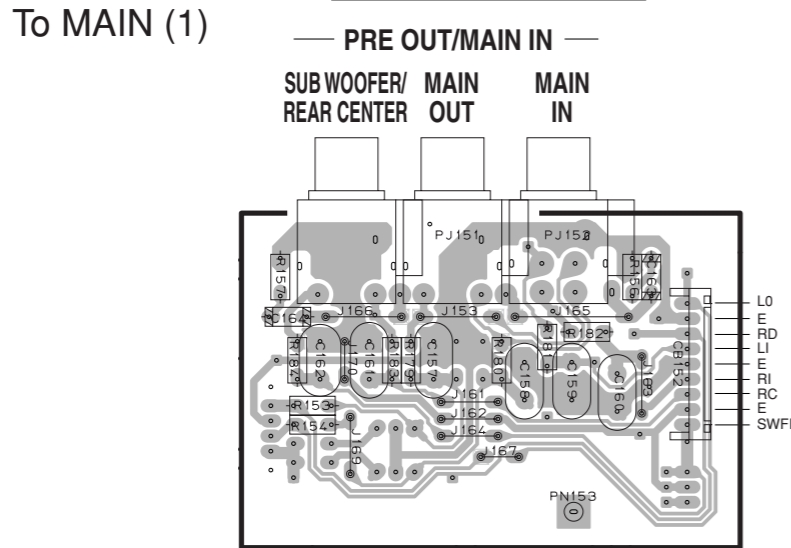
MAIN (2) P. C. B.

MAIN (3) P. C. B.



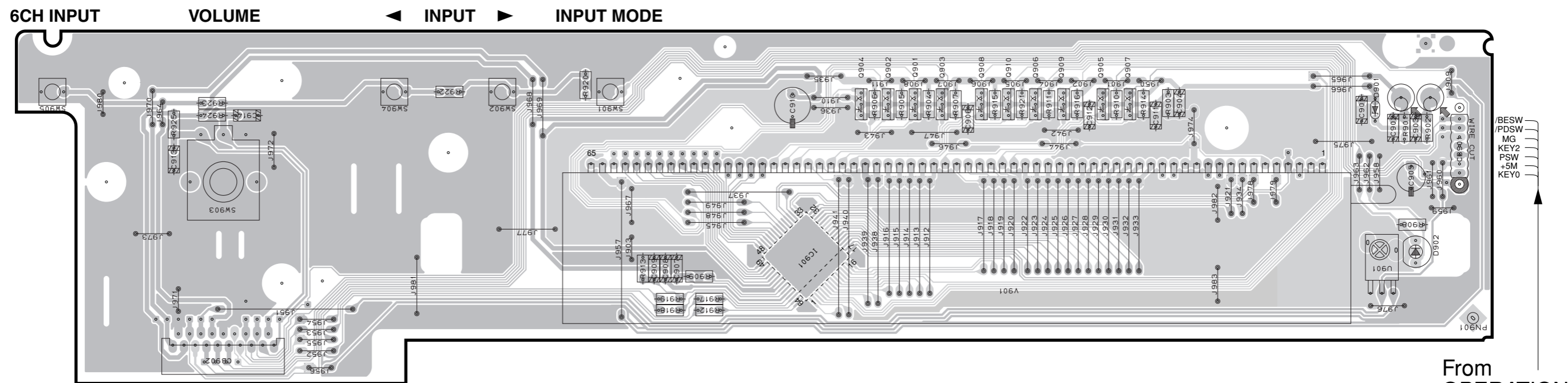
MAIN (5) P. C. B.

MAIN (4) P. C. B.



PRINTED CIRCUIT BOARD (Foil side)

OPERATION (1) P. C. B.



VP
+5V
MG
PSW
REM
-KEY0
+5M
KEY1
/POSW
MG
/BESW
SDTN
/FLR
SCKN
-CEFO
RM+
RM-
VRA
VRB

To FUNCTION (1)

BESW
PDSW
MG
KEY2
PSW
+5M
KEY0

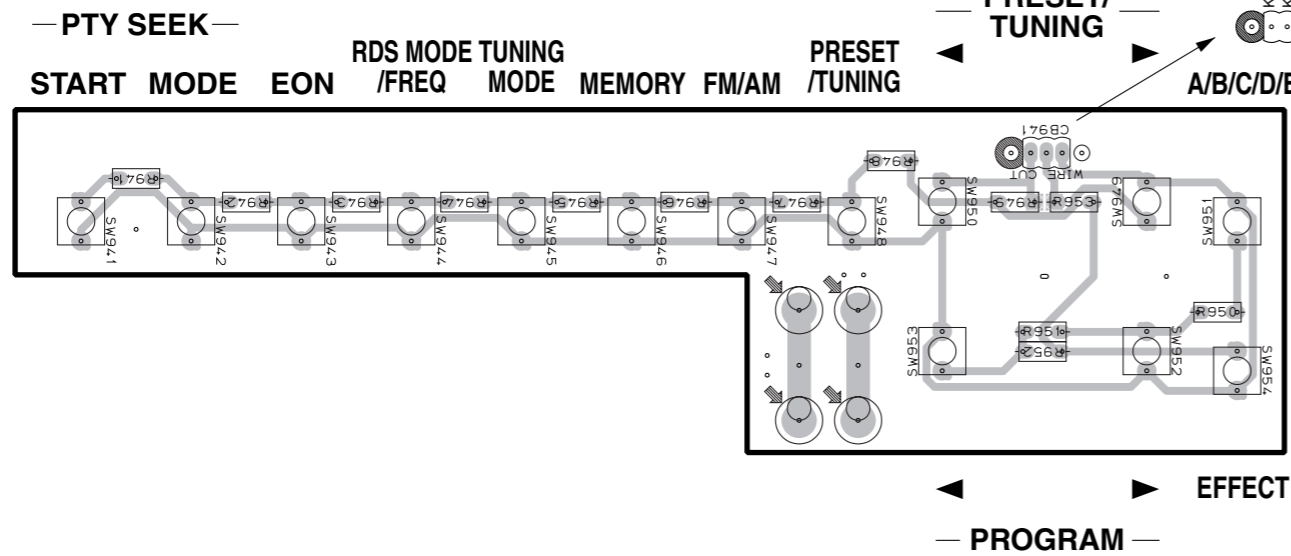
From OPERATION (3)

OPERATION (3) P. C. B.

Circuit No.	J	U, C, R, T, A, L	B, G
D902	X	o	o
R908	X	o	o
R941-944	X	X	o
SW941-944	X	X	o

X: NOT USED
O: USED / APPLICABLE

OPERATION (2) P. C. B.



To OPERATION (3)

A/B/C/D/E

To OPERATION (1)

To OPERATION (2)

STANDBY / ON

PROCESSOR BASS DIRECT ON/OFF
SPEAKERS

Semiconductor Location

Ref. No.	Location
D901	I2
D902	I3
IC901	E3
Q901	F2
Q902	F2
Q903	F2
Q904	F2
Q905	G2
Q906	G2
Q907	G2
Q908	F2
Q909	G2
Q910	F2

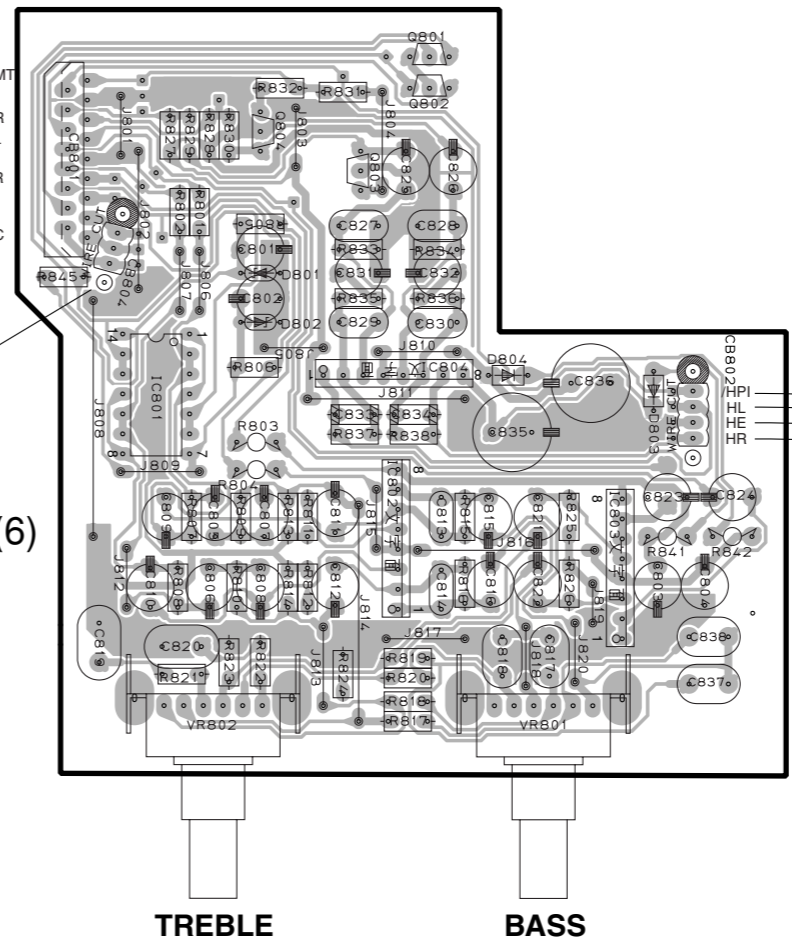
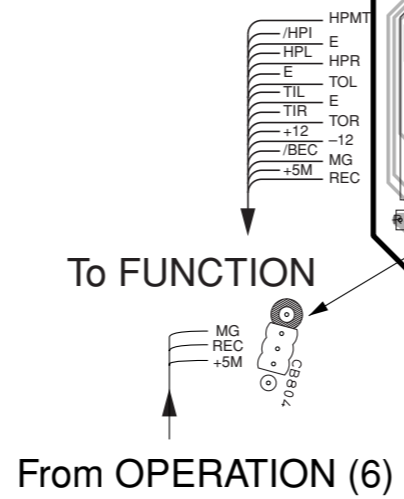
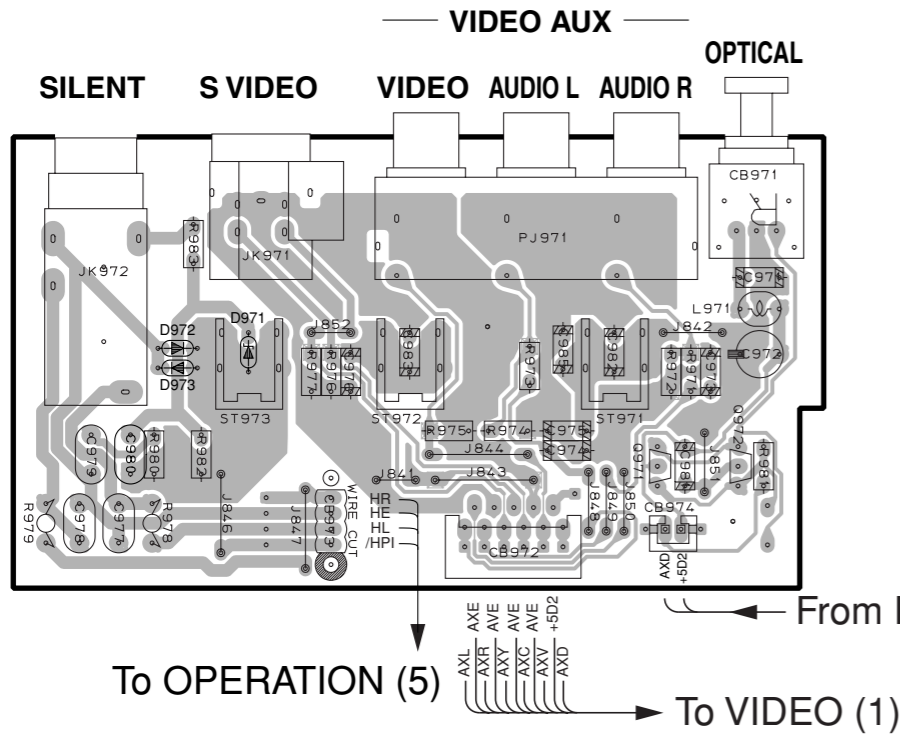
■ PRINTED CIRCUIT BOARD (Foil side)

• Semiconductor Location

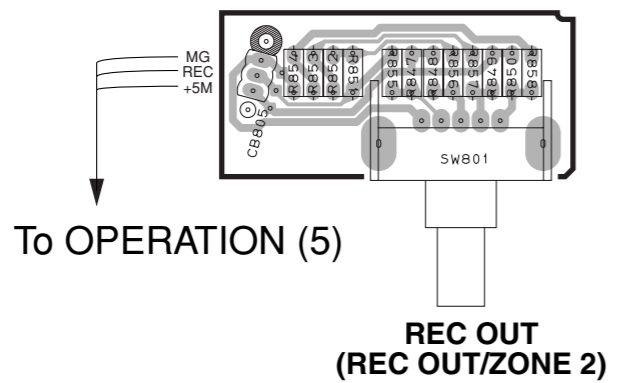
Ref. No.	Location
D801	F3
D802	F3
D803	G3
D804	G3
IC801	F3
IC802	F3
IC803	G4
IC804	F3
Q801	G2
Q802	G2
Q803	F2
Q804	F2
Q971	C3
Q972	D3

OPERATION (4) P. C. B.

OPERATION (5) P. C. B.



OPERATION (6) P. C. B.



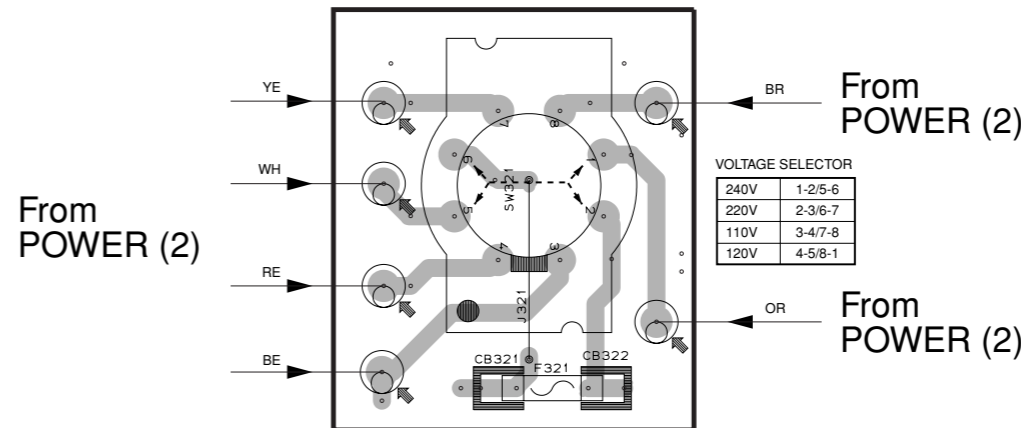
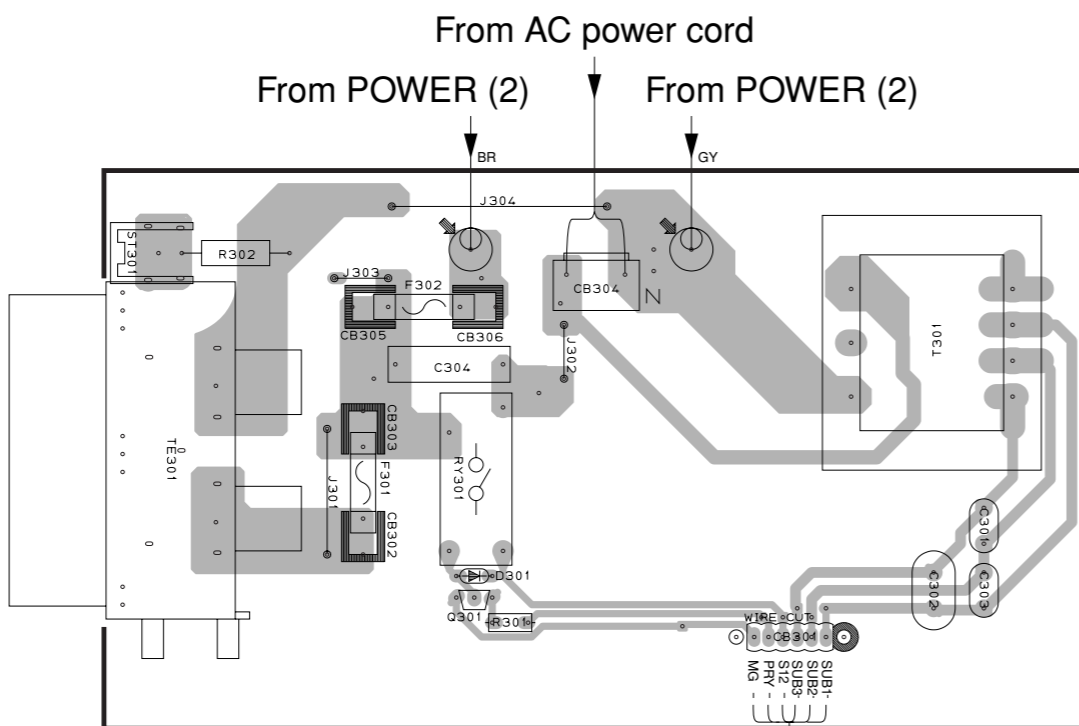
1 ■ PRINTED CIRCUIT BOARD (Foil side)

• Semiconductor Location

Ref. No.	Location
D301	C3
D351	F5
D352	F5
Q301	C4

POWER (1) P. C. B.

POWER (3) P. C. B.



AC OUTLETS

2

3

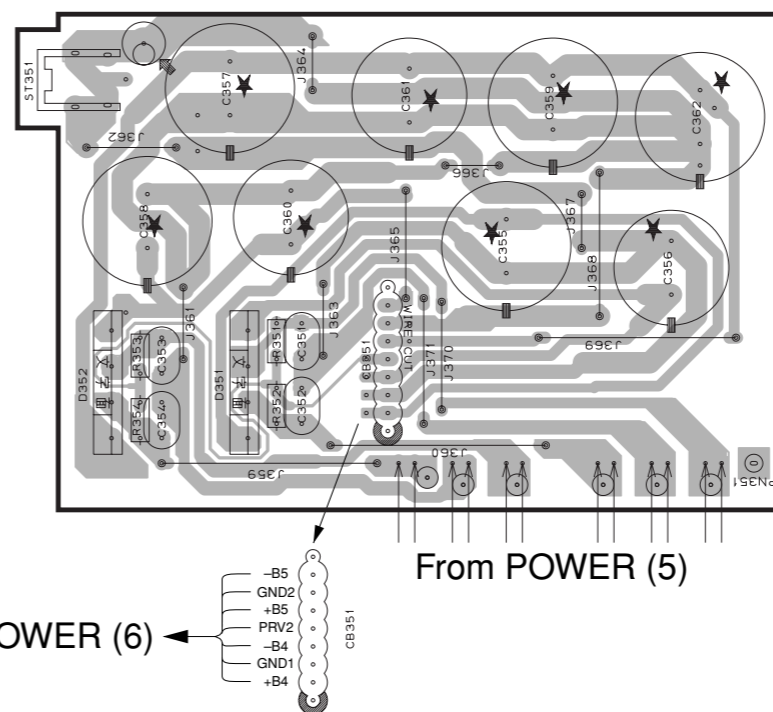
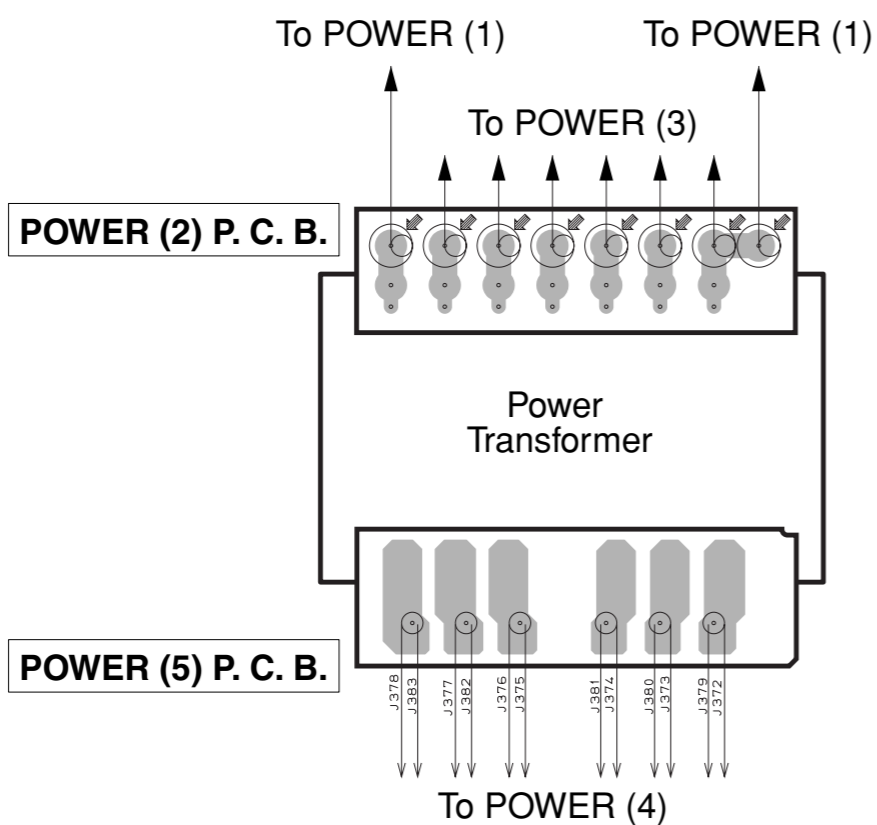
4

5

6

7

POWER (4) P. C. B.

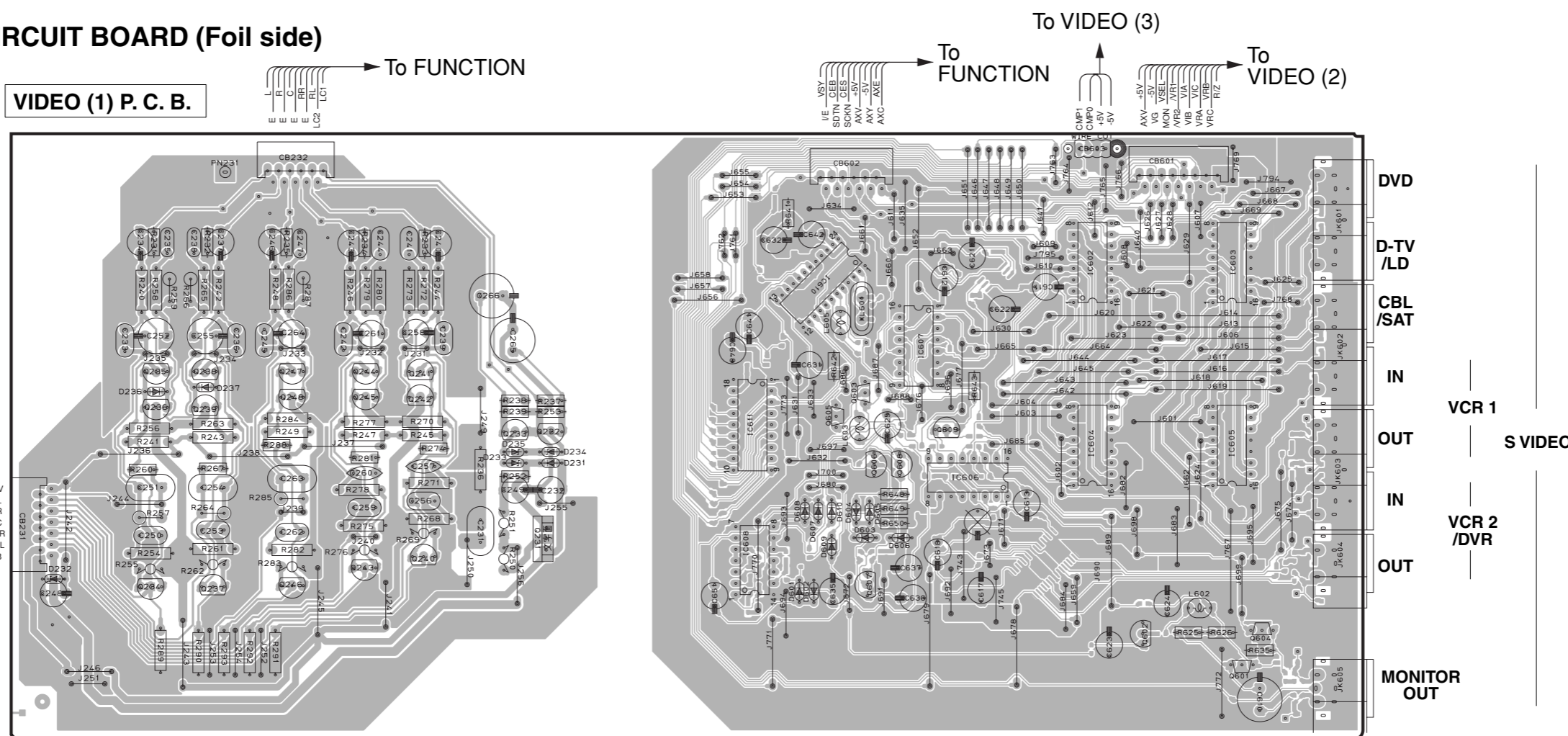


Circuit No.	J	U, C	R, T	A	B	G	L
C11-19	X	X	X	X	O	O	X
C301, 303	X	X	O	X	X	X	X
C302	O	O	X	O	O	O	O
C657, 568	X	O	O	O	X	X	O
CB302, 303	X	X	X	X	X	O	O
CB321, 322	X	X	O	X	X	X	X
F301	X	X	X	X	X	O	O
F321	X	X	O	X	X	X	X
IC1	X	X	X	X	O	O	X
J301	O	O	O	O	O	X	X
L1	X	X	X	X	O	O	X
Q2	X	X	X	X	O	O	X
R11-17	X	X	X	X	O	O	X
R302	X	O	X	X	X	X	X
R561, 562, 577, 578	X	O	O	O	X	X	O
SW321	X	X	O	O	O	O	O
SW551	X	X	O	X	X	X	X
W321-326	X	X	O	X	X	X	X
XL1	X	X	X	X	O	O	X

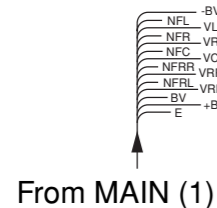
X: NOT USED
O: USED / APPLICABLE

1 ■ PRINTED CIRCUIT BOARD (Foil side)

• Semiconductor Location

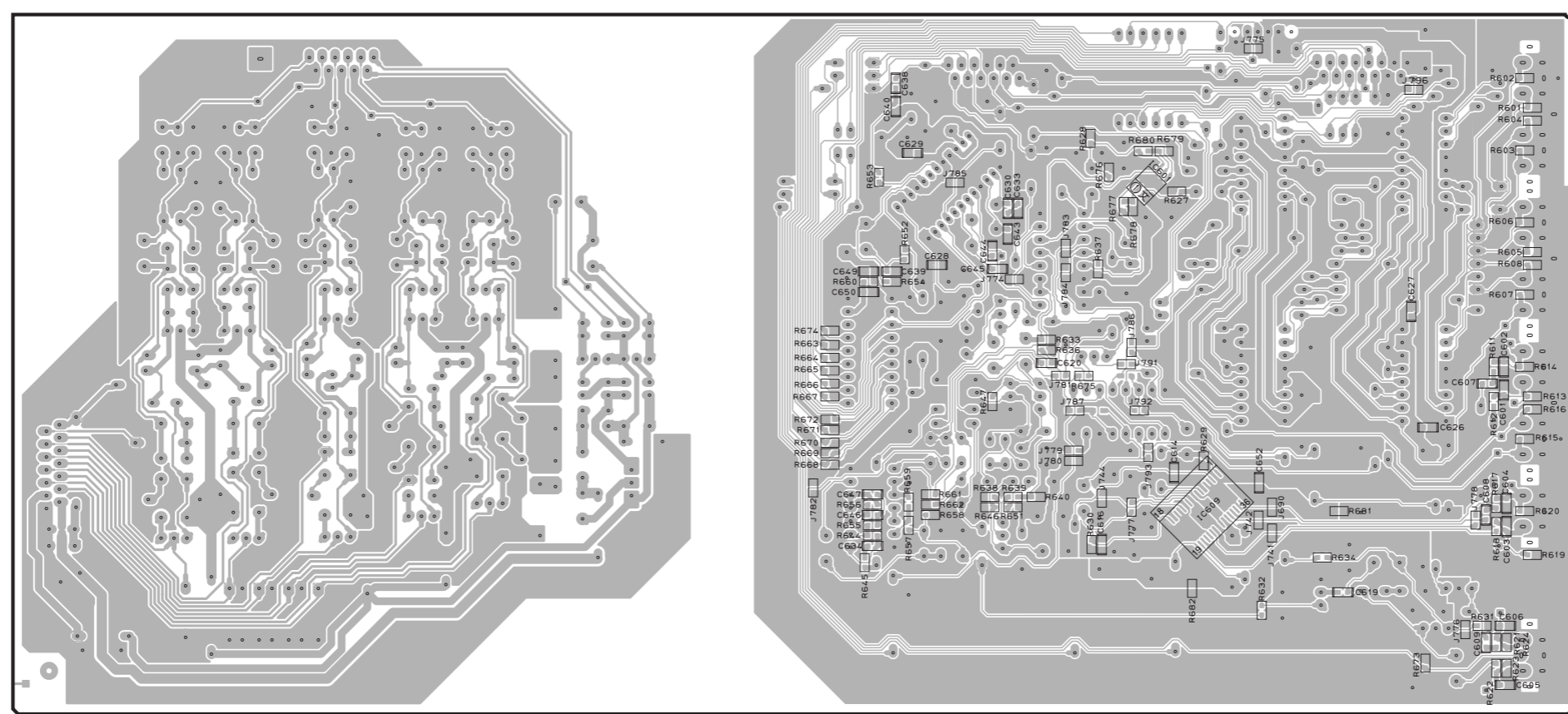


Ref. No.	Location
D231	D3
D232	B4
D233	D3
D234	D3
D235	D3
D236	B3
D237	C3
D601	E4
D602	E4
D603	E3
D604	E3
D605	E3
D606	F3
D607	E3
D608	E3
D609	E3
D610	E3
IC601	F5
IC602	G2
IC603	G2
IC604	G3
IC605	G3
IC606	F3
IC607	F2
IC608	E3
IC609	F6
IC610	E2
IC611	E3
Q231	D3
Q232	D3
Q233	D3
Q234	B4
Q235	B3
Q236	B3
Q237	C4
Q238	C3
Q239	C3
Q240	C3
Q241	C3
Q243	C3
Q244	C3
Q245	C3
Q246	C4
Q247	C3
Q248	C3
Q601	G4
Q602	G4
Q603	E3
Q604	G4
Q605	E3
Q606	E3
Q607	F3
Q608	F3
Q609	F3



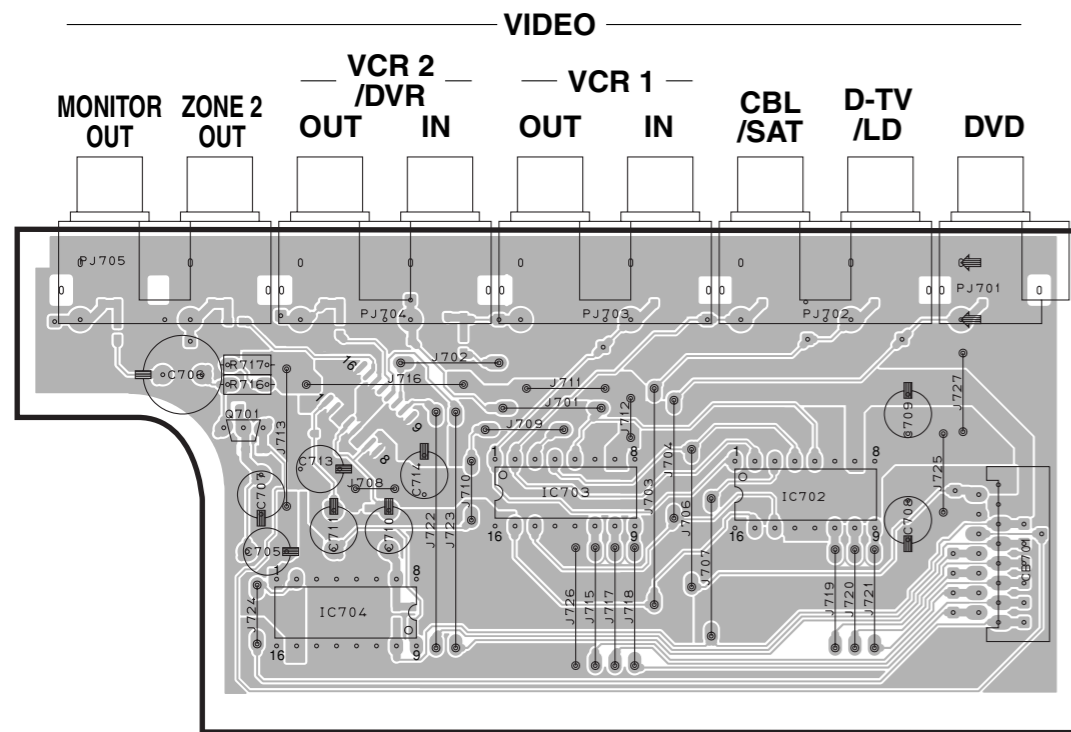
Circuit No.	J	U, C, R, T, A, L	B, G
C266	X	O	
C703, 711	X	O	X
D235	X	O	O
D851	X	O	X
IC606, 704	X	O	X
J729, 792, 793	O	X	O
JK851, 852	X	O	X
Q233	X	O	O
Q609	O	X	O
R238, 239	X	O	O
R674, 711, 712	X	O	X
R675	O	X	O

X: NOT USED
O: USED / APPLICABLE

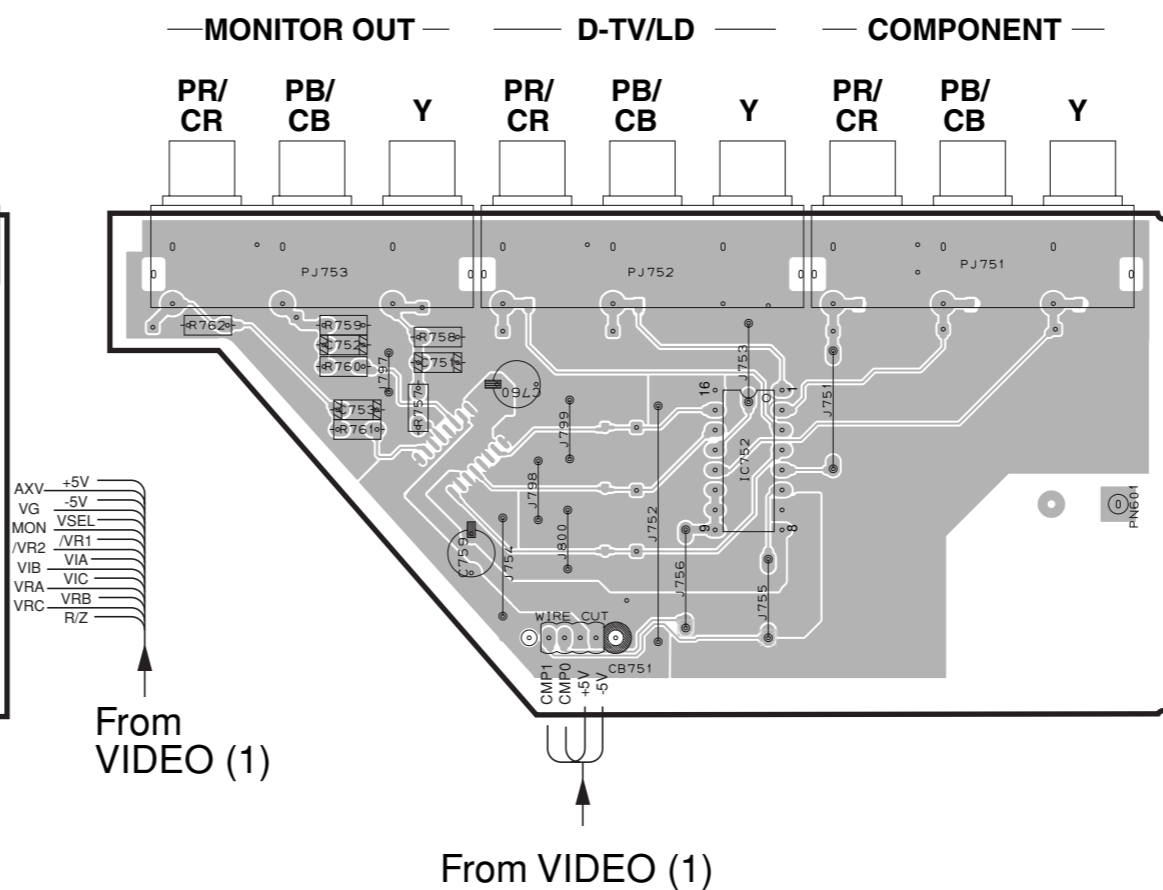


PRINTED CIRCUIT BOARD (Foil side)

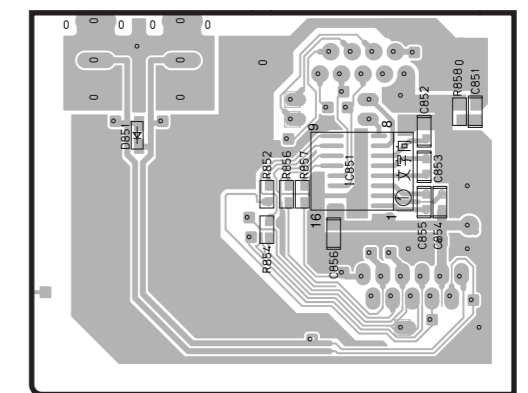
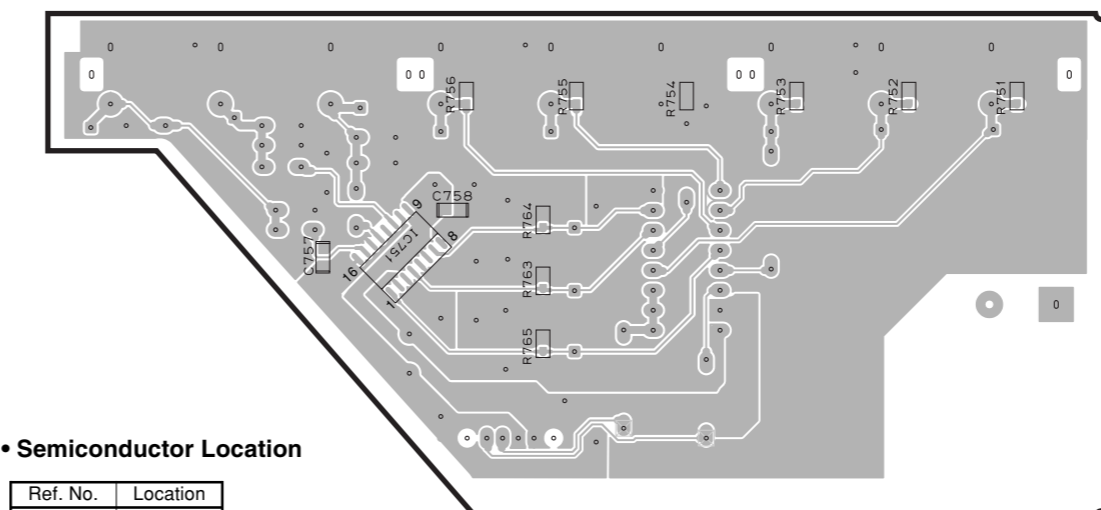
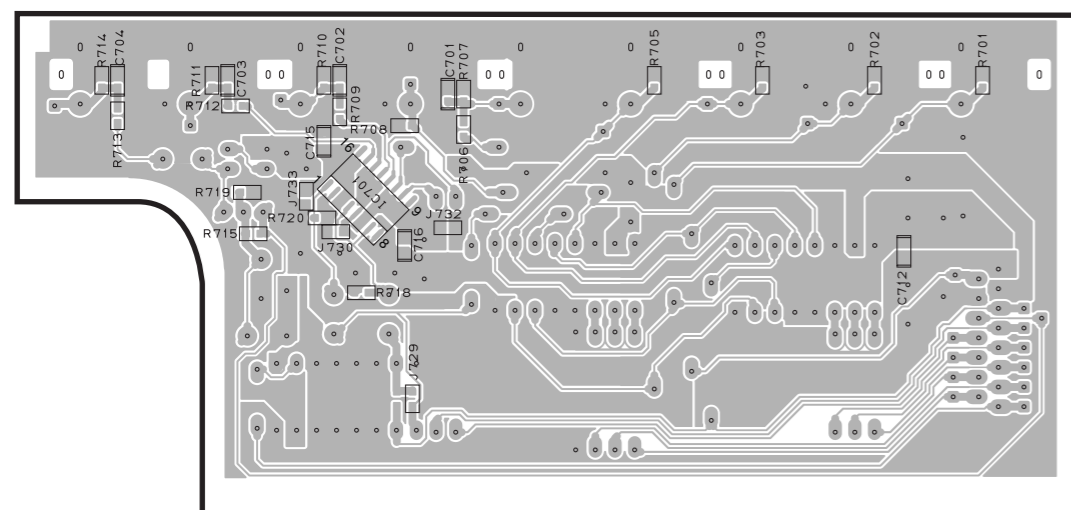
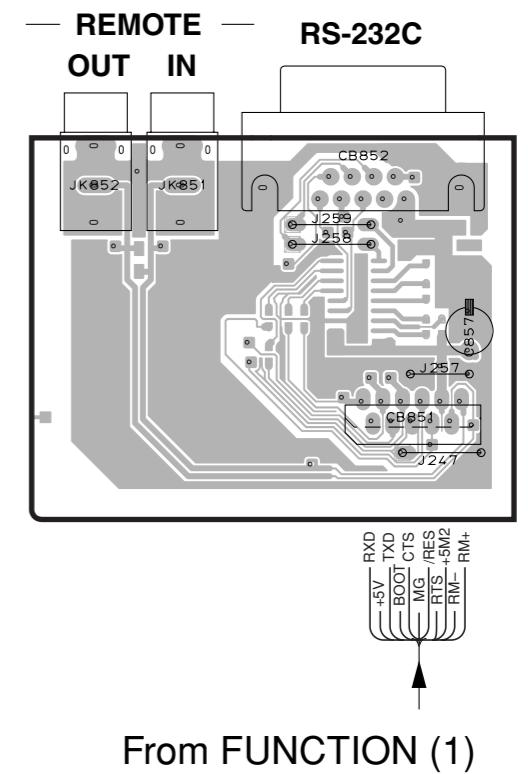
VIDEO (2) P. C. B.



VIDEO (3) P. C. B.



VIDEO (4) P. C. B.



Semiconductor Location

Ref. No.	Location
D851	I5
IC701	B5
IC702	C3
IC703	C3
IC704	B4
IC751	F6
IC752	G3
IC851	I5
Q701	B3

SCHEMATIC DIAGRAM (DSP)

RESISTOR

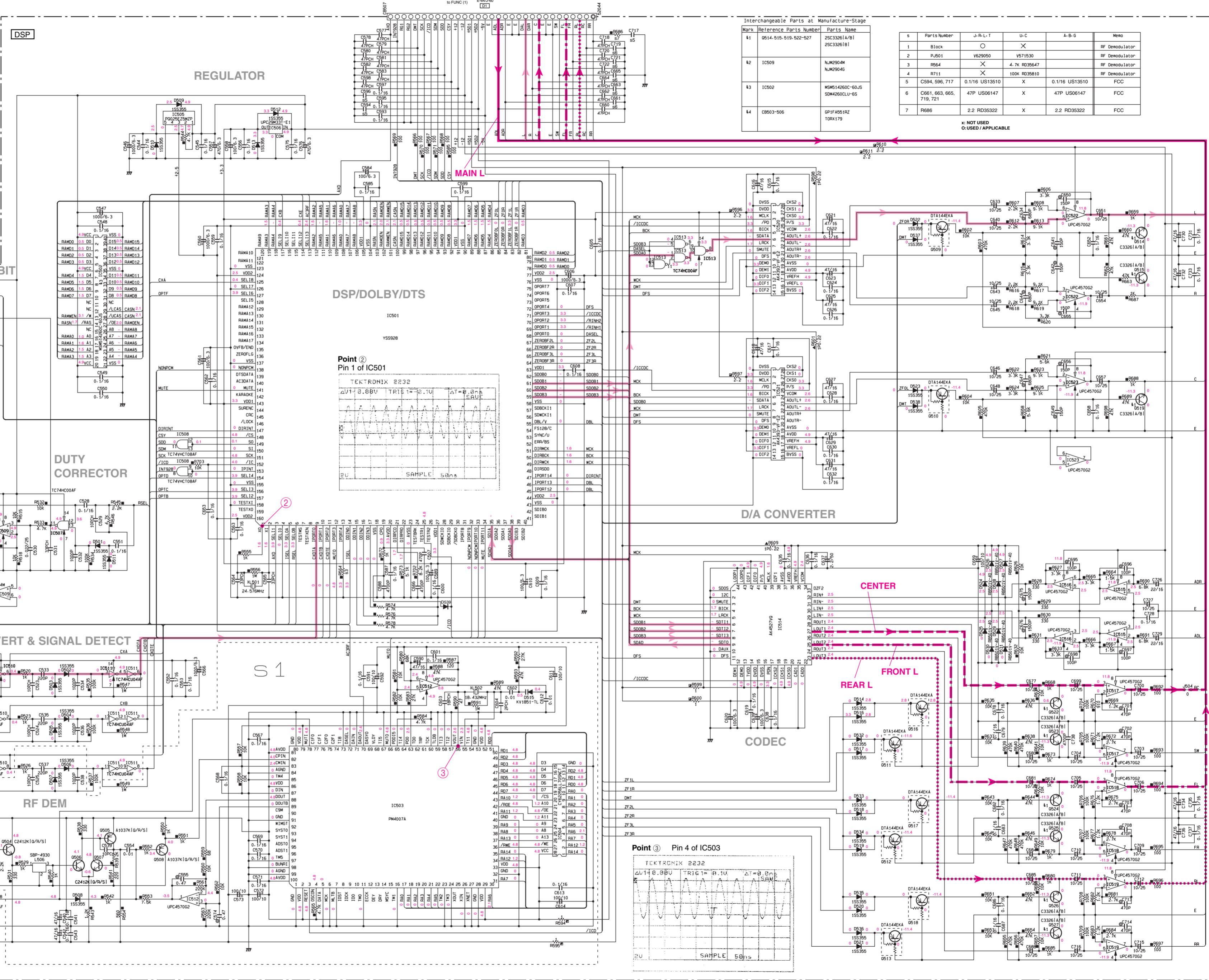
REMARKS	PARTS NAME
NO MARK	CARBON FILM RESISTOR (P=5)
□	CARBON FILM RESISTOR (P=10)
△	METAL OXIDE FILM RESISTOR
○	METAL FILM RESISTOR
□	METAL PLATE RESISTOR
□	FIRE PROOF CARBON FILM RESISTOR
□	CEMENT MOUNTED RESISTOR
□	SEMI VARIABLE RESISTOR
□	CHIP RESISTOR

CAPACITOR

REMARKS	PARTS NAME
NO MARK	ELECTROLYTIC CAPACITOR
○	TANTALUM CAPACITOR
NO MARK	CERAMIC CAPACITOR
○	CERAMIC TUBULAR CAPACITOR
○	POLYESTER FILM CAPACITOR
○	POLYSTYRENE FILM CAPACITOR
○	MICA CAPACITOR
○	POLYPROPYLENE FILM CAPACITOR
○	SEMICONDUCTIVE CERAMIC CAPACITOR
○	POLYPHENYLENE SULFIDE FILM CAPACITOR

NOTICE (model)

(J)..... JAPANESE
 (U)..... U.S.A
 (C)..... CANADIAN
 (I)..... GENERAL
 (A)..... AUSTRALIAN
 (B)..... BRITISH
 (G)..... EUROPEAN
 (T)..... CHINA
 (L)..... SINGAPORE



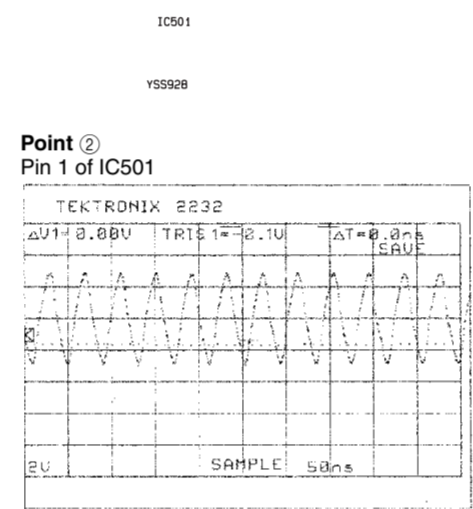
Interchangeable Parts at Manufacture-Stage

Mark	Reference Parts Number	Parts Name
k1	0514-515-919-622-527	25C33261A/81 25C33261B/1
k2	IC509	N.MC904M N.MC904S
k3	IC502	M5M14250C-60J5 SDM4260CUU-6S
k4	C9003-906	GP1A6R14Z T0K179

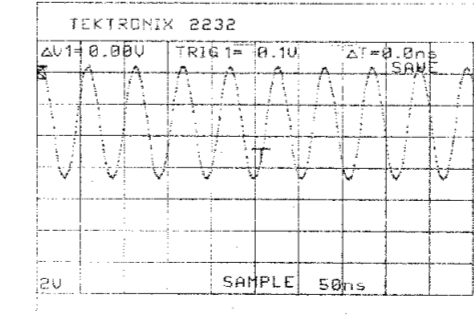
Parts Number	J-R-L-T	U-C	A-B-G	Mark
1	Block	○	×	RF Demodulator
2	PJ501	○	×	RF Demodulator
3	R664	×	4.7K RD39547	RF Demodulator
4	R711	×	100K RD39510	RF Demodulator
5	C594, 596, 717, 719, 721	○	0.1/16 US13510	FCC
6	C661, 663, 665, 667, 669	×	47P US06147	FCC
7	R686	×	2.2 RD35322	FCC

○: NOT USED
 ×: USED / APPLICABLE

DSP/DOLBY/DTS



Point 3 Pin 4 of IC503



- ★ All voltage are measured with a 10M /V DC electric volt meter.
- ★ Components having special characteristics are marked △ and must be replaced with parts having specifications same to those originally installed.
- ★ Schematic diagram is subject to change without notice.

- 電圧は、内部抵抗10MΩの電圧計で測定したものです。
- △印のある部品は、安全性確保部品を示しています。部品の交換が必要な場合、パーツリストに記載されている部品を使用してください。
- 本回路図は標準回路図です。改良のため予告なく変更することがございます。

PARTS LIST

■ ELECTRICAL PARTS

■ WARNING

Components having special characteristics are marked Δ and must be replaced with parts having specifications equal to those originally installed.

- Carbon resistors (1/6W or 1/4W) are not included in the ELECTRICAL PARTS List. For the parts No. of the carbon resistors, refer to last page.

ABBREVIATIONS IN THIS LIST ARE AS FOLLOWS:

C.A.EL.CHP	: CHIP ALUMI.ELECTROLYTIC CAP	L.EMIT	: LIGHT EMITTING MODULE
C.CE	: CERAMIC CAP	LED.DSPLY	: LED DISPLAY
C.CE.ARRAY	: CERAMIC CAP ARRAY	LED.INFRD	: LED,INFRARED
C.CE.CHP	: CHIP CERAMIC CAP	MODUL.RF	: MODULATOR,RF
C.CE.ML	: MULTILAYER CERAMIC CAP	PHOT.CPL	: PHOTO COUPLER
C.CE.M.CHP	: CHIP MULTILAYER CERAMIC CAP	PHOT.INTR	: PHOTO INTERRUPTER
C.CE.SAFTY	: RECOGNIZED CERAMIC CAP	PHOT.RFLCT	: PHOTO REFLECTOR
C.CE.TUBLR	: CERAMIC TUBULAR CAP	PIN.TEST	: PIN,TEST POINT
C.CE.SMI	: SEMI CONDUCTIVE CERAMIC CAP	PLST.RIVET	: PLASTIC RIVET
C.EL	: ELECTROLYTIC CAP	R.ARRAY	: RESISTOR ARRAY
C.MICA	: MICA CAP	R.CAR.	: CARBON RESISTOR
C.ML.FLM	: MULTILAYER FILM CAP	R.CAR.CHP	: CHIPRESISTOR
C.MP	: METALLIZED PAPER CAP	R.CAR.FP	: FLAME PROOF CARBON RESISTOR
C.MYLAR	: MYLAR FILM CAP	R.FUS	: FUSABLE RESISTOR
C.MYLAR.ML	: MULTILAYER MYLAR FILM CAP	R.MTL.CHP	: CHIP METAL FILM RESISTOR
C.PAPER	: PAPER CAPACITOR	R.MTL.FLM	: METAL FILM RESISTOR
C.PLS	: POLYSTYRENE FILM CAP	R.MTL.OXD	: METAL OXIDE FILM RESISTOR
C.POL	: POLYESTER FILM CAP	R.MTL.PLAT	: METAL PLATE RESISTOR
C.POLY	: POLYETHYLENE FILM CAP	RSNR.CE	: CERAMIC RESONATOR
C.PP	: POLYPROPYLENE FILM CAP	RSNR.CRYS	: CRYSTAL RESONATOR
C.TNTL	: TANTALUM CAP	R.TW.CEM	: TWIN CEMENT FIXED RESISTOR
C.TNTL.CHP	: CHIP TANTALUM CAP	R.WW	: WIRE WOUND RESISTOR
C.TRIM	: TRIMMER CAP	SCR.BND.HD	: BIND HEAD B-TITE SCREW
CN	: CONNECTOR	SCR.BW.HD	: BW HEAD TAPPING SCREW
CN.BS.PIN	: CONNECTOR,BASE PIN	SCR.CUP	: CUP TITE SCREW
CN.CANNON	: CONNECTOR,CANNON	SCR.TERM	: SCREW TERMINAL
CN.DIN	: CONNECTOR,DIN	SCR.TR	: SCREW,TRANSISTOR
CN.FLAT	: CONNECTOR,FLAT CABLE	SUPRT.PCB	: SUPPORT,P.C.B.
CN.POST	: CONNECTOR,BASE POST	SURG.PRTCT	: SURGE PROTECTOR
COIL.MX.AM	: COIL,AM MIX	SW.TACT	: TACT SWITCH
COIL.AT.FM	: COIL,FM ANTENNA	SW.LEAF	: LEAF SWITCH
COIL.DT.FM	: COIL,FM DETECT	SW.LEVER	: LEVER SWITCH
COIL.MX.FM	: COIL,FM MIX	SW.MICRO	: MICRO SWITCH
COIL.OUTPT	: OUTPUT COIL	SW.PUSH	: PUSH SWITCH
DIOD.ARRAY	: DIODE ARRAY	SW.RT.ENC	: ROTARY ENCODER
DIODE.BRG	: DIODE BRIDGE	SW.RT.MTR	: ROTARY SWITCH WITH MOTOR
DIODE.CHP	: CHIP DIODE	SW.RT	: ROTARY SWITCH
DIODE.VAR	: VARACTOR DIODE	SW.SLIDE	: SLIDE SWITCH
DIOD.Z.CHP	: CHIP ZENER DIODE	TERM.SP	: SPEAKER TERMINAL
DIODE.ZENR	: ZENER DIODE	TERM.WRAP	: WRAPPING TERMINAL
DSCR.CE	: CERAMIC DISCRIMINATOR	THRMST.CHP	: CHIP THERMISTOR
FER.BEAD	: FERRITE BEADS	TR.CHP	: CHIP TRANSISTOR
FER.CORE	: FERRITE CORE	TR.DGT	: DIGITAL TRANSISTOR
FET.CHP	: CHIP FET	TR.DGT.CHP	: CHIP DIGITAL TRANSISTOR
FL.DSPLY	: FLUORESCENT DISPLAY	TRANS	: TRANSFORMER
FLTR.CE	: CERAMIC FILTER	TRANS.PULS	: PULSE TRANSFORMER
FLTR.COMB	: COMB FILTER MODULE	TRANS.PWR	: POWER TRANSFORMER ASS'Y
FLTR.LC.RF	: LC FILTER,EMI	TUNER.AM	: TUNER PACK,AM
GND.MTL	: GROUND PLATE	TUNER.FM	: TUNER PACK,FM
GND.TERM	: GROUND TERMINAL	TUNER.PK	: FRONT-ENDTUNER PACK
HOLDER.FUS	: FUSE HOLDER	VR	: ROTARY POTENTIOMETER
IC.PRTCT	: IC PROTECTOR	VR.MTR	: POTENTIOMETER WITH MOTOR
JUMPER.CN	: JUMPER CONNECTOR	VR.SW	: POTENTIOMETER WITH ROTARY SW
JUMPER.TST	: JUMPER,TEST POINT	VR.SLIDE	: SLIDE POTENTIOMETER
L.DTCT	: LIGHT DETECTING MODULE	VR.TRIM	: TRIMMER POTENTIOMETER

Note) Those parts marked with “#” are not included in the P.C.B. ass'y.

P.C.B. FUNCTION

Schm Ref.	PART NO.	Description		
	V6242000	P. C. B.	FUNCTION(UC)	
	V6242100	P. C. B.	FUNCTION(RT)	
	V6242200	P. C. B.	FUNCTION(AL)	
	V6242300	P. C. B.	FUNCTION(BG)	
CB501	VQ963100	CN. BS. PIN	10P	
CB502	VQ048000	CN. BS. PIN	31P	
CB503	VQ963200	CN. BS. PIN	11P	
CB505	VQ961800	CN. BS. PIN	15P	
CB507	VF982300	CN. BS. PIN	17P	
CB508	VQ044500	CN. BS. PIN	11P	
CB509	VM859500	CN. BS. PIN	11P	
CB510	VN066500	CN. BS. PIN	12P	
CB511	VQ044500	CN. BS. PIN	11P	
CB512	Vi878700	CN. BS. PIN	9P	
CB513	VQ047300	CN. BS. PIN	12P	
CB514	VQ044900	CN. BS. PIN	19P	
C501	US135100	C. CE. CHP	0.1uF	16V
C502	VD930900	C. CE. SMI	0.1uF	25V
C503	UP652220	C. POL	220pF	100V (ALBG)
C504	UP652220	C. POL	220pF	100V (ALBG)
C505	UP652470	C. POL	470pF	100V
C506	UP652470	C. POL	470pF	100V
C507	UP652470	C. POL	470pF	100V
C508	UP652470	C. POL	470pF	100V
C509	UP652470	C. POL	470pF	100V
C510	UP652470	C. POL	470pF	100V
C511	UP652470	C. POL	470pF	100V
C512	UP652470	C. POL	470pF	100V
C513	UP652470	C. POL	470pF	100V
C514	UP652470	C. POL	470pF	100V
C515	UU166100	C. EL	1uF	50V
C516	UP652220	C. POL	220pF	100V
C517	UU118220	C. EL	220uF	6.3V
C518	UP652220	C. POL	220pF	100V
C519	UU118220	C. EL	220uF	6.3V
C520	UU166100	C. EL	1uF	50V
C521	UP652470	C. POL	470pF	100V
C522	UP652470	C. POL	470pF	100V
C523	UU166470	C. EL	4.7uF	50V
C524	UP652470	C. POL	470pF	100V
C525	UP652470	C. POL	470pF	100V
C526	UU166470	C. EL	4.7uF	50V
C527	UP652470	C. POL	470pF	100V
C528	UP652470	C. POL	470pF	100V
C529	UU166470	C. EL	4.7uF	50V
C530	UU166220	C. EL	2.2uF	50V
C531	UP652100	C. POL	100pF	100V
C532	UP652100	C. POL	100pF	100V
C533	UU166220	C. EL	2.2uF	50V
C534	UU147100	C. EL	10uF	25V
C535	UA653100	C. MYLAR	1000pF	50V
C536	UA654390	C. MYLAR	0.039uF	50V
C537	UA654110	C. MYLAR	0.011uF	50V
C538	UA654390	C. MYLAR	0.039uF	50V
C539	UA654110	C. MYLAR	0.011uF	50V
C540	UA653100	C. MYLAR	1000pF	50V
C541	UU147100	C. EL	10uF	25V
C542	UU147100	C. EL	10uF	25V
C543	UU137470	C. EL	47uF	16V
C544	UU137470	C. EL	47uF	16V
C545	UU147100	C. EL	10uF	25V
C546	UU147100	C. EL	10uF	25V
C547	UU147100	C. EL	10uF	25V

* New Parts

Schm Ref.	PART NO.	Description		
C548	UU147100	C. EL	10uF	25V(UCRTAL)
C549	UU147100	C. EL	10uF	25V(UCRTAL)
C550	UU147100	C. EL	10uF	25V
C551	UU138100	C. EL	100uF	16V
C552	UU138100	C. EL	100uF	16V
C553	UU166470	C. EL	4.7uF	50V
C554	UU166470	C. EL	4.7uF	50V
C555	UP652100	C. POL	100pF	100V
C556	UP652100	C. POL	100pF	100V
C557	UU166470	C. EL	4.7uF	50V
C558	UU166470	C. EL	4.7uF	50V
C559	UU147100	C. EL	10uF	25V
C560	UU147100	C. EL	10uF	25V
C561	UU147100	C. EL	10uF	25V
C562	UU147100	C. EL	10uF	25V
C563	UU137470	C. EL	47uF	16V
C564	UU137470	C. EL	47uF	16V
C565	UU137220	C. EL	22uF	16V
C566	UP654270	C. POL	0.027uF	100V
C567	UP654270	C. POL	0.027uF	100V
C568	UU137220	C. EL	22uF	16V
C569	UU147100	C. EL	10uF	25V
C573	US135100	C. CE. CHP	0.1uF	16V
C574	UU166220	C. EL	2.2uF	50V(UCRTAL)
C575	US135100	C. CE. CHP	0.1uF	16V
C576	UP654270	C. POL	0.027uF	100V
C577	UP652100	C. POL	100pF	100V
C578	UP652100	C. POL	100pF	100V
C579	UP654270	C. POL	0.027uF	100V
C580	UU137470	C. EL	47uF	16V
C581	UU137470	C. EL	47uF	16V
C582	UU147100	C. EL	10uF	25V
C583	UU147100	C. EL	10uF	25V
C584	UU147100	C. EL	10uF	25V
C585	UU147100	C. EL	10uF	25V
C586	US135100	C. CE. CHP	0.1uF	16V
C587	UU137470	C. EL	47uF	16V
C588	UU147100	C. EL	10uF	25V
C589	US135100	C. CE. CHP	0.1uF	16V
C590	UU147100	C. EL	10uF	25V
C591	UU147100	C. EL	10uF	25V
C592	US135100	C. CE. CHP	0.1uF	16V
C593	UU147100	C. EL	10uF	25V
C594	UU147100	C. EL	10uF	25V
C595	US135100	C. CE. CHP	0.1uF	16V
C596	UU147100	C. EL	10uF	25V
C597	US135100	C. CE. CHP	0.1uF	16V
C600	US135100	C. CE. CHP	0.1uF	16V
C601	US135100	C. CE. CHP	0.1uF	16V
C602	US135100	C. CE. CHP	0.1uF	16V
C603	US063100	C. CE. M. CHP	1000pF	50V
C605	US135100	C. CE. CHP	0.1uF	16V
C606	US135100	C. CE. CHP	0.1uF	16V
C607	UU165470	C. EL	0.47uF	50V
C608	US135100	C. CE. CHP	0.1uF	16V
C609	UP652100	C. POL	100pF	100V
C610	US135100	C. CE. CHP	0.1uF	16V
C611	UP652100	C. POL	100pF	100V
C612	UU147100	C. EL	10uF	25V
C613	UU147100	C. EL	10uF	25V
C614	US135100	C. CE. CHP	0.1uF	16V
C615	UU147100	C. EL	10uF	25V
C616	UU147100	C. EL	10uF	25V

* New Parts

P.C.B. FUNCTION

Schm Ref.	PART NO.	Description		
C617	US135100	C.CE.CHP	0.1uF	16V
C618	US135100	C.CE.CHP	0.1uF	16V
C619	UP652100	C.POL	100pF	100V
C620	UP652100	C.POL	100pF	100V
C621	US135100	C.CE.CHP	0.1uF	16V
C622	US135100	C.CE.CHP	0.1uF	16V
C623	US135100	C.CE.CHP	0.1uF	16V
C624	US135100	C.CE.CHP	0.1uF	16V
C625	US135100	C.CE.CHP	0.1uF	16V
C626	UU137470	C.EL	47uF	16V
C627	UU137470	C.EL	47uF	16V
C628	UU147100	C.EL	10uF	25V
C629	UU147100	C.EL	10uF	25V
C630	UU147100	C.EL	10uF	25V
C631	UR848220	C.EL	220uF	25V(RT)
C631	UR848470	C.EL	470uF	25V(UCALBG)
C632	UU137470	C.EL	47uF	16V
C633	V3860300	C.BACK UP	0.047F	5.5V
C634	US135100	C.CE.CHP	0.1uF	16V
C635	UU137470	C.EL	47uF	16V
C636	UU137470	C.EL	47uF	16V
C637	UP652100	C.POL	100pF	100V
C638	UU137470	C.EL	47uF	16V
C639	UU137470	C.EL	47uF	16V
C640	UP652100	C.POL	100pF	100V
C641	UU118100	C.EL	100uF	6.3V
C642	US135100	C.CE.CHP	0.1uF	16V
C643	UU118100	C.EL	100uF	6.3V
C644	US135100	C.CE.CHP	0.1uF	16V
C645	UU119100	C.EL	1000uF	6.3V
C646	US135100	C.CE.CHP	0.1uF	16V
C647	UU119100	C.EL	1000uF	6.3V
C648	UU137470	C.EL	47uF	16V
C649	UU137470	C.EL	47uF	16V
C650	UU147100	C.EL	10uF	25V
C651	UU147100	C.EL	10uF	25V
C652	UP652100	C.POL	100pF	100V
C653	UU147100	C.EL	10uF	25V
C654	UU147100	C.EL	10uF	25V
C655	US135100	C.CE.CHP	0.1uF	16V
C656	US135100	C.CE.CHP	0.1uF	16V
C658	UU166220	C.EL	2.2uF	50V
C659	UU166220	C.EL	2.2uF	50V
C660	UU166220	C.EL	2.2uF	50V
C661	UU166220	C.EL	2.2uF	50V
C662	UU118100	C.EL	100uF	6.3V
C663	UU166220	C.EL	2.2uF	50V
C664	UU166220	C.EL	2.2uF	50V
C665	US135100	C.CE.CHP	0.1uF	16V
C666	US063100	C.CE.M.CHP	1000pF	50V
C667	US063100	C.CE.M.CHP	1000pF	50V
C668	US135100	C.CE.CHP	0.1uF	16V
C670	US135100	C.CE.CHP	0.1uF	16V(UC)
C671	US135100	C.CE.CHP	0.1uF	16V(UC)
C672	US135100	C.CE.CHP	0.1uF	16V(UC)
D501	VV220700	DIODE.SHOT	RB501V-40	
D502	VV220700	DIODE.SHOT	RB501V-40	
D503	VV220700	DIODE.SHOT	RB501V-40	
D504	VV220700	DIODE.SHOT	RB501V-40	
D505	VV220700	DIODE.SHOT	RB501V-40	
D506	VV220700	DIODE.SHOT	RB501V-40	
D507	VV220700	DIODE.SHOT	RB501V-40	
D508	VV220700	DIODE.SHOT	RB501V-40	

* New Parts

Schm Ref.	PART NO.	Description		
D509	VV220700	DIODE.SHOT	RB501V-40	
D510	VV220700	DIODE.SHOT	RB501V-40	
D511	VV220700	DIODE.SHOT	RB501V-40	
D512	VV220700	DIODE.SHOT	RB501V-40	
D515	VV220700	DIODE.SHOT	RB501V-40	
D516	VV220700	DIODE.SHOT	RB501V-40	
D517	VD631600	DIODE	1SS133,176	
D518	VG438200	DIODE.ZENR	MTZJ6.8A	6.8V
D519	VT332900	DIODE	1SS355	
D520	VD631600	DIODE	1SS133,176	
D521	VD631600	DIODE	1SS133,176	
D522	VD631600	DIODE	1SS133,176	
D523	VT332900	DIODE	1SS355	
D524	VG437700	DIODE.ZENR	MTZJ5.6B	5.6V
D525	VG437700	DIODE.ZENR	MTZJ5.6B	5.6V
D526	VT332900	DIODE	1SS355	
D527	VG437300	DIODE.ZENR	MTZJ5.1A	5.1V
D528	VT332900	DIODE	1SS355	
D530	VG437300	DIODE.ZENR	MTZJ5.1A	5.1V
IC501	XJ553A00	IC	NJM2068MD	
IC502	XP895A00	IC	LC78212	
IC503	XP894A00	IC	LC78211	
IC504	XP895A00	IC	LC78212	
IC505	XP896A00	IC	LC78213	
IC506	XF291A00	IC	uPC4570G2	
IC507	XF291A00	IC	uPC4570G2	
IC508	XF291A00	IC	uPC4570G2	
IC511	XF291A00	IC	uPC4570G2	
IC512	XP894A00	IC	LC78211	
IC513	XF291A00	IC	uPC4570G2	
IC514	XF291A00	IC	uPC4570G2	
IC515	XF291A00	IC	uPC4570G2	
IC516	XW173A00	IC	CS3310-KS	
IC518	XW173A00	IC	CS3310-KS	
IC519	XW173A00	IC	CS3310-KS	
IC520	XW173A00	IC	CS3310-KS	
IC521	XF291A00	IC	uPC4570G2	
IC522	XP896A00	IC	LC78213	
IC523	XF291A00	IC	uPC4570G2	
IC524	XF291A00	IC	uPC4570G2	
IC525	XF291A00	IC	uPC4570G2	
IC526	XY892A00	IC.CPU	M30802SGP CPU	
IC527	XZ450B00	IC	MBM29F400BC-70 FLA	
IC528	XA507A00	IC	AN78N05	
PJ501	V3855600	JACK.PIN	4P	
PJ502	V3855600	JACK.PIN	4P	
PJ503	V4198900	JACK.PIN	4P	LPR6520-B71
PJ504	V4199200	JACK.PIN	6P	
PN501	V3750200	PIN	L=70	
Q501	VD303700	TR	2SC3326 A,B	
Q502	VD303700	TR	2SC3326 A,B	
Q503	VD303700	TR	2SC3326 A,B	
Q504	VD303700	TR	2SC3326 A,B	
Q505	VD303700	TR	2SC3326 A,B(UCRTAL)	
Q506	VD303700	TR	2SC3326 A,B(UCRTAL)	
Q507	VV556500	TR.CHP	2SA1037 QRS(UCAL)	
Q508	VV556500	TR.CHP	2SA1037 QRS(UCAL)	
Q509	VV556500	TR.CHP	2SA1037 Q,R,S	
Q510	VV655700	TR.DGT	DTC144EKA	
Q511	VP872700	TR	2SC4488 S,T	
Q512	VD303700	TR	2SC3326 A,B	
Q513	VD303700	TR	2SC3326 A,B	
Q514	VP872600	TR	2SA1708 S,T	

* New Parts

P.C.B. FUNCTION & P.C.B. OPERATION

Schm Ref.	PART NO.	Description		
Q515	VD303700	TR	2SC3326 A,B	
Q516	VD303700	TR	2SC3326 A,B	
Q517	VD303700	TR	2SC3326 A,B	
Q518	VD303700	TR	2SC3326 A,B	
Q519	VD303700	TR	2SC3326 A,B	
Q520	VD303700	TR	2SC3326 A,B	
Q521	VD303700	TR	2SC3326 A,B	
Q522	VD303700	TR	2SC3326 A,B	
Q523	VD303700	TR	2SC3326 A,B	
Q524	VD303700	TR	2SC3326 A,B	
Q525	VD303700	TR	2SC3326 A,B	
Q526	VD303700	TR	2SC3326 A,B	
Q527	VD303700	TR	2SC3326 A,B	
Q528	VD303700	TR	2SC3326 A,B	
Q529	VD303700	TR	2SC3326 A,B	
Q530	VD303700	TR	2SC3326 A,B	
Q531	VV556500	TR. CHP	2SA1037 Q,R,S	
Q532	VV556500	TR. CHP	2SA1037 Q,R,S	
Q533	VV556500	TR. CHP	2SA1037 Q,R,S	
Q534	VV556500	TR. CHP	2SA1037 Q,R,S	
Q535	VV556500	TR. CHP	2SA1037 Q,R,S	
Q536	VV556500	TR. CHP	2SA1037 Q,R,S	
Q537	VV556500	TR. CHP	2SA1037 Q,R,S	
Q538	VV556500	TR. CHP	2SA1037 Q,R,S	
Q539	VV556500	TR. CHP	2SA1037 Q,R,S	
Q540	VV556500	TR. CHP	2SA1037 Q,R,S	
Q541	VV556500	TR. CHP	2SA1037 Q,R,S	
Q542	VV556500	TR. CHP	2SA1037 Q,R,S	
Q543	VV556500	TR. CHP	2SA1037 Q,R,S	
Q544	VV556500	TR. CHP	2SA1037 Q,R,S	
Q545	VV655700	TR. DGT	DTC144EKA	
R563	RD357330	R. MTL. CHP	33K 1/10W(UCRTAL)	
R565	RD357330	R. MTL. CHP	33K 1/10W(UCRTAL)	
R567	HV755100	R. CAR. FP	100 1/4W	
R568	HV755100	R. CAR. FP	100 1/4W	
R650	HV753220	R. CAR. FP	2.2 1/4W	
R651	HV753220	R. CAR. FP	2.2 1/4W	
R672	HV754100	R. CAR. FP	10 1/4W	
R722	HV753220	R. CAR. FP	2.2 1/4W	
R723	HV753220	R. CAR. FP	2.2 1/4W	
R817	HV753220	R. CAR. FP	2.2 1/4W	
ST501	V4040500	SCR. TERM	M3	
ST502	V4040500	SCR. TERM	M3	
XL501	VT630600	RSNR. CE	16MHz CST	
	V6292400	P. C. B.	OPERATION(UCRTAL)	
	V6292500	P. C. B.	OPERATION(BG)	
CB801	VM973500	CN. BS. PIN	17P	
CB802	Vi878200	CN. BS. PIN	4P	
CB804	Vi878100	CN. BS. PIN	3P	
CB805	Vi878100	CN. BS. PIN	3P	
CB901	Vi878500	CN. BS. PIN	7P	
CB902	VQ044900	CN. BS. PIN	19P	
CB941	Vi878100	CN. BS. PIN	3P	
CB961	VK026200	CN. BS. PIN	3P	
CB962	VK026600	CN. BS. PIN	7P	
CB971	V5478200	CN. PHOT. SN	1P GP1FA551RZ	
CB972	VQ044500	CN. BS. PIN	11P	
CB973	Vi878200	CN. BS. PIN	4P	
CB974	VB389800	CN. BS. PIN	2P	
C801	UU137470	C. EL	47uF 16V	

Schm Ref.	PART NO.	Description		
C802	UU137470	C. EL	47uF 16V	
C803	UU137470	C. EL	47uF 16V	
C804	UU137470	C. EL	47uF 16V	
C805	UU165100	C. EL	0.1uF 50V	
C806	UU165100	C. EL	0.1uF 50V	
C807	UU165100	C. EL	0.1uF 50V	
C808	UU165100	C. EL	0.1uF 50V	
C809	UU166100	C. EL	1uF 50V	
C810	UU166100	C. EL	1uF 50V	
C811	UU166220	C. EL	2.2uF 50V	
C812	UU166220	C. EL	2.2uF 50V	
C813	VQ645600	C. MYLAR	100pF 50V	
C814	VQ645600	C. MYLAR	100pF 50V	
C815	UU137470	C. EL	47uF 16V	
C816	UU137470	C. EL	47uF 16V	
C817	UA655120	C. MYLAR	0.12uF 50V	
C818	UA655120	C. MYLAR	0.12uF 50V	
C819	UA954330	C. MYLAR	0.033uF 50V	
C820	UA954330	C. MYLAR	0.033uF 50V	
C821	UU137100	C. EL	10uF 16V	
C822	UU137100	C. EL	10uF 16V	
C823	UU137470	C. EL	47uF 16V	
C824	UU137470	C. EL	47uF 16V	
C825	UU137100	C. EL	10uF 16V	
C826	UU137100	C. EL	10uF 16V	
C827	UA952100	C. MYLAR	100pF 50V	
C828	UA952100	C. MYLAR	100pF 50V	
C829	UA952100	C. MYLAR	100pF 50V	
C830	UA952100	C. MYLAR	100pF 50V	
C831	UU137470	C. EL	47uF 16V	
C832	UU137470	C. EL	47uF 16V	
C833	VG276600	C. CE. TUBLR	22pF 50V	
C834	VG276600	C. CE. TUBLR	22pF 50V	
C835	UU139100	C. EL	1000uF 16V	
C836	UU139100	C. EL	1000uF 16V	
C837	UA655120	C. MYLAR	0.12uF 50V	
C838	UA655120	C. MYLAR	0.12uF 50V	
C901	VJ599100	C. CE. TUBLR	0.1uF 50V	
C902	VJ599100	C. CE. TUBLR	0.1uF 50V	
C903	VJ599100	C. CE. TUBLR	0.1uF 50V	
C904	VJ599100	C. CE. TUBLR	0.1uF 50V	
C905	UM388100	C. EL	100uF 10V	
C906	VJ599100	C. CE. TUBLR	0.1uF 50V	
C907	VG277000	C. CE. TUBLR	33pF 50V	
C908	VJ599100	C. CE. TUBLR	0.1uF 50V	
C909	VJ599100	C. CE. TUBLR	0.1uF 50V	
C910	V6295600	C. EL	330uF 6.3V	
C911	VJ599100	C. CE. TUBLR	0.1uF 50V	
C912	VJ599100	C. CE. TUBLR	0.1uF 50V	
C913	VF467000	C. CE. TUBLR	1000pF 50V	
C914	VF467000	C. CE. TUBLR	1000pF 50V	
C961	VJ599100	C. CE. TUBLR	0.1uF 50V	
C971	VJ599100	C. CE. TUBLR	0.1uF 50V	
C972	UR837470	C. EL	47uF 16V	
C973	VF466900	C. CE. TUBLR	470pF 50V	
C974	VF466900	C. CE. TUBLR	470pF 50V	
C975	VJ599100	C. CE. TUBLR	0.1uF 50V	
C976	VJ599100	C. CE. TUBLR	0.1uF 50V	
C977	UA953100	C. MYLAR	1000pF 50V	
C978	UA953100	C. MYLAR	1000pF 50V	
C979	UA954100	C. MYLAR	0.01uF 50V	
C980	UA953100	C. MYLAR	1000pF 50V	
C981	VJ599100	C. CE. TUBLR	0.1uF 50V	

* New Parts

* New Parts

P.C.B. DSP

Schm Ref.	PART NO.	Description		
C523	US061100	C. CE. M. CHP	10pF	50V
C524	US061100	C. CE. M. CHP	10pF	50V
C525	US061100	C. CE. M. CHP	10pF	50V(RLT)
C526	US044220	C. CE. M. CHP	0.022uF	25V(RLT)
C527	US061750	C. CE. CHP	75pF	50V(RLT)
C528	US135100	C. CE. CHP	0.1uF	16V
C529	US061100	C. CE. M. CHP	10pF	50V
C530	US044220	C. CE. M. CHP	0.022uF	25V
C531	US061330	C. CE. M. CHP	33pF	50V
C532	US063100	C. CE. M. CHP	1000pF	50V
C533	US062220	C. CE. CHP	220pF	50V
C534	US063100	C. CE. M. CHP	1000pF	50V
C535	US062220	C. CE. CHP	220pF	50V
C536	US063100	C. CE. M. CHP	1000pF	50V
C537	US062220	C. CE. CHP	220pF	50V(RLT)
C538	US063100	C. CE. M. CHP	1000pF	50V(RLT)
C539	US061100	C. CE. M. CHP	10pF	50V(RLT)
C540	UR837470	C. EL	47uF	16V(RLT)
C541	US135100	C. CE. CHP	0.1uF	16V(RLT)
C542	UR837470	C. EL	47uF	16V(RLT)
C543	US135100	C. CE. CHP	0.1uF	16V(RLT)
C544	US135100	C. CE. CHP	0.1uF	16V
C545	US135100	C. CE. CHP	0.1uF	16V
C546	UR819100	C. EL	1000uF	6.3V
C547	UR819100	C. EL	1000uF	6.3V
C548	US135100	C. CE. CHP	0.1uF	16V
C549	US135100	C. CE. CHP	0.1uF	16V
C550	US135100	C. CE. CHP	0.1uF	16V
C551	US135100	C. CE. CHP	0.1uF	16V
C552	US135100	C. CE. CHP	0.1uF	16V
C553	US135100	C. CE. CHP	0.1uF	16V
C554	US064100	C. CE. M. CHP	0.01uF	50V(RLT)
C555	VR169200	C. MYLAR. ML	ECQ-V1H474JL3	(RLT)
C556	US135100	C. CE. CHP	0.1uF	16V
C557	UR818470	C. EL	470uF	6.3V
C558	UR818100	C. EL	100uF	6.3V
C559	US135100	C. CE. CHP	0.1uF	16V
C560	UR819100	C. EL	1000uF	6.3V
C561	UR818100	C. EL	100uF	6.3V
C562	US135100	C. CE. CHP	0.1uF	16V
C563	US135100	C. CE. CHP	0.1uF	16V
C564	US061330	C. CE. M. CHP	33pF	50V
C565	US061330	C. CE. M. CHP	33pF	50V
C566	UR819100	C. EL	1000uF	6.3V
C567	US135100	C. CE. CHP	0.1uF	16V(RLT)
C568	US135100	C. CE. CHP	0.1uF	16V(RLT)
C569	US135100	C. CE. CHP	0.1uF	16V(RLT)
C570	US135100	C. CE. CHP	0.1uF	16V(RLT)
C571	US135100	C. CE. CHP	0.1uF	16V(RLT)
C572	UR828100	C. EL	100uF	10V(RLT)
C573	UR828100	C. EL	100uF	10V(RLT)
C574	VR169200	C. MYLAR. ML	ECQ-V1H474JL3	(RLT)
C575	US135100	C. CE. CHP	0.1uF	16V
C576	UR818470	C. EL	470uF	6.3V
C577	US061470	C. CE. M. CHP	47pF	50V
C578	US061470	C. CE. M. CHP	47pF	50V
C579	US061470	C. CE. M. CHP	47pF	50V
C580	US061470	C. CE. M. CHP	47pF	50V
C581	US061470	C. CE. M. CHP	47pF	50V
C582	US061470	C. CE. M. CHP	47pF	50V
C583	US061470	C. CE. M. CHP	47pF	50V
C584	UR818100	C. EL	100uF	6.3V
C585	US135100	C. CE. CHP	0.1uF	16V

* New Parts

Schm Ref.	PART NO.	Description		
C587	US135100	C. CE. CHP	0.1uF	16V
C588	US063470	C. CE. CHP	4700pF	50V
C589	UR818100	C. EL	100uF	6.3V
C590	UN837470	C. EL	47uF	16V(RLT)
C591	US135100	C. CE. CHP	0.1uF	16V(RLT)
C592	UR828100	C. EL	100uF	10V(RLT)
C593	US135100	C. CE. CHP	0.1uF	16V
C594	US135100	C. CE. CHP	0.1uF	16V(RLTABG)
C595	US135100	C. CE. CHP	0.1uF	16V
C596	US135100	C. CE. CHP	0.1uF	16V(RLTABG)
C597	US135100	C. CE. CHP	0.1uF	16V
C598	US061470	C. CE. M. CHP	47pF	50V
C599	US135100	C. CE. CHP	0.1uF	16V
C600	US135100	C. CE. CHP	0.1uF	16V
C601	US135100	C. CE. CHP	0.1uF	16V(RLT)
C602	US064100	C. CE. M. CHP	0.01uF	50V(RLT)
C603	US061180	C. CE. CHP	18pF	50V(RLT)
C604	US060200	C. CE. CHP	2pF	50V(RLT)
C605	US135100	C. CE. CHP	0.1uF	16V
C606	UR819100	C. EL	1000uF	6.3V
C607	US135100	C. CE. CHP	0.1uF	16V
C608	US135100	C. CE. CHP	0.1uF	16V
C609	US135100	C. CE. CHP	0.1uF	16V
C610	UR818100	C. EL	100uF	6.3V
C611	UR828100	C. EL	100uF	10V(RLT)
C612	US064100	C. CE. M. CHP	0.01uF	50V(RLT)
C613	US135100	C. CE. CHP	0.1uF	16V(RLT)
C614	UR828100	C. EL	100uF	10V(RLT)
C615	US135100	C. CE. CHP	0.1uF	16V
C616	UU137470	C. EL	47uF	16V
C617	US135100	C. CE. CHP	0.1uF	16V
C618	UU137470	C. EL	47uF	16V
C619	US135100	C. CE. CHP	0.1uF	16V
C620	UU118100	C. EL	100uF	6.3V
C621	UU137470	C. EL	47uF	16V
C622	US135100	C. CE. CHP	0.1uF	16V
C623	UU137470	C. EL	47uF	16V
C624	US135100	C. CE. CHP	0.1uF	16V
C625	UU137470	C. EL	47uF	16V
C626	US135100	C. CE. CHP	0.1uF	16V
C627	UU137470	C. EL	47uF	16V
C628	US135100	C. CE. CHP	0.1uF	16V
C629	UU137470	C. EL	47uF	16V
C630	US135100	C. CE. CHP	0.1uF	16V
C631	UU137470	C. EL	47uF	16V
C632	US135100	C. CE. CHP	0.1uF	16V
C633	UU147100	C. EL	10uF	25V
C634	UA952680	C. MYLAR	680pF	50V
C635	US135100	C. CE. CHP	0.1uF	16V
C636	US135100	C. CE. CHP	0.1uF	16V
C637	UU166220	C. EL	2.2uF	50V
C638	US135100	C. CE. CHP	0.1uF	16V
C639	UU118100	C. EL	100uF	6.3V
C640	UU147100	C. EL	10uF	25V
C641	UA952150	C. MYLAR	150pF	50V
C642	UA952150	C. MYLAR	150pF	50V
C643	UU147100	C. EL	10uF	25V
C644	UA952680	C. MYLAR	680pF	50V
C645	UU147100	C. EL	10uF	25V
C646	UU147100	C. EL	10uF	25V
C647	UA952680	C. MYLAR	680pF	50V
C648	UU147100	C. EL	10uF	25V
C649	UA952150	C. MYLAR	150pF	50V

* New Parts

P.C.B. DSP

Schm Ref.	PART NO.	Description		
C650	V3888000	C. MYLAR	150pF	50V
C651	UU147100	C. EL	10uF	25V
C652	US135100	C. CE. CHP	0.1uF	16V
C653	US135100	C. CE. CHP	0.1uF	16V
C654	UU147100	C. EL	10uF	25V
C655	V3888000	C. MYLAR	150pF	50V
C656	V3888000	C. MYLAR	150pF	50V
C657	UU147100	C. EL	10uF	25V
C658	US135100	C. CE. CHP	0.1uF	16V
C659	UU128100	C. EL	100uF	10V
C660	US061470	C. CE. M. CHP	47pF	50V
C661	US061470	C. CE. M. CHP	47pF	50V(RLTABG)
C662	US061470	C. CE. M. CHP	47pF	50V
C663	US061470	C. CE. M. CHP	47pF	50V(RLTABG)
C664	US061470	C. CE. M. CHP	47pF	50V
C665	US061470	C. CE. M. CHP	47pF	50V(RLTABG)
C666	US063470	C. CE. CHP	4700pF	50V
C673	VJ599100	C. CE. TUBLR	0.1uF	50V(UC)
C674	VJ599100	C. CE. TUBLR	0.1uF	50V(UC)
C675	UA953150	C. MYLAR	1500pF	50V
C676	UA953150	C. MYLAR	1500pF	50V
C677	UU147100	C. EL	10uF	25V
C678	US135100	C. CE. CHP	0.1uF	16V
C679	US135100	C. CE. CHP	0.1uF	16V
C680	UU147100	C. EL	10uF	25V
C681	UU147100	C. EL	10uF	25V
C682	US135100	C. CE. CHP	0.1uF	16V
C683	US135100	C. CE. CHP	0.1uF	16V
C684	UU147100	C. EL	10uF	25V
C685	UU147100	C. EL	10uF	25V
C686	US135100	C. CE. CHP	0.1uF	16V
C687	US135100	C. CE. CHP	0.1uF	16V
C688	UU147100	C. EL	10uF	25V
C695	UA952100	C. MYLAR	100pF	50V
C696	UA952100	C. MYLAR	100pF	50V
C697	UA952100	C. MYLAR	100pF	50V
C698	UA952100	C. MYLAR	100pF	50V
C699	UU147100	C. EL	10uF	25V
C700	UU147100	C. EL	10uF	25V
C701	Vi715100	C. MYLAR	470pF	50V
C702	Vi715100	C. MYLAR	470pF	50V
C703	UU147100	C. EL	10uF	25V
C704	UU147100	C. EL	10uF	25V
C705	UU147100	C. EL	10uF	25V
C706	UU147100	C. EL	10uF	25V
C707	Vi715100	C. MYLAR	470pF	50V
C708	Vi715100	C. MYLAR	470pF	50V
C709	UU147100	C. EL	10uF	25V
C710	UU147100	C. EL	10uF	25V
C711	UU147100	C. EL	10uF	25V
C712	UU147100	C. EL	10uF	25V
C713	Vi715100	C. MYLAR	470pF	50V
C714	Vi715100	C. MYLAR	470pF	50V
C715	UU147100	C. EL	10uF	25V
C716	UU147100	C. EL	10uF	25V
C717	US135100	C. CE. CHP	0.1uF	16V(RLTABG)
C718	US061470	C. CE. M. CHP	47pF	50V
C719	US061470	C. CE. M. CHP	47pF	50V(RLTABG)
C720	US061470	C. CE. M. CHP	47pF	50V
C721	US061470	C. CE. M. CHP	47pF	50V(RLTABG)
C722	US061470	C. CE. M. CHP	47pF	50V
C726	UU137220	C. EL	22uF	16V
C727	UU147100	C. EL	10uF	25V

* New Parts

Schm Ref.	PART NO.	Description		
C728	US135100	C. CE. CHP	0.1uF	16V
C729	UU137220	C. EL	22uF	16V
C730	UU137470	C. EL	47uF	16V
C731	US135100	C. CE. CHP	0.1uF	16V
C732	UU137470	C. EL	47uF	16V
C733	US135100	C. CE. CHP	0.1uF	16V
C734	UU137470	C. EL	47uF	16V
C735	US135100	C. CE. CHP	0.1uF	16V
C736	UU137470	C. EL	47uF	16V
C737	US135100	C. CE. CHP	0.1uF	16V
C738	US063470	C. CE. CHP	4700pF	50V
D501	VT332900	DIODE	1SS355	
D502	VT332900	DIODE	1SS355	
D503	VT332900	DIODE	1SS355	
D504	VT332900	DIODE	1SS355	
D505	VT332900	DIODE	1SS355	
D506	VT332900	DIODE	1SS355(RLT)	
D507	VT332900	DIODE	1SS355(RLT)	
D508	VT332900	DIODE	1SS355(RLT)	
D509	VT332900	DIODE	1SS355	
D510	VT332900	DIODE	1SS355	
D511	VT332900	DIODE	1SS355	
D512	VT332900	DIODE	1SS355	
D513	VT332900	DIODE	1SS355	
D514	VT332900	DIODE	1SS355	
D515	VT707700	C. TRIM	KV1851-TL(RLT)	
D516	VT332900	DIODE	1SS355	
D517	VT332900	DIODE	1SS355	
D518	VT332900	DIODE	1SS355	
D519	VT332900	DIODE	1SS355	
D520	VT332900	DIODE	1SS355	
D521	VT332900	DIODE	1SS355	
D522	VT332900	DIODE	1SS355	
D523	VT332900	DIODE	1SS355	
D524	VV220700	DIODE. SHOT	RB501V-40	
D525	VV220700	DIODE. SHOT	RB501V-40	
D526	VV220700	DIODE. SHOT	RB501V-40	
D527	VV220700	DIODE. SHOT	RB501V-40	
D528	VV220700	DIODE. SHOT	RB501V-40	
D529	VV220700	DIODE. SHOT	RB501V-40	
D530	VV220700	DIODE. SHOT	RB501V-40	
D531	VV220700	DIODE. SHOT	RB501V-40	
D532	VT332900	DIODE	1SS355	
D533	VT332900	DIODE	1SS355	
D534	VT332900	DIODE	1SS355	
D535	VT332900	DIODE	1SS355	
D536	VT332900	DIODE	1SS355	
D537	VT332900	DIODE	1SS355	
D538	VT332900	DIODE	1SS355	
D539	VD631600	DIODE	1SS133, 176	
IC501	XY580A00	IC	YSS928	
IC502	XV077A00	IC	MSM514260C-60JS	
IC503	XT958A00	IC	PM4007A(RLT)	
IC504	XW433A00	IC	CY62256LL(RLT)	
IC505	XZ003A00	IC	PQ025EZ5MZP 2.5V	
IC506	XU965A00	IC	uPC29M33T-E1 3.3V	
IC507	XD655A00	IC	TC74HC00AF NAND	
IC508	XV495A00	IC	TC74VHCT08AF AND	
IC509	XR038A00	IC	NJM2904M OP AMP	
IC510	XD660A00	IC	TC74HCU04AF-TP1	
IC511	XD660A00	IC	TC74HCU04AF-TP1	
IC512	XF291A00	IC	uPC4570G2(RLT)	
IC513	XD655A00	IC	TC74HC00AF NAND	

* New Parts

P.C.B. DSP & P.C.B. VIDEO

Schm Ref.	PART NO.	Description	
IC514	XZ002A00	IC	AK4527VQ
IC515	XF291A00	IC	uPC4570G2
IC516	XF291A00	IC	uPC4570G2
IC517	XF291A00	IC	uPC4570G2
IC518	XF291A00	IC	uPC4570G2
IC519	XF291A00	IC	uPC4570G2
IC520	XW029A00	IC	AK4393-VF-E2
IC521	XW029A00	IC	AK4393-VF-E2
IC522	XF291A00	IC	uPC4570G2
IC523	XF291A00	IC	uPC4570G2
L501	V2726500	COIL	68uH
L502	V2726500	COIL	68uH
L503	V2726500	COIL	68uH
L504	V2726500	COIL	68uH
L506	VT623200	FLTR.LC	SBP-4930(RLT)
L507	V2726500	COIL	68uH(RLT)
PJ501	V5715300	JACK.PIN	2P(UCABG)
PJ501	V6290500	JACK.PIN	3P YKC21-4261(RLT)
Q501	iA103700	TR.CHP	2SA1037 Q,R,S(RLT)
Q502	VV556400	TR	2SC2412K Q,R,S(RLT)
Q503	VV556400	TR	2SC2412K Q,R,S(RLT)
Q504	VV556400	TR	2SC2412K Q,R,S(RLT)
Q505	iA103700	TR.CHP	2SA1037 Q,R,S(RLT)
Q506	VV556400	TR	2SC2412K Q,R,S(RLT)
Q507	VV556400	TR	2SC2412K Q,R,S(RLT)
Q508	iA103700	TR.CHP	2SA1037 Q,R,S(RLT)
Q509	VV655300	TR.DGT	DTA144EKA
Q510	VV655300	TR.DGT	DTA144EKA
Q511	VV655300	TR.DGT	DTA144EKA
Q512	VV655300	TR.DGT	DTA144EKA
Q513	VV655300	TR.DGT	DTA144EKA
Q514	VD303700	TR	2SC3326 A,B
Q515	VD303700	TR	2SC3326 A,B
Q516	VV655300	TR.DGT	DTA144EKA
Q517	VV655300	TR.DGT	DTA144EKA
Q518	VV655300	TR.DGT	DTA144EKA
Q519	VD303700	TR	2SC3326 A,B
Q522	VD303700	TR	2SC3326 A,B
Q523	VD303700	TR	2SC3326 A,B
Q524	VD303700	TR	2SC3326 A,B
Q525	VD303700	TR	2SC3326 A,B
Q526	VD303700	TR	2SC3326 A,B
Q527	VD303700	TR	2SC3326 A,B
R594	HV753100	R.CAR.FP	1 1/4W(RLT)
R595	HV753100	R.CAR.FP	1 1/4W(RLT)
R596	HV753220	R.CAR.FP	2.2 1/4W
R597	HV753220	R.CAR.FP	2.2 1/4W
R598	VU224000	R.MTL.FLM	0.22 1W J
R599	HV753100	R.CAR.FP	1 1/4W
R600	HV753100	R.CAR.FP	1 1/4W
R601	VU224000	R.MTL.FLM	0.22 1W J
R609	VU224000	R.MTL.FLM	0.22 1W J
R610	HV753220	R.CAR.FP	2.2 1/4W
R611	HV753220	R.CAR.FP	2.2 1/4W
XL501	V3625700	RSNR.CRYS	24.576MHz
XL502	VT928600	RSNR.CRYS	18.432MHz(RLT)
*	V6252600	P.C.B.	VIDEO(U)
*	V6252700	P.C.B.	VIDEO(RT)
*	V6252800	P.C.B.	VIDEO(AL)
*	V6252900	P.C.B.	VIDEO(BG)
*	V6674800	P.C.B.	VIDEO(C)

* New Parts

Schm Ref.	PART NO.	Description	
CB231	VF982200	CN.BS.PIN	14P
CB232	VQ044500	CN.BS.PIN	11P
CB601	VM929900	CN.BS.PIN	15P
CB602	VN066500	CN.BS.PIN	12P
CB603	Vi878200	CN.BS.PIN	4P
CB701	VM929900	CN.BS.PIN	15P
CB751	Vi878200	CN.BS.PIN	4P
CB851	VM859500	CN.BS.PIN	11P
CB852	V6509500	SOCKET	9P SE 3170
C231	VK534000	C.PP	220pF 200V
C232	UU177220	C.EL	22uF 63V
C233	VQ462600	C.MYLAR	220pF 50V(RTALBG)
C233	VQ645600	C.MYLAR	100pF 50V(UC)
C234	UU147100	C.EL	10uF 25V
C235	VQ462600	C.MYLAR	220pF 50V
C236	VQ462600	C.MYLAR	220pF 50V(RTALBG)
C236	VQ645600	C.MYLAR	100pF 50V(UC)
C237	UU147100	C.EL	10uF 25V
C238	VQ462600	C.MYLAR	220pF 50V
C239	VQ462600	C.MYLAR	220pF 50V(RTALBG)
C239	VQ645600	C.MYLAR	100pF 50V(UC)
C240	UU147100	C.EL	10uF 25V
C241	UA952220	C.MYLAR	220pF 50V
C242	VQ462600	C.MYLAR	220pF 50V(RTALBG)
C242	VQ645600	C.MYLAR	100pF 50V(UC)
C243	UU147100	C.EL	10uF 25V
C244	UA952220	C.MYLAR	220pF 50V
C245	VQ462600	C.MYLAR	220pF 50V(RTALBG)
C245	VQ645600	C.MYLAR	100pF 50V(UC)
C246	UU147100	C.EL	10uF 25V
C247	VQ462600	C.MYLAR	220pF 50V
C248	UU138100	C.EL	100uF 16V
C249	UU177220	C.EL	22uF 63V
C250	UA953100	C.MYLAR	1000pF 50V
C251	VQ463300	C.PP	22pF 630V
C252	UU168100	C.EL	100uF 50V
C253	UA953100	C.MYLAR	1000pF 50V
C254	VQ463300	C.PP	22pF 630V
C255	UU168100	C.EL	100uF 50V
C256	UA953100	C.MYLAR	1000pF 50V
C257	VS696700	C.CE	33pF 500V
C258	UU157470	C.EL	47uF 35V
C259	UA953100	C.MYLAR	1000pF 50V
C260	VS696700	C.CE	33pF 500V
C261	UU157470	C.EL	47uF 35V
C262	UA953100	C.MYLAR	1000pF 50V
C263	VQ245400	C.PP	33pF 200V
C264	UU157470	C.EL	47uF 35V
C265	UR819220	C.EL	2200uF 6.3V
C266	UR819220	C.EL	2200uF 6.3V(UCRTAL)
C601	US062100	C.CE.M.CHP	100pF 50V
C602	US062100	C.CE.M.CHP	100pF 50V
C603	US062100	C.CE.M.CHP	100pF 50V
C604	US062100	C.CE.M.CHP	100pF 50V
C605	US062100	C.CE.M.CHP	100pF 50V
C606	US062100	C.CE.M.CHP	100pF 50V
C607	US135100	C.CE.CHP	0.1uF 16V
C608	US135100	C.CE.CHP	0.1uF 16V
C609	US135100	C.CE.CHP	0.1uF 16V
C610	UR829100	C.EL	1000uF 10V
C611	UR837470	C.EL	47uF 16V
C612	UR837470	C.EL	47uF 16V
C613	UR837470	C.EL	47uF 16V

* New Parts

P.C.B. VIDEO

Schm Ref.	PART NO.	Description		
C614	US135100	C.CE.CHP	0.1uF	16V
C616	US135100	C.CE.CHP	0.1uF	16V
C617	UR827470	C.EL	47uF	10V
C618	UR837470	C.EL	47uF	16V
C619	US062820	C.CE.CHP	820pF	50V(ALBG)
C619	US063150	C.CE.M.CHP	1500pF	50V(UCRT)
C620	US062270	C.CE.M.CHP	270pF	50V(ALBG)
C620	US062390	C.CE.M.CHP	390P	50V(UCRT)
C621	UR827470	C.EL	47uF	10V
C622	UR827470	C.EL	47uF	10V
C623	UR827470	C.EL	47uF	10V
C624	UR827470	C.EL	47uF	10V
C625	UR847100	C.EL	10uF	25V
C626	US135100	C.CE.CHP	0.1uF	16V
C627	US135100	C.CE.CHP	0.1uF	16V
C628	US135100	C.CE.CHP	0.1uF	16V
C629	US135100	C.CE.CHP	0.1uF	16V
C630	US060800	C.CE.CHP	8pF	50V
C631	UR827470	C.EL	47uF	10V
C632	UR827470	C.EL	47uF	10V
C633	US061330	C.CE.M.CHP	33pF	50V
C634	US064100	C.CE.M.CHP	0.01uF	50V
C635	UR827470	C.EL	47uF	10V
C636	UR866470	C.EL	4.7uF	50V
C637	UR866470	C.EL	4.7uF	50V
C638	US135100	C.CE.CHP	0.1uF	16V
C639	US063120	C.CE.M.CHP	1200pF	50V
C640	US062470	C.CE.M.CHP	470pF	50V
C641	UR866100	C.EL	1uF	50V
C642	UR866100	C.EL	1uF	50V
C643	US060700	C.CE.CHP	7pF	50V
C644	US061240	C.CE.CHP	24pF	50V
C645	US061240	C.CE.CHP	24pF	50V
C646	US062220	C.CE.CHP	220pF	50V
C647	US062120	C.CE.CHP	120pF	50V
C648	UR827470	C.EL	47uF	10V
C649	US135100	C.CE.CHP	0.1uF	16V
C650	US135100	C.CE.CHP	0.1uF	16V
C651	UR847100	C.EL	10uF	25V
C652	US135100	C.CE.CHP	0.1uF	16V
C701	US062100	C.CE.M.CHP	100pF	50V
C702	US062100	C.CE.M.CHP	100pF	50V
C703	US062100	C.CE.M.CHP	100pF	50V(UCRT)
C704	US062100	C.CE.M.CHP	100pF	50V
C705	UR847100	C.EL	10uF	25V
C706	UR829100	C.EL	1000uF	10V
C707	UR827470	C.EL	47uF	10V
C708	UR827470	C.EL	47uF	10V
C709	UR827470	C.EL	47uF	10V
C710	UR827470	C.EL	47uF	10V
C711	UR827470	C.EL	47uF	10V(UCRT)
C712	US135220	C.CE.CHP	0.22uF	16V
C713	UR827470	C.EL	47uF	10V
C714	UR838100	C.EL	100uF	16V
C715	US135100	C.CE.CHP	0.1uF	16V
C716	US135100	C.CE.CHP	0.1uF	16V
C721	UR827470	C.EL	47uF	10V
C722	US135100	C.CE.CHP	0.1uF	16V
C723	US135100	C.CE.CHP	0.1uF	16V
C751	VF466800	C.CE.TUBLR	100pF	50V
C752	VF466800	C.CE.TUBLR	100pF	50V
C753	VF466800	C.CE.TUBLR	100pF	50V
C757	US135100	C.CE.CHP	0.1uF	16V

* New Parts

Schm Ref.	PART NO.	Description		
C758	US135100	C.CE.CHP	0.1uF	16V
C759	UR847100	C.EL	10uF	25V
C760	UR847100	C.EL	10uF	25V
C851	US135100	C.CE.CHP	0.1uF	16V
C852	US135100	C.CE.CHP	0.1uF	16V
C853	US135100	C.CE.CHP	0.1uF	16V
C854	US135100	C.CE.CHP	0.1uF	16V
C855	US135100	C.CE.CHP	0.1uF	16V
C856	US135100	C.CE.CHP	0.1uF	16V
C857	UU128100	C.EL	100uF	10V
D231	VD631600	DIODE	1SS133,	176
D232	VG440300	DIODE.ZENR	MTZJ12C	12V
D233	VG440300	DIODE.ZENR	MTZJ12C	12V
D234	VG440100	DIODE.ZENR	MTZJ12A(CR TALBG)	
D234	VG442000	DIODE.ZENR	MTZJ22A	22V(U)
D235	VG439100	DIODE.ZENR	MTZJ9.1A	9.1V
D236	VD631600	DIODE	1SS133,	176
D237	VD631600	DIODE	1SS133,	176
D601	VD631600	DIODE	1SS133,	176
D602	VD631600	DIODE	1SS133,	176
D603	VD631600	DIODE	1SS133,	176
D604	VD631600	DIODE	1SS133,	176
D605	VD631600	DIODE	1SS133,	176
D606	VD631600	DIODE	1SS133,	176
D607	VD631600	DIODE	1SS133,	176
D608	VD631600	DIODE	1SS133,	176
D609	VD631600	DIODE	1SS133,	176
D610	VD631600	DIODE	1SS133,	176
D851	VT332900	DIODE	1SS355(UCRTAL)	
IC601	XW939A00	IC	TK15420M	VIDEO AMP
IC602	XL493A00	IC	TC74HC4051AP	
IC603	XL493A00	IC	TC74HC4051AP	
IC604	XL493A00	IC	TC74HC4051AP	
IC605	XL493A00	IC	TC74HC4051AP	
IC606	iR405300	IC	TC74HC4053AP(UCRTAL)	
IC607	iR405300	IC	TC74HC4053AP	
IC608	iG142200	IC	TC74HCU04AP	
IC609	XY443A00	IC	LA7109	6CH
IC610	XZ060A00	IC	LC74781-9798	
IC611	XW416A00	IC	BU2092	SER/PAR
IC701	XW911A00	IC	LA7108M	VIDEO AMP
IC702	XL493A00	IC	TC74HC4051AP	
IC703	XL493A00	IC	TC74HC4051AP	
IC704	iR405300	IC	TC74HC4053AP(UCRTAL)	
IC751	XZ177A00	IC	LA7104M	VIDEO AMP
IC752	iR405300	IC	TC74HC4053AP	
IC851	XW863A00	IC	ADM202JRN-REEL7	
JK601	VP113600	CN.DIN	2P	
JK602	VP113600	CN.DIN	2P	
JK603	VP113600	CN.DIN	2P	
JK604	VU245200	CN.DIN	1P	
JK605	VQ960400	CN.DIN	1P	
JK851	VJ726800	JACK.MNI	(UCRTAL)	
JK852	VJ726800	JACK.MNI	(UCRTAL)	
L602	V3233700	COIL	1.5uH	
L603	V6236000	COIL	4.7uH	LAV35VB4R7K
L605	V2726100	COIL	33uH	
PJ701	V2773400	JACK.PIN	1P	
PJ702	VV325000	JACK.PIN	2P	
PJ703	VV325000	JACK.PIN	2P	
PJ704	VV325000	JACK.PIN	2P	
PJ705	V2773400	JACK.PIN	1P(BG)	
PJ705	VV325000	JACK.PIN	2P(UCRTAL)	

* New Parts

P.C.B. VIDEO & P.C.B. MAIN

Schm Ref.	PART NO.	Description		
PJ751	V6222700	JACK.PIN	RJ-1086-06-0331A	
PJ752	V6222700	JACK.PIN	RJ-1086-06-0331A	
PJ753	V6222700	JACK.PIN	RJ-1086-06-0331A	
PN231	V3750200	PIN	L=70	
PN601	V3750200	PIN	L=70	
Q231	VR510800	TR	2SD2396 J,K	
Q232	VP883100	TR	2SC1890A D,E	
Q233	VP883100	TR	2SC1890A D,E	
Q234	V3966800	TR	2SB949 O,Y	
Q235	VP883100	TR	2SC1890A D,E	
Q236	VP883100	TR	2SC1890A D,E	
Q237	V3966800	TR	2SB949 O,Y	
Q238	VP883100	TR	2SC1890A D,E	
Q239	VP883100	TR	2SC1890A D,E	
Q240	V3966800	TR	2SB949 O,Y	
Q241	VP883100	TR	2SC1890A D,E	
Q242	VP883100	TR	2SC1890A D,E	
Q243	V3966800	TR	2SB949 O,Y	
Q244	VP883100	TR	2SC1890A D,E	
Q245	VP883100	TR	2SC1890A D,E	
Q246	V3966800	TR	2SB949 O,Y	
Q247	VP883100	TR	2SC1890A D,E	
Q248	VP883100	TR	2SC1890A D,E	
Q601	iC174020	TR	2SC1740S R,S	
Q602	iC287820	TR	2SC2878 A,B	
Q603	VD678700	TR.DGT	DTC114ES	
Q604	iC174020	TR	2SC1740S R,S	
Q605	iC174020	TR	2SC1740S R,S	
Q606	iA101510	TR	2SA1015 Y	
Q607	iC224030	TR	2SC2240 GR,BL	
Q608	iC053540	TR	2SC535 A,B,C	
Q609	iC287820	TR	2SC2878 A,B(BG)	
Q701	iC174020	TR	2SC1740S R,S	
R250	HV754100	R.CAR.FP	10 1/4W	
R251	HV756470	R.CAR.FP	4.7K 1/4W	
R255	HV754470	R.CAR.FP	47 1/4W	
R262	HV754470	R.CAR.FP	47 1/4W	
R269	HV754470	R.CAR.FP	47 1/4W	
R276	HV754470	R.CAR.FP	47 1/4W	
R283	HV754470	R.CAR.FP	47 1/4W	
R653	RD357330	R.MTL.CHP	33K 1/10W	
XL601	VV949800	RSNR.CRYS	14.31818MHz(UCRT)	
XL601	VV949900	RSNR.CRYS	17.734475MHz(ALBG)	
	V6239400	P.C.B.	MAIN(UC)	
	V6239500	P.C.B.	MAIN(RT)	
	V6239600	P.C.B.	MAIN(A)	
	V6239700	P.C.B.	MAIN(BGL)	
CB1	VN394900	CN.BS.PIN	14P	
CB2	Vi878300	CN.BS.PIN	5P	
CB3	VQ047300	CN.BS.PIN	12P	
CB4	Vi878400	CN.BS.PIN	6P	
CB151	VK026400	CN.BS.PIN	5P	
CB152	VB858800	CN.BS.PIN	9P	
CB201	Vi878400	CN.BS.PIN	6P	
CB202	VF728300	CN	6P	
C1	UU167470	C.EL	47uF 50V	
C2	UU177220	C.EL	22uF 63V	
C3	VQ645600	C.MYLAR	100pF 50V	
C4	UU147470	C.EL	47uF 25V	
C5	VK399200	C.MYLAR.ML	0.39uF 50V	

* New Parts

Schm Ref.	PART NO.	Description		
C6	UU167470	C.EL	47uF	50V
C7	VQ645600	C.MYLAR	100pF	50V
C8	VQ645600	C.MYLAR	100pF	50V
C9	UU147470	C.EL	47uF	25V
C10	VK399200	C.MYLAR.ML	0.39uF	50V
C11	UU167470	C.EL	47uF	50V
C12	VQ645600	C.MYLAR	100pF	50V
C13	VR325000	C.MYLAR	100pF	100V
C14	UU147470	C.EL	47uF	25V
C15	UU167470	C.EL	47uF	50V
C16	VR325000	C.MYLAR	100pF	100V
C17	VR325000	C.MYLAR	100pF	100V
C18	UU147470	C.EL	47uF	25V
C19	UU167470	C.EL	47uF	50V
C20	VR325000	C.MYLAR	100pF	100V
C21	VR325000	C.MYLAR	100pF	100V
C22	UU147470	C.EL	47uF	25V
C23	VR325000	C.MYLAR	100pF	100V
C24	UU196470	C.EL	4.7uF	100V
C25	UA954680	C.MYLAR	0.068uF	50V
C26	UA954680	C.MYLAR	0.068uF	50V
C27	UA954680	C.MYLAR	0.068uF	50V
C28	UA954680	C.MYLAR	0.068uF	50V
C29	UA954680	C.MYLAR	0.068uF	50V
C30	UU166470	C.EL	4.7uF	50V
C31	VT898000	C.MYLAR	0.1uF	100V
C32	VK534000	C.PP	220pF	200V
C33	UU166470	C.EL	4.7uF	50V
C34	VT898000	C.MYLAR	0.1uF	100V
C35	UU118220	C.EL	220uF	6.3V
C36	UU166470	C.EL	4.7uF	50V
C37	UU137470	C.EL	47uF	16V
C38	VF466900	C.CE.TUBLR	470pF	50V(RTABGL)
C39	VF466900	C.CE.TUBLR	470pF	50V(RTABGL)
C40	VF466900	C.CE.TUBLR	470pF	50V(RTABGL)
C41	UA954100	C.MYLAR	0.01uF	50V(RTABGL)
C42	UA954100	C.MYLAR	0.01uF	50V(RTABGL)
C43	UA954100	C.MYLAR	0.01uF	50V(RTABGL)
C44	UA954100	C.MYLAR	0.01uF	50V(RTABGL)
C45	UA954100	C.MYLAR	0.01uF	50V(RTABGL)
C46	UA954100	C.MYLAR	0.01uF	50V(RTABGL)
C47	UA954100	C.MYLAR	0.01uF	50V(RTABGL)
C48	UA954100	C.MYLAR	0.01uF	50V(RTABGL)
C49	UA954100	C.MYLAR	0.01uF	50V(RTABGL)
C151	Vi716300	C.MYLAR	4700pF	50V(RTABGL)
C152	Vi716300	C.MYLAR	4700pF	50V(RTABGL)
C153	Vi716300	C.MYLAR	4700pF	50V(RTABGL)
C154	Vi716300	C.MYLAR	4700pF	50V(RTABGL)
C155	Vi716700	C.MYLAR	0.01uF	50V(RTABGL)
C156	Vi716700	C.MYLAR	0.01uF	50V(RTABGL)
C157	UT652100	C.PP	100pF	100V
C158	UT652100	C.PP	100pF	100V
C159	UT652100	C.PP	100pF	100V
C160	UT652100	C.PP	100pF	100V
C161	UT652100	C.PP	100pF	100V
C162	UA655220	C.MYLAR	0.22uF	50V
C163	VF467300	C.CE.TUBLR	0.01uF	16V
C164	VF467300	C.CE.TUBLR	0.01uF	16V
C201	V6976000	C.EL	12000uF	63V
C202	V6976000	C.EL	12000uF	63V
C203	VK534100	C.PP	0.01uF	100V
C204	UR848470	C.EL	470uF	25V
C205	UU147100	C.EL	10uF	25V(RT)

* New Parts

P.C.B. MAIN

Schm Ref.	PART NO.	Description		
△ C206	VT898000	C. MYLAR	0.1uF	100V
△ C207	VT898000	C. MYLAR	0.1uF	100V
C208	UU168100	C. EL	100uF	50V
C209	UA655100	C. MYLAR	0.1uF	50V
C210	UA655100	C. MYLAR	0.1uF	50V
C211	UU168100	C. EL	100uF	50V
C212	UR897100	C. EL	10uF	100V(RT)
C213	UU167100	C. EL	10uF	50V(RT)
C214	Vi716700	C. MYLAR	0.01uF	50V
D1	VN008700	D.IODE	1SS270A	
D2	VD631600	D.IODE	1SS133, 176	
D3	VD631600	D.IODE	1SS133, 176	
D4	VN008700	D.IODE	1SS270A	
D5	VN008700	D.IODE	1SS270A	
D6	VN008700	D.IODE	1SS270A	
D7	VN008700	D.IODE	1SS270A	
D8	VN008700	D.IODE	1SS270A	
D9	VN008700	D.IODE	1SS270A	
D10	VN008700	D.IODE	1SS270A	
D11	VN008700	D.IODE	1SS270A	
D12	VN008700	D.IODE	1SS270A	
D13	VD631600	D.IODE	1SS133, 176	
D14	VD631600	D.IODE	1SS133, 176	
D15	VG440300	D.IODE. ZENR	MTZJ12C	12V
D16	VG440300	D.IODE. ZENR	MTZJ12C	12V
D17	VG443200	D.IODE. ZENR	MTZ J	30.0A 30.0V
D18	VN008700	D.IODE	1SS270A	
D19	VN008700	D.IODE	1SS270A	
D20	VN008700	D.IODE	1SS270A	
D21	VG440300	D.IODE. ZENR	MTZJ12C	12V
D22	VG440300	D.IODE. ZENR	MTZJ12C	12V
D23	VN008700	D.IODE	1SS270A	
D24	VN008700	D.IODE	1SS270A	
D25	VG437200	D.IODE. ZENR	MTZJ4.7C	4.7V
D26	VD631600	D.IODE	1SS133, 176	
D27	VD631600	D.IODE	1SS133, 176	
D28	VD631600	D.IODE	1SS133, 176	
D151	VG440300	D.IODE. ZENR	MTZJ12C	12V
D152	VG440300	D.IODE. ZENR	MTZJ12C	12V
D153	VG440300	D.IODE. ZENR	MTZJ12C	12V
D154	VG440300	D.IODE. ZENR	MTZJ12C	12V
△ D201	VM702000	D.IODE. BRG	S5VB20	3.5A 200V
D202	VD631600	D.IODE	1SS133, 176(RT)	
D203	VG439900	D.IODE. ZENR	MTZJ11B	11V(RT)
△ D204	VS997800	D.IODE	1T2	
△ D205	VS997800	D.IODE	1T2	
△ D206	VS997800	D.IODE	1T2	
△ D207	VS997800	D.IODE	1T2	
D208	VV307700	D.IODE	1N4002S(RT)	
D209	VV307700	D.IODE	1N4002S	
D210	VV307700	D.IODE	1N4002S	
D211	VV307700	D.IODE	1N4002S	
D212	VV307700	D.IODE	1N4002S	
G2	VR463400	TERM. GND	D3.5	TP00385
G201	VR463400	TERM. GND	D3.5	TP00385
HS201	VR506800	HEAT. SINK	PUH16-25	(RT)
L1	VU038200	COIL	0.95uH	
L2	VU038200	COIL	0.95uH	
L3	V2604200	COIL	1uH	
L4	V2604200	COIL	1uH	
L5	VU038200	COIL	0.95uH	
PJ1	VP768000	JACK. PIN	2P	
PJ2	VK437600	JACK. PIN	1P	

* New Parts

Schm Ref.	PART NO.	Description		
* PJ151	VJ249500	JACK. PIN	4P	
* PJ152	V6125900	JACK. PIN	WH/RED	LPR6520-351
PN1	V3750200	PIN	L=70	
PN2	V3750200	PIN	L=70	
PN3	V3750200	PIN	L=70	
PN151	V3750200	PIN	L=70	
PN152	V3750200	PIN	L=70	
PN153	V3750200	PIN	L=70	
PN202	V3750200	PIN	L=70	
△ Q1	VK432900	TR	2SD1915F	S, T
△ Q2	VK432900	TR	2SD1915F	S, T
△ Q3	VK432900	TR	2SD1915F	S, T
△ Q4	VK432900	TR	2SD1915F	S, T
△ Q5	VK432900	TR	2SD1915F	S, T
△ Q6	VS883300	TR	2SB1565	E, F
△ Q7	VP883000	TR	2SA893A	D, E
Q8	VP883000	TR	2SA893A	D, E
△ Q9	V4096100	TR	2SC4614	S, T
△ Q10	V4096000	TR	2SA1770	S, T
△ Q11	V4096100	TR	2SC4614	S, T
△ Q12	V4096000	TR	2SA1770	S, T
△ Q13	V4096100	TR	2SC4614	S, T
△ Q14	V4096000	TR	2SA1770	S, T
△ Q15	V4096100	TR	2SC4614	S, T
△ Q16	V4096000	TR	2SA1770	S, T
△ Q17	V4096100	TR	2SC4614	S, T
△ Q18	V4096000	TR	2SA1770	S, T
△ Q19	VY760300	TR. PAIR	2SA1492/C3856	OPY
Q20	VP883100	TR	2SC1890A	D, E
△ Q22	VY760300	TR. PAIR	2SA1492/C3856	OPY
Q23	VP883100	TR	2SC1890A	D, E
△ Q25	VY760300	TR. PAIR	2SA1492/C3856	OPY
Q26	VP883100	TR	2SC1890A	D, E
△ Q28	VY760300	TR. PAIR	2SA1492/C3856	OPY
Q29	VP883100	TR	2SC1890A	D, E
△ Q31	VY760300	TR. PAIR	2SA1492/C3856	OPY
Q32	VP883100	TR	2SC1890A	D, E
Q34	iC181510	TR	2SC1815	Y
Q35	VP883000	TR	2SA893A	D, E
△ Q36	iA101510	TR	2SA1015	Y
Q37	iC181510	TR	2SC1815	Y
Q151	iC181510	TR	2SC1815	Y
Q154	iC181510	TR	2SC1815	Y
Q201	VR510800	TR	2SD2396	J, K(RT)
Q202	iE102620	FET	2SK246	Y(RT)
Q203	VR510800	TR	2SD2396	J, K(RT)
R1	V3946100	R. MTL. OXD	2.7K	0.5W
R2	V3945100	R. MTL. OXD	390	0.5W
R3	V3945500	R. MTL. OXD	820	0.5W
R4	VP941600	R. MTL. OXD	5.6K	1W
R5	VP941600	R. MTL. OXD	5.6K	1W
R6	V3946100	R. MTL. OXD	2.7K	0.5W
R7	V3945100	R. MTL. OXD	390	0.5W
R8	V3945500	R. MTL. OXD	820	0.5W
R9	VP941600	R. MTL. OXD	5.6K	1W
R10	VP941600	R. MTL. OXD	5.6K	1W
R11	V3946100	R. MTL. OXD	2.7K	0.5W
R12	V3945100	R. MTL. OXD	390	0.5W
R13	V3945500	R. MTL. OXD	820	0.5W
R14	VP941600	R. MTL. OXD	5.6K	1W
R15	VP941600	R. MTL. OXD	5.6K	1W
R16	V3946100	R. MTL. OXD	2.7K	0.5W
R17	V3945100	R. MTL. OXD	390	0.5W

* New Parts

P.C.B. MAIN & P.C.B. POWER

Schm Ref.	PART NO.	Description		
R18	V3945500	R.MTL.OXD	820	0.5W
R19	VP941600	R.MTL.OXD	5.6K	1W
R20	VP941600	R.MTL.OXD	5.6K	1W
R21	V3946100	R.MTL.OXD	2.7K	0.5W
R22	V3945100	R.MTL.OXD	390	0.5W
R23	V3945500	R.MTL.OXD	820	0.5W
R24	VP941600	R.MTL.OXD	5.6K	1W
R25	VP941600	R.MTL.OXD	5.6K	1W
R26	HV755100	R.CAR.FP	100	1/4W
R30	VP939700	R.MTL.FLM	4.7	1W
R31	V3945600	R.MTL.OXD	1K	0.5W
R32	V3944800	R.MTL.OXD	220	0.5W
R35	VP939700	R.MTL.FLM	4.7	1W
R36	HV755100	R.CAR.FP	100	1/4W
R37	VP939700	R.MTL.FLM	4.7	1W
R38	V3945600	R.MTL.OXD	1K	0.5W
R39	V3944800	R.MTL.OXD	220	0.5W
R42	VP939700	R.MTL.FLM	4.7	1W
R43	HV755100	R.CAR.FP	100	1/4W
R44	HV754100	R.CAR.FP	10	1/4W
R45	V3945600	R.MTL.OXD	1K	0.5W
R46	V3944800	R.MTL.OXD	220	0.5W
R47	HV754100	R.CAR.FP	10	1/4W
R48	HV755100	R.CAR.FP	100	1/4W
R49	HV754100	R.CAR.FP	10	1/4W
R50	V3945600	R.MTL.OXD	1K	0.5W
R51	V3944800	R.MTL.OXD	220	0.5W
R52	HV754100	R.CAR.FP	10	1/4W
R53	HV755100	R.CAR.FP	100	1/4W
R54	VP939800	R.MTL.OXD	10	1W
R55	V3945600	R.MTL.OXD	1K	0.5W
R56	V3944800	R.MTL.OXD	220	0.5W
R57	VP939800	R.MTL.OXD	10	1W
R58	HV754100	R.CAR.FP	10	1/4W
R62	HV756150	R.CAR.FP	1.5K	1/4W
R65	V3873200	R.WW	0.22	3W
R68	VP939800	R.MTL.OXD	10	1W
R72	V3873200	R.WW	0.22	3W
R73	VP939800	R.MTL.OXD	10	1W
R77	VU981700	R.MTL.PLAT	0.22	+0.22 3W
R78	VP939800	R.MTL.OXD	10	1W
R83	VU981700	R.MTL.PLAT	0.22	+0.22 3W
R84	VP939800	R.MTL.OXD	10	1W
R86	V3873200	R.WW	0.22	3W
R89	VP939800	R.MTL.OXD	10	1W
R95	HV754100	R.CAR.FP	10	1/4W
R98	HV754100	R.CAR.FP	10	1/4W
R101	HV754100	R.CAR.FP	10	1/4W
R103	HV754100	R.CAR.FP	10	1/4W
R106	HV754100	R.CAR.FP	10	1/4W
R107	VP939700	R.MTL.FLM	4.7	1W
R108	VP939700	R.MTL.FLM	4.7	1W
R110	HV755100	R.CAR.FP	100	1/4W
R111	HV756100	R.CAR.FP	1K	1/4W
R112	VP940900	R.MTL.OXD	560	1W
R113	VP940900	R.MTL.OXD	560	1W
R114	VP939700	R.MTL.FLM	4.7	1W
R134	HV753470	R.CAR.FP	4.7	1/4W(RTABGL)
R135	HV753470	R.CAR.FP	4.7	1/4W(RTABGL)
R136	HV753470	R.CAR.FP	4.7	1/4W(RTABGL)
R151	VP940900	R.MTL.OXD	560	1W
R163	VP940900	R.MTL.OXD	560	1W
R206	HV753100	R.CAR.FP	1	1/4W

* New Parts

Schm Ref.	PART NO.	Description		
R207	HV753100	R.CAR.FP	1	1/4W
RY1	VK438300	RELAY		DH24D2-OT/M2
RY2	VU566700	RELAY		DG24D2-OS/M
RY151	VK438300	RELAY		DH24D2-OT/M2
RY152	VK438300	RELAY		DH24D2-OT/M2
ST201	V4040500	SCR.TERM		M3
SW201	V4104200	SW.SLIDE		SL13B-022-AMCS
TE1	V5912000	TERM.SP		6P LTS0610(BGL)
TE1	V5912100	TERM.SP		6P LTS0610(UCRTA)
TE151	V5912200	TERM.SP		6P LTS0810(BGL)
TE151	V5912300	TERM.SP		6P LTS0810(UCRTA)
	V5995800	PLATE.GND		
	EP600140	SCR.BND.HD		3x10 MFZN2-BL(RT)
	V6234800	P.C.B.		POWER(UC)
	V6234900	P.C.B.		POWER(RT)
	V6235000	P.C.B.		POWER(A)
	V6235100	P.C.B.		POWER(B)
	V6235200	P.C.B.		POWER(G)
	V6235300	P.C.B.		POWER(L)
CB1	V5906800	CN		JET 15P TE
CB2	VQ963600	CN.BS.PIN		15P
CB301	Vi878400	CN.BS.PIN		6P
CB302	VP206500	HOLDER.FUS		EYF-52BCT(GL)
CB303	VP206500	HOLDER.FUS		EYF-52BCT(GL)
CB304	VG879900	CN.BS.PIN		2P
CB305	VP206500	HOLDER.FUS		EYF-52BCT
CB306	VP206500	HOLDER.FUS		EYF-52BCT
CB321	VP206500	HOLDER.FUS		EYF-52BCT(RT)
CB322	VP206500	HOLDER.FUS		EYF-52BCT(RT)
CB351	VQ584900	CN.BS.PIN		7P
CB352	VQ584900	CN.BS.PIN		7P
CB353	VK026800	CN.BS.PIN		9P
CB551	VQ961300	CN.BS.PIN		10P
CB552	VQ961400	CN.BS.PIN		11P
CB591	VQ963100	CN.BS.PIN		10P
CB592	VQ961300	CN.BS.PIN		10P
CB593	VQ963200	CN.BS.PIN		11P
CB594	VQ961400	CN.BS.PIN		11P
C1	UU137470	C.EL		47uF 16V
C2	UU137470	C.EL		47uF 16V
C3	VF466800	C.CE.TUBLR		100pF 50V
C4	VF466800	C.CE.TUBLR		100pF 50V
C5	VF467300	C.CE.TUBLR		0.01uF 16V
C6	VF466800	C.CE.TUBLR		100pF 50V
C7	VF467000	C.CE.TUBLR		1000pF 50V
C8	VF466800	C.CE.TUBLR		100pF 50V
C11	VG278600	C.CE.TUBLR		330pF 50V(BG)
C12	VG278600	C.CE.TUBLR		330pF 50V(BG)
C13	VG278800	C.CE.TUBLR		560pF 50V(BG)
C14	UU137470	C.EL		47uF 16V(BG)
C15	UU137470	C.EL		47uF 16V(BG)
C16	VA761100	C.CE		27pF 50V(BG)
C17	VA761100	C.CE		27pF 50V(BG)
C18	VJ599000	C.CE.TUBLR		0.047uF 16V(BG)
C19	UU137470	C.EL		47uF 16V(BG)
C301	Vi716700	C.MYLAR		0.01uF 50V(RT)
C302	VL884600	C.PP		0.01uF 100V(UCABGL)
C303	Vi716700	C.MYLAR		0.01uF 50V(RT)
C304	V3501400	C.CE.SAFTY		0.01uF 275V
C351	UA655100	C.MYLAR		0.1uF 50V

* New Parts

P.C.B. POWER

Schm Ref.	PART NO.	Description		
C352	UA655100	C. MYLAR	0.1uF	50V
C353	UA655100	C. MYLAR	0.1uF	50V
C354	UA655100	C. MYLAR	0.1uF	50V
C355	UU149680	C. EL	6800uF	25V
C356	UU149470	C. EL	4700uF	25V
C357	UU13A100	C. EL	10000uF	16V
C358	UU13A100	C. EL	10000uF	16V
C359	UU13A100	C. EL	10000uF	16V
C360	UU139680	C. EL	6800uF	16V
C361	UU139680	C. EL	6800uF	16V
C362	UU13A100	C. EL	10000uF	16V
C363	UU147100	C. EL	10uF	25V
C364	UU147100	C. EL	10uF	25V
C365	UU138100	C. EL	100uF	16V
C366	UU138100	C. EL	100uF	16V
C367	UU147100	C. EL	10uF	25V
C368	UU138100	C. EL	100uF	16V
C369	UU147100	C. EL	10uF	25V
C370	UU147100	C. EL	10uF	25V
C371	UU138100	C. EL	100uF	16V
C372	UU138100	C. EL	100uF	16V
C551	VJ599100	C. CE. TUBLR	0.1uF	50V
C552	VJ599100	C. CE. TUBLR	0.1uF	50V
C553	UP652470	C. POL	470pF	100V
C554	UP652470	C. POL	470pF	100V
C555	UP652470	C. POL	470pF	100V
C556	UP652470	C. POL	470pF	100V
C557	UP652470	C. POL	470pF	100V
C558	UP652470	C. POL	470pF	100V
C559	UP652470	C. POL	470pF	100V
C560	UP652470	C. POL	470pF	100V
C561	UP652470	C. POL	470pF	100V
C562	UP652470	C. POL	470pF	100V
C563	UP652470	C. POL	470pF	100V
C564	UP652470	C. POL	470pF	100V
C565	UP652470	C. POL	470pF	100V
C566	UP652470	C. POL	470pF	100V
C567	UP652470	C. POL	470pF	100V(UCRTAL)
C568	UP652470	C. POL	470pF	100V(UCRTAL)
D1	VG437700	DIODE. ZENR	MTZJ5.6B	5.6V
D301	VD631600	DIODE	1S5133,176	
D351	V4269600	DIODE. BRG	D2SBA20	1.5A 200V
D352	V4269600	DIODE. BRG	D2SBA20	1.5A 200V
F301	VT942900	FUSE	TH2.5A	250V(GL)
F302	KB000790	FUSE	T4.0A	250V(ABGL)
F302	VS823300	FUSE	T8.0A	125V(UCRT)
F321	KB000790	FUSE	T4.0A	250V(RT)
G1	VR463400	TERM. GND	D3.5	TP00385
IC1	XY534A00	IC	LC72722	(BG)
IC351	XJ608A00	IC	NJM7812FA	
IC352	XD343A00	IC	NJM79M12FA	
IC353	XJ607A00	IC	NJM7805FA	5V
IC354	XJ604A00	IC	NJM78M05FA	
IC355	XE436A00	IC	NJM79M05FA	
L1	Vi546100	COIL	220uH	(BG)
PJ551	V4199100	JACK. PIN	6P	
PJ552	VJ696300	JACK. PIN	4P	
PJ553	V4199100	JACK. PIN	6P(UCRTAL)	
PJ553	VJ696300	JACK. PIN	4P(BG)	
PN351	V3750200	PIN	L=70	
PN352	V3750200	PIN	L=70	
Q1	iC181510	TR	2SC1815	Y
Q2	iC174020	TR	2SC1740S	R,S(BG)

* New Parts

Schm Ref.	PART NO.	Description		
Q301	iC174020	TR	2SC1740S	R,S
R355	HV753100	R. CAR. FP	1	1/4W
R356	HV753100	R. CAR. FP	1	1/4W
R357	VP939500	R. MTL. FLM	1	1W
R358	VP939500	R. MTL. FLM	1	1W
R359	VP939500	R. MTL. FLM	1	1W
RY301	V6017400	RELAY	DC SDT-S-112LMR2	
ST301	V4040500	SCR. TERM	M3	
ST351	V4040500	SCR. TERM	M3	
SW321	VA961800	VOLT. SELCT	ESE-37247-F(RT)	
SW551	VY811700	SW. SLIDE	(RT)	
T301	XZ228A00	TRANS. PWR	(UC)	
T301	XZ229A00	TRANS. PWR	(RT)	
T301	XZ230A00	TRANS. PWR	(A)	
T301	XZ231A00	TRANS. PWR	(BGL)	
TE301	V5867400	OUTLET. AC	2P(RT)	
TE301	VT915000	OUTLET. AC	2P(UC)	
TE301	VU543100	OUTLET. AC	2P(A)	
TE301	VU543300	OUTLET. AC	1P(B)	
TE301	VU543400	OUTLET. AC	2P(GL)	
XL1	V3930900	RSNR. CRYST	4.332MHz	(BG)

* New Parts

Chip Resistors

Schm Ref.	PART NO.	Description		
	RD350000	R. CAR. CHP	0	1/10W
	RD353100	R. CAR. CHP	1	1/10W
	RD353220	R. CAR. CHP	2.2	1/10W
	RD354330	R. CAR. CHP	33	1/10W
	RD354470	R. CAR. CHP	47	1/16W
	RD354680	R. CAR. CHP	68	1/16W
	RD354750	R. CAR. CHP	75	1/10W
	RD354820	R. CAR. CHP	82	1/10W
	RD355100	R. CAR. CHP	100	1/10W
	RD355120	R. CAR. CHP	120	1/10W
	RD355150	R. CAR. CHP	150	1/10W
	RD355220	R. CAR. CHP	220	1/10W
	RD355330	R. CAR. CHP	330	1/10W
	RD355470	R. CAR. CHP	470	1/10W
	RD355510	R. CAR. CHP	510	1/16W
	RD355560	R. CAR. CHP	560	1/16W
	RD355680	R. CAR. CHP	680	1/10W
	RD355820	R. CAR. CHP	820	1/10W
	RD355910	R. CAR. CHP	910	1/16W
	RD356100	R. CAR. CHP	1K	1/10W
	RD356120	R. CAR. CHP	1.2K	1/10W
	RD356150	R. CAR. CHP	1.5K	1/10W
	RD356180	R. CAR. CHP	1.8K	1/10W
	RD356200	R. CAR. CHP	2K	1/10W
	RD356220	R. CAR. CHP	2.2K	1/10W
	RD356270	R. CAR. CHP	2.7K	1/10W
	RD356330	R. CAR. CHP	3.3K	1/10W
	RD356430	R. CAR. CHP	4.3K	1/10W
	RD356470	R. CAR. CHP	4.7K	1/10W
	RD356510	R. CAR. CHP	5.1K	1/10W
	RD356560	R. CAR. CHP	5.6K	1/10W
	RD356680	R. CAR. CHP	6.8K	1/10W
	RD356750	R. CAR. CHP	7.5K	1/10W
	RD356820	R. CAR. CHP	8.2K	1/10W
	RD356910	R. CAR. CHP	9.1	1/10W
	RD357100	R. CAR. CHP	10K	1/10W
	RD357150	R. CAR. CHP	15K	1/10W
	RD357180	R. CAR. CHP	18K	1/10W
	RD357220	R. CAR. CHP	22K	1/10W
	RD357270	R. CAR. CHP	27K	1/10W
	RD357470	R. CAR. CHP	47K	1/10W
	RD357560	R. CAR. CHP	56K	1/10W
	RD357680	R. CAR. CHP	68K	1/10W
	RD357820	R. CAR. CHP	82K	1/10W
	RD358100	R. CAR. CHP	100K	1/10W
	RD358120	R. CAR. CHP	120K	1/10W
	RD358220	R. CAR. CHP	220K	1/10W
	RD358330	R. CAR. CHP	330K	1/16W
	RD358470	R. CAR. CHP	470K	1/10W
	RD358680	R. CAR. CHP	680K	1/10W
	RD359100	R. CAR. CHP	1M	1/10W
	RD359220	R. CAR. CHP	2.2M	1/10W

* New Parts

Schm Ref.	PART NO.	Description		
-----------	----------	-------------	--	--

* New Parts

MECHANICAL PARTS

Ref. No.	PART NO.	Description	Remarks	Markets
* 1-1	V5999400	FRONT PANEL	RX-V1000RDSGD	
* 1-1	V5999200	FRONT PANEL	RX-V1000GD	
* 1-1	V5999100	FRONT PANEL	RX-V1000BL	
* 1-1	V5999300	FRONT PANEL	RX-V1000RDSBL	
1-4	V6003800	ESCUTCHOEN/POWER	BL	
1-4	V6003900	ESCUTCHOEN/POWER	GD	
1-5	V6004200	ESCUTCHOEN/INPUT	GD	
1-5	V6004100	ESCUTCHOEN/INPUT	BL	
1-6	V6004400	ESCUTCHOEN/D5		
1-7	V6034200	EMBLEM	GD	
1-7	V6034100	EMBLEM	BL	
* 2-1	V6292400	P.C.B. ASS Y		(UCRALT)
* 2-1	V6292500	P.C.B. ASS Y		(BG)
2-11	MF117160	FLEXIBLE FLAT CABLE	17P 160mm	
2-12	MF211250	S FLEXIBLE FLAT CABLE	11P 250mm P=1.25	
2-13	MF219180	S FLEXIBLE FLAT CABLE	19P 180mm P=1.25	
2-21	V5994400	SUB CHASSIS		
2-22	V6000000	SUB PANEL/CASE	RX-V1000BL	
2-22	V6019600	SUB PANEL/CASE	RX-V1000RDSBL	
2-22	V6019700	SUB PANEL/CASE	RX-V1000RDSGD	
2-22	V6000100	SUB PANEL/CASE	RX-V1000GD	
2-25	V6000600	BUTTON/P	BL	
2-25	V6000700	BUTTON/P	GD	
2-26	V6000400	BUTTON/INPUT	GD	
2-26	V6000300	BUTTON/INPUT	BL	
2-27	V6004600	ESCUTCHEON/VOL	GD	
2-27	V6004500	ESCUTCHEON/VOL	BL	
* 2-28	V6019300	PANEL/LID AN	BL	
* 2-28	V6019400	PANEL/LID AN	GD	
* 2-29	V6006200	PLATE/SP	RX-V1000BL	
* 2-29	V6006400	PLATE/SP	RX-V1000RDSBL	
* 2-29	V6006500	PLATE/SP	RX-V1000RDSGD	
* 2-29	V6006300	PLATE/SP	RX-V1000GD	
2-30	V6005100	HINGE, L	GD	
2-30	V6005000	HINGE, L	BL	
2-31	V6005300	HINGE, R	BL	
2-31	V6005400	HINGE, R	GD	
2-32	V4593300	SPRING/LID		
2-33	VZ830300	DAMPER/GEAR	15G	
2-34	VQ368600	PUSH RIVET	P3555-B	
2-36	VY940400	CUSHION, LID	T=0.8	
2-37	VV982000	DAMPER	1x12x12	
2-38	V5997900	SUPPORT/HP		
2-40	V5998100	STOPPER/PCB		
2-41	V5998200	EARTH COVER		
* 2-42	V5998000	SUPPORT/REC		
2-52	VN413300	BIND HEAD BONDING B-T. SCREW	3x8 MFZ2-BL	
2-54	VG893800	BIND HEAD P-TITE SCREW	2x6 ZMC2-BL	
2-55	VG863900	BIND HEAD TAPPING SCREW	2.6x6 ZMC2-BL	
2-56	EP630290	BIND HEAD P-TITE SCREW	3x6 FCRM3-BL	
2-57	EP600830	BIND HEAD B-TITE SCREW	3x8 FCRM3-BL	
2-58	V6722700	SHEET/SHIELD		
2-59	V6774400	TAPE/GND		

* New Parts

Ref. No.	PART NO.	Description	Remarks	Markets
2-60	VJ204800	PW HEAD S-TITE SCREW	3x6-8 FCRM3-BL	
* 3-1	V6239400	P.C.B. ASS Y	MAIN	(UC)
* 3-1	V6239500	P.C.B. ASS Y	MAIN	(RT)
* 3-1	V6239600	P.C.B. ASS Y	MAIN	(A)
* 3-1	V6239700	P.C.B. ASS Y	MAIN	(BGL)
3-11	V5994800	HEAT SINK		
3-21	V2461000	SUPPORT, TR		
3-22	VV849300	SHEET	19x24	
3-25	VQ368600	PUSH RIVET	P3555-B	
3-31	VK173200	SCREW, TRANSISTOR	3x15 SP FCM3	
3-33	VT669300	PW HEAD B-TITE SCREW	3x8-8 MFC2	
* 6	V6234800	P.C.B. ASS Y	POWER	(C)
* 6	V6234900	P.C.B. ASS Y	POWER	(RT)
* 6	V6235000	P.C.B. ASS Y	POWER	(A)
* 6	V6235100	P.C.B. ASS Y	POWER	(B)
* 6	V6235200	P.C.B. ASS Y	POWER	(G)
* 6	V6235300	P.C.B. ASS Y	POWER	(L)
* 7	V6235700	P.C.B. ASS Y	DSP	(RLT)
* 7	V6235800	P.C.B. ASS Y	DSP	(UCABG)
* 8	V6242000	P.C.B. ASS Y	FUNCTION	(UC)
* 8	V6242100	P.C.B. ASS Y	FUNCTION	(RT)
* 8	V6242200	P.C.B. ASS Y	FUNCTION	(AL)
* 8	V6242300	P.C.B. ASS Y	FUNCTION	(BG)
* 9	V6252600	P.C.B. ASS Y	VIDEO	(U)
* 9	V6252700	P.C.B. ASS Y	VIDEO	(RT)
* 9	V6252800	P.C.B. ASS Y	VIDEO	(AL)
* 9	V6252900	P.C.B. ASS Y	VIDEO	(BG)
* 9	V6674800	P.C.B. ASS Y	VIDEO	(C)
11	V6166300	AM/FM TUNER	TFCE1U213A U	(UCRT)
11	V6166400	AM/FM TUNER	TFCE1E213A G	(ABGL)
⚠ 14	XZ277A00	POWER TRANSFORMER		(U)
⚠ 14	XZ278A00	POWER TRANSFORMER		(C)
⚠ 14	XZ279A00	POWER TRANSFORMER		(RT)
⚠ 14	XZ280A00	POWER TRANSFORMER		(A)
⚠ 14	XZ281A00	POWER TRANSFORMER		(BGL)
⚠ 16	V2296800	POWER CORD ASS Y		(A)
⚠ 16	V2363800	POWER CORD ASS Y		(UC)
⚠ 16	VN363700	POWER CORD ASS Y		(GL)
⚠ 16	VV437300	POWER CORD ASS Y		(B)
⚠ 16	VZ542500	POWER CORD ASS Y		(RT)
17	V2438700	CORD STOPPER	10P1	
21	VU590000	BINDING TIE	CBTD001B	(RT)
25	MF111160	FLEXIBLE FLAT CABLE	11P 160mm	
26	MF112100	FLEXIBLE FLAT CABLE	12P 100mm P=1.25	
27	MF112200	FLEXIBLE FLAT CABLE	12P 200mm	
28	MF114100	FLEXIBLE FLAT CABLE	14P 100mm	
29	MF115070	FLEXIBLE FLAT CABLE	15P 70mm P=1.25	
30	MF211300	S FLEXIBLE FLAT CABLE	11P 300mm	
31	MF231100	S FLEXIBLE FLAT CABLE	31P 100mm P=1.25	
101	V5994000	TOP COVER		BL
101	V5994100	TOP COVER		GD
102	V5994300	CHASSIS		
* 103	V5997100	REAR PANEL		(U)

* New Parts

Ref. No.	PART NO.	Description	Remarks	Markets	
*	103	V5997200	REAR PANEL		(C)
*	103	V5997300	REAR PANEL		(RT)
*	103	V5997400	REAR PANEL		(A)
*	103	V5997500	REAR PANEL		(L)
*	103	V5997700	REAR PANEL		(B)
*	103	V5997800	REAR PANEL		(G)
	109	V5994600	SHIELD CASE		
	110	V5994700	SHIELD CASE COVER		
	111	V2460900	FRAME		
	112	V5994500	FRAME/TRANSFORMER		
	113	V5995100	FRAME/L		
	114	V5995200	SUPPORT/TOP		
	115	V5995300	SUPPORT/PCB-R		
	116	V5995400	SUPPORT/PCB-FRONT		
	117	V5995600	SUPPORT/PCB-TOP		
	118	V6940700	SUPPORT/ST		
	119	VQ775900	GROUND PLATE		(UC)
	120	V0042500	LEG	D60xH21	GD
	120	VS025000	LEG	D60xH21	BL, TI
	132	V6068000	KNOB/D43		BL
	132	V6068100	KNOB/D43		GD
	133	V6001300	KNOB D20		BL
	133	V6001400	KNOB D20		GD
	134	V6001600	KNOB D15		BL
	134	V6001700	KNOB D15		GD
	135	V6001900	BUTTON D5		BL
	135	V6002000	BUTTON D5		GD
	136	VQ368600	PUSH RIVET	P3555-B	
	137	VQ368500	PUSH RIVET		
	139	V5454200	DAMPER	2/10/260	
	140	V2879500	SPACER PCB-M		
	141	VR264400	SPACER	H8	
	142	V6006700	SHEET, WINDOW		
	143	V6002500	PLATE/SIDE L		BL
	143	V6002700	PLATE/SIDE L		GD
	144	V6002900	PLATE/SIDE R		BL
	144	V6003000	PLATE/SIDE R		GD
*	145	V6742100	DAMPER	2/7.5/230RX-V800ML	(URBGT)
*	146	V6742200	DAMPER	2/4/264 RX-V800ML	(URBGT)
*	147	V6742300	DAMPER	3/30/60 RX-V800ML	
*	148	V6742400	DAMPER	3/10/50 RX-V800ML	(UC)
	161	VN413300	BIND HEAD BONDING B-T. SCREW	3x8 MFZN2-BL	
	164	VT669400	PW HEAD B-TITE SCREW	3x15-8 MFC2	
	165	21991500	PW HEAD S-TITE SCREW	4x8-10 FCRM3-BL	
	166	EP600250	BIND HEAD B-TITE SCREW	3x8 ZMC2-Y	
	167	VT669300	PW HEAD B-TITE SCREW	3x8-8 MFC2	
	168	VY731200	BONDING HEAD TAPPING SCREW	3x10 MFNI33	
	169	VK522000	SPECIAL SCREW S-TITE	4x8-10 FCRM3-BL	BL
	169	VZ893000	DECORATED SCREW S-TIGHT	4x8-10 MFNI-33	GD
	170	AA627310	GROUND TERMINAL		
	171	21991500	PW HEAD S-TITE SCREW	4x8-10 FCRM3-BL	BL
	171	VD069600	PW HEAD S-TITE SCREW	4x8-10 MFNI-33	GD
	172	EP630210	BIND HEAD S-TITE SCREW	3x6 ZMC2-BL	

* New Parts

Ref. No.	PART NO.	Description	Remarks	Markets
*	173	V6509600 JACK SCREW	SS6-A47511848	
	174	VJ204800 PW HEAD S-TITE SCREW	3x6-8 FCRM3-BL	
	175	V6957300 SPACER	9x35x11.6	
	177	V7055200 SHEET/BARRIER		(ABGL)
		ACCESSORIES		
*	200	V6283500 REMOTE CONTROL TRANSMITTER	RAV222	
*	200-1	AAX20900 BATTERY COVER	103RRC-170-02R	
*	200-2	AAX20890 SLIDE COVER	103RRC-171-02R	
	202	V6267000 ANTENNA, FM	1.4m	(RTC)
	202	VQ147100 ANTENNA, FM	1.4m	(GL)
	203	VR248500 ANTENNA, AM LOOP	1.0m	
	204	VE364900 ANTENNA ADAPTER	PAL 75-300	(B)
		BATTERY (MANGANESE DRY)	R6PPTT/3ST(R6P)	

※ New Parts

Parts List for Carbon Resistors

Value	1/4W Type Part No.	1/6W Type Part No.	Value	1/4W Type Part No.	1/6W Type Part No.
1.0	HJ35 3100	HF85 3100	10 k	HF45 7100	HF45 7100
1.8	HJ35 3180	*	11 k	HF45 7110	HF45 7110
2.2	HJ35 3220	HF85 3220	12 k	HJ35 7120	HF85 7120
3.3	HJ35 3330	HF85 3330	13 k	HF45 7130	HF45 7130
4.7	HJ35 3470	HF85 3470	15 k	HF45 7150	HF45 7150
5.6	HJ35 3560	HF85 3560	18 k	HF45 7180	HF45 7180
10	HF45 4100	HF45 4100	22 k	HF45 7220	HF45 7220
15	HJ35 4150	HF85 4150	24 k	HF45 7240	HF45 7240
22	HF45 4220	HF45 4220	27 k	HJ35 7270	HF85 7270
27	HJ35 4270	HF85 4270	30 k	HF45 7300	HF45 7300
33	HF45 4330	HF45 4330	33 k	HF45 7330	HF45 7330
39	HJ35 4470	HF85 4390	36 k	HF45 7360	HF45 7360
47	HF45 4470	HF45 4470	39 k	HF45 7390	HF45 7390
56	HF45 4560	HF45 4560	47 k	HF45 7470	HF45 7470
68	HF45 4680	HF45 4680	51 k	HF45 7510	HF45 7510
75	HF45 4750	HF45 4750	56 k	HF45 7560	HF45 7560
82	HF45 4820	HF45 4820	62 k	HF45 7620	HF45 7620
91	HF45 4910	HF45 4910	68 k	HF45 7680	HF45 7680
100	HF45 5100	HF45 5100	82 k	HF45 7820	HF45 7820
110	HJ35 5110	HF85 5110	91 k	HF45 7910	HF45 7910
120	HF45 5120	HF45 5120	100 k	HF45 8100	HF45 8100
150	HF45 5150	HF45 5150	110 k	HF45 8110	HF45 8110
160	HJ35 5160	*	120 k	HF45 8120	HF45 8120
180	HF45 5180	HF45 5180	150 k	HF45 8150	HF45 8150
200	HF45 5200	HF45 5200	180 k	HF45 8180	HF45 8180
220	HF45 5220	HF45 5220	220 k	HJ35 8220	HF85 8220
270	HF45 5270	HF45 5270	270 k	HF45 8270	HF45 8270
330	HF45 5330	HF45 5330	300 k	HF45 8300	HF45 8300
390	HF45 5390	HF45 5390	330 k	HF45 8330	HF45 8330
430	HF45 5430	HF45 5430	390 k	HJ35 8390	HF85 8390
470	HF45 5470	HF45 5470	470 k	HF45 8470	HF45 8470
510	HF45 5510	HF45 5510	560 k	HJ35 8560	HF85 8560
560	HF45 5560	HF45 5560	680 k	HJ35 8680	HF85 8680
680	HF45 5680	HF45 5680	820 k	HJ35 8820	HF85 8820
820	HF45 5820	HF45 5820	1.0 M	HF45 9100	HF45 9100
910	HF45 5910	HF45 5910	1.2 M	HJ35 9120	*
1.0 k	HF45 6100	HF45 6100	1.5 M	HJ35 9150	HF85 9150
1.2 k	HF45 6120	HF45 6120	1.8 M	HJ35 9180	HF85 9180
1.5 k	HF45 6150	HF45 6150	2.2 M	HJ35 9220	HF85 9220
1.8 k	HF45 6180	HF45 6180	3.3 M	HJ35 9330	HF85 9330
2.0 k	HJ35 6200	HF85 6200	3.9 M	HJ35 9390	*
2.2 k	HF45 6220	HF45 6220	4.7 M	HJ35 9470	HF85 9470
2.4 k	HJ35 6240	HF85 6240			
2.7 k	HF45 6270	HF45 6270			
3.0 k	HF45 6300	HF45 6300			
3.3 k	HF45 6330	HF45 6330			
3.6 k	HJ35 6360	HF85 6360			
3.9 k	HF45 6390	HF45 6390			
4.7 k	HF45 6470	HF45 6470			
5.1 k	HF45 6510	HF45 6510			
5.6 k	HF45 6560	HF45 6560			
6.8 k	HF45 6680	HF45 6680			
8.2 k	HF45 6820	HF45 6820			
9.1 k	HF45 6910	HF45 6910			

1/4W Type

HJ35 ○○○○
10mm

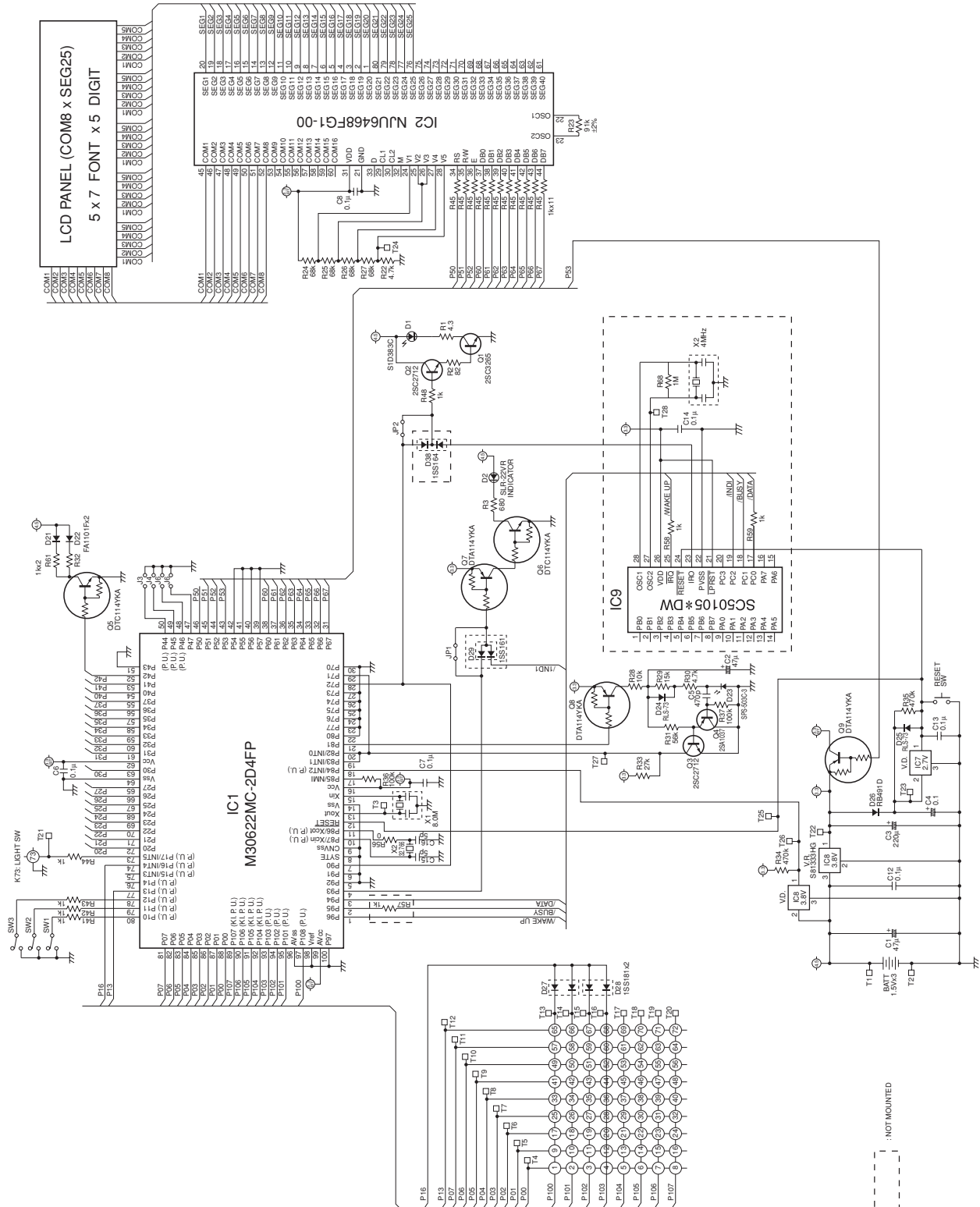
1/6W Type

HF85 ○○○○
5mm

* : Not available

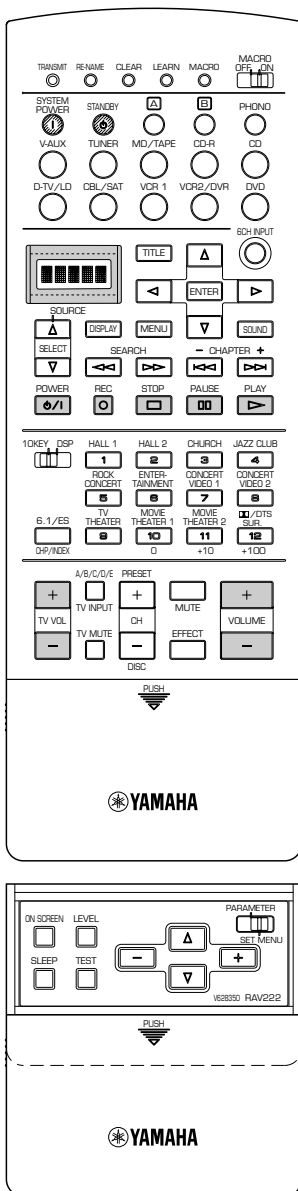
REMOTE CONTROL TRANSMITTER

SCHEMATIC DIAGRAM



: NOT MOUNTED

Initial Code



Key No.	Key Name	YPC	DSP *1	Zone *2
1	—	—	—	—
2	RE-NAME	—	—	—
3	CLEAR	—	—	—
4	LEARN	—	—	—
5	MACRO	—	—	—
6	SYSTEM POWER	*7A-1D	7D-90	*7A-1D
7	STANDBY	7A-1E	7D-91	7A-1E
8	A	—	—	—
9	B	—	—	—
10	PHONO	7A-14	7D-88	7A-D0
11	V-AUX	7A-55	7D-8A	7A-D8
12	TUNER	7A-16	7D-89	7A-D2
13	MD/TAPE	7A-18	7D-8B	7A-D3
14	CD-R	7A-19	7D-8C	7A-D4
15	CD	7A-15	7D-87	7A-D1
16	D-TV/LD	7A-54	7D-84	7A-D9
17	CBL/SAT	7A-C0	7D-96	7A-CC
18	VCR1	7A-0F	7D-81	7A-D6
19	VCR2/DVR	7A-13	7D-82	7A-D7
20	DVD	7A-C1	7D-97	7A-CD
21	6CH INPUT	7A-87	7D-8C	7A-87

*1; These code are transmitted when "DSP" is set-up as AMP library.
 *2; "ZONE2" is set-up as AMP library and these code are transmitted when "ZONE2" is chosen with Select key.
 *; Transmitting Code of K6, "7A-1D" Full word transmitted twice.

Device not mentioned on this table has no initial code.

*1; AMPライブラリーをDSPに設定することで送信されます。
 *2; AMPライブラリーをZONE2に設定し、SelectキーによりZONE2を選択することで送信されます。
 *; K6送信コード"7A-1D"についてワード部が2回送信されます。

本表に記載なきデバイスの初期コードはありません。

Key No.	Key Name	Device					
		DVD (K20)	CD-R (K14)	CD (K15)	MD/TAPE (K13)	TUNER (K12)	A (K8)
22	Up	→	→	→	7C-B4	—	—
23	TITLE	→	→	→	7C-B1	—	—
24	Left	→	→	→	7C-B5	—	—
25	ENTER	→	→	→	7C-B8	—	—
26	Right	→	→	→	7C-B6	—	—
27	SOUND	→	→	→	7C-AD	—	7C-12
28	Down	→	→	→	7C-B3	—	—
29	MENU	→	→	→	7C-B2	—	—
30	DISPLAY	→	→	→	7C-A6	7F-9E	79-0A
31	SEARCH <<	→	→	→	7C-86	7F-88	7A-0D
32	SEARCH >>	→	→	→	7C-87	7F-89	7A-0C
33	CHAPTER -	→	→	→	7C-89	7F-86	7A-0B
34	CHAPTER +	→	→	→	7C-BA	7F-87	7A-0A
35	PLAY	→	→	→	7C-82	7F-82	7A-08
36	PAUSE	→	→	→	7C-83	7F-83	7A-09
37	STOP	→	→	→	7C-85	7F-84	7A-09
38	REC	→	→	→	7C-B7	—	79-AF
39	POWER	→	→	→	—	—	—
40	SELECT Down	—	—	—	—	—	—
41	SELECT Up	—	—	—	—	—	—
	SW (10KEY/DSP)		DSP			10 key	
42	1	7A-88	7D-D0	7A-88	7C-94	7F-91	79-11
43	2	7A-89	7D-D1	7A-89	7C-95	7F-92	79-12
44	3	7A-8A	7D-D2	7A-8A	7C-96	7F-93	79-13
45	4	7A-8B	7D-D3	7A-8B	7C-97	7F-94	79-14
46	5	7A-8C	7D-D4	7A-8C	7C-98	7F-95	79-15
47	6	7A-8D	7D-D5	7A-8D	7C-99	7F-96	79-16
48	7	7A-8E	7D-D6	7A-8E	7C-9A	7F-97	79-17
49	8	7A-8F	7D-D7	7A-8F	7C-9B	7F-98	79-18
50	9	7A-90	7D-D8	7A-90	7C-9C	7F-99	79-19
51	10	7A-91	7D-D9	7A-91	7C-93	7F-90	79-10
52	11	7A-92	7D-DA	7A-92	7C-9D	7F-9A	79-1A
53	12	7A-93	7D-DB	7A-93	7C-9F	7F-8C	79-0D
54	6.1/ES	7A-97	7D-DF	7A-97	7C-9E	7F-8A	79-0B
55	TV VOL +	→	→	→	—	—	—
56	TV VOL -	→	→	→	—	—	—
57	TV INPUT	→	→	→	—	—	7A-12
58	TV MUTE	→	→	→	—	—	—
59	CH +	→	→	→	7C-8B	—	7A-4F
60	CH -	→	→	→	7C-8A	—	7A-50
61	MUTE	7A-1C	7D-94	7A-DC	—	—	—
62	EFFECT	7A-56	7D-C1	7A-56	—	—	—
63	VOLUME +	7A-1A	7D-8D	7A-DA	—	—	—
64	VOLUME -	7A-1B	7D-8E	7A-DB	—	—	—

	SW (PARAMETER/SET MENU)	Parameter	Set Menu	Parameter	Set Menu	Parameter	Set Menu
65	ON SCREEN	7A-C2	7D-C2	7A-C2	7A-C2	7A-C2	7A-C2
66	SLEEP	7A-57	7D-93	7A-57	7A-57	7A-57	7A-57
67	LEVEL	7A-86	7D-95	7A-86	7A-86	7A-86	7A-86
68	TEST	7A-85	7D-CA	7A-85	7A-85	7A-85	7A-85
69	-	7A-C7	7A-9F	7D-C7	7D-9F	7A-C7	7A-9F
70	Up	7A-C5	7A-9D	7D-C5	7D-9D	7A-C5	7A-9D
71	Down	7A-C4	7A-9C	7D-C4	7D-9C	7A-C4	7A-9C
72	+	7A-C6	7A-9E	7D-C6	7D-9E	7A-C6	7A-9E

Initial Macro setup

Key No.	Key Name	1	2	3	4~10
6	SYSTEM POWER	K6	K39 TV	—	—
7	STANDBY	K7	—	—	—
8	A	K6	—	—	—
9	B	K6	—	—	—
10	PHONO	K6	K10	—	—
11	V-AUX	K6	K11	—	—
12	TUNER	K6	K12	—	—
13	MD/TAPE	K6	K13	K35	MD
14	CD-R	K6	K14	K35	CD-R
15	CD	K6	K15	K35	CD
16	D-TV/LD	K6	K16	—	—
17	CBL/SAT	K6	K17	—	—
18	VCR1	K6	K18	K35	VCR1
19	VCR2/DVR	K6	K19	K35	VCR2
20	DVD	K6	K20	K35	DVD

RX-V1000/RX-V1000RDS

