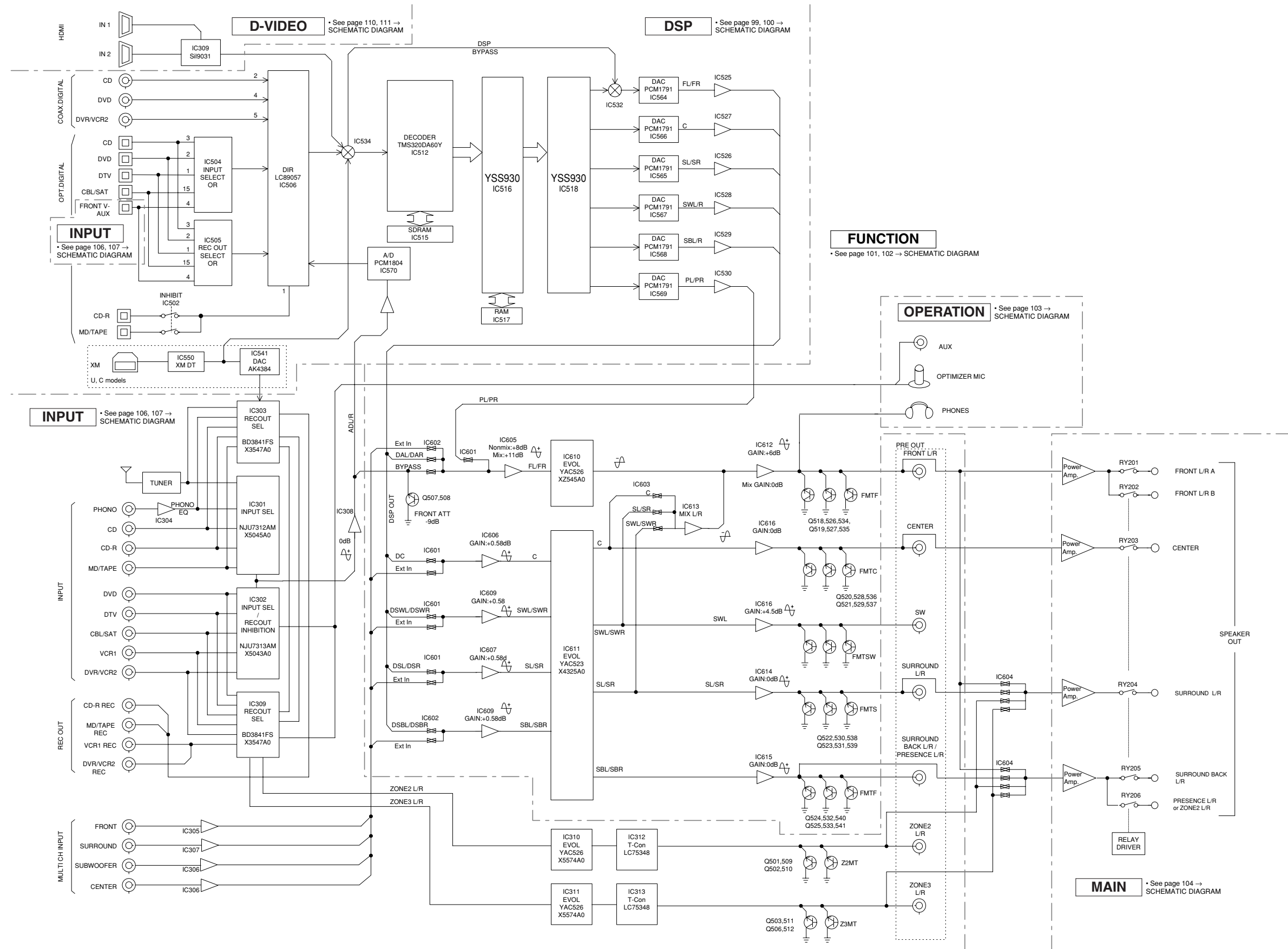
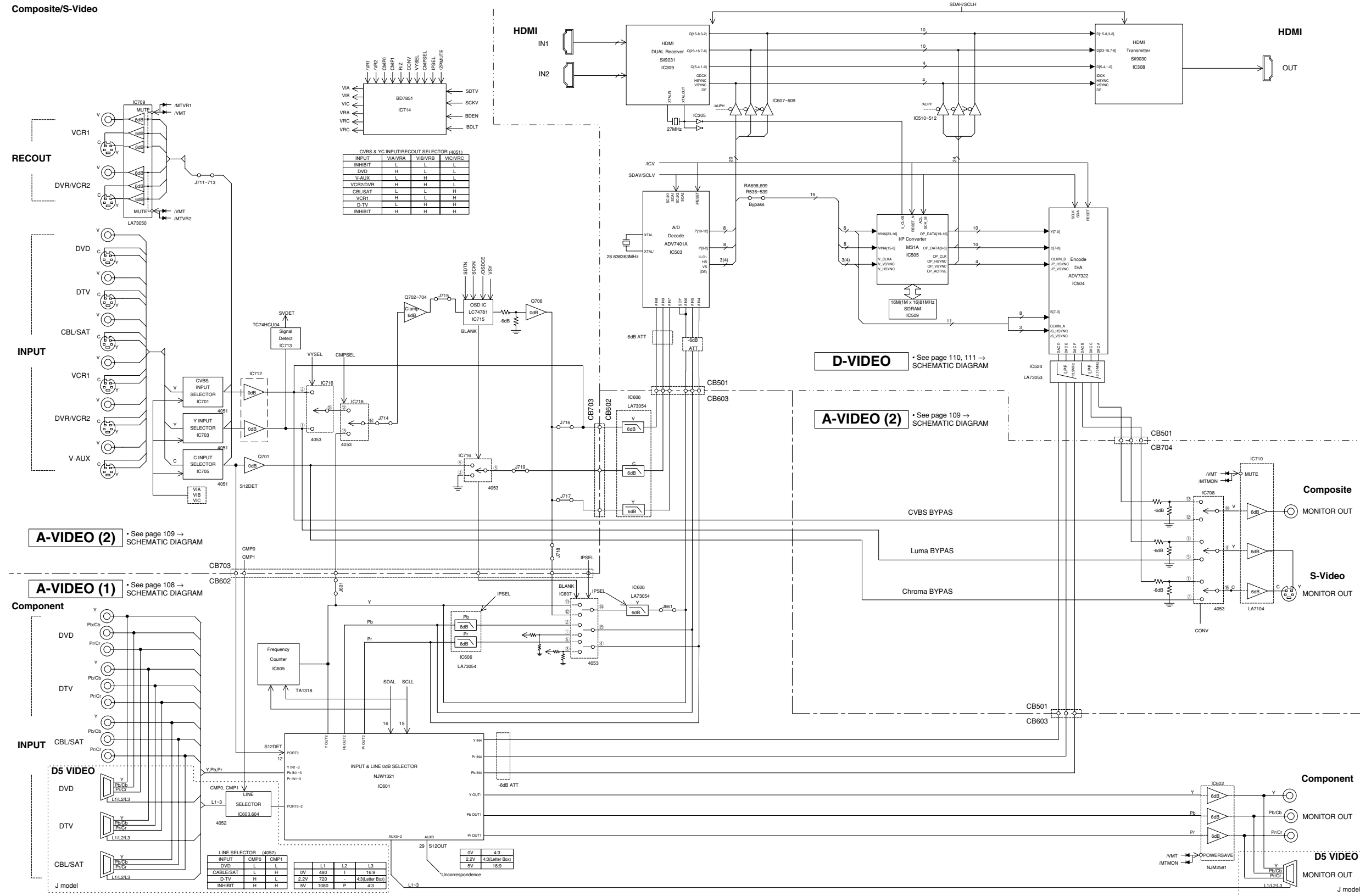


■ BLOCK DIAGRAM (1/3)

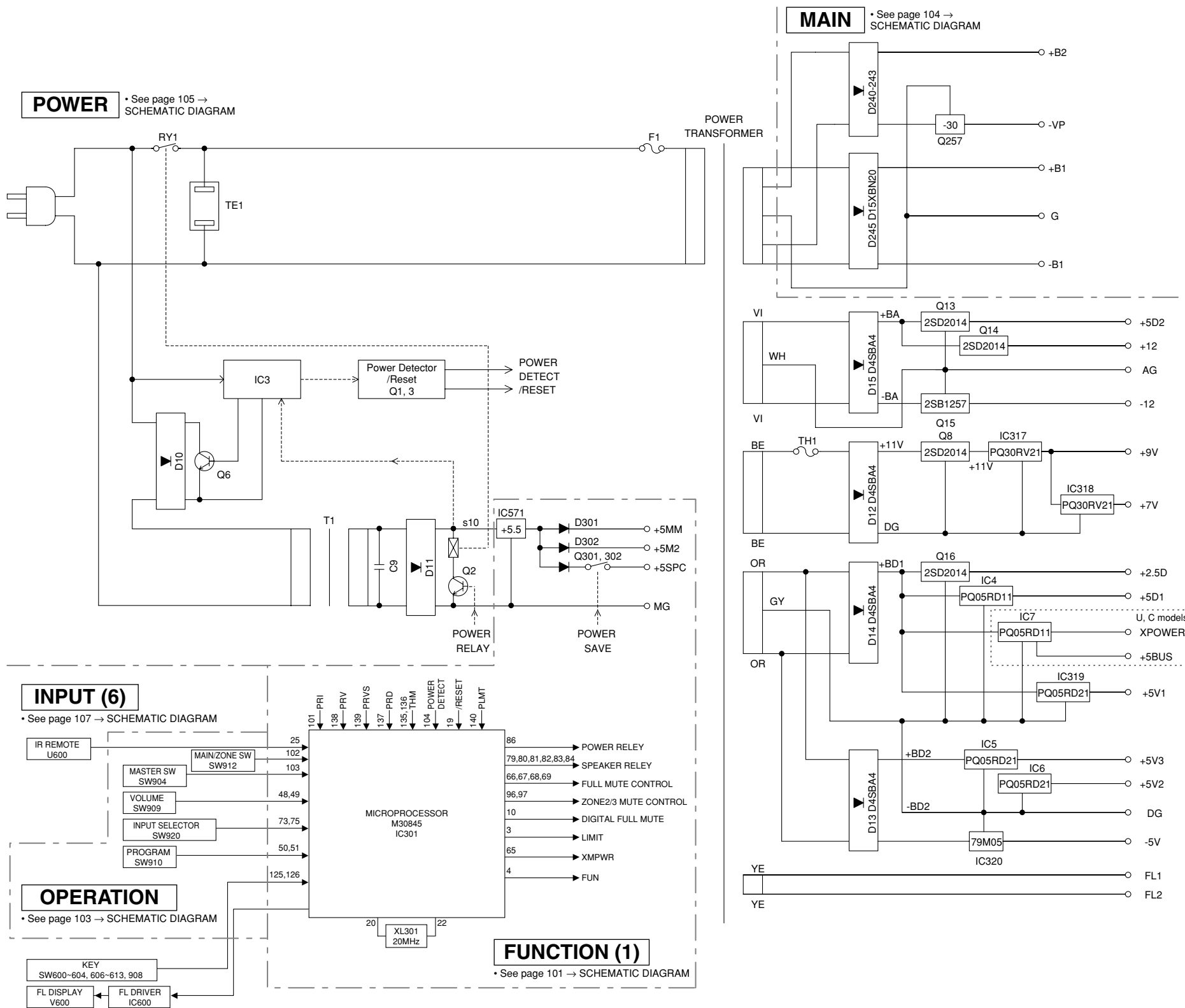


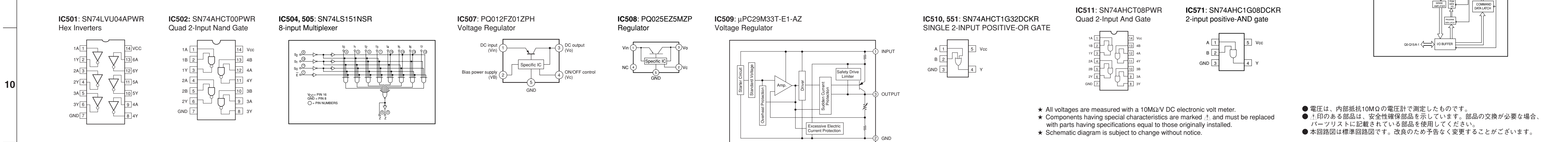
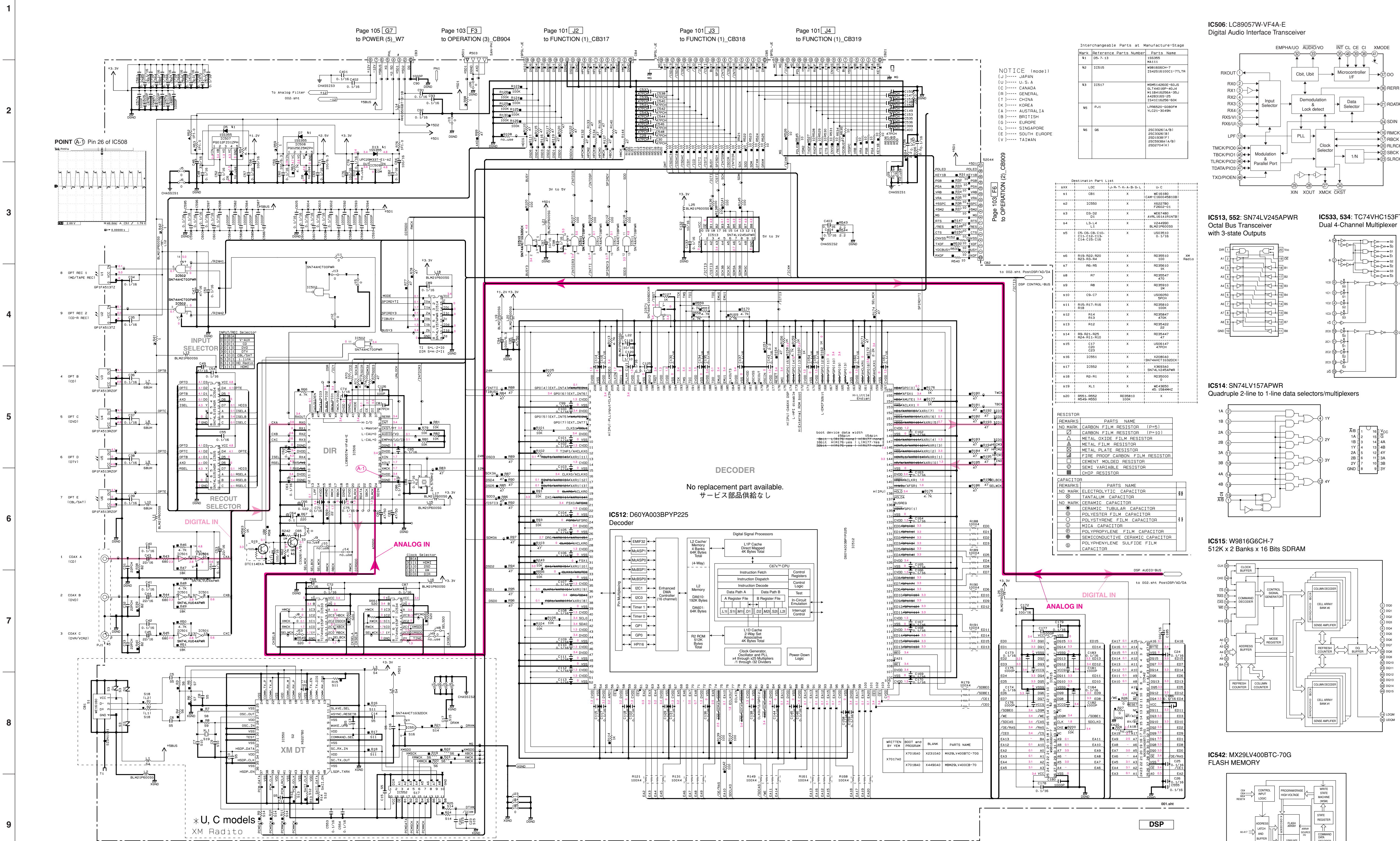
1
2
3
4
5
6
7

BLOCK DIAGRAM (2/3)



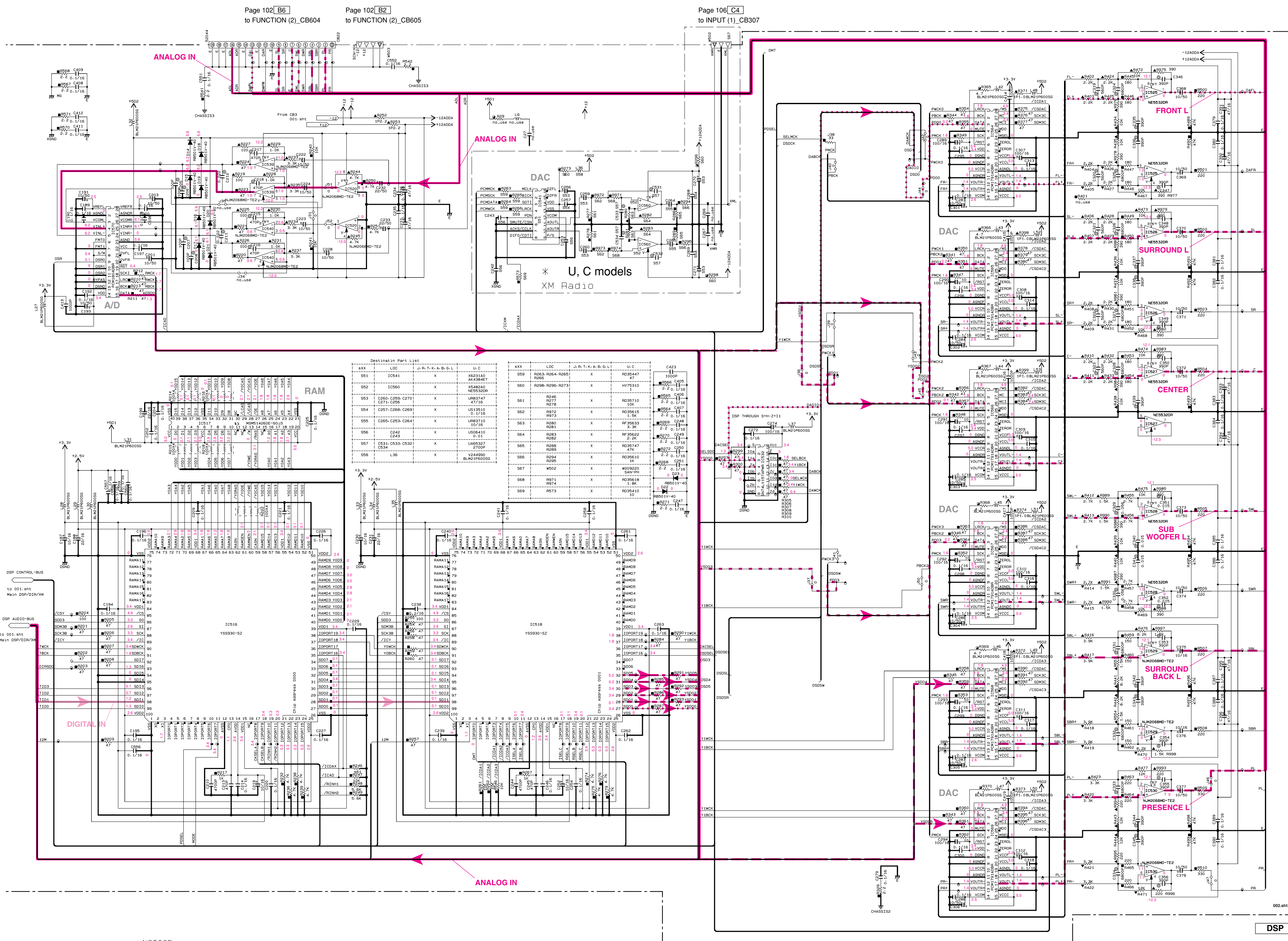
BLOCK DIAGRAM (3/3)





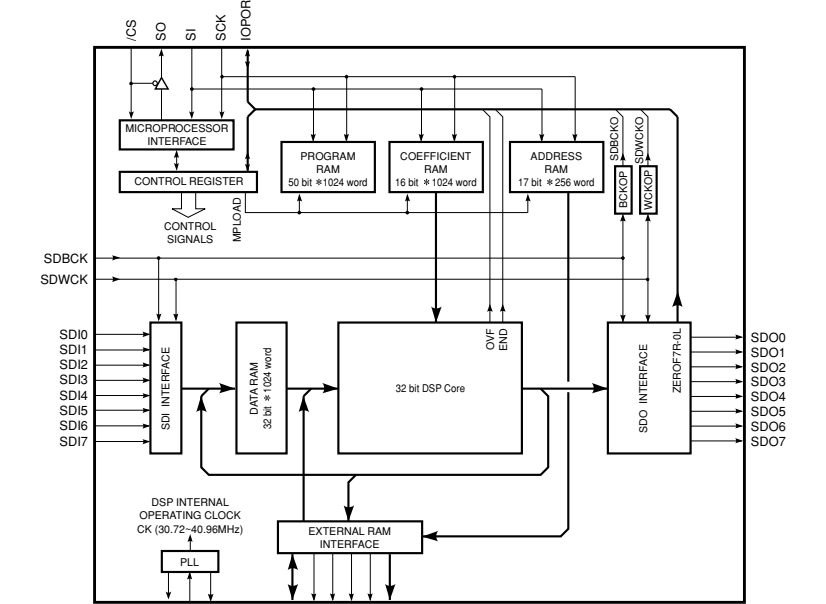
* All voltages are measured with a 10M Ω /V DC electronic volt meter.
 * Components having special characteristics are marked !, and must be replaced with parts having specifications equal to those originally installed.
 * Schematic diagram is subject to change without notice.

● 電圧は、内部抵抗10M Ω の電圧計で測定したものです。
 ● !印のある部品は、安全確保部品を示しています。部品の交換が必要な場合、必ずこの図面に記載されている部品を使用してください。
 ● 本回路図は標準回路図です。改良のため予告なく変更することがございます。

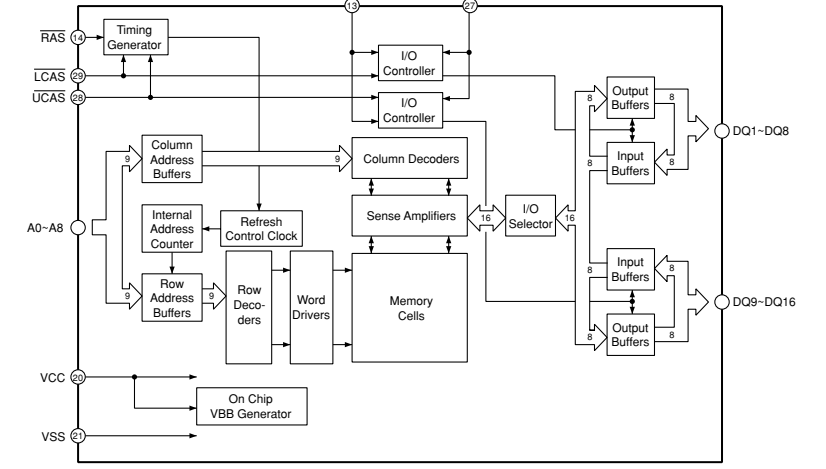


Page 102 [B6] to FUNCTION (2)_CB604
 Page 102 [B2] to FUNCTION (2)_CB605
 Page 106 [C4] to INPUT (1)_CB307

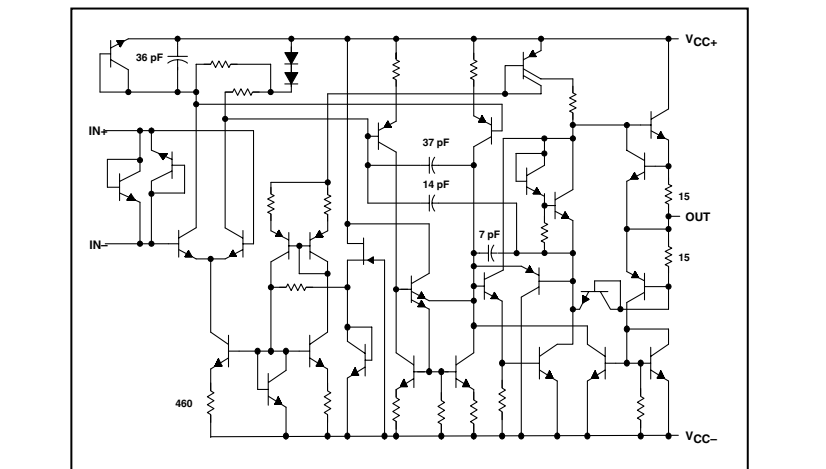
IC516, 518: YSS930-SZ DSP



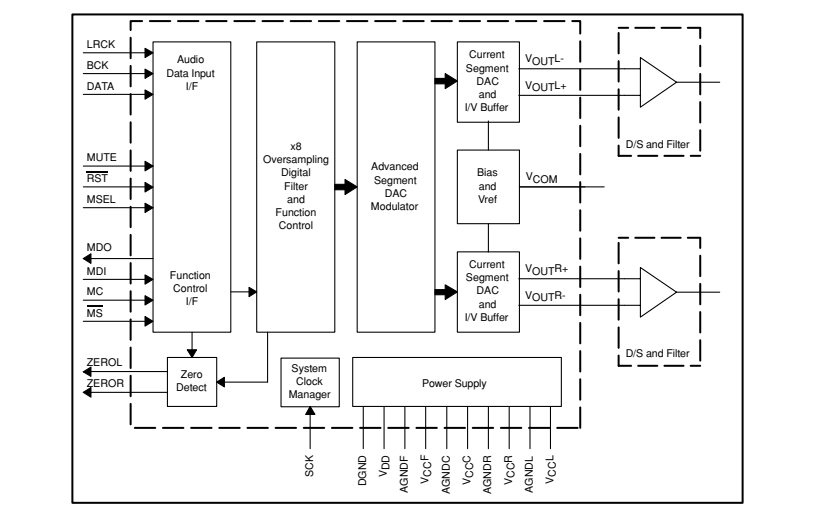
IC517: MSM514260E-60JS 4Mbit DRAM



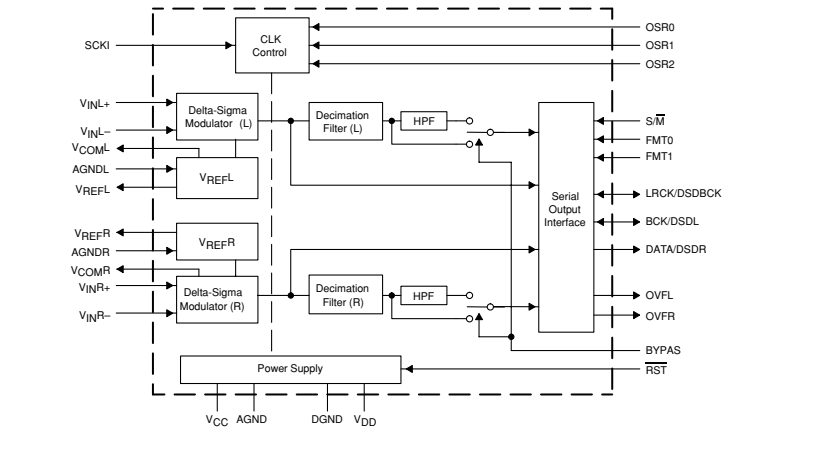
IC560: NE5532DR DUAL LOW-NOISE OPERATIONAL AMPLIFIERS



IC564-569: PCM1791ADBR Audio stereo digital-to-analog converter

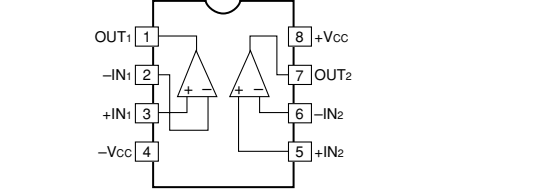


IC570: PCM1804DBR Stereo A/D converter

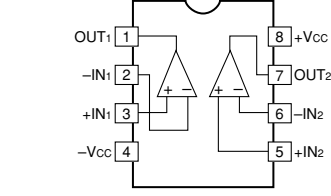


NOTICE (mode1)
 (J)..... JAPAN
 (U)..... U.S.A.
 (C)..... CANADA
 (R)..... GENERAL
 (T)..... CHINA
 (K)..... KOREA
 (A)..... AUSTRALIA
 (B)..... BRITISH
 (G)..... EUROPE
 (L)..... SINGAPORE
 (E)..... SOUTH EUROPE
 (V)..... TAIWAN

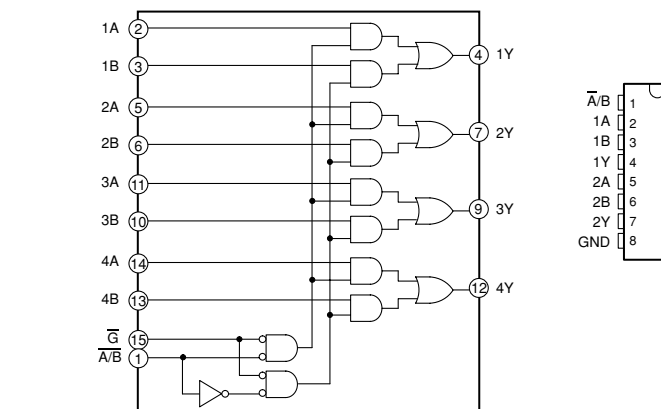
IC520, 529, 530, 539, 540: NJM2068MD-TE2 Dual OP-Amp



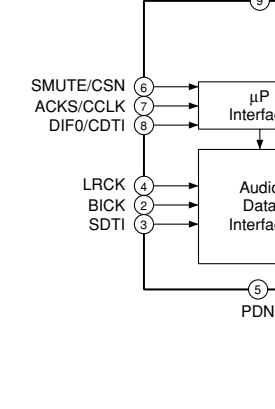
IC525-528: NE5532DR Dual OP-Amp



IC532: SN74L157APWR Quaduple 2-line to 1-line data selectors/multiplexers

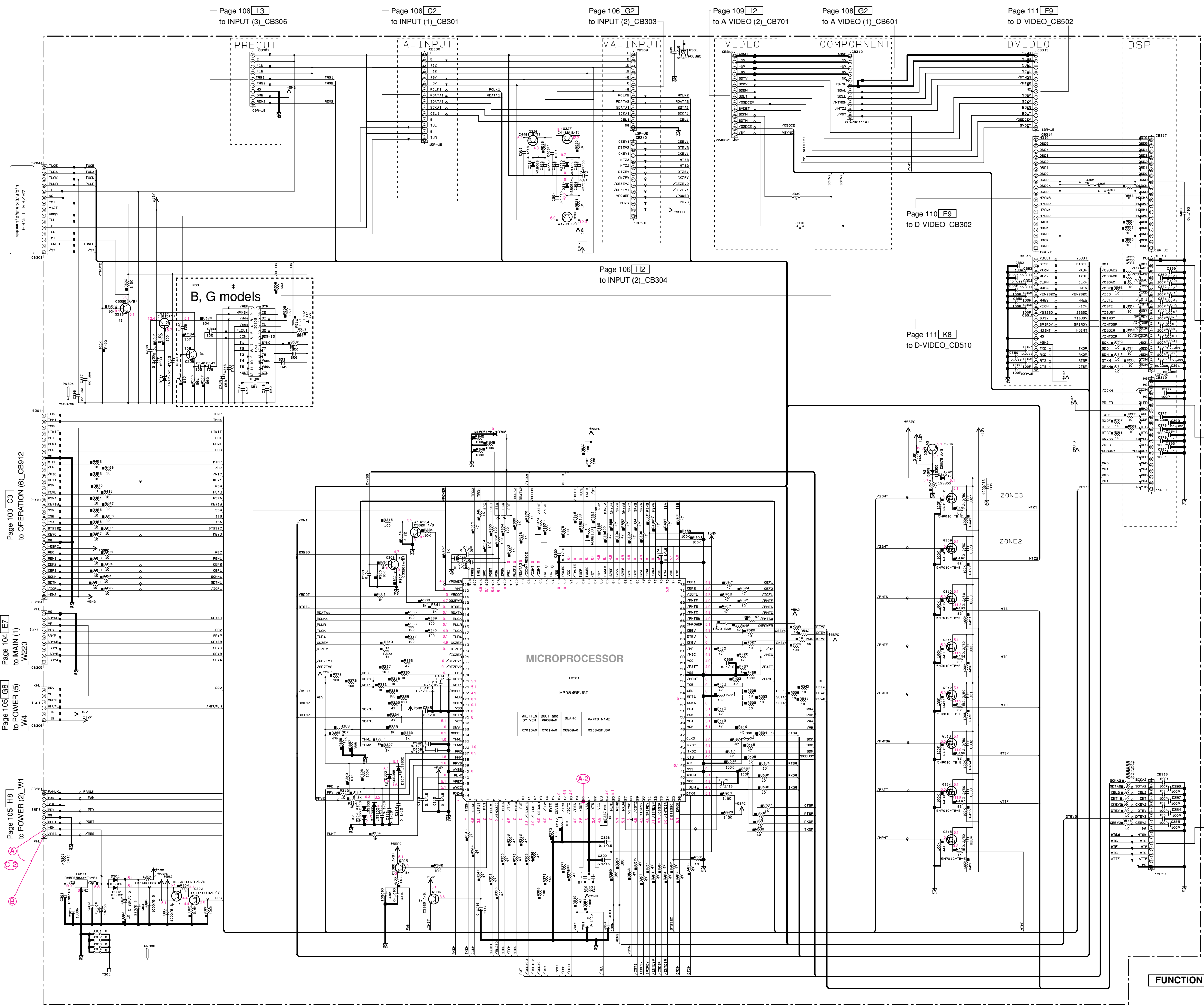


IC541: AK4384ET D/A Converter

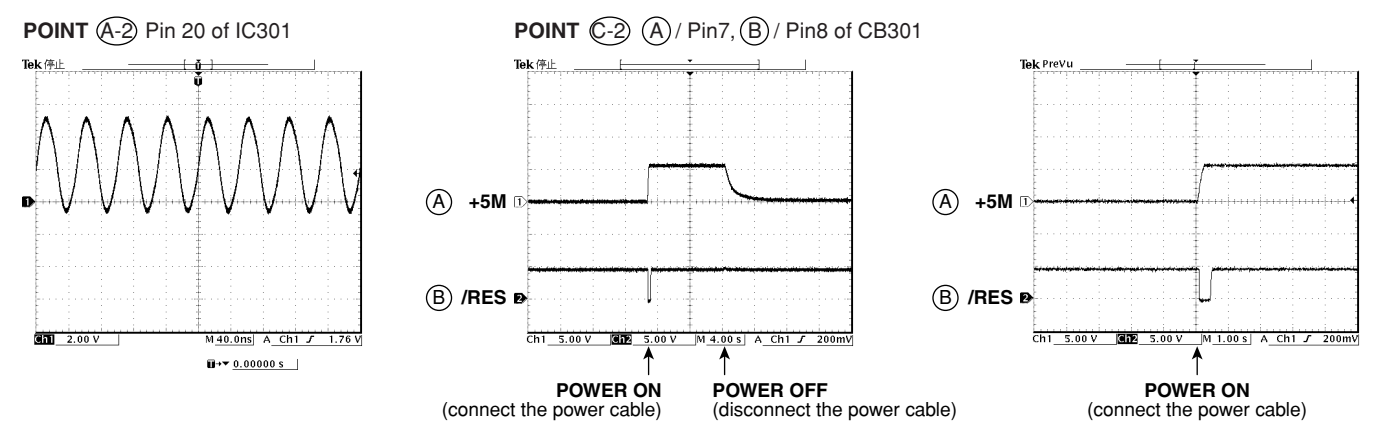
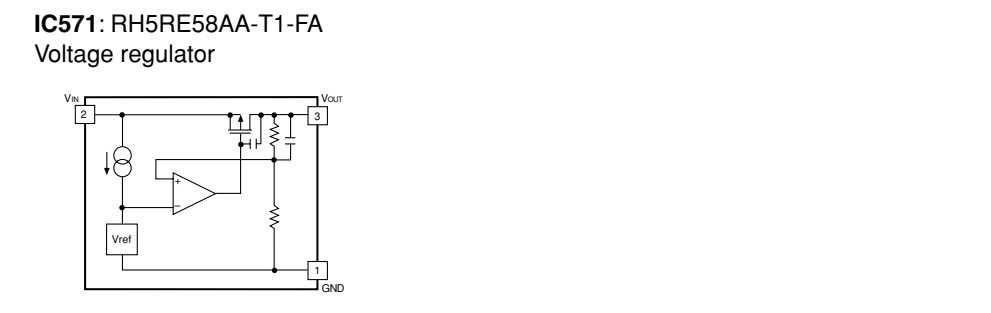
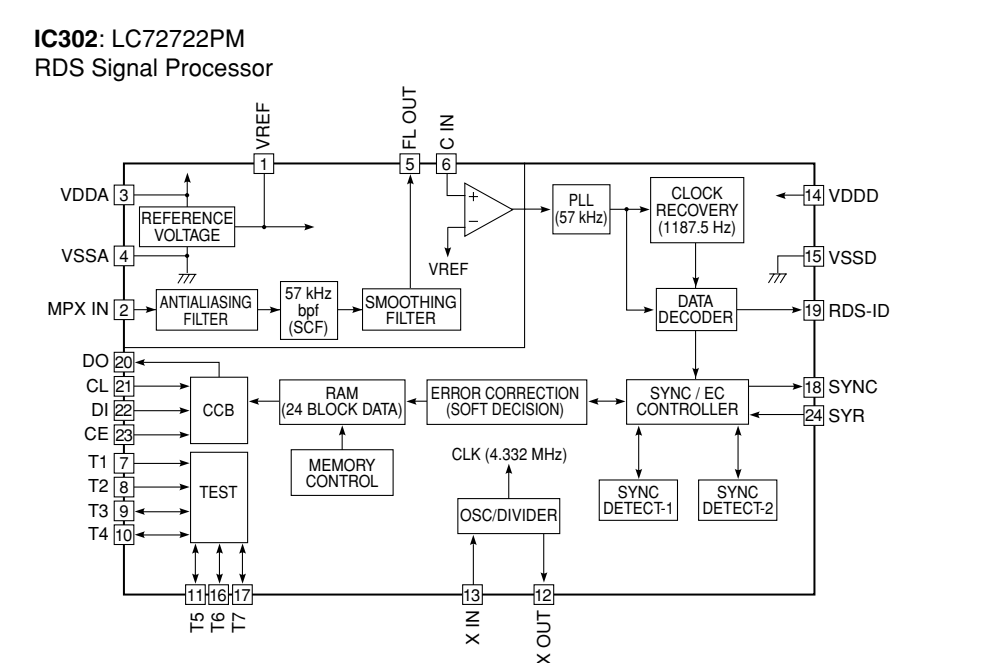


★ All voltages are measured with a 10MΩ/V DC electronic volt meter.
 ★ Components having special characteristics are marked with a triangle (▲) and must be replaced with parts having specifications equal to those originally installed.
 ★ Schematic diagram is subject to change without notice.

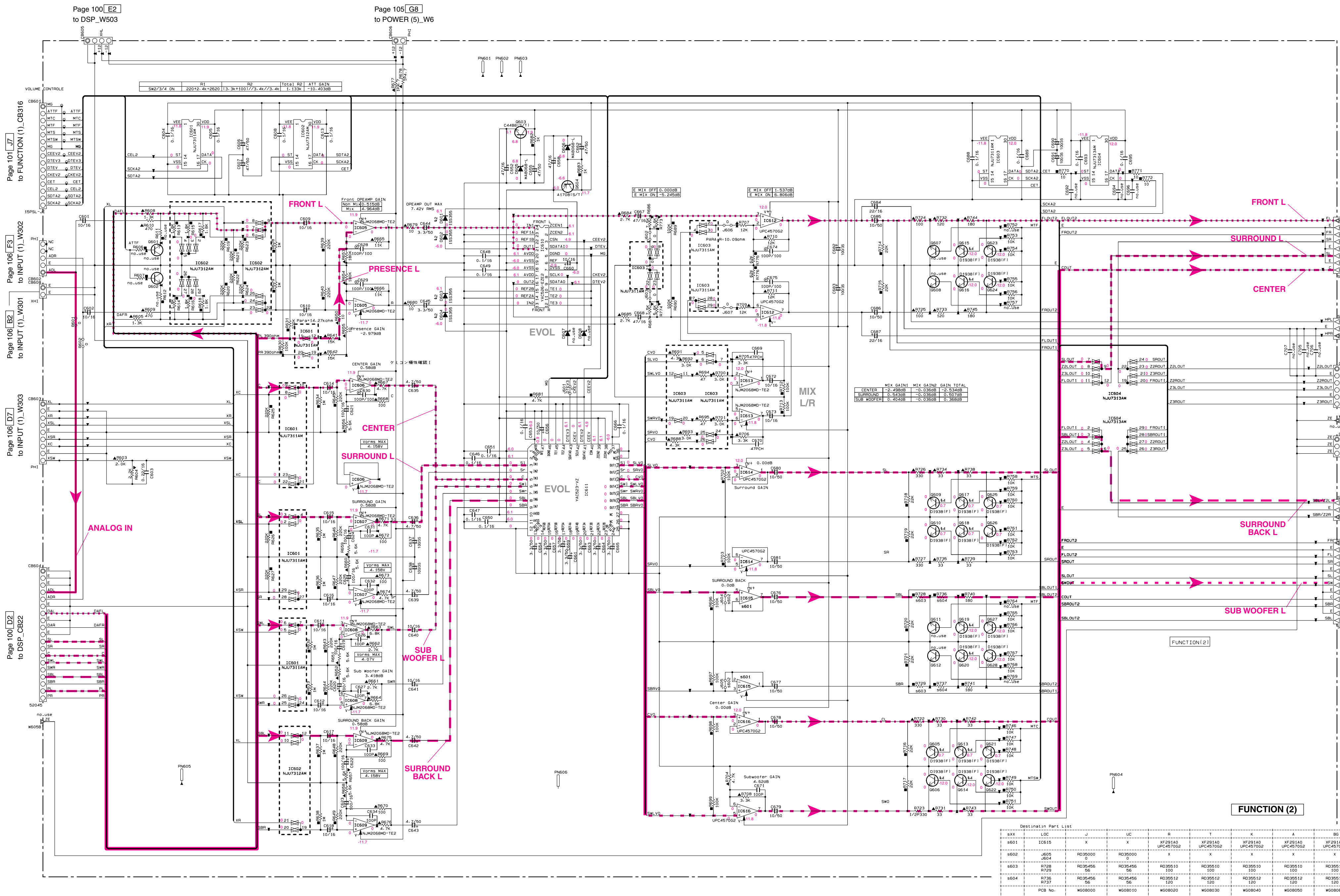
● 電圧は、内部抵抗10MΩの電圧計で測定したものです。
 ● 印のある部品は、安全性確保部品を示しています。部品の交換が必要な場合、パーツリストに記載されている部品を使用してください。
 ● 本回路図は標準回路図です。改良のため予告なく変更することがございます。



Destination Part List	Part Name	Part No.	Quantity	Remarks
981	LC	LC	1	
982	LC	LC	1	
983	LC	LC	1	
984	LC	LC	1	
985	LC	LC	1	
986	LC	LC	1	
987	LC	LC	1	
988	LC	LC	1	
989	LC	LC	1	
990	LC	LC	1	
991	LC	LC	1	
992	LC	LC	1	
993	LC	LC	1	
994	LC	LC	1	
995	LC	LC	1	
996	LC	LC	1	
997	LC	LC	1	
998	LC	LC	1	
999	LC	LC	1	
1000	LC	LC	1	

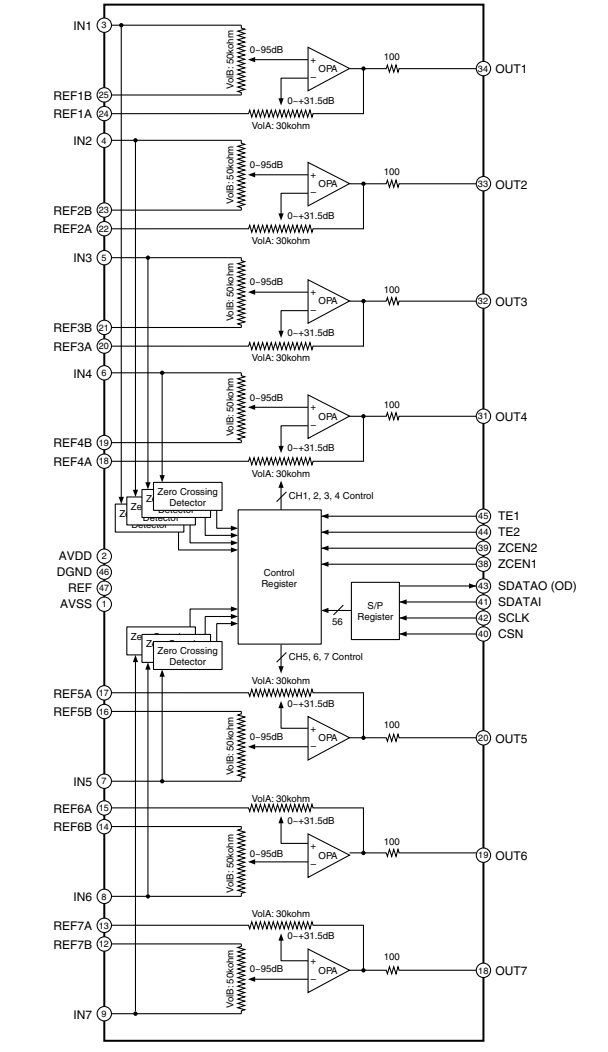


* All voltages are measured with a 10MΩ/V DC electronic volt meter.
 ● 電圧は、内部抵抗10MΩの電圧計で測定したものです。
 * Components having special characteristics are marked †, and must be replaced with parts having specifications equal to those originally installed.
 ● †印のある部品は、安全性確保部品を示しています。部品の交換が必要な場合、パーツリストに記載されている部品を使用してください。
 * Schematic diagram is subject to change without notice.
 ● 本回路図は標準回路図です。改良のため予告なく変更することがございます。

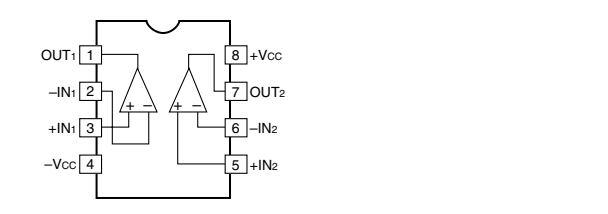


Page 101 [J7] to FUNCTION (1)_CB316
 Page 106 [E3] to INPUT (1)_W302
 Page 106 [B2] to INPUT (1)_W301
 Page 106 [D7] to INPUT (1)_W303
 Page 100 [D2] to DSP_CB22
 Page 05 [A4] to POWER (1)_CB40
 Page 103 [E7] to OPERATION (3)_CB905
 Page 106 [L5] to INPUT (2)_W305
 Page 106 [F8] to POWER (2)_CB44
 Page 105 [E3] to POWER (4)_CB332
 Page 106 [L7] to INPUT (3)_CB322

IC611: YAC523-EVR2
 Digital Volume



IC612, 614, 615, 616: μPC4570G2
 Dual OP-Amp



Destination Part List	IC	D	F	G	H	J	K	L	M	N
IC611	YAC523									
IC612	μPC4570G2									
IC613	μPC4570G2									
IC614	μPC4570G2									
IC615	μPC4570G2									
IC616	μPC4570G2									

設計値	実測値	設計値	実測値	
TOTAL	TOTAL	TOTAL	TOTAL	
FRONT	0.0	12.5	1.5	14.0
CENTER	0.0	14.0	0.0	14.0
SURROUND	0.0	14.0	0.0	14.0
SURROUND BACK	0.0	14.0	0.0	14.0
SUB WOOFER	0.0	14.0	0.0	14.0
ZONE 1_ZONE3	0.0	14.0	0.0	14.0

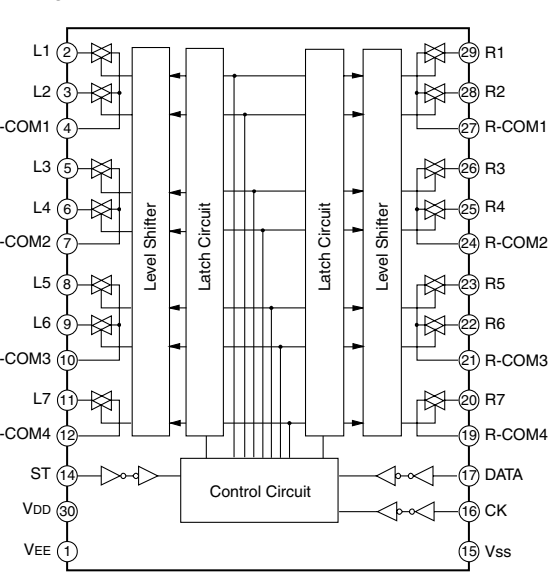
設計値	実測値	設計値	実測値	
TOTAL	TOTAL	TOTAL	TOTAL	
FRONT	0.515	12.5	1.537	14.552
CENTER	0.584	14.0	0.0	14.584
SURROUND	0.584	14.0	0.0	14.584
SURROUND BACK	0.584	14.0	0.0	14.584
SUB WOOFER	0.584	14.0	0.0	14.584
ZONE 1_ZONE3	0.0	14.0	0.0	14.0

REMARKS	PARTS NAME
NO MARK	ELECTROLYTIC CAPACITOR
○	TANTALUM CAPACITOR
●	CERAMIC CAPACITOR
○	POLYESTER FILM CAPACITOR
○	POLYSTYRENE FILM CAPACITOR
○	MICA CAPACITOR
○	POLYPROPYLENE FILM CAPACITOR
○	SEMICONDUCTIVE CERAMIC CAPACITOR
○	POLYPHENYLENE SULFIDE FILM CAPACITOR

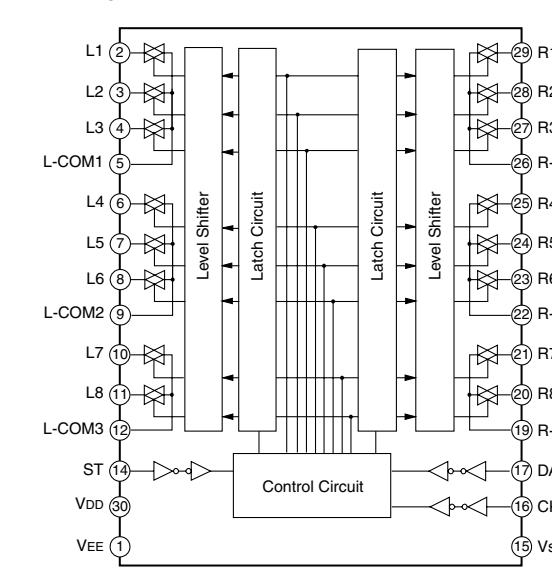
REMARKS	PARTS NAME
NO MARK	CARBON FILM RESISTOR (P=5)
○	CARBON FILM RESISTOR (P=10)
△	METAL OXIDE FILM RESISTOR
○	METAL FILM RESISTOR
○	FINE PROOF CARBON FILM RESISTOR
○	CEMENT MOLDED RESISTOR
○	SEMI-VARIABLE RESISTOR
■	CHIP RESISTOR

NOTICE (mode1)
 (J)..... JAPAN
 (U)..... U.S.A
 (C)..... CANADA
 (R)..... GENERAL
 (T)..... CHINA
 (K)..... KOREA
 (A)..... AUSTRALIA
 (B)..... BRITISH
 (G)..... EUROPE
 (L)..... SINGAPORE
 (E)..... SOUTH EUROPE
 (V)..... TAIWAN

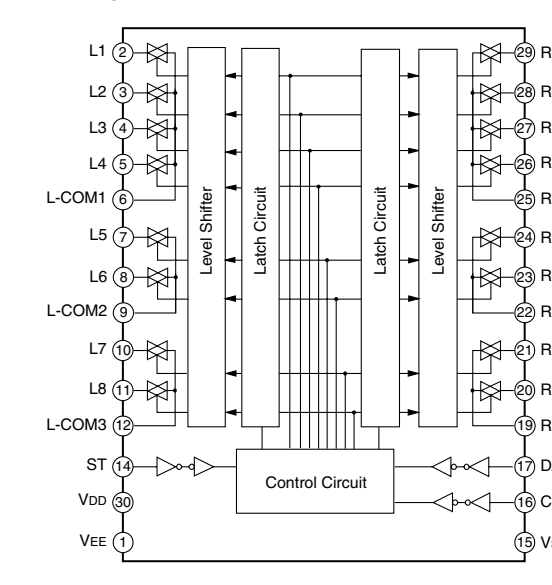
IC601, 603: NJU7311AM
 Analog function switch



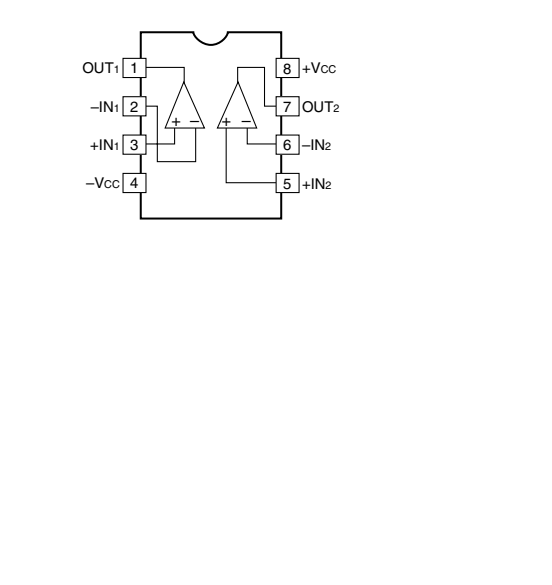
IC602: NJU7312AM
 Analog function switch



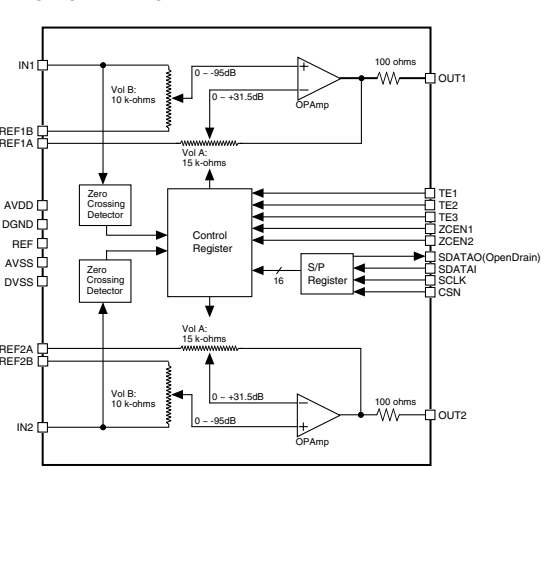
IC604: NJU7313AM
 Analog function switch



IC605-609, 613: NJM2068MD-TE2
 Dual OP-Amp

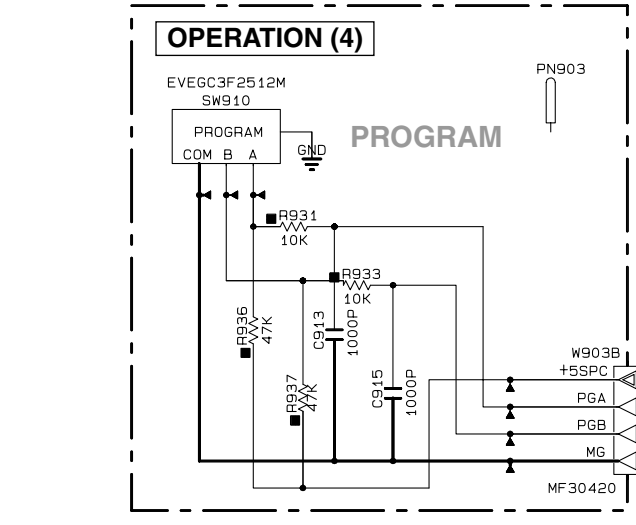
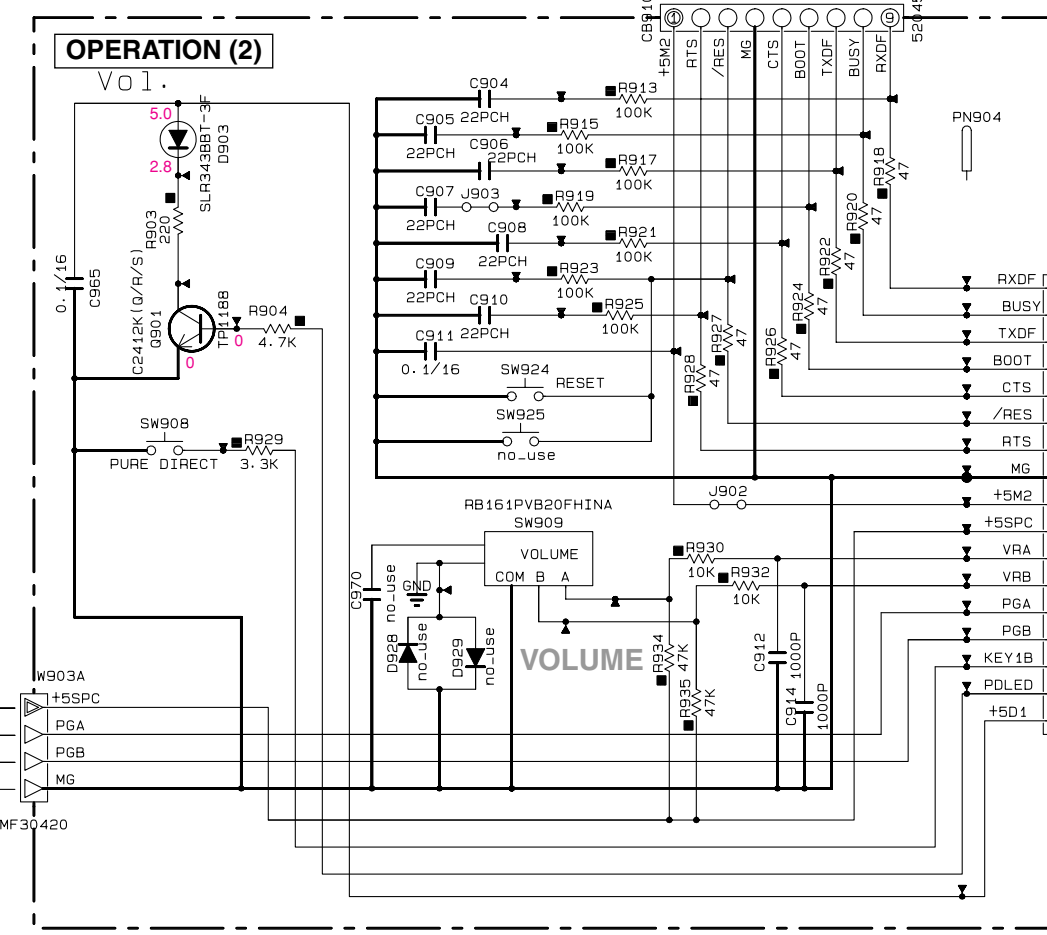
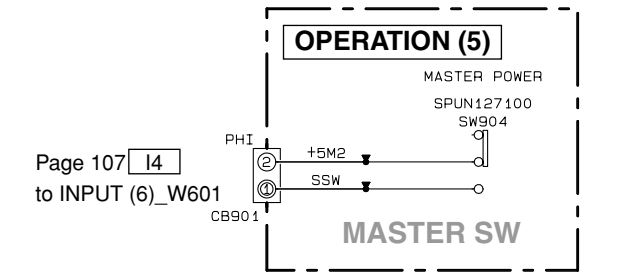
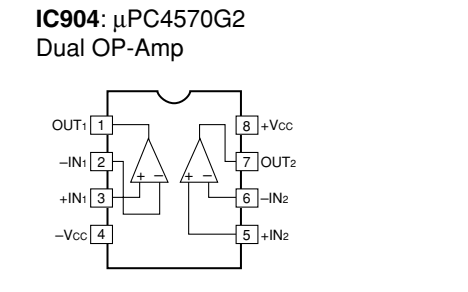
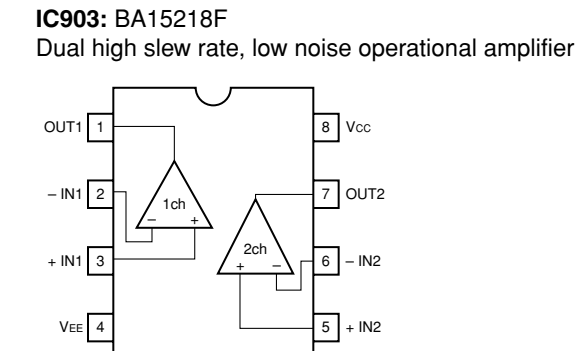
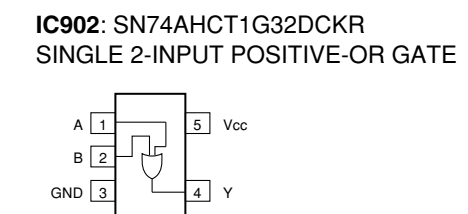
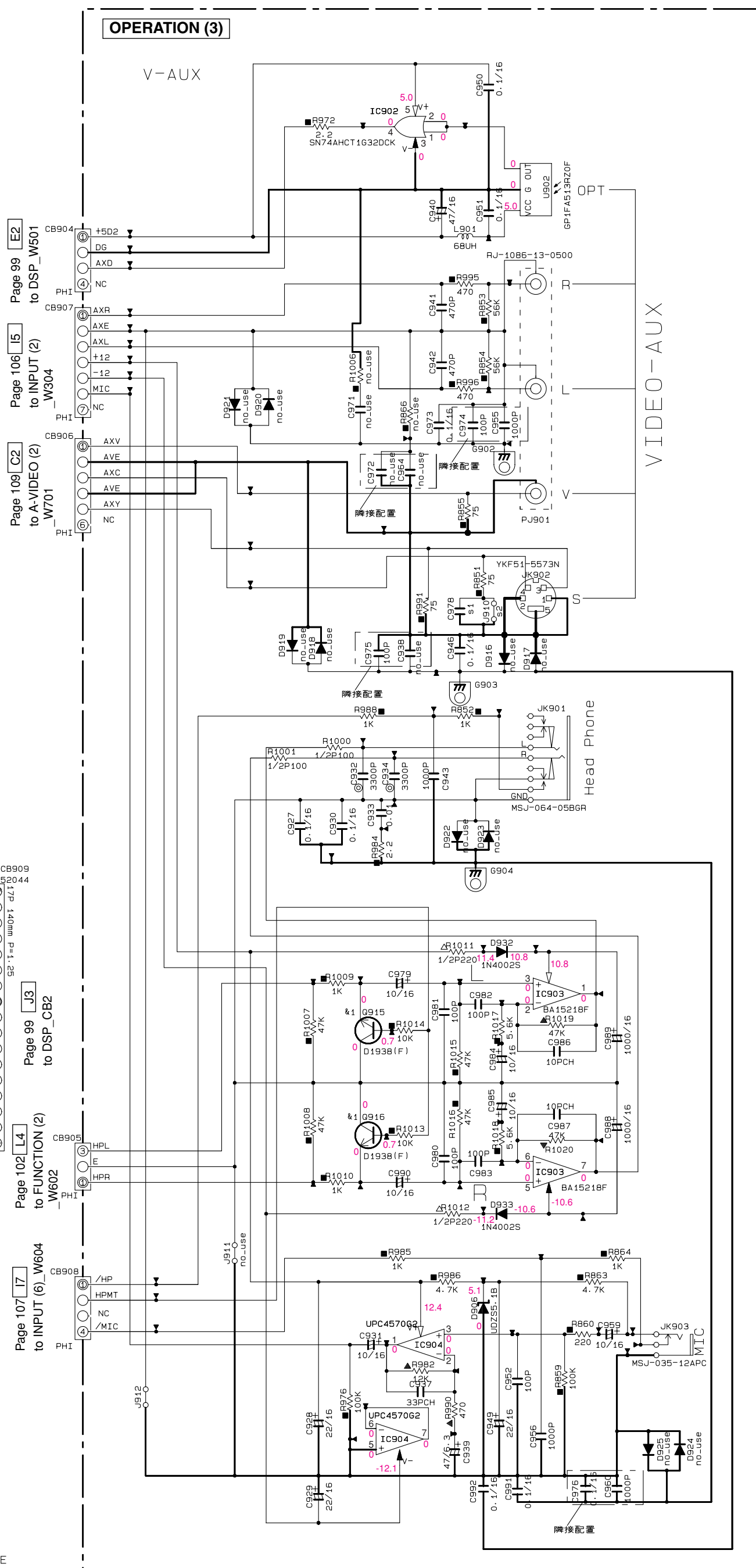
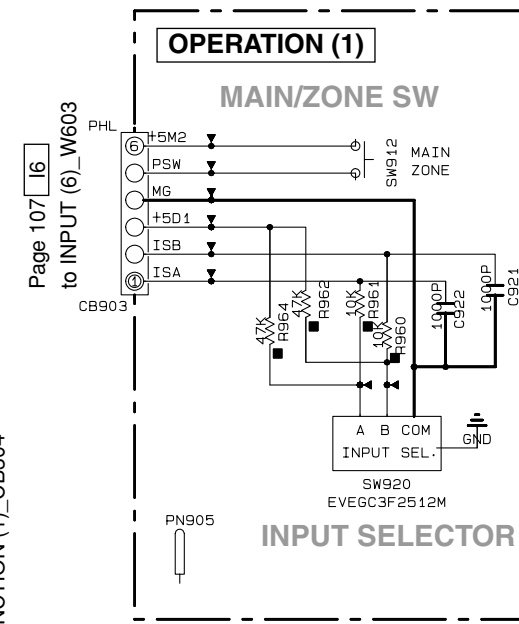
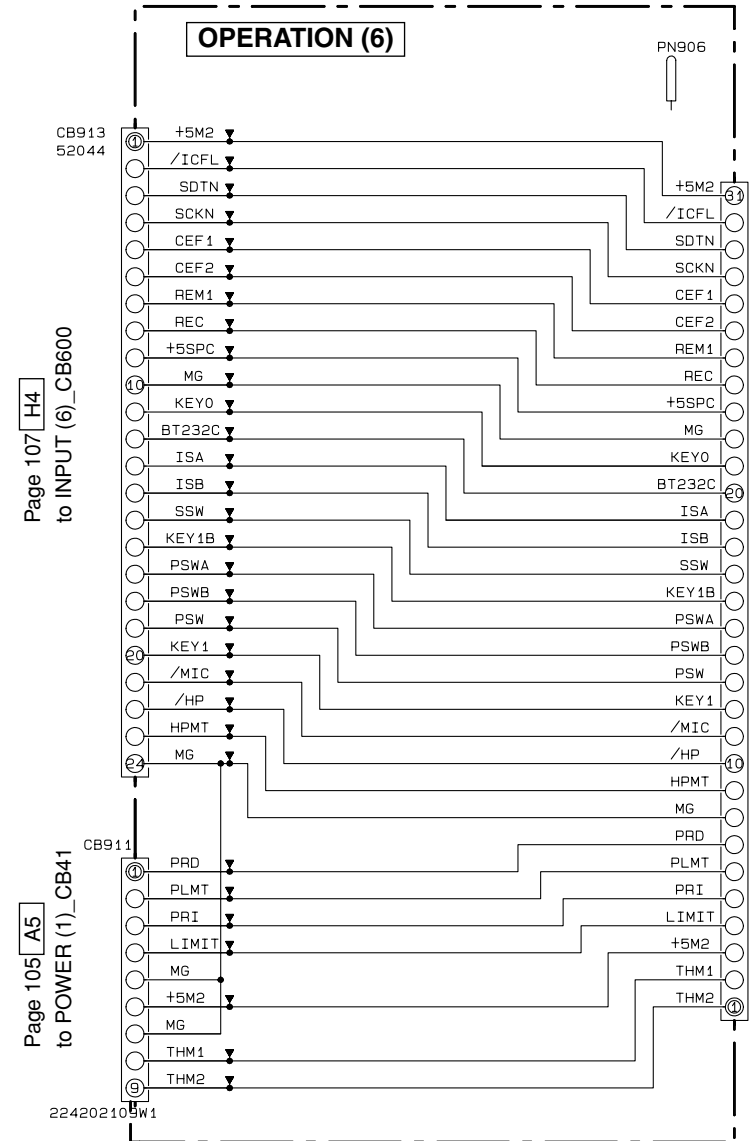


IC610: YAC526-EZE2
 2ch high grade digital volume LSI



* All voltages are measured with a 10MΩ/V DC electronic volt meter.
 * Components having special characteristics are marked (▲) and must be replaced with parts having specifications equal to those originally installed.
 * Schematic diagram is subject to change without notice.

SCHEMATIC DIAGRAM (OPERATION)



Interchangeable Parts at Manufacture-Stage

Mark	Reference Parts Number	Parts Name
41	0915-916	25019381F1 25C33261A/B1 25C59381A/B1 25D0704K

Destination Part List

sxx	LOC	JIC	RTKLABG
s1	C978	US13510	X
s2	J910	0.1/16	X
			RD95000
			0

NOTICE (mode1)
 (J)..... JAPAN
 (U)..... U. S. A
 (C)..... CANADA
 (R)..... GENERAL
 (T)..... CHINA
 (K)..... KOREA
 (A)..... AUSTRALIA
 (B)..... BRITISH
 (G)..... EUROPE
 (L)..... SINGAPORE
 (E)..... SOUTH EUROPE
 (V)..... TAIWAN

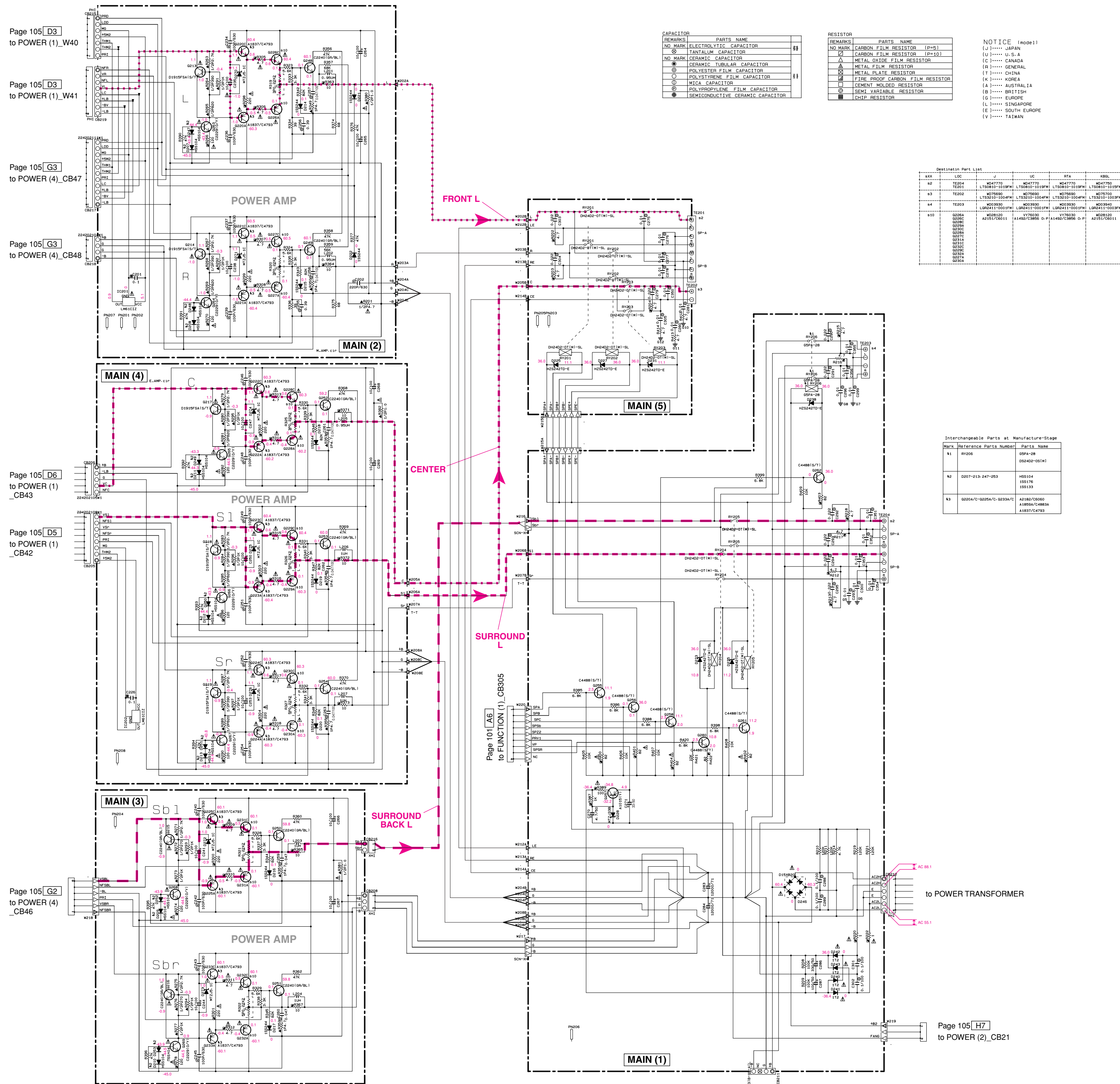
RESISTOR

REMARKS	PARTS NAME
NO MARK	CARBON FILM RESISTOR (P=5)
□	CARBON FILM RESISTOR (P=10)
△	METAL OXIDE FILM RESISTOR
▲	METAL FILM RESISTOR
⊠	METAL PLATE RESISTOR
⊞	FIRE PROOF CARBON FILM RESISTOR
⊞	CEMENT MOLDED RESISTOR
⊞	SEMI VARIABLE RESISTOR
■	CHIP RESISTOR

CAPACITOR

REMARKS	PARTS NAME
NO MARK	ELECTROLYTIC CAPACITOR
⊗	TANTALUM CAPACITOR
NO MARK	CERAMIC CAPACITOR
●	CERAMIC TUBULAR CAPACITOR
⊙	POLYESTER FILM CAPACITOR
○	POLYSTYRENE FILM CAPACITOR
⊖	MICA CAPACITOR
⊙	POLYPROPYLENE FILM CAPACITOR
⊙	SEMICONDUCTIVE CERAMIC CAPACITOR

* All voltages are measured with a 10MΩ/V DC electronic volt meter.
 * Components having special characteristics are marked ♯, and must be replaced with parts having specifications equal to those originally installed.
 * Schematic diagram is subject to change without notice.
 ● 電圧は、内部抵抗10MΩの電圧計で測定したものです。
 ● ♯印のある部品は、安全性確保部品を示しています。部品の交換が必要な場合、パーツリストに記載されている部品を使用してください。
 ● 本回路図は標準回路図です。改良のため予告なく変更することがございます。

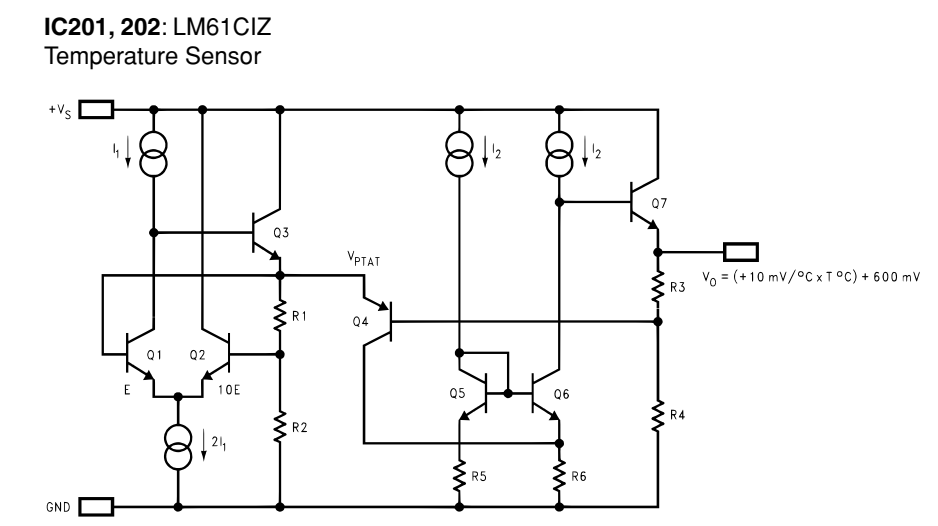


CAPACITOR		RESISTOR	
REMARKS	PARTS NAME	REMARKS	PARTS NAME
NO MARK	ELECTROLYTIC CAPACITOR	NO MARK	CARBON FILM RESISTOR (P=5)
○	FANALUM CAPACITOR	○	CARBON FILM RESISTOR (P=10)
●	CERAMIC CAPACITOR	△	METAL OXIDE FILM RESISTOR
○	CERAMIC TUBULAR CAPACITOR	□	METAL FILM RESISTOR
○	POLYESTER FILM CAPACITOR	□	METAL PLATE RESISTOR
○	POLYSTYRENE FILM CAPACITOR	□	CLIP PROOF CARBON FILM RESISTOR
○	MICA CAPACITOR	□	CEMENT MOUNTED RESISTOR
○	POLYPROPYLENE FILM CAPACITOR	□	TRIMMABLE RESISTOR
●	SEMICONDUCTIVE CERAMIC CAPACITOR	■	CHIP RESISTOR

NOTICE (FROM 1)	
(J)..... JAPAN	
(U)..... U.S.A	
(C)..... CANADA	
(R)..... GENERAL	
(T)..... CHINA	
(K)..... KOREA	
(A)..... AUSTRALIA	
(B)..... BRITISH	
(G)..... EUROPE	
(S)..... SINGAPORE	
(E)..... SOUTH EUROPE	
(V)..... TAIWAN	

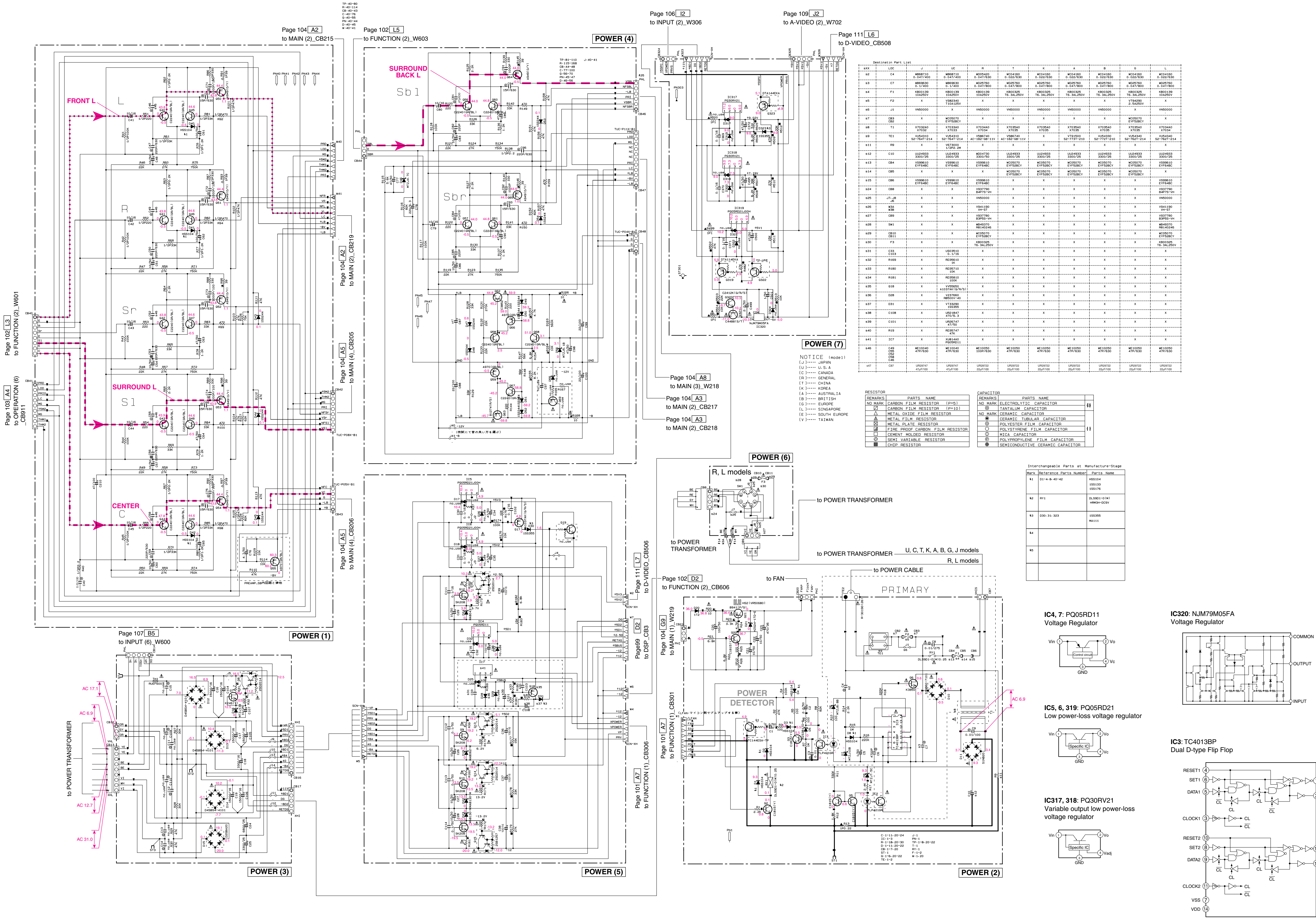
DESTINATION	PART LIST	UC	RTA	VENL
K2	UC	UC		
K3	UC	UC		
K4	UC	UC		
K5	UC	UC		
K6	UC	UC		
K7	UC	UC		
K8	UC	UC		
K9	UC	UC		
K10	UC	UC		

MARK	REFERENCE PARTS NUMBER	PARTS NAME
K1	9504-08	950408-081W
K2	0007-018-047-083	083004 083006 083008
K3	0020A/C-0020A/C-0020A/C	A3282/00080 A3282/00080 A3282/00080



★ All voltages are measured with a 10MΩ/V DC electronic volt meter.
 ★ Components having special characteristics are marked with a triangle and must be replaced with parts having specifications equal to those originally installed.
 ★ Schematic diagram is subject to change without notice.

● 電圧は、内部抵抗10MΩの電圧計で測定したものです。
 ● 印のある部品は、安全性確保部品を示しています。部品の交換が必要な場合、パーツリストに記載されている部品を使用してください。
 ● 本回路図は標準回路図です。改良のため予告なく変更することがございます。



Destination Part List

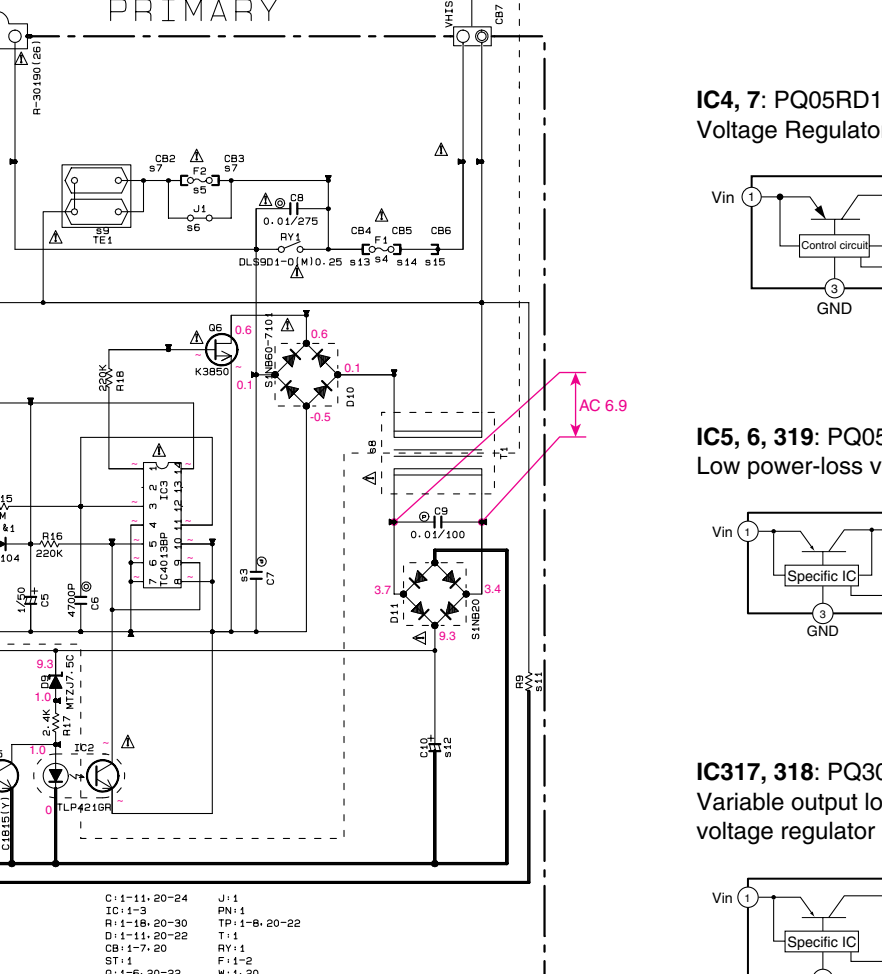
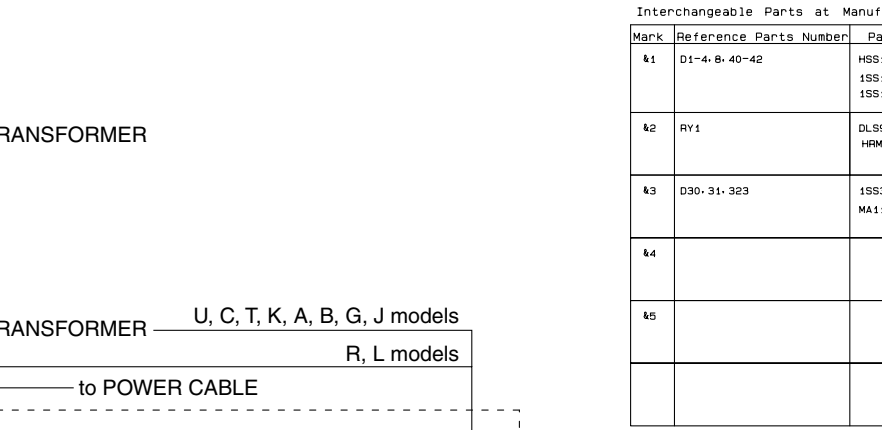
LOC	J	IC	B	T	K	A	B	G	L
82	C4	MS8710	MS8710	MS8710	MS8710	MS8710	MS8710	MS8710	MS8710
83	CF	MS8710	MS8710	MS8710	MS8710	MS8710	MS8710	MS8710	MS8710
84	F1	MS8710	MS8710	MS8710	MS8710	MS8710	MS8710	MS8710	MS8710
85	F2	MS8710	MS8710	MS8710	MS8710	MS8710	MS8710	MS8710	MS8710
86	J1	MS8710	MS8710	MS8710	MS8710	MS8710	MS8710	MS8710	MS8710
87	CB3	MS8710	MS8710	MS8710	MS8710	MS8710	MS8710	MS8710	MS8710
88	T1	MS8710	MS8710	MS8710	MS8710	MS8710	MS8710	MS8710	MS8710
89	TE1	MS8710	MS8710	MS8710	MS8710	MS8710	MS8710	MS8710	MS8710
90	TE2	MS8710	MS8710	MS8710	MS8710	MS8710	MS8710	MS8710	MS8710
91	FB	MS8710	MS8710	MS8710	MS8710	MS8710	MS8710	MS8710	MS8710
92	C10	MS8710	MS8710	MS8710	MS8710	MS8710	MS8710	MS8710	MS8710
93	CB3	MS8710	MS8710	MS8710	MS8710	MS8710	MS8710	MS8710	MS8710
94	CB5	MS8710	MS8710	MS8710	MS8710	MS8710	MS8710	MS8710	MS8710
95	CB6	MS8710	MS8710	MS8710	MS8710	MS8710	MS8710	MS8710	MS8710
96	CB8	MS8710	MS8710	MS8710	MS8710	MS8710	MS8710	MS8710	MS8710
97	J7_08	MS8710	MS8710	MS8710	MS8710	MS8710	MS8710	MS8710	MS8710
98	W14	MS8710	MS8710	MS8710	MS8710	MS8710	MS8710	MS8710	MS8710
99	W15	MS8710	MS8710	MS8710	MS8710	MS8710	MS8710	MS8710	MS8710
100	W16	MS8710	MS8710	MS8710	MS8710	MS8710	MS8710	MS8710	MS8710
101	W17	MS8710	MS8710	MS8710	MS8710	MS8710	MS8710	MS8710	MS8710
102	W18	MS8710	MS8710	MS8710	MS8710	MS8710	MS8710	MS8710	MS8710
103	W19	MS8710	MS8710	MS8710	MS8710	MS8710	MS8710	MS8710	MS8710
104	W20	MS8710	MS8710	MS8710	MS8710	MS8710	MS8710	MS8710	MS8710
105	W21	MS8710	MS8710	MS8710	MS8710	MS8710	MS8710	MS8710	MS8710
106	W22	MS8710	MS8710	MS8710	MS8710	MS8710	MS8710	MS8710	MS8710
107	W23	MS8710	MS8710	MS8710	MS8710	MS8710	MS8710	MS8710	MS8710
108	W24	MS8710	MS8710	MS8710	MS8710	MS8710	MS8710	MS8710	MS8710
109	W25	MS8710	MS8710	MS8710	MS8710	MS8710	MS8710	MS8710	MS8710
110	W26	MS8710	MS8710	MS8710	MS8710	MS8710	MS8710	MS8710	MS8710
111	W27	MS8710	MS8710	MS8710	MS8710	MS8710	MS8710	MS8710	MS8710
112	W28	MS8710	MS8710	MS8710	MS8710	MS8710	MS8710	MS8710	MS8710
113	W29	MS8710	MS8710	MS8710	MS8710	MS8710	MS8710	MS8710	MS8710
114	W30	MS8710	MS8710	MS8710	MS8710	MS8710	MS8710	MS8710	MS8710
115	W31	MS8710	MS8710	MS8710	MS8710	MS8710	MS8710	MS8710	MS8710
116	W32	MS8710	MS8710	MS8710	MS8710	MS8710	MS8710	MS8710	MS8710
117	W33	MS8710	MS8710	MS8710	MS8710	MS8710	MS8710	MS8710	MS8710
118	W34	MS8710	MS8710	MS8710	MS8710	MS8710	MS8710	MS8710	MS8710
119	W35	MS8710	MS8710	MS8710	MS8710	MS8710	MS8710	MS8710	MS8710
120	W36	MS8710	MS8710	MS8710	MS8710	MS8710	MS8710	MS8710	MS8710
121	W37	MS8710	MS8710	MS8710	MS8710	MS8710	MS8710	MS8710	MS8710
122	W38	MS8710	MS8710	MS8710	MS8710	MS8710	MS8710	MS8710	MS8710
123	W39	MS8710	MS8710	MS8710	MS8710	MS8710	MS8710	MS8710	MS8710
124	W40	MS8710	MS8710	MS8710	MS8710	MS8710	MS8710	MS8710	MS8710
125	W41	MS8710	MS8710	MS8710	MS8710	MS8710	MS8710	MS8710	MS8710
126	W42	MS8710	MS8710	MS8710	MS8710	MS8710	MS8710	MS8710	MS8710
127	W43	MS8710	MS8710	MS8710	MS8710	MS8710	MS8710	MS8710	MS8710
128	W44	MS8710	MS8710	MS8710	MS8710	MS8710	MS8710	MS8710	MS8710
129	W45	MS8710	MS8710	MS8710	MS8710	MS8710	MS8710	MS8710	MS8710
130	W46	MS8710	MS8710	MS8710	MS8710	MS8710	MS8710	MS8710	MS8710
131	W47	MS8710	MS8710	MS8710	MS8710	MS8710	MS8710	MS8710	MS8710
132	W48	MS8710	MS8710	MS8710	MS8710	MS8710	MS8710	MS8710	MS8710
133	W49	MS8710	MS8710	MS8710	MS8710	MS8710	MS8710	MS8710	MS8710
134	W50	MS8710	MS8710	MS8710	MS8710	MS8710	MS8710	MS8710	MS8710
135	W51	MS8710	MS8710	MS8710	MS8710	MS8710	MS8710	MS8710	MS8710
136	W52	MS8710	MS8710	MS8710	MS8710	MS8710	MS8710	MS8710	MS8710
137	W53	MS8710	MS8710	MS8710	MS8710	MS8710	MS8710	MS8710	MS8710
138	W54	MS8710	MS8710	MS8710	MS8710	MS8710	MS8710	MS8710	MS8710
139	W55	MS8710	MS8710	MS8710	MS8710	MS8710	MS8710	MS8710	MS8710
140	W56	MS8710	MS8710	MS8710	MS8710	MS8710	MS8710	MS8710	MS8710
141	W57	MS8710	MS8710	MS8710	MS8710	MS8710	MS8710	MS8710	MS8710
142	W58	MS8710	MS8710	MS8710	MS8710	MS8710	MS8710	MS8710	MS8710
143	W59	MS8710	MS8710	MS8710	MS8710	MS8710	MS8710	MS8710	MS8710
144	W60	MS8710	MS8710	MS8710	MS8710	MS8710	MS8710	MS8710	MS8710
145	W61	MS8710	MS8710	MS8710	MS8710	MS8710	MS8710	MS8710	MS8710
146	W62	MS8710	MS8710	MS8710	MS8710	MS8710	MS8710	MS8710	MS8710
147	W63	MS8710	MS8710	MS8710	MS8710	MS8710	MS8710	MS8710	MS8710

RESISTOR PARTS NAME

NO. MARK	CARBON FILM RESISTOR (P=5)	NO. MARK	ELECTROLYTIC CAPACITOR
□	CARBON FILM RESISTOR (P=10)	□	TANTALUM CAPACITOR
△	METAL OXIDE FILM RESISTOR	□	CERAMIC CAPACITOR
◇	METAL FILM RESISTOR	□	CERAMIC TUBULAR CAPACITOR
○	FINE PORE CARBON FILM RESISTOR	□	POLYESTER FILM CAPACITOR
◎	CEMENT MOLDED RESISTOR	□	POLYSTYRENE FILM CAPACITOR
⊙	SEM. VARIABLE RESISTOR	□	MICA CAPACITOR
⊚	CHIP RESISTOR	□	POLYPROPYLENE FILM CAPACITOR
		□	SEMICONDUCTIVE CERAMIC CAPACITOR

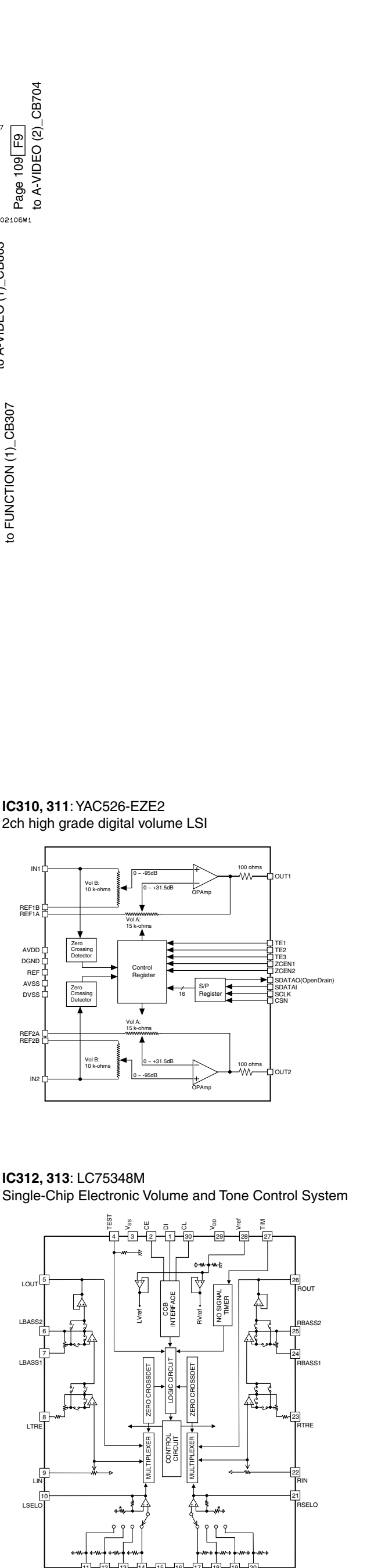
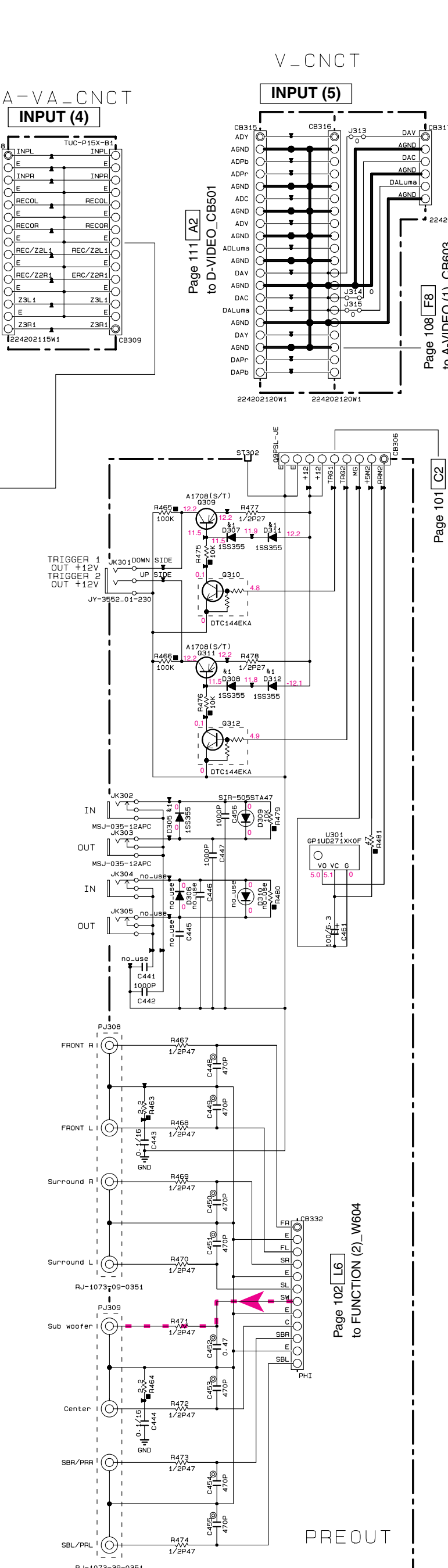
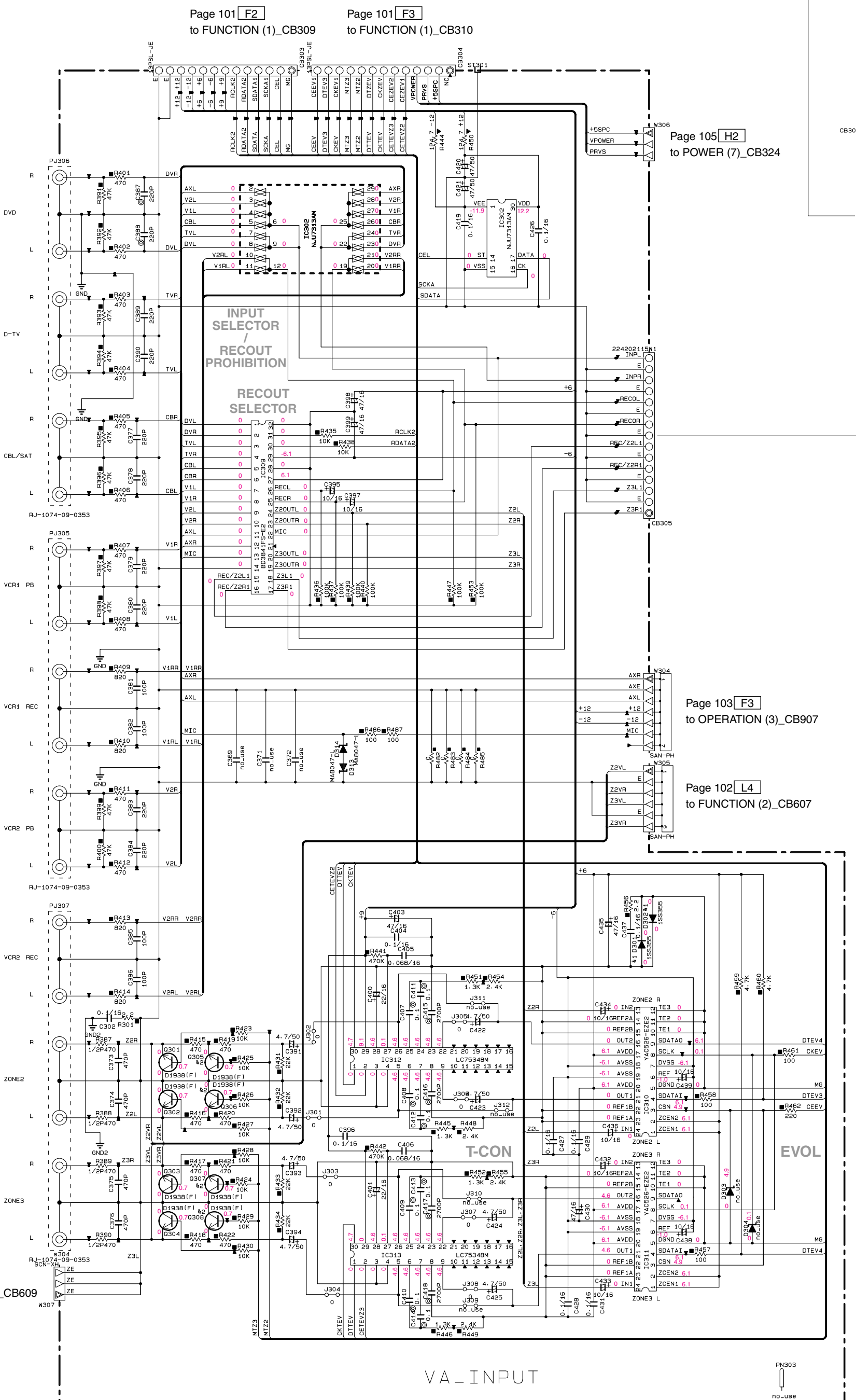
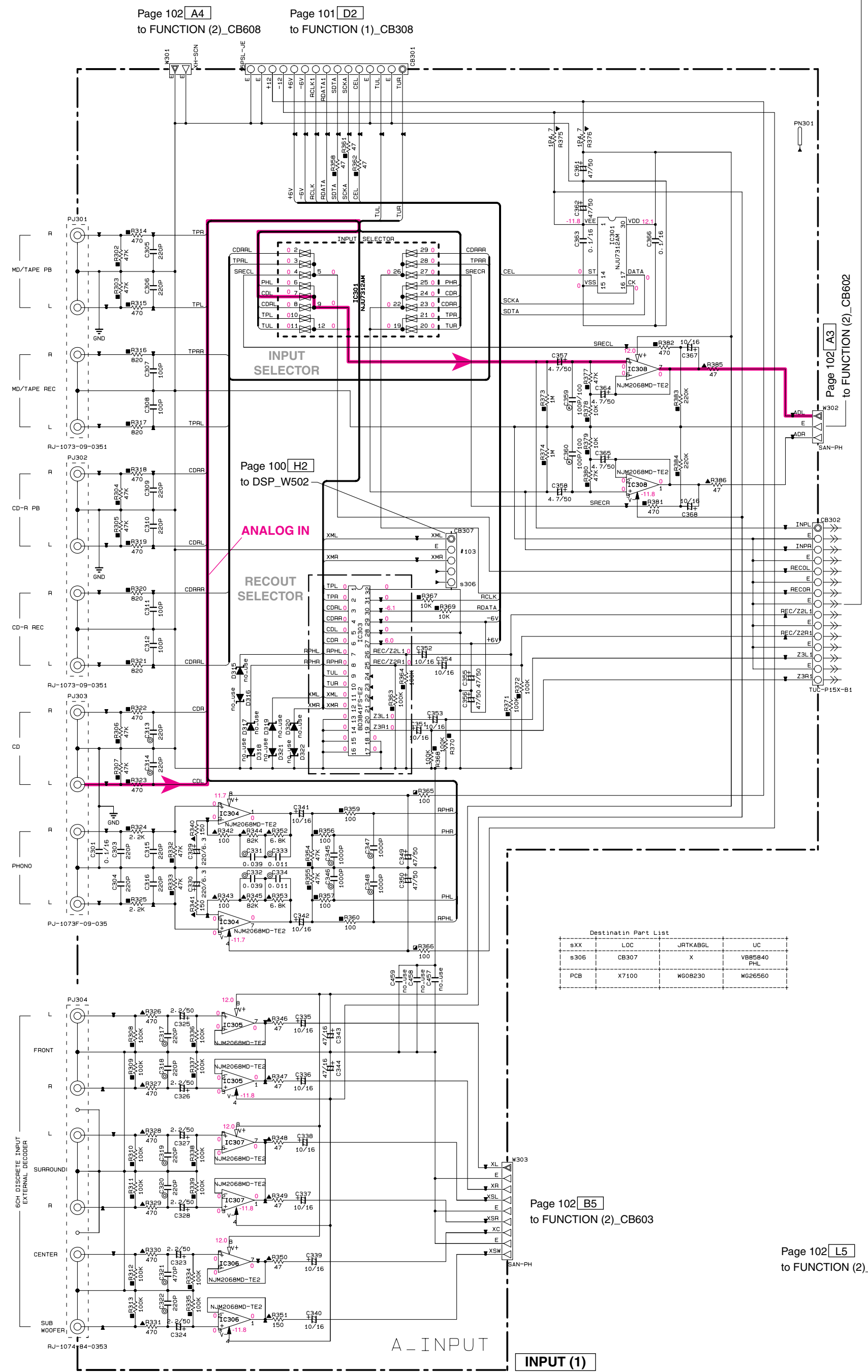
Interchangeable Parts at Manufacture-Stage

Mark	Reference Parts Number	Parts Name
84	D1+8-8-40-42	88014
		15513
		15516
82	RV1	DL3901-01W
		W800-020V
83	D30-31-323	15335
		46111
84		
85		



* All voltages are measured with a 10MΩ/V DC electronic volt meter.
 * Components having special characteristics are marked !, and must be replaced with parts having specifications equal to those originally installed.
 * Schematic diagram is subject to change without notice.

● 電圧は、内部抵抗10MΩの電圧計で測定したものです。
 ● !印のある部品は、安全性確保部品を示しています。部品の交換が必要な場合、パーツリストに記載されている部品を使用してください。
 ● 本回路図は標準回路図です。改良のため予告なく変更することがございます。



NOTICE (model)

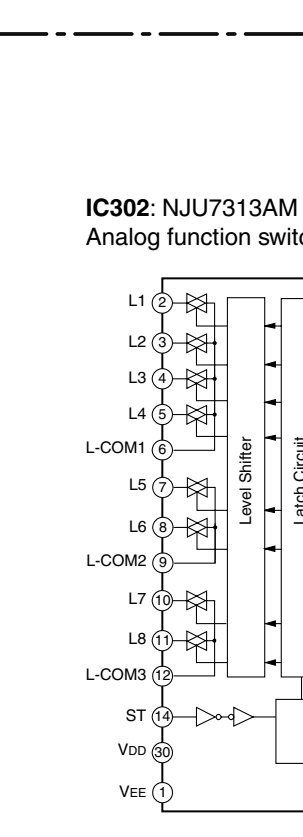
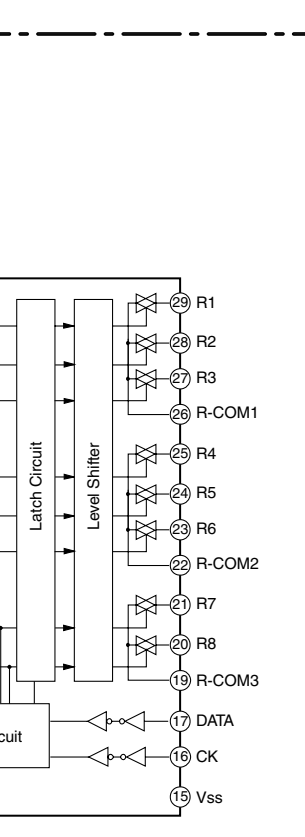
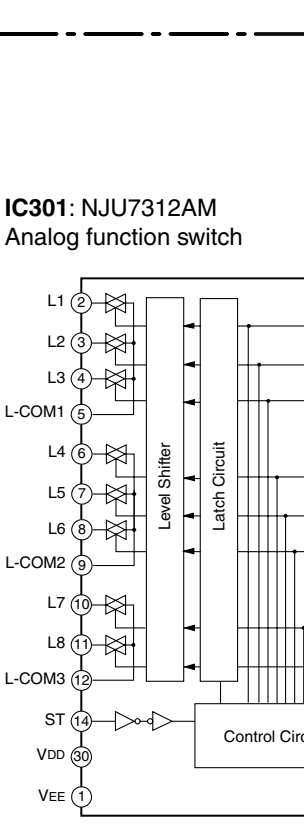
(J)..... JAPAN
 (U)..... U.S.A
 (C)..... CANADA
 (R)..... GENERAL
 (T)..... CHINA
 (K)..... KOREA
 (A)..... AUSTRALIA
 (B)..... BRITISH
 (G)..... EUROPE
 (L)..... SINGAPORE
 (E)..... SOUTH EUROPE
 (V)..... TAIWAN

REMARKS	PARTS NAME
NO MARK	ELECTROLYTIC CAPACITOR
◎	TANTALUM CAPACITOR
NO MARK	CERAMIC CAPACITOR
◎	CERAMIC TUBULAR CAPACITOR
◎	POLYESTER FILM CAPACITOR
○	POLYSTYRENE FILM CAPACITOR
○	MICA CAPACITOR
◎	POLYPROPYLENE FILM CAPACITOR
◎	SEMICONDUCTIVE CERAMIC CAPACITOR
◎	POLYPHENYLENE SULFIDE FILM CAPACITOR

REMARKS	PARTS NAME
NO MARK	CARBON FILM RESISTOR (P=5)
□	CARBON FILM RESISTOR (P=10)
△	METAL OXIDE FILM RESISTOR
△	METAL FILM RESISTOR
□	METAL PLATE RESISTOR
□	FINE PROOF CARBON FILM RESISTOR
□	CEMENT MOLDED RESISTOR
□	SEMI VARIABLE RESISTOR
■	CHIP RESISTOR

Interchangeable Parts at Manufacture-Stage

Max	Reference Parts Number	Parts Name
k1	0301-302-305-307-308	155355
k2	311-312-606-611-616	M411
k3	0305-306-307-308	8001830(F) 8001831(F) 8001832(F)
k4		
k5		



★ All voltages are measured with a 10MΩ/V DC electronic volt meter.
 ★ Components having special characteristics are marked †, and must be replaced with parts having specifications equal to those originally installed.
 ★ Schematic diagram is subject to change without notice.

● 電圧は、内部抵抗10MΩの電圧計で測定したものです。
 ● †印のある部品は、安全性確保部品を示しています。部品の交換が必要な場合、パーツリストに記載されている部品を使用してください。
 ● 本回路図は標準回路図です。改良のため予告なく変更することがございます。

Page 105 [B7] to POWER (3)_CB14

INPUT (6)

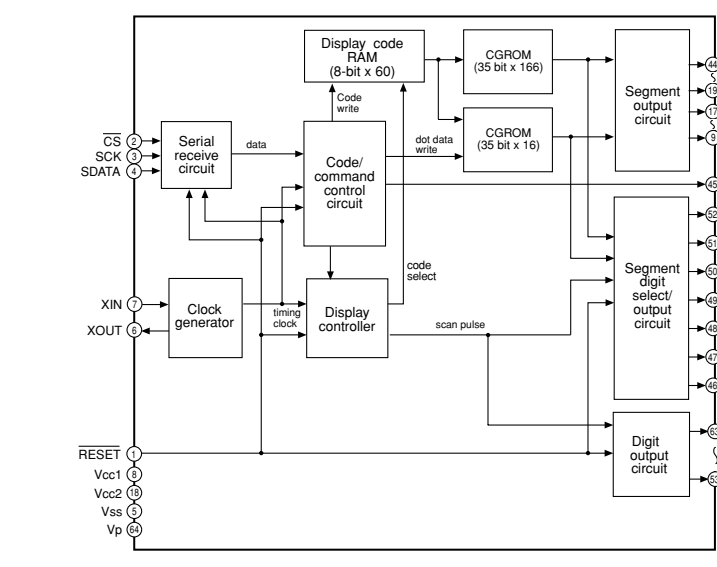
Page 103 [A2] to OPERATION (6)_CB913

Page 103 [B5] to OPERATION (5)_CB901

Page 103 [D2] to OPERATION (1)_CB903

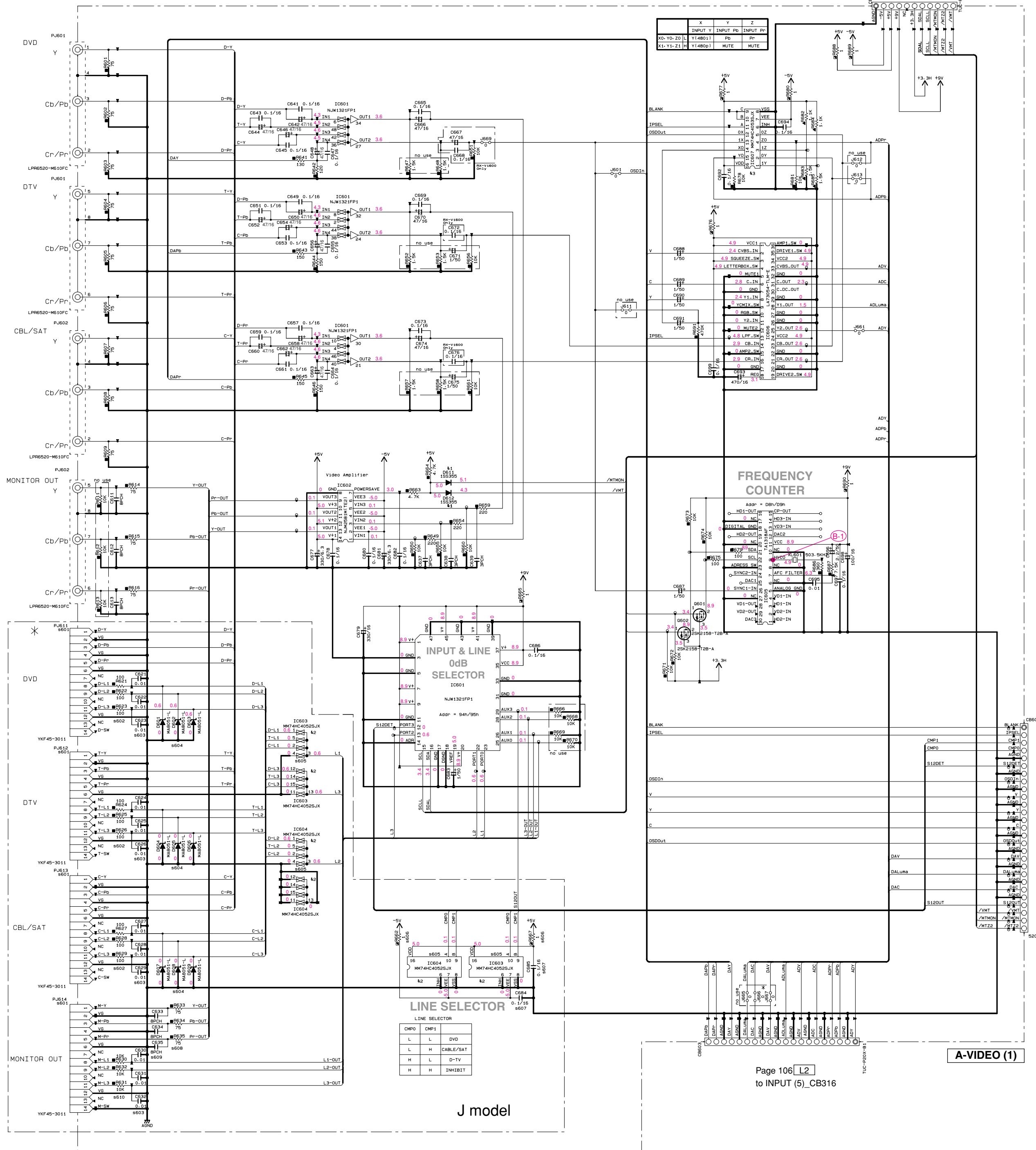
Page 103 [F7] to OPERATION (3)_CB908

IC600, 601: M66003-0131FP FL Display Driver



★ All voltages are measured with a 10MΩ/V DC electronic volt meter.
 ★ Components having special characteristics are marked !, and must be replaced with parts having specifications equal to those originally installed.
 ★ Schematic diagram is subject to change without notice.

● 電圧は、内部抵抗10MΩの電圧計で測定したものです。
 ● !印のある部品は、安全性確保部品を示しています。部品の交換が必要な場合、パーツリストに記載されている部品を使用してください。
 ● 本回路図は標準回路図です。改良のため予告なく変更することがございます。



RESISTOR

REMARKS	PARTS NAME
NO MARK	CARBON FILM RESISTOR (P=5)
□	CARBON FILM RESISTOR (P=10)
△	METAL OXIDE FILM RESISTOR
◇	METAL FILM RESISTOR
○	GENERAL
()	CHINA
(K)	KOREA
(A)	AUSTRALIA
(B)	BRITISH
(G)	EUROPE
(L)	SINGAPORE
(E)	SOUTH EUROPE
(V)	TAIWAN

CAPACITOR

REMARKS	PARTS NAME
NO MARK	ELECTROLYTIC CAPACITOR
⊖	TANTALUM CAPACITOR
NO MARK	CERAMIC CAPACITOR
⊕	CERAMIC TUBULAR CAPACITOR
⊖	POLYESTER FILM CAPACITOR
⊕	POLYETHYLENE FILM CAPACITOR
⊖	MICA CAPACITOR
⊕	POLYPROPYLENE FILM CAPACITOR
⊖	SEMICONDUCTIVE CERAMIC CAPACITOR
⊕	POLYPHENYLENE SULFIDE FILM CAPACITOR

Destination Part List

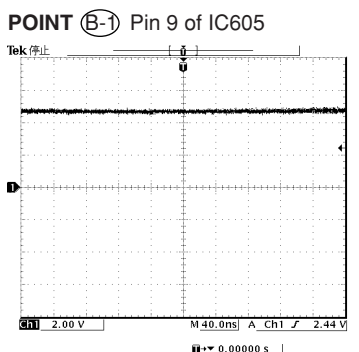
XXXX	LOC	QTY	UIC	REV	T.A.B.S.L
8601	R401	1	MM74HC4052JX	X	X
8602	R402	1	MM74HC4052JX	X	X
8603	R403	1	MM74HC4052JX	X	X
8604	R404	1	MM74HC4052JX	X	X
8605	R405	1	MM74HC4052JX	X	X
8606	R406	1	MM74HC4052JX	X	X
8607	R407	1	MM74HC4052JX	X	X
8608	R408	1	MM74HC4052JX	X	X
8609	R409	1	MM74HC4052JX	X	X
8610	R410	1	MM74HC4052JX	X	X

Interchangeable Parts at Manufacture Stage

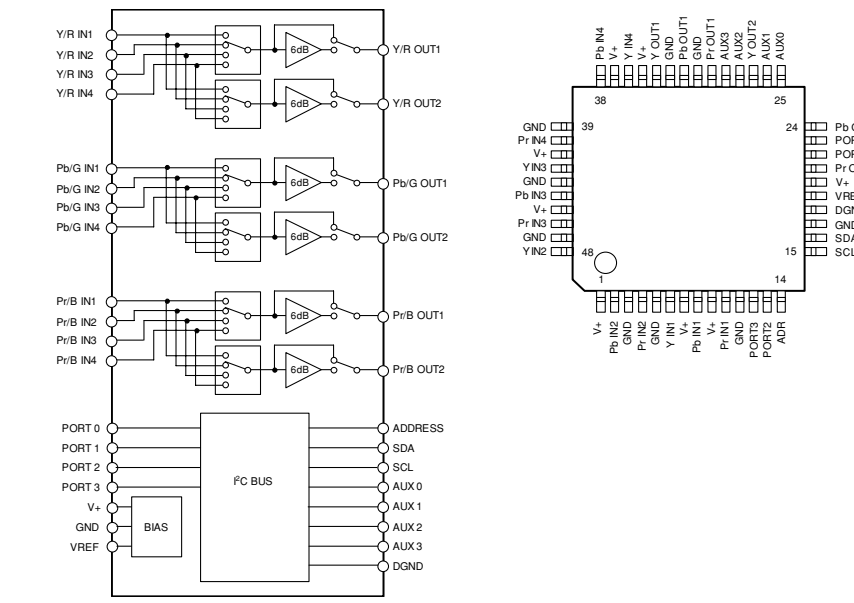
Part No.	Reference Parts Number	Parts Name
81	0811-812-706-771-774	LS3055 RA11
82	12003-804	MM74HC4052JX TC74HC4052FTEL-F1
83	12007-706-716	MM74HC4052JX TC74HC4052FTEL-F1
84	12701-703	MM74HC4052JX TC74HC4052FTEL-F1
85	12712	T16540PIL LS3055RA11
86	12713	TC74V4042AFEL-F1 MM74V4042JX

Page 109 [G9]
 to A-VIDEO (2)_CB703

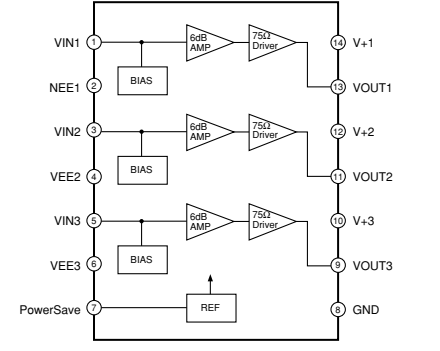
Page 106 [L2]
 to INPUT (5)_CB316



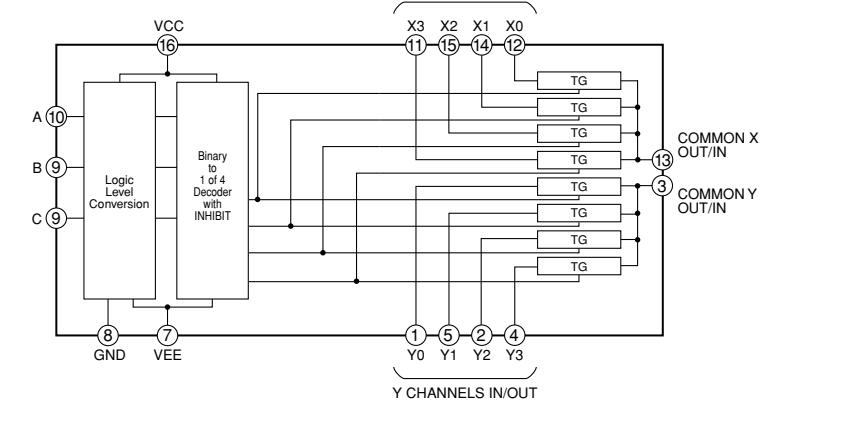
IC601: NJW1321FP1
 Wide Band Video Switch with I²C BUS



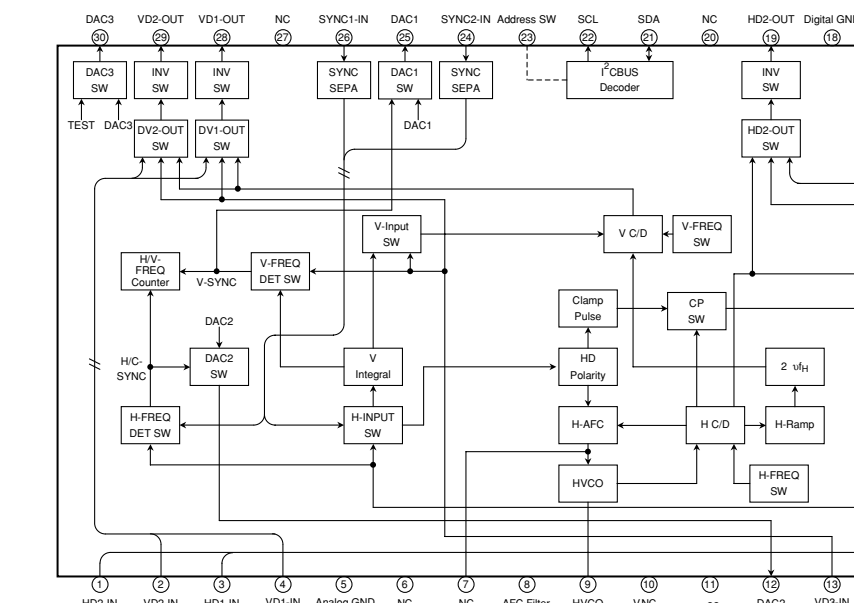
IC602: NJM2581M
 Video Amp



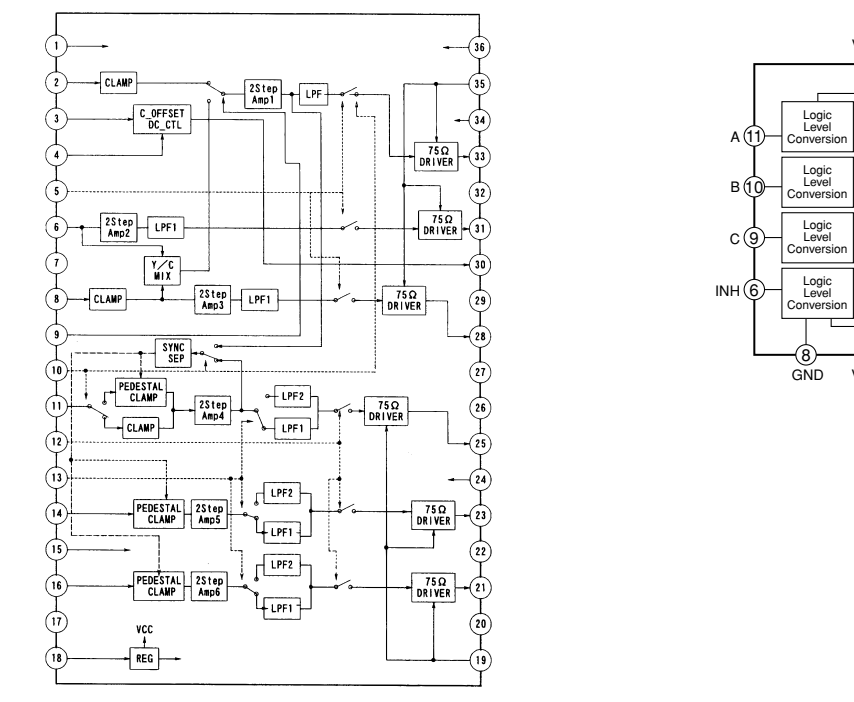
IC603, 604: MM74HC4052JX
 Dual 4-Channel Analog Multiplexer



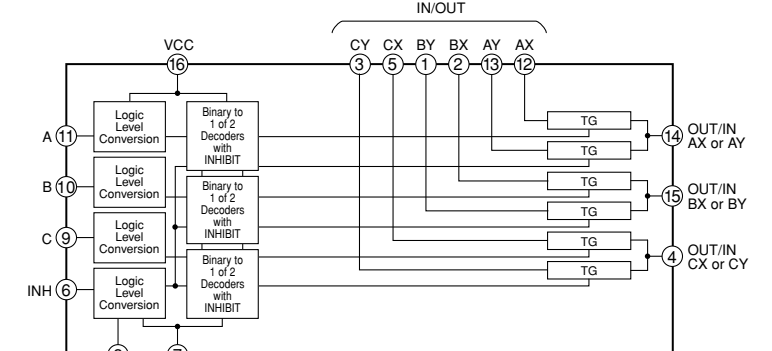
IC605: TA1318AF
 SYNC Processor, Frequency Counter IC for TV Component Signals



IC606: LA73054-TLM-E
 Analog Amp

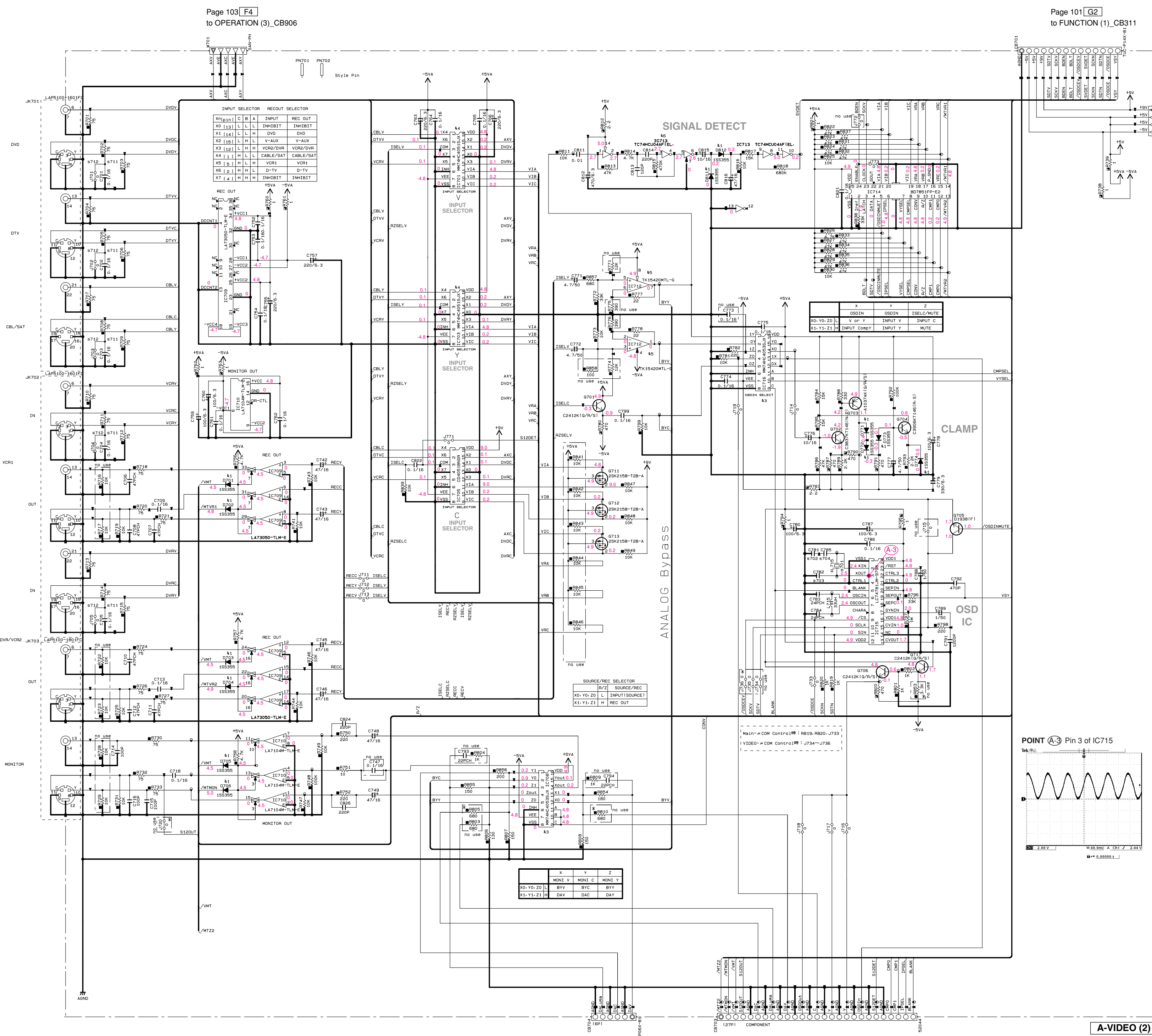


IC607: MM74HC4053JX
 Triple 2-Channel Analog Multiplexer



★ All voltages are measured with a 10MΩ/V DC electronic volt meter.
 ● Components having special characteristics are marked ▲, and must be replaced with parts having specifications equal to those originally installed.
 ★ Schematic diagram is subject to change without notice.

● 電圧は、内部抵抗10MΩの電圧計で測定したものです。
 ● !印のある部品は、安全性確保部品を示しています。部品の交換が必要な場合、パーツリストに記載されている部品を使用してください。
 ● 本回路図は標準回路図です。改良のため予告なく変更することがございます。



Page 101 [G2] to FUNCTION (1)_CB311

Page 103 [F4] to OPERATION (3)_CB906

Page 105 [L2] to POWER (7)_CB325

Destination Part List

MARK	LOC	J	U-C	B-K	T-A	B-S-L
S701	AV15	W08140	W08140	W08140	17.734475Hz	
S702	C781	US06030	US06030	US06030		NTSC or PAL
S703	C782	US06030	US06030	US06030		
S704	C785	US06030	US06030	US06030		
S711	C763	US19510	US19510			S1/S2 Detection
S712	C764	US19510	US19510			S1/S2 Detection
				R039000	R039000	

NOTICE (mode 1)

(J)..... JAPAN
 (U)..... U.S.A.
 (C)..... CANADA
 (R)..... GENERAL
 (T)..... CHINA
 (K)..... KOREA
 (A)..... AUSTRALIA
 (B)..... BRITISH
 (G)..... EUROPE
 (L)..... SINGAPORE
 (E)..... SOUTH EUROPE
 (V)..... TAIWAN

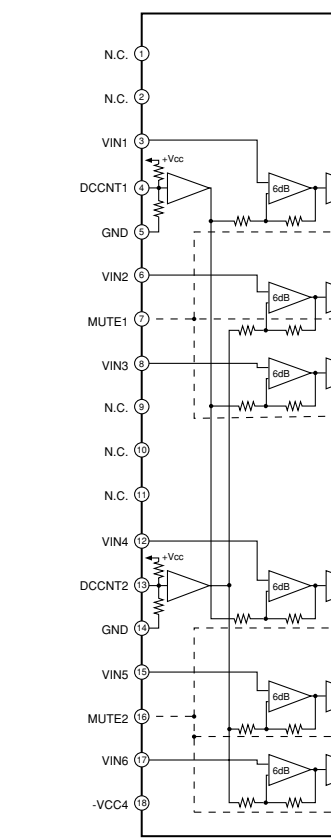
RESISTOR

REMARKS	PARTS NAME
NO MARK	CARBON FILM RESISTOR (P=5)
(J)	CARBON FILM RESISTOR (P=10)
(U)	METAL OXIDE FILM RESISTOR
(C)	METAL FILM RESISTOR
(R)	FIRE PROOF CARBON FILM RESISTOR
(T)	CEMENT MOUNTED RESISTOR
(B)	SEMI VARIABLE RESISTOR
(G)	CHIP RESISTOR

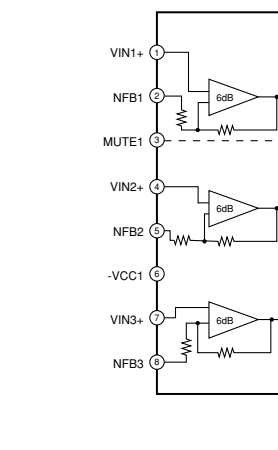
CAPACITOR

REMARKS	PARTS NAME
NO MARK	ELECTROLYTIC CAPACITOR
(J)	TANTALUM CAPACITOR
NO MARK	CERAMIC CAPACITOR
(C)	CERAMIC TUBULAR CAPACITOR
(P)	POLYESTER FILM CAPACITOR
(S)	POLYSTYRENE FILM CAPACITOR
(M)	MICA CAPACITOR
(V)	POLYPROPYLENE FILM CAPACITOR
(N)	SEMICONDUCTIVE CERAMIC CAPACITOR
(L)	POLYPHENYLENE SULFIDE FILM CAPACITOR

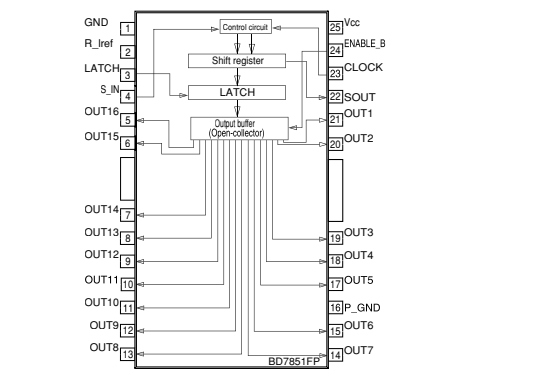
IC709: LA73050-TLM-E Analog Amp



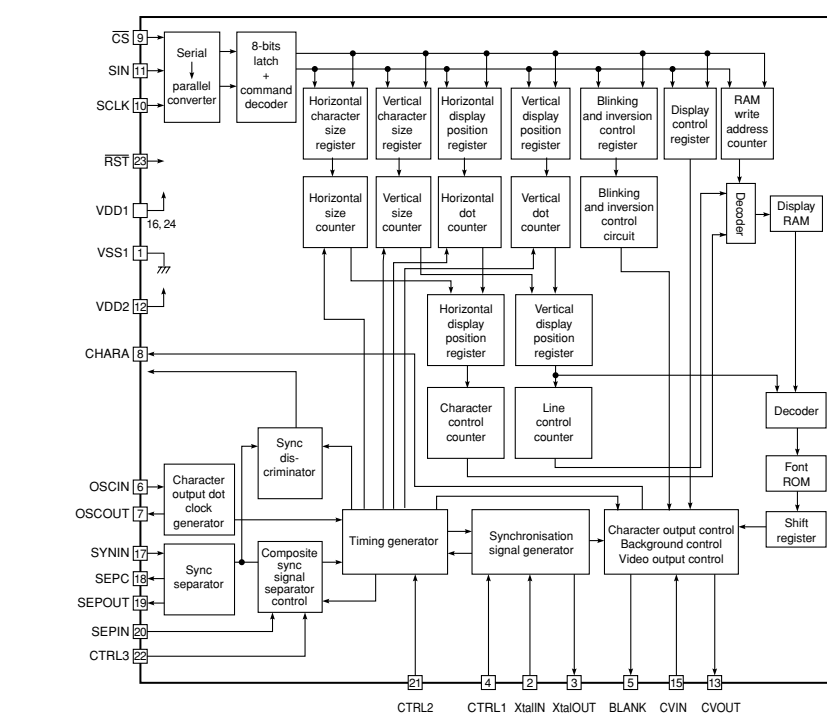
IC710: LA7104M Video Amp



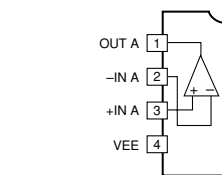
IC714: BD7851FP-E2 LED driver IC with built-in 16bit shift register



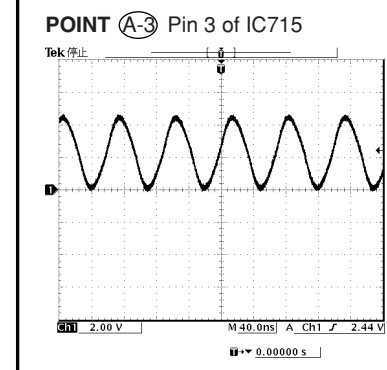
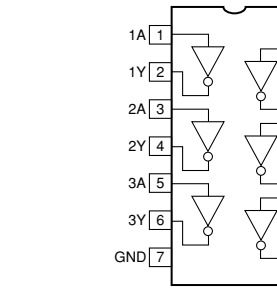
IC715: LC74781JM-9798 On-Screen Display Controller LSI



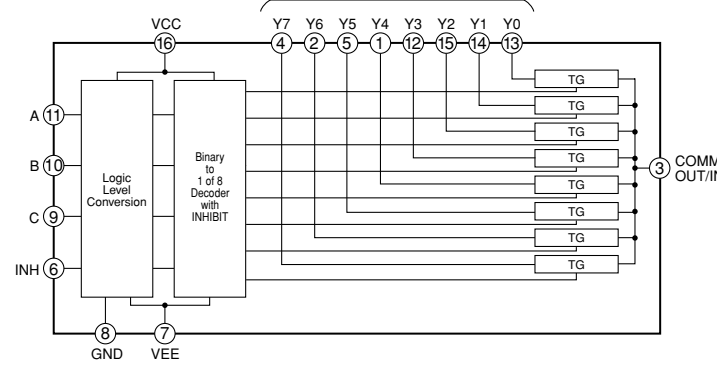
IC712: TK15420M Video Amp



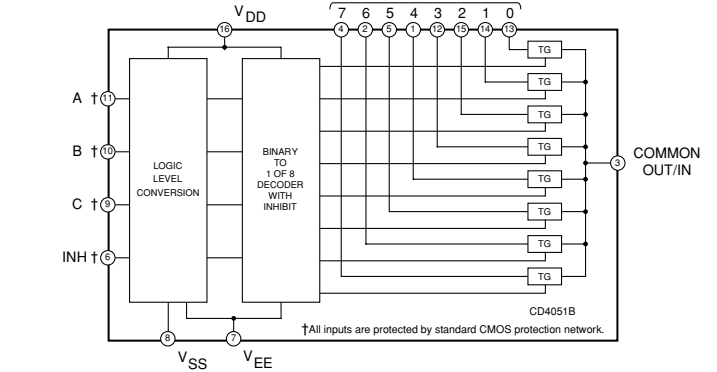
IC713: TC74HC04AFEL Hex Inverters



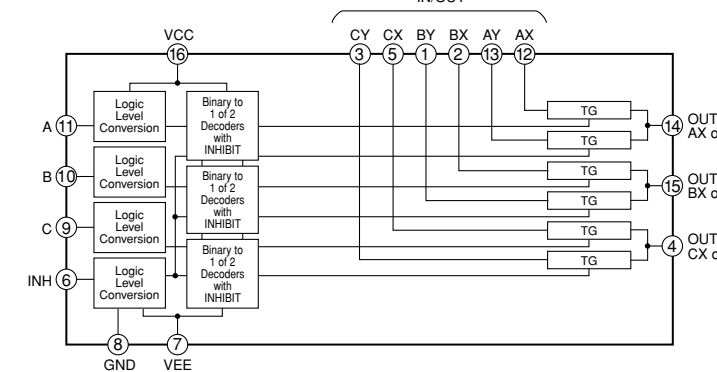
IC701, 703: MM74HC4051SJX 8-Channel Analog Multiplexer



IC705: CD4051BNSR Single 8-Channel multiplexer

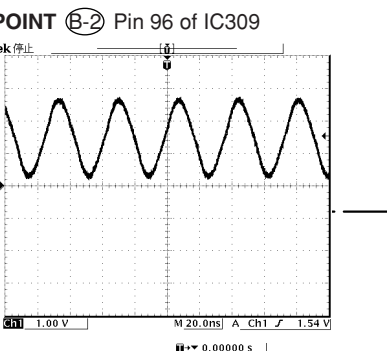
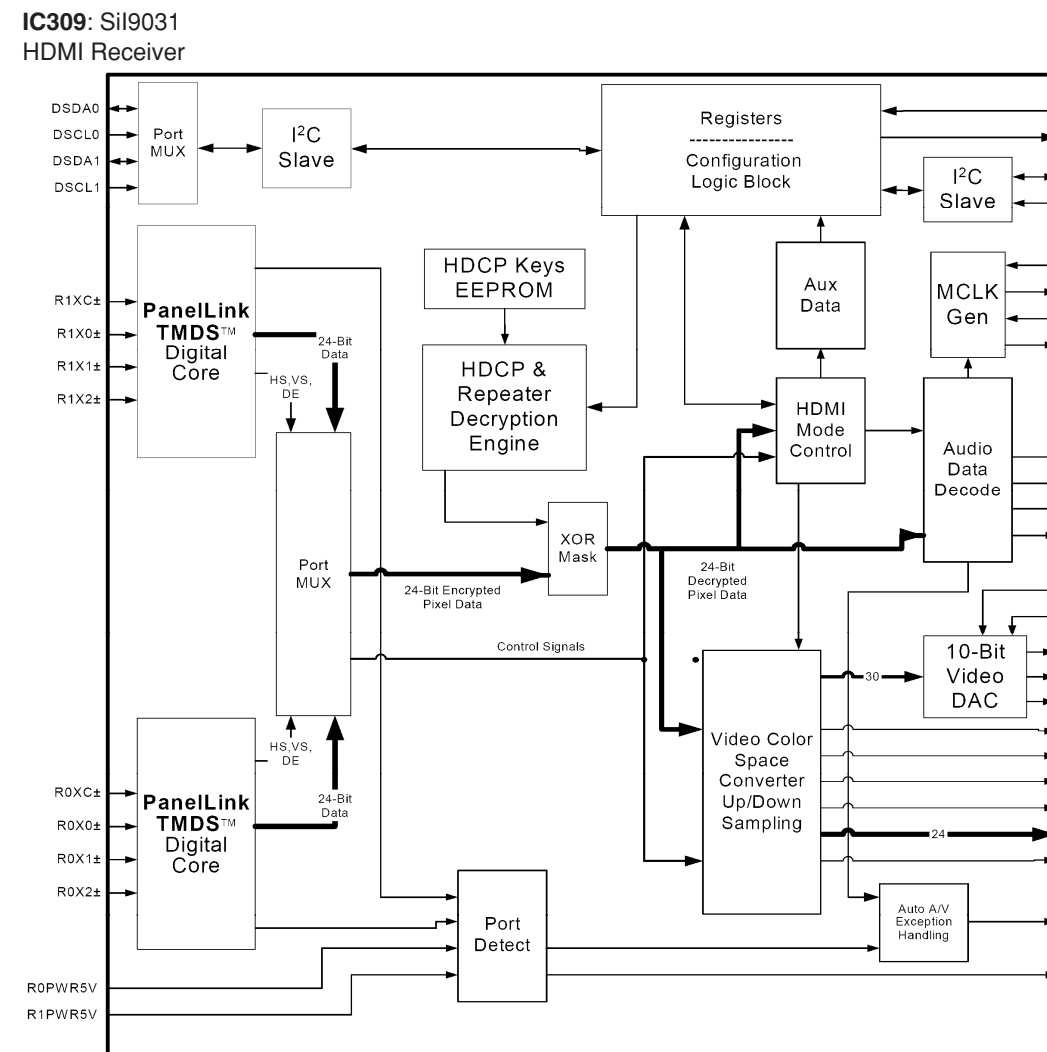
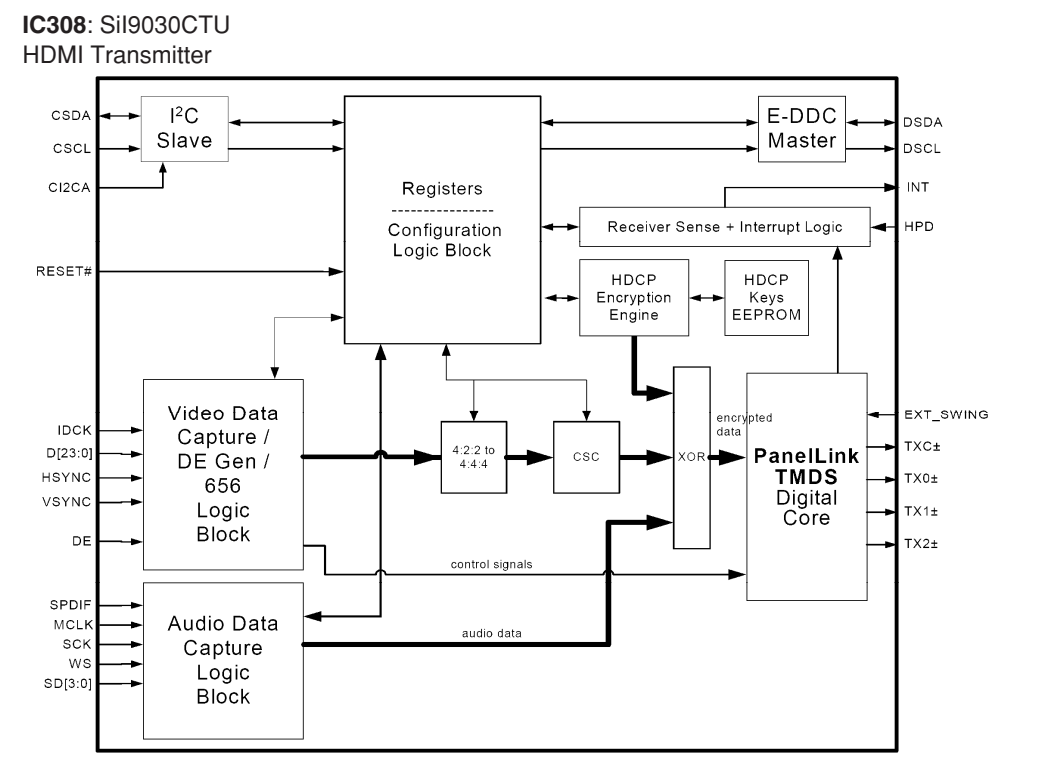
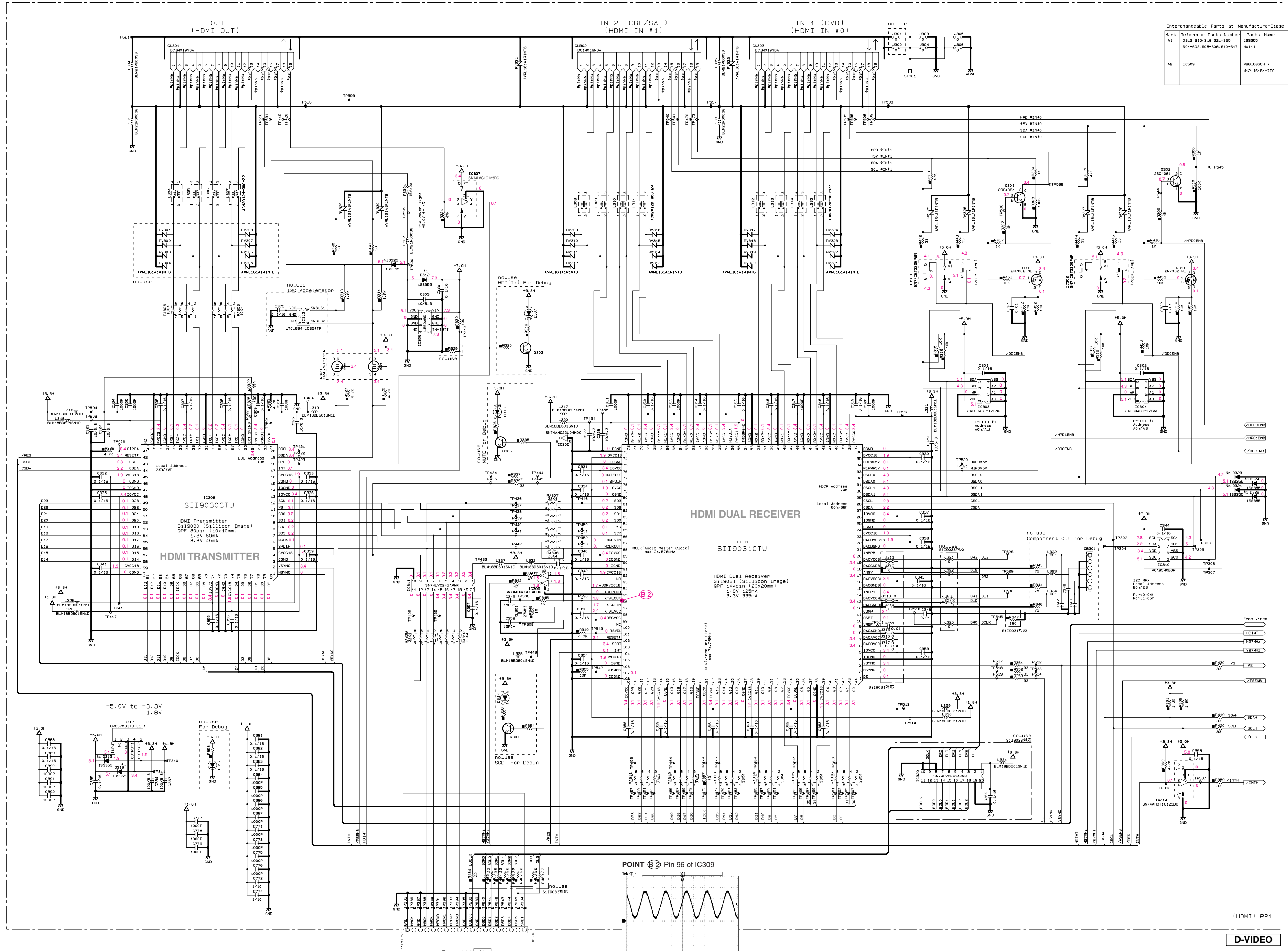


IC708, 716: MM74HC4053SJX Triple 2-Channel Analog Multiplexer

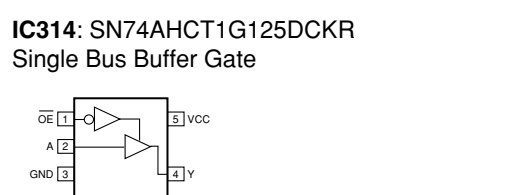
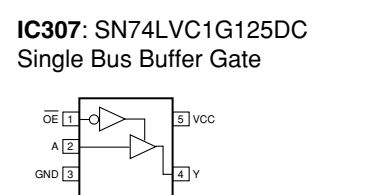
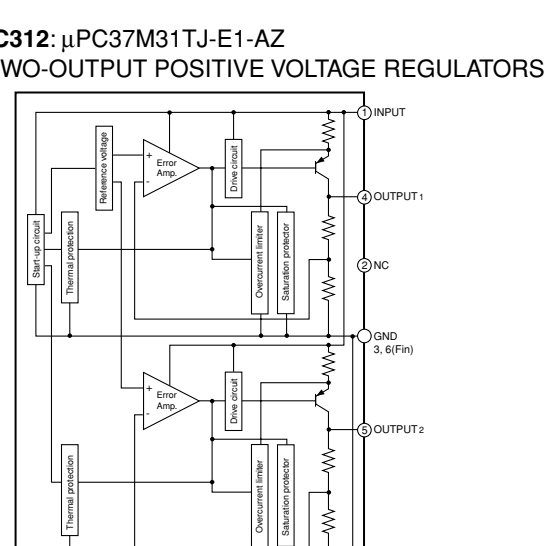
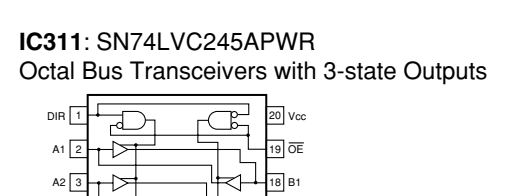
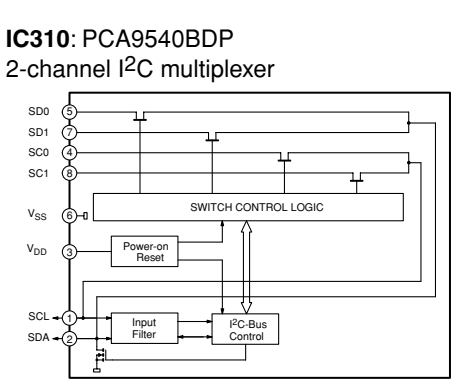
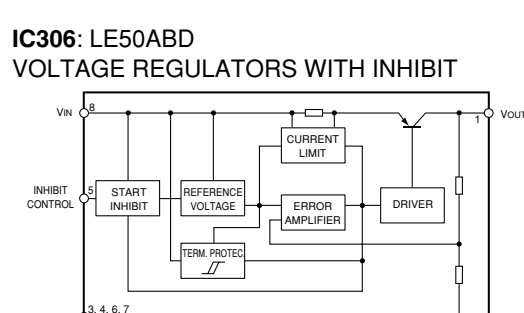
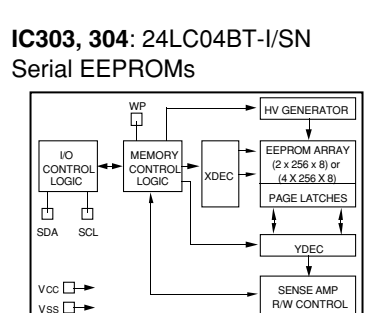
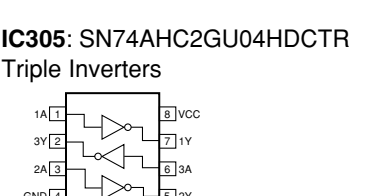
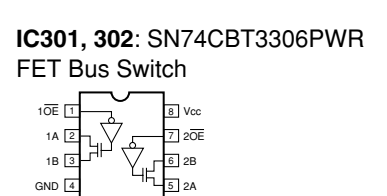


* All voltages are measured with a 10MΩ/V DC electronic volt meter.
 * Components having special characteristics are marked !, and must be replaced with parts having specifications equal to those originally installed.
 * Schematic diagram is subject to change without notice.

●電圧は、内部抵抗10MΩの電圧計で測定したものです。
 ●!印のある部品は、安全性確保部品を示しています。部品の交換が必要な場合、パーツリストに記載されている部品を使用してください。
 ●本回路図は標準回路図です。改良のため予告なく変更することがございます。

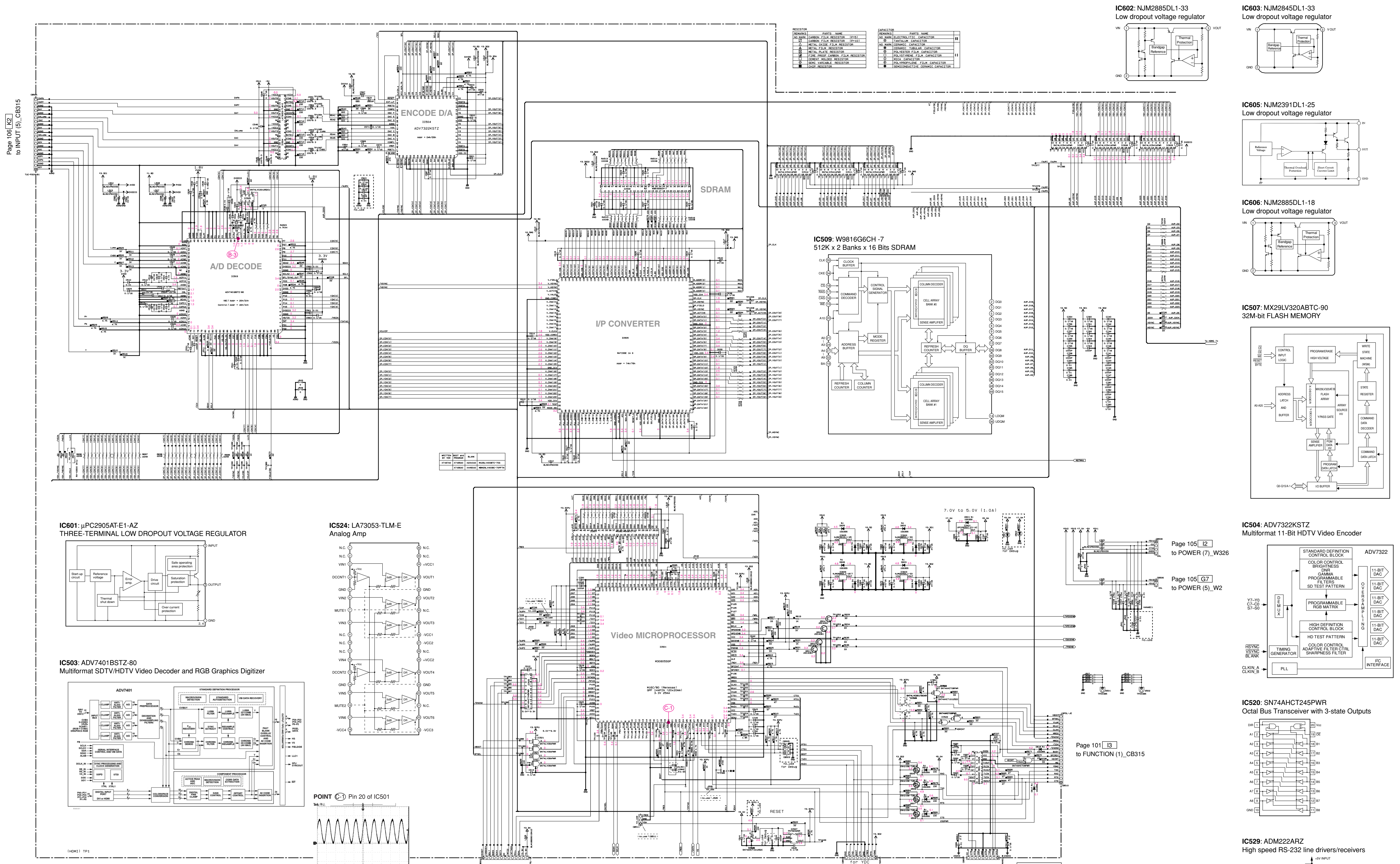


Page 101 13 to FUNCTION (1)_CB314



★ All voltages are measured with a 10MΩV DC electronic volt meter.
 ★ Components having special characteristics are marked with a triangle and must be replaced with parts having specifications equal to those originally installed.
 ★ Schematic diagram is subject to change without notice.

● 電圧は、内部抵抗10MΩの電圧計で測定したものです。
 ● 印のある部品は、安全性確保部品を示しています。部品の交換が必要な場合、パーツリストに記載されている部品を使用してください。
 ● 本回路図は標準回路図です。改良のため予告なく変更することがございます。



Page 106 | I2 |
to INPUT (5)_CB315

Page 105 | I2 |
to POWER (7)_W326

Page 105 | G7 |
to POWER (5)_W2

Page 101 | I3 |
to FUNCTION (1)_CB315

Page 103 | E5 |
to OPERATION (2)_CB910

Page 101 | I2 |
to FUNCTION (1)_CB313

- * All voltages are measured with a 10MΩ/V DC electronic volt meter.
- * Components having special characteristics are marked !, and must be replaced with parts having specifications equal to those originally installed.
- * Schematic diagram is subject to change without notice.

- 電圧は、内部抵抗10MΩの電圧計で測定したものです。
- !印のある部品は、安全性確保部品を示しています。部品の交換が必要な場合、パーツリストに記載されている部品を使用してください。
- 本回路図は標準回路図です。改良のため予告なく変更することがございます。

