

# BLOCK DIAGRAMS

## AUDIO SECTION BLOCK DIAGRAM

**D-VIDEO**  
 • See page 135-139 →  
 SCHEMATIC DIAGRAM

**OPERATION**  
 • See page 130 →  
 SCHEMATIC DIAGRAM

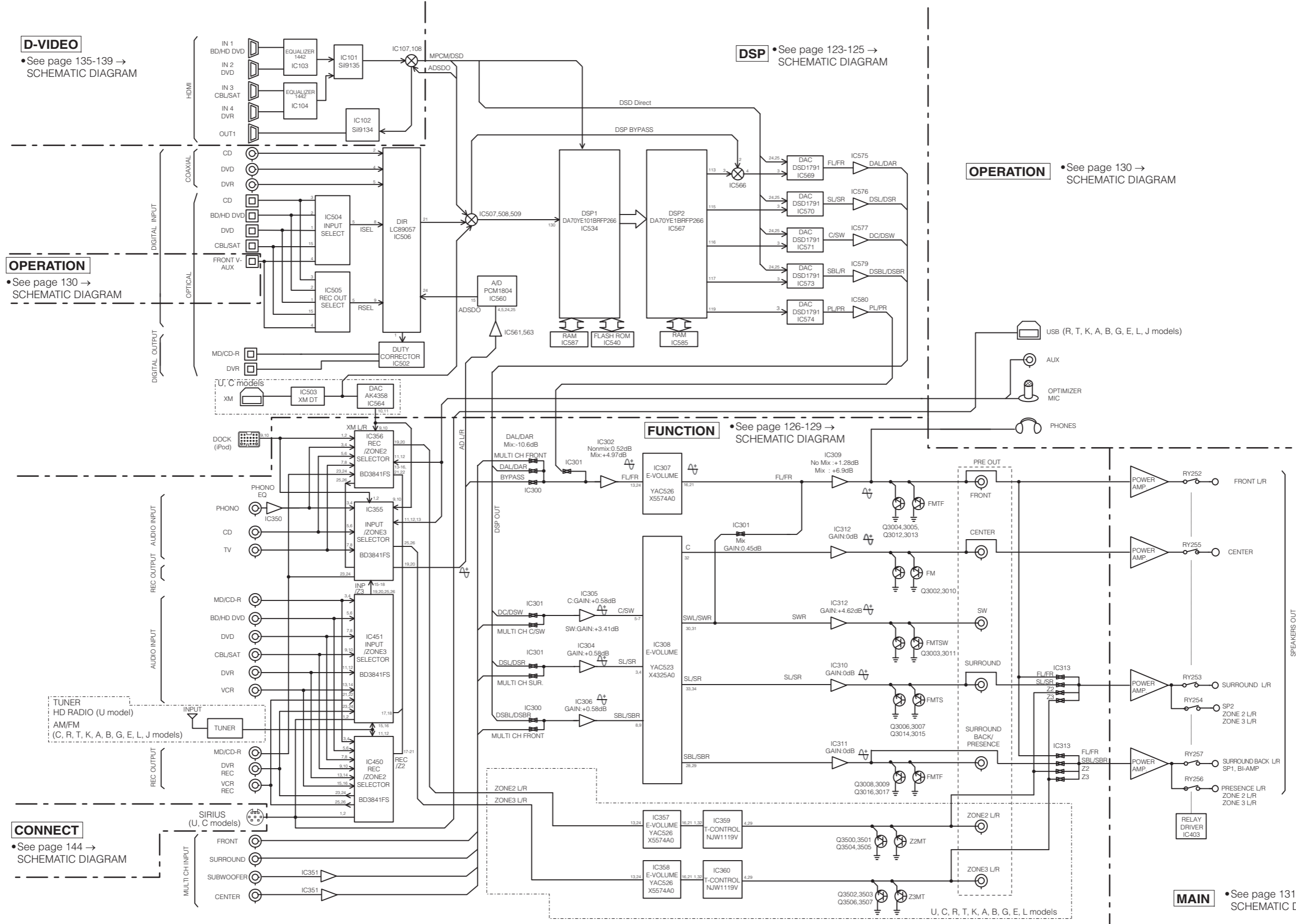
**DSP** • See page 123-125 →  
 SCHEMATIC DIAGRAM

**OPERATION** • See page 130 →  
 SCHEMATIC DIAGRAM

**FUNCTION** • See page 126-129 →  
 SCHEMATIC DIAGRAM

**CONNECT**  
 • See page 144 →  
 SCHEMATIC DIAGRAM

**MAIN** • See page 131 →  
 SCHEMATIC DIAGRAM



### VIDEO SECTION BLOCK DIAGRAM

**A-VIDEO**

• See page 133, 134 → SCHEMATIC DIAGRAM

**D-VIDEO**

• See page 135-139 → SCHEMATIC DIAGRAM

**OPERATION**

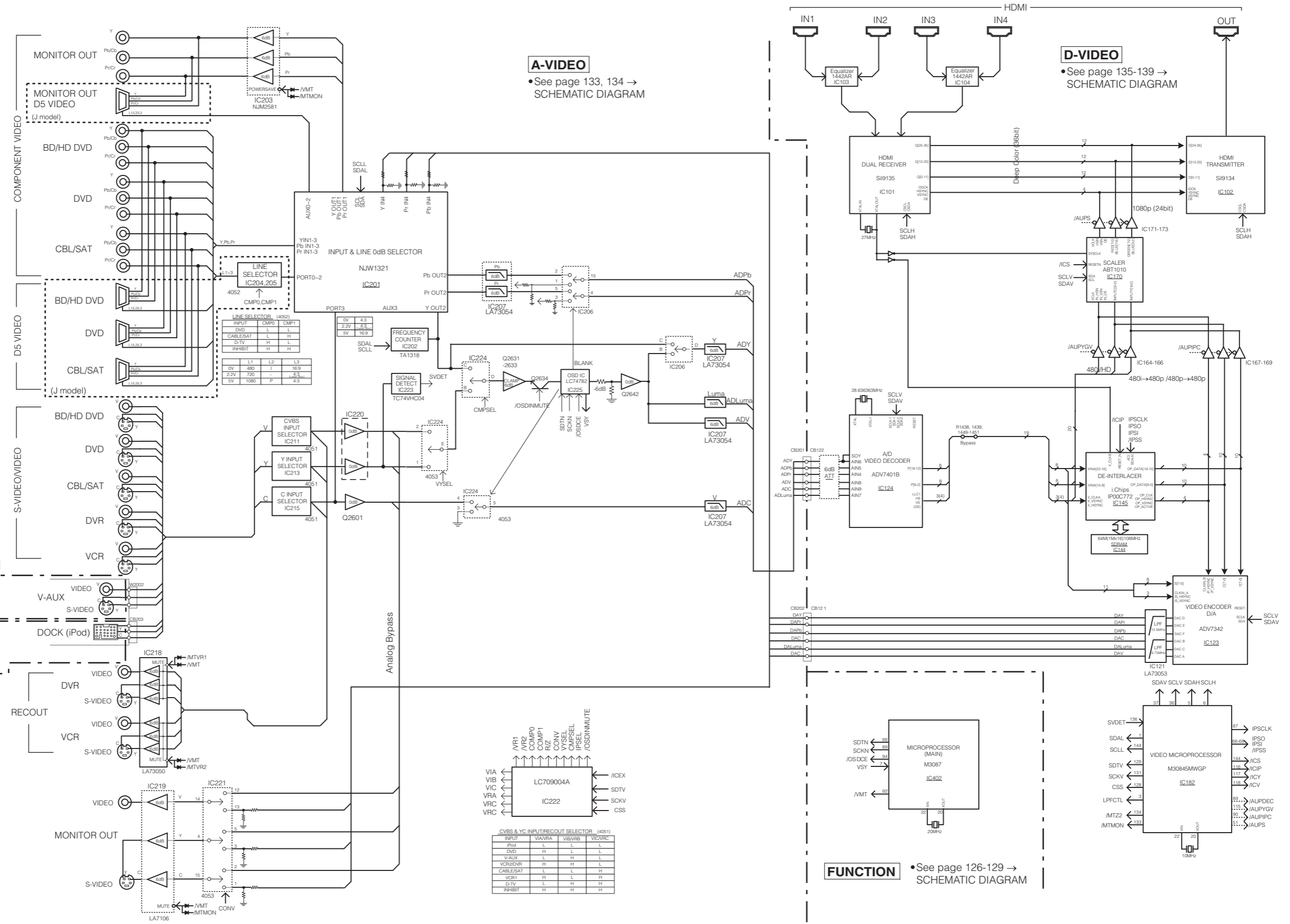
• See page 130 → SCHEMATIC DIAGRAM

**DSP**

• See page 123-125 → SCHEMATIC DIAGRAM

**FUNCTION**

• See page 126-129 → SCHEMATIC DIAGRAM



CVBS & YC INPUT/RECOULT SELECTOR (4051)

INPUT	VIA/VRA	VIB/VRB	VIC/VRC
IPod	L	L	L
DVD	H	L	L
V-AUX	L	H	L
VCR/DVR	H	H	L
CABLE/SAT	L	L	H
VCR1	H	L	H
D-TV	L	H	H
INHIBIT	H	H	H

LC709004A (IC222) CONTROL SIGNALS

Signal	Level
VIA	↑
VIB	↑
VIC	↑
VRA	↑
VRC	↑
VIA/VRA	↑
VIB/VRB	↑
VIC/VRC	↑
ICEX	↑
SDTV	↑
SCKV	↑
CSS	↑

LINE SELECTOR (4052)

INPUT	COMP	COMP1
DVD	L	L
CABLE/SAT	L	H
D-TV	H	L
INHIBIT	H	H

LINE SELECTOR (4053)

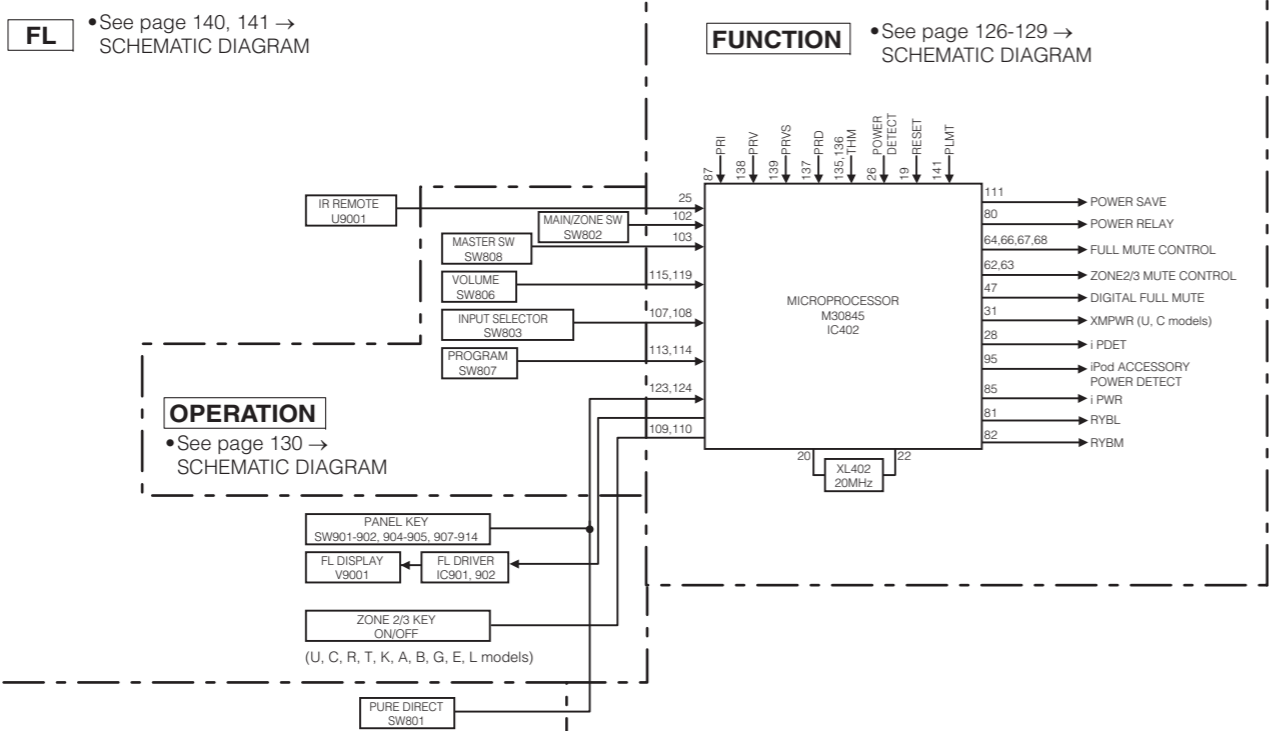
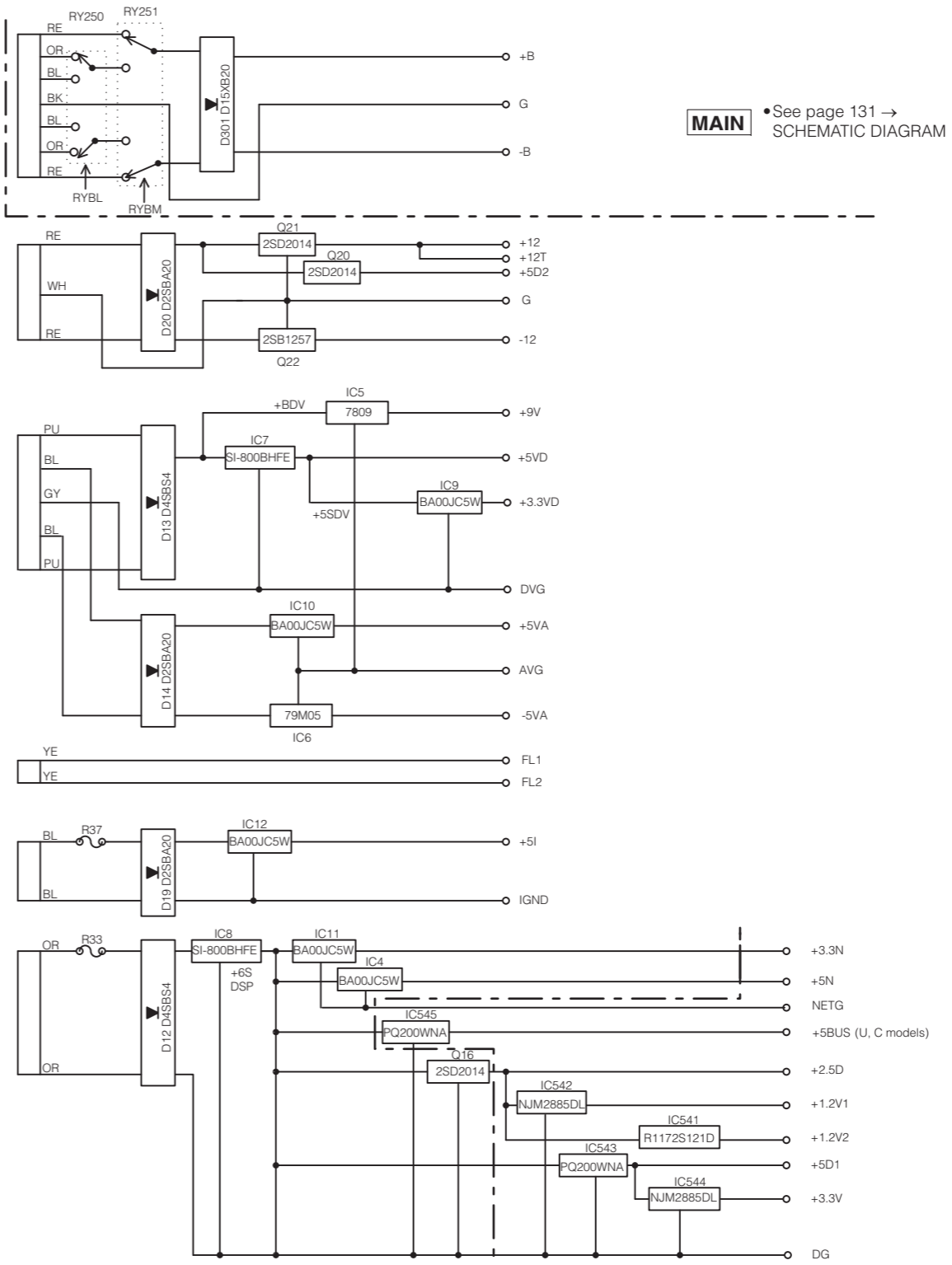
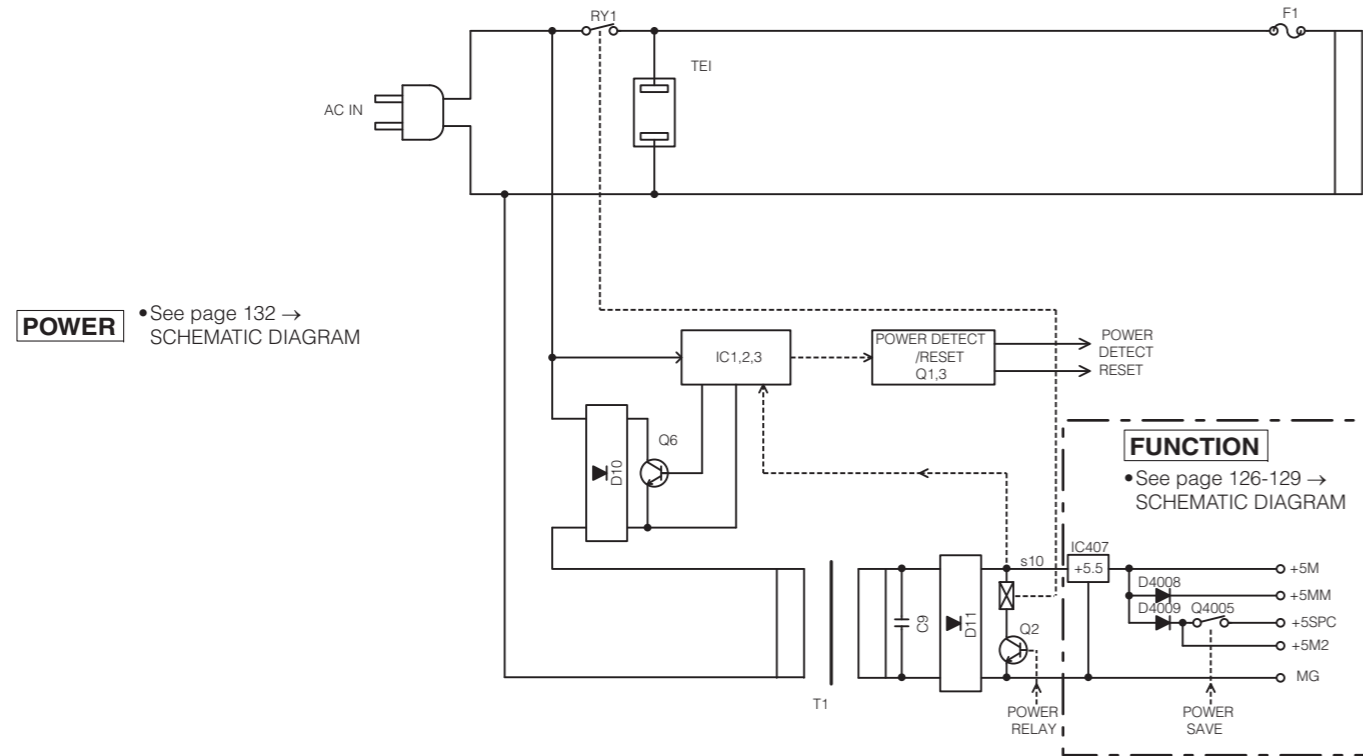
L1	L2	L3
DW	980	I
SV	120	-
SV	1080	P

CVBS & YC INPUT/RECOULT SELECTOR (4051)

INPUT	VIA/VRA	VIB/VRB	VIC/VRC
IPod	L	L	L
DVD	H	L	L
V-AUX	L	H	L
VCR/DVR	H	H	L
CABLE/SAT	L	L	H
VCR1	H	L	H
D-TV	L	H	H
INHIBIT	H	H	H

### CONTROL/POWER SECTION BLOCK DIAGRAM

POWER TRANSFORMER

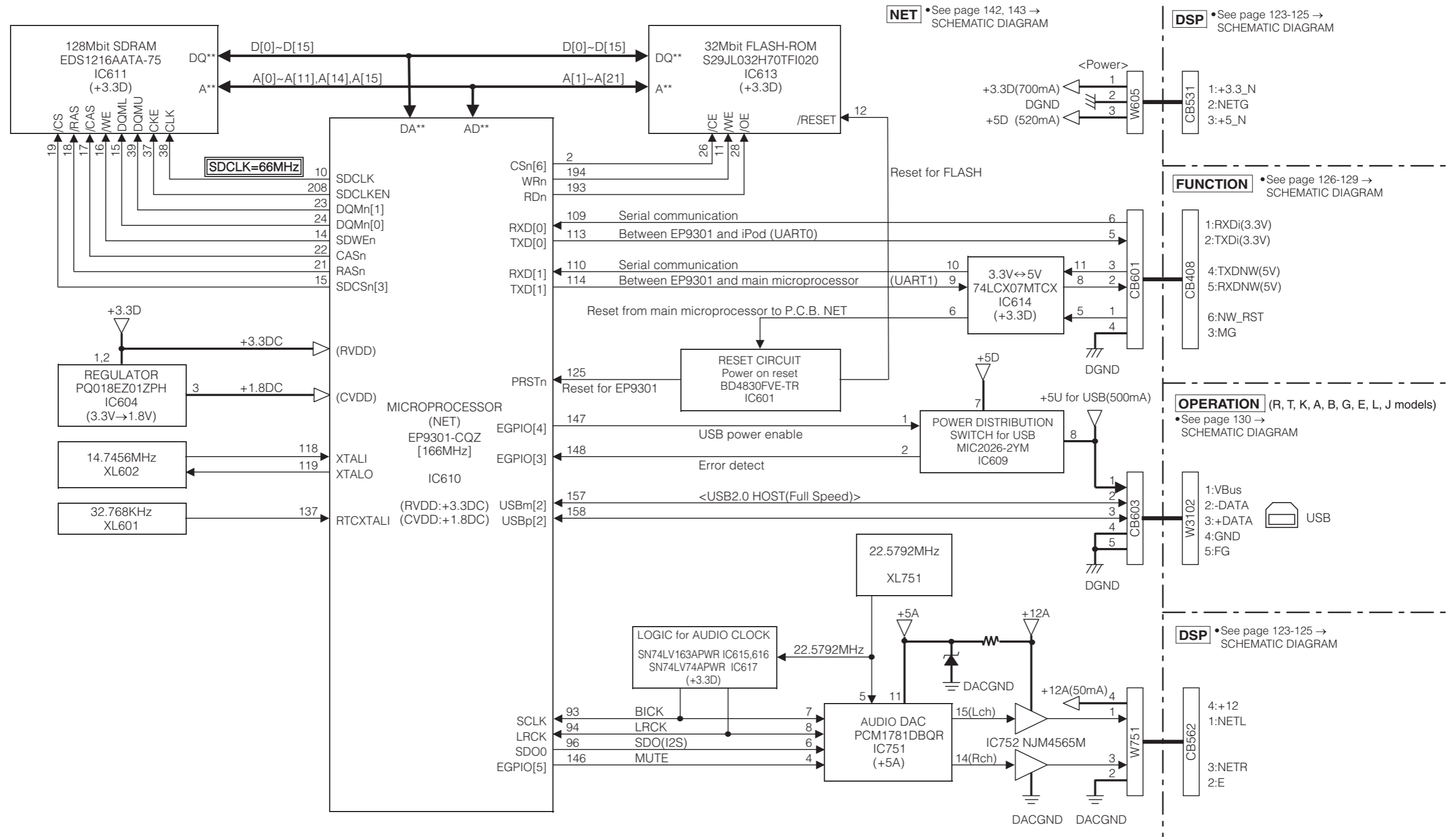


**OPERATION** • See page 130 → SCHEMATIC DIAGRAM

**DSP** • See page 123-125 → SCHEMATIC DIAGRAM

### NET SECTION BLOCK DIAGRAM (R, T, K, A, B, G, E, L, J models)

1  
2  
3  
4  
5  
6  
7





SCHEMATIC DIAGRAMS  
DSP 1/3

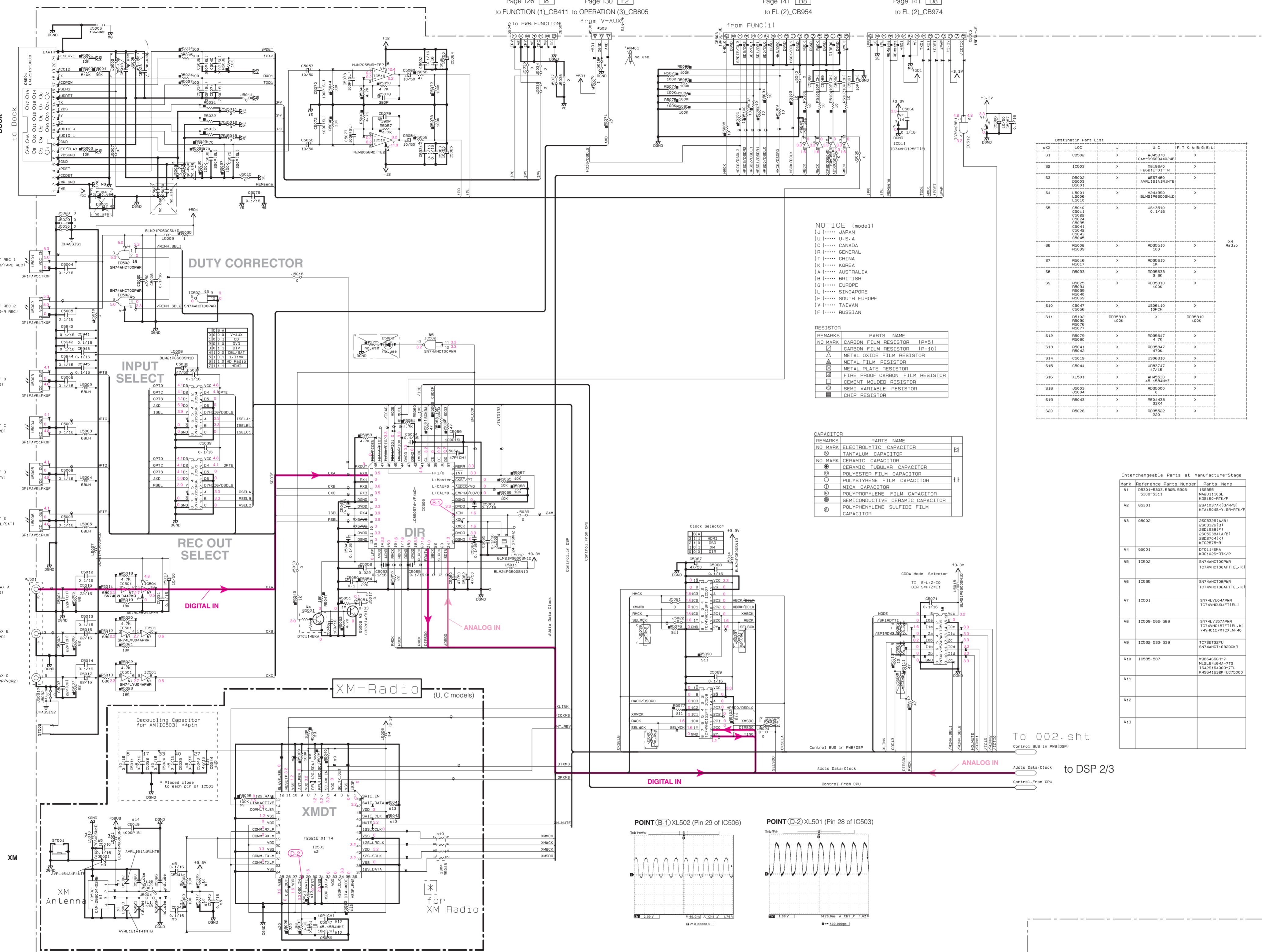
Page 126 [18] Page 130 [F2] Page 141 [B8] Page 141 [D8]  
to FUNCTION (1)\_CB411 to OPERATION (3)\_CB805  
to FL (2)\_CB954 to FL (2)\_CB974

No replacement part available.  
サービスマン用部品供給なし

DIGITAL OUTPUT

DIGITAL INPUT

COAXIAL



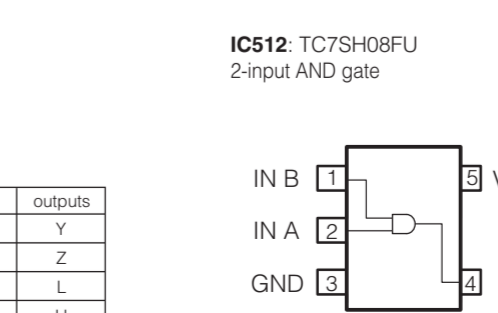
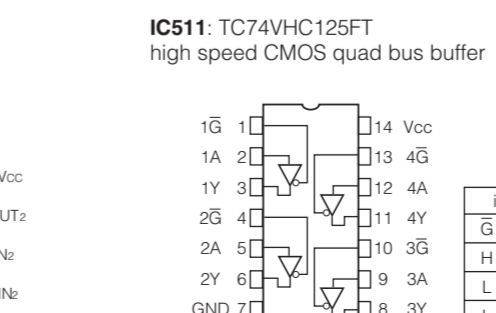
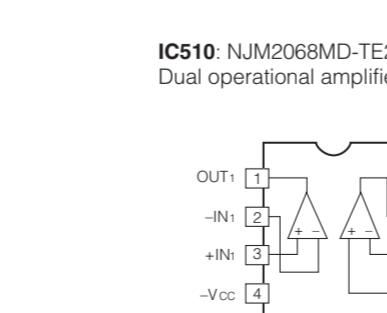
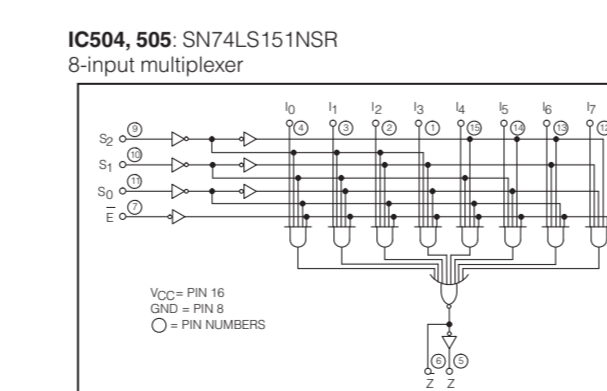
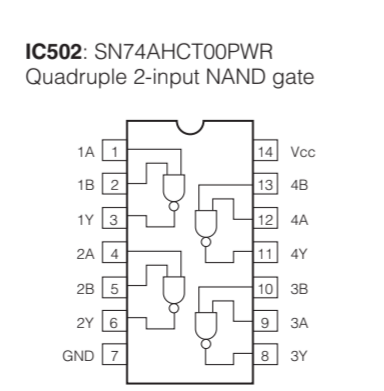
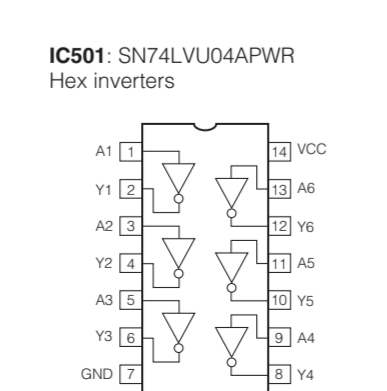
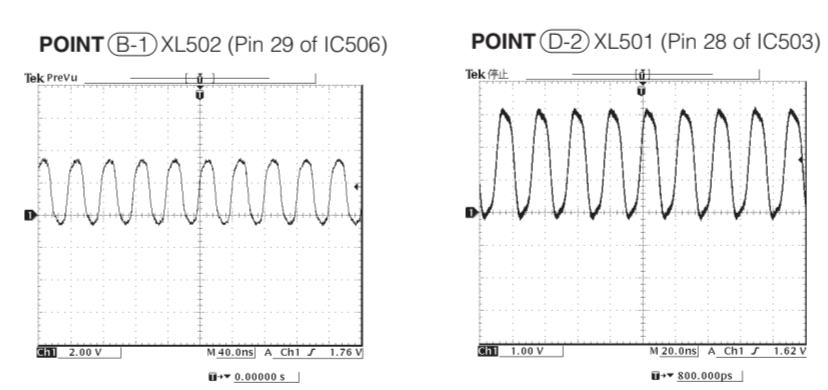
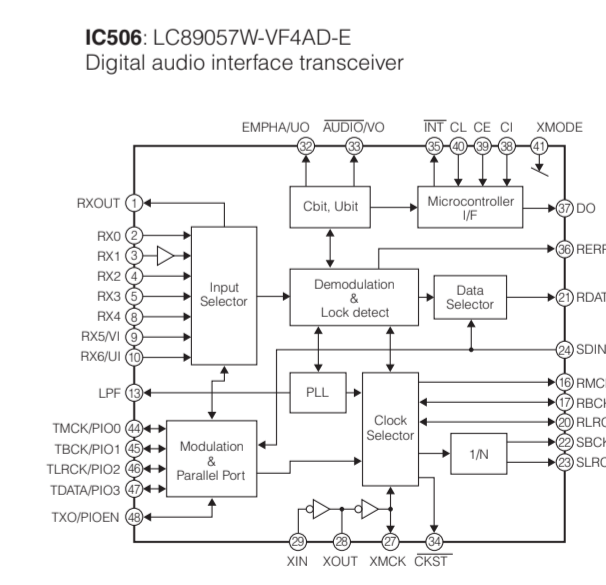
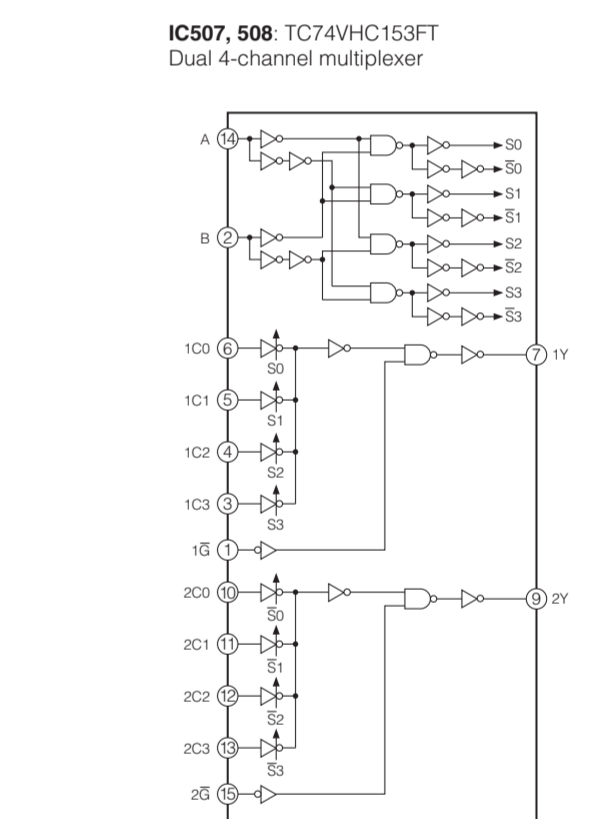
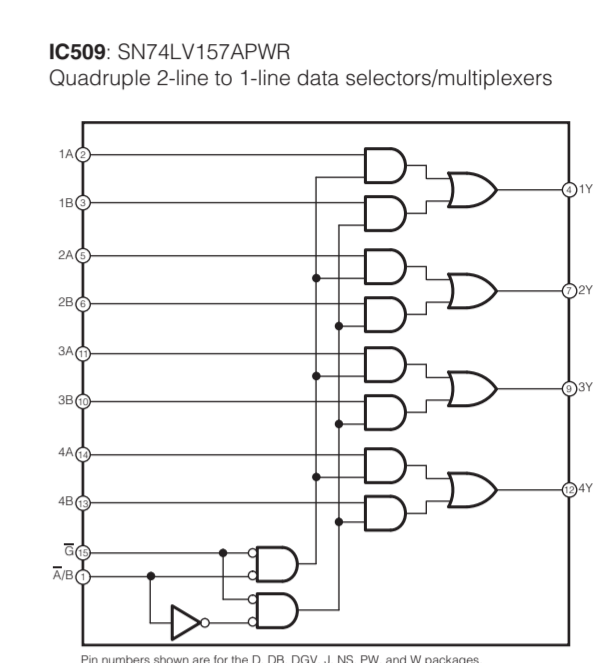
NOTICE (mode1)  
(J)..... JAPAN  
(U)..... U.S.A  
(C)..... CANADA  
(B)..... GENERAL  
(T)..... CHINA  
(K)..... KOREA  
(A)..... AUSTRALIA  
(S)..... BRITISH  
(G)..... EUROPE  
(L)..... SINGAPORE  
(E)..... SOUTH EUROPE  
(V)..... TAIWAN  
(F)..... RUSSIAN

REMARKS	PARTS NAME
NO MARK	CARBON FILM RESISTOR [P=5]
□	CARBON FILM RESISTOR [P=10]
△	METAL OXIDE FILM RESISTOR
▲	METAL FILM RESISTOR
○	METAL PLATE RESISTOR
●	FIRE PROOF CARBON FILM RESISTOR
◻	CEMENT MOLDED RESISTOR
◌	SEMI VARIABLE RESISTOR
■	CHIP RESISTOR

REMARKS	PARTS NAME
NO MARK	ELECTROLYTIC CAPACITOR
□	TANTALUM CAPACITOR
○	CERAMIC TUBULAR CAPACITOR
●	POLYESTER FILM CAPACITOR
◌	POLYSTYRENE FILM CAPACITOR
◐	MICA CAPACITOR
◑	POLYPROPYLENE FILM CAPACITOR
◒	SEMICONDUCTIVE CERAMIC CAPACITOR
◓	POLYPHENE SULFIDE FILM CAPACITOR

Part No.	LOC	QTY	U-C	IB-T-K-A-B-G-E-L
S1	CB02	X	M4859	X
S2	IC03	X	7810AD	X
S3	CB02	X	7810AD	X
S4	CB02	X	7810AD	X
S5	CB02	X	7810AD	X
S6	CB02	X	7810AD	X
S7	CB02	X	7810AD	X
S8	CB02	X	7810AD	X
S9	CB02	X	7810AD	X
S10	CB02	X	7810AD	X
S11	CB02	X	7810AD	X
S12	CB02	X	7810AD	X
S13	CB02	X	7810AD	X
S14	CB02	X	7810AD	X
S15	CB02	X	7810AD	X
S16	CB02	X	7810AD	X
S18	CB02	X	7810AD	X
S19	CB02	X	7810AD	X
S20	CB02	X	7810AD	X

Mark	Reference Parts Number	Parts Name
A1	05001-5303-5306	188399
A2	05001-5303-5306	MA21150L
A3	05001-5303-5306	K25180-RTK/P
A4	05001-5303-5306	0503302(A/B)
A5	05001-5303-5306	0503303(B)
A6	05001-5303-5306	0503304(L)
A7	05001-5303-5306	0503304(K)
A8	05001-5303-5306	0503305
A9	05001-5303-5306	0503306
A10	05001-5303-5306	0503307
A11	05001-5303-5306	0503308
A12	05001-5303-5306	0503309
A13	05001-5303-5306	0503310



\* All voltages are measured with a 10MΩ/V DC electronic voltmeter.  
\* Components having special characteristics are marked with a triangle and must be replaced with parts having specifications equal to those originally installed.  
\* Schematic diagram is subject to change without notice.  
● 電圧は、内部抵抗10MΩの電圧計で測定したものです。  
● 印のある部品は、安全性確保部品を示しています。部品の交換が必要な場合、パーツリストに記載されている部品を使用してください。  
● 本回路図は標準回路図です。改良のため予告なく変更することがございます。



DSP 2/3

NOTICE (model)
(U) JAPAN
(C) U.S.A
(A) CANADA
(G) GENERAL
(T) CHINA
(K) KOREA
(A) AUSTRALIA
(B) BRITISH
(S) EUROPE
(L) SINGAPORE
(E) SOUTH
(V) TAIWAN
(F) RUSSIAN

Table with 2 columns: CAPACITOR, PARTS NAME. Lists various capacitor types like ELECTROLYTIC, TANTALUM, CERAMIC, POLYESTER, POLYPROPYLENE, SEMICONDUCTIVE, POLYPHENYLENE SULFIDE.

Table with 2 columns: RESISTOR, PARTS NAME. Lists various resistor types like CARBON FILM, METAL OXIDE FILM, METAL FILM, METAL PLATE, FINE PROOF CARBON FILM, CEMENT MOLDED, SEMI-VARIABLE, CHIP.

To/From 001.sht

to DSP 1/3

Control BUS in PMB(DSP)

AUDIO Data-Clock

Control From CPU

ANALOG IN

DIGITAL IN

XM MUTE

DMT

IC101

IC102

IC103

IC104

IC105

IC106

IC107

IC108

IC109

IC110

IC111

IC112

IC113

IC114

IC115

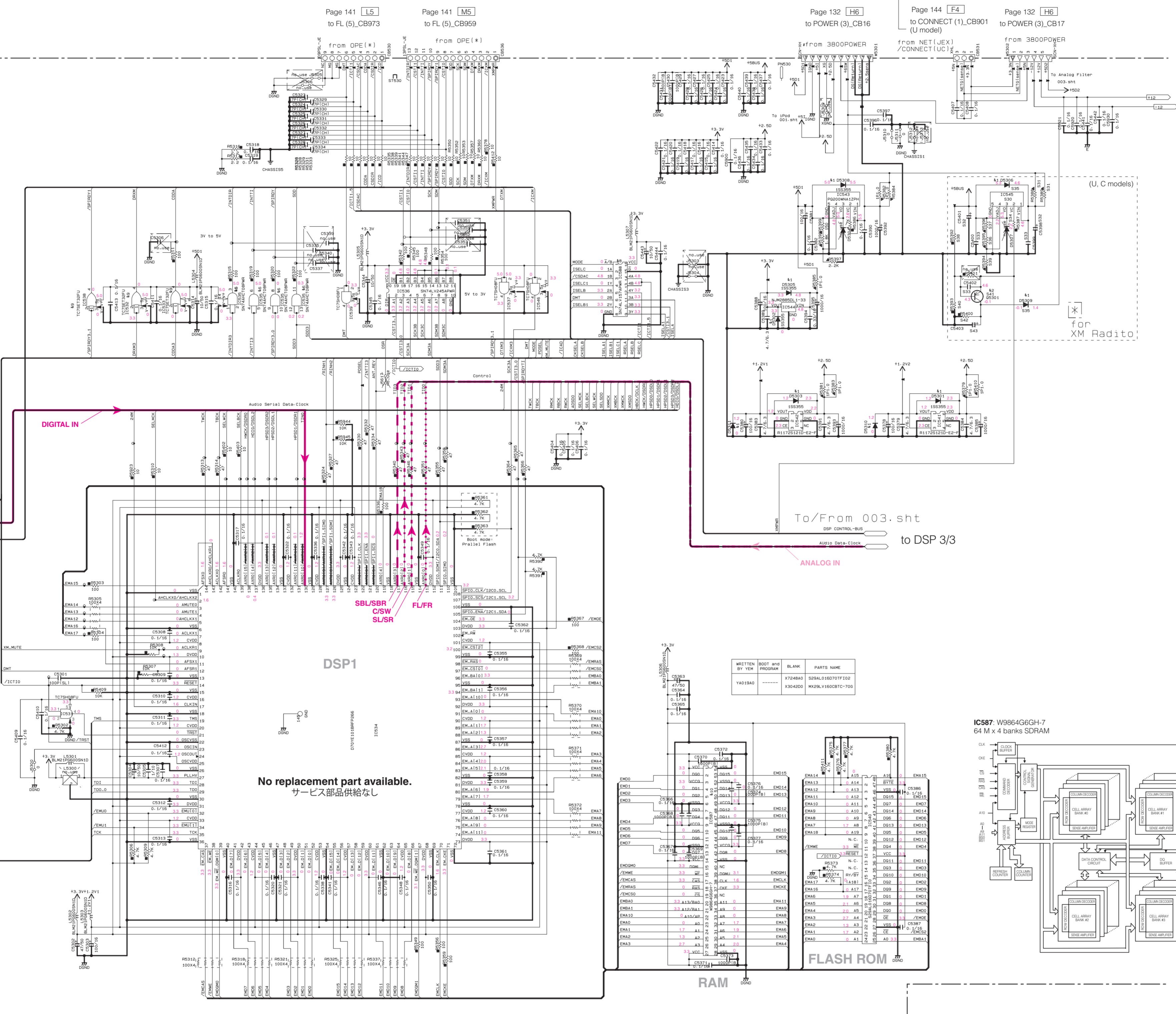
IC116

IC117

IC118

IC119

IC120



Page 141 [L5] to FL(5)\_CB973

Page 141 [M5] to FL(5)\_CB959

Page 132 [H6] to POWER(3)\_CB16

Page 142 [I8] to NET\_W605 (R, T, K, A, B, G, E, L, J models)

Page 144 [F4] to CONNECT(1)\_CB901 (U model)

Page 132 [H6] to POWER(3)\_CB17

Destination Part List table with columns: SXX, LOC, J, U-C, M, R, T, K, A, B, G, E, L, X.

for XM Radito

IC540: S29AL016D70TFI020 16-M-bits CMOS 3.0 volt-only boot sector flash memory

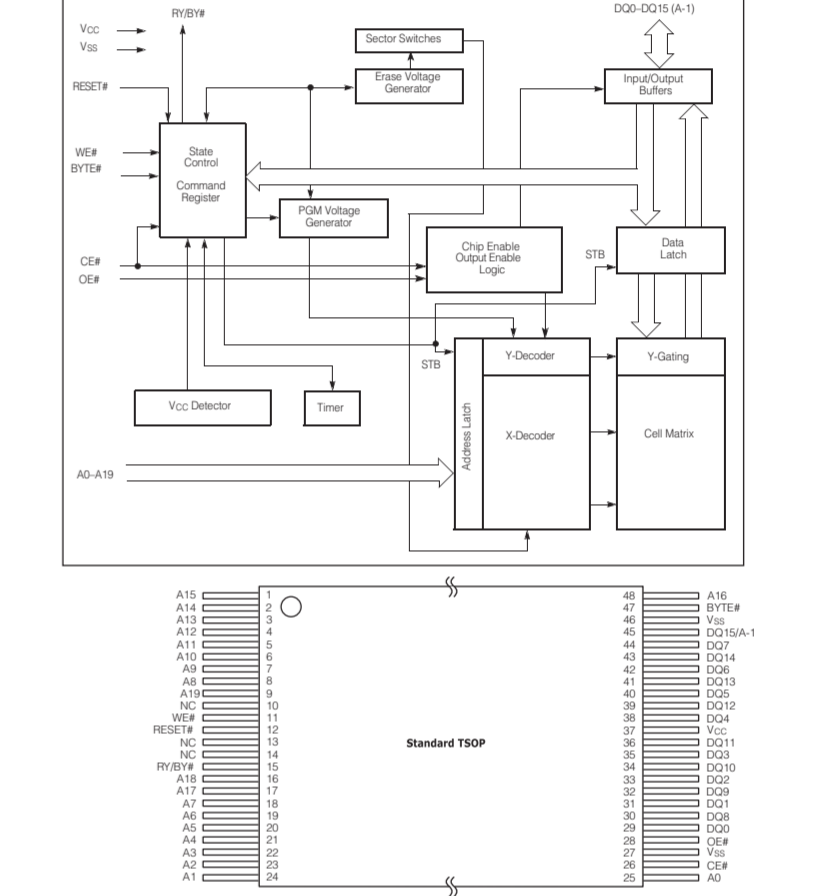
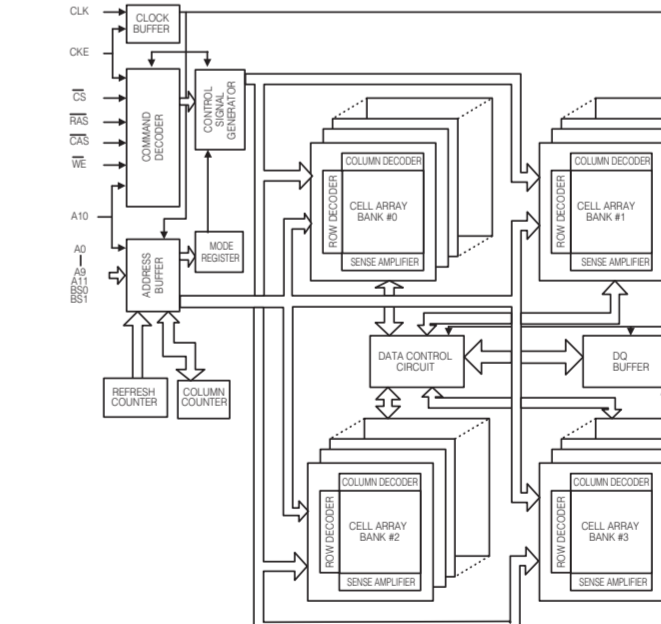


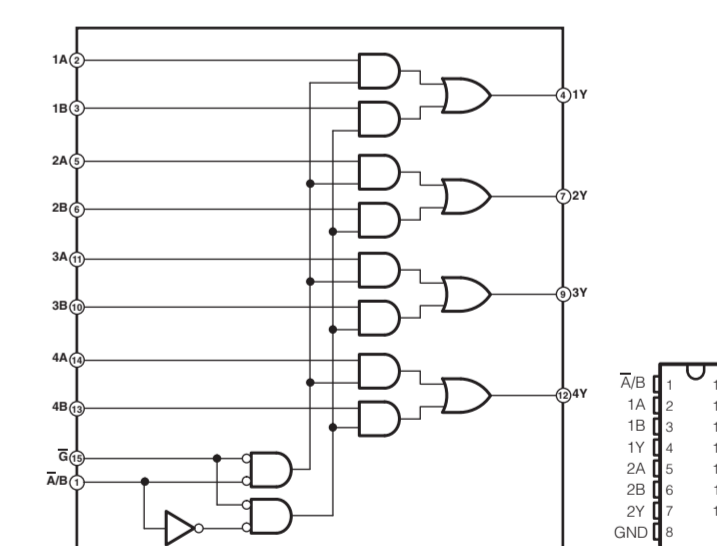
Table with 4 columns: WRITTEN BY, BOOT AND PROGRAM, BLANK, PARTS NAME. Lists part numbers like Y403940, X724840, X304200.

No replacement part available. サービス部品供給なし

IC587: W9864C6GH-7 64 M x 4 banks SDRAM



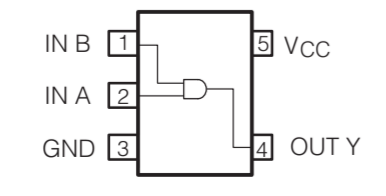
IC588: SN74LV157APWR Quaduple 2-line-to-1-line data selectors/multiplexers



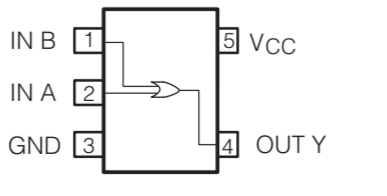
All voltages are measured with a 10MΩ/V DC electronic voltmeter. Components having special characteristics are marked \* and must be replaced with parts having specifications equal to those originally installed.

電圧は、内部抵抗10MΩの電圧計で測定したものです。\*印のある部品は、安全性確保部品を示しています。部品の交換が必要な場合、パーツリストに記載されている部品を使用してください。

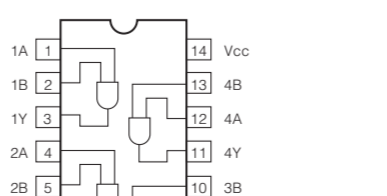
IC531, 537, 539, 546: TC7SH08FU 2-input AND gate



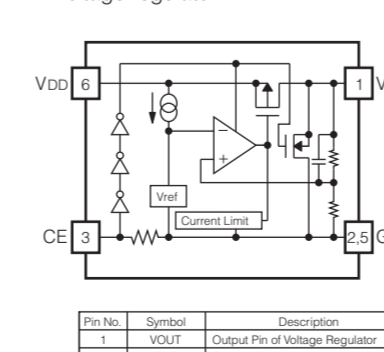
IC532, 533, 538: TC7SET32FU 2-input OR gate



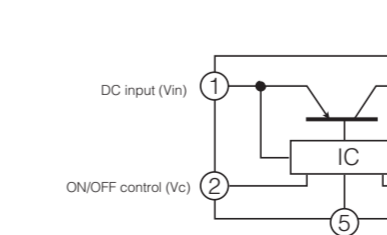
IC535: SN74AHC08PWR Quaduple 2-input positive-AND gates



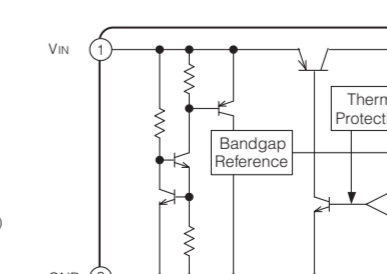
IC541, 542: R1172S121D-E2-F Voltage regulator



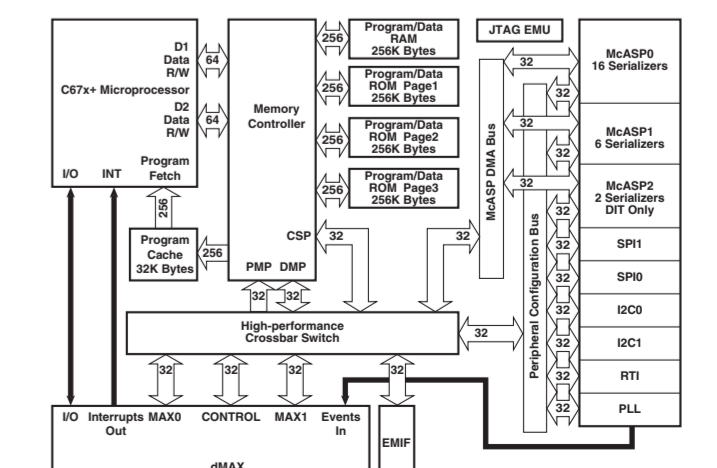
IC543, 545: PQ200WNA1ZPH Low power loss regulator



IC544: NJM2885DL1-33 Low dropout voltage regulator



IC534: D70YE101BRFP266 Floating-point digital signal processors





DSP 3/3

CAPACITOR

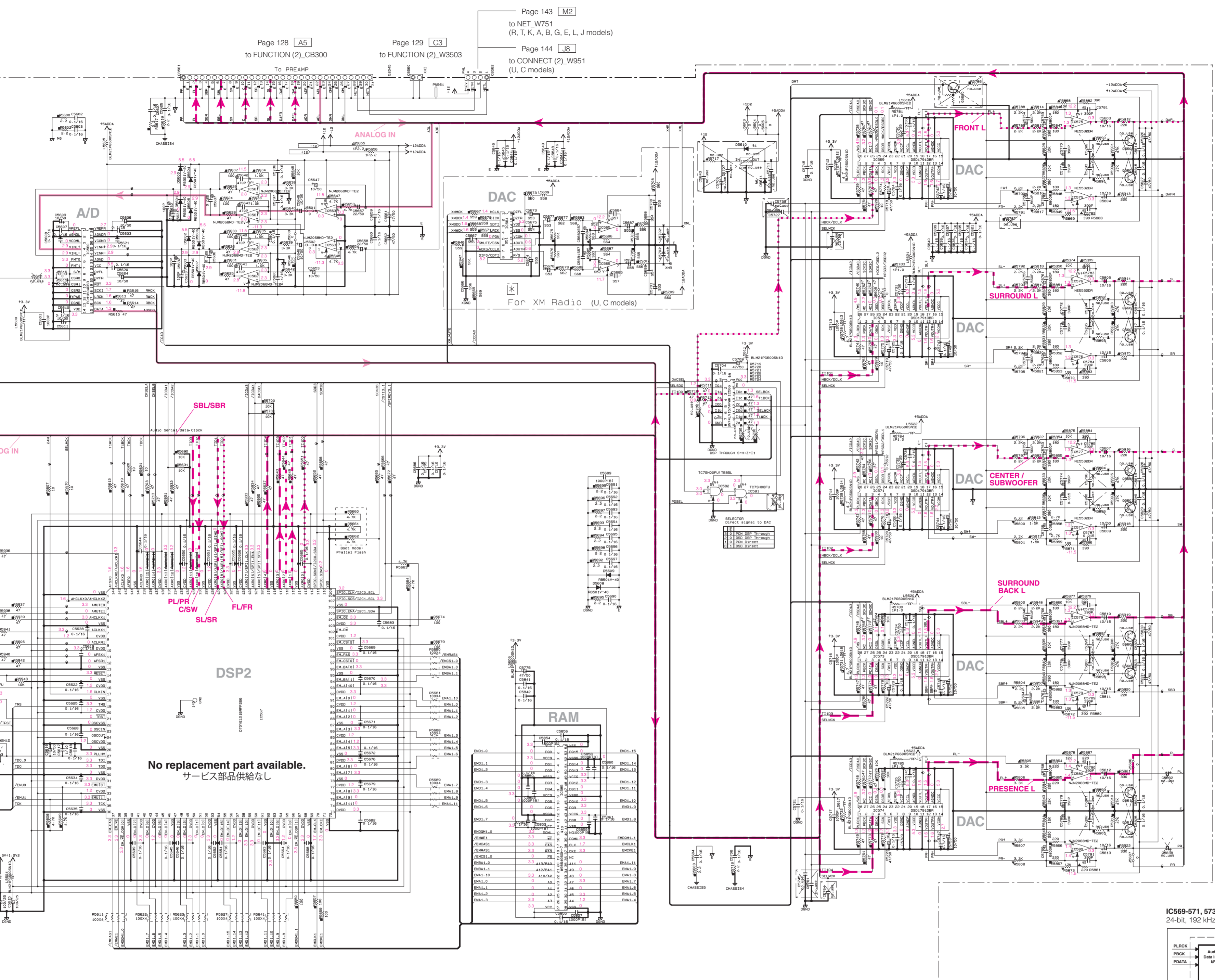
REMARKS	PARTS NAME
NO MARK	ELECTROLYTIC CAPACITOR
⊙	TANTALUM CAPACITOR
NO MARK	CERAMIC CAPACITOR
⊙	CERAMIC TUBULAR CAPACITOR
⊙	POLYESTER FILM CAPACITOR
⊙	POLYSTYRENE FILM CAPACITOR
⊙	MICA CAPACITOR
⊙	POLYPROPYLENE FILM CAPACITOR
⊙	SEMICONDUCTIVE CERAMIC CAPACITOR
⊙	POLYPHENYLENE SULFIDE FILM CAPACITOR

RESISTOR

REMARKS	PARTS NAME
NO MARK	CARBON FILM RESISTOR (P-R)
△	METAL OXIDE FILM RESISTOR
△	METAL FILM RESISTOR
△	METAL PLATE RESISTOR
□	FINE PORE CARBON FILM RESISTOR
□	CEMENT MOLDED RESISTOR
□	SEMI VARIABLE RESISTOR
■	CHIP RESISTOR

NOTICE (model)

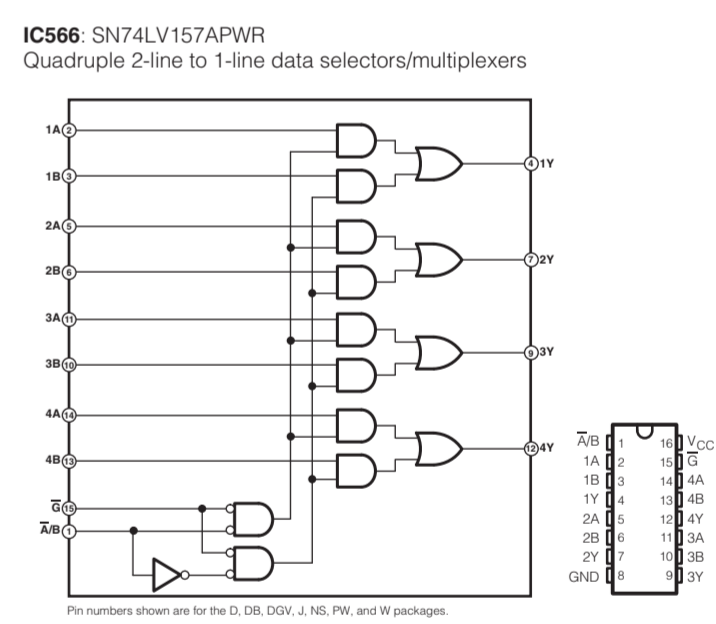
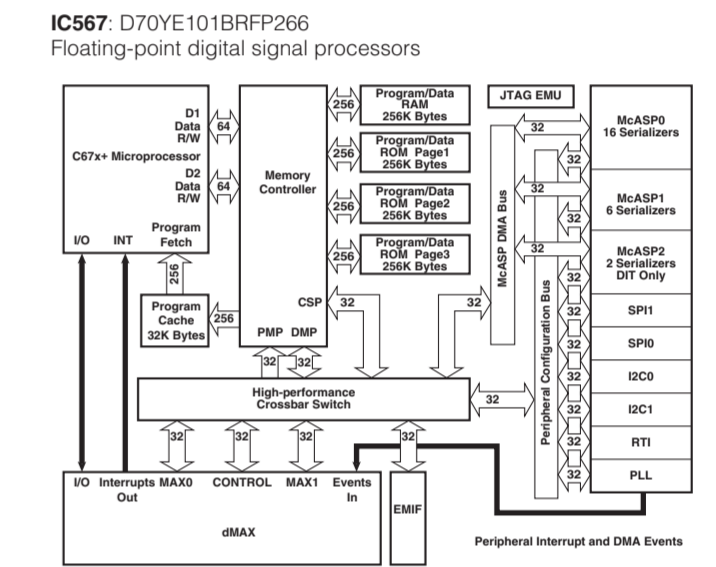
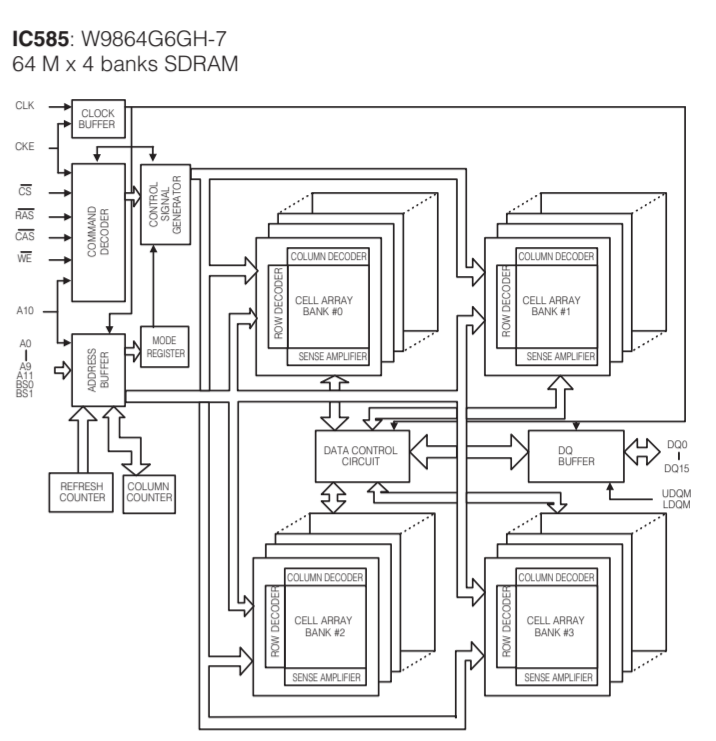
(J)..... JAPAN  
 (U)..... U.S.A.  
 (C)..... CANADA  
 (R)..... GENERAL  
 (T)..... CHINA  
 (K)..... KOREA  
 (A)..... AUSTRALIA  
 (B)..... BRITISH  
 (E)..... EUROPE  
 (L)..... SINGAPORE  
 (S)..... SOUTH  
 (V)..... TAIWAN  
 (F)..... RUSSIAN



No replacement part available.  
 サービス部品供給なし

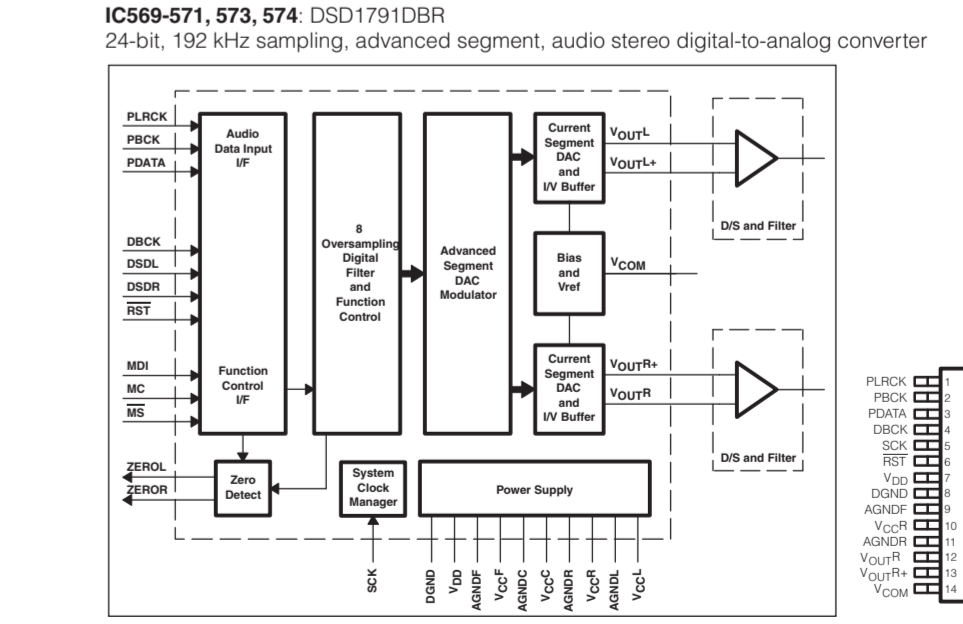
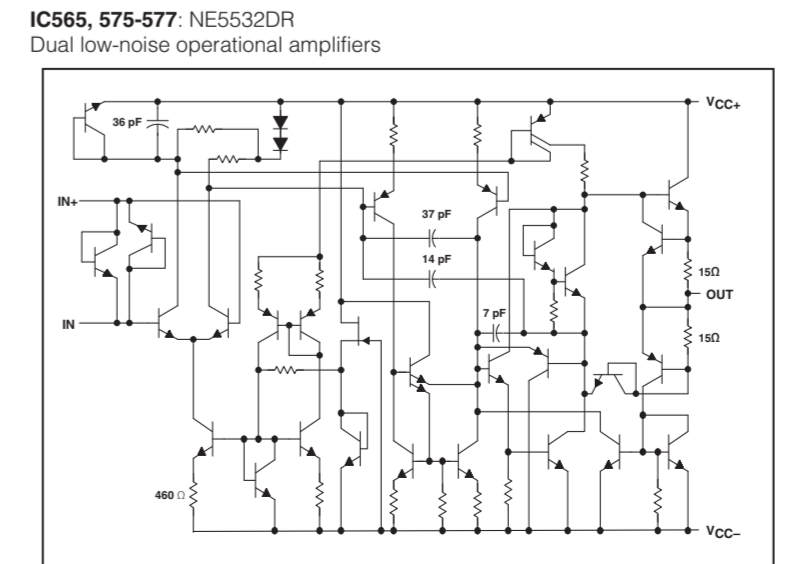
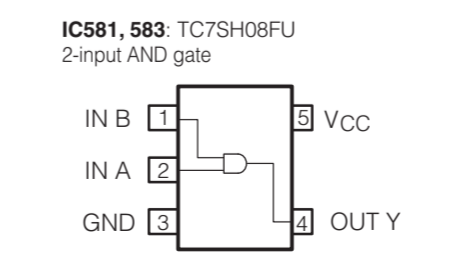
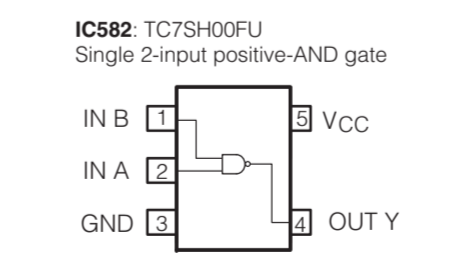
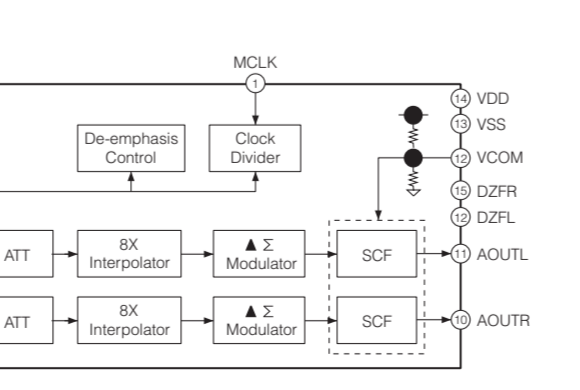
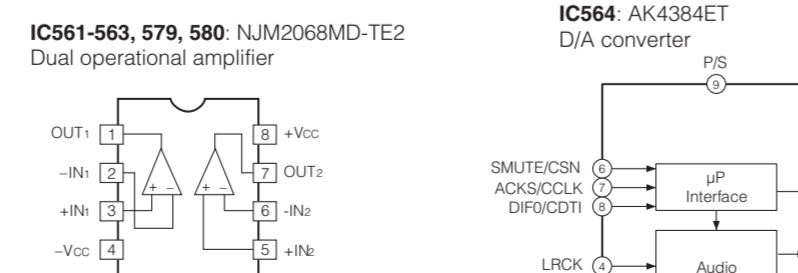
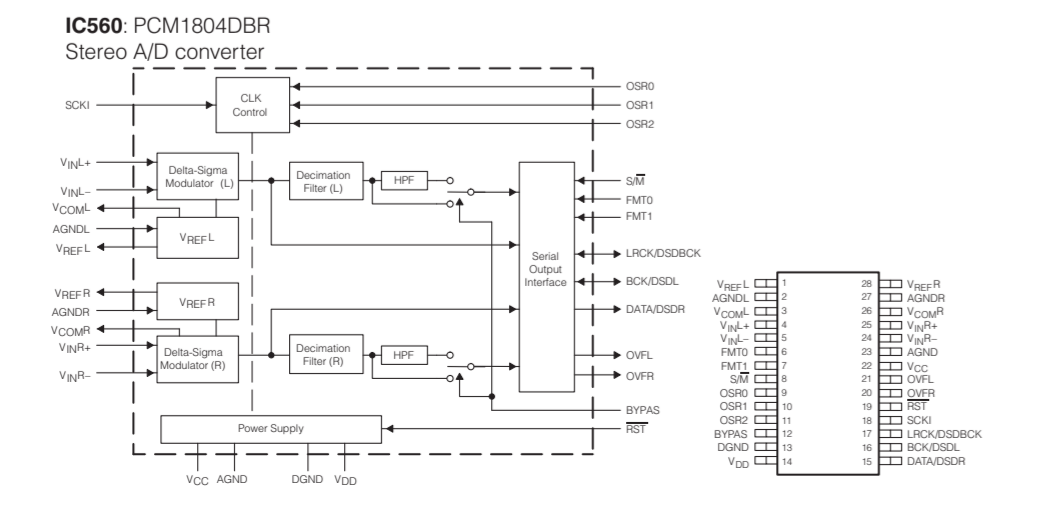
To From 002.sht  
 to DSP 2/3

to DSP 2/3  
 To From 002.sht



Destination Part List

xxx	LOC	J	U-C	Ref. T. K. A. B. G. E. L. J
556	C5674	X	U6D710	X
557	C5681	X	U6D710	X
558	C5686	X	U6D410	X
559	C5695	X	U6D450	X
560	C5696	X	U6D450	X
561	C5697	X	U6D450	X
562	C5698	X	U6D450	X
563	C5699	X	U6D450	X
564	C5700	X	U6D450	X
565	C5701	X	U6D450	X
566	C5702	X	U6D450	X
567	C5703	X	U6D450	X
568	C5704	X	U6D450	X
569	C5705	X	U6D450	X
570	C5706	X	U6D450	X
571	C5707	X	U6D450	X
572	C5708	X	U6D450	X
573	C5709	X	U6D450	X
574	C5710	X	U6D450	X
575	C5711	X	U6D450	X
576	C5712	X	U6D450	X
577	C5713	X	U6D450	X
578	C5714	X	U6D450	X
579	C5715	X	U6D450	X
580	C5716	X	U6D450	X
581	C5717	X	U6D450	X
582	C5718	X	U6D450	X
583	C5719	X	U6D450	X
584	C5720	X	U6D450	X
585	C5721	X	U6D450	X
586	C5722	X	U6D450	X
587	C5723	X	U6D450	X
588	C5724	X	U6D450	X
589	C5725	X	U6D450	X
590	C5726	X	U6D450	X
591	C5727	X	U6D450	X
592	C5728	X	U6D450	X
593	C5729	X	U6D450	X
594	C5730	X	U6D450	X
595	C5731	X	U6D450	X
596	C5732	X	U6D450	X
597	C5733	X	U6D450	X
598	C5734	X	U6D450	X
599	C5735	X	U6D450	X
600	C5736	X	U6D450	X
601	C5737	X	U6D450	X
602	C5738	X	U6D450	X
603	C5739	X	U6D450	X
604	C5740	X	U6D450	X
605	C5741	X	U6D450	X
606	C5742	X	U6D450	X
607	C5743	X	U6D450	X
608	C5744	X	U6D450	X
609	C5745	X	U6D450	X
610	C5746	X	U6D450	X
611	C5747	X	U6D450	X
612	C5748	X	U6D450	X
613	C5749	X	U6D450	X
614	C5750	X	U6D450	X
615	C5751	X	U6D450	X
616	C5752	X	U6D450	X
617	C5753	X	U6D450	X
618	C5754	X	U6D450	X
619	C5755	X	U6D450	X
620	C5756	X	U6D450	X
621	C5757	X	U6D450	X
622	C5758	X	U6D450	X
623	C5759	X	U6D450	X
624	C5760	X	U6D450	X
625	C5761	X	U6D450	X
626	C5762	X	U6D450	X
627	C5763	X	U6D450	X
628	C5764	X	U6D450	X
629	C5765	X	U6D450	X
630	C5766	X	U6D450	X
631	C5767	X	U6D450	X
632	C5768	X	U6D450	X
633	C5769	X	U6D450	X
634	C5770	X	U6D450	X
635	C5771	X	U6D450	X
636	C5772	X	U6D450	X
637	C5773	X	U6D450	X
638	C5774	X	U6D450	X
639	C5775	X	U6D450	X
640	C5776	X	U6D450	X
641	C5777	X	U6D450	X
642	C5778	X	U6D450	X
643	C5779	X	U6D450	X
644	C5780	X	U6D450	X
645	C5781	X	U6D450	X
646	C5782	X	U6D450	X
647	C5783	X	U6D450	X
648	C5784	X	U6D450	X
649	C5785	X	U6D450	X
650	C5786	X	U6D450	X
651	C5787	X	U6D450	X
652	C5788	X	U6D450	X
653	C5789	X	U6D450	X
654	C5790	X	U6D450	X
655	C5791	X	U6D450	X
656	C5792	X	U6D450	X
657	C5793	X	U6D450	X
658	C5794	X	U6D450	X
659	C5795	X	U6D450	X
660	C5796	X	U6D450	X
661	C5797	X	U6D450	X
662	C5798	X	U6D450	X
663	C5799	X	U6D450	X
664	C5800	X	U6D450	X
665	C5801	X	U6D450	X
666	C5802	X	U6D450	X
667	C5803	X	U6D450	X
668	C5804	X	U6D450	X
669	C5805	X	U6D450	X
670	C5806	X	U6D450	X
671	C5807	X	U6D450	X
672	C5808	X	U6D450	X
673	C5809	X	U6D450	X
674	C5810	X	U6D450	X
675	C5811	X	U6D450	X
676	C5812	X	U6D450	X
677	C5813	X	U6D450	X
678	C5814	X	U6D450	X
679	C5815	X	U6D450	X
680	C5816	X	U6D450	X
681	C5817	X	U6D450	X
682	C5818	X	U6D450	X
683	C5819	X	U6D450	X
684	C5820	X	U6D450	X
685	C5821	X	U6D450	X
686	C5822	X	U6D450	X
687	C5823	X	U6D450	X
688	C5824	X	U6D450	X
689	C5825	X	U6D450	X
690	C5826	X	U6D450	X
691	C5827	X	U6D450	X
692	C5828	X	U6D450	X
693	C5829	X	U6D450	X
694	C5830	X	U6D450	X
695	C5831	X	U6D450	X
696	C5832	X	U6D450	X
697	C5833	X	U6D450	X
698	C5834	X	U6D450	X
699	C5835	X	U6D450	X
700	C5836	X	U6D450	X



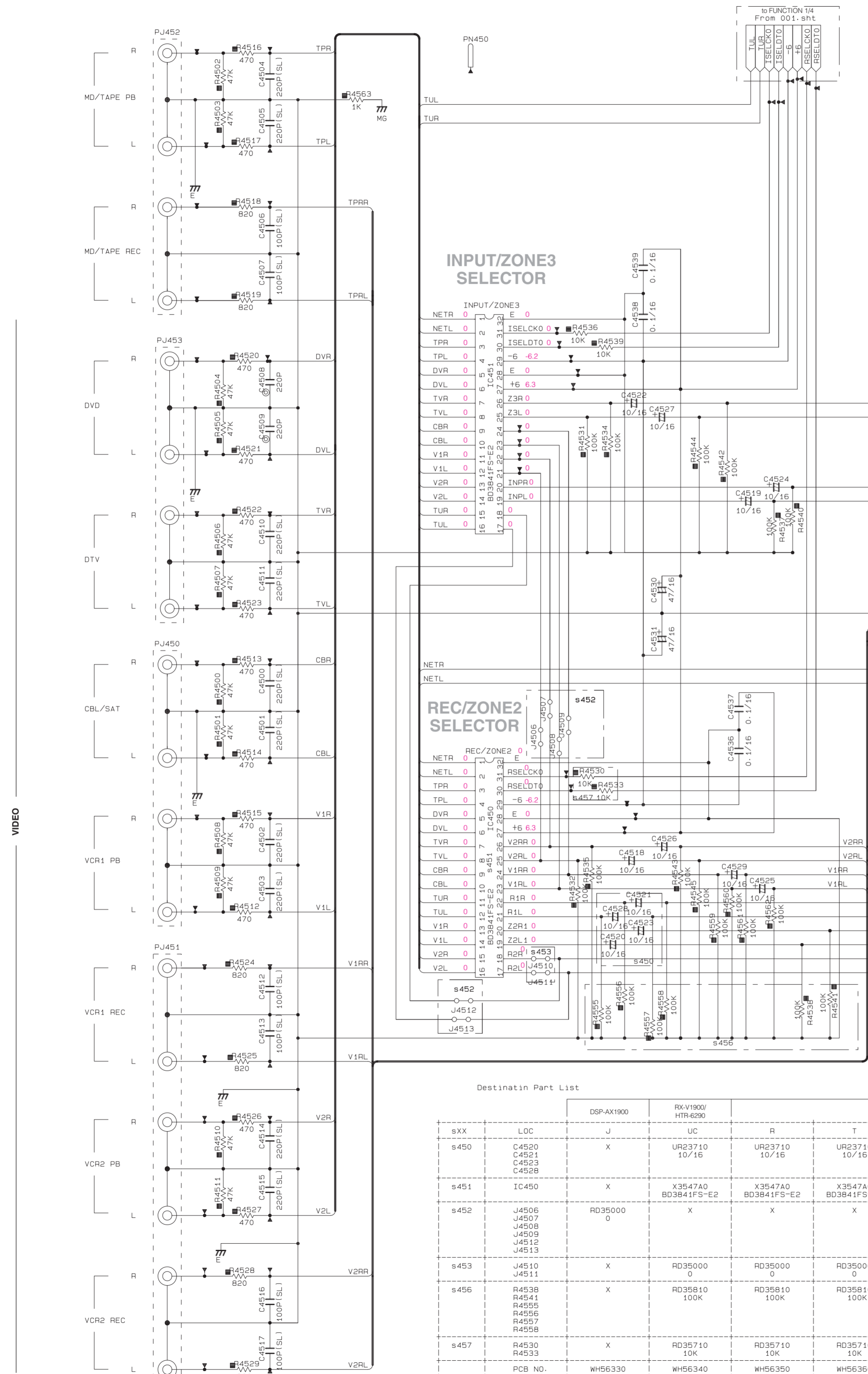
★ All voltages are measured with a 10MΩ/V DC electronic voltmeter.  
 ★ Components having special characteristics are marked with a triangle (▲) and must be replaced with parts having specifications equal to those originally installed.  
 ★ Schematic diagram is subject to change without notice.  
 ● 電圧は、内部抵抗10MΩの電圧計で測定したものです。  
 ● ▲印のある部品は、安全確保部品を示しています。部品の交換が必要な場合、パーツリストに記載されている部品を使用してください。  
 ● 本回路図は標準回路図です。改良のため予告なく変更することがございます。







FUNCTION 2/4



FUNCTION (1)

Destination Part List

		DSP-AX1900	RX-V1900/ HTR-6290	RX-V1900	RX-V1900/ HTR-6290	RX-V1900
sXX	LOC	J	UC	R	T	K
s450	C4520 C4521 C4523 C4528	X	UR23710 10/16	UR23710 10/16	UR23710 10/16	UR23710 10/16
s451	IC450	X	X354740 BD3841FS-E2	X354740 BD3841FS-E2	X354740 BD3841FS-E2	X354740 BD3841FS-E2
s452	J4506 J4507 J4508 J4509 J4512 J4513	RD35000 0	X	X	X	X
s453	J4510 J4511	X	RD35000 0	RD35000 0	RD35000 0	RD35000 0
s456	R4538 R4541 R4545 R4556 R4558	X	RD35810 100K	RD35810 100K	RD35810 100K	RD35810 100K
s457	R4530 R4533	X	RD35710 10K	RD35710 10K	RD35710 10K	RD35710 10K
PCB NO.		WH56330	WH56340	WH56350	WH56350	WH56370

J: Different selector composition

RESISTOR

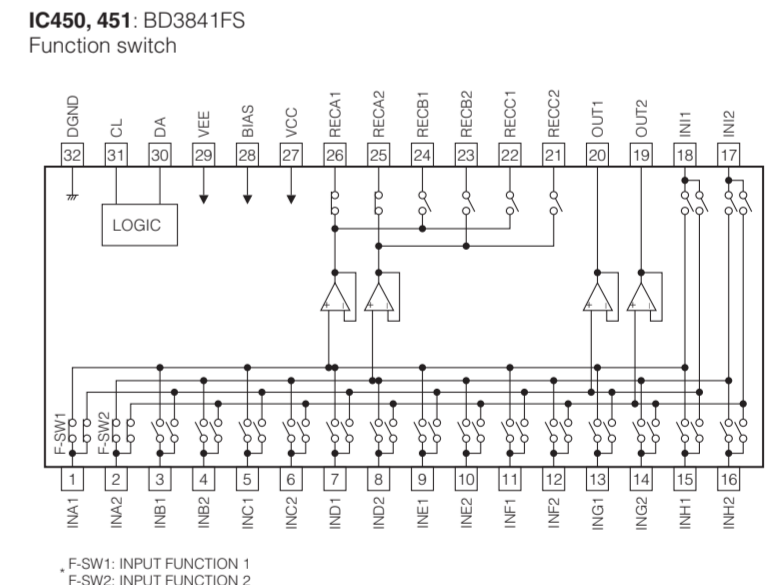
REMARKS	PARTS NAME
NO MARK	CARBON FILM RESISTOR (P=5)
□	CARBON FILM RESISTOR (P=10)
△	METAL OXIDE FILM RESISTOR
▲	METAL FILM RESISTOR
⊠	METAL PLATE RESISTOR
■	FIRE PROOF CARBON FILM RESISTOR
□	CEMENT MOLDED RESISTOR
⊕	SEMI VARIABLE RESISTOR
■	CHIP RESISTOR

CAPACITOR

REMARKS	PARTS NAME
NO MARK	ELECTROLYTIC CAPACITOR
⊗	TANTALUM CAPACITOR
NO MARK	CERAMIC CAPACITOR
●	CERAMIC TUBULAR CAPACITOR
⊙	POLYESTER FILM CAPACITOR
○	POLYSTYRENE FILM CAPACITOR
⊖	MICA CAPACITOR
⊕	POLYPROPYLENE FILM CAPACITOR
⊗	SEMICONDUCTIVE CERAMIC CAPACITOR
⊙	POLYPHENYLENE SULFIDE FILM CAPACITOR

NOTICE (model)

(J)..... JAPAN  
 (U)..... U. S. A  
 (C)..... CANADA  
 (R)..... GENERAL  
 (T)..... CHINA  
 (K)..... KOREA  
 (A)..... AUSTRALIA  
 (B)..... BRITISH  
 (G)..... EUROPE  
 (L)..... SINGAPORE  
 (E)..... SOUTH  
 (V)..... TAIWAN  
 (F)..... RUSSIAN



F-SW1: INPUT FUNCTION 1  
 F-SW2: INPUT FUNCTION 2

★ All voltages are measured with a 10MΩ/V DC electronic voltmeter.  
 ★ Components having special characteristics are marked with a triangle and must be replaced with parts having specifications equal to those originally installed.  
 ★ Schematic diagram is subject to change without notice.

● 電圧は、内部抵抗10MΩの電圧計で測定したものです。  
 ● 印のある部品は、安全性確保部品を示しています。部品の交換が必要な場合、パーツリストに記載されている部品を使用してください。  
 ● 本回路図は標準回路図です。改良のため予告なく変更することがございます。



FUNCTION 3/4

Page 125 [D1] to DSP\_CB561

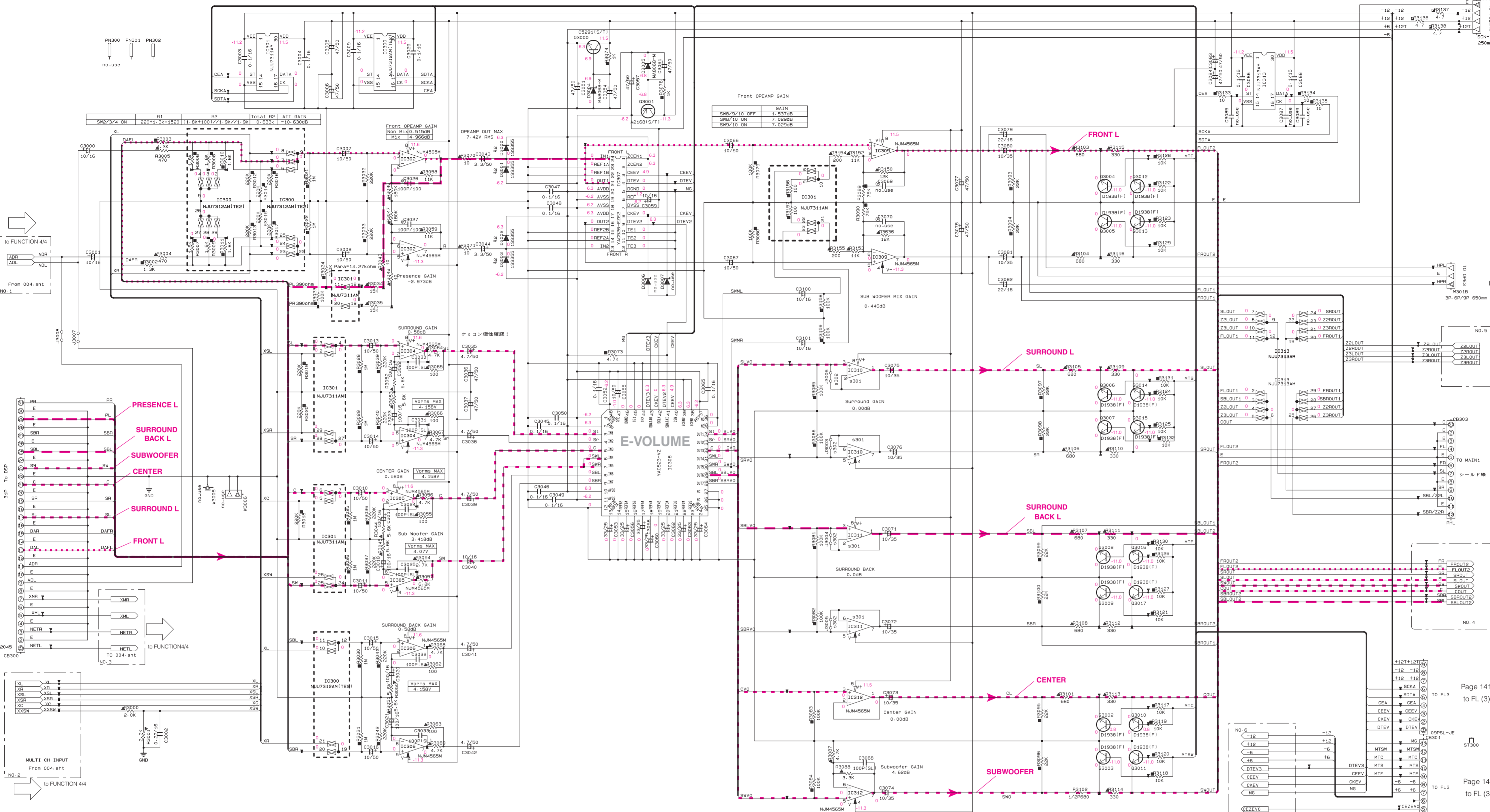
Page 132 [HB] to POWER (3)\_CB20

Page 130 [F3] to OPERATION (3)\_CB906

Page 131 [D10] to MAIN (1)\_W273

Page 141 [LB] to FL (3)\_CB951

Page 141 [MB] to FL (3)\_CB956



設計値 TOTAL 14dB

チャンネル	FRONT	CENTER	SURROUND	SURROUND BACK	SUB WOOFER	ZONE2 & ZONE3
設計値	0.0	12.5	1.5	14.0	0.0	0.0
調整値	0.0	14.0	0.0	14.0	0.0	0.0
実測値	0.0	14.0	0.0	14.0	0.0	0.0

MIX部 設計値 TOTAL 4.5dB

チャンネル	P MIX FRONT	P MIX SURROUND	SUB WOOFER MIX
設計値	4.5	3.0	0.0
調整値	4.5	3.0	0.0
実測値	4.5	3.0	0.0

MIX部 調整値 TOTAL 4.5dB

チャンネル	P MIX FRONT	P MIX SURROUND	SUB WOOFER MIX
調整値	4.5	3.0	0.0
実測値	4.5	3.0	0.0

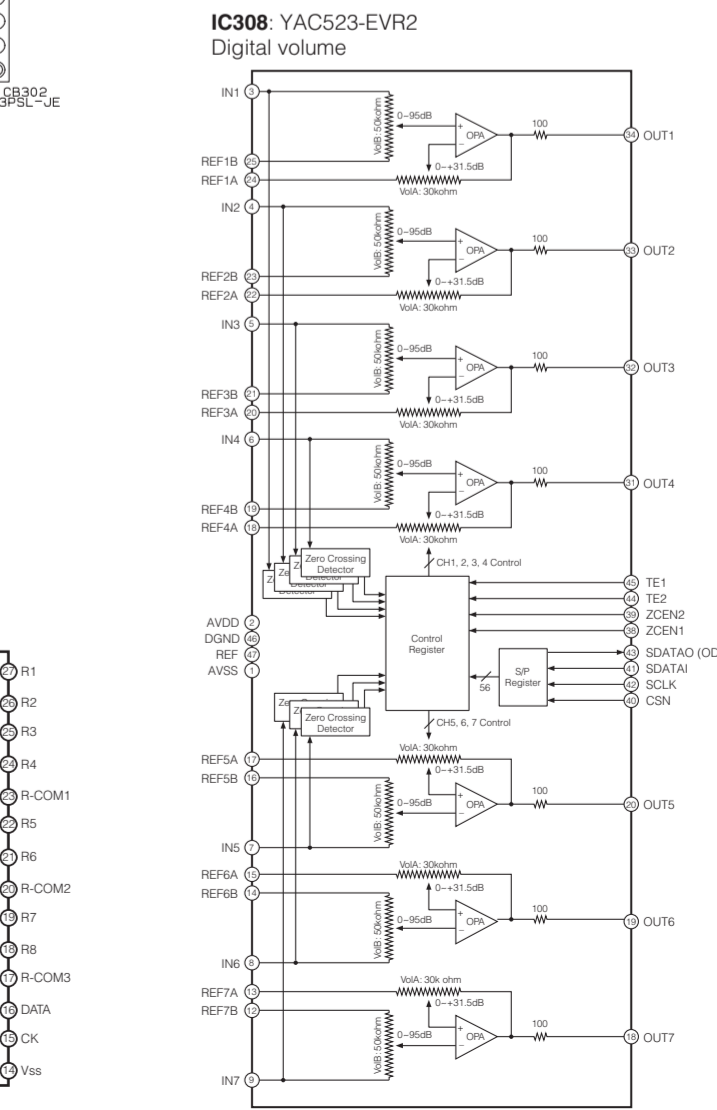
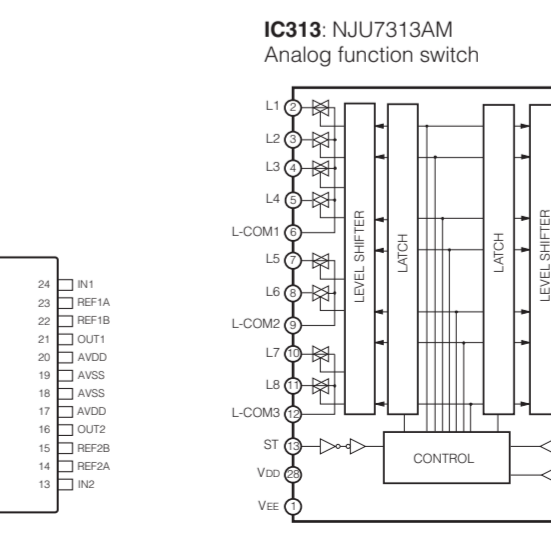
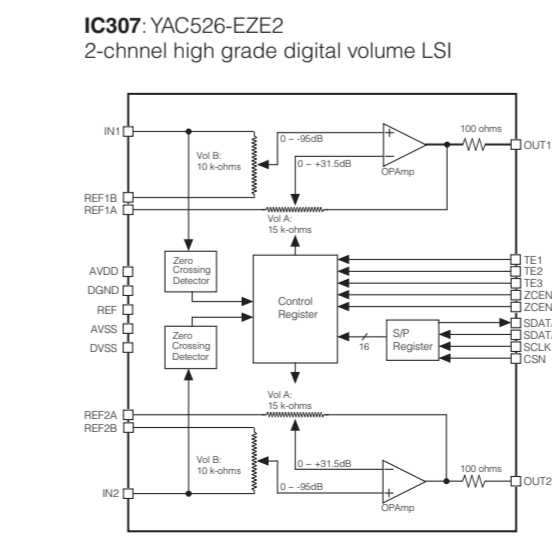
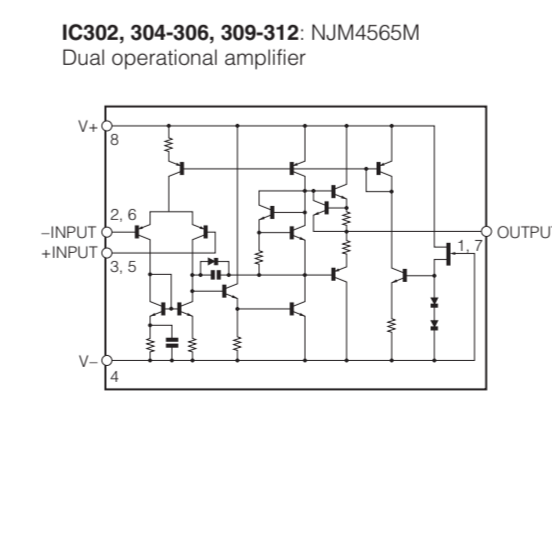
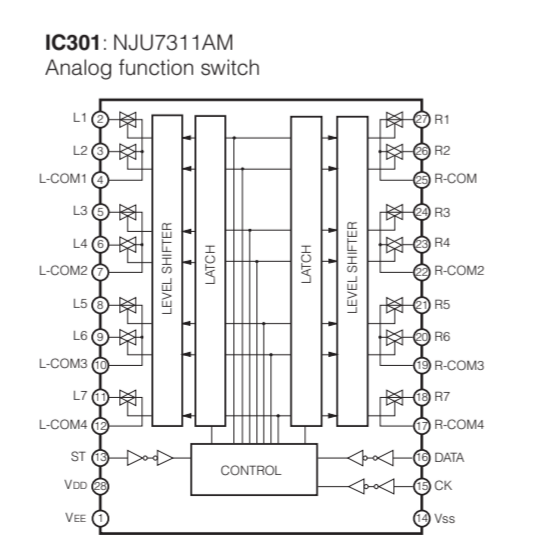
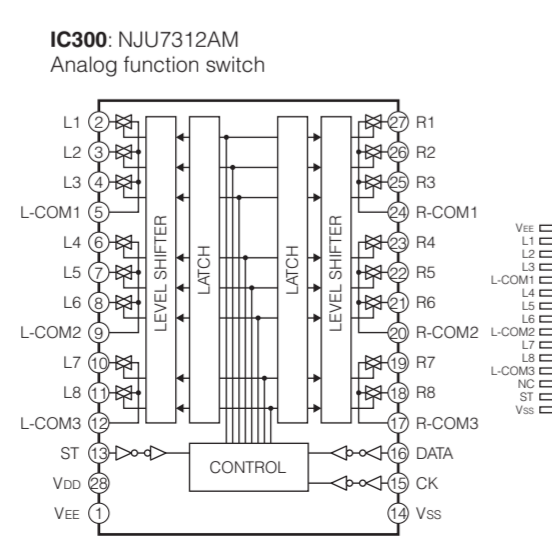
REMARKS	PARTS_NAME	REMARKS	PARTS_NAME
NO MARK	CARBON FILM RESISTOR (P=5)	NO MARK	ELECTROLYTIC CAPACITOR
□	CARBON FILM RESISTOR (P=10)	NO MARK	TANTALUM CAPACITOR
△	METAL OXIDE FILM RESISTOR	NO MARK	CERAMIC CAPACITOR
◇	METAL FILM RESISTOR	◎	CERAMIC TUBULAR CAPACITOR
○	METAL PLATE RESISTOR	○	POLYESTER FILM CAPACITOR
⊠	FIRE PROOF CARBON FILM RESISTOR	○	POLYETHYLENE FILM CAPACITOR
⊞	CEMENT MOLDED RESISTOR	○	MICA CAPACITOR
⊚	SEMI VARIABLE RESISTOR	○	POLYPROPYLENE FILM CAPACITOR
⊛	CHIP RESISTOR	○	SEMICONDUCTIVE CERAMIC CAPACITOR
		○	POLYPHENYLENE SULFIDE FILM CAPACITOR

NOTICE (mode1)

(J)..... JAPAN  
 (U)..... U.S.A  
 (C)..... CANADA  
 (R)..... GENERAL  
 (T)..... CHINA  
 (K)..... KOREA  
 (A)..... AUSTRALIA  
 (B)..... BRITISH  
 (G)..... EUROPE  
 (L)..... SINGAPORE  
 (E)..... SOUTH  
 (V)..... TAIWAN  
 (F)..... RUSSIAN

Destination Part List

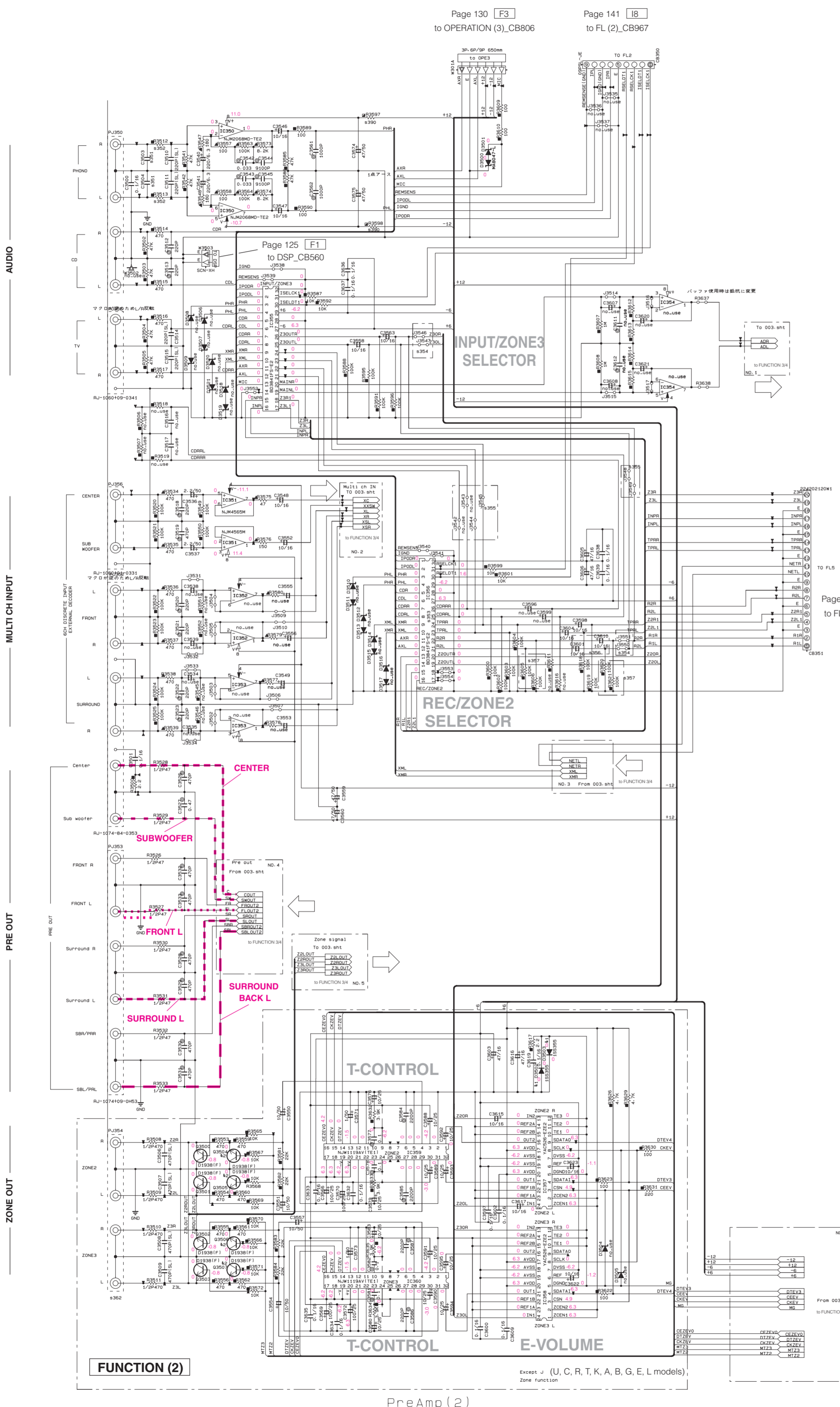
IC300	IC301	IC302	IC303	IC304	IC305	IC306	IC307	IC308	IC309	IC310	IC311	IC312	IC313	IC314	IC315	IC316	IC317	IC318	IC319	IC320
X	X	X	X	X	X	X	X	X	X	X	X	X	X	X	X	X	X	X	X	X



- ★ All voltages are measured with a 10MΩ/V DC electronic voltmeter.
- ★ Components having special characteristics are marked 1, and must be replaced with parts having specifications equal to those originally installed.
- ★ Schematic diagram is subject to change without notice.
- 電圧は、内部抵抗10MΩの電圧計で測定したものです。
- 1印のある部品は、安全性確保部品を示しています。部品の交換が必要な場合、パーツリストに記載されている部品を使用してください。
- 本回路図は標準回路図です。改良のため予告なく変更することがございます。



FUNCTION 4/4



Page 130 [F3] to OPERATION (3)\_CB906  
 Page 141 [L8] to FL (2)\_CB967

Page 125 [F1] to DSP\_CB560

Page 141 [L3] to FL (4)\_CB963

FUNCTION (2)

Except (J, C, R, T, K, A, B, G, E, L models), Zone Function

Pre Amp (2)

Designator	Part List	DSP-AX1900	VC	T	K	A	BEE	L	C	G
R351	U96222	U96222	U96222	U96222	U96222	U96222	U96222	U96222	U96222	U96222
R352	RD3547	RD3547	RD3547	RD3547	RD3547	RD3547	RD3547	RD3547	RD3547	RD3547
R353	RD3547	RD3547	RD3547	RD3547	RD3547	RD3547	RD3547	RD3547	RD3547	RD3547
R354	RD3547	RD3547	RD3547	RD3547	RD3547	RD3547	RD3547	RD3547	RD3547	RD3547
R355	RD3547	RD3547	RD3547	RD3547	RD3547	RD3547	RD3547	RD3547	RD3547	RD3547
R356	UR3710	UR3710	UR3710	UR3710	UR3710	UR3710	UR3710	UR3710	UR3710	UR3710
R357	UR3710	UR3710	UR3710	UR3710	UR3710	UR3710	UR3710	UR3710	UR3710	UR3710
R358	UR3710	UR3710	UR3710	UR3710	UR3710	UR3710	UR3710	UR3710	UR3710	UR3710
R359	UR3710	UR3710	UR3710	UR3710	UR3710	UR3710	UR3710	UR3710	UR3710	UR3710
R360	UR3710	UR3710	UR3710	UR3710	UR3710	UR3710	UR3710	UR3710	UR3710	UR3710
R361	UR3710	UR3710	UR3710	UR3710	UR3710	UR3710	UR3710	UR3710	UR3710	UR3710
R362	UR3710	UR3710	UR3710	UR3710	UR3710	UR3710	UR3710	UR3710	UR3710	UR3710
R363	UR3710	UR3710	UR3710	UR3710	UR3710	UR3710	UR3710	UR3710	UR3710	UR3710
R364	UR3710	UR3710	UR3710	UR3710	UR3710	UR3710	UR3710	UR3710	UR3710	UR3710
R365	UR3710	UR3710	UR3710	UR3710	UR3710	UR3710	UR3710	UR3710	UR3710	UR3710
R366	UR3710	UR3710	UR3710	UR3710	UR3710	UR3710	UR3710	UR3710	UR3710	UR3710
R367	UR3710	UR3710	UR3710	UR3710	UR3710	UR3710	UR3710	UR3710	UR3710	UR3710
R368	UR3710	UR3710	UR3710	UR3710	UR3710	UR3710	UR3710	UR3710	UR3710	UR3710
R369	UR3710	UR3710	UR3710	UR3710	UR3710	UR3710	UR3710	UR3710	UR3710	UR3710
R370	UR3710	UR3710	UR3710	UR3710	UR3710	UR3710	UR3710	UR3710	UR3710	UR3710
R371	UR3710	UR3710	UR3710	UR3710	UR3710	UR3710	UR3710	UR3710	UR3710	UR3710
R372	UR3710	UR3710	UR3710	UR3710	UR3710	UR3710	UR3710	UR3710	UR3710	UR3710
R373	UR3710	UR3710	UR3710	UR3710	UR3710	UR3710	UR3710	UR3710	UR3710	UR3710
R374	UR3710	UR3710	UR3710	UR3710	UR3710	UR3710	UR3710	UR3710	UR3710	UR3710
R375	UR3710	UR3710	UR3710	UR3710	UR3710	UR3710	UR3710	UR3710	UR3710	UR3710
R376	UR3710	UR3710	UR3710	UR3710	UR3710	UR3710	UR3710	UR3710	UR3710	UR3710
R377	UR3710	UR3710	UR3710	UR3710	UR3710	UR3710	UR3710	UR3710	UR3710	UR3710
R378	UR3710	UR3710	UR3710	UR3710	UR3710	UR3710	UR3710	UR3710	UR3710	UR3710
R379	UR3710	UR3710	UR3710	UR3710	UR3710	UR3710	UR3710	UR3710	UR3710	UR3710
R380	UR3710	UR3710	UR3710	UR3710	UR3710	UR3710	UR3710	UR3710	UR3710	UR3710
R381	UR3710	UR3710	UR3710	UR3710	UR3710	UR3710	UR3710	UR3710	UR3710	UR3710
R382	UR3710	UR3710	UR3710	UR3710	UR3710	UR3710	UR3710	UR3710	UR3710	UR3710
R383	UR3710	UR3710	UR3710	UR3710	UR3710	UR3710	UR3710	UR3710	UR3710	UR3710
R384	UR3710	UR3710	UR3710	UR3710	UR3710	UR3710	UR3710	UR3710	UR3710	UR3710
R385	UR3710	UR3710	UR3710	UR3710	UR3710	UR3710	UR3710	UR3710	UR3710	UR3710
R386	UR3710	UR3710	UR3710	UR3710	UR3710	UR3710	UR3710	UR3710	UR3710	UR3710
R387	UR3710	UR3710	UR3710	UR3710	UR3710	UR3710	UR3710	UR3710	UR3710	UR3710
R388	UR3710	UR3710	UR3710	UR3710	UR3710	UR3710	UR3710	UR3710	UR3710	UR3710
R389	UR3710	UR3710	UR3710	UR3710	UR3710	UR3710	UR3710	UR3710	UR3710	UR3710
R390	UR3710	UR3710	UR3710	UR3710	UR3710	UR3710	UR3710	UR3710	UR3710	UR3710

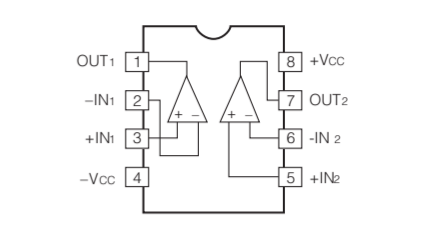
NOTICE (model)

- (J)..... JAPAN
- (U)..... U.S.A
- (C)..... CANADA
- (R)..... GENERAL
- (T)..... CHINA
- (K)..... KOREA
- (A)..... AUSTRALIA
- (B)..... BRITISH
- (E)..... EUROPE
- (L)..... SINGAPORE
- (V)..... SOUTH EUROPE
- (V)..... TAIWAN
- (F)..... RUSSIAN

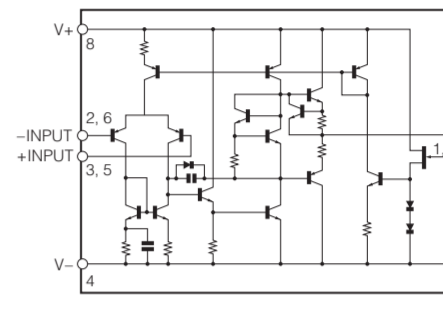
REMARKS	PARTS NAME
NO MARK	CARBON FILM RESISTOR (P-5)
CF	CARBON FILM RESISTOR (P-10)
Δ	METAL OXIDE FILM RESISTOR
▲	METAL FILM RESISTOR
□	METAL PLATE RESISTOR
◇	FINE PORE CARBON FILM RESISTOR
□	CEMENT MOLDED RESISTOR
○	SEMI-VARIABLE RESISTOR
■	CHIP RESISTOR

REMARKS	PARTS NAME
NO MARK	ELECTROLYTIC CAPACITOR
□	TANTALUM CAPACITOR
NO MARK	CERAMIC CAPACITOR
●	CERAMIC TUBULAR CAPACITOR
○	POLYESTER FILM CAPACITOR
○	POLYPROPYLENE FILM CAPACITOR
○	MICA CAPACITOR
○	POLYPROPYLENE FILM CAPACITOR
○	SEMICONDUCTIVE CERAMIC CAPACITOR
○	POLYPHENYLENE SULFIDE FILM CAPACITOR

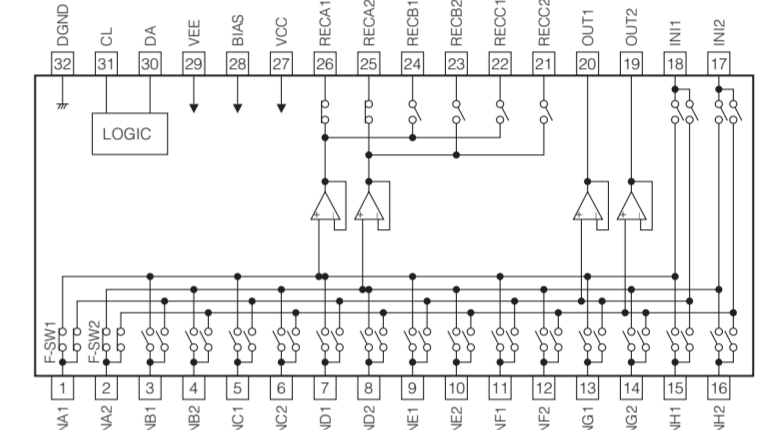
IC350: NJM2068MD-TE2 Dual operational amplifier



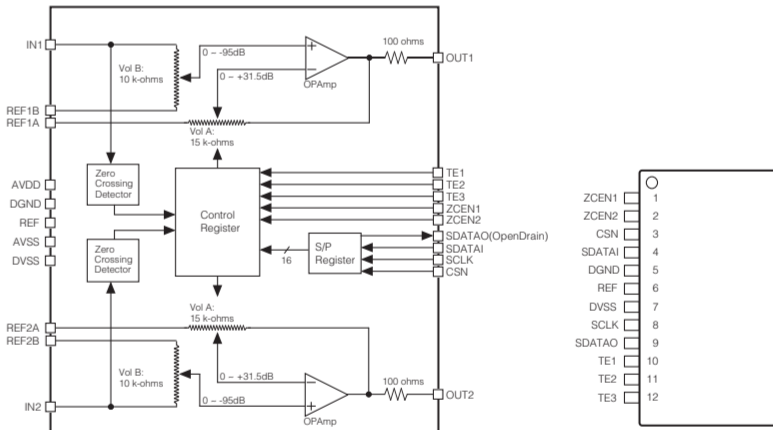
IC351: NJM4565M Dual operational amplifier



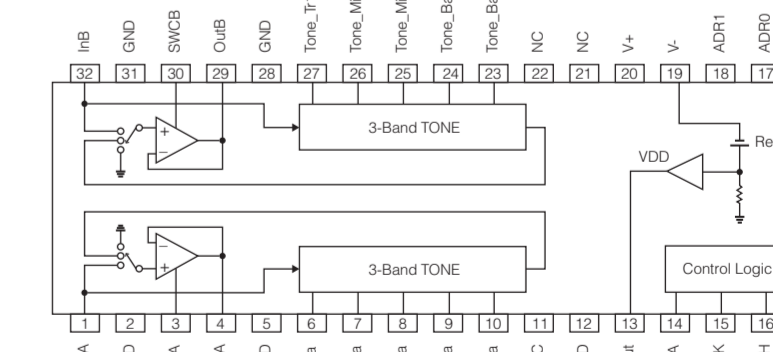
IC355, 356: BD3841FS Function switch



IC357, 358: YAC526-EZE2 2-channel high grade digital volume LSI



IC359, 360: NJW119AV 3-band tone control IC

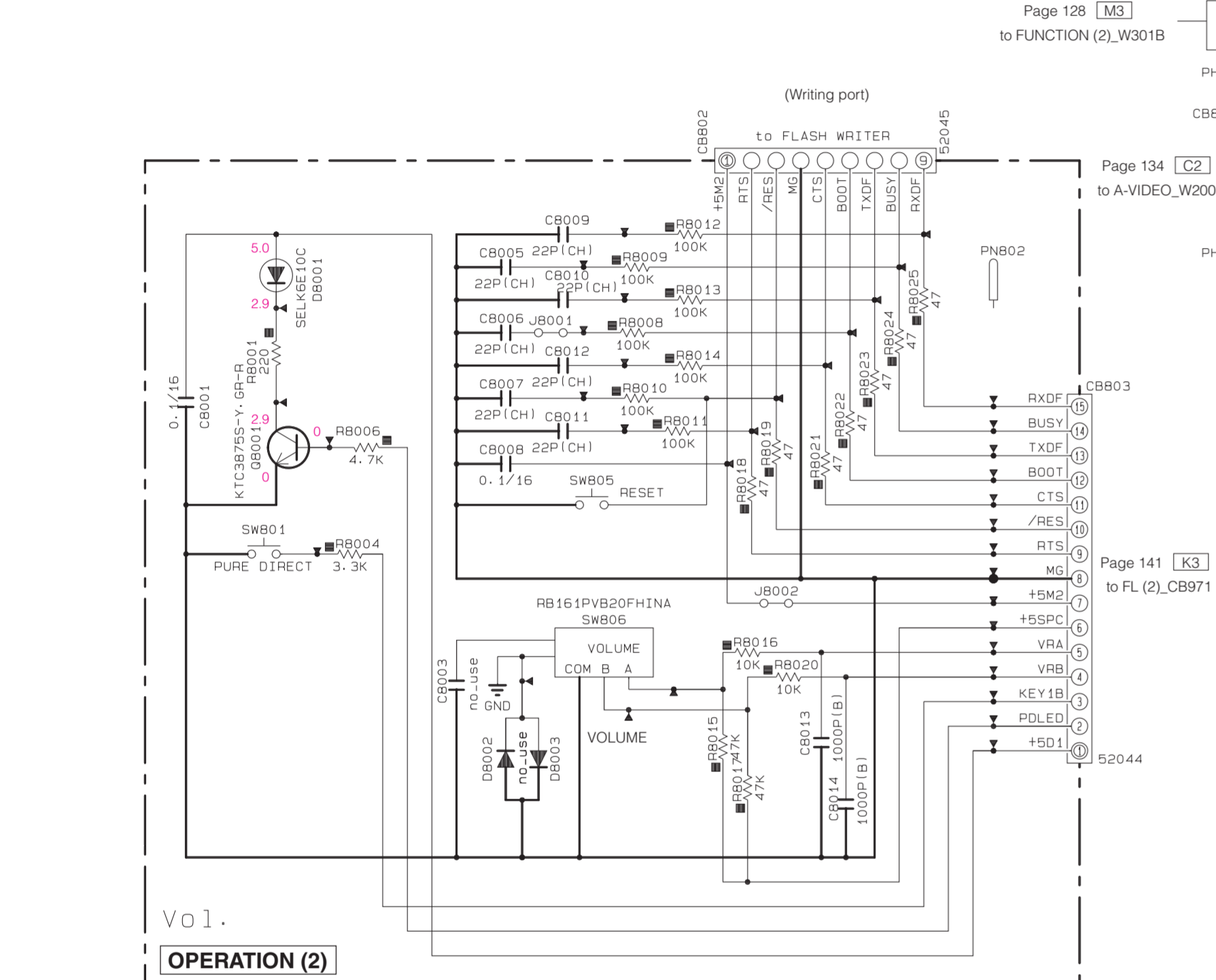
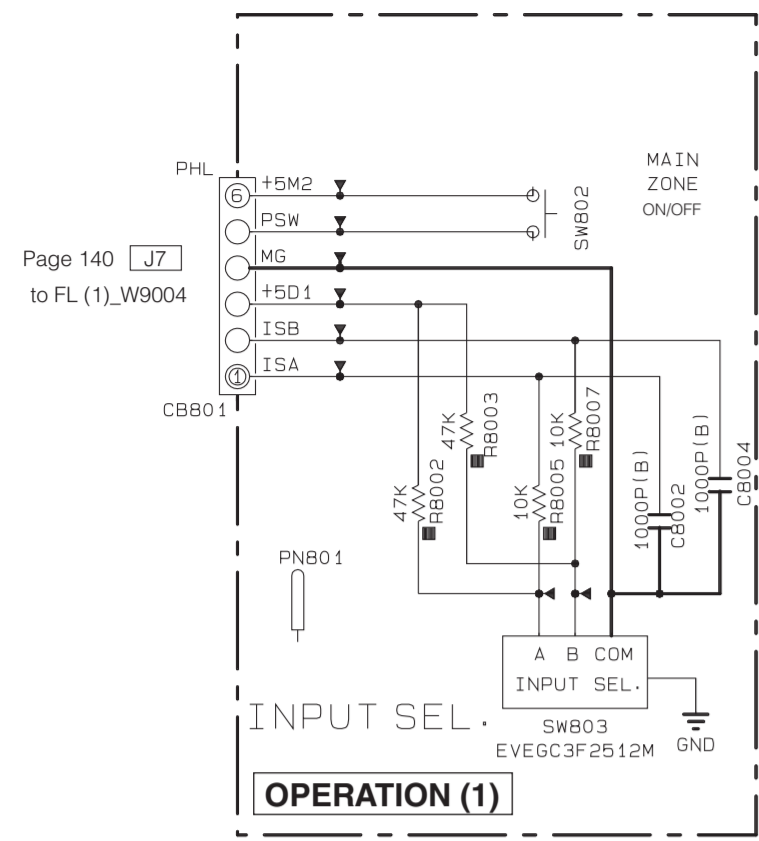


\* All voltages are measured with a 10MΩ/V DC electronic voltmeter.  
 \* Components having special characteristics are marked !, and must be replaced with parts having specifications equal to those originally installed.  
 \* Schematic diagram is subject to change without notice.

● 電圧は、内部抵抗10MΩの電圧計で測定したものです。  
 ● !印のある部品は、安全確保部品を示しています。部品の交換が必要な場合、パーツリストに記載されている部品を使用してください。  
 ● 本回路図は標準回路図です。改良のため予告なく変更することがございます。



OPERATION



Interchangeable Parts at Manufacture-Stage

Mark	Reference Parts Number	Parts Name
&1	G8002-8003	2SD1938(F) 2SC3326(A/B) 2SC5938(A/B) 2SD2704K

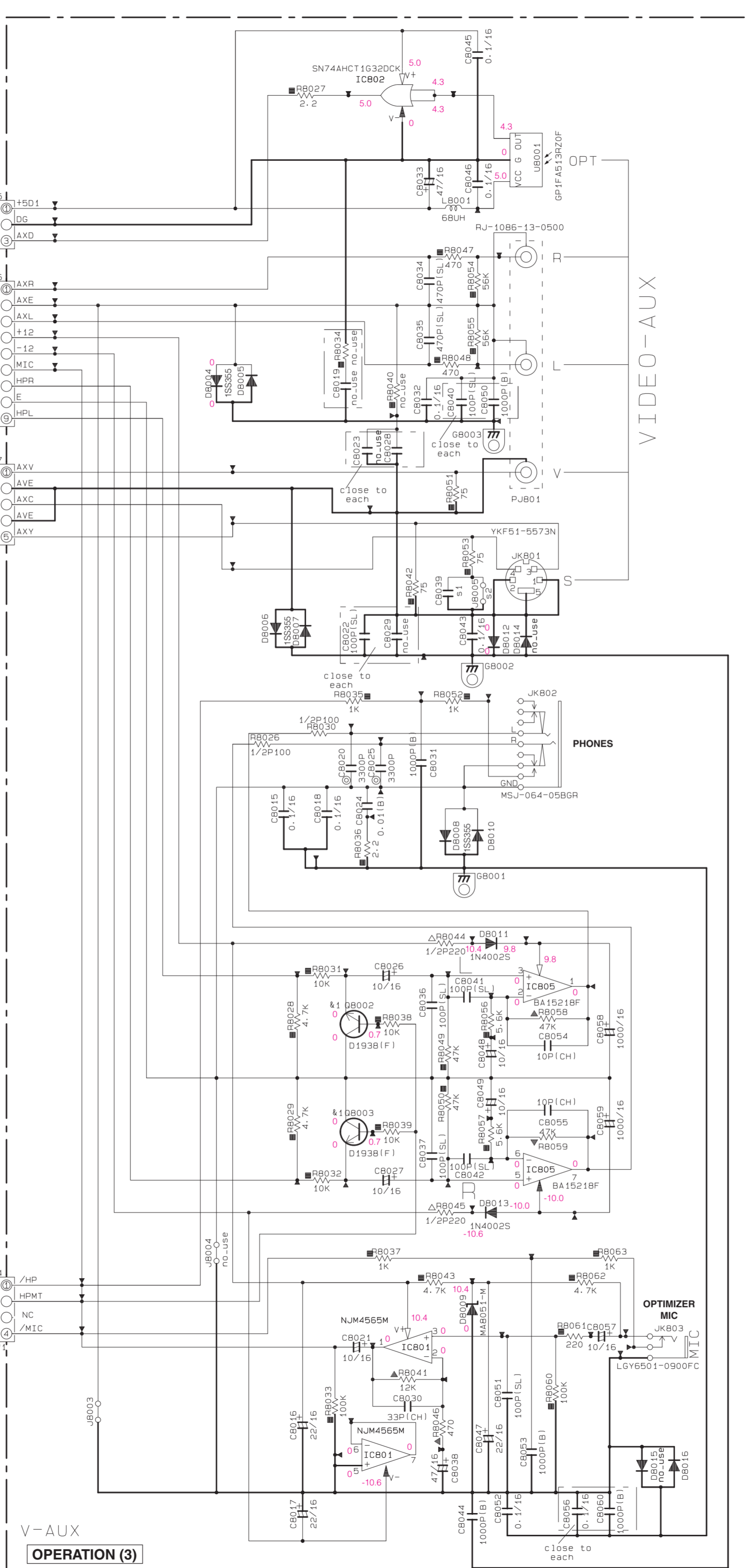
Destinatin Part List

sXX	LOC	JUC	RTKLABGE
s1	CB039	US13510 0.1/16	X
s2	JB005	X	RD35000 0

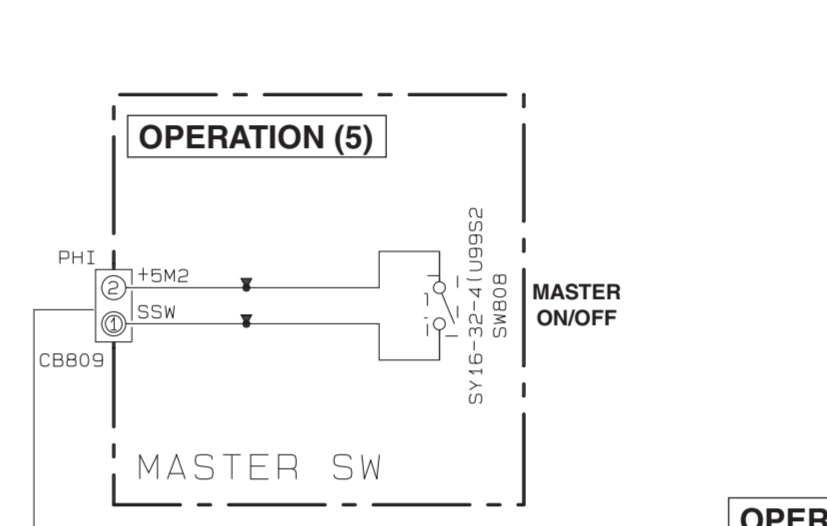
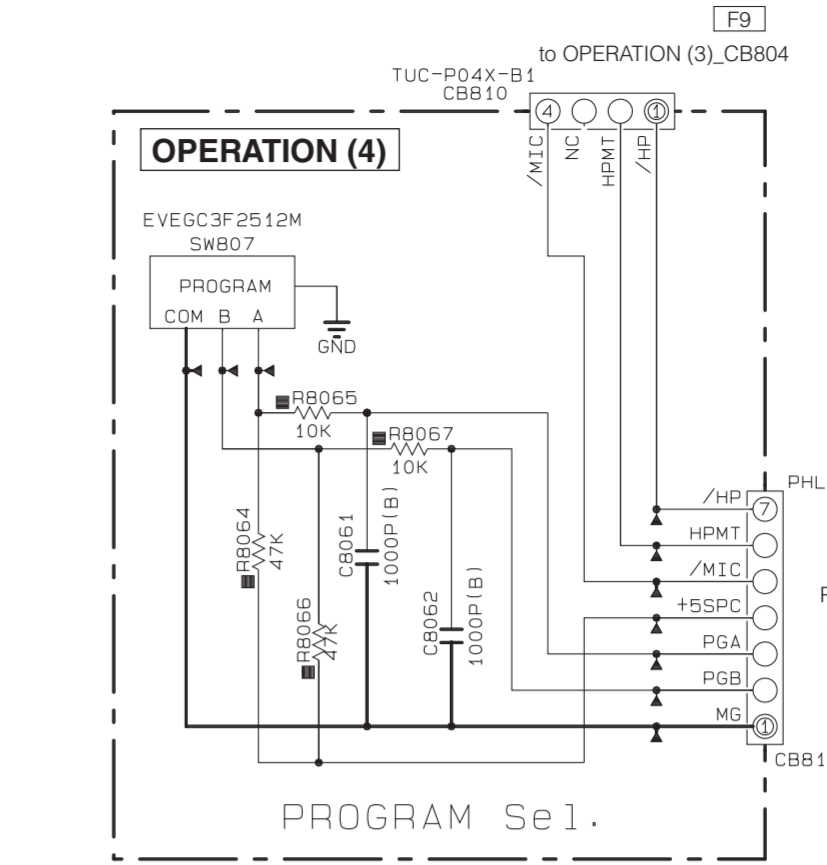
●電圧は、内部抵抗10MΩの電圧計で測定したものです。  
●↑印のある部品は、安全性確保部品を示しています。部品の交換が必要な場合、パーツリストに記載されている部品を使用してください。  
●本回路図は標準回路図です。改良のため予告なく変更することがございます。

NOTICE (model)

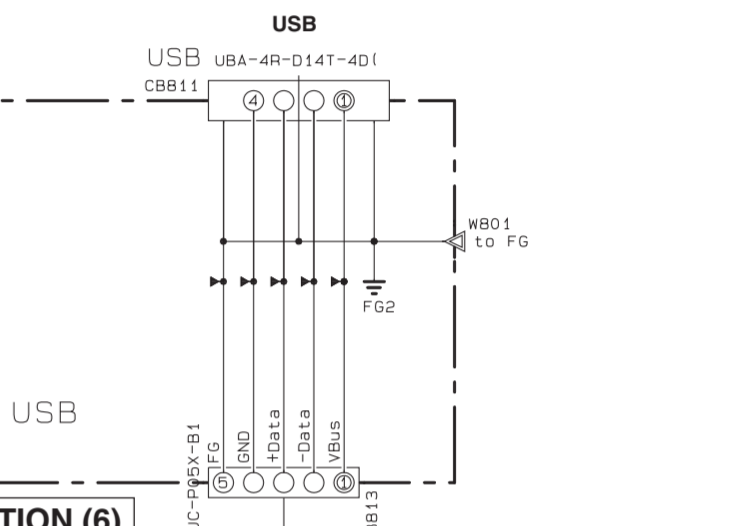
(J)..... JAPAN  
(U)..... U.S.A  
(C)..... CANADA  
(R)..... GENERAL  
(T)..... CHINA  
(K)..... KOREA  
(A)..... AUSTRALIA  
(B)..... BRITISH  
(G)..... EUROPE  
(L)..... SINGAPORE  
(E)..... SOUTH EUROPE  
(V)..... TAIWAN  
(F)..... RUSSIAN



V-AUX OPERATION (3)

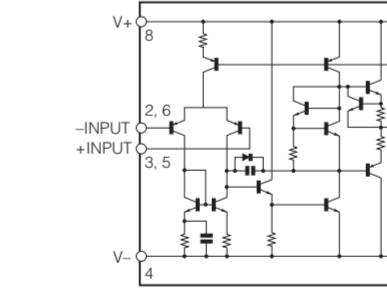


Page 140 [J4] to FL(1)\_W9002



Page 142 [F9] to NET\_W603

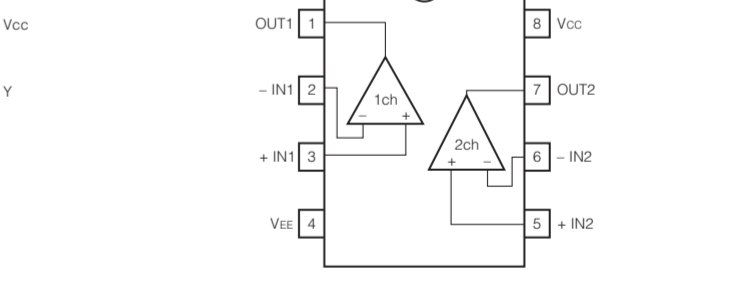
IC801: NJM4565M Dual operational amplifier



IC802: SN74AHC1G32DCKR Single 2-input positive-OR gate



IC805: BA15218F Dual high slew rate, low noise operational amplifier



RESISTOR

REMARKS	PARTS NAME
NO MARK	CARBON FILM RESISTOR (P=5)
⊠	CARBON FILM RESISTOR (P=10)
△	METAL OXIDE FILM RESISTOR
▲	METAL FILM RESISTOR
⊞	METAL PLATE RESISTOR
■	FIRE PROOF CARBON FILM RESISTOR
□	CEMENT MOLDED RESISTOR
▨	SEMI VARIABLE RESISTOR
⊞	CHIP RESISTOR

CAPACITOR

REMARKS	PARTS NAME
NO MARK	ELECTROLYTIC CAPACITOR
⊗	TANTALUM CAPACITOR
NO MARK	CERAMIC CAPACITOR
●	CERAMIC TUBULAR CAPACITOR
⊙	POLYESTER FILM CAPACITOR
○	POLYSTYRENE FILM CAPACITOR
⊖	MICA CAPACITOR
⊕	POLYPROPYLENE FILM CAPACITOR
⊞	SEMICONDUCTIVE CERAMIC CAPACITOR

IMPLEMENTATION:

INPUT SELECTOR  
VOLUME  
VIDEO-AUX  
HEAD PHONE AMP  
MIC AMP  
PROGRAM SELECTOR  
MASTER SWITCH







POWER

NOTICE (model)
(J)..... JAPAN
(U)..... U.S.A.
(C)..... CANADA
(E)..... GENERAL
(T)..... CHINA
(K)..... KOREA
(A)..... AUSTRALIA
(B)..... BRITISH
(D)..... EUROPE
(L)..... SINGAPORE
(S)..... SOUTH EUROPE
(V)..... TAIWAN
(F)..... RUSSIAN

Table with 2 columns: PARTS NAME, PARTS NAME. Lists various resistor types like CARBON FILM RESISTOR, METAL OXIDE FILM RESISTOR, etc.

Table with 2 columns: PARTS NAME, PARTS NAME. Lists various capacitor types like ELECTROLYTIC CAPACITOR, FANTAILOR CAPACITOR, etc.

Table with 3 columns: Mark, Reference Parts Number, Parts Name. Lists interchangeable parts at manufacture stage.

Page 140 [A5]
to FL(1)\_W9001
To PCB-FL
(Front Panel)

Page 126 [F8]
to FUNCTION(1)\_CB407
(U-COM)
To FUNC

Page 131 [B1]
to MAIN(4)\_W272
To PCB-MAIN

Page 139 [L7]
to D-VIDEO\_CB188
To PCB-DVIDEO

Page 134 [I3]
to A-VIDEO\_W2001
To PCB-AVIDEO

Page 124 [I1]
to DSP\_W5301
To PCB-DSP

Page 124 [K1]
to DSP\_W5302
To PCB-DSP

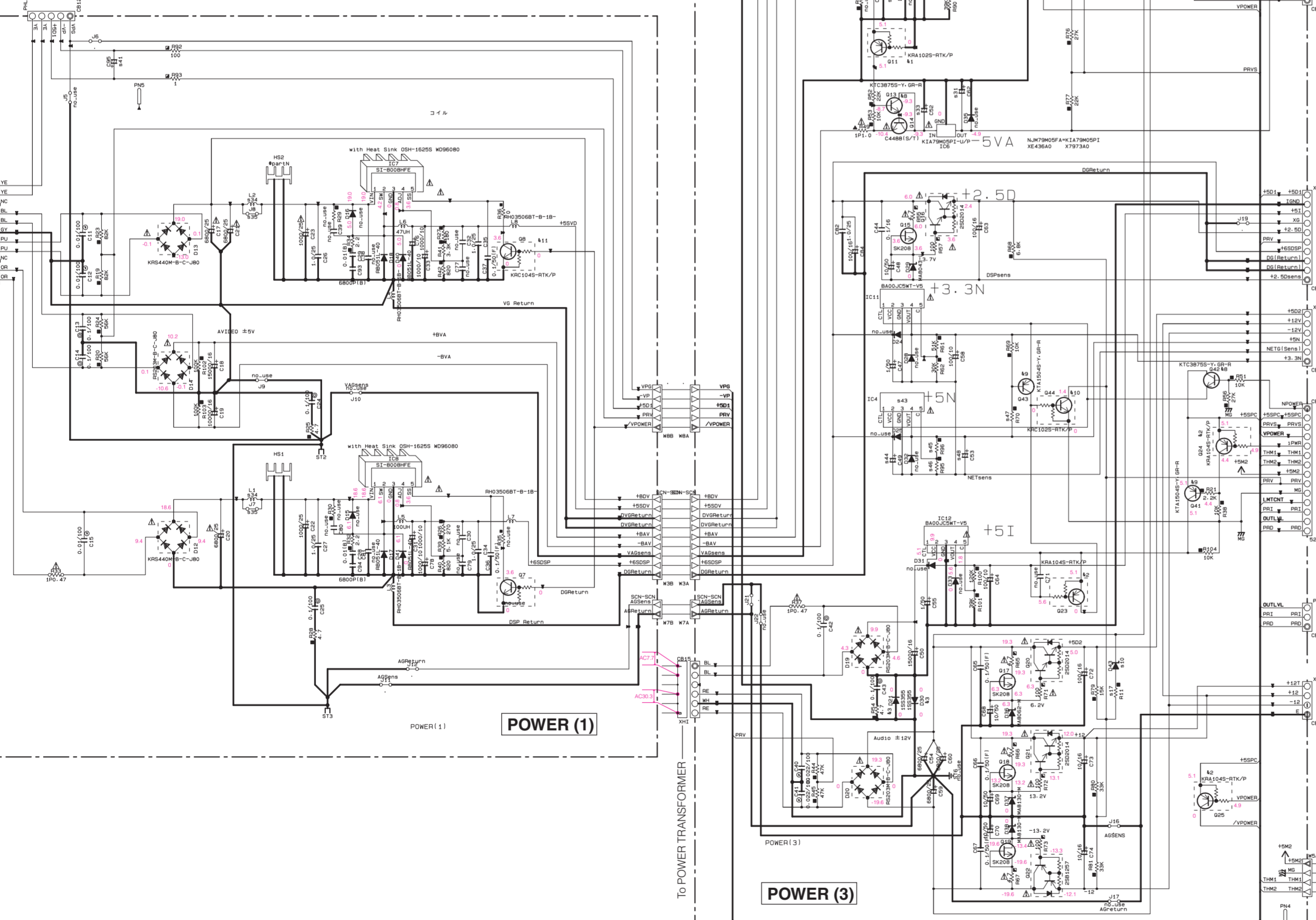
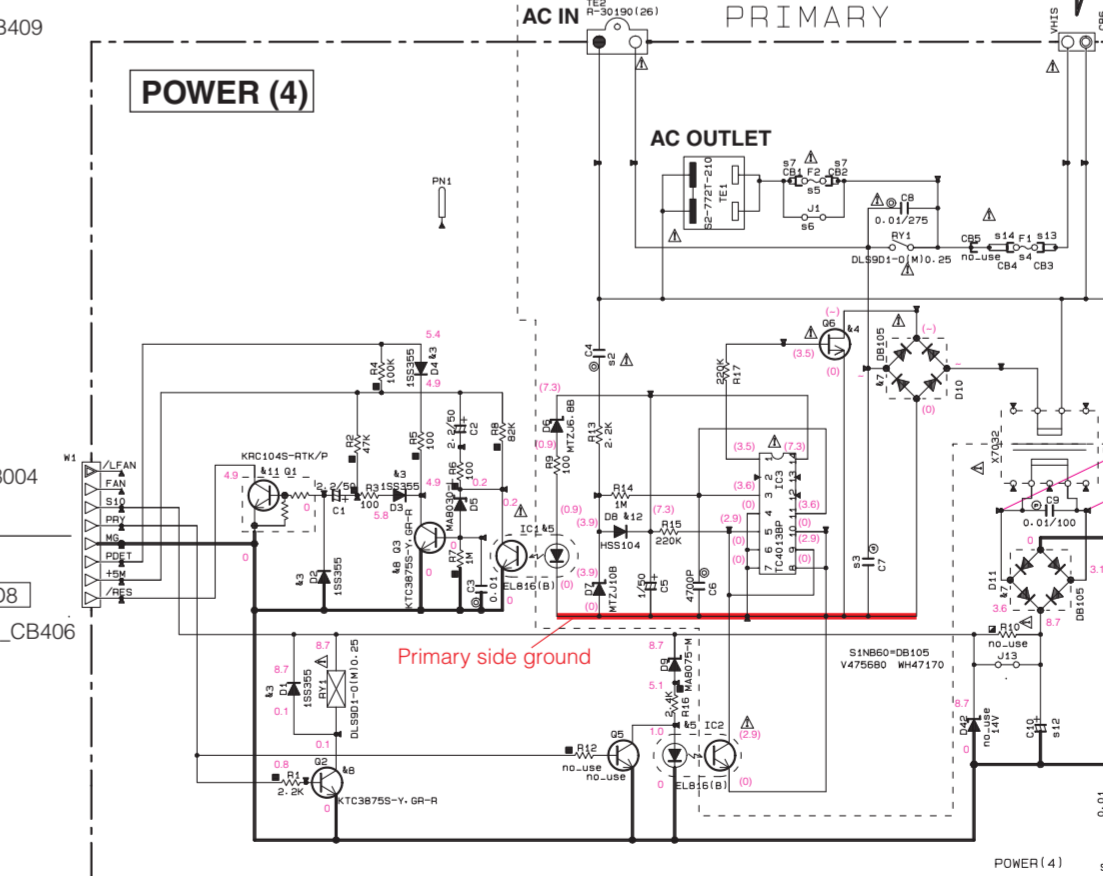
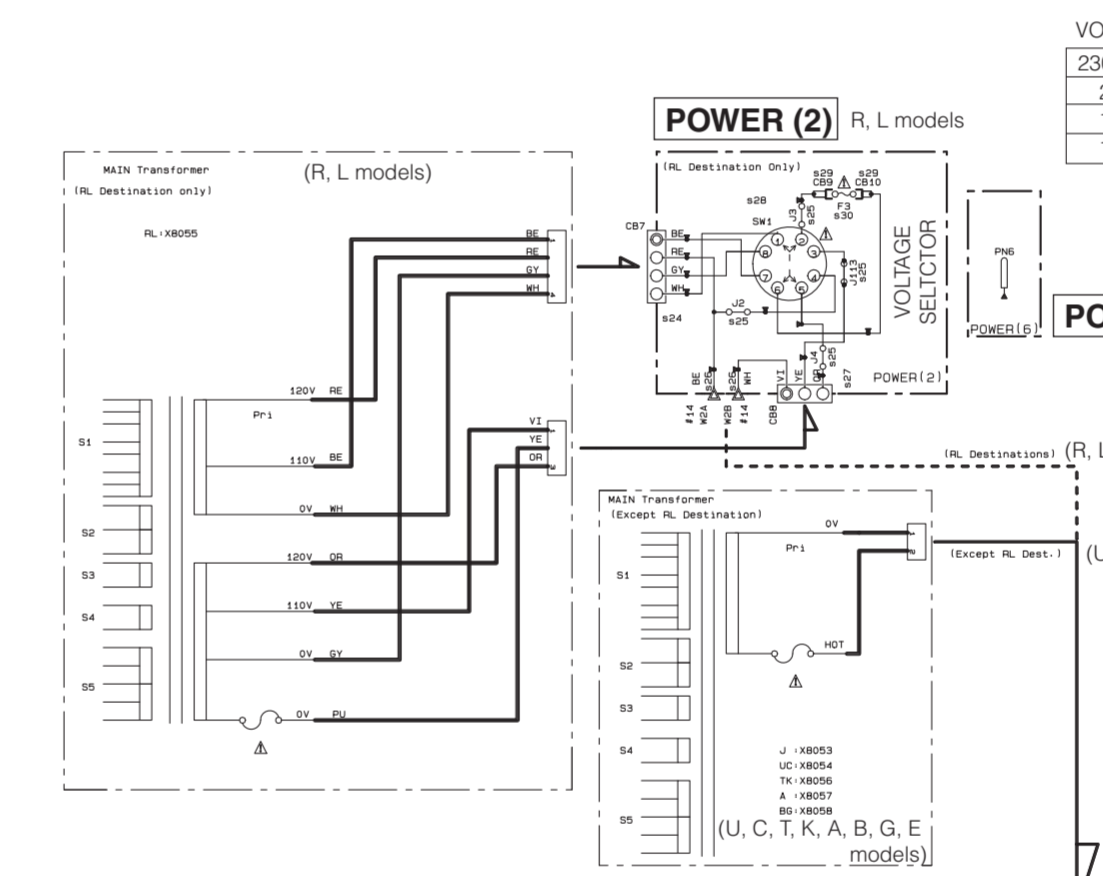
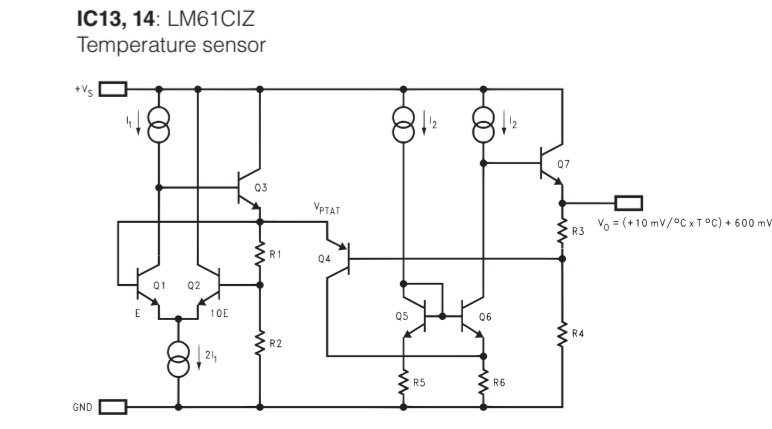
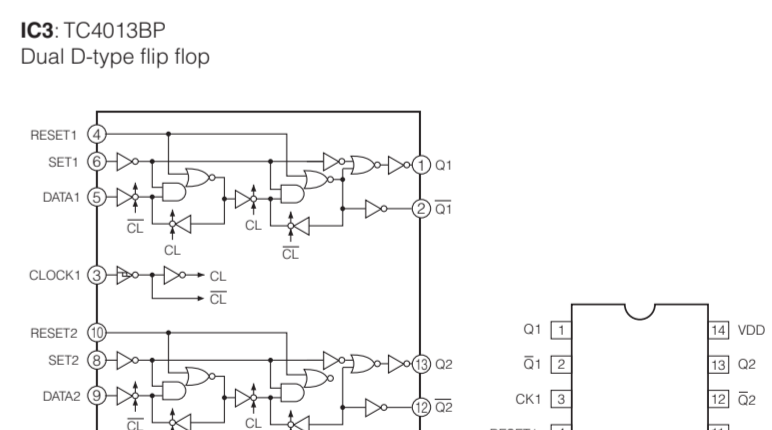
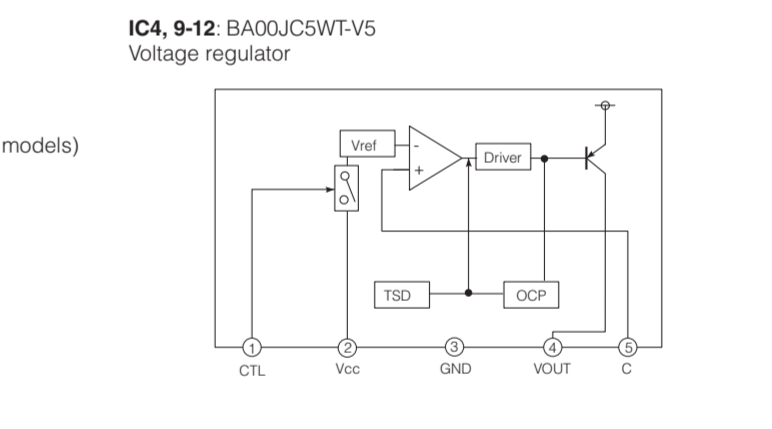
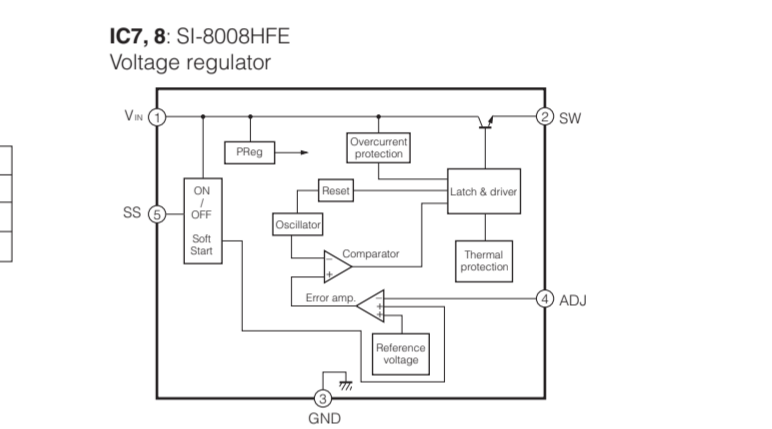
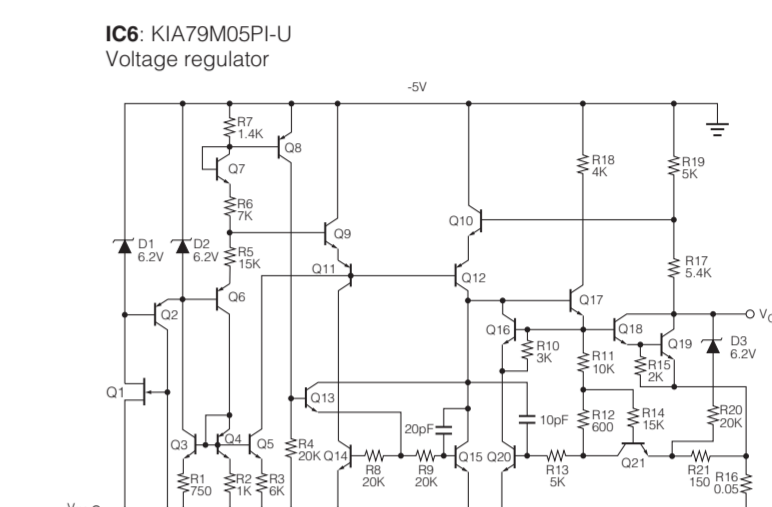
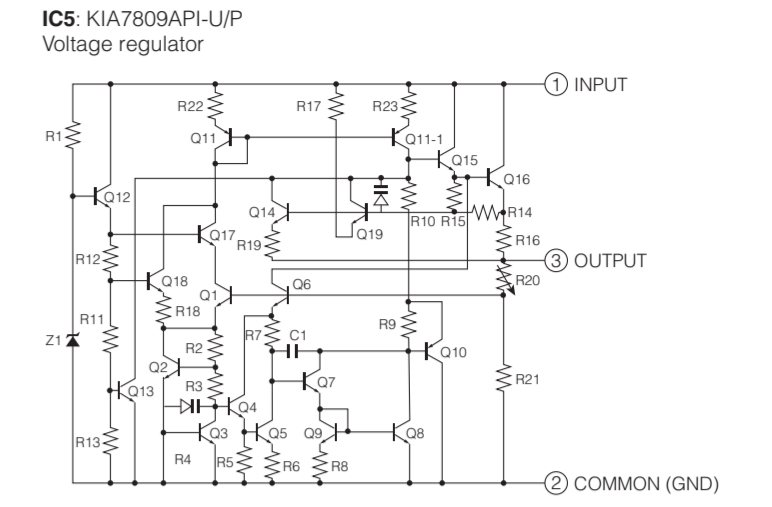
Page 126 [H8]
to FUNCTION(1)\_CB409
To PCB-FUNC
(u-COM)

Page 131 [N10]
to MAIN(1)\_W271
To PCB-FUNC
(Pre Amp)

Page 128 [M1]
to FUNCTION(2)\_W3004
To PCB-FUNC
(Pre Amp)

Page 126 [D8]
to FUNCTION(1)\_CB406
To PCB-FUNC
(Pre Amp)

Large table with multiple columns (A-L) and rows (82-848) listing component specifications and part numbers.



\* All voltages are measured with a 10MΩ/V DC electronic voltmeter.
\* Components having special characteristics are marked with a triangle and must be replaced with parts having specifications equal to those originally installed.
\* Schematic diagram is subject to change without notice.

●電圧は、内部抵抗10MΩの電圧計で測定したものです。
●印のある部品は、安全性確保部品を示しています。部品の交換が必要な場合、パーツリストに記載されている部品を使用してください。
●本回路図は標準回路図です。改良のため予告なく変更することがございます。



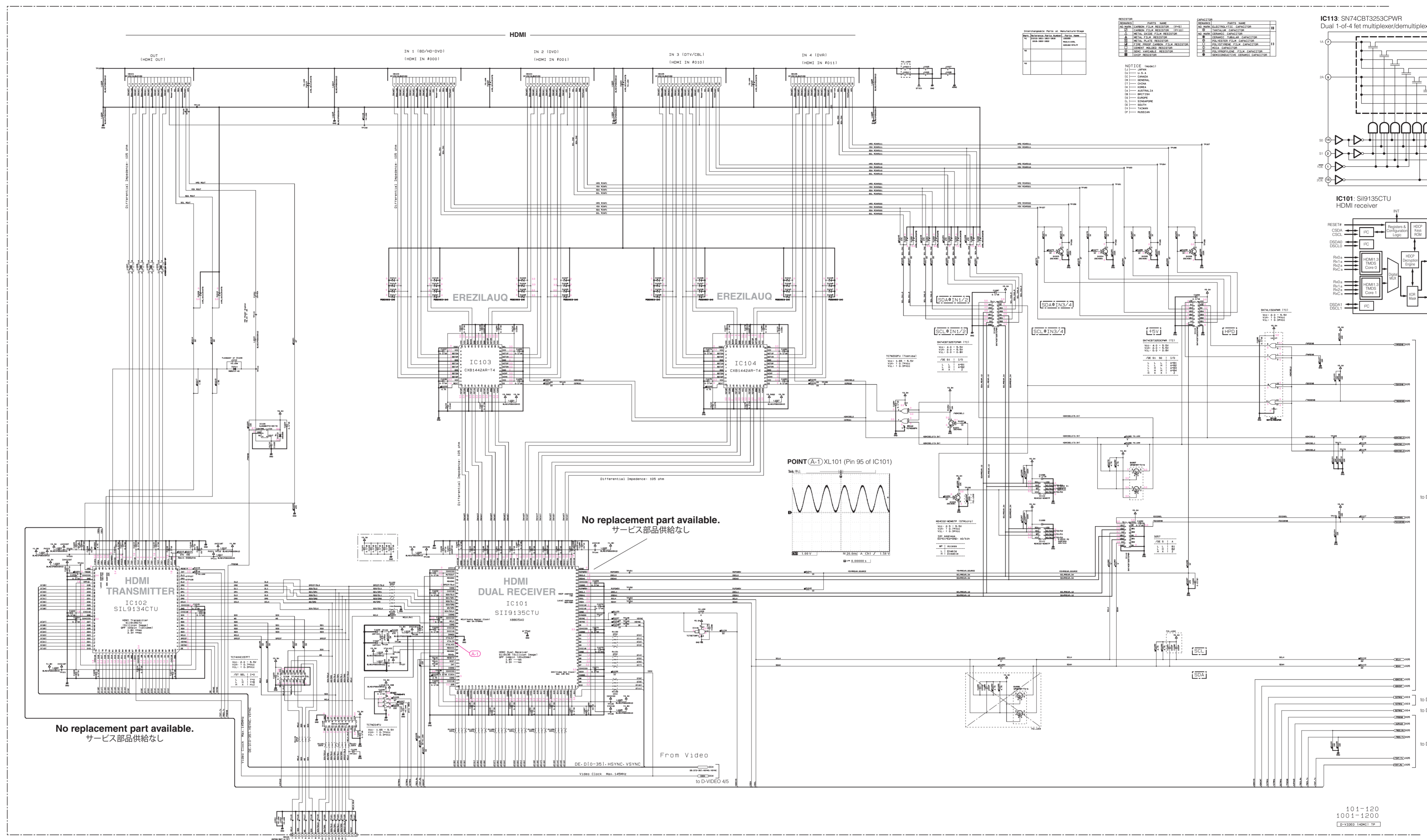




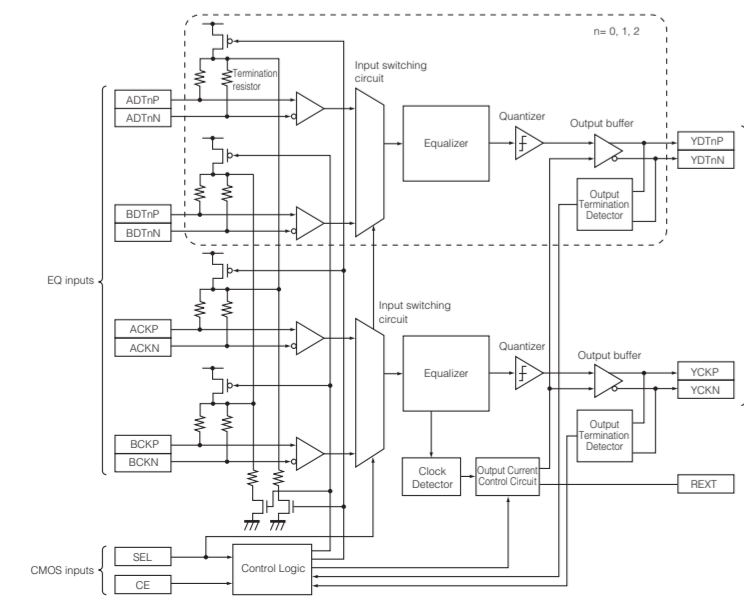




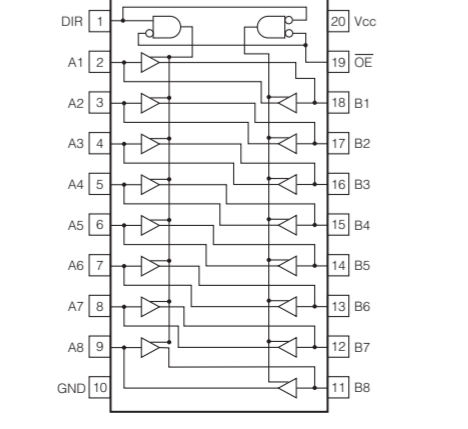
D-VIDEO 1/5



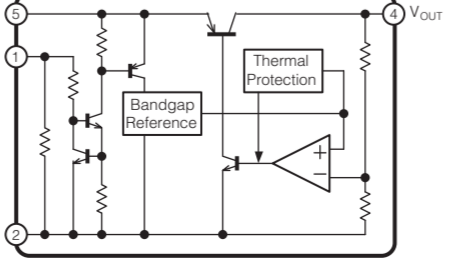
IC103, 104: CXB1442AR-T4  
Cable equalizer with 2-system switching function



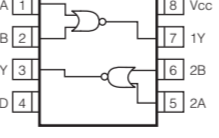
IC105: SN74LVC245APWR  
Octal bus transceivers with 3-state outputs



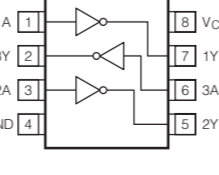
IC106: NJM2867F3-05  
Low dropout voltage regulator



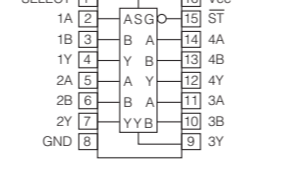
IC114: TC7WZ02FK  
2 input nor gate



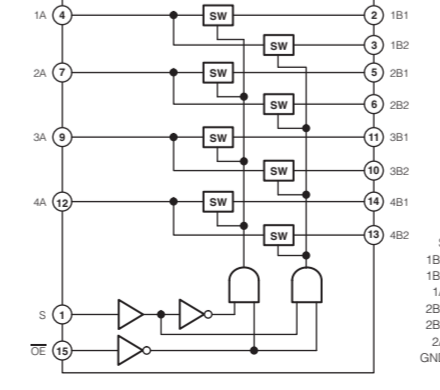
IC107: TC7WZ04FK  
Triple inverter



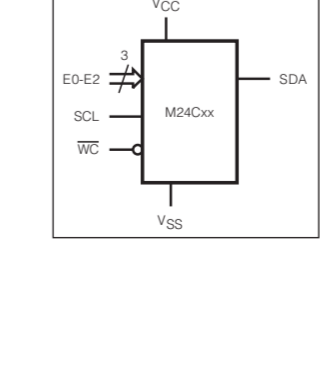
IC108: TC74VHC157FT  
Quad 2-channel multiplexer



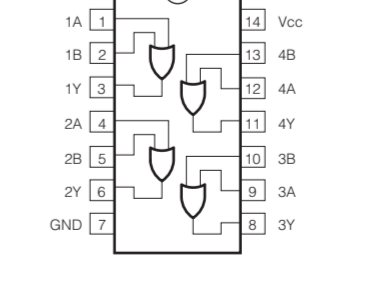
IC109, 112: SN74CBT3257CPWR  
4-bit 1-of-2 1et multiplexer/demultiplexer



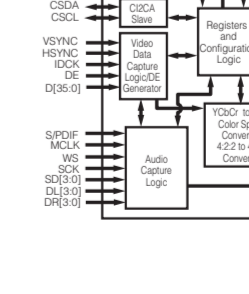
IC110, 111: M24C02-WD6TP  
2 K-bit serial I2C bus EEPROM



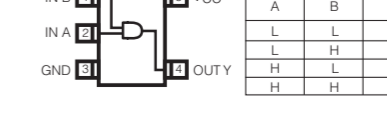
IC115: SN74LV32APWR  
Quaduple 2-input positive-OR gates



IC102: SIL9134CTU  
HDMI transmitter



IC116: TC7SET08FU  
2 input AND gate



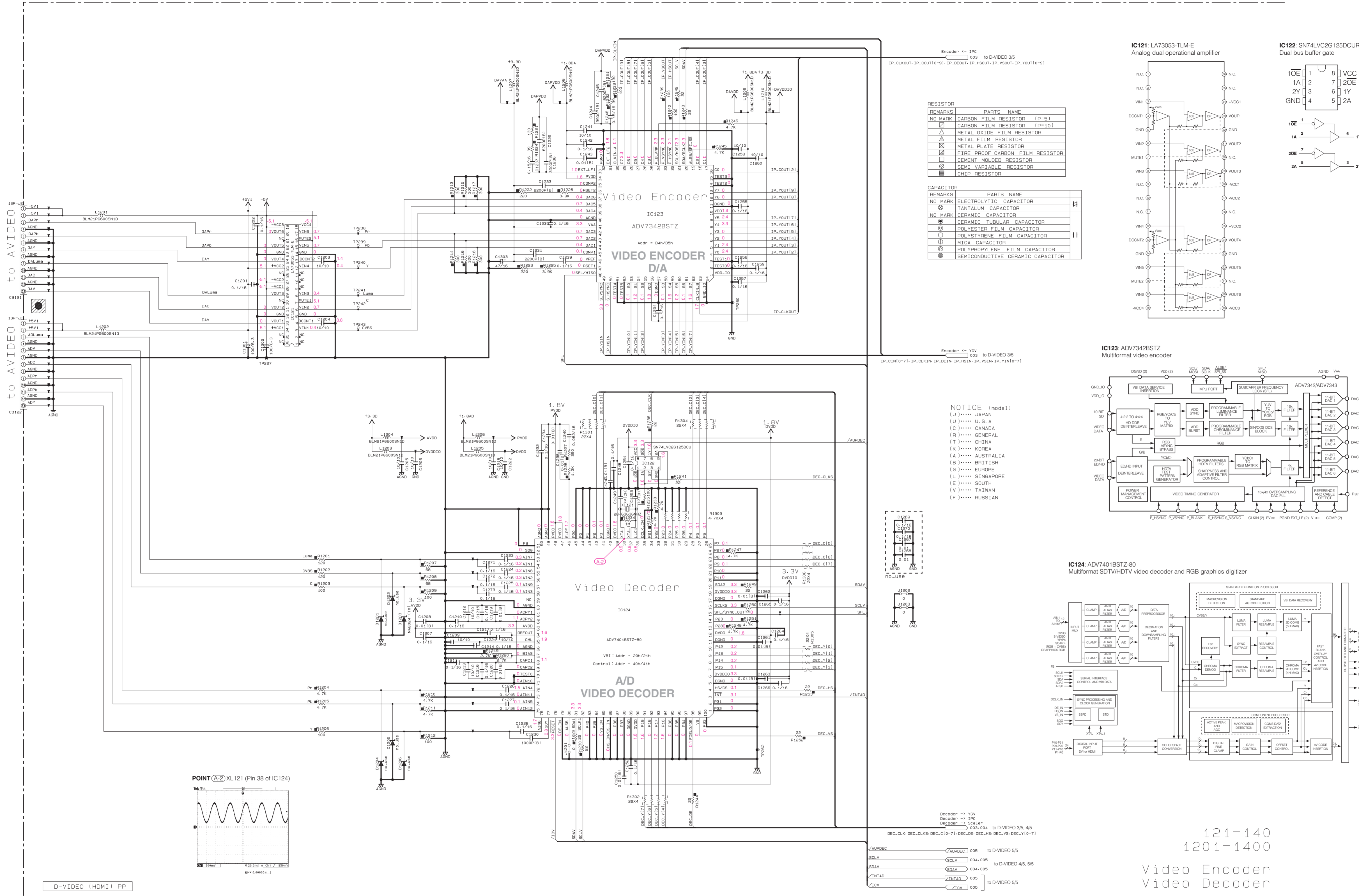
★ All voltages are measured with a 10MΩ/V DC electronic voltmeter.  
 ★ Components having special characteristics are marked with a triangle (▲), and must be replaced with parts having specifications equal to those originally installed.  
 ★ Schematic diagram is subject to change without notice.

● 電圧は、内部抵抗10MΩの電圧計で測定したものです。  
 ● ▲印のある部品は、安全性確保部品を示しています。部品の交換が必要な場合、パーツリストに記載されている部品を使用してください。  
 ● 本回路図は標準回路図です。改良のため予告なく変更することがございます。

101-120  
1001-1200  
D-VIDEO (HDMI) 1/5

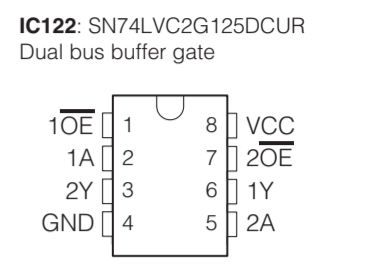
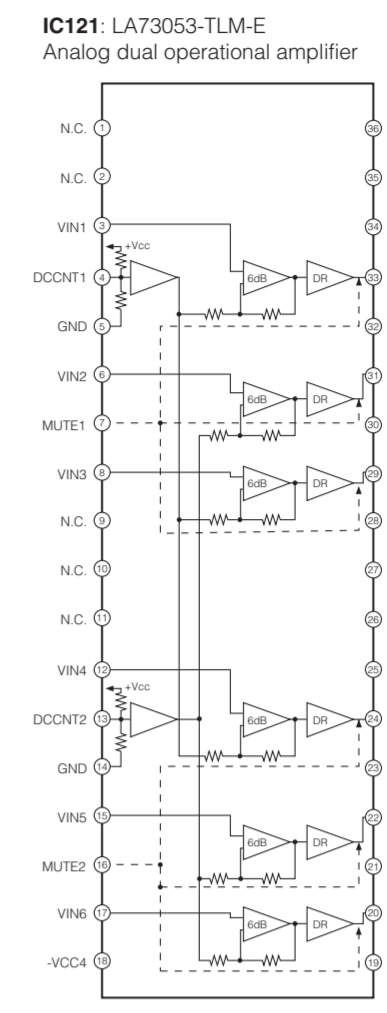


D-VIDEO 2/5



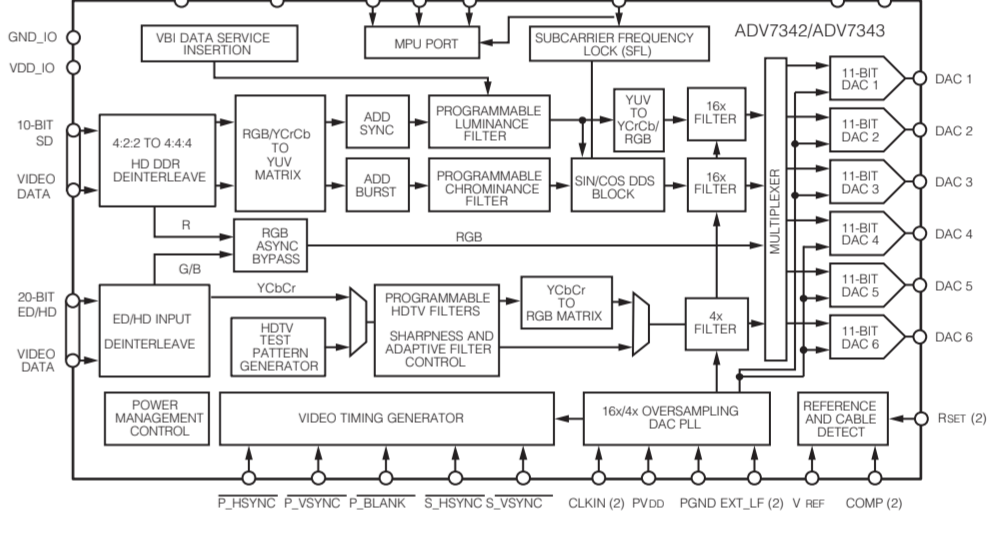
REMARKS	PARTS NAME
NO MARK	CARBON FILM RESISTOR (P=5)
□	CARBON FILM RESISTOR (P=10)
△	METAL OXIDE FILM RESISTOR
▲	METAL FILM RESISTOR
■	METAL PLATE RESISTOR
⊞	FIRE PROOF CARBON FILM RESISTOR
⊠	CEMENT MOLDED RESISTOR
⊚	SEMI VARIABLE RESISTOR
⊙	CHIP RESISTOR

REMARKS	PARTS NAME
NO MARK	ELECTROLYTIC CAPACITOR
⊖	TANTALUM CAPACITOR
⊕	CERAMIC CAPACITOR
⊙	CERAMIC TUBULAR CAPACITOR
⊚	POLYESTER FILM CAPACITOR
⊞	POLYSTYRENE FILM CAPACITOR
⊠	MICA CAPACITOR
⊚	POLYPROPYLENE FILM CAPACITOR
⊙	SEMICONDUCTIVE CERAMIC CAPACITOR



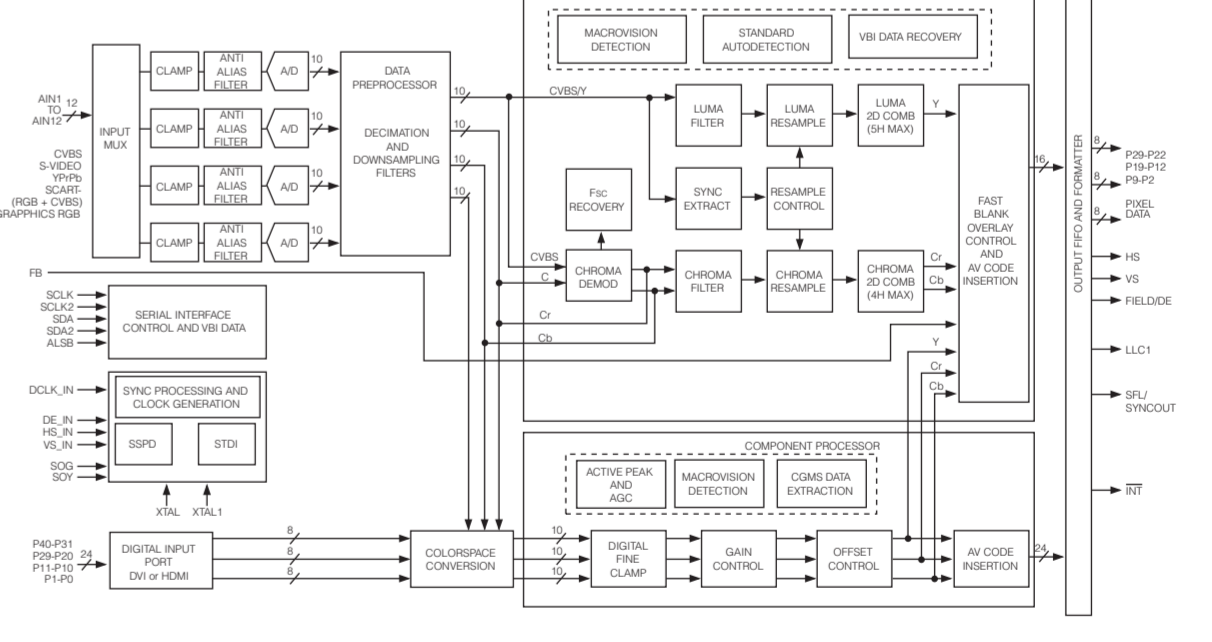
IC123: ADV7342BSTZ

Multiformat video encoder

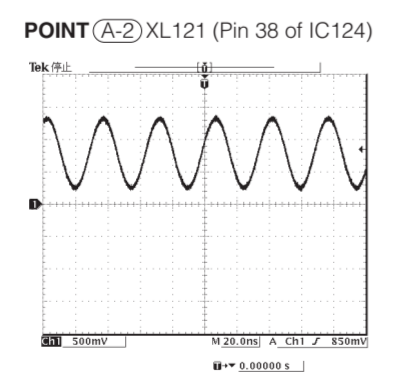


IC124: ADV7401BSTZ-80

Multiformat SDTV/HDTV video decoder and RGB graphics digitizer



NOTICE (model1)  
 (J)..... JAPAN  
 (U)..... U.S.A  
 (C)..... CANADA  
 (R)..... GENERAL  
 (T)..... CHINA  
 (K)..... KOREA  
 (A)..... AUSTRALIA  
 (B)..... BRITISH  
 (G)..... EUROPE  
 (L)..... SINGAPORE  
 (V)..... TAIWAN  
 (F)..... RUSSIAN



- Decoder -> YGV
- Decoder -> JPC
- Decoder -> SCLV
- Decoder -> SDAV
- Decoder -> INTAD
- Decoder -> INTCV

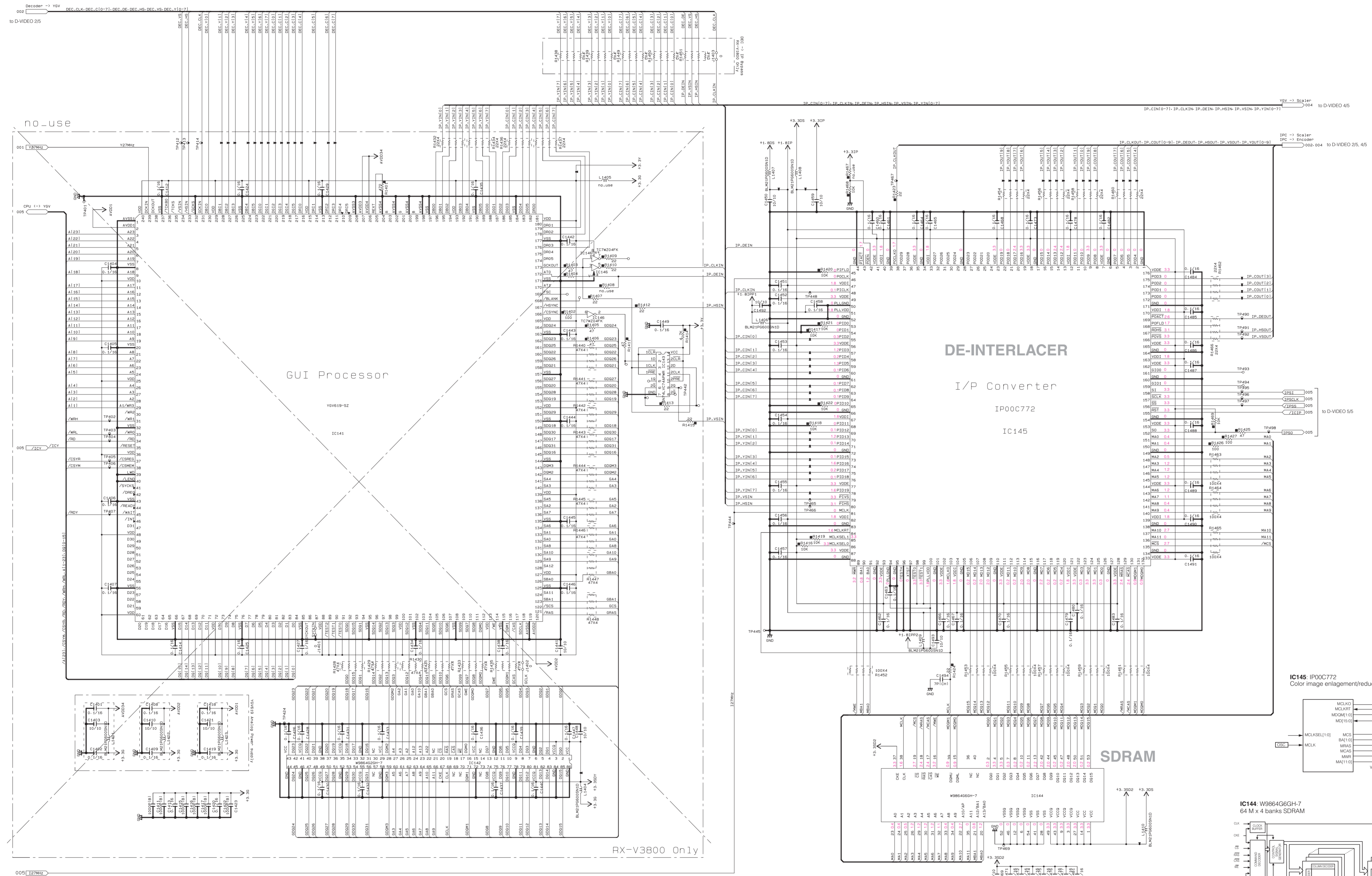
121-140  
 1201-1400  
 Video Encoder  
 Video Decoder

★ All voltages are measured with a 10MΩ/V DC electronic voltmeter.  
 ★ Components having special characteristics are marked with a triangle, and must be replaced with parts having specifications equal to those originally installed.  
 ★ Schematic diagram is subject to change without notice.

● 電圧は、内部抵抗10MΩの電圧計で測定したものです。  
 ● 印のある部品は、安全性確保部品を示しています。部品の交換が必要な場合、パーツリストに記載されている部品を使用してください。  
 ● 本回路図は標準回路図です。改良のため予告なく変更することがございます。



D-VIDEO 3/5



★ All voltages are measured with a 10MΩ/DC electronic voltmeter.  
 ★ Components having special characteristics are marked with a star and must be replaced with parts having specifications equal to those originally installed.  
 ★ Schematic diagram is subject to change without notice.

● 電圧は、内部抵抗10MΩの電圧計で測定したものです。  
 ● 1印のある部品は、安全性確保部品を示しています。部品の交換が必要な場合、パーツリストに記載されている部品を使用してください。  
 ● 本回路図は標準回路図です。改良のため予告なく変更することがございます。

RESISTOR

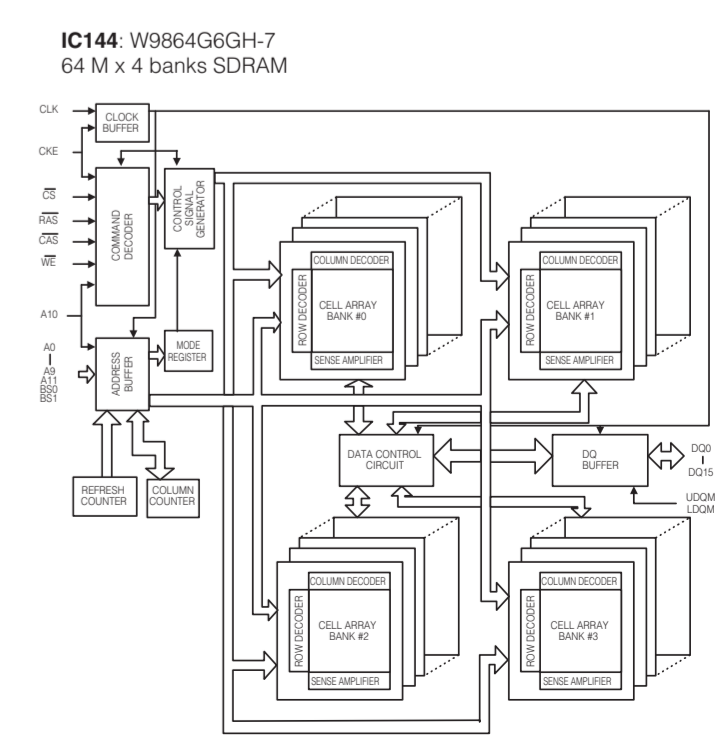
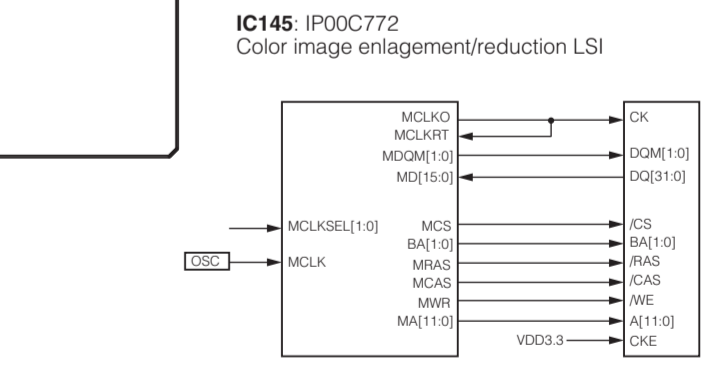
REMARKS	PARTS NAME
NO MARK	CARBON FILM RESISTOR (P-5)
□	CARBON FILM RESISTOR (P-10)
△	METAL OXIDE FILM RESISTOR
▭	METAL FILM RESISTOR
○	POLYESTER FILM RESISTOR
◇	FILM PROOF CARBON FILM RESISTOR
□	CEMENT MOLDED RESISTOR
◇	SEMI VARIABLE RESISTOR
■	CHIP RESISTOR

CAPACITOR

REMARKS	PARTS NAME
NO MARK	ELECTROLYTIC CAPACITOR
⊗	TANTALUM CAPACITOR
NO MARK	CERAMIC CAPACITOR
○	CERAMIC TUBULAR CAPACITOR
⊙	POLYESTER FILM CAPACITOR
⊕	POLYSTYRENE FILM CAPACITOR
⊖	MICA CAPACITOR
⊗	POLYPROPYLENE FILM CAPACITOR
⊙	SEMICONDUCTIVE CERAMIC CAPACITOR

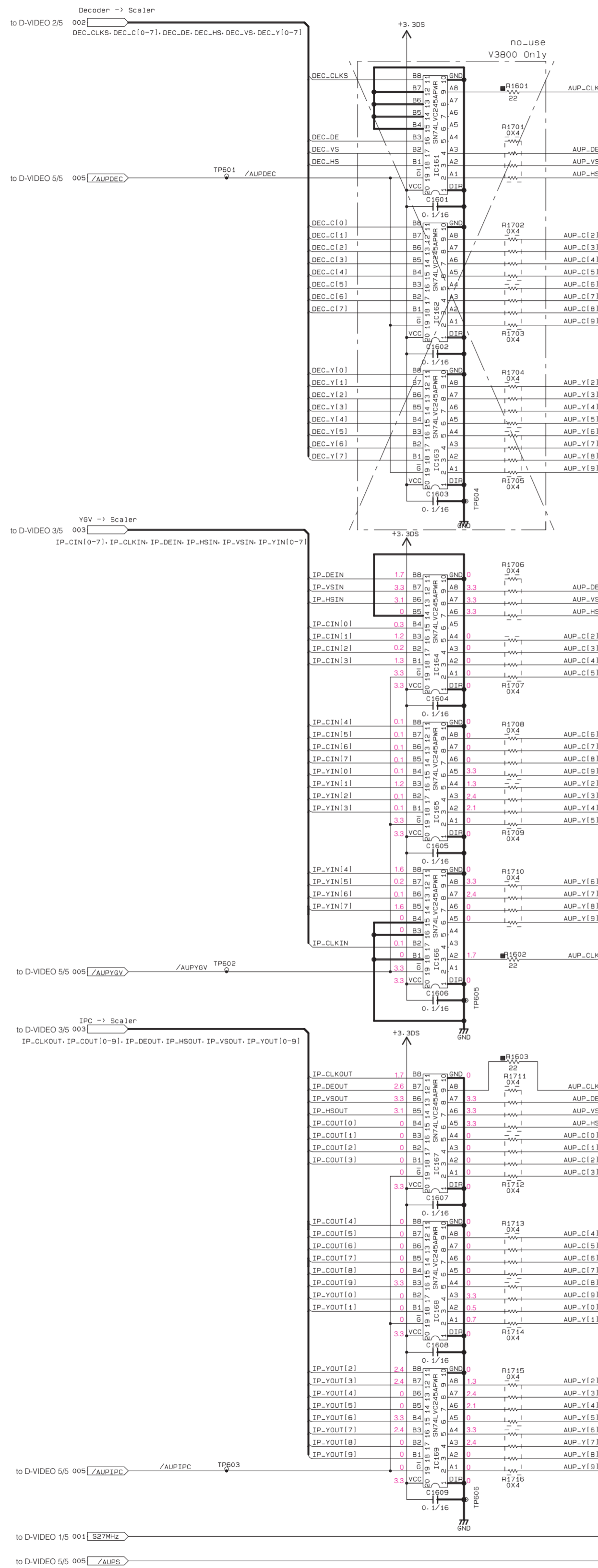
NOTICE (model)  
 (U)..... U.S.A.  
 (A)..... AUSTRALIA  
 (C)..... CANADA  
 (R)..... GENERAL  
 (K)..... KOREA  
 (T)..... CHINA  
 (A)..... AUSTRALIA  
 (B)..... BRITISH  
 (G)..... EUROPE  
 (L)..... SINGAPORE  
 (E)..... SOUTH  
 (Y)..... TAIWAN  
 (F)..... RUSSIAN

141-160  
 1401-1600  
 GUI  
 Deinterlacer





D-VIDEO 4/5



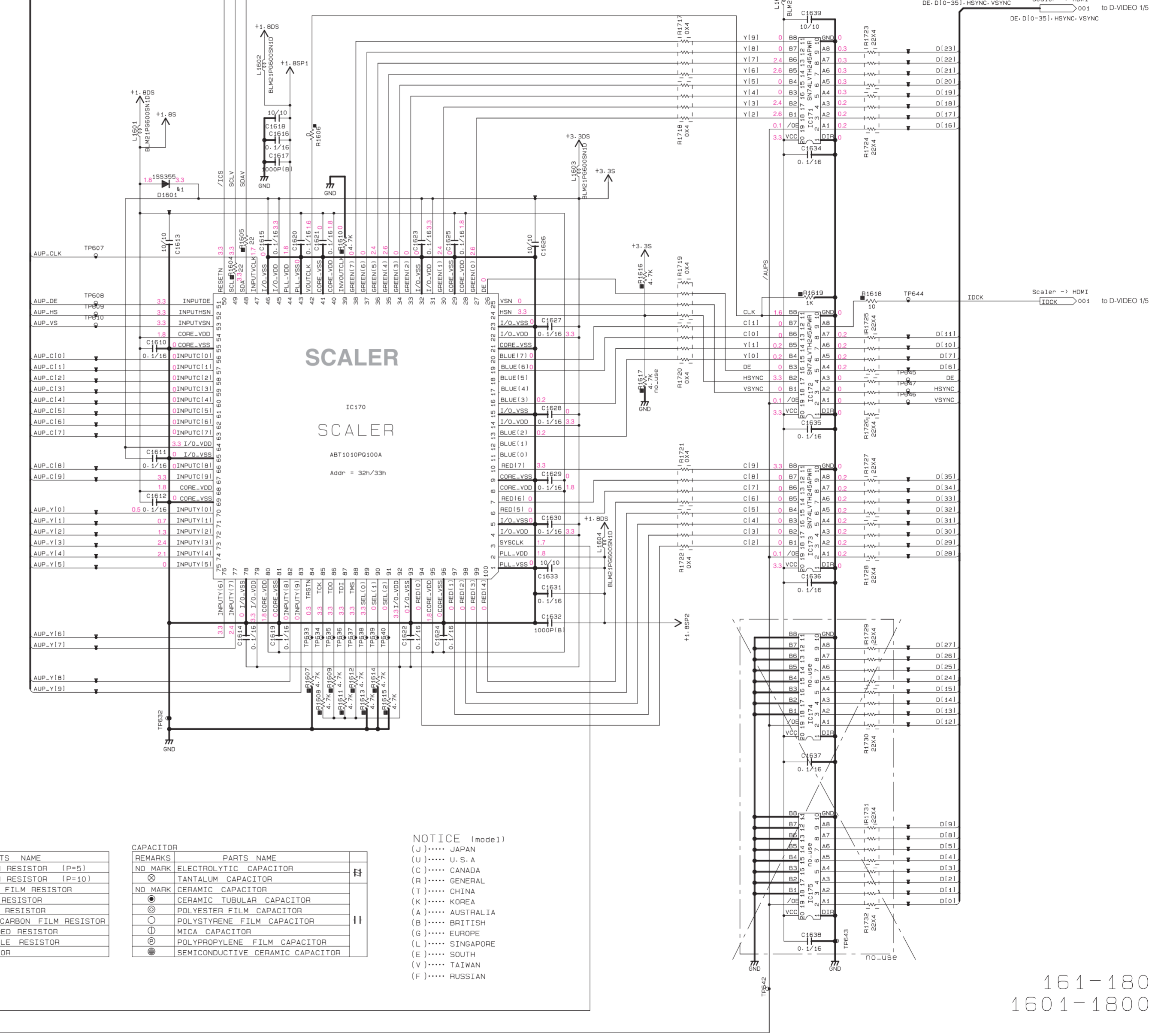
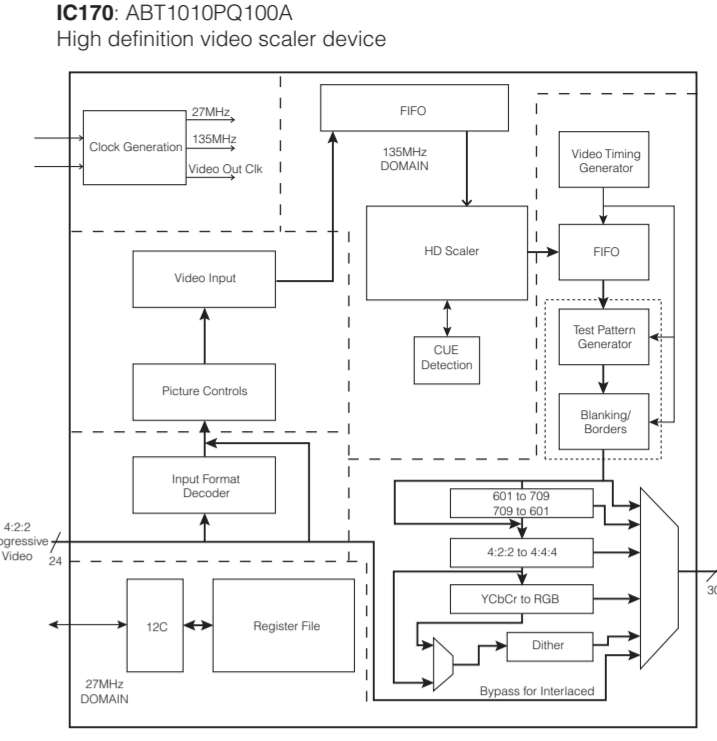
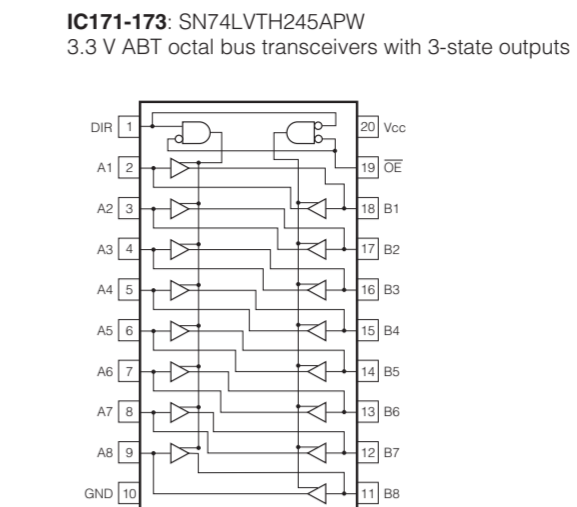
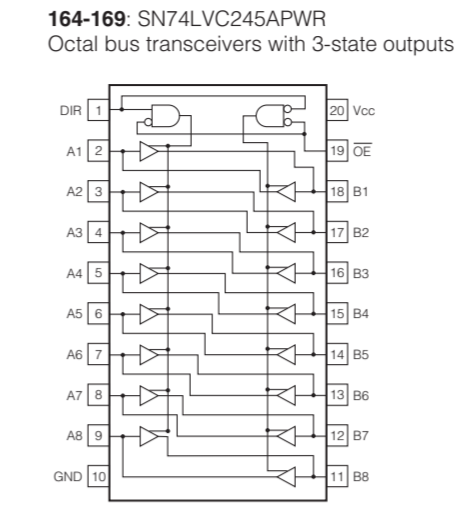
RESISTOR

REMARKS	PARTS NAME
NO MARK	CARBON FILM RESISTOR (P=5)
⊠	CARBON FILM RESISTOR (P=10)
△	METAL OXIDE FILM RESISTOR
⊙	METAL FILM RESISTOR
□	METAL PLATE RESISTOR
▨	FINE PROOF CARBON FILM RESISTOR
⊞	CEMENT MOLDED RESISTOR
⊕	SEMI VARIABLE RESISTOR
■	CHIP RESISTOR

CAPACITOR

REMARKS	PARTS NAME
NO MARK	ELECTROLYTIC CAPACITOR
⊗	TANTALUM CAPACITOR
NO MARK	CERAMIC CAPACITOR
⊙	CERAMIC TUBULAR CAPACITOR
⊕	POLYESTER FILM CAPACITOR
○	POLYETHYLENE FILM CAPACITOR
⊖	MICA CAPACITOR
⊗	POLYPROPYLENE FILM CAPACITOR
⊙	SEMICONDUCTIVE CERAMIC CAPACITOR

NOTICE (model)  
 (J)..... JAPAN  
 (U)..... U.S.A  
 (C)..... CANADA  
 (R)..... GENERAL  
 (T)..... CHINA  
 (K)..... KOREA  
 (A)..... AUSTRALIA  
 (B)..... BRITISH  
 (E)..... EUROPE  
 (L)..... SINGAPORE  
 (S)..... SOUTH  
 (V)..... TAIWAN  
 (F)..... RUSSIAN



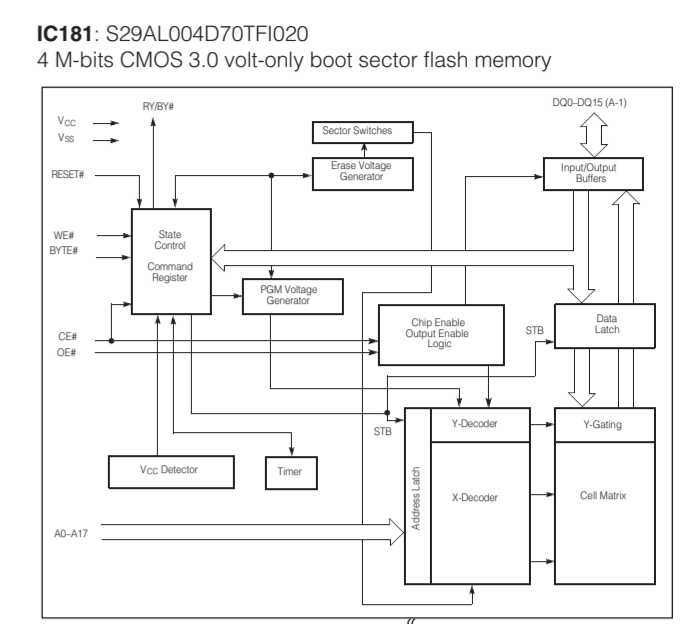
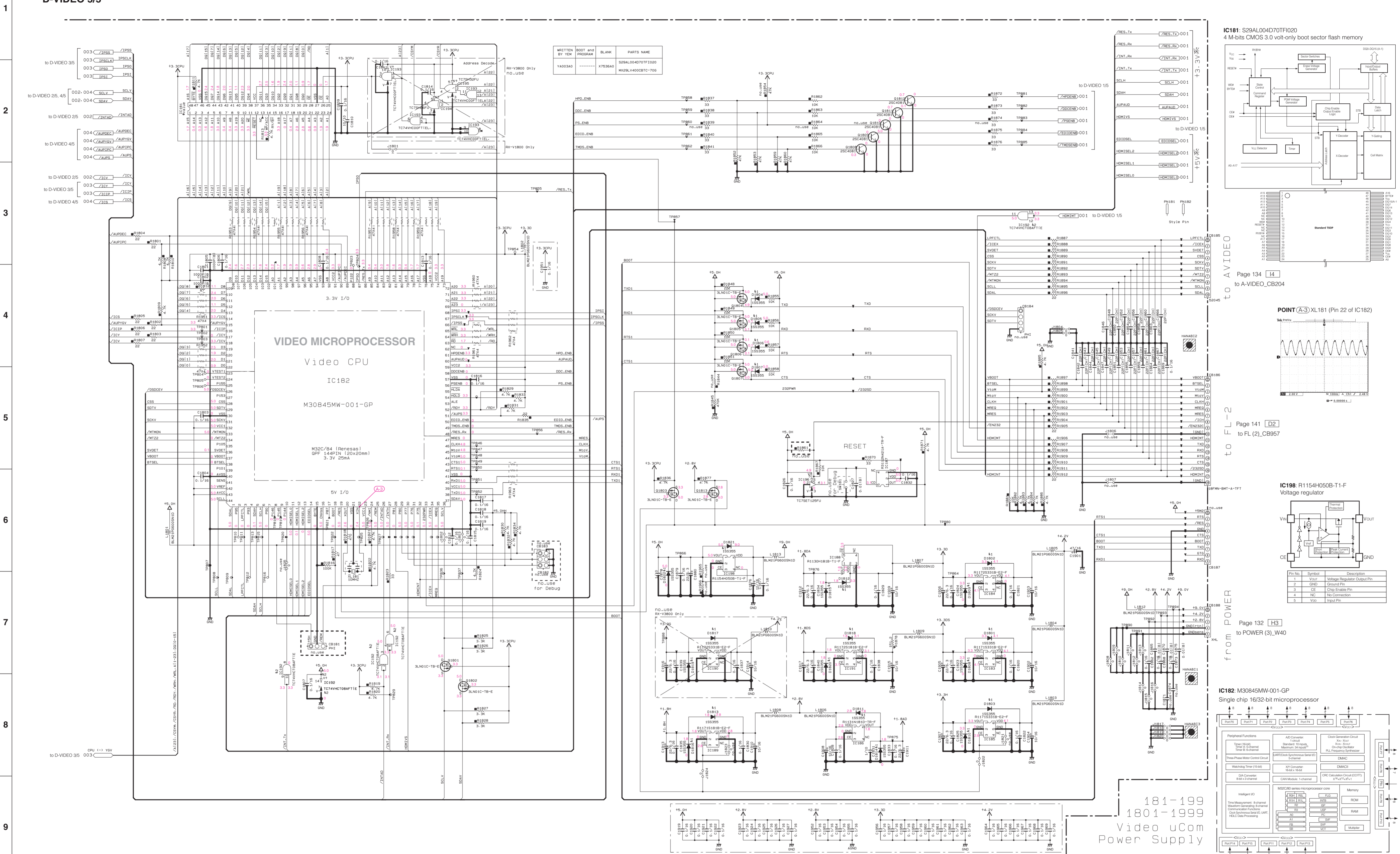
161-180  
 1601-1800  
 Scaler

\* All voltages are measured with a 10MΩV DC electronic voltmeter.  
 \* Components having special characteristics are marked with a triangle and must be replaced with parts having specifications equal to those originally installed.  
 \* Schematic diagram is subject to change without notice.

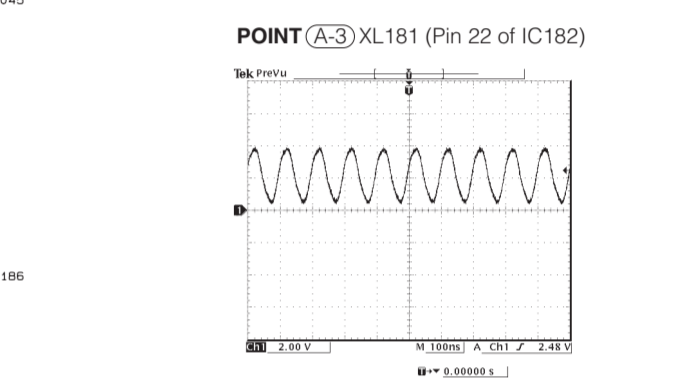
●電圧は、内部抵抗10MΩの電圧計で測定したものです。  
 ●△印のある部品は、安全性確保部品を示しています。部品の交換が必要な場合、パーツリストに記載されている部品を使用してください。  
 ●本回路図は標準回路図です。改良のため予告なく変更することがあります。



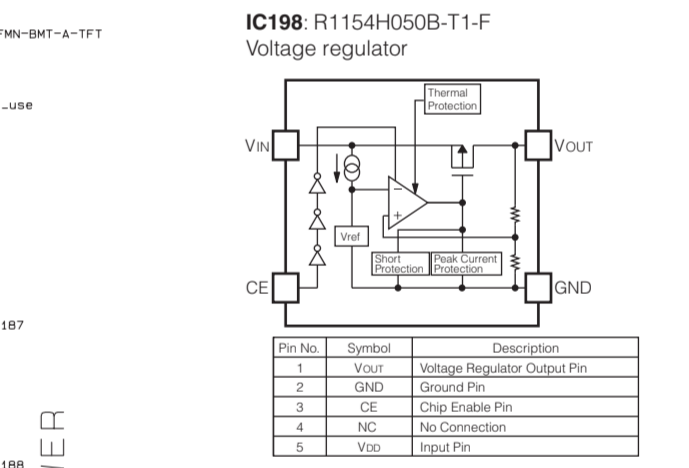
D-VIDEO 5/5



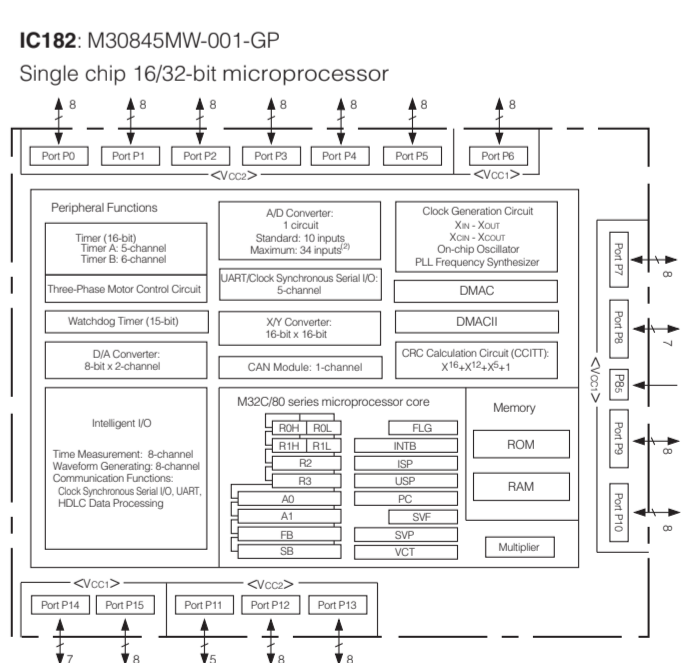
Page 134 [14] to A-VIDEO\_CB204



Page 141 [D2] to FL(2)\_CB957



Page 132 [H3] to POWER(3)\_W40



NOTE: Pins P11 to P15 provided in the 144-pin package only. 2 included in the 144-pin package only.

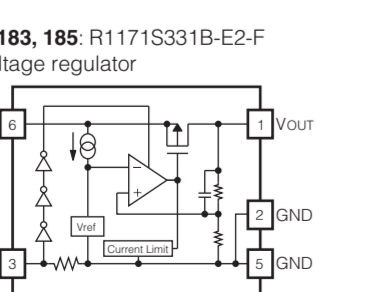


Table with 3 columns: Pin No., Symbol, Description. Rows 1-6.

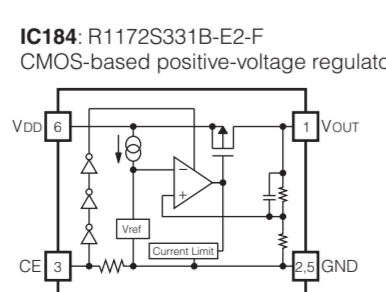


Table with 3 columns: Pin No., Symbol, Description. Rows 1-6.

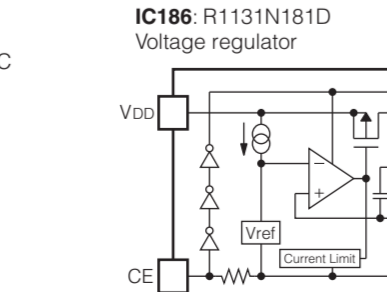


Table with 3 columns: Pin No., Symbol, Description. Rows 1-5.

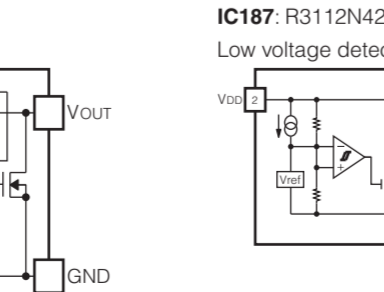


Table with 3 columns: Pin No., Symbol, Description. Rows 1-5.

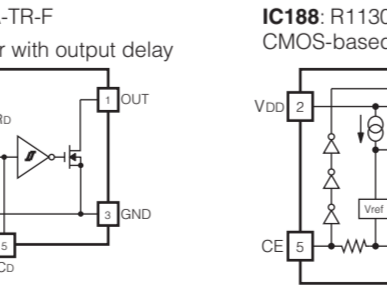


Table with 3 columns: Pin No., Symbol, Description. Rows 1-5.

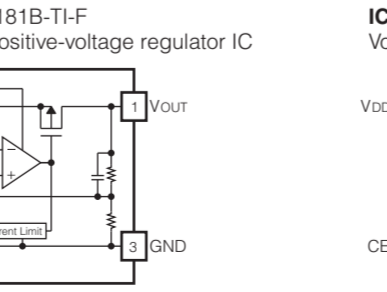


Table with 3 columns: Pin No., Symbol, Description. Rows 1-6.

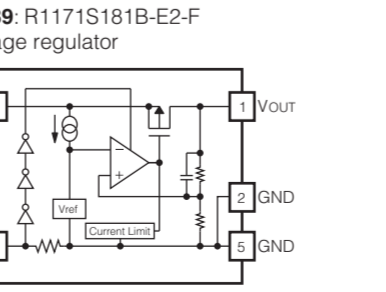


Table with 3 columns: Pin No., Symbol, Description. Rows 1-6.

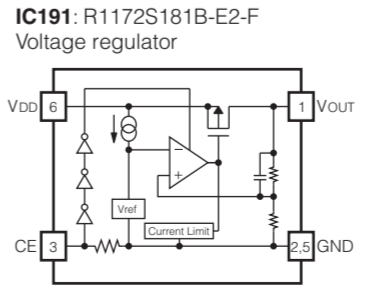


Table with 3 columns: Pin No., Symbol, Description. Rows 1-6.

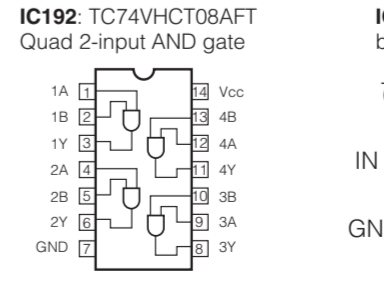


Table with 3 columns: Pin No., Symbol, Description. Rows 1-6.

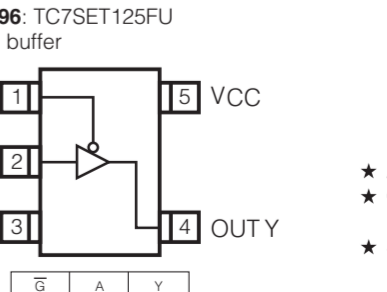
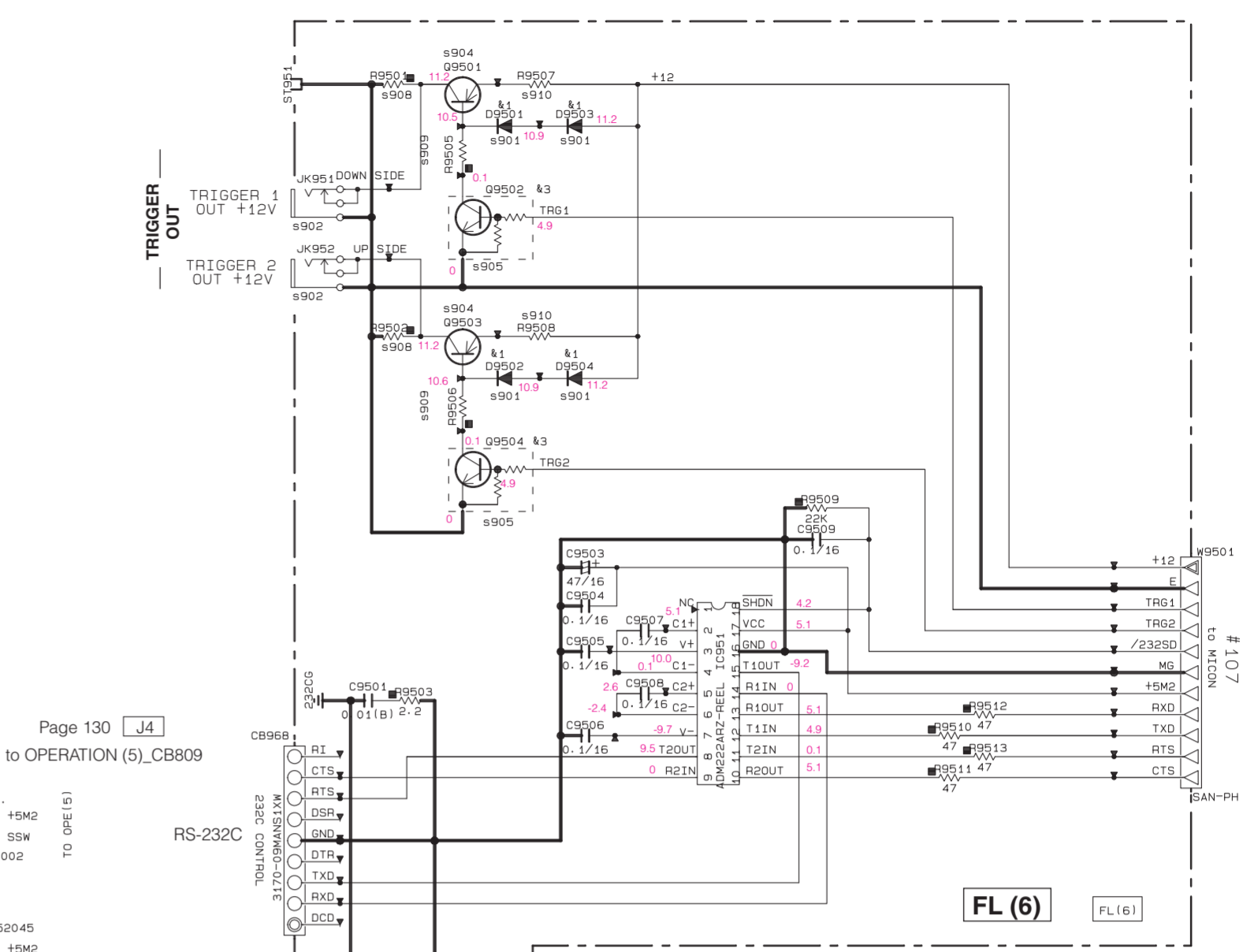
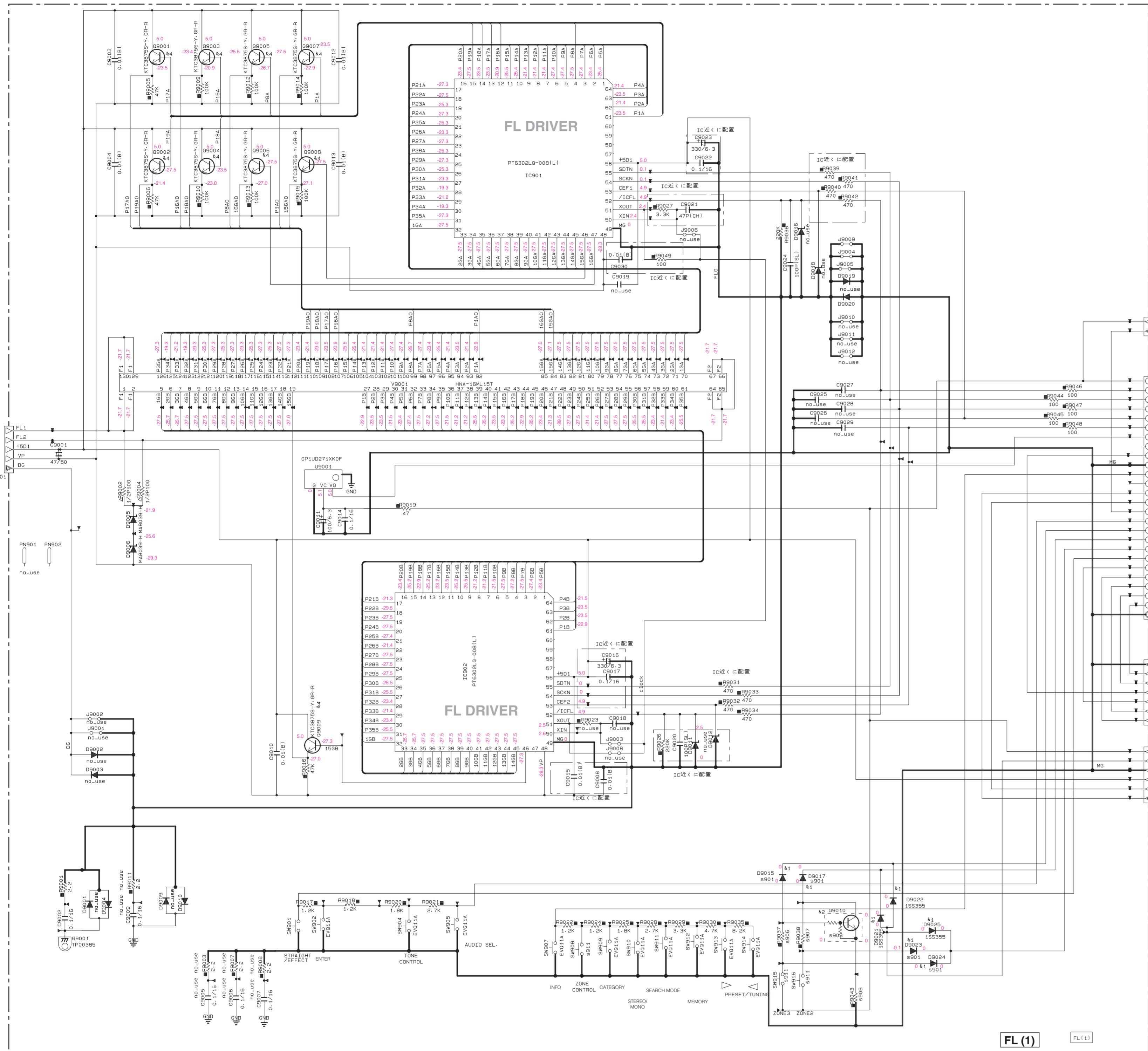


Table with 3 columns: Pin No., Symbol, Description. Rows 1-4.

\* All voltages are measured with a 10MΩ/V DC electronic voltmeter. \* Components having special characteristics are marked with a triangle and must be replaced with parts having specifications equal to those originally installed. \* Schematic diagram is subject to change without notice.

●電圧は、内部抵抗10MΩの電圧計で測定したものです。 ●△印のある部品は、安全確保部品を示しています。部品の交換が必要な場合、パーツリストに記載されている部品を使用してください。 ●本回路図は標準回路図です。改良のため予告なく変更することがございます。





Part No.	LOC	J	U.C.R.T.K.A.B.G.L.E
9901	D9015	X	VT3290
	D9017		153395
	D9018		
	D9019		
	D9020		
	D9021		
	D9022		
	D9023		
	D9024		
	D9025		
	D9026		
	D9027		
	D9028		
	D9029		
	D9030		
	D9031		
	D9032		
	D9033		
	D9034		
	D9035		
	D9036		
	D9037		
	D9038		
	D9039		
	D9040		
	D9041		
	D9042		
	D9043		
	D9044		
	D9045		
	D9046		
	D9047		
	D9048		
	D9049		
	D9050		
	D9051		
	D9052		
	D9053		
	D9054		
	D9055		
	D9056		
	D9057		
	D9058		
	D9059		
	D9060		
	D9061		
	D9062		
	D9063		
	D9064		
	D9065		
	D9066		
	D9067		
	D9068		
	D9069		
	D9070		
	D9071		
	D9072		
	D9073		
	D9074		
	D9075		
	D9076		
	D9077		
	D9078		
	D9079		
	D9080		
	D9081		
	D9082		
	D9083		
	D9084		
	D9085		
	D9086		
	D9087		
	D9088		
	D9089		
	D9090		
	D9091		
	D9092		
	D9093		
	D9094		
	D9095		
	D9096		
	D9097		
	D9098		
	D9099		
	D9100		

Mark	Reference Parts Number	Parts Name
11	D9015-9017-9021-9025	153395
	9901-9904	MA2J1106L
12	09010	KDS180-RTK/P
		DTC1146KA
		KRC1025-RTK/P
13	09502-9504	DTC1446KA
		KRC1045-RTK/P
14	09001-9009	KTC38755-V-GR-RTK/P
		25C2412K-G/R/S1
15		

★ All voltages are measured with a 10MΩ/V DC electronic voltmeter.  
 ★ Components having special characteristics are marked with a triangle and must be replaced with parts having specifications equal to those originally installed.  
 ★ Schematic diagram is subject to change without notice.

● 電圧は、内部抵抗10MΩの電圧計で測定したものです。  
 ● 印のある部品は、安全性確保部品を示しています。部品の交換が必要な場合、パーツリストに記載されている部品を使用してください。  
 ● 本回路図は標準回路図です。改良のため予告なく変更することがございます。

REMARKS	PARTS NAME
NO MARK	CARBON FILM RESISTOR (P=5)
△	CARBON FILM RESISTOR (P=10)
▲	METAL OXIDE FILM RESISTOR
□	METAL FILM RESISTOR
■	METAL PLATE RESISTOR
⊕	FIRE PROOF CARBON FILM RESISTOR
⊖	CEMENT MOLDED RESISTOR
⊙	SEMI VARIABLE RESISTOR
⊚	CHIP RESISTOR

REMARKS	PARTS NAME
NO MARK	ELECTROLYTIC CAPACITOR
⊗	TANTALUM CAPACITOR
□	CERAMIC CAPACITOR
⊕	CERAMIC TUBULAR CAPACITOR
⊙	POLYESTER FILM CAPACITOR
○	POLYSTYRENE FILM CAPACITOR
⊖	MICA CAPACITOR
⊚	POLYPROPYLENE FILM CAPACITOR
⊙	SEMICONDUCTIVE CERAMIC CAPACITOR
⊚	POLYPHENYLENE SULFIDE FILM CAPACITOR

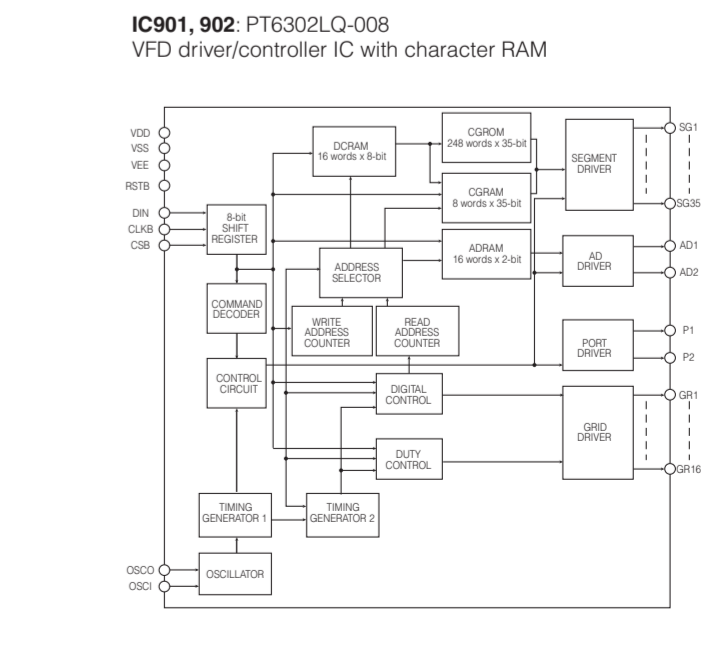
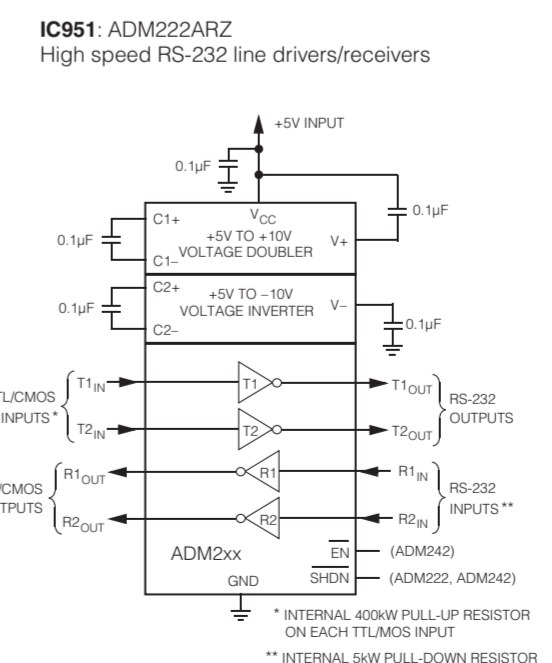
NOTICE (made in J)  
 (J)..... JAPAN  
 (U)..... U.S.A  
 (C)..... CANADA  
 (R)..... GENERAL  
 (K)..... CHINA  
 (T)..... KOREA  
 (A)..... AUSTRALIA  
 (B)..... BRITISH  
 (G)..... EUROPE  
 (L)..... SINGAPORE  
 (E)..... SOUTH  
 (V)..... TAIWAN  
 (F)..... RUSSIAN

Page 130 [J4] to OPERATION (5)\_CB809

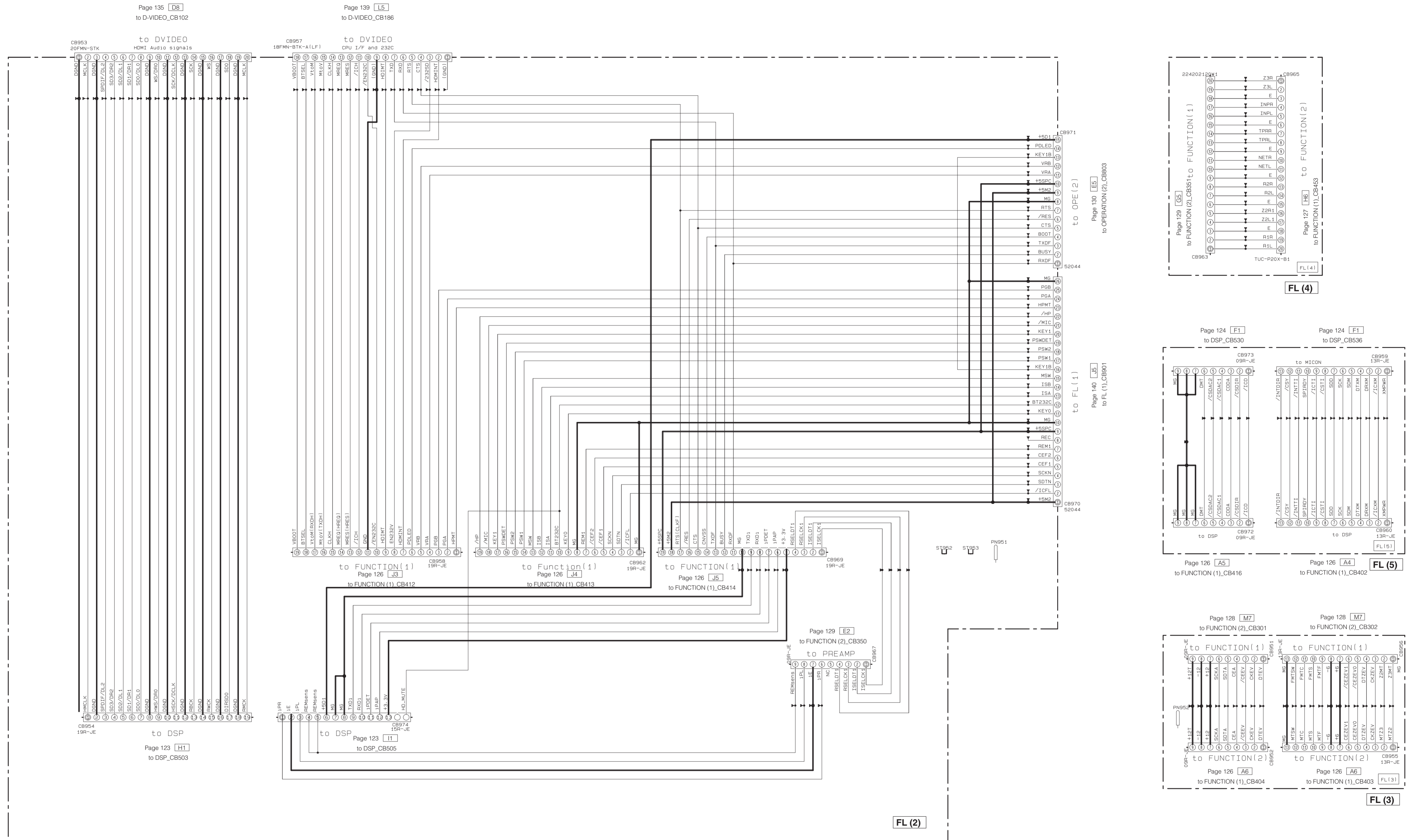
Page 141 [K5] to FL (2)\_CB970

Page 130 [L3] to OPERATION (4)\_CB812

Page 130 [A2] to OPERATION (1)\_CB801



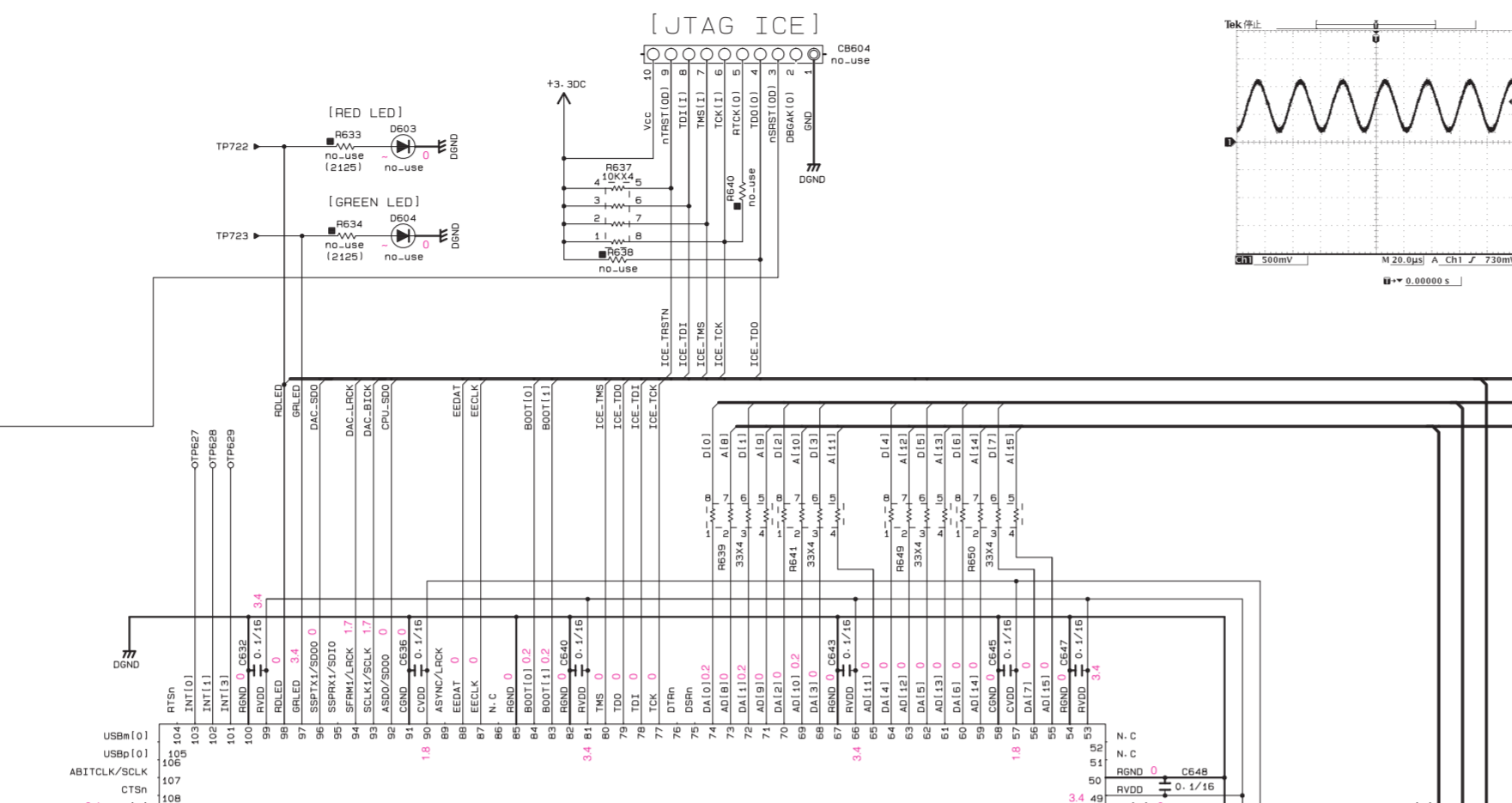
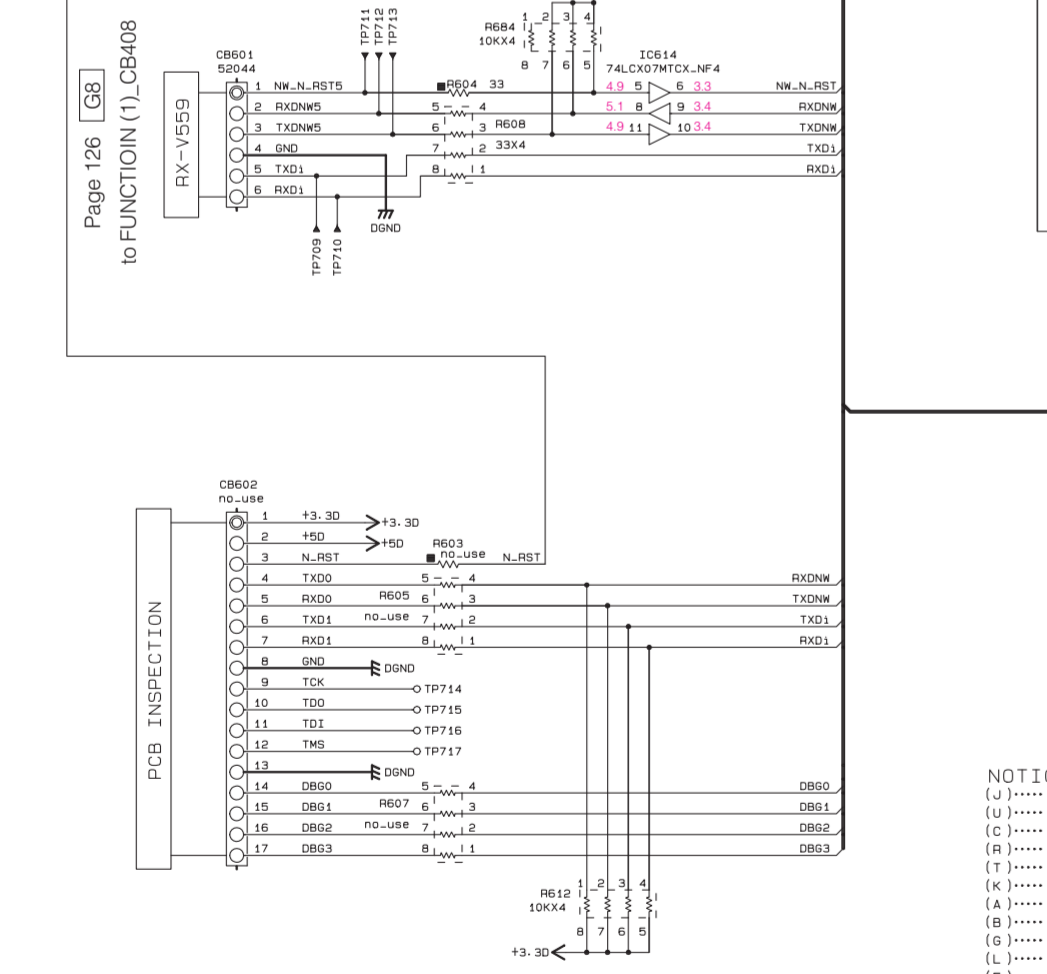
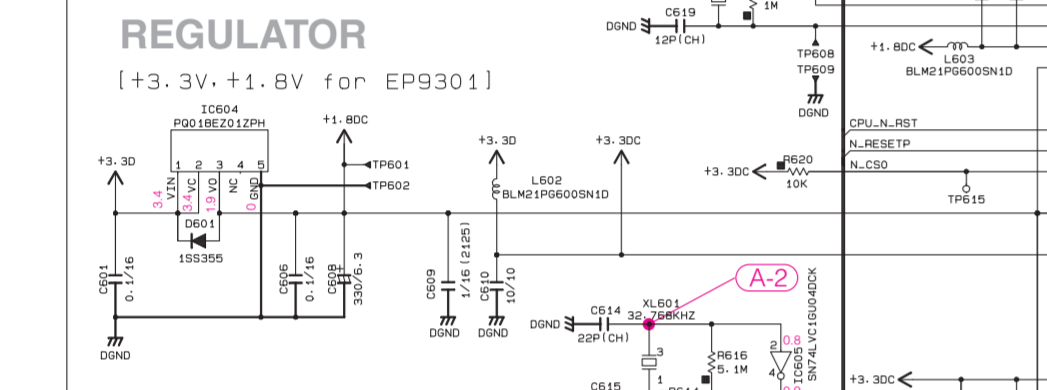
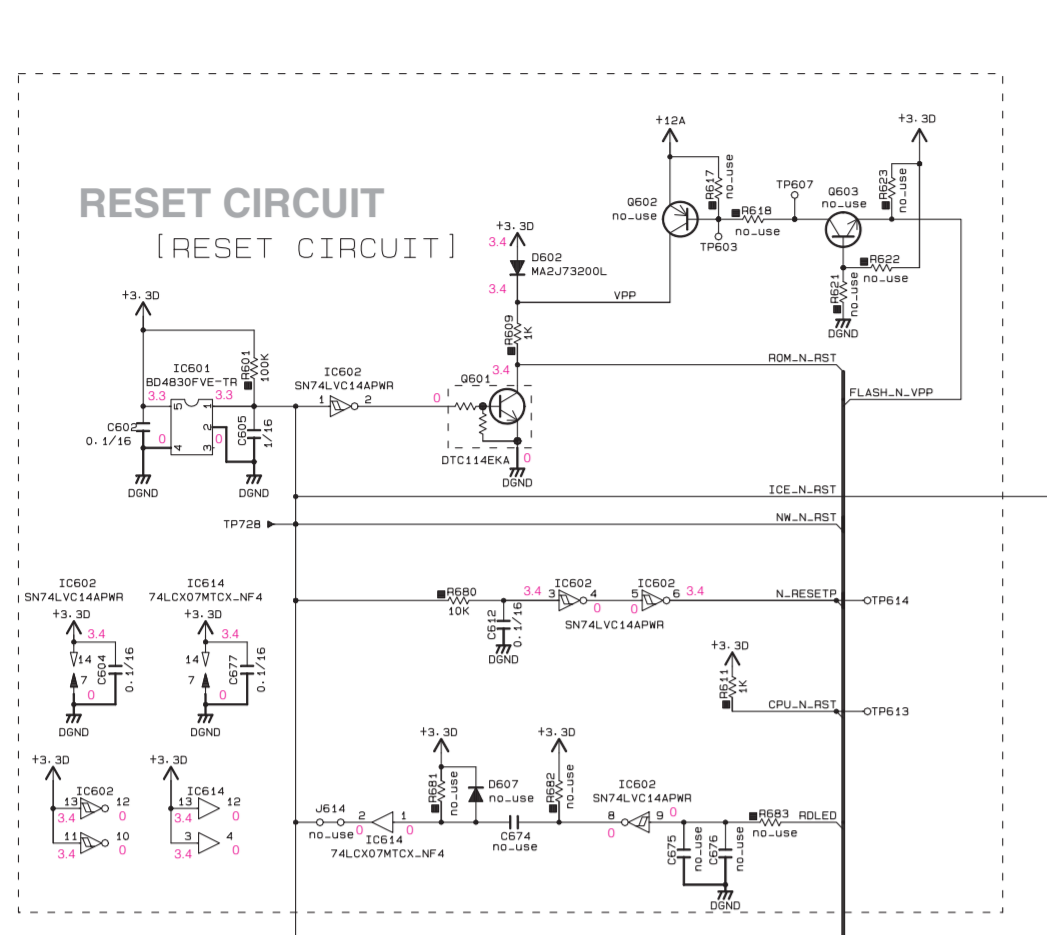




★ All voltages are measured with a 10MΩ/V DC electronic voltmeter.  
 ★ Components having special characteristics are marked with a triangle and must be replaced with parts having specifications equal to those originally installed.  
 ★ Schematic diagram is subject to change without notice.

● 電圧は、内部抵抗10MΩの電圧計で測定したものです。  
 ● 三角形のある部品は、安全性確保部品を示しています。部品の交換が必要な場合、パーツリストに記載されている部品を使用してください。  
 ● 本回路図は標準回路図です。改良のため予告なく変更することがございます。

NET 1/2



MICROPROCESSOR (NET) IC610 EP9301-CQZ (RVDD: 3.3V 45mA(TYP) 80mA(MAX)) (CVDD: 1.8V 180mA(TYP) 230mA(MAX))

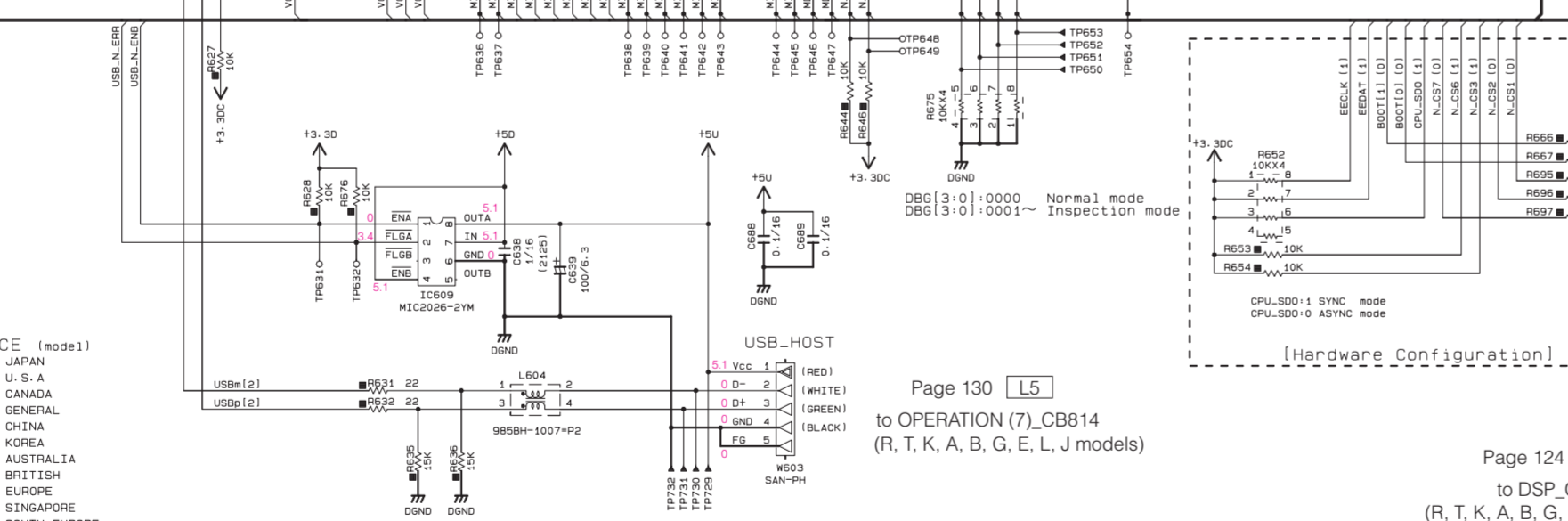
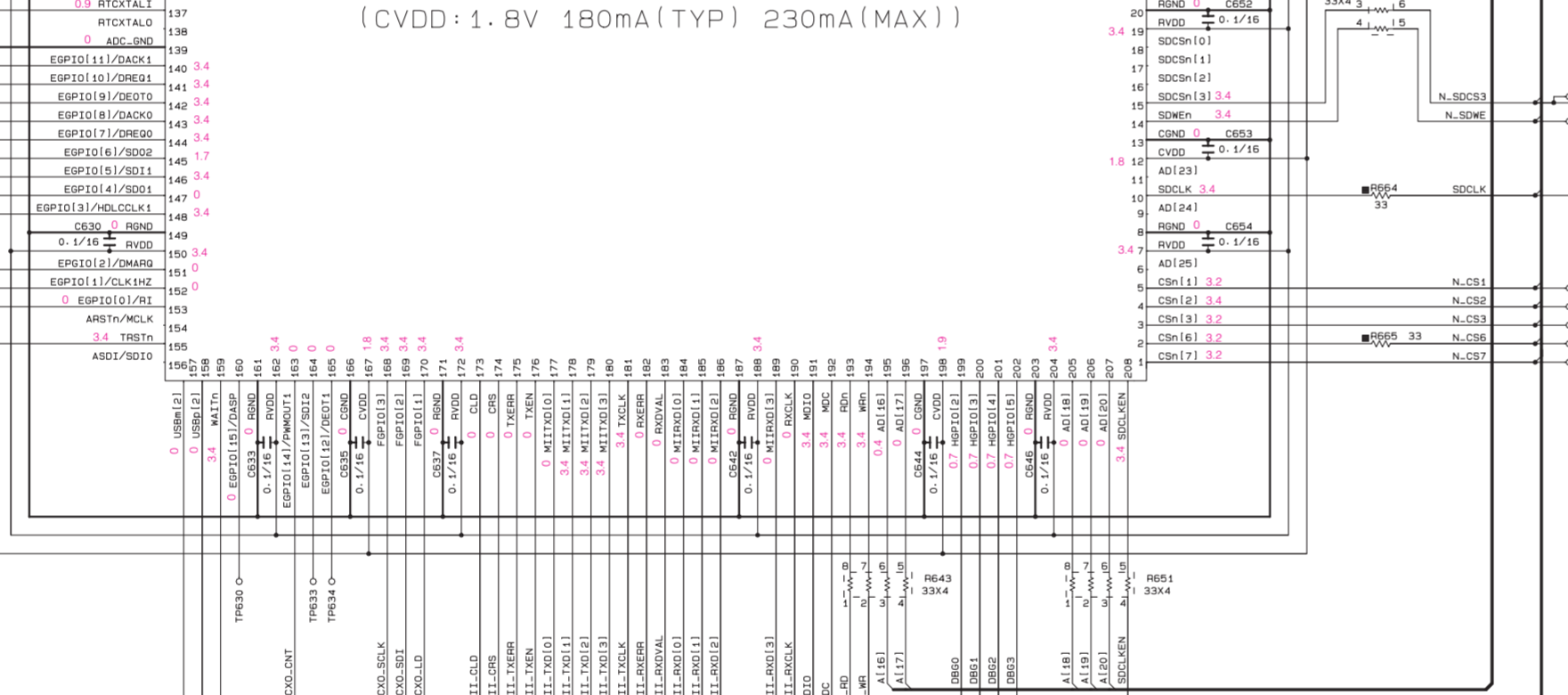
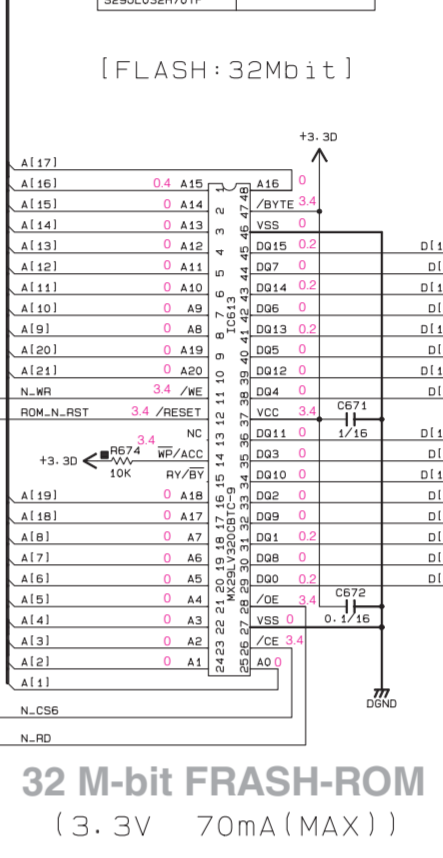
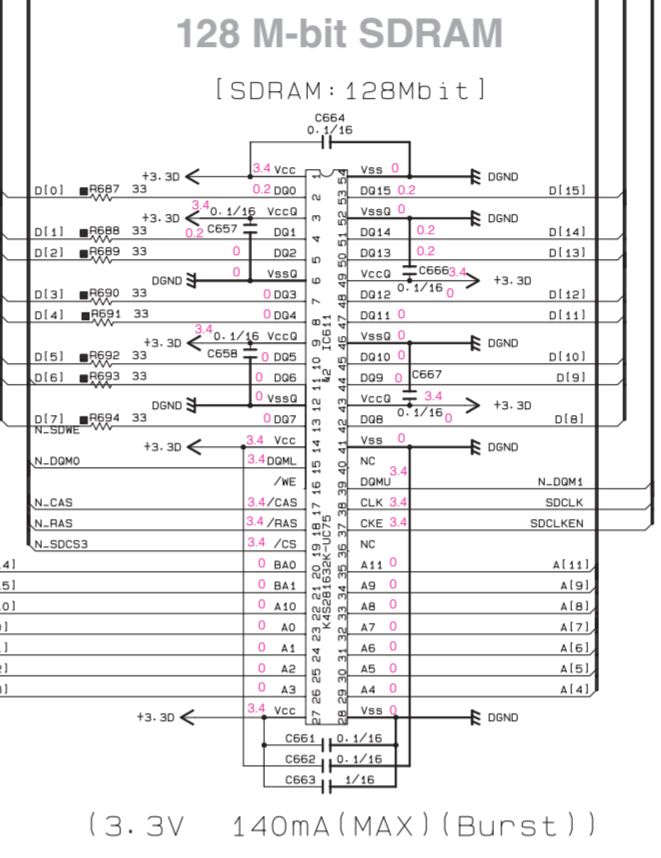
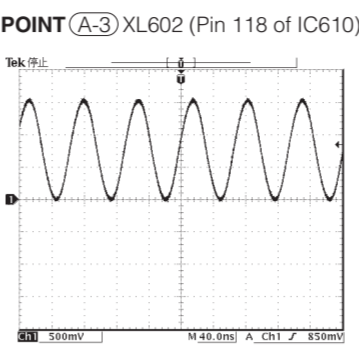
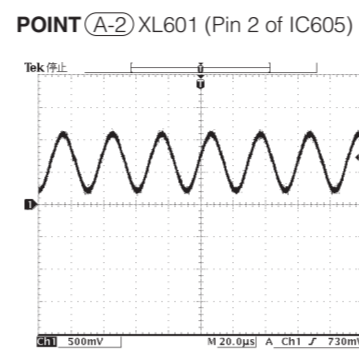


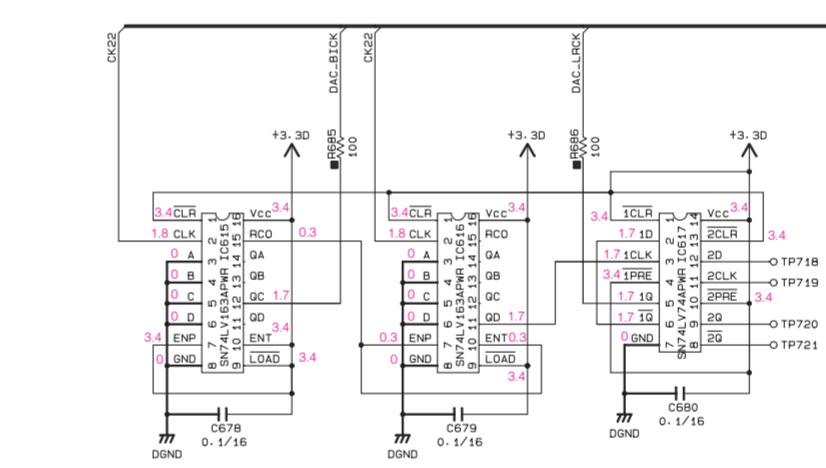
Table with 2 columns: PARTS NAME and PARTS NAME. Lists various components like resistors, capacitors, and ICs used in the circuit.

All voltages are measured with a 10MQ/V DC electronic voltmeter. Components having special characteristics are marked with a triangle and must be replaced with parts having specifications equal to those originally installed.

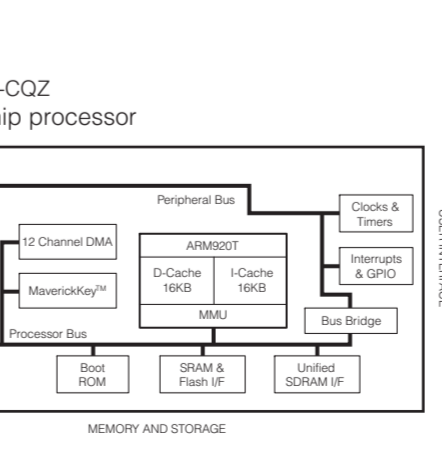
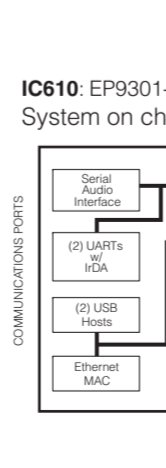
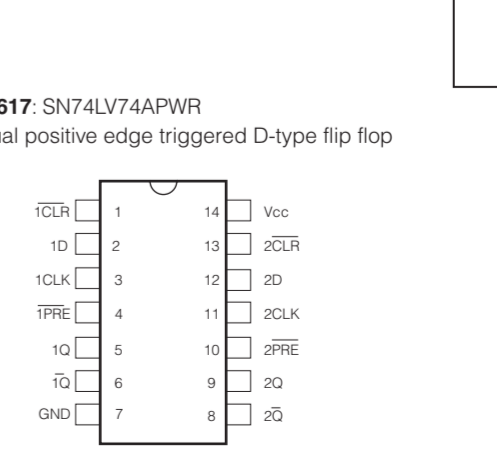
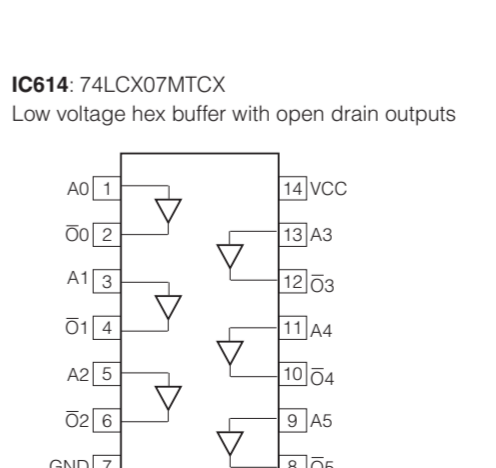
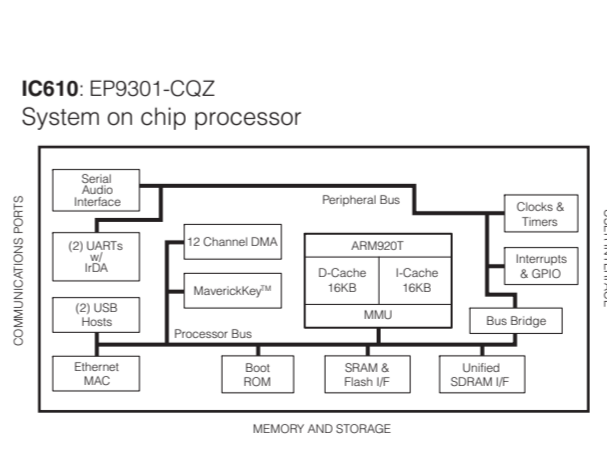
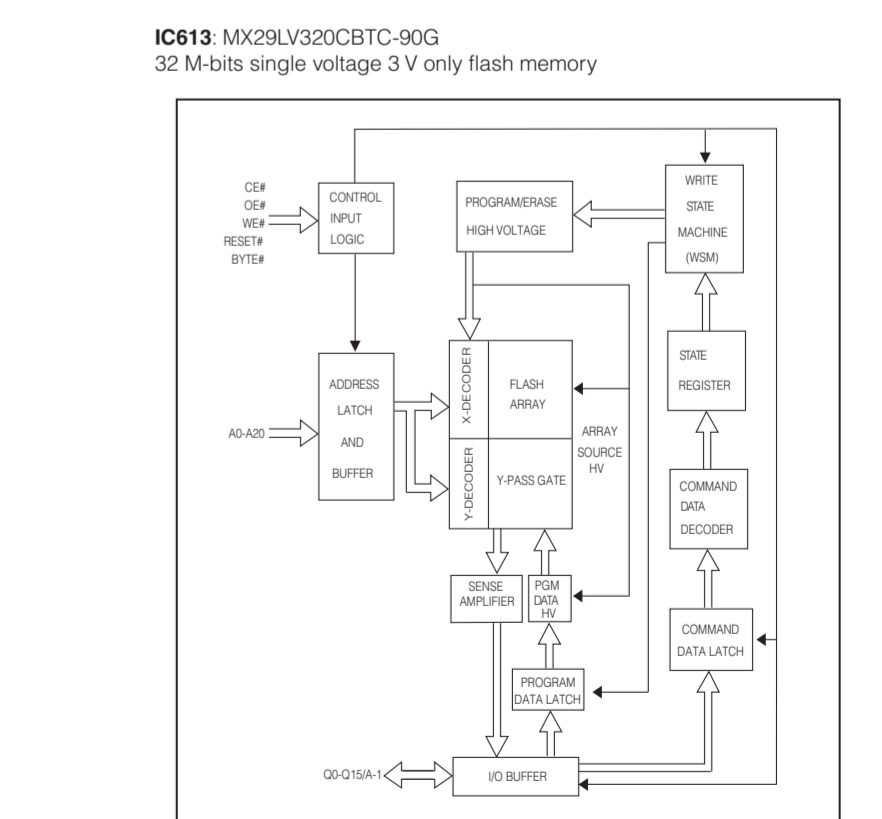
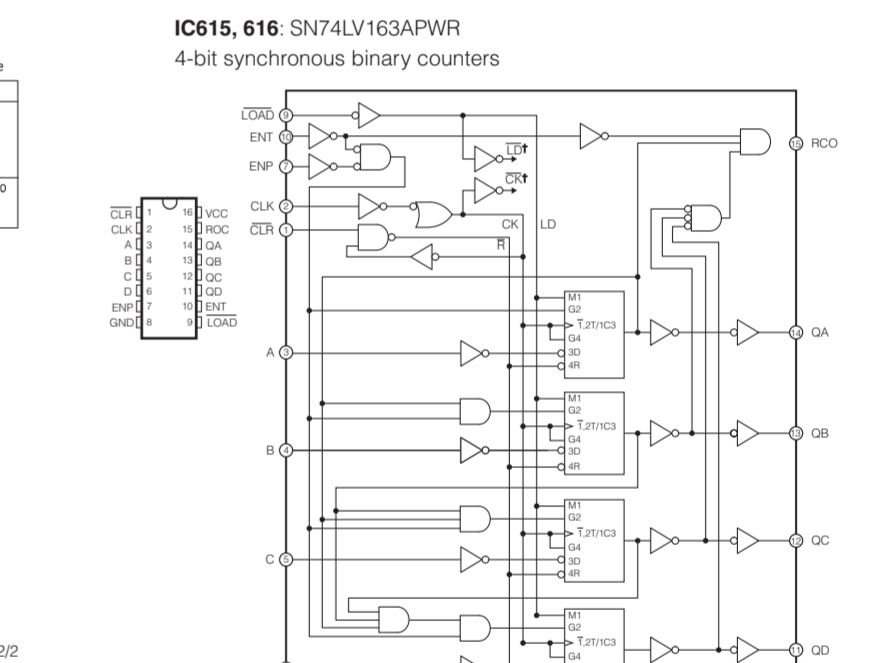
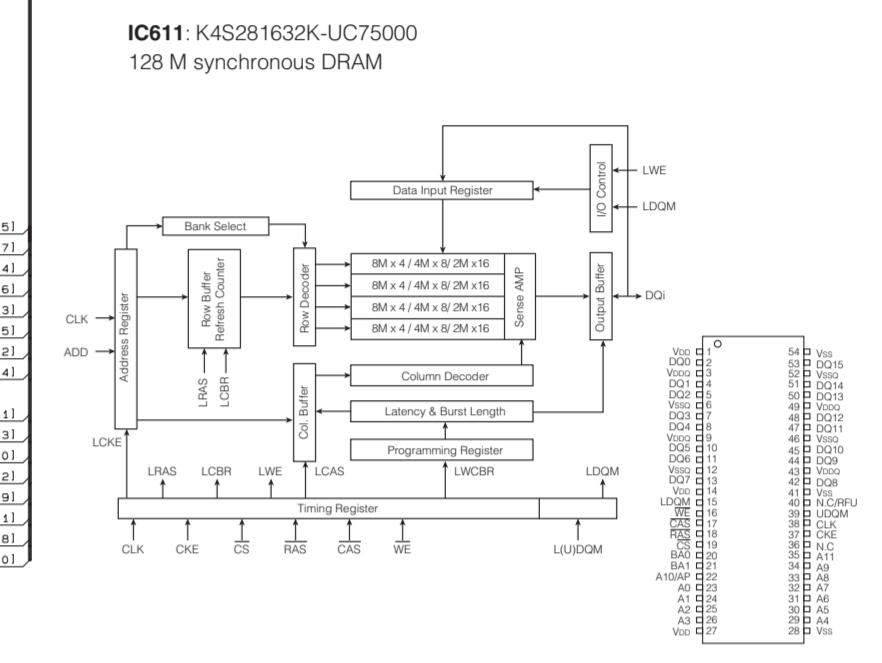
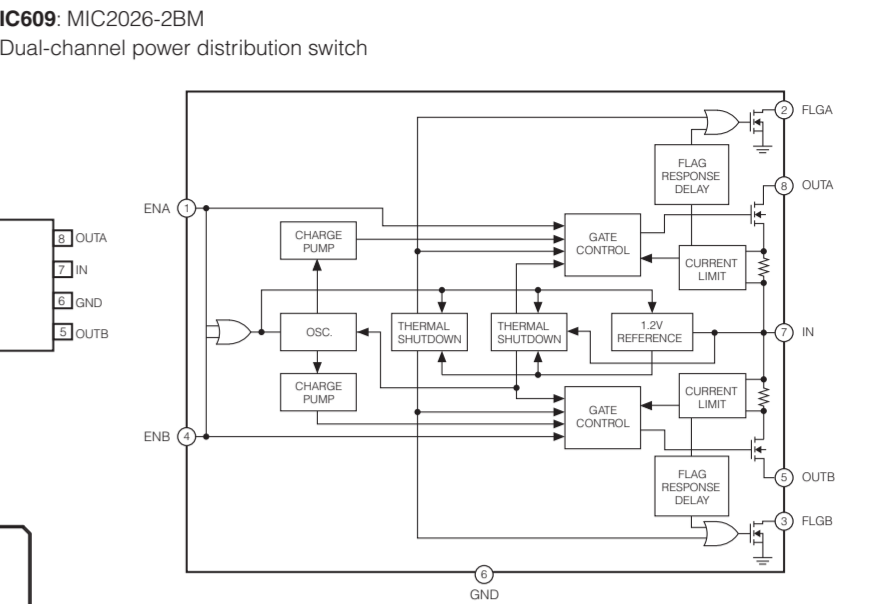


(3.3V 140mA(MAX)(Burst))

(3.3V 70mA(MAX))

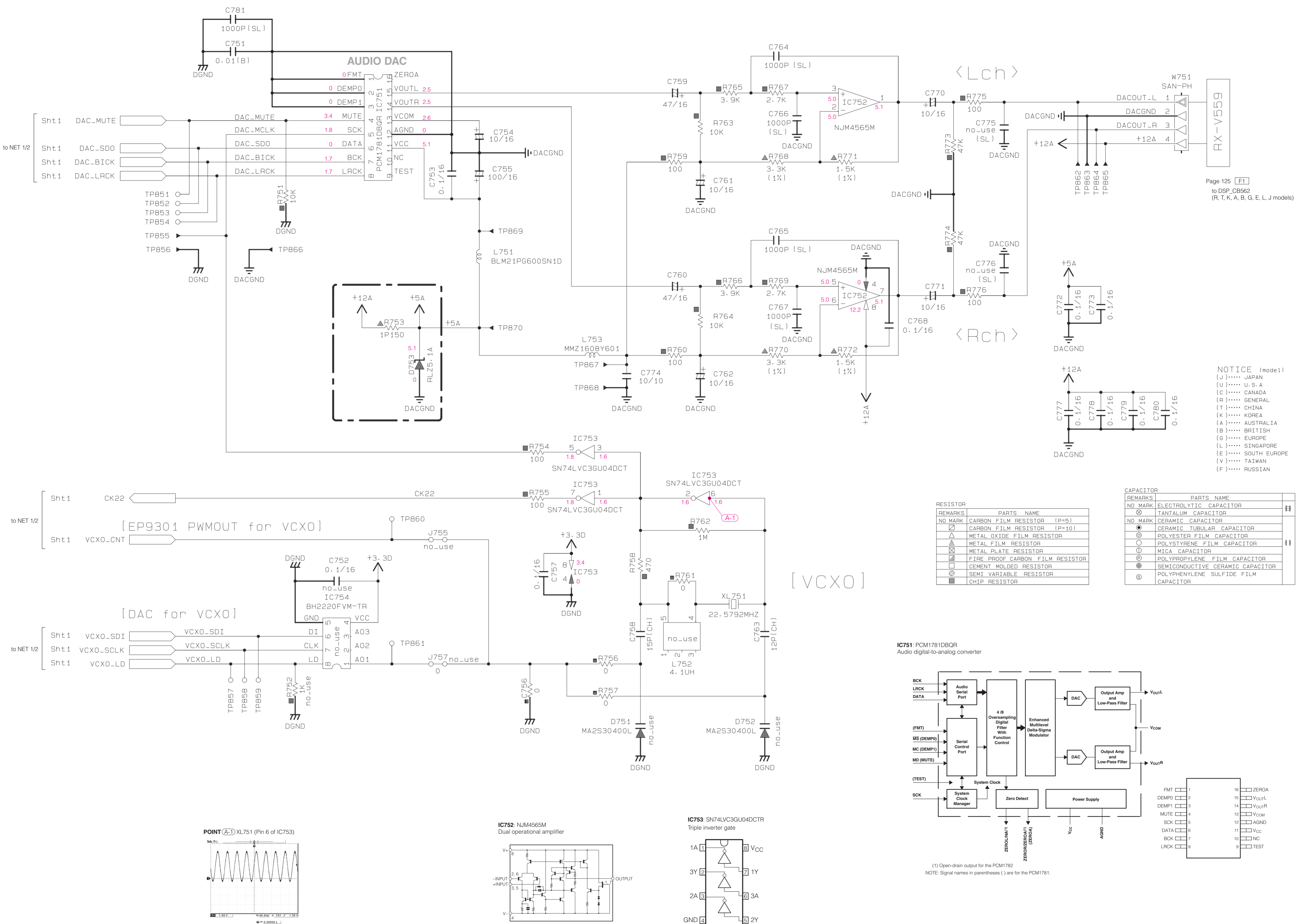


LOGIC for AUDIO CLOCK





NET 2/2



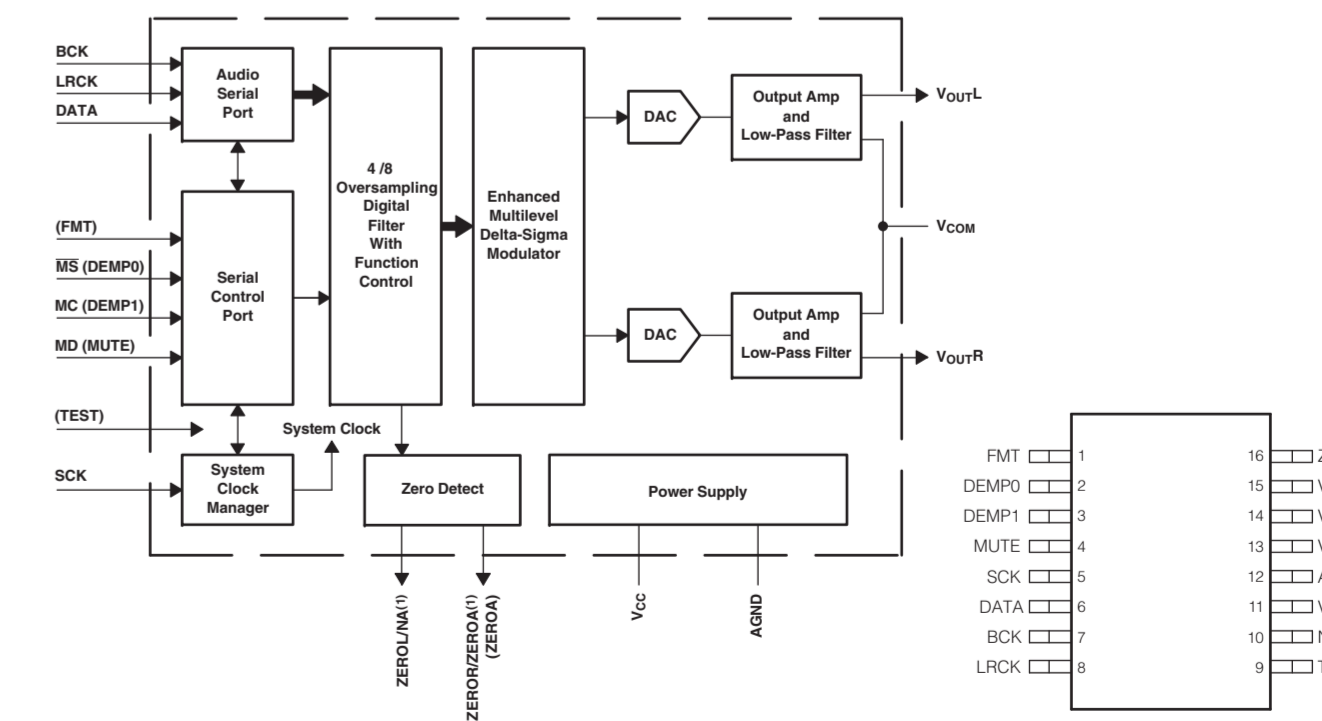
Page 125 [E1]  
to DSP\_CB562  
(R, T, K, A, B, G, E, L, J models)

NOTICE (mode1)  
(J)..... JAPAN  
(U)..... U.S.A  
(C)..... CANADA  
(R)..... GENERAL  
(T)..... CHINA  
(K)..... KOREA  
(A)..... AUSTRALIA  
(B)..... BRITISH  
(G)..... EUROPE  
(L)..... SINGAPORE  
(E)..... SOUTH EUROPE  
(V)..... TAIWAN  
(F)..... RUSSIAN

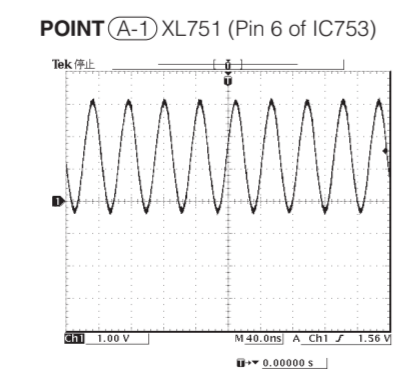
REMARKS	PARTS NAME
NO MARK	CARBON FILM RESISTOR (P=5)
⊠	CARBON FILM RESISTOR (P=10)
△	METAL OXIDE FILM RESISTOR
⊙	METAL FILM RESISTOR
⊚	METAL PLATE RESISTOR
⊞	FIRE PROOF CARBON FILM RESISTOR
⊞	CEMENT MOLDED RESISTOR
⊞	SEMI VARIABLE RESISTOR
■	CHIP RESISTOR

REMARKS	PARTS NAME
⊞	ELECTROLYTIC CAPACITOR
⊞	TANTALUM CAPACITOR
⊞	CERAMIC CAPACITOR
⊞	CERAMIC TUBULAR CAPACITOR
⊞	POLYESTER FILM CAPACITOR
⊞	POLYSTYRENE FILM CAPACITOR
⊞	MICA CAPACITOR
⊞	POLYPROPYLENE FILM CAPACITOR
⊞	SEMICONDUCTIVE CERAMIC CAPACITOR
⊞	POLYPHENYLENE SULFIDE FILM CAPACITOR

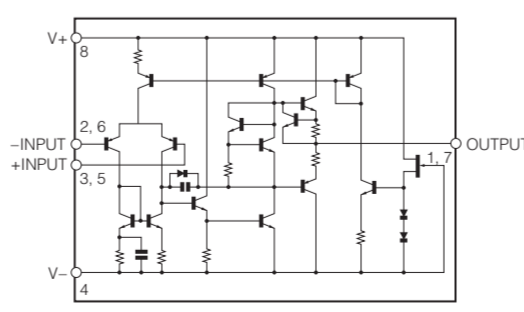
IC751: PCM1781DBQR  
Audio digital-to-analog converter



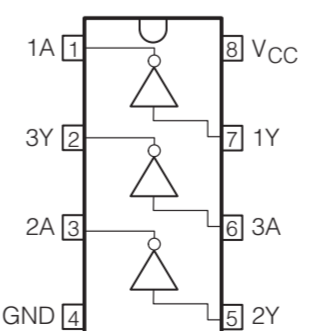
(1) Open-drain output for the PCM1782  
NOTE: Signal names in parentheses ( ) are for the PCM1781.



IC752: NJM4565M  
Dual operational amplifier



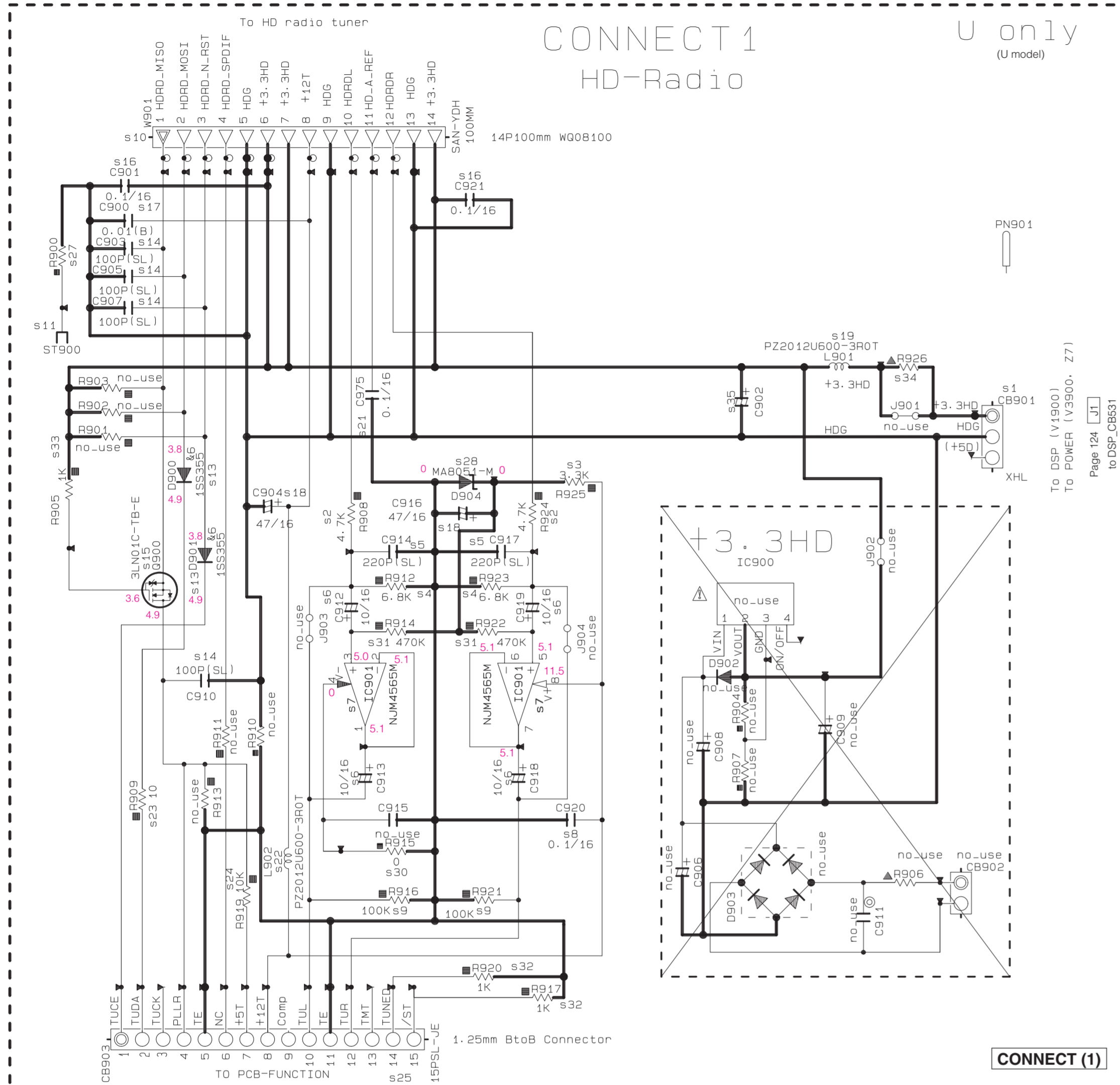
IC753: SN74LVC3GU04DCTR  
Triple inverter gate



★ All voltages are measured with a 10MΩV DC electronic voltmeter.  
★ Components having special characteristics are marked ⊠, and must be replaced with parts having specifications equal to those originally installed.  
★ Schematic diagram is subject to change without notice.

● 電圧は、内部抵抗10MΩの電圧計で測定したものです。  
● ⊠印のある部品は、安全性確保部品を示しています。部品の交換が必要な場合、パーツリストに記載されている部品を使用してください。  
● 本回路図は標準回路図です。改良のため予告なく変更することがございます。

CONNECT



CONNECT (1)

Page 126 [A2] to FUNCTION (1)\_CB401

NOTICE (model) Interchangeable Parts at Manufacture-Stage

Mark	Reference Parts Number	Parts Name
&1	D900-901-953-954	1SS355
		MA2J1110GL
		KDS160-RTK/P

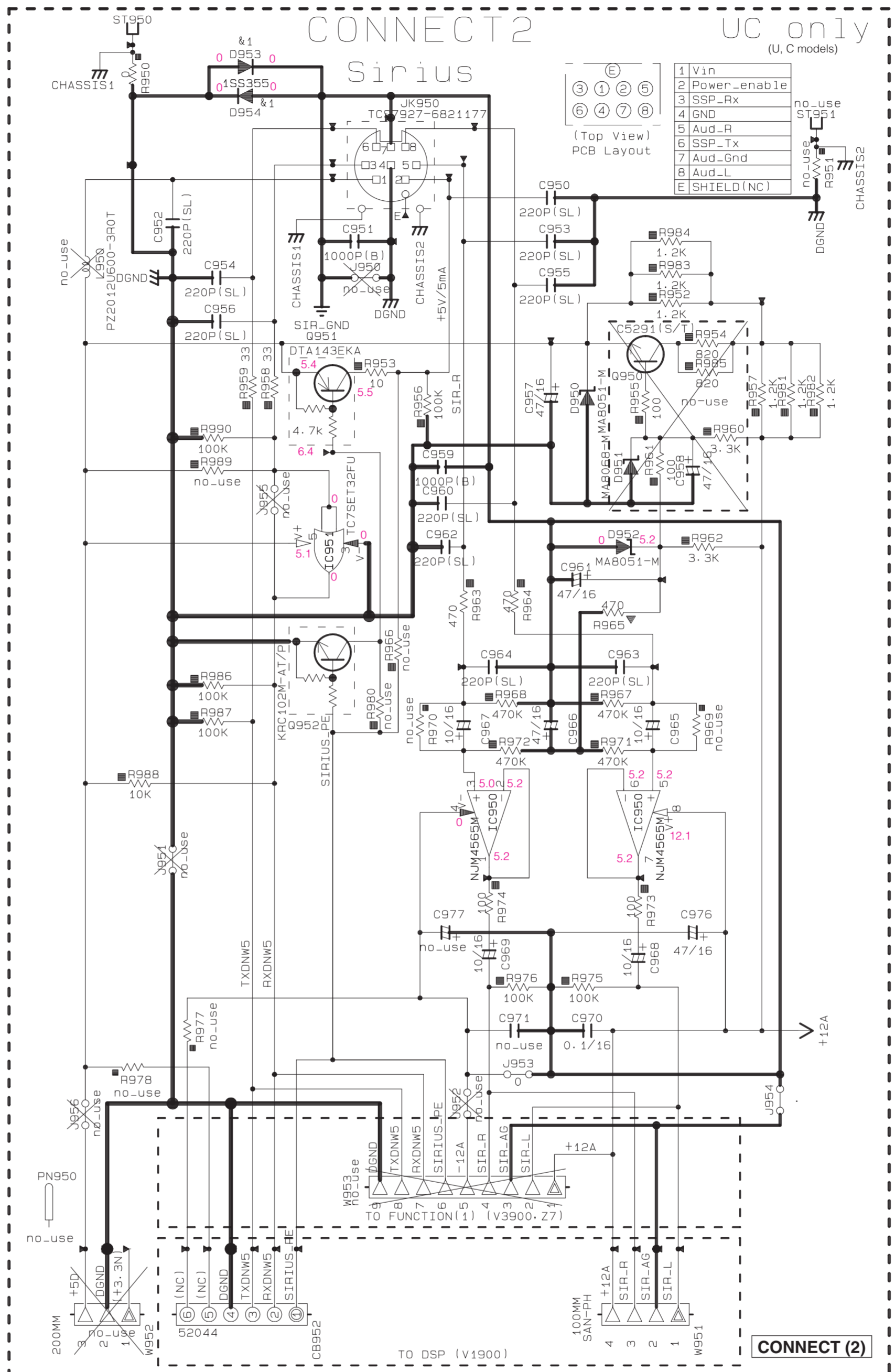
(J)..... JAPAN  
 (U)..... U.S.A  
 (C)..... CANADA  
 (R)..... GENERAL  
 (T)..... CHINA  
 (K)..... KOREA  
 (A)..... AUSTRALIA  
 (B)..... BRITISH  
 (G)..... EUROPE  
 (L)..... SINGAPORE  
 (E)..... SOUTH  
 (V)..... TAIWAN  
 (F)..... RUSSIAN

RESISTOR

REMARKS	PARTS NAME
NO MARK	CARBON FILM RESISTOR (P=5)
□	CARBON FILM RESISTOR (P=10)
△	METAL OXIDE FILM RESISTOR
▲	METAL FILM RESISTOR
⊠	METAL PLATE RESISTOR
▨	FIRE PROOF CARBON FILM RESISTOR
□	CEMENT MOLDED RESISTOR
▩	SEMI VARIABLE RESISTOR
■	CHIP RESISTOR

CAPACITOR

REMARKS	PARTS NAME
NO MARK	ELECTROLYTIC CAPACITOR
⊗	TANTALUM CAPACITOR
NO MARK	CERAMIC CAPACITOR
●	CERAMIC TUBULAR CAPACITOR
○	POLYESTER FILM CAPACITOR
◎	POLYSTYRENE FILM CAPACITOR
⊖	MICA CAPACITOR
Ⓟ	POLYPROPYLENE FILM CAPACITOR
Ⓢ	SEMICONDUCTIVE CERAMIC CAPACITOR
Ⓣ	POLYPHENYLENE SULFIDE FILM CAPACITOR



CONNECT (2)

Page 126 [G8] to FUNCTION (1)\_CB408

Page 125 [F1] to DSP\_CB562

Destination Part List

sXX	LOC	U	C
s1	CB901	LB91903 XHL	X
s2	R924 R908	RD35647 4.7K	X
s3	R925	RD35633 3.3K	X
s4	R923 R912	RD35668 6.8K	X
s5	C914 C917	US06222 220P(SL)	X
s6	C918 C919 C912 C913	UM39710 10/16	X
s7	IC901	X737BA0 NUM4565M	X
s8	C920	US13510 0.1/16	X
s9	R916 R921	RD35810 100K	X
s10	W901	W008100 SAN-YDH	X
s11	ST900	V404050	X
s13	D901 D900	VT33290 1SS355	X
s14	C903 C907 C905 C910	US06210 100P(SL)	X
s15	Q900	WH44500 3LNO1C-TB-E	X
s16	C901 C921	US13510 0.1/16	X
s17	C900	US06410 0.01(B)	X
s18	C916 C904	UM39747 47/16	X
s19	L901	W653720 PZ2012U600-3R0T	X
s21	C975	US13510 0.1/16	X
s22	L902	W653720 PZ2012U600-3R0T	X
s23	R909	RD35410 10	X
s24	R919	RD35710 10K	X
s25	CB903	VU44380 15PSL-JE	X
s27	R900	RD35000 0	X
s28	D904	VU99260 MAB051-M	X
s29	PN901	V963750	X
s30	R915	RD35000 0	X
s31	R922 R914	RD35847 470K	X
s32	R917 R920	RD35610 1K	X
s33	R905	RD35610 1K	X
s34	R926	VU22420 1P0.47	X
s35	C902	UR21922 220/6.3	X

NA No. WP15580 WP15590  
 NC No. X9907

★ All voltages are measured with a 10MQ/V DC electronic voltmeter.  
 ★ Components having special characteristics are marked \* and must be replaced with parts having specifications equal to those originally installed.  
 ★ Schematic diagram is subject to change without notice.

● 電圧は、内部抵抗10MΩの電圧計で測定したものです。  
 ● \*印のある部品は、安全性確保部品を示しています。部品の交換が必要な場合、パーツリストに記載されている部品を使用してください。  
 ● 本回路図は標準回路図です。改良のため予告なく変更することがございます。

