

# AV RECEIVER

# RX-V350/HTR-5730

## SERVICE MANUAL

RX-V350/HTR-5730

### IMPORTANT NOTICE

This manual has been provided for the use of authorized YAMAHA Retailers and their service personnel. It has been assumed that basic service procedures inherent to the industry, and more specifically YAMAHA Products, are already known and understood by the users, and have therefore not been restated.

**WARNING:** Failure to follow appropriate service and safety procedures when servicing this product may result in personal injury, destruction of expensive components, and failure of the product to perform as specified. For these reasons, we advise all YAMAHA product owners that any service required should be performed by an authorized YAMAHA Retailer or the appointed service representative.

**IMPORTANT:** The presentation or sale of this manual to any individual or firm does not constitute authorization, certification or recognition of any applicable technical capabilities, or establish a principle-agent relationship of any form.

The data provided is believed to be accurate and applicable to the unit(s) indicated on the cover. The research, engineering, and service departments of YAMAHA are continually striving to improve YAMAHA products. Modifications are, therefore, inevitable and specifications are subject to change without notice or obligation to retrofit. Should any discrepancy appear to exist, please contact the distributor's Service Division.

**WARNING:** Static discharges can destroy expensive components. Discharge any static electricity your body may have accumulated by grounding yourself to the ground buss in the unit (heavy gauge black wires connect to this buss).

**IMPORTANT:** Turn the unit OFF during disassembly and part replacement. Recheck all work before you apply power to the unit.

## ■ CONTENTS

TO SERVICE PERSONNEL .....	2	DISPLAY DATA .....	33~34
FRONT PANELS .....	3~4	IC DATA .....	35~40
REAR PANELS .....	4~8	PRINTED CIRCUIT BOARD .....	41~48
REMOTE CONTROL PANELS .....	8	PIN CONNECTION DIAGRAM .....	49~50
SPECIFICATIONS .....	9~11	BLOCK DIAGRAM .....	51
INTERNAL VIEW .....	12	SCHEMATIC DIAGRAM .....	52~56
DISASSEMBLY PROCEDURES .....	12~14	PARTS LIST .....	57~71
SELF DIAGNOSIS FUNCTION (DIAG) .....	15~31	REMOTE CONTROL .....	72~73
CONFIRMATION OF IDLING CURRENT .....	32		




このサービスマニュアルは、エコマーク認定の再生紙を使用しています。  
This Service Manual uses recycled paper.



## ■ TO SERVICE PERSONNEL

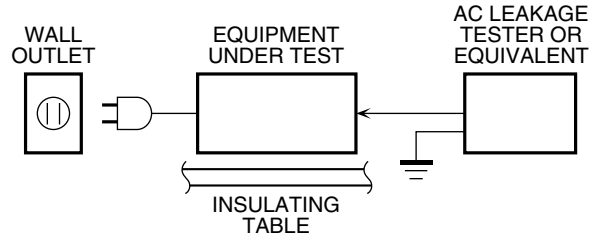
### 1. Critical Components Information

Components having special characteristics are marked  and must be replaced with parts having specifications equal to those originally installed.

### 2. Leakage Current Measurement (For 120V Models Only)

When service has been completed, it is imperative to verify that all exposed conductive surfaces are properly insulated from supply circuits.

- Meter impedance should be equivalent to 1500 ohm shunted by 0.15µF.



- Leakage current must not exceed 0.5mA.
- Be sure to test for leakage with the AC plug in both polarities.



**“CAUTION”**

“F371: FOR CONTINUED PROTECTION AGAINST RISK OF FIRE, REPLACE ONLY WITH SAME TYPE 6A, 125V FUSE.”

**CAUTION**

F371: REPLACE WITH SAME TYPE 6A, 125V FUSE.

**ATTENTION**

F371: UTILISER UN FUSIBLE DE RECHANGE DE MEME TYPE DE 6A, 125V.

## WARNING: CHEMICAL CONTENT NOTICE!

The solder used in the production of this product contains LEAD. In addition, other electrical/electronic and/or plastic (where applicable) components may also contain traces of chemicals found by the California Health and Welfare Agency (and possibly other entities) to cause cancer and/or birth defects or other reproductive harm.

DO NOT PLACE SOLDER, ELECTRICAL/ELECTRONIC OR PLASTIC COMPONENTS IN YOUR MOUTH FOR ANY REASON WHATSOEVER!

Avoid prolonged, unprotected contact between solder and your skin! When soldering, do not inhale solder fumes or expose eyes to solder/flux vapor!

If you come in contact with solder or components located inside the enclosure of this product, wash your hands before handling food.

## About Lead Free Solder

The P.C.B.s installed in this unit are soldered using the following solder.

	Component Side	Foil Side
DSP P.C.B.	Lead Solder	Lead Free Solder
FUNCTION P.C.B.	—	Lead Free Solder
MAIN P.C.B.	—	Lead Free Solder

Among some types of lead free solder currently available, it is recommended to use one of the following types for the repair work.

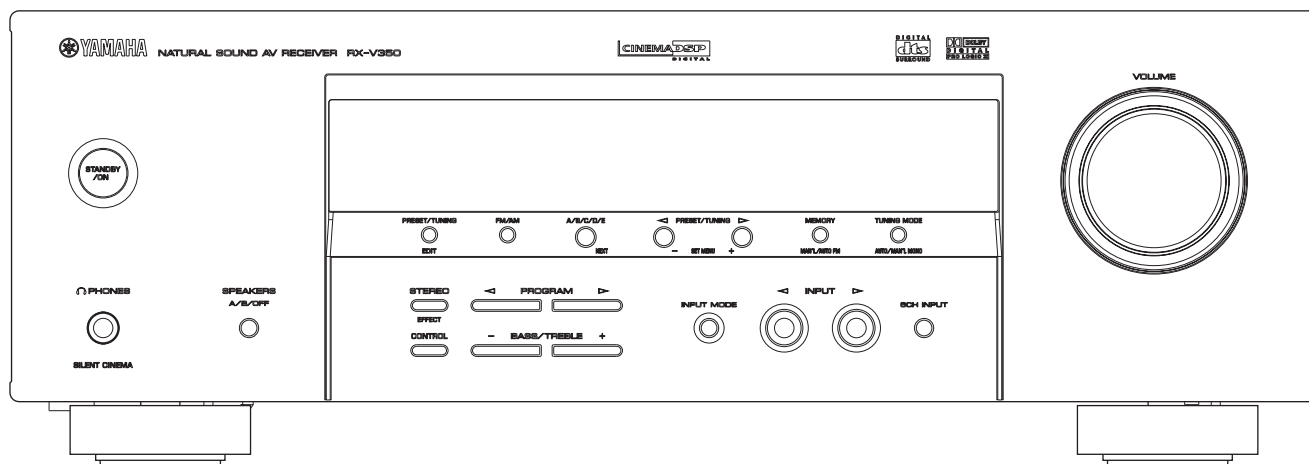
- Sn + Ag + Cu (tin + silver + copper)
- Sn + Cu (tin + copper)
- Sn + Zn + Bi (tin + zinc + bismuth)

**Caution:**

1. As the melting point temperature of the lead free solder is about 30°C to 40°C (50°F to 70°F) higher than that of the lead solder, be sure to use a soldering iron suitable to each solder.
2. If lead solder must be used, be sure to remove lead free solder from each terminal section of the parts to be replaced and from the area around it completely before soldering, or make sure that the lead free solder and lead solder melt together fully.

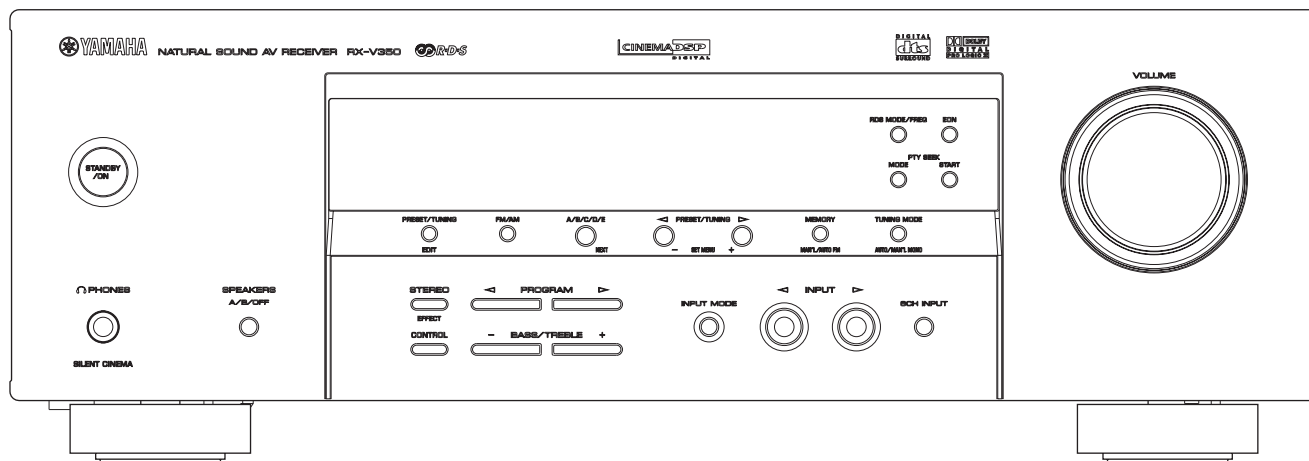
# FRONT PANELS

## RX-V350 (C, L, R, K models)

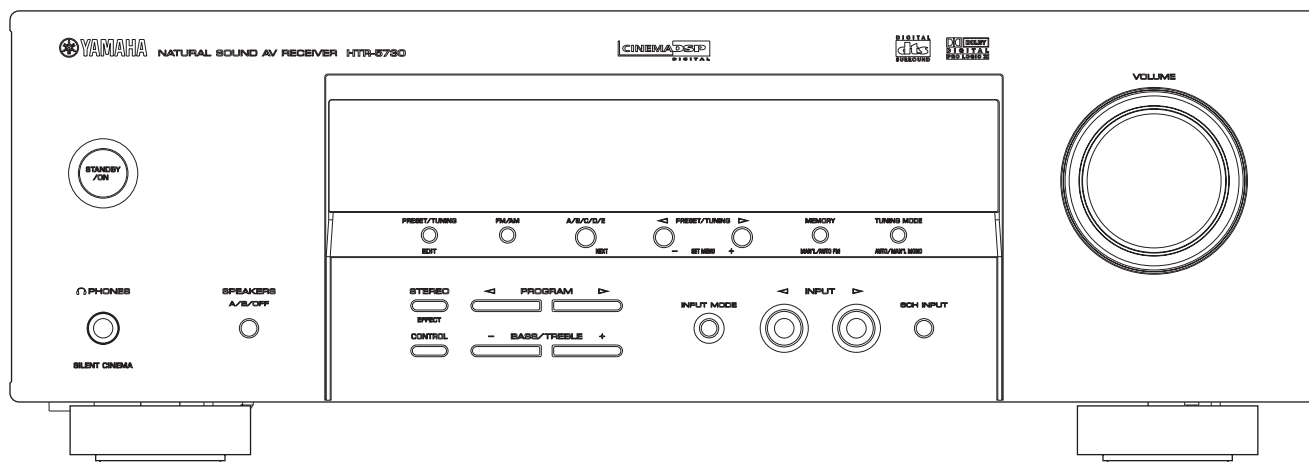


RX-V350/HTR-5730

## RX-V350 (B, G, E models)

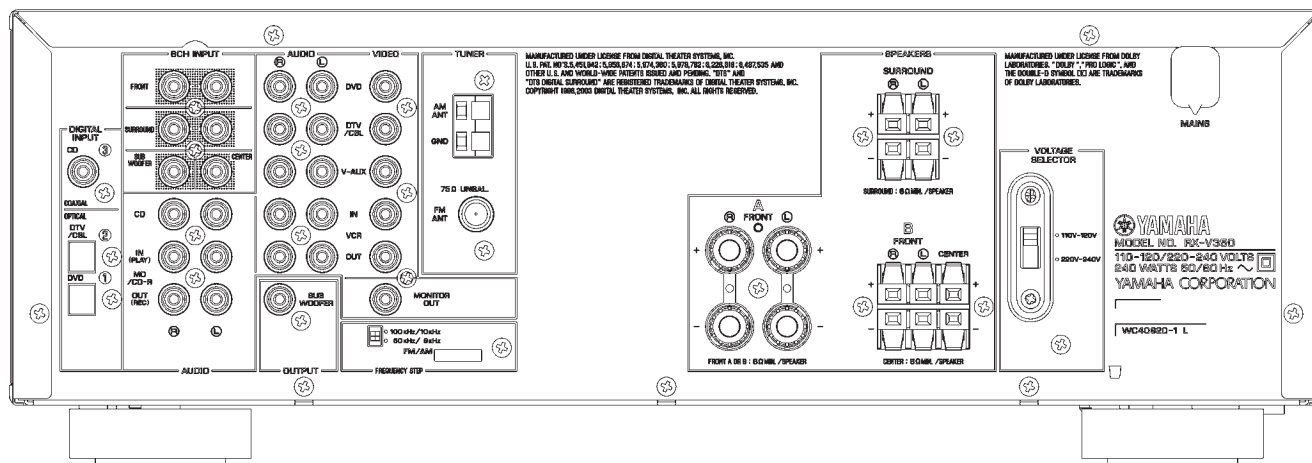


## HTR-5730 (U, C, A, L, R, T, K models)



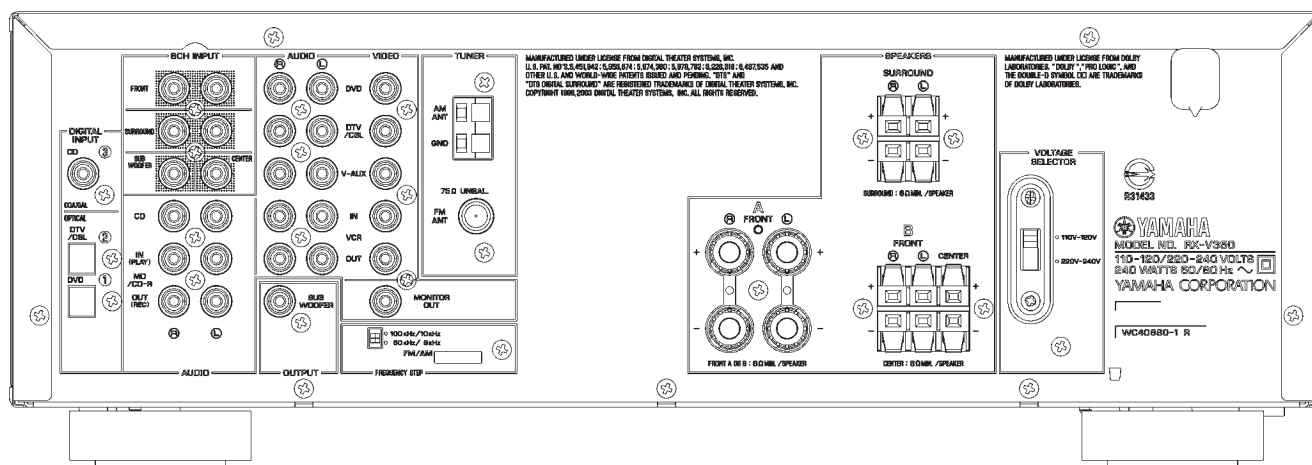


RX-V350 (L model)

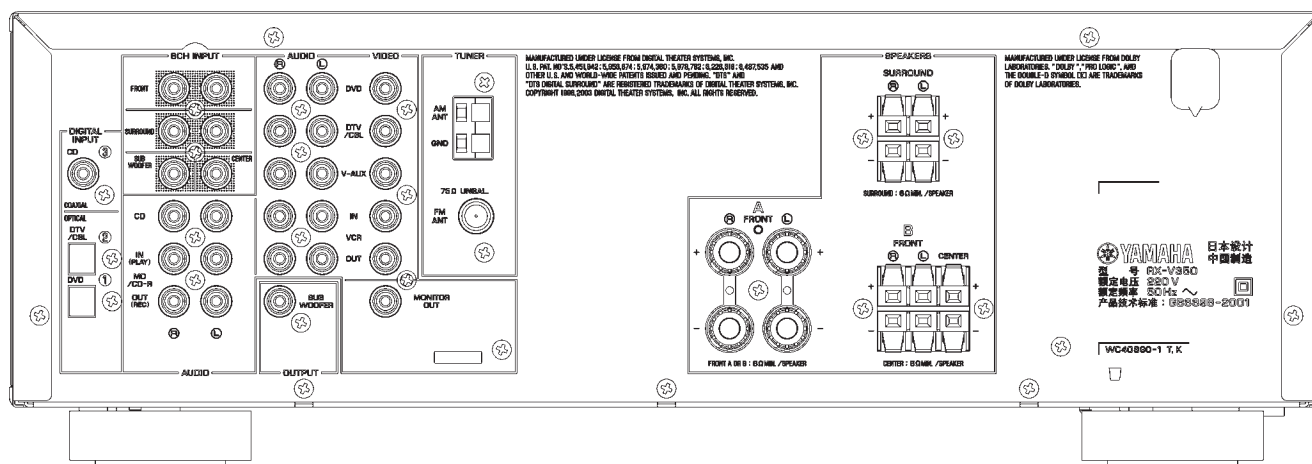


RX-V350/HTR-5730

RX-V350 (R model)

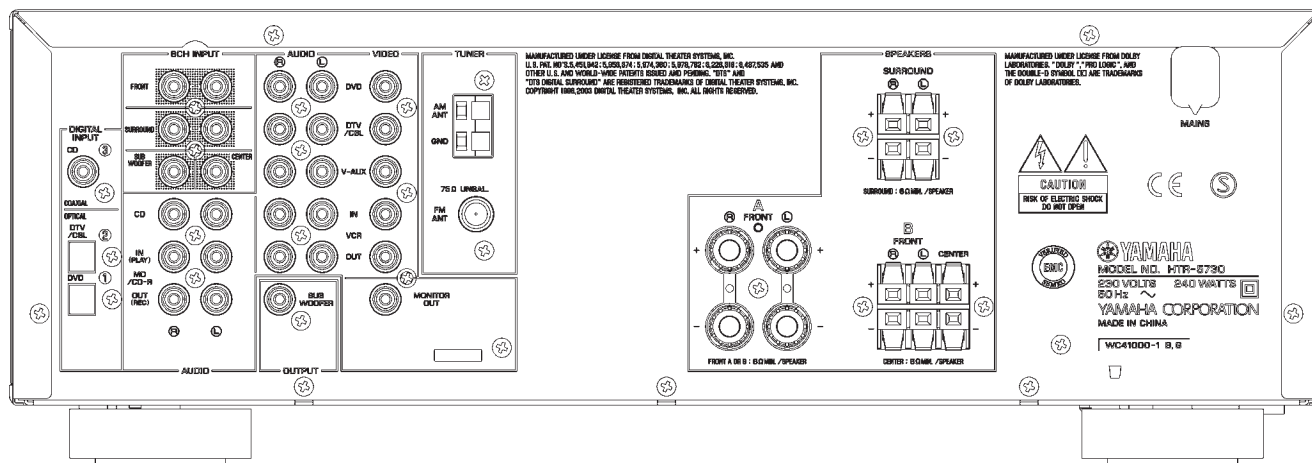


RX-V350 (T model)

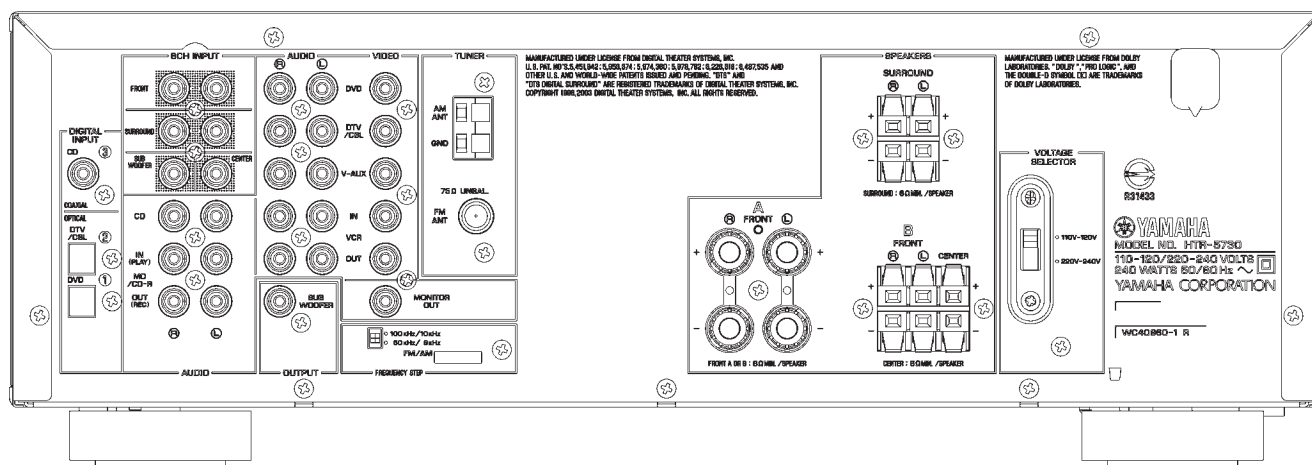




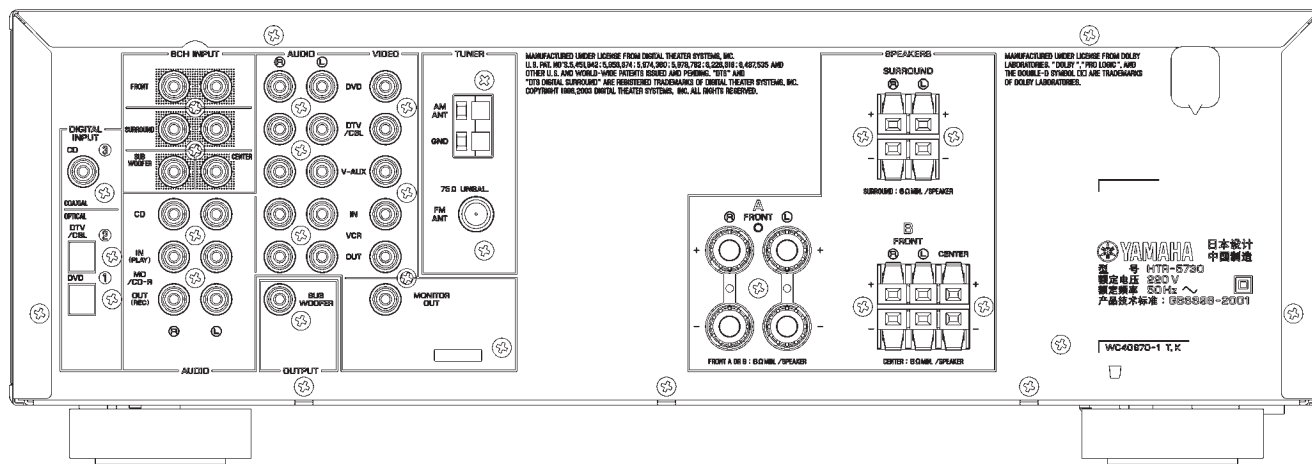
HTR-5730 (G, E models)



HTR-5730 (R models)



HTR-5730 (T models)



RX-V350/HTR-5730





## ■ SPECIFICATIONS

### ■ Audio Section

#### Minimum RMS Output Power (Power Amp. Section)

(1 kHz, 0.1 % THD, 6 ohms)

##### FRONT L/R

U, C models ..... 100 W + 100 W  
A, B, G, E, L, R, T, K models ..... 90 W + 90 W

##### CENTER

U, C models ..... 100 W  
A, B, G, E, L, R, T, K models ..... 90 W

##### SURROUND L/R

U, C models ..... 100 W + 100 W  
A, B, G, E, L, R, T, K models ..... 90 W + 90 W

(1 kHz, 0.7 % THD, 6 ohms)

##### FRONT L/R

U, C models ..... 103 W + 103 W  
A, B, G, E, L, R, T, K models ..... 93 W + 93 W

##### CENTER

U, C models ..... 103 W  
A, B, G, E, L, R, T, K models ..... 93 W

##### SURROUND L/R

U, C models ..... 103 W + 103 W  
A, B, G, E, L, R, T, K models ..... 93 W + 93 W

#### Maximum Power (EIAJ, 1 kHz, 10 % THD, 6 ohms)

##### FRONT L/R

R, T, K models ..... 110 W + 110 W

##### CENTER

R, T, K models ..... 110 W

##### SURROUND L/R

R, T, K models ..... 110 W + 110 W

#### DIN Standard Output Power Per Channel

##### [B, G, E, L models]

(1 kHz, 0.7 % THD, 4 ohms)

FRONT L/R ..... 105 W + 105 W

CENTER ..... 105 W

SURROUND L/R ..... 105 W + 105 W

#### IEC Power [B, G, E, L models]

1 kHz, 0.1 % THD, 6 ohms ..... 90 W + 90 W

#### Dynamic Power Per Channel (IHF)

U, C models (6/4/2 ohms) ..... 110/140/170 W

A, B, G, E, L, R, T, K models

(6/4/2 ohms) ..... 105/135/165 W

#### Dynamic Headroom [U, C models]

6 ohms ..... 0.41 dB

#### Input Sensitivity / Input Impedance

CD, etc. .... 200 mV / 47 k-ohms

##### EXT. DECODER

FRONT L/R, CENTER, SURROUND L/R,  
SUB WOOFER ..... 200 mV / 47 k-ohms

#### Maximum Input Signal Level

(1 kHz, 0.5 % THD, Effect On)

CD, etc. .... 2.0 V or more

#### Output Level / Output Impedance

REC OUT ..... 200 mV / 1.2 k-ohms

SUB WOOFER (FRONT SP: Small) .. 4 V / 1.2 k-ohms

#### Headphone Jack Rated Output / Impedance

CD, etc. (1 kHz, 200 mV, 8 ohms) .... 0.4 V / 470 ohms

#### Frequency Response

CD, etc. to FRONT L/R (10 Hz to 100 kHz) .... 0 / -3.0 dB

#### Total Harmonic Distortion

(1 kHz, 50 W, 6 ohms)

CD, etc. (Effect Off) to

FRONT L/R SP OUT ..... 0.06 % or less

#### Signal to Noise Ratio (IHF-A network)

CD, etc. (Input shorted, EFFECT OFF) to

FRONT L/R SP OUT

250mV ..... 100 dB or more

#### Residual Noise (IHF-A network)

FRONT L/R SP OUT ..... 150  $\mu$ V or less

#### Channel Separation

(Vol -14 dB, Effect Off)

CD, etc. (Input 5.1 k-ohms shorted, 1 kHz / 10 kHz)

..... 60 dB or more / 45 dB or more

#### Tone Control Characteristics

##### BASS

Boost/Cut .....  $\pm$ 10 dB (100Hz)

##### TREBLE

Boost/Cut .....  $\pm$ 10 dB (20 kHz)

#### Filter Characteristics

FRONT, SURROUND L/R

SP Small (H.P.F.) ..... 90 Hz / 12 dB oct.

SUBWOOFER (L.P.F.) ..... 90 Hz / 18 dB oct.

### ■ Video Section

#### Video Signal Type

U, C, R, K models ..... NTSC

A, B, G, E, L, T models ..... PAL

#### Video Signal Level

..... 1 Vp-p / 75 ohms

#### Maximum Input Level

..... 1.5 Vp-p or more

#### Signal to Noise Ratio

..... 50 dB or more

#### Monitor Out Frequency Response

Video Signal Level ..... 5 Hz to 10 MHz, -3 dB

### ■ FM Section

#### Tuning Range

U, C models ..... 87.5 to 107.9 MHz

A, B, G, E, T, K models ..... 87.50 to 108.00 MHz

L, R models ..... 87.5 to 108.0 / 87.50 to 108.00 MHz

#### 50dB Quieting Sensitivity (IHF)

(1 kHz, 100 % Mod.)

Mono ..... 2.0  $\mu$ V (17.3 dBf)

Stereo ..... 25  $\mu$ V (39.2 dBf)

#### Usable Sensitivity (IHF)

Mono ..... 1.0  $\mu$ V (11.2 dBf)

**Selectivity**

at 400 kHz ..... 70 dB

**Signal to Noise Ratio (IHF)**

Mono / Stereo ..... 76 dB / 70 dB

**Harmonic Distortion**

(1 kHz)

Mono/Stereo ..... 0.2 % / 0.3 %

**Stereo Separation**

1 kHz ..... 42 dB

**Frequency Response**

20 Hz to 15 kHz ..... +0.5 / -2 dB

**Antenna Input**

..... 75 ohms unbalanced

■ **AM Section**

**Tuning Range**

U, C models ..... 530 to 1,710 kHz

A, B, G, E, T, K models ..... 531 to 1,611 kHz

L, R models ..... 530 to 1,710 / 531 to 1,611 kHz

**Usable Sensitivity**

..... 300 μV/m

**Antenna**

..... Loop Antenna

■ **General**

**Power Supply**

U, C models ..... AC 120 V, 60 Hz

A model ..... AC 240 V, 50 Hz

B, G, E models ..... AC 230 V, 50 Hz

L, R models ..... AC 110-120/220-240 V, 50/60 Hz

T model ..... AC 220 V, 50 Hz

K model ..... AC 220 V, 60 Hz

**Power Consumption**

U, C models ..... 240 W / 320 VA

A, B, G, E, L, R, T, K models ..... 240 W

**Standby Power Consumption (reference data)**

U, C models ..... 0.5 W

A, B, G, E, T, K models ..... 0.7 W

**Maximum Power Consumption [R model]**

5ch Drive, 10 % THD ..... 510 W

**Dimensions (W x H x D)**

... 435 x 151 x 315 mm (17-1/8" x 5-15/16" x 12-7/16")

**Weight**

..... 9.0 kg (19 lbs. 13 oz.)

**Finish**

RX-V350 ..... Gold color (L, T models)

Silver color (C, B, G, E, L, R, K models)

Black color (B, G, E models)

HTR-5730 ..... Gold color (T model)

Silver color (U, C, A, G, E, R, T, K models)

Black color (U, C, A, G, E, R models)

**Accessories**

Remote Control x 1, Batteries (Manganese Dry) x 2,  
Indoor FM Antenna x 1, AM Loop Antenna x 1

\* Specifications are subject to change without notice due to product improvements.

- |                          |                              |
|--------------------------|------------------------------|
| U ..... U.S.A. model     | C .... Canadian model        |
| A ..... Australian model | B ..... British model        |
| G ..... European model   | E ..... South European model |
| L ..... Singapore model  | R .... General model         |
| T ..... Chinese model    | K ..... Korean model         |



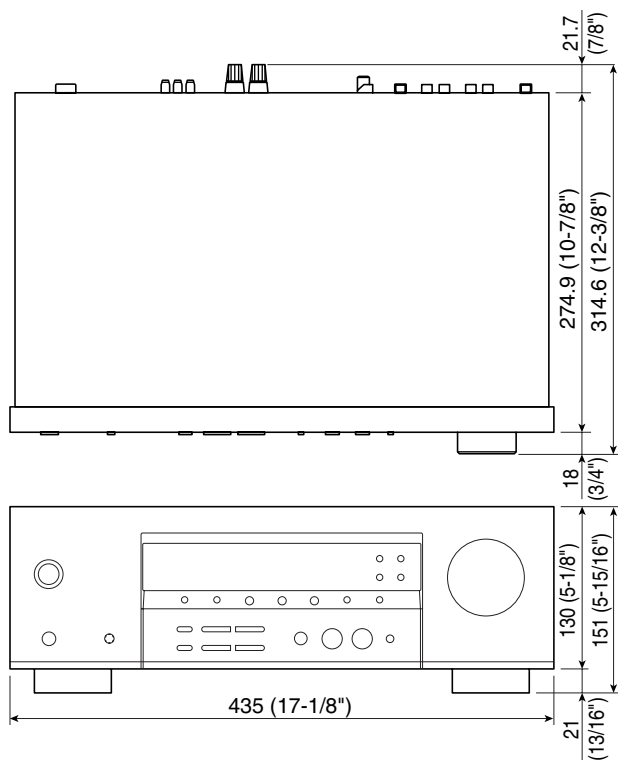
Manufactured under license from Dolby Laboratories. "Dolby", "Pro Logic" and the double-D symbol are trademarks of Dolby Laboratories.



"DTS" and "DTS Digital Surround" are registered trademarks of Digital Theater Systems, Inc.

"SILENT CINEMA" is a trademark of YAMAHA CORPORATION.

• **DIMENSIONS**



Unit : mm (inch)

## • Set Menu Table

The value inside of [ ] shows initial setting.

Category	No.	MAIN MENU	SUB MENU	VALUE [INITIAL]	
BASIC	1	SETUP	ROOM : S >M L	S/[M]/L	
			SUBWOOFER YES	[YES]/NONE	
			SPEAKERS 5spk	2/3/4/[5]	
			>SET CANCEL	[SET]/CANCEL	
			Check : Test Tone		
			Check OK? Yes	[Yes]/No	
	2	SP LEVEL	FL -----  ----- R	[Center] ±10step	
			C -----  -----	[Center] ±10step	
			SL -----  -----	[Center] ±10step	
			SR -----  -----	[Center] ±10step	
SWFR -----			[0dB] -20step		
SOUND	1	SPEAKER SET	1A CENTER SML	LRG/[SML]/NON	
			1B FRONT LRG	[LRG]/SML	
			1C SURR LR SML	LRG/[SML]/NON	
			1D BASS BOTH	SWFR/FRNT/[BOTH]	
	2	SP DISTANCE	UNIT	meters(m)/feet(ft)	
			FRONT L/R 3.00m	0.3 to 24m [3.00m]/0.1m step	
			CENTER 3.00m	0.3 to 24m [3.00m]/0.1m step (Effective distance difference 1.5m)	
			SURR LR 3.00m	0.3 to 24m [3.00m]/0.1m step	
	3	LFE LEVEL	SP LFE 0	-20dB to [0dB]/1dB step	
			HP LFE 0	-20dB to [0dB]/1dB step	
	4	D. RANGE	SP D.R > MAX	MIN/STD/[MAX]	
			HP D.R > MAX	MIN/STD/[MAX]	
	5	CENTER GEQ	100Hz -  - 0	-6dB to +6dB [0dB]/1dB step	
			300Hz -  - 0	-6dB to +6dB [0dB]/1dB step	
			1kHz -  - 0	-6dB to +6dB [0dB]/1dB step	
			3kHz -  - 0	-6dB to +6dB [0dB]/1dB step	
			10kHz -  - 0	-6dB to +6dB [0dB]/1dB step	
	6	HP TONE CTRL	HP BASS 0	-6dB to +3dB [0dB]/1dB step	
HP TRBL 0			-6dB to +3dB [0dB]/1dB step		
INPUT	1	I/O ASSIGN	1A (1) DVD 1A (2) D-TV/CBL 1B (3) CD	[DVD], MD/CD-R, CD, VCR, V-AUX, D-TV/CBL CD, VCR, V-AUX, [D-TV/CBL], ---, MD/CD-R [CD], VCR, V-AUX, D-TV/CBL, DVD, MD/CD-R	
		2	INPUT MODE	2 >AUTO LAST	[AUTO]/LAST
		OPTION	1	DISPLAY SET	1 DIMMER 0
2	MEMORY GUARD		2 M GUARD OFF	[OFF]/ON	
3	AUDIO MUTE		3 MUTE: MUTE	[MUTE]/-50dB/-20dB	

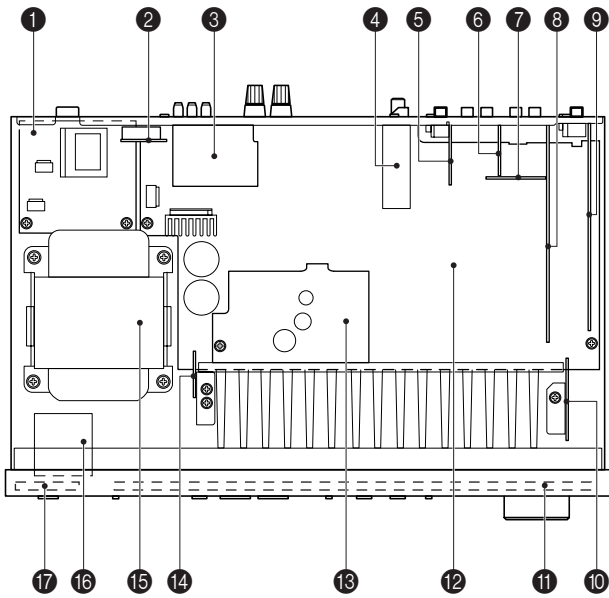
## • The variable range of the parameter (Min/Max/Step)

		Unit
DSP LEVEL	-6/+3/1	dB
DELAY	1/99/1	ms

5ch Stereo Parameter		Unit
CT LEVEL	0/100/1	%
SL LEVEL	0/100/1	%
SR LEVEL	0/100/1	%

Pro Logic II Music Parameter		Unit
PANORAMA	OFF/ON	
DIMENSIONS	-3/+3/1	
CT WIDTH	0/7/1	

## INTERNAL VIEW



- ① MAIN (2) P.C.B.
- ② FUNCTION (7) P.C.B. (L, R models only)
- ③ MAIN (4) P.C.B.
- ④ Tuner
- ⑤ MAIN (3) P.C.B.
- ⑥ FUNCTION (3) P.C.B.
- ⑦ FUNCTION (6) P.C.B.
- ⑧ FUNCTION (1) P.C.B.
- ⑨ DSP P.C.B.
- ⑩ FUNCTION (9) P.C.B.
- ⑪ FUNCTION (2) P.C.B.
- ⑫ MAIN (1) P.C.B.
- ⑬ FUNCTION (4) P.C.B.
- ⑭ FUNCTION (8) P.C.B.
- ⑮ Power Transformer
- ⑯ FUNCTION (10) P.C.B.
- ⑰ FUNCTION (5) P.C.B.

## DISASSEMBLY PROCEDURES

(Remove parts in the order as numbered.)  
 Disconnect the power cable from the AC outlet.

### 1. Removal of Top Cover

- a. Remove 4 screws (①) and 4 screws (②). (Fig. 1)
- b. Slide the Top Cover rearward to remove it. (Fig. 1)

### 2. Removal of Front Panel Unit

- a. Loosen the harness fixture fixing the cable.
- b. Remove CB431, CB653 and CB804. (Fig. 1)
- c. Remove 6 screws (③). (Fig. 1)
- d. Release a hook on the right side of the Front Panel Unit, then remove the Front Panel Unit forward. (Fig. 1)

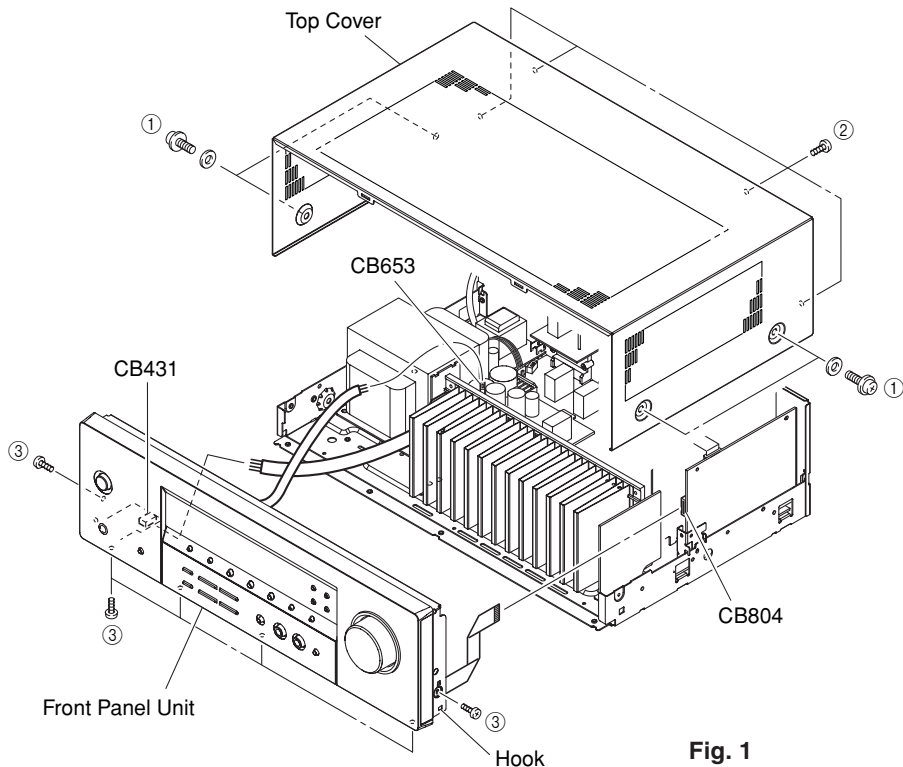


Fig. 1

RX-V350/HTR-5730

### 3. Removal of MAIN (3), MAIN (4), FUNCTION (3), FUNCTION (6) P.C.B.s and Tuner

- Remove CB242 and CB391. (Fig. 2)
- Remove 7 screws (④). (Fig. 3)
- Remove MAIN (3), MAIN (4) P.C.B.s and the Tuner. (Fig. 2)
- Remove 11 screws (⑤). (Fig. 3)
- Remove 4 screws (⑥). (Fig. 3)
- Remove 4 screws (⑦). (Fig. 3)
- Remove Cord Stopper. (Fig. 2)
- Remove Rear Panel. (Fig. 2)
- Remove FUNCTION (3) and FUNCTION (6) P.C.B.s. (Fig. 2)

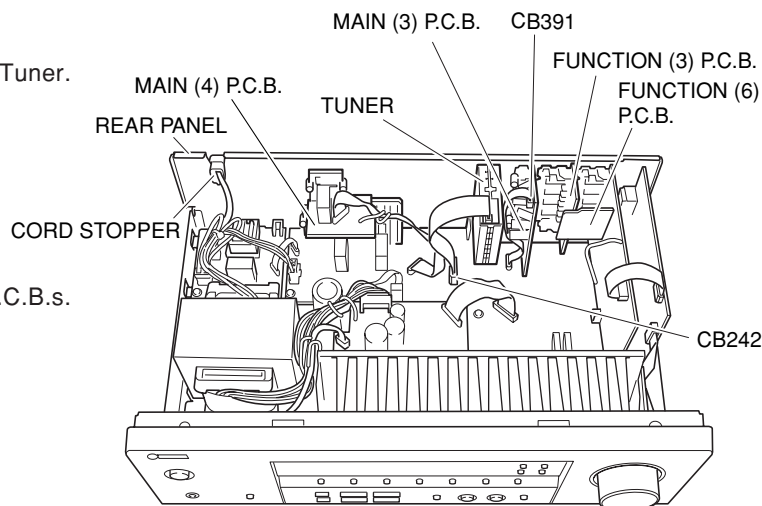


Fig. 2

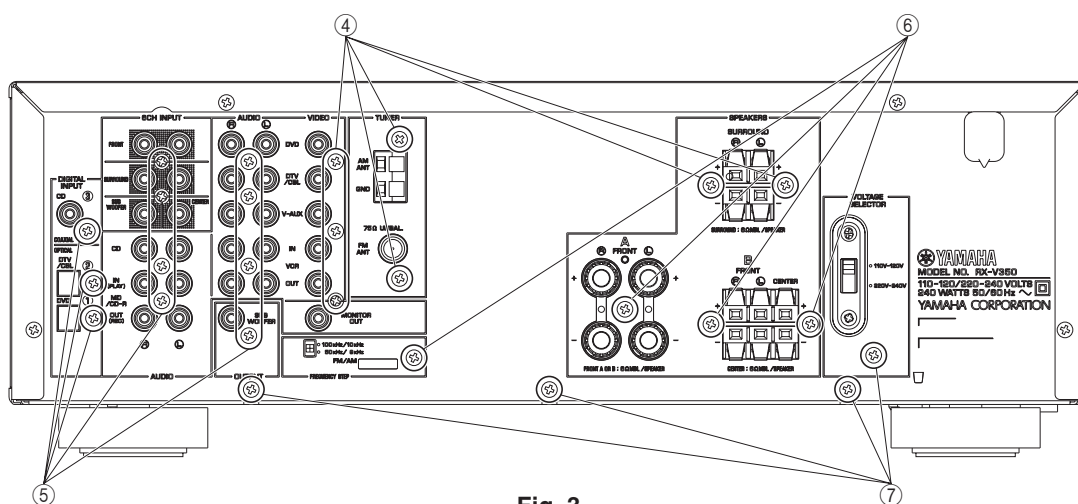


Fig. 3

### 4. Removal of DSP P.C.B.

- Remove 1 screw (⑧). (Fig. 4)
- Remove CB803. (Fig. 4)
- Remove the DSP P.C.B. with the Support/DSP. (Fig. 4)

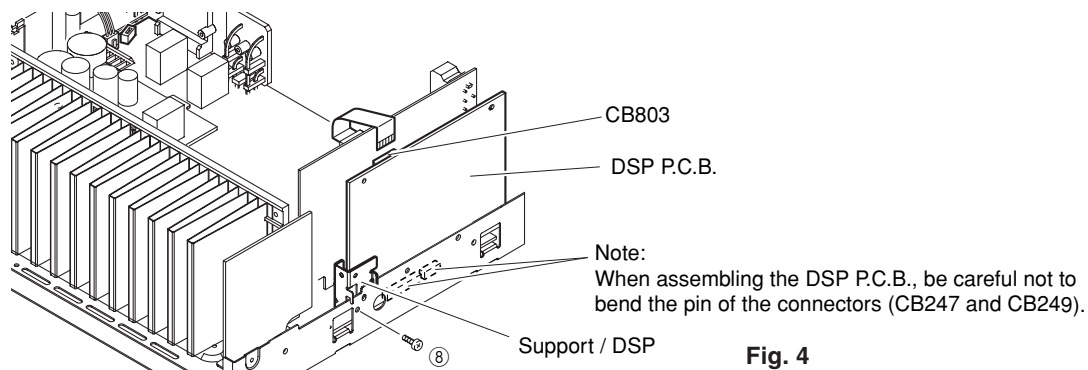


Fig. 4

### 5. Removal of MAIN (1), FUNCTION (1), FUNCTION (8) and FUNCTION (9) P.C.B.s

- Remove CB103, CB104 and CB652. (Fig. 5)
- Remove 3 screws (9). (Fig. 5)
- Remove 5 screws (10). (Fig. 5)
- Remove MAIN (1), FUNCTION (1) FUNCTION (4), FUNCTION (8) and FUNCTION (9) P.C.B.s. (Fig. 5)

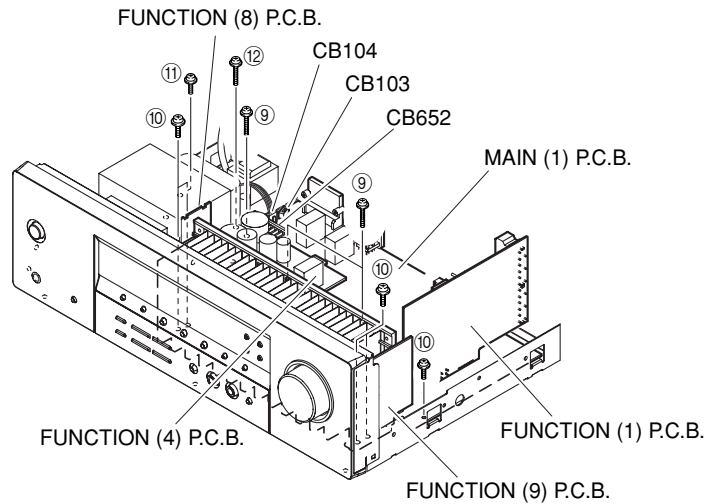


Fig. 5

#### When checking the P.C.B.:

- Remove the Top Cover.
- Remove 4 screws (7). (Fig. 3)
- Remove 3 screws (9). (Fig. 5)
- Remove 4 screws (10). (Fig. 5)
- Remove 1 screws (11). (Fig. 5)
- Remove 1 screws (12). (Fig. 5)
- Place the P.C.B. upright. (Fig. 6 and 7)
- Be sure to connect the ground of MAIN (1) P.C.B. (G102, G103, G241) and FUNCTION (4) P.C.B. (G651) to the chassis with a jumper wire or the like.

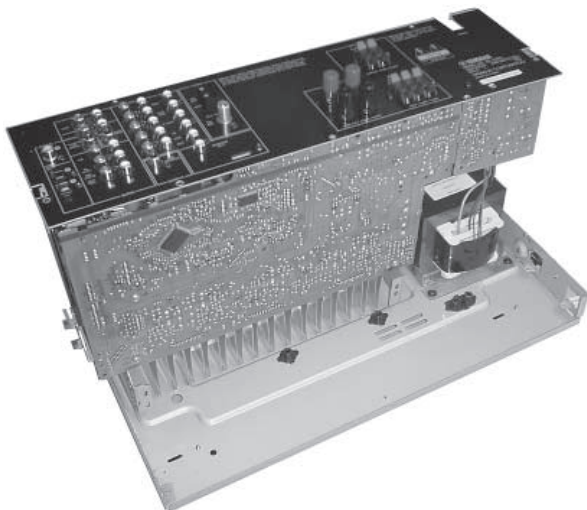


Fig. 6



Fig. 7

## ■ SELF DIAGNOSIS FUNCTION (DIAG)

There are 15 DIAG menu items, each of which has sub-menu items.

Listed in the table below are menu items and sub-menu items.

Note that not all menu items listed will apply to the models covered in this service manual.

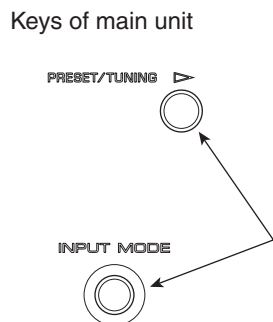
No	DIAG menu	sub-menu
1	DSP THROUGH 1. ANALOG BYPASS	1. ANALOG BYPASS
		2. YSS 0dB
		3. YSS Presence 0dB
		4. YSS FULL BIT
		5. YSS FULL BIT P
2	RAM THROUGH 2. RAM 0dB	RAM 0dB
3	DOLBY PRO LOGIC 3. PRO LOGIC I	1. PRO LOGIC I
		2. PRO LOGIC II
		3. Neo:6 (Not applied to these models)
4	SPEAKERS SET 4. FRNT: SML 0dB	1. FRONT: SMALL 0dB
		2. CENTER: NONE
		3. LFE/BASS: FRONT
		4. PRESENCE MIX: 5ch
		5. SURROUND B power (Not applied to these models)
		6. Tone Control Flat
		7. Tone Control +10dB
		8. Tone Control -10dB
5	HP Test 5. FRONT12dB	1. FRONT 12 dB
		2. FRONT 15 dB
6	OTHER INPUT 6. EXTERNAL DEC	EXTERNAL DECODER
7	DISPLAY CHECK 7. VFD CHECK	1. VFD CHECK (Initial display)
		2. VFD DISP OFF (All segments OFF)
		3. VFD DISP ALL (All segments ON 100%)
		4. VFD DIMMER (All segments ON 50%)
		5. CHECKED PATTERN (ON in lattice)
8	MANUAL TEST 8. TEST ALL	1. TEST ALL
		2. TEST FRONT L
		3. TEST CENTER
		4. TEST FRONT R
		5. TEST SURROUND R
		6. TEST SURROUND C (Not applied to these models)
		7. TEST SURROUND L
		8. TEST LFE
9	FACTORY PRESET 9. PRESET INHI	1. PRESET INHIBITED (memory initialization inhibited)
		2. PRESET RESERVED (memory initialized)
10	AD DATA CHECK /FAN TEST DC: 23%PS: 16%	1. DC/PS (protection indication)
		2. THM/Fan
		3. REC-OUT (Not applied to these models)
		4. IMP SW/POWER LIMIT
		5. K0/K1 (panel key)
		6. FAN DRIVE TEST: HIGH (Not applied to these models)
		7. FAN DRIVE TEST: MID (Not applied to these models)
		8. FAN DRIVE TEST: LOW (Not applied to these models)

No	DIAG menu	sub-menu
11	IF STATUS Isi: 2200020000	1. INSIDE STATUS 1 (5 Byte)
		2. INSIDE STATUS 2 (3 Byte)
		3. CHANNEL STATUS 1 (5 Byte)
		4. CHANNEL STATUS 2 (5 Byte)
		5. CHANNEL STATUS 3 (5 Byte)
		6. CHANNEL STATUS 4 (5 Byte)
		7. CHANNEL STATUS 5 (4 Byte)
		8. BSI (YSS) 1 (5 Byte)
		9. BSI (YSS) 2 (5 Byte)
		10. BSI (YSS) 3 (5 Byte)
		11. BSI (YSS) 4 (4 Byte)
		12. BSI (CS) 1 (5 Byte)
		13. BSI (CS) 2 (5 Byte)
		14. BSI (CS) 3 (5 Byte)
		15. BSI (CS) 4 (5 Byte)
		16. BSI (CS) 5 (1 Byte)
		17. YSS938-1 (5 Byte)
		18. YSS938-2 (5 Byte)
		19. YSS938-3 (4 Byte)
		20. SECOND DECODER (3 Byte)
		21. Mute Trigger (5 Byte)
12	DSP RAM CHECK YSS BUS: NoEr	1. YSS938 BUS CHECK 2. PLD/SRAM BUS CHECK
13	SD DL CODE RDV: XXXXXXXX	1. ROM DATA Version
		2. TOC Area 0
		3. TOC Area 1
		4. TOC Area 2
		5. TOC Area 3
		6. TOC Area 4
		7. TOC Area 5
		8. Sum check Area 0
		9. Sum check Area 1
		10. Sum check Area 2
		11. Sum check Area 3
		12. Sum check Area 4
		13. Sum check Area 5
14	SOFT SWITCH 14. SW : PCB	1. SW MODE
		2. MODEL SETTING
		3. TUNER DESTINATION
		4. RDS EXIST
		5. ZONE 2 EXIST
		6. VIDEO FORMAT
15	ROM VERSION/CHECK SUM/ PORT VER. XXXXX	1. VERSION
		2. CHECK SUM ALL/PROGRAM
		3. PORT
		4. AAC PORT



## • Starting DIAG

Press the “STANDBY/ON” key while simultaneously pressing those two keys of the main unit as indicated in the figure below.



Turn on the power while pressing these keys.

## • Starting DIAG in the protection cancel mode

If the protection function works and causes hindrance to trouble diagnosis, cancel the protection function as described below, and it will be possible to enter the DIAG mode. (The protection functions other than the excess current detect function will be disabled.)

Press the “STANDBY/ON” key while simultaneously pressing those two keys indicated in the figure above. At this time, keep pressing those two keys for 3 seconds or longer.

In this mode, the “SLEEP” segment of the FL display of the main unit flashes to indicate that the mode is DIAG mode with the protection functions disabled.

### CAUTION!

Using this product with the protection function disabled may cause damage to itself. Use special care for this point when using this mode.

## • Canceling DIAG

[1] Before canceling DIAG, execute setting for PRESET of DIAG menu No.9 (Memory initialization inhibited or Memory initialized).

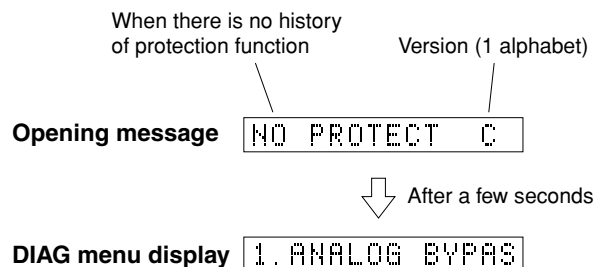
\* In order to keep the user memory stored, be sure to select PRESET INHIBITED (Memory initialization inhibited).

[2] Turn off the power by pressing the “STANDBY/ON” key of the main unit.

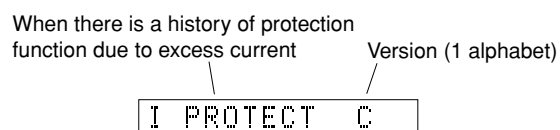
## • Display provided when DIAG started

The FL display of the main unit displays the protection function history data and the version (1 alphabet) and the DIAG menu [sub-menu (ANALOG BYPASS) of DIAG menu No.1 DSP THROUGH] a few seconds later.

### When there is no history of protection function:



### When there is a history of protection function:



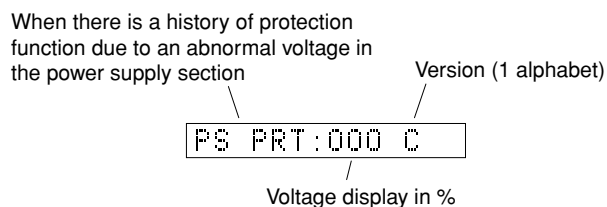
**Cause:** An excessive current flowed through the power amplifier.

**Supplementary information:** As the current through the power transistor is detected, the abnormal channel can be identified by checking the current detect transistor.

Turning on the power without correcting the abnormality will cause the protection function to work immediately and the power supply will instantly be shut off.

### Note)

- Applying the power to a unit without correcting the abnormality can be dangerous and cause additional circuit damage.
- The output transistors in each amplifier channel should be checked for damage before applying any power.
- The amplifier current should be monitored by measuring across the emitter resistors for each channel.

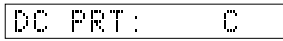


**Cause:** The voltage in the power supply section is abnormal.

**Supplementary information:** The abnormal voltage is displayed in % based on 5V as 100%.

Turning on the power without correcting the abnormality will cause the protection function to work 1 second later and the power supply will be shut off.

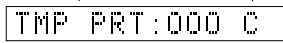
When there is a history of protection function due to abnormal DC output Version (1 alphabet)



**Cause:** DC output of the power amplifier is abnormal.

Turning on the power without correcting the abnormality will cause the protection function to work 3 seconds later and the power supply will be shut off.

When there is a history of protection function due to excessive heat sink temperature Version (1 alphabet)



Voltage display in %

**Cause:** The temperature of the heat sink is excessive.

**Supplementary information:** The abnormal voltage is displayed in % based on 5V as 500%.

Turning on the power without correcting the abnormality will cause the protection function to work 1 second later and the power supply will be shut off.

- \* Additional causes of protection can be due to loose connections, associated components, CPU, etc.
- \* For the protection voltage value, refer to DIAG menu No.10 described later.

**• History of protection function**

When the protection function has worked, its history is stored in memory with a backup. Even if no abnormality is noted while servicing the unit, an abnormality which has occurred previously can be defined as long as the backup data has been stored. The history of the protection function is cleared when DIAG is cancelled by selecting PRESET RESERVED (Memory initialized) of DIAG menu No.9 or when the backup data is erased.

**• Display during menu operation**

During the DIAG operation, the function at work is indicated on the FL indicator. The contents displayed during the function operation are described in the later section on details of functions.

**• Operation procedure of DIAG menu and SUB-MENU**

There are 15 MENU items, each of which has some SUB-MENU items.

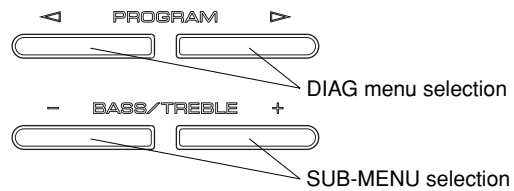
**DIAG menu selection**

Main unit: Select the menu using ▷ (Forward) and ◁ (Reverse) PROGRAM keys.

**SUB-MENU selection**

Main unit: Select the sub-menu using - and + BASS/TREBLE keys.

**Keys of main unit**



**• Functions in DIAG mode**

In addition to the DIAG menu items, functions as listed below are available.

- Input selection, 6CH input
- Center/Surround/Sub-woofer level adjustment
- Muting
- Power on/off
- Master volume
- \* Functions related to the tuner and the set menu are not available.
- \* It is possible to confirm Menu No.11 IF STATUS while keeping the signal process (operation status) of each DIAG menu by using the input mode key of the main unit.

**• Initial settings used to start DIAG**

The following initial settings are used when starting DIAG. When DIAG is canceled, these settings are restored to those before starting DIAG.

- Master volume: -24dB
- Input: DVD (6CH INPUT OFF)
- Effect level: 0dB
- Audio mute: OFF
- Speaker setting: LARGE / BASS OUT = BOTH
- DIAG menu: DSP THROUGH (1. ANALOG BYPASS)

**• Details of DIAG menu**

With full-bit output specified in some modes, it is possible to execute 0dBFS output without including the head margin in each channel.

**1. DSP THROUGH**

Main DSP of YSS938 is selected for Front L/R output.

**ANALOG BYPASS**

- The signal for L/R is output as it is without passing through the DSP section.

1. ANALOG BYPASS

Reference data

INPUT: DVD ANALOG

SWFR: 50Hz, Others: 1kHz

Input level	Volume	SPEAKER OUTPUT (1kHz)			SUBWOOFER OUTPUT (50Hz)
		FRONT L/R	CENTER	SL/SR	
Both ch, -20 dBm	+6.0 dB	+11.5 dBm	- ∞	- ∞	- ∞

**YSS 0dB**

- The signal is output including the head margin.

Head margin:

FRONT L/R: 0dBFS, Center: -6dBFS,

SL/SR: -12dBFS,

SWFR: Add L/R signal at -20dBFS.

1. YSS 0dB

Reference data

INPUT: DVD ANALOG

SWFR: 50Hz, Others: 1kHz

Input level	Volume	SPEAKER OUTPUT (1kHz)			SUBWOOFER OUTPUT (50Hz)
		FRONT L/R	CENTER	SL/SR	
Both ch, -20 dBm	+6.0 dB	+11.5 dBm	+11.5 dBm	+11.5 dBm	-0.5 dBm

**YSS Presence 0dB**

- The Presence CH signal including the head margin is output at the Front CH.

Head margin:

FRONT L/R: -6dBFS, Center: 0dBFS,

SL/SR: 0dBFS, SWFR: Add L/R signal at 0dBFS.

1. YSS Prnc0dB

Reference data

INPUT: DVD ANALOG

SWFR: 50Hz, Others: 1kHz

Input level	Volume	SPEAKER OUTPUT (1kHz)			SUBWOOFER OUTPUT (50Hz)
		FRONT L/R	CENTER	SL/SR	
Both ch, -20 dBm	+6.0 dB	- ∞	- ∞	- ∞	- ∞

**YSS FULL BIT**

- The signal is output in digital full bit without including the head margin. The SWFR signal is output but not in digital full bit.

1. YSS FULL BIT

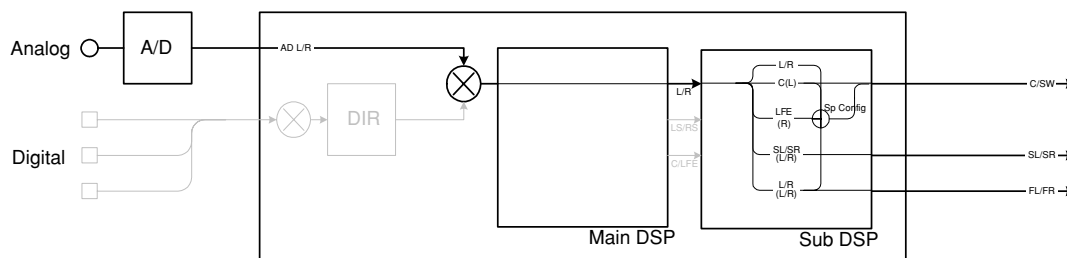
Reference data

INPUT: DVD ANALOG

SWFR: 50Hz, Others: 1kHz

Input level	Volume	SPEAKER OUTPUT (1kHz)			SUBWOOFER OUTPUT (50Hz)
		FRONT L/R	CENTER	SL/SR	
Both ch, -20 dBm	+6.0 dB	+11.5 dBm	+11.5 dBm	+11.5 dBm	-0.5 dBm

DSP THROUGH ~  
YSS (Analog)



(Shaded items not used in this example)

**YSS FULL BIT P**

- The Presence CH signal is output in digital full bit at the Front CH.

**1. FULL BIT P**

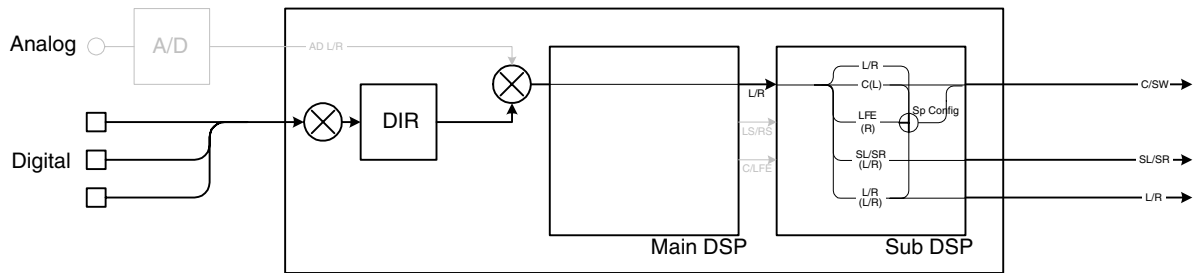
Reference data

INPUT: DVD ANALOG

SWFR: 50Hz, Others: 1kHz

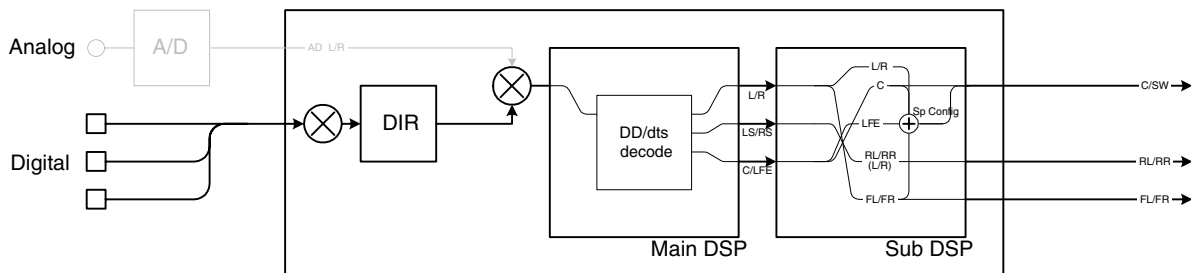
Input level	Volume	SPEAKER OUTPUT (1kHz)			SUBWOOFER OUTPUT (50Hz)
		FRONT L/R	CENTER	SL/SR	
Both ch, -20 dBm	+6.0 dB	-∞	-∞	-∞	-∞

DSP THROUGH ~  
YSS (PCM)



(Shaded items not used in this example)

DSP THROUGH ~  
YSS (DD / dts [EX / ES off])



(Shaded items not used in this example)

RX-V350/HTR-5730

## 2. RAM THROUGH

This function is for YSS938 only.

Only the CT signal is output through the Sub DSP – DRAM.

### RAM 0dB

2. RAM 0dB

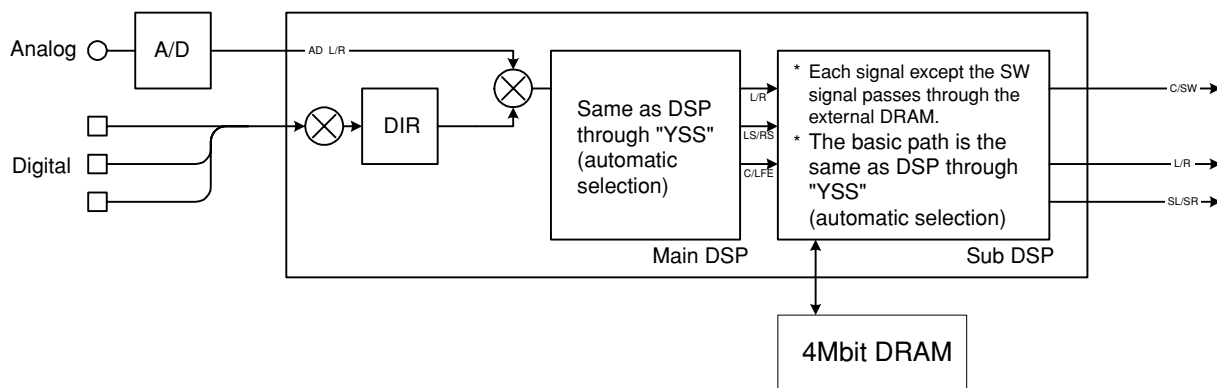
Reference data

INPUT: DVD ANALOG

SWFR: 50Hz, Others: 1kHz

Input level	Volume	SPEAKER OUTPUT (1kHz)			SUBWOOFER OUTPUT (50Hz)
		FRONT L/R	CENTER	SL/SR	
Both ch, -20 dBm	+6.0 dB	- ∞	+5.5 dBm	- ∞	- ∞

RAM THROUGH ~  
(Auto)



(Shaded items not used in this example)

RX-V350/HTR-5730

### 3. PRO LOGIC

#### PRO LOGIC I

3. PRO LOGIC I

Reference data  
 INPUT: DVD ANALOG  
 SWFR: 50Hz, Others: 1kHz

Input level	Volume	SPEAKER OUTPUT (1kHz)			SUBWOOFER OUTPUT (50Hz)
		FRONT L/R	CENTER	SL/SR	
Each ch, -20 dBm	+6.0 dB	+11.5 dBm	- ∞	- ∞	-10.5 dBm
Both ch, -20 dBm	+6.0 dB	- ∞	+14.5 dBm	- ∞	- ∞

#### PRO LOGIC II

3. PRO LOGIC II

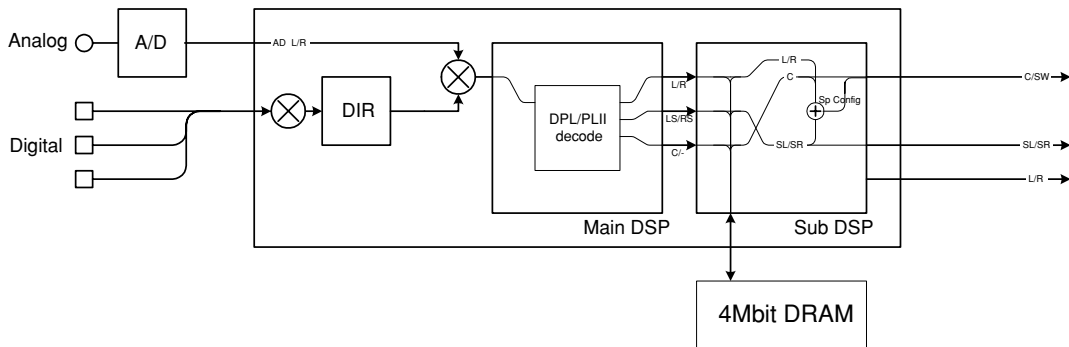
Reference data  
 INPUT: DVD ANALOG  
 SWFR: 50Hz, Others: 1kHz

Input level	Volume	SPEAKER OUTPUT (1kHz)			SUBWOOFER OUTPUT (50Hz)
		FRONT L/R	CENTER	SL/SR	
Each ch, -20 dBm	+6.0 dB	+11.5 dBm	- ∞	- ∞	-10.5 dBm
Both ch, -20 dBm	+6.0 dB	- ∞	+14.5 dBm	- ∞	- ∞

The L/C/R/SL/SR signals undergo the Pro-Logic processing and C/SL/SR signals are output through Sub DSP-DRAM. The Main DSP is selected for FRONT L/R output.

Using the sub-menu, it is possible to select PRO LOGIC I, II (Movie). The Auto Input Balance function is always off. When the Dolby Digital Multi input is used, the function is the same as in the Dolby Digital Normal mode. The LFE signal is not output when decoding in the PRO LOGIC I, II mode.

Dolby Pro Logic (Auto)



(Shaded items not used in this example)

#### Neo:6

(Not applied to these models.)

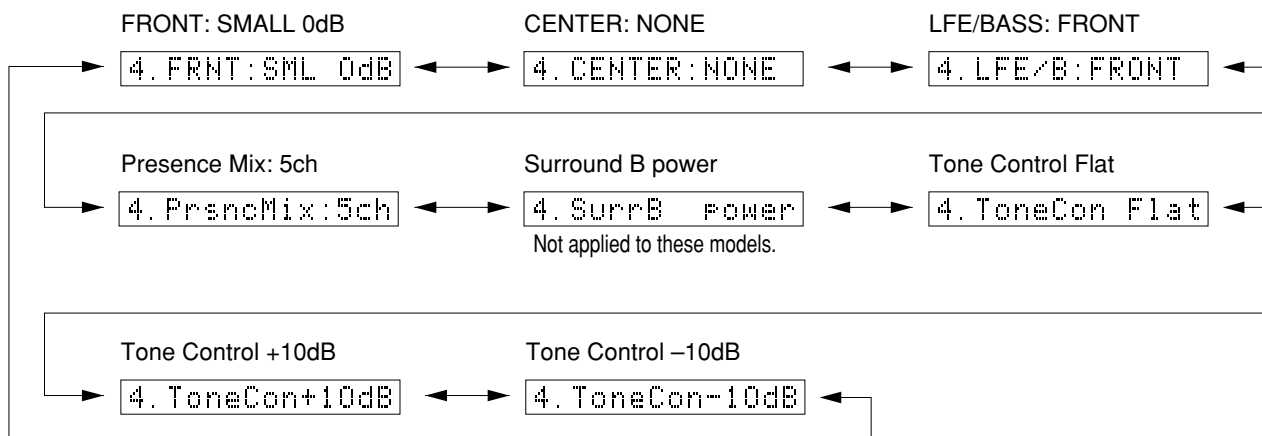
3. Neo:6

RX-V350/HTR-5730

### 4. SPEAKERS SET

The input signal is automatically identified and switched in the priority order of dts → DOLBY DIGITAL → AAC → PCM AUDIO → Analog (A/D) according to the signal detection.

The signals output from the DSP block are the same as 1. DSP THROUGH: YSS 0dB.



The analog switch settings for each sub-menu are as shown in the table below.

Sub-menu		CENTER SP	SURROUND SP	FRONT SP	FRONT LEVEL	LFE/BASS
1	FRONT: SMALL 0dB	LARGE	LARGE	SMALL	0dB	SWFR
2	CENTER: NONE	NONE	LARGE	LARGE	0dB	BOTH
3	LFE/BASS: FRONT	SMALL	SMALL	LARGE	0dB	FRONT
4	Presence Mix: 5CH	LARGE	LARGE	LARGE	0dB	BOTH

- LARGE:** This mode is used with a speaker having high bass reproduction performance (a large unit). Full bandwidth signals are output.
- SMALL:** This mode is used with a speaker having low bass reproduction performance (a small unit). The signals of 90Hz or less are mixed into the channel specified by LFE/BASS.
- NONE:** This mode is used with no center speaker. The center content is reduced by 3dB and distributed to FRONT L/R.

Sub-menu		Treble	Bass
6	Tone Control Flat	0 dB	0 dB
7	Tone Control +10dB	+10 dB	+10 dB
8	Tone Control -10dB	-10 dB	-10 dB

Reference data

INPUT: DVD ANALOG (Both ch)

Sub-menu	Input level	Volume	SPEAKER OUTPUT (1kHz)			SUBWOOFER OUTPUT (50Hz)	
			FRONT L/R	CENTER	SL/SR		
1	FRONT: SMALL 0dB	1kHz Both ch, -20 dBm	+6.0 dB	+11.5 dBm	- ∞	- ∞	- ∞
2	CENTER: NONE	1kHz Both ch, -20 dBm	+6.0 dB	+8.9 dBm	+7.5 dBm	- ∞	- ∞
3	LFE/BASS: FRONT	50Hz Both ch, -20 dBm	+6.0 dB	- ∞	- ∞	- ∞	+6.5 dBm
4	Presence Mix: 5ch	1kHz Both ch, -20 dBm	+6.0 dB	+11.5 dBm	- ∞	- ∞	- ∞
5	Surround B Power (Not applied to these models.)	1kHz Both ch, -20 dBm	+6.0 dB	- ∞	- ∞	- ∞	- ∞
6	Tone Control Flat	1kHz Both ch, -20 dBm	+6.0 dB	+11.5 dBm	+11.5 dBm	+11.5 dBm	-0.5 dBm
7	Tone Control +10dB	1kHz Both ch, -20 dBm	+6.0 dB	+13.4 dBm	+11.5 dBm	+11.5 dBm	-0.5 dBm
8	Tone Control -10dB	1kHz Both ch, -20 dBm	+6.0 dB	+9.6 dBm	+11.5 dBm	+11.5 dBm	-0.5 dBm

RX-V350/HTR-5730

**5. HP Test**

The signal is output including the head margin.

**FRONT 12dB MARGIN**

5. FRONT12dB

Reference data  
 INPUT: DVD ANALOG  
 SWFR: 50Hz, Others: 1kHz

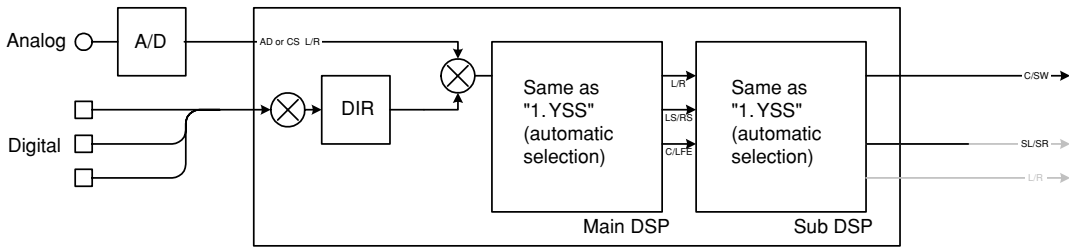
Input level	Volume	SPEAKER OUTPUT (1kHz)			SUBWOOFER OUTPUT (50Hz)
		FRONT L/R	CENTER	SL/SR	
Both ch, -20 dBm	+6.0 dB	+11.5 dBm	- ∞	- ∞	- ∞

**FRONT 15dB MARGIN**

5. FRONT15dB

Reference data  
 INPUT: DVD ANALOG  
 SWFR: 50Hz, Others: 1kHz

Input level	Volume	SPEAKER OUTPUT (1kHz)			SUBWOOFER OUTPUT (50Hz)
		FRONT L/R	CENTER	SL/SR	
Both ch, -20 dBm	+6.0 dB	+14.5 dBm	- ∞	- ∞	- ∞



(Shaded items not used in this example)

**6. OTHER INPUT**

The signal input through the 6CH INPUT terminals is output.

**EXTERNAL DECODER**

6. EXTERNAL DEC

Reference data  
 INPUT: 6CH INPUT  
 SWFR: 50Hz, Others: 1kHz

Input level	Volume	SPEAKER OUTPUT (1kHz)			SUBWOOFER OUTPUT (50Hz)
		FRONT L/R	CENTER	SL/SR	
Both ch, -20 dBm	+6.0 dB	+11.5 dBm	+11.5 dBm	+11.5 dBm	-10.5 dBm



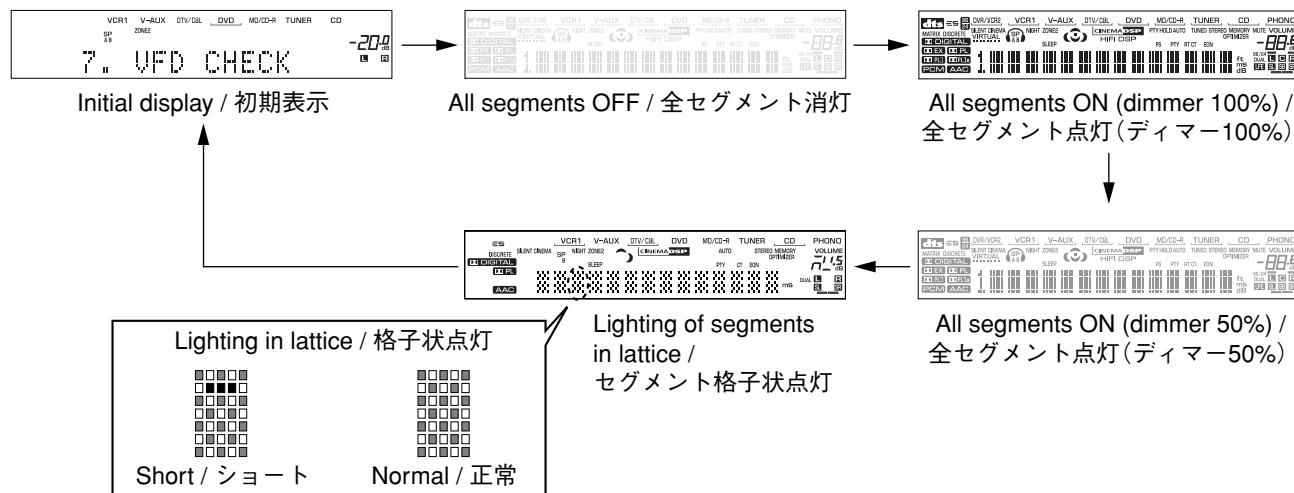
### 7. DISPLAY CHECK

This program is used to check the FL display section. The display condition varies as shown below according to the sub-menu operation. The signals are processed using EFFECT OFF (The L/R signal is output using ANALOG FRONT BYPASS.)

Regarding internal/external synchronization selection of the image signals by the microprocessor control, the internal synchronization is selected when the initial display is provided and when all FL's light up and the external synchronization at any other time.

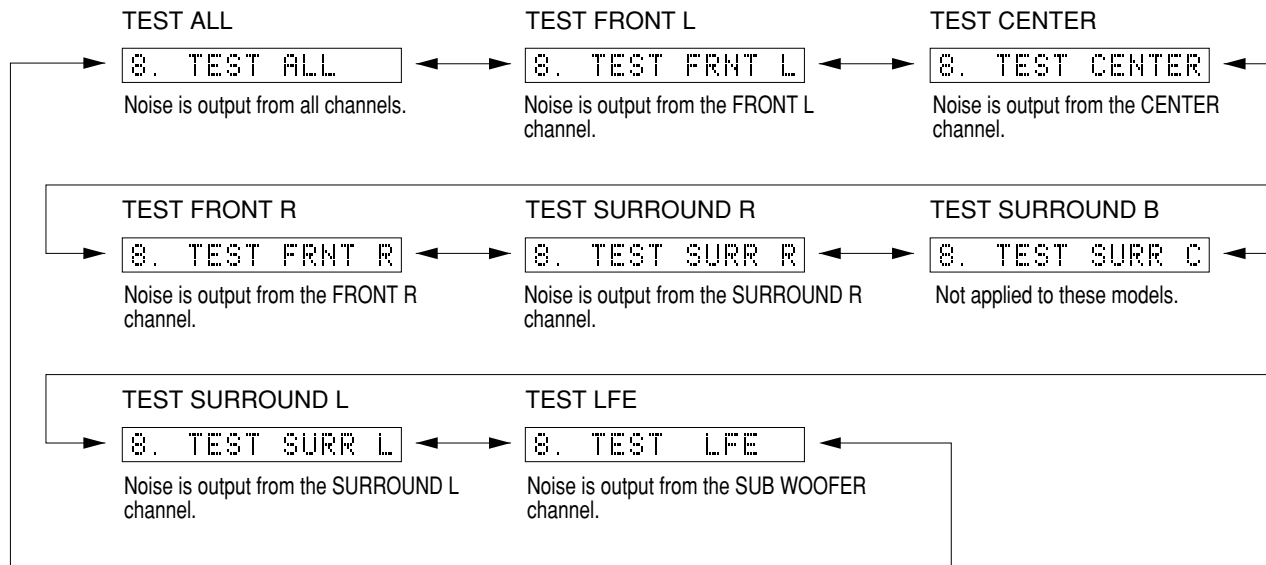
Also, except when the initial display is provided, 128 characters for confirmation of the OSD driver are displayed as the image output.

Segment conditions of the FL driver and the FL tube are checked by turning ON and OFF all segments. Next, the operation of the FL driver is checked by using the dimmer control. Then a short between segments next to each other is checked by turning ON and OFF all segments alternately (in lattice). (In the example below, the segments in the second row from the top are shorted.)



### 8. MANUAL TEST

The noise generator built into the DSP outputs the test noise through the channels specified by the sub-menu. The noise frequency for LFE is 35 to 250 Hz. Other than that, the center frequency is 800Hz.



## 9. FACTORY PRESET

This menu is used to reserve and inhibit initialization of the back-up RAM. The signals are processed using EFFECT OFF. (The L/R signal is output using ANALOG FRONT BYPASS.)

9. PRESET INHI



9. PRESET RSRV

### PRESET INHIBIT (Initialization inhibited)

RAM initialization is not executed. Select this sub-menu to protect the values set by the user. The production history is not erased using this sub-menu.

### PRESET RESERVED (Initialization reserved)

Initialization of the back-up RAM is reserved. (Actually, initialization is executed the next time that the power is turned on.) Select this sub-menu to reset to the original factory settings or to reset the RAM. The production history is not erased using this sub-menu.

**CAUTION:** Before setting to the PRESET RESERVED, write down the existing preset memory content of the Tuner in a table as shown below. (This is because setting to the PRESET RESERVED will cause the user memory content to be erased.)

Preset group	P1	P2	P3	P4	P5	P6	P7	P8
A								
B								
C								
D								
E								

### • PRESET STATIONS / プリセット局

STATION		FM FACTORY PRESET DATA (MHz)	
PAGE	NO.	U, C	A, B, G, E, L, R, T, K
A/C/E	1	87.5	87.5
	2	90.1	90.1
	3	95.1	95.1
	4	98.1	98.10
	5	107.9	108.0
	6	88.1	88.1
	7	106.1	106.1
	8	107.9	108.0

STATION		AM FACTORY PRESET DATA (kHz)	
PAGE	NO.	U, C, R, L	A, B, G, E, T, K
B/D	1	630	630
	2	1080	1080
	3	1440	1440
	4	530	531
	5	1710	1611
	6	900	900
	7	1350	1350
	8	1400	1404

## 10. AD DATA CHECK/FAN TEST

This menu is used to display the A/D conversion value of the terminals which detects panel keys of the main unit and protection functions in % using the sub-menu. During signal processing, the condition before execution is maintained.

\* The figures in the diagram are given as reference only.

### DC/PS (protection detection)

DC: DC protection value (Normal value: 17 to 29)

If DC is out of the normal value range, the protection function works to turn off the power.

PS: Power supply voltage protection value (Normal value: 8 to 26)

If PS is out of the normal value range, the protection function works to turn off the power.

DC: 29% PS: 16%

### THM/Fan (temperature detection/fan drive level)

THM: 500% display of the voltage based on the temperature detected value. Reference voltage : 5V (Normal value: 30 to 147)

Fan: Current fan drive level on the left and the past fan drive history on the right.  
(Not applied to these models.)

THM 43% Fan.../...

### REC-OUT

Not applied to these models.

REC-OUT:

### IMP SW/POWER LIMIT (Impedance/power limiter detection)

IMP: 8 or 4 ohm impedance switch setting  
(Not applied to these models.)

PL: Power limiter detection value

The voltage value of pin No. 91 of IC242 is displayed, using 5V/256 as standard.

The port output is controlled by using the input voltage value of pin No. 91 of IC242.

When higher than VthH, the port output is changed from H to L.

When lower than VthL, the port output is changed from L to H.

Note:

Vth = Threshold voltage

PORT	VthL	VthH	
No.87	2.88V	3.38V	U, C models
	2.98V	3.48V	A, B, G, E, L, R, T, K models

IMP: 8 PL: 255%

### K0/K1 (Panel key of main unit)

A/D of the key fails to function properly when the standard value is deviated. In this case, check the constant of partial pressure resistor, solder condition, etc. Refer to table 1.

K0: 100% K1: 100%

[Table 1]

Display (%)	K0	K1
0 - 6	6CH INPUT	TUNING MODE
7 - 13	INPUT SELECT RIGHT	MEMORY
14 - 21	INPUT SELECT LEFT	PRESET / TUNING ▷
22 - 31	INPUT MODE	PRESET / ◁ TUNING
32 - 41	PROGRAM ▷	A/B/C/D/E
42 - 53	◁ PROGRAM	FM/AM
54 - 63	BASS / TREBLE +	PRESET / TUNING
64 - 72	BASS / TREBLE -	PTY SEEK MODE
73 - 80	STEREO	PTY SEEK START
81 - 88	CONTROL	EON
89 - 95	SPEAKERS	RDS MODE

When K0/K1 menu is selected, keys become non-operable due to detection of the values of all keys. However, it is possible to advance to the next sub-menu by turning the VOLUME of the main unit. When using this function, note that turning the VOLUME more than 2 clicks will cause the volume value to change.

### FAN DRIVE TEST (Not applied to these models.)

HIGH

FAN TEST: HIGH

### FAN DRIVE TEST (Not applied to these models.)

MID

FAN TEST: MID

### FAN DRIVE TEST (Not applied to these models.)

LOW

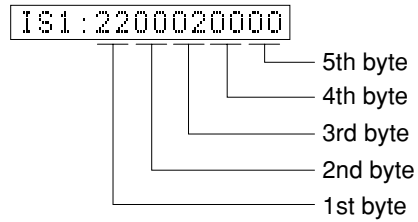
FAN TEST: LOW

### 11. IF STATUS (Input function status)

Using the sub-menu, the status data is displayed one after another in the hexadecimal notation.

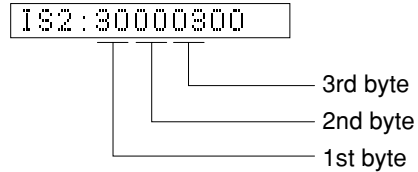
During signal processing, the status before execution of this menu is maintained.

\* Numeric values in the figure example are for reference.



#### IS1, 2 (Internal status):

Indicates the status information of the microprocessor.



<1st byte> Digital input/output setting value  
 Upper 4 bits: REC OUT selected /  
 lower 4 bits: INPUT selected

Value	Choice	Preset name
0	NONE	
1	OPTA	
2	OPTB	D-TV/CBL
3	OPTC	DVD
4	OPTD	
6	OPTF	
8	COAXA	CD
9	COAXB	

<2nd byte> Fs information of reproduction signal

Display	00	01	02	03	04	05	06	0A	0B	0C	0D
Fs (kHz)	Analog	32	44.1	48	64	88.2	96	Unknown NRM	Unknown DBL	Unknown QUAD	Not defined

<3rd byte> Audio code mode information of reproduction signal

Display	00	01	02	03	04	05	06	07	08	09	0A	0B	0C	0D
Audio Code	1+1	1/0	2/0	3/0	2/1	3/1	2/2	3/2	2/3	3/3	OVER 6.1	MULTI MONO	MULTI PCE	Unknown

<4th byte> Format information of reproduction signal

\*1: Analog processing used for digital reproduction is not possible because of a commercial bit or 4-ch audio reason.

Display	Signal format
00	Analog (Unlock)
01	*1
10	PCM Audio
20	Digital Data
21	IEC1937 Data
22	None PCM
23	Unknown
50	dts
51	Red dts
54	dts-ES MATRIX
58	dts-ES DISCRETE
5C	dts-ES (Both flag)
60	AAC
C0	Dolby Digital
C1	D.D. Karaoke
C4	D.D.6.1 (D.D.EX)

<5th byte> Signal processing status information

\*2: With digital signals other than 32kHz, 44.1kHz and 48kHz, through processing method is used for reproducable signals.

bit7	MUTE request	bit3	–
bit6	Red dts flashing	bit2	Through & bypass (*2)
bit5	6.1/EX processing	bit1	–
bit4	FULL MUTE (ON: 1)	bit0	dts analog mute

**CS1-5:** Indicates channel status information of the input signal (IEC60958).

CS1:FFFFFFFF --- CS5:FFFFFFFF

**BY1-4:** Indicates information of the bit stream included in the DOLBY DIGITAL signal.

BY1:FFFFFFFF --- BY4:FFFFFFFF

**BS1-5:** Indicates information of the bit stream included in the dts signal.

BS1:FFFFFFFF --- BS5:1B

**YS1-3:** Indicates device status information of YSS938 (IC601).

\* The numeric value in the figure is an example for reference.

YS1:A3820000B9

Byte No.	Function
1	YSS MUTE Reg
2	YSS MODE Reg
3	YSS IPORT BIT 7-0
4	YSS IPORT BIT 14-8
5	YSS OPORT

YS2:0000000000

Byte No.	Function
1	IEC 1937 Preamble Pc
2	Data Stream Reg
3	Status Reg
4	YSS ZERO Reg
5	MIREG

YS3:6006603D

Byte No.	Function
1	DIR Status
2	DIR fs
3	DIR fs count
4	YSS ZERO BF

**SD:** CS49329 Unsolicited Messages (AUTODETECT\_RESPONSE)  
(Not applied to these models.)

SD :FFFFFFFF

**MTT:** Mute Trigger

MTT:0018001800

Byte No.	Function
1	Mute condition
2	Factor of the last mute
3	Error count of YSS938-FSCNT
4	Mute count by YSS938-FSCNT
5	Error factor of down load of CS49329

## 12. DSP RAM CHECK

This menu is used to self-diagnose whether or not the bus connection for the YSS938 and the external RAM is made properly.

During signal processing, the status before execution of this menu is maintained.

The address bus and the data bus are checked and the connection condition is displayed.

When no error is detected, "NoEr" appears on display.

### YSS938 Bus Check

YSS BUS:NoEr

Display	Description
WAIT	Bus is being checked.
NoEr	No error detected.
DATA	Data bus shorted or open.
RSCS	/RAS or /CAS shorted, or open.
ADDR	Address bus shorted or open.

### PLD / SRAM BUS CHECK

SD BUS:None

Display	Description
WAIT	Bus is being checked.
None	No error detected.
EDxx	Data bus shorted or open. (XX: 00-07)
EAXx	Address bus shorted or open. (XX: 00-0E)

**13. SD DL CODE**

This menu is used to display the data version of the FLASH ROM, TOC information and sum calculated value for the second decoder.

**RDV**

Displays the data version.

```
RDV:XXXXXXXX
```

**TA 0-5**

Displays the TOC information.

```
TAO:FFFFFFFF
```

**SA 0-5**

Displays the sum calculated value.

```
SAO:FFFFFFFF
```

**14. SOFT SW**

This menu is used to switch the function settings on the P.C.B. through the software so as to activate the product. The protection function follows the P.C.B. settings. When connected to AC or in the maker preset state, the unit is initialized to the P.C. B. setting. Display of each function after initialization varies depending on settings on P.C.B. The operation mode can be changed by selecting the sub-menu and then using the EFFECT key. With SOF selected for the SW mode, the settings become effective.

**SW MODE:** PCB or SOFT can be selected.

```
14. SW :PCB
```

**MODEL SETTING:** V350 or V350T can be selected.

As there is no model to replace with, this mode is used the check for the T destination.

```
14. MODEL:V350
```

**TUNER DESTINATION:** UC, AKGTE or RL can be selected.

```
14. DEST :UC
```

**TUNER:** NOT or EXIST can be selected.

```
14. TUNER:NOT
```

**RDS:** NOT or EXIST can be selected.

```
14. RDS :NOT
```

**ZONE2:** NOT or EXIST can be selected.

(Not applied to these models.)

```
14. ZONE2:NOT
```

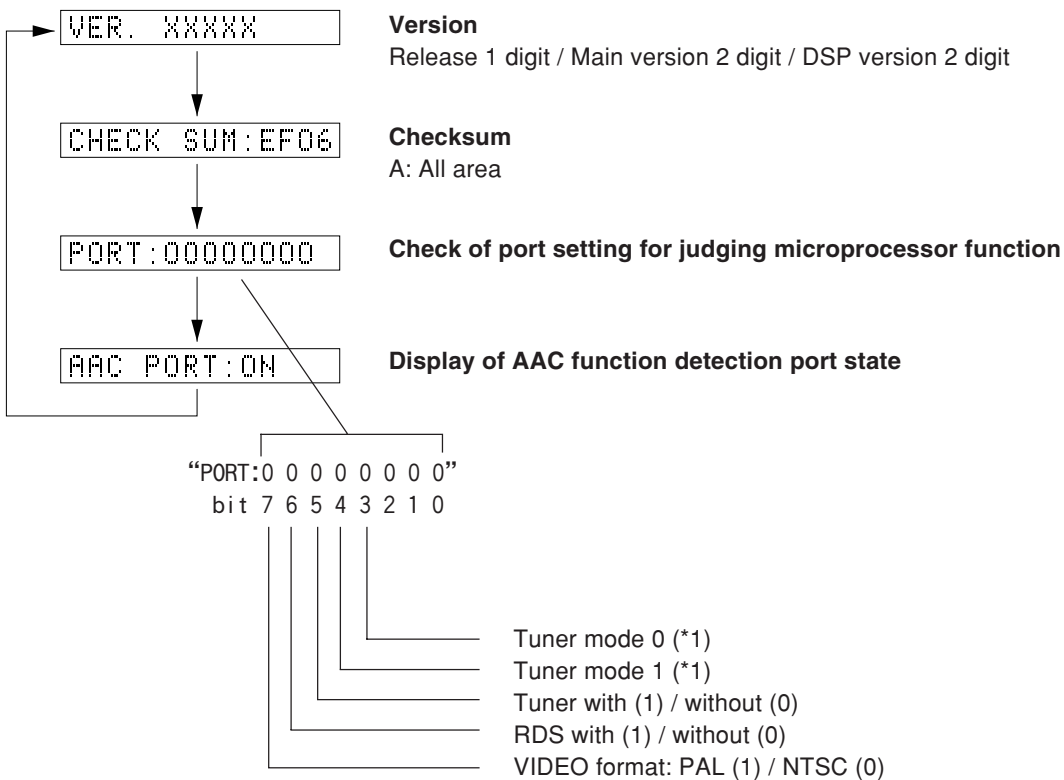
**VIDEO FORMAT:** NTSC or PAL can be selected.

(Not applied to these models.)

```
14. VIDEO:PAL
```

### 15. MICROPROCESSOR INFORMATION

The version, checksum and the port specified by the microprocessor are displayed. The signal is processed using EFFECT OFF. The checksum is obtained by adding the data at every 8 bits for each program area and expressing the result as a 4-figure hexadecimal data.



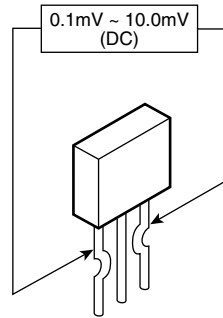
\*1

Type	Tuner mode		Port 3 (type 2)	Frequency range	
	1	0		FM	AM
0	0	0	—	76.0-90.0MHz / 100kHz	531-1611kHz / 9kHz
1	1	0	—	87.5-108.0MHz / 50kHz	531-1611kHz / 9kHz
2	0	1	—	87.5-107.9MHz / 200kHz	530-1710kHz / 10kHz
3	1	1	Low	87.5-108.0MHz / 100kHz	530-1710kHz / 10kHz
			High	87.5-108.0MHz / 50kHz	531-1611kHz / 9kHz

## ■ CONFIRMATION OF IDLING CURRENT

### Confirmation of Idling Current of Main (1) P. C. B.

- Right after the power is turned on, confirm that the voltage across the terminals of R157 (Front Lch), R158 (Front Rch), R148 (Center), R156 (Surround Lch), R159 (Surround Rch) are between 0.1mV and 10.0mV.

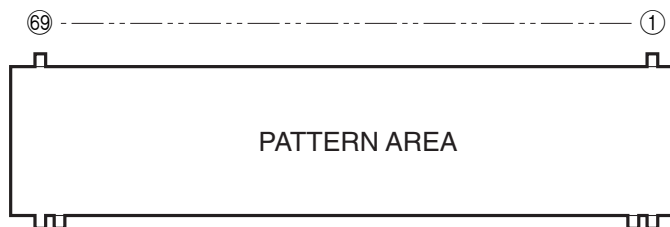


R157 (FRONT Lch)  
R158 (FRONT Rch)  
R148 (CENTER)  
R156 (SURROUND Lch)  
R159 (SURROUND Rch)



## ■ DISPLAY DATA

### ● V851 : 16-BT-122GNK (WC173100)

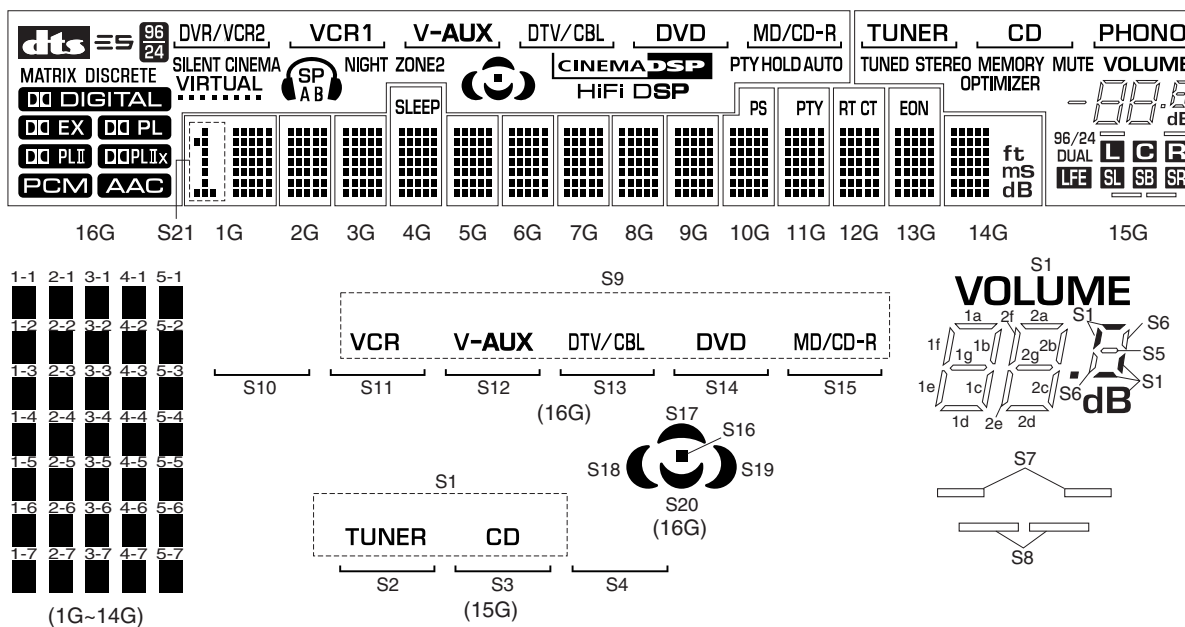


### ● PIN CONNECTION

Pin No.	69	68	67	66	65	64	63	62	61	60	59	58	57	56	55	54	53	52	51	50	49	48	47	46	45	44	43	42	41	40	39	38	37	36	35
Connection	F2	F2	NP	NP	P1	P2	P3	P4	P5	P6	P7	P8	P9	P10	P11	P12	P13	P14	P15	P16	P17	P18	P19	P20	P21	P22	P23	P24	P25	P26	P27	P28	P29	P30	P31
Pin No.	34	33	32	31	30	29	28	27	26	25	24	23	22	21	20	19	18	17	16	15	14	13	12	11	10	9	8	7	6	5	4	3	2	1	
Connection	P32	P33	P34	P35	P36	P37	P38	NX	NX	NX	NX	NX	NX	NX	16G	15G	14G	13G	12G	11G	10G	9G	8G	7G	6G	5G	4G	3G	2G	1G	NP	NP	F1	F1	


Note : 1) F1, F2 ..... Filament 2) NP ..... No pin 3) NX ..... No extended 4) DL ..... Datum line 5) 1G ~ 16G ..... Grid

### ● GRID ASSIGNMENT



RX-V350/HTR-5730

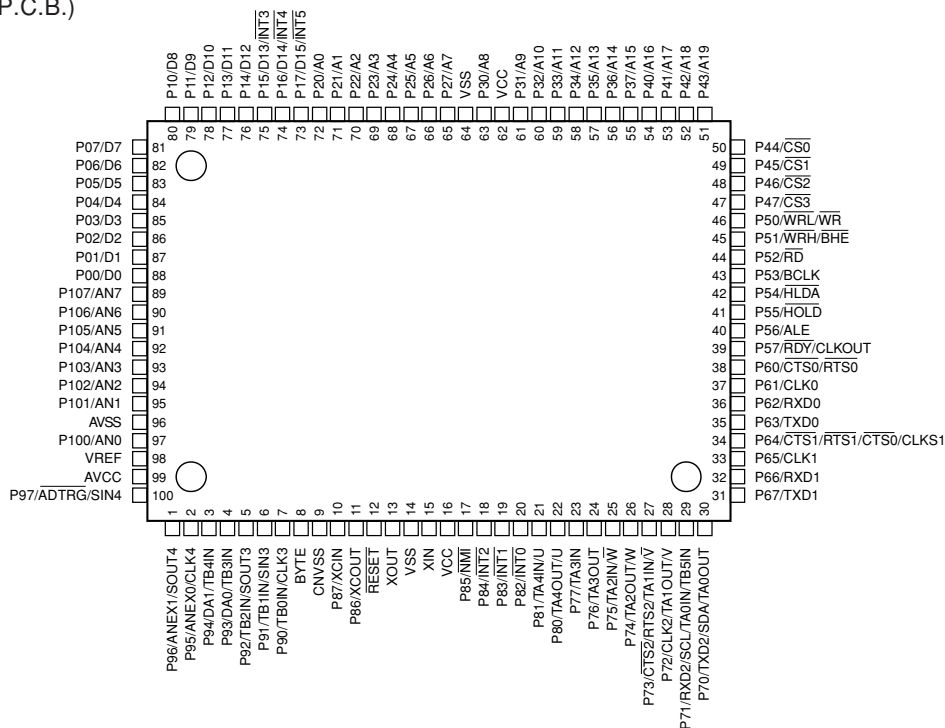
## ● ANODE CONNECTION

	16G	15G	14G	13G	12G	11G	10G	9G~5G	4G	3G	2G	1G
P1	<b>dtS</b>	S1	1-1	1-1	1-1	1-1	1-1	1-1	1-1	1-1	1-1	1-1
P2	<b>ES</b>	S7	2-1	2-1	2-1	2-1	2-1	2-1	2-1	2-1	2-1	2-1
P3	MATRIX	S8	3-1	3-1	3-1	3-1	3-1	3-1	3-1	3-1	3-1	3-1
P4	DISCRETE	—	4-1	4-1	4-1	4-1	4-1	4-1	4-1	4-1	4-1	4-1
P5	<b>96/24</b>	1a	5-1	5-1	5-1	5-1	5-1	5-1	5-1	5-1	5-1	5-1
P6	<b>DIGITAL</b>	1b	1-2	1-2	1-2	1-2	1-2	1-2	1-2	1-2	1-2	1-2
P7	<b>EX</b>	1c	2-2	2-2	2-2	2-2	2-2	2-2	2-2	2-2	2-2	2-2
P8	<b>PL</b>	1d	3-2	3-2	3-2	3-2	3-2	3-2	3-2	3-2	3-2	3-2
P9	<b>PLII</b>	1e	4-2	4-2	4-2	4-2	4-2	4-2	4-2	4-2	4-2	4-2
P10	<b>AAC</b>	1f	5-2	5-2	5-2	5-2	5-2	5-2	5-2	5-2	5-2	5-2
P11	<b>PCM</b>	1g	1-3	1-3	1-3	1-3	1-3	1-3	1-3	1-3	1-3	1-3
P12	ZONE2	2a	2-3	2-3	2-3	2-3	2-3	2-3	2-3	2-3	2-3	2-3
P13	<b>VIRTUAL</b>	2b	3-3	3-3	3-3	3-3	3-3	3-3	3-3	3-3	3-3	3-3
P14	SILENT CINEMA	2c	4-3	4-3	4-3	4-3	4-3	4-3	4-3	4-3	4-3	4-3
P15		2d	5-3	5-3	5-3	5-3	5-3	5-3	5-3	5-3	5-3	5-3
P16	SP	2e	1-4	1-4	1-4	1-4	1-4	1-4	1-4	1-4	1-4	1-4
P17	A	2f	2-4	2-4	2-4	2-4	2-4	2-4	2-4	2-4	2-4	2-4
P18	B	2g	3-4	3-4	3-4	3-4	3-4	3-4	3-4	3-4	3-4	3-4
P19	HIFI DSP	S5	4-4	4-4	4-4	4-4	4-4	4-4	4-4	4-4	4-4	4-4
P20	<b>CINEMA DSP</b>	S6	5-4	5-4	5-4	5-4	5-4	5-4	5-4	5-4	5-4	5-4
P21	S16	PHONO	1-5	1-5	1-5	1-5	1-5	1-5	1-5	1-5	1-5	1-5
P22	S17	S2	2-5	2-5	2-5	2-5	2-5	2-5	2-5	2-5	2-5	2-5
P23	S18	S3	3-5	3-5	3-5	3-5	3-5	3-5	3-5	3-5	3-5	3-5
P24	S19	S4	4-5	4-5	4-5	4-5	4-5	4-5	4-5	4-5	4-5	4-5
P25	S20	STEREO	5-5	5-5	5-5	5-5	5-5	5-5	5-5	5-5	5-5	5-5
P26	S9	TUNED	1-6	1-6	1-6	1-6	1-6	1-6	1-6	1-6	1-6	1-6
P27	<b>DVR/VCR2</b>	MEMORY	2-6	2-6	2-6	2-6	2-6	2-6	2-6	2-6	2-6	2-6
P28	1	MUTE	3-6	3-6	3-6	3-6	3-6	3-6	3-6	3-6	3-6	3-6
P29	S10	OPTIMIZER	4-6	4-6	4-6	4-6	4-6	4-6	4-6	4-6	4-6	4-6
P30	S11	96/24	5-6	5-6	5-6	5-6	5-6	5-6	5-6	5-6	5-6	5-6
P31	S12	DUAL	1-7	1-7	1-7	1-7	1-7	1-7	1-7	1-7	1-7	1-7
P32	S13	<b>LFE</b>	2-7	2-7	2-7	2-7	2-7	2-7	2-7	2-7	2-7	2-7
P33	S14	<b>L</b>	3-7	3-7	3-7	3-7	3-7	3-7	3-7	3-7	3-7	3-7
P34	NIGHT	<b>C</b>	4-7	4-7	4-7	4-7	4-7	4-7	4-7	4-7	4-7	4-7
P35	<b>DOLBIx</b>	<b>R</b>	5-7	5-7	5-7	5-7	5-7	5-7	5-7	5-7	5-7	5-7
P36	S15	<b>SL</b>	ft	EON	RT	PTY	PS	—	SLEEP	—	—	S21
P37	AUTO	<b>SB</b>	mS	—	CT	—	—	—	—	—	—	—
P38	PTY HOLD	<b>SR</b>	dB	—	—	—	—	—	—	—	—	—

# IC DATA

IC242: M30626FHPFP (MAIN P.C.B.)

16bit μ-COM (Main CPU)



No.	Port No.	Function name	I/O	Detail of function
1	SOUT4	DTFD	SO	FL Driver TxD
2	CLK4	CKFD	SCK	FL Driver CLOCK
3	P94	/BLK	O	FL Driver OFF
4	P93		I	Open (Unconnected)
5	SOUT3	SDM	SO	YSS938 TxD
6	SIN3	SDD	SI	YSS938 RxD
7	CLK3	YSSCK	SCK	YSS938 CLOCK
8	BYTE		VSS	Vss: when single chip mode is used
9	CNVss	CNVss	Vss/Vcc	Vss: when single chip mode is used, Vcc: when flash writing is used
10	P87	CSY	O	YSS938 CE
11	P86	/ICD	O	YSS938/DA/AD/CODEC/DEM
12	RESET	RESET	I	Reset
13	Xout	Xout		Oscillator Out
14	Vss	Vss	Vss	μ-COM Ground
15	Xin	Xin	16MHz	Oscillator in
16	Vcc	Vcc	Vcc (BU)	μ-COM power supply, +5V
17	NMI	NMI	Vcc (BU)	Connect to Vcc because it is unused.
18	INT2	INT938	INT	YSS938 IPINT/MUTE/DIR
19	INT1	PSW	INT	Standby SW Input
20	INT0	REM1	INT	Remote Control Input
21	P81		I	Open (Unconnected)
22	P80		O	Open (Unconnected)
23	P77	/HP	I (IPU)	Headphone Detect
24	P76	VRA	I (IPU)	Volume Rotary A
25	P75	VRB	I (IPU)	Volume Rotary B
26	P74	CSN	O	Chip Select for DAC (Unconnected)
27	P73	/ICCDK	O	CODEC Reset
28	CLK2		O	Open (Unconnected)
29	P71		O	Open (Unconnected)
30	TXD2		O	Open (Unconnected)
31	TXD1	TXDF	FLASH	Flash ROM Serial Write Data Transmission
32	RXD1	RXDF	FLASH	Flash ROM Serial Write Data Reception
33	CLK1	CLKF	FLASH	Flash ROM Serial Clock
34	P64	BSY	FLASH	Flash BUSY Signal Output
35	TXD0	CSR	SO	CS493x RxD (Unconnected)
36	RXD0	CST	SI	CS493x TxD (Unconnected)
37	CLK0	CSC	CLK	CS493x Clock (Unconnected)
38	P60	/CEEEP	O	EEPROM CE
39	P57	SDTR	O	RDS/OSD TxD
40	P56	SDRR	SI/I (IPU)	RDS RxD / Frequency SW (Dest R)
41	P55	/EMP	GND	For Flash Writing (LO)
42	P54	SCKR	SCK	RDS/OSD Clock
43	P53	/CSCS	O	CS493x CS (Unconnected)

RX-V350/HTR-5730

IC242: M30626FHPFP (MAIN P.C.B.)

16bit  $\mu$ -COM (Main CPU)

No.	Port No.	Function name	I/O	Detail of function
44	P52	/ICCS	O	CS493x Reset (Unconnected)
45	P51	/CSPLD	O	Digital External Control IC CE (Unconnected)
46	P50	/CE	I	For Flash Writing (HI)
47	P47	CSINT	I/O	CS-DSP INT/ABOOT (Unconnected)
48	P46	/FMT	O	Mute Front
49	P45	/CMT	O	Mute Center
50	P44	/SMT	O	Mute Surround
51	P43	/MTSW	O	Mute LFE
52	P42	/CRY	O	Center SP Relay Output (Unconnected)
53	P41	/HPRY	O	Headphone SP Relay Output
54	P40		O	Open (Unconnected)
55	P37	GAIN	O	Gain
56	P36	BD_MUTE	O	BD3816 Mute
57	P35	HPF	O	HPF
58	P34	CKBD	O	Clock Line for BD38xx System Control
59	P33	DTBD	O	Data Line for BD38xx System Control
60	P32	VIA	O	Video Selector A
61	P31	VIB	O	Video Selector B
62	Vcc	Vcc	Vcc (BU)	$\mu$ -COM Power Supply, +5V
63	P30		O	Open (Unconnected)
64	Vss	Vss	Vss	$\mu$ -COM Ground
65	P27	/VR1	O	Video Rec Out Selector 1
66	P26		O	Open (Unconnected)
67	P25		O	Open (Unconnected)
68	P24		O	Open (Unconnected)
69	P23		O	Open (Unconnected)
70	P22		O/I	Open (Unconnected)
71	P21		O	Open (Unconnected)
72	P20	RDSE	O/I	RDS Enable, RDS Present/Absent
73	P17	CEP/TUN1	O/I	PLL IC Enable/Destination Discriminate 1
74	INT4	PDET	INT	Power Down Detect INT
75	INT3	5M SW	INT	5M Switch Output
76	P14	SCKP/TUN0	O/I	PLL IC Clock/Destination Discriminate 0
77	P13	SDTP	O	PLL IC Tx D
78	P12	SDRP	I (IPU)	PLL IC Rx D
79	P11	TUNED	I (IPU)	Tuned
80	P10	/ST	I (IPU)	Tuner/ST
81	P07	TMT	O	Tuner Mute
82	P06	PRY	O	Power Relay Output
83	P05	SRY	O	Surround SP Relay Output
84	P04	FRRY B	O	Front B SP Relay Output
85	P03	FRRY A	O	Front A SP Relay Output
86	P02	PRI	I	Protection Excess Current Detect
87	P01	RIMA	O	Power Limiter A
88	P00		O	Open (Unconnected)
89	AN7	MODEL	AD	Connection Discriminate
90	AN6	PRD	AD	Protection DC Detect
91	AN5	PREMT	AD	Power Limiter Detect
92	AN4	THM	AD	Temperature Detect
93	AN3		AD	Open (Unconnected)
94	AN2	ADKEY0	AD	Key AD Input 0
95	AN1	ADKEY1	AD	Key AD Input 1
96	Avss	Avss	Vss	AD Ground
97	AN0	PRV	AD	Protection Power Supply Voltage Detect
98	Vref	Vref	(+5v)	AD Reference
99	Avcc	Avcc	Vcc (BU)	AD Power Supply
100	P97	CEFD	O	FL Driver CE

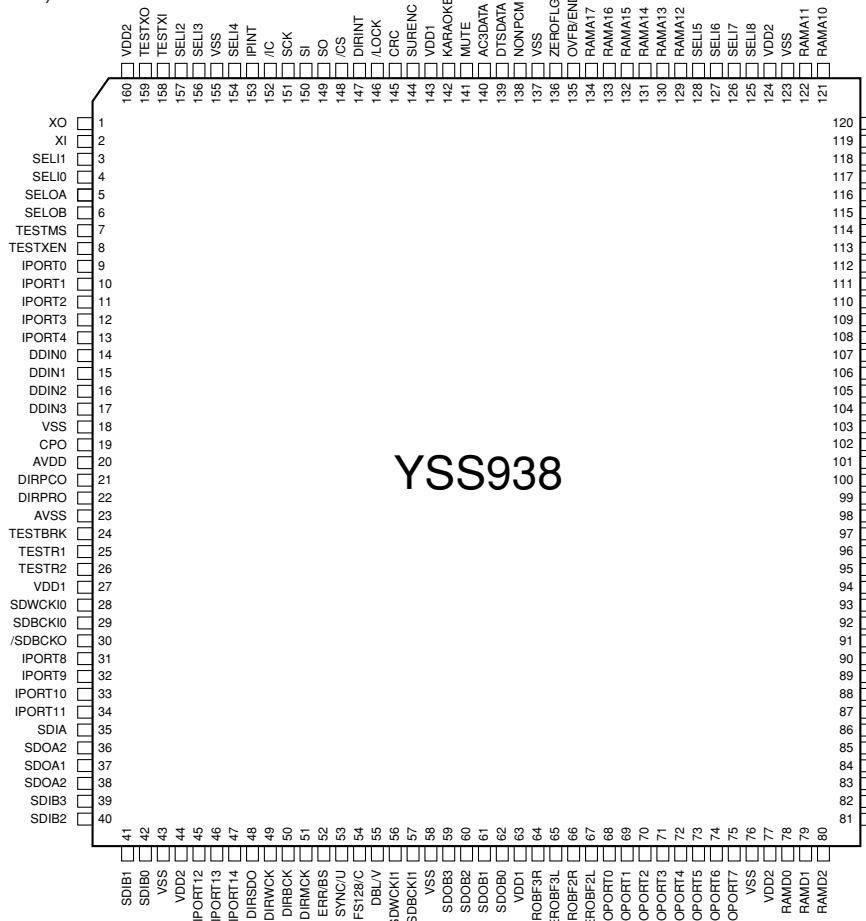
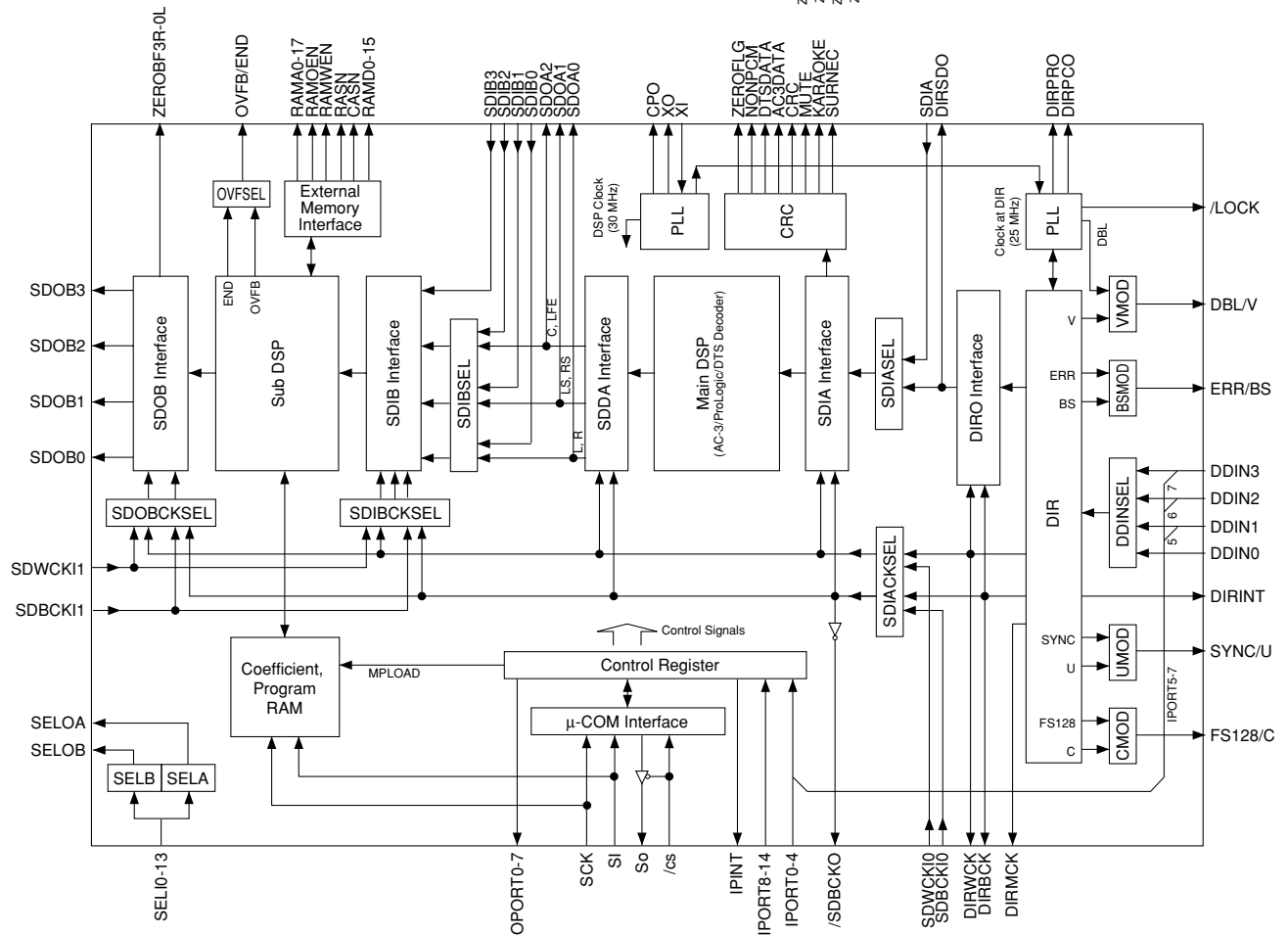
Key Input (A-D) Pull-Up Resistance 10 k-Ohms

Ohm	0.0	+1.0k	+1.0k	+1.5k	+2.2k	+3.3k	+4.7k	+6.8k	+10.0k	+22.0k	+47.0k
V	0.0~0.3	~0.65	~1.05	~1.55	~2.05	~2.65	~3.15	~3.6	~1.0	~4.4	~4.75
ADKEY0 (94Pin,AN2)	6CH INPUT	INPUT	INPUT	INPUT	PROGRAM	PROGRAM	BASS/TREBLE	BASS/TREBLE	STEREO	CONTROL	SPEAKERS A/B/OFF
ADKEY1 (95Pin,AN1)	TUNING MODE	MEMORY	PRESET/TUNING	PRESET/TUNING	A/B/C/D/E	FM/AM	PRESET/TUNING	PTY SEEK MODE	PTY SEEK START	EON	RDS MODE/FREQ

IC801 : YSS938 (DSP P.C.B.)  
DSP

RX-V350/HTR-5730

YSS938



IC801 : YSS938 (DSP P.C.B.)

DSP

No.	Name	I/O	Function
1	XO	O	Crystal oscillator connecting terminal
2	XI	I	Crystal oscillator connecting terminal (24.576MHz)
3	SELI1	I+	Built-in selector input 1 (AXD) (Unconnected)
4	SELI0	I+	Built-in selector input 0 (GND)
5	SELOA	O+	Built-in selector output A (ISEL)
6	SELOB	O+	Built-in selector output B (RSEL) (Unconnected)
7	TESTMS	I+	Test terminal (Unconnected)
8	TESTXEN	I+	Test terminal (Unconnected)
9	IPOINT0	I+	General purpose input terminal (CXDTA)
10	IPOINT1	I+	General purpose input terminal (CXDTB)
11	IPOINT2	I+	General purpose input terminal
12	IPOINT3	I+	General purpose input terminal
13	IPOINT4	I+	General purpose input terminal
14	DDIN0	Is	DIR: Digital audio interface data input terminal 0 (ISEL)
15	DDIN1	Is	DIR: Digital audio interface data input terminal 1/General purpose input terminal (Pull down)
16	DDIN2	Is	DIR: Digital audio interface data input terminal 2/General purpose input terminal (Pull down)
17	DDIN3	Is	DIR: Digital audio interface data input terminal 3/General purpose input terminal (Pull down)
18	VSS		Ground terminal
19	CPO	A	PLL filter connecting terminal
20	AVDD		+3.3V power terminal (for DIR)
21	DIRPCO	A	DIR: PLL filter connecting terminal
22	DIRPRO	A	DIR: PLL filter connecting terminal
23	AVSS		Ground terminal (for DIR)
24	TESTBRK	I+	Test terminal (Unconnected)
25	TESTR1	I+	PLL initialization signal input terminal for DSP (/ICD)
26	TESTR2	I+	Test terminal (Unconnected)
27	VDD1		+3.3V power terminal (for terminal section)
28	SDWCKI0	I+	Word clock input terminal for SDIA, SDOA, SDIB, SDOB interface (WCKG) (Unconnected)
29	SDBCKI0	I+	Bit clock input terminal for SDIA, SDOA, SDIB, SDOB interface (BCKG) (Unconnected)
30	/SDBCK0	O	DIRBCK or SDBCKI0 invert clock output terminal (Unconnected)
31	IPOINT8	I+	IPINT general purpose input terminal
32	IPOINT9	I+	IPINT general purpose input terminal (NONPCM)
33	IPOINT10	I+	IPINT general purpose input terminal (NONPCM)
34	IPOINT11	I+	IPINT general purpose input terminal (MUTE)
35	SDIA	I	AC-3/DTS bit stream (or PCM) data input terminal to Main DSP (SDIA)
36	SDOA2	O	PCM output terminal from Main DSP (C/LFE output) (Unconnected)
37	SDOA1	O	PCM output terminal from Main DSP (LS/RS output) (Unconnected)
38	SDOA0	O	PCM output terminal from Main DSP (L/R output) (Unconnected)
39	SDIB3	I+	PCM input terminal 3 to Sub DSP (Unconnected)
40	SDIB2	I+	PCM input terminal 2 to Sub DSP (Unconnected)
41	SDIB1	I+	PCM input terminal 1 to Sub DSP (Unconnected)
42	SDIB0	I+	PCM input terminal 0 to Sub DSP (Unconnected)
43	VSS		Ground terminal
44	VDD2		+2.5V power terminal (for internal circuit)
45	IPOINT12	I+	IPINT general purpose input terminal (DIRINT)
46	IPOINT13	I+	IPINT general purpose input terminal (DBL)
47	IPOINT14	I+	IPINT general purpose input terminal (DBL)
48	DIRSDO	O	AC-3/DTS bit stream (or PCM) data output terminal from DIR (Unconnected)
49	DIRWCK	O	DIR: Serial data word clock (fs) output terminal (WCK)
50	DIRBCK	O	DIR: Serial data bit clock (64fs) output terminal (BCK)
51	DIRMCK	O	DIR: Serial data master clock (256fs or 128fs) output terminal (MCK)
52	ERR/BS	O	DIR: Data error detect output/block start output terminal (Unconnected)
53	SYNC/U	O	DIR: Serial data synchronous timing output/user data output terminal (Unconnected)
54	FS128/C	O	DIR: Serial data master clock 128fs output/channel status output terminal (FS128) (Unconnected)
55	DBL/V	O	DIR: Double rate clock output/validity flag output terminal (DBL)

## IC801 : YSS938 (DSP P.C.B.)

## DSP

No.	Name	I/O	Function	
56	SDWCK11	I+	Word clock input terminal for SDIB, SDOB interface	(WCKG) (Unconnected)
57	SDBCK11	I+	Bit clock input terminal for SDIB, SDOB interface	(BCKG) (Unconnected)
58	VSS		Ground terminal	
59	SDOB3	O	PCM output terminal from Sub DSP	
60	SDOB2	O	PCM output terminal from Sub DSP	
61	SDOB1	O	PCM output terminal from Sub DSP	
62	SDOB0	O	PCM output terminal from Sub DSP	
63	VDD1		+3.3V power terminal (for terminal section)	
64	ZEROBF3R	O+	SDOB3 Rch zero flag output terminal	(ZF3R) (Unconnected)
65	ZEROBF3L	O+	SDOB3 Lch zero flag output terminal	(ZF3L) (Unconnected)
66	ZEROBF2R	O+	SDOB2 Rch zero flag output terminal	(ZF2R) (Unconnected)
67	ZEROBF2L	O+	SDOB2 Lch zero flag output terminal	(ZF2L) (Unconnected)
68	OPORT0	O	General purpose output terminal	(/RINH1) (Unconnected)
69	OPORT1	O	General purpose output terminal	(/RINH2) (Unconnected)
70	OPORT2	O	General purpose output terminal	(/ICDA)
71	OPORT3	O	General purpose output terminal	(/ICAD) (Unconnected)
72	OPORT4	O	General purpose output terminal	(DPS)
73	OPORT5	O	General purpose output terminal	(RST) (Unconnected)
74	OPORT6	O	General purpose output terminal	(ERROR) (Unconnected)
75	OPORT7	O	General purpose output terminal	(/PRST) (Unconnected)
76	VSS		Ground terminal	
77	VDD2		+2.5V power terminal (for internal circuit)	
78	RAMD0	I+/O	Sub DSP: External memory data terminal 0	
79	RAMD1	I+/O	Sub DSP: External memory data terminal 1	
80	RAMD2	I+/O	Sub DSP: External memory data terminal 2	
81	RAMD3	I+/O	Sub DSP: External memory data terminal 3	
82	ZEROBF1R	O+	SDOB1 Rch zero flag output terminal	(ZF1R) (Unconnected)
83	ZEROBF1L	O+	SDOB1 Lch zero flag output terminal	(ZF1L) (Unconnected)
84	ZEROBF0R	O+	SDOB0 Rch zero flag output terminal	(ZF0R) (Unconnected)
85	ZEROBF0L	O+	SDOB0 Lch zero flag output terminal	(ZF0L) (Unconnected)
86	RAMD4	I+/O	Sub DSP: External memory data terminal 4	
87	RAMD5	I+/O	Sub DSP: External memory data terminal 5	
88	RAMD6	I+/O	Sub DSP: External memory data terminal 6	
89	RAMD7	I+/O	Sub DSP: External memory data terminal 7	
90	VSS		Ground terminal	
91	VDD1		+3.3V power terminal (for terminal section)	
92	RAMD8	I+/O	Sub DSP: External memory data terminal 8	
93	RAMD9	I+/O	Sub DSP: External memory data terminal 9	
94	RAMD10	I+/O	Sub DSP: External memory data terminal 10	
95	RAMD11	I+/O	Sub DSP: External memory data terminal 11	
96	RAMD12	I+/O	Sub DSP: External memory data terminal 12	
97	RAMD13	I+/O	Sub DSP: External memory data terminal 13	
98	RAMD14	I+/O	Sub DSP: External memory data terminal 14	
99	RAMD15	I+/O	Sub DSP: External memory data terminal 15	
100	CASN	O	Sub DSP: Column address strobe output terminal for external DRAM	
101	RAMWEN	O	Sub DSP: Write enable terminal for external memory	
102	RAMOEN	O	Sub DSP: Output enable terminal for external memory	
103	RASN	O	Sub DSP: Low address strobe output terminal for external DRAM	
104	VSS		Ground terminal	
105	VDD1		+3.3V power terminal (for terminal section)	
106	RAMA8	O	Sub DSP: External memory address terminal 8	
107	RAMA7	O	Sub DSP: External memory address terminal 7	
108	RAMA0	O	Sub DSP: External memory address terminal 0	
109	RAMA6	O	Sub DSP: External memory address terminal 6	
110	RAMA1	O	Sub DSP: External memory address terminal 1	

IC801 : YSS938 (DSP P.C.B.)

DSP

No.	Name	I/O	Function
111	RAMA5	O	Sub DSP: External memory address terminal 5
112	RAMA2	O	Sub DSP: External memory address terminal 2
113	SELI13	I+	Built-in selector input 13 (Unconnected)
114	SELI12	I+	Built-in selector input 12 (Unconnected)
115	SELI11	I+	Built-in selector input 11 (Unconnected)
116	SELI10	I+	Built-in selector input 10 (Unconnected)
117	SELI9	I+	Built-in selector input 9 (CXB) (Unconnected)
118	RAMA4	O	Sub DSP: External memory address terminal 4
119	RAMA3	O	Sub DSP: External memory address terminal 3
120	RAMA9	O	Sub DSP: External memory address terminal 9 (Unconnected)
121	RAMA10	O	Sub DSP: External memory address terminal 10 (Unconnected)
122	RAMA11	O	Sub DSP: External memory address terminal 11 (Unconnected)
123	VSS		Ground terminal
124	VDD2		+2.5V power terminal (for internal circuit)
125	SELI8	I+	Built-in selector input 8 (CXA)
126	SELI7	I+	Built-in selector input 7 (GND)
127	SELI6	I+	Built-in selector input 6 (OPTF) (Unconnected)
128	SELI5	I+	Built-in selector input 5 (Unconnected)
129	RAMA12	O	Sub DSP: External memory address terminal 12 (Unconnected)
130	RAMA13	O	Sub DSP: External memory address terminal 13 (Unconnected)
131	RAMA14	O	Sub DSP: External memory address terminal 14 (Unconnected)
132	RAMA15	O	Sub DSP: External memory address terminal 15 (Unconnected)
133	RAMA16	O	Sub DSP: External memory address terminal 16 (Unconnected)
134	RAMA17	O	Sub DSP: External memory address terminal 17 (Unconnected)
135	OVFB/END	O	Sub DSP: Overflow/program end detect terminal (Unconnected)
136	ZEROFLG	O	Main DSP: Zero flag output terminal (Unconnected)
137	VSS		Ground terminal
138	NONPCM	O	Main DSP: Non-PCM data detect terminal
139	DTSDATA	O	Main DSP: DTS data detect terminal (Unconnected)
140	AC3DATA	O	Main DSP: AC3 data detect terminal (Unconnected)
141	MUTE	O	Main DSP: Auto mute detect terminal
142	KARAOKE	O	Main DSP: AC3 KARAOKE data detect terminal (Unconnected)
143	VDD1	+3.3V	Power terminal (for terminal section)
144	SURENC	O	Main DSP: AC-3 2/0 mode Dolby surround encode input detect terminal (Unconnected)
145	CRC	O	Main DSP: AC3 CRC error detect terminal (Unconnected)
146	/LOCK	O	DIR: PLL lock detect terminal (Unconnected)
147	DIRINT	O	DIR: Interrupt output terminal
148	/CS	Is	Microprocessor interface chip select input terminal (/CSY)
149	SO	Ot	Microprocessor interface data output terminal (SDDY)
150	SI	Is	Microprocessor interface data input terminal (SDMYB)
151	SCK	Is	Microprocessor interface clock input terminal (SCKYB)
152	/IC	Is	Initial clear input terminal (/ICYP)
153	IPINT	O+	Interrupt output terminal by IPORT 8-14
154	SELI4	I+	Built-in selector input 4 (OPTD) (Unconnected)
155	VSS		Ground terminal
156	SELI3	I+	Built-in selector input 3 (OPTC)
157	SELI2	I+	Built-in selector input 2 (OPTB)
158	TESTXI	I	Test terminal (should be always connected to VSS)
159	TESTXO	O	Test terminal (Unconnected)
160	VDD2	+2.5V	Power terminal (for internal circuit)

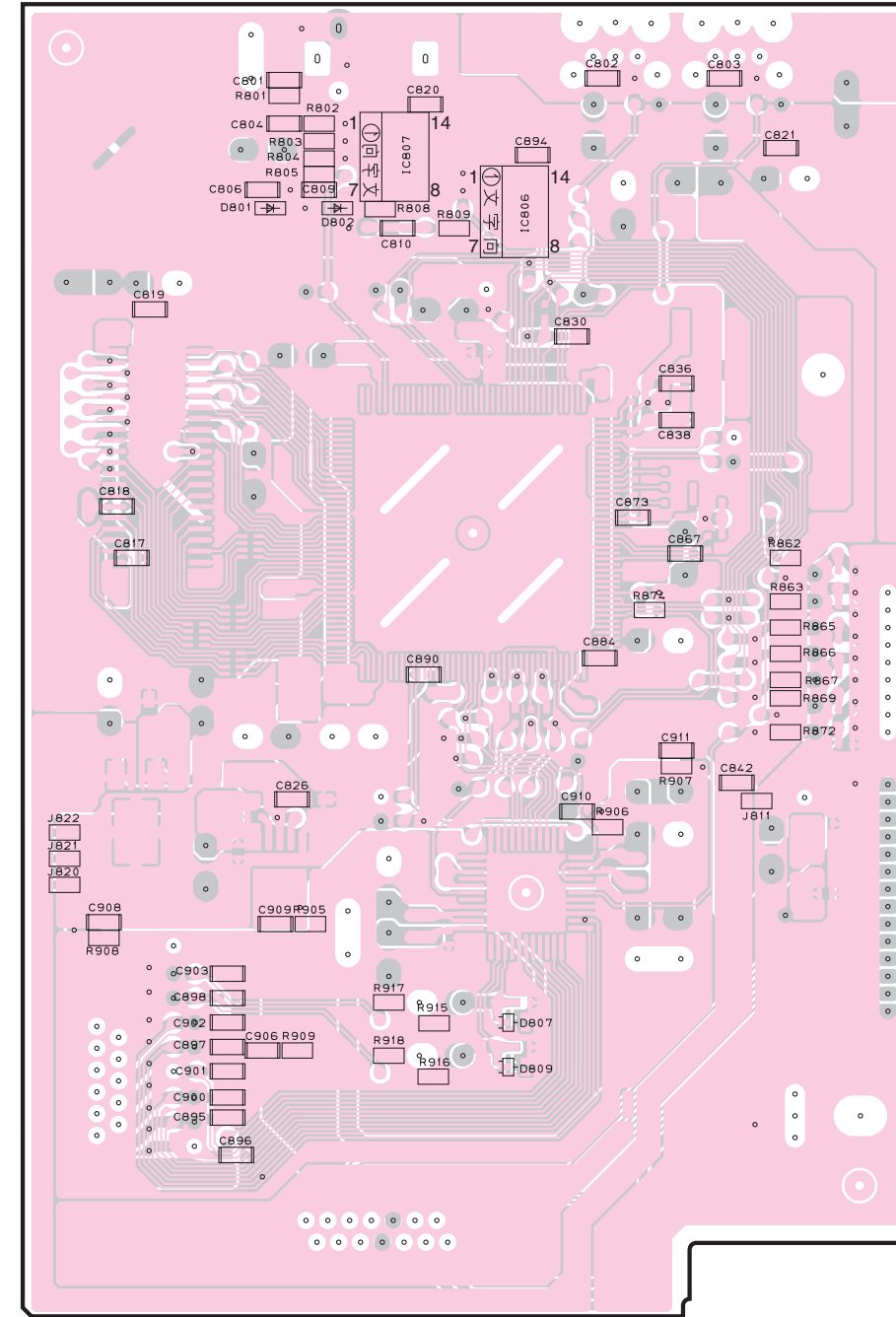
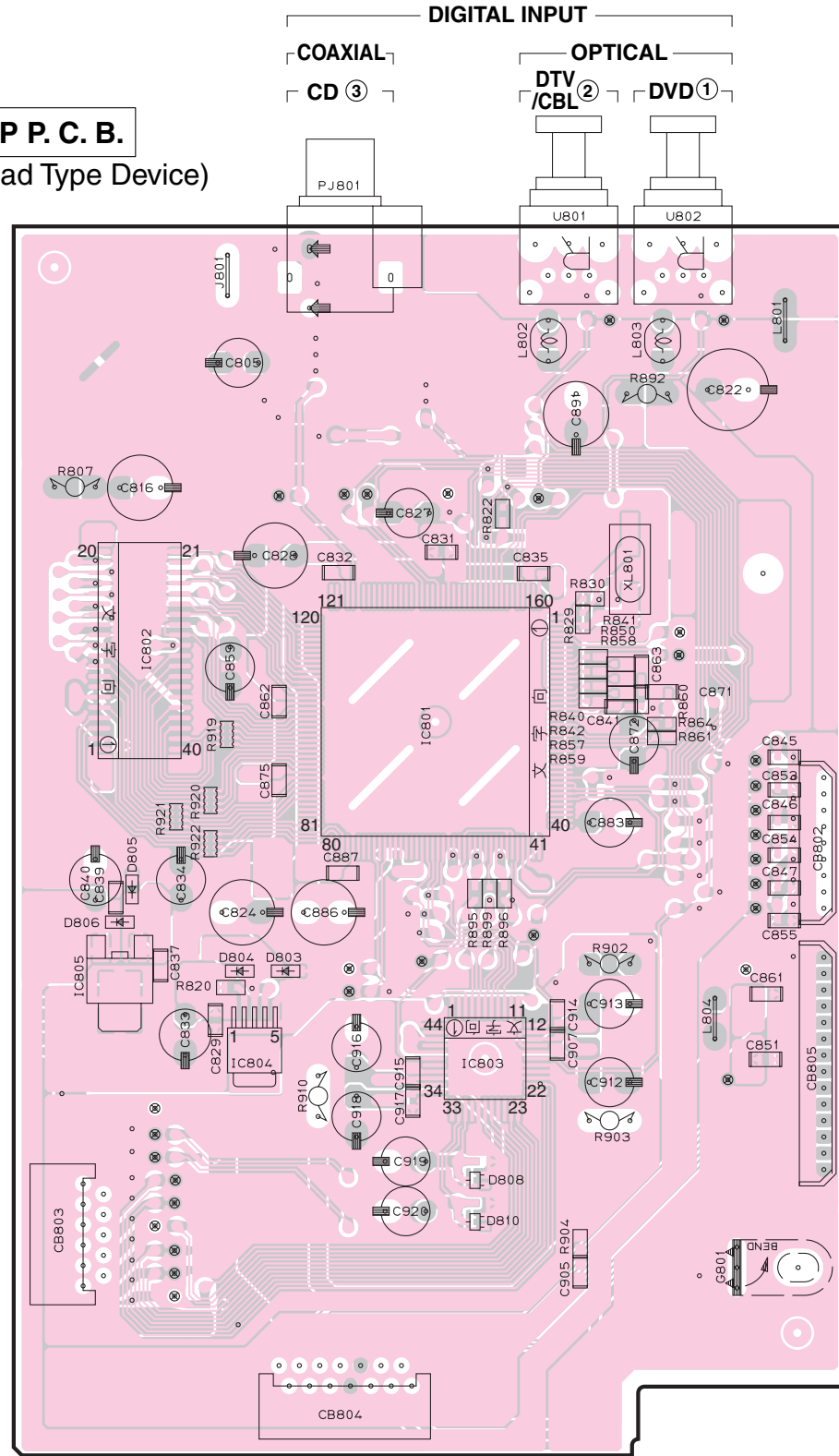
Is: Schmidt trigger input terminal  
I+: Input terminal with pull-up resistor  
O: Digital output terminal  
Ot: 3-state digital output terminal  
A: Analog terminal



1 ■ PRINTED CIRCUIT BOARD (Foil side)

DSP P. C. B.  
(Lead Type Device)

DSP P. C. B.  
(Surface Mount Device)



ADL  
ADR  
E  
DAL  
E  
DAR  
C  
SW  
RL  
RR  
FUNCTION (1)

VRB  
VRA  
REM1  
PSW  
BLK  
CKFD  
DTFD  
CEFD  
ADKEY0  
ADKEY1  
+5MS  
VP  
+5M  
FUNCTION (2)

MAIN (1)  
SDM  
SDD  
YSSCK  
CSY  
/ICD  
/INT938  
/ICDC  
+5D1  
+5D2  
VRB  
VRA  
REM1  
PSW  
/BLK  
CKFD  
DTFD  
CEFD  
ADKEY1  
ADKEY0  
+5MS  
MG  
+5M  
VP  
MAIN (1)

• Semiconductor Location

Ref. no.	Location
D801	G3
D802	G3
D803	C5
D804	C5
D805	B4
D806	B5
D807	H6
D808	D5
D809	H6
D810	D6
IC801	C4
IC802	B4
IC803	D5
IC804	C5
IC805	B5
IC806	H3
IC807	G3





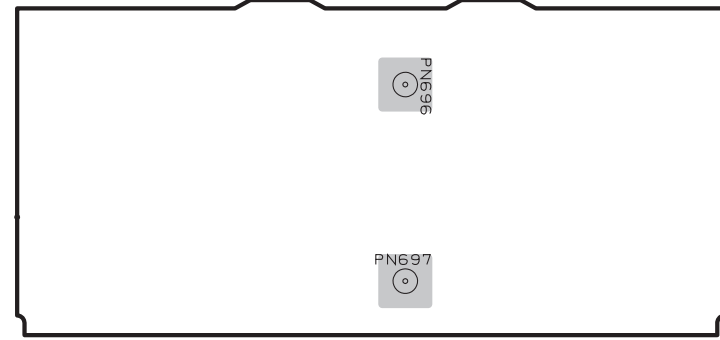
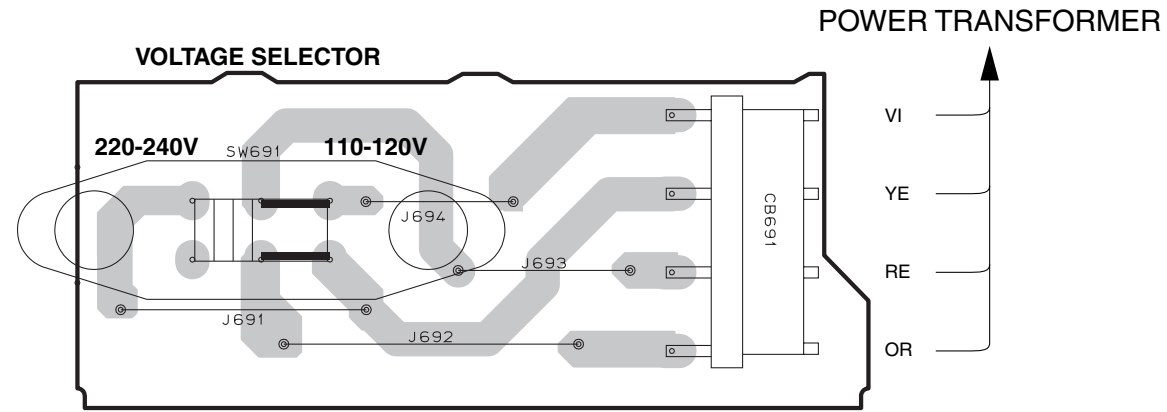


1 ■ PRINTED CIRCUIT BOARD (Foil side)

**FUNCTION (7) P. C. B.** (Lead Type Device)

R, L model only

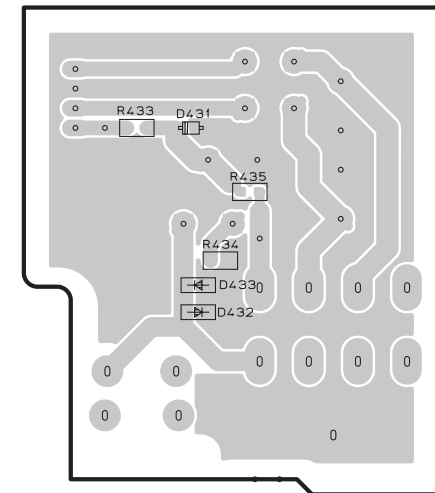
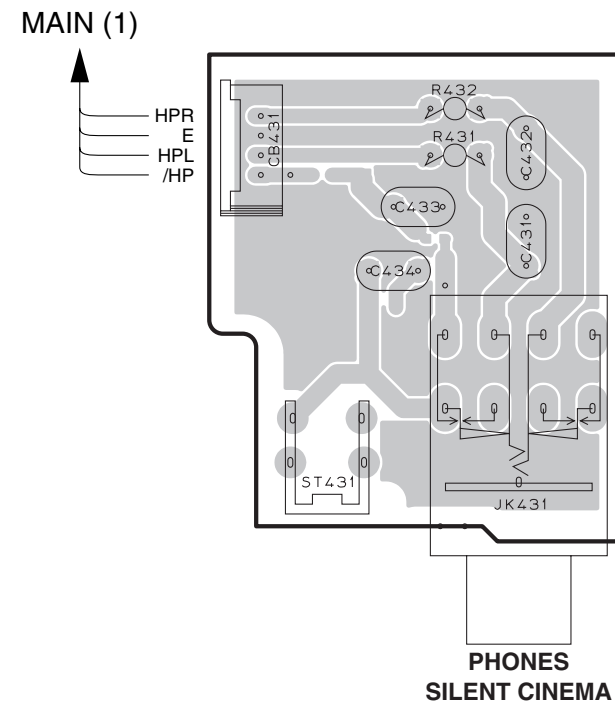
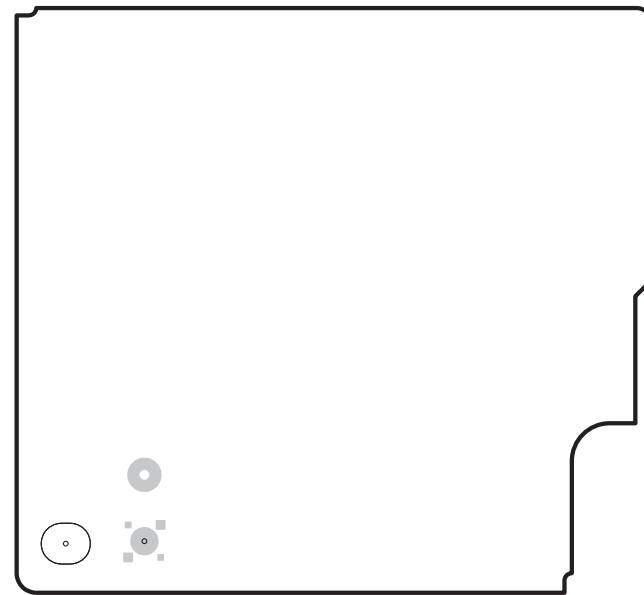
**FUNCTION (8) P. C. B.** (Lead Type Device)



**FUNCTION (9) P. C. B.** (Lead Type Device)

**FUNCTION (10) P. C. B.** (Lead Type Device)

**FUNCTION (10) P. C. B.** (Surface Mount Device)

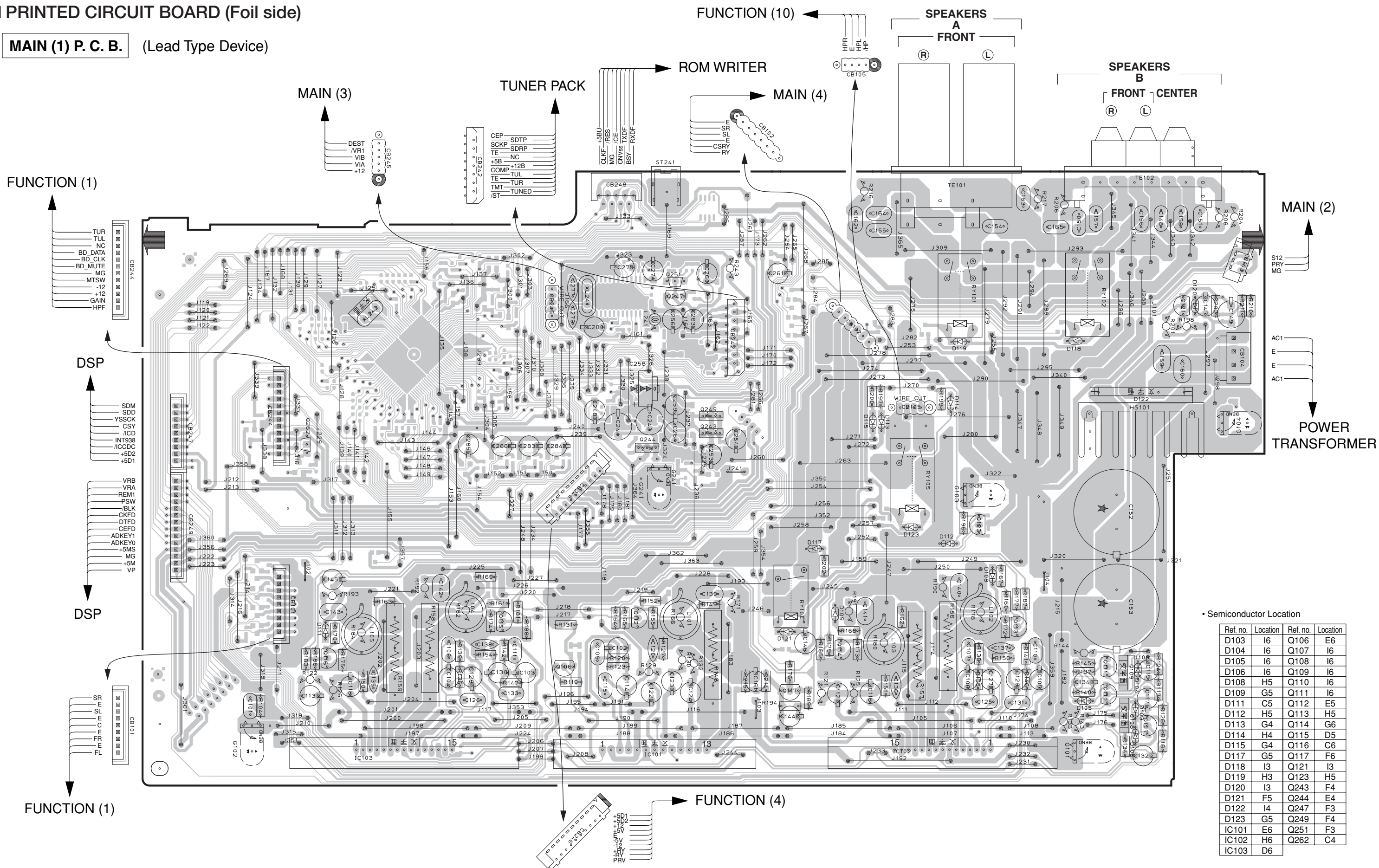


• Semiconductor Location

Ref. no.	Location
D431	H5
D432	H6
D433	H6

PRINTED CIRCUIT BOARD (Foil side)

MAIN (1) P. C. B. (Lead Type Device)



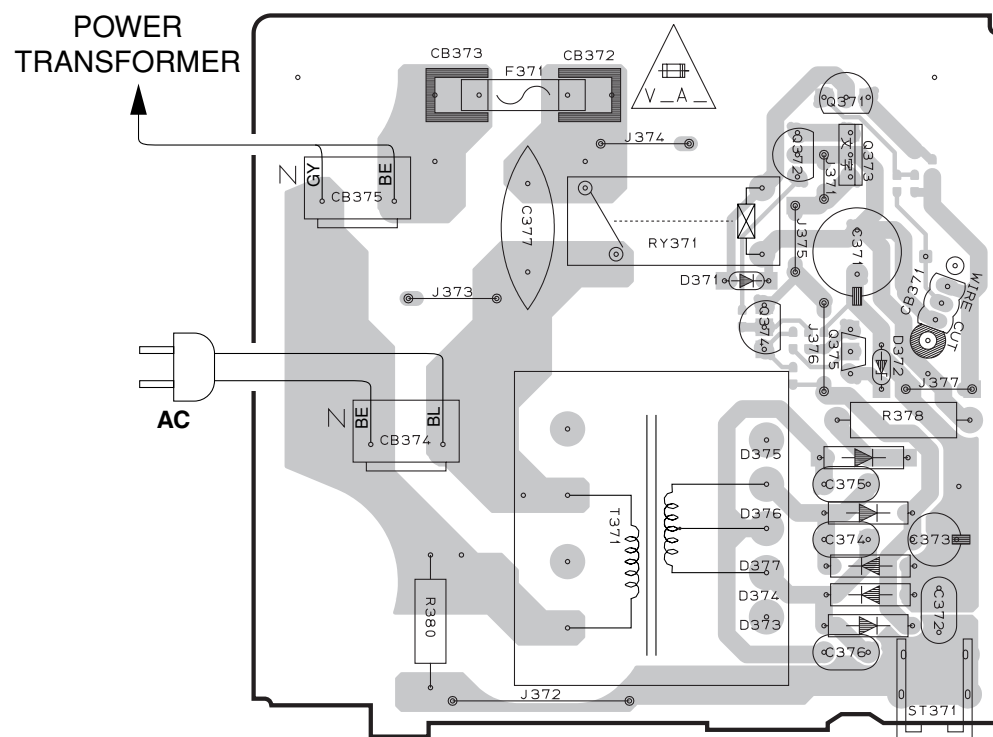
• Semiconductor Location

Ref. no.	Location	Ref. no.	Location
D103	I6	Q106	E6
D104	I6	Q107	I6
D105	I6	Q108	I6
D106	I6	Q109	I6
D108	H5	Q110	I6
D109	G5	Q111	I6
D111	C5	Q112	E5
D112	H5	Q113	H5
D113	G4	Q114	G6
D114	H4	Q115	D5
D115	G4	Q116	C6
D117	G5	Q117	F6
D118	I3	Q121	I3
D119	H3	Q123	H5
D120	I3	Q243	F4
D121	F5	Q244	E4
D122	I4	Q247	F3
D123	G5	Q249	F4
IC101	E6	Q251	F3
IC102	H6	Q262	C4
IC103	D6		

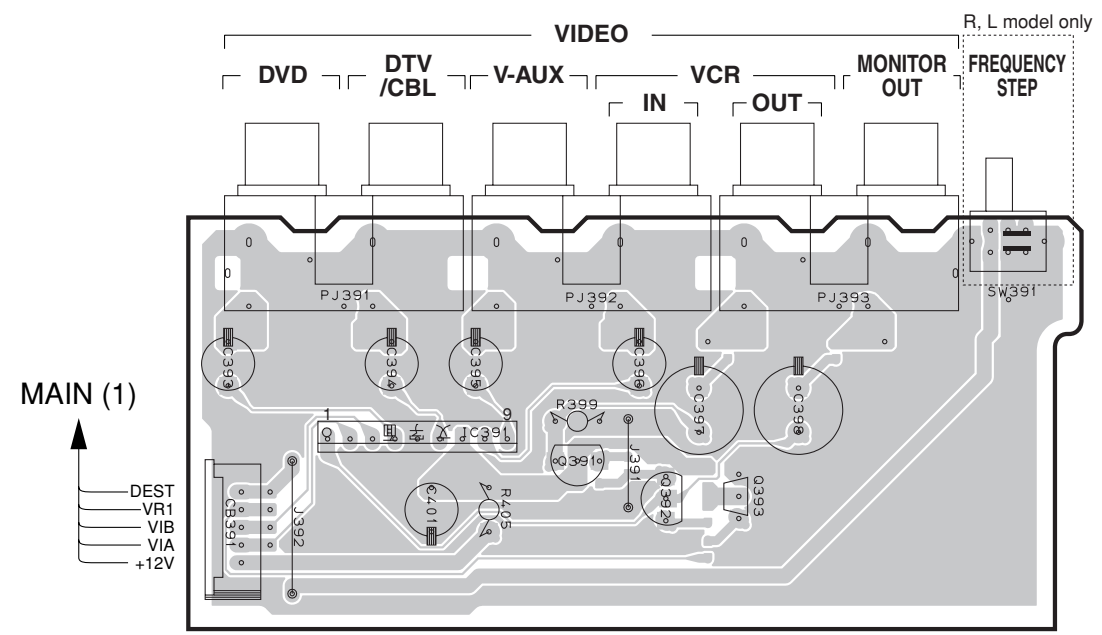


PRINTED CIRCUIT BOARD (Foil side)

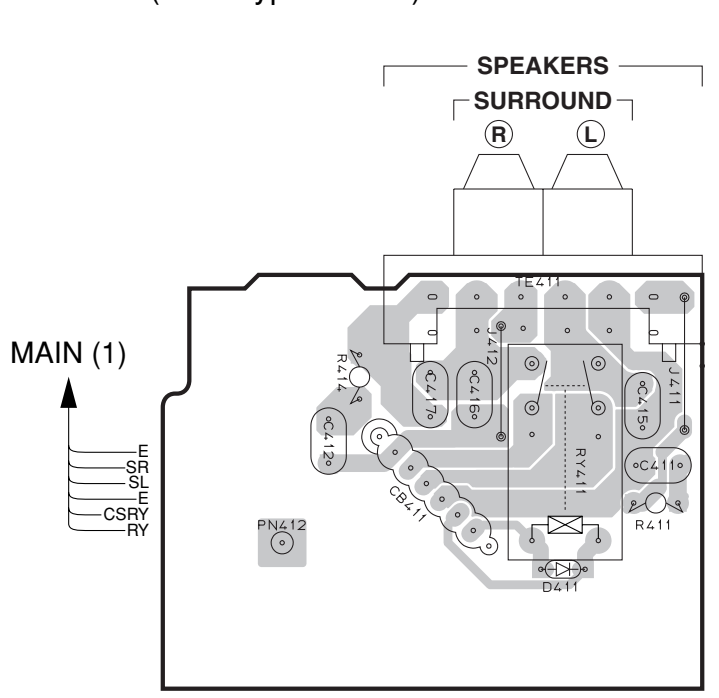
MAIN (2) P. C. B. (Lead Type Device)



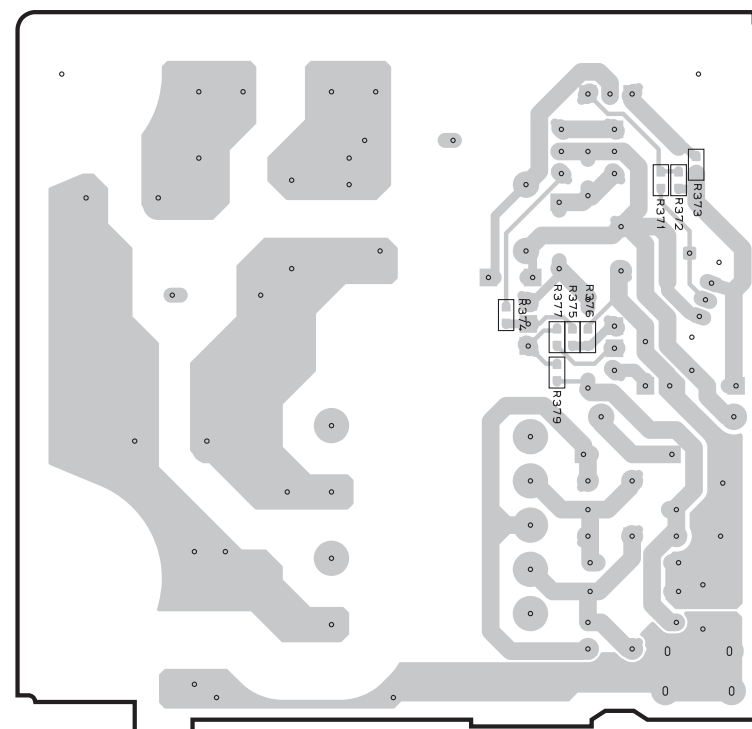
MAIN (3) P. C. B. (Lead Type Device)



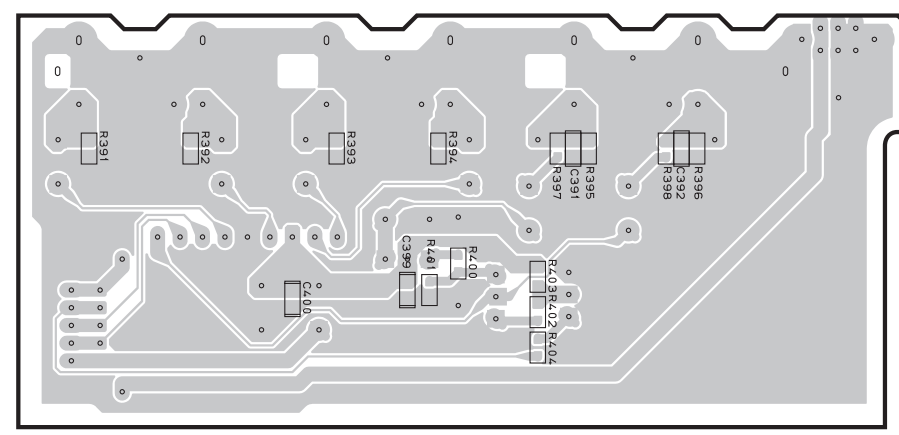
MAIN (4) P. C. B. (Lead Type Device)



MAIN (2) P. C. B. (Surface Mount Device)



MAIN (3) P. C. B. (Surface Mount Device)



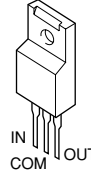
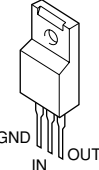
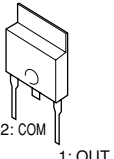
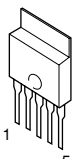
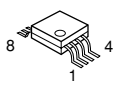
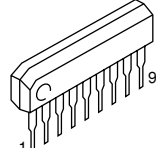
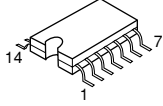
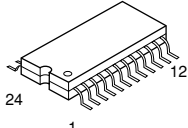
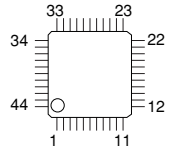
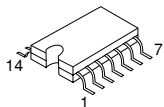
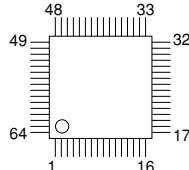
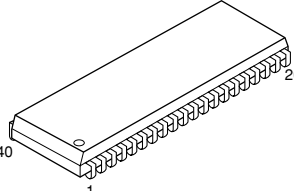
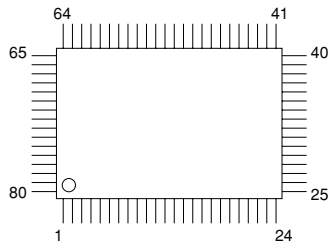
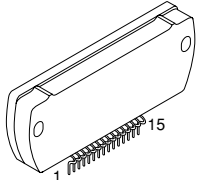
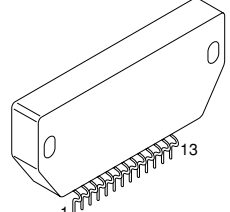
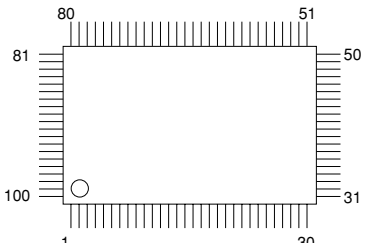
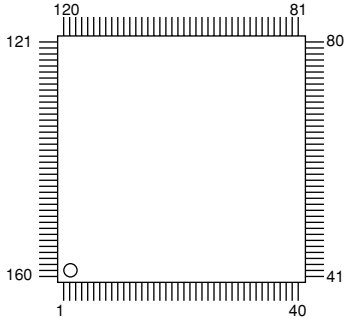
• Semiconductor Location

Ref. no.	Location
D371	C3
D372	D3
D373	D3
D374	D3
D375	D3
D376	D3
D377	D3
D411	J3
IC391	F3
Q371	D2
Q372	C2
Q373	D2
Q374	C3
Q375	D3
Q391	G3
Q392	G3
Q393	G3



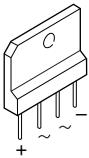
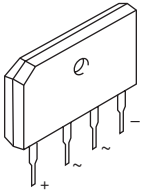
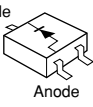
# PIN CONNECTION DIAGRAM

• ICs

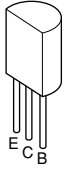
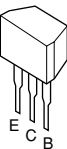
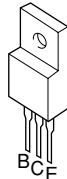
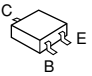
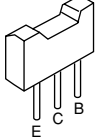
<p>KIA7805API KIA7812API</p> 	<p>KIA7912PI</p> 	<p>μPC29M33T-E1</p> 	<p>PQ025EZ5MZP</p> 	<p>NJM2068MD</p> 	<p>LA7956</p> 	<p>MM74HCU04SJX TC74HCT08AF</p> 
<p>LC72722PM</p> 	<p>AK4628VQ</p> 	<p>TC74HCT08AF</p> 	<p>M66003-0101FP</p> 	<p>MSM514260E-60JS</p> 		
<p>BD3816K1</p> 	<p>STK403-130Y</p> 	<p>STK404-130Y</p> 				
<p>M30626FHFPF</p> 	<p>YSS938</p> 					

RX-V350/HTR-5730

• Diodes

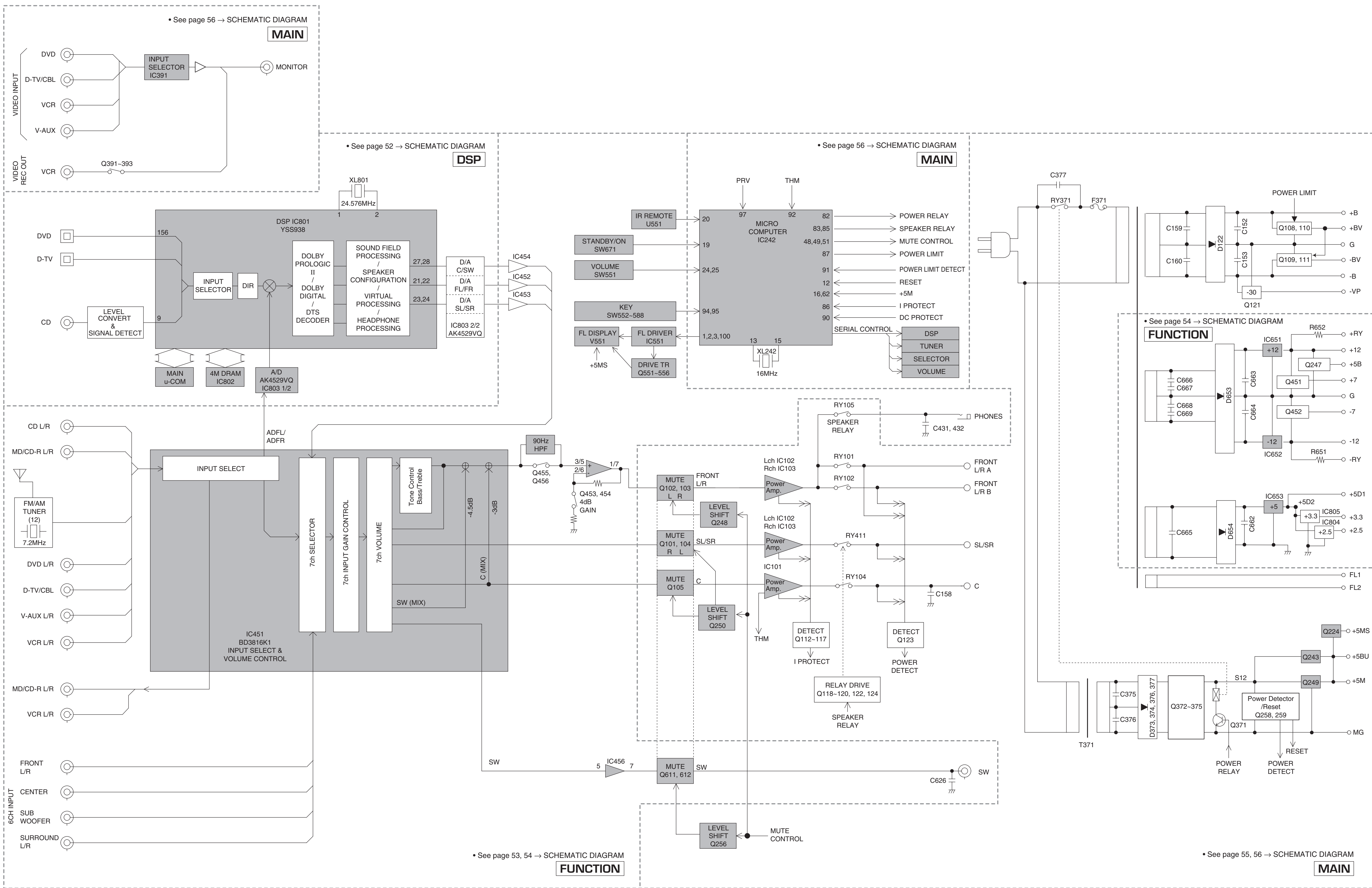
<p>1SS133 1SS270A 1T2</p>	<p>MTZJ20B MTZJ4.7A MTZJ30A MTZJ20A</p>	<p>1SS355 MA8075-H UDZ5.1B UDZ6.8B UDZS5.6BTE-17 UDZS6.2B UDZS9.1B KDS160-RTK</p>
<p>TS6P03G</p> 	<p>KBP103G</p> 	<p>SB01-05Q</p> 

• Transistors

<p>2SA1015 2SB949 2SC1815 2SC2705 2SA2N5401C-AT 2SC2N5551C-AT</p> 	<p>2SC1740S KRA104M-AT KRC102M-AT</p> 	<p>2SB1274 2SD1913</p> 
<p>2SA1037K 2SC2412K 2SC3326 KRA104S-RTK KRC104S-RTK KRC102S-RTK</p> 	<p>2SA1708 2SC4488</p> 	

RX-V350/HTR-5730

■ BLOCK DIAGRAM



RX-V350/HTR-5730  
**SCHEMATIC DIAGRAM (DSP)**

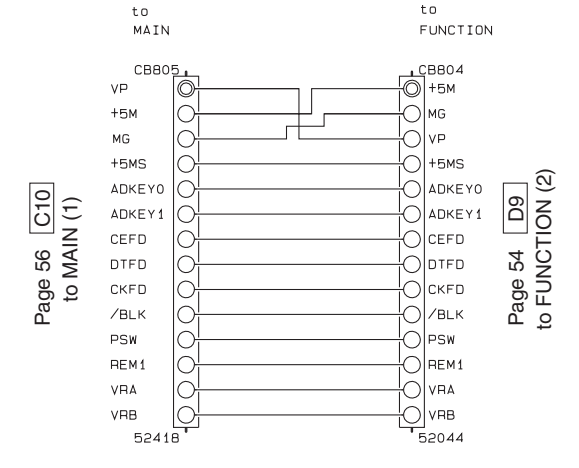
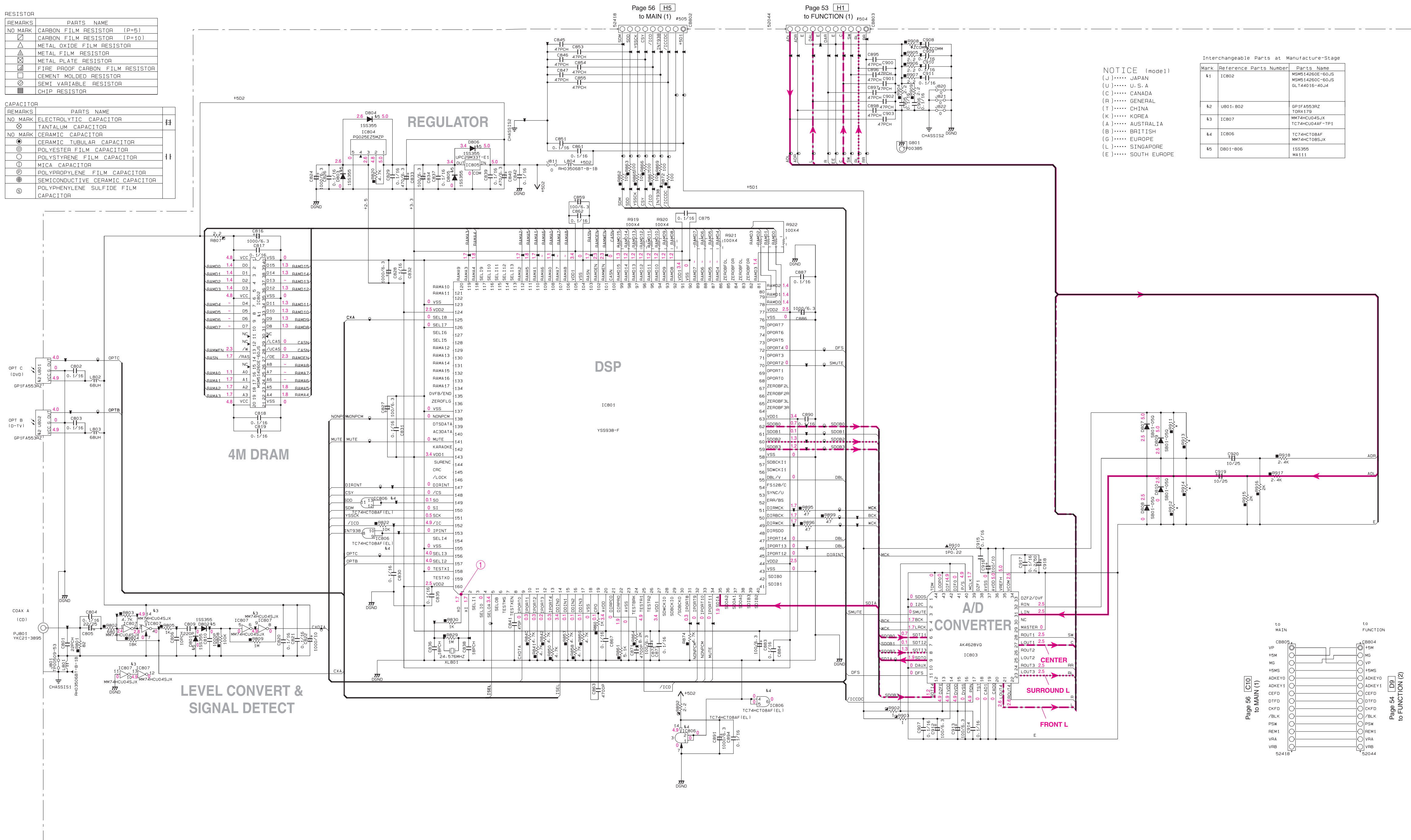
REMARKS	PARTS NAME
NO MARK	CARBON FILM RESISTOR (P=5)
□	CARBON FILM RESISTOR (P=10)
△	METAL OXIDE FILM RESISTOR
▲	METAL FILM RESISTOR
⊗	METAL PLATE RESISTOR
⊕	FINE PROOF CARBON FILM RESISTOR
□	CEMENT MOLDED RESISTOR
⊙	SEMI VARIABLE RESISTOR
■	CHIP RESISTOR

REMARKS	PARTS NAME
NO MARK	ELECTROLYTIC CAPACITOR
⊗	TANTALUM CAPACITOR
NO MARK	CERAMIC CAPACITOR
⊙	CERAMIC TUBULAR CAPACITOR
⊕	POLYESTER FILM CAPACITOR
⊖	POLYSTYRENE FILM CAPACITOR
⊙	MICA CAPACITOR
⊕	POLYPROPYLENE FILM CAPACITOR
⊖	SEMICONDUCTIVE CERAMIC CAPACITOR
⊙	POLYPHENYLENE SULFIDE FILM CAPACITOR

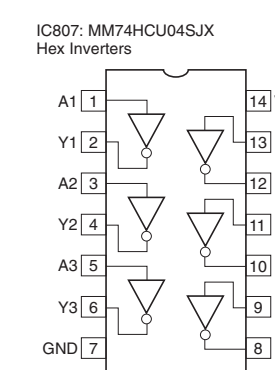
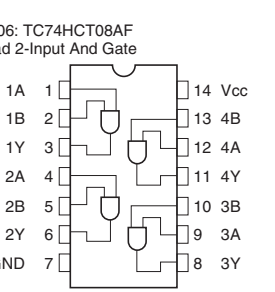
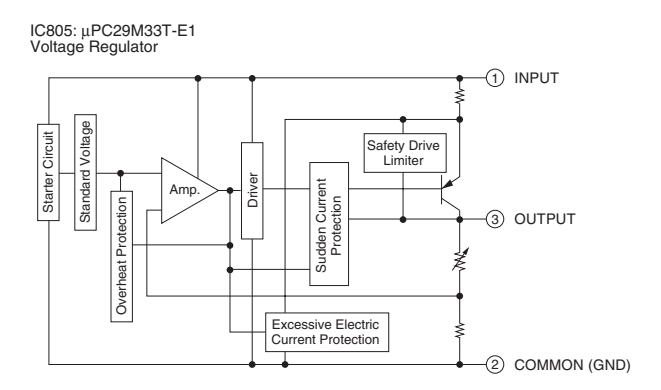
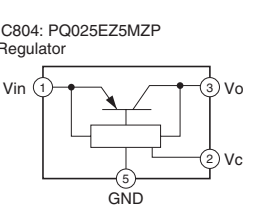
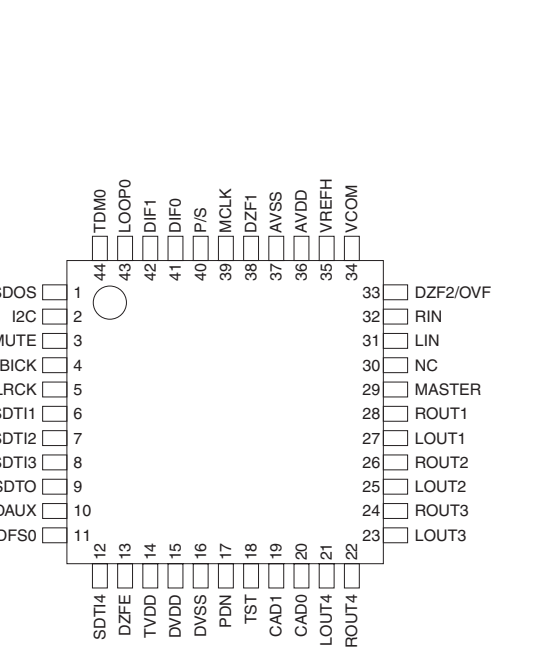
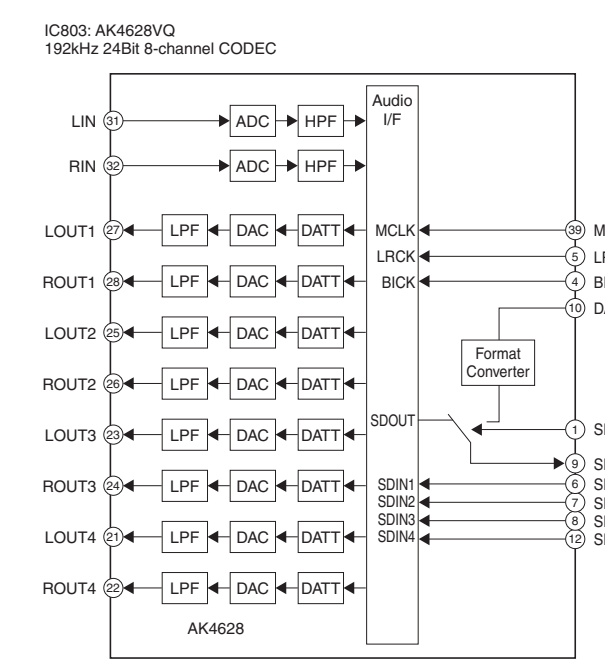
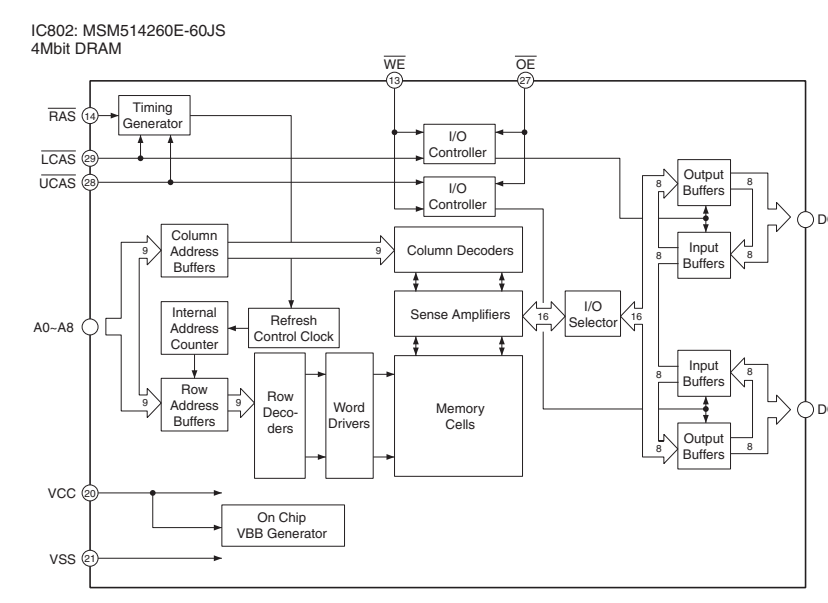
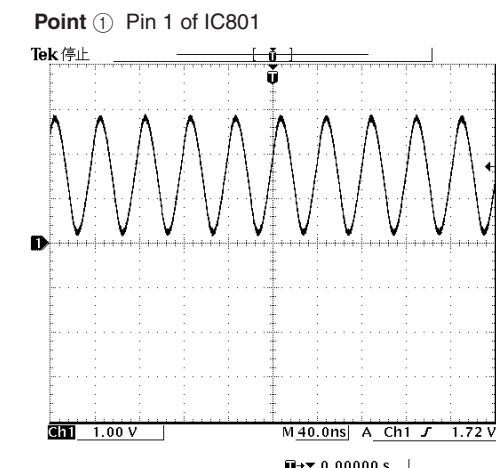
Interchangeable Parts at Manufacture-Stage

Mark	Reference Parts Number	Parts Name
K1	IC802	MSM514260E-60J5 MM514260C-60J5 GLT44016-40J4
K2	UB01-802	GP1F4553RZ T08X179
K3	IC807	MM74HC04SUX TC74HC04AF-1P1
K4	IC806	TC74HC108AF MM74HC108SUX
K5	DB01-806	1S5395 M4111

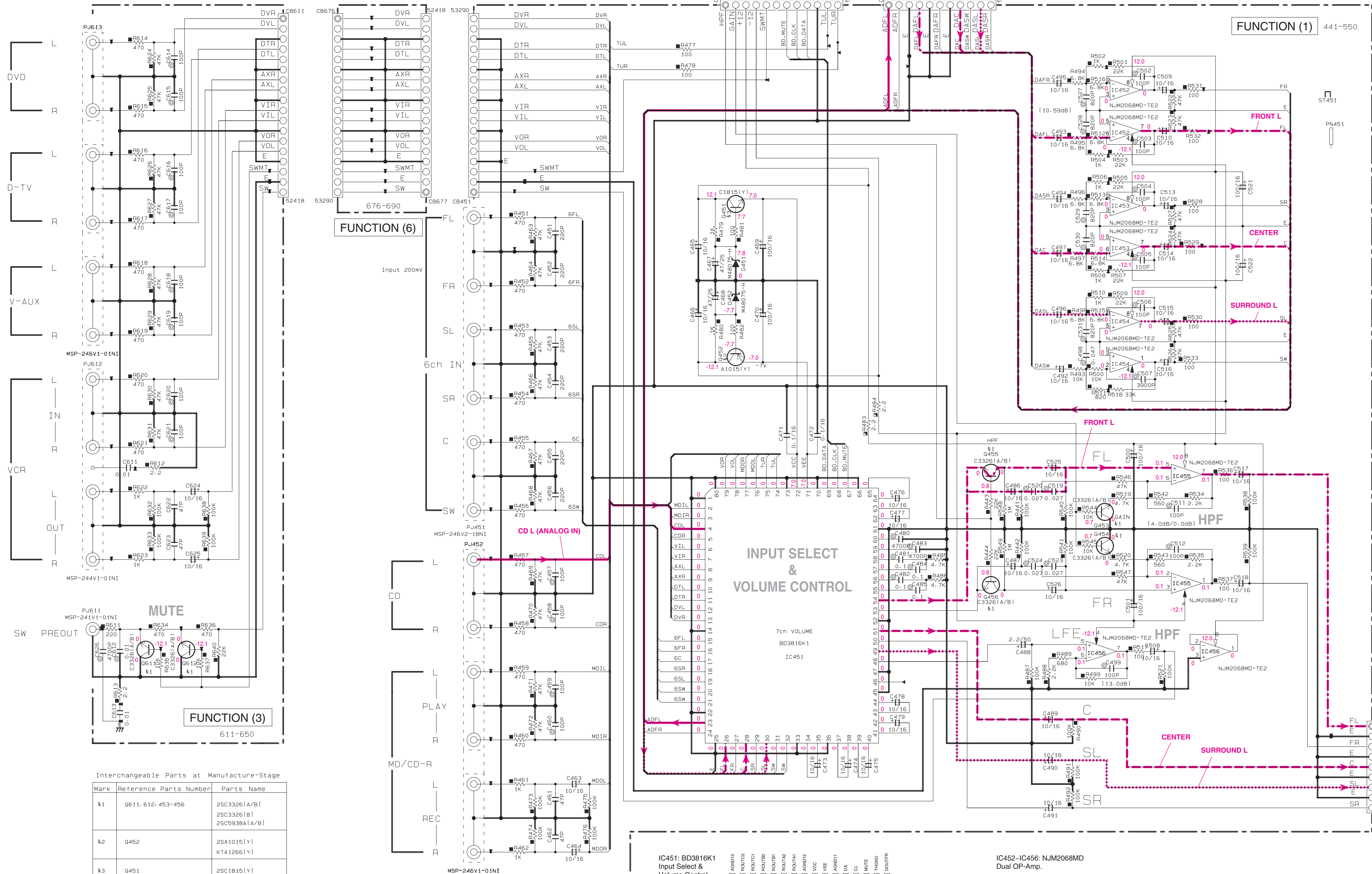
NOTICE (model)  
 (J)..... JAPAN  
 (U)..... U.S.A  
 (C)..... CANADA  
 (R)..... GENERAL  
 (T)..... CHINA  
 (K)..... KOREA  
 (A)..... AUSTRALIA  
 (B)..... BRITISH  
 (E)..... EUROPE  
 (L)..... SINGAPORE  
 (E)..... SOUTH EUROPE



- ★ All voltages are measured with a 10MΩ/V DC electronic volt meter.
- ★ Components having special characteristics are marked ① and must be replaced with parts having specifications equal to those originally installed.
- ★ Schematic diagram is subject to change without notice.



SCHEMATIC DIAGRAM (FUNCTION 1/2)



RESISTOR

REMARKS	PARTS NAME
NO MARK	CARBON FILM RESISTOR (P=5)
⊠	CARBON FILM RESISTOR (P=10)
△	METAL OXIDE FILM RESISTOR
⊞	METAL FILM RESISTOR
⊞	METAL PLATE RESISTOR
⊞	FIRE PROOF CARBON FILM RESISTOR
⊞	CEMENT MOLDED RESISTOR
⊞	SEMI VARIABLE RESISTOR
⊞	CHIP RESISTOR

CAPACITOR

REMARKS	PARTS NAME
NO MARK	ELECTROLYTIC CAPACITOR
⊗	TANTALUM CAPACITOR
NO MARK	CERAMIC CAPACITOR
⊙	CERAMIC TUBULAR CAPACITOR
⊙	POLYESTER FILM CAPACITOR
⊙	POLYSTYRENE FILM CAPACITOR
⊙	MICA CAPACITOR
⊙	POLYPROPYLENE FILM CAPACITOR
⊙	SEMICONDUCTIVE CERAMIC CAPACITOR

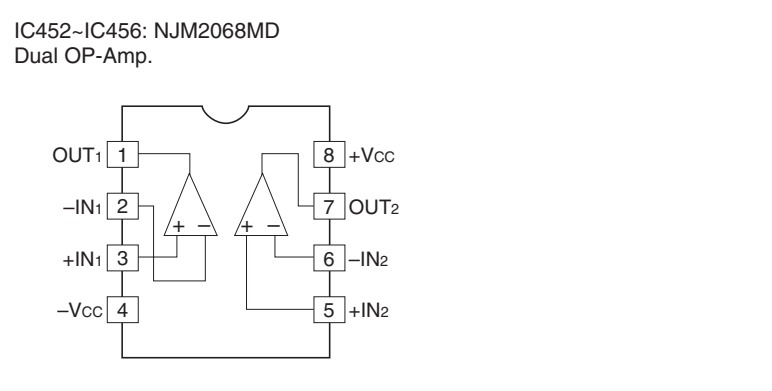
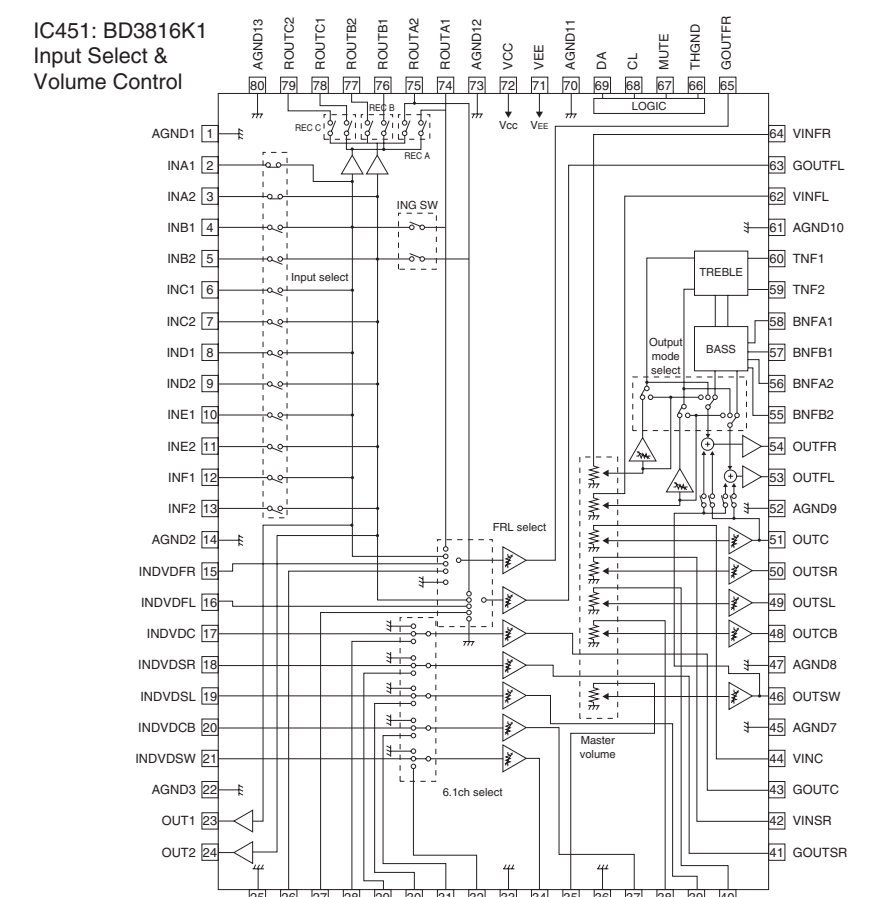
NOTICE (model)

(J)..... JAPAN  
 (U)..... U. S. A  
 (C)..... CANADA  
 (R)..... GENERAL  
 (T)..... CHINA  
 (K)..... KOREA  
 (A)..... AUSTRALIA  
 (B)..... BRITISH  
 (G)..... EUROPE  
 (L)..... SINGAPORE  
 (E)..... SOUTH EUROPE

Interchangeable Parts at Manufacture-Stage

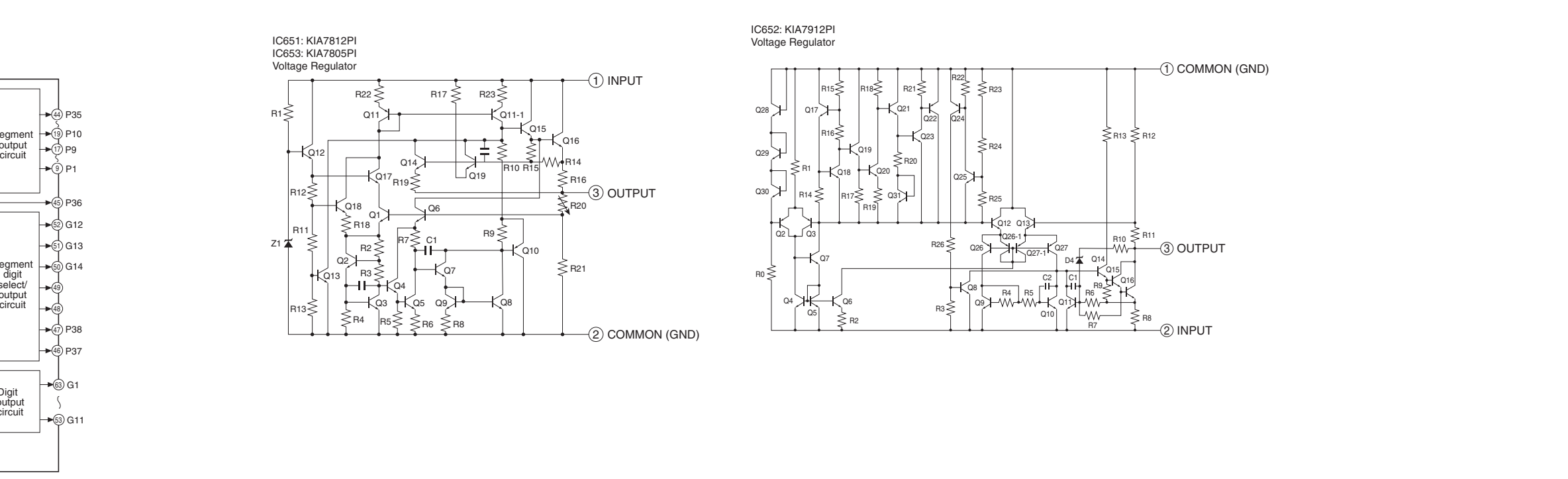
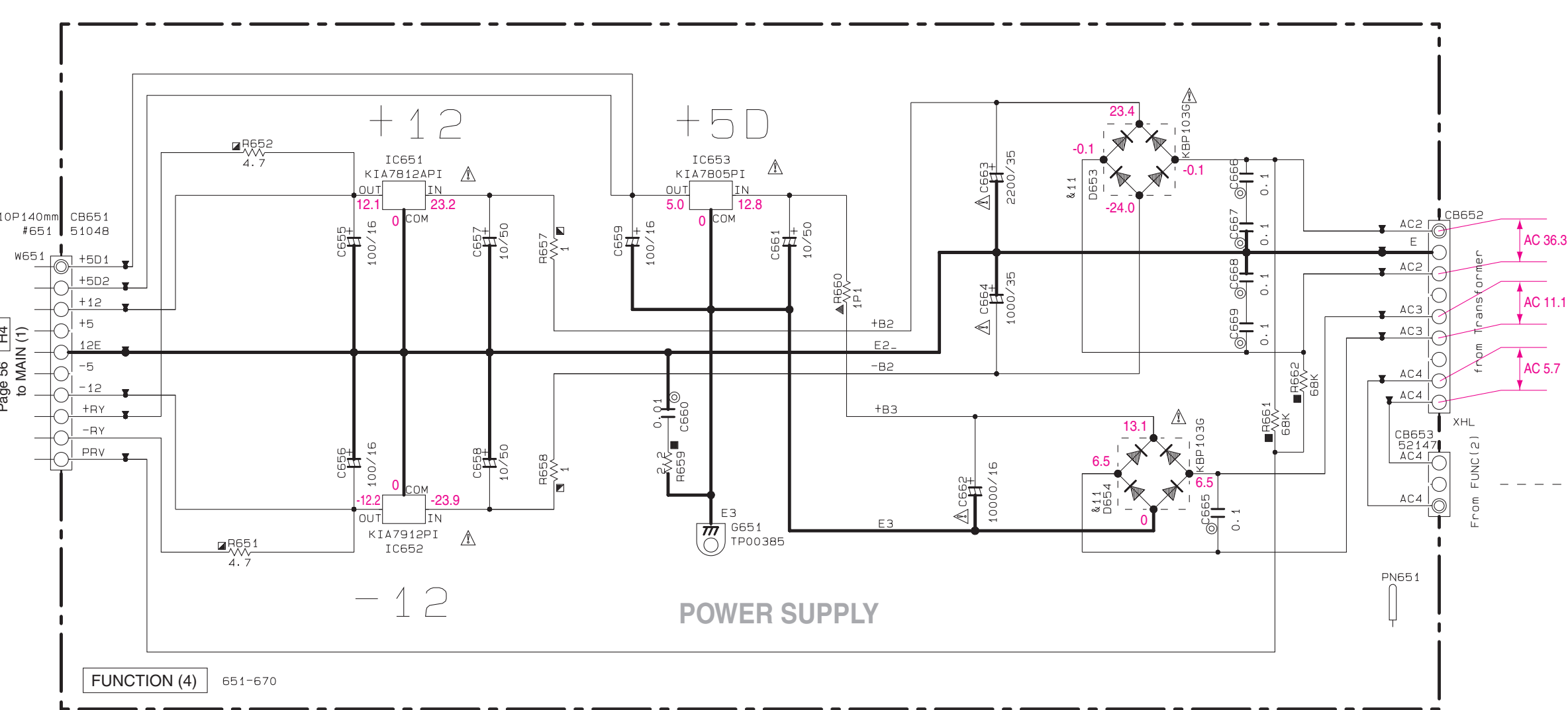
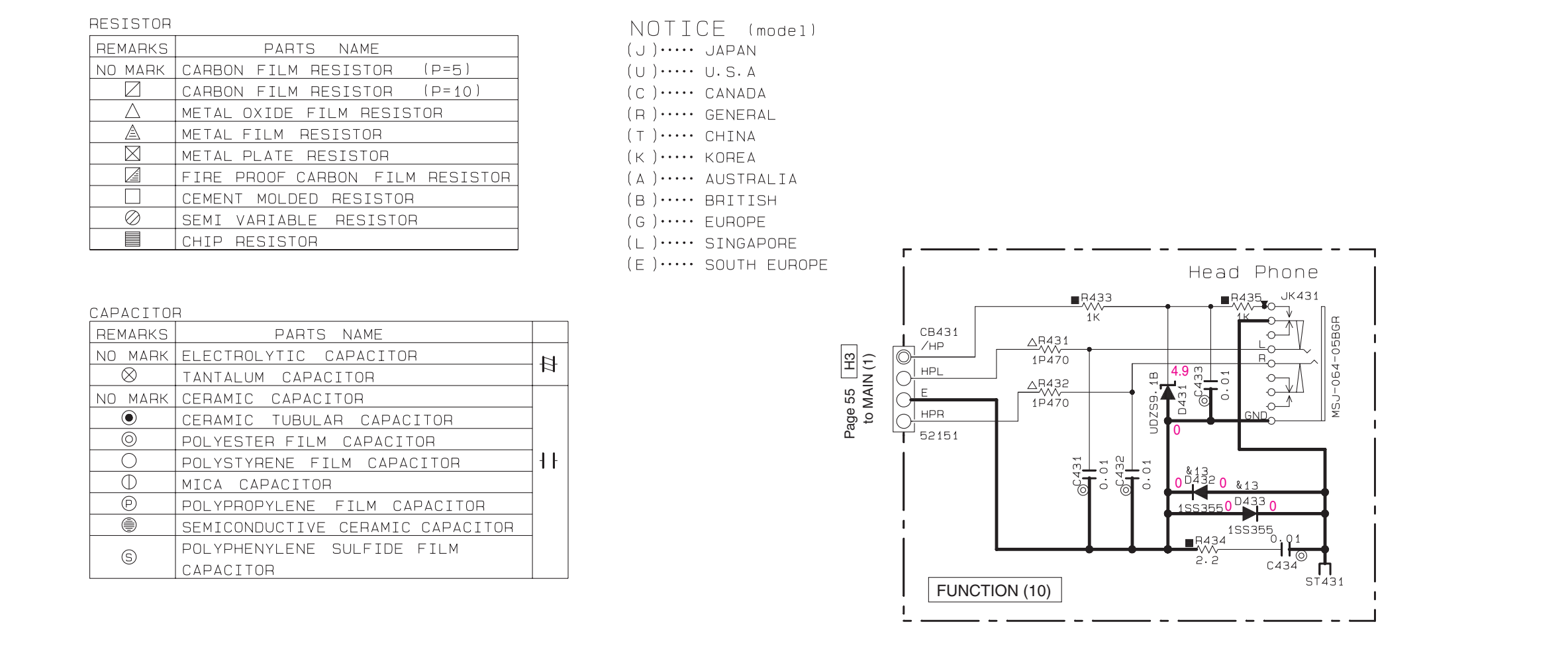
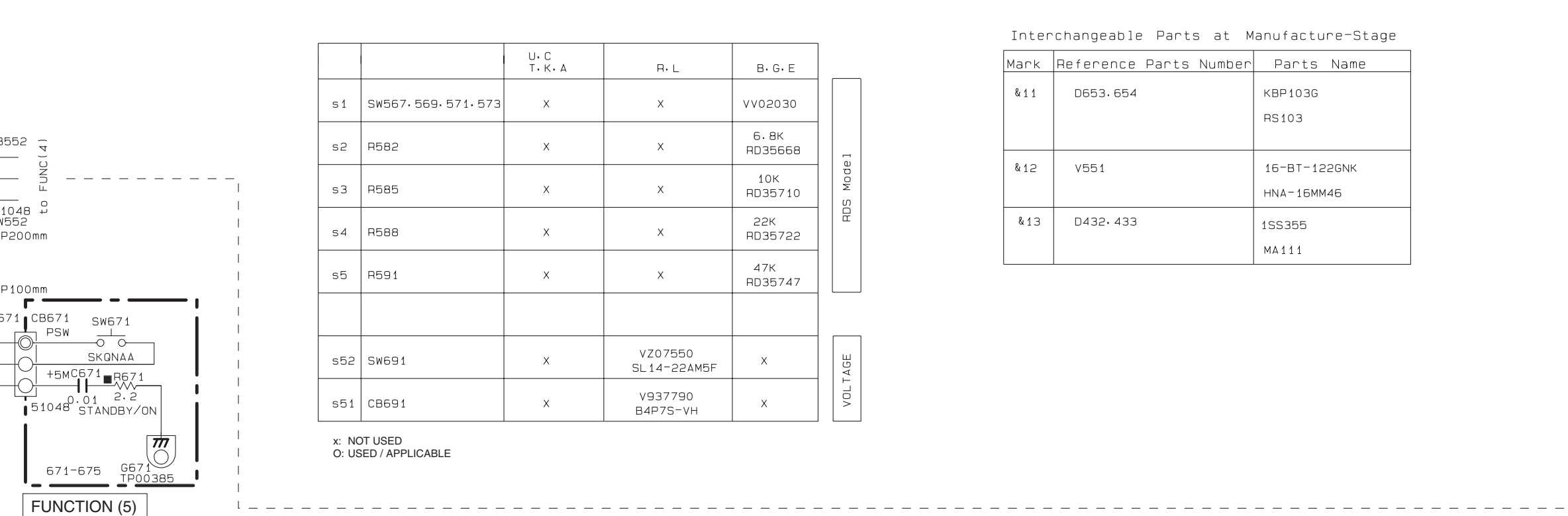
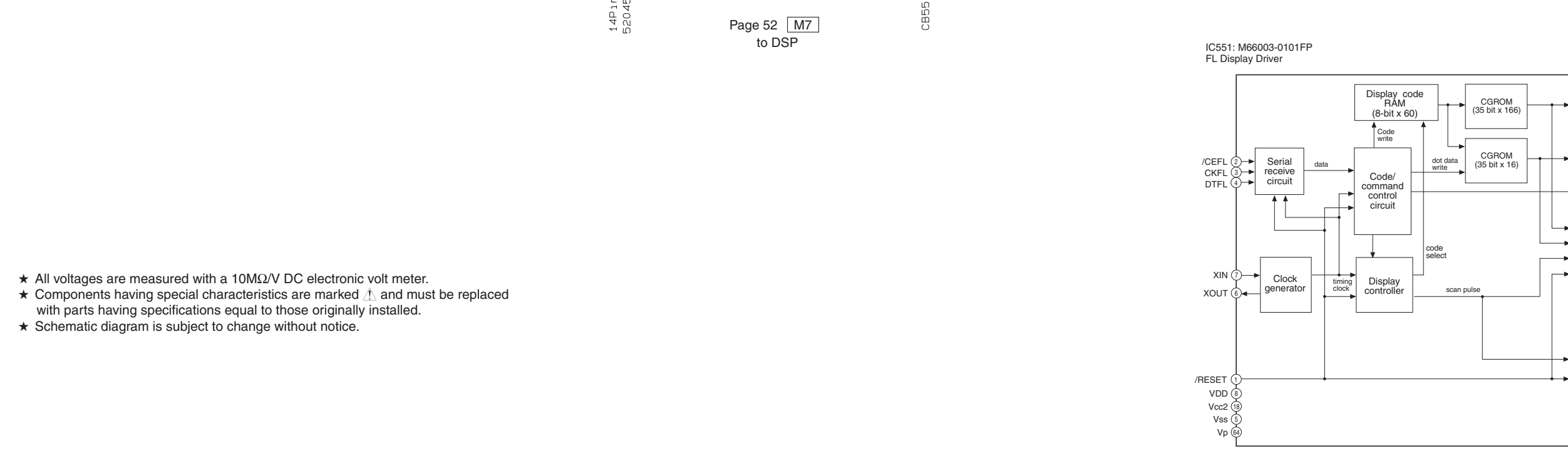
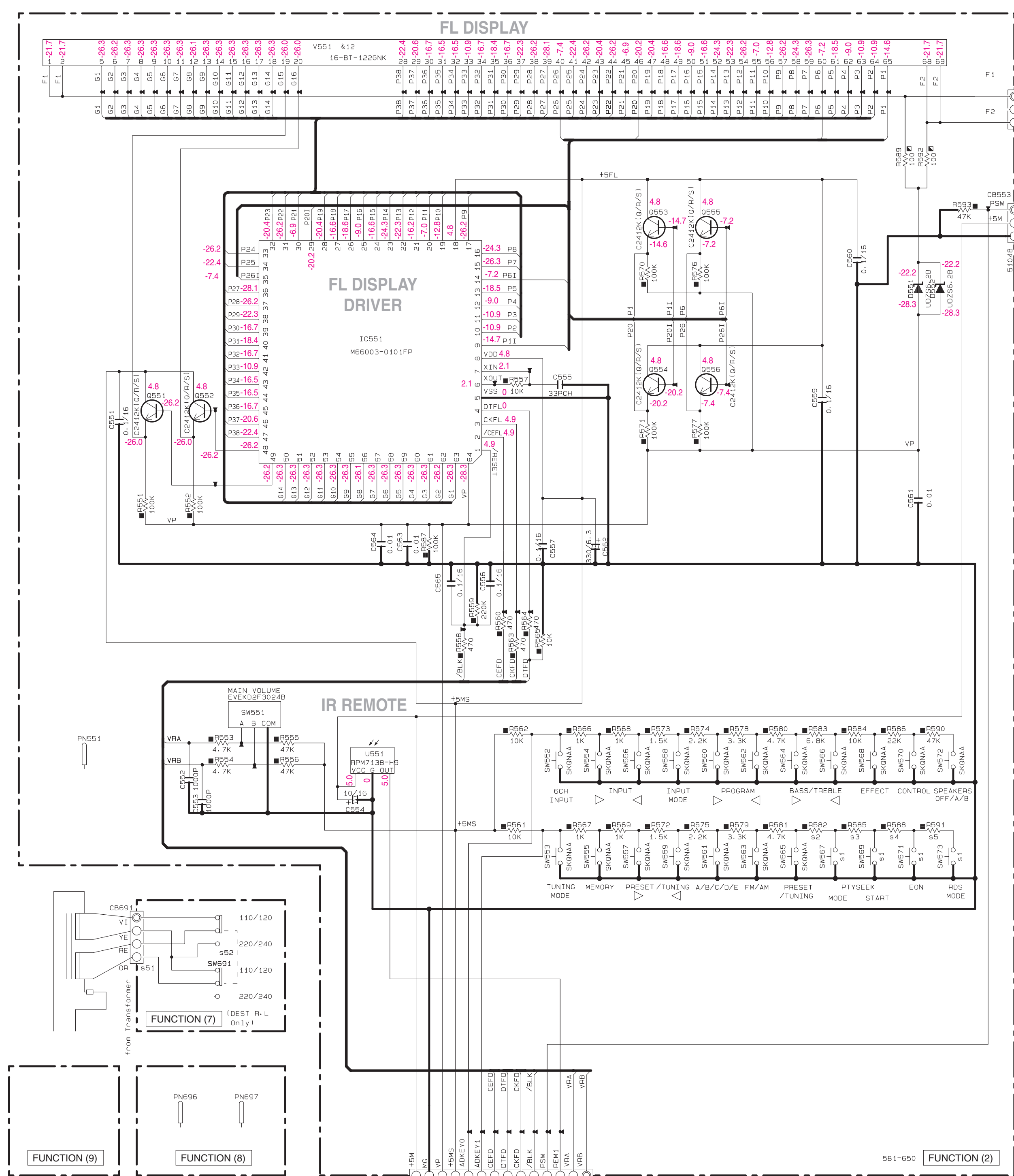
Mark	Reference Parts Number	Parts Name
⋈1	0611, 612, 453-456	25C3326(A/B) 25C3326(G) 25C5938(A/B)
⋈2	0452	25A1015(Y) KT1A266(Y)
⋈3	0451	25C1815(Y) KTC3198(Y)

\* All voltages are measured with a 10MΩ/V DC electronic volt meter.  
 \* Components having special characteristics are marked ⋈, and must be replaced with parts having specifications equal to those originally installed.  
 \* Schematic diagram is subject to change without notice.



Function total Gain 10.0dB (6.32xV)

Page 55 [A6] to MAIN (1)



		U-C T, K, A	R, L	B-G-E
s1	SW657-569-571-573	X	X	VV02030
s2	R582	X	X	5-BK RD35668
s3	R585	X	X	10K RD35710
s4	R588	X	X	22K RD35722
s5	R591	X	X	47K RD35747
s52	SW691	X		VZ07550 SL14-22AM5F
s51	CB691	X		V937790 B4P75-VH

Interchangeable Parts at Manufacture-Stage

Mark	Reference Parts Number	Parts Name
k11	D653-654	KBP103G RS103
k12	V551	16-BT-122GNK HNA-16MM46
k13	D432-433	1S5355 MA111

RESISTOR

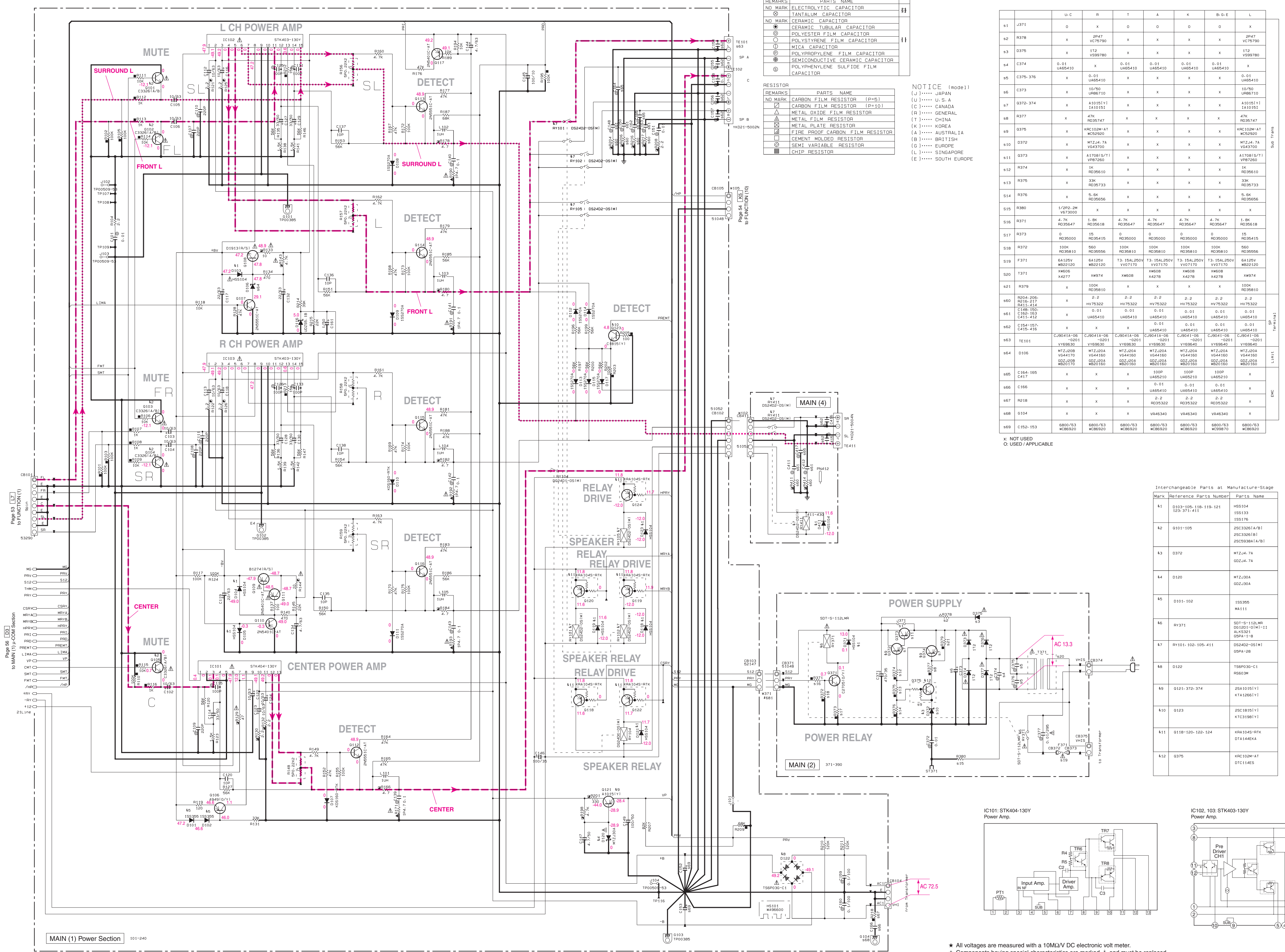
REMARKS	PARTS NAME
NO MARK	CARBON FILM RESISTOR (P=5)
⊠	CARBON FILM RESISTOR (P=10)
△	METAL OXIDE FILM RESISTOR
▴	METAL FILM RESISTOR
⊞	METAL PLATE RESISTOR
⊞	FIRE PROOF CARBON FILM RESISTOR
□	CEMENT MOLDED RESISTOR
⊞	SEMI VARIABLE RESISTOR
⊞	CHIP RESISTOR

CAPACITOR

REMARKS	PARTS NAME
NO MARK	ELECTROLYTIC CAPACITOR
⊗	TANTALUM CAPACITOR
NO MARK	CERAMIC CAPACITOR
⊙	CERAMIC TUBULAR CAPACITOR
⊙	POLYESTER FILM CAPACITOR
⊙	POLYSTYRENE FILM CAPACITOR
⊙	MICA CAPACITOR
⊙	POLYPROPYLENE FILM CAPACITOR
⊙	SEMICONDUCTIVE CERAMIC CAPACITOR
⊙	POLYPHENYLENE SULFIDE FILM CAPACITOR

NOTICE (mode1)  
 (J)..... JAPAN  
 (U)..... U.S.A  
 (C)..... CANADA  
 (A)..... GENERAL  
 (T)..... CHINA  
 (K)..... KOREA  
 (A)..... AUSTRALIA  
 (B)..... BRITISH  
 (L)..... EUROPE  
 (G)..... SINGAPORE  
 (E)..... SOUTH EUROPE

\* All voltages are measured with a 10MΩ/V DC electronic volt meter.  
 \* Components having special characteristics are marked with a triangle and must be replaced with parts having specifications equal to those originally installed.  
 \* Schematic diagram is subject to change without notice.



**CAPACITOR**

REMARKS	PARTS NAME
NO MARK	ELECTROLYTIC CAPACITOR
⊗	TANTALUM CAPACITOR
NO MARK	CERAMIC CAPACITOR
●	CERAMIC TUBULAR CAPACITOR
⊙	POLYESTER FILM CAPACITOR
○	POLYSTYRENE FILM CAPACITOR
⊖	MICA CAPACITOR
⊕	POLYPROPYLENE FILM CAPACITOR
⊗	SEMICONDUCTIVE CERAMIC CAPACITOR
⊙	POLYPHENYLENE SULFIDE FILM CAPACITOR

**RESISTOR**

REMARKS	PARTS NAME
NO MARK	CARBON FILM RESISTOR (P=5)
□	CARBON FILM RESISTOR (P=10)
△	METAL OXIDE FILM RESISTOR
▲	METAL FILM RESISTOR
■	METAL PLATE RESISTOR
⊖	FIRE PROOF CARBON FILM RESISTOR
⊕	CEMENT MOLDED RESISTOR
⊗	SEMI-VARIABLE RESISTOR
⊙	CHIP RESISTOR

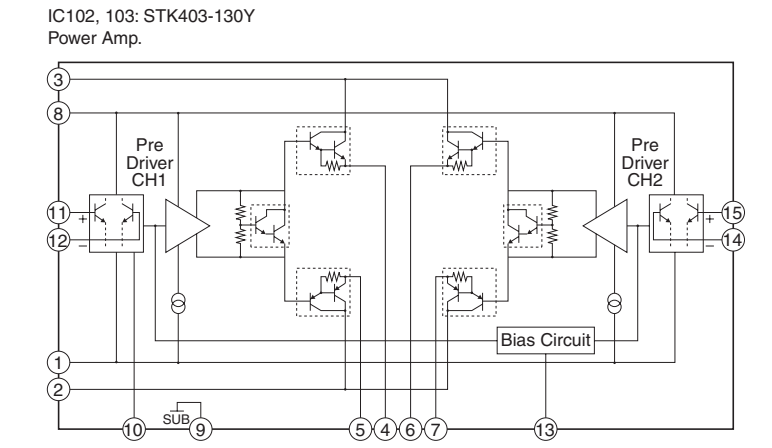
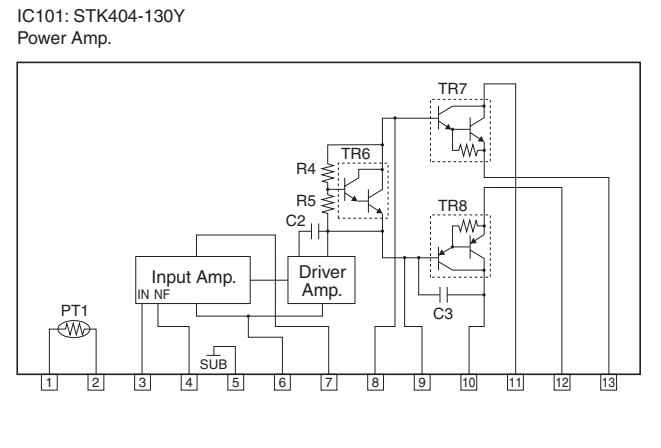
**NOTICE (model)**  
 (J)..... JAPAN  
 (U)..... U.S.A.  
 (C)..... CANADA  
 (R)..... GENERAL  
 (T)..... CHINA  
 (K)..... KOREA  
 (A)..... AUSTRALIA  
 (B)..... BRITISH  
 (G)..... EUROPE  
 (L)..... SINGAPORE  
 (E)..... SOUTH EUROPE

NO	MARK	U-C	R	T	A	K	B-G-E	L
51	J371	0	X	0	0	0	0	X
52	R376	X	2P47	X	X	X	X	2P47
53	D376	X	1T2	X	X	X	X	1T2
54	C374	0.01	UAE5410	X	0.01	UAE5410	0.01	UAE5410
55	C375-376	X	0.01	UAE5410	X	X	X	0.01
56	C373	X	10P90	UAE6110	X	X	X	10P90
57	D372-374	X	A10101V1	X	X	X	X	A10101V1
58	R377	X	47K	RD35747	X	X	X	47K
59	D375	X	KRC102M-AT	X	X	X	X	KRC102M-AT
60	D372	X	MT2J4-7A	V643700	X	X	X	MT2J4-7A
61	D373	X	A170815/11	V987260	X	X	X	A170815/11
62	R374	X	1K	RD35610	X	X	X	1K
63	R375	X	33K	RD35733	X	X	X	33K
64	R376	X	5.6K	RD35656	X	X	X	5.6K
65	R380	1/2W-2W	V673000	X	X	X	X	V673000
66	R371	4.7K	RD35647	1.8K	RD35647	4.7K	RD35647	1.8K
67	R373	15	RD35000	0	RD35000	0	RD35000	15
68	R372	100K	RD350810	960	RD350810	100K	RD350810	960
69	F371	6A125V	M82120	13-15A1250V	VY07170	13-15A1250V	VY07170	6A125V
70	T371	XW605	XW974	XW608	XW608	XW608	XW608	XW974
71	R379	X	100K	RD35610	X	X	X	100K
72	R204-206	X	2-2	HV75322	2-2	HV75322	2-2	2-2
73	C148-150	X	0.01	UAE5410	0.01	UAE5410	0.01	UAE5410
74	C151-412	X	0.01	UAE5410	0.01	UAE5410	0.01	UAE5410
75	C154-157	X	X	X	X	X	X	X
76	TE101	CJ9041A-06	-0201	CJ9041A-06	-0201	CJ9041A-06	-0201	CJ9041A-06
77	D106	MT2J00B	MT2J00A	MT2J00A	MT2J00A	MT2J00A	MT2J00A	MT2J00A
78	C164-165	X	X	X	X	X	X	X
79	C147	X	X	X	X	X	X	X
80	C166	X	X	X	X	X	X	X
81	R218	X	X	X	X	X	X	X
82	G104	X	X	X	X	X	X	X
83	C152-153	6800/63	WCB9520	6800/63	WCB9520	6800/63	WCB9520	6800/63

NOT USED  
 O: USED / APPLICABLE

Interchangeable Parts at Manufacture-Stage

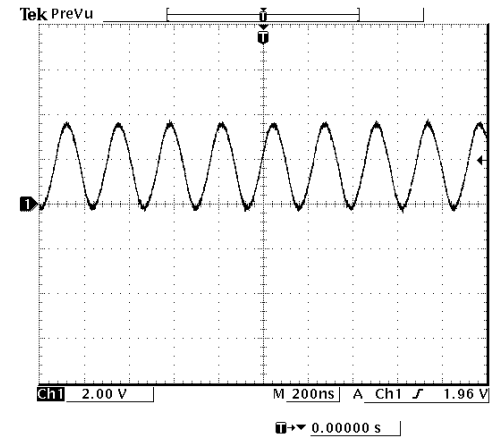
Mark	Reference Parts Number	Parts Name
41	D103-105, 110, 119-121, 123-371-411	M85104
42	G101-105	25C3326(A/B)
43	D372	MT2J4-7A
44	D120	MT2J00A
45	D101-102	M4111
46	R371	SDT-S-112LWB
47	RY101, 102, 105-411	OS2402-OS1W
48	D122	1S6603C-C1
49	D121, 372, 374	2SA1015(V1)
50	D123	2SC1815(V1)
51	G118-120, 122-124	XBA104S-RTK
52	D375	KRC102M-AT



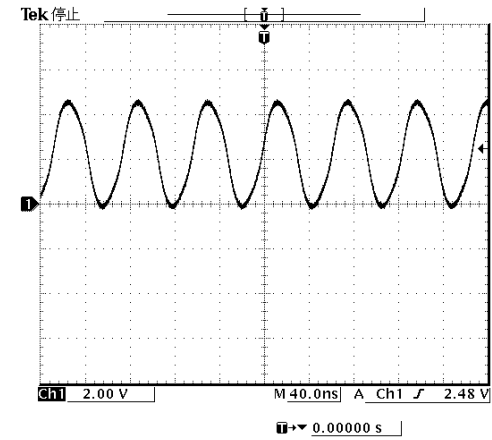
\* All voltages are measured with a 10MΩ/V DC electronic volt meter.  
 \* Components having special characteristics are marked !, and must be replaced with parts having specifications equal to those originally installed.  
 \* Schematic diagram is subject to change without notice.

MAIN (1) Power Section 101-240

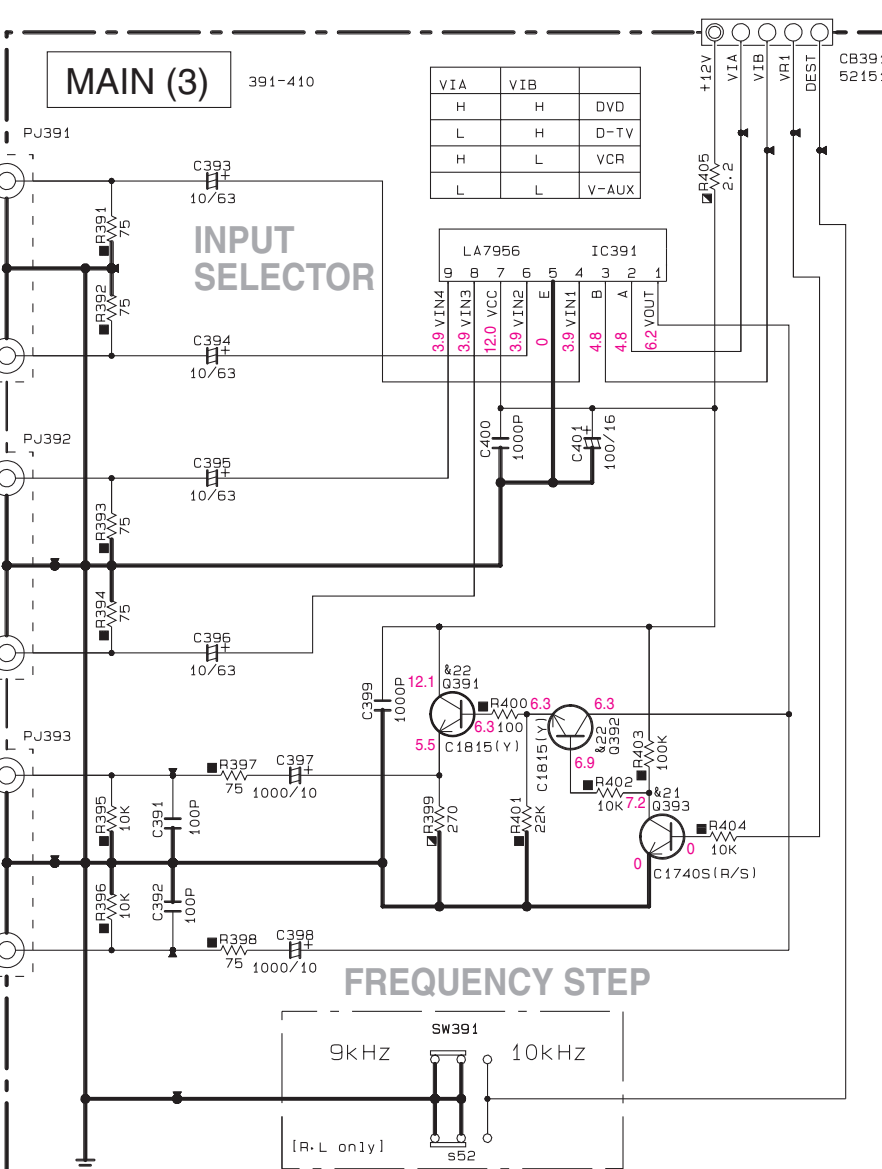
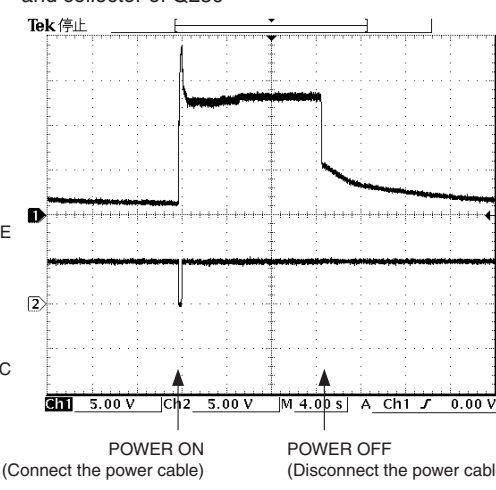
Point ② Pin 12 of IC241



Point ③ Pin 13 of IC242



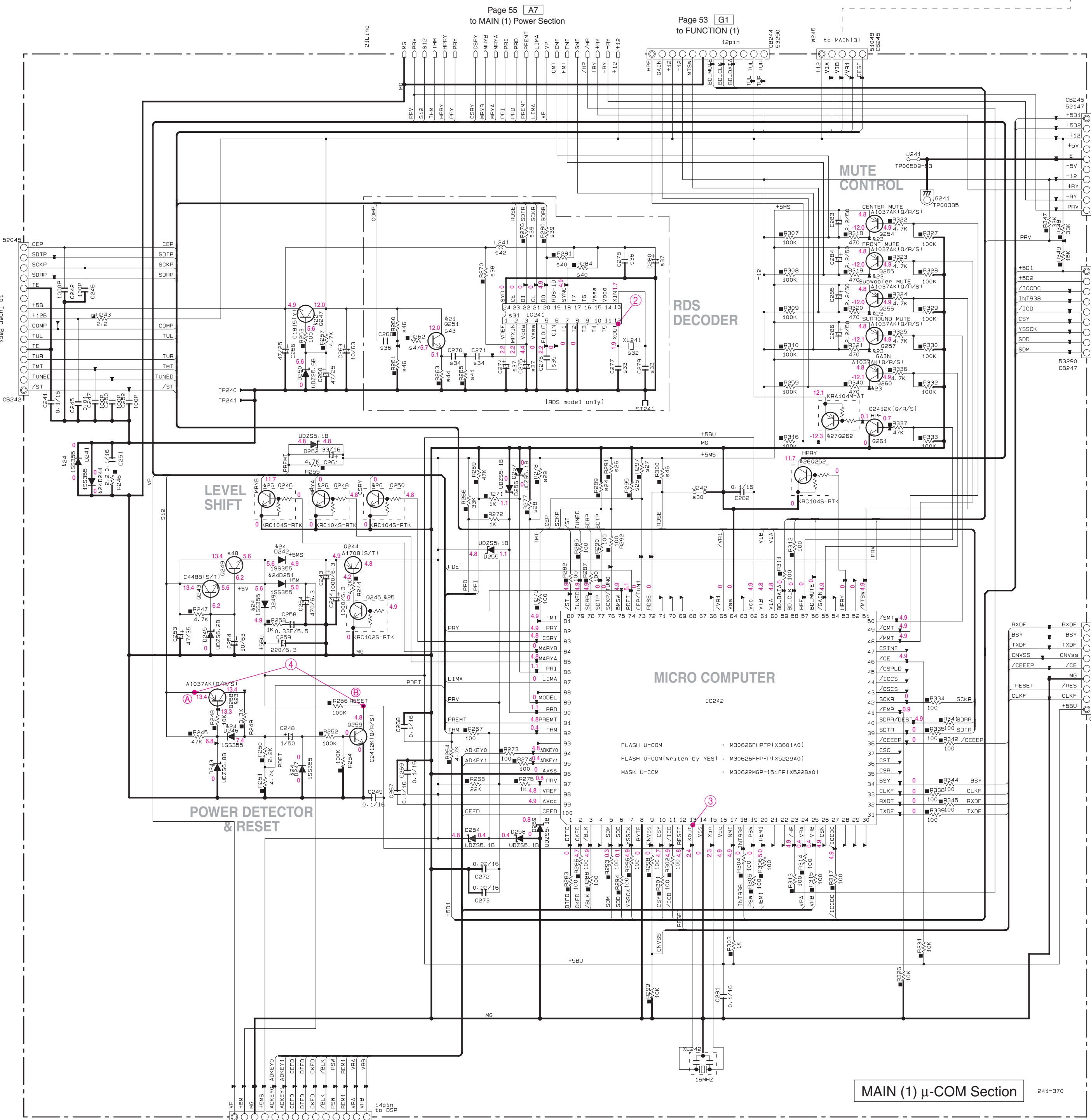
Point ④ emitter of Q258 and collector of Q259



REMARKS	PARTS NAME
NO MARK	ELECTROLYTIC CAPACITOR
⊗	TANTALUM CAPACITOR
●	CERAMIC CAPACITOR
○	CERAMIC TUBULAR CAPACITOR
⊙	POLYESTER FILM CAPACITOR
○	POLYSTYRENE FILM CAPACITOR
⊖	MICA CAPACITOR
⊕	POLYPROPYLENE FILM CAPACITOR
⊗	SEMICONDUCTIVE CERAMIC CAPACITOR

REMARKS	PARTS NAME
NO MARK	CARBON FILM RESISTOR (P=5)
⊠	CARBON FILM RESISTOR (P=10)
△	METAL OXIDE FILM RESISTOR
⊠	METAL FILM RESISTOR
⊠	METAL PLATE RESISTOR
⊠	FIRE PROOF CARBON FILM RESISTOR
⊠	CEMENT MOLDED RESISTOR
⊠	SEMI VARIABLE RESISTOR
⊠	CHIP RESISTOR

NOTICE (model)  
 (J)..... JAPAN  
 (U)..... U.S.A  
 (C)..... CANADA  
 (R)..... GENERAL  
 (T)..... CHINA  
 (K)..... KOREA  
 (A)..... AUSTRALIA  
 (B)..... BRITISH  
 (G)..... EUROPE  
 (L)..... SINGAPORE  
 (E)..... SOUTH EUROPE

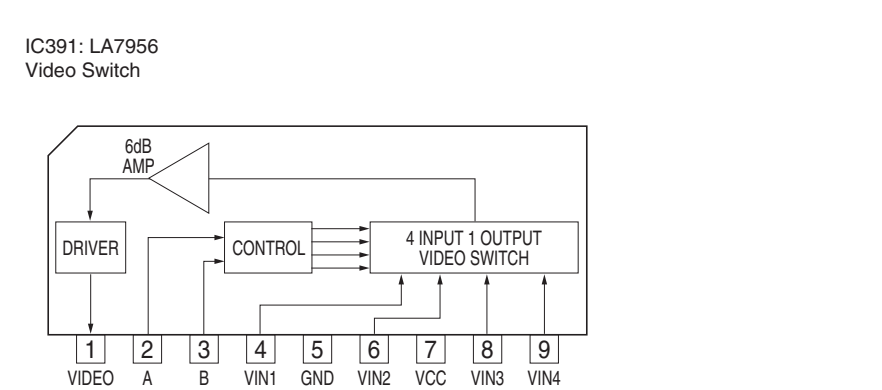
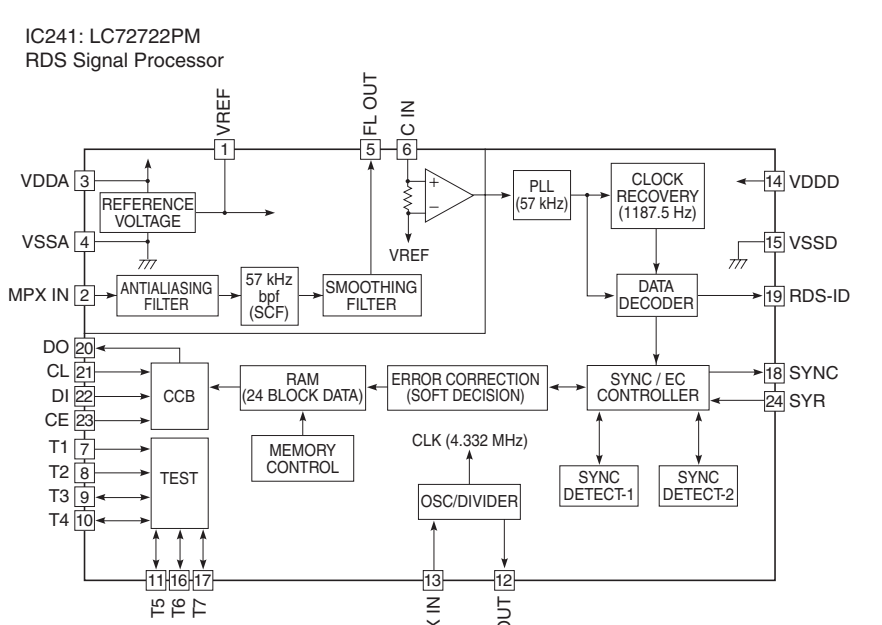


Interchangeable Parts at Manufacture-Stage

Mark	Reference Parts Number	Parts Name
k21	0251-393	25C17405(R/S) 25C26031E(P/I) 25C331141(R/S)
k22	0247-391-392	25C18151(V) KTC31981(V)
k23	0254-258-260	25A1037AK(G/R/S) 25A1235A1E(F)
k24	D241-242-244-246-247-249-251	1S5355 M4111
k25	0245	KRC1025-RTK DTC114EXA
k26	0246-248-250-252	KRC1045-RTK DTC144EXA
k27	0262	KRA104M-A1 DT144ES

	U-C	R-L	T	K-A	B-G-E
k24 R289	100K RD35810	X	X	X	X
k25 R295	X	100K RD35810	100K RD35810	100K RD35810	100K RD35810
k26 R291	X	100K RD35810	100K RD35810	100K RD35810	100K RD35810
k23 R297	100K RD35810	100K RD35810	X	X	X
k28 R277	100K RD35810	100K RD35810	X	100K RD35810	100K RD35810
k29 R278	X	X	100K RD35810	X	X
k30 J242	0 RD35000	0 RD35000	0 RD35000	0 RD35000	X
k31 IC241	X	X	X	X	LC72722PM K00B240
k32 XL241	X	X	X	X	4.33MHz V303090
k33 C277-279	X	X	X	X	V47E110
k34 C270-271	X	X	X	X	330P U06233
k35 C276	X	X	X	X	560P U06256
k36 C266-278	X	X	X	X	47/25 U064747
k37 C274-275-280	X	X	X	X	47/25 U13510
k38 R270	X	X	X	X	100 RD35510
k39 R276-280	X	X	X	X	470 RD35547
k40 R281-284	X	X	X	X	10K RD35710
k41 R265	X	X	X	X	22K RD35722
k42 L241	X	X	X	X	200µH V08B550
k43 0251	X	X	X	X	25C17405(R/S) 1C17402
k44 R263	X	X	X	X	3.3K RD35633
k46 R260-261-300	X	X	X	X	100K RD35610
k47 R262	X	X	X	X	1K RD35610
k48 0249	X	C4488(S/T) V087270	X	X	X
k52 SW391	X	S5029-P02M4B V362430	X	X	X

X: NOT USED  
 O: USED / APPLICABLE



MAIN (1) µ-COM Section



# PARTS LIST

## ■ ELECTRICAL PARTS

### ■ WARNING

- Components having special characteristics are marked  and must be replaced with parts having specifications equal to those originally installed.

### ABBREVIATIONS IN THIS LIST ARE AS FOLLOWS:

C.A.EL.CHP	: CHIP ALUMI.ELECTROLYTIC CAP	L.EMIT	: LIGHT EMITTING MODULE
C.CE	: CERAMIC CAP	LED.DSPLY	: LED DISPLAY
C.CE.ARRAY	: CERAMIC CAP ARRAY	LED.INFRD	: LED,INFRARED
C.CE.CHP	: CHIP CERAMIC CAP	MODUL.RF	: MODULATOR,RF
C.CE.ML	: MULTILAYER CERAMIC CAP	PHOT.CPL	: PHOTO COUPLER
C.CE.M.CHP	: CHIP MULTILAYER CERAMIC CAP	PHOT.INTR	: PHOTO INTERRUPTER
C.CE.SAFTY	: RECOGNIZED CERAMIC CAP	PHOT.RFLCT	: PHOTO REFLECTOR
C.CE.TUBLR	: CERAMIC TUBULAR CAP	PIN.TEST	: PIN,TEST POINT
C.CE.SMI	: SEMI CONDUCTIVE CERAMIC CAP	PLST.RIVET	: PLASTIC RIVET
C.EL	: ELECTROLYTIC CAP	R.ARRAY	: RESISTOR ARRAY
C.MICA	: MICA CAP	R.CAR.	: CARBON RESISTOR
C.ML.FLM	: MULTILAYER FILM CAP	R.CAR.CHP	: CHIP RESISTOR
C.MP	: METALLIZED PAPER CAP	R.CAR.FP	: FLAME PROOF CARBON RESISTOR
C.MYLAR	: MYLAR FILM CAP	R.FUS	: FUSABLE RESISTOR
C.MYLAR.ML	: MULTILAYER MYLAR FILM CAP	R.MTL.CHP	: CHIP METAL FILM RESISTOR
C.PAPER	: PAPER CAPACITOR	R.MTL.FLM	: METAL FILM RESISTOR
C.PLS	: POLYSTYRENE FILM CAP	R.MTL.OXD	: METAL OXIDE FILM RESISTOR
C.POL	: POLYESTER FILM CAP	R.MTL.PLAT	: METAL PLATE RESISTOR
C.POLY	: POLYETHYLENE FILM CAP	RSNR.CE	: CERAMIC RESONATOR
C.PP	: POLYPROPYLENE FILM CAP	RSNR.CRYS	: CRYSTAL RESONATOR
C.TNTL	: TANTALUM CAP	R.TW.CEM	: TWIN CEMENT FIXED RESISTOR
C.TNTL.CHP	: CHIP TANTALUM CAP	R.WW	: WIRE WOUND RESISTOR
C.TRIM	: TRIMMER CAP	SCR.BND.HD	: BIND HEAD B-TITE SCREW
CN	: CONNECTOR	SCR.BW.HD	: BW HEAD TAPPING SCREW
CN.BS.PIN	: CONNECTOR,BASE PIN	SCR.CUP	: CUP TITE SCREW
CN.CANNON	: CONNECTOR,CANNON	SCR.TERM	: SCREW TERMINAL
CN.DIN	: CONNECTOR,DIN	SCR.TR	: SCREW,TRANSISTOR
CN.FLAT	: CONNECTOR,FLAT CABLE	SUPRT.PCB	: SUPPORT,P.C.B.
CN.POST	: CONNECTOR,BASE POST	SURG.PRTCT	: SURGE PROTECTOR
COIL.MX.AM	: COIL,AM MIX	SW.TACT	: TACT SWITCH
COIL.AT.FM	: COIL,FM ANTENNA	SW.LEAF	: LEAF SWITCH
COIL.DT.FM	: COIL,FM DETECT	SW.LEVER	: LEVER SWITCH
COIL.MX.FM	: COIL,FM MIX	SW.MICRO	: MICRO SWITCH
COIL.OUTPT	: OUTPUT COIL	SW.PUSH	: PUSH SWITCH
DIOD.ARRAY	: DIODE ARRAY	SW.RT.ENC	: ROTARY ENCODER
DIODE.BRG	: DIODE BRIDGE	SW.RT.MTR	: ROTARY SWITCH WITH MOTOR
DIODE.CHP	: CHIP DIODE	SW.RT	: ROTARY SWITCH
DIODE.VAR	: VARACTOR DIODE	SW.SLIDE	: SLIDE SWITCH
DIOD.Z.CHP	: CHIP ZENER DIODE	TERM.SP	: SPEAKER TERMINAL
DIODE.ZENR	: ZENER DIODE	TERM.WRAP	: WRAPPING TERMINAL
DSCR.CE	: CERAMIC DISCRIMINATOR	THRMST.CHP	: CHIP THERMISTOR
FER.BEAD	: FERRITE BEADS	TR.CHP	: CHIP TRANSISTOR
FER.CORE	: FERRITE CORE	TR.DGT	: DIGITAL TRANSISTOR
FET.CHP	: CHIP FET	TR.DGT.CHP	: CHIP DIGITAL TRANSISTOR
FL.DSPLY	: FLUORESCENT DISPLAY	TRANS	: TRANSFORMER
FLTR.CE	: CERAMIC FILTER	TRANS.PULS	: PULSE TRANSFORMER
FLTR.COMB	: COMB FILTER MODULE	TRANS.PWR	: POWER TRANSFORMER ASS'Y
FLTR.LC.RF	: LC FILTER,EMI	TUNER.AM	: TUNER PACK,AM
GND.MTL	: GROUND PLATE	TUNER.FM	: TUNER PACK,FM
GND.TERM	: GROUND TERMINAL	TUNER.PK	: FRONT-ENDTUNER PACK
HOLDER.FUS	: FUSE HOLDER	VR	: ROTARY POTENTIOMETER
IC.PRTCT	: IC PROTECTOR	VR.MTR	: POTENTIOMETER WITH MOTOR
JUMPER.CN	: JUMPER CONNECTOR	VR.SW	: POTENTIOMETER WITH ROTARY SW
JUMPER.TST	: JUMPER,TEST POINT	VR.SLIDE	: SLIDE POTENTIOMETER
L.DTCT	: LIGHT DETECTING MODULE	VR.TRIM	: TRIMMER POTENTIOMETER

**Note)** Those parts marked with “#” are not included in the P.C.B. ass'y.

P.C.B. DSP

Schm Ref.	PART NO.	Description	Remarks	Markets
	WC763500	P. C. B.	DSP	UCRTKABGE
	WD044200	P. C. B.	DSP	L
CB802	V0961200	CN. BS. PIN	9P	
CB803	V0044500	CN. BS. PIN	11P	
CB804	VF982200	CN. BS. PIN	14P	
CB805	V0961700	CN. BS. PIN	14P	
C805	UR847220	C. EL	22uF 25V	
C816	UR819100	C. EL	1000uF 6.3V	
C822	UR829100	C. EL	1000uF 10V	
C824	UR819100	C. EL	1000uF 6.3V	
C827	UR818100	C. EL	100uF 6.3V	
C828	UR819100	C. EL	1000uF 6.3V	
C833	UR818470	C. EL	470uF 6.3V	
C834	UR818100	C. EL	100uF 6.3V	
C840	UR818470	C. EL	470uF 6.3V	
C859	UR818100	C. EL	100uF 6.3V	
C872	UR818100	C. EL	100uF 6.3V	
C883	UR818100	C. EL	100uF 6.3V	
C886	UR819100	C. EL	1000uF 6.3V	
C891	UR819100	C. EL	1000uF 6.3V	
C912	UR818100	C. EL	100uF 6.3V	
C913	UR818100	C. EL	100uF 6.3V	
C916	UR828100	C. EL	100uF 10V	
C918	UR866220	C. EL	2.2uF 50V	
C919	UR847100	C. EL	10uF 25V	
C920	UR847100	C. EL	10uF 25V	
D801	VT332900	DIODE	1SS355	
D802	VT332900	DIODE	1SS355	
D803	VT332900	DIODE	1SS355	
D804	VT332900	DIODE	1SS355	
D805	VT332900	DIODE	1SS355	
D806	VT332900	DIODE	1SS355	
D807	WB081800	DIODE	SB01-05Q	
D808	WB081800	DIODE	SB01-05Q	
D809	WB081800	DIODE	SB01-05Q	
D810	WB081800	DIODE	SB01-05Q	
IC801	X0238B00	IC	YSS938	
IC802	XV077B00	IC	MSM514260E-60JS	
IC803	X3807A00	IC	AK4628VQ	
IC804	XZ003A00	IC	PQ025EZ5MZP 2.5V	
IC805	XU965A00	IC	uPC29M33T-E1 3.3V	
IC806	XZ012A00	IC	TC74HCT08AF(EL)	
IC807	XY070A00	IC	MM74HCU04SJX INVER	
PJ801	V4483900	JACK. PIN	1P YKC21-3895	
R807	HV753220	R. CAR. FP	2.2Ω 1/4W	
R892	HV753220	R. CAR. FP	2.2Ω 1/4W	
R902	HV753100	R. CAR. FP	1Ω 1/4W	
R903	HV753100	R. CAR. FP	1Ω 1/4W	
R910	VU224000	R. MTL. FLM	0.22Ω 1W	
R919	RE045100	R. ARRAY	100Ω x4	
R920	RE045100	R. ARRAY	100Ω x4	
R921	RE045100	R. ARRAY	100Ω x4	
R922	RE045100	R. ARRAY	100Ω x4	

\* New Parts

RX-V350/HTR-5730

**P.C.B. DSP & P.C.B. FUNCTION**

Schm Ref.	PART NO.	Description	Remarks	Markets
U801	WB001400	CN. PHOT. SN	1P GP1FA553RZ	
U802	WB001400	CN. PHOT. SN	1P GP1FA553RZ	
XL801	V3625700	RSNR. CRYST	24.576MHz	
	WC763100	P. C. B.	FUNC	UCTKA
	WC763200	P. C. B.	FUNC	R
	WC763300	P. C. B.	FUNC	BGE
	WD043900	P. C. B.	FUNC	L
CB431	VK026300	CN. BS. PIN	4P	
CB451	VQ963900	CN. BS. PIN	18P	
CB452	VQ961500	CN. BS. PIN	12P	
CB453	VM859500	CN. BS. PIN	11P	
CB454	VQ961200	CN. BS. PIN	9P	
CB551	VN394900	CN. BS. PIN	14P	
CB552	Vi878100	CN. BS. PIN	3P	
CB553	Vi878100	CN. BS. PIN	3P	
CB611	VQ962100	CN. BS. PIN	18P	
CB651	Vi878800	CN. BS. PIN	10P	
CB652	LB919090	CN. BS. PIN	9P	
CB653	VK024700	CN. BS. PIN	3P	
CB671	Vi878100	CN. BS. PIN	3P	
CB676	VQ963900	CN. BS. PIN	18P	
CB677	VQ962100	CN. BS. PIN	18P	
CB691	V9377900	CN. BS. PIN	4P SE VH SERIES	RL
C431	UA654100	C. MYLAR	0.01uF 50V	
C432	UA654100	C. MYLAR	0.01uF 50V	
C433	UA654100	C. MYLAR	0.01uF 50V	
C434	UA654100	C. MYLAR	0.01uF 50V	
C457	UA652100	C. MYLAR	100pF 50V	
C458	UA652100	C. MYLAR	100pF 50V	
C459	UA652100	C. MYLAR	100pF 50V	
C460	UA652100	C. MYLAR	100pF 50V	
C461	FG651470	C. CE	47pF 50V	
C462	FG651470	C. CE	47pF 50V	
C463	UR837100	C. EL	10uF 16V	
C464	UR837100	C. EL	10uF 16V	
C465	UR837100	C. EL	10uF 16V	
C466	UR837100	C. EL	10uF 16V	
C467	UR847470	C. EL	47uF 25V	
C468	UR847470	C. EL	47uF 25V	
C469	UR838100	C. EL	100uF 16V	
C470	UR838100	C. EL	100uF 16V	
C473	UR837100	C. EL	10uF 16V	
C474	UR837100	C. EL	10uF 16V	
C475	UR837100	C. EL	10uF 16V	
C476	UR837100	C. EL	10uF 16V	
C477	UR837100	C. EL	10uF 16V	
C478	UR837100	C. EL	10uF 16V	
C479	UR837100	C. EL	10uF 16V	
C480	UA653470	C. MYLAR	4700pF 50V	
C481	VE326000	C. MYLAR. ML	0.1uF 50V	

\*  
\*  
\*  
\*

RX-V350/HTR-5730

\* New Parts

<b>P.C.B. FUNCTION</b>
------------------------

Schm Ref.	PART NO.	Description	Remarks	Markets
C482	VE326000	C. MYLAR. ML	0. 1uF	50V
C483	UA653470	C. MYLAR	4700pF	50V
C484	VE326000	C. MYLAR. ML	0. 1uF	50V
C485	VE326000	C. MYLAR. ML	0. 1uF	50V
C486	UR837100	C. EL	10uF	16V
C487	UR837100	C. EL	10uF	16V
C488	UR866220	C. EL	2. 2uF	50V
C489	UR837100	C. EL	10uF	16V
C490	UR837100	C. EL	10uF	16V
C491	UR837100	C. EL	10uF	16V
C492	UR837100	C. EL	10uF	16V
C493	UR837100	C. EL	10uF	16V
C494	UR837100	C. EL	10uF	16V
C495	UR837100	C. EL	10uF	16V
C496	UR837100	C. EL	10uF	16V
C497	UR837100	C. EL	10uF	16V
C498	UA654470	C. MYLAR	0. 047uF	50V
C499	UA652100	C. MYLAR	100pF	50V
C500	UR838100	C. EL	100uF	16V
C501	UR838100	C. EL	100uF	16V
C502	UA652100	C. MYLAR	100pF	50V
C503	UA652100	C. MYLAR	100pF	50V
C504	UA652100	C. MYLAR	100pF	50V
C505	UA652100	C. MYLAR	100pF	50V
C506	UA652100	C. MYLAR	100pF	50V
C507	UA653390	C. MYLAR	3900pF	50V
C508	UR837100	C. EL	10uF	16V
C509	UR837100	C. EL	10uF	16V
C510	UR837100	C. EL	10uF	16V
C511	UA652100	C. MYLAR	100pF	50V
C512	UA652100	C. MYLAR	100pF	50V
C513	UR837100	C. EL	10uF	16V
C514	UR837100	C. EL	10uF	16V
C515	UR837100	C. EL	10uF	16V
C516	UR837100	C. EL	10uF	16V
C517	UR837100	C. EL	10uF	16V
C518	UR837100	C. EL	10uF	16V
C519	UA654270	C. MYLAR	0. 027uF	50V
C520	UA654270	C. MYLAR	0. 027uF	50V
C521	UR838100	C. EL	100uF	16V
C522	UR838100	C. EL	100uF	16V
C523	UA654270	C. MYLAR	0. 027uF	50V
C524	UA654270	C. MYLAR	0. 027uF	50V
C525	UR837100	C. EL	10uF	16V
C526	UR837100	C. EL	10uF	16V
C527	UA652820	C. MYLAR	820pF	50V
C528	UA652820	C. MYLAR	820pF	50V
C529	UA652820	C. MYLAR	820pF	50V
C530	UA652820	C. MYLAR	820pF	50V
C531	UA652820	C. MYLAR	820pF	50V
C554	UR837100	C. EL	10uF	16V
C562	UR818330	C. EL	330uF	6. 3V
C612	UA654100	C. MYLAR	0. 01uF	50V

\* New Parts

## P.C.B. FUNCTION

Schm Ref.	PART NO.	Description	Remarks	Markets
	C614	UA652100	C. MYLAR	100pF 50V
	C615	UA652100	C. MYLAR	100pF 50V
	C616	UA652100	C. MYLAR	100pF 50V
	C617	UA652100	C. MYLAR	100pF 50V
	C618	UA652100	C. MYLAR	100pF 50V
	C619	UA652100	C. MYLAR	100pF 50V
	C620	UA652100	C. MYLAR	100pF 50V
	C621	UA652100	C. MYLAR	100pF 50V
	C622	FG651470	C. CE	47pF 50V
	C623	FG651470	C. CE	47pF 50V
	C624	UR837100	C. EL	10uF 16V
	C625	UR837100	C. EL	10uF 16V
	C626	UA653470	C. MYLAR	4700pF 50V
	C655	UR838100	C. EL	100uF 16V
	C656	UR838100	C. EL	100uF 16V
	C657	UR867100	C. EL	10uF 50V
	C658	UR867100	C. EL	10uF 50V
	C659	UR838100	C. EL	100uF 16V
	C660	UA654100	C. MYLAR	0.01uF 50V
	C661	UR867100	C. EL	10uF 50V
△	C662	UR73A100	C. EL	10000uF 16V
△	C663	UR759220	C. EL	2200uF 35V
△	C664	UR759100	C. EL	1000uF 35V
	C665	VE326000	C. MYLAR. ML	0.1uF 50V
	C666	VE326000	C. MYLAR. ML	0.1uF 50V
	C667	VE326000	C. MYLAR. ML	0.1uF 50V
	C668	VE326000	C. MYLAR. ML	0.1uF 50V
	C669	VE326000	C. MYLAR. ML	0.1uF 50V
	D431	VU172500	DIODE. ZENR	UDZS9.1B
	D432	VT332900	DIODE	1SS355
	D433	VT332900	DIODE	1SS355
	D451	VU994300	DIODE. ZENR	MA8075-H 7.7V
	D452	VU994300	DIODE. ZENR	MA8075-H 7.7V
	D551	VU172100	DIODE. ZENR	UDZS6.2B 6.2V
	D552	VU172100	DIODE. ZENR	UDZS6.2B 6.2V
△	D653	WA653100	DIODE. BRG	KBP103G 1.0A 200V
△	D654	WA653100	DIODE. BRG	KBP103G 1.0A 200V
*	IC451	X5092A00	IC	BD3816K1
	IC452	X3505A00	IC	NJM2068MD-TE2
	IC453	X3505A00	IC	NJM2068MD-TE2
	IC454	X3505A00	IC	NJM2068MD-TE2
	IC455	X3505A00	IC	NJM2068MD-TE2
	IC456	X3505A00	IC	NJM2068MD-TE2
	IC551	X2874A00	IC	M66003-0101FP FLD
△	IC651	X4153A00	IC	KIA7812PI
△	IC652	X4154A00	IC	KIA7912API
△	IC653	X4928A00	IC	KIA7805API 5V
	JK431	V9408200	JACK. PHONE	MSJ-064-05B GR
	PJ451	V7190400	JACK. PIN	6P
	PJ452	V7046800	JACK. PIN	6P MSP-246V1-01N1
	PJ611	V7189700	JACK. PIN	1P
	PJ612	V7046700	JACK. PIN	4P MSP-244V1-01N1
	PJ613	V7046800	JACK. PIN	6P MSP-246V1-01N1

\* New Parts

**P.C.B. FUNCTION**

Schm Ref.	PART NO.	Description	Remarks	Markets
Q451	iC181510	TR	2SC1815 Y	
Q452	iA101510	TR	2SA1015 Y	
Q453	VD303700	TR	2SC3326 A, B	
Q454	VD303700	TR	2SC3326 A, B	
Q455	VD303700	TR	2SC3326 A, B	
Q456	VD303700	TR	2SC3326 A, B	
Q551	VV556400	TR	2SC2412K Q, R, S	
Q552	VV556400	TR	2SC2412K Q, R, S	
Q553	VV556400	TR	2SC2412K Q, R, S	
Q554	VV556400	TR	2SC2412K Q, R, S	
Q555	VV556400	TR	2SC2412K Q, R, S	
Q556	VV556400	TR	2SC2412K Q, R, S	
Q611	VD303700	TR	2SC3326 A, B	
Q612	VD303700	TR	2SC3326 A, B	
R431	VP940800	R. MTL. OXD	470 Ω 1W	
R432	VP940800	R. MTL. OXD	470 Ω 1W	
R483	HV753220	R. CAR. FP	2. 2Ω 1/4W	
R484	HV753220	R. CAR. FP	2. 2Ω 1/4W	
R589	HV755100	R. CAR. FP	100 Ω 1/4W	
R592	HV755100	R. CAR. FP	100 Ω 1/4W	
R651	HV753470	R. CAR. FP	4. 7Ω 1/4W	
R652	HV753470	R. CAR. FP	4. 7Ω 1/4W	
R657	HV753100	R. CAR. FP	1 Ω 1/4W	
R658	HV753100	R. CAR. FP	1 Ω 1/4W	
R660	VP939500	R. MTL. FLM	1 Ω 1W	
* ST431	WA789700	SCR. TERM		
ST451	WA789600	SCR. TERM	M3	
SW551	V9281300	SW. RT. ENC	EVEKD2F3024B	
SW552	VV020300	SW. TACT	SKQNA	
SW553	VV020300	SW. TACT	SKQNA	
SW554	VV020300	SW. TACT	SKQNA	
SW555	VV020300	SW. TACT	SKQNA	
SW556	VV020300	SW. TACT	SKQNA	
SW557	VV020300	SW. TACT	SKQNA	
SW558	VV020300	SW. TACT	SKQNA	
SW559	VV020300	SW. TACT	SKQNA	
SW560	VV020300	SW. TACT	SKQNA	
SW561	VV020300	SW. TACT	SKQNA	
SW562	VV020300	SW. TACT	SKQNA	
SW563	VV020300	SW. TACT	SKQNA	
SW564	VV020300	SW. TACT	SKQNA	
SW565	VV020300	SW. TACT	SKQNA	
SW566	VV020300	SW. TACT	SKQNA	
SW567	VV020300	SW. TACT	SKQNA	
SW567	VV020300	SW. TACT	SKQNA	BGE
SW568	VV020300	SW. TACT	SKQNA	
SW569	VV020300	SW. TACT	SKQNA	
SW569	VV020300	SW. TACT	SKQNA	BGE
SW570	VV020300	SW. TACT	SKQNA	
SW571	VV020300	SW. TACT	SKQNA	
SW571	VV020300	SW. TACT	SKQNA	BGE
SW572	VV020300	SW. TACT	SKQNA	
SW573	VV020300	SW. TACT	SKQNA	

\* New Parts

RX-V350/HTR-5730

**P.C.B. FUNCTION & P.C.B. MAIN**

Schm Ref.	PART NO.	Description	Remarks	Markets
SW573	VV020300	SW. TACT	SKQNAA	BGE
SW671	VV020300	SW. TACT	SKQNAA	
SW691	VZ075500	SW. SLIDE	SL14-22AM5F	RL
* U551	WC746300	L. DTCT	RPM7138-H9	
* V551	WC173100	FL. DSPLY	16-BT-122GNK	
	WA790800	SHEET		
	WA790900	SPACER	4.6/10/32	
	WC762300	P. C. B.	MAIN	UC
	WC762400	P. C. B.	MAIN	R
	WC762500	P. C. B.	MAIN	T
	WC762600	P. C. B.	MAIN	K
	WC762700	P. C. B.	MAIN	A
	WC762800	P. C. B.	MAIN	BGE
	WD043700	P. C. B.	MAIN	L
CB101	VQ963000	CN. BS. PIN	9P	
CB102	VQ584800	CN. BS. PIN	6P	
CB103	VK024700	CN. BS. PIN	3P	
CB104	LB932040	CN. BS. PIN	4P	
CB105	Vi878200	CN. BS. PIN	4P	
CB242	VM859600	CN. BS. PIN	15P	
CB244	VQ963300	CN. BS. PIN	12P	
CB245	Vi878300	CN. BS. PIN	5P	
CB246	VF728200	CN. BS. PIN	10P	
CB247	VQ963000	CN. BS. PIN	9P	
CB248	VQ044400	CN. BS. PIN	9P	
CB249	VQ963500	CN. BS. PIN	14P	
CB371	Vi878100	CN. BS. PIN	3P	
CB372	VP206500	HOLDER. FUS	EYF-52BCT	
CB373	VP206500	HOLDER. FUS	EYF-52BCT	
CB374	VG879900	CN. BS. PIN	2P	
CB375	VG879900	CN. BS. PIN	2P	
CB391	VK026400	CN. BS. PIN	5P	
CB411	VQ584800	CN. BS. PIN	6P	
C101	UA654100	C. MYLAR	0.01uF 50V	
C102	UR877100	C. EL	10uF 63V	
C103	UR877100	C. EL	10uF 63V	
C104	UR877100	C. EL	10uF 63V	
C105	UR877100	C. EL	10uF 63V	
C106	UR877100	C. EL	10uF 63V	
C107	UA652220	C. MYLAR	220pF 50V	
C108	UA652220	C. MYLAR	220pF 50V	
C109	UA652220	C. MYLAR	220pF 50V	
C110	UA652220	C. MYLAR	220pF 50V	
C111	UA652220	C. MYLAR	220pF 50V	
C112	UR877100	C. EL	10uF 63V	
C113	UR877100	C. EL	10uF 63V	
C114	UR867330	C. EL	33uF 50V	
C115	UA652100	C. MYLAR	100pF 50V	
C116	UR877100	C. EL	10uF 63V	
C117	UR877220	C. EL	22uF 63V	

\* New Parts

RX-V350/HTR-5730

P.C.B. MAIN

Schm Ref.	PART NO.	Description	Remarks	Markets
C118	UR877100	C. EL	10uF 63V	
C119	UR877220	C. EL	22uF 63V	
C120	FG651100	C. CE	10pF 50V	
C122	UR877100	C. EL	10uF 63V	
C123	UR877100	C. EL	10uF 63V	
C124	UR877100	C. EL	10uF 63V	
C125	UA652100	C. MYLAR	100pF 50V	
C126	UA652100	C. MYLAR	100pF 50V	
C127	UR867330	C. EL	33uF 50V	
C128	UR867330	C. EL	33uF 50V	
C129	UR867330	C. EL	33uF 50V	
C130	UR867330	C. EL	33uF 50V	
C131	UA652100	C. MYLAR	100pF 50V	
C132	UR877220	C. EL	22uF 63V	
C133	UA652100	C. MYLAR	100pF 50V	
C134	UR876470	C. EL	4. 7uF 63V	
C135	FG651100	C. CE	10pF 50V	
C136	FG651100	C. CE	10pF 50V	
C137	FG651100	C. CE	10pF 50V	
C138	FG651100	C. CE	10pF 50V	
C139	VE326000	C. MYLAR. ML	0. 1uF 50V	
C140	VE326000	C. MYLAR. ML	0. 1uF 50V	
C141	VE326000	C. MYLAR. ML	0. 1uF 50V	
C142	VE326000	C. MYLAR. ML	0. 1uF 50V	
C143	VE326000	C. MYLAR. ML	0. 1uF 50V	
C144	UR876470	C. EL	4. 7uF 63V	
C145	UR828100	C. EL	100uF 10V	
C146	UR858100	C. EL	100uF 35V	
C147	UR866470	C. EL	4. 7uF 50V	
C148	UA654100	C. MYLAR	0. 01uF 50V	RTKABGEL
C149	UR868100	C. EL	100uF 50V	
C150	UA654100	C. MYLAR	0. 01uF 50V	RTKABGEL
C151	UA654100	C. MYLAR	0. 01uF 50V	
* C152	WC869200	C. EL	6800uF 63V	UCRTKAL
* C152	WC998700	C. EL	6800uF 63V	BGE
* C153	WC869200	C. EL	6800uF 63V	UCRTKAL
* C153	WC998700	C. EL	6800uF 63V	BGE
C154	UA654100	C. MYLAR	0. 01uF 50V	KABGEL
C155	UA654100	C. MYLAR	0. 01uF 50V	KABGEL
C156	UA654100	C. MYLAR	0. 01uF 50V	KABGEL
C157	UA654100	C. MYLAR	0. 01uF 50V	KABGEL
C158	UA654100	C. MYLAR	0. 01uF 50V	
C159	VT898000	C. MYLAR	0. 1uF 100V	
C160	VT898000	C. MYLAR	0. 1uF 100V	
C161	UR866100	C. EL	1uF 50V	
C162	UA654100	C. MYLAR	0. 01uF 50V	RTKABGEL
C163	UA654100	C. MYLAR	0. 01uF 50V	RTKABGEL
C164	UA652100	C. POL	100pF 50V	KABGEL
C165	UA652100	C. POL	100pF 50V	KABGEL
C243	UR819100	C. EL	1000uF 6. 3V	
C244	UR819100	C. EL	1000uF 6. 3V	
C248	UR866100	C. EL	1uF 50V	
C253	UR857470	C. EL	47uF 35V	

\* New Parts

RX-V350/HTR-5730



**P.C.B. MAIN**

Schm Ref.	PART NO.	Description	Remarks	Markets
C254	UR877100	C. EL	10uF 63V	
C256	UR847470	C. EL	47uF 25V	
C258	WB165500	C. EL	0. 33F 5. 5V	
C259	UR818220	C. EL	220uF 6. 3V	
C260	UR847470	C. EL	47uF 25V	
C261	UR837330	C. EL	33uF 16V	
C263	UR877100	C. EL	10uF 63V	
C264	UR818470	C. EL	470uF 6. 3V	
C274	UR847470	C. EL	47uF 25V	BGE
C275	UR847470	C. EL	47uF 25V	BGE
C277	VA761100	C. CE	27pF 50V	BGE
C279	VA761100	C. CE	27pF 50V	BGE
C280	UR847470	C. EL	47uF 25V	BGE
C283	UR866220	C. EL	2. 2uF 50V	
C284	UR866220	C. EL	2. 2uF 50V	
C285	UR866220	C. EL	2. 2uF 50V	
C286	UR866220	C. EL	2. 2uF 50V	
C371	UR858470	C. EL	470uF 35V	
C372	UA654100	C. MYLAR	0. 01uF 50V	
C373	UR867100	C. EL	10uF 100V	RL
C374	UA654100	C. MYLAR	0. 01uF 50V	UCTKABGE
C375	UA654100	C. MYLAR	0. 01uF 50V	RL
C376	UA654100	C. MYLAR	0. 01uF 50V	RL
△ C377	WB121400	C. CE. SAFTY	0. 01uF 295V	
C393	UR877100	C. EL	10uF 63V	
C394	UR877100	C. EL	10uF 63V	
C395	UR877100	C. EL	10uF 63V	
C396	UR877100	C. EL	10uF 63V	
C397	UR829100	C. EL	1000uF 10V	
C398	UR829100	C. EL	1000uF 10V	
C401	UR838100	C. EL	100uF 16V	
C411	UA654100	C. MYLAR	0. 01uF 50V	RTKABGEL
C412	UA654100	C. MYLAR	0. 01uF 50V	RTKABGEL
C415	UA654100	C. MYLAR	0. 01uF 50V	
C415	UA654100	C. MYLAR	0. 01uF 50V	KABGEL
C416	UA654100	C. MYLAR	0. 01uF 50V	KABGEL
C417	UA652100	C. POL	100pF 50V	KABGEL
D101	VT332900	DIODE	1SS355	
D102	VT332900	DIODE	1SS355	
△ D103	VD631600	DIODE	1SS133, 176	
D104	VD631600	DIODE	1SS133, 176	
D105	VD631600	DIODE	1SS133, 176	
D106	VG441600	DIODE. ZENR	MTZJ20A 20V	
D106	VG441600	DIODE. ZENR	MTZJ20A 20V	RTKABGEL
D106	VG441700	DIODE. ZENR	MTZJ20B 20V	UC
* D107	WC398800	DIODE	KDS160-RTK	
D108	VN008700	DIODE	1SS270A	
D109	VN008700	DIODE	1SS270A	
* D110	WC398800	DIODE	KDS160-RTK	
D111	VN008700	DIODE	1SS270A	
D112	VN008700	DIODE	1SS270A	
D113	VN008700	DIODE	1SS270A	
D114	VN008700	DIODE	1SS270A	

\* New Parts

RX-V350/HTR-5730

P.C.B. MAIN

Schm Ref.	PART NO.	Description	Remarks	Markets
D115	VN008700	DIODE	1SS270A	
D116	VU171900	DIODE. ZENR	UDZ5. 1B 5. 1V	
D117	VN008700	DIODE	1SS270A	
D118	VD631600	DIODE	1SS133, 176	
D119	VD631600	DIODE	1SS133, 176	
D120	VG443200	DIODE. ZENR	MTZJ30A 30V	
D121	VD631600	DIODE	1SS133, 176	
D122	WA653200	DIODE. BRG	TS6P03G 6. 0A 200V	
D123	VD631600	DIODE	1SS133, 176	
D241	VT332900	DIODE	1SS355	
D242	VT332900	DIODE	1SS355	
D243	VU172200	DIODE. ZENR	UDZ6. 8B 6. 8V	
D244	VT332900	DIODE	1SS355	
D245	VU172100	DIODE. ZENR	UDZS6. 2B 6. 2V	
D246	VT332900	DIODE	1SS355	
D247	VT332900	DIODE	1SS355	
D249	VT332900	DIODE	1SS355	
D250	VU172000	DIODE. ZENR	UDZS5. 6BTE-17 5. 6V	
D251	VT332900	DIODE	1SS355	
D252	VU171900	DIODE. ZENR	UDZ5. 1B 5. 1V	
D254	VU171900	DIODE. ZENR	UDZ5. 1B 5. 1V	
D255	VU171900	DIODE. ZENR	UDZ5. 1B 5. 1V	
D256	VU171900	DIODE. ZENR	UDZ5. 1B 5. 1V	
D257	VU171900	DIODE. ZENR	UDZ5. 1B 5. 1V	
D258	VU171900	DIODE. ZENR	UDZ5. 1B 5. 1V	
D259	VU171900	DIODE. ZENR	UDZ5. 1B 5. 1V	
D371	VD631600	DIODE	1SS133, 176	
D372	VG437000	DIODE. ZENR	MTZJ4. 7A 4. 7V	RL
⚠ D373	VS997800	DIODE	1T2	
⚠ D374	VS997800	DIODE	1T2	
⚠ D375	VS997800	DIODE	1T2	RL
⚠ D376	VS997800	DIODE	1T2	
⚠ D377	VS997800	DIODE	1T2	
D411	VD631600	DIODE	1SS133, 176	
* ⚠ F371	WB221200	FUSE	T6A 125V	UCRL
* ⚠ F371	VV071700	FUSE	TSD 3. 15A 250V SEM	TKABGE
* ⚠ F371	WB221200	FUSE	T6A 125V	UCRL
* ⚠ IC101	X5064A00	IC	STK404-130Y 130W	
* ⚠ IC102	X5063A00	IC	STK403-130Y 130W	
* ⚠ IC103	X5063A00	IC	STK403-130Y 130W	
IC241	X0082A00	IC	LC72722PM	
IC241	X0082A00	IC	LC72722PM	BGE
* IC242	X5228A00	IC. CPU	M30622MGP-151FP	MASK ROM
IC391	XH436A00	IC	LA7956	
PJ391	V7190000	JACK. PIN	2P	
PJ392	V7190000	JACK. PIN	2P	
PJ393	V7190000	JACK. PIN	2P	
PN412	WB213200	PIN	L=70 WB21320	
⚠ Q101	VD303700	TR	2SC3326 A, B	
⚠ Q102	VD303700	TR	2SC3326 A, B	
⚠ Q103	VD303700	TR	2SC3326 A, B	
⚠ Q104	VD303700	TR	2SC3326 A, B	
⚠ Q105	VD303700	TR	2SC3326 A, B	

\* New Parts

RX-V350/HTR-5730

**P.C.B. MAIN**

Schm Ref.	PART NO.	Description	Remarks	Markets
* Q106	V3966800	TR	2SB949 0, Y	
* Q107	WC398400	TR	2SC2N5551C-AT	
△ Q108	VC407900	TR	2SD1913 R, S	
△ Q109	VC614000	TR	2SB1274 0, R, S	
* Q110	WC397700	TR	2SA2N5401C-AT	
* Q111	WC397700	TR	2SA2N5401C-AT	
* Q112	WC398400	TR	2SC2N5551C-AT	
* Q113	WC398400	TR	2SC2N5551C-AT	
* Q114	WC398400	TR	2SC2N5551C-AT	
* Q115	WC398400	TR	2SC2N5551C-AT	
* Q116	WC398400	TR	2SC2N5551C-AT	
* Q117	WC397700	TR	2SA2N5401C-AT	
* Q118	WC434900	TR. DGT	KRA104S-RTK	
* Q119	WC434900	TR. DGT	KRA104S-RTK	
* Q120	WC434900	TR. DGT	KRA104S-RTK	
Q121	iA101510	TR	2SA1015 Y	
* Q122	WC434900	TR. DGT	KRA104S-RTK	
Q123	iC181510	TR	2SC1815 Y	
* Q124	WC434900	TR. DGT	KRA104S-RTK	
Q243	VP872700	TR	2SC4488 S, T	
Q244	VP872600	TR	2SA1708 S, T	
* Q245	WC435000	TR. DGT	KRC102S-RTK	
* Q246	WC435100	TR. DGT	KRC104S-RTK	
Q247	iC181510	TR	2SC1815 Y	
* Q248	WC435100	TR. DGT	KRC104S-RTK	
Q249	VP872700	TR	2SC4488 S, T	
* Q250	WC435100	TR. DGT	KRC104S-RTK	RL
Q251	iC174020	TR	2SC1740S R, S	BGE
Q251	iC174020	TR	2SC1740S R, S	
* Q252	WC435100	TR. DGT	KRC104S-RTK	
Q254	VV556500	TR	2SA1037K 0, R, S	
Q255	VV556500	TR	2SA1037K 0, R, S	
Q256	VV556500	TR	2SA1037K 0, R, S	
Q257	VV556500	TR	2SA1037K 0, R, S	
Q258	VV556500	TR	2SA1037K 0, R, S	
Q259	VV556400	TR	2SC2412K 0, R, S	
Q260	VV556500	TR	2SA1037K 0, R, S	
Q261	VV556400	TR	2SC2412K 0, R, S	
* Q262	WC398600	TR. DGT	KRA104M-AT	
Q371	VE198800	TR	2SC2705 0, Y	
Q372	iA101510	TR	2SA1015 Y	RL
Q373	VP872600	TR	2SA1708 S, T	RL
Q374	iA101510	TR	2SA1015 Y	RL
* Q375	WC529200	TR. DGT	KRC102M-AT	RL
Q391	iC181510	TR	2SC1815 Y	
Q392	iC181510	TR	2SC1815 Y	
Q393	iC174020	TR	2SC1740S R, S	
R121	HV753220	R. CAR. FP	2. 2 Ω 1/4W	
R122	HV753220	R. CAR. FP	2. 2 Ω 1/4W	
R125	HV753220	R. CAR. FP	2. 2 Ω 1/4W	
R126	HV753220	R. CAR. FP	2. 2 Ω 1/4W	
△ R129	HV754470	R. CAR. FP	47 Ω 1/4W	
R130	HV753220	R. CAR. FP	2. 2 Ω 1/4W	

\* New Parts

RX-V350/HTR-5730

P.C.B. MAIN

Schm Ref.	PART NO.	Description	Remarks	Markets
	R132 HV753220	R. CAR. FP 2.2Ω 1/4W		
⚠	R133 HV754100	R. CAR. FP 10Ω 1/4W		
⚠	R143 HV756470	R. CAR. FP 4.7KΩ 1/4W		
⚠	R144 HV754100	R. CAR. FP 10Ω 1/4W		
	R148 WB279900	R. WW RGC55C 0.22+0.22		
	R156 WB279900	R. WW RGC55C 0.22+0.22		
	R157 WB279900	R. WW RGC55C 0.22+0.22		
	R158 WB279900	R. WW RGC55C 0.22+0.22		
	R159 WB279900	R. WW RGC55C 0.22+0.22		
	R166 HV753470	R. CAR. FP 4.7Ω 1/4W		
⚠	R171 VP939700	R. MTL. FLM 4.7Ω 1W		
	R178 HV753470	R. CAR. FP 4.7Ω 1/4W		
	R180 HV753470	R. CAR. FP 4.7Ω 1/4W		
	R182 HV753470	R. CAR. FP 4.7Ω 1/4W		
	R184 HV753470	R. CAR. FP 4.7Ω 1/4W		
	R190 VP939700	R. MTL. FLM 4.7Ω 1W		
⚠	R191 VP939700	R. MTL. FLM 4.7Ω 1W		
⚠	R192 VP939700	R. MTL. FLM 4.7Ω 1W		
⚠	R193 VP939700	R. MTL. FLM 4.7Ω 1W		
	R198 HV756470	R. CAR. FP 4.7KΩ 1/4W		
	R201 HV755330	R. CAR. FP 330Ω 1/4W		
	R204 HV753220	R. CAR. FP 2.2Ω 1/4W		RTKABGEL
	R206 HV753220	R. CAR. FP 2.2Ω 1/4W		RTKABGEL
	R208 HV753220	R. CAR. FP 2.2Ω 1/4W		
	R216 HV753220	R. CAR. FP 2.2Ω 1/4W		RTKABGEL
	R217 HV753220	R. CAR. FP 2.2Ω 1/4W		RTKABGEL
	R243 HV753220	R. CAR. FP 2.2Ω 1/4W		
	R378 VC757900	R. MTL. OXD 47Ω 2W		RL
	R380 V6730000	R. CAR. 2.2MΩ 1/2W		UC
	R399 HV755270	R. CAR. FP 270Ω 1/4W		
	R405 HV753220	R. CAR. FP 2.2Ω 1/4W		
	R411 HV753220	R. CAR. FP 2.2Ω 1/4W		RTKABGEL
	R414 HV753220	R. CAR. FP 2.2Ω 1/4W		RTKABGEL
	RY101 V5966300	RELAY DS24D2-0S(M)		
	RY102 V5966300	RELAY DS24D2-0S(M)		
	RY104 V5178900	RELAY DC DQ24D1-0S(M)		
	RY105 V5966300	RELAY DS24D2-0S(M)		
⚠	RY371 V2712300	RELAY DC SDT-S-112LMR		
	RY411 V5966300	RELAY DS24D2-0S(M)		
	ST241 WA789600	SCR. TERM M3		
	ST371 WA789600	SCR. TERM M3		
	SW391 V3624300	SW. SLIDE SS029-P022MJB-PA6		RL
⚠	T371 XW606A00	TRANS. PWR		UC
⚠	T371 XW974A00	TRANS. PWR		RL
⚠	T371 XW608A00	TRANS. PWR		T
⚠	T371 XW608A00	TRANS. PWR		KABGE
	TE101 VY696300	TERM. SP 4P		UCRTA
	TE101 VY696400	TERM. SP 4P		KBGEL
	TE102 WB054000	TERM. SP YKD21-5002N		
	TE411 WB054100	TERM. SP YKD21-5004N		
	XL241 V3930900	RSNR. CRYST 4.332MHz		BGE
	XL242 WB213000	RSNR. CE 16.0MHz		
	EP600140	SCR. BND. HD 3x10 MFZN2BL		

\* New Parts

RX-V350/HTR-5730

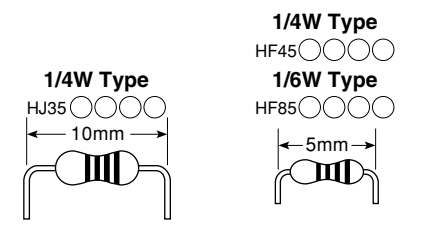
**Cip Parts**

Schm Ref.	PART NO.	Description	Remarks	Markets
	US061100	C. CE. M. CHP	10pF 50V	
	US061180	C. CE. CHP	18pF 50V	
	US061220	C. CE. M. CHP	22pF 50V	
	US061330	C. CE. M. CHP	33pF 50V	
	US061470	C. CE. M. CHP	47pF 50V	
	US062100	C. CE. M. CHP	100pF 50V	
	US062220	C. CE. CHP	220pF 50V	
	US062330	C. CE. M. CHP	330pF 50V	
	US062470	C. CE. M. CHP	470pF 50V	
	US062560	C. CE. CHP	560pF 50V	
	US063100	C. CE. M. CHP	1000pF 50V	
	US063470	C. CE. CHP	4700pF 50V	
	US064100	C. CE. M. CHP	0.01uF 50V	
	US135100	C. CE. CHP	0.1uF 16V	
	US135220	C. CE. CHP	0.22uF 16V	
	RD350000	R. CHP	0 Ω 1/16W	
	RD353220	R. CHP	2.2 Ω 1/16W	
	RD354150	R. CHP	15 Ω 1/16W	
	RD354470	R. CHP	47 Ω 1/16W	
	RD354750	R. CHP	75 Ω 1/16W	
	RD354820	R. CHP	82 Ω 1/16W	
	RD355100	R. CHP	100 Ω 1/16W	
	RD355220	R. CHP	220 Ω 1/16W	
	RD355470	R. CHP	470 Ω 1/16W	
	RD355560	R. CHP	560 Ω 1/16W	
	RD355680	R. CHP	680 Ω 1/16W	
	RD355820	R. CHP	820 Ω 1/16W	
	RD356100	R. CHP	1K Ω 1/16W	
	RD356150	R. CHP	1.5K Ω 1/16W	
	RD356180	R. CHP	1.8K Ω 1/16W	
	RD356200	R. CHP	2K Ω 1/16W	
	RD356220	R. CHP	2.2K Ω 1/16W	
	RD356240	R. CHP	2.4K Ω 1/16W	
	RD356270	R. CHP	2.7K Ω 1/16W	
	RD356330	R. CHP	3.3K Ω 1/16W	
	RD356470	R. CHP	4.7K Ω 1/16W	
	RD356510	R. CHP	5.1K Ω 1/16W	
	RD356560	R. CHP	5.6K Ω 1/16W	
	RD356680	R. CHP	6.8K Ω 1/16W	
	RD356820	R. CHP	8.2K Ω 1/16W	
	RD357100	R. CHP	10K Ω 1/16W	
	RD357150	R. CHP	15K Ω 1/16W	
	RD357180	R. CHP	18K Ω 1/16W	
	RD357220	R. CHP	22K Ω 1/16W	
	RD357330	R. CHP	33K Ω 1/16W	
	RD357470	R. CHP	47K Ω 1/16W	
	RD357680	R. CHP	68K Ω 1/16W	
	RD358100	R. CHP	100K Ω 1/16W	
	RD358220	R. CHP	220K Ω 1/16W	
	RD359100	R. CHP	1M Ω 1/16W	

\*: New Parts

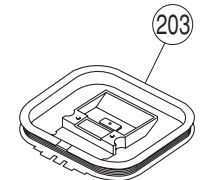
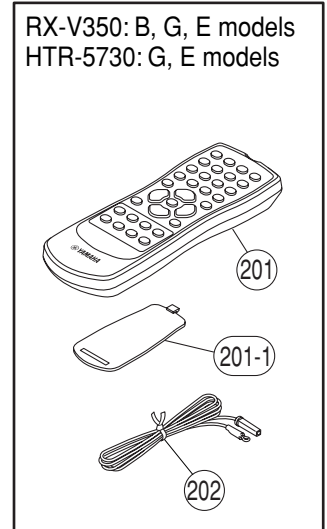
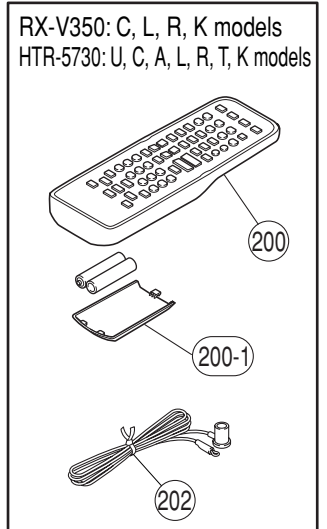
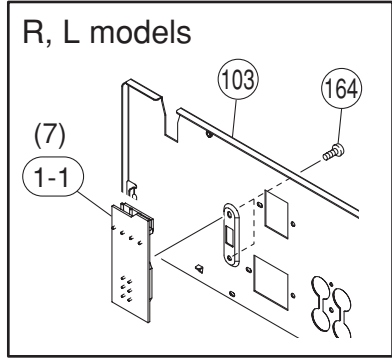
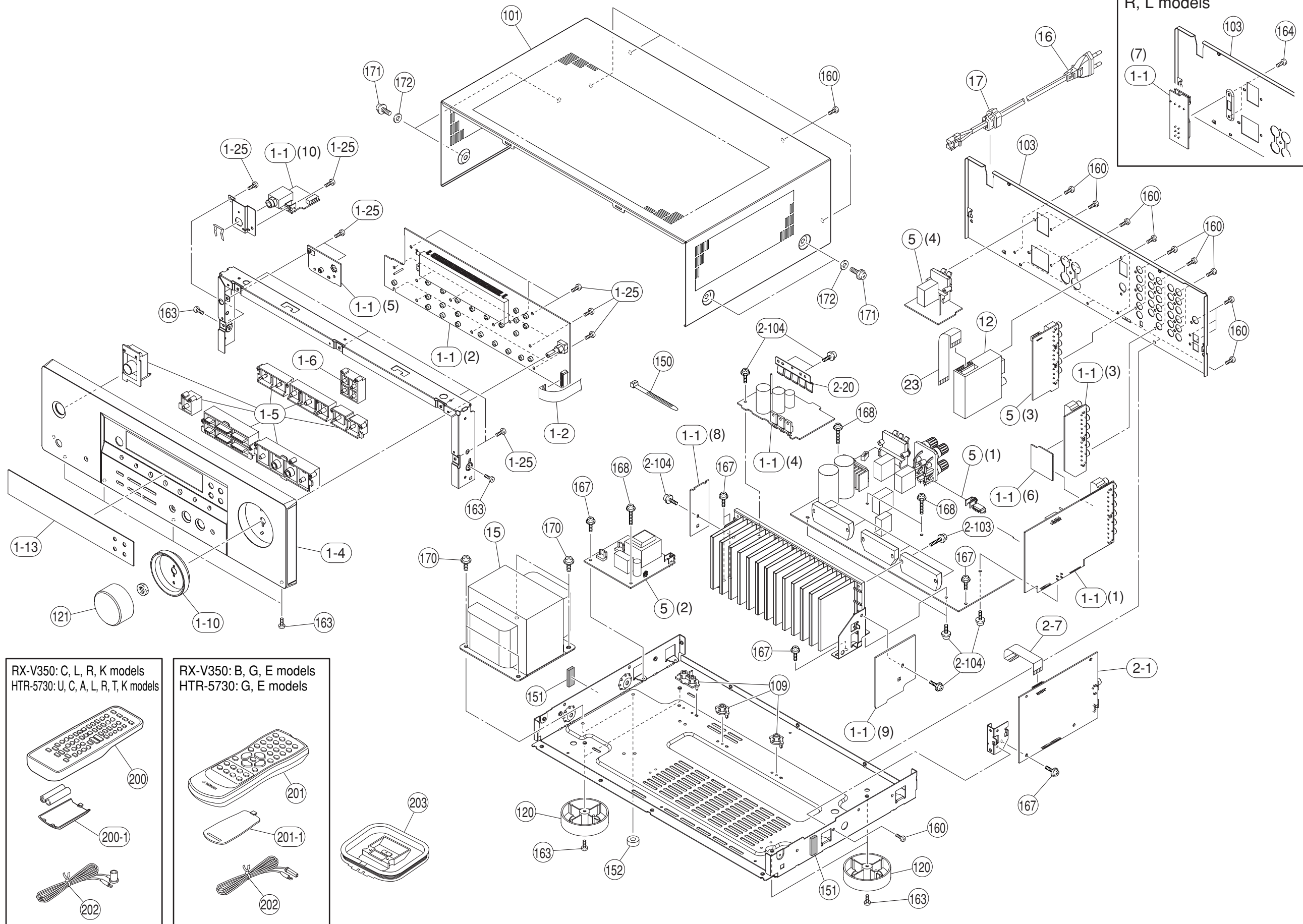
# Parts List for Carbon Resistors

Value	1/4W Type Part No.	1/6W Type Part No.	Value	1/4W Type Part No.	1/6W Type Part No.
1.0 Ω	HJ35 3100	HF85 3100	10 kΩ	HF45 7100	HF45 7100
1.8 Ω	HJ35 3180	*	11 kΩ	HF45 7110	HF45 7110
2.2 Ω	HJ35 3220	HF85 3220	12 kΩ	HJ35 7120	HF85 7120
3.3 Ω	HJ35 3330	HF85 3330	13 kΩ	HF45 7130	HF45 7130
4.7 Ω	HJ35 3470	HF85 3470	15 kΩ	HF45 7150	HF45 7150
5.6 Ω	HJ35 3560	HF85 3560	18 kΩ	HF45 7180	HF45 7180
10 Ω	HF45 4100	HF45 4100	22 kΩ	HF45 7220	HF45 7220
15 Ω	HJ35 4150	HF85 4150	24 kΩ	HF45 7240	HF45 7240
22 Ω	HF45 4220	HF45 4220	27 kΩ	HJ35 7270	HF85 7270
27 Ω	HJ35 4270	HF85 4270	30 kΩ	HF45 7300	HF45 7300
33 Ω	HF45 4330	HF45 4330	33 kΩ	HF45 7330	HF45 7330
39 Ω	HJ35 4470	HF85 4390	36 kΩ	HF45 7360	HF45 7360
47 Ω	HF45 4470	HF45 4470	39 kΩ	HF45 7390	HF45 7390
56 Ω	HF45 4560	HF45 4560	47 kΩ	HF45 7470	HF45 7470
68 Ω	HF45 4680	HF45 4680	51 kΩ	HF45 7510	HF45 7510
75 Ω	HF45 4750	HF45 4750	56 kΩ	HF45 7560	HF45 7560
82 Ω	HF45 4820	HF45 4820	62 kΩ	HF45 7620	HF45 7620
91 Ω	HF45 4910	HF45 4910	68 kΩ	HF45 7680	HF45 7680
100 Ω	HF45 5100	HF45 5100	82 kΩ	HF45 7820	HF45 7820
110 Ω	HJ35 5110	HF85 5110	91 kΩ	HF45 7910	HF45 7910
120 Ω	HF45 5120	HF45 5120	100 kΩ	HF45 8100	HF45 8100
150 Ω	HF45 5150	HF45 5150	110 kΩ	HF45 8110	HF45 8110
160 Ω	HJ35 5160	*	120 kΩ	HF45 8120	HF45 8120
180 Ω	HF45 5180	HF45 5180	150 kΩ	HF45 8150	HF45 8150
200 Ω	HF45 5200	HF45 5200	180 kΩ	HF45 8180	HF45 8180
220 Ω	HF45 5220	HF45 5220	220 kΩ	HJ35 8220	HF85 8220
270 Ω	HF45 5270	HF45 5270	270 kΩ	HF45 8270	HF45 8270
330 Ω	HF45 5330	HF45 5330	300 kΩ	HF45 8300	HF45 8300
390 Ω	HF45 5390	HF45 5390	330 kΩ	HF45 8330	HF45 8330
430 Ω	HF45 5430	HF45 5430	390 kΩ	HJ35 8390	HF85 8390
470 Ω	HF45 5470	HF45 5470	470 kΩ	HF45 8470	HF45 8470
510 Ω	HF45 5510	HF45 5510	560 kΩ	HJ35 8560	HF85 8560
560 Ω	HF45 5560	HF45 5560	680 kΩ	HJ35 8680	HF85 8680
680 Ω	HF45 5680	HF45 5680	820 kΩ	HJ35 8820	HF85 8820
820 Ω	HF45 5820	HF45 5820	1.0 MΩ	HF45 9100	HF45 9100
910 Ω	HF45 5910	HF45 5910	1.2 MΩ	HJ35 9120	*
1.0 kΩ	HF45 6100	HF45 6100	1.5 MΩ	HJ35 9150	HF85 9150
1.2 kΩ	HF45 6120	HF45 6120	1.8 MΩ	HJ35 9180	HF85 9180
1.5 kΩ	HF45 6150	HF45 6150	2.2 MΩ	HJ35 9220	HF85 9220
1.8 kΩ	HF45 6180	HF45 6180	3.3 MΩ	HJ35 9330	HF85 9330
2.0 kΩ	HJ35 6200	HF85 6200	3.9 MΩ	HJ35 9390	*
2.2 kΩ	HF45 6220	HF45 6220	4.7 MΩ	HJ35 9470	HF85 9470
2.4 kΩ	HJ35 6240	HF85 6240			
2.7 kΩ	HF45 6270	HF45 6270			
3.0 kΩ	HF45 6300	HF45 6300			
3.3 kΩ	HF45 6330	HF45 6330			
3.6 kΩ	HJ35 6360	HF85 6360			
3.9 kΩ	HF45 6390	HF45 6390			
4.7 kΩ	HF45 6470	HF45 6470			
5.1 kΩ	HF45 6510	HF45 6510			
5.6 kΩ	HF45 6560	HF45 6560			
6.8 kΩ	HF45 6680	HF45 6680			
8.2 kΩ	HF45 6820	HF45 6820			
9.1 kΩ	HF45 6910	HF45 6910			



\*: Not available

EXPLODED VIEW



MECHANICAL PARTS

Schm Ref.	PART NO.	Description	Remarks	Markets
* 1-1	WC763100	P. C. B. ASS' Y	FUNC	UCTKA
* 1-1	WC763200	P. C. B. ASS' Y	FUNC	R
* 1-1	WC763300	P. C. B. ASS' Y	FUNC	BGE
* 1-1	WD043900	P. C. B. ASS' Y	FUNC	L
* 1-2	MF114180	FLEXIBLE FLAT CABLE	14P 180mm P=1.25	
* 1-4	WC410300	FRONT PANEL	V350GD	TL
* 1-4	WC410600	FRONT PANEL	V350BL (RDS)	BGE
* 1-4	WC410400	FRONT PANEL	V350SI	CRKL
* 1-4	WC410700	FRONT PANEL	V350SI (RDS)	BGE
* 1-4	WC411000	FRONT PANEL	5730GD	T
* 1-4	WC410900	FRONT PANEL	5730BL	UCRA
* 1-4	WC411200	FRONT PANEL	5730BL (RDS)	GE
* 1-4	WC411100	FRONT PANEL	5730SI	UCRTKA
* 1-4	WC411300	FRONT PANEL	5730SI (RDS)	GE
* 1-5	WC411600	BUTTONCASE 350	V350GD, 5730GD	
* 1-5	WC411500	BUTTONCASE 350	V350BL	
* 1-5	WC411800	BUTTONCASE 350	5730BL	
* 1-5	WC411700	BUTTONCASE 350	V350SI, 5730SI	
* 1-6	WC411900	BUTTON/RDS 350	BL	
* 1-6	WC412000	BUTTON/RDS 350	SI	
* 1-10	WC412300	ESCUTCHEON/VOL	GD	
* 1-10	WC412200	ESCUTCHEON/VOL	BL	
* 1-10	WC412400	ESCUTCHEON/VOL	SI	
* 1-13	WC412800	SHEET, WINDOW	V350, 5730	UCRTKAL
* 1-13	WC413000	SHEET, WINDOW	V350	BGE
* 1-13	WC413100	SHEET, WINDOW	5730	GE
* 1-25	EP630220	BIND HEAD P-TIGHT SCREW	3x8 MFZN2BL	
* 2-1	WC763500	P. C. B. ASS' Y	DSP	UCRTKABGE
* 2-1	WD044200	P. C. B. ASS' Y	DSP	L
* 2-7	MF111070	FLEXIBLE FLAT CABLE	11P 70mm P=1.25	
* 2-20	WC656100	SUPPORT/TR 5P		
* 2-103	VK865300	HEX. HEAD TAP. SCREW WITH WS	3x18 MFC2BL	
* 2-104	VT669300	PW HEAD B-TIGHT SCREW	3x8-8 MFC2	
* 5	WC762300	P. C. B. ASS' Y	MAIN	UC
* 5	WC762400	P. C. B. ASS' Y	MAIN	R
* 5	WC762500	P. C. B. ASS' Y	MAIN	T
* 5	WC762600	P. C. B. ASS' Y	MAIN	K
* 5	WC762700	P. C. B. ASS' Y	MAIN	A
* 5	WC762800	P. C. B. ASS' Y	MAIN	BGE
* 5	WD043700	P. C. B. ASS' Y	MAIN	L
* 12	V6782300	AM/FM TUNER	TFCE1U115A	UCRTL
* 12	V6782400	AM/FM TUNER	TFCE1E317A	KABGE
* 15	X5276A00	POWER TRANSFORMER		UC
* 15	X5278A00	POWER TRANSFORMER		RL
* 15	X5279A00	POWER TRANSFORMER		TK
* 15	X5280A00	POWER TRANSFORMER		A
* 15	X5277A00	POWER TRANSFORMER		BGE
* 16	WB120500	POWER CABLE	ME301P/TER	UC
* 16	WC992700	POWER CABLE	2m	R
* 16	WB120600	POWER CABLE	2m	T
* 16	WC753000	POWER CABLE	2m	K
* 16	WC743700	POWER CABLE	2m	A

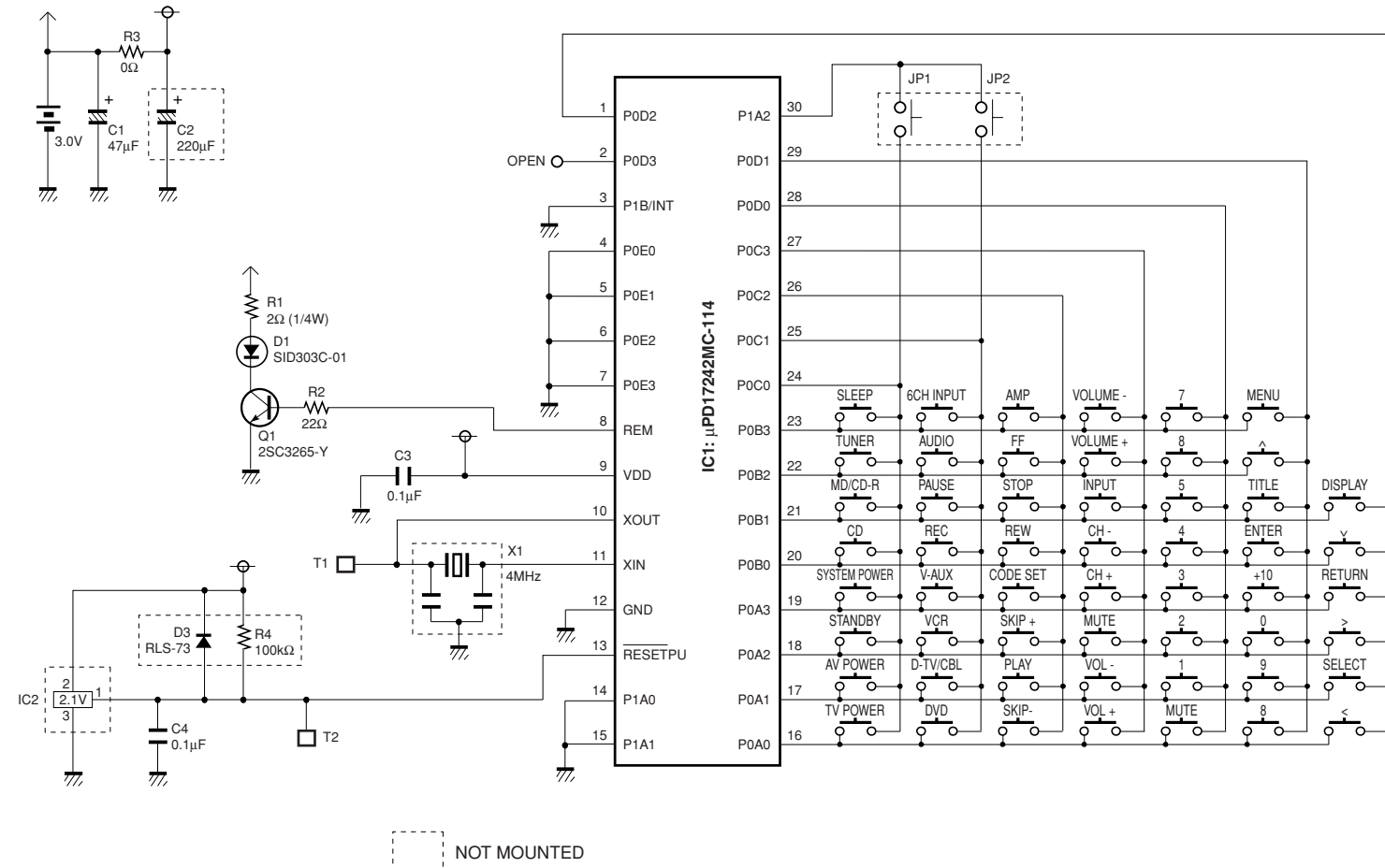
\* New Parts

Schm Ref.	PART NO.	Description	Remarks	Markets
* 16	WB212200	POWER CABLE	2m	B
* 16	WB212300	POWER CABLE	2m	GEL
* 17	V2438700	CORD STOPPER	10P1	
* 23	MF115140	FLEXIBLE FLAT CABLE	15P 140mm P=1.25	
* 101	WA792200	TOP COVER		GD
* 101	WA791900	TOP COVER		BL
* 101	WA792000	TOP COVER		SI
* 103	WC408700	REAR PANEL		V350
* 103	WC408800	REAR PANEL		V350
* 103	WC408900	REAR PANEL		V350
* 103	WC408900	REAR PANEL		V350
* 103	WC409200	REAR PANEL		V350
* 103	WC409300	REAR PANEL		V350
* 103	WC409500	REAR PANEL		5730
* 103	WC409600	REAR PANEL		5730
* 103	WC409700	REAR PANEL		5730
* 103	WC409800	REAR PANEL		5730
* 103	WC410000	REAR PANEL		5730
* 109	WA796100	SUPPORT, PCB		
* 120	WA790500	LEG (HS)	D60/H21	SI, V350BL
* 120	WA790600	LEG	D60/H21	GD
* 120	WA790700	LEG (BL)	D60/H21	5730BL
* 121	WC412600	KNOB D48		GD
* 121	WC412500	KNOB D48		BL
* 121	WC412700	KNOB D48		SI
* 150	WB408000	BINDING TIE	GT-100M HUA WEI	
* 151	WB408400	DAMPER		
* 152	WB484700	DAMPER	SCREW MASK	
* 160	VN413300	BIND HEAD BONDING B-T. SCREW	3x8 MFZN2BL	
* 163	EP600250	BIND HEAD B-TIGHT SCREW	3x8 MFZN2Y	
* 164	EG330030	BIND HEAD SCREW	3x6 MFC2BL	RL
* 167	VT669300	PW HEAD B-TIGHT SCREW	3x8-8 MFC2	
* 168	VT669400	PW HEAD B-TIGHT SCREW	3x15-8 MFC2	
* 170	21991500	PW HEAD P-TIGHT SCREW	4x8-10 MFC2BL	
* 171	VD069600	PW HEAD S-TIGHT SCREW	4x8-10 MFN133	GD, SI
* 171	21991500	PW HEAD P-TIGHT SCREW	4x8-10 MFC2BL	BL
* 172	WB973900	WASHER	3.9x9	
		ACCESSORIES		
* 200	WA220300	REMOTE CONTROL	RAV300	RRC4001-1001LC UCRTKAL
* 200-1	AAX46580	BATTERY COVER		103RRC-244-01G UCRTKAL
* 201	WA617700	REMOTE CONTROL	RAV16	RC1112921/00 BGE
* 201-1	AAX49660	BATTERY COVER		3139 224 22451 BGE
* 202	WB212500	INDOOR FM ANTENNA	1.4m 1pc	UCRT
* 202	WB212400	INDOOR FM ANTENNA	1.4m 1pc	KABGE
* 202	V6267000	INDOOR FM ANTENNA	1.4m 1pc	L
* 203	WB212600	AM LOOP ANTENNA	1.0m 1pc	UCRTKABGE
* 203	VR248500	AM LOOP ANTENNA	1.0m 1pc	L
		BATTERY, MANGANESE DRY	2PC R6CP	

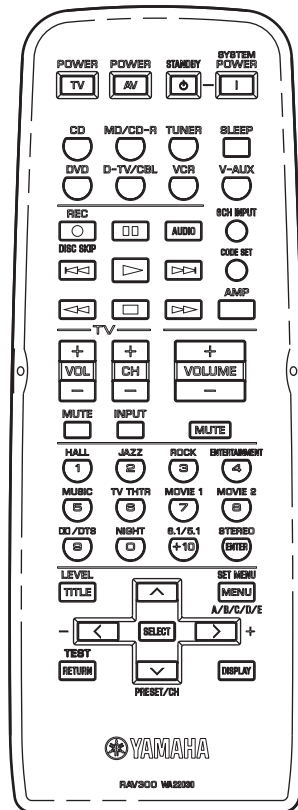
\* New Parts

■ REMOTE CONTROL RAV300 (RX-V350: C, L, R, K models / HTR-5730: U, C, A, L, R, T, K models)

● SCHEMATIC DIAGRAM



NOT MOUNTED



Key No.	Function	CODE								
		AMP	CD	MD	CD-R	TUNER	DVD (P)	DVD (Y)	DVD (M)	DVD-R (P)
1	TV POWER	-	-	-	-	-	-	-	-	-
2	AV POWER	-	-	-	7F-80	-	A5-AA	7C-80	3D-8D	A5-AA
3	STANDBY	7A-1E	-	-	-	-	-	-	-	-
4	SYSTEM POWER	7A-1D	-	-	-	-	-	-	-	-
5	CD	7A-15	-	-	-	-	-	-	-	-
6	MD/CD-R	7A-C9	-	-	-	-	-	-	-	-
7	TUNER	7A-16	-	-	-	-	-	-	-	-
8	SLEEP	7A-57	-	-	-	-	-	-	-	-
9	DVD	7A-C1	-	-	-	-	-	-	-	-
10	D-TV/CBL	7A-54	-	-	-	-	-	-	-	-
11	VCR	7A-0F	-	-	-	-	-	-	-	-
12	V-AUX	7A-55	-	-	-	-	-	-	-	-
13	REC, DISC SKIP	-	7A-4F	79-AF	-	-	55-56	7C-8B	-	56-5A
14	PAUSE	-	7A-09	79-A9	7F-83	-	AA-5A	7C-83	06-B6	AA-5A
15	AUDIO	-	-	-	-	-	95-A6	7C-AD	33-83	95-A6
16	6CH INPUT	7A-87	-	-	-	-	-	-	-	-
17	SKIP -	-	7A-0B	79-AB	7F-86	-	6A-9A	7CB9	49-F9	6A-9A
18	PLAY	-	7A-08	79-A8	7F-82	-	A5-9A	7C-82	0A-BA	A5-9A
19	SKIP +	-	7A-0A	79-AE	7F-87	-	AA-9A	7C-BA	4A-FA	AA-9A
20	CODE SET	-	-	-	-	-	-	-	-	-
21	REW	-	7A-0D	79-AC	7F-88	-	69-9A	7C-86	04-B4	69-9A
22	STOP	-	7A-09	79-AA	7F-84	-	6A-5A	7C-85	00-B0	6A-5A
23	FF	-	7A-0C	79-AD	7F-89	-	A9-9A	7C-87	05-B5	A9-9A
24	AMP	-	-	-	-	-	-	-	-	-
25	TV VOL +	-	-	-	-	-	-	-	-	-
26	TV VOL -	-	-	-	-	-	-	-	-	-
27	TV MUTE	-	-	-	-	-	-	-	-	-
28	TV CH +	-	-	-	-	-	-	-	-	-
29	TV CH -	-	-	-	-	-	-	-	-	-
30	TV INPUT	-	-	-	-	-	-	-	-	-
31	VOLUME +	7A-1A	-	-	-	-	-	-	-	-
32	VOLUME -	7A-1B	-	-	-	-	-	-	-	-
33	MUTE	7A-1C	-	-	-	-	-	-	-	-
34	1	7A-88	79-11	79-85	7F-91	7A-E5	6A-AA	7C-94	10-A0	6A-AA
35	2	7A-89	79-12	79-86	7F-92	7A-E6	9A-AA	7C-95	11-A1	9A-AA
36	3	7A-8A	79-13	79-87	7F-93	7A-E7	5A-AA	7C-96	12-A2	5A-AA
37	4	7A-8B	79-14	79-88	7F-94	7A-E8	A6-AA	7C-97	13-A3	A6-AA
38	5	7A-8C	79-15	79-89	7F-95	7A-E9	66-AA	7C-98	14-A4	66-AA
39	6	7A-8D	79-16	79-8A	7F-96	7A-EA	96-AA	7C-99	15-A5	96-AA
40	7	7A-8E	79-17	79-8B	7F-97	7A-EB	56-AA	7C-9A	16-A6	56-AA
41	8	7A-8F	79-18	79-8C	7F-98	7A-EC	A9-AA	7C-9B	17-A7	A9-AA
42	9	7A-90	79-19	79-8D	7F-99	-	69-AA	7C-9C	18-A8	69-AA
43	0	7A-95	79-10	79-8E	7F-90	-	AA-AA	7C-93	19-A9	AA-AA
44	+10	7A-97	79-1A	79-8F	7F-9A	-	A9-56	7C-9D	89-39	A9-56
45	ENTER	7A-56	79-0B	-	7F-8A	-	A9-A5	7C-9E	-	A9-A5
46	TITLE	7A-86	-	-	-	-	6A-56	7C-B1	9B-2B	6A-56
47	^	7A-98	-	-	-	7A-10	A9-66	7C-B4	85-35	A9-66
48	MENU	7A-9C	-	-	-	7A-12	A6-66	7C-B2	80-30	A6-66
49	<	7A-53	-	-	-	-	99-66	7C-B5	87-37	99-66
50	SELECT	-	-	-	-	-	A5-66	7C-B8	82-32	A5-66
51	>	7A-52	-	-	-	-	59-66	7C-B6	88-38	59-66
52	RETURN	7A-85	-	-	-	-	5A-A9	7C-B7	81-31	5A-A9
53	v	7A-99	-	-	-	7A-11	69-66	7C-B3	86-36	69-66
54	DISPLAY	-	79-0A	79-A5	7F-9E	-	55-AA	7C-A6	92-22	55-AA



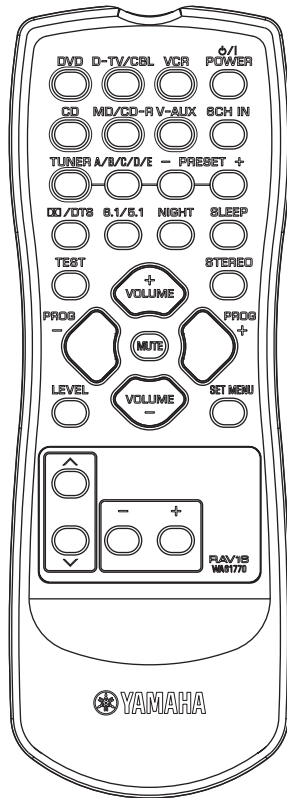
# 1 ■ REMOTE CONTROL RAV16 (RX-V350: B, G, E models / HTR-5730: G, E models)

The schematic diagram is not available.

2

CUSTOM CODE: 7A

3



4

Key No.	Key Name	Data Code	Key No.	Key Name	Data Code
1	DVD	C1	18	VOLUME +	1A
2	D-TV/CBL	54	19	STEREO	56
3	VCR	0F	20	PROG -	59
4	POWER	1F	21	MUTE	1C
5	CD	15	22	PROG +	58
6	MD/CD-R	C9	23	LEVEL	86
7	V-AUX	55	24	VOLUME -	1B
8	6CH INPUT	87	25	SET MENU	9C
9	TUNER	16	26	^	98
10	A/B/C/D/E	12	27	_____	_____
11	PRESET -	11	28	_____	_____
12	PRESET +	10	29	_____	_____
13	DOLBY / DTS	90	30	∨	99
14	6.1 / 5.1	97	31	-	53
15	NIGHT	95	32	+	52
16	SLEEP	57	33	_____	_____
17	TEST	85			

5

6

7

# RX-V350/HTR-5730

---

