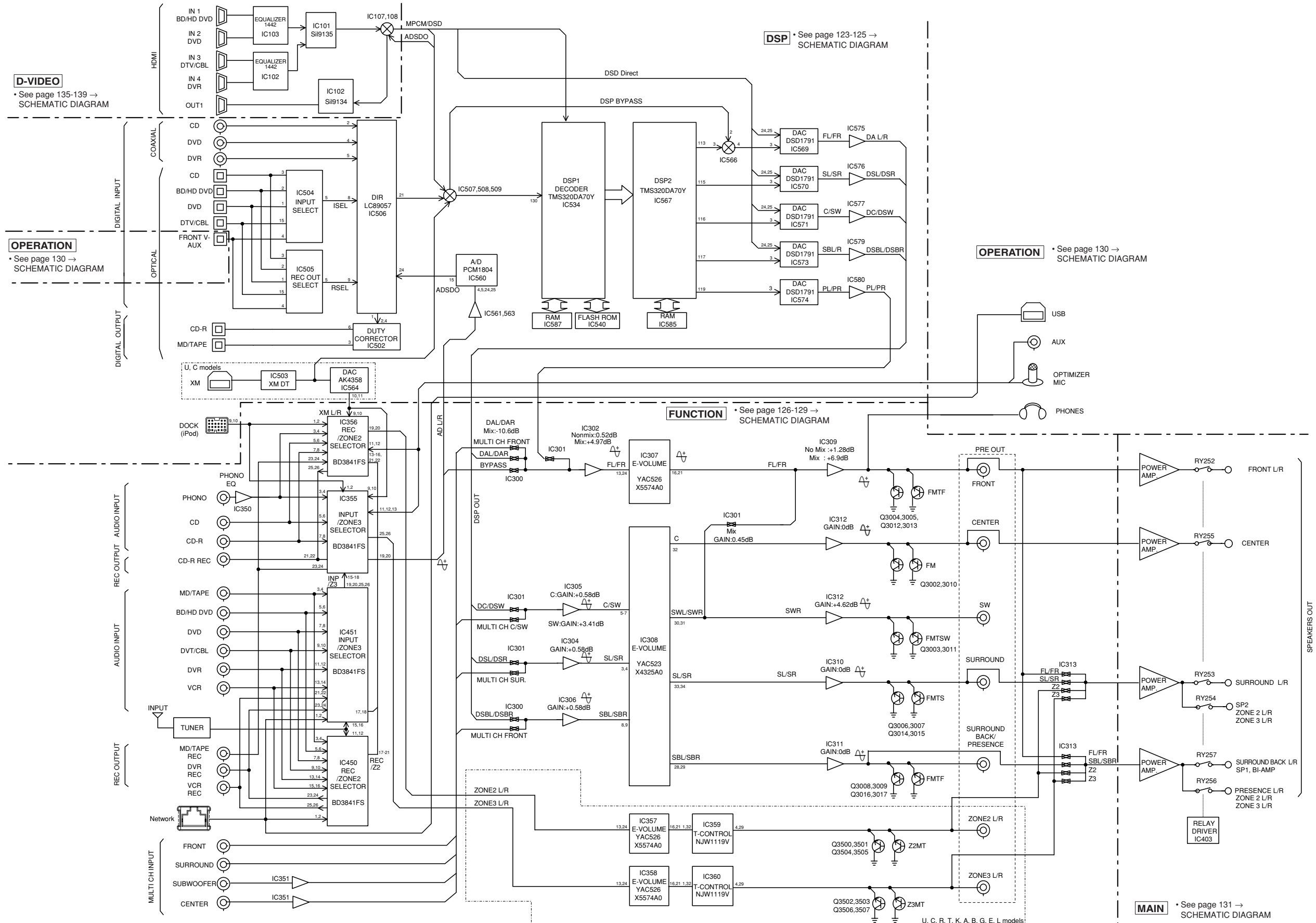


1 ■ BLOCK DIAGRAMS

AUDIO SECTION BLOCK DIAGRAM



D-VIDEO
• See page 135-139 →
SCHEMATIC DIAGRAM

OPERATION
• See page 130 →
SCHEMATIC DIAGRAM

DSP • See page 123-125 →
SCHEMATIC DIAGRAM

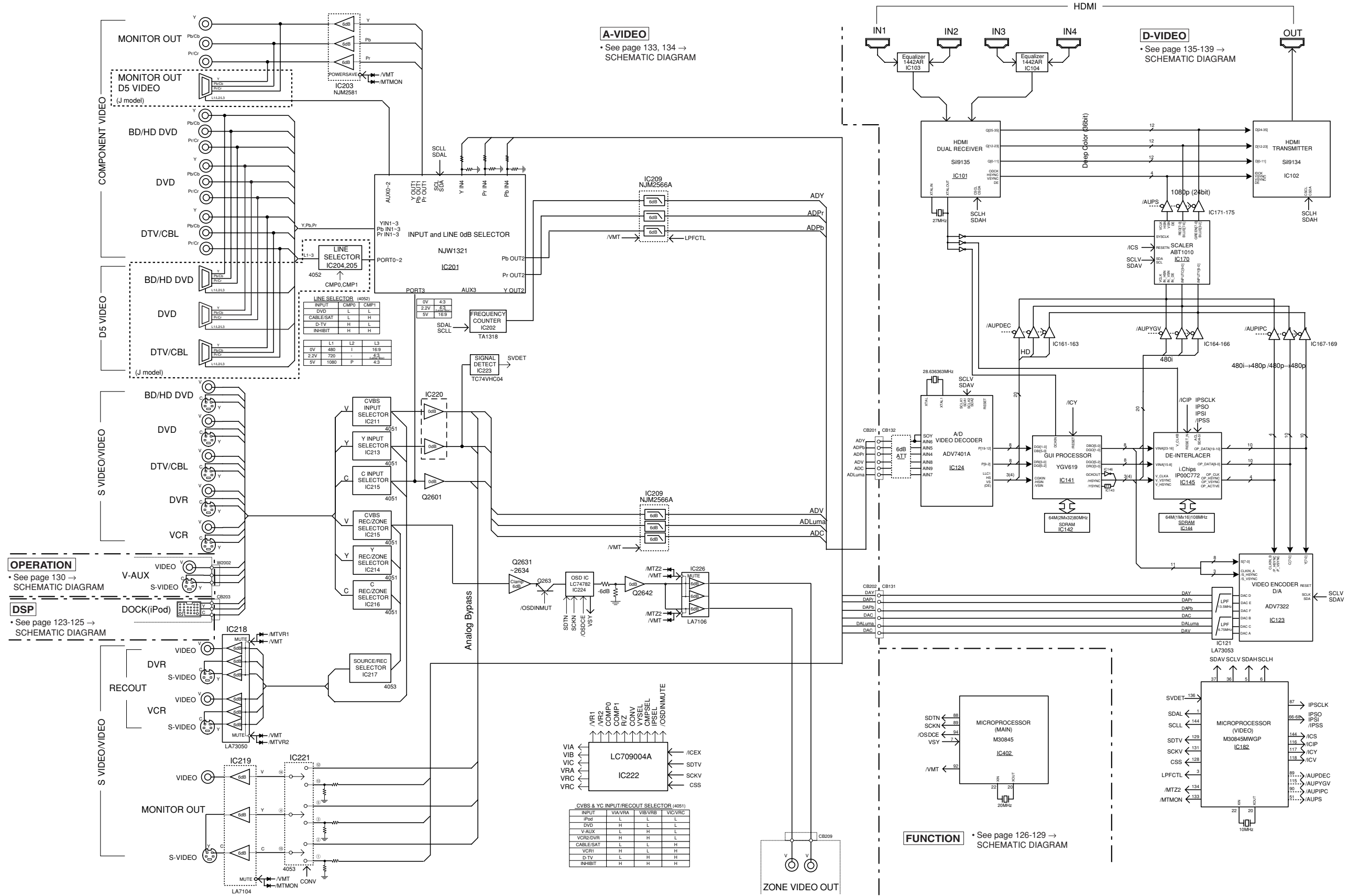
OPERATION • See page 130 →
SCHEMATIC DIAGRAM

FUNCTION • See page 126-129 →
SCHEMATIC DIAGRAM

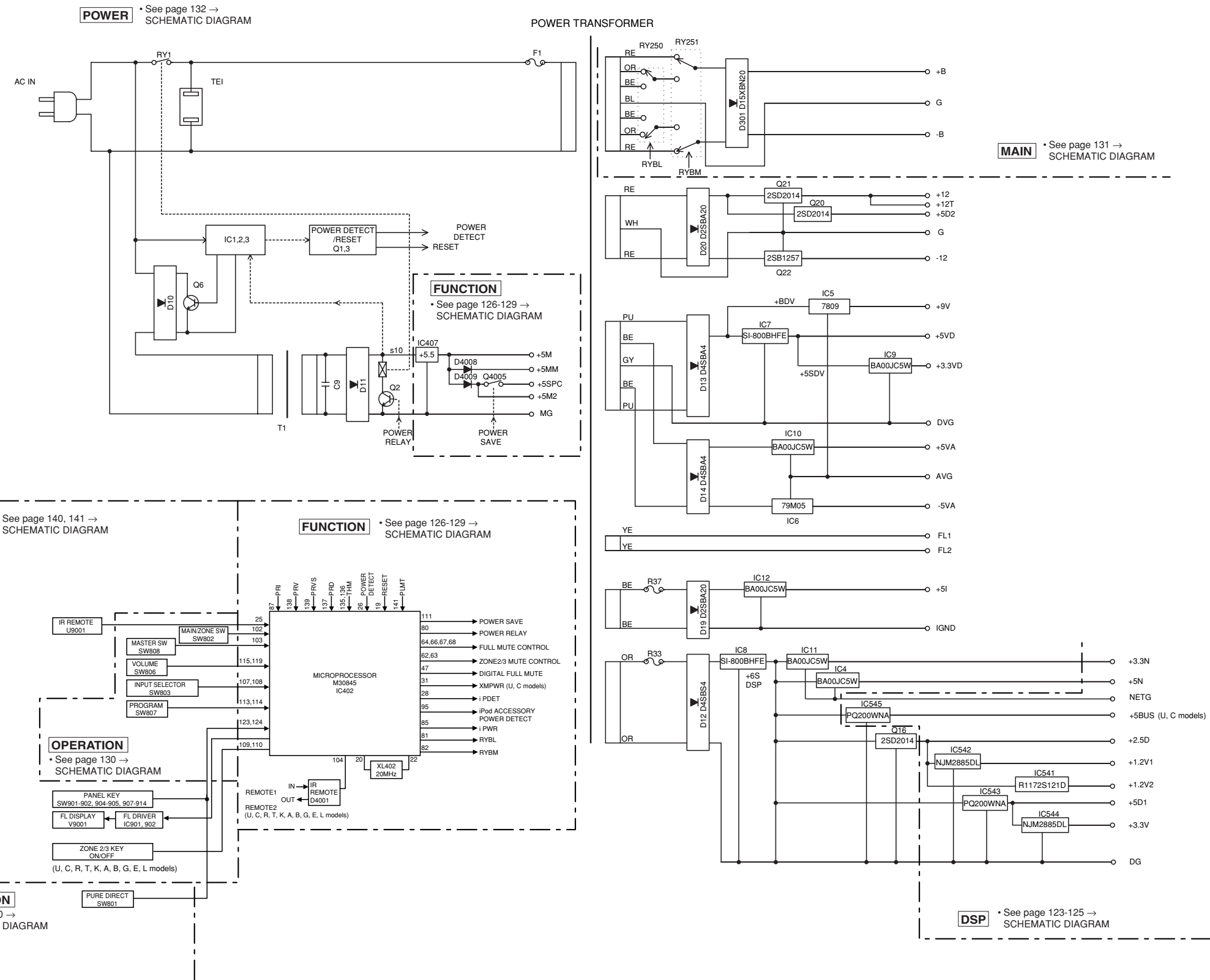
MAIN • See page 131 →
SCHEMATIC DIAGRAM

U, C, R, T, K, A, B, G, E, L models

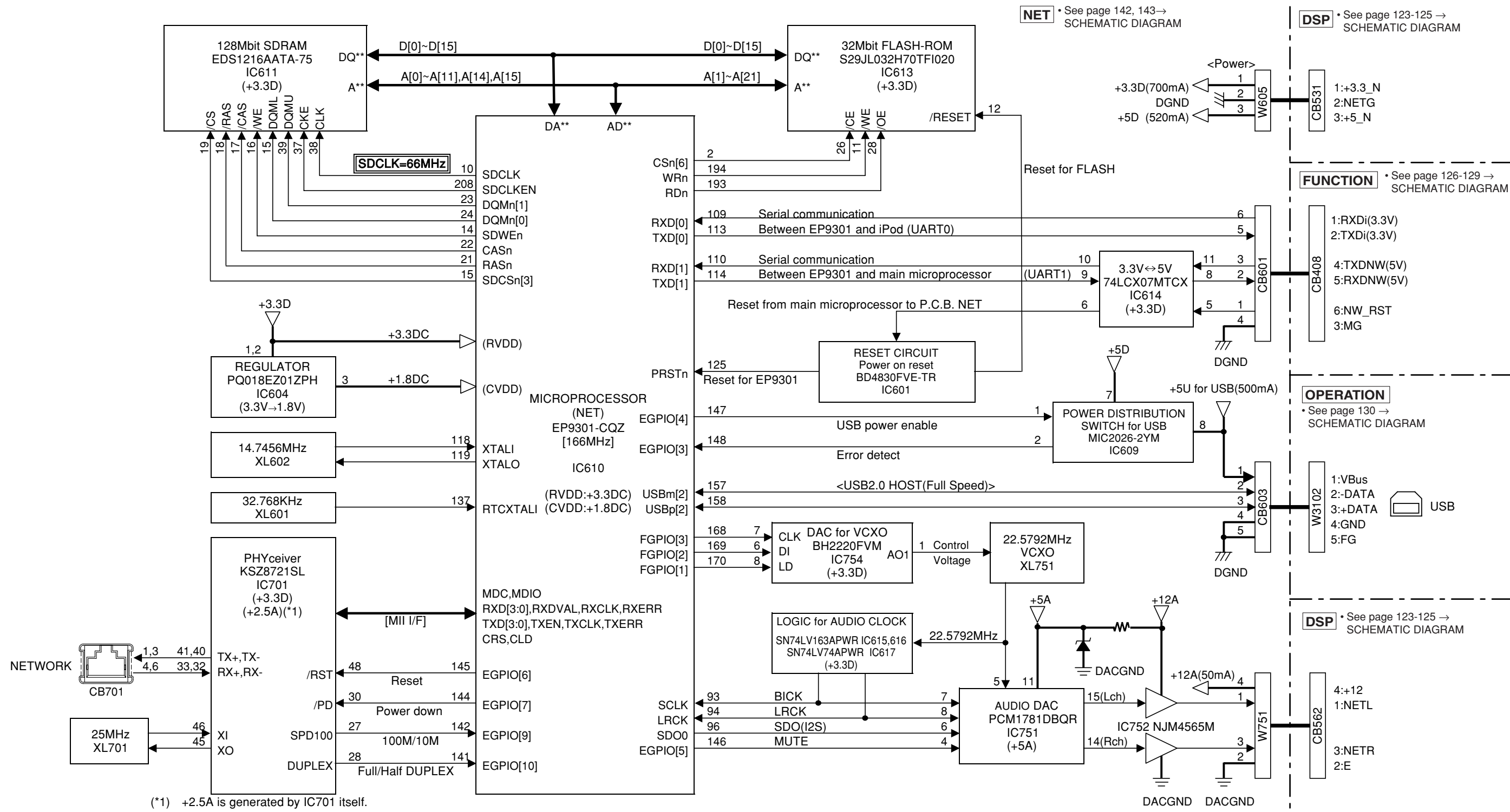
VIDEO SECTION BLOCK DIAGRAM



CONTROL/POWER SECTION BLOCK DIAGRAM



NETWORK SECTION BLOCK DIAGRAM



(*1) +2.5A is generated by IC701 itself.

NET • See page 142, 143 → SCHEMATIC DIAGRAM

DSP • See page 123-125 → SCHEMATIC DIAGRAM

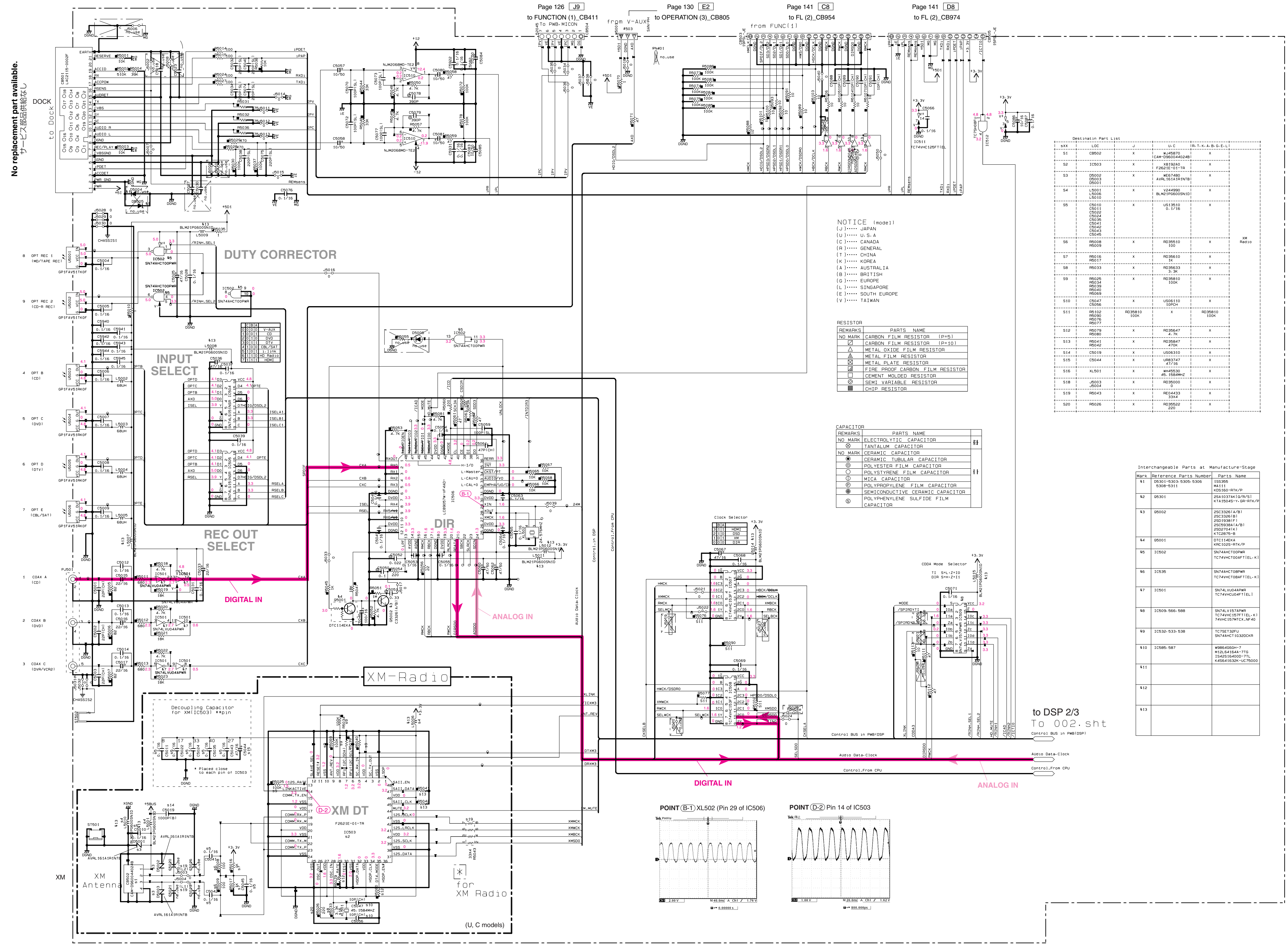
FUNCTION • See page 126-129 → SCHEMATIC DIAGRAM

OPERATION • See page 130 → SCHEMATIC DIAGRAM

DSP • See page 123-125 → SCHEMATIC DIAGRAM

SCHEMATIC DIAGRAMS DSP 1/3

No replacement part available. サーパー部品供給なし



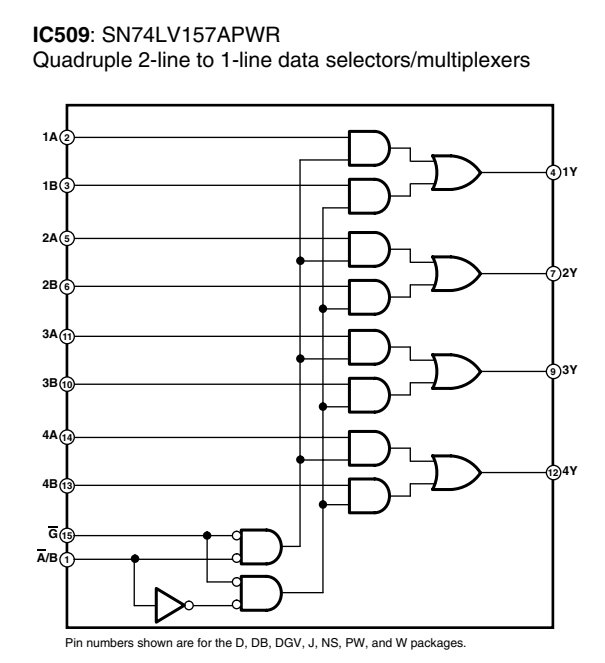
Page 126 [J9] to FUNCTION (1)_CB411
Page 130 [E2] to OPERATION (3)_CB805
Page 141 [C8] to FL (2)_CB954
Page 141 [D8] to FL (2)_CB974

NOTICE (model)
(J)..... JAPAN
(U)..... U.S.A.
(C)..... CANADA
(R)..... GENERAL
(T)..... CHINA
(K)..... KOREA
(A)..... AUSTRALIA
(B)..... BRITISH
(G)..... EUROPE
(L)..... SINGAPORE
(E)..... SOUTH EUROPE
(V)..... TAIWAN

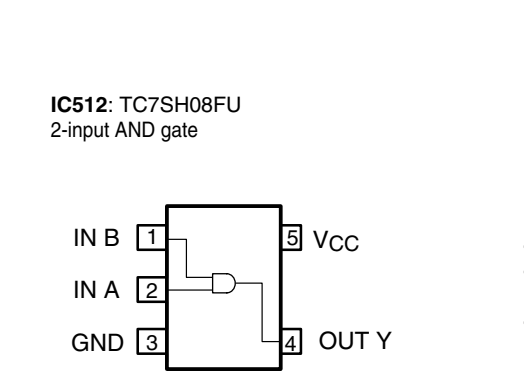
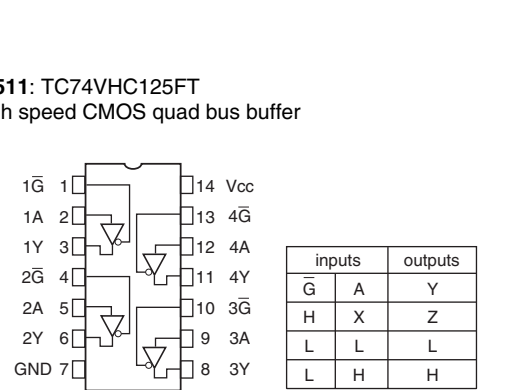
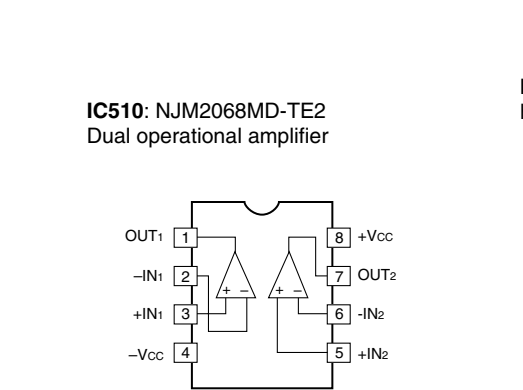
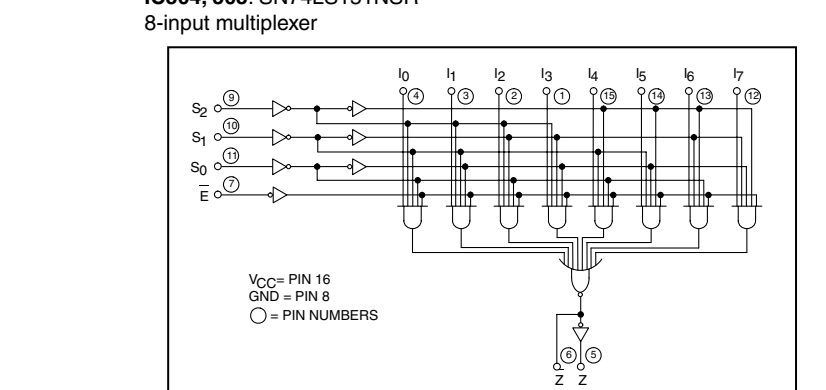
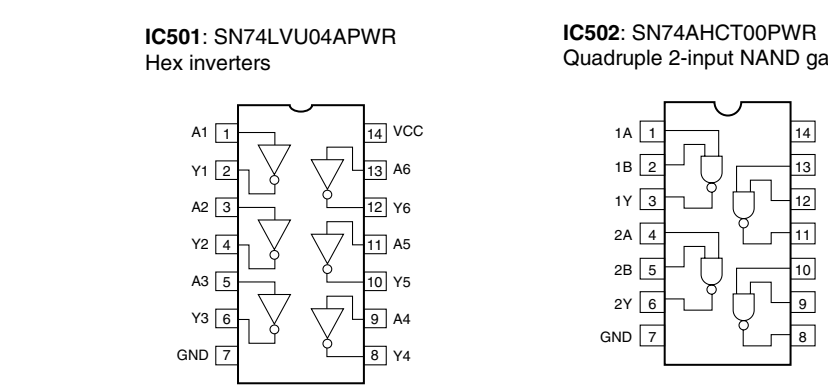
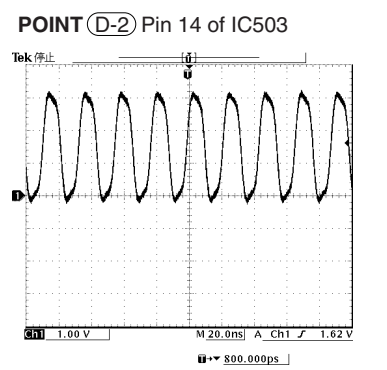
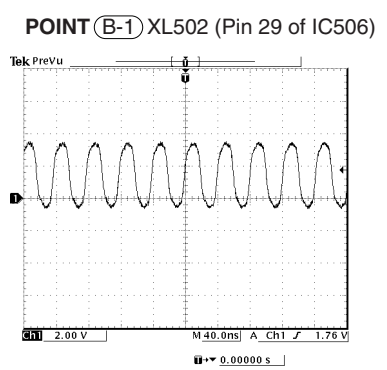
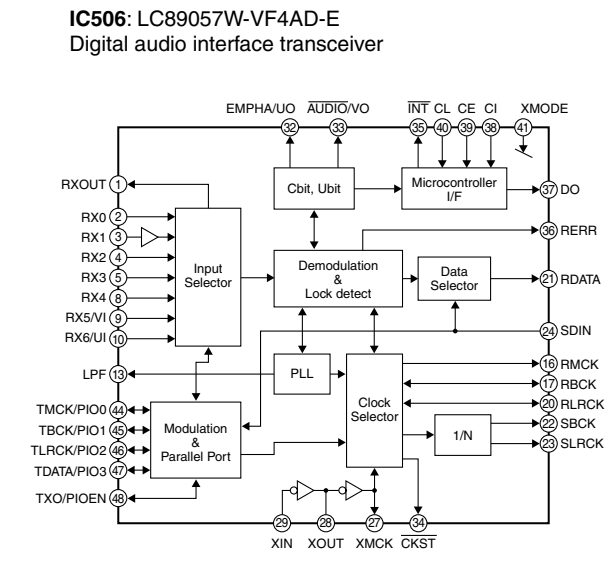
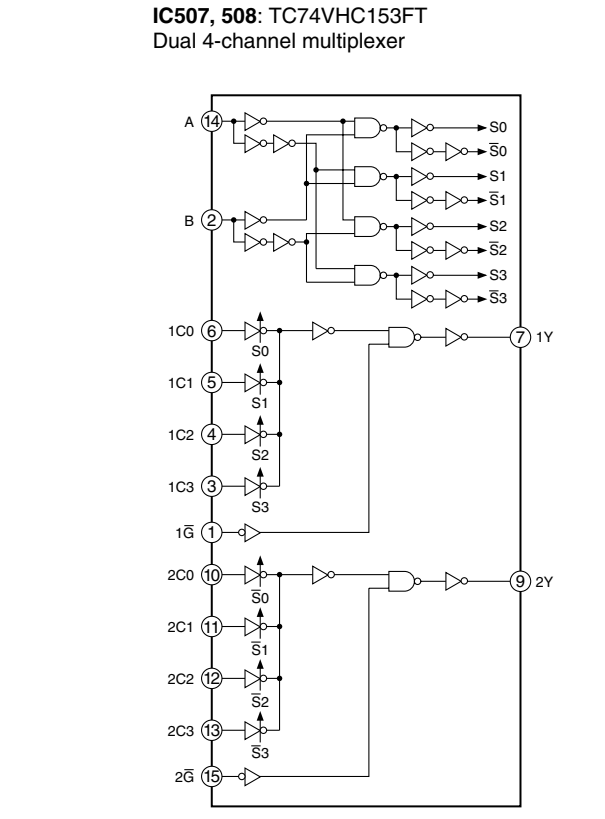
RESISTOR table with columns for REMARKS, PARTS NAME, and values.

CAPACITOR table with columns for REMARKS, PARTS NAME, and values.

Destination Part List table with columns for S/N, LOC, U-C, and Remarks.



Interchangeable Parts at Manufacture Stage table with columns for Part Number, Reference Part Number, and Part Name.



All voltages are measured with a 10MΩ/V DC electronic voltmeter. Components having special characteristics are marked with a triangle and must be replaced with parts having specifications equal to those originally installed. Schematic diagram is subject to change without notice. 電圧は、内部抵抗10MΩの電圧計で測定したものです。△印のある部品は、安全性確保部品を示しています。部品の交換が必要な場合、パーツリストに記載されている部品を使用してください。本回路図は標準回路図です。改良のため予告なく変更することがございます。

- NOTICE (model)
- (J)..... JAPAN
 - (U)..... U.S.A
 - (C)..... CANADA
 - (R)..... GENERAL
 - (T)..... CHINA
 - (K)..... KOREA
 - (A)..... AUSTRALIA
 - (B)..... BRITISH
 - (G)..... EUROPE
 - (L)..... SINGAPORE
 - (E)..... SOUTH EUROPE
 - (V)..... TAIWAN

REMARKS	PARTS NAME
NO MARK	ELECTROLYTIC CAPACITOR
⊙	TANTALUM CAPACITOR
NO MARK	CERAMIC CAPACITOR
⊙	CERAMIC TUBULAR CAPACITOR
⊙	POLYESTER FILM CAPACITOR
⊙	POLYSTYRENE FILM CAPACITOR
⊙	MICA CAPACITOR
⊙	POLYPROPYLENE FILM CAPACITOR
⊙	SEMICONDUCTIVE CERAMIC CAPACITOR
⊙	POLYPHENYLENE SULFIDE FILM CAPACITOR

REMARKS	PARTS NAME
NO MARK	CARBON FILM RESISTOR (P+5)
⊙	CARBON FILM RESISTOR (P-10)
⊙	METAL OXIDE FILM RESISTOR
⊙	METAL FILM RESISTOR
⊙	METAL PLATE RESISTOR
⊙	FIRE PROOF CARBON FILM RESISTOR
⊙	CEMENT MOLDED RESISTOR
⊙	SEMI VARIABLE RESISTOR
⊙	CHIP RESISTOR

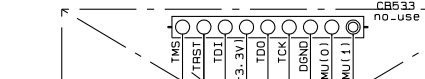
to DSP 1/3 To/From 001.sht

Control BUS in (EMBDSP)

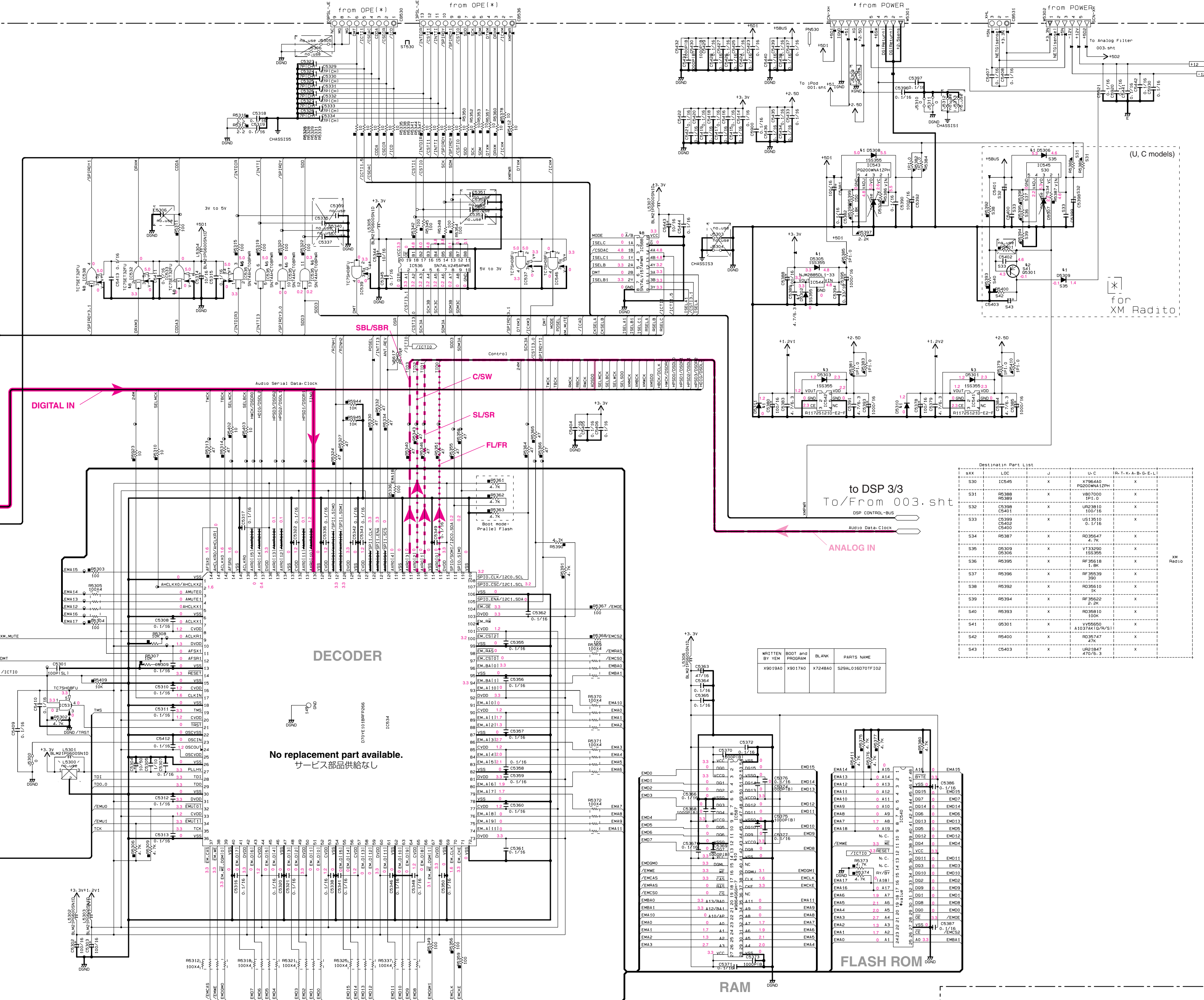
Audio Data-Clock

Control From CPU

ANALOG IN



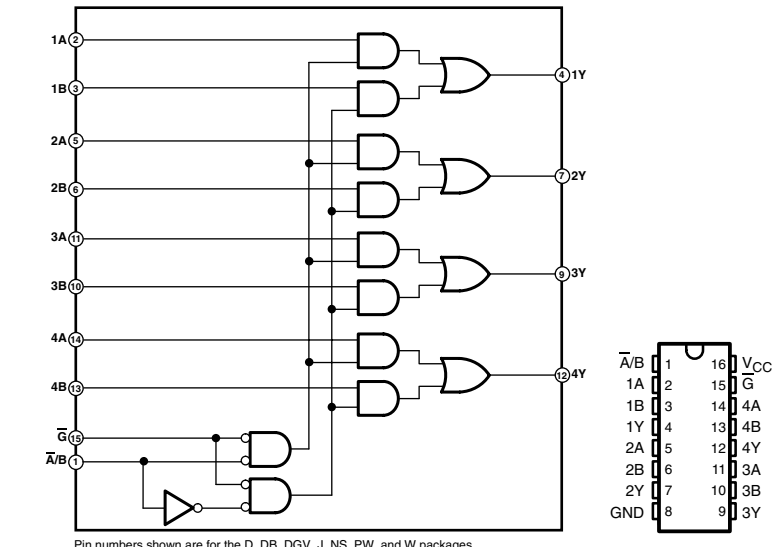
To/From 003.sht to DSP 3/3



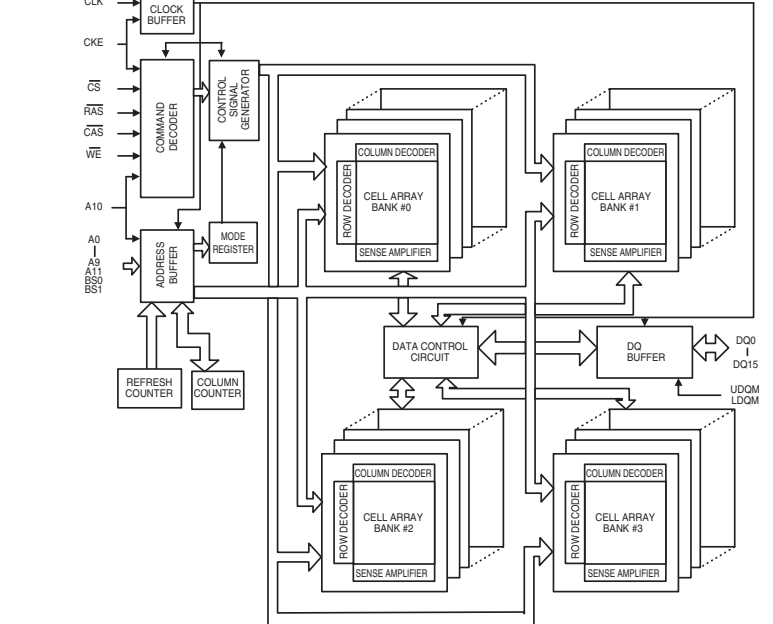
Destination Part List

Part No.	Lot	QTY	U.C.	Part Name	U.C.	U.C.	U.C.	U.C.	U.C.
530	IC646	X	4786440	PQ20WNA12PH	X	X	X	X	X
531	RS389	X	4786440	SP1-D	X	X	X	X	X
532	CS309	X	4786440	UR23810	X	X	X	X	X
533	CS309	X	4786440	UR23810	X	X	X	X	X
534	RS387	X	4786440	UR23810	X	X	X	X	X
535	RS309	X	4786440	UR23810	X	X	X	X	X
536	RS309	X	4786440	UR23810	X	X	X	X	X
537	RS302	X	4786440	UR23810	X	X	X	X	X
538	RS302	X	4786440	UR23810	X	X	X	X	X
539	RS304	X	4786440	UR23810	X	X	X	X	X
540	RS303	X	4786440	UR23810	X	X	X	X	X
541	RS304	X	4786440	UR23810	X	X	X	X	X
542	RS460	X	4786440	UR23810	X	X	X	X	X
543	CS403	X	4786440	UR23810	X	X	X	X	X

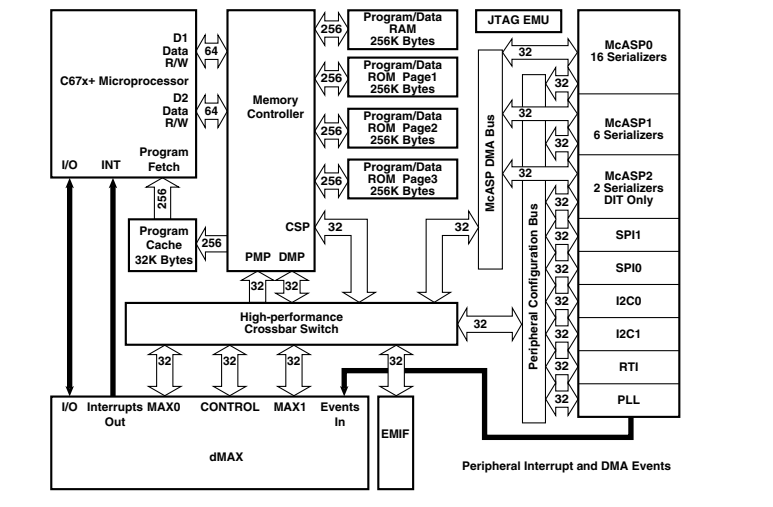
IC588: SN74LV157APWR Quadrule 2-line to 1-line data selectors/multiplexers



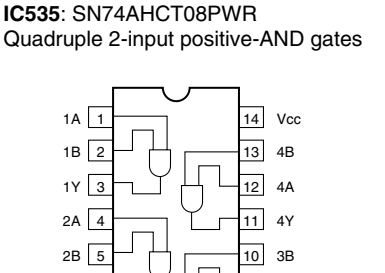
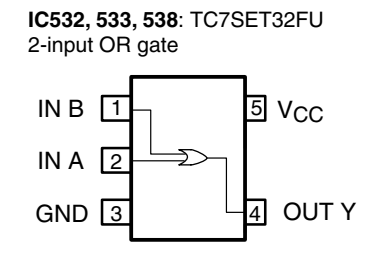
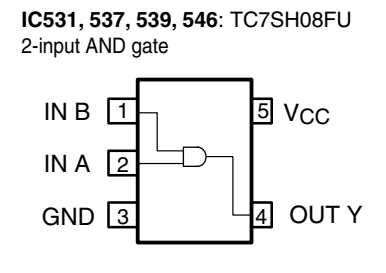
IC587: W9864G6GH-7 64 M x 4 banks SDRAM



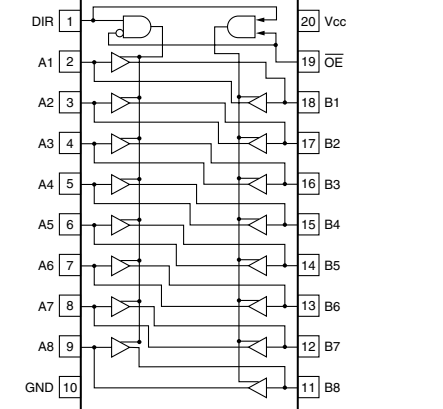
IC534: D70YE101BRFP266 Floating-point digital signal processors



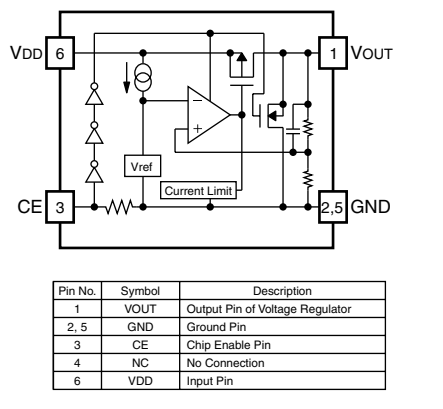
- * All voltages are measured with a 10MΩ/V DC electronic voltmeter.
- * Components having special characteristics are marked with a triangle and must be replaced with parts having specifications equal to those originally installed.
- * Schematic diagram is subject to change without notice.
- 電圧は、内部抵抗10MΩの電圧計で測定したものです。
- 三角形のある部品は、安全性確保部品を示しています。部品の交換が必要な場合、パーツリストに記載されている部品を使用してください。
- 本回路図は標準回路図です。改良のため予告なく変更することがございます。



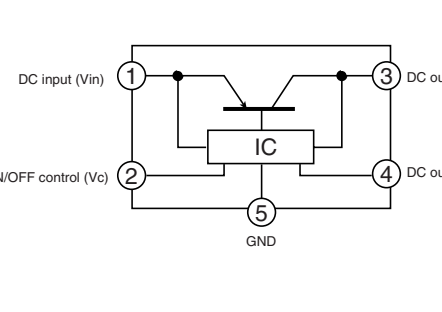
IC536: SN74LV245APWR Octal bus transceiver with 3-state outputs



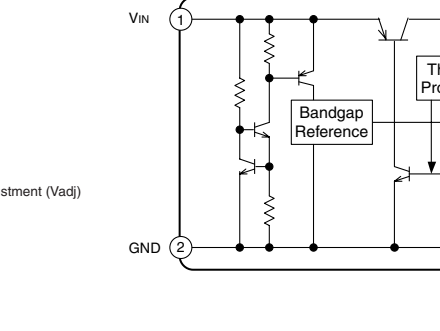
IC541, 542: R1172S121D-E2-F Voltage regulator



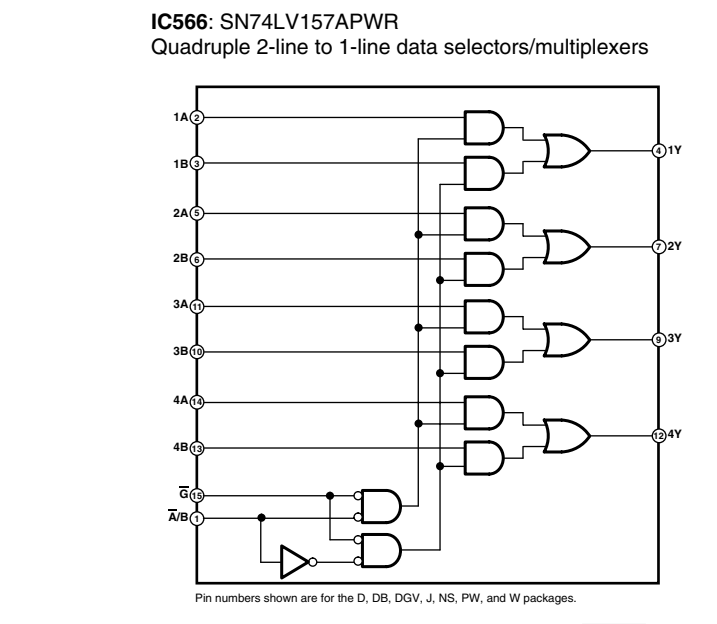
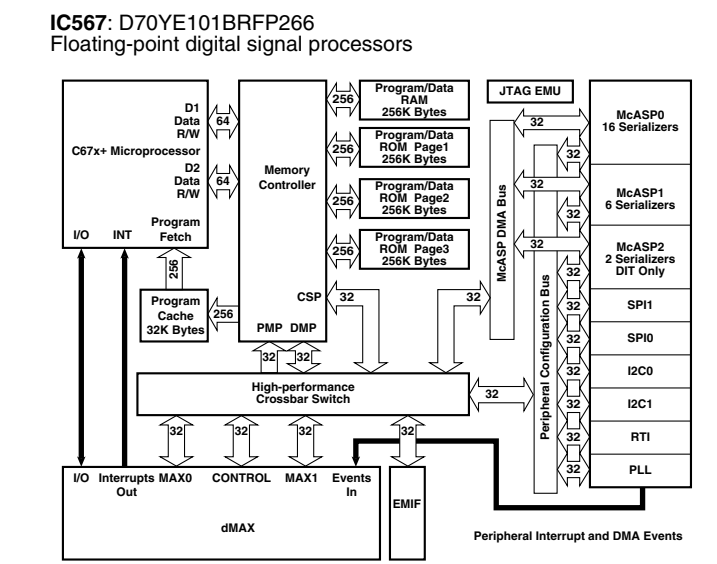
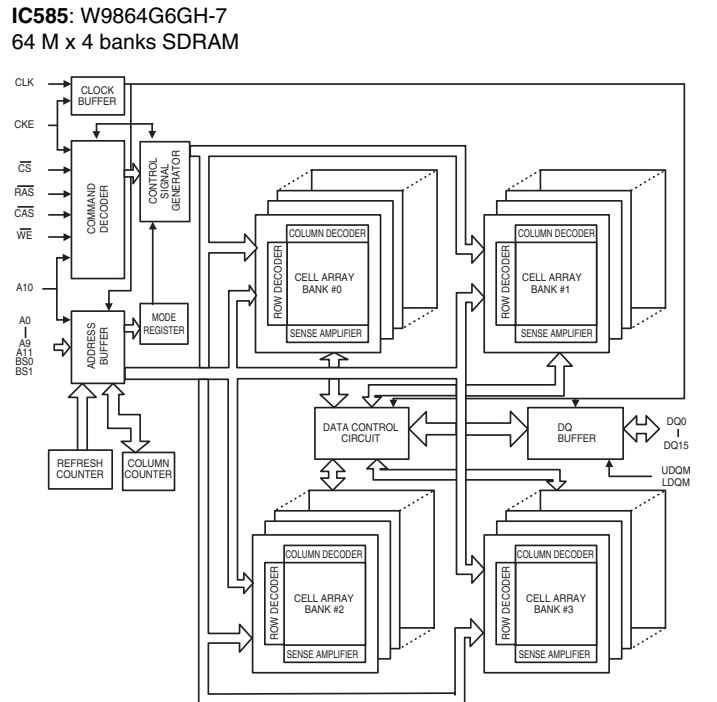
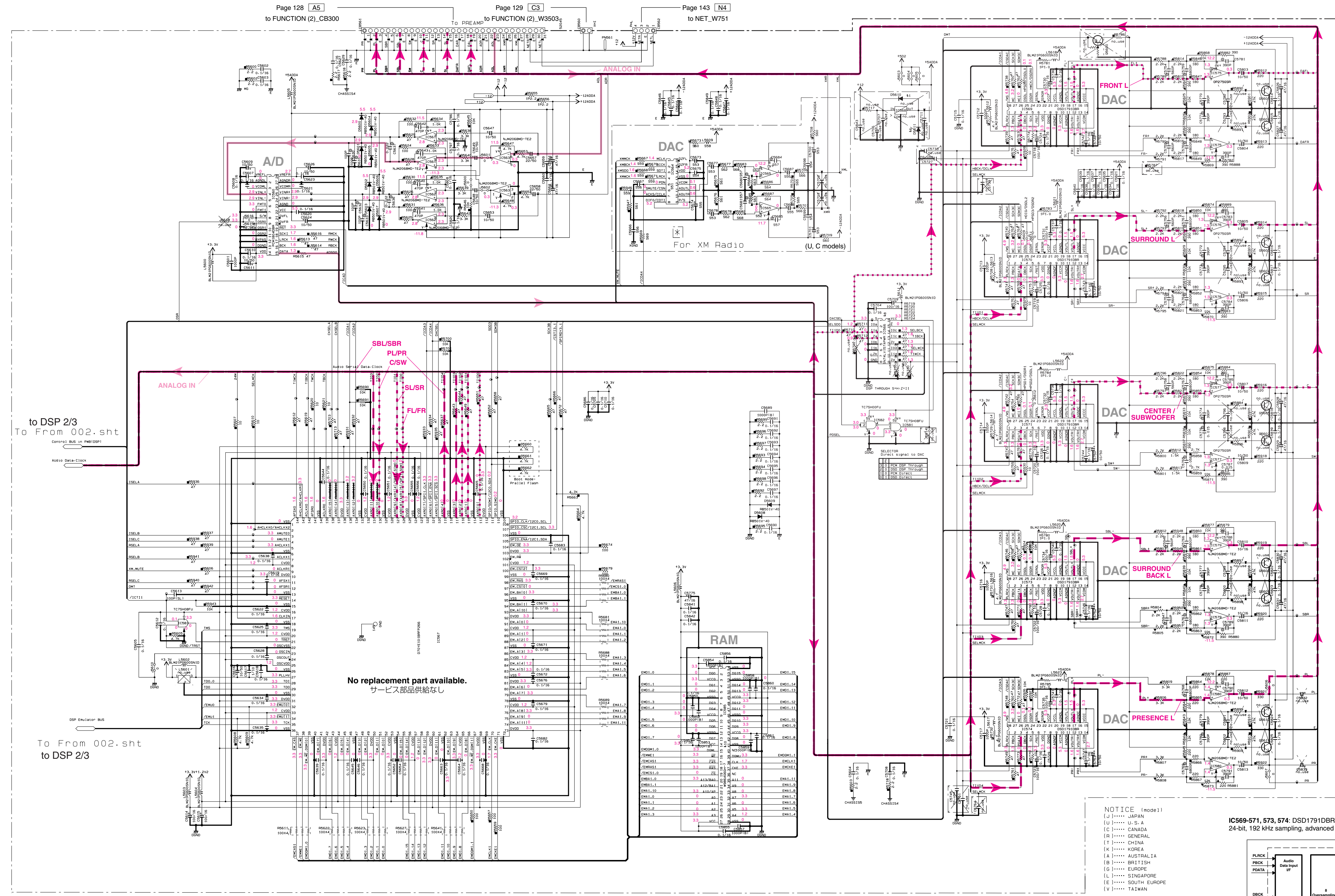
IC543, 545: PQ200WNA12PH Low power loss regulator



IC544: NJM2885DL1-33 Low dropout voltage regulator



DSP 3/3



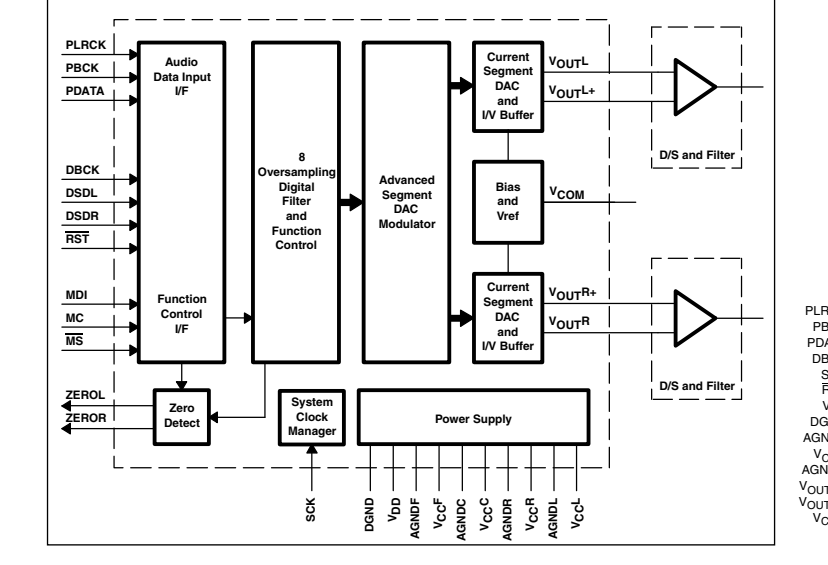
RAM

EM01.0	EM01.1	EM01.2	EM01.3	EM01.4	EM01.5	EM01.6	EM01.7	EM01.8	EM01.9	EM01.10	EM01.11	EM01.12	EM01.13	EM01.14	EM01.15
0	0	0	0	0	0	0	0	0	0	0	0	0	0	0	0
1	1	1	1	1	1	1	1	1	1	1	1	1	1	1	1
2	2	2	2	2	2	2	2	2	2	2	2	2	2	2	2
3	3	3	3	3	3	3	3	3	3	3	3	3	3	3	3
4	4	4	4	4	4	4	4	4	4	4	4	4	4	4	4
5	5	5	5	5	5	5	5	5	5	5	5	5	5	5	5
6	6	6	6	6	6	6	6	6	6	6	6	6	6	6	6
7	7	7	7	7	7	7	7	7	7	7	7	7	7	7	7
8	8	8	8	8	8	8	8	8	8	8	8	8	8	8	8
9	9	9	9	9	9	9	9	9	9	9	9	9	9	9	9
10	10	10	10	10	10	10	10	10	10	10	10	10	10	10	10
11	11	11	11	11	11	11	11	11	11	11	11	11	11	11	11
12	12	12	12	12	12	12	12	12	12	12	12	12	12	12	12
13	13	13	13	13	13	13	13	13	13	13	13	13	13	13	13
14	14	14	14	14	14	14	14	14	14	14	14	14	14	14	14
15	15	15	15	15	15	15	15	15	15	15	15	15	15	15	15

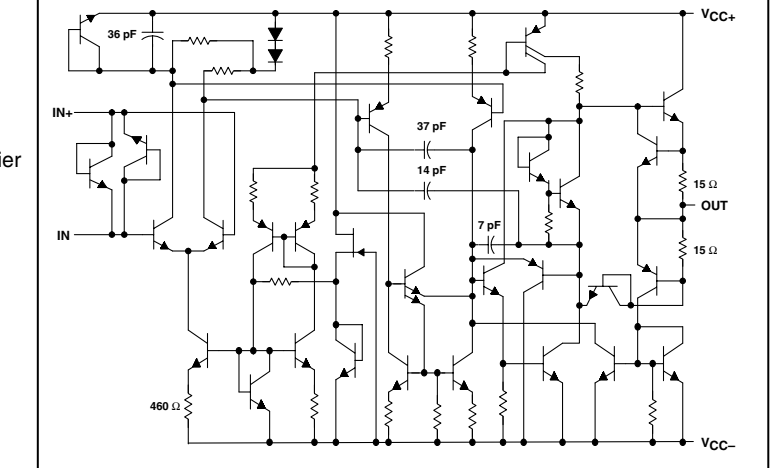
No replacement part available. サービス部品供給なし

- NOTICE (model)
- (J) JAPAN
 - (U) U.S.A
 - (C) CANADA
 - (R) GENERAL
 - (I) CHINA
 - (K) KOREA
 - (A) AUSTRALIA
 - (B) BRITISH
 - (G) EUROPE
 - (L) SINGAPORE
 - (E) SOUTH EUROPE
 - (V) TAIWAN

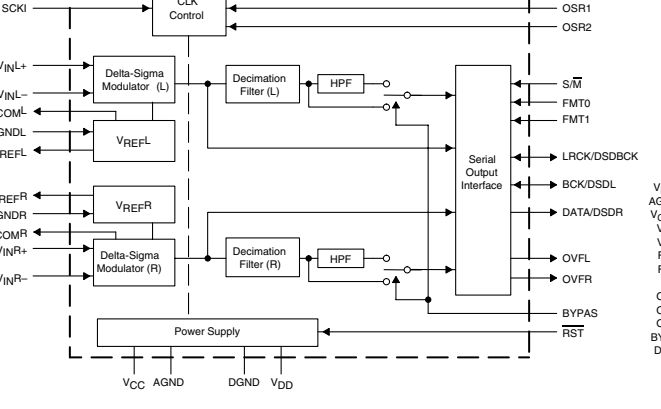
IC569-571, 573, 574: DSD1791DBR 24-bit, 192 kHz sampling, advanced segment, audio stereo digital-to-analog converter



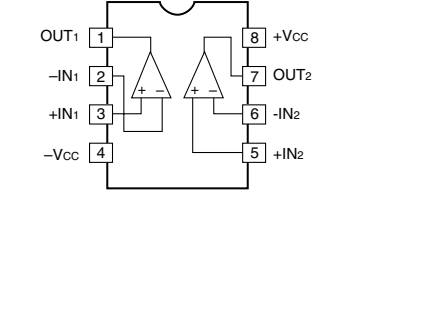
IC565, 575-577: NE5532DR Dual low-noise operational amplifiers



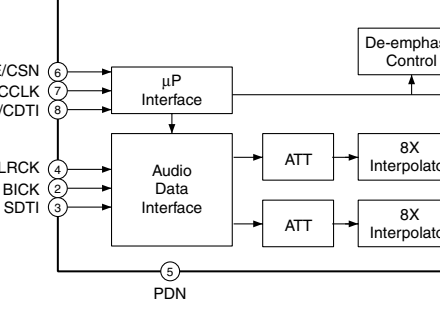
IC560: PCM1804DBR Stereo A/D converter



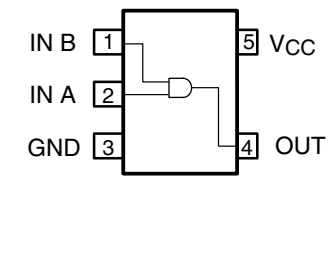
IC561-563, 579, 580: NJM2068MD-TE2 Dual operational amplifier



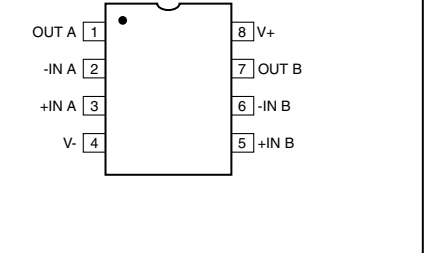
IC564: AK4384ET D/A converter



IC581, 583: TC7SH08FU 2-input AND gate

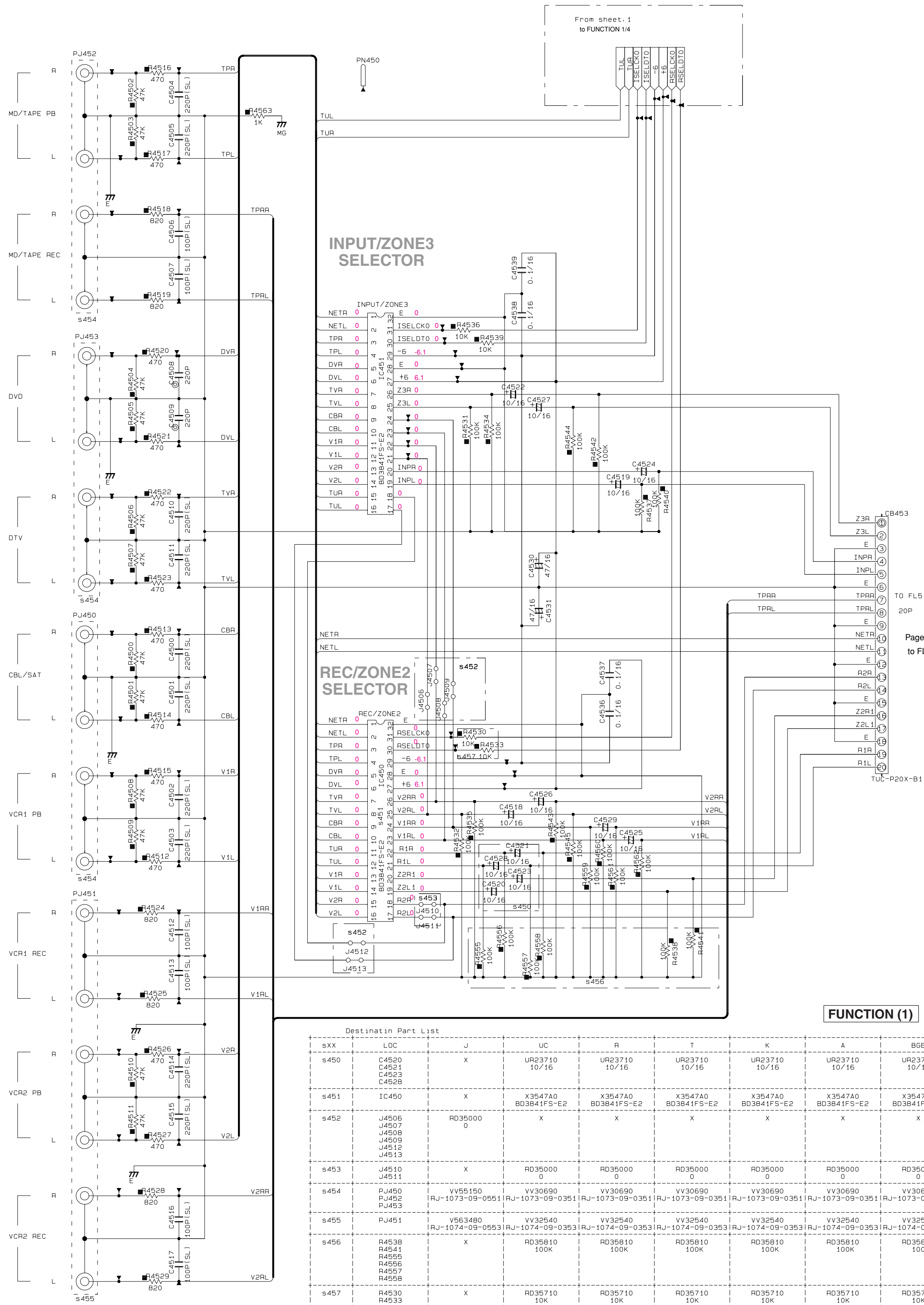


IC575-577: OP275GSR Dual bipolar/JFET, audio operational amplifier



- All voltages are measured with a 10MΩ/V DC electronic voltmeter.
- Components having special characteristics are marked with a triangle (▲) and must be replaced with parts having specifications equal to those originally installed.
- Schematic diagram is subject to change without notice.
- 電圧は、内部抵抗10MΩの電圧計で測定したものです。
- ▲印のある部品は、安全性確保部品を示しています。部品の交換が必要な場合、パーツリストに記載されている部品を使用してください。
- 本回路図は標準回路図です。改良のため予告なく変更することがございます。

FUNCTION 2/4



RESISTOR

REMARKS	PARTS NAME
NO MARK	CARBON FILM RESISTOR (P=5)
☑	CARBON FILM RESISTOR (P=10)
△	METAL OXIDE FILM RESISTOR
⊠	METAL FILM RESISTOR
⊞	METAL PLATE RESISTOR
⊞	FIRE PROOF CARBON FILM RESISTOR
□	CEMENT MOLDED RESISTOR
⊞	SEMI VARIABLE RESISTOR
■	CHIP RESISTOR

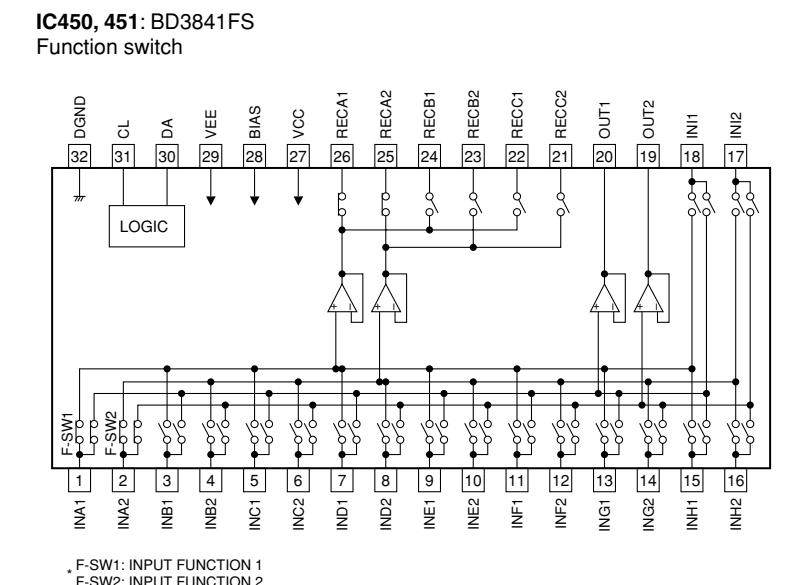
CAPACITOR

REMARKS	PARTS NAME
NO MARK	ELECTROLYTIC CAPACITOR
⊗	TANTALUM CAPACITOR
NO MARK	CERAMIC CAPACITOR
●	CERAMIC TUBULAR CAPACITOR
⊙	POLYESTER FILM CAPACITOR
○	POLYSTYRENE FILM CAPACITOR
⊖	MICA CAPACITOR
⊕	POLYPROPYLENE FILM CAPACITOR
⊗	SEMICONDUCTIVE CERAMIC CAPACITOR
⊙	POLYPHENYLENE SULFIDE FILM CAPACITOR

NOTICE (mode1)
 (J)..... JAPAN
 (U)..... U.S.A
 (C)..... CANADA
 (R)..... GENERAL
 (T)..... CHINA
 (K)..... KOREA
 (A)..... AUSTRALIA
 (B)..... BRITISH
 (G)..... EUROPE
 (L)..... SINGAPORE
 (E)..... SOUTH EUROPE
 (V)..... TAIWAN

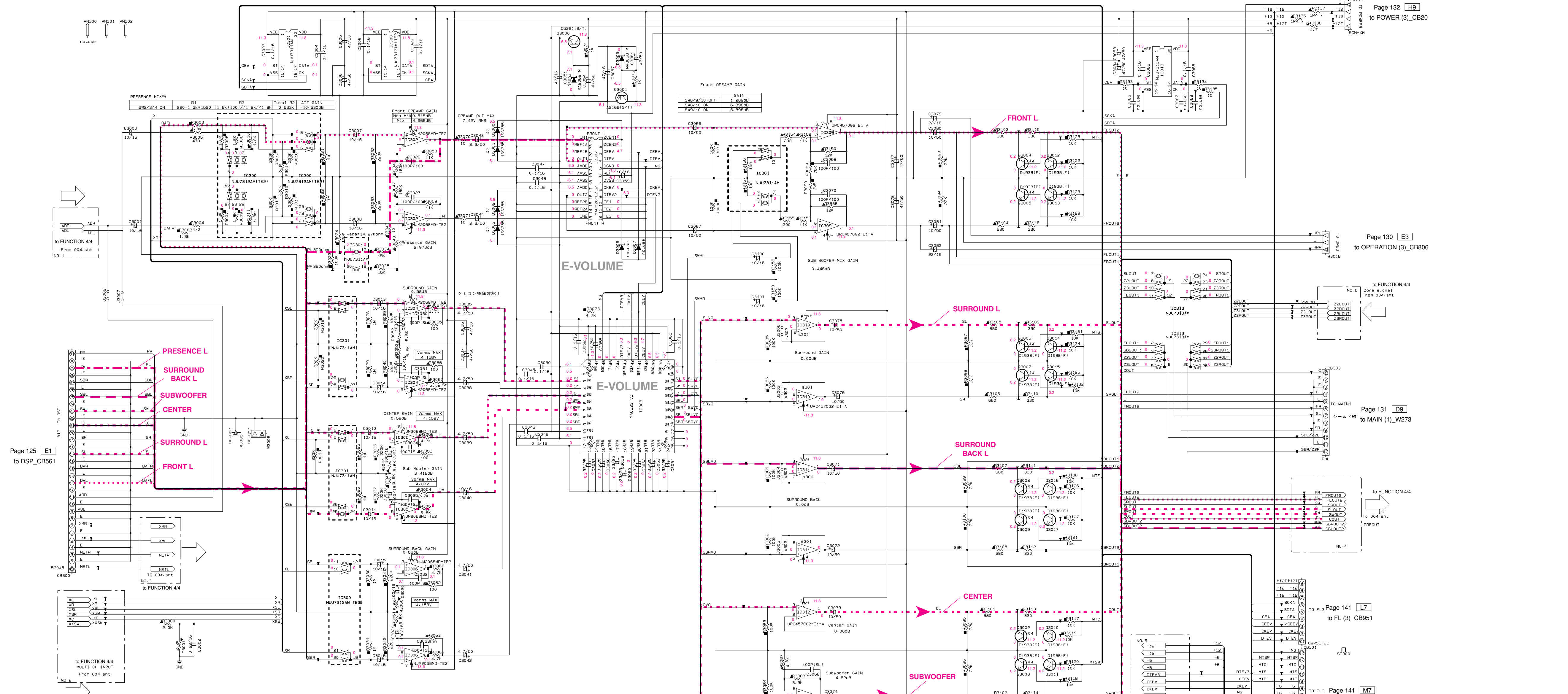
FUNCTION (1)

Destinatin Part List	sxx	LOC	J	UC	R	T	K	A	BGE	L	
s450	C4520 C4521 C4523 C4528		X	UR23710 10/16	UR23710 10/16	UR23710 10/16	UR23710 10/16	UR23710 10/16	UR23710 10/16	UR23710 10/16	J1 Different selector composition
s451	IC450		X	X354740 BD3841FS-E2	X354740 BD3841FS-E2	X354740 BD3841FS-E2	X354740 BD3841FS-E2	X354740 BD3841FS-E2	X354740 BD3841FS-E2	X354740 BD3841FS-E2	J1 Different selector composition
s452	J4506 J4507 J4508 J4509 J4512 J4513		X	RD35000 0	RD35000 0	RD35000 0	RD35000 0	RD35000 0	RD35000 0	RD35000 0	
s453	J4510 J4511		X	RD35000 0	RD35000 0	RD35000 0	RD35000 0	RD35000 0	RD35000 0	RD35000 0	
s454	PJ450 PJ452 PJ453		X	RJ-1073-09-0551	RJ-1073-09-0351	RJ-1073-09-0351	RJ-1073-09-0351	RJ-1073-09-0351	RJ-1073-09-0351	RJ-1073-09-0351	J1 GOLD
s455	PJ451		X	VV32540 RJ-1074-09-0553	VV32540 RJ-1074-09-0353	VV32540 RJ-1074-09-0353	VV32540 RJ-1074-09-0353	VV32540 RJ-1074-09-0353	VV32540 RJ-1074-09-0353	VV32540 RJ-1074-09-0353	J1 Different selector composition
s456	R4538 R4541 R4545 R4556 R4557 R4558		X	RD35810 100K	RD35810 100K	RD35810 100K	RD35810 100K	RD35810 100K	RD35810 100K	RD35810 100K	J1 Different selector composition
s457	R4530 R4533		X	RD35710 10K	RD35710 10K	RD35710 10K	RD35710 10K	RD35710 10K	RD35710 10K	RD35710 10K	
	PCB NO.			WH56420	WH56430	WH56440	WH56450	WH56460	WH56470	WH56480	WH56490



★ All voltages are measured with a 10MΩ/V DC electronic voltmeter.
 ★ Components having special characteristics are marked with a triangle (△) and must be replaced with parts having specifications equal to those originally installed.
 ★ Schematic diagram is subject to change without notice.
 ● 電圧は、内部抵抗10MΩの電圧計で測定したものです。
 ● △印のある部品は、安全性確保部品を示しています。部品の交換が必要な場合、パーツリストに記載されている部品を使用してください。
 ● 本回路図は標準回路図です。改良のため予告なく変更することがございます。

FUNCTION 3/4



Page 125 [E1] to DSP_CB561

Page 132 [H9] to POWER (3)_CB20

Page 130 [E3] to OPERATION (3)_CB806

Page 131 [D9] to MAIN (1)_W273

Page 141 [L7] to FL (3)_CB951

Page 141 [M7] to FL (3)_CB956

Destinatin	Part List	UC	LOC	R	T	K	A	80	L	Countermeasures (JISound Quality)
s301	IC310	J7304	X	X7301A0	X7301A0	X7301A0	X7301A0	X7301A0	X7301A0	
s302	J3004	X	RD3000	X	X	X	X	X	X	
	J3005	X		X	X	X	X	X	X	
	J3006	X		X	X	X	X	X	X	

設計値	TOTAL 14dB	定数計算値	TOTAL
FRONT	0.0 12.5 1.5 14.0	FRONT 0.515 12.5 1.289 14.304	
CENTER	0.0 14.0 1.0 14.0	CENTER 0.584 14.0 0.0 14.584	
SURROUND	0.0 14.0 0.0 14.0	SURROUND 0.584 14.0 0.0 14.584	
SURROUND BACK	0.0 14.0 0.0 14.0	SURROUND 0.584 14.0 0.0 14.584	
SUB WOOFER	3.0 6.5 4.5 14.0	SUB WOOFER 3.419 6.5 4.619 14.537	
ZONE2 & ZONE3	0.0 14.0 0.0 14.0	ZONE2 & ZONE3 0.5 14.0 0.0 14.500	

REMARKS	PARTS NAME
NO MARK	CARBON FILM RESISTOR (D=5)
NO MARK	CARBON FILM RESISTOR (D=10)
△	METAL OXIDE FILM RESISTOR
▲	METAL FILM RESISTOR
□	METAL PLATE RESISTOR
■	FINE PROOF CARBON FILM RESISTOR
○	CEMENT MOLDED RESISTOR
◎	SEMI VARIABLE RESISTOR
⊙	CHIP RESISTOR

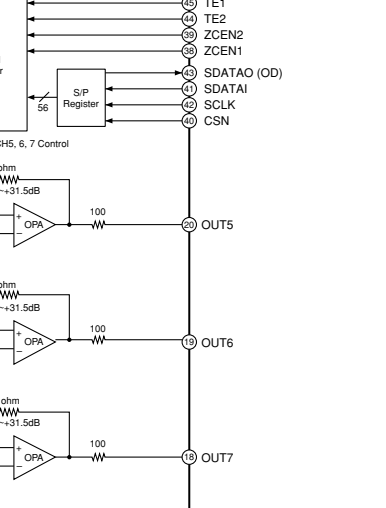
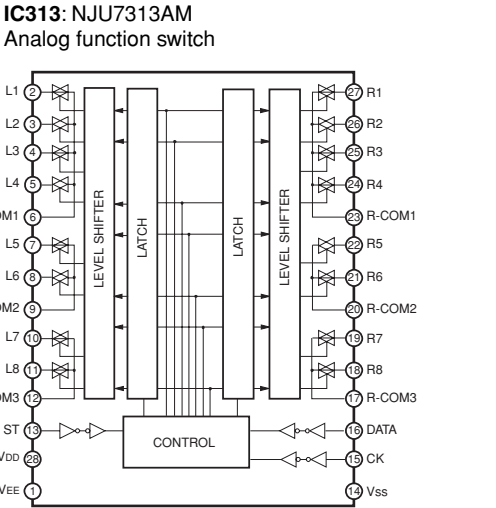
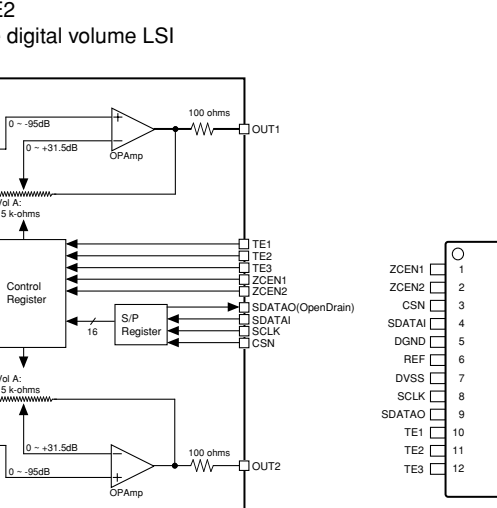
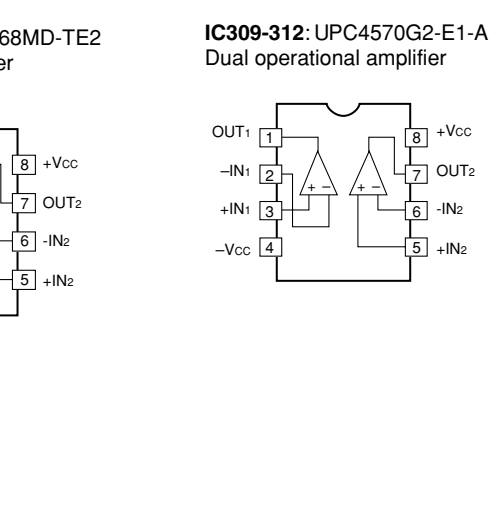
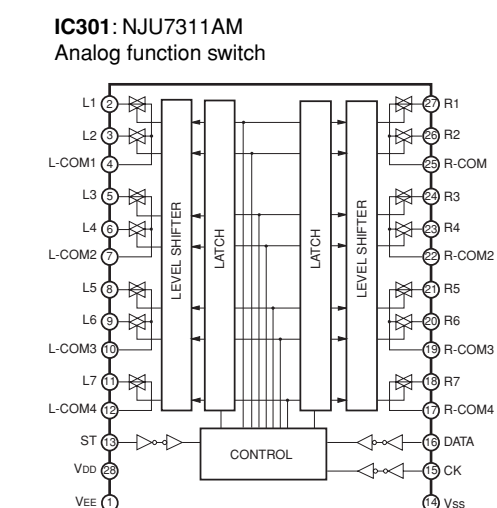
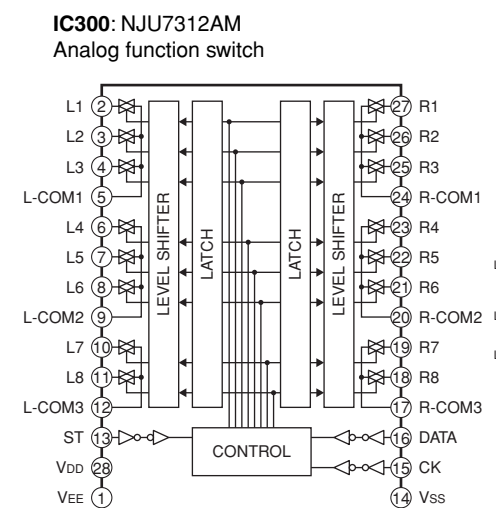
REMARKS	PARTS NAME
NO MARK	ELECTROLYTIC CAPACITOR
⊗	TANTALUM CAPACITOR
NO MARK	CERAMIC CAPACITOR
⊙	CERAMIC TUBULAR CAPACITOR
⊖	POLYESTER FILM CAPACITOR
○	POLYSTYRENE FILM CAPACITOR
⊖	MICA CAPACITOR
⊖	POLYPROPYLENE FILM CAPACITOR
⊖	SEMICONDUCTIVE CERAMIC CAPACITOR
⊖	POLYPHENYLENE SULFIDE FILM CAPACITOR

NOTICE (model)
(J)..... JAPAN
(U)..... U.S.A
(C)..... CANADA
(R)..... GENERAL
(T)..... CHINA
(K)..... KOREA
(A)..... AUSTRALIA
(B)..... BRITISH
(G)..... EUROPE
(L)..... SINGAPORE
(E)..... SOUTH EUROPE
(Y)..... TAIWAN

FUNCTION (2)
FUNC (2)

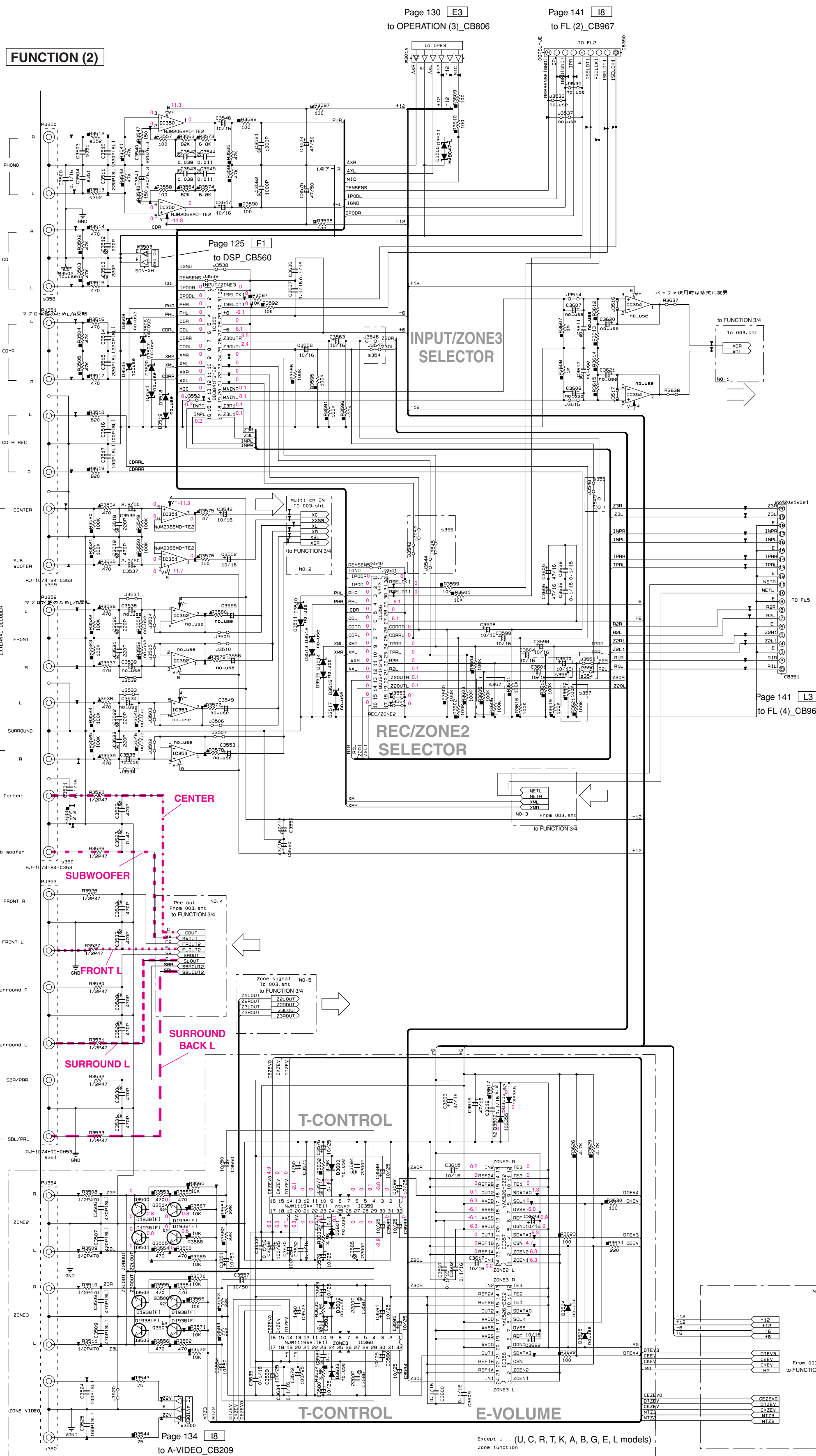
- ★ All voltages are measured with a 10MΩ/V DC electronic voltmeter.
- ★ Components having special characteristics are marked with a triangle and must be replaced with parts having specifications equal to those originally installed.
- ★ Schematic diagram is subject to change without notice.

- 電圧は、内部抵抗10MΩの電圧計で測定したものです。
- 1印のある部品は、安全性確保部品を示しています。部品の交換が必要な場合、パーツリストに記載されている部品を使用してください。
- 本回路図は標準回路図です。改良のため予告なく変更することがございます。



FUNCTION 4/4

FUNCTION (2)



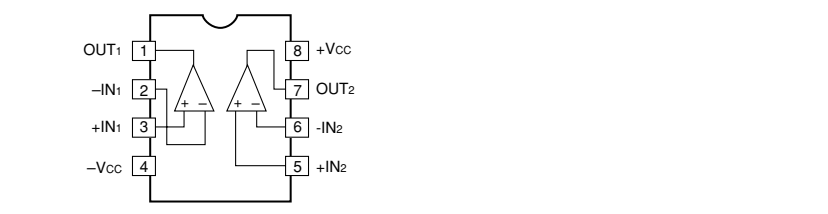
Part No.	QTY	Part Name	Remarks
8341	1	U1000	U1000
8342	1	U1000	U1000
8343	1	U1000	U1000
8344	1	U1000	U1000
8345	1	U1000	U1000
8346	1	U1000	U1000
8347	1	U1000	U1000
8348	1	U1000	U1000
8349	1	U1000	U1000
8350	1	U1000	U1000
8351	1	U1000	U1000
8352	1	U1000	U1000
8353	1	U1000	U1000
8354	1	U1000	U1000
8355	1	U1000	U1000
8356	1	U1000	U1000
8357	1	U1000	U1000
8358	1	U1000	U1000
8359	1	U1000	U1000
8360	1	U1000	U1000
8361	1	U1000	U1000
8362	1	U1000	U1000
8363	1	U1000	U1000
8364	1	U1000	U1000
8365	1	U1000	U1000
8366	1	U1000	U1000
8367	1	U1000	U1000
8368	1	U1000	U1000
8369	1	U1000	U1000
8370	1	U1000	U1000
8371	1	U1000	U1000
8372	1	U1000	U1000
8373	1	U1000	U1000
8374	1	U1000	U1000
8375	1	U1000	U1000
8376	1	U1000	U1000
8377	1	U1000	U1000
8378	1	U1000	U1000
8379	1	U1000	U1000
8380	1	U1000	U1000
8381	1	U1000	U1000
8382	1	U1000	U1000
8383	1	U1000	U1000
8384	1	U1000	U1000
8385	1	U1000	U1000
8386	1	U1000	U1000
8387	1	U1000	U1000
8388	1	U1000	U1000
8389	1	U1000	U1000
8390	1	U1000	U1000
8391	1	U1000	U1000

NOTICE (model)
(J)..... JAPAN
(U)..... U.S.A
(C)..... CANADA
(R)..... GENERAL
(T)..... CHINA
(K)..... KOREA
(A)..... AUSTRALIA
(B)..... BRITISH
(G)..... EUROPE
(L)..... SINGAPORE
(E)..... SOUTH EUROPE
(V)..... TAIWAN

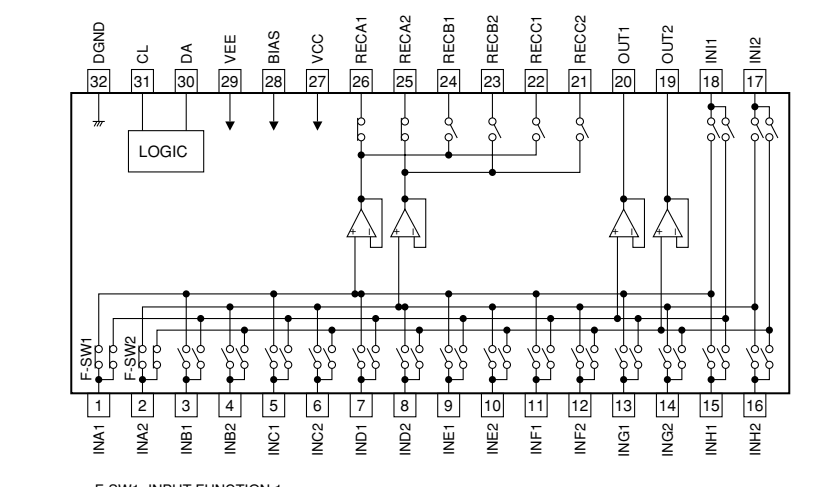
REMARKS	PARTS NAME
NO MARK	CARBON FILM RESISTOR (P=5)
⊗	CARBON FILM RESISTOR (P=10)
⊙	METAL OXIDE FILM RESISTOR
⊕	METAL FILM RESISTOR
⊖	METAL PLATE RESISTOR
⊗	FIRE PROOF CARBON FILM RESISTOR
⊕	CEMENT MOLDED RESISTOR
⊖	SEMI VARIABLE RESISTOR
⊗	CHIP RESISTOR

REMARKS	PARTS NAME
NO MARK	ELECTROLYTIC CAPACITOR
⊗	TANTALUM CAPACITOR
⊙	CERAMIC TUBULAR CAPACITOR
⊕	POLYESTER FILM CAPACITOR
⊖	POLYSTYRENE FILM CAPACITOR
⊗	MICA CAPACITOR
⊕	POLYPROPYLENE FILM CAPACITOR
⊖	SEMICONDUCTIVE CERAMIC CAPACITOR
⊗	POLYPHENYLENE SULFIDE FILM CAPACITOR

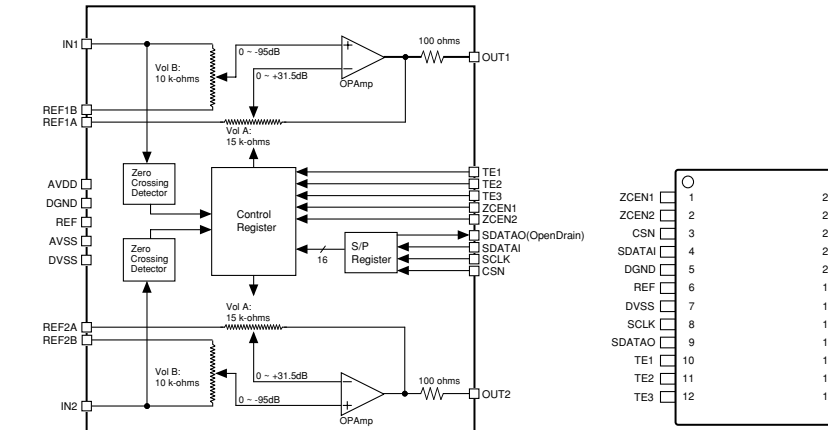
IC350, 351: NJM2068MD-TE2 Dual operational amplifier



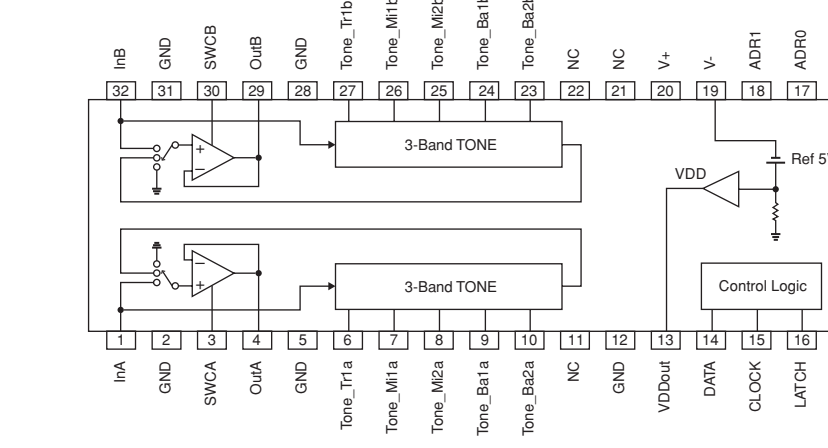
IC355, 356: BD3841FS Function switch



IC357, 358: YAC526-EZE2 2-channel high grade digital volume LSI



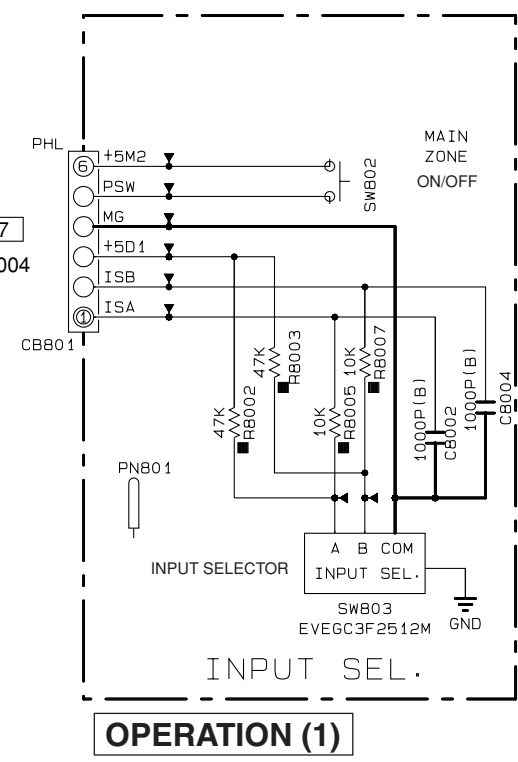
IC359, 360: NLW1191AV 3-band tone control IC



* All voltages are measured with a 10MΩ/V DC electronic voltmeter.
* Components having special characteristics are marked ⊕ and must be replaced with parts having specifications equal to those originally installed.
* Schematic diagram is subject to change without notice.
● 電圧は、内部抵抗10MΩの電圧計で測定したものです。
● ⊕印のある部品は、安全性確保部品を示しています。部品の交換が必要な場合、パーツリストに記載されている部品を使用してください。
● 本回路図は標準回路図です。改良のため予告なく変更することがございます。

OPERATION

Page 140 [J7]
to FL (1)_W9004



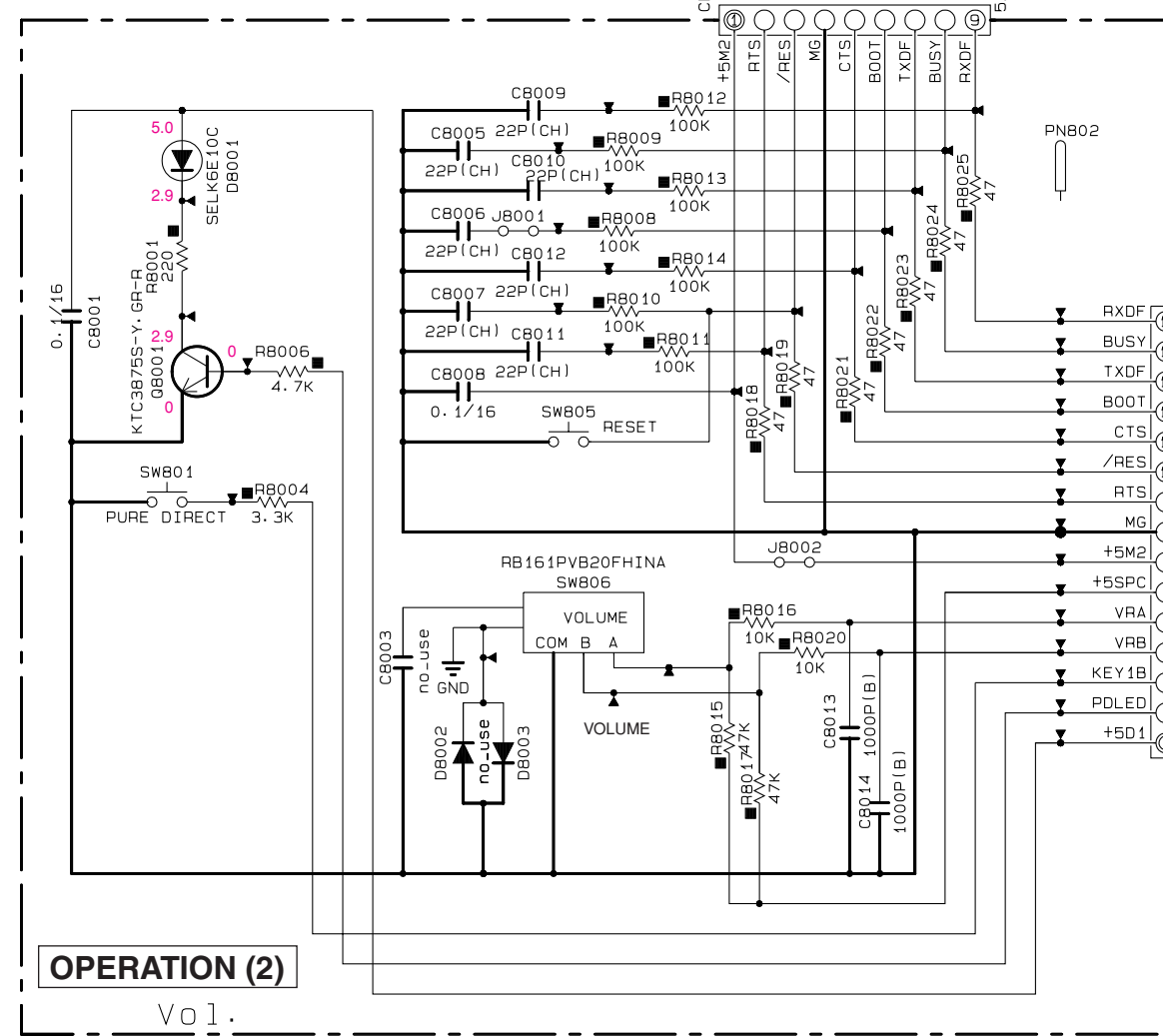
OPERATION (1)

Page 123 [F1]
to DSP_W5001

Page 129 [D1]
to FUNCTION (2)_W301A

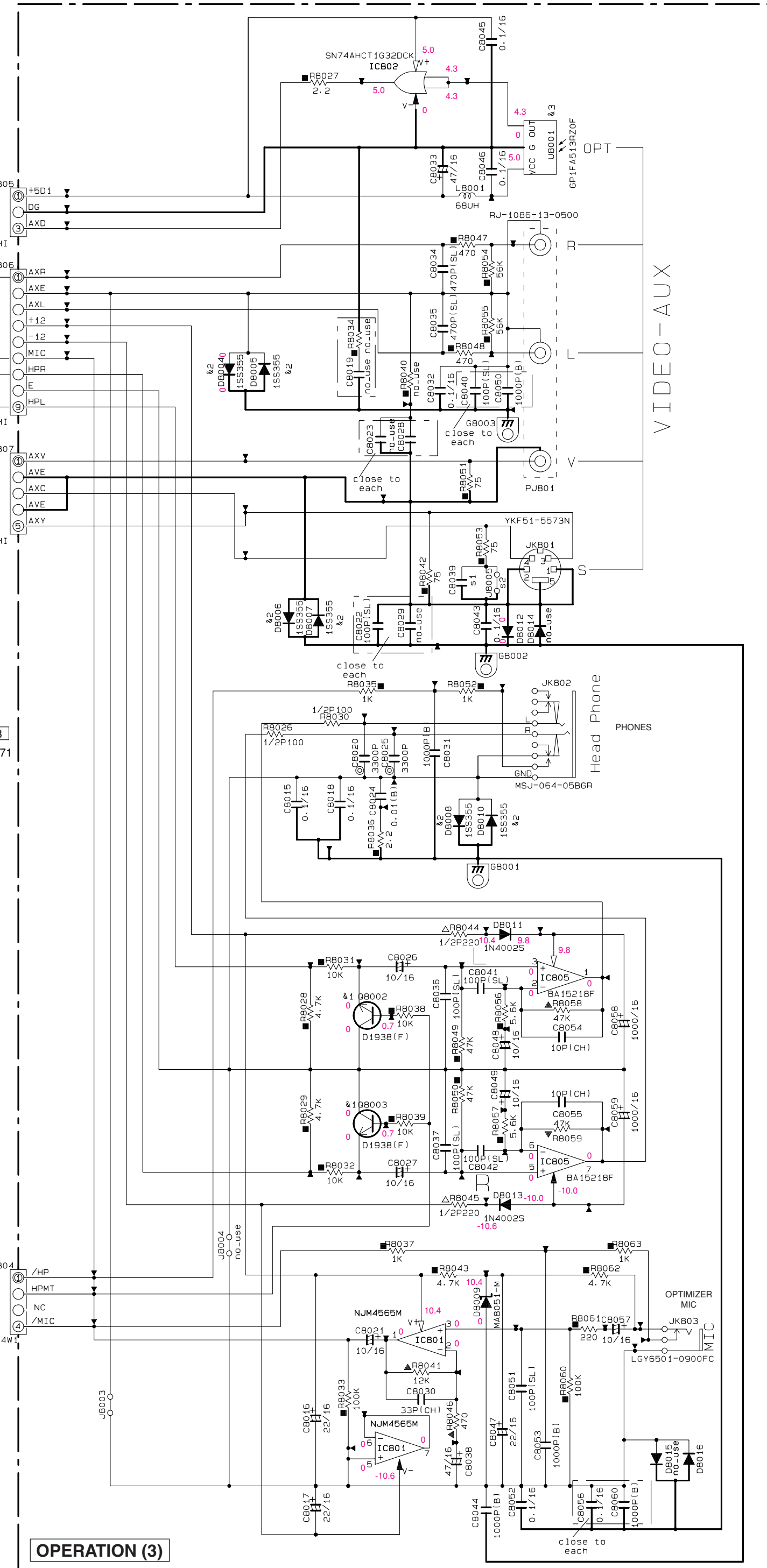
Page 128 [M3]
to FUNCTION (2)_W301B

Page 134 [C2]
to A-VIDEO_W2002



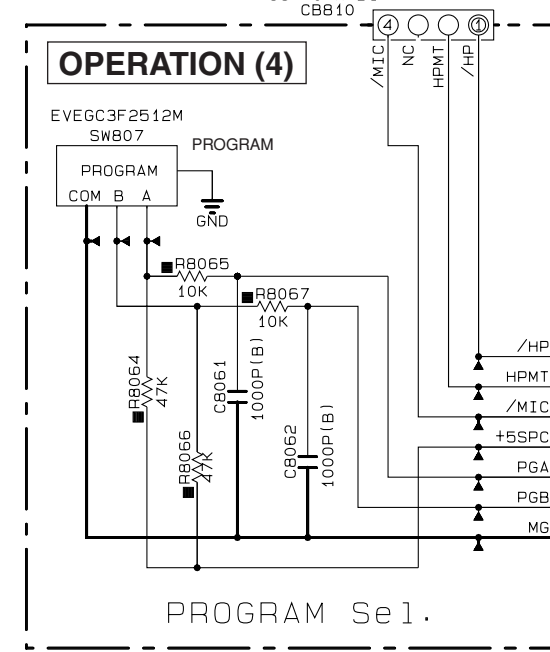
OPERATION (2)

Page 141 [K3]
to FL (2)_CB971



OPERATION (3)

Page 140 [E8]
to OPERATION (3)_CB804

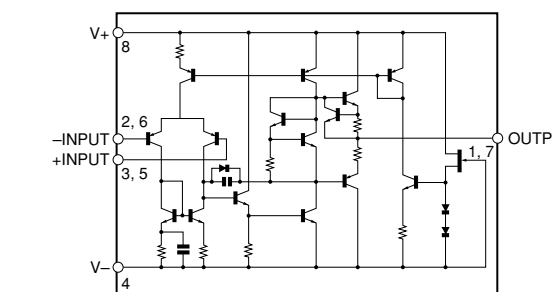


OPERATION (4)

PROGRAM Sel.

Page 140 [J6]
to FL (1)_W9003

IC801: NJM4558M
Dual operational amplifier



OPERATION (5)

MASTER SW

Page 140 [J4]
to FL (1)_W9002

OPERATION (6)

USB

OPERATION (7)

NET_W603

REMARKS	PARTS NAME
NO MARK	CARBON FILM RESISTOR (P=5)
□	CARBON FILM RESISTOR (P=10)
△	METAL OXIDE FILM RESISTOR
▲	METAL FILM RESISTOR
■	METAL PLATE RESISTOR
▣	FIRE PROOF CARBON FILM RESISTOR
▤	CEMENT MOLDED RESISTOR
▥	SEMI VARIABLE RESISTOR
▧	CHIP RESISTOR

REMARKS	PARTS NAME
NO MARK	ELECTROLYTIC CAPACITOR
⊗	TANTALUM CAPACITOR
NO MARK	CERAMIC CAPACITOR
●	CERAMIC TUBULAR CAPACITOR
○	POLYESTER FILM CAPACITOR
○	POLYSTYRENE FILM CAPACITOR
○	MICA CAPACITOR
○	POLYPROPYLENE FILM CAPACITOR
○	SEMICONDUCTIVE CERAMIC CAPACITOR

IMPLEMENTATION:
INPUT SELECTOR
VOLUME
VIDEO-AUX
HEAD PHONE AMP
MIC AMP
PROGRAM SELECTOR
MASTER SWITCH
USB CONNECTOR

Interchangeable Parts at Manufacture-Stage

Mark	Reference Parts Number	Parts Name
k1	0B002-8003	2S01938(F) 2SC3326(A/B) 2SC9384(A/B) 2S02704K
k2	0B004-8008-8010	1S5355 MA111 KDS160-RTK/P
k3	UB001	GP1FA513R20F GP1FA513RZ

NOTICE (model)
(J)..... JAPAN
(U)..... U. S. A
(C)..... CANADA
(R)..... GENERAL
(T)..... CHINA
(K)..... KOREA
(A)..... AUSTRALIA
(B)..... BRITISH
(G)..... EUROPE
(L)..... SINGAPORE
(E)..... SOUTH EUROPE
(V)..... TAIWAN

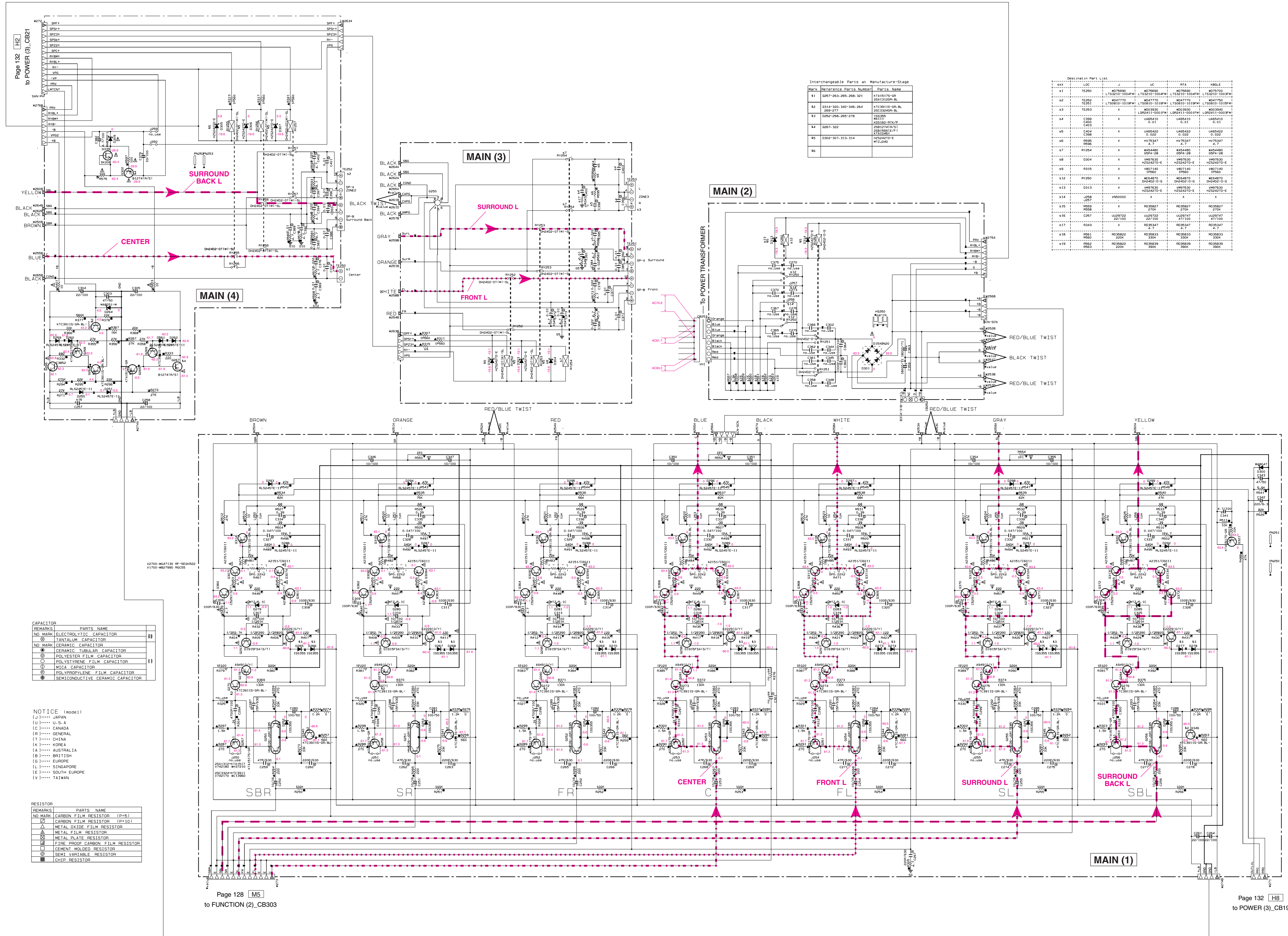
Destination Part List

sxx	LDC	J	UCRTKABGEL
s1	CB039	US13510 0.1/16	X
s2	JB005	X	RD35000

★ All voltages are measured with a 10MΩ/V DC electronic voltmeter.
★ Components having special characteristics are marked with a triangle, and must be replaced with parts having specifications equal to those originally installed.
★ Schematic diagram is subject to change without notice.

●電圧は、内部抵抗10MΩの電圧計で測定したものです。
●△印のある部品は、安全性確保部品を示しています。部品の交換が必要な場合、パーツリストに記載されている部品を使用してください。
●本回路図は標準回路図です。改良のため予告なく変更することがございます。

MAIN



Interchangeable Parts at Manufacture Stage

NO.	Reference Design Number	Part Name
K1	0097-250-260-261	47491970-08 26431200-RL
K2	0314-330-340-340-264 300-272	47491970-08-RL 26431200-RL
K3	0052-250-260-270	47491970-08-RL 26431200-RL
K4	0097-320	25812741/21 25812741/21
K5	0300-307-310-314	47491970-08 26431200-RL

Optional Parts List

NO.	LOC	J	VC	HTA	KB0LE
K1	TE202	47491970	47491970	47491970	47491970
K2	TE201	47491970	47491970	47491970	47491970
K3	TE203	47491970	47491970	47491970	47491970
K4	C300	47491970	47491970	47491970	47491970
K5	C301	47491970	47491970	47491970	47491970
K6	C302	47491970	47491970	47491970	47491970
K7	RY204	47491970	47491970	47491970	47491970
K8	DD204	47491970	47491970	47491970	47491970
K9	R315	47491970	47491970	47491970	47491970
K12	RY203	47491970	47491970	47491970	47491970
K13	DD13	47491970	47491970	47491970	47491970
K14	DD202	47491970	47491970	47491970	47491970
K15	DD203	47491970	47491970	47491970	47491970
K16	DD204	47491970	47491970	47491970	47491970
K17	DD205	47491970	47491970	47491970	47491970
K18	DD206	47491970	47491970	47491970	47491970
K19	DD207	47491970	47491970	47491970	47491970

CAPACITOR

REMARKS	PARTS NAME
NO. MARK	ELECTROLYTIC CAPACITOR
⊗	TANTALUM CAPACITOR
○	CERAMIC CAPACITOR
⊙	CERAMIC TUBULAR CAPACITOR
○	POLYESTER FILM CAPACITOR
○	POLYETHYLENE FILM CAPACITOR
○	NICA CAPACITOR
○	POLYPROPYLENE FILM CAPACITOR
●	SEMICONDUCTIVE CERAMIC CAPACITOR

NOTICE (Note1)

(J)..... JAPAN
 (U)..... U.S.A.
 (C)..... CANADA
 (R)..... GENERAL
 (T)..... CHINA
 (K)..... KOREA
 (A)..... AUSTRALIA
 (B)..... BRITISH
 (G)..... EUROPE
 (L)..... SINGAPORE
 (E)..... SOUTH EUROPE
 (V)..... TAIWAN

RESISTOR

REMARKS	PARTS NAME
NO. MARK	CARBON FILM RESISTOR (P=1)
□	CARBON FILM RESISTOR (P=10)
△	METAL OXIDE FILM RESISTOR
△	METAL FILM RESISTOR
□	FILM PROOF CARBON FILM RESISTOR
□	CHEMIST-MOUNTED RESISTOR
⊗	SEMI-VARIABLE RESISTOR
■	CHIP RESISTOR

★ All voltages are measured with a 10MΩ/V DC electronic voltmeter.
 ★ Components having special characteristics are marked with a triangle (▲) and must be replaced with parts having specifications equal to those originally installed.
 ★ Schematic diagram is subject to change without notice.

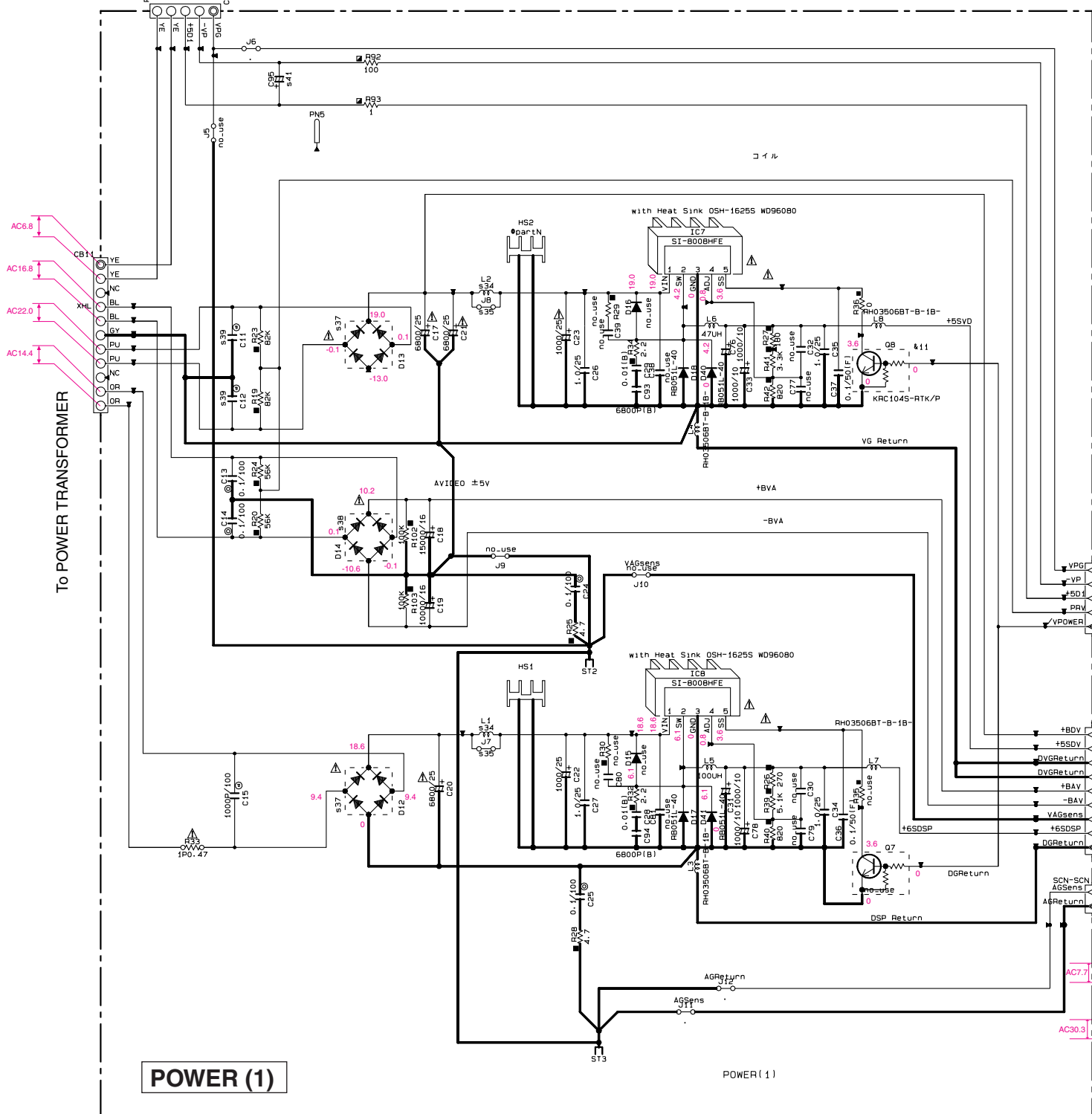
● 電圧は、内部抵抗10MΩの電圧計で測定したものです。
 ● ▲印のある部品は、安全性確保部品を示しています。部品の交換が必要な場合、パーツリストに記載されている部品を使用してください。
 ● 本回路図は標準回路図です。改良のため予告なく変更することがございます。

POWER

Interchangeable Parts at Manufacture Stage

Mark	Reference Parts Number	Part's Name
K1	011	KRA1045-RTX/P 07A154K4
K2	020-26, 27, 28, 31, 32, 35 36, 38, 40	KRA1045-RTX/P 07A154K4
K3	01-4, 21, 30	1S3305 K05160-RTX/P
K4	06	K380-E 02K380-E
K5		
K6		
K7	010-11	08105 S18650
K8	02, 3-13, 42	K1C3875-V-GR-RTX/P 25C241K1Q/R/S1
K9	010-41, 43	K1A10045-V-GR-RTX/P 25A2324K1Q/R/S1
K10	09, 44	KAC1045-RTX/P 07C144K4
K11	01-4, 9, 26, 28, 30, 33, 34 37, 38	KAC1045-RTX/P 07C144K4
K12	08	HS104 158130 158176

Page 140 [B4] to FL (1)_W9001



RESISTOR PARTS NAME

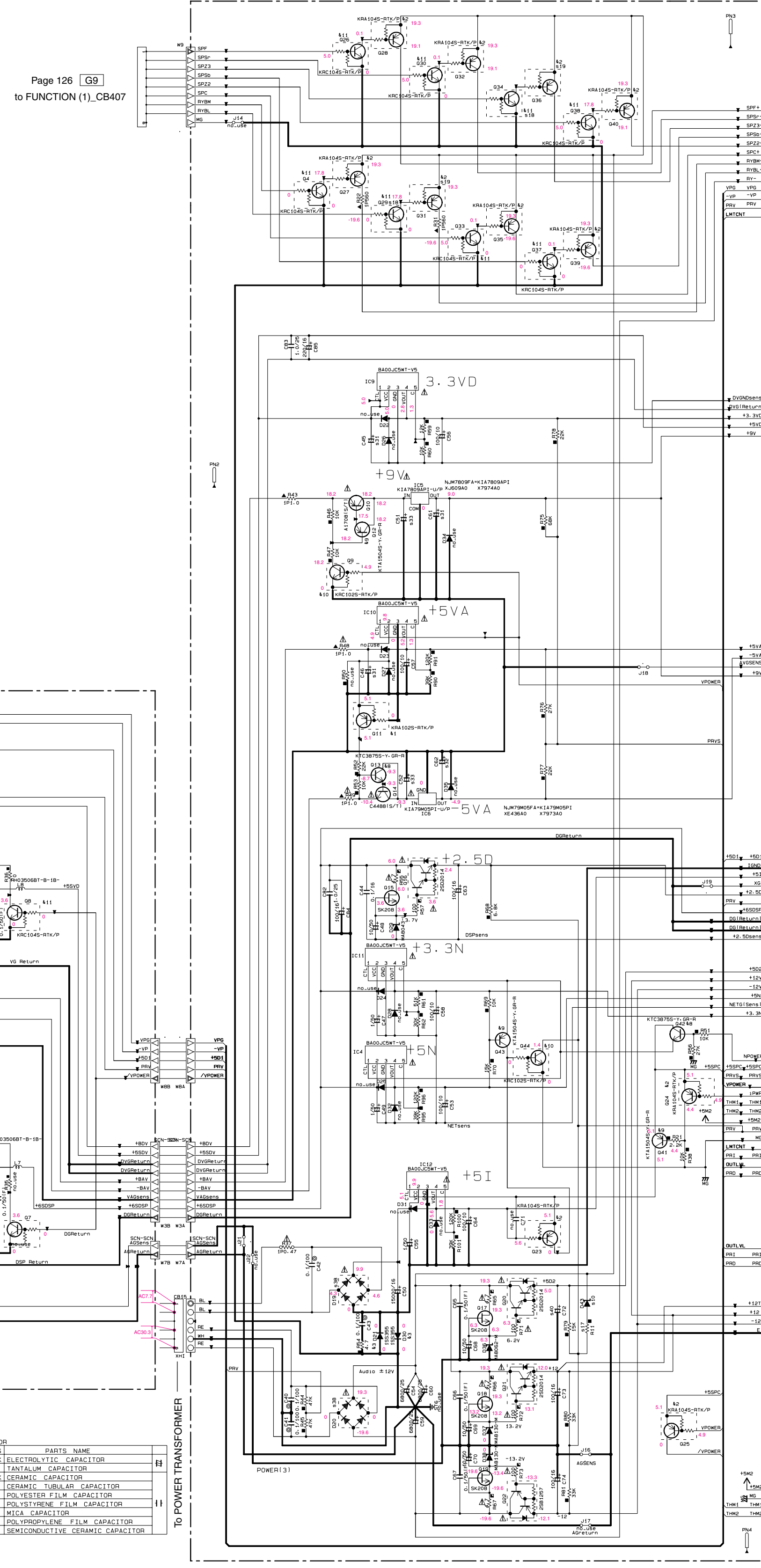
REMARKS: NO MARK, CARBON FILM RESISTOR (P=H), CARBON FILM RESISTOR (P=10), METAL OXIDE FILM RESISTOR, METAL FILM RESISTOR, METAL PLATE RESISTOR, FINE PROOF CARBON FILM RESISTOR, CERMENT MOUNTED RESISTOR, SEMI VARIABLE RESISTOR, CHIP RESISTOR

CAPACITOR PARTS NAME

REMARKS: NO MARK, ELECTROLYTIC CAPACITOR, TANTALUM CAPACITOR, CERAMIC CAPACITOR, CERAMIC TUBULAR CAPACITOR, POLYESTER FILM CAPACITOR, POLYESTER FILM CAPACITOR, POLYPROPYLENE FILM CAPACITOR, MICA CAPACITOR, SEMI CONDUCTIVE CERAMIC CAPACITOR

★ All voltages are measured with a 10MΩ/V DC electronic voltmeter.
 ★ Components having special characteristics are marked with a triangle and must be replaced with parts having specifications equal to those originally installed.
 ★ Schematic diagram is subject to change without notice.

● 電圧は、内部抵抗10MΩの電圧計で測定したものです。
 ● 1印のある部品は、安全性確保部品を示しています。部品の交換が必要な場合、パーツリストに記載されている部品を使用してください。
 ● 本回路図は標準回路図です。改良のため予告なく変更することがございます。



Page 126 [G9] to FUNCTION (1)_CB407

Page 131 [B1] to MAIN (4)_W272

Page 139 [L7] to D-VIDEO_CB188

Page 134 [I3] to A-VIDEO_W2001

Page 124 [I1] to DSP_W5301

Page 124 [K1] to DSP_W5302

Page 126 [H9] to FUNCTION (1)_CB409

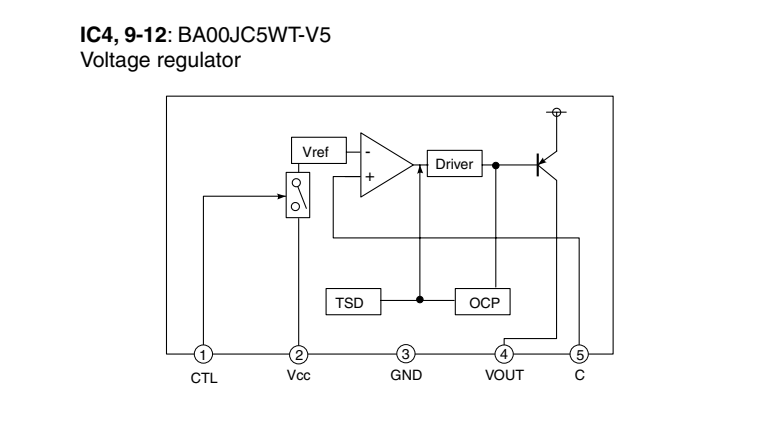
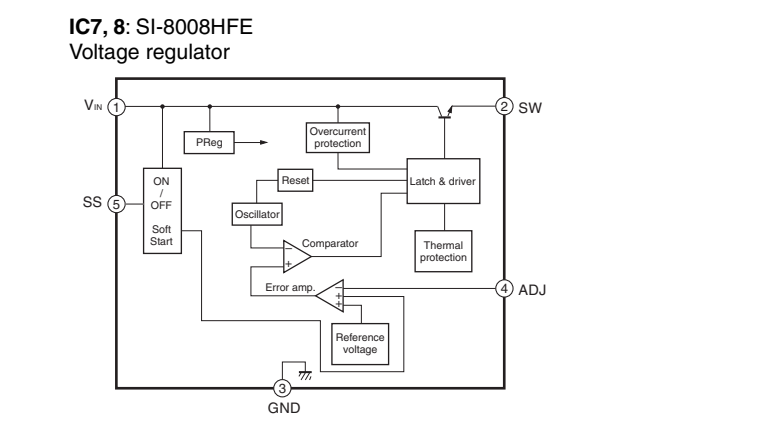
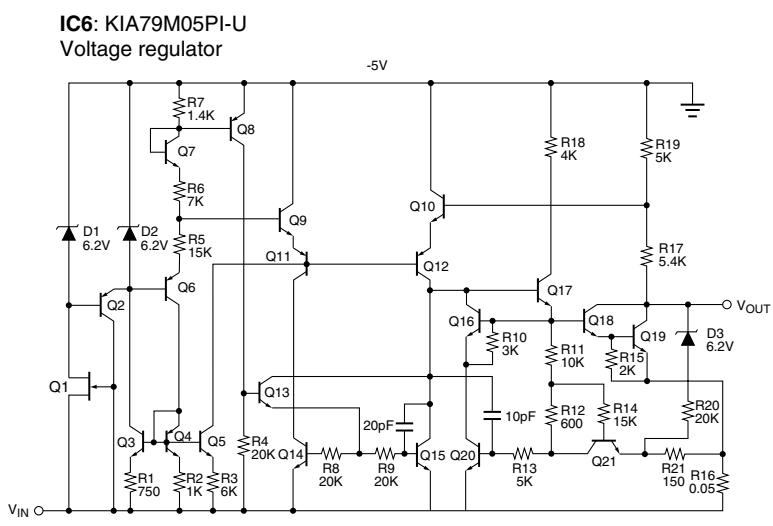
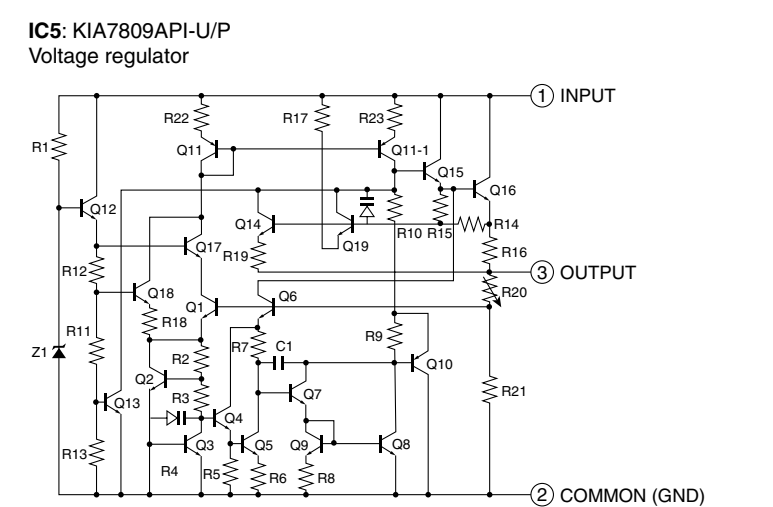
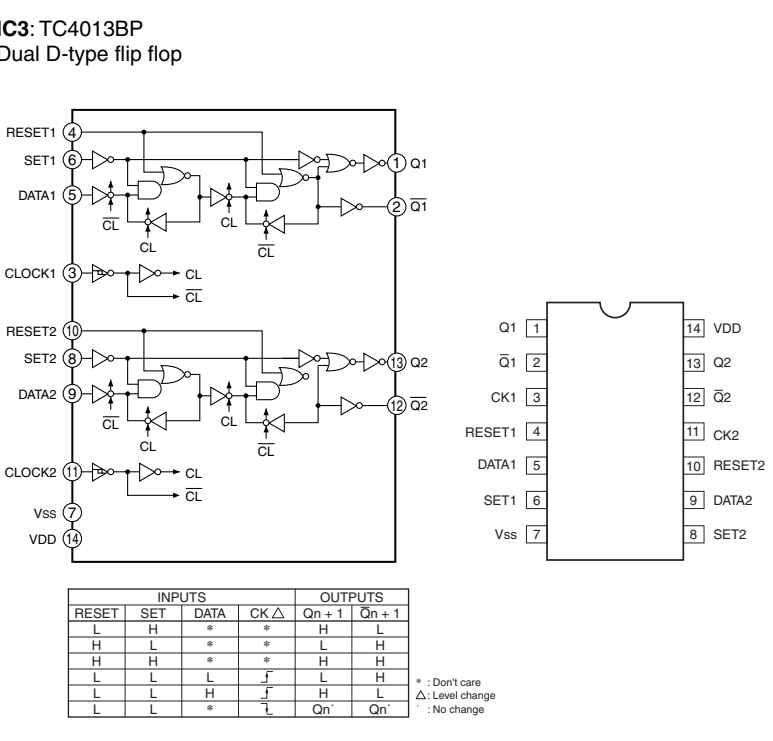
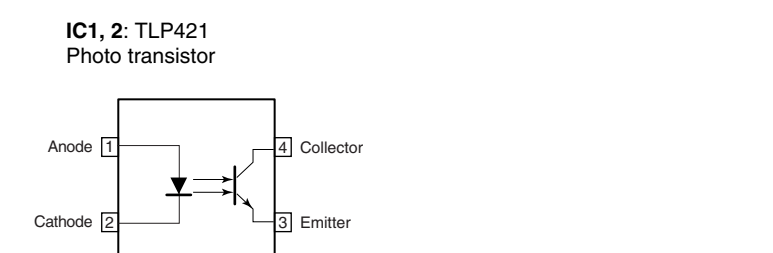
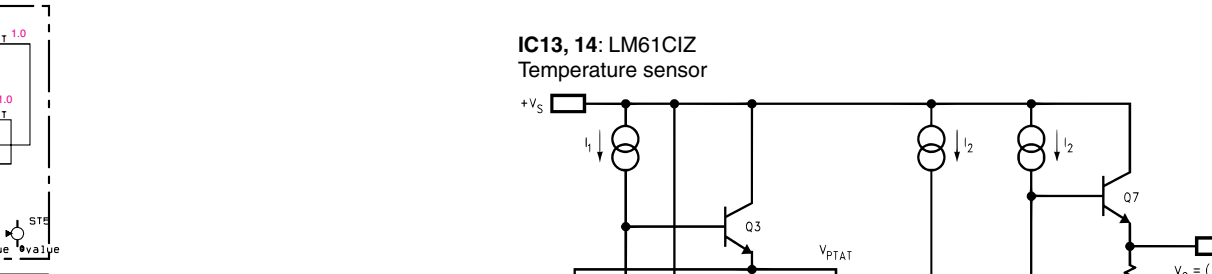
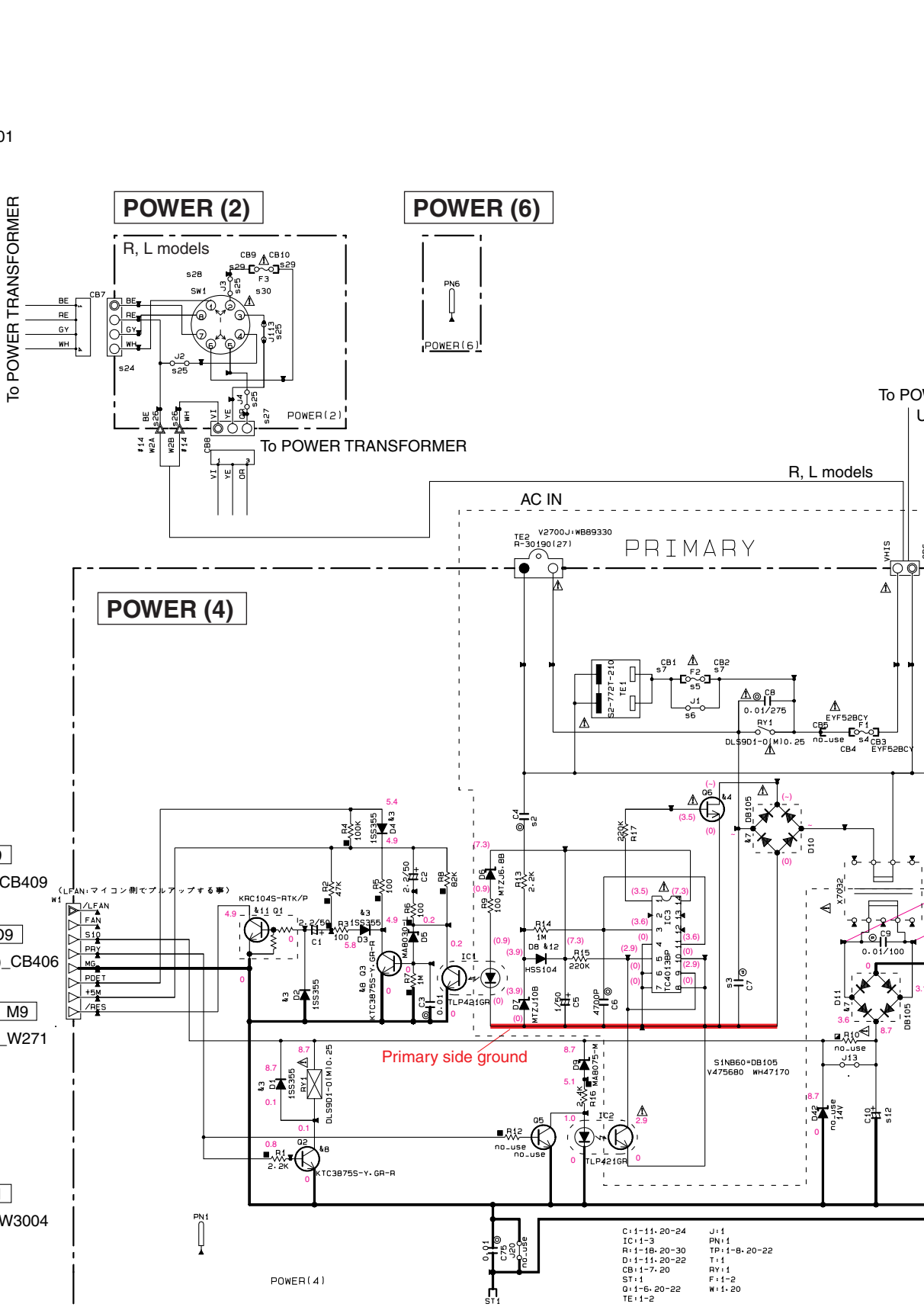
Page 126 [D9] to FUNCTION (1)_CB406

Page 131 [M9] to MAIN (1)_W271

Page 128 [M1] to FUNCTION (2)_W3004

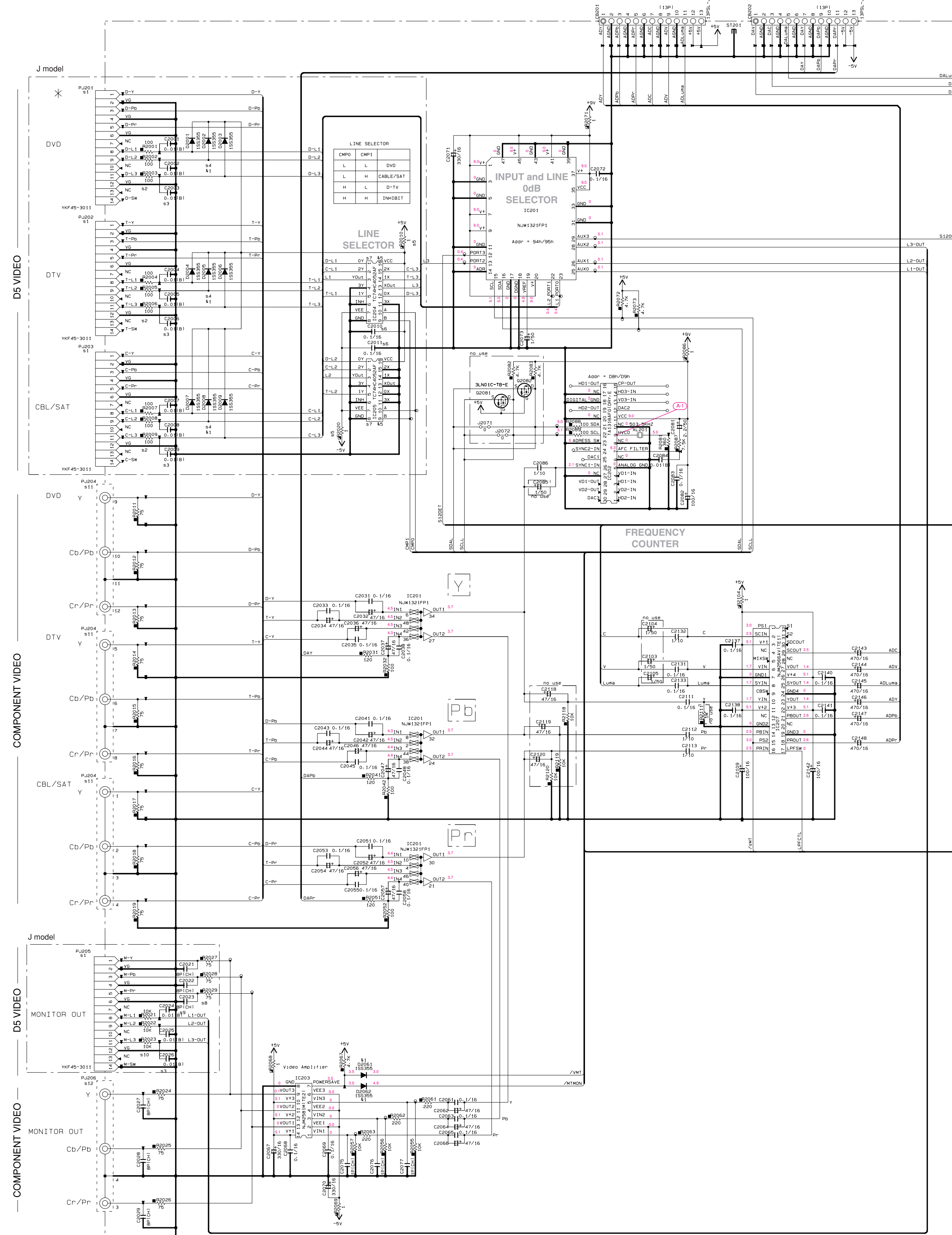
Destination Part List

Destination	Part No.	Part Name	Quantity
...



A-VIDEO 1/2

Page 136 [A5] to D-VIDEO_CB122
Page 136 [A4] to D-VIDEO_CB121



RESISTOR

REMARKS	PARTS NAME
NO MARK	CARBON FILM RESISTOR (P=5)
□	CARBON FILM RESISTOR (P=10)
△	METAL OXIDE FILM RESISTOR
▲	METAL FILM RESISTOR
⊞	METAL PLATE RESISTOR
■	FIRE PROOF CARBON FILM RESISTOR
□	CEMENT MOLDED RESISTOR
○	SEMI-VARIABLE RESISTOR
■	CHIP RESISTOR

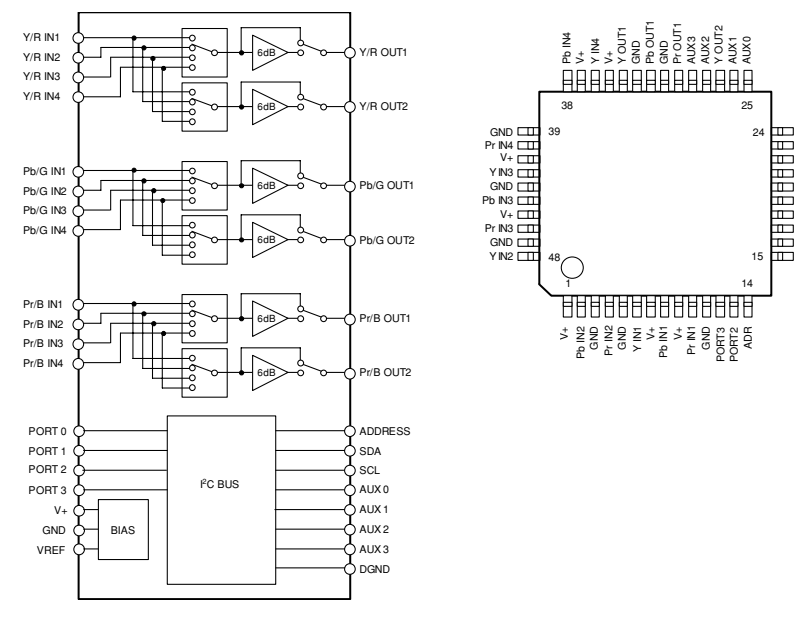
NOTICE (model)

(J)..... JAPAN
(U)..... U.S.A
(C)..... CANADA
(R)..... GENERAL
(T)..... CHINA
(K)..... KOREA
(A)..... AUSTRALIA
(B)..... BRITISH
(S)..... EUROPE
(L)..... SINGAPORE
(E)..... SOUTH EUROPE
(V)..... TAIWAN

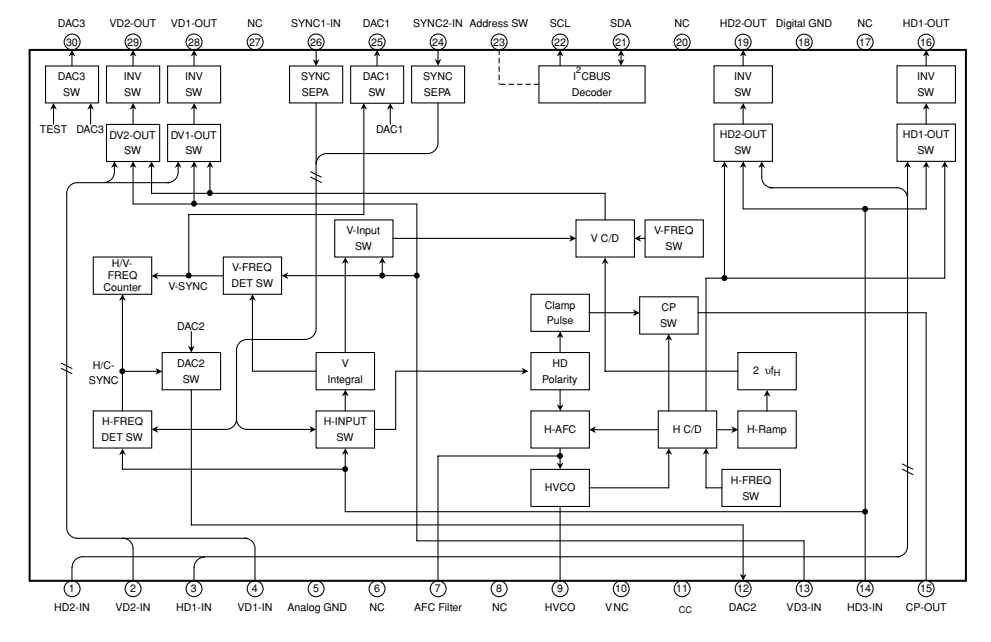
CAPACITOR

REMARKS	PARTS NAME
NO MARK	ELECTROLYTIC CAPACITOR
□	TANTALUM CAPACITOR
NO MARK	CERAMIC CAPACITOR
○	CERAMIC TUBULAR CAPACITOR
⊙	POLYESTER FILM CAPACITOR
○	POLYSTYRENE FILM CAPACITOR
○	MICA CAPACITOR
○	POLYPROPYLENE FILM CAPACITOR
○	SEMICONDUCTIVE CERAMIC CAPACITOR
○	POLYPHENYLENE SULFIDE FILM CAPACITOR

IC201: NJW1321FP1
Wide band video switch with I²C bus



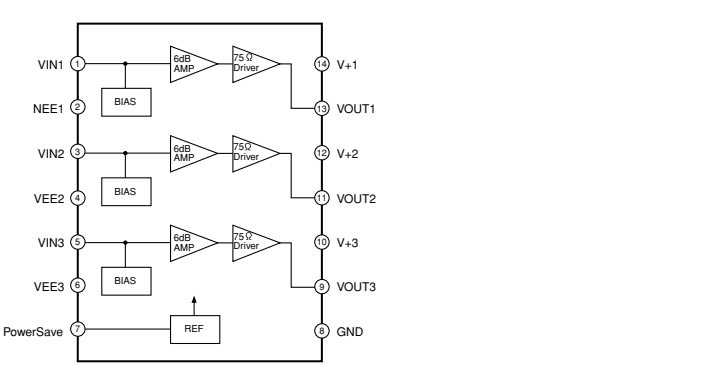
IC202: TA1318AF
SYNC processor, frequency counter IC for TV component signals



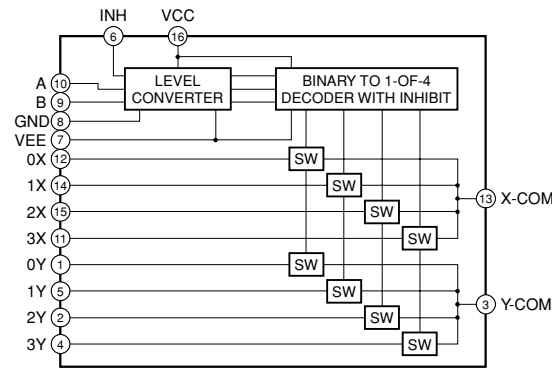
Destination Part List

Part No.	Part Name	J	U-C	R-K	T.A.B.G.L.E
81	P1001			X	X
82	P1002			X	X
83	C2001			X	X
84	D2001			X	X
85	R2010			X	X
86	C2010			X	X
87	IC204			X	X
88	R2027			X	X
89	C2021			X	X
90	R2022			X	X
91	P1004			X	X
92	P1005			X	X
93	P1006			X	X

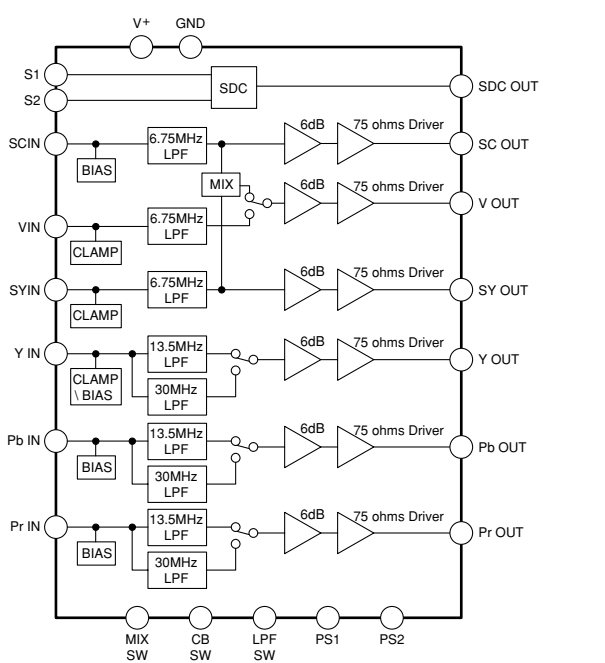
IC203: NJM2581M
Video amplifier



IC204, 205: TC74HC4052AF
Analog multiplexer/demultiplexer



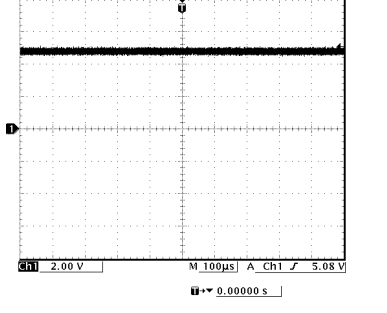
IC207: NJM2566AV
6-channel video amplifier for DVD



Interchangeable Parts at Manufacture-Stage

Mark	Reference Part Number	Parts Name
41	D2001-2009, 2061-2062, 2064-2065, 2081-2082, 2611-2612, 2631-2634, 2661-2662	1S5300 MA111
42	D2541-2546	D1C144EXA KRC10-AS-RTK/P
43	IC200	TK15420MTL A00958A02
44	IC211-214	M74HC4051BXX TC74HC4051AF1EL-F.1
45	IC204-205	M74HC4052BXX TC74HC4052AF1EL-F.1
46	IC217-221	M74HC4053BXX TC74HC4053AF1EL-F.1

POINT (A-1) Pin 9 of IC202



* All voltages are measured with a 10MΩ/V DC electronic voltmeter.
* Components having special characteristics are marked with a triangle and must be replaced with parts having specifications equal to those originally installed.
* Schematic diagram is subject to change without notice.
● 電圧は、内部抵抗10MΩの電圧計で測定したものです。
● 印のある部品は、安全確保部品を示しています。部品の交換が必要な場合、パーツリストに記載されている部品を使用してください。
● 本回路図は標準回路図です。改良のため予告なく変更することがございます。

A-VIDEO 2/2

Page 130 [E4] to OPERATION (3)_CB807

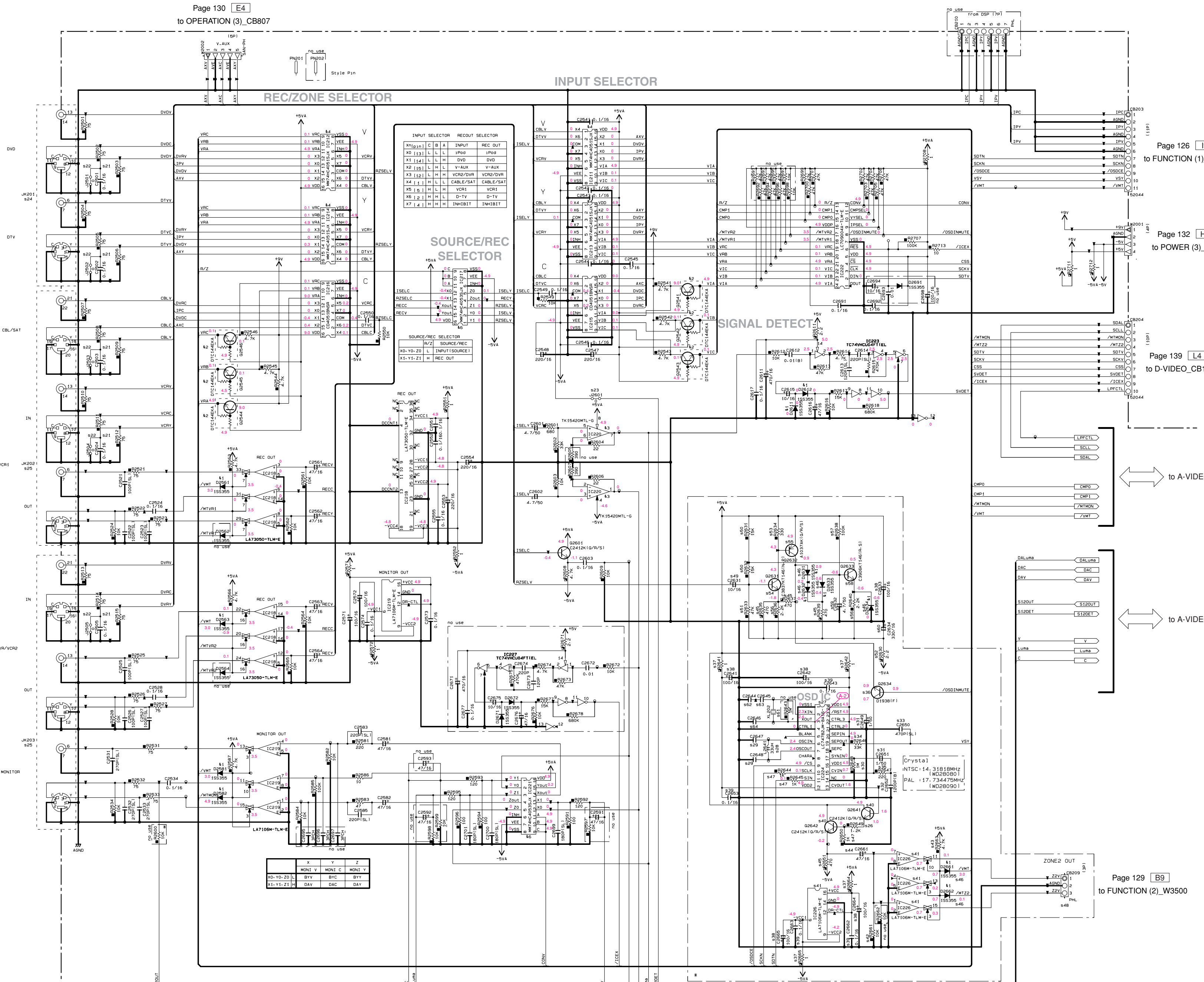


Table with 2 columns: RESISTOR and CAPACITOR. It lists various resistor and capacitor types and their corresponding part numbers.

NOTICE (page 11) (U) U.S.A. (C) CANADA (I) GENERAL (K) CHINA (A) AUSTRALIA (B) BRITISH (G) EUROPE (L) SINGAPORE (E) SOUTH EUROPE (V) TAIWAN

Page 126 [I9] to FUNCTION (1)_CB410

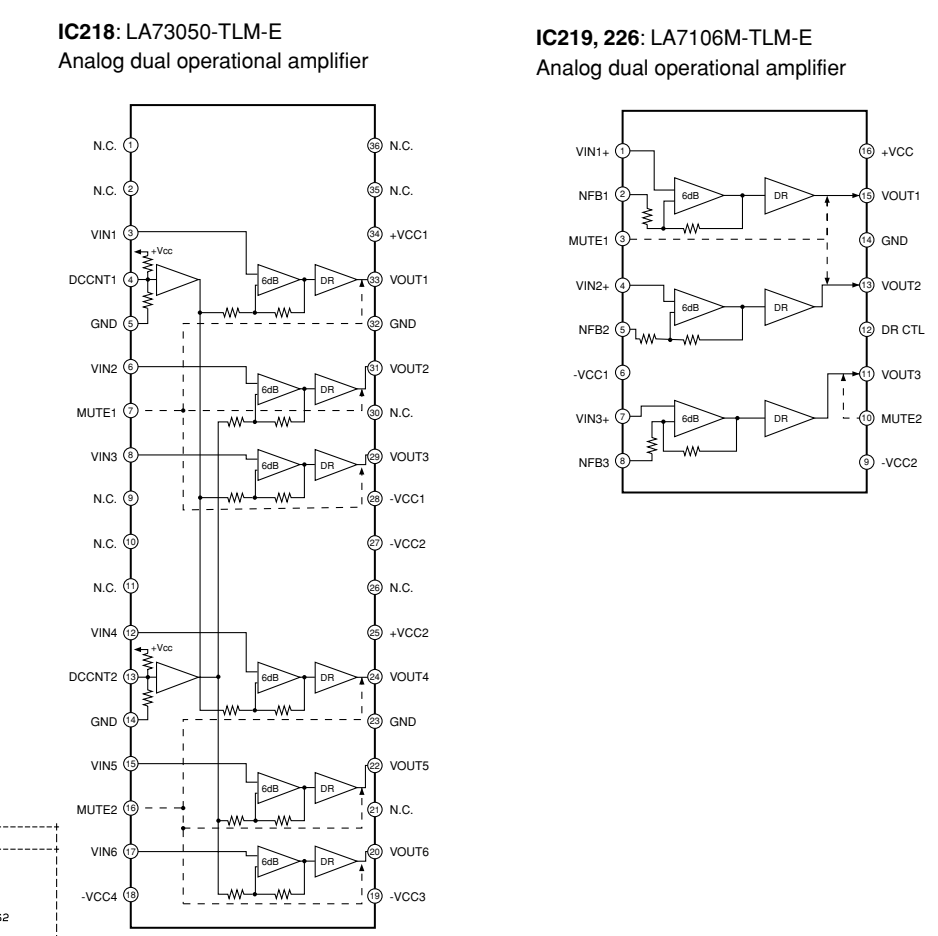
Page 132 [H5] to POWER (3)_CB23

Page 139 [L4] to D-VIDEO_CB185

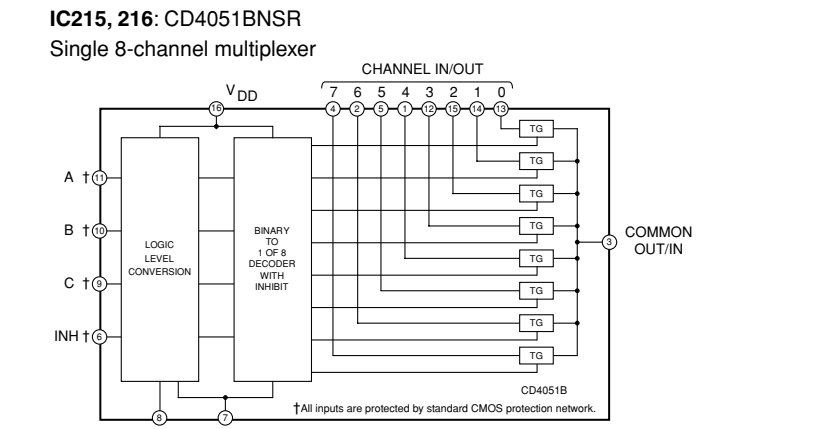
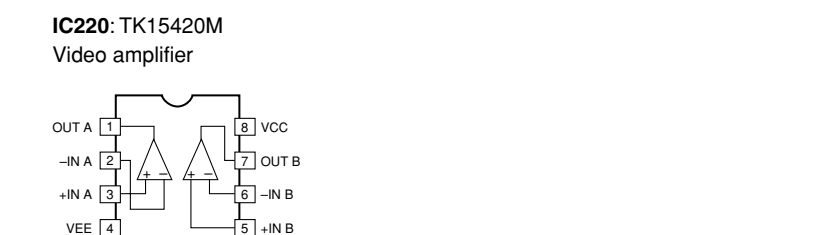
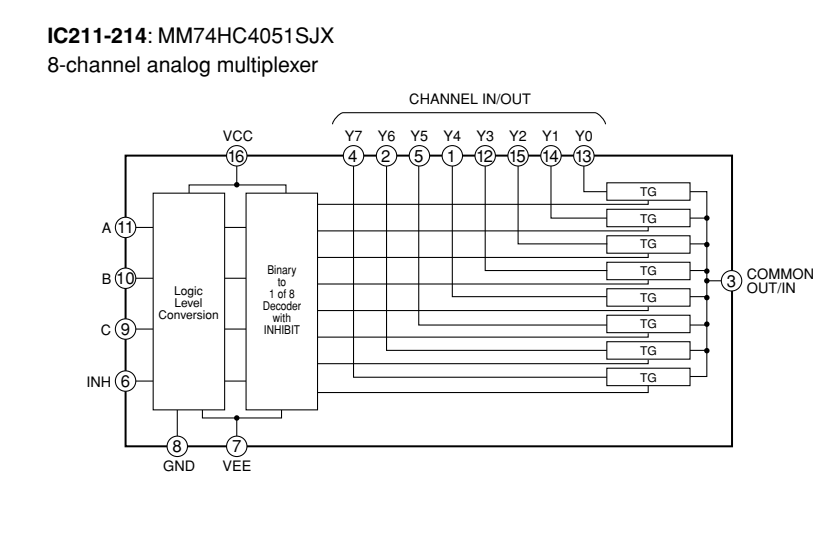
to A-VIDEO 1/2

to A-VIDEO 1/2

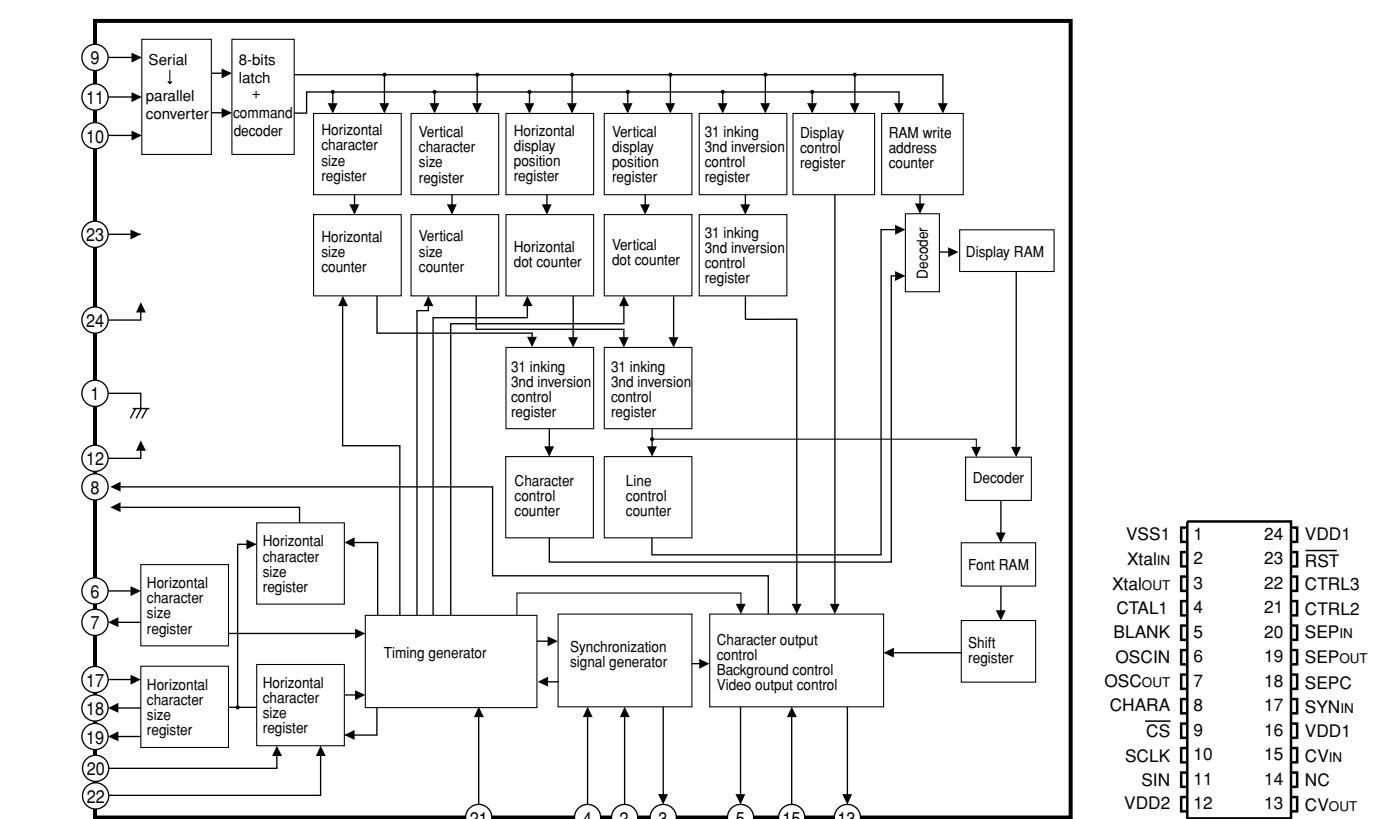
Page 129 [B9] to FUNCTION (2)_W3500



Large table listing component values and part numbers for various components like resistors, capacitors, and integrated circuits.

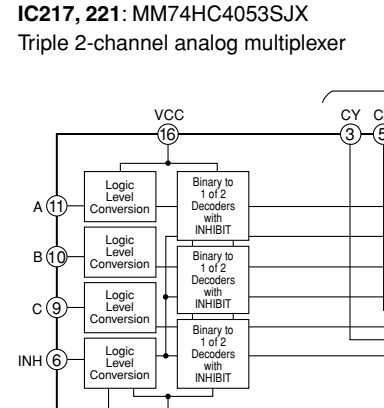
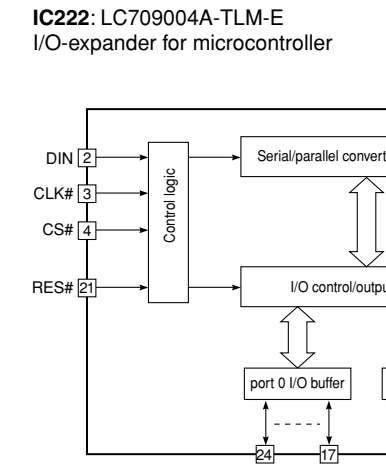
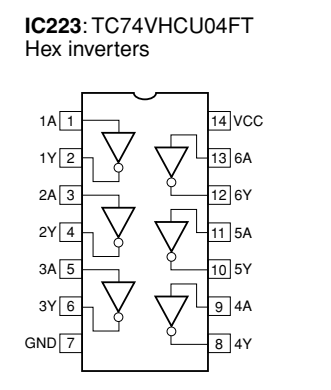
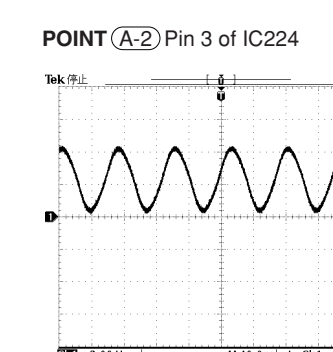


IC224: LC74782JM-8A16-TLM The on-screen display controller LSI

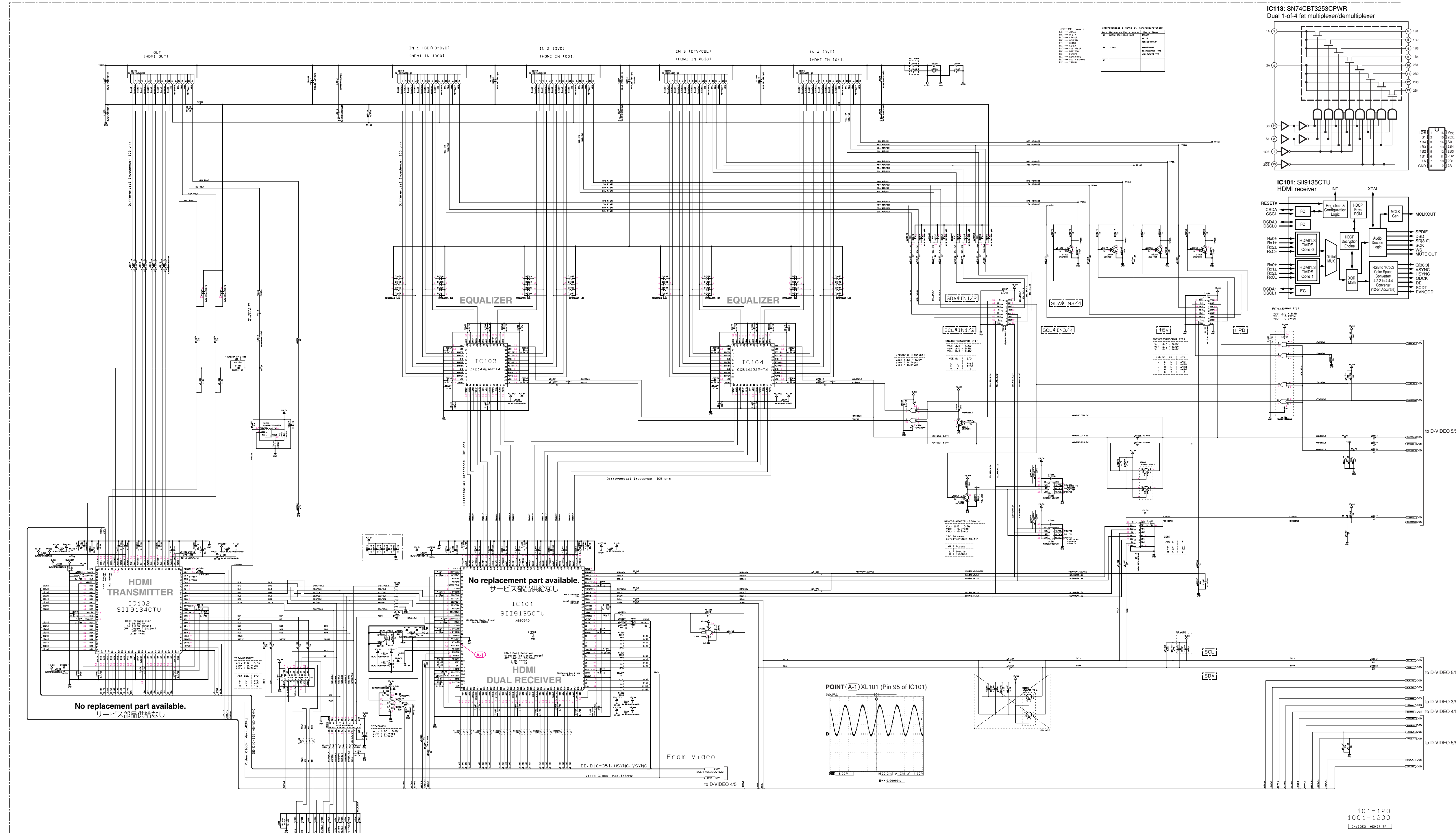


* All voltages are measured with a 10MΩ/V DC electronic voltmeter. * Components having special characteristics are marked with a triangle and must be replaced with parts having specifications equal to those originally installed. * Schematic diagram is subject to change without notice.

● 電圧は、内部抵抗10MΩの電圧計で測定したものです。 ● 1印のある部品は、安全性確保部品を示しています。部品の交換が必要な場合、パーツリストに記載されている部品を使用してください。 ● 本回路図は標準回路図です。改良のため予告なく変更することがございます。

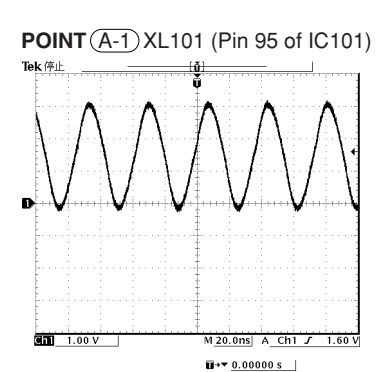


D-VIDEO 1/5

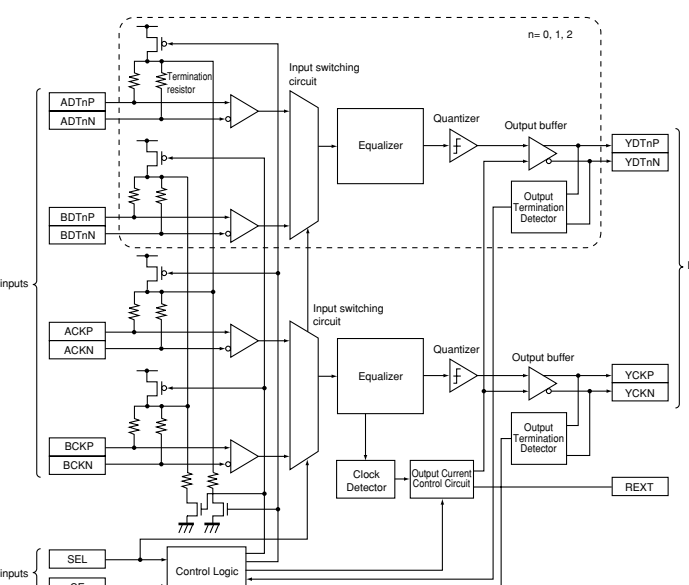


No replacement part available. サービス部品供給なし

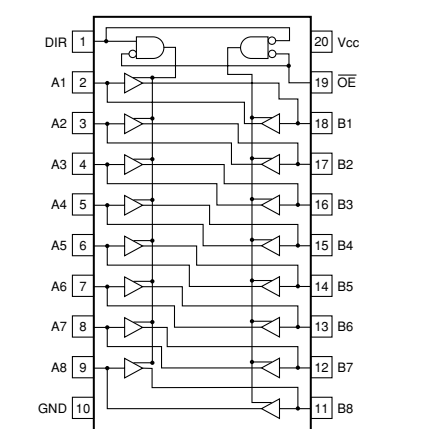
No replacement part available. サービス部品供給なし



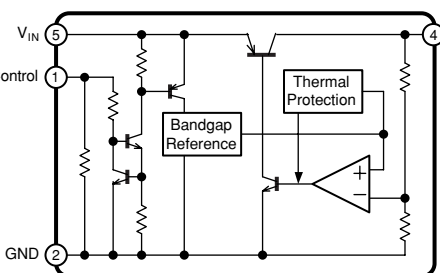
IC103, 104: CXB1442AR-T4 Cable equalizer with 2-system switching function



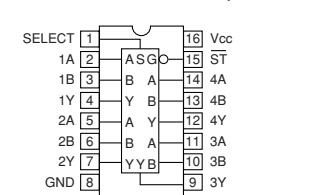
IC105: SN74LVC245APWR Octal bus transceivers with 3-state outputs



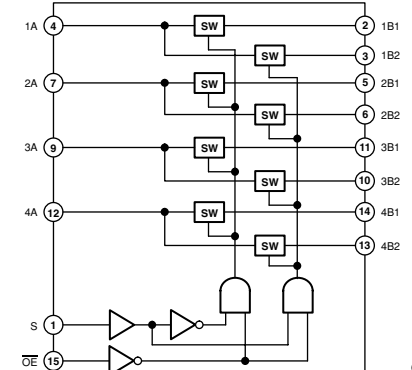
IC106: NJM2867F3-05 Low dropout voltage regulator



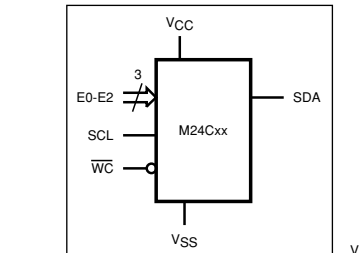
IC108: TC74VHC157FT Quad 2-channel multiplexer



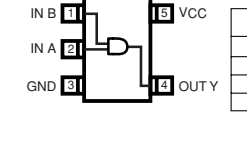
IC109, 112: SN74CBT3257CPWR 4-bit 1-of-2 fets multiplexer/demultiplexer



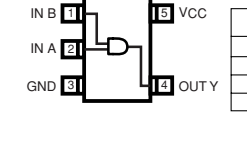
IC110, 111: M24C02-WDWP6T 2 K-bit serial I2C bus EEPROM



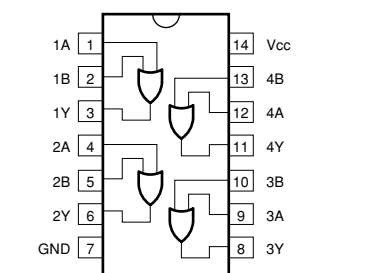
IC114: TC7WZ02FK 2 input nor gate



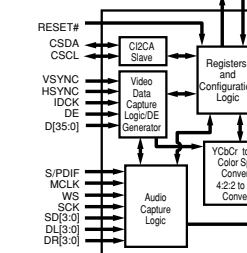
IC116: TC7SET08FU 2 input AND gate



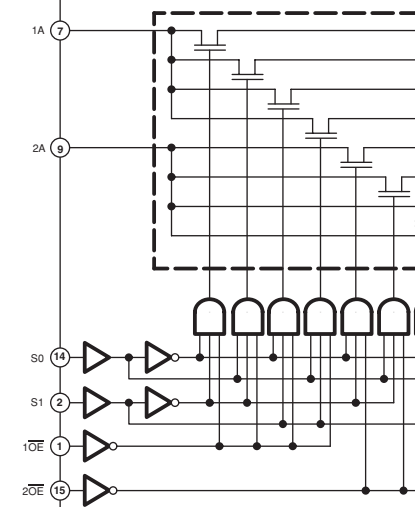
IC115: SN74LV32APWR Quaduple 2-input positive-OR gates



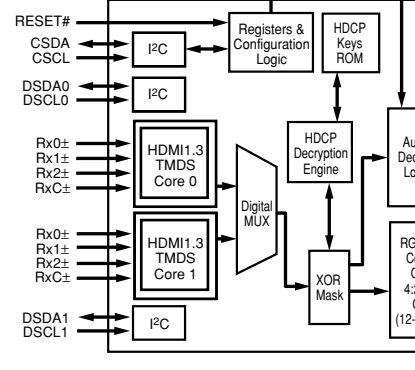
IC102: SII9134CTU HDMI transmitter



IC113: SN74CBT3253CPWR Dual 1-of-4 fets multiplexer/demultiplexer



IC101: SII9135CTU HDMI receiver

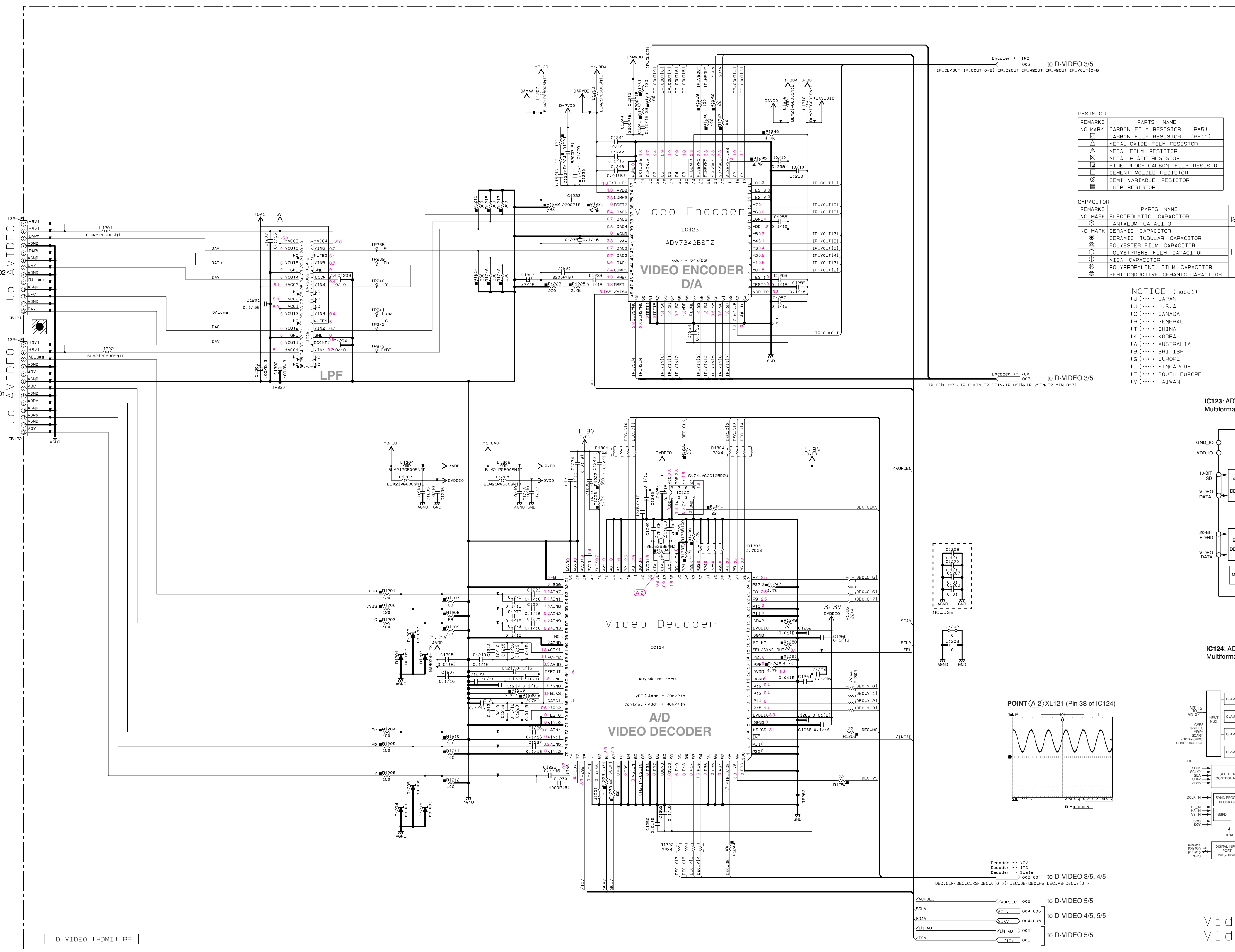


101-120 1001-1200 S-VISIO HDMI1 TX

★ All voltages are measured with a 10MΩ/V DC electronic voltmeter.
 ★ Components having special characteristics are marked with a triangle and must be replaced with parts having specifications equal to those originally installed.
 ★ Schematic diagram is subject to change without notice.
 ● 電圧は、内部抵抗10MΩの電圧計で測定したものです。
 ● 三角形のある部品は、安全性確保部品を示しています。部品の交換が必要な場合、パーツリストに記載されている部品を使用してください。
 ● 本回路図は標準回路図です。改良のため予告なく変更することがございます。

Page 133 [G1] to A-VIDEO_CB202

Page 133 [F1] to A-VIDEO_CB201



RESISTOR

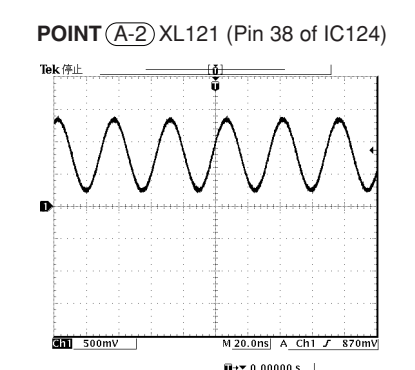
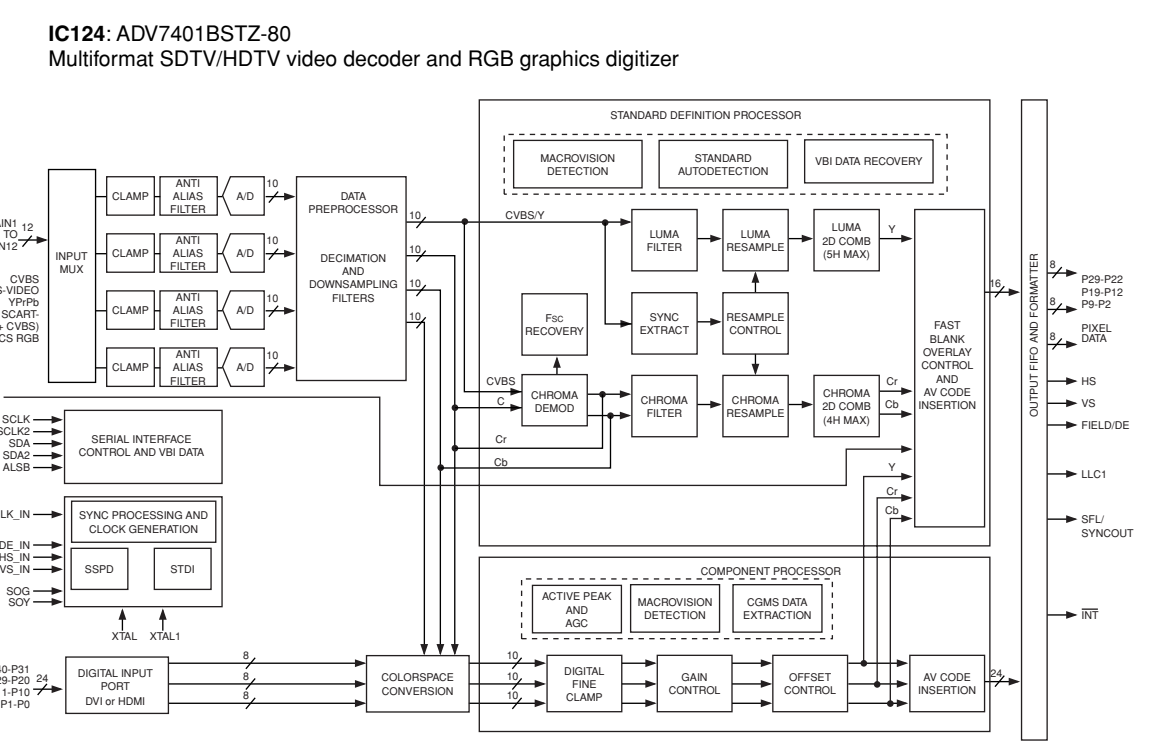
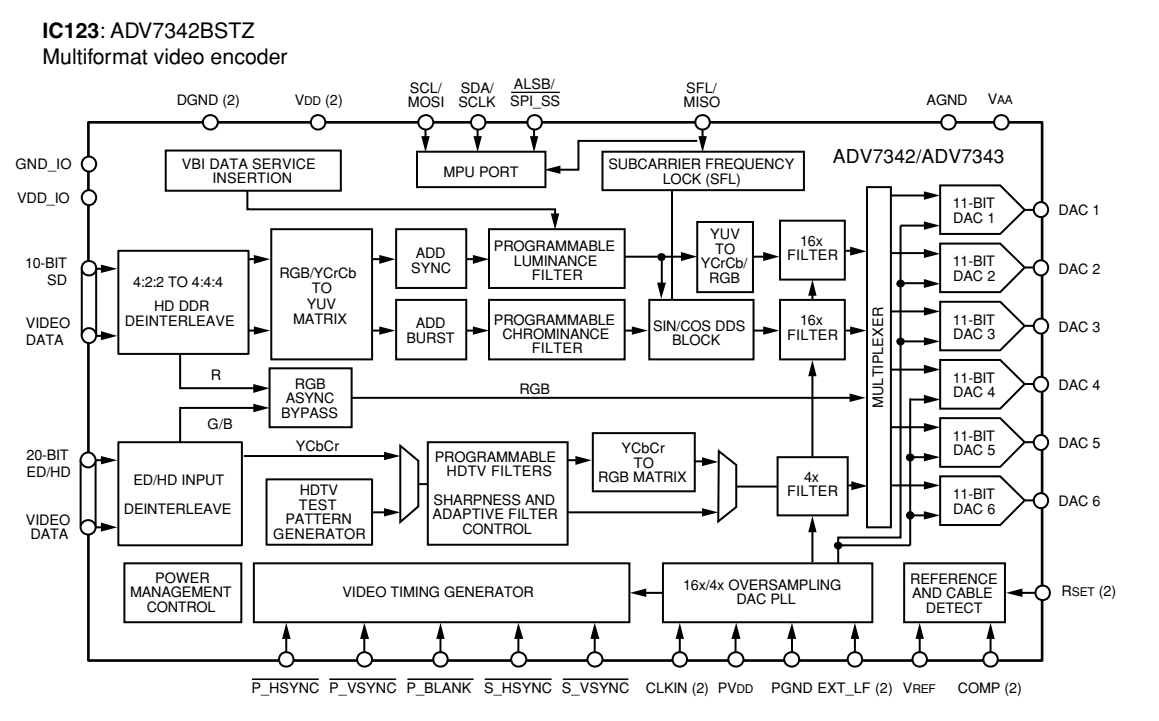
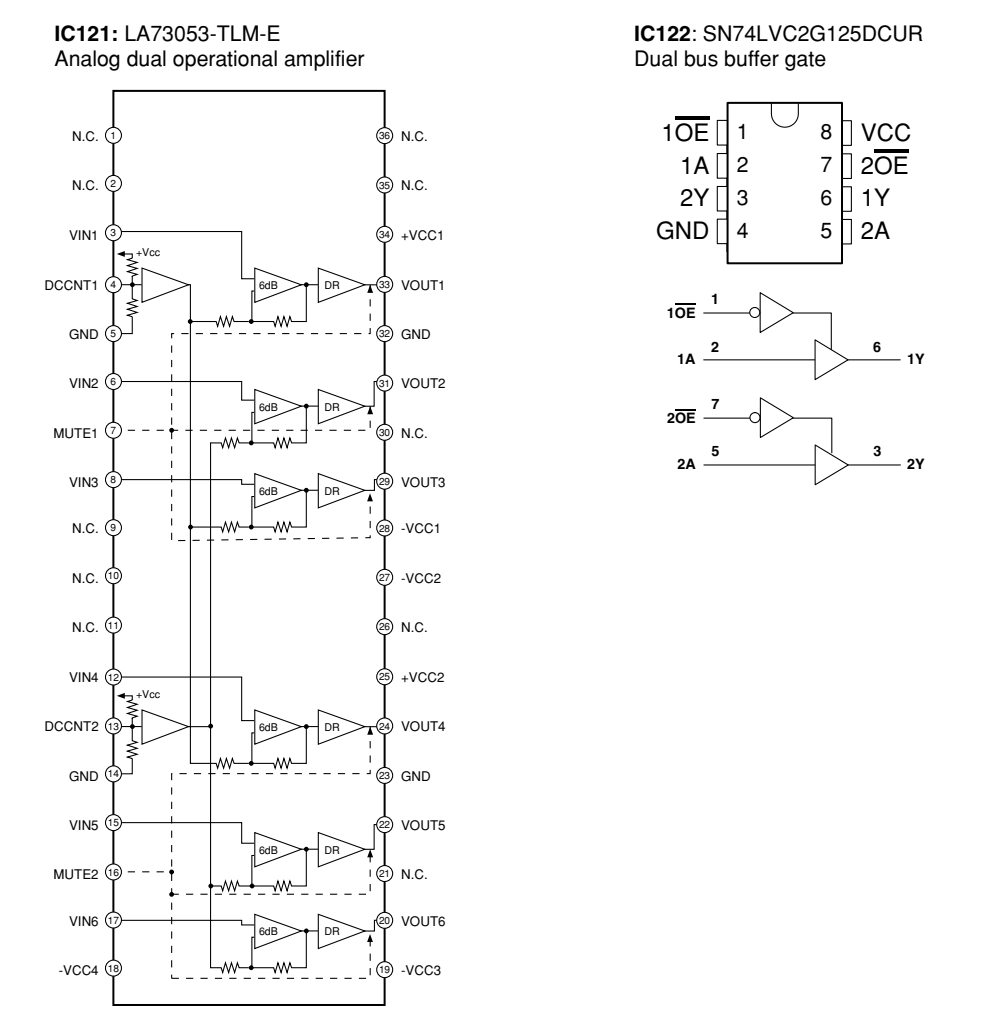
REMARKS	PARTS NAME
NO MARK	CARBON FILM RESISTOR (P=5)
⊙	CARBON FILM RESISTOR (P=10)
△	METAL OXIDE FILM RESISTOR
□	METAL FILM RESISTOR
⊠	METAL PLATE RESISTOR
⊞	FINE PROOF CARBON FILM RESISTOR
⊟	CEMENT MOLDED RESISTOR
⊠	SEMI VARIABLE RESISTOR
⊞	CHIP RESISTOR

CAPACITOR

REMARKS	PARTS NAME
NO MARK	ELECTROLYTIC CAPACITOR
⊙	TANTALUM CAPACITOR
NO MARK	CERAMIC CAPACITOR
⊙	POLYESTER FILM CAPACITOR
○	POLYSTYRENE FILM CAPACITOR
○	MICA CAPACITOR
⊙	POLYPROPYLENE FILM CAPACITOR
⊙	SEMICONDUCTIVE CERAMIC CAPACITOR

NOTICE (mode1)

(J)..... JAPAN
 (U)..... U.S.A
 (C)..... CANADA
 (R)..... GENERAL
 (T)..... CHINA
 (K)..... KOREA
 (A)..... AUSTRALIA
 (B)..... BRITISH
 (G)..... EUROPE
 (L)..... SINGAPORE
 (E)..... SOUTH EUROPE
 (V)..... TAIWAN



Decoder -> YUV
 Decoder -> ITC
 Decoder -> SCA1P

DEC.CLK-DEC.CLK5-DEC.C10-71-DEC.DE-DEC.HS-DEC.VS-DEC.V10-71

to D-VIDEO 3/5, 4/5

to D-VIDEO 5/5

to D-VIDEO 4/5, 5/5

to D-VIDEO 5/5

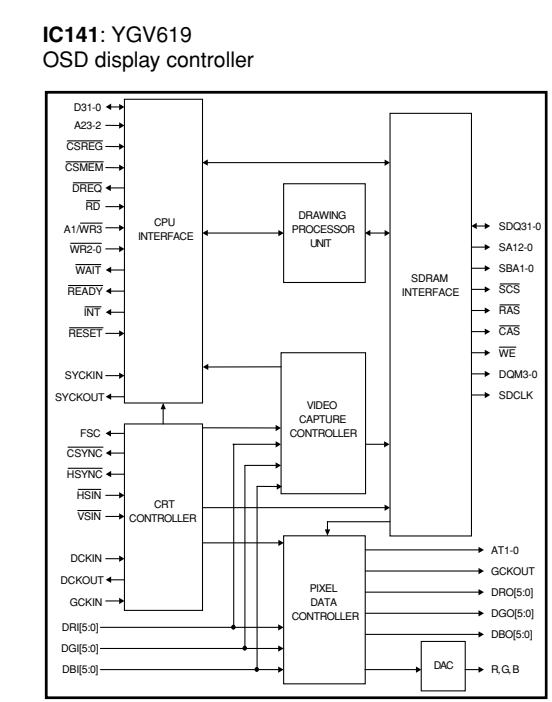
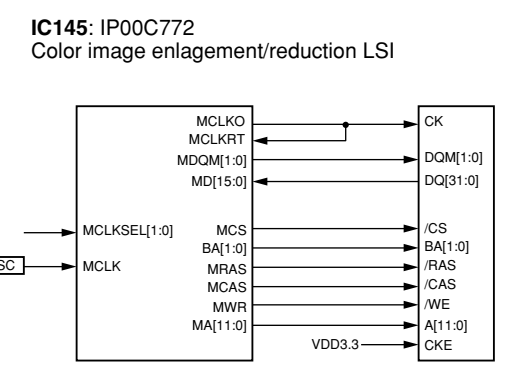
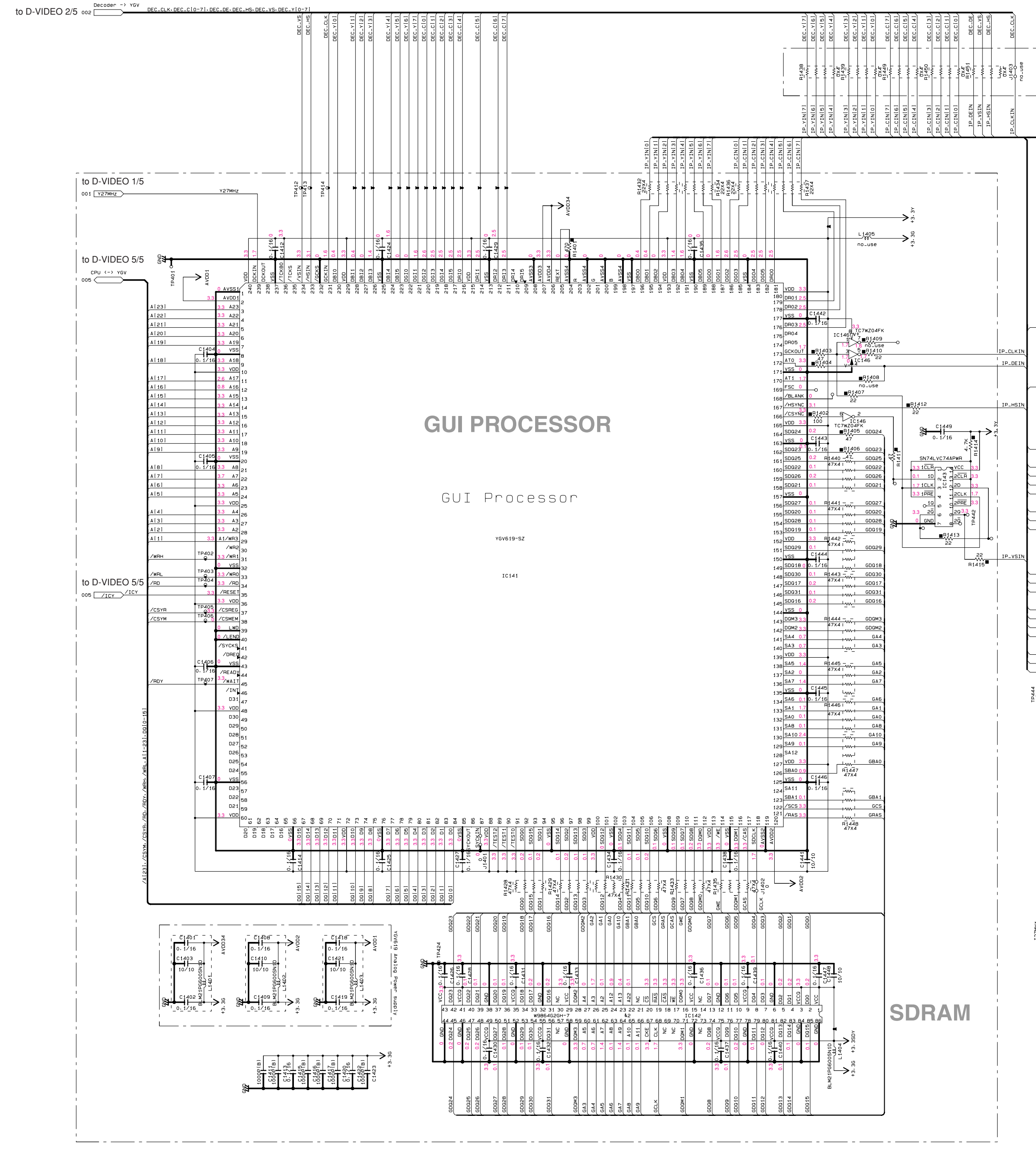
121-140
1201-1400

Video Encoder
Video Decoder

* All voltages are measured with a 10MΩ/V DC electronic voltmeter.
 * Components having special characteristics are marked with a triangle, and must be replaced with parts having specifications equal to those originally installed.
 * Schematic diagram is subject to change without notice.

●電圧は、内部抵抗10MΩの電圧計で測定したものです。
 ●△印のある部品は、安全性確保部品を示しています。部品の交換が必要な場合、パーツリストに記載されている部品を使用してください。
 ●本回路図は標準回路図です。改良のため予告なく変更することがございます。

D-VIDEO 3/5



I/P Converter
IP00C772
DE-INTERLACER
IC145

RESISTOR

REMARKS	PARTS NAME
NO MARK	CARBON FILM RESISTOR (D-5)
NO MARK	CARBON FILM RESISTOR (D-10)
△	METAL OXIDE FILM RESISTOR
□	METAL PLATE RESISTOR
■	FINE PROOF CARBON FILM RESISTOR
□	CEMENT MOUNTED RESISTOR
■	SEMI-VARIABLE RESISTOR
■	CHIP RESISTOR

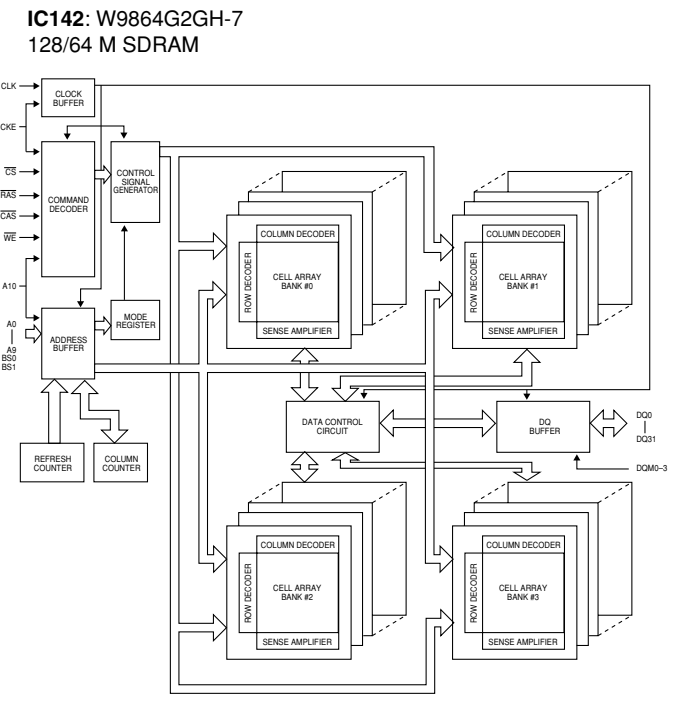
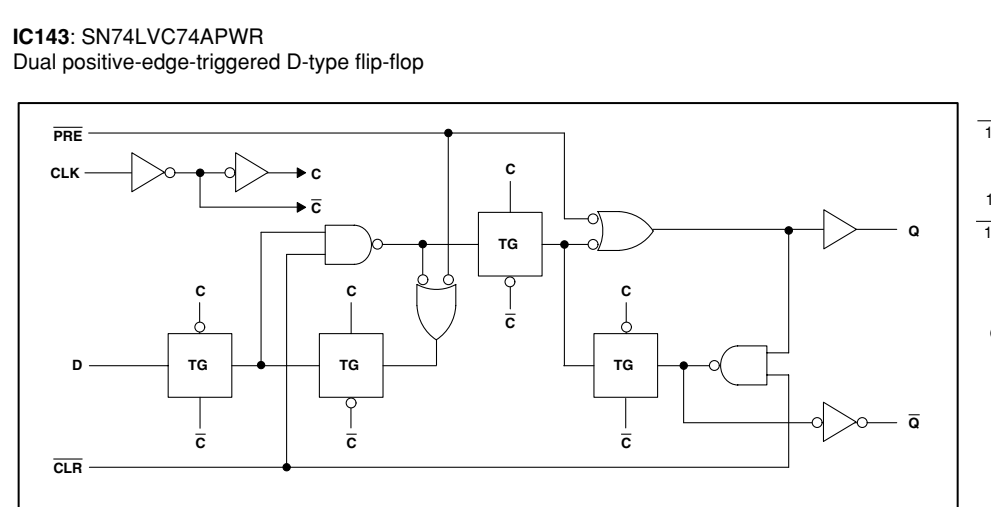
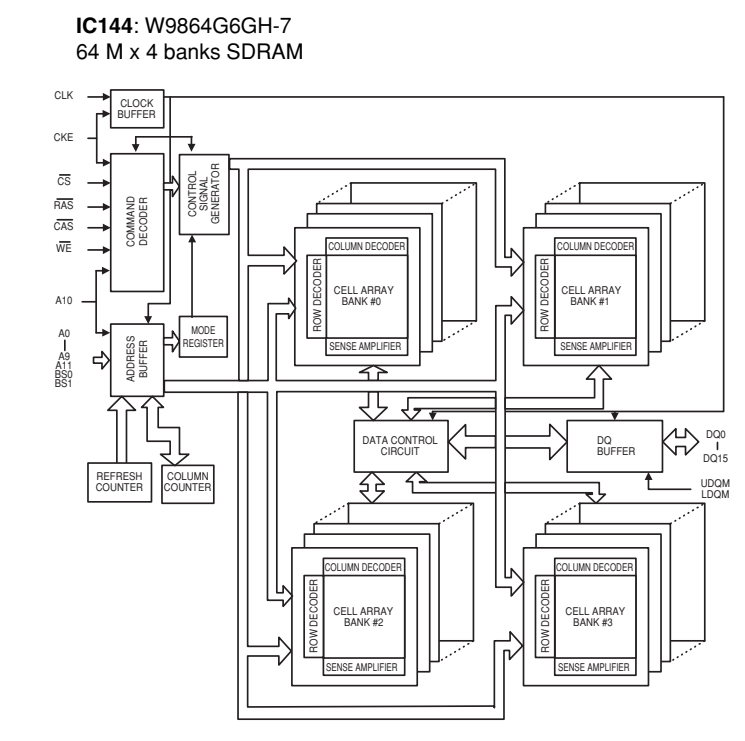
CAPACITOR

REMARKS	PARTS NAME
NO MARK	ELECTROLYTIC CAPACITOR
⊖	TANTALUM CAPACITOR
⊙	CERAMIC TUBULAR CAPACITOR
⊕	POLYESTER FILM CAPACITOR
○	POLYSTYRENE FILM CAPACITOR
⊖	MICA CAPACITOR
⊕	POLYPROPYLENE FILM CAPACITOR
⊖	SEMICONDUCTIVE CERAMIC CAPACITOR
⊕	POLYPROPYLENE SULFIDE FILM CAPACITOR

NOTICE (Note1)

(J)..... JAPAN
(U)..... U.S.A
(C)..... CANADA
(R)..... GENERAL
(T)..... CHINA
(K)..... KOREA
(A)..... AUSTRALIA
(B)..... BRITISH
(G)..... EUROPE
(L)..... SINGAPORE
(E)..... SOUTH EUROPE
(V)..... TAIWAN

- ★ All voltages are measured with a 10MΩ/V DC electronic voltmeter.
- ★ Components having special characteristics are marked **△** and must be replaced with parts having specifications equal to those originally installed.
- ★ Schematic diagram is subject to change without notice.
- 電圧は、内部抵抗10MΩの電圧計で測定したものです。
- △印のある部品は、安全性確保部品を示しています。部品の交換が必要な場合、パーツリストに記載されている部品を使用してください。
- 本回路図は標準回路図です。改良のため予告なく変更することがございます。



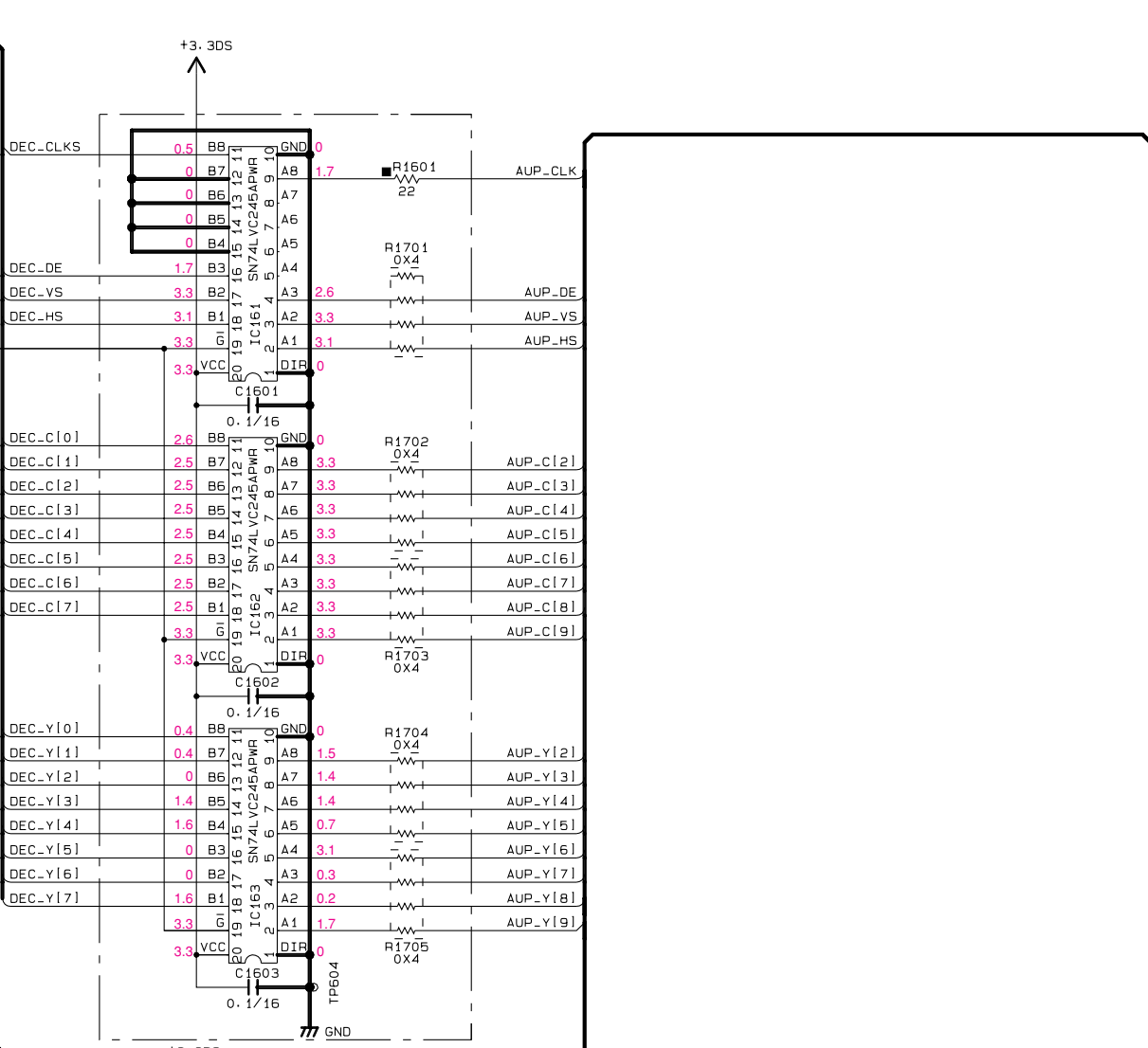
141-160
1401-1600
GUI
Deinterlacer

D-VIDEO 4/5

Decoder -> Scaler

to D-VIDEO 2/5

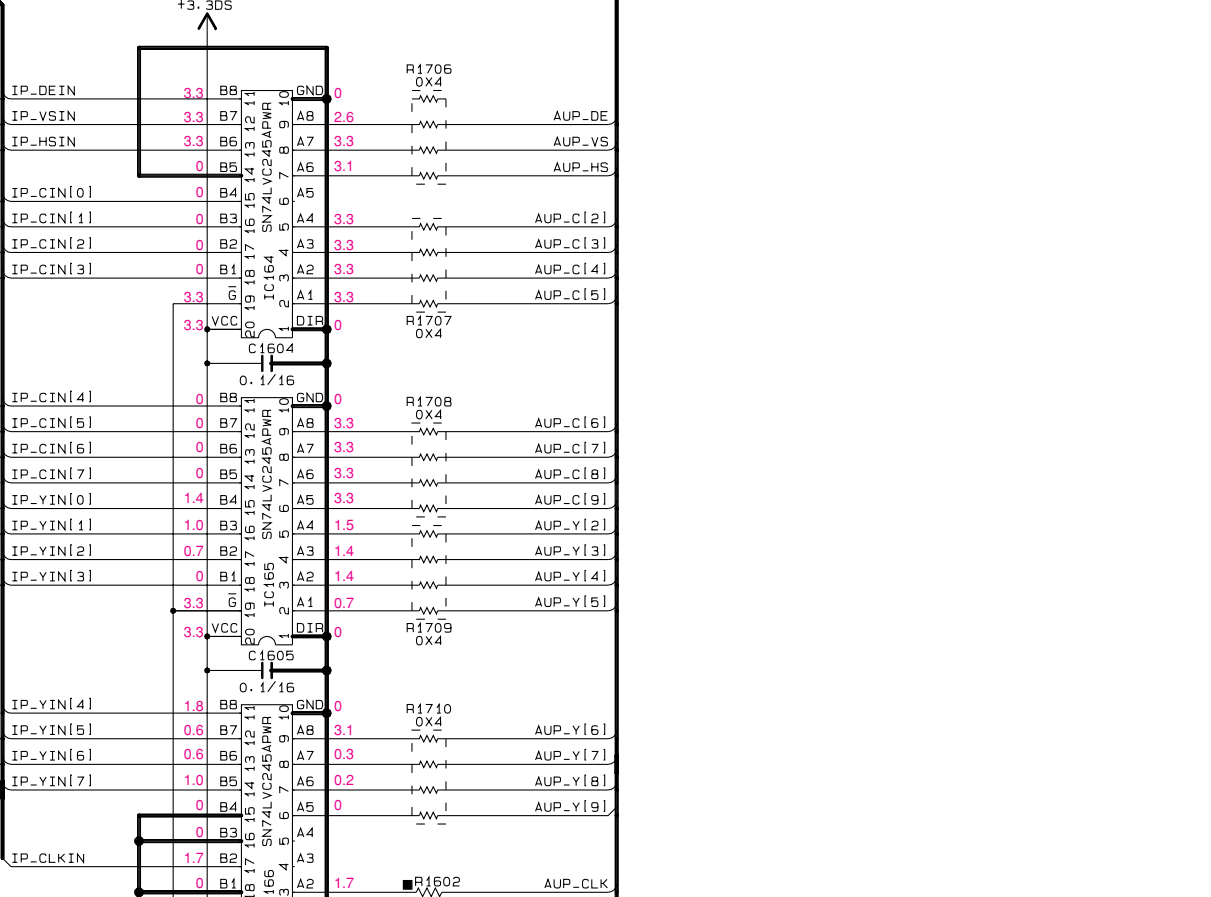
DEC_CLKS DEC_CLKS-DEC_C10-71-DEC_DE-DEC_HS-DEC_VS-DEC_Y10-71



YGV -> Scaler

to D-VIDEO 3/5

IP_CLKIN-71-IP_CLKIN-IP_DEIN-IP_HSIN-IP_VSIN-IP_VIN10-71

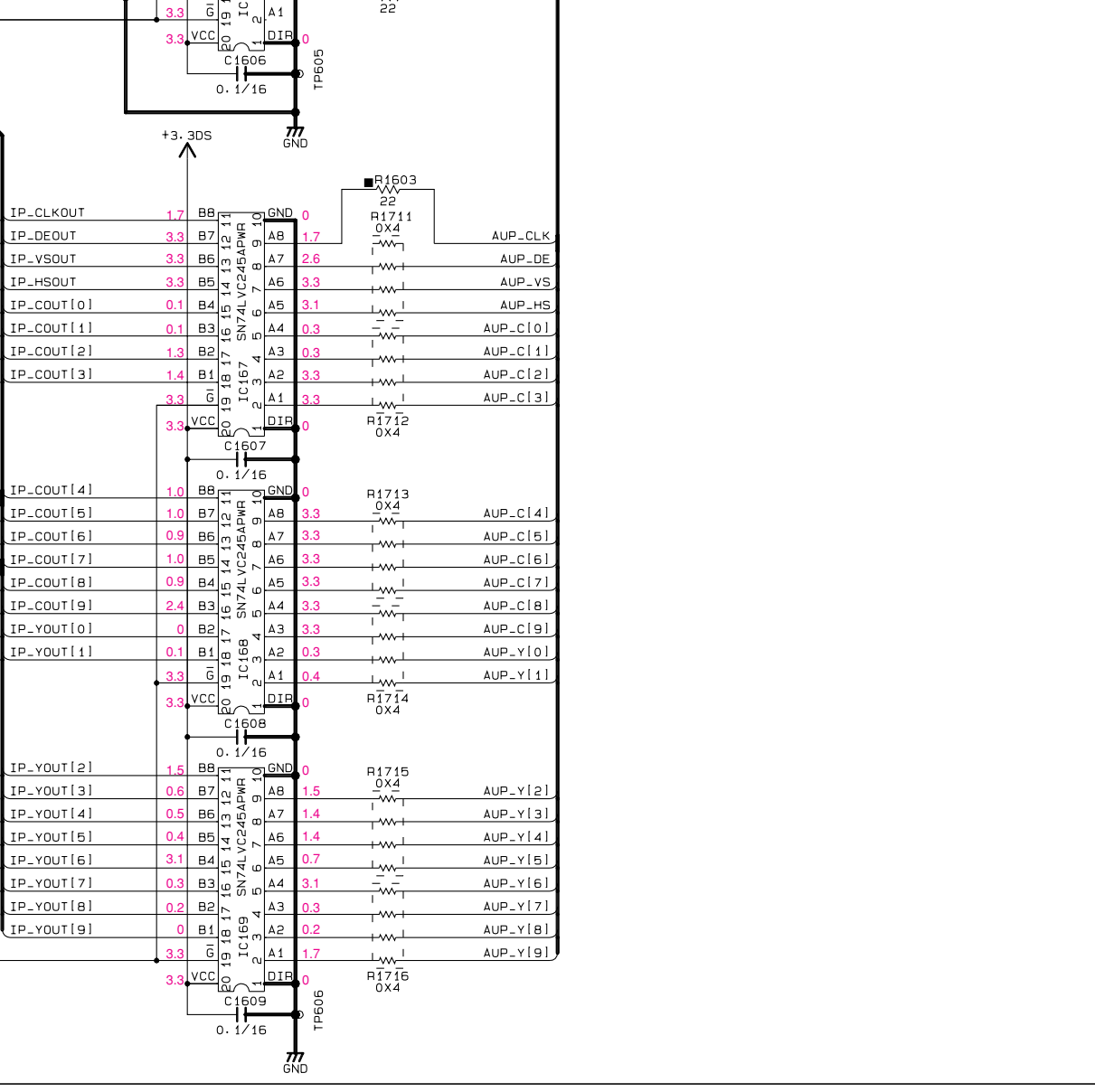


to D-VIDEO 5/5

to D-VIDEO 3/5

IPC -> Scaler

IP_CLKOUT-IP_COUT10-91-IP_DEOUT-IP_HSOUT-IP_VSOUT-IP_VOUT10-91



to D-VIDEO 5/5

to D-VIDEO 1/5

to D-VIDEO 5/5

All voltages are measured with a 10M Ω /V DC electronic voltmeter.

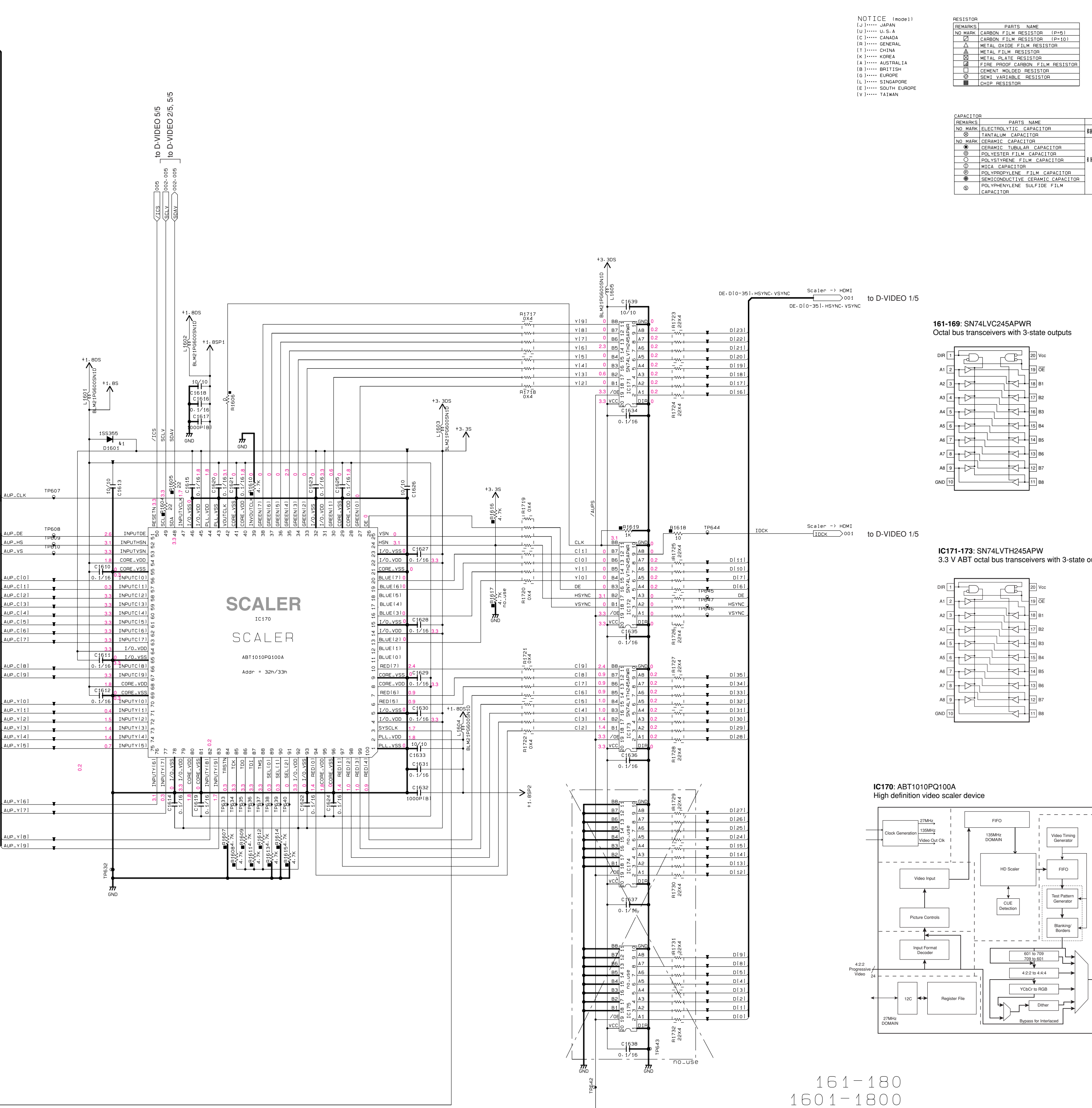
Components having special characteristics are marked with a triangle and must be replaced with parts having specifications equal to those originally installed.

Schematic diagram is subject to change without notice.

電圧は、内部抵抗10M Ω の電圧計で測定したものです。

△印のある部品は、安全性確保部品を示しています。部品の交換が必要な場合、パーツリストに記載されている部品を使用してください。

●本回路図は標準回路図です。改良のため予告なく変更することがございます。



NOTICE (model)

J JAPAN
U U.S.A
C CANADA
R GENERAL
T CHINA
K KOREA
A AUSTRALIA
B BRITISH
E EUROPE
S SINGAPORE
I SOUTH EUROPE
V TAIWAN

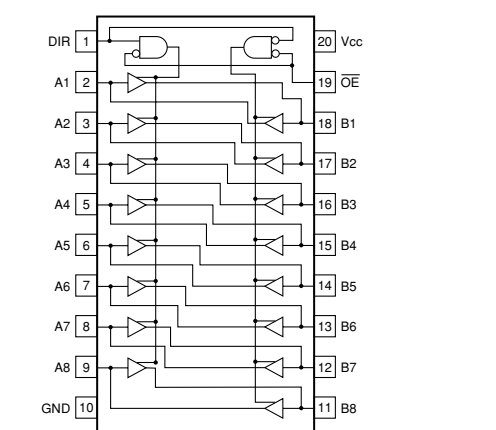
RESISTOR

REMARKS	PARTS NAME
NO MARK	CARBON FILM RESISTOR (DHS)
□	CARBON FILM RESISTOR (D-10)
△	METAL OXIDE FILM RESISTOR
○	METAL FILM RESISTOR
◇	METAL PLATE RESISTOR
■	FIRE PROOF CARBON FILM RESISTOR
□	CEMENT MOLDED RESISTOR
○	SEMI-VARIABLE RESISTOR
■	CHIP RESISTOR

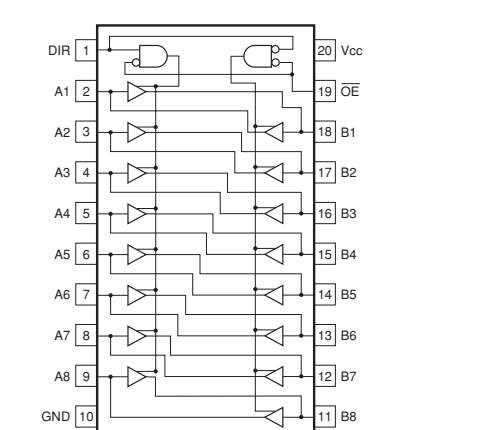
CAPACITOR

REMARKS	PARTS NAME
NO MARK	ELECTROLYTIC CAPACITOR
○	TANTALUM CAPACITOR
□	CERAMIC CAPACITOR
●	CERAMIC TUBULAR CAPACITOR
○	POLYESTER FILM CAPACITOR
○	POLYPROPYLENE FILM CAPACITOR
○	MICA CAPACITOR
○	POLYPROPYLENE FILM CAPACITOR
○	SEMICONDUCTIVE CERAMIC CAPACITOR
○	POLYETHYLENE SULFIDE FILM CAPACITOR

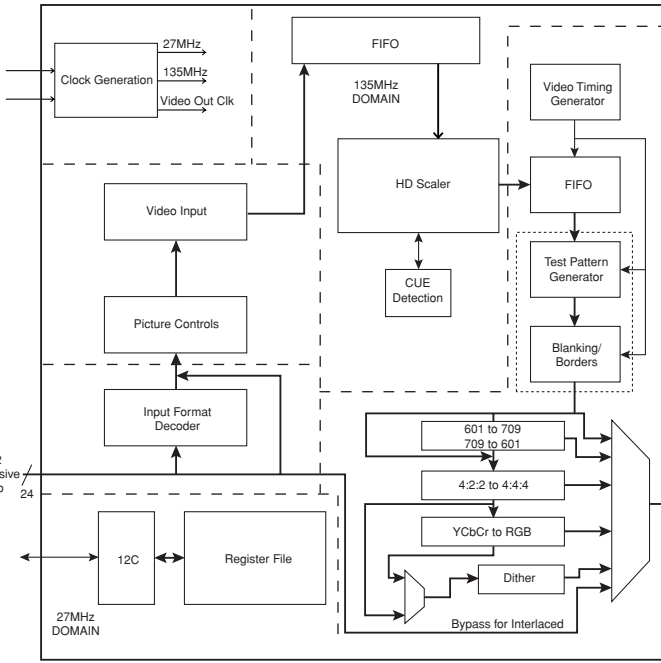
161-169: SN74LVC245APWR Octal bus transceivers with 3-state outputs



IC171-173: SN74LVTH245APW 3.3 V ABT octal bus transceivers with 3-state outputs

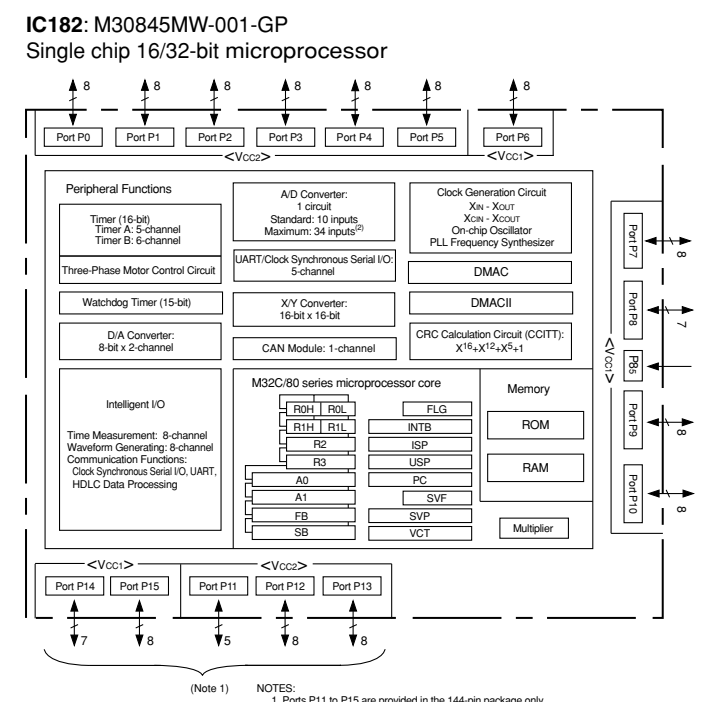
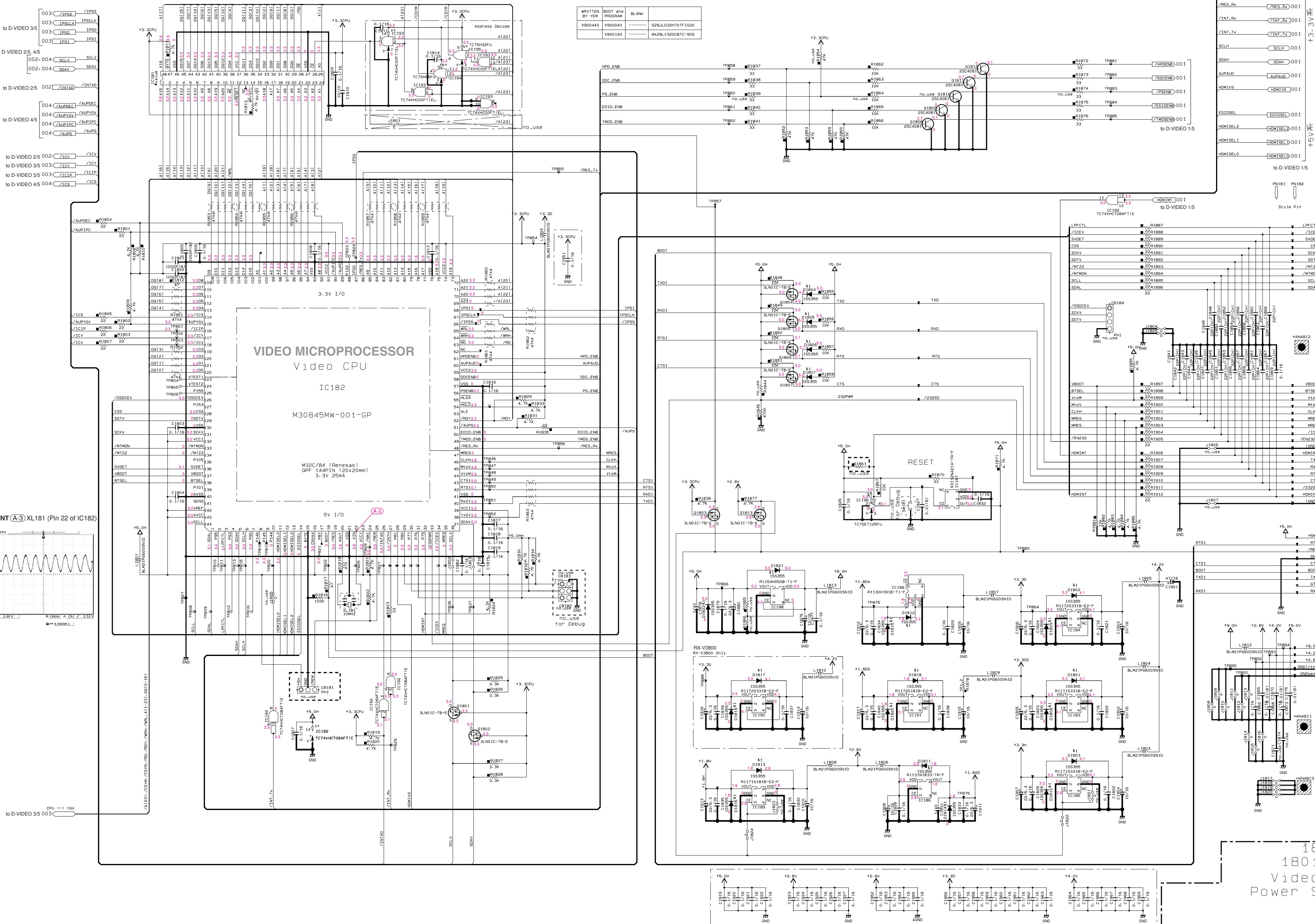


IC170: ABT1010PQ100A High definition video scaler device

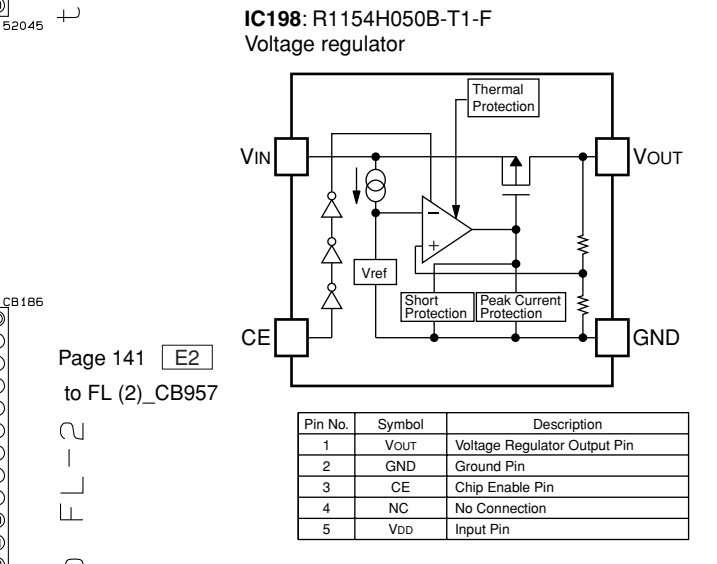


161-180
1601-1800
Scaler

D-VIDEO 5/5



Page 134 [14] to A-VIDEO_CB204



Page 141 [E2] to FL (2)_CB957

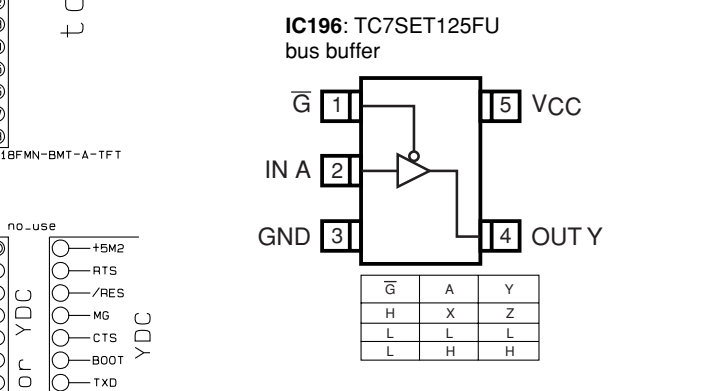


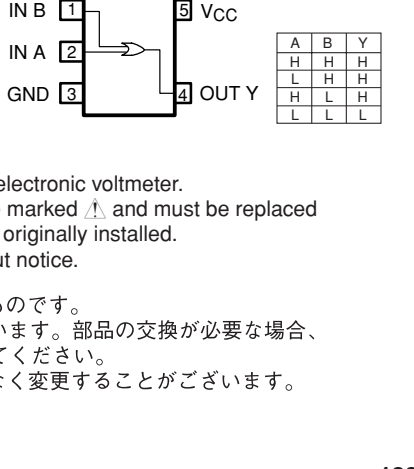
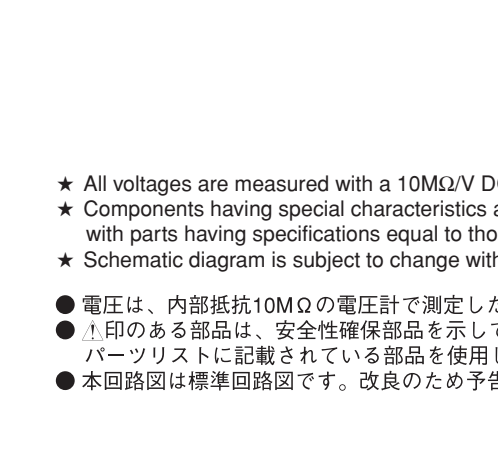
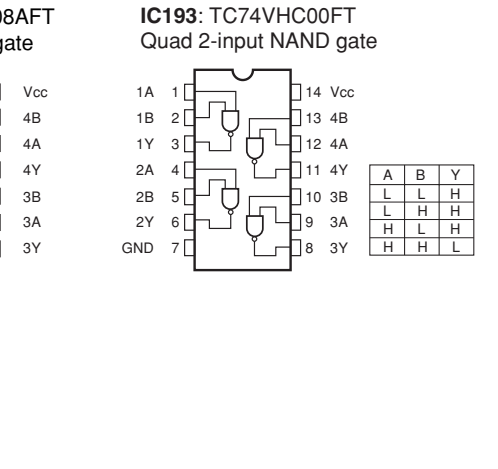
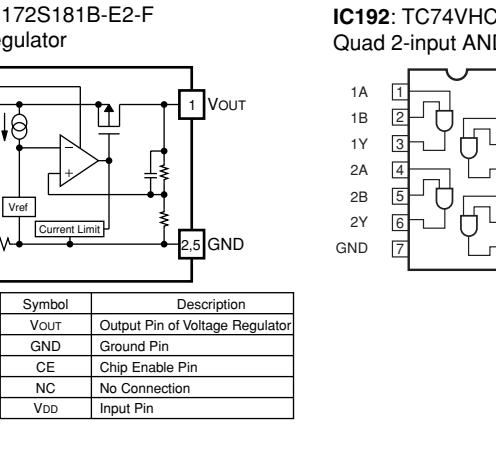
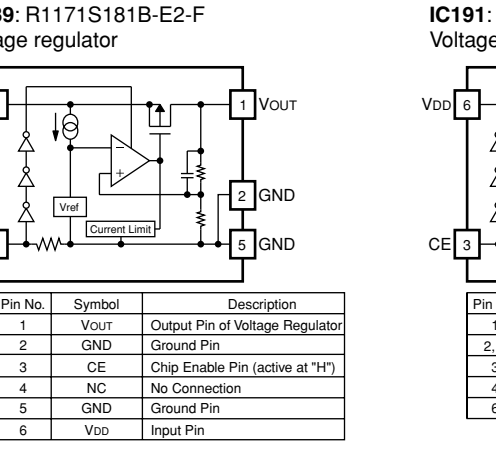
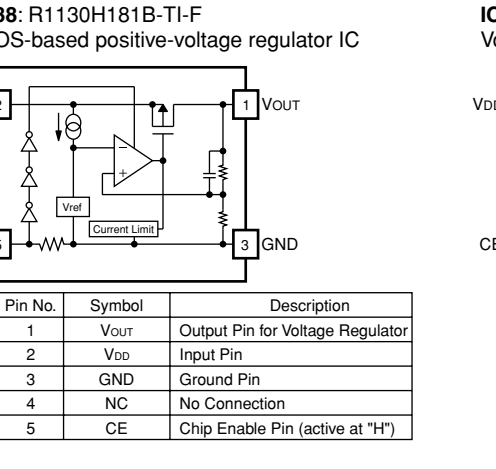
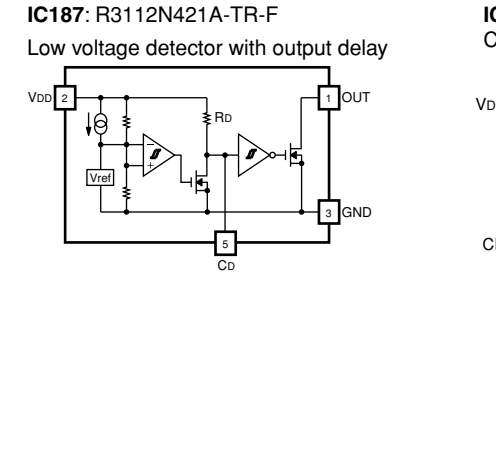
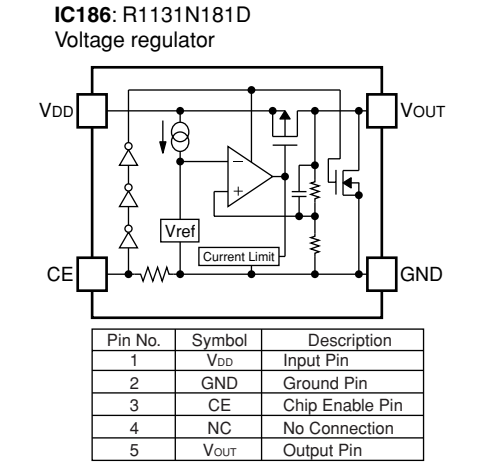
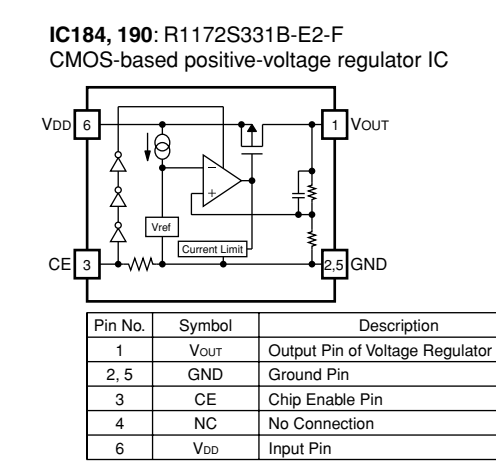
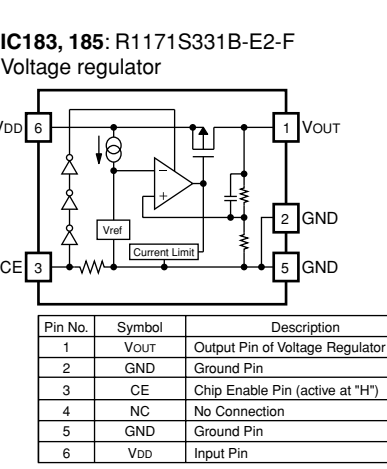
Table with 5 columns: Pin No., Symbol, Description, and a legend for resistor types (NO MARK, CARBON FILM, METAL OXIDE FILM, METAL FILM, PULSE PROOF CARBON FILM, CEMENT MOUNTED, SEMI-VARIABLE, CHIP).

Page 132 [H3] to POWER (3)_W40

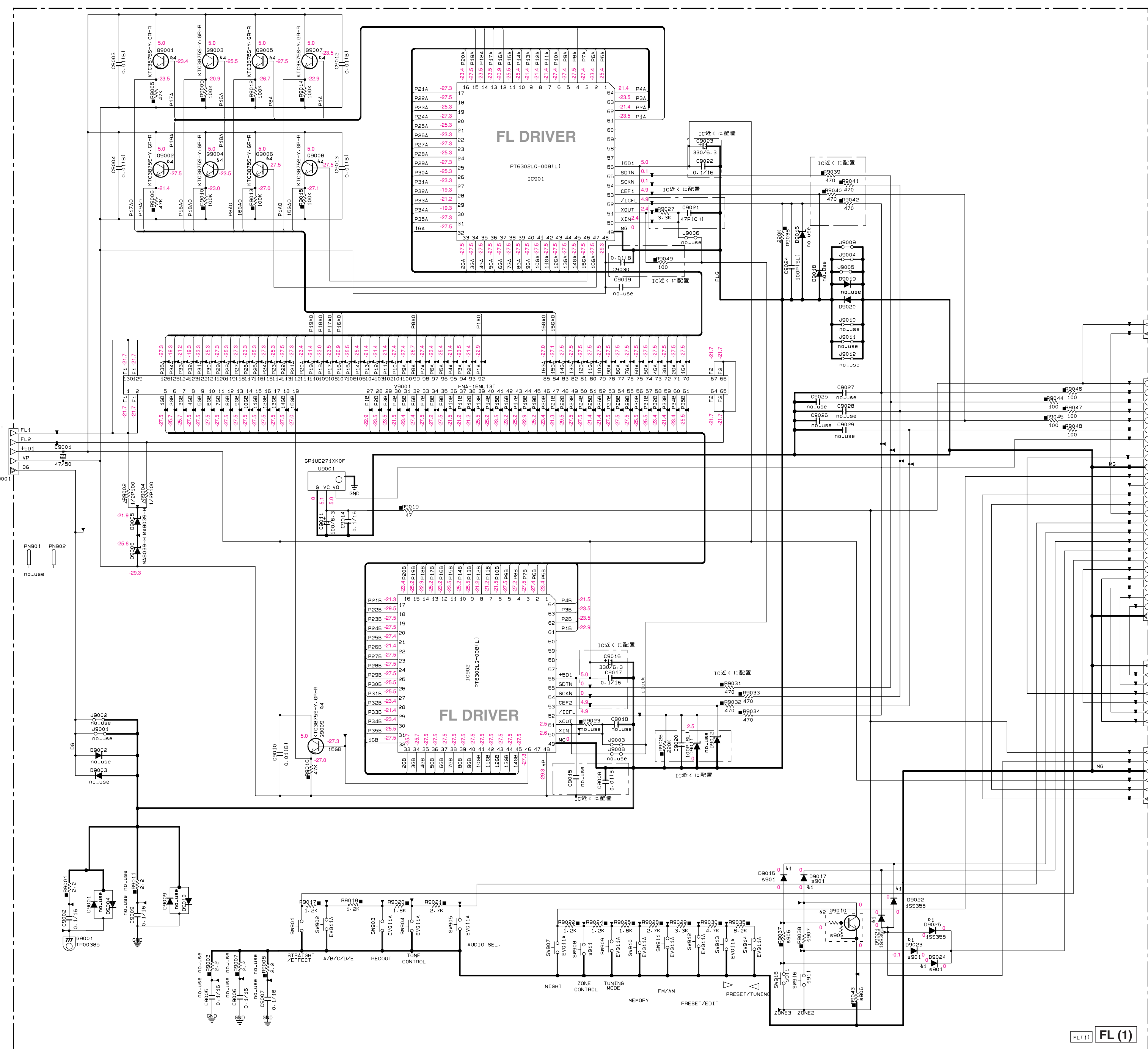
Table with 5 columns: CAPACITOR, REMARKS, PARTS NAME, and a legend for capacitor types (NO MARK, ELECTROLYTIC, TANTALUM, CERAMIC, POLYESTER FILM, POLYSTYRENE FILM, POLYPROPYLENE FILM, SEMICONDUCTIVE CERAMIC, POLYPHENYLENE SULFIDE FILM).

NOTICE (Incop11) (J) JAPAN (U) U.S.A. (C) CANADA (I) GENERAL (T) CHINA (K) KOREA (A) AUSTRALIA (B) BRITISH (G) EUROPE (L) SINGAPORE (E) SOUTH EUROPE (V) TAIWAN

181-199 1801-1999 Video uCom Power Supply



* All voltages are measured with a 10MΩ/V DC electronic voltmeter. * Components having special characteristics are marked with a triangle and must be replaced with parts having specifications equal to those originally installed. * Schematic diagram is subject to change without notice. * 電圧は、10MΩの電圧計で測定したものです。 * 印のある部品は、安全確保部品を示しています。部品の交換が必要な場合、パーツリストに記載されている部品を使用してください。 * 本回路図は標準回路図です。改良のため予告なく変更することがございます。

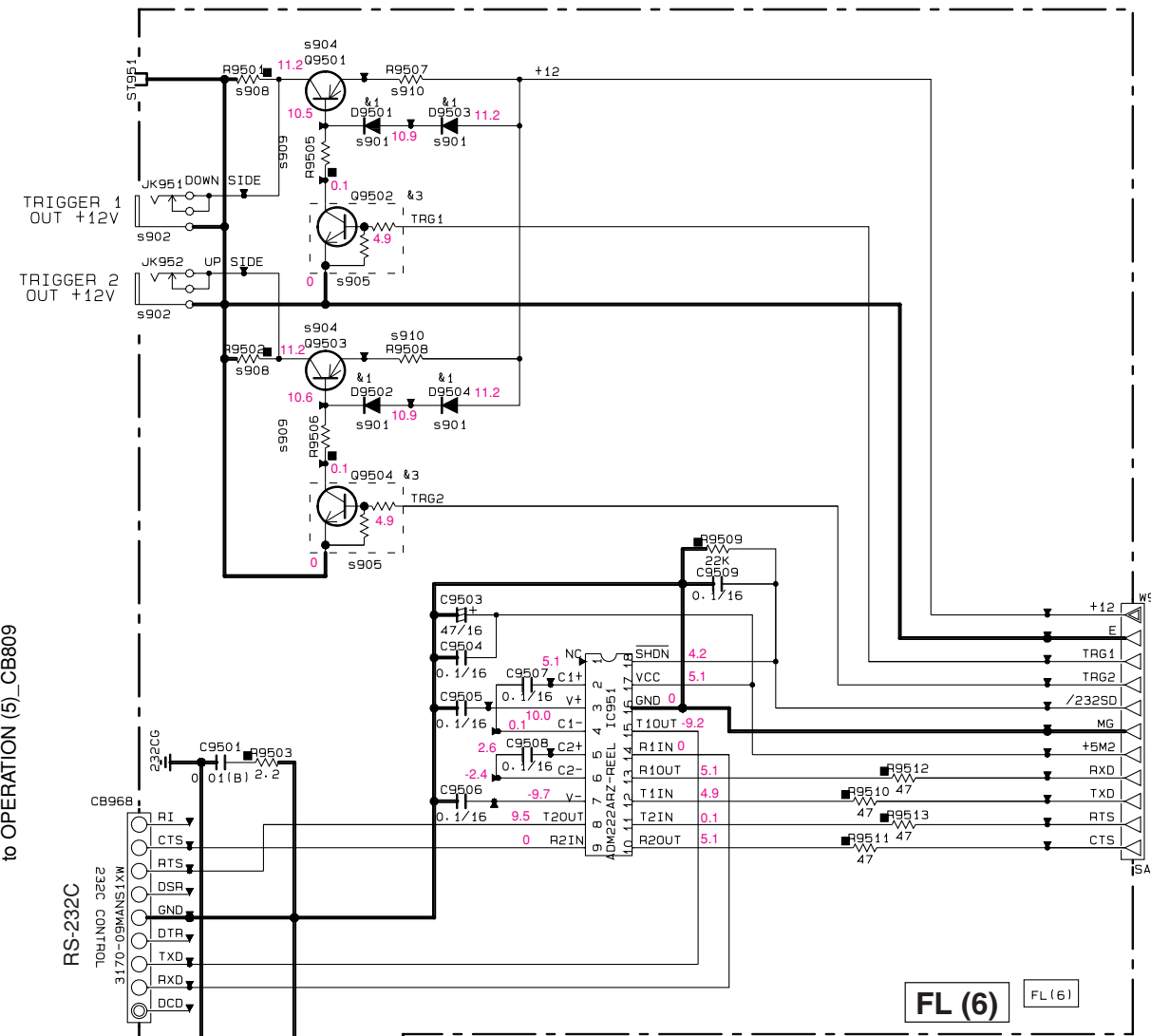


Page 130 [K4] to OPERATION (5)_CB809

Page 141 [K5] to FL (2)_CB970

Page 130 [K3] to OPERATION (4)_CB812

Page 130 [B2] to OPERATION (1)_CB801



Page 126 [C9] to FUNCTION (1)_CB405

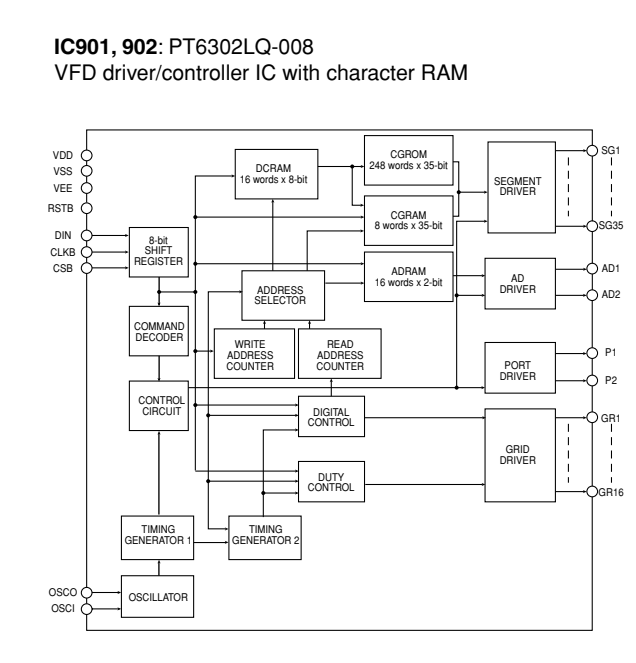
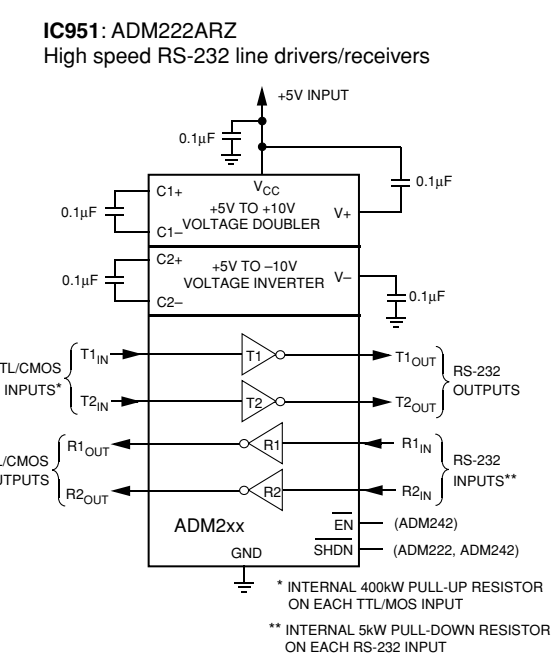
Destination	Part List	QTY	U.C. R.	U.C. L.	U.C. D.L.
9901	D9015	X			155355
	D9017				
	D9018				
	D9019				
	D9020				
9902	JK952	X	V843570		
	JK951		MS-325-124PC		
9903	D9010	X	VY65540		
	D9011		DTC114EKA		
9904	D9015	X	VW73500		
	D9016		A170815/11		
9905	D9012	X	VY65570		
	D9013		RD36510		
9906	D9037	X	RD36510		
	R9043		100		
9907	R9038	X	RD36510		
	IK		100K		
9908	R9002	X	RD36510		
	R9001		100K		
9909	R9505	X	RD36510		
	R9506		100K		
9910	R9507	X	HF35427		
	R9508		V47010		
9911	SW916	X	V47010		
	SW915		EVG114		

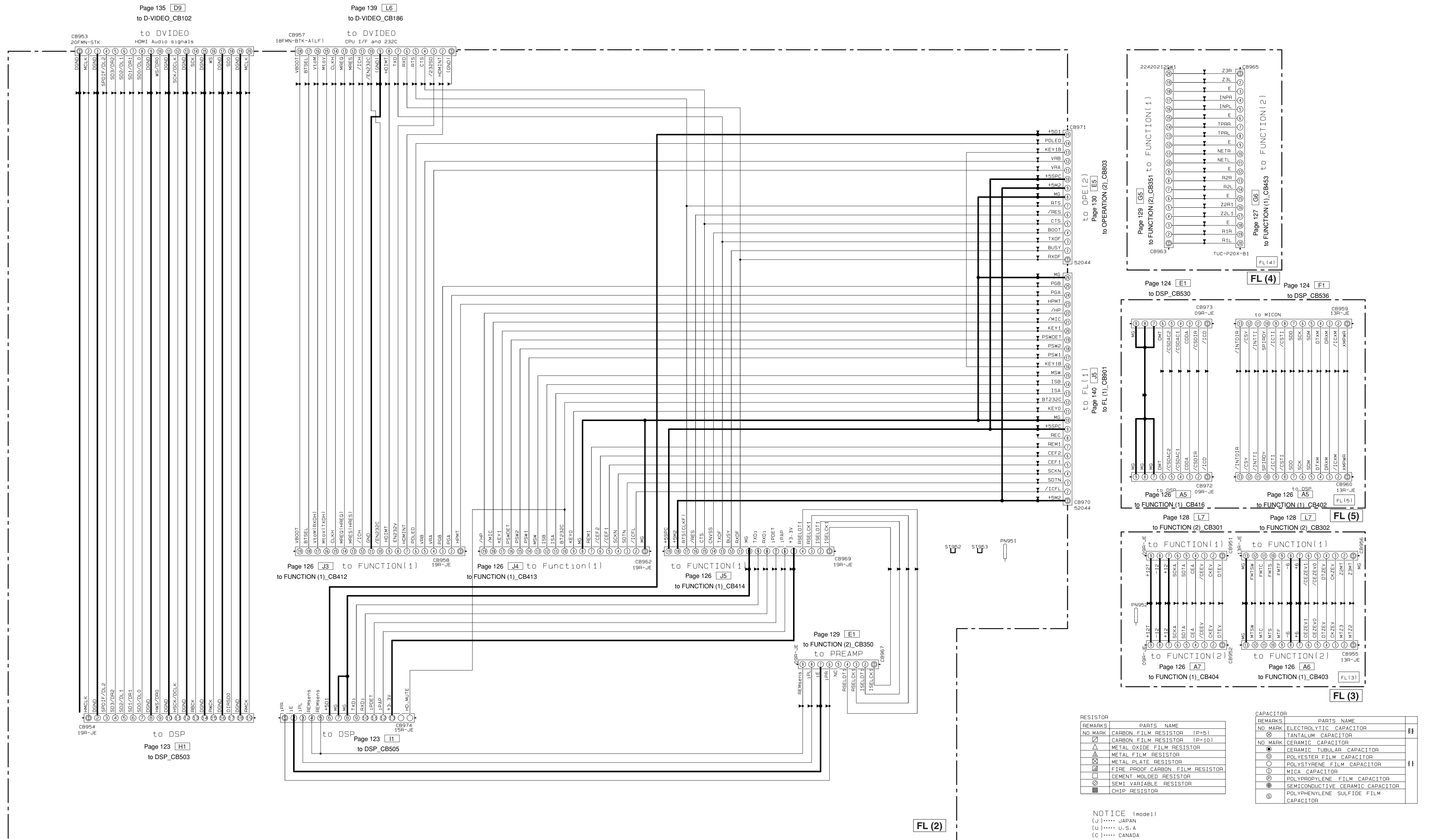
Mark	Reference Parts Number	Parts Name
41	D9015-9017-9021-9025	155355
42	D9010	DTC114EKA MTC1025-RTK/P
43	D9502-9504	DTC114EKA MTC1025-RTK/P
44	D9001-9009	HTC3875S-Y-GR-RTK/P 25C2412K (G/R/S)
45		

NOTICE (mode1)
 (J)..... JAPAN
 (U)..... U.S.A
 (C)..... CANADA
 (R)..... GENERAL
 (T)..... CHINA
 (K)..... KOREA
 (A)..... AUSTRALIA
 (B)..... BRITISH
 (G)..... EUROPE
 (L)..... SINGAPORE
 (E)..... SOUTH EUROPE
 (V)..... TAIWAN

REMARKS	PARTS NAME
NO MARK	ELECTROLYTIC CAPACITOR
⊗	TANTALUM CAPACITOR
NO MARK	CERAMIC CAPACITOR
⊙	CERAMIC TUBULAR CAPACITOR
⊕	POLYESTER FILM CAPACITOR
○	POLYSTYRENE FILM CAPACITOR
Ⓛ	MICA CAPACITOR
⊖	POLYPROPYLENE FILM CAPACITOR
⊗	SEMICONDUCTIVE CERAMIC CAPACITOR
⊙	POLYPHENYLENE SULFIDE FILM CAPACITOR

★ All voltages are measured with a 10M Ω /V DC electronic voltmeter.
 ★ Components having special characteristics are marked Δ , and must be replaced with parts having specifications equal to those originally installed.
 ★ Schematic diagram is subject to change without notice.
 ● 電圧は、内部抵抗10M Ω の電圧計で測定したものです。
 ● Δ 印のある部品は、安全性確保部品を示しています。部品の交換が必要な場合、パーツリストに記載されている部品を使用してください。
 ● 本回路図は標準回路図です。改良のため予告なく変更することがございます。





REMARKS	PARTS NAME
NO MARK	CARBON FILM RESISTOR (P=5)
□	CARBON FILM RESISTOR (P=10)
△	METAL OXIDE FILM RESISTOR
▲	METAL FILM RESISTOR
⊞	METAL PLATE RESISTOR
⊠	FIRE PROOF CARBON FILM RESISTOR
□	CEMENT MOLDED RESISTOR
⊞	SEMI VARIABLE RESISTOR
■	CHIP RESISTOR

REMARKS	PARTS NAME
NO MARK	ELECTROLYTIC CAPACITOR
⊞	TANTALUM CAPACITOR
○	CERAMIC CAPACITOR
⊙	CERAMIC TUBULAR CAPACITOR
⊚	POLYESTER FILM CAPACITOR
⊛	POLYSTYRENE FILM CAPACITOR
⊜	NIKA CAPACITOR
⊝	POLYPROPYLENE FILM CAPACITOR
⊞	SEMICONDUCTIVE CERAMIC CAPACITOR
⊚	POLYPHENYLENE SULFIDE FILM CAPACITOR

NOTICE [mode1]
 (J)..... JAPAN
 (U)..... U. S. A
 (C)..... CANADA
 (R)..... GENERAL
 (T)..... CHINA
 (K)..... KOREA
 (A)..... AUSTRALIA
 (B)..... BRITISH
 (G)..... EUROPE
 (L)..... SINGAPORE
 (E)..... SOUTH EUROPE
 (V)..... TAIWAN

- ★ All voltages are measured with a 10MΩ/V DC electronic voltmeter.
- ★ Components having special characteristics are marked Δ , and must be replaced with parts having specifications equal to those originally installed.
- ★ Schematic diagram is subject to change without notice.
- 電圧は、内部抵抗10MΩの電圧計で測定したものです。
- Δ 印のある部品は、安全性確保部品を示しています。部品の交換が必要な場合、パーツリストに記載されている部品を使用してください。
- 本回路図は標準回路図です。改良のため予告なく変更することがございます。

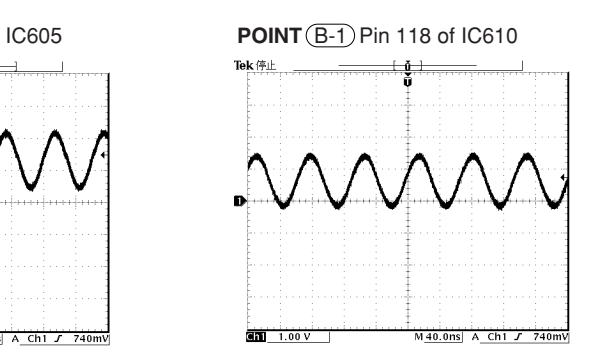
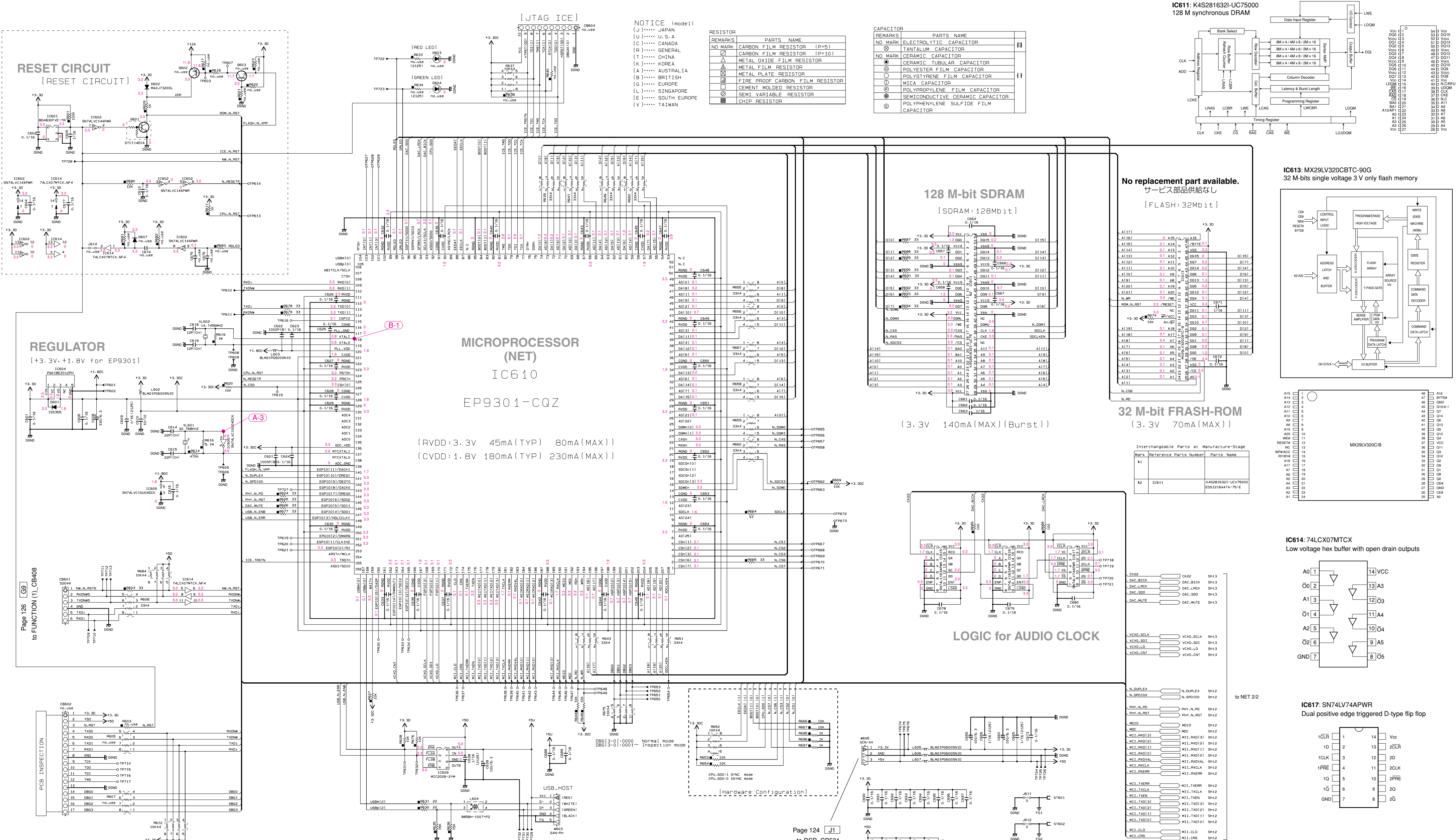
FL (2)

FL (4)

FL (3)

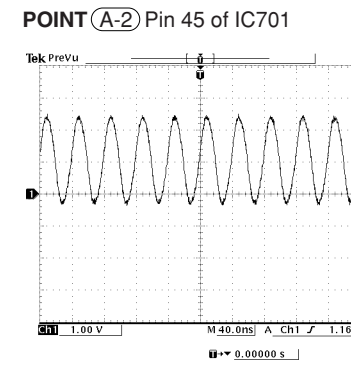
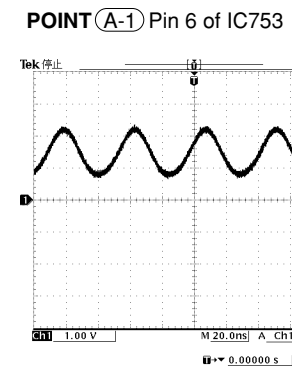
1
2
3
4
5
6
7
8
9
10

NET 1/2



- ★ All voltages are measured with a 10M Ω /V DC electronic voltmeter.
- ★ Components having special characteristics are marked with a triangle and must be replaced with parts having specifications equal to those originally installed.
- ★ Schematic diagram is subject to change without notice.
- 電圧は、内部抵抗10M Ω の電圧計で測定したものです。
- 三角形のある部品は、安全確保部品を示しています。部品の交換が必要な場合、パーツリストに記載されている部品を使用してください。
- 本回路図は標準回路図です。改良のため予告なく変更することがございます。

NET 2/2

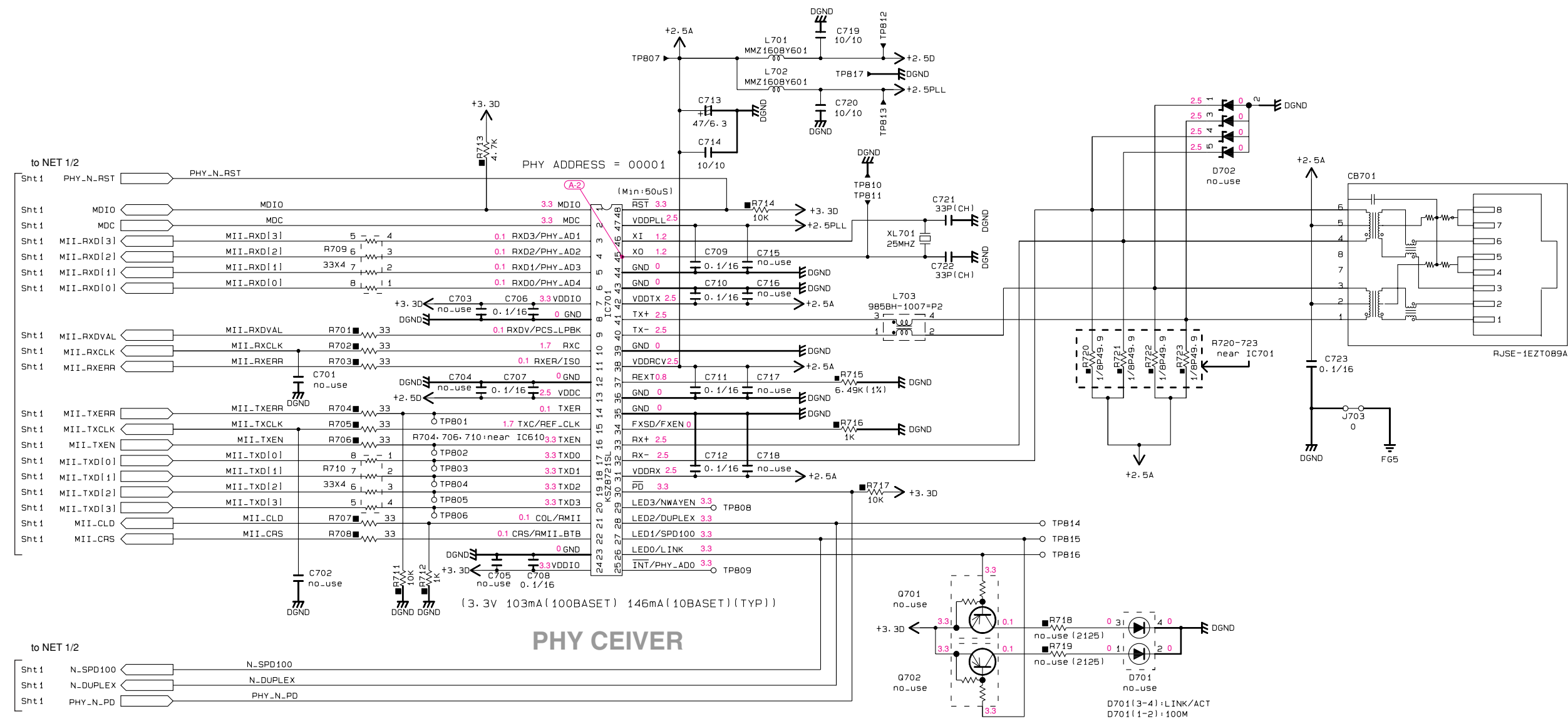


NOTICE (mode 1)
 (J)..... JAPAN
 (U)..... U.S.A
 (C)..... CANADA
 (R)..... GENERAL
 (T)..... CHINA
 (K)..... KOREA
 (A)..... AUSTRALIA
 (B)..... BRITISH
 (G)..... EUROPE
 (L)..... SINGAPORE
 (E)..... SOUTH EUROPE
 (V)..... TAIWAN

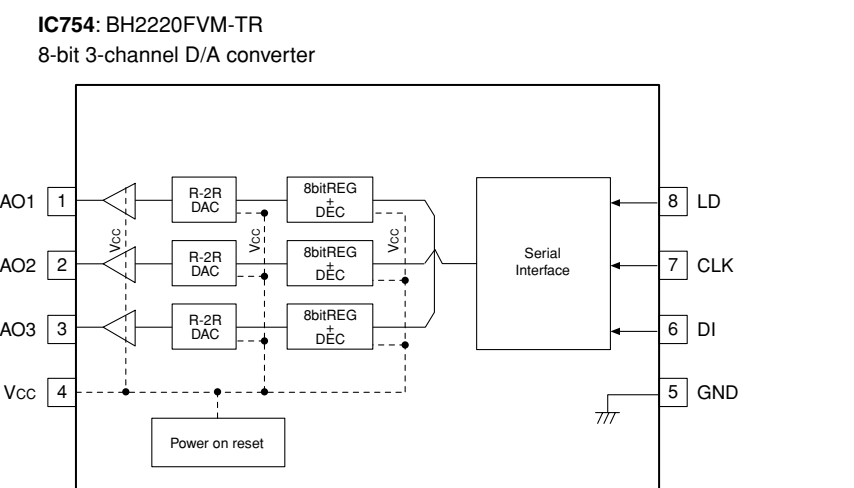
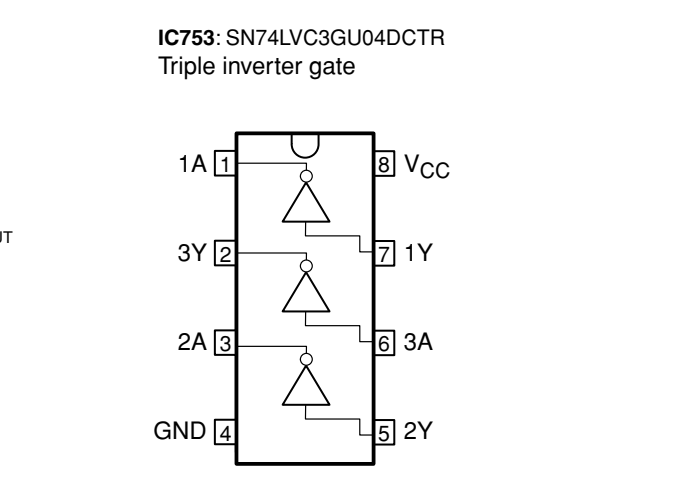
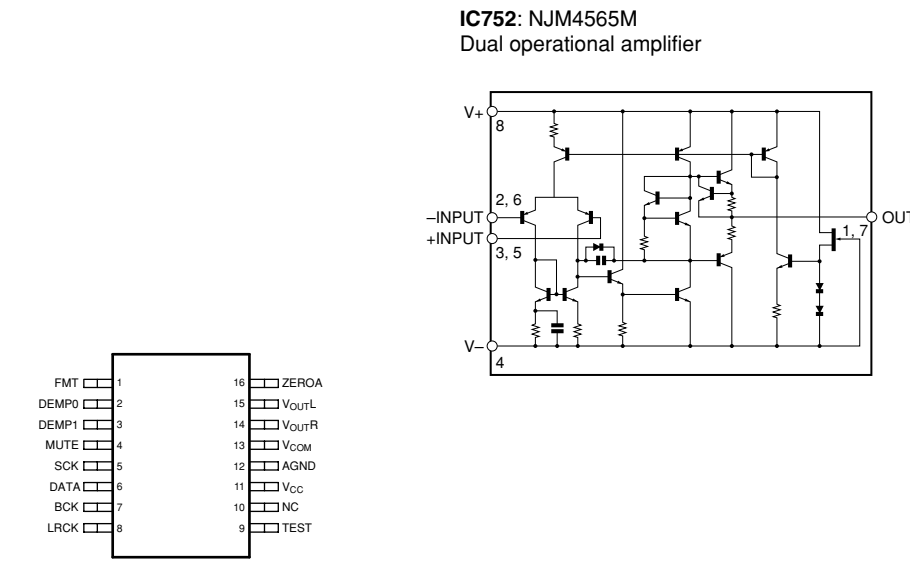
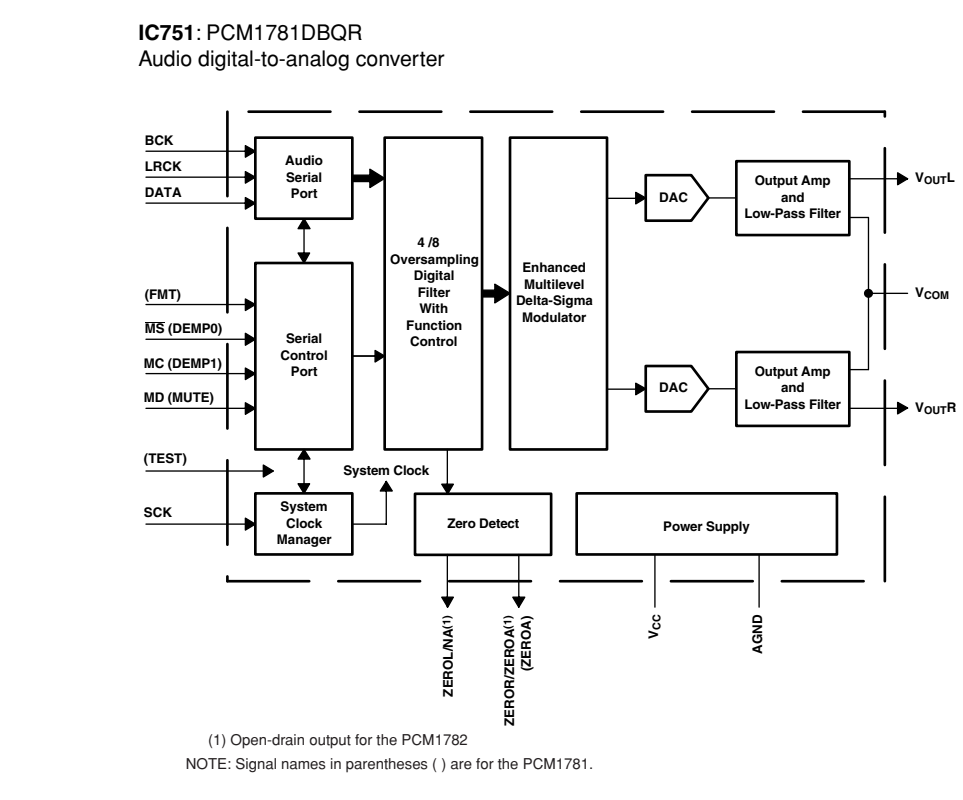
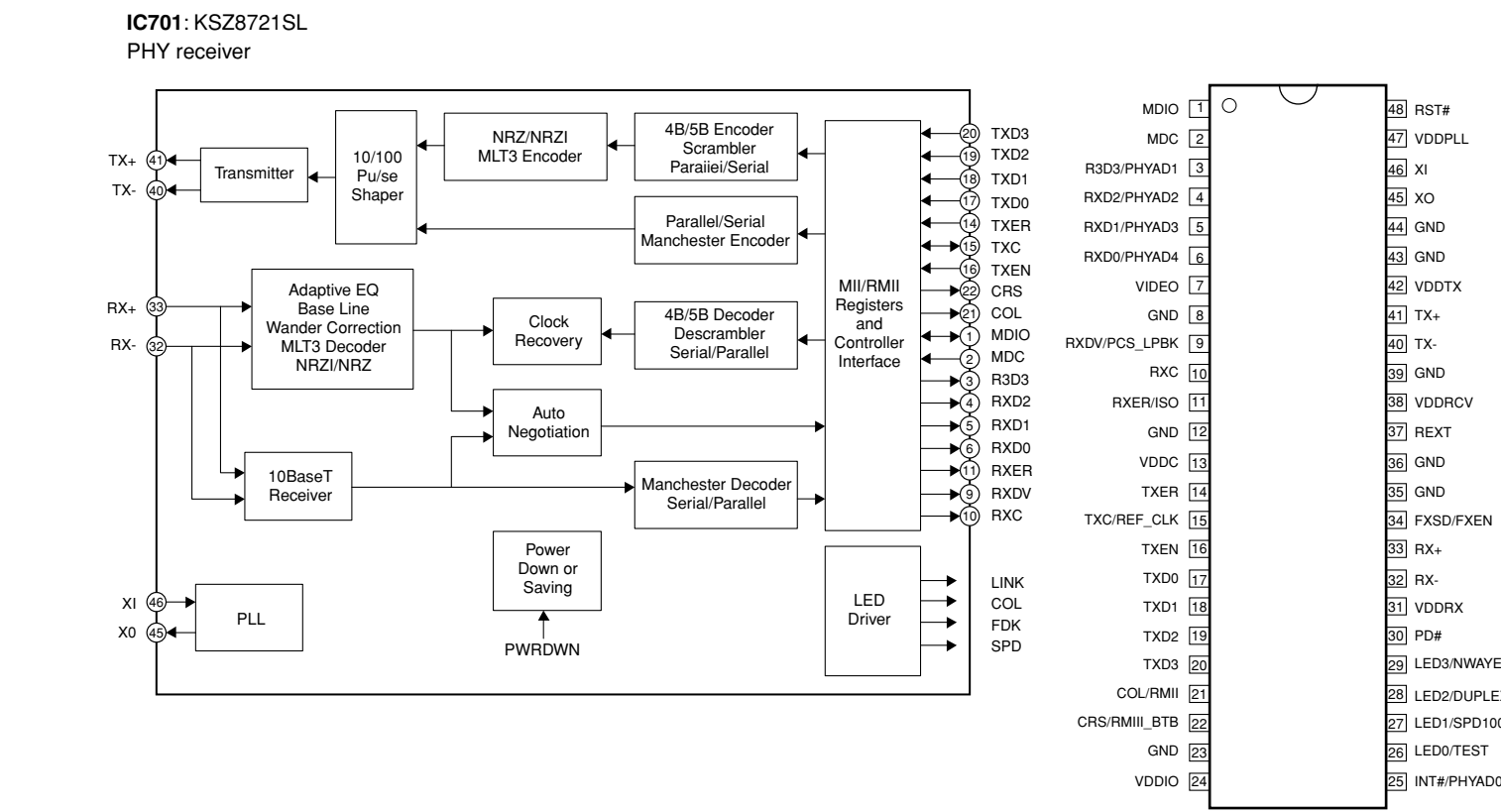
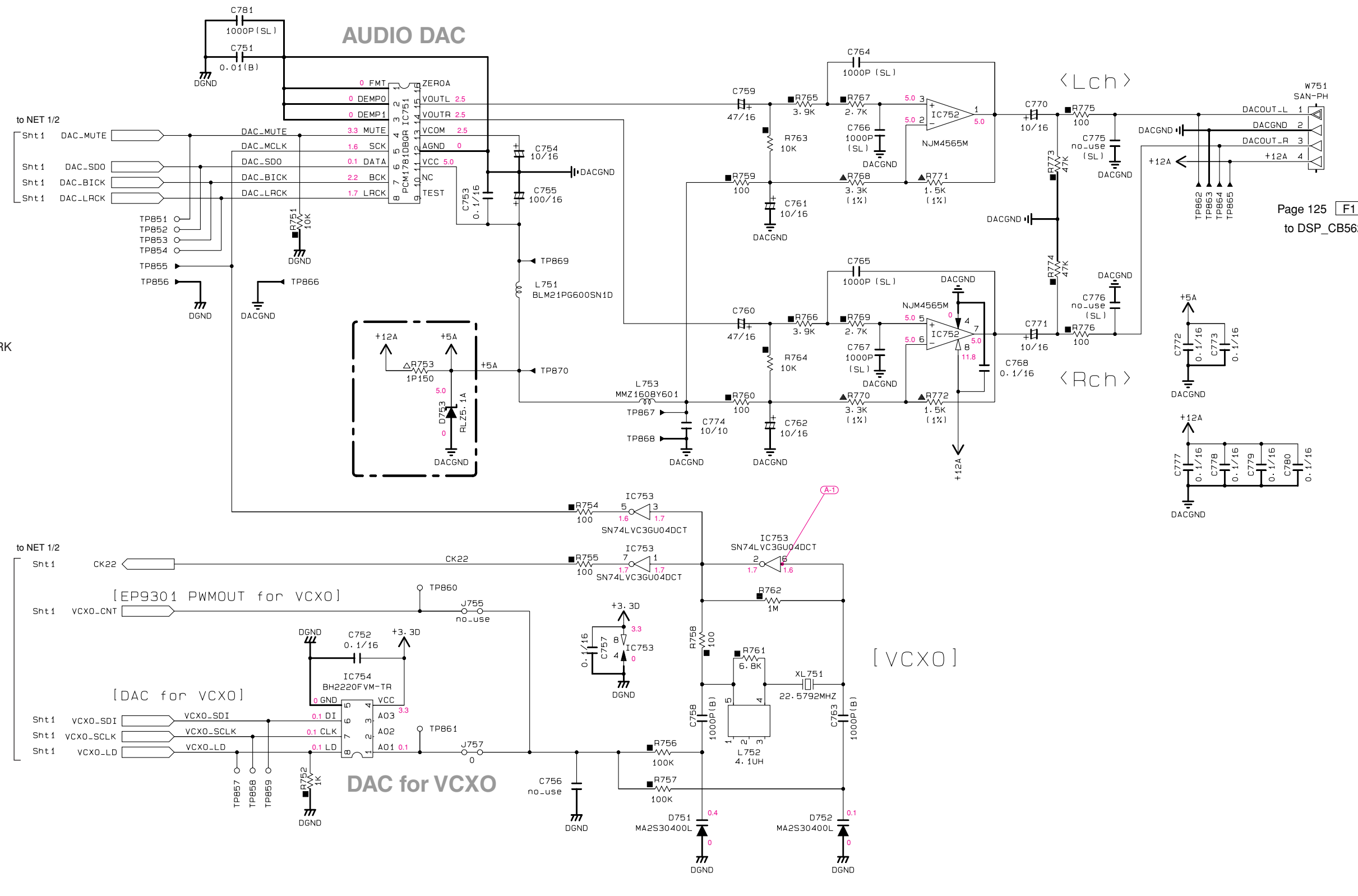
REMARKS	PARTS NAME
NO MARK	CARBON FILM RESISTOR (P=5)
□	METAL OXIDE FILM RESISTOR
△	METAL FILM RESISTOR
○	METAL PLATE RESISTOR
■	FIRE PROOF CARBON FILM RESISTOR
◇	CEMENT MOLDED RESISTOR
◎	SEMI VARIABLE RESISTOR
▣	CHIP RESISTOR

REMARKS	PARTS NAME
NO MARK	ELECTROLYTIC CAPACITOR
⊗	TANTALUM CAPACITOR
NO MARK	CERAMIC CAPACITOR
●	CERAMIC TUBULAR CAPACITOR
△	POLYESTER FILM CAPACITOR
○	POLYSTYRENE FILM CAPACITOR
◇	MICA CAPACITOR
◎	POLYPROPYLENE FILM CAPACITOR
●	SEMICONDUCTIVE CERAMIC CAPACITOR
⊙	POLYPHENYLENE SULFIDE FILM CAPACITOR

[PHYceiver Circuit]



NETWORK (LAN)



★ All voltages are measured with a 10MΩ/V DC electronic voltmeter.
 ★ Components having special characteristics are marked △ and must be replaced with parts having specifications equal to those originally installed.
 ★ Schematic diagram is subject to change without notice.
 ● 電圧は、内部抵抗10MΩの電圧計で測定したものです。
 ● △印のある部品は、安全性確保部品を示しています。部品の交換が必要な場合、パーツリストに記載されている部品を使用してください。
 ● 本回路図は標準回路図です。改良のため予告なく変更することがございます。

Page 125 to DSP_CB562