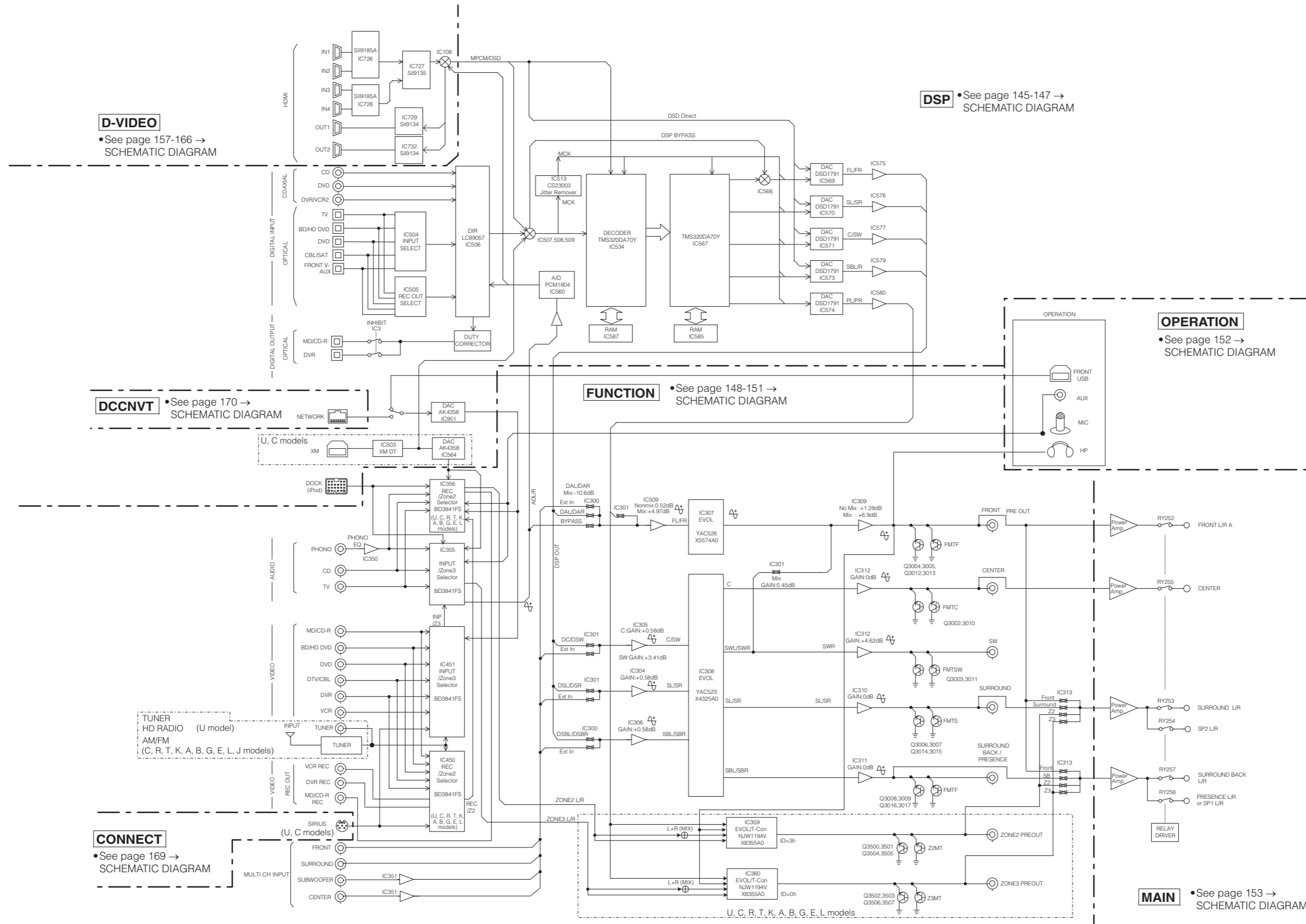


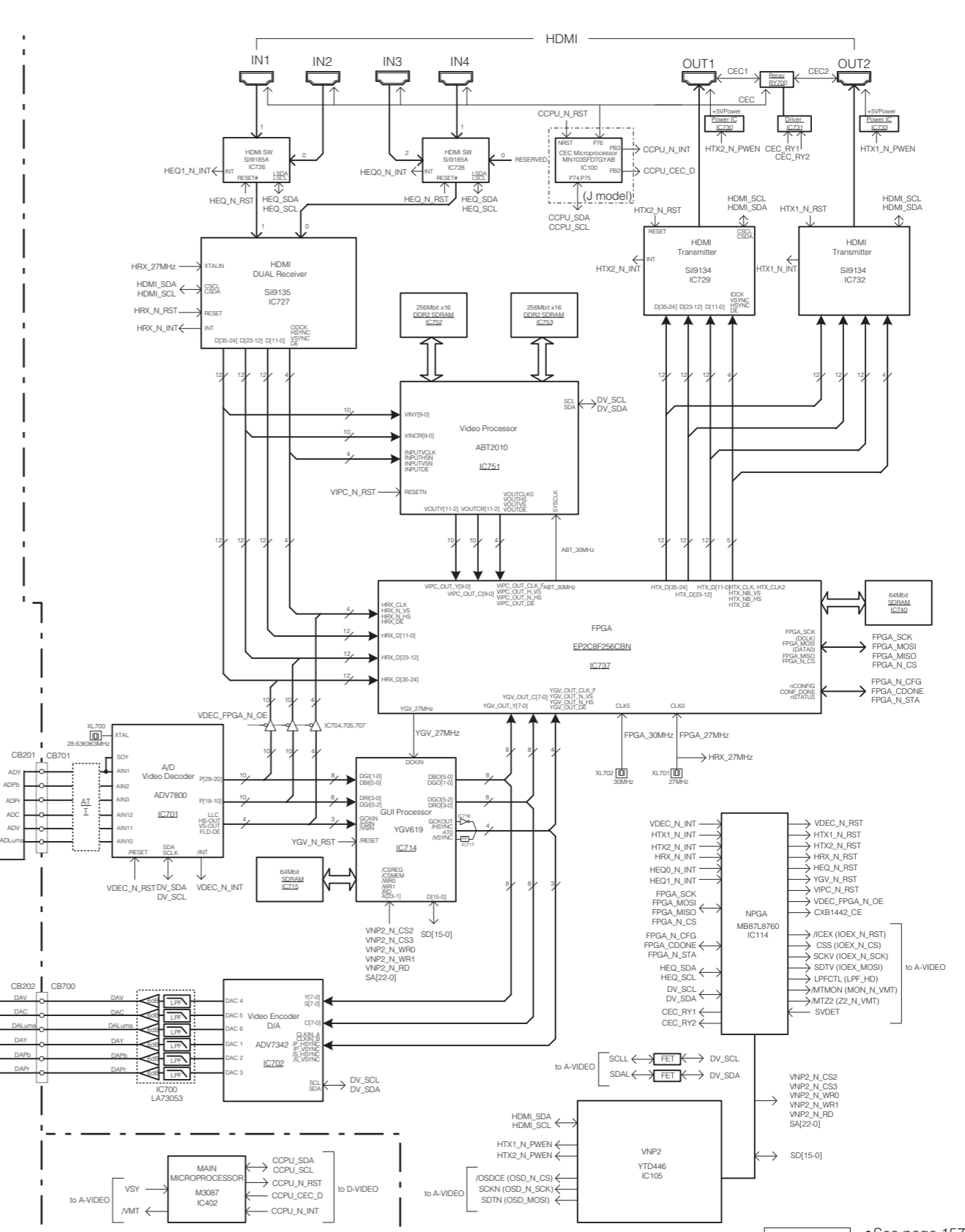
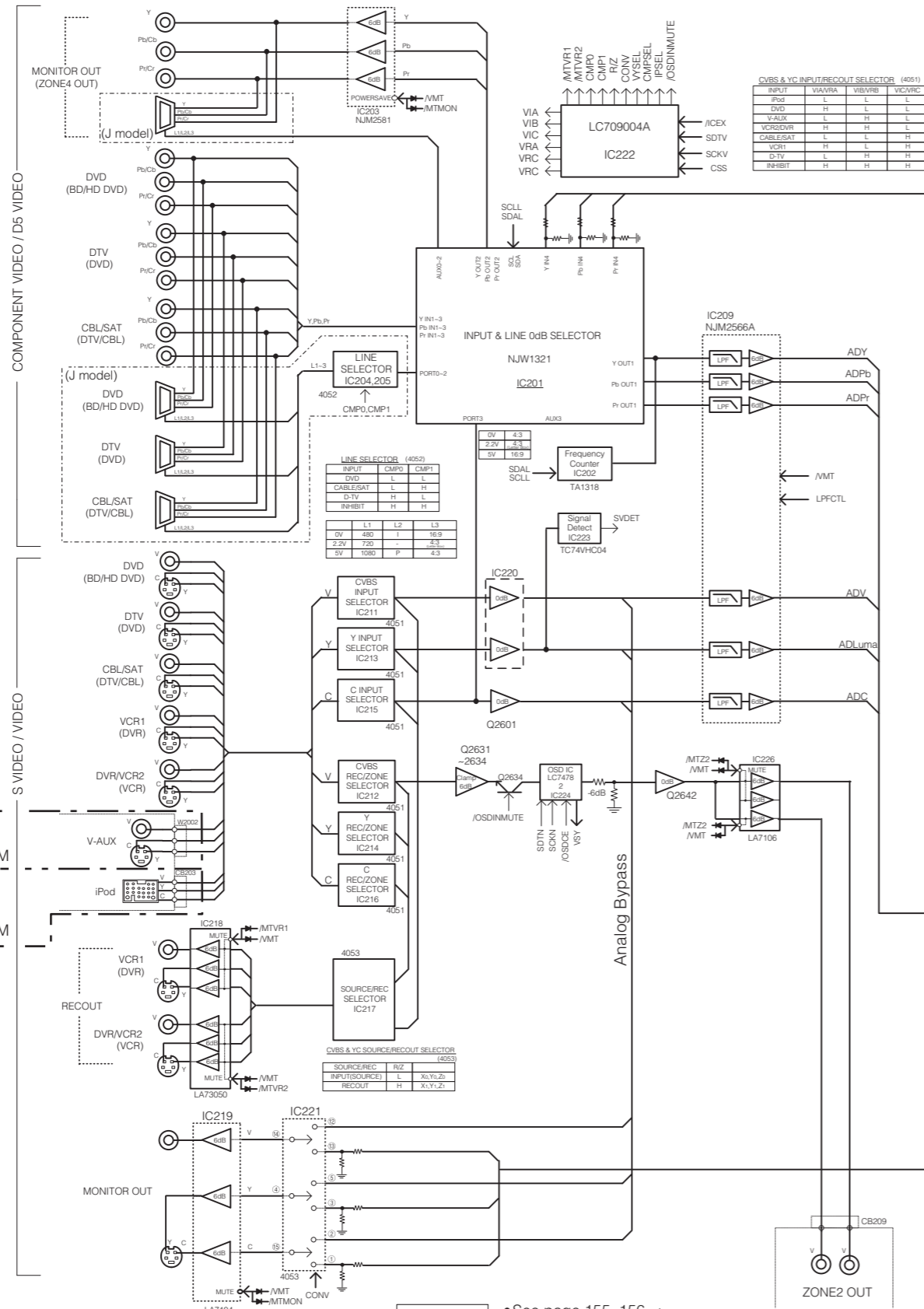
BLOCK DIAGRAMS

AUDIO SECTION BLOCK DIAGRAM

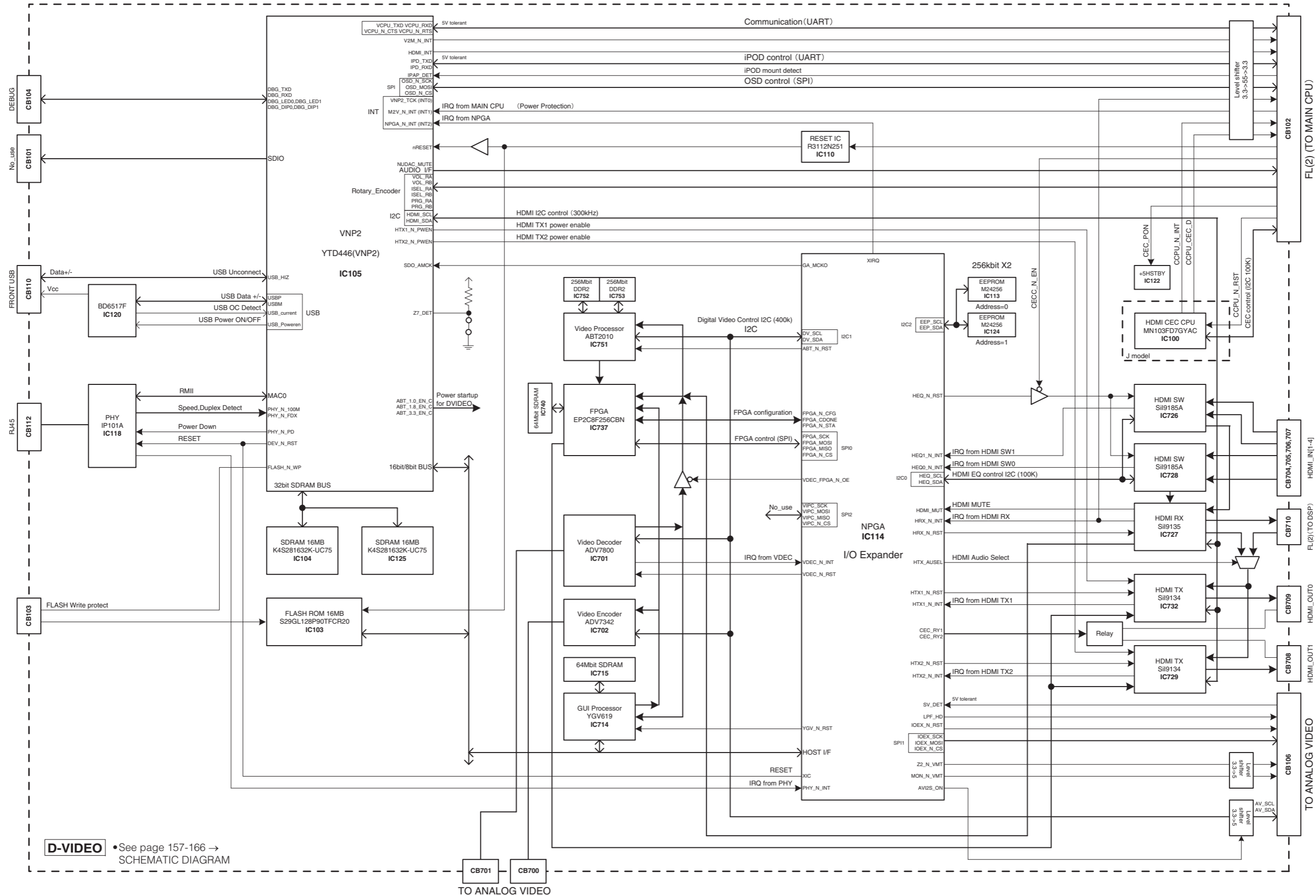


VIDEO SECTION BLOCK DIAGRAM

1
2
3
4
5
6
7

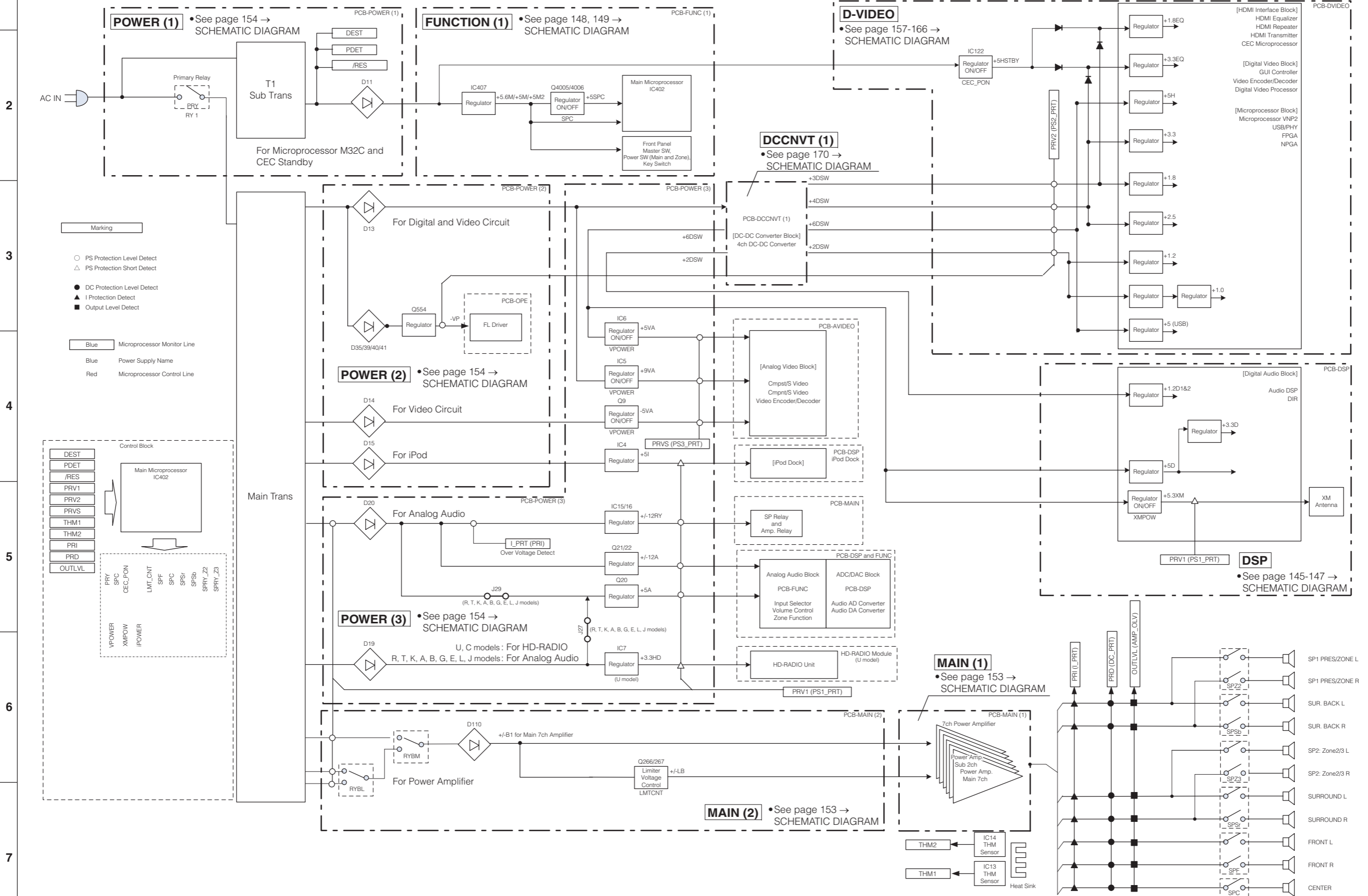


D-VIDEO SECTION BLOCK DIAGRAM

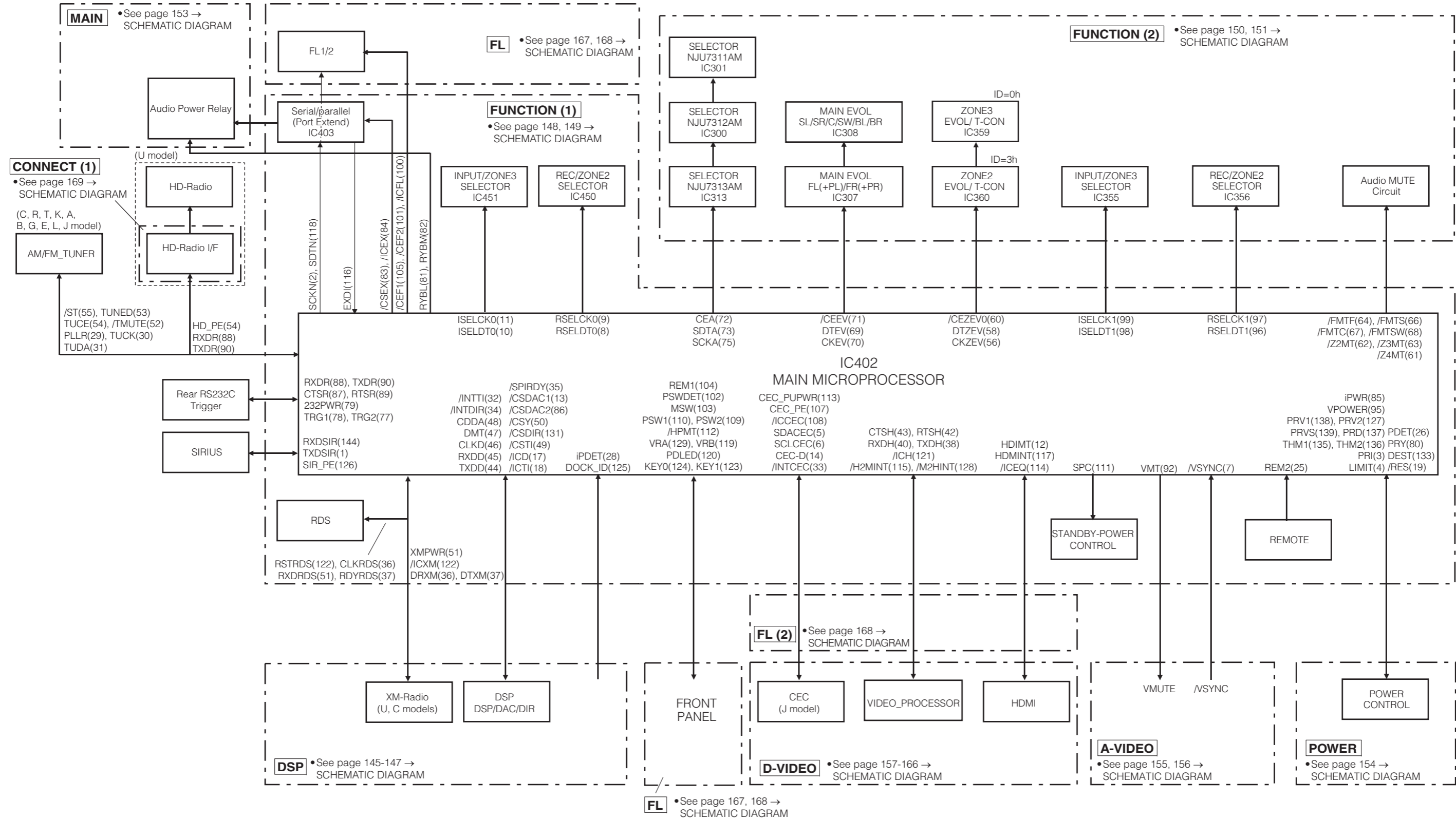


D-VIDEO • See page 157-166 → SCHEMATIC DIAGRAM

POWER SECTION BLOCK DIAGRAM



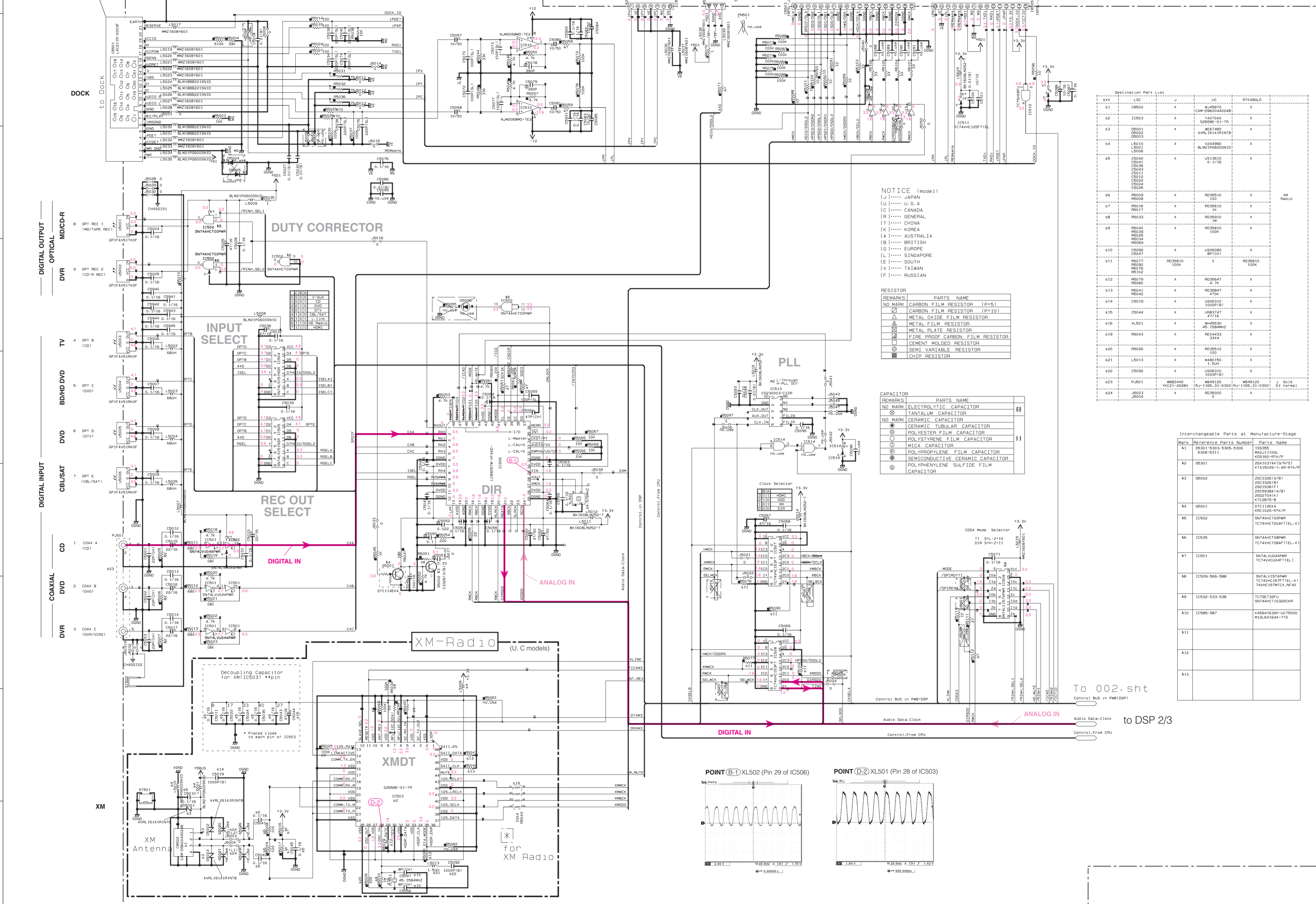
CONTROL SECTION BLOCK DIAGRAM



SCHEMATIC DIAGRAMS DSP 1/3

No replacement part available. サービス部品供給なし

Page 148 [J8] to FUNCTION (1)_CB411, Page 152 [F2] to OPERATION (3)_CB805, Page 168 [B8] to FL (2)_CB954, Page 168 [E8] to FL (2)_CB974



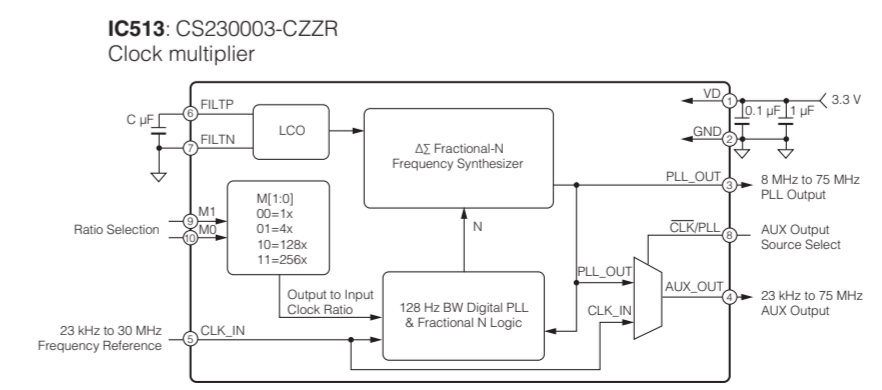
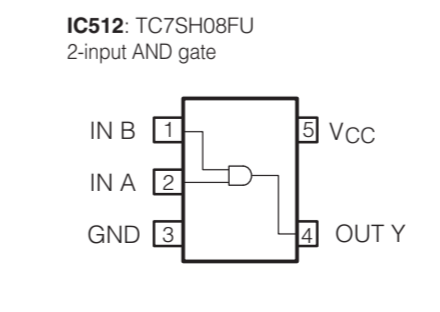
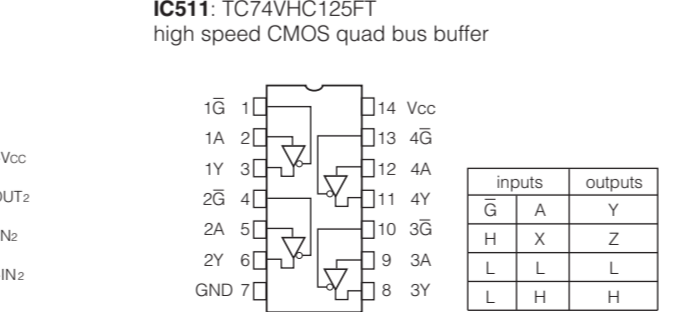
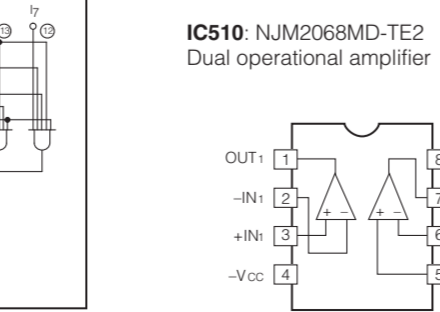
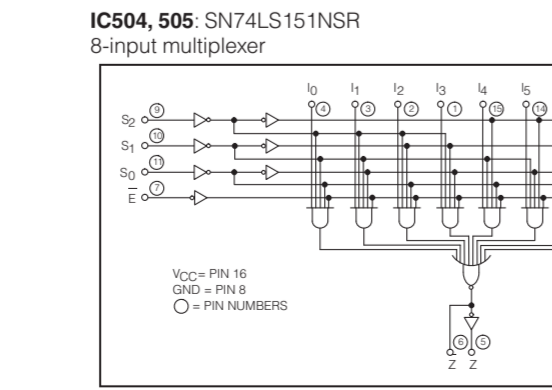
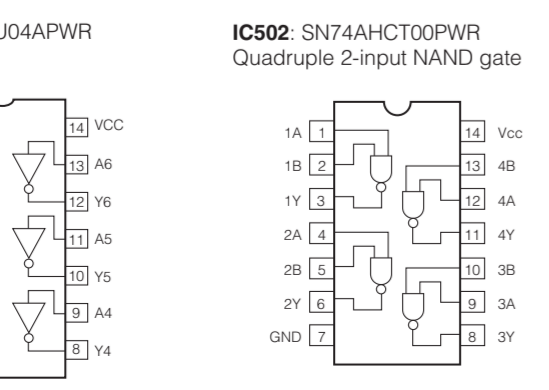
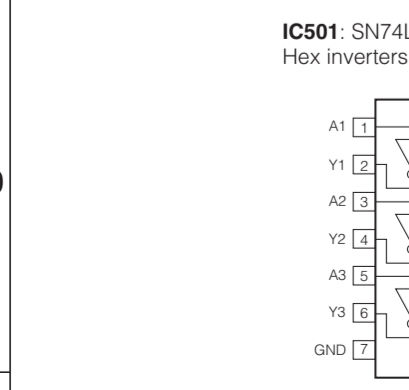
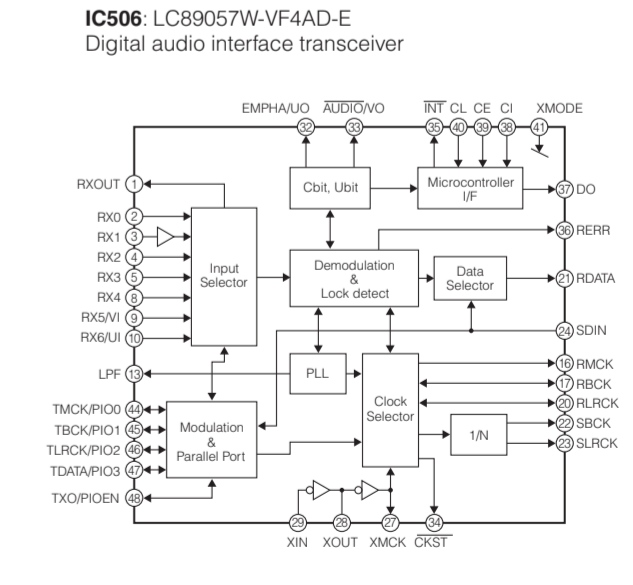
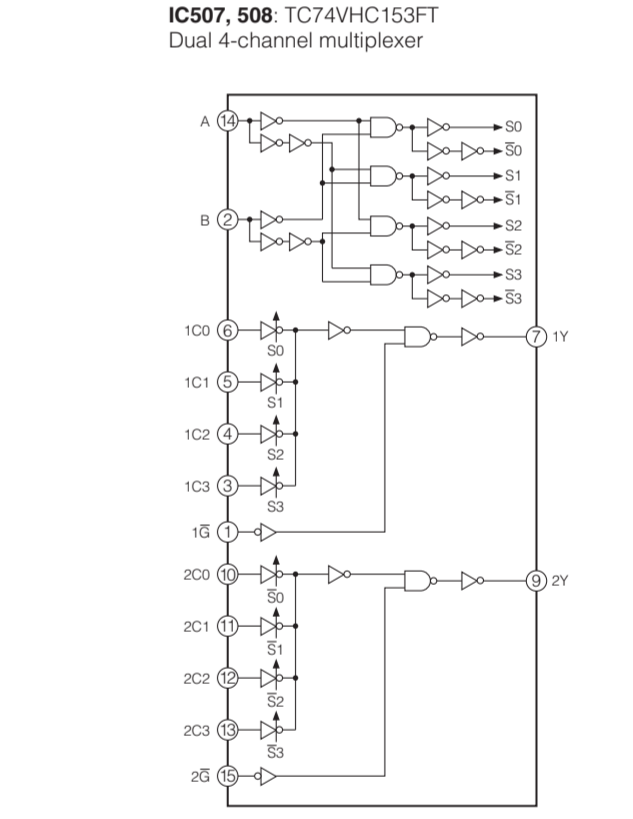
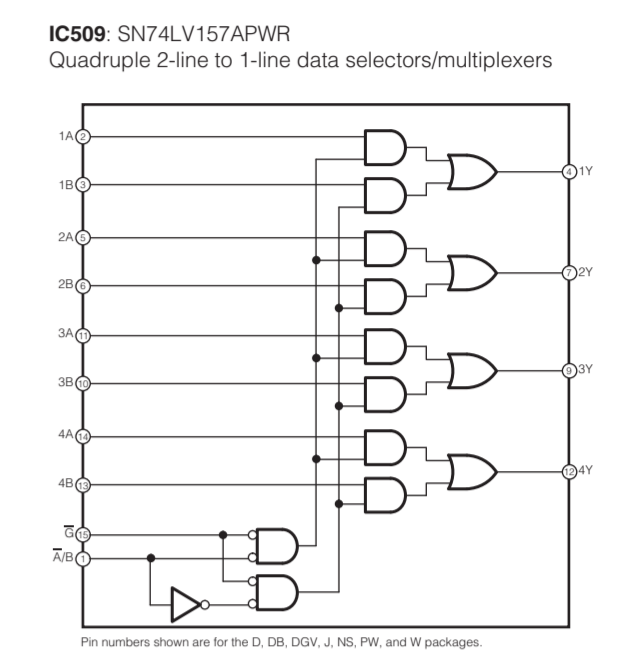
NOTICE (made 1) (J)..... JAPAN (U)..... U.S.A (C)..... CANADA (B)..... GENERAL (T)..... CHINA (K)..... KOREA (A)..... AUSTRALIA (B)..... BRITISH (G)..... EUROPE (L)..... SINGAPORE (E)..... SOUTH (V)..... TAIWAN (F)..... RUSSIAN

RESISTOR table with columns for Remarks, Parts Name, and various resistor types like Carbon Film Resistor, Metal Oxide Film Resistor, etc.

CAPACITOR table with columns for Remarks, Parts Name, and various capacitor types like Electrolytic Capacitor, Tantalum Capacitor, etc.

Destination Part List table with columns for SxK, Loc, J, UC, and RTK485LE, listing various components and their locations.

Interchangeable Parts at Manufacture-Stage table with columns for Mark, Reference Parts Number, and Parts Name, listing alternative components.



* All voltages are measured with a 10MΩ/V DC electronic voltmeter. * Components having special characteristics are marked with a triangle and must be replaced with parts having specifications equal to those originally installed. * Schematic diagram is subject to change without notice.

DSP 2/3

NOTICE (model)
(U) JAPAN
(C) U.S.A.
(A) CANADA
(G) GENERAL
(T) CHINA
(K) KOREA
(A) AUSTRALIA
(B) BRITISH
(G) EUROPE
(L) SINGAPORE
(E) SOUTH EUROPE
(V) TAIWAN
(F) RUSSIAN

Table with 2 columns: CAPACITOR, PARTS NAME. Lists various capacitor types like electrolytic, tantalum, ceramic, polyester, mica, etc.

Table with 2 columns: RESISTOR, PARTS NAME. Lists various resistor types like carbon film, metal oxide, metal plate, etc.

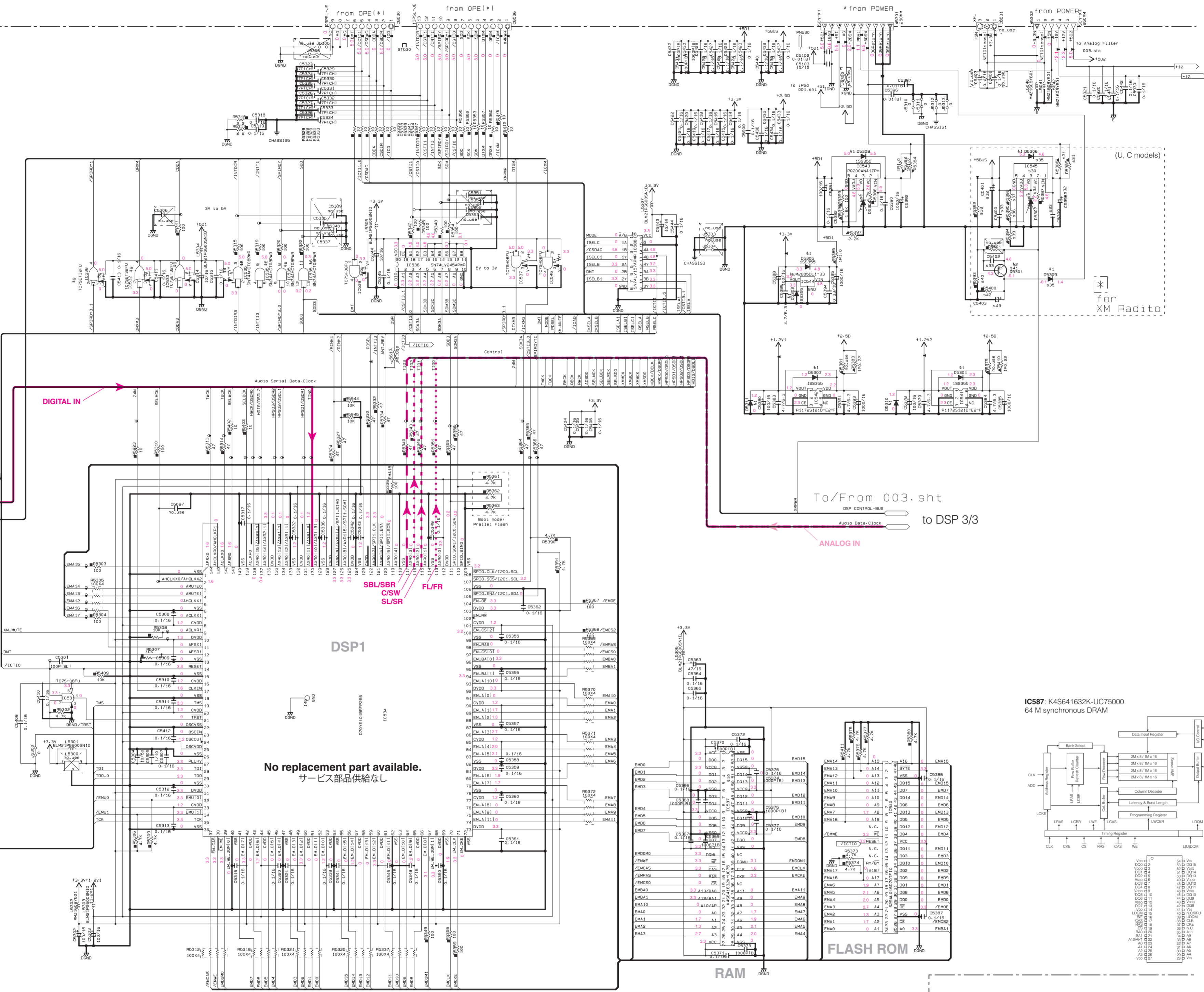
Page 168 L5 to FL(5)_CB973

Page 168 N5 to FL(5)_CB959

Page 154 H5 to POWER(3)_CB16

Page 154 H6 to POWER(3)_CB17

Destination Part List table with columns: SKT, LOC, UC, RTKABLE. Lists various components and their locations.



To/From 001.sht
Control BUS in PWB(DSP)
AUDIO Data-Clock
Control From CPU
ANALOG IN

To/From 003.sht
DSP CONTROL-BUS
AUDIO Data-Clock
ANALOG IN
to DSP 3/3

to DSP 3/3 To/From 003.sht

No replacement part available. サービス部品供給なし

All voltages are measured with a 10MΩ/V DC electronic voltmeter. Components having special characteristics are marked with an asterisk and should be replaced with parts having specifications equal to those originally installed.

電圧は、内部抵抗10MΩの電圧計で測定したものです。*印のある部品は、安全性確保部品を示しています。部品の交換が必要な場合、パーツリストに記載されている部品を使用してください。

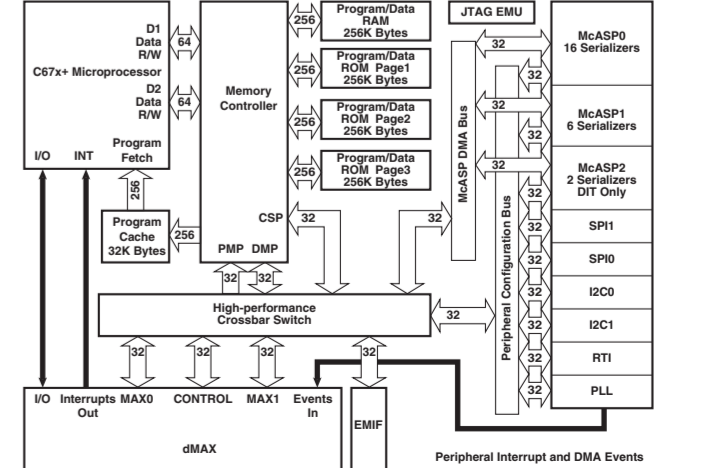
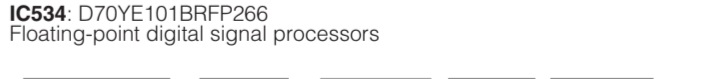
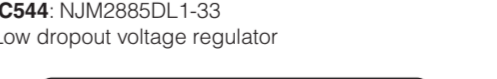
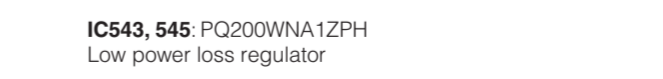
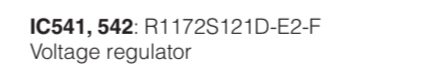
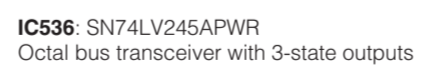
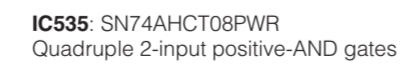
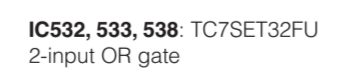
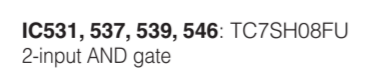
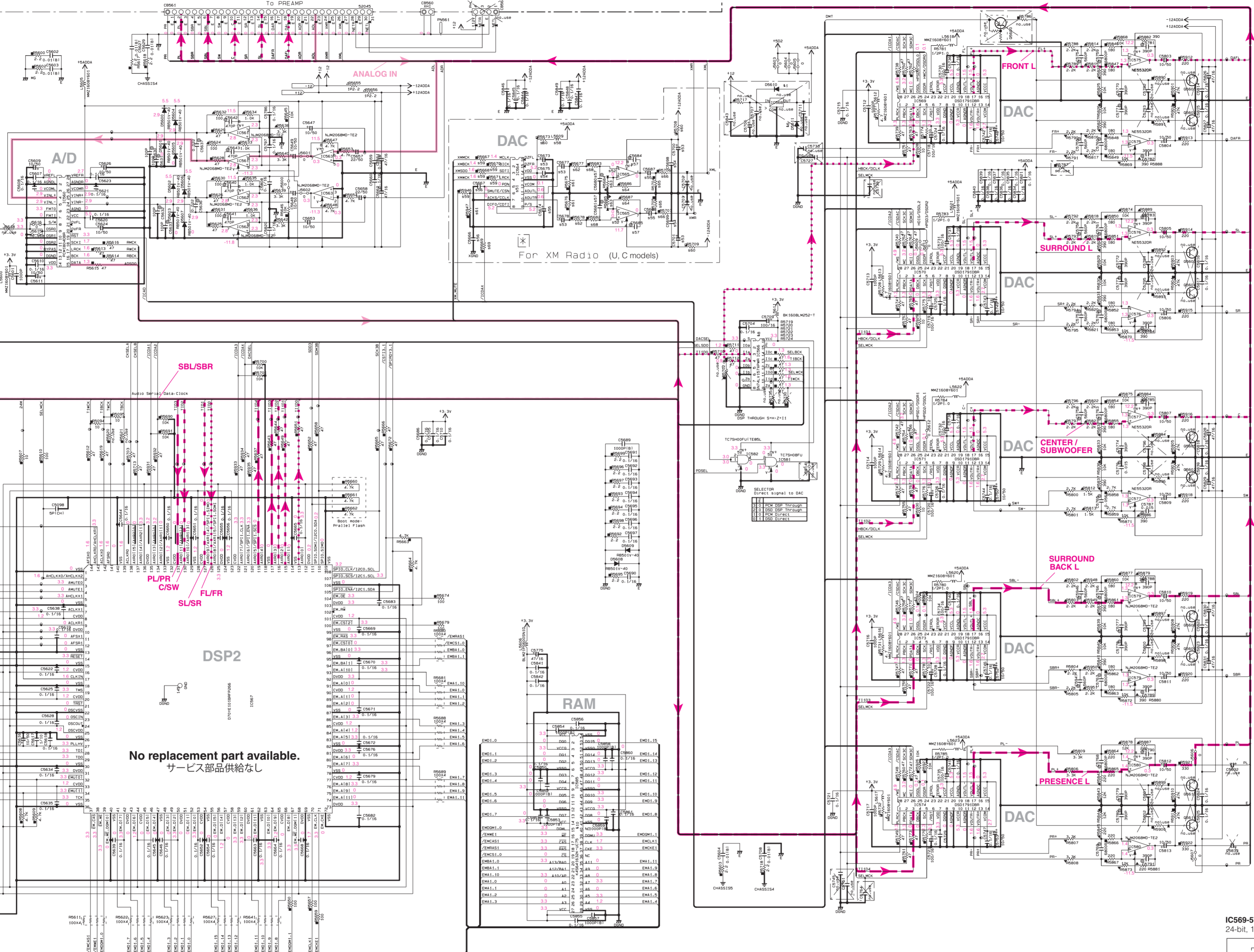


Table with 4 columns: Pin No., Symbol, Description, and a small circuit diagram for each pin.

DSP 3/3

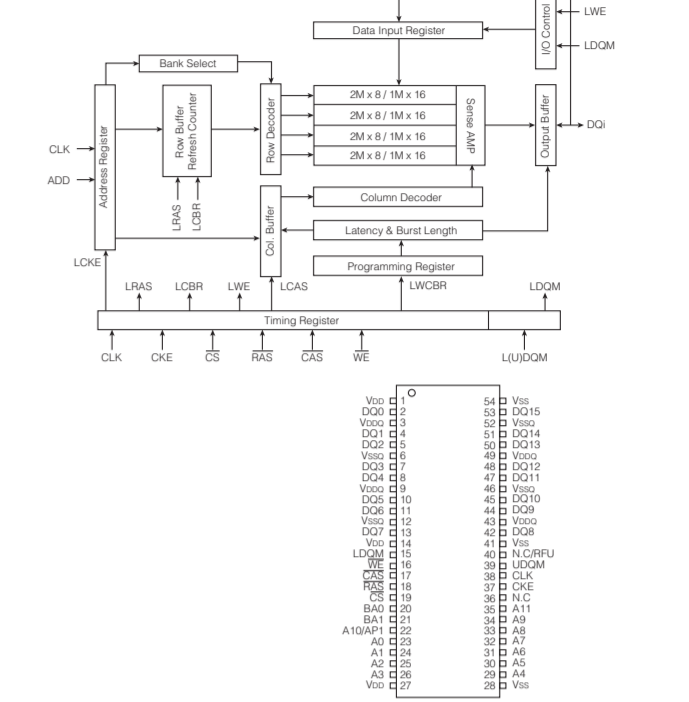
Page 150 [B5] to FUNCTION (2)_CB300
Page 151 [C3] to FUNCTION (2)_W3503

Destination Part List	UC	RT4460L
541 UC1064	X	X
542 UC1065	X	X
543 UC1066	X	X
544 UC1067	X	X
545 UC1068	X	X
546 UC1069	X	X
547 UC1070	X	X
548 UC1071	X	X
549 UC1072	X	X
550 UC1073	X	X
551 UC1074	X	X
552 UC1075	X	X
553 UC1076	X	X
554 UC1077	X	X
555 UC1078	X	X
556 UC1079	X	X
557 UC1080	X	X
558 UC1081	X	X
559 UC1082	X	X
560 UC1083	X	X
561 UC1084	X	X
562 UC1085	X	X
563 UC1086	X	X
564 UC1087	X	X
565 UC1088	X	X
566 UC1089	X	X
567 UC1090	X	X
568 UC1091	X	X
569 UC1092	X	X
570 UC1093	X	X
571 UC1094	X	X
572 UC1095	X	X
573 UC1096	X	X
574 UC1097	X	X
575 UC1098	X	X
576 UC1099	X	X
577 UC1100	X	X
578 UC1101	X	X
579 UC1102	X	X
580 UC1103	X	X
581 UC1104	X	X
582 UC1105	X	X
583 UC1106	X	X
584 UC1107	X	X
585 UC1108	X	X
586 UC1109	X	X
587 UC1110	X	X
588 UC1111	X	X
589 UC1112	X	X
590 UC1113	X	X
591 UC1114	X	X
592 UC1115	X	X
593 UC1116	X	X
594 UC1117	X	X
595 UC1118	X	X
596 UC1119	X	X
597 UC1120	X	X
598 UC1121	X	X
599 UC1122	X	X
600 UC1123	X	X
601 UC1124	X	X
602 UC1125	X	X
603 UC1126	X	X
604 UC1127	X	X
605 UC1128	X	X
606 UC1129	X	X
607 UC1130	X	X
608 UC1131	X	X
609 UC1132	X	X
610 UC1133	X	X
611 UC1134	X	X
612 UC1135	X	X
613 UC1136	X	X
614 UC1137	X	X
615 UC1138	X	X
616 UC1139	X	X
617 UC1140	X	X
618 UC1141	X	X
619 UC1142	X	X
620 UC1143	X	X
621 UC1144	X	X
622 UC1145	X	X
623 UC1146	X	X
624 UC1147	X	X
625 UC1148	X	X
626 UC1149	X	X
627 UC1150	X	X
628 UC1151	X	X
629 UC1152	X	X
630 UC1153	X	X
631 UC1154	X	X
632 UC1155	X	X
633 UC1156	X	X
634 UC1157	X	X
635 UC1158	X	X
636 UC1159	X	X
637 UC1160	X	X
638 UC1161	X	X
639 UC1162	X	X
640 UC1163	X	X
641 UC1164	X	X
642 UC1165	X	X
643 UC1166	X	X
644 UC1167	X	X
645 UC1168	X	X
646 UC1169	X	X
647 UC1170	X	X
648 UC1171	X	X
649 UC1172	X	X
650 UC1173	X	X
651 UC1174	X	X
652 UC1175	X	X
653 UC1176	X	X
654 UC1177	X	X
655 UC1178	X	X
656 UC1179	X	X
657 UC1180	X	X
658 UC1181	X	X
659 UC1182	X	X
660 UC1183	X	X
661 UC1184	X	X
662 UC1185	X	X
663 UC1186	X	X
664 UC1187	X	X
665 UC1188	X	X
666 UC1189	X	X
667 UC1190	X	X
668 UC1191	X	X
669 UC1192	X	X
670 UC1193	X	X
671 UC1194	X	X
672 UC1195	X	X
673 UC1196	X	X
674 UC1197	X	X
675 UC1198	X	X
676 UC1199	X	X
677 UC1200	X	X

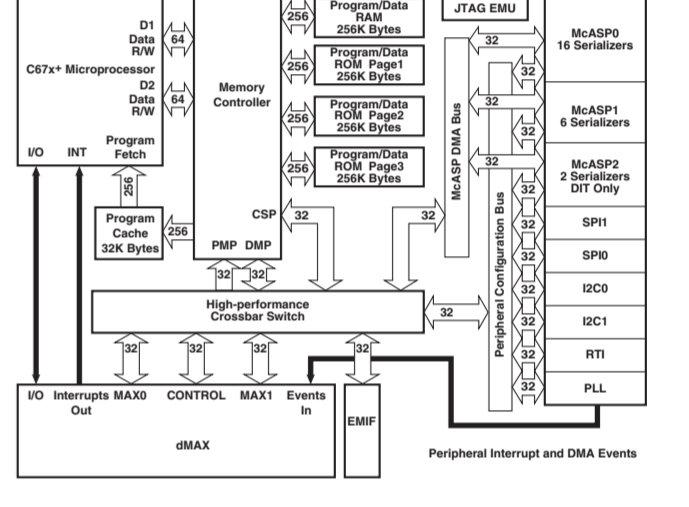


No replacement part available.
サービス部品供給なし

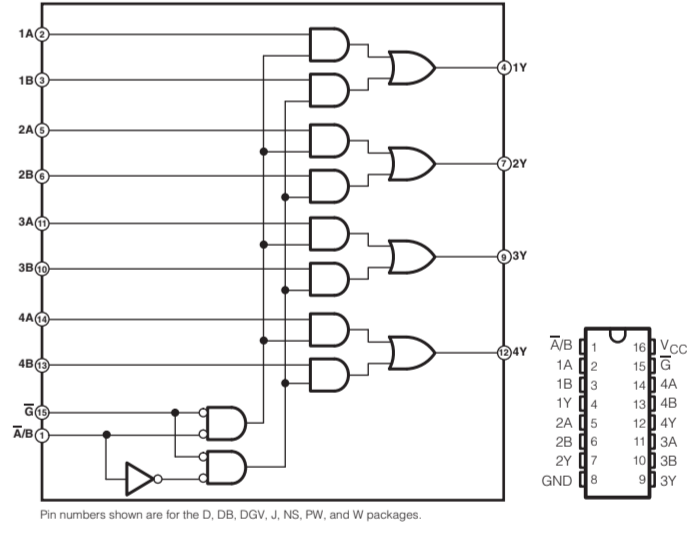
IC585: K4S641632K-UC75000
64 M synchronous DRAM



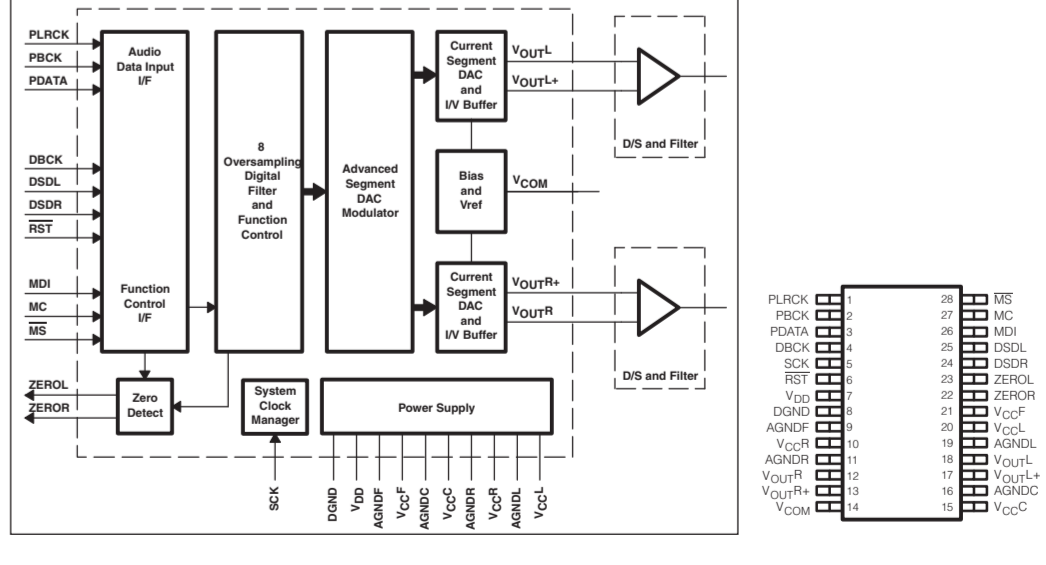
IC567: D70YE101BRFP266
Floating-point digital signal processors



IC566: SN74LV157APWR
Quaduple 2-line-to-1-line data selectors/multiplexers



IC569-571, 573, 574: DSD1791DBR
24-bit, 192 kHz sampling, advanced segment, audio stereo digital-to-analog converter

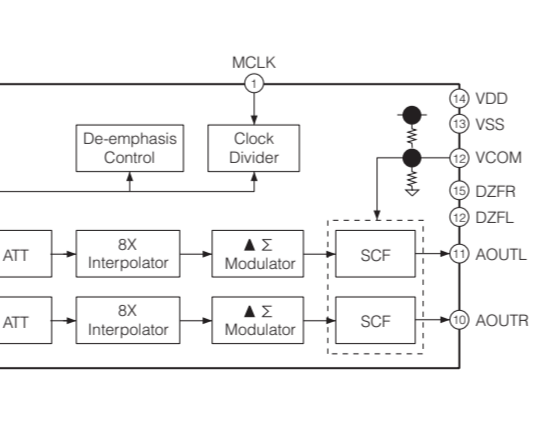
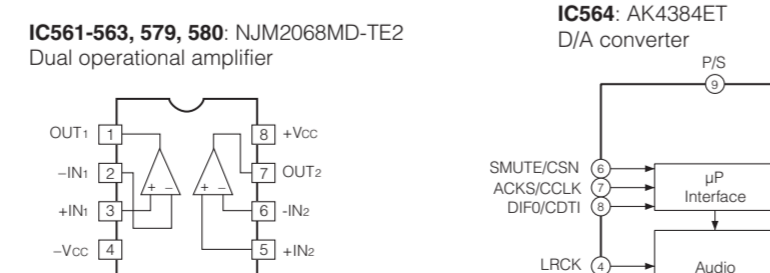
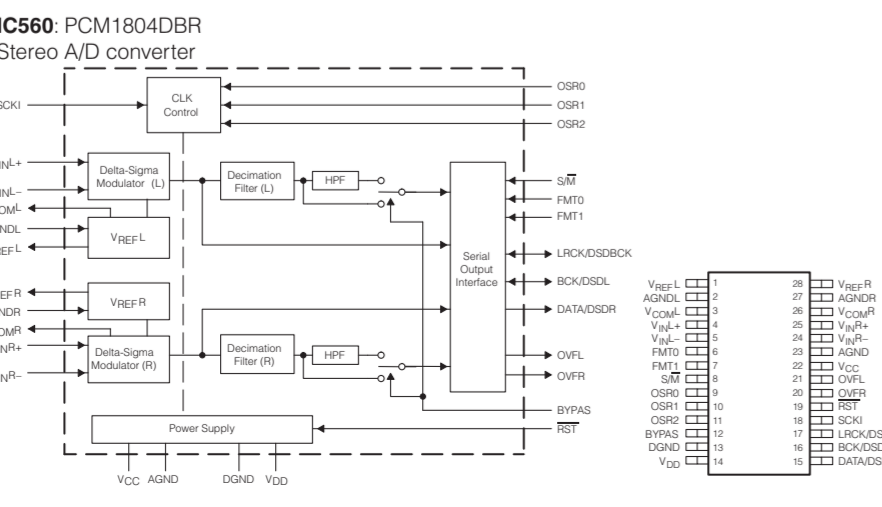


To From 002.sht
to DSP 2/3

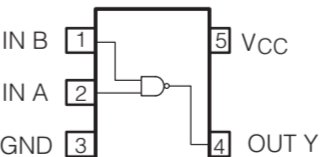
To From 002.sht
to DSP 2/3

NOTICE (note1)
 (J)..... JAPAN
 (U)..... U.S.A.
 (C)..... CANADA
 (R)..... GENERAL
 (T)..... CHINA
 (K)..... KOREA
 (A)..... AUSTRALIA
 (B)..... BRITISH
 (G)..... EUROPE
 (L)..... SINGAPORE
 (E)..... SOUTH
 (V)..... TAIWAN
 (F)..... RUSSIAN

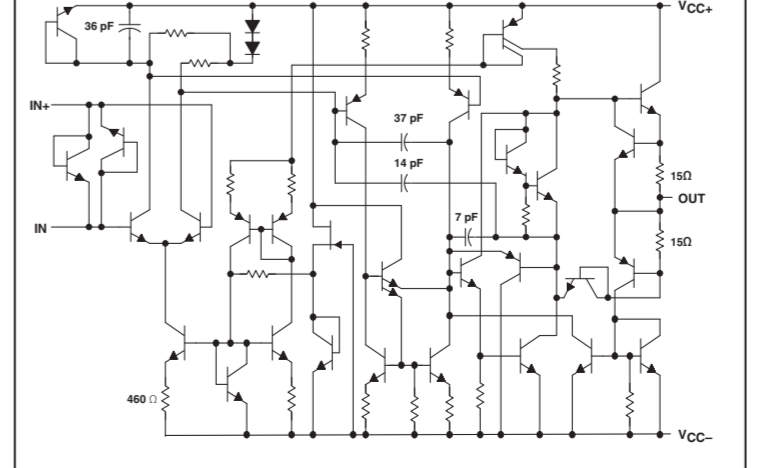
REMARKS	PARTS NAME	REMARKS	PARTS NAME
NO MARK	CARBON FILM RESISTOR (P=5)	NO MARK	ELECTROLYTIC CAPACITOR
□	CARBON FILM RESISTOR (P=10)	○	TANTALUM CAPACITOR
△	METAL OXIDE FILM RESISTOR	◎	CERAMIC CAPACITOR
▲	METAL FILM RESISTOR	⊙	POLYESTER FILM CAPACITOR
■	METAL PLATE RESISTOR	⊚	POLYETHYLENE FILM CAPACITOR
▨	FIRE PROOF CARBON FILM RESISTOR	⊛	MICA CAPACITOR
⊕	CEMENT MOLDED RESISTOR	⊜	POLYPROPYLENE FILM CAPACITOR
⊖	SEMI VARIABLE RESISTOR	⊝	SEMICONDUCTIVE CERAMIC CAPACITOR
⊗	CHIP RESISTOR	⊞	POLYPHENYLENE SULFIDE FILM CAPACITOR



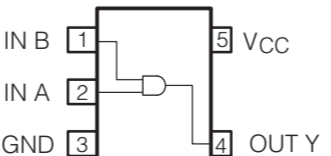
IC582: TC7SH00FU
Single 2-input positive-AND gate



IC565, 575-577: NE5532DR
Dual low-noise operational amplifiers



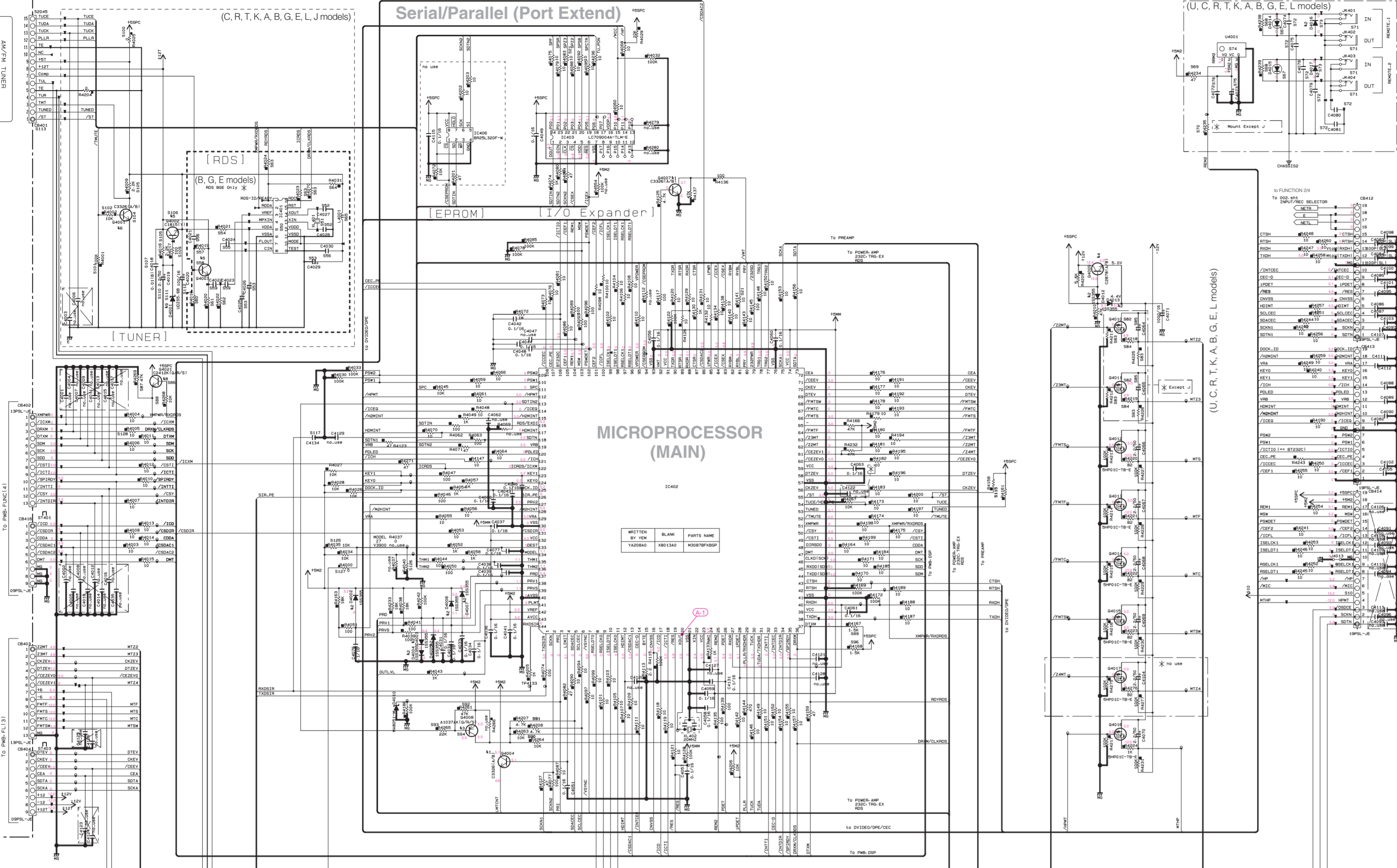
IC581, 583: TC7SH08FU
2-input AND gate



★ All voltages are measured with a 10MΩ/V DC electronic voltmeter.
 ★ Components having special characteristics are marked (▲), and must be replaced with parts having specifications equal to those originally installed.
 ★ Schematic diagram is subject to change without notice.
 ● 電圧は、内部抵抗10MΩの電圧計で測定したものです。
 ● ▲印のある部品は、安全な確保部品を示しています。部品の交換が必要な場合、パーツリストに記載されている部品を使用してください。
 ● 本回路図は標準回路図です。改良のため予告なく変更することがございます。

FUNCTION 1/4

Page 169 [B7] to CONNECT (1)_CB903 (U model) To AMFM TUNER (C, R, T, K, A, B, G, E, L, J models)



NOTICE (model) (U) JAPAN (L) U.S.A. (C) CANADA (R) GENERAL (T) CHINA (K) AUSTRALIA (B) SINGAPORE (G) SOUTH EUROPE (E) TAIWAN (J) RUSSIAN

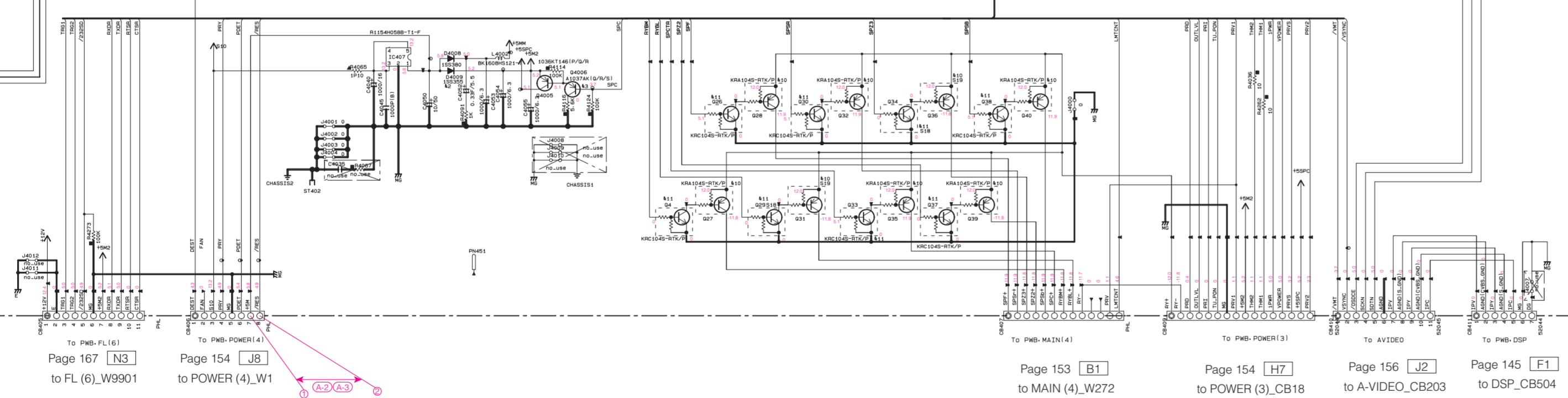
Table with columns: RESISTOR PARTS NAME, CAPACITOR PARTS NAME, and Interchangeable Parts at Manufacture Stage. Lists various electronic components and their part numbers.

Page 168 [M6] to FL (5)_CB960 Page 168 [L6] to FL (5)_CB972 Page 168 [N8] to FL (3)_CB955 Page 168 [M8] to FL (3)_CB952

Page 168 [E7] to FL (2)_CB958 Page 168 [G7] to FL (2)_CB982 Page 168 [H7] to FL (2)_CB989

Large table with columns: Destination Part List (P3900-01-1), U, C, R, T, K, A, B, G, E, L, J. Lists part numbers and their interchangeability across different models.

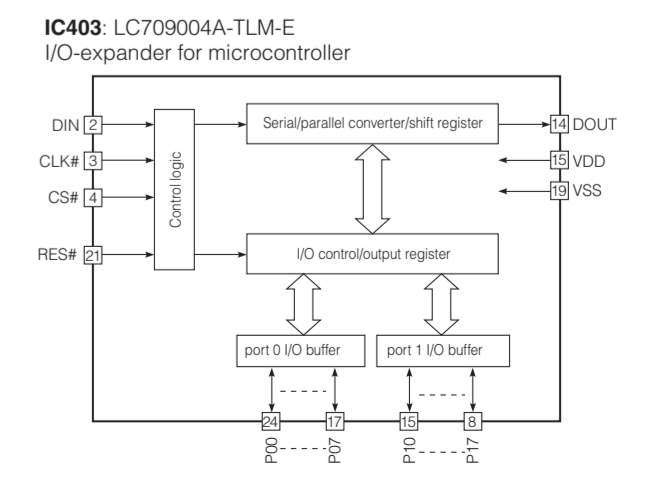
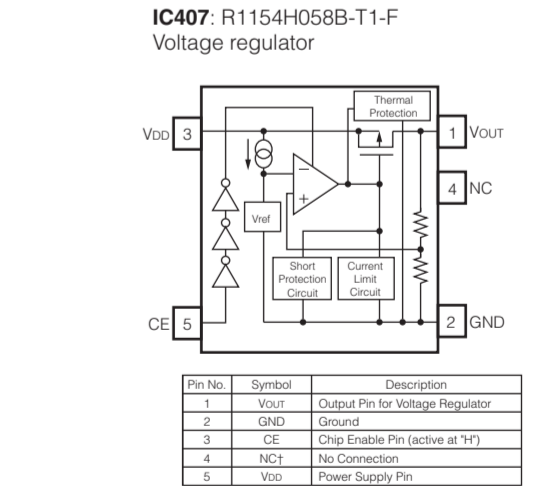
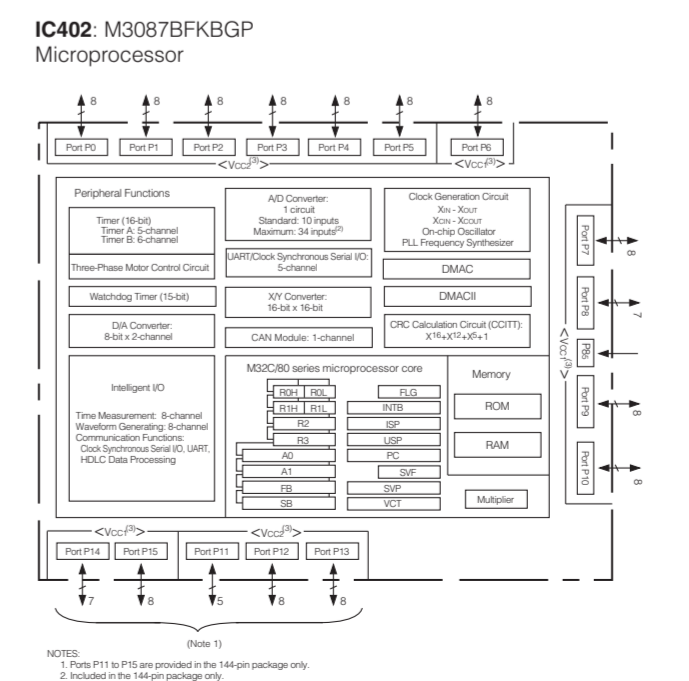
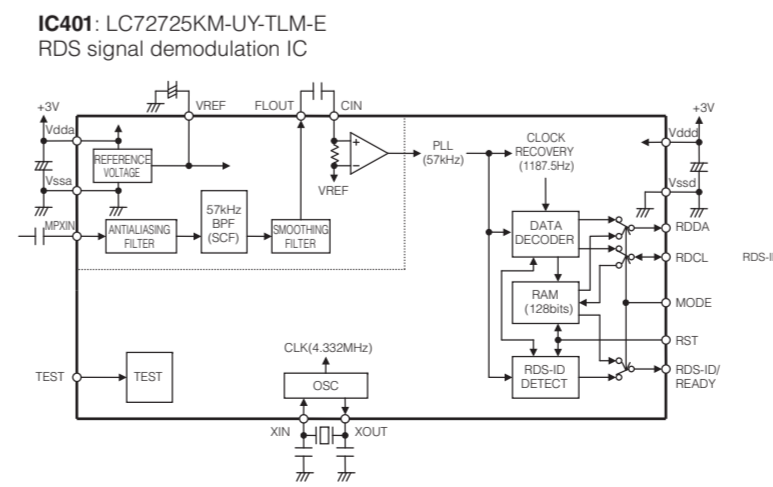
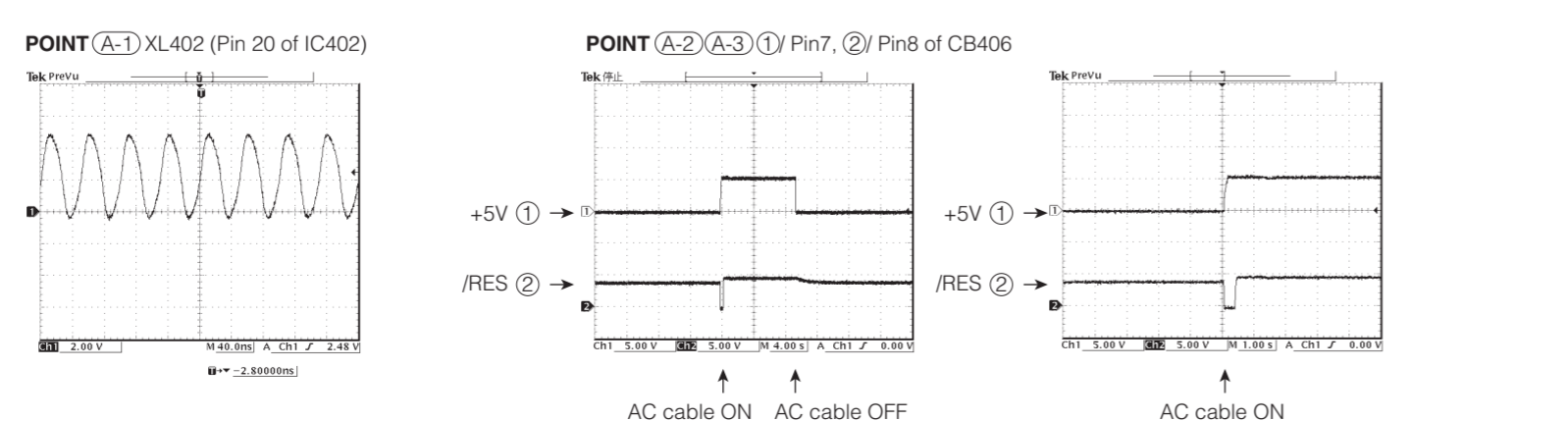
RX-V3900 FUNC (1) FUNCTION (1)



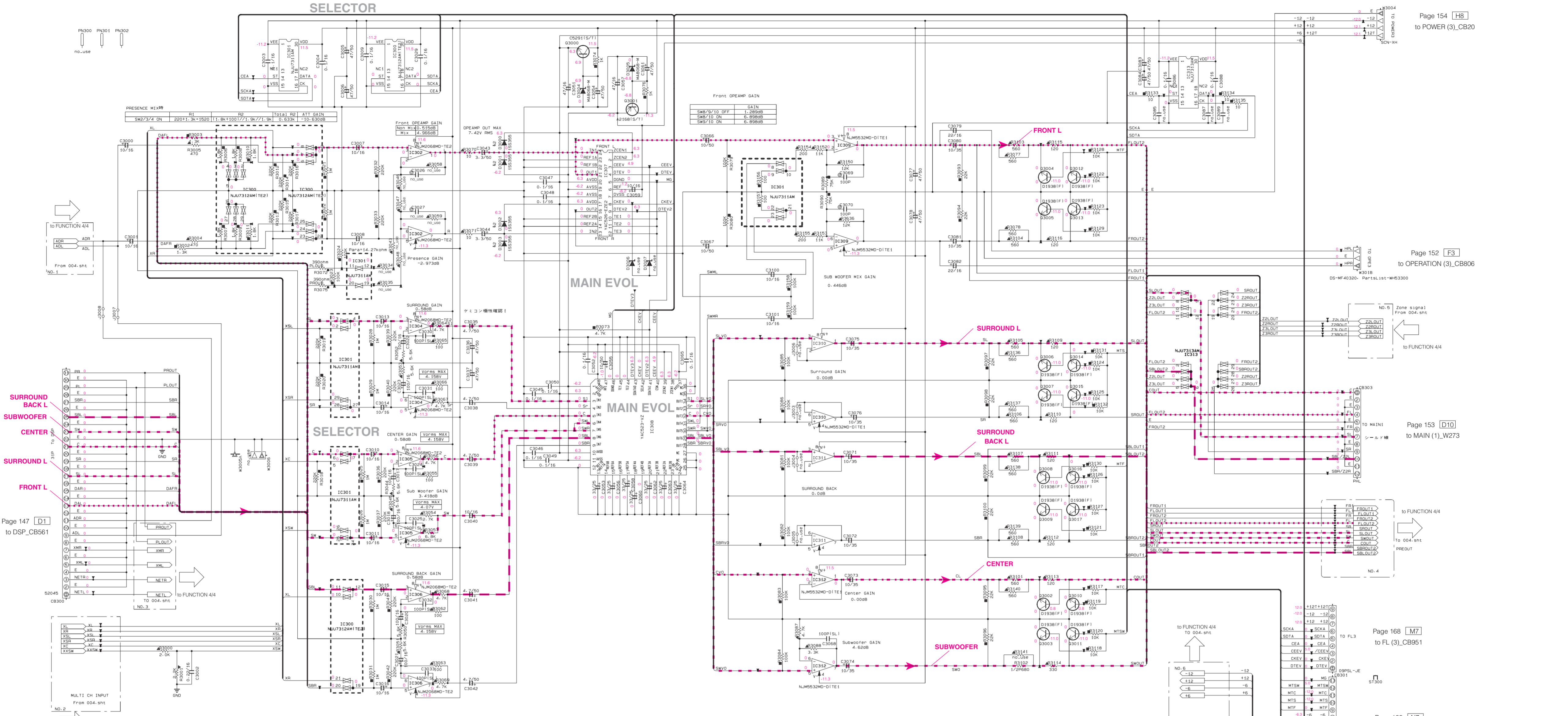
Page 167 [N3] to FL (6)_W9901 Page 154 [J8] to POWER (4)_W1 Page 153 [B1] to MAIN (4)_W272 Page 154 [H7] to POWER (3)_CB18 Page 156 [J2] to A-VIDEO_CB203 Page 145 [F1] to DSP_CB504

All voltages are measured with a 10MΩ/D.C electronic voltmeter. Components having special characteristics are marked with a triangle and must be replaced with parts having specifications equal to those originally installed.

電圧は、内部抵抗10MΩの電圧計で測定したものです。●印のある部品は、安全性確保部品を示しています。部品の交換が必要な場合、パーツリストに記載されている部品を使用してください。●本回路図は標準回路図です。改良のため予告なく変更することがございます。



FUNCTION 3/4



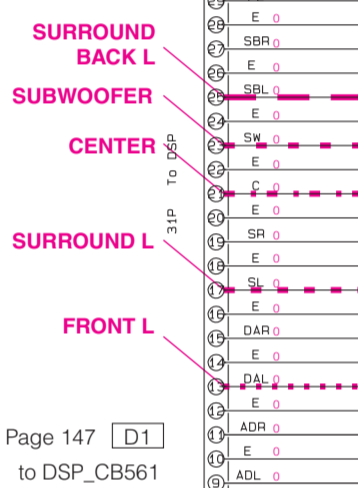
Page 154 [HB] to POWER (3)_CB20

Page 152 [F3] to OPERATION (3)_CB806

Page 153 [D10] to MAIN (1)_W273

Page 168 [M7] to FL (3)_CB951

Page 168 [N7] to FL (3)_CB956



Page 147 [D1] to DSP_CB561

52045 CB300

NO. 2 to FUNCTION 4/4

NO. 3 to FUNCTION 4/4

NO. 4 PREOUT to FUNCTION 4/4

NO. 5 to 004.snt

NO. 6 to 004.snt

NO. 7 to 004.snt

NO. 8 to 004.snt

NO. 9 to 004.snt

NO. 10 to 004.snt

RX-V3900

FUNC (2)

設計仕様	TOTAL	実装仕様	TOTAL	
FRONT	0.0	12.5	1.5	14.0
CENTER	0.0	14.0	0.0	14.0
SURROUND	0.0	14.0	0.0	14.0
SURROUND BACK	0.0	14.0	0.0	14.0
SUB WOOFER	3.0	8.0	0.0	11.0
ZONE1 & ZONE3	0.0	14.0	0.0	14.0

設計仕様	TOTAL	実装仕様	TOTAL	
FRONT	0.515	12.5	1.289	14.304
CENTER	0.584	14.0	0.0	14.584
SURROUND	0.584	14.0	0.0	14.584
SURROUND BACK	0.584	14.0	0.0	14.584
SUB WOOFER	1.418	8.0	0.0	14.537
ZONE1 & ZONE3	0.0	14.0	0.0	14.000

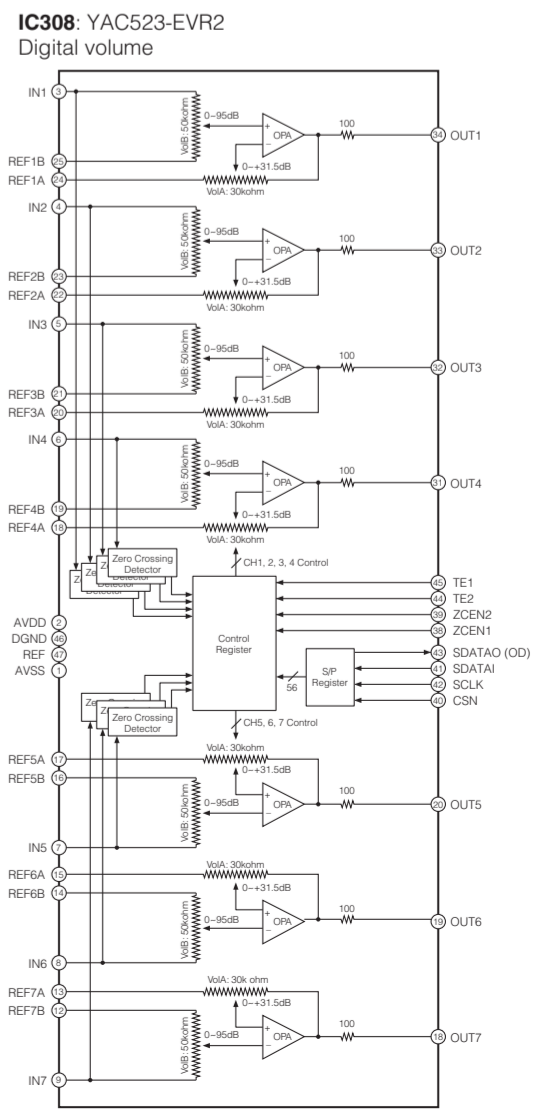
REMARKS	PARTS NAME
NO MARK	CARBON FILM RESISTOR (P=5)
△	CARBON FILM RESISTOR (P=10)
□	METAL OXIDE FILM RESISTOR
△	METAL FILM RESISTOR
□	METAL PLATE RESISTOR
□	FINE PROOF CARBON FILM RESISTOR
□	CEMENT MOLDED RESISTOR
□	SEMI VARIABLE RESISTOR
■	CHIP RESISTOR

REMARKS	PARTS NAME
NO MARK	ELECTROLYTIC CAPACITOR
⊗	TANTALUM CAPACITOR
NO MARK	CERAMIC CAPACITOR
⊙	CERAMIC TUBULAR CAPACITOR
○	POLYESTER FILM CAPACITOR
○	POLYSTYRENE FILM CAPACITOR
⊖	MICA CAPACITOR
⊖	POLYPROPYLENE FILM CAPACITOR
⊖	SEMICONDUCTIVE CERAMIC CAPACITOR
⊖	POLYPHENYLENE SULFIDE FILM CAPACITOR

NOTICE (model)

(J)..... JAPAN
 (U)..... U.S.A
 (C)..... CANADA
 (R)..... GENERAL
 (T)..... CHINA
 (K)..... KOREA
 (A)..... AUSTRALIA
 (B)..... BRITISH
 (G)..... EUROPE
 (L)..... SINGAPORE
 (E)..... SOUTH EUROPE
 (V)..... TAIWAN
 (F)..... RUSSIAN

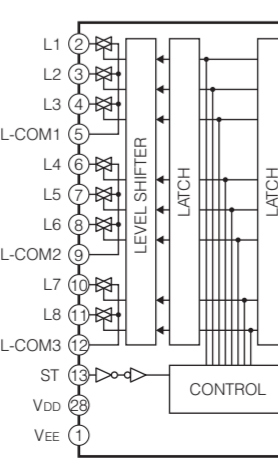
FUNCTION (2)



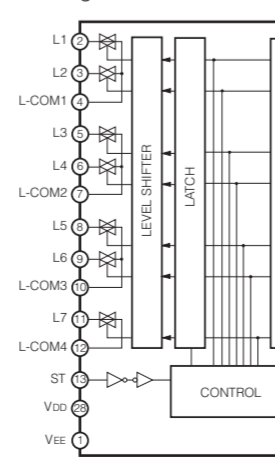
★ All voltages are measured with a 10MΩ/DC electronic voltmeter.
 ★ Components having special characteristics are marked 1, and must be replaced with parts having specifications equal to those originally installed.
 ★ Schematic diagram is subject to change without notice.

● 電圧は、内部抵抗10MΩの電圧計で測定したものです。
 ● 1印のある部品は、安全性確保部品を示しています。部品の交換が必要な場合、パーツリストに記載されている部品を使用してください。
 ● 本回路図は標準回路図です。改良のため予告なく変更することがございます。

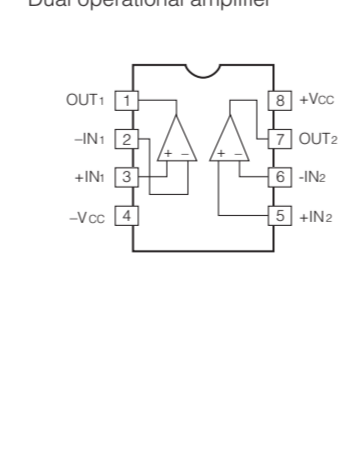
IC300: NJU7312AM Analog function switch



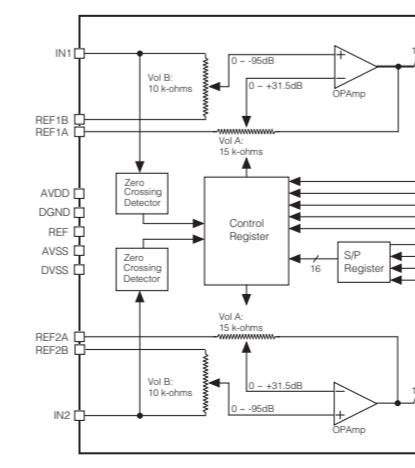
IC301: NJU7311AM Analog function switch



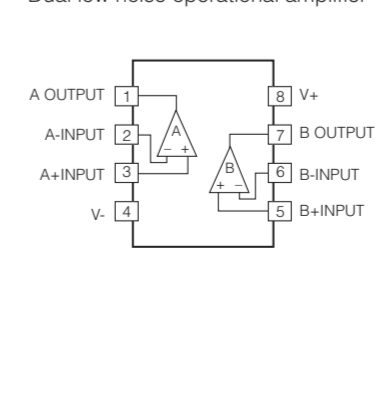
IC302, 304-306: NJM2068MD-TE2 Dual operational amplifier



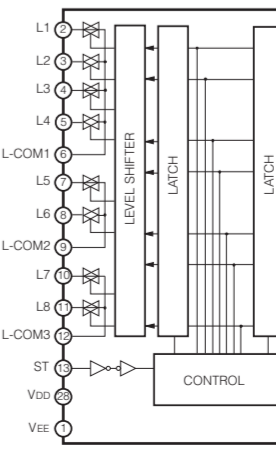
IC307: YAC526-EZE2 2-channel high grade digital volume LSI



IC309-312: NJM532M-D Dual low noise operational amplifier

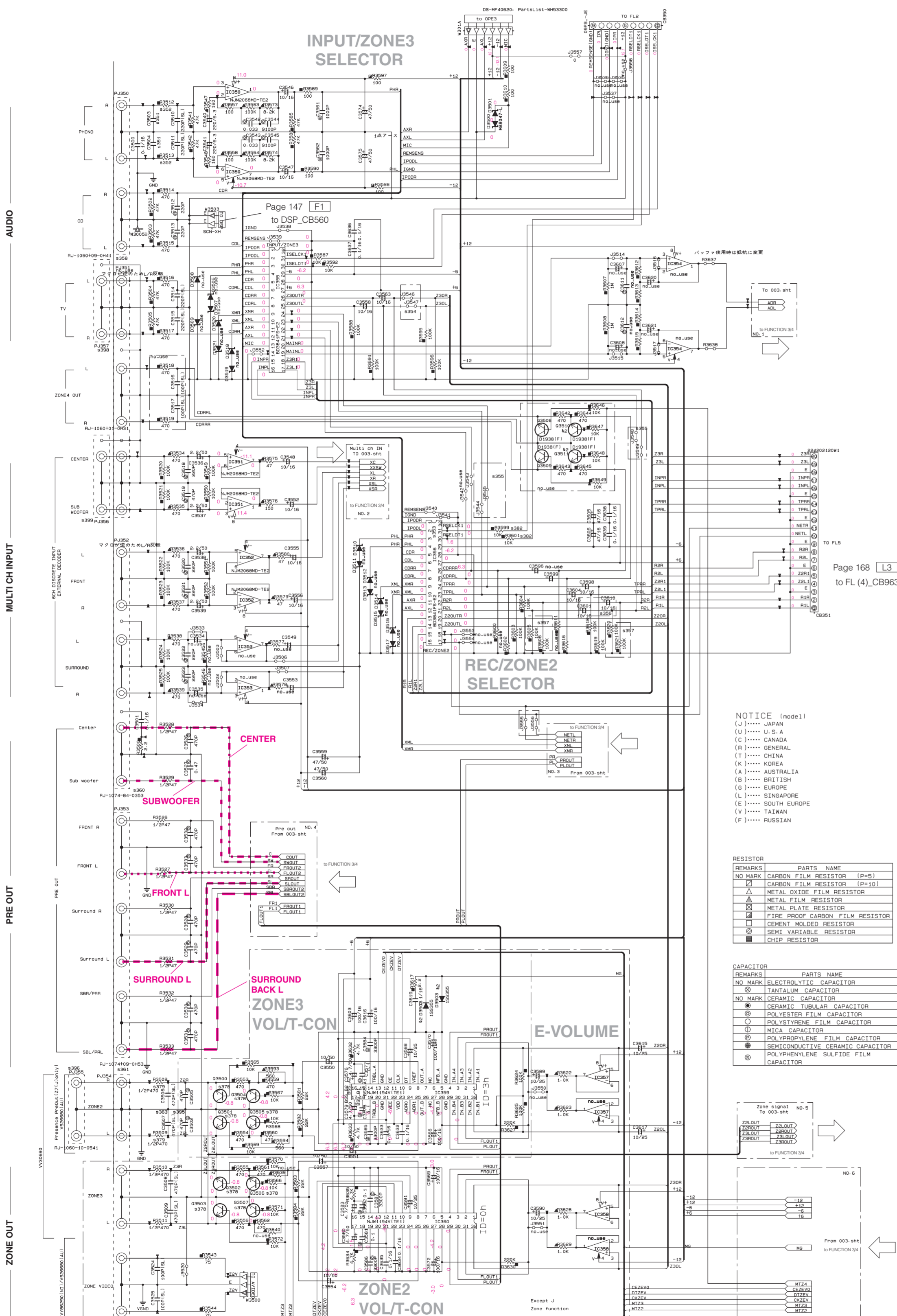


IC313: NJU7313AM Analog function switch



FUNCTION 4/4

Page 152 [F3] to OPERATION (3)_CB906
Page 168 [L7] to FL (2)_CB967



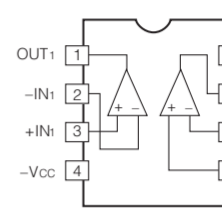
Destination Part List (V3900_DN1-4) table with columns for Part No., Loc, U, C, RTKL, A, and BSC. It lists various electronic components and their specifications.

NOTICE (model)
(J)..... JAPAN
(U)..... U.S.A.
(C)..... CANADA
(R)..... GENERAL
(T)..... CHINA
(K)..... KOREA
(A)..... AUSTRALIA
(B)..... BRITISH
(G)..... EUROPE
(L)..... SINGAPORE
(E)..... SOUTH EUROPE
(V)..... TAIWAN
(P)..... RUSSIAN

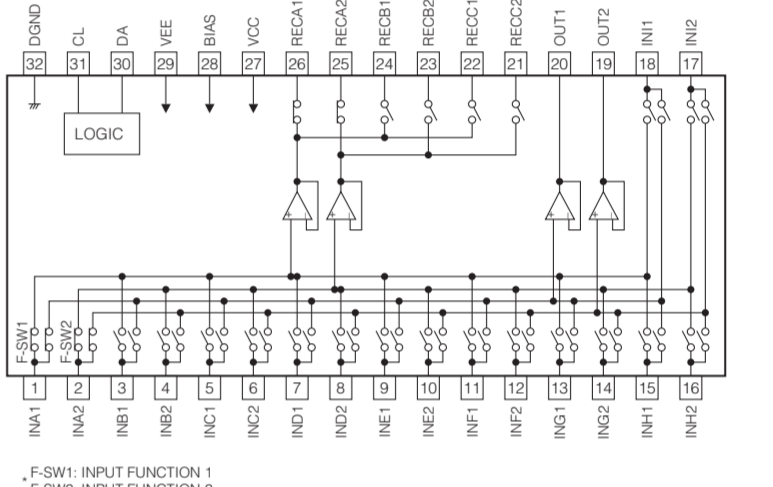
RESISTOR table with columns for Remarks, Parts Name, and Part No. It lists various types of resistors like carbon film, metal oxide film, etc.

CAPACITOR table with columns for Remarks, Parts Name, and Part No. It lists various types of capacitors like electrolytic, tantalum, ceramic, etc.

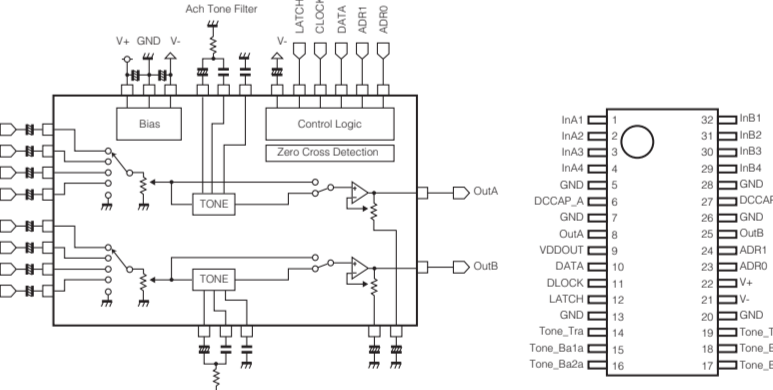
IC350-352: NJM2068MD-TE2
Dual operational amplifier



IC355, 356: BD3841FS
Function switch



IC359, 360: NJW1194V
2-channel electronic volume input selector and tone control

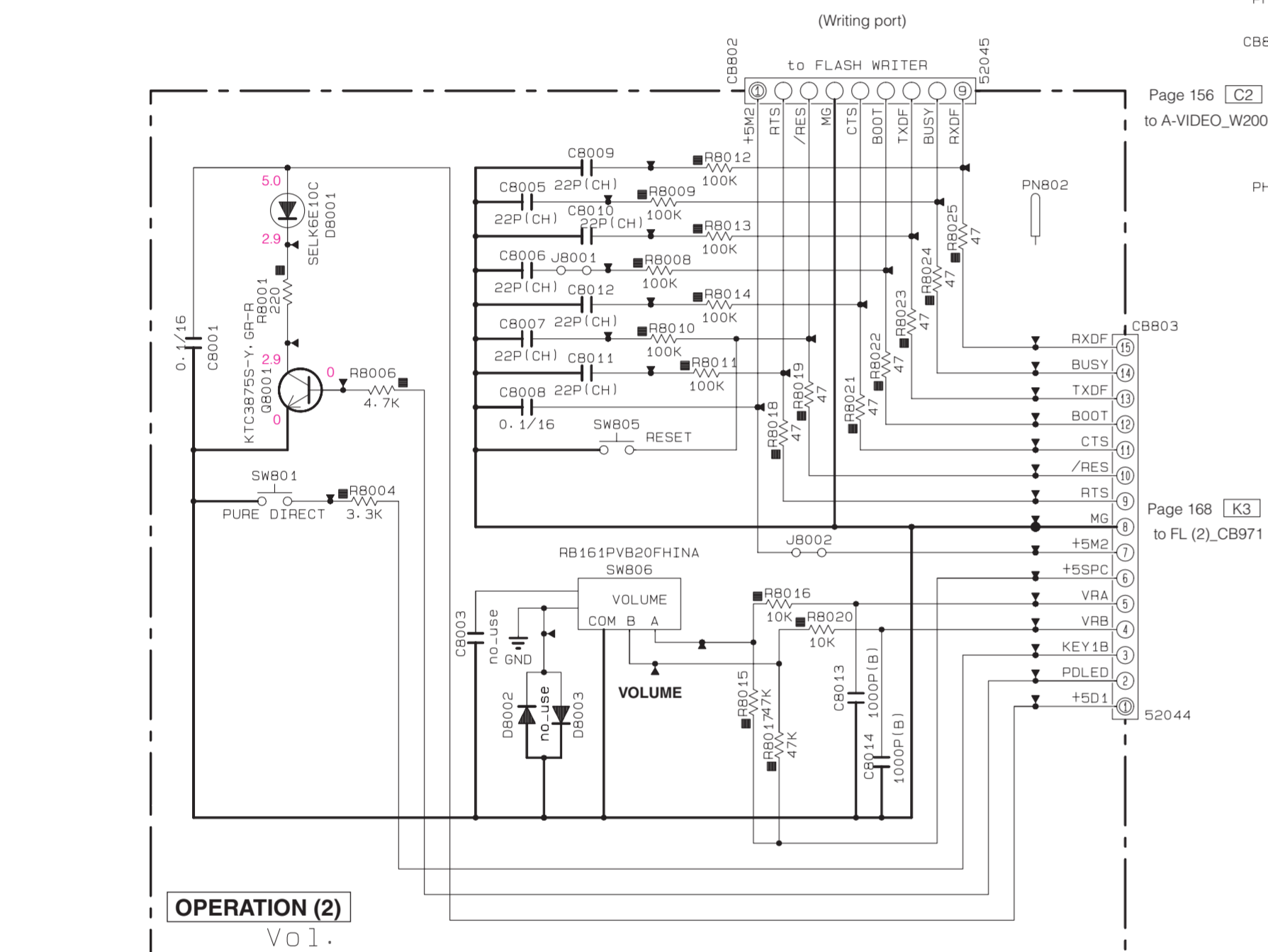
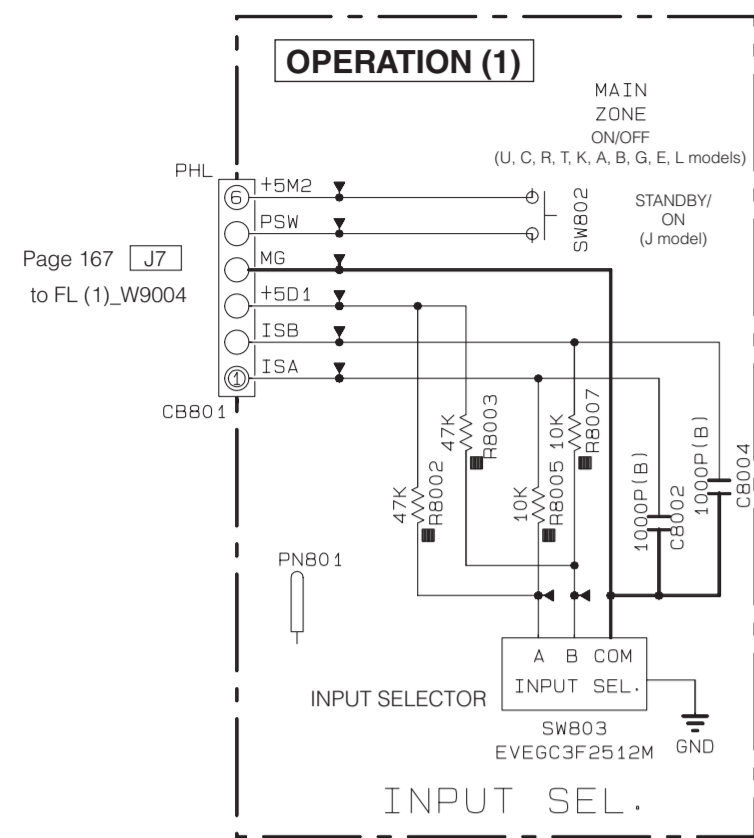


* All voltages are measured with a 10MΩ/DC electronic voltmeter.
* Components having special characteristics are marked with a triangle (▲) and must be replaced with parts having specifications equal to those originally installed.
* Schematic diagram is subject to change without notice.

●電圧は、内部抵抗10MΩの電圧計で測定したものです。
●▲印のある部品は、安全性確保部品を示しています。部品の交換が必要な場合、パーツリストに記載されている部品を使用してください。
●本回路図は標準回路図です。改良のため予告なく変更することがございます。

1
2
3
4
5
6
7
8
9
10

OPERATION



Interchangeable Parts at Manufacture-Stage

Mark	Reference Parts Number	Parts Name
&1	DB002-8003	2SD1938(F) 2SC3326(A/B) 2SC5938A(A/B) 2SD2704K
&2	DB004-8008-8010	1SS355 MA111 KDS160-RTK/P
&3	UB001	GP1FA513R20F GP1FA513RZ

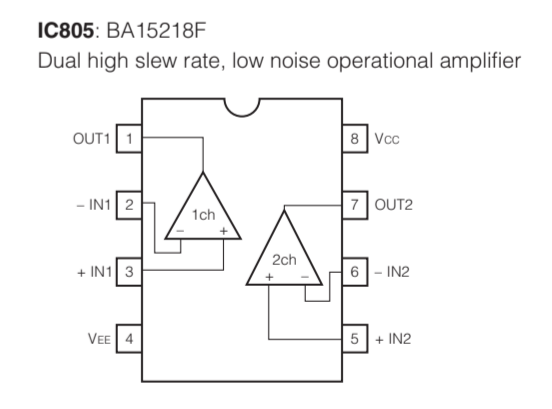
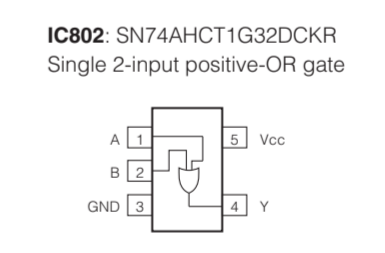
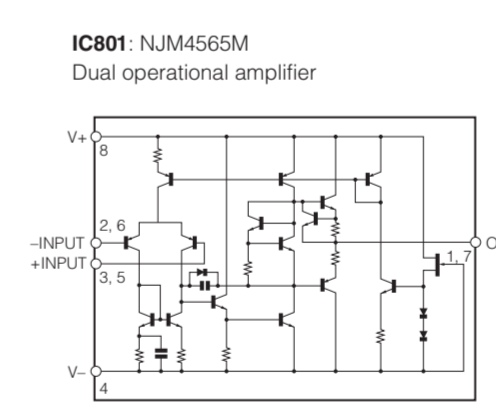
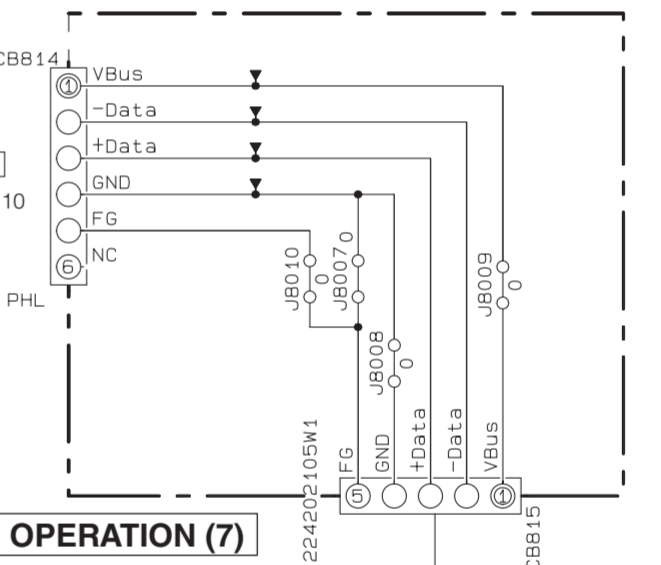
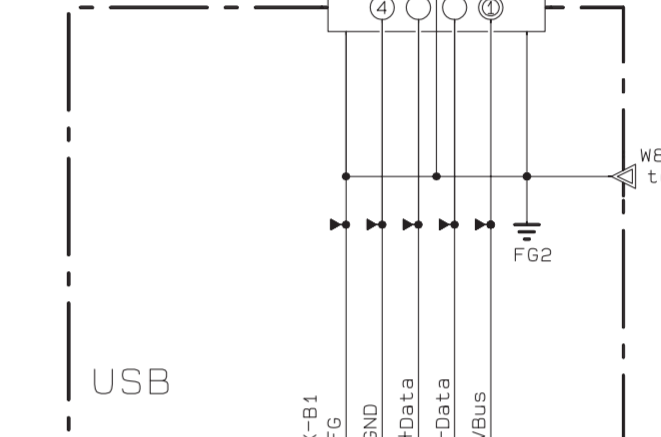
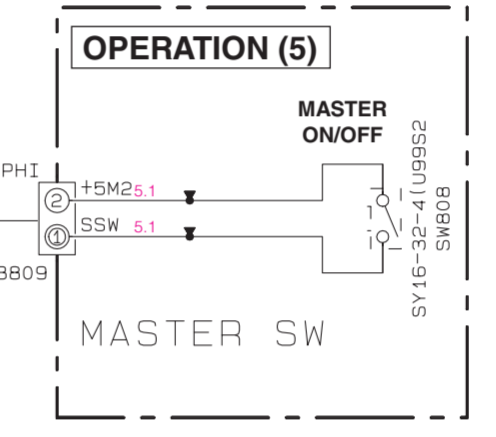
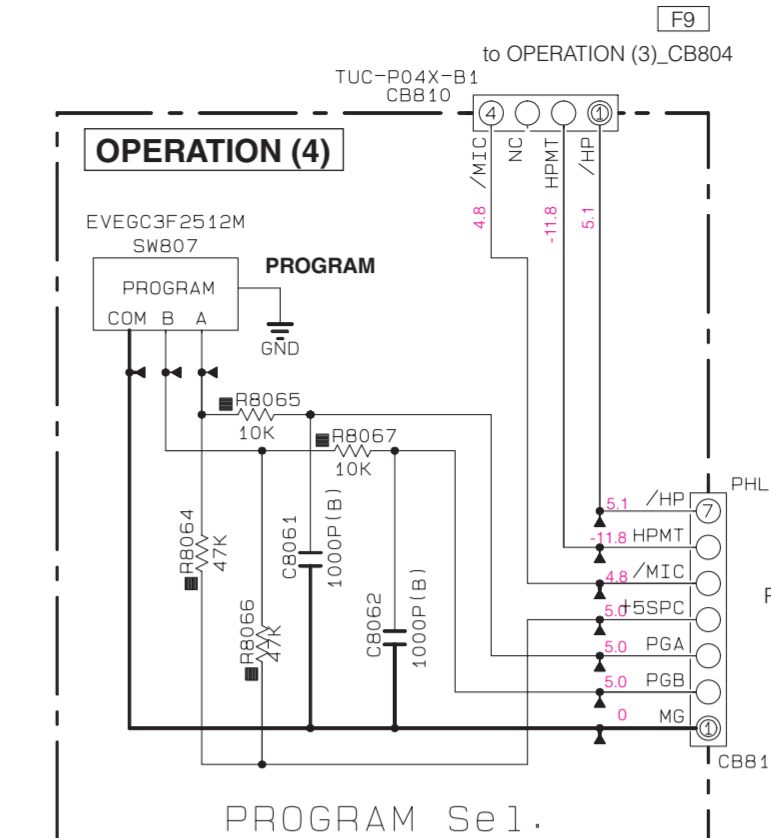
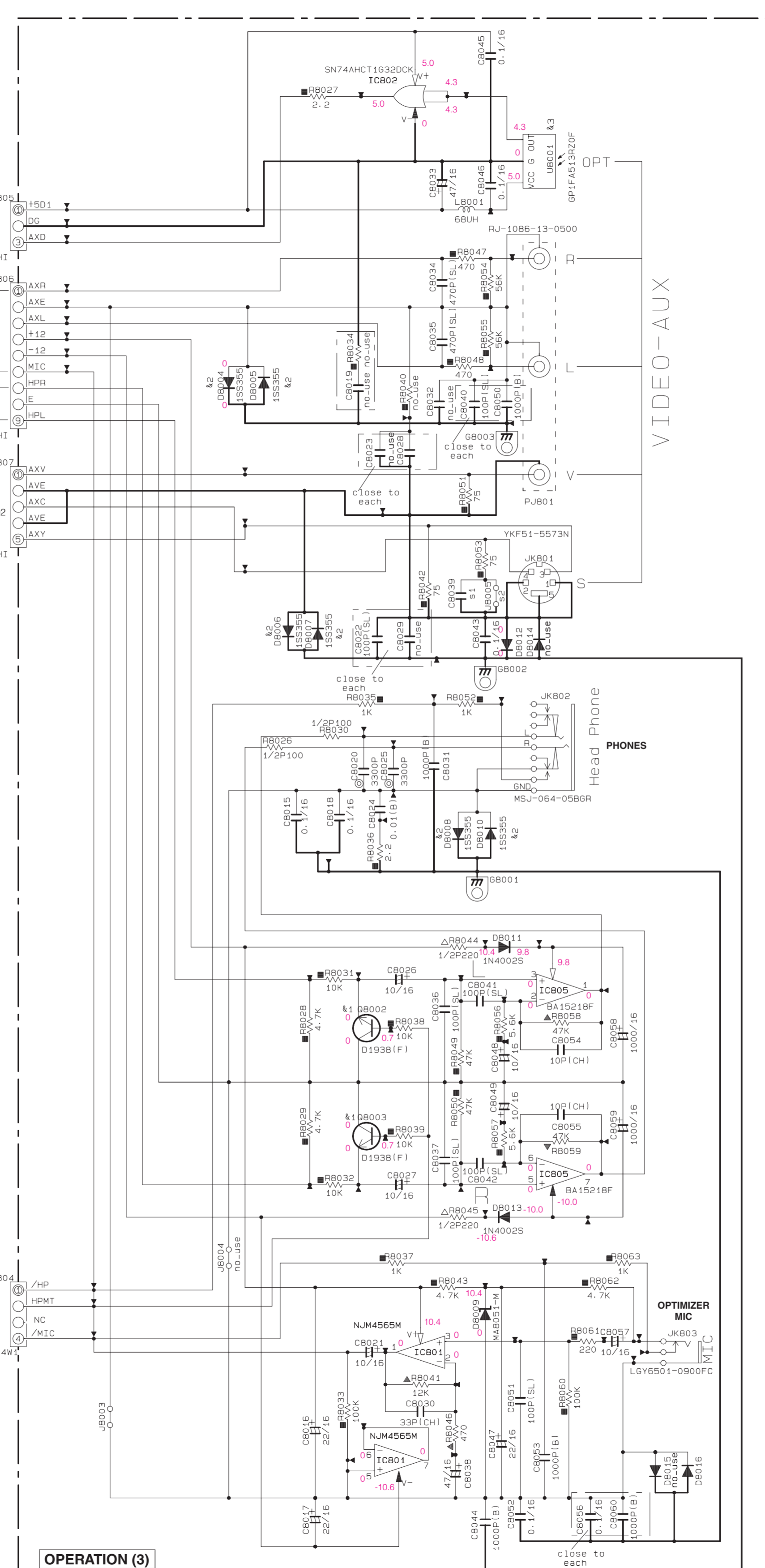
Destination Part List			
sXX	LOC	J	UCRTKABGEL
s1	CB039	US13510	X
s2	JB005	X	RD35000

NOTICE (model)

- (J)..... JAPAN
- (U)..... U. S. A
- (C)..... CANADA
- (R)..... GENERAL
- (T)..... CHINA
- (K)..... KOREA
- (A)..... AUSTRALIA
- (B)..... BRITISH
- (G)..... EUROPE
- (L)..... SINGAPORE
- (E)..... SOUTH EUROPE
- (V)..... TAIWAN

- * All voltages are measured with a 10MQ/V DC electronic voltmeter.
- * Components having special characteristics are marked with a triangle and must be replaced with parts having specifications equal to those originally installed.
- * Schematic diagram is subject to change without notice.

- 電圧は、内部抵抗10MQの電圧計で測定したものです。
- 三角形のある部品は、安全性確保部品を示しています。部品の交換が必要な場合、パーツリストに記載されている部品を使用してください。
- 本回路図は標準回路図です。改良のため予告なく変更することがございます。

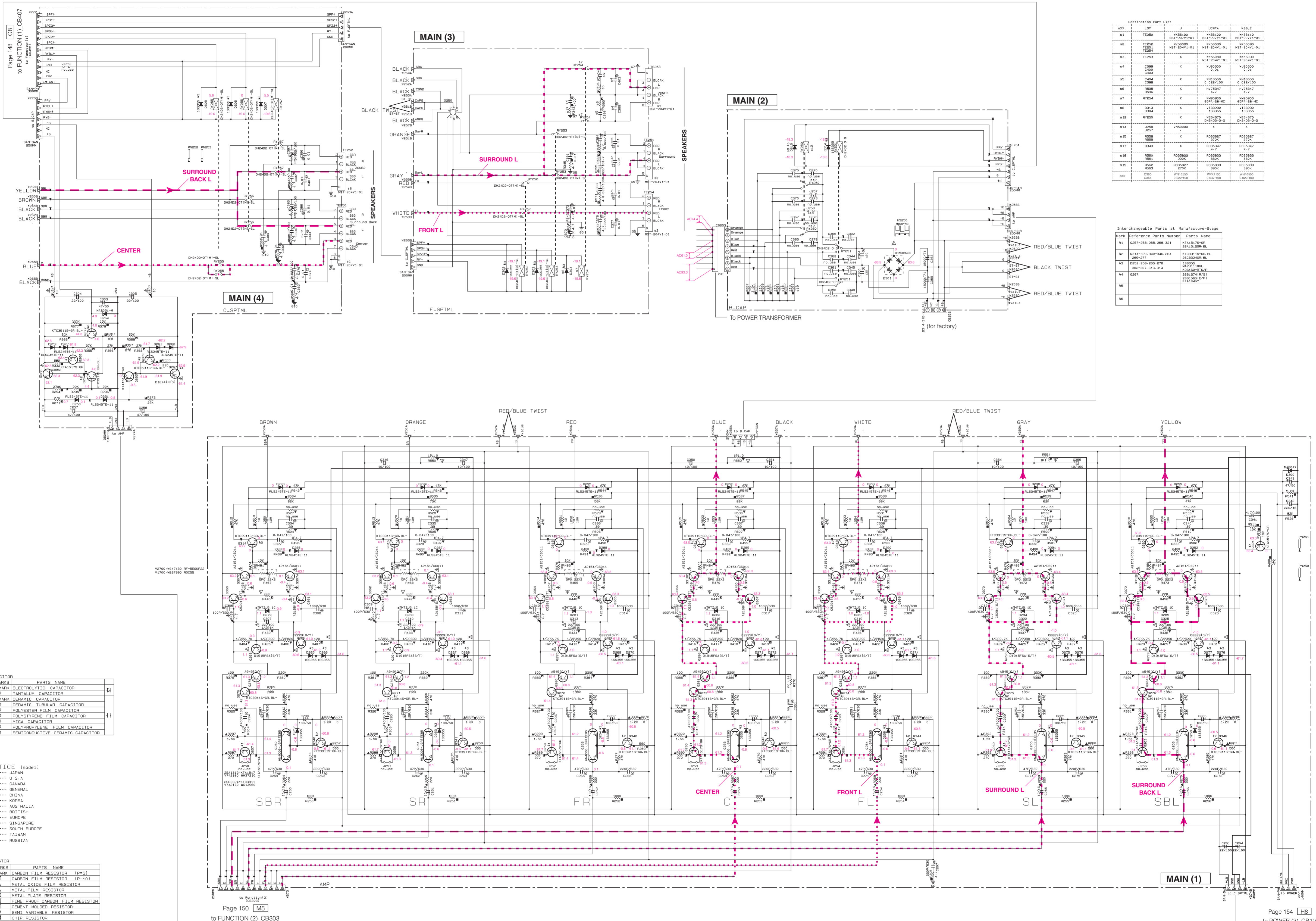


REMARKS	PARTS NAME
NO MARK	CARBON FILM RESISTOR (P=5)
□	CARBON FILM RESISTOR (P=10)
△	METAL OXIDE FILM RESISTOR
▲	METAL FILM RESISTOR
⊠	METAL PLATE RESISTOR
■	FIRE PROOF CARBON FILM RESISTOR
□	CEMENT MOLDED RESISTOR
▨	SEMI VARIABLE RESISTOR
■	CHIP RESISTOR

REMARKS	PARTS NAME
NO MARK	ELECTROLYTIC CAPACITOR
⊗	TANTALUM CAPACITOR
NO MARK	CERAMIC CAPACITOR
●	CERAMIC TUBULAR CAPACITOR
○	POLYESTER FILM CAPACITOR
○	POLYSTYRENE FILM CAPACITOR
○	MICA CAPACITOR
○	POLYPROPYLENE FILM CAPACITOR
	SEMICONDUCTIVE CERAMIC CAPACITOR

- IMPLEMENTATION:
- INPUT SELECTOR
 - VOLUME
 - VIDEO-AUX
 - HEAD PHONE AMP
 - MIC AMP
 - PROGRAM SELECTOR
 - MASTER SWITCH
 - USB CONNECTOR

MAIN



Destination Part List

QTY	LOC	J	UQTA	Q8BLE
81	TE950	W56100	W56100	W56110
82	TE950	W56080	W56080	W56090
83	TE950	W56060	W56060	W56070
84	C499	W40550	W40550	W40560
85	C498	W40540	W40540	W40550
86	RY254	HV75347	HV75347	HV75347
87	RY254	W56050	W56050	W56060
88	Q313	VT33290	VT33290	VT33290
89	RY250	W54870	W54870	W54870
810	RY250	DH2402-0-0	DH2402-0-0	DH2402-0-0
814	U587	W66000	X	X
815	R559	RD3527	RD3527	RD3527
817	R343	RD35347	RD35347	RD35347
818	R560	RD35333	RD35333	RD35333
819	R561	RD35333	RD35333	RD35333
820	C384	W66000	W66000	W66000

Interchangeable Parts at Manufacture Stage

Mark	Reference Parts Number	Parts Name
41	Q097-063-266-381	KT1A1578-GR
42	Q314-300-346-264	KT39115-GR-BL
43	Q097-063-266-381	KT1A1578-GR
44	Q097-063-266-381	KT1A1578-GR
45	Q097-063-266-381	KT1A1578-GR
46	Q097-063-266-381	KT1A1578-GR

CAPACITOR

REMARKS	PARTS NAME
ND MARK	ELECTROLYTIC CAPACITOR
ND MARK	TANTALUM CAPACITOR
ND MARK	CERAMIC CAPACITOR
ND MARK	CERAMIC TUBULAR CAPACITOR
ND MARK	POLYESTER FILM CAPACITOR
ND MARK	POLYSTYRENE FILM CAPACITOR
ND MARK	MICA CAPACITOR
ND MARK	POLYPROPYLENE FILM CAPACITOR
ND MARK	SEMICONDUCTIVE CERAMIC CAPACITOR

NOTICE (mode1)

(J)..... JAPAN
 (U)..... U.S.A
 (C)..... CANADA
 (R)..... GENERAL
 (T)..... CHINA
 (K)..... KOREA
 (A)..... AUSTRALIA
 (B)..... BRITISH
 (E)..... EUROPE
 (L)..... SINGAPORE
 (S)..... SOUTH EUROPE
 (V)..... TAIWAN
 (F)..... RUSSIAN

RESISTOR

REMARKS	PARTS NAME
ND MARK	CARBON FILM RESISTOR (D=6)
ND MARK	CARBON FILM RESISTOR (D=10)
ND MARK	METAL OXIDE FILM RESISTOR
ND MARK	METAL FILM RESISTOR
ND MARK	METAL PLATE RESISTOR
ND MARK	FILM RESISTOR
ND MARK	FILM PROOF CARBON FILM RESISTOR
ND MARK	CEMENT MOLDED RESISTOR
ND MARK	SEMI VARIABLE RESISTOR
ND MARK	CHIP RESISTOR

* All voltages are measured with a 10MΩ DC electronic voltmeter.
 * Components having special characteristics are marked with a triangle and must be replaced with parts having specifications equal to those originally installed.
 * Schematic diagram is subject to change without notice.

● 電圧は、内部抵抗10MΩの電圧計で測定したものです。
 ● 印のある部品は、安全確保部品を示しています。部品の交換が必要な場合、パーツリストに記載されている部品を使用してください。
 ● 本回路図は標準回路図です。改良のため予告なく変更することがございます。

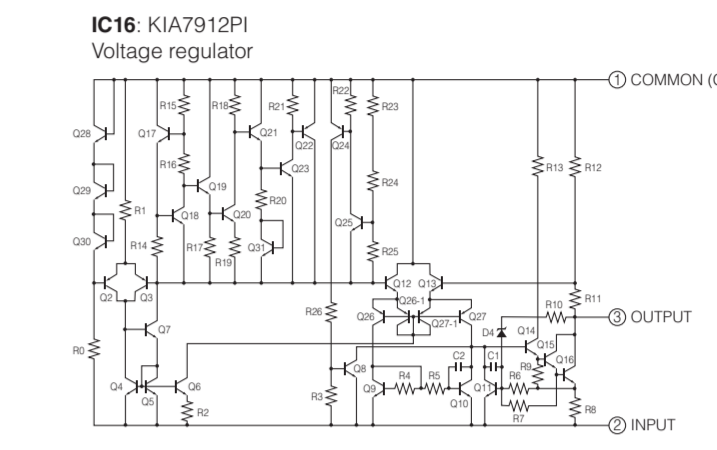
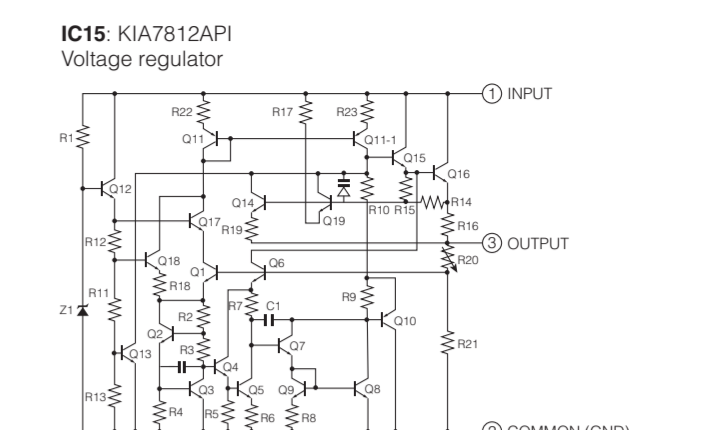
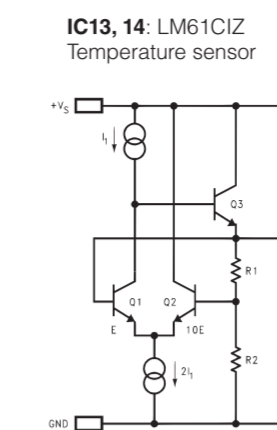
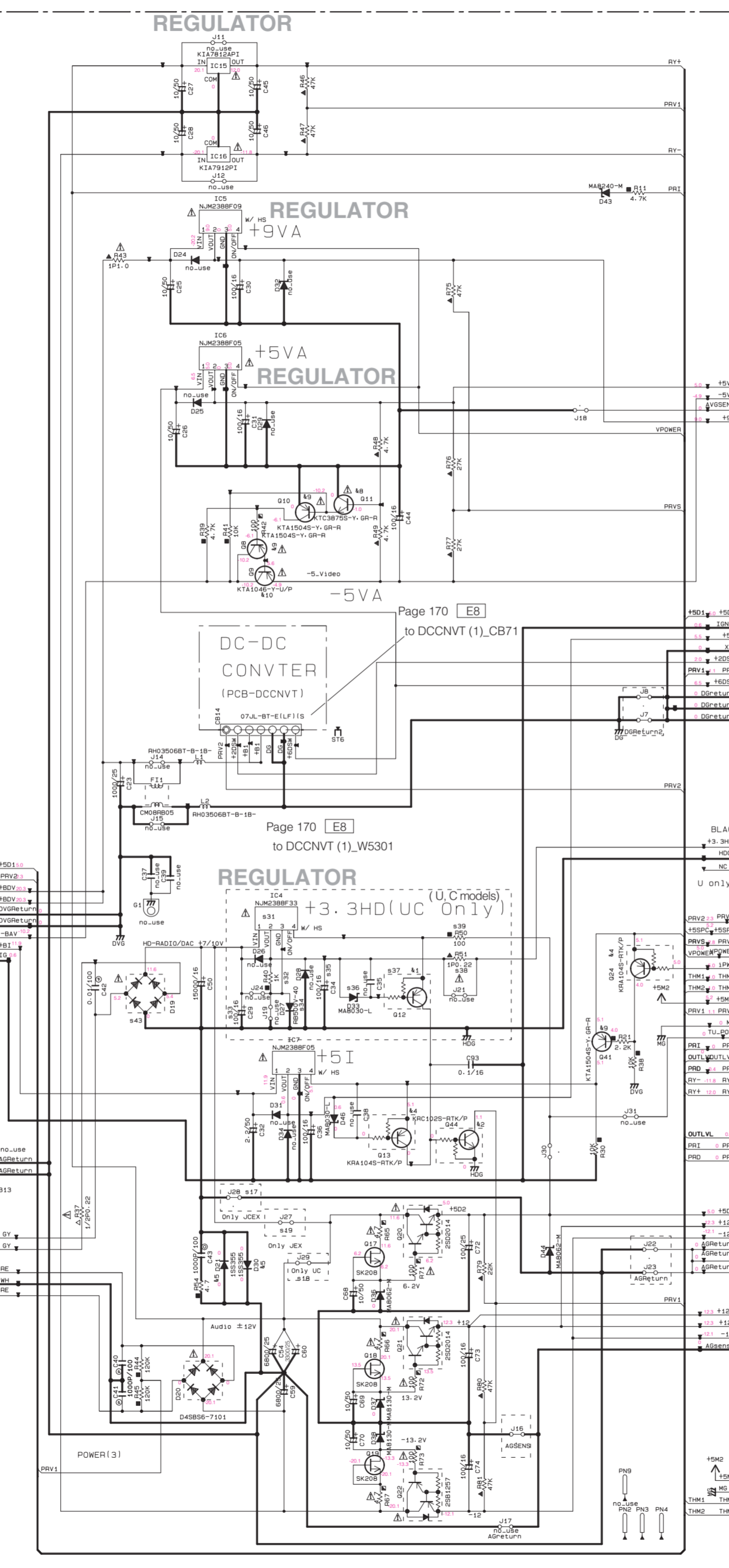
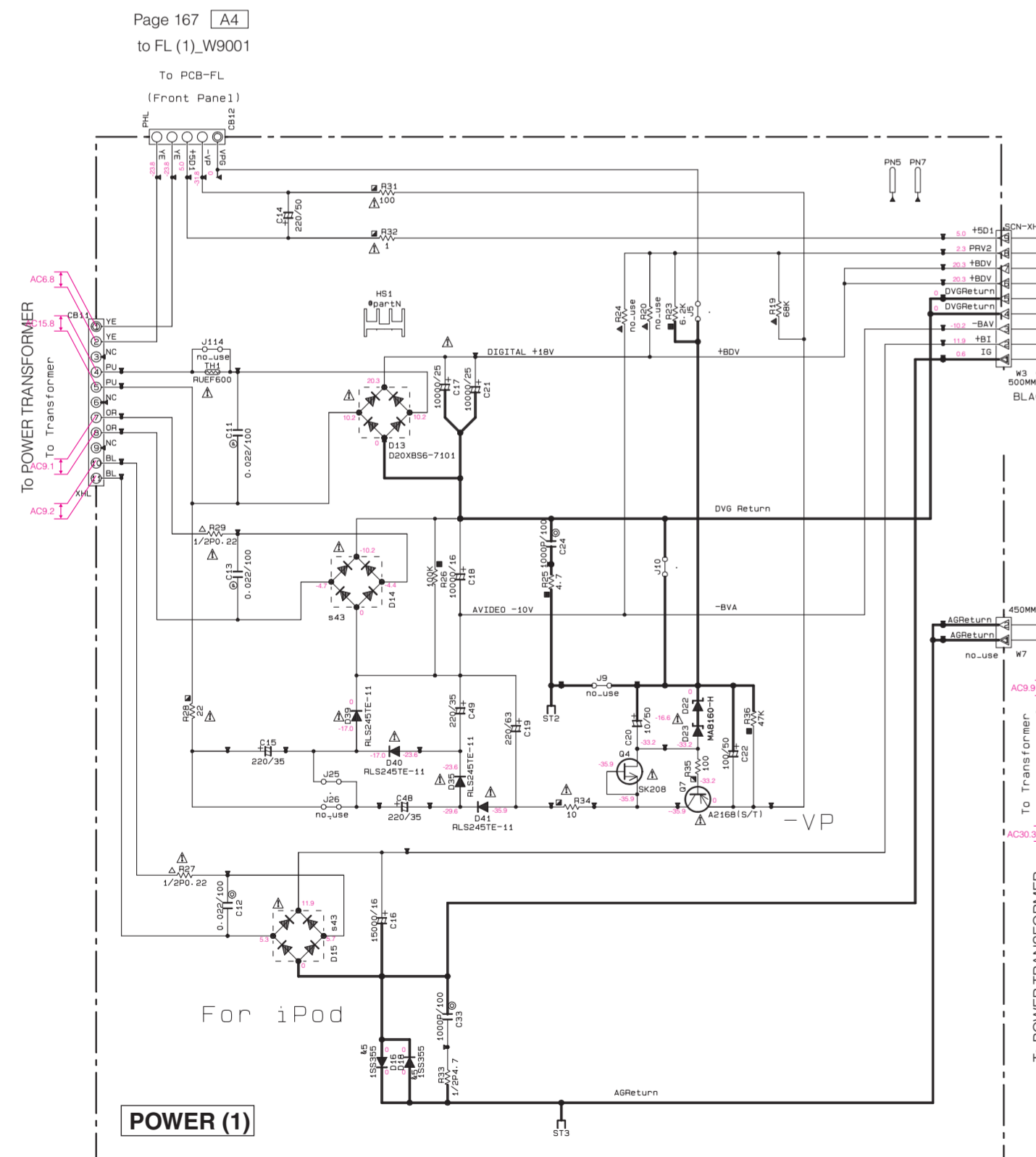
POWER

Destination Part List table with columns for part number, model, and various specifications.

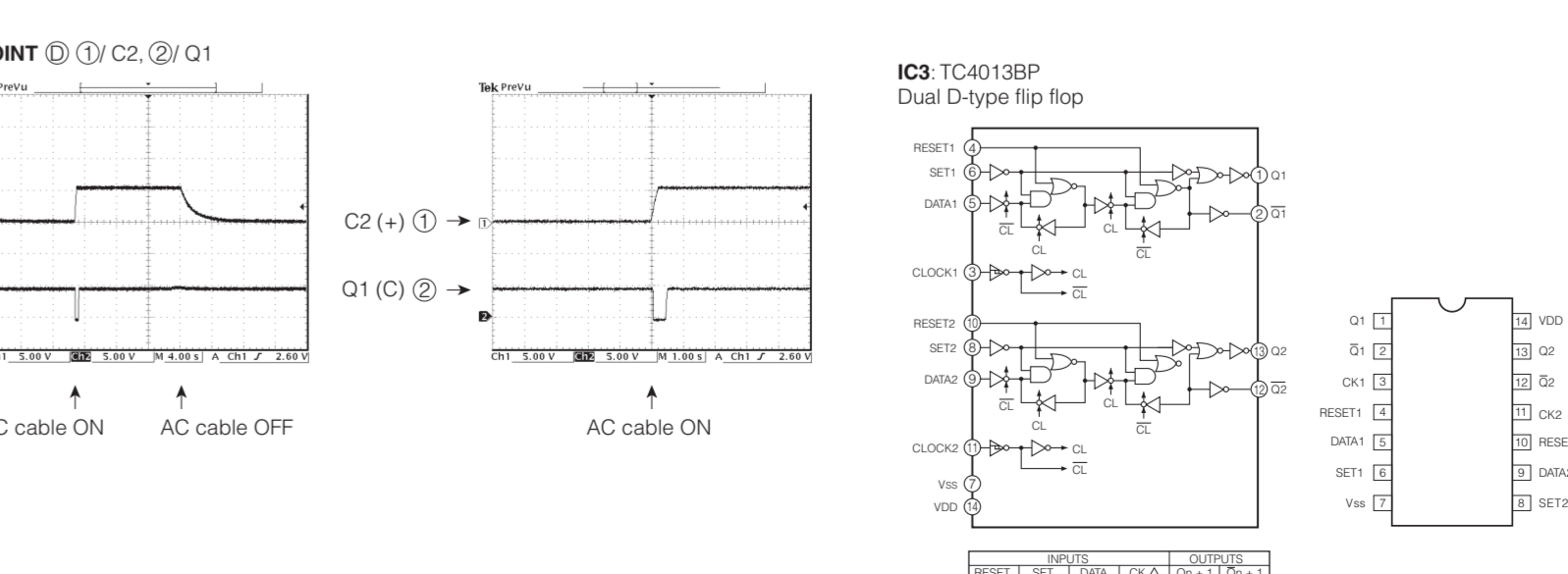
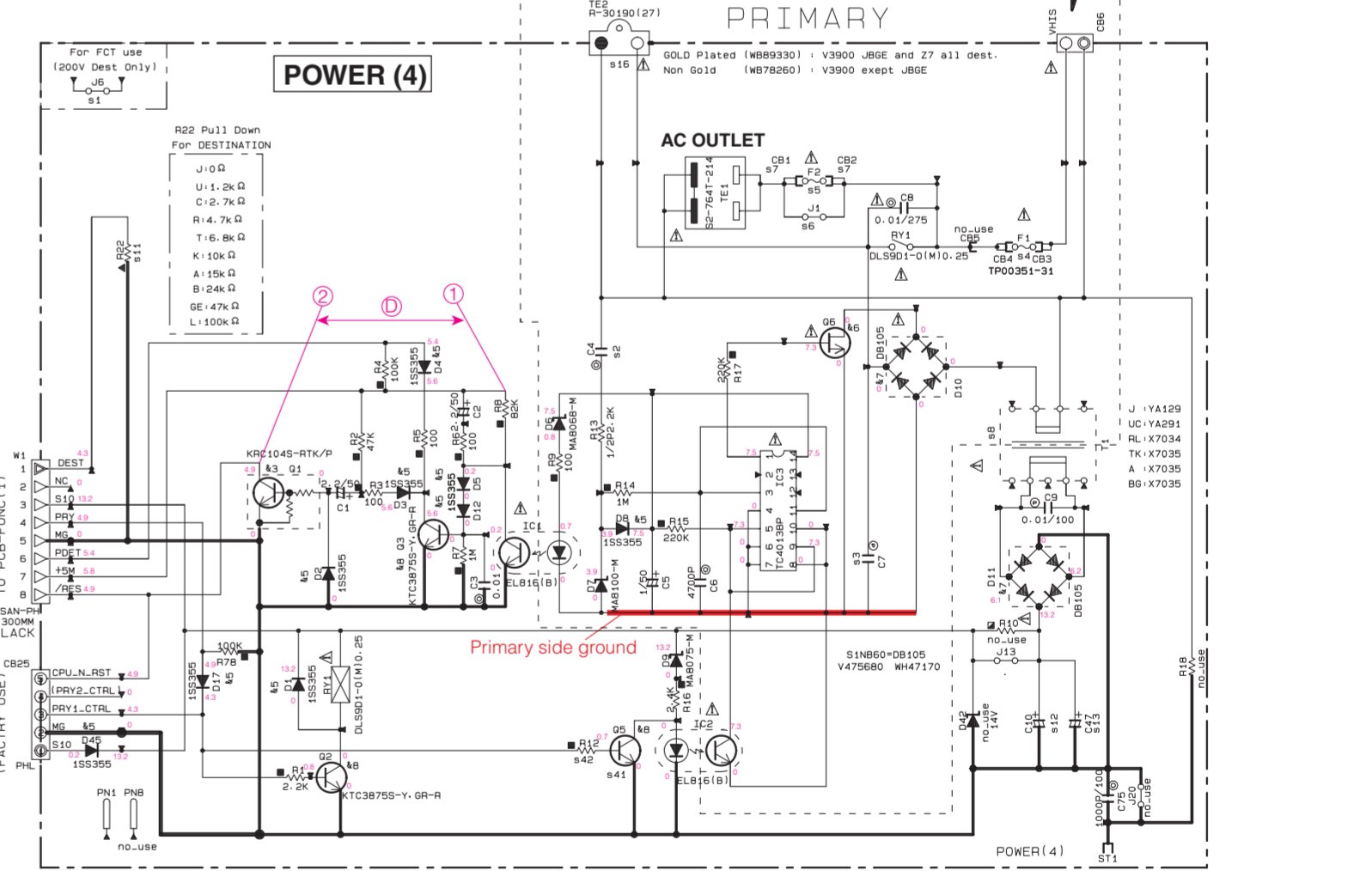
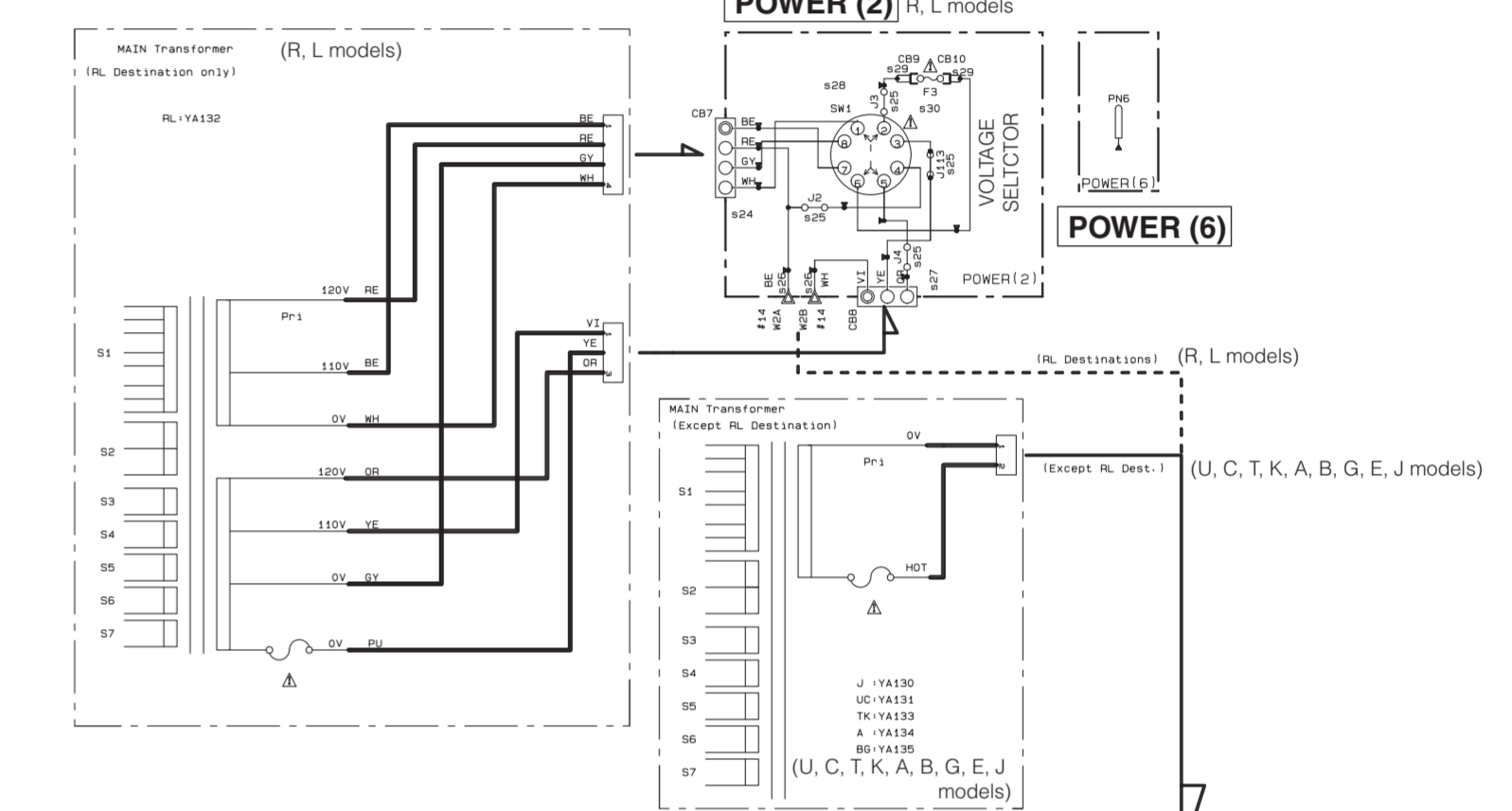
Capacitor and Resistor parts lists with remarks and part names.

NOTICE (Model) listing manufacturing locations: JAPAN, U.S.A., CANADA, CHINA, GENERAL, KOREA, AUSTRALIA, BRITISH, EUROPE, SINGAPORE, SOUTH, TAIWAN, RUSSIAN.

Interchangeable Parts at Manufacture Stage table with Mark, Reference Parts Number, and Parts Name.

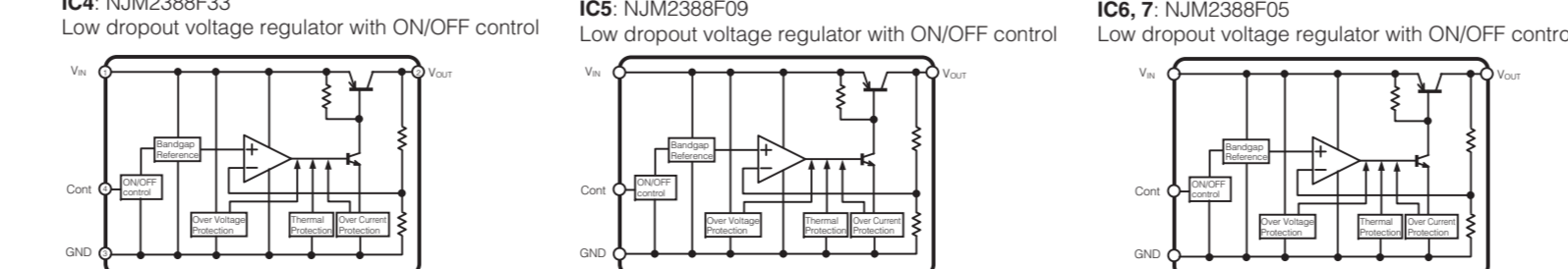


VOLTAGE SELECTOR table with voltage ranges and corresponding switch positions.



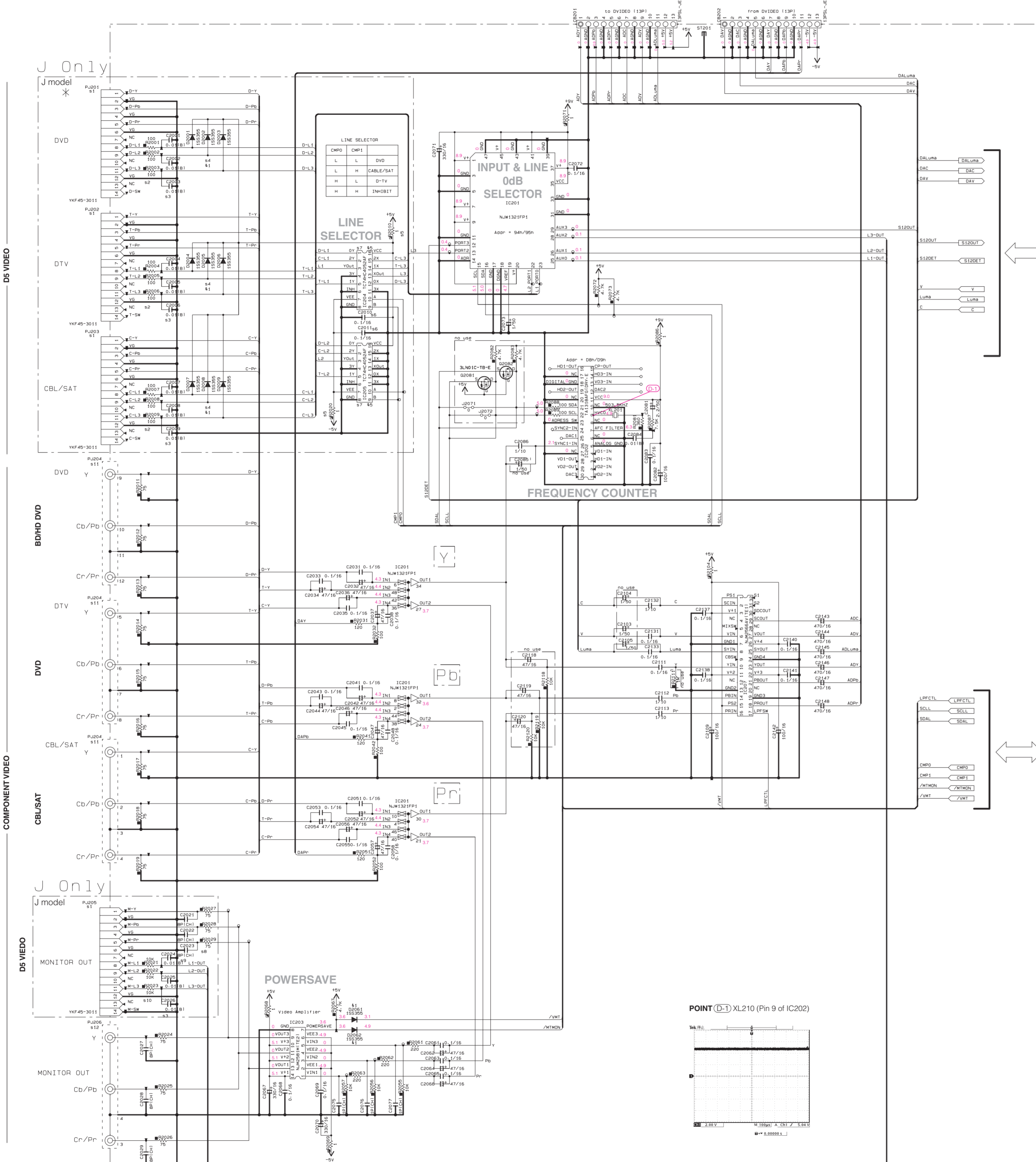
* All voltages are measured with a 10MΩ/V DC electronic voltmeter. * Components having special characteristics are marked with a triangle.

● 電圧は、内部抵抗10MΩの電圧計で測定したものです。 ● 印のある部品は、安全性確保部品を示しています。



A-VIDEO 1/2

Page 157 [A3] to D-VIDEO_CB701 Page 157 [A2] to D-VIDEO_CB700



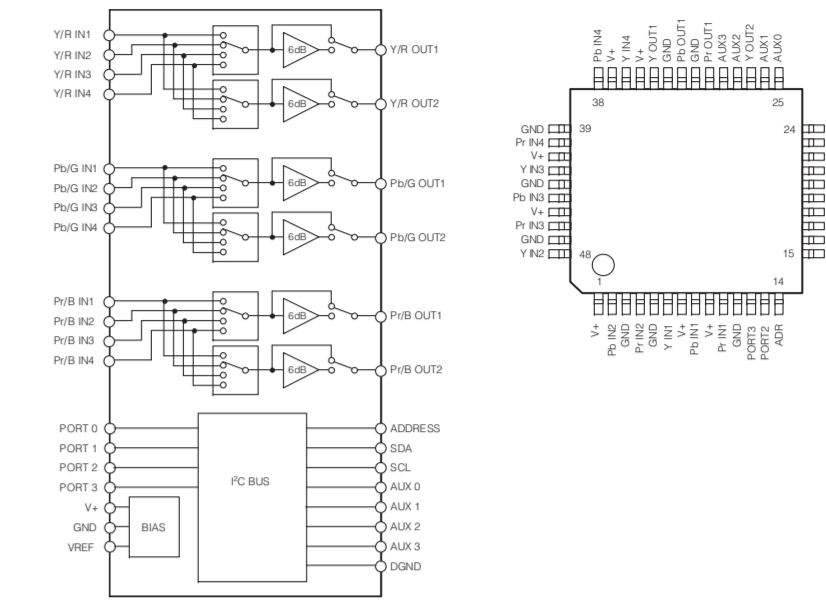
RESISTOR table with columns for Remarks, Parts Name, and values.

CAPACITOR table with columns for Remarks, Parts Name, and values.

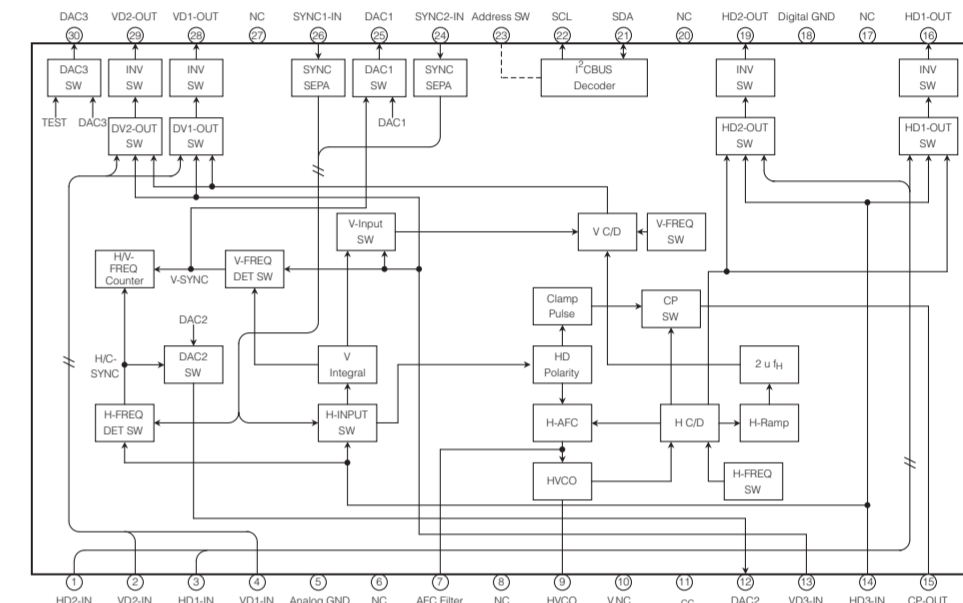
Destination Part List table with columns for sxx, LOC, J, U.C.R.K, T.A.B.G.L.E.

Interchangeable Parts at Manufacture-Stage table with columns for Mark, Reference Parts Number, and Parts Name.

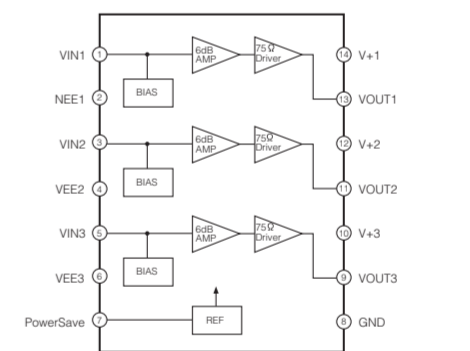
IC201: NJW1321FP1 Wide band video switch with IC bus



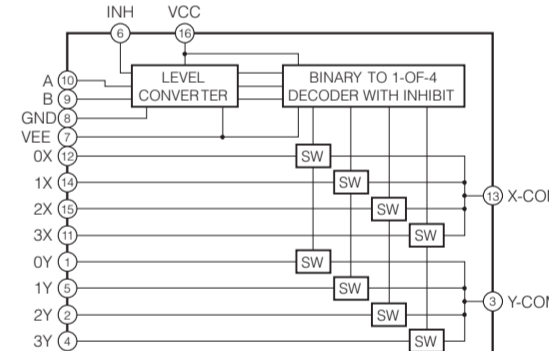
IC202: TA1318AF SYNC processor, frequency counter IC for TV component signals



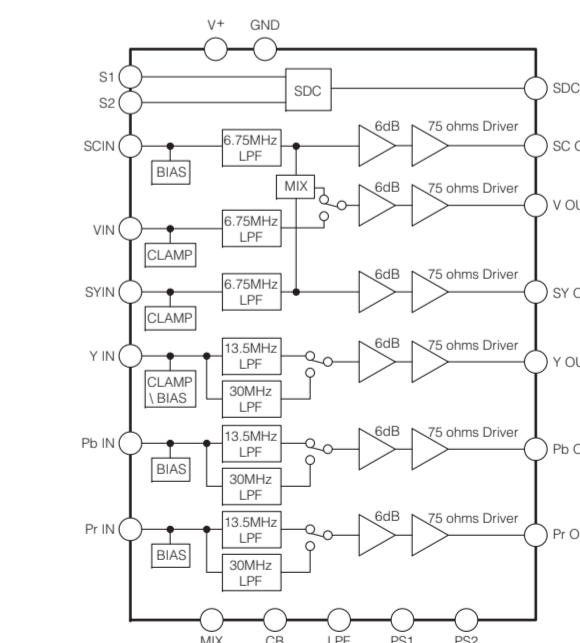
IC203: NJM2581M Video amplifier



IC204, 205: TC74HC4052AF Analog multiplexer/demultiplexer



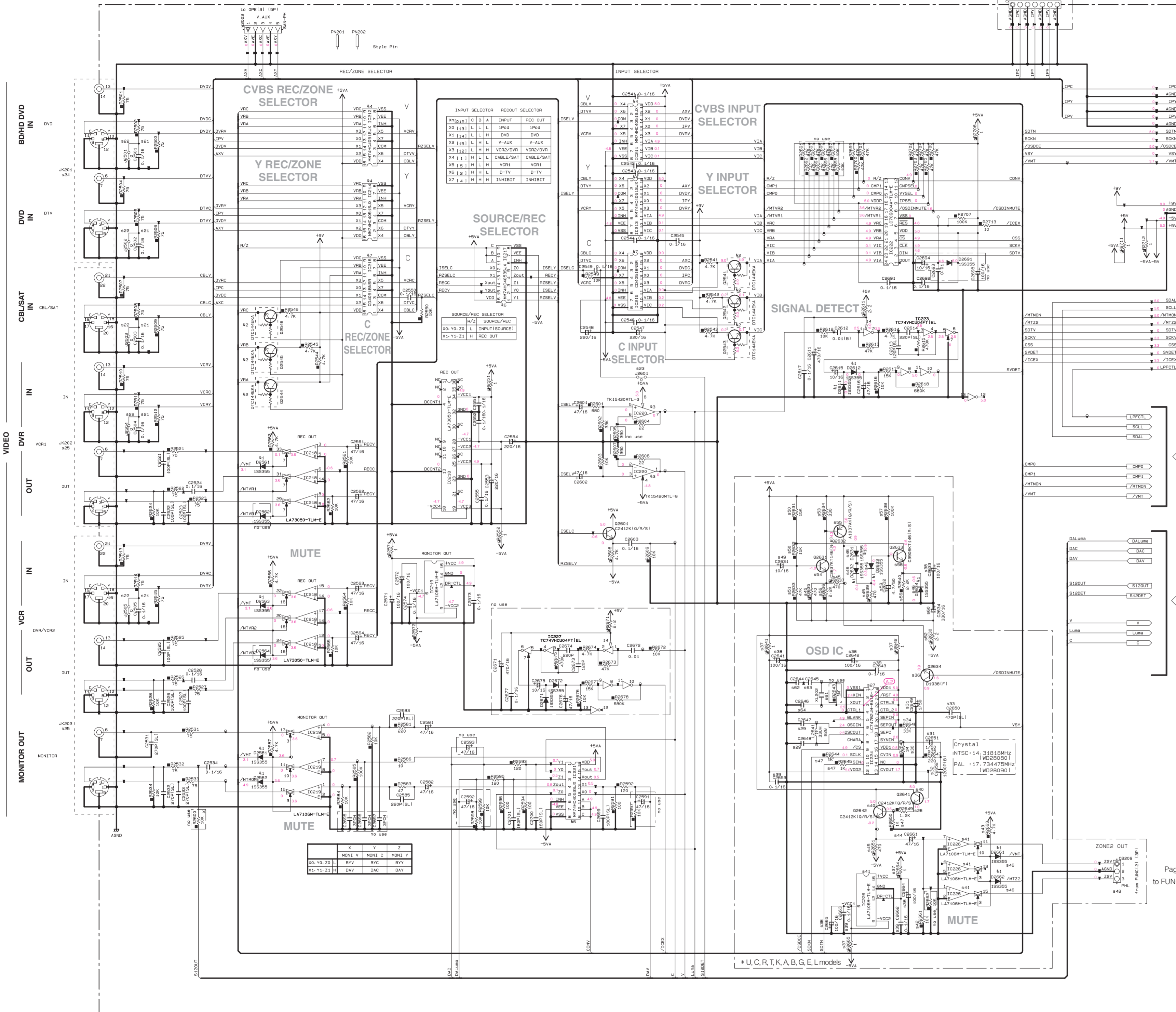
IC207: NJM2566AV 6-channel video amplifier for DVD



* All voltages are measured with a 10MΩ DC electronic voltmeter. * Components having special characteristics are marked 1 and must be replaced with parts having specifications other than those originally installed. * Schematic diagram is subject to change without notice.

● 電圧は、内部抵抗10MΩの電圧計で測定したものです。 ● 1印のある部品は、安全確保部品を示しています。部品の交換が必要な場合、パーツリストに記載されている部品を使用してください。 ● 本回路図は標準回路図です。改良のため予告なく変更することがございます。

Page 152 [F4] to OPERATION (3)_CB807



RESISTOR

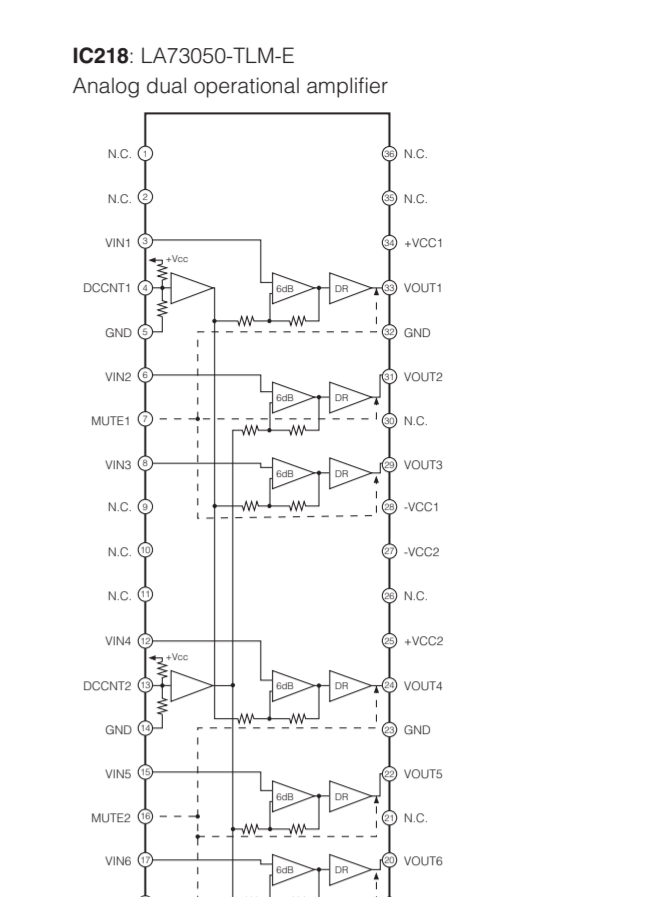
REMARKS	PARTS NAME
NO MARK	CARBON FILM RESISTOR (P=5)
□	CARBON FILM RESISTOR (P=10)
△	METAL OXIDE FILM RESISTOR
○	METAL PLATE RESISTOR
◇	FINE PROOF CARBON FILM RESISTOR
■	CEMENT MOUNTED RESISTOR
◎	SEMI-VARIABLE RESISTOR
■	CHIP RESISTOR

NOTICE (mode1)

(J)..... JAPAN
(U)..... U.S.A
(C)..... CANADA
(H)..... GENERAL
(T)..... CHINA
(K)..... KOREA
(A)..... AUSTRALIA
(B)..... BRITISH
(Q)..... EUROPE
(E)..... SOUTH EUROPE
(V)..... TAIWAN
(F)..... RUSSIAN

CAPACITOR

REMARKS	PARTS NAME
NO MARK	ELECTROLYTIC CAPACITOR
□	TANTALUM CAPACITOR
○	CERAMIC CAPACITOR
◇	CERAMIC TUBULAR CAPACITOR
◎	POLYESTER FILM CAPACITOR
◇	POLYSTYRENE FILM CAPACITOR
○	MICA CAPACITOR
◎	POLYPROPYLENE FILM CAPACITOR
◎	SEMICONDUCTIVE CERAMIC CAPACITOR
◎	POLYPHENYLENE SULFIDE FILM CAPACITOR



Page 148 [B] to FUNCTION (1)_CB410

Page 154 [H4] to POWER (3)_CB23

Page 165 [M3] to D-VIDEO_CB106

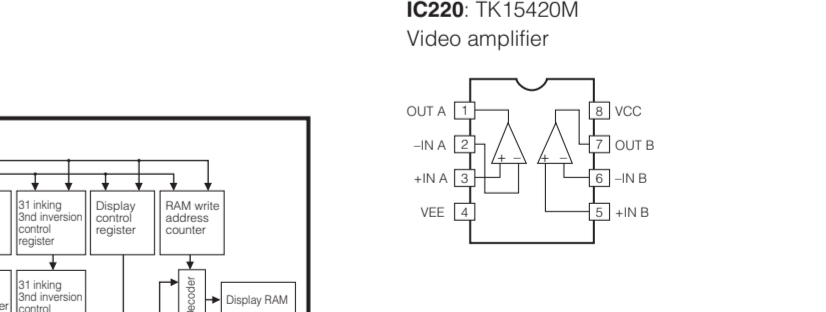
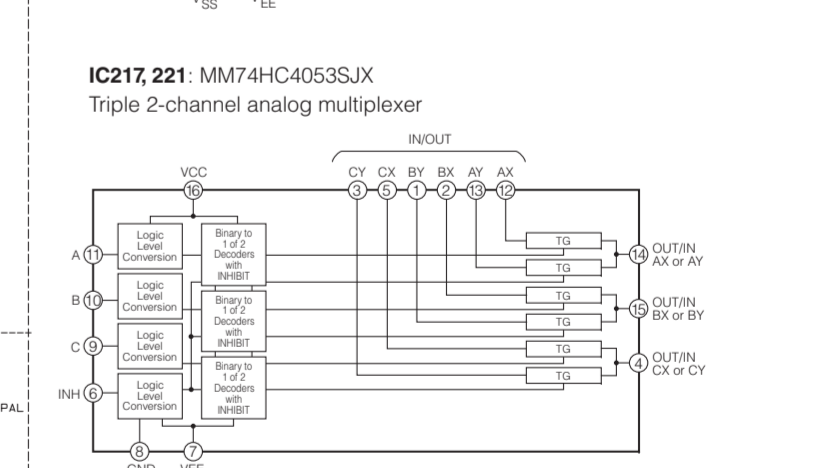
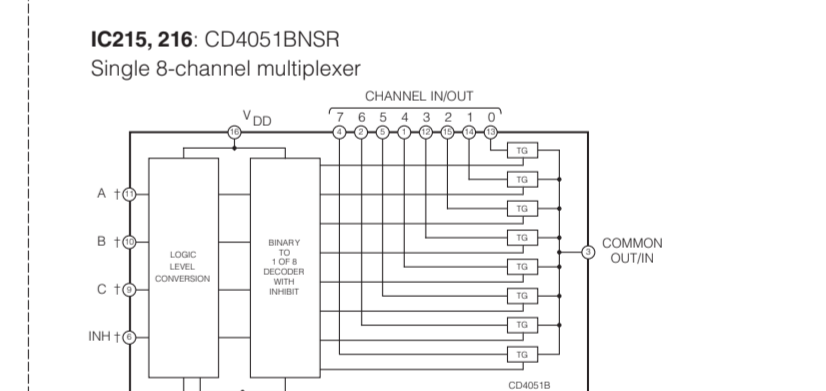
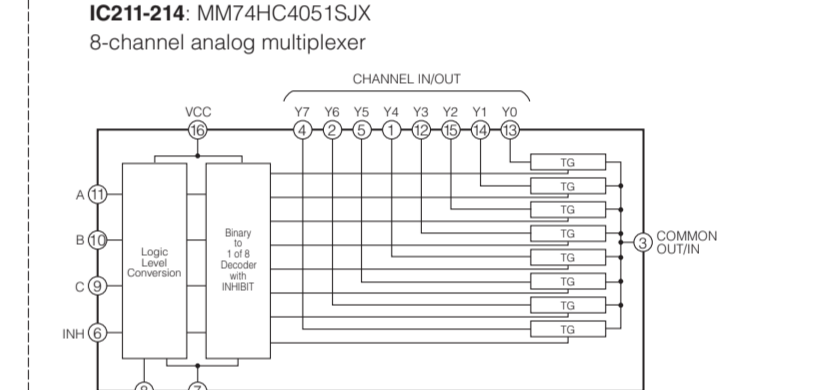
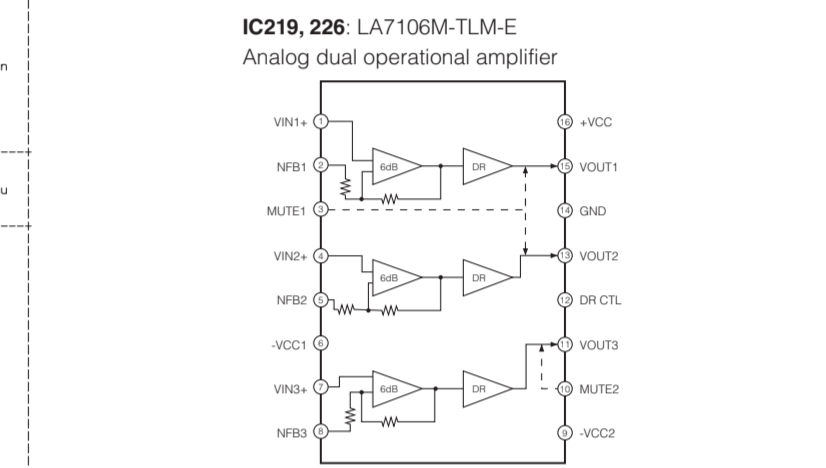
001.sht to A-VIDEO 1/2

001.sht to A-VIDEO 1/2

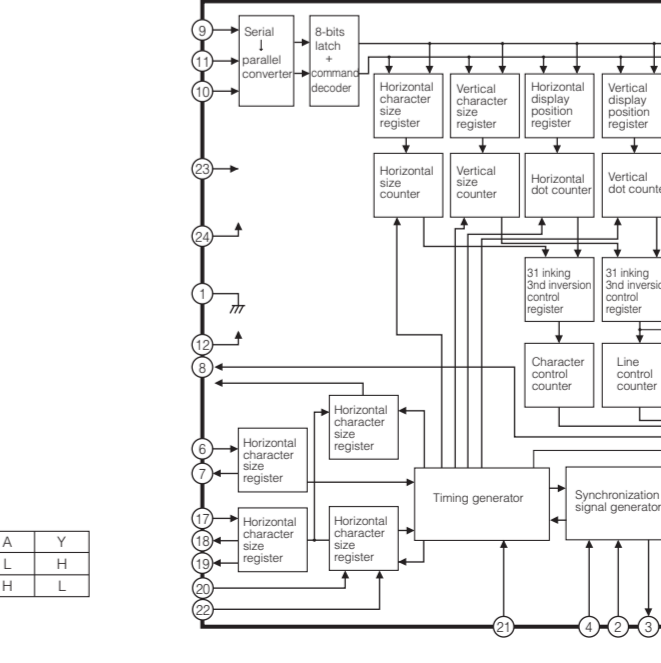
Page 151 [C10] to FUNCTION (2)_W3500

Destination Part List

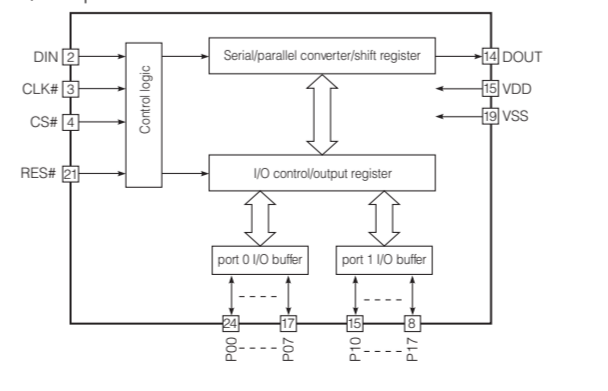
NO.	LOC.	QTY.	U.C.R.K.	T.A.B.G.L.E.
881	CR01	1	W5710	X
882	UR05	X	RD3900	RD3900
883	UR01	X	RD3900	X
884	UR01	X	RD3900	X
885	UR01	X	RD3900	X
886	UR01	X	RD3900	X
887	UR01	X	RD3900	X
888	UR01	X	RD3900	X
889	UR01	X	RD3900	X
890	UR01	X	RD3900	X
891	UR01	X	RD3900	X
892	UR01	X	RD3900	X
893	UR01	X	RD3900	X
894	UR01	X	RD3900	X
895	UR01	X	RD3900	X
896	UR01	X	RD3900	X
897	UR01	X	RD3900	X
898	UR01	X	RD3900	X
899	UR01	X	RD3900	X
900	UR01	X	RD3900	X
901	UR01	X	RD3900	X
902	UR01	X	RD3900	X
903	UR01	X	RD3900	X
904	UR01	X	RD3900	X
905	UR01	X	RD3900	X
906	UR01	X	RD3900	X
907	UR01	X	RD3900	X
908	UR01	X	RD3900	X
909	UR01	X	RD3900	X
910	UR01	X	RD3900	X
911	UR01	X	RD3900	X
912	UR01	X	RD3900	X
913	UR01	X	RD3900	X
914	UR01	X	RD3900	X
915	UR01	X	RD3900	X
916	UR01	X	RD3900	X
917	UR01	X	RD3900	X
918	UR01	X	RD3900	X
919	UR01	X	RD3900	X
920	UR01	X	RD3900	X
921	UR01	X	RD3900	X
922	UR01	X	RD3900	X
923	UR01	X	RD3900	X
924	UR01	X	RD3900	X
925	UR01	X	RD3900	X
926	UR01	X	RD3900	X
927	UR01	X	RD3900	X
928	UR01	X	RD3900	X
929	UR01	X	RD3900	X
930	UR01	X	RD3900	X
931	UR01	X	RD3900	X
932	UR01	X	RD3900	X
933	UR01	X	RD3900	X
934	UR01	X	RD3900	X
935	UR01	X	RD3900	X
936	UR01	X	RD3900	X
937	UR01	X	RD3900	X
938	UR01	X	RD3900	X
939	UR01	X	RD3900	X
940	UR01	X	RD3900	X
941	UR01	X	RD3900	X
942	UR01	X	RD3900	X
943	UR01	X	RD3900	X
944	UR01	X	RD3900	X
945	UR01	X	RD3900	X
946	UR01	X	RD3900	X
947	UR01	X	RD3900	X
948	UR01	X	RD3900	X
949	UR01	X	RD3900	X
950	UR01	X	RD3900	X
951	UR01	X	RD3900	X
952	UR01	X	RD3900	X
953	UR01	X	RD3900	X
954	UR01	X	RD3900	X
955	UR01	X	RD3900	X
956	UR01	X	RD3900	X
957	UR01	X	RD3900	X
958	UR01	X	RD3900	X
959	UR01	X	RD3900	X
960	UR01	X	RD3900	X
961	UR01	X	RD3900	X
962	UR01	X	RD3900	X
963	UR01	X	RD3900	X
964	UR01	X	RD3900	X



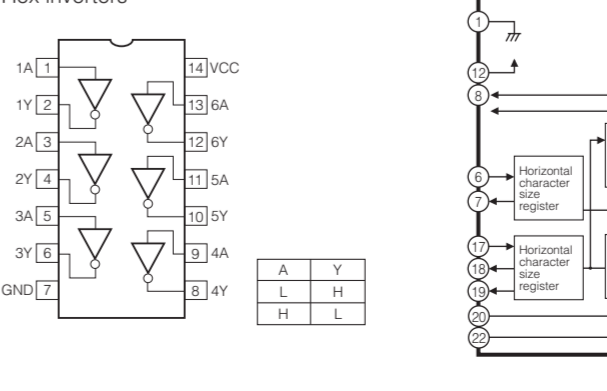
IC224: LC74782JM-BA16-TLM The on-screen display controller LSI



IC222: LC70904A-TLM-E I/O-expander for microcontroller



IC223: TC74VHC04FT Hex inverters

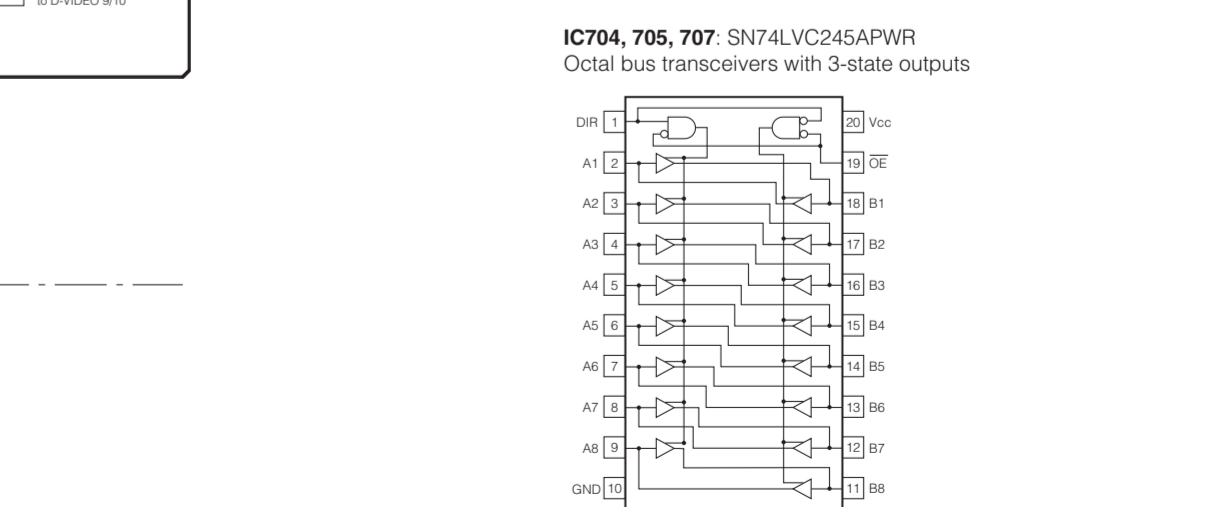
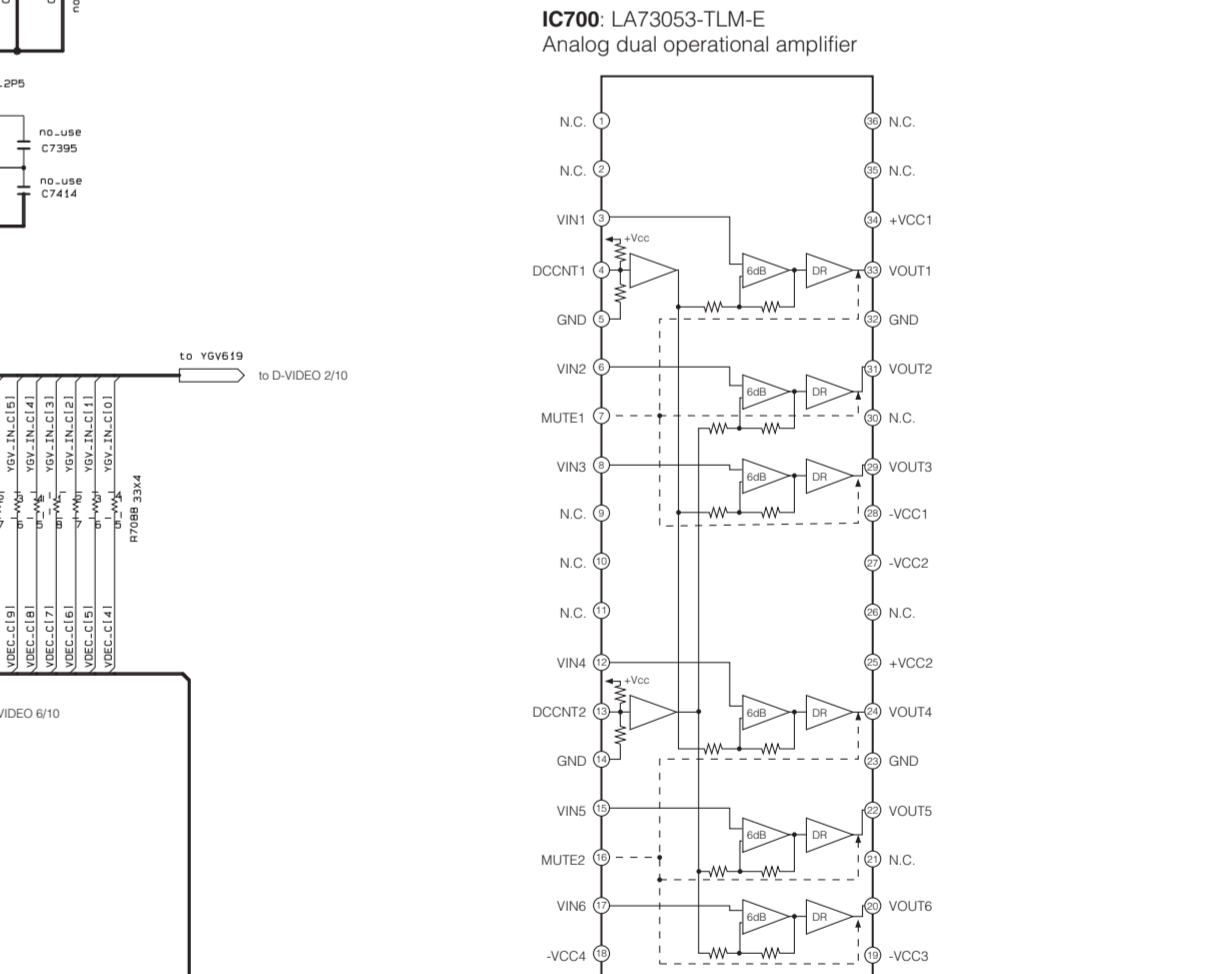
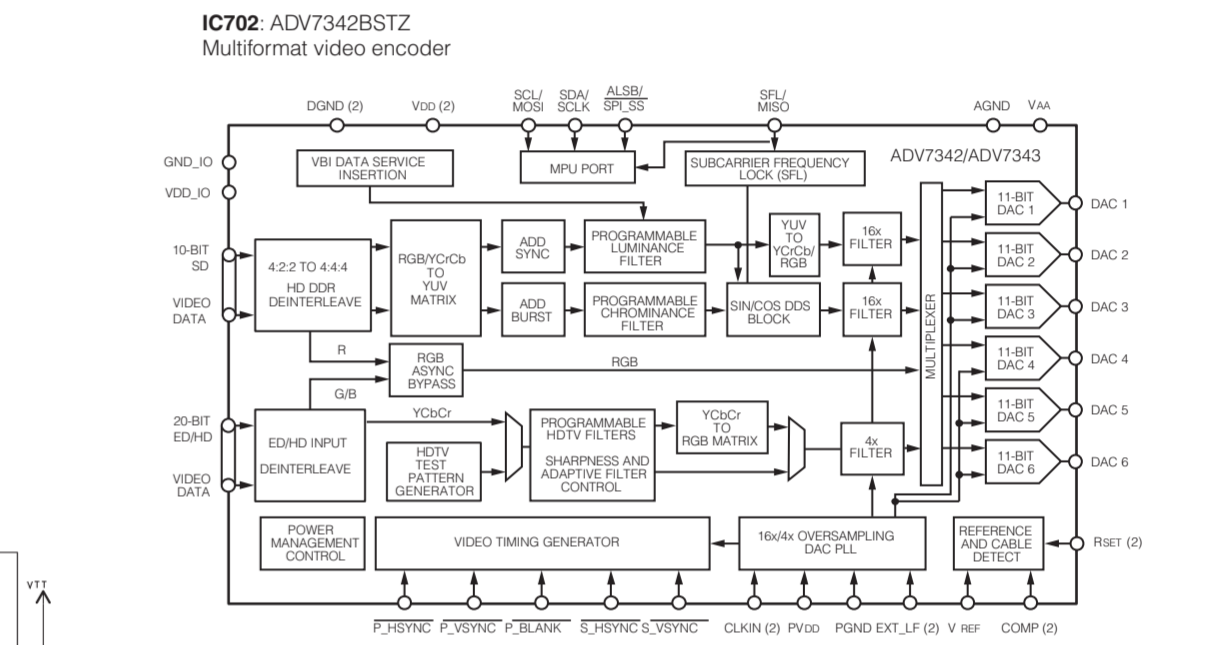
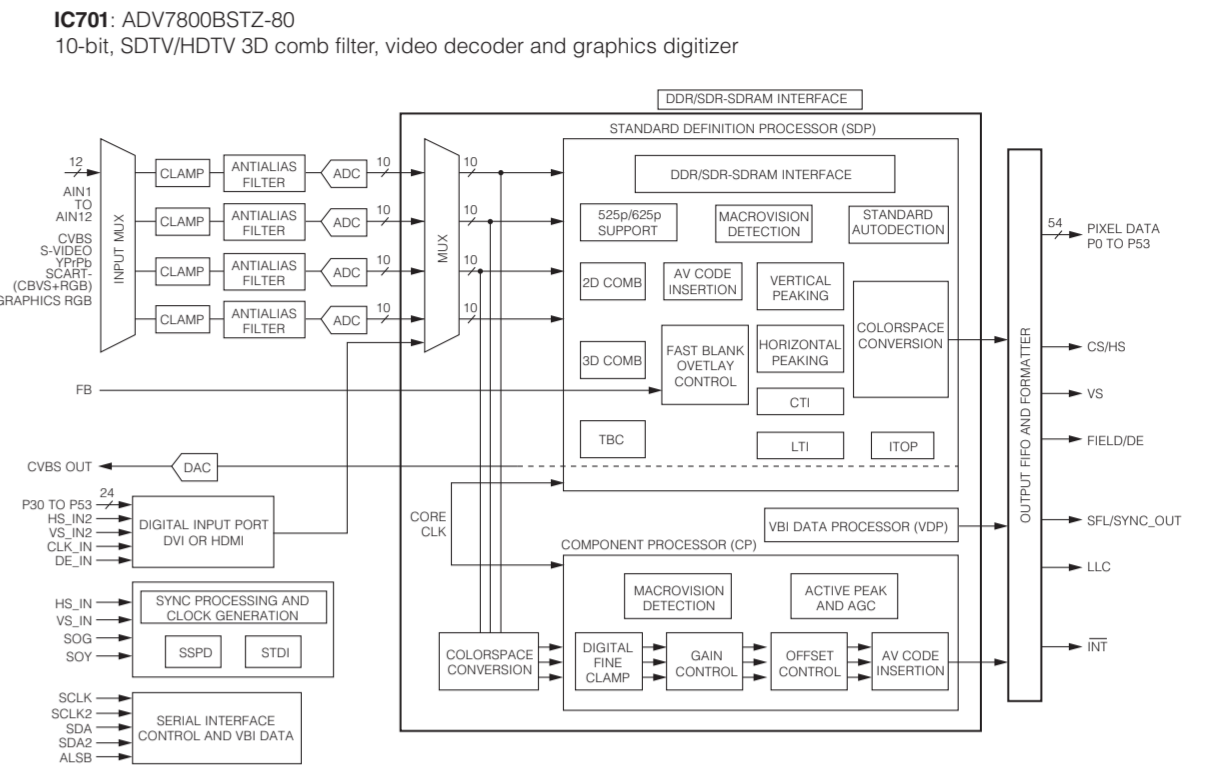
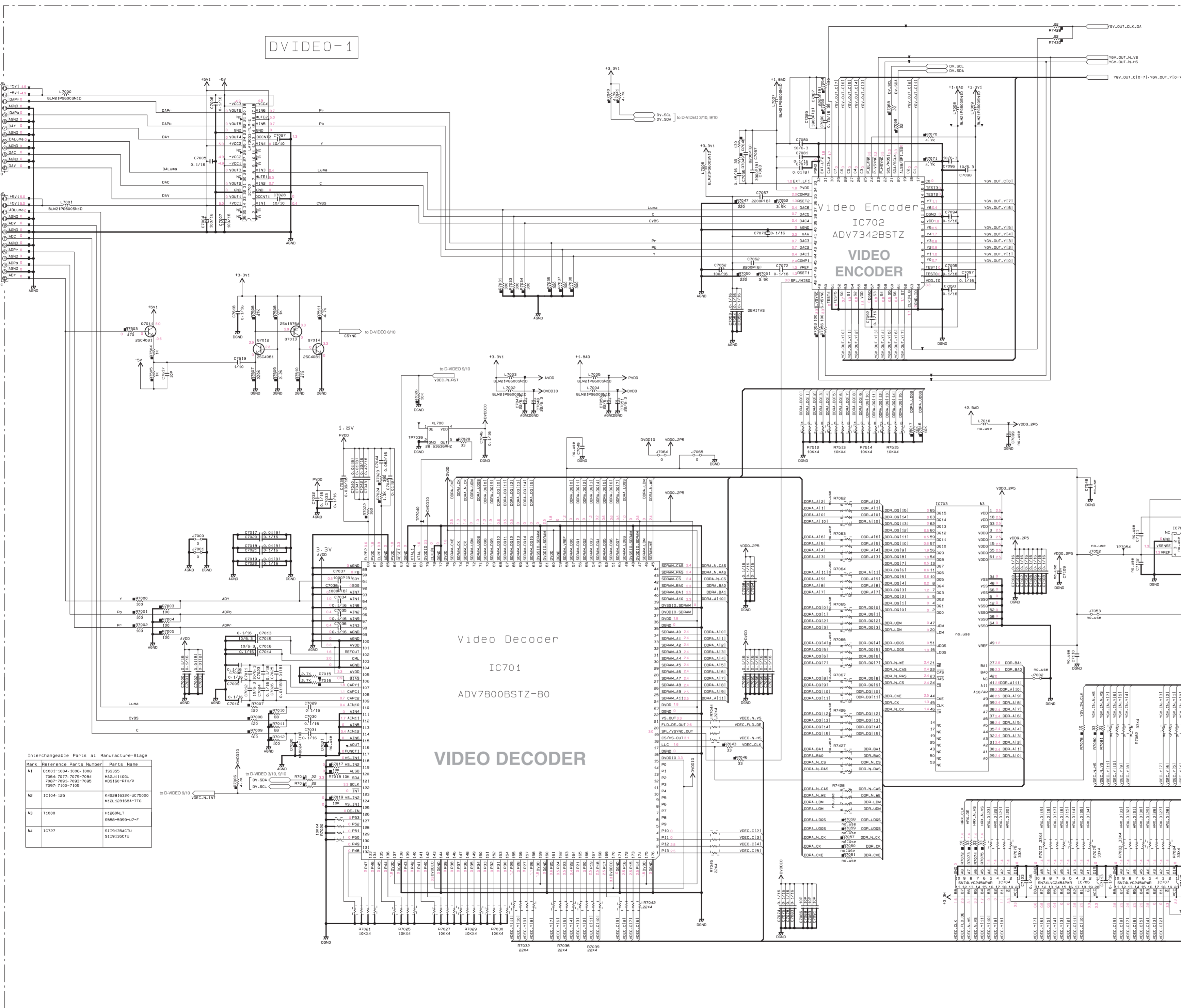


★ All voltages are measured with a 10MΩ/V DC electronic voltmeter.
★ Components having special characteristics are marked '!' and must be replaced with parts having specifications equal to those originally installed.
★ Schematic diagram is subject to change without notice.

● 電圧は、内部抵抗10MΩの電圧計で測定したものです。
● !印のある部品は、安全性確保部品を示しています。部品の交換が必要な場合、パーツリストに記載されている部品を使用してください。
● 本回路図は標準回路図です。改良のため予告なく変更することがございます。

D-VIDEO 1/10

Page 155 [G2] to A-VIDEO_CB202
Page 155 [F2] to A-VIDEO_CB201



Mark	Reference Parts Number	Parts Name
K1	D1001-1004, 1006-1008, 1004-1100, 7087-7091, 7093-7095, 7097-7100-7105	188395 K05160-R7V/P K05160-R7V/P
K2	IC104-125	445281632X-UC7P000 M12L128168A-715
K3	T1000	H1260AL 5008-9999-U7-F
K4	IC797	S11919ACTV S11919ACTV

RESISTOR	PARTS NAME
NO MARK	CARBON FILM RESISTOR (P+5)
△	CARBON FILM RESISTOR (P+10)
□	METAL OXIDE FILM RESISTOR
⊠	METAL FILM RESISTOR
▭	METAL PLATE RESISTOR
▨	FINE PITCH CARBON FILM RESISTOR
■	CEMENT MOLDED RESISTOR
⊙	SEMI VARIABLE RESISTOR
⊚	CHIP RESISTOR

NOTICE (model)

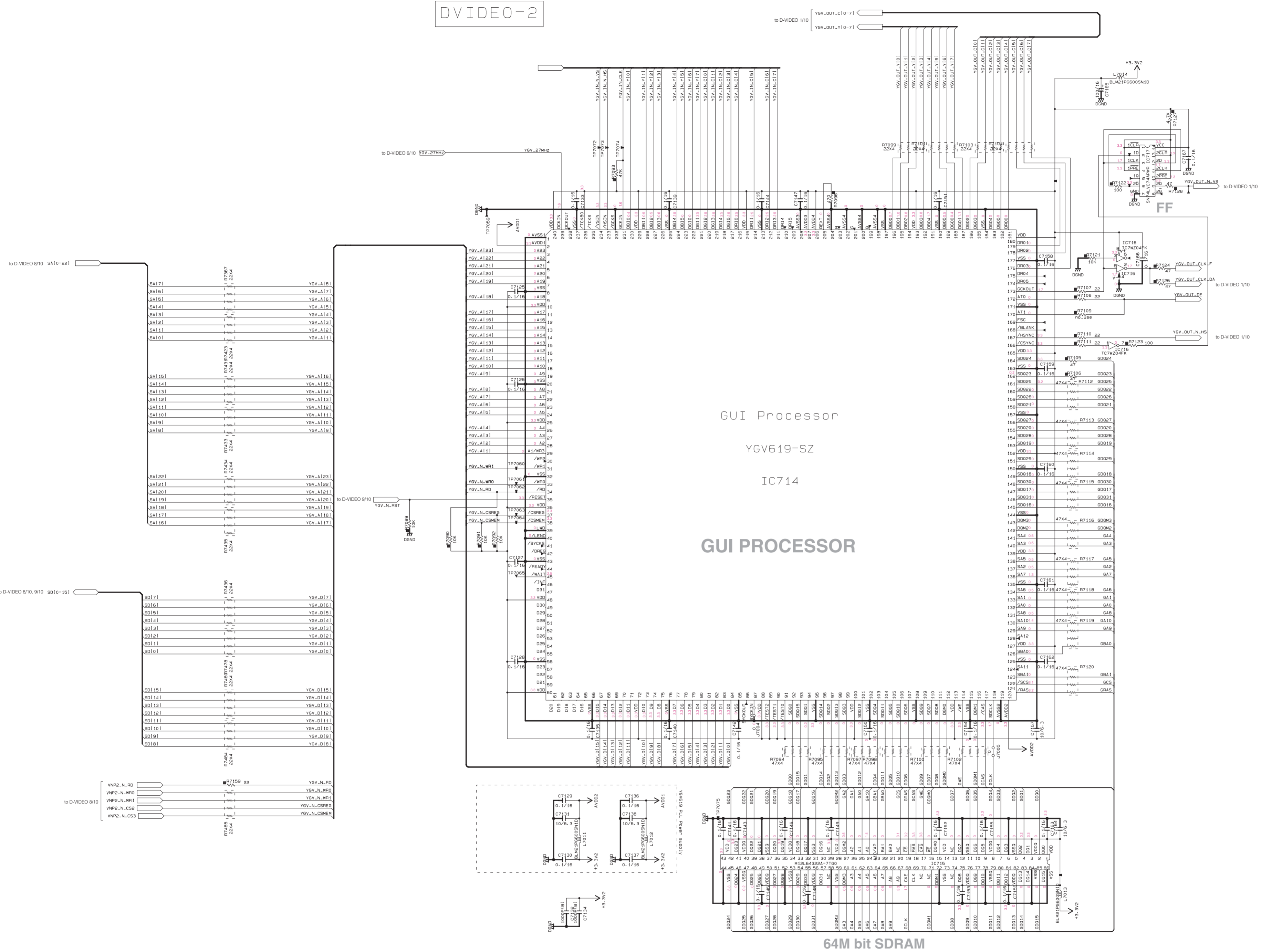
(J) JAPAN
(U) U.S.A.
(C) CANADA
(R) GENERAL
(T) CHINA
(K) KOREA
(A) AUSTRALIA
(B) BRITISH
(G) EUROPE
(L) SINGAPORE
(E) SOUTH EUROPE
(V) TAIWAN
(F) RUSSIAN

★ All voltages are measured with a 10MΩ/V DC electronic voltmeter.
★ Components having special characteristics are marked with a triangle (▲) and must be replaced with parts having specifications equal to those originally installed.
★ Schematic diagram is subject to change without notice.

● 電圧は、内部抵抗10MΩの電圧計で測定したものです。
● 印のある部品は、安全確保部品を示しています。部品の交換が必要な場合、パーツリストに記載されている部品を使用してください。
● 本回路図は標準回路図です。改良のため予告なく変更することがございます。

D-VIDEO 2/10

DVIDEO-2



GUI Processor
YGV619-SZ
IC714

GUI PROCESSOR

64M bit SDRAM

REMARKS	PARTS NAME
NO MARK	CARBON FILM RESISTOR [P=5]
□	CARBON FILM RESISTOR [P=10]
△	METAL OXIDE FILM RESISTOR
⊠	METAL FILM RESISTOR
⊞	FINE PROOF CARBON FILM RESISTOR
⊡	METAL PLATE RESISTOR
⊞	CEMENT MOLDED RESISTOR
⊞	SEMI VARIABLE RESISTOR
■	CHIP RESISTOR

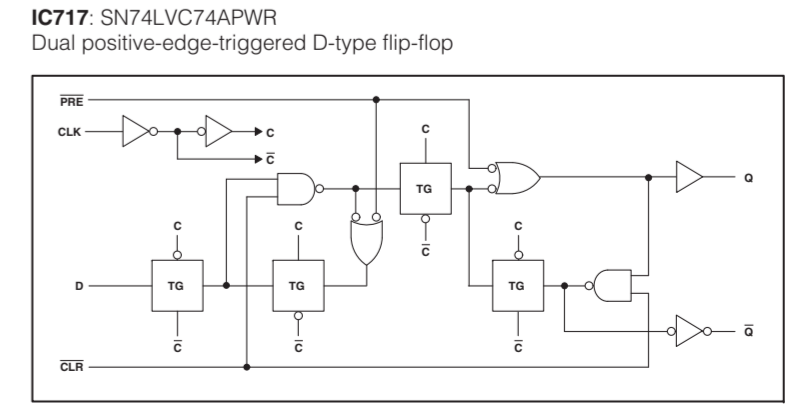
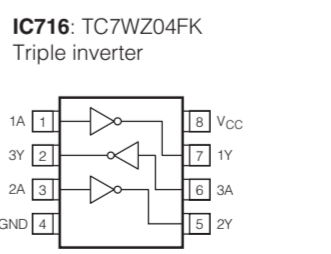
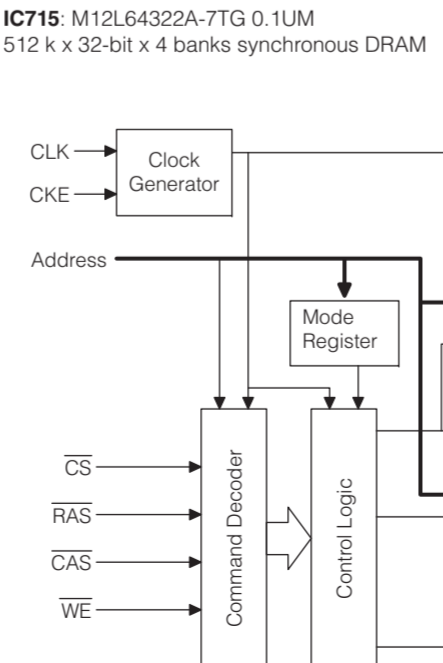
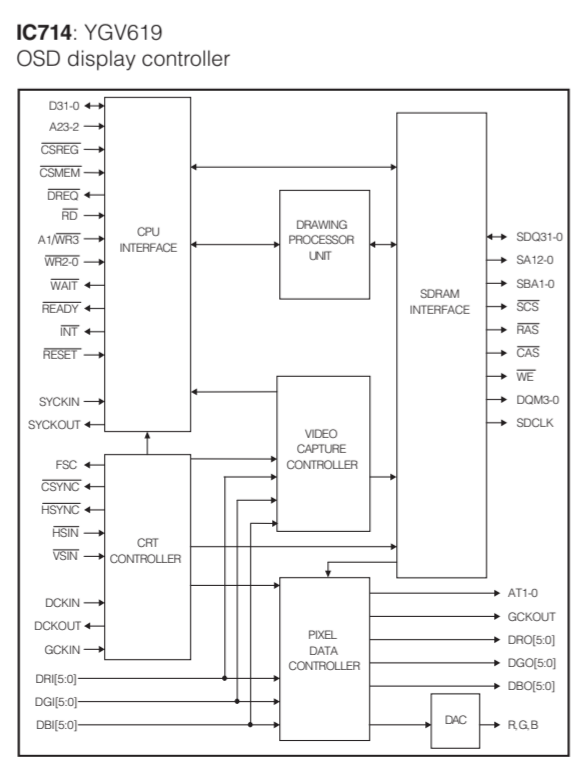
REMARKS	PARTS NAME
NO MARK	ELECTROLYTIC CAPACITOR
○	TANTALUM CAPACITOR
NO MARK	CERAMIC CAPACITOR
⊙	CERAMIC TUBULAR CAPACITOR
⊙	POLYESTER FILM CAPACITOR
⊙	POLYSTYRENE FILM CAPACITOR
⊙	MICA CAPACITOR
⊙	POLYPROPYLENE FILM CAPACITOR
⊙	SEMICONDUCTIVE CERAMIC CAPACITOR

NOTICE (model)

(J)..... JAPAN
(U)..... U.S.A
(C)..... CANADA
(R)..... GENERAL
(T)..... CHINA
(K)..... KOREA
(A)..... AUSTRALIA
(B)..... BRITISH
(G)..... EUROPE
(L)..... SINGAPORE
(E)..... SOUTH EUROPE
(V)..... TAIWAN
(F)..... RUSSIAN

★ All voltages are measured with a 10MΩV DC electronic voltmeter.
★ Components having special characteristics are marked 1, and must be replaced with parts having specifications equal to those originally installed.
★ Schematic diagram is subject to change without notice.

● 電圧は、内部抵抗10MΩの電圧計で測定したものです。
● 1印のある部品は、安全性確保部品を示しています。部品の交換が必要な場合、パーツリストに記載されている部品を使用してください。
● 本回路図は標準回路図です。改良のため予告なく変更することがございます。



D-VIDEO 3/10

DVIDEO-3

REMARKS	NO. MARK	PARTS NAME	QTY
		CARBON FILM RESISTOR (P=5)	
		CARBON FILM RESISTOR (P=10)	
		METAL OXIDE FILM RESISTOR	
		METAL FILM RESISTOR	
		METAL PLATE RESISTOR	
		FIRE PROOF CARBON FILM RESISTOR	
		CEMENT MOUNTED RESISTOR	
		SEMI VARIABLE RESISTOR	
		CHIP RESISTOR	

REMARKS	NO. MARK	PARTS NAME	QTY
		ELECTROLYTIC CAPACITOR	
		TANTALUM CAPACITOR	
		CERAMIC CAPACITOR	
		CERAMIC TUBULAR CAPACITOR	
		POLYESTER FILM CAPACITOR	
		MICA CAPACITOR	
		POLYPROPYLENE FILM CAPACITOR	
		SEMICONDUCTIVE CERAMIC CAPACITOR	

NOTICE (mode)
 (J)..... JAPAN
 (U)..... U. S. A
 (C)..... CANADA
 (R)..... GENERAL
 (T)..... CHINA
 (K)..... KOREA
 (A)..... AUSTRALIA
 (B)..... BRITISH
 (G)..... EUROPE
 (L)..... SINGAPORE
 (E)..... SOUTH
 (V)..... TAIWAN
 (F)..... RUSSIAN

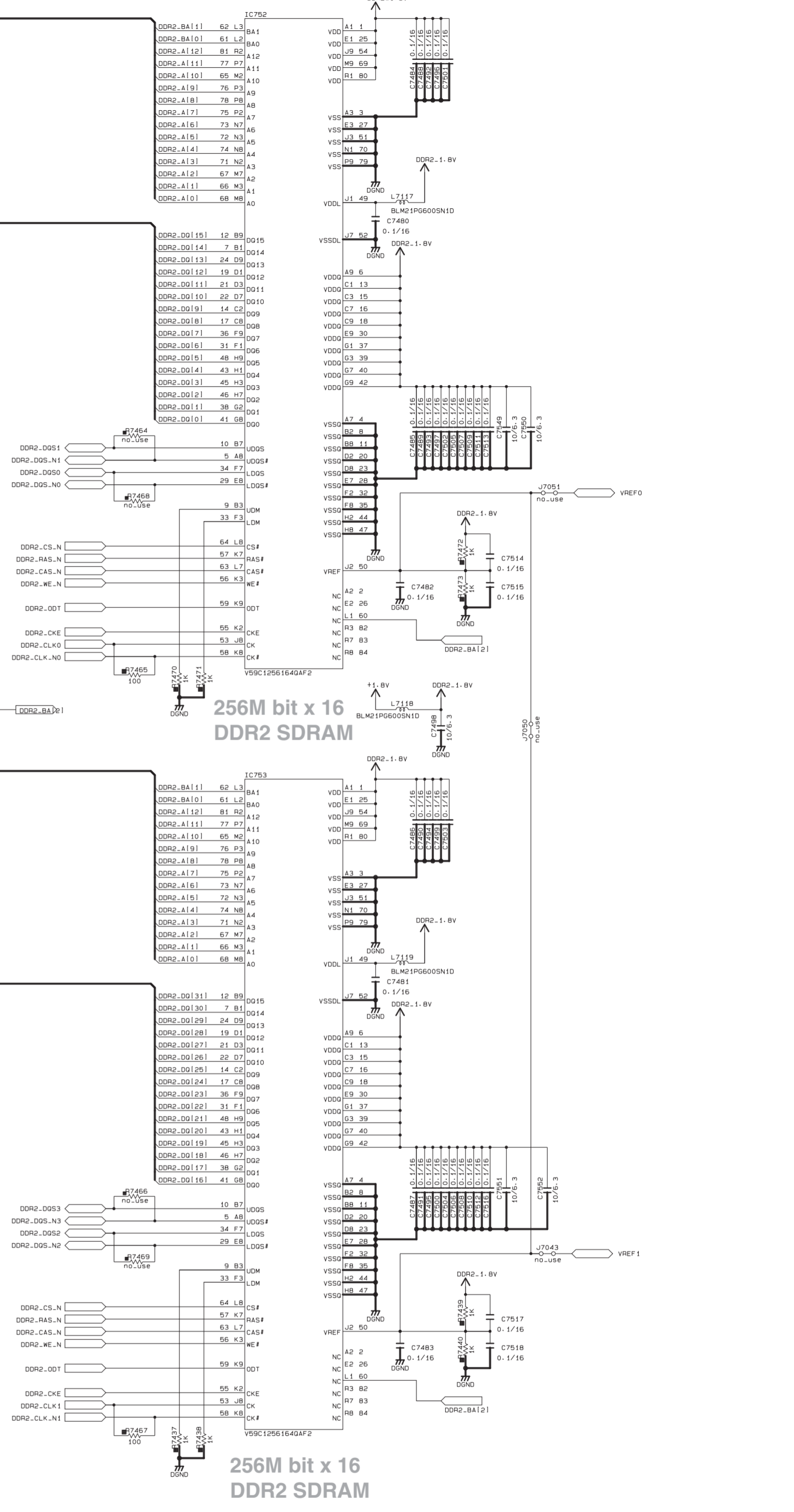
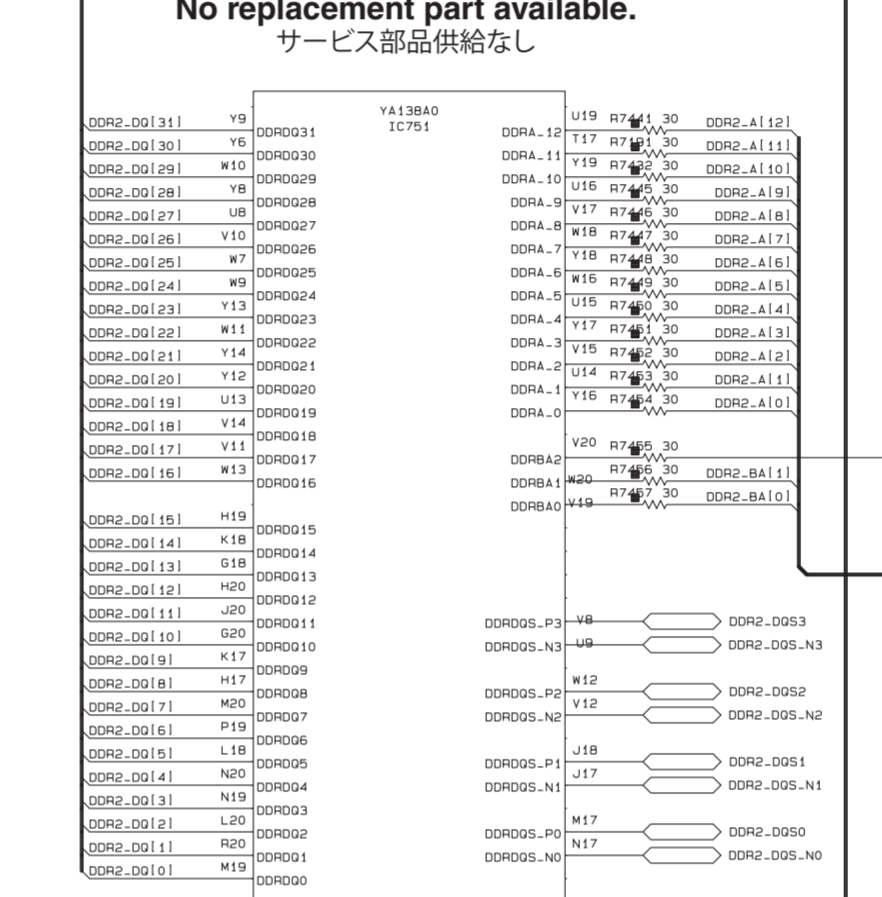
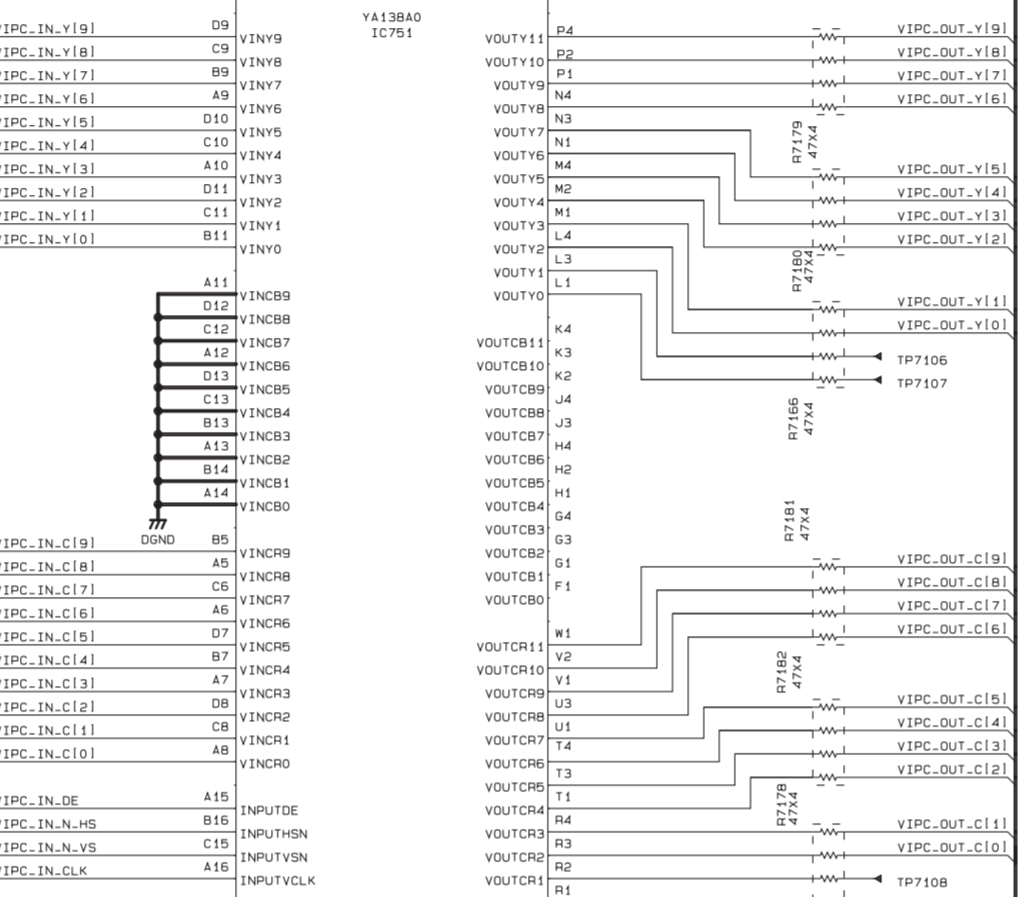
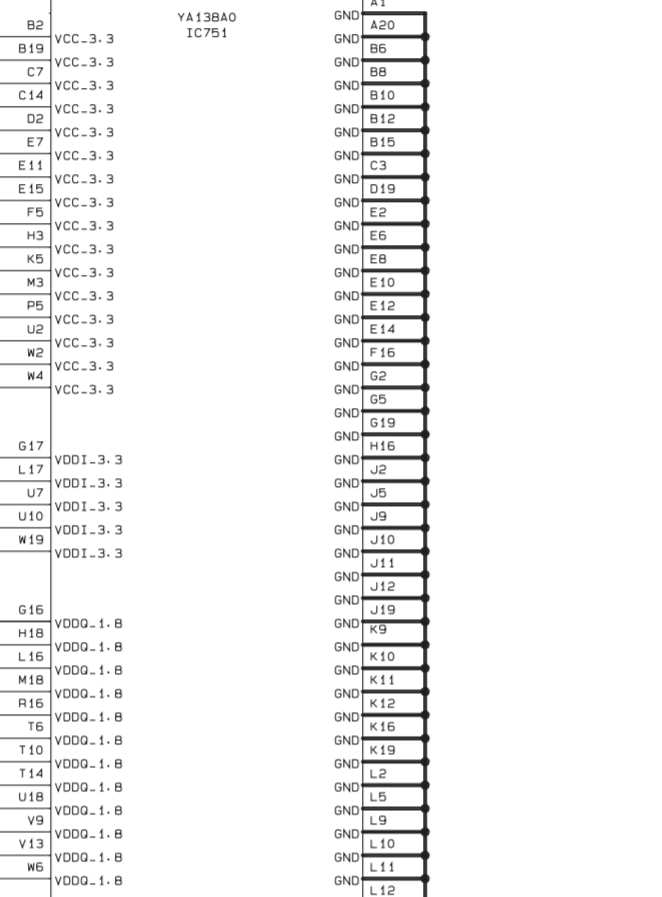
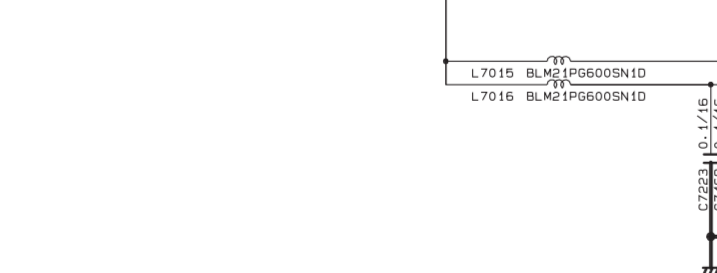
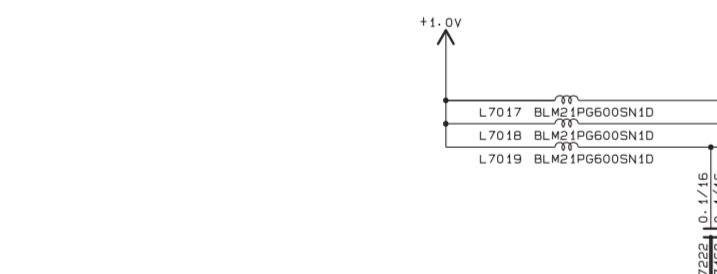
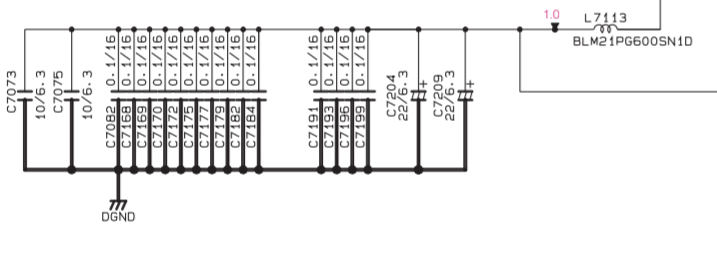
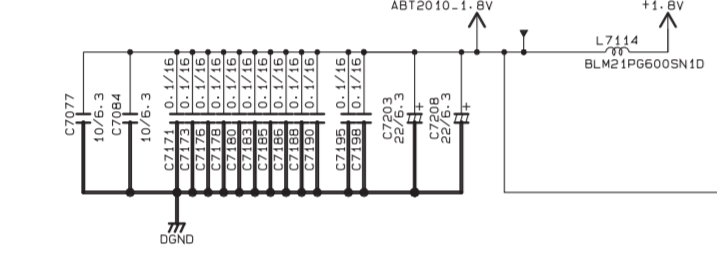
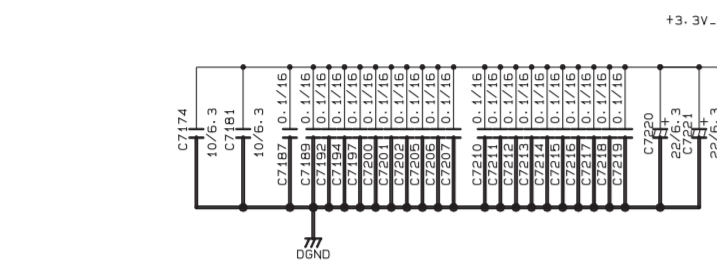
VIDEO PROCESSOR
 No replacement part available.
 サービス部品供給なし

VIDEO PROCESSOR
 No replacement part available.
 サービス部品供給なし

VIDEO PROCESSOR
 No replacement part available.
 サービス部品供給なし

256M bit x 16 DDR2 SDRAM

256M bit x 16 DDR2 SDRAM



IC753, 753 V59C1256164QAF25
 256 M-bit DDR2 SDRAM

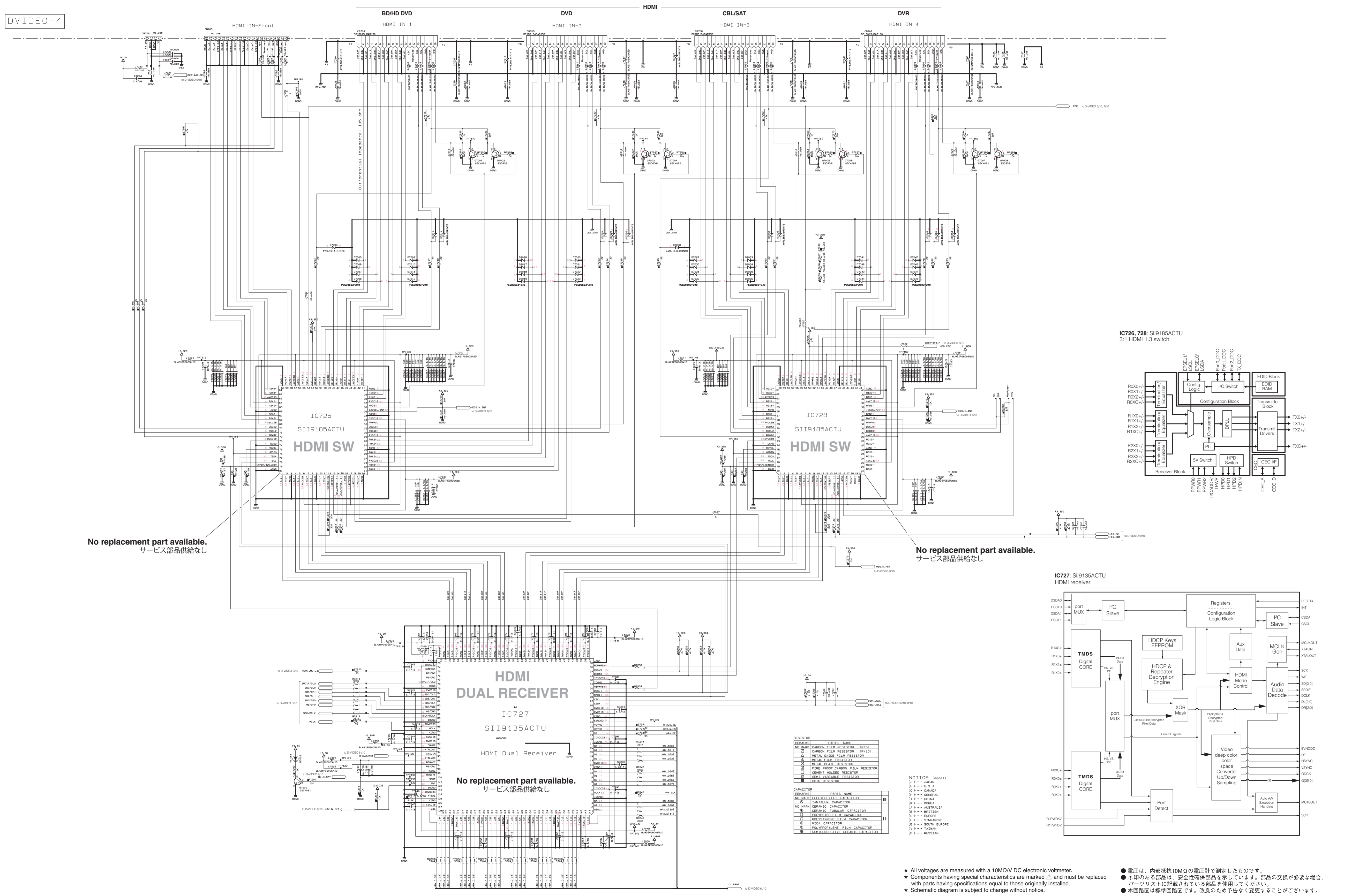
1	2	3	7	8	9	
VDD	NC	VSS	A	VSSQ	DQS	VDDQ
NC	VSSQ	DM	B	DQS	VSSQ	NC
VDDQ	DQ1	VDDQ	C	VDDQ	DQ0	VDDQ
NC	VSSQ	DQ3	D	DQ2	VSSQ	NC
VDDL	VREF	VSS	E	VSSDL	CK	VDD
NC	CKE	WE	F	RAS	CK	ODT
NC	BA0	BA1	G	CAS	CS	
A10	A1	A2	A0	VDD		
VSS	A3	A5	A6	A4		
A7	A9	A11	A8	VSS		
VDD	A12	NC	L	NC	NC	

* All voltages are measured with a 10MΩ/V DC electronic voltmeter.
 * Components having special characteristics are marked !, and must be replaced with parts having specifications equal to those originally installed.
 * Schematic diagram is subject to change without notice.

● 電圧は、内部抵抗10MΩの電圧計で測定したものです。
 ● !印のある部品は、安全性確保部品を示しています。部品の交換が必要な場合、パーツリストに記載されている部品を使用してください。
 ● 本回路図は標準回路図です。改良のため予告なく変更することがございます。

D-VIDEO 4/10

DVIDEO-4



No replacement part available. サービス部品供給なし

No replacement part available. サービス部品供給なし

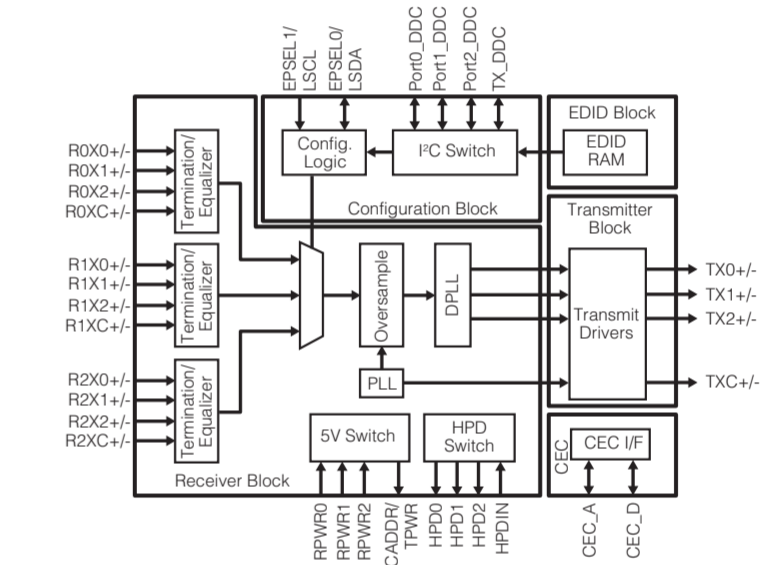
HDMI DUAL RECEIVER IC727 SI19135ACTU

No replacement part available. サービス部品供給なし

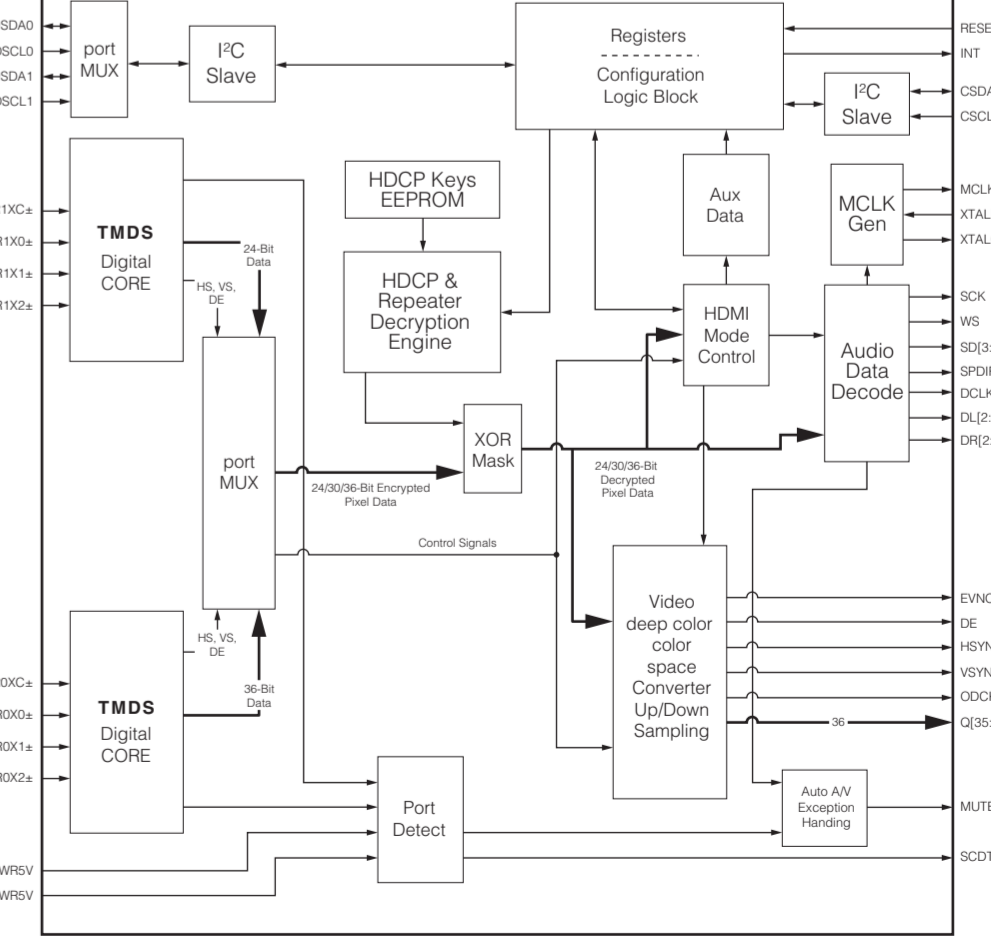
REMARKS	PARTS NAME	VALUE
NO MARK	CARBON FILM RESISTOR (E-5)	
NO MARK	CARBON FILM RESISTOR (E-2)	
NO MARK	METAL OXIDE FILM RESISTOR	
NO MARK	METAL FILM RESISTOR	
NO MARK	METAL OXIDE RESISTOR	
NO MARK	FILM PROOF CARBON FILM RESISTOR	
NO MARK	CEMENT RESISTOR	
NO MARK	SEMI VARIABLE RESISTOR	
NO MARK	CHIMP RESISTOR	
REMARKS	PARTS NAME	VALUE
NO MARK	SELECTOR FILM CAPACITOR	
NO MARK	TANTALUM CAPACITOR	
NO MARK	CERAMIC CAPACITOR	
NO MARK	CERAMIC TUBULAR CAPACITOR	
NO MARK	POLYESTER FILM CAPACITOR	
NO MARK	POLYPROPYLENE FILM CAPACITOR	
NO MARK	NICA CAPACITOR	
NO MARK	POLYPROPYLENE FILM CAPACITOR	
NO MARK	SEMICONDUCTIVE CERAMIC CAPACITOR	

NOTICE (a0001)
 (U) JAPAN
 (C) U.S.A.
 (I) CANADA
 (E) GENERAL
 (T) CHINA
 (K) KOREA
 (A) AUSTRALIA
 (B) BRITISH
 (E) EUROPE
 (L) SINGAPORE
 (S) SOUTH EUROPE
 (V) TAIWAN
 (F) RUSSIAN

IC726, 728: SI19185ACTU 3.1 HDMI 1.3 switch



IC727: SI19135ACTU HDMI receiver



★ All voltages are measured with a 10MQ/V DC electronic voltmeter.
 ★ Components having special characteristics are marked with a triangle (▲) and must be replaced with parts having specifications equal to those originally installed.
 ★ Schematic diagram is subject to change without notice.

● 電圧は、内部抵抗10MQの電圧計で測定したものです。
 ● ▲印のある部品は、安全性確保部品を示しています。部品の交換が必要な場合、パーツリストに記載されている部品を使用してください。
 ● 本回路図は標準回路図です。改良のため予告なく変更することがございます。

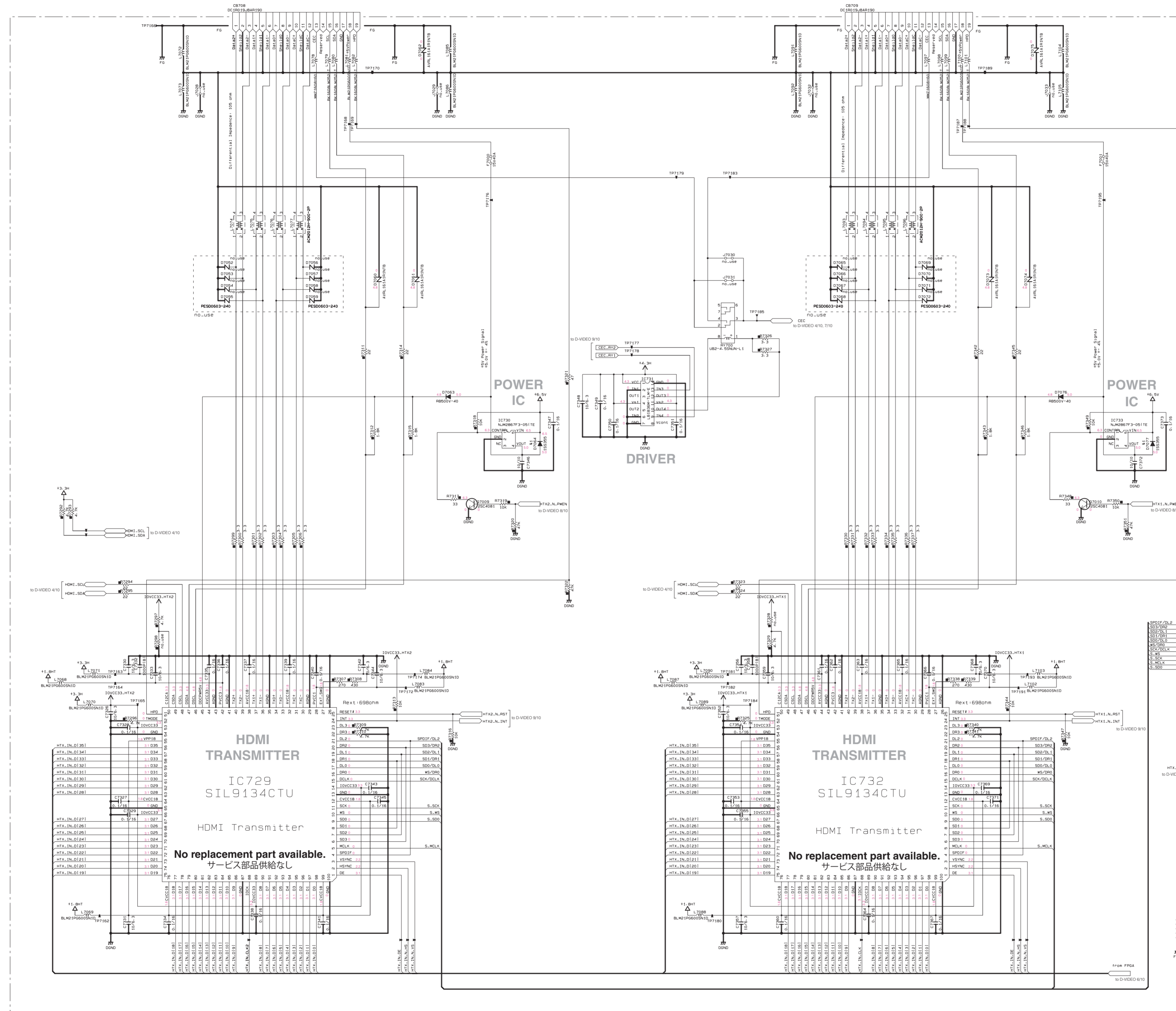
D-VIDEO 5/10

DVIDEO-5

HDMI OUT1

HDMI

HDMI OUT2



IC729, 732: SI9134CTU HDMI transmitter

IC730, 733: NUM2867F3-05 Low dropout voltage regulator

IC731: LB1836M-TLM-E Motor driver IC

IC734: SN74CB3Q3257PWR Low voltage high-bandwidth bus switch

IC735: SN74LVC245APWR Octal bus transceivers with 3-state outputs

HDMI TRANSMITTER
IC729
SIL9134CTU
 HDMI Transmitter

HDMI TRANSMITTER
IC732
SIL9134CTU
 HDMI Transmitter

No replacement part available.
 サービス部品供給なし

No replacement part available.
 サービス部品供給なし

REMARKS	PARTS NAME
NO MARK	CARBON FILM RESISTOR (P-5)
⊠	CARBON FILM RESISTOR (P-10)
△	METAL OXIDE FILM RESISTOR
⊙	METAL FILM RESISTOR
□	METAL PLATE RESISTOR
▢	FIBRE PITCH CARBON FILM RESISTOR
■	CEMENT MOLDED RESISTOR
◻	SEMI VARIABLE RESISTOR
◼	CHIP RESISTOR

REMARKS	PARTS NAME
NO MARK	ELECTROLYTIC CAPACITOR
⊠	TANTALUM CAPACITOR
NO MARK	CERAMIC CAPACITOR
⊙	CERAMIC TUBULAR CAPACITOR
⊖	POLYESTER FILM CAPACITOR
○	POLYESTER FILM CAPACITOR
○	MICA CAPACITOR
⊖	POLYPROPYLENE FILM CAPACITOR
⊖	SEMICONDUCTIVE CERAMIC CAPACITOR

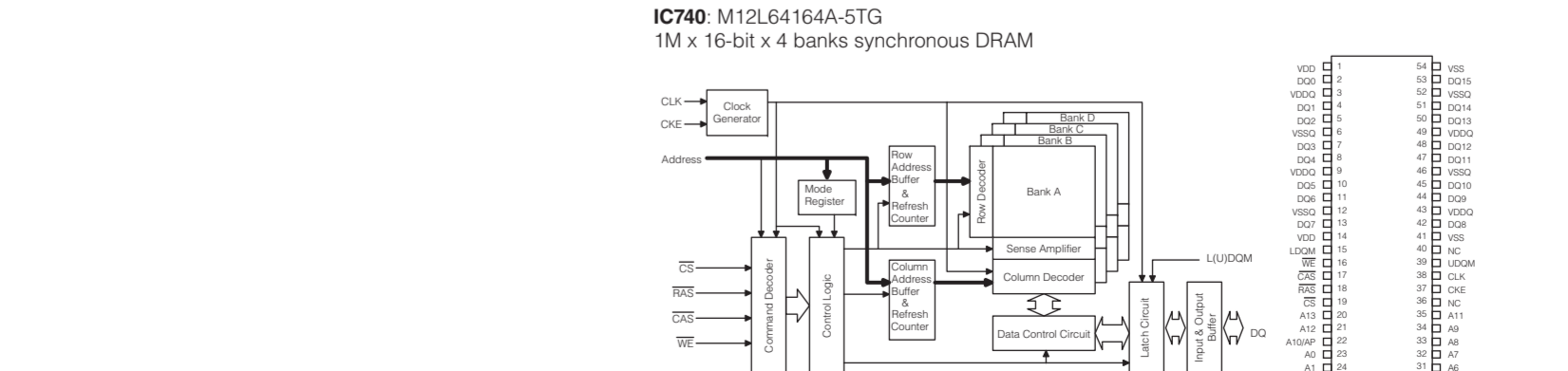
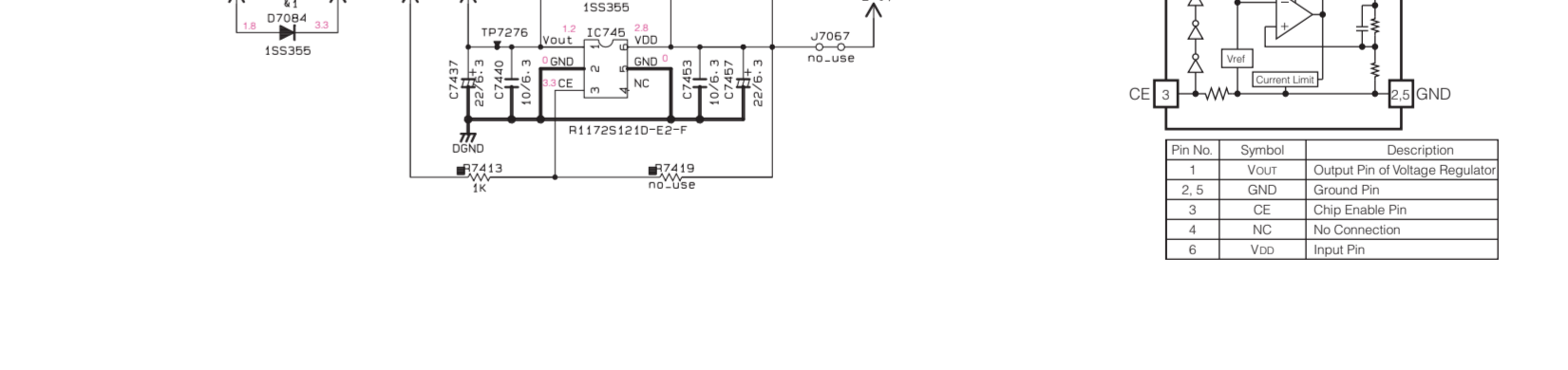
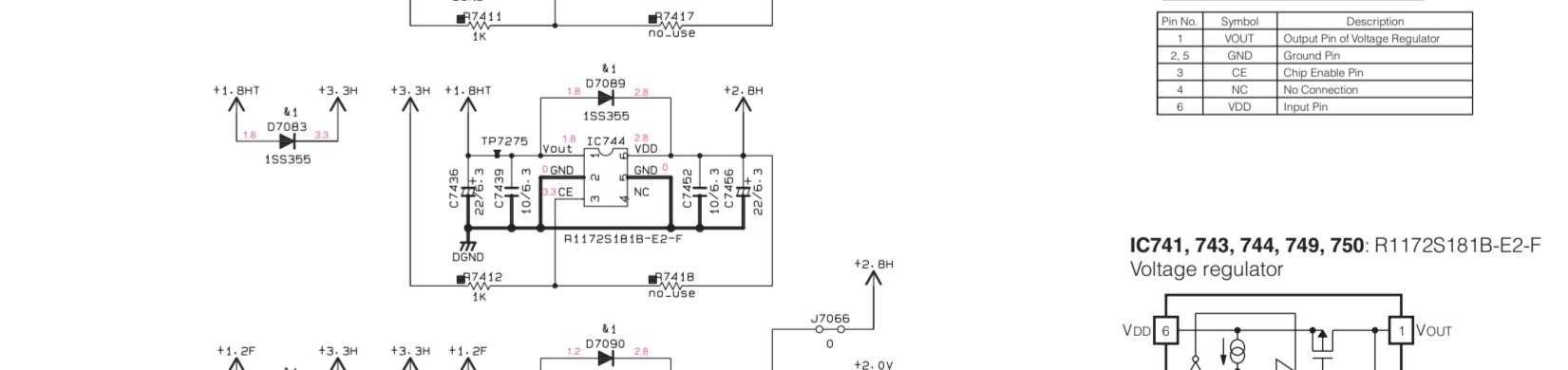
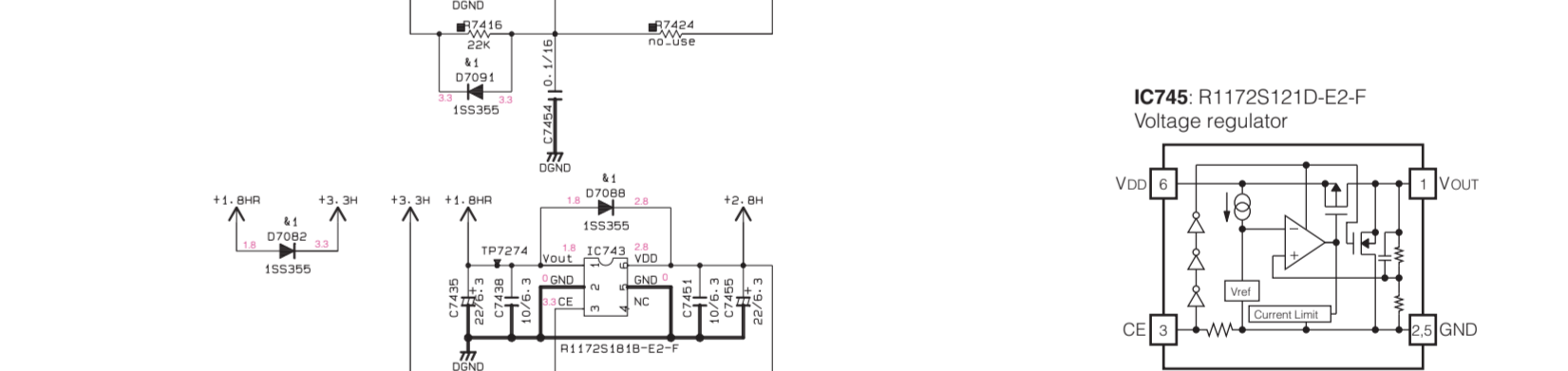
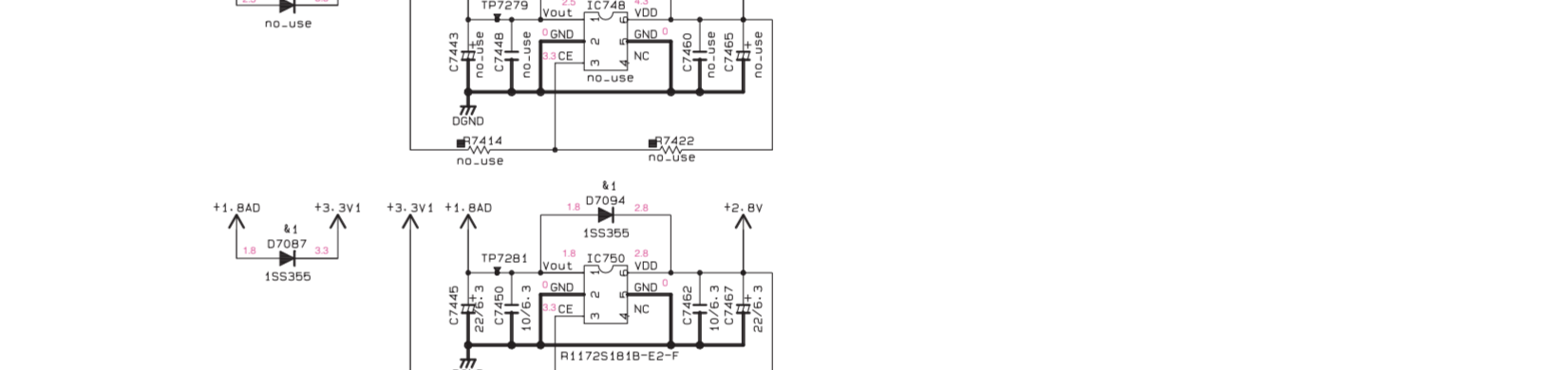
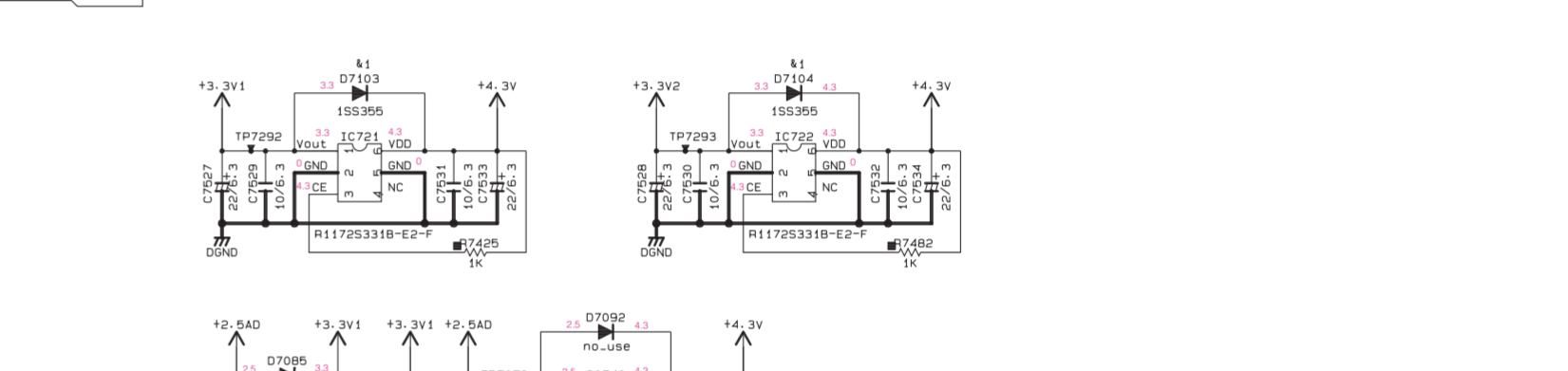
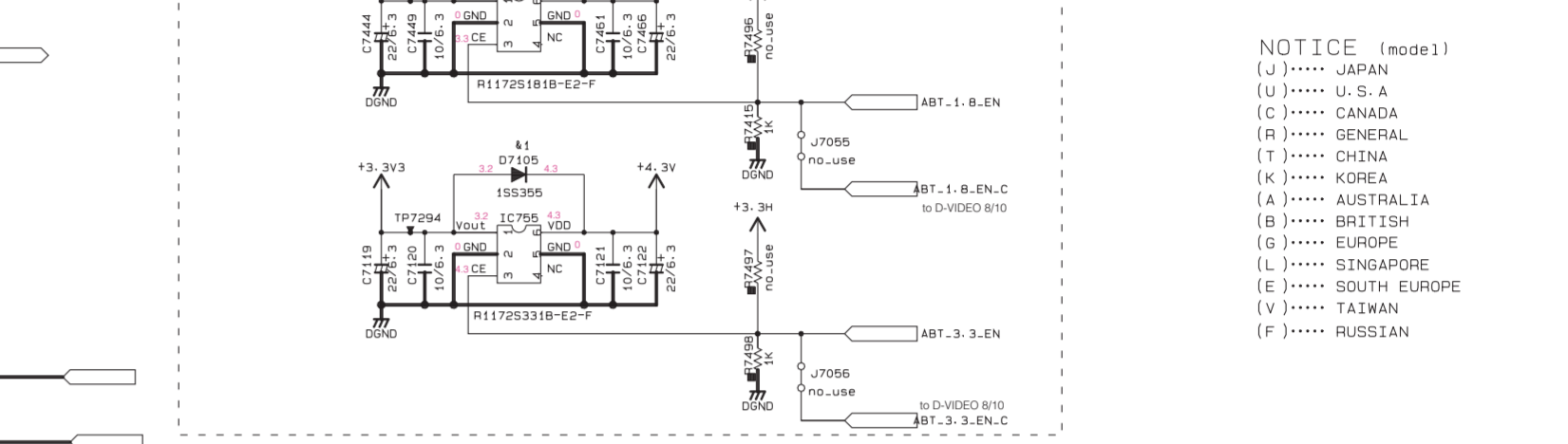
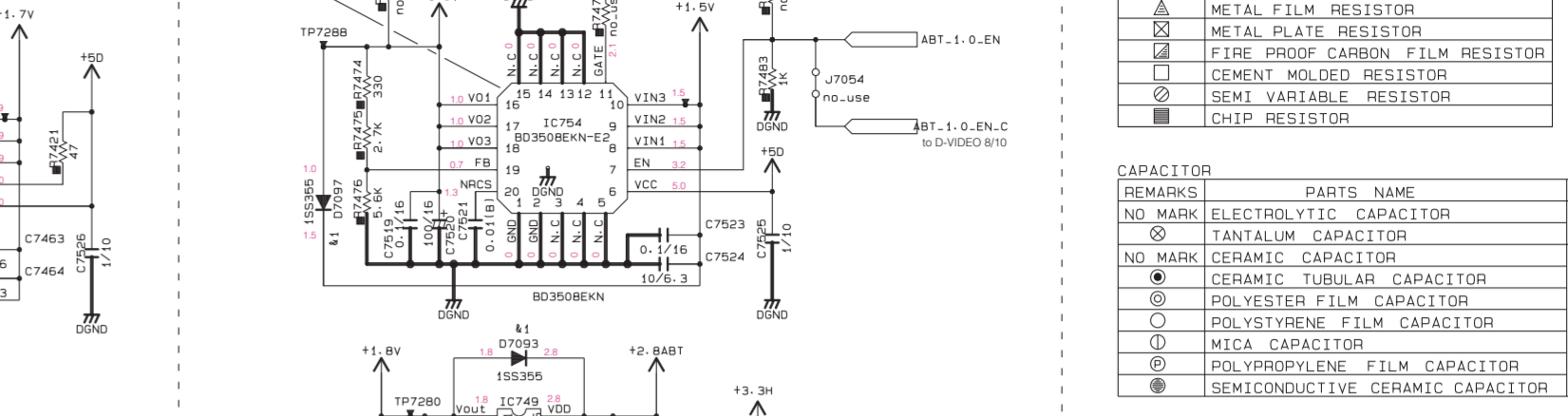
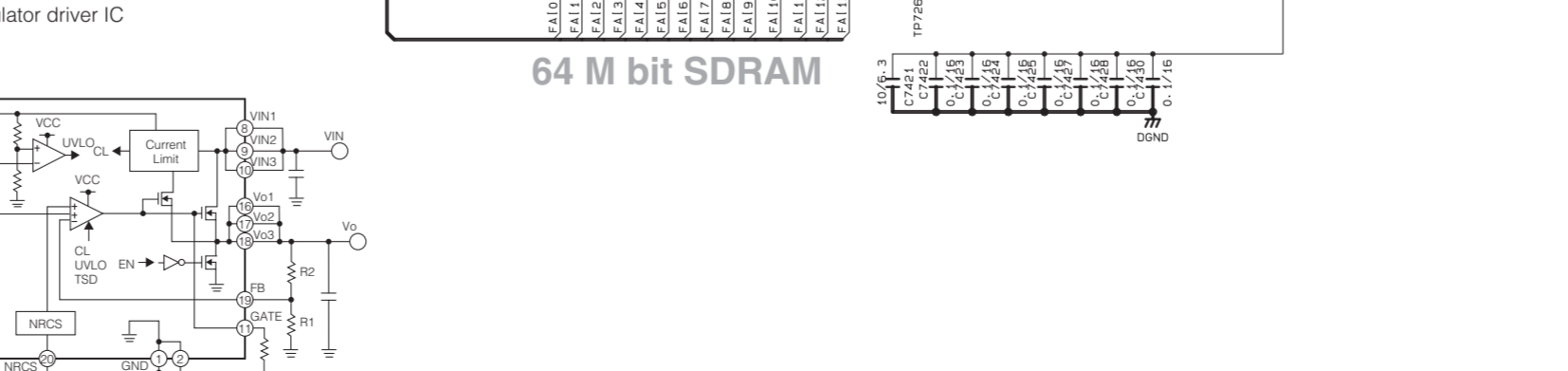
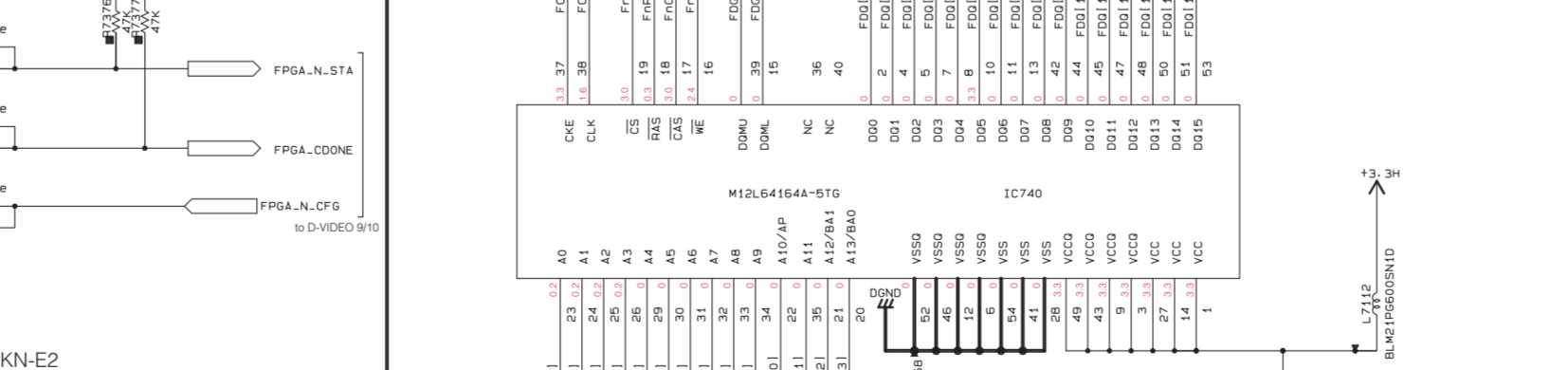
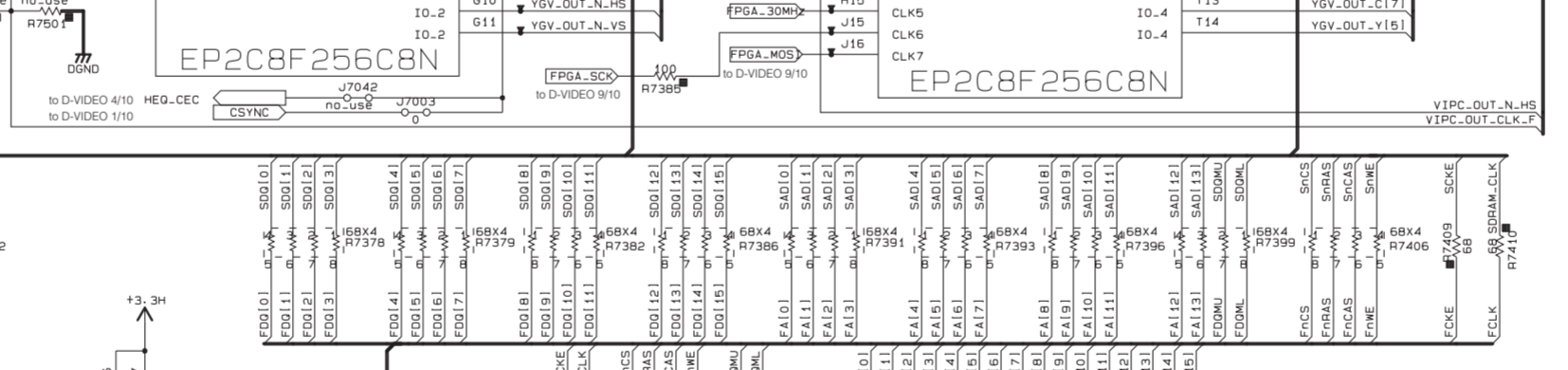
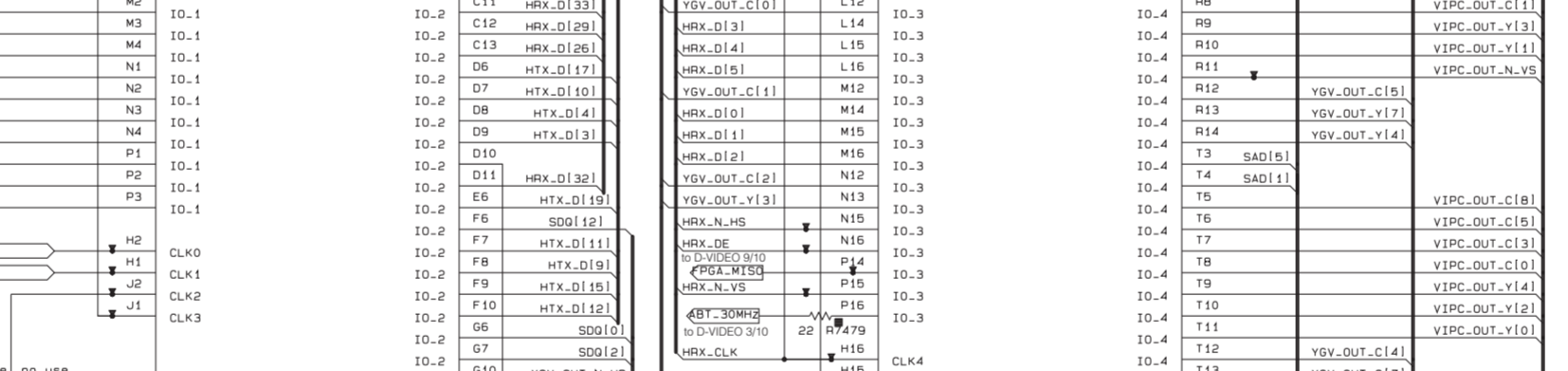
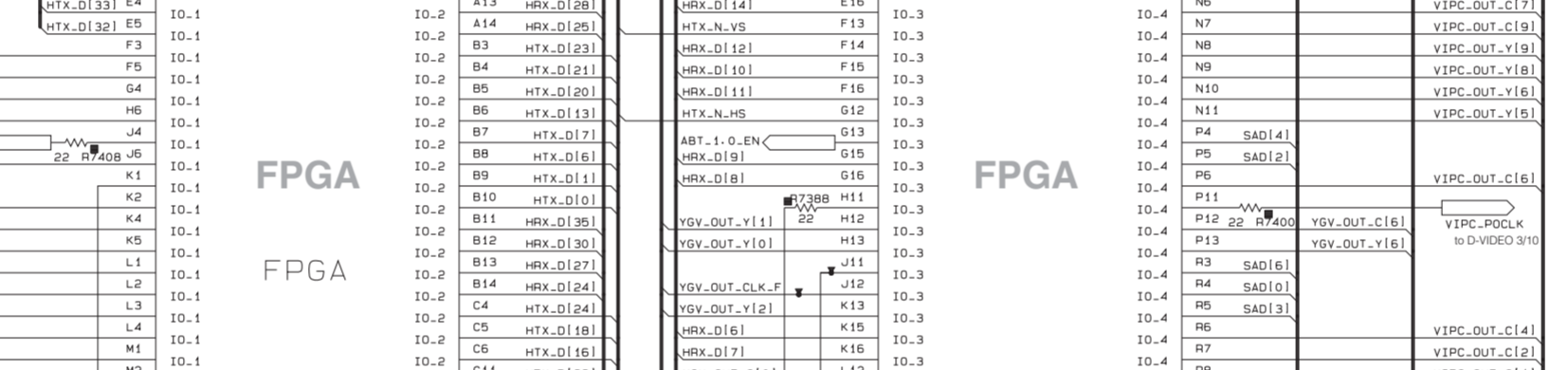
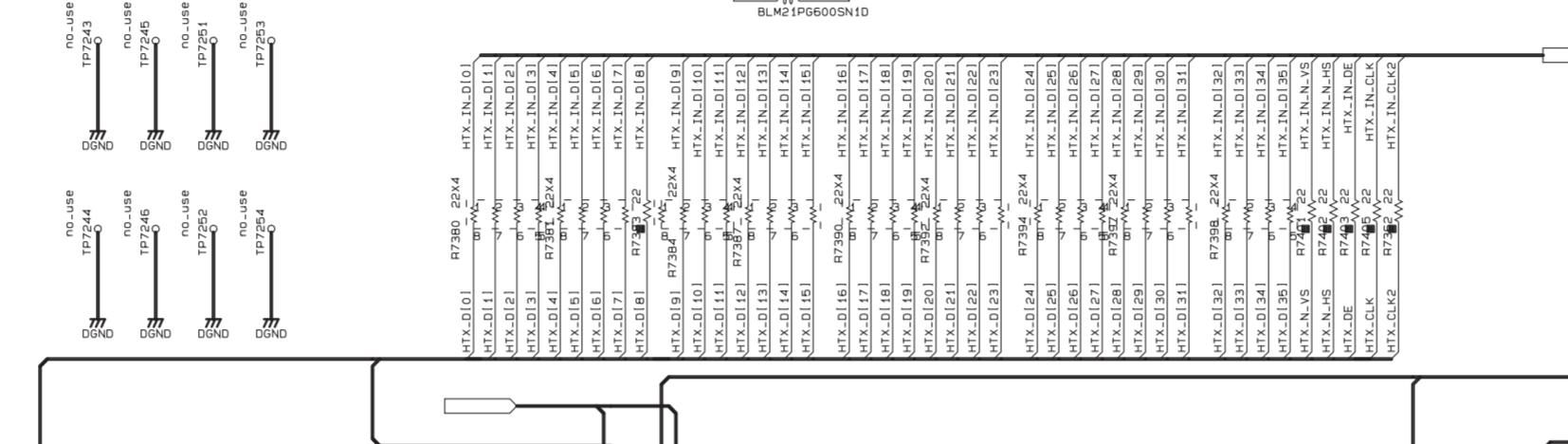
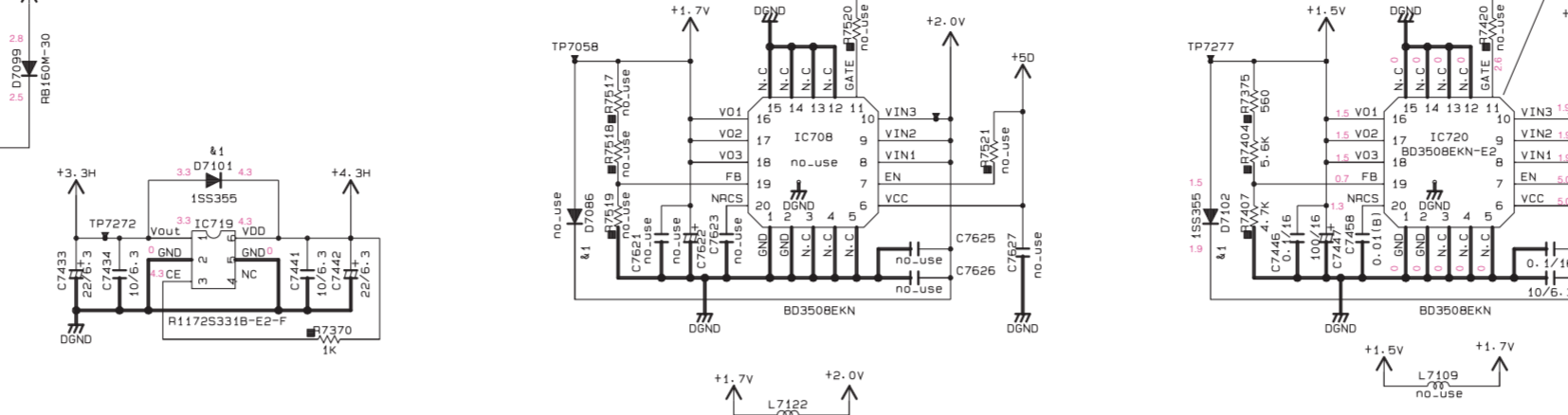
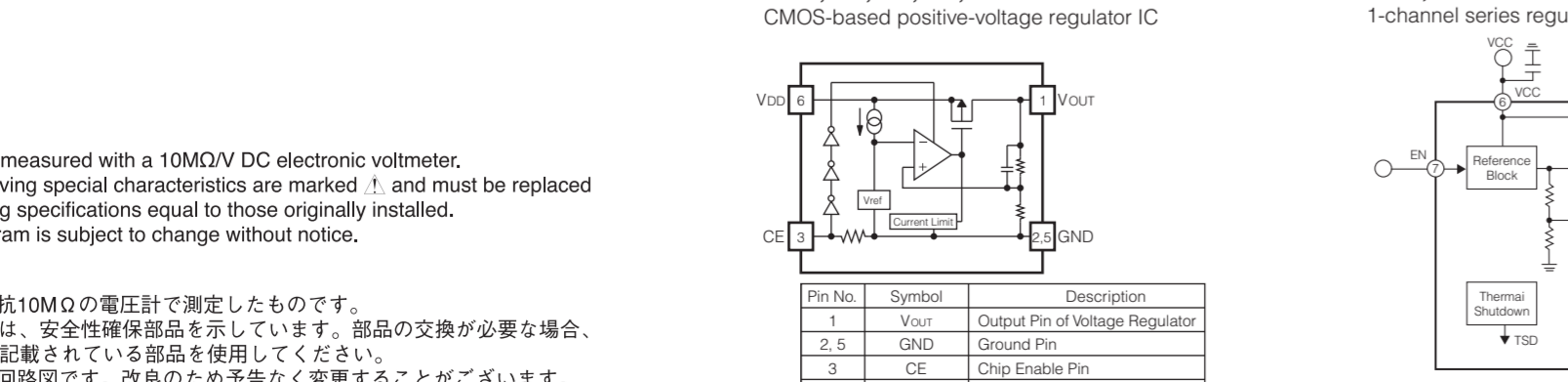
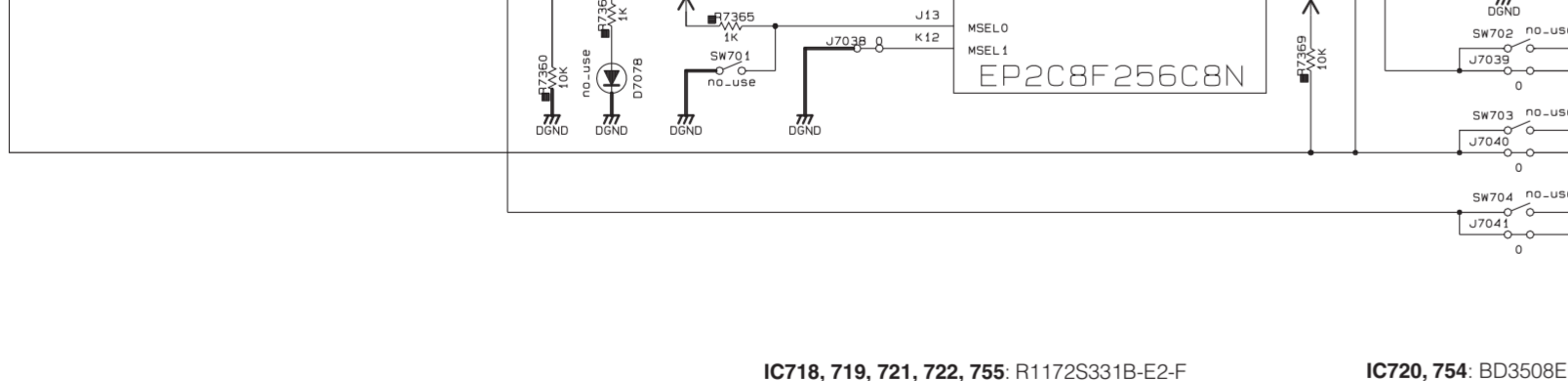
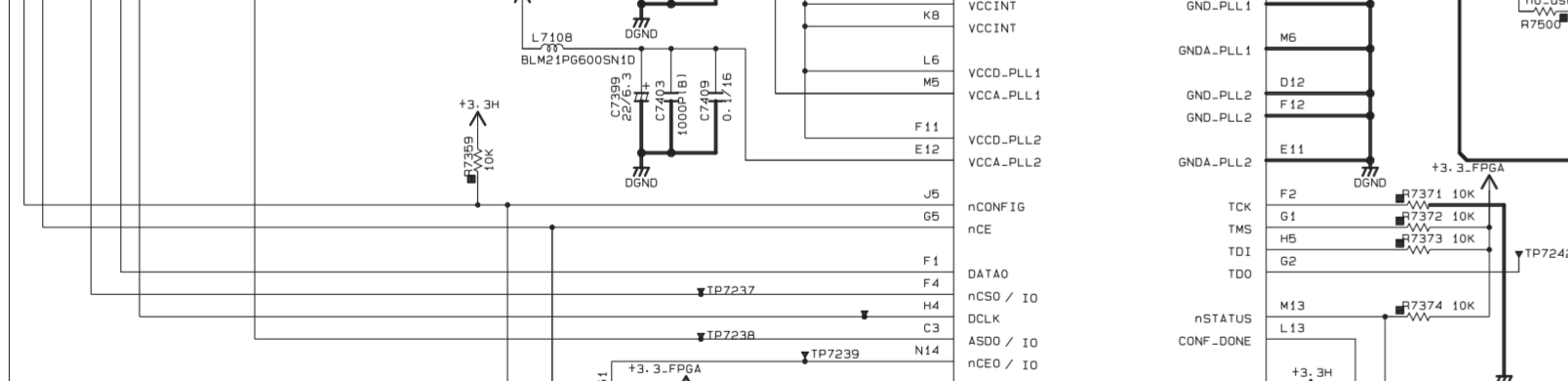
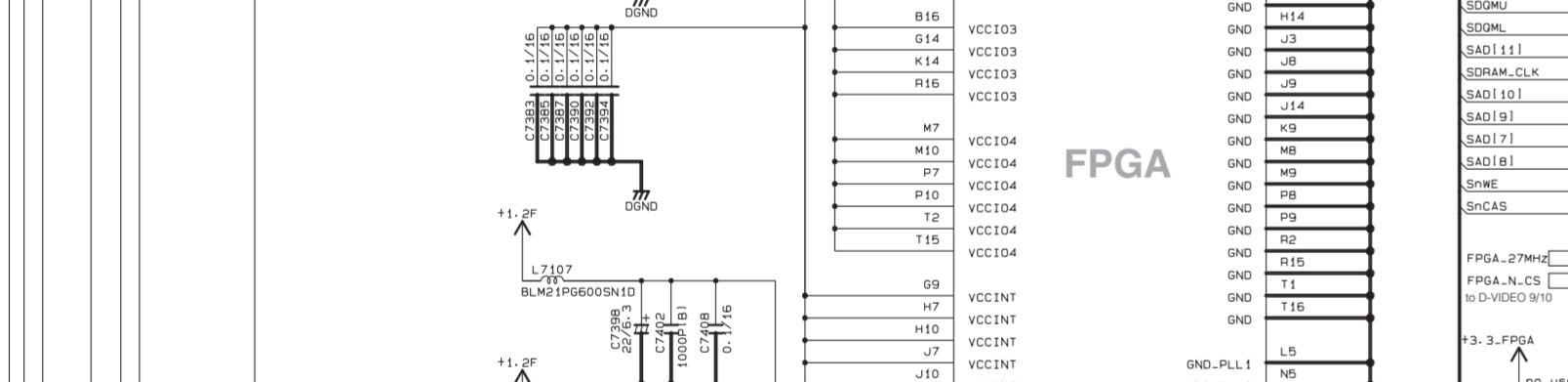
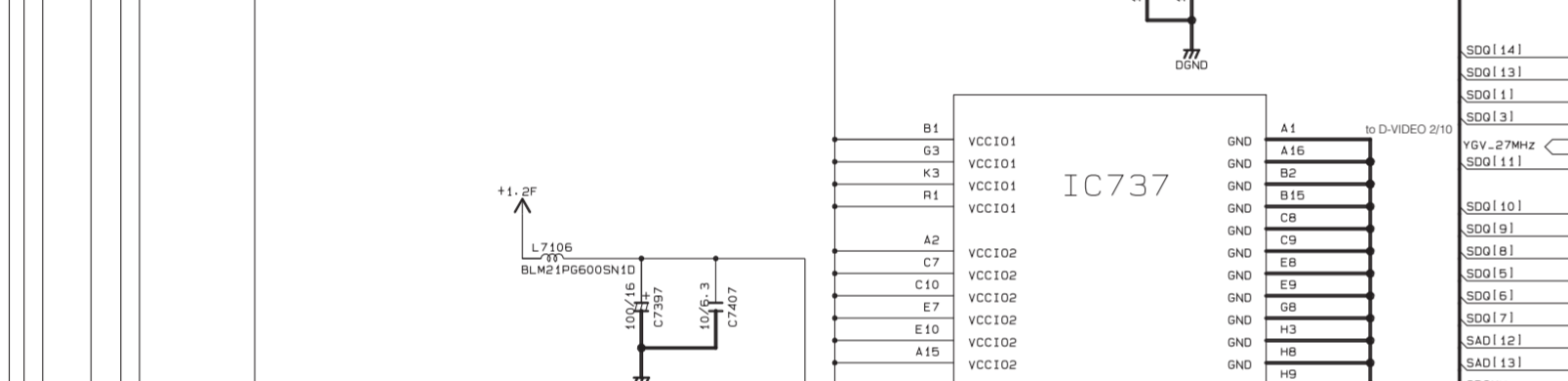
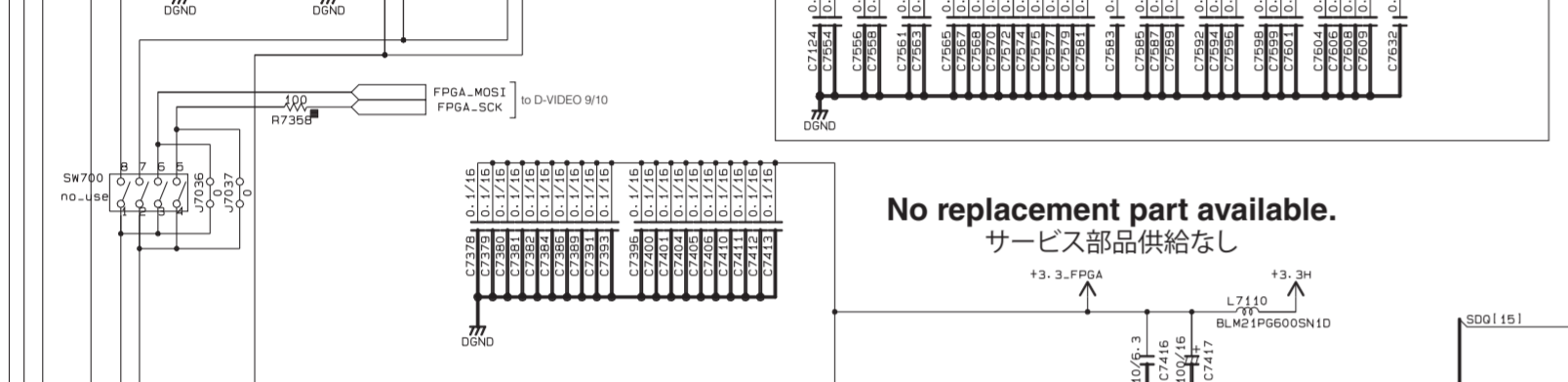
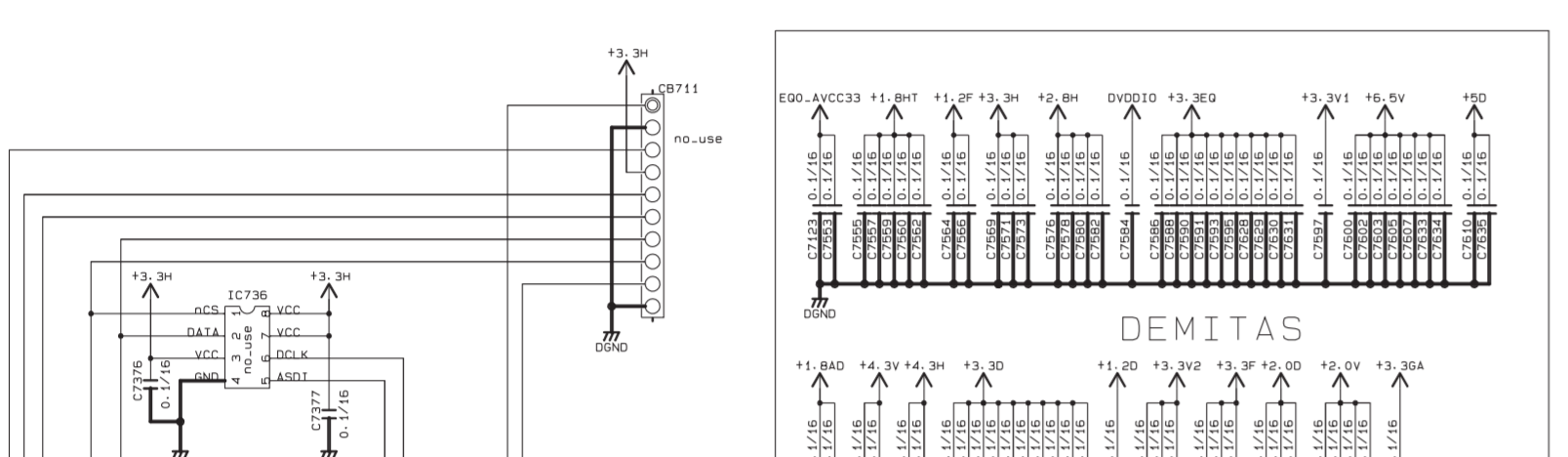
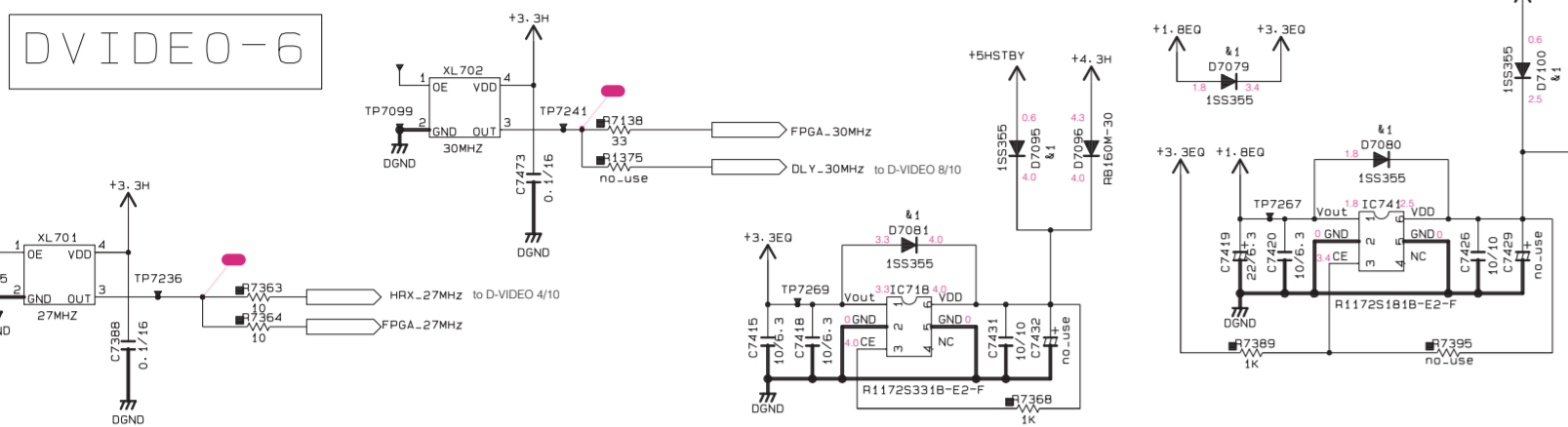
NOTICE [mode1]
 (J)..... JAPAN
 (U)..... U.S.A
 (C)..... CANADA
 (R)..... GENERAL
 (T)..... CHINA
 (K)..... KOREA
 (A)..... AUSTRALIA
 (B)..... BRITISH
 (G)..... EUROPE
 (L)..... SINGAPORE
 (E)..... SOUTH EUROPE
 (V)..... TAIWAN
 (F)..... RUSSIAN

* All voltages are measured with a 10MΩ/DC electronic voltmeter.
 * Components having special characteristics are marked !, and must be replaced with parts having specifications equal to those originally installed.
 * Schematic diagram is subject to change without notice.

●電圧は、内部抵抗10MΩの電圧計で測定したものです。
 ● !印のある部品は、安全性確保部品を示しています。部品の交換が必要な場合、パーツリストに記載されている部品を使用してください。
 ●本回路図は標準回路図です。改良のため予告なく変更することがございます。

D-VIDEO 6/10

DVIDEO-6



No replacement part available. サービス部品供給なし

No replacement part available. サービス部品供給なし

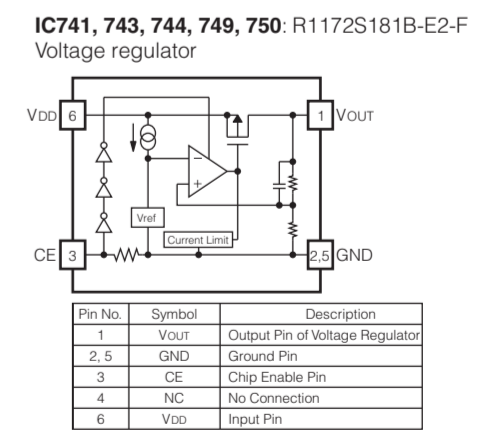
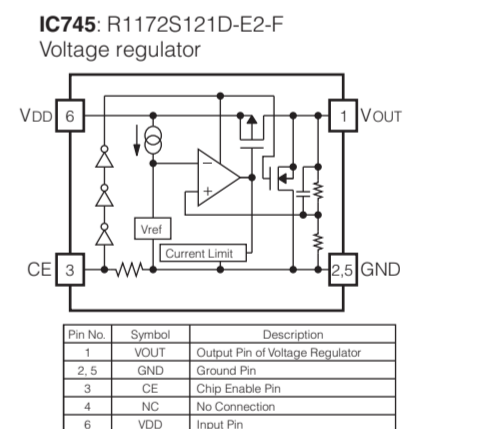
No replacement part available. サービス部品供給なし

No replacement part available. サービス部品供給なし

Table with 2 columns: REMARKS, PARTS NAME. Lists various resistor types like CARBON FILM RESISTOR, METAL OXIDE FILM RESISTOR, etc.

Table with 2 columns: REMARKS, PARTS NAME. Lists various capacitor types like ELECTROLYTIC CAPACITOR, TANTALUM CAPACITOR, etc.

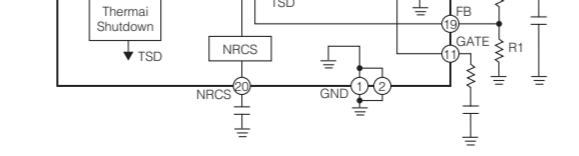
NOTICE (model) (J)..... JAPAN (U)..... U.S.A (C)..... CANADA (R)..... GENERAL (T)..... CHINA (K)..... KOREA (A)..... AUSTRALIA (B)..... BRITISH (E)..... EUROPE (L)..... SINGAPORE (E)..... SOUTH EUROPE (V)..... TAIWAN (F)..... RUSSIAN



All voltages are measured with a 10MQ/V DC electronic voltmeter. Components having special characteristics are marked with a triangle and must be replaced with parts having specifications equal to those originally installed. Schematic diagram is subject to change without notice.

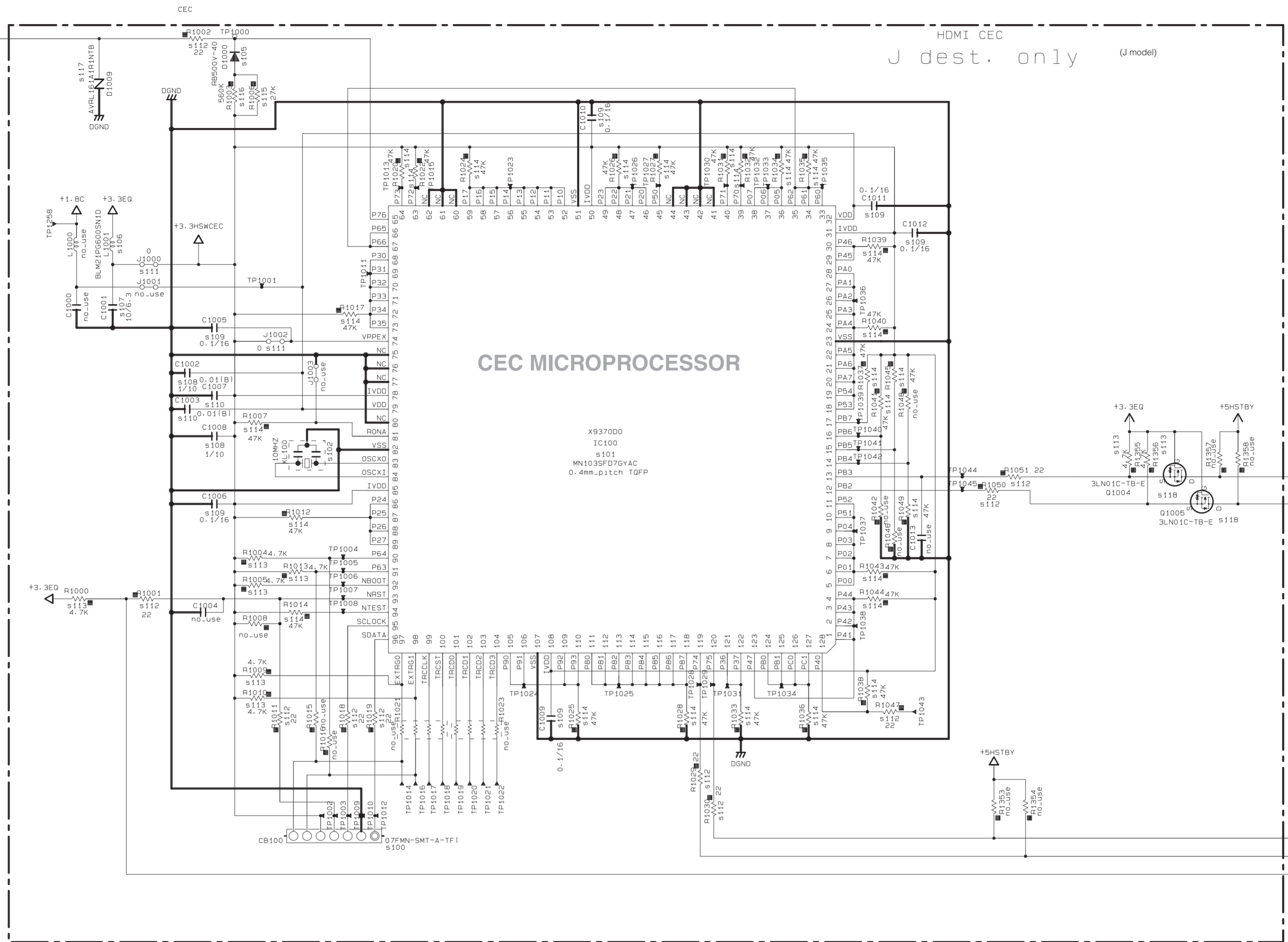
電圧は、内部抵抗10MQの電圧計で測定したものです。印のある部品は、安全性確保部品を示しています。部品の交換が必要な場合、パーツリストに記載されている部品を使用してください。本回路図は標準回路図です。改良のため予告なく変更することがございます。

Table with 4 columns: Pin No., Symbol, Description. Lists pins 1-6 for the voltage regulator.



D-VIDEO 7/10

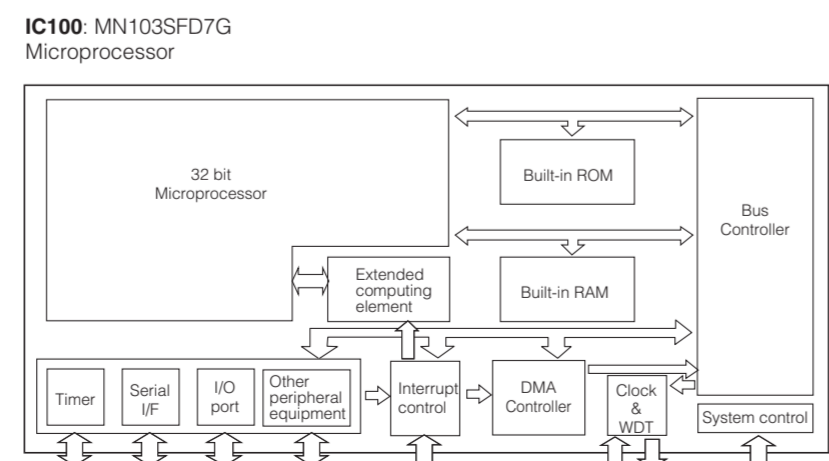
sXX	LOC	J	U
s100	CB100	WA90070 07FMN-SMT-A-TF I	X
s101	IC100	X937000 MN103SFD7GAC	X
s102	XL100	WM22790 10MHZ	X
s105	D1000	V237660 RB500V-40	X
s106	L1001	V244990 BLM21P6600SMDI	X
s107	C1001	WG88930	X
s108	C1008	US12510 1/10	X
s109	C1011 C1005 C1012 C1009 C1010 C1006	US63510 0.1/16	X
s110	C1003 C1007	US06410 0.011B1	X
s111	J1002 J1000	RD35000 0	X
s112	R1029 R1030 R1019 R1018 R1047 R1011 R1001 R1050 R1051 R1002	RD35422 22	X
s113	R1013 R1356 R1004 R1010 R1009 R1005 R1355 R1000	RD35647 4.7K	X
s114	R1026 R1034 R1033 R1028 R1027 R1007 R1032 R1012 R1017 R1031 R1014 R1035 R1030 R1036 R1038 R1049 R1024 R1025 R1043 R1044 R1041 R1039 R1040 R1041 R1037 R1022	RD35747 47K	X
s115	R1006	RF45727 27K	X
s116	R1003	RF45856 560K	X
s117	D1009	WE57480 AVRL16141B1NTB1	X
s118	Q1004 Q1005	3LN01C-TB-E	X



REMARKS	PARTS NAME
NO MARK	CARBON FILM RESISTOR (P=5)
☑	CARBON FILM RESISTOR (P=10)
△	METAL OXIDE FILM RESISTOR
⊠	METAL PLATE RESISTOR
⊞	FIRE PROOF CARBON FILM RESISTOR
□	CEMENT MOLDED RESISTOR
⊕	SEMI VARIABLE RESISTOR
■	CHIP RESISTOR

REMARKS	PARTS NAME
NO MARK	ELECTROLYTIC CAPACITOR
⊗	TANTALUM CAPACITOR
NO MARK	CERAMIC CAPACITOR
⊙	CERAMIC TUBULAR CAPACITOR
⊖	POLYESTER FILM CAPACITOR
○	POLYSTYRENE FILM CAPACITOR
⊕	MICA CAPACITOR
⊗	POLYPROPYLENE FILM CAPACITOR
●	SEMICONDUCTIVE CERAMIC CAPACITOR

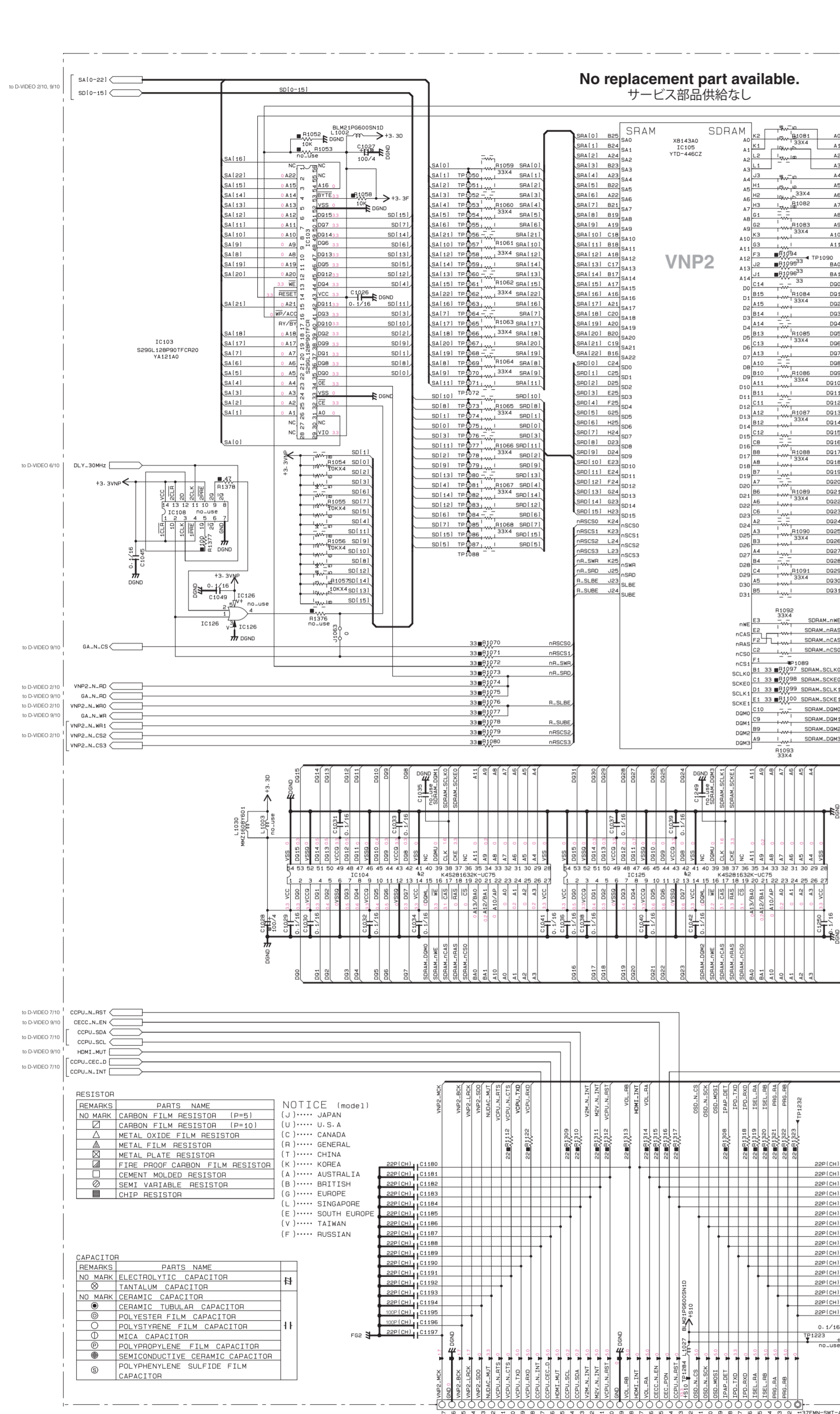
NOTICE (mode1)
 (J)..... JAPAN
 (U)..... U.S.A
 (C)..... CANADA
 (R)..... GENERAL
 (T)..... CHINA
 (K)..... KOREA
 (A)..... AUSTRALIA
 (B)..... BRITISH
 (G)..... EUROPE
 (L)..... SINGAPORE
 (E)..... SOUTH EUROPE
 (V)..... TAIWAN
 (F)..... RUSSIAN



DVIDEO-7

- ★ All voltages are measured with a 10MΩ/V DC electronic voltmeter.
- ★ Components having special characteristics are marked △ and must be replaced with parts having specifications equal to those originally installed.
- ★ Schematic diagram is subject to change without notice.
- 電圧は、内部抵抗10MΩの電圧計で測定したものです。
- △印のある部品は、安全確保部品を示しています。部品の交換が必要な場合、パーツリストに記載されている部品を使用してください。
- 本回路図は標準回路図です。改良のため予告なく変更することがございます。

D-VIDEO 8/10

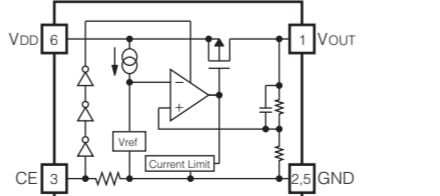


No replacement part available. サービス部品供給なし

No replacement part available. サービス部品供給なし

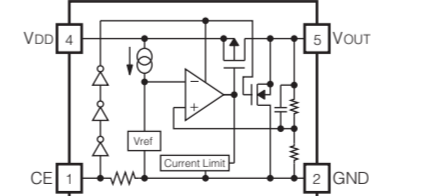
No replacement part available. サービス部品供給なし

IC101: R1127S331B-E2-F CMOS-based positive-voltage regulator IC



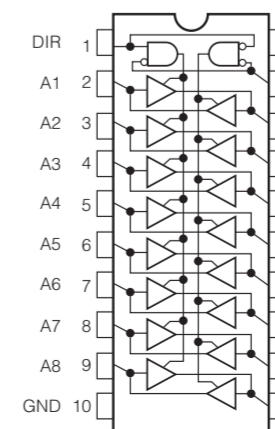
Pin No.	Symbol	Description
1	V _{OUT}	Output Pin of Voltage Regulator
2, 5	GND	Ground Pin
3	CE	Chip Enable Pin
4	NC	No Connection
6	V _{IO}	Input Pin

IC102: R1172H121D-T1-F CMOS-based positive-voltage regulator IC

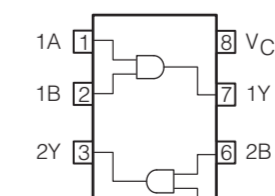


Pin No.	Symbol	Description
1	CE	Chip Enable Pin
2	GND	Ground Pin
3	NC	No Connection
4	V _{IO}	Input Pin
5	V _{OUT}	Output Pin of Voltage Regulator

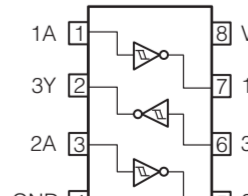
IC106: TC74VHCT245AFT Octal bus transceiver



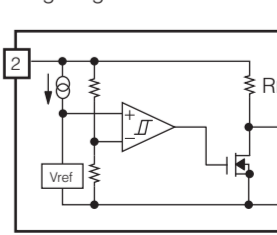
IC107: TC7WH08FK Dual 2-input AND gate



IC109: TC7WH14FK Triple schmitt inverter

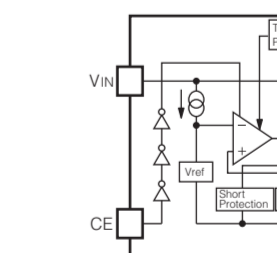


IC110: R3112N251A-TR Voltage regulator

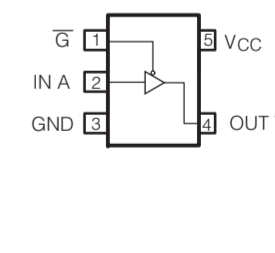


Pin No.	Symbol	Description
1	OUT	Output Pin ("L" at Detect, "H" at Released)
2	V _{DD}	Input and power source for device itself
3	GND	Ground Pin
4	NC	No Connection
5	C _D	Pin for external capacitor for setting output delay

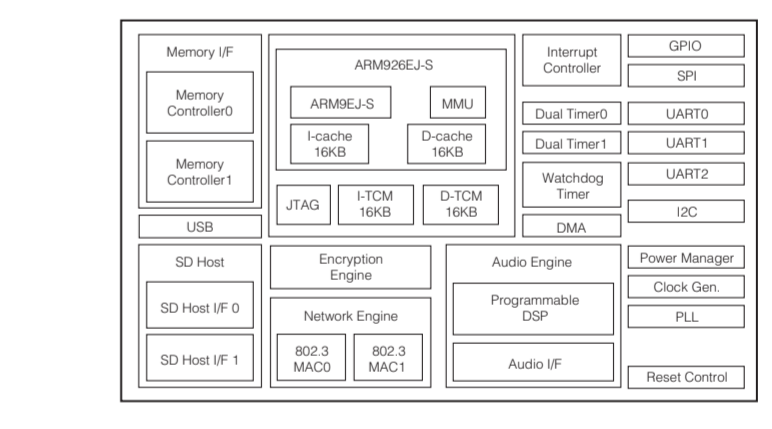
IC122: R1154H050B-T1-F Voltage regulator



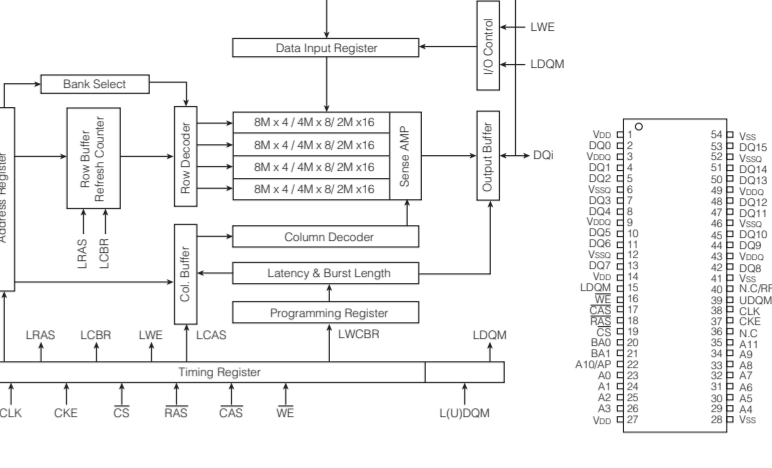
IC111: TC75H125FU Bus buffer



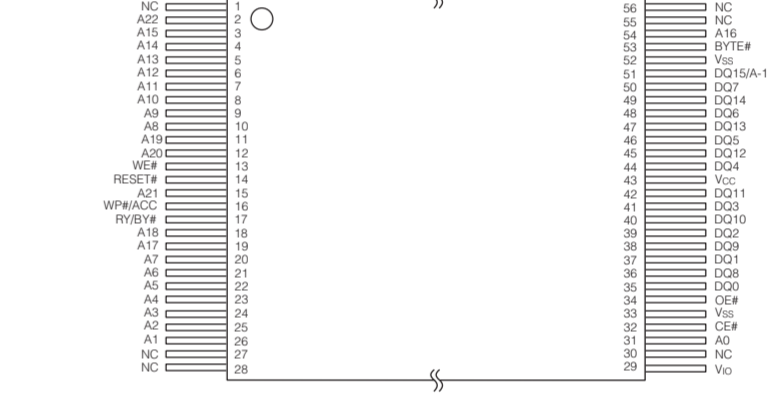
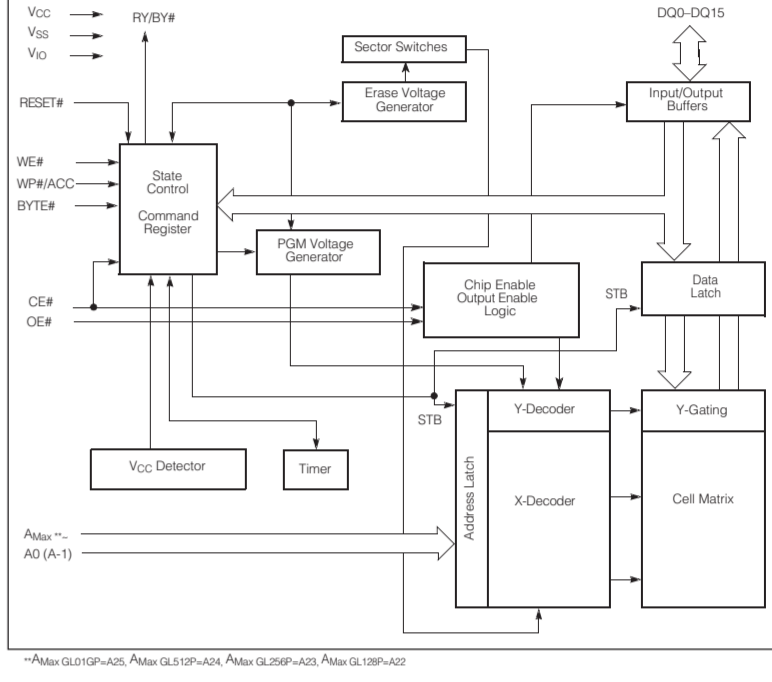
IC105: YTD446-CZ Main microprocessor Network audio equipment, and an equipment with network function



IC104, 125: K4S281632K-UC75000 128 M synchronous DRAM



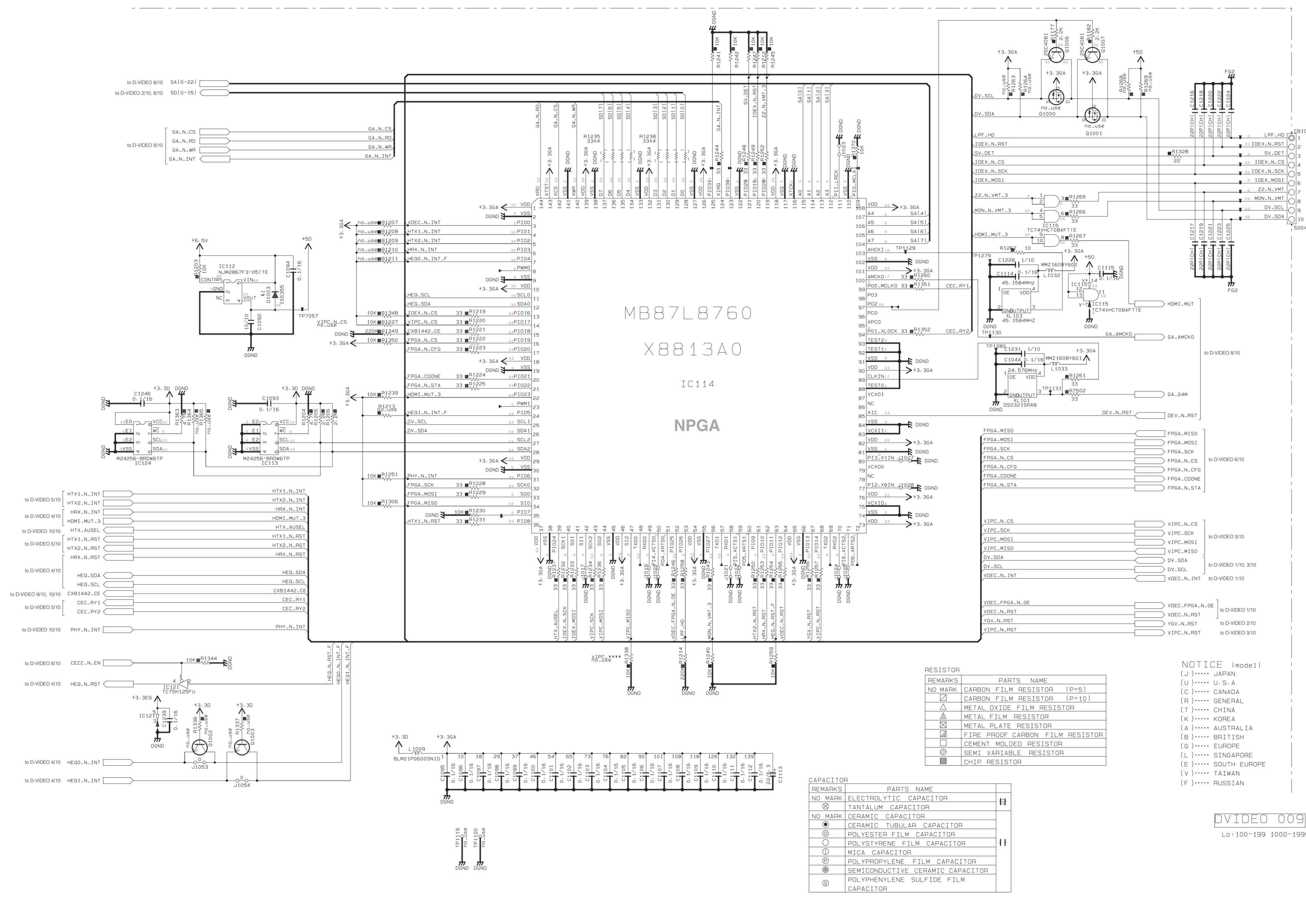
IC103: S29GL128P90TCR20 128 M-bits CMOS 3.0 volt-only page mode flash memory



Pin No.	Symbol	Function
1	NC	No Connection
2	RES	Resistor
3	RES	Resistor
4	RES	Resistor
5	RES	Resistor
6	RES	Resistor
7	RES	Resistor
8	RES	Resistor
9	RES	Resistor
10	RES	Resistor
11	RES	Resistor
12	RES	Resistor
13	RES	Resistor
14	RES	Resistor
15	RES	Resistor
16	RES	Resistor
17	RES	Resistor
18	RES	Resistor
19	RES	Resistor
20	RES	Resistor
21	RES	Resistor
22	RES	Resistor
23	RES	Resistor
24	RES	Resistor
25	RES	Resistor
26	RES	Resistor
27	RES	Resistor
28	RES	Resistor
29	RES	Resistor
30	RES	Resistor
31	RES	Resistor
32	RES	Resistor
33	RES	Resistor
34	RES	Resistor
35	RES	Resistor
36	RES	Resistor
37	RES	Resistor
38	RES	Resistor
39	RES	Resistor
40	RES	Resistor
41	RES	Resistor
42	RES	Resistor
43	RES	Resistor
44	RES	Resistor
45	RES	Resistor
46	RES	Resistor
47	RES	Resistor
48	RES	Resistor
49	RES	Resistor
50	RES	Resistor
51	RES	Resistor
52	RES	Resistor
53	RES	Resistor
54	RES	Resistor
55	RES	Resistor
56	RES	Resistor
57	RES	Resistor
58	RES	Resistor
59	RES	Resistor
60	RES	Resistor
61	RES	Resistor
62	RES	Resistor
63	RES	Resistor
64	RES	Resistor
65	RES	Resistor
66	RES	Resistor
67	RES	Resistor
68	RES	Resistor
69	RES	Resistor
70	RES	Resistor
71	RES	Resistor
72	RES	Resistor
73	RES	Resistor
74	RES	Resistor
75	RES	Resistor
76	RES	Resistor
77	RES	Resistor
78	RES	Resistor
79	RES	Resistor
80	RES	Resistor
81	RES	Resistor
82	RES	Resistor
83	RES	Resistor
84	RES	Resistor
85	RES	Resistor
86	RES	Resistor
87	RES	Resistor
88	RES	Resistor
89	RES	Resistor
90	RES	Resistor
91	RES	Resistor
92	RES	Resistor
93	RES	Resistor
94	RES	Resistor
95	RES	Resistor
96	RES	Resistor
97	RES	Resistor
98	RES	Resistor
99	RES	Resistor
100	RES	Resistor

* All voltages are measured with a 10MΩ/DC electronic voltmeter.
 * Components having special characteristics are marked with * and must be replaced with parts having specifications equal to those originally installed.
 * Schematic diagram is subject to change without notice.

D-VIDEO 9/10



MB87L8760
X8813A0
IC114
NPGA

RESISTOR

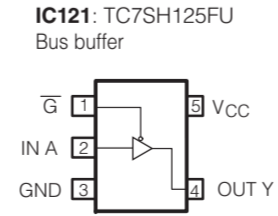
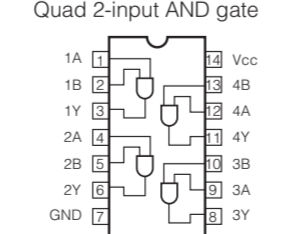
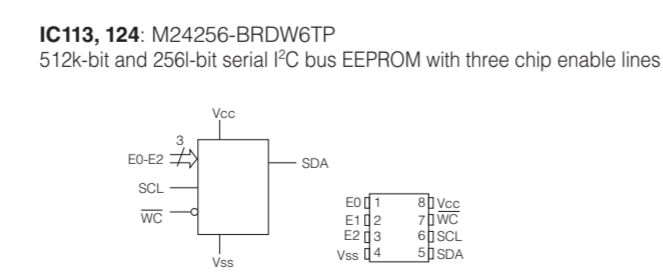
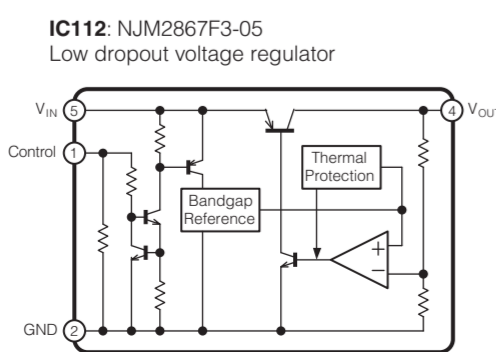
REMARKS	PARTS NAME
NO MARK	CARBON FILM RESISTOR (P=5)
□	CARBON FILM RESISTOR (P=10)
△	METAL OXIDE FILM RESISTOR
⊠	METAL FILM RESISTOR
⊞	METAL PLATE RESISTOR
⊞	FIRE PROOF CARBON FILM RESISTOR
⊞	CEMENT MOLDED RESISTOR
⊞	SEMI VARIABLE RESISTOR
⊞	CHIP RESISTOR

CAPACITOR

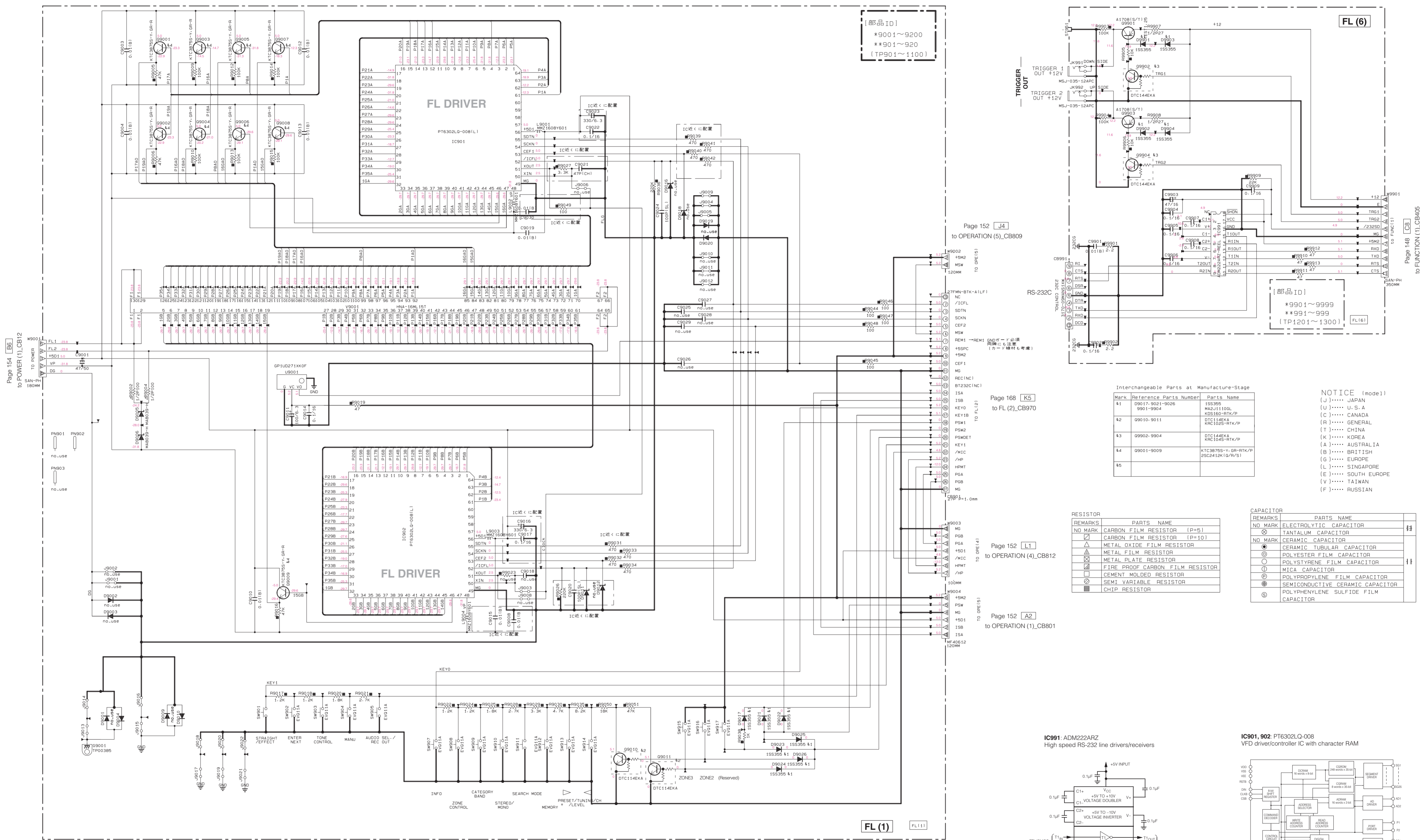
REMARKS	PARTS NAME
NO MARK	ELECTROLYTIC CAPACITOR
⊗	TANTALUM CAPACITOR
NO MARK	CERAMIC CAPACITOR
●	CERAMIC TUBULAR CAPACITOR
○	POLYESTER FILM CAPACITOR
○	POLYSTYRENE FILM CAPACITOR
○	MICA CAPACITOR
○	POLYPROPYLENE FILM CAPACITOR
○	SEMICONDUCTIVE CERAMIC CAPACITOR
○	POLYPHENYLENE SULFIDE FILM CAPACITOR

NOTICE (mode1)
(J)..... JAPAN
(U)..... U.S.A
(C)..... CANADA
(R)..... GENERAL
(T)..... CHINA
(K)..... KOREA
(A)..... AUSTRALIA
(B)..... BRITISH
(G)..... EUROPE
(L)..... SINGAPORE
(E)..... SOUTH EUROPE
(V)..... TAIWAN
(F)..... RUSSIAN

DVIDEO 009
Lo:100-199 1000-1999



- ★ All voltages are measured with a 10MΩ/V DC electronic voltmeter.
- ★ Components having special characteristics are marked ⊠ and must be replaced with parts having specifications equal to those originally installed.
- ★ Schematic diagram is subject to change without notice.
- 電圧は、内部抵抗10MΩの電圧計で測定したものです。
- ⊠印のある部品は、安全性確保部品を示しています。部品の交換が必要な場合、パーツリストに記載されている部品を使用してください。
- 本回路図は標準回路図です。改良のため予告なく変更することがございます。



Page 154 [B6]
to POWER (1)_CB12

Page 152 [J4]
to OPERATION (5)_CB809

Page 168 [K5]
to FL (2)_CB970

Page 152 [L1]
to OPERATION (4)_CB812

Page 152 [A2]
to OPERATION (1)_CB801

Interchangeable Parts at Manufacture-Stage

Mark	Reference Parts Number	Parts Name
41	09017-9004-9026	15S395
42	09010-9011	MA2J1100L KRC1025-Rtk/p
43	09902-9904	DTC144KA KRC1025-Rtk/p
44	09001-9009	KTC38755-y-gr-Rtk/p 25C241K1G/R/S1

NOTICE (model)

(J)..... JAPAN
(U)..... U.S.A
(C)..... CANADA
(A)..... GENERAL
(T)..... CHINA
(K)..... KOREA
(A)..... AUSTRALIA
(B)..... BRITISH
(G)..... EUROPE
(L)..... SINGAPORE
(E)..... SOUTH EUROPE
(V)..... TAIWAN
(F)..... RUSSIAN

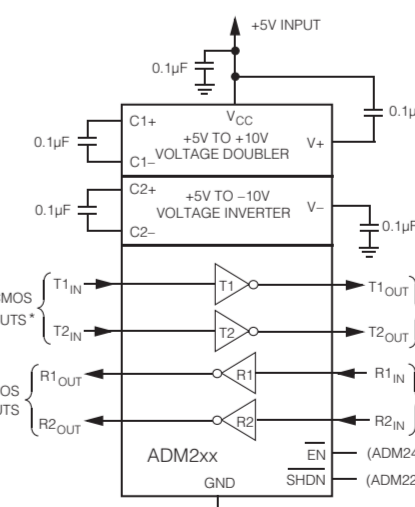
RESISTOR

REMARKS	PARTS NAME
NO MARK	CARBON FILM RESISTOR [P=5]
⊗	CARBON FILM RESISTOR [P=10]
△	METAL OXIDE FILM RESISTOR
⊙	METAL FILM RESISTOR
⊠	METAL PLATE RESISTOR
⊡	FIRE PROOF CARBON FILM RESISTOR
□	CEMENT MOLDED RESISTOR
⊕	SEMI VARIABLE RESISTOR
■	CHIP RESISTOR

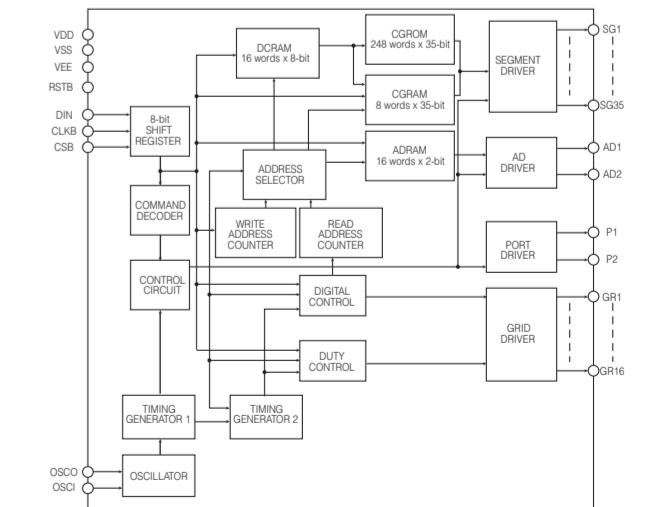
CAPACITOR

REMARKS	PARTS NAME
NO MARK	ELECTROLYTIC CAPACITOR
⊗	TANTALUM CAPACITOR
⊙	CERAMIC CAPACITOR
⊕	CERAMIC TUBULAR CAPACITOR
⊖	POLYESTER FILM CAPACITOR
⊗	POLYSTYRENE FILM CAPACITOR
⊕	MICA CAPACITOR
⊖	POLYPROPYLENE FILM CAPACITOR
⊗	SEMICONDUCTIVE CERAMIC CAPACITOR
⊕	POLYPHENYLENE SULFIDE FILM CAPACITOR

IC901: ADM2242RZ
High speed RS-232 line drivers/receivers



IC901, 902: PT6302LQ-008
VFD driver/controller IC with character RAM



RX-V3900 (U, C, R, T, K, A, B, G, E, L models)
Key input(A-D) pull-up resistance 10 k-ohms

Ohm	0	+1.2k	+1.2k	+1.8k	+2.7k	+3.3k	+4.7k	+8.2k	+18.0k	+47.0k
KEY0	-0.26	-0.75	-1.22	-1.76	-2.28	-2.75	-3.24	-4.25	-4.72	-
KEY1	-	-	-	-	-	-	-	-	-	-

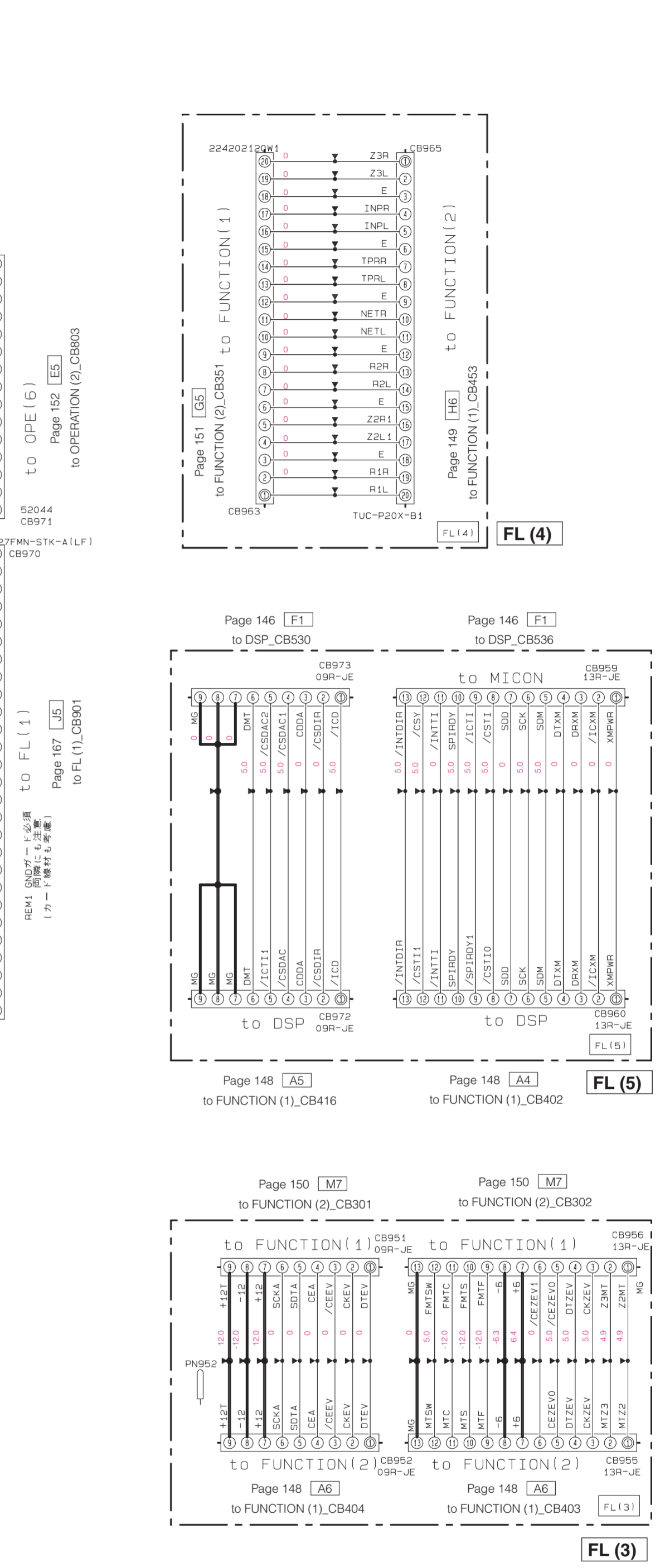
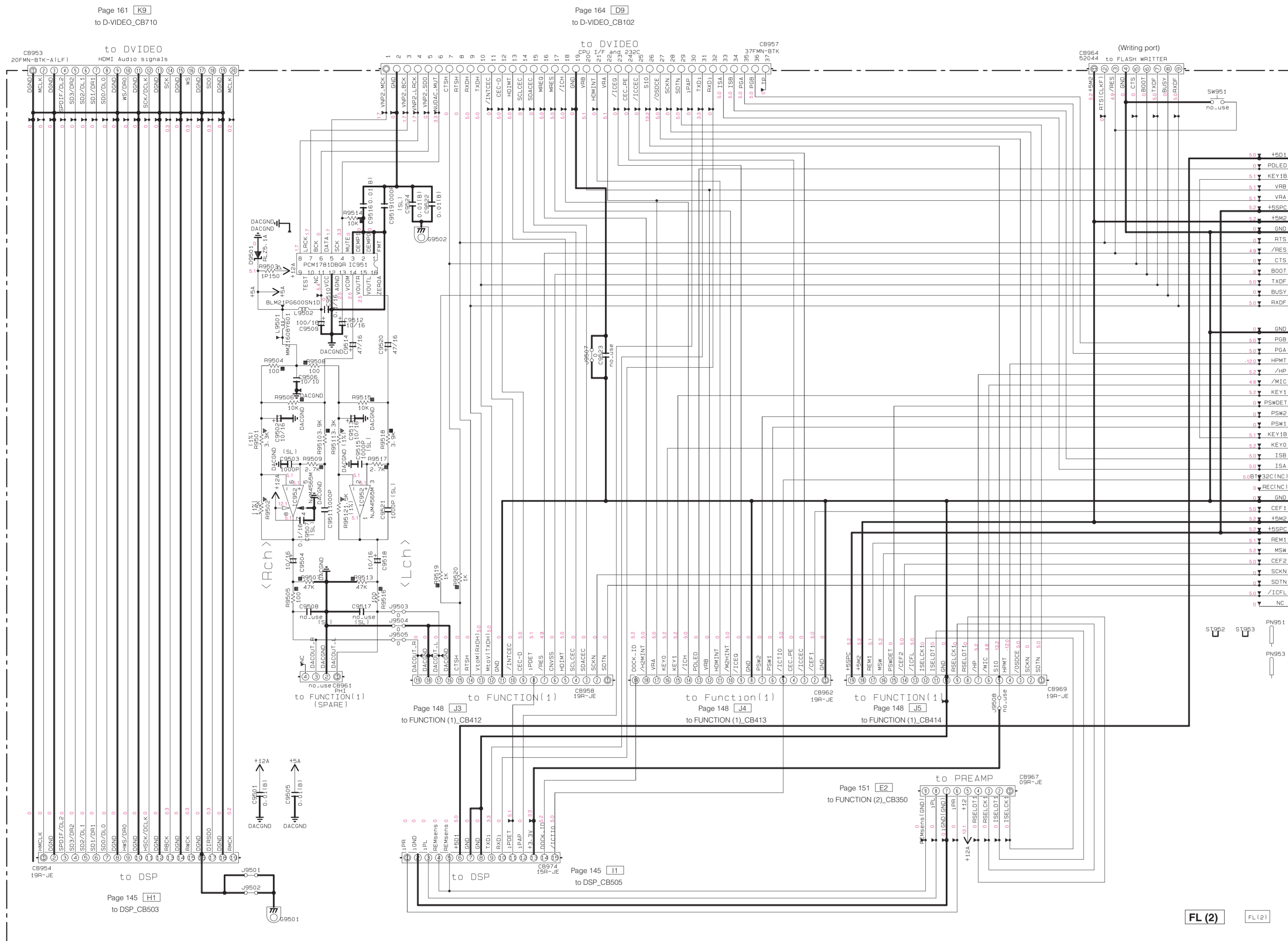
* KEY0: R9022 to R9051 of FL (1) P.C.B. / KEY1: R9017 to R9021 of FL (1) P.C.B. / R8004 of OPERATION (2) P.C.B.

DSP-AX3900 (J model)
Key input(A-D) pull-up resistance 10 k-ohms

Ohm	0	+1.2k	+1.2k	+1.8k	+2.7k	+3.3k	+4.7k	+8.2k	+18.0k	+47.0k
KEY0	-0.26	-0.75	-1.22	-1.76	-2.28	-2.75	-3.24	-4.25	-4.72	-
KEY1	-	-	-	-	-	-	-	-	-	-

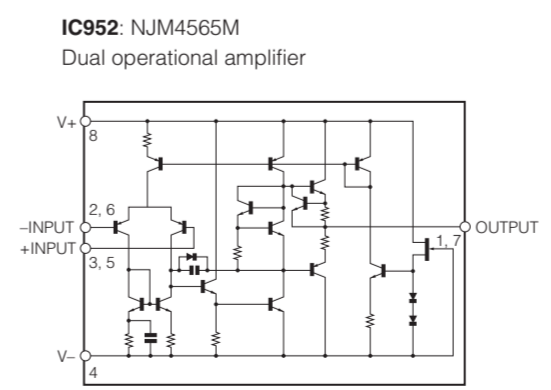
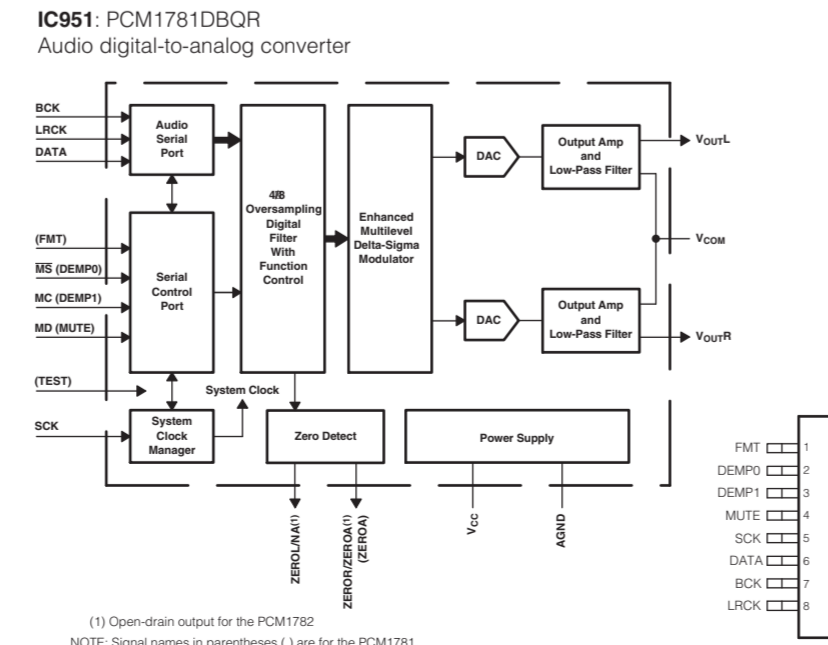
* KEY0: R9022 to R9051 of FL (1) P.C.B. / KEY1: R9017 to R9021 of FL (1) P.C.B. / R8004 of OPERATION (2) P.C.B.

- * All voltages are measured with a 10MΩ/V DC electronic voltmeter.
- * Components having special characteristics are marked with a triangle and must be replaced with parts having specifications equal to those originally installed.
- * Schematic diagram is subject to change without notice.
- 電圧は、内部抵抗10MΩの電圧計で測定したものです。
- 三角形の印のある部品は、安全確保部品を示しています。部品の交換が必要な場合、パーツリストに記載されている部品を使用してください。
- 本回路図は標準回路図です。改良のため予告なく変更することがございます。



★ All voltages are measured with a 10MQ/V DC electronic voltmeter.
 ★ Components having special characteristics are marked '!' and must be replaced with parts having specifications equal to those originally installed.
 ★ Schematic diagram is subject to change without notice.

● 電圧は、内部抵抗10MQの電圧計で測定したものです。
 ● !印のある部品は、安全性確保部品を示しています。部品の交換が必要な場合、パーツリストに記載されている部品を使用してください。
 ● 本回路図は標準回路図です。改良のため予告なく変更することがございます。



RESISTOR	
REMARKS	PARTS NAME
NO MARK	CARBON FILM RESISTOR (P=5)
□	CARBON FILM RESISTOR (P=10)
△	METAL OXIDE FILM RESISTOR
◇	METAL FILM RESISTOR
■	METAL PLATE RESISTOR
□	FIRE PROOF CARBON FILM RESISTOR
□	CEMENT MOLDED RESISTOR
□	SEMI VARIABLE RESISTOR
■	CHIP RESISTOR

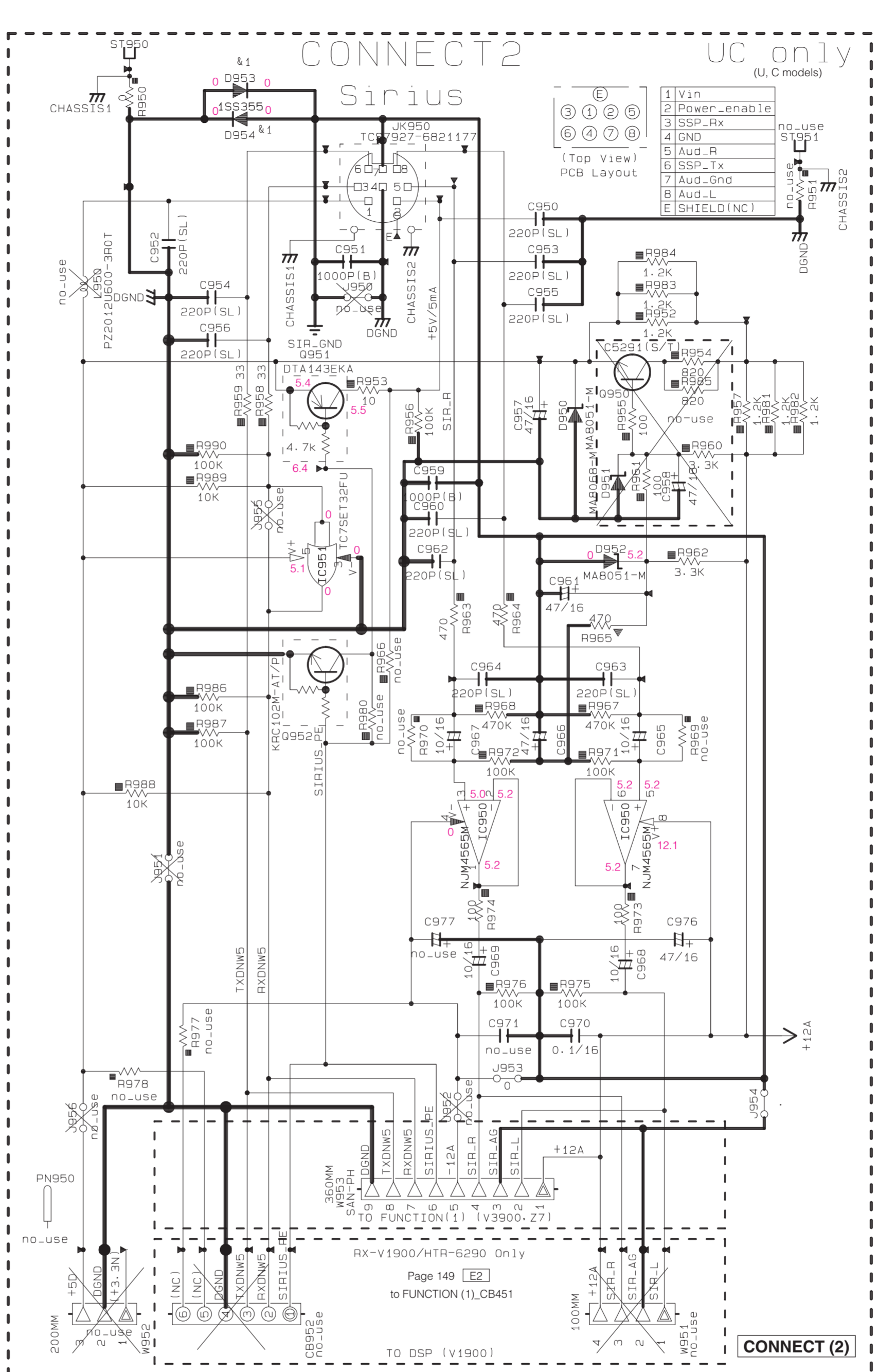
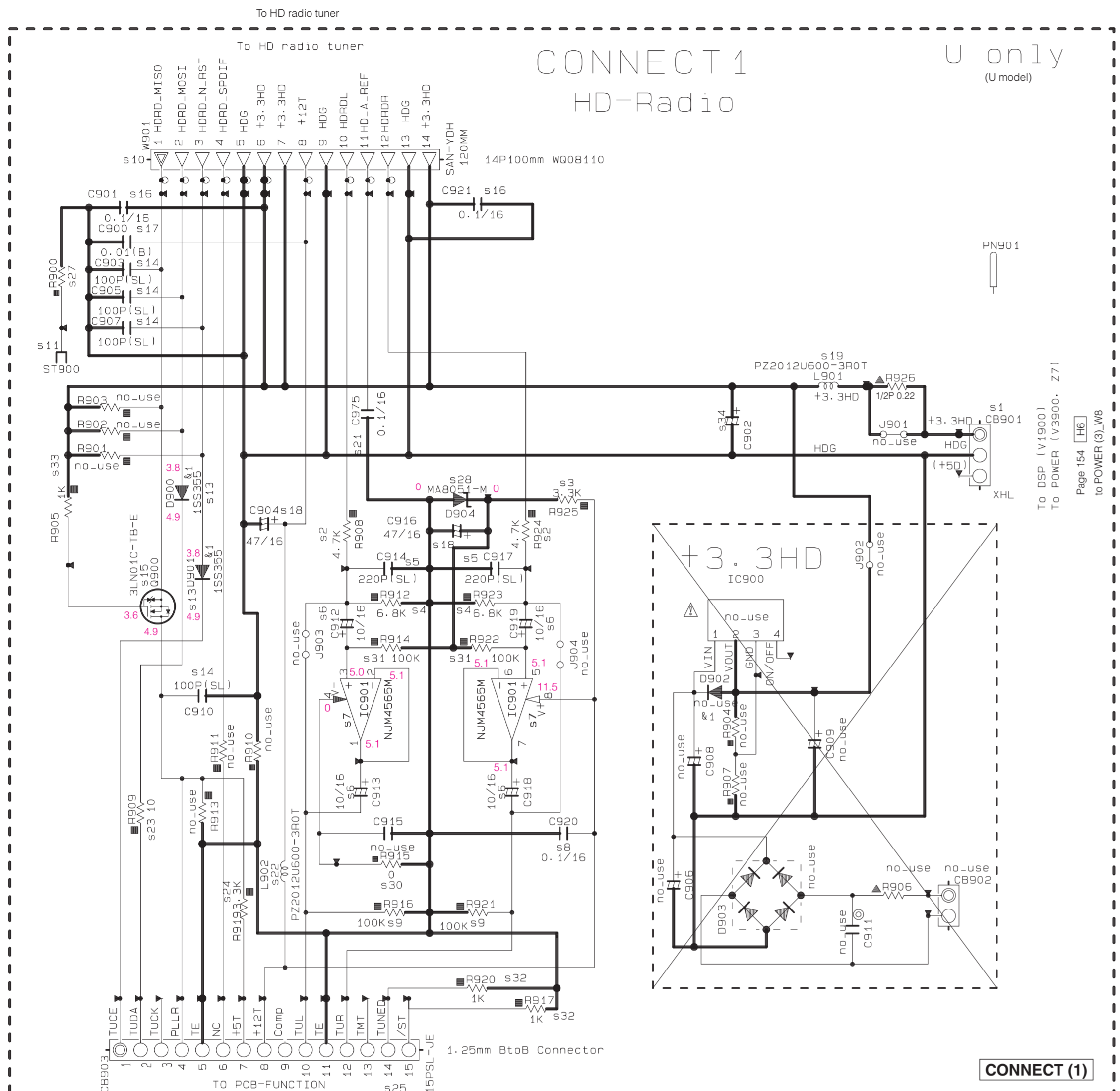
CAPACITOR	
REMARKS	PARTS NAME
U	ELECTROLYTIC CAPACITOR
○	TANTALUM CAPACITOR
NO MARK	CERAMIC CAPACITOR
○	CERAMIC TUBULAR CAPACITOR
○	POLYESTER FILM CAPACITOR
○	POLYSTYRENE FILM CAPACITOR
○	MICA CAPACITOR
○	POLYPROPYLENE FILM CAPACITOR
○	SEMICONDUCTIVE CERAMIC CAPACITOR

NOTICE (model)
 (J)..... JAPAN
 (U)..... U.S.A
 (C)..... CANADA
 (R)..... GENERAL
 (T)..... CHINA
 (K)..... KOREA
 (A)..... AUSTRALIA
 (B)..... BRITISH
 (G)..... EUROPE
 (L)..... SINGAPORE
 (E)..... SOUTH EUROPE
 (V)..... TAIWAN
 (F)..... RUSSIAN

部品ID
 *9501~9800
 **951~980
 (TP2001~2300)

(1) Open-drain output for the PCM1782
 NOTE: Signal names in parentheses () are for the PCM1781.

CONNECT



Destination Part List

sXX	LOC	U	C
s1	CB901	LB91903 XHL	X
s2	R908	RD35647 4.7K	X
s3	R925	RD35633 3.3K	X
s4	R912	RD35668 6.8K	X
s5	C914	US06222 220P(SL)	X
s6	C912	UM39710 10/16	X
s7	IC901	X7378A0 NJM4565M	X
s8	C920	US13510 0.1/16	X
s9	R921	RD35810 100K	X
s10	W901	W008110 SAN-YDH	X
s11	ST900	V404050	X
s13	D901	VT33290 1S5355	X
s14	C907	US06210 100P(SL)	X
s15	D900	WH44500 3LNO1C-TB-E	X
s16	C901	US13510 0.1/16	X
s17	C900	US06410 0.01(B)	X
s18	C916	UM39747 47/16	X
s19	L901	W653720 PZ2012U600-3R0T	X
s21	C975	US13510 0.1/16	X
s22	L902	W653720 PZ2012U600-3R0T	X
s23	R909	RD35410 10	X
s24	R919	RD35633 3.3K	X
s25	CB903	VU44380 15PSL-JE	X
s27	R900	RD35000 0	X
s28	D904	VU99260 MAB051-M	X
s29	PN901	V963750	X
s30	R915	RD35000 0	X
s31	R914	RD35810 100K	X
s32	R920	RD35610 1K	X
s33	R905	RD35610 1K	X
s34	C902	UR21922 220P(S-3)	X
NA No.		WP15650 WP15660	
NC No.		X9907	

Page 148 [A2] to FUNCTION (1)_CB401

NOTICE (model)
 (J)..... JAPAN
 (U)..... U.S.A
 (C)..... CANADA
 (R)..... GENERAL
 (T)..... CHINA
 (K)..... KOREA
 (A)..... AUSTRALIA
 (B)..... BRITISH
 (G)..... EUROPE
 (L)..... SINGAPORE
 (E)..... SOUTH EUROPE
 (V)..... TAIWAN
 (F)..... RUSSIAN

Interchangeable Parts at Manufacture-Stage

Mark	Reference Parts Number	Parts Name
&1	D900.901.953.954	1SS355 MA2J1110GL KDS160-RTK/P

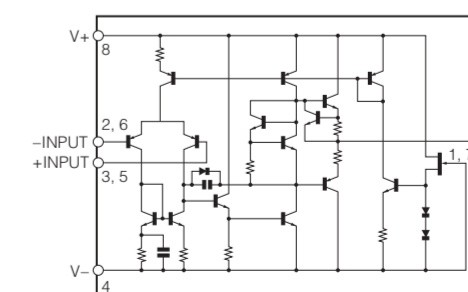
RESISTOR

REMARKS	PARTS NAME
NO MARK	ELECTROLYTIC CAPACITOR
⊗	TANTALUM CAPACITOR
NO MARK	CARBON FILM RESISTOR (P=5)
□	CARBON FILM RESISTOR (P=10)
△	METAL OXIDE FILM RESISTOR
▲	METAL FILM RESISTOR
⊠	METAL PLATE RESISTOR
⊞	FIRE PROOF CARBON FILM RESISTOR
□	CEMENT MOLDED RESISTOR
⊘	SEMI VARIABLE RESISTOR
■	CHIP RESISTOR

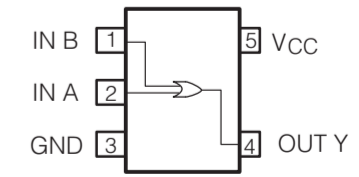
CAPACITOR

REMARKS	PARTS NAME
NO MARK	ELECTROLYTIC CAPACITOR
⊗	TANTALUM CAPACITOR
NO MARK	CERAMIC CAPACITOR
●	CERAMIC TUBULAR CAPACITOR
⊙	POLYESTER FILM CAPACITOR
○	POLYSTYRENE FILM CAPACITOR
①	MICA CAPACITOR
⊖	POLYPROPYLENE FILM CAPACITOR
⊕	SEMICONDUCTIVE CERAMIC CAPACITOR
Ⓢ	POLYPHENYLENE SULFIDE FILM CAPACITOR

IC901, 950: NJM4565M Dual operational amplifier



IC951: TC7SET32FU 2-input OR gate

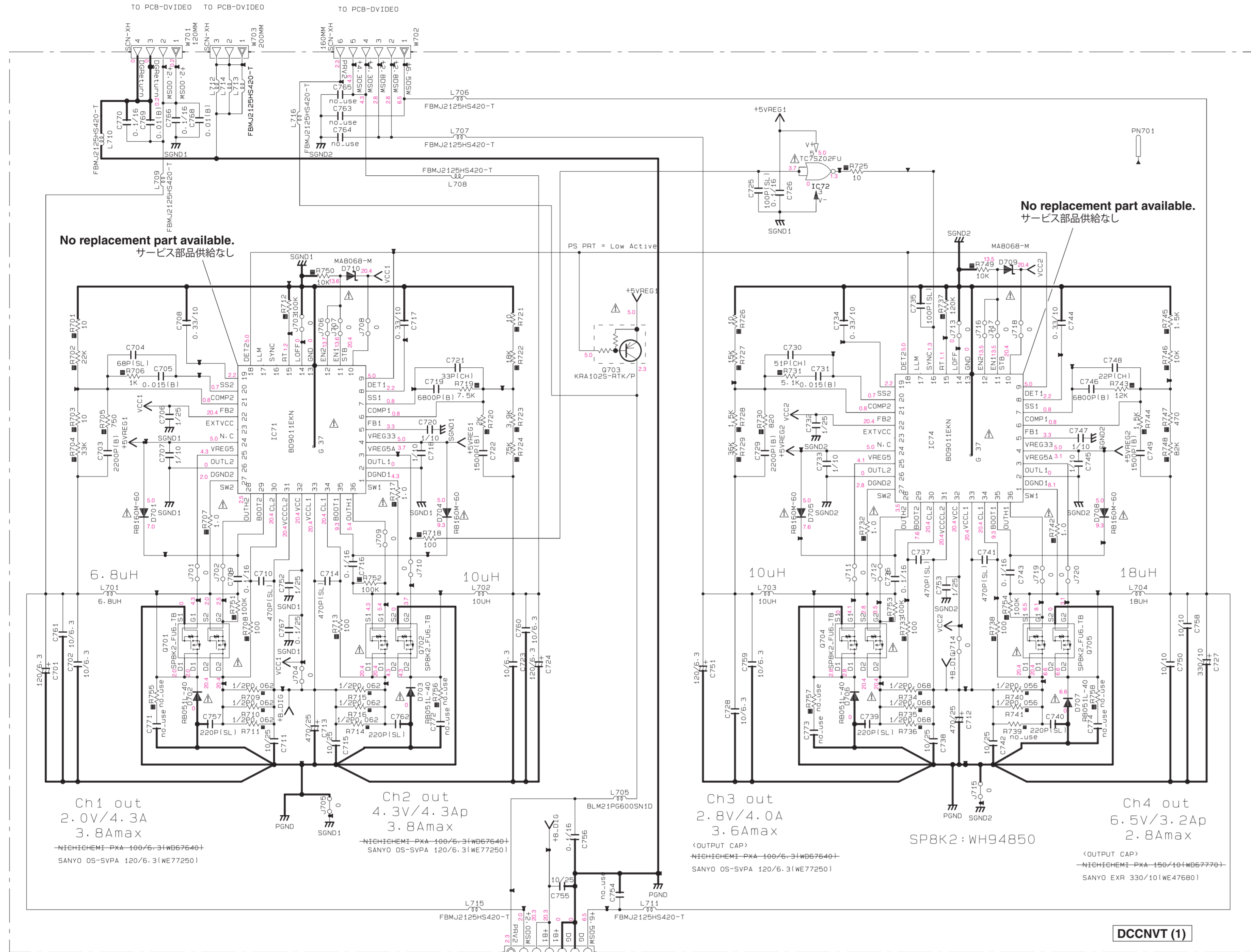


* All voltages are measured with a 10MΩ/V DC electronic voltmeter.
 * Components having special characteristics are marked with a triangle and must be replaced with parts having specifications equal to those originally installed.
 * Schematic diagram is subject to change without notice.

● 電圧は、内部抵抗10MΩの電圧計で測定したものです。
 ● 印のある部品は、安全性確保部品を示しています。部品の交換が必要な場合、パーツリストに記載されている部品を使用してください。
 ● 本回路図は標準回路図です。改良のため予告なく変更することがございます。

DCCNVT

Page 166 [J3] to D-VIDEO_CB108
Page 166 [J3] to D-VIDEO_CB109
Page 166 [J2] to D-VIDEO_CB107



DCCNVT (1)

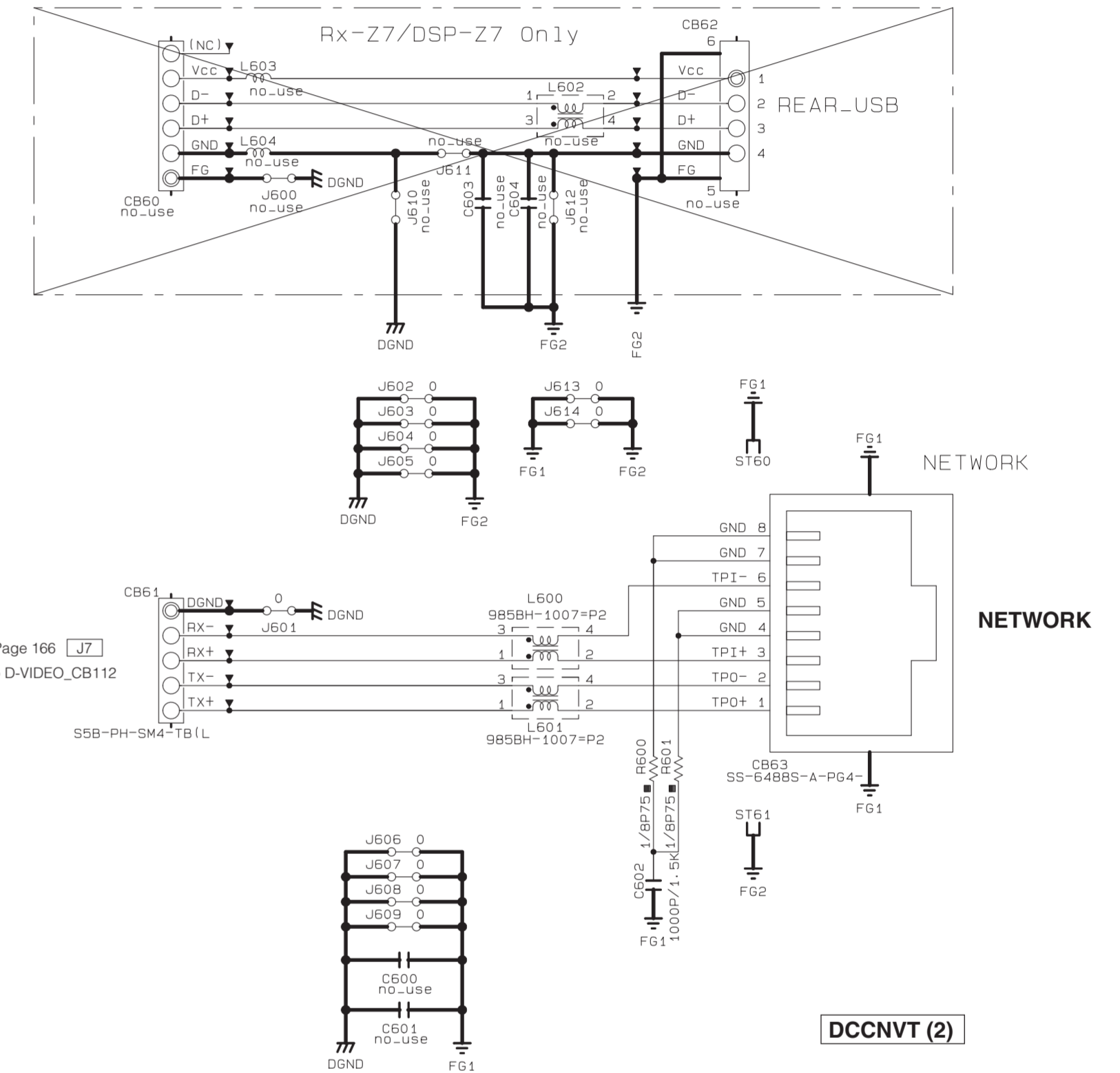
DCCNVT 001

REF : 71 - 80. 701 - 800

RESISTOR table with columns for REMARKS and PARTS_NAME, listing various resistor types like CARBON FILM RESISTOR, METAL OXIDE FILM RESISTOR, etc.

CAPACITOR table with columns for REMARKS and PARTS_NAME, listing various capacitor types like ELECTROLYTIC CAPACITOR, TANTALUM CAPACITOR, etc.

NOTICE (model) (J)..... JAPAN (U)..... U.S.A (C)..... CANADA (R)..... GENERAL (T)..... CHINA (K)..... KOREA (A)..... AUSTRALIA (B)..... BRITISH (G)..... EUROPE (L)..... SINGAPORE (E)..... SOUTH EUROPE (V)..... TAIWAN (F)..... RUSSIAN



DCCNVT (2)

DCCNVT 002

Lo:60-66 600-669

All voltages are measured with a 10MQ/V DC electronic voltmeter. Components having special characteristics are marked with a star and must be replaced with parts having specifications equal to those originally installed. Schematic diagram is subject to change without notice.

電圧は、内部抵抗10MQの電圧計で測定したものです。印のある部品は、安全性確保部品を示しています。部品の交換が必要な場合、パーツリストに記載されている部品を使用してください。本回路図は標準回路図です。改良のため予告なく変更することがございます。

