

AV RECEIVER/AV AMPLIFIER RX-V4600/DSP-AX4600

RX-V4600/
DSP-AX4600

SERVICE MANUAL

IMPORTANT NOTICE

This manual has been provided for the use of authorized YAMAHA Retailers and their service personnel.

It has been assumed that basic service procedures inherent to the industry, and more specifically YAMAHA Products, are already known and understood by the users, and have therefore not been restated.

WARNING: Failure to follow appropriate service and safety procedures when servicing this product may result in personal injury, destruction of expensive components, and failure of the product to perform as specified. For these reasons, we advise all YAMAHA product owners that any service required should be performed by an authorized YAMAHA Retailer or the appointed service representative.

IMPORTANT: The presentation or sale of this manual to any individual or firm does not constitute authorization, certification or recognition of any applicable technical capabilities, or establish a principle-agent relationship of any form.

The data provided is believed to be accurate and applicable to the unit(s) indicated on the cover. The research, engineering, and service departments of YAMAHA are continually striving to improve YAMAHA products. Modifications are, therefore, inevitable and specifications are subject to change without notice or obligation to retrofit. Should any discrepancy appear to exist, please contact the distributor's Service Division.

WARNING: Static discharges can destroy expensive components. Discharge any static electricity your body may have accumulated by grounding yourself to the ground buss in the unit (heavy gauge black wires connect to this buss).

IMPORTANT: Turn the unit OFF during disassembly and part replacement. Recheck all work before you apply power to the unit.

CONTENTS

TO SERVICE PERSONNEL	2	AMP ADJUSTMENT / アンプ部調整	53
FRONT PANELS	3	DISPLAY DATA	54
REAR PANELS	3~6	IC DATA	55~58
REMOTE CONTROL	7	BLOCK DIAGRAM	59~60
SPECIFICATIONS / 参考仕様	8~10	PIN CONNECTION DIAGRAM	61~62
INTERNAL VIEW	11	PRINTED CIRCUIT BOARD	63~83
DISASSEMBLY PROCEDURES / 分解手順	12~15	SCHEMATIC DIAGRAM	85~100
UPDATING FIRMWARE / ファームウェアの書き込み	16~21	PARTS LIST	101~140
SELF DIAGNOSIS FUNCTION (DIAG) / 自己診断機能 (ダイアグ)	22~52	REMOTE CONTROL	141~143



このサービスマニュアルは、エコマーク認定の再生紙を使用しています。
This Service Manual uses recycled paper.

© 2005 YAMAHA CORPORATION All rights reserved.

100952



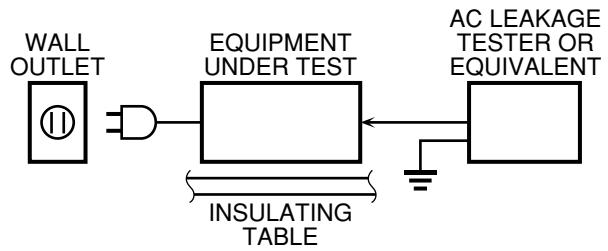
YAMAHA

YAMAHA CORPORATION
P.O.Box 1, Hamamatsu, Japan

'05.05

■ TO SERVICE PERSONNEL

1. Critical Components Information
Components having special characteristics are marked ⚠ and must be replaced with parts having specifications equal to those originally installed.
 2. Leakage Current Measurement (For 120V Models Only)
When service has been completed, it is imperative to verify that all exposed conductive surfaces are properly insulated from supply circuits.
- Meter impedance should be equivalent to 1500 ohms shunted by 0.15μF.



- Leakage current must not exceed 0.5mA.
- Be sure to test for leakage with the AC plug in both polarities.



“CAUTION”

“F1, F2: FOR CONTINUED PROTECTION AGAINST RISK OF FIRE, REPLACE ONLY WITH SAME TYPE 10A, 125V FUSE.”

CAUTION

F1, F2: REPLACE WITH SAME TYPE 10A, 125V FUSE.

ATTENTION

F1, F2: UTILISER UN FUSIBLE DE RECHANGE DE MEME TYPE DE 10A, 125V.

WARNING: CHEMICAL CONTENT NOTICE!

The solder used in the production of this product contains LEAD. In addition, other electrical/electronic and/or plastic (where applicable) components may also contain traces of chemicals found by the California Health and Welfare Agency (and possibly other entities) to cause cancer and/or birth defects or other reproductive harm.

DO NOT PLACE SOLDER, ELECTRICAL/ELECTRONIC OR PLASTIC COMPONENTS IN YOUR MOUTH FOR ANY REASON WHATSOEVER!

Avoid prolonged, unprotected contact between solder and your skin! When soldering, do not inhale solder fumes or expose eyes to solder/flux vapor!

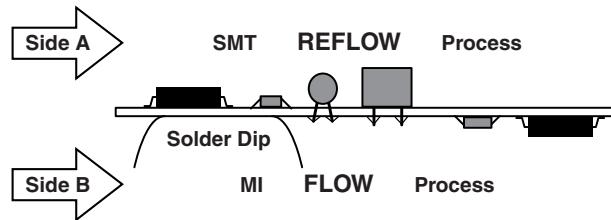
If you come in contact with solder or components located inside the enclosure of this product, wash your hands before handling food.

About lead-free solder / 無鉛ハンダについて

The P.C.B.s installed in this unit are soldered using the following solder.

本機に搭載されている基板のハンダ付けに使用されているハンダは下記の通りです。

	Side A / A 面	Side B / B 面
DSP P.C.B.	Lead Solder / 鉛入りハンダ	Lead Free Solder / 無鉛ハンダ
FUNCTION P.C.B.	Lead Solder / 鉛入りハンダ	Lead Free Solder / 無鉛ハンダ
OPERATION P.C.B.	—	Lead Free Solder / 無鉛ハンダ
MAIN P.C.B.	—	Lead Free Solder / 無鉛ハンダ
POWER P.C.B.	—	Lead Free Solder / 無鉛ハンダ
INPUT P.C.B.	Lead Solder / 鉛入りハンダ	Lead Free Solder / 無鉛ハンダ
CONTROL P.C.B.	Lead Solder / 鉛入りハンダ	Lead Free Solder / 無鉛ハンダ
DUAL P.C.B.	Lead Solder / 鉛入りハンダ	Lead Free Solder / 無鉛ハンダ
IBOC P.C.B.	Lead Solder / 鉛入りハンダ	Lead Free Solder / 無鉛ハンダ



Among some types of lead free solder currently available, it is recommended to use one of the following types for the repair work.

- Sn + Ag + Cu (tin + silver + copper)
- Sn + Cu (tin + copper)
- Sn + Zn + Bi (tin + zinc + bismuth)

無鉛ハンダにはいくつかの種類がありますが、修理時には下記のような無鉛ハンダの使用を推奨します。

- Sn+Ag+Cu(錫+銀+銅)
- Sn+Cu(錫+銅)
- Sn+Zn+Bi(錫+亜鉛+ビスマス)

Caution:

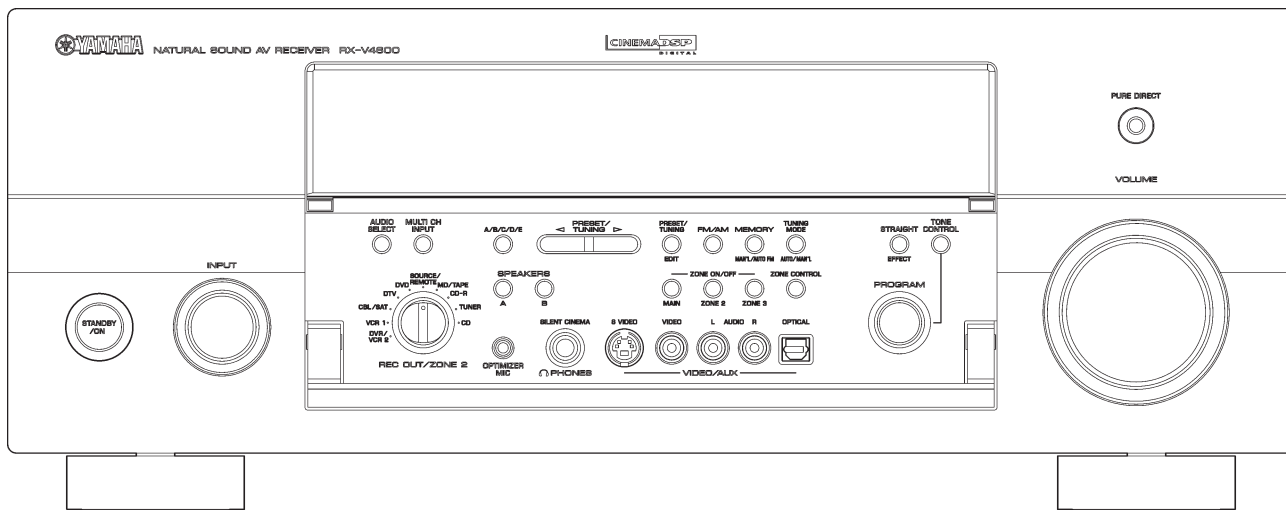
1. As the melting point temperature of the lead free solder is about 30°C to 40°C (50°F to 70°F) higher than that of the lead solder, be sure to use a soldering iron suitable to each solder.
2. If lead solder must be used, be sure to remove lead free solder from each terminal section of the parts to be replaced and from the area around it completely before soldering, or make sure that the lead-free solder and lead solder melt together fully.

注意:

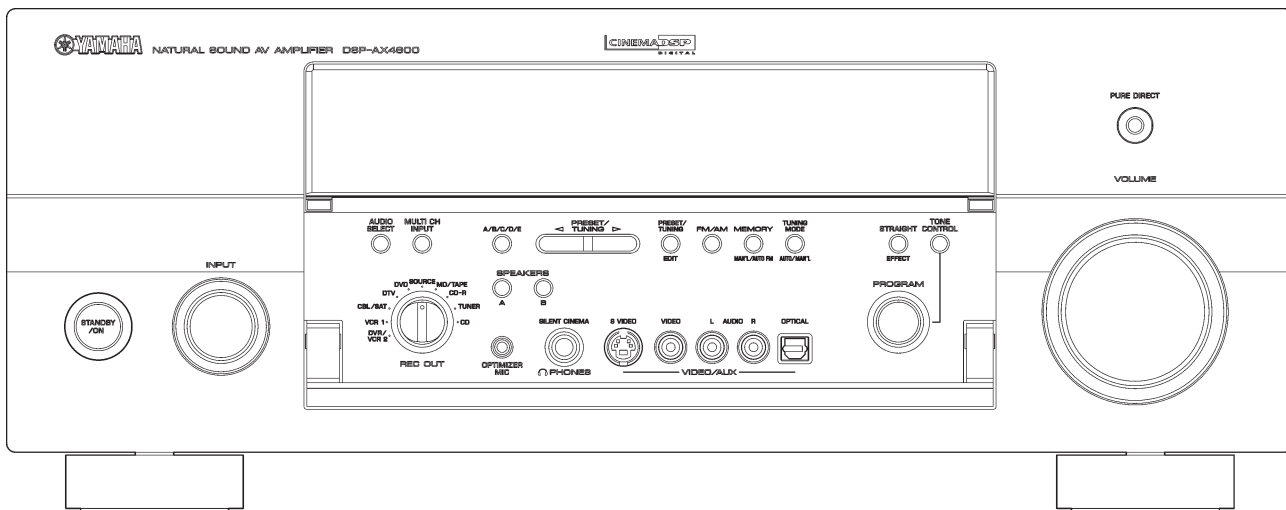
- ① 無鉛ハンダの融点温度は通常の鉛入りハンダに比べ30～40℃程度高くなっていますので、それぞれのハンダに合ったハンダごてをご使用ください。
- ② 鉛入りハンダを使わざるを得ない場合は、あらかじめ交換する部品端子部やその周辺部の無鉛ハンダをすべて取り除くか、あるいは無鉛ハンダと鉛入りハンダが十分に溶けた状態となるようにハンダ付けしてください。

FRONT PANELS

RX-V4600 (U, C, R, T, K, A, B, G, L models)

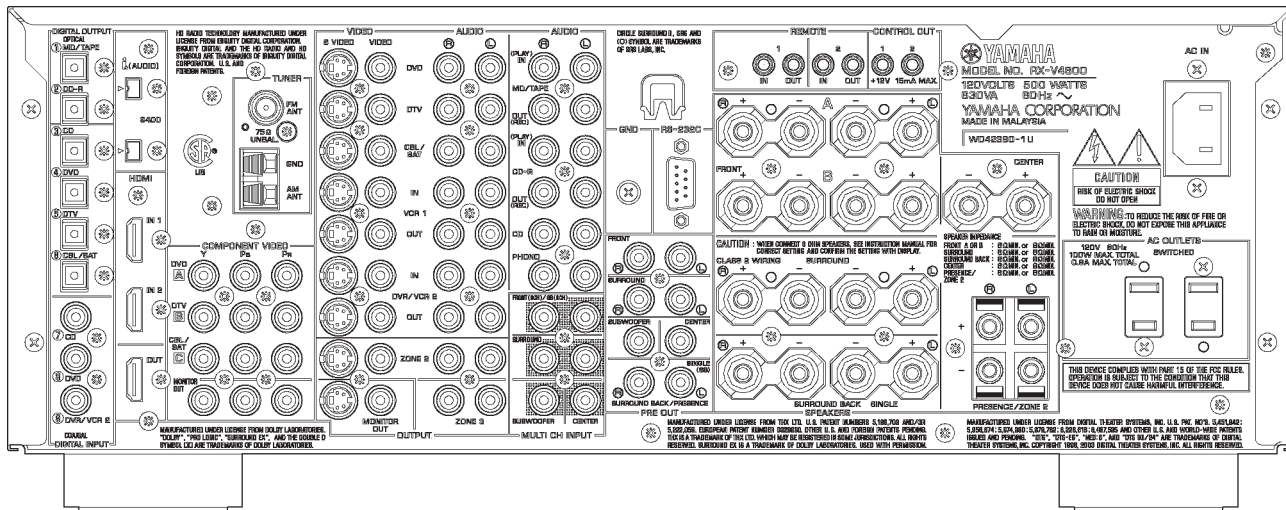


DSP-AX4600 (J model)



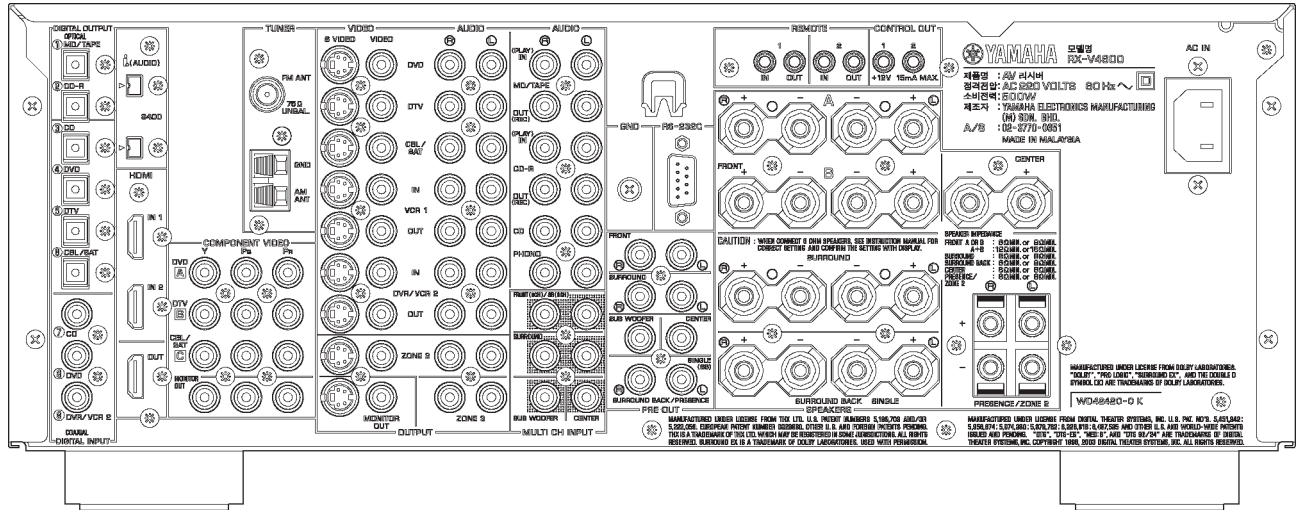
REAR PANELS

RX-V4600 (U model)



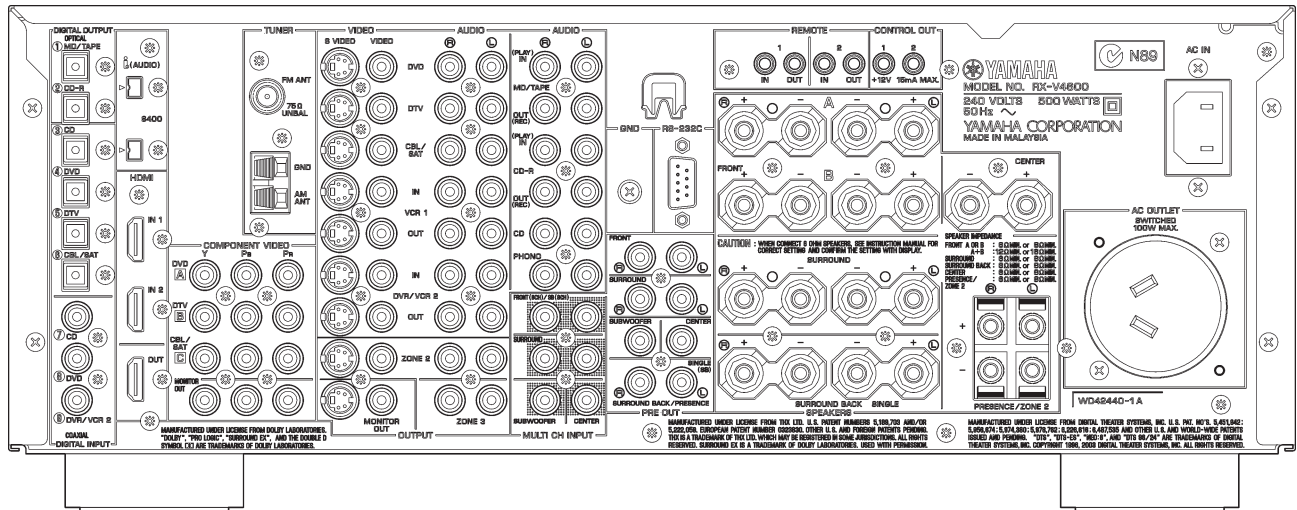
RX-V4600/
DSP-AX4600

RX-V4600 (K model)

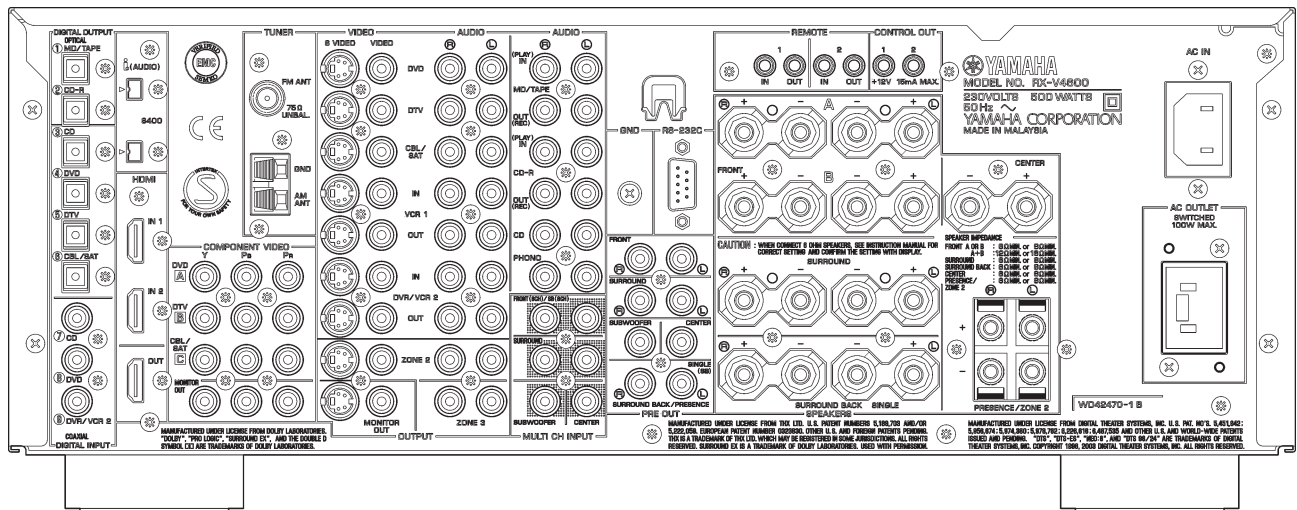


RX-V4600/
DSP-AX4600

RX-V4600 (A model)

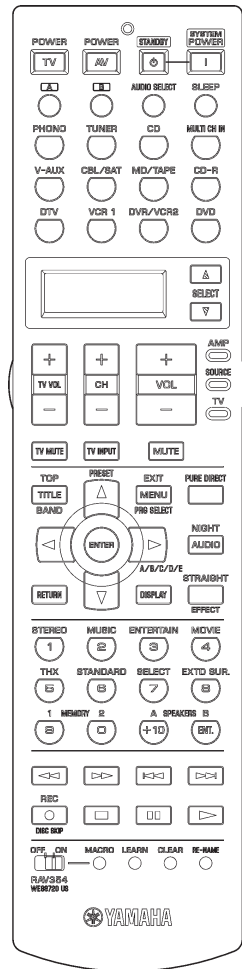


RX-V4600 (B model)

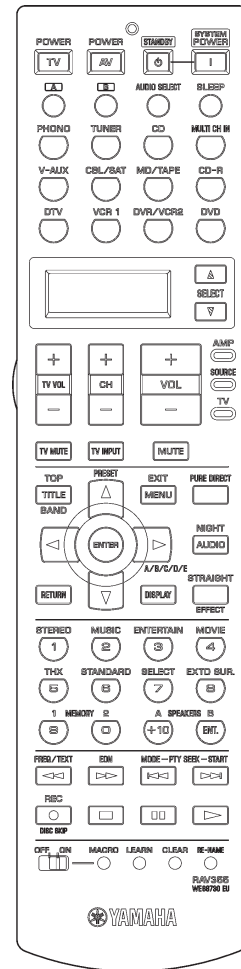


REMOTE CONTROL

RX-V4600 (U, C, R, T, K, A, L models)
 DSP-AX4600 (J model)

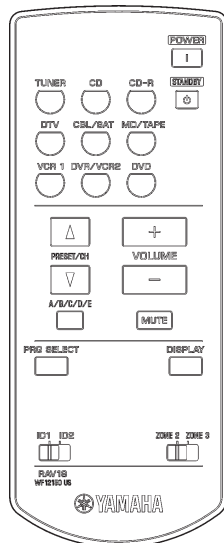


RX-V4600 (B, G models)

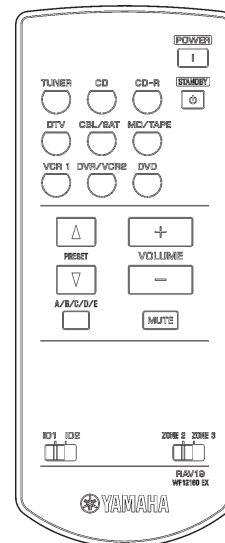


RX-V4600/
 DSP-AX4600

RX-V4600 (U model)



RX-V4600 (C, R, T, K, A, B, G, L models)



■ SPECIFICATIONS / 参考仕様

■ Audio Section / オーディオ部

Minimum RMS Output Power (Power Amp. Section) / 定格出力 (パワーアンプ部) (20 Hz to 20 kHz)

FRONT L/R	
U, C, R, T, K, A, B, G, L models (0.04% THD, 8 ohms)	130W + 130W
J model (0.06% THD, 6 ohms)	130W + 130W
CENTER	
U, C, R, T, K, A, B, G, L models (0.04% THD, 8 ohms)	130W
J model (0.06% THD, 6 ohms)	130W
SURROUND L/R	
U, C, R, T, K, A, B, G, L models (0.04% THD, 8 ohms)	130W + 130W
J model (0.06% THD, 6 ohms)	130W + 130W
SURROUND BACK L/R	
U, C, R, T, K, A, B, G, L models (0.04% THD, 8 ohms)	130W + 130W
J model (0.06% THD, 6 ohms)	130W + 130W

Maximum Power / 実用最大出力 (EIAJ, 1kHz, 10% THD)

FRONT L/R	
R, T, K, L models (8 ohms)	180W + 180W
J model (6 ohms)	180W + 180W
CENTER	
R, T, K, L models (8 ohms)	180W
J model (6 ohms)	180W
SURROUND L/R	
R, T, K, L models (8 ohms)	180W + 180W
J model (6 ohms)	180W + 180W
SURROUND BACK L/R	
R, T, K, L models (8 ohms)	180W + 180W
J model (6 ohms)	180W + 180W

Dynamic Power Per Channel / ダイナミックパワー (IHF)

U, C, R, T, K, A, L models (8/6/4/2 ohms)	165/205/260/340W
---	------------------

DIN Standard Output Power Per Channel / DINパワー [B, G models] (1 kHz, 0.7% THD, 4 ohms)

FRONT L/R	190W + 190W
CENTER	190W
SURROUND L/R	190W + 190W
SURROUND BACK L/R	190W + 190W

Dynamic Headroom / ダイナミックヘッドルーム

U, C, R, T, K, A, L models (8 ohms)	1.03dB
---	--------

IEC Power / IECパワー [B, G models] (1 kHz, 0.04% THD, 8 ohms)

FRONT L/R	140W + 140W
-----------------	-------------

Damping Factor / ダンピングファクタ

20 Hz to 20 kHz, SPEAKER-A, 8 ohms	140 or more
--	-------------

Input Sensitivity / Input Impedance (入力感度/入力インピーダンス)

PHONO (MM)	3.5 mV / 47 k-ohms
CD, etc.	200 mV / 47 k-ohms
MULTI CH INPUT	
FRONT L/R, CENTER, SURROUND L/R, SUB WOOFER	
.....	200 mV / 47 k-ohms

Maximum Input Signal Level / 最大許容入力

PHONO (MM) (1 kHz, 0.1% THD)	100mV or more
CD, etc. (1 kHz, 0.5% THD)	2.4V or more

Output Level / Output Impedance (出力電圧/出力インピーダンス)

REC OUT	200 mV / 1.2 k-ohms
PRE OUT (FRONT L/R, CENTER, SURROUND L/R, SURROUND BACK L/R)	1.0 V / 500 ohms
SUB WOOFER	2.0 V / 500 ohms
[U, C, A, B, G models]	
ZONE 2 OUT	1.0 V / 1.2 k-ohms
ZONE 3 OUT	1.0 V / 1.2 k-ohms

Headphone Jack Rated Output / Impedance (ヘッドフォン出力/出力インピーダンス)

CD, etc. (1 kHz, 40 mV, 8 ohms)	150 mV / 100 ohms
---------------------------------------	-------------------

Frequency Response / 周波数特性

CD, etc. to FRONT L/R (10 Hz to 100 kHz)	+0/-3.0dB
--	-----------

RIAA Equalization Deviation / RIAA偏差

20 Hz to 20 kHz, PHONO (MM)	0±0.5dB
-----------------------------------	---------

Total Harmonic Distortion / 全高調波歪率 (20Hz to 20kHz)

PHONO (MM) to REC OUT (1V)	0.02% or less
CD, etc. (STEREO) to FRONT L/R SP OUT (65W, 8 ohms)	0.04% or less

Signal to Noise Ratio / 信号対雑音比 (IHF-A network)

PHONO (MM) (Input shorted) to SP OUT	
U, C, R, T, K, L models (5mV)	86dB or more
A, B, G models (5mV)	81dB or more
J model (2.5mV)	80dB or more
CD, etc. (Input shorted, STEREO) to SP OUT	
250mV	100dB or more

Residual Noise / 残留ノイズ (IHF-A network)

FRONT L/R SP OUT	150µV or less
------------------------	---------------

Channel Separation / チャンネルセパレーション (STEREO)

PHONO (Input shorted, 1 kHz/10 kHz)	60dB or more/55dB or more
CD, etc. (Input 5.1 k-ohms shorted, 1 kHz/10 kHz)	60dB or more/45dB or more

Tone Control Characteristics / トーンコントロール特性

BASS	
Boost/Cut	±6dB (50Hz)
Turnover Frequency	350Hz
TREBLE	
Boost/Cut	±6dB (20kHz)
Turnover Frequency	3.5kHz

Filter Characteristics / フィルター特性

FRONT, CENTER, SURROUND, SURROUND BACK SP Small (H.P.F.)	
.....	fc=40/60/80/90/100/110/120/160/200Hz / 12dB oct.
SUBWOOFER (L.P.F.)	
.....	fc=40/60/80/90/100/110/120/160/200Hz / 24dB oct.

■ Video Section / ビデオ部

Video Signal Type / ビデオ信号方式

Wall Paper	
U, C, R, K, J models	NTSC
T, A, B, G, L models	PAL
Video Conversion	
U, C, R, T, K, A, B, G, L, J models	NTSC
R, T, A, B, G, L models	PAL

Composite Video Signal Level / コンポジットビデオ信号

.....	1 Vp-p / 75 ohms
-------	------------------

S-Video Signal Level / Sビデオ信号

Y	1 Vp-p / 75 ohms
C	0.286 Vp-p / 75 ohms

Component Video Signal Level / コンポーネントビデオ信号

Y	1 Vp-p / 75 ohms
Pb/Pr	0.7 Vp-p / 75 ohms

Video Maximum Input Level / ビデオ最大許容入力

.....	1.5 Vp-p or more
-------	------------------

Video Signal to Noise Ratio / ビデオ信号対雑音比

.....	60 dB or more
-------	---------------

Monitor Out Frequency Response / モニターアウト周波数帯域

Composite Video Signal, S-Video Signal	5 Hz to 10 MHz, -3 dB
Component Video Signal, D4-Video Signal (J model)	
.....	5 Hz to 60 MHz, -3 dB

■ FM Section / FM部

Tuning Range / 受信周波数範囲

U, C models	87.5 to 107.9 MHz
R, L models	87.5 to 108.0 / 87.50 to 108.00 MHz
T, K, A, B, G models	87.50 to 108.00 MHz
J model	76.0 to 90.0 MHz

50dB Quieting Sensitivity / 50dB SN感度 (IHF) (1kHz, 100% MOD.)

Mono	2.0 µV (17.3 dBf)
Stereo	25 µV (39.2 dBf)

Usable Sensitivity / 実用感度 (IHF)

Mono	1.0 µV (11.2 dBf)
------------	-------------------

Selectivity / 選択度

at 400 kHz	70 dB
------------------	-------

Signal to Noise Ratio / 信号対雑音比 (IHF)

HD (U model)	80 dB
Mono / Stereo (C, R, T, K, A, B, G, L, J models)	76 dB / 70 dB

Harmonic Distortion / 歪率 (1 kHz)

HD (U model)	0.03 %
Mono/Stereo (C, R, T, K, A, B, G, L, J models)	0.2 / 0.3 %

Stereo Separation / ステレオセパレーション (1 kHz)

HD (U model)	70 dB
Stereo (C, R, T, K, A, B, G, L, J models)	42 dB

Frequency Response / 周波数特性

(20 Hz to 18 kHz)	
HD (U model)	+0.5 / -3 dB
(20 Hz to 18 kHz)	
Stereo/Mono (C, R, T, K, A, B, G, L, J models)	+0.5 / -2 dB

Antenna Input / アンテナ入力

.....	75 ohms unbalanced
-------	--------------------

■ AM Section / AM部

Tuning Range / 受信周波数範囲

U, C models	530 to 1,710 kHz
R, L models	530 to 1,710 / 531 to 1,611 kHz
T, K, A, B, G, J models	531 to 1,611 kHz

Usable Sensitivity / 実用感度

.....	300 µV/m
-------	----------

Signal to Noise Ratio / 信号対雑音比 (IHF)

HD (U model)	80 dB
--------------------	-------

Harmonic Distortion / 歪率 (1 kHz)

HD (U model)	0.03 %
--------------------	--------

Stereo Separation / ステレオセパレーション (1 kHz)
 HD (U model) 70 dB

Frequency Response / 周波数特性 (20 Hz to 12.5 kHz)
 HD (U model) +0.5 / -3 dB

Antenna / アンテナ入力
 Loop Antenna

■ General / 総合

Power Supply / 電源電圧

U, C models AC 120 V, 60 Hz
 R model AC 110/120/220/230-240 V, 50/60 Hz
 T model AC 220 V, 50 Hz
 K model AC 220 V, 60 Hz
 A model AC 240 V, 50 Hz
 B, G models AC 230 V, 50 Hz
 L model AC 220/230-240 V, 50/60 Hz
 J model AC 100V, 50/60 Hz

Power Consumption / 消費電力

U, C models 500 W / 630 VA
 R, T, K, A, B, G, L models 500 W
 J model 440 W

Standby Power Consumption (reference data) / 待機時消費電力(参考値)

U, C, J models 0.2 W or less
 R model (AC 240, 50 Hz) 0.33 W or less
 T, K, A, B, G, L models 0.15 W or less

Maximum Power Consumption / 最大消費電力 (6ch Drive, 10% THD)

R model 1100 W

AC Outlets / ACアウトレット

2 switched outlets
 U, C models 100 W max. total / 0.8A max. total
 R, L models 50 W max. total
 T, G, J models 100 W max. total
 1 switched outlet
 A, B models 100W max. total

Dimensions / 寸法 (W x H x D)

..... 435 x 171 x 438.5 mm (17-1/8" x 6-3/4" x 17-1/4")

Weight / 質量

RX-V4600 18.0 kg (39 lbs. 11 oz.)
 DSP-AX4600 19.0 kg (41 lbs. 14 oz.)

Finish / 仕上げ

Gold color R, T, K, L, J models
 Black color U, C, R, A, J models
 Titanium color B, G, L models

Accessories / 付属品

Remote Control, Batteries (Alkaline Dry), Indoor FM Antenna, AM Loop Antenna, Antenna Adapter PAL (B model), Power Cable, Speaker Terminal Wrench, Optimizer Microphone

* Specifications are subject to change without notice due to product improvements.

※ 参考仕様および外観は予告なく変更されることがあります。

U U.S.A. model C Canadian model
 R General model T Chinese model
 K Korean model A Australian model
 B British model G European model
 L Singapore model J Japanese model



Manufactured under license from Dolby Laboratories. "Dolby", "Surround EX", and the double-D symbol are trademarks of Dolby Laboratories.

ドルビーラボラトリーズからの実施権に基づき製造されています。「ドルビー」、[PRO LOGIC]、[Surround EX]およびダブルD記号は、ドルビーラボラトリーズの商標です。

SILENT™ CINEMA

"SILENT CINEMA" is a trademark of YAMAHA CORPORATION.

「サイレントシネマ/SILENT CINEMA」はヤマハ株式会社の登録商標です。



HD Radio™ technology manufactured under license from iBiquity Digital Corporation. "iBiquity Digital" and the "HD Radio" and "HD" symbols are registered trademarks of iBiquity Digital Corporation. U.S. and Foreign Patents.



"Circle Surround II", "Dialog Clarity", "TruBass", "SRS" and the symbol are trademarks of SRS Labs, Inc. Circle Surround II, Dialog Clarity and TruBass technology are incorporated under license from SRS Labs, Inc.

Circle Surround II、SRSと記号はSRS Labs,Inc.の商標です。



"DTS", "DTS-ES", "Neo:6" and "DTS 96/24" are trademarks of Digital Theater Systems, Inc.

DTS、DTS-ES Extended Surround、Neo:6およびDTS 96/24はデジタルシアターシステムの登録商標です。



The THX logo is a trademark of THX Ltd. which may be registered in some jurisdictions. All rights reserved.

THXとTHXロゴはTHXの登録商標です。不許複製。



"HDMI", the "HDMI" logo and "High-Definition Multimedia Interface" are trademarks or registered trademarks of HDMI Licensing LLC.

HDMI、HDMIロゴおよびHigh-Definition Multimedia Interfaceは、HDMI Licensing LLCの商標または、登録商標です。

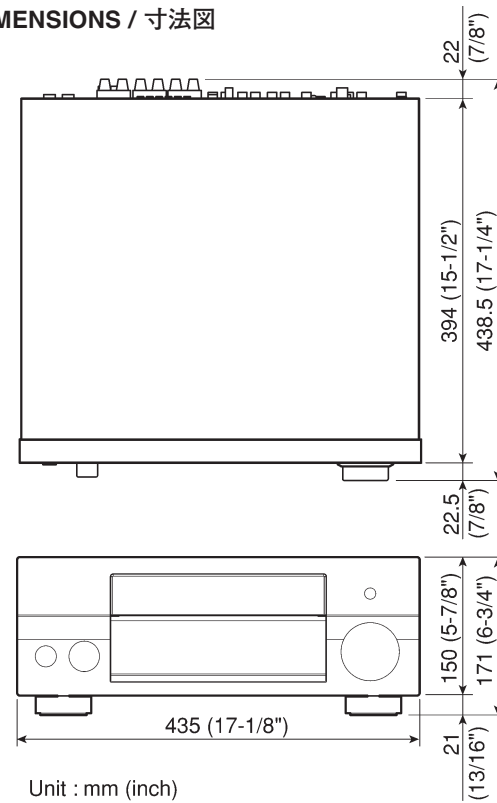
"i.LINK" and the "i.LINK" logo are trademarks of Sony Corporation.

i.LINKおよびi.LINKロゴは、ソニー株式会社の商標です。



AACロゴマークはドルビーラボラトリーズの商標です。

• DIMENSIONS / 寸法図



• SOUND/SURROUND SELECT MENU

Main Menu	Sub Menu	Parameter	Sound Select		Min./Max./Step		最小/最大/Step		Initialize
			Center Level	Surround Level	Surround L Level	Surround R Level	Presence L Level	Presence R Level	
STEREO		2ch Stereo	100	100	0 / 100 / 1 %	0 / 100 / 1 %	0 / 100 / 1 %	0 / 100 / 1 %	NO / YES
		7ch Stereo	100	100	0 / 100 / 1 %	0 / 100 / 1 %	0 / 100 / 1 %	0 / 100 / 1 %	NO / YES

Surround Select Min./Max./Step 最小/最大/Step

Main Menu	Sub Menu	Parameter	DSP Level	Decode Type	Init. Delay	Room Ssize	Liveness	Sur. Init. Delay	Sur. Room Size	SB Init. Delay	SB Room Size	Rev. Time	Rev. Delay	Rev. Level	Dialogue Lift	Initialize
MUSIC	Munich	0	30	1.0	5	0.1 / 2.0 / 0.1	0 / 10 / 1	1 / 49 / 1 ms	0.1 / 2.0 / 0.1	1 / 49 / 1 ms	0.1 / 2.0 / 0.1	-	-	-	(0)	NO
	Vienna	0	30	1.0	5	0.1 / 2.0 / 0.1	0 / 10 / 1	1 / 49 / 1 ms	0.1 / 2.0 / 0.1	1 / 49 / 1 ms	0.1 / 2.0 / 0.1	-	-	-	(0)	NO
	Freiburg	0	95	1.0	3	0.1 / 2.0 / 0.1	0 / 10 / 1	1 / 49 / 1 ms	0.1 / 2.0 / 0.1	1 / 49 / 1 ms	0.1 / 2.0 / 0.1	4.0	130	70	(0)	NO
	The Bottom Line	0	30	1.0	5	0.1 / 2.0 / 0.1	0 / 10 / 1	1 / 49 / 1 ms	0.1 / 2.0 / 0.1	1 / 49 / 1 ms	0.1 / 2.0 / 0.1	-	-	-	(0)	NO
	The Roy. Theater	0	15	1.0	5	0.1 / 2.0 / 0.1	0 / 10 / 1	1 / 49 / 1 ms	0.1 / 2.0 / 0.1	1 / 49 / 1 ms	0.1 / 2.0 / 0.1	1.6	120	9	(0)	NO
	Pop/Rock	0	21	1.0	5	0.1 / 2.0 / 0.1	0 / 10 / 1	1 / 49 / 1 ms	0.1 / 2.0 / 0.1	1 / 49 / 1 ms	0.1 / 2.0 / 0.1	-	-	-	(0)	NO
	Classical/Opera	0	28	1.0	-	0.1 / 2.0 / 0.1	0 / 10 / 1	1 / 49 / 1 ms	0.1 / 2.0 / 0.1	1 / 49 / 1 ms	0.1 / 2.0 / 0.1	-	-	-	(0)	NO
	TV Sports	0	10	1.0	3	0.1 / 2.0 / 0.1	0 / 10 / 1	1 / 49 / 1 ms	0.1 / 2.0 / 0.1	1 / 49 / 1 ms	0.1 / 2.0 / 0.1	1.6	100	4	(0)	NO
	Mono Movie	0	69	1.0	3	0.1 / 2.0 / 0.1	0 / 10 / 1	1 / 49 / 1 ms	0.1 / 2.0 / 0.1	1 / 49 / 1 ms	0.1 / 2.0 / 0.1	2.5	160	2	(0)	NO
	Game	0	36	1.0	5	0.1 / 2.0 / 0.1	0 / 10 / 1	1 / 49 / 1 ms	0.1 / 2.0 / 0.1	1 / 49 / 1 ms	0.1 / 2.0 / 0.1	-	-	-	(0)	NO
MOVIE THEATER	Disco	0	26	-	5	0.1 / 2.0 / 0.1	0 / 10 / 1	1 / 49 / 1 ms	0.1 / 2.0 / 0.1	1 / 49 / 1 ms	0.1 / 2.0 / 0.1	2.7	120	4	(0)	NO
	Spectacle	0	13	1.0	-	0.1 / 2.0 / 0.1	0 / 10 / 1	1 / 49 / 1 ms	0.1 / 2.0 / 0.1	1 / 49 / 1 ms	0.1 / 2.0 / 0.1	-	-	-	(0)	NO
	Pro Logic II	0	13	1.0	-	0.1 / 2.0 / 0.1	0 / 10 / 1	1 / 49 / 1 ms	0.1 / 2.0 / 0.1	1 / 49 / 1 ms	0.1 / 2.0 / 0.1	-	-	-	(0)	NO
	Pro Logic II x	0	13	1.0	-	0.1 / 2.0 / 0.1	0 / 10 / 1	1 / 49 / 1 ms	0.1 / 2.0 / 0.1	1 / 49 / 1 ms	0.1 / 2.0 / 0.1	-	-	-	(0)	NO
	Neo : 6	0	13	1.0	-	0.1 / 2.0 / 0.1	0 / 10 / 1	1 / 49 / 1 ms	0.1 / 2.0 / 0.1	1 / 49 / 1 ms	0.1 / 2.0 / 0.1	-	-	-	(0)	NO
	Pro Logic	0	16	1.0	-	0.1 / 2.0 / 0.1	0 / 10 / 1	1 / 49 / 1 ms	0.1 / 2.0 / 0.1	1 / 49 / 1 ms	0.1 / 2.0 / 0.1	-	-	-	(0)	NO
	Pro Logic II	0	16	1.0	-	0.1 / 2.0 / 0.1	0 / 10 / 1	1 / 49 / 1 ms	0.1 / 2.0 / 0.1	1 / 49 / 1 ms	0.1 / 2.0 / 0.1	-	-	-	(0)	NO
	Pro Logic II x	0	16	1.0	-	0.1 / 2.0 / 0.1	0 / 10 / 1	1 / 49 / 1 ms	0.1 / 2.0 / 0.1	1 / 49 / 1 ms	0.1 / 2.0 / 0.1	-	-	-	(0)	NO
	Neo : 6	0	16	1.0	-	0.1 / 2.0 / 0.1	0 / 10 / 1	1 / 49 / 1 ms	0.1 / 2.0 / 0.1	1 / 49 / 1 ms	0.1 / 2.0 / 0.1	-	-	-	(0)	NO
	Pro Logic	0	15	1.0	-	0.1 / 2.0 / 0.1	0 / 10 / 1	1 / 49 / 1 ms	0.1 / 2.0 / 0.1	1 / 49 / 1 ms	0.1 / 2.0 / 0.1	-	-	-	(0)	NO
General	Pro Logic II	0	15	1.0	-	0.1 / 2.0 / 0.1	0 / 10 / 1	1 / 49 / 1 ms	0.1 / 2.0 / 0.1	1 / 49 / 1 ms	0.1 / 2.0 / 0.1	-	-	-	(0)	NO
	Pro Logic II x	0	15	1.0	-	0.1 / 2.0 / 0.1	0 / 10 / 1	1 / 49 / 1 ms	0.1 / 2.0 / 0.1	1 / 49 / 1 ms	0.1 / 2.0 / 0.1	-	-	-	(0)	NO
	Neo : 6	0	15	1.0	-	0.1 / 2.0 / 0.1	0 / 10 / 1	1 / 49 / 1 ms	0.1 / 2.0 / 0.1	1 / 49 / 1 ms	0.1 / 2.0 / 0.1	-	-	-	(0)	NO
	Pro Logic	0	15	1.0	-	0.1 / 2.0 / 0.1	0 / 10 / 1	1 / 49 / 1 ms	0.1 / 2.0 / 0.1	1 / 49 / 1 ms	0.1 / 2.0 / 0.1	-	-	-	(0)	NO
	Pro Logic II	0	15	1.0	-	0.1 / 2.0 / 0.1	0 / 10 / 1	1 / 49 / 1 ms	0.1 / 2.0 / 0.1	1 / 49 / 1 ms	0.1 / 2.0 / 0.1	-	-	-	(0)	NO
	Pro Logic II x	0	15	1.0	-	0.1 / 2.0 / 0.1	0 / 10 / 1	1 / 49 / 1 ms	0.1 / 2.0 / 0.1	1 / 49 / 1 ms	0.1 / 2.0 / 0.1	-	-	-	(0)	NO
	Neo : 6	0	15	1.0	-	0.1 / 2.0 / 0.1	0 / 10 / 1	1 / 49 / 1 ms	0.1 / 2.0 / 0.1	1 / 49 / 1 ms	0.1 / 2.0 / 0.1	-	-	-	(0)	NO
	Pro Logic	0	15	1.0	-	0.1 / 2.0 / 0.1	0 / 10 / 1	1 / 49 / 1 ms	0.1 / 2.0 / 0.1	1 / 49 / 1 ms	0.1 / 2.0 / 0.1	-	-	-	(0)	NO
	Pro Logic II	0	15	1.0	-	0.1 / 2.0 / 0.1	0 / 10 / 1	1 / 49 / 1 ms	0.1 / 2.0 / 0.1	1 / 49 / 1 ms	0.1 / 2.0 / 0.1	-	-	-	(0)	NO
	Pro Logic II x	0	15	1.0	-	0.1 / 2.0 / 0.1	0 / 10 / 1	1 / 49 / 1 ms	0.1 / 2.0 / 0.1	1 / 49 / 1 ms	0.1 / 2.0 / 0.1	-	-	-	(0)	NO

Main Menu	Sub Menu	Parameter	Setting value () / Initial value / 設定値 ()	Initial value () / 初期値
THX	Cinema	Decode Type	[Pro Logic] Pro Logic II Pro Logic II x Neo : 6	[Pro Logic] Pro Logic II Pro Logic II x Neo : 6
		Decode Type	[Pro Logic] PL II Movie PL II Music PL II Game PL II x Movie PL II x Music PL II x Game Neo : 6 Cinema Neo : 6 Music	[Pro Logic] PL II Movie PL II Music PL II x Game PL II x Movie PL II x Music PL II x Game Neo : 6 Cinema Neo : 6 Music
		Panarama Dimension Center Image Initialize	[OFF] / ON -3 / +3 / 1 [STD] 0 / 7 / 1 [3] 0.0 / 1.0 / 0.1 [0.3] [NO] / YES	[OFF] / ON -3 / +3 / 1 [STD] 0 / 7 / 1 [3] 0.0 / 1.0 / 0.1 [0.3] [NO] / YES

Parameter	Decode Type	DSP Level	Sur. Init. Delay	Sur. Room Size	Liveness	Sur. Liveness	SB Init. Delay	SB Room Size	SB Liveness	Dialogue Lift	Initialize
Enhanced	Pro Logic II	0	20	1.0	3	1.0	(15)	(1.0)	(5)	(0)	NO
	Pro Logic II	0	19	1.0	3	1.0	15	(1.0)	5	(0)	NO
	Pro Logic II x	0	19	1.0	3	1.0	15	1.0	5	(0)	NO
	Neo 6	0	19	1.0	3	1.0	15	1.0	5	(0)	NO

(Setting can be made when PL II Music, Pro Logic II x is selected / PL II Music, Pro Logic II x 選択時 設定可)

(Setting can be made when Neo:6 Music is selected / Neo:6 Music 選択時 設定可)

• SET MENU TABLE / セットメニュー

AUTO SETUP

MAIN MENU	PARAMETER
SETUP	AUTO
EQ	FLAT / FRONT / [NATURAL]
START	PUSH +

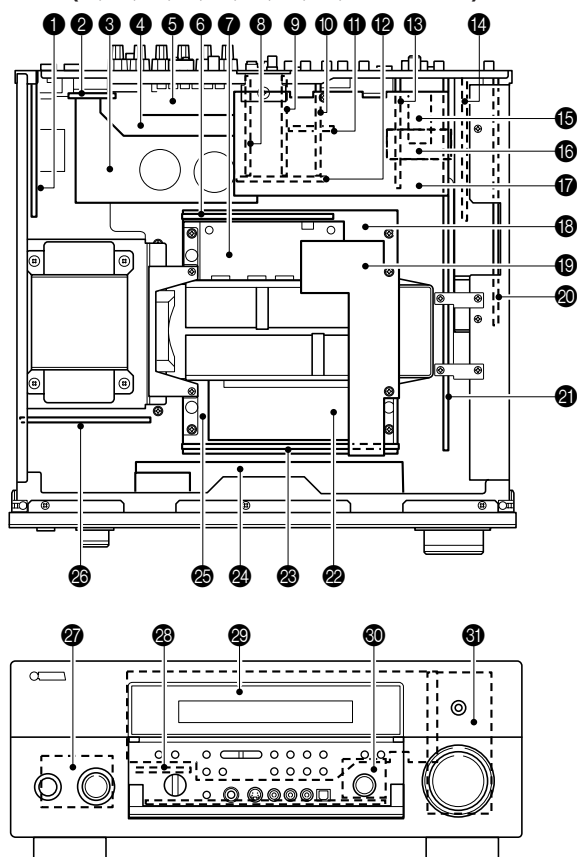
MANUAL SETUP

	MAIN MENU	SUB MENU	PARAMETER	SETTING VALUE ([] INITIAL VALUE)	
1	BASIC	A	SPEAKER SET	FRONT	LARGE / [SMALL]
				CENTER	
				SURROUND LR	LARGE / [SMALL] / NONE
				SURROUND BACK	LARGE x1 / SMALL x1 / [SMALL x2] / LARGE x2 / NONE
				PRESENCE	YES / [NONE]
				BASS OUT	[SWFR] / FRONT / BOTH
				Cross Over	40 / 60 / [80 (THX)] / 90 / 100 / 110 / 120 / 160 / 200 Hz
		SWFR PHASE	[NORMAL] / REVERSE		
		B	SPEAKER DISTANCE	UNIT	Meters (m) / Feet (ft)
				FRONT L	
				FRONT R	
				CENTER	
				SURROUND L	
				SURROUND R	
	SURROUND BACK L			0.30 ~ 24.00m, 0.1m step [3.00m] / 1.0 ~ 80.0ft, 0.5ft step [10.0ft]	
	C	SPEAKER LEVEL	FRONT L		
			CENTER		
			FRONT R		
			SURROUND L		
			SURROUND BACK L	----- ----- -10.0 ~ +10.0dB 0.5dB step [0dB]	
			SURROUND BACK R		
	D	TEST TONE	SWFR		
			PRESENCE L		
E	THX SET	PRESENCE R			
		SB SPEAKER DIST.	Under 0.3m / [0.3-1.2m] / Over 1.2m, Under 1ft / [1-4ft] / Over 4ft		
2	SOUND	A	LFE LEVEL	SPEAKER HEADPHONE -20dB ~ ±0.0dB, 0.5dB step [±0.0dB]	
			DYNAMIC RANGE	SPEAKER HEADPHONE [MAX] / STD / MIN	
		C	TONE CONTROL FRQ	BASS TREBLE Freq 125 / [350] / 500Hz, Gain -6.0dB ~ +6.0dB, 0.5dB step [±0.0dB] Freq 2.5k / [3.5k] / 8.0kHz, Gain -6.0dB ~ +6.0dB, 0.5dB step [±0.0dB]	
			D	AUDIO OPTION	AUDIO MUTE [MUTE] / -20dB
		AUDIO DELAY		0 ~ 240ms, 1ms step [0ms]	
	PR/SB SELECT	[SURROUND BACK] / PRESENCE			
	3	INPUT	A	I/O ASSIGN	C.V (A) DVD C.V (B) DTV C.V (C) CBL/SAT OUT (1) MD/TAPE OUT (2) CD-R IN (3) CD IN (4) DVD IN (5) DTV

	MAIN MENU	SUB MENU	PARAMETER	SETTING VALUE ([] INITIAL VALUE)	
			IN (6)	CBL/SAT	
			IN (7)	CD	
			IN (8)	DVD	
			IN (9)	DVR/VCR2	
		B	INPUT TRIM	DVD	
				PHONO	
				TUNER	
				CD	
				MULTI CH	
				V-AUX	-6.0dB ~ +6.0dB, 0.5dB step [±0.0dB]
				CBL/SAT	
		C	AUDIO SELECT	MD/TAPE	
				CD-R	
		D	DECODER MODE	DTV	
	VCR1				
	E	INPUT REMANE	DVR/VCR2		
			DVD		
			PHONO	Input is possible to 8 characters / 8文字まで入力可能	
			TUNER		
			CD	Input possible Character type / 入力可能文字	
			MULTI CH	CAPITAL / 英大文字 A to Z	
			V-AUX	SMALL / 英小文字 a to z	
	CBL/SAT	FIGURE / 数字 0 to 9			
F	MULTI CH INPUT	MD/TAPE	Space / 空白		
		CD-R	MARK / 記号 # * + , - . / : < > ? etc.		
D	HDMI	DTV	カタカナ ア〜 (J model)		
		VCR1			
4	HDMI	DVR/VCR2			
		A	INPUT ASSIGN	IN 1 [DVD] / DTV / CBL/SAT / VCR1 / DVR/VCR2 / V-AUX IN 2 DVD / DTV / [CBL/SAT] / VCR1 / DVR/VCR2 / V-AUX	
5	i.LINK	B	SUPPORT AUDIO		
		A	INPUT ASSIGN		
6	OPTION	A	DISPLAY SET	DIMMER -4 ~ 0, 1 step [0] WALL PAPER NONE / [YES] / GRAY BACK SHORT MESSAGE OFF / [ON] VIDEO CONV.	
			B	MEMORY GUARD	[OFF] / ON
			C	SURR. INI	PRESS DSP key
			D	ZONE TEST	SPEAKER B [MAIN] / ZONE B
			E	ZONE2 TEST (U, C, R, T, K, A, B, G, L models)	OUT VOL. [VAR] / FIX ZONE2 AMP. [OFF] / EXT / INT
	F	ZONE3 TEST (U, C, R, T, K, A, B, G, L models)	OUT VOL.	[VAR] / FIX	

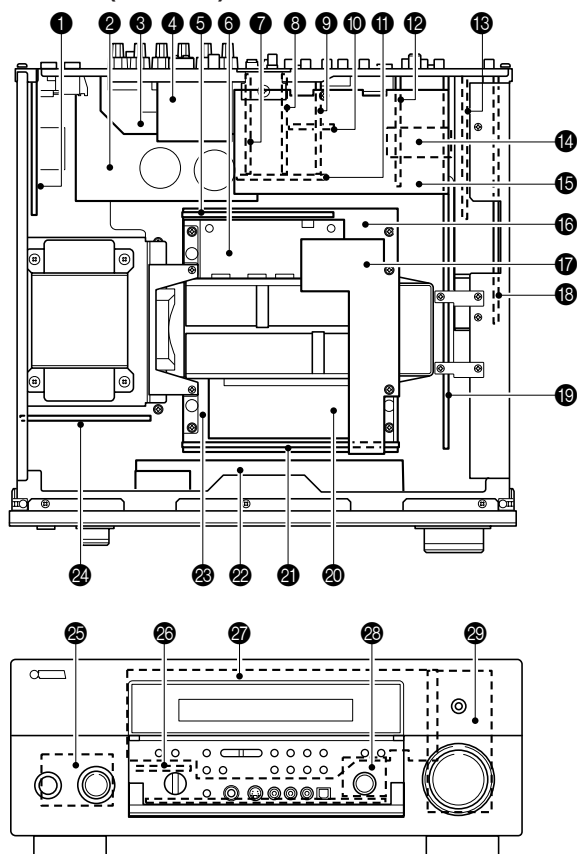
INTERNAL VIEW

RX-V4600 (U, C, R, T, K, A, B, G, L models)



- ① POWER (5) P.C.B.
- ② POWER (4) P.C.B. (R, L models)
- ③ MAIN (1) P.C.B.
- ④ MAIN (5) P.C.B.
- ⑤ POWER (7) P.C.B.
- ⑥ POWER (6) P.C.B.
- ⑦ MAIN (3) P.C.B.
- ⑧ FUNCTION (1) P.C.B.
- ⑨ INPUT (1) P.C.B.
- ⑩ FUNCTION (2) P.C.B.
- ⑪ FUNCTION (5) P.C.B.
- ⑫ FUNCTION (4) P.C.B.
- ⑬ INPUT (2) P.C.B.
- ⑭ DUAL P.C.B.
- ⑮ I BOC P.C.B. (U model)
TUNER (C, R, T, K, A, B, G, L models)
- ⑯ FUNCTION (6) P.C.B.
- ⑰ FUNCTION (3) P.C.B.
- ⑱ MAIN (2) P.C.B.
- ⑲ OPERATION (5) P.C.B.
- ⑳ DSP P.C.B.
- ㉑ CONTROL P.C.B.
- ㉒ POWER (3) P.C.B.
- ㉓ POWER (1) P.C.B.
- ㉔ OPERATION (3) P.C.B.
- ㉕ MAIN (4) P.C.B.
- ㉖ OPERATION (8) P.C.B.
- ㉗ OPERATION (6) P.C.B.
- ㉘ OPERATION (4) P.C.B.
- ㉙ OPERATION (1) P.C.B.
- ㉚ OPERATION (7) P.C.B.
- ㉛ OPERATION (2) P.C.B.

DSP-AX4600 (J model)



- ① POWER (5) P.C.B.
- ② MAIN (1) P.C.B.
- ③ MAIN (5) P.C.B.
- ④ TUNER
- ⑤ POWER (6) P.C.B.
- ⑥ MAIN (3) P.C.B.
- ⑦ FUNCTION (1) P.C.B.
- ⑧ INPUT (1) P.C.B.
- ⑨ FUNCTION (2) P.C.B.
- ⑩ FUNCTION (5) P.C.B.
- ⑪ FUNCTION (4) P.C.B.
- ⑫ INPUT (2) P.C.B.
- ⑬ DUAL P.C.B.
- ⑭ FUNCTION (6) P.C.B.
- ⑮ FUNCTION (3) P.C.B.
- ⑯ MAIN (2) P.C.B.
- ⑰ OPERATION (5) P.C.B.
- ⑱ DSP P.C.B.
- ⑲ CONTROL P.C.B.
- ⑳ POWER (3) P.C.B.
- ㉑ POWER (1) P.C.B.
- ㉒ OPERATION (3) P.C.B.
- ㉓ MAIN (4) P.C.B.
- ㉔ OPERATION (8) P.C.B.
- ㉕ OPERATION (6) P.C.B.
- ㉖ OPERATION (4) P.C.B.
- ㉗ OPERATION (1) P.C.B.
- ㉘ OPERATION (7) P.C.B.
- ㉙ OPERATION (2) P.C.B.

■ DISASSEMBLY PROCEDURES / 分解手順

(Remove parts in the order as numbered.)

Disconnect the power cable from the AC outlet.

(番号順に部品を取り外してください。)

AC電源コンセントから、電源コードを抜いてください。

1. Removal of Top Cover

- a. Remove 2 screws (①), 4 screws (②) and 5 screws (③). (Fig. 1)
- b. Slide the Top Cover rearward to remove it. (Fig. 1)

1. トップカバーの外し方

- a. ①のネジ2本、②のネジ4本、③のネジ5本を外します。(Fig. 1)
- b. トップカバーを後方へスライドさせ、取り外します。(Fig. 1)

2. Removal of Front Panel

Remove 6 screws (④) and then remove the Front Panel forward. (Fig. 1)

2. フロントパネルの外し方

④のネジ6本を外し、フロントパネルを前方に外します。(Fig. 1)

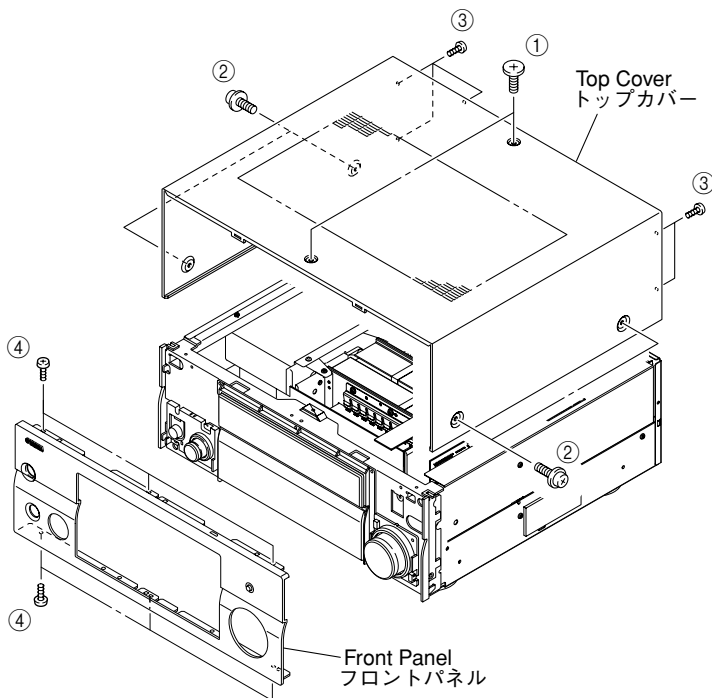


Fig. 1

3. Removal of Sub Chassis

- a. Remove 4 push rivets (⑤) and then remove the Side Plates L/R. (Fig. 2)
- b. Remove 1 screw (⑥), 2 screws (⑦) and 3 screws (⑧). (Fig. 2)
- c. Remove CB461, CB507, CB508, CB514, CB516, CB905 and CB906. (Fig. 3)
- d. Remove the Sub Chassis forward. (Fig. 2)

3. サブシャーシの外し方

- a. ⑤のプッシュリベット4本を外し、サイドプレートL/Rを取り外します。(Fig. 2)
- b. ⑥のネジ1本、⑦のネジ2本、⑧のネジ3本を外します。(Fig. 2)
- c. CB461、CB507、CB508、CB514、CB516、CB905、CB906を外します。(Fig. 3)
- d. サブシャーシを前方に取り外します。(Fig. 2)

4. Removal of DSP P.C.B.

- a. Remove 4 screws (⑨) and then remove the 2 Support P.C.B.s (Fig. 2)
- b. Remove 5 screws (⑩) and then remove the Bracket. (Fig. 2)
- c. Remove 1 screw (⑪). (Fig. 2)
- d. Remove 16 screws (⑫). (Fig. 4)
- e. Remove CB502 (DSP P.C.B.), CB502 (CONTROL P.C.B.), CB503, CB506 and CB510. (Fig. 3)
- f. Remove the DSP, DUAL P.C.B.s and Shield Case upward.

4. DSP、DUAL P.C.B.の外し方

- a. ⑨のネジ4本を外し、サポートP.C.B.2個を取り外します。(Fig. 2)
- b. ⑩のネジ5本を外し、ブラケットを取り外します。(Fig. 2)
- c. ⑪のネジ1本を外します。(Fig. 2)
- d. ⑫のネジ16本を外します。(Fig. 4)
- e. CB502(DSP P.C.B.)、CB502(CONTROL P.C.B.)、CB503、CB506、CB510を外します。(Fig. 3)
- f. DSP、DUAL P.C.B.とシールドケースを上方に取り外します。

5. Removal of FUNCTION (3) P.C.B.

- a. Remove 1 screw (13) and then remove the Support Top. (Fig. 2)
- b. Remove 1 screw (14).
- c. Remove CB527, CB529, CB532, CB534 (U model) and CB537 (C, R, T, K, A, B, G, L models). (Fig. 3)
- d. Remove the FUNCTION (3) P.C.B. which is connected directly to the lower P.C.B. with connectors. (Fig. 2)

5. FUNCTION (3) P.C.B.の外し方

- a. ⑬のネジ1本を外し、サポートトップを外します。(Fig. 2)
- b. ⑭のネジ1本を外します。(Fig. 3)
- c. CB527、CB529、CB532、CB515を外します。(Fig. 3)
- d. FUNCTION(3)P.C.B.を取り外します。但し、FUNCTION(3)P.C.B.は、下方のP.C.B.と直接コネクター接続されています。(Fig. 2)

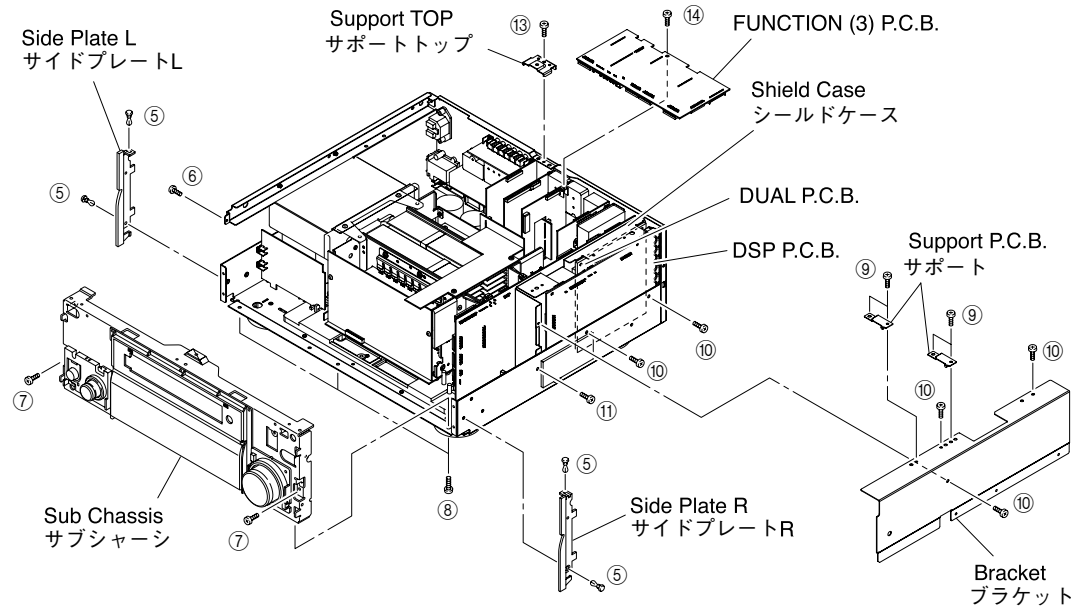


Fig. 2

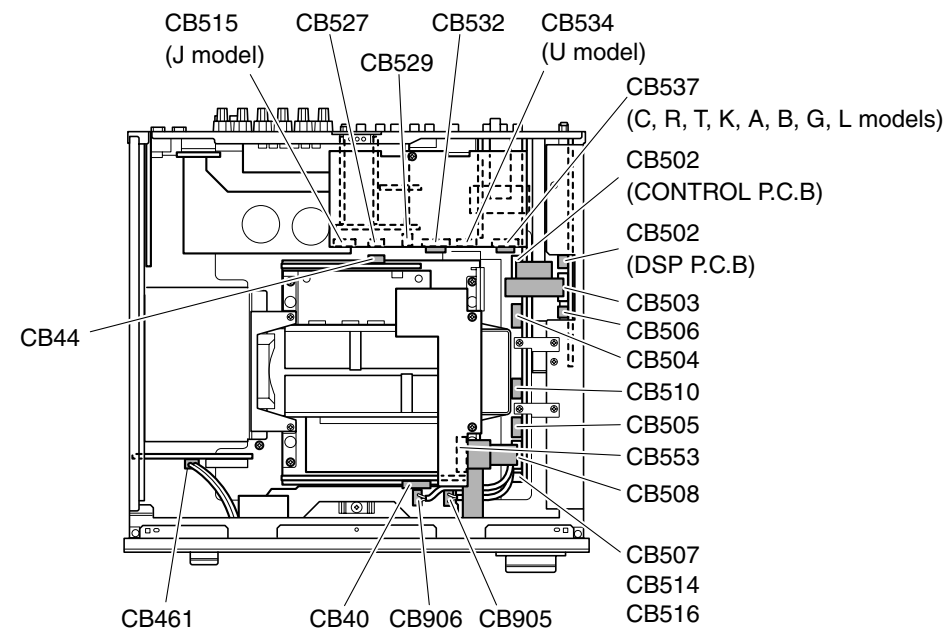
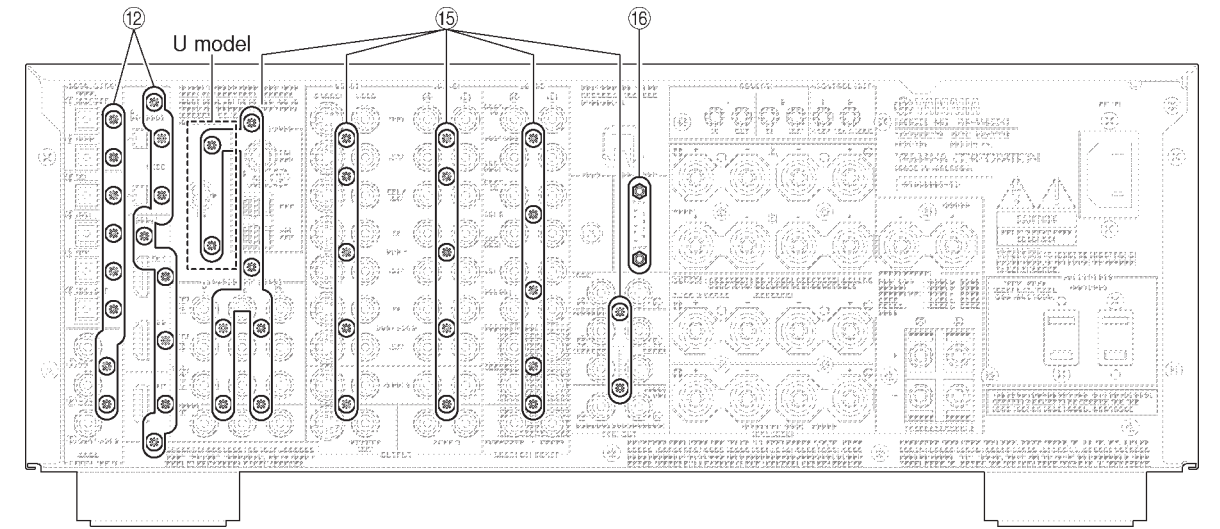


Fig. 3

U, C, R, T, K, A, B, G, L models



J model

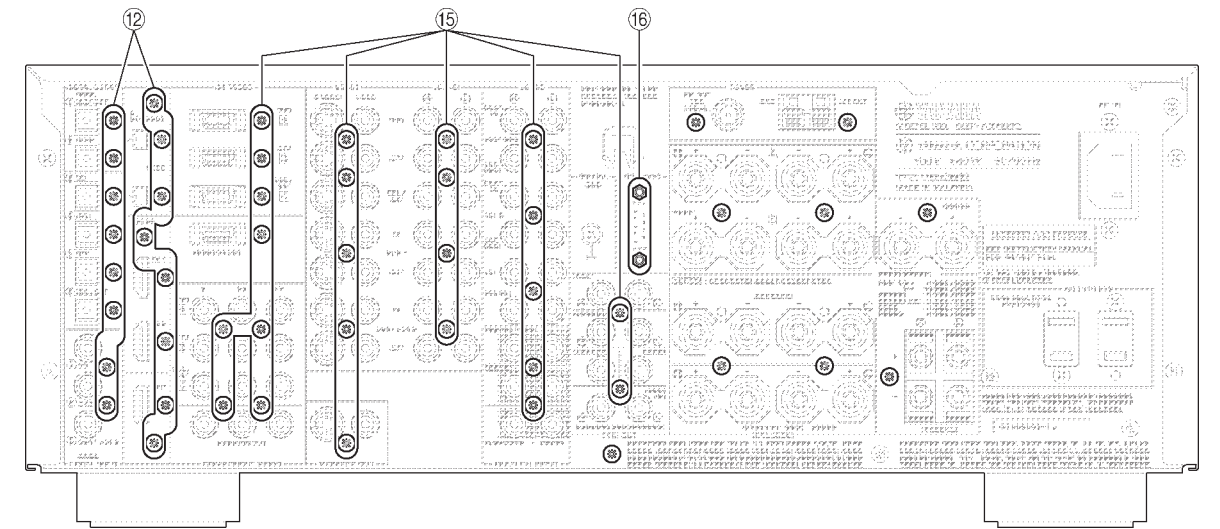


Fig. 4

6. Removal of CONTROL, FUNCTION (1), (2), (4) ~ (6), INPUT (1), (2), IBOC (U model) P.C.B.s and Tuner (C, R, T, K, A, B, G, L models)

- a. Remove 25 (U model) / 23 (C, R, T, K, A, B, G, L models) screws (15). (Fig. 4)
- b. Remove 2 jack screws (16). (Fig. 4)
- c. Remove CB40, CB44, CB504, CB505 and CB553. (Fig. 3)
- d. Remove CONTROL, FUNCTION (1), (2), (4) ~ (6), INPUT (1), (2), IBOC (U model) P.C.B.s and Tuner (C, R, T, K, A, B, G, L models).

6. CONTROL、FUNCTION(1)、(2)、(4)～(6)、INPUT(1)、(2)P.C.B.、チューナーの外し方

- a. ⑮のネジ24本を外します。(Fig. 4)
- b. ⑯のジャックスクリュー2本を外します。(Fig. 4)
- c. CB40、CB44、CB504、CB505、CB553を外します。(Fig. 3)
- d. CONTROL、FUNCTION(1)、(2)、(4)～(6)、INPUT(1)、(2)P.C.B.、チューナーを取り外します。

When checking the P.C.B.:

- Put the Rubber Sheet and a Cloth over the equipment. Then place the P.C.B. upside down on the Cloth and check it. (Fig. A)
- Reconnect all cables (connectors) that have been disconnected.

Be sure to use the extension cable for servicing for the following section.

- CONTROL P.C.B. CB506 – OPERATION (5) P.C.B. CB553: MF127500 (27P 500mm)
- CONTROL P.C.B. CB508 – OPERATION (1) P.C.B. CB904: MF124500 (24P 500mm)
- CONTROL P.C.B. CB514 – OPERATION (2) P.C.B. CB903: MF115500 (15P 500mm)
- CONTROL P.C.B. CB507 – OPERATION (3) P.C.B. CB908: MF113500 (13P 500mm)
- CONTROL P.C.B. CB516 – OPERATION (3) P.C.B. CB907: MF107500 (7P 500mm)
- CONTROL P.C.B. W502 – OPERATION (3) P.C.B. CB906: WD635400 (3/4P 180mm)

- When connecting the cable, use care for the polarity.
- In this unit, the ground of P.C.B.s shown below is connected to the rear panel. When these P.C.B.s are removed from the rear panel, connect the ground to the rear panel or chassis, using a lead wire or the like. (Fig. B)

- DSP P.C.B. : PJ501 (DIGITAL INPUT)
- DUAL P.C.B. : CB2 (iLINK)
- CONTROL P.C.B. : PJ511 (COMPONENT VIDEO)
- INPUT (1) P.C.B. : PJ301 (MULTI CH INPUT)
- INPUT (2) P.C.B. : JK701 (MONITOR OUT)
- FUNCTION (1) P.C.B. : PJ509 (PRE OUT), CB514 (RS – 232C Terminal)
- FUNCTION (2) P.C.B. : PJ505 (DVR IN/OUT)

P.C.B.チェックをする場合には

- 本機の上にゴムシートと布を敷き、その上にP.C.B.を裏返しに置いてチェックします。(Fig. A)
- 外したケーブル(コネクタ)をすべて接続します。ただし次の区間は、サービス用延長ケーブルを使用してください。

- CONTROL P.C.B. CB506 – OPERATION (5) P.C.B. CB553: MF127500 (27P 500mm)
- CONTROL P.C.B. CB508 – OPERATION (1) P.C.B. CB904: MF124500 (24P 500mm)
- CONTROL P.C.B. CB514 – OPERATION (2) P.C.B. CB903: MF115500 (15P 500mm)
- CONTROL P.C.B. CB507 – OPERATION (3) P.C.B. CB908: MF113500 (13P 500mm)
- CONTROL P.C.B. CB516 – OPERATION (3) P.C.B. CB907: MF107500 (7P 500mm)
- CONTROL P.C.B. W502 – OPERATION (3) P.C.B. CB906: WD635400 (3/4P 180mm)

- ケーブルを接続する際、極性に注意してください。
- 本機では下記P.C.B.のアースがリアパネルに接続されています。これらのP.C.B.をリアパネルより取り外した場合は、リード線等でアースをリアパネルまたはシャーシに接続してください。(Fig. B)

- DSP P.C.B. : PJ501 (DIGITAL INPUT)
- DUAL P.C.B. : CB2 (iLINK)
- CONTROL P.C.B. : PJ511 (COMPONENT VIDEO)
- INPUT (1) P.C.B. : PJ301 (MULTI CH INPUT)
- INPUT (2) P.C.B. : JK701 (MONITOR OUT)
- FUNCTION (1) P.C.B. : PJ509 (PRE OUT)、CB514 (RS – 232C端子)
- FUNCTION (2) P.C.B. : PJ505 (DVR IN/OUT)

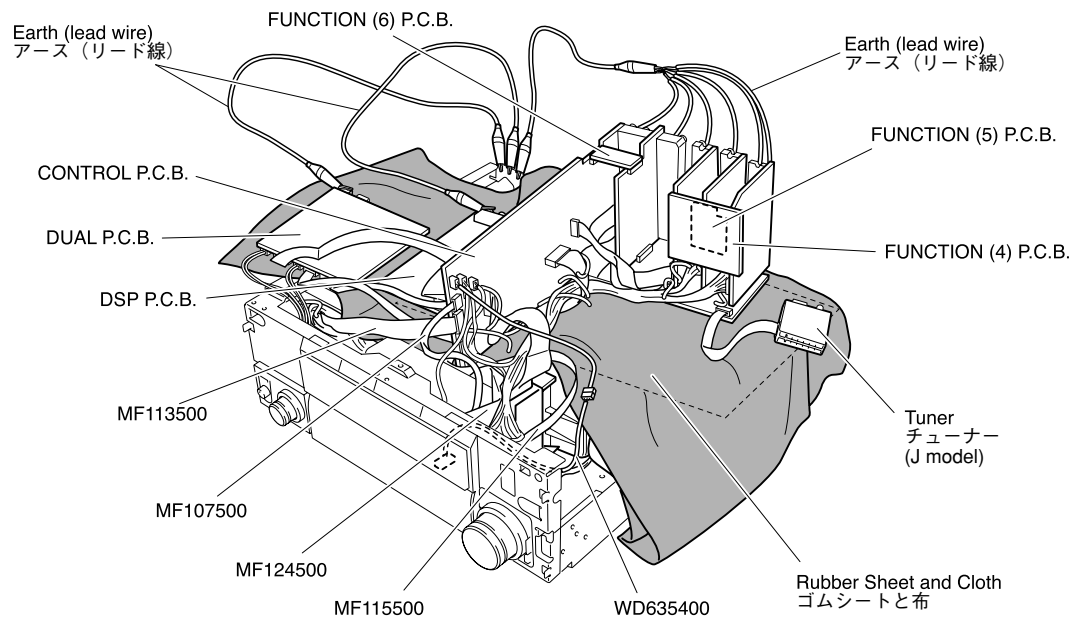


Fig.A

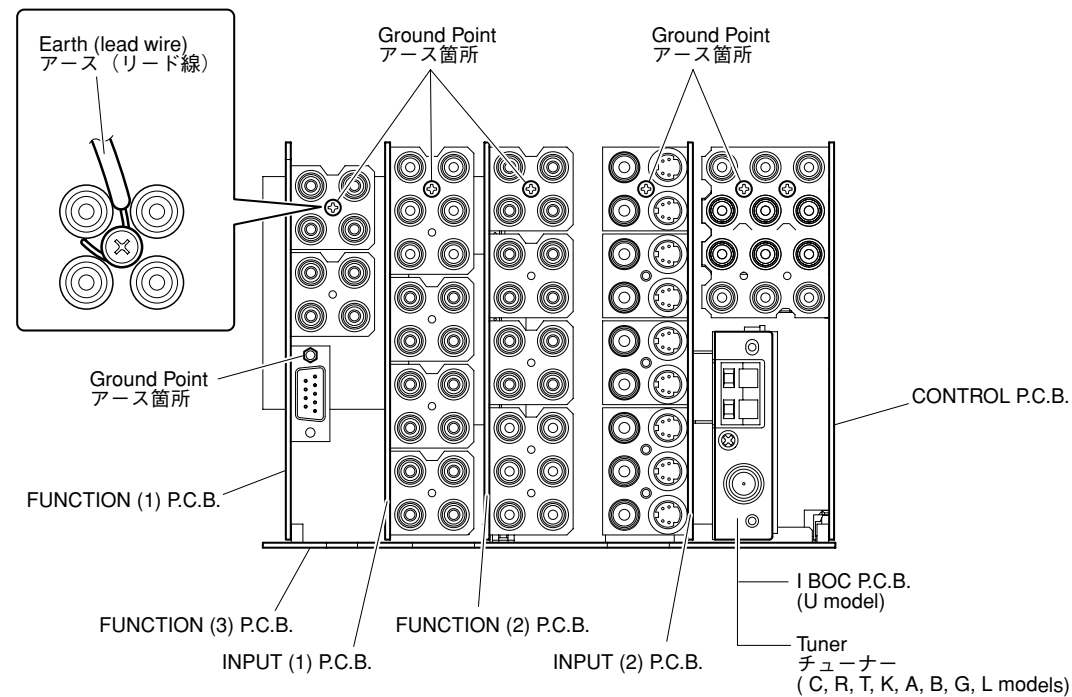


Fig.B

7. Removal of Fan

- Remove 4 push rivets (17) and then remove the Cover. (Fig. 5)
- Remove 2 screws (18) and 2 screws (19). (Fig. 5)
- Remove CB20.
- Remove the Fan together with the frame by lifting them up. (Fig. 5)

8. Removal of OPERATION (5) P.C.B.

- Remove 2 screws (20). (Fig. 5)
- Remove CB542, CB131. (Fig. 5)
- Remove the OPERATION (5) P.C.B. which is connected directly to the lower P.C.B. with connectors. (Fig. 5)

9. Removal of Amp Unit

- Remove 2 push rivets (21) and then remove the Duct. (Fig. 5)
- Remove 4 screws (22) and 4 screws (23). (Fig. 5)
- Remove the Amp Unit. (Fig. 5)

7. ファンの外し方

- 17のプッシュリベット4本を外し、カバーを外します。(Fig. 5)
- 18のネジ2本、19のネジ2本を外します。(Fig. 5)
- CB20を外します。(Fig. 5)
- ファンをフレームといっしょに上方に取り外します。(Fig. 5)

8. OPERATION(5)P.C.B.の外し方

- 20のネジ2本を外します。(Fig. 5)
- CB542を外します。(Fig. 5)
- OPERATION(5)P.C.B.を取り外します。下方のP.C.B.と直接コネクタ接続されています。(Fig. 5)

9. アンプユニットの外し方

- 21のプッシュリベット2本を外し、ダクトを外します。(Fig. 5)
- 22のネジ4本、23のネジ4本を外します。(Fig. 5)
- アンプユニットを取り外します。(Fig. 5)

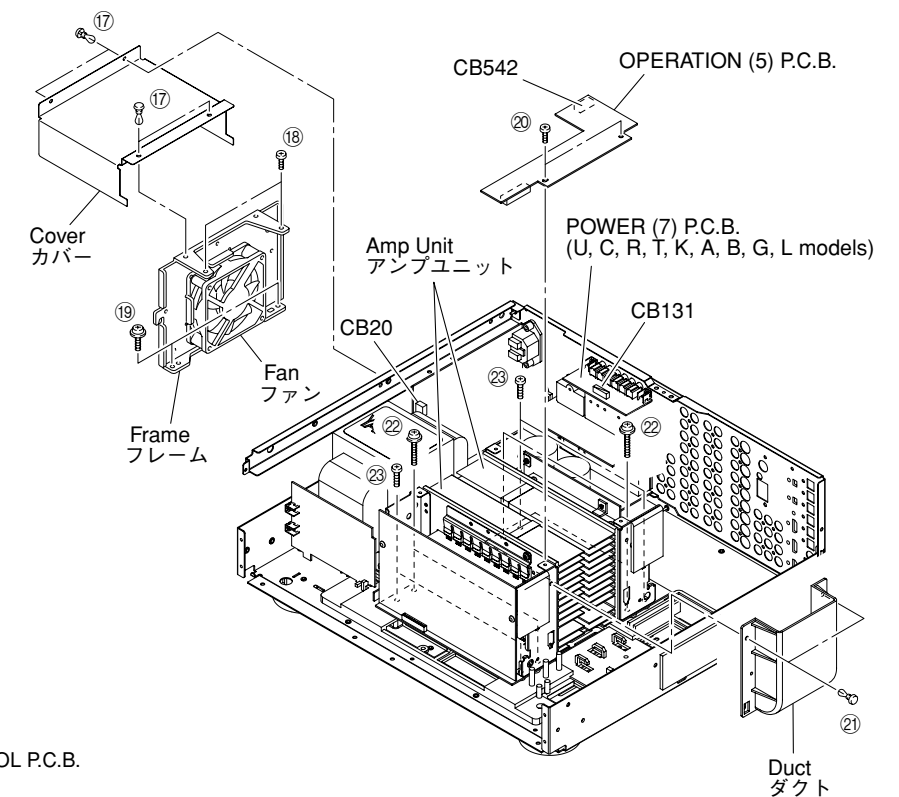


Fig. 5

When checking the Amp Unit:

- Put the Amp Unit together with the heat sink upright on the art base and check them. (Fig. C)
- Reconnect all cables (connectors) that have been disconnected.

Be sure to use the extension cable for servicing for the following section.

CONTROL P.C.B. CB506 – OPERATION (5) P.C.B. CB553:
MF127500 (27P 500mm)

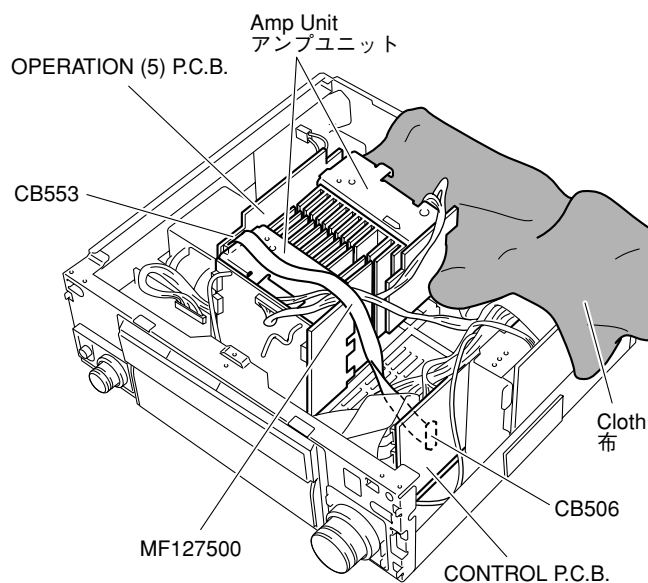
- When connecting the flat cable, use care for the polarity.

アンプユニットをチェックする場合には

- アンプユニットはヒートシンクといっしょに、アートベースの上に立ててチェックします。(Fig. C)
- 外したケーブル(コネクタ)をすべて接続します。ただし次の区間は、サービス用延長ケーブルを使用してください。

CONTROL P.C.B. CB506 – OPERATION (5) P.C.B. CB553:
MF127500 (27P 500mm)

- フラットケーブルを接続する際、極性に注意してください。

**Fig. C**

■ UPDATING FIRMWARE / ファームウェアの書き込み

After replacing the following service parts, be sure to perform writing of the firmware.

- CONTROL P.C.B.
- IC503 (CONTROL P.C.B.)
- DUAL P.C.B.
- IC318 (DUAL P.C.B.)

Make sure to use the following procedure for firmware writing.

Step.1 Writing of MAIN

Step.2 Writing of HDMI

Step.3 Writing of i.LINK

Performing these 3 steps completes the writing procedure.

Equipment required

- PC with RS-232C serial port (OS: Windows98/2000/Me/XP)
- Firmware writing program (DSP_FLASHER_V2.x.x.exe)
- Firmware
V46xxxx_U.mot (U model)
V46xxxx.mot (C, R, T, K, A, B, G, L models)
- RS-232C cross cable "D-Sub 9-pin Female".

Pin No.2 RxD	✕	Pin No.2 RxD
Pin No.3 TxD	✕	Pin No.3 TxD
Pin No.5 GND	—	Pin No.5 GND
Pin No.7 RTS	✕	Pin No.7 RTS
Pin No.8 CTS	✕	Pin No.8 CTS

Preparations

Download the firmware loading program and firmware from the specified download sources to the same directory of the PC for writing the firmware.

Firmware updating procedure

Step.1 Writing of MAIN

- With the power turned off, connect the RS-232C cross cable between the PC and the RS-232C port of the unit as shown below. (Fig. 1)

下記のサービス部品を交換した場合、ファームウェアの書き込みを行ってください。

- CONTROL P.C.B.
- IC503 (CONTROL P.C.B.)
- DUAL P.C.B.
- IC318 (DUAL P.C.B.)

ファームウェアを書き込む場合は、必ず下記の手順で行ってください。

Step.1 MAINの書き込み

Step.2 HDMIの書き込み

Step.3 i.LINKの書き込み

Step.3まで実施して書き込みが完了となります。

必要なツール

- RS-232Cシリアルポート付きPC (OS: Windows 98/2000/Me/XP)
- ファームウェア書き込み用プログラム (DSP_FLASHER_V2.x.x.exe)
- ファームウェア (V46xxxx.mot)
- RS-232Cクロスケーブル“D-sub 9 pin メス”

(仕様) Pin No.2 RxD	✕	Pin No.2 RxD
Pin No.3 TxD	✕	Pin No.3 TxD
Pin No.5 GND	—	Pin No.5 GND
Pin No.7 RTS	✕	Pin No.7 RTS
Pin No.8 CTS	✕	Pin No.8 CTS

準備

ファームウェア書き込み用プログラムおよびファームウェアを指定のダウンロード先からバージョンアップ用PCの同じディレクトリにダウンロードしてください。

操作

Step.1 MAINの書き込み

- パワーオフ状態で、RS-232CクロスケーブルをPCと本機のRS-232Cポートに接続します。(Fig. 1)

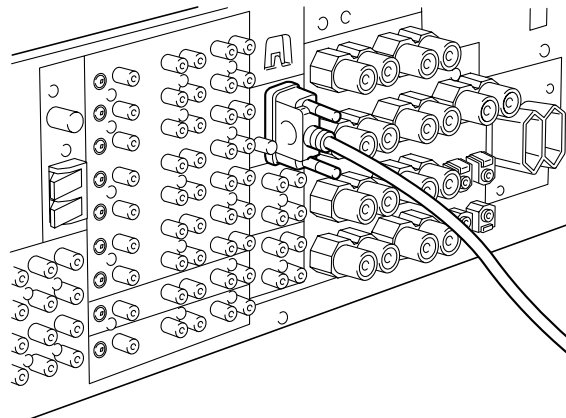


Fig. 1

- b. Execute DSP FLASHER. (Fig. 2)
- c. Select the COM port to use and press the [connect] button, and the Com Port Status changes to "connected". (Fig. 3)

- b. DSP FLASHER を実行します。(Fig. 2)
- c. 使用COMポートを選択し[connect]ボタンを押します。Com Port Status が “connected” に変わります。(Fig. 3)



Fig. 2

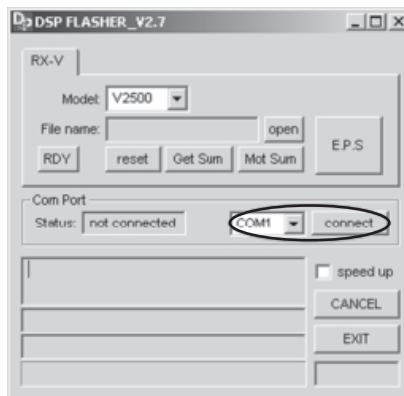


Fig. 3

- d. Select the model name of the receiver and press the [RDY] button. (Fig. 4)

- d. レシーバのモデル名を選択し、[RDY]ボタンを押します。(Fig. 4)

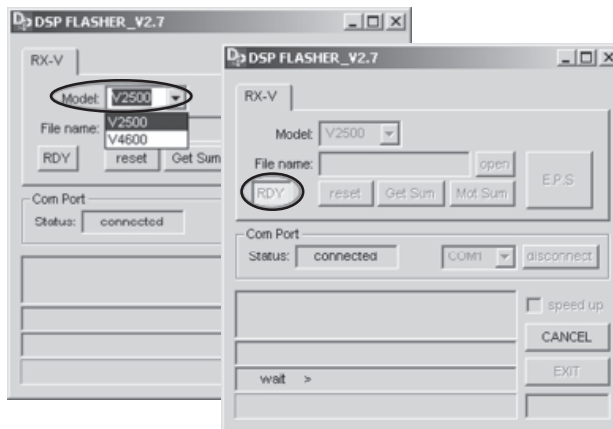


Fig. 4

- e. While pressing the "STRAIGHT/EFFECT" key of the main unit, press the "STANDBY/ON" key to turn on the power. (Fig. 5)

- e. 本体の “STRAIGHT/EFFECT” キーを押しながら、“STANDBY/ON” キーを押して電源を入れます。(Fig. 5)

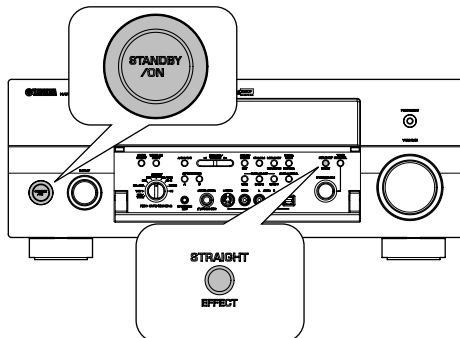


Fig. 5

f. While pressing the "SPEAKERS A" key of the main unit, turn the "PROGRAM" knob until "Upgrade Main" is displayed. (Fig. 6)

f. 本体の“SPEAKERS A”キーを押しながら“PROGRAM”ツマミを回し“Upgrade Main”をディスプレイに表示させます。(Fig. 6)

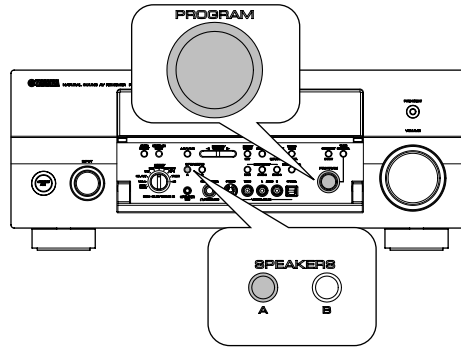


Fig. 6

g. While pressing the "MULTI CH INPUT" key of the main unit, press the "STRAIGHT/EFFECT" key. (Fig. 7)
Immediately after releasing above two keys ("MULTI CH INPUT" key and "STRAIGHT/EFFECT" key), press and hold the "MULTI CH INPUT" key until "232C BOOT xxxx" is displayed. (Fig. 7)

g. 本体の“MULTI CH INPUT”キーを押しながら“STRAIGHT/EFFECT”キーを押します。(Fig. 7)
2つのキー(“MULTI CH INPUT”キー、“STRAIGHT/EFFECT”キー)を離してすぐに、“MULTI CH INPUT”キーを押し、ディスプレイに“232C BOOT xxxx”と表示されるまで押しつづけます。(Fig. 7)

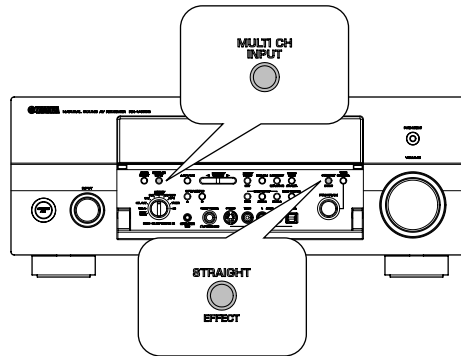


Fig. 7

Then DSP FLASHER is ready for operation (the button function is available). (Fig. 8)

DSP FLASHER がReady状態(ボタンが有効)になります。(Fig. 8)

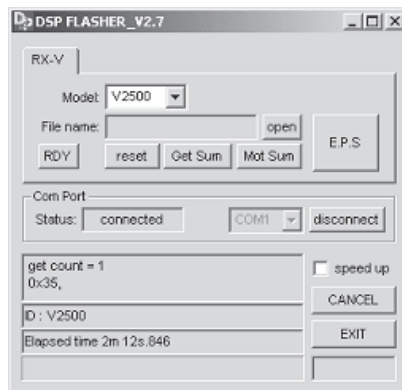


Fig. 8

h. Drag and drop the file of the firmware to be written or select the file using the [OPEN] button. (Fig. 9)

h. 書き込むファームウェアのファイルをドラッグアンドドロップするか、[OPEN]ボタンでファイルを選択します。(Fig. 9)

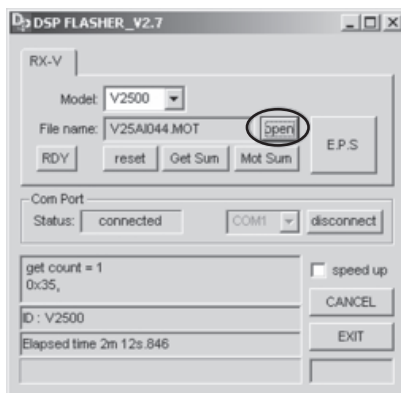


Fig. 9

i. Pressing the [EPS] button will start writing. (Fig. 10)

i. [EPS]ボタンを押すと書き込みが始まります。(Fig. 10)

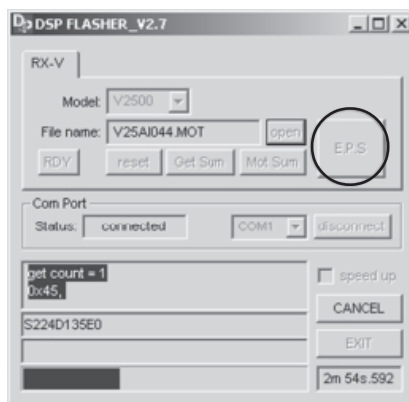


Fig. 10

j. When writing is completed, the checksum is displayed in the box located at the lower left of "Checksum result" (F : XXXX). (Fig. 11)

Start the DIAG function of the main unit and check that the checksum value (F : After boot area) is the same.

* If there is a difference, perform the procedure again starting from step "b. Execute DSP FLASHER".

j. 書き込みが完了すると“Checksum result”の左下BOXにチェックサムが表示されます(F:XXXX)。 (Fig. 11) 本体のダイヤグを起動しチェックサムの値 (F:After boot area)と同じであることを確認します。

※ 値が違っている場合は、もう一度手順“b. DSP FLASHER を実行します”からやり直してください。

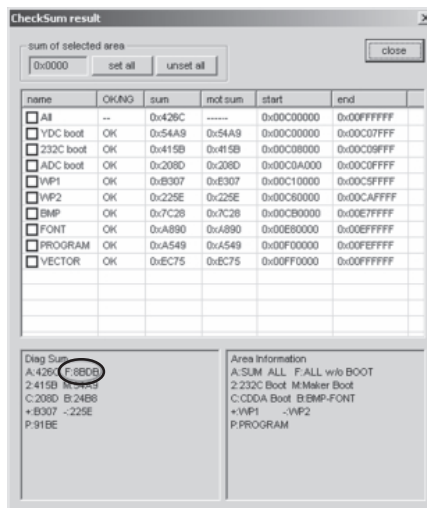


Fig. 11

k. Press the [EXIT] button of DSP FLASHER. This completes the writing procedure. (Fig. 12)

* Perform "Step.2 Writing of HDMI" without turning off the power to the main unit.

k. DSP FLASHER の[EXIT]ボタンを押して終了します。(Fig. 12)

※ 本体の電源は切らずに“Step.2 HDMIの書き込み”を行います。

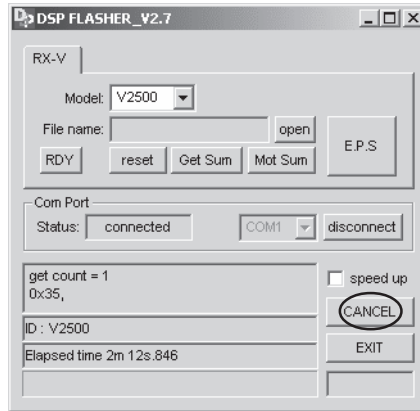


Fig. 12

Step.2 Writing of HDMI

- a. While pressing the "SPEAKERS A" key of the main unit, turn the "PROGRAM" knob until "Upgrade HDMI" is displayed. (Fig. 13)
- b. Press the "STRAIGHT/EFFECT" key of the main unit. (Fig. 14)
"HDMI Writing ..." is displayed and writing is started.

c. When writing is finished, "HDMI Write OK" is displayed. Then perform "Step.3 Writing of i.LINK".

* When writing is not successful, "HDMI Write NG" is displayed. Then perform "Step.2 Writing of HDMI" all over again.

Step.3 Writing of i.LINK

- a. While pressing the "SPEAKERS A" key of the main unit, turn the "PROGRAM" knob until "Upgrade i.LINK" is displayed. (Fig. 13)
 - b. Press the "STRAIGHT/EFFECT" key of the main unit. (Fig. 14)
"i.LINK Pre Check" is displayed and writing is started.
 - c. When writing is finished, "i.LINK Write OK" is displayed.
- * When writing is not successful, "i.LINK Write NG" is displayed. Then perform "Step.3 Writing of i.LINK" all over again.
- d. Press the "STANDBY/ON" switch of the main unit to turn off the power.

Step.2 HDMIの書き込み

- a. 本体の“SPEAKERS A”キーを押しながら“PROGRAM”ツマミを回し“Upgrade HDMI”をディスプレイに表示させます。(Fig. 13)
- b. 本体の“STRAIGHT/ EFFECT”キーを押します。(Fig. 14) ディスプレイに“HDMI Writing ...”が表示され、書き込みが始まります。

c. 書き込み終了後、ディスプレイに“HDMI Write OK”が表示されます。

※ 本体の電源は切らずに“Step.3 i.LNKの書き込み”を行います。

※ 書き込みに失敗した場合、ディスプレイに“HDMI Write NG”が表示されます。“Step.2 HDMIの書き込み”を最初からやり直してください。

Step.3 i.LNKの書き込み

- a. 本体の“SPEAKERS A”キーを押しながら“PROGRAM”ツマミを回し“Upgrade i.LINK”をディスプレイに表示させます。(Fig. 13)
- b. 本体の“STRAIGHT/ EFFECT”キーを押します。(Fig. 14) ディスプレイに“i.LINK Pre Check”が表示され、書き込みが始まります。

c. 書き込み終了後、ディスプレイに“i.LINK Write OK”が表示されます。

※ 書き込みに失敗した場合、ディスプレイに“i.LINK Write NG”が表示されます。“Step.3 i.LNKの書き込み”を最初からやり直してください。

d. 本体の“STANDBY/ON”キーを押して電源を切ります。

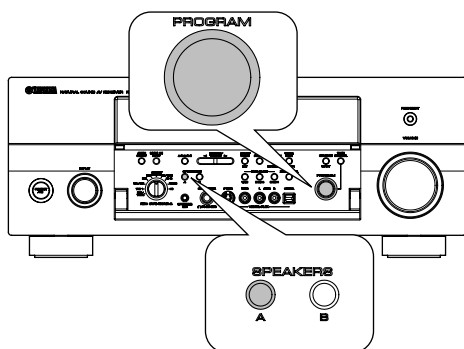


Fig. 13

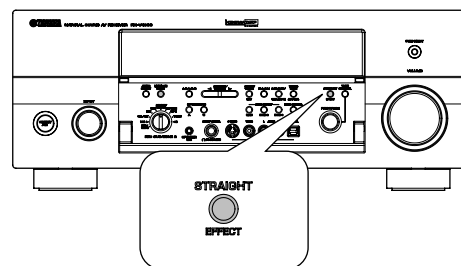


Fig. 14

* If writing is not successful or the power cannot be turned on after writing, it is possible to enter the updating mode by using "FORCED BOOT MODE" and execute writing again.

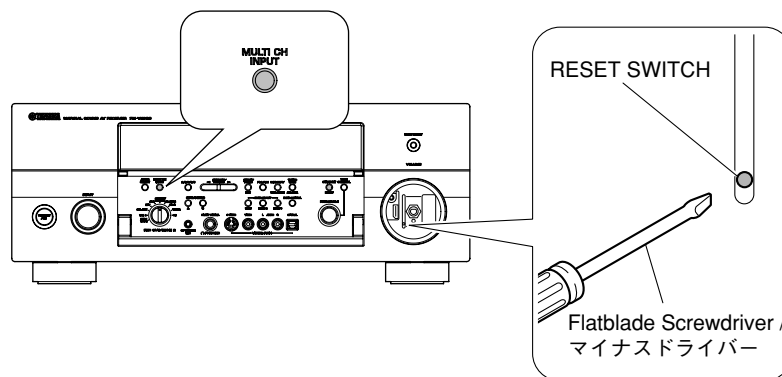
Preparation

- Perform Steps a to d of MAIN writing procedure.
 - Remove the "VOLUME" knob from the front panel of the main unit.
 - Connect the power plug to the AC outlet.
 - Prepare a flatblade screwdriver.
1. While pressing the "MULTI CH INPUT" key of the main unit, press the "RESET SWITCH" key using a flatblade screwdriver.
 2. Immediately after releasing above two keys ("MULTI CH INPUT" key and "RESET SWITCH" key), press and hold the "MULTI CH INPUT" key until "232C BOOT xxxx" is displayed.

※ 書き込みの途中で失敗したり、書き込み終了後に電源が入らない場合、「強制BOOTモード」で書き込みモードに入ることができ、再度書き込みを行うことができます。

準備

- MAINの書き込み手順 a~dを行なっておきます。
 - 本体前面の“VOLUME”ノブを外しておきます。
 - 電源プラグをACコンセントに接続します。
 - マイナスドライバーを用意します。
1. 本体の“MULTI CH INPUT”キーを押しながらマイナスドライバーを使い“RESET SWITCH”キーを押します。
 2. 2つのキー（“MULTI CH INPUT”キー、“RESET SWITCH”キー）を離してすぐに、“MULTI CH INPUT”キーを押し、ディスプレイに“232C BOOT xxxx”と表示されるまで押しつづけます。



If the display remains unchanged from "Upgrader xxxx", start all over from Step 1.
When "232C BOOT xxxx" is displayed, go to Step h of MAIN writing procedure and continue the procedure.

“Upgrader xxxx”のまま表示が切り替わらない場合は、もう一度手順1からやり直します。
ディスプレイに“232C BOOT xxxx”と表示されたら、MAINの書き込み手順hから作業を続けます。

■ SELF DIAGNOSIS FUNCTION (DIAG) / 自己診断機能 (ダイアグ)

There are 26 DIAG menu items, each of which has sub-menu items. Listed in the table below are menu items and sub-menu items.

ダイアグメニューは26個あり、そのそれぞれにサブメニューがあります。下表はメニュー一覧です。

No	DIAG MENU	SUB MENU
1	DA60Y-YSS930 1. YSS 0dB	1. YSS 0dB
		2. YSS FULL BIT
2	BYPASS 2. ANALOG BYPASS	1. ANALOG BYPASS
		2. DSP BYPASS
3	RAM THROUGH 3. RAM 0dB	1. RAM 0dB
		2. FRONT ATT
4	PRO LOGIC / NEO6 4. PRO LOGIC I	1. PRO LOGIC I
		2. PRO LOGIC II
		3. NEO: 6
5	SPEAKERS SET 5. FRNT: SML 0dB	1. FRONT: SMALL 0dB
		2. CENTER: NONE
		3. LFE/BASS: FRONT
		4. PRESS MIX: 5ch
		5. SURROUND B: MUTE
		6. SURROUND LR: MUTE
		7. SURROUND LR: NONE
6	EXTERNAL INPUT SP Impedance Check 6. 6CH INPUT_6	1. 6CH INPUT_6OHMS
		2. 6CH INPUT_8OHMS
		3. 8CH INPUT_6OHMS
		4. 8CH INPUT_8OHMS
		5. TEMP TEST
7	MIC CHECK 7. MIC CHECK	MIC CHECK
8	DISPLAY CHECK 8. VFD CHECK	1. VFD CHECK (Initial display / 初期表示)
		2. VFD DISP OFF (All segments OFF / 全セグメント消灯)
		3. VFD DISP ALL (All segments ON 100% / 全セグメント点灯100%)
		4. VFD DIMMER (All segments ON 50% / 全セグメント点灯50%)
		5. CHECKED PATTERN (ON in lattice / 格子状点灯)
9	MANUAL TEST 9. TEST ALL	1. TEST ALL
		2. TEST FRONT L
		3. TEST CENTER
		4. TEST FRONT R
		5. TEST SURROUND R
		6. TEST SURROUND BACK R
		7. TEST SURROUND BACK L
		8. TEST SURROUND L
		9. TEST LFE
		10. TEST PRESENCE L
		11. TEST PRESENCE R
10	RS-232C 10. TxRxData:XX	1. TxD/RxD DATA
		2. HARD FLOW
11	FACTORY PRESET 11. PRESET INHI	1. PRESET INHIBIT (memory initialization inhibited / メモリーの初期化禁止)
		2. PRESET RESERVED (memory initialized / メモリーの初期化)

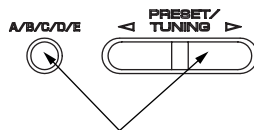
No	DIAG MENU	SUB MENU
12	AD DATA CHECK / FAN TEST DC:007 Fan_/_	1. PS (protection)
		2. DC (protection) / FAN OUT
		3. TH
		4. REC-OUT
		5. PL
		6. K0 / K1 (panel key)
		7. FAN DRIVE TEST: HIGH (Fan test only applies to models with a fan. / ファン装備モデルに適用)
		8. FAN DRIVE TEST: MID (Fan test only applies to models with a fan. / ファン装備モデルに適用)
		9. FAN DRIVE TEST: LOW (Fan test only applies to models with a fan. / ファン装備モデルに適用)
13	V CONV STATUS H:XXXXXXXX	1. LOW BYTE DATA
		2. HIGH BYTE DATA
14	IF STATUS IS1:3303095420	1. IS 1 (5 Byte)
		2. IS 2 (3 Byte)
		3. CS 1 (5 Byte)
		4. CS 2 (5 Byte)
		5. CS 3 (4 Byte)
		6. BS 1 (5 Byte)
		7. BS 2 (5 Byte)
		8. BS 3 (5 Byte)
		9. BS 4 (3 Byte)
		10. TI 1 (5 Byte)
		11. TI 2 (1 Byte)
		12. MTT (5 Byte)
15	BUS CHECK VSS BUS:NoEr	1. YSS930 BUS CHECK
		2. SECOND DECODER BUS CHECK
		3. YGV619 BUS CHECK
		4. IBOC RAM BUS
16	PROTECTION SET	(Not applied to this model. / このモデルには適用されません)
17	SOFT SW CHANGE SW BY EFFECT KEY 17.SW :PCB	1. SW MODE
		2. MODEL SETTING
		3. TUNER DESTINATION
		4. TUNER EXIST
		5. RDS EXIST
		6. ZONE 2 EXIST
		7. VIDEO FORMAT
18	HDMI INFO HMN:DSP-RX4600	1. HDMI Model Name
		2. HDMI Product ID
		3. HDMI Vender Name
19	1394 INFO 1MN:DSP-RX4600	1. 1394 Model Name
		2. 1394 Model ID
		3. 1394 Vender Name
		4. GUID Vender ID
		5. GUID Chip ID
20	PCB SELF CHECK 20.HDMI:NoEr	1. HDMI SELF CHECK
		2. 1394 SELF CHECK
21	HDMI CONNECT 21.HDMI NONE	1. HDMI NONE : No Connect
		2. HDMI IN1 : HDMI IN 1Port
		3. HDMI IN2 : HDMI IN 2Port

No	DIAG MENU	SUB MENU
22	1394 CONNECT 22.1394 NONE	1. 1394 NONE : No Connect
		2. 1394 IN 1 : 1st Device (Lower GUID)
		3. 1394 IN 2 : 2nd Device (Middle GUID)
		4. 1394 IN 3 : 3rd Device (Upper GUID)
23	INPUT MODE 23.MODE SPDIF	1. SPDIF Fix
		2. 1394 I2S
		3. HDMI I2S
		4. DSD Fix
		5. DSD Direct
24	IBOC MODE 24.TM ALN :OFF	1. Time Alignment test mode OFF/ON
		2. CDM CONTROL OFF/ON
		3. IDM Version
25	F/W INFO 25.HDMI U:xxxx	1. HDMI Firmware Version
		2. HDMI Firmware CheckSum
		3. 1394 Firmware Version
		4. 1394 SubCPU Checksum
		5. 1394 ARM Checksum
26	ROM VER/SUM/PORT VER.C031FCDI	1. VERSION DSP ALL
		2. SUM ALL / After BOOT AREA
		3. SUM 232C Boot /Maker Boot
		4. SUM CDDA Boot / BMP, FONT
		5. SUM HDMI / i.LINK
		6. SUM WALL / PROGRAM
		7. PORT
		8. AAC PORT (J model)

● Starting DIAG

Press the “STANDBY/ON” key while simultaneously pressing those two keys of the main unit as indicated in the figure below.

Keys of main unit / 本体キー



Turn on the power while pressing these keys.
これらのキーを同時に押しながら、パワーオンする。

● Starting DIAG in the protection cancel mode

If the protection function works and causes hindrance to trouble diagnosis, cancel the protection function as described below, and it will be possible to enter the DIAG mode. (The protection functions other than the excess current detect function will be disabled.)

Press the “STANDBY/ON” key while simultaneously pressing those two keys indicated in the figure above. At this time, keep pressing those two keys for 3 seconds or longer.

In this mode, the “SLEEP” segment of the FL display of the main unit flashes to indicate that the mode is DIAG mode with the protection functions disabled.

CAUTION!

Using this product with the protection function disabled may cause damage to itself. Use special care for this point when using this mode.

● Canceling DIAG

[1] Before canceling DIAG, execute setting for PRESET of DIAG menu No.11 (Memory initialization inhibited or Memory initialized).

* In order to keep the user memory stored, be sure to select PRESET INHIBIT (Memory initialization inhibited). Any protection history will remain in memory.

[2] Turn off the power by pressing the “STANDBY/ON” key of the main unit or the “STANDBY” key of the remote controller.

● ダイアグの起動

本体の下図に示すキーを同時に押しながら“STANDBY/ON”キーを押すと、ダイアグが起動します。

● プロテクション解除モードでの起動

プロテクションが動作することにより、故障箇所の診断に支障をきたすような場合は、次の方法によりプロテクションを解除した状態でダイアグモードに入ることが出来ます。(過電流検出以外のプロテクション動作を解除する)

上図のキーを同時に押しながら“STANDBY/ON”キーを押します。このとき、上図のキーを3秒以上押し続けてください。

このモードでは本体FLの“SLEEP”セグメントが点滅し、プロテクションを解除した状態でのダイアグモードであることを知らせます。

注意！

プロテクションを解除した状態でのダイアグモードは、危険な状態でもプロテクションが作動しないため、動作させると、機器を破壊することがあります。このモードを使用する場合は十分注意してください。

● ダイアグの解除

① ダイアグを解除する前に、ダイアグメニューNo.11のFACTORY PRESET (メモリーの初期化禁止/またはメモリーの初期化)の設定をします。

※ ユーザーメモリーを保持したい場合は、必ずPRESET INHIBIT(メモリー初期化禁止)を選択してください。

② 本体の“STANDBY/ON”キーリモコンの“STANDBY”キーを押し、パワーオフにします。

● Display provided when DIAG started

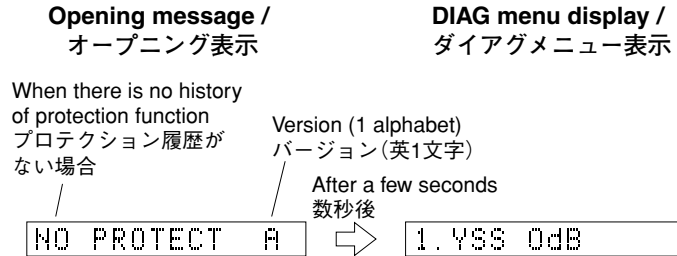
The FL display of the main unit displays the protection function history data and the version (1 alphabet) and the DIAG menu [sub-menu (YSS 0dB) of DIAG menu No.1 DSP THROUGH] a few seconds later.

● ダイアグ起動時の表示

本体のFLディスプレイにプロテクション履歴情報とバージョン(英1文字)が表示され、数秒後にダイアグメニュー(No.1 DSP THROUGHのサブメニューYSS 0dB)になります。

When there is no history of protection function:

プロテクション履歴がない場合:



When there is a history of protection function:

プロテクション履歴がある場合:



Cause: An excessive current flowed through the power amplifier.

Turning on the power without correcting the abnormality will cause the protection function to work immediately and the power supply will instantly be shut off.

原因：パワーアンプに過電流が流れた。
補足：パワートランジスタの電流を検出していますので、電流検出トランジスタをチェックすれば異常チャンネルが特定できます。
異常状態のままパワーオンすると、瞬時にプロテクションがかかり、すぐに電源が切れます。

Note)

- Applying the power to a unit without correcting the abnormality can be dangerous and cause additional circuit damage.
- The output transistors in each amplifier channel should be checked for damage before applying any power.
- Amplifier current should be monitored by measuring across the emitter resistors for each channel.

When there is a history of protection
function due to abnormal voltage in
the power supply section
電源部の電圧異常によるプロテ
クション履歴がある場合 \

Version (1 alphabet)
バージョン(英1文字)

PSx PRT:000 A

Voltage display in %
電圧の%表示

Cause: The voltage in the power supply section is abnormal.

Supplementary information: The abnormal voltage is displayed in % based on 5V as 100%.

Turning on the power without correcting the abnormality will cause the protection function to work 1 second later and the power supply will be shut off.

原因：電源部の電圧が異常。

補足：異常時の電圧の状態を、5Vを100%とした値で%表示します。

異常状態のままパワーオンすると、1秒後にプロテクションがかかり、電源が切れます。

When there is a history of protection
function due to abnormal DC output
DC出力異常によるプロテク
ション履歴がある場合 \

Version (1 alphabet)
バージョン(英1文字)

DC PRT:000 A

Cause: DC output of the power amplifier is abnormal.

Supplementary information: The abnormal voltage is displayed in % based on 5V as 100%.

Turning on the power without correcting the abnormality will cause the protection function to work 3 seconds later and the power supply will be shut off.

原因：パワーアンプのDC出力が異常。

補足：異常時の電圧の状態を、5Vを100%とした値で%表示します。

異常状態のままパワーオンすると、3秒後にプロテクションがかかり、電源が切れます。

When there is a history of protection
function due to excessive heat sink
temperature
放熱器の異常温度によるプロテ
クション履歴がある場合 \

Version (1 alphabet)
バージョン(英1文字)

TMPx PRT:000 A

Voltage display in %
電圧の%表示

Cause: The temperature of the heat sink is excessive.

Supplementary information: The abnormal voltage is displayed in % based on 5V as 500%.

Turning on the power without correcting the abnormality will cause the protection function to work 1 second later and the power supply will be shut off.

原因：放熱器の温度が異常。

補足：異常時の電圧の状態を、5Vを500%とした値で%表示します。

異常状態のままパワーオンすると、1秒後にプロテクションがかかり、電源が切れます。

* Additional causes of protection can be due to loose connections, associated components, CPU, etc.

* For the protection voltage value, refer to DIAG menu No.12 described later.

※ 前記の異常原因の他に、コネクタのはずれやCPU周辺などに原因があります。

※ プロテクションの電圧値に関しては、後述のダイアグメニューNo.12を参照してください。

● History of protection function

When the protection function has worked, its history is stored in memory with a backup. Even if no abnormality is noted while servicing the unit, an abnormality which has occurred previously can be defined as long as the backup data has been stored.

The history of the protection function is cleared when DIAG is cancelled by selecting PRESET RESERVED (Memory initialized) of DIAG menu No. 11 or when the backup data is erased.

● プロテクションの履歴

プロテクションが働いた場合、履歴をバックアップして記憶しています。サービスのときに異常が認められなくても、バックアップが残っていれば、お客様のところで起きた異常を区別できます。

プロテクションの履歴は、ダイアグメニューNo.11で PRESET RESERVED(メモリーの初期化)を選んでダイアグを解除した場合や、バックアップが消えたときにはクリアされます。

● Display during menu operation

During the DIAG mode, the monitor screen shows the wall paper and the function at work among following functions as a short message.

- Input selection, multi channel input
- Muting
- Speaker relay A/B
- Master volume

The FL display of the main unit shows the function at work. The displayed contents are described in the later section on detailed functions.

● メニュー動作中の表示

ダイアグ中、モニター画面には壁紙表示と以下の動作中の機能がショートメッセージとして表示されます。

- インプット切替、マルチチャンネルインプット
- ミューティング
- スピーカーリレーA/B
- マスターボリューム

本体のFLディスプレイには動作中の機能が表示されます。機能動作中の表示内容については、後述の機能詳細で記述します。

● Operation procedure of DIAG menu and SUB-MENU

There are 26 MENU items, each of which has some SUB-MENU items.

DIAG menu selection

Select the menu using PROGRAM knob.

● ダイアグメニューとサブメニューの操作

ダイアグにはNo.1～26のメニューがあり、そのそれぞれにサブメニューがあります。

ダイアグメニューの選択

PROGRAMツマミで選択します。

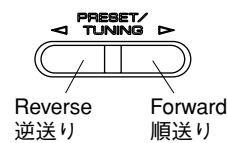
SUB-MENU selection

Select the sub-menu using ▷ (Forward) and ◁ (Reverse) keys of PRESET/TUNING.

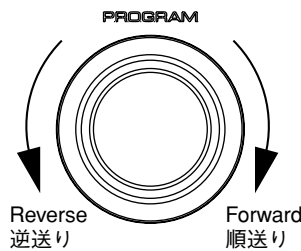
サブメニューの選択

PRESET/TUNING ▷ (順送り), ◁ (逆送り)キーで選択します。

SUB-MENU selection
サブメニューの選択



DIAG menu selection
ダイアグメニューの選択



● Functions in DIAG mode

In addition to the DIAG menu items, functions as listed below are available.

- Input selection, Multi channel input
- Center/Rear/Rear center/Sub-woofer level adjustment
- Muting
- Speaker relay A/B
- Power on/off
- Master volume

* Functions related to the tuner and the set menu are not available.

* It is possible to confirm Menu No.14 IF STATUS while keeping the signal process (operation status) of each DIAG menu by using the input mode key of the main unit.

● Initial settings used to start DIAG

The following initial settings are used when starting DIAG. When DIAG is canceled, these settings are restored to those before starting DIAG.

- Master volume: -20dB
- Input: DVD (MULTI CHANNEL INPUT OFF)
- Effect level: 0dB
- Audio mute: OFF
- Speaker relay A/B: ON
- Speaker setting: LARGE / BASS OUT = BOTH
- DIAG menu: DA60Y-YSS930 (1. YSS 0dB)

● ダイアグ中の機能

ダイアグメニューの他に、以下の機能が動作します。

- インプット切り換え、マルチチャンネルインプット
- センター、リア、リアセンター、サブウーファーレベル調整
- ミューティング
- スピーカーリレーA/B
- パワーオン/オフ
- マスターボリューム

※ チューナー関連、セットメニュー関連は機能しません。

※ 本体のINPUT MODEキーにより、各ダイアグメニューの信号処理(動作状態)を維持したままメニューNo.14 “IF STATUS”の確認ができます。

● ダイアグ開始時の初期設定

ダイアグ開始時に以下のような設定になります。ダイアグ解除時にはダイアグ開始前の状態に戻ります。

- マスターボリューム: -20dB
- インプット: DVD (マルチチャンネルINPUT オフ)
- エフェクトレベル: 0dB
- オーディオミュート: オフ
- スピーカーリレーA/B: オン
- スピーカー設定: LARGE / BASS OUT=BOTH
- ダイアグメニュー: DA60Y-YSS930 (1. YSS 0dB)

● Details of DIAG menu

With full-bit output specified in some modes, it is possible to execute 0dBFS output without head margin in each channel.

1. DA60Y-YSS930

This function is for YSS930 only. Main DSP of YSS930 is selected for FRONT output.

Using the sub-menu, it is possible to select 0dB output level or full-bit output.

YSS 0dB

- The signal is output including the head margin.



Reference data

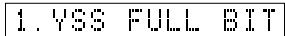
INPUT: DVD ANALOG

SUBWOOFER OUTPUT: 50Hz, Others: 1kHz

Input level	Volume	SPEAKER OUT					SUBWOOFER OUTPUT
		FRONT	CENTER	SURROUND	SURROUND BACK	PRESENCE	
Both ch, -20 dBm	+6.5 dB	+13.5 dBm	+13.5 dBm	+13.5 dBm	+13.5 dBm	- ∞	-5.5 dBm

YSS FULL BIT

- The signal is output in digital full bit without including the head margin.
- The SWFR signal is output but not in digital full bit.



Reference data

INPUT: DVD ANALOG

SUBWOOFER OUTPUT: 50Hz, Others: 1kHz

Input level	Volume	SPEAKER OUT					SUBWOOFER OUTPUT
		FRONT	CENTER	SURROUND	SURROUND BACK	PRESENCE	
Both ch, -20 dBm	+6.5 dB	+13.5 dBm	+13.5 dBm	+13.5 dBm	+13.5 dBm	- ∞	-5.5 dBm

● ダイアメニュー詳細

一部のモードでフルビット指定することで、各チャンネルのヘッドマージンを廃して0dBFS出力することが可能です。

1. DA60Y-YSS930

YSS930のみの動作です。FRONT出力にはYSS930のMain DSPが選択されます。

サブメニューにより、出力レベル0dB、フルビット出力が選択可能です。

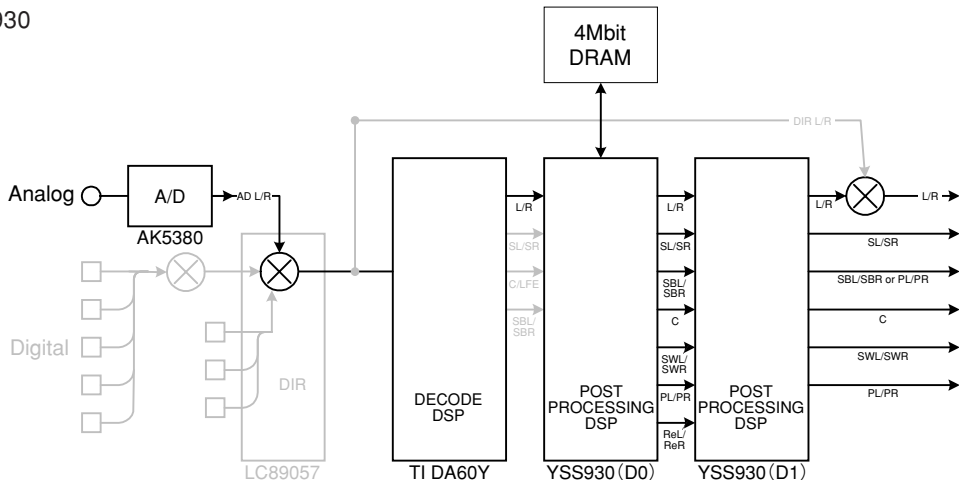
YSS 0dB

- ヘッドマージンを含んで出力されます。

YSS FULL BIT

- ヘッドマージンを含まず、デジタルフルビットで出力されます。
- SWFRは出力されますが、デジタルフルビットではありません。

DA60Y-YSS930 (ANALOG)



(Shaded items not used in this example)

2. BYPASS

2. BYPASS

ANALOG BYPASS

ANALOG BYPASS

2. ANALOG BYPASS

Reference data
 INPUT: DVD ANALOG
 SUBWOOFER OUTPUT: 50Hz, Others: 1kHz

Input level	Volume	SPEAKER OUT					SUBWOOFER OUTPUT
		FRONT	CENTER	SURROUND	SURROUND BACK	PRESENCE	
Both ch, -20 dBm	+6.5 dB	+14.5 dBm	- ∞	- ∞	- ∞	- ∞	- ∞

DSP BYPASS

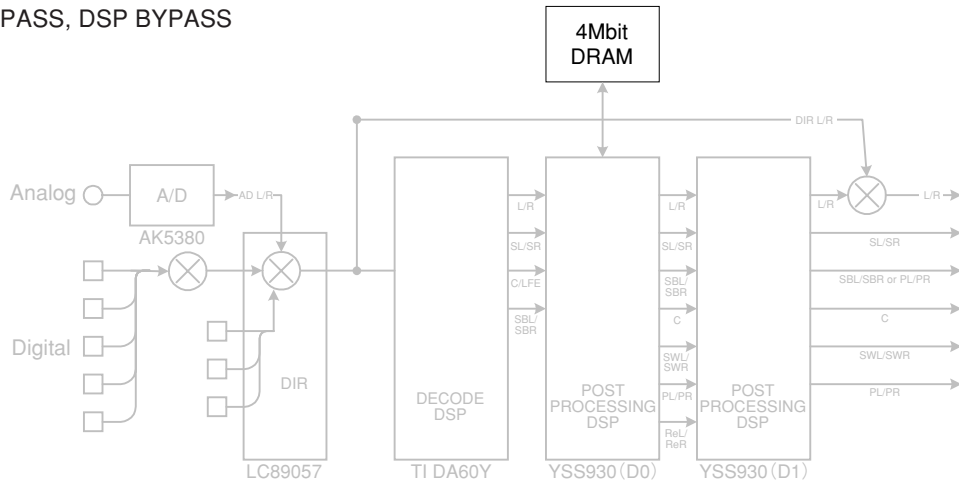
DSP BYPASS

2. DSP BYPASS

Reference data
 INPUT: DVD ANALOG
 SUBWOOFER OUTPUT: 50Hz, Others: 1kHz

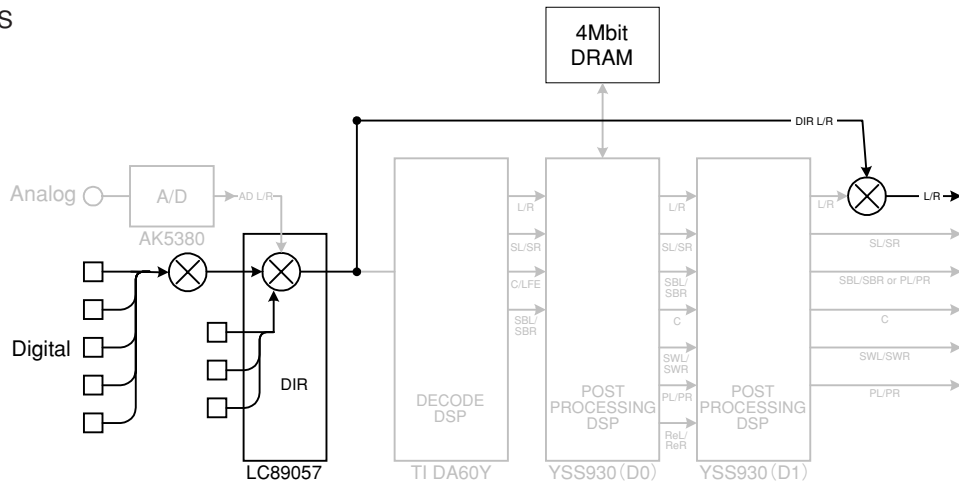
Input level	Volume	SPEAKER OUT					SUBWOOFER OUTPUT
		FRONT	CENTER	SURROUND	SURROUND BACK	PRESENCE	
Both ch, -20 dBm	+6.5 dB	+13.5 dBm	- ∞	- ∞	- ∞	- ∞	- ∞

ANALOG BYPASS, DSP BYPASS
(ANALOG)



(Shaded items not used in this example)

DSP BYPASS
(DIGITAL)



(Shaded items not used in this example)

3. RAM THROUGH

Using the sub-menu, it is possible to select the full-bit output at 0dB output level.

RAM 0dB

3. RAM 0dB

Reference data

INPUT: DVD ANALOG

SUBWOOFER OUTPUT: 50Hz, Others: 1kHz

Input level	Volume	SPEAKER OUT					SUBWOOFER OUTPUT
		FRONT	CENTER	SURROUND	SURROUND BACK	PRESENCE	
Both ch, -20 dBm	+6.5 dB	+13.5 dBm	+13.5 dBm	+13.5 dBm	+13.5 dBm	- ∞	-5.5 dBm

3. RAM THROUGH

サブメニューにより出力レベル0dB、フルビット出力が選択可能です。

RAM 0dB

FRONT ATT

- MAIN -9dB

3. FRONT ATT

FRONT ATT

- MAIN -9dB

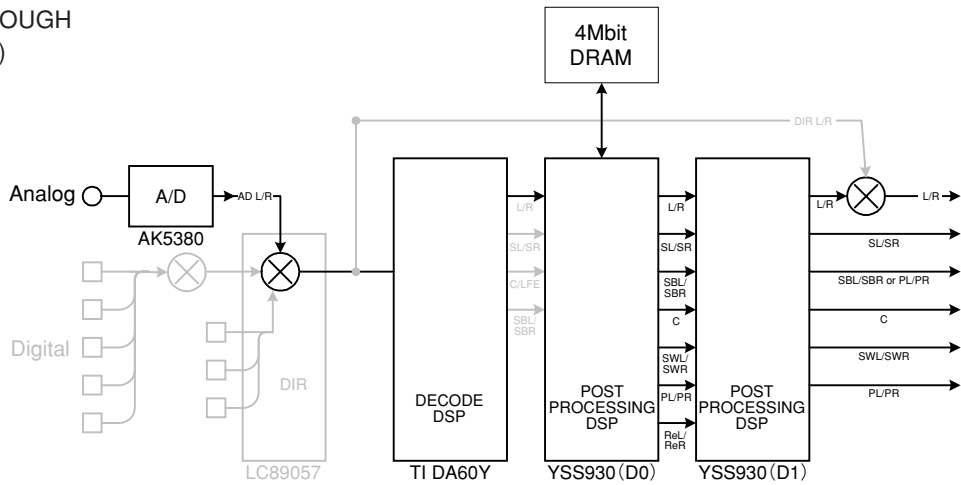
Reference data

INPUT: DVD ANALOG

SUBWOOFER OUTPUT: 50Hz, Others: 1kHz

Input level	Volume	SPEAKER OUT					SUBWOOFER OUTPUT
		FRONT	CENTER	SURROUND	SURROUND BACK	PRESENCE	
Both ch, -20 dBm	+6.5 dB	+14.5 dBm	+13.5 dBm	+13.5 dBm	+13.5 dBm	- ∞	-5.5 dBm

RAM THROUGH (ANALOG)



(Shaded items not used in this example)

4. PRO LOGIC / NEO6

4. PRO LOGIC / NEO6

PRO LOGIC I

PRO LOGIC I

4. PRO LOGIC I

Reference data
INPUT: DVD ANALOG
SUBWOOFER OUTPUT: 50Hz, Others: 1kHz

Input level	Volume	SPEAKER OUT					SUBWOOFER OUTPUT
		FRONT	CENTER	SURROUND	SURROUND BACK	PRESENCE	
Each ch, -20 dBm	+6.5 dB	+13.5 dBm	- ∞	- ∞	- ∞	- ∞	- ∞
Both ch, -20 dBm	+6.5 dB	- ∞	+13.5 dBm	- ∞	- ∞	- ∞	- ∞

PRO LOGIC II

PRO LOGIC II

4. PRO LOGIC II

Reference data
INPUT: DVD ANALOG
SUBWOOFER OUTPUT: 50Hz, Others: 1kHz

Input level	Volume	SPEAKER OUT					SUBWOOFER OUTPUT
		FRONT	CENTER	SURROUND	SURROUND BACK	PRESENCE	
Each ch, -20 dBm	+6.5 dB	+13.5 dBm	- ∞	- ∞	- ∞	- ∞	- ∞
Both ch, -20 dBm	+6.5 dB	- ∞	+13.5 dBm	- ∞	- ∞	- ∞	- ∞

Neo:6

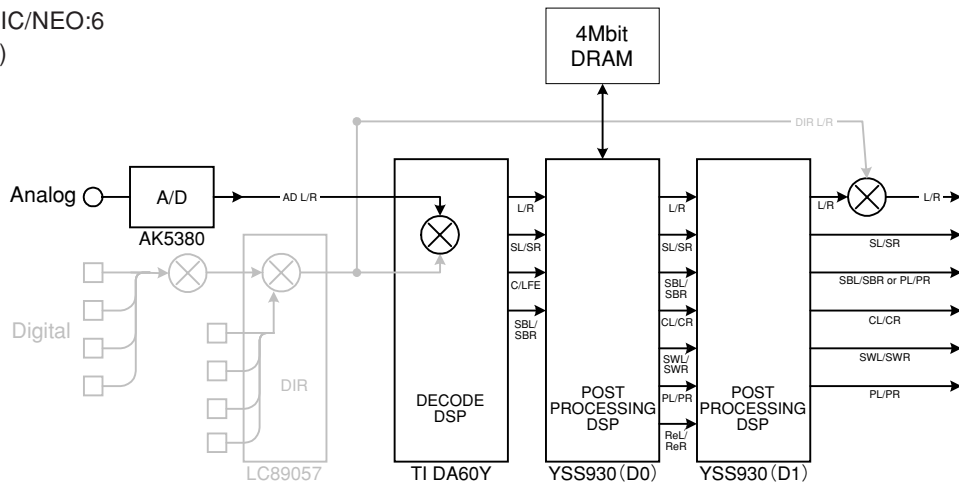
Neo:6

4. Neo:6

Reference data
INPUT: DVD ANALOG
SUBWOOFER OUTPUT: 50Hz, Others: 1kHz

Input level	Volume	SPEAKER OUT					SUBWOOFER OUTPUT
		FRONT	CENTER	SURROUND	SURROUND BACK	PRESENCE	
Each ch, -20 dBm	+6.5 dB	+13.5 dBm	- ∞	- ∞	- ∞	- ∞	- ∞
Both ch, -20 dBm	+6.5 dB	- ∞	+13.5 dBm	- ∞	- ∞	- ∞	- ∞

PRO LOGIC/NEO:6
(ANALOG)



(Shaded items not used in this example)

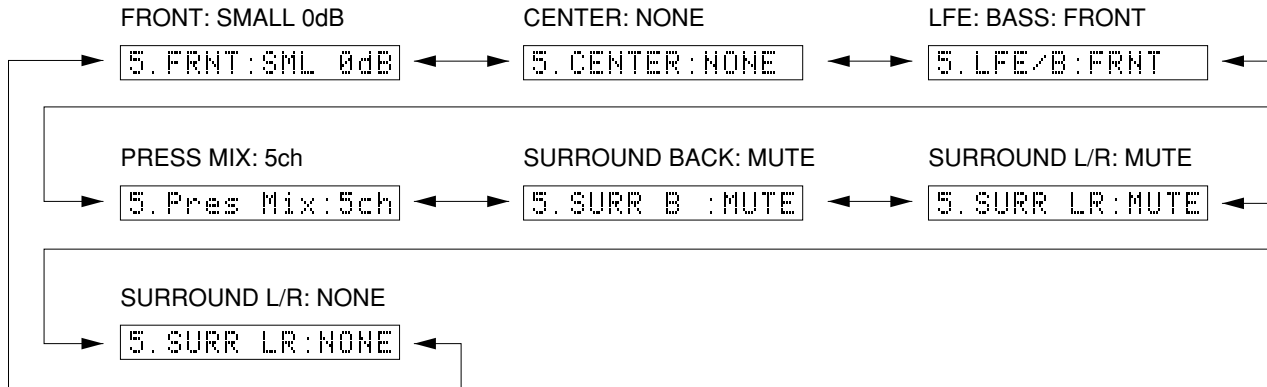
5. SPEAKERS SET

The input signal is automatically identified in the order of dts → DOLBY DIGITAL → AAC → PCM → Analog. There are seven sub-menu items as follows. The signals output from the DSP block are the same as 1. DA60Y-YSS930: YSS 0dB.

5. SPEAKERS SET

入力は、dts→DOLBY DIGITAL → AAC → PCM → アナログの優先順で自動判別されます。

サブメニューは以下の7つあります。DSP部からは、No.1 DA60Y-YSS930のYSS 0dBと同様の信号が出力されます。



The analog switch settings for each sub-menu are as shown in the table below.

各サブメニューにおけるアナログスイッチの設定は以下の通りです。

	SUB MENU	CENTER SP	SURROUND SP	FRONT SP	LFE/BASS
1	FRONT:SMALL 0dB	LARGE	LARGE	SMALL	SWFR
2	CENTER:NONE	NONE	LARGE	LARGE	SWFR
3	LFE/BASS:FRONT	SMALL	SMALL	LARGE	FRONT
4	PRESS MIX:5CH	LARGE	LARGE	LARGE	SWFR
5	SURROUND BACK:MUTE	LARGE	LARGE	LARGE	SWFR
6	SURROUND L/R:MUTE	LARGE	LARGE	LARGE	SWFR
7	SURROUND L/R:NONE	LARGE	NONE	LARGE	SWFR

- LARGE:** This mode is used with a speaker with high bass reproduction performance (a large unit). Full bandwidth signals are output.
- SMALL:** This mode is used with a speaker with low bass reproduction performance (a small unit). The signals of 90Hz or less are mixed into the channel specified by LFE/BASS.
- NONE:** This mode is used with no center speaker. The center content is reduced by 3dB and distributed to FRONT L/R.

- LARGE:** 低音再生能力の高い(ユニットの大きい)スピーカーを使用するモードです。全帯域が出力されます。
- SMALL:** 低音再生能力の低い(ユニットの小さい)スピーカーを使用するモードです。90Hz以下がLFE/BASSで指定したチャンネルにミックスされます。
- NONE:** スピーカーを使用しないモードです。センター成分は-3dBされて、FRONT L/Rに振り分けられます。

Reference data

INPUT: DVD ANALOG

SUBWOOFER OUTPUT: 50Hz, Others: 1kHz

SUB MENU	Input level	Volume	SPEAKER OUT					SUBWOOFER OUTPUT	
			FRONT	CENTER	SURROUND	SURROUND BACK	PRESENCE		
1	FRONT:SMALL 0dB	Both ch, -20 dBm	+6.5 dB	+13.5 dBm	+12.5 dBm	+13.5 dBm	+13.5 dBm	+13.5 dBm	-1.5 dBm
2	CENTER:NONE	Both ch, -20 dBm	+6.5 dB	+13.5 dBm	- ∞	+13.5 dBm	+13.5 dBm	+13.5 dBm	-5.5 dBm
3	LFE/BASS:FRONT (1kHz)	Both ch, -20 dBm	+6.5 dB	- ∞	+13.5 dBm	+13.5 dBm	+13.5 dBm	+13.5 dBm	- ∞
	LFE/BASS:FRONT (50kHz)	Both ch, -20 dBm	+6.5 dB	+25.5 dBm	+3.5 dBm	+3.5 dBm	+3.5 dBm	+3.5 dBm	- ∞
4	PRESS MIX 5CH	Both ch, -20 dBm	+6.5 dB	+13.5 dBm	+13.5 dBm	+13.5 dBm	+13.5 dBm	+13.5 dBm	-5.5 dBm
5	SURROUND BACK:MUTE	Both ch, -20 dBm	+6.5 dB	+13.5 dBm	+13.5 dBm	+13.5 dBm	+13.5 dBm	+13.5 dBm	-5.5 dBm
6	SURROUND L/R:MUTE	Both ch, -20 dBm	+6.5 dB	+13.5 dBm	+13.5 dBm	- ∞	+13.5 dBm	+13.5 dBm	-5.5 dBm
7	SURROUND L/R:NONE	Both ch, -20 dBm	+6.5 dB	+13.5 dBm	+13.5 dBm	- ∞	+13.5 dBm	+13.5 dBm	-5.5 dBm

6. EXTERNAL INPUT

It is possible to select the 6ch/8ch input and 6_/8_ by using the SUB menu.

6. EXTERNAL INPUT

サブメニューにより、6ch/8ch入力および6Ω/8Ωが選択可能です。

6CH INPUT_6OHMS

6CH INPUT_6OHMS

6. 6CH INPUT_6

6CH INPUT_8OHMS

6CH INPUT_8OHMS

6. 6CH INPUT_8

8CH INPUT_6OHMS

8CH INPUT_6OHMS

6. 8CH INPUT_6

8CH INPUT_8OHMS

8CH INPUT_8OHMS

6. 8CH INPUT_8

Reference data

INPUT: MULTI CH INPUT

SUBWOOFER OUTPUT: 50Hz, Others: 1kHz

SUB MENU	Input level	Volume	SPEAKER OUT					SUBWOOFER OUTPUT	
			FRONT	CENTER	SURROUND	SURROUND BACK	PRESENCE		
1	6CH INPUT_6ohms	Both ch, -20 dBm	+6.5 dB	+13.5 dBm	+13.5 dBm	+13.5 dBm	- ∞	- ∞	-14.5 dBm
2	6CH INPUT_8ohms	Both ch, -20 dBm	+6.5 dB	+13.5 dBm	+13.5 dBm	+13.5 dBm	- ∞	- ∞	-14.5 dBm
3	8CH INPUT_6ohms	Both ch, -20 dBm	+6.5 dB	+13.5 dBm	+13.5 dBm	+13.5 dBm	+13.5 dBm	+13.5 dBm	-14.5 dBm
4	8CH INPUT_8ohms	Both ch, -20 dBm	+6.5 dB	+13.5 dBm	+13.5 dBm	+13.5 dBm	+13.5 dBm	+13.5 dBm	-14.5 dBm

TEMP TEST

TEMP TEST (温度試験モード)

500 000_084094

7. MIC CHECK

The signals inputted through the microphone are output via A/D - D/A.

7. MIC CHECK

マイク入力された信号をA/D—D/A経由で出力します。

7. MIC CHECK

8. EFFECT OFF / DISPLAY CHECK

Use this program to check the FL display section and image control section. When checking the image control section, prepare a monitor, component video cable, S video cable and video pin cable and connect them.

Using the sub-menu operation, the display status of the FL display section and image control section varies as shown below.

For audio signal processing, use EFFECT OFF (L/R output by using ANALOG MAIN BYPASS).

8. EFFECT OFF / DISPLAY CHECK

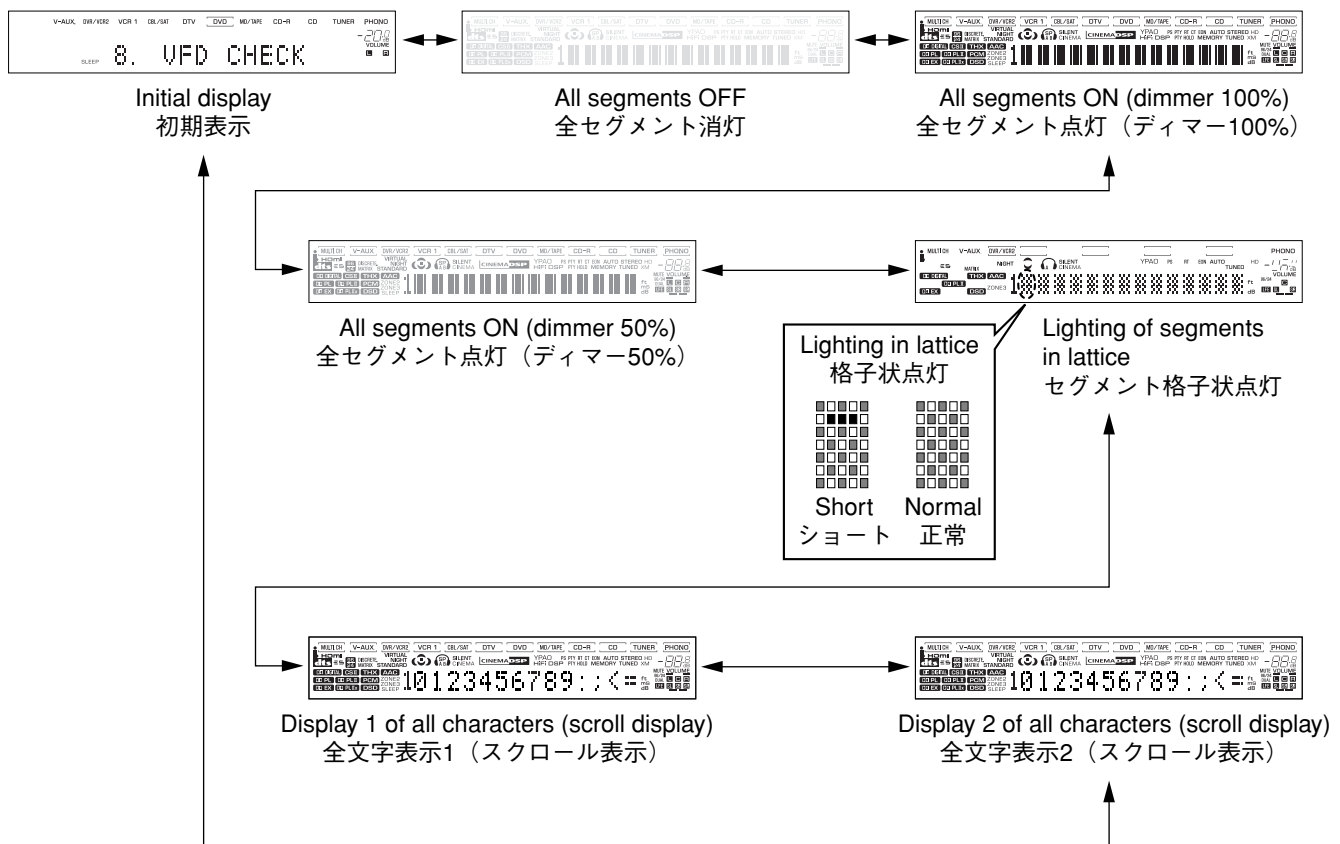
FL表示部と映像制御部のチェックプログラムです。映像制御部をチェックする場合には、モニター、コンポーネントビデオケーブル、Sビデオケーブル、ビデオ用ピンケーブルを準備し、接続します。

サブメニュー操作により、FL表示部と映像制御部の表示状態が以下のように連動して変わります。

オーディオ信号処理はEFFECT OFF (ANALOG MAIN BYPASSでL/Rを出力)です。

Checking FL display section

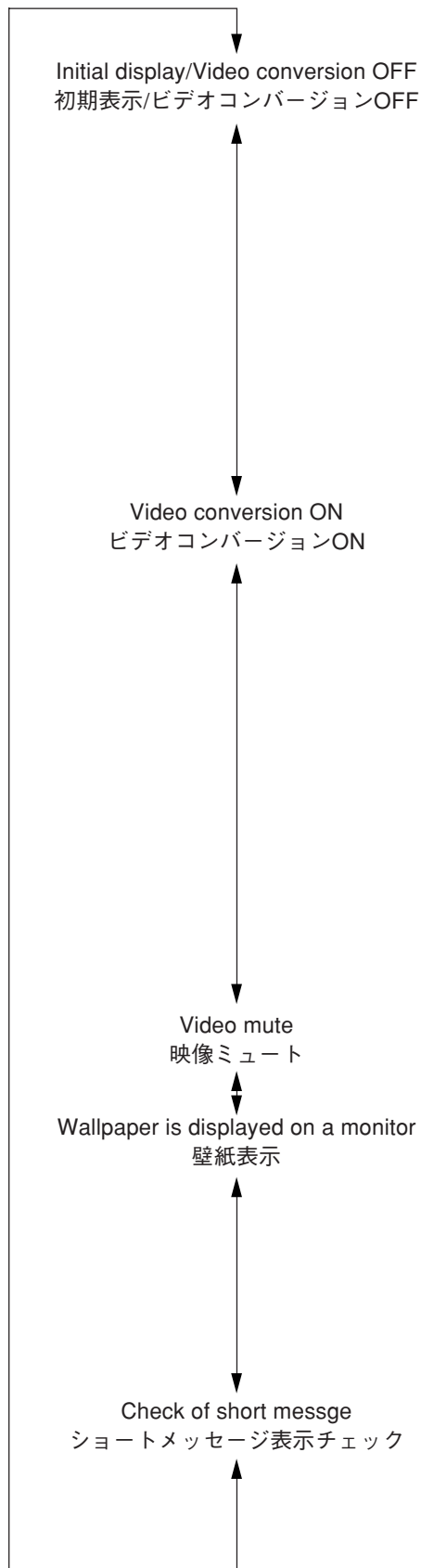
FL表示部のチェック



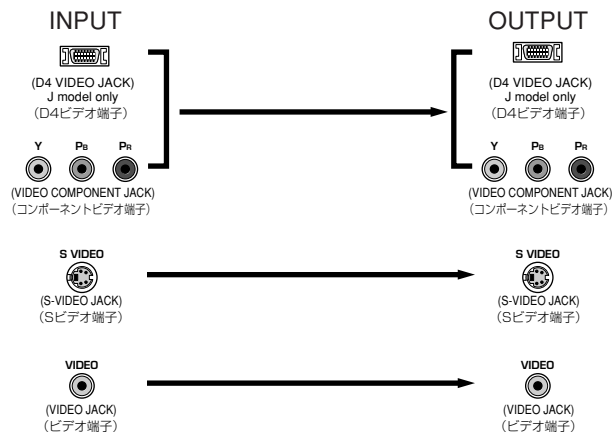
Segment conditions of the FL driver and the FL tube are checked by turning ON and OFF all segments. Next, the operation of the FL driver is checked by using the dimmer control. Then a short between segments next to each other is checked by turning ON and OFF all segments alternately (in lattice). (In the above example, the segments in the second row from the top are shorted.)

全セグメント消灯・全セグメント点灯によりFLドライバー、FL管のセグメントの不良を確認します。次に、ディマーコントロールによってFLドライバーの動作チェックを行います。さらに全セグメントを交互(格子状)に点灯/消灯することで、隣り合うセグメントのショートをチェックします。

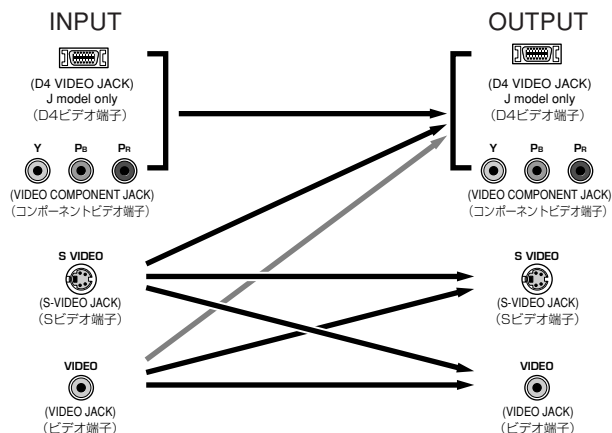
Check of the Video control circuit. (Monitor out) / 映像表示部のチェック (モニター出力)



The image signal is output as follows.
映像信号は以下のように出力されます。



The image signal is converted and output as follows.
映像信号が以下のように変換され、出力されます。



The image signal is not output.
映像信号は出力されません。

The wall paper display selected by the set menu is output.
セットメニューによって選択された壁紙表示が出力されます。

- NONE
----- Nothing is displayed. / 何も表示されません。
- YES (Initial display / 初期表示)
----- PIANO is displayed. / PIANOが表示されます。
- GLAY BACK
----- Only gray color is displayed. / グレーのみ表示されます。

When making a selection, "Test Message" is displayed and when a function operable in the DIAG mode is operated, that function name is displayed.

選択時は、“Test Message”と表示されます。ダイアグ中に動作可能な機能を操作すると、その機能が表示されます。

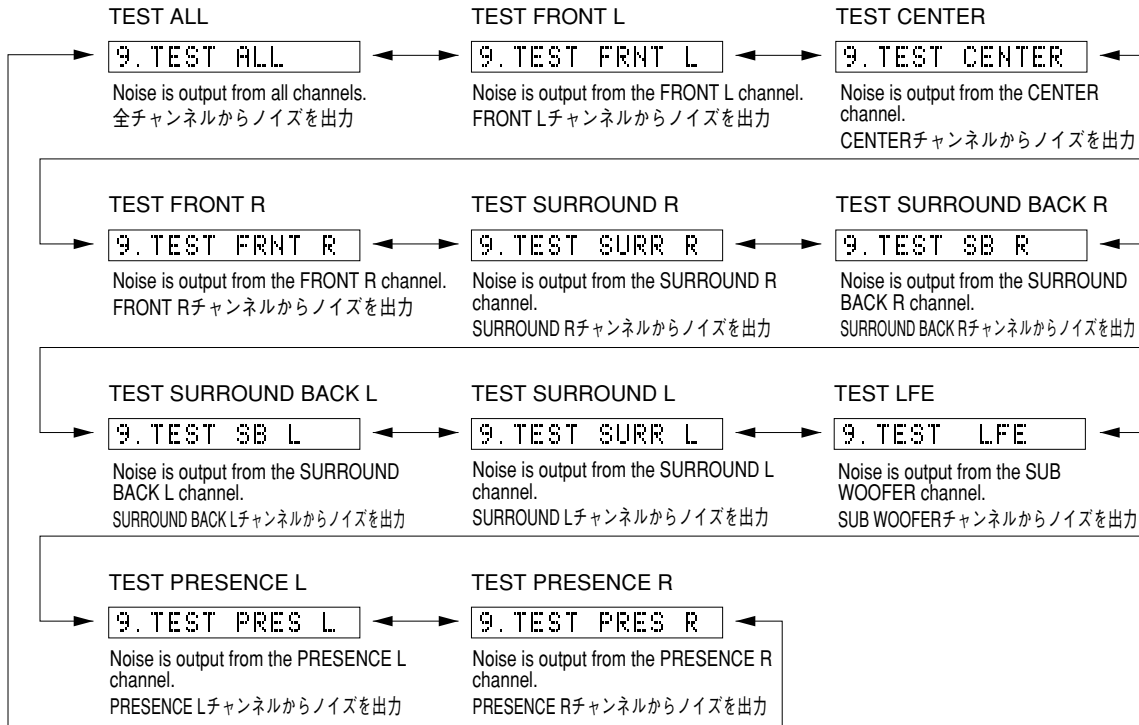
- Volume xxxdB
- Input xxx
- Speaker A/B On/Off
- Muting

9. MANUAL TEST

The noise generator with a built-in DSP outputs the test noise through the channels specified by the sub-menu. The noise frequency for LFE is 35 to 250 Hz. Other than that, the center frequency is 800Hz.

9. MANUAL TEST

DSP内蔵のノイズ発生回路によって、サブメニューで指定したチャンネルへテストノイズを出力します。LFE用のノイズ周波数は35~250Hz、それ以外は中心周波数800Hzとなります。

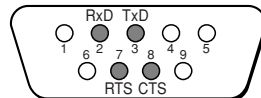


10. RS-232C

This menu is used to check transmission of the data and the flow port of the hardware. With the power turned off, short between pins No.2 (RxD) and No.3 (TxD), and between pins No.7 (RTS) and No.8 (CTS) of the RS-232C terminal. (Be sure to turn off the power when shorting the pins.) Start DIAG and select the menu. There are two sub-menu items.

10. RS-232C

データ送受信チェック、ハードウェアフローポートチェックを行うメニューです。パワーオフ状態にしてから、RS-232C端子の2ピン(RxD)と3ピン(TxD)、7ピン(RTS)と8ピン(CTS)をショートさせます。(ショートさせるときは必ず電源を切ってください。)ダイアグを起動してメニューを選択します。サブメニューは2つあります。



TxD/RxD DATA

The sub-menu is used to check transmission of the test data. "OK" appears when the data is transmitted properly and "NG" when it is not. In this mode, NULL command transmission is continued after the test command is transmitted.

TxD/RxD Data

テストの送受信チェックを行います。正常に送受信完了した場合、"OK"と表示します。正常に送受信しなかった場合は"NG"と表示します。このモードでは、テストコマンド送信後、200msごとにNULLコマンド(無効なコマンド)を送信し続けます。

```
10. TxRxData:XX
```

HARD FLOW

This sub-menu is used to check operation of the flow port of the hardware. "OK" appears when the check result is satisfactory and "NG" when it is not.

Hard Flow

ハードウェアフローポートの動作チェックを行います。正常にチェック完了した場合、"OK"と表示します。正常にチェック完了しなかった場合は"NG"と表示します。

```
10. HardFlow:XX
```

11. FACTORY PRESET

This menu is used to reserve and inhibit initialization of the back-up RAM. The signals are processed using EFFECT OFF. (The L/R signal is output using ANALOG MAIN BYPASS.)

11. PRESET INHI



11. PRESET RSRV

PRESET INHIBIT (Initialization inhibited) / PRESET INHIBIT (初期化禁止)

RAM initialization is not executed. Select this sub-menu to protect the values set by the user.

RAMの初期化は行われません。ユーザーの設定値を保護するときは、こちらを選択してください。

PRESET RESERVED (Initialization reserved) / PRESET RESERVED (初期化予約)

Initialization of the back-up RAM is reserved. (Actually, initialization is executed the next time that the power is turned on.) Select this sub-menu to reset to the original factory settings or to reset the RAM. Any protection history will be cleared.

バックアップRAMの初期化が予約されます。(実際に初期化されるのは、次回の電源投入時です。)工場出荷時やRAMをリセットしたいときは、こちらを選択してください。

CAUTION: Before setting to the PRESET RESERVED, write down the existing preset memory content of the Tuner in a table as shown below. (This is because setting to the PRESET RESERVED will cause the user memory content to be erased.)

注意: PRESET RESERVEDを選んで初期化をする前に、チューナーのユーザーメモリー内容を下表に書き写してください。(初期化をすると、ユーザーメモリーの内容は消えてしまいます。)

Preset group	P1	P2	P3	P4	P5	P6	P7	P8
A								
B								
C								
D								
E								

• PRESET STATIONS / プリセット局

STATION		FM FACTORY PRESET DATA (MHz)			
PAGE	NO.	U, C	R, T, K, A, B, G, L	J	
A/C/E	1	87.5	87.50	76.0	
	2	90.1	90.10	83.0	
	3	95.1	95.10	84.0	
	4	98.1	98.10	86.0	
	5	107.9	108.00	90.0	
	6	88.1	88.10	78.0	
	7	106.1	106.10	88.0	
	8	107.9	108.00	82.1	

STATION		AM FACTORY PRESET DATA (kHz)		
PAGE	NO.	U, C, R, T, K	A, B, G, L	J
B/D	1	630	630	630
	2	1080	1080	1080
	3	1440	1440	1440
	4	530	531	531
	5	1710	1611	1611
	6	900	900	900
	7	1350	1350	1350
	8	1400	1404	1404

12. AD DATA CHECK / FAN TEST

This menu is used to display the A/D conversion value of the main CPU which detects panel keys of the main unit and protection functions in % using the sub-menu. During signal processing, the condition before execution is maintained.

When K0/K1 menu is selected, keys become non-operable due to detection of the values of all keys. However, it is possible to advance to the next sub-menu by turning the VOLUME of the main unit. When using this function, note that turning the VOLUME more than 1 click would cause the volume value to change.

* The figures in the diagram are given as reference only.

PS1/PS2 (Power supply voltage protection detection)

Power supply voltage protection value (Normal value: PS1: 29 to 39, PS2: 48 to 58 [U model], 36 to 50 [C, R, T, K, A, B, G, L models])

PS1: Detects ±B1, ±B2, ±B4, ±B5, ±12V, +5D1, +5D2 and +2.5D.

PS2: Detects +9V, ±5V, +3.3V and +7V.

* If PS is out of the normal value range, the protection function works to turn off the power. (Reference voltage: 5V=100%)

PS1:032PS2:029

DC/FAN OUT (protection detection/fan drive level)

DC: DC detect protection value (Normal value: 1 to 13)

Fan: Current fan drive level on the left and the past fan drive history on the right.

* If DC is out of the normal value range, the protection function works to turn off the power. (Reference voltage: 5V=100%)

DC:007 Fan.../...

Display	H	M	L
fan drive level	HIGH	MID	LOW

TH1/TH2 (temperature detection)

500% display of the voltage based on the temperature detected value.

Reference voltage: 5V=500%

(Normal value: 39 to 182) U, C, T, K, A, B, G models

(Normal value: 39 to 176) R, L, J models

TH1: Detects the temperatur of the front heat sink.

TH2: Detects the temperatur of the rear heat sink.

TH1:066TH2:066

REC-OUT (Select position)

REC-OUT:200

12. AD DATA CHECK / FAN TEST

本体パネルキー、プロテクションなどを検出しているメインCPUのA/D変換の値を、サブメニューで%表示します。信号処理は実行前の状態を維持します。

K0/K1のメニューにすると、全キーの値を検出するためキー操作はできなくなりますが、本体のVOLUMEを回すことにより、次のサブメニューに進めることができます。このとき1クリック以上回すと、ボリューム値が変化するので注意してください。

※図中の数値は参考例です。

PS1/PS2 (電源電圧プロテクションの検出)

プロテクションの値(正常値 PS1: 29~39、PS2: 36~50)

PS1: ±B1、±B2、±B4、±B5、±12V、+5D1、+5D2、+2.5Dを検出しています。

PS2: +9V、±5V、+3.3V、+7Vを検出しています。

※ PSは正常値を外れるとプロテクションが働き、電源オフされます。(基準電圧: 5V=100%)

DC/FUN OUT (プロテクションの検出/ファン駆動レベル)

DC: DC検出プロテクションの値(正常値1~13)

Fan: 左側は現在のファン駆動レベル、右側は過去のファン駆動履歴

※ DCは正常値を外れるとプロテクションが働き、電源オフされます。(基準電圧: 5V=100%)

TH1/TH2 (温度検出)

温度検出値で電圧の500%表示、基準電圧は5V (正常値: 39~176)

TH1: フロントヒートシンクの温度を検出しています。

TH2: リアヒートシンクの温度を検出しています。

[Table 1]

REC OUT Select	Value
DVR/VCR2	46
VCR1	168
CBL/SAT	138
DTV	15
DVD	76
SOURCE (REMOTE)	200
MD/TAPE	184
CD-R	61
TUNER	0
CD	122

POWER LIMIT (Power limiter detection)

PL: Power limiter detection value

The voltage value of pin No. 135 of IC520 is displayed, using 5V/256 as standard.

Based on the input voltage value of pin No.135 of IC520, the output of pins No.6 (LC1) and No.7 (LC2) of IC505 is controlled.

POWER LIMIT (パワーリミッターの検出)

PL: パワーリミッター検出の値

IC520 135ピンの電圧値を5V/256を基準にして表示します。

IC520 135ピンの入力電圧値により、IC505の6ピン(LC1)と7ピン(LC2)の出力を制御します。

PL:000

K0/K1 (Panel key of main unit) [Remote control code: -]

A/D of the key fails to function properly when the standard value is deviated by $\pm 4\%$. In this case, check the constant of partial pressure resistor, solder condition, etc. Refer to table 2.

(Reference voltage: 5V=100%)

K0/K1 (本体パネルキー)

キーのA/Dは基準値から $\pm 4\%$ を外れると、正常な動きをしません。下表2をご覧になり、各キーの分圧抵抗の定数、ハンダ不良等の確認をしてください。

(基準電圧：5V=100%)

K0:100 K1:100

[Table 2]

U, C, R, T, K, A, B, G, L models

Display	K0	K1
0+2	◁ PRESET/TUNING	—
10±2	PRESET/TUNING ▷	SPEAKERS A
20±2	PRESET/TUNING	SPEAKERS B
30±2	FM/AM	AUDIO SELECT
40±2	MEMORY	A/B/C/D/E
50±2	TUNING MODE	ZONE CONTROL
60±2	STRAIGHT / EFFECT	PURE DIRECT
70±2	TONE CONTROL	—
80±2	—	—
90±2	—	—
100	KEY OFF	KEY OFF

J model

Display	K0	K1
0+2	◁ PRESET/TUNING	—
10±2	PRESET/TUNING ▷	SPEAKERS A
20±2	PRESET/TUNING / EDIT	SPEAKERS B
30±2	FM/AM	AUDIO SELECT
40±2	MEMORY	A/B/C/D/E
50±2	TUNING MODE	—
60±2	STRAIGHT / EFFECT	PURE DIRECT
70±2	TONE CONTROL	—
80±2	—	—
90±2	—	—
100	KEY OFF	KEY OFF

FAN DRIVE TEST (For models so equipped)

HIGH

FAN DRIVE TEST (ファン駆動テスト)

HIGH: ファン駆動 強

FAN TEST:HIGH

FAN DRIVE TEST (For models so equipped)

MID

FAN DRIVE TEST (ファン駆動テスト)

MID: ファン駆動 中

FAN TEST:MID

FAN DRIVE TEST (For models so equipped)

LOW

FAN DRIVE TEST (ファン駆動テスト)

LOW: ファン駆動 弱

FAN TEST:LOW

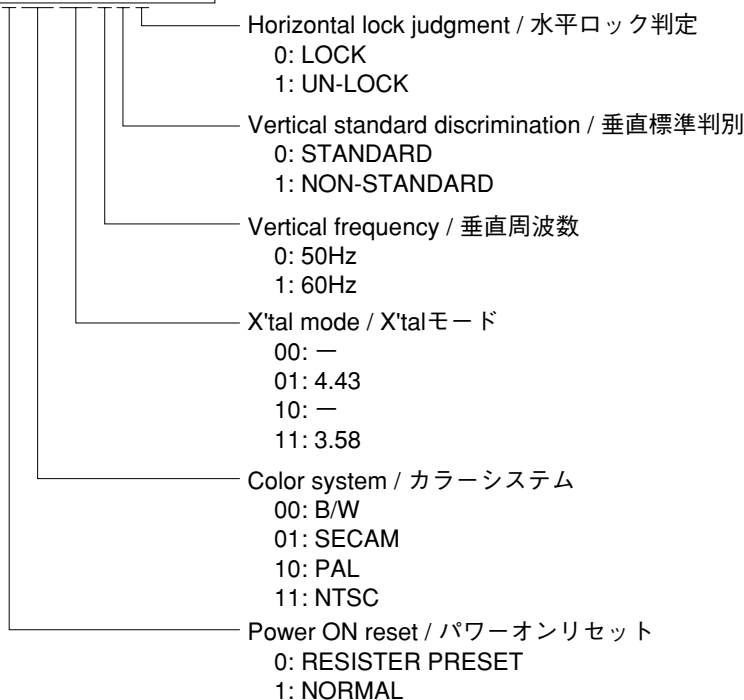
13. V CONV STATUS

The data received from the video conversion IC (TA1270) is displayed.

LOW BYTE DATA

The status information of TA1270 is displayed in the binary notation.

L:XXXXXXXX



HIGH BYTE DATA

Not applied to this model.

13. V CONV STATUS

ビデオコンバージョンIC (TA1270)からの受信データを表示します。

LOW BYTE DATA

TA1270のステータス情報を2進数で表示します。

H:XXXXXXXX

HIGH BYTE DATA

このモデルには適用されません。

14. IF STATUS (Input function status)

Using the sub-menu, the status data is displayed one after another in the hexadecimal notation.

During signal processing, the status before execution of this menu is maintained.

* Numeric values in the figure example are for reference.

IS1-2 (Internal status):

Indicates the status information of the microprocessor.

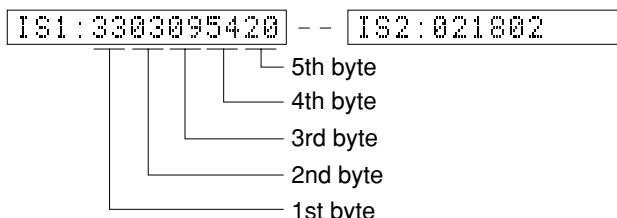
14. IF STATUS

サブメニュー操作により、以下のステータス情報を順次16進数で表示します。信号処理は、本メニュー実行前の状態を維持します。

※ 図中の数値は参考例です。

IS 1-2 (内部ステータス):

マイコンのステータス情報を表示します。



<1st byte> Digital input/output setting value
Upper 4 bits: REC OUT selected /
lower 4 bits: INPUT selected

<第1バイト> デジタル入出力設定値
上位4bit REC OUT選択 /
下位4bit INPUT選択

Value	Choice	Preset name
0	NONE	
1	OPT A	V-AUX
2	OPT B	CD
3	OPT C	DVD
4	OPT D	D-TV
6	OPT F	CBL/SAT
8	COAX A	CD
9	COAX B	DVD
A	COAX C	DVR/VCR2

<2nd byte> Fs information of reproduction signal

<第2バイト> 再生信号のFs情報

Display	00	01	02	03	04	05	06	0A	0B	0C	0D
Fs (kHz)	Analog	32	44.1	48	64	88.2	96	Unknown NRM	Unknown DBL	Unknown QUAD	Not defined

<3rd byte> Audio code mode information of reproduction signal

<第3バイト> 再生信号のオーディオコードモード情報

Display	00	01	02	03	04	05	06	07	08	09	0A	0B	0C	0D
Audio Code	1+1	1/0	2/0	3/0	2/1	3/1	2/2	3/2	2/3	3/3	OVER 6.1	MULTI PCE	Unknown	Unknown

<4th byte> Format information of reproduction signal

<第4バイト> 再生信号のフォーマット情報

*1: Analog processing used for digital reproduction is not possible because of a commercial bit or 4-ch audio reason.

*1: 業務用ビットや4chオーディオなどの理由で、デジタル再生できずアナログ処理されます。

Display	Signal format
00	Analog (Unlock)
01	Incorrect Digital (*1)
10	PCM Audio
20	Digital Data
21	IEC1937 Data
22	None PCM
23	Unknown
50	dts
51	Red dts
54	dts-ES MATRIX
58	dts-ES DISCRETE
5C	dts-ES (Both flag)
60	AAC
C0	Dolby Digital
C1	D.D. Karaoke
C4	D.D.6.1 (D.D.EX)

<5th byte> Signal processing status information
 *2: With digital signals other than 32kHz, 44.1kHz and 48kHz, through processing method is used for reproducible signals.

<第5バイト>信号処理ステータス情報
 *2: 32kHz、44.1kHz、48kHz以外のデジタル信号の場合、再生可能な信号についてはスルー処理されます。

bit7	MUTE request	bit3	-
bit6	Red dts flashing	bit2	Through & bypass (*2)
bit5	6.1/EX processing	bit1	-
bit4	FULL MUTE (ON: 1)	bit0	dts analog mute

CS1-3: Indicates channel status information of the input signal (IEC60958).

CS 1-3: 入力信号のIEC60958チャンネルステータス情報を表示します。

CS1:FFFFFFFF - - - - - CS3:FF105400

BS1-4: Indicates information of the bit stream included in the dts and Dolby Digital signals.

BS1-4: dts、Dolby Digital、AAC信号に含まれるビットストリームインフォメーション情報を表示します。

BS1:0000000000 - - - - - BS4:000000

TI1-2:

TI1-2:

TI1:0800000000 - - - - - TI2:00

MTT: Mute Trigger

MTT: Mute Trigger

MTT:00320026FF

Byte No.	Function
1	Mute condition
2	Factor of the last mute
3	Error count of YSS930-FSCNT
4	Mute count by YSS930-FSCNT
5	Error factor of down load of CS49329

15. DSP RAM CHECK

This menu is used to self-diagnose whether or not the bus connection for the YSS930 and the external RAM is made properly.

During signal processing, the status before execution of this menu is maintained.

The address bus and the data bus are checked and the connection condition is displayed.

When no error is detected, "NoEr" appears on display.

YSS930 Bus Check

YSS BUS:NoEr

Display	Description
WAIT	Bus is being checked.
NoEr	No error detected.
Data	Data bus shorted or open.
RSCS	/RAS or /CAS shorted, or open.
ADDR	Address bus shorted or open.

15. DSP RAM CHECK

YSS930と外付けRAMとのバス接続の正否を自己診断します。

信号処理は、このメニューを実行する前の状態を維持します。

アドレスバス、データバスのチェックを行い、接続正否を表示します。

エラーが検出されなかった場合は、“NoEr”と表示されます。

YSS930 BUS CHECK

表示	判断
WAIT	バスチェック中
NoEr	不良検出なし
Data	データバスの短絡・解放
RSCS	/RASまたは/CASの短絡・解放
ADDR	アドレスバスの短絡・解放

SECOND DECODER (DA60Y) BUS CHECK

SD BUS:NoEr

Display	Description
Boot	Booting of DA60Y being executed (When booting is continued, possibility is that there is a defective part or poor connection of the microprocessor DA60Y SDRAM.)
NoEr	Booting of DA60Y has been completed properly.

SECOND DECODER (DA60Y) BUS CHECK

表示	判断
Boot	DA60Yのブート中（ブートし続ける場合は、マイコンDA60Y SDRAMの部品不良または接続不良の可能性あり）
NoEr	DA60Yのブートが正常に終了

YGV619 BUS CHECK

YGV BUS:NoEr

Display	Description
WAIT	Bus is being checked.
NoEr	No error detected.
YGV	Bus check error between CPU-YGV619.
RAMA	Address bus error between YGV619-VRAM.
RAMD	Data bus error between YGV619-VRAM.

YGV619 BUS CHECK

表示	判断
WAIT	バスチェック中
NoEr	不良検出なし
YGV	CPU-YGV619間のバスチェックエラー
RAMA	YGV619-VRAM間のアドレスバスエラー
RAMD	YGV619-VRAM間のデータバスエラー

IBOC RAM BUS CHECK

IBOC BUS:NoEr

Display	Description
WAIT	Bus is being checked.
NoEr	No error detected.
Data	Data bus shorted or open.
ADDR	Address bus shorted or open.

IBOC RAM BUS CHECK

表示	判断
WAIT	バスチェック中
NoEr	不良検出なし
Data	データバスの短絡・解放
ADDR	アドレスバスの短絡・解放

16. PROTECTION SET

Not applied to this models.

16. PROTECTION SET

このモデルには適用されません。

17. SOFT SW

This menu is used to switch the function settings on P.C.B. through the software so as to activate the product.

The protection function follows the P.C.B. settings. When connected to AC or in the maker preset state, the unit is initialized to the P.C.B. setting. Display of each function after initialization varies depending on settings on P.C.B.. The operation mode can be changed by selecting the sub-menu and then using the "STRAIGHT" key. Setting the SW mode to "SOFT" makes it possible to select TUNER DESTINATION, TUNER, RDS, ZONE2 and VIDEO.

SW MODE

PCB or SOFT can be selected.

17. SW :PCB

MODEL SETTING

V4600 only.

17. MODEL:4600

TUNER DESTINATION

J, U, C, R, T, K, A, BG or L can be selected.

17. DEST :U

TUNER EXIST

EXIST or NOT can be selected.

17. TUNER:EXIST

RDS EXIST

EXIST or NOT can be selected.
EXIST (B, G models)
NOT (U, C, R, T, K, A, L, J models)

17. RDS :EXIST

ZONE 2 EXIST

EXIST or NOT can be selected.
EXIST (U, C, R, T, K, A, B, G, L models)
NOT (J model)

17. ZONE2:EXIST

VIDEO FORMAT

NTSC or PAL can be selected.
NTSC (U, C, R, A, J models)
PAL (T, A, B, G, L models)

17. VIDEO:NTSC

17. SOFT SW

P.C.B.上の機能設定をソフト的に切り替えて、製品を動作させる機能です。

プロテクション機能は、P.C.B.の設定に従います。AC接続またはメーカープリセットで、P.C.B.の設定に初期化されます。初期化後の各機能の表示は、P.C.B.上の設定によります。操作は、サブメニューを選んだ後、STRAIGHTキーで切り替えます。SWモードをSOFTにすると、TUNER DESTINATION、TUNER、RDS、ZONE2、VIDEOの選択が可能になります。

SW MODE

PCBまたはSOFTを選択できます。

MODEL SETTING

V4600のみ。(固定です)

TUNER DESTINATION

J、U、C、R、T、K、A、BG、Lのいずれかを選択できます。

TUNER EXIST

EXIST、NOTいずれかを選択できます。

RDS EXIST

EXIST、NOTいずれかを選択できます。
EXIST (B、G models)
NOT (U、C、R、T、K、A、L、J models)

ZONE 2 EXIST

EXIST、NOTいずれかを選択できます。
EXIST (U、C、R、T、K、A、B、G、L models)
NOT (J model)

VIDEO FORMAT

NTSC、PALいずれかを選択できます。
NTSC (U、C、R、A、J models)
PAL (T、A、B、G、L models)

18. HDMI INFO**HDMI Mdel Name**

The model name of this unit written in HDMI module is read and displayed.

```
HMN:DSP-AX4600
```

HDMI Product ID

The product ID of this unit written in HDMI module is read and displayed.

```
HPI:3101
```

HDMI Vendor Name

The vendor name (YAMAHA) of this unit written in the HDMI module is read and displayed.

```
HVN:YAMAHA
```

18. HDMI INFO**HDMI Model Name**

HDMIモジュールに書き込まれている本機のモデル名を読み出して表示します。

HDMI Product ID

HDMIモジュールに書き込まれている本機のプロダクトIDを読み出して表示します。

HDMI Vendor Name

HDMIモジュールに書き込まれている本機のベンダ名 (YAMAHA)を読み出して表示します。

19. 1394 INFO**1394 Mdel Name**

The model name of this unit written in 1394 module is read and displayed.

```
iMN:DSP-AX4600
```

1394 Model ID

The model ID of this unit written in 1394 module is read and displayed.

```
iMI:030003
```

1394 Vendor Name

1394 Vendor Name The vendor name of this unit (YAMAHA) written in 1394 module is read and displayed.

```
iVN:YAMAHA
```

19. 1394 INFO**1394 Model Name**

1394モジュールに書き込まれている本機のモデル名を読み出して表示します。

1394 Model ID

1394モジュールに書き込まれている本機のモデルIDを読み出して表示します。

1394 Vendor Name

1394モジュールに書き込まれている本機のベンダ名 (YAMAHA)を読み出して表示します。

GUID Vendor ID

The GUID vendor ID of this unit written in 1394 module is read and displayed.

```
iVI:00A0DE
```

GUID Chip ID

The GUID chip ID of this unit written in 1394 module is read and displayed.(Each module has different ID.)

```
iCI:0300000001
```

GUID Vendor ID

1394モジュールに書き込まれている本機のGUIDのベンダIDを読み出して表示します。

GUID Chip ID

1394モジュールに書き込まれている本機のGUIDのチップIDを読み出して表示します。(各機器により表示されるIDは異なります。)

20. PCB SELF CHECK

HDMI SELF CHECK

The self-diagnosis result of HDMI module is read and displayed.

20. HDMI:NoEr

Display	Description
NoEr	No error detected.
NoChck	No check
0001	Embedded SRAM Read/Write check NG.
0010	FLASH Memory (IC318) Read check NG.
0011	HDMI Tx (IC308) Register read check NG.
0100	HDMI Rx (IC309) Register read check NG.
0101	EDID-0 (IC304) Write and read check NG.
0110	EDID-1 (IC303) Write and read check NG.

1394 SELF CHECK

The self-diagnosis result of 1394 module is read and displayed.

20. 1394:NoEr

Display	Description
NoEr	No error detected.
xxx1	SRAM Read/Write check NG.
xx1x	iceLynx (IC9) Read/Write check NG.
x1xx	iceLynx LINK (IC9) Register read check NG.
1xxx	iceLynx PHY (IC9) Register read check NG.

20. PCB SELF CHECK

HDMI SELF CHECK

HDMIモジュールの自己診断結果を読み出して表示します。

表示	判断
NoEr	不良検出なし
NoChck	未検出
0001	SRAMの検出NG
0010	FLASHメモリー(IC318)の検出NG
0011	HDMI Tx(IC308)のレジスタ検出NG
0100	HDMI Rx(IC309)のレジスタ検出NG
0101	EDID-0 (IC304)の検出NG
0110	EDID-1 (IC303)の検出NG

1394 SELF CHECK

1394モジュールの自己診断結果を読み出して表示します。

表示	判断
NoEr	不良検出なし
xxx1	FLASHメモリー(IC11)の検出NG
xx1x	iceLynx(IC9)の検出NG
x1xx	iceLynx LINK(IC9)のレジスタ検出NG
1xxx	iceLynx PHY(IC9)のレジスタ検出NG

21. HDMI CONNECT

HDMI NONE : No Connect

Neither HDMI IN 1 terminal nor HDMI IN 2 terminal is selected for input.

21. HDMI NONE

HDMI IN 1 : HDMI IN 1Port

The HDMI device connected to HDMI IN 1 terminal is selected for input and HDMI is reproduced.

With the audio input terminal selection set to HDMI (Fix), SPDIF or I2S is selected automatically according to the audio format which is used for HDMI input.

Support Audio is set to "others".

21. HDMI IN 1

HDMI IN 2 : HDMI IN 2Port

The HDMI device connected to HDMI IN 2 terminal is selected for input and HDMI is reproduced.

With the audio input terminal selection set to HDMI (Fix), SPDIF or I2S is selected automatically according to the audio format which is used for HDMI input.

Support Audio is set to "others".

21. HDMI IN 2

21. HDMI CONNECT

HDMI NONE : No Connect

HDMI IN 1端子とHDMI IN 2端子のどちらも入力セレクトしません。

HDMI IN 1 : HDMI IN 1port

HDMI IN 1端子に接続したHDMI機器を入力セレクトして、HDMI再生します。

音声入力端子切替は、HDMI(Fix)に設定し、HDMI入力した音声フォーマットに従ってSPDIFとI2Sを自動で切り替えます。

対応音声(Support Audio)を、その他の機器(others)に設定します。

HDMI IN 2 : HDMI IN 2port

HDMI IN 2端子に接続したHDMI機器を入力セレクトして、HDMI再生します。

音声入力端子切替は、HDMI(Fix)に設定し、HDMI入力した音声フォーマットに従ってSPDIFとI2Sを自動で切り替えます。

対応音声(Support Audio)を、その他の機器(others)に設定します。

22. 1394 CONNECT

1394 NONE : No Connect

Neither i.LINK 1 terminal nor i.LINK 2 terminal is selected for input.

22.1394 NONE

1394 IN 1 : 1st Device (Lower GUID)

With i.LINK device connected to i.LINK 1 terminal or i.LINK 2 terminal selected for input, i.LINK is reproduced. However,

- 1) If there is no i.LINK device connected, no input selection is made.
- 2) If there is one i.LINK device connected, that i.LINK device is selected for input.
- 3) If there are two or more i.LINK devices connected, the i.LINK device with the smallest GUID value is selected for input.

Then with the audio input terminal selection set to i.LINK (Fix), SPDIF, I2S or DSD is selected automatically according to the audio format which is used for i.LINK input.

22.1394 IN 1

1394 IN 2 : 2nd Device (Middle GUID)

With i.LINK device connected to the i.LINK 1 terminal or i.LINK 2 terminal selected for input, i.LINK is reproduced. However,

- 1) If there is one or no i.LINK device connected, no input selection is made.
- 2) If there are two or more i.LINK devices connected, the i.LINK device with the second smallest GUID value is selected for input.

Then with the audio input terminal selection set to i.LINK (Fix), SPDIF, I2S or DSD is selected automatically according to the audio format which is used for i.LINK input.

22.1394 IN 2

1394 IN 3 : 3rd Device (Upper GUID)

With i.LINK device connected to the i.LINK 1 terminal or i.LINK 2 terminal selected for input, i.LINK is reproduced. However;

- 1) If there are two or less i.LINK devices connected, no input selection is made.
- 2) If there are three or more i.LINK devices connected, the i.LINK device with the third smallest GUID value is selected for input.

Then with the audio input terminal selection set to i.LINK (Fix), SPDIF, I2S or DSD is selected automatically according to the audio format which is used for i.LINK input.

22.1394 IN 3

22. 1394 CONNECT

1394 NONE : No Connect

i.LINK 1端子とi.LINK 2端子のどちらも入力セレクトしません。

1394 IN 1 : 1st Device (Lower GUID)

i.LINK 1端子あるいはi.LINK 2端子に接続されたi.LINK機器を入力セレクトして、i.LINK再生します。ただし、

- 1) 接続されたi.LINK機器が0台の場合は、入力セレクトしません。
 - 2) 接続されたi.LINK機器が1台の場合は、そのi.LINK機器を入力セレクトします。
 - 3) 接続されたi.LINK機器が2台以上の場合は、GUIDの値が1番小さいi.LINK機器を入力セレクトします。
- 入力セレクトしたら、音声入力端子切替をi.LINK(Fix)に設定し、i.LINK入力した音声フォーマットに従ってSPDIFとI2SとDSDを自動で切り替えます。

1394 IN 2 : 2nd Device (Middle GUID)

i.LINK 1端子あるいはi.LINK 2端子に接続されたi.LINK機器を入力セレクトして、i.LINK再生します。ただし、

- 1) 接続されたi.LINK機器が1台以下の場合は、入力セレクトしません。
 - 2) 接続されたi.LINK機器が2台以上の場合は、GUIDの値が2番目に小さいi.LINK機器を入力セレクトします。
- 入力セレクトしたら、音声入力端子切替をi.LINK(Fix)に設定し、i.LINK入力した音声フォーマットに従ってSPDIFとI2SとDSDを自動で切り替えます。

1394 IN 3 : 3rd Device (Upper GUID)

i.LINK 1端子あるいはi.LINK 2端子に接続されたi.LINK機器を入力セレクトして、i.LINK再生します。

- 1) 接続されたi.LINK機器が2台以下の場合は、入力セレクトしません。
 - 2) 接続されたi.LINK機器が3台以上ある場合は、GUIDの値が3番目に小さいi.LINK機器を入力セレクトします。
- 入力セレクトしたら、音声入力端子切替をi.LINK(Fix)に設定し、i.LINK入力した音声フォーマットに従ってSPDIFとI2SとDSDを自動で切り替えます。

23. INPUT MODE

SPDIF Fix

Select SPDIF for the signal passage.

23. MODE SPDIF

1394 I2S

Select I2S of 1394 module for the signal passage.

23. 1394 3xI2S

HDMI I2S

Select I2S of HDMI module for the signal passage.

23. HDMI 4xI2S

DSD Fix

Select DSD of 1394 module for the signal passage.

23. MODE DSD

DSD Direct

Select DSD of 1394 module for the signal passage and have DSD signal as it is to DAC without DSD to PCM conversion.

23. MODE DIRECT

23. INPUT MODE

SPDIF Fix

信号経路をSPDIFにします。

1394 I2S

信号経路を1394モジュールのI2Sにします。

HDMI I2S

信号経路をHDMIモジュールのI2Sにします。

DSD Fix

信号経路を1394モジュールのDSDにします。

DSD Direct

信号経路を1394モジュールのDSDにして、DSDtoPCM変換を行わずDSD信号のままDACへ出力します。

24. IBOC MODE

Time Alignment test mode OFF/ON

Mode to check analog audio and digital audio time difference.

24. TM ALN :OFF

CDM CONTROL OFF/ON

Mode to enable IDM control from CDM.

As IIC bus of IDM is disconnected from the micro processor by the hardware operation when this mode is ON, the micro processor ignores IIC bus communication with IDM.

These settings are retained even when the power is turned OFF/ON after the DIAG mode is closed.

24. CDM :OFF

24. IBOC MODE

Time Alignment test mode OFF/ON

アナログオーディオとデジタルオーディオの時間差チェックモード。

CDM CONTROL OFF/ON

IDMのコントロールをCDMから行えるようにするモード。ON時はハードウェア的にIDMのIICバスをマイコンから切り離すので、マイコンはIDMとのIICバス通信を無視するようにします。

設定は、ダイヤグモード終了後、電源をOFF/ONしても保持されます。

IDM Version

Display of IDM firmware version.

DRI-xxx Uxxxx

IDM Version

IDMファームウェアのバージョンを表示します。

25. F/W INFO**HDMI Firmware Version**

Displays the version of HDMI firmware.

```
25. HDMI U:xxxx
```

HDMI Firmware CheckSum

Displays the checksum of HDMI firmware.

```
25. HDMI S:xxxx
```

1394 Firmware Version

Displays the version of 1394 firmware.

```
1394 U:xxxxxxx
```

1394 SubCPU Checksum

Displays the checksum of 1394 firmware (SubCPU).

```
1394 MS:xxxx
```

1394 ARM Checksum

Displays the checksum of 1394 firmware (ARM).

```
1394 AS:xxxx
```

25. F/W INFO**HDMI Firmware Version**

HDMIファームウェアのバージョンを表示します。

HDMI Firmware CheckSum

HDMIファームウェアのチェックサムを表示します。

1394 Firmware Version

1394ファームウェアのバージョンを表示します。

1394 SubCPU Checksum

1394ファームウェア(SubCPU)のチェックサムを表示します。

1394 ARM Checksum

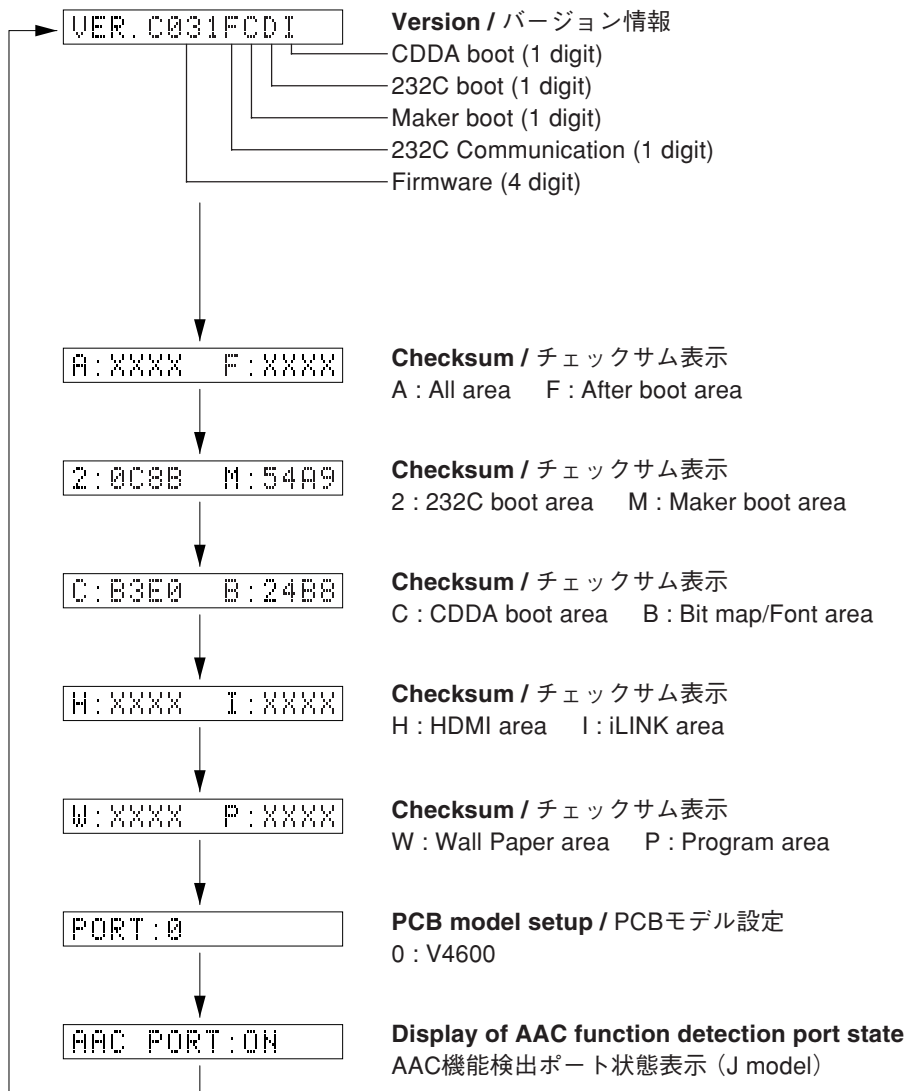
1394ファームウェア(ARM)のチェックサムを表示します。

26. MICROPROCESSOR INFORMATION

The version, checksum and the port specified by the microprocessor are displayed. The signal is processed using EFFECT OFF. The checksum is obtained by adding the data at every 16 bits for each program area and expressing the result as a 4-figure hexadecimal data.

26. マイコン情報

サブメニューは7つあります。プログラムのバージョン、チェックサム、マイコンの指定ポートを表示します。信号はエフェクトOFFです。チェックサムは、プログラムエリア別にデータを16ビットごとに加算していき、4桁の16進データで現したものです。



■ AMP ADJUSTMENT / アンプ部調整

Confirmation of Idling Current of Amp

Unit

- Right after power is turned on, confirm that the voltage across the terminals of R319 (MAIN Lch), R320 (MAIN Rch), R325 (CENTER), R326 (SURROUND Lch), R327 (SURROUND Rch), R321 (SURROUND BACK Lch), R322 (SURROUND BACK Rch) are between 0.1mV and 10.0mV.
- If it exceeds 10.0mV, open (cutoff) R291 (MAIN Lch), R292 (MAIN Rch), R295 (CENTER), R296 (SURROUND Lch), R297 (SURROUND Rch), R293 (SURROUND BACK Lch), R294 (SURROUND BACK Rch) and reconfirm the voltage.

Attention

If the idle current exceeds 10.0mV after an amplifier repair, first check for a defective component before cutting the bias resistor.

- Confirm that the voltage is 0.2 mV ~ 15.0 mV after 60 minutes.

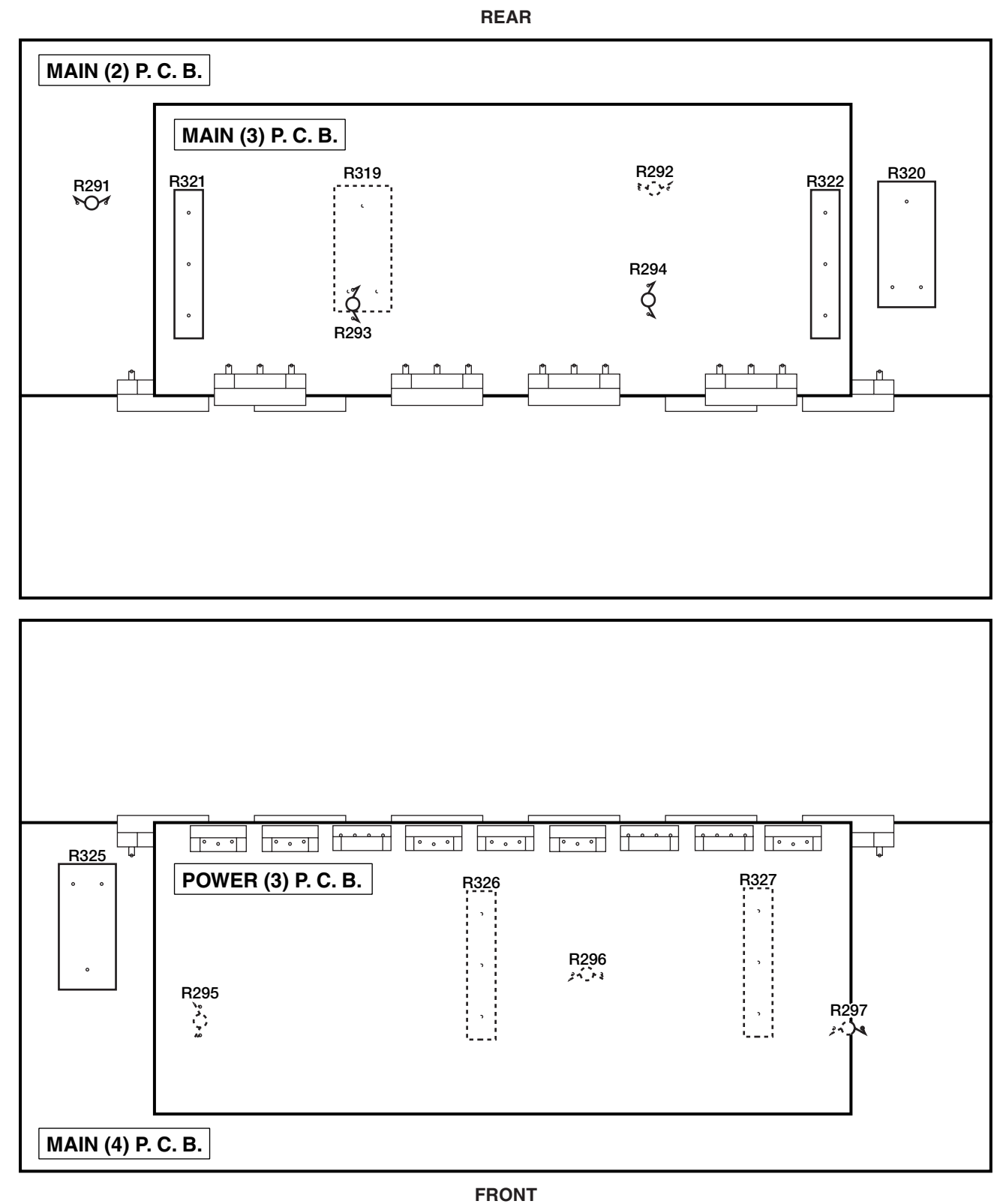
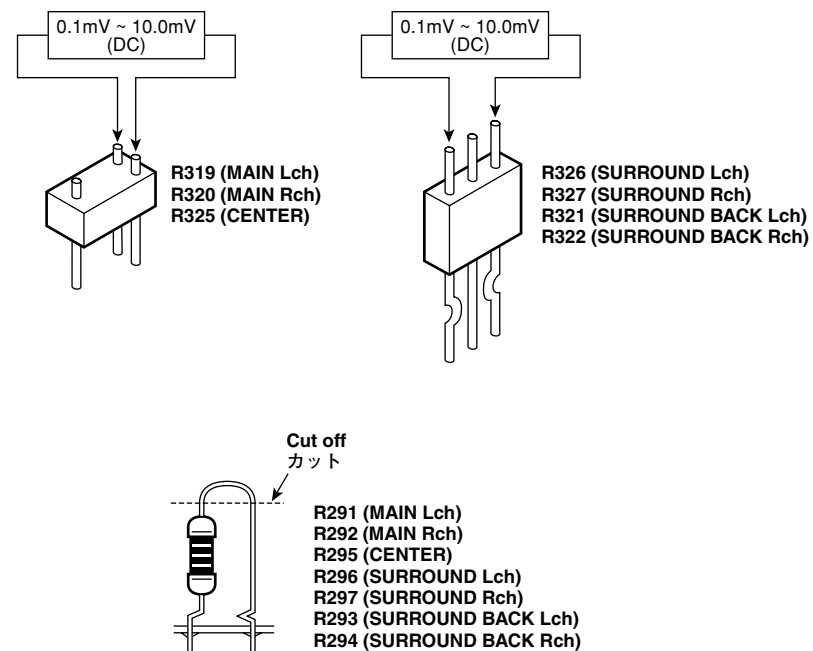
アンプユニットのアイドル電流の確認

- 電源投入直後、R319 (MAIN Lch)、R320 (MAIN Rch)、R325 (CENTER)、R326 (SURROUND Lch)、R327 (SURROUND Rch)、R321 (SURROUND BACK Lch)、R322 (SURROUND BACK Rch)の端子間電圧を測定し、0.1mVから10.0mVの間であることを確認してください。
- 電圧が10mVを超えている場合は、R291 (MAIN Lch)、R292 (MAIN Rch)、R295 (CENTER)、R296 (SURROUND Lch)、R297 (SURROUND Rch)、R293 (SURROUND BACK Lch)、R294 (SURROUND BACK Rch)をカットし、電圧を再確認してください。

注意

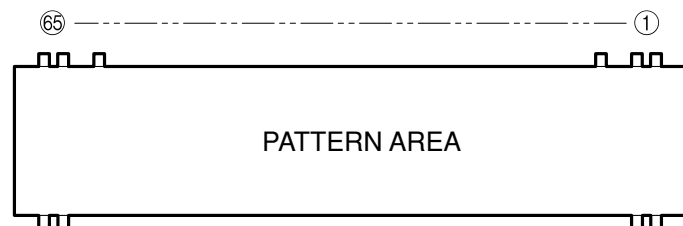
パワーアンプ修理後に10.0mVを超えている場合は、抵抗をカットする前に故障箇所を調べてください。

- 60分後、電圧が0.2mV～15.0mVであることを確認してください。



■ DISPLAY DATA

● V901 : HNA-17ML01T (WF098500)



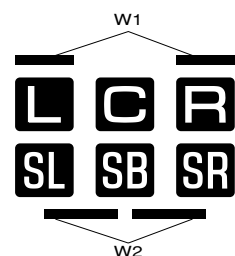
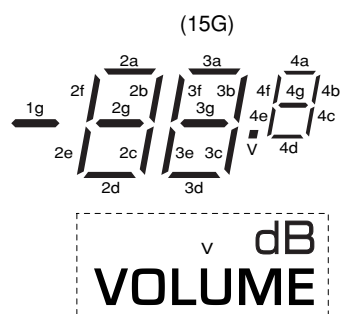
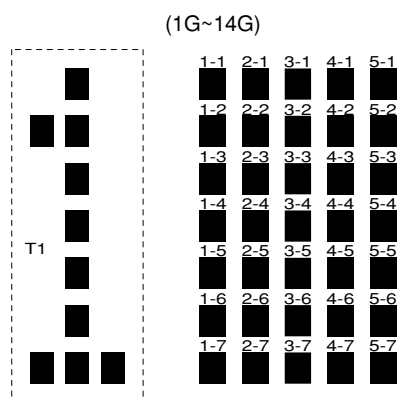
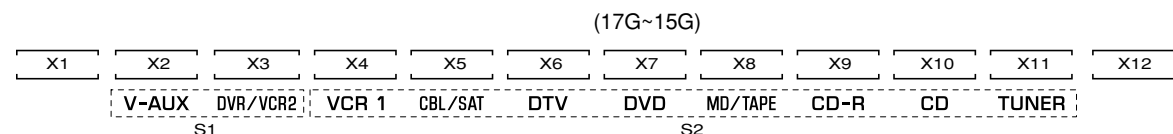
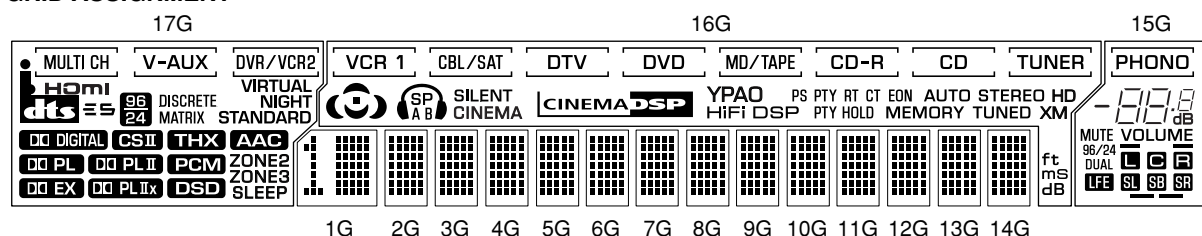
● PIN CONNECTION

Pin No.	65	64	63	62	61	60	59	58	57	56	55	54	53	52	51	50	49	48	47	46	45	44	43	42	41	40	39	38	37	36	35	34
Connection	F2	F2	NP	NP	P37	P36	P35	P34	P33	P32	P31	P30	P29	P28	P27	P26	P25	P24	P23	P22	P21	P20	P19	P18	P17	P16	P15	P14	P13	P12	P11	P10

Pin No.	33	32	31	30	29	28	27	26	25	24	23	22	21	20	19	18	17	16	15	14	13	12	11	10	9	8	7	6	5	4	3	2	1
Connection	P9	P8	P7	P6	P5	P4	P3	P2	P1	NC	NC	NC	17G	16G	15G	14G	13G	12G	11G	10G	9G	8G	7G	6G	5G	4G	3G	2G	1G	NP	NP	F1	F1

Note : 1) F1, F2 Filament 2) NP No pin 3) NC No connection 4) 1G ~ 17G Grid

● GRID ASSIGNMENT

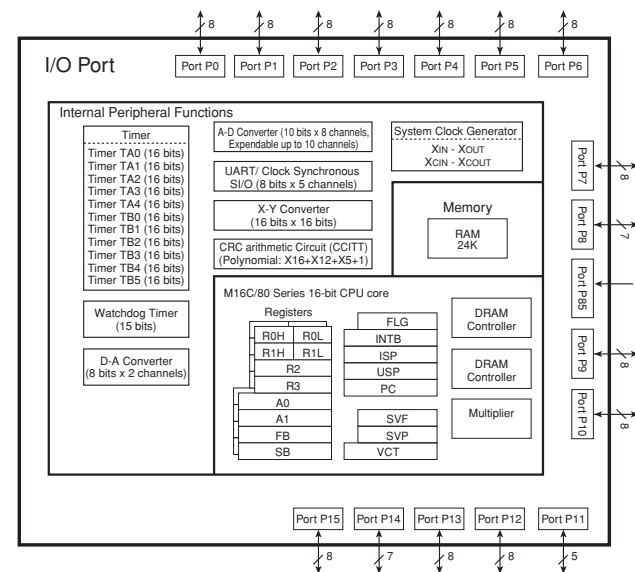
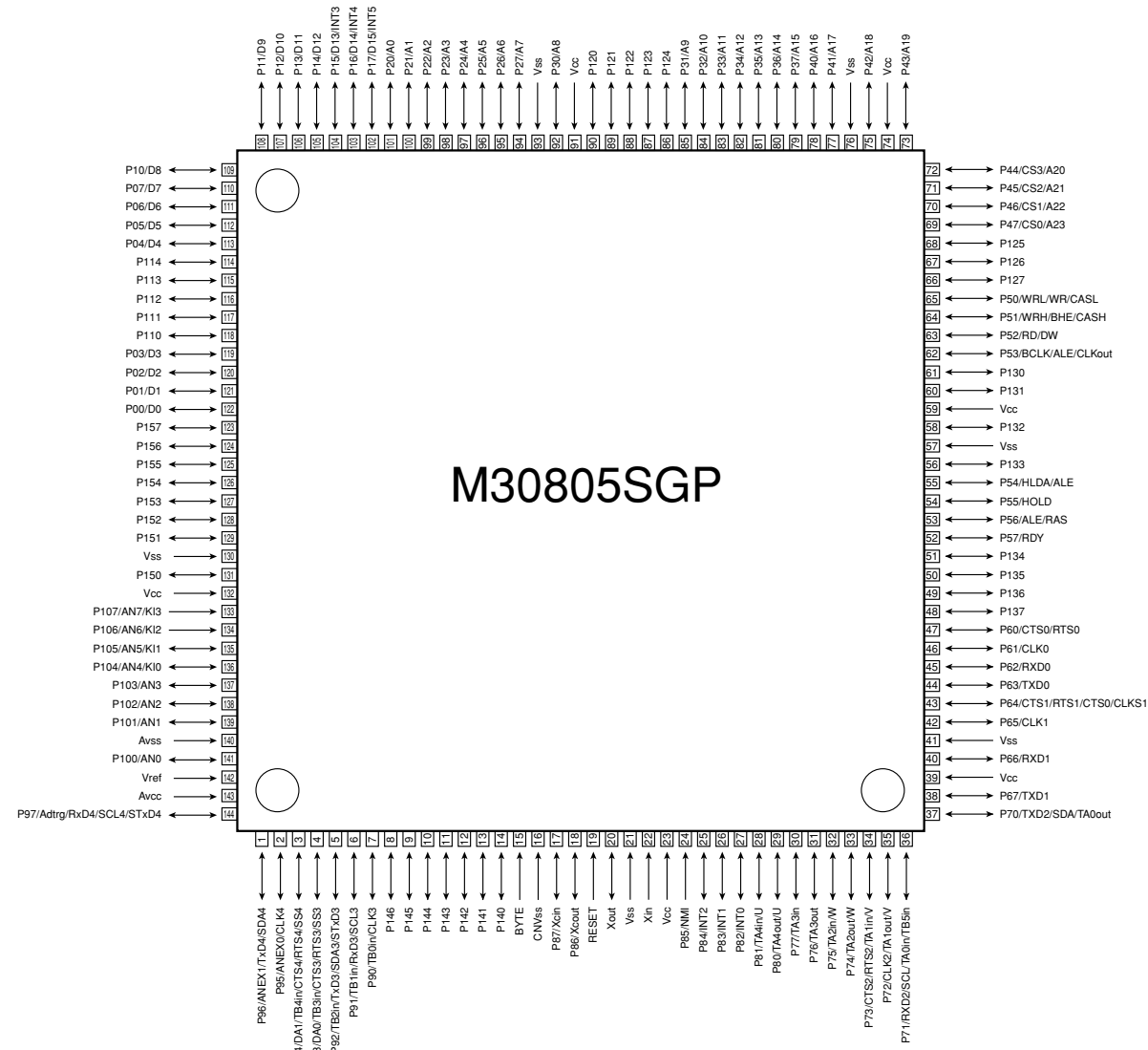


● ANODE CONNECTION

	17G	16G	15G	14G~2G	1G
P1		S2	PHONO	1-1	1-1
P2	HDMI	X4	X12	2-1	2-1
P3	MULTI CH	X5	1g	3-1	3-1
P4	X1	X6	2a	4-1	4-1
P5	S1	X7	2b	5-1	5-1
P6	X2	X8	2c	1-2	1-2
P7	X3	X9	2d	2-2	2-2
P8		X10	2e	3-2	3-2
P9		X11	2f	4-2	4-2
P10		R1	2g	5-2	5-2
P11	MATRIX	R2	3a	1-3	1-3
P12	DISCRETE	R3	3b	2-3	2-3
P13		R4	3c	3-3	3-3
P14		A	3d	4-3	4-3
P15		B	3e	5-3	5-3
P16			3f	1-4	1-4
P17		SP	3g	2-4	2-4
P18		SILENT CINEMA	4a	3-4	3-4
P19			4b	4-4	4-4
P20		YPAO	4c	5-4	5-4
P21		HIFI DSP	4d	1-5	1-5
P22	VIRTUAL	PS	4e	2-5	2-5
P23	NIGHT	PTY	4f	3-5	3-5
P24	STANDARD	RT	4g	4-5	4-5
P25		CT	V	5-5	5-5
P26	ZONE2	EON	MUTE	1-6	1-6
P27	ZONE3	PTY HOLD	96/24	2-6	2-6
P28	SLEEP	AUTO	DUAL	3-6	3-6
P29	-	STEREO		4-6	4-6
P30	-	HD		5-6	5-6
P31	-	XM		1-7	1-7
P32	-	TUNED		2-7	2-7
P33	-	MEMORY		3-7	3-7
P34	-	ft		4-7	4-7
P35	-	mS		5-7	5-7
P36	-	dB	W1	-	T1
P37	-	-	W2	-	-

■ IC DATA

IC501 : M30805SGP (CONTROL P.C.B)
16bit μ-COM (Main CPU)



IC501 : M30805SGP (CONTROL P.C.B)
16bit μ-COM (Main CPU)

No.	Port Name	Terminal Name	I/O			Function
			PowerOn	Standby	MCUSleep [AC OFF]	
1	TXDH	TXD4	SO	O	O	Transmission HDMI data
2	CLKH	CLK4	SO	O	O	Transmission HDMI clock
3	LIMIT	LIMIT	DA	O	O	Limiter control output
4	FAN	FAN	DA	O	O	Temperature control FAN control ourput
5	TUDA	TUDA	O	O	O	PLL data output for tuner / Transmission clock 4us / LSB first
6	TUCK	TUCK	O	O	O	PLL clock output for tuner
7	1394INT	TB0in	TMR	I	O	RESERVE (Unconnected)
8	PLLr	PLLr	I	I	O	PLL reception for tuner / Reception clock 20us / LSB first
9	TUE	TUCE	O	O	O	PLL chip select for tuner
10	Z3MT	Z3MT	O	O	O [I]	Zone3 MUTE control
11	Z2MT	Z2MT	O	O	O [I]	Zone2 MUTE control
12	HPMT	HPMT	O	O	O [I]	Headphone MUTE control
13	RCLK	RCLK	O	O	O	Recout SW control (ROHM) clock
14	RDATA	RDATA	O	O	O	Recout SW control (ROHM) data / Clock speed : 20us, MSBF
15	BYTE	BYTE	MCU	MCU	MCU	
16	CNVss	CNVss	MCU	MCU	MCU	
17	BT232C	BT232C	I	I	O	RS232C FLASH write mode detection / MULTI CH INPUT key detection
18	BTYDC	BTYDC	I	I	O	BOOT mode detection terminal for YDC
19	/RES	RESET	MCU	MCU	MCU	
20	Xout	Xout	MCU	MCU	MCU	
21	Vss	Vss	MCU	MCU	MCU	
22	Xin	Xin	MCU	MCU	MCU	
23	Vcc	Vcc	MCU	MCU	MCU	
24	NMI	NMI	IRQ	I	I	
25	REM	REM	IRQ	O	O	Remote control pulse input 1
26	MZ2INT	Z2INT	IRQ	O	O	Zone2, 3 power key interrupt
27	PDET	PDET	IRQ	I	I	POWER DETECT detection
28	VSy	VSy	TMR	O	O	Vertical sync pulse INT
29	CEF	CEF	O	O	O	FL enable
30	RXDR	RXDR	TMR	O	O	RS232C, YDC reception detection
31	PRY	PRY	O	O	O	Power relay control
32	/INTDSP	/INTDSP	TMR	O	O	DIR or TI (DA601) interrupt
33	/1394CTS	P74	I	I	O	CTS 1394
34	PSW	PSW	TMR	O	O	Power SW
35	/1394RTS	P72/CLK2	O	O	O	RTS 1394
36	RxD1394	RxD2	SI	I	O	Reception 1394 data
37	TxD1394	TxD2	SO	O	O	Transmission 1394 data
38	TXDR	TXDR	SO	SO	O	Normal RS-232C asynchronous communication data output / Data transmission terminal for AF220
39	Vcc	Vcc	MCU	MCU	MCU	
40	RXDR	RXDR	SI	SI	O	Normal RS-232C asynchronous communication data input / Data reception terminal for AF220
41	Vss	Vss	MCU	MCU	MCU	
42	RTS	RTS	SO	SO	O	Normal RS-232C asynchronous communication RTS output / Clock input for AF220
43	CTS	CTS	SI	SI	O	Normal RS-232C asynchronous communication CTS input
44	TXDD	TXDD	SO	O	O	Serial data output to DIR, TI (DA601), YSS930, DAC DIR/YSS : 4M, LSBF TI : 1M, MSBF
45	RXDD	RXDD	SI	O	O	Serial data input from DIR, TI (DA601), YSS930
46	CLKD	CLKD	SO	O	O	Serial data clock output to DIR, TI (DA601), YSS930, DAC
47	IMUTE	P60	I	I	O	1394 MUTE
48	/CSDIR	/CSDIR	O	O	O	DIR chip enable
49	/CSDAC	/CSDAC	O	O	O	DAC (common to 2ch/8ch) chip enable
50	/CSY	/CSY	O	O	O	YSS930 (common to #0/#1) chip enable
51	/CSTI	/CSTI	O	O	O	TI decoder DSPDA601 chip enable
52	/WAIT	/WAIT	BUS	BUS	BUS	YGV/WAIT input
53	/RAS		BUS	BUS	BUS	
54	/HOLD		BUS	BUS	BUS	
55	/HLDA		BUS	BUS	BUS	
56	SPIRDY	SPIDRY	I	O	O	DIR WCK input (WCK input for Suyama mode write)
57	Vss	Vss	MCU	MCU	MCU	
58	RDSCE	RDSCE	O	O	O	RDS CE
59	Vcc	Vcc	MCU	MCU	MCU	

IC501 : M30805SGP (CONTROL P.C.B)
16bit μ-COM (Main CPU)

No.	Port Name	Terminal Name	I/O			Function
			PowerOn	Standby	MCUSleep [AC OFF]	
60	SCKN	SCKN	O	O	O	NONE AUDIO clock output (DIT/BU for FL/RDS/IBOC) FL:2us clock, MSBF / RDS:20us clock, LSBF / BU2092:2us clock, LSBF
61	SDTN	SDTN	O	O	O	NONE AUDIO data output (DIT/BU for FL/RDS/IBOC)
62	BCLK		BUS	BUS	BUS	
63	/RD		BUS	BUS	BUS	
64	/WRH		BUS	BUS	BUS	
65	/WRL		BUS	BUS	BUS	
66	/DMT	DMT	O	O	O	Digital FULL MUTE (HI=MUTE)
67	/TIBUSY	TIBUSY	I	O	O	TI BUSY detection / CDDA write DATA input
68	SPC	SPC	O	O	O [O]	+5SPC power ON/OFF control (L=ON/H=OFF : to save power during standby) Normally fixed to Low. Power used in standby state is reduced by setting to HI after completion of the process accompanying standby state (MCU Sleep) (When set to HI, expansion port or expansion A/D does not operate.) Keep [HionFix] until Power ON input is executed when using ACIN, MCUSleep When power is turned ON, use min20msec after setting [SPC] LowAct as the time for setting the expansion port
69	/A23	/A23	BUS	BUS	BUS	
70	A22	A22	BUS	BUS	BUS	
71	A21	A21	BUS	BUS	BUS	
72	A20	A20	BUS	BUS	BUS	
73	A19	A19	BUS	BUS	BUS	
74	Vcc	Vcc	MCU	MCU	MCU	
75	A18	A18	BUS	BUS	BUS	
76	Vss	Vss	MCU	MCU	MCU	
77	A17	A17	BUS	BUS	BUS	
78	A16	A16	BUS	BUS	BUS	
79	A15	A15	BUS	BUS	BUS	
80	A14	A14	BUS	BUS	BUS	
81	A13	A13	BUS	BUS	BUS	
82	A12	A12	BUS	BUS	BUS	
83	A11	A11	BUS	BUS	BUS	
84	A10	A10	BUS	BUS	BUS	
85	A9	A9	BUS	BUS	BUS	
86	VIICC	VIICC	SO	O	O	IIC clock output for video / Clock speed 100kHz
87	VIICD	VIICD	SO	O	O	IIC data output for video
88	CKEV	CKEV	O	O	O	EVOL serial transmission clock
89	DTEV	DTEV	O	O	O	EVOL serial transmission data / Clock speed 1M, MSB first
90	CEEV	CEEV	O	O	O	EVOL CE
91	Vcc	Vcc	MCU	MCU	MCU	
92	A8	A8	BUS	BUS	BUS	
93	Vss	Vss	MCU	MCU	MCU	
94	A7	A7	BUS	BUS	BUS	
95	A6	A6	BUS	BUS	BUS	
96	A5	A5	BUS	BUS	BUS	
97	A4	A4	BUS	BUS	BUS	
98	A3	A3	BUS	BUS	BUS	
99	A2	A2	BUS	BUS	BUS	
100	A1	A1	BUS	BUS	BUS	
101	A0	A0	BUS	BUS	BUS	
102	D15	D15	BUS	BUS	BUS	
103	D14	D14	BUS	BUS	BUS	
104	D13	D13	BUS	BUS	BUS	
105	D12	D12	BUS	BUS	BUS	
106	D11	D11	BUS	BUS	BUS	
107	D10	D10	BUS	BUS	BUS	
108	D9	D9	BUS	BUS	BUS	
109	D8	D8	BUS	BUS	BUS	
110	D7	D7	BUS	BUS	BUS	
111	D6	D6	BUS	BUS	BUS	
112	D5	D5	BUS	BUS	BUS	

IC501 : M30805SGP (CONTROL P.C.B)
16bit μ-COM (Main CPU)

No.	Port Name	Terminal Name	I/O			Function
			PowerOn	Standby	MCUSleep [AC OFF]	
113	D4	D4	BUS	BUS	BUS	
114	FMTSW	FMTSW	O	O	O [I]	Full Mute SWL/SWR/SW MONO
115	FMTCC	FMTCC	O	O	O [I]	Full Mute Center
116	FMTS	FMTS	O	O	O [I]	Full Mute SL/SR
117	FMTF	FMTM	O	O	O [I]	Full Mute FL/FR/SBL/SBR
118	/VMT	/VMT	O	O	O	Video output MUTE (L mute) / With Power ONOFF/PureDirect ONOFF set, use INHIBIT of Selector together to turn on this port.
119	D3	D3	BUS	BUS	BUS	
120	D2	D2	BUS	BUS	BUS	
121	D1	D1	BUS	BUS	BUS	
122	D0	D0	BUS	BUS	BUS	
123	VRB	VRB	I	O	O	Volume rotary B
124	VRA	VRA	I	O	O	Volume rotary A
125	ISB	ISB	I	O	O	Input selector rotary B
126	ISA	ISA	I	O	O	Input selector rotary A
127	SCKA	SCKA	O	O	O	Clock output for audio IC
128	SDTA	SDTA	O	O	O	Data output for audio IC / NJU: transmission clock 10us MSB first
129	CEL	CEL	O	O	O	JRC analog SW IC CE1 / Spare (Model distinction 1)
130	Vss	Vss	MCU	MCU	MCU	
131	TCE	TCE	O	O	O	JRC analog SW IC CE2 / Spare (Model distinction (2500/2500I))
132	Vcc	Vcc	MCU	MCU	MCU	
133	MJB	PGB	I	O	O	PROGRAM rotary B
134	MJA	PGA	I	O	O	PROGRAM rotary A
135	4051C	4051C	O	O	O	Multiplexer HC4051 control C
136	4051B	4051B	O	O	O	Multiplexer HC4051 control B
137	4051A	4051A	O	O	O	Multiplexer HC4051 control A
138	ADEX	ADEX	AD	O	O	Expansion AD input
139	DEST	DEST	AD	AD	O	Destination distinction by AD value
140	Avss	AVSS	MCU	MCU	MCU	
141	PLMT	PLMT	AD	O	O	AD Power Limiter detection
142	VREF	VREF	MCU	MCU	MCU	
143	Avcc	AVCC	MCU	MCU	MCU	
144	RXDH	RXD4	SI	I	O	Reception HDMI data

Key Input (A-D) Pull-Up Resistance 10 k-ohms

U, C, R, T, K, A, B, G, L models

Ohm	0	+1.2k	+1.2k	+1.8k	+2.7k	+3.3k	+4.7k	+8.2k
V	~ 0.28	~ 0.78	~ 1.26	~ 1.81	~ 2.35	~ 2.84	~ 3.33	~ 3.86
KEY0	PRESET/TUNING <	PRESET/TUNING >	PRESET/TUNING EDIT	FM/AM	MEMORY	TUNING MODE	STRAIGHT EFFECT	TONE CONTROL
KEY1	-	SPEAKERS A	SPEAKERS B	AUDIO SELECT	A/B/C/D/E	ZONE CONTROL	PURE DIRECT	-

J model

Ohm	0	+1.2k	+1.2k	+1.8k	+2.7k	+3.3k	+4.7k	+8.2k
V	~ 0.28	~ 0.78	~ 1.26	~ 1.81	~ 2.35	~ 2.84	~ 3.33	~ 3.86
KEY0	PRESET/TUNING <	PRESET/TUNING >	PRESET/TUNING EDIT	FM/AM	MEMORY	TUNING MODE	STRAIGHT EFFECT	TONE CONTROL
KEY1	-	SPEAKERS A	SPEAKERS B	AUDIO SELECT	A/B/C/D/E	-	PURE DIRECT	-

Distinction for AD Port / 仕向け先判別ポート

Pull-Up Resistance 10 k-Ohms

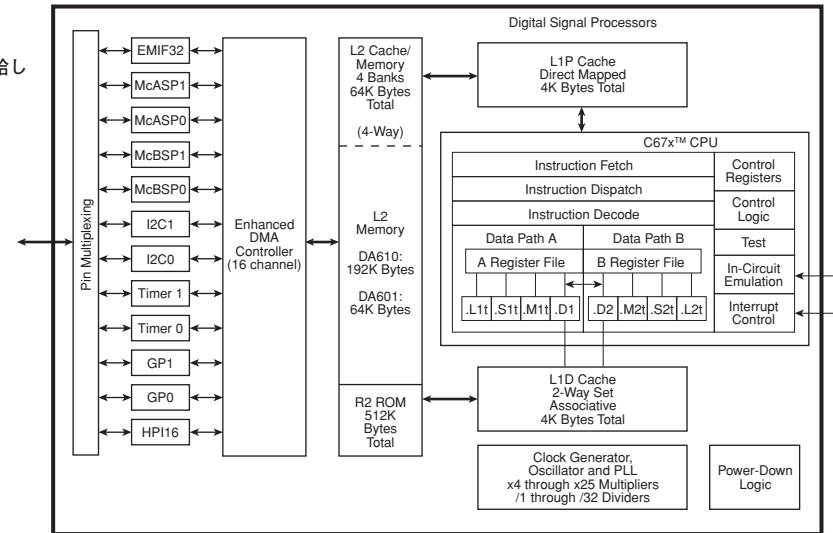
Ohm	0.0 k	1.2 k	2.7 k	4.7 k	6.8 k	10.0 k	15.0 k	27.0 k	47.0 k	100.0 k	∞
V	0-0.2	0.3-0.8	0.9-1.3	1.4-1.8	1.8-2.2	2.3-2.7	2.8-3.3	3.4-3.8	3.9-4.3	4.4-4.7	4.8-5.0
DEST 139pin (5V=256)	0-13	14-40	41-68	69-92	93-115	116-140	141-170	171-198	199-221	222-244	245-255
	J	C	U	R	T	K	A	-	BG	L	-

IC512: D60YA003BPYP225 (DSP P.C.B)

Decoder

* No service part available.

※ サービス部品として供給しません。



No.	Name [Default]	I/O	Function
1	GP0[4] / (EXT_INT4)	IOZ	General purpose I/O0 port 4 / Interrupt input (polarity selectable individually by using register)
2	GP0[6] / (EXT_INT6)	IOZ	General purpose I/O0 port 6 / Interrupt input (polarity selectable individually by using register)
3	CVDD	S	1.2V power supply
4	VSS	GND	Ground
5	DVDD	S	3.3V power supply
6	GP0[5] / (EXT_INT5)	IOZ	General purpose I/O0 port 5 / Interrupt input (polarity selectable individually by using register) (Unconnected)
7	GP0[7] / (EXT_INT7)	IOZ	General purpose I/O0 port 7 / Interrupt input (polarity selectable individually by using register) (Unconnected)
8	CLKS1	I	McBSP1 external clock source
9	DVDD	S	3.3V power supply
10	VSS	GND	Ground
11	CVDD	S	1.2V power supply
12	TINP1 / AHCLKX0	I / IOZ	Timer 1 Input / McASP0 Transmission MCLK
13	AXR1[11]	IOZ	McASP1 Transmission/reception data 11
14	CVDD	S	1.2V power supply
15	VSS	GND	Ground
16	CLKX0 / ACLKX0	IOZ	McBSP0 Transmission clock / McASP0 Transmission BCLK
17	AXR1[12]	IOZ	McASP1 Transmission/reception data 12
18	AXR1[13]	IOZ	McASP1 Transmission/reception data 13
19	ACLKR0	IOZ	McASP0 Reception BCLK
20	DX0	O/Z	McBSP0 Transmission data
21	FSX0	IOZ	McBSP0 Transmission Frame Sync
22	CVDD	S	1.2V power supply
23	VSS	GND	Ground
24	AFSR0	IOZ	McASP0 Reception LRCLK
25	DVDD	S	3.3V power supply
26	VSS	GND	Ground
27	DR0	I	McBSP0 Reception data
28	AHCLKR0	IOZ	McASP0 Reception MCLK
29	CVDD	S	1.2V power supply
30	VSS	GND	Ground
31	FSX1	IOZ	McBSP1 Transmission Frame Sync (Input in SPI slave state) (Unconnected)
32	AXR1[10]	IOZ	McASP1 Transmission/reception data 10
33	CLKX1 / AMUTE0	IOZ	McBSP1 Transmission clock (Input in SPI slave state) / McASP0 MUTE output (Unconnected)
34	VSS	GND	Ground
35	CVDD	S	1.2V power supply
36	AXR1[9]	IOZ	McASP1 Transmission/reception data 9
37	DR1 / SDA1	I / IOZ	McBSP1 Reception data / I2C1 data (Unconnected)
38	AXR1[8]	IOZ	McASP1 Transmission/reception data 8
39	VSS	GND	Ground
40	CVDD	S	1.2V power supply

IC512: D60YA003BPYP225 (DSP P.C.B)

Decoder

No.	Name	I/O	Function
41	SCL0	IOZ	I2C0 clock
42	SDA0	IOZ	I2C0 data
43	CVDD	S	1.2V power supply
44	DVDD	S	3.3V power supply
45	VSS	GND	Ground
46	CVDD	S	1.2V power supply
47	DVDD	S	3.3V power supply
48	VSS	GND	Ground
49	VSS	GND	Ground
50	CVDD	S	1.2V power supply
51	CVDD	S	1.2V power supply
52	VSS	GND	Ground
53	CVDD	S	1.2V power supply
54	VSS	GND	Ground
55	DVDD	S	3.3V power supply
56	ARDY	I	Asynchronous RAM Ready input
57	/CE3	O/Z	For external memory area, Enable 3 (Unconnected)
58	DVDD	S	3.3V power supply
59	VSS	GND	Ground
60	CVDD	S	1.2V power supply
61	/CE2	O/Z	For external memory area, Enable 2 (Unconnected)
62	EA2	O/Z	For external memory, Address 2
63	EA3	O/Z	For external memory, Address 3
64	EA4	O/Z	For external memory, Address 4
65	DVDD	S	3.3V power supply
66	VSS	GND	Ground
67	CVDD	S	1.2V power supply
68	EA5	O/Z	For external memory, Address 5
69	EA6	O/Z	For external memory, Address 6
70	EA7	O/Z	For external memory, Address 7
71	EA8	O/Z	For external memory, Address 8
72	DVDD	S	3.3V power supply
73	VSS	GND	Ground
74	EA9	O/Z	For external memory, Address 9
75	/SDRAS	O/Z	SDRAM RAS
76	EA10	O/Z	For external memory, Address 10
77	ECLKOUT	O/Z	Clock output for EMIF
78	ECLKIN	I	Clock input for EMIF (Unconnected)
79	/SDCAS	O/Z	SDRAM CAS
80	CVDD	S	1.2V power supply
81	VSS	GND	Ground
82	CLKOUT2 / GP0[2]	O/Z / IOZ	Half clock output of device Speed / General purpose I/O0 port 2 (Unconnected)
83	/SDWE	O/Z	SDRAM WE
84	DVDD	S	3.3V power supply
85	VSS	GND	Ground
86	EA11	O/Z	For external memory, Address 11
87	DVDD	S	3.3V power supply
88	VSS	GND	Ground
89	CVDD	S	1.2V power supply
90	EA14	O/Z	For external memory, Address 14 (Unconnected)
91	EA13	O/Z	For external memory, Address 13
92	EA16	O/Z	For external memory, Address 16 (Unconnected)
93	EA12	O/Z	For external memory, Address 12
94	EA15	O/Z	For external memory, Address 15 (Unconnected)
95	EA18	O/Z	For external memory, Address 18 (Unconnected)
96	CVDD	S	1.2V power supply
97	VSS	GND	Ground
98	DVDD	S	3.3V power supply

IC512: D60YA003BPYP225 (DSP P.C.B)

Decoder

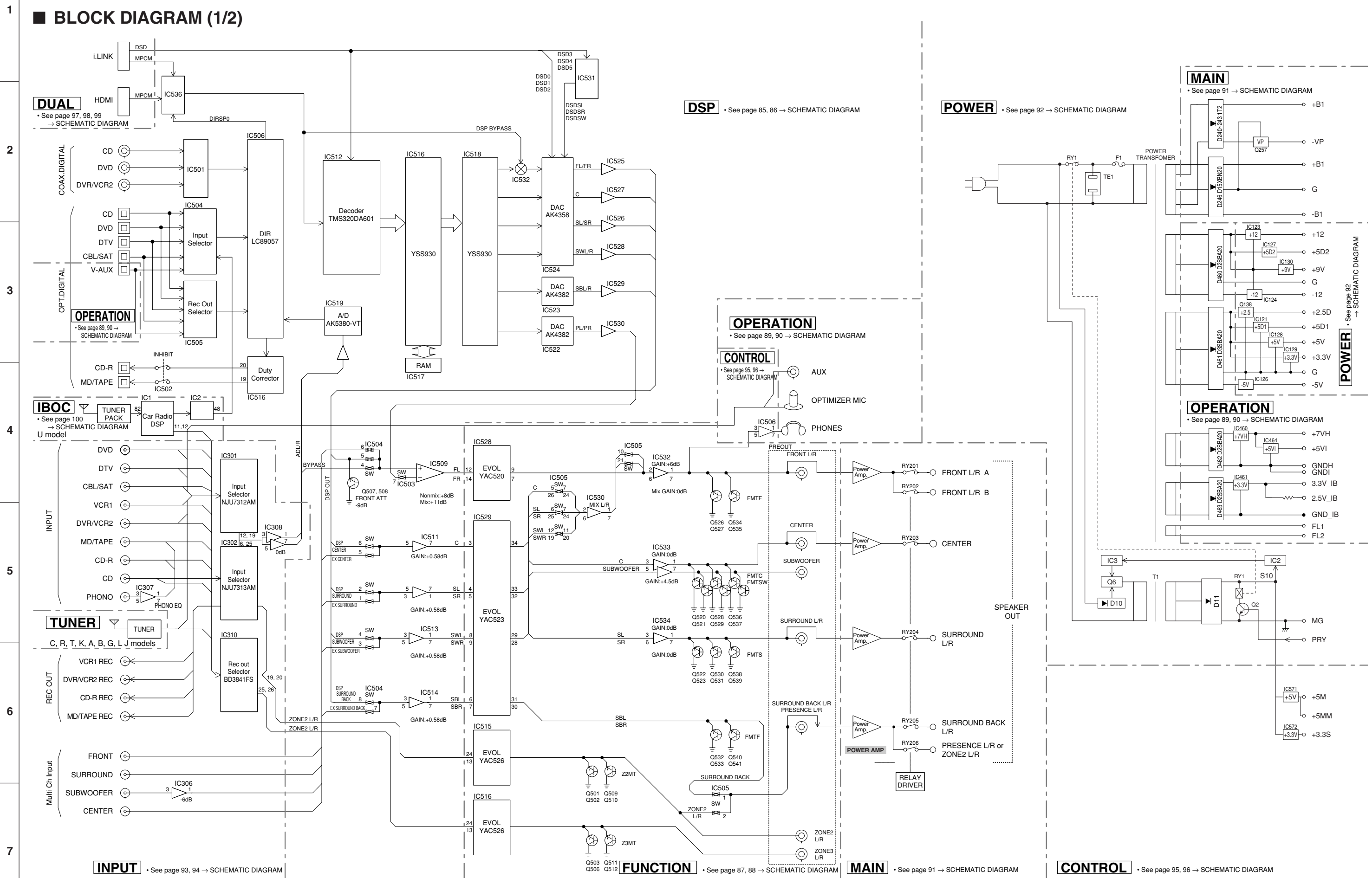
No.	Name	I/O	Function
99	EA17	O/Z	For external memory, Address 17 (Unconnected)
100	EA19	O/Z	For external memory, Address 19 (Unconnected)
101	EA20	O/Z	For external memory, Address 20 (Unconnected)
102	/CE0	O/Z	For external memory area, Enable 0
103	/CE1	O/Z	For external memory area, Enable 1 (Unconnected)
104	CVDD	S	1.2V power supply
105	CVDD	S	1.2V power supply
106	VSS	GND	Ground
107	DVDD	S	3.3V power supply
108	/BE1	O/Z	For external memory, Byte Enable Control 1
109	EA21	O/Z	For external memory, Address 21 (Unconnected)
110	/BE0	O/Z	For external memory, Byte Enable Control 0
111	ED13	IOZ	For external memory, Data 13
112	ED15	IOZ	For external memory, Data 15
113	ED14	IOZ	For external memory, Data 14
114	DVDD	S	3.3V power supply
115	VSS	GND	Ground
116	CVDD	S	1.2V power supply
117	ED11	IOZ	For external memory, Data 11
118	ED12	IOZ	For external memory, Data 12
119	ED9	IOZ	For external memory, Data 9
120	ED10	IOZ	For external memory, Data 10
121	ED6	IOZ	For external memory, Data 6
122	ED7	IOZ	For external memory, Data 7
123	ED8	IOZ	For external memory, Data 8
124	CVDD	S	1.2V power supply
125	VSS	GND	Ground
126	DVDD	S	3.3V power supply
127	ED4	IOZ	For external memory, Data 4
128	ED5	IOZ	For external memory, Data 5
129	ED3	IOZ	For external memory, Data 3
130	ED2	IOZ	For external memory, Data 2
131	ED1	IOZ	For external memory, Data 1
132	ED0	IOZ	For external memory, Data 0
133	CVDD	S	1.2V power supply
134	VSS	GND	Ground
135	GP0[1]	IOZ	General purpose I/O port 1 (Unconnected)
136	BUSREQ	O/Z	For external memory, Bus request output (Unconnected)
137	/HOLDA	O/Z	For external memory, Hold request approval to host (Unconnected)
138	/HOLD	I	For external memory, Hold request from host
139	AFSR1	IOZ	McASP1 reception LRCLK
140	ACLKR1	IOZ	McASP1 reception BCLK
141	DVDD	S	3.3V power supply
142	VSS	GND	Ground
143	AXR[0]	IOZ	McASP1 transmission/reception data 0
144	AXR[1]	IOZ	McASP1 transmission/reception data 1
145	AXR1[2]	IOZ	McASP1 transmission/reception data 2
146	AXR18[3]	IOZ	McASP1 transmission/reception data 3
147	AXR1[4]	IOZ	McASP1 transmission/reception data 4
148	VSS	GND	Ground
149	CVDD	S	1.2V power supply
150	AXR1[5]	IOZ	McASP1 transmission/reception data 5
151	AXR1[6]	IOZ	McASP1 transmission/reception data 6
152	AXR1[7]	IOZ	McASP1 transmission/reception data 7
153	ACLKX1	IOZ	McASP1 transmission BCLK
154	AMUTE1	OZ	McASP1 MUTE output
155	AFSX1	IOZ	McASP1 transmission LRCLK
156	GP0[0]	IOZ	General purpose I/O port 0 (SPI ready signal output Active: H)

IC512: D60YA003BPYP225 (DSP P.C.B)

Decoder

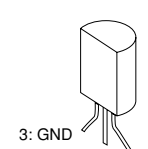
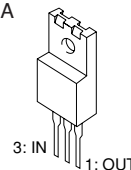
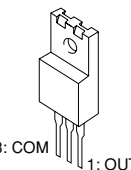
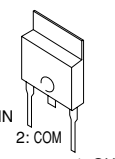
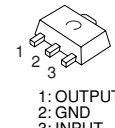
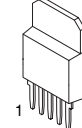
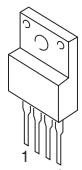
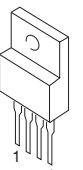
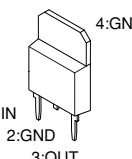
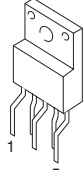
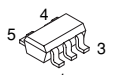
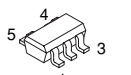
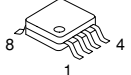
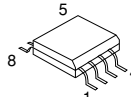
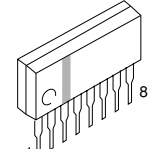
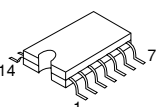
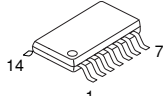
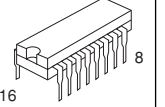
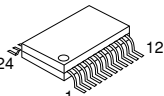
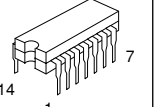
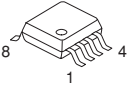
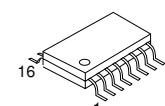
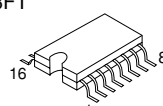
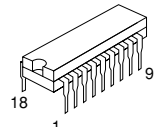
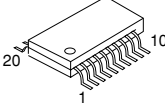
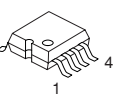
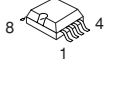
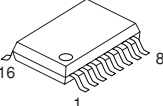
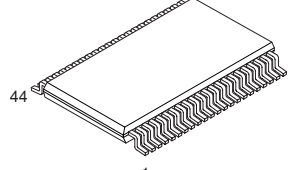
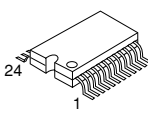
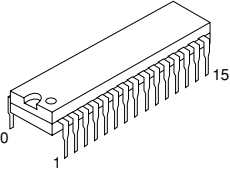
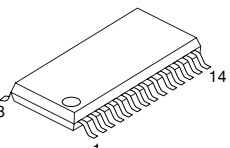
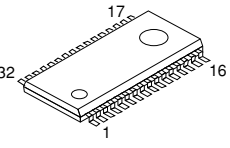
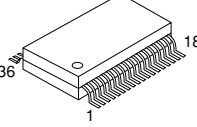
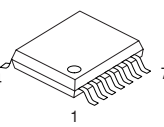
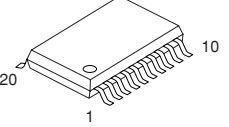
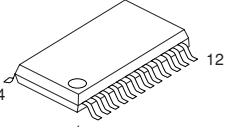
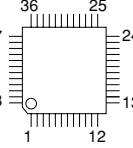
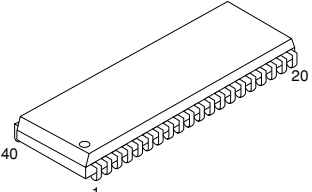
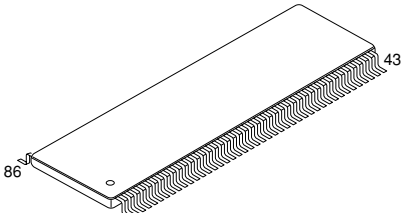
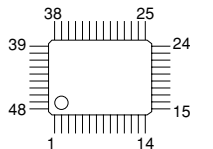
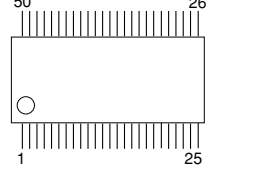
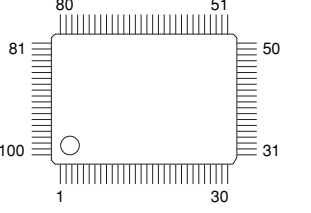
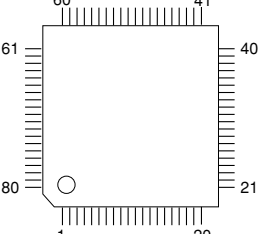
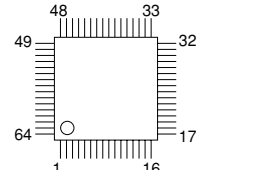
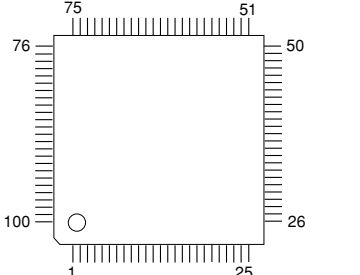
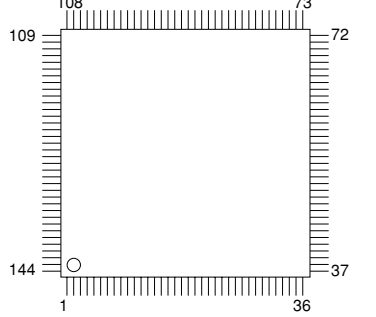
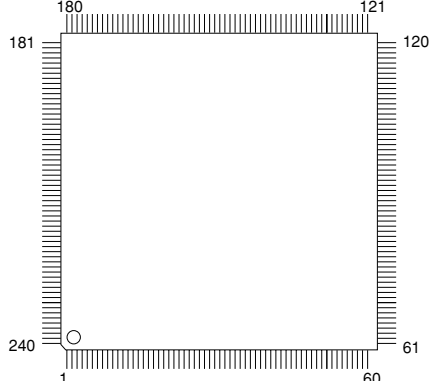
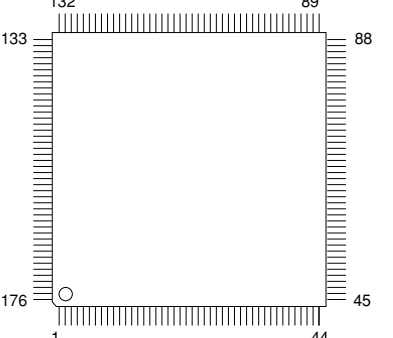
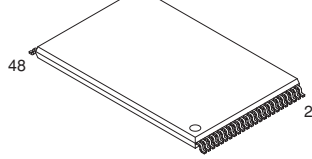
No.	Name	I/O	Function
157	CVDD	S	1.2V power supply
158	VSS	GND	Ground
159	AHCLKX1	IOZ	McASP1 transmission MCLK
160	GP0[8]	IOZ	General purpose I/O port 8
161	AHCLKR1	IOZ	McASP1 reception MCLK
162	DVDD	S	3.3V power supply
163	VSS	GND	Ground
164	GP0[3]	IOZ	General purpose I/O port 3 (Unconnected)
165	GP0[9]	IOZ	General purpose I/O port 9
166	GP0[10]	IOZ	General purpose I/O port 10
167	GP0[11]	IOZ	General purpose I/O port 11
168	GP0[12]	IOZ	General purpose I/O port 12
169	CVDD	S	1.2V power supply
170	VSS	GND	Ground
171	CVDD	S	1.2V power supply
172	GP0[13]	IOZ	General purpose I/O port 13
173	GP0[14]	IOZ	General purpose I/O port 14
174	GP0[15]	IOZ	General purpose I/O port 15
175	NMI	I	Nonmaskable Interrupt ↑ edge
176	/RESET	I	Device reset
177	CVDD	S	1.2V power supply
178	OSCIN	I	X'tal input, Oscillation: 12 to 25MHz
179	OSCOU	O	X'tal output (Unconnected)
180	OSCVSS	GND	X'tal GND internal connection (Unconnected)
181	OSCVDD	S	X'tal 1.2V power supply internal connection (Unconnected)
182	VSS	GND	Ground
183	DVDD	S	3.3V power supply
184	CLKOUT3	O	Programmable clock output up to 32 division of PLL (Unconnected)
185	EMU1	IOZ	JTAG emulation pin 1 (1 k-ohms PD when boundary scanning)
186	EMU0	IOZ	JTAG emulation pin 0 (1 k-ohms PD when boundary scanning)
187	TDO	O/Z	JTAG Data Out
188	DVDD	S	3.3V power supply
189	VSS	GND	Ground
190	CVDD	S	1.2V power supply
191	TDI	I	JTAG Data In
192	TMS	I	JTAG Mode Select
193	TCK	I	JTAG Clock
194	VSS	GND	Ground
195	CVDD	S	1.2V power supply
196	CVDD	S	1.2V power supply
197	/TRST	I	JTAG Reset
198	RSV2	O/Z	Reserved (Unconnected)
199	PLLG	A	Analog GND for PLL
200	RSV0	A	Reserved (Unconnected)
201	PLLV	A	Analog 1.2V power supply for PLL
202	PLLVH	A	Analog 3.3V power supply for PLL
203	RSV1	I	Reserved (GND)
204	CLKIN	I	Clock input
205	CLKMODE0	I	PLL input clock selection: Clkin or X'tal
206	DVDD	S	3.3V power supply
207	VSS	GND	Ground
208	CVDD	S	1.2V power supply

BLOCK DIAGRAM (1/2)

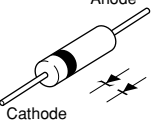
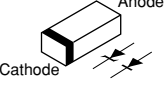
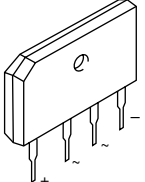
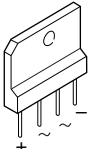
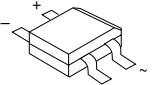


PIN CONNECTION DIAGRAM

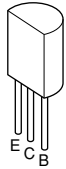
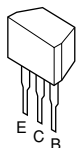
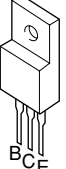
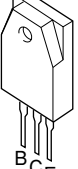

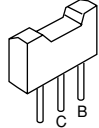
• ICs

<p>LM61CIZ</p> 	<p>NJM7805FA NJM7812FA NJM7809FA</p> 	<p>NJM79M05FA NJM79M12FA</p> 	<p>μPC29M33T-E1</p> 	<p>RH5RE39AA RH5RE58AA</p> 	<p>PQ012FZ01ZP PQ025EZ5MZPH μPC37M31TJ-E1</p> 	<p>PQ03RD23 PQ05RD21 PQ05RD11</p> 	<p>PQ09RF11</p> 	<p>μPC2905AT μPC2933AT</p> 	<p>PQ1CG2032FZ</p> 	
<p>SN74AHC1G00DCKR SN74AHC1G08DCKR SN74AHC1G32DCKR SN74AHC1G86DCKR SN74AHC1G32DCKR PST9242NR SN74AHC1G02DCKR</p> 	<p>SN74AHCT1G125DCKR SN74LVC1G125DCKR SN74LVC2G17DCKR</p> 	<p>NJM2068MD-TE2 TK15420M μPC4570G2 LE50ABD PCA9540BD</p> 	<p>NE5532DR</p> 	<p>NJM4556AL</p> 	<p>TC74HCU04AFEL</p> 	<p>NJM2581M SN74AHCT00PWR SN74AHCT08PWR SN74AHCT126PW SN74LVU04APWR TLC2932</p> 	<p>TC74HC4053AF</p> 	<p>MB3516APF-G-BND</p> 	<p>TC4013BP</p> 	<p>SN74CBT3306PWR</p> 
<p>74VHC157MTCX ADM202JRN-REEL7 AK4382AVT LA7108M</p> 	<p>MM74HC4051SJX MM74HC4053SJX TC74HC4051AFEL TC74HC4052AF TC74VHC153FT</p> 	<p>BU2092F</p> 	<p>SN74LV245APWR YAC520-EE2</p> 	<p>BA7071F</p> 	<p>AD8056AR 24LC04B</p> 	<p>AK5380-VT SN74LS151NSR</p> 	<p>IS62WV6416BLL</p> 			
<p>TC90A49F</p> 	<p>TA8772AN</p> 	<p>NJU7311AM NJU7312AM NJU7313AM</p> 	<p>BD3841FS</p> 	<p>LA7109</p> 	<p>SN74LV00APWR SN74LV32APWR</p> 	<p>SN74LV573APWR SN74LVC245APWR SN74LVTH245APW</p> 	<p>LC72722PM YAC526</p> 	<p>AK4358VQ LC89057W-VF4-E YAC523-EVR2</p> 		
<p>MSM514260E-60J3R1</p> 	<p>W9864G2EH</p> 	<p>TA1270BF</p> 	<p>W9816G6CH</p> 	<p>SAA7724H</p> 	<p>SiI9030</p> 					
<p>M66003-0131FP</p> 	<p>YSS930 HD6413008</p> 	<p>M30805SGP SiI9031</p> 	<p>YGV619</p> 	<p>TSB43CA42</p> 						
<p>MBM29LV400BC MBM29LV800BE TC58FVM5B2ATG65</p> 										

• Diodes

<p>1N4002S 1SS133 1SS244 1T2</p> <p>MTZJ3.0A MTZJ3.0B MTZJ33B MTZJ4.7C MTZJ5.1B MTZJ6.8B MTZJ7.5C MTZJ10B MTZJ24C RB441Q-40</p> 	<p>1SS355 1SS380 MA8051-M MA8051-L MA8056-M MA8068-L RB501V-40 UDZ3.6BTE-17 UDZ5.1B UDZS5.6BTE-17 RB051L-40</p> 	
<p>D2SBA20 D3SBA20</p> 	<p>D15XB20</p> 	<p>S1NB20 S1NB60</p> 

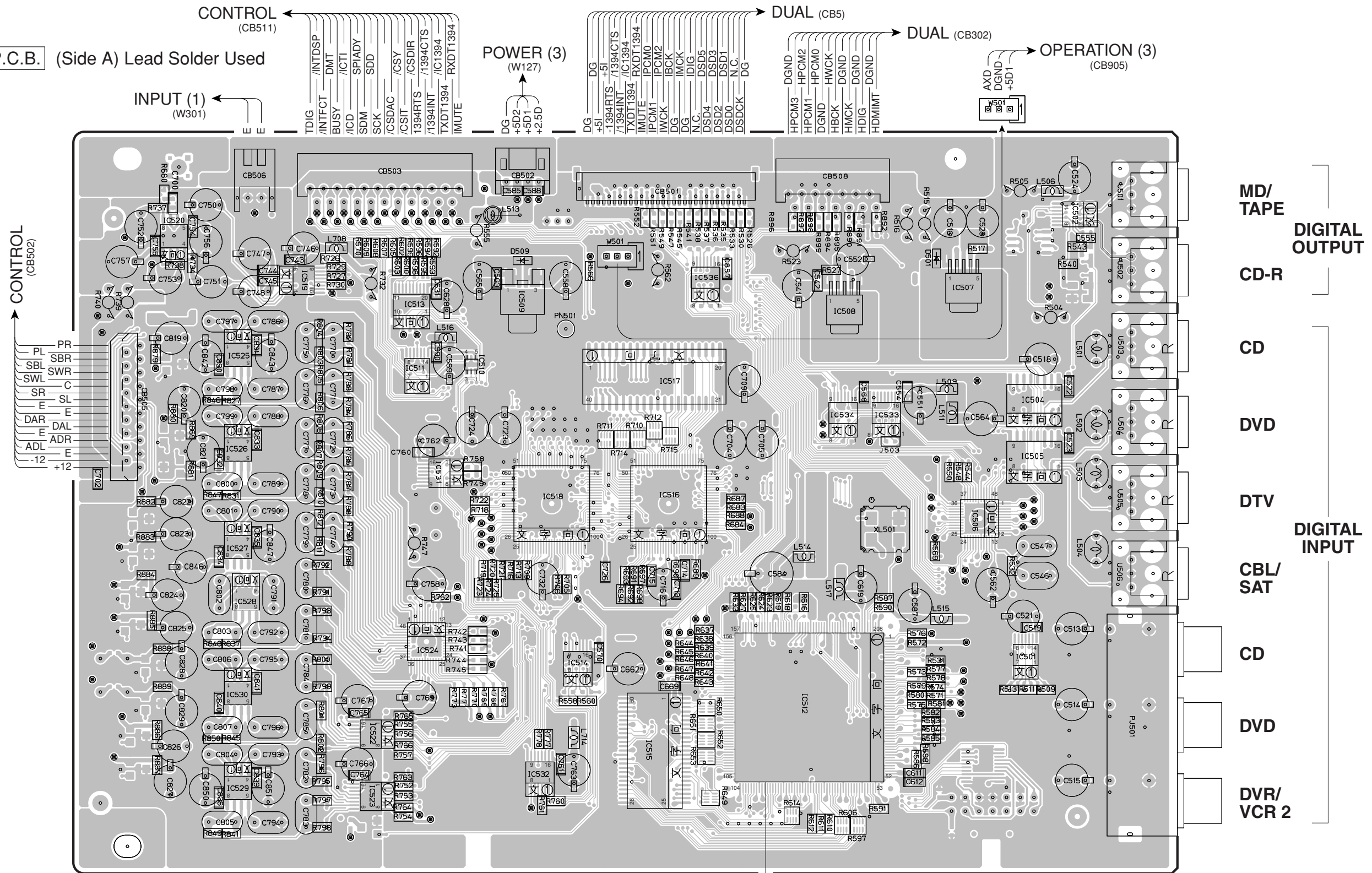
• Transistors

<p>2SA893A 2SA970 2SA1015 2SA949 2SC535 2SC1815 2SC1890A 2SC2229 2SC2240</p> 	<p>2SC1740S 2SD1915F DTA114ES DTC144ES</p> 	<p>2SA1837 2SB941 2SB1274 2SC3852 2SC4793</p> 	<p>2SA1492 2SA2151 2SC3856</p> 
<p>2SA1036KT146 2SA1037K 2SC2412K 2SC3326 2SD1938F DTC114EKA DTC144EKA 2SC4081</p> 	<p>2SA1708 2SC4488</p> 		

PRINTED CIRCUIT BOARD (Foil side)

Semiconductor Location

DSP P.C.B. (Side A) Lead Solder Used



Ref. No.	Location
D501	G3
D509	D3
IC501	G5
IC502	H3
IC504	G4
IC505	G4
IC506	G4
IC507	G3
IC508	F3
IC509	D3
IC510	D3
IC511	D4
IC512	F5
IC513	D3
IC514	E5
IC515	E6
IC516	E4
IC517	E4
IC518	E4
IC519	C3
IC520	B3
IC522	C6
IC523	C6
IC524	D5
IC525	C3
IC526	C4
IC527	C5
IC528	C5
IC529	C6
IC530	C5
IC531	D4
IC532	D6
IC533	G4
IC534	F4
IC536	E3

No service part available.
サービス部品供給なし

Circuit No.	J	U, C, R, T, K, A, B, G, L
R695	X	O

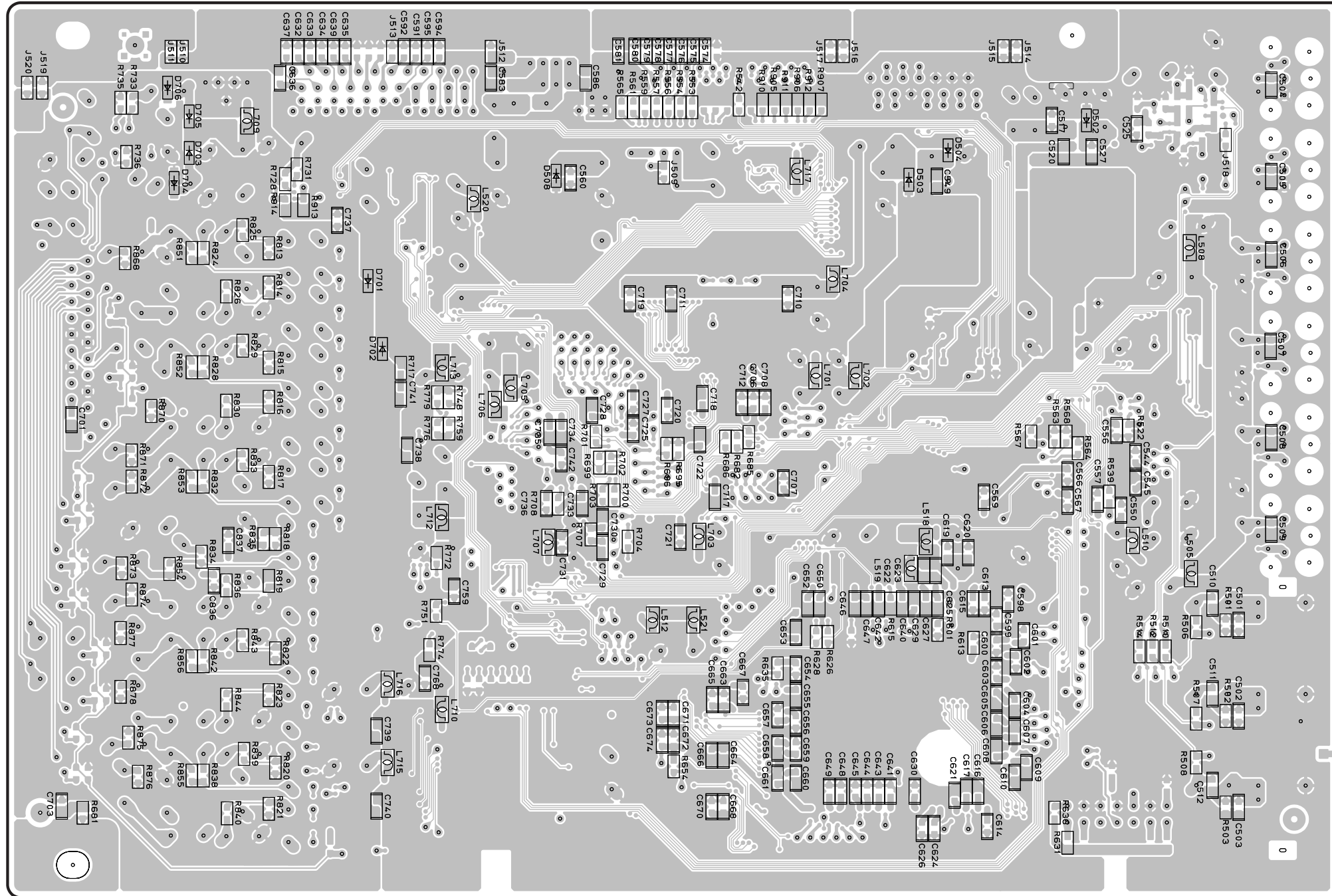
X : NOT USED
O : USED / APPLICABLE

■ PRINTED CIRCUIT BOARD (Foil side)

DSP P.C.B. (Side B) Lead Free Solder Used

• Semiconductor Location

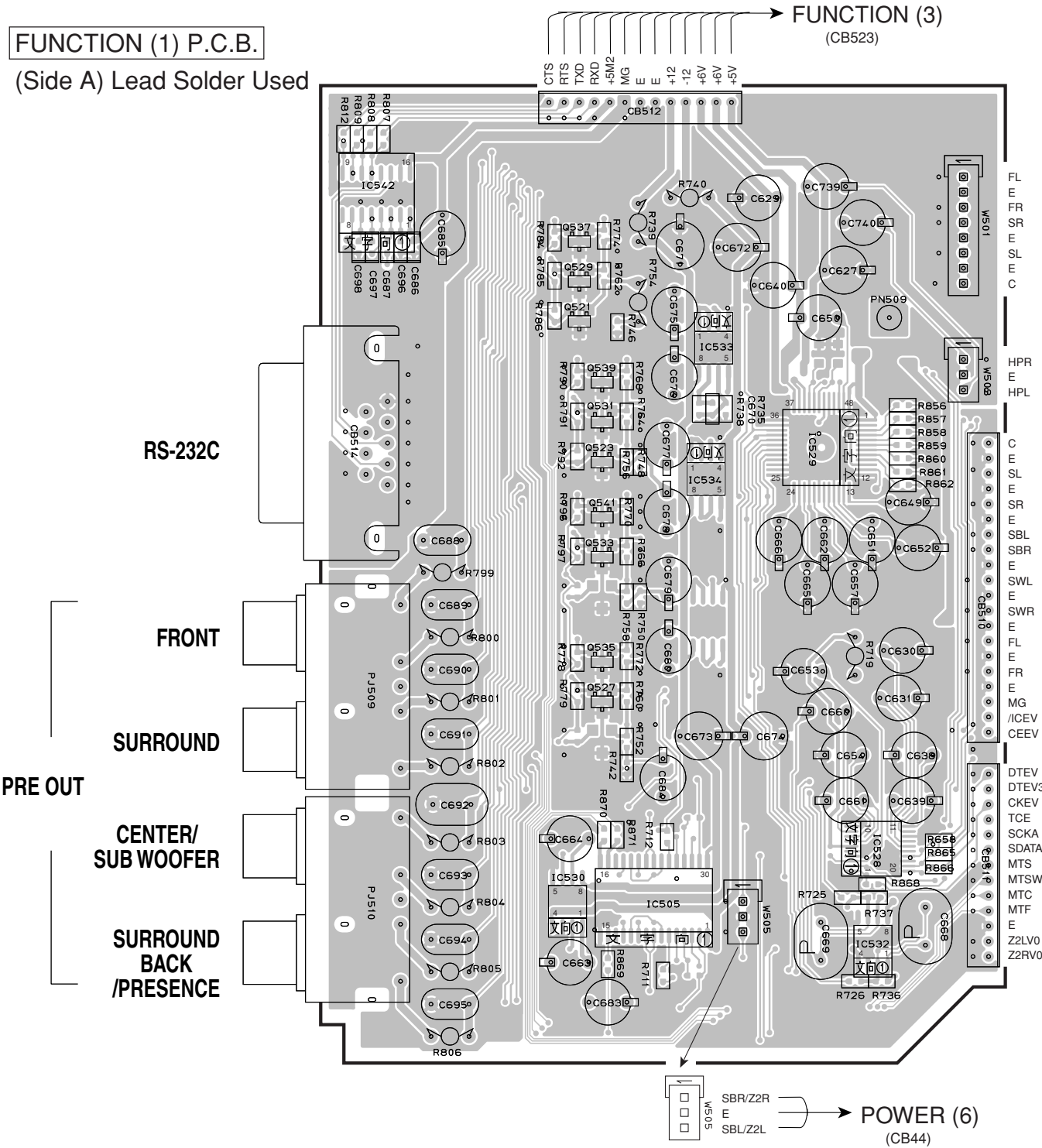
Ref. No.	Location
D502	G3
D503	F3
D504	G3
D508	E3
D701	D3
D702	D4
D703	C3
D704	C3
D705	C3
D706	C3



PRINTED CIRCUIT BOARD (Foil side)

FUNCTION (1) P.C.B.

(Side A) Lead Solder Used



FUNCTION (3)
(CB523)

FL
FR
SR
SL
EL
CL
HPR
HPL
C
E
S
L
E
SR
E
S
BL
S
BR
E
SW
L
E
SW
R
E
FL
E
FR
E
MG
/ICEV
CEEV
DTEV
DTEV3
CKEV
TCE
SCKA
SDATA
MTS
MTSW
MTC
MTF
E
Z2LV0
Z2RV0

POWER (1)
(CB40)

CONTROL
(CB517)

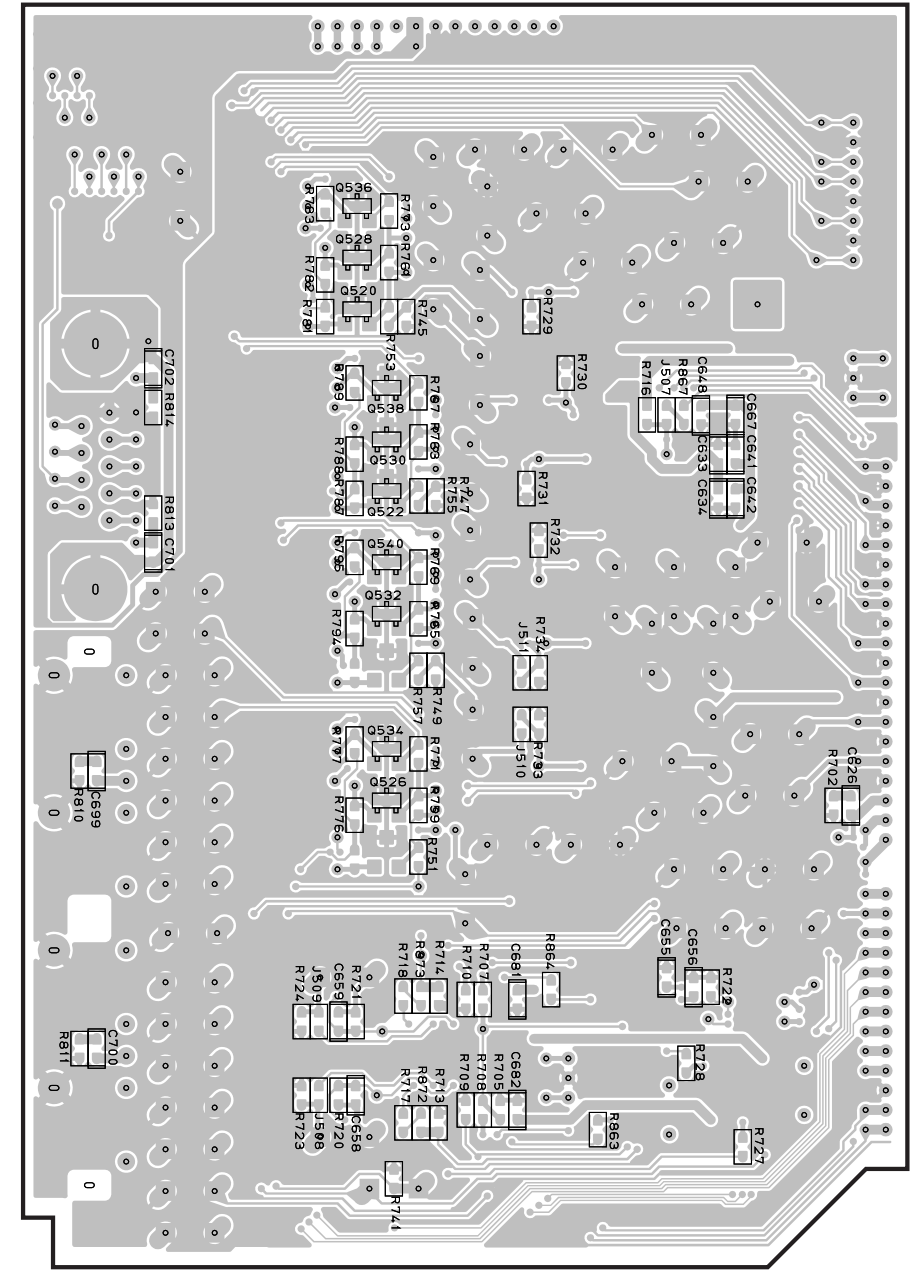
FUNCTION (4)
(CB543)

FUNCTION (4)
(CB544)

POWER (6)
(CB44)

FUNCTION (1) P.C.B.

(Side B) Lead Free Solder Used

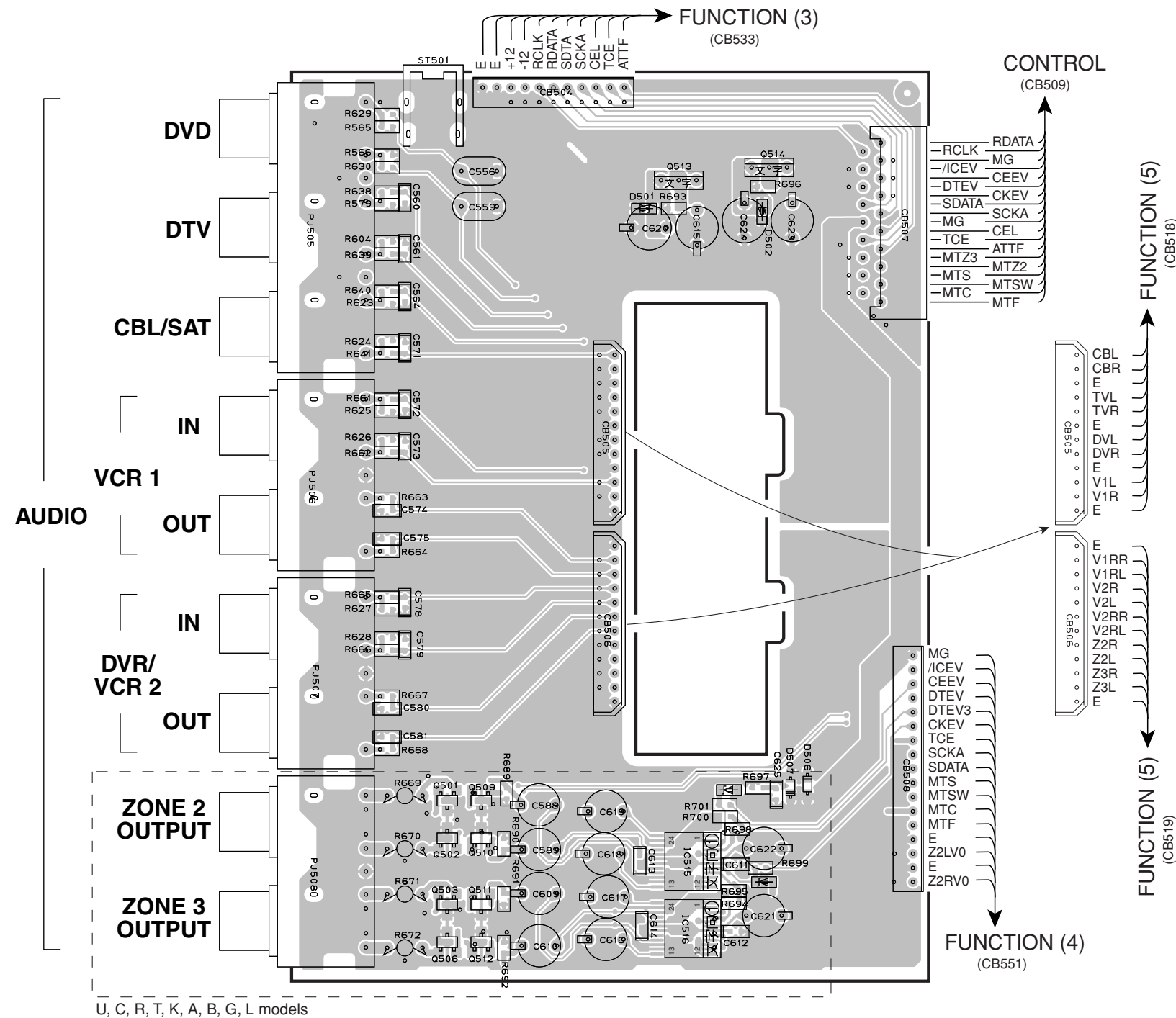


• Semiconductor Location

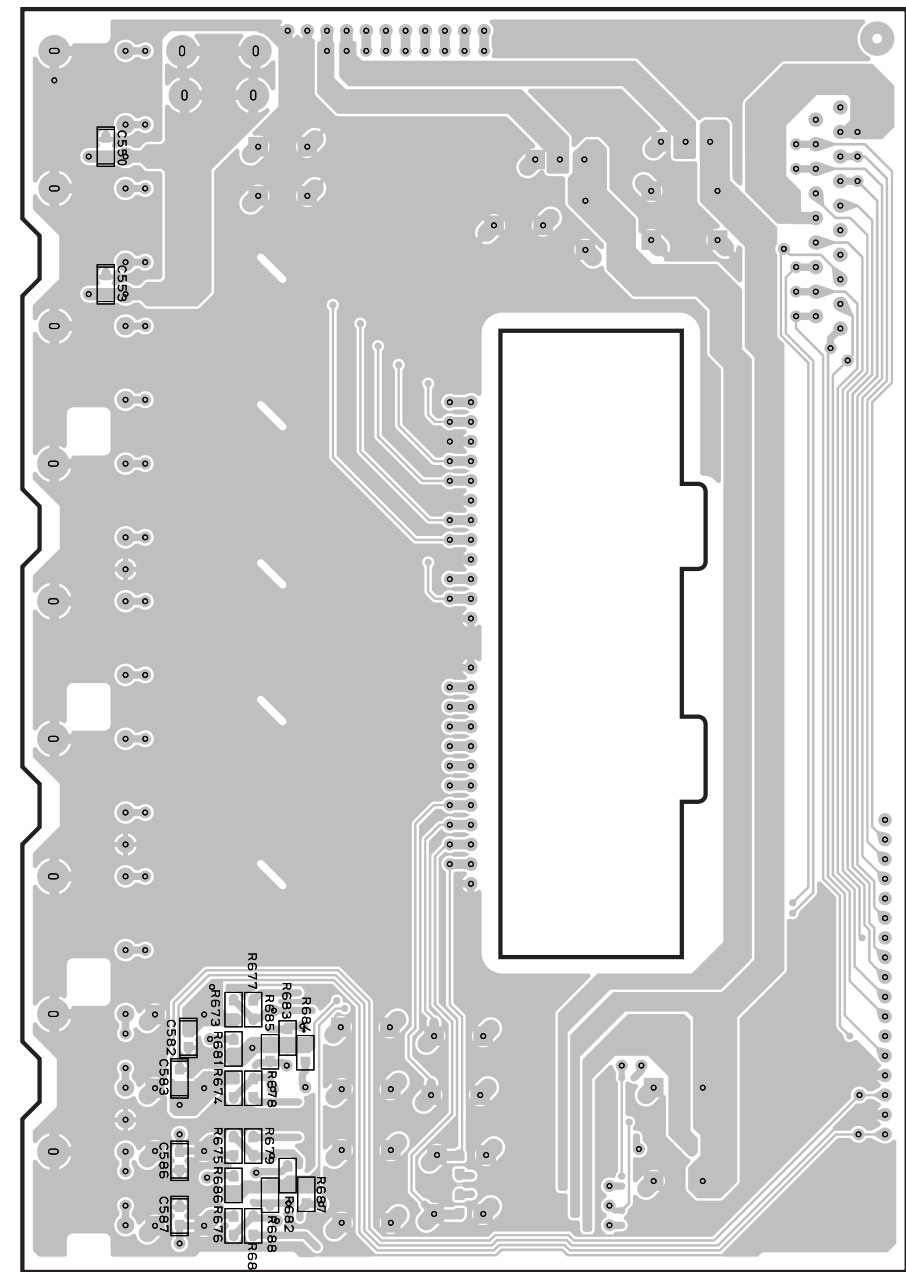
Ref. No.	Location	Ref. No.	Location	Ref. No.	Location	Ref. No.	Location
IC505	D5	IC542	B2	Q528	H2	Q535	C4
IC528	E5	Q520	H3	Q529	C2	Q536	H2
IC529	D3	Q521	C3	Q530	H3	Q537	C2
IC530	C5	Q522	H3	Q531	C3	Q538	H3
IC532	E5	Q523	C3	Q532	H4	Q539	C3
IC533	D3	Q526	H4	Q533	C3	Q540	H3
IC534	D3	Q527	C4	Q534	H4	Q541	C3

PRINTED CIRCUIT BOARD (Foil side)

FUNCTION (2) P.C.B. (Side A) Lead Solder Used



FUNCTION (2) P.C.B. (Side B) Lead Free Solder Used



Semiconductor Location

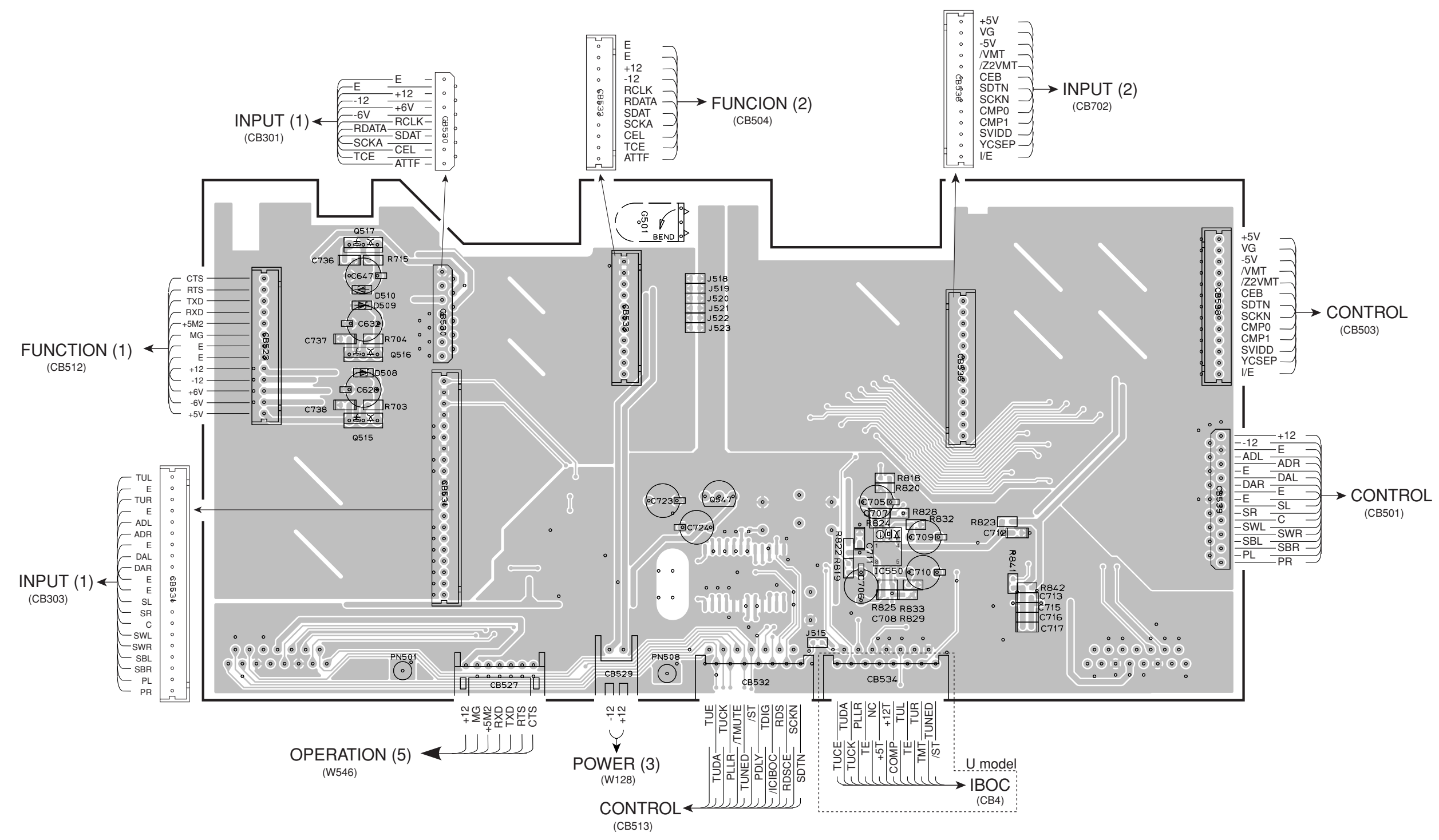
Ref. No.	Location	Ref. No.	Location	Ref. No.	Location
D501	D3	Q501	C5	Q510	C5
D502	D3	Q502	C6	Q511	C6
D506	E5	Q503	C6	Q512	C6
D507	E5	Q506	C6	Q513	D2
IC515	D6	Q509	C5	Q514	D2
IC516	D6				

• Semiconductor Location

Ref. No.	Location
D508	C4
D509	C4
D510	C4
IC550	F5
Q515	C4
Q516	C4
Q517	C3
Q547	E5

■ PRINTED CIRCUIT BOARD (Foil side)

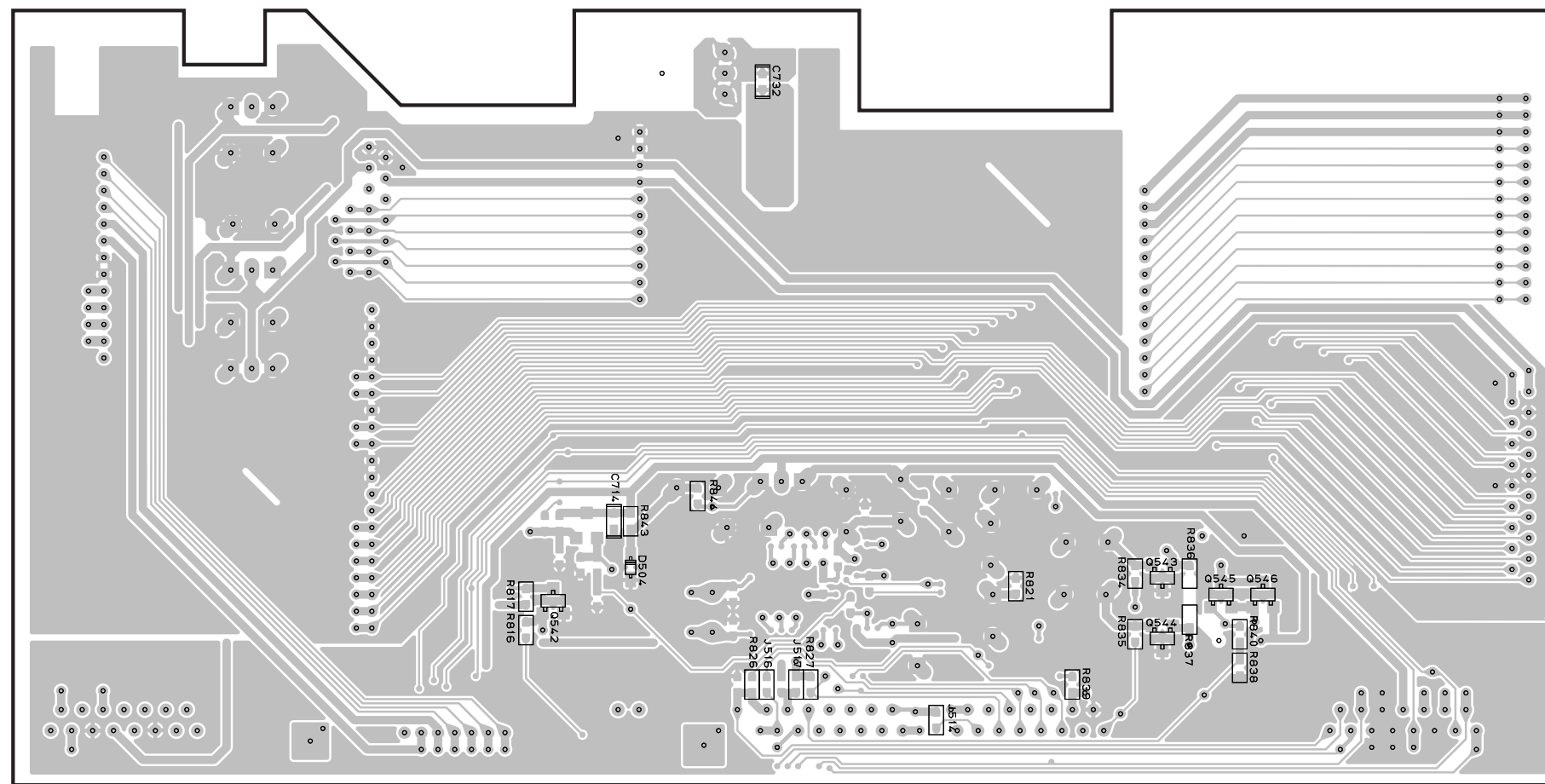
FUNCTION (3) P.C.B. (Side A) Lead Solder Used



1
2
3
4
5
6
7

■ PRINTED CIRCUIT BOARD (Foil side)

FUNCTION (3) P.C.B. (Side B) Lead Free Solder Used



• Semiconductor Location

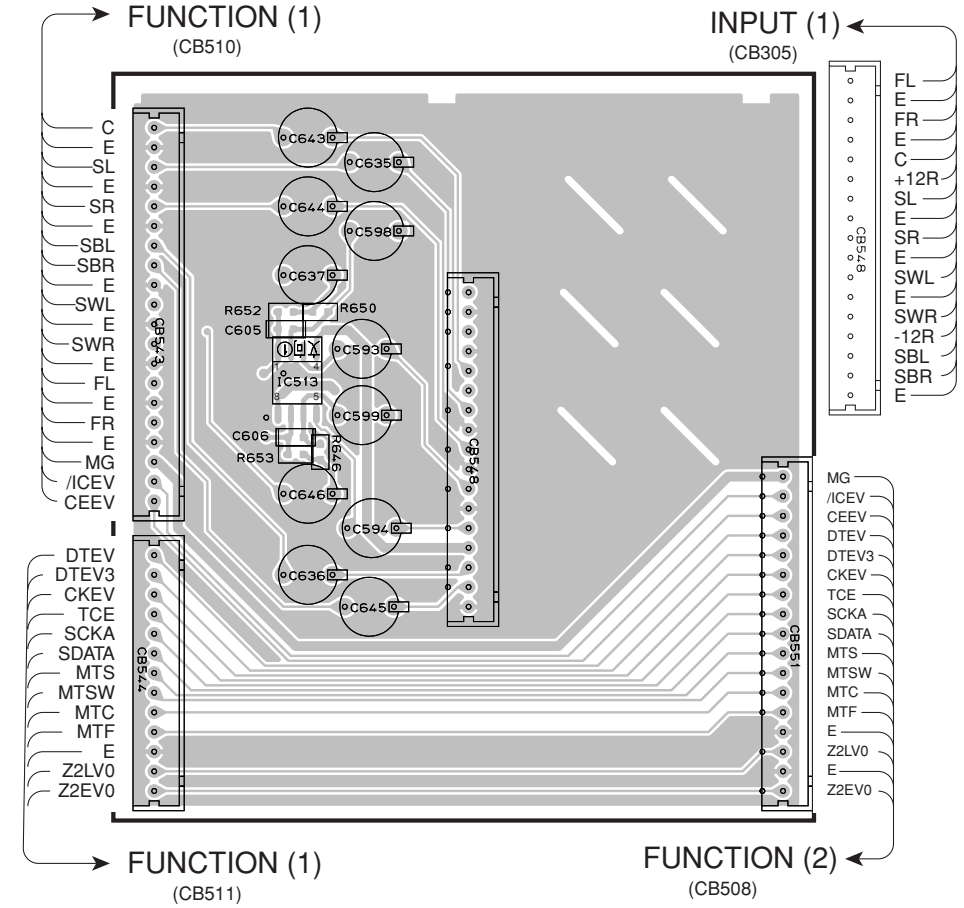
Ref. No.	Location
D504	C5
Q542	C5
Q543	E5
Q544	E5
Q545	F5
Q546	F5

Circuit No.	J	U	C	R, T, K, A, L	B, G
C582, 583, 586, 587	X	O	O	O	O
C588, 589, 609, 610	X	O	O	O	O
C611-614	X	O	O	O	O
C615, 623	X	O	O	O	O
C616-619	X	O	O	O	O
C620, 624	X	O	O	O	O
C621, 622	X	O	O	O	O
C625	X	O	O	O	O
C725, 735	X	X	X	X	O
C726, 727	X	X	X	X	O
C728	X	X	X	X	O
C729, 730, 734	X	X	X	X	O
C731, 733	X	X	X	X	O
CB537	X	O	O	O	O
CB515	O	X	X	X	X
D501, 502	X	O	O	O	O
D506, 507	X	O	O	O	O
IC358	X	X	X	O	O
IC515, 516	X	O	O	O	O
IC541	X	X	X	X	O
J507	X	O	O	O	O
J510, 511	O	O	O	X	X
J512, 513	O	X	X	X	X
L501	X	X	X	X	O
PJ508	X	O	O	O	O
Q501-503, 506, 509-512	X	O	O	O	O
Q513	X	O	O	O	O
Q514	X	O	O	O	O
Q548	X	X	X	X	O
R669-672	X	O	O	O	O
R673-680	X	O	O	O	O
R681-688	X	O	O	O	O
R689-692	X	O	O	O	O
R693, 696	X	O	O	O	O
R694, 698, 699	X	O	O	O	O
R695, 700	X	O	O	O	O
R697	X	O	O	O	O
R701	X	O	O	O	O
R863, 864	X	O	O	O	O
R845	X	X	X	X	O
R846	X	X	X	X	O
R847	X	X	X	X	O
R848	X	X	X	X	O
R849	X	X	X	X	O
R850, 852	X	X	X	X	O
R851, 853	X	X	X	X	O
XL501	X	X	X	X	O

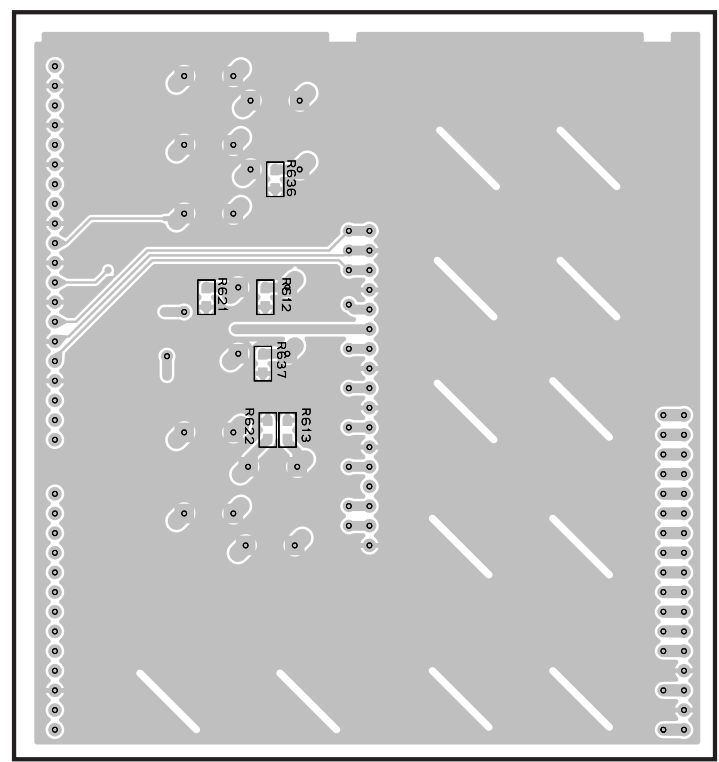
X : NOT USED
O : USED / APPLICABLE

PRINTED CIRCUIT BOARD (Foil side)

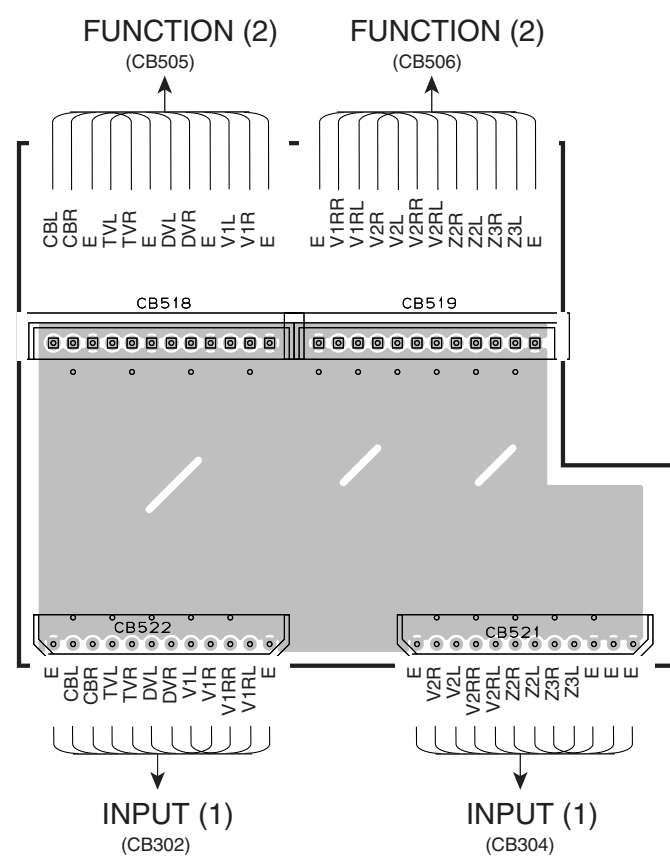
FUNCTION (4) P.C.B. (Side A) Lead Solder Used



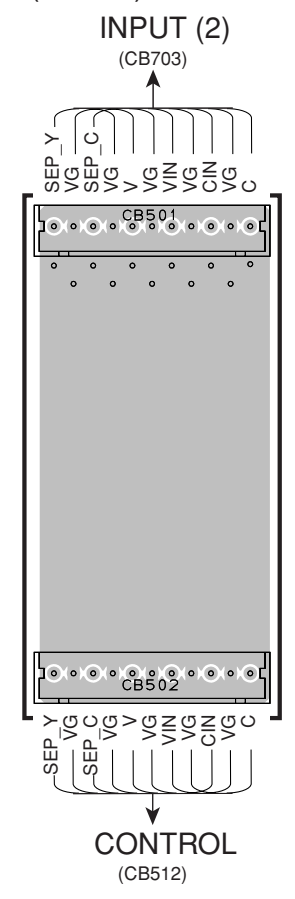
FUNCTION (4) P.C.B. (Side B) Lead Free Solder Used



FUNCTION (5) P.C.B. (Side A) Lead Solder Used



FUNCTION (6) P.C.B. (Side A) Lead Solder Used



• Semiconductor Location

Ref. No.	Location
IC513	B3

1
2
3
4
5
6
7

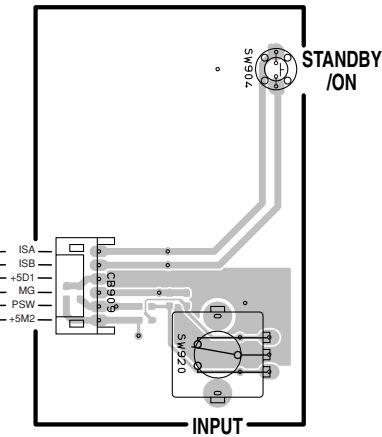
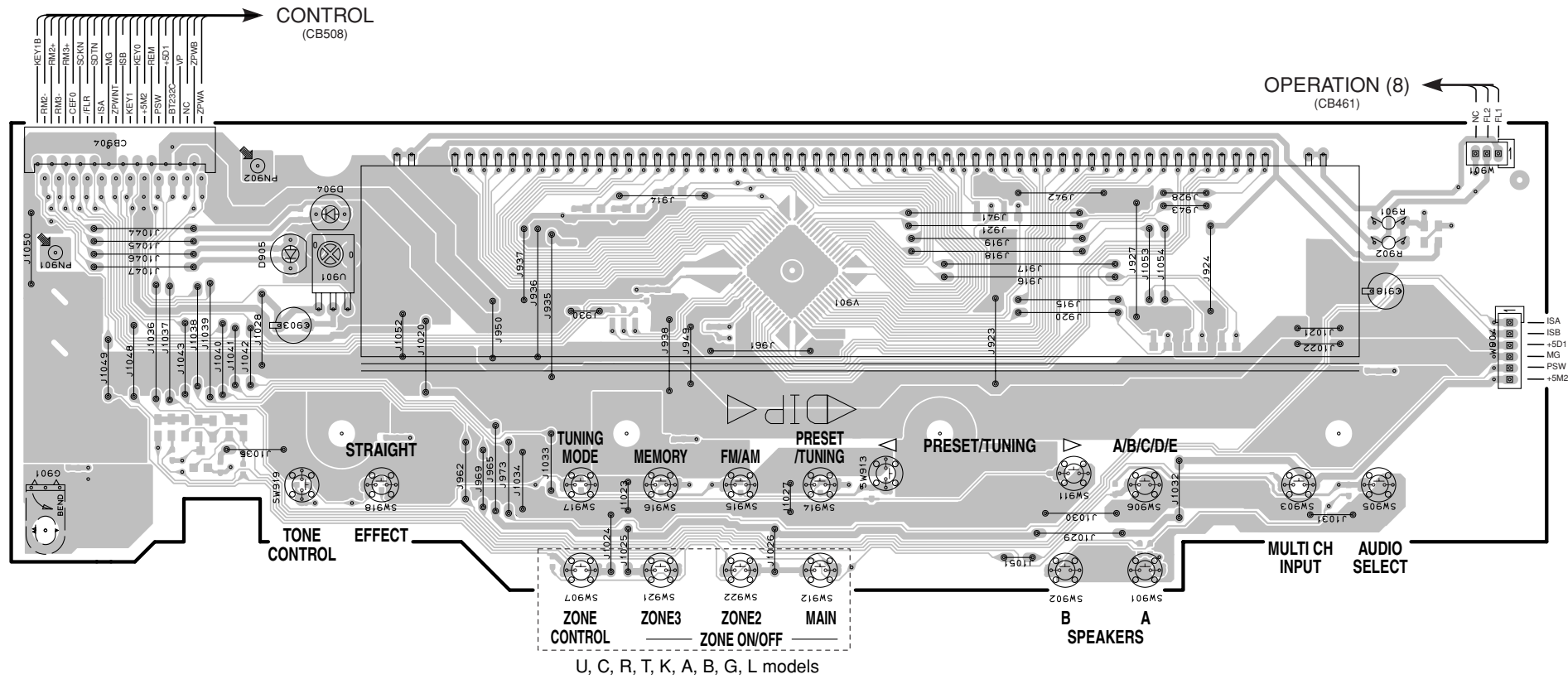
PRINTED CIRCUIT BOARD (Foil side)

• Semiconductor Location

Ref. No.	Location
D901	G5
D902	G5
D905	B3
D909	B6
D910	B6
D911	B6
D912	B6
D913	B6
D914	B6
D915	B6
IC901	D5
Q902	D5
Q903	D5
Q904	E5
Q905	F6
Q908	F6
Q909	E5
Q910	F6
Q913	D5
Q914	B7

OPERATION (1) P.C.B. (Side A)

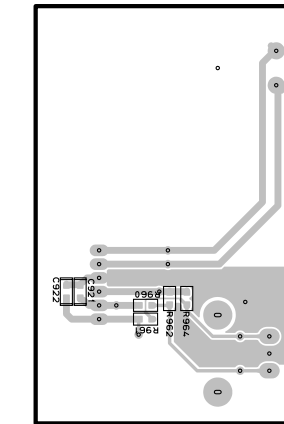
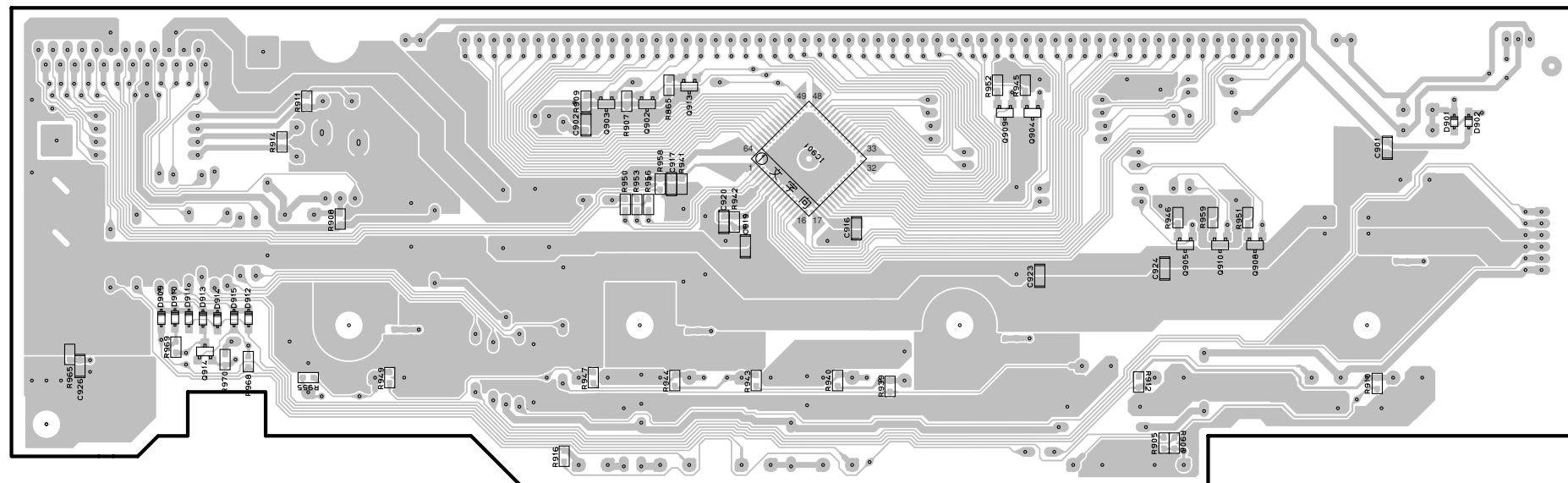
OPERATION (6) P.C.B. (Side A)



U, C, R, T, K, A, B, G, L models

OPERATION (1) P.C.B. (Side B) Lead Free Solder Used

OPERATION (6) P.C.B. (Side B) Lead Free Solder Used



• Semiconductor Location

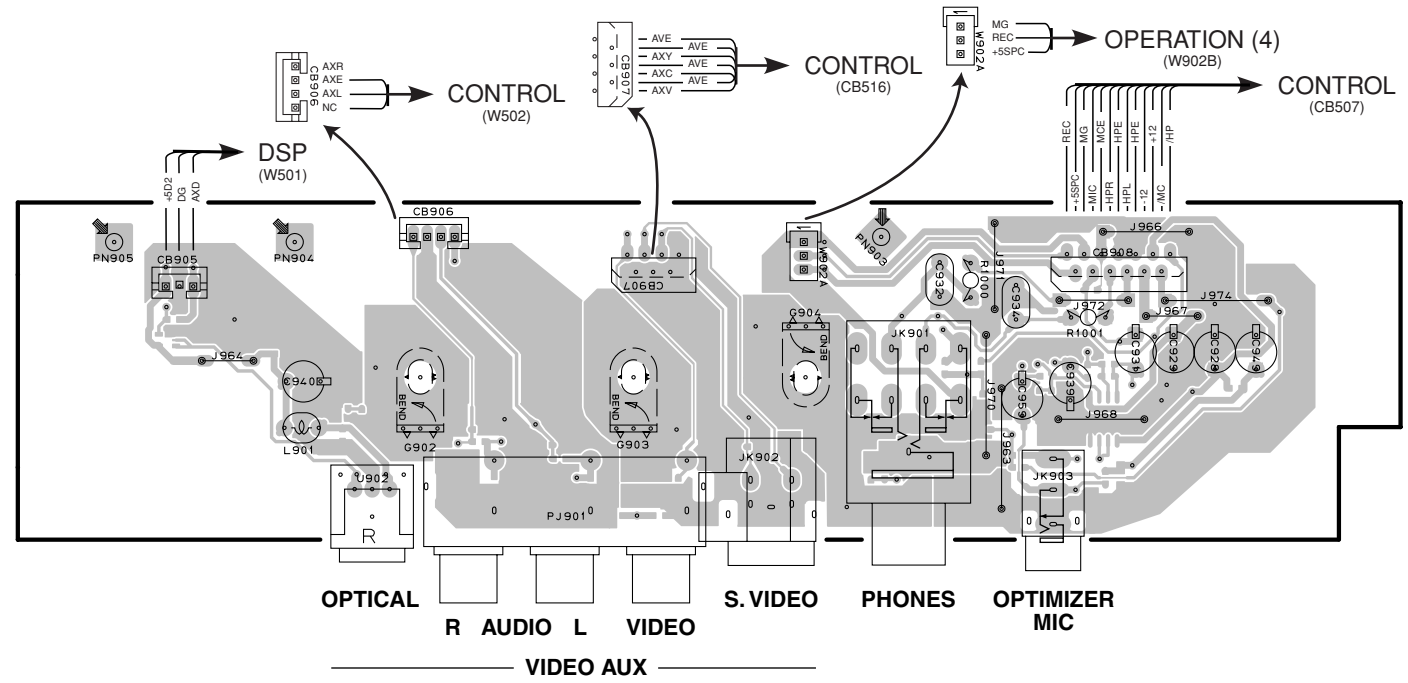
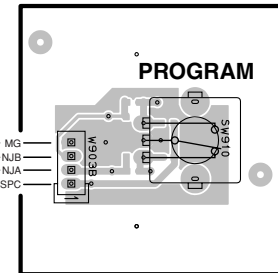
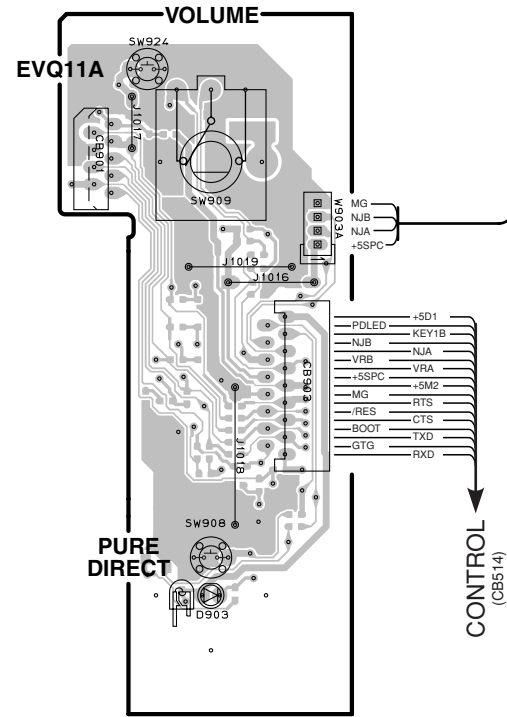
Ref. No.	Location
D906	I6
D903	B4
IC902	E6
IC904	H6
Q901	B7

■ PRINTED CIRCUIT BOARD (Foil side)

OPERATION (2) P.C.B. (Side A)

OPERATION (7) P.C.B. (Side A)

OPERATION (3) P.C.B. (Side A)



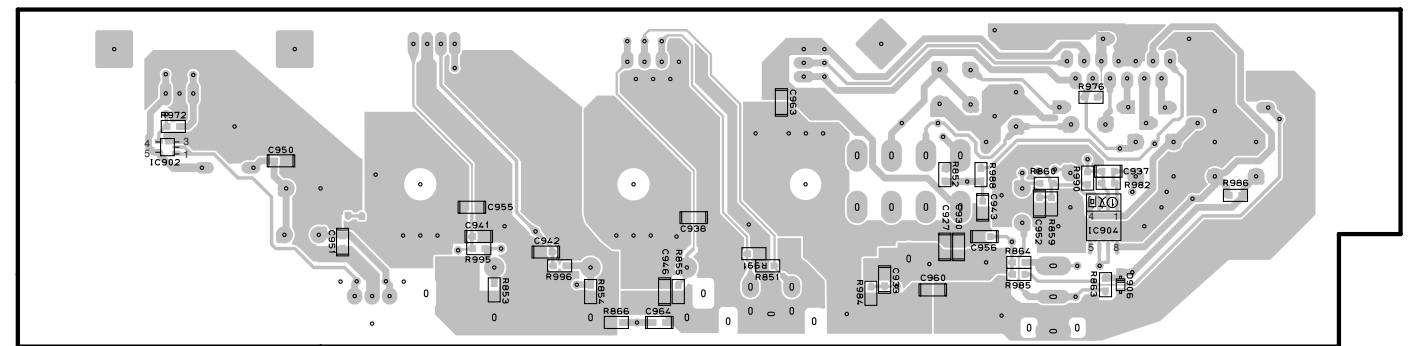
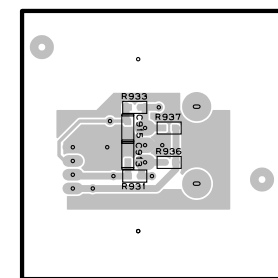
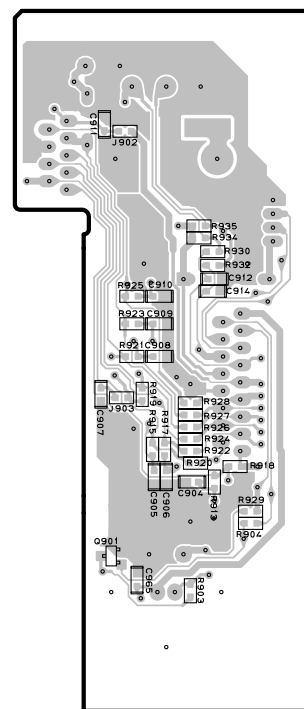
OPERATION (2) P.C.B. (Side B)

OPERATION (7) P.C.B. (Side B)

OPERATION (3) P.C.B. (Side B) Lead Free Solder Used

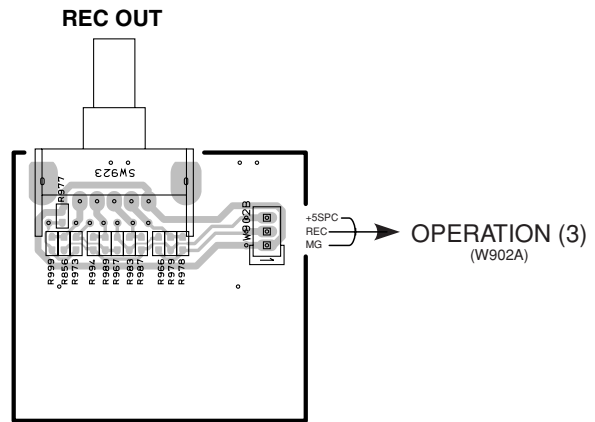
Lead Free Solder Used

Lead Free Solder Used

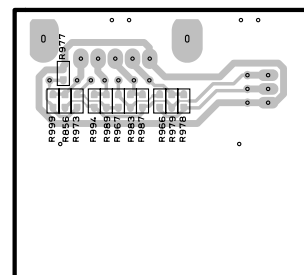


PRINTED CIRCUIT BOARD (Foil side)

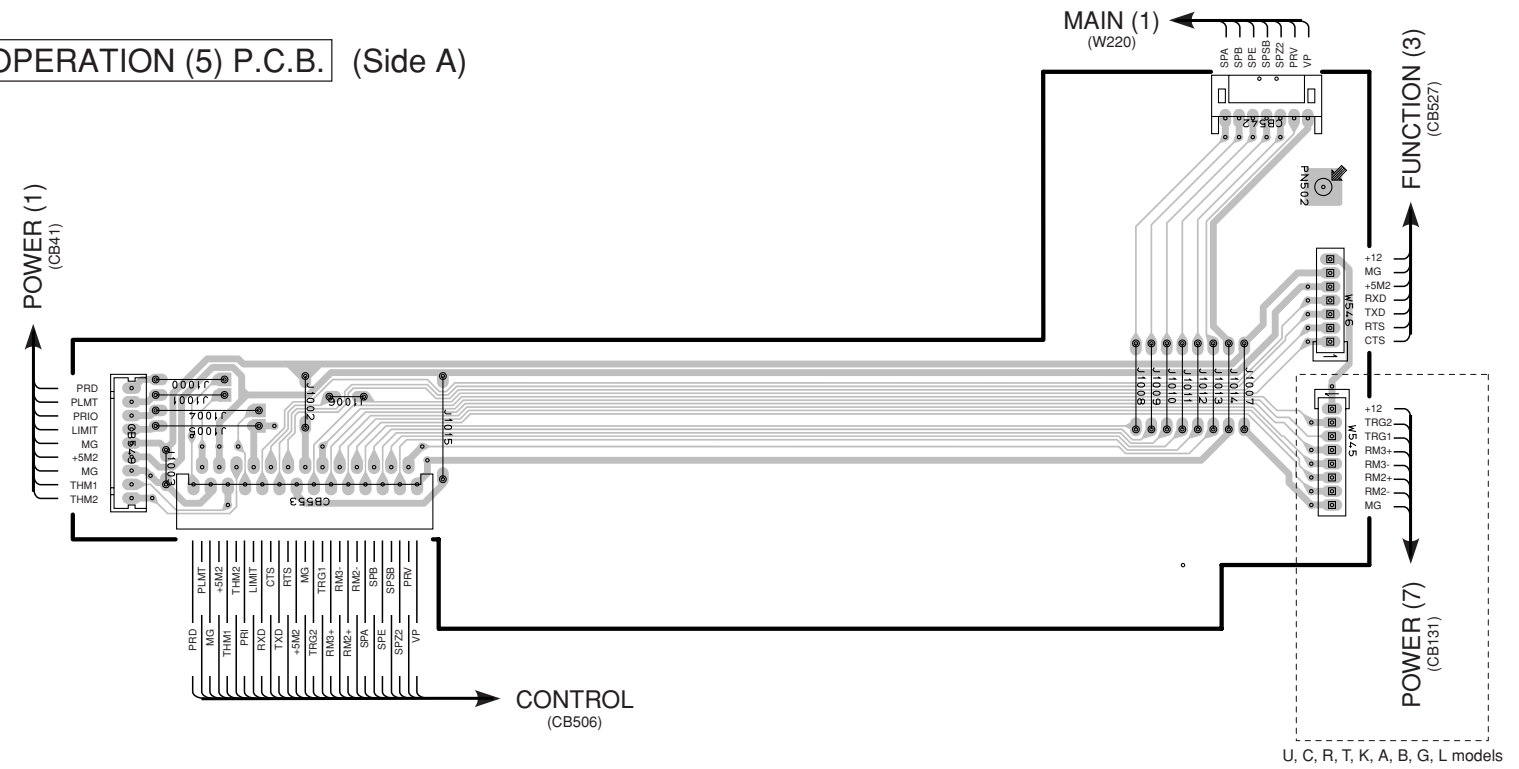
OPERATION (4) P.C.B. (Side A)



OPERATION (4) P.C.B. (Side B) Lead Free Solder Used



OPERATION (5) P.C.B. (Side A)



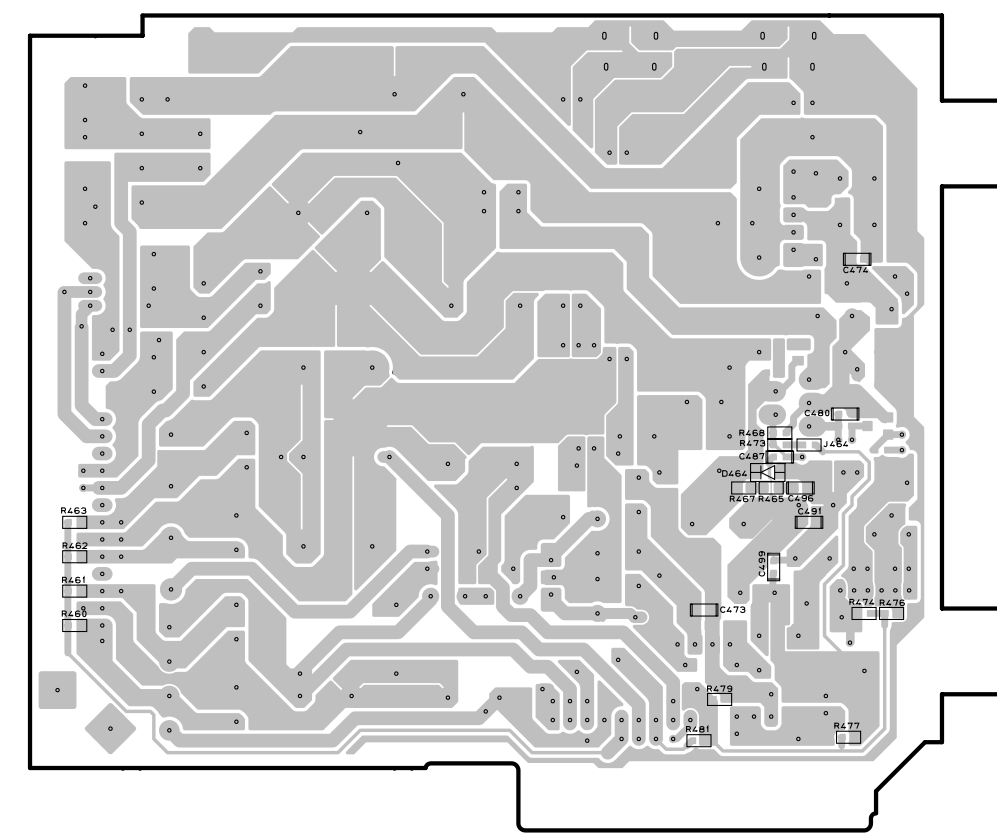
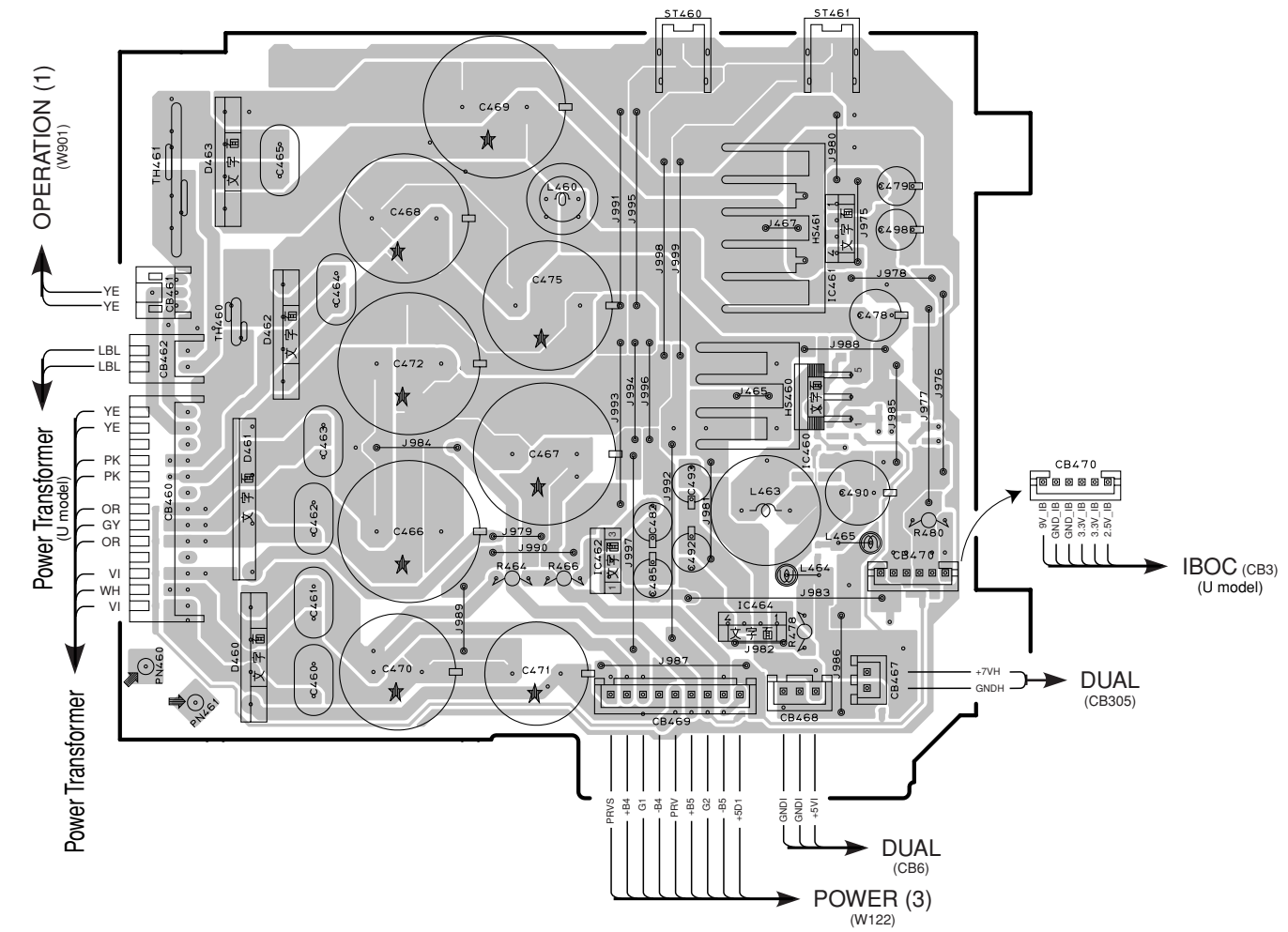
• Semiconductor Location

Ref. No.	Location
D460	B5
D461	B4
D462	B3
D463	B3
D464	H4
IC460	D4
IC461	D3
IC462	C4
IC464	D5

■ PRINTED CIRCUIT BOARD (Foil side)

OPERATION (8) P.C.B. (Side A)

OPERATION (8) P.C.B. (Side B) Lead Free Solder Used



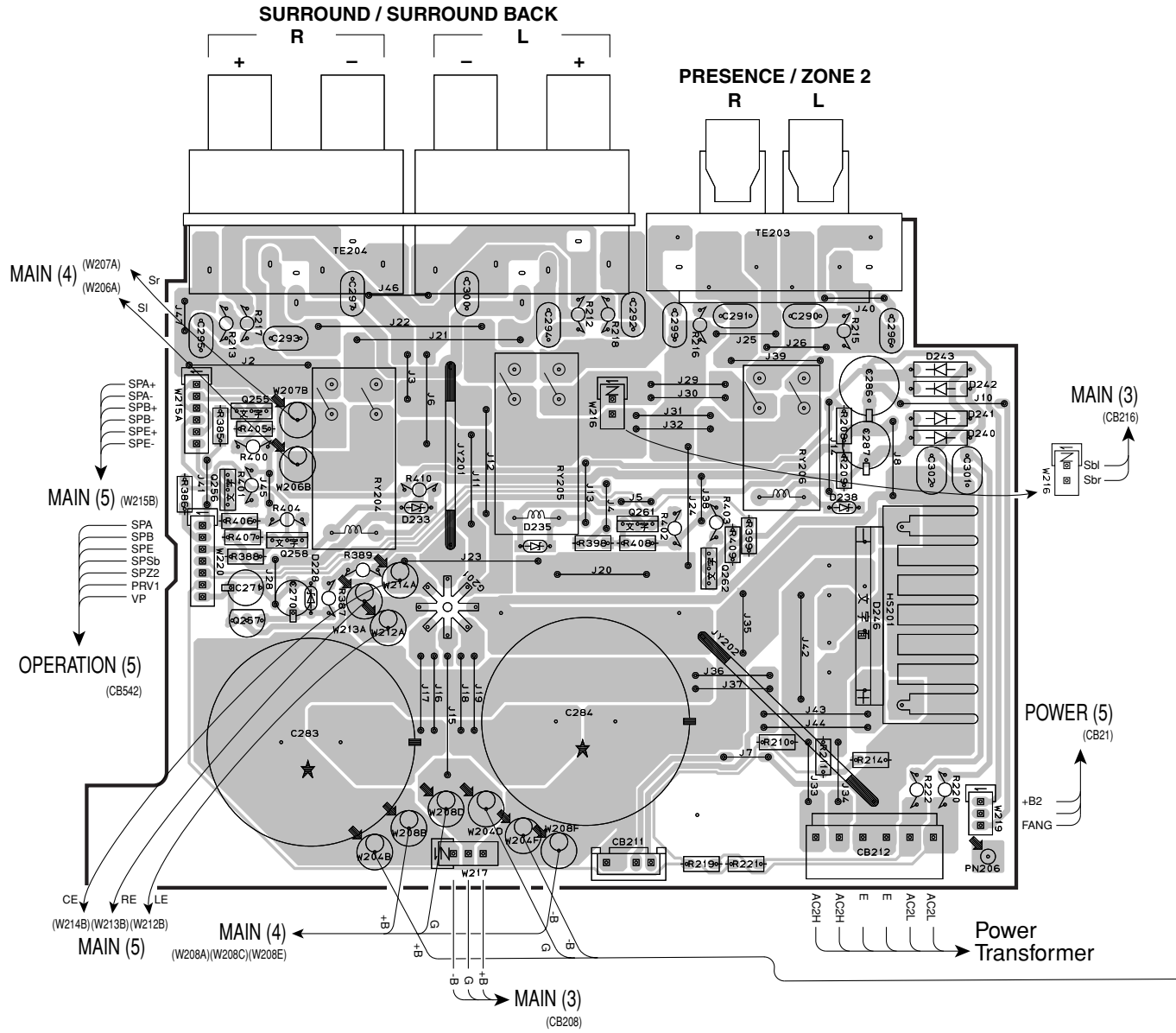
Circuit No.	J	U	C, R, T, K, A, B, G, L
C465	X	O	X
C469	X	O	X
C474	X	O	X
C479	X	O	X
C482	X	O	X
C485	X	O	X
C498	X	O	X
CB462	X	O	X
CB470	X	O	X
D463	X	O	X
D904, 905	X	O	O
D909-915	X	O	O
HS461	X	O	X
IC461	X	O	X
IC462	X	O	X
J467	X	O	X

Circuit No.	J	U	C, R, T, K, A, B, G, L
Q914	X	O	O
R464, 466	X	O	X
R474	X	O	X
R476	X	O	X
R480	X	O	X
R911, 914	X	O	O
R968, 970	X	O	O
R969	X	O	O
SW907	X	O	O
SW912, 921, 922	X	O	O
TH461	X	O	X
W545	X	O	O

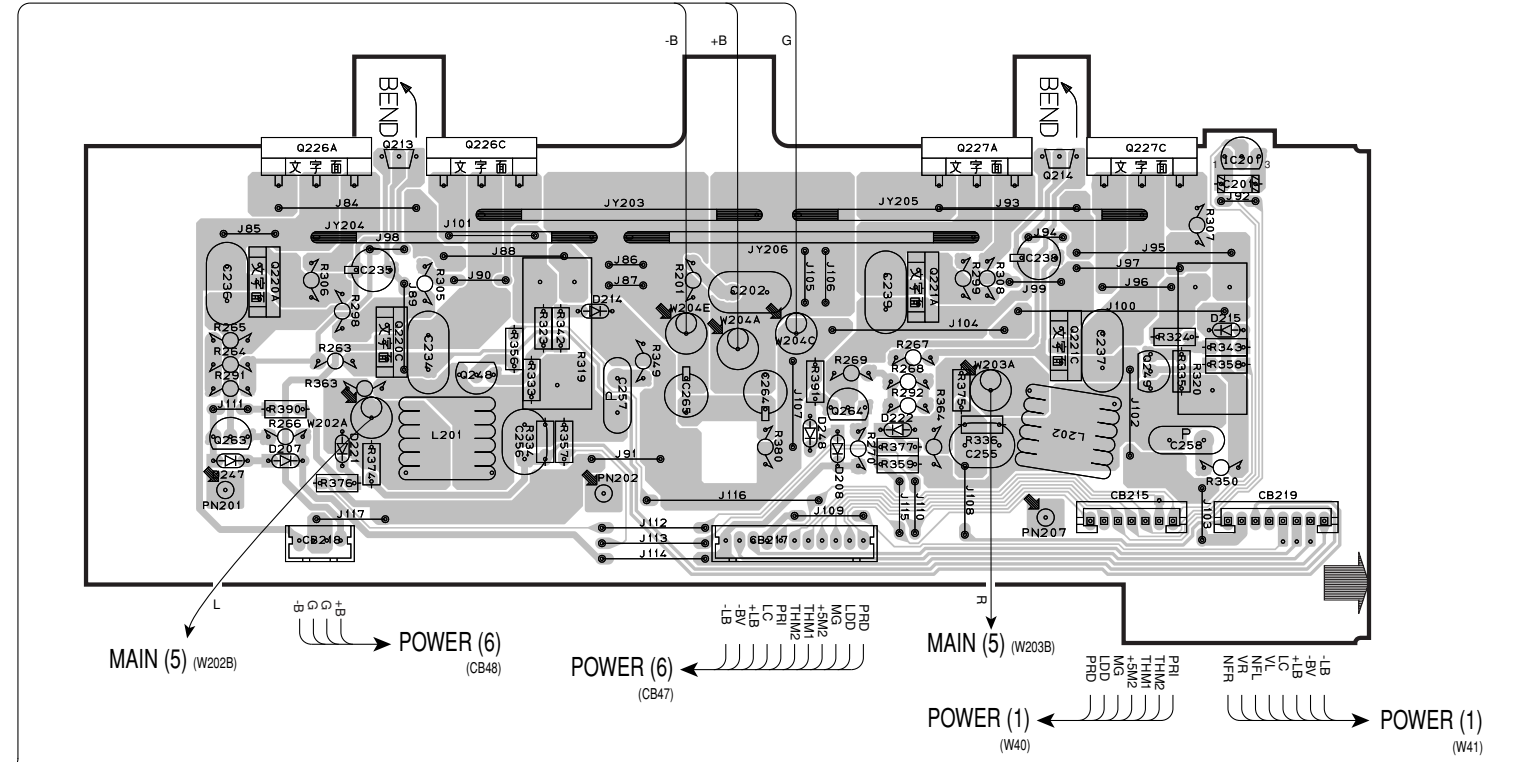
X : NOT USED
O : USED / APPLICABLE

PRINTED CIRCUIT BOARD (Foil side) Lead Free Solder Used

MAIN (1) P.C.B. (Side A)



MAIN (2) P.C.B. (Side A)



• Semiconductor Location

Ref. No.	Location	Ref. No.	Location	Ref. No.	Location	Ref. No.	Location	Ref. No.	Location	Ref. No.	Location
D207	F5	D233	B4	D246	D4	Q220C	G4	Q248	G4	Q262	D4
D208	H4	D235	C4	D247	F5	Q221A	H4	Q249	I4	Q263	F4
D214	G4	D238	D4	D248	H4	Q221C	I4	Q255	B4	Q264	H4
D215	I4	D240	D4	IC201	I4	Q226A	F4	Q256	B4		
D221	F5	D241	D4	Q213	G4	Q226C	G4	Q257	B4		
D222	H4	D242	D3	Q214	I4	Q227A	H4	Q258	B4		
D228	B4	D243	D3	Q220A	F4	Q227C	I4	Q261	C4		

Circuit No.	J	U, C, R, T, K, A, B, G, L
C279	X	O
R204	X	O

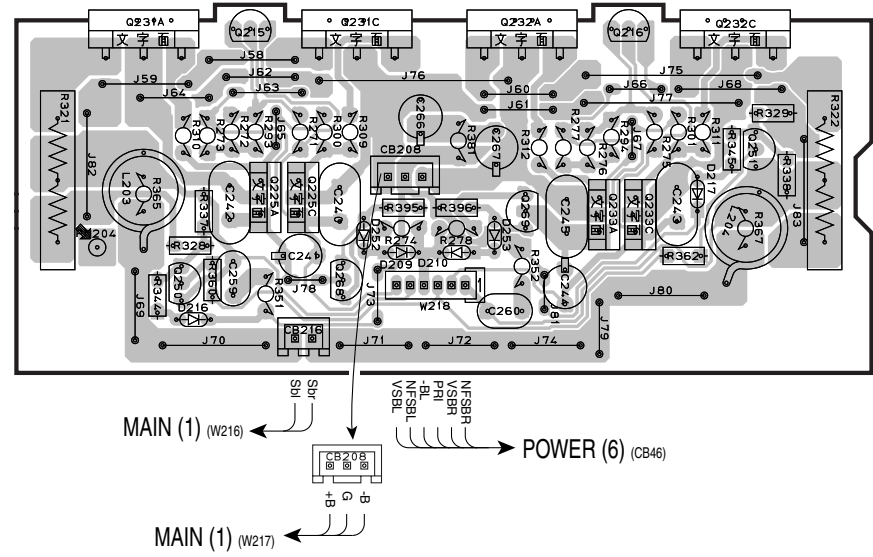
X : NOT USED
O : USED / APPLICABLE

PRINTED CIRCUIT BOARD (Foil side) Lead Free Solder Used

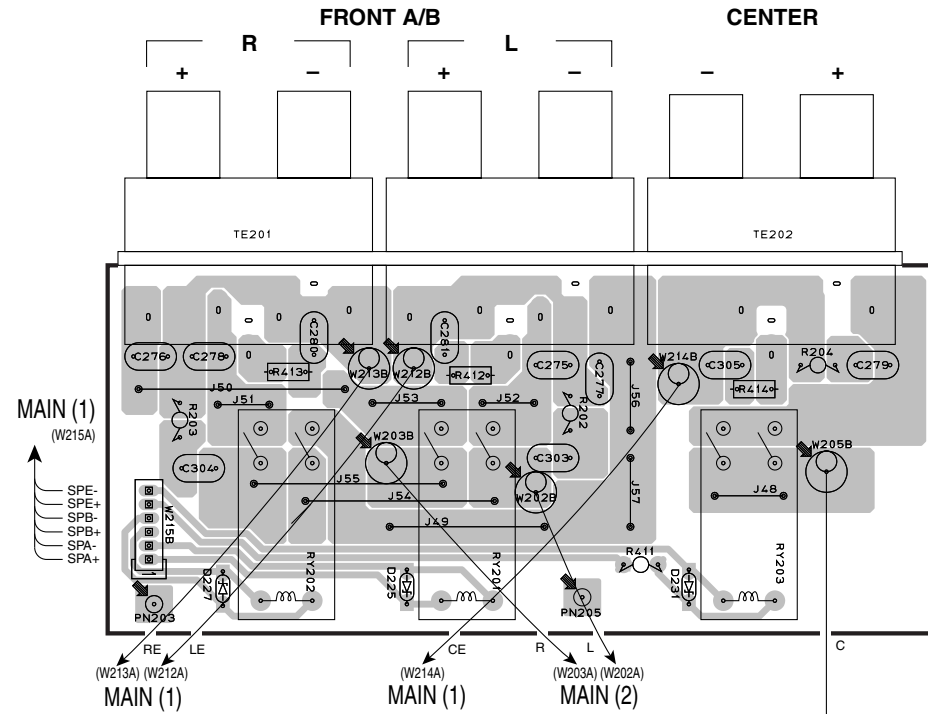
• Semiconductor Location

Ref. No.	Location
D209	B3
D210	C3
D211	E6
D212	C5
D213	B5
D216	B3
D217	D3
D218	E5
D219	D5
D220	C5
D225	F4
D227	F4
D231	G4
D249	E6
D250	C5
D251	B6
D252	B3
D253	C3
IC202	B5
Q215	B2
Q216	C2
Q217	D5
Q218	C5
Q219	B5
Q222A	D5
Q222C	E5
Q223A	C5
Q223C	C5
Q224A	B5
Q224C	B5
Q225A	B3
Q225C	B3
Q228A	D5
Q228C	E5
Q229A	C5
Q229C	D5
Q230A	B5
Q230C	C5
Q231A	B2
Q231C	B2
Q232A	C2
Q232C	C2
Q233A	C3
Q233C	C3
Q250	B3
Q251	D2
Q252	E5
Q253	D5
Q254	C5
Q265	D5
Q266	C5
Q267	B5
Q268	B3
Q269	C3

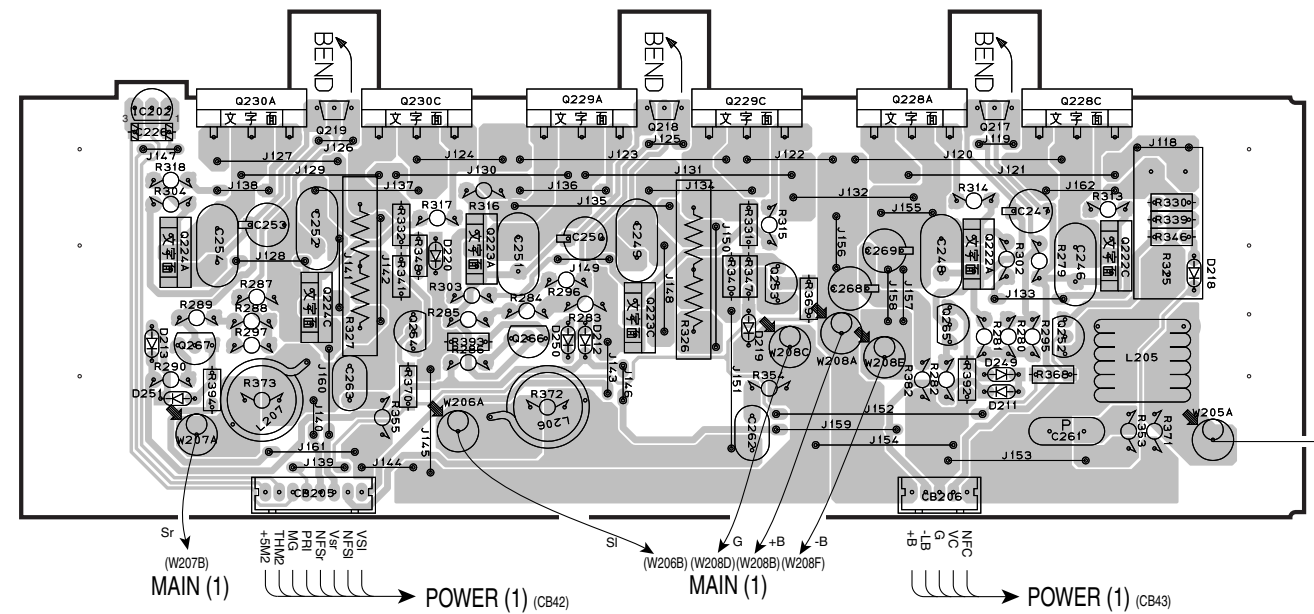
MAIN (3) P.C.B. (Side A)



MAIN (5) P.C.B. (Side A)



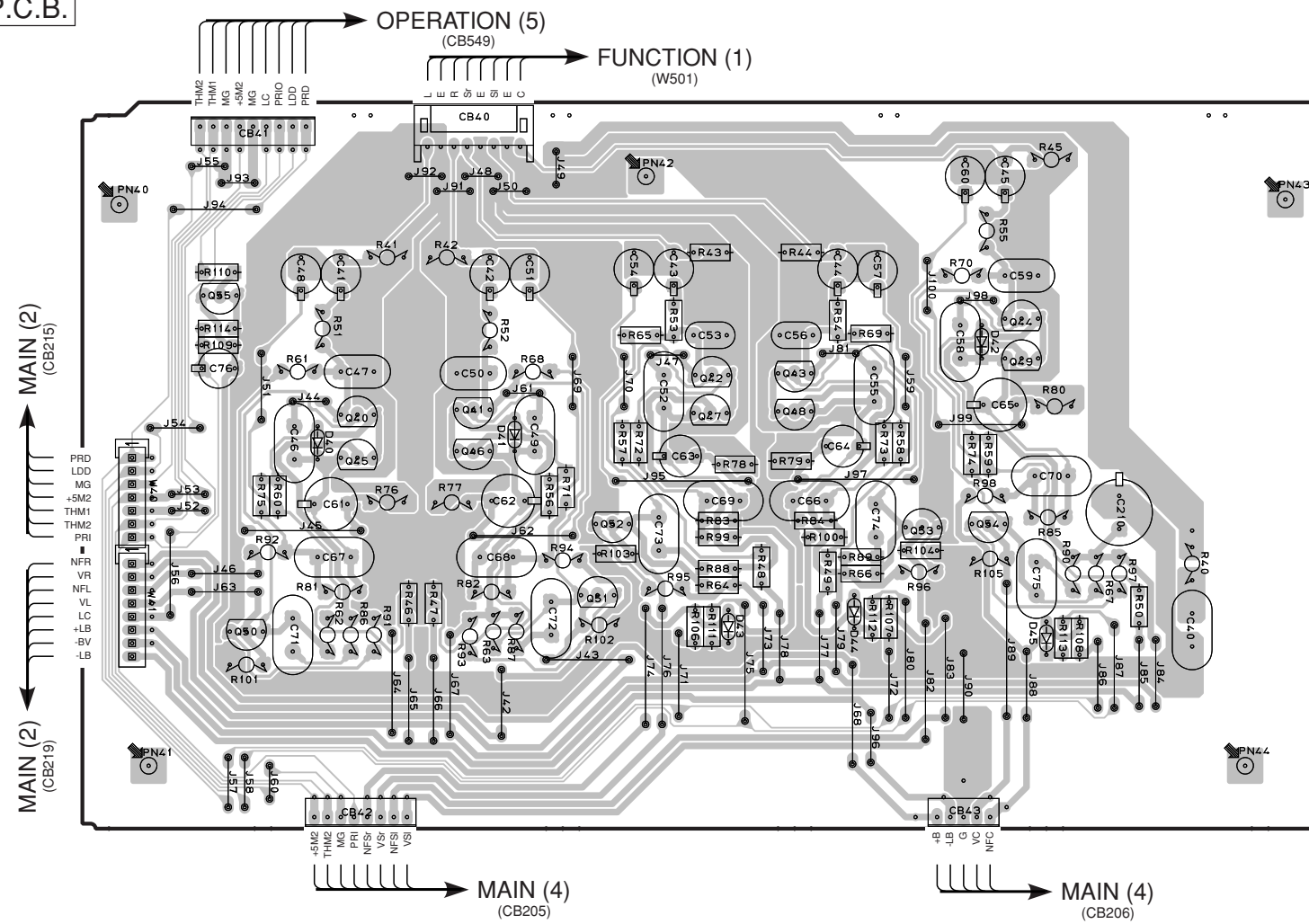
MAIN (4) P.C.B. (Side A)



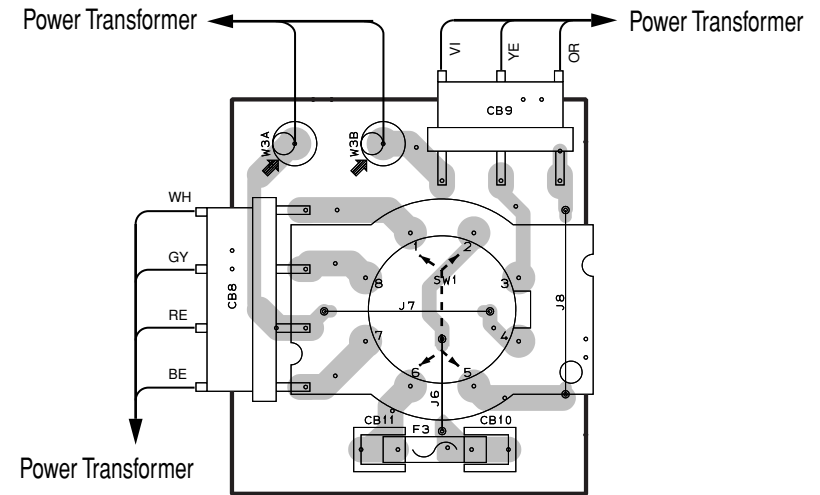
PRINTED CIRCUIT BOARD (Foil side) Lead Free Solder Used

• Semiconductor Location

POWER (1) P.C.B. (Side A)



POWER (4) P.C.B. (Side A)
R, L models

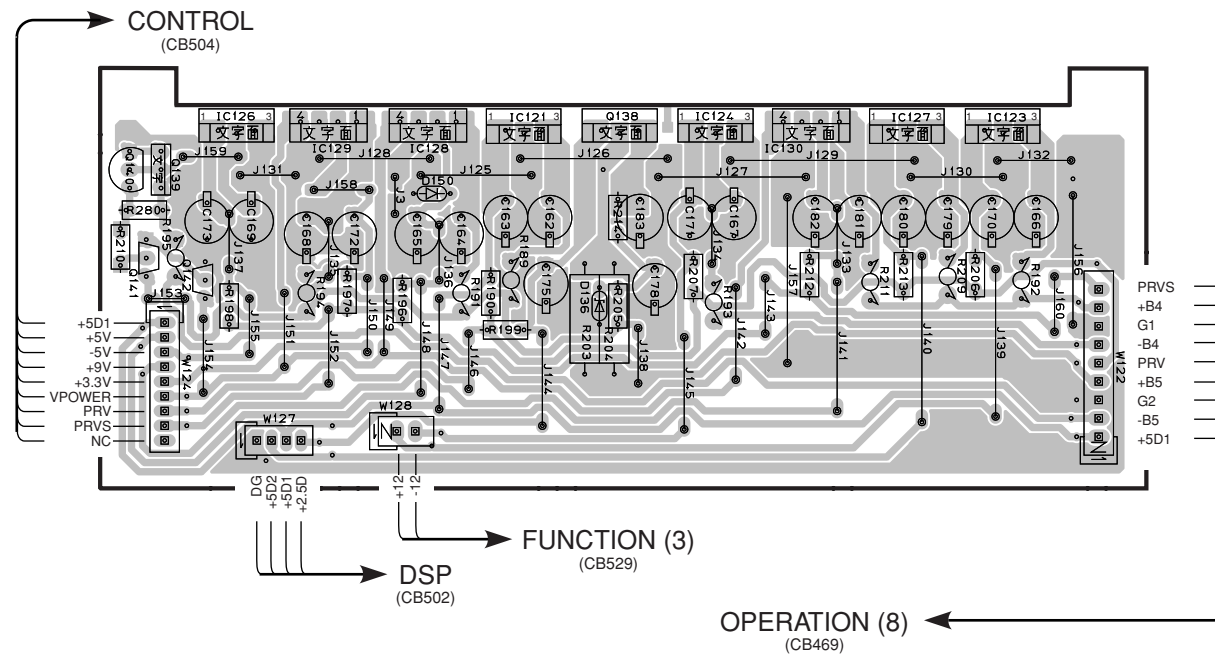


VOLTAGE SELECTOR

	R	L
230-240V	1-2/5-6	1-2/5-6
220V	2-3/6-7	2-3/6-7
110V	3-4/7-8	-
120V	4-5/8-1	-

Ref. No.	Location
D40	C3
D41	D3
D42	E3
D43	D4
D44	E3
D45	F4
D136	G6
D150	F6
IC121	G6
IC123	H6
IC124	G6
IC126	F6
IC127	H6
IC128	F6
IC129	F6
IC130	H6
Q40	C3
Q41	C3
Q42	D3
Q43	E3
Q44	E2
Q45	C3
Q46	C3
Q47	D3
Q48	E3
Q49	E3
Q50	C4
Q51	D3
Q52	D3
Q53	E3
Q54	E3
Q55	B2
Q138	G6
Q139	F6
Q140	F6
Q141	F6
Q142	F6

POWER (3) P.C.B. (Side A)

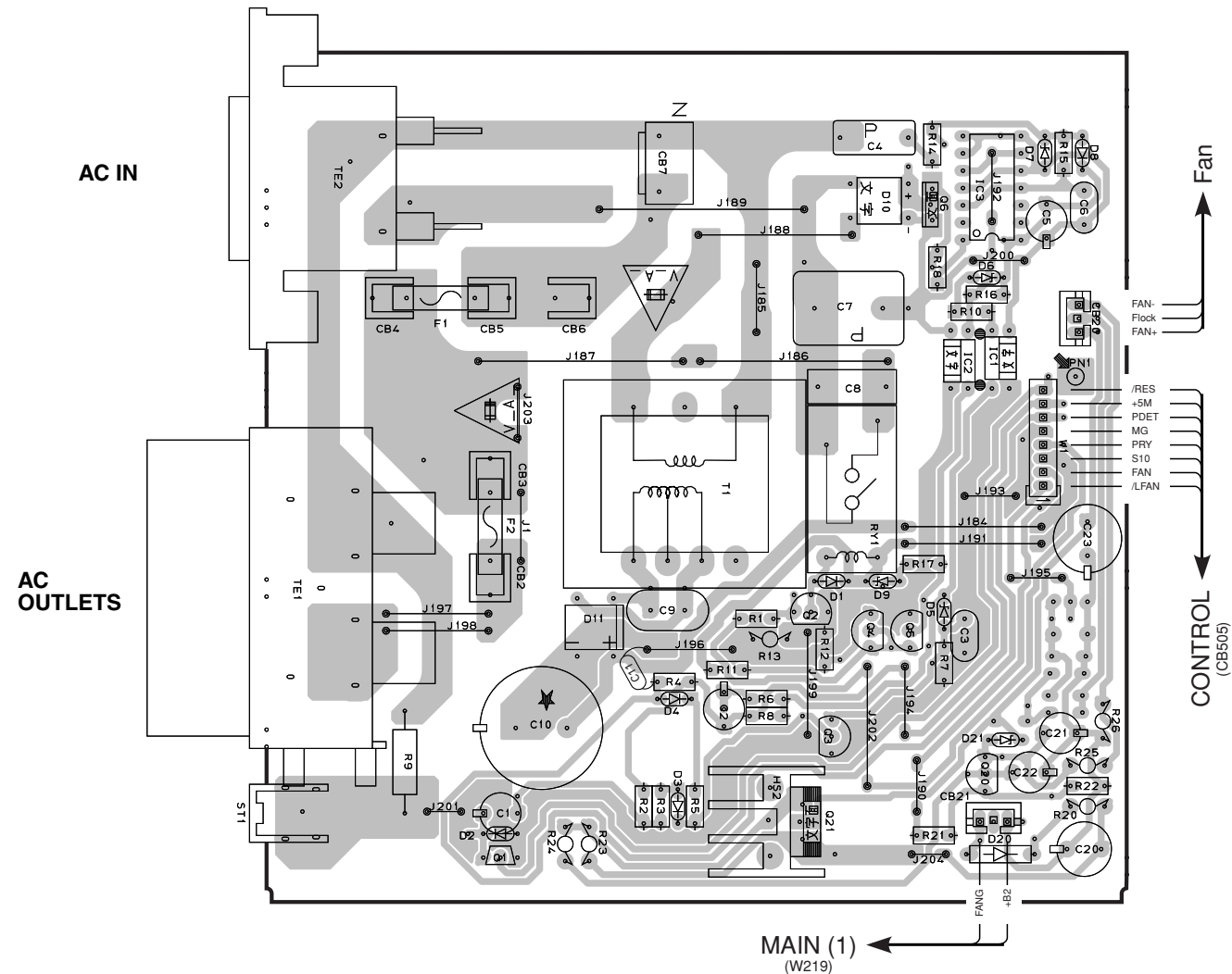


PRINTED CIRCUIT BOARD (Foil side) Lead Free Solder Used

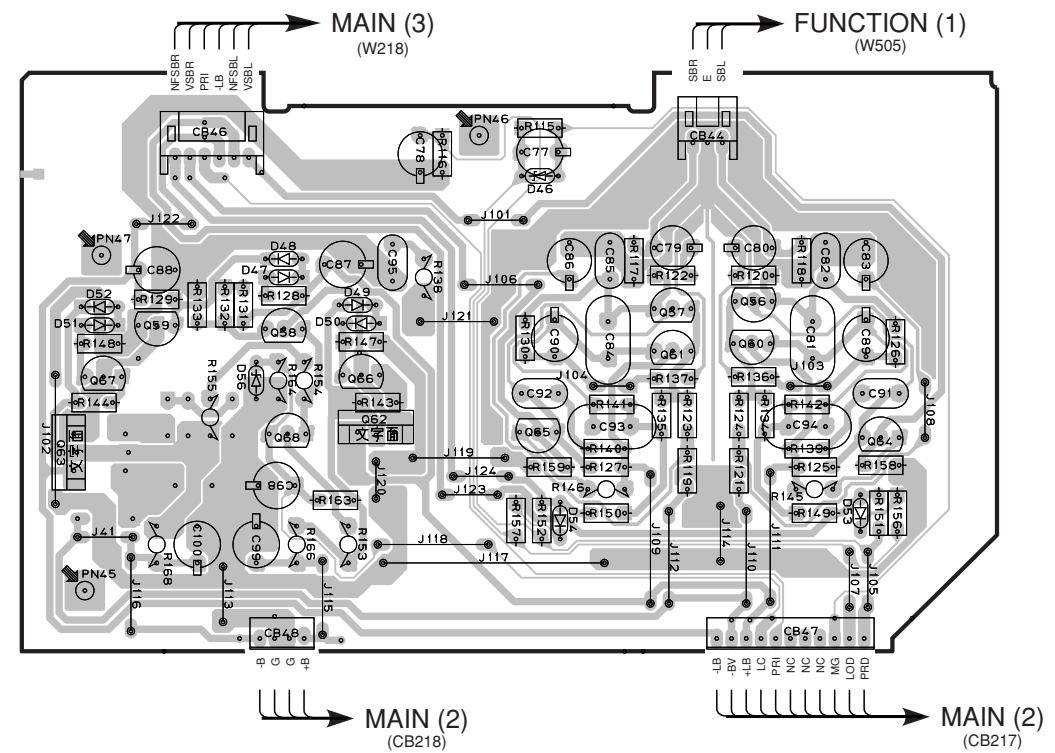
• Semiconductor Location

Ref. No.	Location
D1	D4
D2	C5
D3	C4
D4	C4
D5	D4
D6	D3
D7	E2
D8	E2
D9	D4
D10	D2
D11	C4
D20	E5
D21	E4
D46	H2
D47	G3
D48	G3
D49	G3
D50	G3
D51	F3
D52	F3
D53	I3
D54	H3
D56	G3
D144	C6
D145	B6
D146	C6
D147	B6
D148	C6
D149	C6
IC1	D3
IC2	D3
IC3	D2
Q1	C5
Q2	D4
Q3	D4
Q4	D4
Q5	D4
Q6	D2
Q20	D4
Q21	D4
Q56	H3
Q57	H3
Q58	G3
Q59	F3
Q60	H3
Q61	H3
Q62	G3
Q63	F3
Q64	I3
Q65	H3
Q66	G3
Q67	F3
Q68	G3
Q151	C6
Q152	B6
Q153	B6
Q154	B6

POWER (5) P.C.B. (Side A)

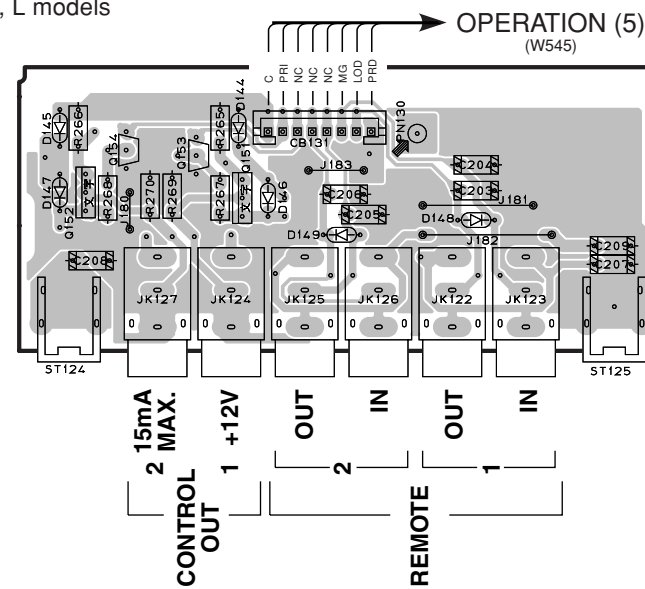


POWER (6) P.C.B. (Side A)



POWER (7) P.C.B. (Side A)

U, C, R, T, K, A, B, G, L models



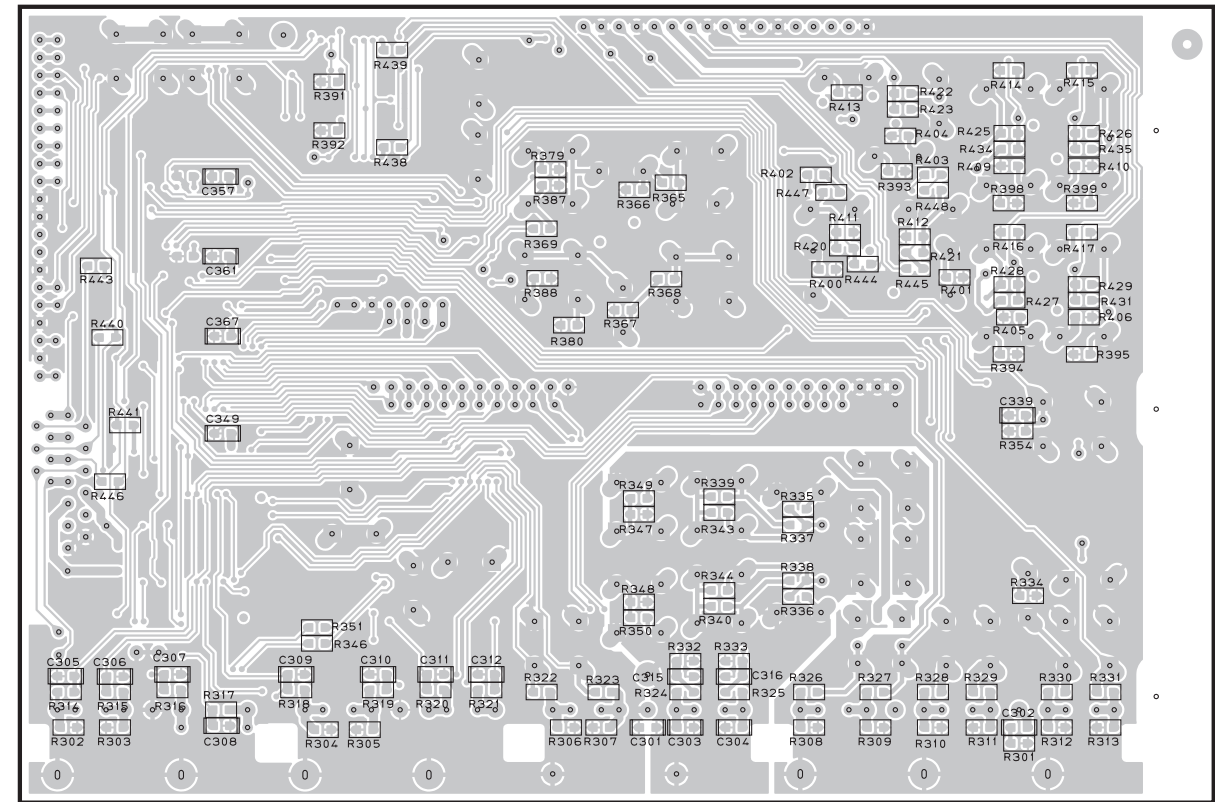
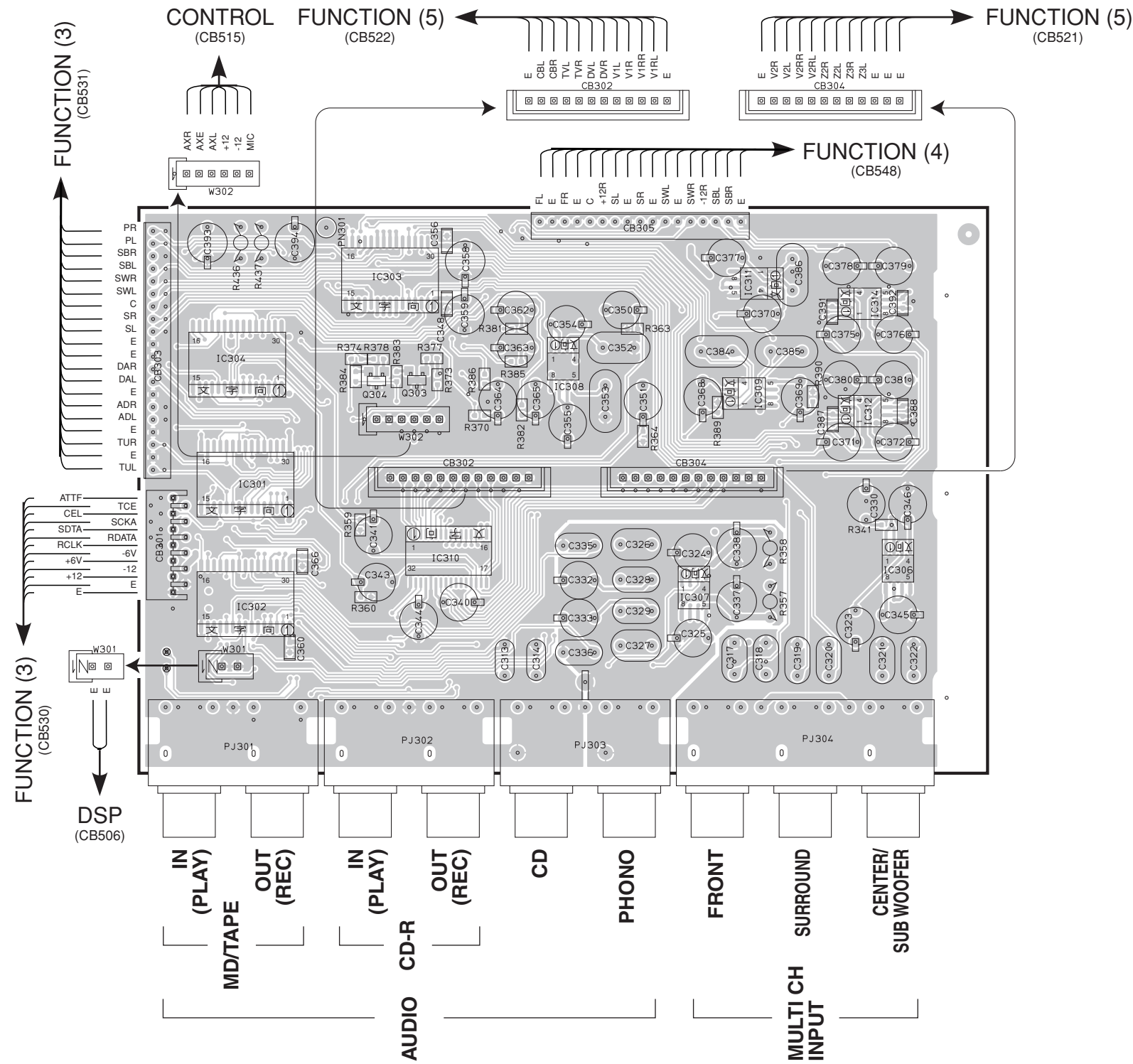
Circuit No.	J	U, C	R	T	K	A	B	G	L
C203-206	X	O	O	O	O	O	O	O	O
C207-209	X	O	O	O	O	O	O	O	O
CB2, 3	X	O	X	X	X	X	X	O	X
CB4, 5	X	X	X	O	O	O	O	O	X
CB6	O	O	O	X	X	X	X	X	O
CB8	X	X	O	X	X	X	X	X	O
CB9	X	X	O	X	X	X	X	X	O
CB10, 11	X	X	O	X	X	X	X	X	O
CB131	X	O	O	O	O	O	O	O	O
D144-149	X	O	O	O	O	O	O	O	O
F2	X	O	X	X	X	X	X	O	X
F3	X	X	O	X	X	X	X	X	O
J1	O	X	O	O	O	O	O	X	O
J6-8	X	X	O	X	X	X	X	X	O
PN130	X	O	O	O	O	O	O	O	O
Q151, 152	X	O	X	X	X	X	X	X	X
Q153, 154	X	O	O	O	O	O	O	O	O
R9	X	O	O	O	O	O	O	O	O
R265, 266	X	O	O	O	O	O	O	O	O
R267, 268	X	O	O	O	O	O	O	O	O
R269, 270	X	O	O	O	O	O	O	O	O
ST124, 125	X	O	O	O	O	O	O	O	O
SW1	X	X	O	X	X	X	X	X	O
TE1	O	O	O	O	X	O	O	O	O
W3A, 3B	X	X	O	X	X	X	X	X	O

X : NOT USED
O : USED / APPLICABLE

PRINTED CIRCUIT BOARD (Foil side)

INPUT (1) P.C.B. (Side A) Lead Solder Used

INPUT (1) P.C.B. (Side B) Lead Free Solder Used



• Semiconductor Location

Ref. No.	Location	Ref. No.	Location
IC301	B4	IC309	D4
IC302	B5	IC310	C4
IC303	C3	IC311	D3
IC304	B3	IC312	E4
IC306	E4	IC314	E3
IC307	D5	Q303	C4
IC308	C4	Q304	C4

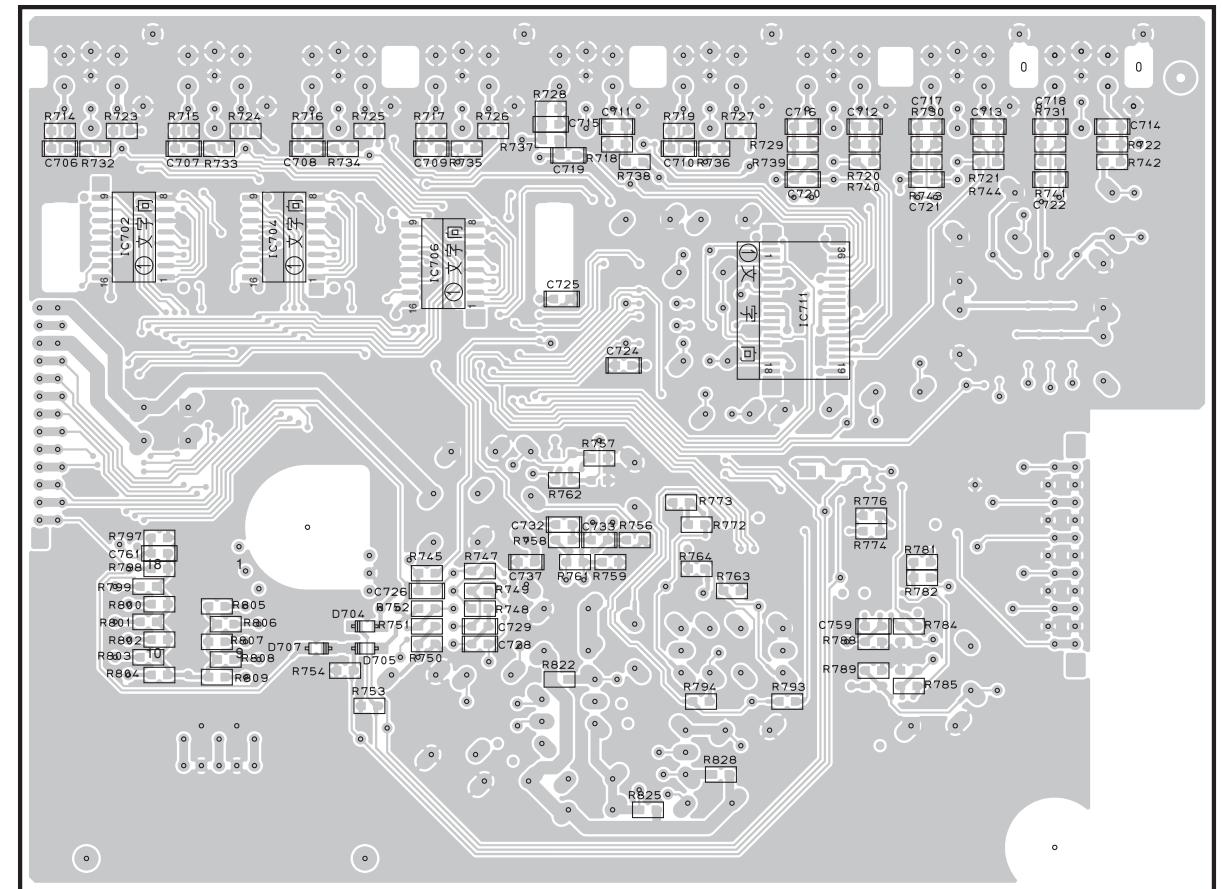
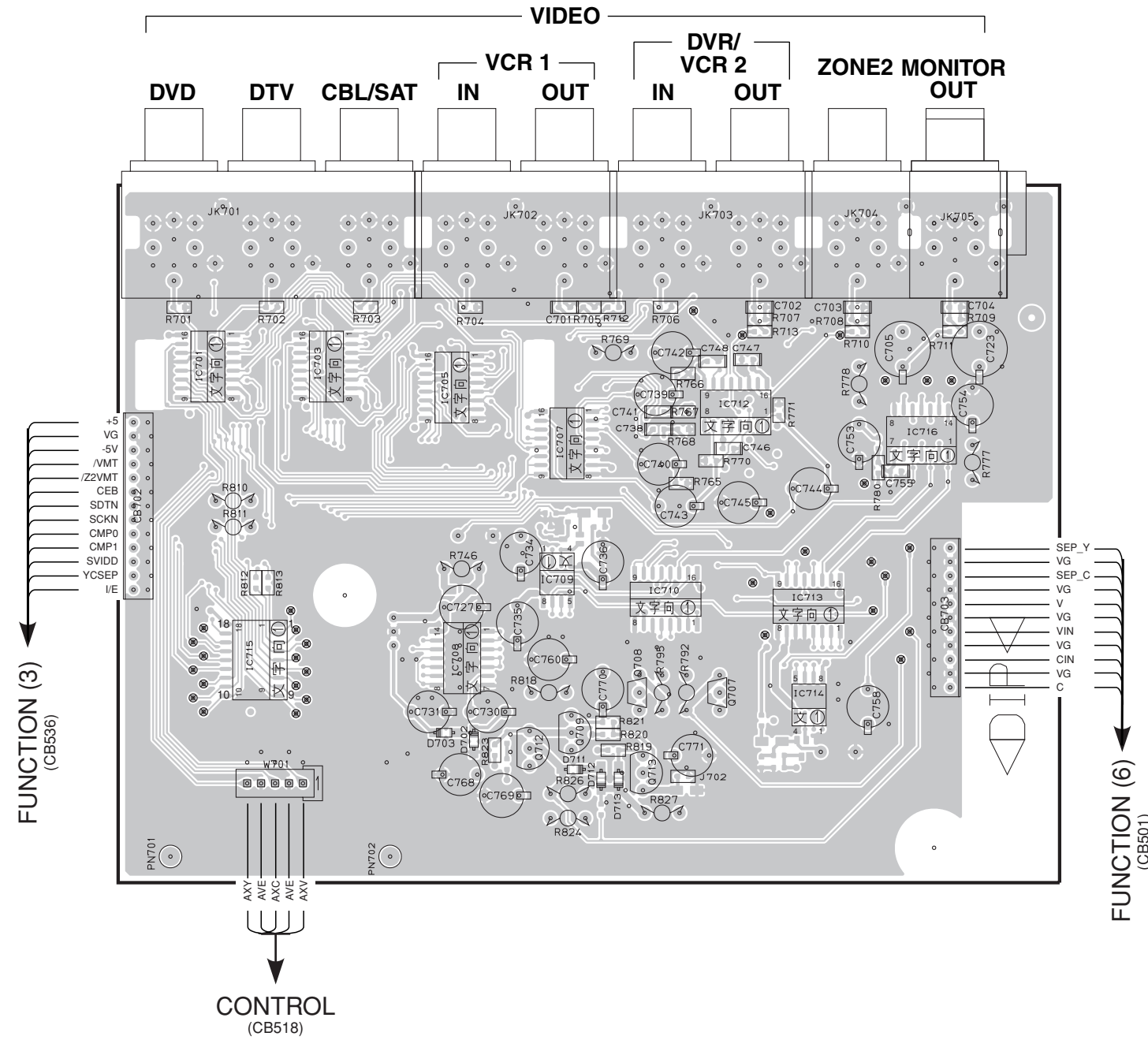
Circuit No.	J, U, C	R, T, K, A, B, G, L
C303, 304	X	O

X : NOT USED
O : USED / APPLICABLE

1 ■ PRINTED CIRCUIT BOARD (Foil side)

INPUT (2) P.C.B. (Side A) Lead Solder Used

INPUT (2) P.C.B. (Side B) Lead Free Solder Used



• Semiconductor Location

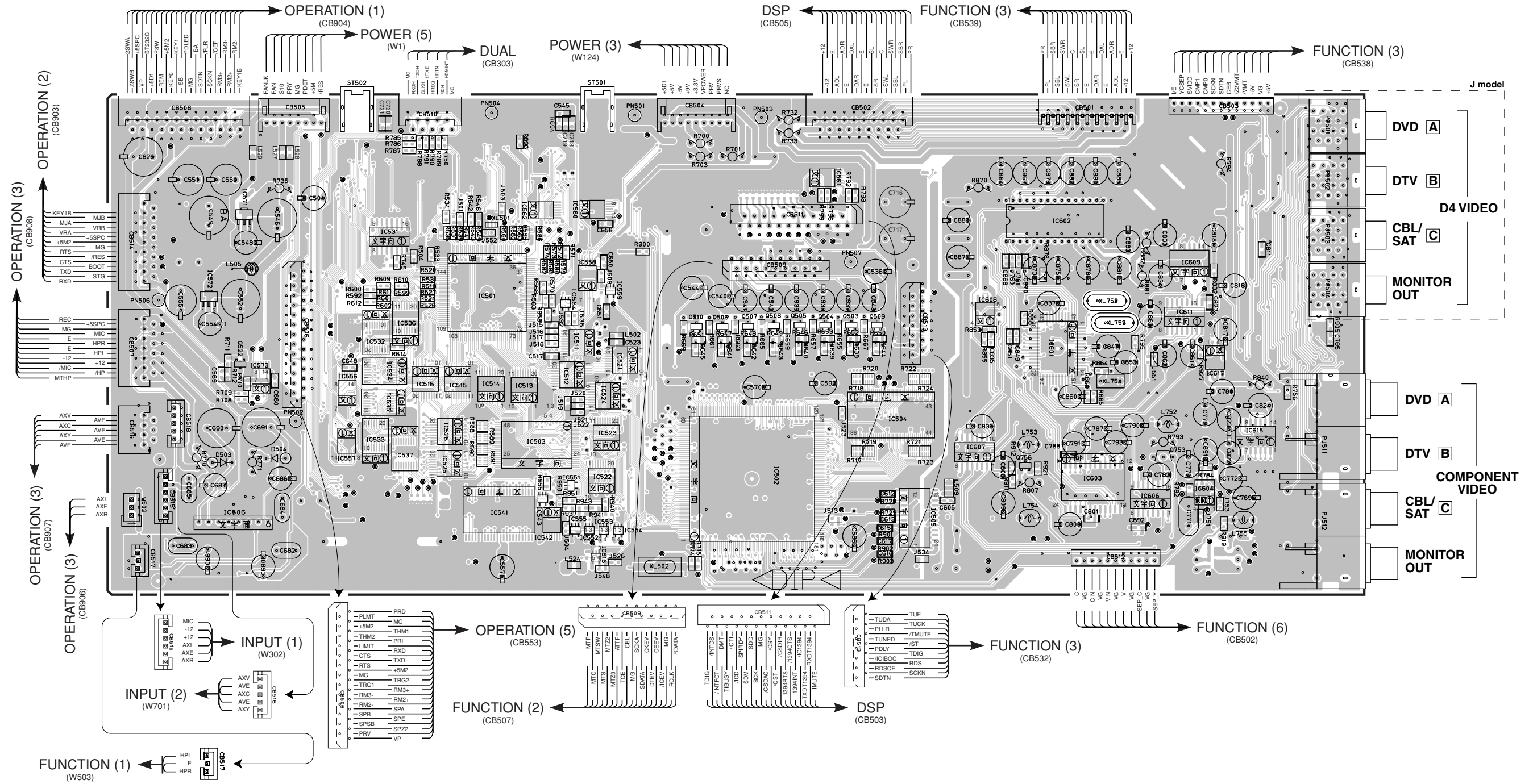
Ref. No.	Location	Ref. No.	Location	Ref. No.	Location	Ref. No.	Location	Ref. No.	Location
D702	C5	D713	D5	IC707	C4	IC714	D5	Q713	D5
D703	C5	IC701	B4	IC708	C5	IC715	B5		
D704	G5	IC702	G4	IC709	C4	IC716	E4		
D705	G5	IC703	B4	IC710	D4	Q707	D5		
D707	G5	IC704	G4	IC711	I4	Q708	D5		
D711	C5	IC705	C4	IC712	D4	Q709	D5		
D712	D5	IC706	H4	IC713	E5	Q712	C5		

Circuit No.	J	U, C	R, T, K, A, B, G, L
C703	X	O	O
C713, 717	X	O	O
C721, 741	X	O	O
C740, 744	X	O	O
JK704	X	O	O
R710, 743, 744	X	O	O
R708, 721, 730	X	O	O
JK705	O	X	X

X : NOT USED
O : USED / APPLICABLE

PRINTED CIRCUIT BOARD (Foil side)

CONTROL P.C.B. (Side A) Lead Solder Used



• Semiconductor Location

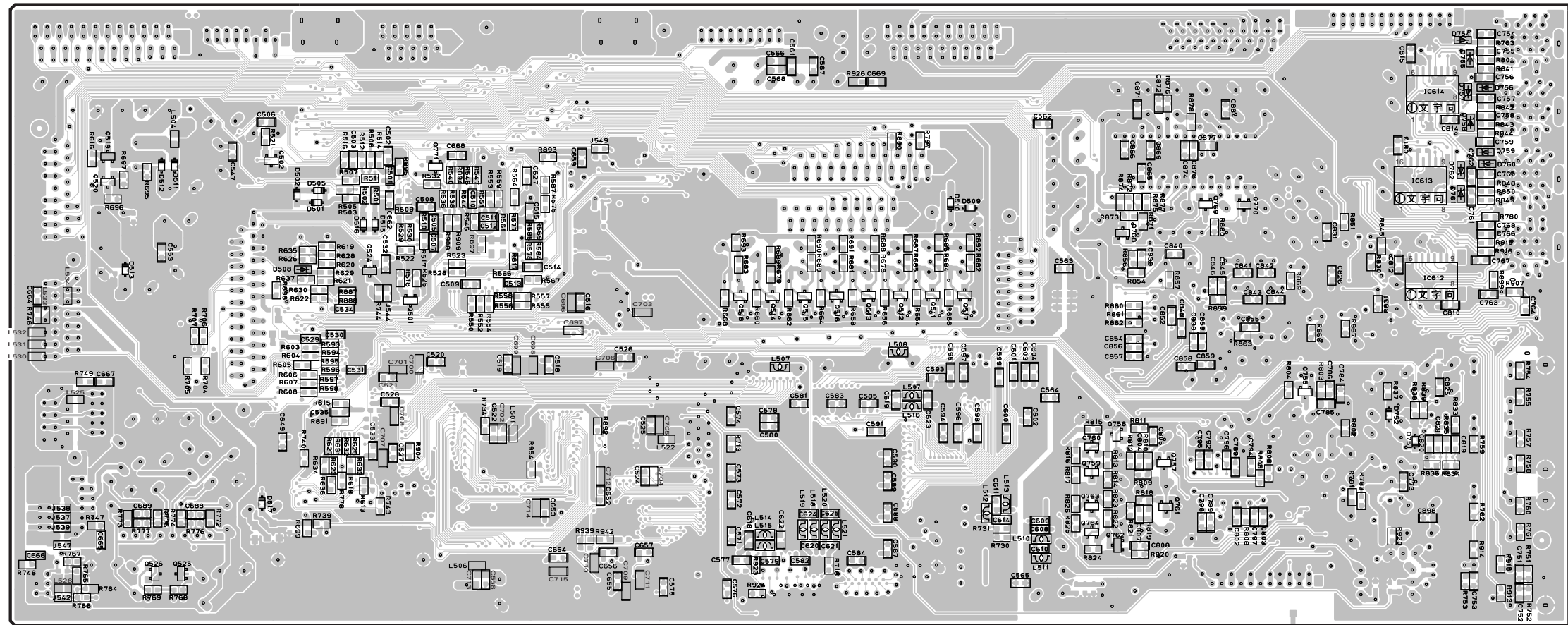
Ref. No.	Location	Ref. No.	Location	Ref. No.	Location	Ref. No.	Location	Ref. No.	Location	Ref. No.	Location	Ref. No.	Location	Ref. No.	Location	Ref. No.	Location		
D503	C4	IC506	C5	IC521	E4	IC532	D4	IC542	E5	IC556	D4	IC564	E3	IC604	H4	IC616	E5	Q508	F3
D504	C4	IC511	E4	IC522	E4	IC533	D4	IC543	E5	IC557	D4	IC571	C3	IC606	H4	IC617	I4	Q509	G3
IC501	D3	IC512	E4	IC523	E4	IC534	D4	IC551	E4	IC558	E3	IC572	C3	IC607	G4	Q503	F3	Q510	F3
IC502	F4	IC513	E4	IC524	E4	IC535	D4	IC552	E5	IC559	E3	IC573	C4	IC608	G3	Q504	F3	Q522	C4
IC503	E4	IC514	D4	IC525	D4	IC536	D3	IC553	E5	IC560	E3	IC601	H4	IC609	H3	Q505	F3	Q753	H4
IC504	G4	IC515	D4	IC526	D4	IC537	D4	IC554	E5	IC561	F3	IC602	H3	IC611	H3	Q506	F3	Q756	G4
IC505	G5	IC516	D4	IC531	D3	IC541	D4	IC555	E5	IC562	E3	IC603	H4	IC615	I4	Q507	F3		

1 ■ PRINTED CIRCUIT BOARD (Foil side)

CONTROL P.C.B. (Side B) Lead Free Solder Used

• Semiconductor Location

Ref. No.	Location	Ref. No.	Location	Ref. No.	Location	Ref. No.	Location	Ref. No.	Location	Ref. No.	Location	Ref. No.	Location	Ref. No.	Location
D501	D3	D512	C3	D754	I2	D761	I3	Q511	G4	Q518	F4	Q760	G4	Q770	H3
D502	D3	D513	C3	D755	I2	D762	I3	Q512	F4	Q520	C3	Q761	H4	Q771	D3
D505	D3	D515	D3	D756	I2	IC612	I3	Q513	F4	Q524	D3	Q762	G5		
D508	D3	D516	D3	D757	I3	IC613	I3	Q514	F4	Q525	C5	Q763	G4		
D509	G3	D517	C4	D758	I3	IC614	I3	Q515	F4	Q526	C5	Q764	G5		
D510	G3	D751	I4	D759	I3	Q501	D4	Q516	F4	Q757	H4	Q768	G3		
D511	C3	D752	I4	D760	I3	Q502	C3	Q517	G4	Q758	G4	Q769	H3		



6

Circuit No.	J	U	C, R, K	T, A, L	B, G
C529	O	X	X	X	X
C537, 538	X	O	O	O	O
C841, 842	X	X	X	O	O
C557	O	X	X	X	X
C558, 653, 654	O	X	X	X	X
C754-765	O	X	X	X	X
C766-768	O	X	X	X	X
C814-815	O	X	X	X	X
C864, 867, 880	X	X	X	O	O
C865, 866, 868-870, 872, 874, 876, 877	X	X	X	O	O
C871, 884	X	X	X	O	O
C873, 875, 882, 885	X	X	X	O	O
C878, 881, 883	X	X	X	O	O
C879	X	X	X	O	O
D754-762	O	X	D	X	X
IC541	O	X	X	X	X
IC542	O	X	X	X	X
IC543	O	X	X	X	X

7

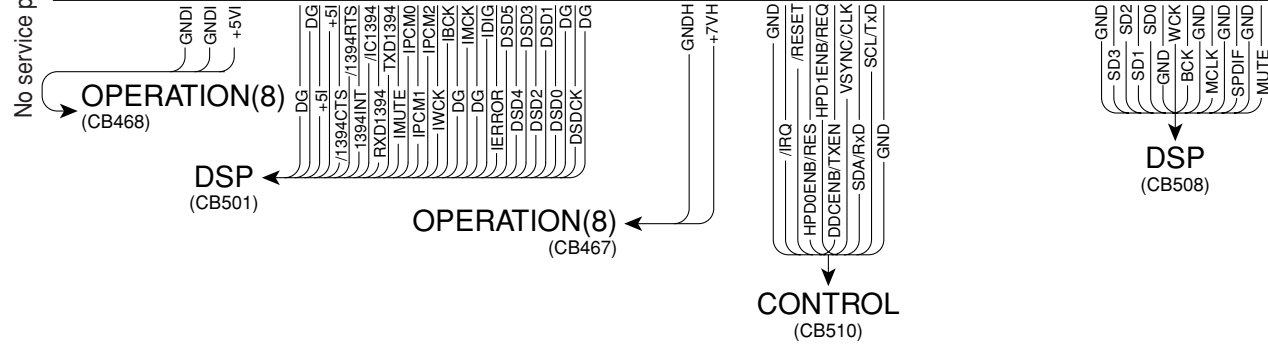
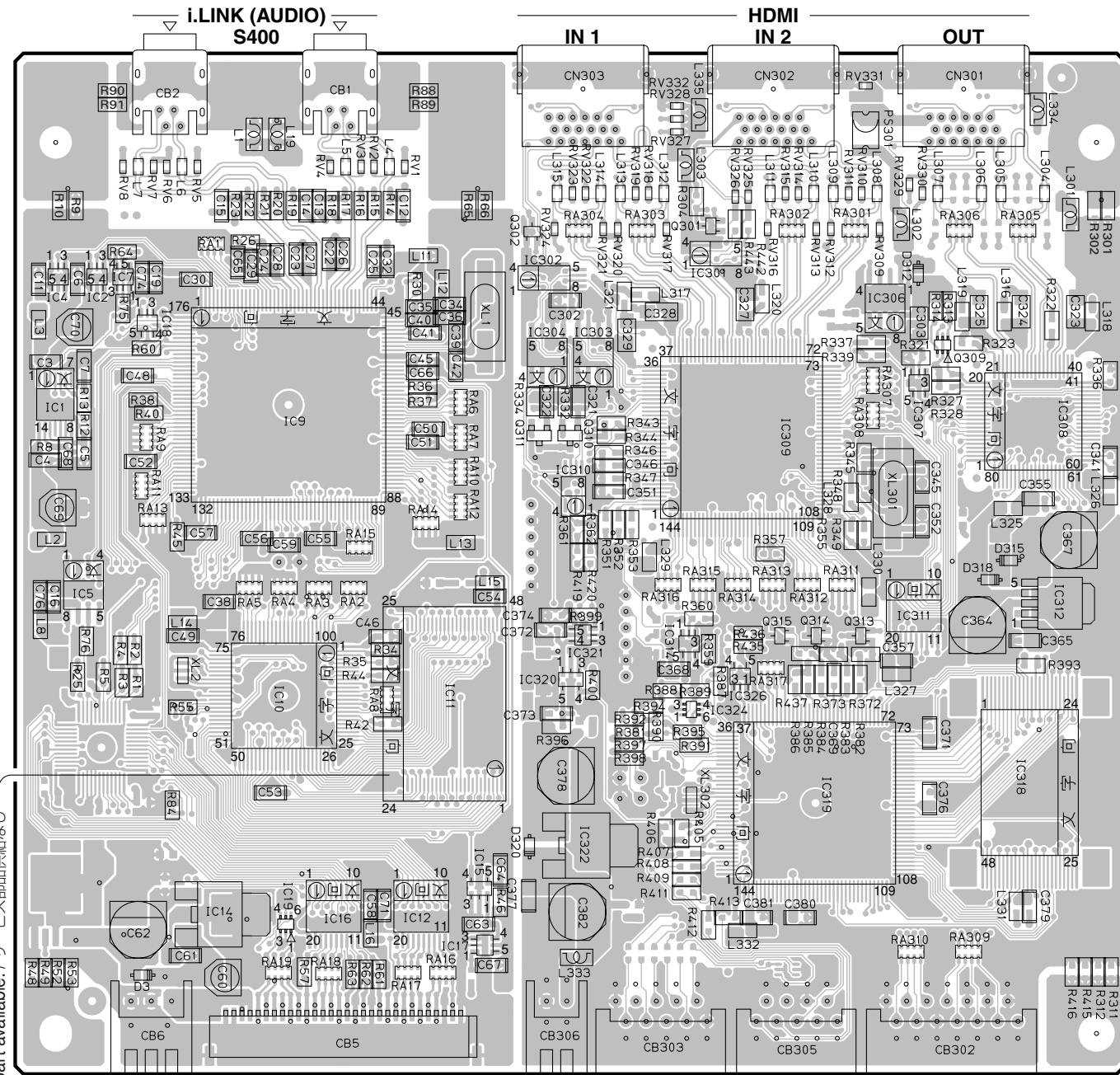
Circuit No.	J	U	C, R, K	T, A, L	B, G
IC555	O	X	X	X	X
IC602	X	X	X	O	O
IC614	O	X	X	X	X
J760-761	O	O	O	X	X
J504	O	X	O	O	O
L506	X	O	X	X	X
PJ501-504	O	X	X	X	X
Q503, 504	X	O	O	O	O
Q511, 512	X	O	O	O	O
Q768	X	X	X	O	O
Q769, 770	X	X	X	O	O
R593	O	X	X	X	X
R600	O	X	X	X	X
R622, 630	X	O	O	O	O
R631	X	X	X	X	O
R638, 639, 686, 687	X	O	O	O	O
R652, 653	X	O	O	O	O
R655, 657	X	O	O	O	O

Circuit No.	J	U	C, R, K	T, A, L	B, G
R656, 654	X	O	O	O	O
R684, 685	X	O	O	O	O
R730	O	O	O	X	X
R731	X	X	X	X	O
R780, 915, 916	O	X	X	X	X
R763, 801, 841-844, 848-850, 905, 907	O	X	X	X	X
R870	X	X	X	O	O
R871	X	X	X	O	O
R872	X	X	X	O	O
R873	X	X	X	O	O
R874	X	X	X	O	O
R875, 877-880	X	X	X	O	O
R876	X	X	X	O	O
R891	O	O	O	O	X
R894, 908, 909	O	X	X	X	X
XL752	X	X	X	O	O

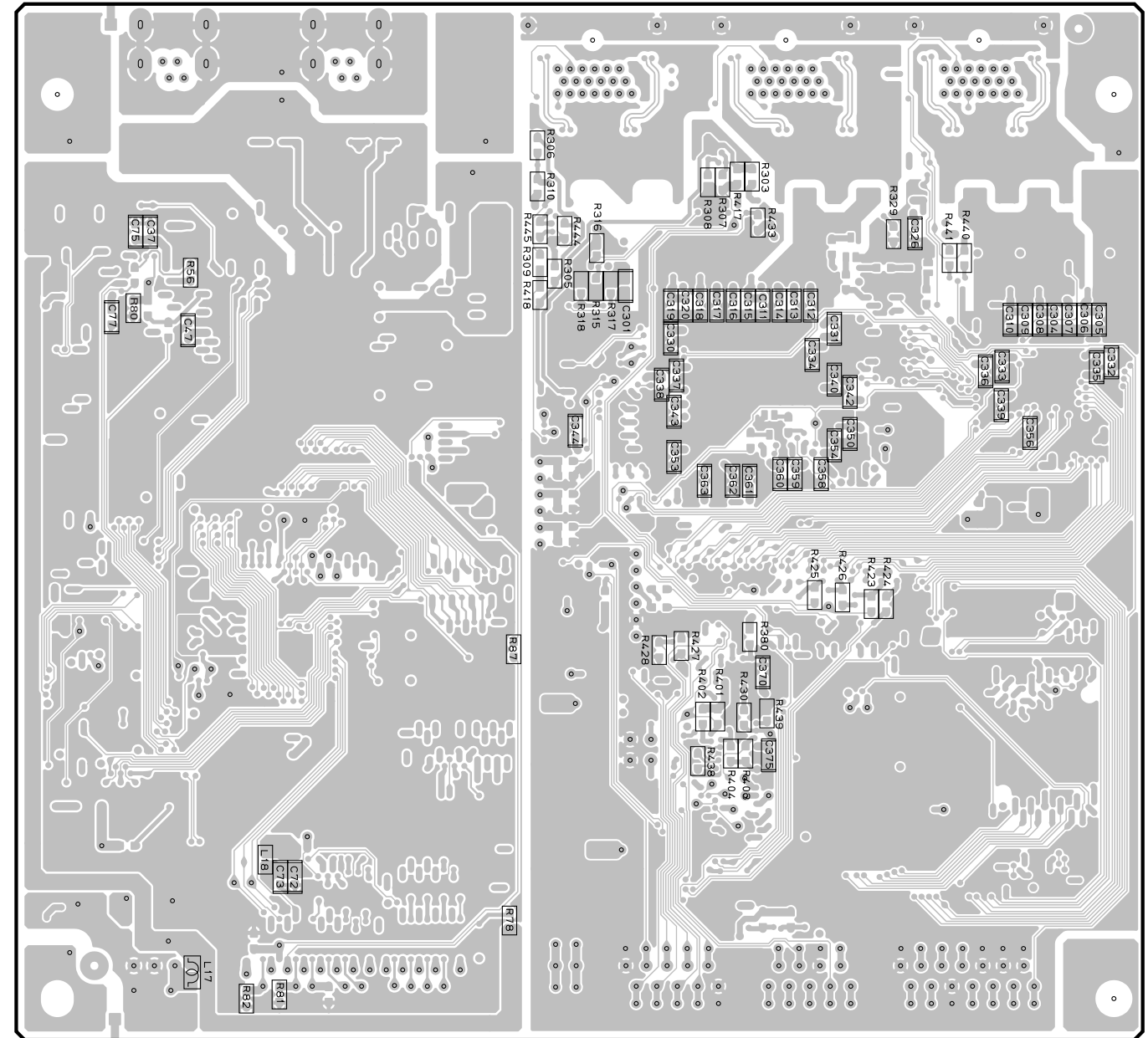
X : NOT USED
O : USED / APPLICABLE

PRINTED CIRCUIT BOARD (Foil side)

DUAL P.C.B. (Side A) Lead Solder Used



DUAL P.C.B. (Side B) Lead Free Solder Used



• Semiconductor Location

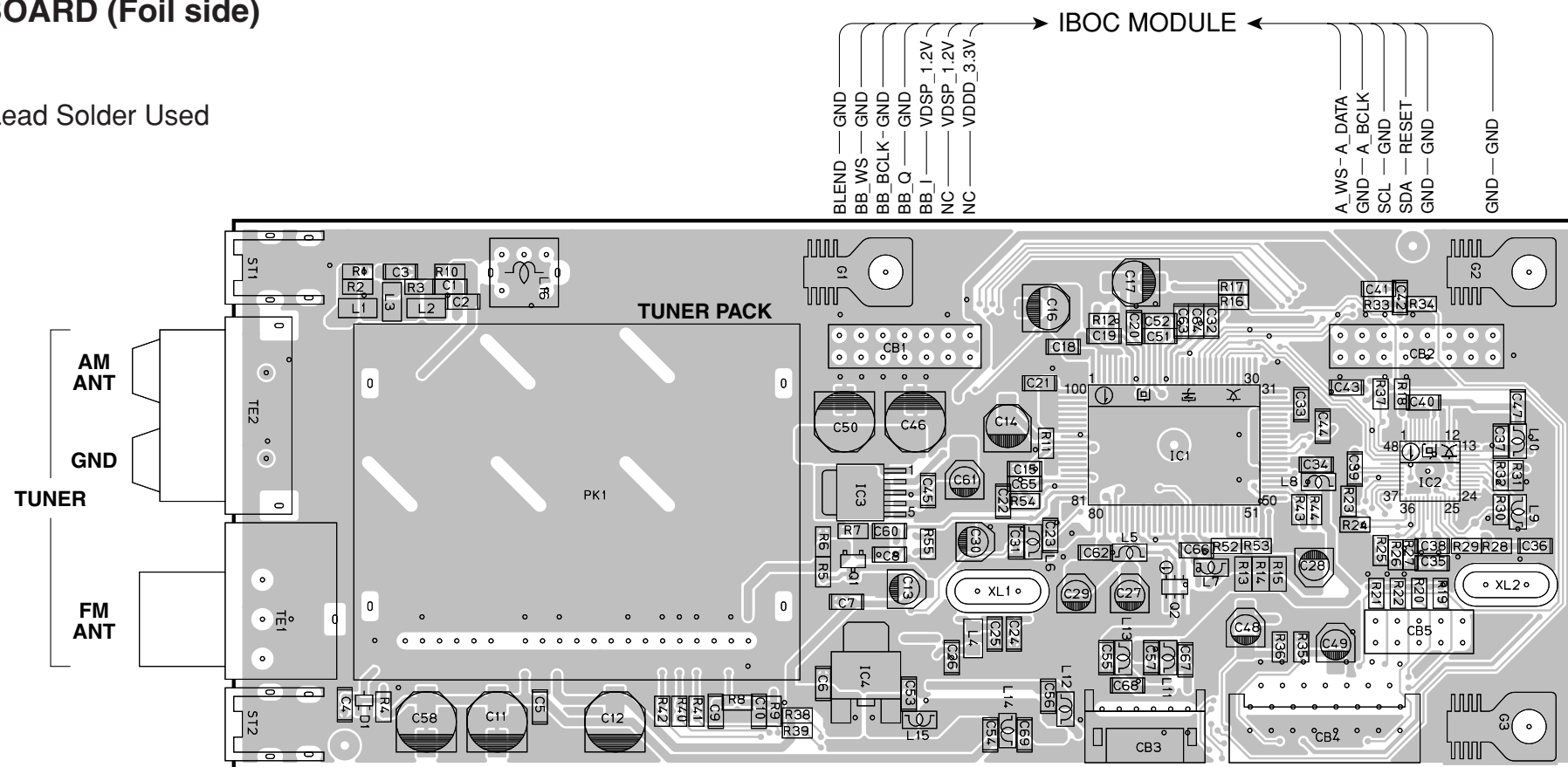
Ref. No.	Location	Ref. No.	Location	Ref. No.	Location	Ref. No.	Location	Ref. No.	Location	Ref. No.	Location
D3	B5	IC5	A4	IC16	B5	IC306	D3	IC318	E4	Q302	C3
D312	E2	IC7	A3	IC17	C5	IC307	E3	IC319	D4	Q309	E3
D315	E4	IC9	B3	IC18	B3	IC308	E3	IC320	C4	Q310	C3
D318	E4	IC10	B4	IC19	B5	IC309	D3	IC321	C4	Q311	C3
D320	C5	IC11	C4	IC301	D3	IC310	C3	IC322	C5	Q313	D4
IC1	A3	IC12	C5	IC302	C3	IC311	E4	IC324	D4	Q314	D4
IC2	A3	IC14	B5	IC303	C3	IC312	E4	IC326	D4	Q315	D4
IC4	A3	IC15	C5	IC304	C3	IC314	D4	Q301	D2		

• Semiconductor Location

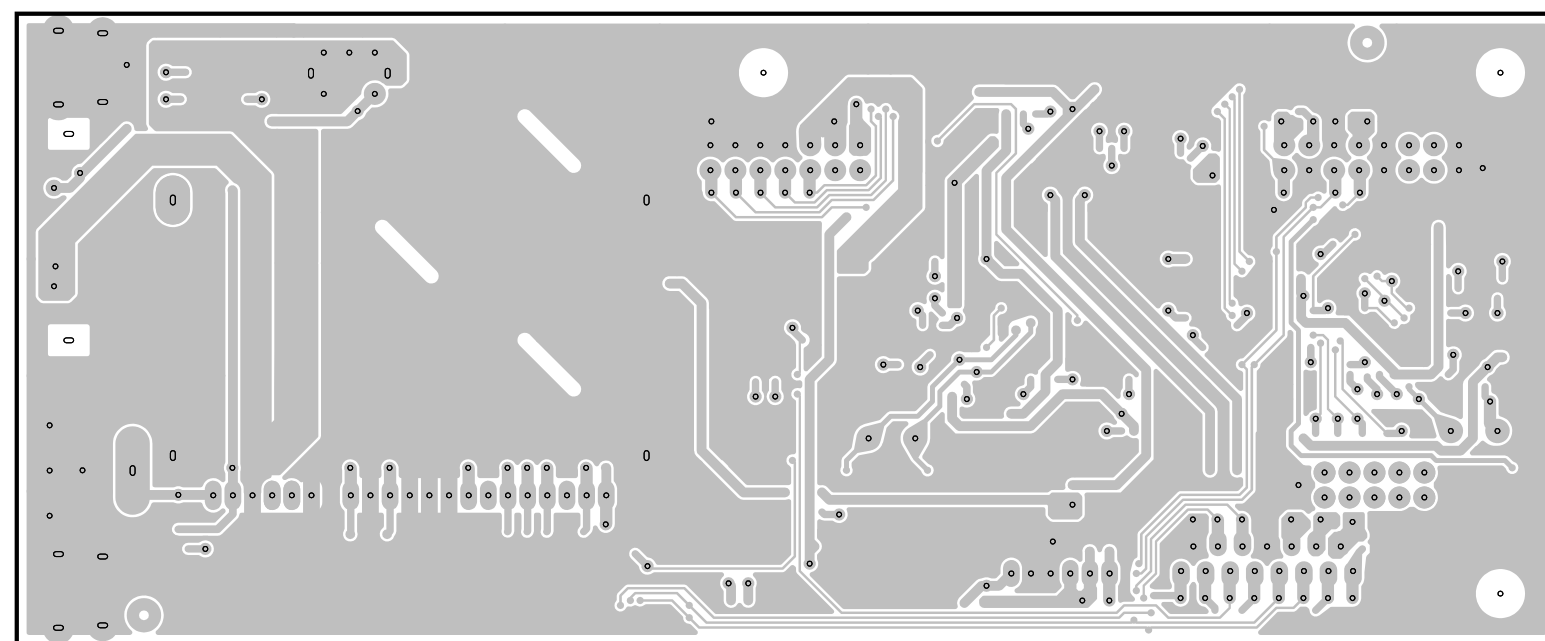
Ref. No.	Location
D1	C4
IC1	F3
IC2	G3
IC3	E3
IC4	E3
Q1	E3
Q2	F3

■ PRINTED CIRCUIT BOARD (Foil side)

IBOC P.C.B. (Side A) Lead Solder Used
U model



IBOC P.C.B. (Side B) Lead Free Solder Used
U model



OPERATION(8) (CB470) ←
FUNCTION(3) (CB534) ←

IBOC MODULE ←

BLEND - GND
BB_WS - GND
BB_BCLK - GND
BB_Q - GND
BB_I - VDSP_1.2V
NC - VDSP_1.2V
NC - VDDD_3.3V

A_WS - A_DATA
GND - A_BCLK
SCL - GND
SDA - RESET
GND - GND
GND - GND

1
2
3
4
5
6
7

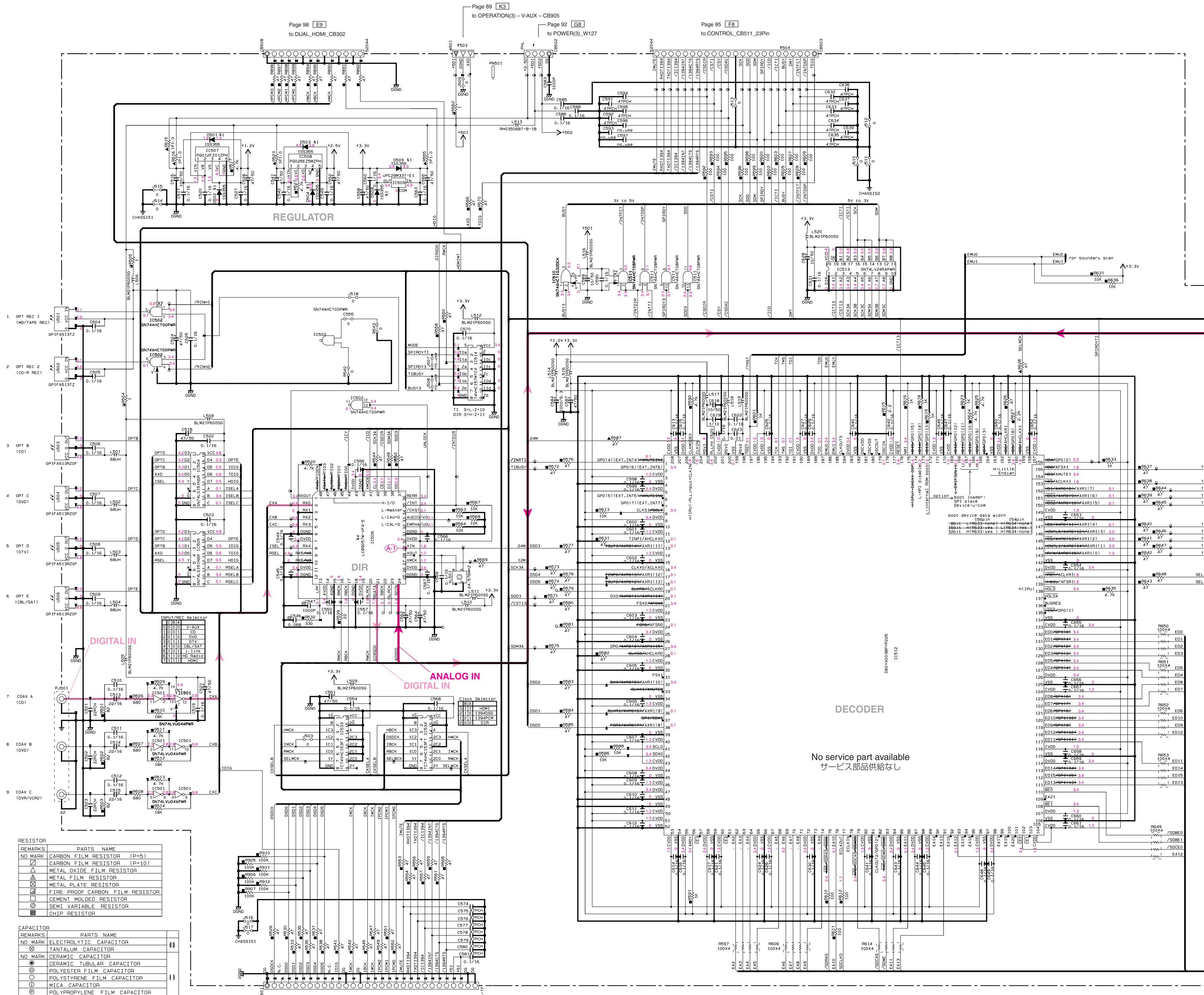
MEMO

A large, empty rectangular box with a thin black border, occupying the majority of the left page. It is intended for handwritten notes.

MEMO

A large, empty rectangular box with a thin black border, occupying the majority of the right page. It is intended for handwritten notes.

1
2
3
4
5
6
7
8
9
10

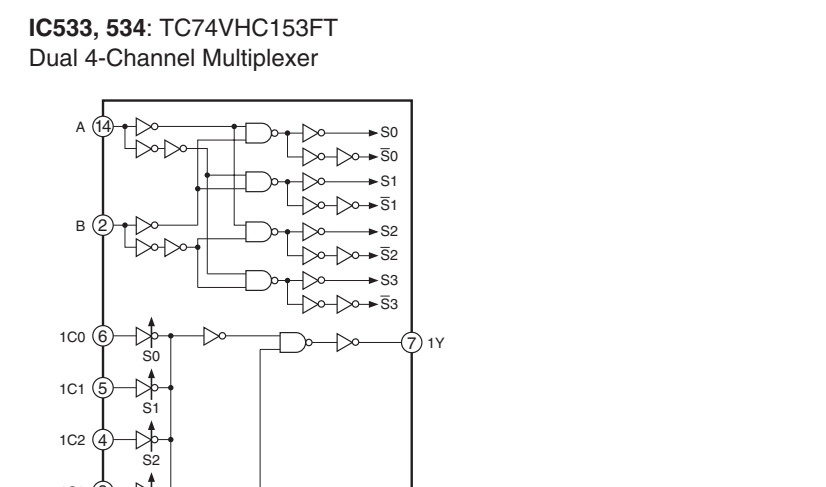
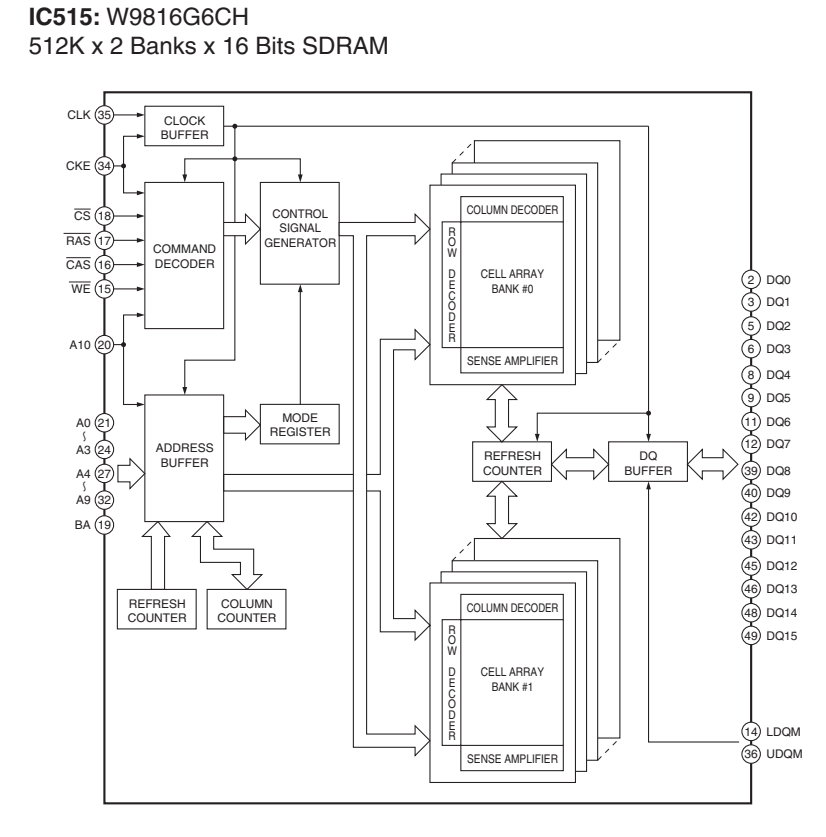
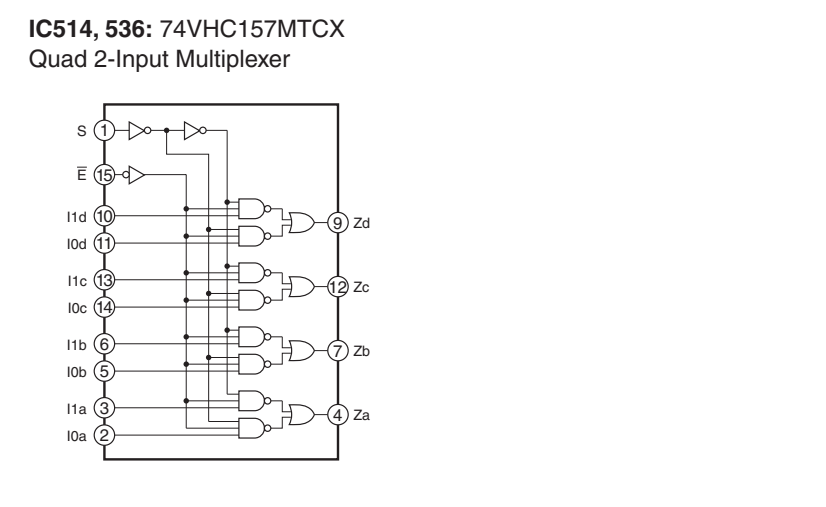
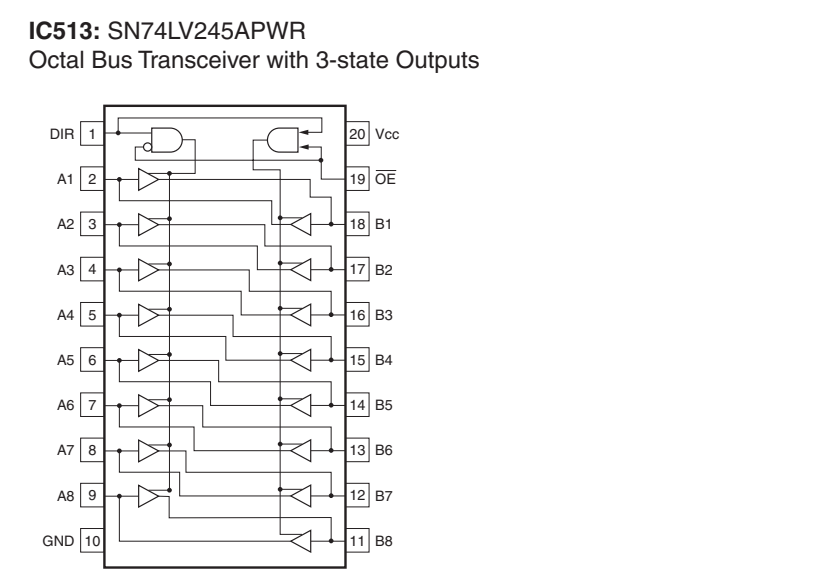
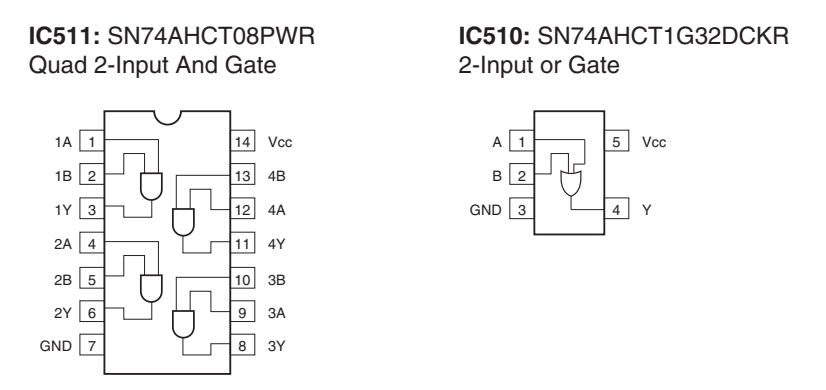


Interchangeable Parts at Manufacture-Stage

Mark	Reference Parts Number	Parts Name
41	05011004-R09	W5939
42	IC515	W8166600-7 154251610041-7TL
43	IC517	W8164200E-00L5 W8164200C-00L5 1541216207-00K1 154140100-00L4 W118416206-00L3 1541616205-00 1541216206-00K 1541216206-00K
44	IC506	LC89057W-VF4-E LC89057W-VF4C-E

NOTICE (mode1)

(J)..... JAPAN
(U)..... U.S.A.
(C)..... CANADA
(R)..... GENERAL
(T)..... CHINA
(K)..... KOREA
(A)..... AUSTRALIA
(B)..... BRITISH
(G)..... EUROPE
(L)..... SINGAPORE
(E)..... SOUTH EUROPE
(V)..... TAIWAN

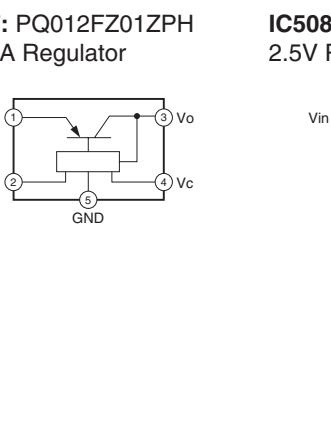
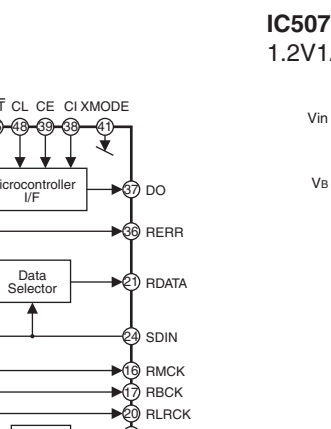
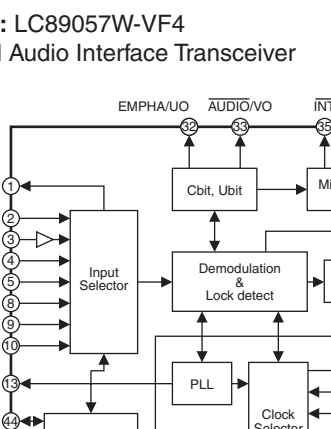
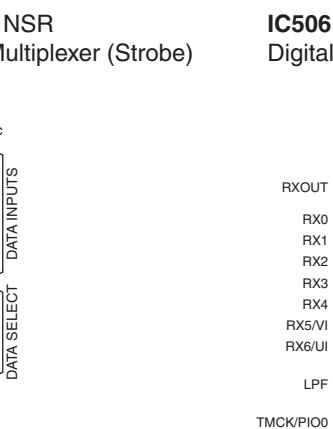
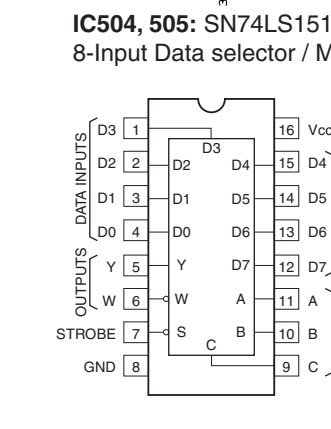
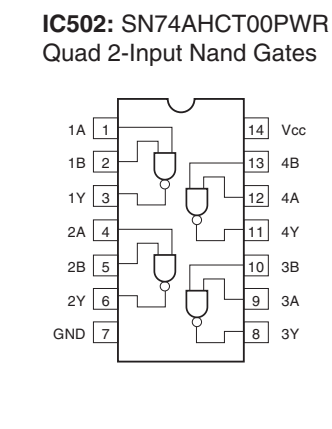
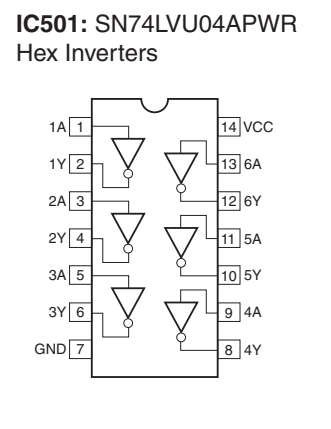
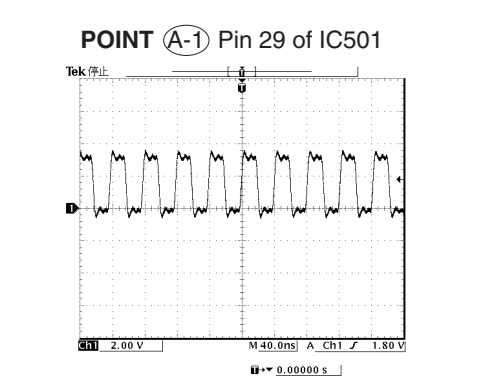


RESISTOR

REMARKS	PARTS NAME
NO MARK	CARBON FILM RESISTOR (P-P)
△	CARBON FILM RESISTOR (P-10)
□	METAL OXIDE FILM RESISTOR
○	METAL FILM RESISTOR
◇	METAL PLATE RESISTOR
▽	FINE PROOF CARBON FILM RESISTOR
■	CEMENT MOUNTED RESISTOR
⊕	SEMI VARIABLE RESISTOR
⊙	CHIP RESISTOR

CAPACITOR

REMARKS	PARTS NAME
NO MARK	ELECTROLYTIC CAPACITOR
○	TANTALUM CAPACITOR
●	CERAMIC TUBULAR CAPACITOR
○	POLYESTER FILM CAPACITOR
○	POLYSTYRENE FILM CAPACITOR
○	MICA CAPACITOR
○	POLYPROPYLENE FILM CAPACITOR
○	SEMICONDUCTIVE CERAMIC CAPACITOR
○	POLYPHENYLENE SULFIDE FILM CAPACITOR

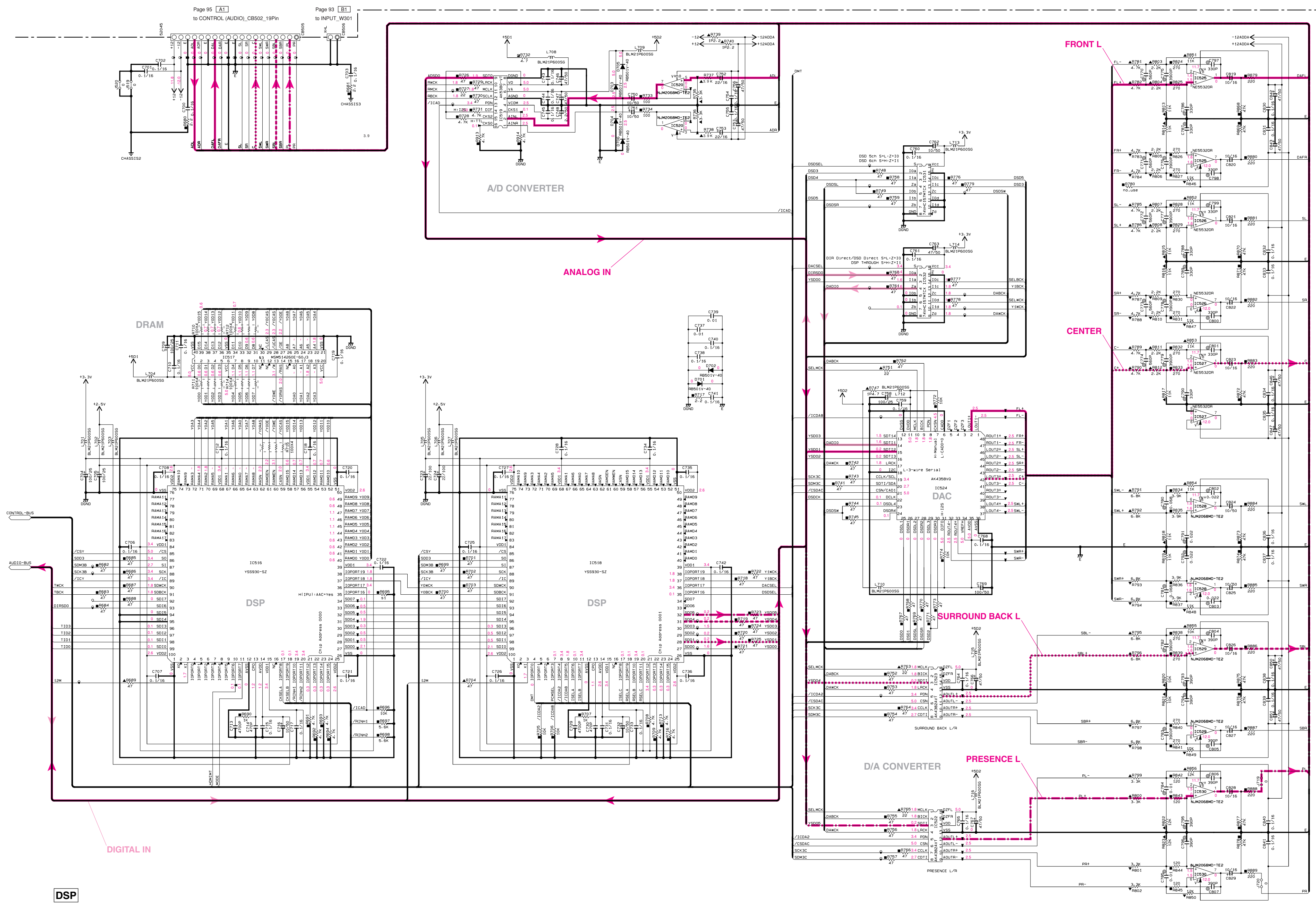


No service part available
サービス部品供給なし

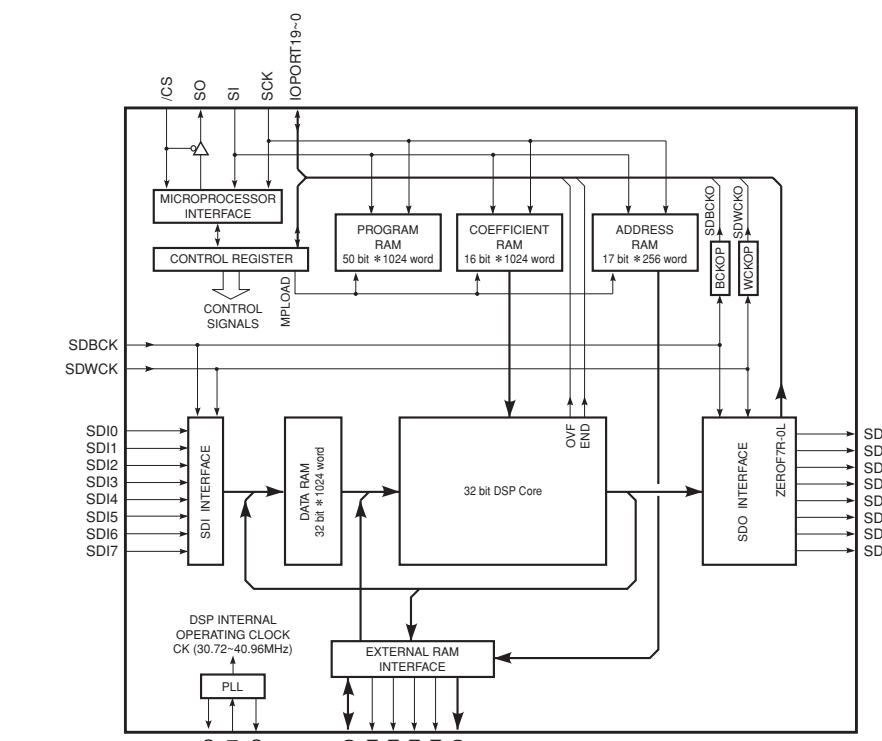
DSP

★ All voltages are measured with a 10MΩ/V DC electronic volt meter.
★ Components having special characteristics are marked △ and must be replaced with parts having specifications equal to those originally installed.
★ Schematic diagram is subject to change without notice.

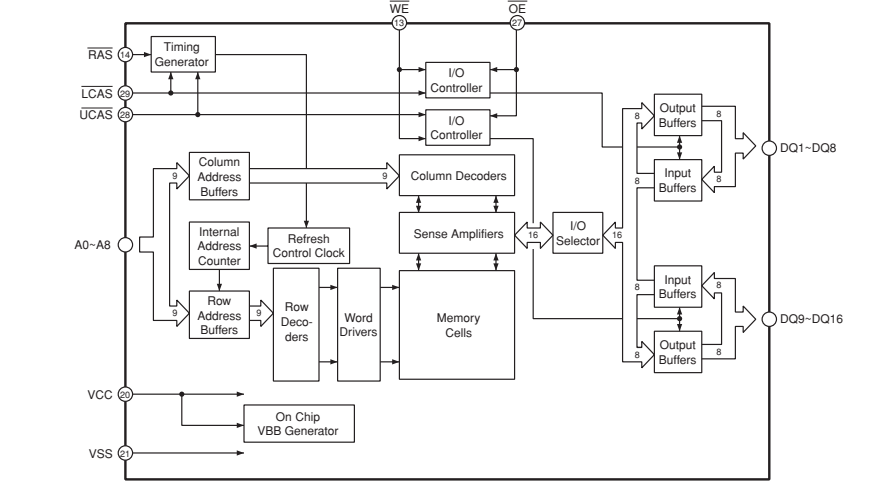
●電圧は、内部抵抗10MΩの電圧計で測定したものです。
●△印のある部品は、安全性確保部品を示しています。部品の交換が必要な場合、パーツリストに記載されている部品を使用してください。
●本回路図は標準回路図です。改良のため予告なく変更することがございます。



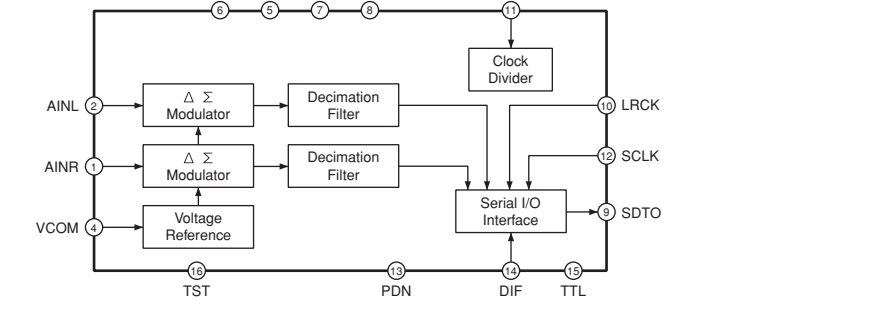
IC156, 518: YSS930-SZ
 DSP



IC157: MSM514260E
 4Mbit DRAM



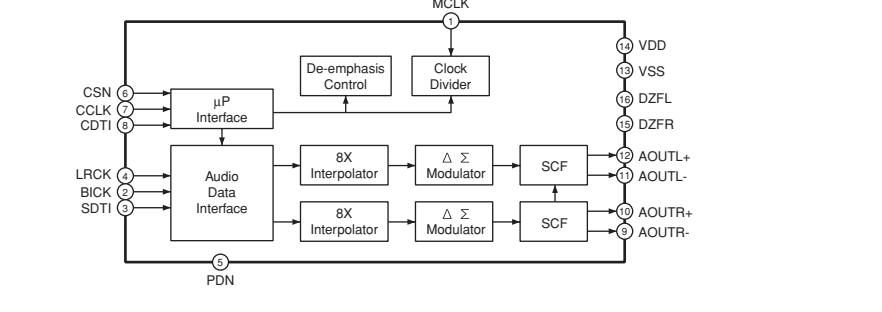
IC159: AK5380-VT
 96kHz 24Bit 2ch ADC



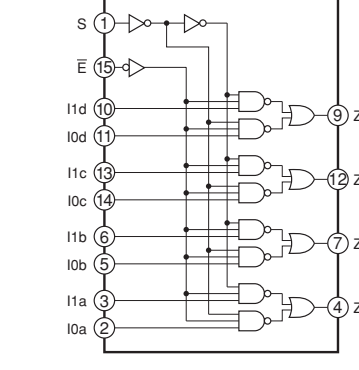
IC520, IC526 - 530: NJM2068MD-TE2
 Dual OP-Amp



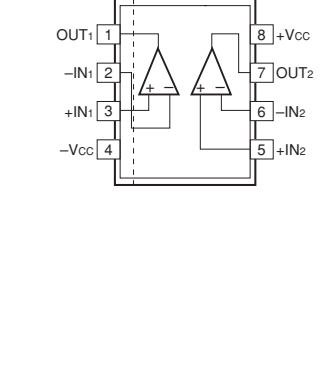
IC522, 523: AK4382AVT
 D/A Converter



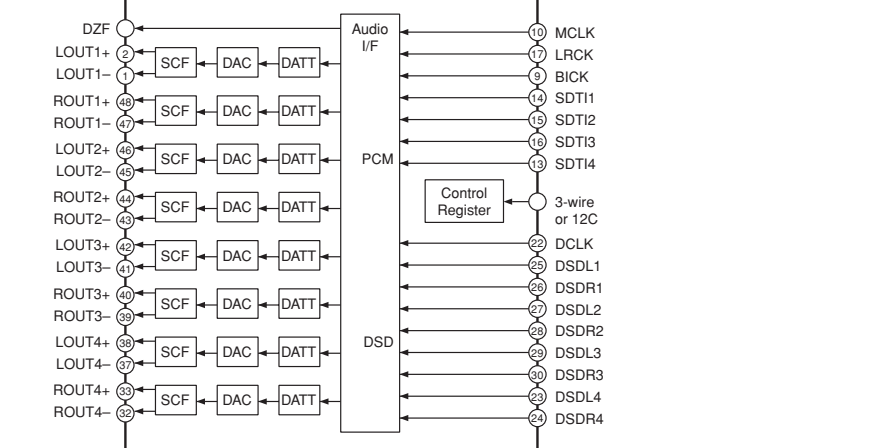
IC531, 532: 74VHC157MTCX
 Quad 2-Input Multiplexer



IC525 - 527: NE5532DR
 Dual OP-Amp



IC524: AK4358VQ
 192kHz 24Bit 8ch DAC



S	Chipset No.	J	(J-C-R-T-K-A-B-G-L)	Mark
1	8695	X	4-7K	AAC
2	Pu001	YK21-4228N	W0-25V-20M1	
		W02440	W049140	

* USED/APPLICABLE
 * NOT USED

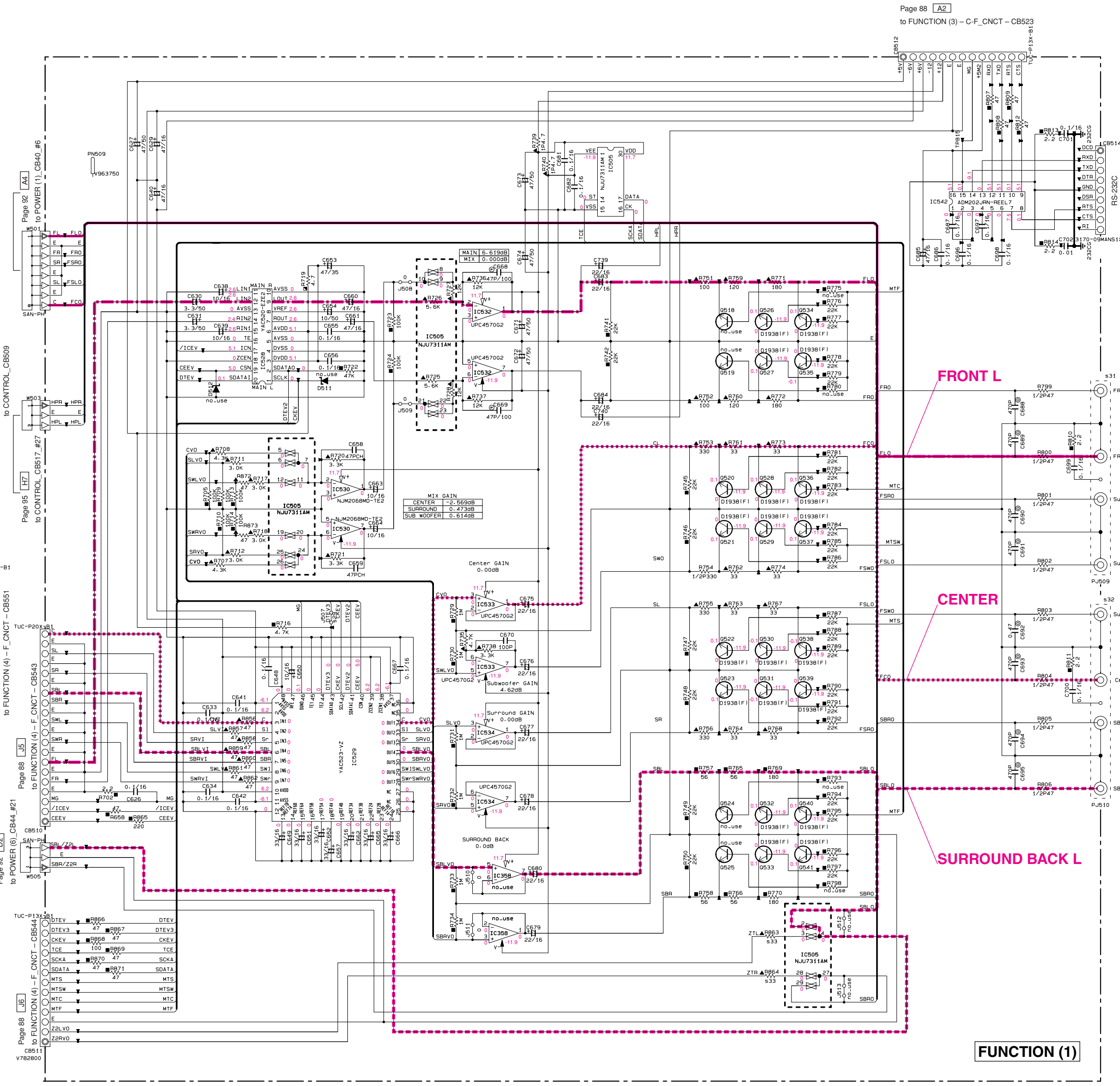
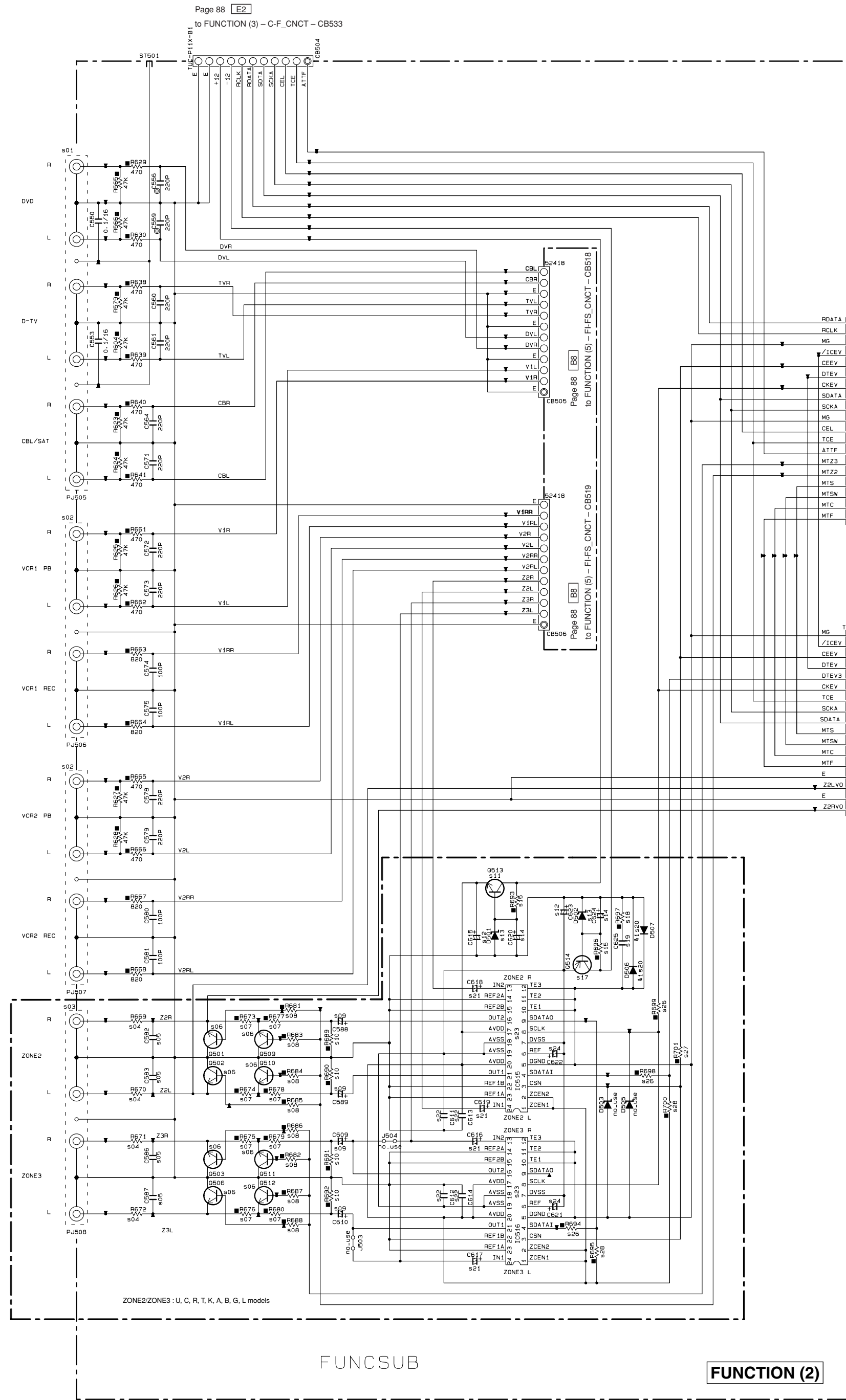
NOTICE [mode1]

(J)..... JAPAN
 (U)..... U.S.A
 (C)..... CANADA
 (R)..... GENERAL
 (T)..... CHINA
 (K)..... KOREA
 (A)..... AUSTRALIA
 (B)..... BRITISH
 (G)..... EUROPE
 (L)..... SINGAPORE
 (E)..... SOUTH EUROPE
 (V)..... TAIWAN

* All voltages are measured with a 10MΩ/V DC electronic volt meter.
 * Components having special characteristics are marked †, and must be replaced with parts having specifications equal to those originally installed.
 * Schematic diagram is subject to change without notice.

●電圧は、内部抵抗10MΩの電圧計で測定したものです。
 ●†印のある部品は、安全性確保部品を示しています。部品の交換が必要な場合、パーツリストに記載されている部品を使用してください。
 ●本回路図は標準回路図です。改良のため予告なく変更することがございます。

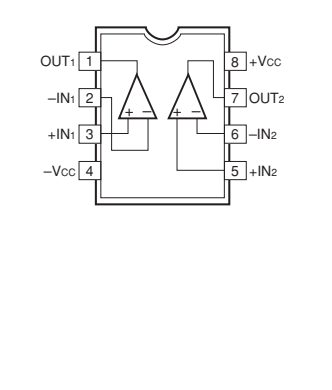
1
2
3
4
5
6
7
8
9
10



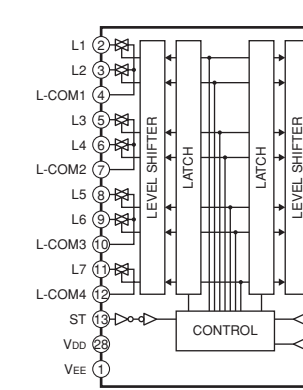
設計値	実装値	設計値	実装値
MAIN	0.0	0.0	14.0
CENTER	0.0	14.0	0.0
SURROUND	0.0	14.0	0.0
SURROUND BACK	0.0	14.0	0.0
MIX MASTER	0.0	14.0	0.0
ZONE 1 & ZONE 3	0.0	14.0	0.0

REMARKS	PARTS NAME	NOTICE (mode)	PARTS NAME	
NO MARK	CARBON FILM RESISTOR (P-5)	(J)..... JAPAN	NO MARK	ELECTROLYTIC CAPACITOR
△	CARBON FILM RESISTOR (P-10)	(U)..... U.S.A	○	TANTALUM CAPACITOR
▲	METAL OXIDE FILM RESISTOR	(C)..... CANADA	○	CERAMIC CAPACITOR
□	METAL FILM RESISTOR	(R)..... GENERAL	○	CERAMIC TUBULAR CAPACITOR
◇	METAL PLATE RESISTOR	(T)..... CHINA	○	POLYESTER FILM CAPACITOR
■	FIRE PROOF CARBON FILM RESISTOR	(K)..... KOREA	○	POLYSTYRENE FILM CAPACITOR
□	CEMENT MIXED RESISTOR	(A)..... AUSTRALIA	○	MICA CAPACITOR
□	SEMI VARIABLE RESISTOR	(B)..... BRITISH	○	POLYPROPYLENE FILM CAPACITOR
■	CHIP RESISTOR	(G)..... EUROPE	○	SEMICONDUCTIVE CERAMIC CAPACITOR
		(L)..... SINGAPORE	○	POLYPHENYLENE SULFIDE FILM CAPACITOR
		(E)..... SOUTH EUROPE		
		(V)..... TAIWAN		

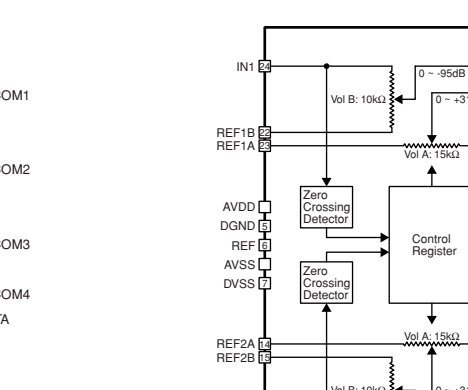
IC358, 532-534: μPC4570G2 Dual OP-Amp



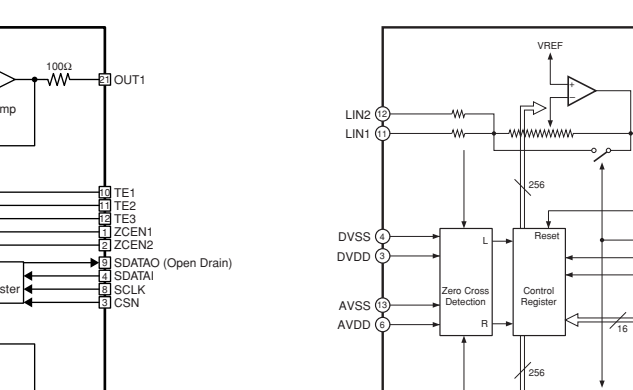
IC505: NJU7311AM Analog Function Switch



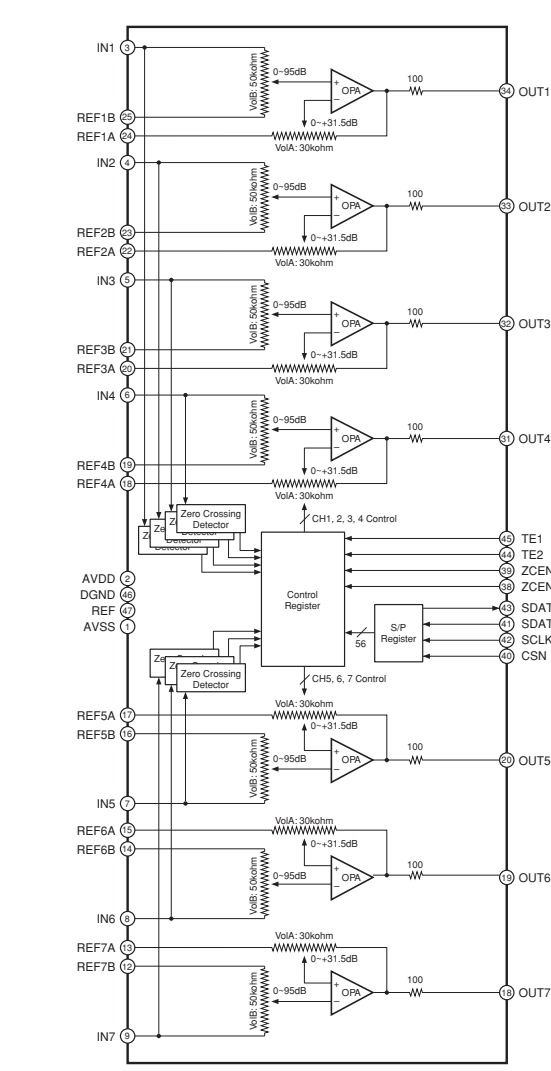
IC515, 516: YAC526-EZE2



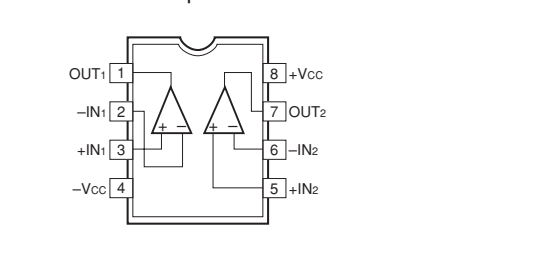
IC528: YAC520-EE2 Stereo Digital Volume Controller



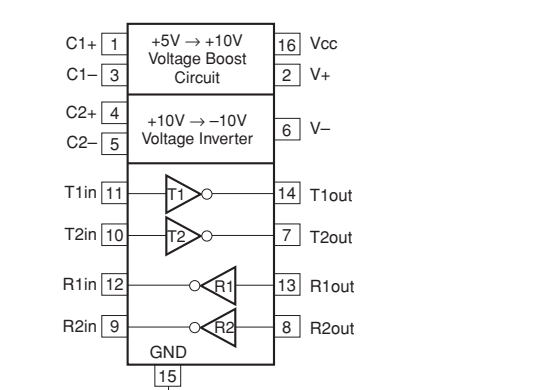
IC529: YAC523-EVR2 Digital Volume



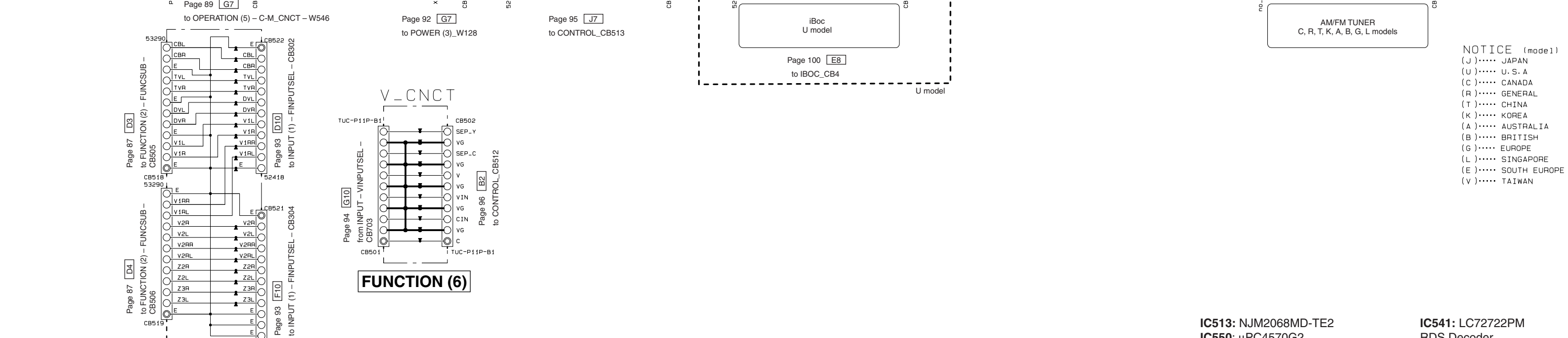
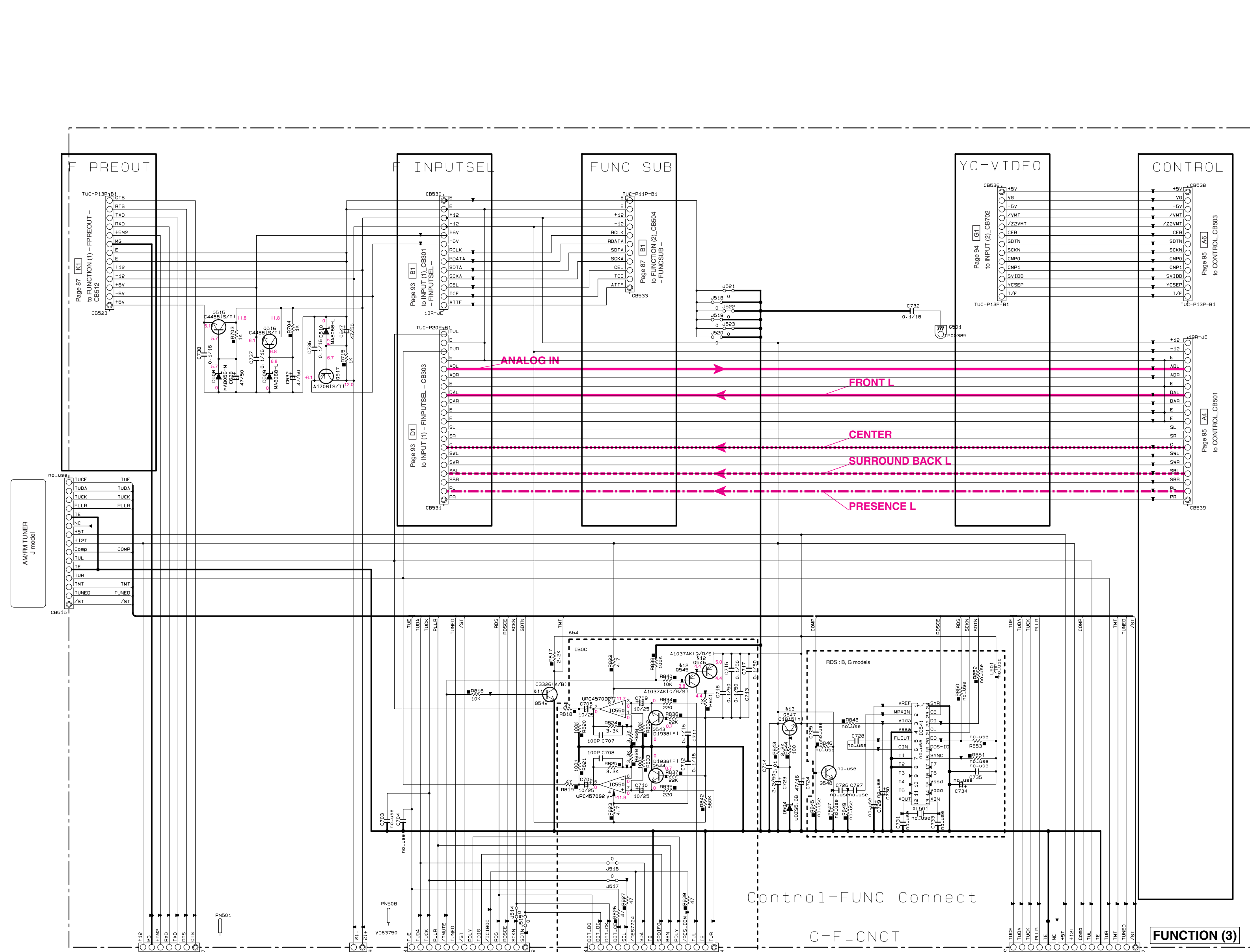
IC530: NJM2068MD-TE2 Dual OP-Amp



IC542: ADM202JRN-REEL7 RS-232 Driver/Receiver



* All voltages are measured with a 10MΩ/V DC electronic volt meter.
 * Components having special characteristics are marked !, and must be replaced with parts having specifications equal to those originally installed.
 * Schematic diagram is subject to change without notice.
 ● 電圧は、内部抵抗10MΩの電圧計で測定したものです。
 ● !印のある部品は、安全性確保部品を示しています。部品の交換が必要な場合、!印の付した部品に記載されている部品を使用してください。
 ● 本回路図は標準回路図です。改良のため予告なく変更することがございます。



NOTICE (mode1)

(J)..... JAPAN
 (U)..... U.S.A
 (C)..... CANADA
 (R)..... GENERAL
 (T)..... CHINA
 (K)..... KOREA
 (A)..... AUSTRALIA
 (B)..... BRITISH
 (G)..... EUROPE
 (L)..... SINGAPORE
 (E)..... SOUTH EUROPE
 (V)..... TAIWAN

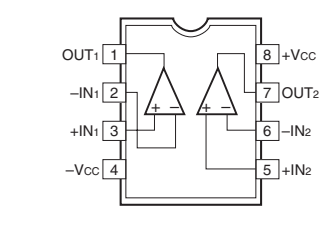
RESISTOR PARTS NAME

REMARKS	PARTS NAME
NO MARK	CARBON FILM RESISTOR (P±5)
□	CARBON FILM RESISTOR (P±10)
△	METAL OXIDE FILM RESISTOR
▲	METAL FILM RESISTOR
⊠	METAL PLATE RESISTOR
⊞	FIRE PROOF CARBON FILM RESISTOR
⊟	CEMENT MOLDED RESISTOR
⊠	SEMI VARIABLE RESISTOR
■	CHIP RESISTOR

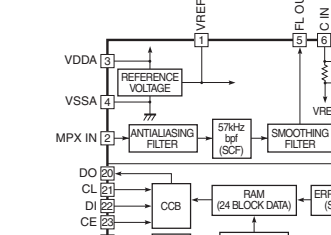
CAPACITOR PARTS NAME

REMARKS	PARTS NAME
NO MARK	ELECTROLYTIC CAPACITOR
⊗	TANTALUM CAPACITOR
⊙	CERAMIC TUBULAR CAPACITOR
⊚	POLYESTER FILM CAPACITOR
⊛	POLYSTYRENE FILM CAPACITOR
⊜	MICA CAPACITOR
⊝	POLYPROPYLENE FILM CAPACITOR
⊞	SEMICONDUCTIVE CERAMIC CAPACITOR
⊟	POLYPHENYLENE SULFIDE FILM CAPACITOR

IC513: NJM2068MD-TE2
 IC550: μPC4570G2
 Dual OP-Amp



IC541: LC72722PM
 RDS Decoder

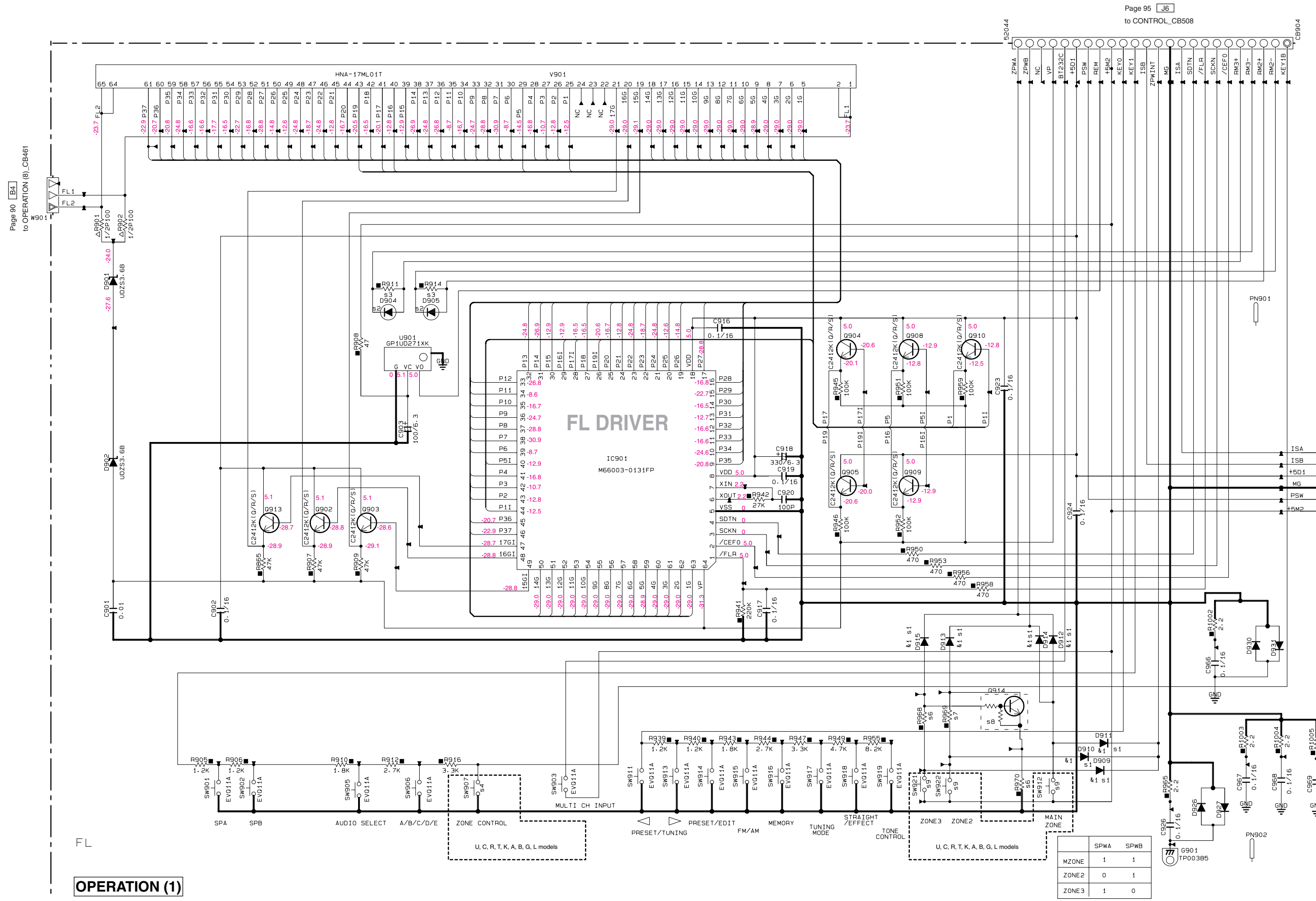


Destination Part List	Q	C	R	K	G
91
92
93
94
95
96
97
98
99
100
101
102
103
104
105
106
107
108
109
110
111
112
113
114
115
116
117
118
119
120
121
122
123
124
125
126
127
128
129
130
131
132
133
134
135
136
137
138
139
140
141
142
143
144
145
146
147
148
149
150
151
152
153
154
155
156
157
158
159
160
161
162
163
164

Interchangeable Parts at Manufacture-Stage

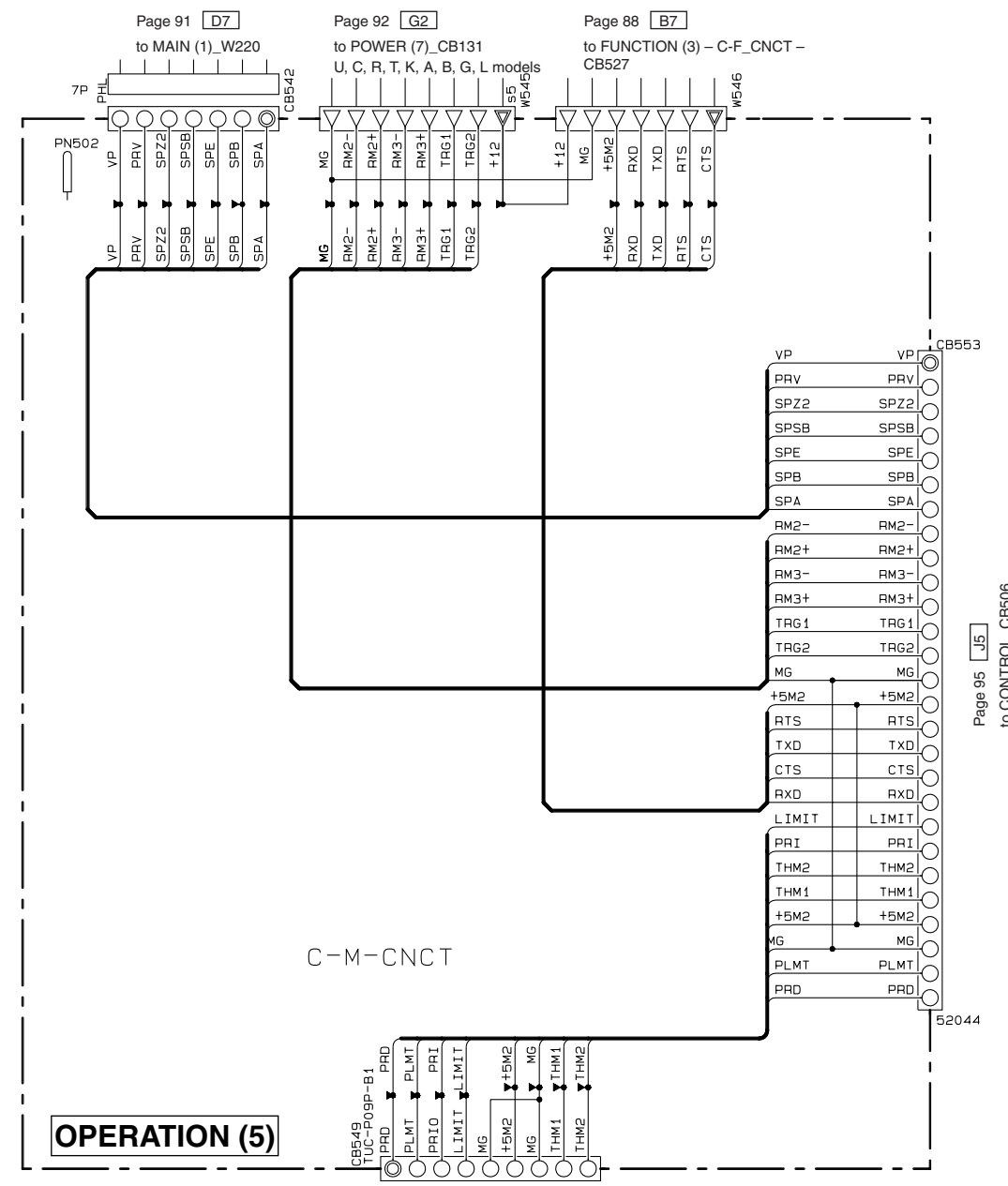
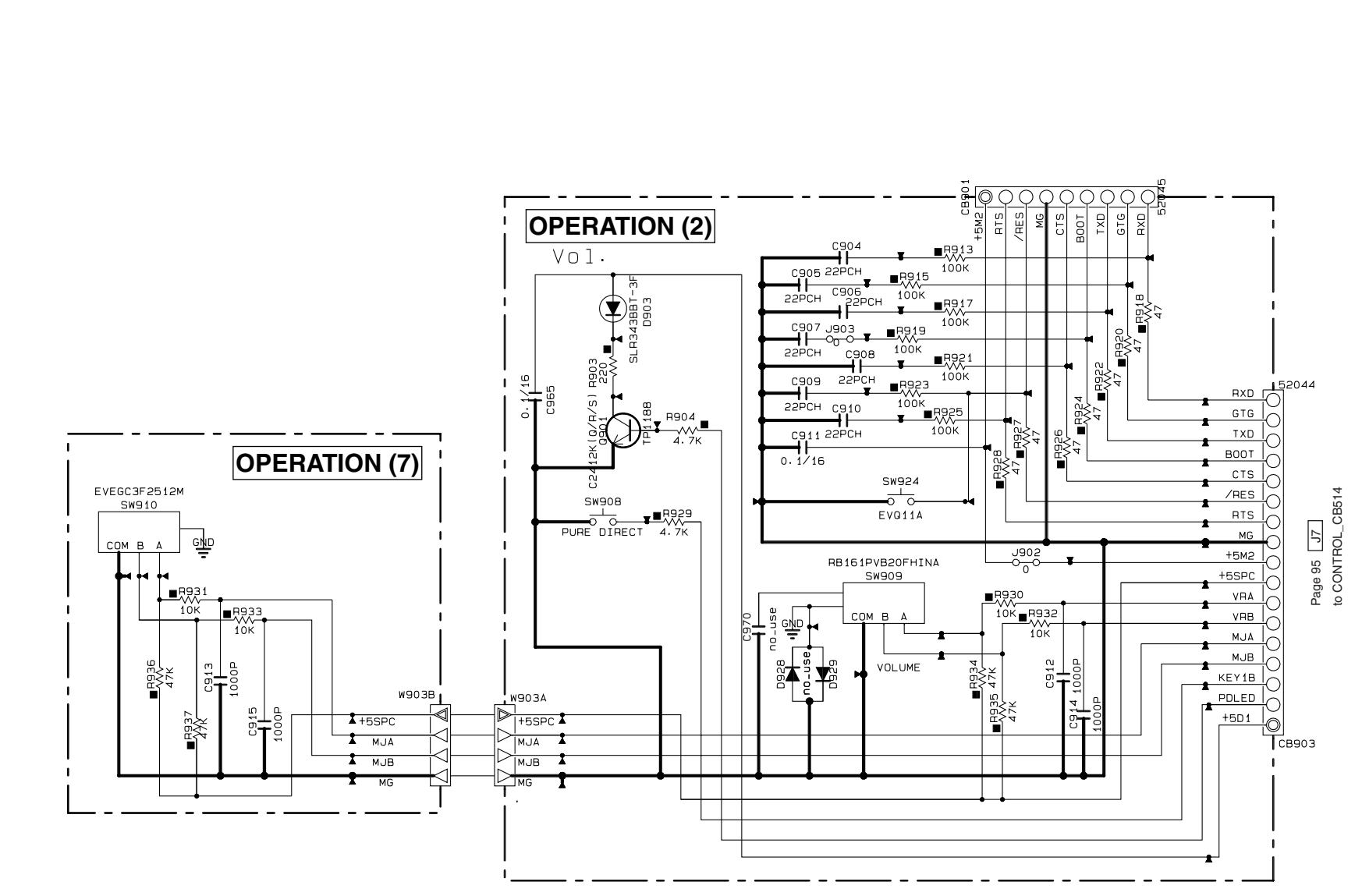
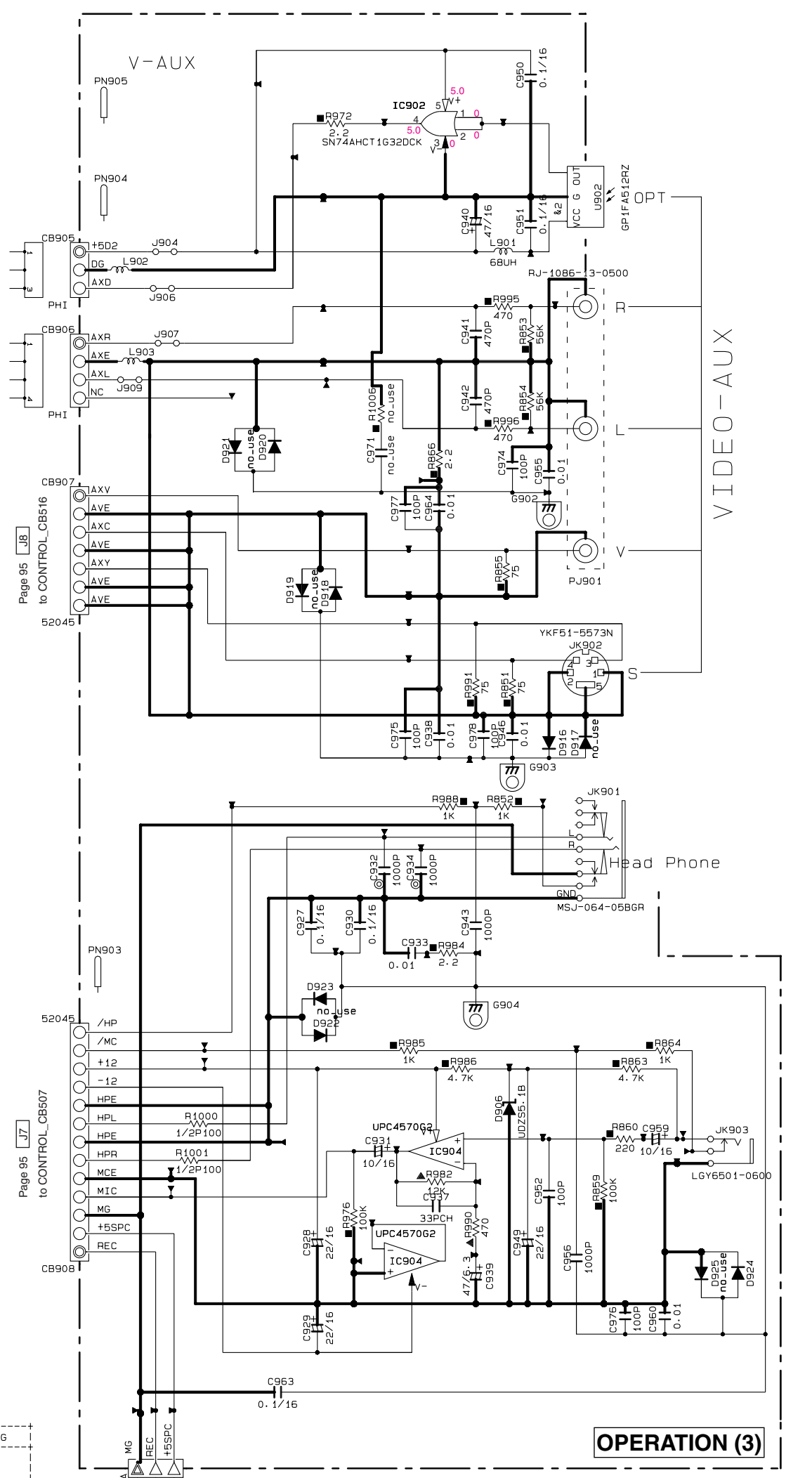
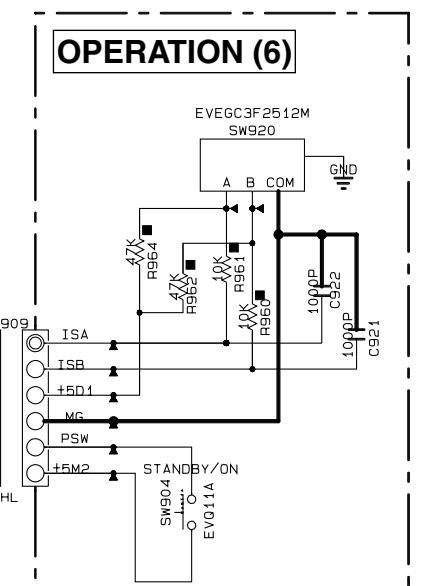
Mark	Reference Parts Number	Parts Name
411	0542	P5C33261A/B1
412	0545, 546	2S41037AK10/9/8/1
413	0547	2S218151/1
		KTC3198

* All voltages are measured with a 10MΩ/V DC electronic voltmeter.
 * Components having special characteristics are marked with a triangle, and must be replaced with parts having specifications equal to those originally installed.
 * Schematic diagram is subject to change without notice.



Interchangeable Parts at Manufacture-Stage

Mark	Reference Parts Number	Parts Name
k1	D909-915	M4111
k2	U902	GP1FA512RZ GP1FA513RZF



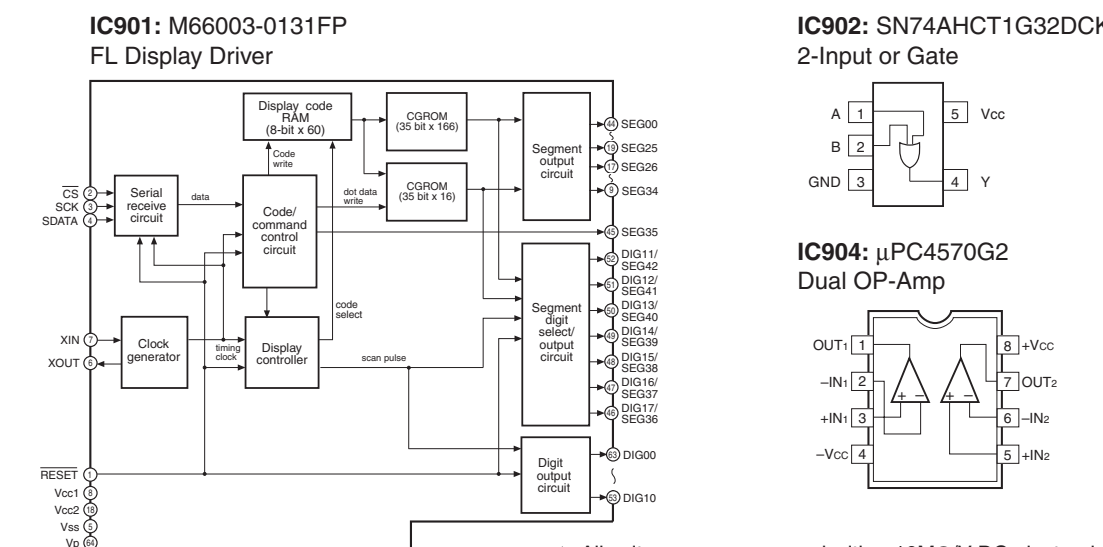
Destination Part List

sxx	LOC	U	U	CRK/LABG
s1	D909	X	VT33590	VT33590
s2	D909	X	V209800	V209800
s3	R911	X	RD35710	RD35710
s4	SW907	X	V475710	V475710
s5	W45	X	MF40825	MF40825
s6	R970	X	RD35510	RD35510
s7	R969	X	RD35610	RD35610
s8	O914	X	V69540	V69540
s9	SW920	X	V475710	V475710

REMARKS	PARTS NAME	REMARKS	PARTS NAME
NO MARK	CARBON FILM RESISTOR (P=5)	NO MARK	ELECTROLYTIC CAPACITOR
□	CARBON FILM RESISTOR (P=10)	⊗	TANTALUM CAPACITOR
△	METAL OXIDE FILM RESISTOR	○	CERAMIC CAPACITOR
⊗	METAL FILM RESISTOR	⊙	CERAMIC TUBULAR CAPACITOR
⊠	METAL PLATE RESISTOR	⊕	POLYESTER FILM CAPACITOR
▢	FINE PROOF CARBON FILM RESISTOR	⊖	POLYPROPYLENE FILM CAPACITOR
▣	CEMENT MOLDED RESISTOR	⊗	MICA CAPACITOR
▤	SEMI VARIABLE RESISTOR	⊙	POLYPROPYLENE FILM CAPACITOR
■	CHIP RESISTOR	⊕	SEMICONDUCTIVE CERAMIC CAPACITOR

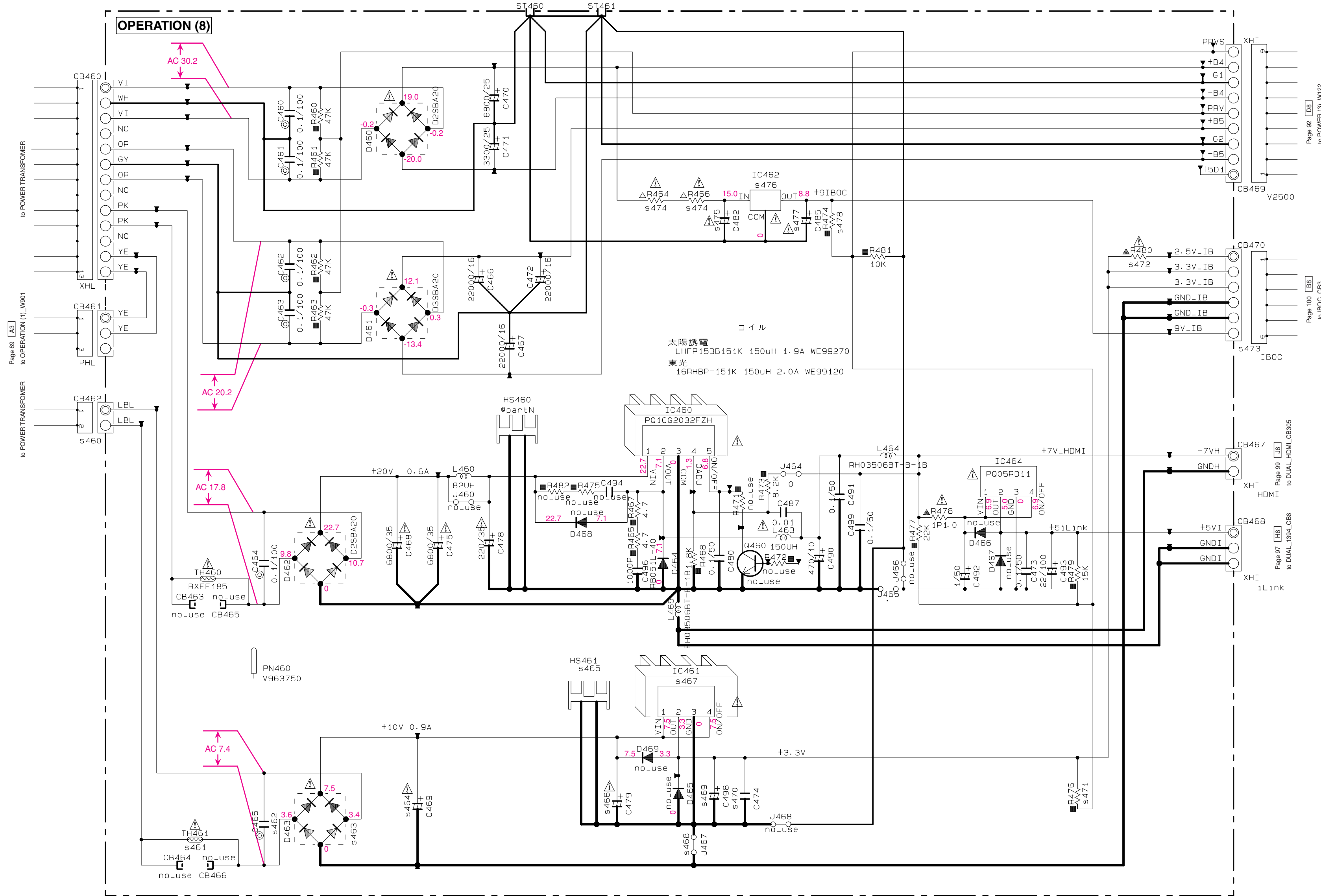
NOTICE (model)

(J)..... JAPAN
 (U)..... U.S.A
 (C)..... CANADA
 (R)..... GENERAL
 (T)..... CHINA
 (K)..... KOREA
 (A)..... AUSTRALIA
 (B)..... BRITISH
 (G)..... EUROPE
 (L)..... SINGAPORE
 (E)..... SOUTH EUROPE
 (V)..... TAIWAN



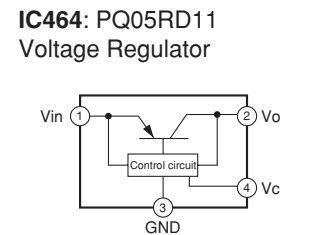
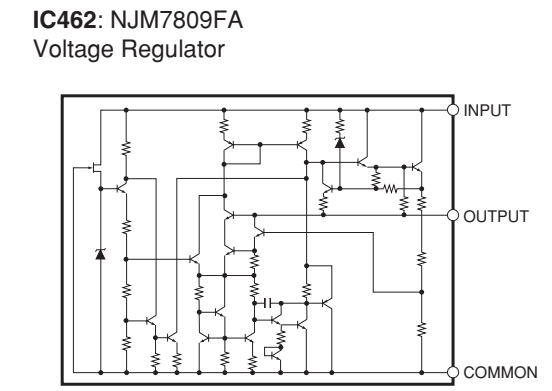
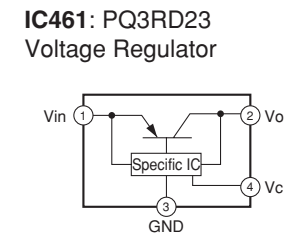
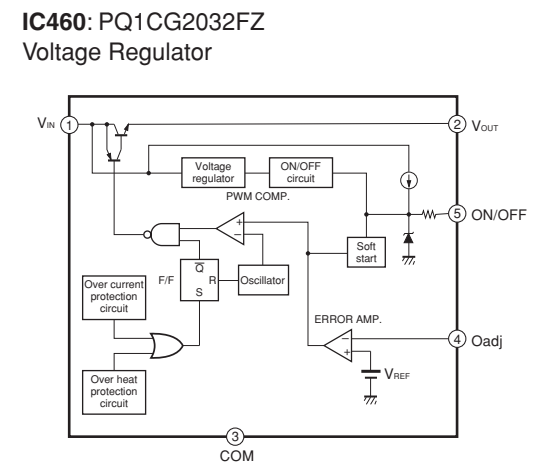
★ All voltages are measured with a 10MΩ/V DC electronic volt meter.
 ★ Components having special characteristics are marked with a triangle (▲), and must be replaced with parts having specifications equal to those originally installed.
 ★ Schematic diagram is subject to change without notice.

● 電圧は、内部抵抗10MΩの電圧計で測定したものです。
 ● ▲印のある部品は、安全性確保部品を示しています。部品の交換が必要な場合、パーツリストに記載されている部品を使用してください。
 ● 本回路図は標準回路図です。改良のため予告なく変更することがございます。



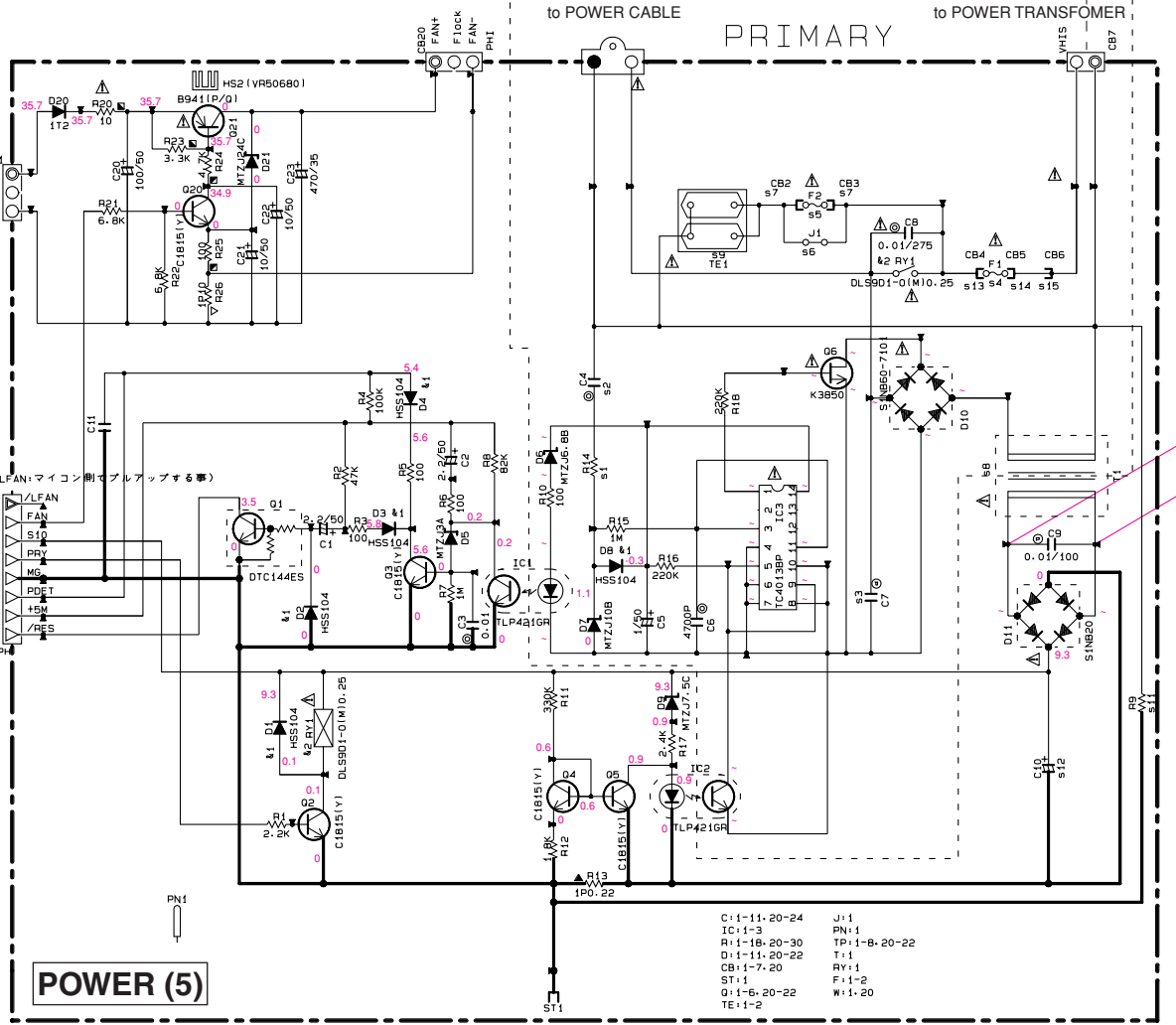
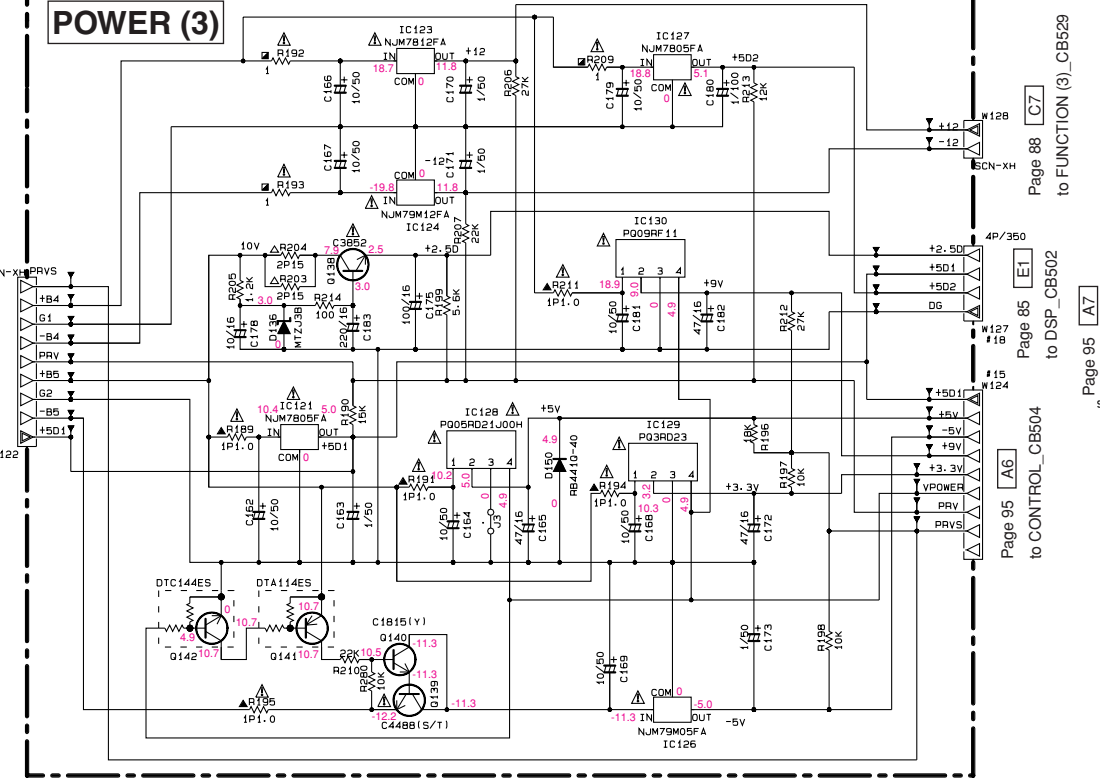
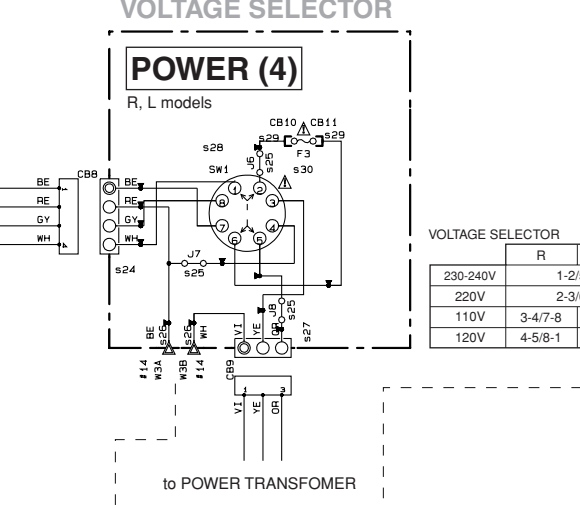
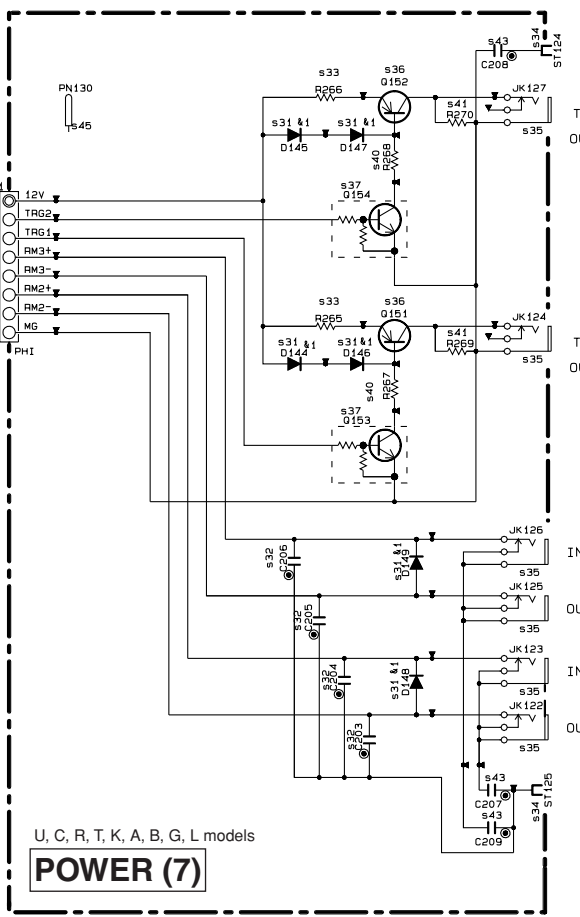
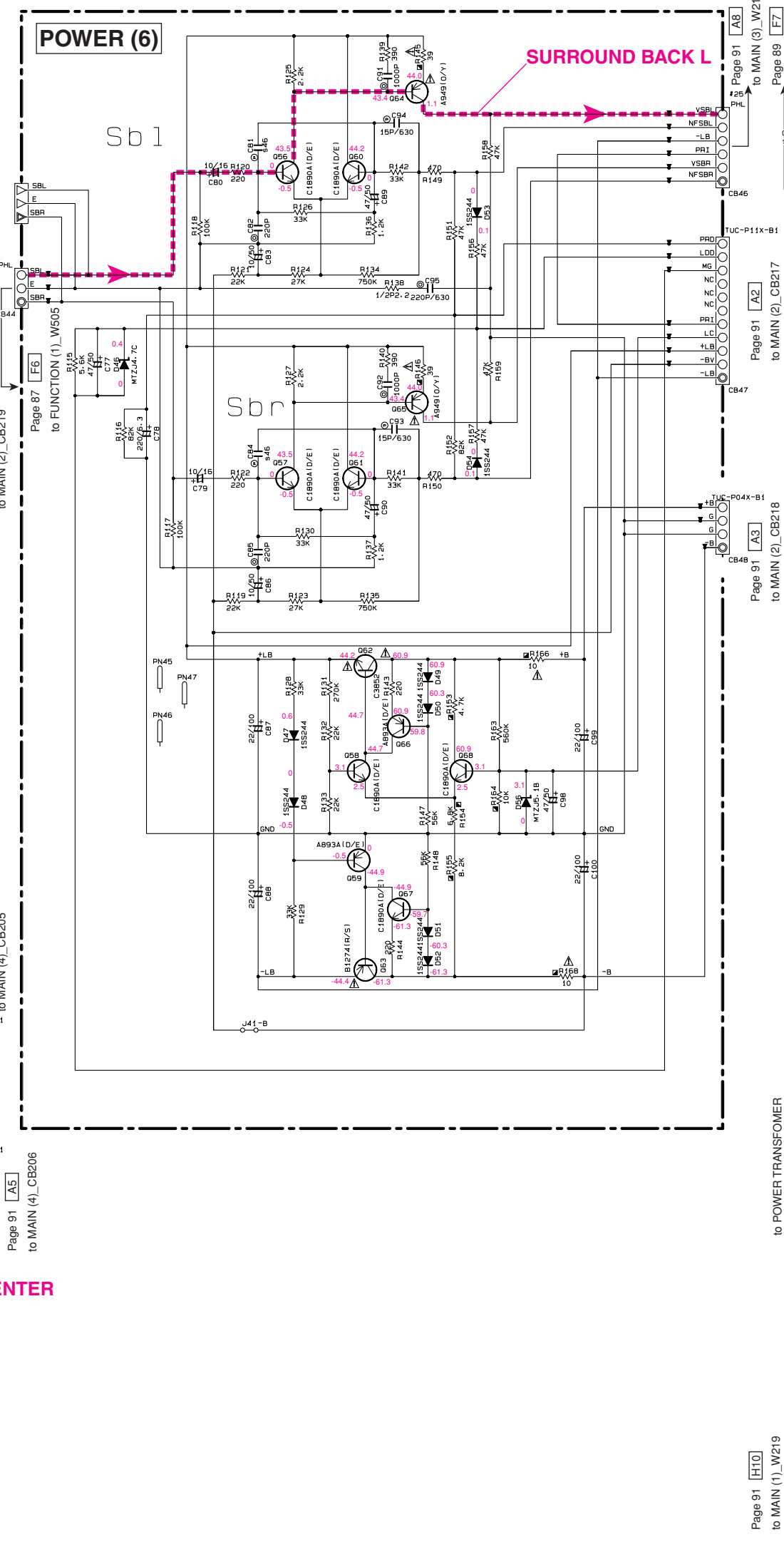
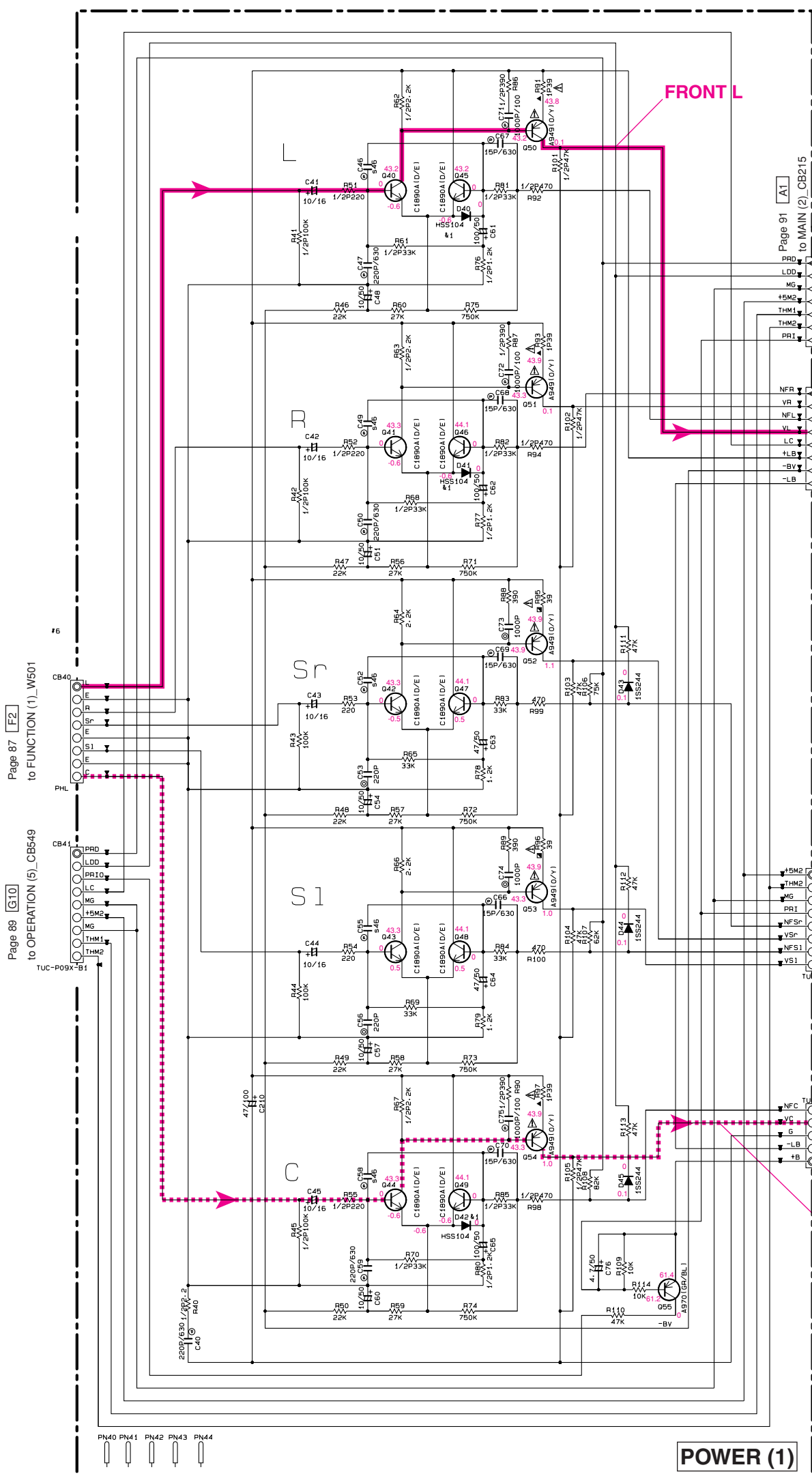
NOTICE (model)
 (J)..... JAPAN
 (U)..... U.S.A
 (C)..... CANADA
 (R)..... GENERAL
 (T)..... CHINA
 (K)..... KOREA
 (A)..... AUSTRALIA
 (B)..... BRITISH
 (G)..... EUROPE
 (L)..... SINGAPORE
 (E)..... SOUTH EUROPE
 (V)..... TAIWAN

sxx	LOC	J	U	CRTKLABG
s460	CB462	X	LB91902 XHL	X
s461	TH461	X	VV49710 RAEF300	X
s462	C465	X	WD403100 0.1/100	X
s463	D463	X	V426960 DS58420	X
s464	C469	X	UL23A22 22000/16	X
s465	HS461	X	HP38440 IBPU501-10-5	X
s466	C479	X	UL26533 0.33/50	X
s467	IC461	X	X4368A0 PQ3RD23	X
s468	J467	X	VN50000	X
s469	C498	X	UL24910 100/25	X
s470	C474	X	US06510 0.1/50	X
s471	R476	X	RD35710 10K	X
s472	R480	X	VP93960 IP2.2	X
s473	CB470	X	VB39020 PH1	X
s474	R466	X	VU32010 1P18	X
s475	C482	X	UL14710 10/25	X
s476	IC462	X	X4609A0 NJM7809FA	X
s477	C485	X	UL26510 0.1/50	X
s478	R474	X	RD35727 27K	X

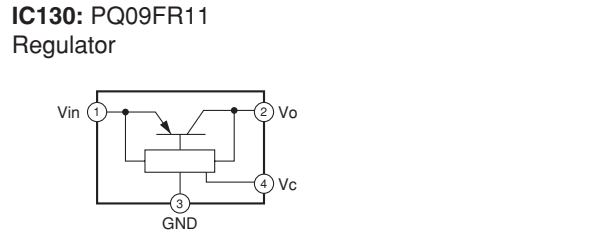
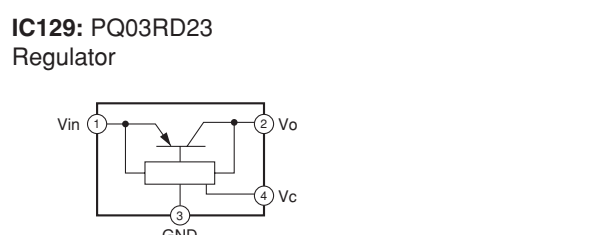
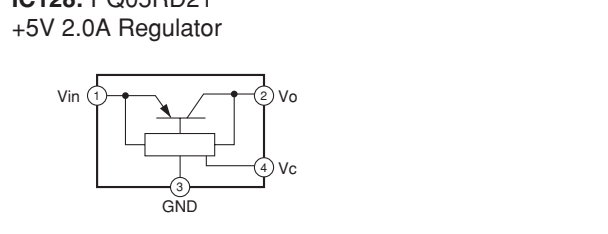
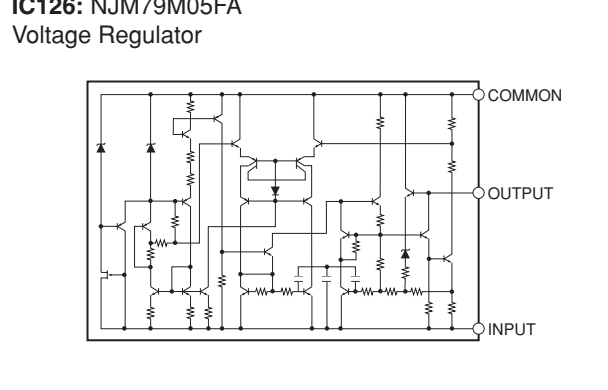
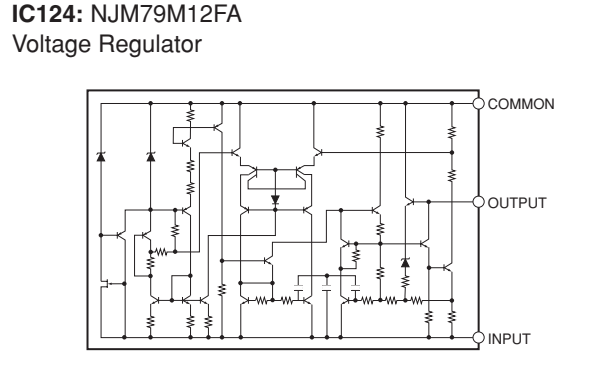
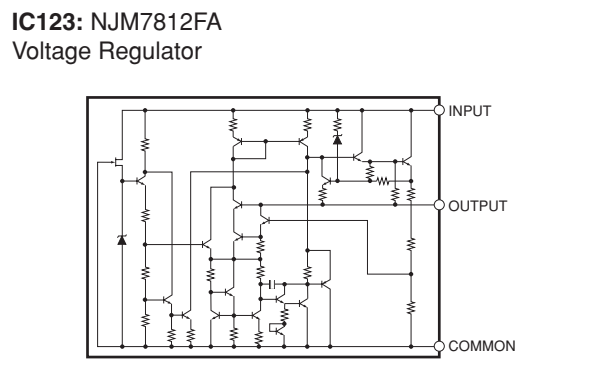
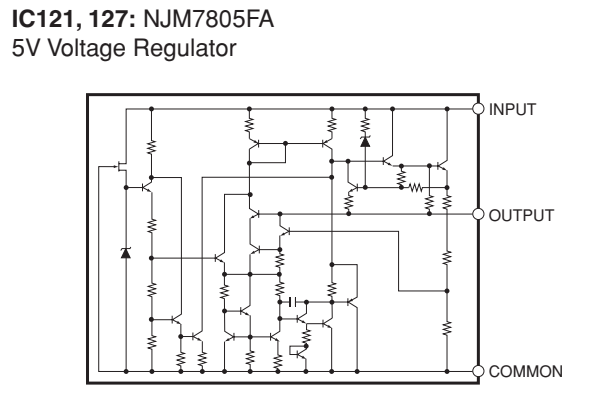
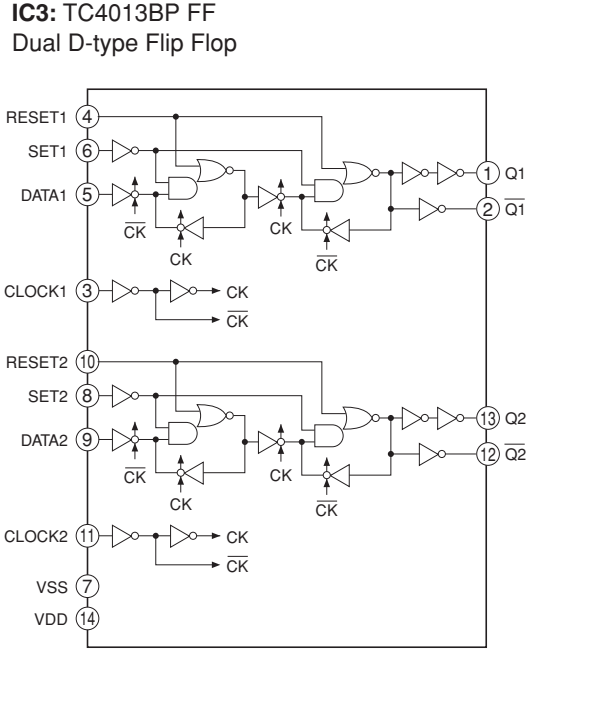


★ All voltages are measured with a 10MΩ/V DC electronic volt meter.
 ★ Components having special characteristics are marked with a triangle and must be replaced with parts having specifications equal to those originally installed.
 ★ Schematic diagram is subject to change without notice.

● 電圧は、内部抵抗10MΩの電圧計で測定したものです。
 ● 1印のある部品は、安全性確保部品を示しています。部品の交換が必要な場合、パーツリストに記載されている部品を使用してください。
 ● 本回路図は標準回路図です。改良のため予告なく変更することがあります。



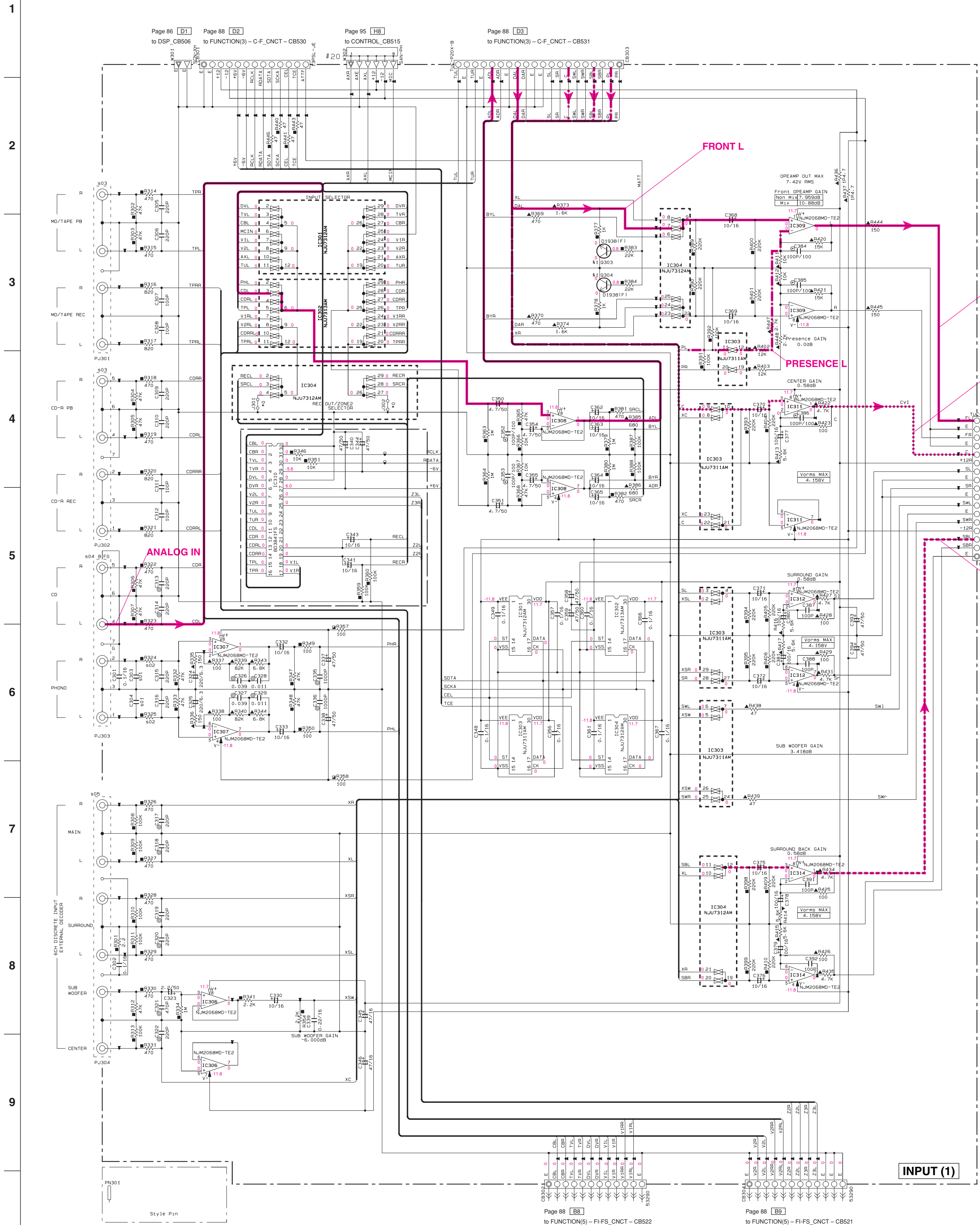
NO.	IC	PARTS NAME	REMARKS
81	R14	HF45739	U.C
82	C4	W89710	U.C
83	C7	W89630	U.C
84	F1	W89139	U.C
85	F2	W89139	U.C
86	F3	W89139	U.C
87	C82	W89139	U.C
88	TE1	W89139	U.C
89	W9	W89139	U.C
90	C10	W89139	U.C
91	C84	W89139	U.C
92	C85	W89139	U.C
93	C86	W89139	U.C
94	TE2	W89139	U.C
95	C88	W89139	U.C
96	C89	W89139	U.C
97	C90	W89139	U.C
98	C91	W89139	U.C
99	C92	W89139	U.C
100	F3	W89139	U.C
101	D146	W89139	U.C
102	D147	W89139	U.C
103	D148	W89139	U.C
104	D149	W89139	U.C
105	D150	W89139	U.C
106	D151	W89139	U.C
107	D152	W89139	U.C
108	D153	W89139	U.C
109	D154	W89139	U.C
110	D155	W89139	U.C
111	D156	W89139	U.C
112	D157	W89139	U.C
113	D158	W89139	U.C
114	D159	W89139	U.C
115	D160	W89139	U.C
116	D161	W89139	U.C
117	D162	W89139	U.C
118	D163	W89139	U.C
119	D164	W89139	U.C
120	D165	W89139	U.C
121	D166	W89139	U.C
122	D167	W89139	U.C
123	D168	W89139	U.C
124	D169	W89139	U.C
125	D170	W89139	U.C
126	D171	W89139	U.C
127	D172	W89139	U.C
128	D173	W89139	U.C
129	D174	W89139	U.C
130	D175	W89139	U.C
131	D176	W89139	U.C
132	D177	W89139	U.C
133	D178	W89139	U.C
134	D179	W89139	U.C
135	D180	W89139	U.C
136	D181	W89139	U.C
137	D182	W89139	U.C
138	D183	W89139	U.C
139	D184	W89139	U.C
140	D185	W89139	U.C
141	D186	W89139	U.C
142	D187	W89139	U.C
143	D188	W89139	U.C
144	D189	W89139	U.C
145	D190	W89139	U.C
146	D191	W89139	U.C
147	D192	W89139	U.C
148	D193	W89139	U.C
149	D194	W89139	U.C
150	D195	W89139	U.C
151	D196	W89139	U.C
152	D197	W89139	U.C
153	D198	W89139	U.C
154	D199	W89139	U.C
155	D200	W89139	U.C
156	D201	W89139	U.C
157	D202	W89139	U.C
158	D203	W89139	U.C
159	D204	W89139	U.C
160	D205	W89139	U.C
161	D206	W89139	U.C
162	D207	W89139	U.C
163	D208	W89139	U.C
164	D209	W89139	U.C
165	D210	W89139	U.C
166	D211	W89139	U.C
167	D212	W89139	U.C
168	D213	W89139	U.C
169	D214	W89139	U.C
170	D215	W89139	U.C
171	D216	W89139	U.C
172	D217	W89139	U.C
173	D218	W89139	U.C
174	D219	W89139	U.C
175	D220	W89139	U.C
176	D221	W89139	U.C
177	D222	W89139	U.C
178	D223	W89139	U.C
179	D224	W89139	U.C
180	D225	W89139	U.C
181	D226	W89139	U.C
182	D227	W89139	U.C
183	D228	W89139	U.C
184	D229	W89139	U.C
185	D230	W89139	U.C
186	D231	W89139	U.C
187	D232	W89139	U.C
188	D233	W89139	U.C
189	D234	W89139	U.C
190	D235	W89139	U.C
191	D236	W89139	U.C
192	D237	W89139	U.C
193	D238	W89139	U.C
194	D239	W89139	U.C
195	D240	W89139	U.C
196	D241	W89139	U.C
197	D242	W89139	U.C
198	D243	W89139	U.C
199	D244	W89139	U.C
200	D245	W89139	U.C



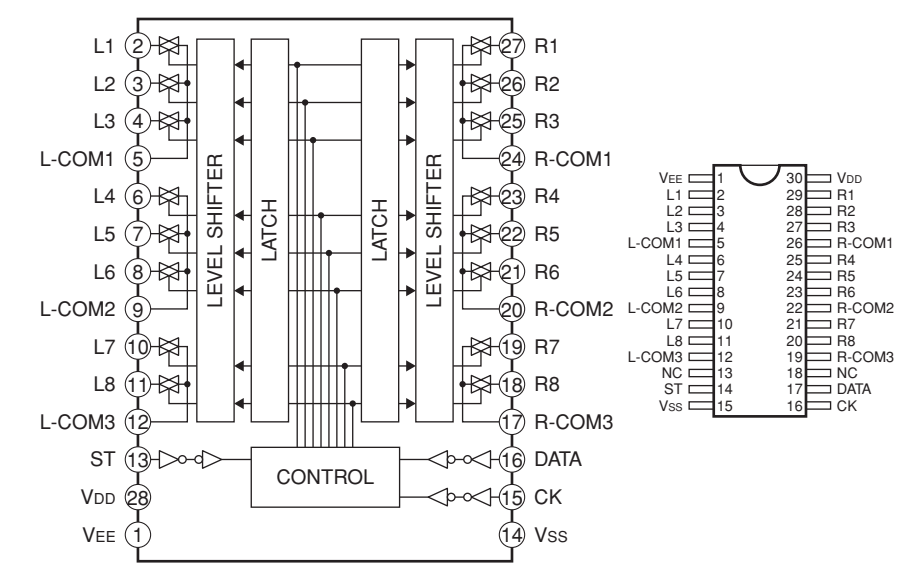
★ All voltages are measured with a 10MΩ/V DC electronic volt meter.
 ★ Components having special characteristics are marked with a star and must be replaced with parts having specifications equal to those originally installed.
 ★ Schematic diagram is subject to change without notice.

● 電圧は、内部抵抗10MΩの電圧計で測定したものです。
 ● 1印のある部品は、安全性確保部品を示しています。部品の交換が必要な場合、パーツリストに記載されている部品を使用してください。
 ● 本回路図は標準回路図です。改良のため予告なく変更することがございます。

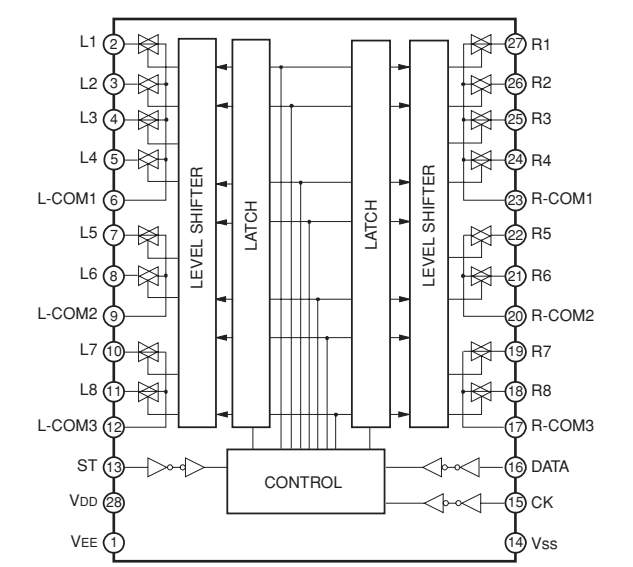
SCHEMATIC DIAGRAM (INPUT 1/2)



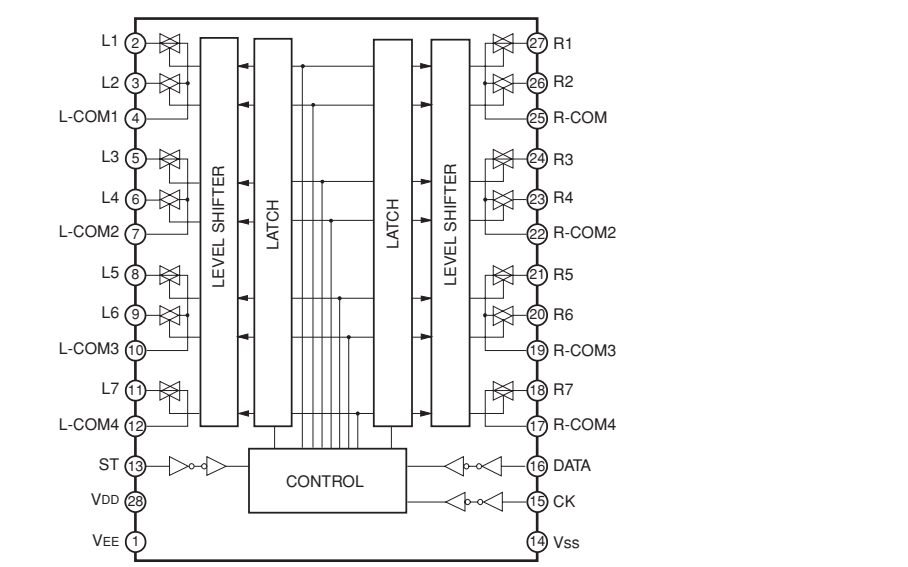
IC301, 304: NJU7312AM Analog Function Switch



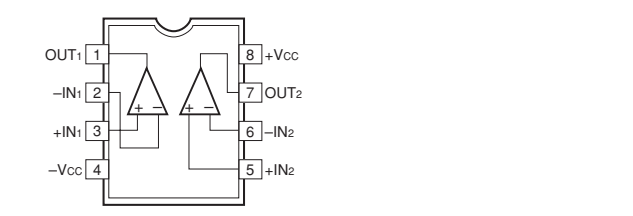
IC302: NJU7313AM Analog Function Switch



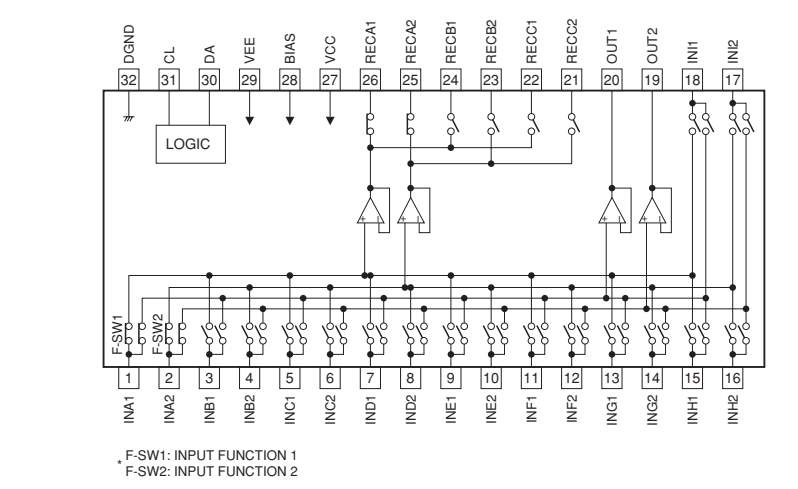
IC303: NJU7311AM Analog Function Switch



IC306 - 309, 311, 312, 314: NJM2068MD-TE2 Dual OP-Amp



IC310: BD3841FS Function Switch



Destination Part List

SXX	LOC	U	U-C	R.T.K.A.B.G.L
S01	C303	X	X	US86222
S02	C304	47	47	RD36447
S03	PJ301	WD49800	WD49840	WD49840
S04	PJ302	RU-1073410-0551	RU-1073410-0351	RU-1073410-0351
S05	PJ303	WD49790	WD49780	WD49780
S06	PJ304	WD49805	WD49810	WD49810
S07	PJ305	RU-107485-0553	RU-107485-0353	RU-107485-0353

設計値 (Design Value) and 実設計値 (Actual Design Value) tables.

チャンネル	設計値	実設計値
MAIN	8.0	7.950
CENTER	0.0	0.984
SURROUND	0.0	0.584
SURROUND BACK	0.0	0.584
SUB WOOFER	3.0	6.5
ZONE2 & ZONE3	0.0	0.0

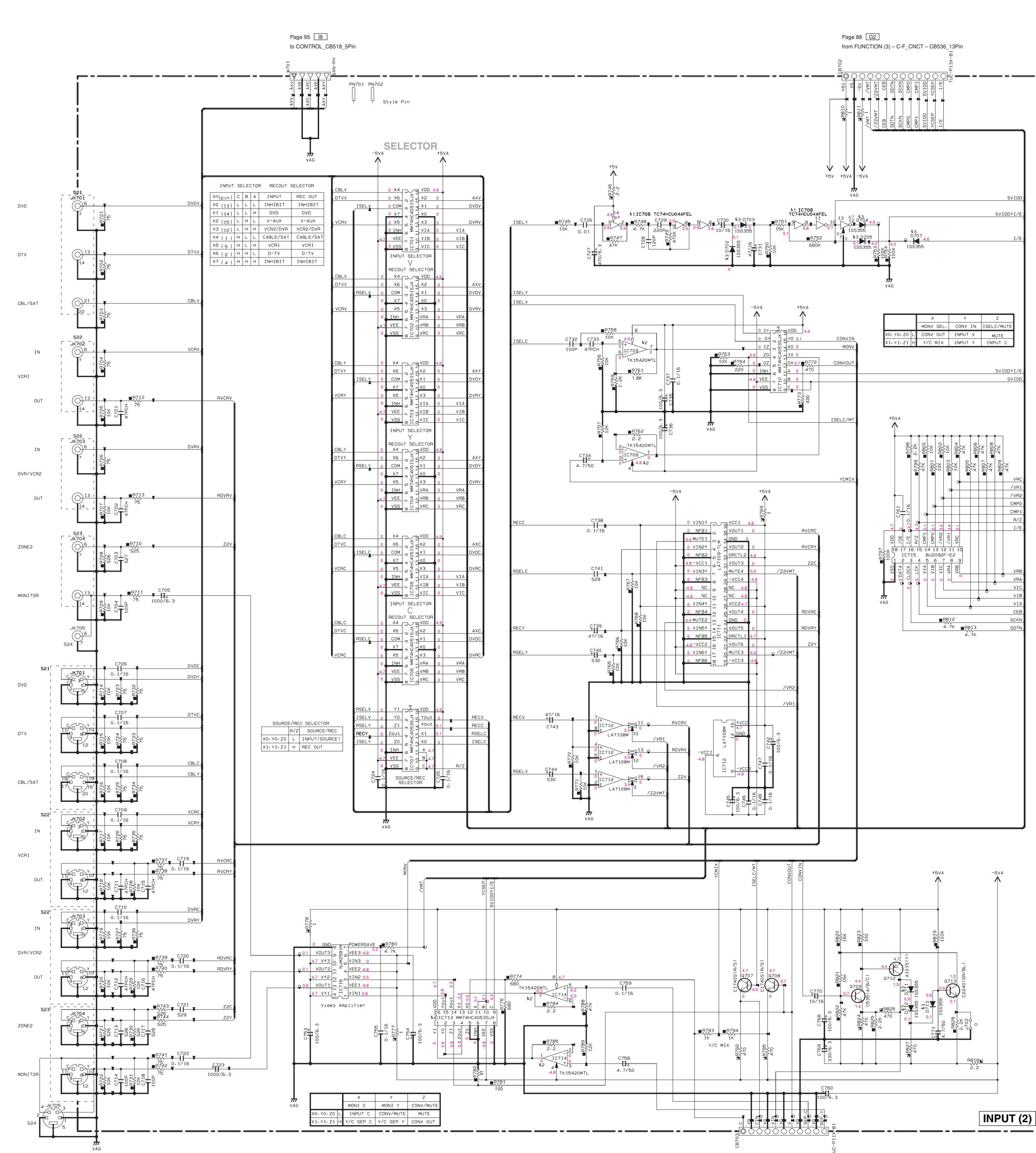
RESISTOR table with columns for REMARKS, PARTS NAME, and NO MARK.

NOTICE (model) and CAPACITOR table with columns for REMARKS, PARTS NAME, and NO MARK.

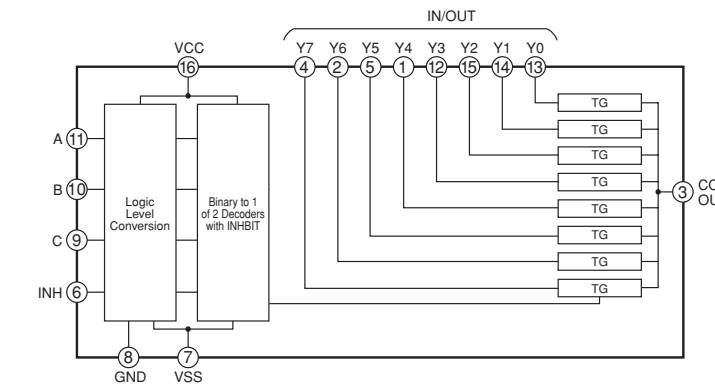
Interchangeable Parts at Manufacture Stage table with columns for Mark, Reference Parts Number, and Parts Name.

All voltages are measured with a 10MΩ/V DC electronic volt meter. Components having special characteristics are marked with a star and must be replaced with parts having specifications equal to those originally installed. Schematic diagram is subject to change without notice.

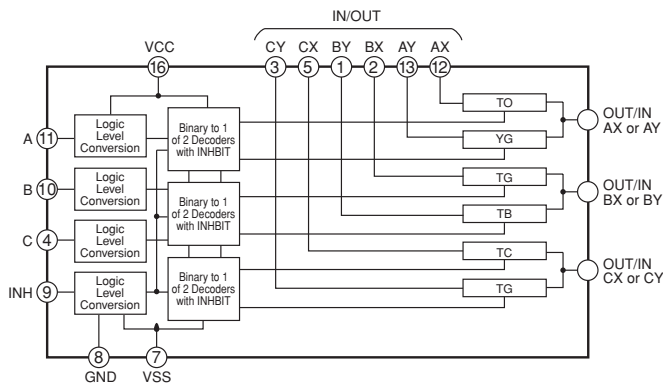
電圧は、内部抵抗10MΩの電圧計で測定したものです。★印のある部品は、安全性確保部品を示しています。部品の交換が必要な場合、パーツリストに記載されている部品を使用してください。●本回路図は標準回路図です。改良のため予告なく変更することがございます。



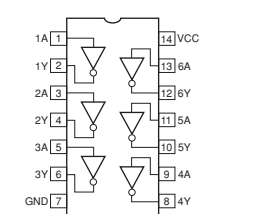
IC701 - 706: MM74HC4051SX
 8-Channel Analog Multiplexer



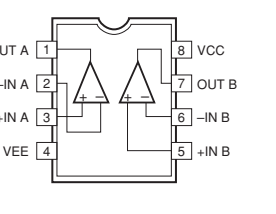
IC707, 710, 713: MM74HC4053SX
 Triple 2-Channel Analog Multiplexer



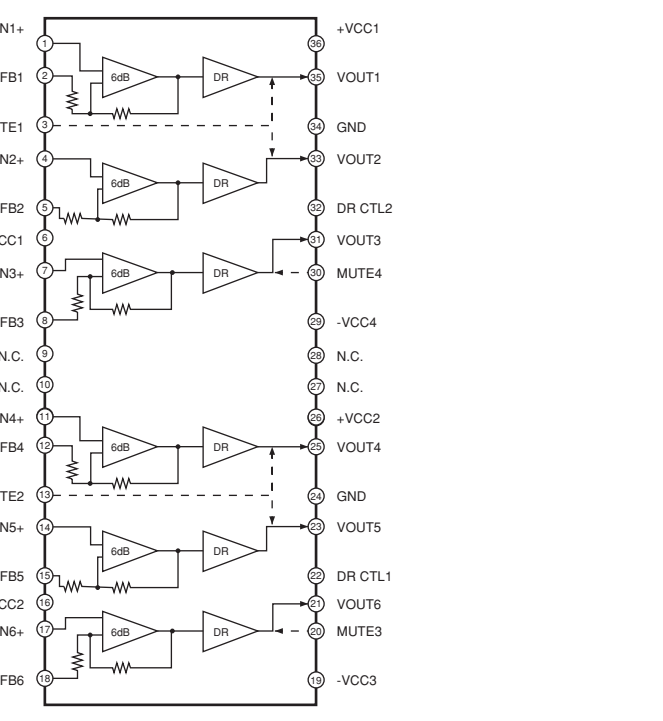
IC708: TC74HC04AFEL
 Hex Inverters



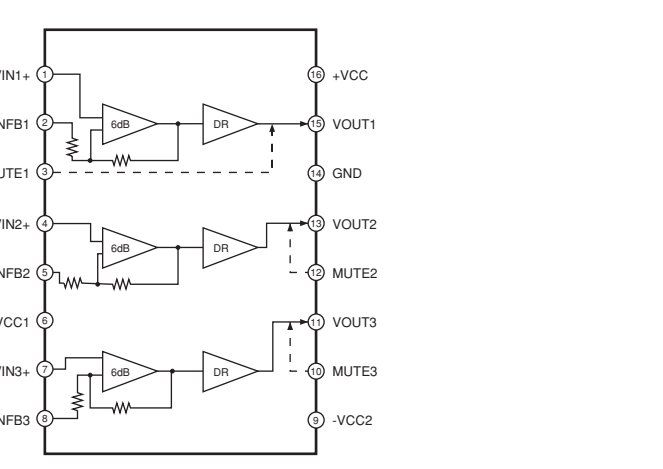
IC709, 714: TK15420M
 Video Amp



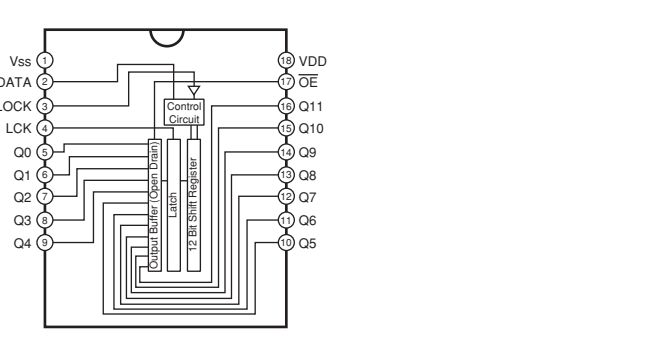
IC711: LA7109
 6CH 75Ω Video Driver



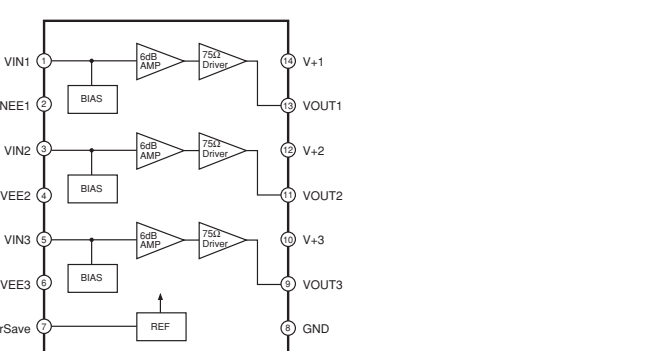
IC712: LA7108M
 Video Amp



IC715: BU2092F-E2
 Serial In/Parallel Out Driver



IC716: NJM2581M
 Video Amp



RESISTOR

REMARKS	PARTS NAME
NO MARK	CARBON FILM RESISTOR (P=5)
□	CARBON FILM RESISTOR (P=10)
△	METAL OXIDE FILM RESISTOR
▲	METAL FILM RESISTOR
■	METAL PLATE RESISTOR
⊙	FIRE PROOF CARBON FILM RESISTOR
□	CEMENT MOLDED RESISTOR
■	SEMI VARIABLE RESISTOR
■	CHIP RESISTOR

NOTICE (made in)

(J)..... JAPAN
 (U)..... U.S.A
 (C)..... CANADA
 (R)..... GENERAL
 (T)..... CHINA
 (K)..... KOREA
 (A)..... AUSTRALIA
 (B)..... BRITISH
 (G)..... EUROPE
 (L)..... SINGAPORE
 (E)..... SOUTH EUROPE
 (V)..... TAIWAN

CAPACITOR

REMARKS	PARTS NAME
NO MARK	ELECTROLYTIC CAPACITOR
⊗	TANTALUM CAPACITOR
⊙	CERAMIC CAPACITOR
⊙	CERAMIC TUBULAR CAPACITOR
⊙	POLYESTER FILM CAPACITOR
⊙	POLYSTYRENE FILM CAPACITOR
⊙	MICA CAPACITOR
⊙	POLYPROPYLENE FILM CAPACITOR
⊙	SEMICONDUCTIVE CERAMIC CAPACITOR
⊙	POLYPHENYLENE SULFIDE FILM CAPACITOR

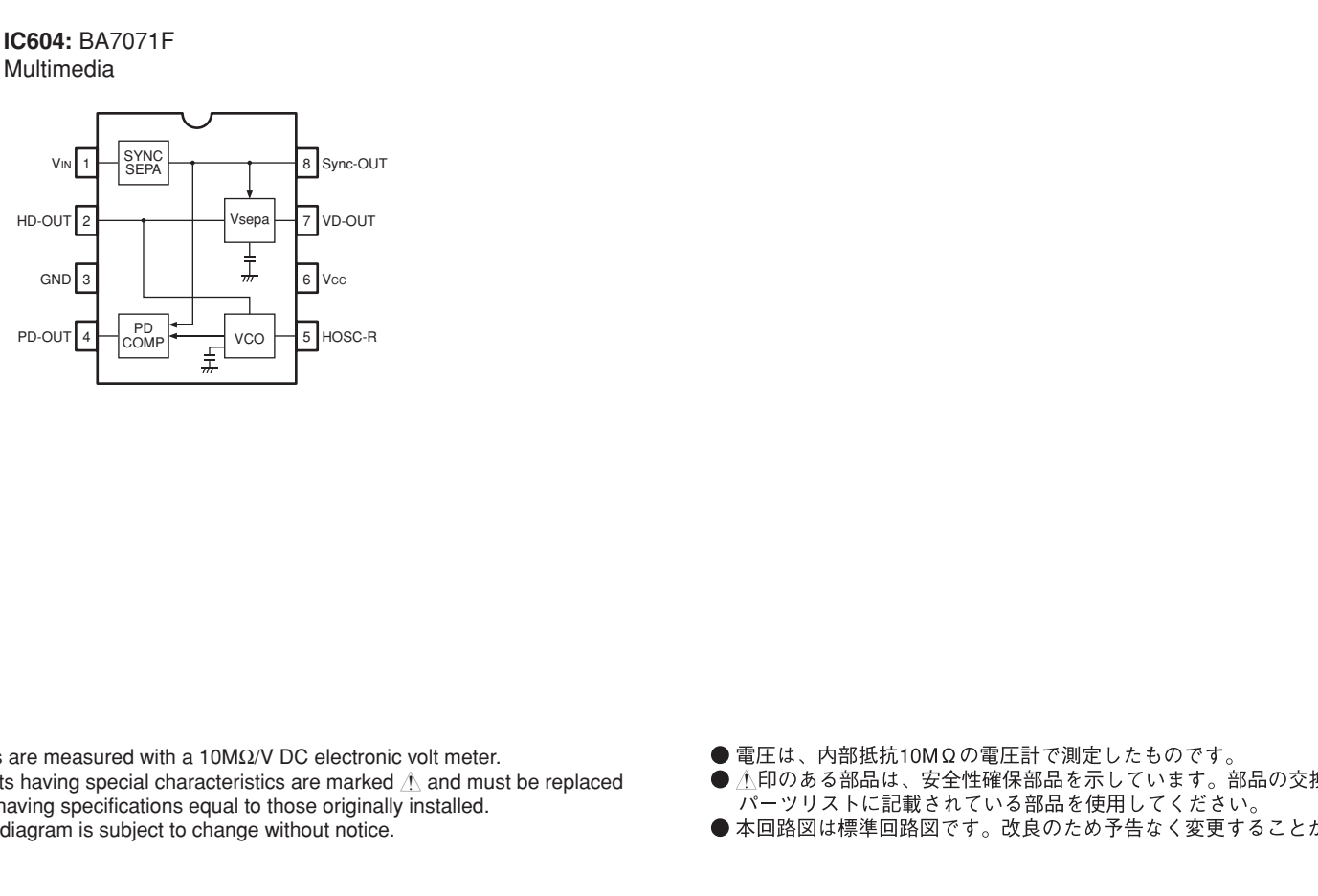
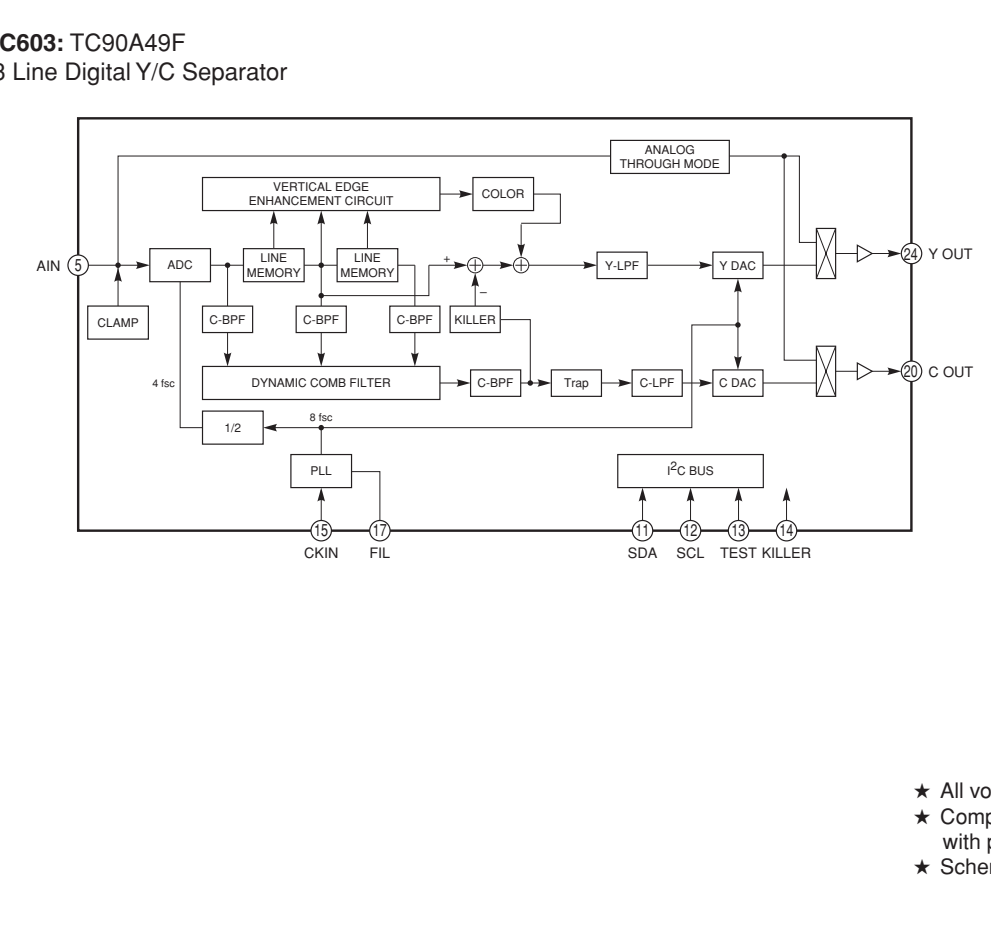
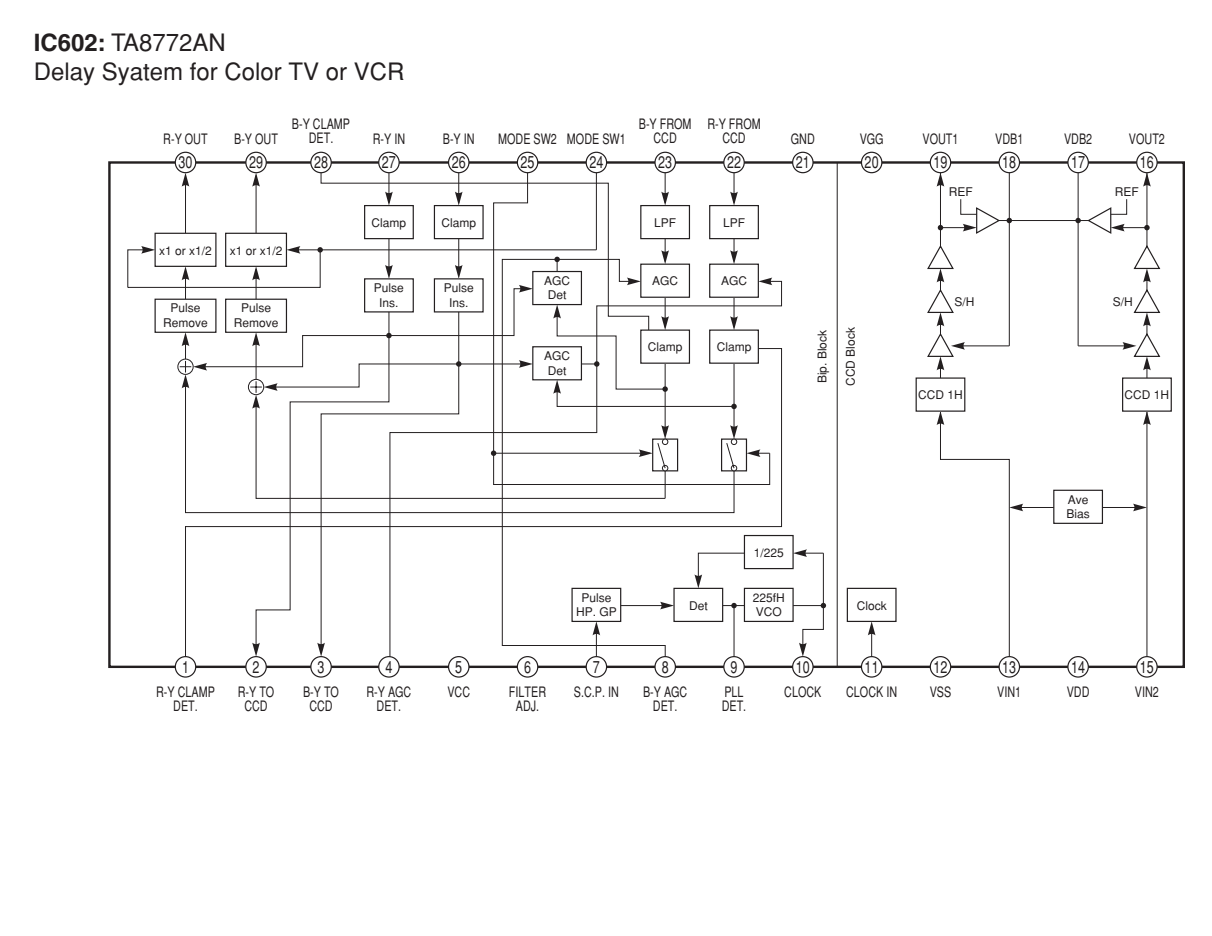
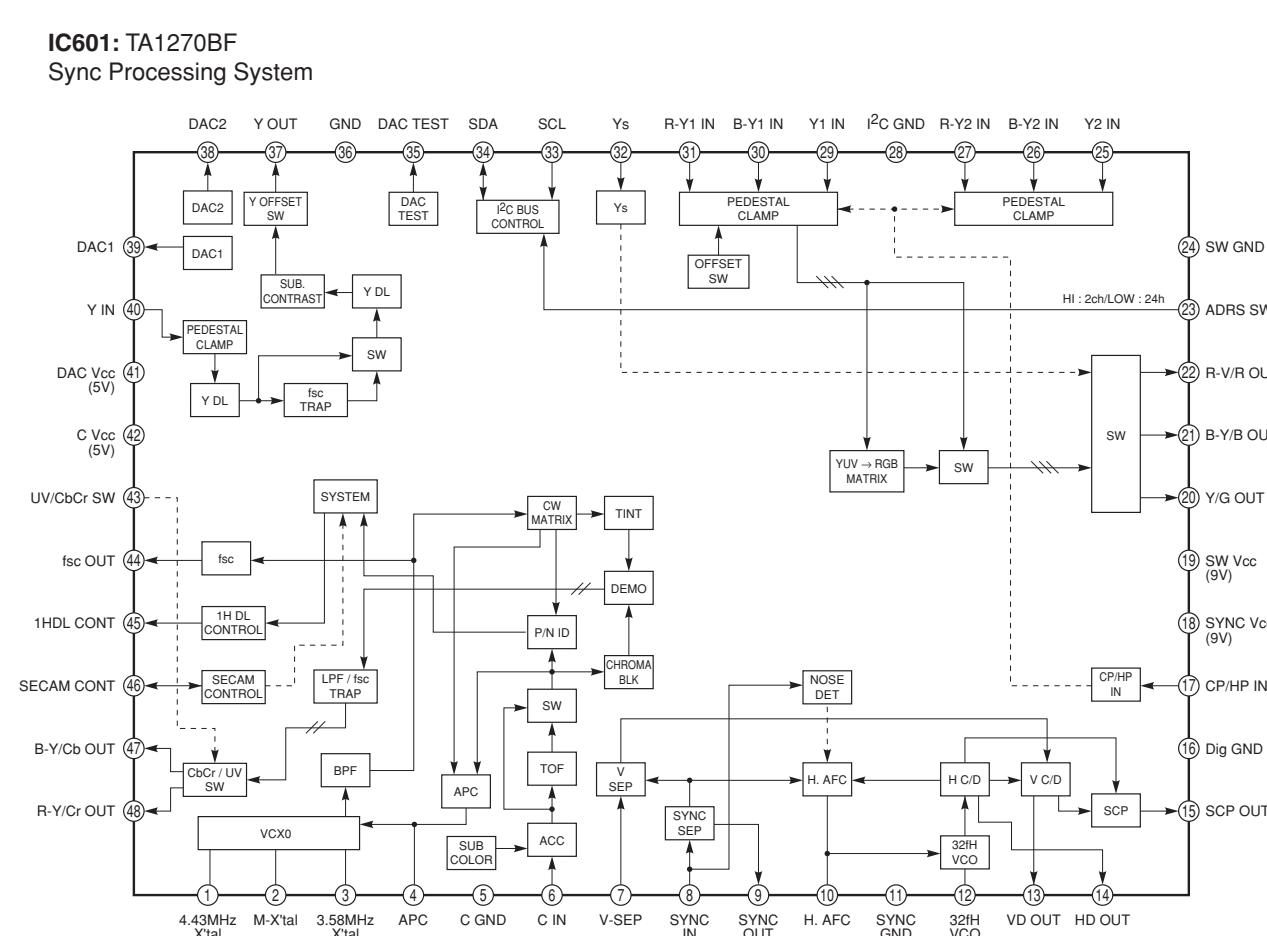
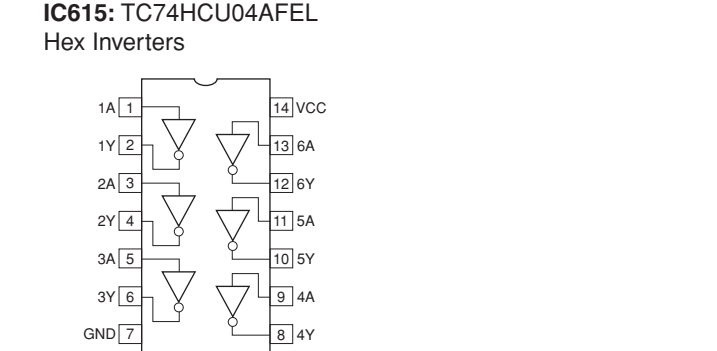
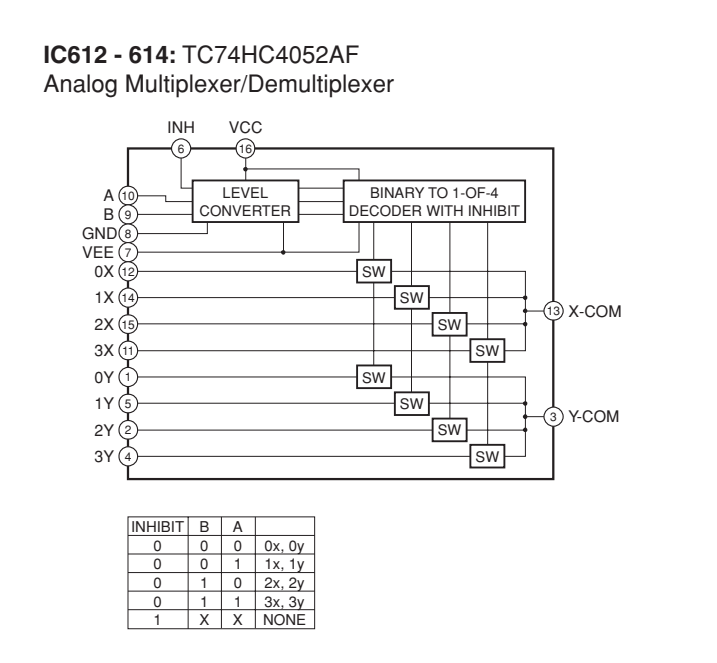
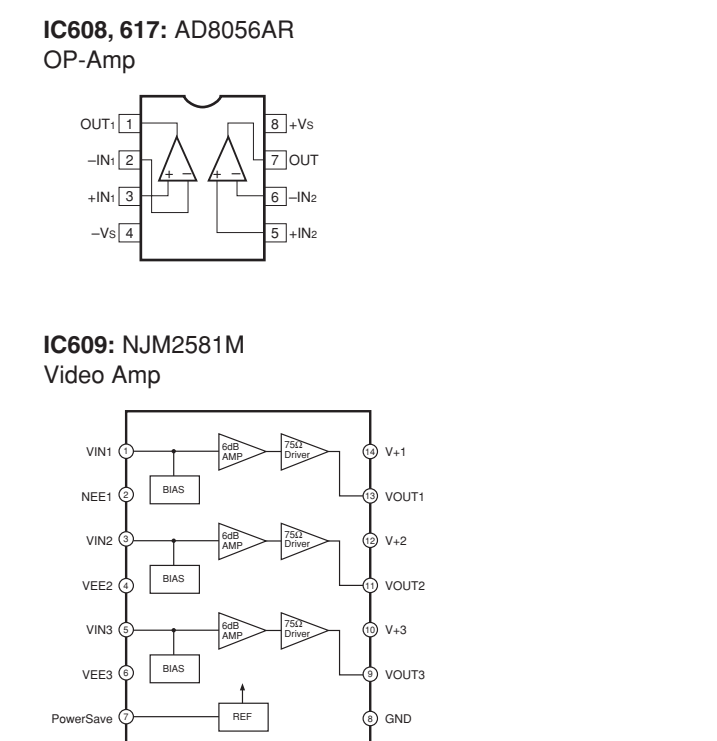
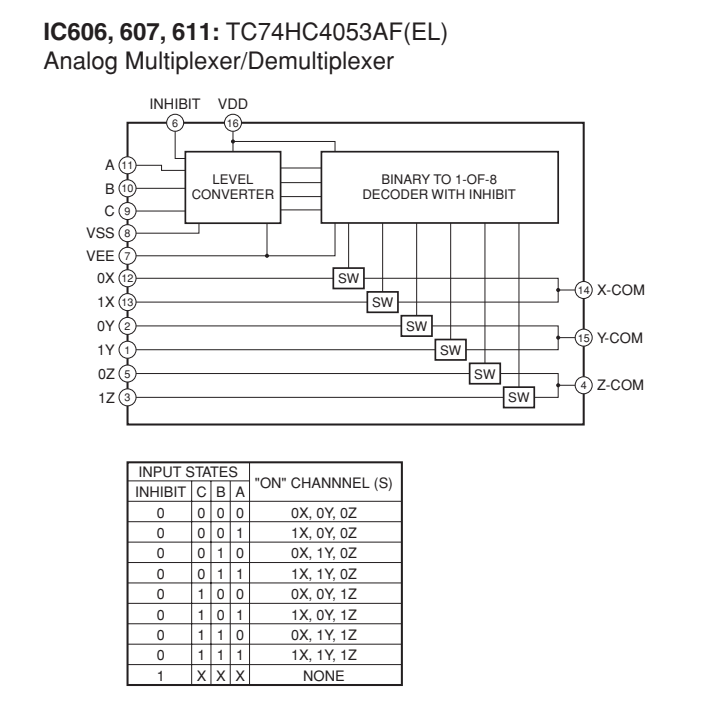
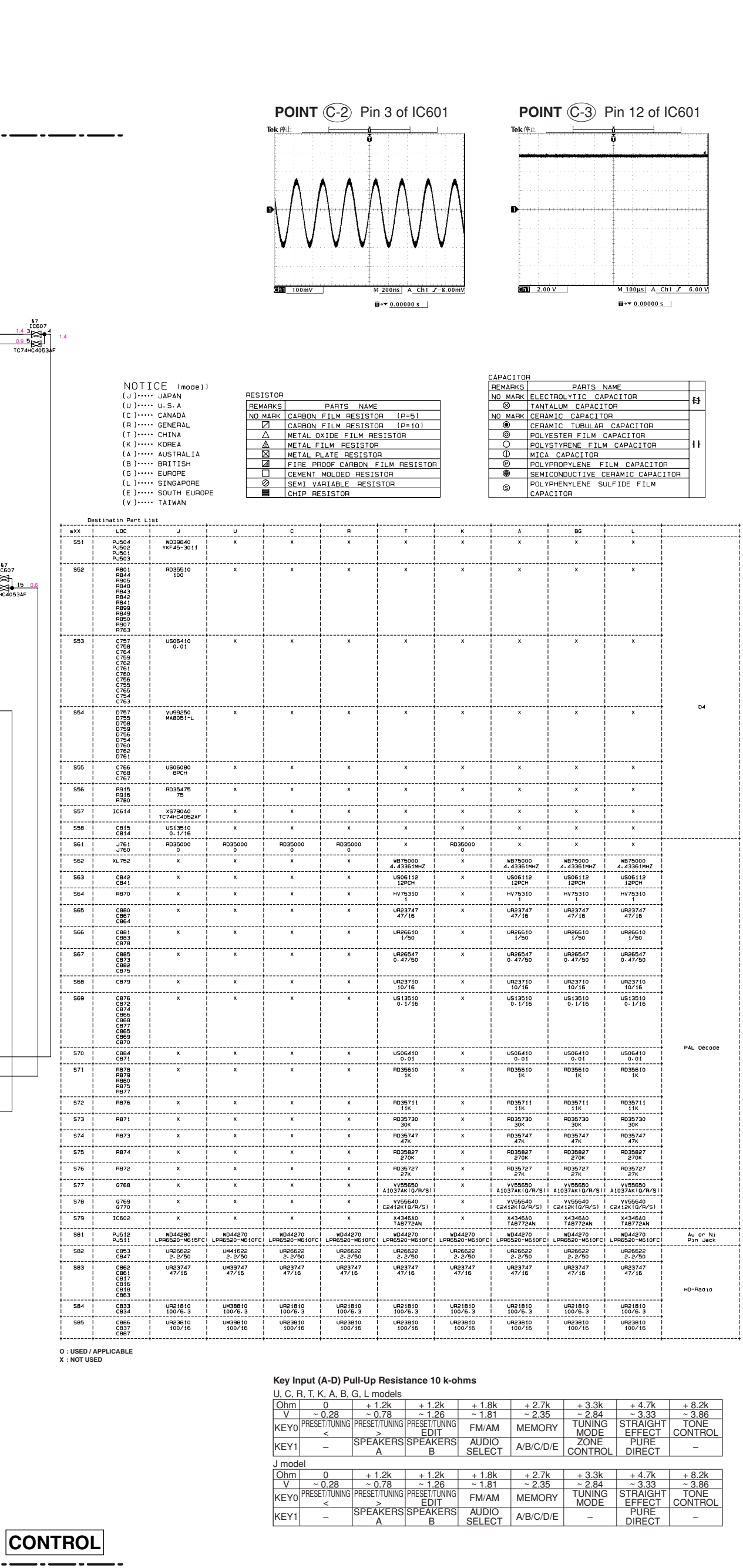
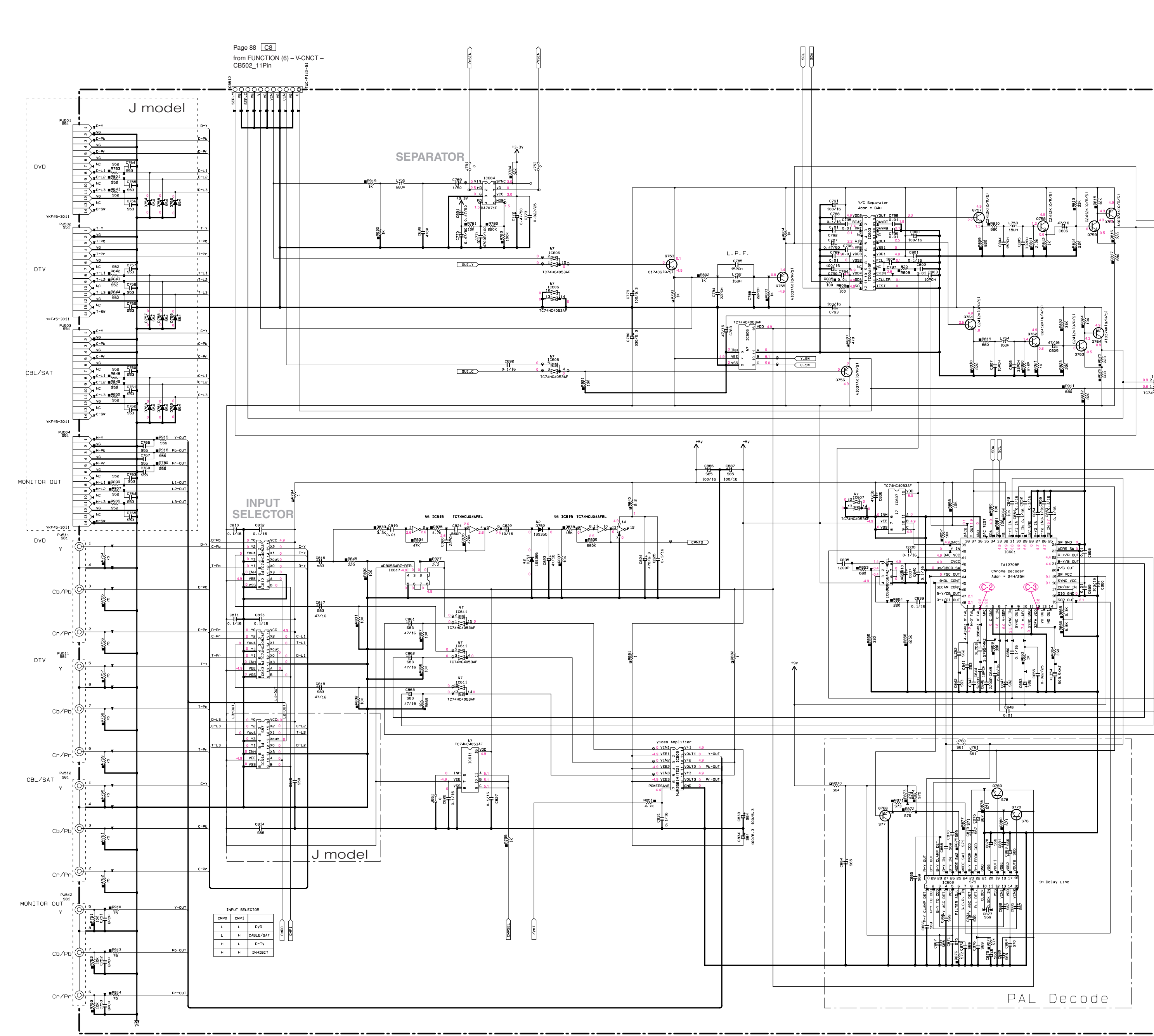
Destination Part List

NO.	CODE	REMARKS	IC701	IC702	IC703	IC704	IC705	IC706	IC707	IC708	IC709	IC710	IC711	IC712	IC713	IC714	IC715	IC716
S21	JK701	MM74HC4051SX	MM74HC4051SX	MM74HC4051SX	MM74HC4051SX	MM74HC4051SX	MM74HC4051SX	MM74HC4051SX	MM74HC4051SX	MM74HC4051SX	MM74HC4051SX	MM74HC4051SX	MM74HC4051SX	MM74HC4051SX	MM74HC4051SX	MM74HC4051SX	MM74HC4051SX	MM74HC4051SX
S22	JK702	MM74HC4053SX	MM74HC4053SX	MM74HC4053SX	MM74HC4053SX	MM74HC4053SX	MM74HC4053SX	MM74HC4053SX	MM74HC4053SX	MM74HC4053SX	MM74HC4053SX	MM74HC4053SX	MM74HC4053SX	MM74HC4053SX	MM74HC4053SX	MM74HC4053SX	MM74HC4053SX	MM74HC4053SX
S23	JK704	TC74HC04AFEL	TC74HC04AFEL	TC74HC04AFEL	TC74HC04AFEL	TC74HC04AFEL	TC74HC04AFEL	TC74HC04AFEL	TC74HC04AFEL	TC74HC04AFEL	TC74HC04AFEL	TC74HC04AFEL	TC74HC04AFEL	TC74HC04AFEL	TC74HC04AFEL	TC74HC04AFEL	TC74HC04AFEL	TC74HC04AFEL
S24	JK705	TK15420M	TK15420M	TK15420M	TK15420M	TK15420M	TK15420M	TK15420M	TK15420M	TK15420M	TK15420M	TK15420M	TK15420M	TK15420M	TK15420M	TK15420M	TK15420M	TK15420M
S25	R710	LA7109	LA7109	LA7109	LA7109	LA7109	LA7109	LA7109	LA7109	LA7109	LA7109	LA7109	LA7109	LA7109	LA7109	LA7109	LA7109	LA7109
S26	R708	LA7108M	LA7108M	LA7108M	LA7108M	LA7108M	LA7108M	LA7108M	LA7108M	LA7108M	LA7108M	LA7108M	LA7108M	LA7108M	LA7108M	LA7108M	LA7108M	LA7108M
S27	C703	BU2092F-E2	BU2092F-E2	BU2092F-E2	BU2092F-E2	BU2092F-E2	BU2092F-E2	BU2092F-E2	BU2092F-E2	BU2092F-E2	BU2092F-E2	BU2092F-E2	BU2092F-E2	BU2092F-E2	BU2092F-E2	BU2092F-E2	BU2092F-E2	BU2092F-E2
S28	C713	NJM2581M	NJM2581M	NJM2581M	NJM2581M	NJM2581M	NJM2581M	NJM2581M	NJM2581M	NJM2581M	NJM2581M	NJM2581M	NJM2581M	NJM2581M	NJM2581M	NJM2581M	NJM2581M	NJM2581M
S29	C741	RESISTOR	RESISTOR	RESISTOR	RESISTOR	RESISTOR	RESISTOR	RESISTOR	RESISTOR	RESISTOR	RESISTOR	RESISTOR	RESISTOR	RESISTOR	RESISTOR	RESISTOR	RESISTOR	RESISTOR
S30	C740	RESISTOR	RESISTOR	RESISTOR	RESISTOR	RESISTOR	RESISTOR	RESISTOR	RESISTOR	RESISTOR	RESISTOR	RESISTOR	RESISTOR	RESISTOR	RESISTOR	RESISTOR	RESISTOR	RESISTOR
S31	C744	RESISTOR	RESISTOR	RESISTOR	RESISTOR	RESISTOR	RESISTOR	RESISTOR	RESISTOR	RESISTOR	RESISTOR	RESISTOR	RESISTOR	RESISTOR	RESISTOR	RESISTOR	RESISTOR	RESISTOR

Interchangeable Parts at Manufacture-Stage

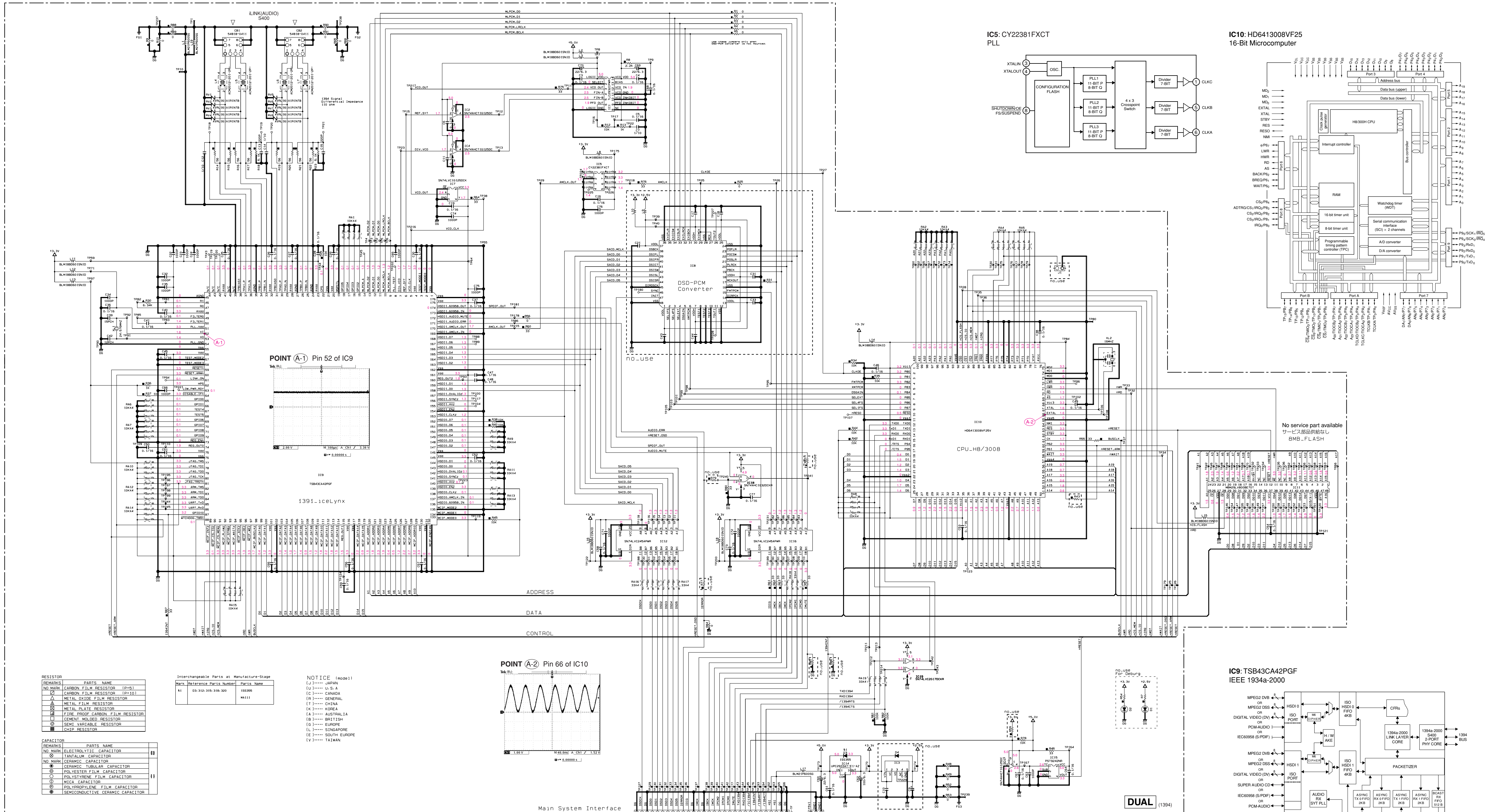
Mark	Reference Parts Number	Parts Name
K1	IC708	TC74HC04AFEL
K2	IC709-714	TK15420M
K3	D702-705-707-711-713	ISS395
K4	IC707-710-713	MM74HC4053SX

★ All voltages are measured with a 10MΩ/V DC electronic volt meter.
 ● 電圧は、内部抵抗10MΩの電圧計で測定したものです。
 ★ Components having special characteristics are marked *1 and must be replaced with parts having specifications equal to those originally installed.
 ● *1印のある部品は、安全性確保部品を示しています。部品の交換が必要な場合、パーツリストに記載されている部品を使用してください。
 ★ Schematic diagram is subject to change without notice.
 ● 本回路図は標準回路図です。改良のため予告なく変更することがございます。



* All voltages are measured with a 10MΩ/V DC electronic volt meter.
 * Components having special characteristics are marked 1 and must be replaced with parts having specifications equal to those originally installed.
 * Schematic diagram is subject to change without notice.

● 電圧は、内部抵抗10MΩの電圧計で測定したものです。
 ● 1印のある部品は、安全性確保部品を示しています。部品の交換が必要な場合、パーツリストに記載されている部品を使用してください。
 ● 本回路図は標準回路図です。改良のため予告なく変更することがございます。



RESISTOR

REMARKS	PARTS NAME
NO MARK	CARBON FILM RESISTOR (FPM)
△	CARBON FILM RESISTOR (P10)
▲	METAL FILM RESISTOR
□	METAL FILM RESISTOR
○	METAL PLATE RESISTOR
◇	FINE-GRIND CARBON FILM RESISTOR
▽	CEMENT-HOLED RESISTOR
◇	SFMI VARIABLE RESISTOR
■	CHIP RESISTOR

CAPACITOR

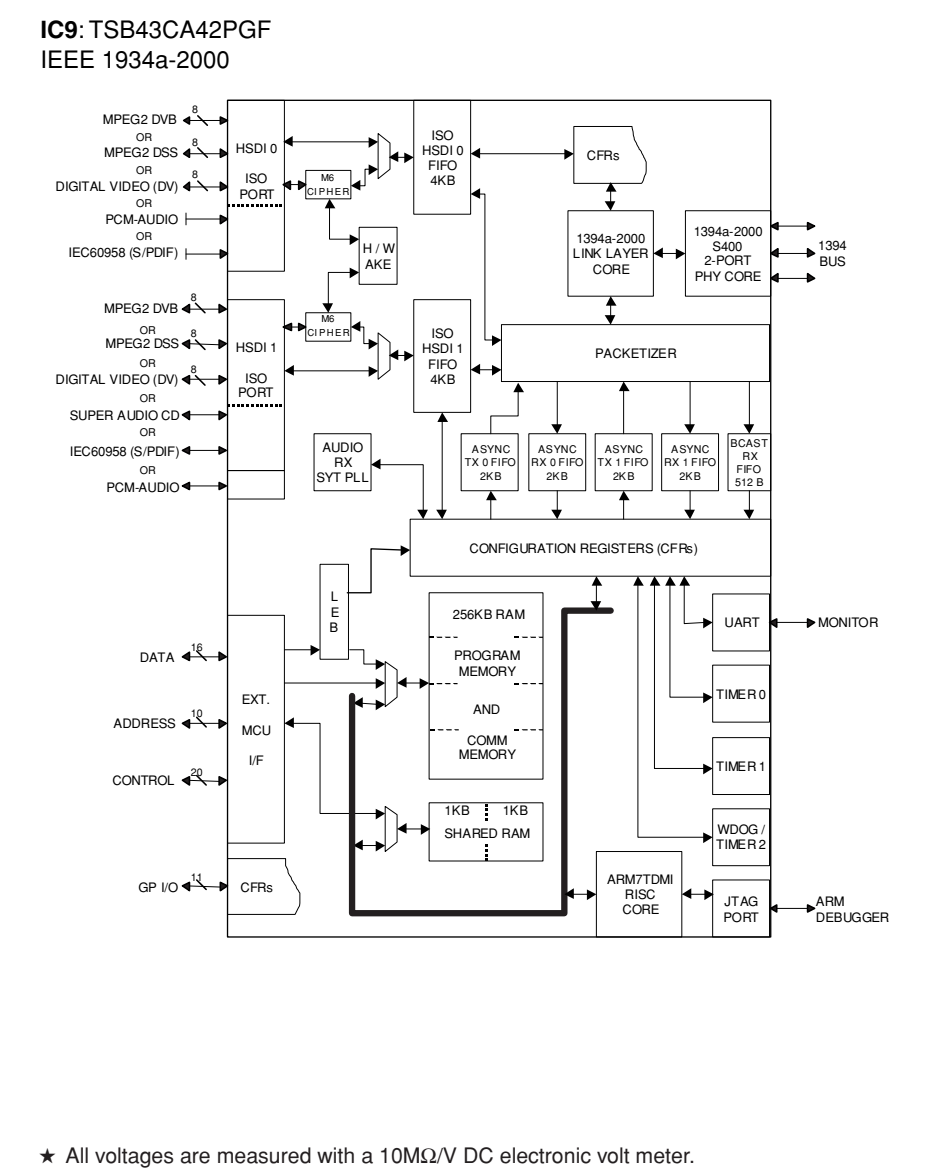
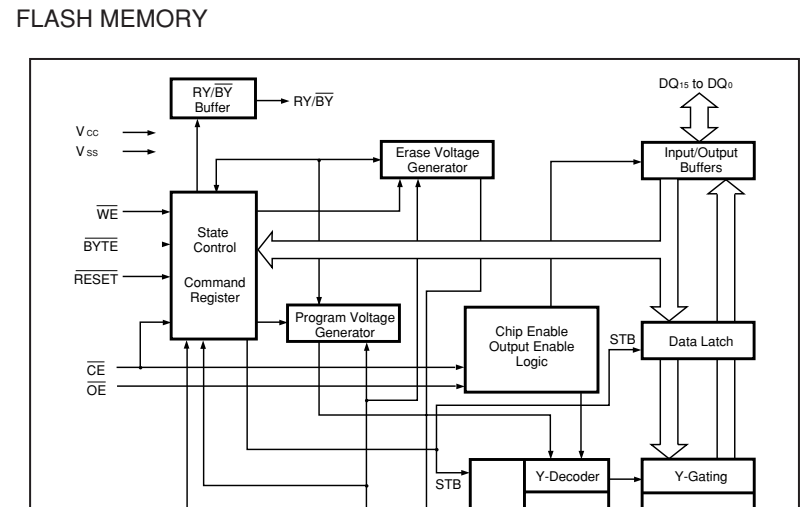
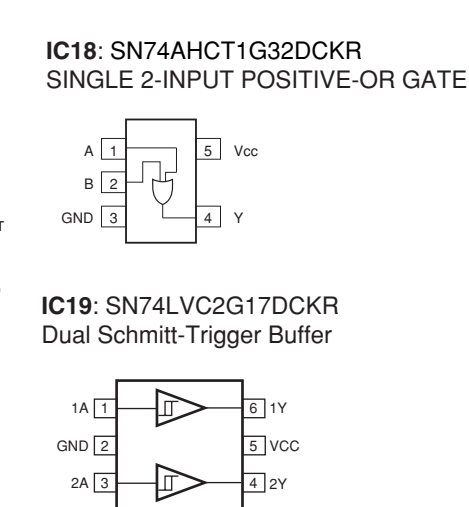
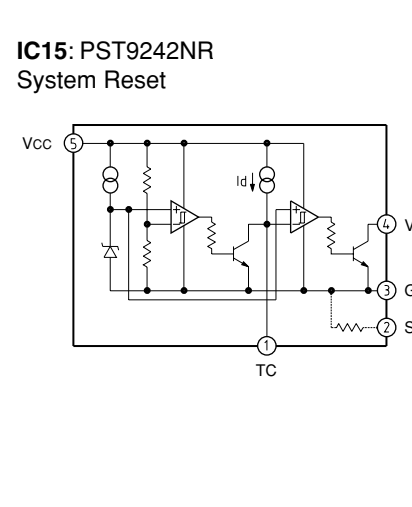
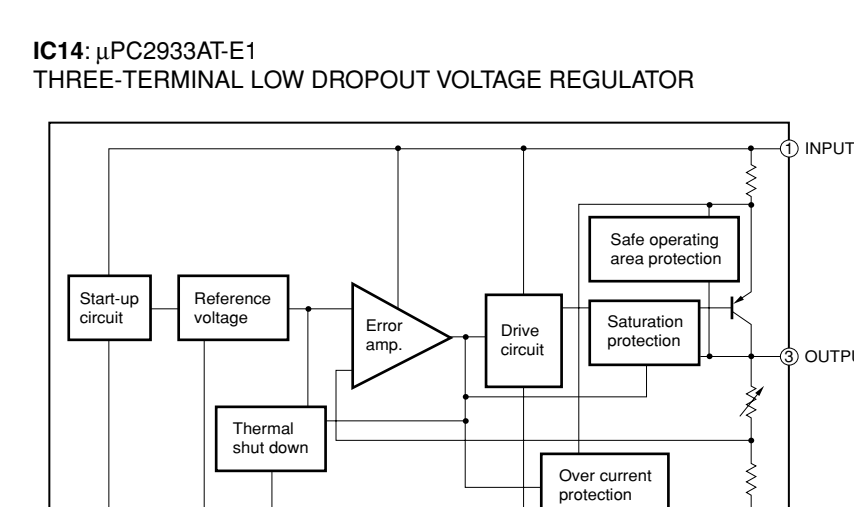
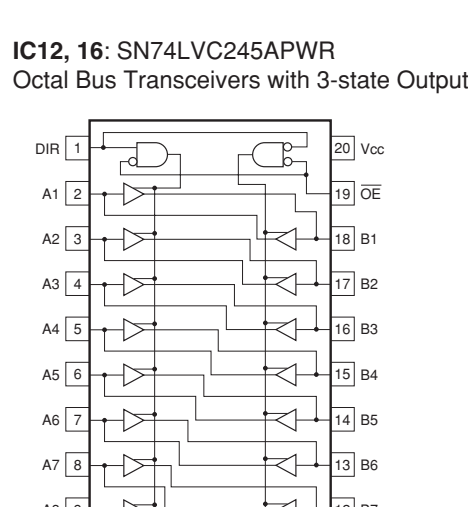
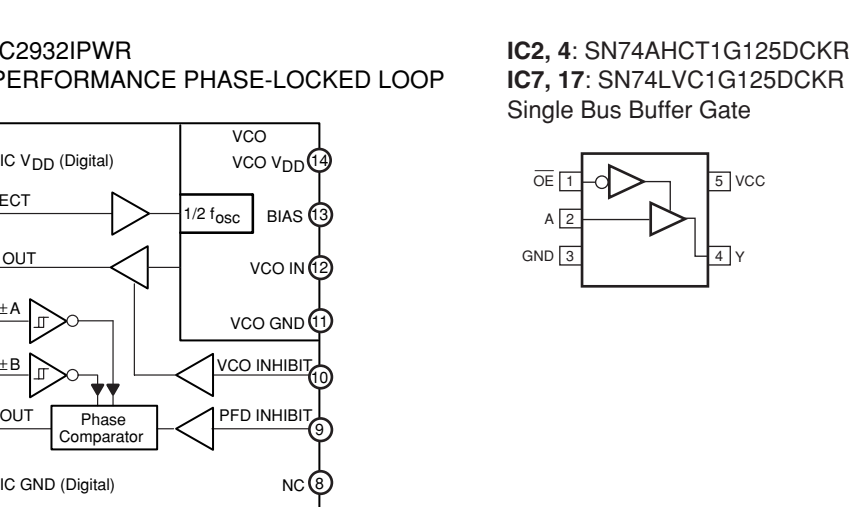
REMARKS	PARTS NAME
○	TANTALUM CAPACITOR
□	TANTALUM CAPACITOR
◇	CERAMIC TUBULAR CAPACITOR
○	DISK CERAMIC CAPACITOR
◇	POLYSTYRENE FILM CAPACITOR
○	MICA CAPACITOR
◇	POLYPROPYLENE FILM CAPACITOR
■	SEMICONDUCTIVE CERAMIC CAPACITOR

Interchangeable Parts at Manufacturer's Step

Mfg. Reference Parts Number	Parts Name
41 03-310-310-300	155395
4111	4111

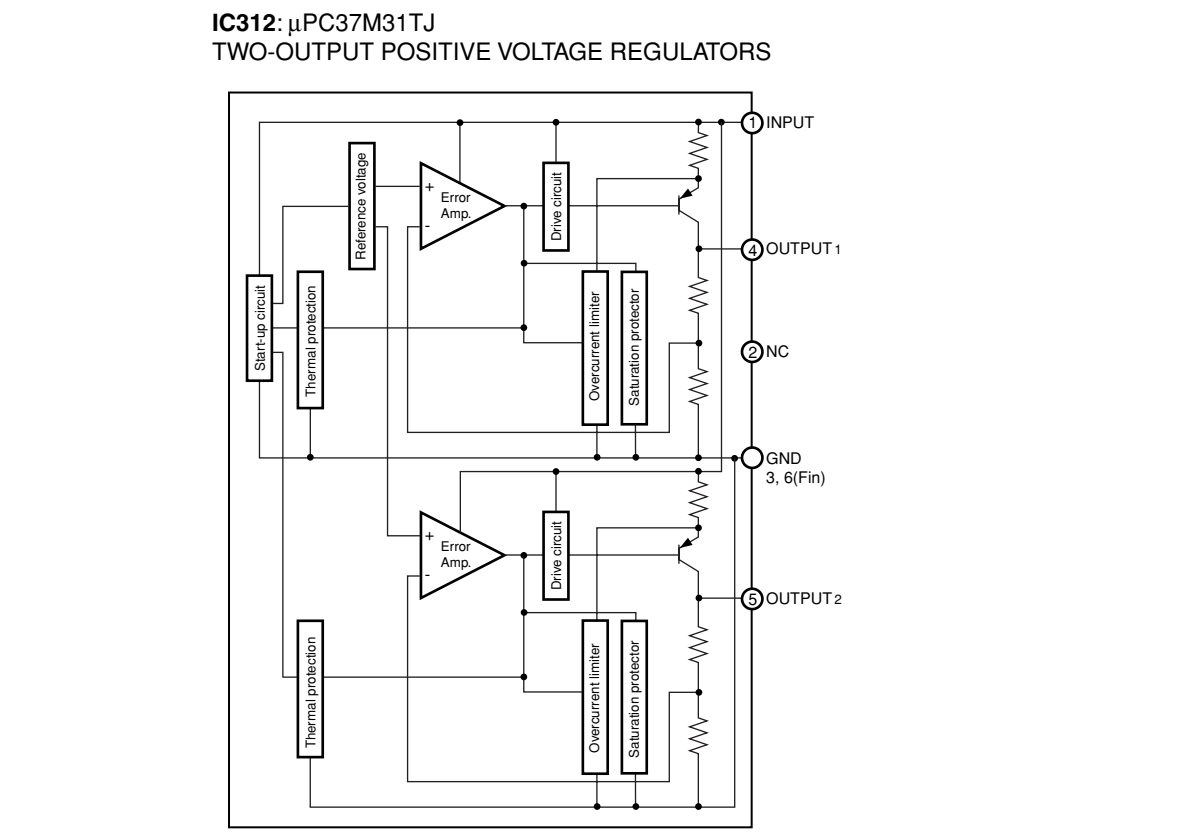
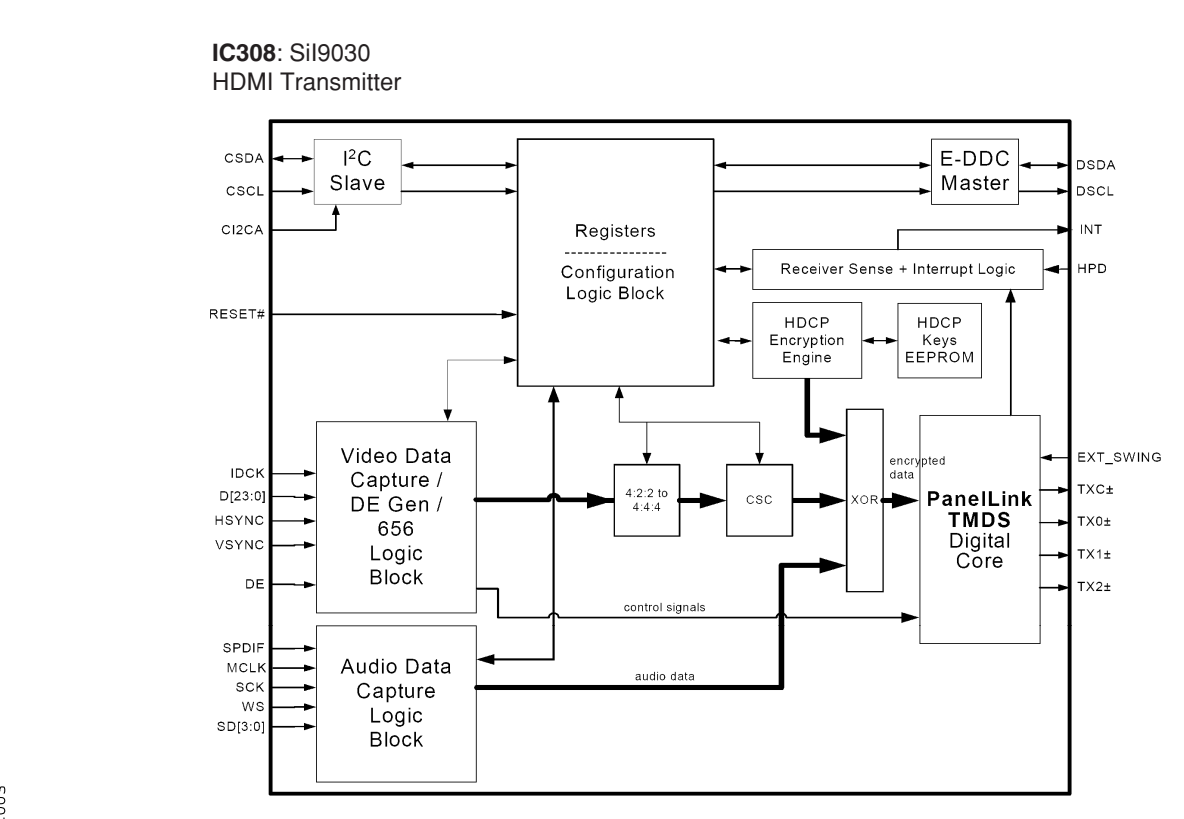
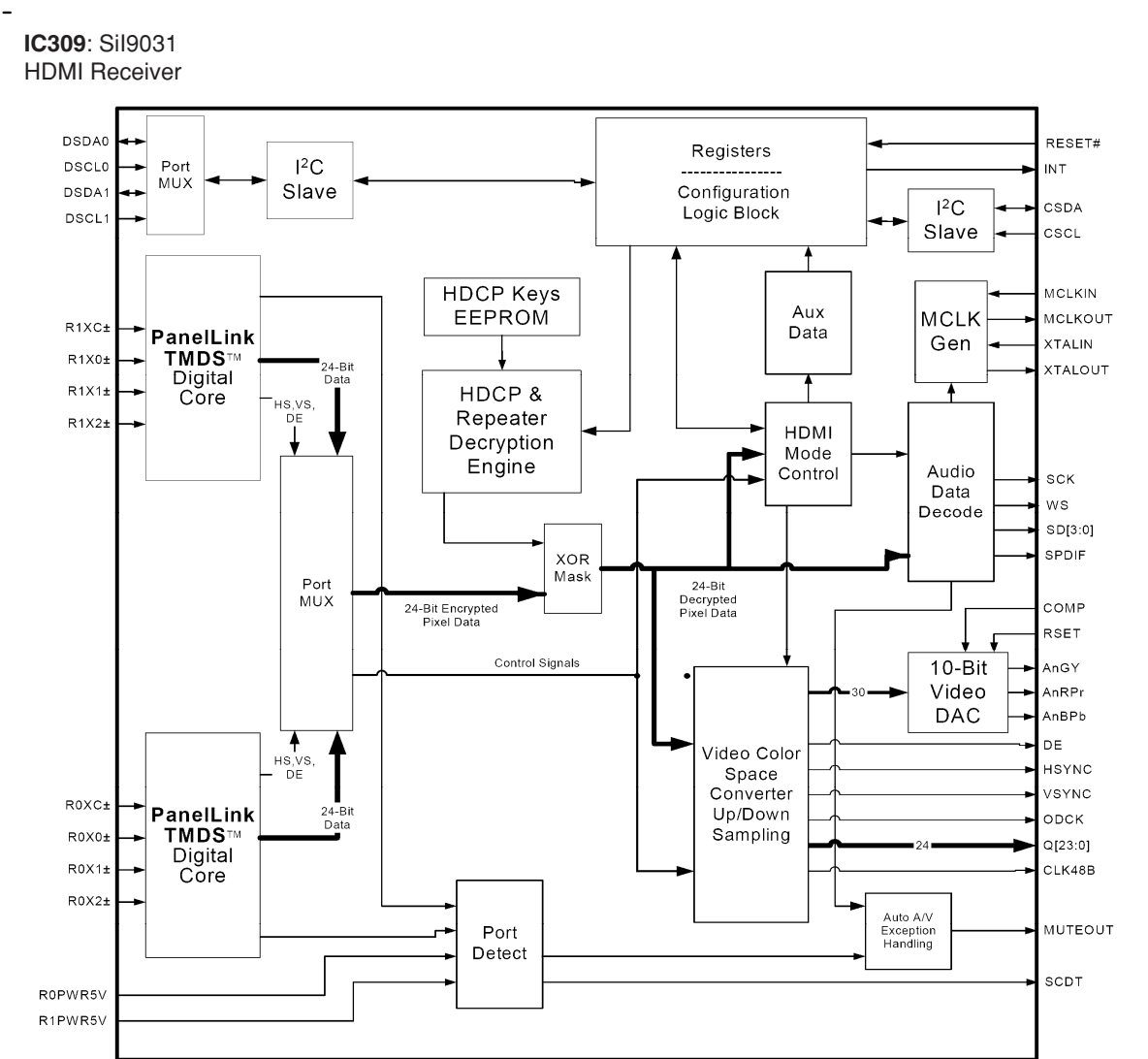
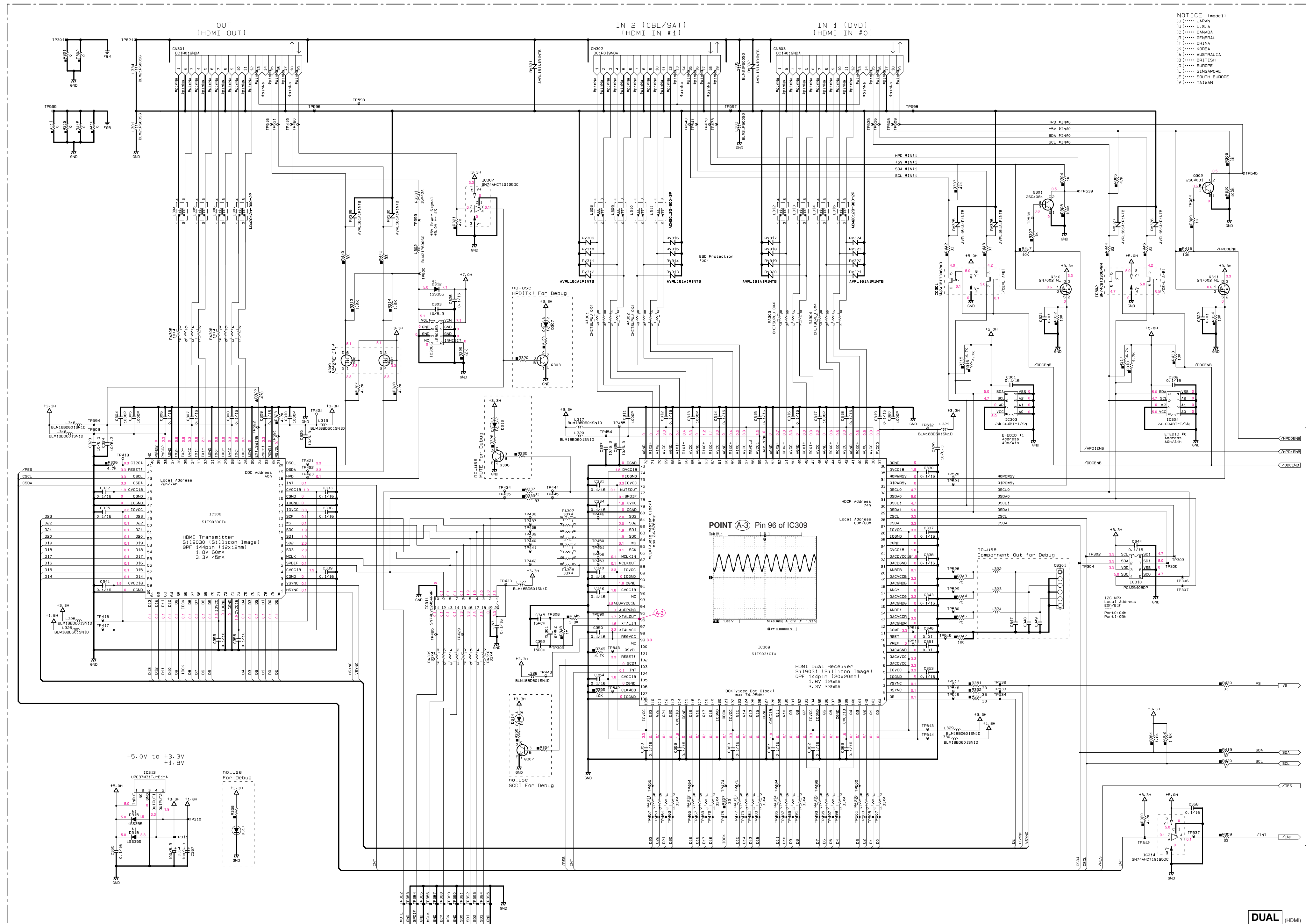
NOTICE (model)

Country	Model
(J)	JAPAN
(U.S.A)	U.S.A
(C)	CANADA
(G)	GENERAL
(IT)	ITALY
(K)	KOREA
(A)	AUSTRALIA
(B)	BRITISH
(E)	EUROPE
(L)	SINGAPORE
(S)	SOUTH EUROPE
(T)	TAIWAN

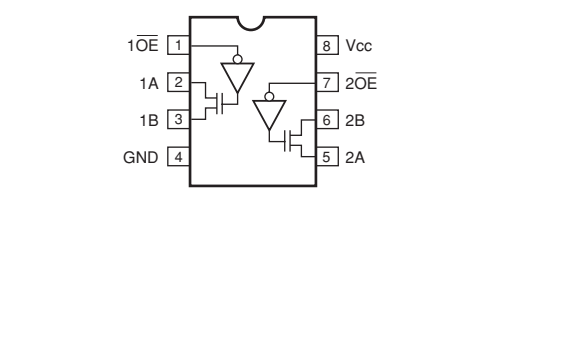


★ All voltages are measured with a 10MΩ/V DC electronic volt meter.
 ★ Components having special characteristics are marked with a triangle and must be replaced with parts having specifications equal to those originally installed.
 ★ Schematic diagram is subject to change without notice.

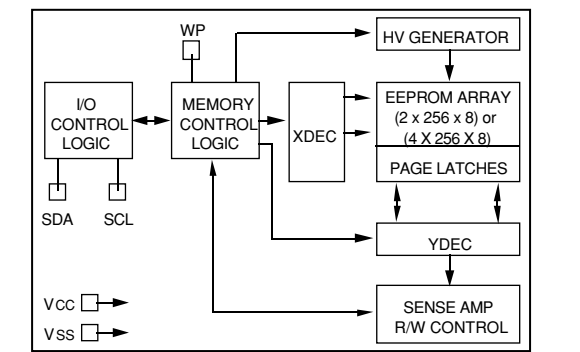
● 電圧は、内部抵抗10MΩの電圧計で測定したものです。
 ● △印のある部品は、安全性確保部品を示しています。部品の交換が必要の場合、パーツリストに記載されている部品を使用してください。
 ● 本回路図は標準回路図です。改良のため予告なく変更することがございます。



IC301, 302: SN74CBT3306PWR
FET Bus Switch



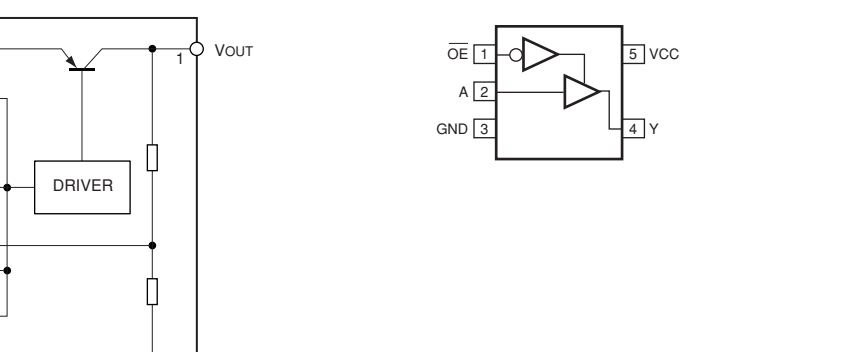
IC303, 304: 24LC04B-I/SN
Serial EEPROMs



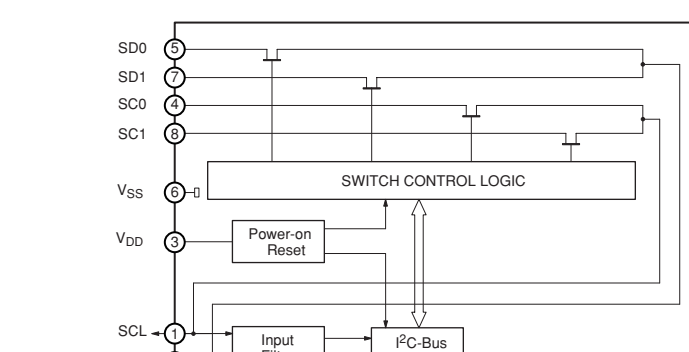
IC306: LE50ABD
VOLTAGE REGULATORS WITH INHIBIT



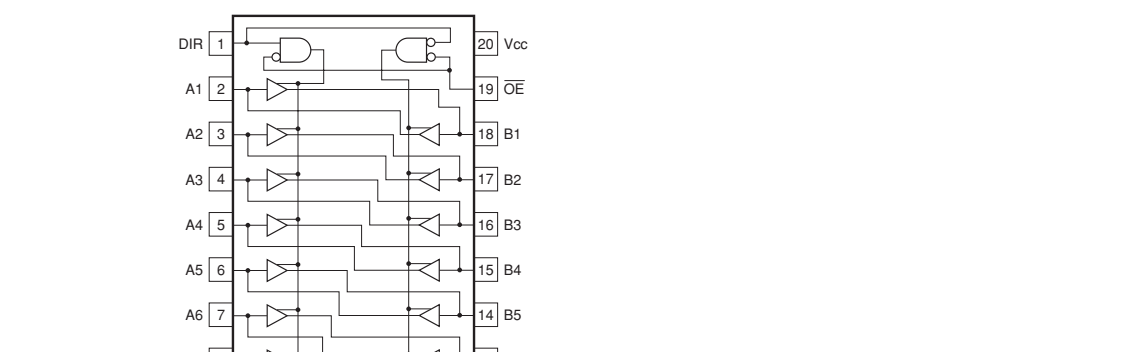
IC307, 314: SN74AHC11G125DCKR
Single Bus Buffer Gate



IC310: PCA9540BDP
2-channel i2C multiplexer

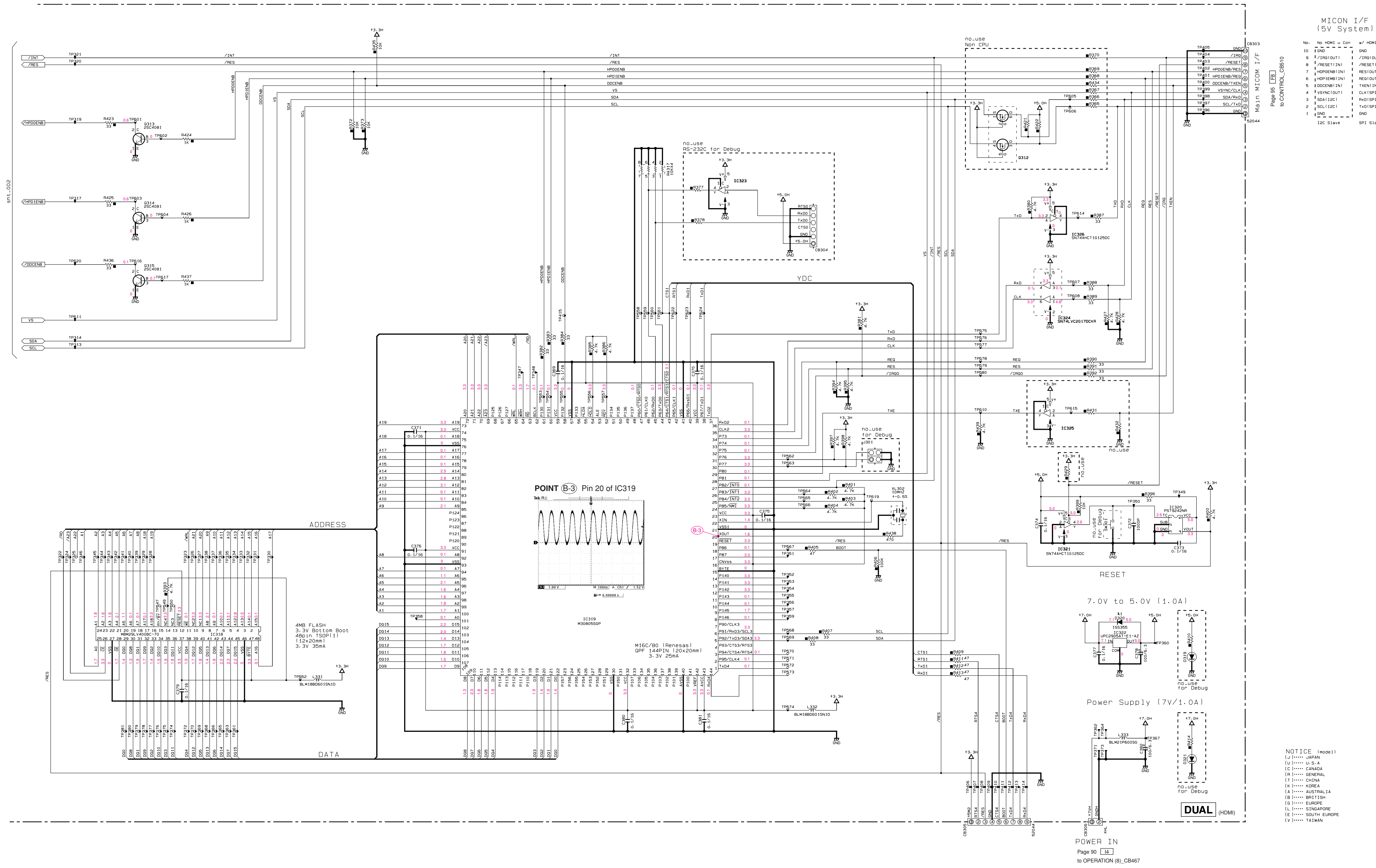


IC311: SN74LVC245APWR
Octal Bus Transceivers with 3-state Outputs



* All voltages are measured with a 10MΩ/V DC electronic volt meter.
 * Components having special characteristics are marked †, and must be replaced with parts having specifications equal to those originally installed.
 * Schematic diagram is subject to change without notice.

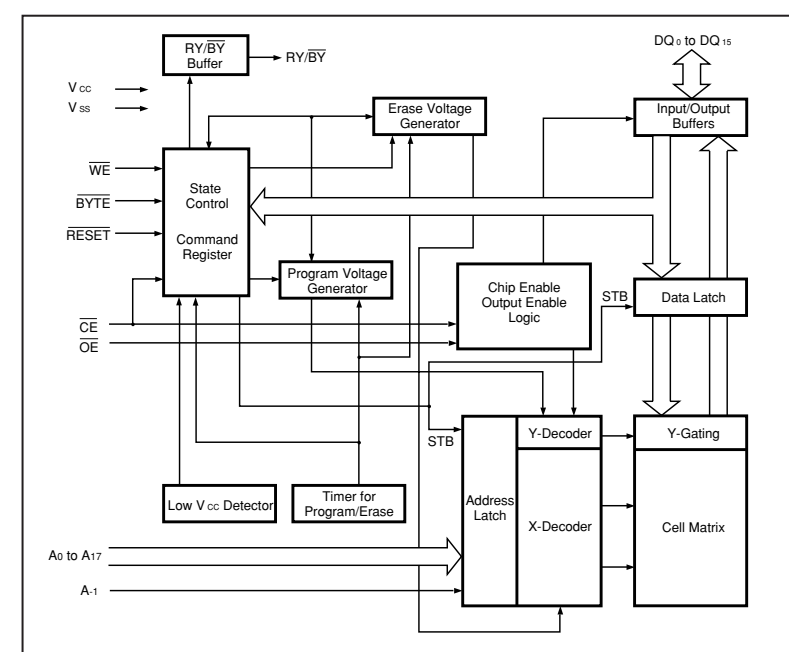
● 電圧は、内部抵抗10MΩの電圧計で測定したものです。
 ● †印のある部品は、安全性確保部品を示しています。部品の交換が必要な場合、パーツリストに記載されている部品を使用してください。
 ● 本回路図は標準回路図です。改良のため予告なく変更することがございます。



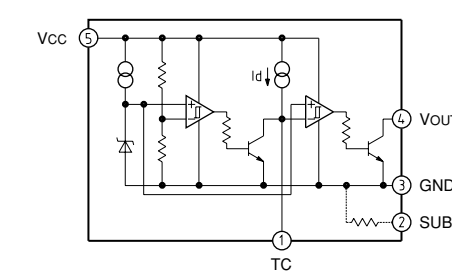
NOTICE (page11)

(J) JAPAN
 (U) U.S.A.
 (C) CANADA
 (B) GENERAL
 (T) CHINA
 (K) KOREA
 (A) AUSTRALIA
 (S) BRITISH
 (G) EUROPE
 (L) SINGAPORE
 (E) SOUTH EUROPE
 (V) TAIWAN

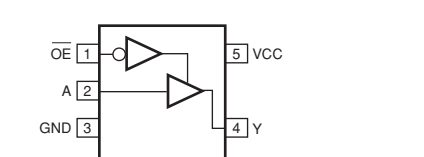
IC318: MBM29LV400BC70PFTN
FLASH MEMORY



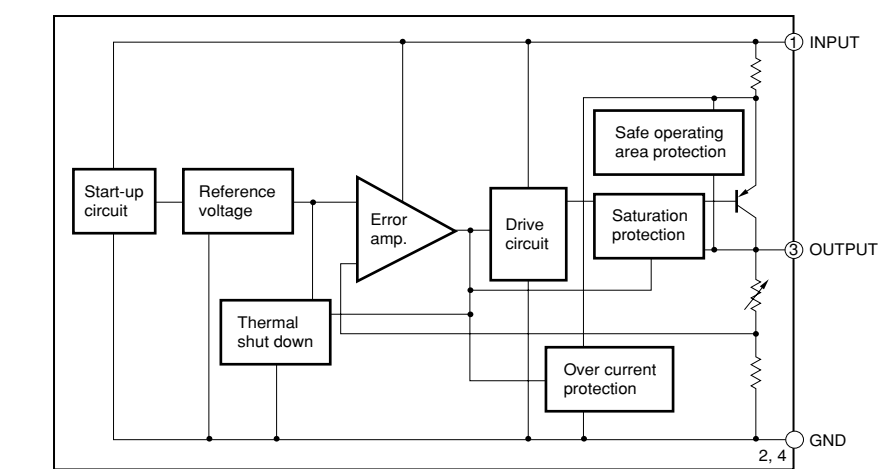
IC320: PST9242NR
System Reset



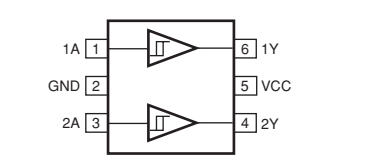
IC321, 326: SN74AHCT1G125DCKR
Single Bus Buffer Gate



IC322: μPC2905AT
THREE-TERMINAL LOW DROPOUT VOLTAGE REGULATOR

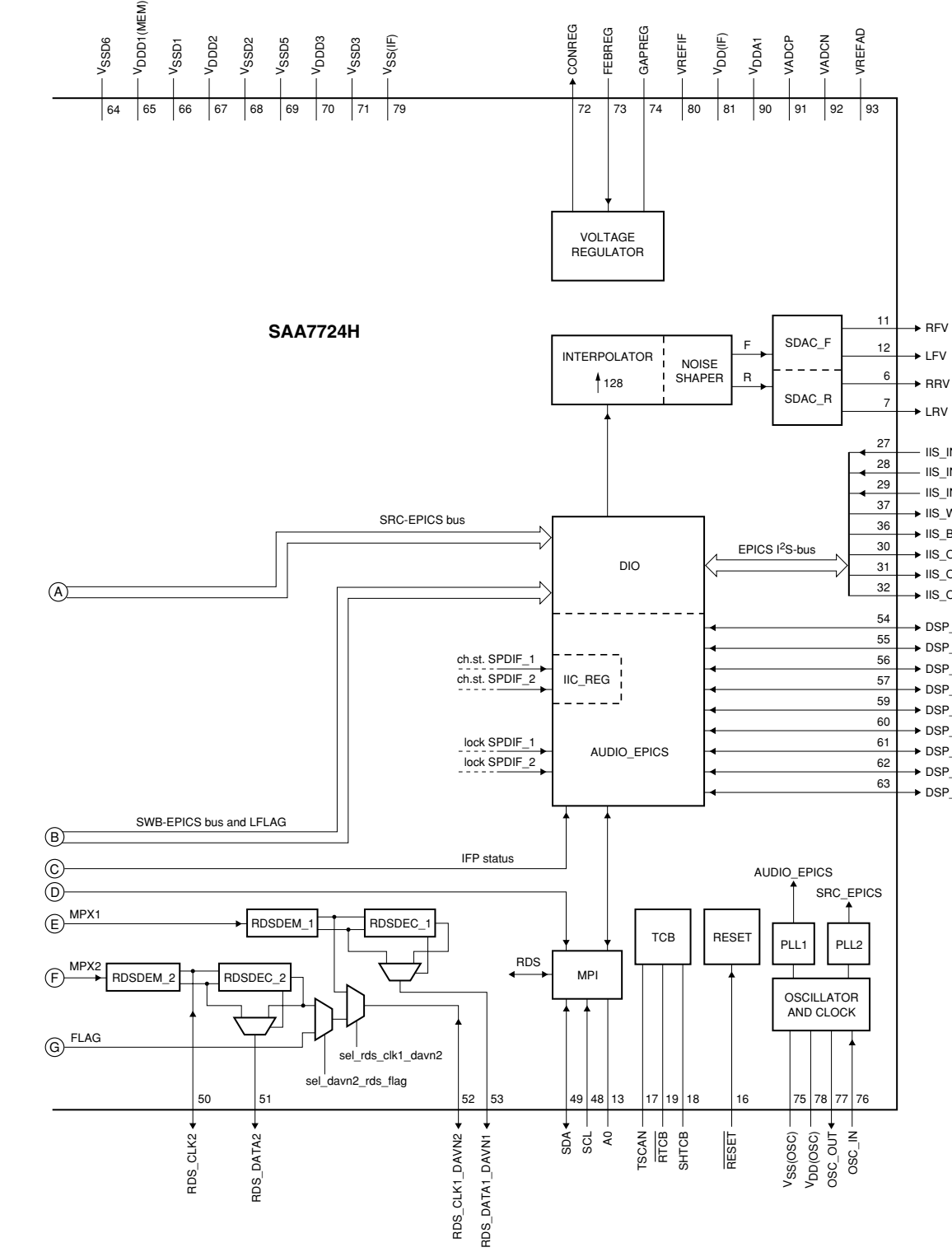
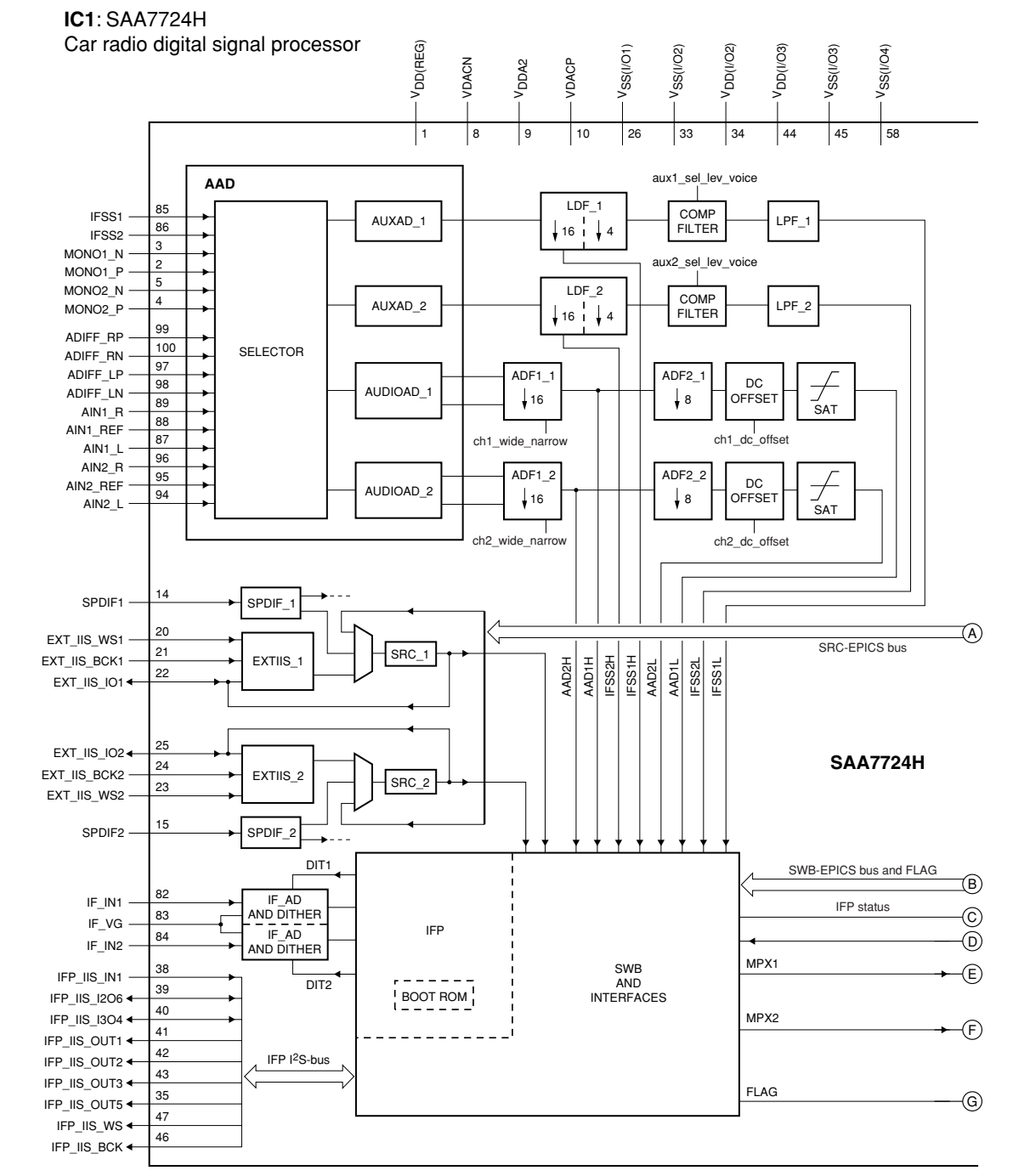
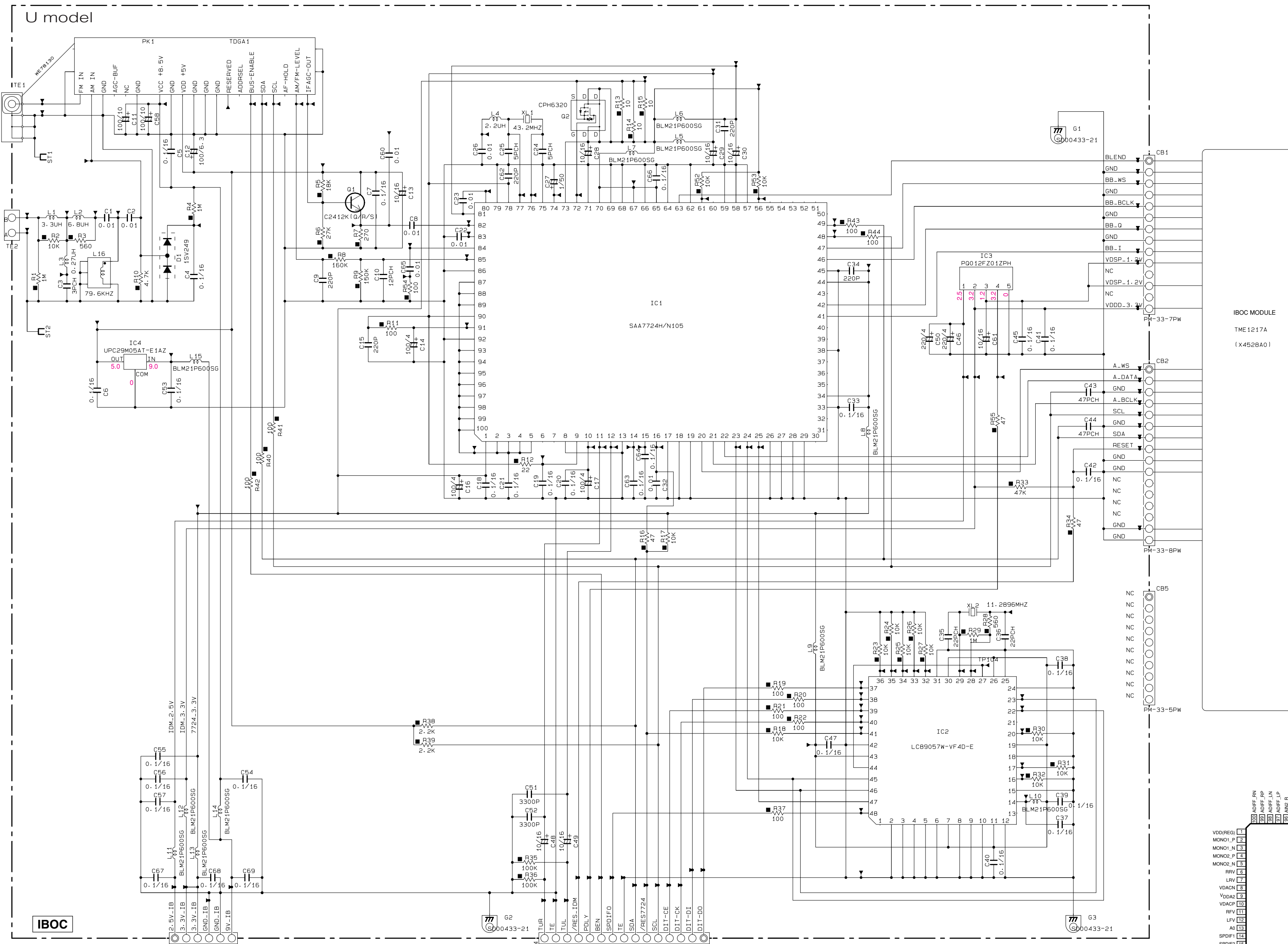


IC324: SN74LV2G17DCKR
Dual Schmitt-Trigger Buffer



★ All voltages are measured with a 10MΩ/V DC electronic volt meter.
 ★ Components having special characteristics are marked with a triangle (▲) and must be replaced with parts having specifications equal to those originally installed.
 ★ Schematic diagram is subject to change without notice.

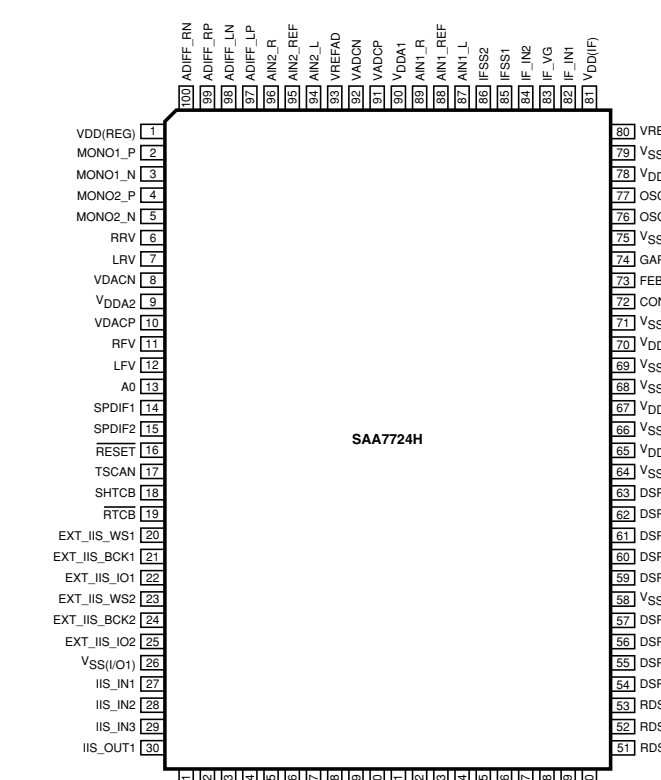
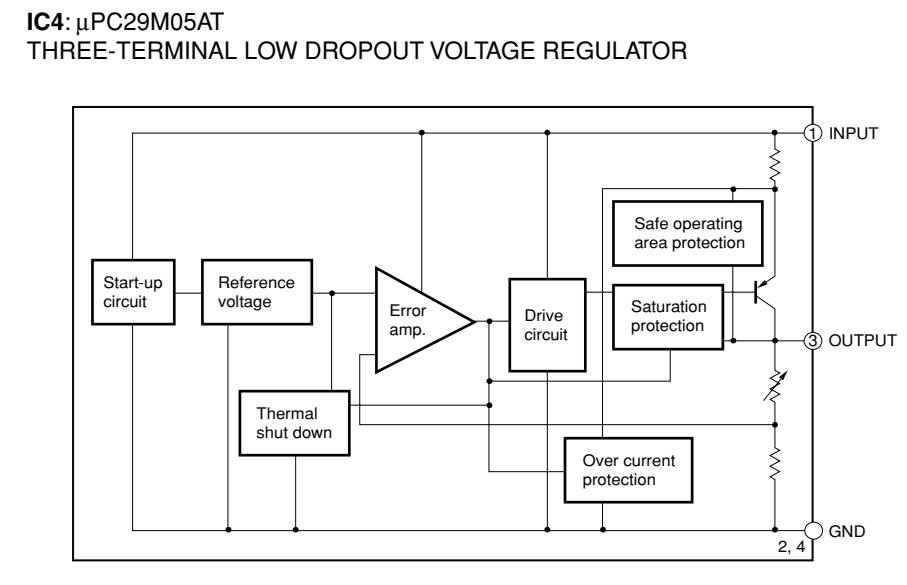
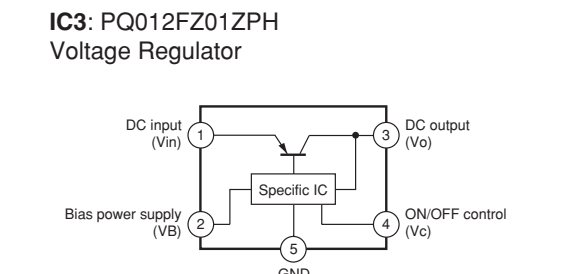
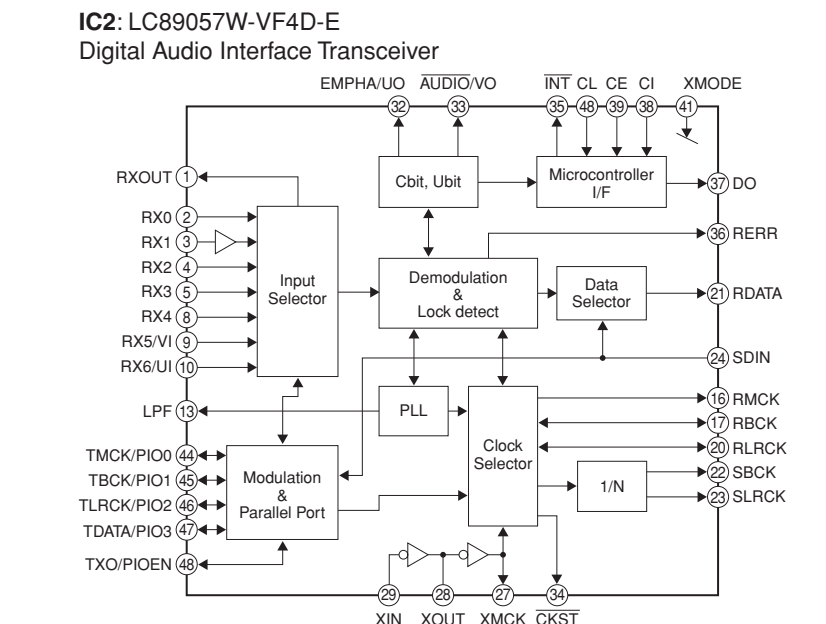
● 電圧は、内部抵抗10MΩの電圧計で測定したものです。
 ● ▲印のある部品は、安全性確保部品を示しています。部品の交換が必要な場合、パーツリストに記載されている部品を使用してください。
 ● 本回路図は標準回路図です。改良のため予告なく変更することがございます。



NOTICE (model)
 (J)..... JAPAN
 (U)..... U. S. A
 (C)..... CANADA
 (R)..... GENERAL
 (T)..... CHINA
 (K)..... KOREA
 (A)..... AUSTRALIA
 (B)..... BRITISH
 (G)..... EUROPE
 (L)..... SINGAPORE
 (E)..... SOUTH EUROPE
 (V)..... TAIWAN

Page 90 to OPERATION (8)_CB470

Page 88 to FUNCTION (9)_CB534



★ All voltages are measured with a 10MΩ/V DC electronic volt meter.
 ★ Components having special characteristics are marked * and must be replaced with parts having specifications equal to those originally installed.
 ★ Schematic diagram is subject to change without notice.

● 電圧は、内部抵抗10MΩの電圧計で測定したものです。
 ● *印のある部品は、安全性確保部品を示しています。部品の交換が必要な場合、パーツリストに記載されている部品を使用してください。
 ● 本回路図は標準回路図です。改良のため予告なく変更することがございます。

PARTS LIST

■ ELECTRICAL PARTS

■ WARNING

● Components having special characteristics are marked \triangle and must be replaced with parts having specifications equal to those originally installed.

● \triangle 印のある部分は、安全確保部品を示しています。部品の交換が必要な場合、パーツリストに記載されている部品を使用してください。

● 部品価格ランクは、予告なく変更することがあります。

ABBREVIATIONS IN THIS LIST ARE AS FOLLOWS:

C.A.EL.CHP	: CHIP ALUMI.ELECTROLYTIC CAP	L.EMIT	: LIGHT EMITTING MODULE
C.CE	: CERAMIC CAP	LED.DSPLY	: LED DISPLAY
C.CE.ARRAY	: CERAMIC CAP ARRAY	LED.INFRD	: LED,INFRARED
C.CE.CHP	: CHIP CERAMIC CAP	MODUL.RF	: MODULATOR,RF
C.CE.ML	: MULTILAYER CERAMIC CAP	PHOT.CPL	: PHOTO COUPLER
C.CE.M.CHP	: CHIP MULTILAYER CERAMIC CAP	PHOT.INTR	: PHOTO INTERRUPTER
C.CE.SAFTY	: RECOGNIZED CERAMIC CAP	PHOT.RFLCT	: PHOTO REFLECTOR
C.CE.TUBLR	: CERAMIC TUBULAR CAP	PIN.TEST	: PIN,TEST POINT
C.CE.SMI	: SEMI CONDUCTIVE CERAMIC CAP	PLST.RIVET	: PLASTIC RIVET
C.EL	: ELECTROLYTIC CAP	R.ARRAY	: RESISTOR ARRAY
C.MICA	: MICA CAP	R.CAR.	: CARBON RESISTOR
C.ML.FLM	: MULTILAYER FILM CAP	R.CAR.CHP	: CHIP RESISTOR
C.MP	: METALLIZED PAPER CAP	R.CAR.FP	: FLAME PROOF CARBON RESISTOR
C.MYLAR	: MYLAR FILM CAP	R.FUS	: FUSABLE RESISTOR
C.MYLAR.ML	: MULTILAYER MYLAR FILM CAP	R.MTL.CHP	: CHIP METAL FILM RESISTOR
C.PAPER	: PAPER CAPACITOR	R.MTL.FLM	: METAL FILM RESISTOR
C.PLS	: POLYSTYRENE FILM CAP	R.MTL.OXD	: METAL OXIDE FILM RESISTOR
C.POL	: POLYESTER FILM CAP	R.MTL.PLAT	: METAL PLATE RESISTOR
C.POLY	: POLYETHYLENE FILM CAP	RSNR.CE	: CERAMIC RESONATOR
C.PP	: POLYPROPYLENE FILM CAP	RSNR.CRYS	: CRYSTAL RESONATOR
C.TNTL	: TANTALUM CAP	R.TW.CEM	: TWIN CEMENT FIXED RESISTOR
C.TNTL.CHP	: CHIP TANTALUM CAP	R.WW	: WIRE WOUND RESISTOR
C.TRIM	: TRIMMER CAP	SCR.BND.HD	: BIND HEAD B-TITE SCREW
CN	: CONNECTOR	SCR.BW.HD	: BW HEAD TAPPING SCREW
CN.BS.PIN	: CONNECTOR,BASE PIN	SCR.CUP	: CUP TITE SCREW
CN.CANNON	: CONNECTOR,CANNON	SCR.TERM	: SCREW TERMINAL
CN.DIN	: CONNECTOR,DIN	SCR.TR	: SCREW,TRANSISTOR
CN.FLAT	: CONNECTOR,FLAT CABLE	SUPRT.PCB	: SUPPORT,P.C.B.
CN.POST	: CONNECTOR,BASE POST	SURG.PRTCT	: SURGE PROTECTOR
COIL.MX.AM	: COIL,AM MIX	SW.TACT	: TACT SWITCH
COIL.AT.FM	: COIL,FM ANTENNA	SW.LEAF	: LEAF SWITCH
COIL.DT.FM	: COIL,FM DETECT	SW.LEVER	: LEVER SWITCH
COIL.MX.FM	: COIL,FM MIX	SW.MICRO	: MICRO SWITCH
COIL.OUTPT	: OUTPUT COIL	SW.PUSH	: PUSH SWITCH
DIOD.ARRAY	: DIODE ARRAY	SW.RT.ENC	: ROTARY ENCODER
DIODE.BRG	: DIODE BRIDGE	SW.RT.MTR	: ROTARY SWITCH WITH MOTOR
DIODE.CHP	: CHIP DIODE	SW.RT	: ROTARY SWITCH
DIODE.VAR	: VARACTOR DIODE	SW.SLIDE	: SLIDE SWITCH
DIOD.Z.CHP	: CHIP ZENER DIODE	TERM.SP	: SPEAKER TERMINAL
DIODE.ZENR	: ZENER DIODE	TERM.WRAP	: WRAPPING TERMINAL
DSCR.CE	: CERAMIC DISCRIMINATOR	THRMST.CHP	: CHIP THERMISTOR
FER.BEAD	: FERRITE BEADS	TR.CHP	: CHIP TRANSISTOR
FER.CORE	: FERRITE CORE	TR.DGT	: DIGITAL TRANSISTOR
FET.CHP	: CHIP FET	TR.DGT.CHP	: CHIP DIGITAL TRANSISTOR
FL.DSPLY	: FLUORESCENT DISPLAY	TRANS	: TRANSFORMER
FLTR.CE	: CERAMIC FILTER	TRANS.PULS	: PULSE TRANSFORMER
FLTR.COMB	: COMB FILTER MODULE	TRANS.PWR	: POWER TRANSFORMER ASS'Y
FLTR.LC.RF	: LC FILTER,EMI	TUNER.AM	: TUNER PACK,AM
GND.MTL	: GROUND PLATE	TUNER.FM	: TUNER PACK,FM
GND.TERM	: GROUND TERMINAL	TUNER.PK	: FRONT-ENDTUNER PACK
HOLDER.FUS	: FUSE HOLDER	VR	: ROTARY POTENTIOMETER
IC.PRTCT	: IC PROTECTOR	VR.MTR	: POTENTIOMETER WITH MOTOR
JUMPER.CN	: JUMPER CONNECTOR	VR.SW	: POTENTIOMETER WITH ROTARY SW
JUMPER.TST	: JUMPER,TEST POINT	VR.SLIDE	: SLIDE POTENTIOMETER
L.DTCT	: LIGHT DETECTING MODULE	VR.TRIM	: TRIMMER POTENTIOMETER

P.C.B. DSP

Ref. No	Part No.	Description	Remarks	Markets	部 品 名	Rank
	WD650200	P. C. B.	DSP		J P C B D S P	
	WD650300	P. C. B.	DSP		U C R T K A B G L P C B D S P	
CB501	WA903000	CN	30P SE FMN		F M N コネクタ	
CB502	VB858300	CN. BS. PIN	4P		コネクタベースポスト	01
CB503	VQ045300	CN. BS. PIN	23P		F F C コネクタ	01
CB505	VQ047400	CN. BS. PIN	19P		F F C コネクタ	01
CB506	LB919020	CN. BS. PIN	2P		ベース付ポスト	01
CB508	VF982200	CN. BS. PIN	14P		コネクタ	02
C501-503	US061220	C. CE. CHP	22pF 50V B		チップセラコン	01
C504-512	US135100	C. CE. CHP	0. 1uF 16V		チップセラコン	01
C513-515	UR237220	C. EL	22uF 16V		ケミコン	
C516	UR067100	C. EL	10uF 50V	JBG	ケミコン	01
C517	US135100	C. CE. CHP	0. 1uF 16V		チップセラコン	01
C518	UR067470	C. EL	47uF 50V		ケミコン	01
C519-520	US135100	C. CE. CHP	0. 1uF 16V		チップセラコン	01
C521	UR067470	C. EL	47uF 50V		ケミコン	01
C522-523	US135100	C. CE. CHP	0. 1uF 16V		チップセラコン	01
C524	UR067470	C. EL	47uF 50V		ケミコン	01
C525	US135100	C. CE. CHP	0. 1uF 16V		チップセラコン	01
C527	US135100	C. CE. CHP	0. 1uF 16V		チップセラコン	01
C528	UR067470	C. EL	47uF 50V		ケミコン	01
C541	UR067470	C. EL	47uF 50V		ケミコン	01
C542	US135100	C. CE. CHP	0. 1uF 16V		チップセラコン	01
C544-545	US135100	C. CE. CHP	0. 1uF 16V		チップセラコン	01
C546	UA654680	C. MYLAR	0. 068uF 50V J		マイラーコン	02
C547	UA653100	C. MYLAR	1000pF 50V J		マイラーコン	03
C549-550	US135100	C. CE. CHP	0. 1uF 16V		チップセラコン	01
C551	UR067470	C. EL	47uF 50V		ケミコン	01
C552	UR067470	C. EL	47uF 50V		ケミコン	01
C554	US135100	C. CE. CHP	0. 1uF 16V		チップセラコン	01
C556-557	US135100	C. CE. CHP	0. 1uF 16V		チップセラコン	01
C558	UR067470	C. EL	47uF 50V		ケミコン	01
C560	US135100	C. CE. CHP	0. 1uF 16V		チップセラコン	01
C562	UU267470	C. EL	47uF 50V		ケミコン FW	01
C563	US135100	C. CE. CHP	0. 1uF 16V		チップセラコン	01
C564	UR067470	C. EL	47uF 50V		ケミコン	01
C565	UR067470	C. EL	47uF 50V		ケミコン	01
C566-570	US135100	C. CE. CHP	0. 1uF 16V		チップセラコン	01
C574-580	US061470	C. CE. CHP	47pF 50V B		チップセラコン	01
C581	US135100	C. CE. CHP	0. 1uF 16V		チップセラコン	01
C583	US063100	C. CE. CHP	1000pF 50V B		チップセラコン	01
C584	UR219100	C. EL	1000uF 6. 3V		ケミコン	
C585-586	US135100	C. CE. CHP	0. 1uF 16V		チップセラコン	01
C587	UR067470	C. EL	47uF 50V		ケミコン	01
C588	US135100	C. CE. CHP	0. 1uF 16V		チップセラコン	01
C589	UR067100	C. EL	10uF 50V	JBG	ケミコン	01
C590	US135100	C. CE. CHP	0. 1uF 16V		チップセラコン	01
C591-592	US061470	C. CE. CHP	47pF 50V B		チップセラコン	01
C594-595	US061470	C. CE. CHP	47pF 50V B		チップセラコン	01
C598-617	US135100	C. CE. CHP	0. 1uF 16V		チップセラコン	01
C618	UR067100	C. EL	10uF 50V	JBG	ケミコン	01
C619	US126100	C. CE. CHP	1uF 10V		チップセラコン	01
C620-622	US135100	C. CE. CHP	0. 1uF 16V		チップセラコン	01
C623	US064100	C. CE. CHP	0. 01uF 50V B		チップセラコン	01
C624-627	US135100	C. CE. CHP	0. 1uF 16V		チップセラコン	01

* New Parts * 新規部品

P.C.B. DSP

Ref. No	Part No.	Description	Remarks	Markets	部 品 名	Rank
C628	UR067100	C. EL	10uF 50V		JBG ケミコン	01
C629-631	US135100	C. CE. CHP	0.1uF 16V		チップセラコン	01
C632-637	US061470	C. CE. CHP	47pF 50V B		チップセラコン	01
C639	US061470	C. CE. CHP	47pF 50V B		チップセラコン	01
C640-650	US135100	C. CE. CHP	0.1uF 16V		チップセラコン	01
C652-661	US135100	C. CE. CHP	0.1uF 16V		チップセラコン	01
C662	UR067470	C. EL	47uF 50V		ケミコン	01
C663-664	US135100	C. CE. CHP	0.1uF 16V		チップセラコン	01
C665-667	US063100	C. CE. CHP	1000pF 50V B		チップセラコン	01
C668-669	US135100	C. CE. CHP	0.1uF 16V		チップセラコン	01
C670-672	US063100	C. CE. CHP	1000pF 50V B		チップセラコン	01
C673-674	US135100	C. CE. CHP	0.1uF 16V		チップセラコン	01
C700-703	US135100	C. CE. CHP	0.1uF 16V		チップセラコン	01
* C704-705	UR348100	C. EL	100uF 25V		ケミコン	
* C706-708	US135100	C. CE. CHP	0.1uF 16V		チップセラコン	01
C709	UR348100	C. EL	100uF 25V		ケミコン	
C710-712	US135100	C. CE. CHP	0.1uF 16V		チップセラコン	01
C713	US063470	C. CE. CHP	4700pF 50V B		チップセラコン	01
C714	US062470	C. CE. CHP	470pF 50V B		チップセラコン	01
C715	US135100	C. CE. CHP	0.1uF 16V		チップセラコン	01
C716	UR067100	C. EL	10uF 50V	JBG	ケミコン	01
C717-722	US135100	C. CE. CHP	0.1uF 16V		チップセラコン	01
C723-724	UU297220	C. EL	22uF 100V		ケミコン	01
C725-728	US135100	C. CE. CHP	0.1uF 16V		チップセラコン	01
C729	US063470	C. CE. CHP	4700pF 50V B		チップセラコン	01
C730	US062470	C. CE. CHP	470pF 50V B		チップセラコン	01
C731	US135100	C. CE. CHP	0.1uF 16V		チップセラコン	01
C732	UR067100	C. EL	10uF 50V	JBG	ケミコン	01
C733-736	US135100	C. CE. CHP	0.1uF 16V		チップセラコン	01
C737	US064100	C. CE. CHP	0.01uF 50V B		チップセラコン	01
C738	US135100	C. CE. CHP	0.1uF 16V		チップセラコン	01
C739	US064100	C. CE. CHP	0.01uF 50V B		チップセラコン	01
C740-745	US135100	C. CE. CHP	0.1uF 16V		チップセラコン	01
C746-747	UR067470	C. EL	47uF 50V		ケミコン	01
C748	UR266220	C. EL	2.2uF 50V		ケミコン	
C750-751	UR067100	C. EL	10uF 50V	JBG	ケミコン	01
C752-753	UR237220	C. EL	22uF 16V		ケミコン	
C754-755	US135100	C. CE. CHP	0.1uF 16V		チップセラコン	01
* C756-757	UR067470	C. EL	47uF 50V		ケミコン	01
C758	UR348100	C. EL	100uF 25V		ケミコン	
C759-761	US135100	C. CE. CHP	0.1uF 16V		チップセラコン	01
C762	UR067100	C. EL	10uF 50V	JBG	ケミコン	01
C763	UR067470	C. EL	47uF 50V		ケミコン	01
C764-765	US135100	C. CE. CHP	0.1uF 16V		チップセラコン	01
C766-767	UR067470	C. EL	47uF 50V		ケミコン	01
C768	US135100	C. CE. CHP	0.1uF 16V		チップセラコン	01
C769	UU238100	C. EL	100uF 16V		ケミコン	01
C770-774	UA652560	C. MYLAR	560pF 50V J		マイラーコン	02
C775-779	UA653390	C. MYLAR	3900pF 50V J		マイラーコン	01
C780-781	UA654680	C. MYLAR	0.068uF 50V J		マイラーコン	02
C782-783	UA653390	C. MYLAR	3900pF 50V J		マイラーコン	01
C784-785	UA654100	C. MYLAR	0.01uF 50V J		マイラーコン	01
C786-790	UA652330	C. MYLAR	330pF 50V J		マイラーコン	01
C791-792	UA654220	C. MYLAR	0.022uF 50V J		マイラーコン	01
C793-796	UA652390	C. MYLAR	390pF 50V J		マイラーコン	01

* New Parts * 新規部品

P.C.B. DSP

Ref. No	Part No.	Description	Remarks	Markets	部 品 名	Rank
C797-801	UA652330	C. MYLAR	330pF 50V J		マイラーコン	01
C802-803	UA654220	C. MYLAR	0.022uF 50V J		マイラーコン	01
C804-807	UA652390	C. MYLAR	390pF 50V J		マイラーコン	01
C819-823	V9415100	C. EL	10uF 16V		ケミコン	01
C824-825	UR067100	C. EL	10uF 50V	JBG	ケミコン	01
C826-827	UR237100	C. EL	10uF 16V		ケミコン	
C828-829	V9415100	C. EL	10uF 16V		ケミコン	01
C830-841	US135100	C. CE. CHP	0.1uF 16V		チップセラコン	01
C842-843	UR067470	C. EL	47uF 50V		ケミコン	01
C846-847	UR067470	C. EL	47uF 50V		ケミコン	01
C850-851	UR067470	C. EL	47uF 50V		ケミコン	01
C857	US135100	C. CE. CHP	0.1uF 16V		チップセラコン	01
D501-504	VT332900	DIODE	1SS355		ダイオード	01
D508-509	VT332900	DIODE	1SS355		ダイオード	01
D701-706	VV220700	DIODE. SHOT	RB501V-40		ショットキーダイオード	01
IC501	X3936A00	IC	SN74LVU04APWR		ロジックIC	
IC502	X3018A00	IC	SN74AHCT00PWR NAND		ロジックIC TSOP	01
IC504-505	XN518A00	IC	SN74LS151NSR 8-1 S		ロジックIC	04
IC506	X3566A00	IC	LC89057W-VF4-E		IC	05
IC507	X5945A00	IC	PQ012FZ01ZPH		電源IC	05
IC508	XZ003A00	IC	PQ025EZ5MZP 2.5V		電源IC QFP	03
IC509	XU965A00	IC	uPC29M33T-E1 3.3V		電源IC	03
IC510	X2080A00	IC	SN74AHCT1G32DCKR		ロジックIC	01
IC511	X3824A00	IC	SN74AHCT08PWR		ロジックIC	01
* IC512	X6137B00	IC	D60YA003BPYP225		IC	
IC513	X3693A00	IC	SN74LV245APWR TRAN		ロジックIC TSOP	
IC514	X0293A00	IC	74VHC157MTCX		ロジックIC TSOP	02
IC515	X2590B00	IC	W9816G6CH-7 SDRAM		メモリIC 16M	06
IC516	X3567A00	IC	YSS930-SZ		IC	08
IC517	XV077B00	IC	MSM514260E-60JS		メモリIC 4M	07
IC518	X3567A00	IC	YSS930-SZ		IC	08
IC519	X2096A00	IC	AK5380-VT		IC	06
IC520	X3505A00	IC	NJM2068MD-TE2		アンプIC SOP	02
IC522-523	X0661A00	IC	AK4382AVT		IC	07
IC524	X4289A00	IC	AK4358VQ		IC	
IC525-527	X5482A00	IC	NE5532DR OP AMP		アンプIC SOP	
IC528-530	X3505A00	IC	NJM2068MD-TE2		アンプIC SOP	02
IC531-532	X0293A00	IC	74VHC157MTCX		ロジックIC TSOP	02
IC533-534	XV894A00	IC	TC74VHC153FT MULTI		ロジックIC	03
IC536	X0293A00	IC	74VHC157MTCX		ロジックIC TSOP	02
PJ501	WB491400	JACK. PIN	3P MSD-253V-29 NI	UCRTKABGL	ピンジャック	03
PJ501	WB824400	JACK. PIN	YKC21-4228N	J	ピンジャック 3P	04
PN501	V9637500	PIN	L=70 #18		スタイルピン	
R504-505	HV753100	R. CAR. FP	1Ω 1/4W		不燃化カーボン抵抗	01
R515-516	V8070000	R. MTL. FLM	1Ω 1W		金属被膜抵抗	01
R523	V8070000	R. MTL. FLM	1Ω 1W		金属被膜抵抗	01
R555	V8070000	R. MTL. FLM	1Ω 1W		金属被膜抵抗	01
R562	HV753100	R. CAR. FP	1Ω 1/4W		不燃化カーボン抵抗	01
R695	RD356470	R. CHP	4.7KΩ 1/16W J	UCRTKABGL	チップ抵抗	01
R732	HV753470	R. CAR. FP	4.7Ω 1/4W		不燃化カーボン抵抗	01
R739-740	V8070100	R. MTL. FLM	2.2Ω 1W		金属被膜抵抗	01
R747	V8070200	R. MTL. FLM	4.7Ω 1W		金属被膜抵抗	
U501-502	WB920900	CN. PHOT. SN	1P GP1FA513TZ		光ファイバデータ端子	03
U503-506	WB547900	CN. PHOT. SN	1P GP1FA513RZ		光ファイバ受信器	03
XL501	V6931900	RESONATOR	24.576MHz DS0751SV		水晶発振器	05

* New Parts * 新規部品

P.C.B. FUNCTION

Ref. No	Part No.	Description	Remarks	Markets	部 品 名	Rank	
	WD650400	P. C. B.	FUNCTION		J	P C B ファンクション	21
	WD651000	P. C. B.	FUNCTION		U	P C B ファンクション	
	WD650500	P. C. B.	FUNCTION		C	P C B ファンクション	
	WD650700	P. C. B.	FUNCTION		RTKAL	P C B ファンクション	
	WD650800	P. C. B.	FUNCTION		BG	P C B ファンクション	
CB501-502	V7826100	CN	11P TE TUC SERIES			コネクタープラグ	01
CB504	V7827800	SOCKET	11P SE TUC SERIES			コネクタースOCKET	
CB505-506	V0961500	CN. BS. PIN	12P			ハウジング	01
CB507	V0044900	CN. BS. PIN	19P			F F Cコネクタ	01
CB508	V7828400	SOCKET	17P SE TUC SERIES			コネクタースOCKET	
CB510	V7828700	SOCKET	20P SE TUC SERIES			コネクタースOCKET	01
CB511-512	V7828000	SOCKET	13P SE TUC SERIES			コネクタースOCKET	
CB514	V6509500	SOCKET	9P SE 3170			コネクタースOCKET	04
CB515	VM929900	CN. BS. PIN	15P	J		F P Cコネクタ	01
CB518-519	V0963300	CN. BS. PIN	12P			ウエハー	01
CB521-522	V0961500	CN. BS. PIN	12P			ハウジング	01
CB523	V7826300	CN	13P TE TUC SERIES			コネクタープラグ	
CB527	VB858600	CN. BS. PIN	7P			ベースピン	01
CB529	LB919020	CN. BS. PIN	2P			ベース付ポスト	01
CB530	V8875600	CN	JE 13P TE			J Eコネクタ	02
CB531	V7827000	CN	20P TE TUC SERIES			コネクタープラグ	01
CB532	VF982200	CN. BS. PIN	14P			コネクタ	02
CB533	V7826100	CN	11P TE TUC SERIES			コネクタープラグ	01
CB534	VM929900	CN. BS. PIN	15P			F P Cコネクタ	01
CB536	V7826300	CN	13P TE TUC SERIES			コネクタープラグ	
CB537	VM929900	CN. BS. PIN	15P	UCRTKABGL		F P Cコネクタ	01
CB538	V7826300	CN	13P TE TUC SERIES			コネクタープラグ	
CB539	V9357000	CN	JE 19P TE			J Eコネクタ	
CB543	V7827000	CN	20P TE TUC SERIES			コネクタープラグ	01
CB544	V7826300	CN	13P TE TUC SERIES			コネクタープラグ	
CB548	V7826700	CN	17P TE TUC SERIES			コネクタープラグ	
CB551	V7826700	CN	17P TE TUC SERIES			コネクタープラグ	
C550	US135100	C. CE. CHP	0.1uF 16V			チップセラコン	01
C553	US135100	C. CE. CHP	0.1uF 16V			チップセラコン	01
C556	UA652220	C. MYLAR	220pF 50V J			マイラーコン	01
C559	UA652220	C. MYLAR	220pF 50V J			マイラーコン	01
C560-561	US062220	C. CE. CHP	220pF 50V B			チップセラコン	01
C564	US062220	C. CE. CHP	220pF 50V B			チップセラコン	01
C571-573	US062220	C. CE. CHP	220pF 50V B			チップセラコン	01
C574-575	US062100	C. CE. CHP	100pF 50V B			チップセラコン	01
C578-579	US062220	C. CE. CHP	220pF 50V B			チップセラコン	01
C580-581	US062100	C. CE. CHP	100pF 50V B			チップセラコン	01
C582-583	US062470	C. CE. CHP	470pF 50V B	UCRTKABGL		チップセラコン	01
C586-587	US062470	C. CE. CHP	470pF 50V B	UCRTKABGL		チップセラコン	01
C588-589	UR237100	C. EL	10uF 16V	UCRTKABGL		ケミコン	
C593-594	UR237100	C. EL	10uF 16V			ケミコン	
C598-599	UR238100	C. EL	100uF 16V			ケミコン	
C605-606	US062100	C. CE. CHP	100pF 50V B			チップセラコン	01
C609-610	UR237100	C. EL	10uF 16V	UCRTKABGL		ケミコン	
C611-614	US135100	C. CE. CHP	0.1uF 16V	UCRTKABGL		チップセラコン	01
C615	UR237470	C. EL	47uF 16V	UCRTKABGL		ケミコン	
C616-619	UR237100	C. EL	10uF 16V	UCRTKABGL		ケミコン	
C620	UR267470	C. EL	47uF 50V	UCRTKABGL		ケミコン	
C621-622	UR237100	C. EL	10uF 16V	UCRTKABGL		ケミコン	
C623	UR237470	C. EL	47uF 16V	UCRTKABGL		ケミコン	

* New Parts * 新規部品

P.C.B. FUNCTION

Ref. No	Part No.	Description	Remarks	Markets	部 品 名	Rank	
C624	UR267470	C. EL	47uF 50V		UCRTKABGL	ケミコン	
C625	US135100	C. CE. CHP	0. 1uF 16V		UCRTKABGL	チップセラコン	01
C626	US135100	C. CE. CHP	0. 1uF 16V			チップセラコン	01
C627	UR267470	C. EL	47uF 50V			ケミコン	
C627	UU238100	C. EL	100uF 16V		JBG	ケミコン	01
C627	UR267470	C. EL	47uF 50V		UCRTKAL	ケミコン	
C628	UR267470	C. EL	47uF 50V			ケミコン	
C629	UU238100	C. EL	100uF 16V		JBG	ケミコン	01
C629	UR237470	C. EL	47uF 16V		UCRTKAL	ケミコン	
C630-631	UR266330	C. EL	3. 3uF 50V			ケミコン	
C632	UR267470	C. EL	47uF 50V			ケミコン	
C633-634	US135100	C. CE. CHP	0. 1uF 16V			チップセラコン	01
C635-636	UR266470	C. EL	4. 7uF 50V			ケミコン	
C637-639	UR237100	C. EL	10uF 16V			ケミコン	
C640	UU238100	C. EL	100uF 16V		JBG	ケミコン	01
C640	UR237470	C. EL	47uF 16V		UCRTKAL	ケミコン	
C641-642	US135100	C. CE. CHP	0. 1uF 16V			チップセラコン	01
C643-645	UR266470	C. EL	4. 7uF 50V			ケミコン	
C646	UR237100	C. EL	10uF 16V			ケミコン	
C647	UR267470	C. EL	47uF 50V			ケミコン	
C648	US135100	C. CE. CHP	0. 1uF 16V			チップセラコン	01
C649	UR237330	C. EL	33uF 16V			ケミコン	
C650	UR237100	C. EL	10uF 16V			ケミコン	
C651-652	UR237330	C. EL	33uF 16V			ケミコン	
C653	UU238100	C. EL	100uF 16V		JBG	ケミコン	01
C653	UR257470	C. EL	47uF 35V		UCRTKAL	ケミコン	01
C654	UR267100	C. EL	10uF 50V			ケミコン	
C655-656	US135100	C. CE. CHP	0. 1uF 16V			チップセラコン	01
C657	UR237330	C. EL	33uF 16V			ケミコン	
C658-659	US061470	C. CE. CHP	47pF 50V B			チップセラコン	01
C660-661	UR237470	C. EL	47uF 16V			ケミコン	
C662	UR237330	C. EL	33uF 16V			ケミコン	
C663-664	UR237100	C. EL	10uF 16V			ケミコン	
C665-666	UR237330	C. EL	33uF 16V			ケミコン	
C667	US135100	C. CE. CHP	0. 1uF 16V			チップセラコン	01
C668-669	V9607800	C. PP	47pF 100V			P P コン	01
C670	US062100	C. CE. CHP	100pF 50V B			チップセラコン	01
C671-674	UR267470	C. EL	47uF 50V			ケミコン	
C675	UR237100	C. EL	10uF 16V		JBG	ケミコン	01
C675	UR237220	C. EL	22uF 16V		UCRTKAL	ケミコン	
C676	UR237100	C. EL	10uF 16V		JBG	ケミコン	01
C676	UR237220	C. EL	22uF 16V		UCRTKAL	ケミコン	
C677	UR237100	C. EL	10uF 16V		JBG	ケミコン	01
C677	UR237220	C. EL	22uF 16V		UCRTKAL	ケミコン	
C678	UR237100	C. EL	10uF 16V		JBG	ケミコン	01
C678	UR237220	C. EL	22uF 16V		UCRTKAL	ケミコン	
C679-680	UR237220	C. EL	22uF 16V			ケミコン	
C681-682	US135100	C. CE. CHP	0. 1uF 16V			チップセラコン	01
C683	UR237100	C. EL	10uF 16V		JBG	ケミコン	01
C683	UR237220	C. EL	22uF 16V		UCRTKAL	ケミコン	
C684	UR237100	C. EL	10uF 16V		JBG	ケミコン	01
C684	UR237220	C. EL	22uF 16V		UCRTKAL	ケミコン	
C685	UR237470	C. EL	47uF 16V			ケミコン	
C686-687	US135100	C. CE. CHP	0. 1uF 16V			チップセラコン	01
C688-691	UA652470	C. MYLAR	470pF 50V J			マイラーコン	01

* New Parts * 新規部品

P.C.B. FUNCTION

Ref. No	Part No.	Description	Remarks	Markets	部 品 名	Rank
C692	VE326800	C. MYLAR	0.47uF 50V		マイラーコン	01
C693-695	UA652470	C. MYLAR	470pF 50V J		マイラーコン	01
C696-701	US135100	C. CE. CHP	0.1uF 16V		チップセラコン	01
C702	US064100	C. CE. CHP	0.01uF 50V B		チップセラコン	01
C703	US062100	C. CE. CHP	100pF 50V B		チップセラコン	01
C704	US063100	C. CE. CHP	1000pF 50V B		チップセラコン	01
C705-706	UR247100	C. EL	10uF 25V	U	ケミコン	
C707-708	US062100	C. CE. CHP	100pF 50V B	U	チップセラコン	01
C709-710	UR247100	C. EL	10uF 25V	U	ケミコン	
C711-712	US135100	C. CE. CHP	0.1uF 16V	U	チップセラコン	01
C713	US065100	C. CE. CHP	0.1uF 50V B	U	チップセラコン	
C714	US064100	C. CE. CHP	0.01uF 50V B		チップセラコン	01
C715-717	US065100	C. CE. CHP	0.1uF 50V B	U	チップセラコン	
C723	UR266220	C. EL	2.2uF 50V		ケミコン	
C724	UR237470	C. EL	47uF 16V		ケミコン	
C725	US135100	C. CE. CHP	0.1uF 16V	BG	チップセラコン	01
C726-727	US062330	C. CE. CHP	330pF 50V B	BG	チップセラコン	01
C728	US062560	C. CE. CHP	560pF 50V B	BG	チップセラコン	01
C729-730	UR237470	C. EL	47uF 16V	BG	ケミコン	
C731	US061270	C. CE. CHP	27pF 50V B	BG	チップセラコン	01
C732	US135100	C. CE. CHP	0.1uF 16V		チップセラコン	01
C733	US061270	C. CE. CHP	27pF 50V B	BG	チップセラコン	01
C734	UR237470	C. EL	47uF 16V	BG	ケミコン	
C735	US135100	C. CE. CHP	0.1uF 16V	BG	チップセラコン	01
C736-738	US135100	C. CE. CHP	0.1uF 16V		チップセラコン	01
C739-740	UR237220	C. EL	22uF 16V		ケミコン	
D501-502	VU993700	DIODE. ZENR	MA8068-L 6.6V	UCRTKABGL	ツェナーダイオード	
D504	VU172000	DIODE. ZENR	UDZS5.6BTE-17 5.6V		ツェナーダイオード	01
D506-507	VT332900	DIODE	1SS355	UCRTKABGL	ダイオード	01
D508	VU993000	DIODE. ZENR	MA8056-M 5.6V		ツェナーダイオード	01
D509-510	VU993700	DIODE. ZENR	MA8068-L 6.6V		ツェナーダイオード	
IC358	XF291A00	IC	uPC4570G2	RTKABGL	IC	03
IC505	X5044A00	IC	NJU7311AM		アナログIC	05
IC513	X3505A00	IC	NJM2068MD-TE2		アンプIC SOP	02
* IC515-516	X5574A00	IC	YAC526-EZE2	UCRTKABGL	IC アナログ	
IC528	XZ545A00	IC	YAC520-EE2		IC	04
IC529	X4325A00	IC	YAC523-EVR2		IC, アナログ	06
IC530	X3505A00	IC	NJM2068MD-TE2		アンプIC SOP	02
IC532-534	XF291A00	IC	uPC4570G2		IC	03
IC541	X0082A00	IC	LC72722PM	BG	IC SOP	
IC542	XW863A00	IC	ADM202JRN-REEL7		IC	05
IC550	XF291A00	IC	uPC4570G2	U	IC	03
J507	RD350000	R. CHP	0Ω 1/16W J	UCRTKABGL	チップ抵抗	01
J510-511	RD350000	R. CHP	0Ω 1/16W J	JUC	チップ抵抗	01
J512-513	RD350000	R. CHP	0Ω 1/16W J	J	チップ抵抗	01
J516-517	RD350000	R. CHP	0Ω 1/16W J	U	チップ抵抗	01
PJ505	WD498200	JACK. PIN	RJ-1074*10-0553A	J	ピンジャック 6P	04
* PJ505	WD498000	JACK. PIN	RJ-1074*10-0353A	UCRTKABGL	ピンジャック 6P	
PJ506	WD498500	JACK. PIN	RJ-1073*10-0551A	J	ピンジャック 4P	03
* PJ506	WD498400	JACK. PIN	RJ-1073*10-0351A	UCRTKABGL	ピンジャック 4P	
PJ507	WD498500	JACK. PIN	RJ-1073*10-0551A	J	ピンジャック 4P	03
* PJ507	WD498400	JACK. PIN	RJ-1073*10-0351A	UCRTKABGL	ピンジャック 4P	
* PJ508	WD498400	JACK. PIN	RJ-1073*10-0351A	UCABG	ピンジャック 4P	
* PJ509	WD498500	JACK. PIN	RJ-1073*10-0551A	J	ピンジャック 4P	03
* PJ509	WD498400	JACK. PIN	RJ-1073*10-0351A	UCRTKABGL	ピンジャック 4P	

* New Parts * 新規部品

P.C.B. FUNCTION

Ref. No	Part No.	Description	Remarks	Markets	部 品 名	Rank	
* PJ510	WD498800	JACK. PIN	RJ-1073*87-0551A		J	ピンジャック 4 P	03
PJ510	WD498700	JACK. PIN	RJ-1073*87-0351A	UCRTKABGL		ピンジャック 4 P	
PN501	V9637500	PIN	L=70 #18			スタイルピン	
PN508-509	V9637500	PIN	L=70 #18			スタイルピン	
Q501-503	VZ725900	TR	2SD1938F S, T	UCRTKABGL		トランジスタ	
Q506	VZ725900	TR	2SD1938F S, T	UCRTKABGL		トランジスタ	
Q509-512	VZ725900	TR	2SD1938F S, T	UCRTKABGL		トランジスタ	
Q513	VP872700	TR	2SC4488 S, T	UCRTKABGL		トランジスタ	01
Q514	VP872600	TR	2SA1708 S, T	UCRTKABGL		トランジスタ	01
Q515-516	VP872700	TR	2SC4488 S, T			トランジスタ	01
Q517	VP872600	TR	2SA1708 S, T			トランジスタ	01
Q520-523	VZ725900	TR	2SD1938F S, T			トランジスタ	
Q526-541	VZ725900	TR	2SD1938F S, T			トランジスタ	
Q542	VD303700	TR	2SC3326 A, B			トランジスタ	01
Q543-544	VZ725900	TR	2SD1938F S, T	U		トランジスタ	
Q545-546	VV556500	TR	2SA1037K Q, R, S	U		トランジスタ	01
Q547	iC181510	TR	2SC1815 Y			トランジスタ 2 S C	01
Q548	VD303700	TR	2SC3326 A, B	BG		トランジスタ	01
R669-672	HF355470	R. CAR	470Ω 1/2W	UCRTKABGL		カーボン抵抗	
R673-680	RD355470	R. CHP	470Ω 1/16W J	UCRTKABGL		チップ抵抗	01
R681-692	RD357220	R. CHP	22KΩ 1/16W J	UCRTKABGL		チップ抵抗	01
R693	RD356100	R. CHP	1KΩ 1/16W J	UCRTKABGL		チップ抵抗	01
R694	RD355100	R. CHP	100Ω 1/16W J	UCRTKABGL		チップ抵抗	01
R695	RD356470	R. CHP	4.7KΩ 1/16W J	UCRTKABGL		チップ抵抗	01
R696	RD356100	R. CHP	1KΩ 1/16W J	UCRTKABGL		チップ抵抗	01
R697	RD353220	R. CHP	2.2Ω 1/16W J	UCRTKABGL		チップ抵抗	01
R698-699	RD355100	R. CHP	100Ω 1/16W J	UCRTKABGL		チップ抵抗	01
R700	RD356470	R. CHP	4.7KΩ 1/16W J	UCRTKABGL		チップ抵抗	01
R701	RD355220	R. CHP	220Ω 1/16W J	UCRTKABGL		チップ抵抗	01
R719	HV753470	R. CAR. FP	4.7Ω 1/4W			不燃化カーボン抵抗	01
R739-740	VP939700	R. MTL. FLM	4.7Ω 1W			金属被膜抵抗	01
R754	HF355330	R. CAR	330Ω 1/2W			カーボン抵抗	
R757	RD354560	R. CHP	56Ω 1/16W J	JUC		チップ抵抗	01
R757	RD355100	R. CHP	100Ω 1/16W J	RTKABGL		チップ抵抗	01
R758	RD354560	R. CHP	56Ω 1/16W J	JUC		チップ抵抗	01
R758	RD355100	R. CHP	100Ω 1/16W J	RTKABGL		チップ抵抗	01
R765	RD354560	R. CHP	56Ω 1/16W J	JUC		チップ抵抗	01
R765	RD355120	R. CHP	120Ω 1/16W J	RTKABGL		チップ抵抗	01
R766	RD354560	R. CHP	56Ω 1/16W J	JUC		チップ抵抗	01
R766	RD355120	R. CHP	120Ω 1/16W J	RTKABGL		チップ抵抗	01
R799-806	HF354470	R. CAR	47Ω 1/2W			カーボン抵抗	
R818-819	RD354470	R. CHP	47Ω 1/16W J	U		チップ抵抗	01
R820-821	RD358100	R. CHP	100KΩ 1/16W J	U		チップ抵抗	01
R822-823	RD353470	R. CHP	4.7Ω 1/16W J	U		チップ抵抗	01
R824-825	RD356330	R. CHP	3.3KΩ 1/16W J	U		チップ抵抗	01
R826-827	RD354470	R. CHP	47Ω 1/16W J	U		チップ抵抗	01
R828-829	RD356330	R. CHP	3.3KΩ 1/16W J	U		チップ抵抗	01
R832-833	RD358100	R. CHP	100KΩ 1/16W J	U		チップ抵抗	01
R834-835	RD355220	R. CHP	220Ω 1/16W J	U		チップ抵抗	01
R836-837	RD357220	R. CHP	22KΩ 1/16W J	U		チップ抵抗	01
R838	RD358100	R. CHP	100KΩ 1/16W J	U		チップ抵抗	01
R839	RD354470	R. CHP	47Ω 1/16W J	U		チップ抵抗	01
R840	RD357100	R. CHP	10KΩ 1/16W J	U		チップ抵抗	01
R841	RD356100	R. CHP	1KΩ 1/16W J	U		チップ抵抗	01
* R842	RD358560	R. CHP	560KΩ 1/16W J	U		チップ抵抗	01

* New Parts * 新規部品

P.C.B. FUNCTION & P.C.B. OPERATION

Ref. No	Part No.	Description	Remarks	Markets	部 品 名	Rank	
R845	RD357330	R. CHP	33K Ω 1/16W J		BG	チップ抵抗	01
R846	RD358100	R. CHP	100K Ω 1/16W J		BG	チップ抵抗	01
R847	RD356220	R. CHP	2.2K Ω 1/16W J		BG	チップ抵抗	01
R848	RD355100	R. CHP	100 Ω 1/16W J		BG	チップ抵抗	01
R849	RD357220	R. CHP	22K Ω 1/16W J		BG	チップ抵抗	01
R850	RD355470	R. CHP	470 Ω 1/16W J		BG	チップ抵抗	01
R851	RD357100	R. CHP	10K Ω 1/16W J		BG	チップ抵抗	01
R852	RD355470	R. CHP	470 Ω 1/16W J		BG	チップ抵抗	01
R853	RD357100	R. CHP	10K Ω 1/16W J		BG	チップ抵抗	01
R863-864	RF354470	R. MTL. CHP	47 Ω 1/16W D		UCRTKABGL	チップ金属被膜抵抗	01
ST501	V4040500	SCR. TERM	M3			スクリュー/ターミナル	01
* XL501	V7556000	RSNR. CRY	4.332MHz HC-49U		BG	水晶振動子	
* * * * *	WE897700	P. C. B.	OPERATION		J	P C B オペレーション	
	WE897800	P. C. B.	OPERATION		U	P C B オペレーション	
	WE897900	P. C. B.	OPERATION		CRTKABGL	P C B オペレーション	
CB460	LB919130	CN. BS. PIN	S13B-XH-A 13P SE			ベースツキポスト	01
CB461	VB858200	CN. BS. PIN	3P			ベースピン	01
CB462	LB919020	CN. BS. PIN	2P		U	ベース付ポスト	01
CB467	LB918020	CN. BS. PIN	2P			ベース付ポスト	01
CB468	LB918030	CN. BS. PIN	3P			ベース付ポスト	01
* CB469	LB918090	CN. BS. PIN	9P			ベース付ポスト	01
CB470	VB390200	CN. BS. PIN	6P		U	コネクタベースポスト	01
CB542	VB858600	CN. BS. PIN	7P			ベースピン	01
CB549	V7825900	CN	9P TE TUC SERIES			コネクタプラグ	
CB553	VQ045600	CN. BS. PIN	27P SE			F F C コネクタ	03
CB901	VQ047200	CN. BS. PIN	9P			F F C コネクタ	01
CB903	VF982300	CN. BS. PIN	17P			F F C コネクタ	01
CB904	VP798200	CN. BS. PIN	24P			F F C コネクタ	01
CB905	VB389900	CN. BS. PIN	3P			ベースピン	01
CB906	VB390000	CN. BS. PIN	4P			ベースピン	01
CB907	VQ047100	CN. BS. PIN	7P			F F C コネクタ	01
CB908	VM923600	CN. BS. PIN	13P			F F C コネクタ	01
CB909	VB858500	CN. BS. PIN	6P			ベースピン	01
C460-464	VR324900	C. MYLAR	0.1 μ F 100V			マイラーコン	01
* C465	WD403100	C. MYLAR	0.1 μ F 100V		U	マイラーコン	01
* C466-467	UU23A220	C. EL	22000 μ F 16V			ケミコン FW	
* C468	UU259680	C. EL	6800 μ F 35V			ケミコン FW	
* C469	UU23A220	C. EL	22000 μ F 16V		U	ケミコン FW	
C470	UU249680	C. EL	6800 μ F 25V			ケミコン FW	04
C471	UU249330	C. EL	3300 μ F 25V			ケミコン FW	04
* C472	UU23A220	C. EL	22000 μ F 16V			ケミコン FW	
C473	US065100	C. CE. CHP	0.1 μ F 50V B			チップセラコン	
C474	US065100	C. CE. CHP	0.1 μ F 50V B		U	チップセラコン	
* C475	UU259680	C. EL	6800 μ F 35V			ケミコン FW	
* C478	WF417700	C. EL	220 μ F 35V			ケミコン	
* C479	UU265330	C. EL	0.33 μ F 50V		U	ケミコン FW	
C480	US065100	C. CE. CHP	0.1 μ F 50V B			チップセラコン	
C482	UU147100	C. EL	10 μ F 25V		U	ケミコン	01
* C485	UU265100	C. EL	0.1 μ F 50V		U	ケミコン FW	
C487	US064100	C. CE. CHP	0.01 μ F 50V B			チップセラコン	01
* C490	WF009800	C. EL	470 μ F 10V			ケミコン	
C491	US065100	C. CE. CHP	0.1 μ F 50V B			チップセラコン	

* New Parts * 新規部品

P.C.B. OPERATION

Ref. No	Part No.	Description	Remarks	Markets	部 品 名	Rank
C492	UU166100	C. EL	1uF 50V		ケミコン	01
C493	UU297220	C. EL	22uF 100V		ケミコン	01
C496	US063100	C. CE. CHP	1000pF 50V B		チップセラコン	01
C498	UU248100	C. EL	100uF 25V	U	ケミコン FW	
C499	US065100	C. CE. CHP	0.1uF 50V B		チップセラコン	
C901	US064100	C. CE. CHP	0.01uF 50V B		チップセラコン	01
C902	US135100	C. CE. CHP	0.1uF 16V		チップセラコン	01
C903	UM388100	C. EL	100uF 10V		ケミコン	01
C904-910	US061220	C. CE. CHP	22pF 50V B		チップセラコン	01
C911	US135100	C. CE. CHP	0.1uF 16V		チップセラコン	01
C912-915	US063100	C. CE. CHP	1000pF 50V B		チップセラコン	01
C916-917	US135100	C. CE. CHP	0.1uF 16V		チップセラコン	01
C918	UR218330	C. EL	330uF 6.3V		ケミコン	
C919	US135100	C. CE. CHP	0.1uF 16V		チップセラコン	01
C920	US062100	C. CE. CHP	100pF 50V B		チップセラコン	01
C921-922	US063100	C. CE. CHP	1000pF 50V B		チップセラコン	01
C923-924	US135100	C. CE. CHP	0.1uF 16V		チップセラコン	01
C926-927	US135100	C. CE. CHP	0.1uF 16V		チップセラコン	01
C928-929	UM397220	C. EL	22uF 25V		ケミコン	01
C930	US135100	C. CE. CHP	0.1uF 16V		チップセラコン	01
C931	UM397100	C. EL	10uF 16V		ケミコン	01
C932	UA653100	C. MYLAR	1000pF 50V J		マイラーコン	03
C933	US064100	C. CE. CHP	0.01uF 50V B		チップセラコン	01
C934	UA653100	C. MYLAR	1000pF 50V J		マイラーコン	03
C937	US061330	C. CE. CHP	33pF 50V B		チップセラコン	01
C938	US064100	C. CE. CHP	0.01uF 50V B		チップセラコン	01
C939	UM387470	C. EL	47uF 16V		ケミコン	01
C940	UM397470	C. EL	47uF 16V		ケミコン	01
C941-942	US062470	C. CE. CHP	470pF 50V B		チップセラコン	01
C943	US063100	C. CE. CHP	1000pF 50V B		チップセラコン	01
C946	US064100	C. CE. CHP	0.01uF 50V B		チップセラコン	01
C949	UM397220	C. EL	22uF 25V		ケミコン	01
C950-951	US135100	C. CE. CHP	0.1uF 16V		チップセラコン	01
C952	US062100	C. CE. CHP	100pF 50V B		チップセラコン	01
C955	US064100	C. CE. CHP	0.01uF 50V B		チップセラコン	01
C956	US063100	C. CE. CHP	1000pF 50V B		チップセラコン	01
C959	UM397100	C. EL	10uF 16V		ケミコン	01
C960	US064100	C. CE. CHP	0.01uF 50V B		チップセラコン	01
C963	US135100	C. CE. CHP	0.1uF 16V		チップセラコン	01
C964	US064100	C. CE. CHP	0.01uF 50V B		チップセラコン	01
C965-969	US135100	C. CE. CHP	0.1uF 16V		チップセラコン	01
C974-978	US062100	C. CE. CHP	100pF 50V B		チップセラコン	01
D460	V4269600	DIODE. BRG	D2SBA20 1.5A 200V		ダイオードブリッジ	
D461	VN011300	DIODE. BRG	D3SBA20 4A 200V		ダイオード	03
D462	V4269600	DIODE. BRG	D2SBA20 1.5A 200V		ダイオードブリッジ	
D463	V4269600	DIODE. BRG	D2SBA20 1.5A 200V	U	ダイオードブリッジ	
D464	V6267600	DIODE	RB051L-40		ダイオード	01
D901-902	VU171500	DIODE. ZENR	UDZ 3.6BTE-17 3.6V		ツェナーダイオード	01
D903	WB071400	LED	BE SLR343BBT		LED	03
D904	V2598200	LED	SIR-505ST		LED	
D906	VU171900	DIODE. ZENR	UDZ5.1B 5.1V		ツェナーダイオード	01
D909-915	VT332900	DIODE	1SS355	UCRTKABGL	ダイオード	01
D926-927	VT332900	DIODE	1SS355		ダイオード	01
D930-931	VT332900	DIODE	1SS355		ダイオード	01
IC460	XY525A00	IC	PQ1CG2032FZ		電源 IC S I L	06

* New Parts * 新規部品

P.C.B. OPERATION

Ref. No	Part No.	Description	Remarks	Markets	部 品 名	Rank
IC461	X4358A00	IC	PQ03RD23		電源IC	03
IC462	XJ609A00	IC	NJM7809FA 9V		電源IC SIL	02
IC464	XU814A00	IC	PQ05RD11 +5V 1.0A		電源IC	03
IC901	X6386A00	IC	M66003-0131FP		IC	07
IC902	X2080A00	IC	SN74AHCT1G32DCKR		ロジックIC	01
IC904	XF291A00	IC	uPC4570G2		IC	03
JK901	V9408200	JACK. PHONE	MSJ-064-05B GR		ホーンジャック	03
JK902	V2589500	CN. DIN	1P		ミニDINコネクタ	02
JK903	VJ726800	JACK. MNI			モノラルミニジャック	01
PJ901	V6222800	JACK. PIN	3P		ピンジャック	04
PN460	V9637500	PIN	L=70 #18		スタイルピン	
PN502	V9637500	PIN	L=70 #18		スタイルピン	
PN901-905	V9637500	PIN	L=70 #18		スタイルピン	
Q901-905	VV556400	TR	2SC2412K Q, R, S		トランジスタ	01
Q908-910	VV556400	TR	2SC2412K Q, R, S		トランジスタ	01
Q913	VV556400	TR	2SC2412K Q, R, S		トランジスタ	01
Q914	VV655400	TR. DGT	DTC114EKA	UCRTKABGL	デジタルトランジスタ	01
* R464	VU320100	R. MTL. OXD	18Ω 1W	U	酸化金属被膜抵抗	
* R466	VU320100	R. MTL. OXD	18Ω 1W	U	酸化金属被膜抵抗	
R474	RD357270	R. CHP	27KΩ 1/16W J	U	チップ抵抗	01
R476	RD357100	R. CHP	10KΩ 1/16W J	U	チップ抵抗	01
R478	V8070000	R. MTL. FLM	1Ω 1W		金属被膜抵抗	01
R480	VP939600	R. MTL. FLM	2.2Ω 1W	U	金属被膜抵抗	
R901-902	HL005100	R. MTL. OXD	100Ω 1/2W		酸化金属被膜抵抗	
R911	RD357100	R. CHP	10KΩ 1/16W J	UCRTKABGL	チップ抵抗	01
R914	RD357100	R. CHP	10KΩ 1/16W J	UCRTKABGL	チップ抵抗	01
R968	RD355100	R. CHP	100Ω 1/16W J	UCRTKABGL	チップ抵抗	01
R969	RD356100	R. CHP	1KΩ 1/16W J	UCRTKABGL	チップ抵抗	01
R970	RD355100	R. CHP	100Ω 1/16W J	UCRTKABGL	チップ抵抗	01
R10-1	HF355100	R. CAR	100Ω 1/2W		カーボン抵抗	
ST460-461	V4040500	SCR. TERM	M3		スクリュー/ターミナル	01
SW901-906	V4757100	SW. TACT	EVQ11A		タクトSW	01
SW907	V4757100	SW. TACT	EVQ11A	UCRTKABGL	タクトSW	01
SW908	V4757100	SW. TACT	EVQ11A		タクトSW	01
* SW909	V6578000	SW. RT. ENC	RB161PVB20FHINA		ロータリーエンコーダ	
SW910	V9281200	SW. RT. ENC	EVEGC1F2512B		ロータリーエンコーダ	02
SW911	V4757100	SW. TACT	EVQ11A		タクトSW	01
SW912	V4757100	SW. TACT	EVQ11A	UCRTKABGL	タクトSW	01
SW913-919	V4757100	SW. TACT	EVQ11A		タクトSW	01
SW920	V9281200	SW. RT. ENC	EVEGC1F2512B		ロータリーエンコーダ	02
SW921-922	V4757100	SW. TACT	EVQ11A	UCRTKABGL	タクトSW	01
SW923	WB544900	SW. RT. ENC	SDB161PH20FS-1-4		ロータリーエンコーダ	07
SW924	V4757100	SW. TACT	EVQ11A		タクトSW	01
* TH460	VV456900	SW. POLY	RXEF185 1.85A 72V		ポリスイッチ	02
* TH461	VV457100	SW. POLY	RXEF300 3.00A 72V	U	ポリスイッチ	
U901	V8210200	L. DTCT	GP1UD271XK		リモコン受光ユニット	03
U902	V7680700	CN. PHOT. SN	1P GP1FA512RZ		光ファイバー受信器	04
* V901	WF098500	FL. DSPLY	HNA-17ML01T		蛍光表示管	
	V6007000	SHEET			シート/FL	03
	WF062700	SPACER. FL			スペーサ/FL	
	WE774200	SCR. BND. HD	3x10 MFZN2W3		バインドBタイトネジ	01

* New Parts * 新規部品

P.C.B. MAIN

Ref. No	Part No.	Description	Remarks	Markets	部 品 名	Rank	
*	WE896100	P. C. B.	MAIN		J	P C B メイン	
*	WE896200	P. C. B.	MAIN		UC	P C B メイン	
*	WE896300	P. C. B.	MAIN		RTA	P C B メイン	
*	WE896400	P. C. B.	MAIN		KBGL	P C B メイン	
	CB205	V7825800	CN	8P TE TUC SERIES		コネクタープラグ	
	CB206	V7825500	CN	5P TE TUC SERIES		コネクタープラグ	01
	CB208	LB918030	CN. BS. PIN	3P		ベース付ポスト	01
	CB211	WB127100	CN. BS. PIN	3P TE XH		ベースツキポスト	
	CB212	LB932060	CN. BS. PIN	6P		ベースポスト	01
	CB215	VB390300	CN. BS. PIN	7P		ベースピン	01
	CB216	LB918020	CN. BS. PIN	2P		ベース付ポスト	01
	CB217	V7826100	CN	11P TE TUC SERIES		コネクタープラグ	01
	CB218	V7825400	CN	4P TE TUC SERIES		コネクタープラグ	01
	CB219	VB390400	CN. BS. PIN	8P		ベースピン	01
	C201	VJ599100	C. CE. TUBLR	0. 1uF 50V		円筒セラコン	01
	C202	WE100900	C. PP	220pF 630V		P P コン	
	C226	VJ599100	C. CE. TUBLR	0. 1uF 50V		円筒セラコン	01
	C234	WE100500	C. PP	100pF 630V		P P コン	
	C235	UR397100	C. EL	10uF 100V		ケミコン	03
	C236-237	WE100500	C. PP	100pF 630V		P P コン	
	C238	UR397100	C. EL	10uF 100V		ケミコン	03
	C239-240	WE100500	C. PP	100pF 630V		P P コン	
	C241	UR397100	C. EL	10uF 100V		ケミコン	03
	C242-243	WE100500	C. PP	100pF 630V		P P コン	
	C244	UR397100	C. EL	10uF 100V		ケミコン	03
	C245-246	WE100500	C. PP	100pF 630V		P P コン	
	C247	UR397100	C. EL	10uF 100V		ケミコン	03
	C248-249	WE100500	C. PP	100pF 630V		P P コン	
	C250	UR397100	C. EL	10uF 100V		ケミコン	03
	C251-252	WE100500	C. PP	100pF 630V		P P コン	
	C253	UR397100	C. EL	10uF 100V		ケミコン	03
	C254	WE100500	C. PP	100pF 630V		P P コン	
	C255-256	VR169100	C. MYLAR	EC0-V1H394JL3		マイラーコン	01
	C257-260	VR325300	C. MYLAR	0. 047uF 100V		マイラーコン	01
	C261-263	VR325300	C. MYLAR	0. 047uF 100V		マイラーコン	01
	C264-269	UR297100	C. EL	10uF 100V		ケミコン	
	C270-271	UR267100	C. EL	10uF 50V		ケミコン	
	C275-278	UA654100	C. MYLAR	0. 01uF 50V J		マイラーコン	01
	C279	UA654220	C. MYLAR	0. 022uF 50V J		マイラーコン	01
	C280-281	UA654100	C. MYLAR	0. 01uF 50V J		マイラーコン	01
*	C283-284	WF074100	C. EL	18000uF 71V		ケミコン	
	C286	VG291500	C. EL	330uF 50V		ケミコン	01
	C287	VG291300	C. EL	100uF 50V		ケミコン	01
	C290-295	UA654220	C. MYLAR	0. 022uF 50V J		マイラーコン	01
	C296-297	UA654100	C. MYLAR	0. 01uF 50V J		マイラーコン	01
	C299-300	UA654100	C. MYLAR	0. 01uF 50V J		マイラーコン	01
	C301-302	VR324900	C. MYLAR	0. 1uF 100V		マイラーコン	01
	C303-304	UA654220	C. MYLAR	0. 022uF 50V J		マイラーコン	01
	C305	UA654100	C. MYLAR	0. 01uF 50V J		マイラーコン	01
	D207-213	VD631600	DIODE	1SS133, 176		ダイオード	01
	D214-222	WA180300	DIODE	1SS244		ダイオード	01
	D225	VG442600	DIODE. ZENR	MTZJ24C 24V		ツェナーダイオード	01
	D227	VG442600	DIODE. ZENR	MTZJ24C 24V		ツェナーダイオード	01
	D228	VG443700	DIODE. ZENR	MTZJ33B 33V		ツェナーダイオード	01
	D231	VG442600	DIODE. ZENR	MTZJ24C 24V		ツェナーダイオード	01

* New Parts * 新規部品

P.C.B. MAIN

Ref. No	Part No.	Description	Remarks	Markets	部 品 名	Rank	
	D233	VG442600	DIODE. ZENR	MTZJ24C 24V		ツェナーダイオード	01
	D235	VG442600	DIODE. ZENR	MTZJ24C 24V		ツェナーダイオード	01
	D238	VG442600	DIODE. ZENR	MTZJ24C 24V		ツェナーダイオード	01
△	D240-243	VS997800	DIODE	1T2		ダイオード	01
△	D246	WD890200	DIODE. BRG	D15XBN20 30A 200V		ダイオードブリッジ	06
	D247-253	VD631600	DIODE	1SS133, 176		ダイオード	01
	D270-276	VG437500	DIODE. ZENR	MTZJ5. 1C 5. 1V		ツェナーダイオード	01
	G201	V5995800	PLATE. GND			アースプレート	
△	1C201-202	X0515A00	IC	LM61C1Z THERMAL		電源IC	03
	PN201-207	V9637500	PIN	L=70 #18		スタイルピン	
△	Q213-214	VK432900	TR	2SD1915F S, T		トランジスタ	01
△	Q215-216	iC224030	TR	2SC2240 GR, BL		トランジスタ	01
△	Q217-219	VK432900	TR	2SD1915F S, T		トランジスタ	01
△	Q220A	iX632610	TR	2SA1837 O, Y		トランジスタ	02
△	Q220C	iX632620	TR	2SC4793 O, Y		トランジスタ	02
△	Q221A	iX632610	TR	2SA1837 O, Y		トランジスタ	02
△	Q221C	iX632620	TR	2SC4793 O, Y		トランジスタ	02
△	Q222A	iX632610	TR	2SA1837 O, Y		トランジスタ	02
△	Q222C	iX632620	TR	2SC4793 O, Y		トランジスタ	02
△	Q223A	iX632610	TR	2SA1837 O, Y		トランジスタ	02
△	Q223C	iX632620	TR	2SC4793 O, Y		トランジスタ	02
△	Q224A	iX632610	TR	2SA1837 O, Y		トランジスタ	02
△	Q224C	iX632620	TR	2SC4793 O, Y		トランジスタ	02
△	Q225A	iX632610	TR	2SA1837 O, Y		トランジスタ	02
△	Q225C	iX632620	TR	2SC4793 O, Y		トランジスタ	02
△	Q226	WD281200	TR. PAIR	2SA2151/C6011 OPY	JKBGL	ペアトランジスタ	07
△	Q226A	iX606460	TR	2SA1492 O, P, Y	UCRTA	トランジスタ	05
△	Q226C	iX606470	TR	2SC3856 O, P, Y	UCRTA	トランジスタ	05
△	Q227	WD281200	TR. PAIR	2SA2151/C6011 OPY	JKBGL	ペアトランジスタ	07
△	Q227A	iX606460	TR	2SA1492 O, P, Y	UCRTA	トランジスタ	05
△	Q227C	iX606470	TR	2SC3856 O, P, Y	UCRTA	トランジスタ	05
△	Q228	WD281200	TR. PAIR	2SA2151/C6011 OPY	JKBGL	ペアトランジスタ	07
△	Q228A	iX606460	TR	2SA1492 O, P, Y	UCRTA	トランジスタ	05
△	Q228C	iX606470	TR	2SC3856 O, P, Y	UCRTA	トランジスタ	05
△	Q229	WD281200	TR. PAIR	2SA2151/C6011 OPY	JKBGL	ペアトランジスタ	07
△	Q229A	iX606460	TR	2SA1492 O, P, Y	UCRTA	トランジスタ	05
△	Q229C	iX606470	TR	2SC3856 O, P, Y	UCRTA	トランジスタ	05
△	Q230	WD281200	TR. PAIR	2SA2151/C6011 OPY	JKBGL	ペアトランジスタ	07
△	Q230A	iX606460	TR	2SA1492 O, P, Y	UCRTA	トランジスタ	05
△	Q230C	iX606470	TR	2SC3856 O, P, Y	UCRTA	トランジスタ	05
△	Q231	WD281200	TR. PAIR	2SA2151/C6011 OPY	JKBGL	ペアトランジスタ	07
△	Q231A	iX606460	TR	2SA1492 O, P, Y	UCRTA	トランジスタ	05
△	Q231C	iX606470	TR	2SC3856 O, P, Y	UCRTA	トランジスタ	05
△	Q232	WD281200	TR. PAIR	2SA2151/C6011 OPY	JKBGL	ペアトランジスタ	07
△	Q232A	iX606460	TR	2SA1492 O, P, Y	UCRTA	トランジスタ	05
△	Q232C	iX606470	TR	2SC3856 O, P, Y	UCRTA	トランジスタ	05
△	Q233A	iX632610	TR	2SA1837 O, Y		トランジスタ	02
△	Q233C	iX632620	TR	2SC4793 O, Y		トランジスタ	02
	Q248-254	VP883100	TR	2SC1890A D, E		トランジスタ	01
	Q255-256	VP872700	TR	2SC4488 S, T		トランジスタ	01
	Q257	iA101510	TR	2SA1015 Y		トランジスタ	01
	Q258	VP872700	TR	2SC4488 S, T		トランジスタ	01
	Q261-262	VP872700	TR	2SC4488 S, T		トランジスタ	01
△	Q263-269	VR325600	TR	2SC2229 O, Y		トランジスタ	01
△	R201	V3943000	R. MTL. FLM	4. 7Ω 1/2W		金属被膜抵抗	01

* New Parts * 新規部品

P.C.B. MAIN

Ref. No	Part No.	Description	Remarks	Markets	部 品 名	Rank
	R202-204	HV753470 R. CAR. FP	4.7Ω 1/4W		不燃化カーボン抵抗	01
	R212-213	HV753470 R. CAR. FP	4.7Ω 1/4W		不燃化カーボン抵抗	01
	R215-218	HV753470 R. CAR. FP	4.7Ω 1/4W		不燃化カーボン抵抗	01
△	R220	HV753100 R. CAR. FP	1Ω 1/4W		不燃化カーボン抵抗	01
△	R222	HV753100 R. CAR. FP	1Ω 1/4W		不燃化カーボン抵抗	01
	R263	V3946100 R. MTL. OXD	2.7KΩ 1/2W		酸化金属被膜抵抗	01
△	R264	V3945100 R. MTL. OXD	390Ω 1/2W		酸化金属被膜抵抗	01
	R265	V3945500 R. MTL. OXD	820Ω 1/2W		酸化金属被膜抵抗	01
△	R266	HV755120 R. CAR. FP	120Ω 1/4W		不燃化カーボン抵抗	01
	R267	V3946100 R. MTL. OXD	2.7KΩ 1/2W		酸化金属被膜抵抗	01
	R268	V3945100 R. MTL. OXD	390Ω 1/2W		酸化金属被膜抵抗	01
	R269	V3945500 R. MTL. OXD	820Ω 1/2W		酸化金属被膜抵抗	01
△	R270	HV755120 R. CAR. FP	120Ω 1/4W		不燃化カーボン抵抗	01
	R271	V3946100 R. MTL. OXD	2.7KΩ 1/2W		酸化金属被膜抵抗	01
	R272	V3944900 R. MTL. OXD	270Ω 1/2W		酸化金属被膜抵抗	01
	R273	V3945600 R. MTL. OXD	1KΩ 1/2W		酸化金属被膜抵抗	01
	R274	HV755120 R. CAR. FP	120Ω 1/4W		不燃化カーボン抵抗	01
	R275	V3946100 R. MTL. OXD	2.7KΩ 1/2W		酸化金属被膜抵抗	01
	R276	V3944900 R. MTL. OXD	270Ω 1/2W		酸化金属被膜抵抗	01
	R277	V3945600 R. MTL. OXD	1KΩ 1/2W		酸化金属被膜抵抗	01
	R278	HV755120 R. CAR. FP	120Ω 1/4W		不燃化カーボン抵抗	01
	R279	V3946100 R. MTL. OXD	2.7KΩ 1/2W		酸化金属被膜抵抗	01
	R280	V3945100 R. MTL. OXD	390Ω 1/2W		酸化金属被膜抵抗	01
	R281	V3945500 R. MTL. OXD	820Ω 1/2W		酸化金属被膜抵抗	01
△	R282	HV755120 R. CAR. FP	120Ω 1/4W		不燃化カーボン抵抗	01
	R283	V3946100 R. MTL. OXD	2.7KΩ 1/2W		酸化金属被膜抵抗	01
	R284	V3945100 R. MTL. OXD	390Ω 1/2W		酸化金属被膜抵抗	01
	R285	V3945500 R. MTL. OXD	820Ω 1/2W		酸化金属被膜抵抗	01
	R286	HV755120 R. CAR. FP	120Ω 1/4W		不燃化カーボン抵抗	01
	R287	V3946100 R. MTL. OXD	2.7KΩ 1/2W		酸化金属被膜抵抗	01
	R288	V3945100 R. MTL. OXD	390Ω 1/2W		酸化金属被膜抵抗	01
	R289	V3945500 R. MTL. OXD	820Ω 1/2W		酸化金属被膜抵抗	01
△	R290	HV755120 R. CAR. FP	120Ω 1/4W		不燃化カーボン抵抗	01
	R291-297	V3945600 R. MTL. OXD	1KΩ 1/2W		酸化金属被膜抵抗	01
△	R298-304	HV755220 R. CAR. FP	220Ω 1/4W		不燃化カーボン抵抗	01
△	R305-318	HV753470 R. CAR. FP	4.7Ω 1/4W		不燃化カーボン抵抗	01
	R319-320	V3873200 R. WW	0.22Ω 3W		セメント抵抗	02
	R321-322	WB279900 R. WW	RGC55C 0.22+0.22		セメント抵抗	02
	R325	V3873200 R. WW	0.22Ω 3W		セメント抵抗	02
	R326-327	WB279900 R. WW	RGC55C 0.22+0.22		セメント抵抗	02
	R349-355	V8070200 R. MTL. FLM	4.7Ω 1W		金属被膜抵抗	01
	R363-365	HV754100 R. CAR. FP	10Ω 1/4W		不燃化カーボン抵抗	01
	R367	HV754100 R. CAR. FP	10Ω 1/4W		不燃化カーボン抵抗	01
	R371-373	HV754100 R. CAR. FP	10Ω 1/4W		不燃化カーボン抵抗	01
△	R380-382	V8070000 R. MTL. FLM	1Ω 1W		金属被膜抵抗	01
	R387	HV756100 R. CAR. FP	1KΩ 1/4W		不燃化カーボン抵抗	01
△	R389	HV755100 R. CAR. FP	100Ω 1/4W		不燃化カーボン抵抗	01
△	R400-403	HV754820 R. CAR. FP	82Ω 1/4W		不燃化カーボン抵抗	01
△	R404	HV754390 R. CAR. FP	39Ω 1/4W		不燃化カーボン抵抗	01
△	R410-411	HV755180 R. CAR. FP	180Ω 1/4W		不燃化カーボン抵抗	01
	RY201-205	V6322600 RELAY	DC DH24D2-OT(M)-SL		リレー 24V	04
	RY206	WA544800 RELAY	DC G5PA-28		リレー 24V	04
	TE201	WD477700 TERM. SP	LTS0810-1019FM	JUCRTA	スピーカーターミナル	06
*	TE201	WD477500 TERM. SP	LTS0810-1015FM	KBGL	スピーカーターミナル	04
	TE202	WD756900 TERM. SP	LTS3210-1004FM	JUCRTA	スピーカーターミナル	04

* New Parts * 新規部品

P.C.B. MAIN & P.C.B. POWER

Ref. No	Part No.	Description	Remarks	Markets	部 品 名	Rank	
* TE202	WD757000	TERM. SP	LTS3210-1003FM		KBGL	スピーカーターミナル	
TE203	WD039300	TERM. SP	LQR2411-0001FM		JUCRТА	スピーカーターミナル	04
* TE203	WD039400	TERM. SP	LQR2411-0003FM		KBGL	スピーカーターミナル	
TE204	WD477700	TERM. SP	LTS0810-1019FM		JUCRТА	スピーカーターミナル	06
* TE204	WD477500	TERM. SP	LTS0810-1015FM		KBGL	スピーカーターミナル	
	WE774200	SCR. BND. HD	3x10 MFZN2W3			バインドBタイトネジ	01
	WD649100	P. C. B.	POWER		J	P C B パワー	
* WD649200	P. C. B.	POWER		UC	P C B パワー		
* WD649300	P. C. B.	POWER		R	P C B パワー		
* WD649400	P. C. B.	POWER		T	P C B パワー		
* WD649500	P. C. B.	POWER		K	P C B パワー		
* WD649600	P. C. B.	POWER		A	P C B パワー		
* WD649700	P. C. B.	POWER		B	P C B パワー		
* WD649800	P. C. B.	POWER		G	P C B パワー		
* WD649900	P. C. B.	POWER		L	P C B パワー		
CB2-3	WC050700	CL IP. FUSE	EYF52BCY		UCG	ヒューズクリップ	01
CB4	VS996100	HOLDER. FUS	EYF64BC		JUCRL	ヒューズクリップ	01
CB4-5	WC050700	CL IP. FUSE	EYF52BCY		TKABG	ヒューズクリップ	01
CB6	VS996100	HOLDER. FUS	EYF64BC		JUCRL	ヒューズクリップ	01
CB7	VG879900	CN. BS. PIN	2P			ベースピン	01
* CB8	V9377900	CN. BS. PIN	4P SE VH SERIES		RL	ベース付ポスト	
* CB9	V9377800	CN. BS. PIN	3P SE VH SERIES		RL	ベース付ポスト	
CB10-11	WC050700	CL IP. FUSE	EYF52BCY		RL	ヒューズクリップ	01
CB20-21	VB389900	CN. BS. PIN	3P			ベースピン	01
CB40	VB858700	CN. BS. PIN	8P			ベースピン	01
CB41	V7827600	SOCKET	9P SE TUC SERIES			コネクタースOCKET	
CB42	V7827500	SOCKET	8P SE TUC SERIES			コネクタースOCKET	
CB43	V7827200	SOCKET	5P TE TUC SERIES			コネクタースOCKET	
CB44	VB858200	CN. BS. PIN	3P			ベースピン	01
CB46	VB858500	CN. BS. PIN	6P			ベースピン	01
CB47	V7827800	SOCKET	11P SE TUC SERIES			コネクタースOCKET	
CB48	V7827100	SOCKET	4P TE TUC SERIES			コネクタースOCKET	
CB131	VB390400	CN. BS. PIN	8P		UCRTKABGL	ベースピン	01
C1-2	UR866220	C. EL	2.2uF 50V			ケミコン	01
C3	UA654100	C. MYLAR	0.01uF 50V J			マイラーコン	01
* C4	WB687100	C. POL. MTL	0.047uF 400V		JUC	メタライズドポリコン	01
* C4	WD054200	C. POL. MTL	0.047uF 630V		R	メタライズドポリコン	
* C4	WC041600	C. PP	0.022uF 630V		TKABGL	P P コン	01
* C5	UR066100	C. EL	1uF 50V			ケミコン	
C6	UA653470	C. MYLAR	4700pF 50V J			マイラーコン	01
* C7	WB696300	C. POL. MTL	0.1uF 400V		JUC	メタライズドポリコン	
* C7	WD257600	C. PP	0.047uF 800V		RTKABGL	P P コン	
△ C8	V6185300	C. CE. SAFTY	0.01uF 275V			規格認定コン	
C9	WE102900	C. PP	0.01uF 100V			P P コン	
* C10	UU249330	C. EL	3300uF 25V		JUCTKABGL	ケミコン FW	04
* C10	WD047300	C. EL	3300uF 50V		R	ケミコン KMQ	
C11	UA654100	C. MYLAR	0.01uF 50V J			マイラーコン	01
C20	UU268100	C. EL	100uF 50V			ケミコン	01
C21-22	UR267100	C. EL	10uF 50V			ケミコン	
C23	UR258470	C. EL	470uF 35V			ケミコン	
C40	WE100900	C. PP	220pF 630V			P P コン	
C41-45	V9415100	C. EL	10uF 16V			ケミコン	01

* New Parts * 新規部品

P.C.B. POWER

Ref. No	Part No.	Description	Remarks	Markets	部 品 名	Rank	
C46	WE100400	C.PP	47pF	630V	JUC	P P コン	
C46	WE100500	C.PP	100pF	630V	RTKABGL	P P コン	
C47	WE100900	C.PP	220pF	630V	JRTK	P P コン	
C48	UR267100	C.EL	10uF	50V		ケミコン	
C49	WE100400	C.PP	47pF	630V	JUC	P P コン	
C49	WE100500	C.PP	100pF	630V	RTKABGL	P P コン	
C50	WE100900	C.PP	220pF	630V	JRTK	P P コン	
C51	UR267100	C.EL	10uF	50V		ケミコン	
C52	WE100400	C.PP	47pF	630V	JUC	P P コン	
C52	WE100500	C.PP	100pF	630V	RTKABGL	P P コン	
C53	UA652220	C.MYLAR	220pF	50V J		マイラーコン	01
C54	UR267100	C.EL	10uF	50V		ケミコン	
C55	WE100400	C.PP	47pF	630V	JUC	P P コン	
C55	WE100500	C.PP	100pF	630V	RTKABGL	P P コン	
C56	UA652220	C.MYLAR	220pF	50V J		マイラーコン	01
C57	UR267100	C.EL	10uF	50V		ケミコン	
C58	WE100400	C.PP	47pF	630V	JUC	P P コン	
C58	WE100500	C.PP	100pF	630V	RTKABGL	P P コン	
C59	WE100900	C.PP	220pF	630V	JRTK	P P コン	
C60	UR267100	C.EL	10uF	50V		ケミコン	
C61-62	UU268100	C.EL	100uF	50V		ケミコン	01
C63-64	UU267470	C.EL	47uF	50V		ケミコン FW	01
C65	UU268100	C.EL	100uF	50V		ケミコン	01
C66-70	WE100100	C.PP	15pF	630V		P P コン	
C71-72	WE101700	C.PP	1000PF	100V		P P コン	
C73-74	UA653100	C.MYLAR	1000pF	50V J		マイラーコン	03
C75	WE101700	C.PP	1000PF	100V		P P コン	
C76	UR866470	C.EL	4.7uF	50V		ケミコン	01
C77	UU267470	C.EL	47uF	50V		ケミコン FW	01
C78	UR218220	C.EL	220uF	6.3V		ケミコン	
C79-80	V9415100	C.EL	10uF	16V		ケミコン	01
C81	WE100400	C.PP	47pF	630V	JUC	P P コン	
C81	WE100500	C.PP	100pF	630V	RTKABGL	P P コン	
C82	UA652220	C.MYLAR	220pF	50V J		マイラーコン	01
C83	UR267100	C.EL	10uF	50V		ケミコン	
C84	WE100400	C.PP	47pF	630V	JUC	P P コン	
C84	WE100500	C.PP	100pF	630V	RTKABGL	P P コン	
C85	UA652220	C.MYLAR	220pF	50V J		マイラーコン	01
C86	UR267100	C.EL	10uF	50V		ケミコン	
C87-88	UR297220	C.EL	22uF	100V		ケミコン	
C89-90	UU267470	C.EL	47uF	50V		ケミコン FW	01
C91-92	UA653100	C.MYLAR	1000pF	50V J		マイラーコン	03
C93-94	WE100100	C.PP	15pF	630V		P P コン	
C95	WE100900	C.PP	220pF	630V		P P コン	
C98	UU267470	C.EL	47uF	50V		ケミコン FW	01
C99-100	UR297220	C.EL	22uF	100V		ケミコン	
* C162	UR267100	C.EL	10uF	50V		ケミコン	
* C163	UR066100	C.EL	1uF	50V		ケミコン	
C164	UR067100	C.EL	10uF	50V	JBG	ケミコン	01
C165	UR237470	C.EL	47uF	16V		ケミコン	
C166-167	UR267100	C.EL	10uF	50V		ケミコン	
C168-169	UR067100	C.EL	10uF	50V	JBG	ケミコン	01
C170-171	UR266100	C.EL	1uF	50V		ケミコン	
* C172	UR237470	C.EL	47uF	16V		ケミコン	
* C173	UR066100	C.EL	1uF	50V		ケミコン	

* New Parts * 新規部品

P.C.B. POWER

Ref. No	Part No.	Description	Remarks	Markets	部 品 名	Rank
	C175	UR238100 C. EL	100uF 16V		ケミコン	
	C178	V9415100 C. EL	10uF 16V		ケミコン	01
	C179	UR267100 C. EL	10uF 50V		ケミコン	
*	C180	UU296100 C. EL	1uF 100V		ケミコン	
	C181	UR067100 C. EL	10uF 50V	JBG	ケミコン	01
	C182	UR237470 C. EL	47uF 16V		ケミコン	
	C183	UR238220 C. EL	220uF 16V		ケミコン	01
	C203-206	VF467000 C. CE. TUBLR	1000pF 50V	UCRTKABGL	円筒セラコン	01
	C207-209	VF467300 C. CE. TUBLR	0.01uF 16V	UCRTKABGL	円筒セラコン	01
	C210	UR297470 C. EL	47uF 100V		ケミコン	01
	D1-4	VD631600 DIODE	1SS133, 176		ダイオード	01
	D5	VG435800 DIODE. ZENR	MTZJ3. 0A 3. 0V		ツェナーダイオード	01
	D6	VG438300 DIODE. ZENR	MTZJ6. 8B 6. 8V		ツェナーダイオード	01
	D7	VG439500 DIODE. ZENR	MTZJ10B 10V		ツェナーダイオード	01
	D8	VD631600 DIODE	1SS133, 176		ダイオード	01
	D9	VG438700 DIODE. ZENR	MTZJ7. 5C 7. 5V		ツェナーダイオード	01
△	D10	V4756800 DIODE	S1NB60 1. 0A 600V		D i s t a c k	01
△	D11	VR253700 DIODE. BRG	S1NB20 1A 200V		D i b r i d g e X 4	02
	D20	VS997800 DIODE	1T2		ダイオード	01
	D21	VG442600 DIODE. ZENR	MTZJ24C 24V		ツェナーダイオード	01
	D40-42	VD631600 DIODE	1SS133, 176		ダイオード	01
	D43-45	WA180300 DIODE	1SS244		ダイオード	01
	D46	VG437200 DIODE. ZENR	MTZJ4. 7C 4. 7V		ツェナーダイオード	01
	D47-54	WA180300 DIODE	1SS244		ダイオード	01
	D56	VG437400 DIODE. ZENR	MTZJ5. 1B 5. 1V		ツェナーダイオード	01
	D136	VG435900 DIODE. ZENR	MTZJ3. 0B 3. 0V		ツェナーダイオード	01
	D144-149	VD631600 DIODE	1SS133, 176	UCRTKABGL	ダイオード	01
	D150	VU647200 DIODE. SHOT	RB4410-40 T-77		ショットキーダイオード	01
△	F1	KB001390 FUSE	10A 250V	JUCRL	ヒューズ	03
△	F1	KB003250 FUSE	TL6. 3A	TKABG	ヒューズ	01
△	F2	VS823400 FUSE	10A 125V	UC	ヒューズ	01
△	F2	VT942900 FUSE	T2. 5A 250V	G	ヒューズ	01
△	F3	KB003250 FUSE	TL6. 3A	RL	ヒューズ	01
	IC1-2	V8100500 PHOT. CPL	TLP421 GR		フォトカブラ	01
△	IC3	iG001180 IC	TC4013BP FF		ロジック I C	05
△	IC121	XJ607A00 IC	NJM7805FA 5V		I C	02
△	IC123	XJ608A00 IC	NJM7812FA		I C	02
△	IC124	XD343A00 IC	NJM79M12FA		I C	03
△	IC126	XE436A00 IC	NJM79M05FA		I C	03
△	IC127	XJ607A00 IC	NJM7805FA 5V		I C	02
△	IC128	X2530A00 IC	PQ05RD21 +5V 2. 0A		電源 I C	03
△	IC129	X4358A00 IC	PQ03RD23		電源 I C	03
△	IC130	X5290A00 IC	PQ09RF11		電源 I C	05
*	JK122-127	V9435700 JACK. MNI	MSJ-035-12APC	UCRTKABGL	モノラル ミニジャック	
	PN1	V9637500 PIN	L=70 #18		スタイルピン	
	PN40-47	V9637500 PIN	L=70 #18		スタイルピン	
	PN130	V9637500 PIN	L=70 #18	UCRTKABGL	スタイルピン	
	Q1	VG722000 TR. DGT	DTC144ES		デジタルトランジスタ	01
	Q2-5	iC181510 TR	2SC1815 Y		トランジスタ 2 S C	01
△	Q6	WC741200 FET	2SK3850		F E T	
△	Q20	iC181510 TR	2SC1815 Y		トランジスタ 2 S C	01
△	Q21	VC141900 TR	2SB941 P, Q		トランジスタ	04
	Q40-49	VP883100 TR	2SC1890A D, E		トランジスタ	01
△	Q50-54	V3966800 TR	2SA949 O, Y		トランジスタ	02
	Q55	iA097030 TR	2SA970 GR, BL		トランジスタ	01

* New Parts * 新規部品

P.C.B. POWER

Ref. No	Part No.	Description	Remarks	Markets	部 品 名	Rank
Q56-58	VP883100	TR	2SC1890A D, E		トランジスタ	01
Q59	VP883000	TR	2SA893A D, E		トランジスタ	01
Q60-61	VP883100	TR	2SC1890A D, E		トランジスタ	01
△ Q62	VC938500	TR	2SC3852		トランジスタ	02
△ Q63	VC614000	TR	2SB1274 O, R, S		トランジスタ	02
△ Q64-65	V3966800	TR	2SA949 O, Y		トランジスタ	02
Q66	VP883000	TR	2SA893A D, E		トランジスタ	01
Q67-68	VP883100	TR	2SC1890A D, E		トランジスタ	01
△ Q138	VC938500	TR	2SC3852		トランジスタ	02
△ Q139	VP872700	TR	2SC4488 S, T		トランジスタ	01
Q140	iC181510	TR	2SC1815 Y		トランジスタ 2 S C	01
Q141	VD678500	TR. DGT	DTA114ES		デジタルトランジスタ	01
Q142	VG722000	TR. DGT	DTC144ES		デジタルトランジスタ	01
Q151-152	VP872600	TR	2SA1708 S, T	UCRTKABGL	トランジスタ	01
Q153-154	VG722000	TR. DGT	DTC144ES	UCRTKABGL	デジタルトランジスタ	01
R9	V6730000	R. CAR.	2.2MΩ 1/2W	UC	放電抵抗	01
R13	VU224000	R. MTL. FLM	0.22Ω 1W		金属被膜抵抗	01
R20	HV754100	R. CAR. FP	10Ω 1/4W		不燃化カーボン抵抗	01
R23	HV756330	R. CAR. FP	3.3KΩ 1/4W		不燃化カーボン抵抗	01
R24	HV756470	R. CAR. FP	4.7KΩ 1/4W		不燃化カーボン抵抗	01
R25	HV755100	R. CAR. FP	100Ω 1/4W		不燃化カーボン抵抗	01
R26	VP939800	R. MTL. OXD	10Ω 1W		酸化金属被膜抵抗	01
R40	HF353220	R. CAR	2.2Ω 1/2W		カーボン抵抗	
R41-42	HF358100	R. CAR	100KΩ 1/2W		カーボン抵抗	
R45	HF358100	R. CAR	100KΩ 1/2W		カーボン抵抗	
R51-52	HF355220	R. CAR	220Ω 1/2W		カーボン抵抗	
R55	HF355220	R. CAR	220Ω 1/2W		カーボン抵抗	
R61	HF357330	R. CAR	33KΩ 1/2W		カーボン抵抗	
R62-63	HF356220	R. CAR	2.2KΩ 1/2W		カーボン抵抗	
R67	HF356220	R. CAR	2.2KΩ 1/2W		カーボン抵抗	
R68	HF357330	R. CAR	33KΩ 1/2W		カーボン抵抗	
R70	HF357330	R. CAR	33KΩ 1/2W		カーボン抵抗	
R76-77	HF356120	R. CAR	1.2KΩ 1/2W		カーボン抵抗	
R80	HF356120	R. CAR	1.2KΩ 1/2W		カーボン抵抗	
R81-82	HF357330	R. CAR	33KΩ 1/2W		カーボン抵抗	
R85	HF357330	R. CAR	33KΩ 1/2W		カーボン抵抗	
R86-87	HF355390	R. CAR	390Ω 1/2W		カーボン抵抗	
R90	HF355390	R. CAR	390Ω 1/2W		カーボン抵抗	
△ R91	WA621200	R. MTL. FLM	39Ω 1W		金属被膜抵抗	
R92	HF355470	R. CAR	470Ω 1/2W		カーボン抵抗	
△ R93	WA621200	R. MTL. FLM	39Ω 1W		金属被膜抵抗	
R94	HF355470	R. CAR	470Ω 1/2W		カーボン抵抗	
△ R95-96	HV754390	R. CAR. FP	39Ω 1/4W		不燃化カーボン抵抗	01
△ R97	WA621200	R. MTL. FLM	39Ω 1W		金属被膜抵抗	
R98	HF355470	R. CAR	470Ω 1/2W		カーボン抵抗	
R101-102	HF357470	R. CAR	47KΩ 1/2W		カーボン抵抗	
R105	HF357470	R. CAR	47KΩ 1/2W		カーボン抵抗	
R138	HF353220	R. CAR	2.2Ω 1/2W		カーボン抵抗	
△ R145-146	HV754390	R. CAR. FP	39Ω 1/4W		不燃化カーボン抵抗	01
R153	HV756470	R. CAR. FP	4.7KΩ 1/4W		不燃化カーボン抵抗	01
R154	HV756680	R. CAR. FP	6.8KΩ 1/4W		不燃化カーボン抵抗	01
R155	HV756820	R. CAR. FP	8.2KΩ 1/4W		不燃化カーボン抵抗	01
R164	HV757100	R. CAR. FP	10KΩ 1/4W		不燃化カーボン抵抗	01
△ R166	HV754100	R. CAR. FP	10Ω 1/4W		不燃化カーボン抵抗	01
△ R168	HV754100	R. CAR. FP	10Ω 1/4W		不燃化カーボン抵抗	01

* New Parts * 新規部品

P.C.B. POWER & P.C.B. INPUT

Ref. No	Part No.	Description	Remarks	Markets	部 品 名	Rank	
△	R189	V8070000	R. MTL. FLM	1Ω 1W		金属被膜抵抗	01
△	R191	V8070000	R. MTL. FLM	1Ω 1W		金属被膜抵抗	01
△	R192-193	HV753100	R. CAR. FP	1Ω 1/4W		不燃化カーボン抵抗	01
△	R194-195	V8070000	R. MTL. FLM	1Ω 1W		金属被膜抵抗	01
	R203-204	VC756700	R. MTL. OXD	15Ω 2W		酸化金属被膜抵抗	01
△	R209	HV753100	R. CAR. FP	1Ω 1/4W		不燃化カーボン抵抗	01
△	R211	V8070000	R. MTL. FLM	1Ω 1W		金属被膜抵抗	01
△	RY1	V9366900	RELAY	DLS9D1-0(M)0.25W		リレー 9V TV-8	05
	ST1	V4040500	SCR. TERM	M3		スクリュウ/ターミナル	01
	ST124-125	V4040500	SCR. TERM	M3	UCRTKABGL	スクリュウ/ターミナル	01
* △	SW1	WB493700	VOLT. SELCT	R8140246	R	電圧切替器	
* △	SW1	WD073700	VOLT. SELCT	R8140254	L	電圧切替器	
△	T1	X5916A00	TRANS		J	サブトランス	09
* △	T1	X5917A00	TRANS		UC	サブトランス	
* △	T1	X5918A00	TRANS		R	サブトランス	
* △	T1	X5919A00	TRANS		TKL	サブトランス	
* △	T1	X5920A00	TRANS		A	サブトランス	
* △	T1	X5921A00	TRANS		BG	サブトランス	
△	TE1	VU543100	OUTLET. AC	2P	JUC	ACアウトレット	03
△	TE1	V5867400	OUTLET. AC	2P	RT	ACアウトレット	
△	TE1	VT915000	OUTLET. AC	1P	A	ACアウトレット	06
△	TE1	VU543300	OUTLET. AC	1P	B	ACアウトレット	05
△	TE1	VU543400	OUTLET. AC	2P	GL	ACアウトレット	05
△	TE2	WB893300	AC INLET	R-30190	J	ACインレット 2P	03
△	TE2	WB782600	AC INLET	R-30190(26)	UCRTKABGL	ACインレット 2P	
		WE774200	SCR. BND. HD	3x10 MFZN2W3		バインドBタイトネジ	01
* * *		WD651600	P. C. B.	INPUT	J	P C B インプット	
		WD651700	P. C. B.	INPUT	UC	P C B インプット	
		WD651900	P. C. B.	INPUT	RTKABGL	P C B インプット	
	CB301	V8875300	CN	JE 13P SE		JEコネクタープラグ	01
	CB302	VQ963300	CN. BS. PIN	12P		ウエハー	01
	CB303	V7828700	SOCKET	20P SE TUC SERIES		コネクタースOCKET	01
	CB304	VQ963300	CN. BS. PIN	12P		ウエハー	01
	CB305	V7828400	SOCKET	17P SE TUC SERIES		コネクタースOCKET	
	CB702	V7828000	SOCKET	13P SE TUC SERIES		コネクタースOCKET	
	CB703	V7827800	SOCKET	11P SE TUC SERIES		コネクタースOCKET	
	C301-302	US135100	C. CE. CHP	0.1uF 16V		チップセラコン	01
	C303-304	US062220	C. CE. CHP	220pF 50V B	RTKABGL	チップセラコン	01
	C305-306	US062220	C. CE. CHP	220pF 50V B		チップセラコン	01
	C307-308	US062100	C. CE. CHP	100pF 50V B		チップセラコン	01
	C309-310	US062220	C. CE. CHP	220pF 50V B		チップセラコン	01
	C311-312	US062100	C. CE. CHP	100pF 50V B		チップセラコン	01
	C313-314	UA652220	C. MYLAR	220pF 50V J		マイラーコン	01
	C315-316	US062220	C. CE. CHP	220pF 50V B		チップセラコン	01
	C317-320	UA652220	C. MYLAR	220pF 50V J		マイラーコン	01
	C321	UA652470	C. MYLAR	470pF 50V J		マイラーコン	01
	C322	UA652220	C. MYLAR	220pF 50V J		マイラーコン	01
	C323	UR266220	C. EL	2.2uF 50V		ケミコン	
	C324-325	UR218220	C. EL	220uF 6.3V		ケミコン	
	C326-327	UA654390	C. MYLAR	0.039uF 50V J		マイラーコン	01
	C328-329	UA654110	C. MYLAR	0.011uF 50V J		マイラーコン	01
	C330	UR237100	C. EL	10uF 16V		ケミコン	

* New Parts * 新規部品

P.C.B. INPUT

Ref. No	Part No.	Description	Remarks	Markets	部 品 名	Rank
C332-333	UR237100	C. EL	10uF 16V		ケミコン	
C335-336	UA653100	C. MYLAR	1000pF 50V J		マイラーコン	03
C337-338	UR267470	C. EL	47uF 50V		ケミコン	
C339	US135220	C. CE. CHP	0.22uF 16V		チップセラコン	01
C340	UR267470	C. EL	47uF 50V		ケミコン	
C341	UR237100	C. EL	10uF 16V		ケミコン	
C343	UR237100	C. EL	10uF 16V		ケミコン	
C344	UR267470	C. EL	47uF 50V		ケミコン	
C345-346	UR237470	C. EL	47uF 16V		ケミコン	
C348-349	US135100	C. CE. CHP	0.1uF 16V		チップセラコン	01
C350-351	UR266470	C. EL	4.7uF 50V		ケミコン	
C352-353	UT652100	C. PP	100pF 100V		P Pコン	01
C354-355	UR266470	C. EL	4.7uF 50V		ケミコン	
C356-357	US135100	C. CE. CHP	0.1uF 16V		チップセラコン	01
C358-359	UR267470	C. EL	47uF 50V		ケミコン	
C360-361	US135100	C. CE. CHP	0.1uF 16V		チップセラコン	01
C362-365	UR237100	C. EL	10uF 16V		ケミコン	
C366-367	US135100	C. CE. CHP	0.1uF 16V		チップセラコン	01
C368-372	UR237100	C. EL	10uF 16V		ケミコン	
C375-376	UR237100	C. EL	10uF 16V		ケミコン	
C377-381	UR238100	C. EL	100uF 16V		ケミコン	
C384-386	UT652100	C. PP	100pF 100V		P Pコン	01
C387-388	US062100	C. CE. CHP	100pF 50V B		チップセラコン	01
C391-392	US062100	C. CE. CHP	100pF 50V B		チップセラコン	01
C393-394	UR267470	C. EL	47uF 50V		ケミコン	
C701-702	US061470	C. CE. CHP	47pF 50V B		チップセラコン	01
C703	US062100	C. CE. CHP	100pF 50V B	UCRTKABGL	チップセラコン	01
C704	US062100	C. CE. CHP	100pF 50V B		チップセラコン	01
C705	UR219100	C. EL	1000uF 6.3V		ケミコン	
C711-712	US061470	C. CE. CHP	47pF 50V B		チップセラコン	01
C713	US061470	C. CE. CHP	47pF 50V B	UCRTKABGL	チップセラコン	01
C714	US062100	C. CE. CHP	100pF 50V B		チップセラコン	01
C715-716	US061470	C. CE. CHP	47pF 50V B		チップセラコン	01
C717	US061470	C. CE. CHP	47pF 50V B	UCRTKABGL	チップセラコン	01
C718	US062100	C. CE. CHP	100pF 50V B		チップセラコン	01
C719-720	US135100	C. CE. CHP	0.1uF 16V		チップセラコン	01
C721	US135100	C. CE. CHP	0.1uF 16V	UCRTKABGL	チップセラコン	01
C722	US135100	C. CE. CHP	0.1uF 16V		チップセラコン	01
C723	UR219100	C. EL	1000uF 6.3V		ケミコン	
C724-725	US135100	C. CE. CHP	0.1uF 16V		チップセラコン	01
C726	US064100	C. CE. CHP	0.01uF 50V B		チップセラコン	01
C727	UR218470	C. EL	470uF 6.3V		ケミコン	
C728	US062120	C. CE. CHP	120pF 50V B		チップセラコン	01
C729	US062220	C. CE. CHP	220pF 50V B		チップセラコン	01
C730	UR237100	C. EL	10uF 16V		ケミコン	
C731	UR237470	C. EL	47uF 16V		ケミコン	
C732	US062100	C. CE. CHP	100pF 50V B		チップセラコン	01
C733	US061470	C. CE. CHP	47pF 50V B		チップセラコン	01
C734	UR266470	C. EL	4.7uF 50V		ケミコン	
C735-736	UR218100	C. EL	100uF 6.3V		ケミコン	
C737-738	US135100	C. CE. CHP	0.1uF 16V		チップセラコン	01
C739	UR237470	C. EL	47uF 16V		ケミコン	
C740	UR237470	C. EL	47uF 16V	UCRTKABGL	ケミコン	
C741	US135100	C. CE. CHP	0.1uF 16V	UCRTKABGL	チップセラコン	01
C742	UR218100	C. EL	100uF 6.3V		ケミコン	

* New Parts * 新規部品

P.C.B. INPUT

Ref. No	Part No.	Description	Remarks	Markets	部 品 名	Rank
C743	UR237470	C.EL	47uF 16V		ケミコン	
C744	UR237470	C.EL	47uF 16V	UCRTKABGL	ケミコン	
C745	UR218100	C.EL	100uF 6.3V		ケミコン	
C746-748	US135100	C.CE.CHP	0.1uF 16V		チップセラコン	01
C753-754	UR218100	C.EL	100uF 6.3V		ケミコン	
C755	US135100	C.CE.CHP	0.1uF 16V		チップセラコン	01
C758	UR266470	C.EL	4.7uF 50V		ケミコン	
C759	US135100	C.CE.CHP	0.1uF 16V		チップセラコン	01
C760	UR218100	C.EL	100uF 6.3V		ケミコン	
C761	US135100	C.CE.CHP	0.1uF 16V		チップセラコン	01
C768	UR218100	C.EL	100uF 6.3V		ケミコン	
C769	UR218330	C.EL	330uF 6.3V		ケミコン	
C770	UR237100	C.EL	10uF 16V		ケミコン	
C771	UR266470	C.EL	4.7uF 50V		ケミコン	
D702-705	VT332900	DIODE	1SS355		ダイオード	01
D707	VT332900	DIODE	1SS355		ダイオード	01
D711-713	VT332900	DIODE	1SS355		ダイオード	01
IC301	X5045A00	IC	NJU7312AM		アナログIC	
IC302	X5043A00	IC	NJU7313AM		アナログIC	
IC303	X5044A00	IC	NJU7311AM		アナログIC	05
IC304	X5045A00	IC	NJU7312AM		アナログIC	
IC306-309	X3505A00	IC	NJM2068MD-TE2		アンプIC SOP	02
IC310	X3547A00	IC	BD3841FS		IC	06
IC311-312	X3505A00	IC	NJM2068MD-TE2		アンプIC SOP	02
IC314	X3505A00	IC	NJM2068MD-TE2		アンプIC SOP	02
IC701-706	XY550A00	IC	MM74HC4051SJX		ロジックIC SOP	01
IC707	XY877A00	IC	MM74HC4053SJX		ロジックIC SOP	01
IC708	XD598A00	IC	TC74HCU04AFEL INV		ロジックIC	01
IC709	XW939A00	IC	TK15420M VIDEO AMP		アンプIC SOP	03
IC710	XY877A00	IC	MM74HC4053SJX		ロジックIC SOP	01
IC711	XY443A00	IC	LA7109 6CH		アンプIC SOP	05
IC712	XW911A00	IC	LA7108M VIDEO AMP		アンプIC	04
IC713	XY877A00	IC	MM74HC4053SJX		ロジックIC SOP	01
IC714	XW939A00	IC	TK15420M VIDEO AMP		アンプIC SOP	03
IC715	X5897A00	IC	BU2092F-E2 SER/PAR		ロジックIC	05
IC716	X2904A00	IC	NJM2581M VIDEO AMP		アンプIC SOP	06
JK701	WD396400	JACK.PIN	LAP5100-1605FC	J	ピンジャック+S	05
*	JK701	JACK.PIN	LAP5100-1601FC	UCRTKABGL	ピンジャック+S	
*	JK702	JACK.PIN	LAP5100-1805FC	J	ピンジャック+S	05
*	JK702	JACK.PIN	LAP5100-1801FC	UCRTKABGL	ピンジャック+S	
*	JK703	JACK.PIN	LAP5100-1805FC	J	ピンジャック+S	05
*	JK703	JACK.PIN	LAP5100-1801FC	UCRTKABGL	ピンジャック+S	
*	JK704	JACK.PIN	LAP5100-1801FC	UCRTKABGL	ピンジャック+S	
*	JK705	JACK.PIN	LAP5100-3505FC	J	ピンジャック+S	04
*	PJ301	JACK.PIN	RJ-1073*10-0551A	J	ピンジャック 4 P	03
*	PJ301	JACK.PIN	RJ-1073*10-0351A	UCRTKABGL	ピンジャック 4 P	
*	PJ302	JACK.PIN	RJ-1073*10-0551A	J	ピンジャック 4 P	03
*	PJ302	JACK.PIN	RJ-1073*10-0351A	UCRTKABGL	ピンジャック 4 P	
*	PJ303	JACK.PIN	RJ-1073F*10-0551A	J	ピンジャック 4 P	04
*	PJ303	JACK.PIN	RJ-1073F*10-0351A	UCRTKABGL	ピンジャック 4 P	
*	PJ304	JACK.PIN	RJ-1074*85-0553A	J	ピンジャック 6 P	03
*	PJ304	JACK.PIN	RJ-1074*85-0353A	UCRTKABGL	ピンジャック 6 P	
	PN301	PIN	L=70 #18		スタイルピン	
	PN701-702	PIN	L=70 #18		スタイルピン	
	Q303-304	TR	2SD1938F S, T		トランジスタ	

* New Parts * 新規部品

P.C.B. INPUT & P.C.B. CONTROL

Ref. No	Part No.	Description	Remarks	Markets	部 品 名	Rank	
Q707-708	iC174020	TR	2SC1740S QRS			トランジスタ	01
Q709	iC053540	TR	2SC535 A, B, C			トランジスタ	01
Q712	iA101510	TR	2SA1015 Y			トランジスタ 2 S A	01
Q713	iC224030	TR	2SC2240 GR, BL			トランジスタ	01
R324	RD354470	R. CHP	47Ω 1/16W J		JUC	チップ抵抗	01
R324	RD356220	R. CHP	2.2KΩ 1/16W J		RTKABGL	チップ抵抗	01
R325	RD354470	R. CHP	47Ω 1/16W J		JUC	チップ抵抗	01
R325	RD356220	R. CHP	2.2KΩ 1/16W J		RTKABGL	チップ抵抗	01
R357-358	HV755100	R. CAR. FP	100Ω 1/4W			不燃化カーボン抵抗	01
R436-437	VP939700	R. MTL. FLM	4.7Ω 1W			金属被膜抵抗	01
R707	RD357100	R. CHP	10KΩ 1/16W J		J	チップ抵抗	01
R710	RD354750	R. CHP	75Ω 1/16W J		UCRTKABGL	チップ抵抗	01
R721	RD357100	R. CHP	10KΩ 1/16W J		UCRTKABGL	チップ抵抗	01
R730	RD357100	R. CHP	10KΩ 1/16W J		UCRTKABGL	チップ抵抗	01
R743-744	RD354750	R. CHP	75Ω 1/16W J		UCRTKABGL	チップ抵抗	01
R746	HV753220	R. CAR. FP	2.2Ω 1/4W			不燃化カーボン抵抗	01
R769	HV753100	R. CAR. FP	1Ω 1/4W			不燃化カーボン抵抗	01
R777-778	HV753100	R. CAR. FP	1Ω 1/4W			不燃化カーボン抵抗	01
R792	HV755470	R. CAR. FP	470Ω 1/4W			不燃化カーボン抵抗	01
R795	HV755470	R. CAR. FP	470Ω 1/4W			不燃化カーボン抵抗	01
R810-811	HV753100	R. CAR. FP	1Ω 1/4W			不燃化カーボン抵抗	01
R818	HV753220	R. CAR. FP	2.2Ω 1/4W			不燃化カーボン抵抗	01
R824	HV755470	R. CAR. FP	470Ω 1/4W			不燃化カーボン抵抗	01
R826-827	HV755470	R. CAR. FP	470Ω 1/4W			不燃化カーボン抵抗	01
* * * * * * * * *	WE897100	P. C. B.	CONTROL		J	P C B コントロール	
	WE897200	P. C. B.	CONTROL		U	P C B コントロール	
	WE897300	P. C. B.	CONTROL		C	P C B コントロール	
	WF230600	P. C. B.	CONTROL		R	P C B コントロール	
	WF230700	P. C. B.	CONTROL		T	P C B コントロール	
	WF230800	P. C. B.	CONTROL		K	P C B コントロール	
	WE897400	P. C. B.	CONTROL		A	P C B コントロール	
	WE897500	P. C. B.	CONTROL		BG	P C B コントロール	
	WF230900	P. C. B.	CONTROL		L	P C B コントロール	
CB501	V9356900	CN	JE 19P SE			J E コネクタープラグ	
CB502	V0044900	CN. BS. PIN	19P			F F C コネクター	01
CB503	V7828000	SOCKET	13P SE TUC SERIES			コネクターソケット	
CB504	VB858800	CN. BS. PIN	9P			ベースピン	01
CB505	VB858700	CN. BS. PIN	8P			ベースピン	01
CB506	V0047800	CN. BS. PIN	27P			F F C コネクター	02
CB507	V0044600	CN. BS. PIN	13P			F F C コネクター	01
CB508	VP798200	CN. BS. PIN	24P			F F C コネクター	01
CB509	V0047400	CN. BS. PIN	19P			F F C コネクター	01
CB510	VP113500	CN. BS. PIN	10P			F F C コネクター	01
CB511	VM689000	CN. BS. PIN	23P			F F C コネクター	02
CB512	V7827800	SOCKET	11P SE TUC SERIES			コネクターソケット	
CB513	VN394900	CN. BS. PIN	14P			F F C コネクター	01
CB514	VF982300	CN. BS. PIN	17P			F F C コネクター	01
CB515	VB390200	CN. BS. PIN	6P			コネクターベースポスト	01
CB516	V0044300	CN. BS. PIN	7P			F F C コネクター	01
CB517	VB389900	CN. BS. PIN	3P			ベースピン	01
CB518	VB390100	CN. BS. PIN	5P			ベースピン	01
C501-503	US135100	C. CE. CHP	0.1μF 16V			チップセラコン	01

* New Parts * 新規部品

P.C.B. CONTROL

Ref. No	Part No.	Description	Remarks	Markets	部 品 名	Rank
C504	UR248100	C. EL	100uF 25V		ケミコン	
C505-515	US135100	C. CE. CHP	0.1uF 16V		チップセラコン	01
C516-528	US064100	C. CE. CHP	0.01uF 50V B		チップセラコン	01
C529	US063100	C. CE. CHP	1000pF 50V B	U	チップセラコン	01
C530-535	US135100	C. CE. CHP	0.1uF 16V		チップセラコン	01
* C536	UM408100	C. EL	100uF 25V		ケミコン	
C537-538	UM416220	C. EL	2.2uF 50V	UCTRKABGL	ケミコン	01
C539-544	UM416220	C. EL	2.2uF 50V		ケミコン	01
C545	US135100	C. CE. CHP	0.1uF 16V		チップセラコン	01
C546	UR239100	C. EL	1000uF 16V		ケミコン	
C547	US063100	C. CE. CHP	1000pF 50V B		チップセラコン	01
C548	UR067100	C. EL	10uF 50V	JBG	ケミコン	01
C548	UR237100	C. EL	10uF 16V	UCARTKL	ケミコン	
C549	WF764300	C. EL	10000uF 5.5V		ケミコン	
C550-551	UR219100	C. EL	1000uF 6.3V		ケミコン	
C552	UR239100	C. EL	1000uF 16V		ケミコン	
C553	US063100	C. CE. CHP	1000pF 50V B		チップセラコン	01
C554	UR837100	C. EL	10uF 16V		ケミコン	01
C555	UR219100	C. EL	1000uF 6.3V		ケミコン	
C557	UR248100	C. EL	100uF 25V	U	ケミコン	
C558	US064100	C. CE. CHP	0.01uF 50V B	U	チップセラコン	01
C561-569	US064100	C. CE. CHP	0.01uF 50V B		チップセラコン	01
C570	UR238100	C. EL	100uF 16V	JCRTKABGL	ケミコン	
C570	UM398100	C. EL	100uF 16V	U	ケミコン	01
C571-574	US135100	C. CE. CHP	0.1uF 16V		チップセラコン	01
C575	US061220	C. CE. CHP	22pF 50V B	JUCRK	チップセラコン	01
C575	US061150	C. CE. CHP	15pF 50V B	TABGL	チップセラコン	01
C576	US061220	C. CE. CHP	22pF 50V B	JUCRK	チップセラコン	01
C576	US061150	C. CE. CHP	15pF 50V B	TABGL	チップセラコン	01
C577-585	US135100	C. CE. CHP	0.1uF 16V		チップセラコン	01
C586	UR238100	C. EL	100uF 16V		ケミコン	
C587-591	US135100	C. CE. CHP	0.1uF 16V		チップセラコン	01
C592	UR237470	C. EL	47uF 16V	JCRTKABGL	ケミコン	
C592	UM397470	C. EL	47uF 16V	U	ケミコン	01
C593-605	US135100	C. CE. CHP	0.1uF 16V		チップセラコン	01
C608	US126100	C. CE. CHP	1uF 10V		チップセラコン	01
C609	US061270	C. CE. CHP	27pF 50V B	JUCRK	チップセラコン	01
C609	US061180	C. CE. CHP	18pF 50V B	TABGL	チップセラコン	01
C610-611	US126100	C. CE. CHP	1uF 10V		チップセラコン	01
C612	US061470	C. CE. CHP	47pF 50V B		チップセラコン	01
C613	US060500	C. CE. CHP	5pF 50V B		チップセラコン	01
C614	US126100	C. CE. CHP	1uF 10V		チップセラコン	01
C615-617	US135100	C. CE. CHP	0.1uF 16V		チップセラコン	01
C618-625	US126100	C. CE. CHP	1uF 10V		チップセラコン	01
C626	UR268100	C. EL	100uF 50V	J	ケミコン	
C626	UR268330	C. EL	330uF 50V	UCRTKABGL	ケミコン	
C627	US135100	C. CE. CHP	0.1uF 16V		チップセラコン	01
C648-651	US135100	C. CE. CHP	0.1uF 16V		チップセラコン	01
C652	US064100	C. CE. CHP	0.01uF 50V B		チップセラコン	01
C653-654	US064100	C. CE. CHP	0.01uF 50V B	U	チップセラコン	01
C655-657	US064100	C. CE. CHP	0.01uF 50V B		チップセラコン	01
C658-660	US135100	C. CE. CHP	0.1uF 16V		チップセラコン	01
C662	US135100	C. CE. CHP	0.1uF 16V		チップセラコン	01
C664-669	US135100	C. CE. CHP	0.1uF 16V		チップセラコン	01
C680-681	UR267100	C. EL	10uF 50V		ケミコン	

* New Parts * 新規部品

P.C.B. CONTROL

Ref. No	Part No.	Description	Remarks	Markets	部 品 名	Rank
C682-685	UA652100	C. MYLAR	100pF 50V J		マイラーコン	01
C686-687	UR267100	C. EL	10uF 50V		ケミコン	
C688-689	US061100	C. CE. CHP	10pF 50V B		チップセラコン	01
C690-691	UR239100	C. EL	1000uF 16V		ケミコン	
C696-712	US062100	C. CE. CHP	100pF 50V B		チップセラコン	01
C713-715	US062100	C. CE. CHP	100pF 50V B	U	チップセラコン	01
C716-717	UM398100	C. EL	100uF 16V		ケミコン	01
C718	US064100	C. CE. CHP	0.01uF 50V B		チップセラコン	01
C719	US062100	C. CE. CHP	100pF 50V B		チップセラコン	01
C720	US064100	C. CE. CHP	0.01uF 50V B		チップセラコン	01
C721	US062100	C. CE. CHP	100pF 50V B		チップセラコン	01
C751-753	US060800	C. CE. CHP	8pF 50V B		チップセラコン	01
C754-765	US064100	C. CE. CHP	0.01uF 50V B	J	チップセラコン	01
C766-768	US060800	C. CE. CHP	8pF 50V B	J	チップセラコン	01
C769	UR266100	C. EL	1uF 50V		ケミコン	
C770	UR265470	C. EL	0.47uF 50V		ケミコン	
C771	UP653470	C. POL	4700pF 100V		ポリエステルコン	01
C772	UR265470	C. EL	0.47uF 50V		ケミコン	
C773	US044220	C. CE. CHP	0.022uF 25V B		チップセラコン	01
C779	UR218100	C. EL	100uF 6.3V		ケミコン	
C780	UR218330	C. EL	330uF 6.3V		ケミコン	
C783	UR237470	C. EL	47uF 16V		ケミコン	
C784	US061220	C. CE. CHP	22pF 50V B		チップセラコン	01
C785	US061150	C. CE. CHP	15pF 50V B		チップセラコン	01
C786	US061220	C. CE. CHP	22pF 50V B		チップセラコン	01
C787	UR265470	C. EL	0.47uF 50V		ケミコン	
C788	US135100	C. CE. CHP	0.1uF 16V		チップセラコン	01
C789	US064100	C. CE. CHP	0.01uF 50V B		チップセラコン	01
C790-791	UR238100	C. EL	100uF 16V		ケミコン	
C792	US064100	C. CE. CHP	0.01uF 50V B		チップセラコン	01
C793	UR238100	C. EL	100uF 16V		ケミコン	
C794-796	US064100	C. CE. CHP	0.01uF 50V B		チップセラコン	01
C797	US062180	C. CE. CHP	180P 50V B		チップセラコン	01
C798-799	US064100	C. CE. CHP	0.01uF 50V B		チップセラコン	01
C800	UR238100	C. EL	100uF 16V		ケミコン	
C801	US135100	C. CE. CHP	0.1uF 16V		チップセラコン	01
C802	US064100	C. CE. CHP	0.01uF 50V B		チップセラコン	01
C803	US061100	C. CE. CHP	10pF 50V B		チップセラコン	01
C804	US061150	C. CE. CHP	15pF 50V B		チップセラコン	01
C805	US061330	C. CE. CHP	33pF 50V B		チップセラコン	01
C806	UR237470	C. EL	47uF 16V		ケミコン	
C807	US061150	C. CE. CHP	15pF 50V B		チップセラコン	01
C808	US061330	C. CE. CHP	33pF 50V B		チップセラコン	01
C809	UR237470	C. EL	47uF 16V		ケミコン	
C810-813	US135100	C. CE. CHP	0.1uF 16V		チップセラコン	01
C814-815	US135100	C. CE. CHP	0.1uF 16V	J	チップセラコン	01
C816	UR237470	C. EL	47uF 16V	JCRTKABGL	ケミコン	
C816	UM397470	C. EL	47uF 16V	U	ケミコン	01
C817	UR237470	C. EL	47uF 16V	JCRTKABGL	ケミコン	
C817	UM397470	C. EL	47uF 16V	U	ケミコン	01
C818	UR237470	C. EL	47uF 16V	JCRTKABGL	ケミコン	
C818	UM397470	C. EL	47uF 16V	U	ケミコン	01
C819	US064100	C. CE. CHP	0.01uF 50V B		チップセラコン	01
C820	US061220	C. CE. CHP	22pF 50V B		チップセラコン	01
C821	US062560	C. CE. CHP	560pF 50V B		チップセラコン	01

* New Parts * 新規部品

P.C.B. CONTROL

Ref. No	Part No.	Description	Remarks	Markets	部 品 名	Rank
C822	UR237100	C. EL	10uF 16V		ケミコン	
C823	UR237470	C. EL	47uF 16V		ケミコン	
C824	UR218470	C. EL	470uF 6.3V		ケミコン	
C825-827	US135100	C. CE. CHP	0.1uF 16V		チップセラコン	01
C831	US135100	C. CE. CHP	0.1uF 16V		チップセラコン	01
C833	UR218100	C. EL	100uF 6.3V	JCRTKABGL	ケミコン	
C833	UM388100	C. EL	100uF 10V	U	ケミコン	01
C834	UR218100	C. EL	100uF 6.3V	JCRTKABGL	ケミコン	
C834	UM388100	C. EL	100uF 10V	U	ケミコン	01
C835	US063120	C. CE. CHP	1200pF 50V B		チップセラコン	01
C836	UR237470	C. EL	47uF 16V		ケミコン	
C837	UR238100	C. EL	100uF 16V	JCRTKABGL	ケミコン	
C837	UM398100	C. EL	100uF 16V	U	ケミコン	01
C838-840	US135100	C. CE. CHP	0.1uF 16V		チップセラコン	01
C841-842	US061120	C. CE. CHP	12pF 50V B	TABGL	チップセラコン	01
C843-844	US061120	C. CE. CHP	12pF 50V B		チップセラコン	01
C845	US135220	C. CE. CHP	0.22uF 16V		チップセラコン	01
C846	US063220	C. CE. CHP	2200pF 50V B		チップセラコン	01
C847	UR266220	C. EL	2.2uF 50V	JCRTKABGL	ケミコン	
C847	UM416220	C. EL	2.2uF 50V	U	ケミコン	01
C848	US064100	C. CE. CHP	0.01uF 50V B		チップセラコン	01
C849-852	US135100	C. CE. CHP	0.1uF 16V		チップセラコン	01
C853	UR266220	C. EL	2.2uF 50V	JCRTKABGL	ケミコン	
C853	UM416220	C. EL	2.2uF 50V	U	ケミコン	01
C853	UR266220	C. EL	2.2uF 50V		ケミコン	
C854	US135100	C. CE. CHP	0.1uF 16V		チップセラコン	01
C855	US044220	C. CE. CHP	0.022uF 25V B		チップセラコン	01
C856-857	US135100	C. CE. CHP	0.1uF 16V		チップセラコン	01
C858-859	US064100	C. CE. CHP	0.01uF 50V B		チップセラコン	01
C860	UR238100	C. EL	100uF 16V		ケミコン	
C861	UR237470	C. EL	47uF 16V	JCRTKABGL	ケミコン	
C861	UM397470	C. EL	47uF 16V	U	ケミコン	01
C862	UR237470	C. EL	47uF 16V	JCRTKABGL	ケミコン	
C862	UM397470	C. EL	47uF 16V	U	ケミコン	01
C863	UR237470	C. EL	47uF 16V	JCRTKABGL	ケミコン	
C863	UM397470	C. EL	47uF 16V	U	ケミコン	01
C864	UR237470	C. EL	47uF 16V	TABGL	ケミコン	
C865-866	US135100	C. CE. CHP	0.1uF 16V	TABGL	チップセラコン	01
C867	UR237470	C. EL	47uF 16V	TABGL	ケミコン	
C868-870	US135100	C. CE. CHP	0.1uF 16V	TABGL	チップセラコン	01
C871	US064100	C. CE. CHP	0.01uF 50V B	TABGL	チップセラコン	01
C872	US135100	C. CE. CHP	0.1uF 16V	TABGL	チップセラコン	01
C873	UR265470	C. EL	0.47uF 50V	TABGL	ケミコン	
C874	US135100	C. CE. CHP	0.1uF 16V	TABGL	チップセラコン	01
C875	UR265470	C. EL	0.47uF 50V	TABGL	ケミコン	
C876-877	US135100	C. CE. CHP	0.1uF 16V	TABGL	チップセラコン	01
C878	UR266100	C. EL	1uF 50V	TABGL	ケミコン	
C879	UR237100	C. EL	10uF 16V	TABGL	ケミコン	
C880	UR237470	C. EL	47uF 16V	TABGL	ケミコン	
C881	UR266100	C. EL	1uF 50V	TABGL	ケミコン	
C882	UR265470	C. EL	0.47uF 50V	TABGL	ケミコン	
C883	UR266100	C. EL	1uF 50V	TABGL	ケミコン	
C884	US064100	C. CE. CHP	0.01uF 50V B	TABGL	チップセラコン	01
C885	UR265470	C. EL	0.47uF 50V	TABGL	ケミコン	
C886	UR238100	C. EL	100uF 16V	JCRTKABGL	ケミコン	

* New Parts * 新規部品

P.C.B. CONTROL

Ref. No	Part No.	Description	Remarks	Markets	部 品 名	Rank
C886	UM398100	C. EL	100uF 16V		U ケミコン	01
C887	UR238100	C. EL	100uF 16V		JCRTKABGL ケミコン	
C887	UM398100	C. EL	100uF 16V		U ケミコン	01
C891	UR265470	C. EL	0.47uF 50V		ケミコン	
C892	US135100	C. CE. CHP	0.1uF 16V		チップセラコン	01
C898	US062470	C. CE. CHP	470pF 50V B		チップセラコン	01
C1000	WB165500	C. EL	0.33F 5.5V		ゴールドキャパシタ	
D501-502	VT332900	DIODE	1SS355		ダイオード	01
D503-504	VV307700	DIODE	1N4002S		ダイオード	01
D505	VT332900	DIODE	1SS355		ダイオード	01
D508	VU992600	DIODE. ZENR	MA8051-M 5.1V		ツェナーダイオード	01
D509-510	VT332900	DIODE	1SS355		ダイオード	01
D511	VV833200	DIODE	1SS380		ダイオード	01
D512-513	VT332900	DIODE	1SS355		ダイオード	01
D515-517	VT332900	DIODE	1SS355		ダイオード	01
D751-752	VT332900	DIODE	1SS355		ダイオード	01
D754-762	VU992500	DIODE. ZENR	MA8051-L 5.0V		J ツェナーダイオード	01
IC501	X2965A00	IC. CPU	M30805SGP		CPU/周辺IC	09
IC502	X2479A00	IC	YGV619		IC PQFP	12
IC503	X6586A00	IC	TC58FVM5B2ATG65	unwritten	メモリIC 32M	11
IC504	X0176B00	IC	W9864G2EH-7 SDRAM		メモリIC	08
IC505	X2314A00	IC	MB3516APF-G-BND		IC	04
IC506	XP844A00	IC	NJM4556AL		IC	02
IC511-516	XZ283A00	IC	SN74LVTH245APW BUS		ロジックIC PSOP	04
IC521-526	XZ283A00	IC	SN74LVTH245APW BUS		ロジックIC PSOP	04
IC531	XY549A00	IC	TC74HC4051AFEL		ロジックIC SOP	02
IC532-537	X4285A00	IC	SN74LV573APWR		ロジックIC	02
* IC541	X5923A00	IC	IS62WV6416BLL-55TI		U メモリIC	
IC542	X5647A00	IC	SN74LV32APWR OR		U ロジックIC	01
IC543	X4135A00	IC	SN74AHC1G00DCKR		U ロジックIC	01
IC551	X4135A00	IC	SN74AHC1G00DCKR		ロジックIC	01
IC552	X4139A00	IC	SN74AHC1G86DCKR		ロジックIC	01
IC553	X4135A00	IC	SN74AHC1G00DCKR		ロジックIC	01
IC554	X4642A00	IC	SN74AHC1G32DCKR		ロジックICフラット	01
IC555	X4642A00	IC	SN74AHC1G32DCKR		U ロジックICフラット	01
IC556	X5647A00	IC	SN74LV32APWR OR		ロジックIC	01
IC557	X4460A00	IC	SN74LV00APWR		ロジックIC	01
IC558	X5647A00	IC	SN74LV32APWR OR		ロジックIC	01
IC559	X3833A00	IC	SN74AHC1G08DCKR		ロジックIC SOP	01
IC560-562	X3824A00	IC	SN74AHC1G08DCKR		ロジックIC	01
* IC564	X4136A00	IC	SN74AHC1G02DCKR		ロジックIC	
IC571	X5886A00	IC	RH5RE58AA-T1-FA		電源IC	04
IC572	X5662A00	IC	RH5RE39AA-T1-FA		電源IC	04
IC573	X4536A00	IC	SN74AHC126PW		ロジックIC	01
IC601	X4347A00	IC	TA1270BF		IC アナログ	10
* IC602	X4346A00	IC	TA8772AN		TABGL IC アナログ	
IC603	X4349A00	IC	TC90A49F		IC デジタル	09
IC604	X5611A00	IC	BA7071F		IC SOP	05
IC606-607	XY879A00	IC	TC74HC4053AF(EL)		ロジックIC SOP	03
IC608	XU951A00	IC	AD8056AR		オペアンプ	04
IC609	X2904A00	IC	NJM2581M VIDEO AMP		アンプIC SOP	06
IC611	XY879A00	IC	TC74HC4053AF(EL)		ロジックIC SOP	03
IC612-613	XS790A00	IC	TC74HC4052AF MPX		ロジックIC	02
IC614	XS790A00	IC	TC74HC4052AF MPX		J ロジックIC	02
IC615	XD598A00	IC	TC74HCU04AFEL INV		ロジックIC	01

* New Parts * 新規部品

P.C.B. CONTROL

Ref. No	Part No.	Description	Remarks	Markets	部 品 名	Rank	
	IC616	X3833A00	IC	SN74AHC1G08DCKR		ロジック I C S O P	01
	IC617	XU951A00	IC	AD8056AR		オペアンプ	04
	J504	RD350000	R. CHP	0Ω 1/16W J	JCRTKABGL	チップ抵抗	01
	J760-761	RD350000	R. CHP	0Ω 1/16W J	JUCRK	チップ抵抗	01
	PJ501-504	WD398400	CN. DIN	14P YKF45-3011	J	D I N コネクタ	05
	PJ511	WD442800	JACK. PIN	LPR6520-M615FC	J	ピンジャック 6 P	06
*	PJ511	WD442700	JACK. PIN	LPR6520-M610FC	UCRTKABGL	ピンジャック 6 P	
	PJ512	WD442800	JACK. PIN	LPR6520-M615FC	J	ピンジャック 6 P	06
*	PJ512	WD442700	JACK. PIN	LPR6520-M610FC	UCRTKABGL	ピンジャック 6 P	
	PN501-504	V9637500	PIN	L=70 #18		スタイルピン	
	PN506-507	V9637500	PIN	L=70 #18		スタイルピン	
	Q501-502	VD303700	TR	2SC3326 A,B		トランジスタ	01
	Q503-504	VD303700	TR	2SC3326 A,B	UCRTKABGL	トランジスタ	01
	Q505-510	VD303700	TR	2SC3326 A,B		トランジスタ	01
	Q511-512	VV556500	TR	2SA1037K Q, R, S	UCRTKABGL	トランジスタ	01
	Q513-518	VV556500	TR	2SA1037K Q, R, S		トランジスタ	01
	Q519	WD974200	TR	2SA1036KT146 P, Q, R		トランジスタ	01
	Q520	VV556500	TR	2SA1037K Q, R, S		トランジスタ	01
	Q522	VV556500	TR	2SA1037K Q, R, S		トランジスタ	01
	Q524	VV655700	TR. DGT	DTC144EKA		デジタルトランジスタ	01
	Q525-526	VD303700	TR	2SC3326 A,B		トランジスタ	01
	Q753	iC174020	TR	2SC1740S QRS		トランジスタ	01
	Q755-756	VV556500	TR	2SA1037K Q, R, S		トランジスタ	01
	Q757-759	VV556400	TR	2SC2412K Q, R, S		トランジスタ	01
	Q760	VV556500	TR	2SA1037K Q, R, S		トランジスタ	01
	Q761-763	VV556400	TR	2SC2412K Q, R, S		トランジスタ	01
	Q764	VV556500	TR	2SA1037K Q, R, S		トランジスタ	01
	Q768	VV556500	TR	2SA1037K Q, R, S	TABGL	トランジスタ	01
	Q769-770	VV556400	TR	2SC2412K Q, R, S	TABGL	トランジスタ	01
	Q771	VD303700	TR	2SC3326 A,B		トランジスタ	01
	R517	RD350000	R. CHP	0Ω 1/16W J	J	チップ抵抗	01
	R517	RD356270	R. CHP	2.7KΩ 1/16W J	U	チップ抵抗	01
	R517	RD356120	R. CHP	1.2KΩ 1/16W J	C	チップ抵抗	01
	R517	RD356470	R. CHP	4.7KΩ 1/16W J	R	チップ抵抗	01
	R517	RD356680	R. CHP	6.8KΩ 1/16W J	T	チップ抵抗	01
	R517	RD357100	R. CHP	10KΩ 1/16W J	K	チップ抵抗	01
	R517	RD357150	R. CHP	15KΩ 1/16W J	A	チップ抵抗	01
	R517	RD357470	R. CHP	47KΩ 1/16W J	BG	チップ抵抗	01
	R517	RD358100	R. CHP	100KΩ 1/16W J	L	チップ抵抗	01
	R593	RD357100	R. CHP	10KΩ 1/16W J	U	チップ抵抗	01
	R600	RD354470	R. CHP	47Ω 1/16W J	U	チップ抵抗	01
	R638-639	RD358100	R. CHP	100KΩ 1/16W J	UCRTKABGL	チップ抵抗	01
	R652-654	RD357100	R. CHP	10KΩ 1/16W J	UCRTKABGL	チップ抵抗	01
	R655	RD357120	R. CHP	12KΩ 1/16W J	UCRTKABGL	チップ抵抗	01
	R656	RD357100	R. CHP	10KΩ 1/16W J	UCRTKABGL	チップ抵抗	01
	R657	RD357120	R. CHP	12KΩ 1/16W J	UCRTKABGL	チップ抵抗	01
	R684-685	RD355100	R. CHP	100Ω 1/16W J	UCRTKABGL	チップ抵抗	01
	R686-687	RD358100	R. CHP	100KΩ 1/16W J	UCRTKABGL	チップ抵抗	01
	R700	VP939500	R. MTL. FLM	1Ω 1W		金属被膜抵抗	01
	R701	HV753100	R. CAR. FP	1Ω 1/4W		不燃化カーボン抵抗	01
	R703	HV753100	R. CAR. FP	1Ω 1/4W		不燃化カーボン抵抗	01
	R715	RD356150	R. CHP	1.5KΩ 1/16W J	JUCRK	チップ抵抗	01
	R715	RD355470	R. CHP	470Ω 1/16W J	TABGL	チップ抵抗	01
	R730	RD356470	R. CHP	4.7KΩ 1/16W J	JUCRK	チップ抵抗	01
	R731	RD356470	R. CHP	4.7KΩ 1/16W J	TABGL	チップ抵抗	01

* New Parts * 新規部品

P.C.B. CONTROL & P.C.B. DUAL

Ref. No	Part No.	Description	Remarks	Markets	部 品 名	Rank
R732-733	HV753100	R. CAR. FP	1Ω 1/4W		不燃化カーボン抵抗	01
R735	VP939800	R. MTL. OXD	10Ω 1W		酸化金属被膜抵抗	01
R763	RD355100	R. CHP	100Ω 1/16W J	J	チップ抵抗	01
R770-771	V3944800	R. MTL. OXD	220Ω 1/2W		酸化金属被膜抵抗	01
R780	RD354750	R. CHP	75Ω 1/16W J	J	チップ抵抗	01
R793	HV756100	R. CAR. FP	1KΩ 1/4W		不燃化カーボン抵抗	01
R794	HV753100	R. CAR. FP	1Ω 1/4W		不燃化カーボン抵抗	01
R801	RD355100	R. CHP	100Ω 1/16W J	J	チップ抵抗	01
R807	HV755470	R. CAR. FP	470Ω 1/4W		不燃化カーボン抵抗	01
R840	HV753220	R. CAR. FP	2.2Ω 1/4W		不燃化カーボン抵抗	01
R841-844	RD355100	R. CHP	100Ω 1/16W J	J	チップ抵抗	01
R848-850	RD355100	R. CHP	100Ω 1/16W J	J	チップ抵抗	01
R870	HV753100	R. CAR. FP	1Ω 1/4W	TABGL	不燃化カーボン抵抗	01
R871	RD357300	R. CHP	30KΩ 1/16W J	TABGL	チップ抵抗	01
R872	RD357270	R. CHP	27KΩ 1/16W J	TABGL	チップ抵抗	01
R873	RD357470	R. CHP	47KΩ 1/16W J	TABGL	チップ抵抗	01
R874	RD358270	R. CHP	270KΩ 1/16W J	TABGL	チップ抵抗	01
R875	RD356100	R. CHP	1KΩ 1/16W J	TABGL	チップ抵抗	01
R876	RD357110	R. CHP	11KΩ 1/16W J	TABGL	チップ抵抗	01
R877-880	RD356100	R. CHP	1KΩ 1/16W J	TABGL	チップ抵抗	01
R881-882	HV753100	R. CAR. FP	1Ω 1/4W		不燃化カーボン抵抗	01
R891	RD357470	R. CHP	47KΩ 1/16W J	JUCRTRKAL	チップ抵抗	01
R894	RD357470	R. CHP	47KΩ 1/16W J	U	チップ抵抗	01
R899	RD355100	R. CHP	100Ω 1/16W J	J	チップ抵抗	01
R905	RD355100	R. CHP	100Ω 1/16W J	J	チップ抵抗	01
R907	RD355100	R. CHP	100Ω 1/16W J	J	チップ抵抗	01
R908-909	RD357470	R. CHP	47KΩ 1/16W J	U	チップ抵抗	01
R915-916	RD354750	R. CHP	75Ω 1/16W J	J	チップ抵抗	01
ST501-502	V4040500	SCR. TERM	M3		スクリュー/ターミナル	01
* XL501	WF073800	RSNR. CE	CSTCE18MOV53-R0		セラミック発振子	
XL502	WC061400	RSNR. CRY5	14.31818MHz SMD-49	JUCRCK	水晶振動子	
* XL502	V6074900	RSNR. CRY5	17.734475MHz	TABGL	水晶振動子	03
XL752	WB750000	RSNR. CRY5	4.433619MHz	TABGL	水晶振動子	
XL753	WB749900	RSNR. CRY5	3.579545MHz		水晶振動子	
XL754	V5345200	RSNR. CE	CSBLA503KECZF30-B0		セラミック振動子	01
* WE898900		P. C. B.	DUAL		P C B D U A L	
CB1-2	WB677000	CN	4P SE IEEE1394		I/Oコネクタ	02
CB5	WA903000	CN	30P SE FMN		FMNコネクタ	
CB6	LB919030	CN. BS. PIN	3P		ベース付ポスト	01
CB302	VF982200	CN. BS. PIN	14P		コネクタ	02
CB303	VP113500	CN. BS. PIN	10P		FFCコネクタ	01
CB305	VQ044400	CN. BS. PIN	9P		FFCコネクタ	01
CB306	LB919020	CN. BS. PIN	2P		ベース付ポスト	01
C3-4	US135100	C. CE. CHP	0.1uF 16V		チップセラコン	01
C5	US035100	C. CE. CHP	0.1uF 16V B		チップセラコン	01
C6	US135100	C. CE. CHP	0.1uF 16V		チップセラコン	01
C7	US126100	C. CE. CHP	1uF 10V		チップセラコン	01
C11	US135100	C. CE. CHP	0.1uF 16V		チップセラコン	01
C12	US126100	C. CE. CHP	1uF 10V		チップセラコン	01
C13	US062220	C. CE. CHP	220pF 50V B		チップセラコン	01
C14	US126100	C. CE. CHP	1uF 10V		チップセラコン	01
C15	US062220	C. CE. CHP	220pF 50V B		チップセラコン	01

* New Parts * 新規部品

P.C.B. DUAL

Ref. No	Part No.	Description	Remarks	Markets	部 品 名	Rank	
C16	US135100	C. CE. CHP	0.1uF	16V		チップセラコン	01
C19	US135100	C. CE. CHP	0.1uF	16V		チップセラコン	01
C22-24	US063100	C. CE. CHP	1000pF	50V B		チップセラコン	01
C25-30	US135100	C. CE. CHP	0.1uF	16V		チップセラコン	01
C32	US063100	C. CE. CHP	1000pF	50V B		チップセラコン	01
C34-35	US063100	C. CE. CHP	1000pF	50V B		チップセラコン	01
C36-38	US135100	C. CE. CHP	0.1uF	16V		チップセラコン	01
C39	US061150	C. CE. CHP	15pF	50V B		チップセラコン	01
C40	US135100	C. CE. CHP	0.1uF	16V		チップセラコン	01
C41	US035100	C. CE. CHP	0.1uF	16V B		チップセラコン	01
C42	US061120	C. CE. CHP	12pF	50V B		チップセラコン	01
C45-59	US135100	C. CE. CHP	0.1uF	16V		チップセラコン	01
C60	UF017220	C. EL. CHP	22uF	6.3V		チップケミコン	01
C61	US135100	C. CE. CHP	0.1uF	16V		チップセラコン	01
C62	UF018100	C. EL. CHP	100uF	6.3V		チップケミコン	01
C63	US063100	C. CE. CHP	1000pF	50V B		チップセラコン	01
C64	US135100	C. CE. CHP	0.1uF	16V		チップセラコン	01
C65-66	US063100	C. CE. CHP	1000pF	50V B		チップセラコン	01
C67-68	US135100	C. CE. CHP	0.1uF	16V		チップセラコン	01
C69-70	UF017220	C. EL. CHP	22uF	6.3V		チップケミコン	01
C71-72	US063100	C. CE. CHP	1000pF	50V B		チップセラコン	01
C73	US135100	C. CE. CHP	0.1uF	16V		チップセラコン	01
C74-76	US063100	C. CE. CHP	1000pF	50V B		チップセラコン	01
C77	US135100	C. CE. CHP	0.1uF	16V		チップセラコン	01
C301-302	US135100	C. CE. CHP	0.1uF	16V		チップセラコン	01
C303	V5333500	C. CE. CHP	10uF	6.3V		チップセラコン	01
C304-305	US063100	C. CE. CHP	1000pF	50V B		チップセラコン	01
C306-309	US135100	C. CE. CHP	0.1uF	16V		チップセラコン	01
C310-311	US063100	C. CE. CHP	1000pF	50V B		チップセラコン	01
C312	US135100	C. CE. CHP	0.1uF	16V		チップセラコン	01
C313	US063100	C. CE. CHP	1000pF	50V B		チップセラコン	01
C314-316	US135100	C. CE. CHP	0.1uF	16V		チップセラコン	01
C317	US063100	C. CE. CHP	1000pF	50V B		チップセラコン	01
C318-319	US135100	C. CE. CHP	0.1uF	16V		チップセラコン	01
C320	US063100	C. CE. CHP	1000pF	50V B		チップセラコン	01
C321-322	US064100	C. CE. CHP	0.01uF	50V B		チップセラコン	01
C323-325	V5333500	C. CE. CHP	10uF	6.3V		チップセラコン	01
C326	US135100	C. CE. CHP	0.1uF	16V		チップセラコン	01
C327-329	V5333500	C. CE. CHP	10uF	6.3V		チップセラコン	01
C330-344	US135100	C. CE. CHP	0.1uF	16V		チップセラコン	01
C345	US061150	C. CE. CHP	15pF	50V B		チップセラコン	01
C346	US064100	C. CE. CHP	0.01uF	50V B		チップセラコン	01
C350	US135100	C. CE. CHP	0.1uF	16V		チップセラコン	01
C351	US064100	C. CE. CHP	0.01uF	50V B		チップセラコン	01
C352	US061150	C. CE. CHP	15pF	50V B		チップセラコン	01
C353-363	US135100	C. CE. CHP	0.1uF	16V		チップセラコン	01
C364	UF018100	C. EL. CHP	100uF	6.3V		チップケミコン	01
C365	US135100	C. CE. CHP	0.1uF	16V		チップセラコン	01
C367	UF018100	C. EL. CHP	100uF	6.3V		チップケミコン	01
C368-371	US135100	C. CE. CHP	0.1uF	16V		チップセラコン	01
C372	US063100	C. CE. CHP	1000pF	50V B		チップセラコン	01
C373-377	US135100	C. CE. CHP	0.1uF	16V		チップセラコン	01
C378	UF018100	C. EL. CHP	100uF	6.3V		チップケミコン	01
C379-381	US135100	C. CE. CHP	0.1uF	16V		チップセラコン	01
C382	UF018100	C. EL. CHP	100uF	6.3V		チップケミコン	01

* New Parts * 新規部品

P.C.B. DUAL & P.C.B. IBOC

Ref. No	Part No.	Description	Remarks	Markets	部 品 名	Rank
D3	VT332900	DIODE	1SS355		ダイオード	01
D312	VT332900	DIODE	1SS355		ダイオード	01
D315	VT332900	DIODE	1SS355		ダイオード	01
D318	VT332900	DIODE	1SS355		ダイオード	01
D320	VT332900	DIODE	1SS355		ダイオード	01
IC1	XV064A00	IC	TLC2932IPWR		PLL IC	06
IC2	X4465A00	IC	SN74AHCT1G125DCKR		ロジックIC	01
IC4	X4465A00	IC	SN74AHCT1G125DCKR		ロジックIC	01
IC7	X3801A00	IC	SN74LVC1G125DCKR		ロジックIC	01
IC9	X4507A00	IC. CPU	TSB43CA42PGF		CPU/周辺IC	16
IC10	X4196A00	IC. CPU	HD6413008VF25		CPU/周辺IC	08
IC12	XZ287A00	IC	SN74LVC245APWR		ロジックIC	02
IC14	X0638A00	IC	UPC2933AT-E1 3.3V		電源IC	03
IC15	XZ000A00	IC	PST9242NR		リセットIC	01
IC16	XZ287A00	IC	SN74LVC245APWR		ロジックIC	02
IC17	X4465A00	IC	SN74AHCT1G125DCKR		ロジックIC	01
IC18	X4642A00	IC	SN74AHC1G32DCKR		ロジックICフラット	01
IC19	X4454A00	IC	SN74LVC2G17DCKR		ロジックIC	01
IC301-302	X4503A00	IC	SN74CBT3306PWR		ロジックIC	03
* IC303-304	X3530A00	IC	24LC04BT-1/SN		メモリIC SOIC	03
* IC306	X5817A00	IC	LE50ABD 5.0V 0.1A		電源IC	
IC307	X4465A00	IC	SN74AHCT1G125DCKR		ロジックIC	01
* IC308	X5816A00	IC. CPU	SI19030CTU HDMI TX		CPU/周辺IC	11
* IC309	X5815A00	IC. CPU	SI19031CTU HDMI RX		CPU/周辺IC	16
* IC310	X5818A00	IC. CPU	PCA9540BDP 12C MUX		CPU/周辺IC	04
IC311	XZ287A00	IC	SN74LVC245APWR		ロジックIC	02
* IC312	X5827A00	IC	UPC37M31TJ-E1-AZ		電源IC	
IC314	X4465A00	IC	SN74AHCT1G125DCKR		ロジックIC	01
* IC318	X6575A00	IC	MBM29LV400BC70PFTN	unwritten	メモリIC	06
IC319	X2965A00	IC. CPU	M30805SGP		CPU/周辺IC	09
IC320	XZ000A00	IC	PST9242NR		リセットIC	01
IC321	X4465A00	IC	SN74AHCT1G125DCKR		ロジックIC	01
* IC322	X5826A00	IC	UPC2905AT-E1-AZ		電源IC	03
IC324	X4454A00	IC	SN74LVC2G17DCKR		ロジックIC	01
IC326	X4465A00	IC	SN74AHCT1G125DCKR		ロジックIC	01
PS301	V2997600	SW. POLY	SMD050-02		ポリスイッチ	01
Q301-302	VQ986700	TR	2SC4081 T106		トランジスタ	01
* Q309	WE834500	FET	UPA672T-T1-A		FET	
* Q310-311	WD760200	FET	2N7002-NL TP		FET	
Q313-315	VQ986700	TR	2SC4081 T106		トランジスタ	01
RV1-8	WE674800	DIODE	AVRL161A1R1NTB		チップバリスタ	01
RV309-332	WE674800	DIODE	AVRL161A1R1NTB		チップバリスタ	01
XL1	V3625700	RSNR. CRYST	24.576MHz		水晶振動子	03
XL2	WB440500	RSNR. CE	CSTCE16MOV53-R0		セラミック発振子	01
XL301	VZ268400	RSNR. CRYST	27MHz SMD-49		水晶振動子	05
XL302	V9864200	RSNR. CE	10.0MHz		セラミック発振子	01
* * * * *	WE898400	P. C. B.	IBOC		PCB IBOC	
* CB1	WE239100	SOCKET	PM 14P TE	U	コネクタソケット	
* CB2	WE239200	SOCKET	PM 16P TE	U	コネクタソケット	
CB3	VB858500	CN. BS. PIN	6P	U	ベースピン	01
CB4	VM929900	CN. BS. PIN	15P	U	FPCコネクタ	01
* CB5	WE239000	SOCKET	PM 10P TE	U	コネクタソケット	

* New Parts * 新規部品

P.C.B. IBOC

Ref. No	Part No.	Description	Remarks	Markets	部 品 名	Rank	
* C1-2	US064100	C. CE. CHP	0.01uF 50V B		U	チップセラコン	01
C3	US060300	C. CE. CHP	3pF 50V B		U	チップセラコン	01
C4-7	US135100	C. CE. CHP	0.1uF 16V		U	チップセラコン	01
C8	US064100	C. CE. CHP	0.01uF 50V B		U	チップセラコン	01
C9	US062220	C. CE. CHP	220pF 50V B		U	チップセラコン	01
C10	US061120	C. CE. CHP	12pF 50V B		U	チップセラコン	01
C11	UF028100	C. EL. CHP	100uF 10V		U	チップケミコン	01
C12	UF018100	C. EL. CHP	100uF 6.3V		U	チップケミコン	01
C13	UF037100	C. EL. CHP	10uF 16V		U	チップケミコン	01
C14	UF008100	C. EL. CHP	100uF 4V		U	チップケミコン	01
C15	US062220	C. CE. CHP	220pF 50V B		U	チップセラコン	01
C16-17	UF008100	C. EL. CHP	100uF 4V		U	チップケミコン	01
C18-21	US135100	C. CE. CHP	0.1uF 16V		U	チップセラコン	01
C22-23	US064100	C. CE. CHP	0.01uF 50V B		U	チップセラコン	01
C24-25	US060500	C. CE. CHP	5pF 50V B		U	チップセラコン	01
C26	US064100	C. CE. CHP	0.01uF 50V B		U	チップセラコン	01
C27	UF066100	C. EL. CHP	1uF 50V		U	チップケミコン	01
C28-30	UF037100	C. EL. CHP	10uF 16V		U	チップケミコン	01
C31	US062220	C. CE. CHP	220pF 50V B		U	チップセラコン	01
C32	US064100	C. CE. CHP	0.01uF 50V B		U	チップセラコン	01
C33	US135100	C. CE. CHP	0.1uF 16V		U	チップセラコン	01
C34	US062220	C. CE. CHP	220pF 50V B		U	チップセラコン	01
C35-36	US061220	C. CE. CHP	22pF 50V B		U	チップセラコン	01
C37-42	US135100	C. CE. CHP	0.1uF 16V		U	チップセラコン	01
C43-44	US061470	C. CE. CHP	47pF 50V B		U	チップセラコン	01
C45	US135100	C. CE. CHP	0.1uF 16V		U	チップセラコン	01
* C46	UF008220	C. EL. CHP	220uF 4V		U	チップケミコン	01
C47	US135100	C. CE. CHP	0.1uF 16V		U	チップセラコン	01
C48-49	UF037100	C. EL. CHP	10uF 16V		U	チップケミコン	01
* C50	UF008220	C. EL. CHP	220uF 4V		U	チップケミコン	01
C51-52	US063330	C. CE. CHP	3300pF 50V B		U	チップセラコン	01
C53-57	US135100	C. CE. CHP	0.1uF 16V		U	チップセラコン	01
C58	UF028100	C. EL. CHP	100uF 10V		U	チップケミコン	01
C60	US064100	C. CE. CHP	0.01uF 50V B		U	チップセラコン	01
C61	UF037100	C. EL. CHP	10uF 16V		U	チップケミコン	01
C62	US062220	C. CE. CHP	220pF 50V B		U	チップセラコン	01
C63-64	US135100	C. CE. CHP	0.1uF 16V		U	チップセラコン	01
C65	US064100	C. CE. CHP	0.01uF 50V B		U	チップセラコン	01
C66-69	US135100	C. CE. CHP	0.1uF 16V		U	チップセラコン	01
* D1	WE259500	DIODE. PIN	1SV249		U	ピンダイオード	
* G1-3	WB438000	TERM. GND	M4 SD00433-21		U	アース端子	
IC1	X6147A00	IC	SAA7724H/N105		U	IC	
IC2	X5444A00	IC	LC89057W-VF4D-E		U	IC	
IC3	X5945A00	IC	PQ012FZ01ZPH		U	電源IC	05
IC4	X4458A00	IC	UPC29M05AT-E1		U	電源IC	03
* PK1	WE238800	TUNER. PK	TDGA1		U	フロントエンドバック	
* Q1	VV556400	TR	2SC2412K Q, R, S		U	トランジスタ	01
* Q2	WE296100	FET	CPH6320		U	F E T	
R1	RD359100	R. CHP	1MΩ 1/16W J		U	チップ抵抗	01
R2	RD357100	R. CHP	10KΩ 1/16W J		U	チップ抵抗	01
R3	RD355560	R. CHP	560Ω 1/16W J		U	チップ抵抗	01
R4	RD359100	R. CHP	1MΩ 1/16W J		U	チップ抵抗	01
R5	RD357180	R. CHP	18KΩ 1/16W J		U	チップ抵抗	01
R6	RD357270	R. CHP	27KΩ 1/16W J		U	チップ抵抗	01
R7	RD355270	R. CHP	270Ω 1/16W J		U	チップ抵抗	01

* New Parts * 新規部品

P.C.B. IBOC

Ref. No	Part No.	Description	Remarks	Markets	部 品 名	Rank	
R8	RD358160	R. CHP	160K Ω	1/16W J	U	チップ抵抗	01
R9	RD358150	R. CHP	150K Ω	1/16W J	U	チップ抵抗	01
R10	RD356470	R. CHP	4.7K Ω	1/16W J	U	チップ抵抗	01
R11	RD355100	R. CHP	100 Ω	1/16W J	U	チップ抵抗	01
R12	RD354220	R. CHP	22 Ω	1/16W J	U	チップ抵抗	01
R13-15	RD254100	R. CHP	10 Ω	1/10W J	U	チップ抵抗	01
R16	RD354470	R. CHP	47 Ω	1/16W J	U	チップ抵抗	01
R17-18	RD357100	R. CHP	10K Ω	1/16W J	U	チップ抵抗	01
R19-22	RD355100	R. CHP	100 Ω	1/16W J	U	チップ抵抗	01
R23-27	RD357100	R. CHP	10K Ω	1/16W J	U	チップ抵抗	01
R28	RD355560	R. CHP	560 Ω	1/16W J	U	チップ抵抗	01
R29	RD359100	R. CHP	1M Ω	1/16W J	U	チップ抵抗	01
R30-32	RD357100	R. CHP	10K Ω	1/16W J	U	チップ抵抗	01
R33	RD357470	R. CHP	47K Ω	1/16W J	U	チップ抵抗	01
R34	RD354470	R. CHP	47 Ω	1/16W J	U	チップ抵抗	01
R35-36	RD358100	R. CHP	100K Ω	1/16W J	U	チップ抵抗	01
R37	RD355100	R. CHP	100 Ω	1/16W J	U	チップ抵抗	01
R38-39	RD356220	R. CHP	2.2K Ω	1/16W J	U	チップ抵抗	01
R40-44	RD355100	R. CHP	100 Ω	1/16W J	U	チップ抵抗	01
R52-53	RD357100	R. CHP	10K Ω	1/16W J	U	チップ抵抗	01
R54	RD355100	R. CHP	100 Ω	1/16W J	U	チップ抵抗	01
R55	RD354470	R. CHP	47 Ω	1/16W J	U	チップ抵抗	01
ST1-2	V4040500	SCR. TERM	M3		U	スクリュー/ターミナル	01
* TE1	WE283600	CN	P2380		U	F型コネクター	
* TE2	WE247700	TERM. ANT	LQR0210-3009FM		U	アンテナ端子	
* XL1	WF549800	RSNR. CRYST	43.2MHZ AT-49		U	水晶振動子	
* XL2	WE239800	RSNR. CRYST	11.2896MHZ AT-49		U	水晶振動子	
	WE774300	SCR. BND. HD	3x8 MFZN2W3		U	バインドBタイトネジ	01

* New Parts * 新規部品

Chip Resistors

Ref. No	Part No.	Description	Remarks	Markets	部 品 名	Rank	
	RA556220	R. CHP	2.2K Ω	1/10W		チップ抵抗	
	RA557120	R. CHP	12K Ω	1/10W		チップ抵抗	
	RA557240	R. CHP	24K Ω	1/10W		チップ抵抗	
	RD254100	R. CHP	10 Ω	1/10W J		チップ抵抗	01
	RD350000	R. CHP	0 Ω	1/16W J		チップ抵抗	01
	RD353220	R. CHP	2.2 Ω	1/16W J		チップ抵抗	01
	RD353470	R. CHP	4.7 Ω	1/16W J		チップ抵抗	01
	RD354100	R. CHP	10 Ω	1/16W J		チップ抵抗	01
	RD354220	R. CHP	22 Ω	1/16W J		チップ抵抗	01
	RD354330	R. CHP	33 Ω	1/16W J		チップ抵抗	01
	RD354360	R. CHP	36 Ω	1/16W J		チップ抵抗	01
	RD354470	R. CHP	47 Ω	1/16W J		チップ抵抗	01
	RD354560	R. CHP	56 Ω	1/16W J		チップ抵抗	01
	RD354750	R. CHP	75 Ω	1/16W J		チップ抵抗	01
	RD354820	R. CHP	82 Ω	1/16W J		チップ抵抗	01
	RD354910	R. CHP	91 Ω	1/16W J		チップ抵抗	01
	RD355100	R. CHP	100 Ω	1/16W J		チップ抵抗	01
	RD355120	R. CHP	120 Ω	1/16W J		チップ抵抗	01
	RD355180	R. CHP	180 Ω	1/16W J		チップ抵抗	01
	RD355220	R. CHP	220 Ω	1/16W J		チップ抵抗	01
	RD355270	R. CHP	270 Ω	1/16W J		チップ抵抗	01
	RD355330	R. CHP	330 Ω	1/16W J		チップ抵抗	01
	RD355360	R. CHP	360 Ω	1/16W J		チップ抵抗	01
	RD355430	R. CHP	430 Ω	1/16W J		チップ抵抗	01
	RD355470	R. CHP	470 Ω	1/16W J		チップ抵抗	01
	RD355560	R. CHP	560 Ω	1/16W J		チップ抵抗	01
	RD355680	R. CHP	680 Ω	1/16W J		チップ抵抗	01
	RD355820	R. CHP	820 Ω	1/16W J		チップ抵抗	01
	RD356100	R. CHP	1K Ω	1/16W J		チップ抵抗	01
	RD356120	R. CHP	1.2K Ω	1/16W J		チップ抵抗	01
	RD356150	R. CHP	1.5K Ω	1/16W J		チップ抵抗	01
	RD356180	R. CHP	1.8K Ω	1/16W J		チップ抵抗	01
	RD356220	R. CHP	2.2K Ω	1/16W J		チップ抵抗	01
	RD356270	R. CHP	2.7K Ω	1/16W J		チップ抵抗	01
	RD356300	R. CHP	3K Ω	1/16W J		チップ抵抗	01
	RD356330	R. CHP	3.3K Ω	1/16W J		チップ抵抗	01
	RD356390	R. CHP	3.9K Ω	1/16W J		チップ抵抗	01
	RD356470	R. CHP	4.7K Ω	1/16W J		チップ抵抗	01
	RD356560	R. CHP	5.6K Ω	1/16W J		チップ抵抗	01
	RD356680	R. CHP	6.8K Ω	1/16W J		チップ抵抗	01
	RD356820	R. CHP	8.2K Ω	1/16W J		チップ抵抗	01
	RD357100	R. CHP	10K Ω	1/16W J		チップ抵抗	01
	RD357110	R. CHP	11K Ω	1/16W J		チップ抵抗	01
	RD357120	R. CHP	12K Ω	1/16W J		チップ抵抗	01
	RD357150	R. CHP	15K Ω	1/16W J		チップ抵抗	01
	RD357180	R. CHP	18K Ω	1/16W J		チップ抵抗	01
	RD357200	R. CHP	20K Ω	1/16W J		チップ抵抗	01
	RD357220	R. CHP	22K Ω	1/16W J		チップ抵抗	01
	RD357270	R. CHP	27K Ω	1/16W J		チップ抵抗	01
	RD357300	R. CHP	30K Ω	1/16W J		チップ抵抗	01
	RD357330	R. CHP	33K Ω	1/16W J		チップ抵抗	01
	RD357470	R. CHP	47K Ω	1/16W J		チップ抵抗	01
	RD357560	R. CHP	56K Ω	1/16W J		チップ抵抗	01
	RD358100	R. CHP	100K Ω	1/16W J		チップ抵抗	01
	RD358150	R. CHP	150K Ω	1/16W J		チップ抵抗	01

* New Parts * 新規部品

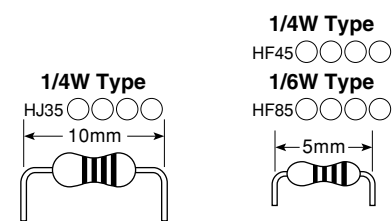
Chip Resistors

Ref. No	Part No.	Description	Remarks	Markets	部 品 名	Rank	
	RD358160	R. CHP	160K Ω	1/16W J		チップ抵抗	01
	RD358220	R. CHP	220K Ω	1/16W J		チップ抵抗	01
	RD358270	R. CHP	270K Ω	1/16W J		チップ抵抗	01
	RD358470	R. CHP	470K Ω	1/16W J		チップ抵抗	01
*	RD358560	R. CHP	560K Ω	1/16W J		チップ抵抗	01
	RD358680	R. CHP	680K Ω	1/16W J		チップ抵抗	01
	RD359100	R. CHP	1M Ω	1/16W J		チップ抵抗	01
*	RF354220	R. MTL. CHP	22 Ω	1/16W D		チップ金属被膜抵抗	01
	RF354330	R. MTL. CHP	33 Ω	1/16W D		チップ金属被膜抵抗	01
	RF354470	R. MTL. CHP	47 Ω	1/16W D		チップ金属被膜抵抗	01
	RF355100	R. MTL. CHP	100 Ω	1/16W D		チップ金属被膜抵抗	01
	RF355120	R. MTL. CHP	120 Ω	1/16W D		チップ金属被膜抵抗	01
	RF355150	R. MTL. CHP	150 Ω	1/16W D		チップ金属被膜抵抗	01
	RF355180	R. MTL. CHP	180 Ω	1/16W D		チップ金属被膜抵抗	01
	RF355330	R. MTL. CHP	330 Ω	1/16W D		チップ金属被膜抵抗	01
	RF355470	R. MTL. CHP	470 Ω	1/16W D		チップ金属被膜抵抗	01
	RF355680	R. MTL. CHP	680 Ω	1/16W D		チップ金属被膜抵抗	01
	RF356160	R. MTL. CHP	1.6K Ω	1/16W D		チップ金属被膜抵抗	01
	RF356220	R. MTL. CHP	2.2K Ω	1/16W D		チップ金属被膜抵抗	01
	RF356270	R. MTL. CHP	2.7K Ω	1/16W D		チップ金属被膜抵抗	01
	RF356300	R. MTL. CHP	3K Ω	1/16W D		チップ金属被膜抵抗	01
	RF356330	R. MTL. CHP	3.3K Ω	1/16W D		チップ金属被膜抵抗	01
	RF356390	R. MTL. CHP	3.9K Ω	1/16W D		チップ金属被膜抵抗	01
	RF356430	R. MTL. CHP	4.3K Ω	1/16W D		チップ金属被膜抵抗	01
	RF356470	R. MTL. CHP	4.7K Ω	1/16W D		チップ金属被膜抵抗	01
	RF356560	R. MTL. CHP	5.6K Ω	1/16W D		チップ金属被膜抵抗	01
	RF356630	R. MTL. CHP	6.34K Ω	1/16W D		チップ金属被膜抵抗	01
	RF356680	R. MTL. CHP	6.8K Ω	1/16W D		チップ金属被膜抵抗	01
	RF357100	R. MTL. CHP	10K Ω	1/16W D		チップ金属被膜抵抗	01
	RF357110	R. MTL. CHP	11K Ω	1/16W D		チップ金属被膜抵抗	01
	RF357120	R. MTL. CHP	12K Ω	1/16W D		チップ金属被膜抵抗	01
	RF357150	R. MTL. CHP	15K Ω	1/16W D		チップ金属被膜抵抗	01
	RF357470	R. MTL. CHP	47K Ω	1/16W D		チップ金属被膜抵抗	01
	RF357820	R. MTL. CHP	82K Ω	1/16W D		チップ金属被膜抵抗	01
	RF454560	R. CHP	56 Ω	1/16W F		チップ抵抗	01
	RF456510	R. CHP	5.1K Ω	1/16W F		チップ抵抗	01

* New Parts * 新規部品

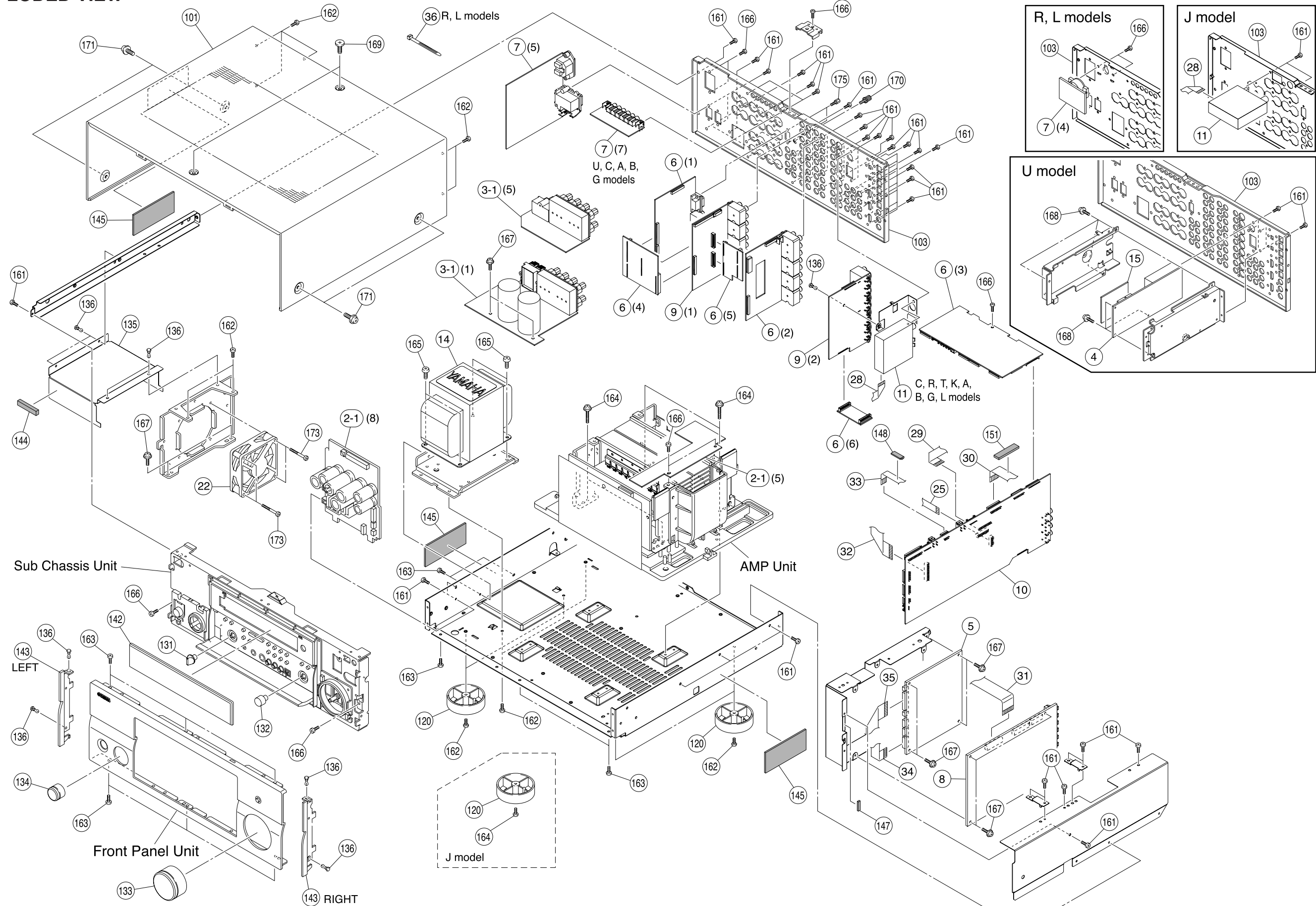
Parts List for Carbon Resistors

Value	1/4W Type Part No.	1/6W Type Part No.	Value	1/4W Type Part No.	1/6W Type Part No.
1.0 Ω	HJ35 3100	HF85 3100	10 kΩ	HF45 7100	HF45 7100
1.8 Ω	HJ35 3180	*	11 kΩ	HF45 7110	HF45 7110
2.2 Ω	HJ35 3220	HF85 3220	12 kΩ	HJ35 7120	HF85 7120
3.3 Ω	HJ35 3330	HF85 3330	13 kΩ	HF45 7130	HF45 7130
4.7 Ω	HJ35 3470	HF85 3470	15 kΩ	HF45 7150	HF45 7150
5.6 Ω	HJ35 3560	HF85 3560	18 kΩ	HF45 7180	HF45 7180
10 Ω	HF45 4100	HF45 4100	22 kΩ	HF45 7220	HF45 7220
15 Ω	HJ35 4150	HF85 4150	24 kΩ	HF45 7240	HF45 7240
22 Ω	HF45 4220	HF45 4220	27 kΩ	HJ35 7270	HF85 7270
27 Ω	HJ35 4270	HF85 4270	30 kΩ	HF45 7300	HF45 7300
33 Ω	HF45 4330	HF45 4330	33 kΩ	HF45 7330	HF45 7330
39 Ω	HJ35 4470	HF85 4390	36 kΩ	HF45 7360	HF45 7360
47 Ω	HF45 4470	HF45 4470	39 kΩ	HF45 7390	HF45 7390
56 Ω	HF45 4560	HF45 4560	47 kΩ	HF45 7470	HF45 7470
68 Ω	HF45 4680	HF45 4680	51 kΩ	HF45 7510	HF45 7510
75 Ω	HF45 4750	HF45 4750	56 kΩ	HF45 7560	HF45 7560
82 Ω	HF45 4820	HF45 4820	62 kΩ	HF45 7620	HF45 7620
91 Ω	HF45 4910	HF45 4910	68 kΩ	HF45 7680	HF45 7680
100 Ω	HF45 5100	HF45 5100	82 kΩ	HF45 7820	HF45 7820
110 Ω	HJ35 5110	HF85 5110	91 kΩ	HF45 7910	HF45 7910
120 Ω	HF45 5120	HF45 5120	100 kΩ	HF45 8100	HF45 8100
150 Ω	HF45 5150	HF45 5150	110 kΩ	HF45 8110	HF45 8110
160 Ω	HJ35 5160	*	120 kΩ	HF45 8120	HF45 8120
180 Ω	HF45 5180	HF45 5180	150 kΩ	HF45 8150	HF45 8150
200 Ω	HF45 5200	HF45 5200	180 kΩ	HF45 8180	HF45 8180
220 Ω	HF45 5220	HF45 5220	220 kΩ	HJ35 8220	HF85 8220
270 Ω	HF45 5270	HF45 5270	270 kΩ	HF45 8270	HF45 8270
330 Ω	HF45 5330	HF45 5330	300 kΩ	HF45 8300	HF45 8300
390 Ω	HF45 5390	HF45 5390	330 kΩ	HF45 8330	HF45 8330
430 Ω	HF45 5430	HF45 5430	390 kΩ	HJ35 8390	HF85 8390
470 Ω	HF45 5470	HF45 5470	470 kΩ	HF45 8470	HF45 8470
510 Ω	HF45 5510	HF45 5510	560 kΩ	HJ35 8560	HF85 8560
560 Ω	HF45 5560	HF45 5560	680 kΩ	HJ35 8680	HF85 8680
680 Ω	HF45 5680	HF45 5680	820 kΩ	HJ35 8820	HF85 8820
820 Ω	HF45 5820	HF45 5820	1.0 MΩ	HF45 9100	HF45 9100
910 Ω	HF45 5910	HF45 5910	1.2 MΩ	HJ35 9120	*
1.0 kΩ	HF45 6100	HF45 6100	1.5 MΩ	HJ35 9150	HF85 9150
1.2 kΩ	HF45 6120	HF45 6120	1.8 MΩ	HJ35 9180	HF85 9180
1.5 kΩ	HF45 6150	HF45 6150	2.2 MΩ	HJ35 9220	HF85 9220
1.8 kΩ	HF45 6180	HF45 6180	3.3 MΩ	HJ35 9330	HF85 9330
2.0 kΩ	HJ35 6200	HF85 6200	3.9 MΩ	HJ35 9390	*
2.2 kΩ	HF45 6220	HF45 6220	4.7 MΩ	HJ35 9470	HF85 9470
2.4 kΩ	HJ35 6240	HF85 6240			
2.7 kΩ	HF45 6270	HF45 6270			
3.0 kΩ	HF45 6300	HF45 6300			
3.3 kΩ	HF45 6330	HF45 6330			
3.6 kΩ	HJ35 6360	HF85 6360			
3.9 kΩ	HF45 6390	HF45 6390			
4.7 kΩ	HF45 6470	HF45 6470			
5.1 kΩ	HF45 6510	HF45 6510			
5.6 kΩ	HF45 6560	HF45 6560			
6.8 kΩ	HF45 6680	HF45 6680			
8.2 kΩ	HF45 6820	HF45 6820			
9.1 kΩ	HF45 6910	HF45 6910			



* : Not available

EXPLODED VIEW



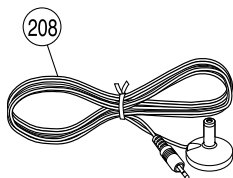
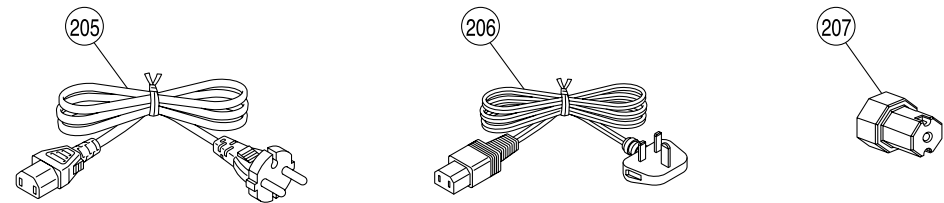
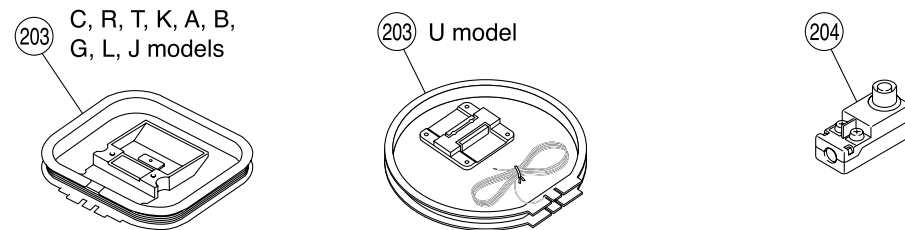
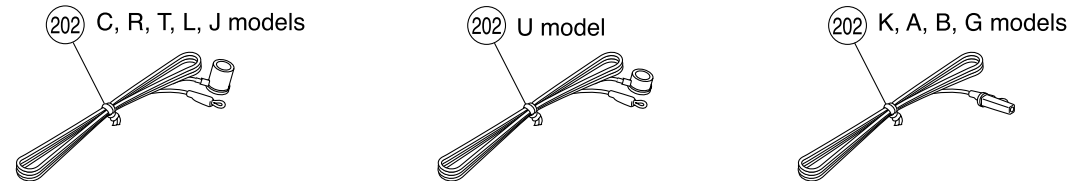
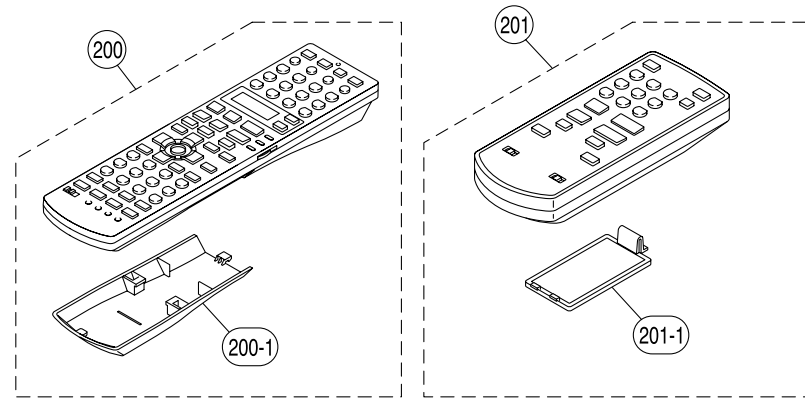
MECHANICAL PARTS

Ref No.	Part No.	Description	Remarks	Markets	部 品 名	Rank		
*	2-1	WE897700	P. C. B. ASS'Y		OPERATION	J	P C B オペレーション	
*	2-1	WE897800	P. C. B. ASS'Y		OPERATION	U	P C B オペレーション	
*	2-1	WE897900	P. C. B. ASS'Y		OPERATION	CRTKABGL	P C B オペレーション	
*	3-1	WE896100	P. C. B. ASS'Y		MAIN	J	P C B メイン	
*	3-1	WE896200	P. C. B. ASS'Y		MAIN	UC	P C B メイン	
*	3-1	WE896300	P. C. B. ASS'Y		MAIN	RTA	P C B メイン	
*	3-1	WE896400	P. C. B. ASS'Y		MAIN	KBGL	P C B メイン	
*	4	WE898400	P. C. B. ASS'Y		I B O C	U	P C B I B O C	
*	5	WE898900	P. C. B. ASS'Y		DUAL		P C B DUAL	
*	6	WD650400	P. C. B. ASS'Y		FUNCTION	J	P C B ファンクション	21
*	6	WD651000	P. C. B. ASS'Y		FUNCTION	U	P C B ファンクション	
*	6	WD650500	P. C. B. ASS'Y		FUNCTION	C	P C B ファンクション	
*	6	WD650700	P. C. B. ASS'Y		FUNCTION	RTKAL	P C B ファンクション	
*	6	WD650800	P. C. B. ASS'Y		FUNCTION	BG	P C B ファンクション	
*	7	WD649100	P. C. B. ASS'Y		POWER	J	P C B パワー	
*	7	WD649200	P. C. B. ASS'Y		POWER	UC	P C B パワー	
*	7	WD649300	P. C. B. ASS'Y		POWER	R	P C B パワー	
*	7	WD649400	P. C. B. ASS'Y		POWER	T	P C B パワー	
*	7	WD649500	P. C. B. ASS'Y		POWER	K	P C B パワー	
*	7	WD649600	P. C. B. ASS'Y		POWER	A	P C B パワー	
*	7	WD649700	P. C. B. ASS'Y		POWER	B	P C B パワー	
*	7	WD649800	P. C. B. ASS'Y		POWER	G	P C B パワー	
*	7	WD649900	P. C. B. ASS'Y		POWER	L	P C B パワー	
*	8	WD650200	P. C. B. ASS'Y		DSP	J	P C B DSP	
*	8	WD650300	P. C. B. ASS'Y		DSP	UCRTKABGL	P C B DSP	
*	9	WD651600	P. C. B. ASS'Y		INPUT	J	P C B インプット	
*	9	WD651700	P. C. B. ASS'Y		INPUT	UC	P C B インプット	
*	9	WD651900	P. C. B. ASS'Y		INPUT	RTKABGL	P C B インプット	
*	10	WE897100	P. C. B. ASS'Y		CONTROL	J	P C B コントロール	
*	10	WE897200	P. C. B. ASS'Y		CONTROL	U	P C B コントロール	
*	10	WE897300	P. C. B. ASS'Y		CONTROL	C	P C B コントロール	
*	10	WF230600	P. C. B. ASS'Y		CONTROL	R	P C B コントロール	
*	10	WF230700	P. C. B. ASS'Y		CONTROL	T	P C B コントロール	
*	10	WF230800	P. C. B. ASS'Y		CONTROL	K	P C B コントロール	
*	10	WE897400	P. C. B. ASS'Y		CONTROL	A	P C B コントロール	
*	10	WE897500	P. C. B. ASS'Y		CONTROL	BG	P C B コントロール	
*	10	WF230900	P. C. B. ASS'Y		CONTROL	L	P C B コントロール	
*	11	WD048200	AM/FM TUNER		FAE385-J01F	J	AM/FM チューナ	12
*	11	WD048300	AM/FM TUNER		FAE385-A01F	CRTL	AM/FM チューナ	
*	11	WD048400	AM/FM TUNER		FAE485-E01F	KABG	AM/FM チューナ	
*	14	X6597A00	POWER TRANSFORMER			J	電源トランス	
*	14	X6598A00	POWER TRANSFORMER			U	電源トランス	
*	14	X6599A00	POWER TRANSFORMER			C	電源トランス	
*	14	X6679A00	POWER TRANSFORMER			RL	電源トランス	
*	14	X6680A00	POWER TRANSFORMER			TK	電源トランス	
*	14	X6600A00	POWER TRANSFORMER			A	電源トランス	
*	14	X6601A00	POWER TRANSFORMER			BG	電源トランス	
*	15	X4528A00	I B O C MODULE		TME1217	U	I B O C モジュール	
*	22	V8563700	DC FAN MOTOR		3110KL-05W-B40-T21		D C ファンモーター	
*	25	MF114160	FLEXIBLE FLAT CABLE		14P 160mm P=1.25	JCRTKABGL	カード電線 C & C	03
*	25	MF114200	FLEXIBLE FLAT CABLE		14P 200mm P=1.25	U	カード電線 C & C	
*	28	MF115200	FLEXIBLE FLAT CABLE		15P 200mm P=1.25	JCRTKABGL	カード電線 C & C	02
*	28	MF115100	FLEXIBLE FLAT CABLE		15P 100mm P=1.25	U	カード電線 C & C	02
*	29	MF119200	FLEXIBLE FLAT CABLE		19P 200mm P=1.25	JCRTKABGL	カード電線 C & C	03
*	29	MF119250	FLEXIBLE FLAT CABLE		19P 250mm P=1.25	U	カード電線 C & C	02
*	30	MF119200	FLEXIBLE FLAT CABLE		19P 200mm P=1.25		カード電線 C & C	03
*	31	MF123120	FLEXIBLE FLAT CABLE		23P 120mm P=1.25		カード電線 C & C	
*	32	MF127120	FLEXIBLE FLAT CABLE		27P 120mm P=1.25		カード電線 C & C	04
*	33	MF110250	FLEXIBLE FLAT CABLE		10P 250mm P=1.25		カード電線 C & C	

* New Parts * 新規部品

Ref No.	Part No.	Description	Remarks	Markets	部 品 名	Rank		
*	34	MF114250	FLEXIBLE FLAT CABLE		14P 250mm P=1.25		カード電線 C & C	03
*	35	MFA30200	FLEXIBLE FLAT CABLE		30P 200mm P=1.0		カード電線	03
*	36	VZ625600	BINDING TIE		SE140 L=140		インシュロックタイ	01
*	101	WE753800	TOP COVER	GD			トップカバー	
*	101	WE753700	TOP COVER	BL			トップカバー	
*	101	WE753900	TOP COVER	TI			トップカバー	
*	103	WD424500	REAR PANEL			J	リアパネル	
*	103	WD423900	REAR PANEL			U	リアパネル	
*	103	WE734500	REAR PANEL			C	リアパネル	
*	103	WD424000	REAR PANEL			R	リアパネル	
*	103	WD424100	REAR PANEL			T	リアパネル	
*	103	WD424200	REAR PANEL			K	リアパネル	
*	103	WD424400	REAR PANEL			A	リアパネル	
*	103	WD424700	REAR PANEL			B	リアパネル	
*	103	WD424800	REAR PANEL			G	リアパネル	
*	103	WD424300	REAR PANEL			L	リアパネル	
*	120	WC051600	LEG	GD, BL	D56/H21	J	レッグ	08
*	120	V0042500	LEG	GD	D60xH21	RTK	レッグ	03
*	120	VS025000	LEG	BL, TI	D60xH21	UCABGL	レッグ	02
*	131	V6001700	KNOB D15	GD	REC OUT		ノブ D 1 5	01
*	131	V6001600	KNOB D15	BL	REC OUT		ノブ D 1 5	01
*	131	V7624400	KNOB D15	TI	REC OUT		ノブ D 1 5	
*	132	WF060100	KNOB D15	GD	PROGRAM		ノブ D 1 5	
*	132	WF060000	KNOB D15	BL	PROGRAM		ノブ D 1 5	
*	132	WF060200	KNOB D15	TI	PROGRAM		ノブ D 1 5	
*	133	WD404500	KNOB D50	GD	VOLUME		ノブ D 5 0	
*	133	WD404400	KNOB D50	BL	VOLUME		ノブ D 5 0	
*	133	WD404600	KNOB D50	TI	VOLUME		ノブ D 5 0	
*	134	WD405200	KNOB D23	GD	INPUT		ノブ D 2 3	
*	134	WD405100	KNOB D23	BL	INPUT		ノブ D 2 3	
*	134	WD405300	KNOB D23	TI	INPUT		ノブ D 2 3	
*	135	WB313000	TRANS COVER				トランス/カバー	
*	136	VQ368600	PUSH RIVET		P3555-B		プッシュリベット	01
*	142	WE754700	WINDOW				ウインドウ	
*	143	WD405500	PLATE, SIDE	GD			プレート/サイド	
*	143	WD405400	PLATE, SIDE	BL			プレート/サイド	
*	143	WD405600	PLATE, SIDE	TI			プレート/サイド	
*	144	V5901100	DAMPER		10x50xT7		ダンパー	01
*	145	V3198100	DAMPER		GUARD		ダンパー	01
*	147	VZ221400	DAMPER		1x5x20	UCRTKABGL	ダンパー	01
*	148	VP857500	DAMPER		4x10x30	UCRTKABGL	ダンパー	01
*	151	VZ117100	DAMPER T2		TOP-F		ダンパー/T 2	01
*	161	WE774100	BIND HEAD BONDING B-T. SCREW		3x8 MFZN2B3		ボンディング B タイトネジ	01
*	162	WE774400	BIND HEAD B-TIGHT SCREW		3x8 MFZN2B3		バインド B タイトネジ	01
*	163	WE936300	BIND HEAD B-TIGHT SCREW		3x6 MFZN2W3		バインド B タイトネジ	01
*	164	WE774600	SCREW IC		3x18 MFZN2W3		スクリュー IC	01
*	165	WE774700	BIND HEAD S-TIGHT SCREW		4x10 MFZN2W3		バインド S タイトネジ	01
*	166	WE774300	BIND HEAD B-TIGHT SCREW		3x8 MFZN2W3		バインド B タイトネジ	01
*	167	VT669300	PW HEAD B-TIGHT SCREW		3x8-8 MFC2		PWヘッド B タイトネジ	01
*	168	VH365800	PW HEAD B-TIGHT SCREW		3x6-8 MFC2	U	PWヘッド B タイトネジ	01
*	169	VZ893000	SPECIAL S-TIGHT SCREW	GD, TI	4x8-10 MFN133		化粧ネジ S タイト	02
*	169	VK522100	SPECIAL S-TIGHT SCREW	BL	4x8-10 MFC2BL		化粧ネジ S タイト	01
*	170	AA627310	GROUND TERMINAL				GNDターミナル	01
*	171	VD069600	PW HEAD S-TIGHT SCREW	GD, TI	4x8-10 MFN133		PWヘッド S タイトネジ	01
*	171	VH313200	PW HEAD S-TIGHT SCREW	BL	4x8-10 MFN13BL		PWヘッド S タイトネジ	01
*	173	WE774500	BIND HEAD B-TIGHT SCREW		3x30 MFZN2B3		バインド B タイトネジ	01
*	175	V6509600	JACK SCREW		SS6-A47511848		ジャックスクリュー	01

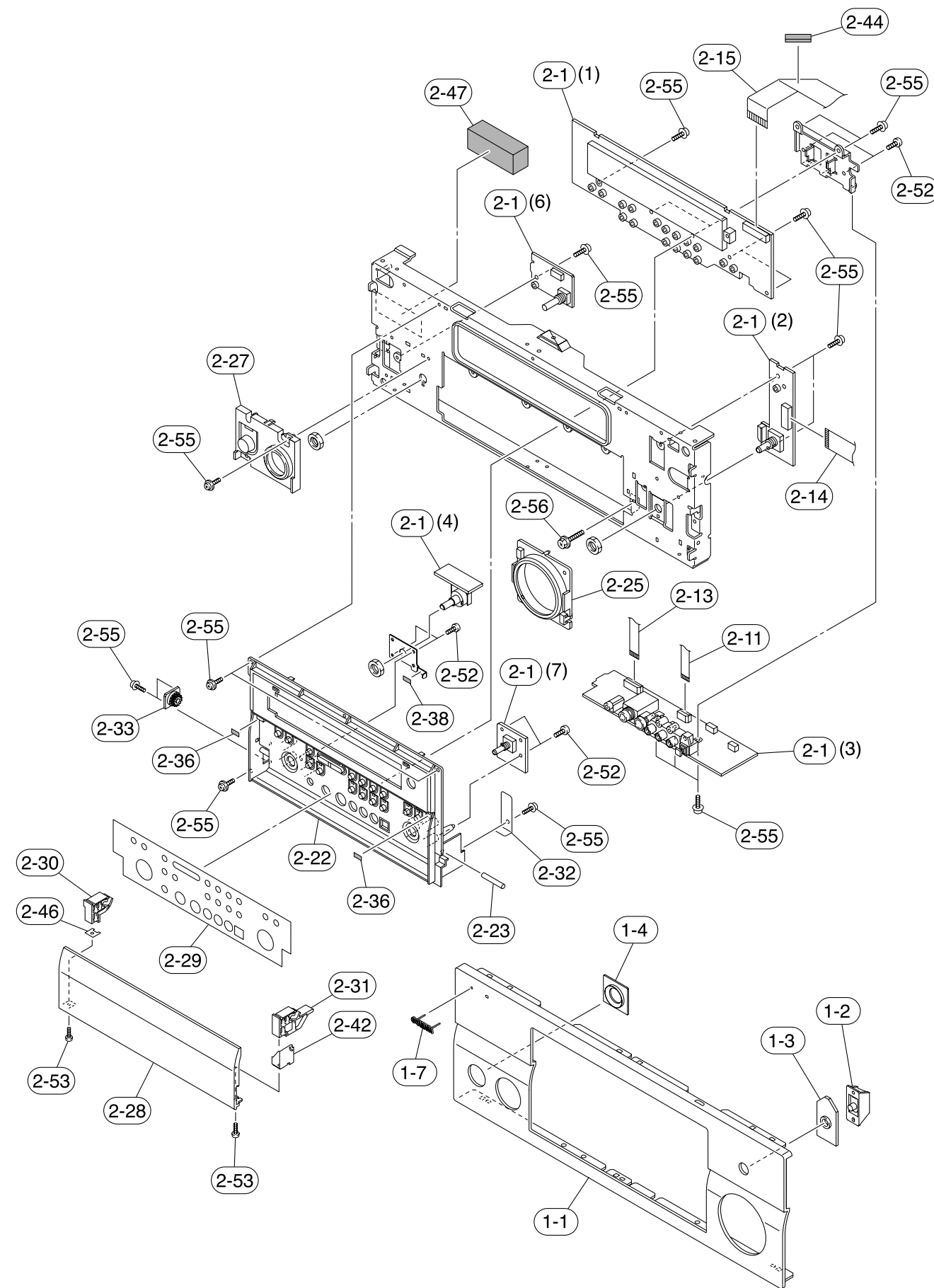
■ ACCESSORIES



Ref No.	Part No.	Description	Remarks	Markets	部品名	Rank
		ACCESSORIES			付属品	
* 200	WE887200	REMOTE CONTROL	RAV354	JUCRTKAL	リモコン	
* 200	WE887300	REMOTE CONTROL	RAV355	BG	リモコン	
200-1	AAX59640	BATTERY COVER		3139 238 08051	電池蓋	02
* 201	WF121500	REMOTE CONTROL	RAV18	U	リモコン	
* 201	WF121600	REMOTE CONTROL	RAV19	CRTKABGL	リモコン	
* 201-1	AAX70730	BATTERY COVER		CG-8912	電池蓋	
202	V6267000	INDOOR FM ANTENNA	1.4m 1pc	JCRTL	F M簡易アンテナ	03
* 202	WF696200	INDOOR FM ANTENNA	1.4m 1pc HD RAD10	U	F M簡易アンテナ	
202	V0147100	INDOOR FM ANTENNA	1.4m 1pc	KABG	F M簡易アンテナ	02
203	VR248500	AM LOOP ANTENNA	1.0m 1pc	JCRTKABGL	A Mループアンテナ	03
* 203	WE746800	AM LOOP ANTENNA	1.2m 1pc	U	A Mループアンテナ	
204	VE364900	ANTENNA ADAPTER	PAL 75-300 Ω	B	整合器	03
△ 205	V8466900	POWER CABLE	2m 1pc	J	電源コード	08
△ 205	V7704800	POWER CABLE	2m 1pc	UC	電源コード	05
* △ 205	WD107700	POWER CABLE	2m 1pc	R	電源コード	
△ 205	V9358400	POWER CABLE	2m 1pc	T	電源コード	05
△ 205	V7704900	POWER CABLE	2m 1pc	KGL	電源コード	06
△ 205	WB750900	POWER CABLE	2m 1pc	A	電源コード	07
△ 205	WB751000	POWER CABLE	2m 1pc	B	電源コード	08
△ 206	WB751000	POWER CABLE	2m 1pc	L	電源コード	08
207	WC080100	SPEAKER TERMINAL WRENCH	LTS0090-0002GM		S Pターミナルレンチ	01
208	WB929200	OPTIMIZER MICROPHONE	EMX-251		マイクロホン	08
		BATTERY, ALKALINE DRY	LR03		アルカリ電池	
		SERVICE TOOLS			サービス用部品	
	MF124500	FLEXIBLE FLAT CABLE	24P 500mm P=1.25		カード電線 C & C	10
	MF115500	FLEXIBLE FLAT CABLE	15P 500mm P=1.25		カード電線 C & C	09
	MF113500	FLEXIBLE FLAT CABLE	13P 500mm P=1.25		カード電線 C & C	05
	MF107500	FLEXIBLE FLAT CABLE	7P 500mm P=1.25		カード電線 C & C	03
	MF127500	FLEXIBLE FLAT CABLE	27P 500mm P=1.25		カード電線 C & C	10
	WD635400	CONNECTOR ASS'Y	3/4P 180mm		コネクター A S S Y	04

* New Parts * 新規部品

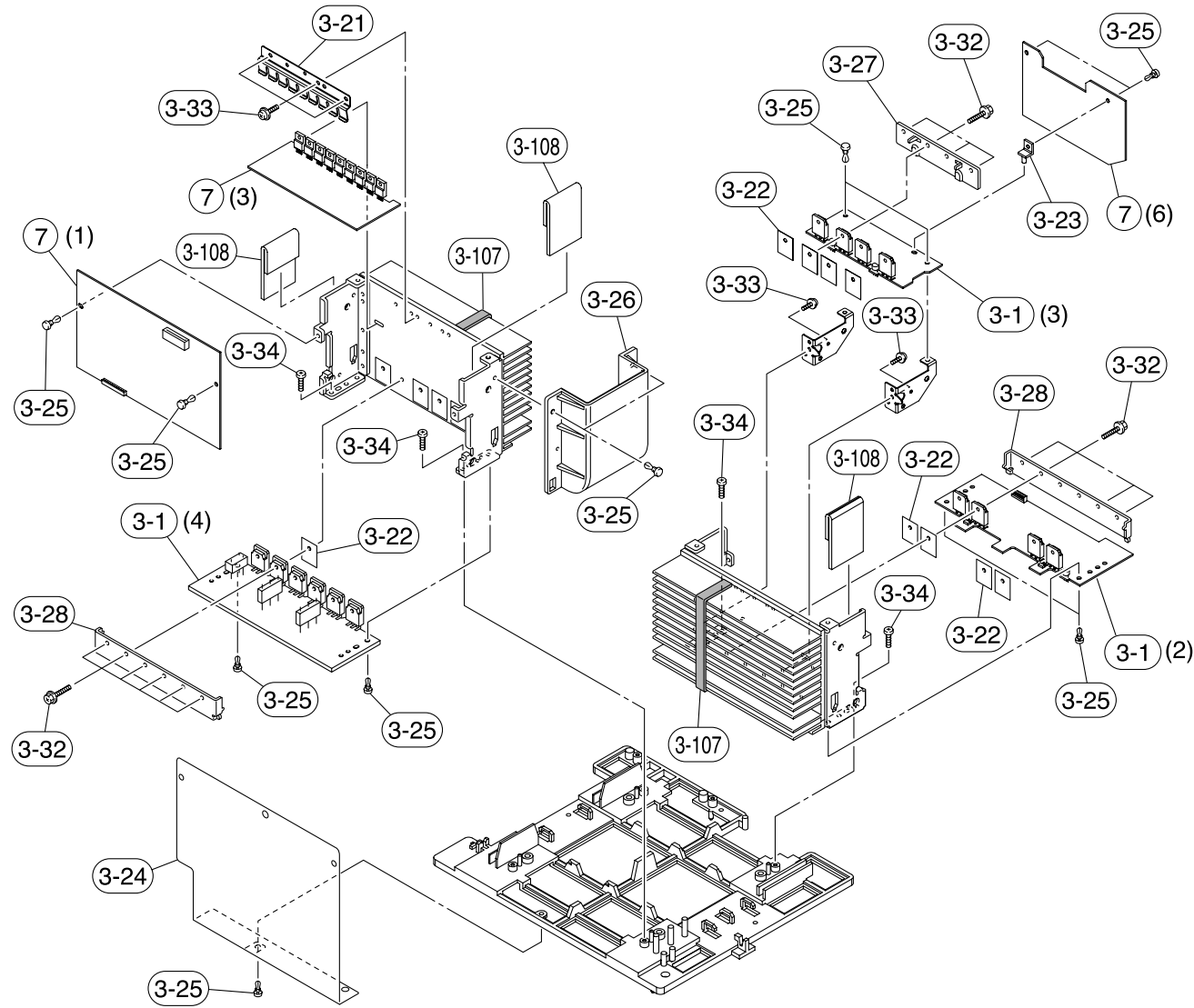
1 ■ FRONT PANEL & SUB CHASSIS UNIT



Ref No.	Part No.	Description	Remarks	Markets	部品名	Rank	
* 1-1	WD429900	FRONT PANEL		GD	J	フロントパネル	
* 1-1	WD429600	FRONT PANEL		GD	RTK	フロントパネル	
* 1-1	WD429800	FRONT PANEL		BL	J	フロントパネル	
* 1-1	WD429400	FRONT PANEL		BL	UCAG	フロントパネル	
* 1-1	WD429700	FRONT PANEL		TI	CBGL	フロントパネル	
* 1-2	WF121100	BUTTON/LENS				ボタン/レンズ	01
* 1-3	WD432200	ESCUTCHEON D5		GD		エスカッションD5	
* 1-3	WD432100	ESCUTCHEON D5		BL		エスカッションD5	
* 1-3	WD432300	ESCUTCHEON D5		TI		エスカッションD5	
* 1-4	V6003900	ESCUTCHEON/POWER		GD		エスカッション/パワー	
* 1-4	V6003800	ESCUTCHEON/POWER		BL		エスカッション/パワー	
* 1-4	V9800900	ESCUTCHEON/POWER		TI		エスカッション/パワー	
* 1-7	V6034200	EMBLEM		GD		エンブレム	03
* 1-7	V6034100	EMBLEM			"BL, TI"	エンブレム	03
* 2-1	WE897700	P. C. B. ASS'Y	OPERATION		J	P C Bオペレーション	
* 2-1	WE897800	P. C. B. ASS'Y	OPERATION		U	P C Bオペレーション	
* 2-1	WE897900	P. C. B. ASS'Y	OPERATION		CRTKABGL	P C Bオペレーション	
* 2-11	MF107250	FLEXIBLE FLAT CABLE	7P 250mm P=1.25			カード電線 C & C	02
* 2-13	MF113300	FLEXIBLE FLAT CABLE	13P 300mm P=1.25			カード電線 C & C	02
* 2-14	MF117120	FLEXIBLE FLAT CABLE	17P 120mm P=1.25			カード電線 C & C	02
* 2-15	MF124120	FLEXIBLE FLAT CABLE	24P 120mm P=1.25			カード電線 C & C	02
* 2-22	WE755200	SUB PANEL		GD	J	サブパネル	
* 2-22	WE754900	SUB PANEL		GD	RTK	サブパネル	
* 2-22	WE755100	SUB PANEL		BL	J	サブパネル	
* 2-22	WE754800	SUB PANEL		BL	UCAG	サブパネル	
* 2-22	WE755000	SUB PANEL		TI	CBGL	サブパネル	
* 2-23	V9126500	SHAFT				シャフト	01
* 2-25	WD406100	ESCUTCHEON VR		GD		エスカッション/VR	
* 2-25	WD406000	ESCUTCHEON VR		BL		エスカッション/VR	
* 2-25	WD406200	ESCUTCHEON VR		TI		エスカッション/VR	
* 2-27	WD431900	ESCUTCHEON INPUT		GD		エスカッションINP	
* 2-27	WD431800	ESCUTCHEON INPUT		BL		エスカッションINP	
* 2-27	WD432000	ESCUTCHEON INPUT		TI		エスカッションINP	
* 2-28	WE754500	PANEL LID		GD	J	パネル/リッド	
* 2-28	WE754200	PANEL LID		GD	RTK	パネル/リッド	
* 2-28	WE754400	PANEL LID		BL	J	パネル/リッド	
* 2-28	WE754600	PANEL LID		BL	U	パネル/リッド	
* 2-28	WE754100	PANEL LID		BL	CAG	パネル/リッド	
* 2-28	WE754300	PANEL LID		TI	CBGL	パネル/リッド	
* 2-29	WE756900	PLATE SP		GD	J	プレート/SP	
* 2-29	WE756600	PLATE SP		GD	RTK	プレート/SP	
* 2-29	WE756800	PLATE SP		BL	J	プレート/SP	
* 2-29	WE756500	PLATE SP		BL	UCAG	プレート/SP	
* 2-29	WE756700	PLATE SP		TI	CBGL	プレート/SP	
* 2-30	V6005100	HINGE L		GD		ヒンジ L	01
* 2-30	V6005000	HINGE L		BL		ヒンジ L	
* 2-30	V6005200	HINGE L		TI		ヒンジ L	
* 2-31	V6005400	HINGE R		GD		ヒンジ R	01
* 2-31	V6005300	HINGE R		BL		ヒンジ R	
* 2-31	V6005500	HINGE R		TI		ヒンジ R	
* 2-32	V4593300	SPRING LID				スプリング/リッド	
* 2-33	V9124600	DAMPER GEAR				ダンパー/ギヤ	03
* 2-36	VY940400	CUSHION LID	T=0.8			クッション/LID	01
* 2-38	WC144500	CUSHION 5X10	5x10			クッション/5X10	
* 2-44	VP857500	DAMPER	4x10x30			ダンパー	01
* 2-46	WC308000	SPACER HINGE				スペーサ/ヒンジ	01
* 2-47	WF506600	DAMPER 26X30X80	T=26			ダンパー 26 x 30	
* 2-52	WE774800	BIND HEAD P-TIGHT SCREW	3x8	MFZN2W3		バインドPタイトネジ	01
* 2-53	WE973700	BIND HEAD P-TIGHT SCREW	2.6x6	MFZN2W3		バインドPタイトネジ	
* 2-55	VH365800	PW HEAD B-TIGHT SCREW	3x6-8	MFC2		PWヘッドBタイトネジ	01
* 2-56	WE774600	SCREW IC	3x18	MFZN2W3		スクリュー IC	01

* New Parts * 新規部品

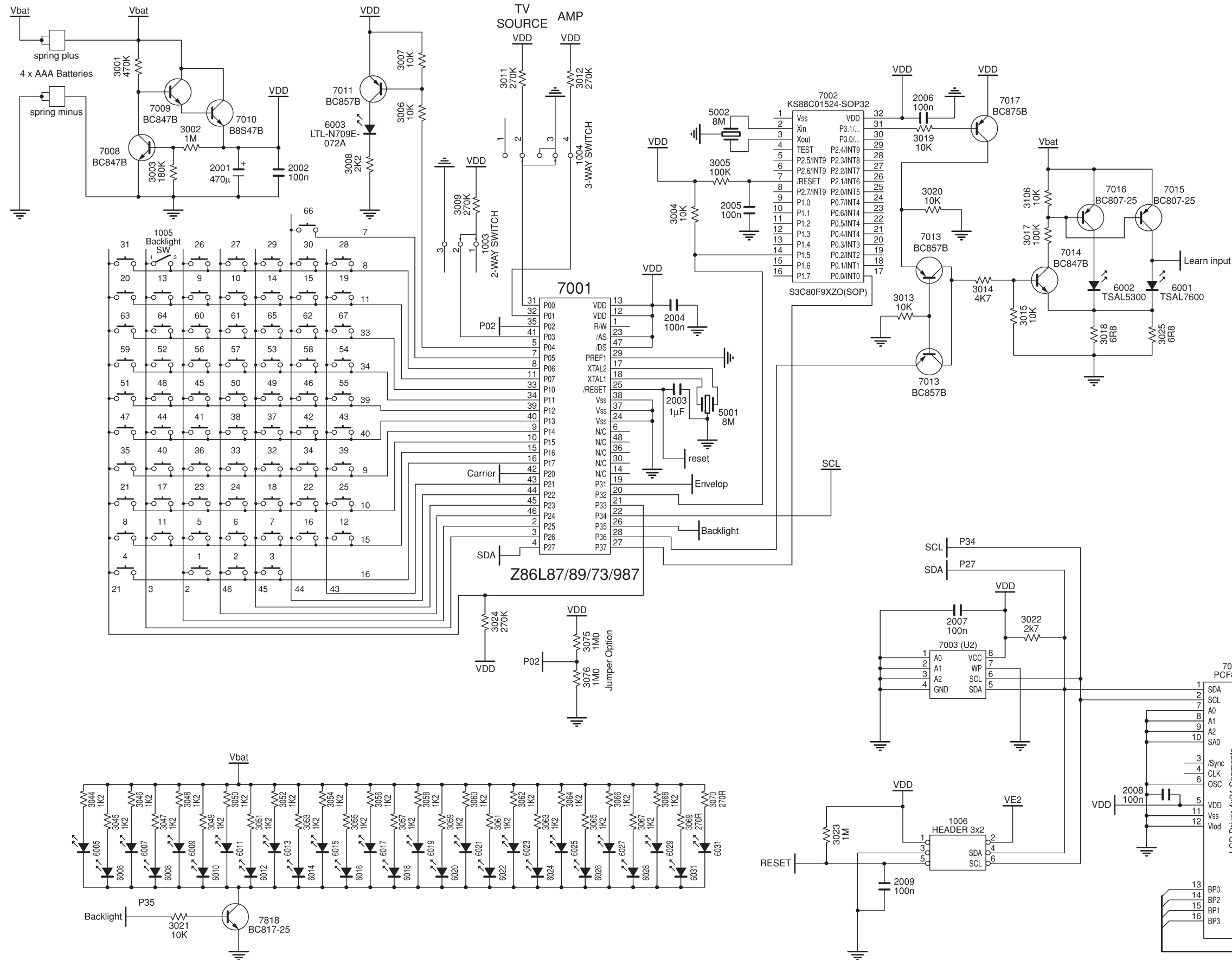
AMP UNIT



Ref No.	Part No.	Description	Remarks	Markets	部品名	Rank
* ⚠	3-1	WE896100 P.C.B. ASS'Y	MAIN	J	P C B メイン	
* ⚠	3-1	WE896200 P.C.B. ASS'Y	MAIN	UC	P C B メイン	
* ⚠	3-1	WE896300 P.C.B. ASS'Y	MAIN	RTA	P C B メイン	
* ⚠	3-1	WE896400 P.C.B. ASS'Y	MAIN	KBGL	P C B メイン	
	3-21	WD418800 SUPPORT/TR-9			サポート/TR-9	03
	3-22	VV849300 RADIATION SHEET	19x24		シート/放熱	01
	3-23	CB091290 SUPPORT, P.C.B.	No.1645		基板サポート	01
	3-24	WB955600 SHEET/SHIELD 1400			シート/シールド	
	3-25	VQ368600 PUSH RIVET	P3555-B		プッシュリベット	01
	3-26	V9120600 DUCT			ダクト	02
* ⚠	3-27	WF691600 SUPPORT/TR-4			サポート/TR-4	
* ⚠	3-28	WF691500 SUPPORT/TR-6			サポート/TR-6	
	3-32	VK173200 SCREW, TRANSISTOR	3x15 SP MFC2		スクリューTR	01
	3-33	VT669300 PW HEAD B-TIGHT SCREW	3x8-8 MFC2		PWヘッドBタイトネジ	01
	3-34	WE774800 BIND HEAD P-TIGHT SCREW	3x8 MFZN2W3		バインドPタイトネジ	01
	3-107	VP922500 DAMPER	2x10x170		ダンパー	01
	3-108	V3198100 DAMPER	GUARD		ダンパー	01
* ⚠	7	WD649100 P.C.B. ASS'Y	POWER	J	P C B パワー	
* ⚠	7	WD649200 P.C.B. ASS'Y	POWER	UC	P C B パワー	
* ⚠	7	WD649300 P.C.B. ASS'Y	POWER	R	P C B パワー	
* ⚠	7	WD649400 P.C.B. ASS'Y	POWER	T	P C B パワー	
* ⚠	7	WD649500 P.C.B. ASS'Y	POWER	K	P C B パワー	
* ⚠	7	WD649600 P.C.B. ASS'Y	POWER	A	P C B パワー	
* ⚠	7	WD649700 P.C.B. ASS'Y	POWER	B	P C B パワー	
* ⚠	7	WD649800 P.C.B. ASS'Y	POWER	G	P C B パワー	
* ⚠	7	WD649900 P.C.B. ASS'Y	POWER	L	P C B パワー	

* New Parts * 新規部品

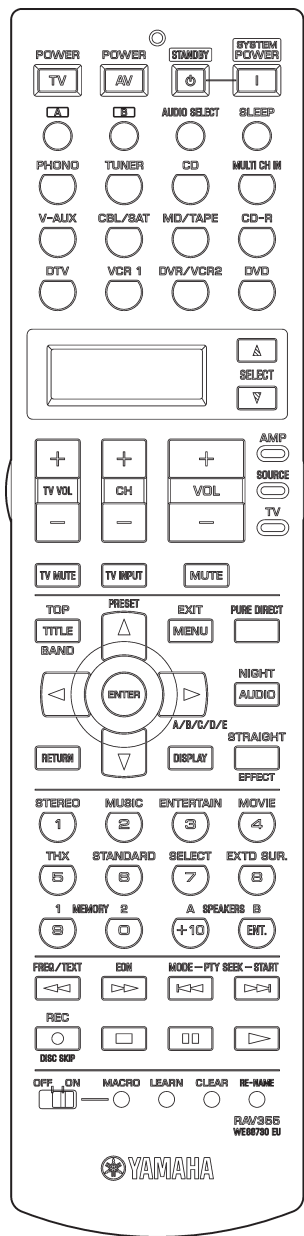
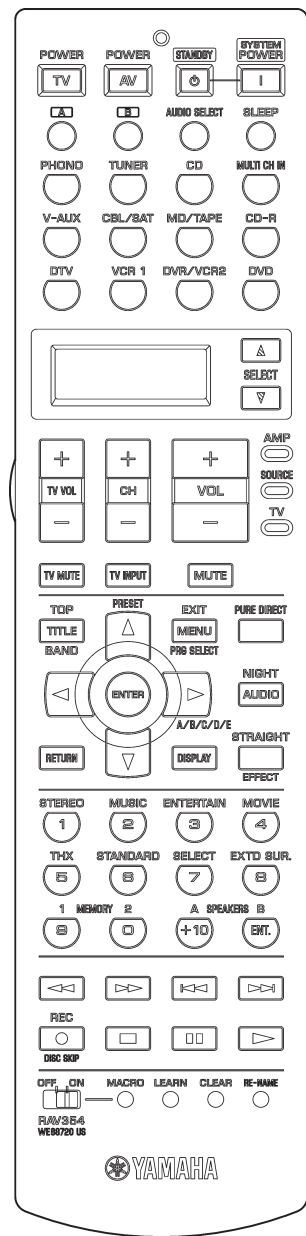
REMOTE CONTROL RAV 354, RAV355



REMOTE CONTROL RAV 354, RAV355

RAV354
(U, C, R, T, K, A, L, J models)

RAV355
(B, G models)



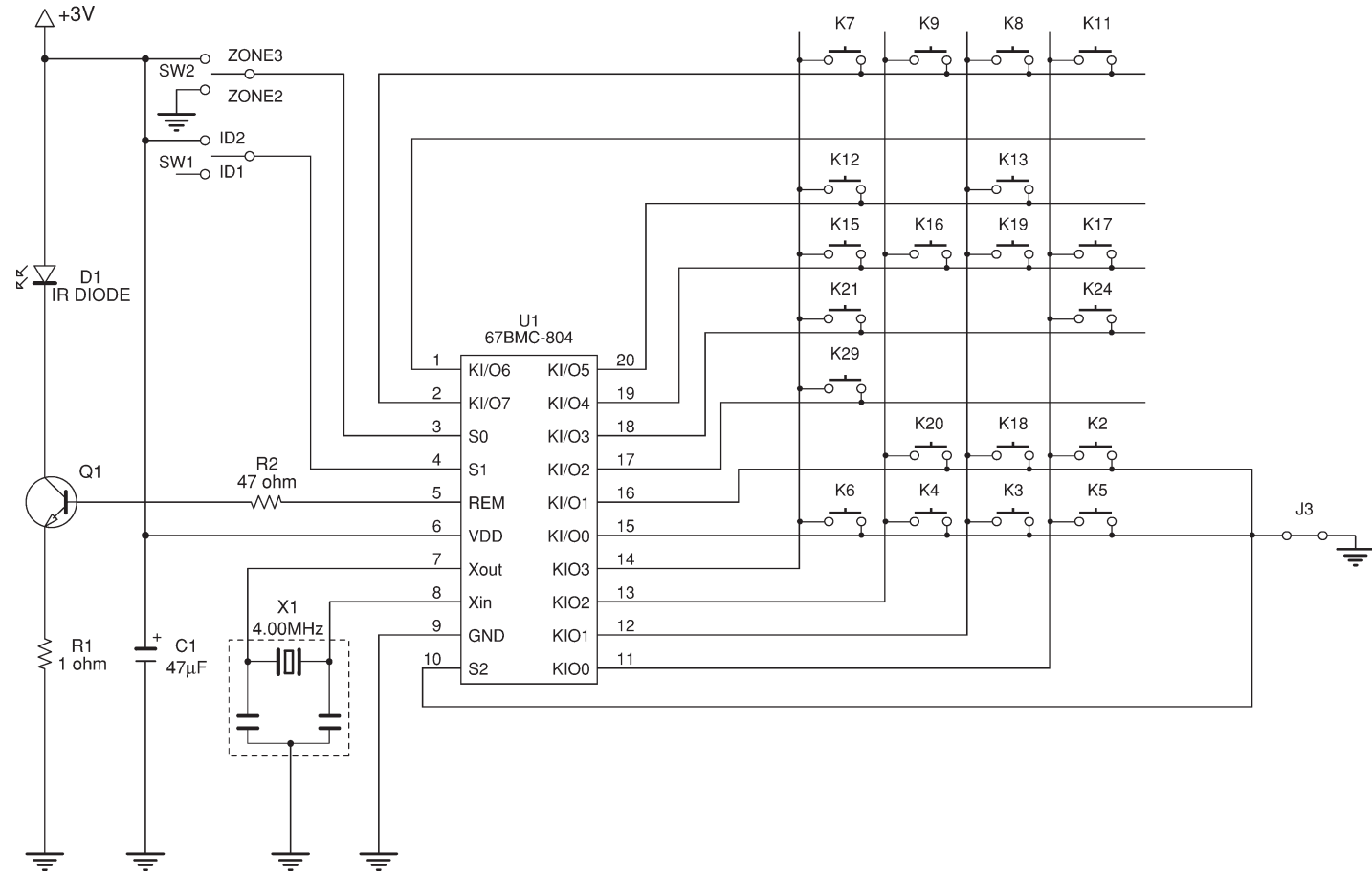
NO	Label	AMP Library		AMP Library : AMP1Z				AMP Library : AMP2Z				
		AMP1	AMP2	MAIN	ZONE2	ZONE3	SYSTM	MAIN	ZONE2	ZONE3	SYSTM	
3	STANDBY	7A-1E	7D-91	7E-7F	7E-BB	7A-EE	7A-1E	7D-B1	7D-63	7D-73	7D-91	Sets this unit in the standby mode(MAIN/ZONE2/ZONE3/SYSTEM)
4	POWER ON	7A-1D	7D-90	7E-7E	7E-BA	7A-ED	7A-1D	7D-B2	7D-64	7D-74	7D-90	Turns on this unit's power(MAIN/ZONE2/ZONE3/SYSTEM)
7	AUDIO SELECT	7A-C3	7D-80	7A-C3			←	7D-80			←	Sets the priority for the type of input signal
8	SLEEP	7A-57	7D-93	7A-57			←	7D-93			←	Sets the sleep timer
9	PHONO	7A-14	7D-88	7A-14	7A-D0	7A-F1	←	7D-88	7D-65	7D-75	←	Selects the input source(MAIN/ZONE2/ZONE3)
10	TUNER	7A-16	7D-89	7A-16	7A-D2	7A-F3	←	7D-89	7D-66	7D-76	←	
11	CD	7A-15	7D-87	7A-15	7A-D1	7A-F2	←	7D-87	7D-67	7D-77	←	
12	MULTI CH INPUT	7A-87	7D-8C	7A-87			←	7D-8C			←	Selects the input source
13	V-AUX	7A-55	7D-8A	7A-55	7A-D8	7A-F0	←	7D-8A	7D-68	7D-78	←	Selects the input source(MAIN/ZONE2/ZONE3)
14	CBL/SAT	7A-C0	7D-96	7A-C0	7A-CC	7A-F7	←	7D-96	7D-69	7D-79	←	
15	MD/TAPE	7A-18	7D-8B	7A-18	7A-D3	7A-F4	←	7D-8B	7D-6A	7D-7A	←	
16	CD-R	7A-19	7D-99	7A-19	7A-D4	7A-F5	←	7D-99	7D-6B	7D-7B	←	
17	DTV	7A-54	7D-84	7A-54	7A-D9	7A-F6	←	7D-84	7D-6C	7D-7C	←	
18	VCR1	7A-0F	7D-81	7A-0F	7A-D6	7A-F9	←	7D-81	7D-6D	7D-7D	←	
19	DVR/VCR2	7A-13	7D-82	7A-13	7A-D7	7A-FA	←	7D-82	7D-6E	7D-7E	←	
20	DVD	7A-C1	7D-97	7A-C1	7A-CD	7A-FC	←	7D-97	7D-6F	7D-7F	←	
25	VOL UP	7A-1A	7D-8D	7A-1A	7A-DA	7A-FD	←	7D-8D	7D-70	7D-20	←	Change the volume level(MAIN/ZONE2/ZONE3)
28	VOL DOWN	7A-1B	7D-8E	7A-1B	7A-DB	7A-FE	←	7D-8E	7D-71	7D-21	←	
31	MUTE	7A-1C	7D-94	7A-1C	7A-DC	7A-FF	←	7D-94	7D-72	7D-22	←	
32	TOP	7A-A0	7D-52	7A-A0			←	7D-52			←	Enter GUI top menu
33	UP	7A-9D	7D-9D	7A-9D			←	7D-9D			←	Operate in GUI and FL mode
34	EXIT	7A-A1	7D-53	7A-A1			←	7D-53			←	Exit GUI menu
35	PURE DIRECT	7A-DD	7D-C0	7A-DD			←	7D-C0			←	Turns on or off PURE DIRECT mode
36	LEFT	7A-9F	7D-9F	7A-9F			←	7D-9F			←	Operate in GUI and FL mode
37	ENTER	7A-DE	7D-56	7A-DE			←	7D-56			←	Operate in GUI and FL mode
38	RIGHT	7A-9E	7D-9E	7A-9E			←	7D-9E			←	Operate in GUI and FL mode
39	NIGHT	7A-95	7D-DD	7A-95			←	7D-DD			←	Turns on or off NIGHT mode
40	RETURN	7A-AA	7D-B5	7A-AA			←	7D-B5			←	Operate in GUI and FL mode
41	DOWN	7A-9C	7D-9C	7A-9C			←	7D-9C			←	Turns on or off FL mode
42	SUB MENU	7A-C2	7D-C2	7A-C2			←	7D-C2			←	
43	STRAIGHT	7A-56	7D-C1	7A-56			←	7D-C1			←	Switches the sound fields off or on
44	STEREO	7A-88	7D-D0	7A-88			←	7D-D0			←	Select the sounds fields
45	MUSIC	7A-89	7D-D1	7A-89			←	7D-D1			←	
46	ENTERTAIN	7A-8A	7D-D2	7A-8A			←	7D-D2			←	
47	MOVIE	7A-8B	7D-D3	7A-8B			←	7D-D3			←	
48	THX	7A-8C	7D-D4	7A-8C			←	7D-D4			←	
49	STANDARD	7A-8D	7D-D5	7A-8D			←	7D-D5			←	
50	SELECT	7A-96	7D-DE	7A-96			←	7D-DE			←	
51	EXTD SUR.	7A-97	7D-DF	7A-97			←	7D-DF			←	Switches between 5.1 and 6.1/7.1
52	MEMORY 1	7A-A8	7D-B3	7A-A8			←	7D-B3			←	Recall MEMORY 1
53	MEMORY 2	7A-A9	7D-B4	7A-A9			←	7D-B4			←	Recall MEMORY 2
54	SPEAKERS A	7A-9A	7D-E7	7A-9A			←	7D-E7			←	Turns on or off SPEAKER A
55	SPEAKERS B	7A-9B	7D-E8	7A-9B			←	7D-E8			←	Turns on or off SPEAKER B

Code table (Tuner mode)

NO	Label	Yamaha1	Yamaha2	NO	Label	Yamaha1	Yamaha2
32	BAND	7A-AE	7D-BD	47	4	7A-E8	7D-FB
33	PRESET+	7A-10	7D-F5	48	5	7A-E9	7D-FC
34	PRG SELECT	7A-AB	7D-BA	49	6	7A-EA	7D-FD
36	A/B/C/D/E <	7A-AC	7D-BB	50	7	7A-EB	7D-FE
38	A/B/C/D/E >	7A-12	7D-F7	51	8	7A-EC	7D-FF
41	PRESET-	7A-11	7D-F6	56	FREQ/TEXT	7A-A4	7D-23
42	DISPLAY	7A-B0	7D-BF	57	EON	7A-A5	7D-24
44	1	7A-E5	7D-F8	58	PTYMODE	7A-A6	7D-25
45	2	7A-E6	7D-F9	59	PTYSTART	7A-A7	7D-26
46	3	7A-E7	7D-FA				

← : Return to previous area. / 前のエリアに戻ります。

REMOTE CONTROL RAV 18, 19

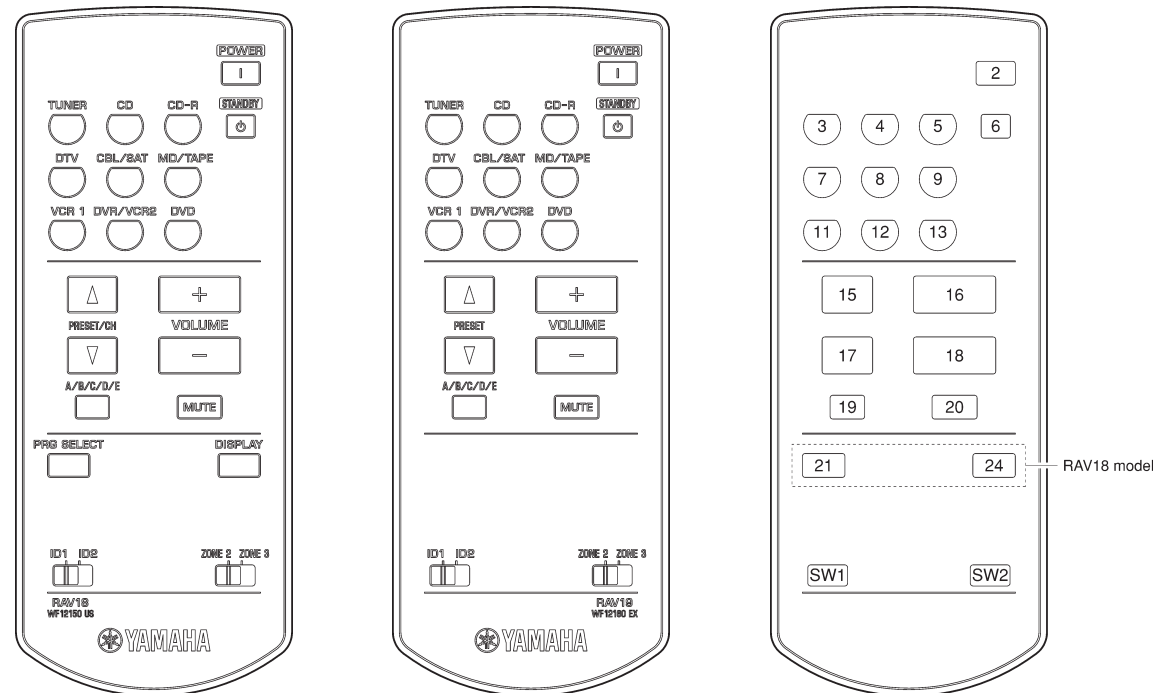


YAMAHA IR CODE TABLE					
Key No.	Key Name Type C (ZONE 2/HD)	Code (Original Spec.)			
		ID 1		ID 2	
		ZONE 2	ZONE 3	ZONE 2	ZONE 3
2	POWER	7E-BA	7A-ED	7D-64	7D-74
3	TUNER	7A-D2	7A-F3	7D-66	7D-76
4	CD	7A-D1	7A-F2	7D-67	7D-77
5	CD-R	7A-D4	7A-F5	7D-6B	7D-7B
6	STANDBY	7E-BB	7A-EE	7D-63	7D-73
7	DTV	7A-D9	7A-F6	7D-6C	7D-7C
8	CBL/SAT	7A-CC	7A-F7	7D-69	7D-79
9	MD/TAPE	7A-D3	7A-F4	7D-6A	7D-7A
11	VCR 1	7A-D6	7A-F9	7D-6D	7D-7D
12	DVR/VCR 2	7A-D7	7A-FA	7D-6E	7D-7E
13	DVD	7A-CD	7A-FC	7D-6F	7D-7F
15	PRESET/CH (+)	7A-10		7D-F5	
16	VOLUME (+)	7A-DA	7A-FD	7D-70	7D-20
17	PRESET/CH (-)	7A-11			
18	VOLUME (-)	7A-DB	7A-FE	7D-71	7D-21
19	A/B/C/D/E	7A-12			
20	MUTE	7A-DC	7A-FF	7D-72	7D-22
21	PRG SELECT	7A-AB		7D-BA	
24	DISPLAY	7A-B0		7D-BF	
SW1	ID 1/ID 2	-			
SW2	ZONE 2/ZONE 3	-			

RAV18 (U model)

RAV19 (C, R, T, K, A, B, G, L models)

• KEY NO. LAYOUT



RX-V4600/DSP-AX4600

