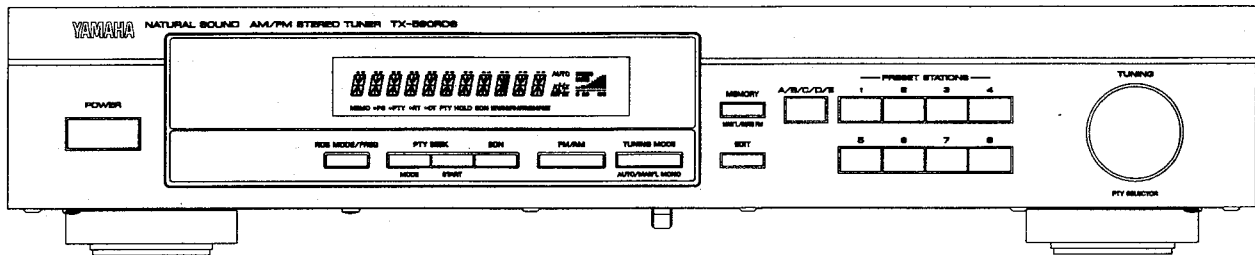


AM/FM STEREO TUNER TX-590RDS

SERVICE MANUAL

TX-590RDS

FRONT PANEL



IMPORTANT NOTICE

This manual has been provided for the use of authorized YAMAHA Retailers and their service personnel. It has been assumed that basic service procedures inherent to the industry, and more specifically YAMAHA Products, are already known and understood by the users, and have therefore not been restated.

WARNING: Failure to follow appropriate service and safety procedures when servicing this product may result in personal injury, destruction of expensive components, and failure of the product to perform as specified. For these reasons, we advise all YAMAHA product owners that any service required should be performed by an authorized YAMAHA Retailer or the appointed service representative.

IMPORTANT: The presentation or sale of this manual to any individual or firm does not constitute authorization, certification or recognition of any applicable technical capabilities, or establish a principle-agent relationship of any form.

The data provided is believed to be accurate and applicable to the unit(s) indicated on the cover. The research, engineering, and service departments of YAMAHA are continually striving to improve YAMAHA products. Modifications are, therefore, inevitable and specifications are subject to change without notice or obligation to retrofit. Should any discrepancy appear to exist, please contact the distributor's Service Division.

WARNING: Static discharges can destroy expensive components. Discharge any static electricity your body may have accumulated by grounding yourself to the ground buss in the unit (heavy gauge black wires connect to this buss).

IMPORTANT: Turn the unit OFF during disassembly and part replacement. Recheck all work before you apply power to the unit.

CONTENTS

TO SERVICE PERSONNEL	1	µCOM DATA	7
INTERNAL VIEW	1	DISPLAY DATA	8
REAR PANELS	1	BLOCK DIAGRAM	10-11
SPECIFICATIONS	2	PRINTED CIRCUIT BOARD	12-13
DISASSEMBLY PROCEDURES	2	SCHEMATIC DIAGRAM	14
ADJUSTMENTS	3-6	PARTS LIST	15-20

100552

YAMAHA

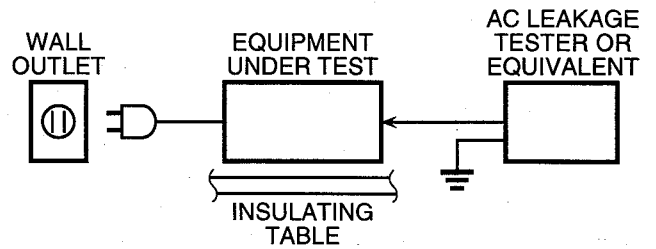
YAMAHA CORPORATION
P.O.Box 1, Hamamatsu, Japan

1.25K-173 Printed in Japan '96.4

TO SERVICE PERSONNEL

Critical Components Information.

Components having special characteristics are marked and must be replaced with parts having specifications equal to those originally installed.



WARNING: CHEMICAL CONTENT NOTICE!

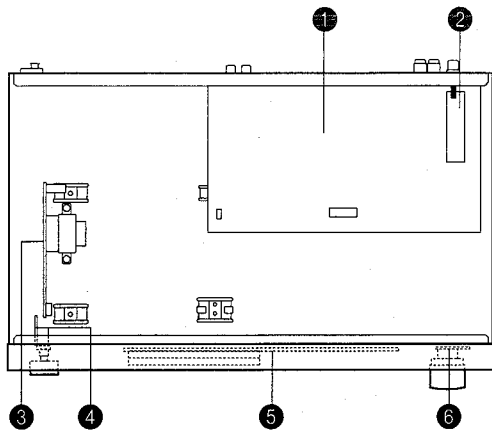
The solder used in the production of this product contains LEAD. In addition, other electrical/electronic and /or plastic (where applicable) components may also contain traces of chemicals found by the California Health and Welfare Agency (and possibly other entities) to cause cancer and/or birth defects or other reproductive harm.

DO NOT PLACE SOLDER, ELECTRICAL/ELECTRONIC OR PLASTIC COMPONENTS IN YOUR MOUTH FOR ANY REASON WHATSOEVER!

Avoid prolonged, unprotected contact between solder and your skin! When soldering, do not inhale solder fumes or expose eyes to solder/flux vapor!

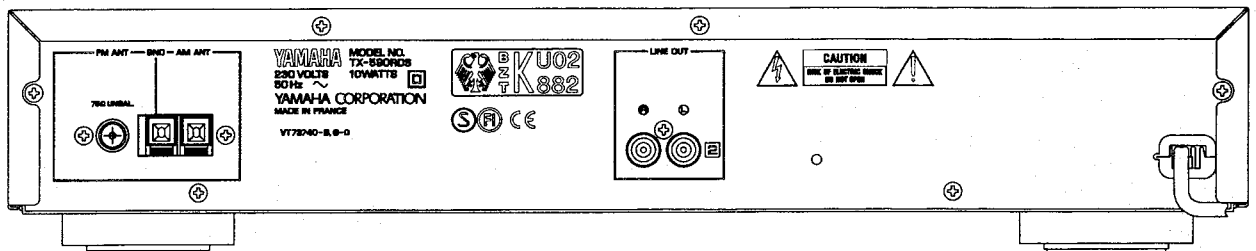
If you come in contact with solder or components located inside the enclosure of this product, wash your hands before handling food.

INTERNAL VIEW



- ① Tuner P. C. B. (1)
- ② Front-end pack
- ③ Tuner P. C. B. (3)
- ④ Tuner P. C. B. (4)
- ⑤ Tuner P. C. B. (2)
- ⑥ Tuner P. C. B. (5)

REAR PANELS



SPECIFICATIONS

FM SECTION

Tuning Range	87.50 to 108.00 MHz	
Usable Sensitivity (30dB S/N Quieting)		
Mono (S/N 26 dB)		0.9 μ V
Stereo (S/N 46 dB)		24 μ V
Image Response Ratio		80 dB
IF Response Ratio		80 dB
Spurions Response Ratio		70 dB
AM Suppression Ratio		55 dB
Capture Ratio		1.5 dB
Alternate Channel Selectivity		
Selectivity (two signals) 40 kHz Dev. \pm 300 kHz		70 dB
Signal to Noise Ratio (DIN-Weighted 40 kHz)		
Mono		75 dB
Stereo		70 dB
Harmonic Distortion 1 kHz		
Mono		0.1 %
Stereo		0.2 %
Stereo Separation 1kHz (40 kHz Dev.)		45 dB
Frequency Response		
30 Hz to 13 kHz		0 \pm 0.5 dB

AM SECTION

Tuning Range	531 to 1611 kHz	
Usable Sensitivity	100 μ V/m	
Selectivity	32 dB	
Signal to Noise Ratio	50 dB	

Image Response Ratio	40 dB
Spurions Response Ratio	50 dB
Harmonic Distortion 1 kHz	0.3 %

AUDIO SECTION

Output Level/Impedance (Fixed)

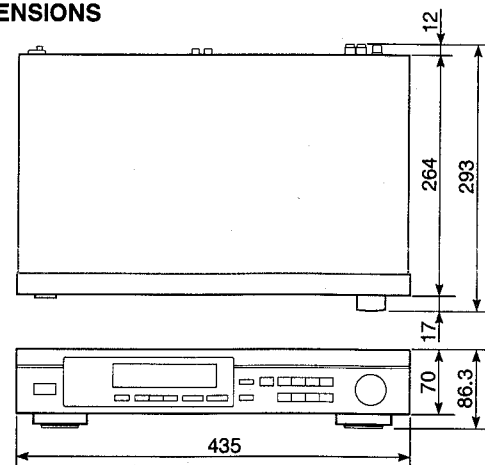
FM 100 % MOD 1 kHz	500 mV/2.2 k Ω
AM 30 % MOD 1 kHz	200 mV/2.2 k Ω

GENERAL

Power Supply	AC230V, 50 Hz
Power Consumption	10 W
Dimensions (W x H x D)	435 x 86 x 293mm
Weight	3.2 kg

* Specifications subject to change without notice.

DIMENSIONS



DISASSEMBLY PROCEDURES

(Remove parts in the order as numbered.)

1. Removal of Top Cover

Remove 4 screws (①) and 2 screws (②) in Fig. 1.

2. Removal of Front Panel

- Remove 3 plastic rivets (③) in Fig. 1.
- Remove 3 screws (④) in Fig. 1.
- Remove tuning knob (⑥) in Fig. 1.
- Unhook at 9 place (⑤) in Fig. 1 and remove the front panel.

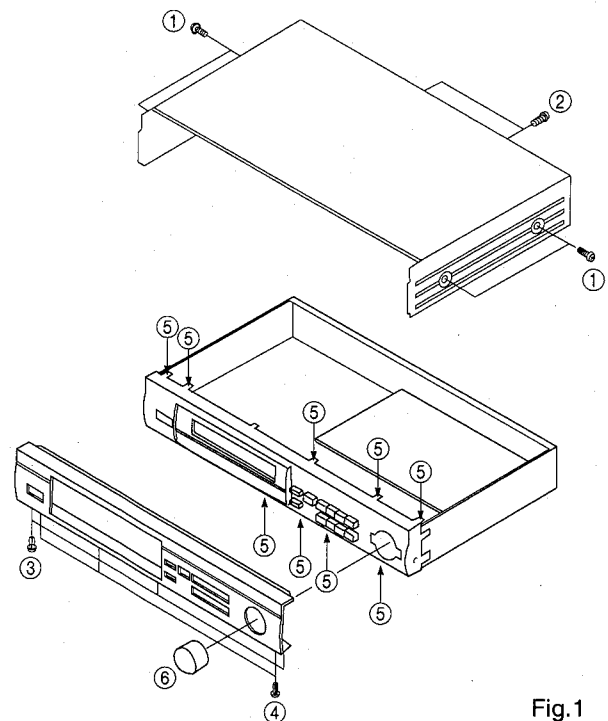


Fig.1

ADJUSTMENTS

1. Before Adjustment

- 1) After the power switch is pushed on, wait 5 minutes before starting the adjustment to be sure of the most stable operations.
- 2) Adjust the OSC coil and IFT with insulated screw driver.
- 3) Set the switches to the following position.
TUNING MODE : AUTO
- 4) Decibel abbreviations

dBμ : Decibels above or below 1μV

Example :

0dBμ = 1 μV, 60dBμ = 1 mV

X dBμ = (X + 11.2) dBf

When substituting 60 for X,

60 dBμ = 72.2 dBf

2. Measuring instrument abbreviations

FM SG : FM signal generator

SSG : Stereo signal generator

AM SG : AM signal generator

DIST. M : Distortion meter

FC : Frequency counter

ACVM : AC voltage meter

DCVM : DC voltage meter

RDS SG : RDS signal generator

<POWER SUPPLY CHECK>

Check that the following voltage are obtained respectively across each test point and ground on the tuner circuit.

Test points	Rating or Standard
+10 V terminal	+10.0 ±0.5V
+5 V terminal	+5.6 ±0.5 V
+VP terminal	+24.0 ±1.0 V

CAUTION :

Before setting to the TEST mode, write down the existing preset memory content of the Tuner in a table as shown below. (This is because setting to the TEST mode will cause the memory content to be as factory set, i.e. all the preset memory by the user will be erased.)

Preset keys	P1	P2	P3	P4	P5	P6	P7	P8
A								
B								
C								
D								
E								

<TEST mode>

- Turn the POWER switch on while pressing the PRESET 1 and FM/AM keys simultaneously, and the unit enters the TEST mode for the display check. After this, repeat 1) to 4).
- 1) The DISPLAY light on all segments.
- 2) The DISPLAY light on "TX-590RDS" as it scroll to the left.
- 3) The DISPLAY light on "G RDS" as it scroll to the left.
- 4) The DISPLAY light on UCOM-VERSION as it scroll to the left.

When push the P1 key, it starts from 1).

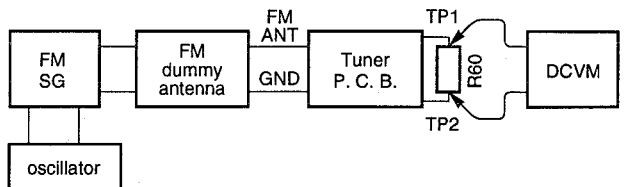
When push the other keys, mode switches the NORMAL mode.

<Factory preset memory content>

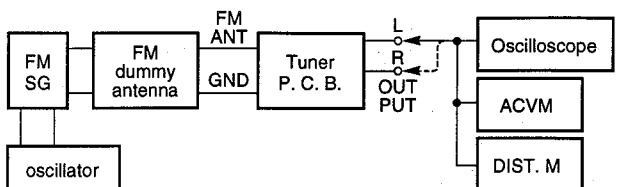
Preset	P1	P2	P3	P4	P5	P6	P7	P8
A, C, E	87.50	90.10	95.10	98.10	108.00	88.10	106.10	108.00
B, D	630	1080	1440	531	1611	900	1350	1404

<Connection Diagram (Measuring Instruments)>

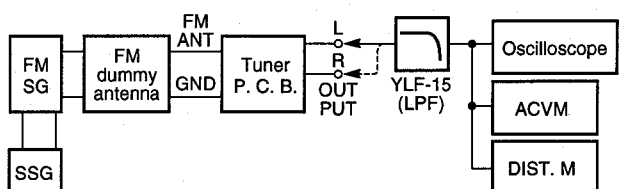
1) Discriminator balance adjustment



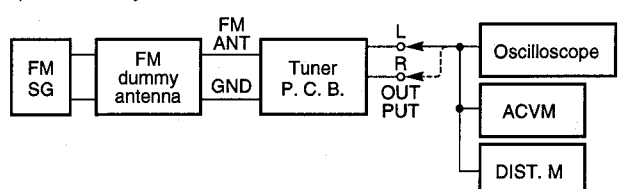
2) Monaural distortion adjustment



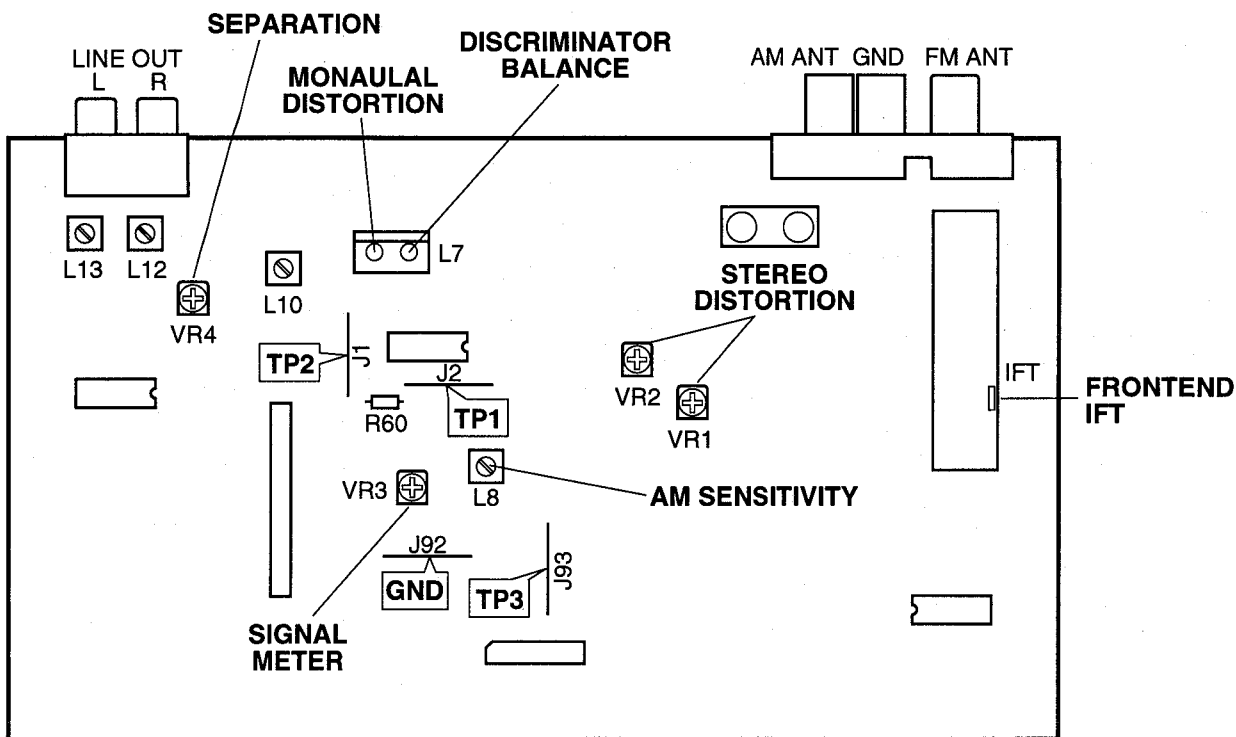
3) Stereo distortion adjustment



4) Sensitivity verification



● TEST POINTS



TX-590RDS

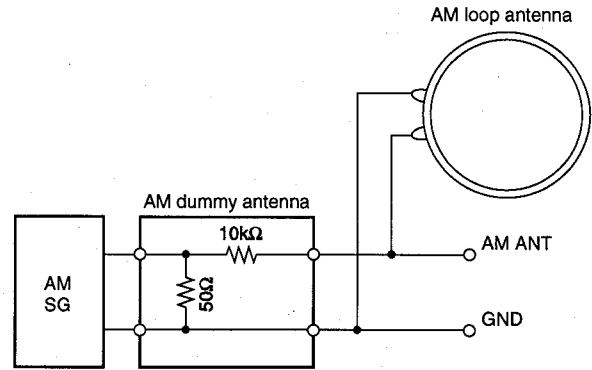
<FM TUNER SECTION>

Step	Adjustment item	Signal (ANT IN)	Reception frequency	Adjusted point	Test point	Rating
1	Rough adjustment of discriminator balance.	SG: 98.1 MHz 70 dB μ Modulation : 100 % Monaural : 100 Hz	Preset A-4: 98.1 MHz	L7 (right side)	TP1, TP2 (both end of R60)	DC 0 V \pm 100mV at turning point.
2	Rough adjustment of monaural distortion.	Same as Step 1.	Same as Step 1.	L7 (left side)	OUTPUT	Minimize distortion.
3	Fine adjustment of discriminator balance.	Same as Step 1.	Same as Step 1.	L7 (right side)	TP1, TP2	DC 0 V \pm 50mV
4	Fine adjustment of monaural distortion.	Same as Step 1.	Same as Step 1.	L7 (left side)	OUTPUT	Minimize distortion. (to less than -43dB)
5	Verification of discriminator balance.	Same as Step 1.	Same as Step 1.		TP1, TP2	DC 0 V \pm 50mV
6	Adjustment of Frontend IFT.	SG: 98.1 MHz 30 dB μ Modulation : 100 % Monaural : 1 kHz	Same as Step 1.	Frontend IFT	TP3, GND	Adjust so that the DC voltage is maximum. CAUTION: Over-adjusting of the IFT core will reduce the sensitivity. (Maximum \pm 90°)
7	Adjustment of stereo distortion.	SG: 98.1 MHz 70 dB μ Modulation : 100 % Stereo L or R : 1 kHz	Same as Step 1.	VR1, VR2	OUTPUT	Minimize distortion. Tuning mode is AUTO.

Step	Adjustment item	Signal (ANT IN)	Reception frequency	Adjusted point	Test point	Rating
8	Verification of monaural distortion.	SG: 98.1 MHz 70 dB μ Modulation : 100 % Monaural : 1 kHz	Preset A-4: 98.1 MHz		OUTPUT	Minimize distortion. (to less than -43dB)
9	Verification of stereo distortion.	SG: 98.1 MHz 70 dB μ Modulation : 100 % Stereo L or R : 1 kHz	Same as Step 8.		OUTPUT	Minimize distortion. (to less than -37dB) Tuning mode is AUTO.
10	Verification of sensitivity.	SG: 88.1/98.1/106.1 MHz Modulation : 100 % Monaural : 1 kHz	A-6: 88.1 MHz A-4: 98.1 MHz A-7: 106.1 MHz			S/N should be 30 dB at each frequency of 88.1 MHz, 98.1 MHz and 106.1 MHz. Check to ensure that the voltage at the ANT terminal is 6 dB μ or less.
11	Adjustment of separation.	SG: 98.1 MHz 70 dB μ Modulation : 100 % Stereo L or R : 1 kHz	Preset A-4: 98.1 MHz	VR4	OUTPUT	To more than 35 dB.
12	Adjustment of signal meter.	SG: 98.1 MHz 45 dB μ Modulation : 30 % Monaural : 1 kHz	Preset A-4: 98.1 MHz	VR3	Signal meter	Adjust so that signal meter is maximum at rating level.
13	Verification of all signal meter segments light off.	ANT input minimum.				Check to ensure that signal meter turn off.
14	Verification of AUTO TUNING.	SG: 98.1 MHz 23 dB μ Modulation : 30 % Stereo L or R : 1 kHz	Preset A-4: 98.1 MHz	Tuning knob		Automatic reception should be available when the tuning knob is UP and DOWN. Stereo indicator should be light. Audio muting should be applied during tuning.
15	Verification of AUTO PS (program service name)	SSG: Modulation: 1.6 % (1.2 kHz) SG: 98.1 MHz 40 dB μ Modulation : 100 % Monaural : 1 kHz	Preset A-4: 98.1 MHz			Confirm that the display automatically turn into the PS and PS indicator light on when tuned again.

<AM TUNER SECTION>

- To be adjusted after FM section adjustment.
- Use the specified dummy antenna for loop antenna.



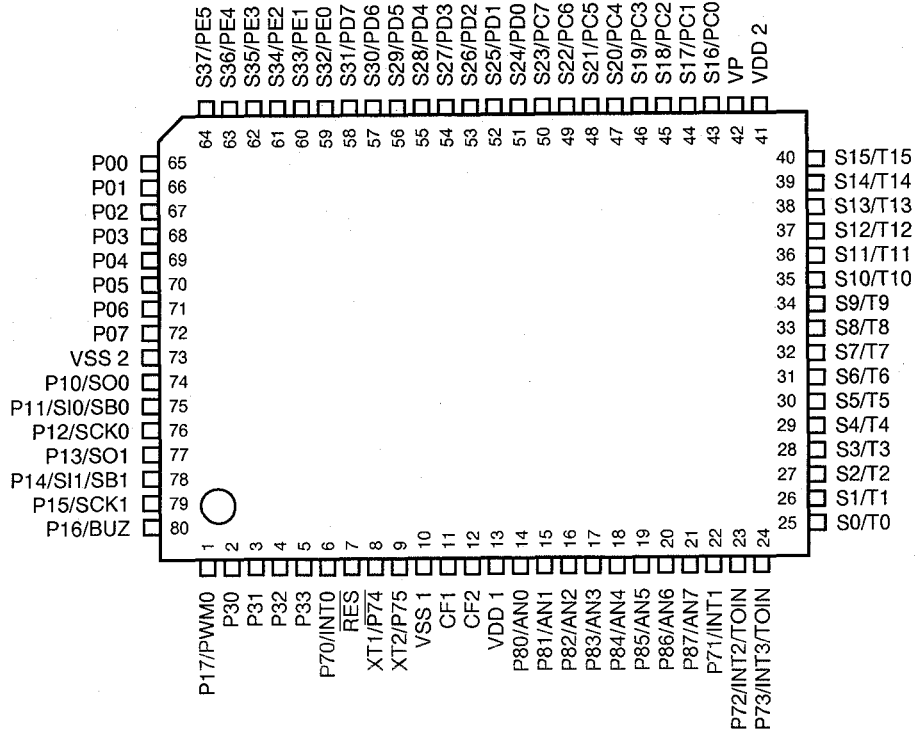
Step	Adjustment item	Signal (ANT IN)	Reception frequency	Adjusted point	Test point	Rating
1	Adjustment of sensitivity.	SG: 630 kHz 50 dBμ, 1 kHz, 30% modulation	Preset B-1: 630 kHz	L8	OUTPUT	Maximize detected signal output.
2	Verification of sensitivity.	SG: 630 kHz/1080 kHz/ 1440 kHz 50 dBμ, 1 kHz, 30% modulation	Preset B-1: 630 kHz B-2: 1080 kHz B-3: 1440 kHz			To be less than 54 dBμ.
3	Verification of signal meter.	SG: 1080 kHz 90 dBμ, 1 kHz, 30% modulation	Preset B-2: 1080 kHz			Check to ensure that all signal meters turn on.
		ANT input -10 dBμ or less				Check to ensure that all signal meters turn off.
4	Verification of auto tuning.	SG: 1080 kHz 60 dBμ, 1 kHz, 30% modulation	Preset B-2: 1080 kHz	Tuning knob		Automatic reception should be available when the tuning knob is UP and DOWN. Audio muting should be applied during tuning.

TX-590RDS

μ-COM DATA

IC4 : LC866420A
8 bit μ-COM

TX-590RDS

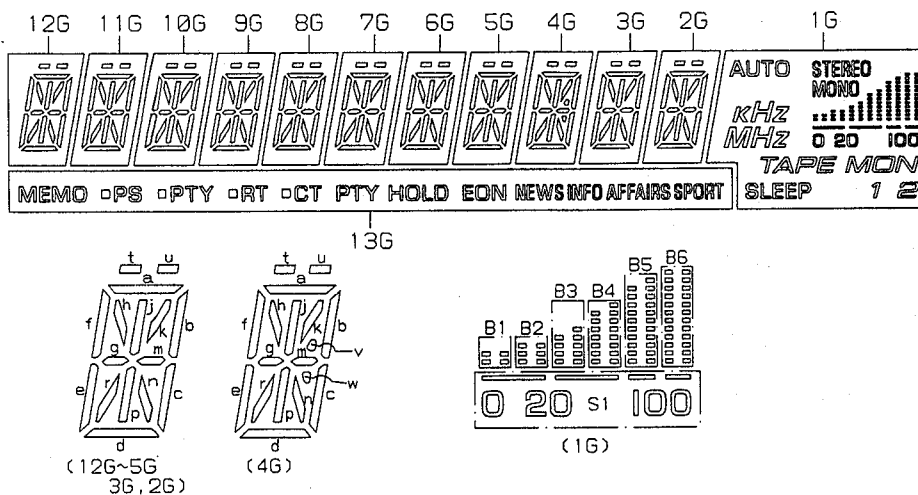


No.	Port	I/O	Name	Function	No.	Port	I/O	Name	Function
1	P17/PWM0	O	/TMUTE	Tuner mute	41	VDD2		VDD	+5V
2	P30	I	POWIN	Power state	42	VP		VDDVPP	-24V
3	P31	I	/PRTIN	Protection	43	S16/PC0	O	P1	FL segment 1
4	P32	I	MODEL 1	Model detect 1	44	S17/PC1	O	P2	FL segment 2
5	P33	I	MODEL 2	Model detect 2	45	S18/PC2	O	P3	FL segment 3
6	P70/INT0	I	/ST	STEREO (TUNER)	46	S19/PC3	O	P4	FL segment 4
7	/RES	I	/RESET	RESET	47	S20/PC4	O	P5	FL segment 5
8	/P74/XT1			N. C.	48	S21/PC5	O	P6	FL segment 6
9	P75/XT2			N. C.	49	S22/PC6	O	P7	FL segment 7
10	VSS1		VSS	GND	50	S23/PC7	O	P8	FL segment 8
11	CF1		CF1	6MHz	51	S24/PD0	O	P9	FL segment 9
12	CF2		CF2	6MHz	52	S25/PD1	O	P10	FL segment 10
13	VDD1		VDD	+5V	53	S26/PD2	O	P11	FL segment 11
14	P80/AN0	I	TUKIN1	Tuner key in 1 (A/D)	54	S27/PD3	O	P12	FL segment 12
15	P81/AN1	I	TUKIN2	Tuner key in 2 (A/D)	55	S28/PD4	O	P13	FL segment 13
16	P82/AN2	I	TUKIN3	Tuner key in 3 (A/D)	56	S29/PD5	O	P14	FL segment 14
17	P83/AN3	I	METER	Signal level in (A/D)	57	S30/PD6	O	P15	FL segment 15
18	P84/AN4	I	AMPKIN	Amp key in (A/D)	58	P31/PD7	O	P16	FL segment 16

• A/D KEY INPUT

No.	Name	KEY						
		1	2	3	4	5	6	7
14	KEYIN 1	P3	P4	P5	P6	P7	P8	—
15	KEYIN 2	TUNING MODE	EDIT	MEMORY	A/B/C/D/E	P1	P2	—
16	KEYIN 3	RDS MODE	PTY	START	EON	FM/AM	TUNING DOWN	TUNING UP
18	AMPIN	PHONO	CD	TUNER	AUX	TAPE 1	—	—

DISPLAY DATA (13-BT-140GK)



PIN CONNECTION

PIN NO.	1	2	3	4	5	6	7	8	9	10	11	12	13	14	15	16	17	18	19	20	21
CONNECTION	F1	F1	NP	NP	P16	P15	P14	P13	P12	P11	P10	P9	P8	P7	P6	P5	P4	P3	P2	P1	NX

PIN NO.	22	23	24	25	26	27	28	29	30	31	32	33	34	35	36	37	38	39	40	41
CONNECTION	NX	NX	NX	1G	2G	3G	4G	5G	6G	7G	8G	9G	10G	11G	12G	13G	NP	NP	F2	F2

NOTE:

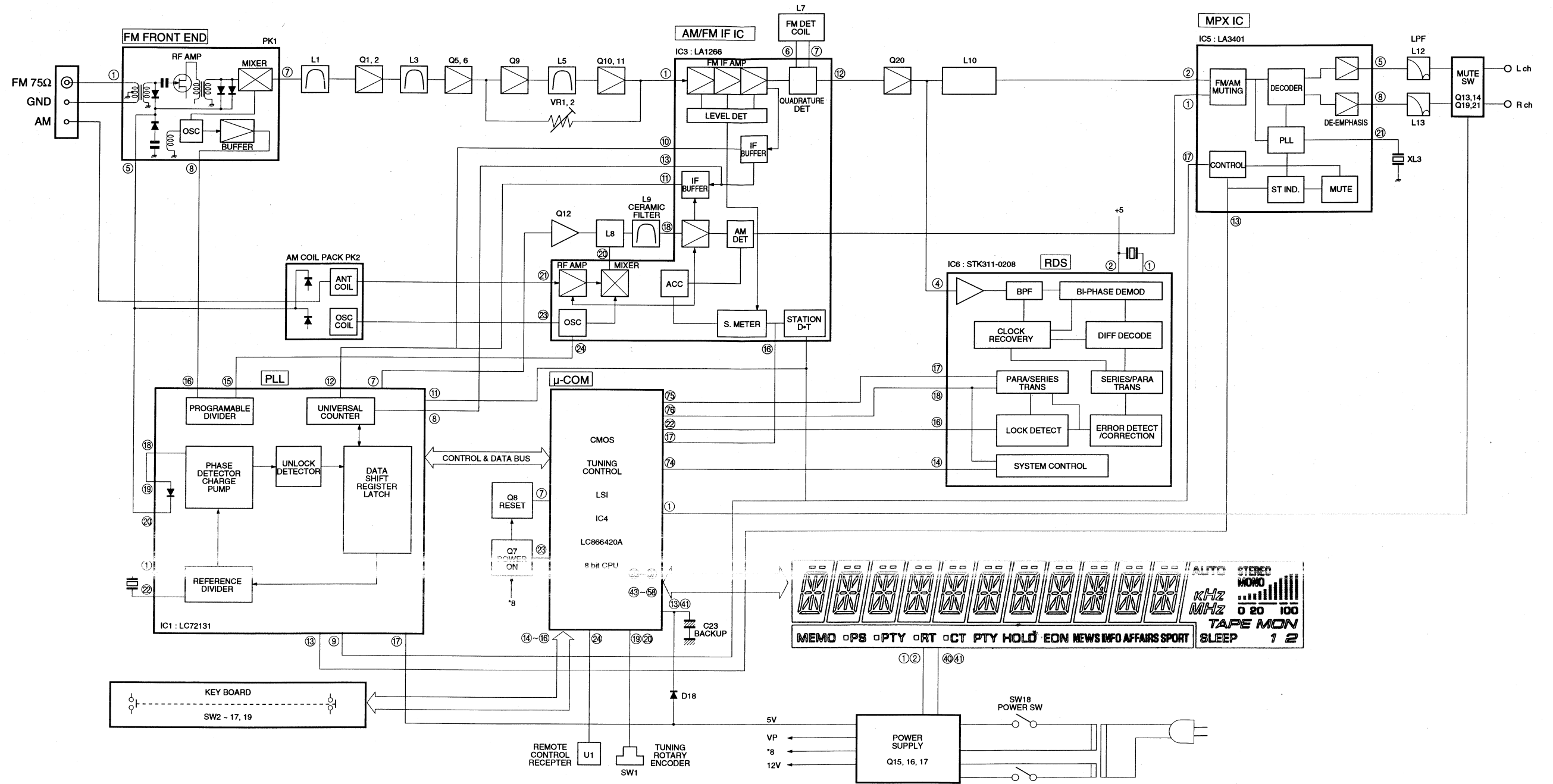
- 1) F1, F2 Filament
- 2) NP Np pin
- 3) NX No extend pin
- 4) NC No connection
- 5) DL Datum line
- 6) 1G~13G Grid

ANODE CONNECTION

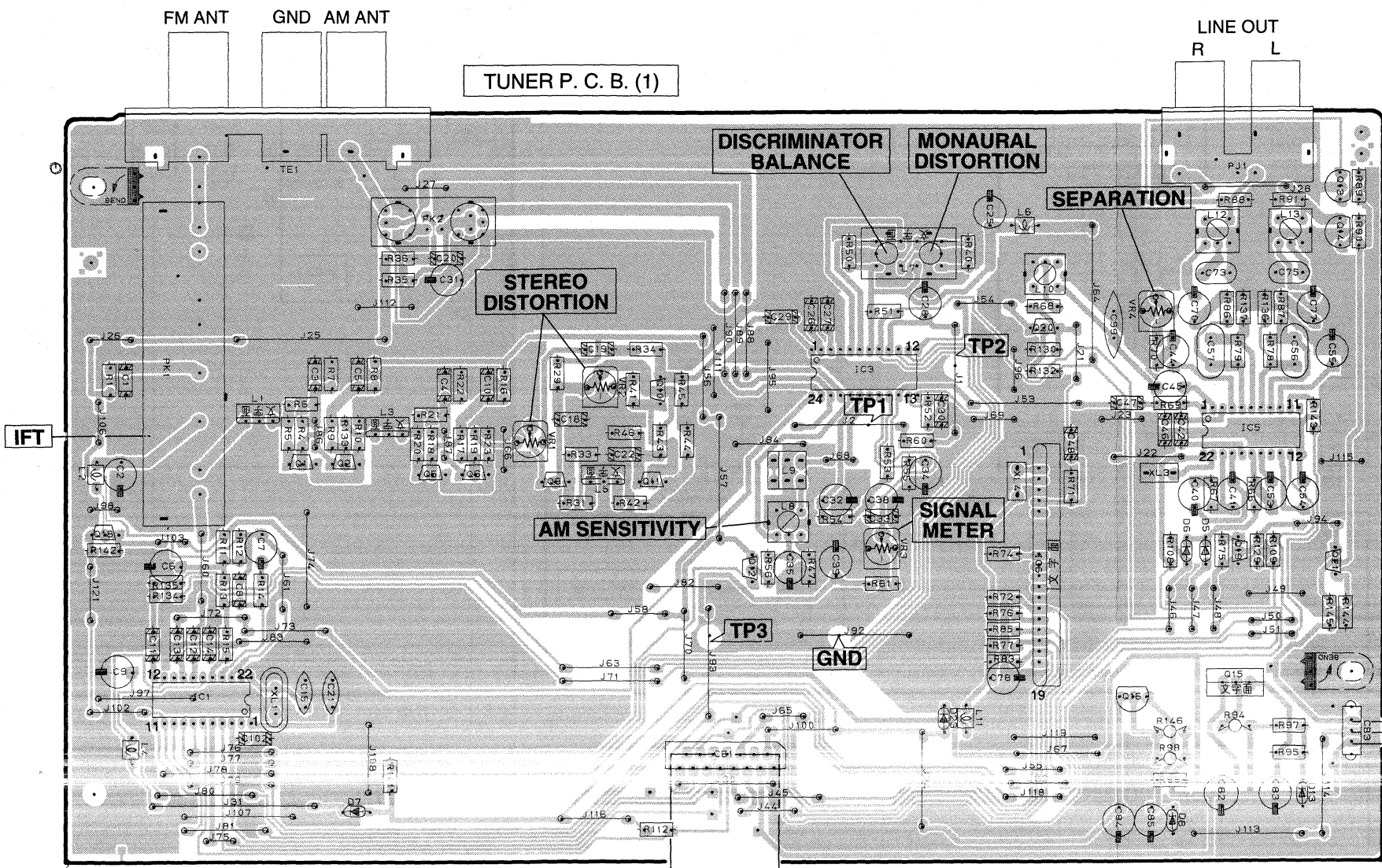
	13G	12G	11G	10G	9G	8G	7G	6G	5G	4G	3G	2G	1G
P1	SPORT	a	a	a	a	a	a	a	a	a	a	a	AUTO
P2	AFFAIRS	b	b	b	b	b	b	b	b	b	b	b	kHz
P3	INFO	c	c	c	c	c	c	c	c	c	c	c	MHz
P4	NEWS	d	d	d	d	d	d	d	d	d	d	d	STEREO
P5	EON	e	e	e	e	e	e	e	e	e	e	e	MONO
P6	PTY HOLD	f	f	f	f	f	f	f	f	f	f	f	B1
P7	CT	g	g	g	g	g	g	g	g	g	g	g	B2
P8	<input type="checkbox"/> (CT)	h	h	h	h	h	h	h	h	h	h	h	B3
P9	RT	j	j	j	j	j	j	j	j	j	j	j	B4
P10	<input type="checkbox"/> (RT)	k	k	k	k	k	k	k	k	k	k	k	B5
P11	PTY	m	m	m	m	m	m	m	m	m	m	m	B6
P12	<input type="checkbox"/> (PTY)	n	n	n	n	n	n	n	n	n	n	n	S1
P13	PS	p	p	p	p	p	p	p	p	p	p	p	TAPE MON
P14	<input type="checkbox"/> (PS)	r	r	r	r	r	r	r	r	r	r	r	1
P15	MEMO	t, u	t, u	t, u	t, u	t, u	t, u	t, u	t, u	t, u	t, u	t, u	2
P16	-	-	-	-	-	-	-	-	-	v, w	-	-	SLEEP

TX-590RDS

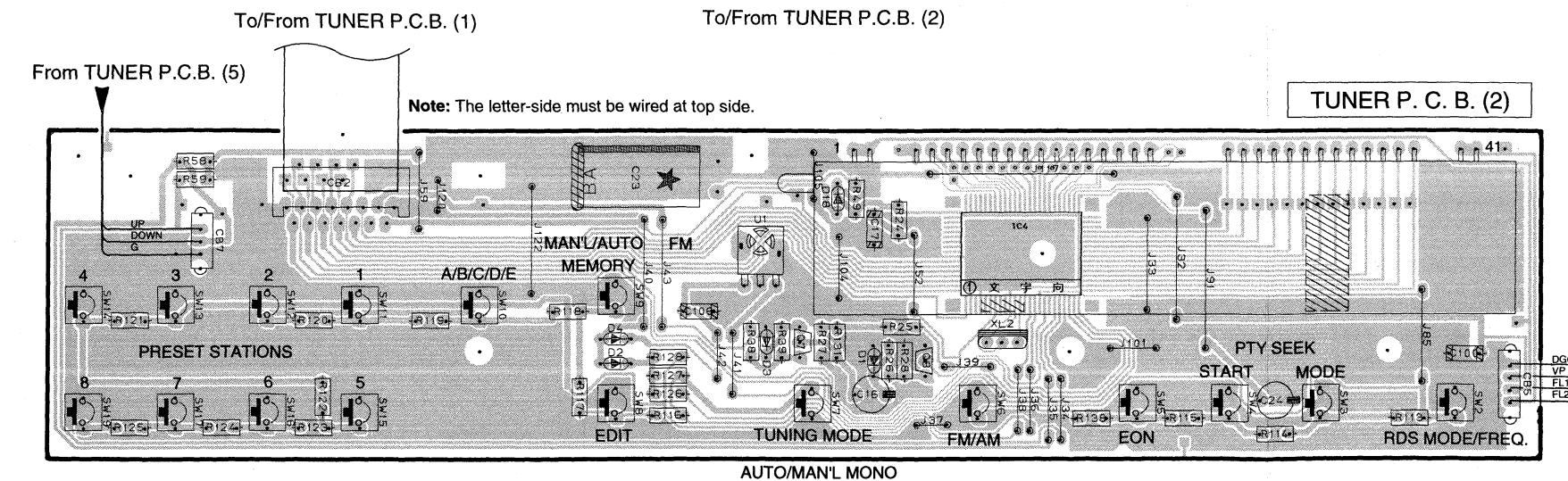
BLOCK DIAGRAM



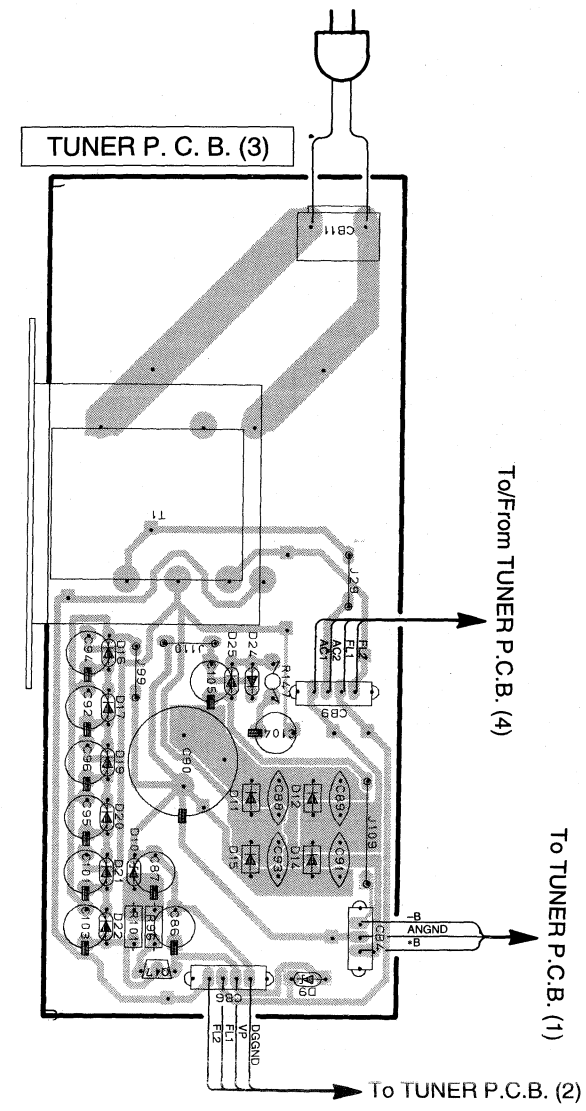
PRINTED CIRCUIT BOARD (Foil side)



Note: The letter-side must be wired at top side.



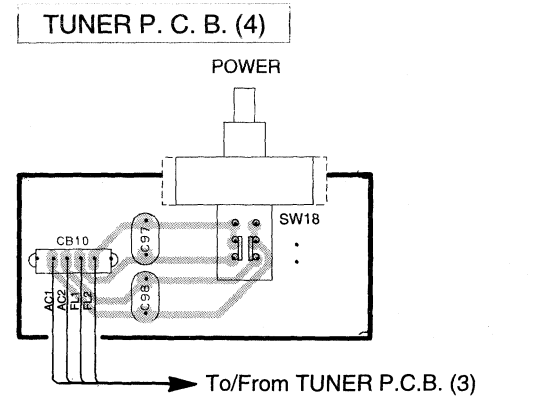
Note: The letter-side must be wired at top side.



From TUNER P.C.B. (3)

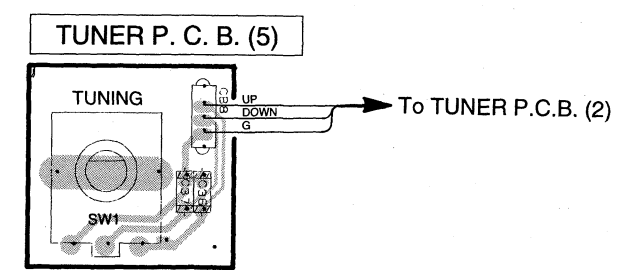
To/From TUNER P.C.B. (4)

To TUNER P.C.B. (1)



From TUNER P.C.B. (3)

To/From TUNER P.C.B. (3)



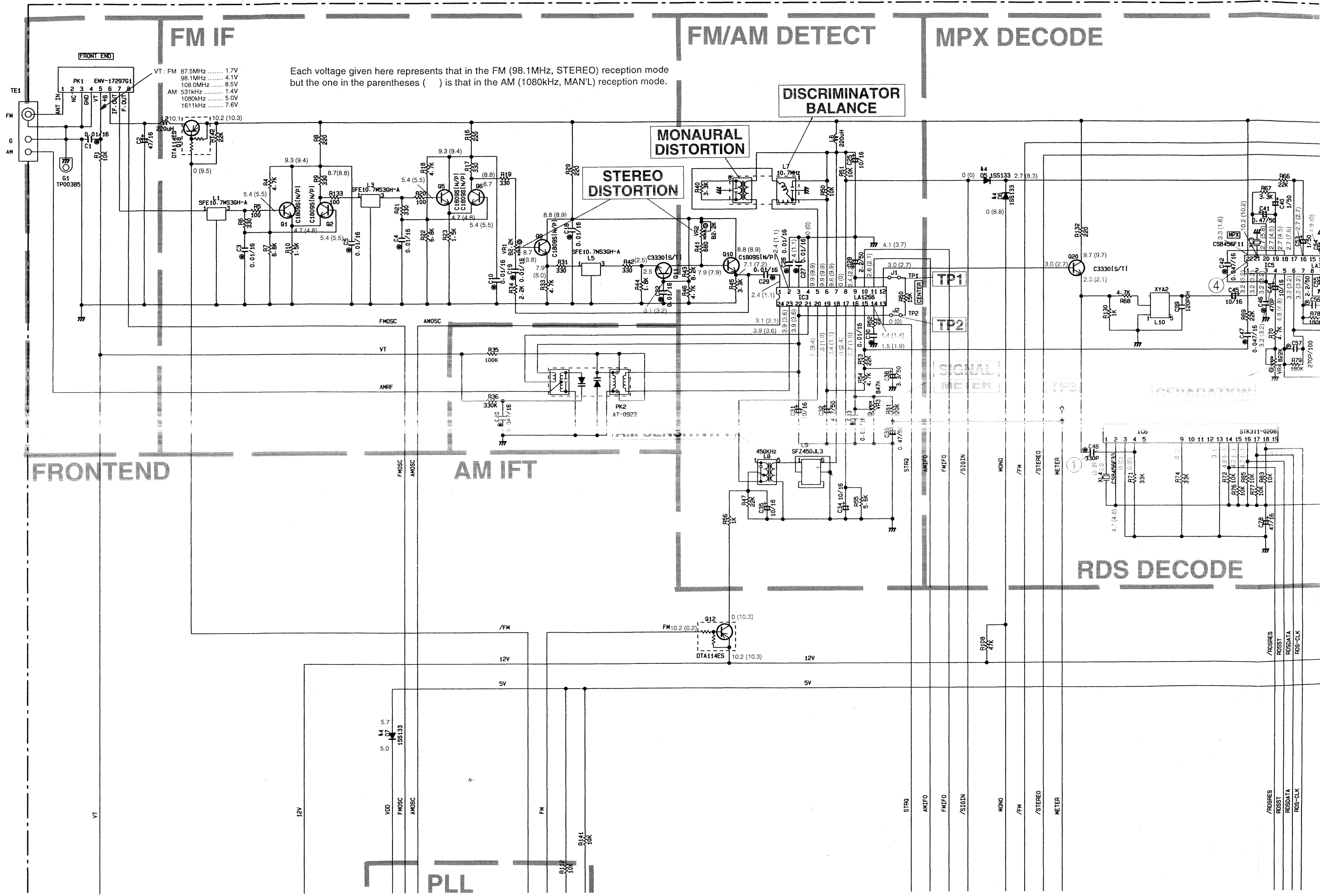
To TUNER P.C.B. (2)

• Semiconductor Location

Ref. No.	Location	Ref. No.	Location
IC1	A4	D1	C5
IC3	D2	D2	B5
IC4	D5	D3	C5
IC5	E3	D4	B5
IC6	D3	D5	E3
		D6	E3
		D7	B4
Q1	B3	D8	E4
Q2	B3	D9	G3
Q5	B3	D10	F3
Q6	B3	D11	F3
Q7	C5	D12	G3
Q8	C5	D13	E4
Q9	C3	D14	G3
Q10	C3	D15	F3
Q11	C3	D16	F2
Q12	C3	D17	F3
Q13	E2	D18	C5
Q14	E2	D19	F3
Q15	E4	D20	F3
Q16	E4	D21	F3
Q17	F3	D22	F3
Q18	A3	D23	D4
Q19	E3	D24	F3
Q20	D2	D25	F3
Q21	E3		

1
2
3
4
5
6
12

SCHEMATIC DIAGRAM



MPX DECODE

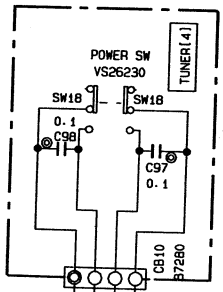
TUNER(1)

REMARKS	PARTS NAME	MARK
NO MARK	ELECTROLYTIC CAPACITOR	
⊗	TANTALUM CAPACITOR	⊗
NO MARK	CERAMIC CAPACITOR	
⊙	CERAMIC TUBULAR CAPACITOR	⊙
○	POLYESTER FILM CAPACITOR	○
○	POLYSTYRENE FILM CAPACITOR	○
⊖	MICA CAPACITOR	⊖
⊕	POLYPROPYLENE FILM CAPACITOR	⊕
●	SEMICONDUCTIVE CERAMIC CAPACITOR	●

REMARKS	PARTS NAME	MARK
NO MARK	CARBON FILM RESISTOR (P=5)	
⊠	CARBON FILM RESISTOR (P=10)	⊠
△	METAL OXIDE FILM RESISTOR	△
▲	METAL FILM RESISTOR	▲
⊞	METAL PLATE RESISTOR	⊞
⊞	FIRE PROOF CARBON FILM RESISTOR	⊞
⊞	CEMENT MOLDED RESISTOR	⊞
⊞	SEMI VARIABLE RESISTOR	⊞
■	CHIP RESISTOR	■

Interchangeable Parts at Manufacture-Stage

Mark	Reference Parts Number	Parts Name
⊠1	07.17-21	2SA933S(Q,R) 2SA1115(E,F) 2SA1309A(Q,R/S)
⊠2	08	2SC1740S(R,S) 2SC2603(E,F) 2SC331A(Q,R/S)
⊠3	016	2SC2061(P,Q/R) 2SD438(E,F)
⊠4	D1-2-4-7-16-25	1SS133 HSS104TD



LPF MUTE SW

PS

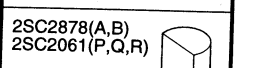
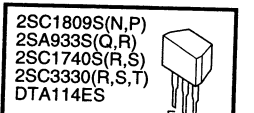
VOLTAGE REGULATOR

TUNER(3)

RDS DECODE

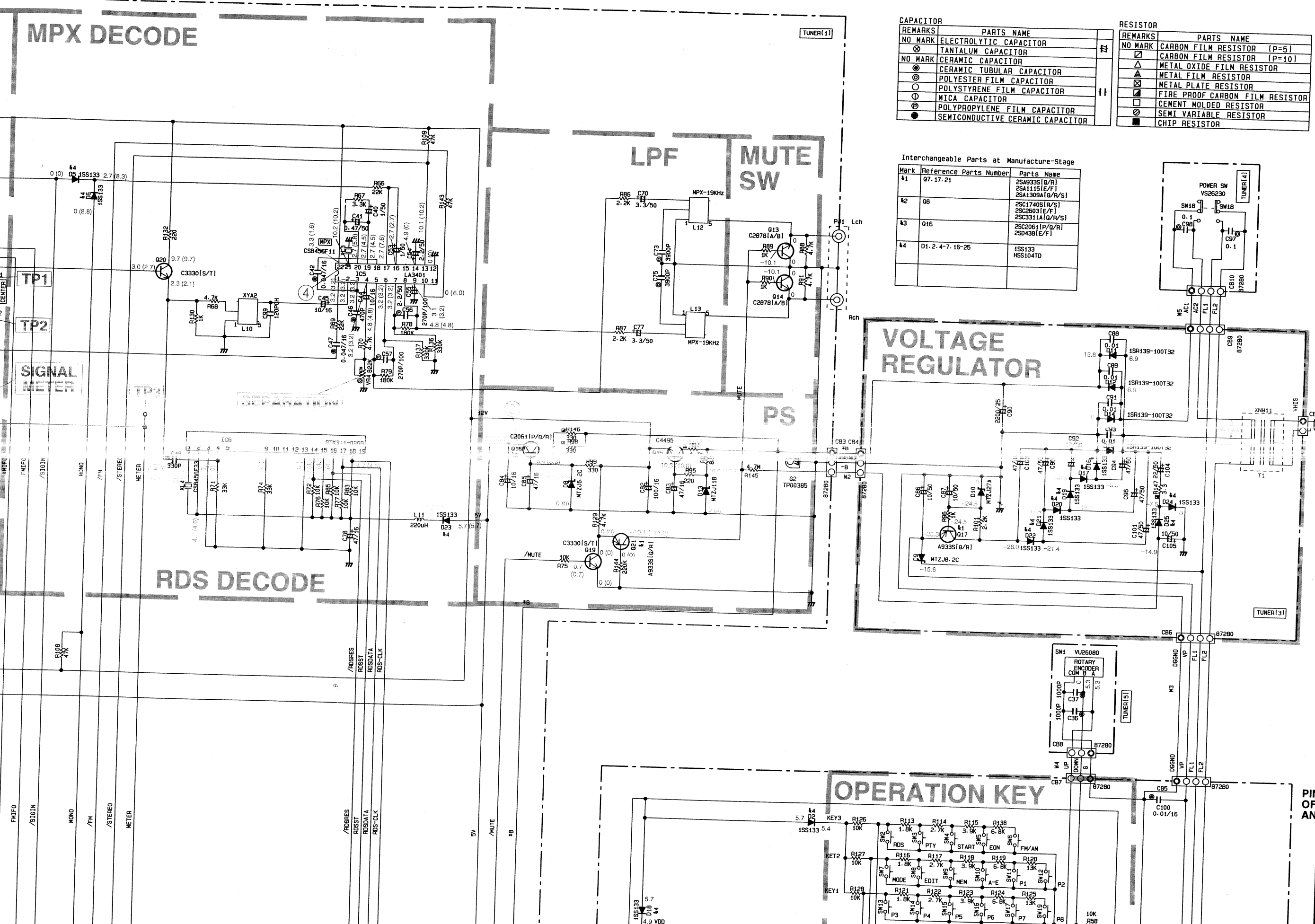
OPERATION KEY

PIN CONNECTION DIAGRAM OF TRANSISTORS, DIODES AND ICs.



2SC1809S(N,P)
2SA933S(Q,R)
2SC1740S(R,S,T)
2SC3330(R,S,T)
DTA114ES

2SC2878(A,B)
2SC2061(P,Q,R)



FM/FO
/SIGIN
MONO
/FM
/STEREO
METER

/RDSRES
RDSST
RDSDATA
RDS-CLK

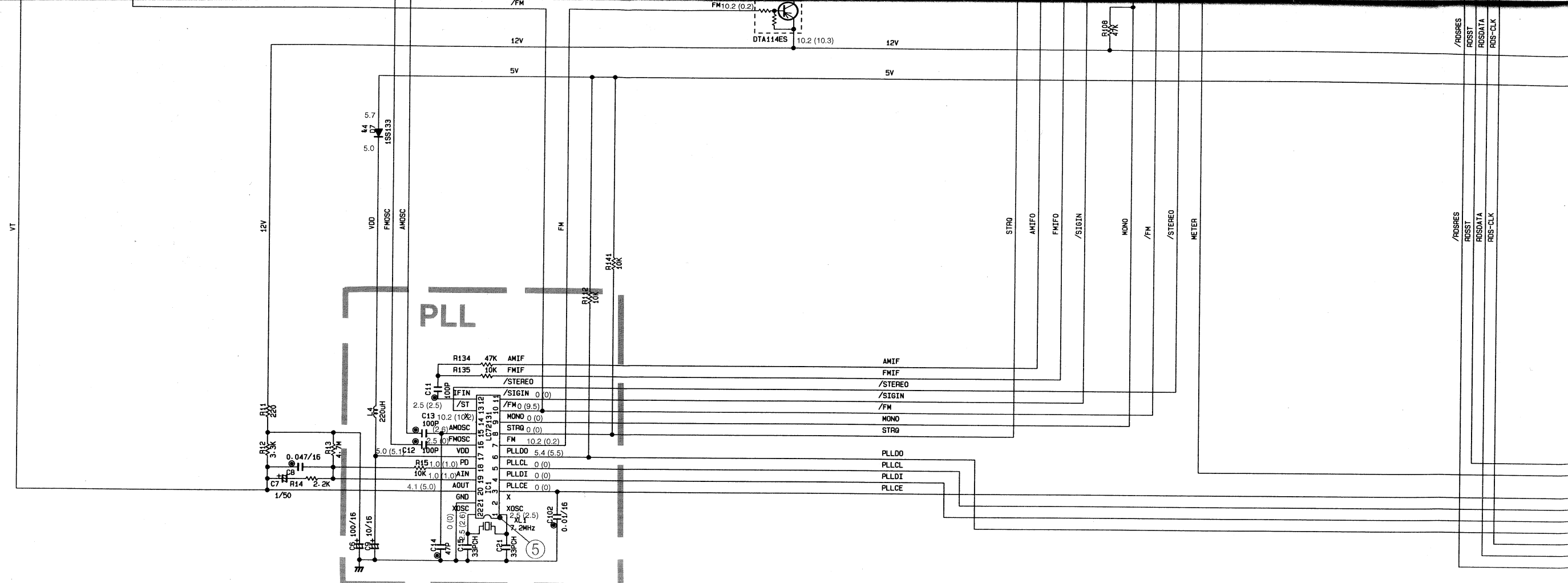
5V
/MUTE
*B

SW1 VU26080
ROTARY ENCODER COM B A
C37
C36
C38
C35
C34
C33
C32
C31
C30
C29
C28
C27
C26
C25
C24
C23
C22
C21
C20
C19
C18
C17
C16
C15
C14
C13
C12
C11
C10
C9
C8
C7
C6
C5
C4
C3
C2
C1

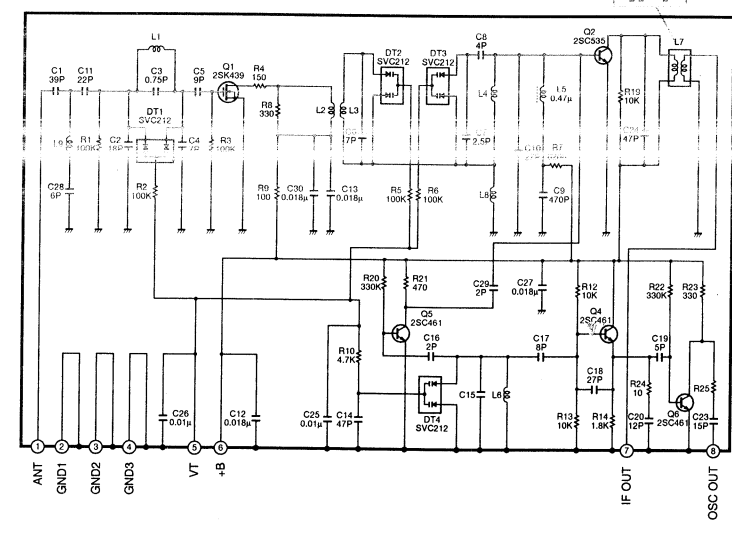
D66ND
VP
FL1
FL2

KEY3
KEY2
KEY1

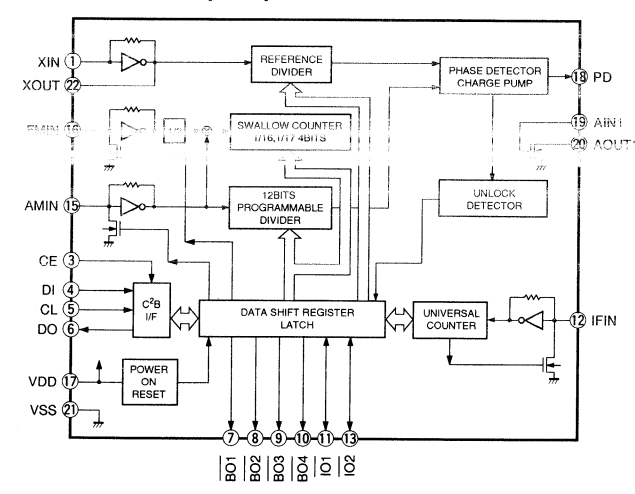
R126
R127
R128
R129
R130
R131
R132
R133
R134
R135
R136
R137
R138
R139
R140
R141
R142
R143
R144
R145
R146
R147
R148
R149
R150
R151
R152
R153
R154
R155
R156
R157
R158
R159
R160
R161
R162
R163
R164
R165
R166
R167
R168
R169
R170
R171
R172
R173
R174
R175
R176
R177
R178
R179
R180
R181
R182
R183
R184
R185
R186
R187
R188
R189
R190
R191
R192
R193
R194
R195
R196
R197
R198
R199
R200
R201
R202
R203
R204
R205
R206
R207
R208
R209
R210
R211
R212
R213
R214
R215
R216
R217
R218
R219
R220
R221
R222
R223
R224
R225
R226
R227
R228
R229
R230
R231
R232
R233
R234
R235
R236
R237
R238
R239
R240
R241
R242
R243
R244
R245
R246
R247
R248
R249
R250
R251
R252
R253
R254
R255
R256
R257
R258
R259
R260
R261
R262
R263
R264
R265
R266
R267
R268
R269
R270
R271
R272
R273
R274
R275
R276
R277
R278
R279
R280
R281
R282
R283
R284
R285
R286
R287
R288
R289
R290
R291
R292
R293
R294
R295
R296
R297
R298
R299
R300
R301
R302
R303
R304
R305
R306
R307
R308
R309
R310
R311
R312
R313
R314
R315
R316
R317
R318
R319
R320
R321
R322
R323
R324
R325
R326
R327
R328
R329
R330
R331
R332
R333
R334
R335
R336
R337
R338
R339
R340
R341
R342
R343
R344
R345
R346
R347
R348
R349
R350
R351
R352
R353
R354
R355
R356
R357
R358
R359
R360
R361
R362
R363
R364
R365
R366
R367
R368
R369
R370
R371
R372
R373
R374
R375
R376
R377
R378
R379
R380
R381
R382
R383
R384
R385
R386
R387
R388
R389
R390
R391
R392
R393
R394
R395
R396
R397
R398
R399
R400
R401
R402
R403
R404
R405
R406
R407
R408
R409
R410
R411
R412
R413
R414
R415
R416
R417
R418
R419
R420
R421
R422
R423
R424
R425
R426
R427
R428
R429
R430
R431
R432
R433
R434
R435
R436
R437
R438
R439
R440
R441
R442
R443
R444
R445
R446
R447
R448
R449
R450
R451
R452
R453
R454
R455
R456
R457
R458
R459
R460
R461
R462
R463
R464
R465
R466
R467
R468
R469
R470
R471
R472
R473
R474
R475
R476
R477
R478
R479
R480
R481
R482
R483
R484
R485
R486
R487
R488
R489
R490
R491
R492
R493
R494
R495
R496
R497
R498
R499
R500
R501
R502
R503
R504
R505
R506
R507
R508
R509
R510
R511
R512
R513
R514
R515
R516
R517
R518
R519
R520
R521
R522
R523
R524
R525
R526
R527
R528
R529
R530
R531
R532
R533
R534
R535
R536
R537
R538
R539
R540
R541
R542
R543
R544
R545
R546
R547
R548
R549
R550
R551
R552
R553
R554
R555
R556
R557
R558
R559
R560
R561
R562
R563
R564
R565
R566
R567
R568
R569
R570
R571
R572
R573
R574
R575
R576
R577
R578
R579
R580
R581
R582
R583
R584
R585
R586
R587
R588
R589
R590
R591
R592
R593
R594
R595
R596
R597
R598
R599
R600
R601
R602
R603
R604
R605
R606
R607
R608
R609
R610
R611
R612
R613
R614
R615
R616
R617
R618
R619
R620
R621
R622
R623
R624
R625
R626
R627
R628
R629
R630
R631
R632
R633
R634
R635
R636
R637
R638
R639
R640
R641
R642
R643
R644
R645
R646
R647
R648
R649
R650
R651
R652
R653
R654
R655
R656
R657
R658
R659
R660
R661
R662
R663
R664
R665
R666
R667
R668
R669
R670
R671
R672
R673
R674
R675
R676
R677
R678
R679
R680
R681
R682
R683
R684
R685
R686
R687
R688
R689
R690
R691
R692
R693
R694
R695
R696
R697
R698
R699
R700
R701
R702
R703
R704
R705
R706
R707
R708
R709
R710
R711
R712
R713
R714
R715
R716
R717
R718
R719
R720
R721
R722
R723
R724
R725
R726
R727
R728
R729
R730
R731
R732
R733
R734
R735
R736
R737
R738
R739
R740
R741
R742
R743
R744
R745
R746
R747
R748
R749
R750
R751
R752
R753
R754
R755
R756
R757
R758
R759
R760
R761
R762
R763
R764
R765
R766
R767
R768
R769
R770
R771
R772
R773
R774
R775
R776
R777
R778
R779
R780
R781
R782
R783
R784
R785
R786
R787
R788
R789
R790
R791
R792
R793
R794
R795
R796
R797
R798
R799
R800
R801
R802
R803
R804
R805
R806
R807
R808
R809
R810
R811
R812
R813
R814
R815
R816
R817
R818
R819
R820
R821
R822
R823
R824
R825
R826
R827
R828
R829
R830
R831
R832
R833
R834
R835
R836
R837
R838
R839
R840
R841
R842
R843
R844
R845
R846
R847
R848
R849
R850
R851
R852
R853
R854
R855
R856
R857
R858
R859
R860
R861
R862
R863
R864
R865
R866
R867
R868
R869
R870
R871
R872
R873
R874
R875
R876
R877
R878
R879
R880
R881
R882
R883
R884
R885
R886
R887
R888
R889
R890
R891
R892
R893
R894
R895
R896
R897
R898
R899
R900
R901
R902
R903
R904
R905
R906
R907
R908
R909
R910
R911
R912
R913
R914
R915
R916
R917
R918
R919
R920
R921
R922
R923
R924
R925
R926
R927
R928
R929
R930
R931
R932
R933
R934
R935
R936
R937
R938
R939
R940
R941
R942
R943
R944
R945
R946
R947
R948
R949
R950
R951
R952
R953
R954
R955
R956
R957
R958
R959
R960
R961
R962
R963
R964
R965
R966
R967
R968
R969
R970
R971
R972
R973
R974
R975
R976
R977
R978
R979
R980
R981
R982
R983
R984
R985
R986
R987
R988
R989
R990
R991
R992
R993
R994
R995
R996
R997
R998
R999
R1000



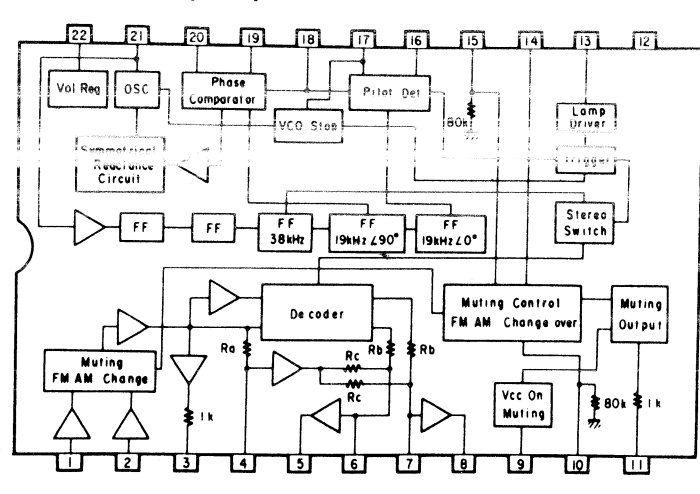
PK1 : ENV-1729G1 (VQ987600)



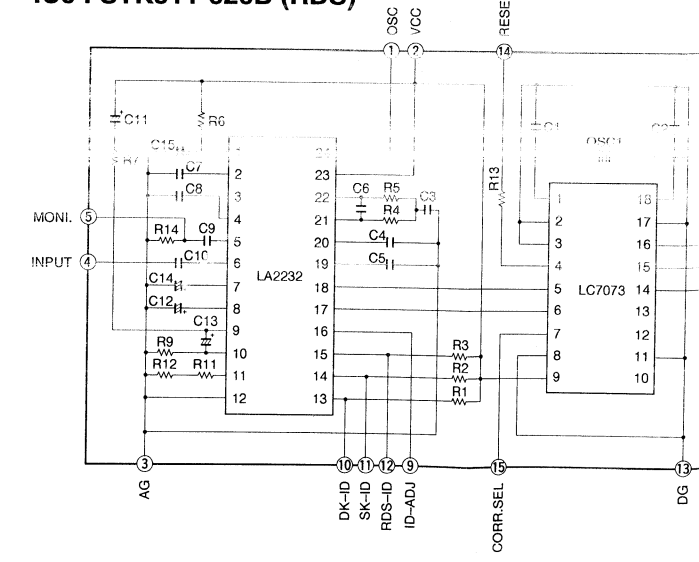
IC1 : LC72131 (PLL)



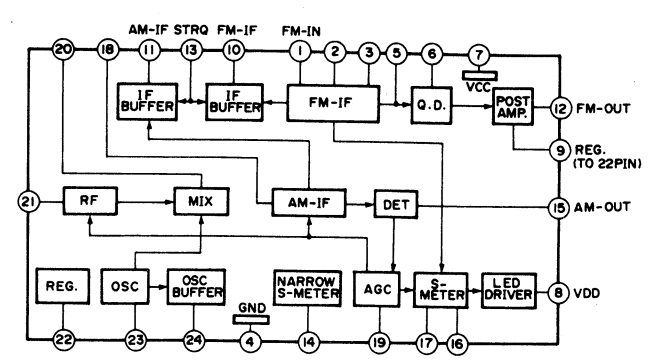
IC5 : LA3401 (MPX)



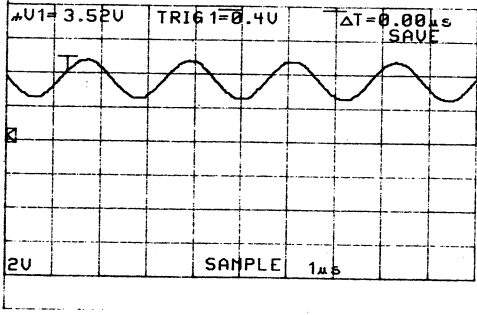
IC6 : STK311-020B (RDS)



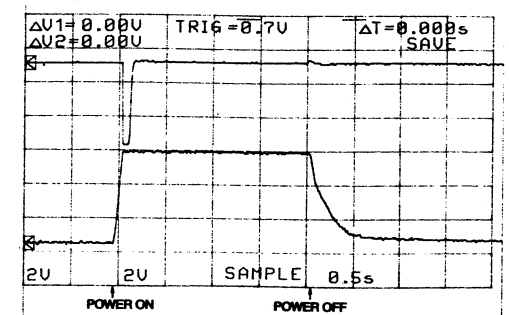
IC3 : LA1266 (AM/FM IF)



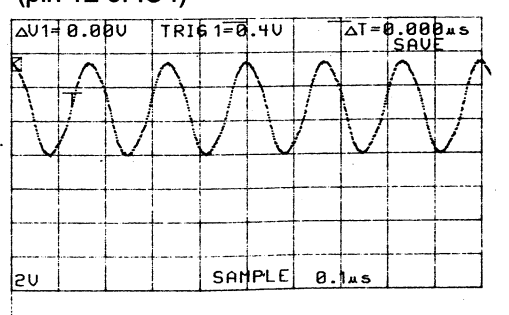
Point ① (pin 1 of IC6)



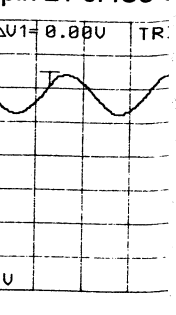
Point ② (pin 7 of IC4 and Emitter of Q16)

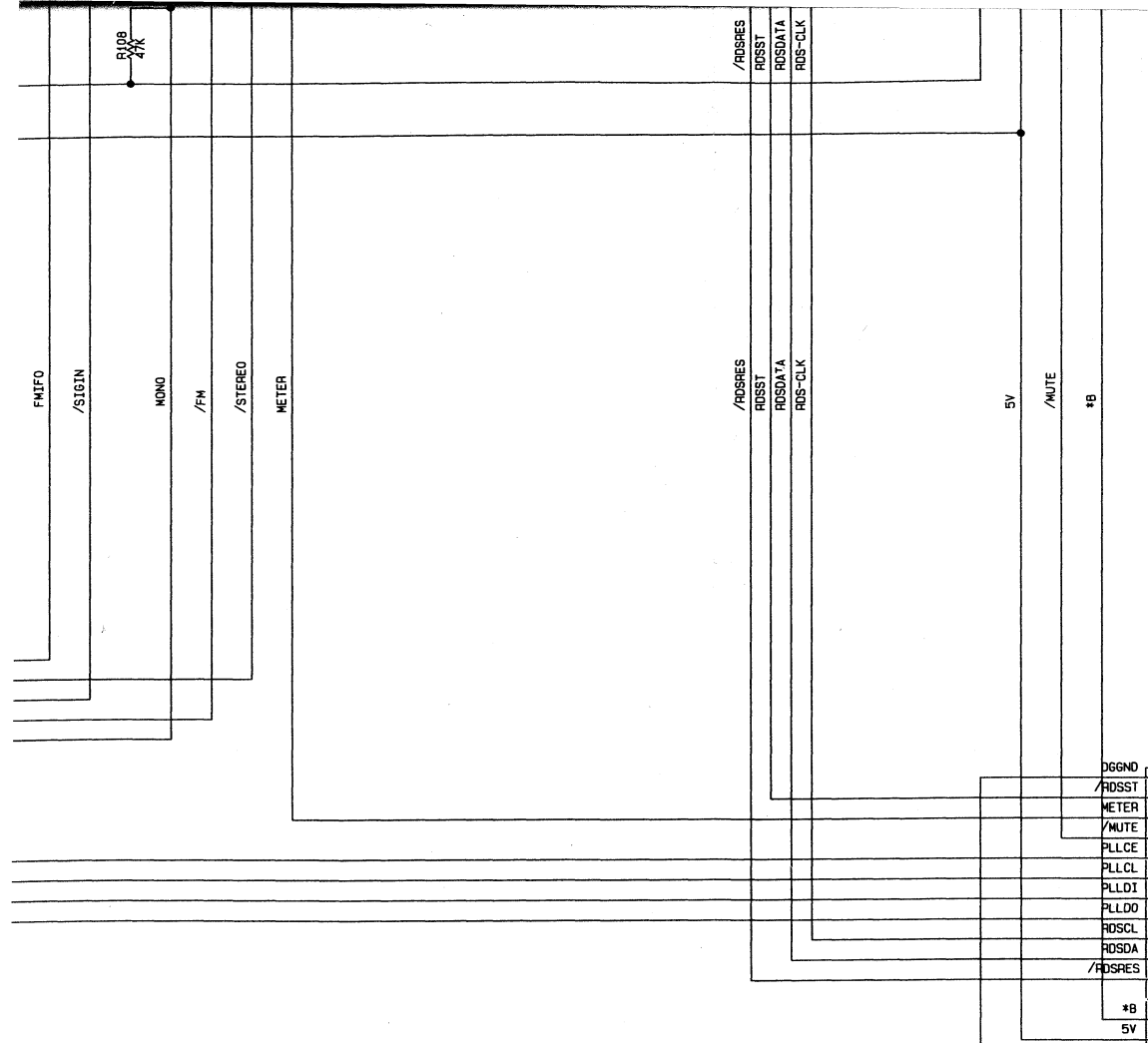


Point ③ (pin 12 of IC4)

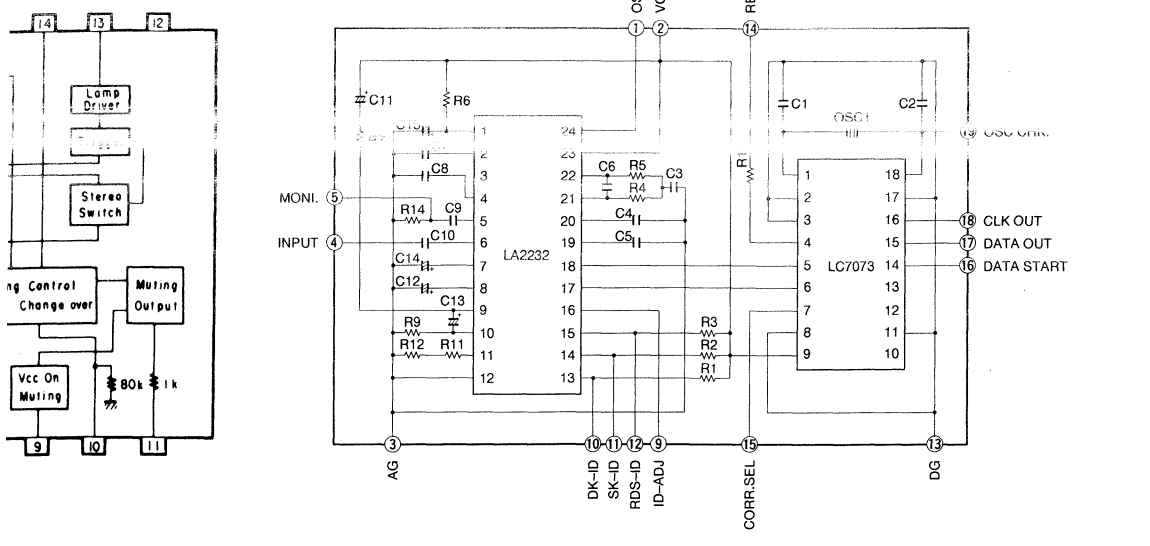


Point ④ (pin 21 of IC5)

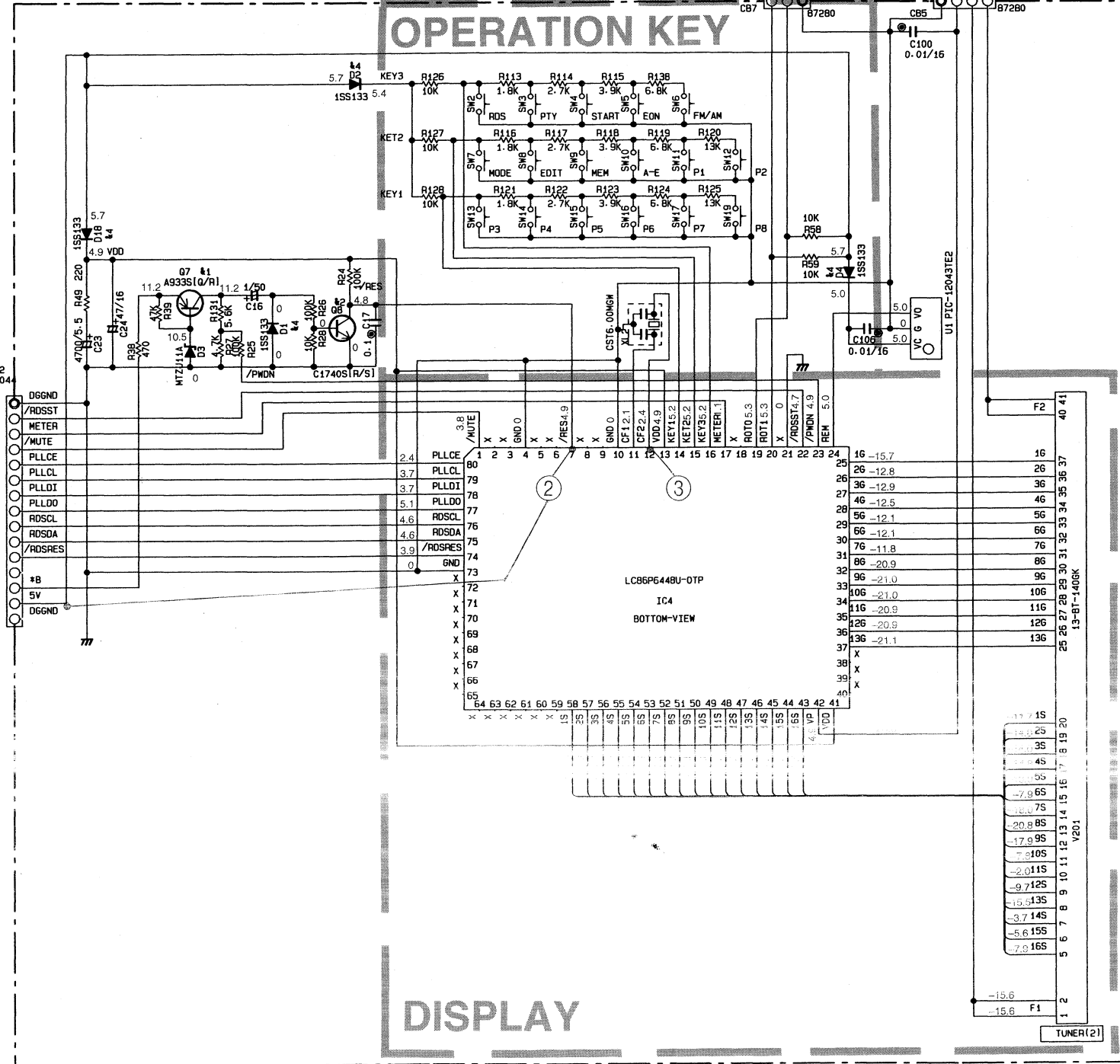




IC6 : STK311-020B (RDS)

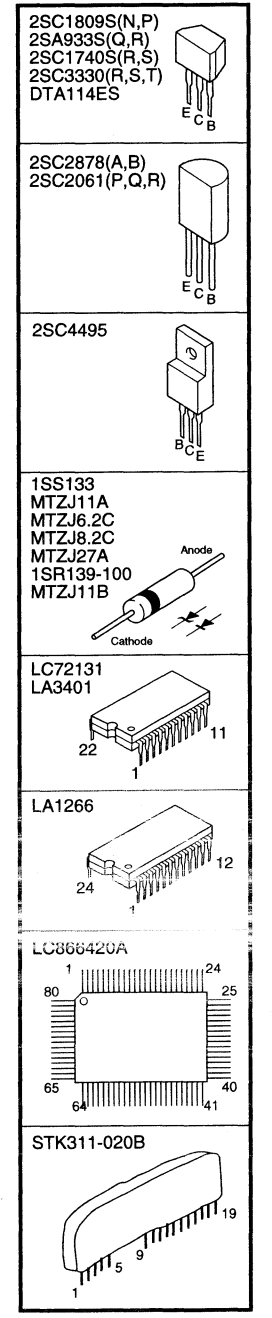


OPERATION KEY

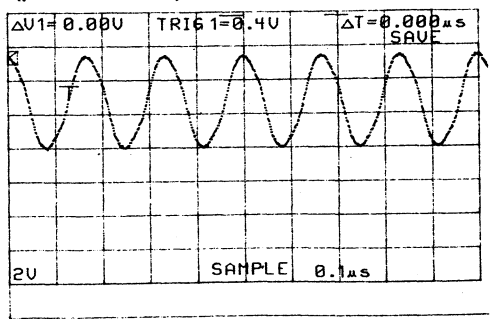


DISPLAY

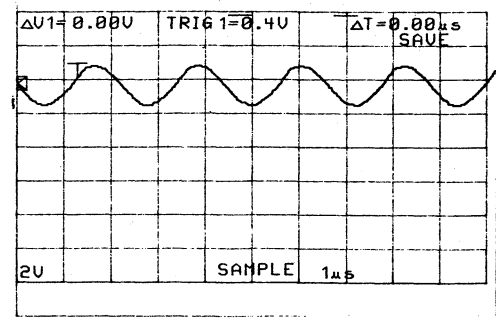
PIN CONNECTION DIAGRAM OF TRANSISTORS, DIODES AND ICs.



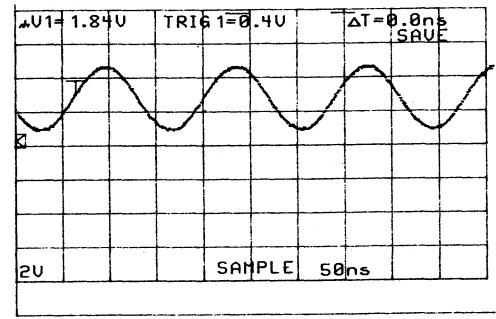
Point ③ (pin 12 of IC4)



Point ④ (pin 21 of IC5 at FM receiving)



Point ⑤ (pin 1 of IC1)



- * All voltage are measured with a 10MΩ/DC electric volt meter.
- * Components having special characteristics are marked Δ and must be replaced with parts having specifications equal to those originally installed.
- * Schematic diagram is subject to change without notice.

PARTS LIST

ELECTRICAL PARTS

WARNING

Components having special characteristics are marked Δ and must be replaced with parts having specifications equal to those originally installed.

- Carbon resistors (1/6W or 1/4W) are not included in the ELECTRICAL PARTS List. For the parts No. of the carbon resistors, refer to last page.

ABBREVIATIONS IN THIS LIST ARE AS FOLLOWS:

C.A.EL.CHP	: CHIP ALUMI.ELECTROLYTIC CAP	L.EMIT	: LIGHT EMITTING MODULE
C.CE	: CERAMIC CAP	LED.DSPLY	: LED DISPLAY
C.CE.ARRAY	: CERAMIC CAP ARRAY	LED.INFRD	: LED,INFRARED
C.CE.CHP	: CHIP CERAMIC CAP	MODUL.RF	: MODULATOR,RF
C.CE.ML	: MULTILAYER CERAMIC CAP	PHOT.CPL	: PHOTO COUPLER
C.CE.M.CHP	: CHIP MULTILAYER CERAMIC CAP	PHOT.INTR	: PHOTO INTERRUPTER
C.CE.SAFTY	: RECOGNIZED CERAMIC CAP	PHOT.RFLCT	: PHOTO REFLECTOR
C.CE.TUBLR	: CERAMIC TUBULAR CAP	PIN.TEST	: PIN,TEST POINT
C.CE.SMI	: SEMI CONDUCTIVE CERAMIC CAP	PLST.RIVET	: PLASTIC RIVET
C.EL	: ELECTROLYTIC CAP	R.ARRAY	: RESISTOR ARRAY
C.MICA	: MICA CAP	R.CAR.	: CARBON RESISTOR
C.ML.FLM	: MULTILAYER FILM CAP	R.CAR.CHP	: CHIPRESISTOR
C.MP	: METALLIZED PAPER CAP	R.CAR.FP	: FLAME PROOF CARBON RESISTOR
C.MYLAR	: MYLAR FILM CAP	R.FUS	: FUSABLE RESISTOR
C.MYLAR.ML	: MULTILAYER MYLAR FILM CAP	R.MTL.CHP	: CHIP METAL FILM RESISTOR
C.PAPER	: PAPER CAPACITOR	R.MTL.FLM	: METAL FILM RESISTOR
C.PLS	: POLYSTYRENE FILM CAP	R.MTL.OXD	: METAL OXIDE FILM RESISTOR
C.POL	: POLYESTER FILM CAP	R.MTL.PLAT	: METAL PLATE RESISTOR
C.POLY	: POLYETHYLENE FILM CAP	RSNR.CE	: CERAMIC RESONATOR
C.PP	: POLYPROPYLENE FILM CAP	RSNR.CRYS	: CRYSTAL RESONATOR
C.TNTL	: TANTALUM CAP	R.TW.CEM	: TWIN CEMENT FIXED RESISTOR
C.TNTL.CHP	: CHIP TANTALUM CAP	R.WW	: WIRE WOUND RESISTOR
C.TRIM	: TRIMMER CAP	SCR.BND.HD	: BIND HEAD B-TITE SCREW
CN	: CONNECTOR	SCR.BW.HD	: BW HEAD TAPPING SCREW
CN.BS.PIN	: CONNECTOR,BASE PIN	SCR.CUP	: CUP TITE SCREW
CN.CANNON	: CONNECTOR,CANNON	SCR.TERM	: SCREW TERMINAL
CN.DIN	: CONNECTOR,DIN	SCR.TR	: SCREW,TRANSISTOR
CN.FLAT	: CONNECTOR,FLAT CABLE	SUPRT.PCB	: SUPPORT,P.C.B.
CN.POST	: CONNECTOR,BASE POST	SURG.PRTCT	: SURGE PROTECTOR
COIL.MX.AM	: COIL,AM MIX	SW.TACT	: TACT SWITCH
COIL.AT.FM	: COIL,FM ANTENNA	SW.LEAF	: LEAF SWITCH
COIL.DT.FM	: COIL,FM DETECT	SW.LEVER	: LEVER SWITCH
COIL.MX.FM	: COIL,FM MIX	SW.MICRO	: MICRO SWITCH
COIL.OUTPT	: OUTPUT COIL	SW.PUSH	: PUSH SWITCH
DIOD.ARRAY	: DIODE ARRAY	SW.RT.ENC	: ROTARY ENCODER
DIODE.BRG	: DIODE BRIDGE	SW.RT.MTR	: ROTARY SWITCH WITH MOTOR
DIODE.CHP	: CHIP DIODE	SW.RT	: ROTARY SWITCH
DIODE.VAR	: VARACTOR DIODE	SW.SLIDE	: SLIDE SWITCH
DIOD.Z.CHP	: CHIP ZENER DIODE	TERM.SP	: SPEAKER TERMINAL
DIODE.ZENR	: ZENER DIODE	TERM.WRAP	: WRAPPING TERMINAL
DSCR.CE	: CERAMIC DISCRIMINATOR	THRMST.CHP	: CHIP THERMISTOR
FER.BEAD	: FERRITE BEADS	TR.CHP	: CHIP TRANSISTOR
FER.CORE	: FERRITE CORE	TR.DGT	: DIGITAL TRANSISTOR
FET.CHP	: CHIP FET	TR.DGT.CHP	: CHIP DIGITAL TRANSISTOR
FL.DSPLY	: FLUORESCENT DISPLAY	TRANS	: TRANSFORMER
FLTR.CE	: CERAMIC FILTER	TRANS.PULS	: PULSE TRANSFORMER
FLTR.COMB	: COMB FILTER MODULE	TRANS.PWR	: POWERTRANSFORMER ASS'Y
FLTR.LC.RF	: LC FILTER,EMI	TUNER.AM	: TUNER PACK,AM
GND.MTL	: GROUND PLATE	TUNER.FM	: TUNER PACK,FM
GND.TERM	: GROUND TERMINAL	TUNER.PK	: FRONT-ENDTUNER PACK
HOLDER.FUS	: FUSE HOLDER	VR	: ROTARY POTENTIOMETER
IC.PRTCT	: IC PROTECTOR	VR.MTR	: POTENTIOMETER WITH MOTOR
JUMPER.CN	: JUMPER CONNECTOR	VR.SW	: POTENTIOMETER WITH ROTARY SW
JUMPER.TST	: JUMPER,TEST POINT	VR.SLIDE	: SLIDEPOTENTIOMETER
L.DTCT	: LIGHT DETECTING MODULE	VR.TRIM	: TRIMMER POTENTIOMETER

Note) Those parts marked with "#" are not included in the P.C.B. ass'y.

TUNER P. C. B.

Schm Ref.	PART NO.	Description		
*	VU228400	P. C. B.	TUNER	
CB1	VM859600	CN. BS. PIN	15P	
CB2	VM929900	CN. BS. PIN	15P	
CB3	VR580900	CN. BS. PIN	3P	
CB4	VR580900	CN. BS. PIN	3P	
CB5	VR581000	CN. BS. PIN	4P	
CB6	VR581000	CN. BS. PIN	4P	
CB7	VR580900	CN. BS. PIN	3P	
CB8	VR580900	CN. BS. PIN	3P	
CB9	VR581000	CN. BS. PIN	4P	
CB10	VR581000	CN. BS. PIN	4P	
CB11	VG879900	CN. BS. PIN	2P	
C1	VF467300	C. CE. TUBLR	0. 01uF	16V
C2	VJ837200	C. EL	47uF	16V
C3	VF467300	C. CE. TUBLR	0. 01uF	16V
C4	VF467300	C. CE. TUBLR	0. 01uF	16V
C5	VF467300	C. CE. TUBLR	0. 01uF	16V
C6	VJ836900	C. EL	10uF	16V
C7	VJ839100	C. EL	1uF	50V
C8	VJ599000	C. CE. TUBLR	0. 047uF	16V
C9	VJ836900	C. EL	10uF	16V
C10	VF467300	C. CE. TUBLR	0. 01uF	16V
C11	VF466800	C. CE. TUBLR	100pF	50V
C12	VF466800	C. CE. TUBLR	100pF	50V
C13	VF466800	C. CE. TUBLR	100pF	50V
C14	VF466700	C. CE. TUBLR	47pF	50V
C15	VA761200	C. CE	33pF	50V
C16	VJ839100	C. EL	1uF	50V
C17	VH053100	C. CE. TUBLR	0. 1uF	50V
C18	VF467300	C. CE. TUBLR	0. 01uF	16V
C19	VF467300	C. CE. TUBLR	0. 01uF	16V
C20	VJ599000	C. CE. TUBLR	0. 047uF	16V
C21	VA761200	C. CE	33pF	50V
C22	VF467300	C. CE. TUBLR	0. 01uF	16V
C23	VS672200	C. EL	4700uF	5. 5V
C24	VJ837200	C. EL	47uF	16V
C25	VJ836900	C. EL	10uF	16V
C26	VF467300	C. CE. TUBLR	0. 01uF	16V
C27	VF467300	C. CE. TUBLR	0. 01uF	16V
C28	VJ839200	C. EL	2. 2uF	50V
C29	VF467300	C. CE. TUBLR	0. 01uF	16V
C30	VF467300	C. CE. TUBLR	0. 01uF	16V
C31	VJ836900	C. EL	10uF	16V
C32	UM416470	C. EL	4. 7uF	50V
C33	VF467300	C. CE. TUBLR	0. 01uF	16V
C34	VJ836900	C. EL	10uF	16V
C35	VJ836900	C. EL	10uF	16V
C36	VF467000	C. CE. TUBLR	1000pF	50V
C37	VF467000	C. CE. TUBLR	1000pF	50V
C38	UM216330	C. EL	3. 3uF	50V
C39	VJ839000	C. EL	0. 47uF	50V
C40	VJ839100	C. EL	1uF	50V
C41	VJ839000	C. EL	0. 47uF	50V

* New Parts

Schm Ref.	PART NO.	Description		
C42	VJ599000	C. CE. TUBLR	0. 047uF	16V
C44	VJ836900	C. EL	10uF	16V
C45	VJ836900	C. EL	10uF	16V
C46	VF466900	C. CE. TUBLR	470pF	50V
C47	VJ599000	C. CE. TUBLR	0. 047uF	16V
C48	VG278600	C. CE. TUBLR	330pF	50V
C53	VJ839100	C. EL	1uF	50V
C54	VJ839200	C. EL	2. 2uF	50V
C55	VJ839200	C. EL	2. 2uF	50V
C56	UT452270	C. PP	270pF	100V
C57	UT452270	C. PP	270pF	100V
C70	UM216330	C. EL	3. 3uF	50V
C73	UA653390	C. MYLAR	3900pF	50V
C75	UA653390	C. MYLAR	3900pF	50V
C77	UM216330	C. EL	3. 3uF	50V
C78	VJ837200	C. EL	47uF	16V
C82	VF964800	C. EL	100uF	16V
C83	VJ837200	C. EL	47uF	16V
C84	VJ836900	C. EL	10uF	16V
C85	VJ837200	C. EL	47uF	16V
C86	UM417100	C. EL	10uF	50V
C87	UM417100	C. EL	10uF	50V
C88	UG444100	C. CE	0. 01uF	50V
C89	UG444100	C. CE	0. 01uF	50V
C90	UJ649220	C. EL	2200uF	25V
C91	UG444100	C. CE	0. 01uF	50V
C92	UJ667470	C. EL	47uF	50V
C93	UG444100	C. CE	0. 01uF	50V
C94	UJ667470	C. EL	47uF	50V
C95	UJ667470	C. EL	47uF	50V
C96	UJ667470	C. EL	47uF	50V
C97	VR168300	C. MYLAR. ML	ECQ-V1H104JL3	
C98	VR168300	C. MYLAR. ML	ECQ-V1H104JL3	
C99	VA777400	C. CE	120pF	50V
C100	VF467300	C. CE. TUBLR	0. 01uF	16V
C101	UJ667470	C. EL	47uF	50V
C102	VF467300	C. CE. TUBLR	0. 01uF	16V
C103	UJ667470	C. EL	47uF	50V
C104	Ui367220	C. EL	22uF	50V
C105	UM417100	C. EL	10uF	50V
C106	VF467300	C. CE. TUBLR	0. 01uF	16V
D1	iF004600	DIODE	1SS133	
D2	iF004600	DIODE	1SS133	
D3	VG439800	DIODE. ZENR	MTZJ11A	11V
D4	iF004600	DIODE	1SS133	
D5	iF004600	DIODE	1SS133	
D6	iF004600	DIODE	1SS133	
D7	iF004600	DIODE	1SS133	
D8	VG438100	DIODE. ZENR	MTZJ6. 2C	6. 2V
D9	VG439000	DIODE. ZENR	MTZJ8. 2C	8. 2V
D10	VG442800	DIODE. ZENR	MTZJ27A	27V
D11	VH770800	DIODE	1SR139-100	
D12	VH770800	DIODE	1SR139-100	

* New Parts

TUNER P. C. B.

Schm Ref.	PART NO.	Description
D13	VG439900	DIODE. ZENR MTZJ11B 11V
D14	VH770800	DIODE 1SR139-100
D15	VH770800	DIODE 1SR139-100
D16	iF004600	DIODE 1SS133
D17	iF004600	DIODE 1SS133
D18	iF004600	DIODE 1SS133
D19	iF004600	DIODE 1SS133
D20	iF004600	DIODE 1SS133
D21	iF004600	DIODE 1SS133
D22	iF004600	DIODE 1SS133
D23	iF004600	DIODE 1SS133
D24	iF004600	DIODE 1SS133
D25	iF004600	DIODE 1SS133
G1	VR463400	TERM. GND D3.5 TP00385
G2	VR463400	TERM. GND D3.5 TP00385
* IC1	XQ944A00	IC LC72131
IC3	XB760A00	IC LA1266
IC4	XQ942A00	IC LC866420A-XXXX
IC5	iG158100	IC LA3401
IC6	XQ359A00	IC STK311-020B
L1	GG000560	FLTR. CE SFE10.7MS3GHY-A
L2	V1546100	COIL 220uH
L3	GG000560	FLTR. CE SFE10.7MS3GHY-A
L4	V1546100	COIL 220uH
L5	GG000560	FLTR. CE SFE10.7MS3GHY-A
L6	V1546100	COIL 220uH
L7	VC218600	COIL. DT. FM 10.7MHz
L8	GE100470	COIL. IF. AM 450KHz
L9	VC219000	FLTR. CE SFZ450JL3
L10	VT486800	COIL XYA2
L11	V1546100	COIL 220uH
L12	VQ138200	FLTR. LC 19KHz
L13	VQ138200	FLTR. LC 19KHz
PJ1	VM725600	JACK. PIN 2P
PK1	VQ987600	TUNER. PK EXV-17296G1
PK2	V1027300	COIL. AM
Q1	VR497000	TR 2SC1809S N, P
Q2	VR497000	TR 2SC1809S N, P
Q5	VR497000	TR 2SC1809S N, P
Q6	VR497000	TR 2SC1809S N, P
Q7	iA093320	TR 2SA933S Q, R
Q8	iC174020	TR 2SC1740S R, S
Q9	VR497000	TR 2SC1809S N, P
Q10	VR497000	TR 2SC1809S N, P
Q11	VC218900	TR 2SC3330 R, S, T
Q12	VD678500	TR. DGT DTA114ES
Q13	iC287820	TR 2SC2878 A, B
Q14	iC287820	TR 2SC2878 A, B
Q15	VN996900	TR 2SC4495
Q16	iC206110	TR 2SC2061 P, Q, R
Q17	iA093320	TR 2SA933S Q, R
Q18	VD678500	TR. DGT DTA114ES
Q19	VC218900	TR 2SC3330 R, S, T

* New Parts

Schm Ref.	PART NO.	Description
Q20	VC218900	TR 2SC3330 R, S, T
Q21	iA093320	TR 2SA933S Q, R
R94	HV453470	R. CAR. FP 4.7Ω 1/4W
R98	HV455330	R. CAR. FP 330Ω 1/4W
R146	HV455330	R. CAR. FP 330Ω 1/4W
R147	HV453330	R. CAR. FP 3.3Ω 1/4W
* SW1	VU260800	SW. RT. ENC EC16B24104
SW2	VG392900	SW. TACT SKHVAA
SW3	VG392900	SW. TACT SKHVAA
SW4	VG392900	SW. TACT SKHVAA
SW5	VG392900	SW. TACT SKHVAA
SW6	VG392900	SW. TACT SKHVAA
SW7	VG392900	SW. TACT SKHVAA
SW8	VG392900	SW. TACT SKHVAA
SW9	VG392900	SW. TACT SKHVAA
SW10	VG392900	SW. TACT SKHVAA
SW11	VG392900	SW. TACT SKHVAA
SW12	VG392900	SW. TACT SKHVAA
SW13	VG392900	SW. TACT SKHVAA
SW14	VG392900	SW. TACT SKHVAA
SW15	VG392900	SW. TACT SKHVAA
SW16	VG392900	SW. TACT SKHVAA
SW17	VG392900	SW. TACT SKHVAA
SW18	VS262300	SW. PUSH PSE01-A4KPX
SW19	VG392900	SW. TACT SKHVAA
T1	XN911A00	TRANS. PWR
TE1	LA005800	TERM. ANT YKD31-0215
U1	VU591000	L. DTCT GP1U271X
* V201	VT668600	FL. DSPLY 13-BT-140GK
VR1	VJ693200	VR. TRIM B2. 2KΩ
VR2	VJ693200	VR. TRIM B2. 2KΩ
VR3	VJ694000	VR. TRIM B47KΩ
VR4	VJ693800	VR. TRIM B22KΩ
XL1	QU003800	RSNR. CRYST 7.2MHz
XL2	VH611900	RSNR. CE CST6.00MGW-TF01
XL3	GG000750	RSNR. CE 18.95MHz
XL4	VS860100	RSNR. CE 19KHz
	VR519500	SHEET
	VR380100	SPACER FL-T6

* New Parts

EXPLODED VIEW

1

2

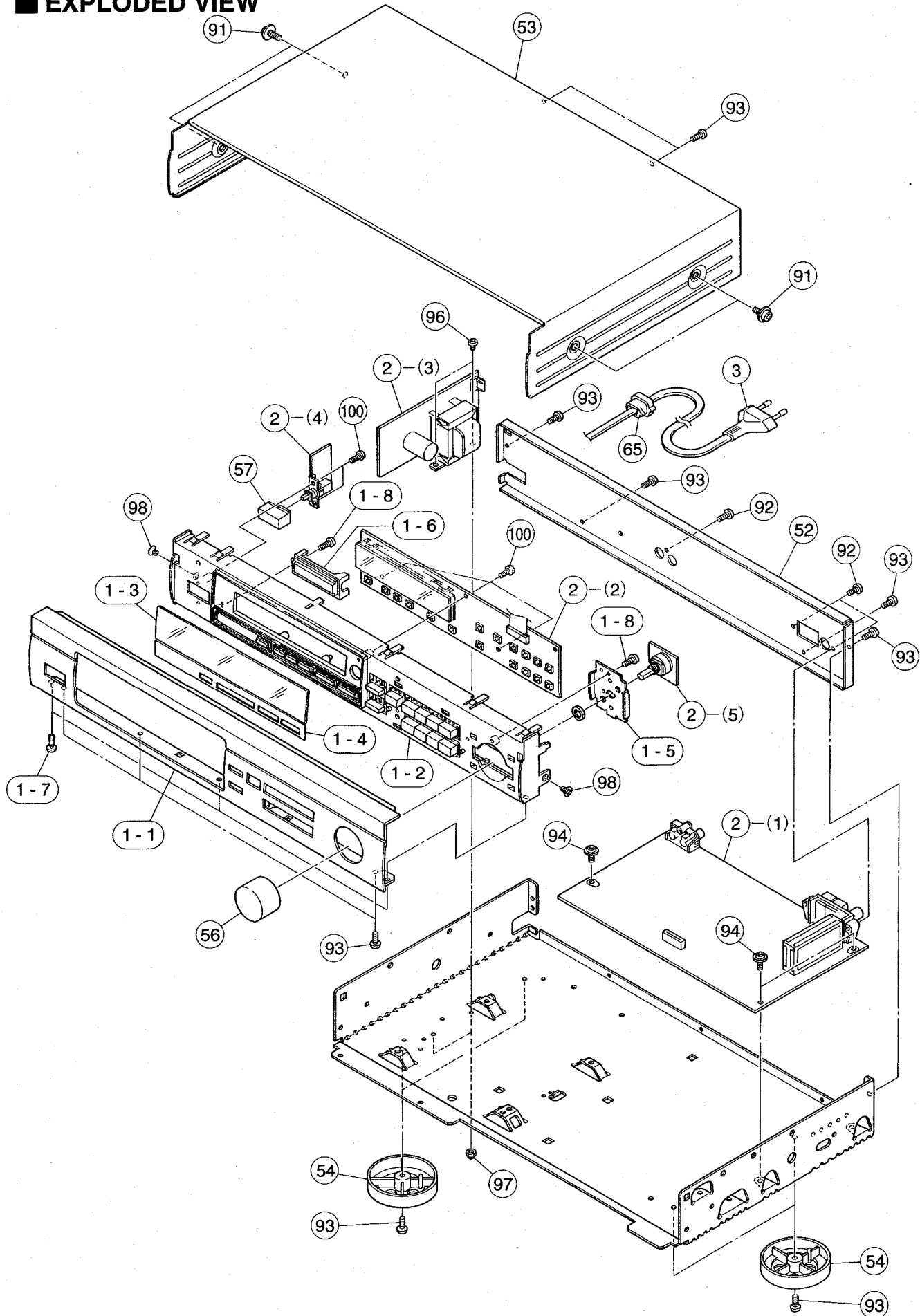
3

4

5

6

7



MECHANICAL PARTS

Ref. No.	PART NO.	Description	Remarks	Markets
* 1-1	VT711500	FRONT PANEL	BL	
* 1-1	VT711600	FRONT PANEL	TI	
* 1-2	VT711700	SUB PANEL	BL	
* 1-2	VT711800	SUB PANEL	TI	
* 1-3	VT711900	SHEET		
* 1-4	VT712000	SHEET, BUTTON	BL	
* 1-4	VT712100	SHEET, BUTTON	TI	
* 1-5	VT731100	SUPPORT, VR		
* 1-6	VU455800	SUPPORT/FP		
1-7	VQ368600	PUSH RIVET		
1-8	EX600310	BIND HEAD P-TITE SCREW	P3555-B 3x8 FCRM3-BL	
* 2	VU228400	P. C. B. ASS'Y	TUNER	(G)
3	VS168400	POWER CORD ASS'Y		(B)
3	VS680700	POWER CORD ASS'Y		
* 25	VT908000	SPACER		
* 52	VT737400	REAR PANEL		
53	VR216700	TOP COVER	BL	
53	VR216800	TOP COVER	TI	
54	VQ780300	LEG	D60xH16	
56	VR217100	KNOB	D32	BL
56	VT274400	KNOB	D32/S	TI
57	VQ780000	BUTTON	10x25	BL
57	VT990000	BUTTON	10x25	TI
65	VN158600	CORD STOPPER	No. 2104	
91	EK365090	PW HEAD S-TITE SCREW	4x8-10	FCRM3-BL BL
91	EX601150	BW HEAD S-TITE SCREW	4x8-10	FCRM3-BL TI
92	EN301010	BIND HEAD BONDING TAP. SCREW	3x8	FCRM3-BL
93	E1330086	BIND HEAD B-TITE SCREW	3x8	FCRM3-BL
94	EX600700	BW HEAD TAPPING SCREW	3x8	FCM3-CU
96	EP630210	BIND HEAD S-TITE SCREW	3x6	ZMC2-BL
97	VQ057700	HEXAGONAL CAP NUT	3mm	FCM3-3G
98	VD780000	FLAT HEAD S-TITE SCREW	3x6	MFZN2BL
100	EX600310	BIND HEAD P-TITE SCREW	3x8	FCRM3-BL
		ACCESSORIES		
	VQ099100	AM LOOP ANTENNA	1.0m	
	VQ147100	ANTENNA, FM	1P 1.4m	
	VS381600	PIN PLUG CORD	1.0m	
	VE364900	ANTENNA ADAPTER	PAL 75-300Ω	

* New Parts

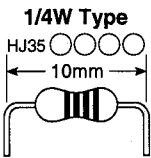
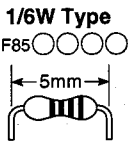
TX-590RDS

Parts List for Carbon Resistors

Value	1/4W Type Part No.	1/6W Type Part No.	Value	1/4W Type Part No.	1/6W Type Part No.
1.0 Ω	HJ35 3100	HF85 3100	10 kΩ	HF45 7100	HF45 7100
1.8 Ω	HJ35 3180	*	11 kΩ	HF45 7110	HF45 7110
2.2 Ω	HJ35 3220	HF85 3220	12 kΩ	HJ35 7120	HF85 7120
3.3 Ω	HJ35 3330	HF85 3330	13 kΩ	HF45 7130	HF45 7130
4.7 Ω	HJ35 3470	HF85 3470	15 kΩ	HF45 7150	HF45 7150
5.6 Ω	HJ35 3560	HF85 3560	18 kΩ	HF45 7180	HF45 7180
10 Ω	HF45 4100	HF45 4100	22 kΩ	HF45 7220	HF45 7220
15 Ω	HJ35 4150	HF85 4150	24 kΩ	HF45 7240	HF45 7240
22 Ω	HF45 4220	HF45 4220	27 kΩ	HJ35 7270	HF85 7270
27 Ω	HJ35 4270	HF85 4270	30 kΩ	HF45 7300	HF45 7300
33 Ω	HF45 4330	HF45 4330	33 kΩ	HF45 7330	HF45 7330
39 Ω	HJ35 4470	HF85 4390	36 kΩ	HF45 7360	HF45 7360
47 Ω	HF45 4470	HF45 4470	39 kΩ	HF45 7390	HF45 7390
56 Ω	HF45 4560	HF45 4560	47 kΩ	HF45 7470	HF45 7470
68 Ω	HF45 4680	HF45 4680	51 kΩ	HF45 7510	HF45 7510
75 Ω	HF45 4750	HF45 4750	56 kΩ	HF45 7560	HF45 7560
82 Ω	HF45 4820	HF45 4820	62 kΩ	HF45 7620	HF45 7620
91 Ω	HF45 4910	HF45 4910	68 kΩ	HF45 7680	HF45 7680
100 Ω	HF45 5100	HF45 5100	82 kΩ	HF45 7820	HF45 7820
110 Ω	HJ35 5110	HF85 5110	91 kΩ	HF45 7910	HF45 7910
120 Ω	HF45 5120	HF45 5120	100 kΩ	HF45 8100	HF45 8100
150 Ω	HF45 5150	HF45 5150	110 kΩ	HF45 8110	HF45 8110
160 Ω	HJ35 5160	*	120 kΩ	HF45 8120	HF45 8120
180 Ω	HF45 5180	HF45 5180	150 kΩ	HF45 8150	HF45 8150
200 Ω	HF45 5200	HF45 5200	180 kΩ	HF45 8180	HF45 8180
220 Ω	HF45 5220	HF45 5220	220 kΩ	HJ35 8220	HF85 8220
270 Ω	HF45 5270	HF45 5270	270 kΩ	HF45 8270	HF45 8270
330 Ω	HF45 5330	HF45 5330	300 kΩ	HF45 8300	HF45 8300
390 Ω	HF45 5390	HF45 5390	330 kΩ	HF45 8330	HF45 8330
430 Ω	HF45 5430	HF45 5430	390 kΩ	HJ35 8390	HF85 8390
470 Ω	HF45 5470	HF45 5470	470 kΩ	HF45 8470	HF45 8470
510 Ω	HF45 5510	HF45 5510	560 kΩ	HJ35 8560	HF85 8560
560 Ω	HF45 5560	HF45 5560	680 kΩ	HJ35 8680	HF85 8680
680 Ω	HF45 5680	HF45 5680	820 kΩ	HJ35 8820	HF85 8820
820 Ω	HF45 5820	HF45 5820	1.0 MΩ	HF45 9100	HF45 9100
910 Ω	HF45 5910	HF45 5910	1.2 MΩ	HJ35 9120	*
1.0 kΩ	HF45 6100	HF45 6100	1.5 MΩ	HJ35 9150	HF85 9150
1.2 kΩ	HF45 6120	HF45 6120	1.8 MΩ	HJ35 9180	HF85 9180
1.5 kΩ	HF45 6150	HF45 6150	2.2 MΩ	HJ35 9220	HF85 9220
1.8 kΩ	HF45 6180	HF45 6180	3.3 MΩ	HJ35 9330	HF85 9330
2.0 kΩ	HJ35 6200	HF85 6200	3.9 MΩ	HJ35 9390	*
2.2 kΩ	HF45 6220	HF45 6220	4.7 MΩ	HJ35 9470	HF85 9470
2.4 kΩ	HJ35 6240	HF85 6240			
2.7 kΩ	HF45 6270	HF45 6270			
3.0 kΩ	HF45 6300	HF45 6300			
3.3 kΩ	HF45 6330	HF45 6330			
3.6 kΩ	HJ35 6360	HF85 6360			
3.9 kΩ	HF45 6390	HF45 6390			
4.7 kΩ	HF45 6470	HF45 6470			
5.1 kΩ	HF45 6510	HF45 6510			
5.6 kΩ	HF45 6560	HF45 6560			
6.8 kΩ	HF45 6680	HF45 6680			
8.2 kΩ	HF45 6820	HF45 6820			
9.1 kΩ	HF45 6910	HF45 6910			

1/4W Type
HF45○○○○

1/6W Type
HF85○○○○

* : Not available