

DIGITAL SOUND PROJECTOR YSP-1100

SERVICE MANUAL

When transporting this unit, be sure to use the unit's packing materials and box so as to protect it against any damage, in particular, dents in the front grille during transportation.

本機を輸送する場合、輸送時の破損(特に、フロントグリルのへこみ)等を防ぐために必ず専用の梱包箱を使用してください。

IMPORTANT NOTICE

This manual has been provided for the use of authorized YAMAHA Retailers and their service personnel.

It has been assumed that basic service procedures inherent to the industry, and more specifically YAMAHA Products, are already known and understood by the users, and have therefore not been restated.

WARNING: Failure to follow appropriate service and safety procedures when servicing this product may result in personal injury, destruction of expensive components, and failure of the product to perform as specified. For these reasons, we advise all YAMAHA product owners that any service required should be performed by an authorized YAMAHA Retailer or the appointed service representative.

IMPORTANT: The presentation or sale of this manual to any individual or firm does not constitute authorization, certification or recognition of any applicable technical capabilities, or establish a principle-agent relationship of any form.

The data provided is believed to be accurate and applicable to the unit(s) indicated on the cover. The research, engineering, and service departments of YAMAHA are continually striving to improve YAMAHA products. Modifications are, therefore, inevitable and specifications are subject to change without notice or obligation to retrofit. Should any discrepancy appear to exist, please contact the distributor's Service Division.

WARNING: Static discharges can destroy expensive components. Discharge any static electricity your body may have accumulated by grounding yourself to the ground buss in the unit (heavy gauge black wires connect to this buss).

IMPORTANT: Turn the unit OFF during disassembly and part replacement. Recheck all work before you apply power to the unit.

YSP-1100

CONTENTS


TO SERVICE PERSONNEL	2	DISPLAY DATA	43
FRONT PANEL	3	IC DATA	44-45
REAR PANELS	3	BLOCK DIAGRAMS	46-47
REMOTE CONTROL PANELS	4	PRINTED CIRCUIT BOARDS	48-58
SPECIFICATIONS / 参考仕様	5	PIN CONNECTION DIAGRAM	59
INTERNAL VIEW	5	SCHEMATIC DIAGRAMS	61-68
SET MENU TABLE / セットメニュー	6	REPLACEMENT PARTS LIST	69-93
SERVICE PRECAUTIONS / サービス時の注意事項	7	REMOTE CONTROL	94-95
DISASSEMBLY PROCEDURES / 分解手順	7-13	ADJUSTING SYSTEM PARAMETERS / 拡張メニューを設定する	96-98
UPDATING FIRMWARE / ファームウェアの書き込み	14-24		
SELF DIAGNOSIS FUNCTION (DIAG) / 自己診断機能 (ダイアグ)	25-42		

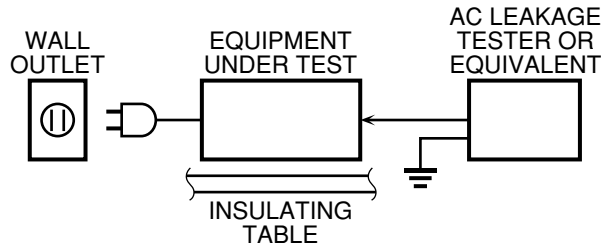


このサービスマニュアルは、エコマーク認定の再生紙を使用しています。
This Service Manual uses recycled paper.



■ TO SERVICE PERSONNEL

1. Critical Components Information
Components having special characteristics are marked  and must be replaced with parts having specifications equal to those originally installed.
 2. Leakage Current Measurement (For 120V Models Only)
When service has been completed, it is imperative to verify that all exposed conductive surfaces are properly insulated from supply circuits.
- Meter impedance should be equivalent to 1500 ohms shunted by 0.15μF.



- Leakage current must not exceed 0.5mA.
- Be sure to test for leakage with the AC plug in both polarities.



“CAUTION”

“F501: FOR CONTINUED PROTECTION AGAINST RISK OF FIRE, REPLACE ONLY WITH SAME TYPE 5A, 125V FUSE.”

CAUTION

F501: REPLACE WITH SAME TYPE 5A, 125V FUSE.

ATTENTION

F501: UTILISER UN FUSIBLE DE RECHANGE DE MEME TYPE DE 5A, 125V.

WARNING: CHEMICAL CONTENT NOTICE!

The solder used in the production of this product contains LEAD. In addition, other electrical/electronic and/or plastic (where applicable) components may also contain traces of chemicals found by the California Health and Welfare Agency (and possibly other entities) to cause cancer and/or birth defects or other reproductive harm.

DO NOT PLACE SOLDER, ELECTRICAL/ELECTRONIC OR PLASTIC COMPONENTS IN YOUR MOUTH FOR ANY REASON WHATSOEVER!

Avoid prolonged, unprotected contact between solder and your skin! When soldering, do not inhale solder fumes or expose eyes to solder/flux vapor!

If you come in contact with solder or components located inside the enclosure of this product, wash your hands before handling food.

About Lead Free Solder / 無鉛ハンダについて

All of the P.C.B.s installed in this unit are soldered using the lead free solder.

Among some types of lead free solder currently available, it is recommended to use one of the following types for the repair work.

- Sn + Ag + Cu (tin + silver + copper)
- Sn + Cu (tin + copper)
- Sn + Zn + Bi (tin + zinc + bismuth)

Caution:

As the melting point temperature of the lead free solder is about 30°C to 40°C (50°F to 70°F) higher than that of the lead solder, be sure to use a soldering iron suitable to each solder.

本機に搭載されているすべての基板は無鉛ハンダでハンダ付けされています。

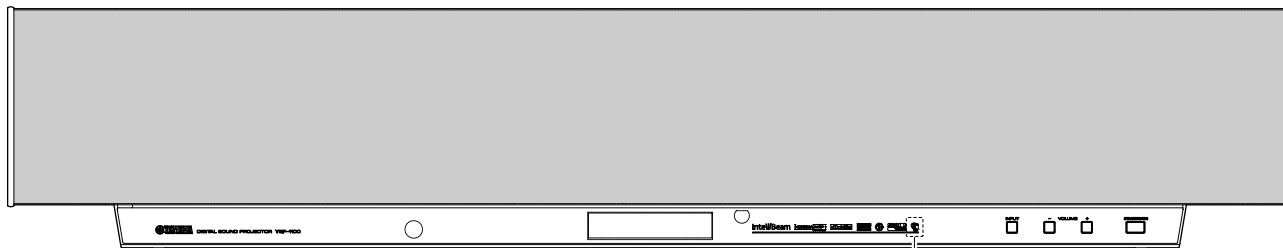
無鉛ハンダにはいくつかの種類がありますが、修理時には下記のような無鉛ハンダの使用を推奨します。

- Sn+Ag+Cu (錫+銀+銅)
- Sn+Cu (錫+銅)
- Sn+Zn+Bi (錫+亜鉛+ビスマス)

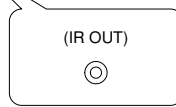
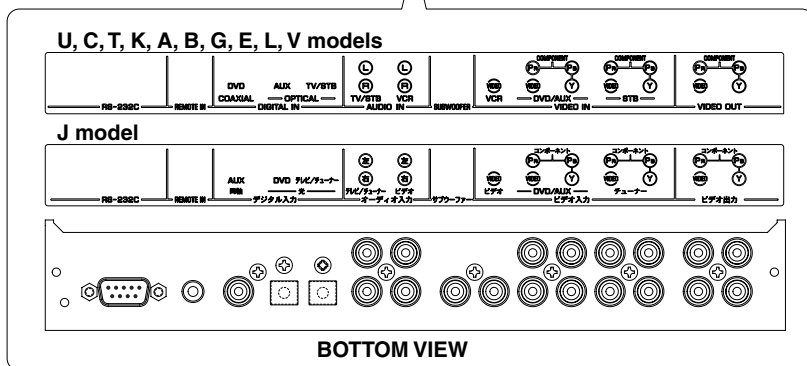
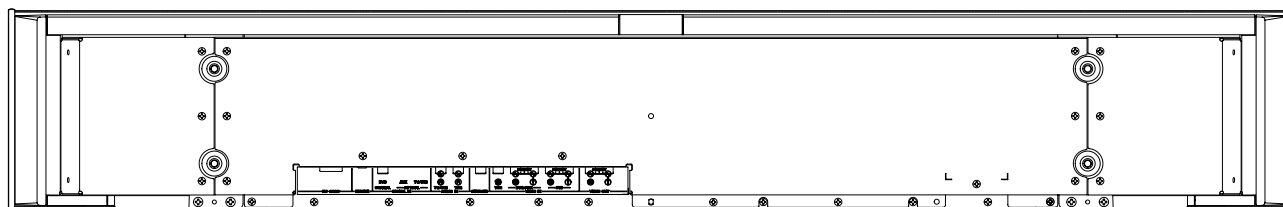
注意：

無鉛ハンダの融点温度は通常の鉛入りハンダに比べ30～40°C程度高くなっていますので、それぞれのハンダに合ったハンダごてをご使用ください。

FRONT PANEL



REAR PANELS



U, C models

YAMAHA
MODEL NO. YSP-1100
120 VOLTS 50 WATTS
80 Hz

YAMAHA CORPORATION
MADE IN MALAYSIA

MANUFACTURED UNDER LICENSE FROM DOLBY LABORATORIES. "DOLBY", "PRO LOGIC", AND THE DOUBLE-D SYMBOL LOGO ARE TRADEMARKS OF DOLBY LABORATORIES.

"TruBass" TECHNOLOGY IS INCORPORATED UNDER LICENSE FROM SRS LABS, INC.

COMPLIES WITH CE
C-CLASS B

CAUTION
RISK OF ELECTRIC SHOCK
DO NOT OPEN
ATTENTION: RISK OF ELECTRIC SHOCK
DO NOT OPEN

REF.

T model

YAMAHA 株式会社
MODEL NO. YSP-1100
额定电压 220 V
额定功率 50 W
产品技术规格: 098888-2001

MANUFACTURED UNDER LICENSE FROM DOLBY LABORATORIES. "DOLBY", "PRO LOGIC", AND THE DOUBLE-D SYMBOL LOGO ARE TRADEMARKS OF DOLBY LABORATORIES.

"TruBass" TECHNOLOGY IS INCORPORATED UNDER LICENSE FROM SRS LABS, INC.

REF.

K model

YAMAHA
MODEL NO. YSP-1100
120 VOLTS 50 WATTS
80 Hz

YAMAHA ELECTRONIC MANUFACTURING
(SU) BDM, 040
A/B 100-0770-0001
MADE IN MALAYSIA

MANUFACTURED UNDER LICENSE FROM DOLBY LABORATORIES. "DOLBY", "PRO LOGIC", AND THE DOUBLE-D SYMBOL LOGO ARE TRADEMARKS OF DOLBY LABORATORIES.

"TruBass" TECHNOLOGY IS INCORPORATED UNDER LICENSE FROM SRS LABS, INC.

REF.

A model

YAMAHA
MODEL NO. YSP-1100
240 VOLTS 50 WATTS
50 Hz

YAMAHA CORPORATION
MADE IN MALAYSIA

N89

MANUFACTURED UNDER LICENSE FROM DOLBY LABORATORIES. "DOLBY", "PRO LOGIC", AND THE DOUBLE-D SYMBOL LOGO ARE TRADEMARKS OF DOLBY LABORATORIES.

"TruBass" TECHNOLOGY IS INCORPORATED UNDER LICENSE FROM SRS LABS, INC.

REF.

B, G, E models

YAMAHA
MODEL NO. YSP-1100
230 VOLTS 50 WATTS
50 Hz

YAMAHA CORPORATION
MADE IN MALAYSIA

CE, S, ENIC

MANUFACTURED UNDER LICENSE FROM DOLBY LABORATORIES. "DOLBY", "PRO LOGIC", AND THE DOUBLE-D SYMBOL LOGO ARE TRADEMARKS OF DOLBY LABORATORIES.

"TruBass" TECHNOLOGY IS INCORPORATED UNDER LICENSE FROM SRS LABS, INC.

REF.

L model

YAMAHA
MODEL NO. YSP-1100
220-240 VOLTS
50 WATTS 50/60 Hz

YAMAHA CORPORATION

MANUFACTURED UNDER LICENSE FROM DOLBY LABORATORIES. "DOLBY", "PRO LOGIC", AND THE DOUBLE-D SYMBOL LOGO ARE TRADEMARKS OF DOLBY LABORATORIES.

"TruBass" TECHNOLOGY IS INCORPORATED UNDER LICENSE FROM SRS LABS, INC.

REF.

V model

YAMAHA
MODEL NO. YSP-1100
110-120 VOLTS
50 WATTS 50/60 Hz

YAMAHA CORPORATION

MANUFACTURED UNDER LICENSE FROM DOLBY LABORATORIES. "DOLBY", "PRO LOGIC", AND THE DOUBLE-D SYMBOL LOGO ARE TRADEMARKS OF DOLBY LABORATORIES.

"TruBass" TECHNOLOGY IS INCORPORATED UNDER LICENSE FROM SRS LABS, INC.

REF.

J model

YAMAHA
MODEL NO. YSP-1100
100 V ~ 50W 50/60Hz

YAMAHA CORPORATION
MADE IN MALAYSIA

MANUFACTURED UNDER LICENSE FROM DOLBY LABORATORIES. "DOLBY", "PRO LOGIC", AND THE DOUBLE-D SYMBOL LOGO ARE TRADEMARKS OF DOLBY LABORATORIES.

"TruBass" TECHNOLOGY IS INCORPORATED UNDER LICENSE FROM SRS LABS, INC.

LICENSED AAC PATENTS
SEE INSTRUCTION MANUAL FOR PATENT NO. THE "AAC" LOGO IS A TRADEMARK OF DOLBY LABORATORIES.

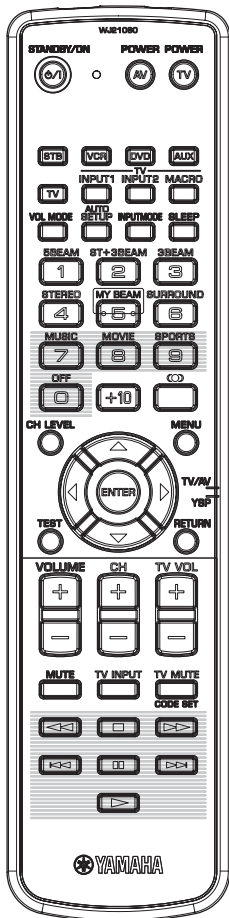
"TruBass" TECHNOLOGY IS INCORPORATED UNDER LICENSE FROM SRS LABS, INC.

REF.

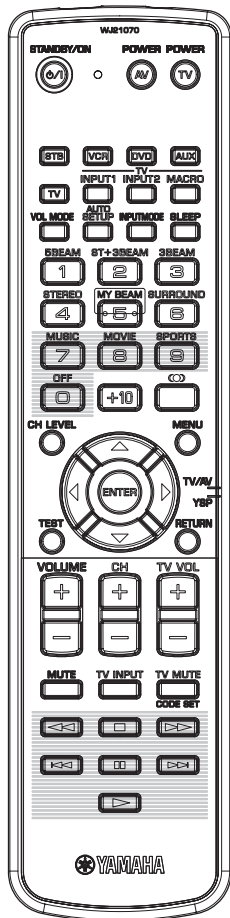
YSP-1100

REMOTE CONTROL PANELS

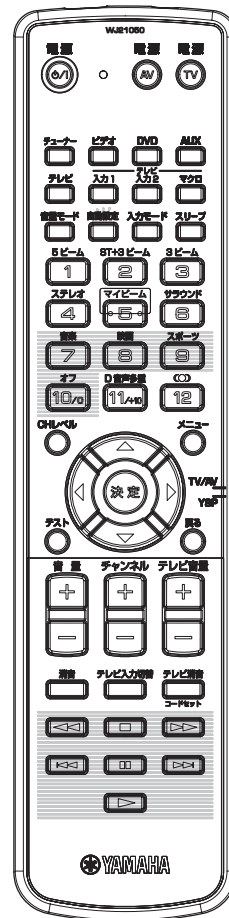
U model



C, T, K, A, B, G, E, L, V models



J model



YSP-1100

■ SPECIFICATIONS / 参考仕様

■ Amplifier Section / アンプ部

Maximum Power / 実用最大出力 (EIAJ)	
Woofer [3 ohms, 100 Hz, 10% THD]	20 W/ch
Tweeter [4 ohms, 1 kHz, 10% THD]	2 W/ch
Total Maximum Output Power / 総合最大出力	
	120 W
Minimum RMS Output Power / 定格出力	
Woofer [3 ohms, 100 Hz, 0.9% THD]	14 W/ch
Tweeter [4 ohms, 1 kHz, 0.9% THD]	1.7 W/ch
Input Sensitivity/Impedance / 入力感度/インピーダンス	
Analog input	1.0 V / 32 k-ohms
Maximum Input Signal / 最大許容入力 [1 kHz, 0.5% THD]	
Analog input	2.2 V or more
Output Level/Impedance / 出力電圧/出力インピーダンス	
Woofer PRE OUT	1.5 V / 1.1 k-ohms (less than 120 Hz)
Total Harmonic Distortion / 全高調波歪率 [1 W]	
Woofer [100 Hz]	0.2% or less
Tweeter [1 kHz]	0.1% or less

■ Video Section / ビデオ部

Output Level	
Composite video	1 Vp-p/75 ohms
Component video Y	1 Vp-p/75 ohms
Pb, Pr	0.5 Vp-p/75 ohms
Frequency Characteristics	
Composite video	5 Hz-10 MHz
Component video	5 Hz-60 MHz

■ Speaker Section / スピーカー部

Type / 型式	2-way acoustic suspension Magnetic shielding type
Drivers / スピーカーユニット	
Woofer	11 cm (4-5/16") cone type x 2
Tweeter	4 cm (1-9/16") cone type x 40
Frequency Response / 再生周波数帯域	
	55 Hz to 20 kHz
Crossover Frequency / クロスオーバー周波数	
Beam channel	350 Hz
Stereo channel	1 kHz

■ Input/Output / 入力/出力

Input Jack / 入力端子	
Audio	VCR, TV/STB / ビデオ、テレビ/チューナー
Digital (optical)	[Fs=32/44.1/48/64/88.2/96 kHz]
	TV/STB, AUX / テレビ/チューナー、DVD
Digital (coaxial)	[Fs=32/44.1/48/64/88.2/96 kHz]
	DVD / AUX
Video (composite)	
	TV/STB, VIDEO, AUX / テレビ/チューナー、DVD、ビデオ
U, C, K, V, J models	NTSC
T, A, B, G, E, L models	PAL
Component video	TV/STB, DVD / テレビ/チューナー、DVD
Output Jack / 出力端子	
Video (composite)	
U, C, K, V, J models	NTSC
T, A, B, G, E, L models	PAL
Component video	Selected video out
Subwoofer	PRE OUT
Microphone Input Jack / マイク入力	
	Automated system calibration / 自動システム調整
Remote Input/Output / リモート入力/出力	
Input	Remote in RS-232C
Output	IR out (pass through)

■ General / 総合

Power Supply / 電源電圧	
U, C models	AC 120 V, 60 Hz
T model	AC 220 V, 50 Hz
K model	AC 220 V, 60 Hz
A model	AC 240 V, 50 Hz
B, G, E models	AC 230 V, 50 Hz
L model	AC 220-240 V, 50/60 Hz
V model	AC 110-120 V, 50/60 Hz
J model	AC 100V, 50/60 Hz

Power Consumption / 消費電力	50 W
Standby Power Consumption (Reference Data) / 待機時消費電力(参考値)	0.1 W or less

Dimensions / 寸法 (W x H x D)	1030 x 194 x 118 mm (40-9/16" x 7-5/8" x 4-5/8")
------------------------------------	--

Weight / 質量	13.0 kg (28 lbs. 10 oz.)
Finish / 仕上げ	
Silver color	U, C, T, K, A, B, G, E, L, V, J models
Black color	U, C, T, K, A, B, G, E, L, V, J models

Accessories / 付属品
 Remote control x 1, Batteries (UM-3) x 2, Power cable x 1, Video pin cable x 1, Audio pin cable x 2, Digital audio pin cable x 1, Optical cable x 1, Cable clip x 1, Fastener x 4, Optimizer microphone x 1, Cardboard microphone stand x 1, DVD-ROM x 1 (J model)

U	U.S.A. model	C	Canadian model
T	Chinese model	K	Korean model
A	Australian model	B	British model
G	European model	E	South European model
L	Singapore model	V	Taiwan model
J	Japanese model		

* Specifications are subject to change without notice due to product improvements.
 ※ 参考仕様および外観は予告なく変更されることがあります。

IntelliBeam

The "IntelliBeam" logo and "IntelliBeam" are trademarks of YAMAHA Corporation.
 「インテリビーム」「IntelliBeam」は、ヤマハ株式会社の登録商標です。



The "CINEMA DSP" logo and "Cinema DSP" are registered trademarks of YAMAHA Corporation.
 「シネマDSP」「CINEMA DSP」は、ヤマハ株式会社の登録商標です。



Manufactured under license from Dolby Laboratories.
 "Dolby", "Pro Logic", and the double-D symbol are trademarks of Dolby Laboratories.
 ドルビーラボラトリーズからの実施権により製造されています。「ドルビー」、「PRO LOGIC」およびダブルD記号は、ドルビーラボラトリーズの商標です。



"DTS", and "Neo:6" are trademarks of Digital Theater Systems, Inc.
 DTSおよびNeo:6はデジタルシアターシステムの登録商標です。



Manufactured under license from 1 Ltd. Worldwide patents applied for.
 The '1' logo and 'Digital Sound Projector™' are trademarks of 1 Ltd.
 世界に広く特許申請中の1Ltdからライセンスを受けています。
 '1' および、'Digital Sound Projector™' は1Ltdの商標です。

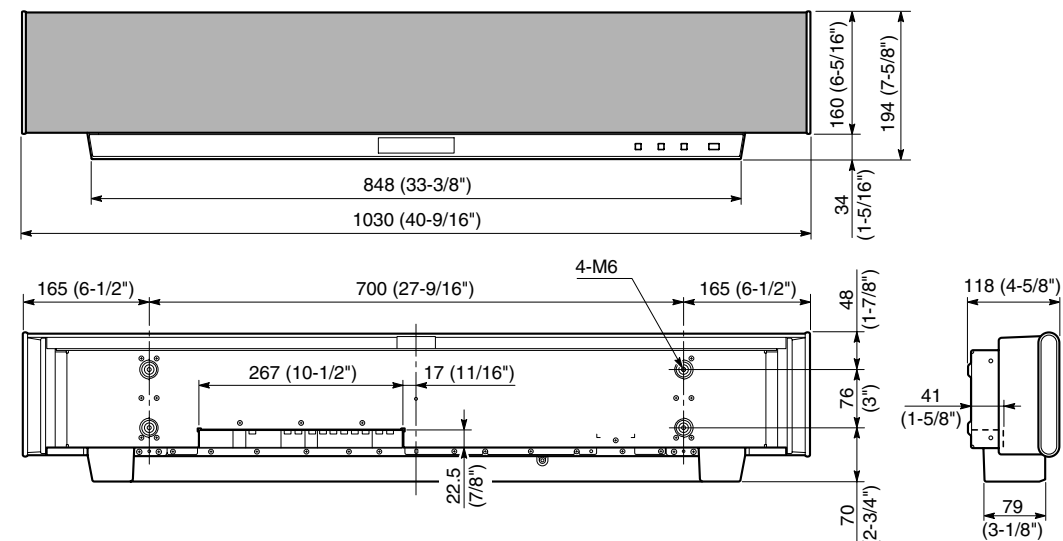


TruBass, SRS and the "●" symbol are registered trademarks of SRS Labs, Inc. TruBass technology is incorporated under license from SRS Labs, Inc.
 TruBass、SRSと●記号はSRS Lab,Inc.の商標です。
 TruBass技術はSRS Labs,Inc.からのライセンスに基づき製品化されています。



AACロゴマークはドルビーラボラトリーズの商標です。

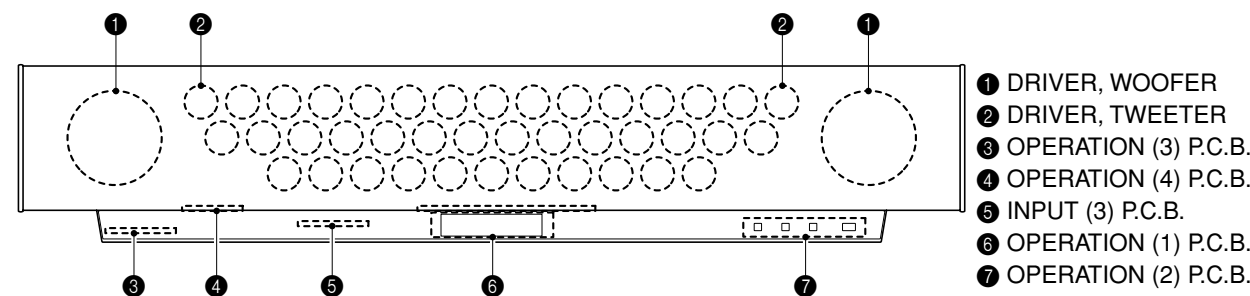
• DIMENSIONS / 寸法図



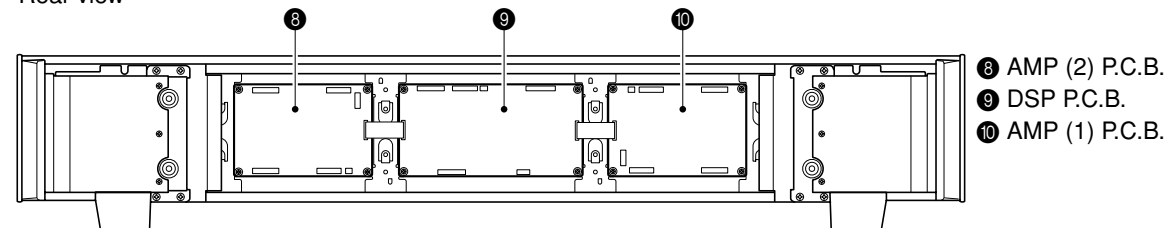
Unit: mm (inch)
 単位: mm (インチ)

■ INTERNAL VIEW

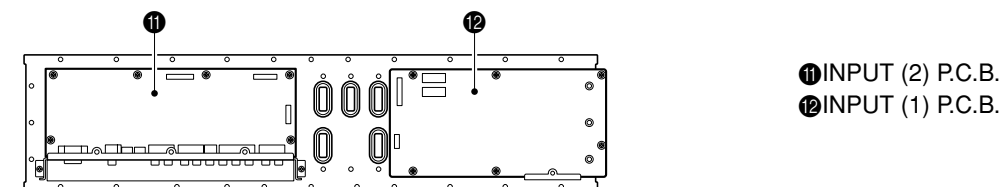
Front view



Rear view



Shield unit



■ SET MENU TABLE / セットメニュー

CATEGORY 1	MAIN MENU 2	SUB MENU 3	SELECT MENU 4	VALUE [INITIAL]
1	MEMORY 1) LOAD 2) SAVE	MEMORY 1, MEMORY 2, MEMORY 3 MEMORY 1, MEMORY 2, MEMORY 3	SELECT MENU 4	
2	AUTO SETUP 1) BEAM+ SOUND OPTIMZ 2) BEAM OPTIMZ ONLY 3) SOUND OPTIMZ ONLY			
3	MANUAL SETUP 1) SOUND MENU	A) TONE CONTROL TREBLE BASS BASS OUT CROSS OVER LFE LEVEL DISTANCE MUTE, -20 dB 0 to 160 mS D) AUDIO DELAY E) ROOM EQ MOUNTING REFLECTING SHELF, WALL [NORMAL], HI ECHO F) DD/DTS DYNAMIC RANGE MIN, STD, MAX INSTALLED POSITION ROOM WIDTH ROOM LENGTH ROOM LENGTH (C: LEFT WALL) (C: RIGHT WALL) USER POSITION TO L WALL (* 4) A) HORIZONTAL ANGLE (* 5) a) HORIZONTAL ANGLE (* 5) b) VERTICAL ANGLE (* 5) c) BEAM TRAVEL LENGTH DIST FR DIST C DIST SL DIST SR F.L. FL F.L. FR F.L. C F.L. SL F.L. SR TRBL FL TRBL FR TRBL C TRBL SL TRBL SR ON, OFF LEFT RIGHT OPTICAL IN (1) OPTICAL IN (2) COAXIAL IN COMPONENT IN (1) COMPONENT IN (2) COMPOSITE IN AUTO, LAST OPTICAL IN (1) TV ANALOG OPTICAL IN (2) OPTICAL COAXIAL IN VCR ANALOG ANALOG IN (1) AUX OPTICAL ANALOG IN (2) DVD COAXIAL DVD -> DVD STANDARD DIMMER -2, -1, OFF A) DIMMER SET AUTO DIMMER OSD SHIFT -5 to 0 to +5 (1 step) OSD BACK COLOR BLUE, GRAY C) UNIT SET METERS, FEET (U, C, T, K, A, B, G, E, L, V models)	TRBL (0.5 dB step -12.0 to 0 to +12.0 [dB]) BASS (0.5 dB step -12.0 to 0 to +12.0 [dB]) FRONT, SWFR 80, 100, 120 [Hz] -20 to 0 [dB] 0.3 to 15.0 [m] (0.1 step) 1.0 to 50.0 [ft] (0.5 step) MUTE, -20 dB 0 to 160 mS MOUNTING REFLECTING SHELF, WALL [NORMAL], HI ECHO MIN, STD, MAX INSTALLED POSITION FLAT TO WALL, ANGLE TO WALL OR CORNER 0.0 to 3.0 [m] (0.1 step) 0.0 to 10.0 [ft] (0.5 step) 2.0 to 12.0 [m] (0.1 step) 6.5 to 40.0 [ft] (0.5 step) 2.0 to 12.0 [m] (0.1 step) 6.5 to 40.0 [ft] (0.5 step) 1.8 to 9.0 [m] (0.1 step) 6.0 to 30.0 [ft] (0.5 step) 0.6 to 11.4 [m] (0.1 step) 2.0 to 38.0 [ft] (0.5 step) H.ANGLE FL (1 deg. step -90 deg to 0 to +90 deg) H.ANGLE FR (1 deg. step -90 deg to 0 to +90 deg) H.ANGLE C (1 deg. step -90 deg to 0 to +90 deg) H.ANGLE SL (1 deg. step -90 deg to 0 to +90 deg) H.ANGLE SR (1 deg. step -90 deg to 0 to +90 deg) V.ANGLE FL (1 deg. step -45 deg to 0 to +45 deg) V.ANGLE FR (1 deg. step -45 deg to 0 to +45 deg) V.ANGLE C (1 deg. step -45 deg to 0 to +45 deg) V.ANGLE SL (1 deg. step -45 deg to 0 to +45 deg) V.ANGLE SR (1 deg. step -45 deg to 0 to +45 deg) DIST FL (0.1 m step 0.3 to 24.0 [m]) (0.5 ft step 1.0 to 80.0 [ft]) DIST FR (0.1 m step 0.3 to 24.0 [m]) (0.5 ft step 1.0 to 80.0 [ft]) DIST C (0.1 m step 0.3 to 24.0 [m]) (0.5 ft step 1.0 to 80.0 [ft]) DIST SL (0.1 m step 0.3 to 24.0 [m]) (0.5 ft step 1.0 to 80.0 [ft]) DIST SR (0.1 m step 0.3 to 24.0 [m]) (0.5 ft step 1.0 to 80.0 [ft]) F.L. FL (0.1 m step -1.0 to 13.0 [m]) (0.5 ft step -3.5 to 43.5 [ft]) F.L. FR (0.1 m step -1.0 to 13.0 [m]) (0.5 ft step -3.5 to 43.5 [ft]) F.L. C (0.1 m step -1.0 to 13.0 [m]) (0.5 ft step -3.5 to 43.5 [ft]) F.L. SL (0.1 m step -1.0 to 13.0 [m]) (0.5 ft step -3.5 to 43.5 [ft]) F.L. SR (0.1 m step -1.0 to 13.0 [m]) (0.5 ft step -3.5 to 43.5 [ft]) TRBL FL (0.5 dB step -12.0 to 0 to +12.0 [dB]) TRBL FR (0.5 dB step -12.0 to 0 to +12.0 [dB]) TRBL C (0.5 dB step -12.0 to 0 to +12.0 [dB]) TRBL SL (0.5 dB step -12.0 to 0 to +12.0 [dB]) TRBL SR (0.5 dB step -12.0 to 0 to +12.0 [dB]) ON, OFF LEFT RIGHT OPTICAL IN (1) U, C, T, K, A, B, G, E, L, V models OPTICAL IN (2) U, C, T, K, A, B, G, E, L, V models COAXIAL IN U, C, T, K, A, B, G, E, L, V models COMPONENT IN (1) U, C, T, K, A, B, G, E, L, V models COMPONENT IN (2) U, C, T, K, A, B, G, E, L, V models COMPOSITE IN U, C, T, K, A, B, G, E, L, V models AUTO, LAST OPTICAL IN (1) TV ANALOG (0.5 dB step -6.0 to 0.0 [dB]) OPTICAL IN (2) OPTICAL (0.5 dB step -6.0 to 0.0 [dB]) COAXIAL IN VCR ANALOG (0.5 dB step -6.0 to 0.0 [dB]) ANALOG IN (1) AUX OPTICAL (0.5 dB step -6.0 to 0.0 [dB]) ANALOG IN (2) DVD COAXIAL (0.5 dB step -6.0 to 0.0 [dB]) DVD -> DVD (* 12) A-Z, a-z, 0-9 STANDARD DIMMER -2, -1, OFF A) DIMMER SET DISPLAY OFF, -3, -2, -1, OFF OSD SHIFT -5 to 0 to +5 (1 step) OSD BACK COLOR BLUE, GRAY C) UNIT SET METERS, FEET (U, C, T, K, A, B, G, E, L, V models)	
4	4) DISPLAY MENU			
5	LANGUAGE SET (* 11)	ENGLISH, DEUTSCH, FRANCAIS, ESPANOL		

* 4 Displayed only for the FLAT TO WALL setting; distance from the wall on the left side to the user. / 壁置き設定のみ表示。左壁からユーザーまでの距離。

* 5 Test tone output. / テストトーン出力。

* 10 ... Priority given to COAXIAL when set to the same input. / 同じ入力に設定した場合は、COAXIAL優先。

* 11 ... Displayed only for the U, C, T, K, A, B, G, E, L, V models.

* 12 ... MAX 8 Character. / 最大8文字。

■ SERVICE PRECAUTIONS / サービス時の注意事項

Safety measures

- Some internal parts in this product contain high voltages and are dangerous. Be sure to take safety measures during servicing, such as wearing insulating gloves.
- Note that C523 on the INPUT (1) P.C.B. is dangerous even after the power is turned off because an electric charge remains and a high voltage continues to exist there.

Before starting any repair work, perform discharge by connecting a discharge resistor (5 k-ohms/10 W) between C523 terminals.

(For the discharge resistor connection points, refer to page 52 "PRINTED CIRCUIT BOARD [INPUT (1) P.C.B.]" and page 67 "SCHEMATIC DIAGRAM [INPUT 2/2]")

安全対策

- この製品の内部には高電圧部分があり危険です。修理の際は、絶縁性の手袋を使用するなどの安全対策を行ってください。
- INPUT (1) P.C.B.のC523には電源をOFFにした後も電荷が残り、高電圧が維持されており危険です。修理作業前に放電用抵抗 (5 kΩ/10 W) をC523の端子間に接続して放電してください。
(放電用抵抗の接続箇所はP.52"PRINTED CIRCUIT BOARD [INPUT (1) P.C.B.]"およびP.67"SCHEMATIC DIAGRAM [INPUT 2/2]"に記載しています。)

■ DISASSEMBLY PROCEDURES / 分解手順

(Remove parts in the order as numbered.)

Cautions for disassembly and reassembly :

- Disconnect the power cable from the AC outlet.
- Spread soft cloth or the like and perform the work on it.
- Use full care as you may be injured by the front grille or other part.
- All screws must be tightened securely to prevent air leakage. Check the number of screws and their positions when installing them.
- When installing parts, be careful not to have anything such as cables caught between other parts.
- Make sure that all the removed driver (tweeter) parts are reinstalled at specified positions.

(番号順に部品を取り外してください。)

分解・組立時の注意：

- AC電源コンセントから、電源コードを抜いてください。
- やわらかい布等を敷いて その上で作業を行ってください。
- フロントグリル等で怪我をする恐れがあります。十分注意してください。
- ネジを閉め忘れると、エア漏れをすることがあります。ネジの個数及び位置を確認し、取り付けてください。
- 取り付けの際、ケーブル等を部品の隙間に挟み込むことがあります。十分注意してください。
- 取り外したスピーカーユニット(ツイーター)はすべて決められた位置に取り付けてください。

1. Removal of Top Panels and Plate/Top

- a. Remove 8 screws (①). (Fig. 1)
- b. Remove 2 top panels.
- c. Remove 2 screws (②). (Fig. 1)
- d. Remove the plate/top.

1. トップパネル、プレート/トップの外し方

- a. ①のネジ8本を外します。(Fig. 1)
- b. トップパネル2個を取り外します。
- c. ②のネジ2本を外します。(Fig. 1)
- d. プレート/トップを取り外します。

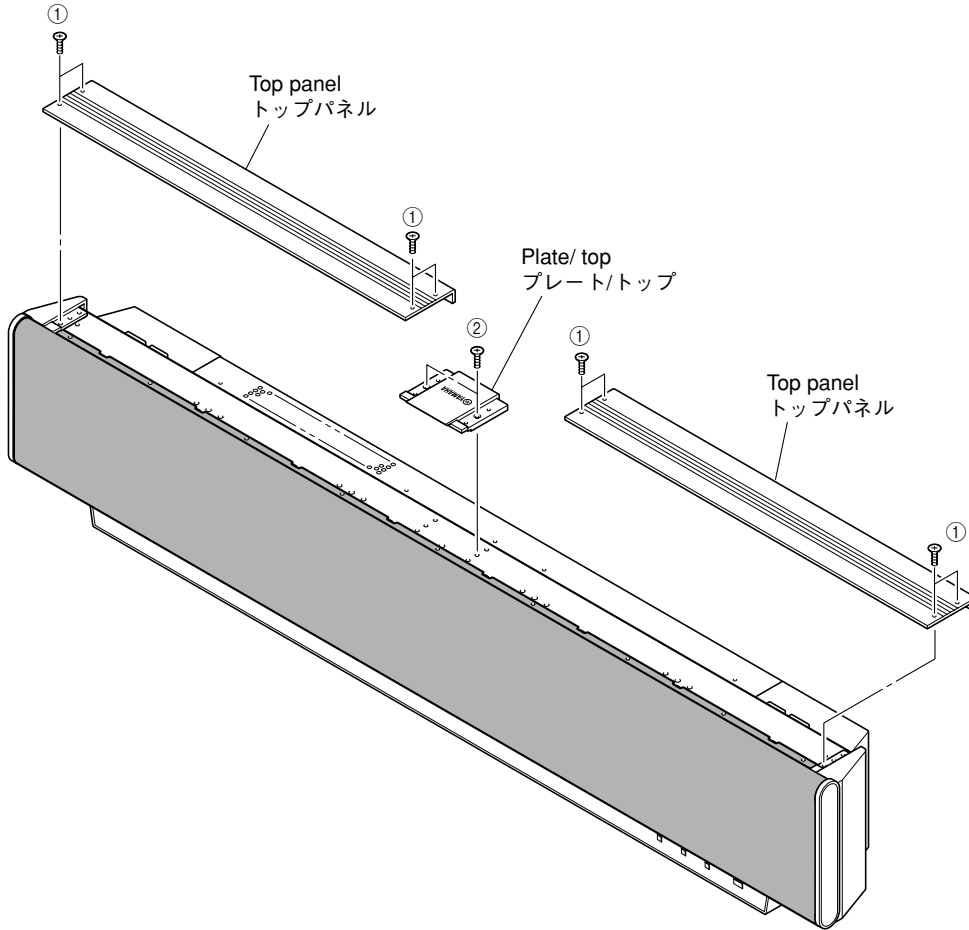


Fig. 1

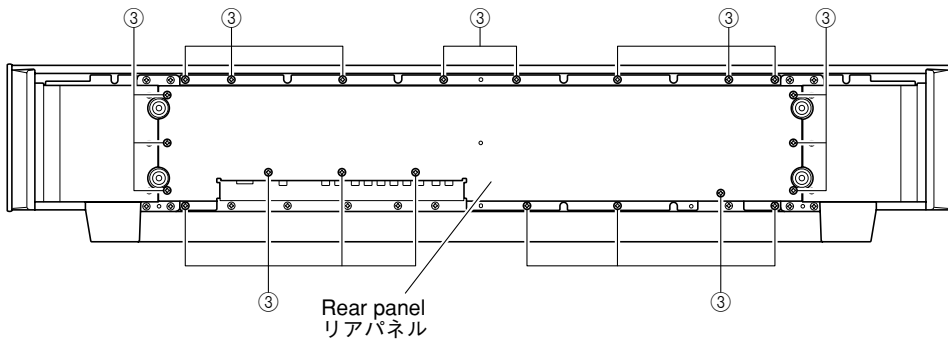


Fig. 2

2. Removal of Shield Unit

- Remove 22 screws (③). (Fig. 2)
- Remove the rear panel.
- Remove 18 screws (④). (Fig. 3)
- Remove CB2, CB3, CB4, CB504, CB507 and CB508. (Fig. 3)
- Remove 5 pad LNs.
- Remove the shield unit.

2. シールドユニットの外し方

- ③のネジ 22本を外します。(Fig. 2)
- リアパネルを取り外します。
- ④のネジ 18本を外します。(Fig. 3)
- コネクタ CB2~4、CB504、CB507、CB508を外します。(Fig. 3)
- パッド LN 5個を取り外します。
- シールドユニットを取り外します。

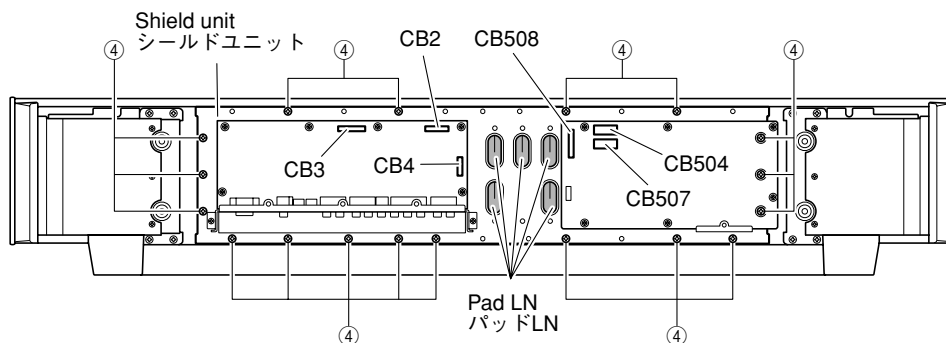


Fig. 3

When checking the P.C.B. :

- The shield unit removed from the unit does not work because its grounding is loose. Be sure to connect the ground of the shield unit to the chassis or GND with a ground lead or the like. (Fig. A)
- Reconnect all cables (connectors) that have been disconnected.
- When connecting the cable, use care for the polarity.

P.C.B.チェックをする場合には

- 取り外したシールドユニットはアースが浮いて動作しませんので、リード線等でシャーシ、またはGNDに接続してください。(Fig. A)
- 外したケーブル(コネクタ)をすべて接続します。
- ケーブルを接続する際、極性に注意してください。

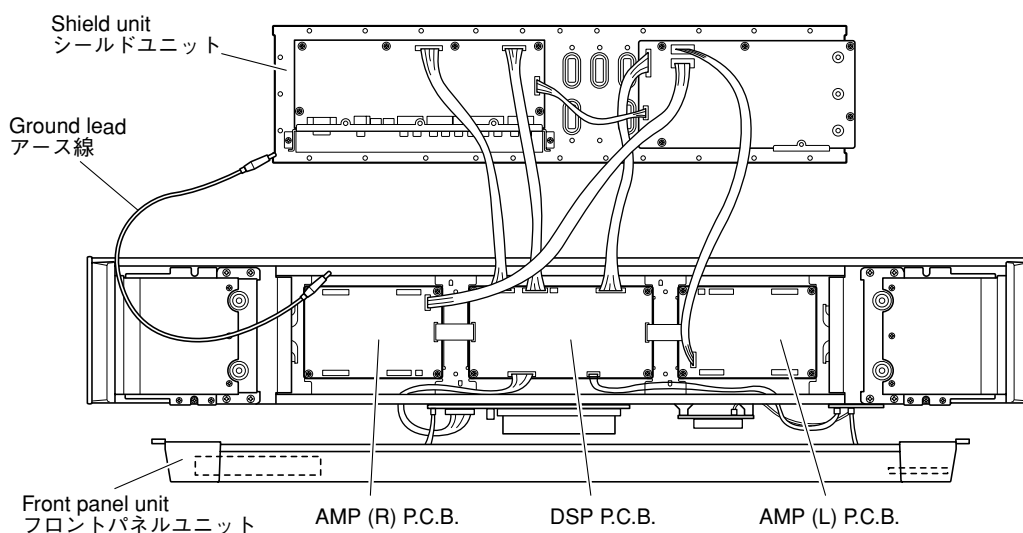


Fig. A

3. Removal of INPUT (1) and (2) P.C.B.s

- a. Remove 6 screws (⑤), 8 screws (⑥) and 2 jack screws (⑦). (Fig. 4)
- b. Remove CB4. (Fig. 4)
- c. Remove the INPUT (2) P.C.B..
- d. Remove 6 screws (⑧) and 2 screws (⑨). (Fig. 4)
- e. Remove the INPUT (1) P.C.B..

3. INPUT(1)、(2)P.C.B.の外し方

- a. ⑤のネジ6本、⑥のネジ8本、⑦のジャックスクリュー2本を外します。(Fig. 4)
- b. コネクター CB4を外します。(Fig. 4)
- c. INPUT(2)P.C.B.を取り外します。
- d. ⑧のネジ6本、⑨のネジ2本を外します。(Fig. 4)
- e. INPUT(1)P.C.B.を取り外します。

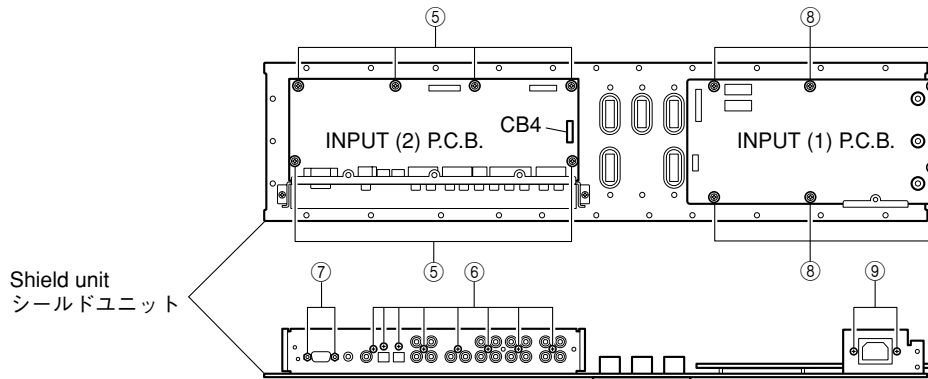


Fig. 4

4. Removal of DSP P.C.B., AMP (L) and (R) P.C.B.s

- a. Remove 4 screws (⑩). (Fig. 5)
- b. Remove CB6, CB7, CB8 and CB9. (Fig. 5)
- c. Remove DSP P.C.B..
- d. Remove 8 screws (⑪). (Fig. 5)
- e. Remove CB507, CB509, CB510, CB511, CB512, CB707, CB709, CB710, CB711 and CB712. (Fig. 5)
- f. Remove the AMP (L) and (R) P.C.B.s.

4. DSP P.C.B.、AMP(L)、(R)P.C.B.の外し方

- a. ⑩のネジ4本を外します。(Fig. 5)
- b. コネクター CB6～9を外します。(Fig. 5)
- c. DSP P.C.B.を取り外します。
- d. ⑪のネジ8本を外します。(Fig. 5)
- e. コネクター CB507、CB509～512、CB707、CB709～712を外します。(Fig. 5)
- f. AMP(L)、(R)P.C.B.を取り外します。

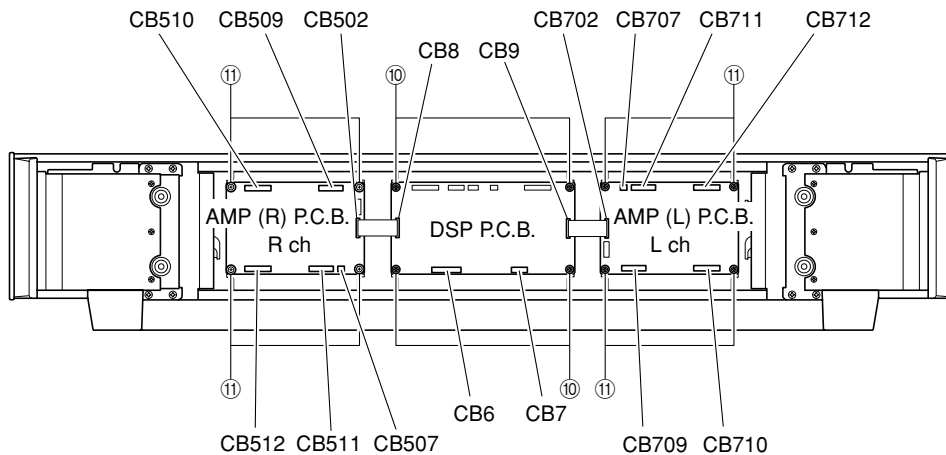


Fig. 5

5. Removal of Front Panel Unit

- Remove 4 screws (12). (Fig. 6)
- Remove 2 cover FPs.
- Remove CB3 and CB303. (Fig. 6)
- Remove 4 screws (13). (Fig. 6)
- Remove 2 cover BTMs.
- Remove 12 screws (14). (Fig. 6)
- Remove the front panel unit.

5. フロントパネルユニットの外し方

- ⑫のネジ 4本を外します。(Fig. 6)
- カバー FP 2個を外します。
- コネクター CB3、CB303を外します。(Fig. 6)
- ⑬のネジ 4本を外します。(Fig. 6)
- カバー BTM 2個を外します。
- ⑭のネジ 12本を外します。(Fig. 6)
- フロントパネルユニットを取り外します。

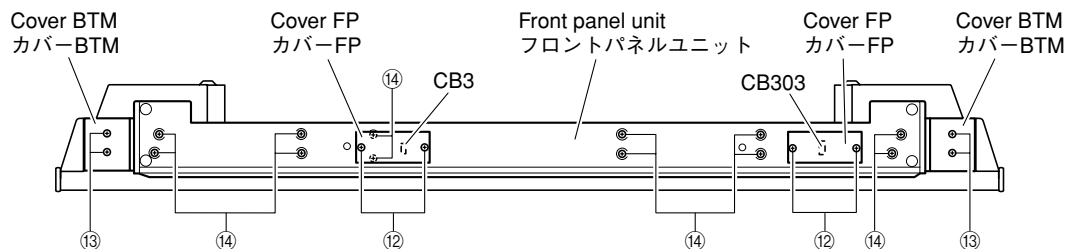


Fig. 6

6. Removal of OPERATION (1), (3) and (4) P.C.B.s

- Remove 6 screws (15). (Fig. 7)
- Remove CB1. (Fig. 7)
- Remove the OPERATION (1) P.C.B..
- Remove 4 screws (16). (Fig. 7)
- Remove CB301. (Fig. 7)
- Remove the OPERATION (3) P.C.B..
- Remove 4 screws (17). (Fig. 7)
- Remove CB302. (Fig. 7)
- Remove the OPERATION (4) P.C.B..

6. OPERATION (1)、(3)、(4) P.C.B.の外し方

- ⑮のネジ 6本を外します。(Fig. 7)
- コネクター CB1を外します。(Fig. 7)
- OPERATION (1) P.C.B.を取り外します。
- ⑯のネジ 4本を外します。(Fig. 7)
- コネクター CB301を外します。(Fig. 7)
- OPERATION (3) P.C.B.を取り外します。
- ⑰のネジ 4本を外します。(Fig. 7)
- コネクター CB302を外します。(Fig. 7)
- OPERATION (4) P.C.B.を取り外します。

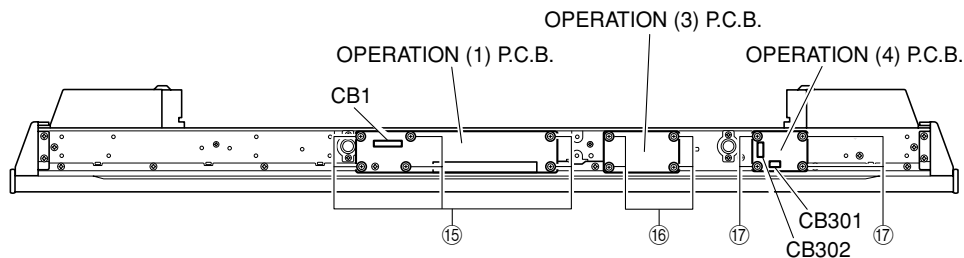


Fig. 7

7. Removal of Driver (Tweeter)

- Remove 12 screws (18). (Fig. 8)
- Remove 2 supports/DSP and 2 supports/DSP C. (Fig. 9)
- Remove the sound absorbing material.
- Remove 2 screws/piece marked (19). (Fig. 10)
- Remove the driver (tweeter).

7. スピーカーユニット(ツイーター)の外し方

- ⑱のネジ 12本を外します。(Fig. 8)
- サポート/DSP 2個、サポート/DSP C 2個を取り外します。(Fig. 9)
- 吸音材を取り外します。
- ⑲のネジ 2本/個を外します。(Fig. 10)
- スピーカーユニット(ツイーター)を取り外します。

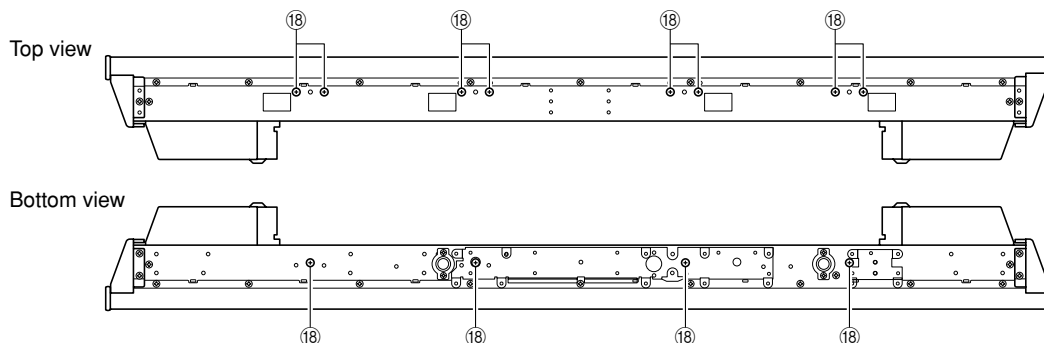


Fig. 8

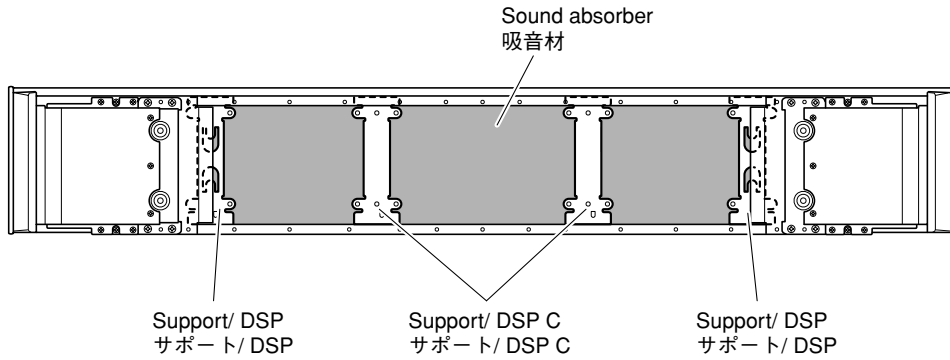


Fig. 9

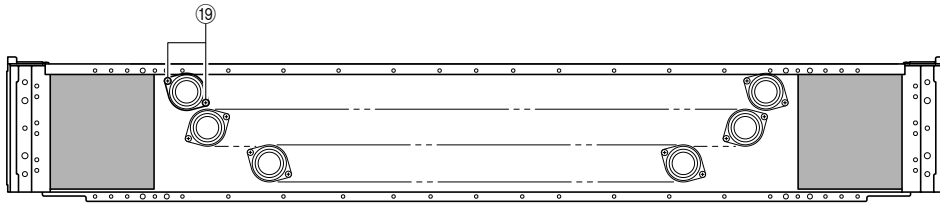


Fig. 10

Installation of Driver (Tweeter)

Caution : Make sure that all the removed driver (tweeter) parts are reinstalled at specified positions. (Fig. B)

スピーカーユニット(ツイーター)の取り付け方

注意 : 取り外したスピーカーユニット(ツイーター)はすべて決められた位置に取り付けてください。(Fig. B)

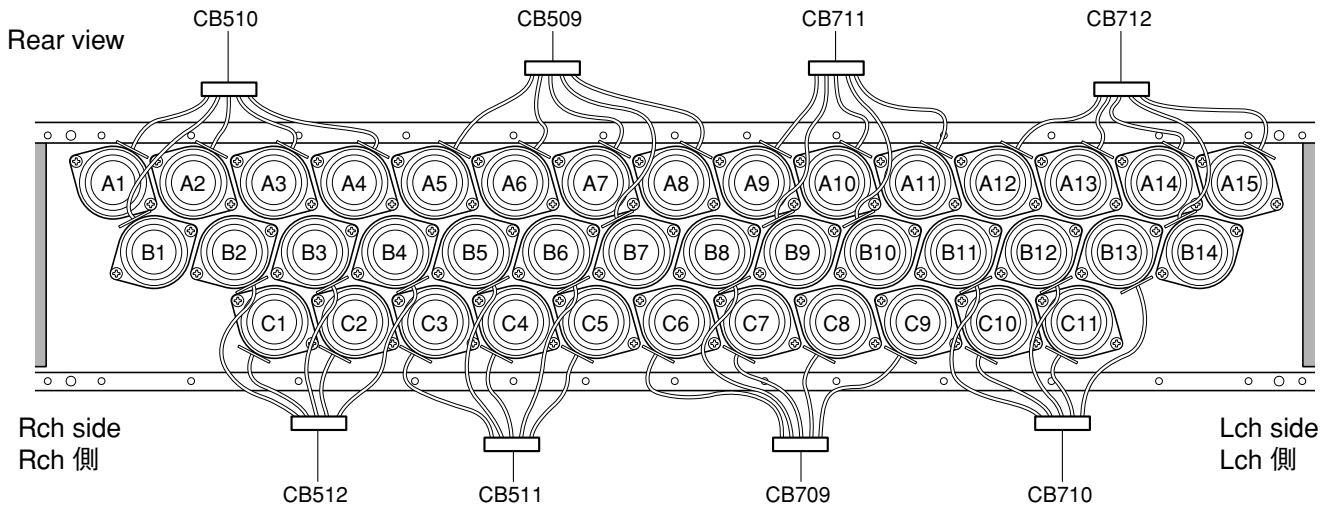


Fig. B

Pin No. / ピンNo.	Rch side / Rch側				Lch side / Lch側			
	CB509	CB510	CB511	CB512	CB709	CB710	CB711	CB712
1 - 2	A5	A1	C5	B4	C9	B13	A9	A12
3 - 4	A6	B1	B6	C2	C8	C11	B9	A13
5 - 6	A7	A2	C4	B3	C7	B12	A10	A14
7 - 8	B7	A3	B5	C1	B8	C10	B10	B14
9 - 10	A8	A4	C3	B2	C6	B11	A11	A15

YSP-1100

8. Removal of Driver (Woofer)

- Remove 4 screws (20). (Fig. 11)
- Remove the side covers L/R.
- Remove the plate/cover.
- Remove 4 screws (21). (Fig. 11)
- Remove the plate/side.
- Remove 18 screws (22). (Fig. 11)
- Remove the front grille.
- Remove 16 screws (23). (Black color model) (Fig. 11)
- Remove the grille ass'y. (Black color model)
- Remove 8 screws (24). (Fig. 11)
- Remove the driver (woofer).

8. スピーカーユニット(ウーファー)の外し方

- 20のネジ4本を外します。(Fig. 11)
- サイドカバーL/Rを取り外します。
- プレート/カバーを取り外します。
- 21のネジ4本を外します。(Fig. 11)
- プレート/サイドを取り外します。
- 22のネジ18本を外します。(Fig. 11)
- フロントグリルを取り外します。
- 23のネジ16本を外します。(Black Color model) (Fig. 11)
- グリルASSYを取り外します。(Black Color model)
- 24のネジ8本を外します。(Fig. 11)
- スピーカーユニット(ウーファー)を取り外します。

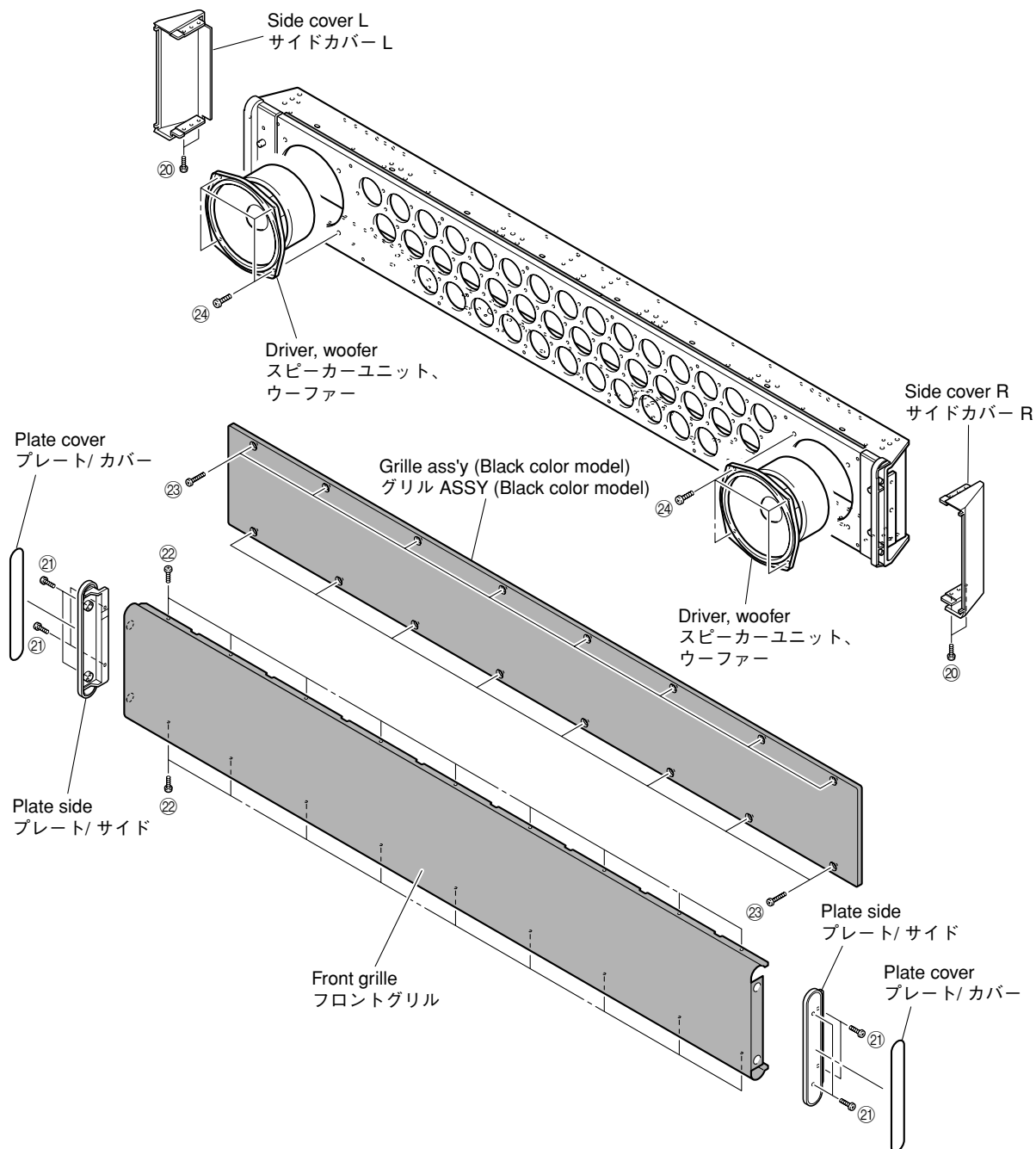


Fig. 11

■ UPDATING FIRMWARE / ファームウェアの書き込み

After replacing the following parts with the replacement parts, update the firmware.

- IC11 of P.C.B. ASS'Y DSP : X8046B00
... Writing of DSP
- IC17 of P.C.B. ASS'Y DSP : X8045B00
... Writing of DSP APPLICATION / SPID
- IC26 of P.C.B. ASS'Y DSP : X6894A00
... Writing of CPU

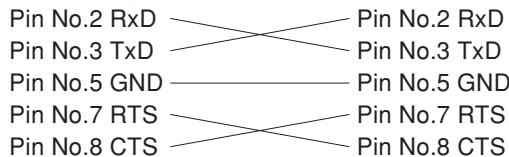
● Required tools

- PC with a serial port (RS232C), OS: Windows 98/2000/Me/XP
- Program upgrading program
There are 2 program upgrading programs.
Writing of CPU : DSP_FLASHER(YSP).exe
Writing of DSP : DSP_FLASHER(YSP).exe
Writing of DSP APPLICATION / SPID : spDownloader_2_0_x_XXX.exe.

• Firmware

- * Be sure to put following 4 firmwares in the same folder.
CPU SA25_vx.mot
DSP YSPx00_verxxxx.hex
DSP APPLICATION ysp2app_YSP2-0_xxxxx_hex
SPID Y10xxxxxx.bin

• RS232C cross cable "D-sub 9 pin female" (Specifications)



● Preparation and precautions before starting the operation

- Download DSP_FLASHER(YSP).exe and spDownloader_2_0_x_XXX.exe from the specified source to the PC being used.
- Prepare the above specified RS232C cross cable.
- While writing, keep the other application software on the PC closed. It is also recommended to keep the software on the task tray closed as well.

下記の部品をサービス部品に交換した場合、ファームウェアの書き込みを行ってください。

- P.C.B. DSPのIC11 : X8046B00
... DSPの書き込み
- P.C.B. DSPのIC17 : X8045B00
... DSP APPLICATION / SPIDの書き込み
- P.C.B. DSPのIC26 : X6894A00
... CPUの書き込み

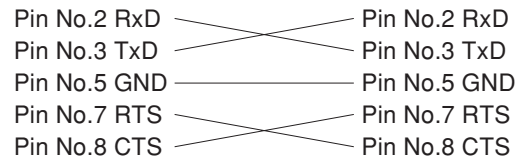
● 必要なツール

- シリアルポート (RS232C) 付きPC、OS : Windows 98/2000/Me/XP
- プログラムアップグレードプログラム
プログラムアップグレードプログラムは2種類あります。
CPUの書き込み : DSP_FLASHER(YSP).exe
DSPの書き込み : DSP_FLASHER(YSP).exe
DSP APPLICATION / SPIDの書き込み : spDownloader_2_0_x_XXX.exe

• ファームウェア

- ※ 以下の4つのファームウェアは必ず同一フォルダ内へ入れてください。
CPU SA25_vx.mot
DSP YSPx00_verxxxx.hex
DSP APPLICATION ysp2app_YSP2-0_xxxxx_hex
SPID Y10xxxxxx.bin

• RS232Cクロスケーブル "D-sub 9pin メス" (仕様)



● 操作前の準備と注意

- PCへ指定のダウンロード先からDSP_FLASHER(YSP).exeとspDownloader_2_0_x_XXX.exeをダウンロードしてください。
- RS232Cクロスケーブルは必ず上記仕様のものを用意してください。
- 書き込み時は、PC上の他のアプリケーションソフトは閉じてください。さらに、タスクトレイ上にあるソフトも閉じておくことを推奨します。

● Operation Procedure

Writing of CPU

1. Install DSP_FLASHER(YSP).exe into the PC.
2. Before turning on the power to YSP-1100 and PC, connect between RS232C ports with the RS232C cable (cross cable). (Fig. 1)

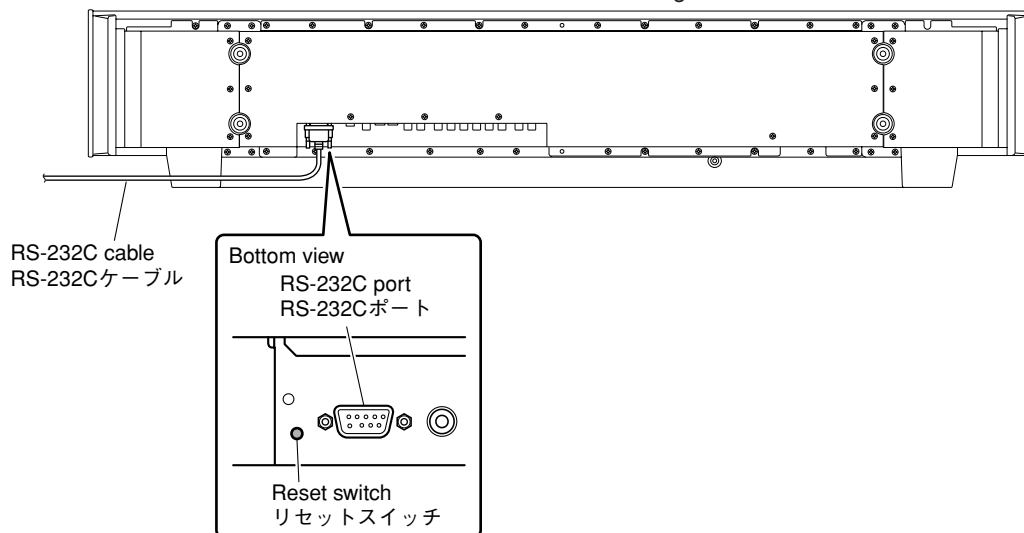


Fig. 1

3. While pressing the reset switch of YSP-1100, connect the power cable to the AC outlet. (Fig. 1, 2)
- * Use a fine tipped pin or the like to push the reset switch.
4. Start up DSP_FLASHER(YSP).exe, the screen will appear as shown below.

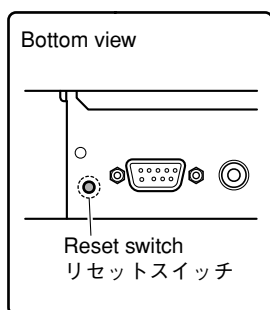


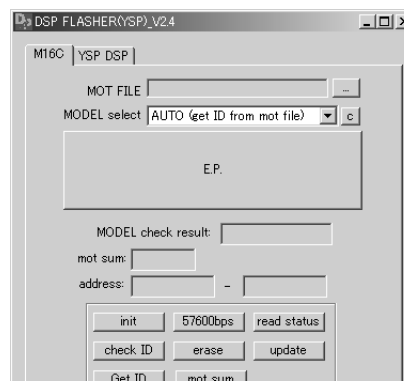
Fig. 2

● 操作方法

CPUの書き込み

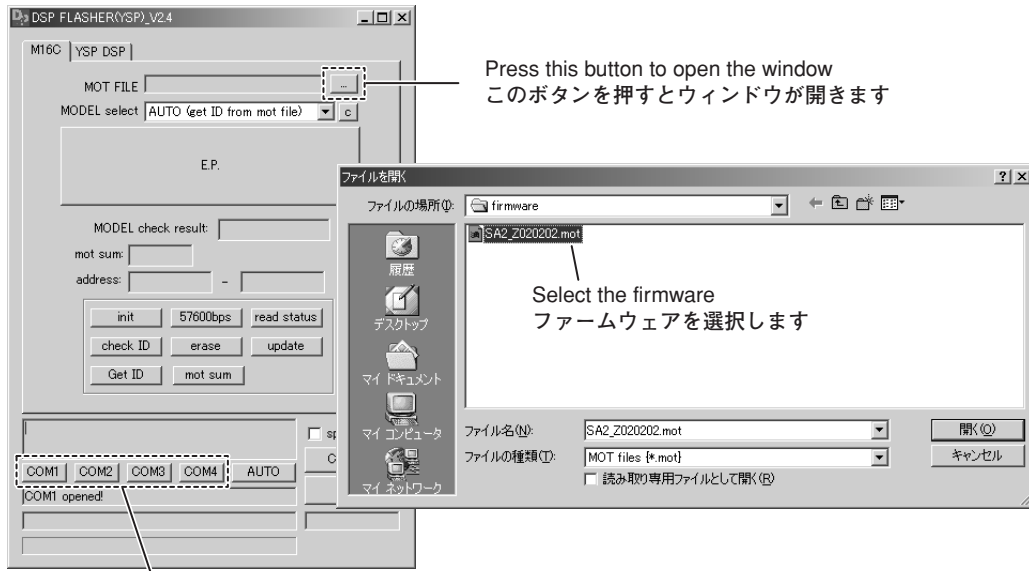
1. PCにDSP_FLASHER(YSP).exeをインストールします。
2. YSP-1100とPCの電源を入れる前に、それぞれのRS232Cポート間をRS232Cケーブル(クロスケーブル)で接続します。(Fig. 1)

3. YSP-1100のリセットスイッチを押しながら、電源コードをACコンセントに接続します。(Fig. 1, 2)
- ※ リセットスイッチは、先の細いピンなどで押してください。(Fig. 2)
4. PCのDSP_FLASHER(YSP).exeを立ち上げます。すると下記の画面が表示されます。



- Select the data to be transmitted and port.
 - MOT FILE**
Select "SA25_vx.mot".
 - RS232C**
Select the port of RS-232C.

- 送信データ、ポートを選択します。
 - MOT FILE**
"SA25_vx.mot" を選択します。
 - RS232C**
接続しているRS-232Cポートを選択します。



Press this button to open the window
このボタンを押すとウィンドウが開きます

Select the firmware
ファームウェアを選択します

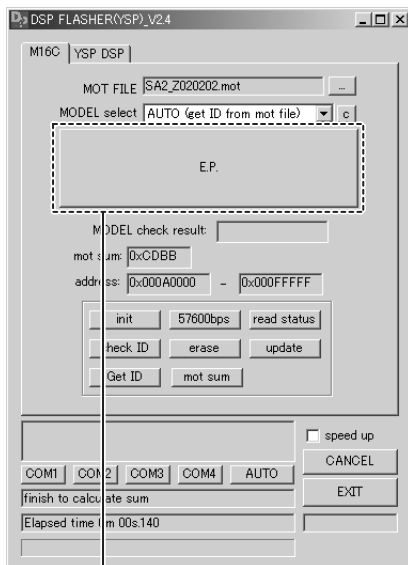
Select the port of RS-232C
接続しているRS-232Cポートを選択します

* The port selection varies depending on OS of the PC.
Windows 98/2000/Me COM1-4
Windows XP COM1-2
As no port other than the above can be used, select the port using the setting of the PC.

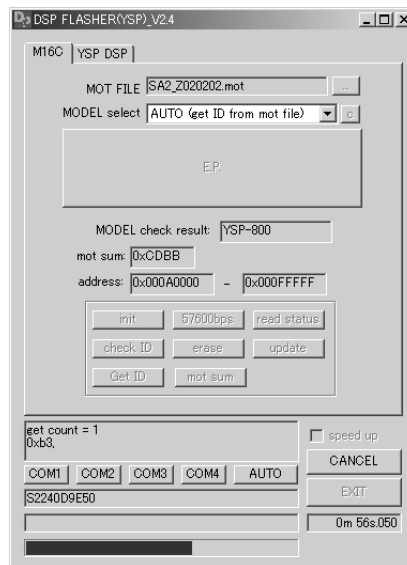
※ ポートの選択はPC側のOSによって異なります。
Windows 98/2000/Me COM1~4
Windows XP COM1~2
上記ポート以外は使用できませんので、PC側の設定でポートを選択してください。

- Press the [E.P.] button and start writing.

- [E.P.]ボタンを押し、書き込みを開始します。



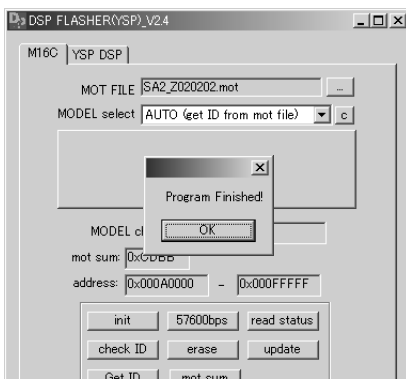
Press this button to start writing
このボタンを押すと
書き込みが開始されます



During downloading
書き込み中

7. When the program transmission is completed, the screen appears as shown below.
The press the [OK] button to end the procedure.

7. プログラムの送信が終了すると、以下の画面が表示されます。
[OK]ボタンを押して完了します。



8. Disconnect the power cable of YSP-1100 from the AC outlet.

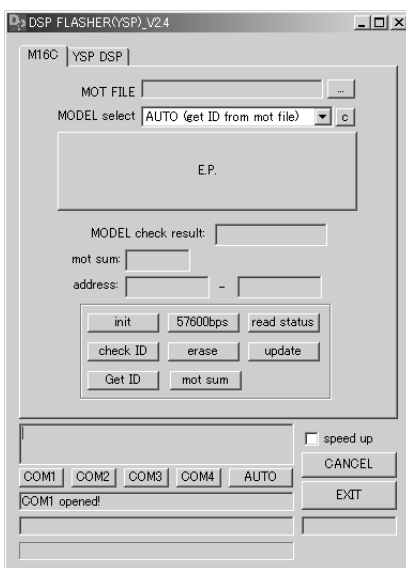
8. YSP-1100の電源コードをACコンセントから抜きます。

Writing of DSP

1. Install DSP_FLASHER(YSP).exe into the PC.
2. Before turning on the power to YSP-1100 and PC, connect between RS232C ports with the RS232C cable (cross cable). (Fig. 1)
3. Start up DSP_FLASHER(YSP).exe, the screen will appear as shown below.

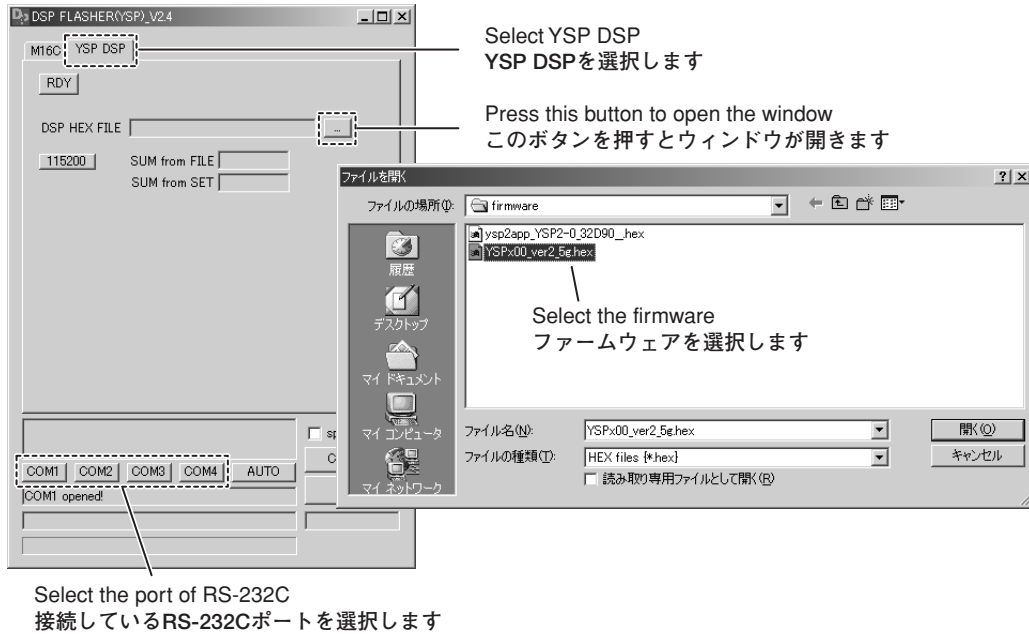
DSPの書き込み

1. PCにDSP_FLASHER(YSP).exeをインストールします。
2. YSP-1100とPCの電源を入れる前に、それぞれのRS232Cポート間をRS232Cケーブル(クロスケーブル)で接続します。(Fig. 1)
3. PCのDSP_FLASHER(YSP).exeを立ち上げます。すると下記の画面が表示されます。



4. Select "YSP DSP" tag.
5. Select the data to be transmitted and port.
 - **DSP HEX FILE**
Select "YSPx00_verxxxx.hex".
 - **RS232C**
Select the port of RS-232C.

4. "YSP DSP"タグを選択します。
5. 送信データ、ポートを選択します。
 - **DSP HEX FILE**
"YSPx00_verxxxx.hex" を選択します。
 - **RS232C**
接続しているRS-232Cポートを選択します。

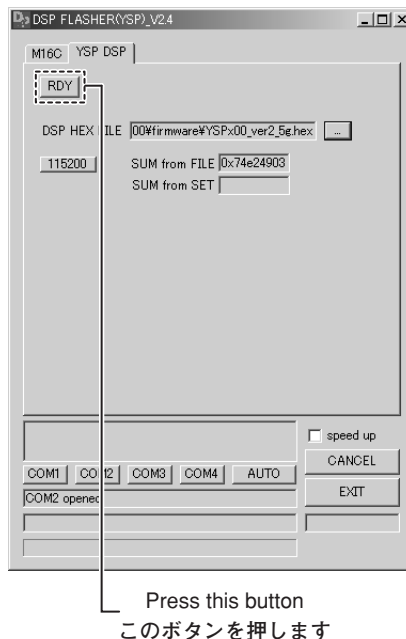


* The port selection varies depending on OS of the PC.
 Windows 98/2000/Me COM1-4
 Windows XP COM1-2
 As no port other than the above can be used, select the port using the setting of the PC.

※ ポートの選択はPC側のOSによって異なります。
 Windows 98/2000/Me COM1~4
 Windows XP COM1~2
 上記ポート以外は使用できませんので、PC側の設定でポートを選択してください。

6. Press the [RDY] button.

6. [RDY]ボタンを押します。



7. Connect the power cable of YSP-1100 to the AC outlet. While pressing the “VOL+” key and “VOL-” key of the YSP-1100, press the “STANDBY/ON” key of the remote control to activate the DIAG function.

7. YSP-1100の電源コードをACコンセントに接続し、YSP-1100の“VOL+”キーと“VOL-”キーを押しながら、リモコンの“STANDBY/ON”キーを押し、ダイアグを起動します。

① Using the “UP” or “DOWN” key of the remote control, select the DIAG menu in the figure below.

① リモコンの“UP”キーまたは“DOWN”キーを使い、下図のダイアグメニューを選択します。

```
TxTestCh [----]
```

② Using the “LEFT” or “RIGHT” key of the remote control, select the DIAG sub-menu in the figure below.

② リモコンの“LEFT”キーまたは“RIGHT”キーを使い、下図のダイアグメニューを選択します。

```
T1 Write [OFF]
```

③ Using the “ENTER” key of the remote control, make a change as shown below.

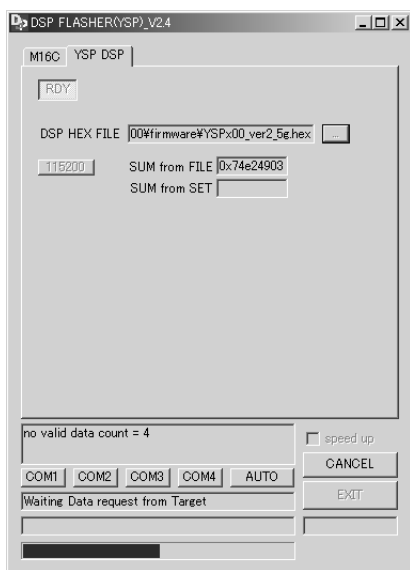
③ リモコンの“ENTER”キーを使い、下図のように変更します。

```
T1 Write [ON ]
```

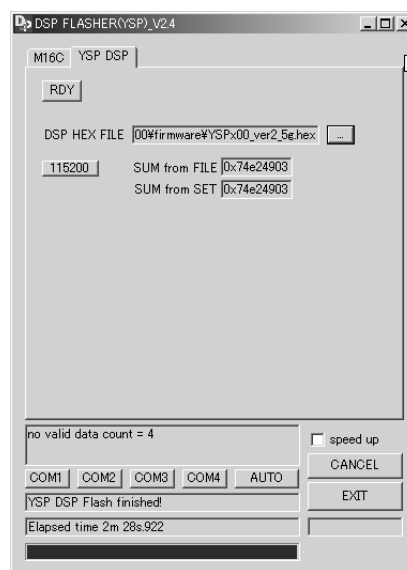
Change OFF to ON
OFF → ONに変更します

8. When the program transmission is completed, the screen appears as shown below.

8. プログラムの送信が終了すると、以下の画面が表示されます。



During downloading
書き込み中



9. Check the SUM.

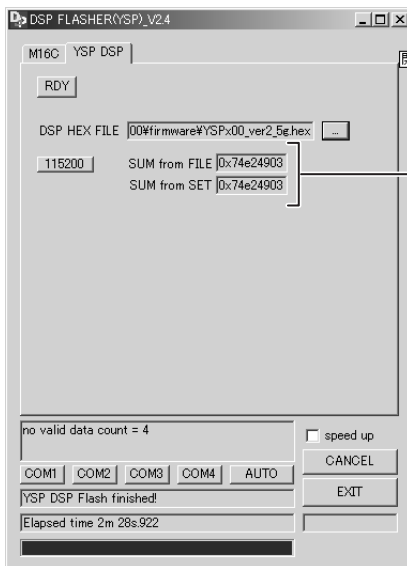
After downloading successfully, the value of “SUM from SET” is appeared.

The procedure is completed when the value is obtained for “SUM from FILE” and “SUM from SET”.

9. SUM値を確認します。

書き込み完了後“SUM from SET”が表示されます。

“SUM from FILE”と“SUM from SET”の値が同様になれば完了です。



Confirm the value of SUM
SUM値を確認します

10. Press the “STANDBY/ON” key of the YSP-1100 to turn off the power.

10. YSP-1100の“STANDBY/ON”キーを押し、電源をOFFにします。

Writing of DSP APPLICATION / SPID

1. Install spDownloader_2_0_x_xxx.exe into the PC.
2. Before turning on the power to YSP-1100 and PC, connect between RS232C ports with the RS232C cable (cross cable). (Fig. 1)
3. Connect the power cable of YSP-1100 to the AC outlet. While pressing the “VOL+” key and “VOL-” key of the YSP-1100, press the “STANDBY/ON” key of the remote control to activate the DIAG function.

- ① Using the “UP” or “DOWN” key of the remote control, select the DIAG menu in the figure below.

```
TxTestCh [---]
```

- ② Using the “LEFT” or “RIGHT” key of the remote control, select the DIAG sub-menu in the figure below.

```
RS232C: YAMAHA
```

- ③ Using the “ENTER” key of the remote control, make a change as shown below.

```
RS232C: 1Ltd.
```

Change YAMAHA to 1Ltd.
YAMAHA → 1Ltd.に変更します

- ④ For restarting, use the “STANDBY/ON” key of the YSP-1100 or the remote control.

DSP APPLICATION / SPIDの書き込み

1. PCにspDownloader_2_0_x_xxx.exeをインストールします。
2. YSP-1100とPCの電源を入れる前に、それぞれのRS232Cポート間をRS232Cケーブル(クロスケーブル)で接続します。(Fig. 1)
3. YSP-1100の電源コードをACコンセントに接続し、YSP-1100の“VOL+”キーと“VOL-”キーを押しながら、リモコンの“STANDBY/ON”キーを押し、ダイアグを起動します。

- ① リモコンの“UP”キーまたは“DOWN”キーを使い、下図のダイアグメニューを選択します。

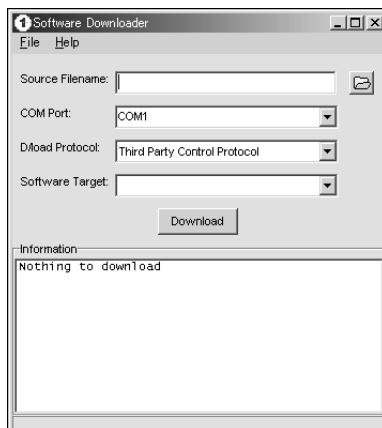
- ② リモコンの“LEFT”キーまたは“RIGHT”キーを使い、下図のダイアグメニューを選択します。

- ③ リモコンの“ENTER”キーを使い、下図のように変更します。

- ④ YSP-1100またはリモコンの“STANDBY/ON”キーで再起動します。

4. Start up spDownloader_2_0_x_xxx.exe, the screen will appear as shown below.

4. PCのspDownloader_2_0_x_xxx.exeを立ち上げます。すると下記の画面が表示されます。

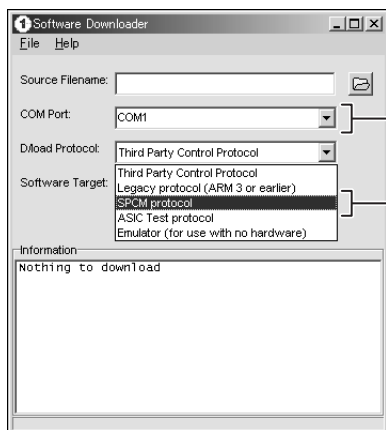


5. Select the data to be transmitted and port.

- **COM Port**
Select the port of RS-232C.
- **D/load Protocol**
Select "SPCM protocol"

5. 送信データ、ポートを選択します。

- **COM Port**
接続しているRS-232Cポートを選択します。
- **D/load Protocol**
SPCMプロトコルを選択します。



Select the port of RS-232C
接続しているRS-232Cポートを選択します

Select SPCM protocol
SPCMプロトコルを選択します

6. Select firmware and execute writing as follows.

First, select DSP APPLICATION and perform steps ① to ⑤ for writing.
Then, select SPID and perform steps ① to ④ for writing.

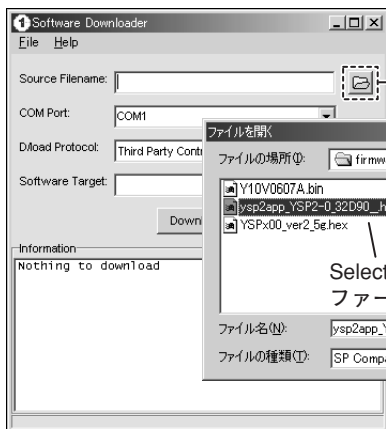
6. ファームウェアを選択し、書き込みを行います。

最初にDSP APPLICATIONを選択し、①～⑤の操作で書き込みます。
次にSPIDを選択し、①～④の操作で書き込みます。

- ① Press the button beside the Source Filename box.
And select the firmware.
- DSP APPLICATION : ysp2app_YSP2-0_xxxxx_.hex
 - SPID : Y10xxxxxx.bin

- ① フォルダボタンを押し、書き込むファームウェアを選択します。
- DSP APPLICATION : ysp2app_YSP2-0_xxxxx_.hex
 - SPID : Y10xxxxxx.bin

YSP-1100



Press this button to open the window
このボタンを押すとウィンドウが開きます

Select the firmware
ファームウェアを選択します

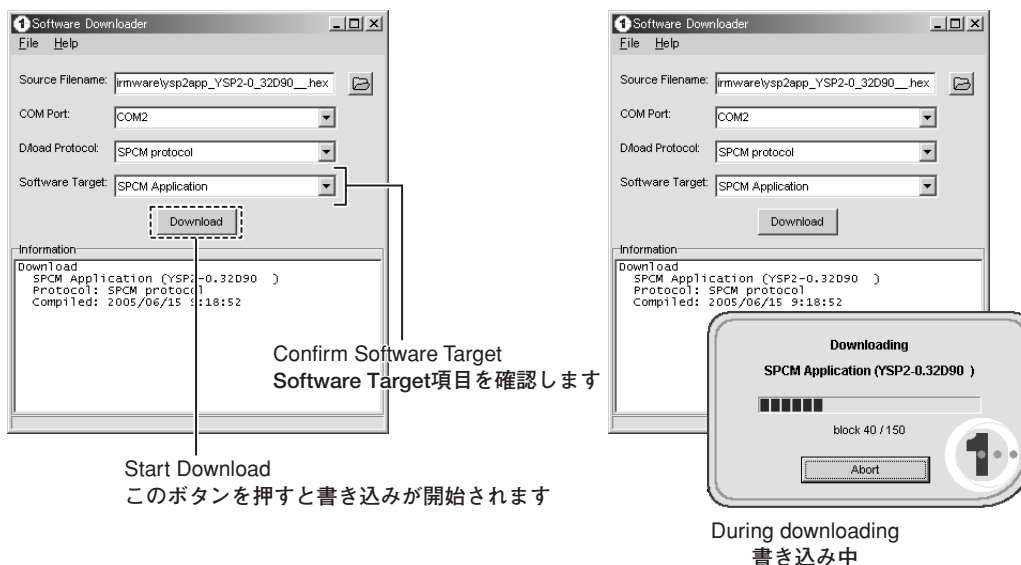
② Confirm Software Target and press the [Download] button.

② Software Target項目を確認し、[Download] ボタンを押します。

Firm	Software Target
DSP application	SPCM Application
SPID	SPCM init Data

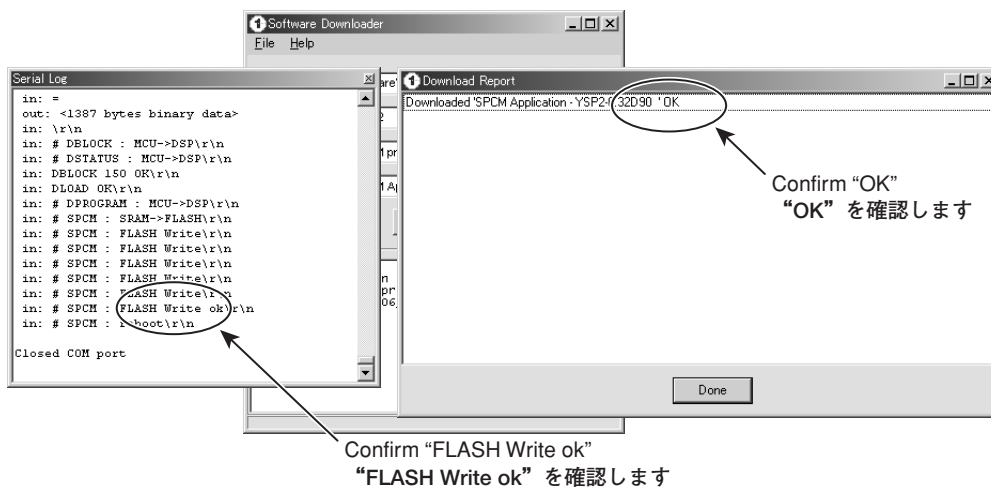
- * When Source Filename is selected, Software Target box is selected automatically.
- * If Software Target is different, confirm again Source Filename or re-open spDownloader.

- ※ Software Target項目は書き込みファイル選択時、自動的に選択されます。
- ※ Software Target項目が違う場合は、書き込みファイル名の確認、またはspDownloaderの再起動して下さい。



③ After downloading successfully, "Downloaded '*****' OK" is appeared. Confirm "FLASH Write ok" on the Serial Log window.

③ 書き込み完了後、“Downloaded ‘*****’ OK”が表示されます。Serial Logウィンドウの“FLASH Write ok”を確認します。



- ④ Press the [Done] button.
- ⑤ For restarting, use the "STANDBY/ON" key of the YSP-1100 or the remote control.
- ⑥ The display returns to screen (①). Select SPID and perform steps ① to ④ for writing.

- ④ [Done]ボタンを押します。
- ⑤ YSP-1100またはリモコンの“STANDBY/ON”キーで再起動します。
- ⑥ ①の画面に戻ります。SPIDを選択し、①～④の操作で書き込みます。

- 7. Press the “STANDBY/ON” key of the YSP-1100 to turn off the power.
- 8. While pressing the “VOL+” key and “VOL-” key of the YSP-1100, press the “STANDBY/ON” key of the remote control to activate the DIAG function.

① Using the “UP” or “DOWN” key of the remote control, select the DIAG menu in the figure below.

```
TxTestCh [---]
```

② Using the “LEFT” or “RIGHT” key of the remote control, select the DIAG sub-menu in the figure below.

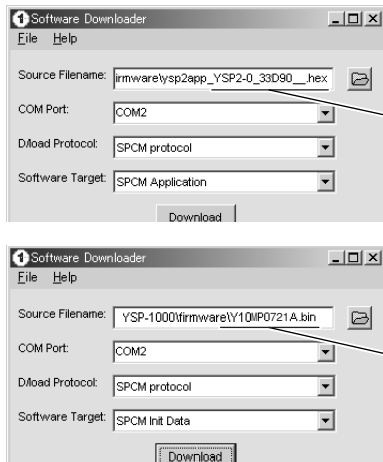
```
RS232C: 1Ltd.
```

③ Using the “RETURN” key of the remote control, make a change as shown below.

```
RS232C: YAMAHA
```

Change 1Ltd. to YAMAHA
1Ltd. → YAMAHAに変更します

④ Check the version of the firmware.
Using the “LEFT” key or “RIGHT” key of the remote control, have the DIAG menu displayed as in the figure below.
The procedure is completed when the same version as shown below is obtained.



```
APP: YSP2-0.33D
```

DSP APPLICATION version
DSP APPLICATIONのバージョン

```
SPD: Y10MP0721A
```

SPID version
SPIDのバージョン

- 7. YSP-1100の“STANDBY/ON”キーを押し、電源をOFFします。
- 8. YSP-1100の“VOL+”キーと“VOL-”キーを押しながら、リモコンの“STANDBY/ON”キーを押し、ダイアグを起動します。

① リモコンの“UP”キーまたは“DOWN”キーを使い、下図のダイアグメニューを選択します。

② リモコンの“LEFT”キーまたは“RIGHT”キーを使い、下図のダイアグメニューを選択します。

③ リモコンの“RETURN”キーを使い、下図のように変更します。

④ ファームウェアのバージョンを確認します。
リモコンの“LEFT”キーまたは“RIGHT”キーを使い、下図のダイアグメニューを表示します。
以下のように同様のバージョンになれば完了です。

- 9. Press the “STANDBY/ON” key of the YSP-1100 to turn off the power.

- 9. YSP-1100の“STANDBY/ON”キーを押し、電源をOFFにします。

■ SELF DIAGNOSIS FUNCTION (DIAG) / 自己診断機能 (ダイヤグ)

There are 14 DIAG menu items, each of which has sub-menu items. Listed in the table below are menu items and sub-menu items.

ダイヤグメニューは14個あり、そのそれぞれにサブメニューがあります。下表はメニュー一覧です。

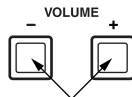
No.	DIAG MENU	SUB MENU
1	DSP THROUGH 1.DSP THR ALL	1. ALL
		2. FRONT L
		3. CENTER
		4. FRONT R
		5. SURROUND R
		6. SURROUND L
		7. LFE
2	RAM THROUGH 2.RAM THR ALL	1. ALL
		2. FRONT L
		3. CENTER
		4. FRONT R
		5. SURROUND R
		6. SURROUND L
		7. LFE
3	PRO LOGIC / NEO:6 3.PRO LOGIC I	1. PRO LOGIC I
		2. PRO LOGIC II
		3. NEO: 6
4	MIC CHECK 4.MIC CHK	1. MIC CHECK
5	VFD CHECK 5. VFD CHECK	1. VFD CHECK (Initial display / 初期表示)
		2. VFD DISP OFF (All segments OFF / 全セグメント消灯)
		3. VFD DISP ALL (All segments ON 100% / 全セグメント点灯100%)
		4. VFD DIMMER (All segments ON 50% / 全セグメント点灯50%)
		5. CHECKED PATTERN (ON in lattice / 格子状点灯)
6	MANUAL TEST 6.TEST ALL	1. TEST ALL
		2. TEST FRONT L
		3. TEST CENTER
		4. TEST FRONT R
		5. TEST SURROUND R
		6. TEST SURROUND L
		7. TEST LFE
7	RS-232C 7. TxRxData:XX	1. TxD/RxD DATA
		2. HARD FLOW
8	FACTORY PRESET 8. PRESET INHI	1. PRESET INHIBIT (memory initialization inhibited / メモリーの初期化禁止)
		2. PRESET RESERVED (memory initialized / メモリーの初期化)
9	AD DATA CHECK PS:057%[1.88V]	1. PS (protection)
		2. K0 / K1 (panel key)
10	IF STATUS IS1:0102370000	1. IS 1
		2. IS 2
		3. IS 3
		4. CS 1
		5. CS 2
		6. CS 3
		7. CS 4
		8. CS 5
		9. CS 6
		10. BS 1

No.	DIAG MENU	SUB MENU
		11. BS 2
		12. BS 3
		13. BS 4
		14. BS 5
		15. BS 6
		16. BS 7
		17. DS 1
		18. DS 2
		19. T 11
		20. T 12
		21. T 13
		22. T 21
		23. T 22
		24. T 23
		25. Y 11
		26. Y 12
		27. Y 21
		28. Y 22
		29. Y 31
		30. Y 32
		31. MTT
11	MODEL MODEL: YSP-1100	1. MODEL SETTING
		2. DESTINATION
		3. VIDEO FORMAT
12	ROM VERSION / SUM VER. C272524B	1. VERSION (DSP ALL)
		2. SUM (ALL BOOT)
13	DATE 06.07.13a / MAIN	1. MAIN
		2. SUB
		3. SUB 2
		4. SUB 3
		5. PROTECT
		6. REMOTE CONTROL CODE
14	DSP CHECK TxTestCh [---]	1. Tx Test Ch
		2. Tx Test
		3. T1 CHECK
		4. T2 CHECK
		5. RS232C BOOT
		6. Cert. Mode
		7. T1V
		8. T1D
		9. APP
		10. CSC
		11. SPD
		12. VR1
		13. T1 Write

● Starting DIAG

To activate the DIAG function, press the “STANDBY/ON” key of the remote control while pressing the keys of the main unit as shown below at the same time.

Keys of main unit / 本体キー



Turn on the power while pressing these keys.
これらのキーを同時に押しながら、パワーオンする。

● Starting DIAG in the protection cancel mode

If the protection function works and causes hindrance to trouble diagnosis, cancel the protection function as described below, and it will be possible to enter the DIAG mode.

Press the “STANDBY/ON” key while simultaneously pressing those two keys indicated in the figure above. At this time, keep pressing those two keys for 3 seconds or longer.

In this mode, the “SLEEP” segment of the FL display of the main unit flashes to indicate that the mode is DIAG mode with the protection functions disabled.

CAUTION!

Using this product with the protection function disabled may cause damage to itself. Use special care for this point when using this mode.

● Canceling DIAG

- ① Before canceling DIAG, execute setting for PRESET of DIAG menu No.8 (Memory initialization inhibited or Memory initialized).
* In order to keep the user memory stored, be sure to select PRESET INHIBIT (Memory initialization inhibited). Any protection history will remain in memory.
- ② Turn off the power by pressing the “STANDBY/ON” key of the main unit or the “STANDBY” key of the remote control.

● Display provided when DIAG started

When the monitor is connected, DIAGNOSTIC MENU appears on its screen as shown in the figure. (It remains on display until DIAG is cancelled.)

● ダイアグの起動

本体の下図に示すキーを同時に押しながらリモコンの“STANDBY/ON”キーを押すと、ダイアグが起動します。

● プロテクション解除モードでの起動

プロテクションが動作することにより、故障箇所の診断に支障をきたすような場合は、次の方法によりプロテクションを解除した状態でダイアグモードに入ることができません。

上図のキーを同時に押しながら“STANDBY/ON”キーを押します。このとき、上図のキーを3秒以上押し続けてください。

このモードでは本体FLの“SLEEP”セグメントが点滅し、プロテクションを解除した状態でのダイアグモードであることを知らせます。

注意！

プロテクションを解除した状態でのダイアグモードは、危険な状態でもプロテクションが作動しないため、動作させると、機器を破壊することがあります。このモードを使用する場合は十分注意してください。

● ダイアグの解除

- ① ダイアグを解除する前に、ダイアグメニューNo.8のFACTORY PRESET (メモリーの初期化禁止/またはメモリーの初期化)の設定をします。
※ユーザーメモリーを保持したい場合は、必ずPRESET INHIBIT(メモリー初期化禁止)を選択してください。
- ② 本体の“STANDBY/ON”キーまたはリモコンの“STANDBY”キーを押し、パワーオフにします。

● ダイアグ起動時の表示

モニターを接続してある場合は、モニターの画面に図のようにダイアグメニューの一覧が表示されます。(ダイアグを解除するまで、この表示が保持されます)

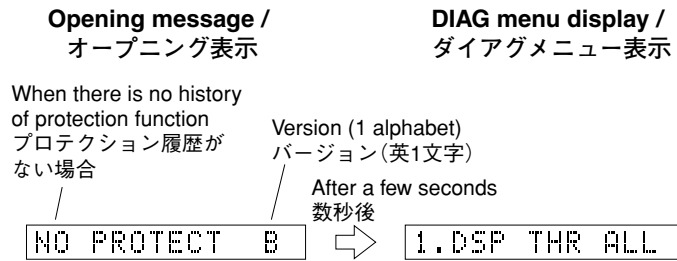
DIAGNOSTIC MENU	
1. DSP THR	8. PRESET
2. RAM THR	9. AD CHECK
3. PRO LOGIC	10. IF STATUS
4. MIC CHECK	11. MODEL
5. VFD CHECK	12. VER/SUM
6. MAN' LTEST	13. DATE
7. RS232C	14. DSP CHECK

The FL display of the main unit displays the protection function history data and the version (1 alphabet) and the DIAG menu [sub-menu (THR ALL) of DIAG menu No.1 DSP THROUGH] a few seconds later.

本体のFLディスプレイにプロテクション履歴情報とバージョン(英1文字)が表示され、数秒後にダイアグメニュー(No.1 DSP THROUGHのサブメニュー-THR ALL)になります。

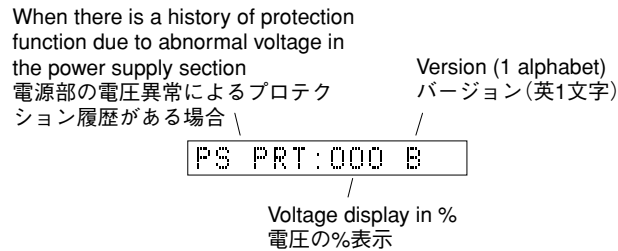
When there is no history of protection function:

プロテクション履歴がない場合:



When there is a history of protection function:

プロテクション履歴がある場合:



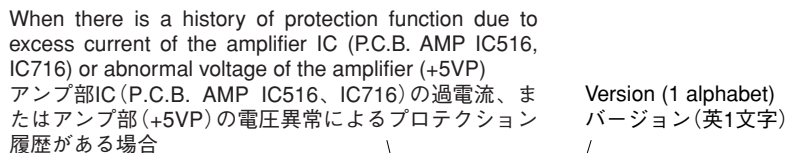
Cause: The voltage in the power supply section is abnormal.

原因：電源部の電圧が異常。
補足：異常時の電圧の状態を、3.3Vを100%とした値で%表示します。

Supplementary information: The abnormal voltage is displayed in % based on 3.3V as 100%.

異常状態のままパワーオンすると、1秒後にプロテクションがかかり、電源が切れます。

Turning on the power without correcting the abnormality will cause the protection function to work 1 second later and the power supply will be shut off.



Cause: Failure of amplifier IC or abnormal power voltage.

原因：アンプICの異常、または電源部の電圧が異常。

Turning on the power without correcting the abnormality will cause the protection function to work 2 second later and the power supply will be shut off.

異常状態のままパワーオンすると、2秒後にプロテクションがかかり、電源が切れます。

● History of protection function

When the protection function has worked, its history is stored in memory with a backup. Even if no abnormality is noted while servicing the unit, an abnormality which has occurred previously can be defined as long as the backup data has been stored.

The history of the protection function is cleared when DIAG is cancelled by selecting PRESET RESERVED (Memory initialized) of DIAG menu No. 8 or when the backup data is erased.

*To clear the protection history only, use the sub-menu No.5 "PROTECT His (PrHist ← RESET) of DIAG menu No.13".

● Display during menu operation

During the DIAG operation, the menu list described in the section of the startup screen appears on the superimposed screen and the function at work is indicated on the FL indicator. The contents displayed during the function operation are described in the later section on details of functions.

● Operation procedure of DIAG menu and sub-menu

There are 14 menu items, each of which has some sub-menu items.

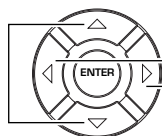
DIAG menu selection

Select the DIAG menu by using the UP/DOWN △ (Reverse) ▽ (Forward) key of the remote control.

Sub-menu selection

Select the DIAG sub-menu by using the LEFT/RIGHT ◀ (Reverse) ▶ (Forward) keys.

DIAG menu selection
ダイアグメニューの選択



Sub-menu selection
サブメニューの選択

● Functions in DIAG mode

In addition to the DIAG menu items, functions as listed below are available.

- Input selection
- Muting
- Night
- Power on/off
- Master volume

* Functions related to the set menu are not available.

● Initial settings used to start DIAG

The following initial settings are used when starting DIAG. When DIAG is canceled, these settings are restored to those before starting DIAG.

- Master volume: -40dB
- Input: TV
- Effect level: 0dB
- Audio mute: OFF
- DIAG menu: DSP THR ALL

● プロテクションの履歴

プロテクションが働いた場合、履歴をバックアップして記憶しています。サービスのときに異常が認められなくても、バックアップが残っていれば、お客様のところで起きた異常を区別できます。

プロテクションの履歴は、ダイアグメニューNo.8で PRESET RESERVED(メモリーの初期化)を選んでダイアグを解除した場合や、バックアップが消えたときにはクリアされます。

※ プロテクション履歴のみクリアしたい場合は、ダイアグメニューNo.13のサブメニューNo.5“PROTECT Hist(PrtHist←RESET)”でクリアできます。

● メニュー動作中の表示

ダイアグ中、モニター画面には起動画面の項で説明したメニュー一覧が表示されます。本体のFLディスプレイには動作中の機能が表示されます。機能動作中の表示内容については、後述の機能詳細で記述します。

● ダイアグメニューとサブメニューの操作

ダイアグにはNo.1~14のメニューがあり、そのそれぞれにサブメニューがあります。

ダイアグメニューの選択

リモコンのUP/DOWN △(逆送り)、▽ (順送り)キーで選択します。

サブメニューの選択

リモコンのLEFT/RIGHT ◀(逆送り)、▶(順送り)キーで選択します。

● ダイアグ中の機能

ダイアグメニューの他に、以下の機能が動作します。

- インプット切り換え
- ミューティング
- ナイト
- パワーオン/オフ
- マスターボリューム

※ セットメニュー関連は機能しません。

● ダイアグ開始時の初期設定

ダイアグ開始時に以下のような設定になります。ダイアグ解除時にはダイアグ開始前の状態に戻ります。

- マスターボリューム: -40dB
- インプット: TV
- エフェクトレベル: 0dB
- オーディオミュート: オフ
- ダイアグメニュー: DSP THR ALL

● Details of DIAG menu

With full-bit output specified in some modes, it is possible to execute 0dBFS output without head margin in each channel.

1. DSP THROUGH

The signal is not changed into beam and output from the channel specified by the sub-menu.

When 2CH signals are input, they are distributed as follows at DSP#1.

L CH FRONT L, SURROUND L, CENTER, LFE
R CH FRONT R, SURROUND R

Delay of each channel processed at DSP#1 is invalid.

DSP THR ALL

- All outputs (FRONT L/R, CENTER, SURROUND L/R, LFE) are provided.

1.DSP THR ALL

DSP THR FRONT L

- FRONT L output.
- SWFR is output through FRONT L only but not in digital full bit.

1.DSP THR FL

DSP THR CENTER

- CENTER output.
- SWFR is output through CENTER only but not in digital full bit.

1.DSP THR C

DSP THR FRONT R

- FRONT R output.
- SWFR is output through FRONT R only but not in digital full bit.

1.DSP THR FR

DSP THR SURROUND R

- SURROUND R output.
- SWFR is output through SURROUND R only but not in digital full bit.

1.DSP THR SR

DSP THR SURROUND L

- SURROUND L output.
- SWFR is output through SURROUND L only but not in digital full bit.

1.DSP THR SL

DSP THR LFE

- LFE output.

1.DSP THR LFE

● ダイアメニュー詳細

一部のモードでフルビット指定することで、各チャンネルのヘッドマージンを廃して0dBFS出力することが可能です。

1. DSP THROUGH

ビーム化は行わず、サブメニューの指定CHから出力します。

2CH信号入力時はDSP #1にて以下のように信号を振り分けます。

L CH FRONT L, SURROUND L, CENTER, LFE
R CH FRONT R, SURROUND R

DSP #1にて処理される各CHのDelayは無効です。

DSP THR ALL

- すべて (FRONT L/R, CENTER, SURROUND L/R, LFE) が出力されます。

DSP THR FRONT L

- FRONT Lが出力されます。
- SWFRはFRONT Lのみ出力されますが、デジタルフルビットではありません。

DSP THR CENTER

- CENTERが出力されます。
- SWFRはCENTERのみ出力されますが、デジタルフルビットではありません。

DSP THR FRONT R

- FRONT Rが出力されます。
- SWFRはFRONT Rのみ出力されますが、デジタルフルビットではありません。

DSP THR SURROUND R

- SURROUND Rが出力されます。
- SWFRはSURROUND Rのみ出力されますが、デジタルフルビットではありません。

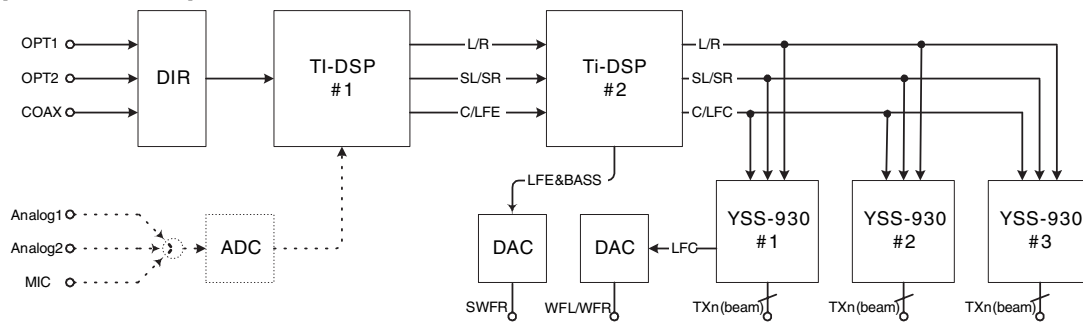
DSP THR SURROUND L

- SURROUND Lが出力されます。
- SWFRはSURROUND Lのみ出力されますが、デジタルフルビットではありません。

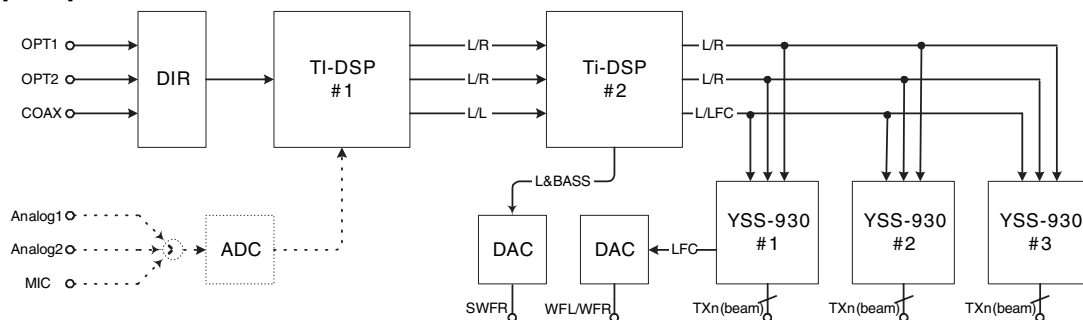
DSP THR LFE

- LFEが出力されます。

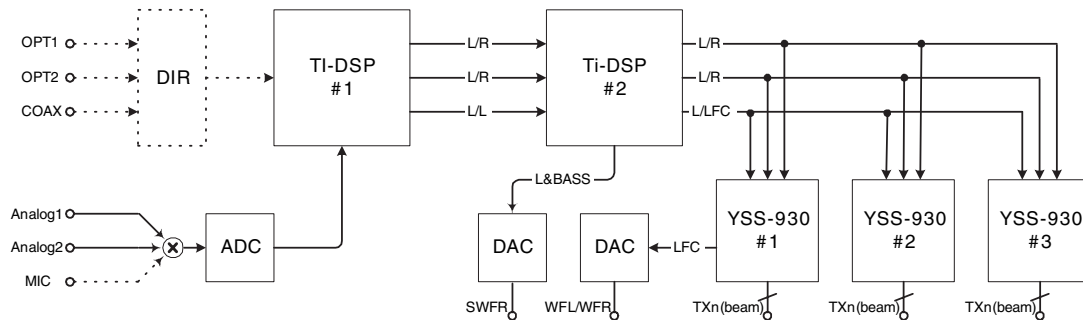
[DD/dts/AAC multi]



[PCM]



[Analog]



2. RAM THROUGH

The signal is not changed into beam and output from the channel specified by the sub-menu.

When 2CH signals are input, they are distributed as follows at DSP#1.

L CH FRONT L, SURROUND L, CENTER, LFE
R CH FRONT R, SURROUND R

Delay of each channel processed at DSP#1 is valid.

RAM THR ALL

- All outputs (FRONT L/R, CENTER, SURROUND L/R, LFE) are provided.

2. RAM THR ALL

RAM THR FRONT L

- FRONT L output.
- SWFR is output through FRONT L only but not in digital full bit.

2. RAM THR FL

RAM THR CENTER

- CENTER output.
- SWFR is output through CENTER only but not in digital full bit.

2. RAM THR C

RAM THR FRONT R

- FRONT R output.
- SWFR is output through FRONT R only but not in digital full bit.

2. RAM THR FR

RAM THR SURROUND R

- SURROUND R output.
- SWFR is output through SURROUND R only but not in digital full bit.

2. RAM THR SR

RAM THR SURROUND L

- SURROUND L output.
- SWFR is output through SURROUND L only but not in digital full bit.

2. RAM THR SL

RAM THR LFE

- LFE output.

2. RAM THR LEF

2. RAM THROUGH

ビーム化は行わず、サブメニューの指定CHから出力します。

2CH信号入力時はDSP #1にて以下のように信号を振り分けます。

L CH FRONT L, SURROUND L, CENTER, LFE
R CH FRONT R, SURROUND R

DSP #1にて処理される各CHのDelayは有効です。

RAM THR ALL

- すべて (FRONT L/R, CENTER, SURROUND L/R, LFE) が出力されます。

RAM THR FRONT L

- FRONT Lが出力されます。
- SWFRはFRONT Lのみ出力されますが、デジタルフルビットではありません。

RAM THR CENTER

- CENTERが出力されます。
- SWFRはCENTERのみ出力されますが、デジタルフルビットではありません。

RAM THR FRONT R

- FRONT Rが出力されます。
- SWFRはFRONT Rのみ出力されますが、デジタルフルビットではありません。

RAM THR SURROUND R

- SURROUND Rが出力されます。
- SWFRはSURROUND Rのみ出力されますが、デジタルフルビットではありません。

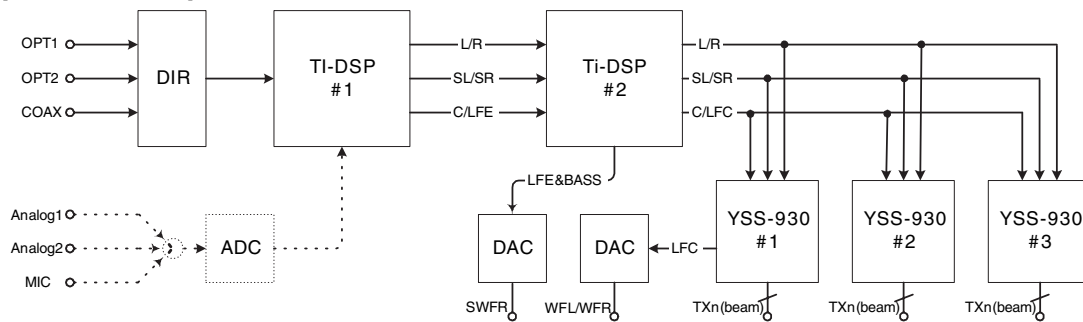
RAM THR SURROUND L

- SURROUND Lが出力されます。
- SWFRはSURROUND Lのみ出力されますが、デジタルフルビットではありません。

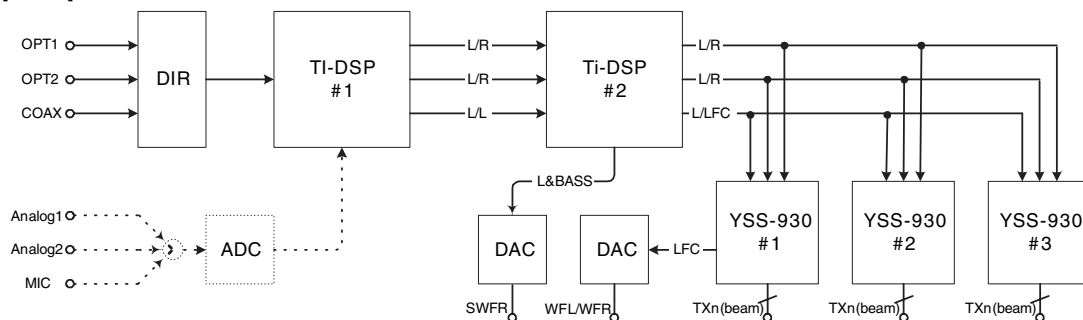
RAM THR LFE

- LFEが出力されます。

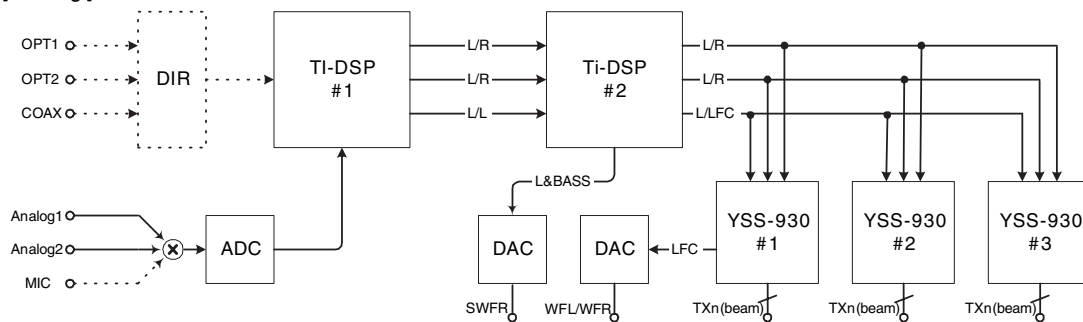
[DD/dts/AAC multi]



[PCM]



[Analog]



3. PRO LOGIC / NEO6

PRO LOGIC I, II, Neo:6 can be selected from the sub-menu items.

3. PRO LOGIC / NEO6

サブメニューでPRO LOGIC I、II、Neo:6を選択可能です。

PRO LOGIC I (PRO LOGIC EMULATION)

PRO LOGIC I (PRO LOGIC EMULATION)

3. PRO LOGIC I

PRO LOGIC II

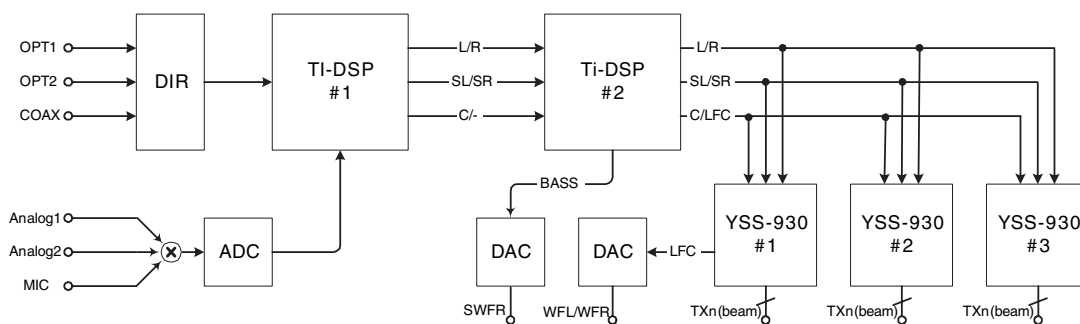
PRO LOGIC II

3. PRO LOGIC II

Neo:6

Neo:6

3. Neo:6



4. MIC CHECK

The signals input through the microphone are output via A/D-D/A.

4. MIC CHECK

マイク入力された信号をAD-DA経路で出力します。

4. MIC CHK

5. DISPLAY CHECK

This program is used to check the FL display section. The display condition varies as shown below according to the sub-menu operation. The signals are processed using EFFECT OFF (The L/R signal is output using ANALOG MAIN BYPASS.)

The video signal internal/external synchronization switching is controlled by the microprocessor. When the initial message is displayed and all the FL segments light up, it is switched to the internal synchronization but other than that it is forced to the external synchronization setting.

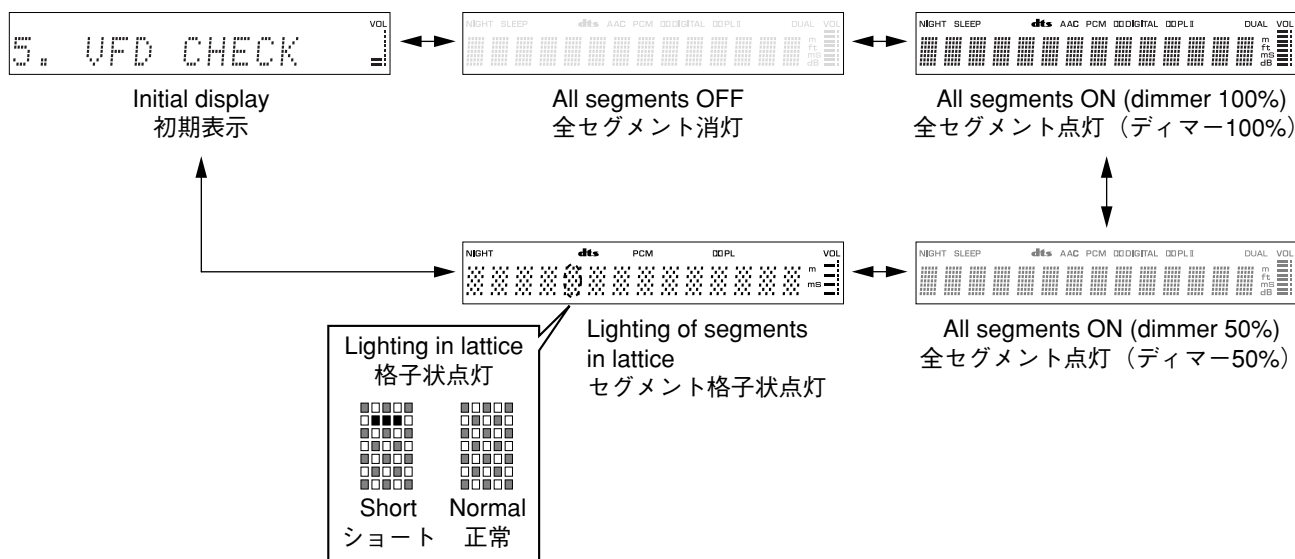
Also, when all segments and lighting in lattice are turned on, pictographs for checking the OSD driver are output on the monitor screen.

5. DISPLAY CHECK

FL表示部のチェックプログラムです。サブメニュー操作により、表示状態が以下のように変わります。信号処理はEFFECT OFF (ANALOG MAIN BYPASSでL/Rを出力)です。マイコン制御による映像信号の内部/外部同期切替は、初期表示とFL全点灯時に内部同期となり、それ以外は強制外部同期となります。また全セグメント点灯時とセグメント格子状点灯時には、モニター画面にOSDドライバー確認用絵文字表示が出力されます。

Check of the Fluorescent indication

FL表示部のチェック



Segment conditions of the FL driver and the FL tube are checked by turning ON and OFF all segments. Next, the operation of the FL driver is checked by using the dimmer control. Then a short between segments next to each other is checked by turning ON and OFF all segments alternately (in lattice). (In the above example, the segments in the second row from the top are shorted.)

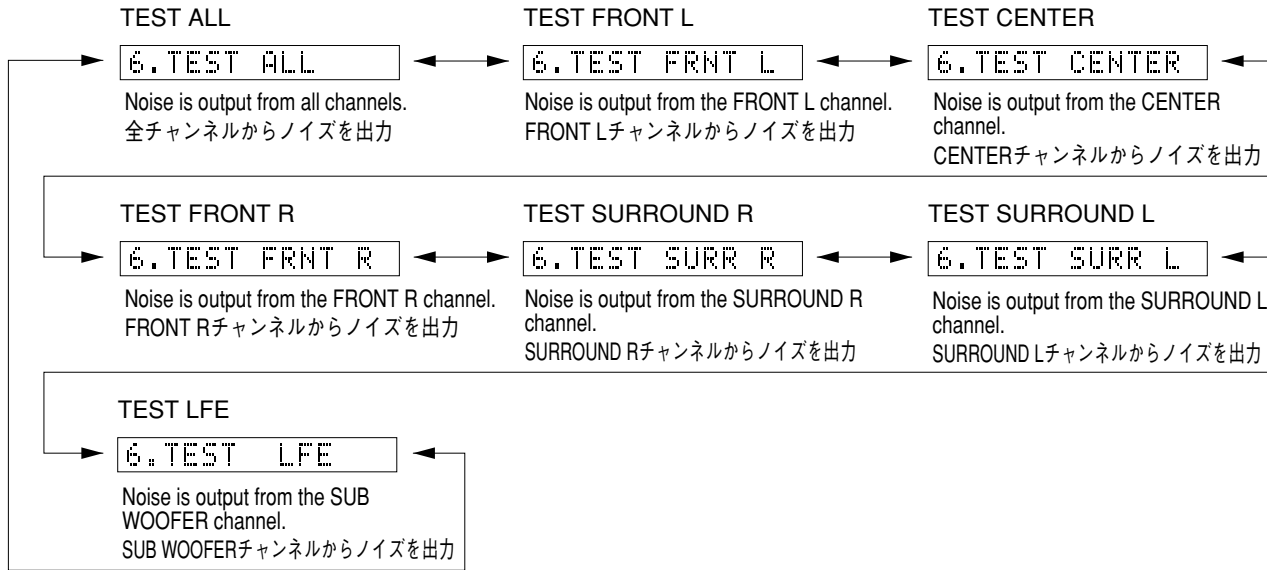
全セグメント消灯・全セグメント点灯によりFLドライバー、FL管のセグメントの不良を確認します。次に、ディマーコントロールによってFLドライバーの動作チェックを行います。さらに全セグメントを交互(格子状)に点灯/消灯することで、隣り合うセグメントのショートをチェックします。

6. MANUAL TEST

The noise generator with a built-in DSP outputs the test noise through the channels specified by the sub-menu. The noise frequency for LFE is 35 to 250 Hz. Other than that, the center frequency is 800Hz.

6. MANUAL TEST

DSP内蔵のノイズ発生回路によって、サブメニューで指定したチャンネルへテストノイズを出力します。LFE用のノイズ周波数は35~250Hz、それ以外は中心周波数800Hzとなります。

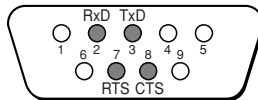


7. RS-232C

This menu is used to check transmission of the data and the flow port of the hardware. With the power turned off, short between pins No.2 (RxD) and No.3 (TxD), and between pins No.7 (RTS) and No.8 (CTS) of the RS-232C terminal. (Be sure to turn off the power when shorting the pins.) Start DIAG and select the menu. There are two sub-menu items.

7. RS-232C

データ送受信チェック、ハードウェアフローポートチェックを行うメニューです。パワーオフ状態にしてから、RS-232C端子の2ピン(RxD)と3ピン(TxD)、7ピン(RTS)と8ピン(CTS)をショートさせます。(ショートさせるときは必ず電源を切ってください。)ダイアグを起動してメニューを選択します。サブメニューは2つあります。



TxD/RxD DATA

The sub-menu is used to check transmission of the test data. "OK" appears when the data is transmitted properly and "NG" when it is not. In this mode, NULL command transmission is continued after the test command is transmitted.

TxD/RxD Data

テストの送受信チェックを行います。正常に送受信完了した場合、「OK」と表示します。正常に送受信しなかった場合は「NG」と表示します。このモードでは、テストコマンド送信後、200msごとにNULLコマンド(無効なコマンド)を送信し続けます。

7. TxRxData:XX

HARD FLOW

This sub-menu is used to check operation of the flow port of the hardware. "OK" appears when the check result is satisfactory and "NG" when it is not.

Hard Flow

ハードウェアフローポートの動作チェックを行います。正常にチェック完了した場合、「OK」と表示します。正常にチェック完了しなかった場合は「NG」と表示します。

7. HardFlow:XX

8. FACTORY PRESET

This menu is used to reserve and inhibit initialization of the back-up RAM. The signals are processed using EFFECT OFF. (The L/R signal is output using ANALOG MAIN BYPASS.)

8. FACTORY PRESET

バックアップ用RAM (音場プログラムのパラメーターやセットメニュー内容等)の初期化を予約/禁止します。信号処理はEFFECT OFFと同じです(ANALOG MAIN BYPASSで、L/Rを出力)。

8. PRESET INHI



8. PRESET RSRV

PRESET INHIBIT (Initialization inhibited) / PRESET INHIBIT (初期化禁止)

RAM initialization is not executed. Select this sub-menu to protect the values set by the user.

RAMの初期化は行われません。ユーザーの設定値を保護するときは、こちらを選択してください。

PRESET RESERVED (Initialization reserved) / PRESET RESERVED (初期化予約)

Initialization of the back-up RAM is reserved. (Actually, initialization is executed the next time that the power is turned on.) Select this sub-menu to reset to the original factory settings or to reset the RAM. Any protection history will be cleared.

バックアップRAMの初期化が予約されます。(実際に初期化されるのは、次の電源投入時です。)工場出荷時やRAMをリセットしたいときは、こちらを選択してください。

9. AD DATA CHECK

This menu is used to display the A/D conversion value of the main CPU which detects panel keys of the main unit and protection functions in % using the sub-menu. During signal processing, the condition before execution is maintained.

* The figures in the diagram are given as reference only.

9. AD DATA CHECK

本体パネルキー、プロテクションなどを検出しているメインCPUのA/D変換の値を、サブメニューで%表示します。信号処理は実行前の状態を維持します。

※図中の数値は参考例です。

PS (Power supply voltage protection detection)

PS: Power supply voltage protection value (Normal value: PS: 50 to 88)

* If PS is out of the normal value range, the protection function works to turn off the power. (Reference voltage: 3.3V=100%)

PS (電源電圧プロテクションの検出)

PS: 電源電圧プロテクションの値(正常値: 50~88)

※ PSは正常値を外れるとプロテクションが働き、電源オフされます。(基準電圧: 3.3V=100%)

PS:057%[1.88V]

K0/K1 (Panel key of main unit) [Remote control code: -]

A/D of the key fails to function properly when the standard value is deviated by ±4%. In this case, check the constant of partial pressure resistor, solder condition, etc. Refer to table 2.

(Reference voltage: 3.3V=100%)

K0/K1 (本体パネルキー)

キーのA/Dは基準値から±4%を外れると、正常な動きをしません。下表2をご覧になり、各キーの分圧抵抗の定数、ハンダ不良等の確認をしてください。

(基準電圧: 3.3V=100%)

K0:100 K1:100

[Table 2 / 表2]

Display	K0	K1
0+2	VOLUME +	VOLUME -
10±2	INPUT	-
100-2	NO KEY	NO KEY

10. IF STATUS (Input function status)

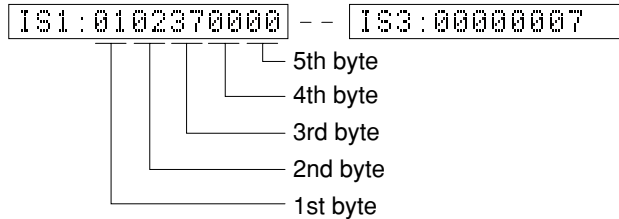
Using the sub-menu, the status data is displayed one after another in the hexadecimal notation.

During signal processing, the status before execution of this menu is maintained.

* Numeric values in the figure example are for reference.

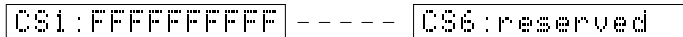
IS1-3 (Internal status):

Indicates the status information of the microprocessor.



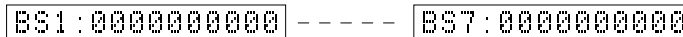
CS1-6:

Indicates channel status information of the input signal (IEC60958).



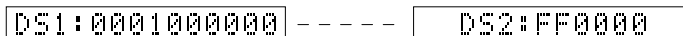
BS1-7:

Indicates information of the bit stream included in the dts and AAC signal.



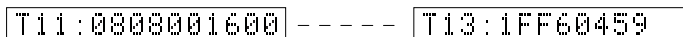
DS1-2:

Register information of the DIR.



T11-3:

Operation information of the DSP IC (T1).



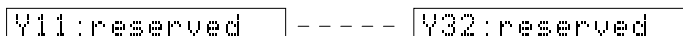
T21-3:

Operation information of the DSP IC (T2).



Y11-2, 21-2, 31-2:

Not applied to this model.



MTT:

Mute Trigger



Byte No.	Function
1	Mute condition / ミュート状態
2	The last Mute Trigger / 最後のミュートトリガー
3	The previous state Mute Trigger of one / 1つ前のミュートトリガー
4	The previous state Mute Trigger of two / 2つ前のミュートトリガー
5	The previous state Mute Trigger of three / 3つ前のミュートトリガー

10. IF STATUS

サブメニュー操作により、以下のステータス情報を順次16進数で表示します。信号処理は、本メニュー実行前の状態を維持します。

※ 図中の数値は参考例です。

IS1-3 (内部ステータス):

マイコンのステータス情報を表示します。

CS1-6:

入力信号のIEC60958チャンネルステータス情報を表示します。

BS1-7:

dts信号およびAAC信号に含まれるビットストリームインフォメーション情報を表示します。

DS1-2:

DIRのレジスタ情報を表示します。

T11-3:

DSP IC(T1)の動作情報を表示します。

T21-3:

DSP IC(T2)の動作情報を表示します。

Y11-2, 21-2, 31-2:

このモデルには適用されません。

MTT:

Mute Trigger

11. MODEL

The information on the model, destination and video format is displayed.

MODEL SETTING

MODEL:YSP-1100

DESTINATION

J, UC, BGATL or KV is displayed.

DEST : J

VIDEO FORMAT

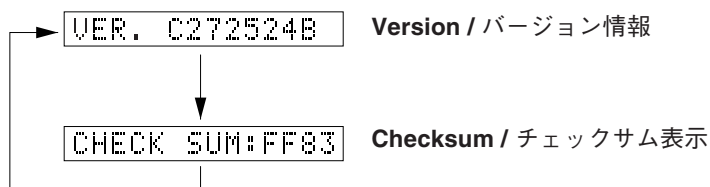
NTSC (U, C, K, V, J models)
PAL (T, A, B, G, E, L models)

VIDEO:NTSC

12. MICROPROCESSOR INFORMATION

There are 2 sub-menu items.
The version and checksum are displayed. The signal is processed using EFFECT OFF. The checksum is obtained by adding the data at every 16 bits for each program area and expressing the result as a 4-figure hexadecimal data.

* Numeric values in the figure example are for reference.



11. MODEL

モデル、仕向、ビデオフォーマットの情報を表示します。

MODEL SETTING

DESTINATION

J、UC、BGATL、KVのいずれかを表示します。

VIDEO FORMAT

NTSC(U、C、K、V、J models)
PAL(T、A、B、G、E、L models)

12. マイコン情報

サブメニューは2つあります。
プログラムのバージョン、チェックサムを表示します。
信号はエフェクトOFFです。チェックサムは、プログラムエリア別にデータを16ビットごとに加算していき、4桁の16進データで現したものです。

※ 図中の数値は参考例です。

13. DATE

There are 6 sub-menu items.

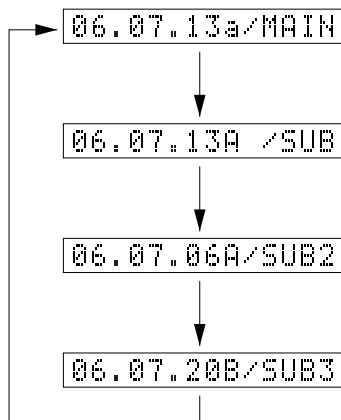
The updated date of the program, clearance of the protection history and the remote control reception code are displayed.

When Remo Code menu is selected, keys become non-operable due to detection of the values of all keys. However, it is possible to advance to the next sub-menu by push the "INPUT" key of the main unit.

* Numeric values in the figure example are for reference.

MAIN / SUB, 2, 3

The updated date of the microprocessor firmware is displayed.



Displays the updated date of the operation section. / オペレーション部の更新日を表示します

Displays the updated date of the digital section. / デジタル部の更新日を表示します

Displays the updated date of the set menu and automatic adjustment section. / セットメニュー、自動調整部の更新日を表示します

Displays the updated date of the display section. / 表示部の更新日を表示します

PROTECT HISTORY DELETE

Reserve/Cancel can be selected by using the "ENTER" and "RETURN" keys of the remote control.

13. DATE

サブメニューは6つあります。

プログラムの更新日付、プロテクション履歴のクリア、リモコン受信コードを表示します。

Remo Codeのメニューにすると、リモコンの全キーの値を検出するためキー操作はできなくなりますが、本体の"INPUT"キーを押すことにより、次のサブメニューに進めることができます。

※ 図中の数値は参考例です。

MAIN / SUB、2、3

マイコンのファームウェアの更新日を表示します。

プロテクション履歴削除の予約/解除

リモコンの"ENTER"キー、"RETURN"キーにより予約/解除が選択できます。

Protect Hist

REMOTE CONTROL CODE DISPLAY

The reception code of the remote control can be checked.

リモコン受信コード表示

リモコン受信コードが確認できます。

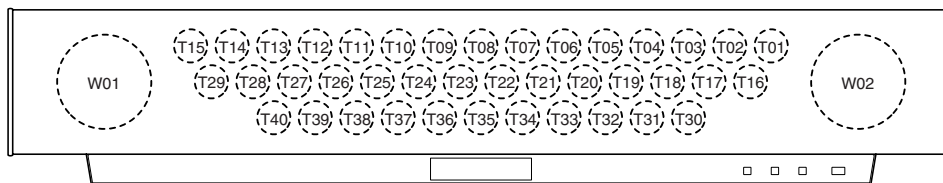
RemoCode ...

14. DSP CHECK

Tx Test Ch

Have the sound produced from each driver to check its condition and installation position.
Use the "ENTER" and "RETURN" keys of the remote control for selection.

TxTestCh [----]



- T01–T40 Tweeter
- W01–W02 Woofer
- ALL Sound is output from all drivers
- ---- OFF

Tx Test

Select the sound to be produced in ONE SP TEST.
Use the "ENTER" and "RETURN" keys of the remote control for switching.

- NOISE The noise is output.
- SOURCE The external input is output.

TxTest: NOISE

T1 CHECK

Execute self-diagnosis of DSP IC (P.C.B. DSP IC5)
Use the "ENTER" key of the remote control for execution.

T1:Not Checked

Display / 表示	Description / 判断
Not Checked	Self-diagnosis not executed / 自己診断未実施
Wait	Self-diagnosis being executed / 自己診断実行中
No Error	No error detected / エラー検出なし
Err-DSP	Error of DSP operation detected / DSPの動作についてエラーを検出
Err-SRAM	Error of I/F with SRAM detected / SRAMとのI/Fについてエラーを検出
Err-FLASH	Error of IF with FLASH ROM detected / FLASH ROMとのI/Fについてエラーを検出
Err-Unknown	Error other than above detected / 上記以外のエラーを検出
reserved	Function not applicable / 機能は非対応

T2 CHECK

Execute self-diagnosis of DSP IC (P.C.B. DSP IC12)
Use the "ENTER" key of the remote control for execution.

T2:Not Checked

Display / 表示	Description / 判断
Not Checked	Self-diagnosis not executed / 自己診断未実施
Wait	Self-diagnosis being executed / 自己診断実行中
No Error	No error detected / エラー検出なし
Err-DSP	Error of DSP operation detected / DSPの動作についてエラーを検出
Err-SRAM	Error of I/F with SRAM detected / SRAMとのI/Fについてエラーを検出
Err-FLASH	Error of IF with FLASH ROM detected / FLASH ROMとのI/Fについてエラーを検出
Err-Unknown	Error other than above detected / 上記以外のエラーを検出
reserved	Function not applicable / 機能は非対応

14. DSP CHECK

Tx Test Ch

各スピーカーユニットを鳴らし、不良・取付位置の確認をします。
リモコンの"ENTER"キー、"RETURN"キーを使って選択します。

- T01–T40 ツイーター
- W01–W02 ウーファー
- ALL すべてのスピーカーユニットから出力されます
- ---- OFF

Tx Test

ONE SP TESTで鳴らす音を選択します。
リモコンの"ENTER"キー、"RETURN"キーにて切り替えます。

- NOISE ノイズを出力します。
- SOURCE 外部入力を出力します。

T1 CHECK

DSP IC (P.C.B. DSP IC5) を自己診断します。
リモコンの"ENTER"キーを使って実行します。

T2 CHECK

DSP IC (P.C.B. DSP IC12) を自己診断します。
リモコンの"ENTER"キーを使って実行します。

RS232C

Select the protocol of RS-232C connection.

RS232C: YAMAHHA

RS232C: 1Ltd.

RS232C

RS-232C接続のプロトコルを選択します。

It select it at the time of writing IC17. / (IC17)書き込み時選択します。

Cert Mode

Select the special mode for testing.

Cert.Mode[OFF]

Cert Mode

試験用の特殊モードを選択します。

* Be sure to set to "OFF"
※ 必ず"OFF"にしてください

T1V

The version of T1(DSP) is displayed.

T1V:0506r

T1V

T1 (DSP) のバージョンを表示します。

T1D

Not applied to this model.

T1D:-----

T1D

このモデルには適用されません。

APP

The version of DSP Application Code is displayed.

APP:YSP2-0.33D

APP

DSP Application Code のバージョンを表示します。

CSC

The version of Core Start-Up Code is displayed.

CSC:CSC1.06Y R

CSC

Core Start-Up Codeのバージョンを表示します。

SPD

The version of SPID is displayed.

* SPID is the abbreviation for the Sound Projector Module Initialization Data Format.

SPD:Y10MP0721A

SPD

SPIDのバージョンを表示します。

※ SPIDはSound Projector Module Initialization Data Formatを略したものです。

VR1

Not applied to this model.

VR1:reserved

VR1

このモデルには適用されません。

T1 Write

Select OFF/ON of firmware writing.

* Keep OFF selected other than when writing the firmware.

T1 Write [OFF]

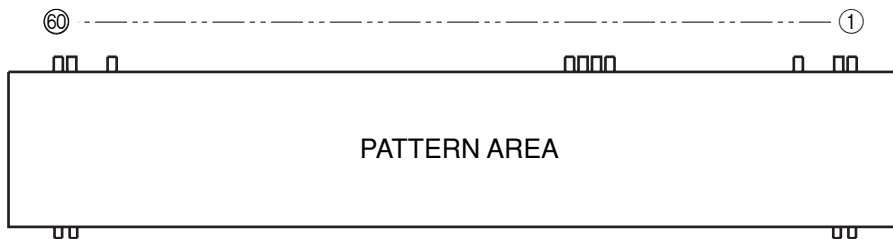
T1 Write

ファームウェアの書き込みのOFF/ONを選択します。

* ファームウェアの書き込み時以外はOFFにします。

■ DISPLAY DATA

● V1 : 15-BT-99GNKF (WE204600)

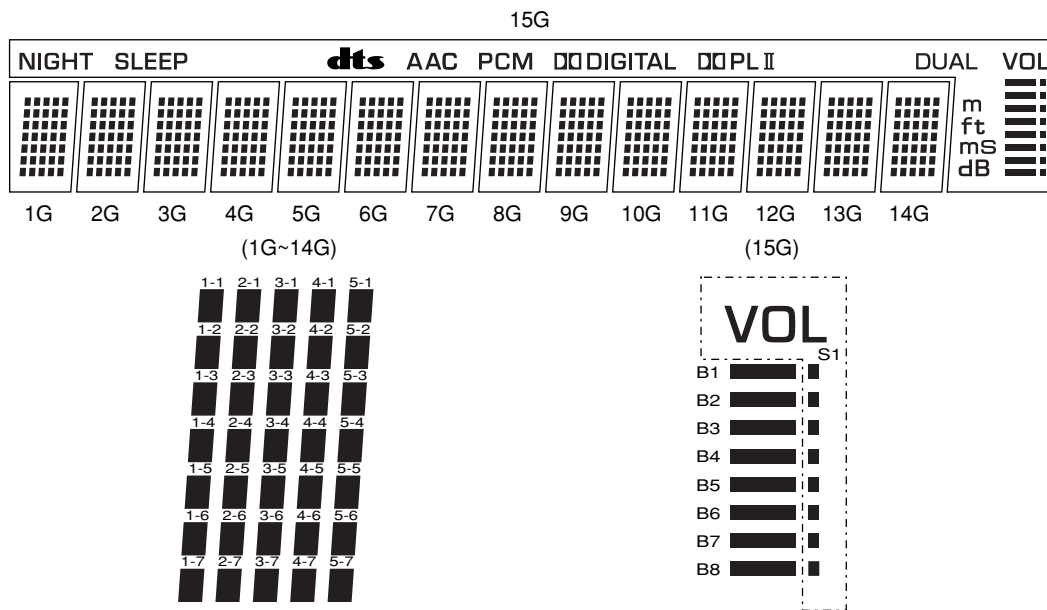


● PIN CONNECTION

Pin No.	60	59	58	57	56	55	54	53	52	51	50	49	48	47	46	45	44	43	42	41	40	39	38	37	36	35	34	33	32	31
Connection	F2	NX	NP	NP	P1	P2	P3	P4	P5	P6	P7	P8	P9	P10	P11	P12	P13	P14	P15	P16	P17	P18	P19	P20	P21	P22	P23	P24	P25	P26
Pin No.	30	29	28	27	26	25	24	23	22	21	20	19	18	17	16	15	14	13	12	11	10	9	8	7	6	5	4	3	2	1
Connection	P27	P28	P29	P30	P31	P32	P33	P34	P35	NX	NX	15G	14G	13G	12G	11G	10G	9G	8G	7G	6G	5G	4G	3G	2G	1G	NP	NP	NX	F1

Note : 1) F1, F2 Filament 2) NP No pin 3) NX No extended Pin 4) 1G ~ 15G Grid

● GRID ASSIGNMENT



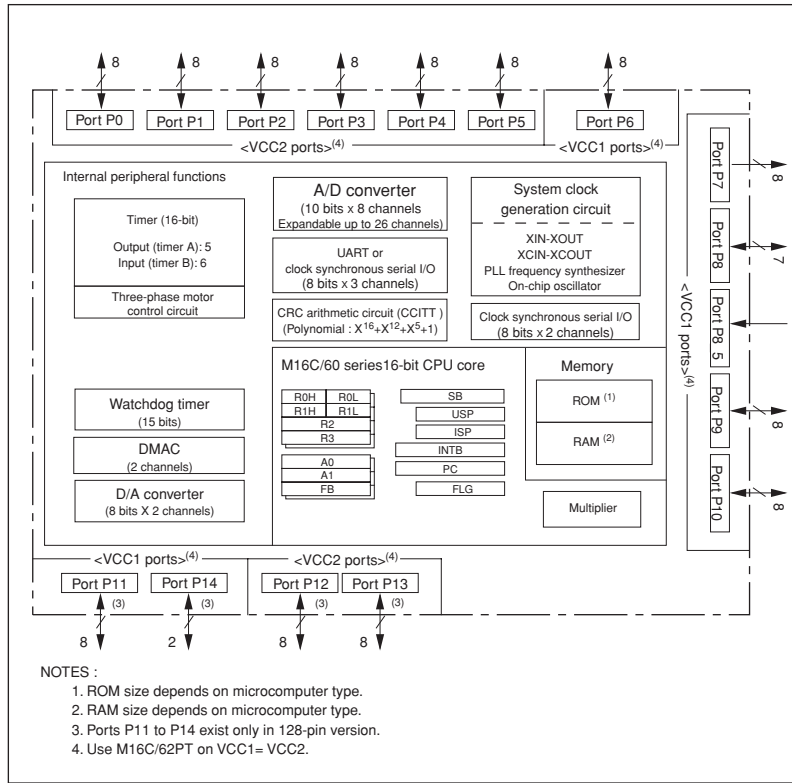
● ANODE CONNECTION

	1G~14G	15G		1G~14G	15G		1G~14G	15G
P1	1-1	—	P13	3-3	PL	P25	5-5	mS
P2	2-1	—	P14	4-3	II	P26	1-6	dB
P3	3-1	—	P15	5-3	—	P27	2-6	S1
P4	4-1	—	P16	1-4	—	P28	3-6	B1
P5	5-1	—	P17	2-4	—	P29	4-6	B2
P6	1-2	—	P18	3-4	—	P30	5-6	B3
P7	2-2	NIGHT	P19	4-4	—	P31	1-7	B4
P8	3-2	SLEEP	P20	5-4	—	P32	2-7	B5
P9	4-2	dts	P21	1-5	—	P33	3-7	B6
P10	5-2	AAC	P22	2-5	DUAL	P34	4-7	B7
P11	1-3	PCM	P23	3-5	m	P35	5-7	B8
P12	2-3	DIGITAL	P24	4-5	ft			

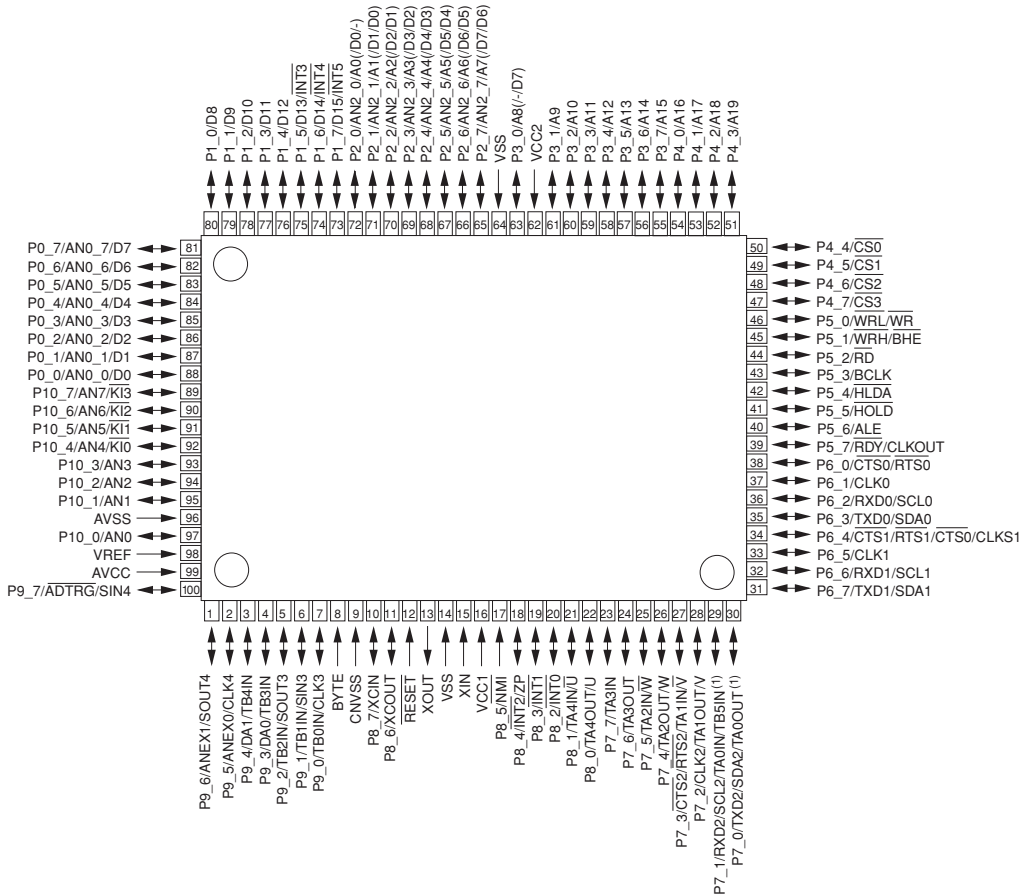
YSP-1100

IC DATA

IC26 : M30626FJFPF (DSP P.C.B)
16-bit Microprocessor



- NOTES :
1. ROM size depends on microcomputer type.
 2. RAM size depends on microcomputer type.
 3. Ports P11 to P14 exist only in 128-pin version.
 4. Use M16C/62PT on VCC1= VCC2.



IC26 : M30626FJFPF (DSP P.C.B)
16-bit Microprocessor

Pin No.	Port	Definition	I/O	Function
1	PO96	FL_TXD	O	Data output to FL driver
2	PO95	FL_CLK	O	Clock output to FL driver
3	PO94		I	Pull down
4	PO93		I	Pull down
5	PO92	SDM	O	Serial data output
6	PI91	SDD	I	Serial data input
7	PO90	SCK	O	Clock output of serial port
8	BYTE		I	GND
9	CNVSS	CNVSS	I	Pull down (Normal mode), Pull up (Internal flash Rom writing mode)
10	PO87	/CSY	O	Chip select signal to EVE
11	PO86	/ICY	O	Reset signal to EVE
12	/RESET	/RES	I	System reset input
13	XOUT	XO	O	16MHz frequency clock output
14	VSS	VSS		GND
15	XIN	XI	I	16MHz frequency clock input
16	VCC	VCC		+3.3V
17	PI85		I	Pull up
18	PI84	/INTTIA	I	Interrupt input from front-end DSP
19	PI83	/INTDIR	I	Interrupt input from DIR
20	PI82	M_RXDO	I	Interrupt input from RS-232C
21	PI81		I	Vertical Synchronization Signal IN
22	PO80		O	Terminated
23	PI77	TIA_MUTE	O	MUTE signal to front-end DSP
24	PO76	FL40KHz	O	40kHz signal for FL filament
25	PO75	/TIA_BUSY	I	BUSY signal from front-end DSP
26	PO74	/TIA_RDY	I	READY signal from front-end DSP
27	PO73	I2C_RDY	I	READY signal from back-end DSP
28	PO72	I2C_MUTE	O	MUTE signal to back-end DSP
29	PI71	I2C_SCL	O	I2C CLOCK signal to back-end DSP
30	PO70	I2C_SDA	O	I2C DATA signal to back-end DSP
31	PO67	M_TXDO	O	RS-232C data output for μ -com flash writing
32	PI66	M_RXDO	I	RS-232C data input for μ -com flash writing
33	PO65	M_CLKO	O	RS-232C clock output for μ -com flash writing
34	PO64	M_RTS	O	RS-232C BUSY output for μ -com flash writing
35	PO63	M_TXDO	O	Data output to RS-232C
36	PI62	M_RXDO	I	Data input from RS-232C
37	PO61		O	Terminated
38	PO60	M_CTS	O	CTS output to RS-232C
39	PO57		O	Terminated
40	PI56		O	Terminated
41	PI55		I	Pull down
42	PO54	/CSDIR	O	Chip select signal to DIR
43	PO53	/CSTIA	O	Chip select signal to front-end DSP
44	PO52	/ICDIR	O	RESET signal to DIR
45	PO51	/ICTIA	O	RESET signal to front-end DSP
46	PI50		I	Pull up
47	PO47		O	Terminated
48	PO46		O	Terminated
49	PO45	PW_RY	O	Power relay control signal
50	PO44	FL_ON	O	RESET signal to FL driver
51	PO43		O	Chip select signal to EEPROM
52	PI42		O	Data signal to EEPROM
53	PO41		I	Data signal from EEPROM

IC26 : M30626FJFPF (DSP P.C.B)
16-bit Microprocessor

Pin No.	Name	Definition	I/O	Function
54	PO40		O	Clock signal to EEPROM
55	PO37		O	Terminated
56	PO36		O	Terminated
57	PI35	/DA1_MUTE	O	MUTE signal to DAC for Subwoofer
58	PO34	/DA2_MUTE	O	MUTE signal to DAC for Woofer
59	PO33		O	Terminated
60	PI32	D3_MUTEN	O	MUTE signal to D3 digital AMP
61	PO31	D3_PROTN	I	Protection detection signal from D3 digital AMP
62	VCC			+3.3V
63	PO30	/SW_MUTE	O	MUTE signal of Subwoofer
64	VSS			GND
65	PO27	OSD_TX	O	Data output to DSD driver
66	PO26	OSD_CE	O	Chip select output to DSD driver
67	PO25	OSD_CLK	O	Clock output to DSD driver
68	PO24	D4_MODE	O	Power down signal to D4 digital AMP
69	PO23	/MIC_DET3	I	MIC detection signal
70	PO22	IN_SEL1	O	Input select signal 1
71	PO21	SW_DET	I	No use
72	PO20		O	Terminated
73	-INT5	PW_DOEWN	I	Power down detection signal
74	-INT4	STBY_SW	I	Standby switch input
75	-INT3	REMOTE	I	Remote control signal input
76	PO14	/WF_MUTE	O	Woofer MUTE signal
77	PO13	EVE_MUTE	O	EVE MUTE signal
78	PO12	IN_SEL0	O	Input select signal 0
79	PO11	NRESET	O	RESET signal to back-end DSP
80	PO10		O	Terminated
81	PO07	VOUT_MUTE	O	Composite Mute
82	PO06	V_MUTE	O	Component Mute
83	PO05	V_SEL2	O	Component Select-2
84	PI04	V_SEL1	O	Composite Select-1
85	PI03	V_SEL0	O	Composite Select-0
86	PO02		O	Terminated
87	PO01		O	Terminated
88	PO00		O	Terminated
89	A/D7	DEST	I	Selection of destination input
90	A/D6	VOL_DET	I	Voltage of power supply detection input
91	A/D5	+3.3V_DET	I	+3.3V detection (Pull up)
92	A/D4		I	Pull down
93	A/D3	TEMP	I	Pull up
94	A/D2	KEY0	I	Key input 0
95	A/D1	KEY1	I	Key input 1
96	AVSS			GND
97	A/D0		I	Pull down
98	VREF		I	+3.3V
99	AVCC		I	+3.3V
100	PO97	FL_CE		Chip select signal to FL driver

Key Input (A-D) Pull-Up Resistance 10 k-ohms

Ohm	0 k	+ 1.2k
V	~ 0.30	~ 0.70
ADKEY 0 94pin A/D2	VOLUME +	INPUT
ADKEY 1 95pin A/D1	VOLUME -	-

BLOCK DIAGRAMS

AUDIO/VIDEO SECTION

DIGITAL INPUT

DVD (U,C,T,K,A, B,G,E,L,V models)/ AUX (J model)
TV/STB
AUX (U,C,T,K,A, B,G,E,L,V models)/ DVD (J model)

ANALOG INPUT

VCR L/R
TV/STB L/R
OPTIMIZER MIC

OPERATION • See page 68 → SCHEMATIC DIAGRAM

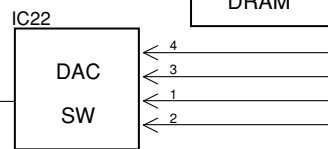
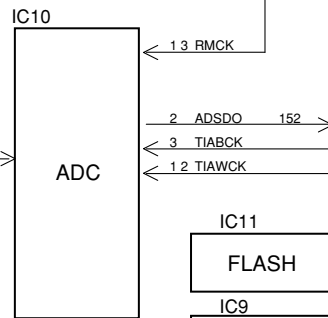
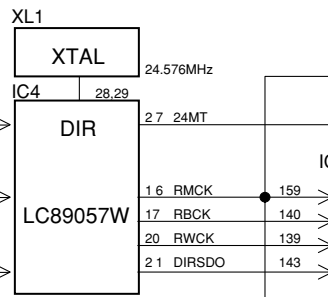
SUBWOOFER OUT

INPUT • See page 66, 67 → SCHEMATIC DIAGRAM

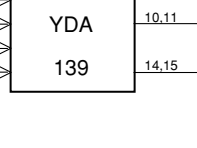
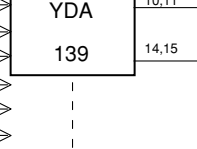
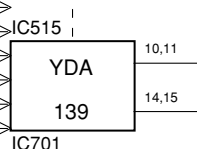
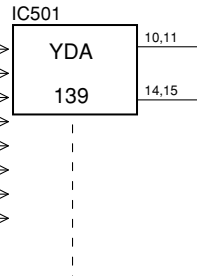
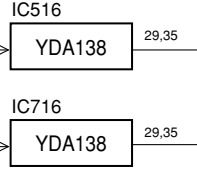
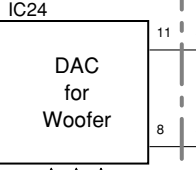
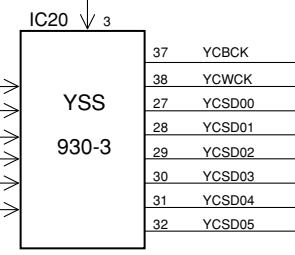
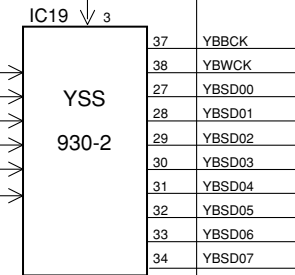
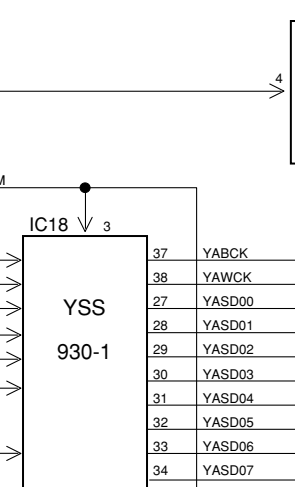
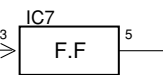
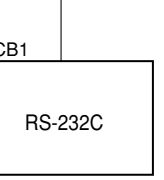
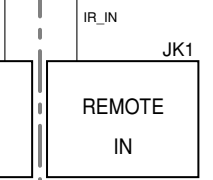
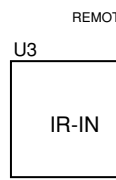
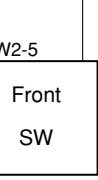
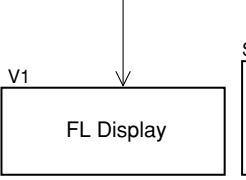
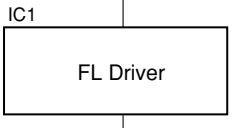
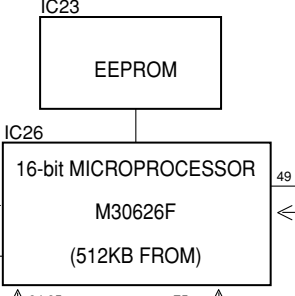
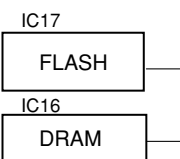
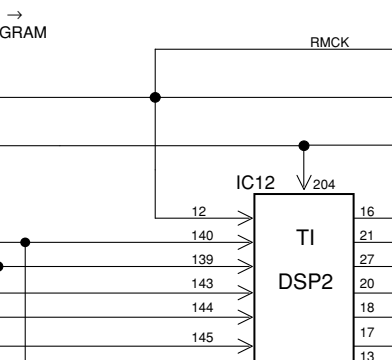
COMPOSITE
IN
VCR
DVD/AUX
STB
OUT₁
VIDEO

COMPONENT
IN
Y Cr/Pr Cb/Pb
DVD/AUX
STB
OUT₁
VIDEO

DSP • See page 61-63 → SCHEMATIC DIAGRAM



OPERATION • See page 68 → SCHEMATIC DIAGRAM



AMP • See page 64, 65 → SCHEMATIC DIAGRAM

DRIVER WOOFER R
DRIVER WOOFER L

R-CH DRIVER TWEETER x20

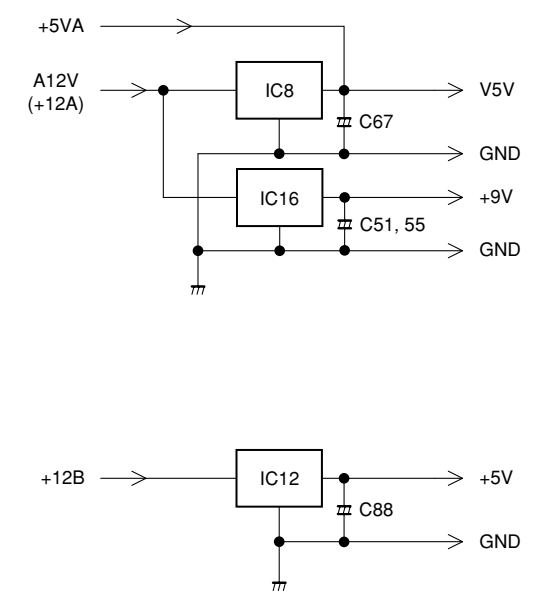
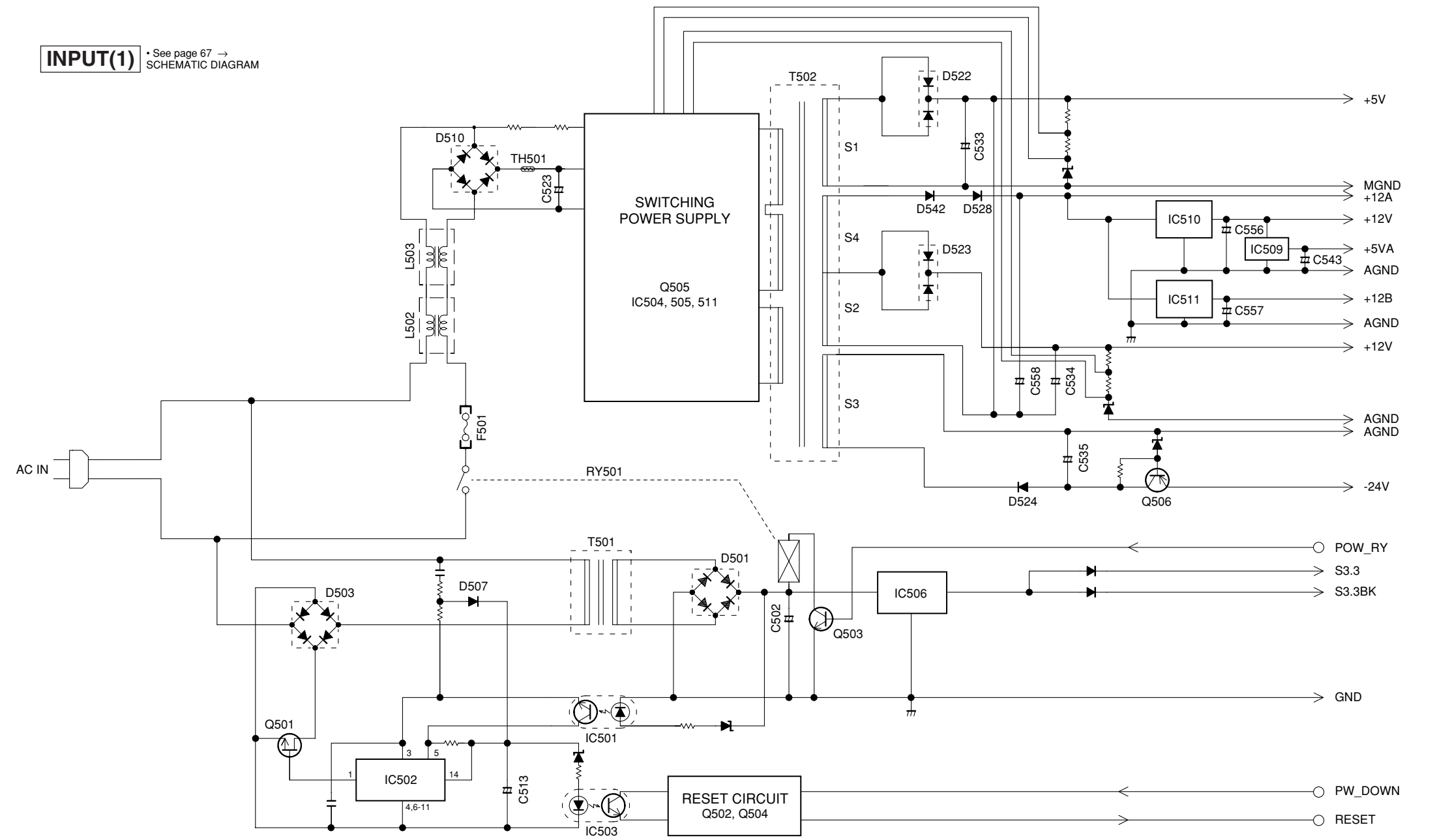
L-CH DRIVER TWEETER x20

POWER SUPPLY SECTION

1
2
3
4
5
6
7

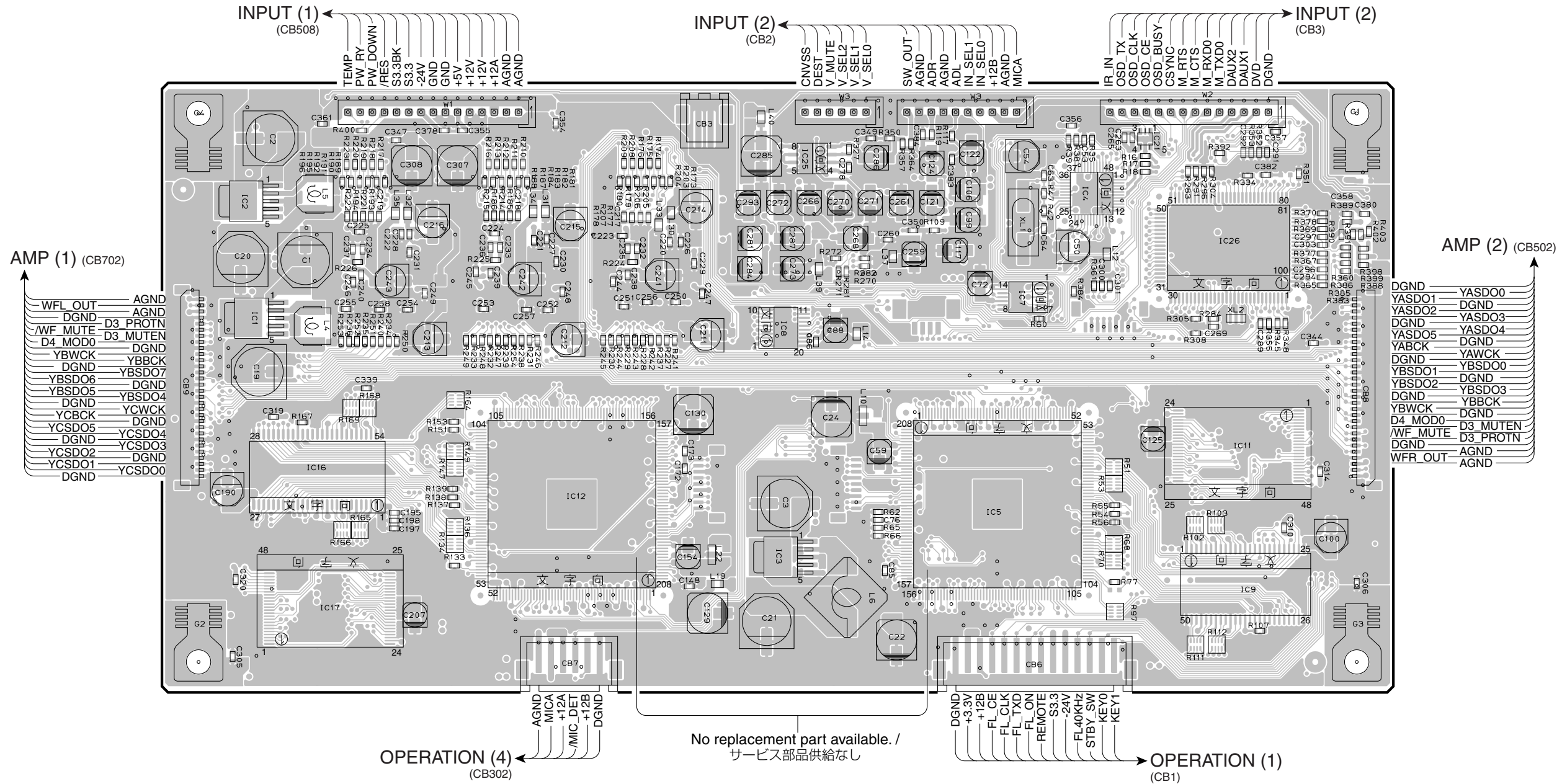
INPUT(1) • See page 67 → SCHEMATIC DIAGRAM

INPUT(2) • See page 66 → SCHEMATIC DIAGRAM



PRINTED CIRCUIT BOARDS

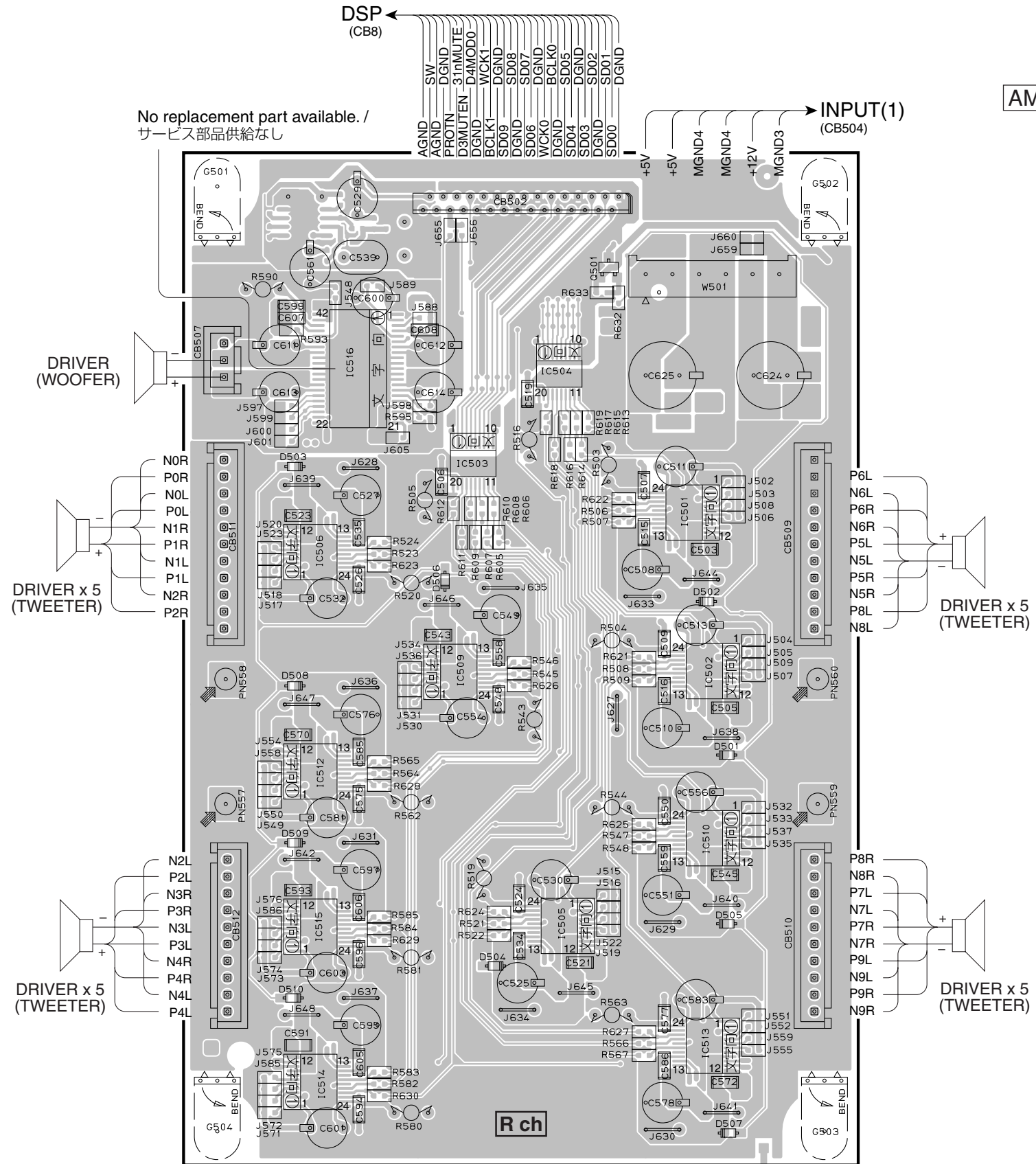
DSP P.C.B. (Side A)



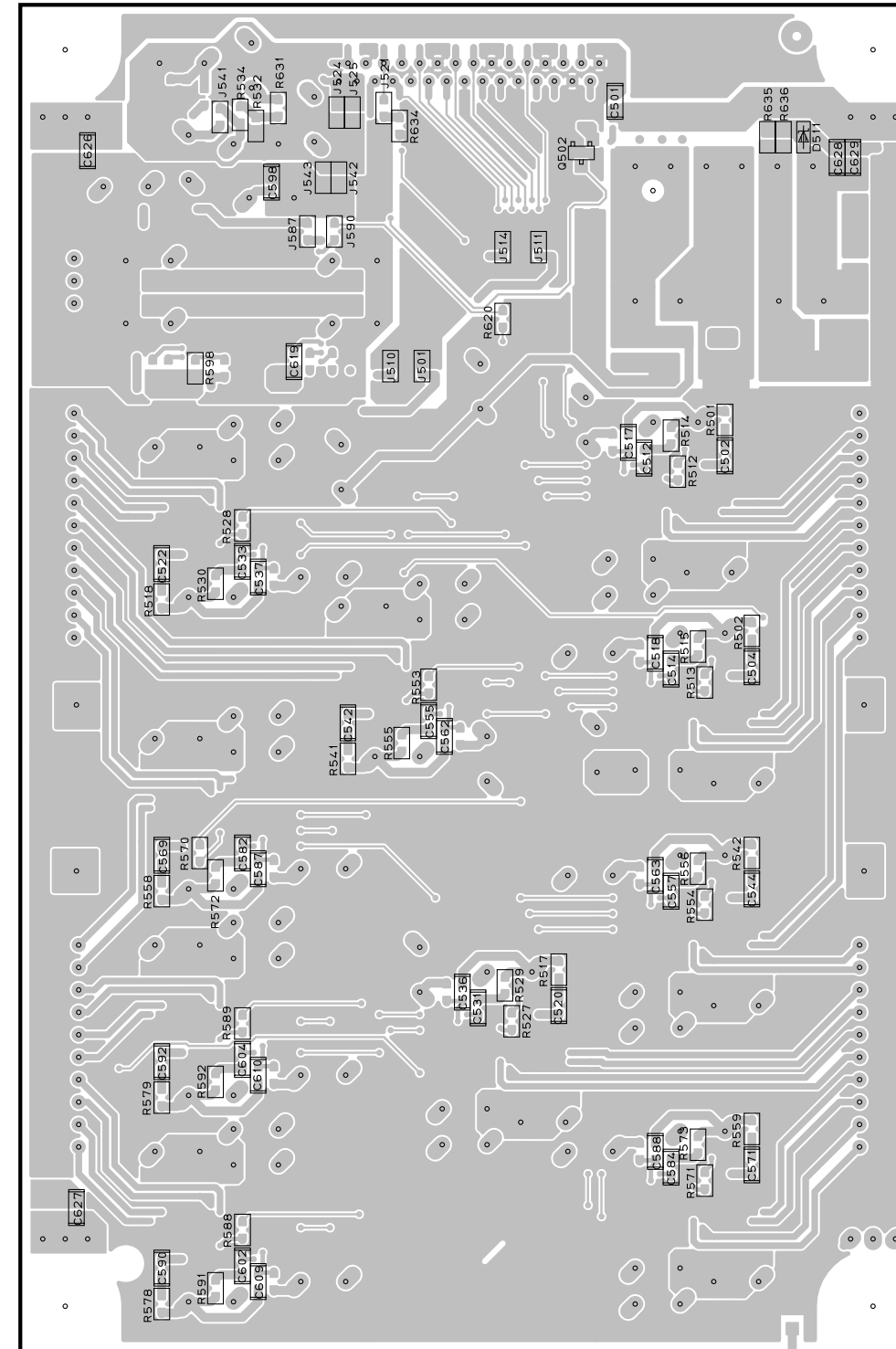
• Semiconductor Location

Ref. No.	Location	Ref. No.	Location	Ref. No.	Location
IC1	C4	IC8	F4	IC21	H3
IC2	C3	IC9	H5	IC25	F3
IC3	F5	IC11	H4	IC26	H3
IC4	G3	IC12	E5		
IC5	G5	IC16	C5		
IC7	G4	IC17	C5		

AMP (2) P.C.B. (Side A)



AMP (2) P.C.B. (Side B)



• Semiconductor Location

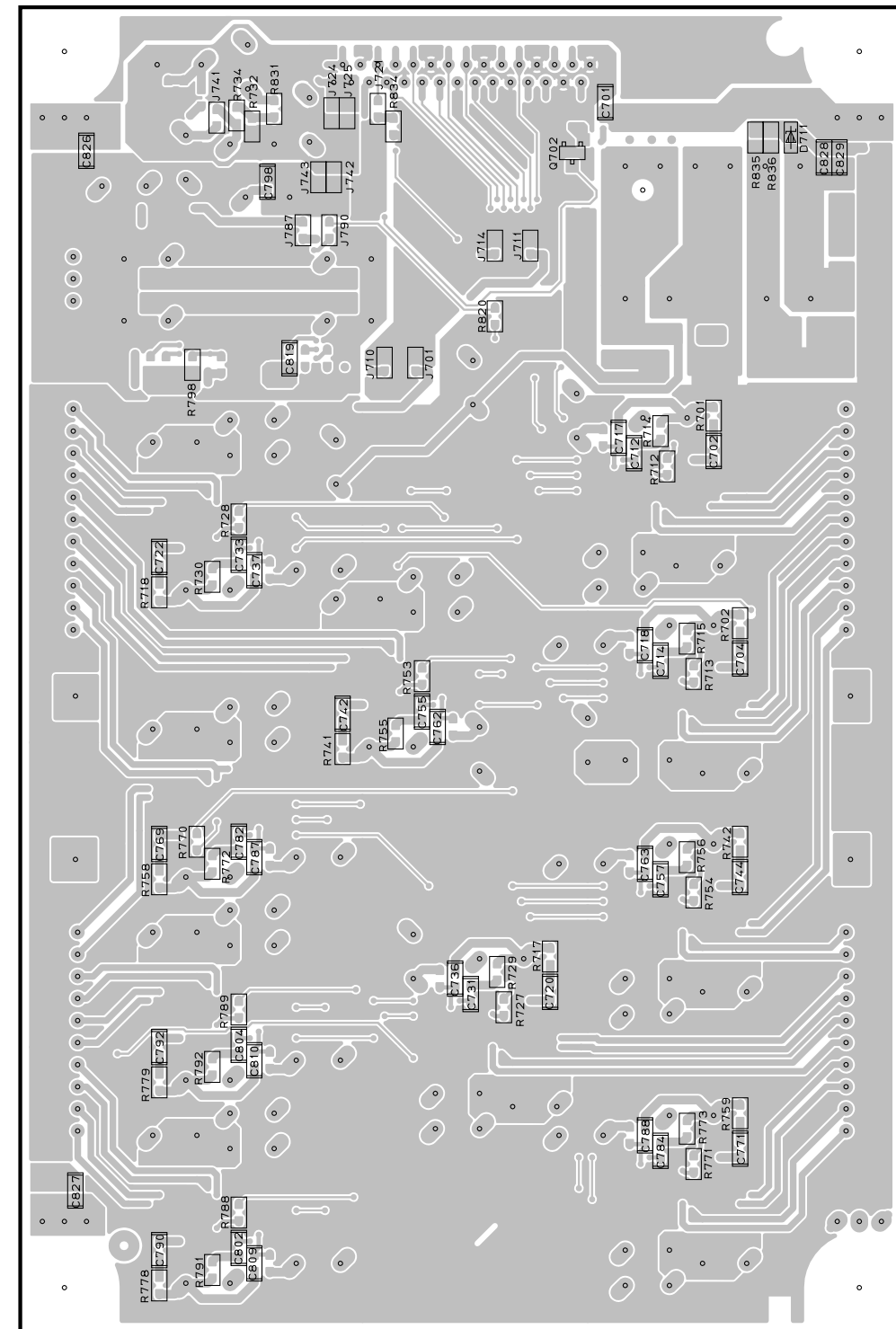
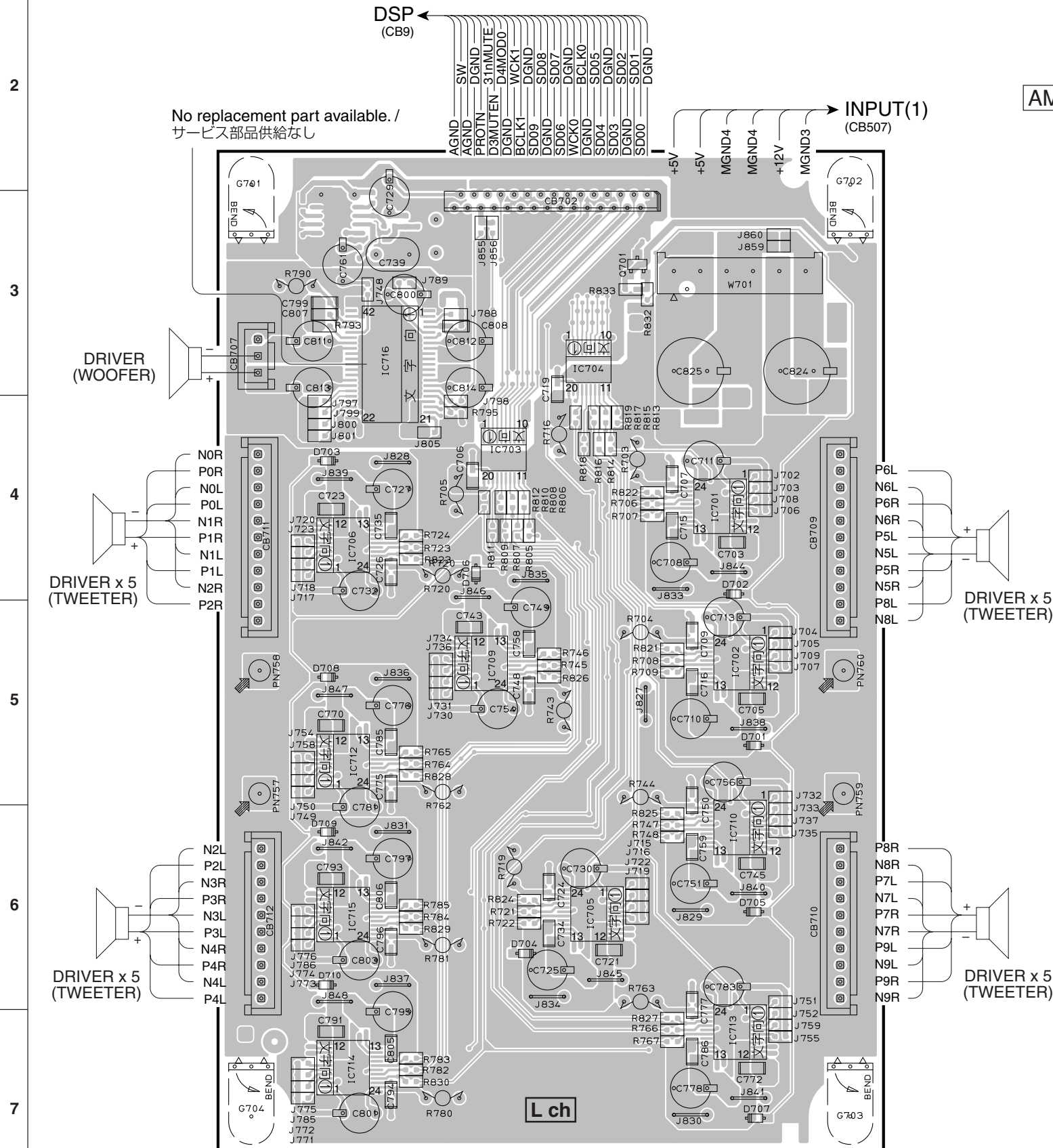
Ref. No.	Location	Ref. No.	Location	Ref. No.	Location	Ref. No.	Location	Ref. No.	Location
D501	D5	D507	D7	IC502	D5	IC510	D6	Q501	D3
D502	D4	D508	B5	IC503	C4	IC512	B5	Q502	H3
D503	B4	D509	B6	IC504	D3	IC513	D7		
D504	C6	D510	B6	IC505	D6	IC514	B7		
D505	D6	D511	I3	IC506	B4	IC515	B6		
D506	C4	IC501	D4	IC509	C5	IC516	C3		

• Semiconductor Location

Ref. No.	Location	Ref. No.	Location	Ref. No.	Location	Ref. No.	Location	Ref. No.	Location
D701	D5	D707	D7	IC702	D5	IC710	D6	Q701	D3
D702	D4	D708	B5	IC703	C4	IC712	B5	Q702	H3
D703	B4	D709	B6	IC704	C3	IC713	D7		
D704	C6	D710	B6	IC705	C6	IC714	B7		
D705	D6	D711	I3	IC706	B4	IC715	B6		
D706	C4	IC701	D4	IC709	C5	IC716	B3		

AMP (1) P.C.B. (Side A)

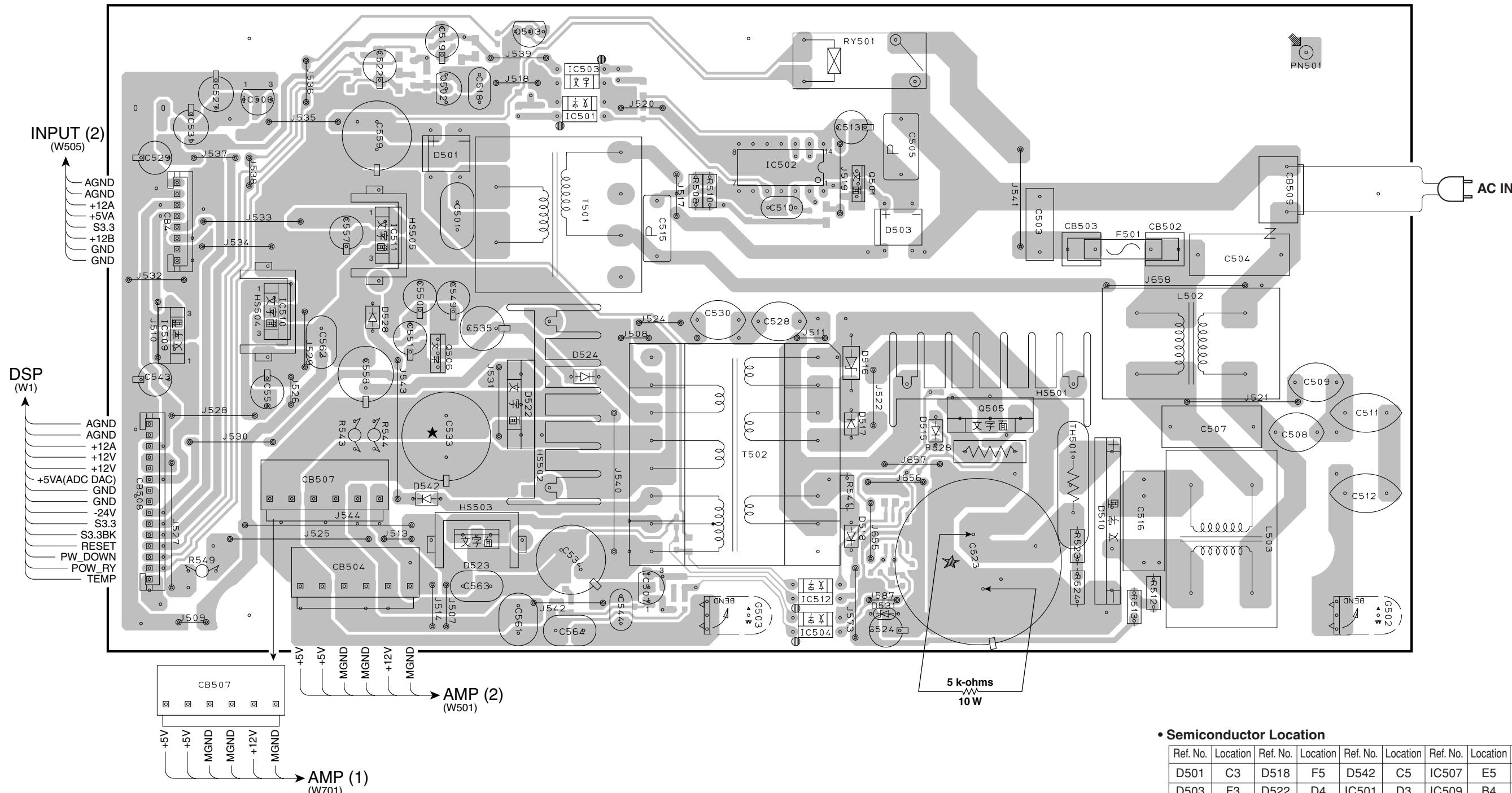
AMP (1) P.C.B. (Side B)



INPUT (1) P.C.B. (Side A)

Circuit No.	U, C, V, J	T, K, A, B, G, E, L
C501	X	O

X : NOT USED
O : USED / APPLICABLE



Safety measures

- Some internal parts in this product contain high voltages and are dangerous. Be sure to take safety measures during servicing, such as wearing insulating gloves.
- Note that C523 is dangerous even after the power is turned off because an electric charge remains and a high voltage continues to exist there. Before starting any repair work, perform discharge by connecting a discharge resistor (5 k-ohms/10 W) between C523 terminals.

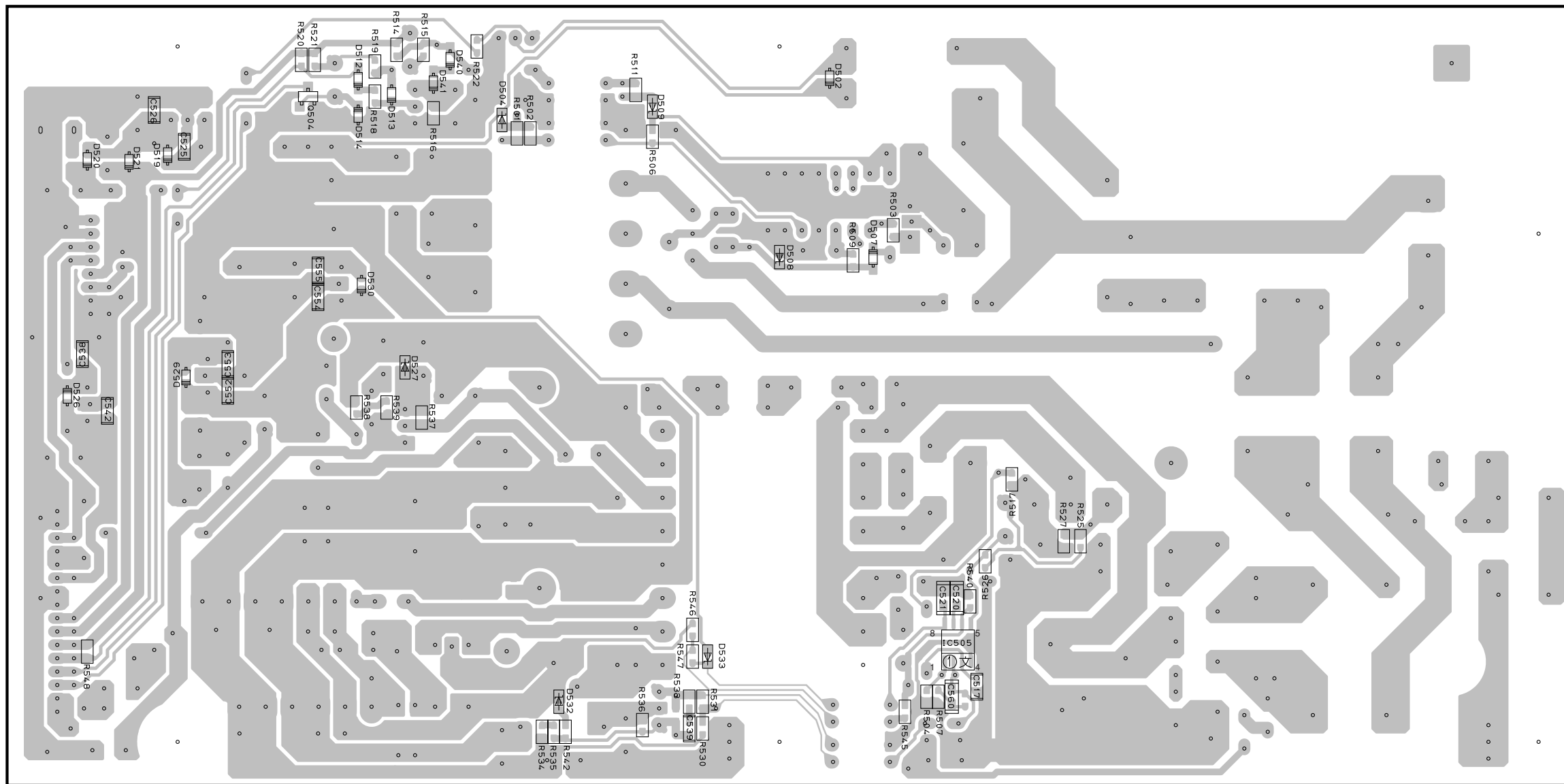
安全対策

- この製品の内部には高電圧部分があり危険です。修理の際は、絶縁性の手袋を使用するなどの安全対策を行ってください。
- C523には電源をOFFにした後も電荷が残り、高電圧が維持されており危険です。修理作業前に放電用抵抗(5 kΩ/10 W)をC523の端子間に接続して放電してください。

• Semiconductor Location

Ref. No.	Location	Ref. No.	Location	Ref. No.	Location	Ref. No.	Location	Ref. No.	Location
D501	C3	D518	F5	D542	C5	IC507	E5	Q502	C3
D503	F3	D522	D4	IC501	D3	IC509	B4	Q503	D2
D510	G5	D523	D5	IC502	E3	IC510	B4	Q505	G4
D515	F5	D524	D4	IC503	D2	IC511	C3	Q506	C4
D516	F4	D528	C4	IC504	F6	IC512	F5		
D517	F4	D531	F6	IC506	B3	Q501	F3		

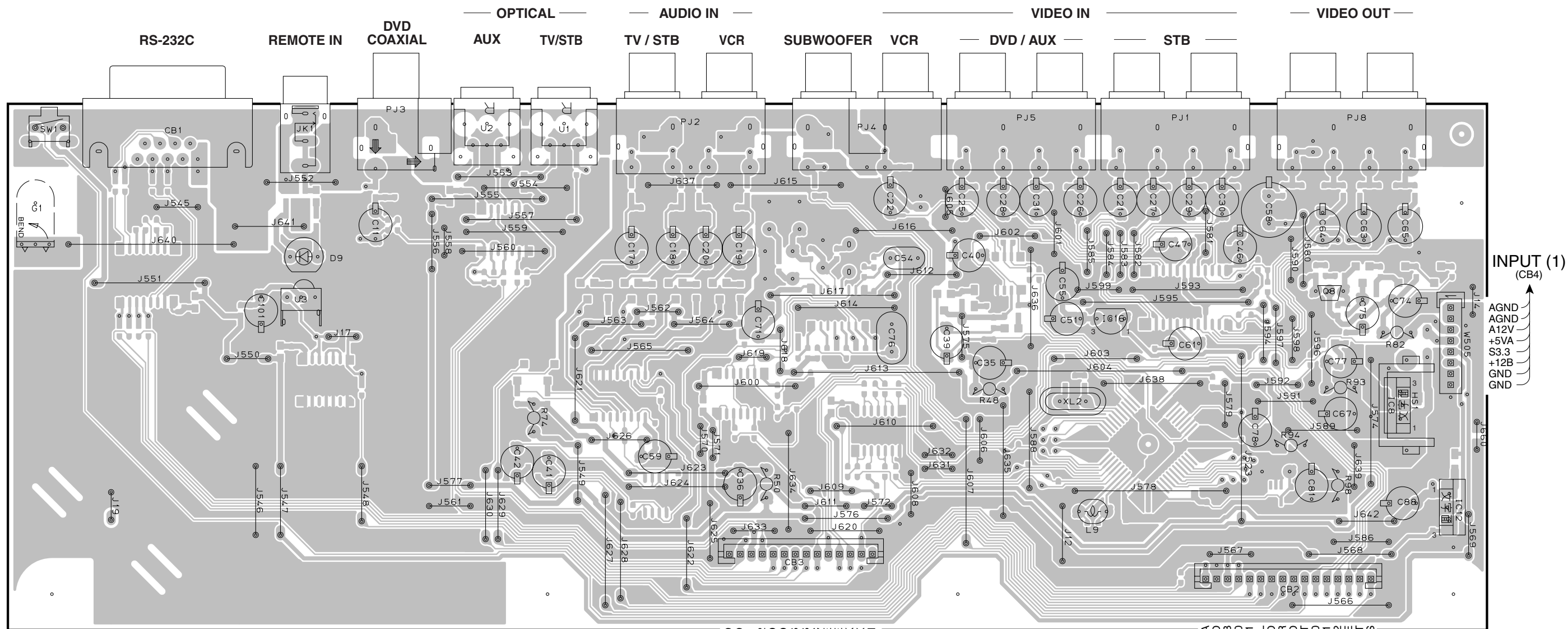
INPUT (1) P.C.B. (Side B)



• Semiconductor Location

Ref. No.	Location	Ref. No.	Location	Ref. No.	Location	Ref. No.	Location
D502	E2	D513	C3	D527	C4	D541	C2
D504	D3	D514	C3	D529	B4	IC505	F5
D507	F3	D519	B3	D530	C3	Q504	C3
D508	E3	D520	B3	D532	D5		
D509	D3	D521	B3	D533	E5		
D512	C2	D526	B4	D540	C2		

INPUT (2) P.C.B. (Side A)



INPUT (1)
(CB4)

- AGND
- AGND
- A12V
- +5VA
- S3.3
- +12B
- GND
- GND

- GND
 - DVD
 - DAUX1
 - DAUX2
 - M_TXDO
 - M_RXDO
 - M_CTS
 - M_RTS
 - CSYNC
 - OSD_BUSY/VIDEO_OUT/MUTE
 - OSD_CE
 - OSD_CLK
 - OSD_TX
 - OSD_IR_IN
- DSP (W2)

- MICA
 - AGND
 - +12B
 - I_SEL0
 - I_SEL1
 - AOL
 - AGND
 - AOR
 - AGND
 - AGND
 - SW_OUT
 - V_SEL0
 - V_SEL1
 - V_SEL2
 - V_MUTE
 - DEST
 - CN_VSS
- DSP (W3)

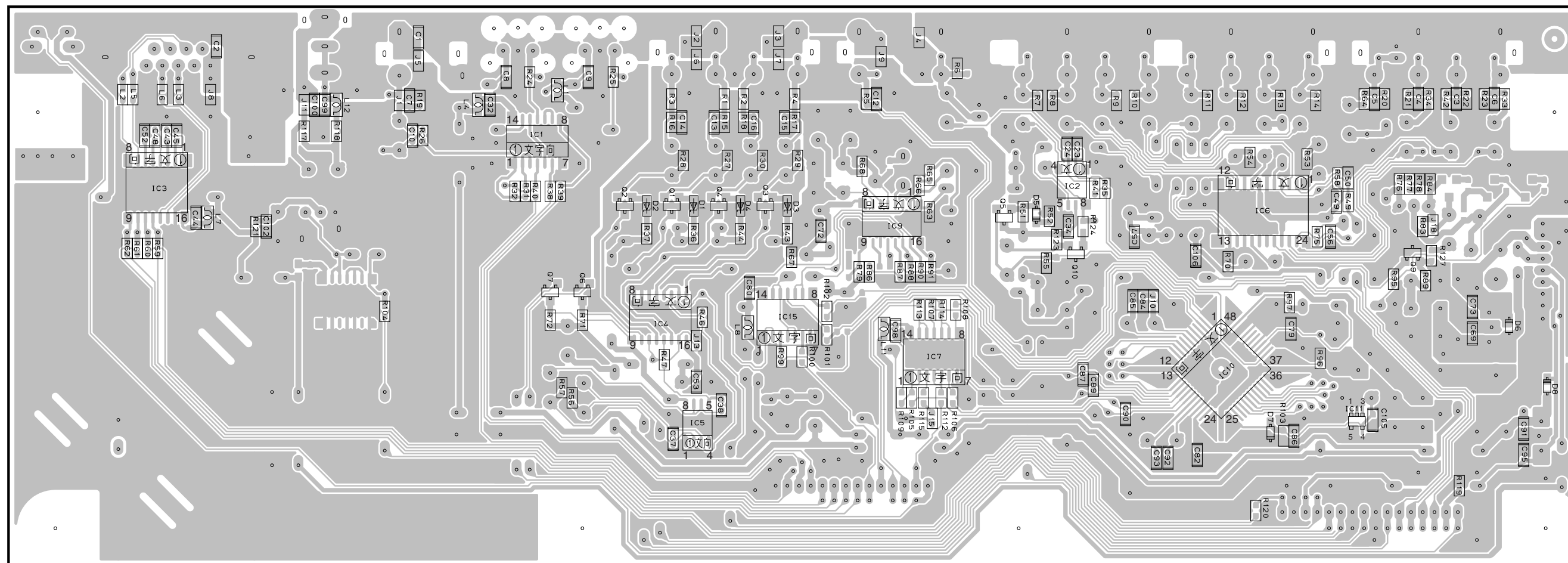
• Semiconductor Location

Ref. No.	Location
D9	C3
IC8	I4
IC12	J5
IC16	H4
Q8	I4

Circuit No.	U, C, V, J	T, K, A, B, G, E, L
J19	X	O

X : NOT USED
O : USED / APPLICABLE

INPUT (2) P.C.B. (Side B)

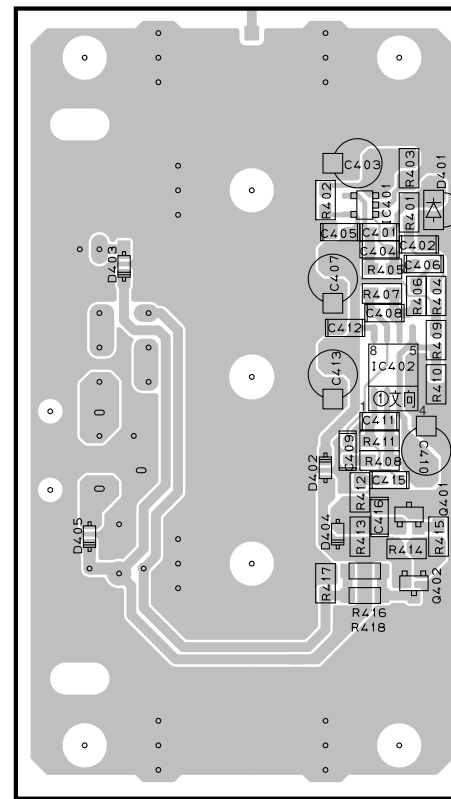
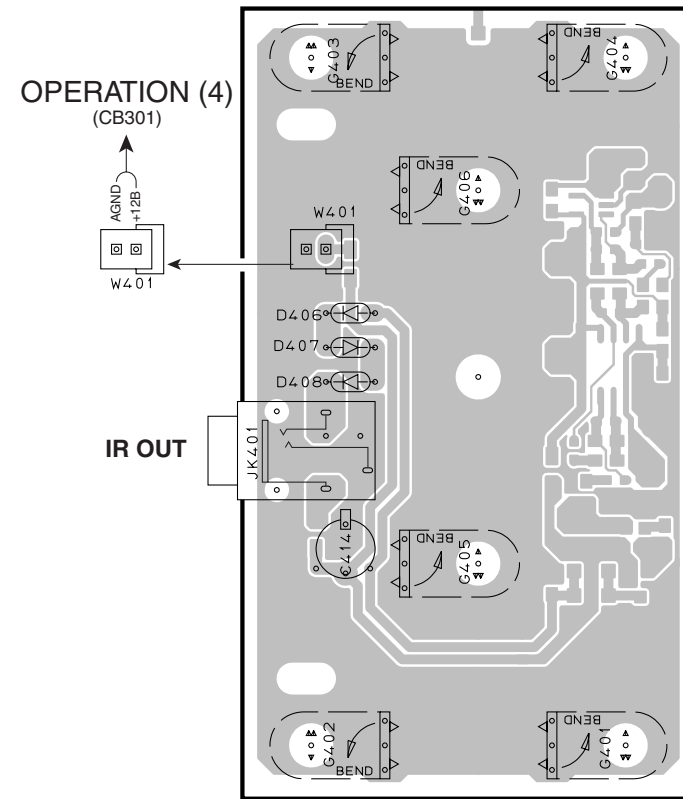


• Semiconductor Location

Ref. No.	Location	Ref. No.	Location	Ref. No.	Location	Ref. No.	Location	Ref. No.	Location
D1	E4	D7	H5	IC5	E5	IC15	E4	Q6	D4
D2	E4	D8	J5	IC6	H4	Q1	E4	Q7	D4
D3	E4	IC1	D3	IC7	F4	Q2	E4	Q9	I4
D4	E4	IC2	G3	IC9	F4	Q3	E4	Q10	G4
D5	G4	IC3	B4	IC10	H4	Q4	E4		
D6	I4	IC4	E4	IC11	I5	Q5	G4		

INPUT (3) P.C.B. (Side A)

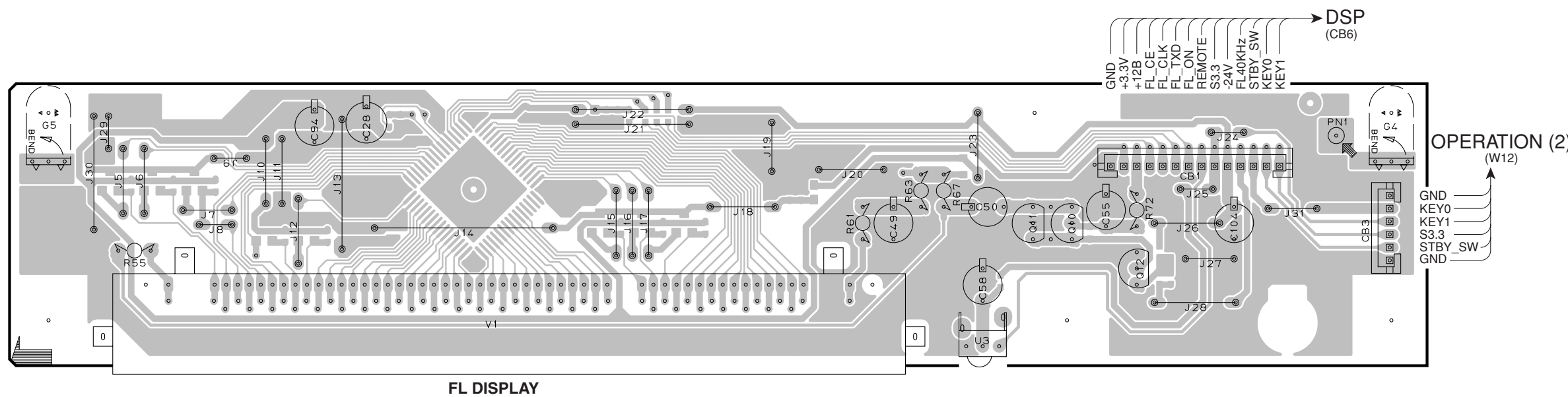
INPUT (3) P.C.B. (Side B)



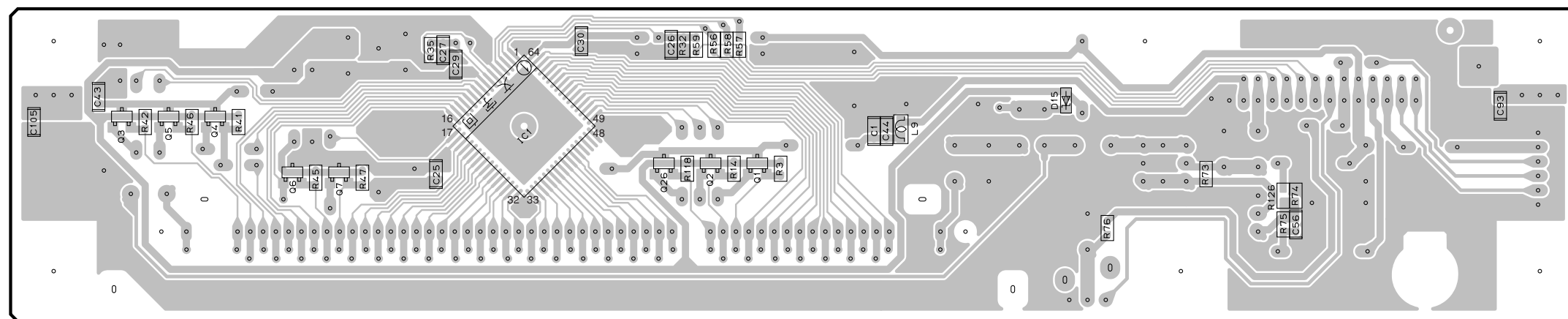
• Semiconductor Location

Ref. No.	Location	Ref. No.	Location
D401	G3	D407	B4
D402	G4	D408	B4
D403	F3	IC401	G3
D404	G4	IC402	G4
D405	F4	Q401	G4
D406	B4	Q402	G4

OPERATION (1) P.C.B. (Side A)



OPERATION (1) P.C.B. (Side B)



• Semiconductor Location

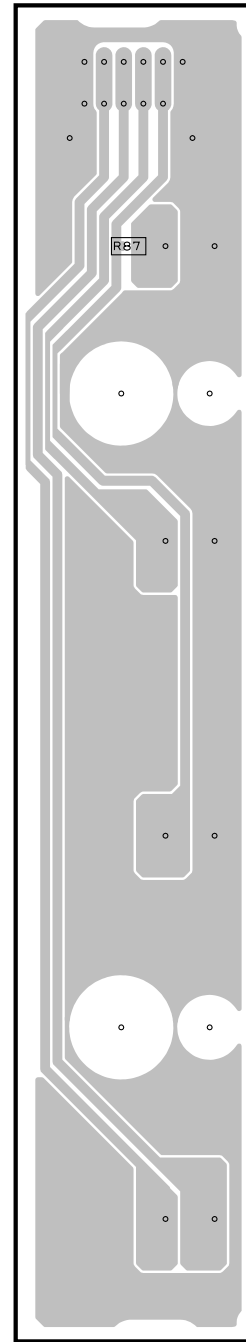
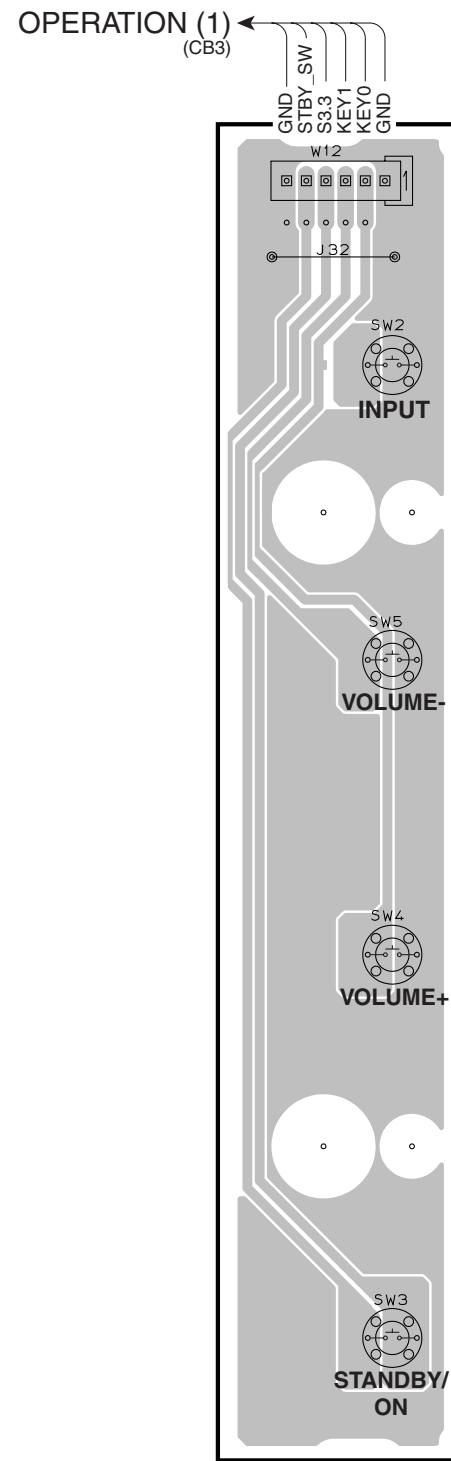
Ref. No.	Location	Ref. No.	Location	Ref. No.	Location
D15	F5	Q5	B5	Q26	E5
IC1	D5	Q6	C5		
Q1	E5	Q7	C5		
Q2	E5	Q10	G3		
Q3	B5	Q11	G3		
Q4	C5	Q12	G3		

• Semiconductor Location

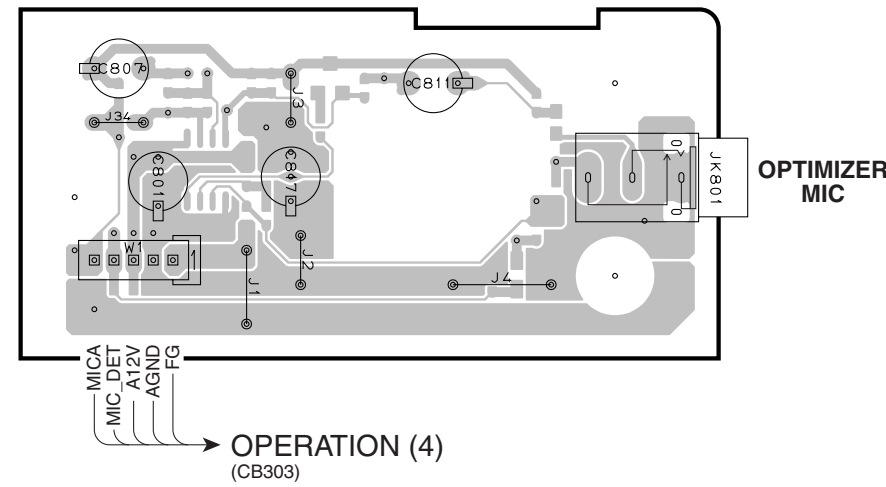
Ref. No.	Location
D801	I3
D802	I3
D803	J3
D805	I3
IC801	I3
Q801	I3

OPERATION (2) P.C.B. (Side A)

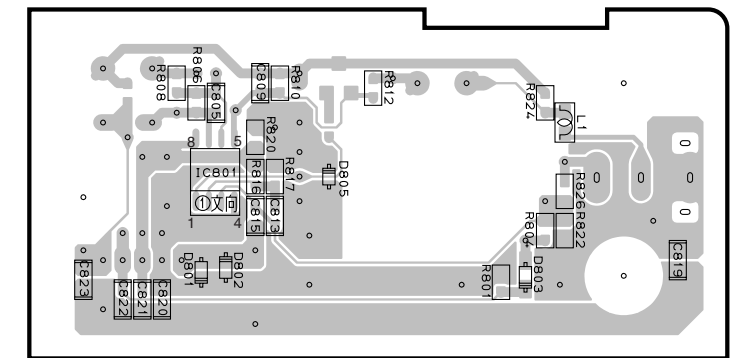
OPERATION (2) P.C.B. (Side B)



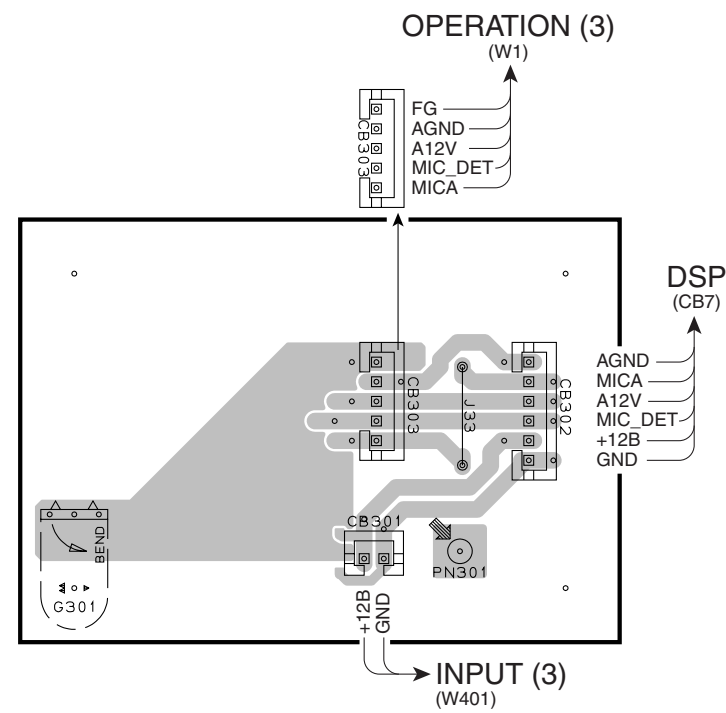
OPERATION (3) P.C.B. (Side A)



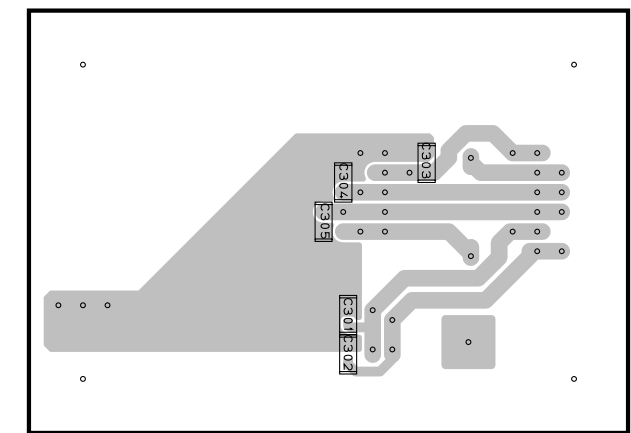
OPERATION (3) P.C.B. (Side B)



OPERATION (4) P.C.B. (Side A)

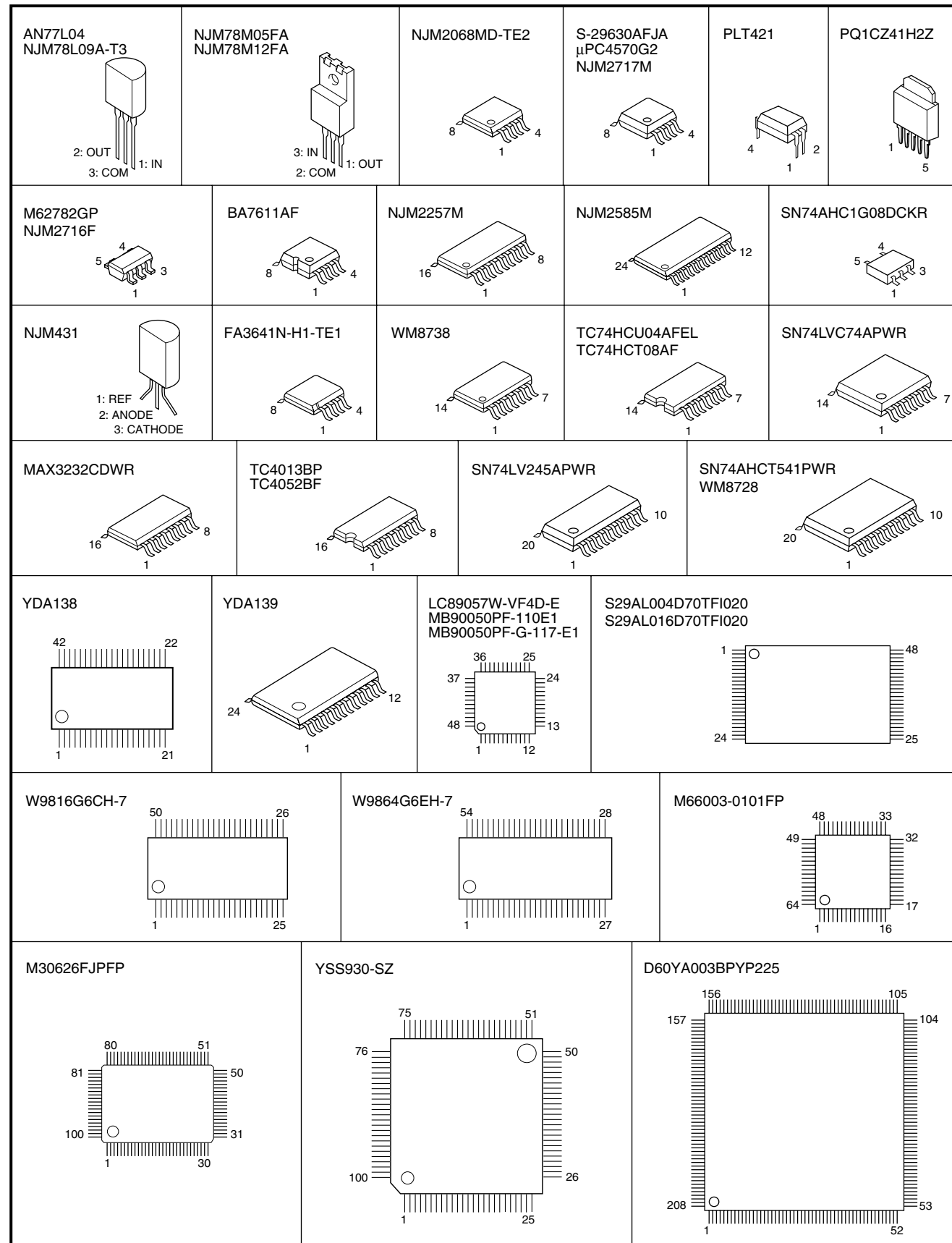


OPERATION (4) P.C.B. (Side B)

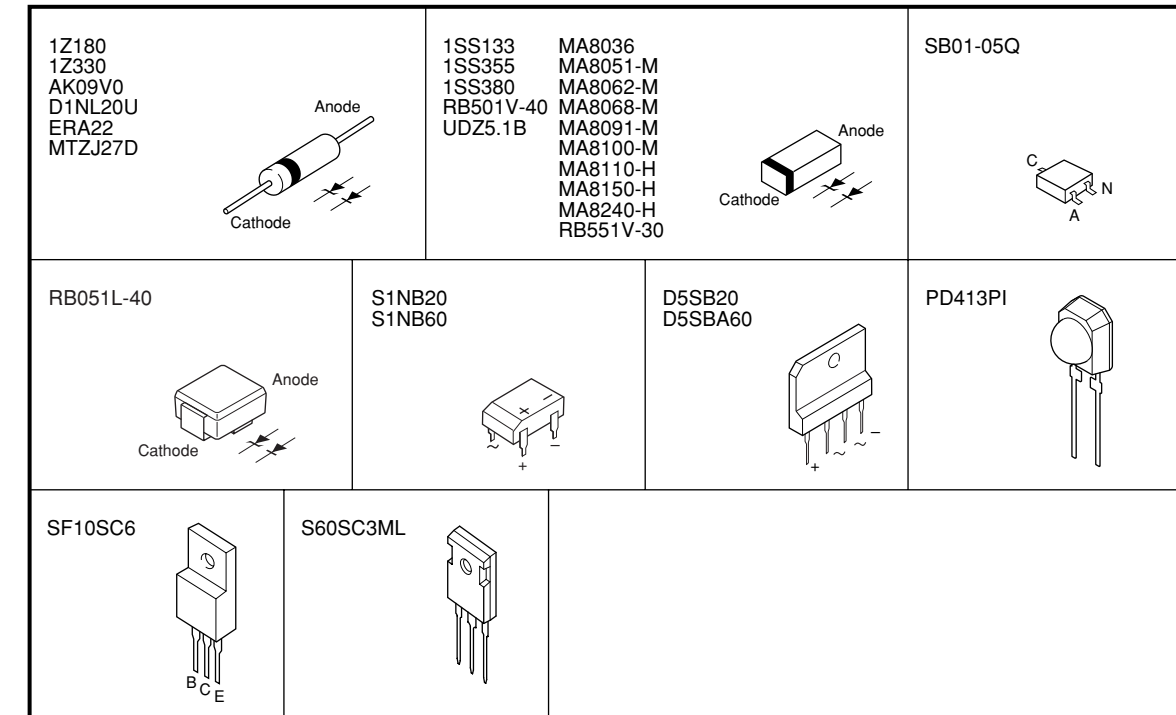


PIN CONNECTION DIAGRAM

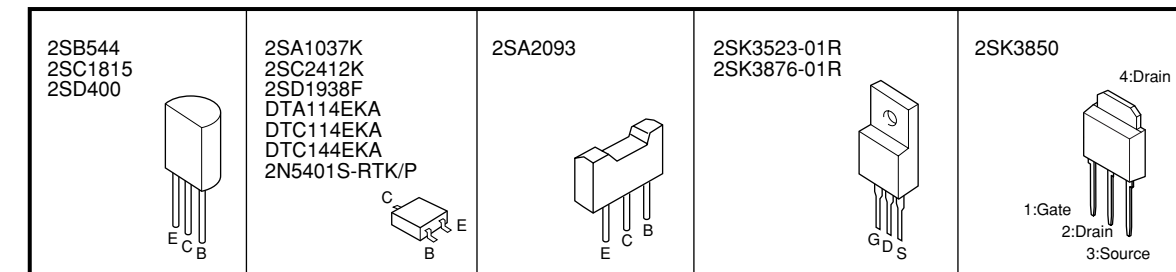
• ICs



• Diodes

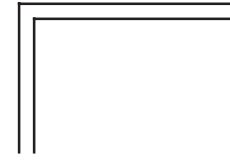


• Transistors



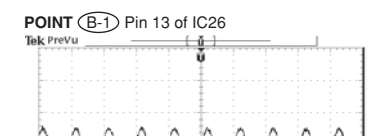
MEMO

MEMO



SCHEMATIC DIAGRAMS

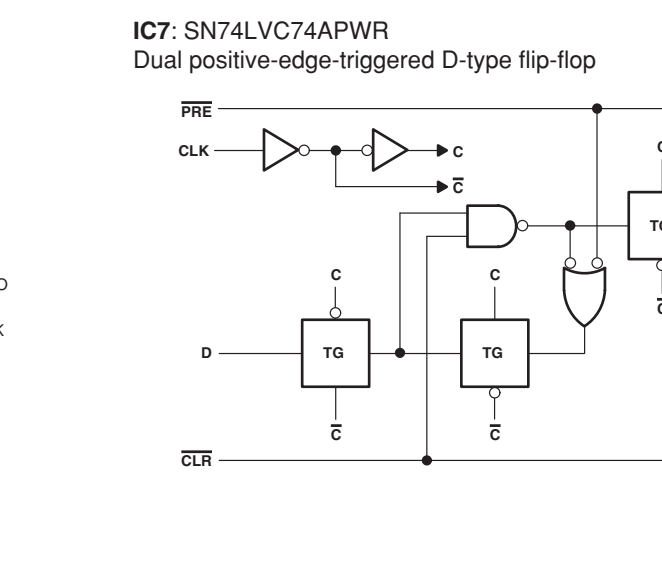
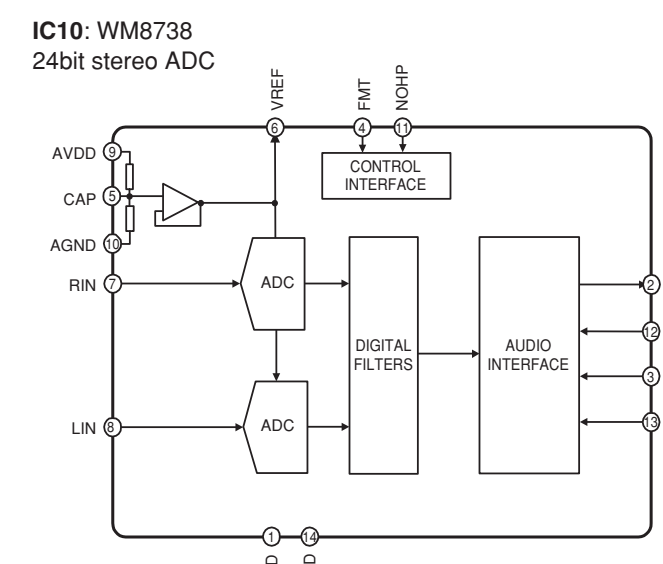
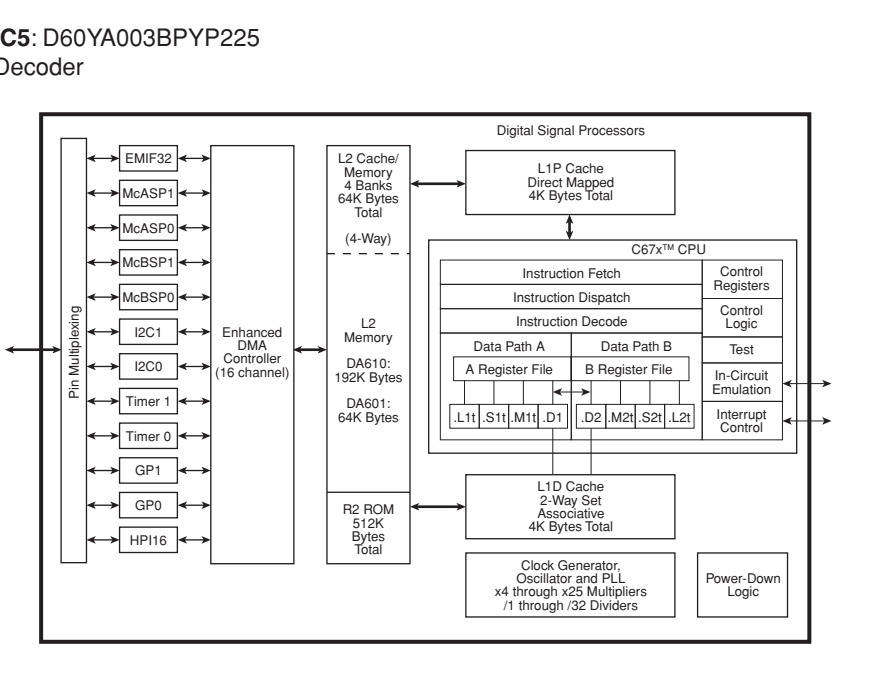
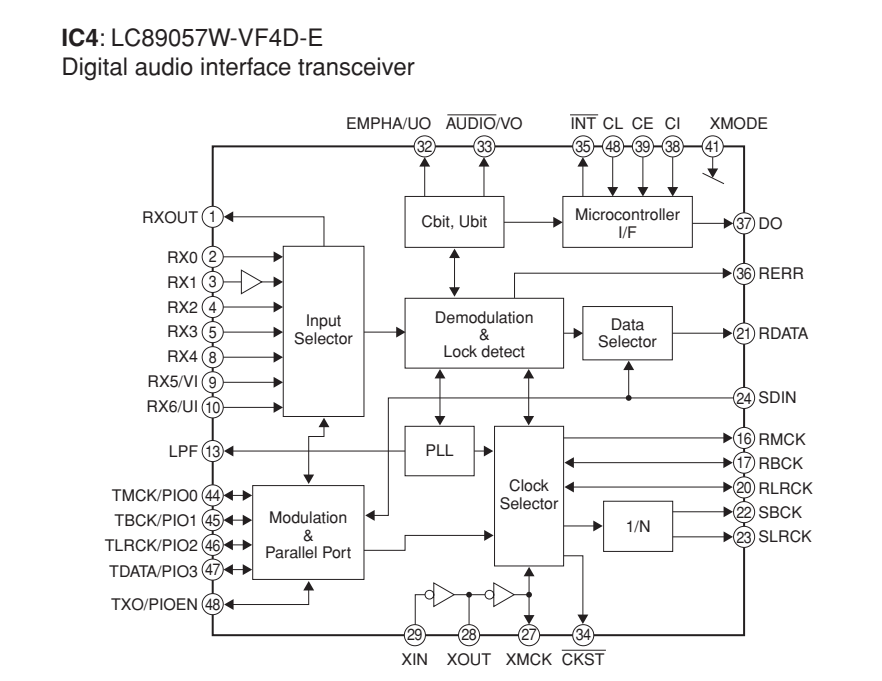
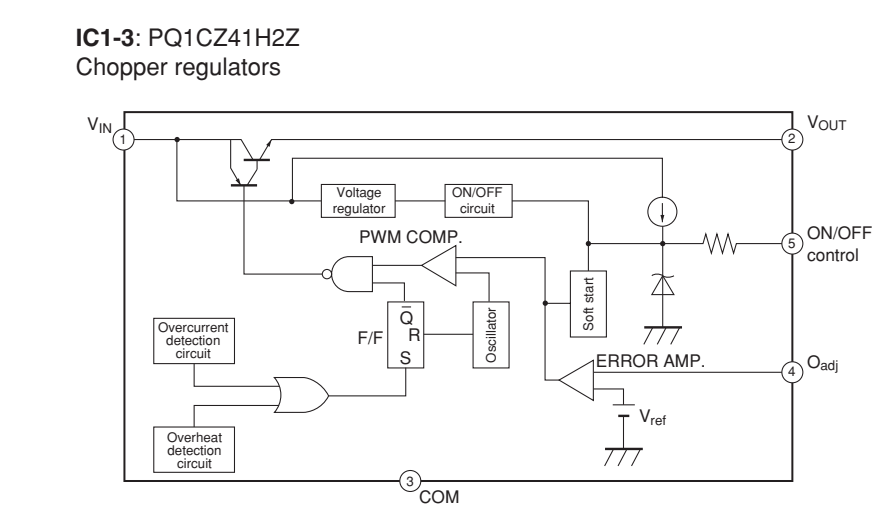
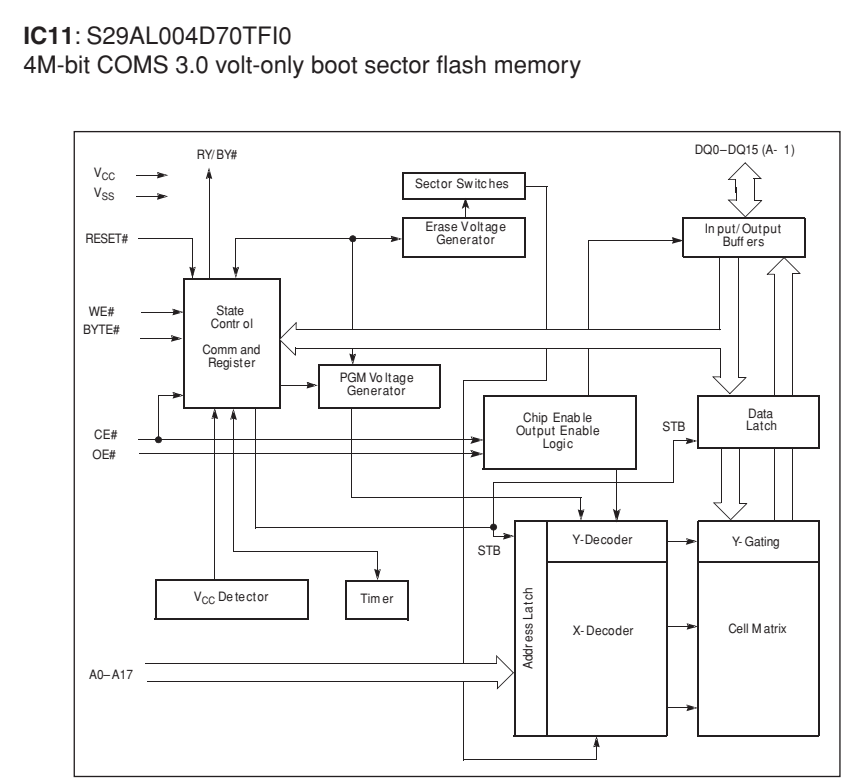
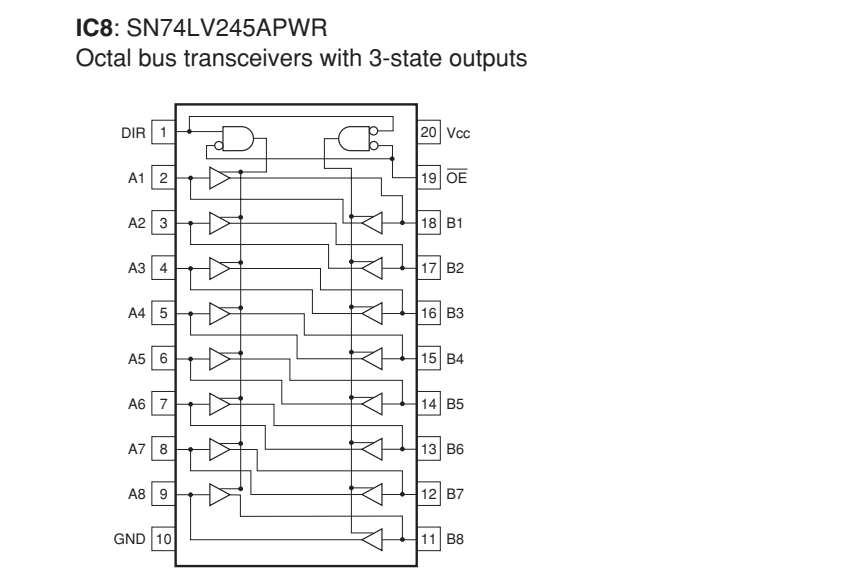
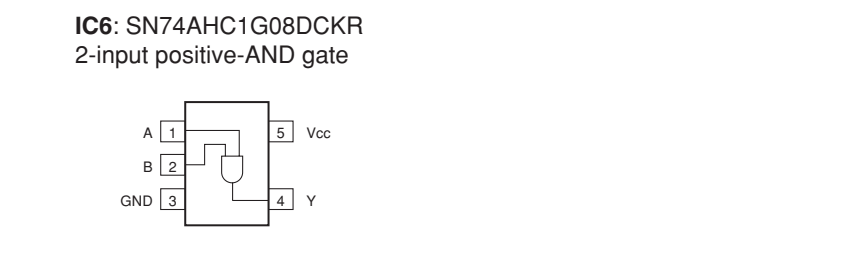
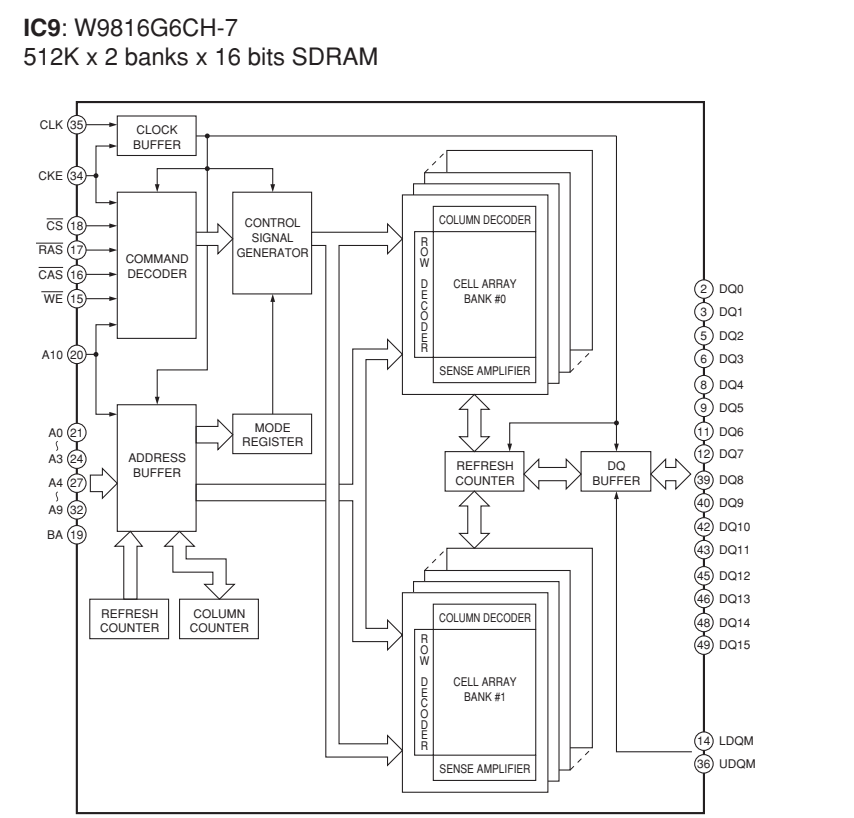
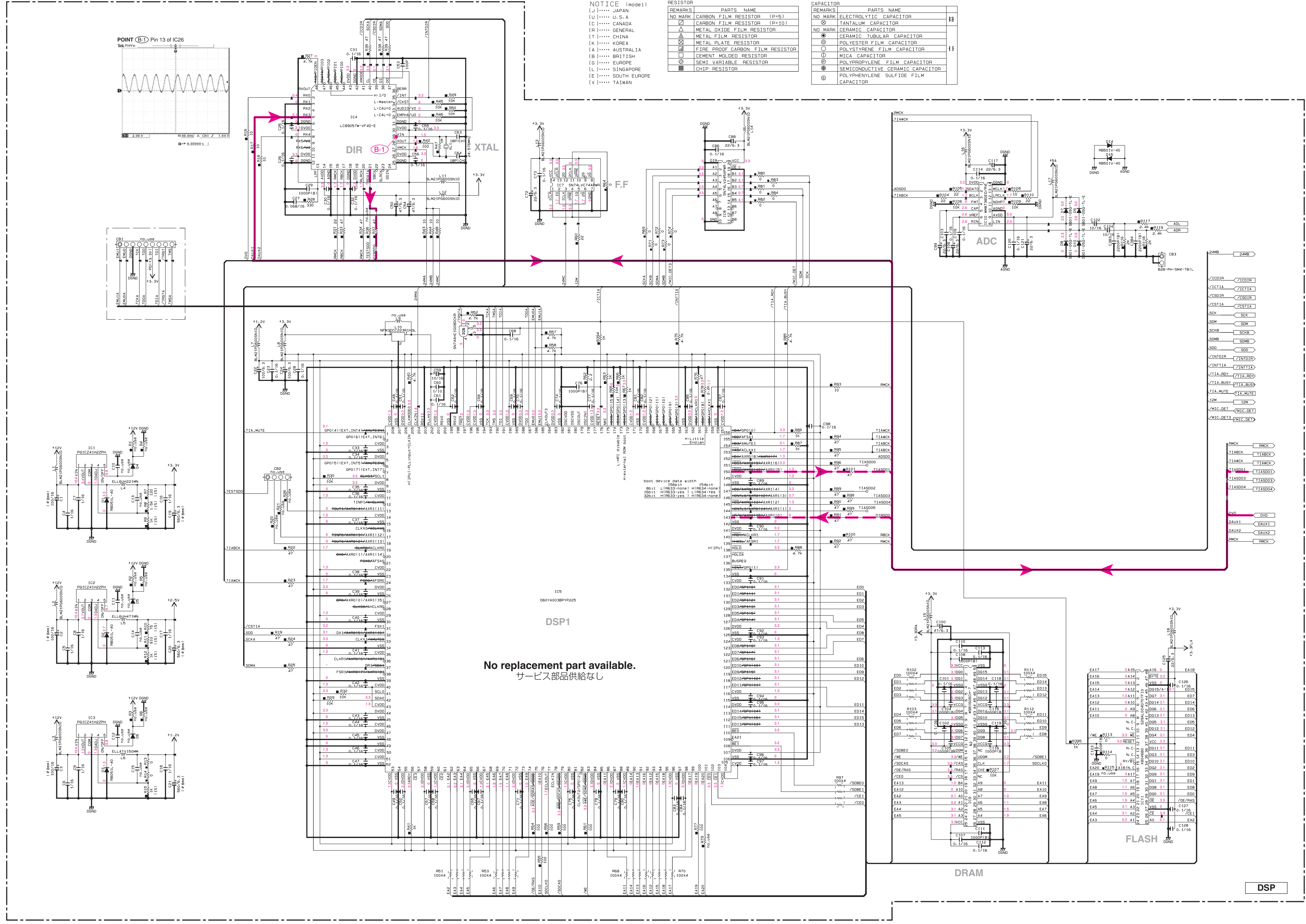
DSP 1/3



NOTICE (note1)

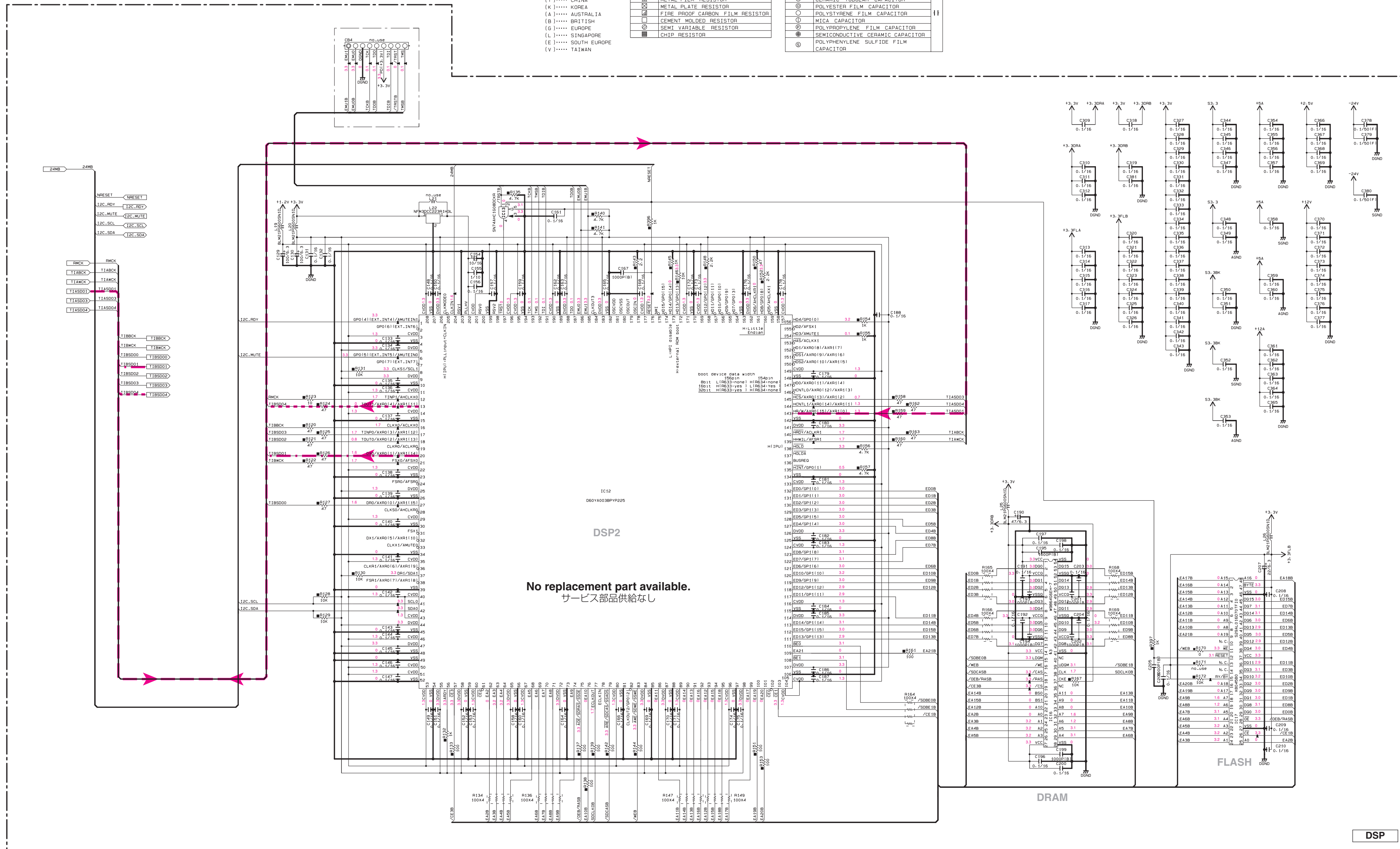
REMARKS	PARTS NAME
(J)..... JAPAN	NO MARK CARBON FILM RESISTOR (P+5)
(U)..... U.S.A	NO MARK CARBON FILM RESISTOR (P+10)
(C)..... CANADA	NO MARK METAL OXIDE FILM RESISTOR
(R)..... GENERAL	NO MARK METAL FILM RESISTOR
(T)..... CHINA	NO MARK METAL PLATE RESISTOR
(K)..... KOREA	NO MARK FIRE PROOF CARBON FILM RESISTOR
(A)..... AUSTRALIA	NO MARK CEMENT MOLDED RESISTOR
(B)..... BRITISH	NO MARK SEMI VARIABLE RESISTOR
(G)..... EUROPE	NO MARK CHIP RESISTOR
(L)..... SINGAPORE	
(E)..... SOUTH EUROPE	
(V)..... TAIWAN	

REMARKS	PARTS NAME
NO MARK	CERAMIC TUBULAR CAPACITOR
⊗	TANTALUM CAPACITOR
NO MARK	CERAMIC CAPACITOR
⊗	POLYESTER FILM CAPACITOR
⊗	POLYSTYRENE FILM CAPACITOR
⊗	MICA CAPACITOR
⊗	POLYPROPYLENE FILM CAPACITOR
⊗	SEMICONDUCTIVE CERAMIC CAPACITOR
⊗	POLYVINYLENE SULFIDE FILM CAPACITOR



● 電圧は、内部抵抗10MΩの電圧計で測定したものです。
● 1印のある部品は、安全性確保部品を示しています。部品の交換が必要な場合、パーツリストに記載されている部品を使用してください。
● 本回路図は標準回路図です。改良のため予告なく変更することがございます。

★ All voltages are measured with a 10MΩ/V DC electronic voltmeter.
★ Components having special characteristics are marked 1, and must be replaced with parts having specifications equal to those originally installed.
★ Schematic diagram is subject to change without notice.

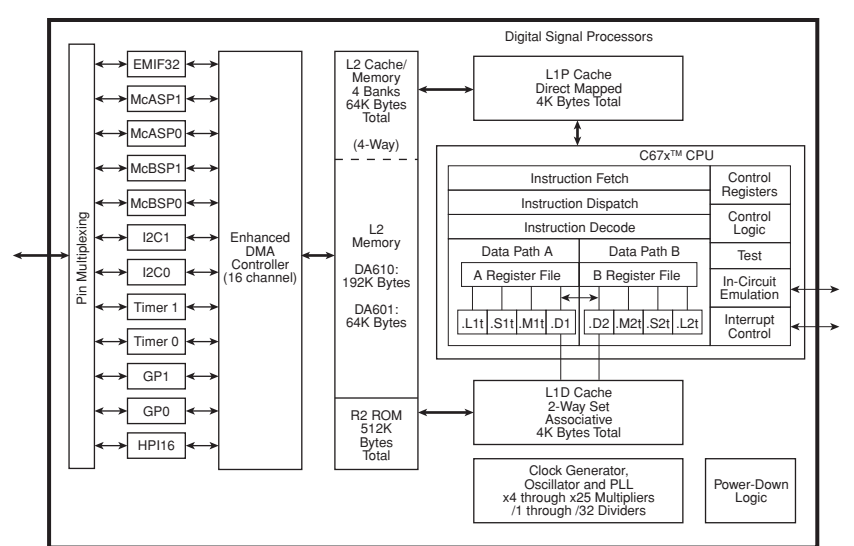


NOTICE (note1)
 (J)..... JAPAN
 (U)..... U. S. A
 (C)..... CANADA
 (R)..... GENERAL
 (T)..... CHINA
 (K)..... KOREA
 (A)..... AUSTRALIA
 (B)..... BRITISH
 (E)..... EUROPE
 (L)..... SINGAPORE
 (S)..... SOUTH EUROPE
 (V)..... TAIWAN

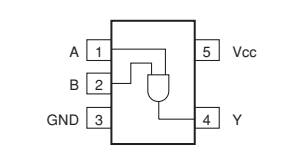
REMARKS	PARTS NAME
NO MARK	CARBON FILM RESISTOR (D-F5)
□	CARBON FILM RESISTOR (D-F10)
△	METAL OXIDE FILM RESISTOR
▲	METAL FILM RESISTOR
■	METAL PLATE RESISTOR
□	FILDE PROOF CARBON FILM RESISTOR
□	CEMENT MOLDED RESISTOR
□	SEMI-VARIABLE RESISTOR
□	CHIP RESISTOR

REMARKS	PARTS NAME
○	ELECTROLYTIC CAPACITOR
○	TANTALUM CAPACITOR
○	CERAMIC CAPACITOR
○	CERAMIC TUBULAR CAPACITOR
○	POLYESTER FILM CAPACITOR
○	POLYSTYRENE FILM CAPACITOR
○	MICA CAPACITOR
○	POLYPROPYLENE FILM CAPACITOR
○	SEMICONDUCTIVE CERAMIC CAPACITOR
○	POLYPROPYLENE SULFIDE FILM CAPACITOR

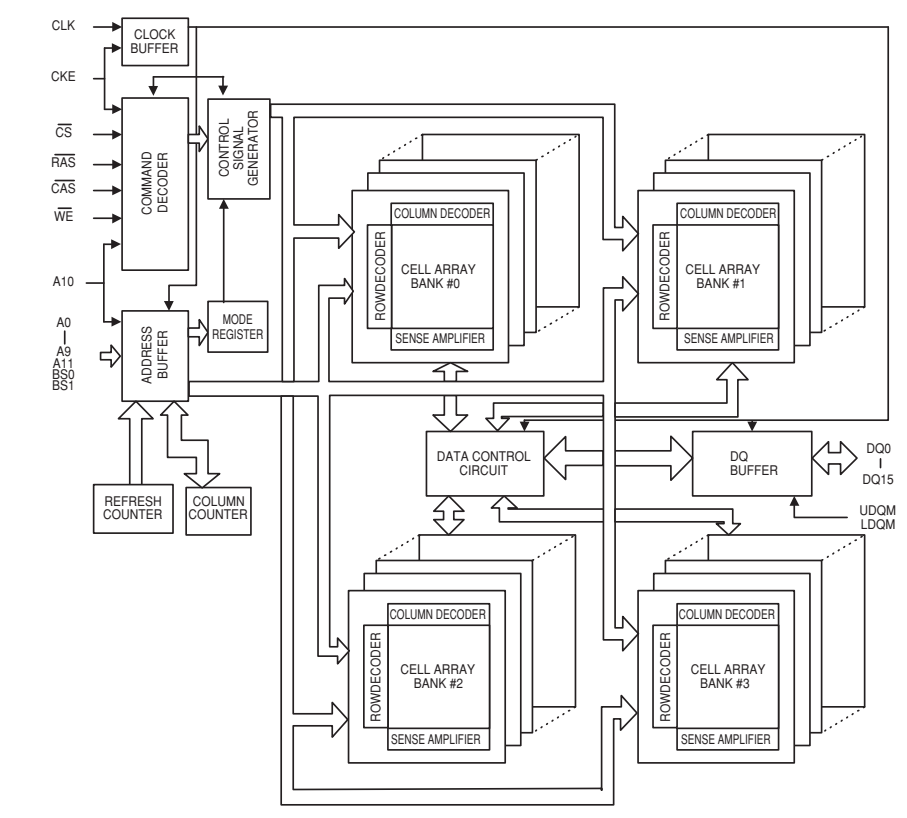
IC12: D60YA003BPYP225 Decoder



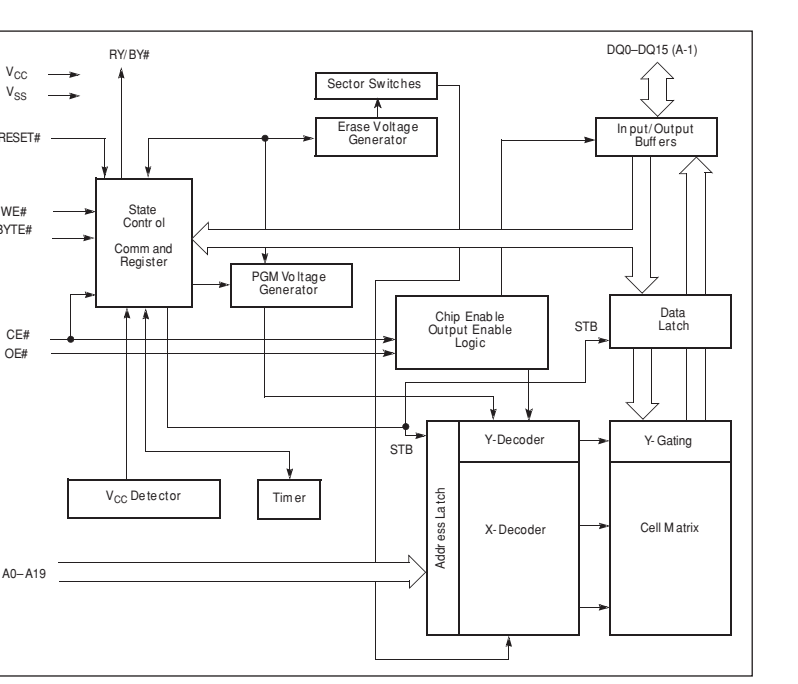
IC13: SN74AHC1G08DCKR 2-input AND gate



IC16: W9864G6EH-7 1M x 4 banks x 16 bits SDRAM

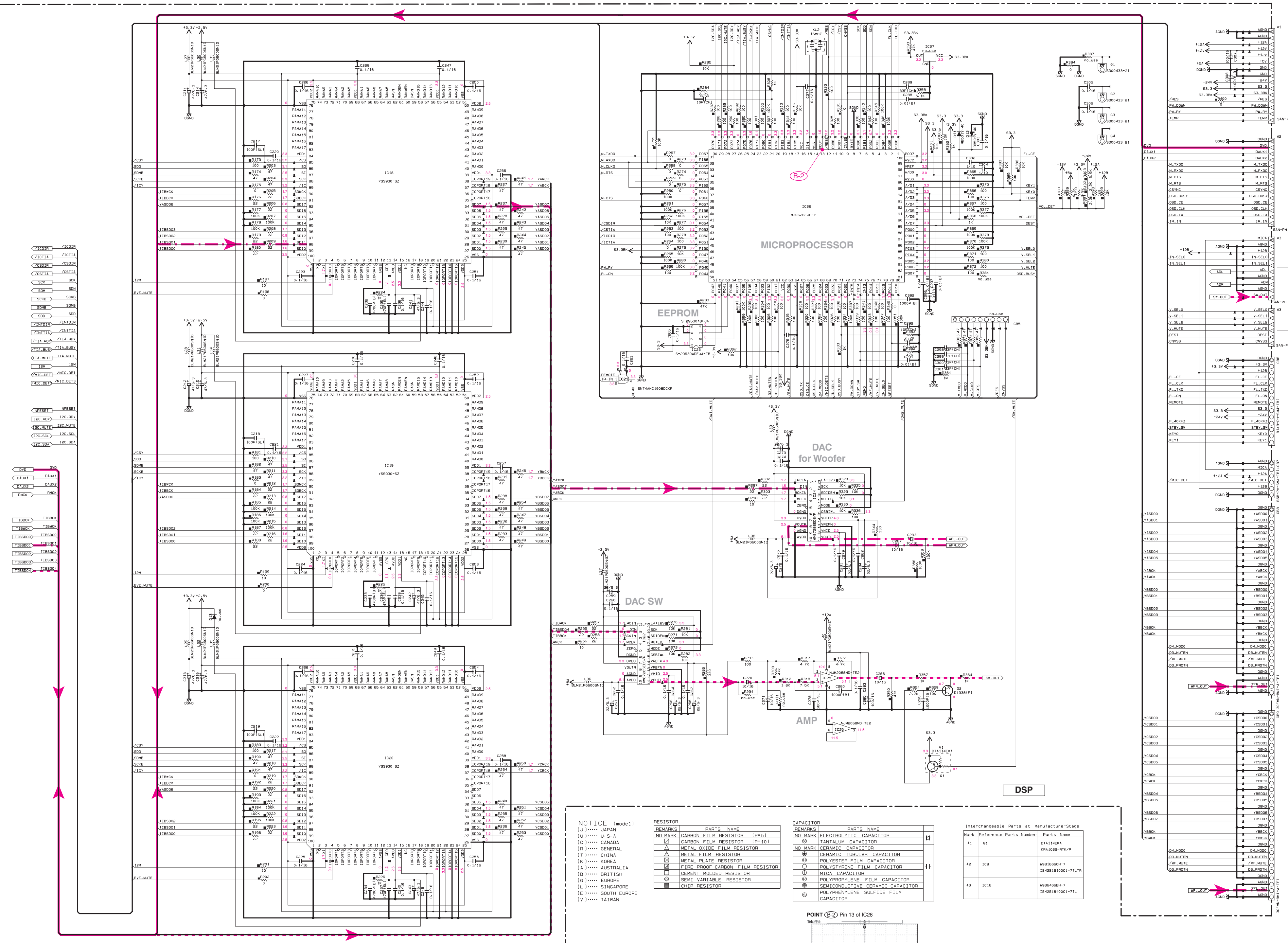


IC17: S29AL016D70TF10 16M-bit COMS 3.0 volt-only boot sector flash memory

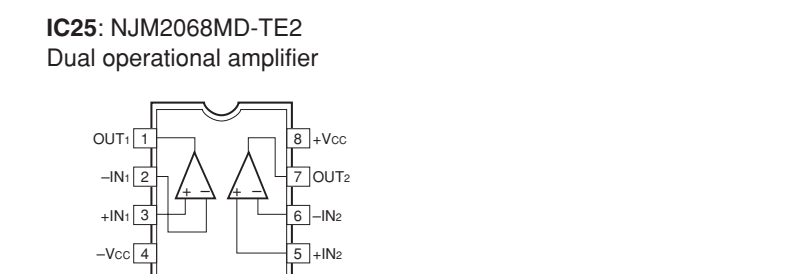
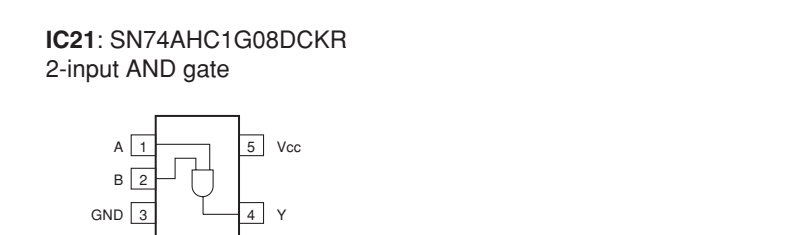
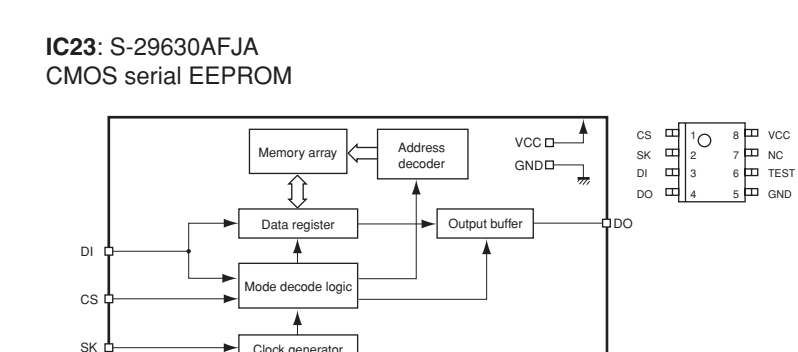
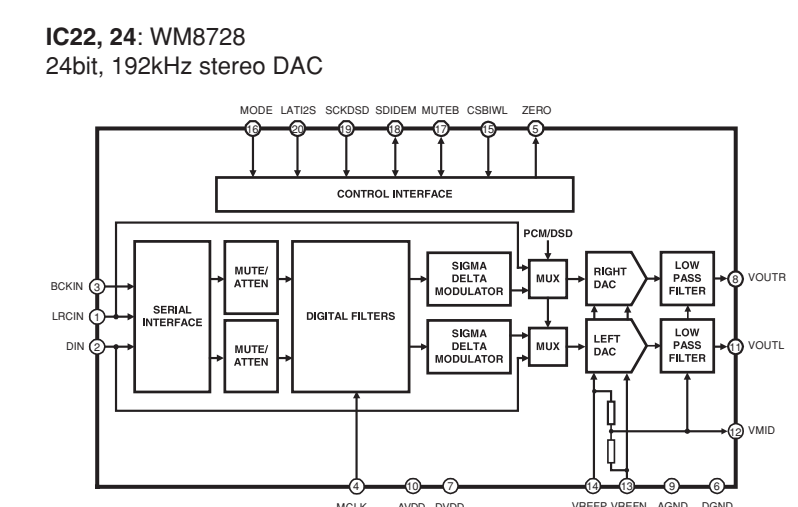
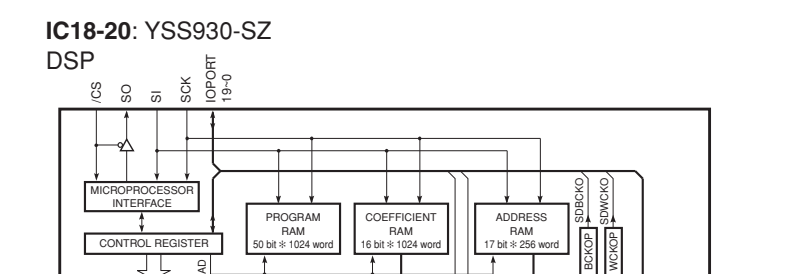


★ All voltages are measured with a 10MΩ/V DC electronic volt meter.
 ★ Components having special characteristics are marked (A) and must be replaced with parts having specifications equal to those originally installed.
 ★ Schematic diagram is subject to change without notice.

● 電圧は、内部抵抗10MΩの電圧計で測定したものです。
 ● (A)印のある部品は、安全性確保部品を示しています。部品の交換が必要な場合、パーツリストに記載されている部品を使用してください。
 ● 本回路図は標準回路図です。改良のため予告なく変更することがございます。



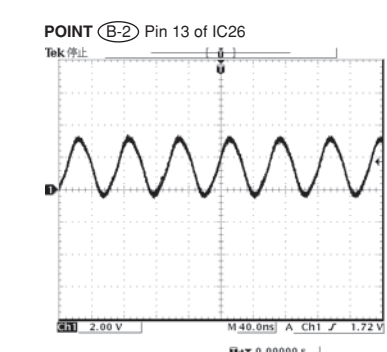
Page 67 to INPUT (1)_CB508
 Page 66 to INPUT (2)_CB3
 Page 66 to INPUT (2)_CB2
 Page 68 to OPERATION (1)
 Page 68 to OPERATION (4)
 Page 64 to AMP (2)_CB502
 Page 65 to AMP (1)_CB702



NOTICE (Model)

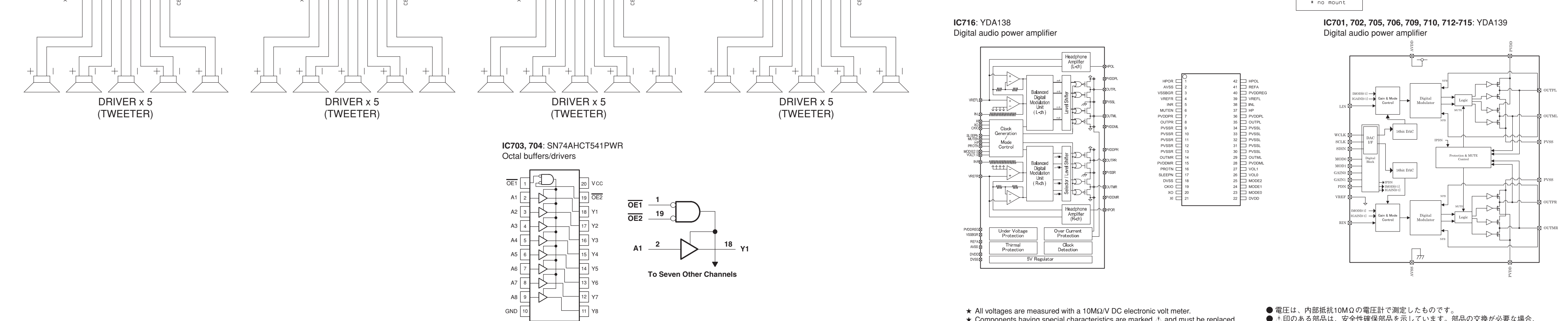
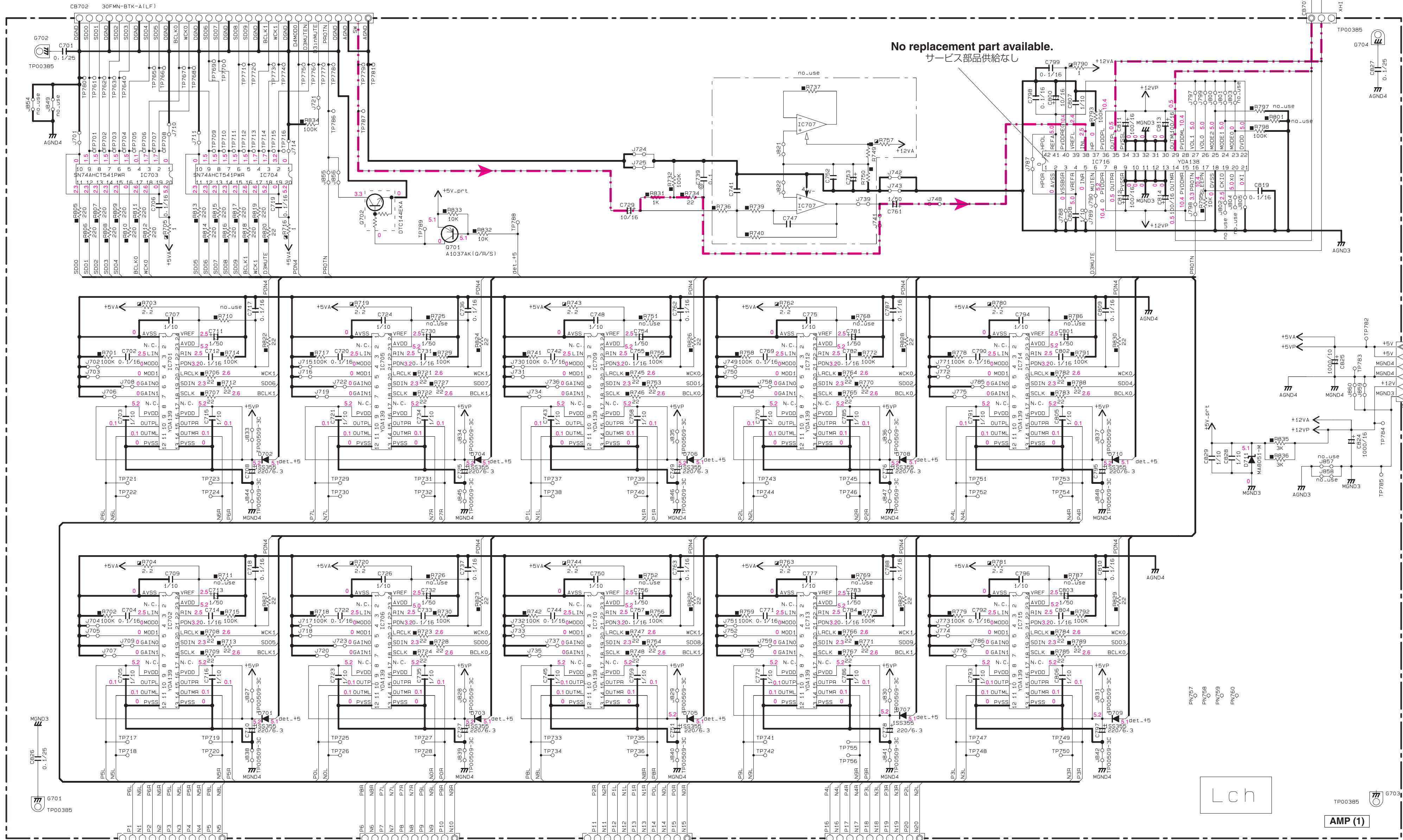
Interchangeable Parts at Manufacture-Stage

Mark	Reference	Partis Number	Partis Name
81	01	07414EXA	10K 1/4W 5% ±0.5°C
82	109	W818060-7	10K 1/4W 5% ±0.5°C
83	106	W818060-7	10K 1/4W 5% ±0.5°C



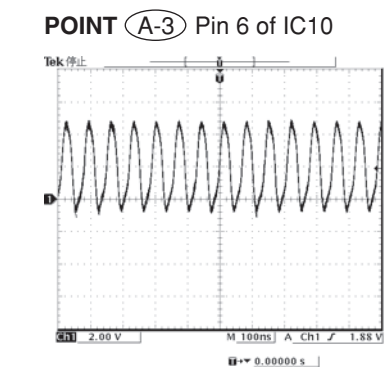
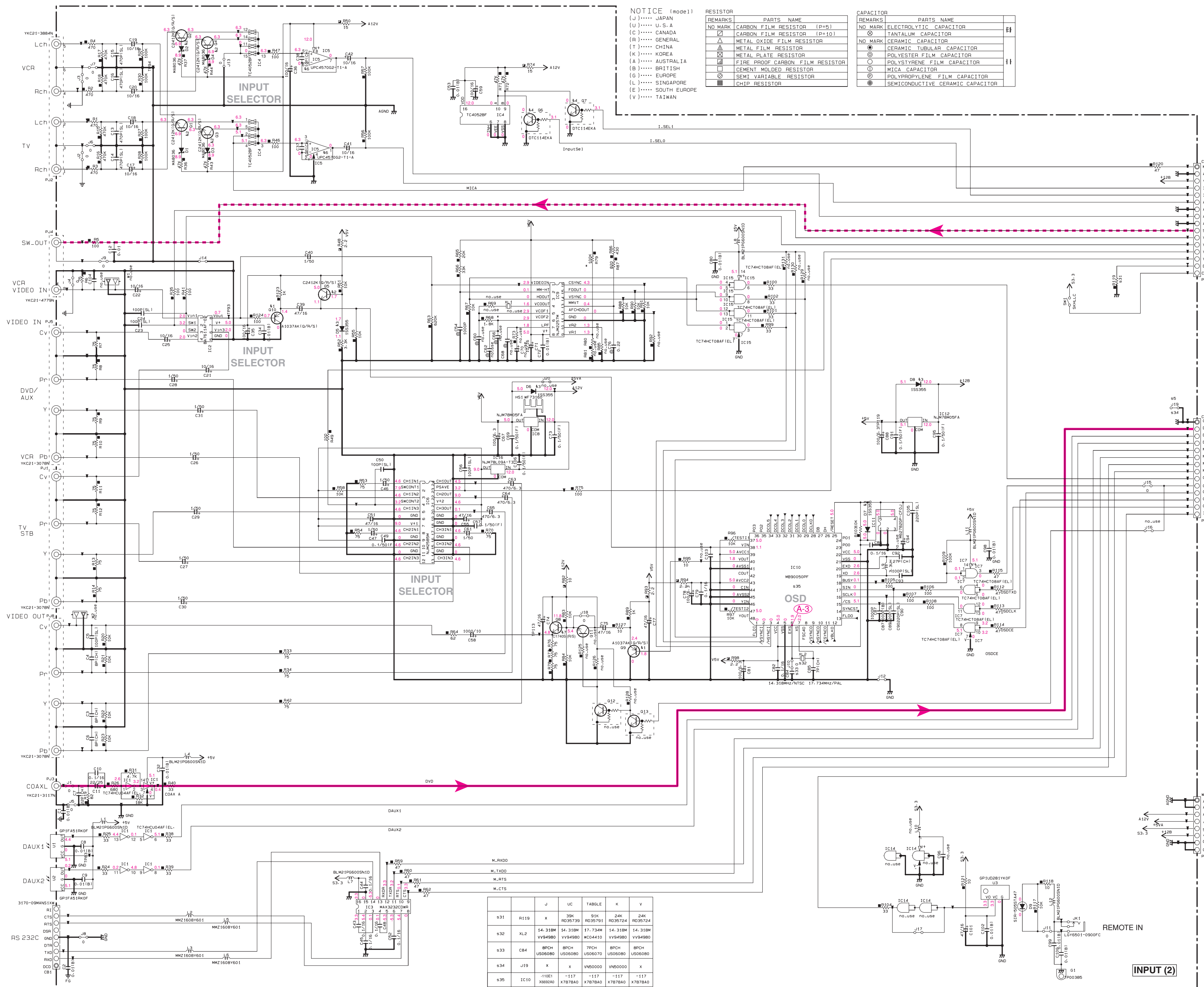
* All voltages are measured with a 10MΩ/V DC electronic volt meter.
 * Components having special characteristics are marked #, and must be replaced with parts having specifications equal to those originally installed.
 * Schematic diagram is subject to change without notice.

● 電圧は、内部抵抗10MΩの電圧計で測定したものです。
 ● #印のある部品は、安全性確保部品を示しています。部品の交換が必要な場合、#マークの部品に記載されている部品を使用してください。
 ● 本回路図は標準回路図です。改良のため予告なく変更することがございます。



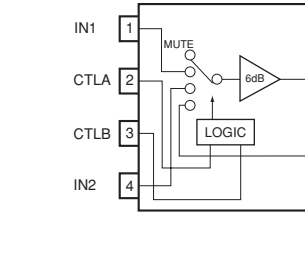
* All voltages are measured with a 10MΩ/V DC electronic volt meter.
 ● 電圧は、内部抵抗10MΩの電圧計で測定したものです。
 * Components having special characteristics are marked †, and must be replaced with parts having specifications equal to those originally installed.
 ● †印のある部品は、安全性確保部品を示しています。部品の交換が必要な場合、パーツリストに記載されている部品を使用してください。
 * Schematic diagram is subject to change without notice.
 ● 本回路図は標準回路図です。改良のため予告なく変更することがございます。

INPUT 1/2

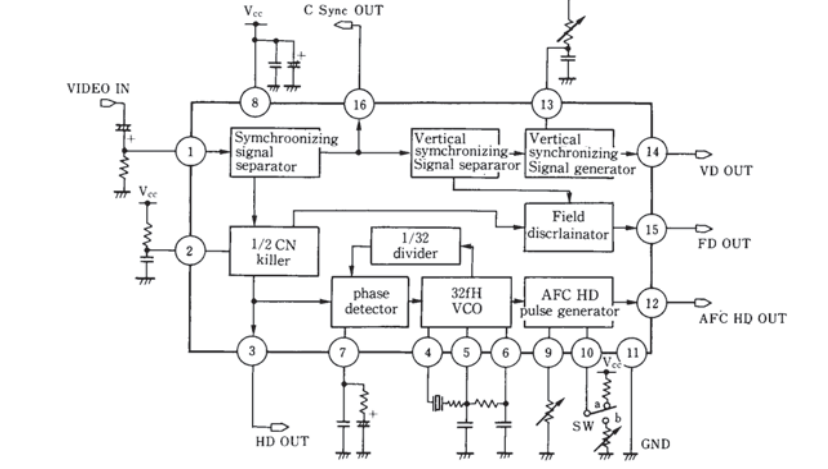


Page 63 [L4] to DSP_W3

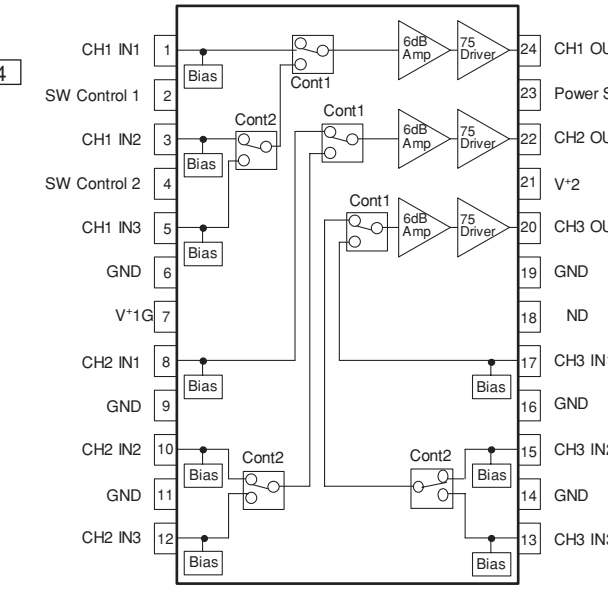
IC2: BA7611AF-E2 Video signal switcher



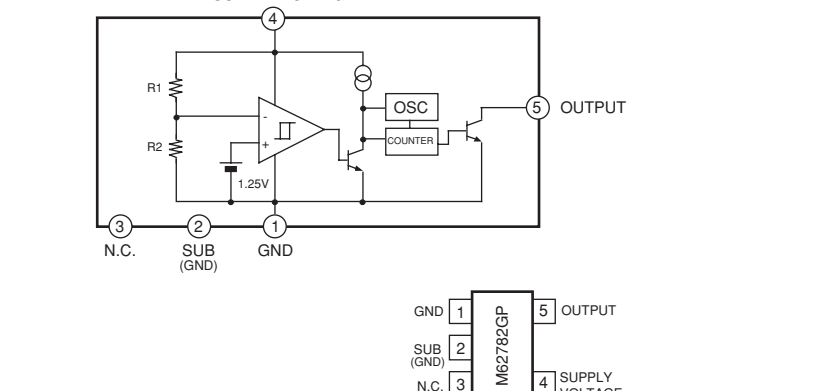
IC9: NJM2257M Synchronous signal separator



IC6: NJM2585M Wide band 3-input 1-output 3-circuit video amplifier

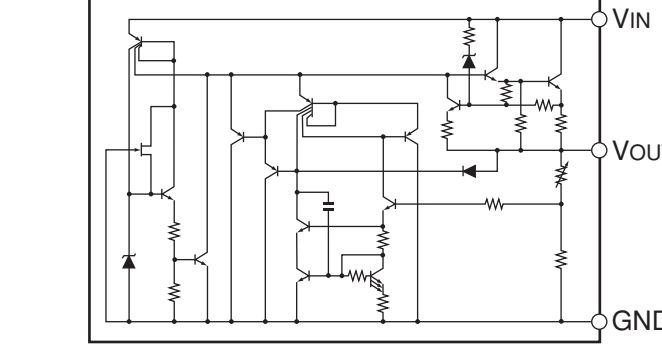


IC11: M62782GP Voltage threshold detector



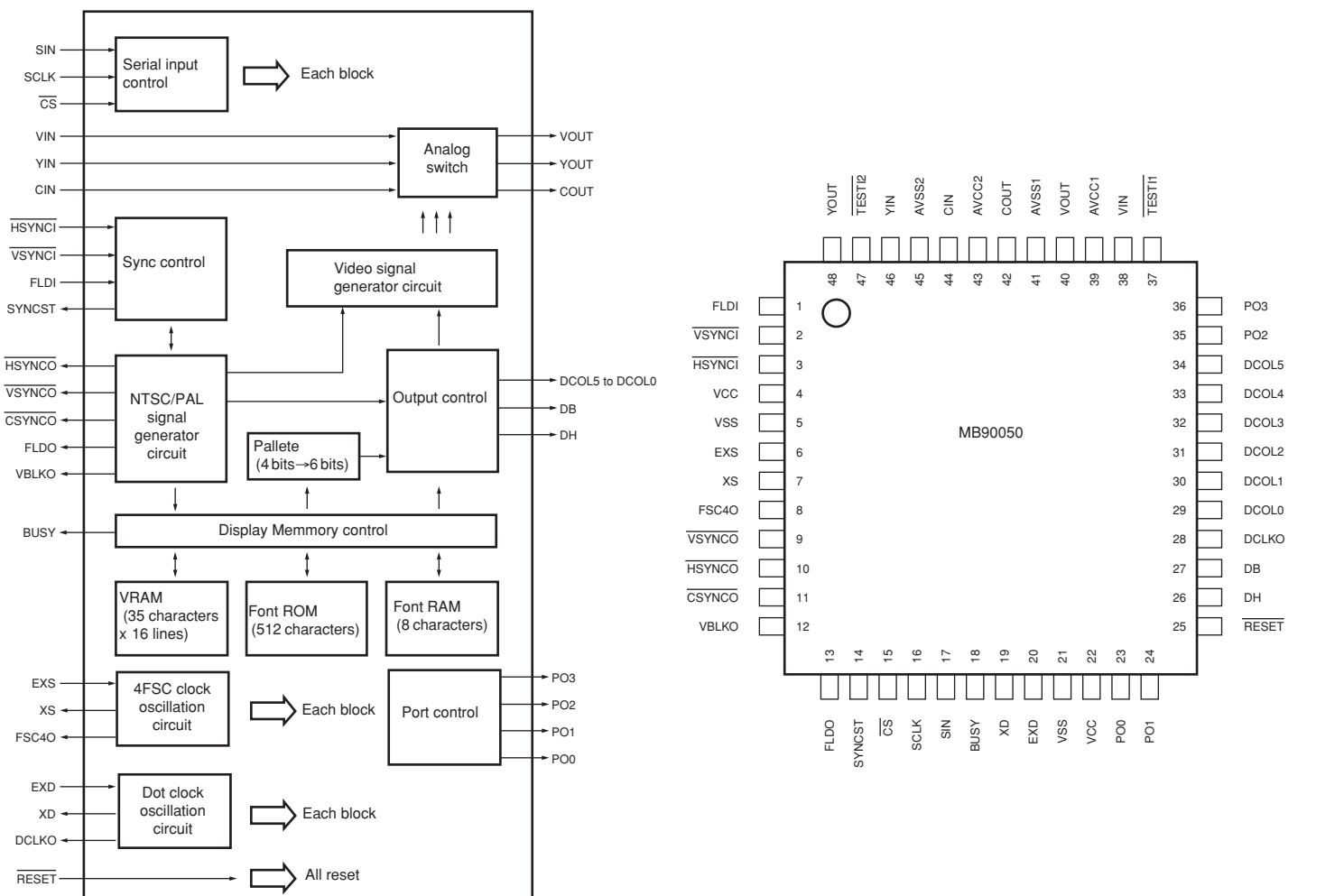
Page 63 [L4] to DSP_W2

IC16: NJM78L09A-T3 Voltage regulator

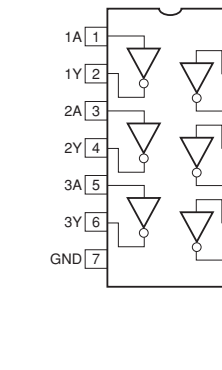


Page 67 [J5] to INPUT (1)_W505

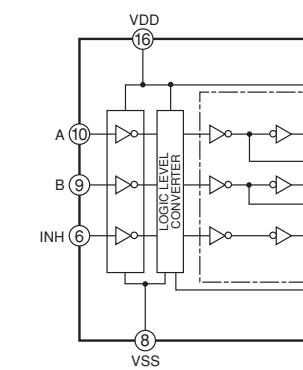
IC10: MB90050PF-110E1 On-screen display controller



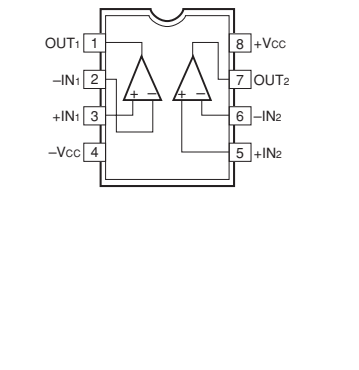
IC1: TC74HC04FEL Hex inverters



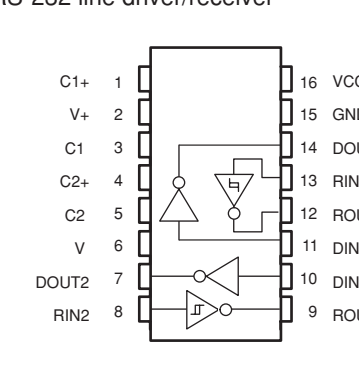
IC4: TC4052BF Analog multiplexers/demultiplexers



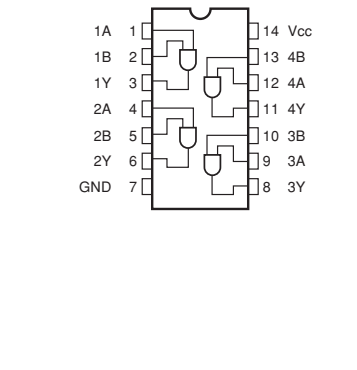
IC5: μPC4570G2-T1-A Dual operational amplifier



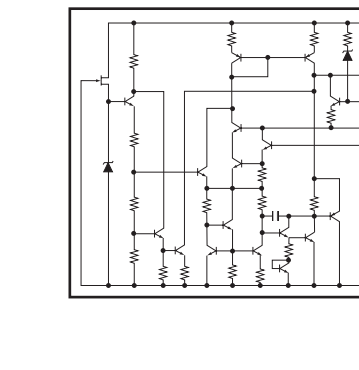
IC3: MAX3232CDWR 3V to 5.5V multichannel RS-232 line driver/receiver



IC7, 15: TC74HC08AF Quad 2-input AND gate



IC8, 12: NJM78M05FA Voltage regulator

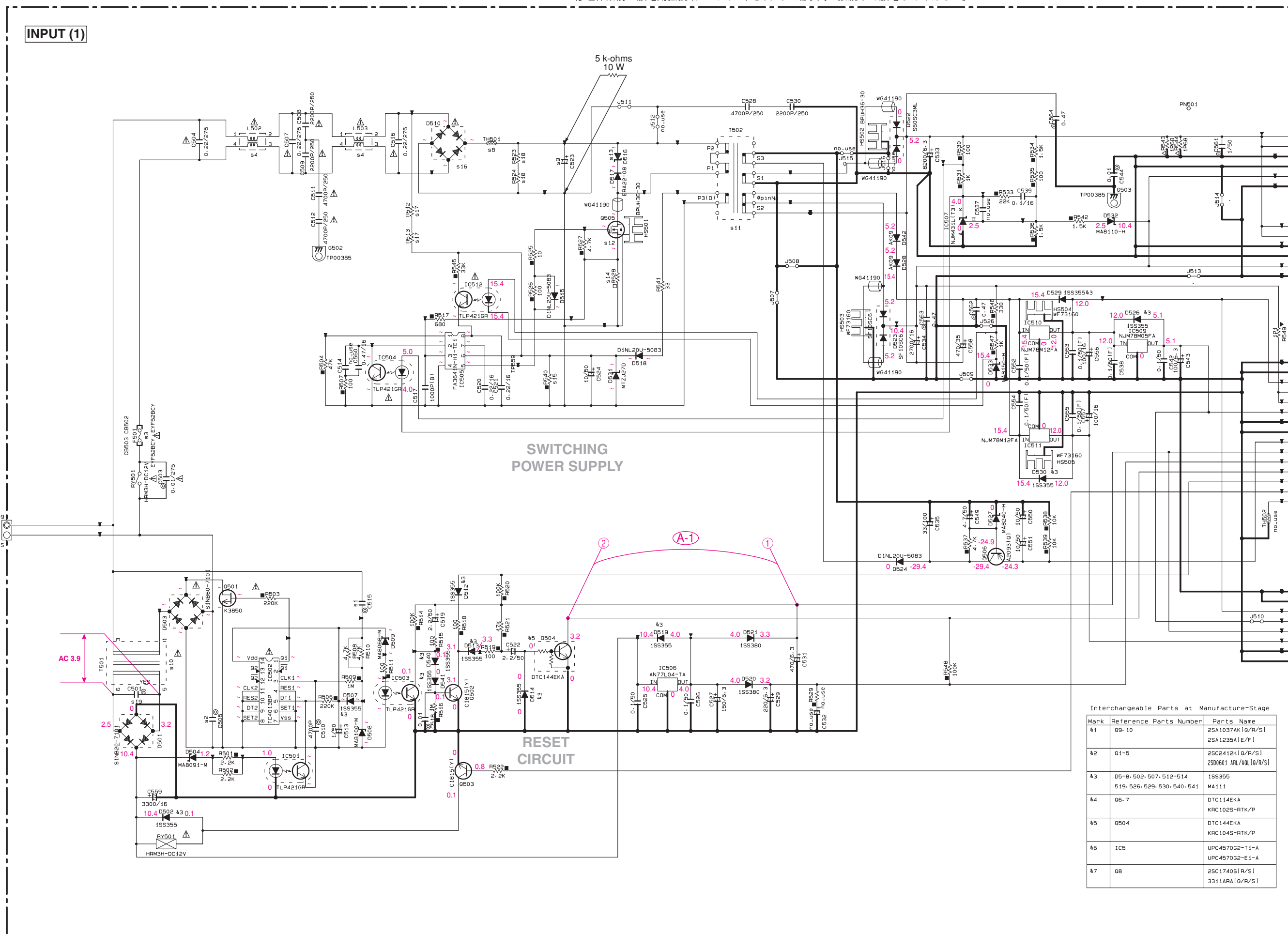


★ All voltages are measured with a 10MΩ/V DC electronic volt meter.
 ★ Components having special characteristics are marked ▲, and must be replaced with parts having specifications equal to those originally installed.
 ★ Schematic diagram is subject to change without notice.

● 電圧は、内部抵抗10MΩの電圧計で測定したものです。
 ● ▲印のある部品は、安全性確保部品を示しています。部品の交換が必要な場合、パーツリストに記載されている部品を使用してください。
 ● 本回路図は標準回路図です。改良のため予告なく変更することがございます。

INPUT 2/2

- Safety measures
- Some internal parts in this product contain high voltages and are dangerous. Be sure to take safety measures during servicing, such as wearing insulating gloves.
 - Note that C523 is dangerous even after the power is turned off because an electric charge remains and a high voltage continues to exist there.
- Before starting any repair work, perform discharge by connecting a discharge resistor (5 k-ohms/10 W) between C523 terminals.
- 安全対策
- この製品の内部には高電圧部分があり危険です。修理の際は、絶縁性の手袋を使用するなどの安全対策を行ってください。
 - C523には電源をOFFにした後も電荷が残り、高電圧が維持されており危険です。
- 修理作業前に放電用抵抗(5 kΩ/10 W)をC523の端子間に接続して放電してください。



NOTICE (model)

(J) JAPAN
 (U) U.S.A
 (C) CANADA
 (R) GENERAL
 (T) CHINA
 (K) KOREA
 (A) AUSTRALIA
 (B) BRITISH
 (G) EUROPE
 (L) SINGAPORE
 (E) SOUTH EUROPE
 (V) TAIWAN

RESISTOR

REMARKS	PARTS NAME
NO MARK	CARBON FILM RESISTOR (P-8)
□	CARBON FILM RESISTOR (P-10)
△	METAL OXIDE FILM RESISTOR
▲	METAL FILM RESISTOR
■	METAL PLATE RESISTOR
□	FIRE PROOF CARBON FILM RESISTOR
□	CEMENT MOLDED RESISTOR
□	SEMI-VARIABLE RESISTOR
■	CHIP RESISTOR

	JUC	TABLE	K	V
91	C515	0.047/400 MBB710	0.022/50 MC34160	0.047/400 MBB710
92	C505	0.1/200 MBB630	0.047/150 MBB150	0.1/200 MBB630
93	F501	5A12V M51540	7A, 5A, 2.5V M51550	5A12V M51540
94	L502-503	7m MF5230	43m MF71070	7m MF5230
95	Y501	85 MF87540	85 MF87540	85 MF87540
96	C523	250/250 MF4150	250/250 MF71070	250/250 MF4150
97	Y501	250/250 MF4150	250/250 MF71070	250/250 MF4150
98	Y501	250/250 MF4150	250/250 MF71070	250/250 MF4150
99	Y501	250/250 MF4150	250/250 MF71070	250/250 MF4150
100	Y501	250/250 MF4150	250/250 MF71070	250/250 MF4150
101	Y501	250/250 MF4150	250/250 MF71070	250/250 MF4150
102	Y501	250/250 MF4150	250/250 MF71070	250/250 MF4150
103	Y501	250/250 MF4150	250/250 MF71070	250/250 MF4150
104	Y501	250/250 MF4150	250/250 MF71070	250/250 MF4150
105	Y501	250/250 MF4150	250/250 MF71070	250/250 MF4150
106	Y501	250/250 MF4150	250/250 MF71070	250/250 MF4150
107	Y501	250/250 MF4150	250/250 MF71070	250/250 MF4150
108	Y501	250/250 MF4150	250/250 MF71070	250/250 MF4150
109	Y501	250/250 MF4150	250/250 MF71070	250/250 MF4150

CAPACITOR

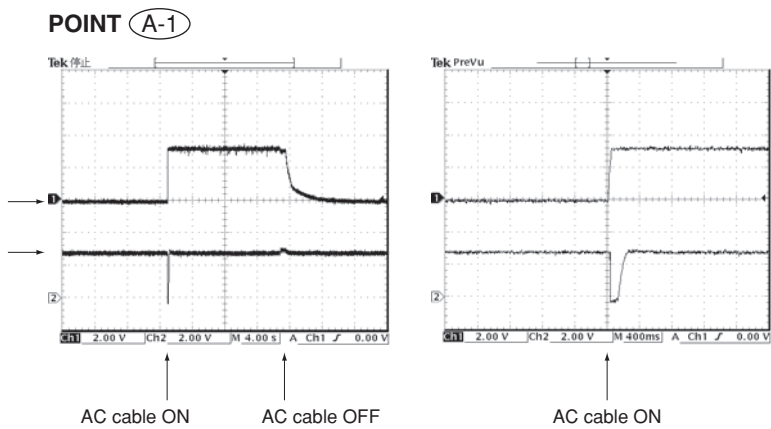
REMARKS	PARTS NAME
NO MARK	ELECTROLYTIC CAPACITOR
□	TANTALUM CAPACITOR
○	POLYESTER FILM CAPACITOR
⊙	CERAMIC TUBULAR CAPACITOR
⊖	POLYESTER FILM CAPACITOR
⊕	MICA CAPACITOR
⊖	POLYPROPYLENE FILM CAPACITOR
⊕	SEMICONDUCTIVE CERAMIC CAPACITOR
⊖	POLYPHENYLENE SULFIDE FILM CAPACITOR

Page 64 [M4] to AMP (2)_W501

Page 65 [L4] to AMP (1)_W701

Page 63 [L3] to DSP_W1

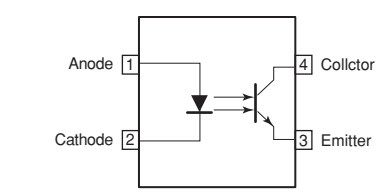
Page 66 [J7] to INPUT (2)_W505



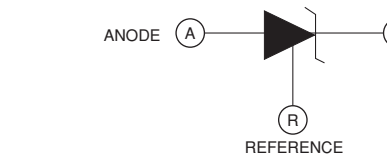
Interchangeable Parts at Manufacture Stage

Mark	Reference Parts Number	Part Name
K1	2541037K1G/R/S1	2541037K1G/R/S1
K2	2522412K1G/R/S1	2522412K1G/R/S1
K3	2519506K1G/R/S1	2519506K1G/R/S1
K4	2511144K4K	2511144K4K
K5	2511444K4K	2511444K4K
K6	2511444K4K	2511444K4K
K7	2511444K4K	2511444K4K

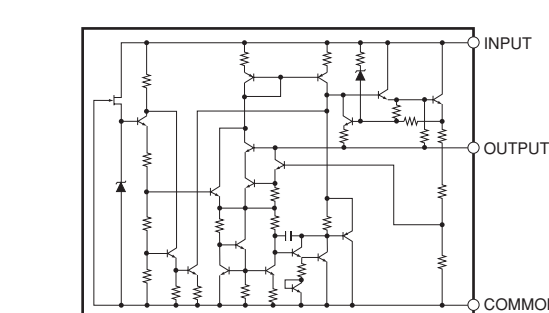
IC501, 503, 504, 512: TLP421 Photo transistor



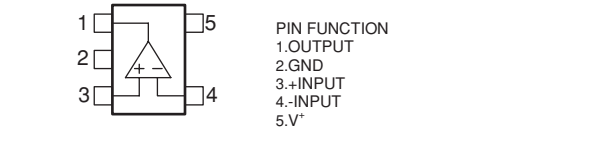
IC507: NJM431 Adjustable precision shunt regulator



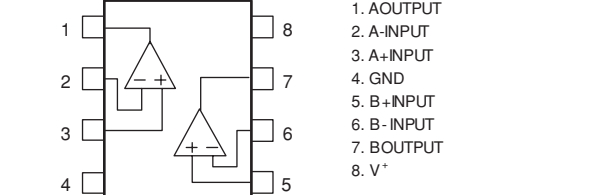
IC509: NJM78M05FA Voltage regulator



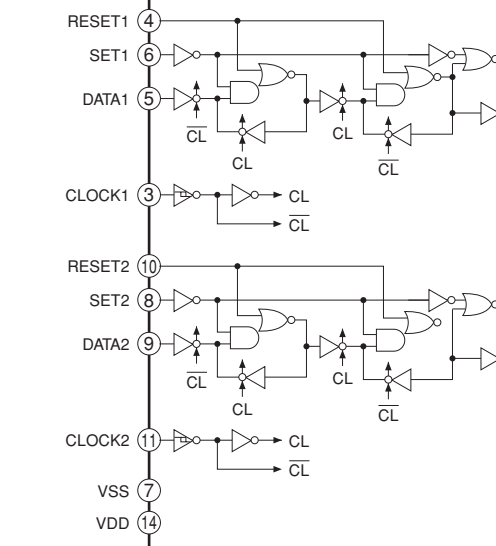
IC401: NJM2716F Single supply single high-slew rate operational amplifier



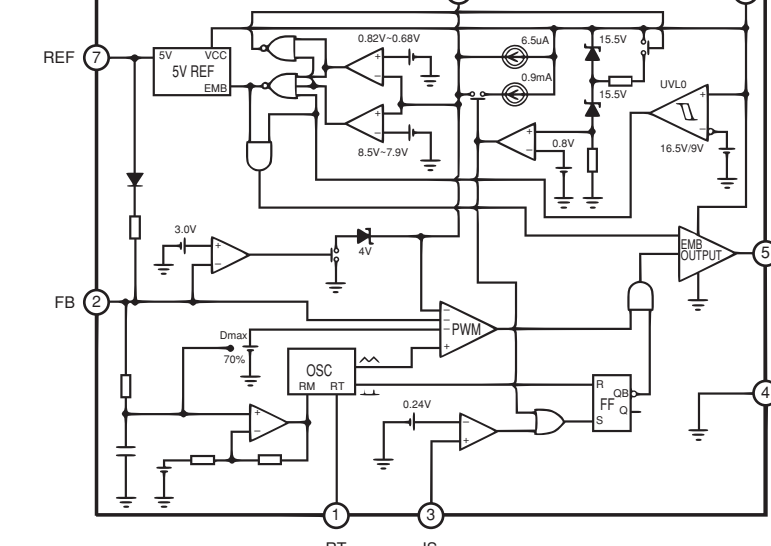
IC402: NJM2717M Single supply single high-slew rate operational amplifier



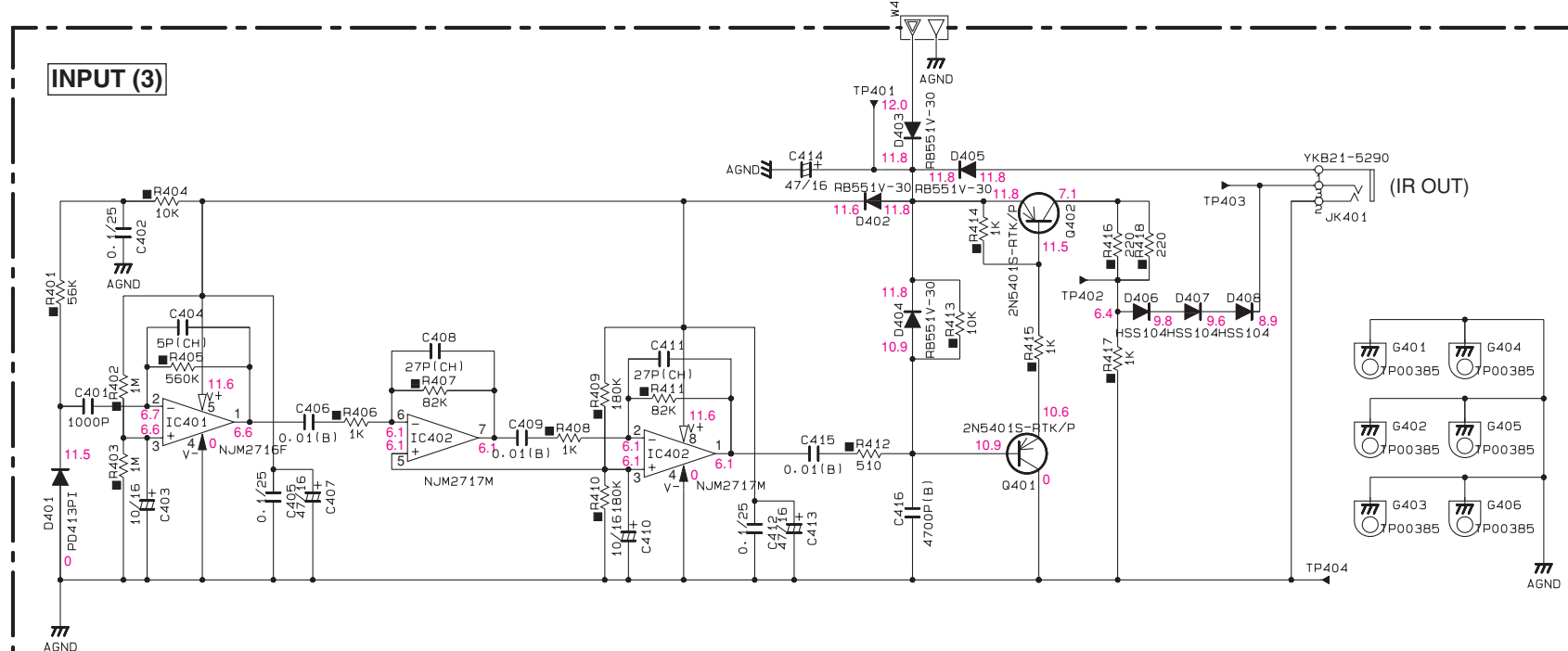
IC502: TC4013BP Dual D-type flip flop



IC505: FA3641N-H1-TE1 PMW control IC



Page 68 [C3] to OPERATION (4)_CB301

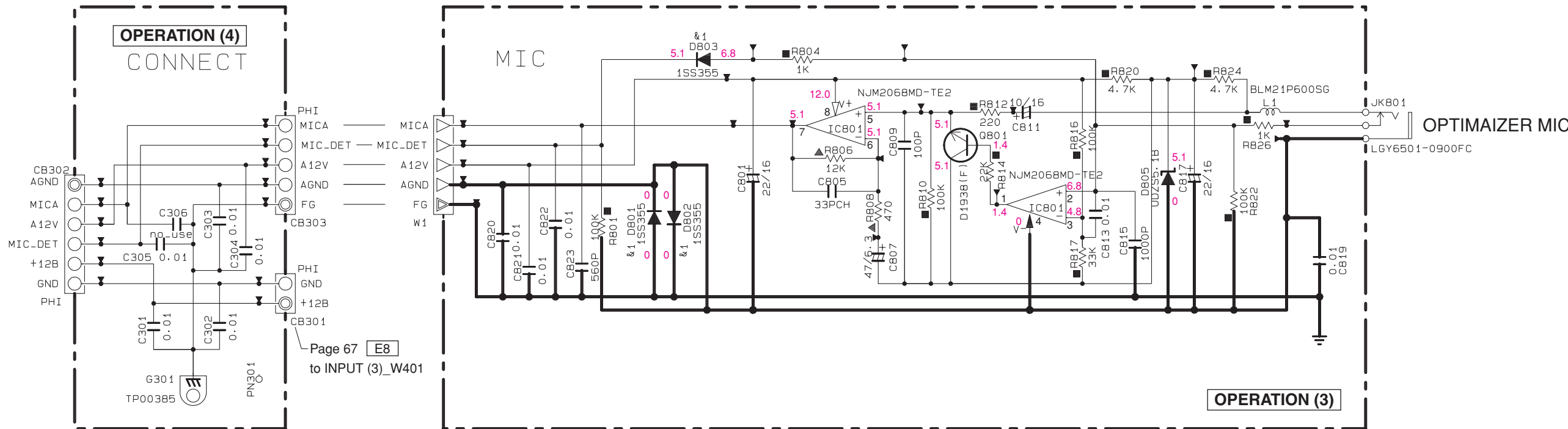


* All voltages are measured with a 10MΩ/V DC electronic volt meter.
 * Components having special characteristics are marked !, and should be replaced with parts having specifications equal to those originally installed.
 * Schematic diagram is subject to change without notice.

● 電圧は、内部抵抗10MΩの電圧計で測定したものです。
 ● !印のある部品は、安全性確保部品を示しています。部品の交換が必要な場合、パーツリストに記載されている部品を使用してください。
 ● 本回路図は標準回路図です。改良のため予告なく変更することがございます。

OPERATION

Page 63 [L6] to DSP_CB7



RESISTOR

REMARKS	PARTS NAME
NO MARK	CARBON FILM RESISTOR (P=5)
□	CARBON FILM RESISTOR (P=10)
△	METAL OXIDE FILM RESISTOR
▴	METAL FILM RESISTOR
▾	METAL PLATE RESISTOR
■	FIRE PROOF CARBON FILM RESISTOR
□	CEMENT MOLDED RESISTOR
⊕	SEMI VARIABLE RESISTOR
■	CHIP RESISTOR

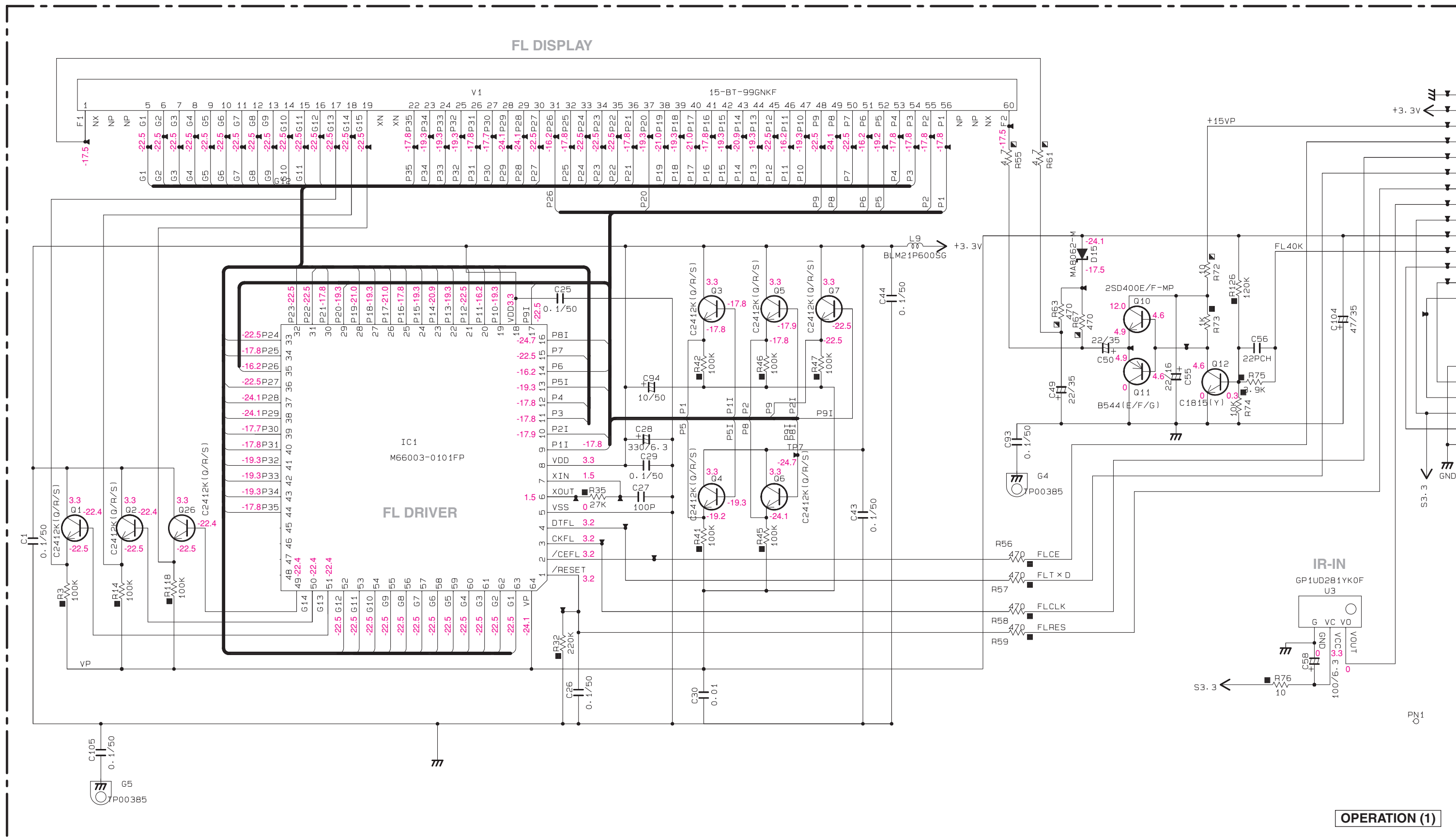
CAPACITOR

REMARKS	PARTS NAME
NO MARK	ELECTROLYTIC CAPACITOR
⊗	TANTALUM CAPACITOR
NO MARK	CERAMIC CAPACITOR
●	CERAMIC TUBULAR CAPACITOR
⊙	POLYESTER FILM CAPACITOR
○	POLYSTYRENE FILM CAPACITOR
⊖	MICA CAPACITOR
⊕	POLYPROPYLENE FILM CAPACITOR
⊗	SEMICONDUCTIVE CERAMIC CAPACITOR

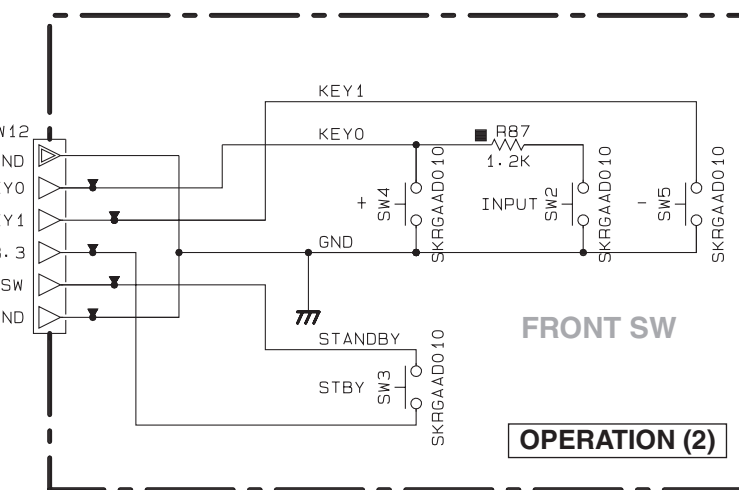
Interchangeable Parts at Manufacture-Stage

Mark	Reference Parts Number	Parts Name
k1	D801-B03	1SS395
		MA111

Page 67 [E8] to INPUT (3)_W401



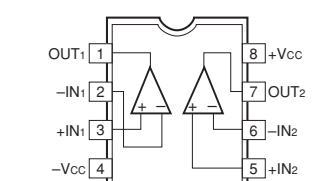
Page 63 [L5] to DSP_CB6



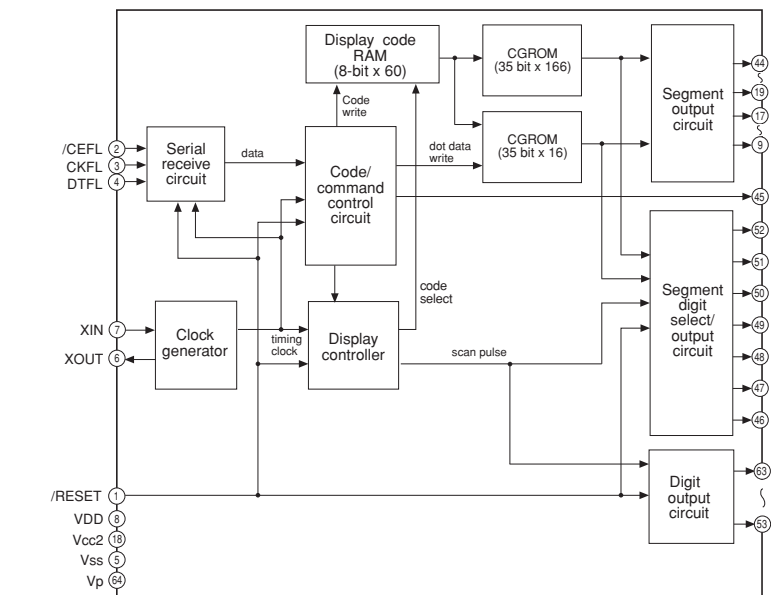
NOTICE (mode1)

- (J)..... JAPAN
- (U)..... U.S.A
- (C)..... CANADA
- (R)..... GENERAL
- (T)..... CHINA
- (K)..... KOREA
- (A)..... AUSTRALIA
- (B)..... BRITISH
- (G)..... EUROPE
- (L)..... SINGAPORE
- (E)..... SOUTH EUROPE
- (V)..... TAIWAN

IC801: NJM2068MD-TE2
Dual operational amplifier



IC1: M66003-0101FP
FL display driver



★ All voltages are measured with a 10MΩ/V DC electronic volt meter.
★ Components having special characteristics are marked △ and must be replaced with parts having specifications equal to those originally installed.
★ Schematic diagram is subject to change without notice.

●電圧は、内部抵抗10MΩの電圧計で測定したものです。
●△印のある部品は、安全性確保部品を示しています。部品の交換が必要な場合、パーツリストに記載されている部品を使用してください。
●本回路図は標準回路図です。改良のため予告なく変更することがございます。

■ REPLACEMENT PARTS LIST

• ELECTRICAL COMPONENT PARTS

WARNING

- Components having special characteristics are marked \triangle and must be replaced with parts having specifications equal to those originally installed.
- \triangle 印のある部分は、安全確保部品を示しています。部品の交換が必要な場合、パーツリストに記載されている部品を使用してください。
- 部品価格ランクは、予告なく変更することがあります。

ABBREVIATIONS IN THIS LIST ARE AS FOLLOWS:

C.A.EL.CHP	: CHIP ALUMI.ELECTROLYTIC CAP	L.EMIT	: LIGHT EMITTING MODULE
C.CE	: CERAMIC CAP	LED.DSPLY	: LED DISPLAY
C.CE.ARRAY	: CERAMIC CAP ARRAY	LED.INFRD	: LED,INFRARED
C.CE.CHP	: CHIP CERAMIC CAP	MODUL.RF	: MODULATOR,RF
C.CE.ML	: MULTILAYER CERAMIC CAP	PHOT.CPL	: PHOTO COUPLER
C.CE.M.CHP	: CHIP MULTILAYER CERAMIC CAP	PHOT.INTR	: PHOTO INTERRUPTER
C.CE.SAFTY	: RECOGNIZED CERAMIC CAP	PHOT.RFLCT	: PHOTO REFLECTOR
C.CE.TUBLR	: CERAMIC TUBULAR CAP	PIN.TEST	: PIN,TEST POINT
C.CE.SMI	: SEMI CONDUCTIVE CERAMIC CAP	PLST.RIVET	: PLASTIC RIVET
C.EL	: ELECTROLYTIC CAP	R.ARRAY	: RESISTOR ARRAY
C.MICA	: MICA CAP	R.CAR.	: CARBON RESISTOR
C.ML.FLM	: MULTILAYER FILM CAP	R.CAR.CHP	: CHIP RESISTOR
C.MP	: METALLIZED PAPER CAP	R.CAR.FP	: FLAME PROOF CARBON RESISTOR
C.MYLAR	: MYLAR FILM CAP	R.FUS	: FUSABLE RESISTOR
C.MYLAR.ML	: MULTILAYER MYLAR FILM CAP	R.MTL.CHP	: CHIP METAL FILM RESISTOR
C.PAPER	: PAPER CAPACITOR	R.MTL.FLM	: METAL FILM RESISTOR
C.PLS	: POLYSTYRENE FILM CAP	R.MTL.OXD	: METAL OXIDE FILM RESISTOR
C.POL	: POLYESTER FILM CAP	R.MTL.PLAT	: METAL PLATE RESISTOR
C.POLY	: POLYETHYLENE FILM CAP	RSNR.CE	: CERAMIC RESONATOR
C.PP	: POLYPROPYLENE FILM CAP	RSNR.CRYS	: CRYSTAL RESONATOR
C.TNTL	: TANTALUM CAP	R.TW.CEM	: TWIN CEMENT FIXED RESISTOR
C.TNTL.CHP	: CHIP TANTALUM CAP	R.CEMENT	: CEMENT RESISTOR
C.TRIM	: TRIMMER CAP	SCR.BND.HD	: BIND HEAD B-TIGHT SCREW
CN	: CONNECTOR	SCR.BW.HD	: BW HEAD TAPPING SCREW
CN.BS.PIN	: CONNECTOR,BASE PIN	SCR.CUP	: CUP TIGHT SCREW
CN.CANNON	: CONNECTOR,CANNON	SCR.TERM	: SCREW TERMINAL
CN.DIN	: CONNECTOR,DIN	SCR.TR	: SCREW,TRANSISTOR
CN.FLAT	: CONNECTOR,FLAT CABLE	SUPRT.PCB	: SUPPORT,P.C.B.
CN.POST	: CONNECTOR,BASE POST	SURG.PRTCT	: SURGE PROTECTOR
COIL.MX.AM	: COIL,AM MIX	SW.TACT	: TACT SWITCH
COIL.AT.FM	: COIL,FM ANTENNA	SW.LEAF	: LEAF SWITCH
COIL.DT.FM	: COIL,FM DETECT	SW.LEVER	: LEVER SWITCH
COIL.MX.FM	: COIL,FM MIX	SW.MICRO	: MICRO SWITCH
COIL.OUTPT	: OUTPUT COIL	SW.PUSH	: PUSH SWITCH
DIOD.ARRAY	: DIODE ARRAY	SW.RT.ENC	: ROTARY ENCODER
DIODE.BRG	: DIODE BRIDGE	SW.RT.MTR	: ROTARY SWITCH WITH MOTOR
DIODE.CHP	: CHIP DIODE	SW.RT	: ROTARY SWITCH
DIODE.VAR	: VARACTOR DIODE	SW.SLIDE	: SLIDE SWITCH
DIOD.Z.CHP	: CHIP ZENER DIODE	TERM.SP	: SPEAKER TERMINAL
DIODE.ZENR	: ZENER DIODE	TERM.WRAP	: WRAPPING TERMINAL
DSCR.CE	: CERAMIC DISCRIMINATOR	THRMST.CHP	: CHIP THERMISTOR
FER.BEAD	: FERRITE BEADS	TR.CHP	: CHIP TRANSISTOR
FER.CORE	: FERRITE CORE	TR.DGT	: DIGITAL TRANSISTOR
FET.CHP	: CHIP FET	TR.DGT.CHP	: CHIP DIGITAL TRANSISTOR
FL.DSPLY	: FLUORESCENT DISPLAY	TRANS	: TRANSFORMER
FLTR.CE	: CERAMIC FILTER	TRANS.PULS	: PULSE TRANSFORMER
FLTR.COMB	: COMB FILTER MODULE	TRANS.PWR	: POWER TRANSFORMER ASS'Y
FLTR.LC.RF	: LC FILTER,EMI	TUNER.AM	: TUNER PACK,AM
GND.MTL	: GROUND PLATE	TUNER.FM	: TUNER PACK,FM
GND.TERM	: GROUND TERMINAL	TUNER.PK	: FRONT-ENDTUNER PACK
HOLDER.FUS	: FUSE HOLDER	VR	: ROTARY POTENTIOMETER
IC.PRTCT	: IC PROTECTOR	VR.MTR	: POTENTIOMETER WITH MOTOR
JUMPER.CN	: JUMPER CONNECTOR	VR.SW	: POTENTIOMETER WITH ROTARY SW
JUMPER.TST	: JUMPER,TEST POINT	VR.SLIDE	: SLIDE POTENTIOMETER
L.DTCT	: LIGHT DETECTING MODULE	VR.TRIM	: TRIMMER POTENTIOMETER

P.C.B. DSP

Ref No.	Part No.	Description	Remarks	Markets	部 品 名	Rank
*	WH754000	P. C. B.	DSP		P C B D S P	
CB3	VT388300	CN. BS. P IN	2P		ベース付ポスト	
CB6	WD736900	CN. BS. P IN	14P TE		ベース付ポスト	04
CB7	VT388700	CN. BS. P IN	6P		ベース付ポスト	01
CB8-9	WC198000	CN. BS. P IN	30P TE FMN		FMNコネクター	04
C1-3	WE477600	C. EL	100uF 16V		ケミコン	02
C4-9	WD176300	C. CE. CHP	1uF 16V K		チップセラコン	01
C16-18	WD176300	C. CE. CHP	1uF 16V K		チップセラコン	01
C19-21	WE475900	C. EL	560uF 6.3V		ケミコン	02
C22	UF018100	C. EL. CHP	100uF 6.3V		チップケミコン	01
C23	US135100	C. CE. CHP	0.1uF 16V		チップセラコン	01
C24	UF018100	C. EL. CHP	100uF 6.3V		チップケミコン	01
C25-26	US135100	C. CE. CHP	0.1uF 16V		チップセラコン	01
C27	US034680	C. CE. CHP	0.068uF 16V K		チップセラコン	01
C28	US135100	C. CE. CHP	0.1uF 16V		チップセラコン	01
C29	US063100	C. CE. CHP	1000pF 50V B		チップセラコン	01
C30-49	US135100	C. CE. CHP	0.1uF 16V		チップセラコン	01
C50	UF017470	C. EL. CHP	47uF 6.3V		チップケミコン	01
C51-52	US135100	C. CE. CHP	0.1uF 16V		チップセラコン	01
C53	US062100	C. CE. CHP	100pF 50V B		チップセラコン	01
C54	UF017470	C. EL. CHP	47uF 6.3V		チップケミコン	01
C55-58	US135100	C. CE. CHP	0.1uF 16V		チップセラコン	01
C59	UF037100	C. EL. CHP	10uF 16V		チップケミコン	01
C60	US126100	C. CE. CHP	1uF 10V		チップセラコン	01
C61-62	US135100	C. CE. CHP	0.1uF 16V		チップセラコン	01
C63-64	US061180	C. CE. CHP	18pF 50V B		チップセラコン	01
C65-69	US135100	C. CE. CHP	0.1uF 16V		チップセラコン	01
C70-71	US135100	C. CE. CHP	0.1uF 16V		チップセラコン	01
C72	UF017220	C. EL. CHP	22uF 6.3V		チップケミコン	01
C73-75	US135100	C. CE. CHP	0.1uF 16V		チップセラコン	01
C76	US063100	C. CE. CHP	1000pF 50V B		チップセラコン	01
C77-87	US135100	C. CE. CHP	0.1uF 16V		チップセラコン	01
C88	UF017220	C. EL. CHP	22uF 6.3V		チップケミコン	01
C89-98	US135100	C. CE. CHP	0.1uF 16V		チップセラコン	01
C99	UF017220	C. EL. CHP	22uF 6.3V		チップケミコン	01
C100	UF017470	C. EL. CHP	47uF 6.3V		チップケミコン	01
C101-102	US035100	C. CE. CHP	0.1uF 16V B		チップセラコン	01
C103	US135100	C. CE. CHP	0.1uF 16V		チップセラコン	01
C104-105	US063100	C. CE. CHP	1000pF 50V B		チップセラコン	01
C106	UF017220	C. EL. CHP	22uF 6.3V		チップケミコン	01
C107	US035100	C. CE. CHP	0.1uF 16V B		チップセラコン	01
C108	US063100	C. CE. CHP	1000pF 50V B		チップセラコン	01
C109	US135100	C. CE. CHP	0.1uF 16V		チップセラコン	01
C110	US035100	C. CE. CHP	0.1uF 16V B		チップセラコン	01
C111	US063100	C. CE. CHP	1000pF 50V B		チップセラコン	01
C112-113	US035100	C. CE. CHP	0.1uF 16V B		チップセラコン	01
C114	US135100	C. CE. CHP	0.1uF 16V		チップセラコン	01
C115-116	US063100	C. CE. CHP	1000pF 50V B		チップセラコン	01
C117	UF017220	C. EL. CHP	22uF 6.3V		チップケミコン	01
C118-119	US035100	C. CE. CHP	0.1uF 16V B		チップセラコン	01
C120	US135100	C. CE. CHP	0.1uF 16V		チップセラコン	01
C121	UF017220	C. EL. CHP	22uF 6.3V		チップケミコン	01
C122	UF037100	C. EL. CHP	10uF 16V		チップケミコン	01
C123	US063100	C. CE. CHP	1000pF 50V B		チップセラコン	01

* New Parts * 新規部品

P.C.B. DSP

Ref No.	Part No.	Description	Remarks	Markets	部 品 名	Rank	
C124	UF037100	C. EL. CHP	10uF	16V		チップケミコン	01
C125	UF017220	C. EL. CHP	22uF	6.3V		チップケミコン	01
C126-128	US135100	C. CE. CHP	0.1uF	16V		チップセラコン	01
C129-130	UF018100	C. EL. CHP	100uF	6.3V		チップケミコン	01
C131-153	US135100	C. CE. CHP	0.1uF	16V		チップセラコン	01
C154	UF037100	C. EL. CHP	10uF	16V		チップケミコン	01
C155	US126100	C. CE. CHP	1uF	10V		チップセラコン	01
C156-166	US135100	C. CE. CHP	0.1uF	16V		チップセラコン	01
C167	US063100	C. CE. CHP	1000pF	50V B		チップセラコン	01
C168-176	US135100	C. CE. CHP	0.1uF	16V		チップセラコン	01
C178-188	US135100	C. CE. CHP	0.1uF	16V		チップセラコン	01
C190	UF017470	C. EL. CHP	47uF	6.3V		チップケミコン	01
C191-192	US035100	C. CE. CHP	0.1uF	16V B		チップセラコン	01
C193-195	US063100	C. CE. CHP	1000pF	50V B		チップセラコン	01
C196-198	US035100	C. CE. CHP	0.1uF	16V B		チップセラコン	01
C199	US063100	C. CE. CHP	1000pF	50V B		チップセラコン	01
C200	US035100	C. CE. CHP	0.1uF	16V B		チップセラコン	01
C201-202	US063100	C. CE. CHP	1000pF	50V B		チップセラコン	01
C203-204	US035100	C. CE. CHP	0.1uF	16V B		チップセラコン	01
C205	US063100	C. CE. CHP	1000pF	50V B		チップセラコン	01
C206	US035100	C. CE. CHP	0.1uF	16V B		チップセラコン	01
C207	UF017220	C. EL. CHP	22uF	6.3V		チップケミコン	01
C208-210	US135100	C. CE. CHP	0.1uF	16V		チップセラコン	01
C211-216	UF017470	C. EL. CHP	47uF	6.3V		チップケミコン	01
C217-219	US062100	C. CE. CHP	100pF	50V B		チップセラコン	01
C220-231	US135100	C. CE. CHP	0.1uF	16V		チップセラコン	01
C232-234	US063470	C. CE. CHP	4700pF	50V B		チップセラコン	01
C235-237	US062470	C. CE. CHP	470pF	50V B		チップセラコン	01
C238-240	US135100	C. CE. CHP	0.1uF	16V		チップセラコン	01
C241-243	UF017470	C. EL. CHP	47uF	6.3V		チップケミコン	01
C244-258	US135100	C. CE. CHP	0.1uF	16V		チップセラコン	01
C259	UF017220	C. EL. CHP	22uF	6.3V		チップケミコン	01
C260	US135100	C. CE. CHP	0.1uF	16V		チップセラコン	01
C261	UF017220	C. EL. CHP	22uF	6.3V		チップケミコン	01
C262-265	US135100	C. CE. CHP	0.1uF	16V		チップセラコン	01
C266	UF017220	C. EL. CHP	22uF	6.3V		チップケミコン	01
C267	US135100	C. CE. CHP	0.1uF	16V		チップセラコン	01
C268	UF017220	C. EL. CHP	22uF	6.3V		チップケミコン	01
C269	US061100	C. CE. CHP	10pF	50V B		チップセラコン	01
C270-271	UF037100	C. EL. CHP	10uF	16V		チップケミコン	01
C272-273	UF017220	C. EL. CHP	22uF	6.3V		チップケミコン	01
C274-277	US135100	C. CE. CHP	0.1uF	16V		チップセラコン	01
C278	US062680	C. CE. CHP	680pF	50V B		チップセラコン	01
C279	US135100	C. CE. CHP	0.1uF	16V		チップセラコン	01
C280	US063100	C. CE. CHP	1000pF	50V B		チップセラコン	01
C281	UF017220	C. EL. CHP	22uF	6.3V		チップケミコン	01
C282-283	US135100	C. CE. CHP	0.1uF	16V		チップセラコン	01
C284	UF017220	C. EL. CHP	22uF	6.3V		チップケミコン	01
C285	UF038100	C. EL. CHP	100uF	16V		チップケミコン	01
C286-287	UF037100	C. EL. CHP	10uF	16V		チップケミコン	01
C288	US064100	C. CE. CHP	0.01uF	50V B		チップセラコン	01
C289	US061330	C. CE. CHP	33pF	50V B		チップセラコン	01
C291	US064100	C. CE. CHP	0.01uF	50V B		チップセラコン	01
C292	US061100	C. CE. CHP	10pF	50V B		チップセラコン	01

* New Parts * 新規部品

P.C.B. DSP and P.C.B. AMP

Ref No.	Part No.	Description	Remarks	Markets	部 品 名	Rank
C293	UF037100	C. EL. CHP	10uF 16V		チップケミコン	01
C294	US064100	C. CE. CHP	0.01uF 50V B		チップセラコン	01
C295	US063100	C. CE. CHP	1000pF 50V B		チップセラコン	01
C296-297	US064100	C. CE. CHP	0.01uF 50V B		チップセラコン	01
C298-301	US061330	C. CE. CHP	33pF 50V B		チップセラコン	01
C302	US126100	C. CE. CHP	1uF 10V		チップセラコン	01
C303	US135100	C. CE. CHP	0.1uF 16V		チップセラコン	01
C304	US126100	C. CE. CHP	1uF 10V		チップセラコン	01
C305-306	US135100	C. CE. CHP	0.1uF 16V		チップセラコン	01
C307	UF038100	C. EL. CHP	100uF 16V		チップケミコン	01
C308	UF018100	C. EL. CHP	100uF 6.3V		チップケミコン	01
C309-377	US035100	C. CE. CHP	0.1uF 16V B		チップセラコン	01
C378-380	US065100	C. CE. CHP	0.1uF 50V B		チップセラコン	01
C381	US035100	C. CE. CHP	0.1uF 16V B		チップセラコン	01
C382	US063100	C. CE. CHP	1000pF 50V B		チップセラコン	01
C383-384	US063220	C. CE. CHP	2200pF 50V B		チップセラコン	01
D1-3	V6267600	DIODE	RB051L-40		ダイオード	01
D7-10	WB081800	DIODE	SB01-05Q		ショットキーダイオード	01
D11-12	VV220700	DIODE. SHOT	RB501V-40		ショットキーダイオード	01
D14-15	VV220700	DIODE. SHOT	RB501V-40		ショットキーダイオード	01
G1-4	WB438000	TERM. GND	M4 SD00433-21		アース端子	
IC1-3	X5172A00	IC	PQ1CZ41H2Z		電源IC	05
IC4	X5444A00	IC	LC89057W-VF4D-E		IC	
IC6	X3833A00	IC	SN74AHC1G08DCKR		ロジックIC	01
IC7	X5731A00	IC	SN74LVC74APWR		ロジックIC	02
IC8	X3693A00	IC	SN74LV245APWR TRAN		ロジックIC	
IC9	X2590B00	IC	W9816G6CH-7 SDRAM		メモリIC 16M	06
IC10	X6189A00	IC	WM8738		A/Dコンバーター	06
* IC11	X8046B00	IC	S29AL004D70TF1020		メモリIC 4M	05
IC13	X3833A00	IC	SN74AHC1G08DCKR		ロジックIC	01
IC16	XZ414C00	IC	W9864G6EH-7 SDRAM		メモリIC 64M	07
* IC17	X8045B00	IC	S29AL016D70TF1020		メモリIC 16M	06
IC18-20	X3567A00	IC	YSS930-SZ		IC	08
IC21	X3833A00	IC	SN74AHC1G08DCKR		ロジックIC	01
IC22	X6071A00	IC	WM8728		D/Aコンバーター	05
IC23	X5798A00	IC	S-29630AFJA EEPROM		メモリIC	03
IC24	X6071A00	IC	WM8728		D/Aコンバーター	05
IC25	X3505A00	IC	NJM2068MD-TE2		アンプIC	02
IC26	X6894A00	IC. CPU	M30626FJPPF CPU	boot only	IC CPU	10
L10	V6246100	C. CHP	NFM3DCC223R1H3L		エミフィル チップ	01
L22	V6246100	C. CHP	NFM3DCC223R1H3L		エミフィル チップ	01
Q1	VV655000	TR. DGT	DTA114EKA		デジタルトランジスタ	01
Q2	VZ725900	TR	2SD1938F S, T		トランジスタ	01
XL1	V3625700	RSNR. CRYST	24.576MHz		水晶振動子	03
XL2	WB440500	RSNR. CE	CSTCE16MOV53-R0		セラミック発振子	01
	WG114800	P. C. B.	AMP		P C B AMP	30
CB502	WA545900	CN	30P TE FMN		F F C / F P C コネクタ	01
CB507	LB918030	CN. BS. P I N	3P		ベース付ポスト	01
CB509	VL845500	CN. BS. P I N	11P TE		ベース付ポスト	01
CB510	VL845400	CN. BS. P I N	10P		ベース付ポスト	01
CB511	VL845500	CN. BS. P I N	11P TE		ベース付ポスト	01

* New Parts * 新規部品

P.C.B. AMP

Ref No.	Part No.	Description	Remarks	Markets	部 品 名	Rank
CB512	VL845400	CN. BS. P IN	10P		ベース付ポスト	01
CB702	WA545900	CN	30P TE FMN		F F C / F P C コネクタ	01
CB707	LB918030	CN. BS. P IN	3P		ベース付ポスト	01
CB709	VL845500	CN. BS. P IN	11P TE		ベース付ポスト	01
CB710	VL845400	CN. BS. P IN	10P		ベース付ポスト	01
CB711	VL845500	CN. BS. P IN	11P TE		ベース付ポスト	01
CB712	VL845400	CN. BS. P IN	10P		ベース付ポスト	01
C501	US145100	C. CE. CHP	0.1uF 25V		チップセラコン	01
C502	US135100	C. CE. CHP	0.1uF 16V		チップセラコン	01
C503	US126100	C. CE. CHP	1uF 10V		チップセラコン	01
C504	US135100	C. CE. CHP	0.1uF 16V		チップセラコン	01
C505	US126100	C. CE. CHP	1uF 10V		チップセラコン	01
C506	US135100	C. CE. CHP	0.1uF 16V		チップセラコン	01
C507	US126100	C. CE. CHP	1uF 10V		チップセラコン	01
C508	UR818220	C. EL	220uF 6.3V		ケミコン	01
C509	US126100	C. CE. CHP	1uF 10V		チップセラコン	01
C510	UR818220	C. EL	220uF 6.3V		ケミコン	01
C511	UR866100	C. EL	1uF 50V		ケミコン	01
C512	US135100	C. CE. CHP	0.1uF 16V		チップセラコン	01
C513	UR866100	C. EL	1uF 50V		ケミコン	01
C514	US135100	C. CE. CHP	0.1uF 16V		チップセラコン	01
C515-516	US126100	C. CE. CHP	1uF 10V		チップセラコン	01
C517-520	US135100	C. CE. CHP	0.1uF 16V		チップセラコン	01
C521	US126100	C. CE. CHP	1uF 10V		チップセラコン	01
C522	US135100	C. CE. CHP	0.1uF 16V		チップセラコン	01
C523-524	US126100	C. CE. CHP	1uF 10V		チップセラコン	01
C525	UR818220	C. EL	220uF 6.3V		ケミコン	01
C526	US126100	C. CE. CHP	1uF 10V		チップセラコン	01
C527	UR818220	C. EL	220uF 6.3V		ケミコン	01
C529	UR837100	C. EL	10uF 16V		ケミコン	01
C530	UR866100	C. EL	1uF 50V		ケミコン	01
C531	US135100	C. CE. CHP	0.1uF 16V		チップセラコン	01
C532	UR866100	C. EL	1uF 50V		ケミコン	01
C533	US135100	C. CE. CHP	0.1uF 16V		チップセラコン	01
C534-535	US126100	C. CE. CHP	1uF 10V		チップセラコン	01
C536-537	US135100	C. CE. CHP	0.1uF 16V		チップセラコン	01
C539	VR168300	C. MYLAR	0.1uF 50V		マイラーコン	01
C542	US135100	C. CE. CHP	0.1uF 16V		チップセラコン	01
C543	US126100	C. CE. CHP	1uF 10V		チップセラコン	01
C544	US135100	C. CE. CHP	0.1uF 16V		チップセラコン	01
C545	US126100	C. CE. CHP	1uF 10V		チップセラコン	01
C548	US126100	C. CE. CHP	1uF 10V		チップセラコン	01
C549	UR818220	C. EL	220uF 6.3V		ケミコン	01
C550	US126100	C. CE. CHP	1uF 10V		チップセラコン	01
C551	UR818220	C. EL	220uF 6.3V		ケミコン	01
C554	UR866100	C. EL	1uF 50V		ケミコン	01
C555	US135100	C. CE. CHP	0.1uF 16V		チップセラコン	01
C556	UR866100	C. EL	1uF 50V		ケミコン	01
C557	US135100	C. CE. CHP	0.1uF 16V		チップセラコン	01
C558-559	US126100	C. CE. CHP	1uF 10V		チップセラコン	01
C561	UR866100	C. EL	1uF 50V		ケミコン	01
C562-563	US135100	C. CE. CHP	0.1uF 16V		チップセラコン	01
C569	US135100	C. CE. CHP	0.1uF 16V		チップセラコン	01
C570	US126100	C. CE. CHP	1uF 10V		チップセラコン	01

* New Parts * 新規部品

P.C.B. AMP

Ref No.	Part No.	Description	Remarks	Markets	部 品 名	Rank	
C571	US135100	C. CE. CHP	0. 1uF	16V		チップセラコン	01
C572	US126100	C. CE. CHP	1uF	10V		チップセラコン	01
C575	US126100	C. CE. CHP	1uF	10V		チップセラコン	01
C576	UR818220	C. EL	220uF	6. 3V		ケミコン	01
C577	US126100	C. CE. CHP	1uF	10V		チップセラコン	01
C578	UR818220	C. EL	220uF	6. 3V		ケミコン	01
C581	UR866100	C. EL	1uF	50V		ケミコン	01
C582	US135100	C. CE. CHP	0. 1uF	16V		チップセラコン	01
C583	UR866100	C. EL	1uF	50V		ケミコン	01
C584	US135100	C. CE. CHP	0. 1uF	16V		チップセラコン	01
C585-586	US126100	C. CE. CHP	1uF	10V		チップセラコン	01
C587-588	US135100	C. CE. CHP	0. 1uF	16V		チップセラコン	01
C590	US135100	C. CE. CHP	0. 1uF	16V		チップセラコン	01
C591	US126100	C. CE. CHP	1uF	10V		チップセラコン	01
C592	US135100	C. CE. CHP	0. 1uF	16V		チップセラコン	01
C593-594	US126100	C. CE. CHP	1uF	10V		チップセラコン	01
C595	UR818220	C. EL	220uF	6. 3V		ケミコン	01
C596	US126100	C. CE. CHP	1uF	10V		チップセラコン	01
C597	UR818220	C. EL	220uF	6. 3V		ケミコン	01
C598-599	US135100	C. CE. CHP	0. 1uF	16V		チップセラコン	01
C600	UR837100	C. EL	10uF	16V		ケミコン	01
C601	UR866100	C. EL	1uF	50V		ケミコン	01
C602	US135100	C. CE. CHP	0. 1uF	16V		チップセラコン	01
C603	UR866100	C. EL	1uF	50V		ケミコン	01
C604	US135100	C. CE. CHP	0. 1uF	16V		チップセラコン	01
C605-608	US126100	C. CE. CHP	1uF	10V		チップセラコン	01
C609-610	US135100	C. CE. CHP	0. 1uF	16V		チップセラコン	01
C611-614	UR838100	C. EL	100uF	16V		ケミコン	01
C619	US135100	C. CE. CHP	0. 1uF	16V		チップセラコン	01
C624	UR839100	C. EL	1000uF	16V		ケミコン	01
C625	UR829100	C. EL	1000uF	10V		ケミコン	01
C626-627	US145100	C. CE. CHP	0. 1uF	25V		チップセラコン	01
C628-629	US126100	C. CE. CHP	1uF	10V		チップセラコン	01
C701	US145100	C. CE. CHP	0. 1uF	25V		チップセラコン	01
C702	US135100	C. CE. CHP	0. 1uF	16V		チップセラコン	01
C703	US126100	C. CE. CHP	1uF	10V		チップセラコン	01
C704	US135100	C. CE. CHP	0. 1uF	16V		チップセラコン	01
C705	US126100	C. CE. CHP	1uF	10V		チップセラコン	01
C706	US135100	C. CE. CHP	0. 1uF	16V		チップセラコン	01
C707	US126100	C. CE. CHP	1uF	10V		チップセラコン	01
C708	UR818220	C. EL	220uF	6. 3V		ケミコン	01
C709	US126100	C. CE. CHP	1uF	10V		チップセラコン	01
C710	UR818220	C. EL	220uF	6. 3V		ケミコン	01
C711	UR866100	C. EL	1uF	50V		ケミコン	01
C712	US135100	C. CE. CHP	0. 1uF	16V		チップセラコン	01
C713	UR866100	C. EL	1uF	50V		ケミコン	01
C714	US135100	C. CE. CHP	0. 1uF	16V		チップセラコン	01
C715-716	US126100	C. CE. CHP	1uF	10V		チップセラコン	01
C717-720	US135100	C. CE. CHP	0. 1uF	16V		チップセラコン	01
C721	US126100	C. CE. CHP	1uF	10V		チップセラコン	01
C722	US135100	C. CE. CHP	0. 1uF	16V		チップセラコン	01
C723-724	US126100	C. CE. CHP	1uF	10V		チップセラコン	01
C725	UR818220	C. EL	220uF	6. 3V		ケミコン	01
C726	US126100	C. CE. CHP	1uF	10V		チップセラコン	01

* New Parts * 新規部品

P.C.B. AMP

Ref No.	Part No.	Description	Remarks	Markets	部 品 名	Rank	
C727	UR818220	C. EL	220uF	6.3V		ケミコン	01
C729	UR837100	C. EL	10uF	16V		ケミコン	01
C730	UR866100	C. EL	1uF	50V		ケミコン	01
C731	US135100	C. CE. CHP	0.1uF	16V		チップセラコン	01
C732	UR866100	C. EL	1uF	50V		ケミコン	01
C733	US135100	C. CE. CHP	0.1uF	16V		チップセラコン	01
C734-735	US126100	C. CE. CHP	1uF	10V		チップセラコン	01
C736-737	US135100	C. CE. CHP	0.1uF	16V		チップセラコン	01
C739	VR168300	C. MYLAR	0.1uF	50V		マイラーコン	01
C742	US135100	C. CE. CHP	0.1uF	16V		チップセラコン	01
C743	US126100	C. CE. CHP	1uF	10V		チップセラコン	01
C744	US135100	C. CE. CHP	0.1uF	16V		チップセラコン	01
C745	US126100	C. CE. CHP	1uF	10V		チップセラコン	01
C748	US126100	C. CE. CHP	1uF	10V		チップセラコン	01
C749	UR818220	C. EL	220uF	6.3V		ケミコン	01
C750	US126100	C. CE. CHP	1uF	10V		チップセラコン	01
C751	UR818220	C. EL	220uF	6.3V		ケミコン	01
C754	UR866100	C. EL	1uF	50V		ケミコン	01
C755	US135100	C. CE. CHP	0.1uF	16V		チップセラコン	01
C756	UR866100	C. EL	1uF	50V		ケミコン	01
C757	US135100	C. CE. CHP	0.1uF	16V		チップセラコン	01
C758-759	US126100	C. CE. CHP	1uF	10V		チップセラコン	01
C761	UR866100	C. EL	1uF	50V		ケミコン	01
C762-763	US135100	C. CE. CHP	0.1uF	16V		チップセラコン	01
C769	US135100	C. CE. CHP	0.1uF	16V		チップセラコン	01
C770	US126100	C. CE. CHP	1uF	10V		チップセラコン	01
C771	US135100	C. CE. CHP	0.1uF	16V		チップセラコン	01
C772	US126100	C. CE. CHP	1uF	10V		チップセラコン	01
C775	US126100	C. CE. CHP	1uF	10V		チップセラコン	01
C776	UR818220	C. EL	220uF	6.3V		ケミコン	01
C777	US126100	C. CE. CHP	1uF	10V		チップセラコン	01
C778	UR818220	C. EL	220uF	6.3V		ケミコン	01
C781	UR866100	C. EL	1uF	50V		ケミコン	01
C782	US135100	C. CE. CHP	0.1uF	16V		チップセラコン	01
C783	UR866100	C. EL	1uF	50V		ケミコン	01
C784	US135100	C. CE. CHP	0.1uF	16V		チップセラコン	01
C785-786	US126100	C. CE. CHP	1uF	10V		チップセラコン	01
C787-788	US135100	C. CE. CHP	0.1uF	16V		チップセラコン	01
C790	US135100	C. CE. CHP	0.1uF	16V		チップセラコン	01
C791	US126100	C. CE. CHP	1uF	10V		チップセラコン	01
C792	US135100	C. CE. CHP	0.1uF	16V		チップセラコン	01
C793-794	US126100	C. CE. CHP	1uF	10V		チップセラコン	01
C795	UR818220	C. EL	220uF	6.3V		ケミコン	01
C796	US126100	C. CE. CHP	1uF	10V		チップセラコン	01
C797	UR818220	C. EL	220uF	6.3V		ケミコン	01
C798-799	US135100	C. CE. CHP	0.1uF	16V		チップセラコン	01
C800	UR837100	C. EL	10uF	16V		ケミコン	01
C801	UR866100	C. EL	1uF	50V		ケミコン	01
C802	US135100	C. CE. CHP	0.1uF	16V		チップセラコン	01
C803	UR866100	C. EL	1uF	50V		ケミコン	01
C804	US135100	C. CE. CHP	0.1uF	16V		チップセラコン	01
C805-808	US126100	C. CE. CHP	1uF	10V		チップセラコン	01
C809-810	US135100	C. CE. CHP	0.1uF	16V		チップセラコン	01
C811-814	UR838100	C. EL	100uF	16V		ケミコン	01

* New Parts * 新規部品

P.C.B. AMP and P.C.B. INPUT

Ref No.	Part No.	Description	Remarks	Markets	部 品 名	Rank
C819	US135100	C. CE. CHP	0. 1uF 16V		チップセラコン	01
C824	UR839100	C. EL	1000uF 16V		ケミコン	01
C825	UR829100	C. EL	1000uF 10V		ケミコン	01
C826-827	US145100	C. CE. CHP	0. 1uF 25V		チップセラコン	01
C828-829	US126100	C. CE. CHP	1uF 10V		チップセラコン	01
D501-510	VT332900	DIODE	1SS355		ダイオード	01
D511	VU992600	DIODE. ZENR	MA8051-M 5. 1V		ツェナーダイオード	01
D701-710	VT332900	DIODE	1SS355		ダイオード	01
D711	VU992600	DIODE. ZENR	MA8051-M 5. 1V		ツェナーダイオード	01
IC501-502	X6666A00	IC	YDA139		IC	04
IC503-504	X6805A00	IC	SN74AHCT541PWR		ロジックIC	03
IC505-506	X6666A00	IC	YDA139		IC	04
IC509-510	X6666A00	IC	YDA139		IC	04
IC512-515	X6666A00	IC	YDA139		IC	04
IC701-702	X6666A00	IC	YDA139		IC	04
IC703-704	X6805A00	IC	SN74AHCT541PWR		ロジックIC	03
IC705-706	X6666A00	IC	YDA139		IC	04
IC709-710	X6666A00	IC	YDA139		IC	04
IC712-715	X6666A00	IC	YDA139		IC	04
PN557-560	V8637500	PIN	L=50 #18		スタイルピン	
PN757-760	V8637500	PIN	L=50 #18		スタイルピン	
Q501	VV556500	TR	2SA1037K Q, R, S		トランジスタ	01
Q502	VV655700	TR. DGT	DTC144EKA		デジタルトランジスタ	01
Q701	VV556500	TR	2SA1037K Q, R, S		トランジスタ	01
Q702	VV655700	TR. DGT	DTC144EKA		デジタルトランジスタ	01
R503-504	HV753220	R. CAR. FP	2. 2Ω 1/4W		不燃化カーボン抵抗	01
R505	HV753100	R. CAR. FP	1Ω 1/4W		不燃化カーボン抵抗	01
R516	HV753100	R. CAR. FP	1Ω 1/4W		不燃化カーボン抵抗	01
R519-520	HV753220	R. CAR. FP	2. 2Ω 1/4W		不燃化カーボン抵抗	01
R543-544	HV753220	R. CAR. FP	2. 2Ω 1/4W		不燃化カーボン抵抗	01
R562-563	HV753220	R. CAR. FP	2. 2Ω 1/4W		不燃化カーボン抵抗	01
R580-581	HV753220	R. CAR. FP	2. 2Ω 1/4W		不燃化カーボン抵抗	01
R590	HV753100	R. CAR. FP	1Ω 1/4W		不燃化カーボン抵抗	01
R703-704	HV753220	R. CAR. FP	2. 2Ω 1/4W		不燃化カーボン抵抗	01
R705	HV753100	R. CAR. FP	1Ω 1/4W		不燃化カーボン抵抗	01
R716	HV753100	R. CAR. FP	1Ω 1/4W		不燃化カーボン抵抗	01
R719-720	HV753220	R. CAR. FP	2. 2Ω 1/4W		不燃化カーボン抵抗	01
R743-744	HV753220	R. CAR. FP	2. 2Ω 1/4W		不燃化カーボン抵抗	01
R762-763	HV753220	R. CAR. FP	2. 2Ω 1/4W		不燃化カーボン抵抗	01
R780-781	HV753220	R. CAR. FP	2. 2Ω 1/4W		不燃化カーボン抵抗	01
R790	HV753100	R. CAR. FP	1Ω 1/4W		不燃化カーボン抵抗	01
	WG115100	P. C. B.	INPUT	J	P C B インプット	24
	WH753400	P. C. B.	INPUT	UC	P C B インプット	
	WH753500	P. C. B.	INPUT	TABGEL	P C B インプット	
	WH753600	P. C. B.	INPUT	K	P C B インプット	
	WH753700	P. C. B.	INPUT	V	P C B インプット	
CB1	V6509500	SOCKET	9P SE 3170		コネクタソケット	04
CB2	VF283400	CN. BS. PIN	PH 16P TE		ベースポスト	01
CB3	VE352600	CN. BS. PIN	14P		コネクタベースポスト	01
CB4	VB390400	CN. BS. PIN	8P		ベースピン	01
CB502-503	WC050700	CLIP. FUSE	EYF-52BCY		ヒューズクリップ	01

*
*
*
*
*

* New Parts * 新規部品

P.C.B. INPUT

Ref No.	Part No.	Description	Remarks	Markets	部 品 名	Rank
CB504	LB932060	CN. BS. P IN	6P		ベースポスト	01
CB507	LB932060	CN. BS. P IN	6P		ベースポスト	01
CB508	VF283300	CN. BS. P IN	15P		コネクタベースポスト	01
CB509	VG879900	CN. BS. P IN	2P		ベースピン	01
C1-2	US064100	C. CE. CHP	0.01uF 50V B		チップセラコン	01
C3-4	US060800	C. CE. CHP	8pF 50V B		チップセラコン	01
C5	US062100	C. CE. CHP	100pF 50V B		チップセラコン	01
C6	US060800	C. CE. CHP	8pF 50V B		チップセラコン	01
C7	US061220	C. CE. CHP	22pF 50V B		チップセラコン	01
C8-9	US064100	C. CE. CHP	0.01uF 50V B		チップセラコン	01
C10	US035100	C. CE. CHP	0.1uF 16V B		チップセラコン	01
C11	UR847220	C. EL	22uF 25V		ケミコン	01
C12	US064100	C. CE. CHP	0.01uF 50V B		チップセラコン	01
C13-16	US062470	C. CE. CHP	470pF 50V B		チップセラコン	01
C17-19	UR837100	C. EL	10uF 16V		ケミコン	01
C20	UR837100	C. EL	10uF 16V		ケミコン	01
C21-22	UM397100	C. EL	10uF 16V		ケミコン	01
C23-24	US062100	C. CE. CHP	100pF 50V B		チップセラコン	01
C25	UM397100	C. EL	10uF 16V		ケミコン	01
C26-31	UM416100	C. EL	1uF 50V		ケミコン	01
C32	US064100	C. CE. CHP	0.01uF 50V B		チップセラコン	01
C34	US064100	C. CE. CHP	0.01uF 50V B		チップセラコン	01
C35-36	UR838100	C. EL	100uF 16V		ケミコン	01
C37-38	US061100	C. CE. CHP	10pF 50V B		チップセラコン	01
C39	UR837470	C. EL	47uF 16V		ケミコン	01
C40	UR866100	C. EL	1uF 50V		ケミコン	01
C41-42	UR837100	C. EL	10uF 16V		ケミコン	01
C43-45	US035100	C. CE. CHP	0.1uF 16V B		チップセラコン	01
C46-47	UR866100	C. EL	1uF 50V		ケミコン	01
C48	US035100	C. CE. CHP	0.1uF 16V B		チップセラコン	01
C49	US065100	C. CE. CHP	0.1uF 50V B		チップセラコン	01
C50	US062100	C. CE. CHP	100pF 50V B		チップセラコン	01
C51	UR837470	C. EL	47uF 16V		ケミコン	01
C52	US035100	C. CE. CHP	0.1uF 16V B		チップセラコン	01
C53	US064100	C. CE. CHP	0.01uF 50V B		チップセラコン	01
C54	UA653100	C. MYLAR	1000pF 50V J		マイラーコン	03
C55	UR837470	C. EL	47uF 16V		ケミコン	01
C56	US062100	C. CE. CHP	100pF 50V B		チップセラコン	01
C57	US065100	C. CE. CHP	0.1uF 50V B		チップセラコン	01
C58	UR829100	C. EL	1000uF 10V		ケミコン	01
C59	UR838100	C. EL	100uF 16V		ケミコン	01
C61	UR866100	C. EL	1uF 50V		ケミコン	01
C63-65	UR818470	C. EL	470uF 6.3V		ケミコン	01
C67	UR818100	C. EL	100uF 6.3V		ケミコン	01
C69	US065100	C. CE. CHP	0.1uF 50V B		チップセラコン	01
C71	UR837100	C. EL	10uF 16V		ケミコン	01
C72	US064100	C. CE. CHP	0.01uF 50V B		チップセラコン	01
C73	US065100	C. CE. CHP	0.1uF 50V B		チップセラコン	01
C74-75	UR837470	C. EL	47uF 16V		ケミコン	01
C76	VR168700	C. MYLAR	0.22uF 50V		マイラーコン	01
C77	UR837470	C. EL	47uF 16V		ケミコン	01
C78	UR818100	C. EL	100uF 6.3V		ケミコン	01
C79	US035100	C. CE. CHP	0.1uF 16V B		チップセラコン	01
C80	US064100	C. CE. CHP	0.01uF 50V B		チップセラコン	01

* New Parts * 新規部品

P.C.B. INPUT

Ref No.	Part No.	Description	Remarks	Markets	部 品 名	Rank
C81	UR818100	C. EL	100uF 6.3V		ケミコン	01
C82	US035100	C. CE. CHP	0.1uF 16V B		チップセラコン	01
C84	US060800	C. CE. CHP	8pF 50V B	JUCKV	チップセラコン	01
C84	US060700	C. CE. CHP	7pF 50V B	TABGEL	チップセラコン	01
C85	US060700	C. CE. CHP	7pF 50V B		チップセラコン	01
C86	US035100	C. CE. CHP	0.1uF 16V B		チップセラコン	01
C87	US063100	C. CE. CHP	1000pF 50V B		チップセラコン	01
C88	UR818100	C. EL	100uF 6.3V		ケミコン	01
C89	US062220	C. CE. CHP	220pF 50V B		チップセラコン	01
C90	US062220	C. CE. CHP	220pF 50V B		チップセラコン	01
C91	US065100	C. CE. CHP	0.1uF 50V B		チップセラコン	01
C92	US061270	C. CE. CHP	27pF 50V B		チップセラコン	01
C93	US062100	C. CE. CHP	100pF 50V B		チップセラコン	01
C95	US065100	C. CE. CHP	0.1uF 50V B		チップセラコン	01
C98-99	US064100	C. CE. CHP	0.01uF 50V B		チップセラコン	01
C100	US064100	C. CE. CHP	0.01uF 50V B		チップセラコン	01
C101	UR837470	C. EL	47uF 16V		ケミコン	01
C102	US064100	C. CE. CHP	0.01uF 50V B		チップセラコン	01
C105	US062220	C. CE. CHP	220pF 50V B		チップセラコン	01
C106	US065100	C. CE. CHP	0.1uF 50V B		チップセラコン	01
C401	US163100	C. CE. CHP	1000pF 50V		チップセラコン	01
C402	US145100	C. CE. CHP	0.1uF 25V		チップセラコン	01
C403	UM397100	C. EL	10uF 16V		ケミコン	01
C404	US060500	C. CE. CHP	5pF 50V B		チップセラコン	01
C405	US145100	C. CE. CHP	0.1uF 25V		チップセラコン	01
C406	US064100	C. CE. CHP	0.01uF 50V B		チップセラコン	01
C407	UM397470	C. EL	47uF 16V		ケミコン	01
C408	US061270	C. CE. CHP	27pF 50V B		チップセラコン	01
C409	US064100	C. CE. CHP	0.01uF 50V B		チップセラコン	01
C410	UM397100	C. EL	10uF 16V		ケミコン	01
C411	US061270	C. CE. CHP	27pF 50V B		チップセラコン	01
C412	US145100	C. CE. CHP	0.1uF 25V		チップセラコン	01
C413	UM397470	C. EL	47uF 16V		ケミコン	01
C414	UR837470	C. EL	47uF 16V		ケミコン	01
C415	US064100	C. CE. CHP	0.01uF 50V B		チップセラコン	01
C416	US063470	C. CE. CHP	4700pF 50V B		チップセラコン	01
C501	WE102900	C. PP	0.01uF 100V	TKABGEL	P P コン	
⚠ C503	V6185300	C. CE. SAFTY	0.01uF 275V		規格認定コン	
⚠ C504	WE468500	C. CE. SAFTY	0.22uF 275V		規格認定コン	01
C505	WB696300	C. POL. MTL	0.1uF 400V	JUCV	メタライズドポリコン	
C505	WF081500	C. PP	0.047uF 630V J	TKABGEL	P P コン	
⚠ C507	WE468500	C. CE. SAFTY	0.22uF 275V		規格認定コン	01
⚠ C508-509	V6146600	C. CE. SAFTY	2200pF 250V		規格認定コン	
C510	UA653470	C. MYLAR	4700pF 50V J		マイラーコン	01
⚠ C511-512	VY675100	C. CE. SAFTY	4700pF 250V		規格認定コン K H	01
C513	UR866100	C. EL	1uF 50V		ケミコン	01
C515	WB687100	C. POL. MTL	0.047uF 400V	JUCV	メタライズドポリコン	01
C515	WC041600	C. PP	0.022uF 630V	TKABGEL	P P コン	01
⚠ C516	WE468500	C. CE. SAFTY	0.22uF 275V		規格認定コン	01
C517	US063100	C. CE. CHP	1000pF 50V B		チップセラコン	01
C518	UA654100	C. MYLAR	0.01uF 50V J		マイラーコン	01
C519	UR866220	C. EL	2.2uF 50V		ケミコン	01
C520-521	VZ243300	C. CE. CHP	0.22uF 16V		チップセラコン	01
C522	UR866220	C. EL	2.2uF 50V		ケミコン	01

* New Parts * 新規部品

P.C.B. INPUT

Ref No.	Part No.	Description	Remarks	Markets	部 品 名	Rank
C523	WF411500	C. EL	820uF 200V		ケミコン	07
C523	WF411500	C. EL	820uF 200V		ケミコン	07
C523	WF709700	C. EL	220uF 400V		ケミコン	
C524	UR867100	C. EL	10uF 50V		ケミコン	01
C525-526	US065100	C. CE. CHP	0.1uF 50V B		チップセラコン	
C527	V4749000	C. EL	150uF 6.3V		ケミコン	
C528	VY675100	C. CE. SAFTY	4700pF 250V		規格認定コン KH	01
C529	UR818220	C. EL	220uF 6.3V		ケミコン	01
C530	VY675100	C. CE. SAFTY	4700pF 250V		規格認定コン KH	01
C531	UR818470	C. EL	470uF 6.3V		ケミコン	01
C533	WG282600	C. EL	8200uF 6.3V		ケミコン	04
C534	WG333900	C. EL	2700uF 16V		ケミコン	03
C535	WG348200	C. EL	33uF 100V		ケミコン	01
C538	US065100	C. CE. CHP	0.1uF 50V B		チップセラコン	
C539	US035100	C. CE. CHP	0.1uF 16V B		チップセラコン	01
C542	US065100	C. CE. CHP	0.1uF 50V B		チップセラコン	
C543	UR818100	C. EL	100uF 6.3V		ケミコン	01
C544	UA654100	C. MYLAR	0.01uF 50V J		マイラーコン	01
C549	UR866470	C. EL	4.7uF 50V		ケミコン	01
C550-551	UR867100	C. EL	10uF 50V		ケミコン	01
C552-555	US065100	C. CE. CHP	0.1uF 50V B		チップセラコン	
C556-557	UR838100	C. EL	100uF 16V		ケミコン	01
C558	WG348100	C. EL	470uF 35V		ケミコン	01
C559	UR739330	C. EL	3300uF 16V		ケミコン	01
C560	VZ281900	C. CE. CHP	0.47uF 16V K		チップセラ	01
C561	VU838100	C. MYLAR. ML	ECQ-V1H105JL3		積層マイラーコン	
C562-564	VR169200	C. MYLAR	0.47uF 50V		マイラーコン	01
D1-4	VU991000	DIODE. ZENR	MA8036 3.6V		ツェナーダイオード	01
D5-8	VT332900	DIODE	1SS355		ダイオード	01
D9	V2598200	LED	SIR-505ST		LED	
D401	WF877600	DIODE	PD413PI		ピンフォトダイオード	04
D402-405	V9634300	DIODE. SHOT	RB551V-30 TAPING		ショットキーダイオード	01
D406-408	VD631600	DIODE	1SS133, 176		ダイオード	01
D501	VR253700	DIODE. BRG	S1NB20 1A 200V		D Iブリッジ X 4	02
D502	VT332900	DIODE	1SS355		ダイオード	01
D503	V4756800	DIODE	S1NB60 1.0A 600V		D iスタック	01
D504	VU995000	DIODE. ZENR	MA8091-M 9.1V		ツェナーダイオード	
D507	VT332900	DIODE	1SS355		ダイオード	01
D508	VU995400	DIODE. ZENR	MA8100-M 10V		ツェナーダイオード	
D509	VU993800	DIODE. ZENR	MA8068-M 6.8V		ツェナーダイオード	01
D510	VN011400	DIODE. BRG	D5SB20 5A 200V	JUCV	ダイオード	03
D510	VN953300	DIODE	D5SBA60 5.0A 600V	TKABGEL	D iスタック	04
D512-514	VT332900	DIODE	1SS355		ダイオード	01
D515	VN478200	DIODE	D1NL20U		ダイオード	01
D516	WE427100	DIODE. ZENR	1Z180(TPA2) 180V	JUCV	ツェナーダイオード	03
D516	WG012200	DIODE. ZENR	1Z330(TPA2) 330.0V	TKABGEL	ツェナーダイオード	03
D517	VU077600	DIODE	ERA22-08V3 TP		高速整流ダイオード	01
D518	VN478200	DIODE	D1NL20U		ダイオード	01
D519	VT332900	DIODE	1SS355		ダイオード	01
D520-521	VV833200	DIODE	1SS380		ダイオード	01
D522	WG255600	DIODE	S60SC3ML 60.0A 30V		ショットキダイオード	06
D523	WF417400	DIODE	SF10SC6 10.0A 60V		ショットキダイオード	04
D524	VN478200	DIODE	D1NL20U		ダイオード	01
D526	VT332900	DIODE	1SS355		ダイオード	01

* New Parts * 新規部品

P.C.B. INPUT

Ref No.	Part No.	Description	Remarks	Markets	部 品 名	Rank
D527	VU999200	DIODE. ZENR	MA8240-H 25V		ツェナーダイオード	01
D528	V0052600	DIODE	AK09V0 90V0.7A TP2		ダイオード	02
D529-530	VT332900	DIODE	1SS355		ダイオード	01
D531	VG443100	DIODE. ZENR	MTZJ27D 27V		ツェナーダイオード	01
D532	VU995900	DIODE. ZENR	MA8110-H 11.3V		ツェナーダイオード	01
D533	VU997200	DIODE. ZENR	MA8150-H 15.3V		ツェナーダイオード	01
D540-541	VT332900	DIODE	1SS355		ダイオード	01
D542	V0052600	DIODE	AK09V0 90V0.7A TP2		ダイオード	02
△ F501	WG410400	FUSE	5A 125V	JUCV	ヒューズ	01
F501	KB000690	FUSE	T2.5A 250V	TKABGEL	ヒューズ	01
IC1	XD598A00	IC	TC74HCU04AFEL INV		ロジックIC	01
IC2	X7105A00	IC	BA7611AF		IC アナログ	05
IC3	X5359A00	IC	MAX3232CDWR		ロジックIC	04
IC4	XG903A00	IC	TC4052BF MPX		IC	03
IC5	XF291A00	IC	uPC4570G2		IC	03
IC6	X6821A00	IC	NJM2585M		IC	06
IC7	XZ012A00	IC	TC74HCT08AF(EL)		ロジックIC	01
IC8	XF740A00	IC	NJM78M05FA		IC	02
IC9	X6820A00	IC	NJM2257M		IC	06
IC10	X6692A00	IC	MB90050PF-110E1	J	OSDコントローラ	07
* IC10	X7878A00	IC	MB90050PF-G-117-E1	UCTKABGELV	OSDコントローラ	07
IC11	X7231A00	IC	M62782GP		リセットIC	03
IC12	XF740A00	IC	NJM78M05FA		IC	02
IC15	XZ012A00	IC	TC74HCT08AF(EL)		ロジックIC	01
IC16	X0651A00	IC	NJM78L09A-T3		電源IC フラット	03
IC401	X6955A00	IC	NJM2716F OPAMP		アンプIC	05
IC402	X6954A00	IC	NJM2717M OPAMP		アンプIC	05
IC501	V8100500	PHOT. CPL	TLP421 GR		フォトカプラ	01
△ IC502	iG001180	IC	TC4013BP FF		ロジックIC	05
△ IC503-504	V8100500	PHOT. CPL	TLP421 GR		フォトカプラ	01
IC505	X6612A00	IC	FA3641N-H1-TE1		電源IC	04
IC506	X6124A00	IC	AN77L04		電源IC	04
IC507	XM882A00	IC	NJM431		電源IC	02
IC509	XF740A00	IC	NJM78M05FA		IC	02
IC510-511	XJ602A00	IC	NJM78M12FA		IC	02
△ IC512	V8100500	PHOT. CPL	TLP421 GR		フォトカプラ	01
JK1	WE260000	JACK. MNI	LGY6501-0900FC		モノラルミニジャック	02
JK401	Vi435500	JACK. MNI	YKB21-5130		ミニジャック	01
PJ1	WG089100	JACK. PIN	JACK 4P R/BE/G/Y		ピンコネクタ 4P	03
PJ2	V3007700	JACK. PIN	4P		ピンジャック	03
PJ3	V4483900	JACK. PIN	1P YKC21-3895N		ピンジャック	02
PJ4	WG350300	JACK. PIN	2P YKC21-4779N		ピンジャック	03
PJ5	WG089100	JACK. PIN	JACK 4P R/BE/G/Y		ピンコネクタ 4P	03
PJ8	WG089100	JACK. PIN	JACK 4P R/BE/G/Y		ピンコネクタ 4P	03
PN501	V8637500	PIN	L=50 #18		スタイルピン	
Q1-5	VV556400	TR	2SC2412K Q, R, S		トランジスタ	01
Q6-7	VV655400	TR. DGT	DTC114EKA		デジタルトランジスタ	01
Q8	iC174020	TR	2SC1740S QRS		トランジスタ	01
Q9-10	VV556500	TR	2SA1037K Q, R, S		トランジスタ	01
Q401-402	WC397600	TR	2N5401S-RTK/P		トランジスタ	01
△ Q501	WC741200	FET	2SK3850		F E T	
Q502-503	iC181510	TR	2SC1815 Y		トランジスタ	01
Q504	VV655700	TR. DGT	DTC144EKA		デジタルトランジスタ	01
Q505	WF871900	FET	2SK3523-01R	JUCV	F E T	06

* New Parts * 新規部品

P.C.B. INPUT and P.C.B. OPERATION

Ref No.	Part No.	Description	Remarks	Markets	部 品 名	Rank		
*	Q505	WF871800	FET	2SK3876-01R		TKABGEL	F E T	
	Q506	WF764000	TR	2SA2093 Q TP			トランジスタ	02
	R48	HV753220	R. CAR. FP	2.2Ω 1/4W			不燃化カーボン抵抗	01
	R50	HV754150	R. CAR. FP	15Ω 1/4W			不燃化カーボン抵抗	01
	R74	HV754150	R. CAR. FP	15Ω 1/4W			不燃化カーボン抵抗	01
	R82	HV754100	R. CAR. FP	10Ω 1/4W			不燃化カーボン抵抗	01
	R93-94	HV753220	R. CAR. FP	2.2Ω 1/4W			不燃化カーボン抵抗	01
	R98	HV753220	R. CAR. FP	2.2Ω 1/4W			不燃化カーボン抵抗	01
	R119		R. CHP	39KΩ 1/16W J		UC	チップ抵抗	
	R119		R. CHP	91KΩ 1/16W J		TABGEL	チップ抵抗	
	R119		R. CHP	24KΩ 1/16W J		KV	チップ抵抗	
	R528	WF752100	R. MTL. PLAT	BPR26CF15LK		JUCV	金属板抵抗	03
	R528	WF752300	R. MTL. PLAT	BPR26CF33LK		TKABGEL	金属板抵抗	03
	R540		R. CHP	270KΩ 1/16W J		JUCV	チップ抵抗	
	R540		R. CHP	560KΩ 1/16W J		TKABGEL	チップ抵抗	
	R543-544	VP940300	R. MTL. OXD	68Ω 1W			酸化金属被膜抵抗	01
	R549	VP939500	R. MTL. FLM	1Ω 1W			金属被膜抵抗	01
△	RY501	WE513800	RELAY	DC HRM3H-DC12V			リレー12V	03
	SW1	VV011000	SW. TACT	SKHLLC			タクトSW	01
* △	T501	XW606A00	TRANS. PWR			JUCV	電源トランス	
* △	T501	XW608A00	TRANS. PWR			TKABGEL	電源トランス	
	T502	X7012A00	TRANS. PWR	ST-2605E		JUCV	電源トランス	08
*	T502	X7013A00	TRANS. PWR	ST-2605F		TKABGEL	電源トランス	
	TH501	WF875300	POSISTOR	NTPAN4R0LDKBO 4.0		JUCV	サーミスタ	05
*	TH501	WF875400	POSISTOR	NTPAD8R0LDNBO 8.0		TKABGEL	サーミスタ	
*	U1	WH169900	CN. PHOT. SN	1P GP1FAV51RKOF			光ファイバー受信器	03
*	U2	WH169900	CN. PHOT. SN	1P GP1FAV51RKOF			光ファイバー受信器	03
	U3	WB437900	L. DTCT	GP1UD281YK			リモコン受光ユニット	04
	XL2	VV949800	RSNR. CRYST	14.31818MHz		JUCKV	水晶振動子	03
*	XL2	WC044100	RSNR. CRYST	17.734475MHz		TABGEL	水晶振動子	
		VQ368500	PUSH. RIVET	P3545-B			ブッシュリベット	01
		WE774400	SCR. BND. HD	3x8 MFZN2B3			バインドBタイトネジ	01
		WE877800	SCR. BND. HD	3x6 MFZN2B3			バインドSタイトネジ	01
		WE983600	SCR. BND. HD	3x8 MFZN2B3			バインド小ネジ	01
	WG115600	P. C. B.	OPERATION				P C B オペレーション	14
	CB1	VE352600	CN. BS. PIN	14P			コネクタベースポスト	01
	CB3	VB390200	CN. BS. PIN	6P			コネクタベースポスト	01
	CB301	VB389800	CN. BS. PIN	2P			ベースピン	01
	CB302	VB390200	CN. BS. PIN	6P			コネクタベースポスト	01
	CB303	VB390100	CN. BS. PIN	5P			ベースピン	01
	C1	US065100	C. CE. CHP	0.1uF 50V B			チップセラコン	
	C25-26	US065100	C. CE. CHP	0.1uF 50V B			チップセラコン	
	C27	US062100	C. CE. CHP	100pF 50V B			チップセラコン	01
	C28	UR818330	C. EL	330uF 6.3V			ケミコン	01
	C29	US065100	C. CE. CHP	0.1uF 50V B			チップセラコン	
	C30	US064100	C. CE. CHP	0.01uF 50V B			チップセラコン	01
	C43-44	US065100	C. CE. CHP	0.1uF 50V B			チップセラコン	
	C49	UR857220	C. EL	22uF 35V			ケミコン	01
	C50	UR857220	C. EL	22uF 35V			ケミコン	01
	C55	UR837220	C. EL	22uF 16V			ケミコン	01
	C56	US061220	C. CE. CHP	22pF 50V B			チップセラコン	01

* New Parts * 新規部品

P.C.B. OPERATION

Ref No.	Part No.	Description	Remarks	Markets	部 品 名	Rank
C58	UR818100	C. EL	100uF 6.3V		ケミコン	01
C93	US065100	C. CE. CHP	0.1uF 50V B		チップセラコン	
C94	UR867100	C. EL	10uF 50V		ケミコン	01
C104	UR857470	C. EL	47uF 35V		ケミコン	01
C105	US065100	C. CE. CHP	0.1uF 50V B		チップセラコン	
C301-305	US064100	C. CE. CHP	0.01uF 50V B		チップセラコン	01
C801	UM397220	C. EL	22uF 25V		ケミコン	01
C805	US061330	C. CE. CHP	33pF 50V B		チップセラコン	01
C807	UM387470	C. EL	47uF 16V		ケミコン	01
C809	US062100	C. CE. CHP	100pF 50V B		チップセラコン	01
C811	UM397100	C. EL	10uF 16V		ケミコン	01
C813	US064100	C. CE. CHP	0.01uF 50V B		チップセラコン	01
C815	US063100	C. CE. CHP	1000pF 50V B		チップセラコン	01
C817	UM397220	C. EL	22uF 25V		ケミコン	01
C819-822	US064100	C. CE. CHP	0.01uF 50V B		チップセラコン	01
C823	US062560	C. CE. CHP	560pF 50V B		チップセラコン	01
D15	VU993400	DIODE. ZENR	MA8062-M 6.2V		ツェナーダイオード	01
D801-803	VT332900	DIODE	1SS355		ダイオード	01
D805	VU171900	DIODE. ZENR	UDZ5.1B 5.1V		ツェナーダイオード	01
IC1	X2874A00	IC	M66003-0101FP FLD		アンプIC	08
IC801	X3505A00	IC	NJM2068MD-TE2		アンプIC	02
JK801	WE260000	JACK. MNI	LGY6501-0900FC		モノラルミニジャック	02
PN1	V8637500	PIN	L=50 #18		スタイルピン	
PN301	V8637500	PIN	L=50 #18		スタイルピン	
Q1	VV556400	TR	2SC2412K Q, R, S		トランジスタ	01
Q2	VV556400	TR	2SC2412K Q, R, S		トランジスタ	01
Q3	VV556400	TR	2SC2412K Q, R, S		トランジスタ	01
Q4	VV556400	TR	2SC2412K Q, R, S		トランジスタ	01
Q5	VV556400	TR	2SC2412K Q, R, S		トランジスタ	01
Q6	VV556400	TR	2SC2412K Q, R, S		トランジスタ	01
Q7	VV556400	TR	2SC2412K Q, R, S		トランジスタ	01
Q10	iD040040	TR	2SD400		トランジスタ	02
Q11	iB054430	TR	2SB544 D, E, F, G		トランジスタ	01
Q12	iC181510	TR	2SC1815 Y		トランジスタ	01
Q26	VV556400	TR	2SC2412K Q, R, S		トランジスタ	01
R55	HV753470	R. CAR. FP	4.7Ω 1/4W		不燃化カーボン抵抗	01
R61	HV753470	R. CAR. FP	4.7Ω 1/4W		不燃化カーボン抵抗	01
R63	HV755470	R. CAR. FP	470Ω 1/4W		不燃化カーボン抵抗	01
R67	HV755470	R. CAR. FP	470Ω 1/4W		不燃化カーボン抵抗	01
R72	HV754100	R. CAR. FP	10Ω 1/4W		不燃化カーボン抵抗	01
SW2-5	WD483100	SW. TACT	SKRGAAD010		タクト SW	01
U3	WB437900	L. DTCT	GP1UD281YK		リモコン受光ユニット	04
V1	WE204600	FL. DSPLY	15-BT-99GNKF		蛍光表示管	08
	WC986900	SHEET			シート/F L	01

* New Parts * 新規部品

Chip Resistors

- The chip resistor is not supplied as a replacement part.
- * When a chip resistor is necessary, use the following part.

AAX60720: CHIP RESISTOR SAMPLE BOOK

- チップ抵抗はサービス部品として供給しません。
- ※ チップ抵抗が必要な場合は、下記の部品をご利用ください。

AAX60720: CHIP RESISTOR SAMPLE BOOK

Ref No.	Part No.	Description	Remarks	Markets	部 品 名	Rank
	R. CHP	510Ω 1/10W J			チップ抵抗	
	R. CHP	1KΩ 1/10W J			チップ抵抗	
	R. CHP	10KΩ 1/10W J			チップ抵抗	
	R. CHP	56KΩ 1/10W J			チップ抵抗	
	R. CHP	82KΩ 1/10W J			チップ抵抗	
	R. CHP	180KΩ 1/10W J			チップ抵抗	
	R. CHP	560KΩ 1/10W J			チップ抵抗	
	R. CHP	1MΩ 1/10W J			チップ抵抗	
	R. CHP	0Ω 1/16W J			チップ抵抗	
	R. CHP	2.2Ω 1/16W J			チップ抵抗	
	R. CHP	10Ω 1/16W J			チップ抵抗	
	R. CHP	22Ω 1/16W J			チップ抵抗	
	R. CHP	33Ω 1/16W J			チップ抵抗	
	R. CHP	47Ω 1/16W J			チップ抵抗	
	R. CHP	62Ω 1/16W J			チップ抵抗	
	R. CHP	75Ω 1/16W J			チップ抵抗	
	R. CHP	82Ω 1/16W J			チップ抵抗	
	R. CHP	100Ω 1/16W J			チップ抵抗	
	R. CHP	120Ω 1/16W F			チップ抵抗	
	R. CHP	220Ω 1/16W J			チップ抵抗	
	R. CHP	330Ω 1/16W J			チップ抵抗	
	R. CHP	430Ω 1/16W J			チップ抵抗	
	R. CHP	470Ω 1/16W J			チップ抵抗	
	R. CHP	680Ω 1/16W J			チップ抵抗	
	R. CHP	820Ω 1/16W J			チップ抵抗	
	R. CHP	910Ω 1/16W F			チップ抵抗	
	R. CHP	1KΩ 1/16W J			チップ抵抗	
	R. CHP	1.2KΩ 1/16W J			チップ抵抗	
	R. CHP	1.5KΩ 1/16W J			チップ抵抗	
	R. CHP	1.8KΩ 1/16W J			チップ抵抗	
	R. CHP	2KΩ 1/16W J			チップ抵抗	
	R. CHP	2.2KΩ 1/16W J			チップ抵抗	
	R. CHP	2.4KΩ 1/16W J			チップ抵抗	
	R. CHP	3KΩ 1/16W J			チップ抵抗	
	R. CHP	3.3KΩ 1/16W J			チップ抵抗	
	R. CHP	3.9KΩ 1/16W J			チップ抵抗	
	R. CHP	4.7KΩ 1/16W J			チップ抵抗	
	R. CHP	5.1KΩ 1/16W J			チップ抵抗	
	R. CHP	7.5KΩ 1/16W J			チップ抵抗	
	R. CHP	10KΩ 1/16W J			チップ抵抗	
	R. CHP	12KΩ 1/16W F			チップ抵抗	
	R. CHP	18KΩ 1/16W J			チップ抵抗	
	R. CHP	20KΩ 1/16W J			チップ抵抗	
	R. CHP	22KΩ 1/16W J			チップ抵抗	
	R. CHP	24KΩ 1/16W J			チップ抵抗	
	R. CHP	27KΩ 1/16W J			チップ抵抗	
	R. CHP	33KΩ 1/16W J			チップ抵抗	
	R. CHP	39KΩ 1/16W J			チップ抵抗	
	R. CHP	47KΩ 1/16W J			チップ抵抗	
	R. CHP	91KΩ 1/16W J			チップ抵抗	

* New Parts * 新規部品

Chip Resistors

Ref No.	Part No.	Description	Remarks	Markets	部 品 名	Rank
	R. CHP	100K Ω 1/16W J			チップ抵抗	
	R. CHP	120K Ω 1/16W J			チップ抵抗	
	R. CHP	220K Ω 1/16W J			チップ抵抗	
	R. CHP	270K Ω 1/16W J			チップ抵抗	
	R. CHP	470K Ω 1/16W J			チップ抵抗	
	R. CHP	560K Ω 1/16W J			チップ抵抗	
	R. CHP	620 Ω 1/16W J			チップ抵抗	
	R. CHP	1M Ω 1/16W J			チップ抵抗	

* New Parts * 新規部品

Carbon Resistors

Value	1/4W Type Part No.	1/6W Type Part No.	Value	1/4W Type Part No.	1/6W Type Part No.
1.0 Ω	HJ35 3100	HF85 3100	10 kΩ	HF45 7100	HF45 7100
1.8 Ω	HJ35 3180	*	11 kΩ	HF45 7110	HF45 7110
2.2 Ω	HJ35 3220	HF85 3220	12 kΩ	HJ35 7120	HF85 7120
3.3 Ω	HJ35 3330	HF85 3330	13 kΩ	HF45 7130	HF45 7130
4.7 Ω	HJ35 3470	HF85 3470	15 kΩ	HF45 7150	HF45 7150
5.6 Ω	HJ35 3560	HF85 3560	18 kΩ	HF45 7180	HF45 7180
10 Ω	HF45 4100	HF45 4100	22 kΩ	HF45 7220	HF45 7220
15 Ω	HJ35 4150	HF85 4150	24 kΩ	HF45 7240	HF45 7240
22 Ω	HF45 4220	HF45 4220	27 kΩ	HJ35 7270	HF85 7270
27 Ω	HJ35 4270	HF85 4270	30 kΩ	HF45 7300	HF45 7300
33 Ω	HF45 4330	HF45 4330	33 kΩ	HF45 7330	HF45 7330
39 Ω	HJ35 4470	HF85 4390	36 kΩ	HF45 7360	HF45 7360
47 Ω	HF45 4470	HF45 4470	39 kΩ	HF45 7390	HF45 7390
56 Ω	HF45 4560	HF45 4560	47 kΩ	HF45 7470	HF45 7470
68 Ω	HF45 4680	HF45 4680	51 kΩ	HF45 7510	HF45 7510
75 Ω	HF45 4750	HF45 4750	56 kΩ	HF45 7560	HF45 7560
82 Ω	HF45 4820	HF45 4820	62 kΩ	HF45 7620	HF45 7620
91 Ω	HF45 4910	HF45 4910	68 kΩ	HF45 7680	HF45 7680
100 Ω	HF45 5100	HF45 5100	82 kΩ	HF45 7820	HF45 7820
110 Ω	HJ35 5110	HF85 5110	91 kΩ	HF45 7910	HF45 7910
120 Ω	HF45 5120	HF45 5120	100 kΩ	HF45 8100	HF45 8100
150 Ω	HF45 5150	HF45 5150	110 kΩ	HF45 8110	HF45 8110
160 Ω	HJ35 5160	*	120 kΩ	HF45 8120	HF45 8120
180 Ω	HF45 5180	HF45 5180	150 kΩ	HF45 8150	HF45 8150
200 Ω	HF45 5200	HF45 5200	180 kΩ	HF45 8180	HF45 8180
220 Ω	HF45 5220	HF45 5220	220 kΩ	HJ35 8220	HF85 8220
270 Ω	HF45 5270	HF45 5270	270 kΩ	HF45 8270	HF45 8270
330 Ω	HF45 5330	HF45 5330	300 kΩ	HF45 8300	HF45 8300
390 Ω	HF45 5390	HF45 5390	330 kΩ	HF45 8330	HF45 8330
430 Ω	HF45 5430	HF45 5430	390 kΩ	HJ35 8390	HF85 8390
470 Ω	HF45 5470	HF45 5470	470 kΩ	HF45 8470	HF45 8470
510 Ω	HF45 5510	HF45 5510	560 kΩ	HJ35 8560	HF85 8560
560 Ω	HF45 5560	HF45 5560	680 kΩ	HJ35 8680	HF85 8680
680 Ω	HF45 5680	HF45 5680	820 kΩ	HJ35 8820	HF85 8820
820 Ω	HF45 5820	HF45 5820	1.0 MΩ	HF45 9100	HF45 9100
910 Ω	HF45 5910	HF45 5910	1.2 MΩ	HJ35 9120	*
1.0 kΩ	HF45 6100	HF45 6100	1.5 MΩ	HJ35 9150	HF85 9150
1.2 kΩ	HF45 6120	HF45 6120	1.8 MΩ	HJ35 9180	HF85 9180
1.5 kΩ	HF45 6150	HF45 6150	2.2 MΩ	HJ35 9220	HF85 9220
1.8 kΩ	HF45 6180	HF45 6180	3.3 MΩ	HJ35 9330	HF85 9330
2.0 kΩ	HJ35 6200	HF85 6200	3.9 MΩ	HJ35 9390	*
2.2 kΩ	HF45 6220	HF45 6220	4.7 MΩ	HJ35 9470	HF85 9470
2.4 kΩ	HJ35 6240	HF85 6240			
2.7 kΩ	HF45 6270	HF45 6270			
3.0 kΩ	HF45 6300	HF45 6300			
3.3 kΩ	HF45 6330	HF45 6330			
3.6 kΩ	HJ35 6360	HF85 6360			
3.9 kΩ	HF45 6390	HF45 6390			
4.7 kΩ	HF45 6470	HF45 6470			
5.1 kΩ	HF45 6510	HF45 6510			
5.6 kΩ	HF45 6560	HF45 6560			
6.8 kΩ	HF45 6680	HF45 6680			
8.2 kΩ	HF45 6820	HF45 6820			
9.1 kΩ	HF45 6910	HF45 6910			

1/4W Type

HJ35 ○○○○
10mm

1/6W Type

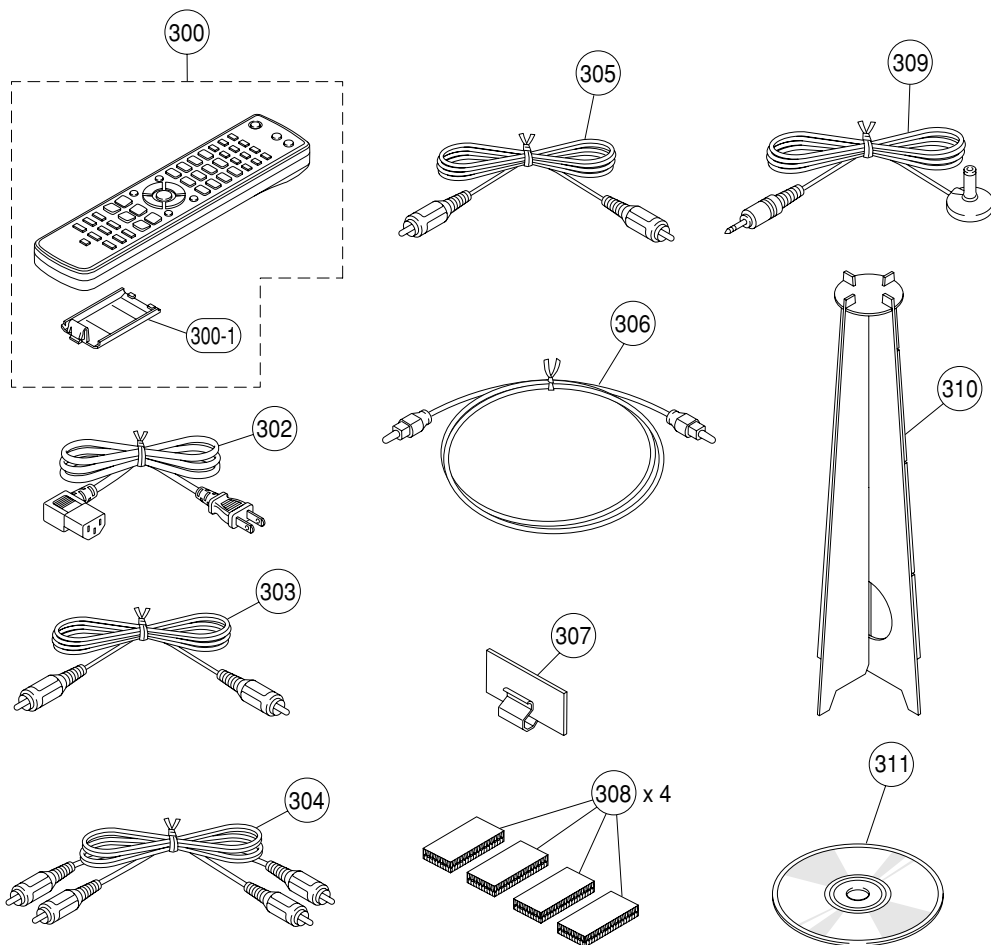
HF85 ○○○○
5mm

* : Not available

Ref No.	Part No.	Description	Remarks	Markets	部 品 名	Rank
	1-15	WE981400 CUSHION	90x40		クッション	01
*	1-31	WH736000 FRONT PANEL ASS'Y			J フロントパネルASSY	
*	1-31	WH736100 FRONT PANEL ASS'Y			UCTKABGELV フロントパネルASSY	
	1-32	WD833200 BUTTON			ボタン	04
	1-41	WE203500 LEG		BL	レッグ	01
	1-45	V6034100 EMBLEM		BL	エンブレム	03
	1-51	WE203200 PACKING A			パッキン A	01
	1-52	WE237300 PACKING E			パッキン E	01
	1-56	WF885400 PACKING	90x30 t=1		パッキン	01
*	1-104	WE774800 BIND HEAD P-TIGHT SCREW	3x8 MFZN2W3		バインドPタイトネジ	01
	3-15	WH149000 AC INLET ASS'Y	with CABLE (200mm)		ACインレットASSY	
	3-31	WF538800 STOPPER CTR			ストッパー/CTR	02
	3-35	WF539300 PLATE INPUT		J	プレート/INPUT	01
	3-35	WF871100 PLATE INPUT		UCTKABGELV	プレート/INPUT	
	3-41	WG476900 SHEET SHP			シート/SHP	04
	3-50	WG476300 CUSHION SHC			クッション/SHC	04
	3-53	WF885200 PACKING			パッキン	01
	3-57	VT593600 CUSHION	8x10x20		クッション	01
	3-101	WE774300 BIND HEAD B-TIGHT SCREW	3x8 MFZN2W3		バインドBタイトネジ	01
	3-103	WE774100 BIND HEAD BONDING B-T. SCREW	3x8 MFZN2B3		ボンディングBタイトネジ	01
	3-105	VH365800 PW HEAD B-TIGHT SCREW	3x6-8 MFC2		PWヘッドBタイトネジ	01
	3-106	WE877800 BIND HEAD S-TIGHT SCREW	3x6 MFZN2B3		バインドSタイトネジ	01
	3-110	V6509600 JACK SCREW	SS6-A47511848		ジャックスクリュー	01
	3-112	WE774700 BIND HEAD S-TIGHT SCREW	4x10 MFZN2W3		バインドSタイトネジ	01
	5	WG115100 P. C. B. ASS'Y	INPUT	J	PCB インプット	24
*	5	WH753400 P. C. B. ASS'Y	INPUT	UC	PCB インプット	
*	5	WH753500 P. C. B. ASS'Y	INPUT	TABGEL	PCB インプット	
*	5	WH753600 P. C. B. ASS'Y	INPUT	K	PCB インプット	
*	5	WH753700 P. C. B. ASS'Y	INPUT	V	PCB インプット	
	6	WG115600 P. C. B. ASS'Y	OPERATION		PCB オペレーション	14
	101	WD836300 TOP PANEL			トップパネル	08
	105	WF537700 REAR PANEL			リアパネル	09
	122	WD832900 SIDE COVER L			サイドカバーL	03
	123	WD833000 SIDE COVER R			サイドカバーR	03
	124	WE158800 PLATE TOP			プレート/TOP	02
	126	WF539100 COVER FP			カバー/FP	01
	127	WF539200 COVER BTM			カバー/BTM	01
	131	WE236900 PAD L			パッド/L	01
	135	WE159600 PLATE COVER			プレート/COVER	02
	138	WF886100 SHEET BARRIER			シート/バリヤー	04
	161	WE510900 PACKING TOP			パッキン トップ	01
	162	WE802700 PACKING FT	30x20xt4		パッキン FT	01
	163	WE980100 CUSHION	25x7		クッション	01
	164	WE980000 CUSHION	150x12		クッション	
	181	WG476600 CUSHION RP			クッション/RP	04
	182	WG476800 CUSHION RPL			クッション/RPL	01
	190	WF885300 PACKING	90x40 t=2		パッキン	01
	191	WE514300 PACKING H			パッキン H	01
	201	WE774300 BIND HEAD B-TIGHT SCREW	3x8 MFZN2W3		バインドBタイトネジ	01
	203	WE774100 BIND HEAD BONDING B-T. SCREW	3x8 MFZN2B3		ボンディングBタイトネジ	01
	204	WF266600 BIND HEAD P-TIGHT SCREW	3x8 MFZN2B3		バインドPタイトネジ	01
	205	VH365800 PW HEAD B-TIGHT SCREW	3x6-8 MFC2		PWヘッドBタイトネジ	01
	208	WG156300 FLAT HEAD B-TIGHT SCREW	3x10 MFZN2B3		皿Bタイトネジ	01
	209	WE774400 BIND HEAD B-TIGHT SCREW	3x8 MFZN2B3		バインドBタイトネジ	01

YSP-1100

1 ACCESSORIES

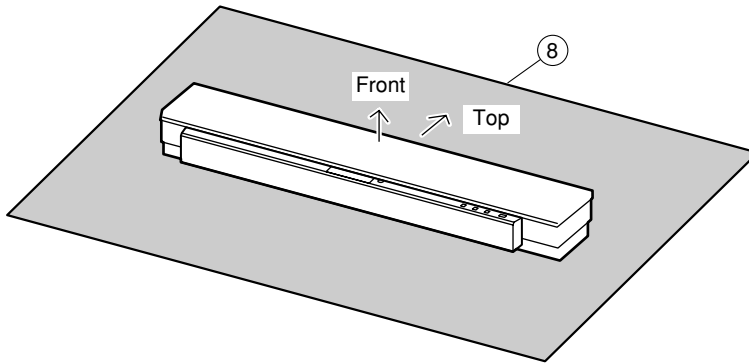


Ref No.	Part No.	Description	Remarks	Markets	部 品 名	Rank	
		ACCESSORIES			付属品		
*	300	WJ210500	REMOTE CONTROL		J	リモコン	
*	300	WJ210600	REMOTE CONTROL		U	リモコン	
*	300	WJ210700	REMOTE CONTROL		CTKABGELV	リモコン	
	300-1	AAX57560	BATTERY COVER	103RRS-141-07L		電池蓋	04
⚠	302	WG305200	POWER CABLE	2m 1pc	J	電源コード	10
⚠	302	WE258200	POWER CABLE	2m 1pc	UC	電源コード	
⚠	302	WE258400	POWER CABLE	2m 1pc	T	電源コード	
⚠	302	WE258500	POWER CABLE	2m 1pc	K	電源コード	
⚠	302	WE258600	POWER CABLE	2m 1pc	A	電源コード	
⚠	302	WE258700	POWER CABLE	2m 1pc	B	電源コード	
⚠	302	WE258800	POWER CABLE	2m 1pc	GEL	電源コード	
⚠	302	WE258300	POWER CABLE	2m 1pc	V	電源コード	
	303	V6508900	VIDEO PIN CABLE	1P 1.5m YE-YE 1pc		ビデオ用ピンケーブル	03
	304	V6509000	AUDIO PIN CABLE	2P 1.5m RE-WH 1pc		ステレオピンケーブル	04
	305	WE818700	DIGITAL AUDIO PIN CABLE	1P 1.5m OR-OR 1pc		デジタル音声ケーブル	04
	306	WE818100	OPTICAL CABLE	1.5m 1pc		光ファイバーケーブル	06
	307	WE785900	CABLE CLIP	1pc		ケーブル押さえ	02
	308	AAX66960	FASTENER	1pair		ファスナー	06
	309	WB699600	OPTIMIZER MICROPHONE	WM-64BKT 6m 1pc		オプティマイザーマイク	09
	310	WG225700	CARDBOARD MICROPHONE STAND			簡易マイクスタンド	04
*	311	X8301A00	DVD-ROM	DEMO DISC 1pc	J	DVD-ROM	
		BATTERY	UM-3 2pcs			単3乾電池	

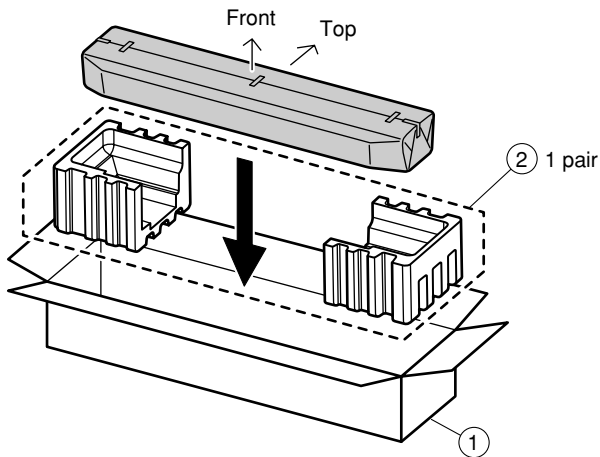
1

PACKING ASS'Y

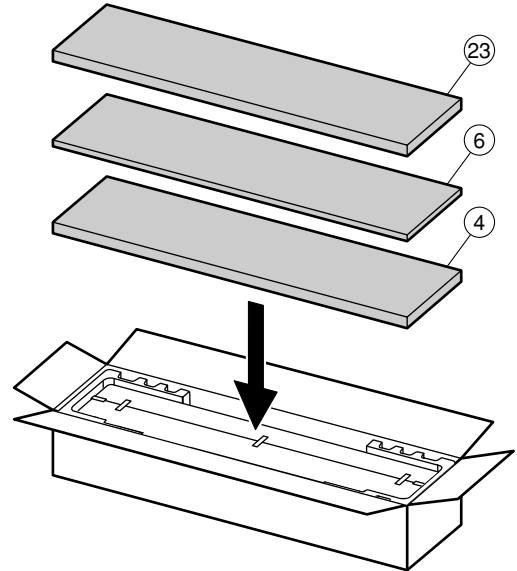
2



3



4



5

*
*

Ref No.	Part No.	Description	Remarks	Markets	部品名	Rank
1	WH755100	PACKING ASS'Y		J	梱包用部品	
1	WH755200	CARTON BOX		UCTKABGELV	梱包箱	
2	WG344700	POLYSTYRENE FOAM PAD	1pair		梱包箱	
4	WG344800	POLYURETHANE PAD			スチロールパッド	07
6	WG345200	CARTON SHEET			ウレタンパッド	07
8	WD130600	PE EXPANDED SHEET	1250x610 t=0.5		ダンボールシート	04
23	WG345500	POLYSTYRENE BLOCK			ライトロンラミシート	01
					スチロールブロック	07

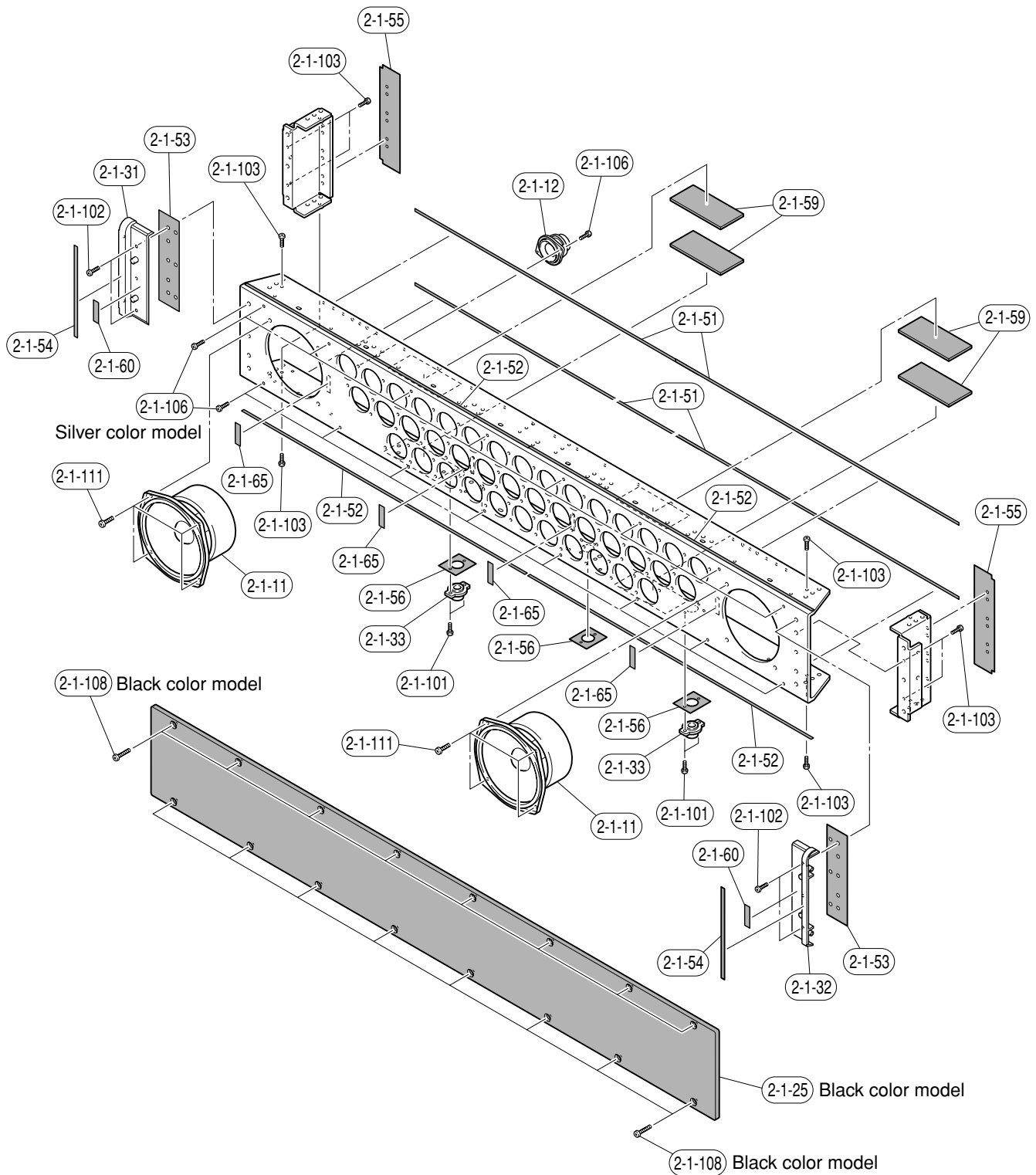
6

7

Ref No.	Part No.	Description	Remarks	Markets	部 品 名	Rank
		MAIN UNIT			メインユニット	
2-3	WG114800	P.C.B. ASS'Y	AMP		P C B AMP	30
* 2-4	WH754000	P.C.B. ASS'Y	DSP		P C B DSP	
2-11	WG167600	FLEXIBLE FLAT CABLE	30P 50mm P=1.0		カード電線	01
2-13	WD397500	BINDING TIE	MSF-085		束線止め	01
2-15	WF536700	FRONT GRILLE		BL	フロントグリル	12
2-15	WD831100	FRONT GRILLE		SI	フロントグリル	12
2-21	WD831500	COVER L/R			カバーL/R	07
2-28	WD832800	PLATE SIDE			プレート サイド	02
2-51	WG141400	PACKING	150x30 t=1		パッキン	01
2-58	WF885400	PACKING	90x30 t=1		パッキン	01
2-59	WF062600	PAD SN			パッド/SN	01
2-75	VP802900	LABEL			ラベル	01
2-77	WE514300	PACKING H			パッキン H	01
2-101	WE774300	BIND HEAD B-TIGHT SCREW	3x8 MFZN2W3		バインドBタイトネジ	01
2-103	WE774100	BIND HEAD BONDING B-T. SCREW	3x8 MFZN2B3		ボンディングBタイトネジ	01
2-105	VH365800	PW HEAD B-TIGHT SCREW	3x6-8 MFC2		PWヘッドBタイトネジ	01
* 2-111	WH924700	PW HEAD S-TIGHT SCREW	4x8 MFZN2B3		PWヘッドSタイトネジ	

YSP-1100

1 • SUB CHASSIS UNIT

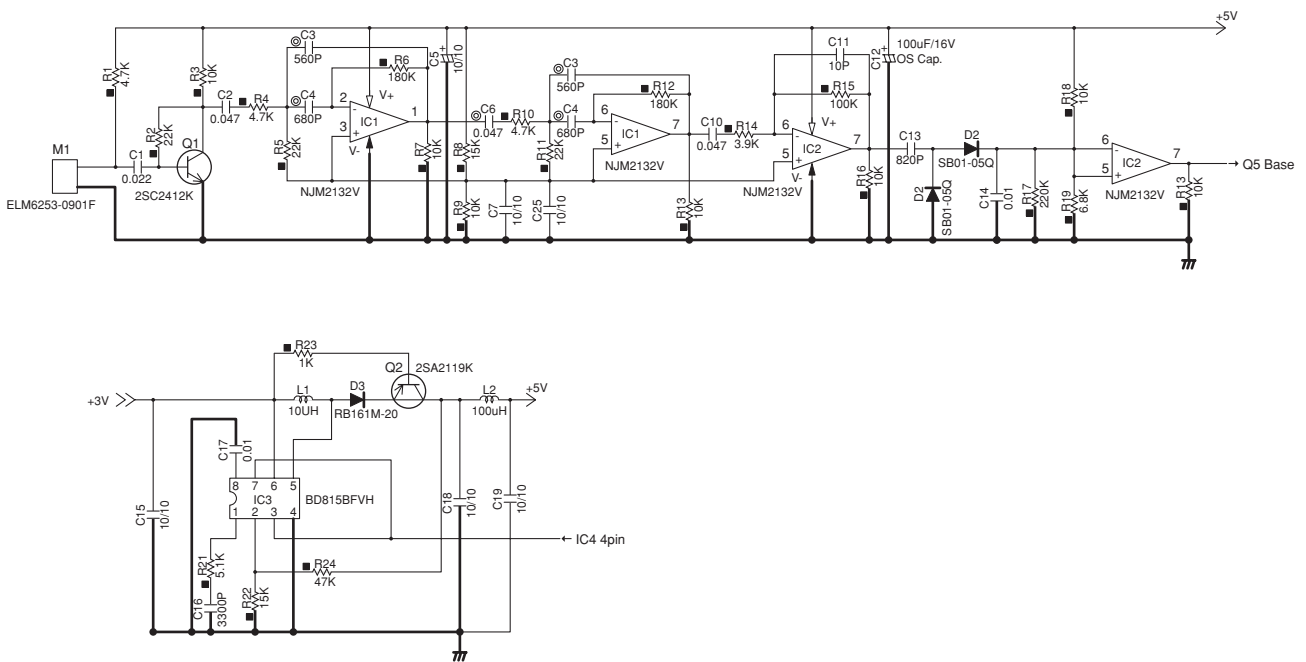
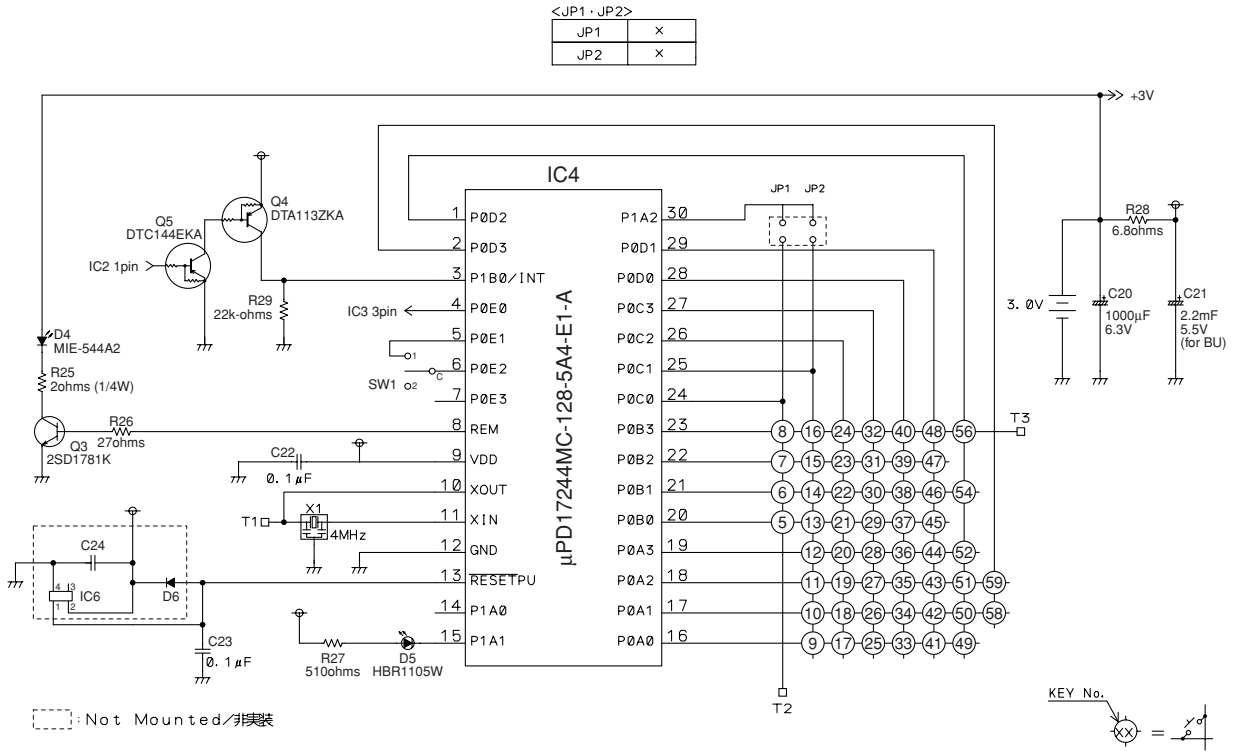


Ref No.	Part No.	Description	Remarks	Markets	部 品 名	Rank
2-1-11	X7213A00	SUB CHASSIS UNIT			サブシャーシユニット	
2-1-11	X7213A00	DRIVER WOOFER	11cm 4Ω		スピーカーユニット	09
2-1-12	AAX75450	DRIVER TWEETER	4cm 4Ω		スピーカーユニット	
2-1-12	AAX75460	DRIVER TWEETER	4cm 4Ω		スピーカーユニット	
2-1-25	WF538600	GRILLE SPEAKER ASS'Y		BL	グリル S P A S S Y	08
2-1-31	WF538400	SUPPORT GRILLE L			サポート/グリルL	02
2-1-32	WF538500	SUPPORT GRILLE R			サポート/グリルR	02
2-1-33	WF539000	STOPPER FRAME			ストッパー/F R A M	01
2-1-51	WE993900	CUSHION	520x4 t=1		クッション 5 2 0 x 4	01
2-1-52	WE203200	PACKING A			パッキン A	01
2-1-53	WG141100	PACKING	138x34 t=1		パッキン	01
2-1-54	WF886200	CUSHION	150x5		クッション	01
2-1-55	WG141200	PACKING	150x35 t=1		パッキン	01
2-1-56	WG141300	PACKING	34x30		パッキン	01
2-1-59	WF885300	PACKING	90x40 t=2		パッキン	01
2-1-60	WE514300	PACKING H			パッキン H	01
2-1-65	WG551200	CUSHION	18x7 t=5		クッション	01
2-1-101	WE774300	BIND HEAD B-TIGHT SCREW	3x8 MFZN2W3		バインド B タイトネジ	01
2-1-102	WE774400	BIND HEAD B-TIGHT SCREW	3x8 MFZN2B3		バインド B タイトネジ	01
2-1-103	WE774100	BIND HEAD BONDING B-T. SCREW	3x8 MFZN2B3		ボンディング B タイトネジ	01
2-1-106	WE877800	BIND HEAD S-TIGHT SCREW	3x6 MFZN2B3		バインド S タイトネジ	01
2-1-108	WE998100	BIND HEAD B-TIGHT SCREW	3x12 MFZN2B3	BL	バインド B タイトネジ	01
2-1-109	WG348000	BIND HEAD S-TIGHT SCREW	3x4 MFZN2B3		バインド S タイトネジ	01
2-1-111	WH924700	PW HEAD S-TIGHT SCREW	4x8 MFZN2B3		P W ヘッド S タイトネジ	01

*

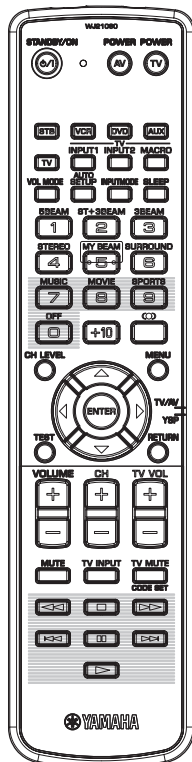
REMOTE CONTROL

SCHEMATIC DIAGRAM

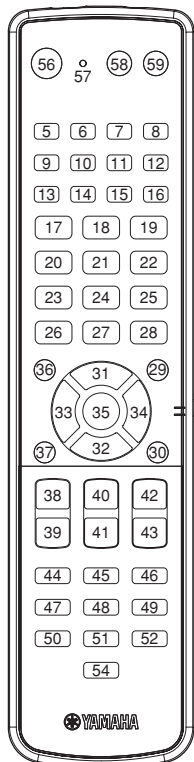


• PANELS

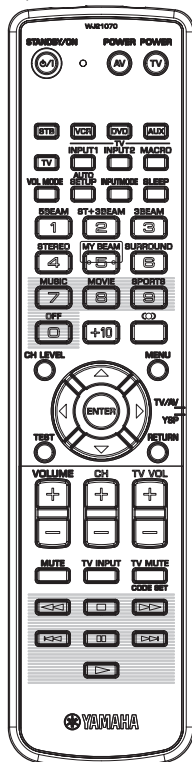
U model



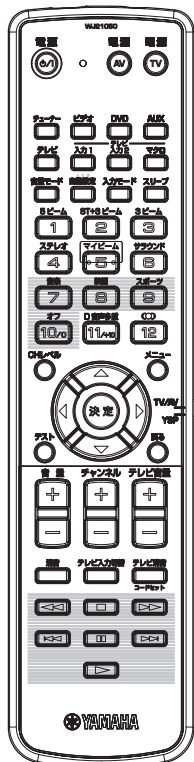
Key Layout



C, T, K, A, B, G, E, L, V models



J model



• KEY CODE

Key no.	Function		Code
	U, C, T, K, A, B, G, E, L, V models	J model	
1	-	-	-
2	-	-	-
3	-	-	-
4	-	-	-
5	STB	チューナー	78-DF
6	VCR	ビデオ	78-49
7	DVD	DVD	78-4A
8	AUX	AUX	78-DE
9	TV	テレビ	78-DF
10	TV INPUT1	テレビ 入力1	
11	TV INPUT2	テレビ 入力2	
12	TV MACRO	テレビ マクロ	(-)
13	VOL MODE	音量モード	78-8A
14	AUTO SETUP	自動設定	78-A3
15	INPUT MODE	入力モード	78-8D
16	SLEEP	スリープ	78-4F
17	1_5BEAM	1_5ビーム	78-C2
18	2_ST+3BEAM	2_ST+3ビーム	78-C3
19	3_3BEAM	3_3ビーム	78-C4
20	4_STEREO	4_ステレオ	78-50
21	5_MY BEAM	5_マイビーム	78-C5
22	6_SURROUND	6_サラウンド	78-99
23	7_MUSIC	7_音楽	78-DA
24	8_MOVIE	8_映画	78-D9
25	9_SPORTS	9_スポーツ	78-D8
26	0_OFF	10/0_オフ	78-98
27	+10	11/+10_D 音声多重	78-A5
28	☉	12_☉	78-8B
29	MENU	メニュー	78-9D
30	RETURN	戻る	78-C0
31	△	△	78-8E
32	▽	▽	78-8F
33	◀	◀	78-9F
34	▶	▶	78-9E
35	ENTER	決定	78-C1
36	CH LEVEL	CHレベル	78-4B
37	TEST	テスト	78-5F
38	VOLUME +	音量 +	78-1E
39	VOLUME -	音量 -	78-1F
40	CH +	チャンネル +	
41	CH -	チャンネル -	
42	TV VOL +	テレビ音量 +	
43	TV VOL -	テレビ音量 -	
44	MUTE	消音	78-9C
45	TV INPUT	テレビ入力切替	
46	TV MUTE/CODE SET	テレビ消音/コードセット	
47	◀◀	◀◀	
48	■	■	
49	▶▶	▶▶	
50	◀◀	◀◀	
51			
52	▶▶	▶▶	
53	-	-	
54	▶	▶	
55	-	-	
56	STANDBY/ON	電源	78-CC
57	Indicator LED	インジケータ LED	
58	AV_POWER	AV_電源	
59	TV_POWER	TV_電源	

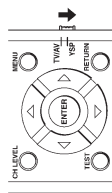
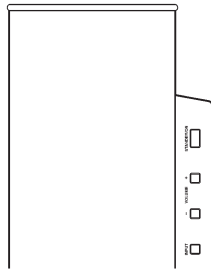
YSP-1100

ADJUSTING SYSTEM PARAMETERS

This unit has additional menus that are displayed in the front panel display. These menus offer additional operations to adjust and customize the way this unit operates.

Using the system parameters

Follow the procedure below to enter the system parameters.



- 3 Release INPUT on the front panel.



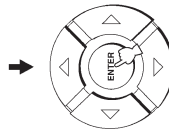
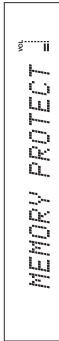
Setting the MEMORY PROTECT

You can protect the settings you saved in the system memory of this unit from being accidentally erased or unwantedly changed.

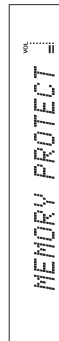
- 1 Repeat steps 1 to 3 in "Using the system parameters".
- 2 Set the operation mode selector to YSP to switch to the operation mode of this unit.



- 3 Confirm that MEMORY PROTECT is shown in the front panel display and then press ENTER.

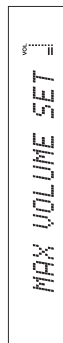
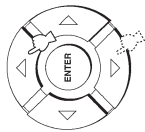


- 1 Press STANDBY/ON on the front panel to turn off the power of this unit.
- 2 Press and hold INPUT on the front panel and then press STANDBY/ON on the front panel to turn on the power of this unit. MEMORY PROTECT is shown in the front panel display.

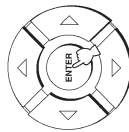


ADJUSTING SYSTEM PARAMETERS

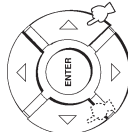
- 3 Press Δ / ∇ on the remote control so that MAX VOLUME SET is shown in the front panel display.



- 4 Press ENTER.



- 5 Press Δ / ∇ to adjust the maximum volume level.



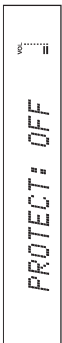
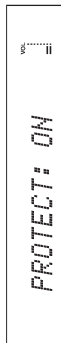
Control range: MAX, 99 to 01, MIN
Control step: 1

- 6 Press STANDBY/ON on the front panel to set this unit to the standby mode.



The new setting for the maximum volume level will be activated when you turn on the power of this unit next time.

- 4 Press Δ / ∇ to switch between PROTECT: ON and PROTECT: OFF.



- Select PROTECT: ON to activate the protection feature.
- Select PROTECT: OFF to deactivate the protection feature.

- 5 Press STANDBY/ON on the front panel to set this unit to the standby mode.



The new setting will be activated when you turn on the power of this unit next time.

Setting the MAX VOLUME

You can set the maximum volume level so that this unit will not output sound beyond the limited volume level.

- 1 Repeat steps 1 to 3 in "Using the system parameters".
- 2 Set the operation mode selector to YSP to switch to the operation mode of this unit.



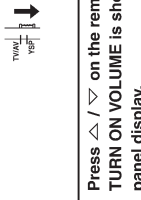
ADVANCED OPERATION

ADJUSTING SYSTEM PARAMETERS

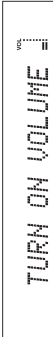
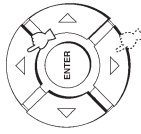
Setting the TURN ON VOLUME

You can set the initial volume level when the power of this unit is turned on.

- 1 Repeat steps 1 to 3 in "Using the system parameters".
- 2 Set the operation mode selector to YSP to switch to the operation mode of this unit.



- 3 Press Δ / ∇ on the remote control so that **TURN ON VOLUME** is shown in the front panel display.



- 4 Press ENTER.



- 5 Press Δ / \triangleright to adjust the initial volume level.



Control range: MAX. 99 to 01. OFF
Control step: 1

ADJUSTING SYSTEM PARAMETERS

- 6 Press **STANDBY/ON** on the front panel to set this unit to the standby mode.



The new setting for the maximum volume level will be activated when you turn on the power of this unit next time.

Setting the DEMO MODE

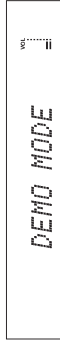
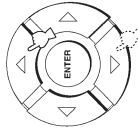
You can test the beam output from this unit to experience the sound beam.

You can also perform this function simply by pressing INPUT on the front panel. A sound beam is output from this unit when you press and hold INPUT for more than 2 seconds. The sound beam shuttles between left and right twice, and then stops.

- 1 Repeat steps 1 to 3 in "Using the system parameters".
- 2 Set the operation mode selector to YSP to switch to the operation mode of this unit.



- 3 Press Δ / ∇ on the remote control so that **DEMO MODE** is shown in the front panel display.



ADJUSTING SYSTEM PARAMETERS

Setting the FACTORY PRESET

You can reset all of the parameters of this unit to the factory presets. This procedure completely resets ALL the parameters in SET MENU.

Note

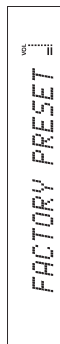
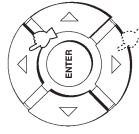
After performing the following procedure you must run the AUTO SETUP again to match your surround sound environment.

- 1 Repeat steps 1 to 3 in "Using the system parameters".

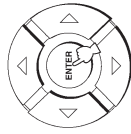
- 2 Set the operation mode selector to YSP to switch to the operation mode of this unit.



- 3 Press Δ / ∇ on the remote control so that **FACTORY PRESET** is shown in the front panel display.



- 4 Press ENTER.

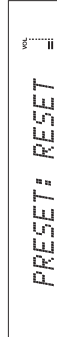
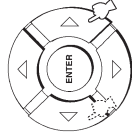


ADVANCED OPERATION

English

ADJUSTING SYSTEM PARAMETERS

- 5 Press Δ / \triangleright to switch between **PRESET: RESET** and **PRESET: CANCEL**.



- Select **PRESET: RESET** to reset all of the current settings.
- Select **PRESET: CANCEL** to cancel the resetting procedure.

- 6 Press **STANDBY/ON** on the front panel to set this unit to the standby mode.



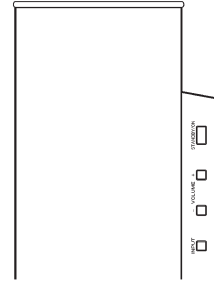
The new setting will be activated when you turn on the power of this unit next time.

拡張メニューを設定する

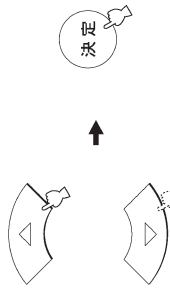
各種設定を保護したり、工場出荷状態に戻したりします。

● 拡張メニューの操作手順

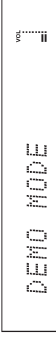
拡張メニューの操作について説明します。



5 △/▽キーを押して、設定したいメニューをフロントパネルディスプレイに表示させ、決定キーを押す



表示例：[DEMO MODE]を選んだ場合



1 本機の電源をオフ(スタンバイ)にする



2 本体のINPUTキーを押しながら、STANDBY/ONキーを押して電源を入れる

フロントパネルディスプレイに[MEMORY PROTECT]と表示されます。

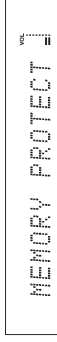


3 INPUTキーをはなす



● メニューの設定内容を保護する

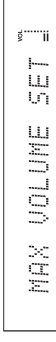
メモリー保存した設定の内容を変更できないようにします。「拡張メニューの操作手順」の手順5で[MEMORY PROTECT]を表示させ、手順6で[PROTECT: ON] (設定内容を保護したい場合)を選択してください。



選択項目：
PROTECT: OFF、PROTECT: ON

● 音量の最大値を設定する

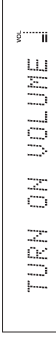
音量を、指定した値より大きくできないように設定します。「拡張メニューの操作手順」の手順5で[**MAX VOLUME SET**]を表示させ、手順6で値を設定してください。



調整範囲：
MIN(最小)、01~99、MAX(最大)

● 電源を入れたときの音量を固定する

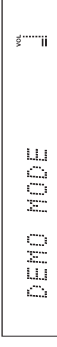
本機の電源をオンにしたときの音量を、常に指定した値になるように設定します。「拡張メニューの操作手順」の手順5で[TURN ON VOLUME]を表示させ、手順6で値を設定してください。



調整範囲：
OFF、01~99、MAX(最大)

● デモモードで再生する

デモモードでは、ピーム化された音声を1チャンネルで出力し、水平に動作(スロープ)させます。これにより、本機からピームがどのように出力されているか体感していただけます。「拡張メニューの操作手順」の手順5で[DEMO MODE]を表示させ、手順6で[DEMO: ON] (デモモードで再生したい場合)を選択してください。



選択項目：
DEMO: OFF、DEMO: ON

音声をスロープさせるには
決定キーを押します。

スロープを停止させるには
もう一度決定キーを押します。

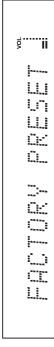
*ヒント

拡張メニューの[DEMO MODE]オン/オフにかかわらず、本機から出力されるテスト音をスロープさせることもできます。

テスト音をスロープさせるには、本体のINPUTキーを2秒以上押し続けてください。スロープが2往復すると自動的に終了します。

● 設定した内容を初期化する

各種設定をすべて工場出荷状態に戻します。「拡張メニューの操作手順」の手順5で[FACTORY PRESET]を表示させ、手順6で[PRESET: RESET] (工場出荷時の状態に戻したい場合)を選択してください。



選択項目：
PRESET: CANCEL、PRESET: RESET

拡張メニューを設定する

本機について

設置・接続する

準備する

設定する

基本操作

高度操作

付属



YSP-1100