

DIGITAL SOUND PROJECTOR YSP-4000/YSP-40D/ HTY-7040 SERVICE MANUAL

IMPORTANT NOTICE

This manual has been provided for the use of authorized YAMAHA Retailers and their service personnel. It has been assumed that basic service procedures inherent to the industry, and more specifically YAMAHA Products, are already known and understood by the users, and have therefore not been restated.

WARNING: Failure to follow appropriate service and safety procedures when servicing this product may result in personal injury, destruction of expensive components, and failure of the product to perform as specified. For these reasons, we advise all YAMAHA product owners that any service required should be performed by an authorized YAMAHA Retailer or the appointed service representative.

IMPORTANT: The presentation or sale of this manual to any individual or firm does not constitute authorization, certification or recognition of any applicable technical capabilities, or establish a principle-agent relationship of any form.

The data provided is believed to be accurate and applicable to the unit(s) indicated on the cover. The research, engineering, and service departments of YAMAHA are continually striving to improve YAMAHA products. Modifications are, therefore, inevitable and specifications are subject to change without notice or obligation to retrofit. Should any discrepancy appear to exist, please contact the distributor's Service Division.

WARNING: Static discharges can destroy expensive components. Discharge any static electricity your body may have accumulated by grounding yourself to the ground buss in the unit (heavy gauge black wires connect to this buss).

IMPORTANT: Turn the unit OFF during disassembly and part replacement. Recheck all work before you apply power to the unit.

CONTENTS

TO SERVICE PERSONNEL	2	SELF-DIAGNOSTIC FUNCTION /	
FRONT PANELS	3	ダイアグ (自己診断機能)	32-53
REAR PANELS	4	DISPLAY DATA	54
BOTTOM PANEL	5	IC DATA	55-64
REMOTE CONTROL PANELS	5	BLOCK DIAGRAM	65
SPECIFICATIONS / 参考仕様	6-7	PRINTED CIRCUIT BOARDS	66-78
INTERNAL VIEW	7	PIN CONNECTION DIAGRAMS	79-81
SET MENU TABLE / セットメニュー	8	SCHEMATIC DIAGRAMS	83-91
SERVICE PRECAUTIONS / サービス時の注意事項	9	REPLACEMENT PARTS LIST	93-121
DISASSEMBLY PROCEDURES / 分解手順	9-19	REMOTE CONTROL	122-124
UPDATING FIRMWARE /		ADJUSTING SYSTEM PARAMETERS /	
ファームウェアの書き込み	20-31	拡張メニュー	125-129

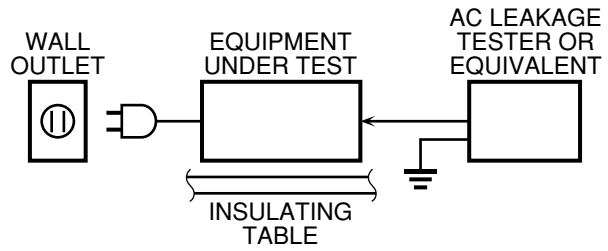


このサービスマニュアルは、エコマーク認定の再生紙を使用しています。
This Service Manual uses recycled paper.



■ TO SERVICE PERSONNEL

1. Critical Components Information
Components having special characteristics are marked ⚠ and must be replaced with parts having specifications equal to those originally installed.
2. Leakage Current Measurement (For 120V Models Only)
When service has been completed, it is imperative to verify that all exposed conductive surfaces are properly insulated from supply circuits.
 - Meter impedance should be equivalent to 1500 ohms shunted by 0.15μF.



- Leakage current must not exceed 0.5mA.
- Be sure to test for leakage with the AC plug in both polarities.



For U model

“CAUTION”

“F501: FOR CONTINUED PROTECTION AGAINST RISK OF FIRE, REPLACE ONLY WITH SAME TYPE 5A, 125V FUSE.”

For C model

CAUTION

F501: REPLACE WITH SAME TYPE 5A, 125V FUSE.

ATTENTION

F501: UTILISER UN FUSIBLE DE RECHANGE DE MÊME TYPE DE 5A, 125V.

WARNING: CHEMICAL CONTENT NOTICE!

This product contains chemicals known to the State of California to cause cancer, or birth defects or other reproductive harm.

DO NOT PLACE SOLDER, ELECTRICAL/ELECTRONIC OR PLASTIC COMPONENTS IN YOUR MOUTH FOR ANY REASON WHAT SO EVER!

Avoid prolonged, unprotected contact between solder and your skin! When soldering, do not inhale solder fumes or expose eyes to solder/flux vapor!

If you come in contact with solder or components located inside the enclosure of this product, wash your hands before handling food.

About lead free solder / 無鉛ハンダについて

All of the P.C.B.s installed in this unit and solder joints are soldered using the lead free solder.

Among some types of lead free solder currently available, it is recommended to use one of the following types for the repair work.

- Sn + Ag + Cu (tin + silver + copper)
- Sn + Cu (tin + copper)
- Sn + Zn + Bi (tin + zinc + bismuth)

Caution:

As the melting point temperature of the lead free solder is about 30°C to 40°C (50°F to 70°F) higher than that of the lead solder, be sure to use a soldering iron suitable to each solder.

本機に搭載されているすべての基板およびハンダ付けによる接合部は無鉛ハンダでハンダ付けされています。

無鉛ハンダにはいくつかの種類がありますが、修理時には下記のような無鉛ハンダの使用を推奨します。

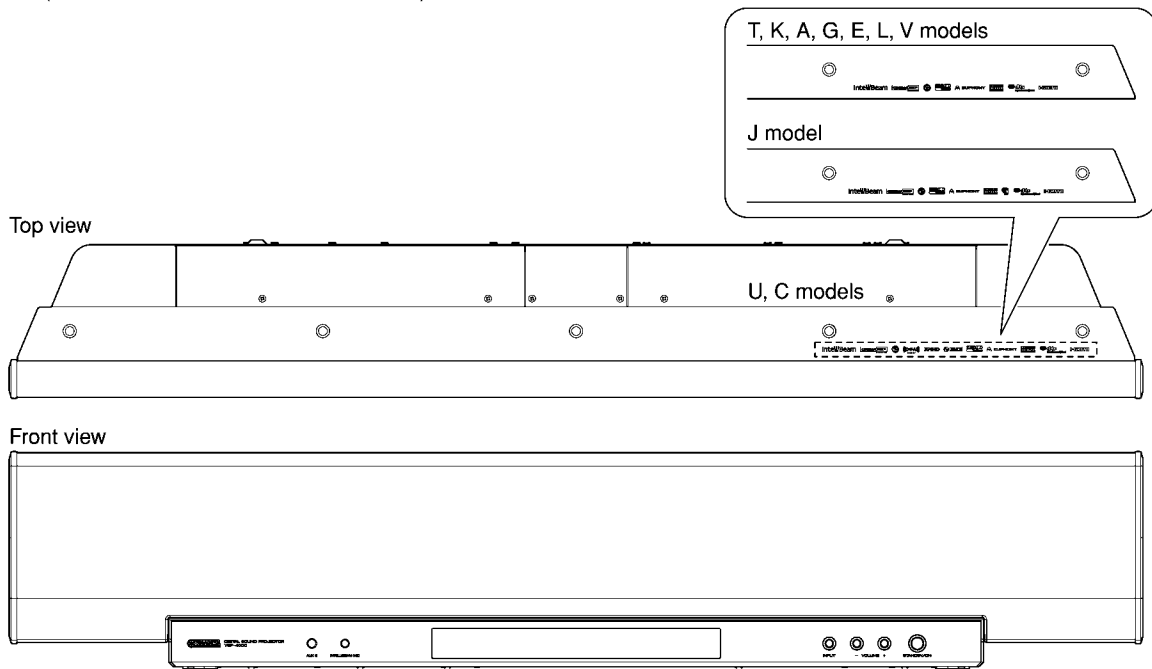
- ・ Sn+Ag+Cu(錫+銀+銅)
- ・ Sn+Cu(錫+銅)
- ・ Sn+Zn+Bi(錫+亜鉛+ビスマス)

注意：

無鉛ハンダの融点温度は通常の鉛入りハンダに比べ30～40℃程度高くなっていますので、それぞれのハンダに合ったハンダごてをご使用ください。

FRONT PANELS

YSP-4000 (U, C, T, K, A, G, E, L, V, J models)



YSP-40D (B model)



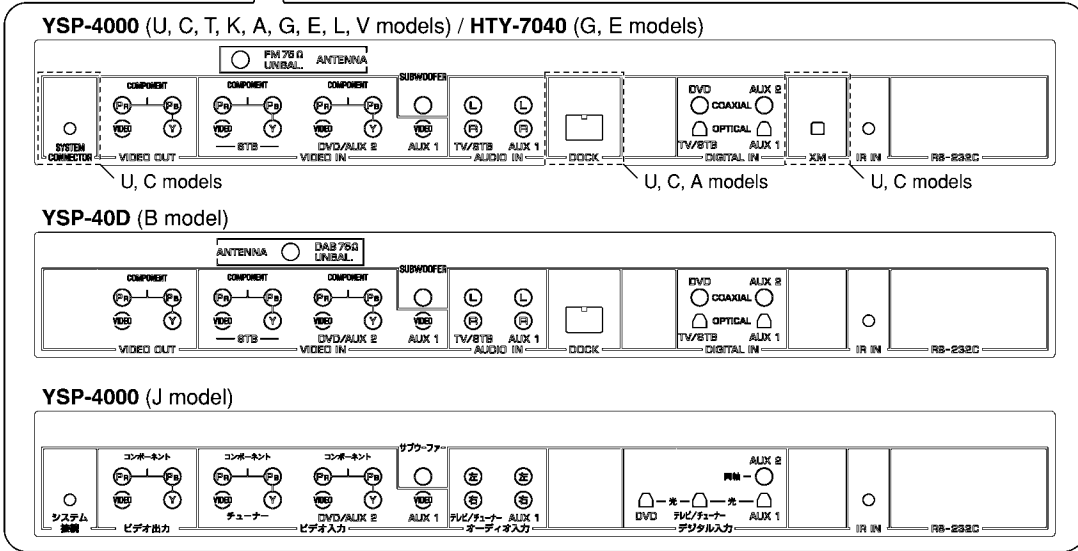
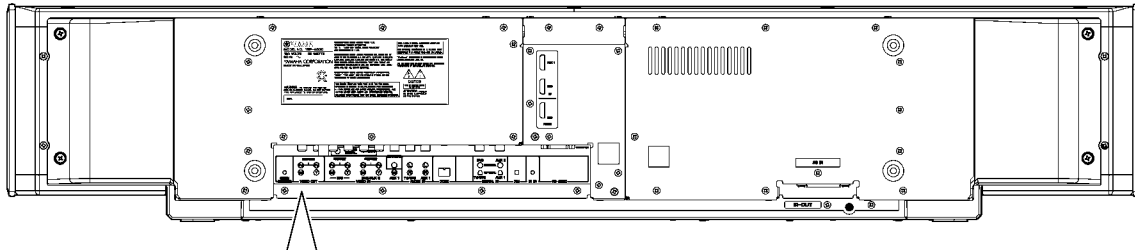
HTY-7040 (G, E models)



YSP-4000/YSP-40D/
HTY-7040

REAR PANELS

YSP-4000 (U, C models)



YSP-4000 (T model)

YAMAHA 马来西亚 制造
MODEL NO. YSP-4000
 额定电压 220-240 VOLTS
 额定功率 55W/80Hz
 产品编号: 686828-2001

警告: 电气危险, 请勿拆开。
 为了减少火灾或触电的危险,
 不要将本机暴露在雨中
 或潮湿的地方。

MANUFACTURED UNDER LICENSE FROM 1 LTD.
 WORLDWIDE PATENT APPLIED FOR.
 THE "L" LOGO AND "DIGITAL SOUND PROJECTOR"
 ARE TRADEMARKS OF 1 LTD.

MANUFACTURED UNDER LICENSE FROM DOLBY LAB. UNDER ONE OR
 MORE OF THE FOLLOWING U.S. PAT. NOS. 5,451,842; 5,828,274;
 5,774,381; 5,978,782; 6,487,535 AND OTHER U.S. AND WORLD-
 WIDE PATENTS ISSUED AND PENDING. "DTS" AND "DTS/ES" ARE
 REGISTERED TRADEMARKS OF DTS, INC. COPYRIGHT 1998. DCC-
 2000, DTS, INC. ALL RIGHTS RESERVED.

MANUFACTURED UNDER LICENSE FROM DOLBY LABORATORIES.
 "DOLBY", "PRO LOGIC", AND THE DOUBLE-D SYMBOL (CC) ARE
 TRADEMARKS OF DOLBY LABORATORIES.

"TruBass" TECHNOLOGY IS INCORPORATED UNDER LICENSE
 FROM SRS LABS, INC.

BER. _____
 DATE _____

YSP-4000 (K model)

YAMAHA 马来西亚 制造
MODEL NO. YSP-4000
 额定电压 220-240 VOLTS
 额定功率 55W/80Hz
 产品编号: 686828-2001

警告: 电气危险, 请勿拆开。
 为了减少火灾或触电的危险,
 不要将本机暴露在雨中
 或潮湿的地方。

MANUFACTURED UNDER LICENSE FROM 1 LTD.
 WORLDWIDE PATENT APPLIED FOR.
 THE "L" LOGO AND "DIGITAL SOUND PROJECTOR"
 ARE TRADEMARKS OF 1 LTD.

MANUFACTURED UNDER LICENSE FROM DOLBY LAB. UNDER ONE OR
 MORE OF THE FOLLOWING U.S. PAT. NOS. 5,451,842; 5,828,274;
 5,774,381; 5,978,782; 6,487,535 AND OTHER U.S. AND WORLD-
 WIDE PATENTS ISSUED AND PENDING. "DTS" AND "DTS/ES" ARE
 REGISTERED TRADEMARKS OF DTS, INC. COPYRIGHT 1998. DCC-
 2000, DTS, INC. ALL RIGHTS RESERVED.

MANUFACTURED UNDER LICENSE FROM DOLBY LABORATORIES.
 "DOLBY", "PRO LOGIC", AND THE DOUBLE-D SYMBOL (CC) ARE
 TRADEMARKS OF DOLBY LABORATORIES.

"TruBass" TECHNOLOGY IS INCORPORATED UNDER LICENSE
 FROM SRS LABS, INC.

BER. _____

YSP-4000 (A model)

YAMAHA 马来西亚 制造
MODEL NO. YSP-4000
 额定电压 220-240 VOLTS
 额定功率 55W/80Hz
 产品编号: 686828-2001

警告: 电气危险, 请勿拆开。
 为了减少火灾或触电的危险,
 不要将本机暴露在雨中
 或潮湿的地方。

MANUFACTURED UNDER LICENSE FROM 1 LTD.
 WORLDWIDE PATENT APPLIED FOR.
 THE "L" LOGO AND "DIGITAL SOUND PROJECTOR"
 ARE TRADEMARKS OF 1 LTD.

MANUFACTURED UNDER LICENSE FROM DOLBY LAB. UNDER ONE OR
 MORE OF THE FOLLOWING U.S. PAT. NOS. 5,451,842; 5,828,274;
 5,774,381; 5,978,782; 6,487,535 AND OTHER U.S. AND WORLD-
 WIDE PATENTS ISSUED AND PENDING. "DTS" AND "DTS/ES" ARE
 REGISTERED TRADEMARKS OF DTS, INC. COPYRIGHT 1998. DCC-
 2000, DTS, INC. ALL RIGHTS RESERVED.

MANUFACTURED UNDER LICENSE FROM DOLBY LABORATORIES.
 "DOLBY", "PRO LOGIC", AND THE DOUBLE-D SYMBOL (CC) ARE
 TRADEMARKS OF DOLBY LABORATORIES.

"TruBass" TECHNOLOGY IS INCORPORATED UNDER LICENSE
 FROM SRS LABS, INC.

BER. _____

YSP-4000 (G, E models)

YAMAHA 马来西亚 制造
MODEL NO. YSP-4000
 额定电压 220-240 VOLTS
 额定功率 55W/80Hz
 产品编号: 686828-2001

警告: 电气危险, 请勿拆开。
 为了减少火灾或触电的危险,
 不要将本机暴露在雨中
 或潮湿的地方。

MANUFACTURED UNDER LICENSE FROM 1 LTD.
 WORLDWIDE PATENT APPLIED FOR.
 THE "L" LOGO AND "DIGITAL SOUND PROJECTOR"
 ARE TRADEMARKS OF 1 LTD.

MANUFACTURED UNDER LICENSE FROM DOLBY LAB. UNDER ONE OR
 MORE OF THE FOLLOWING U.S. PAT. NOS. 5,451,842; 5,828,274;
 5,774,381; 5,978,782; 6,487,535 AND OTHER U.S. AND WORLD-
 WIDE PATENTS ISSUED AND PENDING. "DTS" AND "DTS/ES" ARE
 REGISTERED TRADEMARKS OF DTS, INC. COPYRIGHT 1998. DCC-
 2000, DTS, INC. ALL RIGHTS RESERVED.

MANUFACTURED UNDER LICENSE FROM DOLBY LABORATORIES.
 "DOLBY", "PRO LOGIC", AND THE DOUBLE-D SYMBOL (CC) ARE
 TRADEMARKS OF DOLBY LABORATORIES.

"TruBass" TECHNOLOGY IS INCORPORATED UNDER LICENSE
 FROM SRS LABS, INC.

BER. _____

YSP-4000 (L model)

YAMAHA 马来西亚 制造
MODEL NO. YSP-4000
 额定电压 220-240 VOLTS
 额定功率 55W/80Hz
 产品编号: 686828-2001

警告: 电气危险, 请勿拆开。
 为了减少火灾或触电的危险,
 不要将本机暴露在雨中
 或潮湿的地方。

MANUFACTURED UNDER LICENSE FROM 1 LTD.
 WORLDWIDE PATENT APPLIED FOR.
 THE "L" LOGO AND "DIGITAL SOUND PROJECTOR"
 ARE TRADEMARKS OF 1 LTD.

MANUFACTURED UNDER LICENSE FROM DOLBY LAB. UNDER ONE OR
 MORE OF THE FOLLOWING U.S. PAT. NOS. 5,451,842; 5,828,274;
 5,774,381; 5,978,782; 6,487,535 AND OTHER U.S. AND WORLD-
 WIDE PATENTS ISSUED AND PENDING. "DTS" AND "DTS/ES" ARE
 REGISTERED TRADEMARKS OF DTS, INC. COPYRIGHT 1998. DCC-
 2000, DTS, INC. ALL RIGHTS RESERVED.

MANUFACTURED UNDER LICENSE FROM DOLBY LABORATORIES.
 "DOLBY", "PRO LOGIC", AND THE DOUBLE-D SYMBOL (CC) ARE
 TRADEMARKS OF DOLBY LABORATORIES.

"TruBass" TECHNOLOGY IS INCORPORATED UNDER LICENSE
 FROM SRS LABS, INC.

BER. _____

YSP-4000 (V model)

YAMAHA 马来西亚 制造
MODEL NO. YSP-4000
 额定电压 110-120 VOLTS
 额定功率 55W/80Hz
 产品编号: 686828-2001

警告: 电气危险, 请勿拆开。
 为了减少火灾或触电的危险,
 不要将本机暴露在雨中
 或潮湿的地方。

MANUFACTURED UNDER LICENSE FROM 1 LTD.
 WORLDWIDE PATENT APPLIED FOR.
 THE "L" LOGO AND "DIGITAL SOUND PROJECTOR"
 ARE TRADEMARKS OF 1 LTD.

MANUFACTURED UNDER LICENSE FROM DOLBY LAB. UNDER ONE OR
 MORE OF THE FOLLOWING U.S. PAT. NOS. 5,451,842; 5,828,274;
 5,774,381; 5,978,782; 6,487,535 AND OTHER U.S. AND WORLD-
 WIDE PATENTS ISSUED AND PENDING. "DTS" AND "DTS/ES" ARE
 REGISTERED TRADEMARKS OF DTS, INC. COPYRIGHT 1998. DCC-
 2000, DTS, INC. ALL RIGHTS RESERVED.

MANUFACTURED UNDER LICENSE FROM DOLBY LABORATORIES.
 "DOLBY", "PRO LOGIC", AND THE DOUBLE-D SYMBOL (CC) ARE
 TRADEMARKS OF DOLBY LABORATORIES.

"TruBass" TECHNOLOGY IS INCORPORATED UNDER LICENSE
 FROM SRS LABS, INC.

BER. _____

YSP-4000 (J model)

YAMAHA 马来西亚 制造
MODEL NO. YSP-4000
 额定电压 100V ~ 55W/80Hz
 产品编号: 686828-2001

警告: 电气危险, 请勿拆开。
 为了减少火灾或触电的危险,
 不要将本机暴露在雨中
 或潮湿的地方。

MANUFACTURED UNDER LICENSE FROM 1 LTD.
 WORLDWIDE PATENT APPLIED FOR.
 THE "L" LOGO AND "DIGITAL SOUND PROJECTOR"
 ARE TRADEMARKS OF 1 LTD.

MANUFACTURED UNDER LICENSE FROM DOLBY LAB. UNDER ONE OR
 MORE OF THE FOLLOWING U.S. PAT. NOS. 5,451,842; 5,828,274;
 5,774,381; 5,978,782; 6,487,535 AND OTHER U.S. AND WORLD-
 WIDE PATENTS ISSUED AND PENDING. "DTS" AND "DTS/ES" ARE
 REGISTERED TRADEMARKS OF DTS, INC. COPYRIGHT 1998. DCC-
 2000, DTS, INC. ALL RIGHTS RESERVED.

MANUFACTURED UNDER LICENSE FROM DOLBY LABORATORIES.
 "DOLBY", "PRO LOGIC", AND THE DOUBLE-D SYMBOL (CC) ARE
 TRADEMARKS OF DOLBY LABORATORIES.

"TruBass" TECHNOLOGY IS INCORPORATED UNDER LICENSE
 FROM SRS LABS, INC.

BER. _____
 DATE _____

YSP-40D (B model)

YAMAHA 马来西亚 制造
MODEL NO. YSP-40D
 额定电压 220-240 VOLTS
 额定功率 55W/80Hz
 产品编号: 686828-2001

警告: 电气危险, 请勿拆开。
 为了减少火灾或触电的危险,
 不要将本机暴露在雨中
 或潮湿的地方。

MANUFACTURED UNDER LICENSE FROM 1 LTD.
 WORLDWIDE PATENT APPLIED FOR.
 THE "L" LOGO AND "DIGITAL SOUND PROJECTOR"
 ARE TRADEMARKS OF 1 LTD.

MANUFACTURED UNDER LICENSE FROM DOLBY LAB. UNDER ONE OR
 MORE OF THE FOLLOWING U.S. PAT. NOS. 5,451,842; 5,828,274;
 5,774,381; 5,978,782; 6,487,535 AND OTHER U.S. AND WORLD-
 WIDE PATENTS ISSUED AND PENDING. "DTS" AND "DTS/ES" ARE
 REGISTERED TRADEMARKS OF DTS, INC. COPYRIGHT 1998. DCC-
 2000, DTS, INC. ALL RIGHTS RESERVED.

MANUFACTURED UNDER LICENSE FROM DOLBY LABORATORIES.
 "DOLBY", "PRO LOGIC", AND THE DOUBLE-D SYMBOL (CC) ARE
 TRADEMARKS OF DOLBY LABORATORIES.

"TruBass" TECHNOLOGY IS INCORPORATED UNDER LICENSE
 FROM SRS LABS, INC.

BER. _____

HTY-7040 (G, E models)

YAMAHA 马来西亚 制造
MODEL NO. HTY-7040
 额定电压 220-240 VOLTS
 额定功率 55W/80Hz
 产品编号: 686828-2001

警告: 电气危险, 请勿拆开。
 为了减少火灾或触电的危险,
 不要将本机暴露在雨中
 或潮湿的地方。

MANUFACTURED UNDER LICENSE FROM 1 LTD.
 WORLDWIDE PATENT APPLIED FOR.
 THE "L" LOGO AND "DIGITAL SOUND PROJECTOR"
 ARE TRADEMARKS OF 1 LTD.

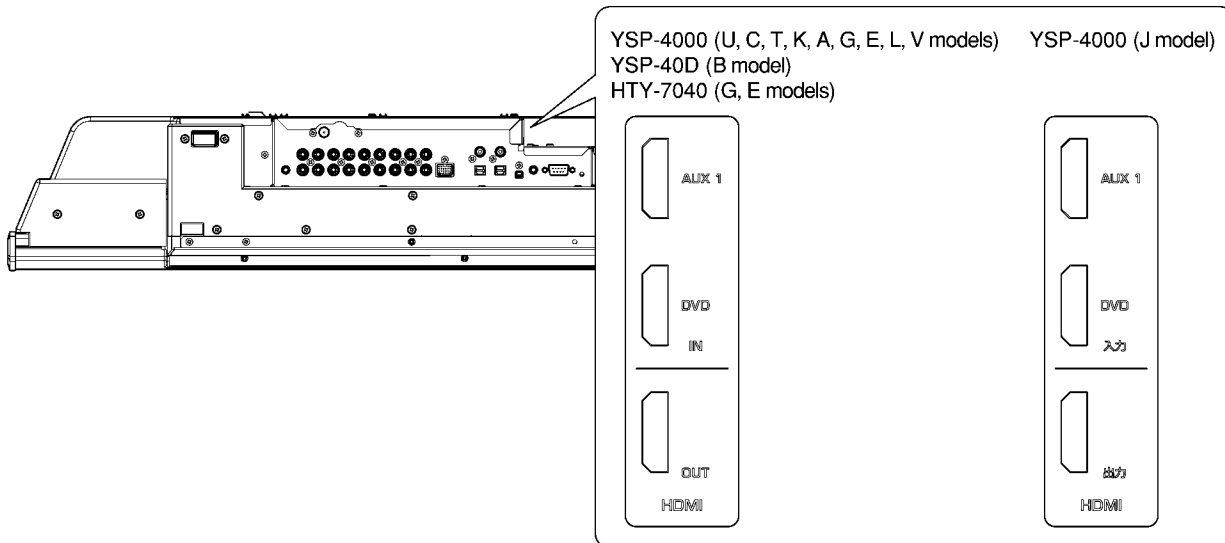
MANUFACTURED UNDER LICENSE FROM DOLBY LAB. UNDER ONE OR
 MORE OF THE FOLLOWING U.S. PAT. NOS. 5,451,842; 5,828,274;
 5,774,381; 5,978,782; 6,487,535 AND OTHER U.S. AND WORLD-
 WIDE PATENTS ISSUED AND PENDING. "DTS" AND "DTS/ES" ARE
 REGISTERED TRADEMARKS OF DTS, INC. COPYRIGHT 1998. DCC-
 2000, DTS, INC. ALL RIGHTS RESERVED.

MANUFACTURED UNDER LICENSE FROM DOLBY LABORATORIES.
 "DOLBY", "PRO LOGIC", AND THE DOUBLE-D SYMBOL (CC) ARE
 TRADEMARKS OF DOLBY LABORATORIES.

"TruBass" TECHNOLOGY IS INCORPORATED UNDER LICENSE
 FROM SRS LABS, INC.

BER. _____

■ BOTTOM PANEL

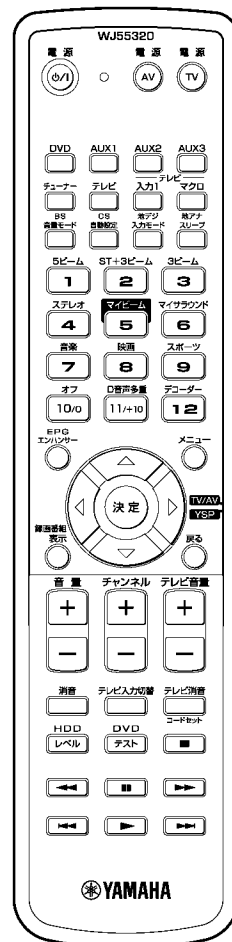
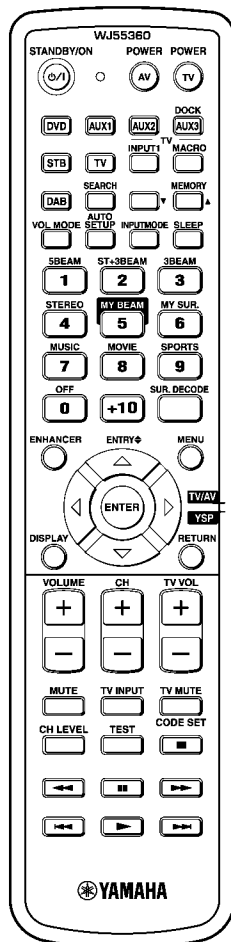
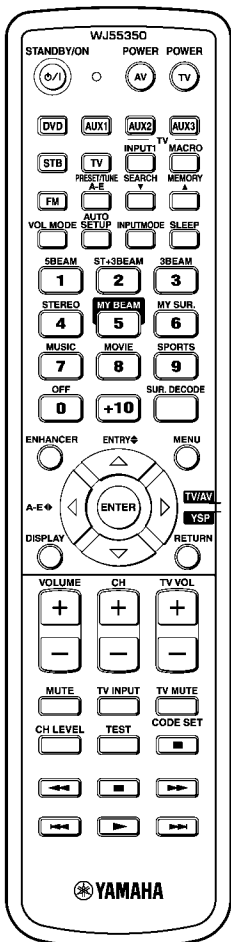
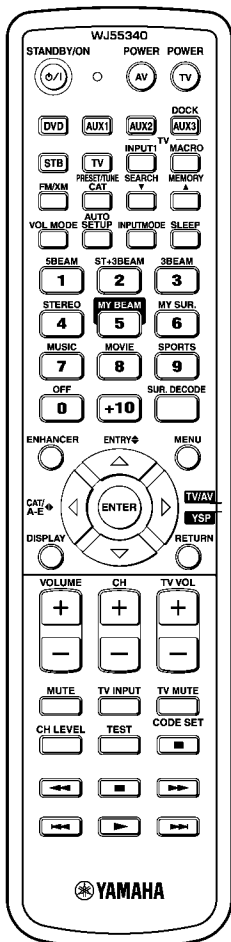


■ REMOTE CONTROL PANELS

YSP-4000
(U, C models)

YSP-4000
(T, K, A, G, E, L, V models) **YSP-40D**
(B model)
HTY-7040
(G, E models)

YSP-4000
(J model)



YSP-4000/YSP-40D/
 HTY-7040

■ SPECIFICATIONS / 参考仕様

■ Amplifier Section / アンプ部

Maximum Power / 実用最大出力 (EIAJ) [4 ohms, 10% THD]	
Woofer [100 Hz]	20 W/ch
Tweeter [1 kHz]	2 W/ch

Total Maximum Output Power / 総合最大出力	
.....	120 W

Minimum RMS Output Power (Power Amp. Section) / 定格出力 (パワーアンプ部) [4 ohms, 0.9% THD]	
Woofer [100 Hz]	14 W/ch
Tweeter [1 kHz]	1.7 W/ch

Input Sensitivity/Impedance / 入力感度/インピーダンス	
Analog input	1.0 Vrms / 32 k-ohms

Maximum Input Signal / 最大許容入力 [1 kHz, 0.5% THD]	
Analog input	2.2 Vrms or more

Output Level/Impedance / 出力電圧/出力インピーダンス	
Subwoofer PRE OUT	1.5 V / 1.1 k-ohms (less than 120 Hz)

Total Harmonic Distortion / 全高調波歪率 [1 W]	
Woofer [100 Hz]	0.2% or less
Tweeter [1 kHz]	0.1% or less

■ Video Section / ビデオ部

Composite Video Signal Level / コンポジットビデオ信号	
.....	1 Vp-p / 75 ohms

Component Video Signal Level / コンポーネントビデオ信号	
Y	1 Vp-p / 75 ohms
Pb, Pr	0.5 Vp-p / 75 ohms

Frequency Characteristics / 周波数特性	
Composite video signal	5 Hz to 10 MHz
Component video signal	5 Hz to 60 MHz

■ Speaker Section / スピーカー部

Type / 型式	
2-way acoustic suspension Magnetic shielding type	

Driver / スピーカーユニット	
Woofer	11 cm (4.5") cone x 2
Tweeter	4 cm (1.5") cone x 40

Frequency Response / 再生周波数帯域	
-10 dB, STEREO mode	55 Hz to 20 kHz

Crossover Frequency / クロスオーバー周波数	
Beam Channel	350 Hz
Stereo Channel	1 kHz

■ Input/Output / 入力/出力

Audio Input Jack / 入力端子	
Analog	
..... TV/STB, AUX1, AUX3 / テレビ/チューナー、AUX1、AUX3	
Digital (optical) (Fs= 32 / 44.1 / 48 / 64 / 88.2 / 96 kHz)	
..... TV/STB, AUX1 / テレビ/チューナー、DVD、AUX1	
Digital (coaxial) (Fs= 32 / 44.1 / 48 / 64 / 88.2 / 96 kHz)	
..... DVD, AUX2 / AUX2	
Video (composite)	
..... TV/STB, AUX1, AUX2 / テレビ/チューナー、DVD、AUX1	
U, C, K, V, J models	NTSC
T, A, B, G, E, L models	PAL
Video (component)	
..... TV/STB, DVD / テレビ/チューナー、DVD	

Output Jack / 出力端子	
Video (composite)	
U, C, K, V, J models	NTSC
T, A, B, G, E, L models	PAL
Video (component)	
Selected video out	
Subwoofer	PRE OUT

Microphone Input Jack / マイク入力	
.....	Automated system calibration / 自動システム調整

HDMI Input/Output / HDMI入出力	
Input	DVD, AUX1
Output	OUT

iPod Connection	
U, C, A, B models	DOCK

System Connector / システム接続	
U, C, J models	
.....	Monaural mini jack (for subwoofer ON/OFF control)

Antenna Connection / アンテナ端子	
U, C, T, K, A, G, E, L, V models	FM antenna
U, C models	XM antenna
B model	DAB antenna

Remote IN/OUT / リモート入力/出力	
Input	Standard IR remote input / 標準赤外入力
.....	External wired-in (Monaural mini jack) / 外部電気信号入力
.....	RS-232C
Output	IR pass through out

■ Function Section / 機能部

Decode Format / デコードフォーマット	
.....	Dolby Digital,
.....	Dolby Pro Logic, Dolby Pro Logic II (Movie, Music, Game)
.....	dts, dts Neo6 (Cinema, Music)
.....	AAC (J model), Neural surround (U, C models)

Beam Mode / ビームモード	
.....	5Beam, Stereo + 3Beam, 3Beam, Stereo / 5ch stereo
.....	My Beam, My surround

Cinema DSP / シネマDSP	
.....	Music / Movie / Sports / OFF

Music Enhancer / ミュージックエンハンサー	
.....	High/Low

Bass Extension / 低音増強	
SRS TruBass	

Volume Mode / 音量モード	
.....	Night Listening Enhancer / ナイトリスニングモード
.....	TV EQUAL / テレビ音量一定モード

Language for Menu Display / メニュー表示言語	
.....	English, French, German, Spanish, Italy,
.....	Dutch, Russian (U, C, T, K, A, B, G, E, L, V models)
.....	Japanese (J model)

Beam Setting Method / ビーム調整モード	
.....	Auto setup, Manual setup

FM Tuning Range / FM受信周波数範囲	
U, C, T, L, V models	87.5 to 107.9 MHz
K, A, G, E models	87.50 to 108.00 MHz

RDS	
G, E models	PS / PTY / RT / CT

■ HDMI

HDMI Specification / HDMI規格	
Version 1.3a	

Audio Format / 音声フォーマット	
.....	CD, DVD-video (Dolby Digital, DTS), AAC (J model)

Content Protection / 著作権保護	
.....	HDCP

* HDMI interface of this unit is based on the following standard: HDCP (High-bandwidth Digital Content Protection System) licensed by Digital Content Protection, LLC.

本機のHDMIは著作権保護技術 (HDCP: High-bandwidth Digital Content Protection System) に対応しています。

Video Format / 映像フォーマット

Repeater mode

.....	VGA, 480i / 60 Hz, 576i / 50 Hz,
	480p / 60 Hz, 576p / 50 Hz,
	1080i / 50/60 Hz, 720p / 50/60 Hz, 1080p / 24/50/60 Hz

Analog up conversion

.....	480i / 60 Hz (NTSC), 576i / 50 Hz (PAL),
	480p / 60 Hz, 576p / 50 Hz,
	1080i / 50/60 Hz, 720p / 50/60 Hz

Up-scaling

.....	480i → 480p/720p/1080i, 480p → 720p/1080i,
	576i → 576p/720p/1080i, 576 → 720p/1080i

Link Function / リンク機能

HDMI control

U, C models	EZ sync support
T, K, A, B, G, E, L, V, J models	VIERA link

General / 総合

Power Supply / 電源電圧

U, C models	AC 120 V, 60 Hz
T, K, A, B, G, E, L models	AC 220-240 V, 50/60 Hz
V model	AC 110-120 V, 50/60 Hz
J model	AC 100V, 50/60 Hz

Power Consumption / 消費電力

.....	55 W
-------	------

Standby Power Consumption (Reference Data) / 待機時消費電力 (参考値)

HDMI control ON	3.0 W or less
HDMI control OFF	0.1 W or less

Dimensions (W x H x D) / 寸法 (幅 × 高さ × 奥行き)

..... 1030 x 198 x 144 mm (40-9/16" x 7-13/16" x 5-11/16")

Weight / 質量

Black color	15.5 kg (34 lbs. 2 oz.)
Silver color	15.2 kg (33 lbs. 8 oz.)

Finish / 仕上げ

[YSP-4000]

Black color	U, C, T, K, A, G, E, L, V, J models
Silver color	U, C, T, K, A, G, E, L, V, J models

[YSP-40D]

Black color	B model
Silver color	B model

[HTY-7040]

Black color	G, E models
Silver color	G, E models

Accessories / 付属品

Remote control x 1, Batteries (R6, AA, UM-3) x 2, Power cable (2 m) x 1, Indoor FM antenna (1.4 m) x 1 (U, C, T, K, A, G, E, L, V models), Video pin cable (1.5 m) x 1, Audio pin cable (1.5 m) x 1, Digital audio pin cable (1.5 m) x 1 (U, C, T, K, A, B, G, E, L, V models), Optical cable (1.5 m) x 1 (U, C, T, K, A, B, G, E, L, V models)/x 2 (J model), Cable clip x 1, Fastener x 4, IntelliBeam microphone (6 m) x 1, Cardboard microphone stand x 1, DVD-ROM (Demo disc) x 1, Indoor DAB antenna (1.6 m) x 1 (B model)

* Specifications are subject to change without notice due to product improvements.

※ 参考仕様および外観は予告なく変更されることがあります。

U	U.S.A. model	G	European model
C	Canadian model	E	South European model
T	Chinese model	L	Singapore model
K	Korean model	V	Taiwan model
A	Australian model	J	Japanese model
B	British model		

IntelliBeam

The "IntelliBeam" logo and "IntelliBeam" are trademarks of YAMAHA Corporation.

「インテリビーム」「IntelliBeam」は、ヤマハ株式会社の商標です。



The "CINEMA DSP" logo and "Cinema DSP" are registered trademarks of YAMAHA Corporation.

「シネマDSP」「CINEMA DSP」は、ヤマハ株式会社の登録商標です。



Manufactured under license from Dolby Laboratories. "Dolby", "Pro Logic", and the double-D symbol are trademarks of Dolby Laboratories.

ドルビーラボラトリーズからの実施権により製造されています。「ドルビー」、「PRO LOGIC」およびダブルD記号 は、ドルビーラボラトリーズの商標です。



Digital Surround | Neo:6

"DTS" and "Neo:6" are registered trademarks of DTS, Inc.

DTSおよびNeo:6はDTS社の登録商標です。



"HDMI", the "HDMI" logo and "High-Definition Multimedia Interface" are trademarks or registered trademarks of HDMI Licensing LLC.

HDMI、HDMIロゴおよびHigh-Definition Multimedia Interfaceは、HDMI Licensing LLCの商標または、登録商標です。



Manufactured under license from 1 Ltd. Worldwide patents applied for. The "1" logo and "Digital Sound Projector" are trademarks of 1 Ltd.

世界に広く特許申請中の1Ltdからライセンスを受けています。

'1'は1Ltdの商標です。



TruBass, SRS and the "SRSCO" symbol are registered trademarks of SRS Labs, Inc. TruBass technology is incorporated under license from SRS Labs, Inc.

TruBass、SRSと記号はSRS Lab, Inc.の商標です。TruBass技術はSRS Labs, Inc.からのライセンスに基づき製品化されています。



EUPHONY is a trademark of DiMAGIC Co., Ltd.



"iPod" is a trademark of Apple Inc., registered in the U.S. and other countries.



The XM name and related logos are registered trademarks of XM Satellite Radio Inc.



Neural Surround name and related logos are trademarks owned by Neural Audio Corporation.



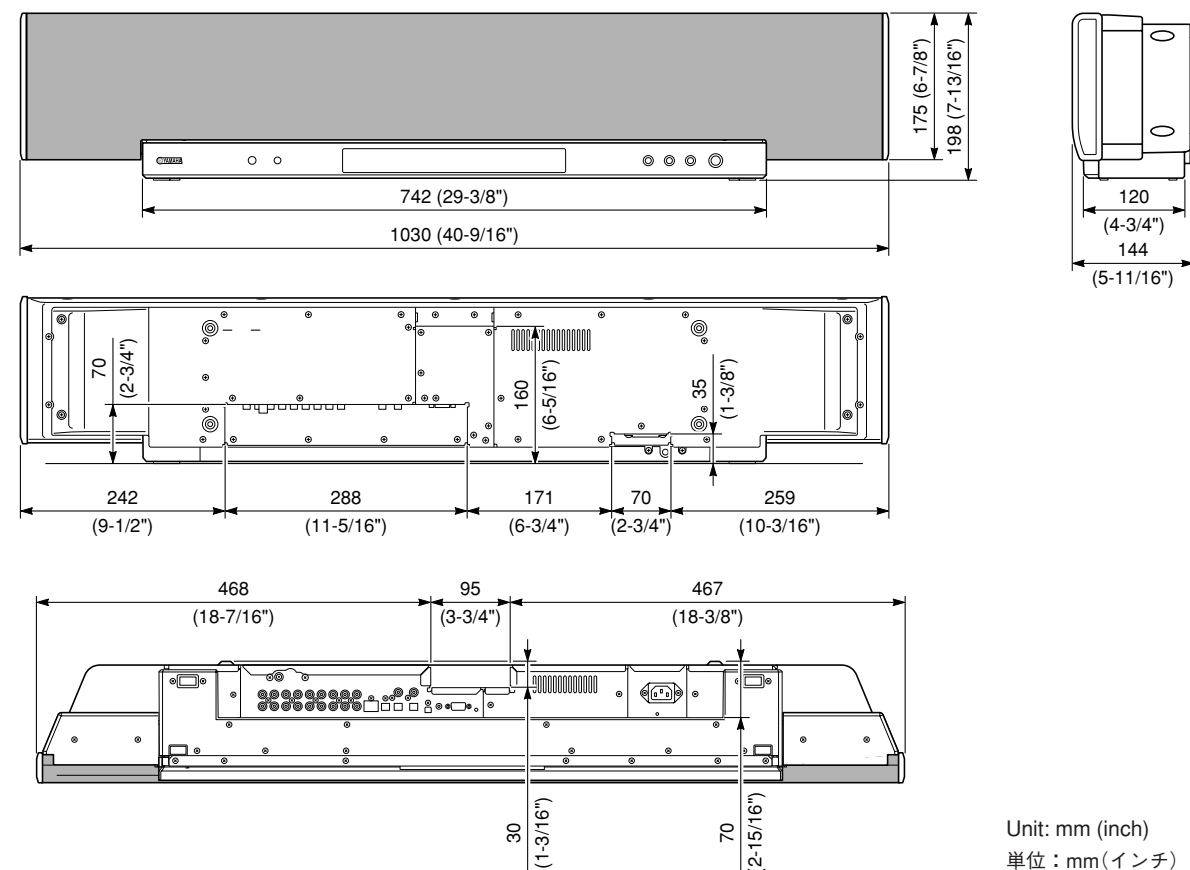
Digital Audio Broadcasting

This receiver supports DAB tuning.



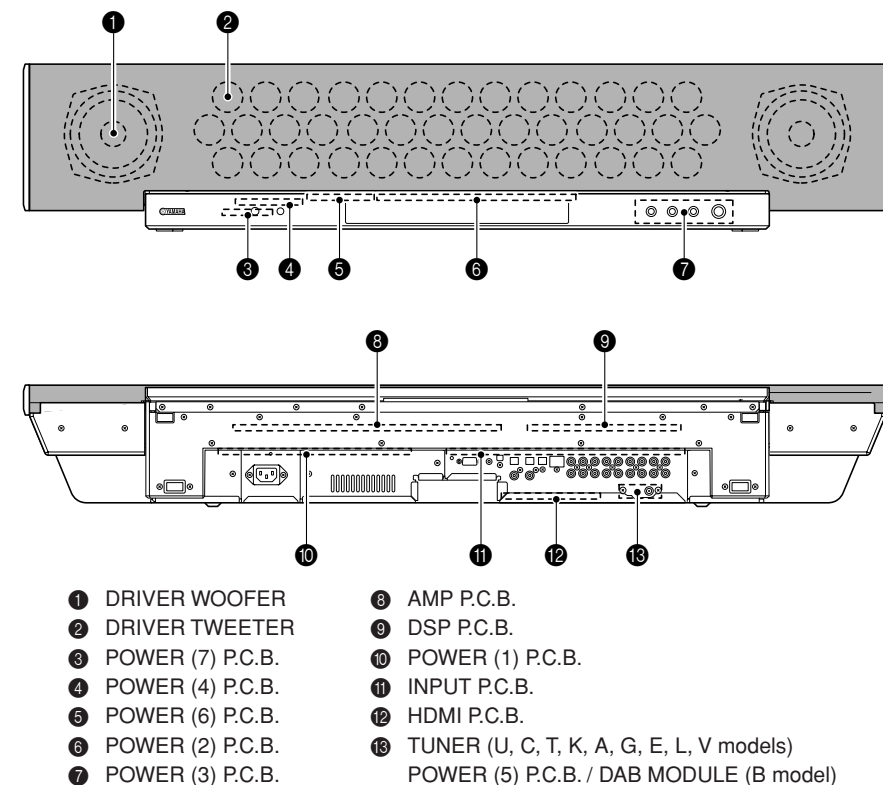
AACロゴマーク はドルビーラボラトリーズの商標です。

DIMENSIONS / 寸法図



Unit: mm (inch)
単位: mm (インチ)

INTERNAL VIEW



■ SET MENU TABLE / セットメニュー

CATEGORY 1	MAIN MENU 2	SUB MENU 3	SELECT MENU 4	VALUE [INITIAL]		
1 MEMORY	1) LOAD	LOAD SEL : MEMORY1, MEMORY2, MEMORY3				
	2) SAVE	SAVE SEL : MEMORY1, MEMORY2, MEMORY3				
	1) BEAM+ SOUND OPTIMZ	START SETUP ?				
2 AUTO SETUP	2) BEAM OPTIMZ only	START SETUP ?				
	3) SOUND OPTIMZ only	START SETUP ?				
	1) SOUND MENU	A) TONE CONTROL	TREBLE	-12.0 to +12.0 dB, [0 dB], step 0.5 dB		
3 MANUAL SETUP	1) SOUND MENU	B) SUBWOOFER SET	BASS	SWFR, [FRONT]		
			BASS OUT	80, [100], 120 Hz		
			CROSS OVER	-20 to 0 dB, [0 dB], step 1.0 dB		
			LFE LEVEL	0.3 to 15.0 m, [3.0 m], step 0.1 m		
			DISTANCE	1.0 to 50.0 ft, [10.0 ft], step 0.5 ft		
			MUTE	[MUTE], -20 dB		
			AUDIO DELAY	0 to 160 ms, [0 ms], step 1 ms		
				Maximum changes with the modes. / 最大値はモードにより変化		
			ROOM EQ	WALL, [SHELF]		
				[NORMAL], HI ECHO		
				MIN, STD, [MAX]		
				OFF, [MID], DEEP		
	2) BEAM MENU	A) SETTING PARAMETERS		INSTALLED POSITION	[FLAT TO WALL], ANGLE TO WALL OR CORNER	
				INSTALLED HEIGHT	0.0 to 3.0 m, step 0.1 m 0.1 to 10.0 ft, step 0.5 ft	
				ROOM WIDTH	2.0 to 12.0 m, step 0.1 m 6.5 to 40.0 ft, step 0.5 ft	
				ROOM LENGTH	2.0 to 12.0 m, step 0.1 m 6.5 to 40.0 ft, step 0.5 ft	
				USER POSITION	1.8 to 9.0 m, step 0.1 m 6.0 to 30.0 ft, step 0.5 ft	
				TO L WALL	0.6 to 11.4 m, step 0.1 m 2.0 ft to 38.0 ft, step 0.5 ft	
				a) HORIZONTAL ANGLE	Front L	
					Front R	
					Center	
				b) VERTICAL ANGLE	Surround L	
					Surround R	
	Front L					
	c) BEAM TRAVEL LENGTH	Front L				
		Front R				
		Center				
	d) FOCAL LENGTH	Surround L				
		Surround R				
		Front L				
	e) TREBLE GAIN	Front L				
		Front R				
		Center				
3) INPUT MENU	C) IMAGE LOCATION		IMAGE LOCATION	[OFF], ON		
			LEFT	L --- C		
			RIGHT	C --- R		
		A) INPUT ASSIGNMENT		HDMI1	TV/STB, [AUX1]	
				HDMI2	[DVD], AUX2	
				COMPONENT Line1	TV/STB, [AUX1]	
				COMPONENT Line2	AUX2, [DVD]	
				COMPONENT Line3	DVD, [AUX2]	
		B) INPUT MODE	> AUTO, LAST			
		C) INPUT TRIM		TV/STB	ANALOG	
					DIGITAL	
				DVD	DIGITAL	
	AUX1		ANALOG			
	AUX2		DIGITAL			
	AUX3		ANALOG			
	DOCK	ANALOG				
		(U, C, A models)				
D) INPUT RENAME			Max: 8 character space, A to Z, 0 to 9, a to z, #, *, +, ,, ., /, :, <, >, ?			
E) HDMI SET		a) SUPPORT AUDIO	[YSP-4000], OTHER			
		b) VIDEO INFO.	HDMI SIGNAL, HDMI RES., HDMI ERROR			
		c) UP-SCALING	OFF, [THROUGH], 480p/576p, 1080i, 720p			
		d) ASPECT RATIO	[THROUGH], 16:9 Normal, Smart Zoom			
		e) HDMI CONTROL	OFF, [ON]			
F) XM ANTENNA LEVEL		XM ANTENNA LEVEL	NONE, 0 to 100%			
		(U, C models)				
	A) F. DISPLAY SET		STANDARD DIMMER	-2, -1, [OFF]		
			AUTO DIMMER	[OFF], -1 to -3, DISPLAY OFF		
			SCROLL	[CONT.], ONCE		
	B) OSD SET		OSD SHIFT	-5 to +5, [0]		
		OSD DISPLAY TIME	[ON], 10s, 30s (U, C, A, J models)			
C) UNIT SET		> METERS, FEET				
4 LANGUAGE SETUP		(U, C, K, A, B, G, E, L, V models)				
		ENGLISH (English)				
		DEUTSCH (German)				
		Français (French)				
		ESPAÑOL (Spanish)				
		ITALIANO (Italian)				
		NEDERLANDS (Dutch)				
	Русский (Russian)					

■ SERVICE PRECAUTIONS / サービス時の注意事項

Safety measures

- Some internal parts in this product contain high voltages and are dangerous. Be sure to take safety measures during servicing, such as wearing insulating gloves.
- Note that positions indicated below are dangerous even after the power is turned off because an electric charge remains and a high voltage continues to exist there. Before starting any repair work, perform discharge by connecting a discharge resistor (5k-ohms/10W) between terminals at following positions. The time required for discharging is about 30 seconds.
 - C504/C505 on POWER (1) P.C.B..
 - C518 on POWER (1) P.C.B..

安全対策

- この製品の内部には高電圧部分があり危険です。修理の際は、絶縁性の手袋を使用するなどの安全対策を行ってください。
- 下記箇所には電源をOFFにした後も電荷が残り、高電圧が維持されており危険です。修理作業前に放電用抵抗(5kΩ/10W)を下記箇所の端子間に接続して放電してください。放電所用時間は約30秒間です。
 - POWER(1)P.C.B.のC504/C505
 - POWER(1)P.C.B.のC518

■ DISASSEMBLY PROCEDURES / 分解手順

(Remove parts in the order as numbered.)

Cautions for disassembly and reassembly:

- Disconnect the power cable from the AC outlet.
- Spread soft cloth or the like and perform the work on it.
- Use full care as you may be injured by the front grille or other part.
- All screws must be tightened securely to prevent air leakage. Check the number of screws and their positions when installing them.
- When installing parts, be careful not to have anything such as cables caught between other parts.
- Make sure that all the removed driver tweeters are re-installed at specified positions.

(番号順に部品を取り外してください。)

分解・組立時の注意：

- AC電源コンセントから、電源コードを抜いてください。
- やわらかい布等を敷いて その上で作業を行ってください。
- フロントグリル等で怪我をする恐れがあります。十分注意してください。
- ネジを閉め忘れると、エア漏れをすることがあります。ネジの個数及び位置を確認し、取り付けてください。
- 取り付けの際、ケーブル等を部品の隙間に挟み込むことがあります。十分注意してください。
- 取り外したスピーカーユニット(ツイーター)はすべて決められた位置に取り付けてください。

Disassembly Procedures as far as P.C.B. and Driver Tweeter

1. Removal of Rear Panel

- Remove 13 screws (①). (Fig. 1)
- Remove the rear panel R. (Fig. 1)
- Remove 10 screws (②). (Fig. 1)
- Remove the rear panel CTR. (Fig. 1)
- Remove 13 screws (③). (Fig. 1)
- Remove the rear panel L. (Fig. 1)

P.C.B.およびスピーカーユニット(ツイーター)までの分解手順

1. リアパネルの外し方

- ①のネジ13本を外します。(Fig. 1)
- リアパネルRを取り外します。(Fig. 1)
- ②のネジ10本を外します。(Fig. 1)
- リアパネルCTRを取り外します。(Fig. 1)
- ③のネジ13本を外します。(Fig. 1)
- リアパネルLを取り外します。(Fig. 1)

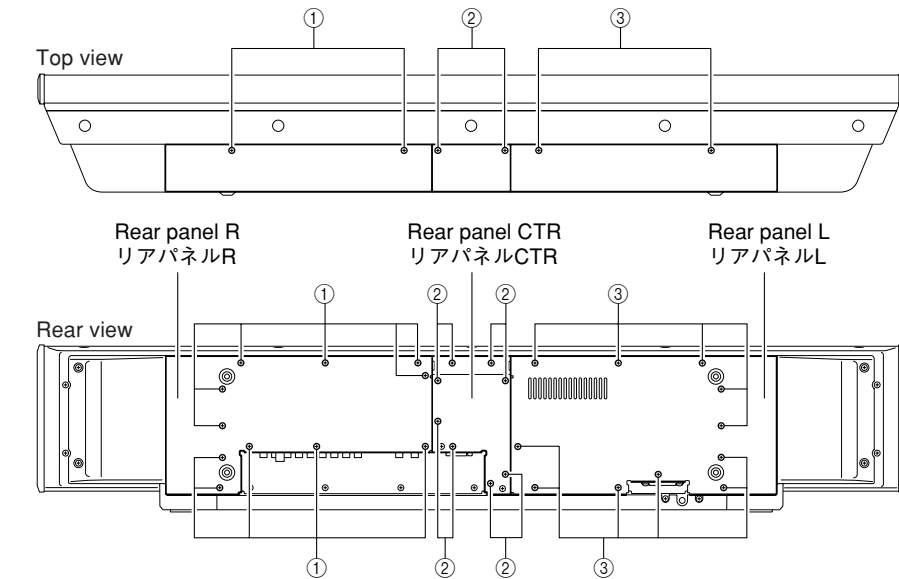


Fig. 1

2. Removal of HDMI P.C.B.

- Remove 4 screws (④) and 2 screws (⑤). (Fig. 2)
- Remove CB5. (Fig. 2)
- Release the lock and then remove CB2 and CB6. (Fig. 2)
- Remove the HDMI P.C.B. together with flame HDMI. (Fig. 2)

2. HDMI P.C.B.の外し方

- ④のネジ4本、⑤のネジ2本を外します。(Fig. 2)
- CB5を外します。(Fig. 2)
- ロックを外し、CB2、CB6を外します。(Fig. 2)
- HDMI P.C.B.をフレームHDMIと一緒に取り外します。(Fig. 2)

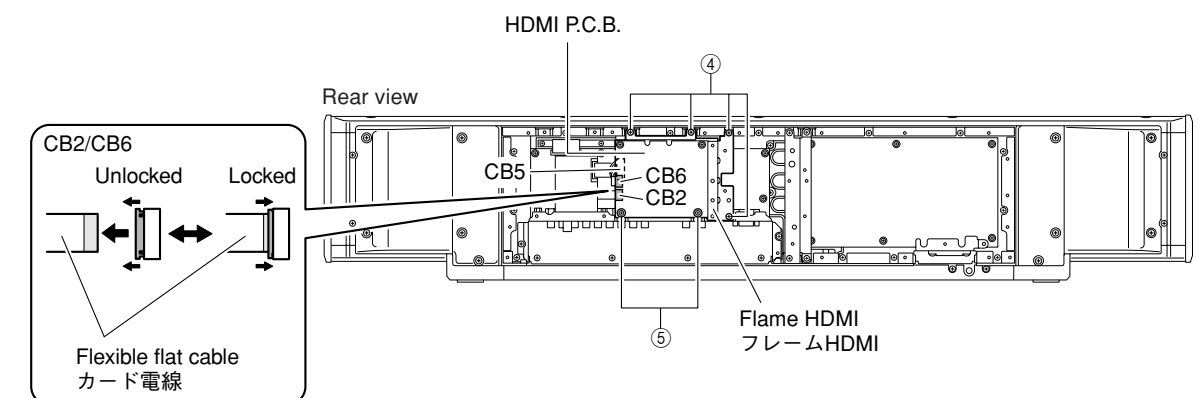


Fig. 2

**3. Removal of FM Tuner
(U, C, T, K, A, G, E, L, V models)**

- a. Remove 2 screws (⑥). (Fig. 3)
- b. Remove CB2. (Fig. 3)
- c. Remove the FM tuner. (Fig. 3)

U, C, T, K, A, G, E, L, V models

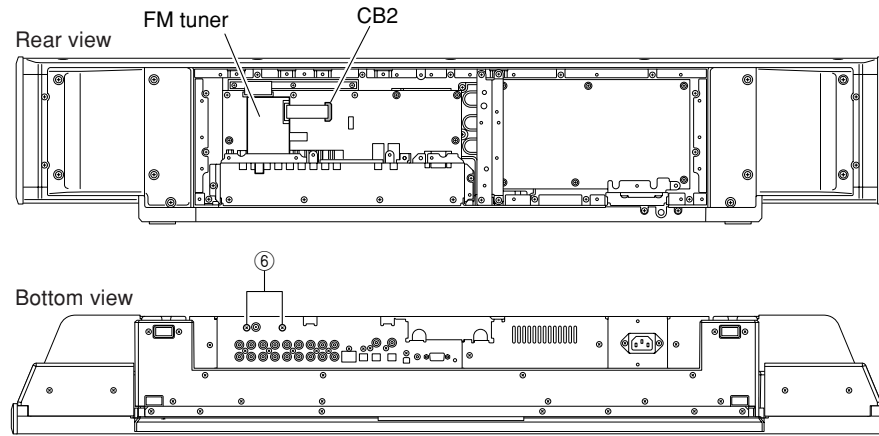


Fig. 3

B model

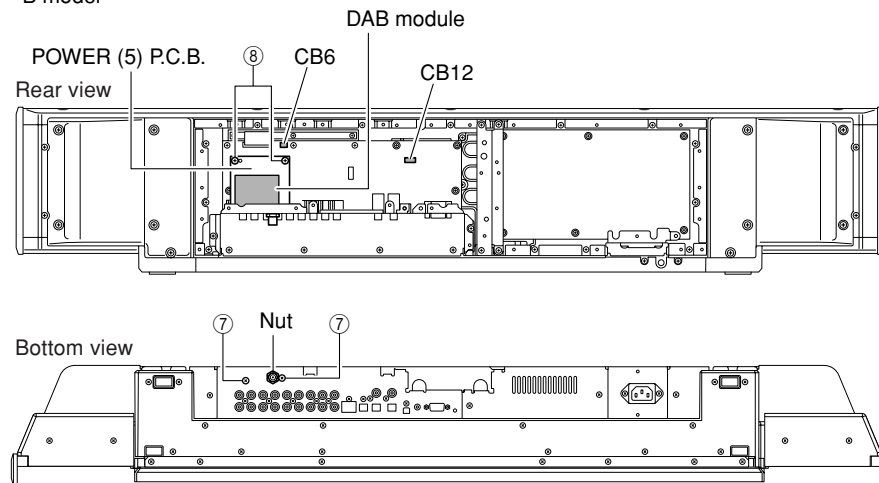


Fig. 4

**4. Removal of POWER (5) P.C.B.
(DAB tuner, B model)**

- a. Remove 2 screws (⑦). (Fig. 4)
- b. Remove nut. (Fig. 4)
- c. Remove 2 screws (⑧). (Fig. 4)
- d. Remove CB6 and CB12. (Fig. 4)
- e. Remove POWER (5) P.C.B. together with DAB module. (Fig. 4)

5. Removal of POWER (1) P.C.B.

- a. Remove 2 screws (⑨) and screw (⑩). (Fig. 5)
- b. Remove CB501. (Fig. 5)
- c. Remove the AC inlet ass'y. (Fig. 5)
- d. Remove 6 screws (⑪). (Fig. 5)
- e. Remove CB504-507. (Fig. 5)
- f. Remove POWER (1) P.C.B.. (Fig. 5)

5. POWER(1)P.C.B.の外し方

- a. ⑨のネジ2本、⑩のネジ1本を外します。(Fig. 5)
- b. CB501を外します。(Fig. 5)
- c. ACインレットASSYを取り外します。(Fig. 5)
- d. ⑪のネジ6本を外します。(Fig. 5)
- e. CB504~507を外します。(Fig. 5)
- f. POWER(1)P.C.B.を取り外します。(Fig. 5)

6. Removal of INPUT P.C.B.

- a. Remove 4 screws (⑫) and 3 screws (⑬). (Fig. 5)
- b. Remove 9 (U, C models) / 7 (T, K, B, G, E, L, V models) / 8 (A model) screws (⑭). (Fig. 5)
- c. Remove 2 jack screws. (Fig. 5)
- d. Remove CB7-10. (Fig. 5)
- e. Remove the INPUT P.C.B.. (Fig. 5)

6. INPUT P.C.B.の外し方

- a. ⑫のネジ4本、⑬のネジ3本を外します。(Fig. 5)
- b. ⑭のネジ8本を外します。(Fig. 5)
- c. ジャックスクリュー2本を外します。(Fig. 5)
- b. CB7~10を外します。(Fig. 5)
- e. INPUT P.C.B.を取り外します。(Fig. 5)

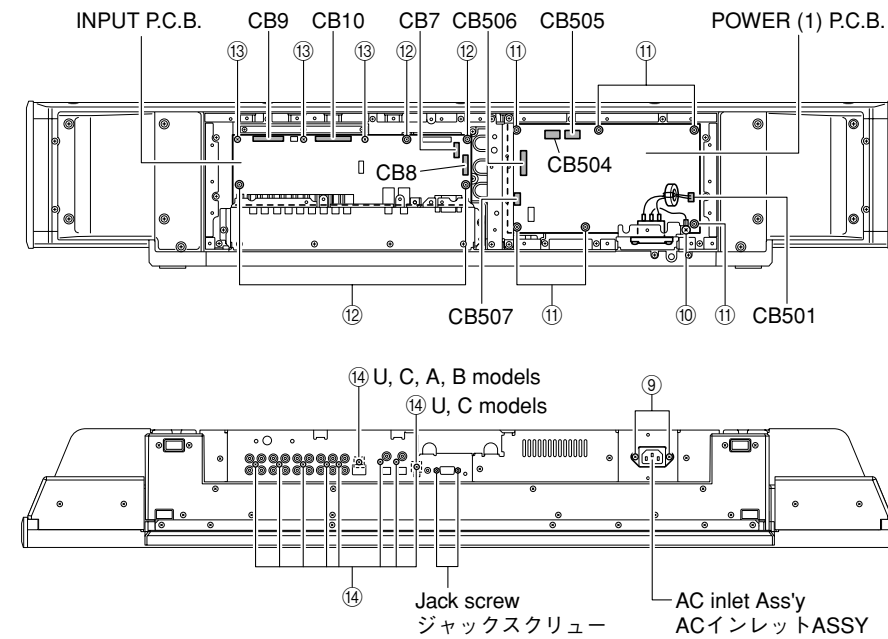


Fig. 5

When checking the P.C.B.s:

- * Put the rubber sheet and cloth over the equipment. Then place the P.C.B.s upside down on the cloth and check it. (Fig. 6)
- * Reconnect all cables (connectors) that have been disconnected.
- * When connecting the flexible flat cable, be careful with polarity.
- * In this unit, the ground of P.C.B.s is connected to the panel or chassis. When these P.C.B.s are removed from the panel or chassis, connect the ground point to the panel or chassis, using a ground lead wire or such. (Fig. 6)

P.C.B.をチェックする場合には：

- ・ 本機の上にゴムシートと布を敷き、その上にP.C.B.を裏返しに置いてチェックします。(Fig. 6)
- ・ 外したケーブル(コネクター)をすべて接続します。
- ・ カード電線を接続する際、極性に注意してください。
- ・ 本機ではP.C.B.のアースがパネルまたはシャーシに接続されています。P.C.B.をパネルまたはシャーシより取り外した場合、リード線等でアースポイントをパネルまたはシャーシに接続してください。(Fig. 6)

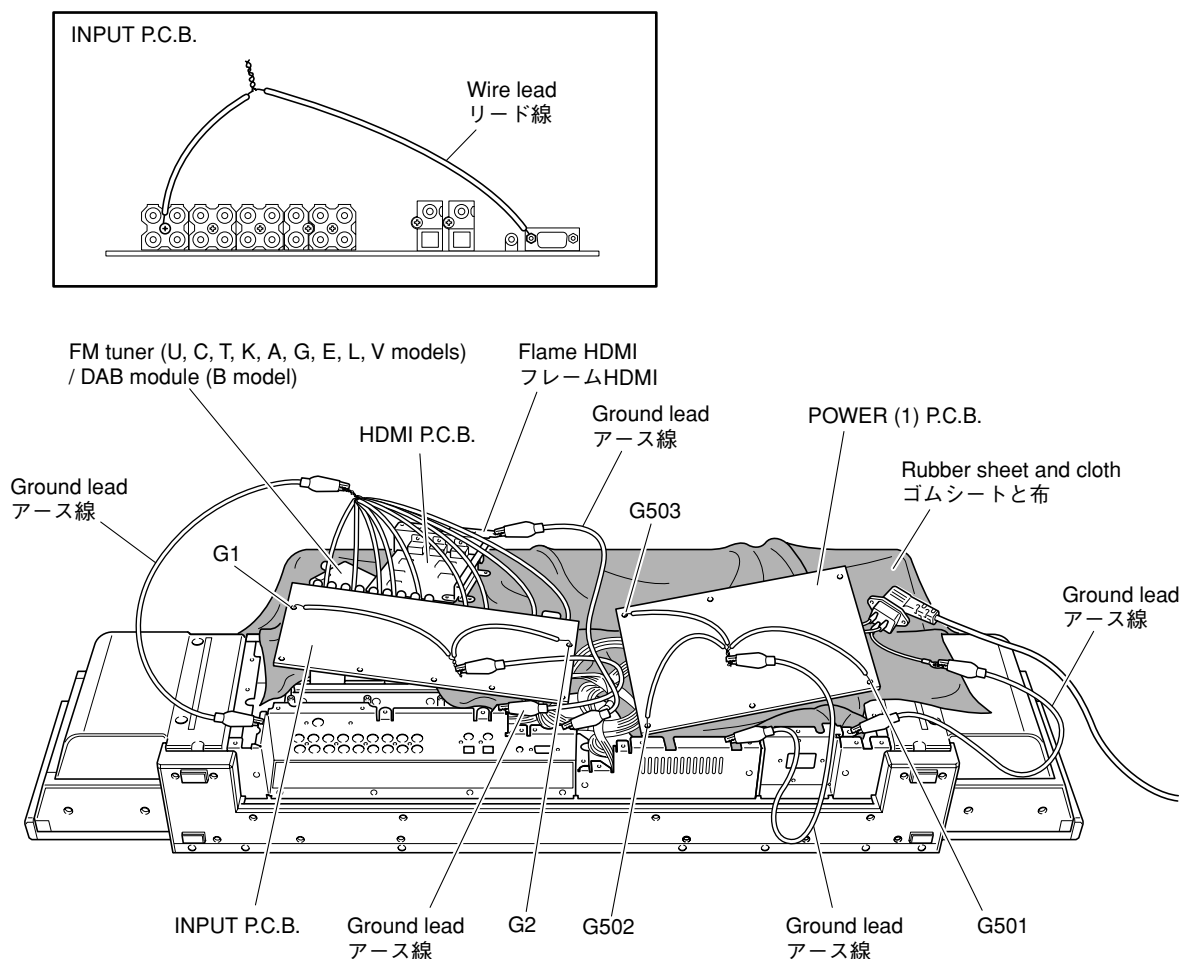


Fig. 6

YSP-4000/YSP-40D/
HTY-7040

7. Removal of Shield Unit

- a. Remove 17 screws (15). (Fig. 7)
- b. Remove 3 screws (16) and then remove the stopper wire. (Fig. 7)
- c. Remove 4 screws (17) and then remove the support HDL. (Fig. 7)
- d. Remove 3 pad Ls. (Fig. 7)
- e. Remove 10 screws (18), 4 screws (19) and then remove the cover bottom. (Fig. 7)
- f. Remove CB801 and CB902. (Fig. 7)
- g. Remove the shield unit, using care not to cause damage to the cable and other parts. (Fig. 7)

7. シールドユニットの外し方

- a. ⑮のネジ17本を外します。(Fig. 7)
- b. ⑯のネジ3本を外し、ストッパーWIREを取り外します。(Fig. 7)
- c. ⑰のネジ4本を外し、サポートHDLを取り外します。(Fig. 7)
- d. パッドL3個を取り外します。(Fig. 7)
- e. ⑱のネジ10本、⑲のネジ4本を外し、ボトムカバーを取り外します。(Fig. 7)
- f. CB801、CB902を外します。(Fig. 7)
- g. ケーブル等を傷つけないように、シールドユニットを取り外します。(Fig. 7)

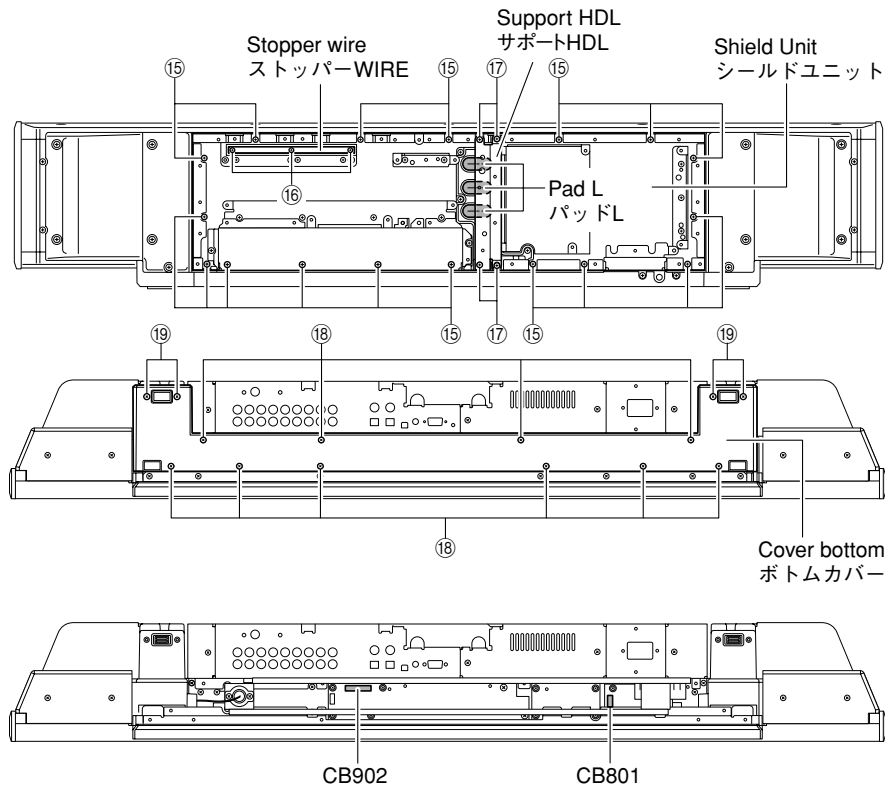


Fig. 7

YSP-4000/YSP-40D/
HTY-7040

8. Removal of DSP P.C.B.

- Remove 4 screws (20). (Fig. 8)
- Remove CB8. (Fig. 8)
- Remove the DSP P.C.B.. (Fig. 8)

8. DSP P.C.B.の外し方

- 20のネジ4本を外します。(Fig. 8)
- CB8を外します。(Fig. 8)
- DSP P.C.B.を取り外します。(Fig. 8)

9. Removal of AMP P.C.B.

- Remove 7 screws (21). (Fig. 8)
- Remove CB502-505 and CB509-512. (Fig. 8)
- Remove AMP P.C.B.. (Fig. 8)

9. AMP P.C.B.の外し方

- 21のネジ7本を外します。(Fig. 8)
- CB502~505、CB509~512を外します。(Fig. 8)
- AMP P.C.B.を取り外します。(Fig. 8)

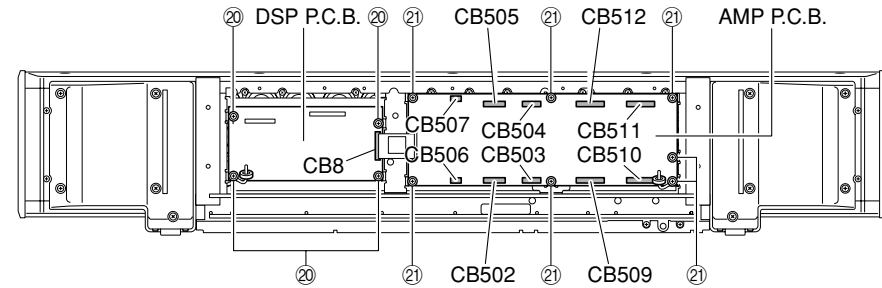


Fig. 8

10. Removal of Driver Tweeter

* At this time, the entire speaker unit (tweeter) cannot be removed. To remove the remaining part of the speaker unit (tweeter), perform steps 11 to 16 of Disassembly Procedure.

- Remove the sound absorber.
- Remove 2 screws/piece (22). (Fig. 9)
- Remove the driver tweeter. (Fig. 9)

* Make sure that all the removed driver tweeter parts are reinstalled at specified positions. (Fig. 10)

10. スピーカーユニット(ツイーター)の外し方

* このとき、すべてのスピーカーユニット(ツイーター)を取り外すことはできません。取り外すことができないスピーカーユニット(ツイーター)を取り外す場合は、分解手順11から16までを行ってください。

- 吸音材を取り外します。
- 22のネジ2本/個を外します。(Fig. 9)
- スピーカーユニット(ツイーター)を取り外します。(Fig. 9)

* 取り外したスピーカユニット(ツイーター)は、すべて決められた位置に取り付けてください。(Fig. 10)

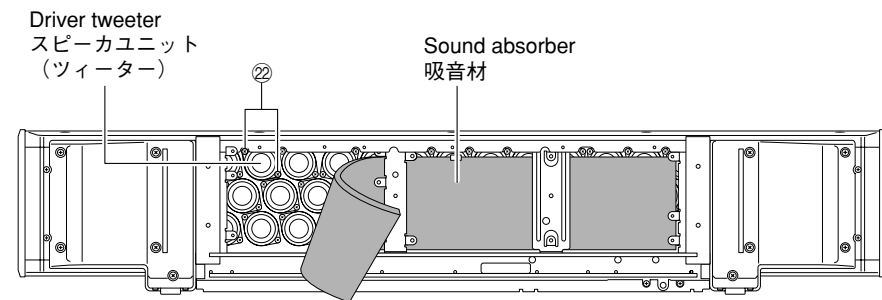


Fig. 9

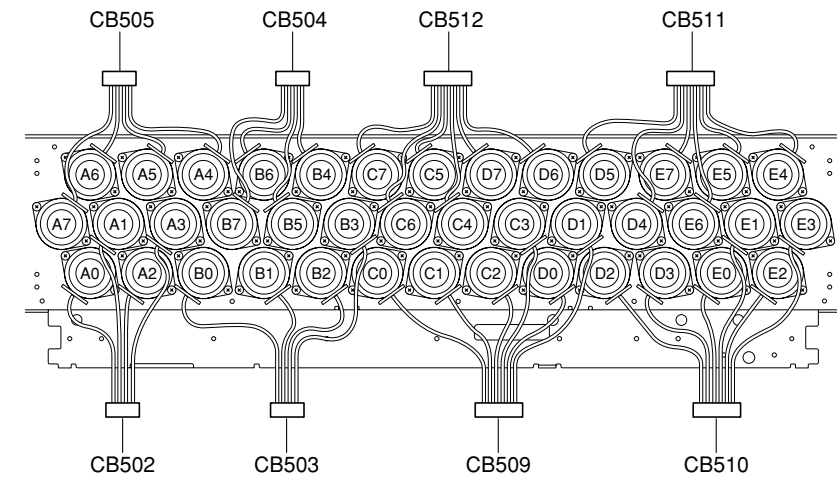


Fig. 10

Pin No. (cable color) / ピンNo.	CB502	CB503	CB504	CB505	CB509	CB510	CB511	CB512
1 (Black), 2 (Red)	A3	B3	B4	A4	D1	E3	E4	D6
3 (Black), 4 (Green)	A2	B2	B5	A5	D0	E2	E5	D7
5 (Black), 6 (Yellow)	A1	B1	B6	A6	C3	E1	E6	C4
7 (Black), 8 (Orange)	A0	B0	B7	A7	C2	E0	E7	C5
9 (Black), 10 (Brown)	*	-	-	*	C1	D3	D4	C6
11 (Black), 12 (White)	-	-	-	-	C0	D2	D5	C7
13	-	-	-	-	*	-	-	*

* : Reserve

Installation of Driver (Tweeter)

Caution: Make sure that all the removed driver (tweeter) parts are reinstalled at specified positions. (Fig. 10)

スピーカーユニット(ツイーター)の取り付け方

注意: 取り外したスピーカーユニット(ツイーター)はすべて決められた位置に取り付けてください。(Fig. 10)

11. Removal of POWER (3), (4), (6) and (7) P.C.B.s

- Remove 7 screws (23) and then remove the front panel. (Fig. 11)
- Remove 14 screws (24) and then remove the sub panel. (Fig. 11)
- Remove 2 screws (25). (Fig. 12)
- Remove CB852. (Fig. 12)
- Remove the POWER (7) P.C.B.. (Fig. 12)
- Remove 2 screws (26) and 2 screws (27). (Fig. 12)
- Remove CB802. (Fig. 12)
- Remove the POWER (4) P.C.B.. (Fig. 12)
- Remove 4 screws (28). (Fig. 12)
- Remove the POWER (6) P.C.B.. (Fig. 12)
- Remove 6 screws (29). (Fig. 12)
- Remove CB903. (Fig. 12)
- Remove the POWER (3) P.C.B.. (Fig. 12)

11. POWER(3)、(4)、(6)、(7)P.C.B.の外し方

- 23のネジ7本を外し、フロントパネルを取り外します。(Fig. 11)
- 24のネジ14本を外し、サブパネルを取り外します。(Fig. 11)
- 25のネジ2本を外します。(Fig. 12)
- CB852を外します。(Fig. 12)
- POWER(7)P.C.B.を取り外します。(Fig. 12)
- 26のネジ2本、27のネジ2本を外します。(Fig. 12)
- CB802を外します。(Fig. 12)
- POWER(4)P.C.B.を取り外します。(Fig. 12)
- 28のネジ4本を外します。(Fig. 12)
- POWER(6)P.C.B.を取り外します。(Fig. 12)
- 29のネジ6本を外します。(Fig. 12)
- CB903を外します。(Fig. 12)
- POWER(3)P.C.B.を取り外します。(Fig. 12)

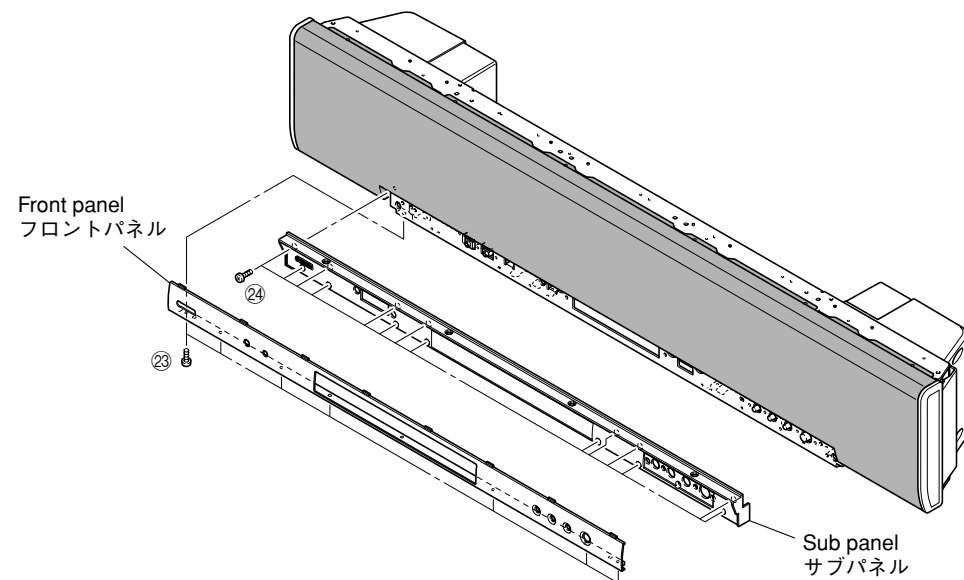


Fig. 11

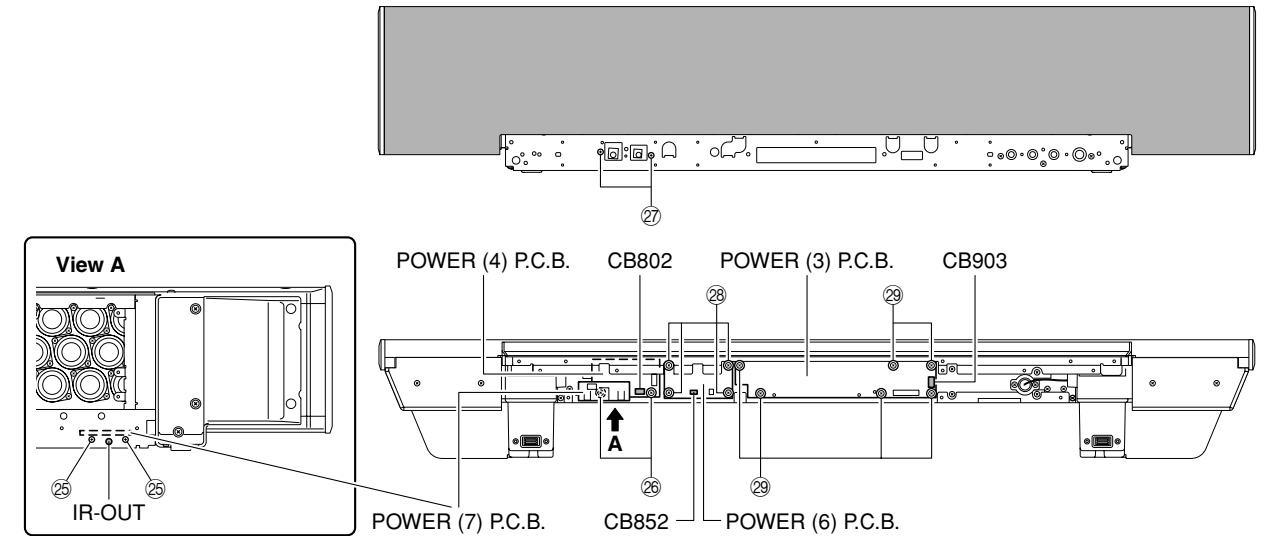


Fig. 12

12. Removal of Front Grille

- Use full care as you may be injured by the front grille or other part.
- Remove the plate top and 5 screws (30). (Fig. 13)
 - Lift up the rear of the top cover a little and after removing 8 hooks, remove it rearward. (Fig. 13)
 - * To install the top cover, be sure to install 8 hooks at the front first and then install 5 screws (30). (Fig. 13)
 - Remove 4 screws (31) and remove 4 top frames.
 - Remove 2 screws (32) and then remove the cover BTS/L. (Fig. 13)
 - Remove 2 screws (33) and then remove the cover BTS/R. (Fig. 13)
 - * The side plates L/R are attached with double coated adhesive tape. When removing side plates L/R, use full care not to cause damage to grille covers L/R and other parts.
 - * Removed side plates L/R cannot be reused. Use new side plates L/R for replacement.
 - Remove 2 screws (34) and then remove the cover grille L. (Fig. 13)
 - Remove 2 screws (35) and then remove the cover grille R. (Fig. 13)
 - Remove 8 screws (36) and remove 2 side covers. (Fig. 13)
 - Remove 14 screws (37) and then remove the front grille. (Fig. 13)

12. フロントグリルの外し方

- フロントグリル等で怪我をする恐れがあります。十分注意してください。
- プレートトップを外し、30のネジ5本を外します。(Fig. 13)
 - トップカバーの後ろを少し持ち上げ、フック8ヶ所を外し、後方へ取り外します。(Fig. 13)
 - * トップカバーを取り付ける場合は、必ず前方のフック8ヶ所から取り付け、次に30のネジ5本を取り付けてください。(Fig. 13)
 - 31のネジ4本を外し、フレームトップ4個を取り外します。
 - 32のネジ2本を外し、カバー-BTS/Lを取り外します。(Fig. 13)
 - 33のネジ2本を外し、カバー-BTS/Rを取り外します。(Fig. 13)
 - * プレートサイドL/Rは両面粘着テープで接着されています。プレートサイドL/Rを取り外す場合、カバーグリルL/R等に傷がつかないように十分注意してください。
 - * 取り外した古いプレートサイドL/Rは、再度取り付けられません。新しいプレートサイドL/Rに交換してください。
 - 34のネジ2本を外し、カバーグリルLを取り外します。(Fig. 13)
 - 35のネジ2本を外し、カバーグリルRを取り外します。(Fig. 13)
 - 36のネジ8本を外し、サイドカバー2個を取り外します。(Fig. 13)
 - 37のネジ14本を外し、フロントグリルを取り外します。(Fig. 13)

**13. Removal of Grille Net Ass'y
(Black color model)**

- a. Remove 14 screws (38). (Fig. 13)
- b. Remove grille net ass'y. (Fig. 13)

**13. グリルネットASSYの外し方
(Black color model)**

- a. 38のネジ14本を外します。(Fig. 13)
- b. グリルネットASSYを取り外します。(Fig. 13)

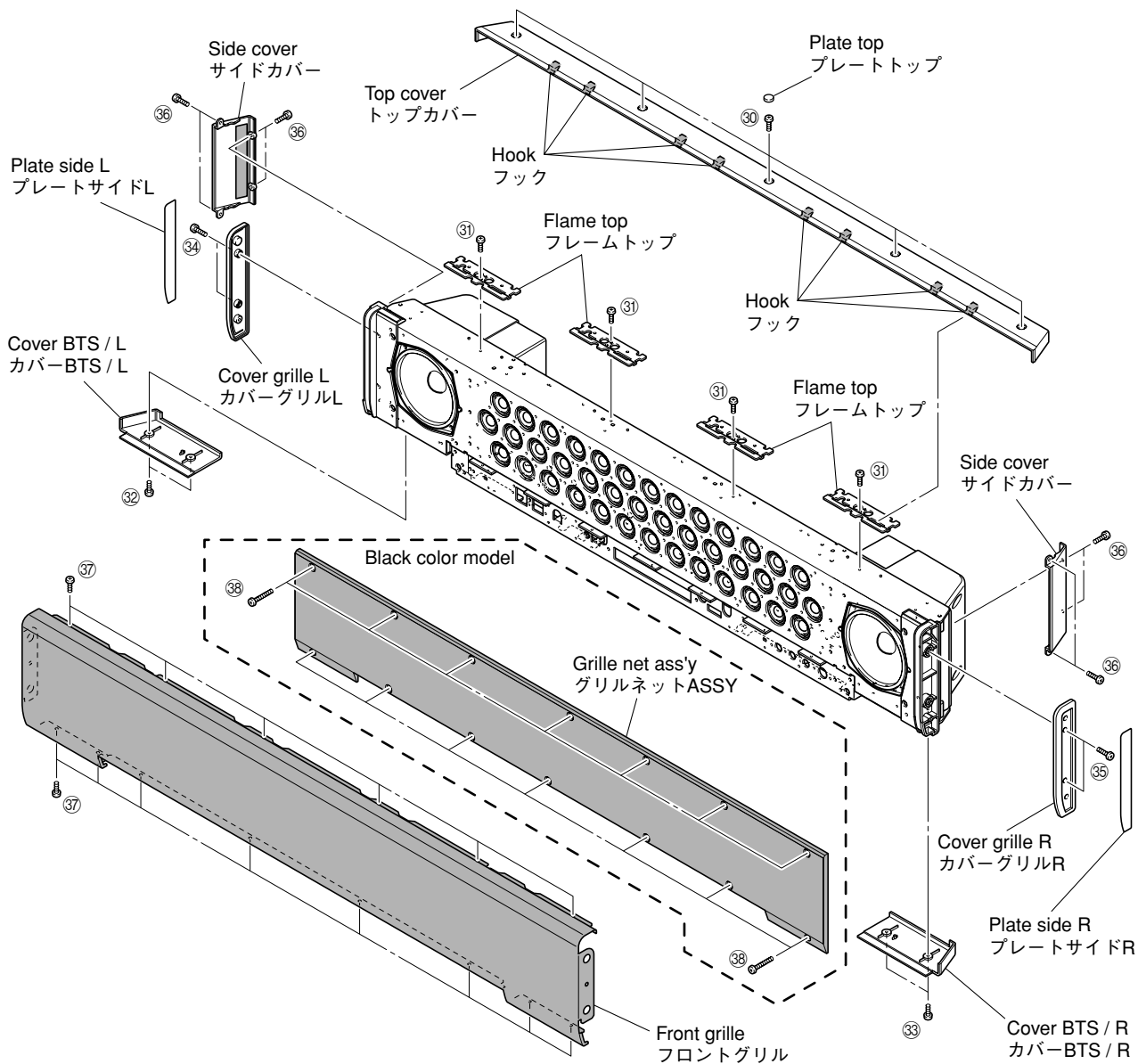


Fig. 13

YSP-4000/YSP-40D/
HTY-7040

14. Removal of POWER (2) P.C.B.

- a. Remove 12 screws (39). (Fig. 14)
- d. Remove the flame bottom F together with POWER (2) P.C.B.. (Fig. 14)
- c. Remove 3 screws (40). (Fig. 14)
- d. Remove the POWER (2) P.C.B.. (Fig. 14)

14. POWER (2) P.C.B.の外し方

- a. 39のネジ12本を外します。(Fig. 14)
- d. フレームボトムFをPOWER (2) P.C.B.と一緒に取り外します。(Fig. 14)
- c. 40のネジ3本を外します。(Fig. 14)
- d. POWER (2) P.C.B.を取り外します。(Fig. 14)

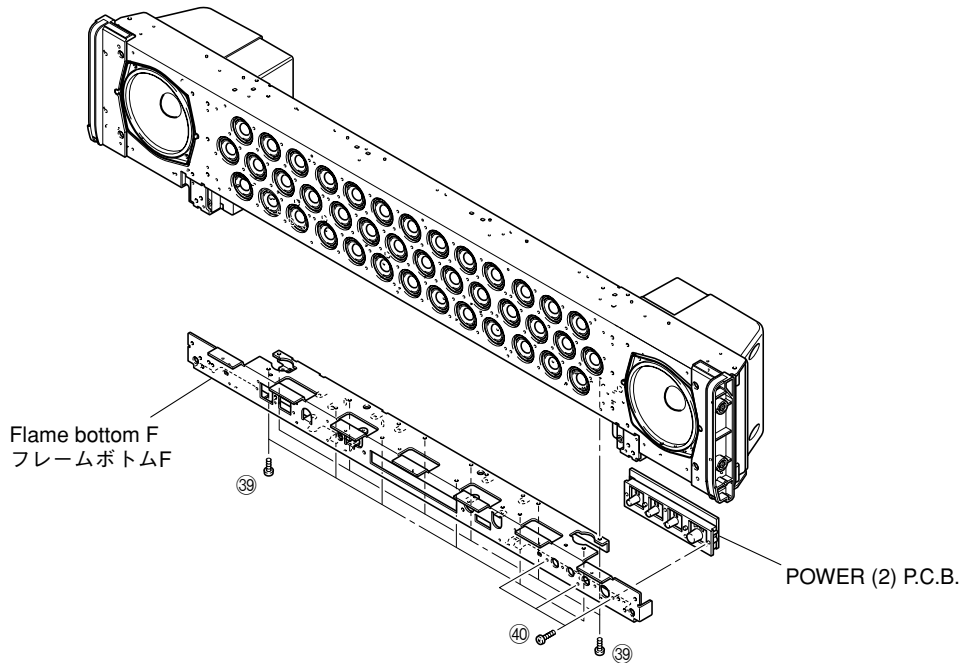


Fig. 14

15. Removal of Cavity Ass'y L/R

- Remove 4 screws (41) and then remove the support grille L. (Fig. 15)
- Remove 4 screws (42) and then remove the support grille R. (Fig. 15)
- Remove 7 screws (43), screw (44) and then remove the cavity ass'y L. (Fig. 15)
- Remove 7 screws (45), screw (46) and then remove the cavity ass'y R. (Fig. 15)

15. キャビティ ASSY L/Rの外し方

- 41のネジ4本を外し、サポートグリルLを取り外します。(Fig. 15)
- 42のネジ4本を外し、サポートグリルRを取り外します。(Fig. 15)
- 43のネジ7本と44のネジ1本を外し、キャビティ ASSY Lを取り外します。(Fig. 15)
- 45のネジ7本と46のネジ1本を外し、キャビティ ASSY Rを取り外します。(Fig. 15)

16. Removal of Driver Tweeter

- Remove 4 screws (47), 4 screws (48) and 2 stopper ESP. (Fig. 15)
- Remove 8 screws (49), 4 screws (50) and 2 support side. (Fig. 15)
- Remove 4 screws (51) and 2 support PCB L. (Fig. 15)
- Remove 2 screws/piece (52). (Fig. 15)
- Remove the driver tweeter. (Fig. 15)

16. スピーカーユニット(ツイーター)の外し方

- 47のネジ4本、48のネジ4本を外し、ストッパーESP2個を取り外します。(Fig. 15)
- 49のネジ8本、50のネジ4本を外し、サポートサイド2個を取り外します。(Fig. 15)
- 51のネジ4本を外し、サポートPCB L2個を取り外します。(Fig. 15)
- 52のネジ2本/個を外します。(Fig. 15)
- スピーカーユニット(ツイーター)を取り外します。(Fig. 15)

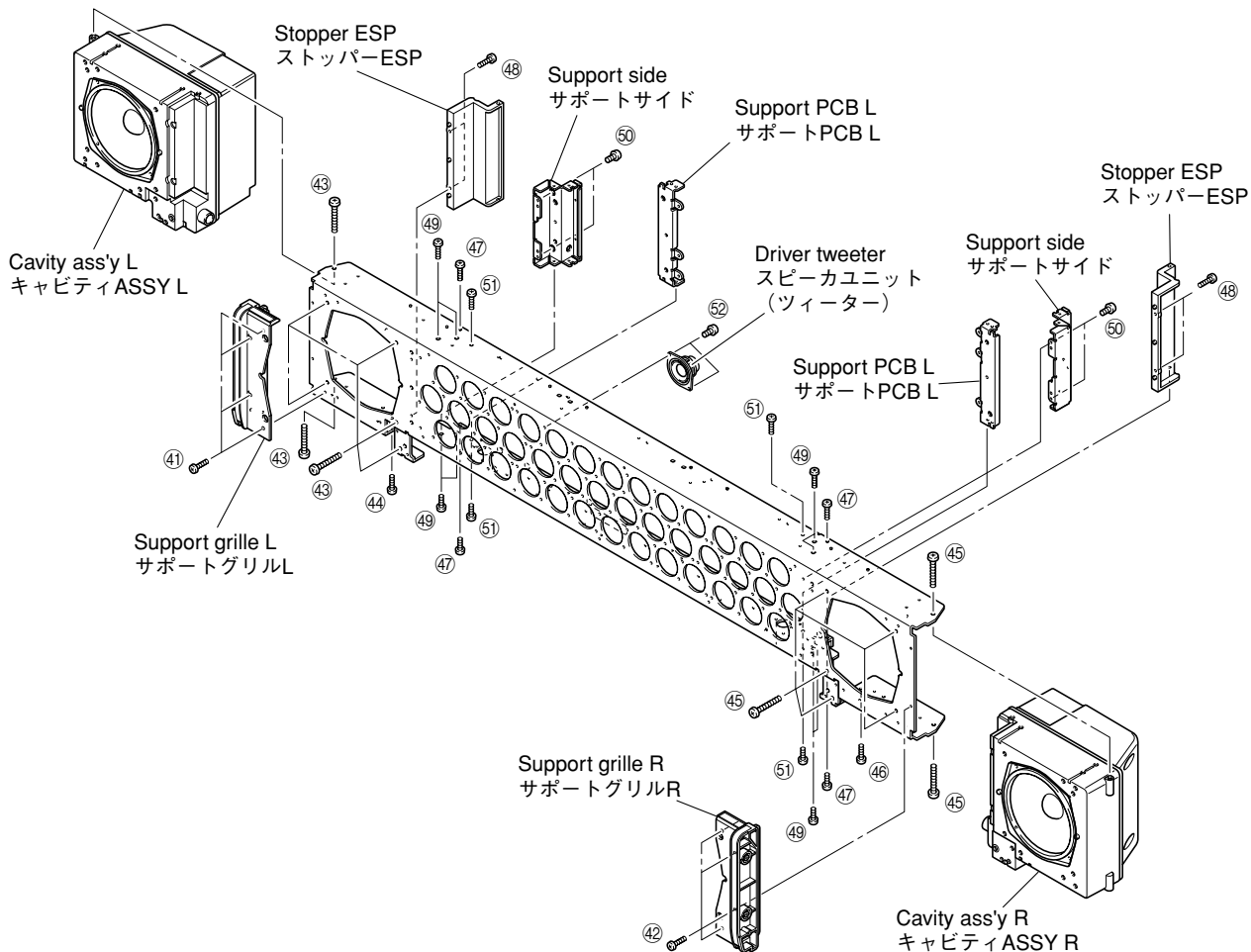


Fig. 15

Disassembly Procedures as far as P.C.B. and Driver Woofer

1. Removal of Front Grille

- Use full care as you may be injured by the front grille or other part.
- a. Remove the plate top and 5 screws (①). (Fig. 1)
- b. Lift up the rear of the top cover a little and after removing 8 hooks, remove it rearward. (Fig. 1)
 - * To install the top cover, be sure to install 8 hooks at the front first and then install 5 screws (①). (Fig. 1)
- c. Remove 4 screws (②) and remove 4 top frames.
- d. Remove 2 screws (③) and then remove the cover BTS/L. (Fig. 1)
- e. Remove 2 screws (④) and then remove the cover BTS/R. (Fig. 1)
- f. Remove the plate side L. (Fig. 1)
- g. Remove the plate side R. (Fig. 1)
 - * The side plates L/R are attached with double coated adhesive tape. When removing side plates L/R, use full care not to cause damage to grille covers L/R and other parts.
 - * Used side plates L/R once removed cannot be re-used. Use new side plates L/R for replacement.
- h. Remove 2 screws (⑤) and then remove the cover grille L. (Fig. 1)
- i. Remove 2 screws (⑥) and then remove the cover grille R. (Fig. 1)
- j. Remove 8 screws (⑦) and remove 2 side covers. (Fig. 1)
- k. Remove 10 screws (⑧), 4 screws (⑨) and then remove the cover bottom. (Fig. 2)
- l. Remove 7 screws (⑩) and then remove the front panel. (Fig. 2)
- m. Remove 14 screws (⑪) and then remove the sub panel. (Fig. 2)
- n. Remove 14 screws (⑫) and then remove the front grille. (Fig. 2)

2. Removal of Grille Net Ass'y (Black color model)

- a. Remove 14 screws (⑬). (Fig. 2)
- b. Remove grille net ass'y. (Fig. 2)

スピーカーユニット(ウーファー)までの分解手順

1. フロントグリルの外し方

- フロントグリル等で怪我をする恐れがあります。十分注意してください。
- a. プレートトップを外し、①のネジ5本を外します。(Fig. 1)
- b. トップカバーの後ろを少し持ち上げ、フック8ヶ所を外し、後方へ取り外します。(Fig. 1)
 - * トップカバーを取り付ける場合は、必ず前方のフック8ヶ所から取り付け、次に①のネジ5本を取り付けてください。(Fig. 1)
- c. ②のネジ4本を外し、フレームトップ4個を取り外しします。
- d. ③のネジ2本を外し、カバー-BTS/Lを取り外します。(Fig. 1)
- e. ④のネジ2本を外し、カバー-BTS/Rを取り外します。(Fig. 1)
- f. プレートサイドRを取り外します。(Fig. 1)
- g. プレートサイドRを取り外します。(Fig. 1)
 - * プレートサイドL/Rは両面粘着テープで接着されています。プレートサイドL/Rを取り外す場合、カバーグリルL/R等に傷がつかないように十分注意してください。
 - * 取り外した古いプレートサイドL/Rは、再度取り付けることができません。新しいプレートサイドL/Rに交換してください。
- h. ⑤のネジ2本を外し、カバーグリルLを取り外します。(Fig. 1)
- i. ⑥のネジ2本を外し、カバーグリルRを取り外します。(Fig. 1)
- j. ⑦のネジ8本を外し、サイドカバー2個を取り外しします。(Fig. 1)
- k. ⑧のネジ10本、⑨のネジ4本を外し、ボトムカバーを取り外します。(Fig. 2)
- l. ⑩のネジ7本を外し、フロントパネルを取り外します。(Fig. 2)
- m. ⑪のネジ14本を外し、サブパネルを取り外します。(Fig. 2)
- n. ⑫のネジ14本を外し、フロントグリルを取り外しします。(Fig. 2)

2. グリルネットASSYの外し方 (Black color model)

- a. ⑬のネジ14本を外します。(Fig. 2)
- b. グリルネットASSYを取り外します。(Fig. 2)

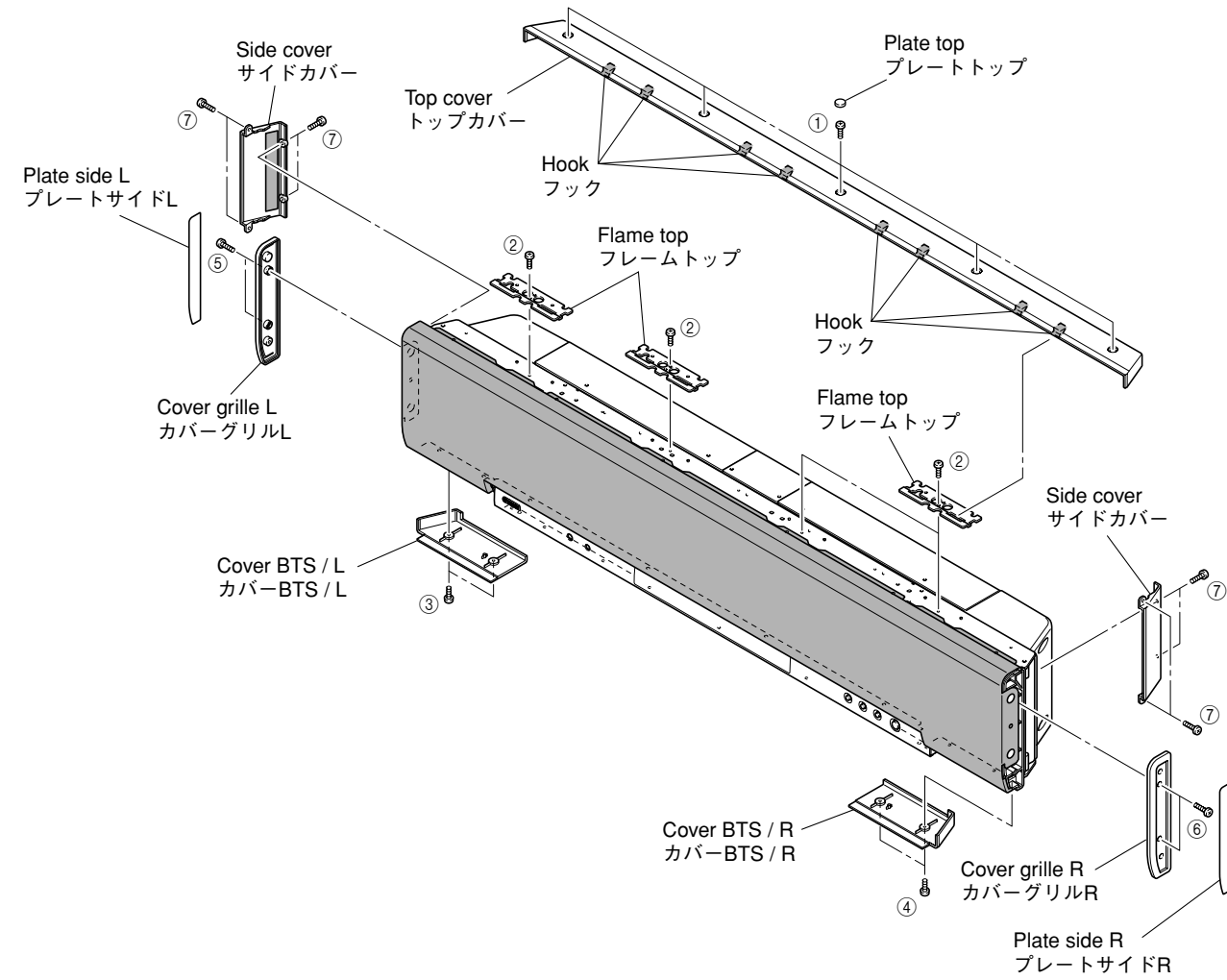


Fig. 1

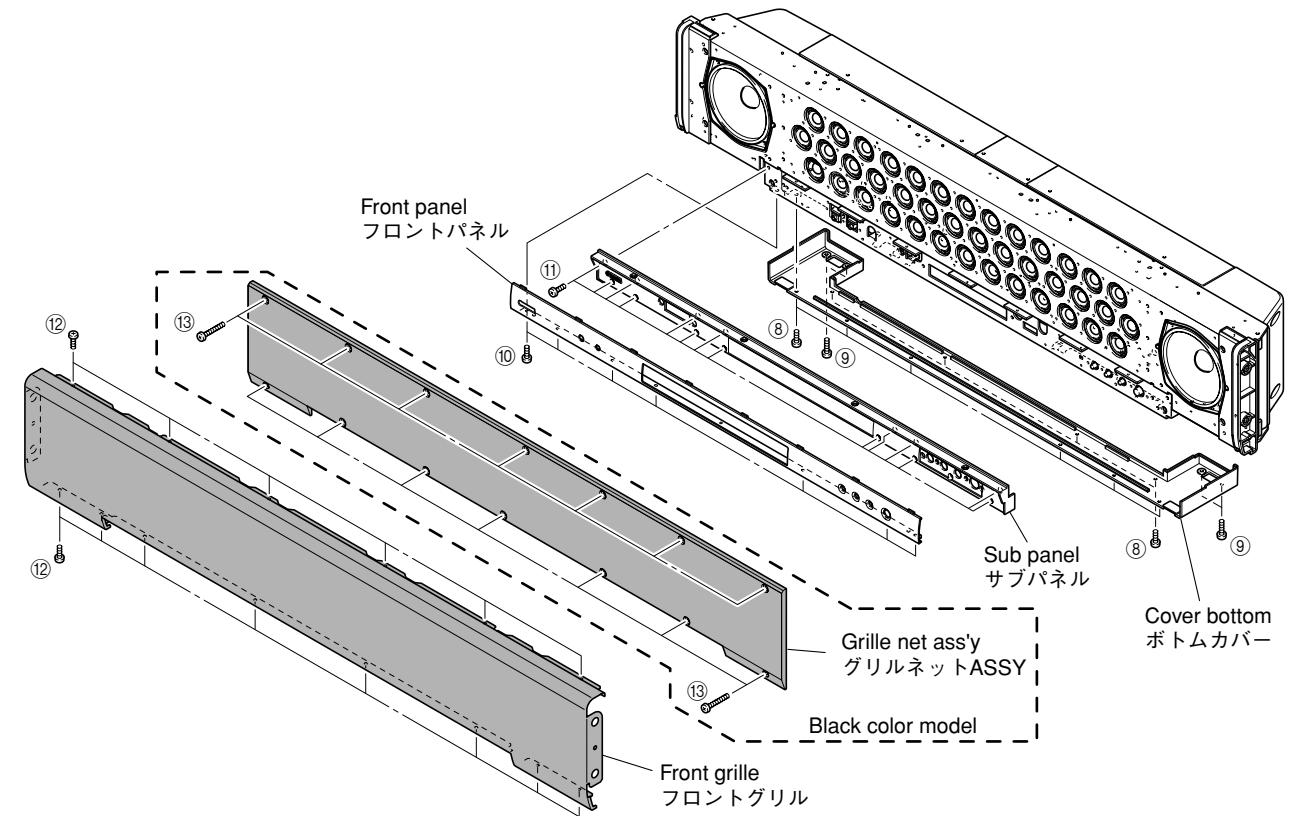


Fig. 2

3. Removal of Driver Woofer

- a. Remove 4 screws/piece (14). (Fig. 3)
- b. Remove driver woofer. (Fig. 3)

3. スピーカーユニット(ウーファー)の外し方

- a. ⑭のネジ4本/個を外します。(Fig. 3)
- b. スピーカユニット(ウーファー)を外します。(Fig. 3)

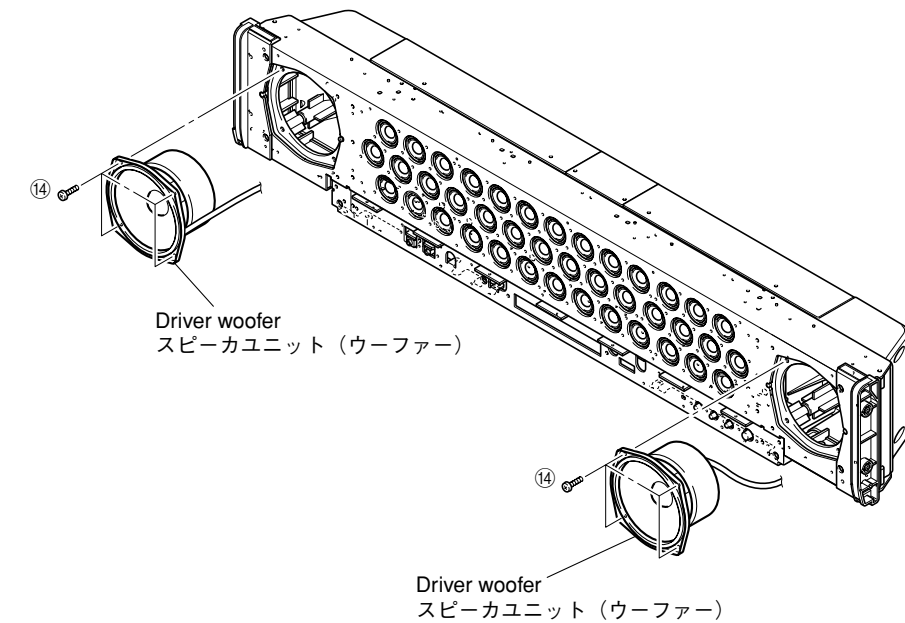


Fig. 3

■ UPDATING FIRMWARE / ファームウェアの書き込み

After replacing the following parts with the replacement parts, update the latest firmware according to the following procedure.

- DSP P.C.B.
- Microprocessor (IC30) of INPUT P.C.B.
- DSP1 (TI1 Flash ROM, IC12) of DSP P.C.B.
- DSP2 (TI2 Flash ROM, IC18) of DSP P.C.B.

● Required tools






● Program downloader programs

- For microprocessor
..... FlashSta.exe
- For DSP1 (TI1 Flash ROM)
..... DSP FLASHER (YSP_TI1).exe
- For DSP2 (TI2 Flash ROM)
..... spDownloader_2_0_x_XXX.exe

● Firmware

- For microprocessor
..... YSP4000_vx.mot
..... YSP4000_vx.id
- For DSP1 (TI1 Flash ROM)
..... Ysp3k4k_data1_Verx_xr.hex
- For DSP2 (TI2 Flash ROM)
..... Y4KMPxxxxxA.bin

● RS232C cross cable “D-sub 9 pin female” (Specifications)

Pin No.2 RxD		Pin No.2 RxD
Pin No.3 TxD		Pin No.3 TxD
Pin No.5 GND		Pin No.5 GND
Pin No.7 RTS		Pin No.7 RTS
Pin No.8 CTS		Pin No.8 CTS

● Preparation and precautions before starting the operation

- Download firmware downloader program and firmware from the specified source to the same folder of the PC.
- Prepare the above specified RS232C cross cable.
- While writing, keep the other application software on the PC closed.
It is also recommended to keep the software on the task tray closed as well.






下記の部品をサービス部品に交換した場合、下記の手順により最新のファームウェアの書き込みを行ってください。

- DSP P.C.B.
- INPUT P.C.B.のマイコン (IC30)
- DSP P.C.B.のDSP1 (TI1 Flash ROM、IC12)
- DSP P.C.B.のDSP2 (TI2 Flash ROM、IC18)

● 必要なツール

- プログラム書き込み用プログラム
マイコン用 FlashSta.exe
DSP1 (TI1 Flash ROM)用
..... DSP FLASHER (YSP_TI1).exe
DSP2 (TI2 Flash ROM)用
..... spDownloader_2_0_x_XXX.exe
- ファームウェア
マイコン用
..... YSP4000_vx.mot
..... YSP4000_vx.id
DSP1 (TI1 Flash ROM)用
..... Ysp3k4k_data1_Verx_xr.hex
DSP2 (TI2 Flash ROM)用
..... Y4KMPxxxxxA.bin

● RS232Cクロスケーブル“D-sub 9pinメス” (仕様)

Pin No.2 RxD		Pin No.2 RxD
Pin No.3 TxD		Pin No.3 TxD
Pin No.5 GND		Pin No.5 GND
Pin No.7 RTS		Pin No.7 RTS
Pin No.8 CTS		Pin No.8 CTS

● 操作前の準備と注意

- PCへ指定のダウンロード先からファームウェア書き込み用プログラムおよび、ファームウェアを同じフォルダにダウンロードしてください。
- RS232Cクロスケーブルは必ず上記仕様のもを用意してください。
- 書き込み時は、PC上の他のアプリケーションソフトは閉じてください。
さらに、タスクトレイ上にあるソフトも閉じておくことを推奨します。

● Operation Procedure

Writing to the microprocessor

1. Turn off the power of main unit and disconnect the power cable from the AC outlet.
2. Connect the writing port of the main unit to the serial port (RS232C) of the PC with RS232C cross cable as shown below. (Fig. 1)

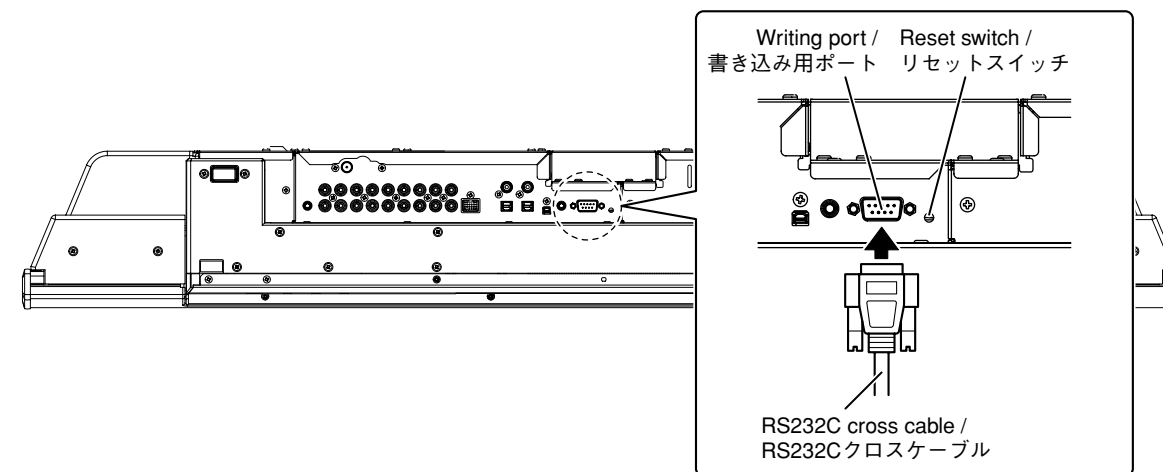


Fig. 1

3. While pressing the reset switch of main unit, connect the power cable to the AC outlet. (Fig. 1)
* Use a fine tipped pin or the like to push the reset switch.
4. Start up FlashSta.exe, the screen will appear as shown below. (Fig. 2)

● 操作方法

マイコンへの書き込み

1. 本機の電源を切り、電源コードをACコンセントから抜きます。
2. 本機の書き込み用ポートとPCのシリアルポート (RS232C) を下記のように接続します。(Fig. 1)

3. 本機のリセットスイッチを押しながら、電源コードをACコンセントに接続します。(Fig. 1)
※ リセットスイッチは、先の細いピンなどで押してください。
4. FlashSta.exeを立ち上げます。
すると下記の画面が表示されます。(Fig. 2)

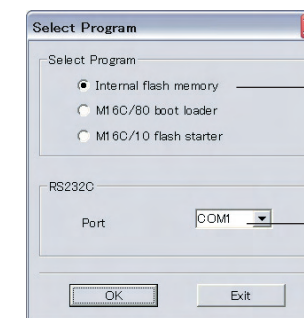


Fig. 2

5. Select the data to be transmitted and port. (Fig. 2)

- **Select Program**
Select Internal flash memory
- **RS232C**
Select the port of RS-232C
* For selection of the port, COM1 to 4 can be used. As COM5 or higher port cannot be used, select out of COM 1 to 4 of the setting on the PC side.

5. 送信データ、ポートを選択します。(Fig. 2)

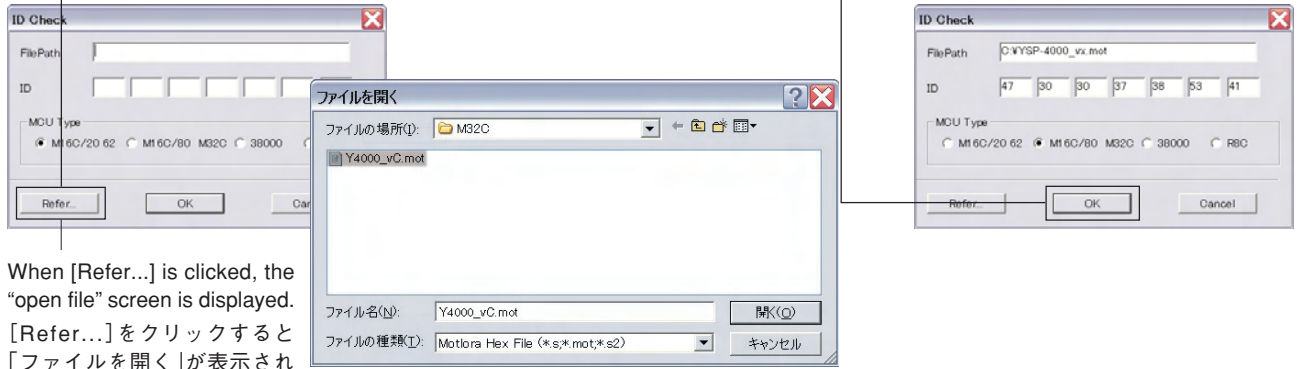
- **Select Program**
Internal flash memoryを選択します。
- **RS232C**
接続しているRS-232Cポートを選択します。
※ ポートの選択はCOM1～4までが使用できます。COM5以上は使用できませんので、PC側の設定でCOM1～4を選択してください。

6. Click [Refer...], and select the firmware name. (Fig. 3)

6. [Refer...]をクリックし、書き込むファームウェアを選択します。(Fig. 3)

* The ID code and MCU Type are loaded when the file is selected. (Fig. 3)
Click [OK]. (Fig. 3)

※ ID、およびMCU Typeは書き込みファイル選択時、自動的に取り込まれます。(Fig. 3)
[OK]をクリックします。(Fig. 3)

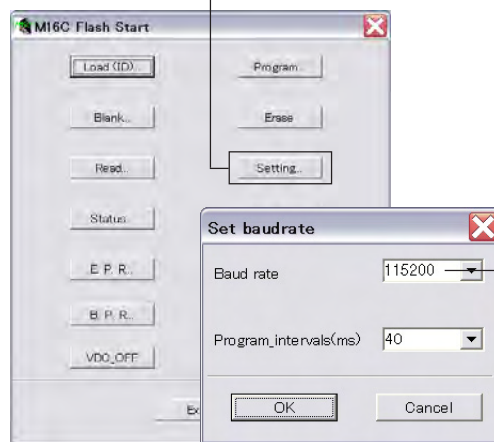


When [Refer...] is clicked, the "open file" screen is displayed. [Refer...]をクリックすると「ファイルを開く」が表示されます

Fig. 3

7. Click [Setting] and set the baud rate. (Fig. 4)

7. [Setting]をクリックし、通信速度の設定を行います。(Fig. 4)



Select 115200bps or below for the baud rate.

* Reduce the baud rate if a transmission error occurs frequently.

通信速度は115200bps以下を選択します

※ 送信エラーが多発する場合は、通信速度を下げてください。

Fig. 4

8. Click [E.P.R.], the "Erase" screen is displayed. (Fig. 5)
Click [OK] and start writing. (Fig. 5)

8. [E.P.R.]をクリックすると、「Erace」が表示されます。(Fig. 5)

[OK]をクリックし、書き込みを開始します。(Fig. 5)

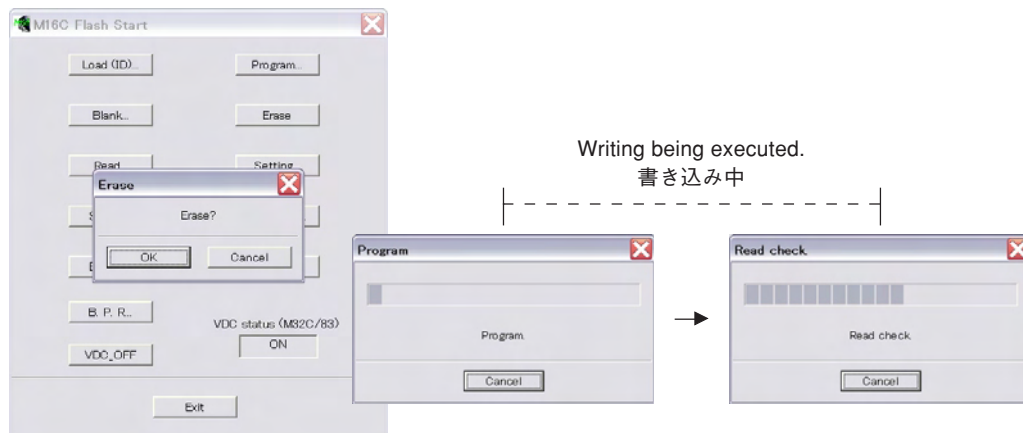


Fig. 5

9. When the program transmission is completed, the screen appears as shown below. (Fig. 6)
Click [OK] to end "FlashSta.exe".

9. プログラムの送信が終了すると、以下の画面が表示され、[OK]をクリックして"FlashSta.exe"を終了します。(Fig. 6)

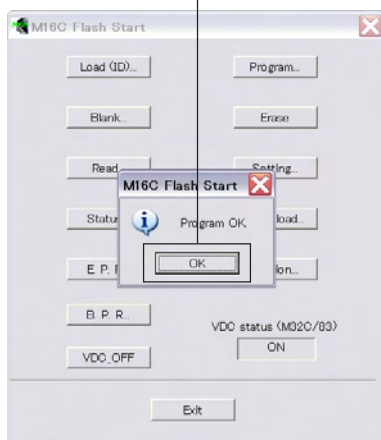


Fig. 6

10. Disconnect the power cable of main unit from the AC outlet.
11. Disconnect the RS232C cross cable, RS232C conversion jig and flexible flat cable.

10. 本機の電源コードをACコンセントから抜きます。
11. RS232Cクロスケーブル、RS232C変換アダプターカード電線を取り外します。

- **Confirmation of firmware version and checksum**
Confirm the firmware is updated successfully with the self-diagnostic function.
For more information, refer to "SELF-DIAGNOSTIC FUNCTION".

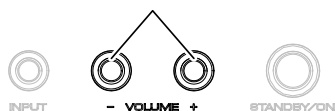
- ファームウェアのバージョンおよびチェックサムの確認
ダイアグメニューでファームウェアが正しく更新されたことを確認します。
ダイアグメニューの詳細は「自己診断(ダイアグ)」を参照してください。

1. Reconnect the power cable of main unit to the AC outlet.
2. While pressing the "VOL+" key and "VOL-" key of the main unit, press the "STANDBY/ON" key of the remote control to activate the self-diagnostic function.
3. Select the self-diagnostic function menu "19-1. Version". Check the displayed firmware version is the same as the written firmware version.

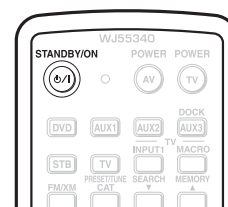
1. 本機の電源コードをACコンセントに接続します。
2. 本機の"VOL+"キーと"VOL-"キーを押しながら、リモコンの"電源"キーを押し、ダイアグを起動します。
3. ダイアグ"19-1. Version"を選択します。
表示されたファームウェアのバージョンが書き込んだファームウェアのバージョンと同じであることを確認します。

Key of main unit / 本体キー

Press the "STANDBY/ON" key of the remote control while pressing these keys.
これらのキーを同時に押しながら、リモコンの"電源"キーを押します。



Key of remote control / リモコンキー



VER. A_1.0661D

- Select the self-diagnostic function menu "19-2. checksum". Check that the displayed checksum is the same as the written firmware checksum.

CHECK SUM:FAAF

* When the displayed firmware version and checksum are different from written firmware version and checksum, repeat the steps from 1 to 11 of "Writing to the microprocessor" again.

- ダイアグ"19-2. checksum"を選択します。表示されたチェックサムが書き込んだファームウェアのチェックサムと同じであることを確認します。

※ 表示されたファームウェアのバージョンおよびチェックサムが、書き込んだファームウェアのバージョン、およびチェックサムと異なる場合、マイコンへの書き込みの1から11までをもう一度実施してください。

• **Initializing of the main unit**

* After updating the firmware, be sure to initialize the main unit.

- Connect the power cable of main unit to the AC outlet.
- While pressing the "VOL+" key and "VOL-" key of the main unit, press the "STANDBY/ON" key of the remote control to activate the self-diagnostic function.
- Select the self-diagnostic function menu "8. FACTORY PRESET".
- Select the "PRESET RSRV".

• **本機の初期化**

※ ファームウェアのアップデート後は、必ず本機を初期化してください。

- 本機の電源コードをACコンセントに接続します。
- 本機の"VOL+"キーと"VOL-"キーを押しながら、リモコンの"電源"キーを押し、ダイアグを起動します。
- ダイアグ"8. FACTORY PRESET"を選択します。
- "PRESET RSRV"を選択します。

PRESET INHIBIT (Initialization inhibited) / 初期化禁止

8. PRESET INHI



PRESET RESERVED (Initialization reserved) / 初期化予約

8. PRESET RSRV

- Turn off the power of main unit and disconnect the power cable from the AC outlet.

- 本機の電源を切り、電源コードをACコンセントから抜きます。

Writing to the DSP1

- Before turning on the power to main unit and PC, connect each of them using RS232C conversion jig and RS232C cable (cross cable). (Fig. 1)
- Start up DSP_FLASHER(YSP).exe, the screen will appear as shown below.

DSP1への書き込み

- 本機とPCの電源を入れる前にそれぞれをRS232C変換治具を使い、RS232Cケーブル(クロスケーブル)で接続します。(Fig. 1)
- PCのDSP_FLASHER(YSP).exeを立ち上げます。すると下記の画面が表示されます。

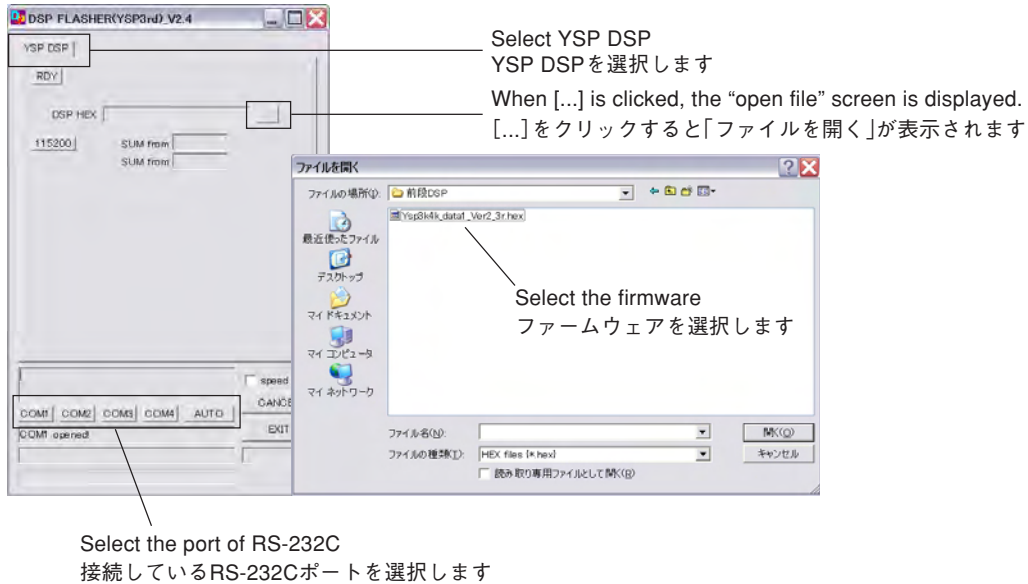


3. Select the data and port.

- **DSP HEX FILE**
Select "Ysp3k4k_data1_Verx_xr.hex".
- **RS232C**
Select the port of RS-232C.

3. 送信データ、ポートを選択します。

- **DSP HEX FILE**
"Ysp3k4k_data1_Verx_xr.hex"を選択します。
- **RS232C**
接続しているRS-232Cポートを選択します。



* The port selection varies depending on OS of the PC.
Windows 98/2000/Me COM1-4
Windows XP COM1-2
As no port other than the above can be used, select the port using the setting of the PC.

※ ポートの選択はPC側のOSによって異なります。
Windows 98/2000/Me COM1~4
Windows XP COM1~2
上記ポート以外は使用できませんので、PC側の設定でポートを選択してください。

4. Click [RDY] to set to the standby mode.

4. [RDY]をクリックし待機状態にします。



5. Connect the power cable of main unit to the AC outlet. While pressing the “VOL+” key and “VOL-” key of the main unit, press the “STANDBY/ON” key of the remote control to activate the self-diagnostic function.

a. Using the “UP” or “DOWN” key of the remote control, select the self-diagnostic function menu in the figure below.

```
TxTestCh [---]
```

b. Using the “LEFT” or “RIGHT” key of the remote control, select the self-diagnostic function sub-menu in the figure below.

```
T1 Write [OFF]
```

c. Using the “ENTER” key of the remote control, change setting as shown below. Writing of the firmware is started.

```
T1 Write [ON ]
```

Change OFF to ON
OFF → ONに変更します

6. When the program transmission is completed, the screen appears as shown below.



5. 本機の電源コードをACコンセントに接続し、本機の“VOL+”キーと“VOL-”キーを押しながら、リモコンの“電源”キーを押し、ダイアグを起動します。

a. リモコンの“UP”キーまたは“DOWN”キーを使い、下図のダイアグメニューを選択します。

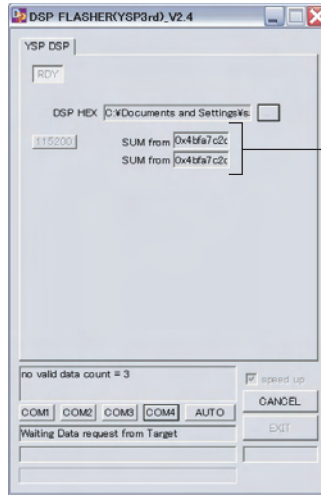
b. リモコンの“LEFT”キーまたは“RIGHT”キーを使い、下図のダイアグメニューを選択します。

c. リモコンの“決定”キーを使い、下図のように変更します。すると、ファームウェアの書き込みが開始されます。

6. プログラムの送信が終了すると、以下の画面が表示されます。

7. Check the SUM.
After downloading successfully, the value of "SUM from SET" is appeared.
The procedure is completed when the value of "SUM from FILE" and "SUM from SET" matches.

7. SUM値を確認します。
書き込み完了後"SUM from SET"が表示されます。
"SUM from FILE"と"SUM from SET"の値が同じになれば完了です。



Confirm the value of SUM
SUM値を確認します

8. Press the "STANDBY/ON" key of the main unit to turn off the power.
9. Disconnect the power cable of main unit from the AC outlet.
10. End "FlashSta. exe."
11. Disconnect the RS232C cross cable, RS232C conversion jig and flexible flat cable.
* When the displayed firmware version and checksum are different from written firmware version and checksum, repeat the steps from 1 to 8 of "Writing to the DSP1" again.

8. 本機の"STANDBY/ON"キーを押し、電源オフします。
9. 本機の電源コードをACコンセントから抜きます。
10. "DSP FLASHER"を終了します。
11. RS232Cクロスケーブル、RS232C変換アダプター、カード電線を取り外します。
※ 表示されたファームウェアのバージョンおよびチェックサムが、書き込んだファームウェアのバージョンおよびチェックサムと異なる場合、DSP1への書き込みの1から8までをもう一度実施してください。

• **Initializing of the main unit**

* After updating the firmware, be sure to initialize the main unit.

1. Connect the power cable of main unit to the AC outlet.
2. While pressing the "VOL+" key and "VOL-" key of the main unit, press the "STANDBY/ON" key of the remote control to activate the self-diagnostic function.
Then the self-diagnostic function is activated.
3. Select the self-diagnostic function menu "8. FACTORY PRESET".
4. Select the "PRESET RSRV".

• **本機の初期化**

※ ファームウェアのアップデート後は、必ず本機を初期化してください。

1. 本機の電源コードをACコンセントに接続します。
2. 本機の"VOL+"キーと"VOL-"キーを押しながら、リモコンの"電源"キーを押し、ダイアグを起動します。
3. ダイアグ"8. FACTORY PRESET"を選択します。
4. "PRESET RSRV"を選択します。

PRESET INHIBIT (Initialization inhibited) / 初期化禁止

8. PRESET INHI



PRESET RESERVED (Initialization reserved) / 初期化予約

8. PRESET RSRV

5. Turn off the power of main unit and disconnect the power cable from the AC outlet.

5. 本機の電源を切り、電源コードをACコンセントから抜きます。

YSP-4000/YSP-40D/
HTY-7040

Writing to the DSP2

1. Install spDownloader_2_0_x_xxx.exe into the PC.
2. Before turning on the power to main unit and PC, connect each of them using RS232C conversion jig and RS232C cable (cross cable). (Fig. 1)
3. Connect the power cable of main unit to the AC outlet. While pressing the "VOL+" key and "VOL-" key of the main unit, press the "STANDBY/ON" key of the remote control to activate the self-diagnostic function.

- ① Using the "UP" or "DOWN" key of the remote control, select the self-diagnostic function menu in the figure below.

```
TxTestCh [---]
```

- ② Using the "LEFT" or "RIGHT" key of the remote control, select the self-diagnostic function sub-menu in the figure below.

```
RS232C: YAMAHA
```

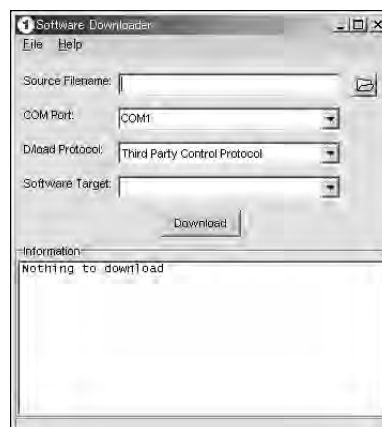
- ③ Using the "ENTER" key of the remote control, make a change as shown below.

```
RS232C: 1Ltd.
```

Change YAMAHA to 1Ltd.
YAMAHA → 1Ltd.に変更します

- ④ For restarting, use the "STANDBY/ON" key of the main unit or the remote control.

4. Start up spDownloader_2_0_x_xxx.exe, the screen will appear as shown below.



DSP2への書き込み

1. PCにspDownloader_2_0_x_xxx.exeをインストールします。
2. 本機とPCの電源を入れる前にそれぞれをRS232C変換治具を使い、RS232Cケーブル(クロスケーブル)で接続します。(Fig. 1)
3. 本機の電源コードをACコンセントに接続し、本機の"VOL+"キーと"VOL-"キーを押しながら、リモコンの"電源"キーを押し、ダイアグを起動します。

- ① リモコンの"UP"キーまたは"DOWN"キーを使い、下図のダイアグメニューを選択します。

- ② リモコンの"LEFT"キーまたは"RIGHT"キーを使い、下図のダイアグメニューを選択します。

- ③ リモコンの"決定"キーを使い、下図のように変更します。

- ④ 本機またはリモコンの"電源"キーで再起動します。

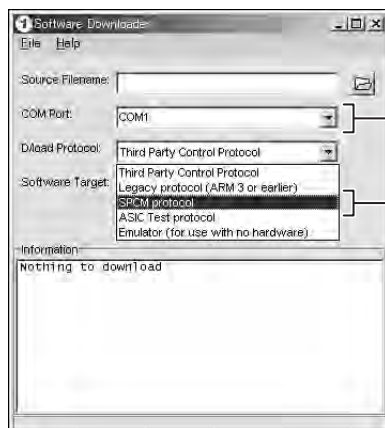
4. PCのspDownloader_2_0_x_xxx.exeを立ち上げます。すると下記の画面が表示されます。

5. Select the data and port.

- **COM Port**
Select the port of RS-232C.
- **D/load Protocol**
Select "SPCM protocol"

5. 送信データ、ポートを選択します。

- **COM Port**
接続しているRS-232Cポートを選択します。
- **D/load Protocol**
SPCMプロトコルを選択します。



Select the port of RS-232C
接続しているRS-232Cポートを選択します

Select SPCM protocol
SPCMプロトコルを選択します

6. Select firmware and execute writing as follows.

7. Click Source Filename box and select the firmware.
SPID: Y4xxxxxxxxx.bin

6. ファームウェアを選択し、書き込みを行います。

7. フォルダをクリックし、書き込むファームウェアを選択
します。
SPID : Y4xxxxxxxxx.bin



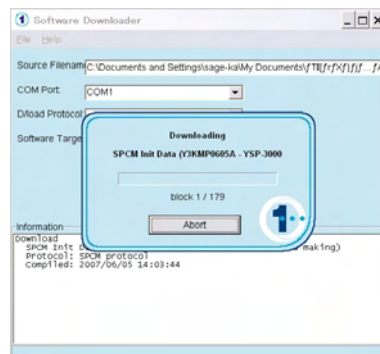
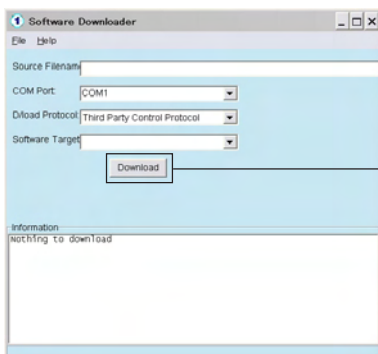
Select the firmware
ファームウェアを選択します

8. Click [Download] and start writing.

8. [Download] をクリックし、書き込みを開始します。

* When Source Filename is selected, Software Target box is selected automatically.

※ Software Target項目は書き込みファイル選択時、自動的に選択されます。



During downloading
書き込み中

9. After downloading successfully, "Downloaded '*****' OK" is appeared.

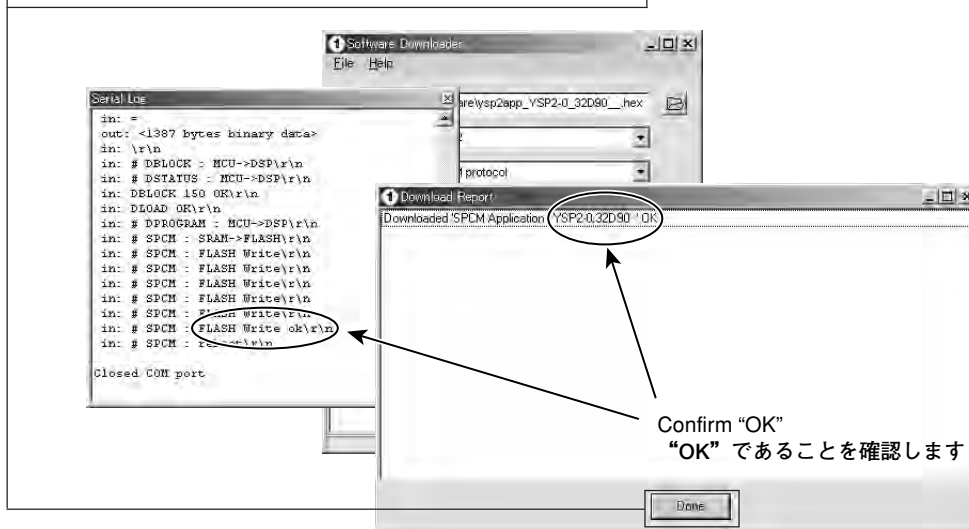
9. 書き込み完了後、“Downloaded ‘*****’ OK”が表示されます。

Confirm "FLASH Write ok" on the Serial Log window.

Serial Logウィンドウの“FLASH Write ok”を確認します。

10. Click [Done].

10. [Done] をクリックします。



YSP-4000/YSP-40D/
HTY-7040

11. Press the “STANDBY/ON” key of the main unit to turn off the power.
12. While pressing the “VOL+” key and “VOL-” key of the main unit, press the “STANDBY/ON” key of the remote control to activate the self-diagnostic function.

① Using the “UP” or “DOWN” key of the remote control, select the self-diagnostic function menu in the figure below.

TxTestCh [---]

② Using the “LEFT” or “RIGHT” key of the remote control, select the self-diagnostic function sub-menu in the figure below.

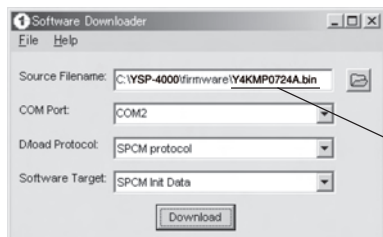
RS232C: 1Ltd.

③ Using the “RETURN” key of the remote control, make a change as shown below.

RS232C: YAMAHA

Change 1Ltd. to YAMAHA
1Ltd. → YAMAHAに変更します

④ Check the version of the firmware. Using the “LEFT” key or “RIGHT” key of the remote control, have the self-diagnostic function menu displayed as in the figure below. The procedure is completed when the same version as shown below is obtained.



SPD: Y4KMP0724A

SPID version
SPIDのバージョン

11. 本機の“STANDBY/ON”キーを押し、電源オフします。
12. 本機の“VOL+”キーと“VOL-”キーを押しながら、リモコンの“電源”キーを押し、ダイアグを起動します。

① リモコンの“UP”キーまたは“DOWN”キーを使い、下図のダイアグメニューを選択します。

② リモコンの“LEFT”キーまたは“RIGHT”キーを使い、下図のダイアグメニューを選択します。

③ リモコンの“戻る”キーを使い、下図のように変更します。

④ ファームウェアのバージョンを確認します。リモコンの“LEFT”キーまたは“RIGHT”キーを使い、下図のダイアグメニューを表示します。以下のように同様のバージョンになれば完了です。

13. Press the “STANDBY/ON” key of the main unit to turn off the power.
14. Disconnect the power cable of main unit from the AC outlet.
15. End “spDownloader_2_0_x_xxx.exe.”
16. Disconnect the RS232C cross cable, RS232C conversion jig and flexible flat cable.

* When the displayed firmware version and checksum are different from written firmware version and checksum, follow the steps from 1 to 13 of “Writing to the microprocessor” again.

• Initializing of the main unit

* After updating the firmware, be sure to initialize the main unit.

1. Connect the power cable of main unit to the AC outlet.
2. While pressing the “VOL+” key and “VOL-” key of the main unit, press the “STANDBY/ON” key of the remote control to activate the self-diagnostic function.
3. Select the self-diagnostic function menu “8. FACTORY PRESET”.
4. Select the “PRESET RSRV”.

PRESET INHIBIT (Initialization inhibited) /
初期化禁止

8. PRESET INHI



PRESET RESERVED (Initialization reserved) /
初期化予約

8. PRESET RSRV

5. Turn off the power of main unit and disconnect the power cable from the AC outlet.

13. 本機の“STANDBY/ON”キーを押し、電源オフします。
14. 本機の電源コードをACコンセントから抜きます。
15. “spDownloader_2_0_x_xxx.exe”を終了します。
16. RS232Cクロスケーブル、RS232C変換アダプター、カード電線を取り外します。

※ 表示されたファームウェアのバージョンおよびチェックサムが、書き込んだファームウェアのバージョン、およびチェックサムと異なる場合、マイコンへの書き込みの1から13までをもう一度実施してください。

• 本機の初期化

※ ファームウェアのアップデート後は、必ず本機を初期化してください。

1. 本機の電源コードをACコンセントに接続します。
2. 本機の“VOL+”キーと“VOL-”キーを押しながら、リモコンの“電源”キーを押し、ダイアグを起動します。
3. ダイアグ“8. FACTORY PRESET”を選択します。
4. “PRESET RSRV”を選択します。

5. 本機の電源を切り、電源コードをACコンセントから抜きます。

■ SELF-DIAGNOSTIC FUNCTION / ダイアグ(自己診断機能)

This unit has self-diagnostic functions that are intended for inspection, measurement and location of faulty point.

There are 21 main menu items, each of which has sub-menu items.

Listed in the table below are main menu items and sub-menu items.

Note that not all menu items listed will apply to the models covered in this service manual.

本機には、検査、測定、不良個所の発見を目的にしたダイアグ(自己診断機能)があります。

メインメニューは21個あり、そのそれぞれにサブメニューがあります。

下表はメインメニュー一覧です。

下表の全メインメニュー項目が、このサービスマニュアル記載のモデルに適用されるとは限りません。

No.	Main menu	Sub-menu
1	DSP THROUGH	1. ALL
		2. FRONT L
		3. CENTER
		4. FRONT R
		5. SURROUND R
		6. SURROUND L
		7. LFE
2	RAM THROUGH	1. ALL
		2. FRONT L
		3. CENTER
		4. FRONT R
		5. SURROUND R
		6. SURROUND L
		7. LFE
3	PRO LOGIC / Neo:6	1. PRO LOGIC I (PRO LOGIC EMULATION)
		2. PRO LOGIC II
		3. Neo: 6
4	MIC CHECK	1. MIC CHECK
5	VFD CHECK	1. VFD CHECK (Initial display / 初期表示)
		2. VFD DISP OFF (All segments OFF / 全セグメント消灯)
		3. VFD DISP ALL (All segments ON 100% / 全セグメント点灯100%)
		4. VFD DIMMER (All segments ON 50% / 全セグメント点灯50%)
		5. CHECKED PATTERN (ON in lattice / 格子状点灯)
		6. CHECKED SEGMENT (1 segment lighting / 1セグメント点灯)
6	MANUAL TEST	1. TEST ALL
		2. TEST FRONT L
		3. TEST CENTER
		4. TEST FRONT R
		5. TEST SURROUND R
		6. TEST SURROUND L
		7. TEST LFE
7	RS-232C (Not applied to these models. / このモデルには適用されません)	1. TxD/RxD DATA
8	FACTORY PRESET	1. PRESET INHIBIT (memory initialization inhibited / メモリーの初期化禁止)
		2. PRESET RESERVED (memory initialized / メモリーの初期化)
9	AD DATA CHECK	1. PS (protection1)
		2. P2 (protection2)
		3. P3 (protection3)
		4. K0 / K1 (panel key)
10	IF STATUS	1. IS 1
		2. IS 2
		3. IS 3
		4. CS 1
		5. CS 2
		6. CS 3
		7. CS 4
		8. CS 5
		9. CS 6
		10. BS 1
		11. BS 2
		12. BS 3
		13. BS 4
		14. BS 5
		15. BS 6
		16. BS 7
		17. DS 1
		18. DS 2
		19. T 11
		20. T 12
		21. T 13
		22. T 21
		23. T 22
		24. T 23
		25. Y 11

No.	Main menu	Sub-menu
		26. Y 12 (Not applied to these models. / このモデルには適用されません)
		27. Y 21 (Not applied to these models. / このモデルには適用されません)
		28. Y 22 (Not applied to these models. / このモデルには適用されません)
		29. Y 31 (Not applied to these models. / このモデルには適用されません)
		30. Y 32 (Not applied to these models. / このモデルには適用されません)
		31. MTT
11	DOCK CHECK (U, C, A, B models)	1. LOOP TEST/ACC PWR/CONNECT
12	XM CHECK (U, C models)	1. 1 dB / 1 KHz (44.1 kHz)
		2. -61 dB / 1 KHz (44.1 kHz)
		3. Mute (44.1 kHz)
		4. XM TONE (44.1 kHz)
		5. ISO TONE (44.1 kHz)
		6. 1 dB / 1 KHz (32 kHz)
		7. -61 dB / 1 KHz (32 kHz)
		8. Mute (32 kHz)
		9. XM TONE (32 kHz)
		10. ISO TONE (32 kHz)
		11. Bus Power OFF
13	DAB CHECK (B model)	1. SCL DISPLAY
		2. DSL DISPLAY
		3. SIGNAL QUALITY
		4. DAB F/W VERSION
		5. DAB F/W VERSION 1-10
		6. DAB F/W VERSION 11-20
		7. DAB F/W VERSION 21-30
		8. DAB F/W VERSION 31-40
		9. DAB F/W VERSION 41-50
		10. DAB F/W VERSION 51-60
		11. DAB F/W VERSION 61-64
		12. DAB SCAN
14	HDMI AUDIO	1. SPDIF
15	HDMI INFORMATION	1. HDMI MODEL NAME
		2. SELF PRODUCT ID
		3. SELF VENDOR NAME
		4. CEC RECEIVE DATA
		5. HDMI SHEET
16	HDMI SELECT	1. NONE
		2. IN 1
		3. IN 2
		4. DECODER
17	VIDEO CONVERSION	1. I2C CHECK
		2. DIGITAL COMP
		3. DIGITAL CVBS
		4. DIGITAL Y/C
		5. ANALOG BYPASS
		6. TEST PATTERN
		7. VIDEO INFO
18	MODEL	1. MODEL SETTING
		2. TUNER DESTINATION
		3. VIDEO FORMAT
19	ROM VERSION / SUM	1. VERSION (DSP ALL)
		2. SUM (ALL BOOT)
		3. CEC UPDATE
		4. CEC CPU VERSION DISPLAY
20	DATE	1. OPE 1
		2. DIGI
		3. OPE 2
		4. OPE 3
		5. OPE 4
		6. PROTECT
		7. CEC CODE OUT
		8. REMOTE CONTROL CODE
21	DSP CHECK	1. Tx Test Ch
		2. Tx Test
		3. T1 CHECK
		4. T2 CHECK
		5. RS232C BOOT
		6. Cert. Mode
		7. T1V
		8. T1D
		9. APP
		10. CSC
		11. SPD
		12. VR1
		13. T1 Write

● Starting Self-Diagnostic Function

To activate the self-diagnostic function, press the "STANDBY/ON" key of the remote control while pressing 2 keys of the main unit as shown below at the same time.

Key of main unit / 本体キー

Press the "STANDBY/ON" key of the remote control while pressing these keys.

これらのキーを同時に押しながら、リモコンの“電源”キーを押します。



● Starting Self-Diagnostic Function in the protection cancel mode

If the protection function works and causes hindrance to trouble diagnostic, cancel the protection function as described below, and it will be possible to enter the self-diagnostic function mode.

Press the "STANDBY/ON" key of the remote control while simultaneously pressing those 2 keys indicated in the figure above. At this time, keep pressing those two keys for 3 seconds or longer.

In this mode, the "SLEEP" segment of the FL display of the main unit flashes to indicate that the mode is self-diagnostic function mode with the protection functions disabled.

CAUTION!

Using this product with the protection function disabled may cause damage to itself. Use special care for this point when using this mode.

● Canceling Self-Diagnostic Function

[1] Before canceling self-diagnostic function, execute setting for PRESET of main menu No.8 (Memory initialization inhibited or Memory initialized).

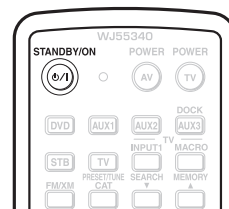
* In order to keep the user memory stored, be sure to select PRESET INHIBIT (Memory initialization inhibited). Any protection history will remain in memory.

[2] Turn off the power by pressing the "STANDBY/ON" key of the main unit or the "STANDBY/ON" key of the remote control.

● ダイアグの起動

本体の下図に示すキーを同時に押しながらリモコンの“電源”キーを押すと、ダイアグが起動します。

Key of remote control / リモコンキー



● プロテクション解除モードでの起動

プロテクションが動作することにより、故障箇所の診断に支障をきたすような場合は、次の方法によりプロテクションを解除した状態でダイアグに入ることができます。

上図のキーを同時に押しながらリモコンの“電源”キーを押します。このとき、上図のキーを3秒以上押し続けてください。

このモードでは本体FLの“SLEEP”セグメントが点滅し、プロテクションを解除した状態でのダイアグモードであることを知らせます。

注意！

プロテクションを解除した状態でのダイアグモードは、危険な状態でもプロテクションが作動しないため、動作させると、機器を破壊することがあります。このモードを使用する場合は十分注意してください。

● ダイアグの解除

① ダイアグを解除する前に、メインメニューNo.8のFACTORY PRESET (メモリーの初期化禁止/またはメモリーの初期化)の設定をします。

※ ユーザーメモリーを保持したい場合は、必ずPRESET INHIBIT (メモリー初期化禁止)を選択してください。

② 本体の“電源”キーまたはリモコンの“電源”キーを押し、電源オフにします。

● Display provided when Self-Diagnostic Function started

When the monitor is connected, the list of main menu items is displayed of the monitor screen as shown below. (This list remains on display until the self diagnostic function is cancelled.)

DIAGNOSTIC MENU	
1. DSP THR	11. DOCK TEST
2. RAM THR	12. XM TEST
3. PRO LOGIC	13. DAB TEST
4. MIC CHECK	14. HDM I
5. VFD CHECK	17. VIDEO CONV
6. MAN' LTEST	18. MODEL
7. RS232C	19. VER/SUM
8. PRESET	20. DATE
9. AD CHECK	21. DSP CHECK
10. IF STATUS	

● ダイアグ起動時の表示

モニターを接続してある場合は、モニターの画面に下図のようにメインメニューの一覧が表示されます。(ダイアグを解除するまで、この表示が保持されます)

The FL display of the main unit displays the protection function history data and the version (1 alphabet) and the self-diagnostic function menu [sub-menu (THR ALL) of main menu No.1 DSP THROUGH] a few seconds later.

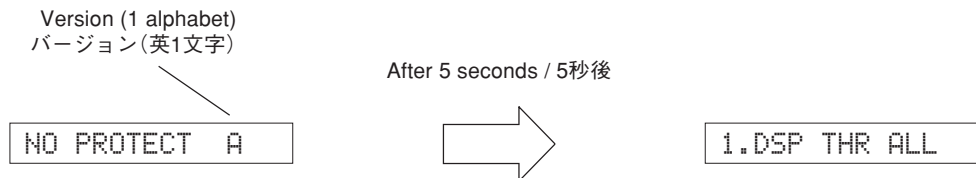
本体のFLディスプレイにプロテクション履歴情報とバージョン(英1文字)が表示され、数秒後にダイアグ(メインメニューNo.1 DSP THROUGHのサブメニューTHR ALL)になります。

When there is no history of protection function:

プロテクション履歴がない場合:

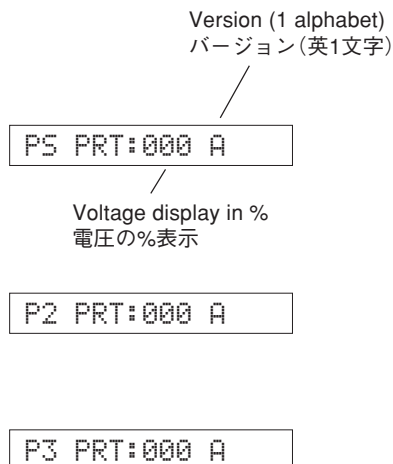
Opening message / オープニング表示

Main menu display / メインメニュー表示



When there is a history of protection function:

プロテクション履歴がある場合:



Cause: The voltage in the power supply section is abnormal.

Supplementary information: The abnormal voltage is displayed in % based on 3.3V as 100%.

Turning on the power without correcting the cause will trigger the protection function to work 1.5 second later to shut off the power supply.

原因：電源部の電圧が異常。

補足：異常時の電圧の状態を、3.3Vを100%とした値で%表示します。

異常状態のまま電源オンすると、1.5秒後にプロテクションがかかり、電源が切れます。

Version (1 alphabet)
バージョン(英1文字)

D-I_PROTECT A

Cause: Amplifier IC is abnormal.

原因：アンプICが異常。

Turning on the power without correcting the cause will trigger the protection function to work 2 seconds later to shut off the power supply.

異常状態のまま電源オンすると、2秒後にプロテクションがかかり、電源が切れます。

DIG MUTE PRT

Cause: Control section is abnormal.

原因：制御部が異常。

If there is an abnormality between the microprocessor and DSP1, the protection function works 25 seconds later to shut off the power supply.

マイコンとDSP1との間で異常があると、25秒後にプロテクションがかかり、電源が切れます。

● **History of protection function**

When the protection function has worked, its history is stored in memory with a backup. Even if no abnormality is noted while servicing the unit, an abnormality which has occurred previously can be defined as long as the backup data has been stored.

The history of the protection function is cleared when self-diagnostic function is cancelled by selecting PRESET RESERVED (Memory initialized) of main menu No. 8 or when the backup data is erased.

* To clear the protection history only, use the sub-menu No. 6 "PROTECT His (PrHist ← RESET) of main menu No. 20".

● **プロテクションの履歴**

プロテクションが働いた場合、履歴をバックアップして記憶しています。サービスのときに異常が認められなくても、バックアップが残っていれば、お客様のところで起きた異常を区別できます。

プロテクションの履歴は、メインメニューNo. 8で PRESET RESERVED (メモリーの初期化)を選んでダイアグを解除した場合や、バックアップが消えたときにはクリアされます。

※ プロテクション履歴のみクリアしたい場合は、メインメニューNo.20のサブメニューNo. 6“PROTECT Hist (PrtHist←RESET)”でクリアできます。

● Display during Self-Diagnostic Function operation

During the self-diagnostic function operation, the menu list described in the section of the startup screen appears on the TV screen and the function at work is indicated on the FL indicator. The contents displayed during the function operation are described later in the section on details of functions.

● Operation procedure of Main menu and Sub-menu

There are 21 main menu items, each of which has some sub-menu items.

Main menu selection

Select the main menu by using the UP/DOWN “△” (Reverse) “▽” (Forward) key of the remote control.

Sub-menu selection

Select the sub-menu by using the LEFT/RIGHT “◀” (Reverse) “▶” (Forward) keys.

● ダイアグ動作中の表示

ダイアグ動作中、モニター画面には起動画面の項で説明したメニュー一覧が表示されます。本体のFLディスプレイには動作中の機能が表示されます。機能動作中の表示内容については、後述の機能詳細で記述します。

● メインメニューとサブメニューの操作

ダイアグにはNo. 1～21のメニューがあり、そのそれぞれにサブメニューがあります。

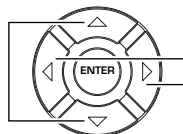
メインメニューの選択

リモコンのUP/DOWN “△” (逆送り)、“▽”(順送り)キーで選択します。

サブメニューの選択

リモコンのLEFT/RIGHT “◀”(逆送り)、“▶”(順送り)キーで選択します。

Main menu selection
メインメニューの選択



Sub-menu selection
サブメニューの選択

● Functions in Self-Diagnostic Function mode

In addition to the self-diagnostic function items, functions as listed below are available.

- Input selection
- Muting
- Level adjustment
- Power on/off
- Master volume
- * Functions related to the set menu are not available.

● ダイアグ中の機能

ダイアグP、ダイアグの他に以下の機能が動作します。

- インプット切り換え
- ミューティング
- レベル調整
- 電源オン/オフ
- マスターボリューム

※ セットメニュー関連は機能しません。

● Initial settings used to start Self-Diagnostic Function

The following initial settings are used when starting self-diagnostic function.

When self-diagnostic function is canceled, these settings are restored to those before starting self-diagnostic function.

- Master volume: 30 (-40dB)
- Input: TV/STB
- Effect level: 0dB
- Audio mute: OFF
- Main menu: DSP THR ALL

● ダイアグ開始時の初期設定

ダイアグ開始時に以下のような設定になります。ダイアグ解除時にはダイアグ開始前の状態に戻ります。

- マスターボリューム：30(-40dB)
- インプット：テレビ/チューナー
- エフェクトレベル：0dB
- オーディオミュート：オフ
- メインメニュー：DSP THR ALL

● Details of Self-Diagnostic Function menu

1. DSP THROUGH

The signal is not changed into beam and output from the channel specified by the sub-menu.

When 2CH signals are input, they are distributed as follows at DSP1 (IC5 DSP P.C.B.).

L CH FRONT L, SURROUND L, CENTER, LFE
R CH FRONT R, SURROUND R

Delay of each channel processed at DSP1 (IC5 DSP P.C.B.) is invalid.

DSP THR ALL

- All outputs (FRONT L/R, CENTER, SURROUND L/R, LFE) are provided.

1.DSP THR ALL

DSP THR FRONT L

- FRONT L output.
- LFE is output through FRONT L only but not in digital full bit.

1.DSP THR FL

DSP THR CENTER

- CENTER output.
- LFE is output through CENTER only but not in digital full bit.

1.DSP THR C

DSP THR FRONT R

- FRONT R output.
- LFE is output through FRONT R only but not in digital full bit.

1.DSP THR FR

DSP THR SURROUND R

- SURROUND R output.
- LFE is output through SURROUND R only but not in digital full bit.

1.DSP THR SR

DSP THR SURROUND L

- SURROUND L output.
- LFE is output through SURROUND L only but not in digital full bit.

1.DSP THR SL

DSP THR LFE (SUBWOOFER OUT)

- LFE output.

1.DSP THR LFE

● ダイアグメニュー詳細

1. DSP THROUGH

ビーム化は行わず、サブメニューの指定CHから出力します。

2CH信号入力時はDSP1(IC5 DSP P.C.B.)にて以下のように信号を振り分けます。

L CH FRONT L, SURROUND L, CENTER, LFE
R CH FRONT R, SURROUND R

DSP1(IC5 DSP P.C.B.)にて処理される各CHのDelayは無効です。

DSP THR ALL

- すべて(FRONT L/R, CENTER, SURROUND L/R, LFE)が出力されます。

DSP THR FRONT L

- FRONT Lが出力されます。
- LFEはFRONT Lのみ出力されますが、デジタルフルビットではありません。

DSP THR CENTER

- CENTERが出力されます。
- LFEはCENTERのみ出力されますが、デジタルフルビットではありません。

DSP THR FRONT R

- FRONT Rが出力されます。
- LFEはFRONT Rのみ出力されますが、デジタルフルビットではありません。

DSP THR SURROUND R

- SURROUND Rが出力されます。
- LFEはSURROUND Rのみ出力されますが、デジタルフルビットではありません。

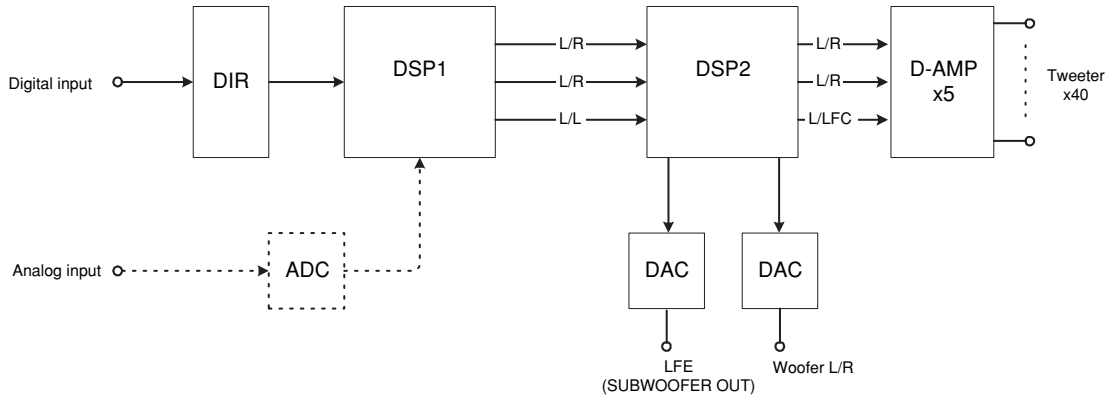
DSP THR SURROUND L

- SURROUND Lが出力されます。
- LFEはSURROUND Lのみ出力されますが、デジタルフルビットではありません。

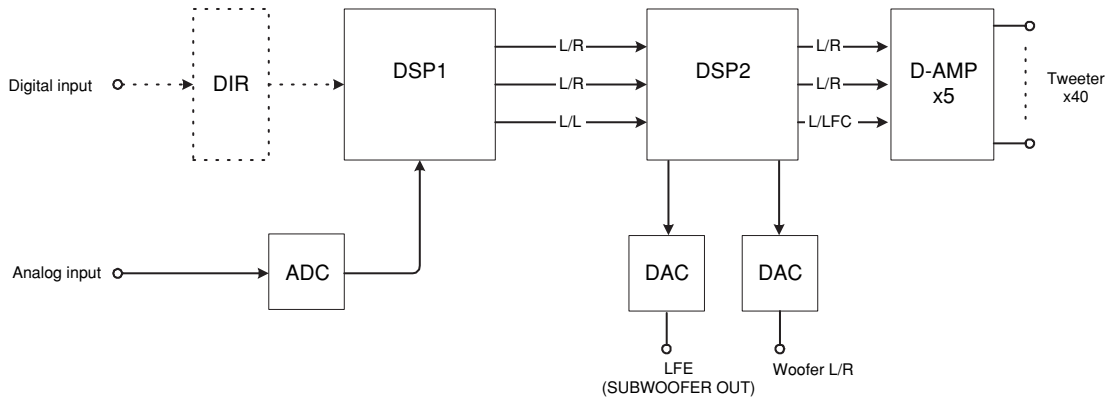
DSP THR LFE (SUBWOOFER OUT)

- LFEが出力されます。

[Digital]



[Analog]



2. RAM THROUGH

The signal is not changed into beam and output from the channel specified by the sub-menu.

When 2CH signals are input, they are distributed as follows at DSP1 (IC5 DSP P.C.B.).

L CH FRONT L, SURROUND L, CENTER, LFE
R CH FRONT R, SURROUND R

Delay of each channel processed at DSP1 (IC5 DSP P.C.B.) is valid.

RAM THR ALL

- All outputs (FRONT L/R, CENTER, SURROUND L/R, LFE) are provided.

2. RAM THR ALL

RAM THR FRONT L

- FRONT L output.
- LFE is output through FRONT L only but not in digital full bit.

2. RAM THR FL

RAM THR CENTER

- CENTER output.
- LFE is output through CENTER only but not in digital full bit.

2. RAM THR C

RAM THR FRONT R

- FRONT R output.
- LFE is output through FRONT R only but not in digital full bit.

2. RAM THR FR

RAM THR SURROUND R

- SURROUND R output.
- LFE is output through SURROUND R only but not in digital full bit.

2. RAM THR SR

RAM THR SURROUND L

- SURROUND L output.
- LFE is output through SURROUND L only but not in digital full bit.

2. RAM THR SL

RAM THR LFE (SUBWOOFER OUT)

- LFE output.

2. RAM THR LFE

2. RAM THROUGH

ビーム化は行わず、サブメニューの指定CHから出力しません。

2CH信号入力時はDSP1 (IC5 DSP P.C.B.)にて以下のように信号を振り分けます。

L CH FRONT L, SURROUND L, CENTER, LFE
R CH FRONT R, SURROUND R

DSP1 (IC5 DSP P.C.B.)にて処理される各CHのDelayは有効です。

RAM THR ALL

- すべて (FRONT L/R, CENTER, SURROUND L/R, LFE) が出力されます。

RAM THR FRONT L

- FRONT Lが出力されます。
- LFEはFRONT Lのみ出力されますが、デジタルフルビットではありません。

RAM THR CENTER

- CENTERが出力されます。
- LFEはCENTERのみ出力されますが、デジタルフルビットではありません。

RAM THR FRONT R

- FRONT Rが出力されます。
- LFEはFRONT Rのみ出力されますが、デジタルフルビットではありません。

RAM THR SURROUND R

- SURROUND Rが出力されます。
- LFEはSURROUND Rのみ出力されますが、デジタルフルビットではありません。

RAM THR SURROUND L

- SURROUND Lが出力されます。
- LFEはSURROUND Lのみ出力されますが、デジタルフルビットではありません。

RAM THR LFE (SUBWOOFER OUT)

- LFEが出力されます。

3. PRO LOGIC / Neo:6

PRO LOGIC I, II, Neo:6 can be selected from the sub-menu items.

PRO LOGIC I (PRO LOGIC EMULATION)

3.PRO LOGIC I

PRO LOGIC II

3.PRO LOGIC II

Neo:6

3. Neo:6

3. PRO LOGIC / Neo:6

サブメニューでPRO LOGIC I、II、Neo : 6を選択可能です。

PRO LOGIC I(PRO LOGIC EMULATION)**PRO LOGIC II****Neo:6****4. MIC CHECK**

The signal inputted through the microphone is output via AD-DA at the output terminal of the subwoofer.

4.MIC CHK

4. MIC CHECK

マイク入力された信号をAD-DA経由でサブウーファー出力端子へ出力します。

5. VFD CHECK

Use this program to check the FL display section and video control section. When checking the video control section, prepare a monitor and video pin cable and connect them.

Selection of the FL display section or video control section varies according to the submenu operation on the next page.

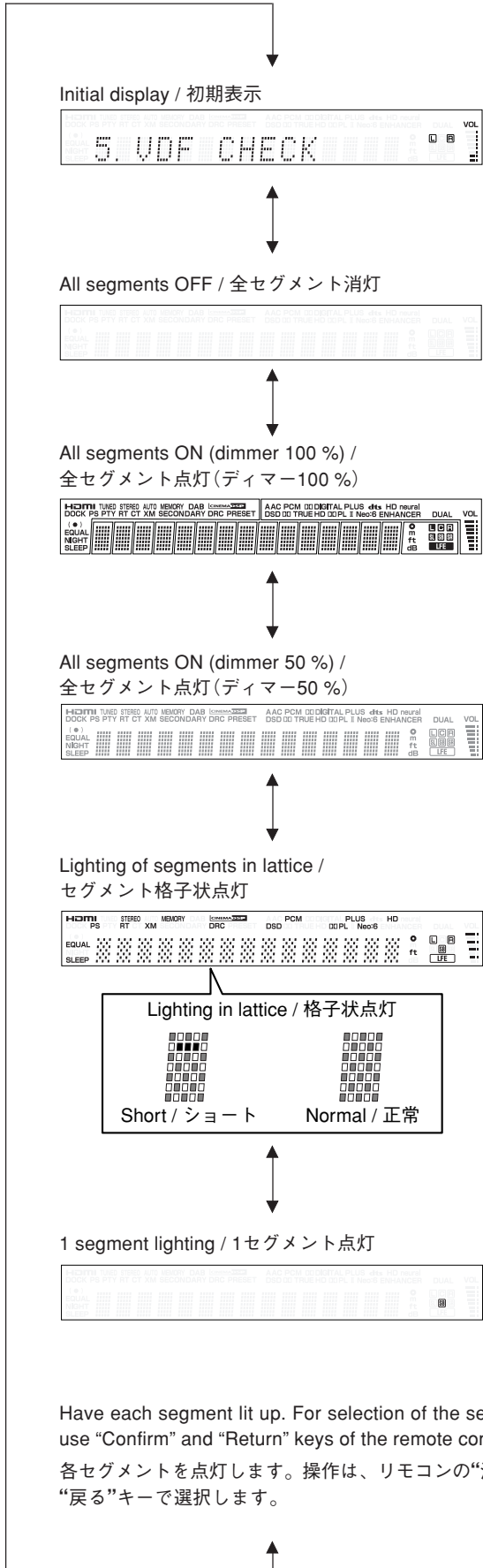
5. VFD CHECK

5. VFD CHECK

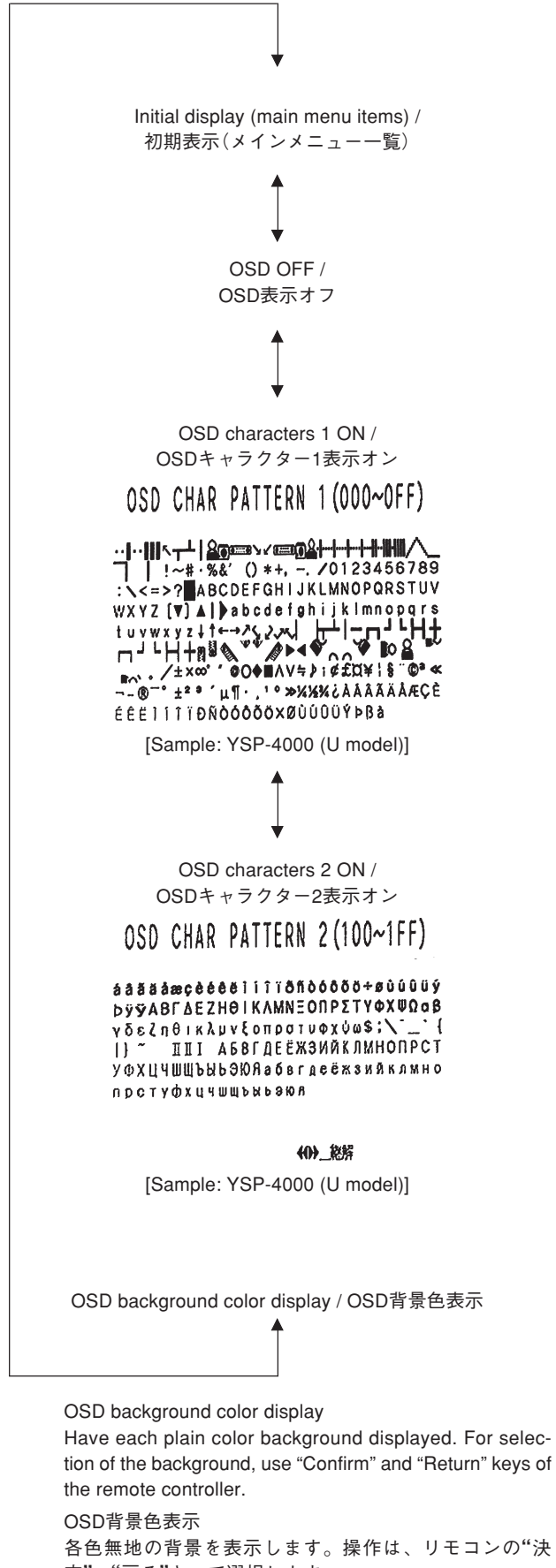
FL表示部および映像表示部のチェックプログラムです。映像制御部をチェックする場合には、モニター、ビデオ用ピンケーブルを準備し接続します。

サブメニュー操作により、FL表示部と映像表示部の選択が連動して変わります。

Checking FL display section /
FL表示部のチェック



Check of the Video control section. (Video out) /
映像表示部のチェック(ビデオ出力)



YSP-4000/YSP-40D/
HTY-7040

6. MANUAL TEST

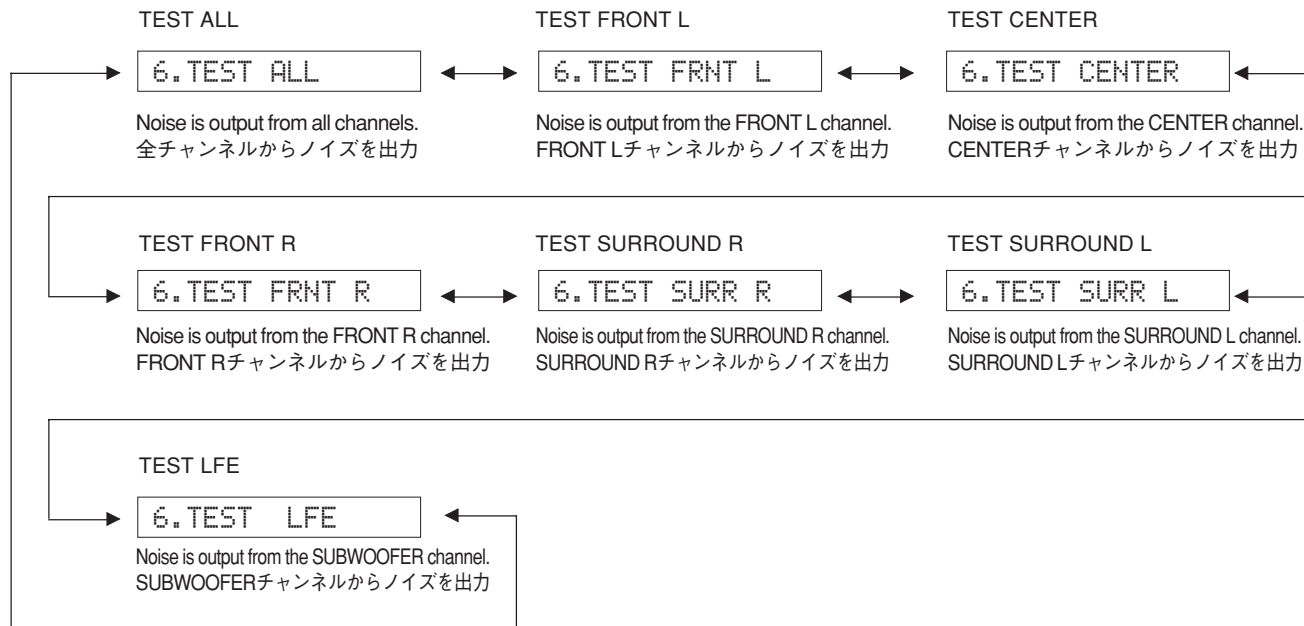
The noise generator with a built-in DSP outputs the test noise through the channels specified by the sub-menu.

The noise frequency is 30 to 80Hz for LFE but 500 to 2kHz for others.

6. MANUAL TEST

DSP内蔵のノイズ発生回路によって、サブメニューで指定したチャンネルへテストノイズを出力します。

LFE用のノイズ周波数は30~80Hz、それ以外は500~2kHzとなります。



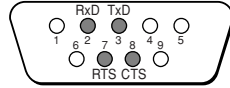
7. RS-232C

This menu is used to check transmission of the data and the flow port of the hardware.

With the power turned off, short between pins No. 2 (Rx/D) and No. 3 (Tx/D), and between pins No. 7 (RTS) and No. 8 (CTS) of the RS232C terminal. (Be sure to turn off the power when shorting the pins.)

Start self-diagnostic function and select the menu.

There are two sub-menu items.



TxD/RxD DATA

The sub-menu is used to check transmission of the test data. "OK" appears when the data is transmitted properly and "NG" when it is not.

In this mode, NULL command transmission is continued after the test command is transmitted.

```
7. TxRxData=NG
```

HARD FLOW

This sub-menu is used to check operation of the flow port of the hardware. "OK" appears when the check result is satisfactory and "NG" when it is not.

```
7. HardFlow=NG
```

7. RS-232C

データ送受信チェック、ハードウェアフローポートチェックを行うメニューです。

パワーオフ状態にしてから、RS232C端子の2ピン(Rx/D)と3ピン(Tx/D)、7ピン(RTS)と8ピン(CTS)をショートさせます。(ショートさせるときは必ず電源を切ってください。)

ダイアグを起動してメニューを選択します。

サブメニューは2つあります。

TxD/RxD Data

テストの送受信チェックを行います。正常に送受信完了した場合、「OK」と表示します。正常に送受信しなかった場合は「NG」と表示します。

このモードでは、テストコマンド送信後、200msごとにNULLコマンド(無効なコマンド)を送信し続けます。

HARD FLOW

ハードウェアフローポートの動作チェックを行います。正常にチェック完了した場合、「OK」と表示します。正常にチェック完了しなかった場合は「NG」と表示します。

8. FACTORY PRESET

This menu is used to reserve and inhibit initialization of the back-up RAM.

```
8. PRESET INHI
```



```
8. PRESET RSRV
```

PRESET INHIBIT (Initialization inhibited) / PRESET INHIBIT (初期化禁止)

RAM initialization is not executed. Select this sub-menu to protect the values set by the user.

RAMの初期化は行われません。ユーザーの設定値を保護するときは、こちらを選択してください。

PRESET RESERVED (Initialization reserved) / PRESET RESERVED (初期化予約)

Initialization of the back-up RAM is reserved. (Actually, initialization is executed the next time that the power is turned on.) Select this sub-menu to reset to the original factory settings or to reset the RAM. Any protection history will be cleared.

バックアップRAMの初期化が予約されます。(実際に初期化されるのは、次回の電源投入時です。)工場出荷時やRAMをリセットしたいときは、こちらを選択してください。

8. FACTORY PRESET

バックアップ用RAM (音場プログラムのパラメーターやセットメニュー内容等)の初期化を予約/禁止します。

YSP-4000/YSP-40D/
HTY-7040

9. AD DATA CHECK

This menu is used to display the A/D conversion value of the main CPU which detects panel keys of the main unit and protection functions in % using the sub-menu. During signal processing, the condition before execution is maintained.

* The value in the diagram are given as reference only.

PS (Power supply voltage protection detection)

* When the value of PS, P2 and P3 is not at the normal value level, the protection function works and the power is turned off.

(Reference voltage: 3.3V=100%)

PS (PS1) Voltage detects: -24 V, +12 A, +12 B, +12 V, +5 V, V5V

Normal value: 48 to 84% (1.61 to 2.78 V)

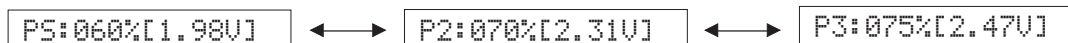
P2 (PS2) Voltage detects: +10 V (U, C models), T+10 (U, C, T, K, A, G, E, L, V models), +5.3 X (U, C, B models), V9V, +5ip (U, C, A, B models)

Normal value: 59 to 82 % (1.96 to 2.71 V)

P3 (PS3) Voltage detects: +3.3 V

Normal value: 61 to 91 % (2.03 to 3.0 V)

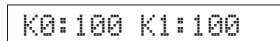
* The normal value has been revised from 2.5V (measured value) to 3.3V (indicated value) by the voltage dividing resistor.



K0/K1 (Panel key of main unit)

A/D of the key fails to function properly when the standard value is deviated by ±2%. In this case, check the constant of voltage dividing resistor, solder condition, etc.

(Reference voltage: 3.3V=100%)



[%]	K0	K1
0+2	VOLUME +	VOLUME -
10±2	INPUT	-
100-2	NO KEY	NO KEY

9. AD DATA CHECK

本体パネルキー、プロテクションなどを検出しているメインCPUのA/D変換の値を、サブメニューで%表示します。信号処理は実行前の状態を維持します。

※ 図中の数値は参考例です。

PS (電源電圧プロテクションの検出)

※ PS、P2、P3は正常値を外れるとプロテクションが働き、電源オフされます。

(基準電圧：3.3V=100%)

PS(PS1) 検出電圧： -24 V、+12 A、+12 B、+12 V、+5 V、V5V

正常値： 48～84 % (1.61～2.78 V)

P2(PS2) 検出電圧： +10 V、V9V

正常値： 59～82 % (1.96～2.71 V)

P3(PS3) 検出電圧： +3.3 V

正常値： 61～91 % (2.03～3.0 V)

※ 正常値は分圧抵抗によって2.5 V(実測値)から3.3 V(表示値)へ変更されています。

K0/K1 (本体パネルキー)

キーのA/Dは基準値から±2%を外れると、正常な動きをしません。下表をご覧になり、各キーの分圧抵抗の定数、ハンダ不良等の確認をしてください。

(基準電圧：3.3V=100%)

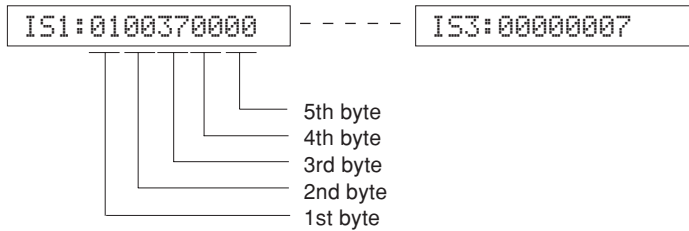
10. IF STATUS (Input function status)

Using the sub-menu, the status data is displayed one after another in the hexadecimal notation.
 During signal processing, the status before execution of this menu is maintained.

* The details of the following status information can not be disclosed because of the development purpose.
 The figures in the diagram are given as reference only.

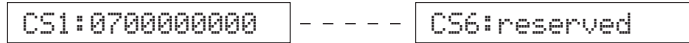
IS1-3 (Internal status):

Indicates the status information of the microprocessor.



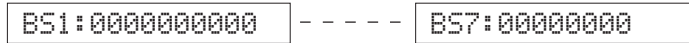
CS1-6:

Indicates channel status information of the input signal (IEC60958).



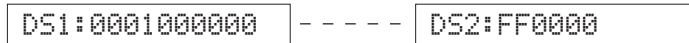
BS1-7:

Indicates information of the bit stream included in the dts and AAC signal.



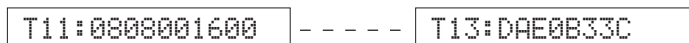
DS1-2:

Register information of the DIR.



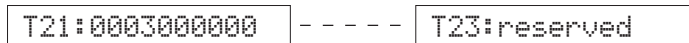
T11-3:

Operation information of the DSP1 (IC5 DSP P.C.B.).



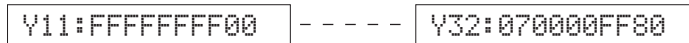
T21-3:

Operation information of the DSP2 (IC13 DSP P.C.B.).



Y11-2, 21-2, 31-2:

Not applied to these models.



MTT:

Operation information of mute trigger.



10. IF STATUS

サブメニュー操作により、以下のステータス情報を順次16進数で表示します。信号処理は、本メニュー実行前の状態を維持します。

※ ステータス情報の詳細説明に関しては、開発用のため記載できません。
 図中の数値は参考例です。

IS1-3 (内部ステータス):

マイコンのステータス情報を表示します。

CS1-6:

入力信号のIEC60958チャンネルステータス情報を表示します。

BS1-7:

dts信号およびAAC信号に含まれるビットストリームインフォメーション情報を表示します。

DS1-2:

DIRのレジスタ情報を表示します。

T11-3:

DSP1 (IC5 DSP P.C.B.)の動作情報を表示します。

T21-3:

DSP2 (IC13 DSP P.C.B.)の動作情報を表示します。

Y11-2, 21-2, 31-2:

このモデルには適用されません。

MTT:

ミュートトリガーの情報を表示します。

YSP-4000/YSP-40D/
HTY-7040

11. DOCK CHECK (U, C, A models)

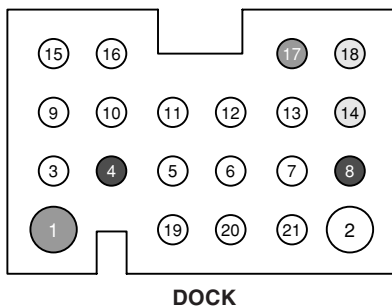
This menu is used to test the DOCK connector without the iPod itself.

After turning off the power, short between pins No. 14 (TX) and No. 18 (RX), between pins No. 1 (PWR) and No. 17 (ACCPOW) and between pins No. 4 (iPDET) and No. 8 (DGND).

Start the self-diagnostic function and select the menu.

The check result is displayed according to the following display specifications.

Note) Be sure to return the shorted locations to their original state.



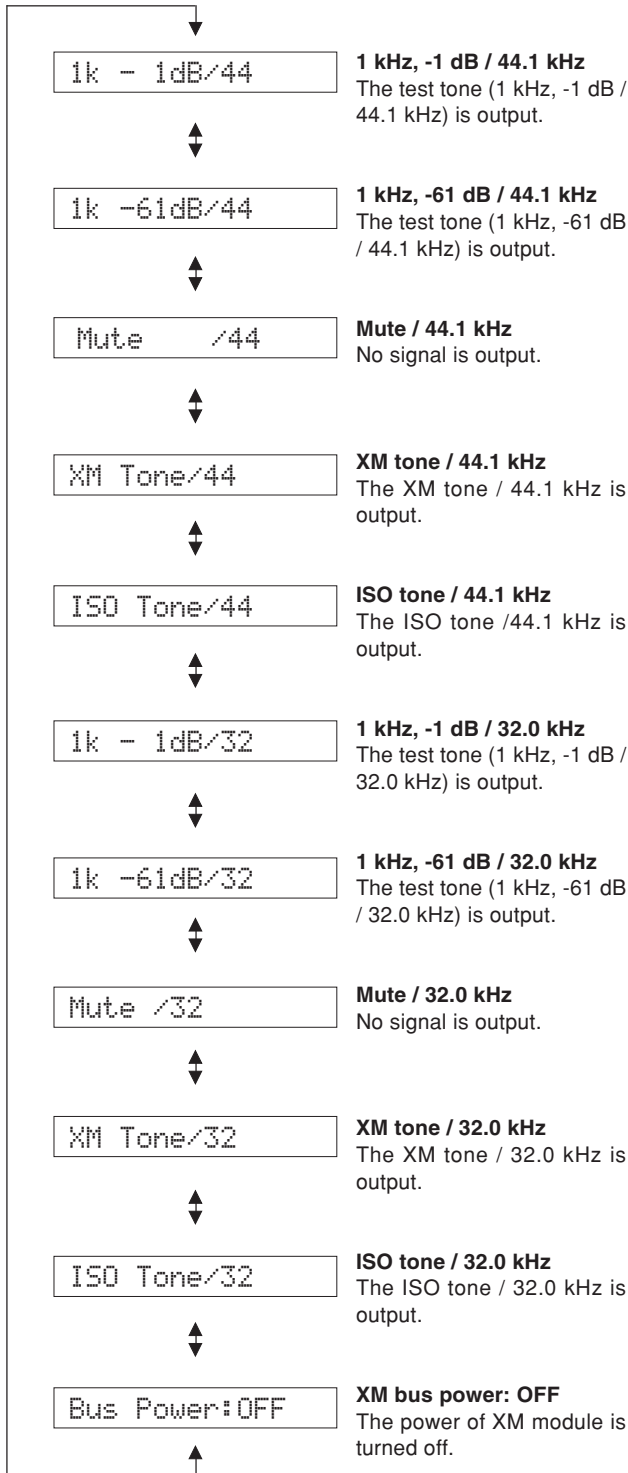
11.DOCK:NG YNN

All Y = "OK"
Others = "NG"

Check item	Result	Display
UART loop back test	OK	Y
	NG	N
iPAP (iPod accessory power) detection	IC16 (INPUT P.C.B.) pin no. 11 state High	Y
	IC16 (INPUT P.C.B.) pin no. 11 state Low	N
iPDET (iPod installation to DOCK) detection	IC16 (INPUT P.C.B.) pin no. 7 state Low	Y
	IC16 (INPUT P.C.B.) pin no. 7 state High	N

12. XM CHECK (U, C models)

The output check of XM radio antenna module is executed.



YSP-4000/YSP-40D/
HTY-7040

13. DAB CHECK (B model)

Using the DIAG menu, it is possible to select DAB SCAN, DLS, SIGNAL QUALITY.

DAB SCL

The channel that can be received is searched. When reception is completed the SCL (Service Label) is displayed.



DLS (Dynamic Label Segment)

DLS (Dynamic Label Segment) of the channel being received is displayed.

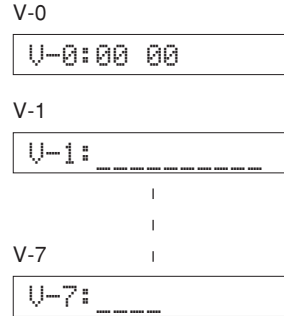


SIGNAL QUALITY

The reception level of the channel being received is displayed.



DAB MODULE VERSION 0-7



DAB SCAN

The channel that can be received is searched.



Display of SCL (Service Label)

14. HDMI AUDIO

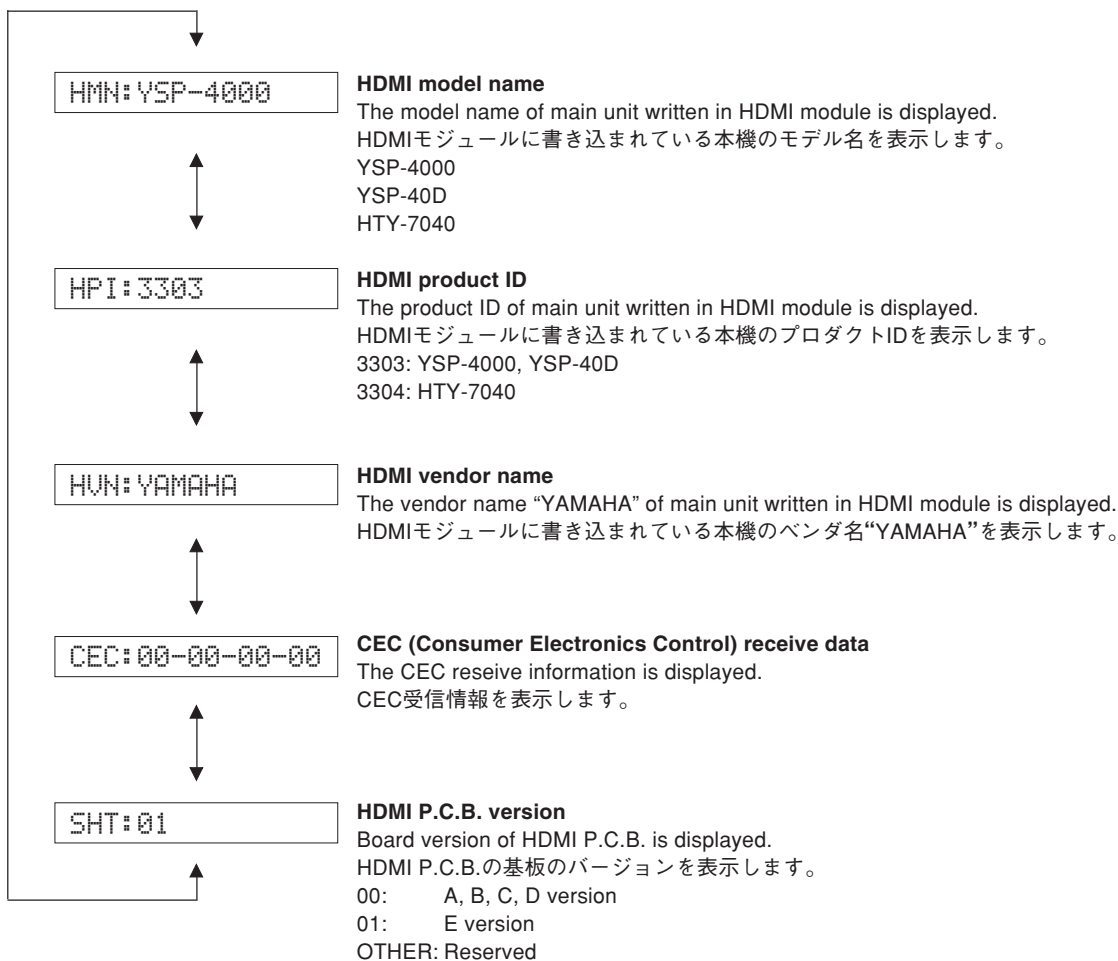
The sound signal inputted to HDMI IN is output.

14. HDMI AUDIO

HDMI INに入力された音声信号を出力します。

SPDIF

15. HDMI INFORMATION



16. HDMI SELECT

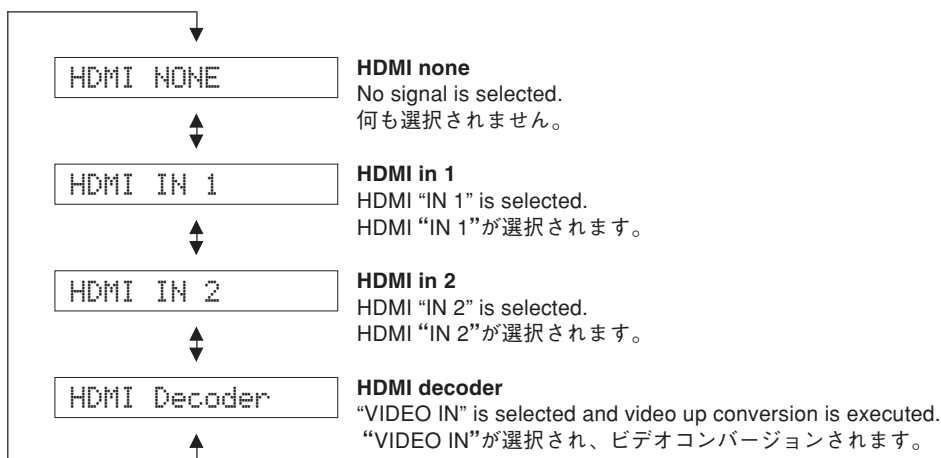
The selected input signal is output to HDMI OUT by the sub-menu operation.

* Support audio is set to "OTHER".

16. HDMI SELECT

サブメニュー操作により、選択された入力信号をHDMI OUTへ出力します。

※ SUPPORT AUDIOは"OTHER"に設定されます。



YSP-4000/YSP-40D/
HTY-7040

17. VIDEO CONVERSION

The video circuit is checked by the sub-menu operation.

I2C CHECK

The line check of I2C is executed.

I2C:00000001

0 : OK / 正常
Not 0 : NG / 不良検出

- Failure of CEC (IC6 HDMI P.C.B.) detected / (IC6 HDMI P.C.B.)の不良検出
- Failure of scaler (IC4 HDMI P.C.B.) detected / (IC4 HDMI P.C.B.)の不良検出
- Video encoder (Not applied to these models. / このモデルには適用されません)
- Failure of video decoder (IC5 HDMI P.C.B.) detected / (IC5 HDMI P.C.B.)の不良検出
- Failure of HDMI transmitter (IC2 HDMI P.C.B.) detected / (IC2 HDMI P.C.B.)の不良検出
- Failure of HDMI receiver (IC12 HDMI P.C.B.) detected / (IC12 HDMI P.C.B.)の不良検出
- Failure of EDID (IC15/IC19 HDMI P.C.B.) detected / (IC15/IC19 HDMI P.C.B.)の不良検出

17. VIDEO CONVERSION

サブメニュー操作によりビデオ回路の確認をします。

I2C CHECK

I2Cラインのチェックを行います。

DIGITAL COMPONENT

The component input image signal undergoes up conversion and is output at HDMI OUT.

DIGITAL COMP

DIGITAL COMPONENT

コンポーネント入力の映像信号を、ビデオコンバージョンしてHDMI OUTへ出力されます。

DIGITAL CVBS

The video (composite) input image signal undergoes up conversion and is output at HDMI OUT.

DIGITAL CVBS

DIGITAL CVBS

VIDEO(コンポジット)入力の映像信号を、ビデオコンバージョンしてHDMI OUT出力されます。

DIGITAL Y/C

Not applied to these models.

* The main menu list display of the self-diagnostic function is output at VIDEO OUT.

DIGITAL Y/C

DIGITAL Y/C

このモデルには適用されません。

※ VIDEO OUTには、ダイアグのメインメニュー一覧表示が出力されます。

ANALOG BYPASS

ANALOG BYPASS

ANALOG BYPASS

TEST PATTERN

Not applied to these models.

* The main menu list display of the self-diagnostic function is output at VIDEO OUT.

TEST PATTERN

TEST PATTERN

このモデルには適用されません。

※ VIDEO OUTには、ダイアグのメインメニュー一覧表示が出力されます。

VIDEO INFORMATION

The image signal data being input is displayed.

VIDEO IN 576i

VIDEO INFORMATION

入力されている映像信号の情報が表示されます。

YSP-4000/YSP-40D/
HTY-7040

18. MODEL

The information on the model, destination and video format is displayed.

MODEL SETTING

YSP-4000, YSP-40D or HTY-7040 is displayed.

```
MODEL: YSP-4000
```

DESTINATION

U, C, K, A, B, G, E, L or V is displayed.

```
DEST : GE
```

VIDEO FORMAT

NTSC (U, C, K, V models)
PAL (A, B, G, E, L models)

```
VIDEO: PAL
```

18. MODEL

モデル、仕向、ビデオフォーマットの情報を表示します。

MODEL SETTING

YSP-4000を表示します。

DESTINATION

Jを表示します。

VIDEO FORTMAT

NTSC

19. VERSION/CHECK SUM

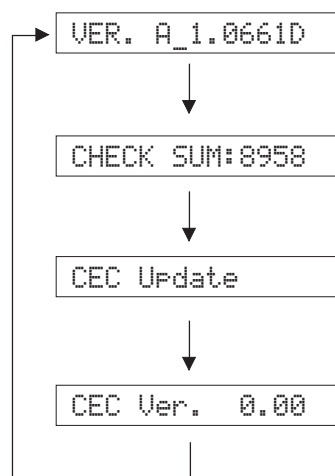
The firmware version and checksum are displayed.
The checksum is obtained by adding the data at every 16 bits for each program area and expressing the result as a 4-figure hexadecimal data.

* Numeric values in the figure example are for reference.

19. バージョン/チェックサム情報

ファームウェアのバージョン、チェックサムを表示します。
チェックサムは、プログラムエリア別にデータを16ビットごとに加算していき、4桁の16進データで現したものです。

※ 図中の数値は参考例です。

**Version / バージョン情報**

Firmware version of microprocessor (IC30 INPUT P.C.B.) is displayed.
マイコン(IC30 INPUT P.C.B.)のファームウェアバージョンを表示します。

Checksum / チェックサム表示

Checksum value of main microprocessor (IC30 INPUT P.C.B.) is displayed.
メインマイコン(IC30 INPUT P.C.B.)のチェックサムバージョンを表示します。

CEC update / CEC update

Not applied to these models.
このモデルには適用されません。

CEC microprocessor version / CEC マイコン バージョン表示

Firmware version of CEC microprocessor (IC16 HDMI P.C.B.) is displayed.
CECマイコン(IC16 HDMI P.C.B.)のファームウェアバージョンを表示します。

20. DATE

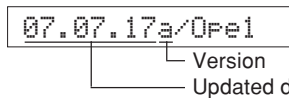
The updated date of the program, clearance of the protection history and the remote control reception code are displayed.

When Remo Code menu is selected, keys become non-operable due to detection of the values of all keys. However, it is possible to advance to the next sub-menu by pushing the "INPUT" key of the main unit.

* Numeric values in the figure example are for reference.

MAIN / SUB, 2, 3, 4

The updated date of the microprocessor firmware is displayed.



The updated dates of the operation, tuner and CEC sections are displayed. / オペレーション、チューナー、CEC部の更新日付を表示します



The updated date of the digital section is displayed. / デジタル部の更新日付を表示します



The updated dates of the set menu and automatic adjustment sections are displayed. / 表示セットメニュー、自動調整部の更新日付を表示します



The updated dates of the HDMI, XM and DOCK (iPod) display sections are displayed. / HDMI、XM、DOCK (iPod) 表示部の更新日付を表示します



The updated date of the DAB/VIDEO conversion section is displayed. / DAB/ビデオコンバージョン部の更新日付を表示します

PROTECT HISTORY DELETE

Reserve/Cancel can be selected by using the "ENTER" and "RETURN" keys of the remote control.

プロテクション履歴削除の予約/解除

リモコンの"決定"、"戻る"により予約/解除が選択できます。



CEC (Consumec Electronics Control) CODE OUTPUT

Not applied to these models.

CECコード出力

このモデルには適用されません。

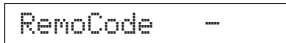


REMOTE CONTROL CODE DISPLAY

The reception code of the remote control can be checked.

リモコン受信コード表示

リモコン受信コードが確認できます。



20. DATE

プログラムの更新日付、プロテクション履歴のクリア、リモコン受信コードを表示します。

Remo Codeのメニューにすると、リモコンの全キーの値を検出するためキー操作はできなくなりますが、本機の"INPUT"キーを押すことにより、次のサブメニューに進めることができます。

※ 図中の数値は参考例です。

MAIN / SUB, 2, 3, 4

マイコンのファームウェアの更新日付を表示します。

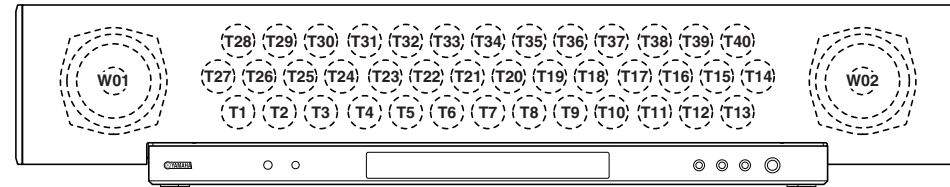
YSP-4000/YSP-40D/
HTY-7040

21. DSP CHECK

Tx Test Ch

Have the sound produced from each driver to check its condition and installation position.
Use the "ENTER" and "RETURN" keys of the remote control for selection.

TxTestCh [---]



- T1-T40 Tweeter
- W01-W02 Woofer
- ALL Sound is output from all drivers
- --- OFF

Tx Test

Select the sound to be produced in TxTest Ch.
Use the "ENTER" and "RETURN" keys of the remote control for switching.

- NOISE The noise is output.
- SOURCE The external input is output.

TxTest: NOISE

T1 CHECK

Execute self-diagnostic of DSP1 (IC5 DSP P.C.B.)
Use the "ENTER" key of the remote control for execution.

T1:Not Checked

T2 CHECK

Execute self-diagnostic of DSP2 (IC13 DSP P.C.B.)
Use the "ENTER" key of the remote control for execution.

T2:Not Checked

Display / 表示	Description / 判断
Not Checked	Self-diagnosis not executed / 自己診断未実施
Wait	Self-diagnosis being executed / 自己診断実行中
No Error	No error detected / エラー検出なし
Err-DSP	Error of DSP operation detected / DSPの動作についてエラーを検出
Err-SRAM	Error of I/F with SRAM detected / SRAMとのI/Fについてエラーを検出
Err-FLASH	Error of I/F with FLASH ROM detected / FLASH ROMとのI/Fについてエラーを検出
Err-Unknown	Error other than above detected / 上記以外のエラーを検出
reserved	Function not applicable / 機能は非対応

21. DSP CHECK

Tx Test Ch

各スピーカーユニットを鳴らし、不良・取付位置の確認をします。
リモコンの"決定"、"戻る"キーを使って選択します。

- T1-T40 ツイーター
- W01-W02 ウーファー
- ALL すべてのスピーカーユニットから出力されます
- --- OFF

Tx Test

TxTest Chで鳴らす音を選択します。
リモコンの"決定"、"戻る"キーにて切り替えます。

- NOISE ノイズを出力します。
- SOURCE 外部入力を出力します。

T1 CHECK

DSP1 (IC5 DSP P.C.B.)を自己診断します。
リモコンの"決定"キーを使って実行します。

T2 CHECK

DSP2 (IC13 DSP P.C.B.)を自己診断します。
リモコンの"決定"キーを使って実行します。

RS232C

Select the protocol of RS-232C connection.
Use the "ENTER" and "RETURN" keys of the remote control for selection.

RS232C: YAMAHA

RS232C: 1Ltd.

It select it at the time of writing (IC18 DSP P.C.B.) / (IC18 DSP P.C.B.)書き込み時選択します。

Cert Mode

Select the special mode for testing.

Cert Mode

試験用の特殊モードを選択します。

Cert.Mode[OFF]

* Be sure to set to "OFF"
※ 必ず"OFF"にしてください

T1V

The version of T1V (DSP1) is displayed.

T1V

T1V(DSP1)のバージョンを表示します。

T1V:0206r

T1D

Not applied to these models.

T1D

このモデルには適用されません。

T1D:-----

APP

The version of DSP Application Code is displayed.

APP

DSP Application Code のバージョンを表示します。

APP:YSP2-0.33D

CSC

The version of Core Start-Up Code is displayed.

CSC

Core Start-Up Codeのバージョンを表示します。

CSC:CSC1.06Y R

SPD

The version of SPID is displayed.
* SPID is the abbreviation for the Sound Projector Module Initialization Data Format.

SPD

SPIDのバージョンを表示します。
※ SPIDはSound Projector Module Initialization Data Formatを略したものです。

SPD:Y4KMP0724A

VR1

Not applied to these models.

VR1

このモデルには適用されません。

VR1:reserved

T1 Write

Select OFF/ON of firmware writing.
* Keep OFF selected other than when writing the firmware.

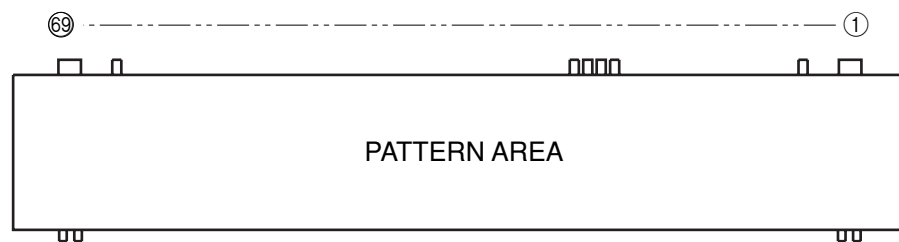
T1 Write

ファームウェアの書き込みのOFF/ONを選択します。
※ ファームウェアの書き込み時以外はOFFにします。

T1 Write [OFF]

■ DISPLAY DATA

● V901 : 17-BT-28GNKF (POWER P.C.B.)



● PIN CONNECTION

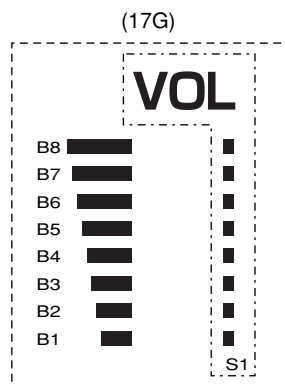
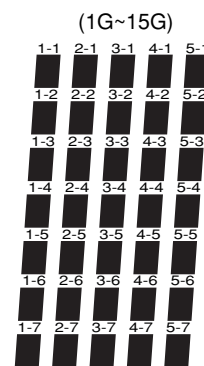
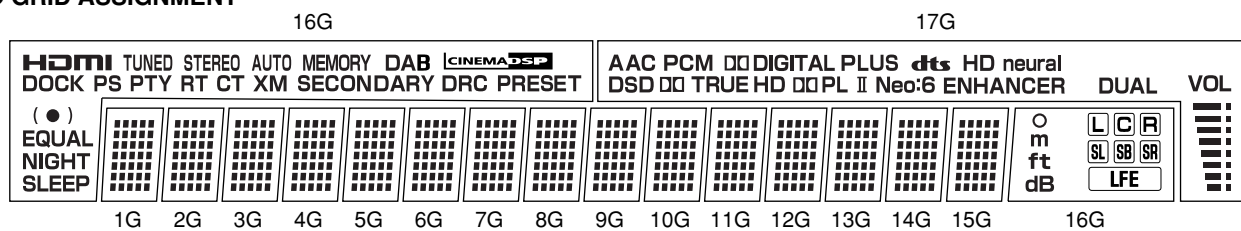
Pin No.	69	68	67	66	65	64	63	62	61
Connection	F2	NX	NP	NP	NX	NX	NX	NX	NX

Pin No.	60	59	58	57	56	55	54	53	52	51	50	49	48	47	46	45	44	43	42	41	40	39	38	37	36	35	34	33	32	31
Connection	NX	NX	NX	NX	P1	P2	P3	P4	P5	P6	P7	P8	P9	P10	P11	P12	P13	P14	P15	P16	P17	P18	P19	P20	P21	P22	P23	P24	P25	P26

Pin No.	30	29	28	27	26	25	24	23	22	21	20	19	18	17	16	15	14	13	12	11	10	9	8	7	6	5	4	3	2	1
Connection	P27	P28	P29	P30	P31	P32	P33	P34	P35	17G	16G	15G	14G	13G	12G	11G	10G	9G	8G	7G	6G	5G	4G	3G	2G	1G	NP	NP	NX	F1

Note : 1) F1, F2 Filament 2) NP No pin 3) NX No extended Pin 4) 1G ~ 17G Grid

● GRID ASSIGNMENT

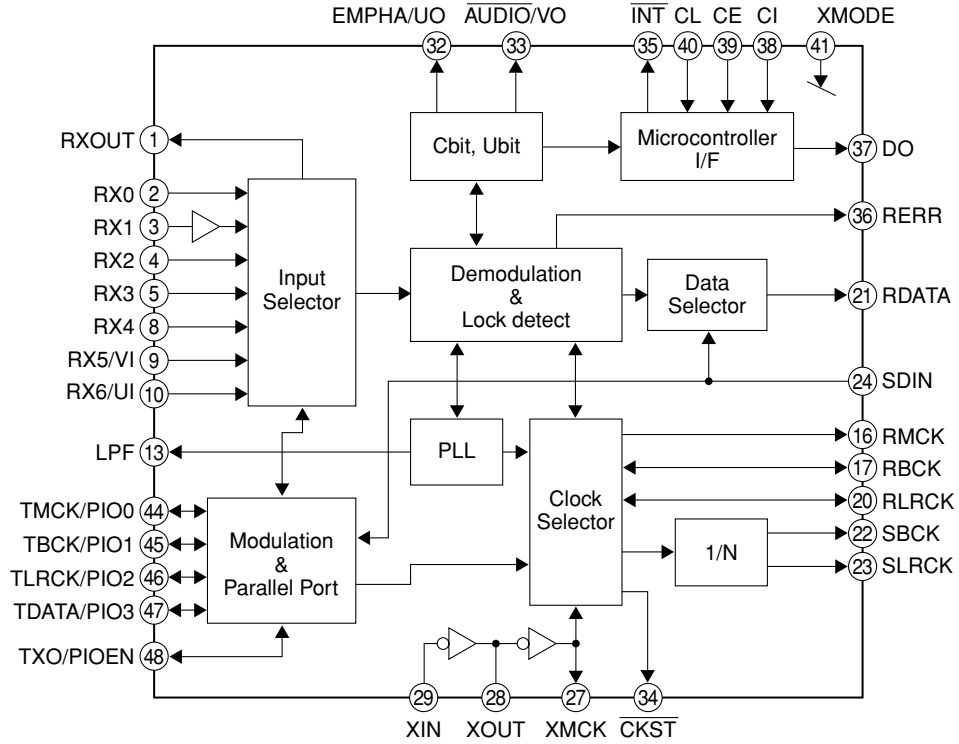


● ANODE CONNECTION

	1G-15G		17G
P1	1-1	HDMI	AAC
P2	2-1	TUNED	PCM
P3	3-1	STEREO	DIGITAL
P4	4-1	AUTO	PLUS
P5	5-1	MEMORY	dts
P6	1-2	DAB	HD
P7	2-2	CINEMA DSP	neural
P8	3-2	(●)	-
P9	4-2	EQUAL	-
P10	5-2	NIGHT	DSD
P11	1-3	SLEEP	TRUE HD
P12	2-3	DOCK	PL
P13	3-3	PS	II
P14	4-3	PTY	Neo:6
P15	5-3	RT	ENHANCER
P16	1-4	CT	-
P17	2-4	XM	-
P18	3-4	SECONDARY	-
P19	4-4	DRC	-
P20	5-4	PRESET	-
P21	1-5	○	-
P22	2-5	m	-
P23	3-5	ft	-
P24	4-5	dB	-
P25	5-5		DUAL
P26	1-6		-
P27	2-6	L	S1
P28	3-6	C	B8
P29	4-6	R	B7
P30	5-6	SL	B6
P31	1-7	SB	B5
P32	2-7	SR	B4
P33	3-7	LFE	B3
P34	4-7		B2
P35	5-7		B1

IC DATA

IC3: LC89057W-VF4AD-E (DSP P.C.B.)
Digital audio interface transceiver

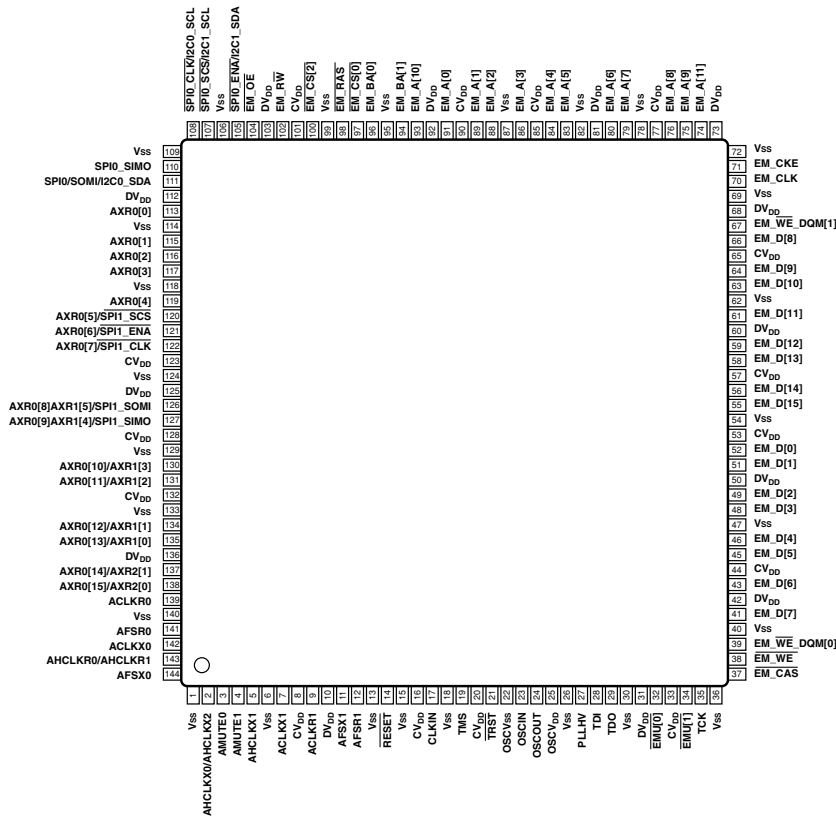
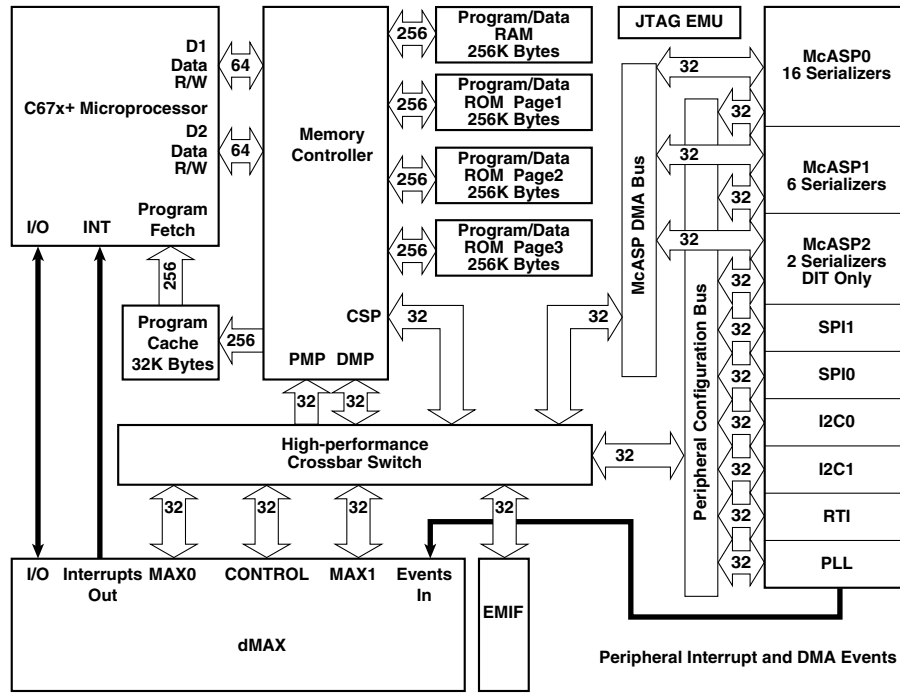


Pin No.	Function Name	I/O	Detail of Function
1	RXOUT	O	Output pin of input bi-phase selection data
2	RX0	Is	Input pin of TTL-compatible digital data
3	RX1	I	Digital data input pin with built-in amplifier that supports coaxial
4	RX2	Is	Input pin of TTL-compatible digital data
5	RX3	Is	Input pin of TTL-compatible digital data
6	DGND		Digital GND
7	DVDD		Digital power supply (3.3 V)
8	RX4	Is	Input pin of TTL-compatible digital data
9	RX5	Is	TTL-compatible digital data / Validity flag input pin for modulation
10	RX6	Is	TTL-compatible digital data / User data input pin for modulation
11	DVDD		Digital power supply for PLL
12	DGND		Digital GND for PLL
13	LPF	O	PLL loop filter connection pin
14	AVDD		Analog power supply for PLL (3.3 V)
15	AGND		Analog GND for PLL
16	RMCK	O	R system clock output pin (256 fs, 512 fs, XIN, VCO)
17	RBCK	O/I	R bit clock input/output pin (64 fs)
18	DGND		Digital GND
19	DVDD		Digital power supply (3.3 V)
20	RLRCK	O/I	R LR clock input/output pin (fs)
21	RDATA	O	Output pin of serial audio data
22	SBCK	O	S bit clock output pin (32 fs, 64 fs, 128 fs) (No connected.)
23	SLRCK	O	S LR clock output pin (fs/2, fs, 2 fs) (No connected.)
24	SDIN	Is	Input pin of serial audio data
25	DGND		Digital GND
26	DVDD		Digital power supply (3.3 V)
27	XMCK	O	Oscillation amplifier output pin
28	XOUT	O	Quartz resonator connection output pin
29	XIN	I	Quartz resonator connection, input pin of external supply clock (24.576 MHz or 12.288 MHz)
30	DVDD		Digital power supply (3.3 V)
31	DGND		Digital GND
32	EMPHA/UO/CD	I/O	Emphasis information / U data output / C data output / Chip address setting pin
33	AUDIO/VO	I/O	Non-PCM detection / V flag output / Chip address setting pin
34	CKST/PT	I/O	Output of clock switch transitional period signal / Preamble B output / Demodulation master or slave function switch pin
35	INT	I/O	Interrupt output for microprocessor (Possible to select an interrupt factor.) / Modulation or general-purpose I/O switch pin
36	RERR	O	PLL clock error, data error flag output
37	DO	O	Microprocessor I/F, read data output pin (3-state)
38	DI	Is	Microprocessor I/F, write data input pin
39	CE	Is	Microprocessor I/F, chip enable input pin
40	CL	Is	Microprocessor I/F, clock input pin"
41	XMODE	Is	System reset input pin
42	DGND		Digital GND
43	DVDD		Digital power supply (3.3 V)
44	PIO0	I/O	512 fs, 256 fs, 128 fs system clock input for modulation or external / General-purpose I/O input/output pin
45	PIO1	I/O	64 fs bit clock input for modulation / General-purpose I/O input/output pin
46	PIO2	I/O	fs clock input for modulation / General-purpose I/O input/output pin
47	PIO3	I/O	Serial audio data input for modulation / General-purpose I/O input/output pin
48	PIOEN	I/O	Modulation data output / General-purpose I/O enable output pin

- 1) Withstand voltage input/output: I or O = -0.3 to 3.6 V, Is = -0.3 to 5.5 V
- 2) Pins 32 and 33 are input pins for chip address setting, when pin 41 = "L".
- 3) Pin 34 is a demodulation function master or an input pin for slave setting, when pin 41 = "L".
- 4) Pin 35 is a modulation function or an input pin for general-purpose I/O function switch setting, when pin 41 = "L".
- 5) ON/OFF for all power supplies must be done at the same timing as a latch-up countermeasure.

IC5: D70YE101BRFP266 (DSP P.C.B.)
Decoder/Post processor

* No replacement part available. / サービス部品供給なし



YSP-4000/YSP-40D/
HTY-7040

Pin No.	Function Name	I/O			Detail of Function
		TYPE ⁽¹⁾	PULL ⁽²⁾	GPIO ⁽³⁾	
External memory interface (EMIF) address and control					
37	EM_CAS	O	–	N	SDRAM column address strobe
38	EM_WE	O	–	N	SDRAM write enable
39	EM_WE_DQM[0]	O	–	N	Write enable or byte enable for EM_D[7:0]
67	EM_WE_DQM[1]	O	–	N	Write enable or byte enable for EM_D[15:8]
70	EM_CLK	O	–	N	SDRAM clock
71	EM_CKE	O	–	N	SDRAM clock enable
74	EM_A[11]	O	–	N	EMIF address bus
75	EM_A[9]	O	–	N	
76	EM_A[8]	O	–	N	
79	EM_A[7]	O	–	N	
80	EM_A[6]	O	–	N	
83	EM_A[5]	O	–	N	
84	EM_A[4]	O	–	N	
86	EM_A[3]	O	–	N	
88	EM_A[2]	O	–	N	
89	EM_A[1]	O	–	N	
91	EM_A[0]	O	–	N	
93	EM_A[10]	O	–	N	
94	EM_BA[1]	O	–	N	
96	EM_BA[0]	O	–	N	
97	EM_CS[0]	O	–	N	SDRAM chip select
98	EM_RAS	O	–	N	SDRAM row address strobe
100	EM_CS[2]	O	–	N	Asynchronous memory chip select
102	EM_RW	O	–	N	Asynchronous memory read/not write (No connected.)
104	EM_OE	O	–	N	SDRAM output enable
External memory interface (EMIF) data bus					
41	EM_D[7]	I/O	–	N	EMIF data bus [Lower 16-bit]
43	EM_D[6]	I/O	–	N	
45	EM_D[5]	I/O	–	N	
46	EM_D[4]	I/O	–	N	
48	EM_D[3]	I/O	–	N	
49	EM_D[2]	I/O	–	N	
51	EM_D[1]	I/O	–	N	
52	EM_D[0]	I/O	–	N	
55	EM_D[15]	I/O	–	N	
56	EM_D[14]	I/O	–	N	
58	EM_D[13]	I/O	–	N	
59	EM_D[12]	I/O	–	N	
61	EM_D[11]	I/O	–	N	
63	EM_D[10]	I/O	–	N	
64	EM_D[9]	I/O	–	N	
66	EM_D[8]	I/O	–	N	
McASP0, McASP1, McASP2 and SPI1 serial ports					
2	AHCLKX0/AHCLKX2	I/O	–	Y	McASP0 and McASP2 transmit master clock
3	AMUTE0	O	–	Y	McASP0 mute output
4	AMUTE1	O	–	Y	McASP1 mute output
5	AHCLKX1	I/O	–	Y	McASP1 transmit master clock
7	ACLKX1	I/O	–	Y	McASP1 transmit bit clock
9	ACLKR1	I/O	–	Y	McASP1 receive bit clock
11	AFSX1	I/O	–	Y	McASP1 transmit frame sync (L/R clock)
12	AFSR1	I/O	–	Y	McASP1 receive frame sync (L/R clock)
113	AXR0[0]	I/O	–	Y	McASP0 serial data 0
115	AXR0[1]	I/O	–	Y	McASP0 serial data 1
116	AXR0[2]	I/O	–	Y	McASP0 serial data 2

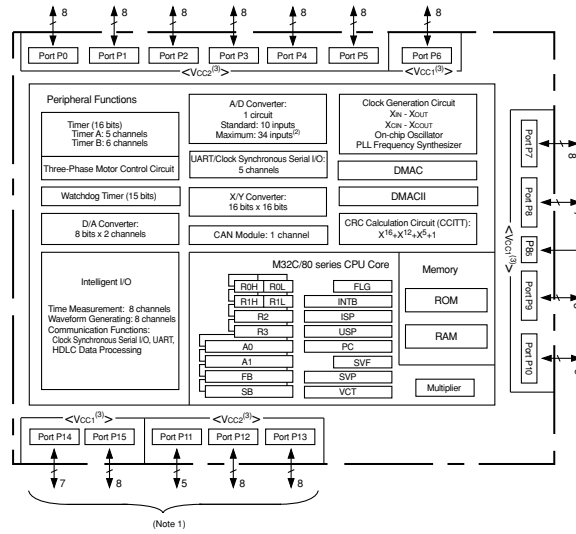
Pin No.	Function Name	I/O			Detail of Function	
		TYPE ⁽¹⁾	PULL ⁽²⁾	GPIO ⁽³⁾		
117	AXR0[3]	I/O	–	Y	McASP0 serial data 3	
119	AXR0[4]	I/O	–	Y	McASP0 serial data 4	
120	AXR0[5]/SPI1_SCS	I/O	–	Y	McASP0 serial data 5 or SPI1 slave chip select	
121	AXR0[6]/SPI1_ENA	I/O	–	Y	McASP0 serial data 6 or SPI1 enable (Ready)	
122	AXR0[7]/SPI1_CLK	I/O	–	Y	McASP0 serial data 7 or SPI1 serial clock	
126	AXR0[8]/AXR1[5]/SPI1_SOMI	I/O	–	Y	McASP0 serial data 8 or McASP1 serial data 5 or SPI1 data pin slave out master in	
127	AXR0[9]/AXR1[4]/SPI1_SIMO	I/O	–	Y	McASP0 serial data 9 or McASP1 serial data 4 or SPI1 data pin slave in master out	
130	AXR0[10]/AXR1[3]	I/O	–	Y	McASP0 serial data 10 or McASP1 serial data 3	
131	AXR0[11]/AXR1[2]	I/O	–	Y	McASP0 serial data 11 or McASP1 serial data 2	
134	AXR0[12]/AXR1[1]	I/O	–	Y	McASP0 serial data 12 or McASP1 serial data 1	
135	AXR0[13]/AXR1[0]	I/O	–	Y	McASP0 serial data 13 or McASP1 serial data 0	
137	AXR0[14]/AXR2[1]	I/O	–	Y	McASP0 serial data 14 or McASP2 serial data 1	
138	AXR0[15]/AXR2[0]	I/O	–	Y	McASP0 serial data 15 or McASP2 serial data 0	
139	ACLKR0	I/O	–	Y	McASP0 receive bit clock	
141	AFSR0	I/O	–	Y	McASP0 receive frame sync (L/R clock)	
142	ACLKX0	I/O	–	Y	McASP0 transmit bit clock	
143	AHCLKR0/AHCLKR1	I/O	–	Y	McASP0 and McASP1 receive master clock	
144	AFSX0	I/O	–	Y	McASP0 transmit frame sync (L/R clock)	
SPI0, I2C0 and I2C1 serial port pins						
105	SPIO_ENA/I2C1-SDA	I/O	–	Y	SPIO enable (Ready) or I2C1 serial data	
107	SPIO_CSC/I2C1-SCL	I/O	–	Y	SPIO slave chip select or I2C1 serial clock	
108	SPIO_CLK/I2C0-SCL	I/O	–	Y	SPIO serial clock or I2C0 serial clock	
110	SPIO_SIMO	I/O	–	Y	SPIO data pin slave in master out	
111	SPIO/SOMI/I2C0-SDA	I/O	–	Y	SPIO data pin slave out master in or I2C0 serial data	
Clocks						
17	CLKIN	I	–	N	Alternate clock input (3.3 V LVCMOS input)	
22	OSCVSS	PWR	–	N	oscillator Vss tap point (for filter only)	
23	OSCIN	I	–	N	1.2 V oscillator input	
24	OSCOU	O	–	N	1.2 V oscillator output (No connected.)	
25	OSCVDD	PWR	–	N	oscillator 1.2 V VDD tap point (for filter only)	
27	PLLHV	PWR	–	N	PLL 3.3 V supply input (requires external filter)	
Device reset						
14	RESET	I	–	N	Device reset pin	
Emulation/JTAG port						
19	TMS	I	IPU	N	Test mode select	
21	TRST	I	IPD	N	Test reset	
28	TDI	I	IPU	N	Test data in	
29	TDO	O	IPU	N	Test data out	
32	EMU[0]	I/O	IPU	N	Emulation pin 0	
34	EMU[1]	I/O	IPU	N	Emulation pin 1	
35	TCK	I	IPU	N	Test clock	
Power pins						
8	CVDD				Core supply	
16						
20						
33						
44						
53						
57						
65						
77						
85						
90						
101						
123						

Pin No.	Function Name	I/O			Detail of Function
		TYPE ⁽¹⁾	PULL ⁽²⁾	GPIO ⁽³⁾	
128	CVDD				Core supply
132					
10	DVDD				I/O supply
31					
42					
50					
60					
68					
73					
81					
92					
103					
112					
125					
136					
1	VSS				Ground
6					
13					
15					
18					
26					
30					
36					
40					
47					
54					
62					
69					
72					
78					
82					
87					
95					
99					
106					
109					
114					
118					
124					
129					
133					
140					

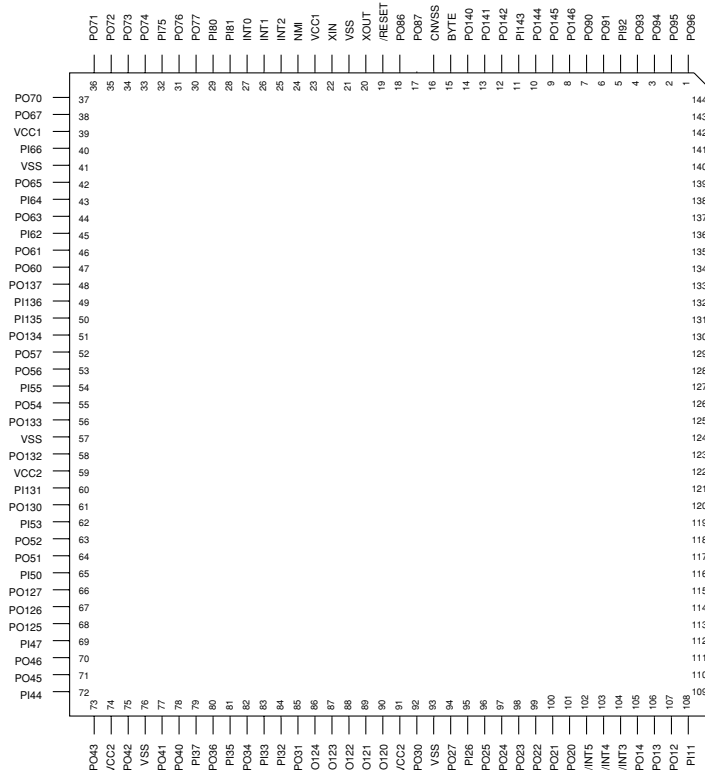
YSP-4000/YSP-40D/
HTY-7040

- 1) TYPE column refers to pin direction in functional mode. If a pin has more than one function with different directions, the functions are separated with a slash (/).
- 2) PULL column:
 IPD = Internal Pull-down resistor
 IPU = Internal Pull-up resistor
- 3) If the GPIO column is 'Y', then in GPIO mode, the pin is configurable as an I/O unless otherwise marked.

IC30: M3087BFKBGP (INPUT P.C.B.)
Microprocessor



- NOTES:
 1. Ports P11 to P15 are provided in the 144-pin package only.
 2. Included in the 144-pin package only.
 3. The supply voltage of M32C94T (High-reliability version) must be Vcc1=Vcc2.



No.	Port Name	Function Name (P.C.B.)	Port I/O	Detail of Function
1	SDA_400L	PO96	Input/Output	Data input/output of HDMI serial port (400kHz)
2	Reserved	PO95	Output	Terminated
3	Reserved	PO94	Output	Terminated (LED)
4	VSDDET	PO93	Input	Frequency detection of video signal
5	iPOD_TX	PI92	Output	Data output of iPod serial port
6	iPOD_RX	PO91	Input	Data input of iPod serial port
7	iPOD_DET	PO90	Input	Detection signal input of iPod connection
8	HDIMT	PO146	Input	HDMI mute signal input
9	/INT_AD	PO145	Input	Interrupt signal for video decoder IC
10	/INT_CEC	PO144	Input	Interrupt signal input from HDMI CEC
11	iPOD_PWDET	PI143	Input	Detection signal input of +3.3V supplied from iPod
12	Reserved	PO142	Output	Open (iPOD_POWER)
13	Reserved	PO141	Output	Terminated
14	CEC_D	PO140	Input	HDMI CEC reset request
15		BYTE	Input	GND
16	CNVSS	CNVSS	Input	Pull down (Normal mode) Pull up (Internal flash Rom writing mode)
17	/RES_TX	PO87	Output	Reset signal for HDMI Tx LSI
18	/RES_RX	PO86	Output	Reset signal for HDMI Rx LSI
19	/RES	/RESET	Input	System reset input
20	XO	XOUT	Output	20MHz frequency clock output
21	VSS	VSS		GND
22	XI	XIN	Input	20MHz frequency clock input
23	VCC	VCC1		+3.3V
24	NMI	NMI	Input	Pull up
25	/INTTIA	INT2	Input	Interrupt input from front-end DSP
26	/INTDIR	INT1	Input	Interrupt input from DIR
27	M_RXDO	INT0	Input	Interrupt input from RS-232C
28	VSYNC	PI81	Input	Vertical sync pulse input (VSYNC)
29	I2C_RDY	PI80	Input	READY signal from back-end DSP
30	I2C_MUTE	PO77	Output	MUTE signal to back-end DSP
31	FL40KHz	PO76	Output	78.4 KHz signal for FL filament
32	I2C_SCL	PI75	Output	I2C CLOCK signal to back-end DSP
33	/CSDIR	PO74	Output	Chip select signal to DIR
34	/ICDIR	PO73	Output	RESET signal to DIR
35	I2C_SDA	PO72	Input/Output	I2C DATA signal to back-end DSP
36	SCL_100L	PO71	Input/Output	Clock I/O of HDMI CEC/ Frequency counter (100kHz)
37	SDA_100L	PO70	Input/Output	Data I/O of HDMI CEC/ Frequency counter (100kHz)
38	M_TXDO	PO67	Output	Data output to RS-232C RS-232C data output for μ -com flash writing
39	VCC	VCC1		
40	M_RXDO	PI66	Input	Data input from RS-232C RS-232C data input for μ -com flash writing
41	VSS	VSS		
42	M_RTS/CLKO	PO65	Output Input	RTS output to RS-232C RS-232C clock input for μ com flash writing
43	M_CTS	PI64	Input Output	CTS output to RS-232C RS-232C BUSY output for μ -com flash writing
44	SDM	PO63	Output	Serial data output to DIR, front-end DSP, D4SPJ
45	SDD	PI62	Input	Serial data input from DIR, front-end DSP, D4SPJ
46	SCK	PO61	Output	Serial clock output to DIR, front-end DSP, D4SPJ
47	IRQY1	PO60	Input	Interrupt request 1 input from D4SPJ
48	Reserved	PO137	Input	Open (IRQY2)
49	TUNER_CLK	PI136	Output	Serial clock output to FM tuner
50	TUNER_RX	PI135	Input	Serial data input from FM tuner
51	TUNER_TX	PO134	Output	Serial data output to FM tuner
52	/CSY1	PO57	Output	Chip select signal 1 to D4SPJ
53	/ICY	PO56	Output	RESET signal to D4SPJ
54	/INTH_RT	PI55	Input	Interrupt input from HDMI
55	DISABLE_Y	PO54	Output	D4SPJ PWM output disable signal

YSP-4000/YSP-40D/
HTY-7040

No.	Port Name	Function Name (P.C.B.)	Port I/O	Detail of Function
56	Reserved	PO133	Output	Open (/CSY2)
57	VSS	VSS		
58	/CSTIA	PO132	Output	Chip select signal to front-end DSP
59	VCC	VCC2		
60	TIA_BUSY	PI131	Input	BUSY signal from front-end DSP
61	TIA_MUTE	PO130	Output	MUTE signal to front-end DSP
62	TIA_RDY	PI53	Input	READY signal from front-end DSP
63	/ICTIA	PO52	Output	RESET signal to front-end DSP
64	NRESET	PO51	Output	RESET signal to back-end DSP
65		PI50	Input	Terminated
66	/DA1_MUTE	PO127	Output	MUTE signal to DAC for sub-woofer
67	/DA2_MUTE	PO126	Output	MUTE signal to DAC for woofer
68	D3_MUTEN	PO125	Output	MUTE signal to D3 digital AMP
69	D3_PROTN	PI47	Input	Protection detection signal from D3 digital AMP
70	/ICS	PO46	Output	Reset signal for video scaler IC
71	AUPH	PO45	Output	Video to HDMI ON/OFF
72	MIC_DET	PI44	Input	MIC detection signal
73	/SW_MUTE	PO43	Output	MUTE signal of sub woofer
74		VCC2		GND
75	PW_RY	PO42	Output	Power relay control signal
76	VSS	VSS		
77	HPD1ENB	PO41	Output	HDMI HPD1ENB
78	HPD2ENB	PO40	Output	HDMI HPD2ENB
79	/ICV	PI37	Output	Reset signal for video decoder IC
80	TUNER_MUTE	PO36	Output	MUTE signal to FM tuner
81	TUNER_TUNED	PI35	Input	TUNED signal from FM tuner
82	/TUNER_CE	PO34	Output	Chip select signal to FM tuner
83	TUNER_STEREO	PI33	Input	STEREO signal from FM tuner
84	Reserved	PI32		Open (RDS_RX)
85	Reserved	PO31		Open (RDS_CLK)
86	Reserved	PO124		Open (RDS_TX)
87	/RDS_CE/XM_RES	PO123	Output	Chip select signal to RDS RESET signal to XM LSI
88	RDS_RX	PO122	Input	Serial data input from RDS
89	OSD_CLK	PO121	Output	Clock output to OSD/RDS/FL driver
90	OSD_TX	PO120	Output	Data output to OSD/RDS/FL driver
91	VCC	VCC2		
92	OSD_RESET	PO30	Output	RESET signal to OSD LSI
93	VSS	VSS		
94	/OSD_CE	PO27	Output	Chip select output to OSD driver
95	OSD_BUSY	PI26	Input	BUSY signal from OSD LSI
96	DDC_SELO	PO25	Output	HDMI DDC select0 output
97	DDC_SEL1	PO24	Output	HDMI DDC select1 output
98	SCL_DAB	PO23	Output	Clock output to DAB tuner
99	SDA_DAB	PO22	Input/Output	Data line between DAB tuner
100	/FL_CE	PO21	Output	Chip select signal to FL driver
101	FL_ON	PO20	Output	RESET signal to FL driver
102	PW_DOWN	/INT5	Input	Power down detection signal
103	STBY_SW	/INT4	Input	Standby witch input
104	/REM_CTL	/INT3	Input	Remote control signal input
105	PWR_ENB	PO14	Output	Power supply control for HDMI
106	/RES_C	PO13	Output	RESET signal to HDMI CEC
107	DDC_ENB	PO12	Output	HDMI DDC enable output
108	XMREV	PI11	Input	XM Rev detection
109	XMLINK	PO10	Input	XM link
110	Reserved	PO07	Output	Terminated
111	E2PROM_RX	PO06	Input	Data signal from EEPROM
112	E2PROM_CLK	PO05	Output	Clock signal to EEPROM
113	E2PROM_TX	PO04	Output	Data signal to EEPROM
114	Reserved	PO114	Input	Pull down

No.	Port Name	Function Name (P.C.B.)	Port I/O	Detail of Function
115	E2PROM_CS	PO113	Output	Chip select signal to EEPROM
116	Reserved	PO112	Input	Pull down
117	Reserved	PO111	Output	Terminated
118	Reserved	PO110	Output	Terminated
119	IN_SEL_CL	PO03	Output	Clock signal for analog input select
120	IN_SEL_DA	PO02	Output	Data signal for analog input select
121	Reserved	PO01	Output	Terminated (VOUT_MUTE)
122	Reserved	PO00	Output	Terminated (V_MUTE)
123	Reserved	PO157	Output	Terminated (V_SEL3)
124	Reserved	PO156	Output	Terminated (V_SEL2)
125	Reserved	PO155	Output	Terminated (V_SEL1)
126	Reserved	PO154	Output	Terminated (V_SEL0)
127	Reserved	PO153	Output	Terminated
128	XM_RX	PI152	Output	Data signal to XM
129	XMPWR	PO151	Output	XM power supply control signal
130		VSS		
131	XM_TX	PO150	Input	Data signal from XM
132	VCC	VCC1		
133	DEST	AN7	Input	Selection of destination input
134	VOL_DET1	AN6	Input	Voltage of power supply detection input 1
135	+3.3_DET	AN5	Input	+3.3V detection
136	VOL_DET2	AN4	Input	Voltage of power supply detection input 2
137	Reserved	AN3	Input	Pull down
138	KEY0	AN2	Input	Key input 0
139	KEY1	AN1	Input	Key input 1
140		AVSS		GND
141	MODEL	AN0	Input	Selection of model input
142		VREF	Input	+3.3V
143		AVCC	Input	+3.3V
144	SCL_400L	PO97	Input/Output	Clock input/output of HDMI serial port (400kHz)

Key detection for A/D port

Pull-up resistance 10 k-ohms

R [ohm]	0 k	1.2 k
V [V]	0-0.2	0.3-0.5
KEY0 (138 pin/AN2)	VOLUME +	INPUT
KEY1 (139 pin/AN1)	VOLUME -	-

Destination for A/D port

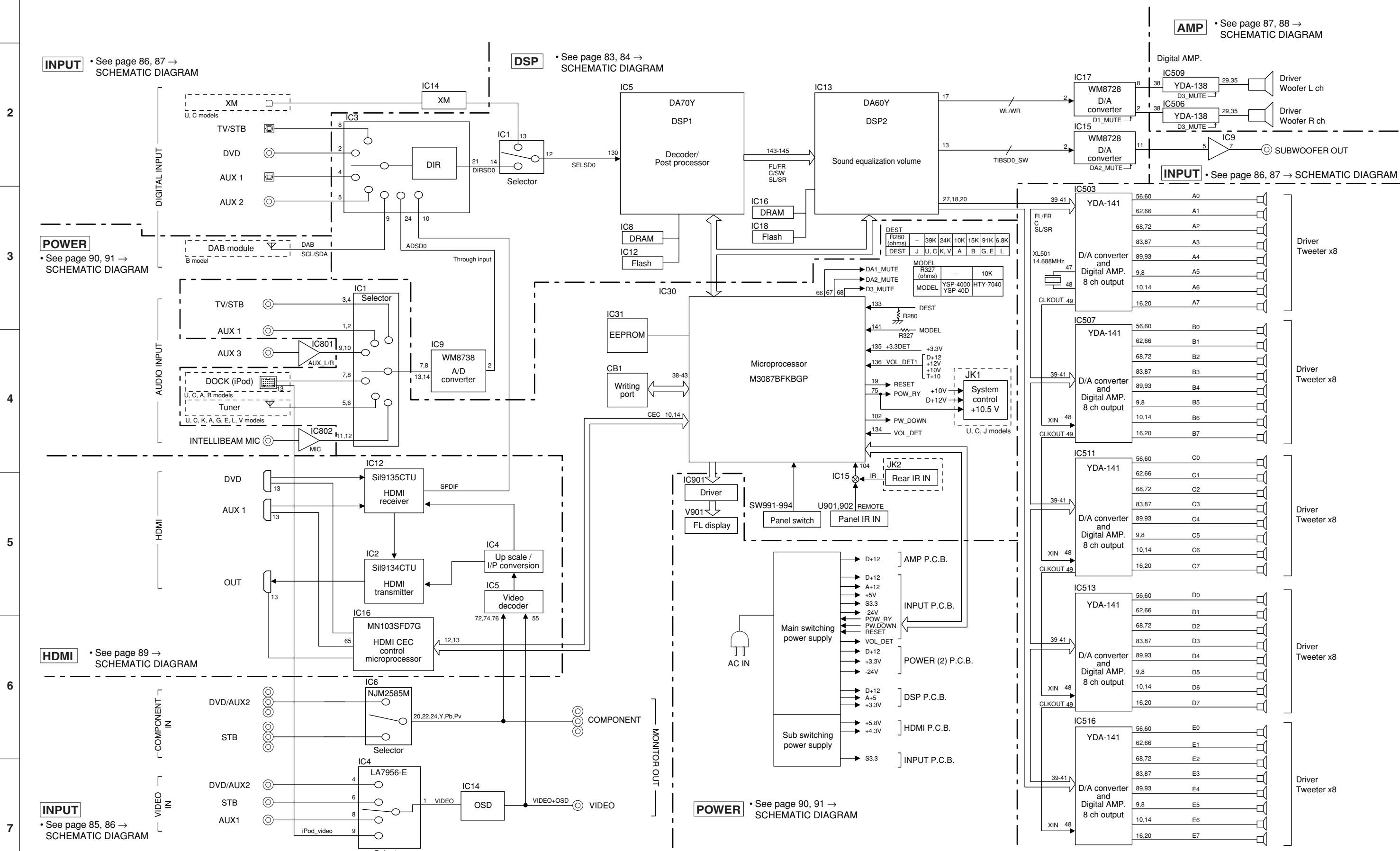
Pull-up resistance 10 k-ohms

	J	UC	KV	A	B	GE	L
R280 [ohm]	-	39 k	24 k	10 k	15 k	91 k	6.8 k
133 pin/AN7 [V]	3.1-3.3	2.5-2.8	2.2-2.5	1.5-1.8	1.8-2.1	2.8-3.1	1.2-1.5

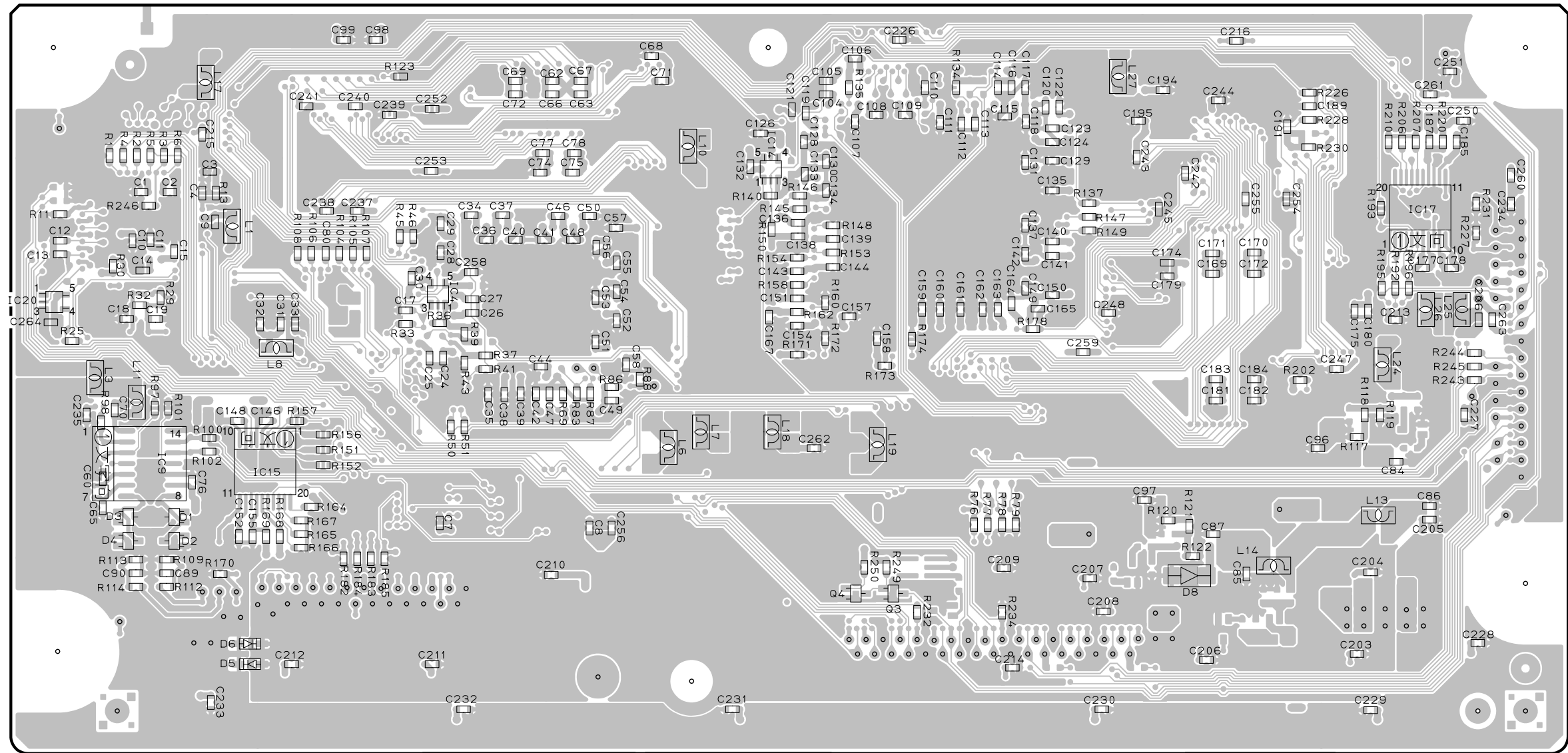
Model for A/D port

	YSP-4000/YSP-40D	HTY-7040
R327 [ohm]	-	10 k
141 pin/AN0 [V]	3.0-3.3	0.3-0.5

BLOCK DIAGRAM



DSP P.C.B. (Side B)



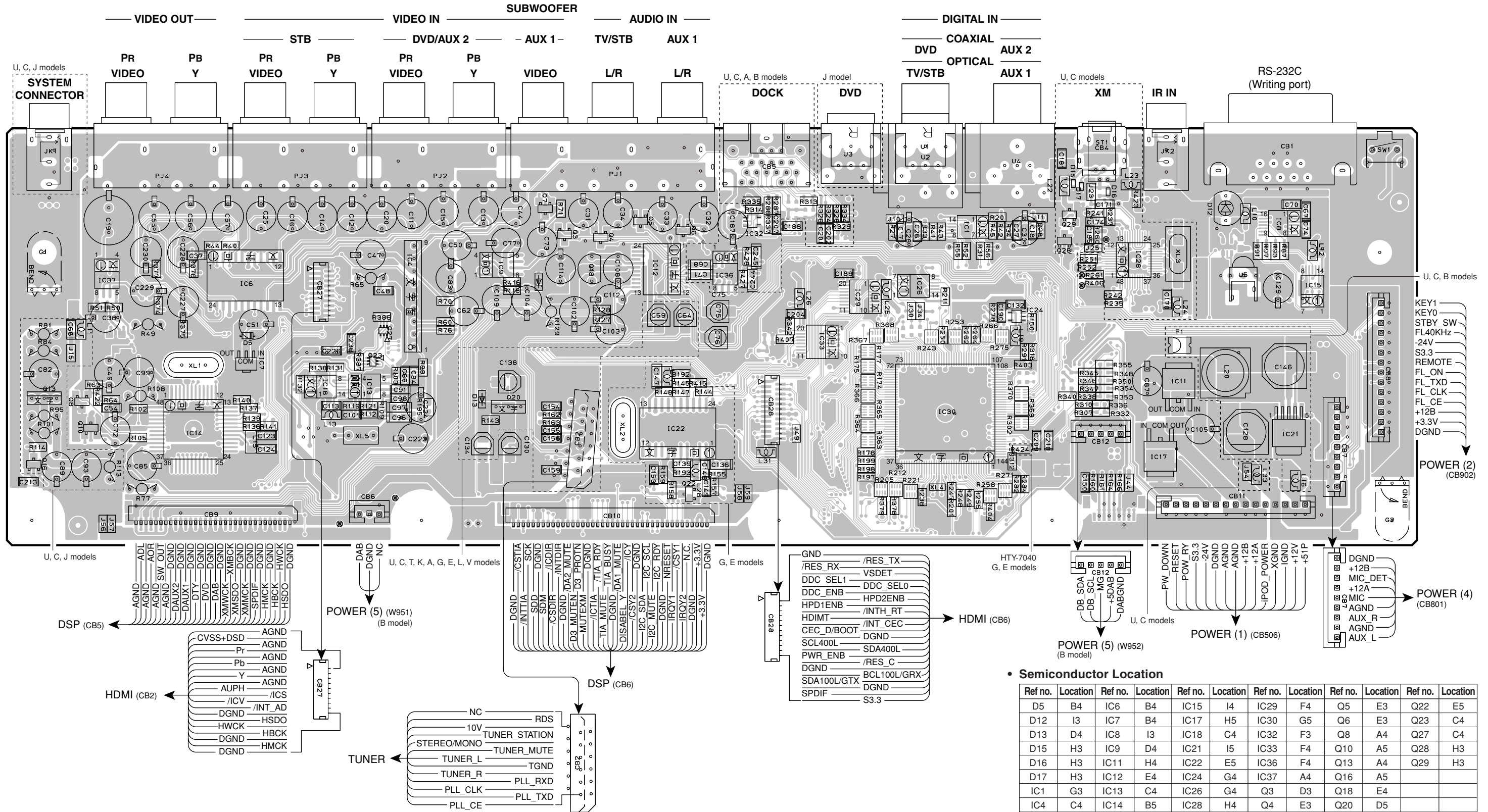
• **Semiconductor Location**

Ref no.	Location	Ref no.	Location
D1	C5	IC9	B4
D2	C5	IC14	F3
D3	B5	IC15	C4
D4	B5	IC17	I3
D5	C5	IC20	B4
D6	C5	Q3	F5
D8	H5	Q4	F5
IC4	D4		

INPUT P.C.B. (Side A)

Circuit No.	YSP-4000				YSP-40D	YSP-4000	HTY-7040
	U, C	T, L	K, V	A	B	G, E	J
J25	X	O	O	O	O	O	O
R262, 264	X	X	X	X	O	X	X
R314	X	O	O	X	X	O	O
U1	X	X	X	X	X	X	O
U2	O	O	O	O	O	O	X

X : NOT USED
O : USED/APPLICABLE



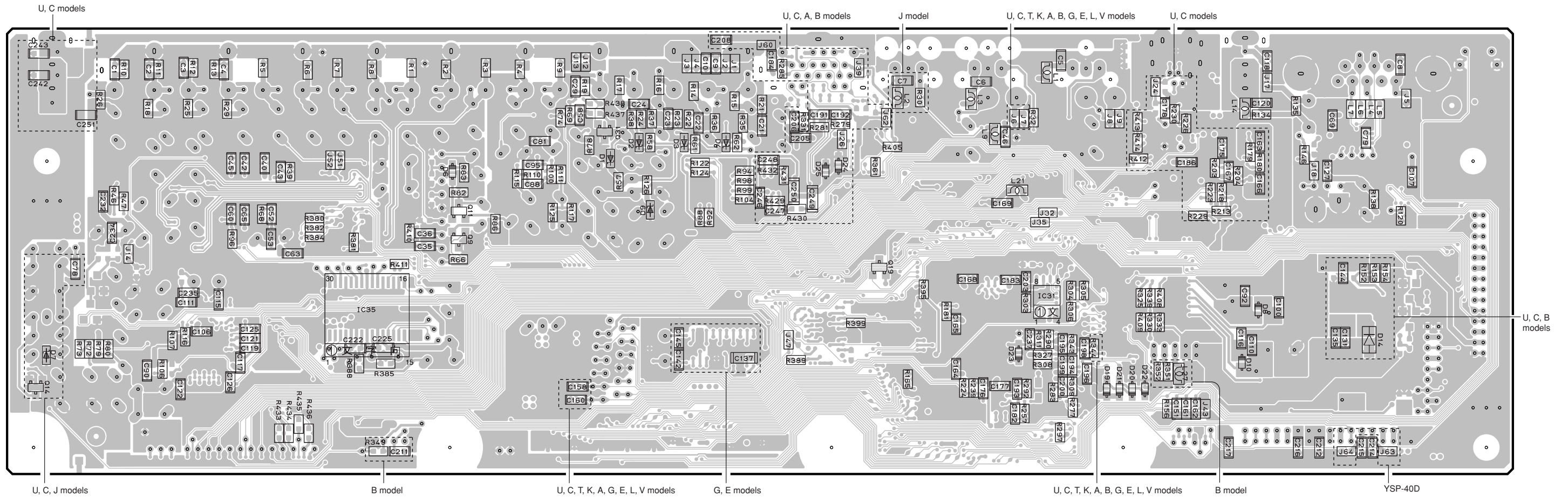
• Semiconductor Location

Ref no.	Location	Ref no.	Location	Ref no.	Location	Ref no.	Location	Ref no.	Location	Ref no.	Location
D5	B4	IC6	B4	IC15	I4	IC29	F4	Q5	E3	Q22	E5
D12	I3	IC7	B4	IC17	H5	IC30	G5	Q6	E3	Q23	C4
D13	D4	IC8	I3	IC18	C4	IC32	F3	Q8	A4	Q27	C4
D15	H3	IC9	D4	IC21	I5	IC33	F4	Q10	A5	Q28	H3
D16	H3	IC11	H4	IC22	E5	IC36	F4	Q13	A4	Q29	H3
D17	H3	IC12	E4	IC24	G4	IC37	A4	Q16	A5		
IC1	G3	IC13	C4	IC26	G4	Q3	D3	Q18	E4		
IC4	C4	IC14	B5	IC28	H4	Q4	E3	Q20	D5		

INPUT P.C.B. (Side B)

Circuit No.	U, C	T, L	K, V	A	B	G, E	J
R325	O	X	X	X	X	X	O
R330	O	O	O	O	X	O	X
R333	O	X	X	X	O	X	X
R339	O	X	X	O	O	X	X

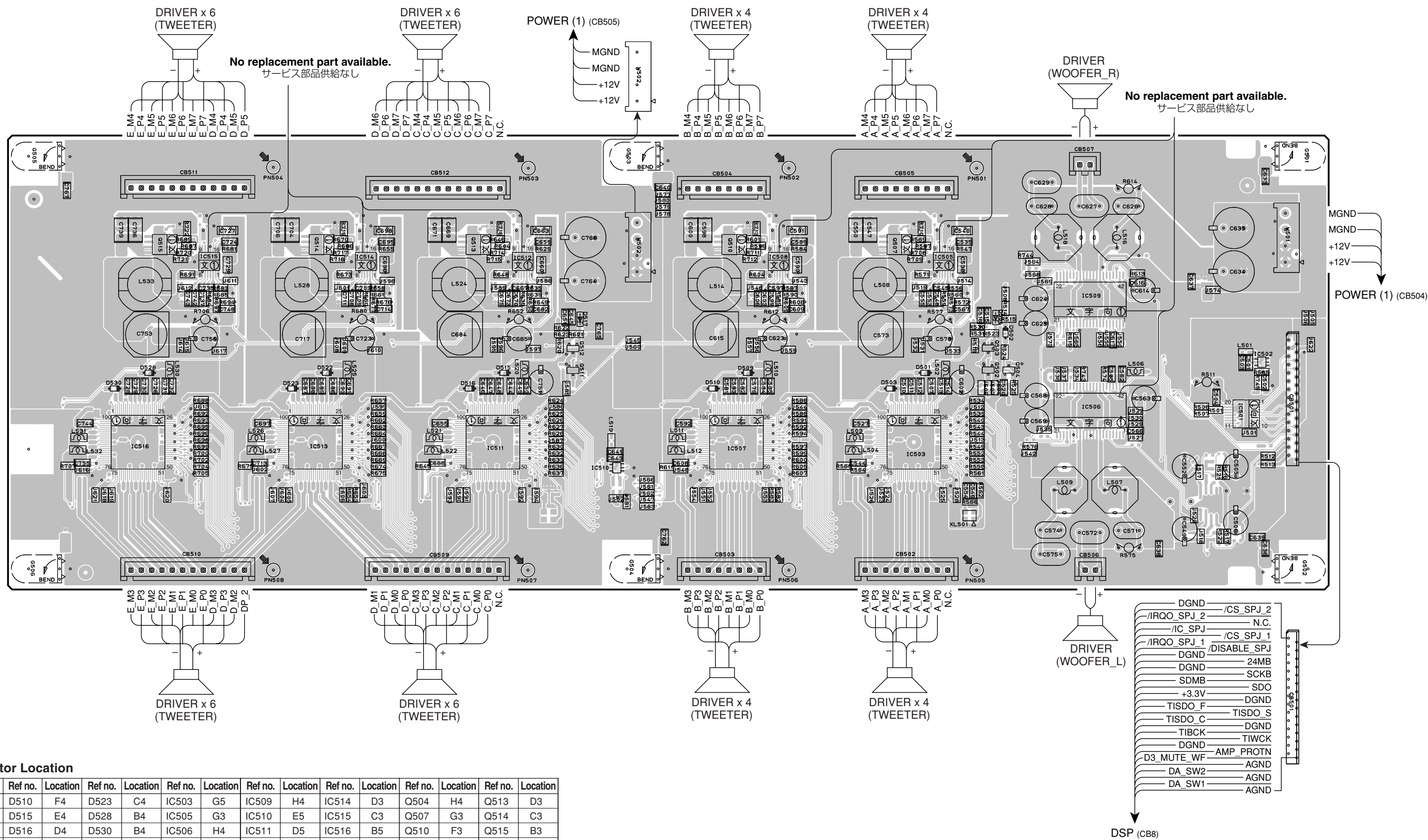
X : NOT USED
O : USED/APPLICABLE



• Semiconductor Location

Ref no.	Location	Ref no.	Location	Ref no.	Location
D1	E4	D20	H5	Q19	F4
D2	E3	D21	H5		
D3	E3	D22	H5		
D4	E3	D23	G5		
D6	D4	D24	F4		
D7	A5	D25	F4		
D8	I4	IC31	G4		
D9	E4	IC35	C4		
D10	H5	Q9	D4		
D14	I5	Q11	D4		
D19	H5	Q14	A5		

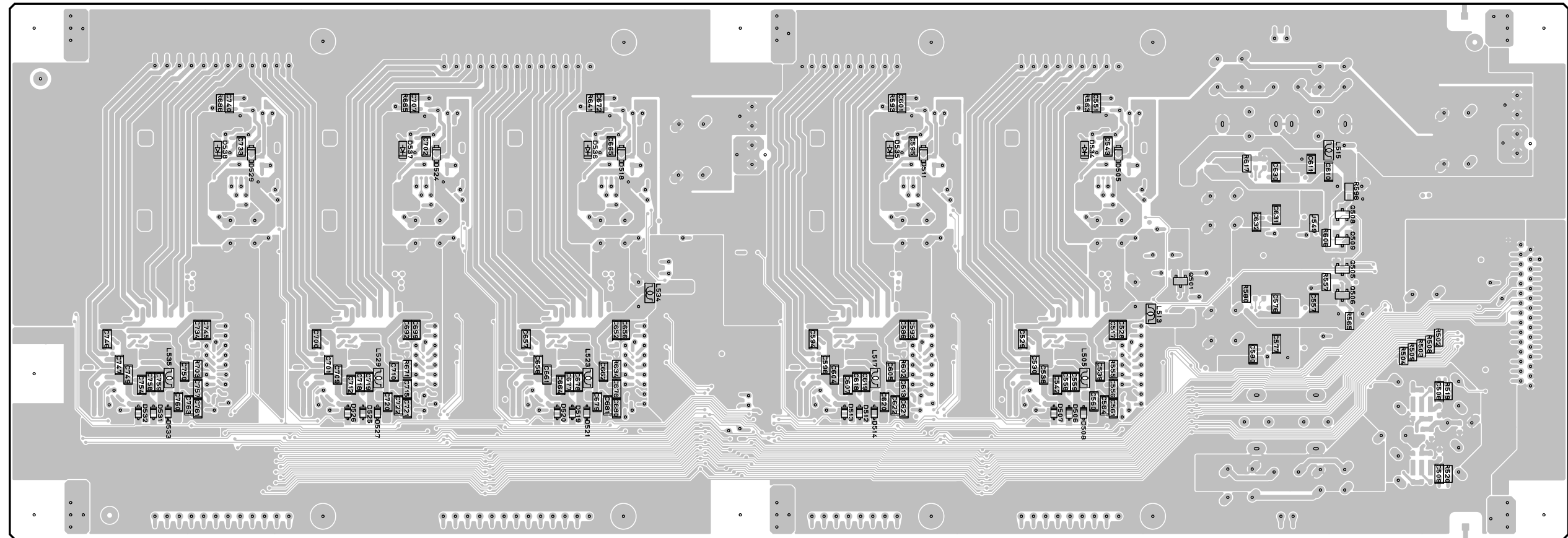
AMP P.C.B. (Side A)



• Semiconductor Location

Ref no.	Location	Ref no.	Location	Ref no.	Location	Ref no.	Location	Ref no.	Location	Ref no.	Location	Ref no.	Location
D501	G4	D510	F4	D523	C4	IC503	G5	IC509	H4	IC514	D3	Q504	H4
D502	H4	D515	E4	D528	B4	IC505	G3	IC510	E5	IC515	C3	Q507	G3
D503	G4	D516	D4	D530	B4	IC506	H4	IC511	D5	IC516	B5	Q510	F3
D504	H4	D517	E4	IC501	I4	IC507	F5	IC512	E3	Q502	H4	Q511	E4
D509	F4	D522	C4	IC502	I4	IC508	F3	IC513	C5	Q503	H4	Q512	E4

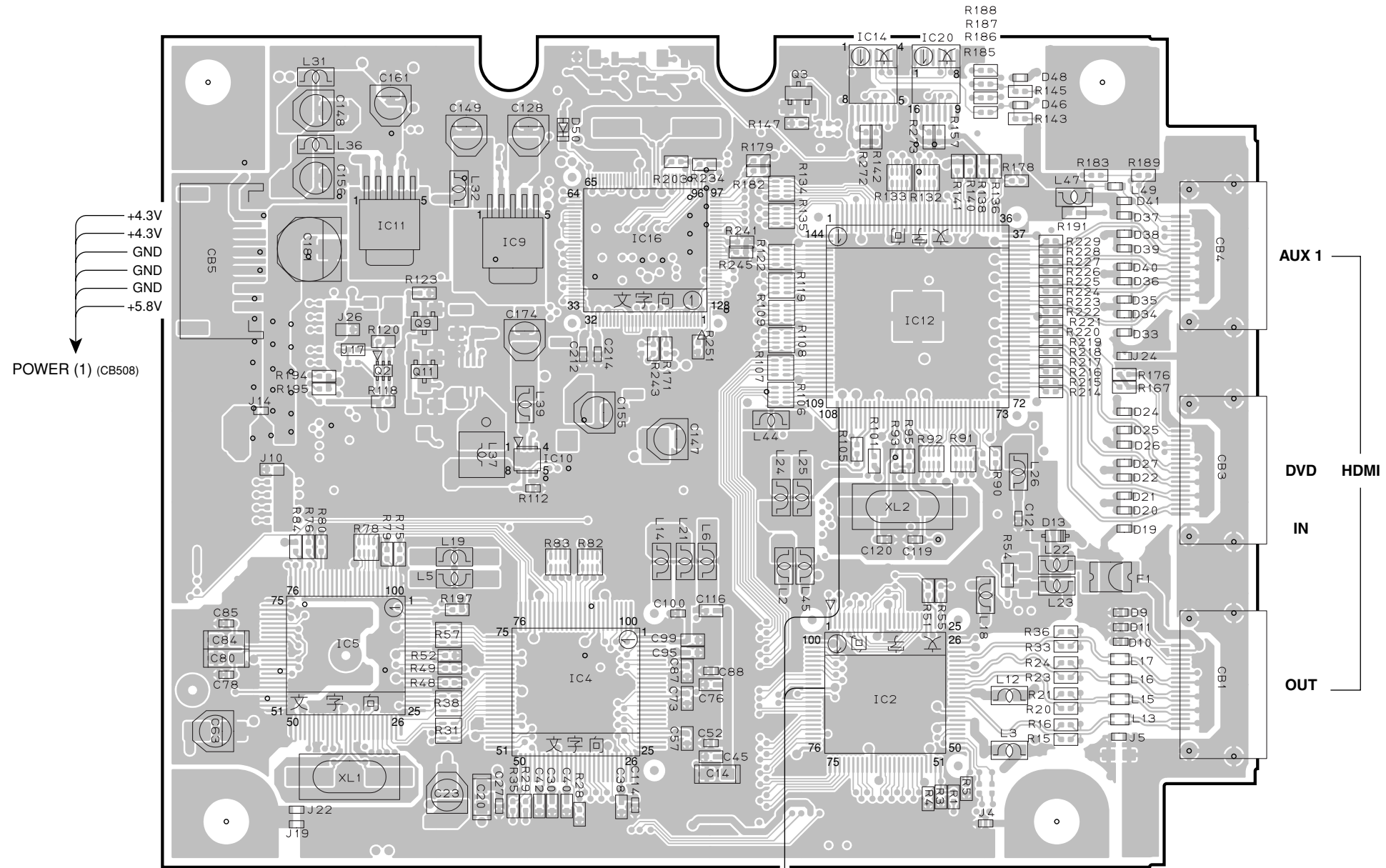
AMP P.C.B. (Side B)



• **Semiconductor Location**

Ref no.	Location	Ref no.	Location
D505	G3	D527	C5
D506	G5	D529	C3
D507	G5	D531	B5
D508	G5	D532	B5
D511	F3	D533	B5
D512	F5	D534	G3
D513	F5	D535	F3
D514	F5	D536	D3
D518	E3	D537	C3
D519	D5	D538	B3
D520	D5	Q501	H4
D521	D5	Q505	H4
D524	D3	Q506	H4
D525	C5	Q508	H4
D526	C5	Q509	H4

HDMI P.C.B. (Side A)



+4.3V
 +4.3V
 GND
 GND
 +5.8V
 POWER (1) (CB508)

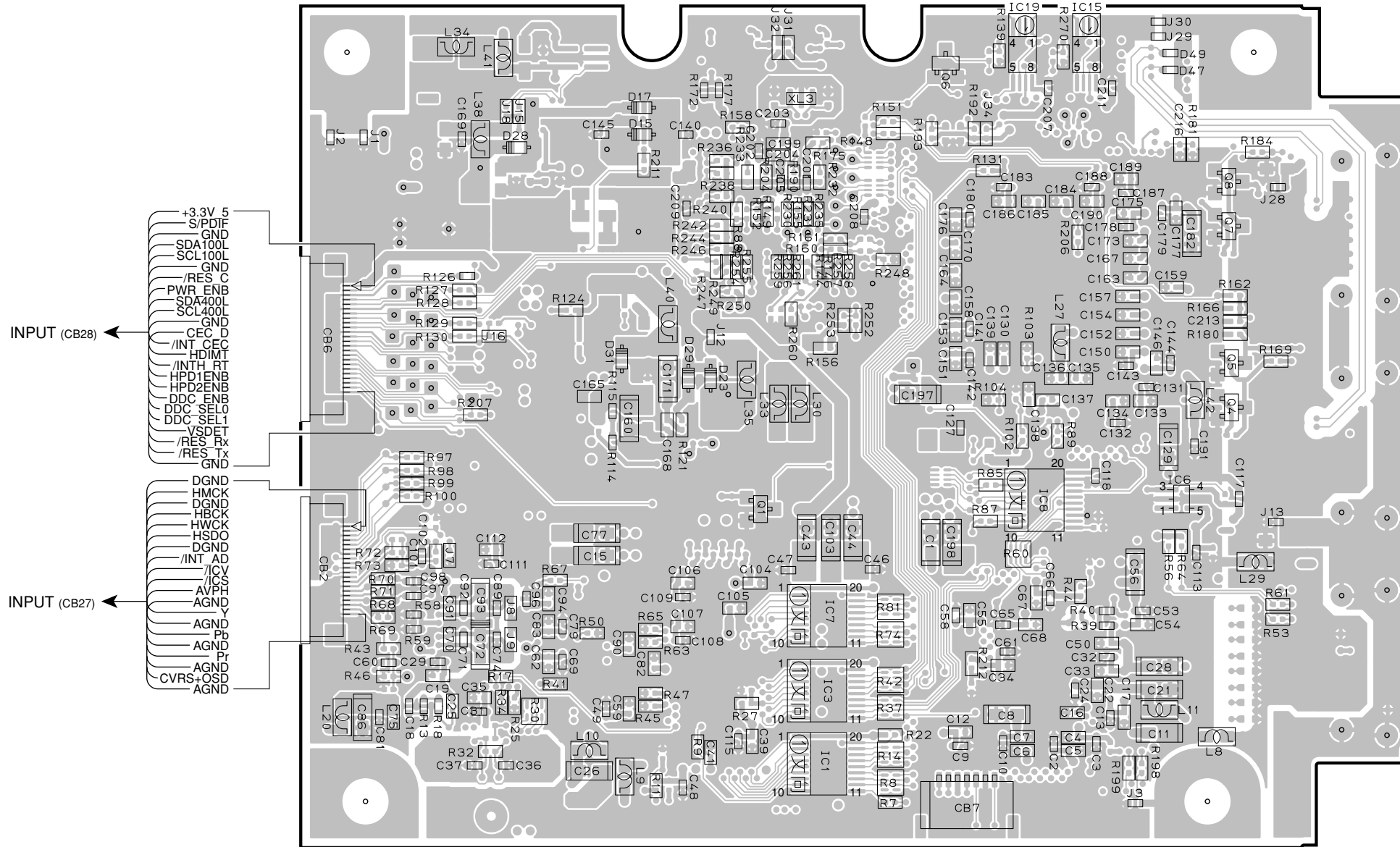
AUX 1
 DVD IN
 HDMI OUT

No replacement part available.
 サービス部品供給なし

• Semiconductor Location

Ref no.	Location	Ref no.	Location	Ref no.	Location
D9	G5	D38	H3	Q2	D4
D10	G5	D39	H3	Q3	F3
D11	G5	D40	H3	Q9	D4
D13	G5	D41	H3	Q11	D4
D19	H5	D46	G3		
D20	H4	D48	G2		
D21	H4	D50	E3		
D22	H4	IC2	F5		
D24	H4	IC4	E5		
D25	H4	IC5	D5		
D26	H4	IC9	E3		
D27	H4	IC10	E4		
D33	H4	IC11	D3		
D34	H4	IC12	G4		
D35	H4	IC14	F2		
D36	H3	IC16	E3		
D37	H3	IC20	F3		

HDMI P.C.B. (Side B)



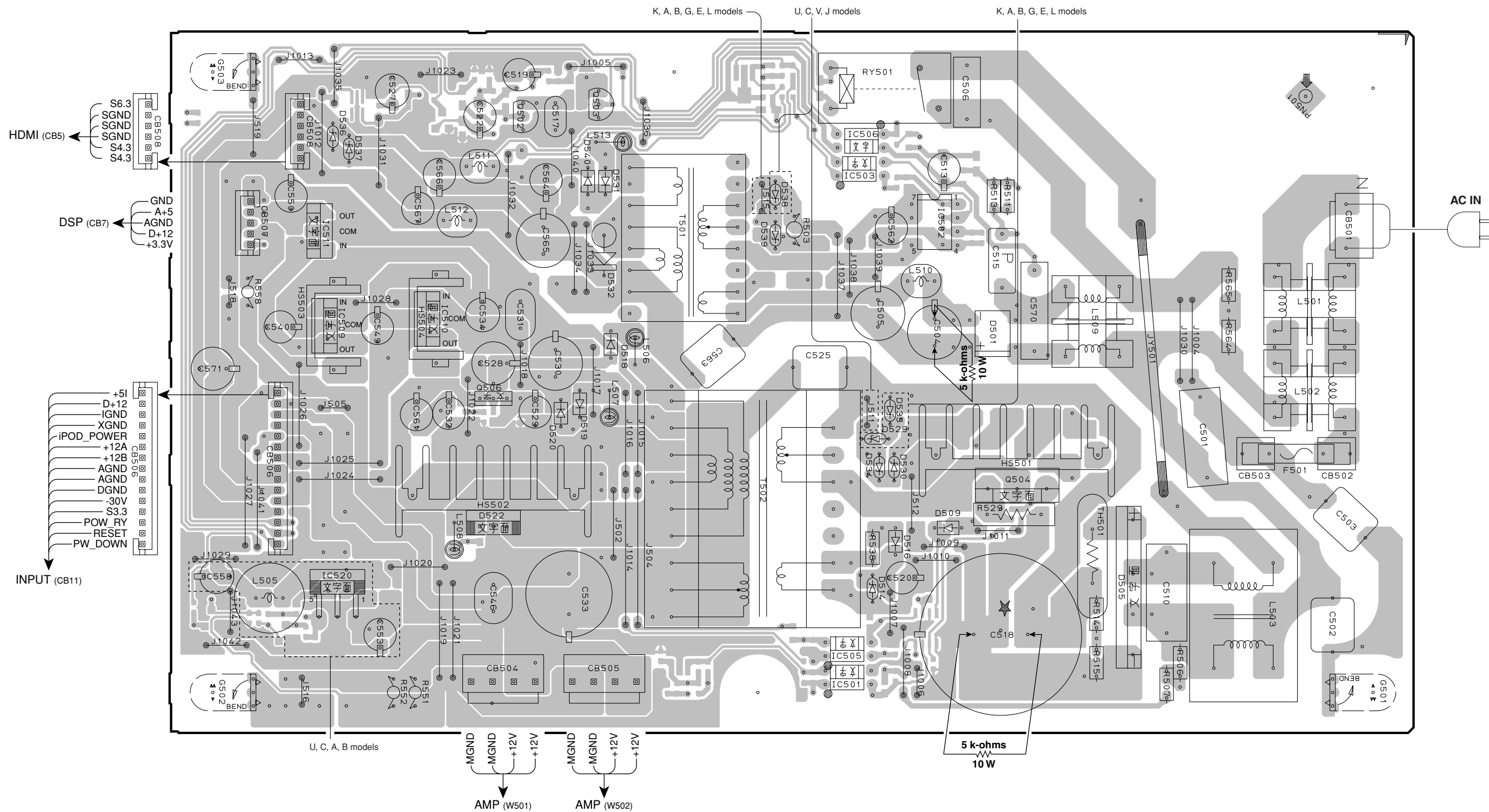
• Semiconductor Location

Ref no.	Location
D15	E3
D17	E3
D23	E4
D28	D3
D29	E4
D31	D4
D47	G3
D49	G3
IC1	E6
IC3	E5
IC6	G5
IC7	E5
IC8	F5
IC15	G2
IC19	F2
Q1	E5
Q3	F3
Q4	G4
Q5	G4
Q6	F3
Q7	G3
Q8	G3

POWER (1) P.C.B. (Side A)

• **Semiconductor Location**

Ref no.	Location	Ref no.	Location	Ref no.	Location	Ref no.	Location	Ref no.	Location	Ref no.	Location	Ref no.	Location
D501	G4	D518	E4	D530	F5	D536	C3	IC501	F6	IC509	C4	Q503	E2
D505	H5	D519	D4	D531	E3	D537	C3	IC502	G3	IC510	D4	Q504	G5
D509	G5	D520	D4	D532	E3	D538	F3	IC503	F3	IC511	C3	Q506	D4
D514	F5	D522	D5	D534	F5	D539	F3	IC505	F6	IC520	C5		
D516	F5	D529	F4	D535	F4	D540	E3	IC506	F3	Q502	D2		



Safety measures

- Some internal parts in this product contain high voltages and are dangerous. Be sure to take safety measures during servicing, such as wearing insulating gloves.
- Note that positions indicated below are dangerous even after the power is turned off because an electric charge remains and a high voltage continues to exist there. Before starting any repair work, perform discharge by connecting a discharge resistor (5k-ohms/10W) between terminals at following positions. The time required for discharging is about 30 seconds.
 1. C504/C505 on POWER (1) P.C.B.
 2. C518 on POWER (1) P.C.B.

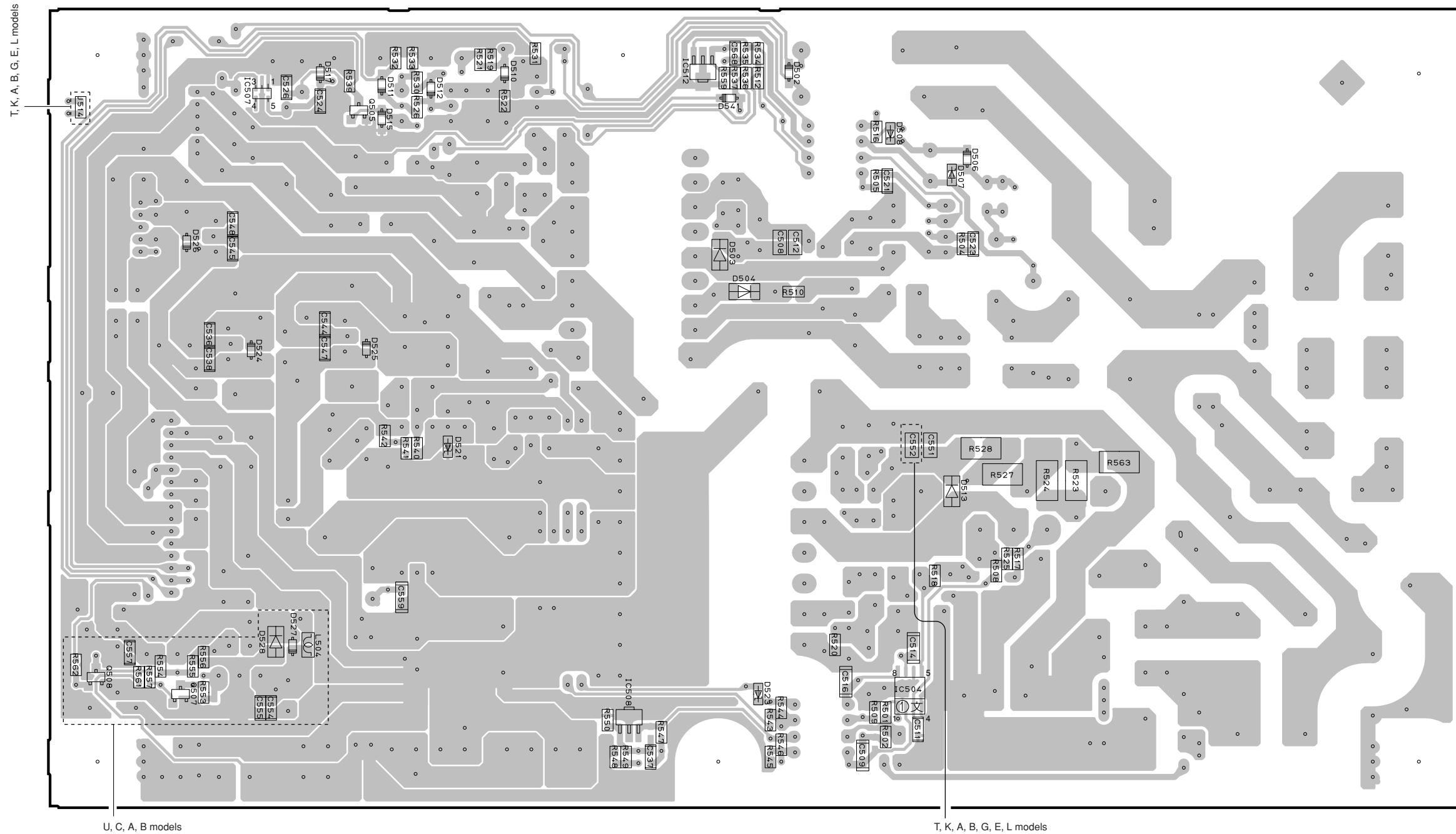
安全対策

- この製品の内部には高電圧部分があり危険です。修理の際は、絶縁性の手袋を使用するなどの安全対策を行ってください。
- 下記箇所には電源をOFFにした後も電荷が残り、高電圧が維持されており危険です。修理作業前に放電用抵抗(5kΩ/10W)を下記箇所の端子間に接続して放電してください。放電所用時間は約30秒間です。
 1. POWER(1)P.C.B.のC504/C505
 2. POWER(1)P.C.B.のC518

POWER (1) P.C.B. (Side B)

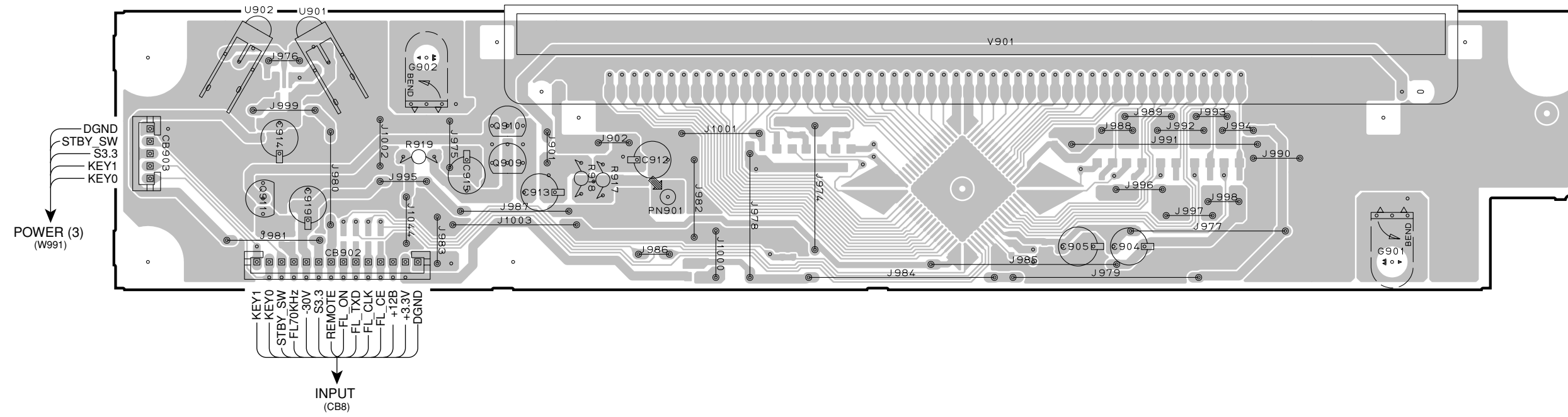
• **Semiconductor Location**

Ref no.	Location	Ref no.	Location	Ref no.	Location	Ref no.	Location	Ref no.	Location	Ref no.	Location
D502	F2	D508	F3	D515	D3	D525	D4	IC504	G6	Q507	C6
D503	F3	D510	D2	D517	C2	D526	C3	IC507	C2	Q508	B6
D504	F3	D511	D2	D521	D4	D527	C5	IC508	E6		
D506	G3	D512	D2	D523	F6	D528	C5	IC512	E2		
D507	G3	D513	G5	D524	C4	D541	F2	Q505	D3		

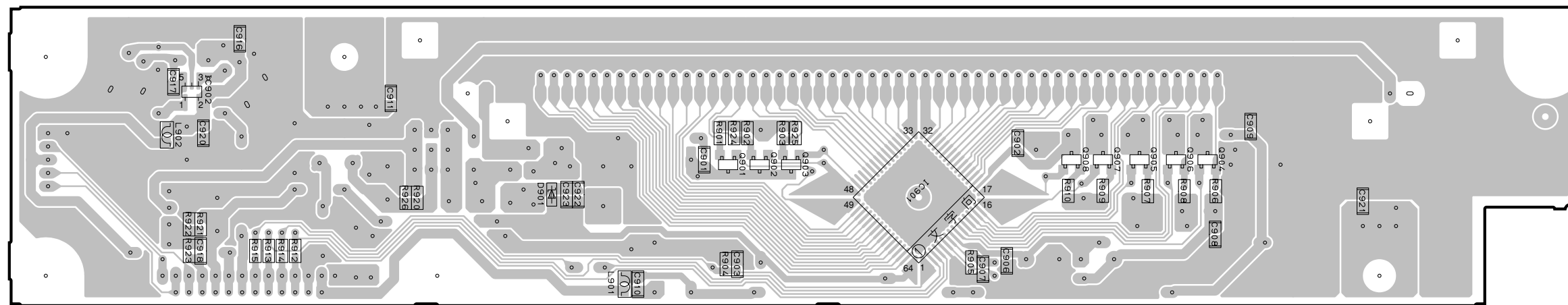


1
2
3
4
5
6
7

POWER (2) P.C.B. (Side A)



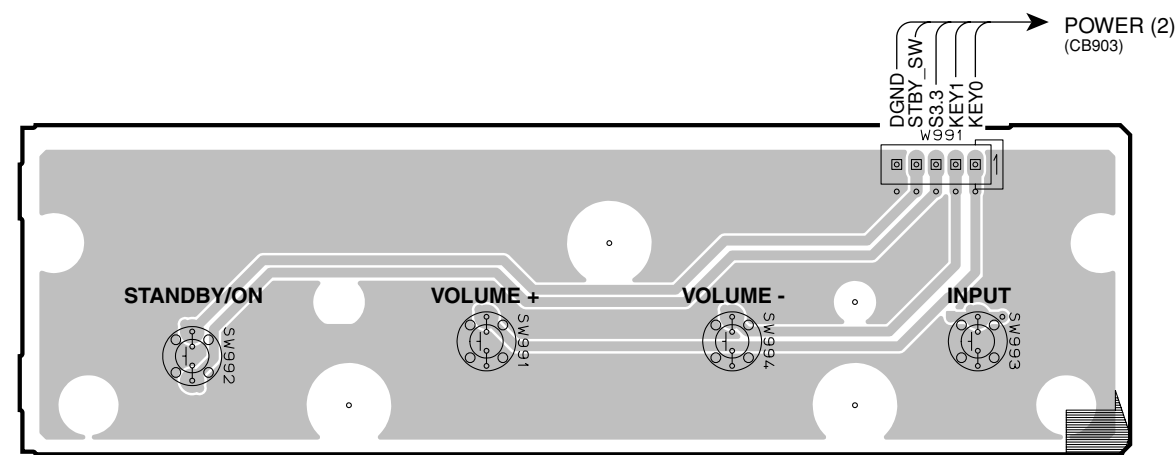
POWER (2) P.C.B. (Side B)



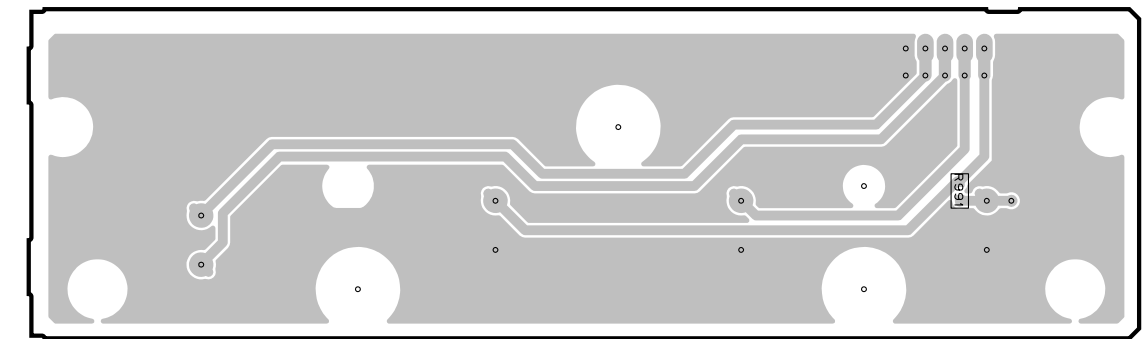
• **Semiconductor Location**

Ref no.	Location	Ref no.	Location	Ref no.	Location	Ref no.	Location	Ref no.	Location	Ref no.	Location	Ref no.	Location
D901	D6	IC902	C5	Q902	E6	Q904	H6	Q906	G6	Q908	G6	Q910	D2
IC901	F6	Q901	E6	Q903	F6	Q905	G6	Q907	G6	Q909	D2	Q911	C3

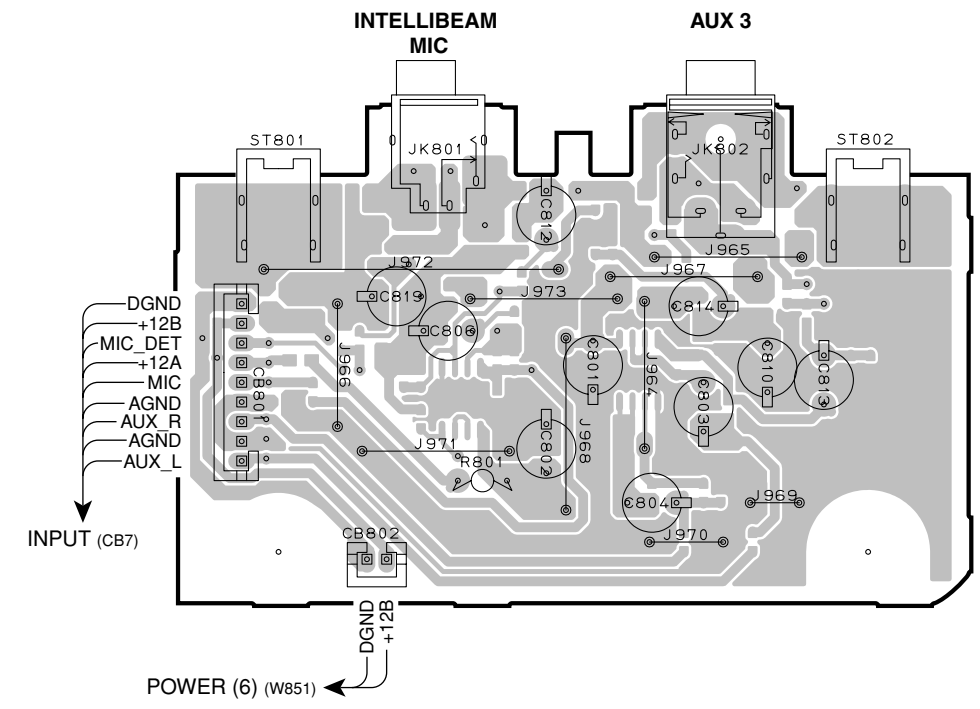
POWER (3) P.C.B. (Side A)



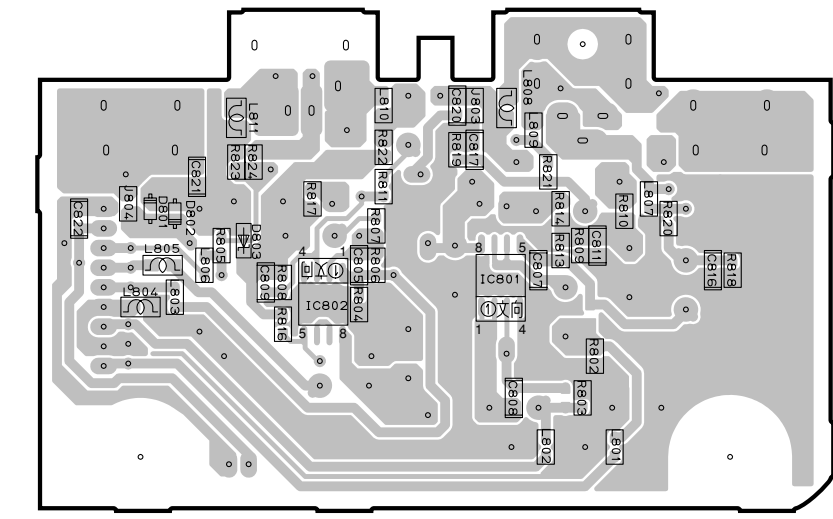
POWER (3) P.C.B. (Side B)



POWER (4) P.C.B. (Side A)



POWER (4) P.C.B. (Side B)

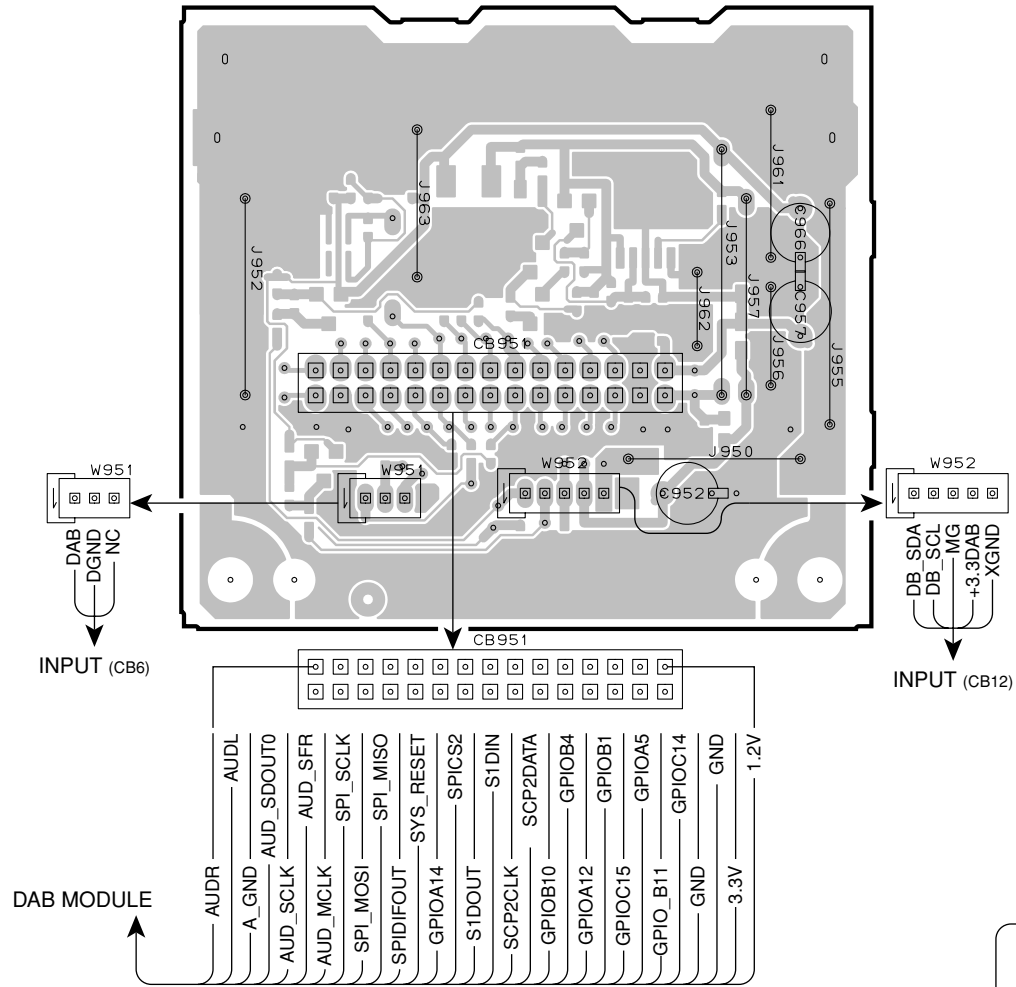


• Semiconductor Location

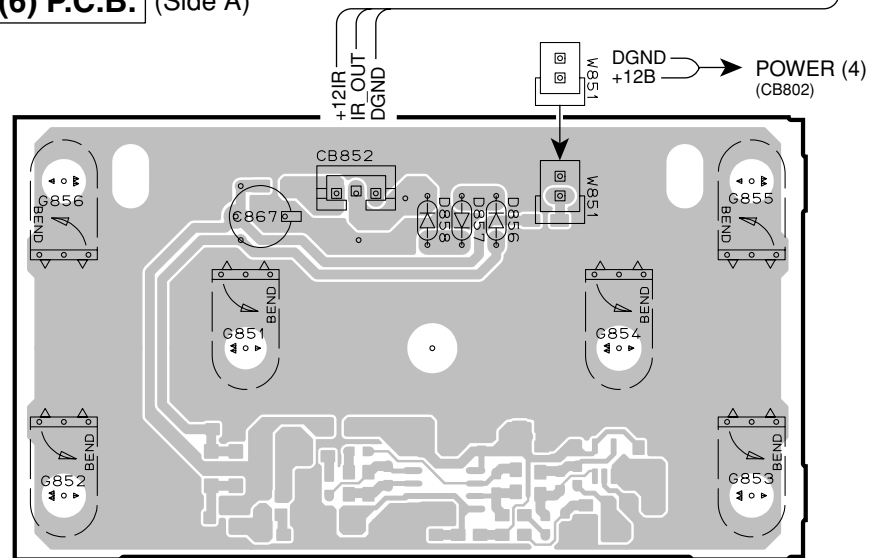
Ref no.	Location
D801	G5
D802	G5
D803	G5
IC801	H6
IC802	H6

POWER (5) P.C.B. (Side A)

B model

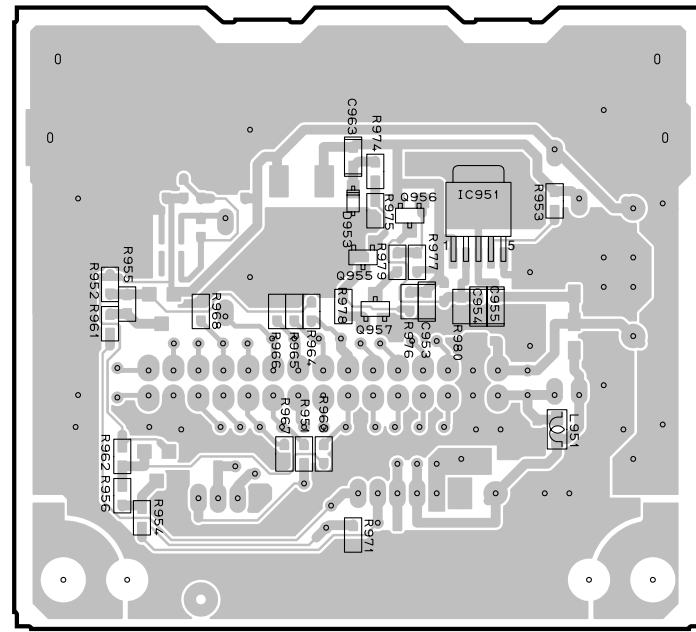


POWER (6) P.C.B. (Side A)

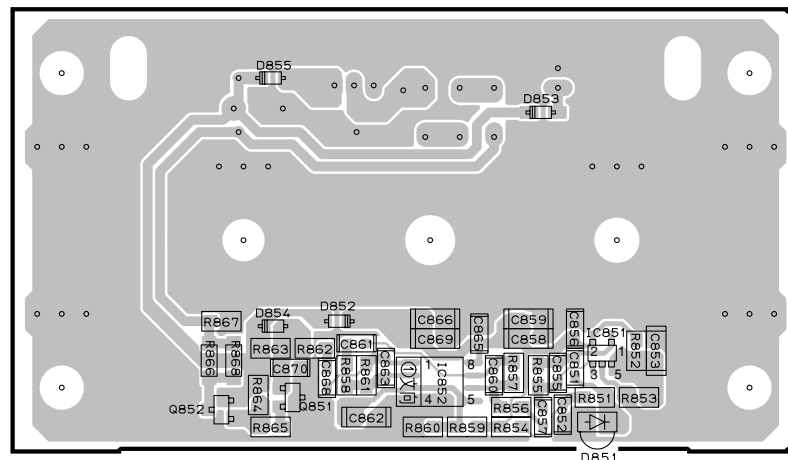


POWER (5) P.C.B. (Side B)

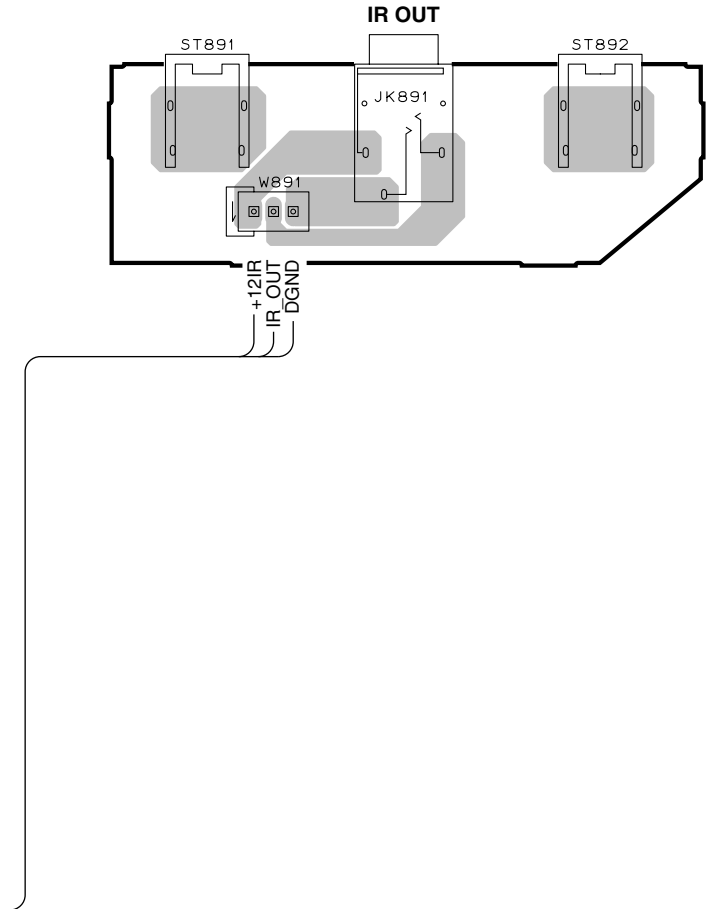
B model



POWER (6) P.C.B. (Side B)



POWER (7) P.C.B. (Side A)

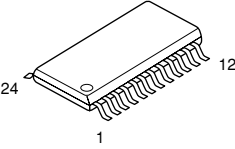
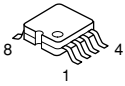
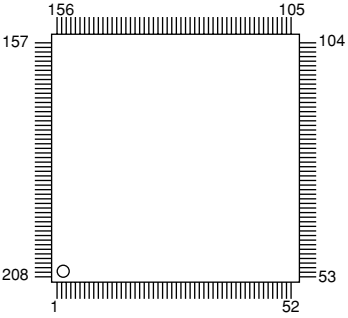
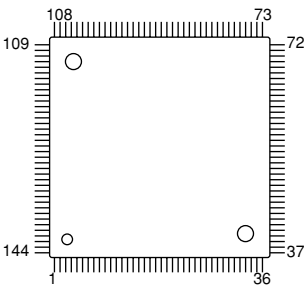
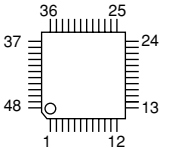
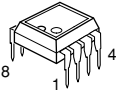
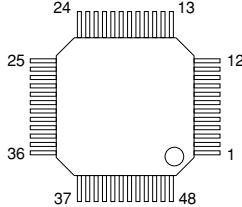
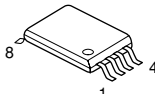
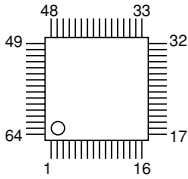
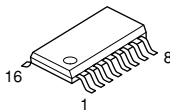
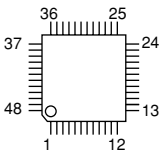
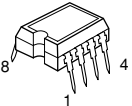
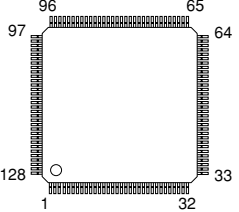
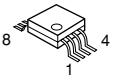
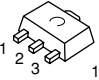
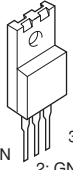
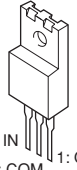
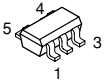
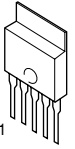
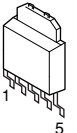
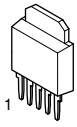
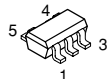
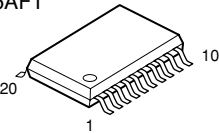
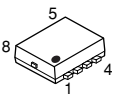
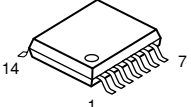
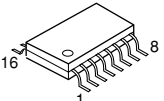
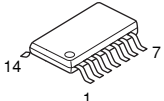


• Semiconductor Location

Ref no.	Location
D851	G7
D852	F6
D853	G6
D854	F7
D855	F6
D856	C6
D857	C6
D858	C6
D953	F2
IC851	G7
IC852	F7
IC951	G2
Q851	F7
Q852	F7
Q955	F3
Q956	F2
Q957	F3

PIN CONNECTION DIAGRAMS

• ICs

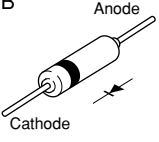
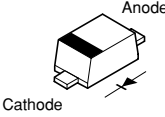
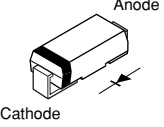
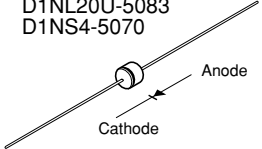
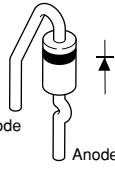
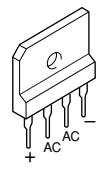
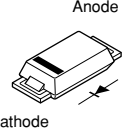
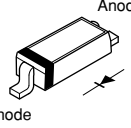
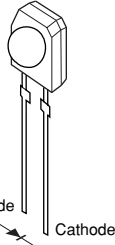
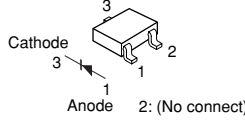
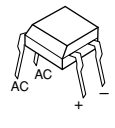
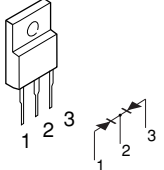
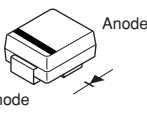
<p>BD3843FS-E2 LC72722PM NJM2585M</p> 	<p>BA7046F-E2 BR25L320F-W EEPROM</p> 	<p>D60YA003BPYP225</p> 	<p>D70YE101BRFP266 M3087BFKBGP</p> 	
<p>F2621E-01-TR</p> 	<p>FA5511N-D1-TE1</p> 	<p>LC89057W-VF4AD-E</p> 	<p>M24C02-WDW6TP</p> 	<p>M66003-0131FP-R</p> 
<p>L6732TR MAX3232CPWR</p> 	<p>MB90050PF-G-118-E1 MB90050PF-G-119-E1</p> 	<p>MIP2F40MSSCF</p>  <p>1: VDD 2: FB 3: CL 4: VCC 5: DRAIN 6: - 7: SOURCE 8: SOURCE</p>	<p>MN103SFD7G</p> 	
<p>NJM2068MD-TE2</p> 	<p>NJM431U</p>  <p>1: REFERENCE 2: ANODE 3: CATHODE</p>	<p>NJM78M05FA</p>  <p>1: IN 2: GND 3: OUT</p>	<p>NJM78M12FA</p>  <p>2: COM 3: IN 1: OUT</p>	<p>NJU7754F05</p>  <p>1. CONTROL 2. GND 3. NC 4. V_{OUT} 5. V_{IN}</p>
<p>PQ018EZ01ZP</p> 	<p>PQ033EZ01ZP</p> 	<p>PQ1CZ41H2Z</p> 	<p>NJM2716F R1154N033B-TR-F TC7SH08FU TC7SH126FU TC7SHU04FU</p> 	<p>SN74LV244APWR SN74LVC245APWR TC74LCX245FT TC74LCX541FT TC74VHCT245AFT WM8728</p> 
<p>TB7102F</p> 	<p>TC74VHC125FT</p> 	<p>TC74VHC157FT</p> 	<p>TC74VHC00FT TC74VHCT08AFT TC74VHCU04FT WM8738</p> 	

YSP-4000/YSP-40D/
HTY-7040

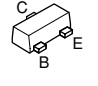
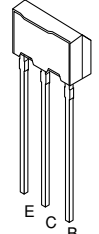
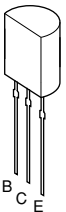
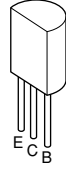
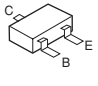
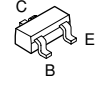
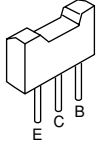
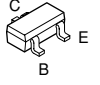

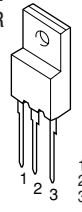
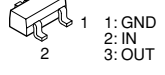
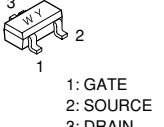
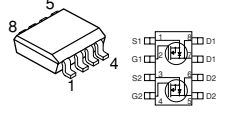
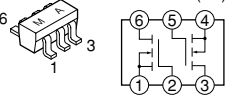
<p>ABT1010PQ100A</p>	<p>AD8056AR</p>	<p>KIA78L09F-RTF/P</p> <p>1: OUTPUT 2: COMMON (CASE) 3: INPUT</p>	<p>KIA78M05F</p> <p>1: INPUT 2: COMMON 3: OUTPUT</p>	<p>NJM2717M</p>
<p>LA7956</p>	<p>TA1318AF</p>	<p>TC74VHC244FT</p>	<p>PQ012GN01ZPH</p> <p>1: Vin 2: VB 3: Vout 4: NC 5: GND</p>	<p>PQ1CG41H2FZ</p>
<p>ADV7401BSTZ-80 SiI9134CTU YDA141-SZ</p>	<p>SiI9135CTU</p>	<p>TC7SH08F</p>		
<p>YDA138-EZE-2</p>	<p>W9816G6CH-7</p>	<p>W9864G6GH-7</p>		
<p>MX29LV160CBTC-70G</p>	<p>SN74CBT3257CPWR</p>			

YSP-4000/YSP-40D/
HTY-7040

• Diodes

<p>1SS133 1SS176 1ZB100 1ZB200-Y (TPA3, Q) MTZJ27D MTZJ7.5B</p> 	<p>1SS355 MA8036 3.6V MA8051 -M 5.1V MA8062-M 6.2V MA8068-M 6.8V MA8100-H 10.3V MA8100-M 10.0V MA8110-M 11.0V MA8160-L 15.7V MA8330-L 32.0V RB160M-30 RB501V-40 RB551V-30</p> 	<p>D1FK60-5063 D1FL20U-5063 RB051L-40</p> 		
<p>D1NJ10-7070 D1NL20U-5083 D1NS4-5070</p> 	<p>D3S4M</p> 	<p>D5SBA60</p> 	<p>DG1M3-5063</p> 	<p>KDR357-RTK/P</p> 
<p>PD413PI2E00F</p> 	<p>SB01-05Q</p> 	<p>S1NB60 1.0A 600V</p> 	<p>SF30SC6-7600</p> 	<p>STTH110A</p> 

• Transistors

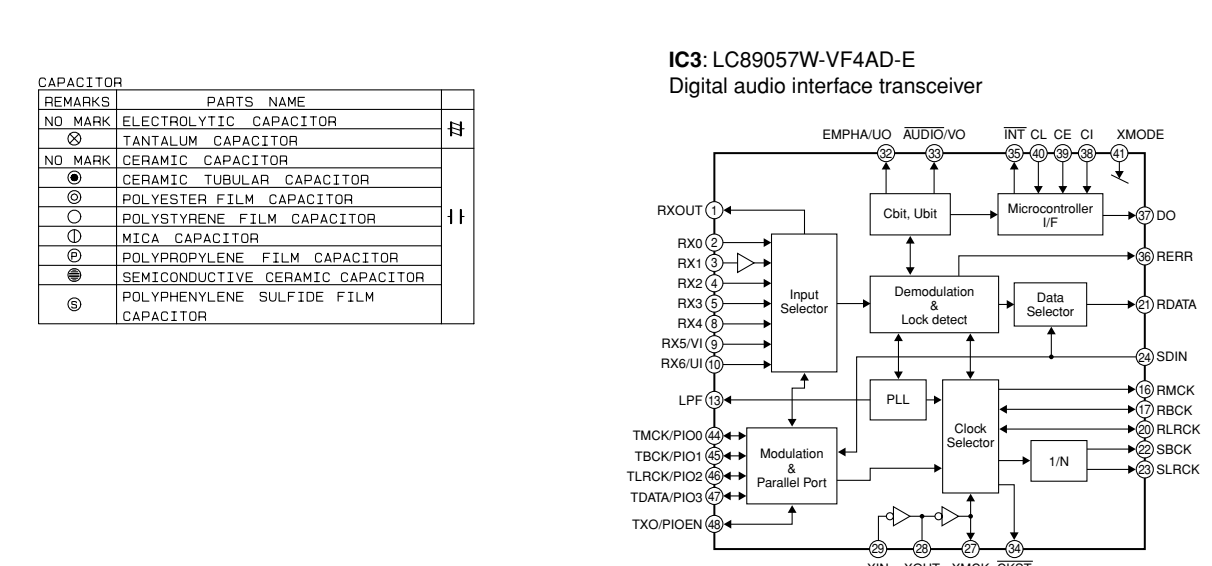
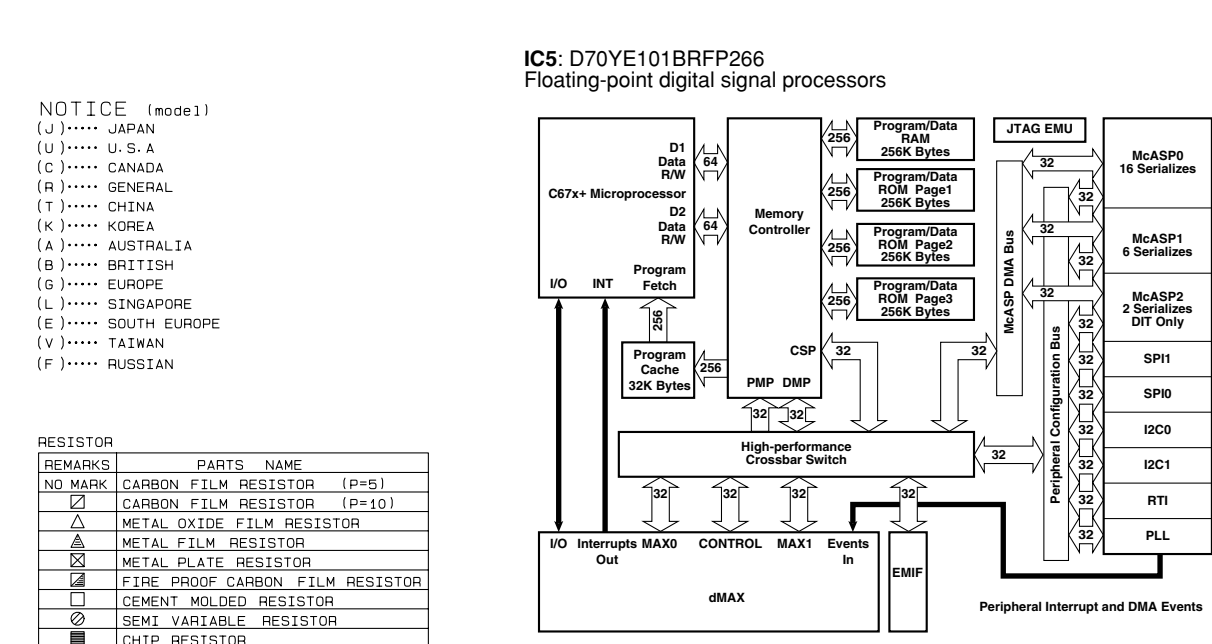
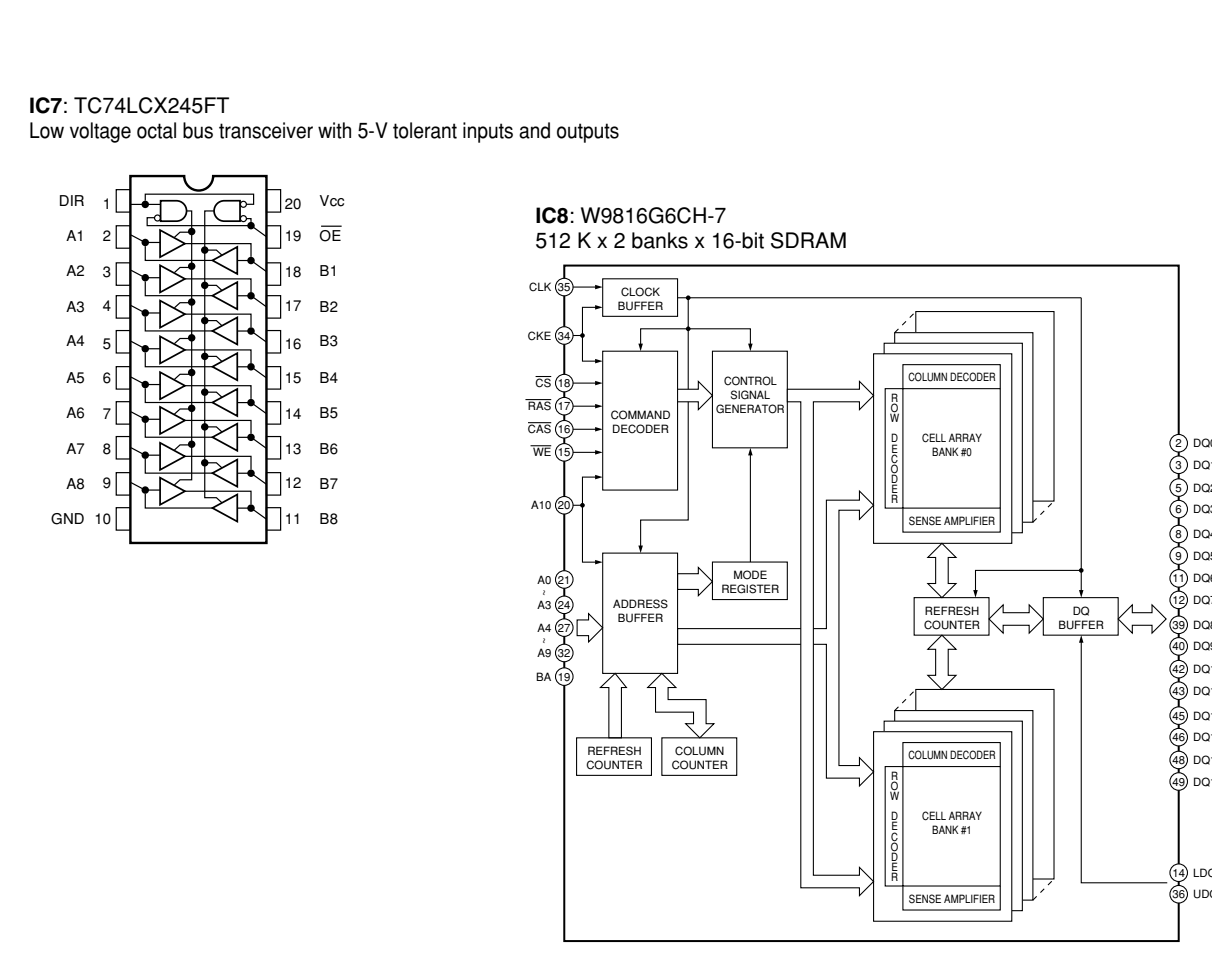
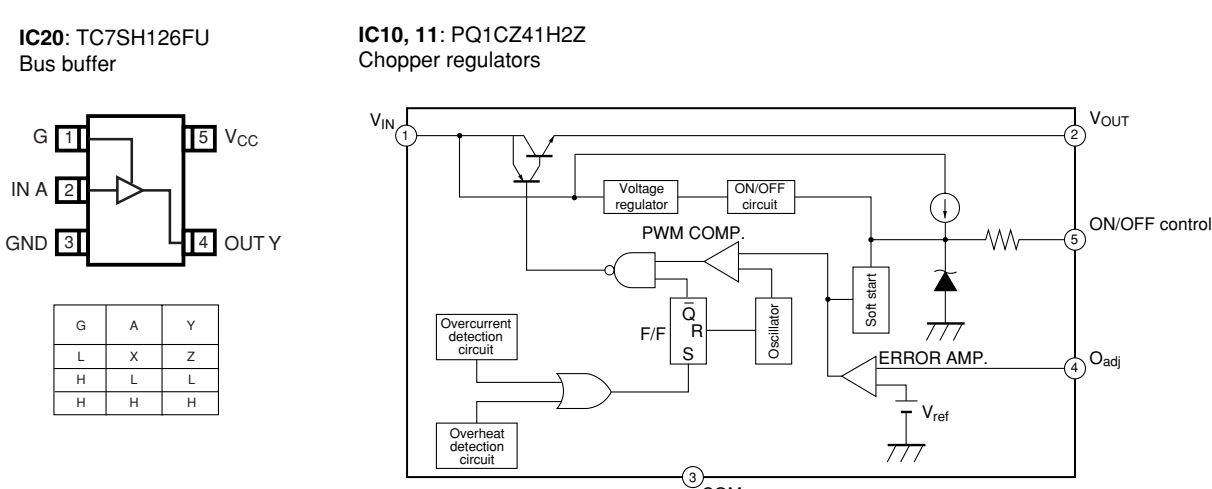
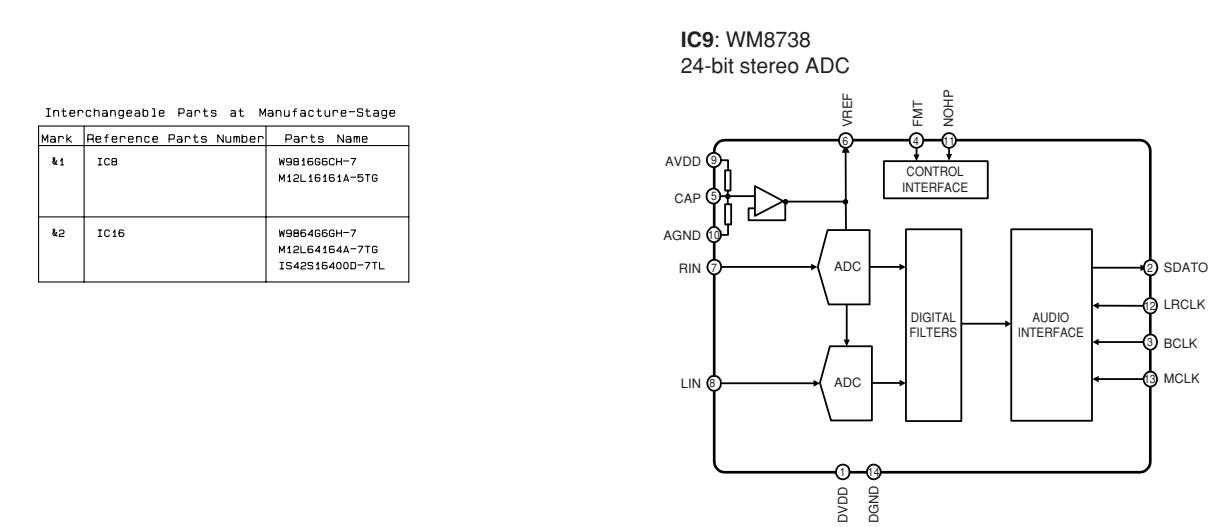
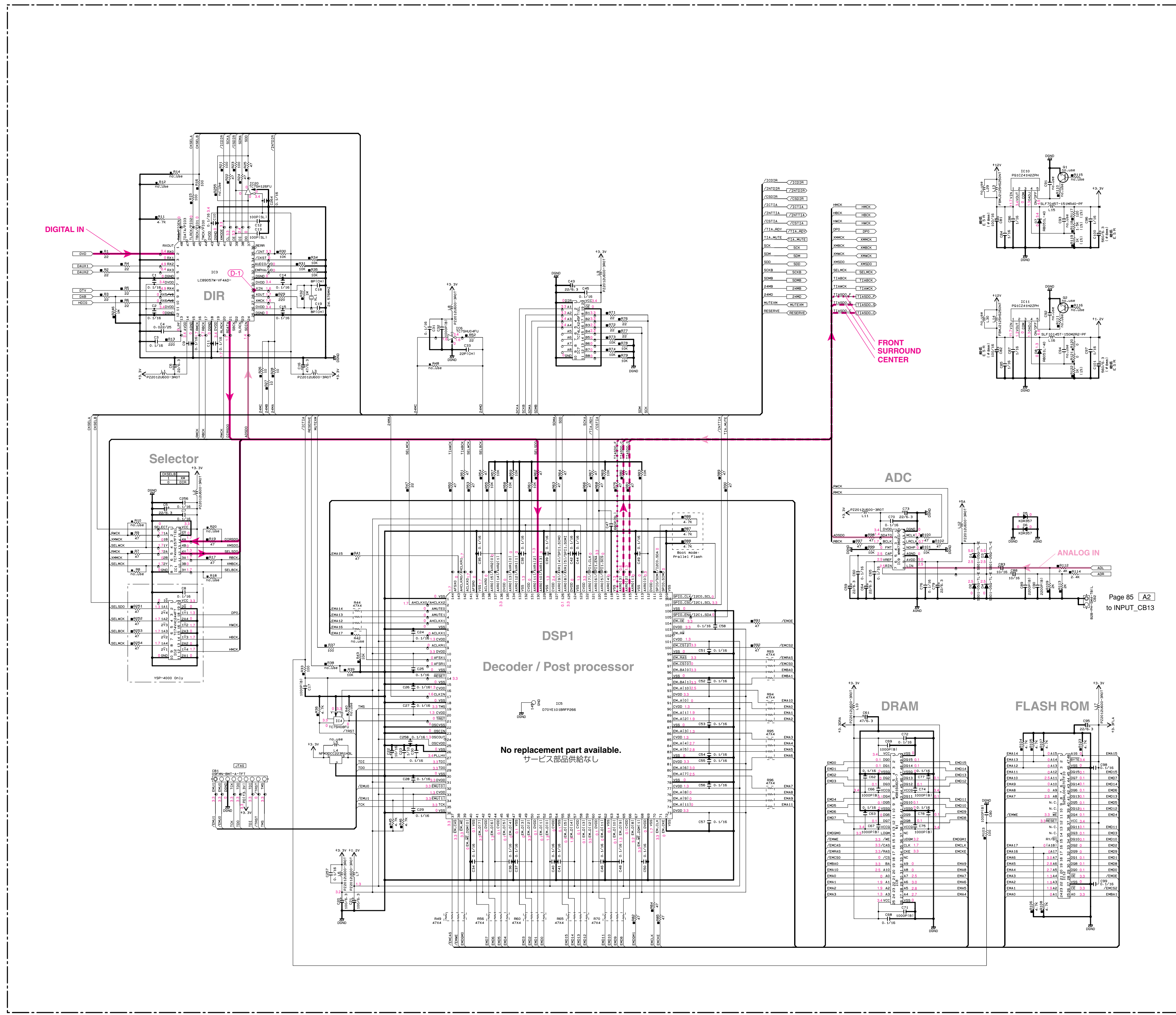
<p>2SA1037K</p> 	<p>2SA2093</p> 	<p>2SB544</p> 	<p>2SC1815</p> 	<p>2SC2412K</p> 
<p>2N5401S-RTK 2SC4081 T106</p> 	<p>2SC4488</p> 	<p>2SD1938F</p> 	<p>2SD400</p> 	<p>2SK3523-01R 2SK3876-01R</p> 
<p>DTA114EKA DTC123JKA DTC124EUA DTC144EKA</p> 	<p>RSR025P03TL</p> 	<p>STS8DNF3LL</p> 	<p>uPA672T-T1-A</p> 	

YSP-4000/YSP-40D/
HTY-7040

MEMO



SCHEMATIC DIAGRAMS
DSP 1/2



Interchangeable Parts at Manufacture-Stage

Mark	Reference Parts Number	Parts Name
A1	IC9	WM8738-7 MEX18161A-STD
A2	IC16	WM8738-7 MEX18161A-7FL 1849516400-7FL

NOTICE (mode1)

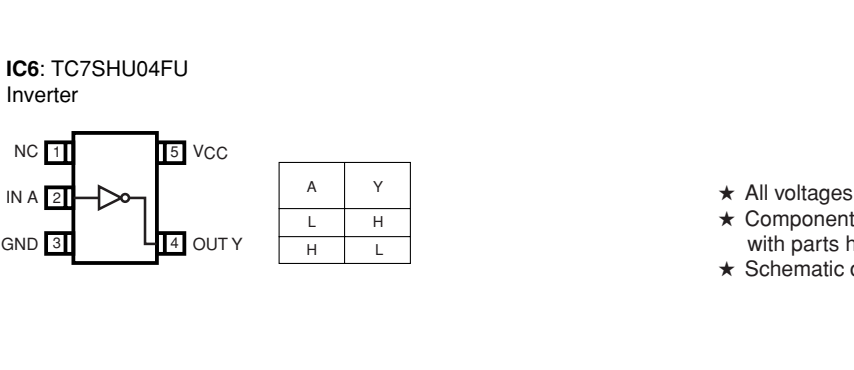
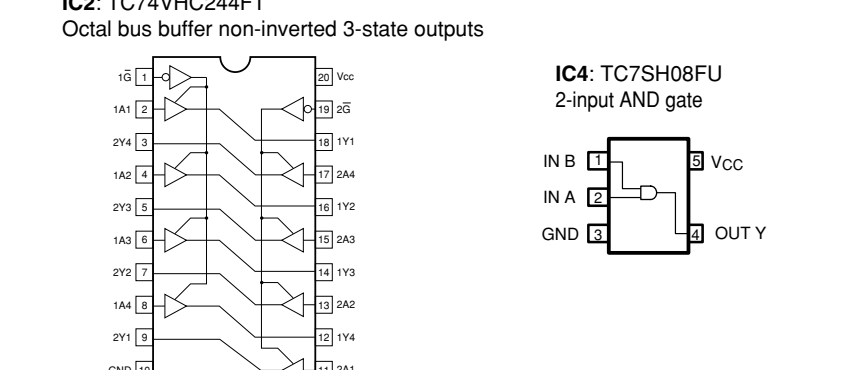
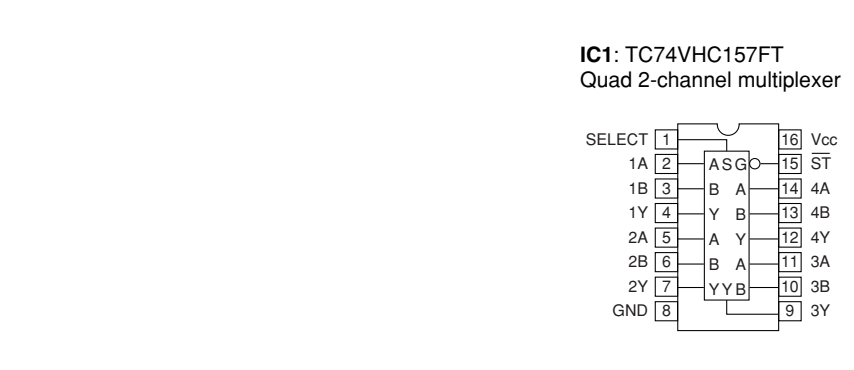
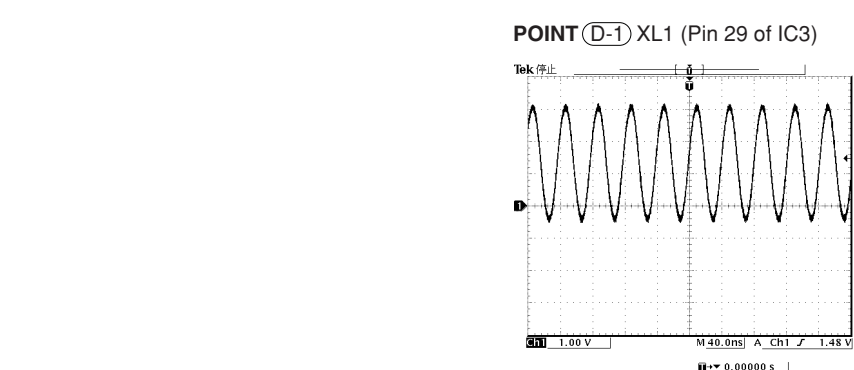
- (J)..... JAPAN
- (U)..... U.S.A
- (C)..... CANADA
- (B)..... GENERAL
- (T)..... CHINA
- (K)..... KOREA
- (A)..... AUSTRALIA
- (B)..... BRITISH
- (E)..... EUROPE
- (S)..... SINGAPORE
- (V)..... TAIWAN
- (F)..... RUSSIAN

RESISTOR

RESISTOR	PARTS NAME
NO MARK	CARBON FILM RESISTOR (P+R)
□	METAL OXIDE FILM RESISTOR (P+10)
△	METAL FILM RESISTOR
■	METAL PLATE RESISTOR
⊞	FIRE PROOF CARBON FILM RESISTOR
⊞	CEMENT MOLDED RESISTOR
⊞	SEMI-VARIABLE RESISTOR
⊞	CHIP RESISTOR

CAPACITOR

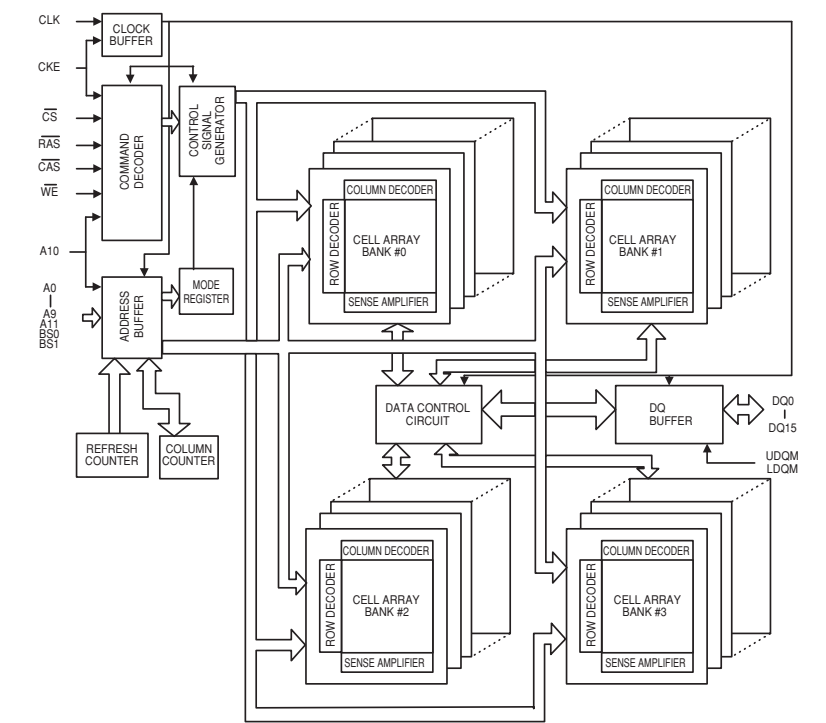
RESISTOR	PARTS NAME
NO MARK	ELECTROLYTIC CAPACITOR
⊞	TANTALUM CAPACITOR
NO MARK	CERAMIC CAPACITOR
⊞	CERAMIC TUBULAR CAPACITOR
⊞	POLYESTER FILM CAPACITOR
⊞	POLYETHYLENE FILM CAPACITOR
⊞	MICA CAPACITOR
⊞	POLYPROPYLENE FILM CAPACITOR
⊞	SEMICONDUCTIVE CERAMIC CAPACITOR
⊞	POLYPHENYLENE SULFIDE FILM CAPACITOR



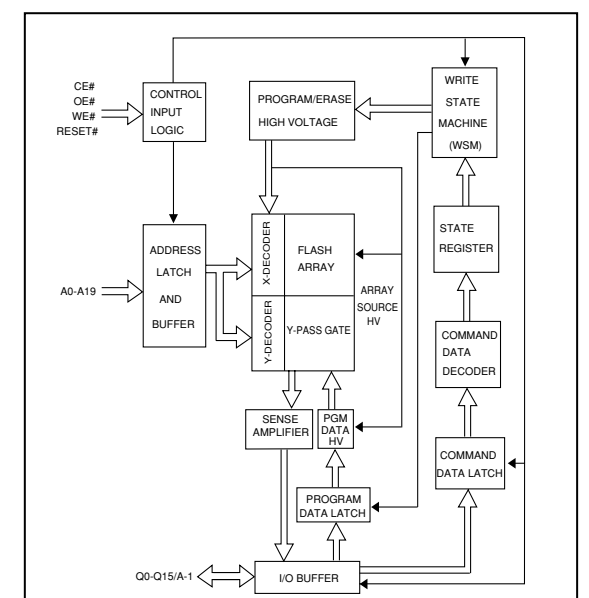
* All voltages are measured with a 10MΩ/V DC electronic voltmeter.
* Components having special characteristics are marked with a triangle and must be replaced with parts having specifications equal to those originally installed.
* Schematic diagram is subject to change without notice.

●電圧は、内部抵抗10MΩの電圧計で測定したものです。
●△印のある部品は、安全性確保部品を示しています。部品の交換が必要な場合、パーツリストに記載されている部品を使用してください。
●本回路図は標準回路図です。改良のため予告なく変更することがございます。

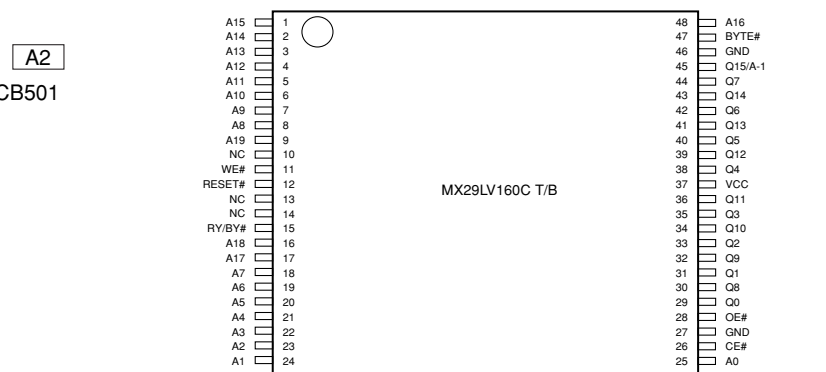
IC16: W5964G6GH-7
64 M x 4 banks SDRAM



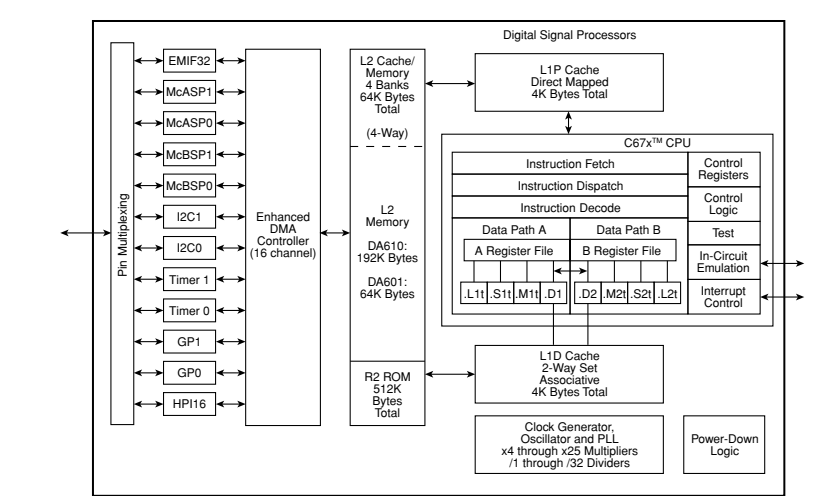
IC18: MX29LV160CBTC-70G
16M-bit CMOS single voltage 3V only flash memory



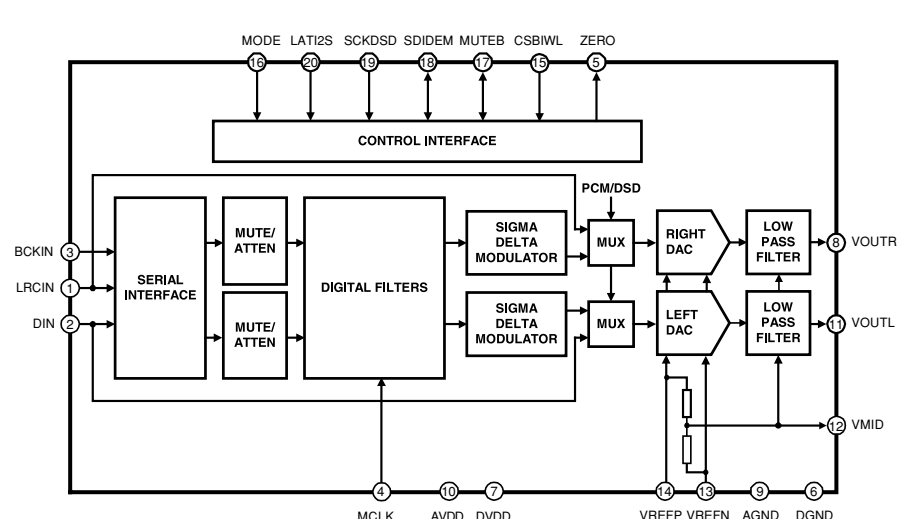
Page 87 A2
to AMP_CB501



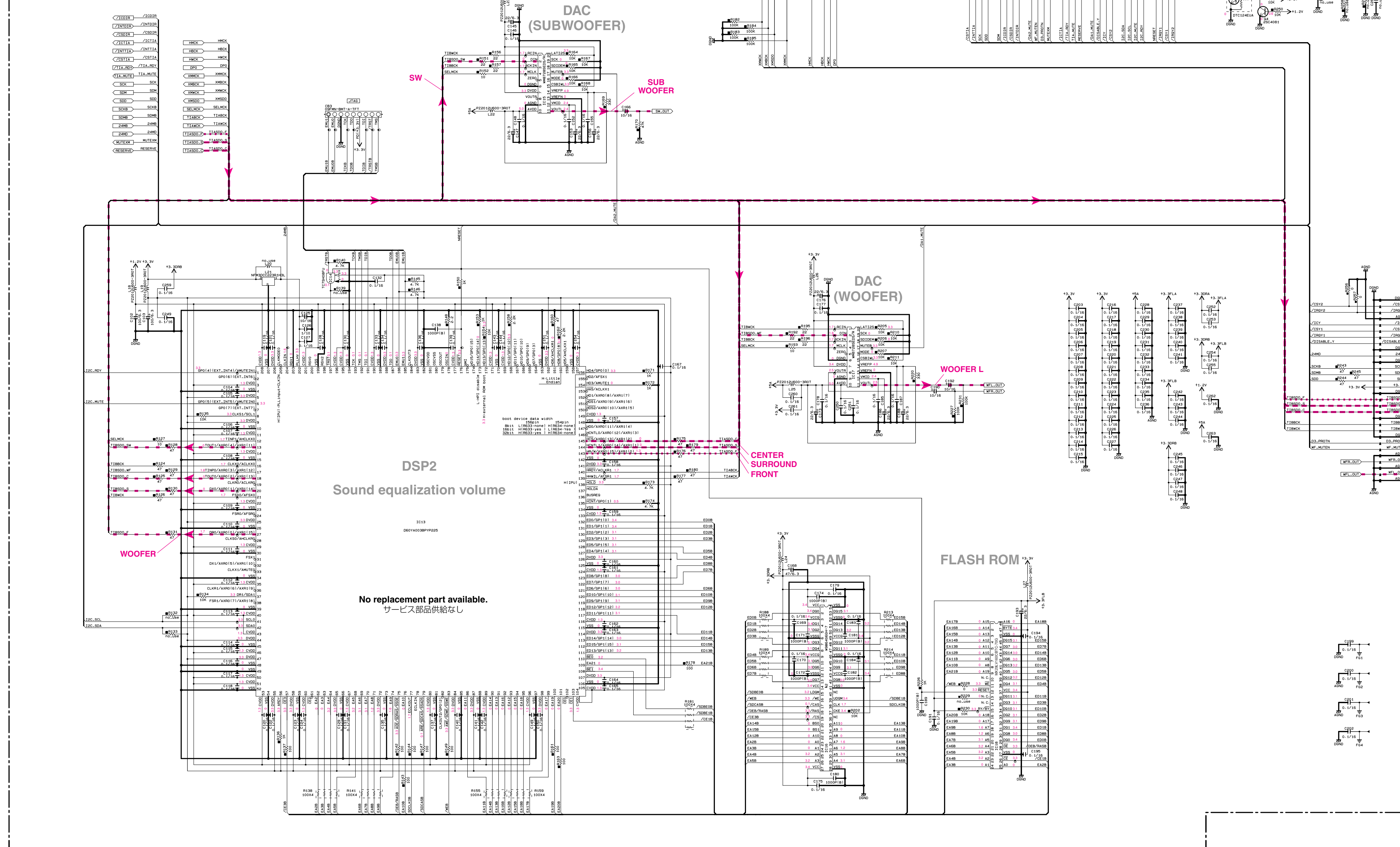
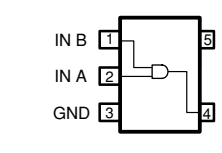
IC13: D60YA003BPYP25
Decoder



IC15, 17: WM8728
24-bit, 192 kHz stereo DAC



IC14: TC7SH08FU
2-input AND gate



DSP2
Sound equalization volume

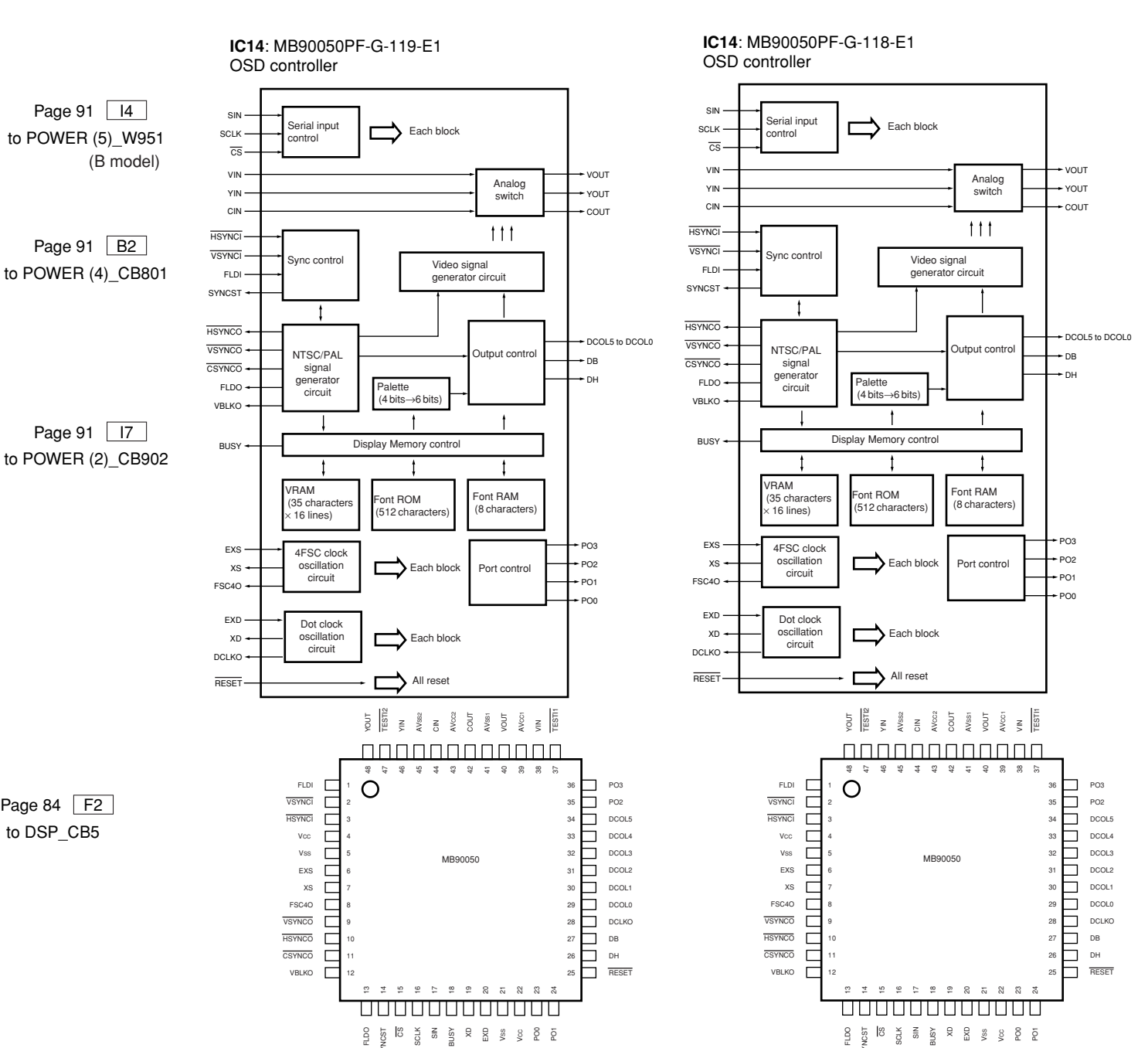
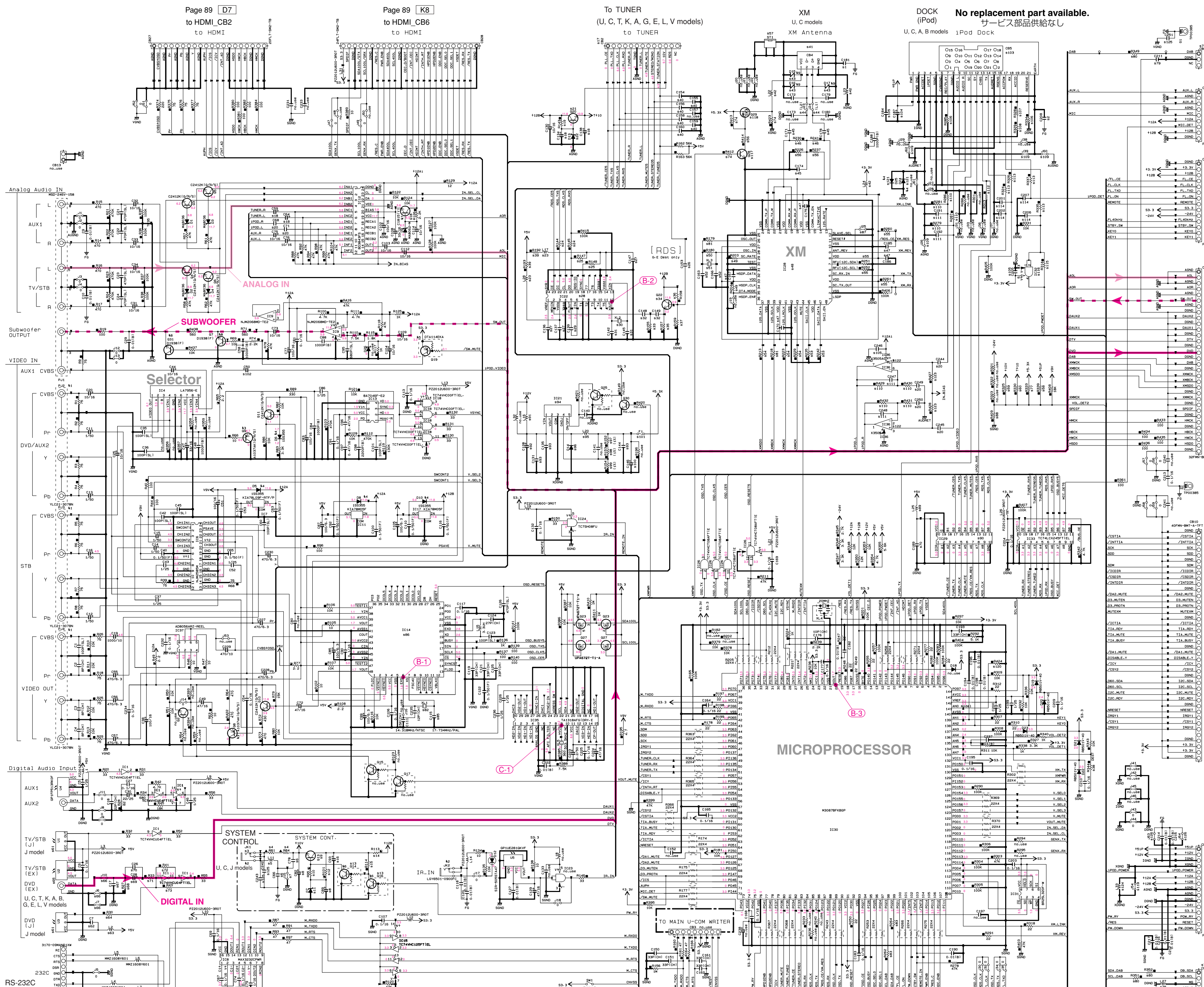
No replacement part available.
サービス部品供給なし

NOTICE [mode1]
(J) JAPAN
(U) U.S.A
(C) CANADA
(R) GENERAL
(T) CHINA
(K) KOREA
(A) AUSTRALIA
(B) BRITISH
(E) EUROPE
(L) SINGAPORE
(S) SOUTH EUROPE
(V) TAIWAN
(F) RUSSIAN

REMARKS	PARTS NAME	REMARKS	PARTS NAME
NO MARK	CARBON FILM RESISTOR (P=5)	NO MARK	ELECTROLYTIC CAPACITOR
NO MARK	METAL FILM RESISTOR (P=10)	NO MARK	TANTALUM CAPACITOR
NO MARK	METAL OXIDE FILM RESISTOR	NO MARK	CERAMIC TUBULAR CAPACITOR
NO MARK	METAL FILM RESISTOR	NO MARK	POLYESTER FILM CAPACITOR
NO MARK	METAL PLATE RESISTOR	NO MARK	POLYSTYRENE FILM CAPACITOR
NO MARK	FIRE PROOF CARBON FILM RESISTOR	NO MARK	MICA CAPACITOR
NO MARK	CEMENT MOUNTED RESISTOR	NO MARK	POLYPROPYLENE FILM CAPACITOR
NO MARK	SEMI VARIABLE RESISTOR	NO MARK	SEMICONDUCTIVE CERAMIC CAPACITOR
NO MARK	CHIP RESISTOR	NO MARK	POLYPHENYLENE SULFIDE FILM CAPACITOR

★ All voltages are measured with a 10MΩ/V DC electronic voltmeter.
★ Components having special characteristics are marked with a triangle and must be replaced with parts having specifications equal to those originally installed.
★ Schematic diagram is subject to change without notice.
● 電圧は、内部抵抗10MΩの電圧計で測定したものです。
● 三角形印のある部品は、安全性確保部品を示しています。部品の交換が必要な場合、パーツリストに記載されている部品を使用してください。
● 本回路図は標準回路図です。改良のため予告なく変更することがございます。

INPUT 1/2

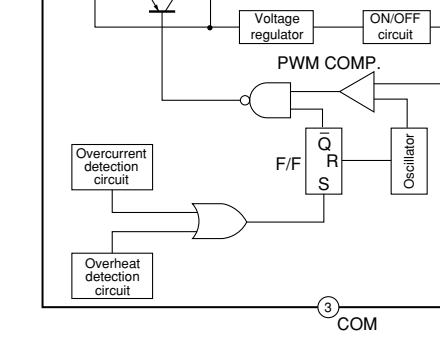
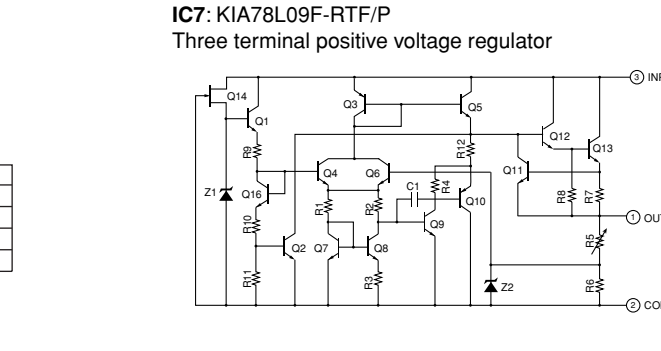
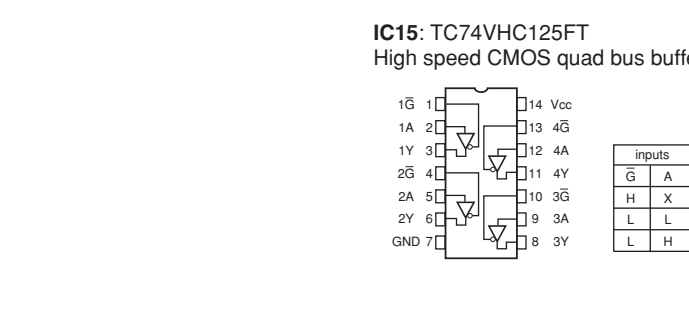
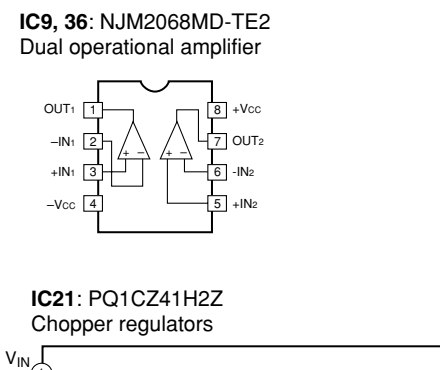
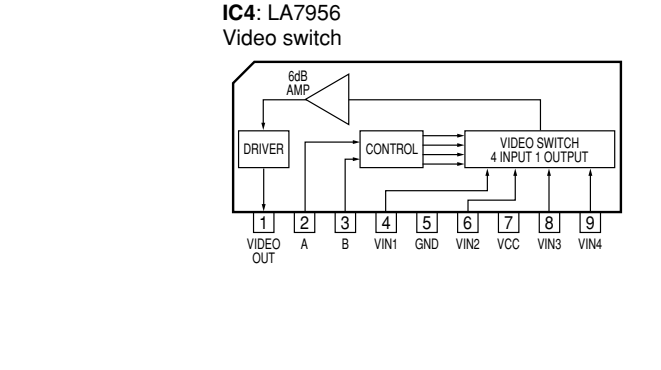
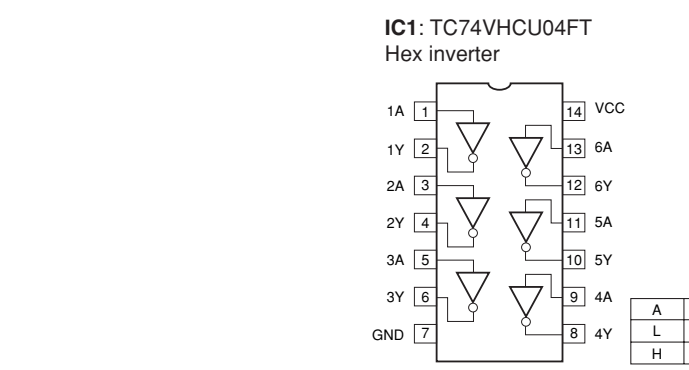
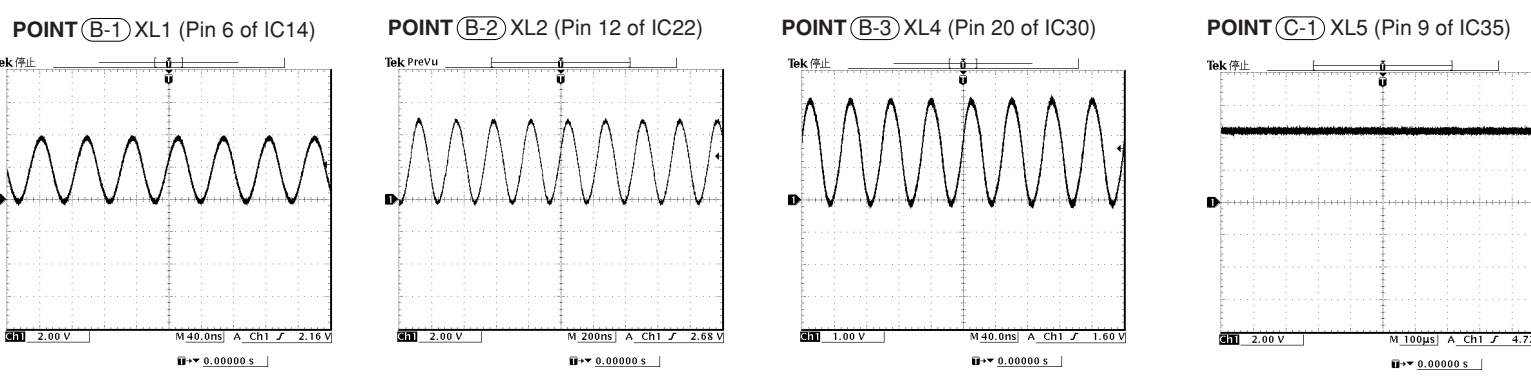
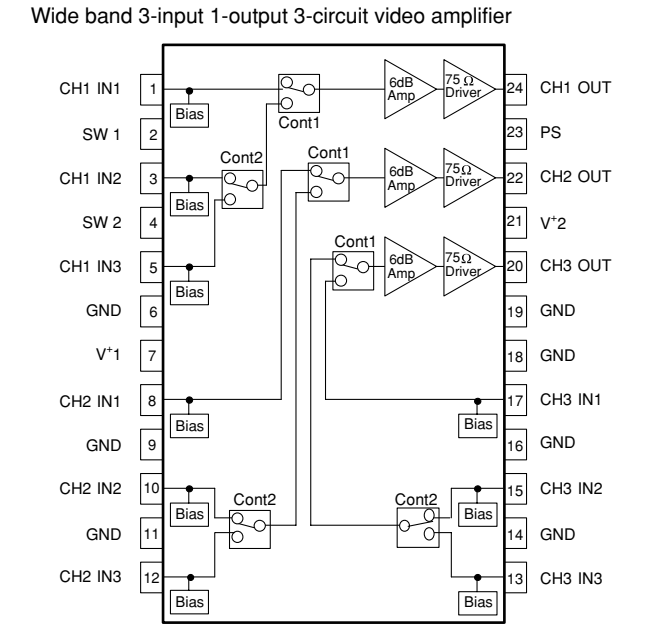
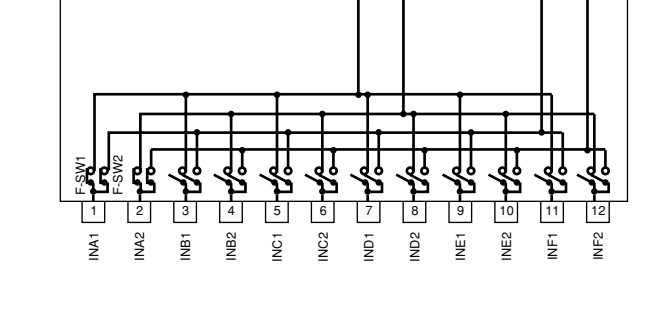
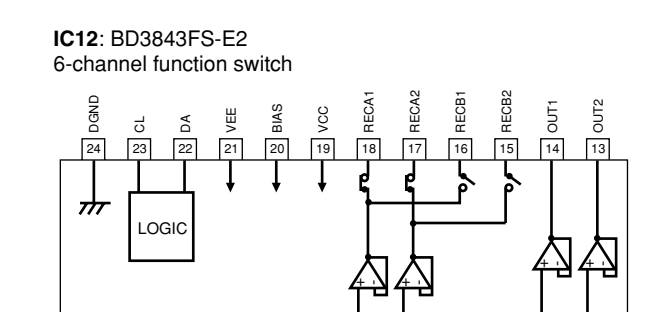
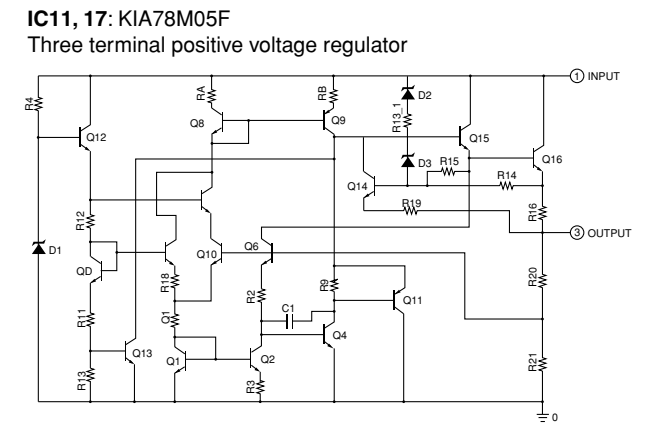
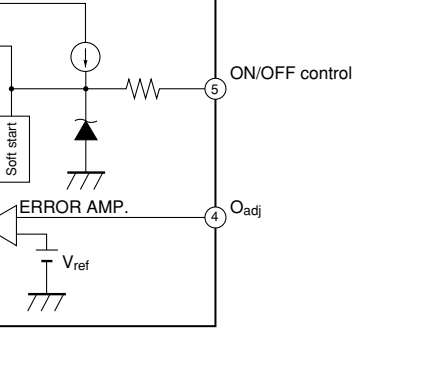
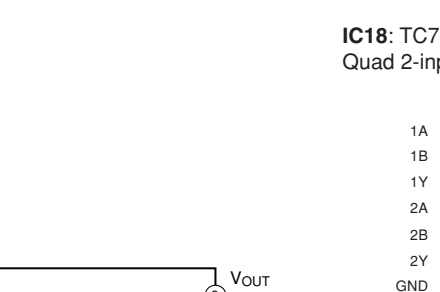
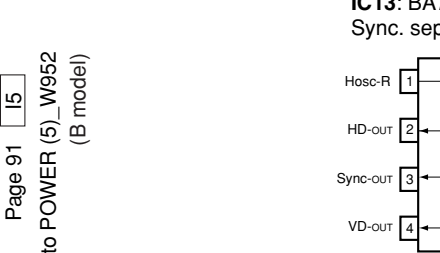
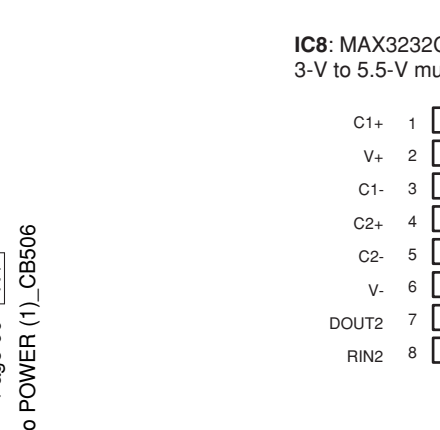


Interchangeable Parts List

No.	Part No.	Part Name
1	MB90050	OSD controller
2	MB90050	OSD controller
3	MB90050	OSD controller
4	MB90050	OSD controller
5	MB90050	OSD controller
6	MB90050	OSD controller
7	MB90050	OSD controller
8	MB90050	OSD controller
9	MB90050	OSD controller
10	MB90050	OSD controller
11	MB90050	OSD controller
12	MB90050	OSD controller
13	MB90050	OSD controller
14	MB90050	OSD controller
15	MB90050	OSD controller
16	MB90050	OSD controller
17	MB90050	OSD controller
18	MB90050	OSD controller
19	MB90050	OSD controller
20	MB90050	OSD controller

RESISTOR

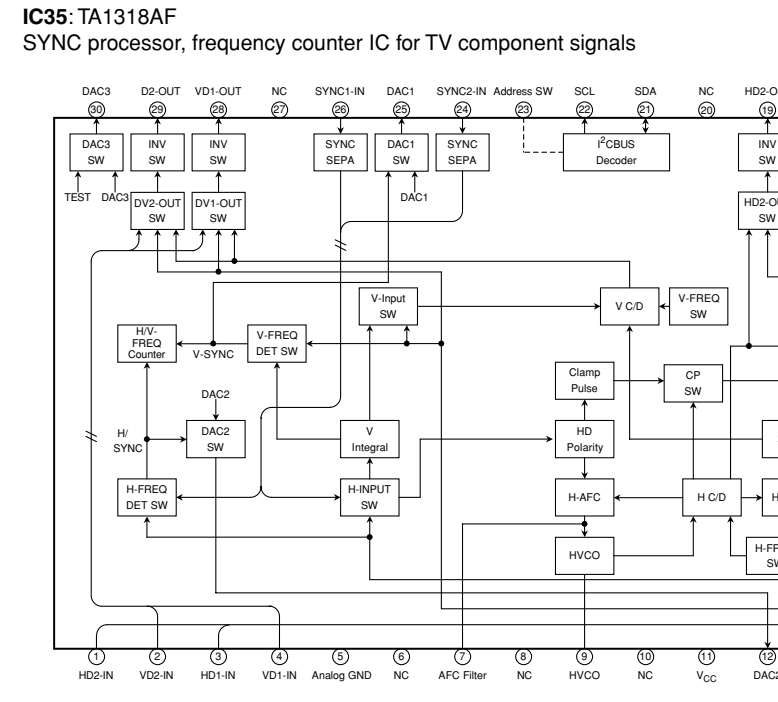
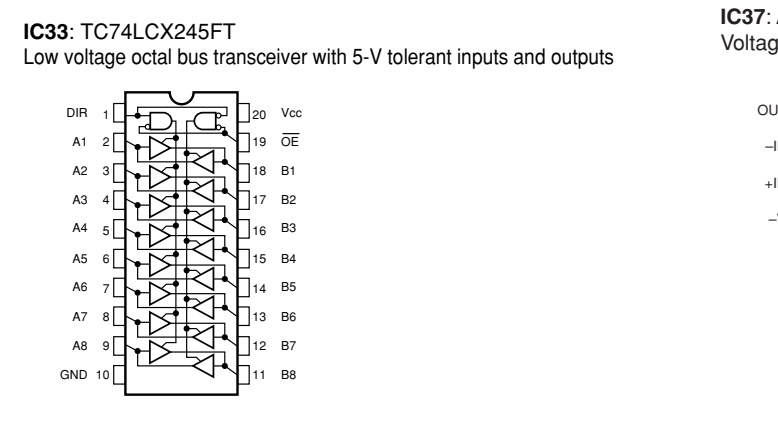
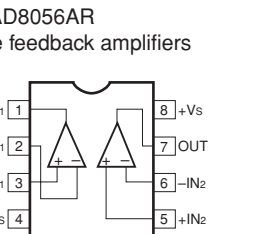
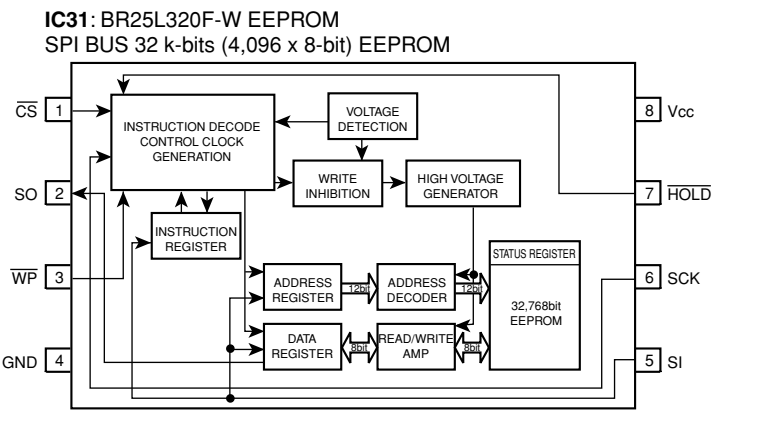
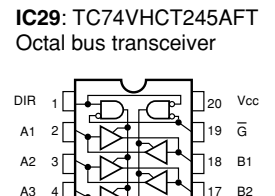
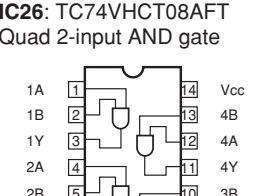
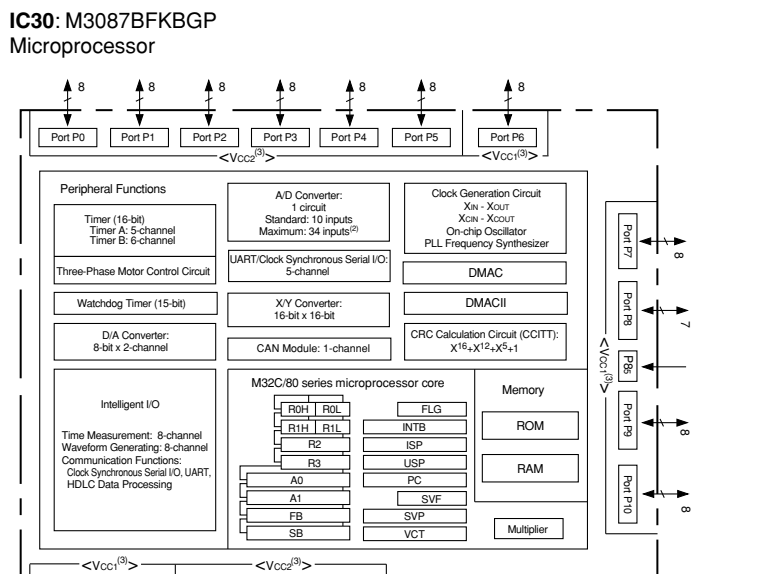
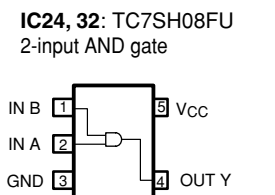
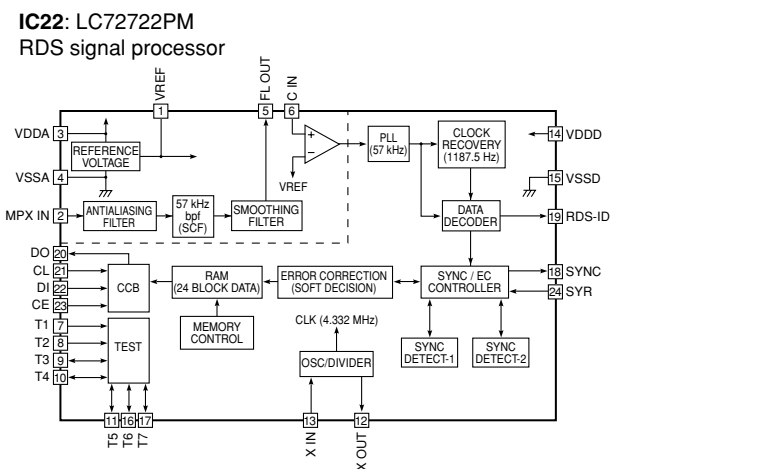
NO.	Part No.	Part Name	Capacitor	Part Name
1	MB90050	OSD controller	100	100
2	MB90050	OSD controller	100	100
3	MB90050	OSD controller	100	100
4	MB90050	OSD controller	100	100
5	MB90050	OSD controller	100	100
6	MB90050	OSD controller	100	100
7	MB90050	OSD controller	100	100
8	MB90050	OSD controller	100	100
9	MB90050	OSD controller	100	100
10	MB90050	OSD controller	100	100
11	MB90050	OSD controller	100	100
12	MB90050	OSD controller	100	100
13	MB90050	OSD controller	100	100
14	MB90050	OSD controller	100	100
15	MB90050	OSD controller	100	100
16	MB90050	OSD controller	100	100
17	MB90050	OSD controller	100	100
18	MB90050	OSD controller	100	100
19	MB90050	OSD controller	100	100
20	MB90050	OSD controller	100	100



★ All voltages are measured with a 10MΩ/V DC electronic voltmeter.
 ★ Components having special characteristics are marked with a triangle (▲) and must be replaced with parts having specifications equal to those originally installed.
 ★ Schematic diagram is subject to change without notice.
 ● 電圧は、内部抵抗10MΩの電圧計で測定したものです。
 ● ▲印のある部品は、安全性確保部品を示しています。部品の交換が必要な場合、パーツリストに記載されている部品を使用してください。
 ● 本回路図は標準回路図です。改良のため予告なく変更することがございます。

INPUT 2/2

INPUT 1/2 BLOCK DIAGRAMS



Destination Part List

Table with columns for part numbers (e.g., sXX, LOC, J, UC, TL, KV, A, B, GE) and rows for various components (e.g., s1, s2, s3, s4, s5, s6, s7, s8, s9, s10, s11, s12, s13, s14, s15, s16, s17, s18, s19, s20, s21, s22, s23, s24, s25, s26, s27, s28, s29, s30, s31, s32, s33, s34, s35, s36, s37, s38, s39, s40, s41, s42, s43, s44, s45, s46, s47, s48, s49, s50, s51, s52, s53, s54, s55, s56, s57, s58, s59, s60, s61, s62, s63, s64, s65, s66, s67, s68, s69, s70, s71, s72, s73, s74, s75, s76, s77, s78, s79, s80, s81, s82, s83, s84, s85, s86, s87, s88, s89, s90, s91, s92, s93, s94, s95, s96, s97, s98, s99, s100, s101, s102, s103, s104, s105, s106, s107, s108, s109, s110, s111, s112, s113, s114, s115, s116, s117, s118, s119, s120, s121, s122, s123, s124, s125, s126).

* All voltages are measured with a 10MΩ/V DC electronic voltmeter.
* Components having special characteristics are marked with a triangle and must be replaced with parts having specifications equal to those originally installed.
* Schematic diagram is subject to change without notice.
● 電圧は、内部抵抗10MΩの電圧計で測定したものです。
● 1印のある部品は、安全性確保部品を示しています。部品の交換が必要な場合、パーツリストに記載されている部品を使用してください。
● 本回路図は標準回路図です。改良のため予告なく変更することがございます。

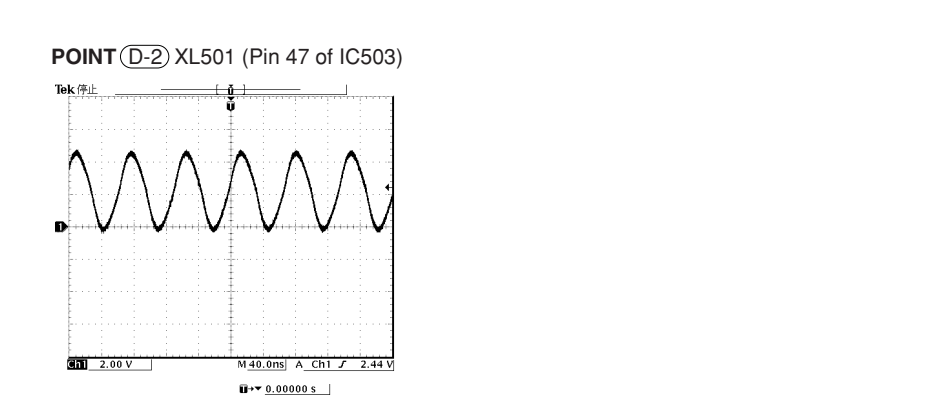
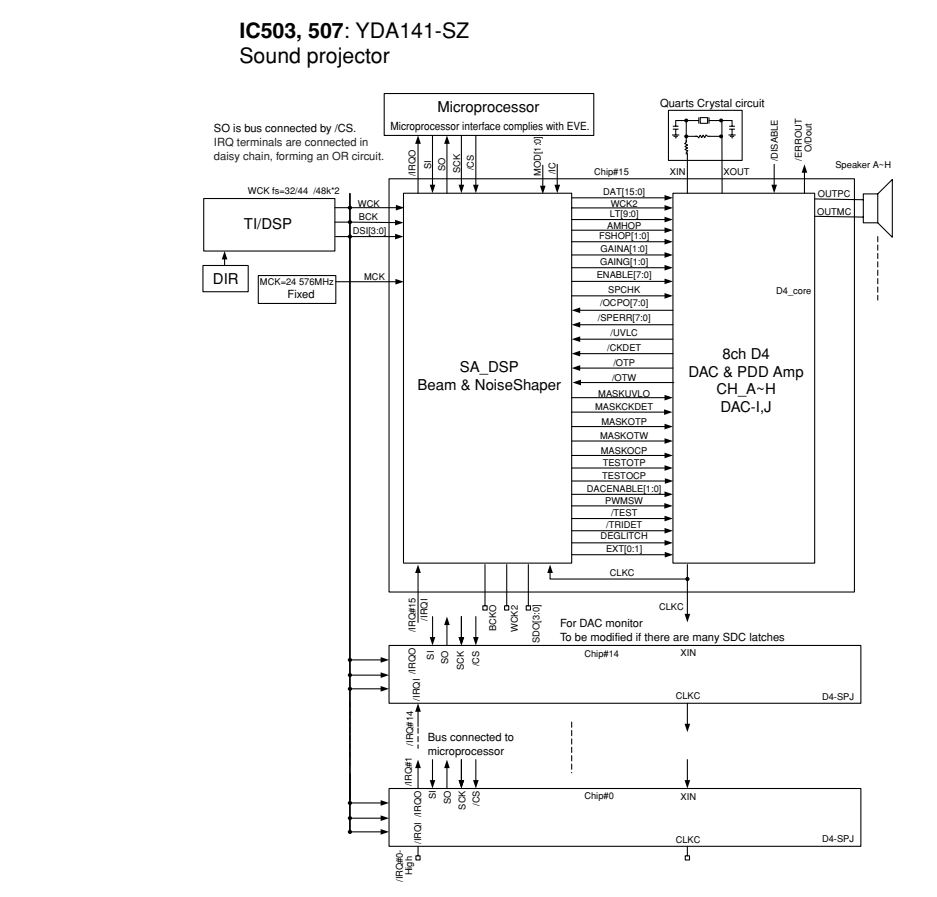
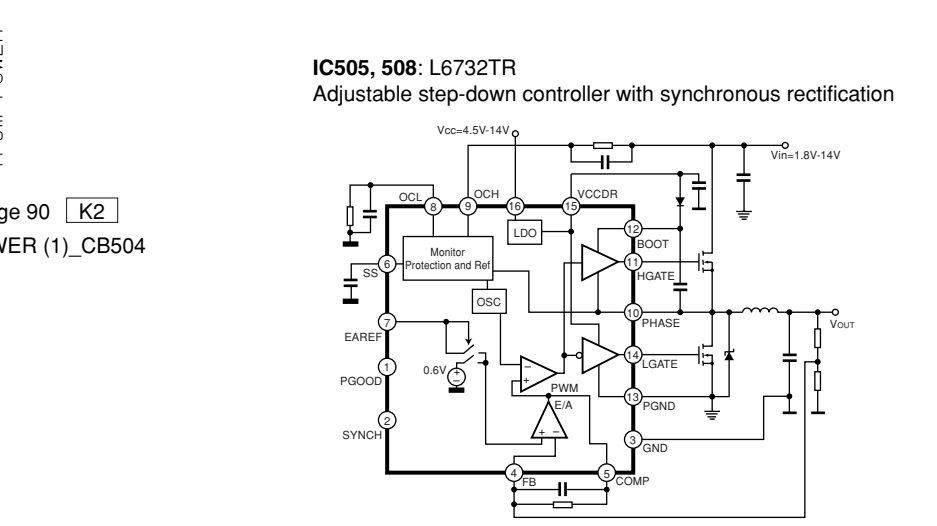
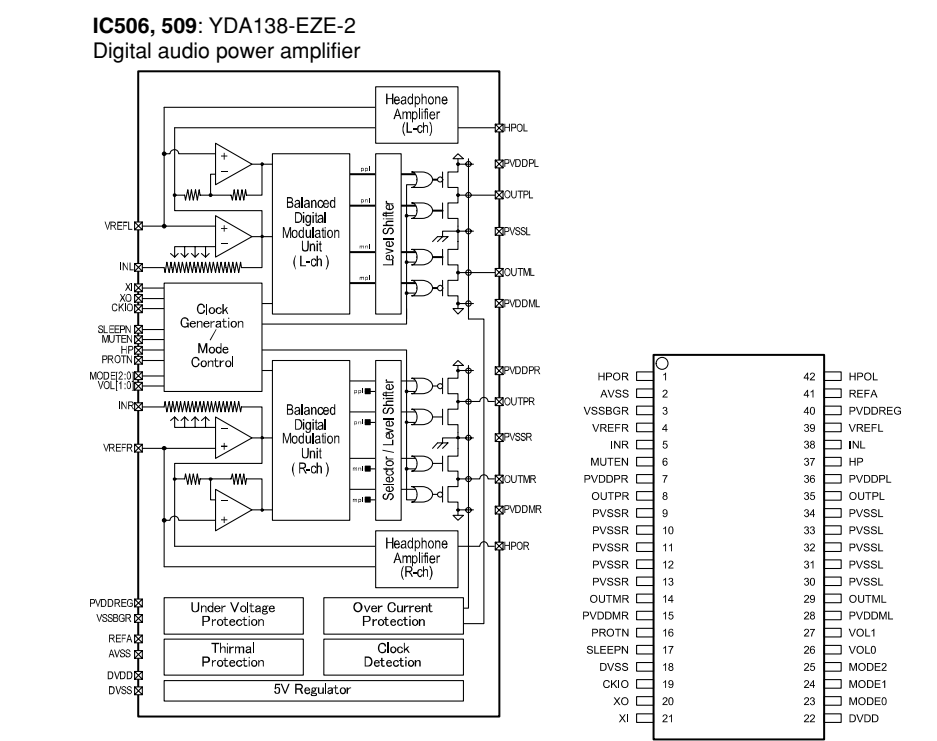
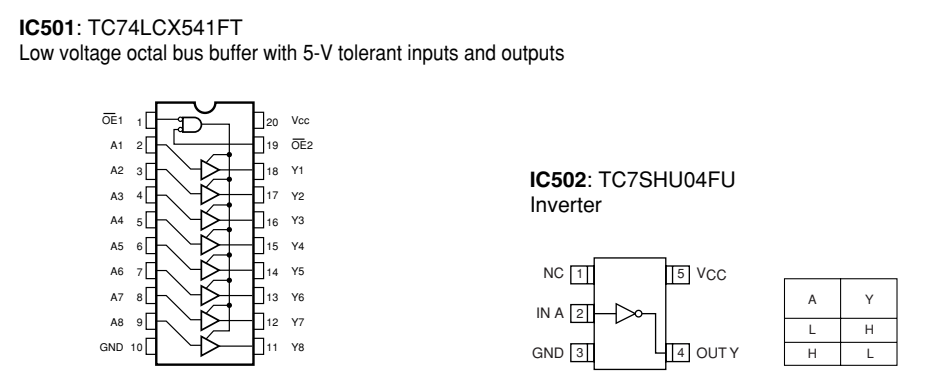
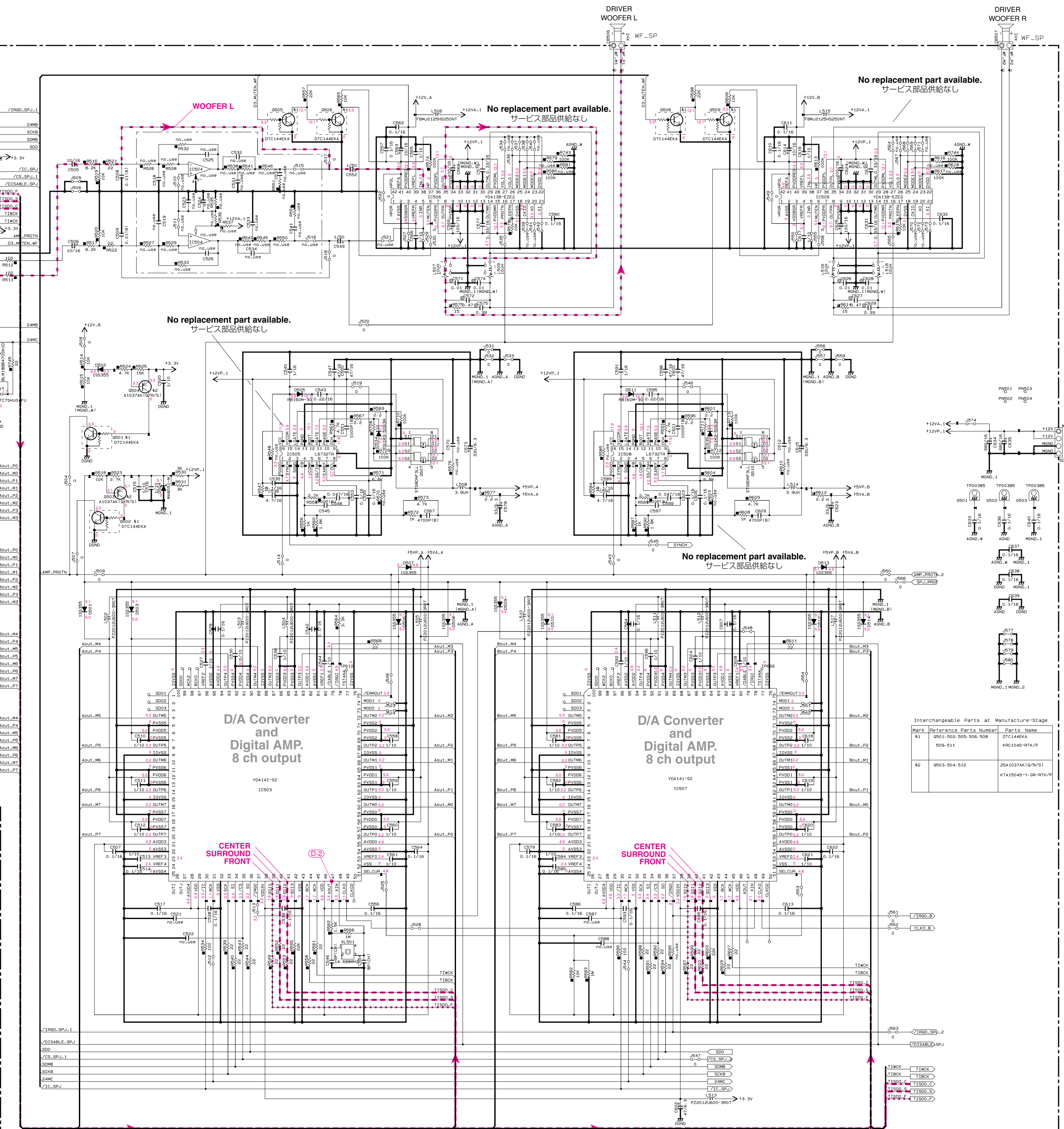
AMP 1/2

Page 84 L6 to DSP_C88

BEAM_SP1 (BL) BEAM_SP1 (WH) BEAM_SP1 (WH) BEAM_SP1 (BL)

NOTICE (model) (J)..... JAPAN (U)..... U. S. A. (C)..... CANADA (R)..... GENERAL (T)..... CHINA (K)..... KOREA (A)..... AUSTRALIA (B)..... BRITISH (G)..... EUROPE (L)..... SINGAPORE (E)..... SOUTH EUROPE (V)..... TAIWAN (F)..... RUSSIAN

Table with 2 columns: PARTS NAME, REMARKS. Rows include CARBON FILM RESISTOR, METAL OXIDE FILM RESISTOR, CERAMIC TUBULAR CAPACITOR, etc.



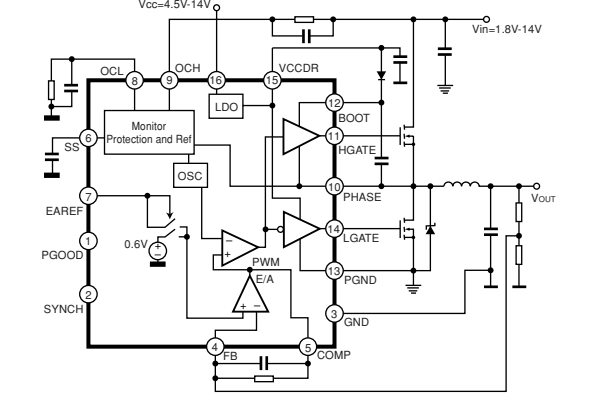
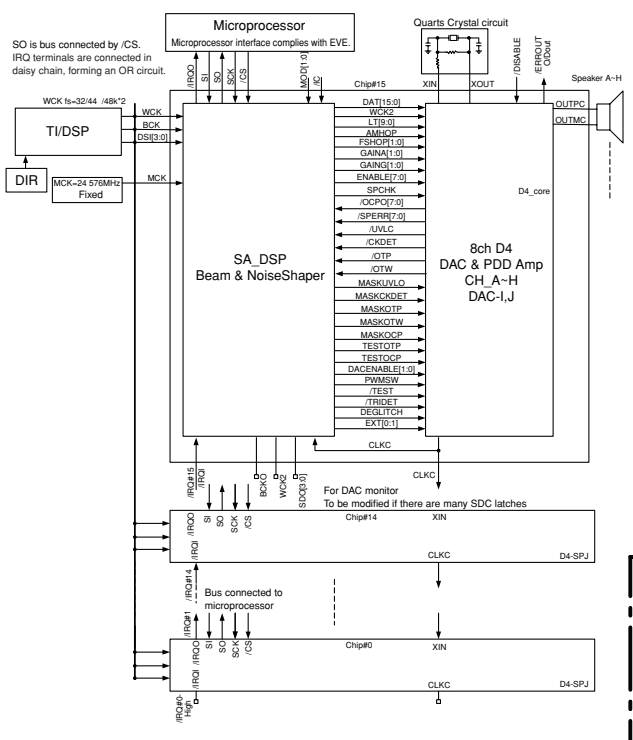
Interchangeable Parts at Manufacture-Stage. Table with 3 columns: Mark, Reference Parts Number, Parts Name. Rows include 0001-002-505-506-508, 509-511, 0003-504-012.

All voltages are measured with a 10MΩ/V DC electronic voltmeter. Components having special characteristics are marked with a triangle symbol. Schematic diagram is subject to change without notice.

AMP 2/2

IC511, 513, 516: YDA141-SZ
Sound projector

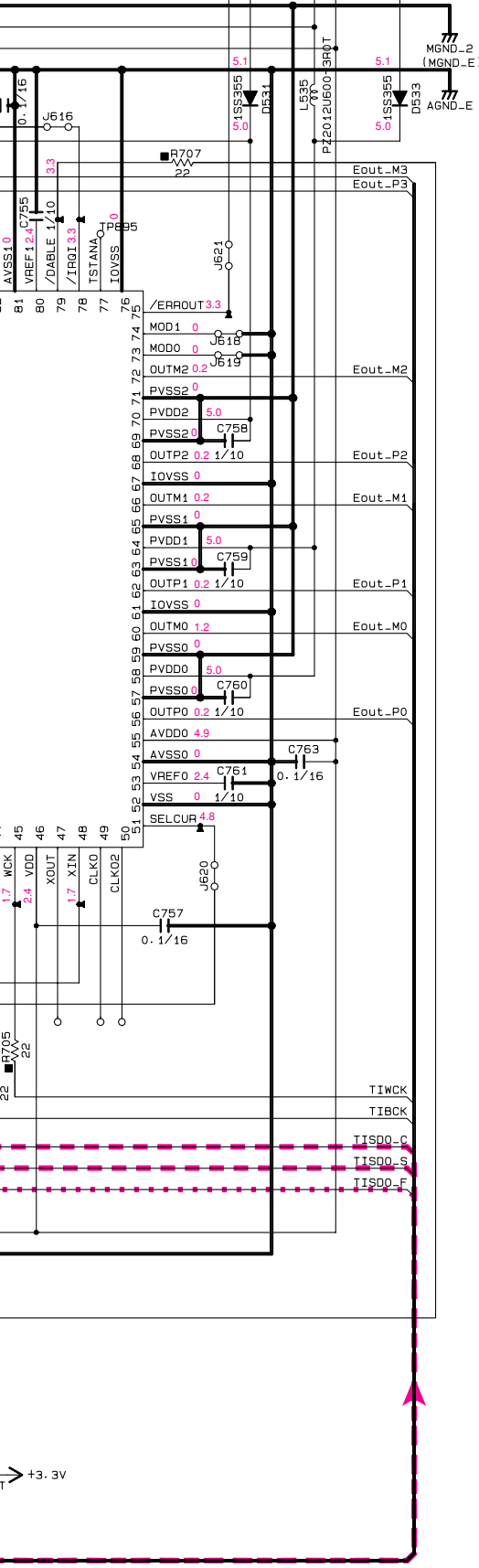
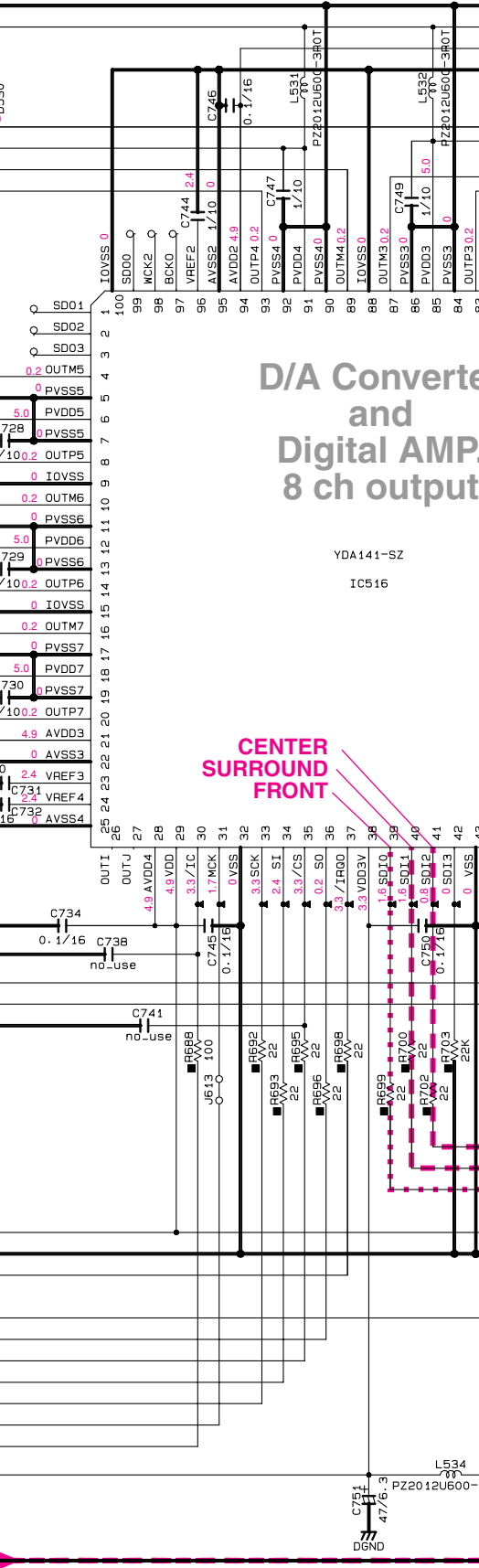
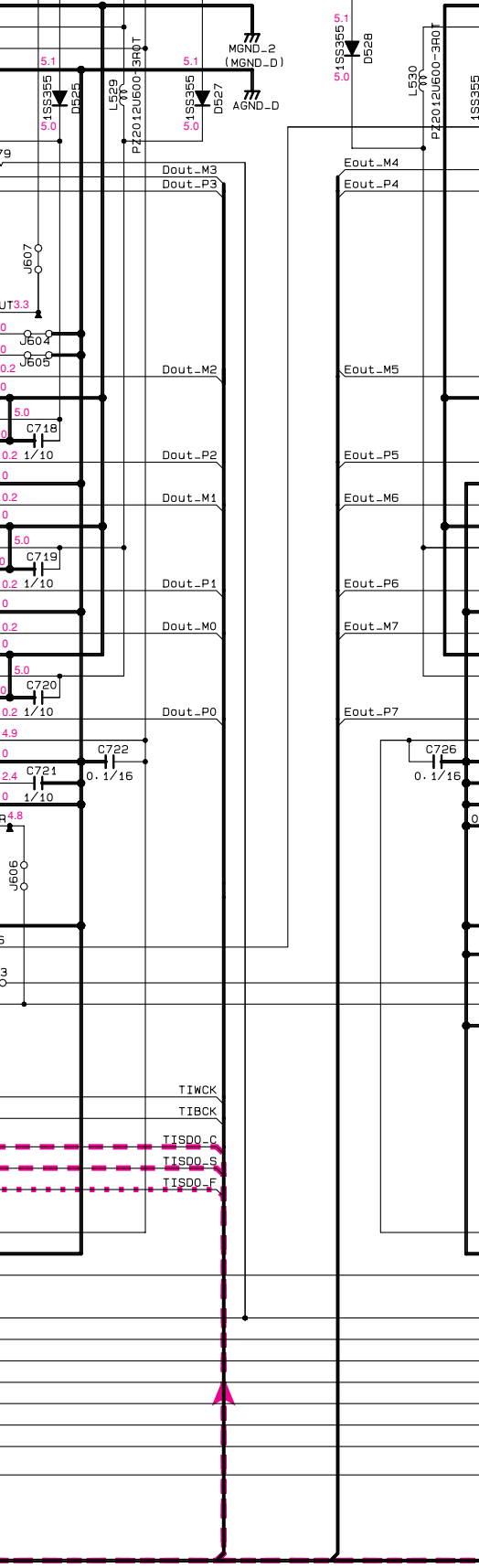
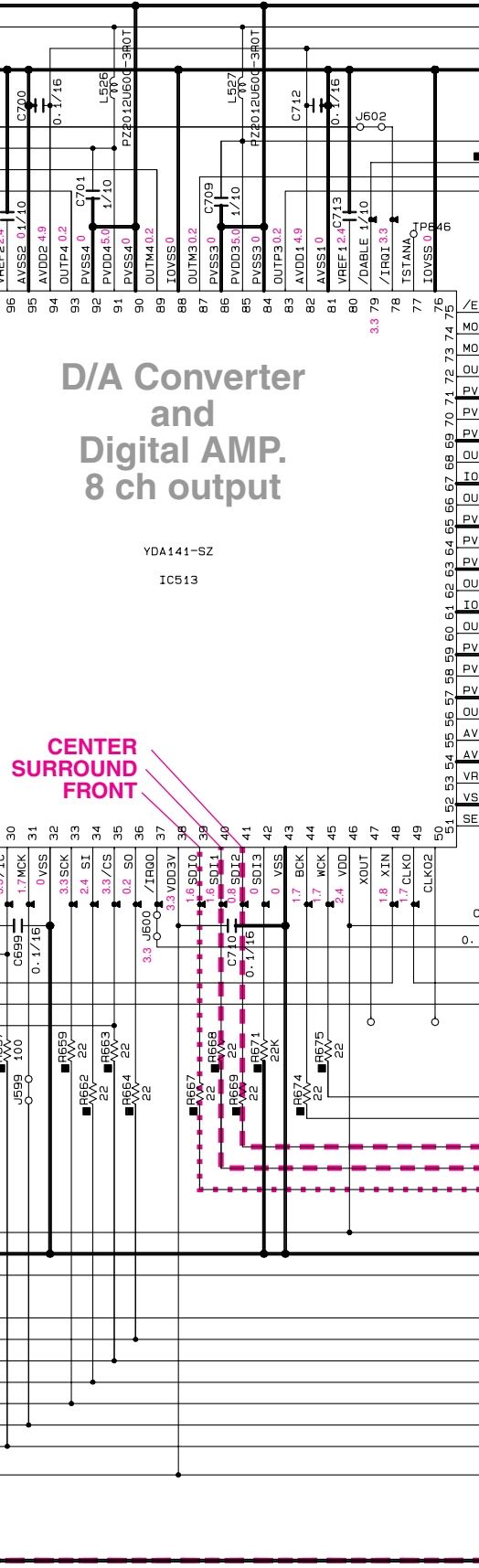
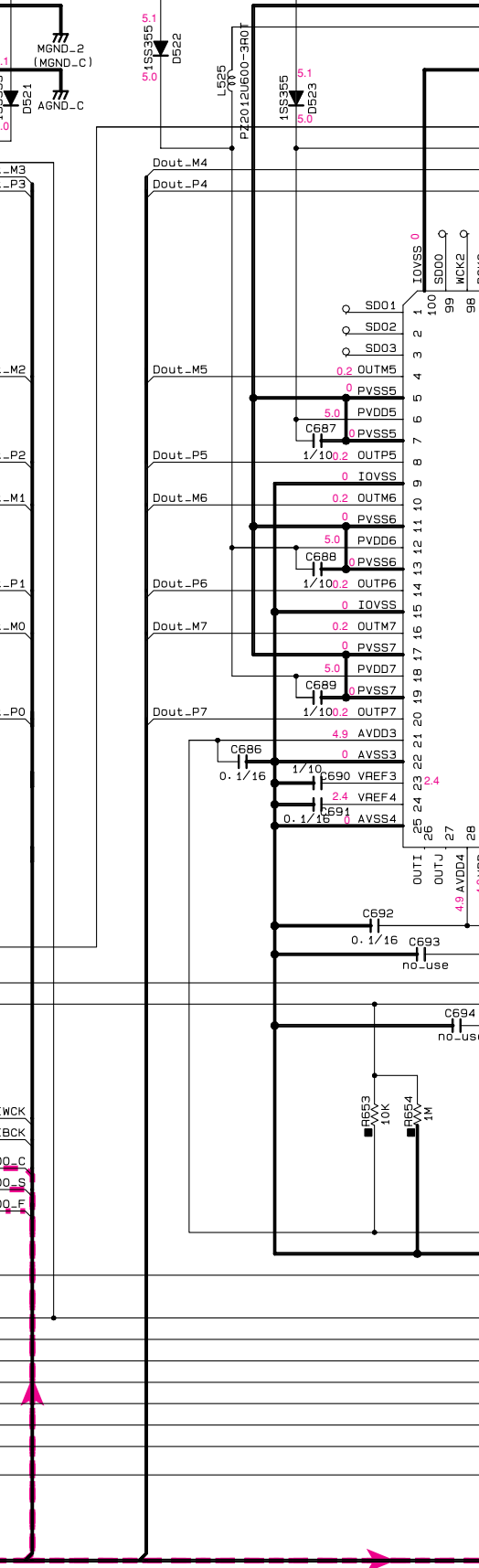
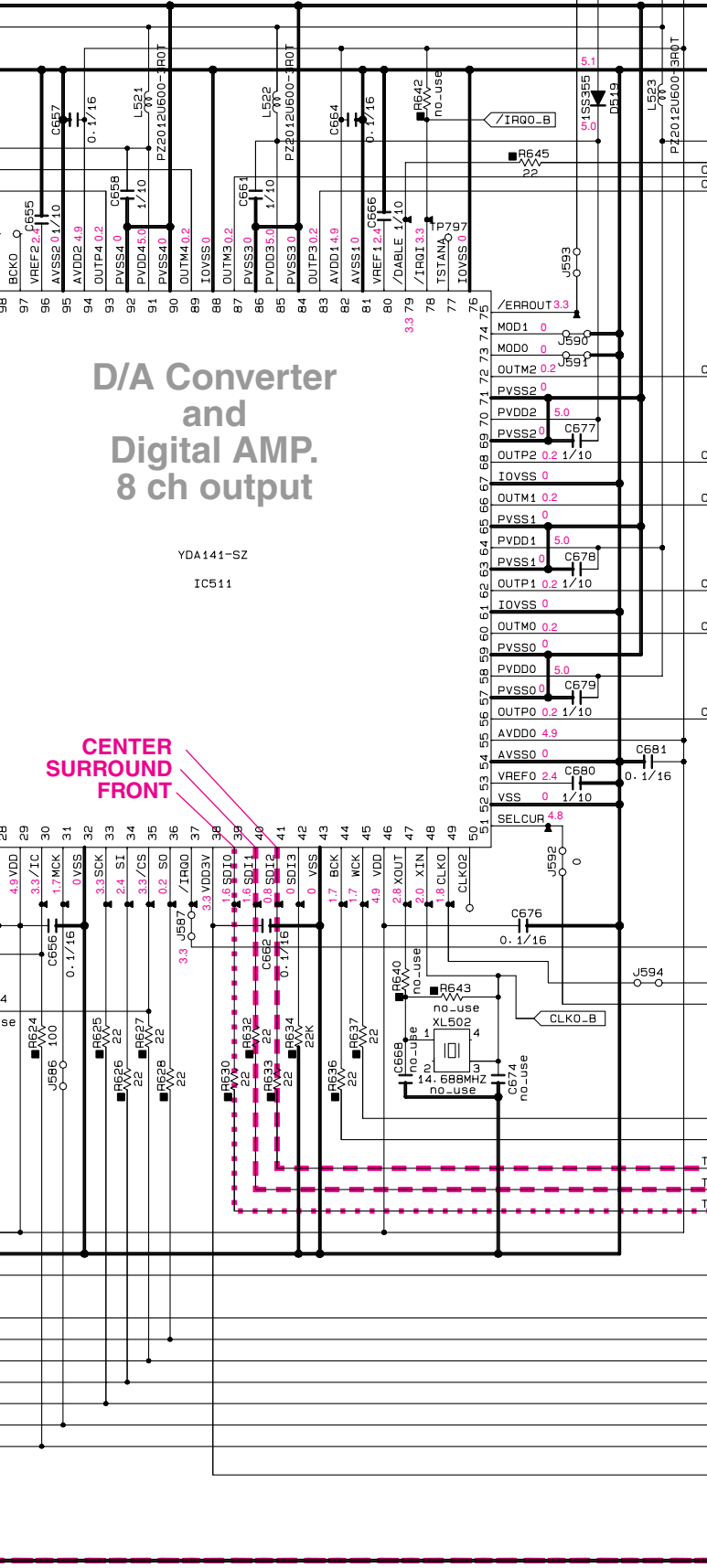
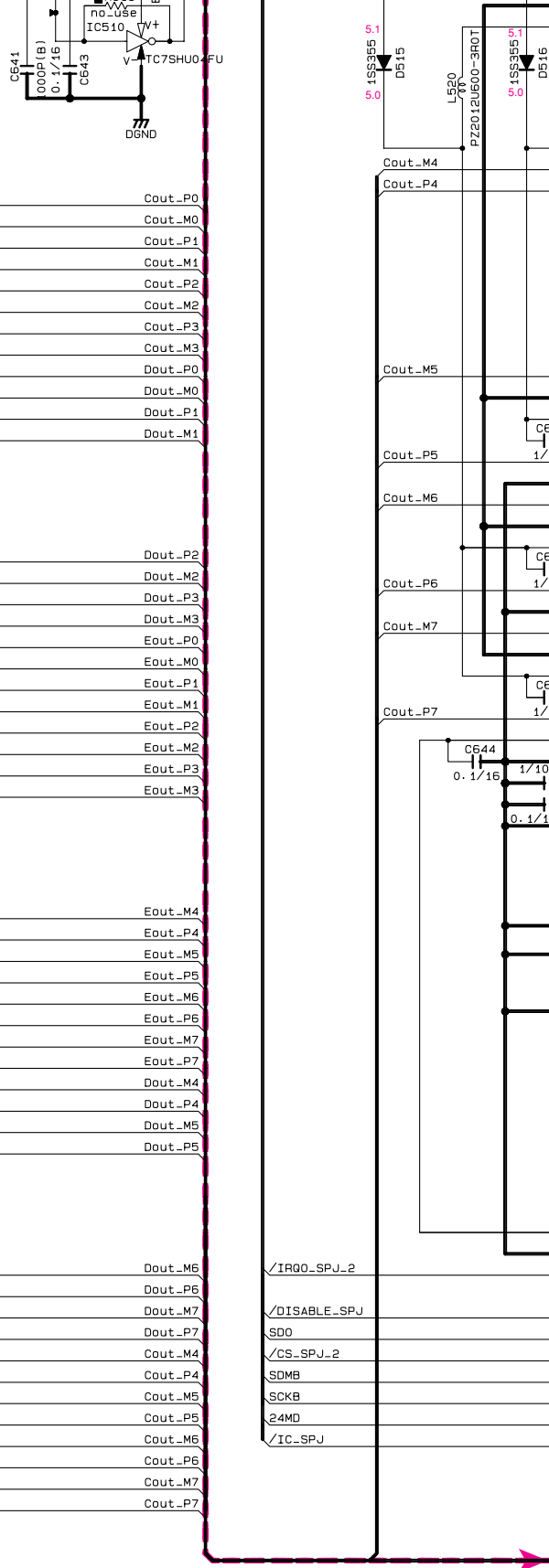
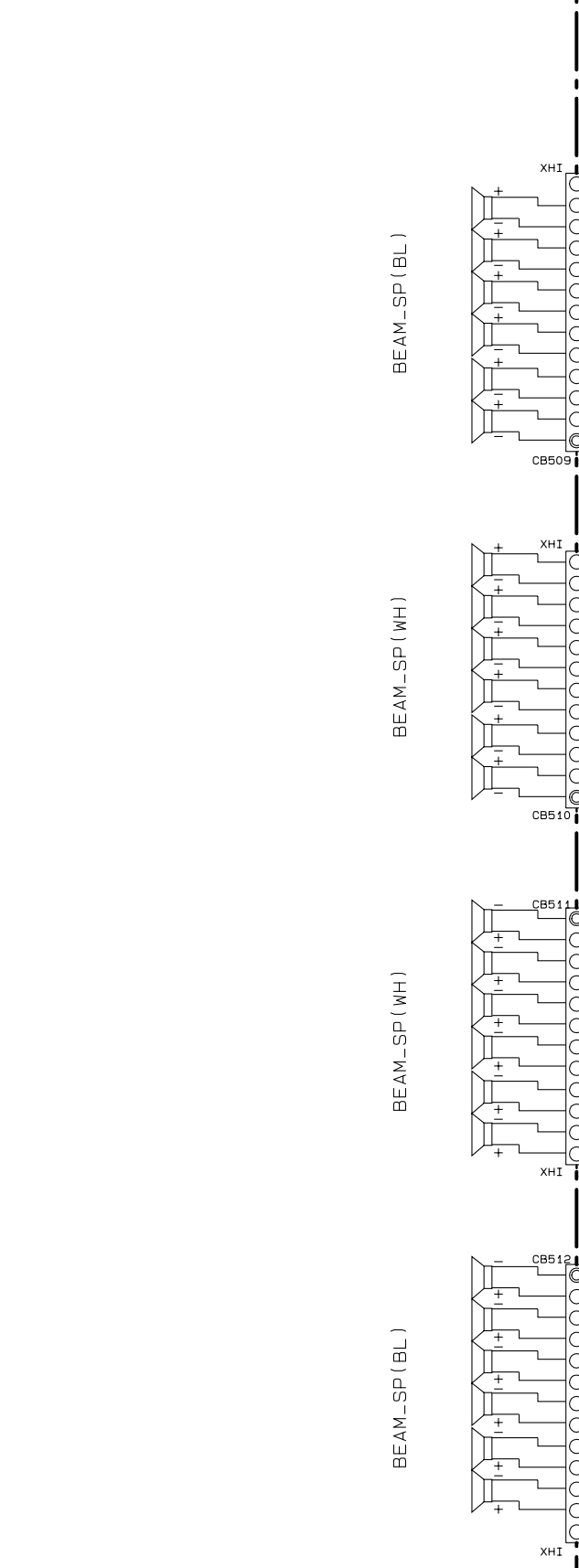
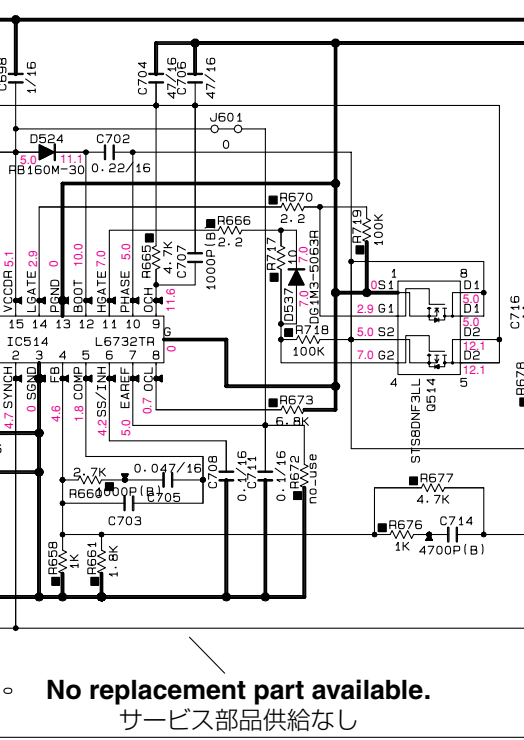
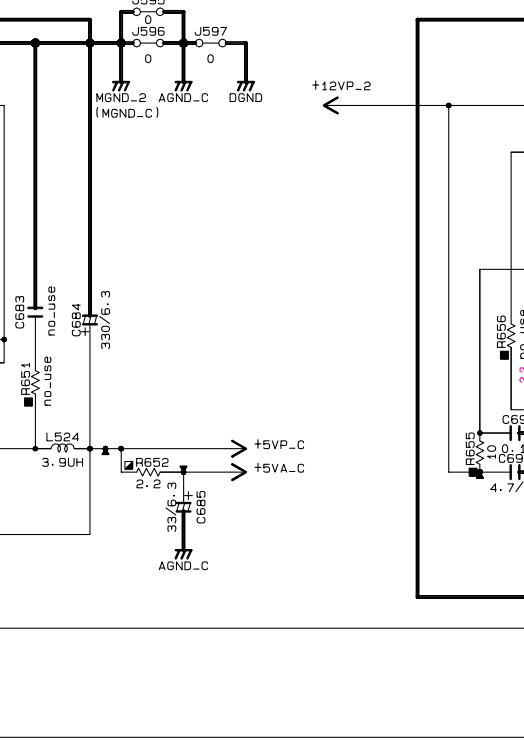
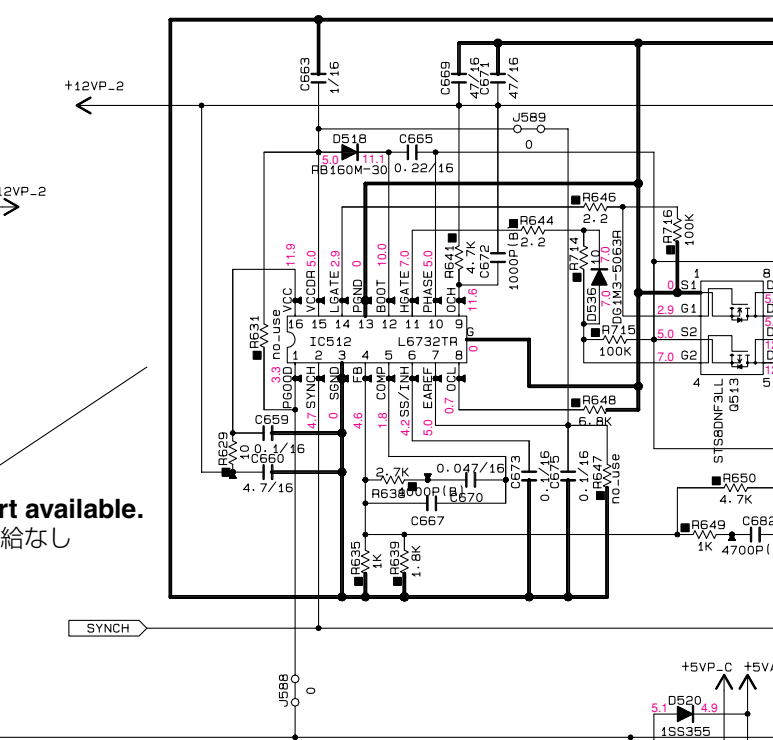
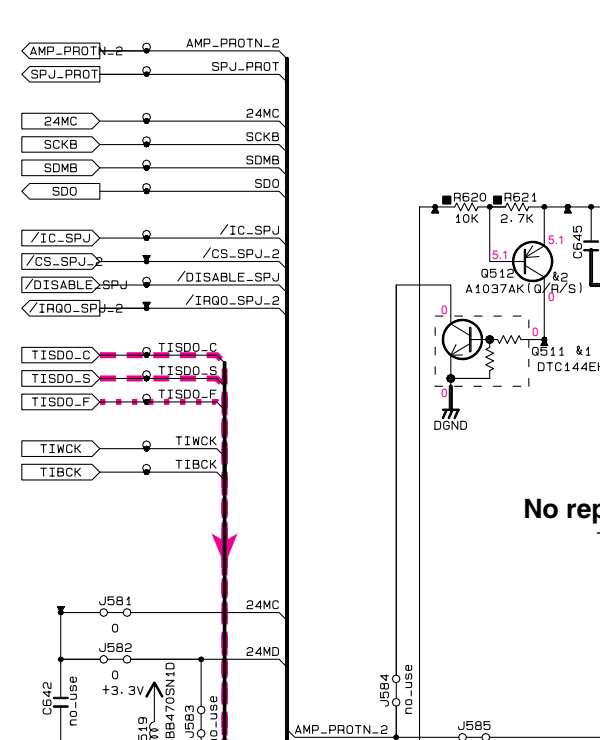
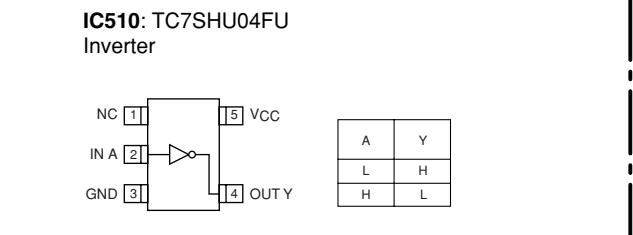
IC512, 514, 515: L6732TR
Adjustable step-down controller with synchronous rectification



NOTICE (model)
(J)..... JAPAN
(U)..... U. S. A
(C)..... CANADA
(R)..... GENERAL
(T)..... CHINA
(K)..... KOREA
(A)..... AUSTRALIA
(B)..... BRITISH
(G)..... EUROPE
(L)..... SINGAPORE
(V)..... SOUTH EUROPE
(E)..... TAIWAN
(F)..... RUSSIAN

REMARKS	PARTS NAME
NO MARK	CARBON FILM RESISTOR (P=5)
□	CARBON FILM RESISTOR (P=10)
△	METAL OXIDE FILM RESISTOR
▲	METAL FILM RESISTOR
■	METAL PLATE RESISTOR
□	FIRE PROOF CARBON FILM RESISTOR
□	CEMENT MOLDED RESISTOR
□	SEMI VARIABLE RESISTOR
□	CHIP RESISTOR

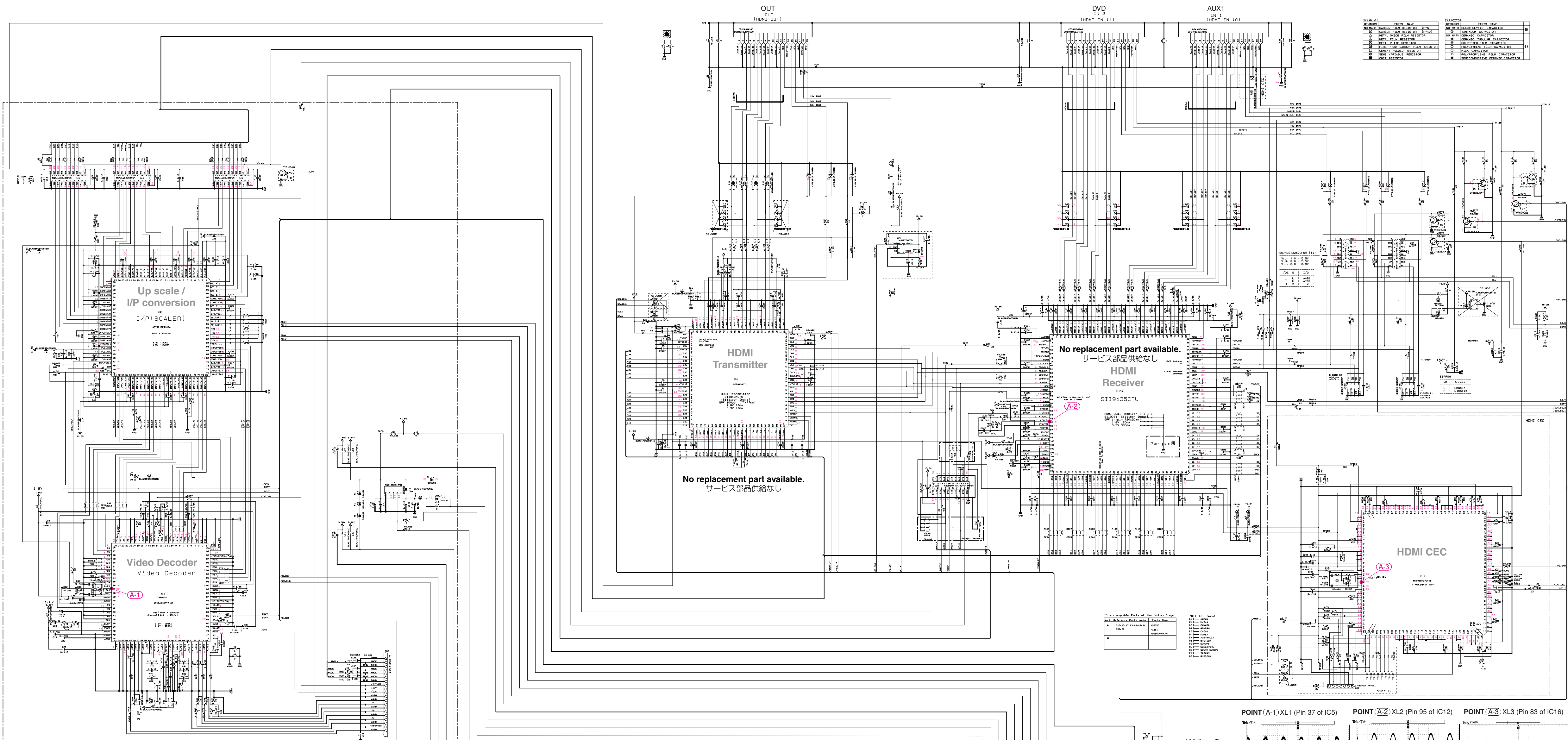
REMARKS	PARTS NAME
NO MARK	ELECTROLYTIC CAPACITOR
□	TANTALUM CAPACITOR
○	CERAMIC CAPACITOR
○	CERAMIC TUBULAR CAPACITOR
○	POLYESTER FILM CAPACITOR
○	POLYSTYRENE FILM CAPACITOR
○	MICA CAPACITOR
○	POLYPROPYLENE FILM CAPACITOR
○	SEMICONDUCTIVE CERAMIC CAPACITOR
○	POLYPHENYLENE SULFIDE FILM CAPACITOR



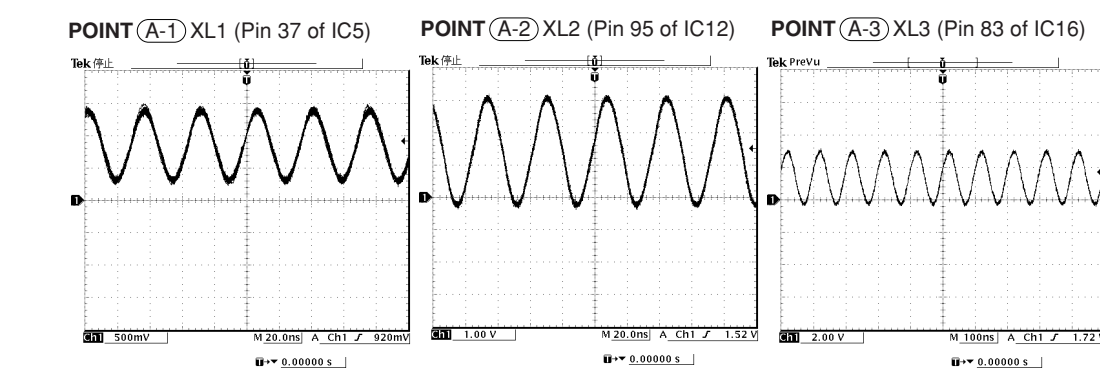
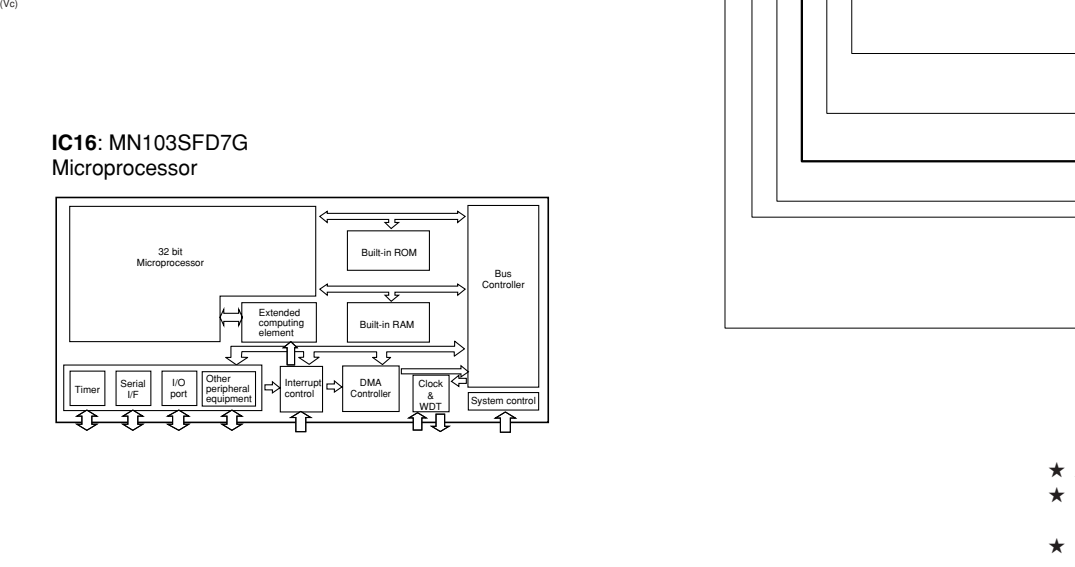
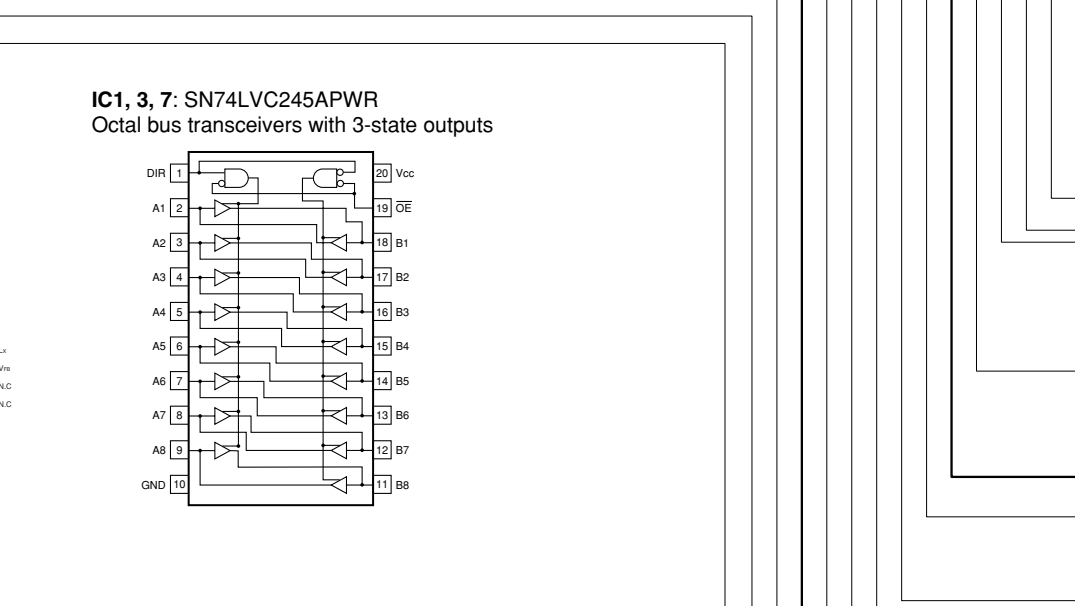
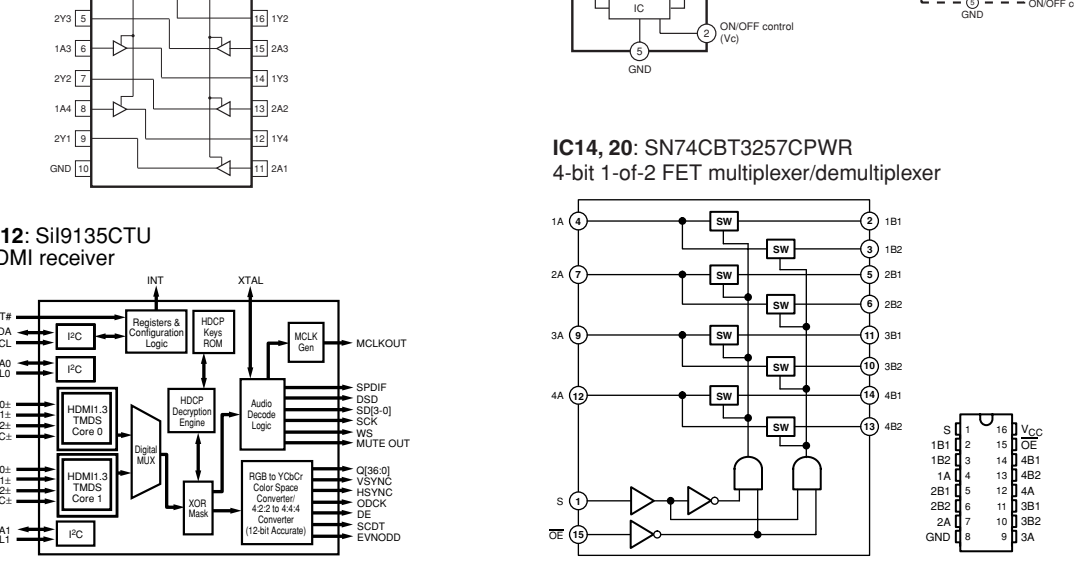
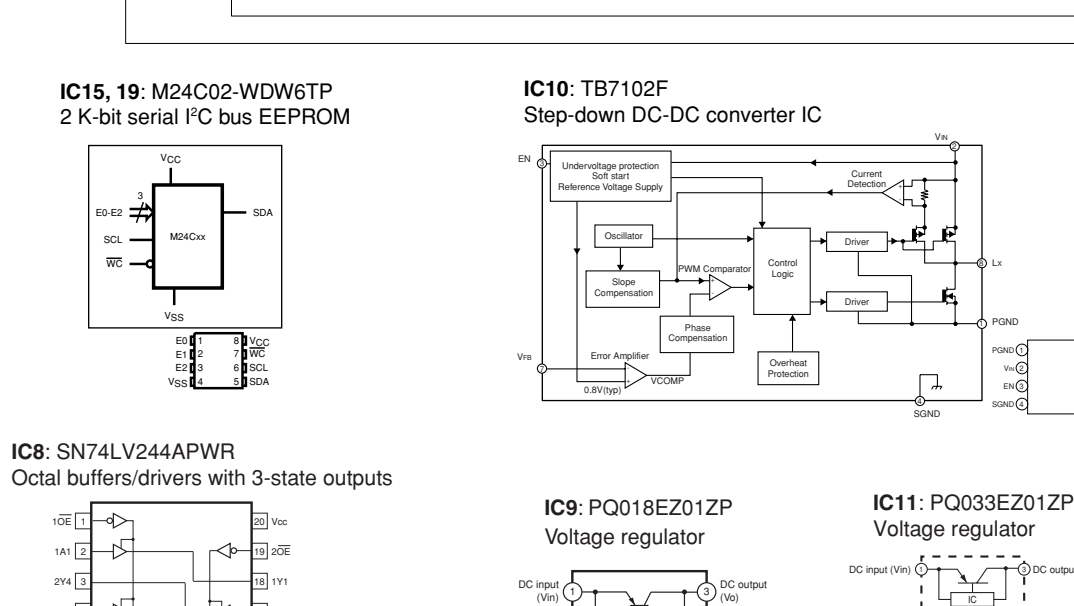
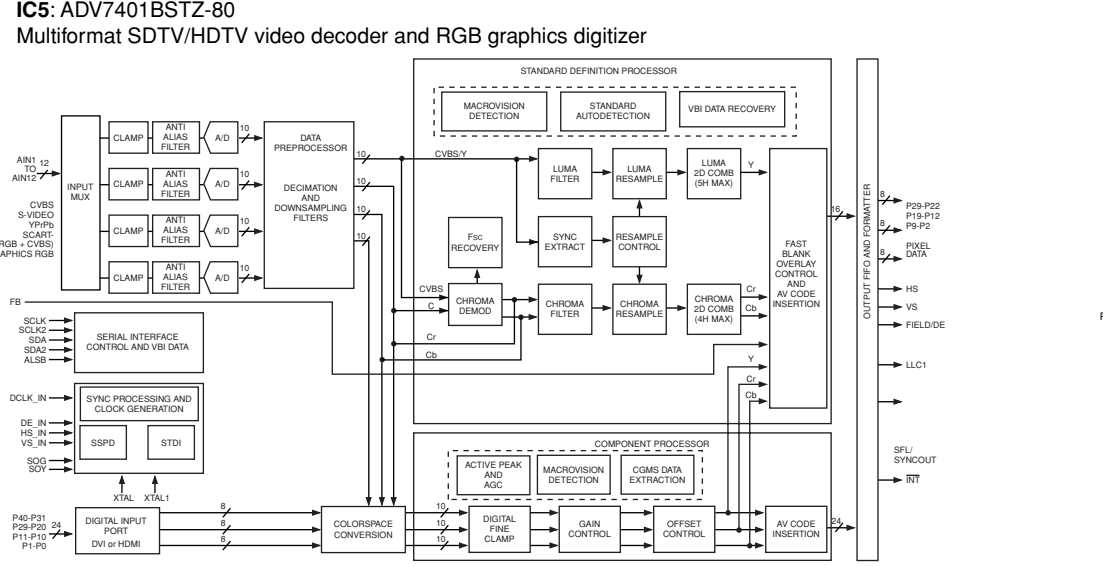
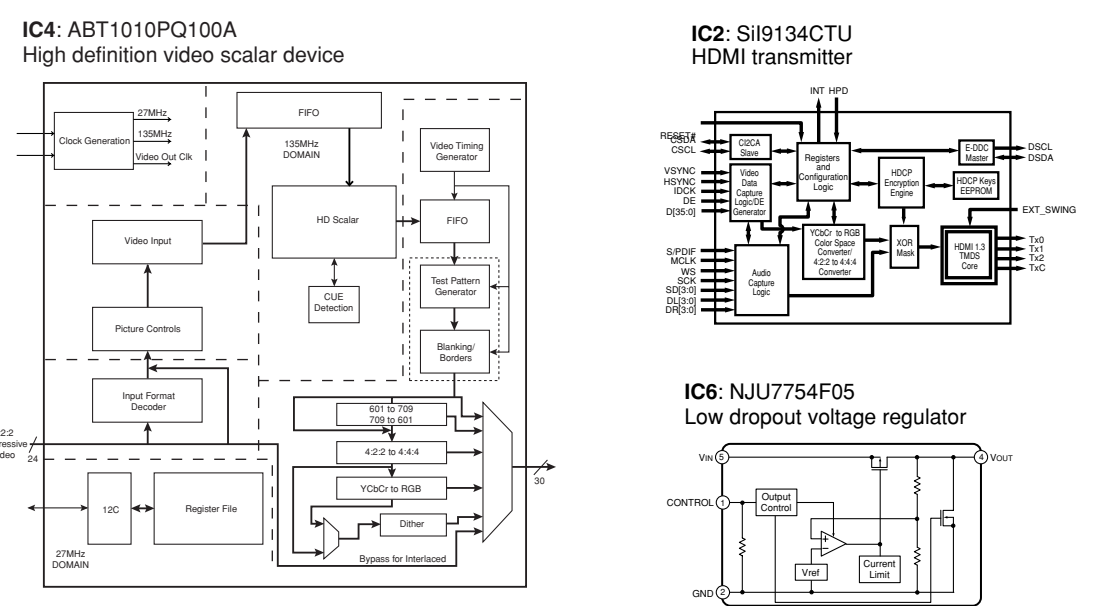
★ All voltages are measured with a 10M Ω /V DC electronic voltmeter.
● Components having special characteristics are marked ▲, and must be replaced with parts having specifications equal to those originally installed.
★ Schematic diagram is subject to change without notice.

●電圧は、内部抵抗10M Ω の電圧計で測定したものです。
●▲印のある部品は、安全性確保部品を示しています。部品の交換が必要な場合、パーツリストに記載されている部品を使用してください。
●本回路図は標準回路図です。改良のため予告なく変更することがございます。

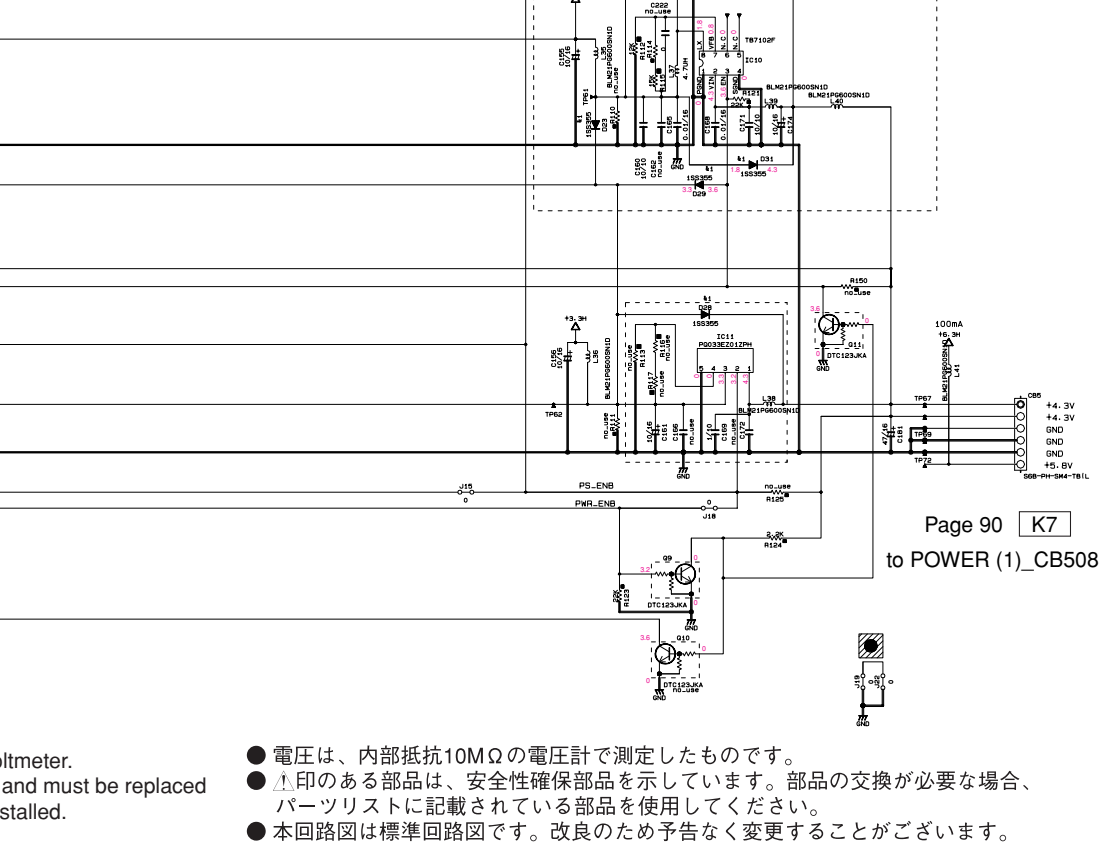
HDMI



YSP-4000 Only Page 85 [B1] to INPUT_CB27



Page 85 [D1] to INPUT_CB28



Page 90 [K7] to POWER (1)_CB508

* All voltages are measured with a 10MΩ/V DC electronic voltmeter.
 * Components having special characteristics are marked with a # and must be replaced with parts having specifications equal to those originally installed.
 * Schematic diagram is subject to change without notice.

● 電圧は、内部抵抗10MΩの電圧計で測定したものです。
 ● #印のある部品は、安全性確保部品を示しています。部品の交換が必要な場合、パーツリストに記載されている部品を使用してください。
 ● 本回路図は標準回路図です。改良のため予告なく変更することがございます。

POWER 1/2

Safety measures

- Some internal parts in this product contain high voltages and are dangerous. Be sure to take safety measures during servicing, such as wearing insulating gloves.
- Note that positions indicated below are dangerous even after the power is turned off because an electric charge remains and a high voltage continues to exist. Before starting any repair work, perform discharge by connecting a discharge resistor (5k-ohms/10W) between terminals at following positions. The time required for discharging is about 30 seconds.

- C504/C505 on POWER (1) P.C.B.
- C516 on POWER (1) P.C.B.

安全対策

- この製品の内部には高電圧部分があり危険です。修理の際は、絶縁性の手袋を使用などの安全対策を行ってください。
- 下記箇所には電源をOFFにした後も電荷が残り、高電圧が維持されており危険です。修理作業前に放電抵抗(5kΩ/10W)を下記箇所の端子間に接続して放電してください。放電所要時間は約30秒です。

- POWER (1) P.C.B.のC504/C505
- POWER (1) P.C.B.のC516

NOTICE (model)

- (J)..... JAPAN
- (U)..... U.S.A
- (C)..... CANADA
- (R)..... GENERAL
- (T)..... CHINA
- (K)..... KOREA
- (A)..... AUSTRALIA
- (B)..... BRITISH
- (G)..... EUROPE
- (L)..... SINGAPORE
- (E)..... SOUTH EUROPE
- (V)..... TAIWAN
- (F)..... RUSSIAN

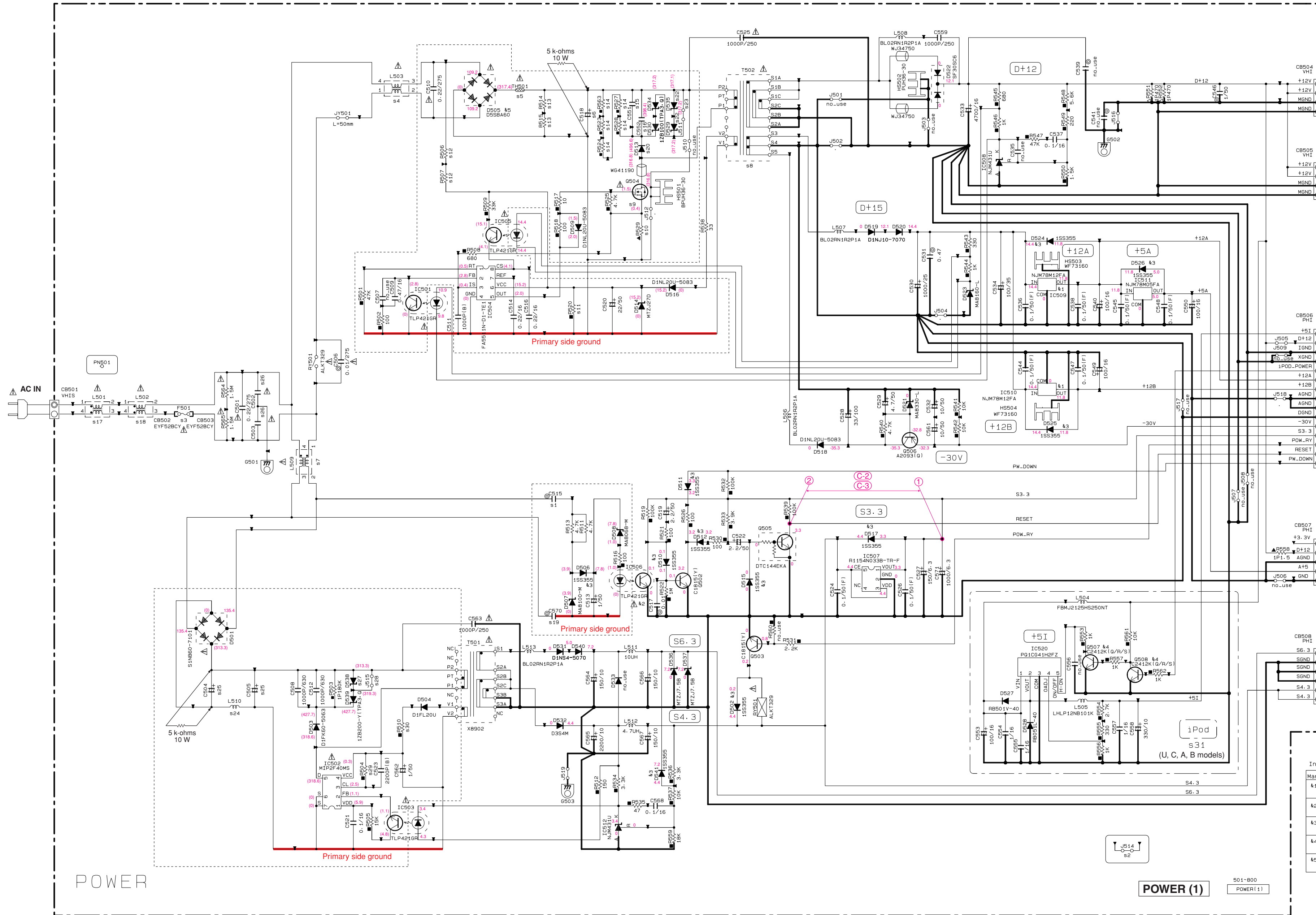
REMARKS	PARTS NAME
NO MARK	CARBON FILM RESISTOR (P=5)
□	CARBON FILM RESISTOR (P=10)
△	METAL OXIDE FILM RESISTOR
▲	METAL FILM RESISTOR
■	METAL PLATE RESISTOR
▨	FIRE PROOF CARBON FILM RESISTOR
□	CEMENT MOLDED RESISTOR
▩	SEMI VARIABLE RESISTOR
⊞	CHIP RESISTOR

REMARKS	PARTS NAME
NO MARK	ELECTROLYTIC CAPACITOR
⊖	TANTALUM CAPACITOR
NO MARK	CERAMIC CAPACITOR
●	CERAMIC TUBULAR CAPACITOR
⊙	POLYESTER FILM CAPACITOR
○	POLYSTYRENE FILM CAPACITOR
①	MICA CAPACITOR
⊕	POLYPROPYLENE FILM CAPACITOR
⊖	SEMICONDUCTIVE CERAMIC CAPACITOR
⊗	POLYPHENYLENE SULFIDE FILM CAPACITOR

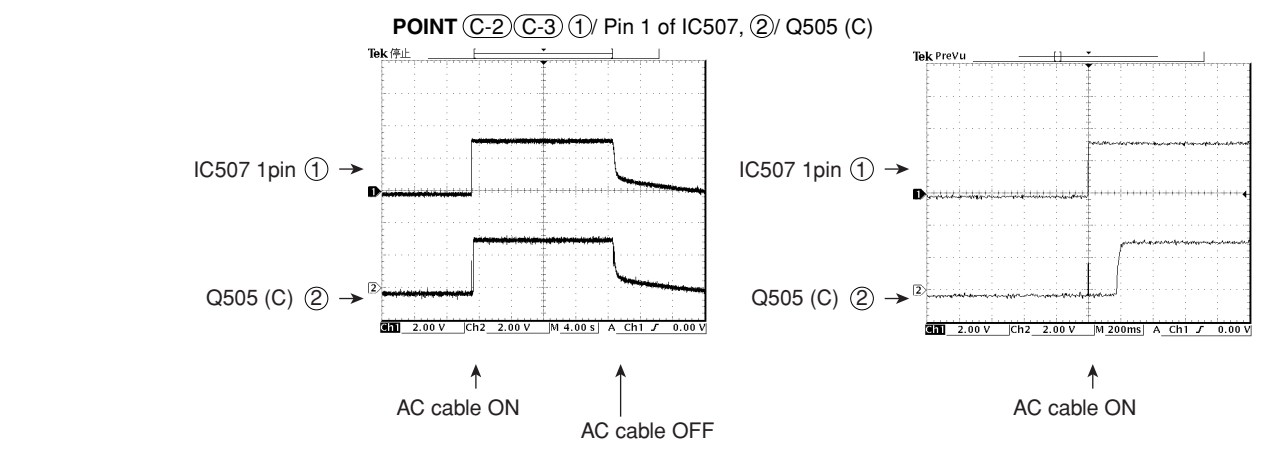
	J	UC	YSP-4000ML	TGKLE	A	YSP-400ML	HTY-7040ML
51	C515	0.047/400 W868710	0.047/400 W868710	0.022/800 W04160	0.022/800 W04160	0.022/800 W04160	0.022/800 W04160
52	J514	×	×	0	0	0	0
53	F501	5A/125V W041040	5A/125V W041040	T2-5A/250V K800069	T2-5A/250V K800069	T2-5A/250V K800069	T2-5A/250V K800069
54	L503	15mH W027900	15mH W027900	43mH W01070	43mH W01070	43mH W01070	43mH W01070
55	TH501	4Ω W07930	4Ω W07930	8Ω W07930	8Ω W07930	8Ω W07930	8Ω W07930
56	CS18	820/200 W041100	820/200 W041100	220/400 W070970	220/400 W070970	220/400 W070970	220/400 W070970
57	L509	13mH W058630	13mH W058630	35mH W058640	35mH W058640	35mH W058640	35mH W058640
58	T502	X7791	X7791	X7855	X7855	X7855	X7855
59	Q504	25K3523 W071190	25K3523 W071190	25K3876 W071190	25K3876 W071190	25K3876 W071190	25K3876 W071190
60	R529	0.0125 W04370	0.0125 W04370	0.0333 W01630	0.0333 W01630	0.0333 W01630	0.0333 W01630
61	R520	270K R035827	270K R035827	560K R035856	560K R035856	560K R035856	560K R035856
62	R506	68K W045768	68K W045768	150K W045815	150K W045815	150K W045815	150K W045815
63	R514	150K W045490	150K W045490	270K W045812	270K W045812	270K W045812	270K W045812
64	R523, R224, R527, R528, R523	100K, 2K, W045490	100K, 2K, W045490	100K, 2K, W045490	100K, 2K, W045490	100K, 2K, W045490	100K, 2K, W045490
65	C551	0.01/250 W032240	0.01/250 W032240	1000P/630 W032230	1000P/630 W032230	1000P/630 W032230	1000P/630 W032230
66	C552	×	×	1000P/630 W032230	1000P/630 W032230	1000P/630 W032230	1000P/630 W032230
67	L501	150μH W026990	150μH W026990	470μH W030420	470μH W030420	470μH W030420	470μH W030420
68	L502	0.3mH W033960	0.3mH W033960	3.6mH W033450	3.6mH W033450	3.6mH W033450	3.6mH W033450
69	C570	0.1/275 W025640	0.1/275 W025640	0.1/275 W000500	0.1/275 W000500	0.1/275 W000500	0.1/275 W000500
70	D513	D1FK-5063 W045930	D1FK-5063 W045930	5TH110A W015190	5TH110A W015190	5TH110A W015190	5TH110A W015190
71	D509	×	×	12B100 W059380	12B100 W059380	12B100 W059380	12B100 W059380
72	J511	VNS0000	VNS0000	×	×	×	×
73	L510	150μH W030430	150μH W030430	470μH W030420	470μH W030420	470μH W030420	470μH W030420
74	C504	22/200 W033110	22/200 W033110	10/400 W045650	10/400 W045650	10/400 W045650	10/400 W045650
75	C502	2200P W03610	2200P W03610	1000P W03950	1000P W03950	1000P W03950	1000P W03950
76	D508	12B200 W039750	12B200 W039750	×	×	×	×
77	J515	×	×	VNS0000	VNS0000	VNS0000	VNS0000
78	R504	360K R035836	360K R035836	300K R035830	300K R035830	300K R035830	300K R035830
79	R510	33 R035433	33 R035433	56 R035456	56 R035456	56 R035456	56 R035456
80	(iPod)	×	×	×	○	○	×

Interchangeable Parts at Manufacture Stage

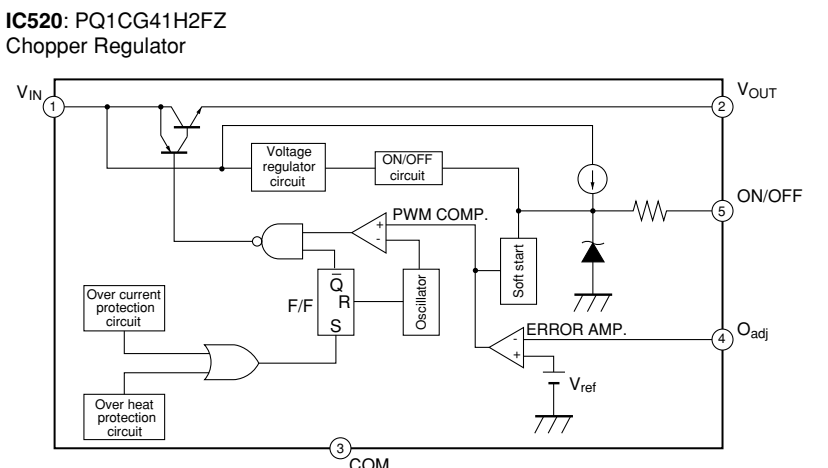
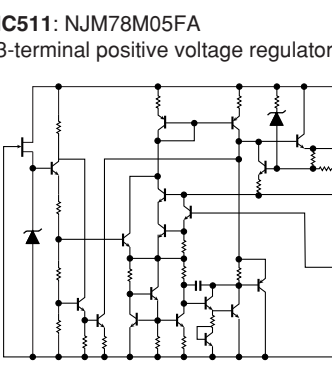
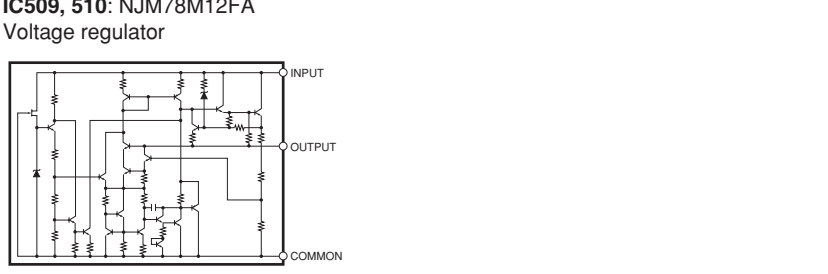
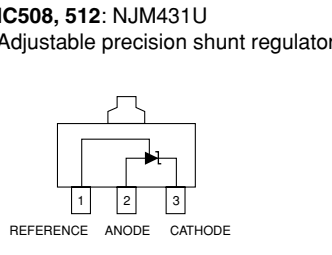
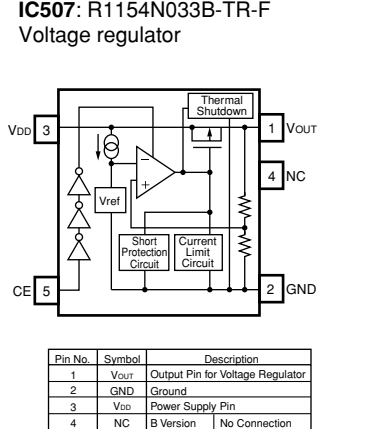
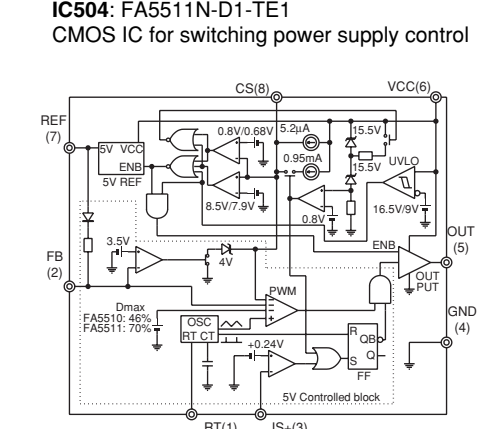
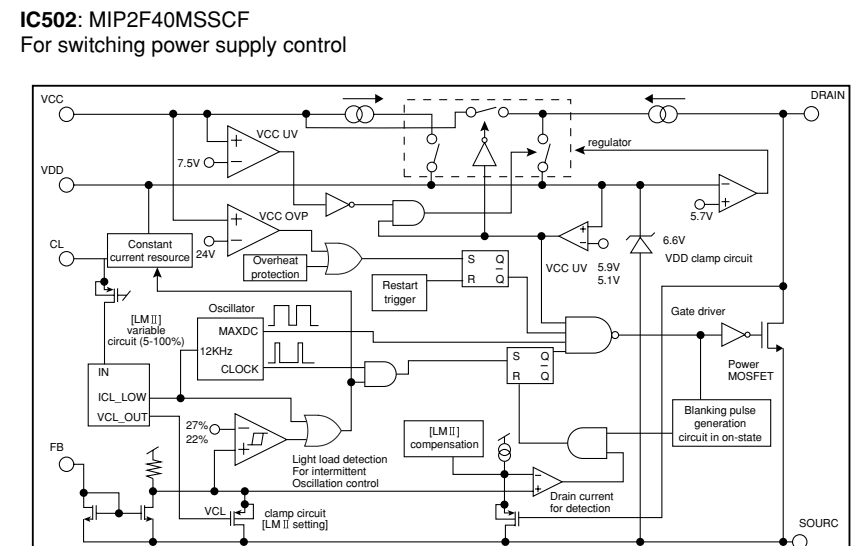
Mark	Reference	Parts Number	Parts Name
41	IC509, 510	NJM78M12FA AN78M12F	
42	IC506	TLP421GR EL19161B1	
43	D503, 506, 510-513, 515-517, 524-526, 541	1S5395 M4111	
44	Q507, 508	2SC412K (N/P/S) 2SC0614R (L/R/S)	
45	D505	DS58A60 RS60M	



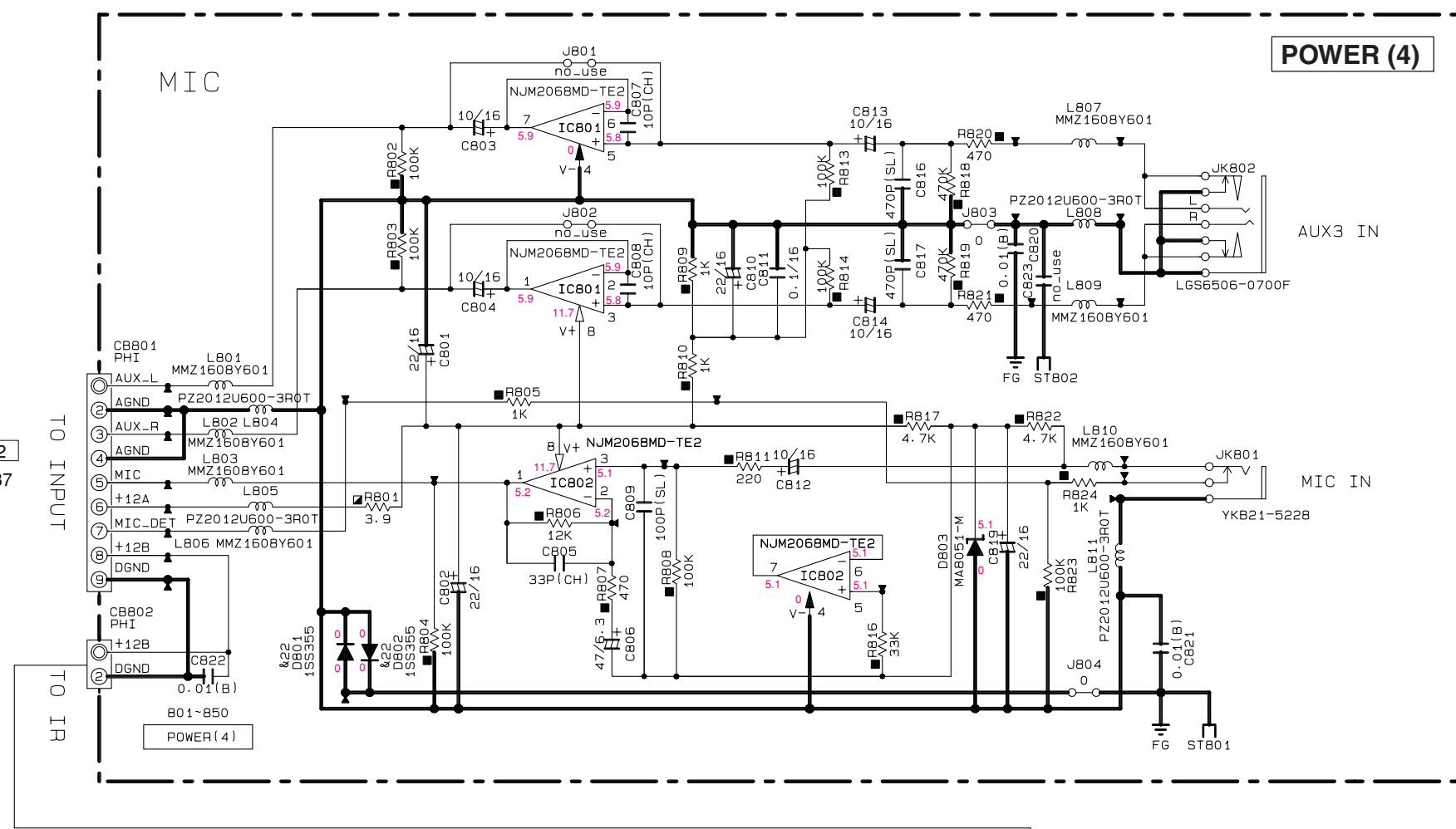
TO AMP Page 87 [K5] to AMP_W501
TO AMP Page 88 [N3] to AMP_W502
TO INPUT Page 85 [J8] to INPUT_CB11
TO DSP Page 84 [K2] to DSP_CB7
TO HDMI Page 89 [N9] to HDMI_CS5



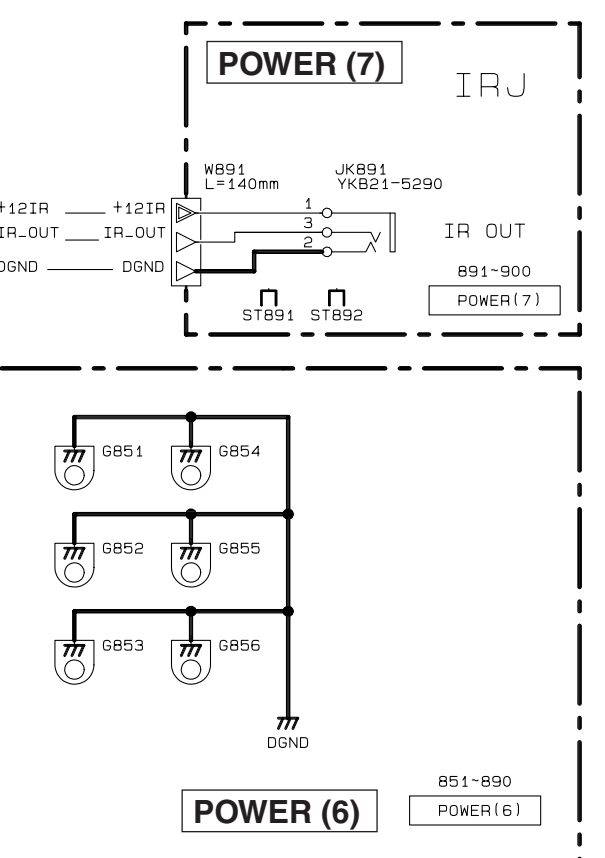
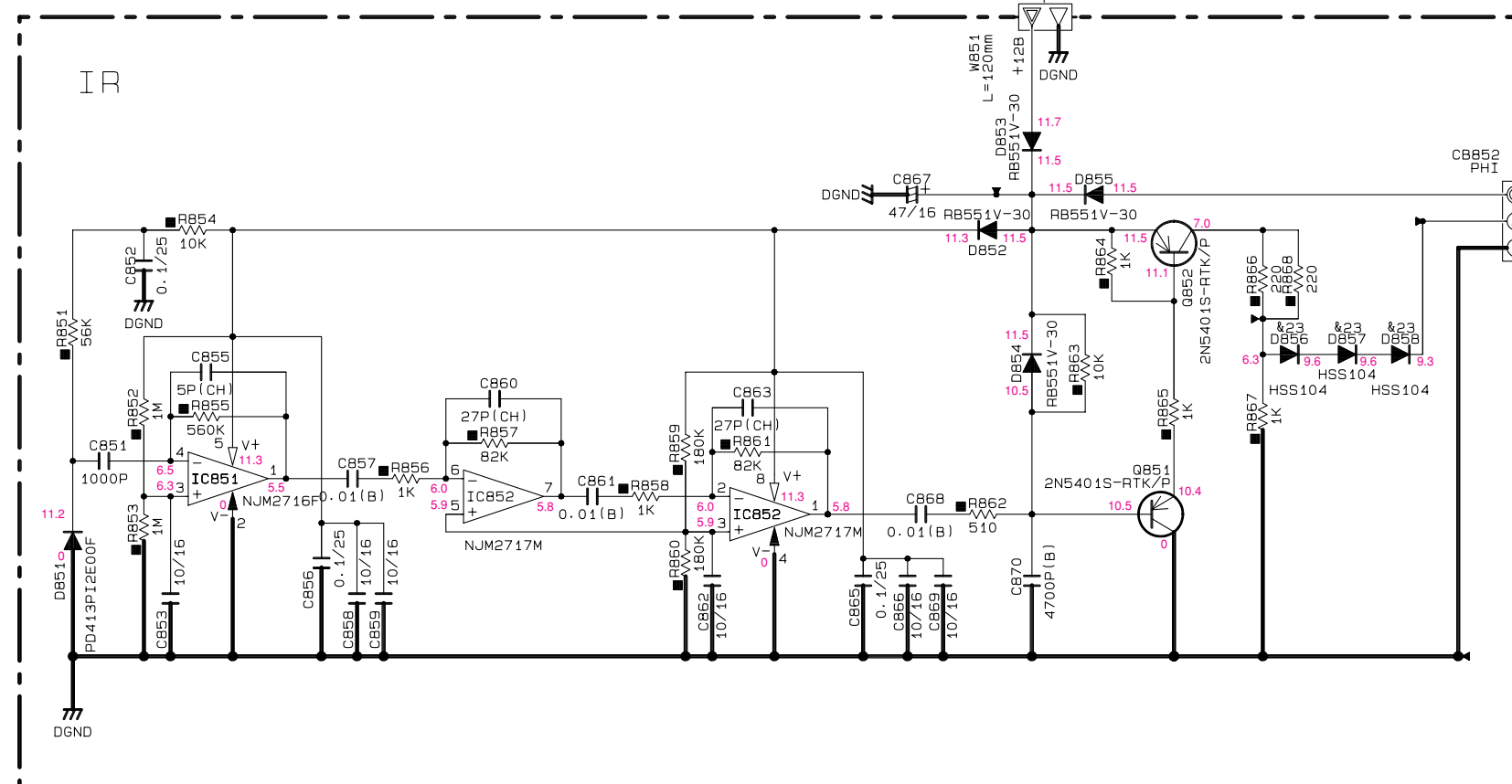
★ All voltages are measured with a 10MΩ/V DC electronic voltmeter.
★ Components having special characteristics are marked ▲, and must be replaced with parts having specifications equal to those originally installed.
★ Schematic diagram is subject to change without notice.



POWER 2/2



Page 85 J2 to INPUT_CB7



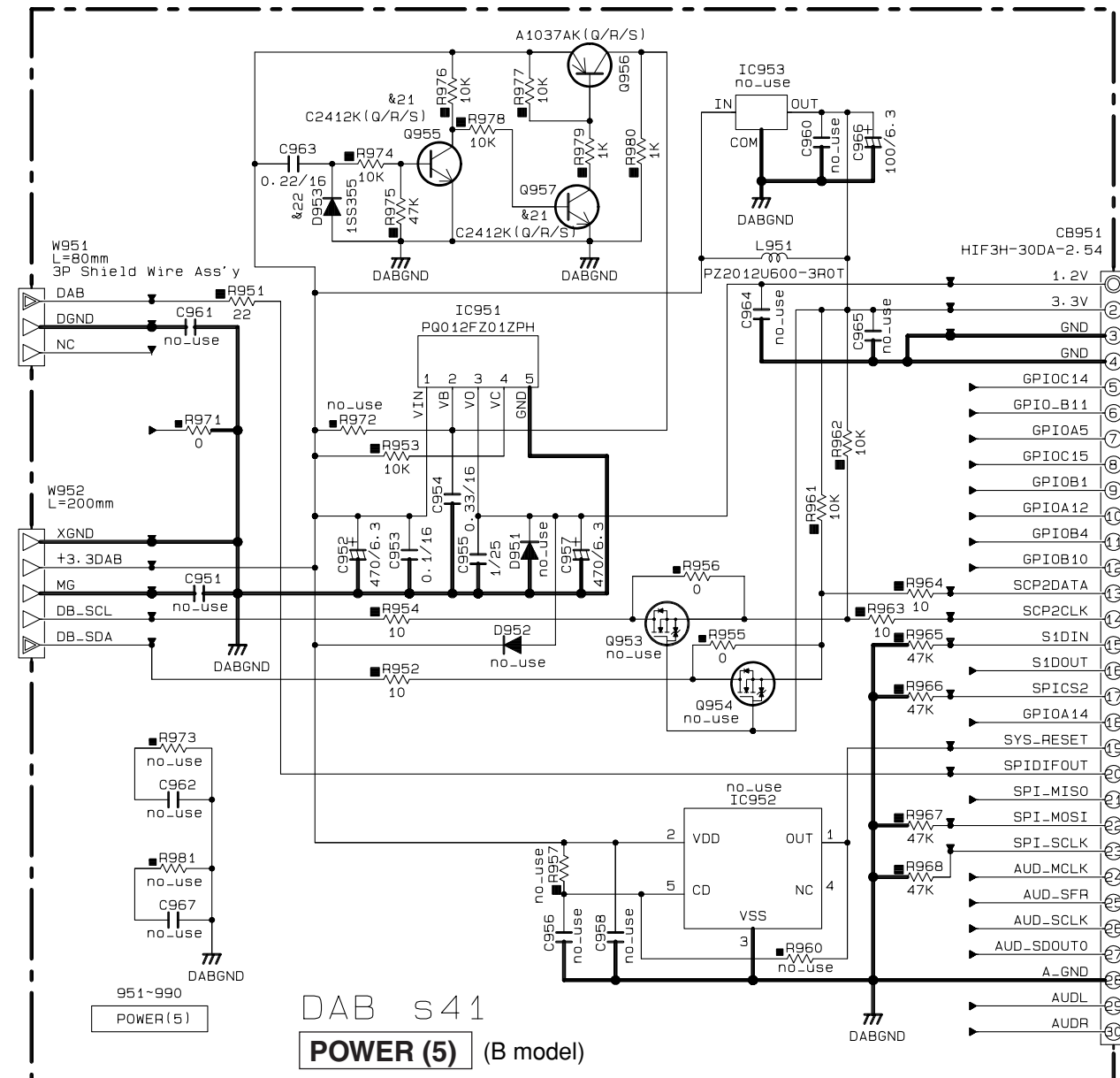
NOTICE (mode1)
 (J)..... JAPAN
 (U)..... U.S.A
 (C)..... CANADA
 (A)..... GENERAL
 (T)..... CHINA
 (K)..... KOREA
 (A)..... AUSTRALIA
 (B)..... BRITISH
 (G)..... EUROPE
 (L)..... SINGAPORE
 (E)..... SOUTH EUROPE
 (V)..... TAIWAN
 (F)..... RUSSIAN

RESISTOR

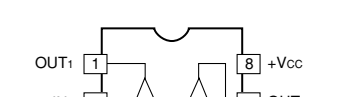
REMARKS	PARTS NAME
NO MARK	CARBON FILM RESISTOR (P#5)
□	CARBON FILM RESISTOR (P#10)
△	METAL OXIDE FILM RESISTOR
▴	METAL FILM RESISTOR
▾	METAL PLATE RESISTOR
⊠	FIRE PROOF CARBON FILM RESISTOR
⊞	CEMENT MOLDED RESISTOR
⊚	SEMI VARIABLE RESISTOR
⊙	CHIP RESISTOR

CAPACITOR

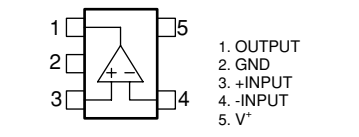
REMARKS	PARTS NAME
NO MARK	ELECTROLYTIC CAPACITOR
⊗	TANTALUM CAPACITOR
NO MARK	CERAMIC CAPACITOR
⊙	CERAMIC TUBULAR CAPACITOR
○	POLYESTER FILM CAPACITOR
○	POLYSTYRENE FILM CAPACITOR
○	MICA CAPACITOR
○	POLYPROPYLENE FILM CAPACITOR
⊙	SEMICONDUCTIVE CERAMIC CAPACITOR



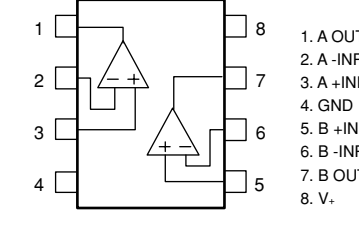
IC801, 802: NJM2068MD-TE2 Dual operational amplifier



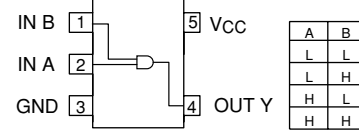
IC851: NJM2716F Single supply high-slew rate single operational amplifier



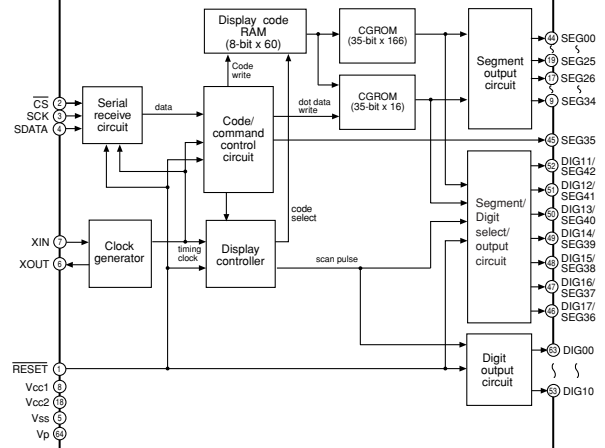
IC852: NJM2717M Single supply single high-slew rate operational amplifier



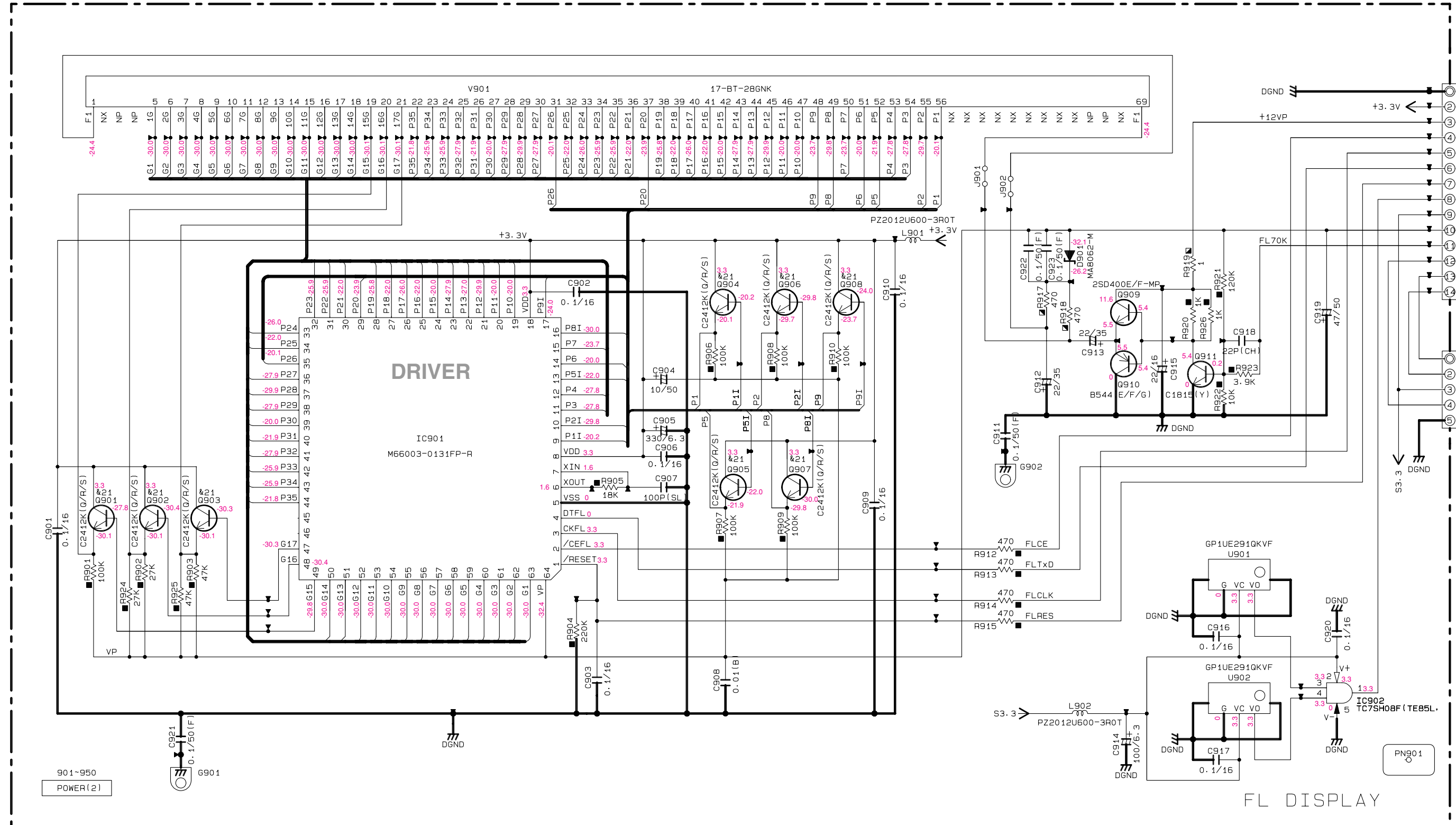
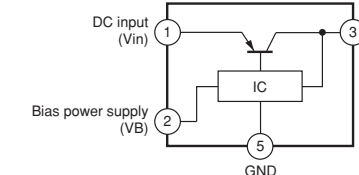
IC902: TC7S08F 2-input AND gate



IC901: M66003-0131FP-R 18 digit 5 x 7 segment VFD controller/driver

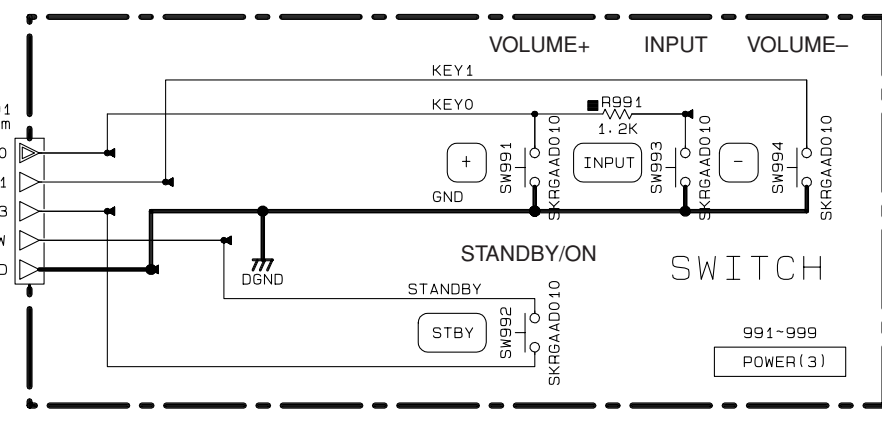


IC951: PQ012GN01ZPH Low power loss regulator



Interchangeable Parts at Manufacture-Stage

Mark	Reference Parts Number	Parts Name
k21	0901-908, 955, 957	25C2412K (Q/R/S) 2506601RL/AQL (Q/R/S)
k22	D801, 802, 953	15S395 MA111
k23	D856-858	HSS104 15S176 15S133



POWER (3)

	J	UC	V	TKGLE	A	B	GE
s41 (DAB)	×	×	×	×	×	○	×

* All voltages are measured with a 10MΩ/V DC electronic voltmeter.
 * Components having special characteristics are marked with a triangle and must be replaced with parts having specifications equal to those originally installed.
 * Schematic diagram is subject to change without notice.
 ● 電圧は、内部抵抗10MΩの電圧計で測定したものです。
 ● 三角形のある部品は、安全性確保部品を示しています。部品の交換が必要な場合、パーツリストに記載されている部品を使用してください。
 ● 本回路図は標準回路図です。改良のため予告なく変更することがございます。

■ REPLACEMENT PARTS LIST

• ELECTRICAL COMPONENT PARTS

WARNING

- Components having special characteristics are marked \triangle and must be replaced with parts having specifications equal to those originally installed.
- The chip resistor is not supplied as a replacement part.
 - * When a chip resistor is necessary, use the following part.
AAX60720: CHIP RESISTOR SAMPLE BOOK
- \triangle 印のある部分は、安全確保部品を示しています。部品の交換が必要な場合、パーツリストに記載されている部品を使用してください。
- チップ抵抗はサービス部品として供給しません。
 - ※ チップ抵抗が必要な場合は、下記の部品をご利用ください。
AAX60720: CHIP RESISTOR SAMPLE BOOK
- 部品価格ランクは、予告なく変更することがあります。

ABBREVIATIONS IN THIS LIST ARE AS FOLLOWS:

C.A.EL.CHP	: CHIP ALUMI.ELECTROLYTIC CAP	L.EMIT	: LIGHT EMITTING MODULE
C.CE	: CERAMIC CAP	LED.DSPLY	: LED DISPLAY
C.CE.ARRAY	: CERAMIC CAP ARRAY	LED.INFRD	: LED,INFRARED
C.CE.CHP	: CHIP CERAMIC CAP	MODUL.RF	: MODULATOR,RF
C.CE.ML	: MULTILAYER CERAMIC CAP	PHOT.CPL	: PHOTO COUPLER
C.CE.M.CHP	: CHIP MULTILAYER CERAMIC CAP	PHOT.INTR	: PHOTO INTERRUPTER
C.CE.SAFTY	: RECOGNIZED CERAMIC CAP	PHOT.RFLCT	: PHOTO REFLECTOR
C.CE.TUBLR	: CERAMIC TUBULAR CAP	PIN.TEST	: PIN,TEST POINT
C.CE.SMI	: SEMI CONDUCTIVE CERAMIC CAP	PLST.RIVET	: PLASTIC RIVET
C.EL	: ELECTROLYTIC CAP	R.ARRAY	: RESISTOR ARRAY
C.MICA	: MICA CAP	R.CAR.	: CARBON RESISTOR
C.ML.FLM	: MULTILAYER FILM CAP	R.CAR.CHP	: CHIP RESISTOR
C.MP	: METALLIZED PAPER CAP	R.CAR.FP	: FLAME PROOF CARBON RESISTOR
C.MYLAR	: MYLAR FILM CAP	R.FUS	: FUSABLE RESISTOR
C.MYLAR.ML	: MULTILAYER MYLAR FILM CAP	R.MTL.CHP	: CHIP METAL FILM RESISTOR
C.PAPER	: PAPER CAPACITOR	R.MTL.FLM	: METAL FILM RESISTOR
C.PLS	: POLYSTYRENE FILM CAP	R.MTL.OXD	: METAL OXIDE FILM RESISTOR
C.POL	: POLYESTER FILM CAP	R.MTL.PLAT	: METAL PLATE RESISTOR
C.POLY	: POLYETHYLENE FILM CAP	RSNR.CE	: CERAMIC RESONATOR
C.PP	: POLYPROPYLENE FILM CAP	RSNR.CRYS	: CRYSTAL RESONATOR
C.TNTL	: TANTALUM CAP	R.TW.CEM	: TWIN CEMENT FIXED RESISTOR
C.TNTL.CHP	: CHIP TANTALUM CAP	R.CEMENT	: CEMENT RESISTOR
C.TRIM	: TRIMMER CAP	SCR.BND.HD	: BIND HEAD B-TIGHT SCREW
CN	: CONNECTOR	SCR.BW.HD	: BW HEAD TAPPING SCREW
CN.BS.PIN	: CONNECTOR,BASE PIN	SCR.CUP	: CUP TIGHT SCREW
CN.CANNON	: CONNECTOR,CANNON	SCR.TERM	: SCREW TERMINAL
CN.DIN	: CONNECTOR,DIN	SCR.TR	: SCREW,TRANSISTOR
CN.FLAT	: CONNECTOR,FLAT CABLE	SUPRT.PCB	: SUPPORT,P.C.B.
CN.POST	: CONNECTOR,BASE POST	SURG.PRTCT	: SURGE PROTECTOR
COIL.MX.AM	: COIL,AM MIX	SW.TACT	: TACT SWITCH
COIL.AT.FM	: COIL,FM ANTENNA	SW.LEAF	: LEAF SWITCH
COIL.DT.FM	: COIL,FM DETECT	SW.LEVER	: LEVER SWITCH
COIL.MX.FM	: COIL,FM MIX	SW.MICRO	: MICRO SWITCH
COIL.OUTPT	: OUTPUT COIL	SW.PUSH	: PUSH SWITCH
DIOD.ARRAY	: DIODE ARRAY	SW.RT.ENC	: ROTARY ENCODER
DIODE.BRG	: DIODE BRIDGE	SW.RT.MTR	: ROTARY SWITCH WITH MOTOR
DIODE.CHP	: CHIP DIODE	SW.RT	: ROTARY SWITCH
DIODE.VAR	: VARACTOR DIODE	SW.SLIDE	: SLIDE SWITCH
DIOD.Z.CHP	: CHIP ZENER DIODE	TERM.SP	: SPEAKER TERMINAL
DIODE.ZENR	: ZENER DIODE	TERM.WRAP	: WRAPPING TERMINAL
DSCR.CE	: CERAMIC DISCRIMINATOR	THRMST.CHP	: CHIP THERMISTOR
FER.BEAD	: FERRITE BEADS	TR.CHP	: CHIP TRANSISTOR
FER.CORE	: FERRITE CORE	TR.DGT	: DIGITAL TRANSISTOR
FET.CHP	: CHIP FET	TR.DGT.CHP	: CHIP DIGITAL TRANSISTOR
FL.DSPLY	: FLUORESCENT DISPLAY	TRANS	: TRANSFORMER
FLTR.CE	: CERAMIC FILTER	TRANS.PULS	: PULSE TRANSFORMER
FLTR.COMB	: COMB FILTER MODULE	TRANS.PWR	: POWER TRANSFORMER ASS'Y
FLTR.LC.RF	: LC FILTER,EMI	TUNER.AM	: TUNER PACK,AM
GND.MTL	: GROUND PLATE	TUNER.FM	: TUNER PACK,FM
GND.TERM	: GROUND TERMINAL	TUNER.PK	: FRONT-ENDTUNER PACK
HOLDER.FUS	: FUSE HOLDER	VR	: ROTARY POTENTIOMETER
IC.PRTCT	: IC PROTECTOR	VR.MTR	: POTENTIOMETER WITH MOTOR
JUMPER.CN	: JUMPER CONNECTOR	VR.SW	: POTENTIOMETER WITH ROTARY SW
JUMPER.TST	: JUMPER,TEST POINT	VR.SLIDE	: SLIDE POTENTIOMETER
L.DTCT	: LIGHT DETECTING MODULE	VR.TRIM	: TRIMMER POTENTIOMETER

P.C.B. DSP

Ref No.	Part No.	Description	Remarks	Markets	部 品 名	ランク
*	WK686800	P. C. B.	DSP		P C B D S P	
CB1	WC195900	CN. BS. PIN	9P TE FMN		FMNコネクタ	
CB2	VT388300	CN. BS. PIN	2P		ベース付ポスト	
CB3	WC195900	CN. BS. PIN	9P TE FMN		FMNコネクタ	
CB5	WC198200	CN. BS. PIN	32P TE FMN		FMNコネクタ	04
CB6	WC199000	CN. BS. PIN	40P TE FMN		FMNコネクタ	
CB7	VT388600	CN. BS. PIN	5P		ベース付ポスト	01
CB8	WC198000	CN. BS. PIN	30P TE FMN		FMNコネクタ	04
C1-2	US135100	C. CE. CHP	0.1uF 16V		チップセラコン	01
C3	US035100	C. CE. CHP	0.1uF 16V B		チップセラコン	01
C4	US044220	C. CE. CHP	0.022uF 25V B		チップセラコン	01
C5-6	UF017220	C. EL. CHP	22uF 6.3V		チップケミコン	01
C7-11	US135100	C. CE. CHP	0.1uF 16V		チップセラコン	01
C12-13	US062100	C. CE. CHP	100pF 50V B		チップセラコン	01
C14-15	US135100	C. CE. CHP	0.1uF 16V		チップセラコン	01
C16	UF017470	C. EL. CHP	47uF 6.3V		チップケミコン	01
C17	US063100	C. CE. CHP	1000pF 50V B		チップセラコン	01
C18-19	US060800	C. CE. CHP	8pF 50V B		チップセラコン	01
C20-21	UF018100	C. EL. CHP	100uF 6.3V		チップケミコン	01
C22	UF037100	C. EL. CHP	10uF 16V		チップケミコン	01
C23	US126100	C. CE. CHP	1uF 10V		チップセラコン	01
C24-31	US135100	C. CE. CHP	0.1uF 16V		チップセラコン	01
C32	US063100	C. CE. CHP	1000pF 50V B		チップセラコン	01
C33	US061220	C. CE. CHP	22pF 50V B		チップセラコン	01
C34-42	US135100	C. CE. CHP	0.1uF 16V		チップセラコン	01
C43	UF017220	C. EL. CHP	22uF 6.3V		チップケミコン	01
C44-46	US135100	C. CE. CHP	0.1uF 16V		チップセラコン	01
C47	US062680	C. CE. CHP	680pF 50V B		チップセラコン	01
C48-58	US135100	C. CE. CHP	0.1uF 16V		チップセラコン	01
C59	UF017220	C. EL. CHP	22uF 6.3V		チップケミコン	01
C60	US135100	C. CE. CHP	0.1uF 16V		チップセラコン	01
C61	UF017470	C. EL. CHP	47uF 6.3V		チップケミコン	01
C62-63	US035100	C. CE. CHP	0.1uF 16V B		チップセラコン	01
C64	UF017220	C. EL. CHP	22uF 6.3V		チップケミコン	01
C65	US135100	C. CE. CHP	0.1uF 16V		チップセラコン	01
C66-67	US063100	C. CE. CHP	1000pF 50V B		チップセラコン	01
C68	US035100	C. CE. CHP	0.1uF 16V B		チップセラコン	01
C69	US063100	C. CE. CHP	1000pF 50V B		チップセラコン	01
C70	US135100	C. CE. CHP	0.1uF 16V		チップセラコン	01
C71	US063100	C. CE. CHP	1000pF 50V B		チップセラコン	01
C72	US035100	C. CE. CHP	0.1uF 16V B		チップセラコン	01
C73	UF017220	C. EL. CHP	22uF 6.3V		チップケミコン	01
C74-75	US063100	C. CE. CHP	1000pF 50V B		チップセラコン	01
C76	US135100	C. CE. CHP	0.1uF 16V		チップセラコン	01
C77-78	US035100	C. CE. CHP	0.1uF 16V B		チップセラコン	01
C79	UF017220	C. EL. CHP	22uF 6.3V		チップケミコン	01
C80	US063100	C. CE. CHP	1000pF 50V B		チップセラコン	01
C81-82	WE477600	C. EL	100uF 16V		ケミコン	02
C83	UF037100	C. EL. CHP	10uF 16V		チップケミコン	01
C84-87	WD176300	C. CE. CHP	1uF 16V K		チップセラコン	01
C88	UF037100	C. EL. CHP	10uF 16V		チップケミコン	01
C89-90	US063220	C. CE. CHP	2200pF 50V B		チップセラコン	01
C95	UF017220	C. EL. CHP	22uF 6.3V		チップケミコン	01
C96-97	WD176300	C. CE. CHP	1uF 16V K		チップセラコン	01
C98-99	US135100	C. CE. CHP	0.1uF 16V		チップセラコン	01

* New Parts * 新規部品

P.C.B. DSP

Ref No.	Part No.	Description	Remarks	Markets	部 品 名	ランク
C100-101	WE475900	C. EL	560uF 6.3V		ケミコン	02
C102-103	UF018100	C. EL. CHP	100uF 6.3V		チップケミコン	01
C104-124	US135100	C. CE. CHP	0.1uF 16V		チップセラコン	01
C125	UF037100	C. EL. CHP	10uF 16V		チップケミコン	01
C126	US126100	C. CE. CHP	1uF 10V		チップセラコン	01
C127-137	US135100	C. CE. CHP	0.1uF 16V		チップセラコン	01
C138	US063100	C. CE. CHP	1000pF 50V B		チップセラコン	01
C139-144	US135100	C. CE. CHP	0.1uF 16V		チップセラコン	01
C145	UF017220	C. EL. CHP	22uF 6.3V		チップケミコン	01
C146	US135100	C. CE. CHP	0.1uF 16V		チップセラコン	01
C147	UF017220	C. EL. CHP	22uF 6.3V		チップケミコン	01
C148-152	US135100	C. CE. CHP	0.1uF 16V		チップセラコン	01
C153	UF017220	C. EL. CHP	22uF 6.3V		チップケミコン	01
C154-155	US135100	C. CE. CHP	0.1uF 16V		チップセラコン	01
C156	UF017220	C. EL. CHP	22uF 6.3V		チップケミコン	01
C157-165	US135100	C. CE. CHP	0.1uF 16V		チップセラコン	01
C166	UF037100	C. EL. CHP	10uF 16V		チップケミコン	01
C167	US135100	C. CE. CHP	0.1uF 16V		チップセラコン	01
C168	UF017470	C. EL. CHP	47uF 6.3V		チップケミコン	01
C169-170	US035100	C. CE. CHP	0.1uF 16V B		チップセラコン	01
C171-172	US063100	C. CE. CHP	1000pF 50V B		チップセラコン	01
C173	UF017220	C. EL. CHP	22uF 6.3V		チップケミコン	01
C174	US063100	C. CE. CHP	1000pF 50V B		チップセラコン	01
C175	US035100	C. CE. CHP	0.1uF 16V B		チップセラコン	01
C176	UF017220	C. EL. CHP	22uF 6.3V		チップケミコン	01
C177-178	US135100	C. CE. CHP	0.1uF 16V		チップセラコン	01
C179	US035100	C. CE. CHP	0.1uF 16V B		チップセラコン	01
C180-182	US063100	C. CE. CHP	1000pF 50V B		チップセラコン	01
C183-184	US035100	C. CE. CHP	0.1uF 16V B		チップセラコン	01
C185	US135100	C. CE. CHP	0.1uF 16V		チップセラコン	01
C186	UF017220	C. EL. CHP	22uF 6.3V		チップケミコン	01
C187	US135100	C. CE. CHP	0.1uF 16V		チップセラコン	01
C188	UF017220	C. EL. CHP	22uF 6.3V		チップケミコン	01
C189	US063100	C. CE. CHP	1000pF 50V B		チップセラコン	01
C190	UF037100	C. EL. CHP	10uF 16V		チップケミコン	01
C191	US035100	C. CE. CHP	0.1uF 16V B		チップセラコン	01
C192	UF037100	C. EL. CHP	10uF 16V		チップケミコン	01
C193	UF017220	C. EL. CHP	22uF 6.3V		チップケミコン	01
C194-195	US135100	C. CE. CHP	0.1uF 16V		チップセラコン	01
C197	UF038100	C. EL. CHP	100uF 16V		チップケミコン	01
C198	UF017470	C. EL. CHP	47uF 6.3V		チップケミコン	01
C199-264	US135100	C. CE. CHP	0.1uF 16V		チップセラコン	01
D1-4	WB081800	DIODE. SHOT	SB01-05Q		ショットキーダイオード	
D5-6	WJ871600	DIODE. SHOT	KDR357-RTK/P		ショットキーダイオード	01
D7-8	V6267600	DIODE	RB051L-40		ダイオード	01
IC1	X0199B00	IC	TC74VHC157FT(EL, K)		ロジック IC	01
IC2	XW234B00	IC	TC74VHC244FT(EL, K)		ロジック IC	
IC3	X7746A00	IC	LC89057W-VF4AD-E		IC	07
IC4	XR680A00	IC	TC7SH08FU(TE85L, JF)		ロジック IC	01
IC6	X8375A00	IC	TC7SHU04FU INVER		ロジック IC	01
IC7	X7787A00	IC	TC74LCX245FT(EL, K)		ロジック IC	02
IC8	X2590B00	IC	W9816G6CH-7 SDRAM		メモリ IC 16M	06
IC9	X6189A00	IC	WM8738		A/Dコンバーター	06
IC10-11	X5172A00	IC	PQ1CZ41H2Z		電源 IC	05
IC12	X8996A00	IC	S29AL004D70TF1020		メモリ IC	05

*

* New Parts * 新規部品

P.C.B. INPUT

Ref No.	Part No.	Description	Remarks	Markets	部 品 名	ランク
C38	UR838100	C. EL	100uF 16V		ケミコン	
C40	US065100	C. CE. CHP	0.1uF 50V B		チップセラコン	
C42	US062100	C. CE. CHP	100pF 50V B		チップセラコン	
C43	US046100	C. CE. CHP	1uF 25V		チップセラコン	
C44	UR837100	C. EL	10uF 16V		ケミコン	
C45	US062100	C. CE. CHP	100pF 50V B		チップセラコン	
C46	US046100	C. CE. CHP	1uF 25V		チップセラコン	
C47	UR837330	C. EL	33uF 16V		ケミコン	
C48	US063100	C. CE. CHP	1000pF 50V B		チップセラコン	
C49	UR837470	C. EL	47uF 16V		ケミコン	
C50	WD758300	C. CE. CHP	10uF 10V	UCAB	チップセラコン	
C51	UR838100	C. EL	100uF 16V		ケミコン	
C52	US046100	C. CE. CHP	1uF 25V		チップセラコン	
C53	US065100	C. CE. CHP	0.1uF 50V B		チップセラコン	
C54	US135100	C. CE. CHP	0.1uF 16V		チップセラコン	
C55-57	UR818470	C. EL	470uF 6.3V		ケミコン	
C58	US063100	C. CE. CHP	1000pF 50V B		チップセラコン	
C59	UF037100	C. EL. CHP	10uF 16V	UCTKAGELV	チップケミコン	
C60	US062100	C. CE. CHP	100pF 50V B		チップセラコン	
C63	US065100	C. CE. CHP	0.1uF 50V B		チップセラコン	
C64	UF037100	C. EL. CHP	10uF 16V	UCTKAGELV	チップケミコン	
C65	US065100	C. CE. CHP	0.1uF 50V B		チップセラコン	
C66	US064100	C. CE. CHP	0.01uF 50V B	JUC	チップセラコン	
C67	US035100	C. CE. CHP	0.1uF 16V B		チップセラコン	
C68	WD758300	C. CE. CHP	10uF 10V	UCAB	チップセラコン	
C69	US135100	C. CE. CHP	0.1uF 16V		チップセラコン	
C70	US035100	C. CE. CHP	0.1uF 16V B		チップセラコン	
C71	WD758300	C. CE. CHP	10uF 10V	UCAB	チップセラコン	
C72	UR837470	C. EL	47uF 16V		ケミコン	
C73	UR837100	C. EL	10uF 16V		ケミコン	
C74	US035100	C. CE. CHP	0.1uF 16V B		チップセラコン	
C75-76	UF037100	C. EL. CHP	10uF 16V		チップケミコン	
C77	UR838100	C. EL	100uF 16V		ケミコン	
C78	US064100	C. CE. CHP	0.01uF 50V B	JUC	チップセラコン	
C79	US035100	C. CE. CHP	0.1uF 16V B		チップセラコン	
C81	US135100	C. CE. CHP	0.1uF 16V		チップセラコン	
C82	UR837470	C. EL	47uF 16V	JUC	ケミコン	
C83	UR838100	C. EL	100uF 16V		ケミコン	
C84	US063100	C. CE. CHP	1000pF 50V B		チップセラコン	
C85	UR818100	C. EL	100uF 6.3V		ケミコン	
C86	US046100	C. CE. CHP	1uF 25V		チップセラコン	
C87	UR818100	C. EL	100uF 6.3V		ケミコン	
C88	US063100	C. CE. CHP	1000pF 50V B		チップセラコン	
C89	UR837470	C. EL	47uF 16V	JUC	ケミコン	
C90-91	US135100	C. CE. CHP	0.1uF 16V		チップセラコン	
C92	US065100	C. CE. CHP	0.1uF 50V B		チップセラコン	
C93	UR837220	C. EL	22uF 16V	JUC	ケミコン	
C95	US062680	C. CE. CHP	680pF 50V B		チップセラコン	
* C96-97	V7846700	C. CE. CHP	0.47uF 16V		チップセラコン	
C98	US063220	C. CE. CHP	2200pF 50V B		チップセラコン	
C99	UR818100	C. EL	100uF 6.3V		ケミコン	
C100	US065100	C. CE. CHP	0.1uF 50V B		チップセラコン	
C101	US062100	C. CE. CHP	100pF 50V B		チップセラコン	
C102	UR838100	C. EL	100uF 16V		ケミコン	
C103-104	UR837100	C. EL	10uF 16V		ケミコン	

* New Parts * 新規部品

P.C.B. INPUT

Ref No.	Part No.	Description	Remarks	Markets	部 品 名	ランク
C105	UR818100	C. EL	100uF 6.3V			ケミコン
C106-107	US135100	C. CE. CHP	0.1uF 16V			チップセラコン
C108	UR837330	C. EL	33uF 16V			ケミコン
C109	UR837100	C. EL	10uF 16V			ケミコン
C110	US065100	C. CE. CHP	0.1uF 50V B			チップセラコン
C111	US061150	C. CE. CHP	15pF 50V B			チップセラコン
C112	UR837100	C. EL	10uF 16V			ケミコン
C113	US135100	C. CE. CHP	0.1uF 16V			チップセラコン
C114	UR837100	C. EL	10uF 16V			ケミコン
C115	US061100	C. CE. CHP	10pF 50V B	JUCKV		チップセラコン
C115	US060800	C. CE. CHP	8pF 50V B	TLABGEL		チップセラコン
C116	US065100	C. CE. CHP	0.1uF 50V B			チップセラコン
C117	US135100	C. CE. CHP	0.1uF 16V			チップセラコン
C118	US064100	C. CE. CHP	0.01uF 50V B			チップセラコン
C119	US061330	C. CE. CHP	33pF 50V B			チップセラコン
C120	US064100	C. CE. CHP	0.01uF 50V B			チップセラコン
C121	US061330	C. CE. CHP	33pF 50V B			チップセラコン
C122	US065100	C. CE. CHP	0.1uF 50V B			チップセラコン
C123	US062100	C. CE. CHP	100pF 50V B			チップセラコン
C124	US061270	C. CE. CHP	27pF 50V B			チップセラコン
C125	US061330	C. CE. CHP	33pF 50V B			チップセラコン
C126	US062470	C. CE. CHP	470pF 50V B			チップセラコン
C127	US064100	C. CE. CHP	0.01uF 50V B			チップセラコン
C128	WE477600	C. EL	100uF 16V	UCB		ケミコン
C129	UR837470	C. EL	47uF 16V			ケミコン
C130	UF037100	C. EL. CHP	10uF 16V			チップケミコン
C131	US046100	C. CE. CHP	1uF 25V	UCB		チップセラコン
C132	US135100	C. CE. CHP	0.1uF 16V			チップセラコン
C134	UF037100	C. EL. CHP	10uF 16V	UVTKAGELV		チップケミコン
C135	US046100	C. CE. CHP	1uF 25V	UCB		チップセラコン
C136-137	WG888300	C. CE. M. CHP	10uF 6.3V	GE		チップ積層セラコン
C138	UF037100	C. EL. CHP	10uF 16V	UVTKAGELV		チップケミコン
C139	US062560	C. CE. CHP	560pF 50V B	GE		チップセラコン
C142	US061270	C. CE. CHP	27pF 50V B	GE		チップセラコン
C144	US046100	C. CE. CHP	1uF 25V	UCB		チップセラコン
C145	US061270	C. CE. CHP	27pF 50V B	GE		チップセラコン
C146	WE475900	C. EL	560uF 6.3V	UCB		ケミコン
C147	WG888300	C. CE. M. CHP	10uF 6.3V	GE		チップ積層セラコン
C148-149	US062330	C. CE. CHP	330pF 50V B	GE		チップセラコン
C150-151	US061330	C. CE. CHP	33pF 50V B			チップセラコン
C153	US135100	C. CE. CHP	0.1uF 16V	GE		チップセラコン
C154-156	US062100	C. CE. CHP	100pF 50V B	UVTKAGELV		チップセラコン
C158-160	US062100	C. CE. CHP	100pF 50V B	UVTKAGELV		チップセラコン
C161-162	US061330	C. CE. CHP	33pF 50V B			チップセラコン
C163	US061100	C. CE. CHP	10pF 50V B	UC		チップセラコン
C164-165	US135100	C. CE. CHP	0.1uF 16V			チップセラコン
C166	US061100	C. CE. CHP	10pF 50V B	UC		チップセラコン
C167	US135100	C. CE. CHP	0.1uF 16V	UC		チップセラコン
C168-169	US135100	C. CE. CHP	0.1uF 16V			チップセラコン
C170	US135100	C. CE. CHP	0.1uF 16V	UC		チップセラコン
C171	US035100	C. CE. CHP	0.1uF 16V B	UC		チップセラコン
C174	US035100	C. CE. CHP	0.1uF 16V B	UC		チップセラコン
C175	US135100	C. CE. CHP	0.1uF 16V	UC		チップセラコン
C176	US061100	C. CE. CHP	10pF 50V B			チップセラコン
C177	US135100	C. CE. CHP	0.1uF 16V			チップセラコン

* New Parts * 新規部品

P.C.B. INPUT

Ref No.	Part No.	Description	Remarks	Markets	部 品 名	ランク
C178	US035100	C. CE. CHP	0.1uF 16V B		UC	チップセラコン
C181	US064100	C. CE. CHP	0.01uF 50V B		UC	チップセラコン
C182	US064100	C. CE. CHP	0.01uF 50V B			チップセラコン
C183	US135100	C. CE. CHP	0.1uF 16V			チップセラコン
C184	US135100	C. CE. CHP	0.1uF 16V		UCAB	チップセラコン
C185-186	US135100	C. CE. CHP	0.1uF 16V		UC	チップセラコン
C187	UR818100	C. EL	100uF 6.3V		UCAB	ケミコン
C188	US063100	C. CE. CHP	1000pF 50V B			チップセラコン
C189	US135100	C. CE. CHP	0.1uF 16V		UVTKABGELV	チップセラコン
C190	US064100	C. CE. CHP	0.01uF 50V B			チップセラコン
C191-192	US062100	C. CE. CHP	100pF 50V B		UCAB	チップセラコン
C193	US061330	C. CE. CHP	33pF 50V B			チップセラコン
C194	US064100	C. CE. CHP	0.01uF 50V B			チップセラコン
C195	US135100	C. CE. CHP	0.1uF 16V			チップセラコン
C196	US064100	C. CE. CHP	0.01uF 50V B			チップセラコン
C198	US064100	C. CE. CHP	0.01uF 50V B			チップセラコン
C199-200	US046100	C. CE. CHP	1uF 25V			チップセラコン
C201-202	US062220	C. CE. CHP	220pF 50V B		UCAB	チップセラコン
C203-204	US135100	C. CE. CHP	0.1uF 16V			チップセラコン
C205	US135100	C. CE. CHP	0.1uF 16V		UCAB	チップセラコン
C206-207	US062220	C. CE. CHP	220pF 50V B		UCAB	チップセラコン
C208	US064100	C. CE. CHP	0.01uF 50V B		UCAB	チップセラコン
C209-210	US135100	C. CE. CHP	0.1uF 16V			チップセラコン
C211	US064100	C. CE. CHP	0.01uF 50V B		B	チップセラコン
C212	US064100	C. CE. CHP	0.01uF 50V B			チップセラコン
C213	US135100	C. CE. CHP	0.1uF 16V			チップセラコン
C214-217	US064100	C. CE. CHP	0.01uF 50V B			チップセラコン
C222	US064100	C. CE. CHP	0.01uF 50V B			チップセラコン
C223	UR866220	C. EL	2.2uF 50V			ケミコン
C224	UR837470	C. EL	47uF 16V			ケミコン
C225	US135100	C. CE. CHP	0.1uF 16V			チップセラコン
C226	US046100	C. CE. CHP	1uF 25V			チップセラコン
C227-228	UR818470	C. EL	470uF 6.3V			ケミコン
C229	UR828470	C. EL	470uF 10V			ケミコン
C230	UR818470	C. EL	470uF 6.3V			ケミコン
C232	US135100	C. CE. CHP	0.1uF 16V			チップセラコン
C234	US135100	C. CE. CHP	0.1uF 16V			チップセラコン
C235	US061120	C. CE. CHP	12pF 50V B			チップセラコン
C236	US046100	C. CE. CHP	1uF 25V			チップセラコン
C237	US064100	C. CE. CHP	0.01uF 50V B			チップセラコン
C242-243	US064100	C. CE. CHP	0.01uF 50V B		J	チップセラコン
C244-245	WD758300	C. CE. CHP	10uF 10V		UCAB	チップセラコン
C246	US135100	C. CE. CHP	0.1uF 16V		UCAB	チップセラコン
C247-248	US062100	C. CE. CHP	100pF 50V B		UCAB	チップセラコン
C249-250	WD758300	C. CE. CHP	10uF 10V		UCAB	チップセラコン
C251	US064100	C. CE. CHP	0.01uF 50V B		J	チップセラコン
C252-253	WD758300	C. CE. CHP	10uF 10V		UCAB	チップセラコン
C254	US061100	C. CE. CHP	10pF 50V B		UCAB	チップセラコン
C255	US135100	C. CE. CHP	0.1uF 16V		UCAB	チップセラコン
D1-4	VU991000	DIODE. ZENR	MA8036 3.6V			ツェナーダイオード
D5-6	VT332900	DIODE	1SS355			ダイオード
D7	VU995800	DIODE. ZENR	MA8110-M 11V		JUC	ツェナーダイオード
D8	VT332900	DIODE	1SS355			ダイオード
D9	VU993400	DIODE. ZENR	MA8062-M 6.2V			ツェナーダイオード
D10	VT332900	DIODE	1SS355			ダイオード

* New Parts * 新規部品

P.C.B. INPUT

Ref No.	Part No.	Description	Remarks	Markets	部 品 名	ランク
D12	V2598200	LED	S1R-505ST			L E D
D13	VU995500	DIODE. ZENR	MA8100-H 10.3V		UCTKAGELV	ツェナーダイオード
D14	V6267600	DIODE	RB051L-40		UCB	ダイオード
D15-17	WE674800	DIODE	AVRL161A1R1NTB		UC	チップバリスタ
D19-23	VV220700	DIODE. SHOT	RB501V-40			ショットキーダイオード
D24-25	VT332900	DIODE	1SS355		UCAB	ダイオード
F1	V2429100	SW. POLY	SMDC100-02		UCB	ポリスイッチ
IC1	XZ509A00	IC	TC74VHC04FT INVER			ロジックIC
IC4	XH436A00	IC	LA7956			IC
IC6	X6821A00	IC	NJM2585M			IC
* IC7	X7445A00	IC	K1A78L09F-RTF/P			電源IC
IC8	X3555A00	IC	MAX3232CPW RS232C			ロジックIC
IC9	X3505A00	IC	NJM2068MD-TE2			アンプIC
* IC11	X8705A00	IC	K1A78M05F			電源IC
IC12	X8111A00	IC	BD3843FS-E2			IC
* IC13	XR941A00	IC	BA7046F-E2			IC
IC14	X8479A00	IC	MB90050PF-G-118-E1		J	OSDコントローラ
IC14	X8480A00	IC	MB90050PF-G-119-E1		UCTKAGELV	OSDコントローラ
IC15	XY074B00	IC	TC74VHC125FT (EL, K)			ロジックIC
* IC17	X8705A00	IC	K1A78M05F			電源IC
IC18	X2313B00	IC	TC74VHC00FT (EL, K)			ロジックIC
IC21	X5172A00	IC	P01CZ41H2Z		UCB	電源IC
IC22	X0082A00	IC	LC72722PM		GE	IC
IC24	XR680A00	IC	TC7SH08FU (TE85L, JF			ロジックIC
IC26	X3586B00	IC	TC74VHCT08AFT EL, K			ロジックIC
* IC28	X8192A00	IC	F2621E-01-TR		UC	IC
IC29	XT744B00	IC	TC74VHCT245AFT E, K		UCTKAGELV	ロジックIC
* IC30	X8013A00	IC. CPU	M3087BFKBGP CPU	unwritten		CPU/周辺IC
IC31	X8653A00	IC	BR25L320F-W EEPROM			メモリIC
IC32	XR680A00	IC	TC7SH08FU (TE85L, JF		UCAB	ロジックIC
IC33	X7787A00	IC	TC74LCX245FT (EL, K)			ロジックIC
IC35	X2484A00	IC	TA1318AF			IC
IC36	X3505A00	IC	NJM2068MD-TE2		UCAB	アンプIC
IC37	XU951A00		AD8056AR			オペアンプ
IC38	XU951A00		AD8056AR		UCAB	オペアンプ
JK1	WE260000	JACK. MNI	LGY6501-0900FC		JUC	モノラルミニジャック
JK2	WE260000	JACK. MNI	LGY6501-0900FC			モノラルミニジャック
* PJ1	WJ503700		MSD-246V-158 NI LF			ピンコネクタ 6P
PJ2-4	WG089100	JACK. PIN	JACK 4P R/BE/G/Y			ピンコネクタ 4P
Q3-6	VV556400	TR	2SC2412K Q, R, S			トランジスタ
Q7	VZ725900	TR	2SD1938F S, T			トランジスタ
Q8-9	VV556500	TR	2SA1037K Q, R, S			トランジスタ
Q10-11	VV556400	TR	2SC2412K Q, R, S			トランジスタ
Q13	VP872700	TR	2SC4488 S, T		JUC	トランジスタ
Q14	VV655700	TR. DGT	DTC144EKA		JUC	デジタルトランジスタ
Q16	VV655700	TR. DGT	DTC144EKA		JUC	デジタルトランジスタ
Q18	iC181510	TR	2SC1815 Y			トランジスタ
Q19	VV655000	TR. DGT	DTA114EKA			デジタルトランジスタ
Q20	VP872700	TR	2SC4488 S, T		UCTKAGELV	トランジスタ
Q22	VV556400	TR	2SC2412K Q, R, S		GE	トランジスタ
Q23	WE834500	FET	UPA672T-T1-A			FET
Q27	WE834500	FET	UPA672T-T1-A			FET
Q28	VV556400	TR	2SC2412K Q, R, S		UC	トランジスタ
Q29	WH628700	FET	RSR025P03TL		UC	FET
Q31	VZ725900	TR	2SD1938F S, T			トランジスタ

* New Parts * 新規部品

P.C.B. INPUT and P.C.B. AMP

Ref No.	Part No.	Description	Remarks	Markets	部 品 名	ランク
R49	HV753220	R. CAR. FP	2.2Ω 1/4W		不燃化カーボン抵抗	
R65	HV753220	R. CAR. FP	2.2Ω 1/4W		不燃化カーボン抵抗	
R77	HV753220	R. CAR. FP	2.2Ω 1/4W		不燃化カーボン抵抗	
R81	WB784200	R. MTL. FLM	1.5Ω 1W	JUC	金属被膜抵抗	
R84	WB784200	R. MTL. FLM	1.5Ω 1W	JUC	金属被膜抵抗	
R95	HV755100	R. CAR. FP	100Ω 1/4W	JUC	不燃化カーボン抵抗	
R101	HV756180	R. CAR. FP	1.8KΩ 1/4W	JUC	不燃化カーボン抵抗	
R108	HV753220	R. CAR. FP	2.2Ω 1/4W		不燃化カーボン抵抗	
R113	HV753470	R. CAR. FP	4.7Ω 1/4W	JUC	不燃化カーボン抵抗	
R129	HV754120	R. CAR. FP	12Ω 1/4W		不燃化カーボン抵抗	
R424	RD357910	R. CHP	91KΩ 1/16W J	7040	チップ抵抗	01
SW1	VV011000	SW. TACT	SKHLLC		タクトSW	
U1	WH169900	CN. PHOTO. R	1P GP1FAV51RK0F	J	光ファイバー受信器	
U2	WJ202200	CN	GP1FP513RK0F	UCTKABGELV	複合コネクタ	
U3	WH169900	CN. PHOTO. R	1P GP1FAV51RK0F	J	光ファイバー受信器	
U4	WJ202200	CN	GP1FP513RK0F		複合コネクタ	
* U5	WJ203100	L. DTCT	GP1UE281QKVF		リモコン受光ユニット	
XL1	VV949800	RSNR. CRYST	14.31818MHz	JUCKV	水晶振動子	
XL1	WC044100	RSNR. CRYST	17.734475MHz	TABGEL	水晶振動子	
XL2	V3930900	RSNR. CRYST	4.332MHz	GE	水晶振動子	
XL3	WH455300	RSNR. CRYST	45.1584MHz	UC	水晶振動子	
XL4	WF997400	RSNR. CE	20MHz		セラミック振動子	
XL5	V5345200	RSNR. CE	CSBLA503KECZF30-B0		セラミック振動子	
* WK936900	P. C. B.	AMP			P C B AMP	
CB501	WA545900	CN	30P TE FMN		F F C / F P C コネクタ	01
CB502	VL845300	CN. BS. PIN	9P		ベース付ポスト	01
CB503-504	VL845200	CN. BS. PIN	8P		ベース付ポスト	01
CB505	VL845300	CN. BS. PIN	9P		ベース付ポスト	01
CB506-507	LB918020	CN. BS. PIN	2P		ベース付ポスト	01
* CB509	VL845700	CN. BS. PIN	13P XH TE		ベースツキポスト	
CB510-511	VL845600	CN. BS. PIN	12P		ベース付ポスト	01
* CB512	VL845700	CN. BS. PIN	13P XH TE		ベースツキポスト	
C501-502	US063100	C. CE. CHP	1000pF 50V B		チップセラコン	01
C503-504	US135100	C. CE. CHP	0.1uF 16V		チップセラコン	01
C505-506	UR837100	C. EL	10uF 16V		ケミコン	01
C507	US135100	C. CE. CHP	0.1uF 16V		チップセラコン	01
C508-509	US064100	C. CE. CHP	0.01uF 50V B		チップセラコン	01
C510-512	WE773800	C. CE. M. CHP	1uF 10V B		チップ積層セラコン	01
C513	US126100	C. CE. CHP	1uF 10V		チップセラコン	01
C514	US135100	C. CE. CHP	0.1uF 16V		チップセラコン	01
C515-516	US126100	C. CE. CHP	1uF 10V		チップセラコン	01
C517	US135100	C. CE. CHP	0.1uF 16V		チップセラコン	01
C520	US126100	C. CE. CHP	1uF 10V		チップセラコン	01
C527	US126100	C. CE. CHP	1uF 10V		チップセラコン	01
C528-529	US135100	C. CE. CHP	0.1uF 16V		チップセラコン	01
C530	WE773800	C. CE. M. CHP	1uF 10V B		チップ積層セラコン	01
C535	US135100	C. CE. CHP	0.1uF 16V		チップセラコン	01
C536	WH046700	C. CE. M. CHP	4.7uF 16V		チップ積層セラコン	01
C538	WE773800	C. CE. M. CHP	1uF 10V B		チップ積層セラコン	01
C539	US135100	C. CE. CHP	0.1uF 16V		チップセラコン	01
C540	WC666800	C. CE. CHP	1uF 16V		チップセラコン	01
C542	US135100	C. CE. CHP	0.1uF 16V		チップセラコン	01

* New Parts * 新規部品

P.C.B. AMP

Ref No.	Part No.	Description	Remarks	Markets	部 品 名	ランク
C543	US135220	C. CE. CHP	0.22uF 16V		チップセラコン	01
C544	US126100	C. CE. CHP	1uF 10V		チップセラコン	01
C545	US063100	C. CE. CHP	1000pF 50V B		チップセラコン	01
C546	US060800	C. CE. CHP	8pF 50V B		チップセラコン	01
C547	WH046600	C. CE. M. CHP	47uF 16V		チップ積層セラコン	
C548	US034470	C. CE. CHP	0.047uF 16V B		チップセラコン	01
C549	UR866100	C. EL	1uF 50V		ケミコン	01
C550	WH046600	C. CE. M. CHP	47uF 16V		チップ積層セラコン	
C551	US063100	C. CE. CHP	1000pF 50V B		チップセラコン	01
C552	UR866100	C. EL	1uF 50V		ケミコン	01
C553	US135100	C. CE. CHP	0.1uF 16V		チップセラコン	01
C554	US060800	C. CE. CHP	8pF 50V B		チップセラコン	01
C555-557	US135100	C. CE. CHP	0.1uF 16V		チップセラコン	01
C558-560	WE773800	C. CE. M. CHP	1uF 10V B		チップ積層セラコン	01
C561	US126100	C. CE. CHP	1uF 10V		チップセラコン	01
C562	US135100	C. CE. CHP	0.1uF 16V		チップセラコン	01
C563	UR837100	C. EL	10uF 16V		ケミコン	01
C564	US135100	C. CE. CHP	0.1uF 16V		チップセラコン	01
C565-566	US126100	C. CE. CHP	1uF 10V		チップセラコン	01
C567	US063470	C. CE. CHP	4700pF 50V B		チップセラコン	01
C568-569	UR838100	C. EL	100uF 16V		ケミコン	01
C571	UA354100	C. MYLAR	0.01uF 50V		マイラーコン	01
C572	VR169200	C. MYLAR	0.47uF 50V		マイラーコン	01
C573	WD678500	C. EL. AL	330uF 6.3V		アルミ電解コンデンサ	
C574	UA354100	C. MYLAR	0.01uF 50V		マイラーコン	01
C575	VR169100	C. MYLAR	0.39uF 50V		マイラーコン	01
C576-577	US135330	C. CE. CHP	0.33uF 16V		チップセラコン	01
C578	UR817330	C. EL	33uF 6.3V		ケミコン	01
C579-580	US135100	C. CE. CHP	0.1uF 16V		チップセラコン	01
C581-583	WE773800	C. CE. M. CHP	1uF 10V B		チップ積層セラコン	01
C584	US126100	C. CE. CHP	1uF 10V		チップセラコン	01
C585-586	US135100	C. CE. CHP	0.1uF 16V		チップセラコン	01
C589	US135100	C. CE. CHP	0.1uF 16V		チップセラコン	01
C590	WH046700	C. CE. M. CHP	4.7uF 16V		チップ積層セラコン	01
C591	WC666800	C. CE. CHP	1uF 16V		チップセラコン	01
C592	US126100	C. CE. CHP	1uF 10V		チップセラコン	01
C593-594	US135100	C. CE. CHP	0.1uF 16V		チップセラコン	01
C595	US135220	C. CE. CHP	0.22uF 16V		チップセラコン	01
C596	WE773800	C. CE. M. CHP	1uF 10V B		チップ積層セラコン	01
C597	US063100	C. CE. CHP	1000pF 50V B		チップセラコン	01
C598	WH046600	C. CE. M. CHP	47uF 16V		チップ積層セラコン	
C599	US034470	C. CE. CHP	0.047uF 16V B		チップセラコン	01
C600	WH046600	C. CE. M. CHP	47uF 16V		チップ積層セラコン	
C601	US063100	C. CE. CHP	1000pF 50V B		チップセラコン	01
C602	UR817470	C. EL	47uF 6.3V		ケミコン	01
C603	US135100	C. CE. CHP	0.1uF 16V		チップセラコン	01
C604	WE773800	C. CE. M. CHP	1uF 10V B		チップ積層セラコン	01
C605-607	US135100	C. CE. CHP	0.1uF 16V		チップセラコン	01
C608	US126100	C. CE. CHP	1uF 10V		チップセラコン	01
C609	US063470	C. CE. CHP	4700pF 50V B		チップセラコン	01
C610-611	US135100	C. CE. CHP	0.1uF 16V		チップセラコン	01
C613	US135100	C. CE. CHP	0.1uF 16V		チップセラコン	01
C614	UR837100	C. EL	10uF 16V		ケミコン	01
C615	WD678500	C. EL. AL	330uF 6.3V		アルミ電解コンデンサ	
C616-617	US126100	C. CE. CHP	1uF 10V		チップセラコン	01

* New Parts * 新規部品

P.C.B. AMP

Ref No.	Part No.	Description	Remarks	Markets	部 品 名	ランク
C618-620	WE773800	C. CE. M. CHP	1uF 10V B		チップ積層セラコン	01
C621	US126100	C. CE. CHP	1uF 10V		チップセラコン	01
C622	US135100	C. CE. CHP	0.1uF 16V		チップセラコン	01
C623	UR817330	C. EL	33uF 6.3V		ケミコン	01
C624-625	UR838100	C. EL	100uF 16V		ケミコン	01
C626	UA354100	C. MYLAR	0.01uF 50V		マイラーコン	01
C627	VR169200	C. MYLAR	0.47uF 50V		マイラーコン	01
C628	UA354100	C. MYLAR	0.01uF 50V		マイラーコン	01
C629	VR169100	C. MYLAR	0.39uF 50V		マイラーコン	01
C630-631	US135330	C. CE. CHP	0.33uF 16V		チップセラコン	01
C632-633	US135100	C. CE. CHP	0.1uF 16V		チップセラコン	01
* C634-635	WJ302400	C. EL	680uF 16V		ケミコン	
C636-640	US135100	C. CE. CHP	0.1uF 16V		チップセラコン	01
C641	US063100	C. CE. CHP	1000pF 50V B		チップセラコン	01
C643-644	US135100	C. CE. CHP	0.1uF 16V		チップセラコン	01
C645	US126100	C. CE. CHP	1uF 10V		チップセラコン	01
C646-648	WE773800	C. CE. M. CHP	1uF 10V B		チップ積層セラコン	01
C649	US126100	C. CE. CHP	1uF 10V		チップセラコン	01
C650	US135100	C. CE. CHP	0.1uF 16V		チップセラコン	01
C651	US126100	C. CE. CHP	1uF 10V		チップセラコン	01
C652	US135100	C. CE. CHP	0.1uF 16V		チップセラコン	01
C655	US126100	C. CE. CHP	1uF 10V		チップセラコン	01
C656-657	US135100	C. CE. CHP	0.1uF 16V		チップセラコン	01
C658	WE773800	C. CE. M. CHP	1uF 10V B		チップ積層セラコン	01
C659	US135100	C. CE. CHP	0.1uF 16V		チップセラコン	01
C660	WH046700	C. CE. M. CHP	4.7uF 16V		チップ積層セラコン	01
C661	WE773800	C. CE. M. CHP	1uF 10V B		チップ積層セラコン	01
C662	US135100	C. CE. CHP	0.1uF 16V		チップセラコン	01
C663	WC666800	C. CE. CHP	1uF 16V		チップセラコン	01
C664	US135100	C. CE. CHP	0.1uF 16V		チップセラコン	01
C665	US135220	C. CE. CHP	0.22uF 16V		チップセラコン	01
C666	US126100	C. CE. CHP	1uF 10V		チップセラコン	01
C667	US063100	C. CE. CHP	1000pF 50V B		チップセラコン	01
C669	WH046600	C. CE. M. CHP	47uF 16V		チップ積層セラコン	
C670	US034470	C. CE. CHP	0.047uF 16V B		チップセラコン	01
C671	WH046600	C. CE. M. CHP	47uF 16V		チップ積層セラコン	
C672	US063100	C. CE. CHP	1000pF 50V B		チップセラコン	01
C673	US135100	C. CE. CHP	0.1uF 16V		チップセラコン	01
C675-676	US135100	C. CE. CHP	0.1uF 16V		チップセラコン	01
C677-679	WE773800	C. CE. M. CHP	1uF 10V B		チップ積層セラコン	01
C680	US126100	C. CE. CHP	1uF 10V		チップセラコン	01
C681	US135100	C. CE. CHP	0.1uF 16V		チップセラコン	01
C682	US063470	C. CE. CHP	4700pF 50V B		チップセラコン	01
C684	WD678500	C. EL. AL	330uF 6.3V		アルミ電解コンデンサ	
C685	UR817330	C. EL	33uF 6.3V		ケミコン	01
C686	US135100	C. CE. CHP	0.1uF 16V		チップセラコン	01
C687-689	WE773800	C. CE. M. CHP	1uF 10V B		チップ積層セラコン	01
C690	US126100	C. CE. CHP	1uF 10V		チップセラコン	01
C691-692	US135100	C. CE. CHP	0.1uF 16V		チップセラコン	01
C695	US135100	C. CE. CHP	0.1uF 16V		チップセラコン	01
C696	WH046700	C. CE. M. CHP	4.7uF 16V		チップ積層セラコン	01
C697	US126100	C. CE. CHP	1uF 10V		チップセラコン	01
C698	WC666800	C. CE. CHP	1uF 16V		チップセラコン	01
C699-700	US135100	C. CE. CHP	0.1uF 16V		チップセラコン	01
C701	WE773800	C. CE. M. CHP	1uF 10V B		チップ積層セラコン	01

* New Parts * 新規部品

P.C.B. AMP

Ref No.	Part No.	Description	Remarks	Markets	部 品 名	ランク
C702	US135220	C. CE. CHP	0.22uF 16V		チップセラコン	01
C703	US063100	C. CE. CHP	1000pF 50V B		チップセラコン	01
C704	WH046600	C. CE. M. CHP	47uF 16V		チップ積層セラコン	
C705	US034470	C. CE. CHP	0.047uF 16V B		チップセラコン	01
C706	WH046600	C. CE. M. CHP	47uF 16V		チップ積層セラコン	
C707	US063100	C. CE. CHP	1000pF 50V B		チップセラコン	01
C708	US135100	C. CE. CHP	0.1uF 16V		チップセラコン	01
C709	WE773800	C. CE. M. CHP	1uF 10V B		チップ積層セラコン	01
C710-712	US135100	C. CE. CHP	0.1uF 16V		チップセラコン	01
C713	US126100	C. CE. CHP	1uF 10V		チップセラコン	01
C714	US063470	C. CE. CHP	4700pF 50V B		チップセラコン	01
C715	US135100	C. CE. CHP	0.1uF 16V		チップセラコン	01
C717	WD678500	C. EL. AL	330uF 6.3V		アルミ電解コンデンサ	
C718-720	WE773800	C. CE. M. CHP	1uF 10V B		チップ積層セラコン	01
C721	US126100	C. CE. CHP	1uF 10V		チップセラコン	01
C722	US135100	C. CE. CHP	0.1uF 16V		チップセラコン	01
C723	UR817330	C. EL	33uF 6.3V		ケミコン	01
C724	US135100	C. CE. CHP	0.1uF 16V		チップセラコン	01
C725	WH046700	C. CE. M. CHP	4.7uF 16V		チップ積層セラコン	01
C726	US135100	C. CE. CHP	0.1uF 16V		チップセラコン	01
C727	WC666800	C. CE. CHP	1uF 16V		チップセラコン	01
C728-730	WE773800	C. CE. M. CHP	1uF 10V B		チップ積層セラコン	01
C731	US126100	C. CE. CHP	1uF 10V		チップセラコン	01
C732	US135100	C. CE. CHP	0.1uF 16V		チップセラコン	01
C733	US135220	C. CE. CHP	0.22uF 16V		チップセラコン	01
C734	US135100	C. CE. CHP	0.1uF 16V		チップセラコン	01
C735	US063100	C. CE. CHP	1000pF 50V B		チップセラコン	01
C736	WH046600	C. CE. M. CHP	47uF 16V		チップ積層セラコン	
C737	US034470	C. CE. CHP	0.047uF 16V B		チップセラコン	01
C739	WH046600	C. CE. M. CHP	47uF 16V		チップ積層セラコン	
C740	US063100	C. CE. CHP	1000pF 50V B		チップセラコン	01
C742-743	US135100	C. CE. CHP	0.1uF 16V		チップセラコン	01
C744	US126100	C. CE. CHP	1uF 10V		チップセラコン	01
C745-746	US135100	C. CE. CHP	0.1uF 16V		チップセラコン	01
C747	WE773800	C. CE. M. CHP	1uF 10V B		チップ積層セラコン	01
C748	US063470	C. CE. CHP	4700pF 50V B		チップセラコン	01
C749	WE773800	C. CE. M. CHP	1uF 10V B		チップ積層セラコン	01
C750	US135100	C. CE. CHP	0.1uF 16V		チップセラコン	01
C751	UR817470	C. EL	47uF 6.3V		ケミコン	01
C753	WD678500	C. EL. AL	330uF 6.3V		アルミ電解コンデンサ	
C754	US135100	C. CE. CHP	0.1uF 16V		チップセラコン	01
C755	US126100	C. CE. CHP	1uF 10V		チップセラコン	01
C756	UR817330	C. EL	33uF 6.3V		ケミコン	01
C757	US135100	C. CE. CHP	0.1uF 16V		チップセラコン	01
C758-760	WE773800	C. CE. M. CHP	1uF 10V B		チップ積層セラコン	01
C761	US126100	C. CE. CHP	1uF 10V		チップセラコン	01
C762-763	US135100	C. CE. CHP	0.1uF 16V		チップセラコン	01
* C764	WJ302400	C. EL	680uF 16V		ケミコン	
C765	US135100	C. CE. CHP	0.1uF 16V		チップセラコン	01
* C766	WJ302400	C. EL	680uF 16V		ケミコン	
C767	US135100	C. CE. CHP	0.1uF 16V		チップセラコン	01
D501-503	VT332900	DIODE	1SS355		ダイオード	01
D504	VU992600	DIODE. ZENR	MA8051-M 5.1V		ツェナーダイオード	01
D505	WC549600	DIODE. CHP	RB160M-30 TR		チップダイオード	04
D506-510	VT332900	DIODE	1SS355		ダイオード	01

* New Parts * 新規部品

P.C.B. AMP and P.C.B. HDMI

Ref No.	Part No.	Description	Remarks	Markets	部 品 名	ランク
D511	WC549600	DIODE. CHP	RB160M-30 TR		チップダイオード	04
D512-516	VT332900	DIODE	1SS355		ダイオード	01
D517	VU992600	DIODE. ZENR	MA8051-M 5.1V		ツェナーダイオード	01
D518	WC549600	DIODE. CHP	RB160M-30 TR		チップダイオード	04
D519-523	VT332900	DIODE	1SS355		ダイオード	01
D524	WC549600	DIODE. CHP	RB160M-30 TR		チップダイオード	04
D525-528	VT332900	DIODE	1SS355		ダイオード	01
D529	WC549600	DIODE. CHP	RB160M-30 TR		チップダイオード	04
D530-533	VT332900	DIODE	1SS355		ダイオード	01
D534-538	WK403400	DIODE. CHP	DG1M3-5063		チップダイオード	01
IC501	X8425A00	IC	TC74LCX541FT(EL,K)		ロジックIC	02
IC502	X8375A00	IC	TC7SHU04FU INVER		ロジックIC	01
IC503	X7750A00	IC	YDA141-SZ		IC	07
IC507	X7750A00	IC	YDA141-SZ		IC	07
IC510	X8375A00	IC	TC7SHU04FU INVER		ロジックIC	01
IC511	X7750A00	IC	YDA141-SZ		IC	07
IC513	X7750A00	IC	YDA141-SZ		IC	07
IC516	X7750A00	IC	YDA141-SZ		IC	07
PN501-508	V8637500	PIN	L=50 #18		スタイルピン	
Q501-502	VV655700	TR. DGT	DTC144EKA		デジタルトランジスタ	01
Q503-504	VV556500	TR	2SA1037K Q,R,S		トランジスタ	01
Q505-506	VV655700	TR. DGT	DTC144EKA		デジタルトランジスタ	01
Q507	WH006000	FET	STS8DNF3LL S0-8		F E T	04
Q508-509	VV655700	TR. DGT	DTC144EKA		デジタルトランジスタ	01
Q510	WH006000	FET	STS8DNF3LL S0-8		F E T	04
Q511	VV655700	TR. DGT	DTC144EKA		デジタルトランジスタ	01
Q512	VV556500	TR	2SA1037K Q,R,S		トランジスタ	01
Q513-515	WH006000	FET	STS8DNF3LL S0-8		F E T	04
R511	HV753100	R. CAR. FP	1Ω 1/4W		不燃化カーボン抵抗	01
R575	HV754150	R. CAR. FP	15Ω 1/4W		不燃化カーボン抵抗	01
R577	HV753220	R. CAR. FP	2.2Ω 1/4W		不燃化カーボン抵抗	01
R612	HV753220	R. CAR. FP	2.2Ω 1/4W		不燃化カーボン抵抗	01
R614	HV754150	R. CAR. FP	15Ω 1/4W		不燃化カーボン抵抗	01
R652	HV753220	R. CAR. FP	2.2Ω 1/4W		不燃化カーボン抵抗	01
R680	HV753220	R. CAR. FP	2.2Ω 1/4W		不燃化カーボン抵抗	01
R706	HV753220	R. CAR. FP	2.2Ω 1/4W		不燃化カーボン抵抗	01
XL501	WH156100	RSNR. CRY	DSX321G		水晶振動子	03
	WK686500	P. C. B.	HDMI		P C B H D M I	
* CB1	WH641400	CN. HDMI	19P SE		HDMIコネクタ	03
* CB2	WK433600	CN	20P FLT SE		F F C / F P C コネク	
CB3-4	WH641400	CN. HDMI	19P SE		HDMIコネクタ	03
CB5	VR134300	CN. BS. PIN	6P		ベース付ポスト	01
CB6	WK433700	CN	24P SE		F F C / F P C コネクタ	03
CB7	WA900700	CN. FMN	7P SE FMN		FMNコネクタ	02
C1	WG888300	C. CE. M. CHP	10uF 6.3V		チップ積層セラコン	01
C2-3	US135100	C. CE. CHP	0.1uF 16V		チップセラコン	01
C4-7	US663100	C. CE. CHP	1000pF 50V		チップセラコン	01
C8	WG888300	C. CE. M. CHP	10uF 6.3V		チップ積層セラコン	01
C9-10	US135100	C. CE. CHP	0.1uF 16V		チップセラコン	01
C11	WG888300	C. CE. M. CHP	10uF 6.3V		チップ積層セラコン	01
C12	US663100	C. CE. CHP	1000pF 50V		チップセラコン	01
C13	US135100	C. CE. CHP	0.1uF 16V		チップセラコン	01

* New Parts * 新規部品

P.C.B. HDMI

Ref No.	Part No.	Description	Remarks	Markets	部 品 名	ランク
C14-15	WG888300	C. CE. M. CHP	10uF 6.3V		チップ積層セラコン	01
C16-17	US663100	C. CE. CHP	1000pF 50V		チップセラコン	01
C18	US034820	C. CE. CHP	0.082uF 16V K		チップセラコン	01
C19	US634100	C. CE. CHP	0.01uF 16V		チップセラコン	01
C20-21	WG888300	C. CE. M. CHP	10uF 6.3V		チップ積層セラコン	01
C22	US663100	C. CE. CHP	1000pF 50V		チップセラコン	01
C23	UF037100	C. EL. CHP	10uF 16V		チップケミコン	01
C24	US135100	C. CE. CHP	0.1uF 16V		チップセラコン	01
C25	US634100	C. CE. CHP	0.01uF 16V		チップセラコン	01
C26	WG888300	C. CE. M. CHP	10uF 6.3V		チップ積層セラコン	01
C27	US135100	C. CE. CHP	0.1uF 16V		チップセラコン	01
C28	WG888300	C. CE. M. CHP	10uF 6.3V		チップ積層セラコン	01
C29	US135100	C. CE. CHP	0.1uF 16V		チップセラコン	01
C30	US663100	C. CE. CHP	1000pF 50V		チップセラコン	01
C31-32	US135100	C. CE. CHP	0.1uF 16V		チップセラコン	01
C33-34	US663100	C. CE. CHP	1000pF 50V		チップセラコン	01
C35	US634100	C. CE. CHP	0.01uF 16V		チップセラコン	01
C36-37	US060800	C. CE. CHP	8pF 50V B		チップセラコン	01
C38-42	US663100	C. CE. CHP	1000pF 50V		チップセラコン	01
C43-44	WG888300	C. CE. M. CHP	10uF 6.3V		チップ積層セラコン	01
C45	US663100	C. CE. CHP	1000pF 50V		チップセラコン	01
C46-49	US135100	C. CE. CHP	0.1uF 16V		チップセラコン	01
C50	US663100	C. CE. CHP	1000pF 50V		チップセラコン	01
C52-53	US135100	C. CE. CHP	0.1uF 16V		チップセラコン	01
C54-55	US663100	C. CE. CHP	1000pF 50V		チップセラコン	01
C56	WG888300	C. CE. M. CHP	10uF 6.3V		チップ積層セラコン	01
C57	US663100	C. CE. CHP	1000pF 50V		チップセラコン	01
C58	US135100	C. CE. CHP	0.1uF 16V		チップセラコン	01
C59	US663100	C. CE. CHP	1000pF 50V		チップセラコン	01
C60-61	US135100	C. CE. CHP	0.1uF 16V		チップセラコン	01
C62	US634100	C. CE. CHP	0.01uF 16V		チップセラコン	01
C63	UF037100	C. EL. CHP	10uF 16V		チップケミコン	01
C65-66	US135100	C. CE. CHP	0.1uF 16V		チップセラコン	01
C67-68	US663100	C. CE. CHP	1000pF 50V		チップセラコン	01
C69	US135100	C. CE. CHP	0.1uF 16V		チップセラコン	01
C70	US634100	C. CE. CHP	0.01uF 16V		チップセラコン	01
C71	US135100	C. CE. CHP	0.1uF 16V		チップセラコン	01
C72	WD758300	C. CE. CHP	10uF 10V		チップセラコン	01
C73	US663100	C. CE. CHP	1000pF 50V		チップセラコン	01
C74	US135100	C. CE. CHP	0.1uF 16V		チップセラコン	01
C75	US634100	C. CE. CHP	0.01uF 16V		チップセラコン	01
C76	US663100	C. CE. CHP	1000pF 50V		チップセラコン	01
C77	WG888300	C. CE. M. CHP	10uF 6.3V		チップ積層セラコン	01
C78-79	US135100	C. CE. CHP	0.1uF 16V		チップセラコン	01
C80	WG888300	C. CE. M. CHP	10uF 6.3V		チップ積層セラコン	01
C81	US135100	C. CE. CHP	0.1uF 16V		チップセラコン	01
C82	US663100	C. CE. CHP	1000pF 50V		チップセラコン	01
C83	US634100	C. CE. CHP	0.01uF 16V		チップセラコン	01
C84	WG888300	C. CE. M. CHP	10uF 6.3V		チップ積層セラコン	01
C85	US135100	C. CE. CHP	0.1uF 16V		チップセラコン	01
C86	WG888300	C. CE. M. CHP	10uF 6.3V		チップ積層セラコン	01
C87	US663100	C. CE. CHP	1000pF 50V		チップセラコン	01
C88-89	US135100	C. CE. CHP	0.1uF 16V		チップセラコン	01
C90	US663100	C. CE. CHP	1000pF 50V		チップセラコン	01
C91	US634100	C. CE. CHP	0.01uF 16V		チップセラコン	01

* New Parts * 新規部品

P.C.B. HDMI

Ref No.	Part No.	Description	Remarks	Markets	部 品 名	ランク	
C92	US135100	C. CE. CHP	0.1uF	16V		チップセラコン	01
C93	WD758300	C. CE. CHP	10uF	10V		チップセラコン	01
C94	US634100	C. CE. CHP	0.01uF	16V		チップセラコン	01
C95	US663100	C. CE. CHP	1000pF	50V		チップセラコン	01
C96-98	US135100	C. CE. CHP	0.1uF	16V		チップセラコン	01
C99	US663100	C. CE. CHP	1000pF	50V		チップセラコン	01
C100-101	US135100	C. CE. CHP	0.1uF	16V		チップセラコン	01
C102	US663100	C. CE. CHP	1000pF	50V		チップセラコン	01
C103	WG888300	C. CE. M. CHP	10uF	6.3V		チップ積層セラコン	01
C104-107	US663100	C. CE. CHP	1000pF	50V		チップセラコン	01
C108-109	US135100	C. CE. CHP	0.1uF	16V		チップセラコン	01
C111	US135100	C. CE. CHP	0.1uF	16V		チップセラコン	01
C112	US634100	C. CE. CHP	0.01uF	16V		チップセラコン	01
C113	US126100	C. CE. CHP	1uF	10V		チップセラコン	01
C114-115	US135100	C. CE. CHP	0.1uF	16V		チップセラコン	01
C116	US663100	C. CE. CHP	1000pF	50V		チップセラコン	01
C117-118	US135100	C. CE. CHP	0.1uF	16V		チップセラコン	01
C119	US061150	C. CE. CHP	15pF	50V B		チップセラコン	01
C120	US061120	C. CE. CHP	12pF	50V B		チップセラコン	01
C121	US135100	C. CE. CHP	0.1uF	16V		チップセラコン	01
C127	US135100	C. CE. CHP	0.1uF	16V		チップセラコン	01
C128	UF037100	C. EL. CHP	10uF	16V		チップケミコン	01
C129	WG888300	C. CE. M. CHP	10uF	6.3V		チップ積層セラコン	01
C130	US663100	C. CE. CHP	1000pF	50V		チップセラコン	01
C131-132	US135100	C. CE. CHP	0.1uF	16V		チップセラコン	01
C133-139	US663100	C. CE. CHP	1000pF	50V		チップセラコン	01
C140-145	US135100	C. CE. CHP	0.1uF	16V		チップセラコン	01
C146	US663100	C. CE. CHP	1000pF	50V		チップセラコン	01
C147-149	UF037100	C. EL. CHP	10uF	16V		チップケミコン	01
C150-154	US663100	C. CE. CHP	1000pF	50V		チップセラコン	01
C155-156	UF037100	C. EL. CHP	10uF	16V		チップケミコン	01
C157-159	US663100	C. CE. CHP	1000pF	50V		チップセラコン	01
C160	WD758300	C. CE. CHP	10uF	10V		チップセラコン	01
C161	UF037100	C. EL. CHP	10uF	16V		チップケミコン	01
C163-164	US663100	C. CE. CHP	1000pF	50V		チップセラコン	01
C165	US634100	C. CE. CHP	0.01uF	16V		チップセラコン	01
C167	US663100	C. CE. CHP	1000pF	50V		チップセラコン	01
C168	US634100	C. CE. CHP	0.01uF	16V		チップセラコン	01
C169	US126100	C. CE. CHP	1uF	10V		チップセラコン	01
C170	US663100	C. CE. CHP	1000pF	50V		チップセラコン	01
C171	WD758300	C. CE. CHP	10uF	10V		チップセラコン	01
C173	US663100	C. CE. CHP	1000pF	50V		チップセラコン	01
C174	UF037100	C. EL. CHP	10uF	16V		チップケミコン	01
C175-177	US663100	C. CE. CHP	1000pF	50V		チップセラコン	01
C178-180	US135100	C. CE. CHP	0.1uF	16V		チップセラコン	01
C181	UF037470	C. EL. CHP	47uF	16V		チップケミコン	01
C182	WG888300	C. CE. M. CHP	10uF	6.3V		チップ積層セラコン	01
C183	US135100	C. CE. CHP	0.1uF	16V		チップセラコン	01
C184-186	US663100	C. CE. CHP	1000pF	50V		チップセラコン	01
C187-188	US135100	C. CE. CHP	0.1uF	16V		チップセラコン	01
C189-190	US663100	C. CE. CHP	1000pF	50V		チップセラコン	01
C191	US135100	C. CE. CHP	0.1uF	16V		チップセラコン	01
C197-198	WG888300	C. CE. M. CHP	10uF	6.3V		チップ積層セラコン	01
C199	US634100	C. CE. CHP	0.01uF	16V		チップセラコン	01
C201-202	US135100	C. CE. CHP	0.1uF	16V		チップセラコン	01

* New Parts * 新規部品

P.C.B. HDMI

Ref No.	Part No.	Description	Remarks	Markets	部 品 名	ランク	
C203	US126100	C. CE. CHP	1uF 10V		チップセラコン	01	
C204	US634100	C. CE. CHP	0.01uF 16V		チップセラコン	01	
C205	US126100	C. CE. CHP	1uF 10V		チップセラコン	01	
C207-209	US135100	C. CE. CHP	0.1uF 16V		チップセラコン	01	
C211-212	US135100	C. CE. CHP	0.1uF 16V		チップセラコン	01	
C213	US634100	C. CE. CHP	0.01uF 16V		チップセラコン	01	
C214	US135100	C. CE. CHP	0.1uF 16V		チップセラコン	01	
C216	US634100	C. CE. CHP	0.01uF 16V		チップセラコン	01	
D9-11	WE674800	DIODE	AVRL161A1R1NTB		チップバリスタ	01	
D13	VT332900	DIODE	1SS355		ダイオード	01	
D15	VT332900	DIODE	1SS355		ダイオード	01	
D17	VT332900	DIODE	1SS355		ダイオード	01	
D19-22	WH641900	ESD	PESD0603-140		ポリマー ESD	01	
D23	VT332900	DIODE	1SS355		ダイオード	01	
D24-27	WH641900	ESD	PESD0603-140		ポリマー ESD	01	
D28-29	VT332900	DIODE	1SS355		ダイオード	01	
D31	VT332900	DIODE	1SS355		ダイオード	01	
D33-40	WH641900	ESD	PESD0603-140		ポリマー ESD	01	
D41	WE674800	DIODE	AVRL161A1R1NTB		チップバリスタ	01	
D46-49	WE674800	DIODE	AVRL161A1R1NTB		チップバリスタ	01	
D50	WJ871600	DIODE. SHOT	KDR357-RTK/P		ショットキーダイオード	01	
F1	V2997600	SW. POLY	SMDC050-02		ポリスイッチ	01	
IC1	XZ287A00	IC	SN74LVC245APWR		ロジック IC	02	
IC3	XZ287A00	IC	SN74LVC245APWR		ロジック IC	02	
IC4	X7762A00	IC	ABT1010		IC	14	
IC5	X6802A00	IC	ADV7401BSTZ-80		ビデオデコーダ	14	
IC6	X9055A00	IC	NJU7754F05		電源 IC	03	
IC7	XZ287A00	IC	SN74LVC245APWR		ロジック IC	02	
IC8	X3292A00	IC	SN74LV244APWR		ロジック IC	01	
IC9	X3401A00	IC	PQ018EZ01ZP 1.8V		電源 IC	03	
IC10	X8887A00	IC	TB7102F		電源 IC	04	
IC11	X3402A00	IC	PQ033EZ01ZP 3.3V		電源 IC	03	
IC14	X8144A00	IC	SN74CBT3257CPWR		ロジック IC	04	
IC15	X8294A00	IC	M24C02-WDW6TP		メモリ IC	03	
*	IC16	X9370C00	IC. CPU	MN103SFD7GYABCPU	written	IC CPU	
	IC19	X8294A00	IC	M24C02-WDW6TP		メモリ IC	03
	IC20	X8144A00	IC	SN74CBT3257CPWR		ロジック IC	04
	Q1	VY677600	TR. DGT	DTC123JKA TP		デジタルトランジスタ	01
	Q2	WE834500	FET	UPA672T-T1-A		FET	01
	Q3-9	VY677600	TR. DGT	DTC123JKA TP		デジタルトランジスタ	01
	Q11	VY677600	TR. DGT	DTC123JKA TP		デジタルトランジスタ	01
	XL1	VZ772700	RSNR. CRYST	28.63636MHz		水晶振動子	03
	XL2	WH625000	RSNR. CRYST	27MHz		水晶振動子	03
	XL3	WM227900	RSNR. CE	10MHz		セラミック振動子	

* New Parts * 新規部品

P.C.B. POWER

Ref No.	Part No.	Description	Remarks	Markets	部 品 名	ランク	
*		P. C. B.	POWER	4000	J	P C B POWER	
*		P. C. B.	POWER	4000	UC	P C B POWER	
*		P. C. B.	POWER	4000	TKGEL	P C B POWER	
*		P. C. B.	POWER	7040	GE	P C B POWER	
*		P. C. B.	POWER	4000	A	P C B POWER	
*		P. C. B.	POWER	40D	B	P C B POWER	
*		P. C. B.	POWER	4000	V	P C B POWER	
	CB501	VG879900	CN. BS. PIN	2P		ベースピン	01
△	CB502-503	WC050700	CLIP. FUSE	EYF-52BCY		ヒューズクリップ	01
	CB504-505	LB932040	CN. BS. PIN	4P		ベースポスト	01
	CB506	VF283300	CN. BS. PIN	15P		コネクタベースポスト	01
	CB507	VB390100	CN. BS. PIN	5P		ベースピン	01
	CB508	VB390200	CN. BS. PIN	6P		コネクタベースポスト	01
	CB801	VB390500	CN. BS. PIN	9P		コネクタベースポスト	03
	CB802	VB389800	CN. BS. PIN	2P		ベースピン	01
	CB852	VB389900	CN. BS. PIN	3P		ベースピン	01
	CB902	VE352600	CN. BS. PIN	14P		コネクタベースポスト	01
	CB903	VB390100	CN. BS. PIN	5P		ベースピン	01
*	CB951	WK701800	CN	30P TE HIF3H-30DA	B	レセプタクル	
△	C501	WE468500	C. CE. SAFTY	0.22uF 275V		規格認定コンデンサ	01
*	C502	WH036100	C. CE. SAFTY	2200pF 250V	JUCV	規格認定コンデンサ K X	
	C502	WH035900	C. CE. SAFTY	1000pF 250V	TKGLEAB	規格認定コンデンサ	01
*	C503	WH036100	C. CE. SAFTY	2200pF 250V	JUCV	規格認定コンデンサ K X	
	C503	WH035900	C. CE. SAFTY	1000pF 250V	TKGLEAB	規格認定コンデンサ	01
	C504	WK513100	C. EL	22uF 200V	JUCV	ケミコン	01
*	C504	WK456500	C. EL	10uF 400V	TKGLEAB	ケミコン	
	C505	WK513100	C. EL	22uF 200V	JUCV	ケミコン	01
*	C505	WK456500	C. EL	10uF 400V	TKGLEAB	ケミコン	
△	C506	V6185300	C. CE. SAFTY	0.01uF 275V		規格認定コンデンサ	01
	C508	WJ322300	C. CE. M. CHP	1000pF 630V		チップ積層セラコン	01
	C509	VZ281900	C. CE. CHP	0.47uF 16V K		チップセラ	01
	C510	WE468500	C. CE. SAFTY	0.22uF 275V		規格認定コンデンサ	01
	C511	US063100	C. CE. CHP	1000pF 50V B		チップセラコン	01
	C512	WJ322300	C. CE. M. CHP	1000pF 630V		チップ積層セラコン	01
	C513	V7887800	C. EL	1uF 50V		ケミコン	
	C514	VZ243300	C. CE. CHP	0.22uF 16V		チップセラコン	01
	C515	WB687100	C. POL. MTL	0.047uF 400V	JUCV	メタライズドポリコン	01
	C515	WC041600	C. POL. MTL	0.022uF 630V	TKGLEAB	メタライズドポリコン	01
	C516	VZ243300	C. CE. CHP	0.22uF 16V		チップセラコン	01
	C517	UA654100	C. MYLAR	0.01uF 50V J		マイラーコン	01
	C518	WF411500	C. EL	820uF 200V	JUCV	ケミコン	07
*	C518	WF709700	C. EL	220uF 400V	TKGLEAB	ケミコン	
	C519	UR866220	C. EL	2.2uF 50V		ケミコン	01
	C520	WJ047200	C. EL	22uF 50V		ケミコン V Z	01
	C521	US035100	C. CE. CHP	0.1uF 16V B		チップセラコン	01
	C522	UR866220	C. EL	2.2uF 50V		ケミコン	01
	C523	US063220	C. CE. CHP	2200pF 50V B		チップセラコン	01
	C524	US065100	C. CE. CHP	0.1uF 50V B		チップセラコン	01
△	C525	WH035900	C. CE. SAFTY	1000pF 250V		規格認定コンデンサ	01
	C526	US065100	C. CE. CHP	0.1uF 50V B		チップセラコン	01
	C527	V4749000	C. EL	150uF 6.3V		ケミコン	
	C528	WG348200	C. EL	33uF 100V		ケミコン	01
	C529	UR866470	C. EL	4.7uF 50V		ケミコン	01
	C530	WH138300	C. EL	1000uF 25V		ケミコン	01
	C531	VR169200	C. MYLAR	0.47uF 50V		マイラーコン	01

* New Parts * 新規部品

P.C.B. POWER

Ref No.	Part No.	Description	Remarks	Markets	部 品 名	ラング
C532	WG501000	C. EL	10uF 50V		ケミコン V Z	01
C533	WH138400	C. EL	4700uF 16V		ケミコン	04
C534	WG218000	C. EL	100uF 35V		ケミコン	
C536	US065100	C. CE. CHP	0.1uF 50V B		チップセラコン	01
C537	US035100	C. CE. CHP	0.1uF 16V B		チップセラコン	01
C538	US065100	C. CE. CHP	0.1uF 50V B		チップセラコン	01
C540	WG226200	C. EL	100uF 16V		ケミコン	01
C544-545	US065100	C. CE. CHP	0.1uF 50V B		チップセラコン	01
C546	VU838100	C. MYLAR. ML	ECQ-V1H105JL3		積層マイラーコン	
C547-548	US065100	C. CE. CHP	0.1uF 50V B		チップセラコン	01
C549-550	WG226200	C. EL	100uF 16V		ケミコン	01
C551	WJ322400	C. CE. M. CHP	0.01uF 250V	JUCV	チップ積層セラコン	01
C551	WJ322300	C. CE. M. CHP	1000pF 630V	TKGLEAB	チップ積層セラコン	01
C552	WJ322300	C. CE. M. CHP	1000pF 630V	TKGLEAB	チップ積層セラコン	01
* C553	WK478200	C. EL	100uF 16V	UCAB	ケミコン	
C554-555	WD176300	C. CE. CHP	1uF 16V K	UCAB	チップセラコン	01
C557	WD176300	C. CE. CHP	1uF 16V K	UCAB	チップセラコン	01
* C558	WK478100	C. EL	330uF 10V	UCAB	ケミコン	
C559	WK413800	C. CE. M. CHP	1000pF 250V		チップ積層セラコン	01
C561	WG501000	C. EL	10uF 50V		ケミコン V Z	01
C562	V7887800	C. EL	1uF 50V		ケミコン	
△ C563	WH035900	C. CE. SAFTY	1000pF 250V		規格認定コンデンサ	01
C564	WK578000	C. EL	150uF 10V		ケミコン	01
C565	WK583700	C. EL	2200uF 10V		ケミコン	01
C566-567	WK578000	C. EL	150uF 10V		ケミコン	01
C568	US035100	C. CE. CHP	0.1uF 16V B		チップセラコン	01
C570	WE256400	C. CE. SAFTY	0.1uF 275V	JUCV	規格認定コンデンサ	01
* C570	WK005000	C. CE. SAFTY	0.047uF 275V	TKGLEAB	規格認定コンデンサ	
C571	UR819100	C. EL	1000uF 6.3V		ケミコン	01
C801-802	UM397220	C. EL	22uF 25V		ケミコン	01
C803-804	UM397100	C. EL	10uF 16V		ケミコン	01
C805	US061330	C. CE. CHP	33pF 50V B		チップセラコン	01
C806	UM387470	C. EL	47uF 16V		ケミコン	01
C807-808	US061100	C. CE. CHP	10pF 50V B		チップセラコン	01
C809	US062100	C. CE. CHP	100pF 50V B		チップセラコン	01
C810	UM397220	C. EL	22uF 25V		ケミコン	01
C811	US135100	C. CE. CHP	0.1uF 16V		チップセラコン	01
C812-814	UM397100	C. EL	10uF 16V		ケミコン	01
C816-817	US062470	C. CE. CHP	470pF 50V B		チップセラコン	01
C819	UM397220	C. EL	22uF 25V		ケミコン	01
C820-822	US064100	C. CE. CHP	0.01uF 50V B		チップセラコン	01
C851	US163100	C. CE. CHP	1000pF 50V		チップセラコン	01
C852	US145100	C. CE. CHP	0.1uF 25V		チップセラコン	01
* C853	WK004400	C. CE. M. CHP	10uF 16V		チップ積層セラコン	
C855	US060500	C. CE. CHP	5pF 50V B		チップセラコン	01
C856	US145100	C. CE. CHP	0.1uF 25V		チップセラコン	01
C857	US064100	C. CE. CHP	0.01uF 50V B		チップセラコン	01
* C858-859	WK004400	C. CE. M. CHP	10uF 16V		チップ積層セラコン	
C860	US061270	C. CE. CHP	27pF 50V B		チップセラコン	01
C861	US064100	C. CE. CHP	0.01uF 50V B		チップセラコン	01
* C862	WK004400	C. CE. M. CHP	10uF 16V		チップ積層セラコン	
C863	US061270	C. CE. CHP	27pF 50V B		チップセラコン	01
C865	US145100	C. CE. CHP	0.1uF 25V		チップセラコン	01
* C866	WK004400	C. CE. M. CHP	10uF 16V		チップ積層セラコン	
C867	UM397470	C. EL	47uF 16V		ケミコン	01

* New Parts * 新規部品

P.C.B. POWER

Ref No.	Part No.	Description	Remarks	Markets	部 品 名	ランク
* C868	US064100	C. CE. CHP	0.01uF 50V B		チップセラコン	01
* C869	WK004400	C. CE. M. CHP	10uF 16V		チップ積層セラコン	
C870	US063470	C. CE. CHP	4700pF 50V B		チップセラコン	01
C901-903	US035100	C. CE. CHP	0.1uF 16V B		チップセラコン	01
C904	UR867100	C. EL	10uF 50V		ケミコン	01
C905	UR818330	C. EL	330uF 6.3V		ケミコン	01
C906	US035100	C. CE. CHP	0.1uF 16V B		チップセラコン	01
C907	US062100	C. CE. CHP	100pF 50V B		チップセラコン	01
C908	US064100	C. CE. CHP	0.01uF 50V B		チップセラコン	01
C909-910	US035100	C. CE. CHP	0.1uF 16V B		チップセラコン	01
C911	US065100	C. CE. CHP	0.1uF 50V B		チップセラコン	01
C912-913	UR857220	C. EL	22uF 35V		ケミコン	01
C914	UR818100	C. EL	100uF 6.3V		ケミコン	01
C915	UR837220	C. EL	22uF 16V		ケミコン	01
C916-917	US035100	C. CE. CHP	0.1uF 16V B		チップセラコン	01
C918	US061220	C. CE. CHP	22pF 50V B		チップセラコン	01
C919	UR867470	C. EL	47uF 50V		ケミコン	01
C920	US035100	C. CE. CHP	0.1uF 16V B		チップセラコン	01
C921-923	US065100	C. CE. CHP	0.1uF 50V B		チップセラコン	01
C952	UR818470	C. EL	470uF 6.3V	B	ケミコン	01
C953	US135100	C. CE. CHP	0.1uF 16V	B	チップセラコン	01
C954	US135330	C. CE. CHP	0.33uF 16V	B	チップセラコン	01
C955	US046100	C. CE. CHP	1uF 25V	B	チップセラコン	01
C957	UR818470	C. EL	470uF 6.3V	B	ケミコン	01
C963	US135220	C. CE. CHP	0.22uF 16V	B	チップセラコン	01
C966	UR818100	C. EL	100uF 6.3V	B	ケミコン	01
△ D501	V4756800	DIODE. BRG	S1NB60 1A 600V		ダイオードブリッジ	01
D502	VT332900	DIODE	1SS355		ダイオード	01
D503	WJ459300	DIODE	D1FK60-5063		ダイオード	01
D504	VV463000	DIODE. CHP	1.1A 200V D1FL20U		チップダイオード	01
△ D505	VN953300	DIODE. BRG	D5SBA60 5A 600V		ダイオードブリッジ	04
D506	VT332900	DIODE	1SS355		ダイオード	01
D507	VU995400	DIODE. ZENR	MA8100-M 10V		ツェナーダイオード	
D508	VU993800	DIODE. ZENR	MA8068-M 6.8V		ツェナーダイオード	01
D509	VN478200	DIODE	D1NL20U		ダイオード	01
D510-512	VT332900	DIODE	1SS355		ダイオード	01
D513	WJ459300	DIODE	D1FK60-5063	JUCV	ダイオード	01
D513	WJ151900	DIODE	STTH110A	TKGLEAB	ダイオード	
D514	VG443100	DIODE. ZENR	MTZJ27D 27V		ツェナーダイオード	01
D515	VT332900	DIODE	1SS355		ダイオード	01
D516	VN478200	DIODE	D1NL20U		ダイオード	01
D517	VT332900	DIODE	1SS355		ダイオード	01
D518	VN478200	DIODE	D1NL20U		ダイオード	01
D519-520	WH316000	DIODE	D1NJ10-7070		ダイオード	01
D521	VV000200	DIODE. ZENR	32.0V MA8330-L		ツェナーダイオード	01
* D522	WH127300	DIODE. SHOT	SF30SC6 30A 60V		ショットキーダイオード	
D523	VU997400	DIODE. ZENR	MA8160-L 15.7V		ツェナーダイオード	01
D524-526	VT332900	DIODE	1SS355		ダイオード	01
D527	VV220700	DIODE. SHOT	RB501V-40	UCAB	ショットキーダイオード	01
D528	V6267600	DIODE	RB051L-40	UCAB	ダイオード	01
* D529	WK583800	DIODE. ZENR	1ZB100(TPA3, Q)	TKGLEAB	ツェナーダイオード	
* D530	WK583800	DIODE. ZENR	1ZB100(TPA3, Q)		ツェナーダイオード	
D531	WJ116300	DIODE. SHOT	D1NS4-5070 26		ショットキーダイオード	01
D532	VT208800	DIODE	D3S4M 7002 P7.5		ダイオード	02
* D534	WK583800	DIODE. ZENR	1ZB100(TPA3, Q)		ツェナーダイオード	

* New Parts * 新規部品

P.C.B. POWER

Ref No.	Part No.	Description	Remarks	Markets	部 品 名	ラング	
*	D535	WK583800	DIODE. ZENR	1ZB100(TPA3, Q)	TKGLEAB	ツェナーダイオード	
	D536-537	VG438600	DIODE. ZENR	MTZJ7.5B 7.5V		ツェナーダイオード	01
	D538	WK397500	DIODE. ZENR	1ZB200-Y(TPA3, Q)	JUCV	ツェナーダイオード	03
	D539	WK397500	DIODE. ZENR	1ZB200-Y(TPA3, Q)		ツェナーダイオード	03
	D540	WJ116300	DIODE. SHOT	D1NS4-5070 26		ショットキーダイオード	01
	D541	VT332900	DIODE	1SS355		ダイオード	01
	D801-802	VT332900	DIODE	1SS355		ダイオード	01
	D803	VU992600	DIODE. ZENR	MA8051-M 5.1V		ツェナーダイオード	01
	D851	WF877600	DIODE	PD413PI		ピンフォトダイオード	04
	D852-855	V9634300	DIODE. SHOT	RB551V-30 TAPING		ショットキーダイオード	01
	D856-858	VD631600	DIODE	1SS133, 176		ダイオード	01
	D901	VU993400	DIODE. ZENR	MA8062-M 6.2V		ツェナーダイオード	01
	D953	VT332900	DIODE	1SS355	B	ダイオード	01
△	F501	WG410400	FUSE	5A 125V	JUCV	ヒューズ	01
△	F501	KB000690	FUSE	T2.5A 250V	TKGLEAB	ヒューズ	01
△	IC501	V8100500	PHOT. CPL	TLP421 GR		フォトカブラ	01
△	IC502	X8899A00	IC	MIP2F40MS		電源IC	04
△	IC503	V8100500	PHOT. CPL	TLP421 GR		フォトカブラ	01
△	IC504	X7734A00	IC	FA5511N-D1-TE1		電源IC	04
△	IC505-506	V8100500	PHOT. CPL	TLP421 GR		フォトカブラ	01
	IC507	X9117A00	IC	R1154N033B-TR-F		電源IC	02
	IC508	X6770A00	IC	NJM431U(TE1)		電源IC	01
	IC509-510	XJ602A00	IC	NJM78M12FA		IC	02
	IC511	XJ604A00	IC	NJM78M05FA		IC	02
	IC512	X6770A00	IC	NJM431U(TE1)		電源IC	01
*	IC520	X8354A00	IC	PQ1CG41H2FZ	UCAB	電源IC	
	IC801-802	X3505A00	IC	NJM2068MD-TE2		アンプIC	02
	IC851	X6955A00	IC	NJM2716F OPAMP		アンプIC	05
	IC852	X6954A00	IC	NJM2717M OPAMP		アンプIC	05
	IC901	X6386A00	IC	M66003-0131FP		IC	07
	IC902	X2656A00	IC	TC7SH08F AND		ロジックIC	01
*	IC951	X9321A00	IC	PQ012GN01ZPH	B	電源IC	
*	JK801	WK590300	JACK. MNI	YKB21-5228		ミニジャック	
	JK802	WJ250300	JACK. MNI	LGS6506-0700F		ミニジャック	04
	JK891	Vi435500	JACK. MNI	YKB21-5130		ミニジャック	01
	PN501	V8637500	PIN	L=50 #18		スタイルピン	
	PN901	V8637500	PIN	L=50 #18		スタイルピン	
	Q502-503	iC181510	TR	2SC1815 Y		トランジスタ	01
△	Q504	WF871900	FET	2SK3523-01R	JUCV	F E T	06
*	Q504	WF871800	FET	2SK3876-01R	TKGLEAB	F E T	
	Q505	VV655700	TR. DGT	DTC144EKA		デジタルトランジスタ	01
	Q506	WF764000	TR	2SA2093 Q TP		トランジスタ	02
	Q507-508	VV556400	TR	2SC2412K Q, R, S	UCAB	トランジスタ	01
	Q851-852	WC397600	TR	2N5401S-RTK/P		トランジスタ	01
	Q901-908	VV556400	TR	2SC2412K Q, R, S		トランジスタ	01
	Q909	iD040040	TR	2SD400		トランジスタ	02
	Q910	iB054430	TR	2SB544 D, E, F, G		トランジスタ	01
	Q911	iC181510	TR	2SC1815 Y		トランジスタ	01
	Q955	VV556400	TR	2SC2412K Q, R, S	B	トランジスタ	01
	Q956	VV556500	TR	2SA1037K Q, R, S	B	トランジスタ	01
	Q957	VV556400	TR	2SC2412K Q, R, S	B	トランジスタ	01
	R503	WA623200	R. MTL. OXD	180kΩ 1W		酸化金属被膜抵抗	01
*	R529	WK043700	R. MTL. PLAT	0.012Ω 2W	J	金属板抵抗	
*	R529	WH942200	R. MTL. PLAT	0.015Ω 2W	UCV	金属板抵抗	
*	R529	WH016300	R. MTL. PLAT	0.033Ω 2W	TKGLEAB	金属板抵抗	

* New Parts * 新規部品

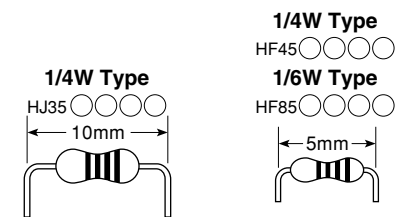
P.C.B. POWER

Carbon Resistors

Ref No.	Part No.	Description	Remarks	Markets	部 品 名	ランク
R551-552	VP940800	R. MTL. OXD	470 Ω 1W		酸化金属被膜抵抗	01
R558	WB784200	R. MTL. FLM	1.5 Ω 1W		金属被膜抵抗	
R801	HV753390	R. CAR. FP	3.9 Ω 1/4W		不燃化カーボン抵抗	01
R917-918	HV755470	R. CAR. FP	470 Ω 1/4W		不燃化カーボン抵抗	01
R919	HV753100	R. CAR. FP	1 Ω 1/4W		不燃化カーボン抵抗	01
RY501	WK441000	RELAY	DC ALKT329 M01		電源リレー TV-8	04
SW991-994	WD483100	SW. TACT	SKRGAAD010		タクト SW	01
T501	X8902A00	TRANS. PWR		JUCV	電源トランス	
T502	X7791A00	TRANS. PWR		TKGLEAB	電源トランス	
T502	X7855A00	TRANS. PWR		JUCV	電源トランス	05
TH501	WF875300	POSISTOR	NTPAN4ROLDKBO 4.0		サーミスタ	
TH501	WF875400	POSISTOR	NTPAD8ROLDNBO 8.0		サーミスタ	
U901-902	WK721700	L. DTCT	GP1UE291QKVF		リモコン受光ユニット	04
V901	WH313100	FL. DSPLY	17-BT-28GNK		蛍光表示管	09
	VQ368500	PUSH. RIVET	P3545-B		プッシュリベット	01
	WJ373300	SHEET. FL	PINK	4000, 40D	シートFL	
	WK490900	SHEET. FL	BLUE	7040	シートFL	
	WE983600	SCR. BND. HD	3x8 MFZN2B3		バインド小ネジ	01
	WE774400	SCR. BND. HD	3x8 MFZN2B3		バインドBタイトネジ	01
	WE877800	SCR. BND. HD	3x6 MFZN2B3		バインドSタイトネジ	01

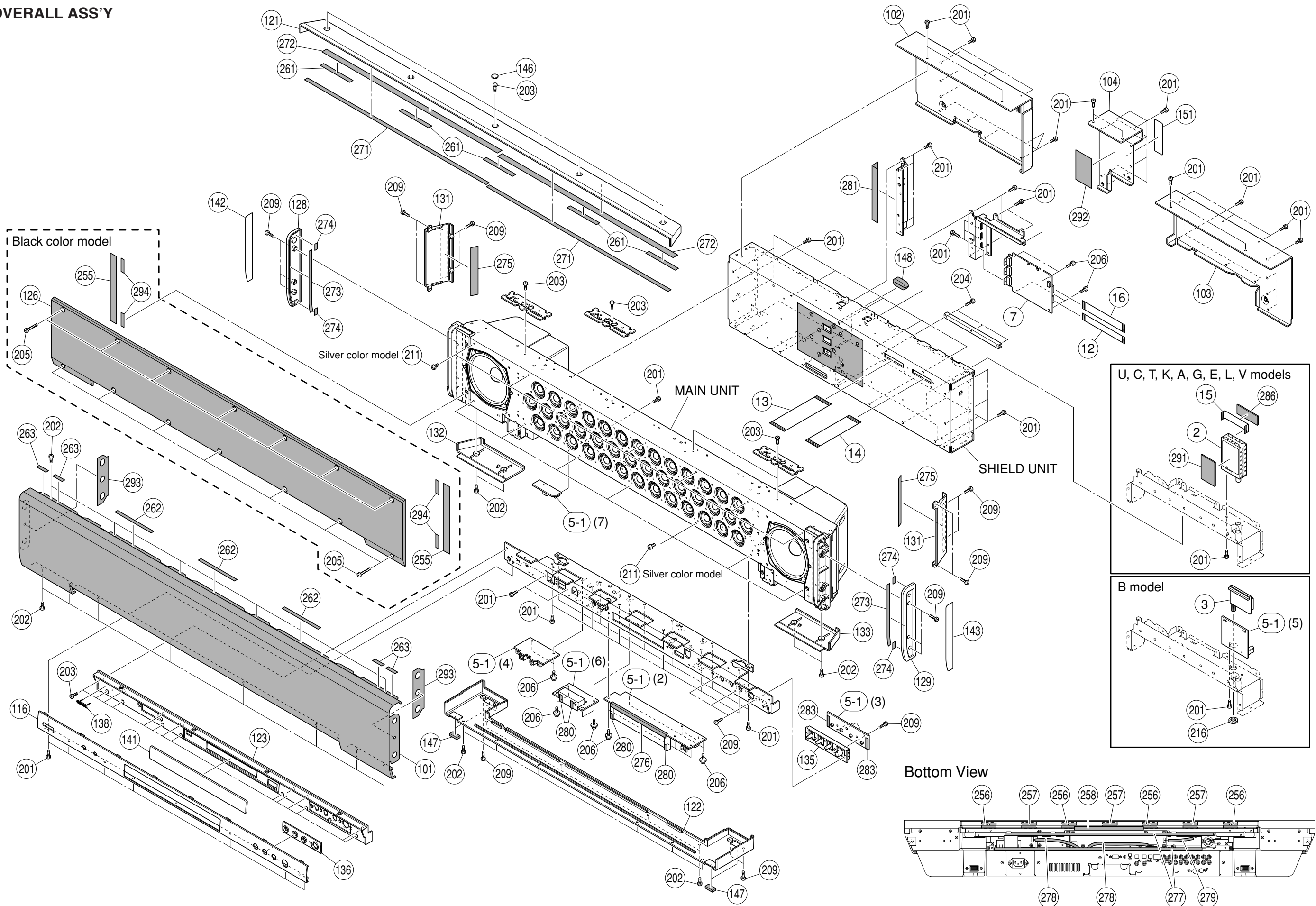
* New Parts * 新規部品

Value	1/4W Type Part No.	1/6W Type Part No.	Value	1/4W Type Part No.	1/6W Type Part No.
1.0 Ω	HJ35 3100	HF85 3100	10 kΩ	HF45 7100	HF45 7100
1.8 Ω	HJ35 3180	*	11 kΩ	HF45 7110	HF45 7110
2.2 Ω	HJ35 3220	HF85 3220	12 kΩ	HJ35 7120	HF85 7120
3.3 Ω	HJ35 3330	HF85 3330	13 kΩ	HF45 7130	HF45 7130
4.7 Ω	HJ35 3470	HF85 3470	15 kΩ	HF45 7150	HF45 7150
5.6 Ω	HJ35 3560	HF85 3560	18 kΩ	HF45 7180	HF45 7180
10 Ω	HF45 4100	HF45 4100	22 kΩ	HF45 7220	HF45 7220
15 Ω	HJ35 4150	HF85 4150	24 kΩ	HF45 7240	HF45 7240
22 Ω	HF45 4220	HF45 4220	27 kΩ	HJ35 7270	HF85 7270
27 Ω	HJ35 4270	HF85 4270	30 kΩ	HF45 7300	HF45 7300
33 Ω	HF45 4330	HF45 4330	33 kΩ	HF45 7330	HF45 7330
39 Ω	HJ35 4470	HF85 4390	36 kΩ	HF45 7360	HF45 7360
47 Ω	HF45 4470	HF45 4470	39 kΩ	HF45 7390	HF45 7390
56 Ω	HF45 4560	HF45 4560	47 kΩ	HF45 7470	HF45 7470
68 Ω	HF45 4680	HF45 4680	51 kΩ	HF45 7510	HF45 7510
75 Ω	HF45 4750	HF45 4750	56 kΩ	HF45 7560	HF45 7560
82 Ω	HF45 4820	HF45 4820	62 kΩ	HF45 7620	HF45 7620
91 Ω	HF45 4910	HF45 4910	68 kΩ	HF45 7680	HF45 7680
100 Ω	HF45 5100	HF45 5100	82 kΩ	HF45 7820	HF45 7820
110 Ω	HJ35 5110	HF85 5110	91 kΩ	HF45 7910	HF45 7910
120 Ω	HF45 5120	HF45 5120	100 kΩ	HF45 8100	HF45 8100
150 Ω	HF45 5150	HF45 5150	110 kΩ	HF45 8110	HF45 8110
160 Ω	HJ35 5160	*	120 kΩ	HF45 8120	HF45 8120
180 Ω	HF45 5180	HF45 5180	150 kΩ	HF45 8150	HF45 8150
200 Ω	HF45 5200	HF45 5200	180 kΩ	HF45 8180	HF45 8180
220 Ω	HF45 5220	HF45 5220	220 kΩ	HJ35 8220	HF85 8220
270 Ω	HF45 5270	HF45 5270	270 kΩ	HF45 8270	HF45 8270
330 Ω	HF45 5330	HF45 5330	300 kΩ	HF45 8300	HF45 8300
390 Ω	HF45 5390	HF45 5390	330 kΩ	HF45 8330	HF45 8330
430 Ω	HF45 5430	HF45 5430	390 kΩ	HJ35 8390	HF85 8390
470 Ω	HF45 5470	HF45 5470	470 kΩ	HF45 8470	HF45 8470
510 Ω	HF45 5510	HF45 5510	560 kΩ	HJ35 8560	HF85 8560
560 Ω	HF45 5560	HF45 5560	680 kΩ	HJ35 8680	HF85 8680
680 Ω	HF45 5680	HF45 5680	820 kΩ	HJ35 8820	HF85 8820
820 Ω	HF45 5820	HF45 5820	1.0 MΩ	HF45 9100	HF45 9100
910 Ω	HF45 5910	HF45 5910	1.2 MΩ	HJ35 9120	*
1.0 kΩ	HF45 6100	HF45 6100	1.5 MΩ	HJ35 9150	HF85 9150
1.2 kΩ	HF45 6120	HF45 6120	1.8 MΩ	HJ35 9180	HF85 9180
1.5 kΩ	HF45 6150	HF45 6150	2.2 MΩ	HJ35 9220	HF85 9220
1.8 kΩ	HF45 6180	HF45 6180	3.3 MΩ	HJ35 9330	HF85 9330
2.0 kΩ	HJ35 6200	HF85 6200	3.9 MΩ	HJ35 9390	*
2.2 kΩ	HF45 6220	HF45 6220	4.7 MΩ	HJ35 9470	HF85 9470
2.4 kΩ	HJ35 6240	HF85 6240			
2.7 kΩ	HF45 6270	HF45 6270			
3.0 kΩ	HF45 6300	HF45 6300			
3.3 kΩ	HF45 6330	HF45 6330			
3.6 kΩ	HJ35 6360	HF85 6360			
3.9 kΩ	HF45 6390	HF45 6390			
4.7 kΩ	HF45 6470	HF45 6470			
5.1 kΩ	HF45 6510	HF45 6510			
5.6 kΩ	HF45 6560	HF45 6560			
6.8 kΩ	HF45 6680	HF45 6680			
8.2 kΩ	HF45 6820	HF45 6820			
9.1 kΩ	HF45 6910	HF45 6910			



* : Not available

• OVERALL ASS'Y



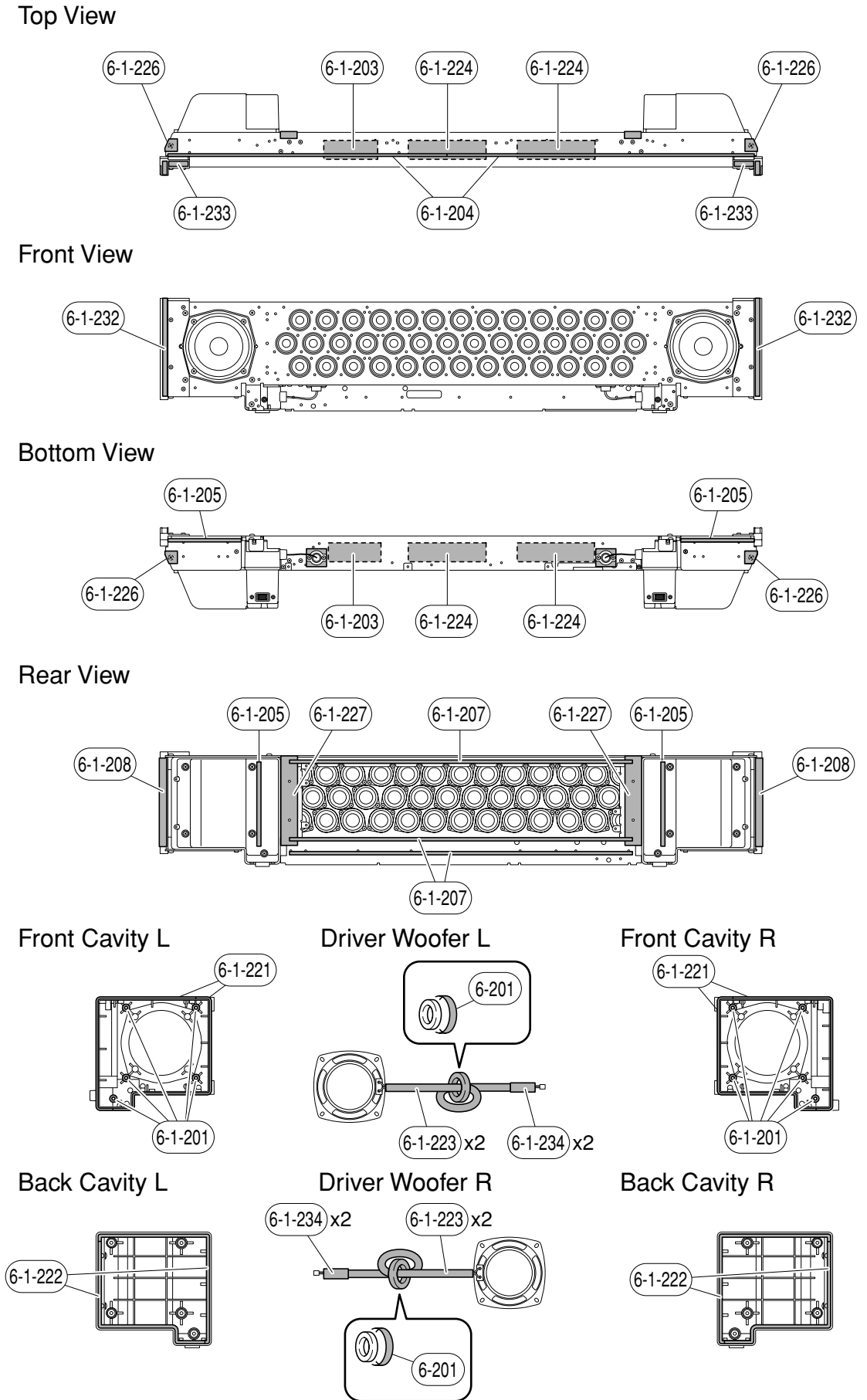
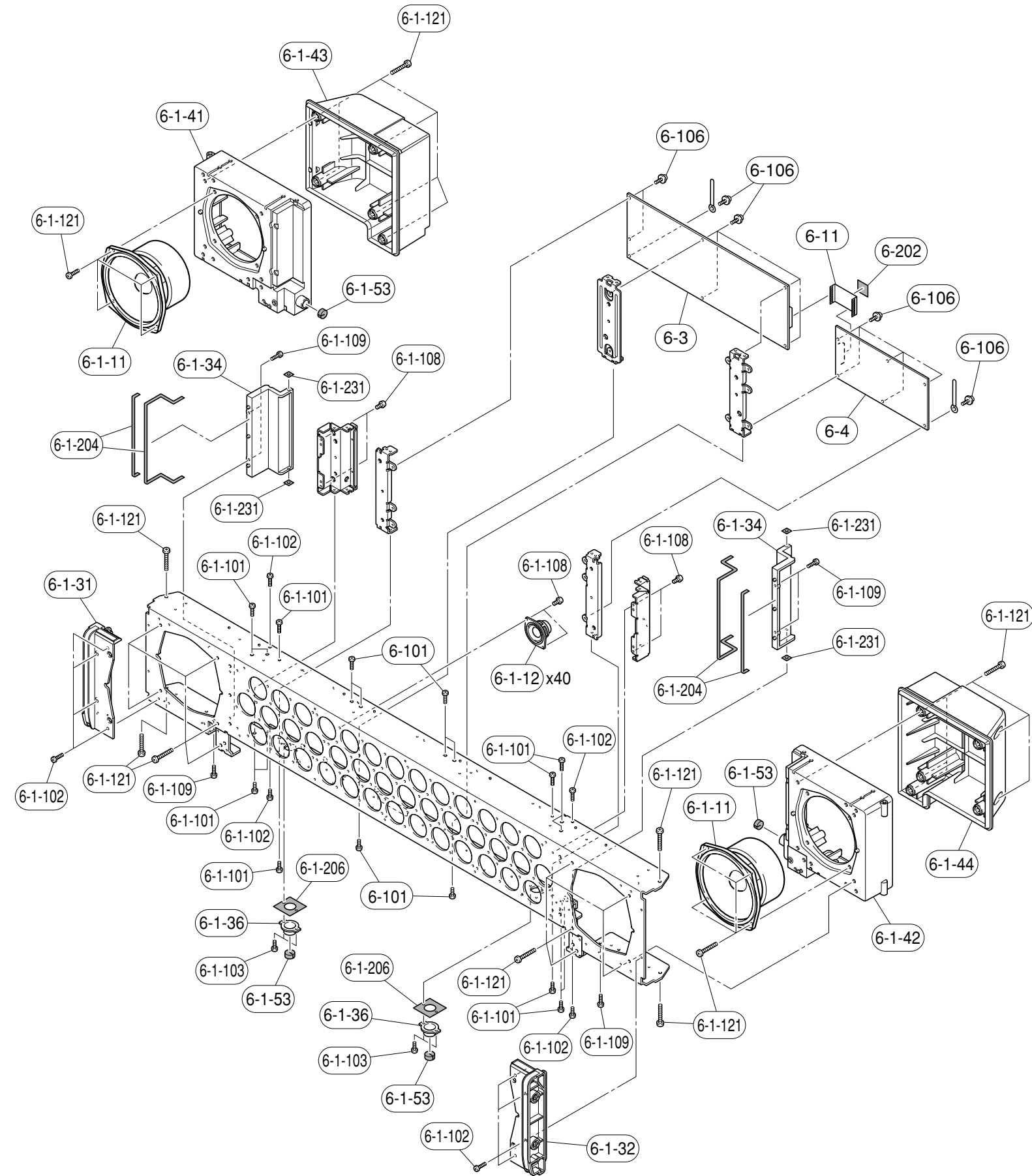
Ref No.	Part No.	Description	Remarks	Markets	部 品 名	ランク
*	2	WJ559000 FM TUNER	FAE381-A08N		UCTLV FMチューナー	
*	2	WJ559100 FM TUNER	FAE481-E08N		KAGE FMチューナー	
*	3	WK727600 DAB MODULE	VENICE 5 FS2025		B DABモジュール	
*	5-1	WK935400 P.C.B. ASS'Y	POWER		J PCB POWER	
*	5-1	WK935500 P.C.B. ASS'Y	POWER		UC PCB POWER	
*	5-1	WK935600 P.C.B. ASS'Y	POWER	4000	TKGEL PCB POWER	
*	5-1	WK936000 P.C.B. ASS'Y	POWER	7040	GE PCB POWER	
*	5-1	WK935700 P.C.B. ASS'Y	POWER		A PCB POWER	
*	5-1	WK935800 P.C.B. ASS'Y	POWER		B PCB POWER	
*	5-1	WK935900 P.C.B. ASS'Y	POWER		V PCB POWER	
*	7	WK686500 P.C.B. ASS'Y	HDMI		PCB HDMI	
*	12	WMO62300 FLEXIBLE FLAT CABLE	20P 80mm P=0.5		カード電線	
*	13	WMO61900 FLEXIBLE FLAT CABLE	40P 120mm P=1.0		カード電線	
*	14	WMO62100 FLEXIBLE FLAT CABLE	32P 120mm P=1.0		カード電線	
*	15	MF113070 FLEXIBLE FLAT CABLE	13P 70mm P=1.25		UCTKAGL カード電線 C & C	01
*	16	WMO62200 FLEXIBLE FLAT CABLE	24P 100mm P=0.5		カード電線	
*	101	WK620300 FRONT GRILLE		BL	フロントグリル	
*	101	WK620400 FRONT GRILLE		SI	フロントグリル	
*	102	WK620900 REAR PANEL L			リヤパネルL	
*	103	WK620800 REAR PANEL R			リヤパネルR	
*	104	WK621000 REAR PANEL CTR			リヤパネルCTR	
*	116	WK621700 FRONT PANEL		4000	JUCTKAGELV フロントパネル	
*	116	WK898000 FRONT PANEL		40D	B フロントパネル	
*	116	WK621800 FRONT PANEL		7040	GE フロントパネル	
*	121	WK622000 TOP PANEL			J トップパネル	
*	121	WK622100 TOP PANEL			UC トップパネル	
*	121	WK622200 TOP PANEL			TKAGELV トップパネル	
*	121	WK899600 TOP PANEL			B トップパネル	
*	122	WJ399600 COVER BOTTOM			ボトムカバー	
*	123	WK622600 SUB PANEL		4000, 40D	サブパネル	
*	123	WK622700 SUB PANEL		7040	サブパネル	
*	126	WJ398200 GRILLE SPEAKER ASS'Y		BL	グリルSP ASSY	
*	128	WK622800 COVER GRILLE L		BL	カバー グリル L	
*	128	WK622900 COVER GRILLE L		SI	カバー グリル L	
*	129	WK623000 COVER GRILLE R		BL	カバー グリル R	
*	129	WK623100 COVER GRILLE R		SI	カバー グリル R	
*	131	WK622300 SIDE COVER			サイドカバー	
*	132	WK623200 COVER BTS L			カバー BTS L	
*	133	WK623300 COVER BTS R			カバー BTS R	
*	135	WJ497300 BUTTON		4000, 40D	ボタン	
*	135	WK623900 BUTTON		7040	ボタン	
*	136	WK623400 ESCUTCHEON		4000, 40D	エスカッション	
*	136	WMO57500 ESCUTCHEON		7040	エスカッション	
*	138	V6034100 EMBLEM			エンブレム	03
*	141	WK728400 SHEET WINDOW			シート ウィンドウ	
*	142	WK907100 PLATE SIDE L		BL	プレート サイドL	
*	142	WK907200 PLATE SIDE L		SI	プレート サイドL	
*	143	WK907300 PLATE SIDE R		BL	プレート サイドR	
*	143	WK907400 PLATE SIDE R		SI	プレート サイドR	
*	146	WK907500 PLATE TOP			プレート トップ	
*	147	WK906900 LEG T5	19.5x9.5x5		レッグT5	
*	148	WE236900 PAD L			パッド/L	01
*	151	WK261600 PLATE HDMI			J プレートHDMI	
*	151	WK261700 PLATE HDMI			UCTKAGELV プレートHDMI	
*	201	WE774100 BIND HEAD BONDING B-T. SCREW	3x8 MFZN2B3		ボンディングBタイトネジ	01

* New Parts * 新規部品

Ref No.	Part No.	Description	Remarks	Markets	部 品 名	ランク
*	202	WE774400 BIND HEAD B-TIGHT SCREW	3x8 MFZN2B3		バインドBタイトネジ	01
*	203	WE774300 BIND HEAD B-TIGHT SCREW	3x8 MFZN2W3		バインドBタイトネジ	01
*	204	WE774200 BIND HEAD B-TIGHT SCREW	3x10 MFZN2W3		バインドBタイトネジ	01
*	205	WK912500 BIND HEAD B-TIGHT SCREW	3x15 MFZN2B3		バインドBタイトネジ	
*	206	WF002600 PW HEAD B-TIGHT SCREW	3x8 MFZN2W3		PWヘッドBタイトネジ	01
*	209	WF268000 BIND HEAD P-TIGHT SCREW	3x10 MFZN2B3		バインドPタイトネジ	01
*	211	WG348000 BIND HEAD S-TIGHT SCREW	3x4 MFZN2B3		バインドSタイトネジ	01
*	216	WG205000 NUT	3/8 UNEF-32		ナット	
*	255	WN280900 SPACER	160x17x0.25	BL	スペーサ	
*	256	WM261200 SPACER	40x22x0.25		スペーサ	
*	257	WM261100 SPACER	40x18x0.25		スペーサ	
*	258	WM261400 SPACER	140x10x0.25		スペーサ	
*	261	WM262200 CUSHION	80x7x1		クッション	
*	262	WM262400 CUSHION	100x7x2		クッション	
*	263	WM261900 CUSHION	25x7x2		クッション	
*	271	WMO45100 PACKING	500x8x1		パッキン	
*	272	WMO45000 PACKING	480x12x1		パッキン	
*	273	WMO45200 PACKING	150x8x2		パッキン	
*	274	WMO45300 PACKING	20x8x2		パッキン	
*	275	WG436900 INSULATOR	16x115x1		インシュレータ	
*	276	WE980000 CUSHION	150x12		クッション	
*	277	WE203200 PACKING	510x4x1		パッキン A	01
*	278	WM460600 PACKING	180x30x1		パッキン	
*	279	WM460400 PACKING	80x25x1		パッキン	
*	280	WE514300 PACKING H	40x10x1		パッキン H	01
*	281	WM460500 PACKING	130x30x1		パッキン	
*	283	WE980100 CUSHION	25x7		クッション	01
*	286	WM460700 PACKING	60x15x2		パッキン	
*	291	WF884800 PACKING	60x40x2		パッキン	01
*	292	WM460300 PACKING	75x50x1		パッキン	
*	293	WM261500 PACKING	113x30x1		パッキン	
*	294	WM262000 CUSHION	32x8x1	BL	クッション	

* New Parts * 新規部品

• MAIN UNIT

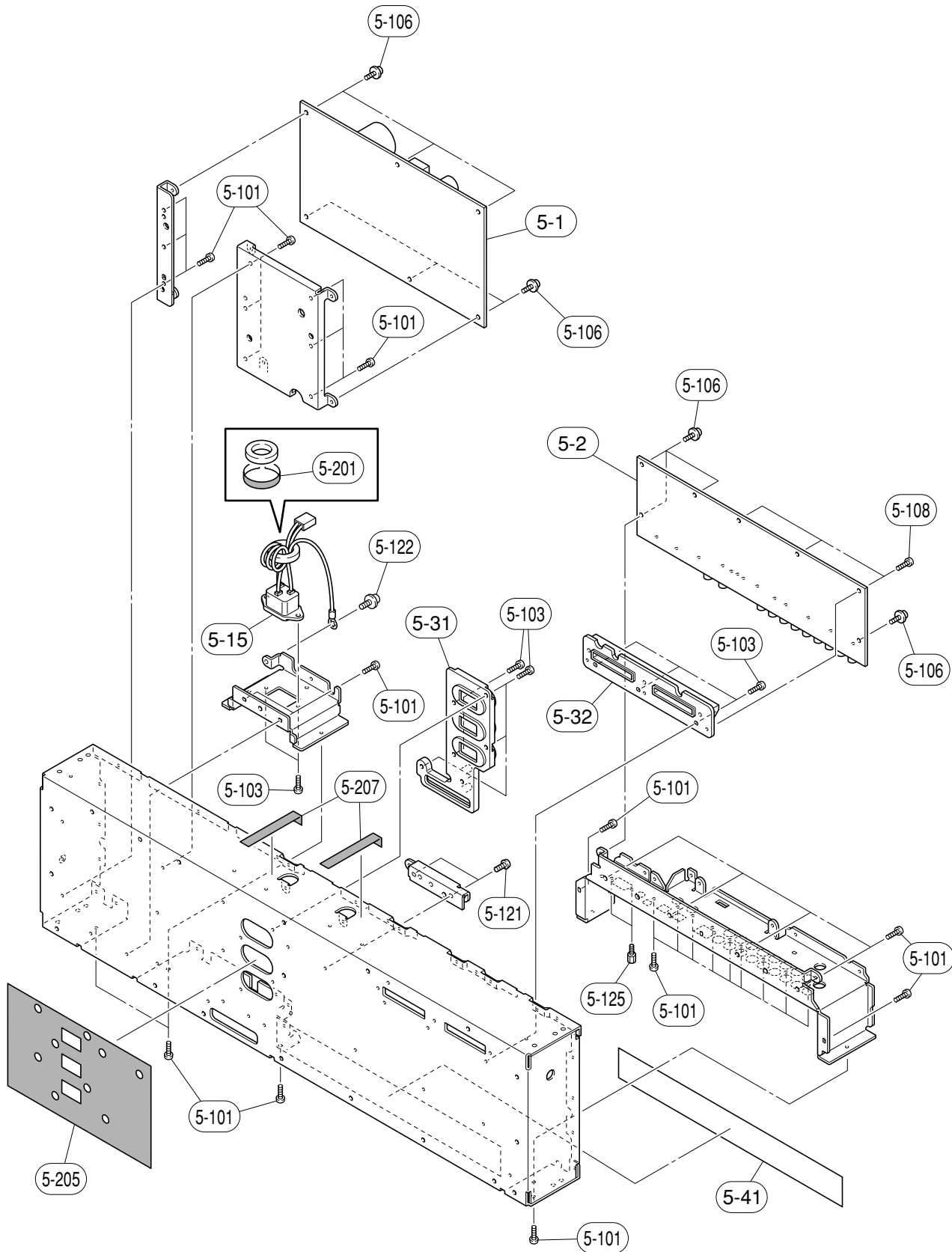


Ref No.	Part No.	Description	Remarks	Markets	部 品 名	ランク
*	6-1-11	X8620A00 DRIVER WOOFER	12cm 4Ω		スピーカーユニット	
*	6-1-12	AAx84610 DRIVER TWEETER	4cm 4Ω	CS040009-01	スピーカーユニット	
*	6-1-12	AAx84620 DRIVER TWEETER	4cm 4Ω	CS040009-02	スピーカーユニット	
*	6-1-31	WK622400 SUPPORT GRILLE			サポートグリル	
*	6-1-32	WK622500 SUPPORT GRILLE			サポートグリル	
*	6-1-34	WJ399800 STOPPER ESP			ストッパーESP	
*	6-1-36	WF539000 STOPPER FRAME			ストッパー/F R A M	01
*	6-1-41	WK623500 FRONT CAVITY L			FキャビティL	
*	6-1-42	WK623600 FRONT CAVITY R			FキャビティR	
*	6-1-43	WK623700 BACK CAVITY L			BキャビティL	
*	6-1-44	WK623800 BACK CAVITY R			BキャビティR	
*	6-1-53	WE237000 PAD S			パッド/S	03
*	6-1-101	WE774100 BIND HEAD BONDING B-T. SCREW	3x8 MFZN2B3		ボンディングBタイトネジ	01
*	6-1-102	WE774400 BIND HEAD B-TIGHT SCREW	3x8 MFZN2B3		バインドBタイトネジ	01
*	6-1-103	WE774300 BIND HEAD B-TIGHT SCREW	3x8 MFZN2W3		バインドBタイトネジ	01
*	6-1-108	WG348000 BIND HEAD S-TIGHT SCREW	3x4 MFZN2B3		バインドSタイトネジ	01
*	6-1-109	WF268000 BIND HEAD P-TIGHT SCREW	3x10 MFZN2B3		バインドPタイトネジ	01
*	6-1-121	WK912600 BIND HEAD P-TIGHT SCREW	4x20 MFZN2B3		バインドPタイトネジ	
*	6-1-201	WE237300 PACKING E	D10/4.5 t=1		パッキン E	01
*	6-1-203	WF885400 PACKING	90x30 t=1		パッキン	01
*	6-1-204	WE203200 PACKING	950x4x1		パッキン A	01
*	6-1-205	WE203300 PACKING	140x4x1		パッキン B	01
*	6-1-206	WG141300 PACKING	34x30		パッキン	01
*	6-1-207	WJ317400 PACKING WOOFER	4x580x1		パッキン ウーファー	
*	6-1-208	WE980000 CUSHION	150x12		クッション 150	
*	6-1-221	WM044800 PACKING	380x4x1		パッキン	
*	6-1-222	WM044900 PACKING	380x12x1		パッキン	
*	6-1-223	WM269900 PACKING	320x25x1		パッキン	
*	6-1-224	WM460500 PACKING	130x30x1		パッキン	
*	6-1-226	WM045400 PACKING	20x20x1		パッキン	
*	6-1-227	WM045500 PACKING	162x28x1		パッキン	
*	6-1-231	WM261000 SPACER	10x10x0.5		スペーサ	
*	6-1-232	WM262500 CUSHION	175x8x1		クッション	
*	6-1-233	WM262000 CUSHION	32x8x1		クッション	
*	6-1-234	WM460400 PACKING	80x25x1		パッキン	
*	6-3	WK936900 P.C.B. ASS'Y	AMP		P C B AMP	
*	6-4	WK686800 P.C.B. ASS'Y	DSP		P C B DSP	
*	6-11	WM061700 FLEXIBLE FLAT CABLE	30P 60mm P=1.0		カード電線	
*	6-101	WE774100 BIND HEAD BONDING B-T. SCREW	3x8 MFZN2B3		ボンディングBタイトネジ	01
*	6-106	WF002600 PW HEAD B-TIGHT SCREW	3x8 MFZN2W3		PWヘッドBタイトネジ	01
*	6-201	WM460200 PACKING	70x18x1		パッキン	
*	6-202	WM045400 PACKING	20x20x1		パッキン	

* New Parts * 新規部品

YSP-4000/YSP-40D/HTY-7040

- SHIELD UNIT



Ref No.	Part No.	Description	Remarks	Markets	部 品 名	ランク	
*	5-1	WK935400	P. C. B. ASS'Y	POWER	J	PCB POWER	
*	5-1	WK935500	P. C. B. ASS'Y	POWER	UC	PCB POWER	
*	5-1	WK935600	P. C. B. ASS'Y	POWER	TKGEL	PCB POWER	
*	5-1	WK936000	P. C. B. ASS'Y	POWER	GE	PCB POWER	
*	5-1	WK935700	P. C. B. ASS'Y	POWER	A	PCB POWER	
*	5-1	WK935800	P. C. B. ASS'Y	POWER	B	PCB POWER	
*	5-1	WK935900	P. C. B. ASS'Y	POWER	V	PCB POWER	
*	5-2	WK936100	P. C. B. ASS'Y	INPUT	J	PCB INPUT	
*	5-2	WK936200	P. C. B. ASS'Y	INPUT	UC	PCB INPUT	
*	5-2	WK936300	P. C. B. ASS'Y	INPUT	TL	PCB INPUT	
*	5-2	WK936400	P. C. B. ASS'Y	INPUT	KV	PCB INPUT	
*	5-2	WK936500	P. C. B. ASS'Y	INPUT	A	PCB INPUT	
*	5-2	WK936600	P. C. B. ASS'Y	INPUT	B	PCB INPUT	
*	5-2	WK936700	P. C. B. ASS'Y	INPUT	GE	PCB INPUT	
*	5-2	WK936800	P. C. B. ASS'Y	INPUT	GE	PCB INPUT	
	5-15	WH149000	AC INLET ASS'Y	with CABLE(200mm)		ACインレットASSY	07
*	5-31	WJ399700	SUPPORT SHIELD			サポートSHIELD	
*	5-32	WJ399900	STOPPER CASE			ストッパーCASE	
*	5-41	WJ400600	SHEET INPUT		J	シート INPUT	
*	5-41	WJ400700	SHEET INPUT		UC	シート INPUT	
*	5-41	WJ400900	SHEET INPUT		TKGELV	シート INPUT	
*	5-41	WJ401000	SHEET INPUT		A	シート INPUT	
*	5-41	WJ400800	SHEET INPUT		B	シート INPUT	
	5-101	WE774100	BIND HEAD BONDING B-T. SCREW	3x8 MFZN2B3		ボンディングBタイトネジ	01
	5-103	WE774300	BIND HEAD B-TIGHT SCREW	3x8 MFZN2W3		バインドBタイトネジ	01
	5-106	WF002600	PW HEAD B-TIGHT SCREW	3x8 MFZN2W3		PWヘッドBタイトネジ	01
	5-108	WF268000	BIND HEAD P-TIGHT SCREW	3x10 MFZN2B3		バインドPタイトネジ	01
	5-121	WG348000	BIND HEAD S-TIGHT SCREW	3x4 MFZN2B3		バインドSタイトネジ	01
	5-122	WE774700	BIND HEAD S-TIGHT SCREW	4x10 MFZN2W3		バインドSタイトネジ	01
	5-125	V6509600	JACK SCREW	SS6-A47511848		ジャックスクリュー	01
	5-201	WE980000	CUSHION	150x12		クッション 150	
*	5-205	WM261700	PACKING	180x110x1		パッキン	
*	5-207	WM261300	SPACER	75x10x0.25		スペーサ	

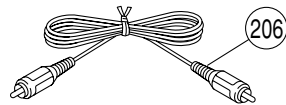
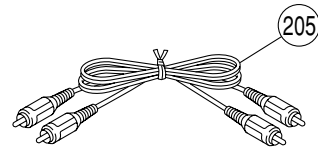
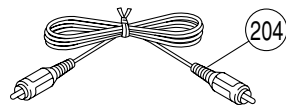
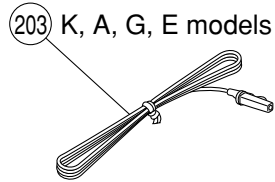
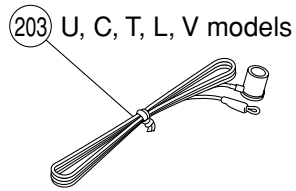
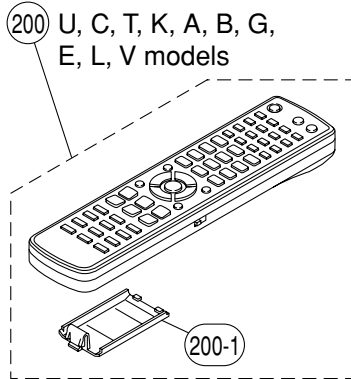
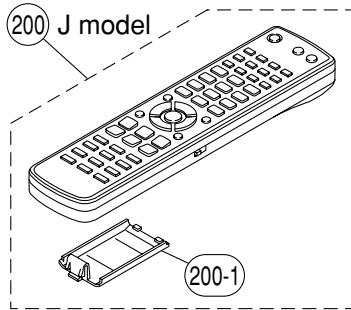
* New Parts * 新規部品

YSP-4000/YSP-40D/
HTY-7040

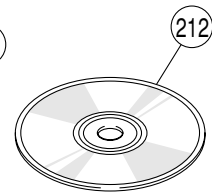
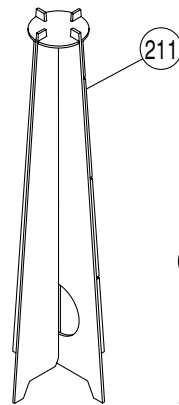
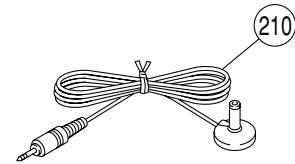
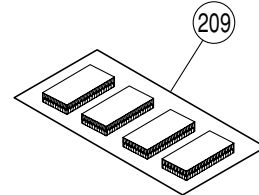
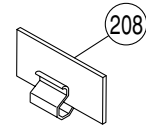
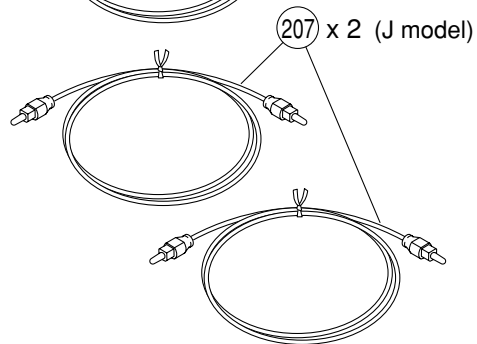
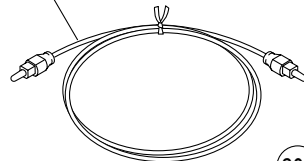
YSP-4000/YSP-40D/HTY-7040

1

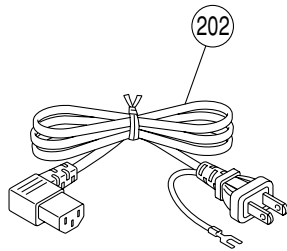
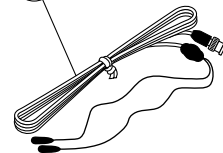
• ACCESSORIES



207 x 1 (U, C, T, K, A, B, G, E, L, V models)



213 B model



Ref No.	Part No.	Description	Remarks	Markets	部 品 名	ランク
		ACCESSORIES			付属品	
* 200	WJ553200	REMOTE CONTROL	RPC4001-2914EM	J	リモコン	
* 200	WJ553400	REMOTE CONTROL	RPC4001-2916EM	UC	リモコン	
* 200	WJ553500	REMOTE CONTROL	RPC4001-2915EM	TKAGELV	リモコン	
* 200	WJ553600	REMOTE CONTROL	RPC4001-2917EM	B	リモコン	
200-1	AAX57560	BATTERY COVER	103RRS-141-07L		電池蓋	04
△ 202	WG305200	POWER CABLE	2m 1pc	J	電源コード	10
△ 202	WE258200	POWER CABLE	2m 1pc	UC	電源コード	
△ 202	WE258400	POWER CABLE	2m 1pc	T	電源コード	
△ 202	WE258500	POWER CABLE	2m 1pc	K	電源コード	
△ 202	WE258600	POWER CABLE	2m 1pc	A	電源コード	
△ 202	WE258700	POWER CABLE	2m 1pc	B	電源コード	
△ 202	WE258800	POWER CABLE	2m 1pc	GEL	電源コード	
△ 202	WE258300	POWER CABLE	2m 1pc	V	電源コード	
203	V6267000	INDOOR FM ANTENNA	1.4m 1pc	UCTLV	F M簡易アンテナ	03
203	VQ147100	INDOOR FM ANTENNA	1.4m 1pc	KAGE	F M簡易アンテナ	02
204	WG299500	VIDEO PIN CABLE	1P 1.5m YE 1pc		ビデオ用ピンケーブル	04
205	WG290200	AUDIO PIN CABLE	2P 1.5m RE/WH 1pc		ステレオピンケーブル	04
206	WG299600	DIGITAL AUDIO PIN CABLE	1P 1.5m OR 1pc		デジタル音声ピンケーブル	04
207	WE818100	OPTICAL CABLE	1.5m 1pc		光ファイバーケーブル	06
208	WE785900	CABLE CLIP	1pc		ケーブル押さえ	02
209	WE812400	FASTENER	4pairs/set		ファスナー	09
210	WD526800	INTELLIBEAM MICROPHONE	6m 1pc		マイクロホン	09
211	WG225700	CARDBOARD MICROPHONE STAND	H=500mm 1pc		簡易マイクスタンド	04
* 212	X9057A00	DVD-ROM	DEMO DISC 1pc	J	DVD-ROM	05
* 212	X9280A00	DVD-ROM	DEMO DISC 1pc	UCTKABGELV	DVD-ROM	
213	WK830700	INDOOR DAB ANTENNA	1.6m 1pc	B	D A Bワイヤアンテナ	
		BATTERY	R6, AA, UM-3 2pcs		単3乾電池	

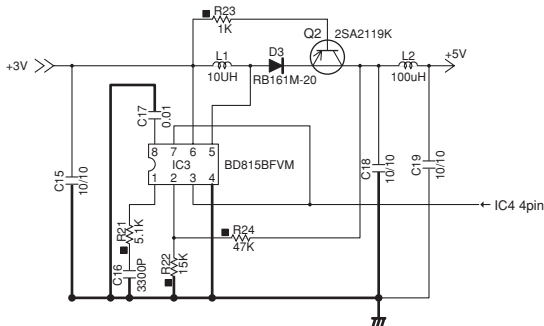
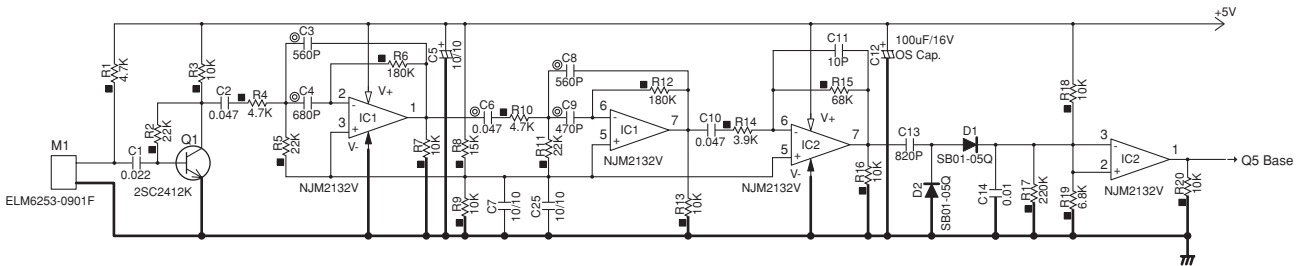
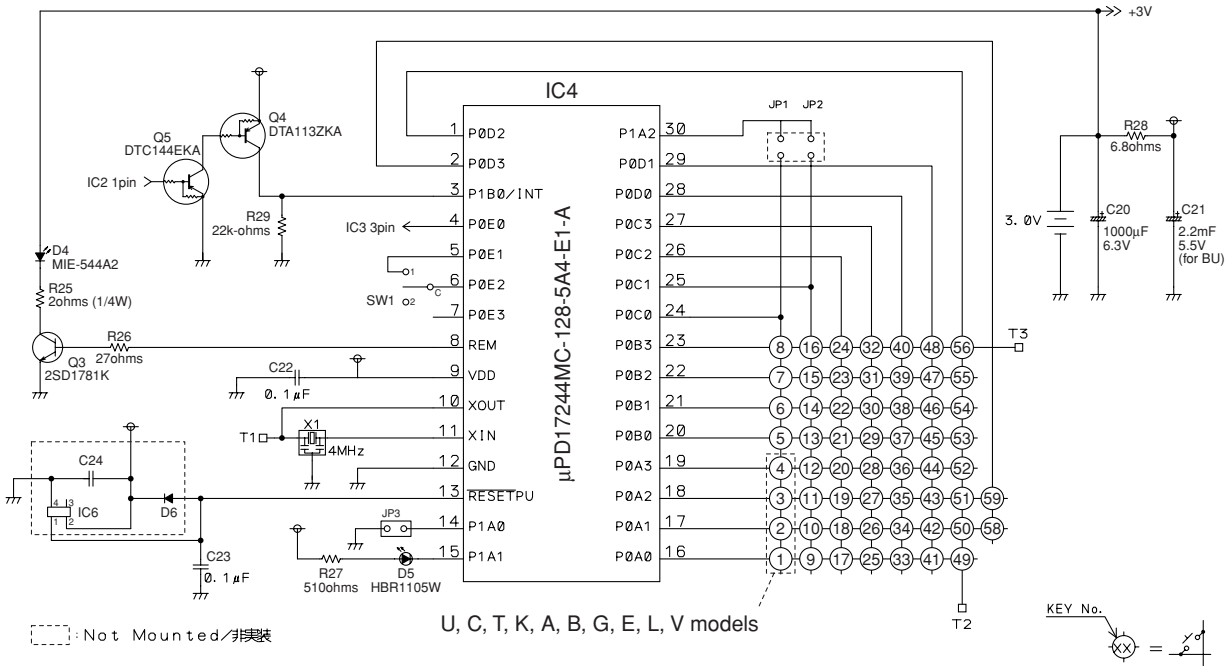
* New Parts * 新規部品

REMOTE CONTROL

SCHEMATIC DIAGRAMS

<JP1 · JP2>

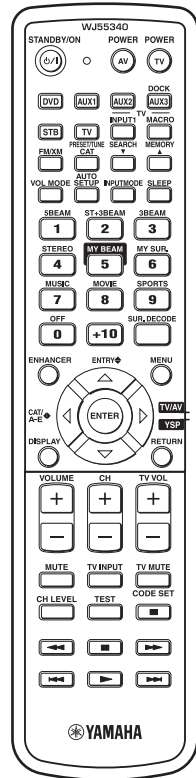
	J	U, C	T, K, A, G, E, L, V	B
JP1	O	X	X	X
JP2	X	X	X	X



YSP-4000/YSP-40D/
HTY-7040

• **PANELS**

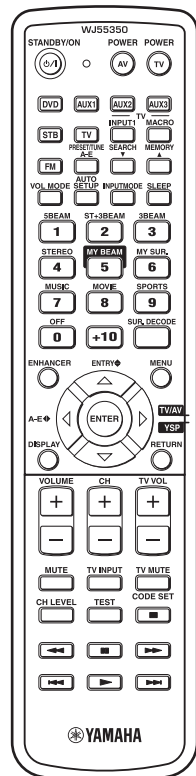
YSP-4000 (U, C models)



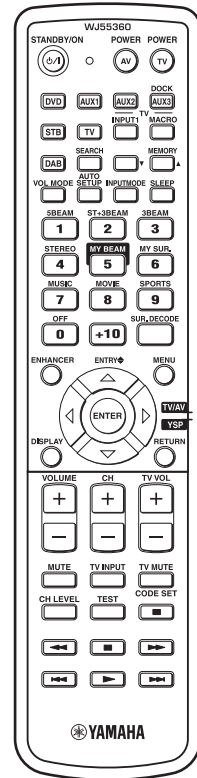
YSP-4000

(T, K, A, G, E, L, V models)

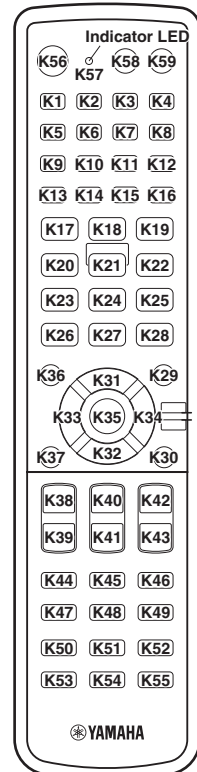
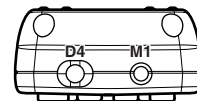
HTY-7040 (G, E models)



YSP-40D (B model)



Key layout



TV/AV
↑
YSP
↓
Slide switch
(SW1)

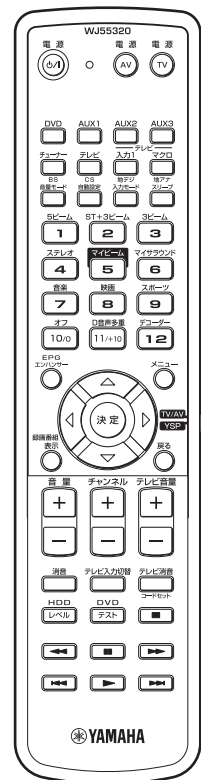
• **KEY CODE**

Key no.	Label			YSP	Operation at SW1=ON (TV/AV mode)																
	U, C models	T, K, A, G, E, L, V models	B model		6	5	1	2	3	4	9										
K1			DVD	78-4A	78-4A is transmitted.																
K2			AUX1	78-49	78-49 is transmitted.																
K3			AUX2	78-DE	78-DE is transmitted.																
K4	AUX3 / DOCK	AUX3	AUX3 / DOCK	78-BC	78-BC is transmitted.																
K5			STB	78-DF	78-DF is transmitted.																
K6			TV	78-DF	78-DF is transmitted.																
K9	FM/XM	FM	DAB	78-4B	78-4B is transmitted.																
					TV	STB	DVD	AUX1	AUX2	AUX3	<FM/XM>										
					Free	Free	Free	Free	Free	Free	Free	Free	Free	Free	Free	Free	Free	Free	Free	Free	Free
					H 206	Excluding 206	* 1	P1 699	M 399	P2 748	* 2	YAMAHA	YAMAHA								
					K13 BS	K14 CS	K15 DIGITAL	K16 ANALOG													
					INPUT1																
K7			TV INPUT1	→																	
K8			TV MACRO	(-)																	
K10	PRESET/TUNE / CAT	PRESET/TUNE / A-E	SEARCH	78-1D																	
K11			SEARCH ▼	78-1C																	
K12			MEMORY ▲	78-1B																	
K13			VOL MODE	78-8A	→	→	56-49	←	BS		BS										
K14			AUTO SETUP	78-A3	→	→	56-4C	←	CS		CS										
K15			INPUT MODE	78-8D	→	→	56-4A	←	Digital tuner		Digital tuner										
K16			SLEEP	78-4F	→	→	50-0A	←	Analog tuner		Analog tuner										
K17			1 / 5BEAM	78-C2	56-0D	56-61	56-71	50-0D	"1"	"1"	"1"	"1"	"1"	"1"	"1"	"1"	"1"	"1"	"1"	"1"	"1"
K18			2 / ST+3BEAM	78-C3	56-0E	56-62	56-72	50-0E	"2"	"2"	"2"	"2"	"2"	"2"	"2"	"2"	"2"	"2"	"2"	"2"	"2"
K19			3 / 3BEAM	78-C4	56-0F	56-63	56-73	50-0F	"3"	"3"	"3"	"3"	"3"	"3"	"3"	"3"	"3"	"3"	"3"	"3"	"3"
K20			4 / STEREO	78-50	56-1C	56-64	56-74	50-1C	"4"	"4"	"4"	"4"	"4"	"4"	"4"	"4"	"4"	"4"	"4"	"4"	"4"
K21			5 / MY BEAM	78-C5	56-1D	56-65	56-75	50-1D	"5"	"5"	"5"	"5"	"5"	"5"	"5"	"5"	"5"	"5"	"5"	"5"	"5"
K22			6 / MY SUR.	78-C6	56-1E	56-66	56-76	50-1E	"6"	"6"	"6"	"6"	"6"	"6"	"6"	"6"	"6"	"6"	"6"	"6"	"6"
K23			7 / MUSIC	78-DA	56-1F	56-67	56-77	50-1F	"7"	"7"	"7"	"7"	"7"	"7"	"7"	"7"	"7"	"7"	"7"	"7"	"7"
K24			8 / MOVIE	78-D9	56-04	56-68	56-78	50-04	"8"	"8"	"8"	"8"	"8"	"8"	"8"	"8"	"8"	"8"	"8"	"8"	"8"
K25			9 / SPORTS	78-D8	56-05	56-69	56-79	50-05	"9"	"9"	"9"	"9"	"9"	"9"	"9"	"9"	"9"	"9"	"9"	"9"	"9"
K26			0 / OFF	78-98	56-0C	56-60	56-70	50-06	"10" / "0"	"0"	"10" / "0"	"0"	"0"	"0"	"0"	"0"	"0"	"0"	"0"	"0"	"0"
K27			+10	78-A5	56-06	56-6A	56-7A	50-07	"11" / "+10"	-	"11" / "+10"	-	-	-	-	-	-	-	-	-	-
K28			SUR. DECODE	78-99	56-07	56-6B	56-7B	50-0C	"12" / "-"	-	"12" / "-"	-	-	-	-	-	-	-	-	-	-
K29			MENU	78-9D	→	→	50-53	←	MENU ("MENU")		MENU										
K30			RETURN	78-C0	→	→	50-A3	←	RETURN		RETURN										
K31			▲ (UP) / ENTRY ◆	78-8E	→	→	50-70	←	"↑"	"↑"	"↑"	"↑"	"↑"	"↑"	"↑"	"↑"	"↑"	"↑"	"↑"	"↑"	"↑"
K32			▼ (DOWN)	78-8F	→	→	50-71	←	"↓"	"↓"	"↓"	"↓"	"↓"	"↓"	"↓"	"↓"	"↓"	"↓"	"↓"	"↓"	"↓"
K33	◀ (LEFT) / CAT/A-E (LEFT/RIGHT)	◀ (LEFT) / A-E (LEFT/RIGHT)	◀ (LEFT)	78-9F	→	→	50-73	←	"←"	"←"	"←"	"←"	"←"	"←"	"←"	"←"	"←"	"←"	"←"	"←"	"←"
K34			▶ (RIGHT)	78-9E	→	→	50-72	←	"→"	"→"	"→"	"→"	"→"	"→"	"→"	"→"	"→"	"→"	"→"	"→"	"→"
K35			ENTER	78-C1	→	→	50-33	←	ENTER ("SELECT")		ENTER										
K36			ENHANCER	78-CB	→	→	56-41	←	Program guide		Program guide										
K37			DISPLAY	78-4E	→	→	56-32	←	-		-										
K38			VOLUME +	78-1E	←	←		←													
K39			VOLUME -	78-1F	←	←		←													
K40			CH +		→	→	50-19	←	"CH UP"	"CH UP"	"CH UP"	"CH UP"	"CH UP"	"CH UP"	"CH UP"	"CH UP"	"CH UP"	"CH UP"	"CH UP"	"CH UP"	"CH UP"
K41			CH -		→	→	50-18	←	"CH DOWN"	"CH DOWN"	"CH DOWN"	"CH DOWN"	"CH DOWN"	"CH DOWN"	"CH DOWN"	"CH DOWN"	"CH DOWN"	"CH DOWN"	"CH DOWN"	"CH DOWN"	"CH DOWN"
K42			TV VOL +		→	→	50-12	←	TV "VOL UP"		TV VOL +										
K43			TV VOL -		→	→	50-15	←	TV "VOL DOWN"		TV VOL -										
K44			MUTE	78-9C				←													
K45			TV INPUT		→	→	50-09	←	TV "INPUT SEL"		TV INPUT										
K46			TV MUTE / CODE SET		→	→	50-0B	←	TV "MUTE"		TV MUTE										
K47			CH LEVEL	78-48	→	→	50-A4	←													
K48			TEST	78-5F	→	→	50-AC	←													
K49			■ (STOP)		→	→	56-23	←													
K50			◀◀ (PAUSE)		→	→	56-21	←													
K51			(PAUSE)		→	→	56-24	←													
K52			▶▶ (PLAY)		→	→	56-22	←													
K53			▶▶▶ (PLAY)		→	→	56-30	←													
K54			▶▶▶▶ (PLAY)		→	→	56-20	←													
K55			▶▶▶▶▶ (PLAY)		→	→	56-37	←													
K56			STANDBY/ON	78-CC	←	←		←													
K57			Indicator LED																		
K58			AV / POWER		→	→		←													
K59			TV / POWER		→	→	50-17	←	TV "POWER"		TV POWER										

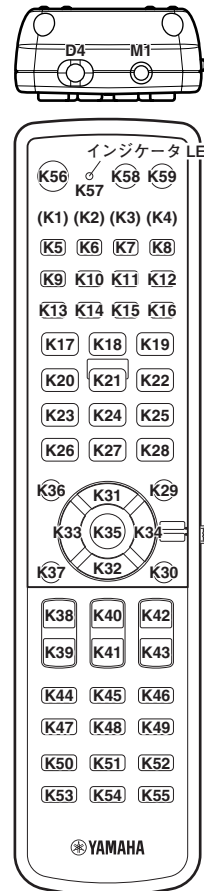
* 1: There is no setting. * 2: The preset is not possible.

● PANEL

YSP-4000 (J model)



Key layout



LED
TV/AV
↓
YSP
スライドスイッチ
(SW1)

● KEY CODE

Key no.	ラベル	YSP	SW1=ON 時の動作 (TV/AV mode)									
	J model		10 テレビ FIX/TV					9 チューナー	5 DVD	6 AUX1	7 AUX2	8 AUX3
			H 206					Free 設定なし	Free P1 699	Free M 399	Free P2 748	YAMAHA プリセット不可
			K13 BS	K14 CS	K15 デジタル	K16 アナログ	206 以外					新設
K1	—											
K2	—											
K3	—											
K4	—											
K5	DVD	78-4A										
K6	AUX1	78-49										
K7	AUX2	78-DE										
K8	AUX3	78-BC										
K9	チューナー / BS	78-DF										
K10	テレビ / CS	78-DF										
K11	テレビ 入力1 / 地デジ	→	→	→	50-21	←	INPUT1	←	←	←	←	←
K12	テレビ マクロ / 地アナ	(—)	→	→	—	←	—	←	←	←	←	←
K13	音量モード	78-8A	→	→	56-49	←	BS	←	BS	←	←	←
K14	自動設定	78-A3	→	→	56-4C	←	CS	←	CS	←	←	←
K15	入力モード	78-8D	→	→	56-4A	←	地デジ	←	地デジ	←	←	←
K16	スリープ	78-4F	→	→	50-0A	←	地アナ	←	地アナ	←	←	←
K17	1 / 5 ビーム	78-C2	56-0D	56-61	56-71	50-0D	“1”	“1”	“1”	“1”	“1”	“1”
K18	2 / ST+3 ビーム	78-C3	56-0E	56-62	56-72	50-0E	“2”	“2”	“2”	“2”	“2”	“2”
K19	3 / 3 ビーム	78-C4	56-0F	56-63	56-73	50-0F	“3”	“3”	“3”	“3”	“3”	“3”
K20	4 / ステレオ	78-50	56-1C	56-64	56-74	50-1C	“4”	“4”	“4”	“4”	“4”	“4”
K21	5 / マイビーム	78-C5	56-1D	56-65	56-75	50-1D	“5”	“5”	“5”	“5”	“5”	“5”
K22	6 / マイサラウンド	78-C6	56-1E	56-66	56-76	50-1E	“6”	“6”	“6”	“6”	“6”	“6”
K23	7 / 音楽	78-DA	56-1F	56-67	56-77	50-1F	“7”	“7”	“7”	“7”	“7”	“7”
K24	8 / 映画	78-D9	56-04	56-68	56-78	50-04	“8”	“8”	“8”	“8”	“8”	“8”
K25	9 / スポーツ	78-D8	56-05	56-69	56-79	50-05	“9”	“9”	“9”	“9”	“9”	“9”
K26	10 / 0 / オフ	78-98	56-0C	56-60	56-70	50-06	“10” / “0”	“0”	“10” / “0”	“0”	“0”	“0”
K27	11 / +10 / D音声多重	78-A5	56-06	56-6A	56-7A	50-07	“11” / “+10”	—	“11” / “+10”	—	—	—
K28	12 / デコーダ	78-99	56-07	56-6B	56-7B	50-0C	“12” / “-”	—	“12” / “-”	—	—	—
K29	メニュー	78-9D	→	→	50-53	←	メニュー	(“MENU”)	“MENU”	—	—	7F01-0F
K30	戻る	78-C0	→	→	50-A3	←	戻る	—	“RETURN”	—	—	7F01-13
K31	▲	78-8E	→	→	50-70	←	“↑”	“↑”	“↑”	—	—	7F01-0E
K32	▼	78-8F	→	→	50-71	←	“↓”	“↓”	“↓”	—	—	7F01-14
K33	◀	78-9F	→	→	50-73	←	“←”	“←”	“←”	—	—	7F01-10
K34	▶	78-9E	→	→	50-72	←	“→”	“→”	“→”	—	—	7F01-12
K35	決定	78-C1	→	→	50-33	←	決定	(“SELECT”)	“SELECT”	—	—	7F01-11
K36	EPG / エンハンサー	78-CB	→	→	56-41	←	番組表	—	番組表	—	—	—
K37	録画番組表示	78-4E	→	→	56-32	←	—	—	番組リスト	—	—	7F01-15
K38	音量 +	78-1E	←	←	←	←	←	←	←	←	←	←
K39	音量 -	78-1F	←	←	←	←	←	←	←	←	←	←
K40	チャンネル +	→	→	→	50-19	←	“CH UP”	“CH UP”	“CH UP”	“CH UP”	“CH UP”	—
K41	チャンネル -	→	→	→	50-18	←	“CH DOWN”	“CH DOWN”	“CH DOWN”	“CH DOWN”	“CH DOWN”	—
K42	テレビ音量 +	→	TV “VOL UP”		50-12	←	TV VOL +	←	←	←	←	←
K43	テレビ音量 -	→	TV “VOL DOWN”		50-15	←	TV VOL -	←	←	←	←	←
K44	消音	78-9C	←		←	←	←	←	←	←	←	←
K45	テレビ入力切替	→	TV “INPUT SEL”		50-09	←	TV INPUT	←	←	←	←	←
K46	テレビ消音 / コードセット	→	TV “MUTE”		50-0B	←	←	←	←	←	←	←
			TV, DVD, AUX1 / 2 のプリセット設定を行う SW1 の状態に関わらず有効とする									
K47	レベル / HDD	78-48	→	→	50-A4	←	—	—	HDD	—	—	—
K48	テスト / DVD	78-5F	→	→	50-AC	←	—	—	DVD	—	—	—
K49	■ (STOP)	→	→	→	56-23	←	—	—	STOP	STOP	—	7F01-1D
K50	◀◀ (REW)	→	→	→	56-21	←	—	—	REW	REW	—	7F01-17
K51	▢ (PAUSE)	→	→	→	56-24	←	—	—	Pause	Pause	—	7F01-1A
K52	▶▶ (FF)	→	→	→	56-22	←	—	—	FF	FF	—	7F01-18
K53	◀◀ (PLAY)	→	→	→	56-30	←	—	—	◀◀	—	—	7F01-1B
K54	▶▶ (PLAY)	→	→	→	56-20	←	—	—	▶▶	▶▶	—	7F01-1E
K55	▶▶ (PLAY)	→	→	→	56-37	←	—	—	▶▶	—	—	7F01-1C
K56	電源	78-CC	←	←	←	←	←	←	←	←	←	←
K57	インジケータLED											
K58	AV / 電源	→	→	→	—	←	—	POWER	POWER	POWER	POWER	—
K59	TV / 電源	→	TV “POWER”	50-17	50-17	50-17	TV POWER	←	←	←	←	←

Adjusting the system parameters

This unit has additional menus that are displayed in the front panel display. These menus offer additional operations to adjust and customize the way this unit operates.

Note

When "F-PANEL KEY" is set to "F-PANEL-OFF", STANDBY/ON on the front panel is ineffective. Use STANDBY/ON on the remote control instead to adjust the system parameters.

Using the system parameters

Follow the procedure below to enter the system parameters.

- Press and hold **INPUT** on the front panel and press **STANDBY/ON** on the remote control to turn on the power of this unit. "MEMORY PROTECT" is displayed in the front panel display.

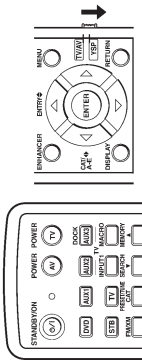


STANDBY/ON



MEMORY PROTECT

- Release **INPUT** on the front panel.



(U.S.A. and Canada models)

- Press **STANDBY/ON** on the remote control to turn off the power of this unit.

STANDBY/ON



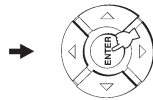
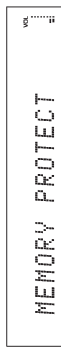
Setting the MEMORY PROTECT

You can protect the settings you saved in the system memory of this unit from being accidentally erased or unwantedly changed.

- Repeat steps 1 to 3 in "Using the system parameters" on this page.
- Set the operation mode selector to YSP.

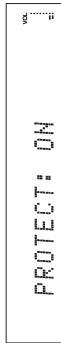


- Confirm that "MEMORY PROTECT" is displayed in the front panel display and press **ENTER**.



Adjusting the system parameters

- Press **ENTER** to switch between "PROTECT: ON" and "PROTECT: OFF".



- Select **PROTECT: ON** to activate the protection feature.
- Select **PROTECT: OFF** to deactivate the protection feature.

- Press **STANDBY/ON** on the remote control to set this unit to the standby mode.

STANDBY/ON



The new setting will be activated when you turn on the power of this unit next time.

ADVANCED OPERATION

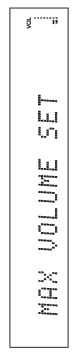
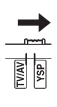
English

Adjusting the system parameters

Setting the MAX VOLUME

You can set the maximum volume level so that this unit will not output sound beyond the limited volume level.

- 1 Repeat steps 1 to 3 in "Using the system parameters" on page 94.
- 2 Set the operation mode selector to YSP.
- 3 Press Δ / ∇ so that "MAX VOLUME SET" is displayed in the front panel display.



- 4 Press ENTER.



Adjusting the system parameters

- 5 Press \triangleleft / \triangleright to adjust the maximum volume level.



Control range: MAX, 99 to 01, MIN
Control step: 1

- 6 Press STANDBY/ON on the remote control to set this unit to the standby mode.

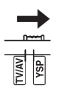


The new setting for the maximum volume level will be activated when you turn on the power of this unit next time.

Setting the TURN ON VOLUME

You can set the initial volume level when the power of this unit is turned on.

- 1 Repeat steps 1 to 3 in "Using the system parameters".
- 2 Set the operation mode selector to YSP.



Adjusting the system parameters

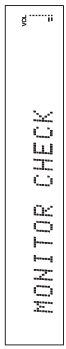
Setting the MONITOR CHECK

Use this feature to activate or deactivate the monitor check function of this unit. When this parameter is set to "YES", this unit receives the information on the available video signal resolutions from the video monitor connected via HDMI. If your TV monitor is not compatible with 1080i and/or 720p of resolutions, you cannot select "1080i" and/or "720p" in "UP-SCALING".

- 1 Repeat steps 1 to 3 in "Using the system parameters".
- 2 Set the operation mode selector to YSP.



- 3 Press Δ / ∇ so that "MONITOR CHECK" is displayed in the front panel display.



ADVANCED OPERATION

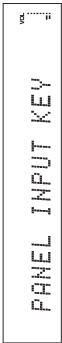
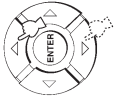
English

Adjusting the system parameters

Setting the **PANEL INPUT KEY**

You can disable the INPUT on the front panel when you adjust the system parameters.

- 1 Repeat steps 1 to 3 in "Using the system parameters".
- 2 Set the operation mode selector to YSP.
- 3 Press Δ / ∇ so that "PANEL INPUT KEY" is displayed in the front panel display.

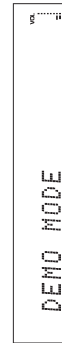


Adjusting the system parameters

Setting the **DEMO MODE**

You can test the sound beam output from this unit to experience the sound beam.

- 1 Repeat steps 1 to 3 in "Using the system parameters".
- 2 Set the operation mode selector to YSP.
- 3 Press Δ / ∇ so that "DEMO MODE" is displayed in the front panel display.

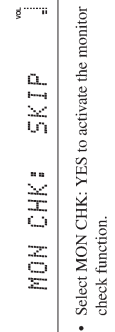
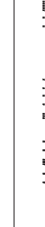


Adjusting the system parameters

Setting the **MON CHK:**

You can test the sound beam output from this unit to experience the sound beam.

- 1 Repeat steps 1 to 3 in "Using the system parameters".
- 2 Set the operation mode selector to YSP.
- 3 Press Δ / ∇ so that "MON CHK:" is displayed in the front panel display.



- Select MON CHK: YES to activate the monitor check function.
- Select MON CHK: SKIP to deactivate the monitor check function.

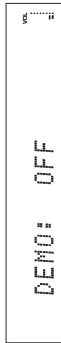
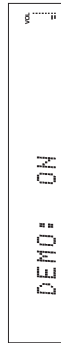
- 5 Press **STANDBY/ON** on the remote control to set this unit to the standby mode.

STANDBY/ON



The new setting will be activated when you turn on the power of this unit next time.

- 4 Press \triangleleft / \triangleright to switch between "DEMO: ON" and "DEMO: OFF".



- Select DEMO: ON to activate the demo mode.
- Select DEMO: OFF to deactivate the demo mode.

- 5 Press **STANDBY/ON** on the remote control to set this unit to the standby mode.

STANDBY/ON



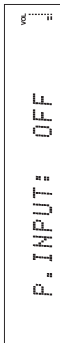
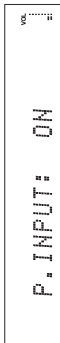
The new setting will be activated when you turn on the power of this unit next time. Press ENTER to test the sound beam. The sound beam being output shuttles between left and right. Press ENTER again to stop shutting.

Adjusting the system parameters

Disabling the front panel keys

You can disable the front panel keys except when you adjust the system parameters.

- 4 Press \triangleleft / \triangleright to switch between "P.INPUT: ON" and "P.INPUT: OFF".



- Select P.INPUT: ON to enable the INPUT key on the front panel.
- Select P.INPUT: OFF to disable the INPUT key on the front panel. "F.PANEL KEY" is automatically set to "ON".

- 5 Press **STANDBY/ON** on the remote control to set this unit to the standby mode.

STANDBY/ON



The new setting will be activated when you turn on the power of this unit next time.

Adjusting the system parameters

Setting the FACTORY PRESET

You can reset all of the parameters of this unit to the factory presets. This procedure completely resets ALL the parameters in SET MENU.

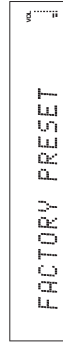
Note

After performing the following procedure you must run AUTO SETUP again to match your surround sound environment.

- 1 Repeat steps 1 to 3 in "Using the system parameters".
- 2 Set the operation mode selector to YSP.



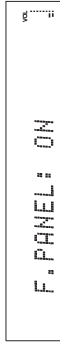
- 3 Press \triangle / ∇ so that "FACTORY PRESET" is displayed in the front panel display.



- 4 Press **ENTER**.



- 4 Press \triangleleft / \triangleright to switch between "F.PANEL: ON" and "F.PANEL: OFF".



- Select F.PANEL: ON to enable the front panel keys.
- Select F.PANEL: OFF to disable the front panel keys. "P.INPUT" is automatically set to "ON".

- 5 Press **STANDBY/ON** on the remote control to set this unit to the standby mode.

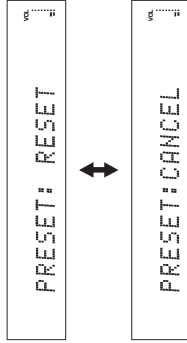
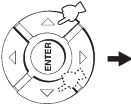
STANDBY/ON



The new setting will be activated when you turn on the power of this unit next time.

Adjusting the system parameters

5 Press \triangle/∇ to switch between "PRESET: RESET" and "PRESET: CANCEL".



- Select PRESET: RESET to reset all of the current settings.
- Select PRESET: CANCEL to cancel the resetting procedure.

6 Press **STANDBY/ON** on the remote control to set this unit to the standby mode.

STANDBY/ON



The new setting will be activated when you turn on the power of this unit next time.

拡張メニューを設定する

各種設定を保護したり、工場出荷状態に戻したりします。

○ 拡張メニューの操作手順 3 INPUTキーをはなす

拡張メニューの操作について説明します。

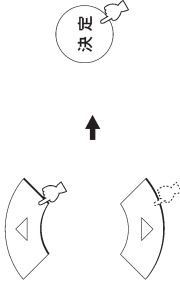


4 TV/AV/YSPスイッチをYSP側にスライドさせる

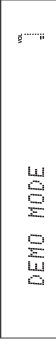
リモコンがYSPモードに切り替わります。



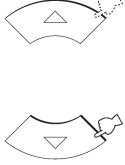
5 \triangle/∇ キーを押して、設定したいメニューをフロントパネルディスプレイに表示させ、決定キーを押す



表示例：[DEMO MODE]を選んだ場合



6 \triangle/∇ キーを押して、設定したい項目/指定したい値をフロントパネルディスプレイに表示させる



表示例：手順5で[DEMO MODE]を選んだ場合
DEMO: OFF \leftrightarrow DEMO: ON

1 本機の電源をオフ(スタンバイ)にする

電源



2 本体のINPUTキーを押しながら、リモコンの電源キーを押して電源を入れる

フロントパネルディスプレイに[MEMORY PROTECT]と表示されます。



押しながら

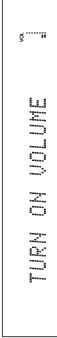


電源

拡張メニューを設定する

○ 電源を入れたときの音量を固定する

本機の電源をオンにしたときの音量を、常に指定した値になるように設定します。「拡張メニューの操作手順」の手順5で「TURN ON VOLUME」を表示させ、手順6で値を設定してください。

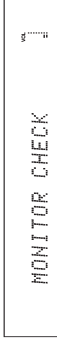


調整範囲：
OFF、01～99、MAX(最大)

○ テレビの解像度をチェックする

本機とHDMI接続したテレビが対応している解像度をチェックします。テレビが1080iや720pに対応していない場合、「YES」を選択すると「ビデオコンバージョン」で「1080i」や「720p」を選ばなくなります。

[MONITOR CHECK]の設定を変更すると、「詳細設定」の「ビデオコンバージョン」が「OFF」に設定されます。



選択項目：
YES、SKIP

7 電源キーを押して、電源をスタンバイにする

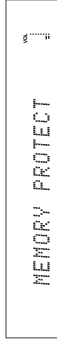
再度電源キーを押して電源を入れると、設定されます。



電源

○ メニューの設定内容を保護する

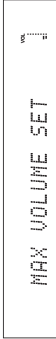
メモリー保存した設定の内容を変更できないようにします。「拡張メニューの操作手順」の手順5で「MEMORY PROTECT」を表示させ、手順6で「PROTECT: ON」(設定内容を保護したい場合)を選択してください。



選択項目：
PROTECT: OFF、PROTECT: ON

○ 音量の最大値を設定する

本機の音量を、指定した値より大きくできないように設定します。「拡張メニューの操作手順」の手順5で「MAX VOLUME SET」を表示させ、手順6で値を設定してください。

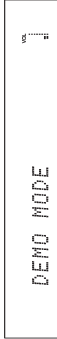


調整範囲：
MIN(最小)、01～99、MAX(最大)

拡張メニューを設定する

○ デモモードで再生する

デモモードでは、ビーム化された音声を1チャンネルで出力し、水平に動作(スイープ)させます。これにより、本機からビームがどのように出力されているか体感できます。「拡張メニューの操作手順」の手順5で「DEMO MODE」を表示させ、手順6で「DEMO: ON」(デモモードで再生したい場合)を選択してください。



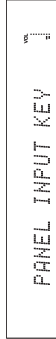
選択項目：
DEMO: OFF、DEMO: ON

音声をスイープさせるには
決定キーを押します。

スイープを停止させるには
もう一度決定キーを押します。

○ フロントパネルのINPUTキー操作を無効にする

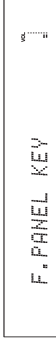
フロントパネルのINPUTキーを押しても、入力が変わらないようにします。「拡張メニューの操作手順」の手順5で「PANEL INPUT KEY」を表示させ、手順6で「P.INPUT: OFF」(フロントパネルのINPUTキー操作を無効にしたい場合)を選択してください。



選択項目：
P.INPUT: ON、P.INPUT: OFF

○ フロントパネルキー操作を無効にする

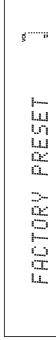
拡張メニュー以外の操作をフロントパネルキーでできないようにします。「拡張メニューの操作手順」の手順5で「F.PANEL KEY」を表示させ、手順6で「F.PANEL: OFF」(フロントパネルキー操作を無効にしたい場合)を選択してください。



選択項目：
F.PANEL: ON、F.PANEL: OFF

○ 設定した内容を初期化する

各種設定をすべて工場出荷状態に戻します。「拡張メニューの操作手順」の手順5で「FACTORY PRESET」を表示させ、手順6で「PRESET: RESET」(工場出荷時の状態に戻したい場合)を選択してください。



選択項目：
PRESET: CANCEL、PRESET: RESET

**YSP-4000/YSP-40D/
HTY-7040**

