

DIGITAL SOUND PROJECTOR YSP-800

SERVICE MANUAL

When transporting this unit, be sure to use the unit's packing materials and box so as to protect it against any damage, in particular, dents in the front grille during transportation.

本機を輸送する場合、輸送時の破損(特に、フロントグリルのへこみ)等を防ぐために必ず専用の梱包箱を使用してください。

IMPORTANT NOTICE

This manual has been provided for the use of authorized YAMAHA Retailers and their service personnel.

It has been assumed that basic service procedures inherent to the industry, and more specifically YAMAHA Products, are already known and understood by the users, and have therefore not been restated.

WARNING: Failure to follow appropriate service and safety procedures when servicing this product may result in personal injury, destruction of expensive components, and failure of the product to perform as specified. For these reasons, we advise all YAMAHA product owners that any service required should be performed by an authorized YAMAHA Retailer or the appointed service representative.

IMPORTANT: The presentation or sale of this manual to any individual or firm does not constitute authorization, certification or recognition of any applicable technical capabilities, or establish a principle-agent relationship of any form.

The data provided is believed to be accurate and applicable to the unit(s) indicated on the cover. The research, engineering, and service departments of YAMAHA are continually striving to improve YAMAHA products. Modifications are, therefore, inevitable and specifications are subject to change without notice or obligation to retrofit. Should any discrepancy appear to exist, please contact the distributor's Service Division.

WARNING: Static discharges can destroy expensive components. Discharge any static electricity your body may have accumulated by grounding yourself to the ground buss in the unit (heavy gauge black wires connect to this buss).

IMPORTANT: Turn the unit OFF during disassembly and part replacement. Recheck all work before you apply power to the unit.

CONTENTS

TO SERVICE PERSONNEL	2	SELF DIAGNOSIS FUNCTION (DIAG) /	
FRONT PANEL	3	自己診断機能 (ダイアグ)	24~40
REAR PANELS	3	DISPLAY DATA	41
BOTTOM PANEL	4	IC DATA	42~43
REMOTE CONTROL PANELS	4	BLOCK DIAGRAM	44
SPECIFICATIONS / 参考仕様	5	PRINTED CIRCUIT BOARD	45~53
INTERNAL VIEW	5	PIN CONNECTION DIAGRAM	54
SET MENU TABLE	6	SCHEMATIC DIAGRAM	55~60
SERVICE PRECAUTIONS / サービス時の注意事項	7	PARTS LIST	61~77
DISASSEMBLY PROCEDURES / 分解手順	7~12	REMOTE CONTROL	78~79
UPDATING FIRMWARE /		YSP-800 Packing Instruction / 梱包手順説明書	80~81
ファームウェアの書き込み	13~23		



このサービスマニュアルは、エコマーク認定の再生紙を使用しています。
This Service Manual uses recycled paper.

100966

© 2005 YAMAHA CORPORATION. All rights reserved.
This manual is copyrighted by YAMAHA and may not be copied or
redistributed either in print or electronically without permission.



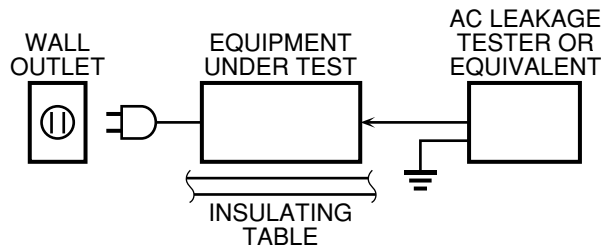
YAMAHA

YAMAHA CORPORATION
P.O.Box 1, Hamamatsu, Japan

'05.09

■ TO SERVICE PERSONNEL

1. Critical Components Information
Components having special characteristics are marked ⚠ and must be replaced with parts having specifications equal to those originally installed.
2. Leakage Current Measurement (For 120V Models Only)
When service has been completed, it is imperative to verify that all exposed conductive surfaces are properly insulated from supply circuits.
 - Meter impedance should be equivalent to 1500 ohms shunted by 0.15μF.



- Leakage current must not exceed 0.5mA.
- Be sure to test for leakage with the AC plug in both polarities.



“CAUTION”

“F501: FOR CONTINUED PROTECTION AGAINST RISK OF FIRE, REPLACE ONLY WITH SAME TYPE 4A, 125V FUSE.”

CAUTION

F501: REPLACE WITH SAME TYPE 4A, 125V FUSE.

ATTENTION

F501: UTILISER UN FUSIBLE DE RECHANGE DE MEME TYPE DE 4A, 125V.

WARNING: CHEMICAL CONTENT NOTICE!

The solder used in the production of this product contains LEAD. In addition, other electrical/electronic and/or plastic (where applicable) components may also contain traces of chemicals found by the California Health and Welfare Agency (and possibly other entities) to cause cancer and/or birth defects or other reproductive harm.

DO NOT PLACE SOLDER, ELECTRICAL/ELECTRONIC OR PLASTIC COMPONENTS IN YOUR MOUTH FOR ANY REASON WHATSOEVER!

Avoid prolonged, unprotected contact between solder and your skin! When soldering, do not inhale solder fumes or expose eyes to solder/flux vapor!

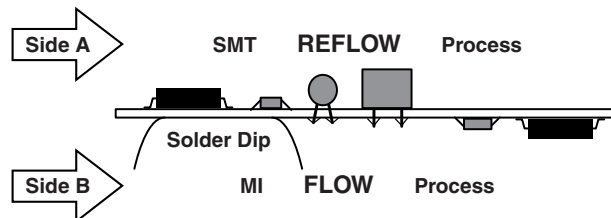
If you come in contact with solder or components located inside the enclosure of this product, wash your hands before handling food.

About Lead Free Solder / 無鉛ハンダについて

The P.C.B.s installed in this unit are soldered using the following solder.

本機に搭載されている基板のハンダ付けに使用されているハンダは下記の通りです。

	SIDE A / A 面	SIDE B / B 面
DSP P.C.B.	Lead Free Solder / 無鉛ハンダ	Lead Free Solder / 無鉛ハンダ
AMP P.C.B.	Lead Free Solder / 無鉛ハンダ	Lead Free Solder / 無鉛ハンダ
INPUT P.C.B.	-	Lead Free Solder / 無鉛ハンダ



Among some types of lead free solder currently available, it is recommended to use one of the following types for the repair work.

- Sn + Ag + Cu (tin + silver + copper)
- Sn + Cu (tin + copper)
- Sn + Zn + Bi (tin + zinc + bismuth)

無鉛ハンダにはいくつかの種類がありますが、修理時には下記のような無鉛ハンダの使用を推奨します。

- Sn+Ag+Cu (錫+銀+銅)
- Sn+Cu (錫+銅)
- Sn+Zn+Bi (錫+亜鉛+ビスマス)

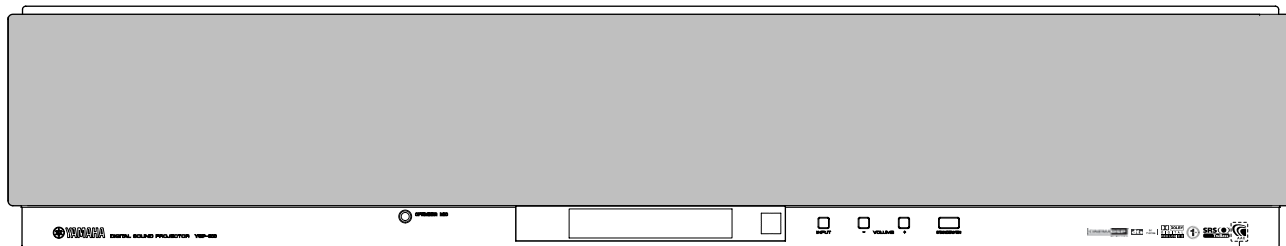
Caution:

1. As the melting point temperature of the lead free solder is about 30°C to 40°C (50°F to 70°F) higher than that of the lead solder, be sure to use a soldering iron suitable to each solder.
2. If lead solder must be used, be sure to remove lead free solder from each terminal section of the parts to be replaced and from the area around it completely before soldering, or make sure that the lead free solder and lead solder melt together fully.

注意:

- ① 無鉛ハンダの融点温度は通常の鉛入りハンダに比べ30～40℃程度高くなっていますので、それぞれのハンダに合ったハンダごてをご使用ください。
- ② 鉛入りハンダを使わざるを得ない場合は、あらかじめ交換する部品端子部やその周辺部の無鉛ハンダをすべて取り除くか、あるいは無鉛ハンダと鉛入りハンダが十分に溶けた状態となるようにハンダ付けしてください。

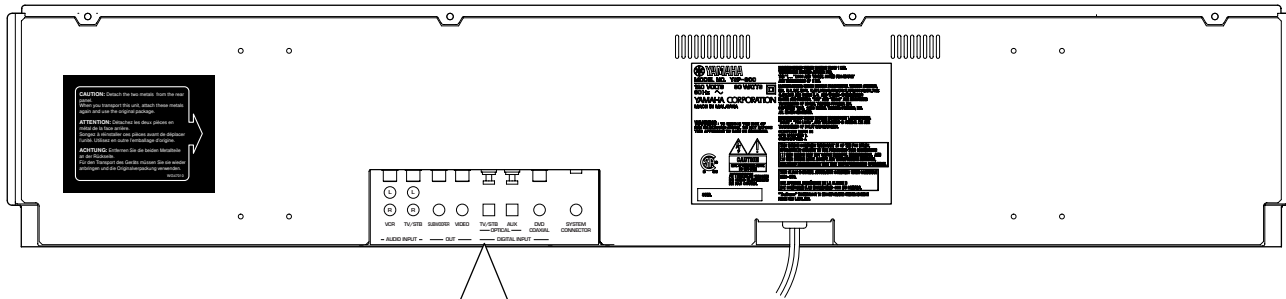
FRONT PANEL



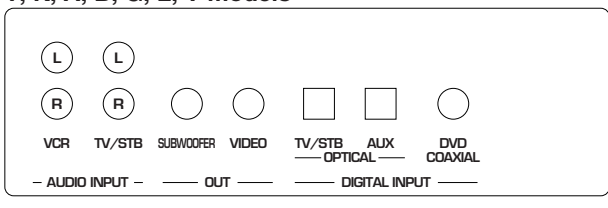
J model

REAR PANELS

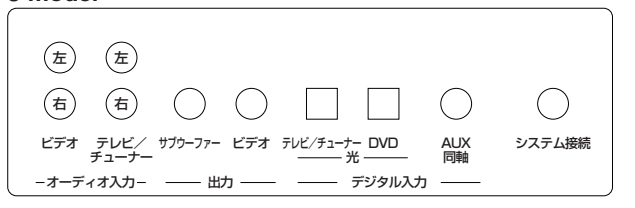
U, C models



T, K, A, B, G, L, V models



J model



YSP-800

T model

Technical specifications and regulatory information for the T model, including power ratings (220V, 80W), frequency (50Hz), and manufacturing details.

K model

Technical specifications and regulatory information for the K model, including power ratings (220V, 80W) and manufacturing details.

A model

Technical specifications and regulatory information for the A model, including power ratings (220V, 80W) and manufacturing details.

B, G models

Technical specifications and regulatory information for B and G models, including power ratings (220V, 80W) and manufacturing details.

L model

Technical specifications and regulatory information for the L model, including power ratings (220-240V, 80W) and manufacturing details.

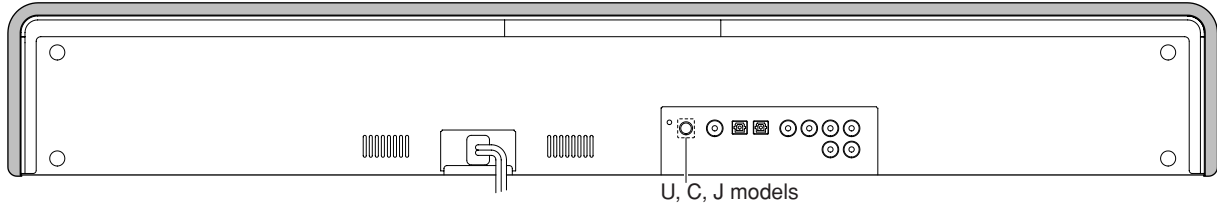
V model

Technical specifications and regulatory information for the V model, including power ratings (110-120V, 80W) and manufacturing details.

J model

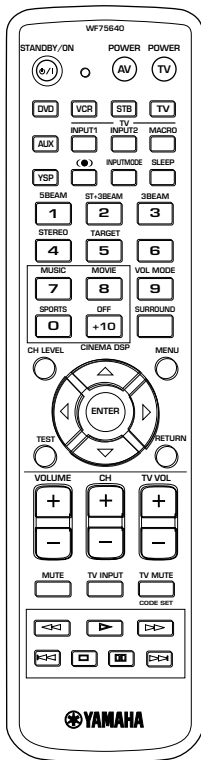
Technical specifications and regulatory information for the J model, including power ratings (100V, 87W) and manufacturing details.

■ BOTTOM PANEL

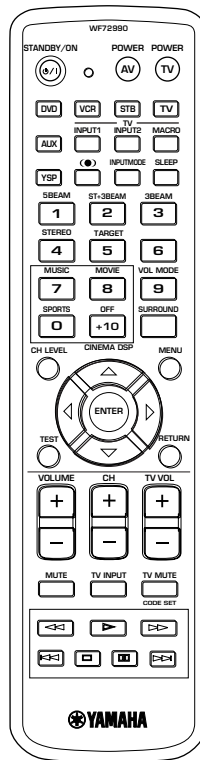


■ REMOTE CONTROL PANELS

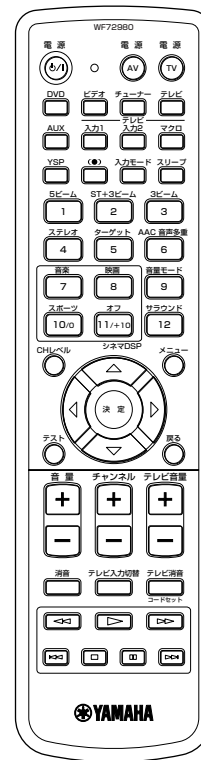
RRC4001-2603EM
(U model)



RRC4001-2601EM
(C, T, K, A, B, G, L, V models)



RRC4001-2602EM (J model)



YSP-800

■ SPECIFICATIONS / 参考仕様

■ Amplifier Section / アンプ部

Maximum Power / 実用最大出力 (EIAJ) [10% THD, 4 ohms]
 Woofer [100 Hz] 20 W/ch
 Tweeter [1 kHz] 2 W/ch

Total Maximum Output Power / 総合最大出力
 82 W

Minimum RMS Output Power (Power Amp. Section) / 定格出力 (パワーアンプ部) [0.9% THD, 4 ohms]

Woofer [100 Hz] 14 W/ch
 Tweeter [1 kHz] 1.7 W/ch

Input Sensitivity/Impedance / 入力感度/インピーダンス

Analog Input 1.0 V / 32 k-ohms

Maximum Input Signal / 最大許容入力 [1 kHz, 0.5% THD]

Analog Input 2.2 V or more

Output Level/Impedance / 出力電圧/出力インピーダンス

Woofer PRE OUT 1.5 V / 1.1 k-ohms (less than 120 Hz)

Total Harmonic Distortion / 全高調波歪率 [1 W]

Woofer [100 Hz] 0.2% or less
 Tweeter [1 kHz] 0.1% or less

■ Video Section / ビデオ部

OSD Out / オンスクリーンディスプレイアウト

..... 1 Vp-p/75 ohms

■ Speaker Section / スピーカー部

Type / 型式 2-Way Acoustic suspension
 Magnetic Shielding Type

Driver / スピーカーユニット

Woofer 10 cm (4") Cone Magnetic Shielding Type x 2
 Tweeter 4 cm (1.5") Cone Magnetic Shielding Type x 21

Frequency Response / 再生周波数帯域

..... 60 Hz to 20 kHz

Crossover Frequency / クロスオーバー周波数

Beam Channel 400 Hz
 Stereo Channel 1 kHz

■ Input/Output / 入力/出力

Input Jack / 入力端子

Analog VCR, TV/STB /
 ビデオ、テレビチューナー

Optical (FS= 32/44.1/48/64/88.2/96 kHz) TV/STB, AUX /
 テレビチューナー、DVD

Coaxial (FS= 32/44.1/48/64/88.2/96 kHz) DVD / AUX

Output Jack / 出力端子

OSD Video Out (Composite) / OSD用コンポジット映像信号

U, C, K, V, J models NTSC

T, A, B, G, L models PAL

Subwoofer PRE OUT

Microphone Input Jack / マイク入力

..... Automated System Calibration / 自動システム調整

System Connector / システム接続

U, C, J models Monoral Mini Jack

■ General / 総合

Power Supply / 電源電圧

U, C models AC 120 V, 60 Hz
 T model AC 220 V, 50 Hz

K model AC 220 V, 60 Hz

A model AC 240 V, 50 Hz

B, G models AC 230 V, 50 Hz

L model AC 220-240 V, 50/60 Hz

V model AC 110-120 V, 50/60 Hz

J model AC 100V, 50/60 Hz

Power Consumption / 消費電力

U, C, T, K, A, B, G, L, V models 30 W

J model 37 W

Standby Power Consumption (Reference Data) / 待機時消費電力(参考値)

..... 0.1 W

Dimensions / 寸法 (W x H x D)

..... 800 x 153 x 115 mm (31-1/2" x 6" x 4-1/2")

Weight / 質量

..... 9.0 kg (19 lbs. 13 oz.)

Finish / 仕上げ

Silver color U, C, T, K, A, B, G, L, V, J models

Black color U, C, T, K, A, B, G, L, V, J models

Titanium color J model

Accessories / 付属品

Remote Control x 1, Batteries (Manganese Dry) x 2, Video Pin Cable x 1, Audio Pin Cable x 1, RCA Cable x 1, Optical Cable x 1, Fastener x 4, Optimaizer Microphone x 1, Cardboard Microphone Stand x 1

U U.S.A. model

T Chinese model

A Austrarian model

G European model

V Taiwan model

C Canadian model

K Korean model

B British model

L Singapore model

J Japanese model

* Specifications are subject to change without notice due to product improvements.

※ 参考仕様および外観は予告なく変更されることがあります。



Manufactured under license from Dolby Laboratories.

"Dolby", "Pro Logic", and the double-D symbol are trademarks of Dolby Laboratories.

ドルビーラボラトリーズからの実施権により製造されています。「ドルビー」、「PRO LOGIC」およびダブルD記号は、ドルビーラボラトリーズの商標です。



"DTS", and "Neo:6" are trademarks of Digital Theater Systems, Inc. DTS、DTSデジタルサラウンドおよびNeo:6はデジタルシアターシステムズの登録商標です。



AACロゴマークはドルビーラボラトリーズの商標です。



Manufactured under license from 1 Ltd. World-wide patents applied for. The "1" logo and "Digital Sound Projector" are trademarks of 1 Ltd.

世界に広く特許申請中の1Ltdからライセンスを受けています。"1"および、"Digital Sound Projector™"は1Ltdの商標です。



TruBass, SRS and the "SRS" symbol are registered trademarks of SRS Labs, Inc. TruBass technology is incorporated under license from SRS Labs, Inc.

TruBass、SRSと「SRS」記号はSRS Lab, Inc.の商標です。

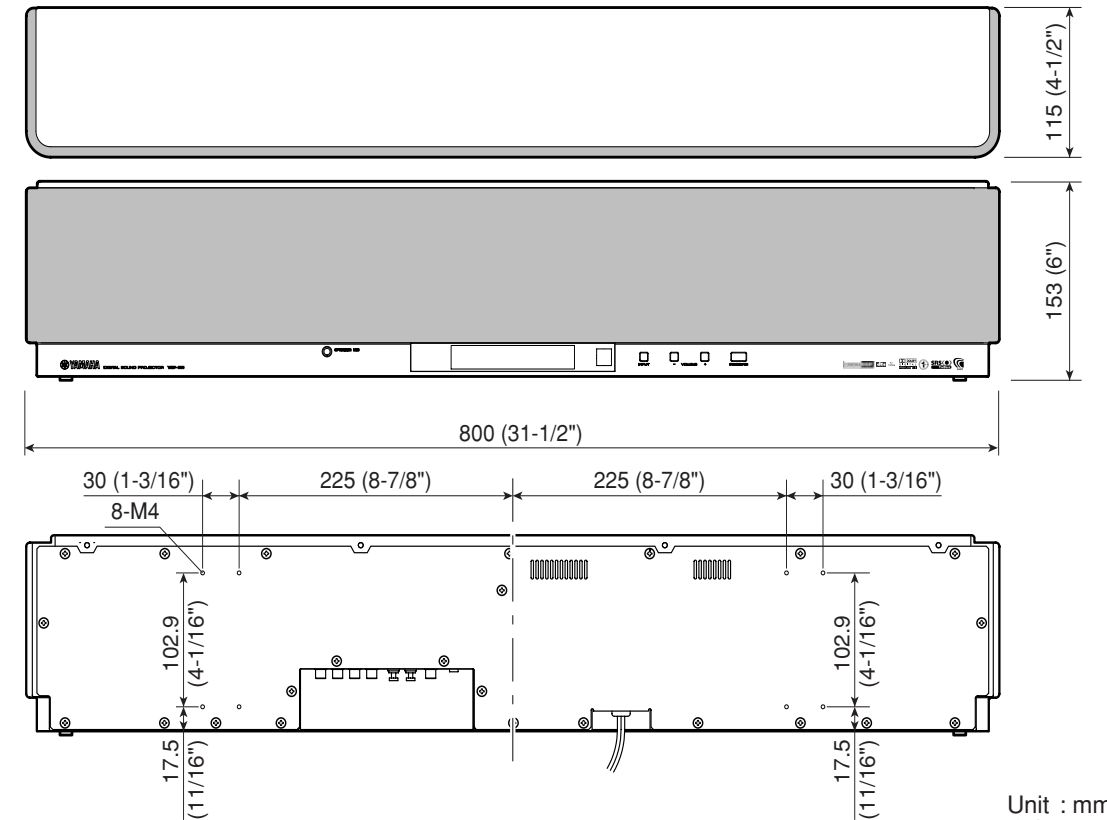
TruBass技術はSRS Labs, Inc.からのライセンスに基づき製品化されています。



The "CINEMA DSP" logo and "Cinema DSP" are registered trademarks of YAMAHA Corporation.

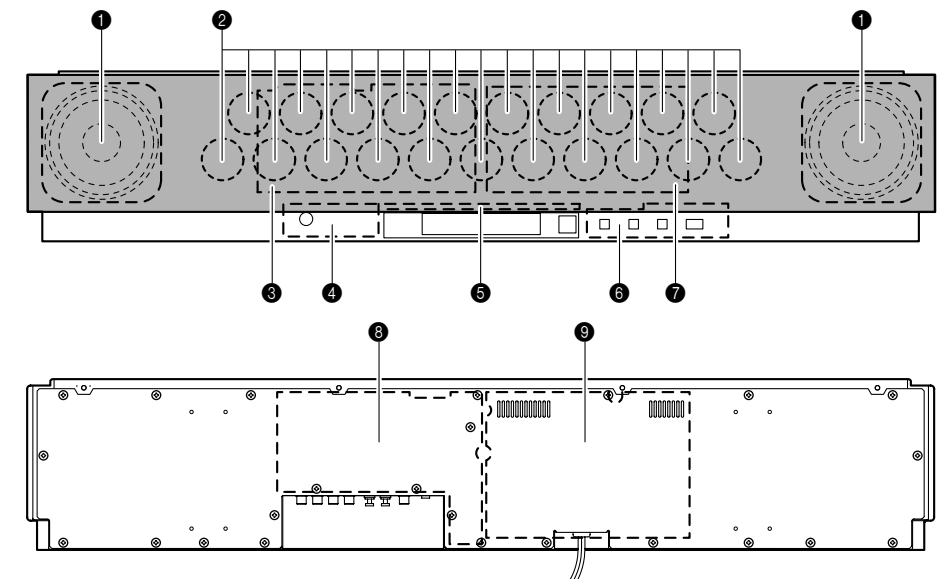
CINEMA DSP ロゴおよび「シネマDSP」、「CINEMA DSP」は、ヤマハ株式会社の登録商標です。

• DIMENSIONS / 寸法図



Unit : mm (inch)
 単位 : mm (インチ)

■ INTERNAL VIEW



① DRIVER WOOFER

② DRIVER TWEETER

③ AMP P.C.B.

④ INPUT (5) MIC P.C.B.

⑤ INPUT (3) FLDISPLAY P.C.B.

⑥ INPUT (4) SWITCH P.C.B.

⑦ DSP P.C.B.

⑧ INPUT (2) INPUT P.C.B.

⑨ INPUT (1) POWER P.C.B.

■ SET MENU TABLE / セットメニュー

CATEGORY 1	MAIN MENU 2	SUB MENU 3	SELECT MENU 4	VALUE [INITIAL]	
• MEMORY	1) LOAD	LOAD SEL :	PRESET1, PRESET2, PRESET3 / USER1, USER2, USER3 *3		
	2) SAVE	SAVE SEL :	PRESET1, PRESET2, PRESET3 / USER1, USER2, USER3 *3		
• AUTO SETUP	1 FLAT TO WALL	A) BEAM+ SOUND OPT	INST PARALLEL, ANGLE	PARALLEL, ANGLE	
		B) BEAM OPT only	REFLCT NORMAL, HI ECHO	NORMAL, HI ECHO	
		C) SOUND OPT only	INST SHELF, WALL	PARALLEL, ANGLE SHELF, WALL	
2 ANGLE TO WALL		A) BEAM+ SOUND OPT	MOUNT NORMAL, HI ECHO	NORMAL, HI ECHO	
		B) BEAM OPT only	REFLCT NORMAL, HI ECHO	NORMAL, HI ECHO	
		C) SOUND OPT only	MOUNT SHELF, WALL	PARALLEL, ANGLE SHELF, WALL	
• BASIC SETUP	3 UNDO *1	SETUP_OK?	REFLCT NORMAL, HI ECHO		
	1 ROOM TYPE ?	SQUARE, RECTANGLE	YES, NO		
• MANUAL SETUP	2 INST POS ?	SQUARE: LEFT, CENTER, RIGHT, CORNER			
		RECTANGLE: WIDE: LEFT, CENTER, RIGHT CORNER: RIGHT, LEFT NARROW: LEFT, CENTER, RIGHT		Dialogue / 対話式	
	3 ROOM SIZE ? 4 SETUP OK ?	SMALL, MID, LARGE			
		YES, NO			
• MANUAL SETUP	1 SOUND MENU	A) TONE CONTROL	TREBLE BASS FR C SL SR SWFR	-12.0 ~ [0] ~ +12.0 dB, 0.5 step -12.0 ~ [0] ~ +12.0 dB, 0.5 step -10.0 ~ 0 ~ +10.0 dB, 0.5 step *5 -10.0 ~ 0 ~ +10.0 dB, 0.5 step *5 -10.0 ~ 0 ~ +10.0 dB, 0.5 step *5 -10.0 ~ 0 ~ +10.0 dB, 0.5 step *5 -10.0 ~ 0 ~ +10.0 dB, 0.5 step *5	
		C) SWFR SET	BASS OUT CROSSOVER *2 LFE LEVEL	SWFR, [FRONT] 80, [100], 120 (Hz) -20 ~ [0] (dB)	
		D) MUTE LEVEL	MUTE LVL	[MUTE], -20dB	
		E) AUDIO DELAY	DELAY	[0] ~ 160mS, 1 step	
		F) ROOM EQ	MOUNTING REFLCT	[SHELF], WALL [NORMAL], HI ECHO	
		G) D-RANGE	D-RANGE	MIN, STD, [MAX]	
		POSITION	[FLAT], ANGLE		
		RM WIDTH (C: LEFT WALL)	2.0 ~ 12.0m 0.1 step *6 6.5 ~ 40.0ft 0.5 step		
		RM LGTH (C: RIGHT WALL)	2.0 ~ 12.0m 0.1 step *7 6.5 ~ 40.0ft 0.5 step		
		A) PARAMETERS	USER POS	2.0 ~ 9.0m 0.1 step *8 6.5 ~ 30.0ft 0.5 step	
		R WALL *4	0.6 ~ 11.4m 0.1 step 2.0 ~ 38.0ft 0.5 step		
		L WALL	0.6 ~ 11.4m 0.1 step 2.0 ~ 38.0ft 0.5 step		
		a) HORIZ. ANGLE	H.ANGLE FL L90 ~ 0 ~ R90deg, 1 step *6 H.ANGLE FR L90 ~ 0 ~ R90deg, 1 step *6 H.ANGLE C L90 ~ 0 ~ R90deg, 1 step *6 H.ANGLE SL L90 ~ 0 ~ R90deg, 1 step *6 H.ANGLE SR L90 ~ 0 ~ R90deg, 1 step *6		
2 BEAM MENU	B) BEAM ADJUSTMENT *9	b) BEAM LENGTH	B.LEN FL 0.3 ~ 24.0 [7.1] m, 0.1 step / 1.0 ~ 80.0ft, 0.5 step B.LEN FR 0.3 ~ 24.0 [7.1] m, 0.1 step / 1.0 ~ 80.0ft, 0.5 step B.LEN C 0.3 ~ 24.0 [9.0] m, 0.1 step / 1.0 ~ 80.0ft, 0.5 step B.LEN SL 0.3 ~ 24.0 [10.0] m, 0.1 step / 1.0 ~ 80.0ft, 0.5 step B.LEN SR 0.3 ~ 24.0 [10.0] m, 0.1 step / 1.0 ~ 80.0ft, 0.5 step		
		c) FOCAL LENGTH	F.L. FL -1.0 ~ +13.0 [-6.0] m, 0.1 step / -3.5 ~ +43.5ft, 0.5 step *6 F.L. FR -1.0 ~ +13.0 [-1.0] m, 0.1 step / -3.5 ~ +43.5ft, 0.5 step *6 F.L. C -1.0 ~ +13.0 [-13.0] m, 0.1 step / -3.5 ~ +43.5ft, 0.5 step *6 F.L. SL -1.0 ~ +13.0 [-13.0] m, 0.1 step / -3.5 ~ +43.5ft, 0.5 step *6 F.L. SR -1.0 ~ +13.0 [-13.0] m, 0.1 step / -3.5 ~ +43.5ft, 0.5 step *6		
		d) TREBLE GAIN	TRBL FL -12.0 ~ [0] ~ +12.0 dB, 0.5 step TRBL FR -12.0 ~ [0] ~ +12.0 dB, 0.5 step TRBL C -12.0 ~ [0] ~ +12.0 dB, 0.5 step TRBL SL -12.0 ~ [0] ~ +12.0 dB, 0.5 step TRBL SR -12.0 ~ [0] ~ +12.0 dB, 0.5 step		
		IMAGE	OFF, [ON]		
		C) IMAGE LOCTN	[0] ~ 95% (OFF), 5% step *5 [0] ~ 95% (OFF), 5% step *5		
		RIGHT	[TV], VIDEO		
3 INPUT MENU	A) INPUT ASSIGN	OPT (1)	DVD, [AUX] U, C, T, K, A, B, G, L, V models [DVD], [AUX] J model		
		OPT (2) *10	[DVD], [AUX] U, C, T, K, A, B, G, L, V models DVD, [AUX] J model		
		COAX *10	-6.0 ~ 0 [-3.0] dB, 0.5 step TV ANALOG -6.0 ~ 0 [-3.0] dB, 0.5 step		
		[AUTO], LAST	-6.0 ~ 0 [-3.0] dB, 0.5 step TV ANALOG -6.0 ~ 0 [-3.0] dB, 0.5 step		
4 DISPLAY MENU	B) OSD SET	C) INPUT TRIM	VCR/VIDEO ANALOG -6.0 ~ 0 [-3.0] dB, 0.5 step AUX/DVD OPTICAL -6.0 ~ 0 [-3.0] dB, 0.5 step DVD COAXIAL -6.0 ~ 0 [-3.0] dB, 0.5 step		
		D) INPUT RENAME	DVD *11		
		A) DIMMER SET	STD DIMMER -2, -1, [OFF] AT DIMMER DISPLAY OFF, -3, -2, -1, [OFF] *12		
		B) OSD SET	OSD SHIFT -5 ~ [0] ~ +5, 1 step *13 [BLUE], GRAY		
	C) UNIT SET	METERS, FEET			

*1 Displayed only after executing AUTO SETUP once or more. / AUTO SETUPを1回以上実行後のみ表示。

*2 Displayed only when BASS OUT is set to SWFR. / BASS OUT = SWFRの時のみ表示。

*3 Factory settings are PRESET1, PRESET2, PRESET3. They change to USER1, USER2, USER3 when saved once. / 工場出荷時はPRESET1、PRESET2、PRESET3。一回セーブしたらUSER1、USER2、USER3。

*4 Displayed only for the wall mounting setting; distance from the wall on the right side to the user. / 壁置き設定のみ表示。右壁からユーザーまでの距離。

*5 Test tone output. / テストトーン出力。

*6 Distance in the lateral direction of the room. (length of the wall on the left side of the user) / 部屋の横方向の距離 (ユーザーの左側壁の距離)

*7 Distance in the longitudinal direction of the room. (length of the wall on the right side of the user) / 部屋の縦方向の距離 (ユーザーの右側壁の距離)

*8 Distance from this unit to the user. / 本機からユーザーまでの距離。

*9 Selectable items are limited depending on BEAM MODE. / BEAM MODEにより選択できる項目に制限あり。

5BEAM FL/FR/C /SL/SR STEREO -/-/-/-/-/-
3BEAM FL/FR/C /-/- UNIVERSAL -/-/-/-/-/-
ST+3BEAM -/-/C /SL/SR

*10 ... Priority given to COAXIAL when set to the same input. / 同じ入力に設定した場合は、COAXIAL優先。

*11 ... MAX 8 Character. / 最大8文字。

*12 ... OFF = Brightness of STANDARD DIMMER. / OFF = STANDARD DIMMERの明るさ。

*13 ... + direction is downward. / +方向は下。

■ SERVICE PRECAUTIONS / サービス時の注意事項

Safety measures

- Some internal parts in this product contain high voltages and are dangerous. Be sure to take safety measures during servicing, such as wearing insulating gloves.
- Note that C523 is dangerous even after the power is turned off because an electric charge remains and a high voltage continues to exist there.
Before starting any repair work, perform discharge by connecting a discharge resistor (5 k-ohms/10 W) between C523 terminals.
(For the discharge resistor connection points, refer to p.49 "PRINTED CIRCUIT BOARD [INPUT (1) P.C.B.]" and p.60 "SCHEMATIC DIAGRAM [INPUT 2/2]")

安全対策

- この製品の内部には高電圧部分があり危険です。修理の際は、絶縁性の手袋を使用するなどの安全対策を行ってください。
- C523には電源をOFFにした後も電荷が残り、高電圧が維持されており危険です。
修理作業前に放電用抵抗 (5 kΩ/10 W) をC523の端子間に接続して放電してください。
(放電用抵抗の接続箇所はP.49“PRINTED CIRCUIT BOARD [INPUT (1) P.C.B.]”およびP.60“SCHEMATIC DIAGRAM [INPUT 2/2]”に記載しています。)

■ DISASSEMBLY PROCEDURES / 分解手順

(Remove parts in the order as numbered.)

Cautions for disassembly and reassembly :

- Disconnect the power cable from the AC outlet.
- Spread soft cloth or the like and perform the work on it.
- Use full care as you may be injured by the front grille or other part.
- All screws must be tightened securely to prevent air leakage. Check the number of screws and their positions when installing them.
- When installing parts, be careful not to have anything such as cables caught between other parts.
- Make sure that all the removed driver (tweeter) parts are reinstalled at specified positions.

(番号順に部品を取り外してください。)

分解・組立時の注意：

- AC電源コンセントから、電源コードを抜いてください。
- やわらかい布等を敷いて その上で作業を行ってください。
- フロントグリル等で怪我をする恐れがあります。十分注意してください。
- ネジを閉め忘れると、エアリークをすることがあります。ネジの個数及び位置を確認し、取り付けてください。
- 取り付けの際、ケーブル等を部品の隙間に挟み込むことがあります。十分注意してください。
- 取り外したスピーカーユニット(ツイーター)はすべて決められた位置に取り付けてください。

1. Removal of Top Cover

- Remove 4 screws (①). (Fig. 2)
- Slide the Top Cover rearward to remove it. (Fig. 2)

1. トップカバーの外し方

- ①のネジ4本を外します。(Fig. 2)
- トップカバーを後方へスライドさせ、取り外します。(Fig. 2)

2. Removal of Rear Panel

- Remove 17 screws (②) and 11 screws (③). (Fig. 1)
- Remove the Rear Panel. (Fig. 1)

2. リアパネルの外し方

- ②のネジ17本、③のネジ11本を外します。(Fig. 1)
- リアパネルを取り外します。(Fig. 1)

3. Removal of Grill Bottom Ass'y

- Remove 10 screws (④). (Fig. 2)
- Remove the Grill Bottom Ass'y. (Fig. 2)

3. グリル ボトムASSYの外し方

- ④のネジ10本を外します。(Fig. 2)
- グリル ボトムASSYを取り外します。(Fig. 2)

4. Removal of Front Grill

- Remove 10 screws (⑤) and 8 screws (⑥). (Fig. 2)
- Remove the Front Grill. (Fig. 2)

4. フロントグリルの外し方

- ⑤のネジ10本、⑥のネジ8本を外します。(Fig. 2)
- フロントグリルを取り外します。(Fig. 2)

5. Removal of Grill Net Ass'y (Black and Titanium Color Model)

- Remove 11 screws (⑦). (Fig. 2)
- Remove the Grill Net Ass'y. (Fig. 2)

5. グリルネットASSYの外し方 (Black、Titanium Colorモデル)

- ⑦のネジ11本を外します。(Fig. 2)
- グリルネットASSYを取り外します。(Fig. 2)

6. Removal of Frame Top

- Remove 7 screws (⑧). (Fig. 2)
- Remove the Frame Top. (Fig. 2)

6. フレーム トップの外し方

- ⑧のネジ7本を外します。(Fig. 2)
- フレーム トップを取り外します。(Fig. 2)

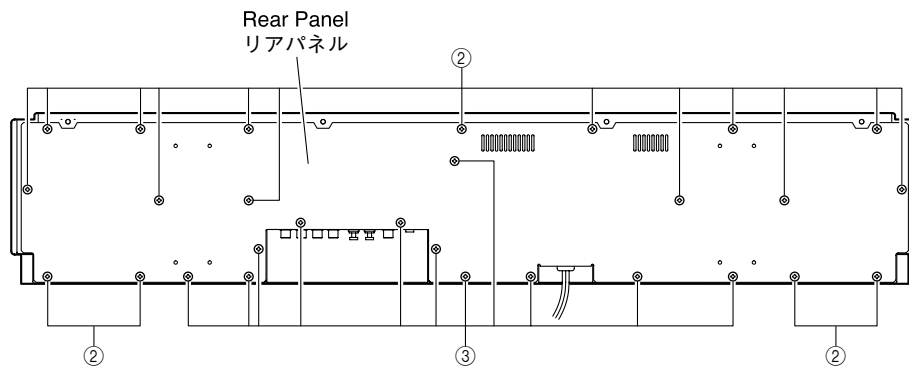


Fig. 1

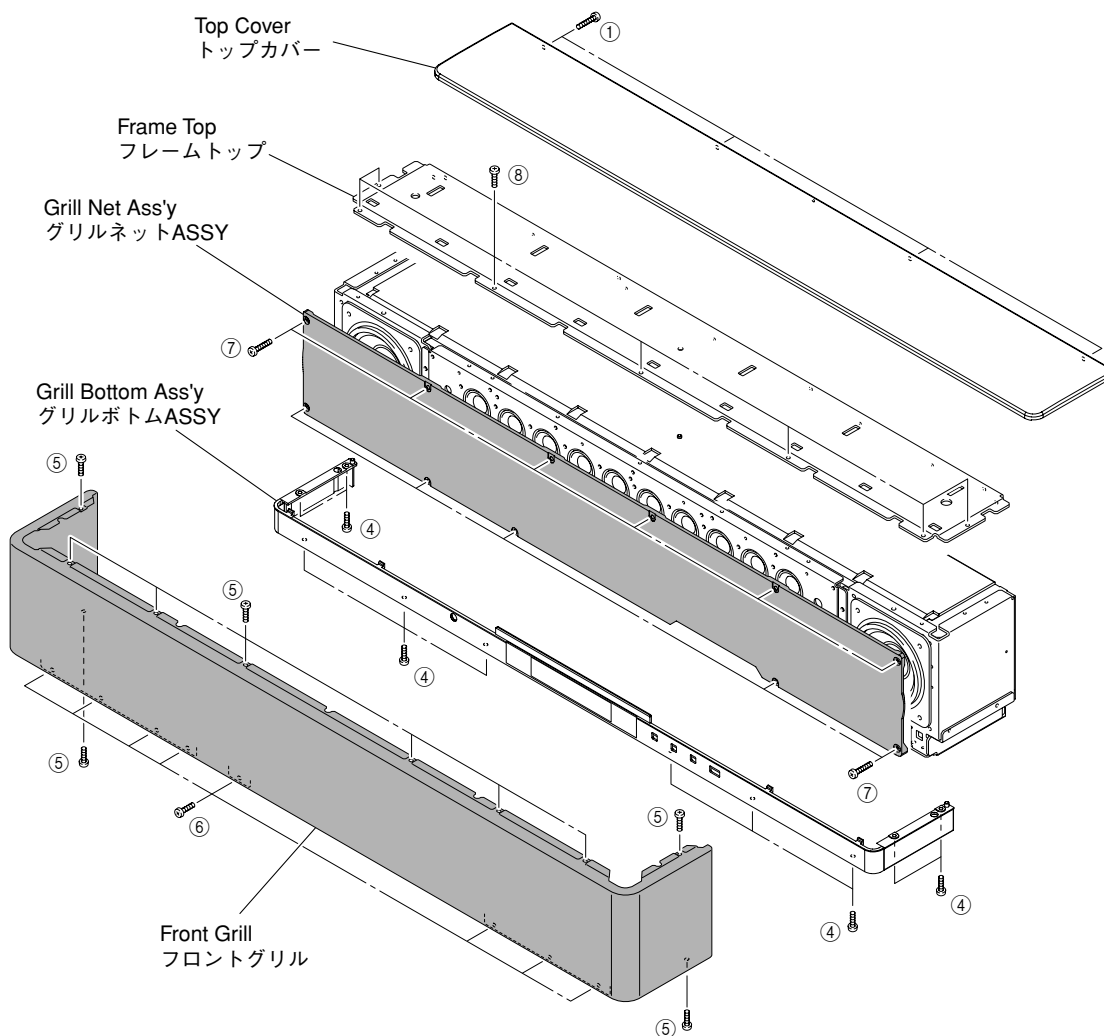


Fig. 2

7. Removal of Bufful Unit

- Remove 17 screws (⑨). (Fig. 3)
- Remove connectors CB8, CB9, CB10, CB704, CB707 and CB708. (Fig. 3)
- Remove the Bufful Unit. (Fig. 3)

7. バッフルユニットの外し方

- ⑨のネジ17本を外します。(Fig. 3)
- コネクターCB8、CB9、CB10、CB704、CB707、CB708を外します。(Fig. 3)
- バッフルユニットを取り外します。(Fig. 3)

8. Removal of Driver (Woofer)

- Remove 4 screws (⑩). (Fig. 3)
- Remove the Driver (Woofer).

8. スピーカーユニット(ウーファー)の外し方

- ⑩のネジ4本を外します。(Fig. 3)
- スピーカーユニット(ウーファー)を取り外します。

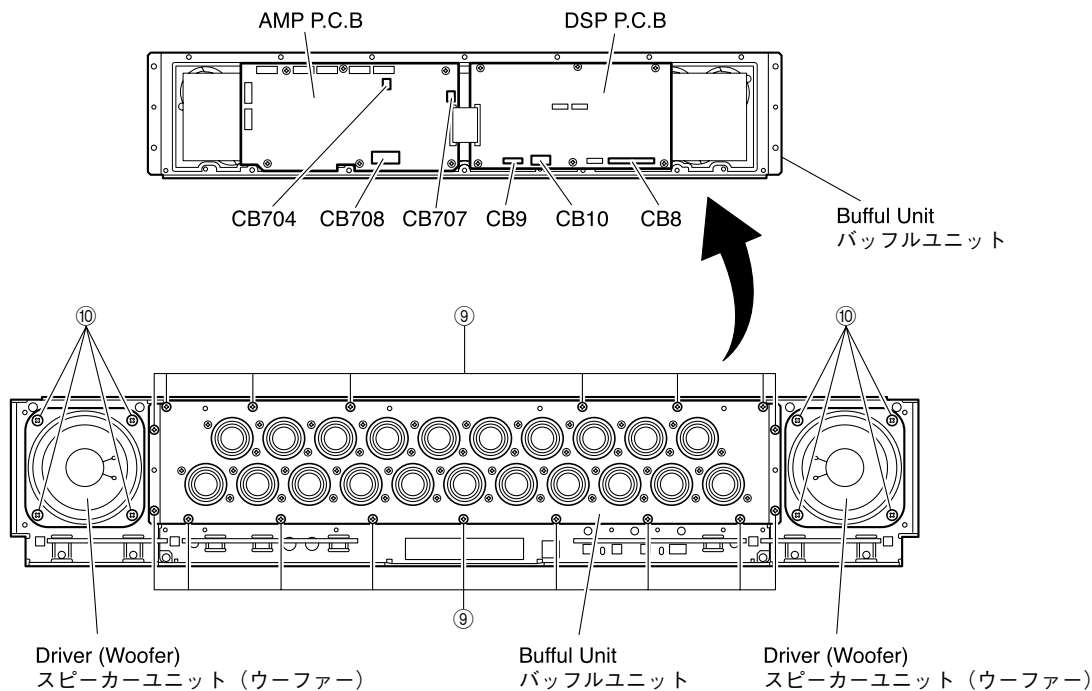


Fig. 3

9. Removal of Frame Bottom C

- a. Remove 14 screws (11) and 8 screws (12). (Fig. 4)
- b. Remove connector CB501. (Fig. 4)
- c. Remove the Frame Bottom C. (Fig. 4)

9. フレームボトムCの外し方

- a. ⑪のネジ14本、⑫のネジ8本を外します。(Fig. 4)
- b. コネクターCB501を外します。(Fig. 4)
- c. フレームボトムCを取り外します。(Fig. 4)

10. Removal of INPUT (1) POWER P.C.B.

- a. Remove connectors CB4, CB504, CB506 and CB507. (Fig. 4)
- b. Remove 6 screws (13). (Fig. 4)
- c. Remove the INPUT (1) POWER P.C.B.. (Fig. 4)

10.INPUT(1)POWER P.C.B.の外し方

- a. コネクターCB4、CB504、CB506、CB507を外します。(Fig. 4)
- b. ⑬のネジ6本を外します。(Fig. 4)
- c. INPUT(1)POWER P.C.B.を取り外します。(Fig. 4)

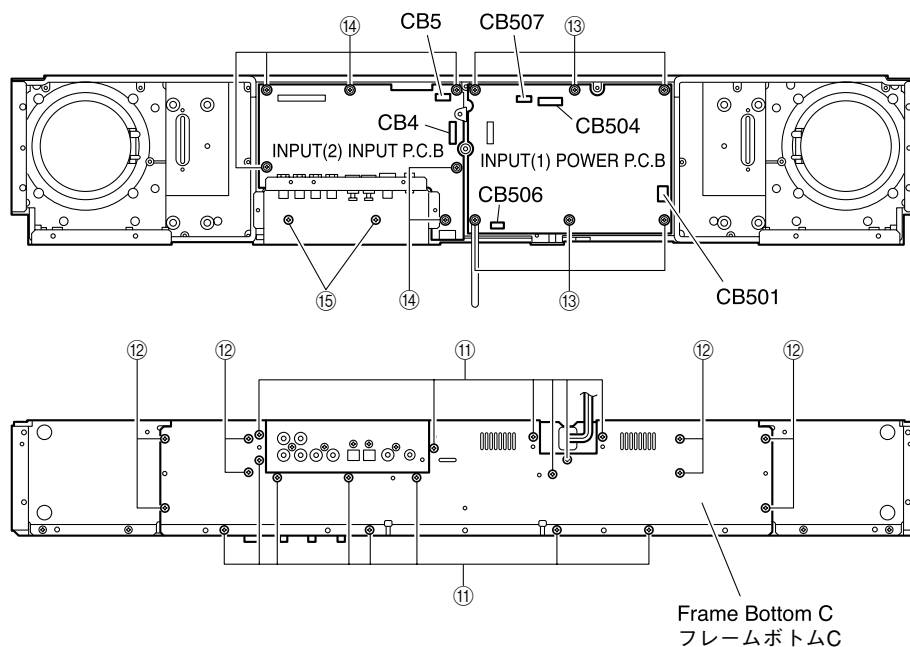


Fig. 4

11. Removal of INPUT(2) INPUT P.C.B.

- Remove connector CB5. (Fig. 4)
- Remove 6 screws (14) and 2 screws (15). (Fig. 4)
- Remove the INPUT (2) INPUT P.C.B.. (Fig. 4)

12. Removal of INPUT (4) SWITCH P.C.B.

- Remove connector CB903. (Fig. 5)
- Remove 2 screws (16). (Fig. 5)
- Remove the INPUT (4) SWITCH P.C.B.. (Fig. 5)

13. Removal of INPUT (5) MIC P.C.B.

- Remove 2 screws (17). (Fig. 5)
- Remove the INPUT (5) MIC P.C.B.. (Fig. 5)

14. Removal of INPUT (3) FLDISPLAY P.C.B.

- Remove connector CB902. (Fig. 5)
- Remove 5 screws (18). (Fig. 5)
- Remove the INPUT (3) FLDISPLAY P.C.B.. (Fig. 5)

11.INPUT(2)INPUT P.C.B.の外し方

- コネクタ-CB5を外します。(Fig. 4)
- 14のネジ6本, 15のネジ2本を外します。(Fig. 4)
- INPUT(2)INPUT P.C.B.を取り外します。(Fig. 4)

12.INPUT(4)SWITCH P.C.B.の外し方

- コネクタ-CB903を外します。(Fig. 5)
- 16のネジ2本を外します。(Fig. 5)
- INPUT(4)SWITCH P.C.B.を取り外します。(Fig. 5)

13.INPUT(5) MIC P.C.B.の外し方

- 17のネジ2本を外します。(Fig. 5)
- INPUT(5)MIC P.C.B.を取り外します。(Fig. 5)

14.INPUT(3) FLDISPLAY P.C.B.の外し方

- コネクタ-CB902を外します。(Fig. 5)
- 18のネジ5本を外します。(Fig. 5)
- INPUT(3)FLDISPLAY P.C.B.を取り外します。(Fig. 5)

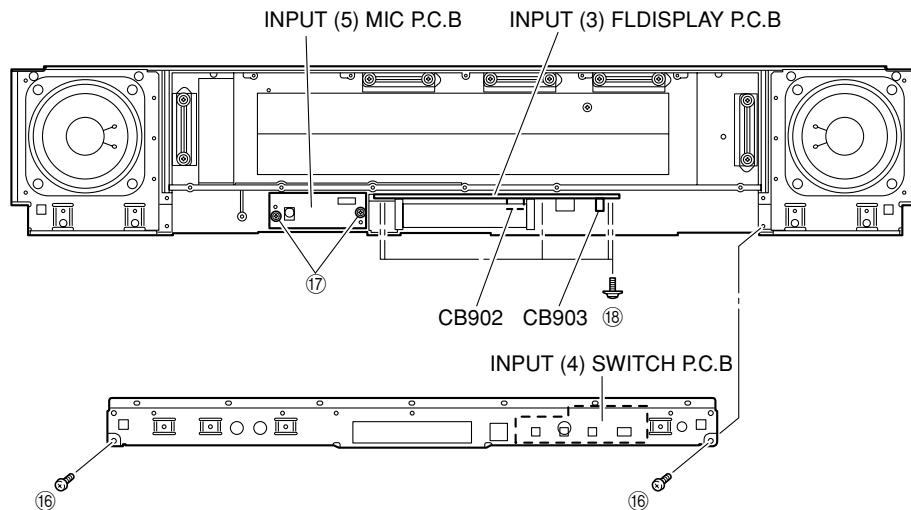


Fig. 5

15. Removal of DSP P.C.B.

- Remove connector CB11. (Fig. 6)
- Remove 6 screws (19). (Fig. 6)
- Remove the DSP P.C.B.. (Fig. 6)

16. Removal of AMP P.C.B.

- Remove connectors CB709, CB710, CB711, CB712, CB713, CB714 and CB715. (Fig. 6)
- Remove 6 screws (20). (Fig. 6)
- Remove the AMP P.C.B.. (Fig. 6)

15.DSP P.B.C. の外し方

- コネクタ-CB11を外します。(Fig. 6)
- 19のネジ6本を外します。(Fig. 6)
- DSP P.B.C. を取り外します。(Fig. 6)

16.AMP P.B.C.の外し方

- コネクタ-CB709~715を外します。(Fig. 6)
- 20のネジ6本を外します。(Fig. 6)
- AMP P.B.C.を取り外します。(Fig. 6)

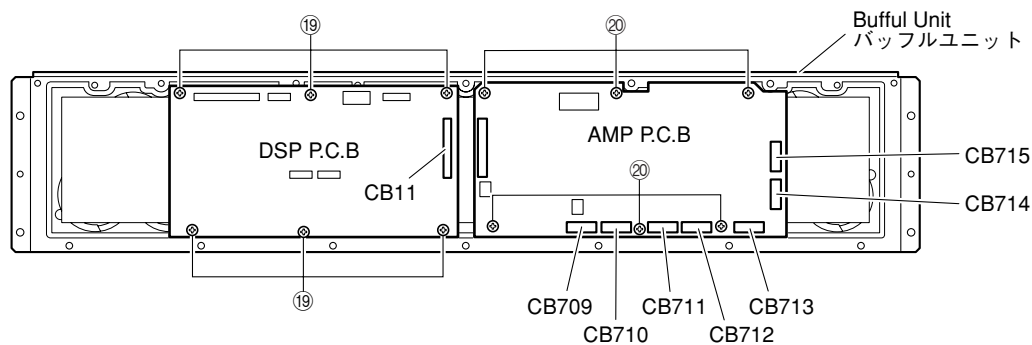


Fig. 6

17. Removal of Driver (Tweeter)

- a. Remove 2 screws/piece (21). (Fig. 7)
- b. Remove the Driver (Tweeter). (Fig. 7)

17. スピーカーユニット(ツイーター)の外し方

- a. ⑳のネジ2本/個を外します。(Fig. 7)
- b. スピーカーユニット(ツイーター)を取り外します。(Fig. 7)

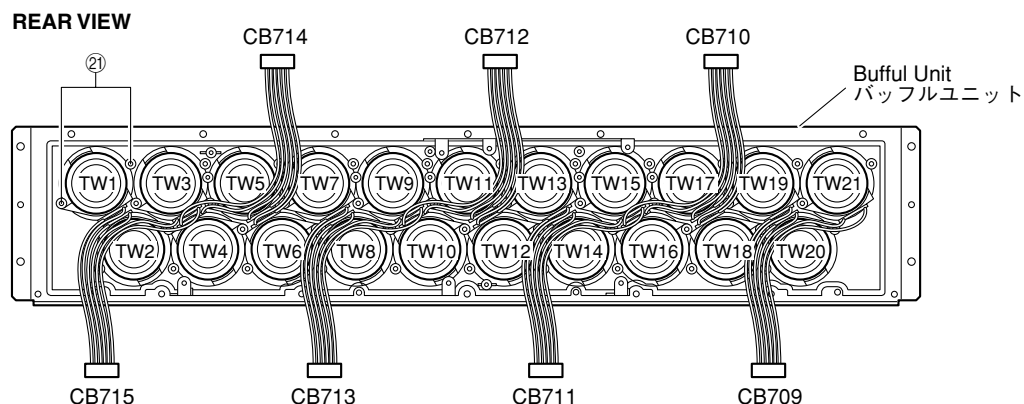


Fig. 7

Installation of Driver (Tweeter)

Caution : Make sure that all the removed Driver (tweeter) parts are reinstalled at specified positions. (Fig. 7)

スピーカーユニット(ツイーター)の取り付け方

注意 : 取り外したスピーカーユニット(ツイーター)はすべて決められた位置に取り付けてください。(Fig. 7)

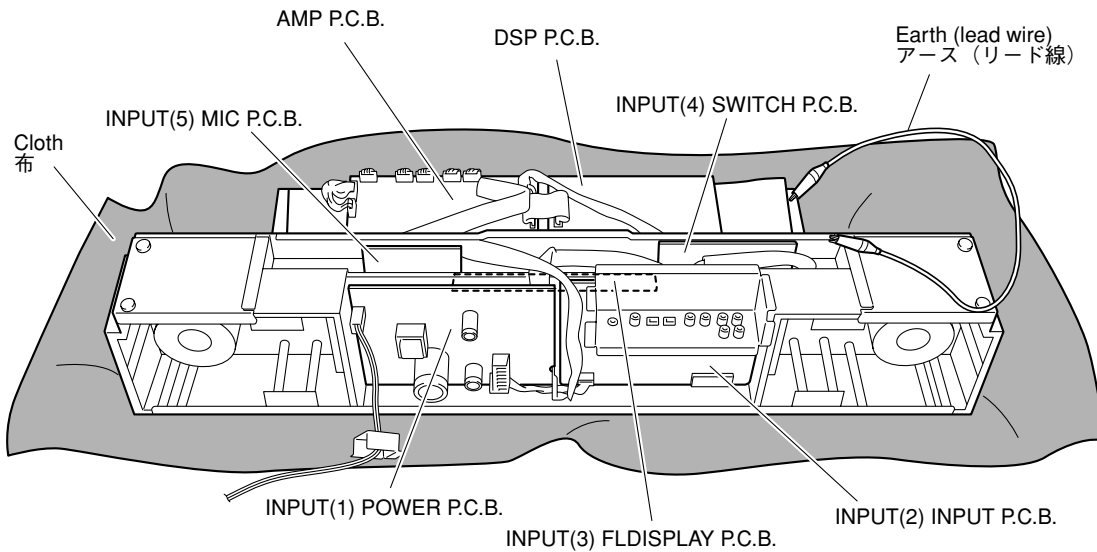
Pin No. / ピンNo.	CB715	CB714	CB713	CB712	CB711	CB710	CB709
5 - 6	TW1	TW4	TW7	TW10	TW13	TW16	TW19
3 - 4	TW2	TW5	TW8	TW11	TW14	TW17	TW20
1 - 2	TW3	TW6	TW9	TW12	TW15	TW18	TW21

When checking the P.C.B. :

- The Rear Unit removed from the unit does not work because its grounding is loose. Be sure to connect the ground of the Rear Unit to the chassis or GND with a lead wire or the like. (Fig. A)
- Reconnect all cables (connectors) that have been disconnected.
- When connecting the cable, use care for the polarity.

P.C.B.チェックをする場合には

- 取り外したリアユニットはアースが浮いて動作しませんので、リード線等でシャーシ、またはGNDに接続してください。(Fig. A)
- 外したケーブル(コネクター)をすべて接続します。
- ケーブルを接続する際、極性に注意してください。

**Fig. A**

■ UPDATING FIRMWARE / ファームウェアの書き込み

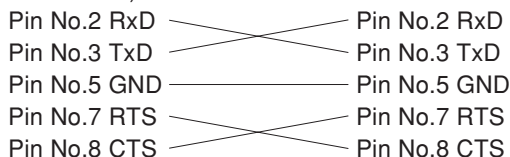
When the following parts have been replaced with servicing parts, be sure to write the updated data of the firmware.

IC11 of P.C.B. ASS'Y DSP : X6962B00
 ... Writing of DSP
 IC17 of P.C.B. ASS'Y DSP : X6963A00
 ... Writing of DSP APPLICATION / SPID
 IC24 of P.C.B. ASS'Y DSP : X6894A00
 ... Writing of CPU

● Required tools

- DOS/V machine, OS: Windows 98/2000/Me/XP, PC with a serial port (RS232C)
- Program upgrading program
 There are 2 program upgrading programs.
 Writing of CPU : DSP_FLASHER(YSP).exe
 Writing of DSP : DSP_FLASHER(YSP).exe
 Writing of DSP APPLICATION / SPID : spDownloader_2_0_x_xxx.exe.
- Firmware
 * Be sure to put following 4 firmwares in the same folder.
 CPU SA2_xxxxxxx.mot
 DSP YSPx00_verxxxx.hex
 DSP APPLICATION ysp2app_YSP2-0_xxxxx_.hex
 SPID Y8xxxxxxx.bin

- RS232C cross cable "D-sub 9 pin female"
 (Specifications)



- RS232C Conversion Jig.
 For the details, refer to p.76.

● Preparation and precautions before starting the operation

- Download DSP_FLASHER(YSP).exe and spDownloader_2_0_x_xxx.exe from the specified source to the PC being used.
- Prepare the above specified RS232C cross cable.
- While writing, keep the other application software on the PC closed. It is also recommended to keep the software on the task tray closed as well.

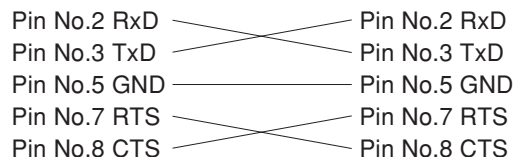
下記の部品をサービス部品に交換した場合、最新のファームウェアの書き込みを行ってください。

P.C.B. DSPのIC11 : X6962B00
 ... DSPの書き込み
 P.C.B. DSPのIC17 : X6963A00
 ... DSP APPLICATION / SPIDの書き込み
 P.C.B. DSPのIC24 : X6894A00
 ... CPUの書き込み

● 必要なツール

- DOS/V機、OS : Windows 98/2000/Me/XP、シリアルポート付き(RS232C)PC
- プログラムアップグレードプログラム
 プログラムアップグレードプログラムは2種類あります。
 CPUの書き込み : DSP_FLASHER(YSP).exe
 DSPの書き込み : DSP_FLASHER(YSP).exe
 DSP APPLICATION / SPIDの書き込み : spDownloader_2_0_x_xxx.exe
- ファームウェア
 ※ 以下の4つのファームウェアは必ず同一フォルダ内へ入れてください。
 CPU SA2_xxxxxxx.mot
 DSP YSPx00_verxxxx.hex
 DSP APPLICATION ysp2app_YSP2-0_xxxxx_.hex
 SPID Y8xxxxxxx.bin

- RS232Cクロスケーブル "D-sub 9pin メス"
 (仕様)



- RS232C 変換治具
 詳細はP.76を参照してください。

● 操作前の準備と注意

- PCへ指定のダウンロード先からDSP_FLASHER(YSP).exeとspDownloader_2_0_x_xxx.exeをダウンロードしてください。
- RS232Cクロスケーブルは必ず上記仕様のもので用意してください。
- 書き込み時は、PC上の他のアプリケーションソフトは閉じてください。
 さらに、タスクトレイ上にあるソフトも閉じておくことを推奨します。

● Operation Procedure

● 操作方法

Writing of CPU

CPUの書き込み

1. Install DSP_FLASHER(YSP).exe into the PC.
2. Before turning on the power to YSP-800 and PC, connect each of them using RS232C conversion jig and RS232C cable (cross cable). (Fig. 1)

1. PCにDSP_FLASHER(YSP).exeをインストールします。
2. YSP-800とPCの電源を入れる前にそれぞれをRS232C変換治具を使い、RS232Cケーブル(クロスケーブル)で接続します。(Fig. 1)

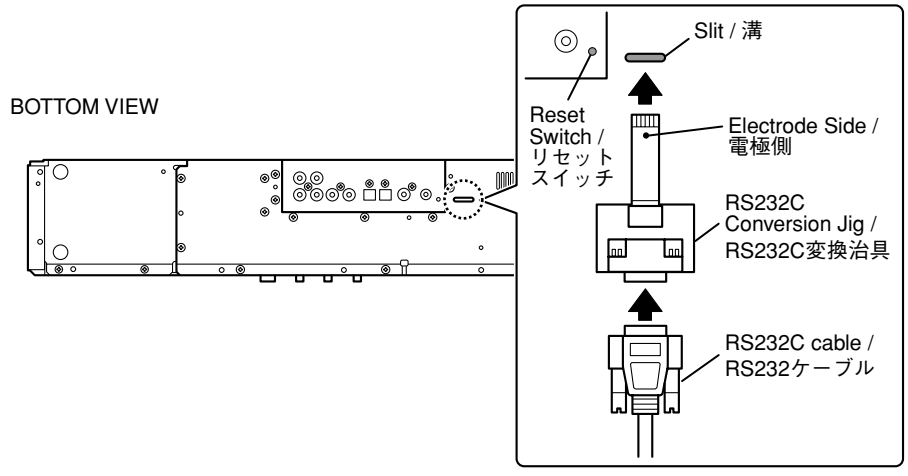
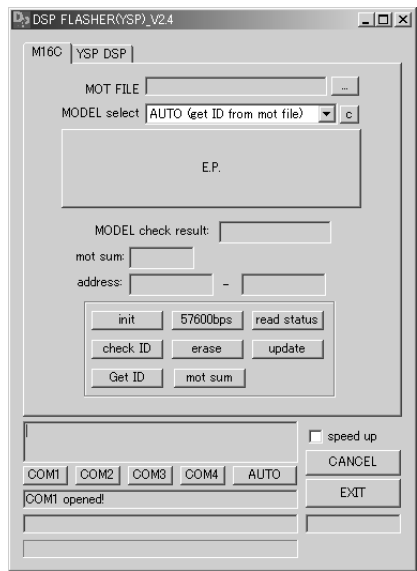


Fig. 1

3. While pressing the reset switch of YSP-800, connect the power cable to the AC outlet. (Fig. 1)
* Use a fine tipped pin or the like to push the reset switch.
4. Start up DSP_FLASHER(YSP).exe, the screen will appear as shown below.

3. YSP-800のリセットスイッチを押しながら、電源コードをACコンセントに接続します。(Fig. 1)
※ リセットスイッチは、先の細いピンなどで押してください。
4. PCのDSP_FLASHER(YSP).exeを立ち上げます。すると下記の画面が表示されます。



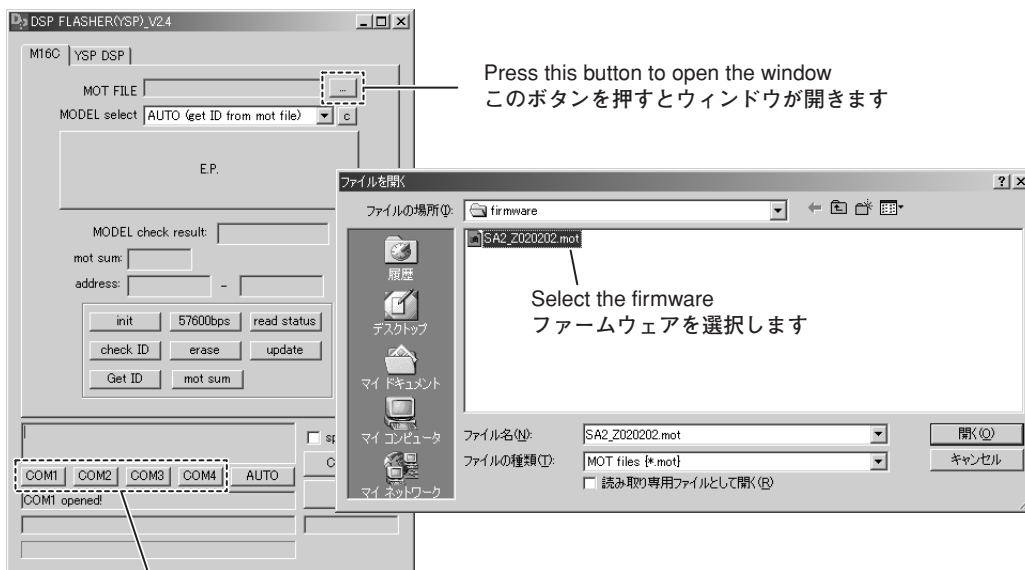
YSP-800

5. Select the data to be transmitted and port.

- **MOT FILE**
Select "SA2_XXXXXXX.mot".
- **RS232C**
Select the port of RS-232C.

5. 送信データ、ポートを選択します。

- **MOT FILE**
"SA2_XXXXXXX.mot" を選択します。
- **RS232C**
接続しているRS-232Cポートを選択します。



Press this button to open the window
このボタンを押すとウィンドウが開きます

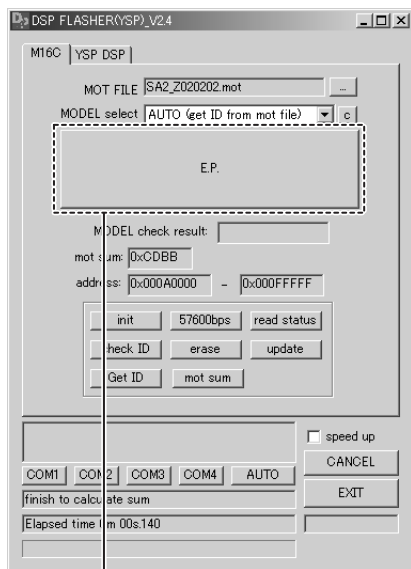
Select the port of RS-232C
接続しているRS-232Cポートを選択します

- * The port selection varies depending on OS of the PC.
Windows 98/2000/Me COM1~4
Windows XP COM1~2
As no port other than the above can be used, select the port using the setting of the PC.

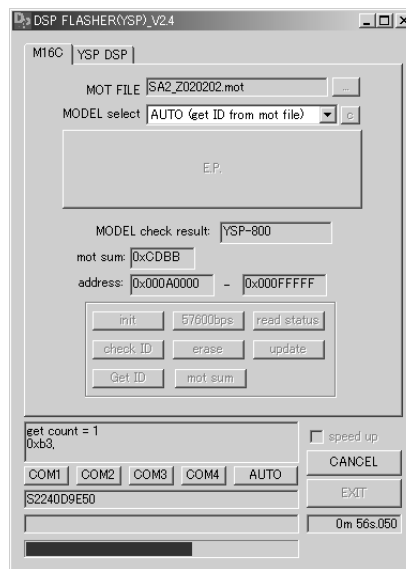
- ※ ポートの選択はPC側のOSによって異なります。
Windows 98/2000/Me COM1~4
Windows XP COM1~2
上記ポート以外は使用できませんので、PC側の設定でポートを選択してください。

6. Press the [E.P.] button and start writing.

6. [E.P.]ボタンを押し、書き込みを開始します。



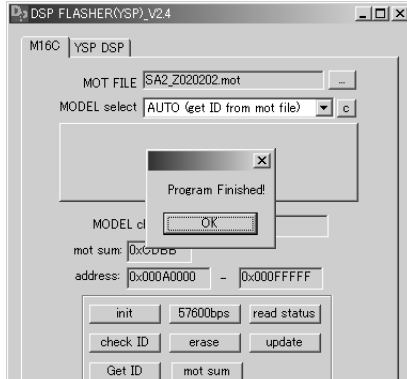
Press this button to start writing
このボタンを押すと書き込みが開始されます



During downloading
書き込み中

- When the program transmission is completed, the screen appears as shown below.
The press the [OK] button to end the procedure.

- プログラムの送信が終了すると、以下の画面が表示されます。
[OK]ボタンを押して完了します。



- Disconnect the power cable of YSP-800 from the AC outlet.

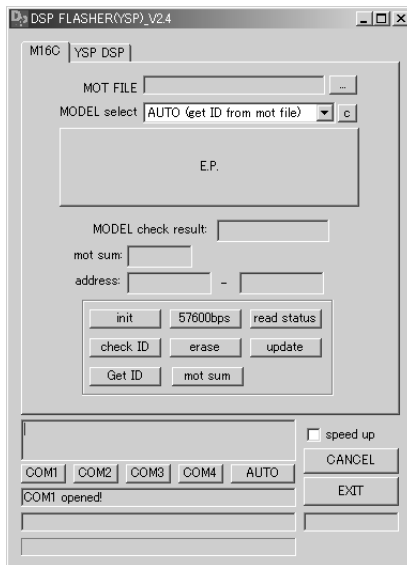
- YSP-800の電源コードをACコンセントから抜きます。

Writing of DSP

- Install DSP_FLASHER(YSP).exe into the PC.
- Before turning on the power to YSP-800 and PC, connect each of them using RS232C conversion jig and RS232C cable (cross cable). (Fig. 1)
- Start up DSP_FLASHER(YSP).exe, the screen will appear as shown below.

DSPの書き込み

- PCにDSP_FLASHER(YSP).exeをインストールします。
- YSP-800とPCの電源を入れる前にそれぞれをRS232C変換器具を使い、RS232Cケーブル(クロスケーブル)で接続します。(Fig. 1)
- PCのDSP_FLASHER(YSP).exeを立ち上げます。すると下記の画面が表示されます。



4. Select "YSP DSP" Tag.

4. "YSP DSP"タグを選択します。

5. Select the data to be transmitted and port.

5. 送信データ、ポートを選択します。

- **DSP HEX FILE**

Select "YSPx00_verxxxx.hex".

- **DSP HEX FILE**

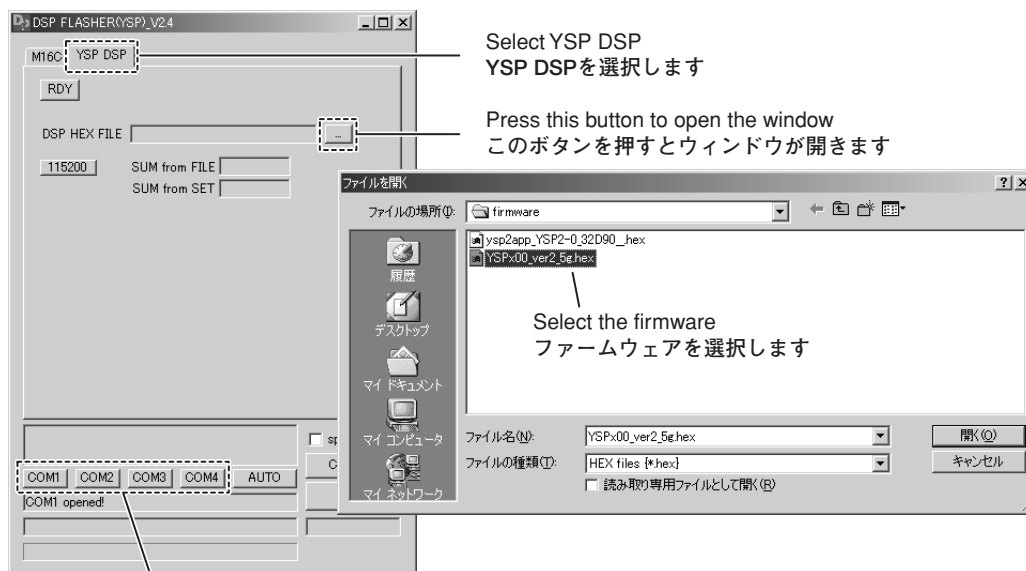
"YSPx00_verxxxx.hex" を選択します。

- **RS232C**

Select the port of RS-232C.

- **RS232C**

接続しているRS-232Cポートを選択します。



Select YSP DSP
YSP DSPを選択します

Press this button to open the window
このボタンを押すとウィンドウが開きます

Select the firmware
ファームウェアを選択します

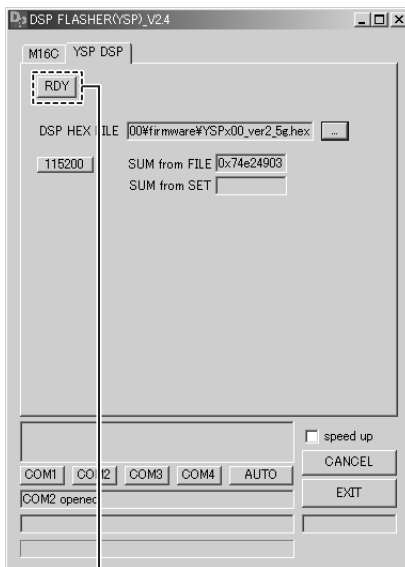
Select the port of RS-232C
接続しているRS-232Cポートを選択します

- * The port selection varies depending on OS of the PC.
Windows 98/2000/Me COM1~4
Windows XP COM1~2
As no port other than the above can be used, select the port using the setting of the PC.

- ※ ポートの選択はPC側のOSによって異なります。
Windows 98/2000/Me COM1~4
Windows XP COM1~2
上記ポート以外は使用できませんので、PC側の設定でポートを選択してください。

6. Press the [RDY] button to set to the standby mode.

6. [RDY]ボタンを押し待機状態にします。



Pressing this button sets to the ready-to-write state.
このボタンを押すと、書き込み待機状態になります。

7. Connect the power cable of YSP-800 to the AC outlet. While pressing the “VOL+” key and “VOL-” key of the YSP-800, press the “STANDBY/ON” key of the remote control to activate the DIAG function.

7. YSP-800の電源コードをACコンセントに接続し、YSP-800の“VOL+”キーと“VOL-”キーを押しながら、リモコンの“STANDBY/ON”キーを押し、ダイアグを起動します。

① Using the “UP” or “DOWN” key of the remote control, select the DIAG menu in the figure below.

① リモコンの“UP”キーまたは“DOWN”キーを使い、下図のダイアグメニューを選択します。

```
TxTestCh [----]
```

② Using the “LEFT” or “RIGHT” key of the remote control, select the DIAG sub-menu in the figure below.

② リモコンの“LEFT”キーまたは“RIGHT”キーを使い、下図のダイアグメニューを選択します。

```
T1 Write [OFF]
```

③ Using the “ENTER” key of the remote control, make a change as shown below.

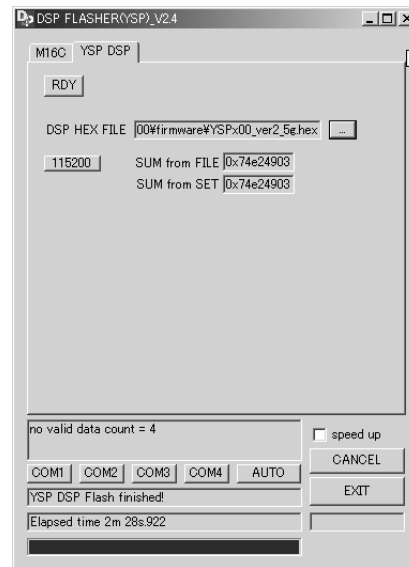
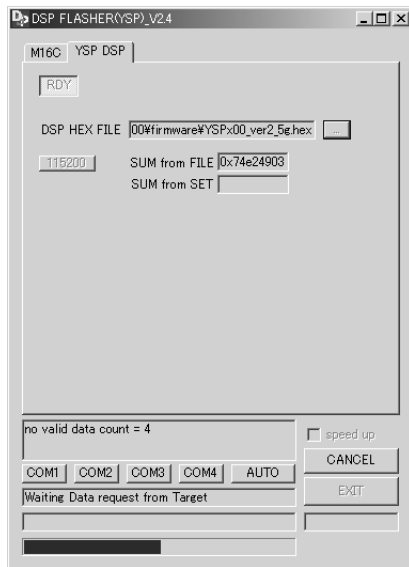
③ リモコンの“ENTER”キーを使い、下図のように変更します。

```
T1 Write [ON ]
```

Change OFF to ON
OFF → ONに変更します

8. When the program transmission is completed, the screen appears as shown below.

8. プログラムの送信が終了すると、以下の画面が表示されます。



During downloading
書き込み中

9. Check the SUM.

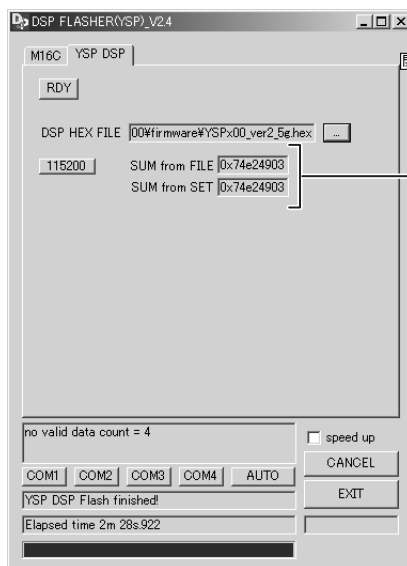
After downloading successfully, the value of “SUM from SET” is appeared.

The procedure is completed when the value is obtained for “SUM from FILE” and “SUM from SET”.

9. SUM値を確認します。

書き込み完了後“SUM from SET”が表示されます。

“SUM from FILE”と“SUM from SET”の値が同様になれば完了です。



Confirm the value of SUM
SUM値を確認します

10. Press the “STANDBY/ON” key of the YSP-800 to turn off the power.

10. YSP-800の“STANDBY/ON”キーを押し、電源をOFFにします。

Writing of DSP APPLICATION / SPID

1. Install spDownloader_2_0_x_xxx.exe into the PC.
2. Before turning on the power to YSP-800 and PC, connect each of them using RS232C conversion jig and RS232C cable (cross cable). (Fig. 1)
3. Connect the power cable of YSP-800 to the AC outlet. While pressing the "VOL+" key and "VOL-" key of the YSP-1, press the "STANDBY/ON" key of the remote control to activate the DIAG function.

① Using the "UP" or "DOWN" key of the remote control, select the DIAG menu in the figure below.

```
TxTestCh [---]
```

② Using the "LEFT" or "RIGHT" key of the remote control, select the DIAG sub-menu in the figure below.

```
RS232C: YAMAHA
```

③ Using the "ENTER" key of the remote control, make a change as shown below.

```
RS232C: 1Ltd.
```

Change YAMAHA to 1Ltd.
YAMAHA → 1Ltd.に変更します

④ For restarting, use the "STANDBY/ON" key of the YSP-800 or the remote control.

DSP APPLICATION / SPIDの書き込み

1. PCにspDownloader_2_0_x_xxx.exeをインストールします。
2. YSP-800とPCの電源を入れる前にそれぞれをRS232C変換治具を使い、RS232Cケーブル(クロスケーブル)で接続します。(Fig. 1)
3. YSP-800の電源コードをACコンセントに接続し、YSP-1の"VOL+"キーと"VOL-"キーを押しながら、リモコンの"STANDBY/ON"キーを押し、ダイアグを起動します。

① リモコンの"UP"キーまたは"DOWN"キーを使い、下図のダイアグメニューを選択します。

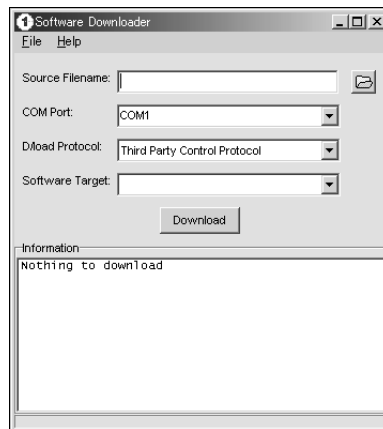
② リモコンの"LEFT"キーまたは"RIGHT"キーを使い、下図のダイアグメニューを選択します。

③ リモコンの"ENTER"キーを使い、下図のように変更します。

④ YSP-800またはリモコンの"STANDBY/ON"キーで再起動します。

4. Start up spDownloader_2_0_x_xxx.exe, the screen will appear as shown below.

4. PCのspDownloader_2_0_x_xxx.exeを立ち上げます。すると下記の画面が表示されます。

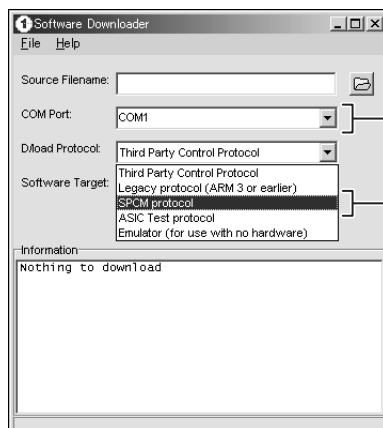


5. Select the data to be transmitted and port.

- **COM Port**
Select the port of RS-232C.
- **D/load Protocol**
Select "SPCM Protocol"

5. 送信データ、ポートを選択します。

- **COM Port**
接続しているRS-232Cポートを選択します。
- **D/load Protocol**
SPCMプロトコルを選択します。



Select the port of RS-232C
接続しているRS-232Cポートを選択します

Select SPCM Protocol
SPCMプロトコルを選択します

6. Select Firmware and execute writing as follows.

First, select DSP APPLICATION and perform steps ① to ⑤ for writing.

Then, select SPID and perform steps ① to ④ for writing.

① Press the button beside the Source firmware Box.

And select the firmware.

- DSP APPLICATION : ysp2app_YSP2-0_xxxxx_.hex
- SPID : Y8xxxxxxx.bin

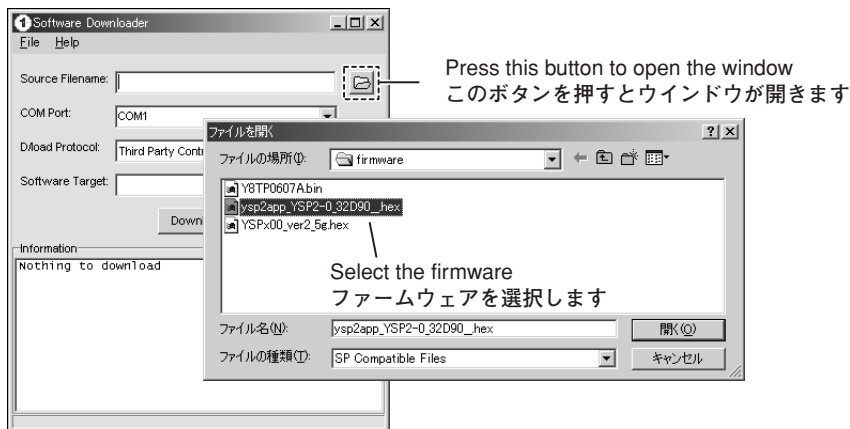
6. ファームウェアを選択し、書き込みを行います。

最初にDSP APPLICATIONを選択し、①～⑤の操作で書き込みます。

次にSPIDを選択し、①～④の操作で書き込みます。

① フォルダボタンを押し、書き込むファームウェアを選択します。

- DSP APPLICATION : ysp2app_YSP2-0_xxxxx_.hex
- SPID : Y8xxxxxxx.bin



Press this button to open the window
このボタンを押すとウィンドウが開きます

Select the firmware
ファームウェアを選択します

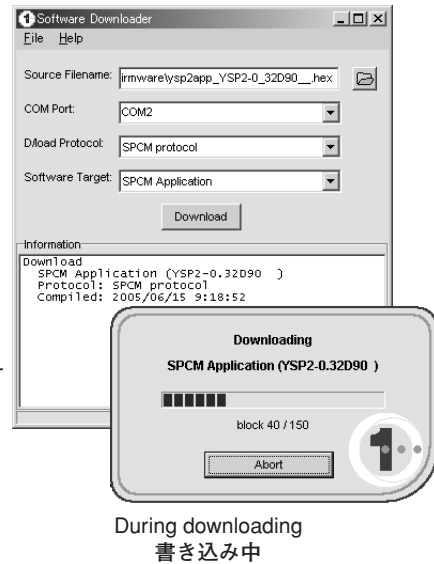
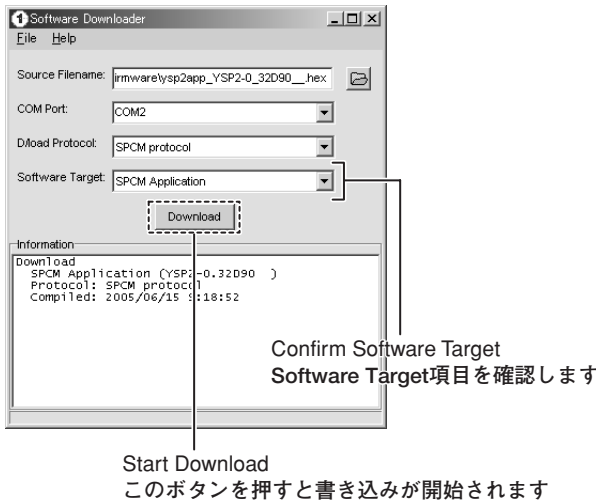
② Confirm Software Target and press the [Download] button.

Firm	Software Target
DSP application	SPCM Application
SPID	SPCM init Data

② Software Target項目を確認し、[Download] ボタンを押します。

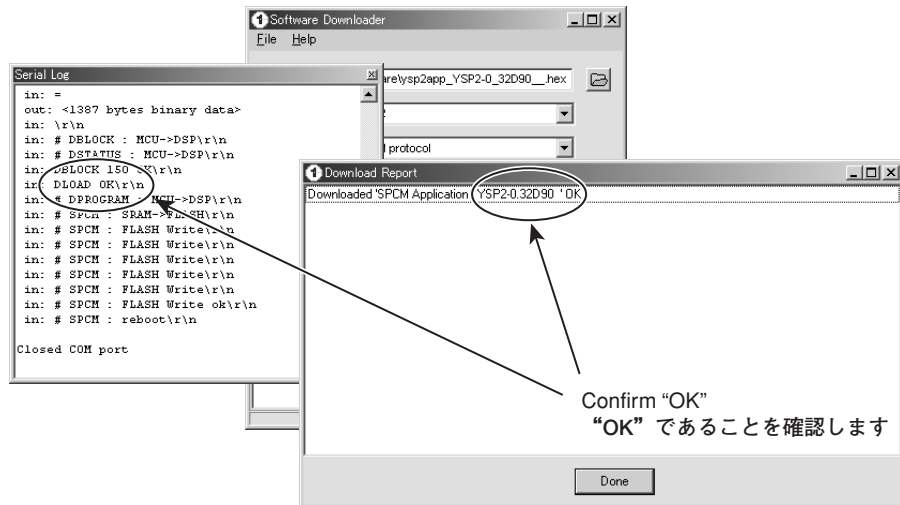
- * When Source filename is selected, Software Target box is selected automatically.
- * If Software Target is different, confirm again Source filename or re-open spDownloader.

- ※ Software Target項目は書き込みファイル選択時、自動的に選択されます。
- ※ Software Target項目が違う場合は、書き込みファイル名の確認、またはspDownloaderの再起動をして下さい。



③ After downloading successfully, “Downloaded ‘*****’ OK” is appeared. Confirm “DLOAD OK” on the Serial Log window.

③ 書き込み完了後、“Downloaded ‘*****’ OK”が表示されます。Serial Logウィンドウの“DLOAD OK”を確認します。



④ Press the [Done] button.

④ [Done]ボタンを押します。

⑤ For restarting, use the “STANDBY/ON” key of the YSP-800 or the remote control.

⑤ YSP-800またはリモコンの“STANDBY/ON”キーで再起動します。

⑥ The display returns to screen (①). Select SPID and perform steps ① to ④ for writing.

⑥ ①の画面に戻ります。SPIDを選択し、①～④の操作で書き込みます。

7. Press the “STANDBY/ON” key of the YSP-800 to turn off the power.
8. While pressing the “VOL+” key and “VOL-” key of the YSP-800, press the “STANDBY/ON” key of the remote control to activate the DIAG function.

① Using the “UP” or “DOWN” key of the remote control, select the DIAG menu in the figure below.

```
TxTestCh [---]
```

② Using the “LEFT” or “RIGHT” key of the remote control, select the DIAG sub-menu in the figure below.

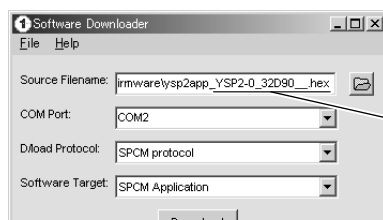
```
RS232C: 1Ltd.
```

③ Using the “RETURN” key of the remote control, make a change as shown below.

```
RS232C: YAMAHA
```

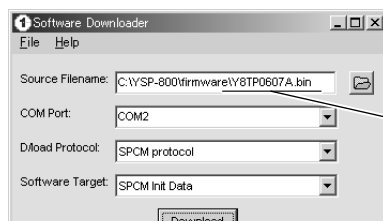
Change 1Ltd. to YAMAHA
1Ltd. → YAMAHAに変更します

④ Check the version of the firmware.
Using the “LEFT” key or “RIGHT” key of the remote control, have the DIAG menu displayed as in the figure below.
The procedure is completed when the same version as shown below is obtained.



```
APP:YSP2-0.32D
```

DSP APPLICATION version
DSP APPLICATIONのバージョン



```
SPD:Y8TP0607A
```

SPID version
SPIDのバージョン

9. Press the “STANDBY/ON” key of the YSP-800 to turn off the power.

7. YSP-800の“STANDBY/ON”キーを押し、電源をOFFします。
8. YSP-800の“VOL+”キーと“VOL-”キーを押しながら、リモコンの“STANDBY/ON”キーを押し、ダイアグを起動します。

① リモコンの“UP”キーまたは“DOWN”キーを使い、下図のダイアグメニューを選択します。

② リモコンの“LEFT”キーまたは“RIGHT”キーを使い、下図のダイアグメニューを選択します。

③ リモコンの“RETURN”キーを使い、下図のように変更します。

④ ファームウェアのバージョンを確認します。
リモコンの“LEFT”キーまたは“RIGHT”キーを使い、下図のダイアグメニューを表示します。
以下のように同様のバージョンになれば完了です。

9. YSP-800の“STANDBY/ON”キーを押し、電源をOFFにします。

■ SELF DIAGNOSIS FUNCTION (DIAG) / 自己診断機能 (ダイアグ)

There are 14 DIAG menu items, each of which has sub-menu items. Listed in the table below are menu items and sub-menu items.

ダイアグメニューは14個あり、そのそれぞれにサブメニューがあります。下表はメニュー一覧です。

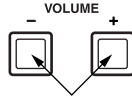
No.	DIAG MENU	SUB MENU
1	DSP THROUGH 1. DSP THR ALL	1. ALL
		2. FRONT L
		3. CENTER
		4. FRONT R
		5. SURROUND R
		6. SURROUND L
		7. LFE
2	RAM THROUGH 2. RAM THR ALL	1. ALL
		2. FRONT L
		3. CENTER
		4. FRONT R
		5. SURROUND R
		6. SURROUND L
		7. LFE
3	PRO LOGIC / NEO:6 3. PRO LOGIC I	1. PRO LOGIC I (PRO LOGIC EMULATION)
		2. PRO LOGIC II
		3. NEO: 6
4	MIC CHECK 4. MIC CHK	1. MIC CHECK
5	VFD CHECK 5. VFD CHECK	1. VFD CHECK (Initial display / 初期表示)
		2. VFD DISP OFF (All segments OFF / 全セグメント消灯)
		3. VFD DISP ALL (All segments ON 100% / 全セグメント点灯100%)
		4. VFD DIMMER (All segments ON 50% / 全セグメント点灯50%)
		5. CHECKED PATTERN (ON in lattice / 格子状点灯)
6	MANUAL TEST 6. TEST ALL	1. TEST ALL
		2. TEST FRONT L
		3. TEST CENTER
		4. TEST FRONT R
		5. TEST SURROUND R
		6. TEST SURROUND L
		7. TEST LFE
7	RS-232C 7. TxRxData:XX (Not applied to this model. / このモデルには適用されません)	1. TxD/RxD DATA
		2. HARD FLOW
8	FACTORY PRESET 8. PRESET INHI	1. PRESET INHIBIT (memory initialization inhibited / メモリーの初期化禁止)
		2. PRESET RESERVED (memory initialized / メモリーの初期化)
9	AD DATA CHECK PS:051%[1.68U]	1. PS (protection)
		2. K0 / K1 (panel key)
10	IF STATUS IS1:440308C000	1. IS 1
		2. IS 2
		3. IS 3
		4. CS 1
		5. CS 2
		6. CS 3
		7. CS 4
		8. CS 5
		9. CS 6
		10. BS 1

No.	DIAG MENU	SUB MENU
		11. BS 2
		12. BS 3
		13. BS 4
		14. BS 5
		15. BS 6
		16. BS 7
		17. DS 1
		18. DS 2
		19. T 11
		20. T 12
		21. T 13
		22. T 21
		23. T 22
		24. T 23
		25. Y 11 (Not applied to this model. / このモデルには適用されません)
		26. Y 12 (Not applied to this model. / このモデルには適用されません)
		27. Y 21 (Not applied to this model. / このモデルには適用されません)
		28. Y 22 (Not applied to this model. / このモデルには適用されません)
		29. Y 31 (Not applied to this model. / このモデルには適用されません)
		30. Y 32 (Not applied to this model. / このモデルには適用されません)
		31. MTT
11	MODEL MODEL: YSP-800	1. MODEL SETTING
		2. TUNER DESTINATION
		3. VIDEO FORMAT
12	ROM VERSION / SUM VER. C070707B	1. VERSION (DSP ALL)
		2. SUM (ALL BOOT)
13	DATE 05.07.20b/MAIN	1. MAIN
		2. SUB
		3. SUB 2
		4. SUB 3
		5. PROTECT
		6. REMOTE CONTROL CODE
14	DSP CHECK TxTestCh [---]	1. Tx Test Ch
		2. Tx Test
		3. T1 CHECK
		4. T2 CHECK
		5. RS232C BOOT
		6. Cert. Mode
		7. T1V
		8. T1D
		9. APP
		10. CSC
		11. SPD
		12. VR1
		13. T1 Write

● Starting DIAG

To activate the DIAG function, press the “STANDBY/ON” key of the remote control while pressing the keys of the main unit as shown below at the same time.

Keys of main unit / 本体キー



Turn on the power while pressing these keys.
これらのキーを同時に押しながら、パワーオンする。

● Starting DIAG in the protection cancel mode

If the protection function works and causes hindrance to trouble diagnosis, cancel the protection function as described below, and it will be possible to enter the DIAG mode.

Press the “STANDBY/ON” key while simultaneously pressing those two keys indicated in the figure above. At this time, keep pressing those two keys for 3 seconds or longer.

In this mode, the “SLEEP” segment of the FL display of the main unit flashes to indicate that the mode is DIAG mode with the protection functions disabled.

CAUTION!

Using this product with the protection function disabled may cause damage to itself. Use special care for this point when using this mode.

● Canceling DIAG

[1] Before canceling DIAG, execute setting for PRESET of DIAG menu No.8 (Memory initialization inhibited or Memory initialized).

* In order to keep the user memory stored, be sure to select PRESET INHIBIT (Memory initialization inhibited). Any protection history will remain in memory.

[2] Turn off the power by pressing the “STANDBY/ON” key of the main unit or the “STANDBY” key of the remote control.

● Display provided when DIAG started

When the monitor is connected, DIAGNOSTIC MENU appears on its screen as shown in the figure. (It remains on display until DIAG is cancelled.)

● ダイアグの起動

本体の下図に示すキーを同時に押しながらリモコンの“STANDBY/ON”キーを押すと、ダイアグが起動します。

● プロテクション解除モードでの起動

プロテクションが動作することにより、故障箇所の診断に支障をきたすような場合は、次の方法によりプロテクションを解除した状態でダイアグモードに入ることができません。

上図のキーを同時に押しながら“STANDBY/ON”キーを押します。このとき、上図のキーを3秒以上押し続けてください。

このモードでは本体FLの“SLEEP”セグメントが点滅し、プロテクションを解除した状態でのダイアグモードであることを知らせます。

注意!

プロテクションを解除した状態でのダイアグモードは、危険な状態でもプロテクションが作動しないため、動作させると、機器を破壊することがあります。このモードを使用する場合は十分注意してください。

● ダイアグの解除

① ダイアグを解除する前に、ダイアグメニューNo.8のFACTORY PRESET (メモリーの初期化禁止/またはメモリーの初期化)の設定をします。

※ ユーザーメモリーを保持したい場合は、必ずPRESET INHIBIT(メモリー初期化禁止)を選択してください。

② 本体の“STANDBY/ON”キーまたはリモコンの“STANDBY”キーを押し、パワーオフにします。

● ダイアグ起動時の表示

モニターを接続してある場合は、モニターの画面に図のようにダイアグメニューの一覧が表示されます。(ダイアグを解除するまで、この表示が保持されます)

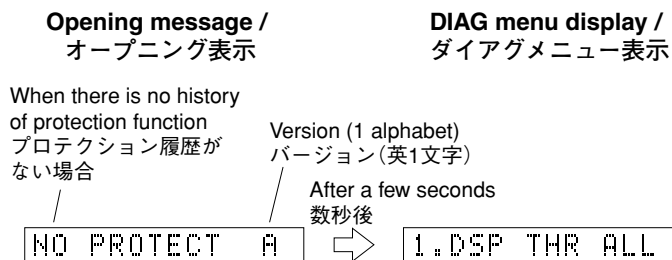
DIAGNOSTIC MENU	
1. DSP THR	8. PRESET
2. RAM THR	9. AD CHECK
3. PRO LOGIC	10. IF STATUS
4. MIC CHECK	11. MODEL
5. VFD CHECK	12. VER/SUM
6. MAN'L TEST	13. DATE
7. RS232C	14. DSP CHECK

The FL display of the main unit displays the protection function history data and the version (1 alphabet) and the DIAG menu [sub-menu (THR ALL) of DIAG menu No.1 DSP THROUGH] a few seconds later.

本体のFLディスプレイにプロテクション履歴情報とバージョン(英1文字)が表示され、数秒後にダイアグメニュー(No.1 DSP THROUGH)のサブメニュー(THR ALL)になります。

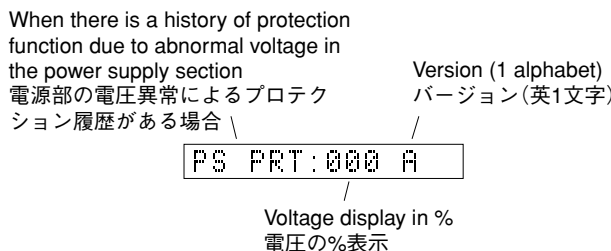
When there is no history of protection function:

プロテクション履歴がない場合:



When there is a history of protection function:

プロテクション履歴がある場合:



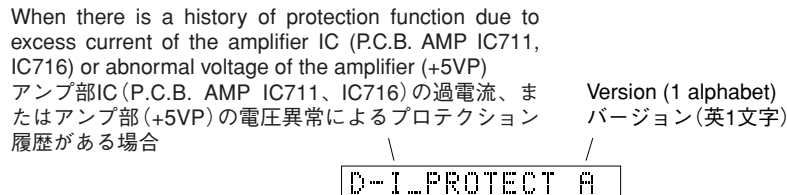
Cause: The voltage in the power supply section is abnormal.

原因：電源部の電圧が異常。
補足：異常時の電圧の状態を、3.3Vを100%とした値で%表示します。

Supplementary information: The abnormal voltage is displayed in % based on 3.3V as 100%.

異常状態のままパワーオンすると、1.5秒後にプロテクションがかかり、電源が切れます。

Turning on the power without correcting the abnormality will cause the protection function to work 1.5 second later and the power supply will be shut off.



Cause: Failure of amplifier IC or abnormal power voltage.

原因：アンプICの異常、または電源部の電圧が異常。

Turning on the power without correcting the abnormality will cause the protection function to work 2 second later and the power supply will be shut off.

異常状態のままパワーオンすると、2秒後にプロテクションがかかり、電源が切れます。

● History of protection function

When the protection function has worked, its history is stored in memory with a backup. Even if no abnormality is noted while servicing the unit, an abnormality which has occurred previously can be defined as long as the backup data has been stored.

The history of the protection function is cleared when DIAG is cancelled by selecting PRESET RESERVED (Memory initialized) of DIAG menu No. 8 or when the backup data is erased.

*To clear the protection history only, use the SUB menu No.5 "PROTECT His (PrHist ← RESET) of DIAG menu No.13".

● Display during menu operation

During the DIAG operation, the menu list described in the section of the startup screen appears on the superimposed screen and the function at work is indicated on the FL indicator. The contents displayed during the function operation are described in the later section on details of functions.

● Operation procedure of DIAG menu and SUB-MENU

There are 14 MENU items, each of which has some SUB-MENU items.

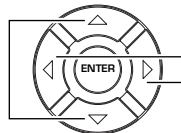
DIAG menu selection

Select the DIAG menu by using the UP/DOWN △ (Reverse) ▽ (Forward) key of the remote control.

SUB-MENU selection

Select the DIAG sub-menu by using the LEFT/RIGHT ◀ (Reverse) ▶ (Forward) keys.

DIAG menu selection
ダイアグメニューの選択



SUB-MENU selection
サブメニューの選択

● Functions in DIAG mode

In addition to the DIAG menu items, functions as listed below are available.

- Input selection
- Muting
- Level adjustment
- Power on/off
- Master volume

* Functions related to the set menu are not available.

● Initial settings used to start DIAG

The following initial settings are used when starting DIAG. When DIAG is canceled, these settings are restored to those before starting DIAG.

- Master volume: -40dB
- Input: TV
- Effect level: 0dB
- Audio mute: OFF
- DIAG menu: DSP THR ALL

● プロテクションの履歴

プロテクションが働いた場合、履歴をバックアップして記憶しています。サービスのときに異常が認められなくても、バックアップが残っていれば、お客様のところで起きた異常を区別できます。

プロテクションの履歴は、ダイアグメニューNo.8で PRESET RESERVED(メモリーの初期化)を選んでダイアグを解除した場合や、バックアップが消えたときにはクリアされます。

※ プロテクション履歴のみクリアしたい場合は、ダイアグメニューNo.13のサブメニューNo.5“PROTECT Hist(PrtHist←RESET)”でクリアできます。

● メニュー動作中の表示

ダイアグ中、モニター画面には起動画面の項で説明したメニュー一覧が表示されます。本体のFLディスプレイには動作中の機能が表示されます。機能動作中の表示内容については、後述の機能詳細で記述します。

● ダイアグメニューとサブメニューの操作

ダイアグにはNo.1～14のメニューがあり、そのそれぞれにサブメニューがあります。

ダイアグメニューの選択

リモコンのUP/DOWN △(逆送り)、▽ (順送り)キーで選択します。

サブメニューの選択

リモコンのLEFT/RIGHT ◀(逆送り)、▶(順送り)キーで選択します。

● ダイアグ中の機能

ダイアグメニューの他に、以下の機能が動作します。

- インプット切り換え
- ミューティング
- レベル調整
- パワーオン/オフ
- マスターボリューム

※ セットメニュー関連は機能しません。

● ダイアグ開始時の初期設定

ダイアグ開始時に以下のような設定になります。ダイアグ解除時にはダイアグ開始前の状態に戻ります。

- マスターボリューム: -40dB
- インプット: TV
- エフェクトレベル: 0dB
- オーディオミュート: オフ
- ダイアグメニュー: DSP THR ALL

● Details of DIAG menu

1. DSP THROUGH

The signal is not changed into beam and output from the channel specified by the sub-menu.

When 2CH signals are inputted, they are distributed as follows at DSP#1.

L CH FRONT L, SURROUND L, CENTER, LFE
R CH FRONT R, SURROUND R

Delay of each channel processed at DSP#1 is invalid.

DSP THR ALL

- All outputs (FRONT L/R, CENTER, SURROUND L/R, LFE) are provided.

1.DSP THR ALL

DSP THR FRONT L

- FRONT L output.
- SWFR is output through FRONT L only but not in digital full bit.

1.DSP THR FL

DSP THR CENTER

- CENTER output.
- SWFR is output through CENTER only but not in digital full bit.

1.DSP THR C

DSP THR FRONT R

- FRONT R output.
- SWFR is output through FRONT R only but not in digital full bit.

1.DSP THR FR

DSP THR SURROUND R

- SURROUND R output.
- SWFR is output through SURROUND R only but not in digital full bit.

1.DSP THR SR

DSP THR SURROUND L

- SURROUND L output.
- SWFR is output through SURROUND L only but not in digital full bit.

1.DSP THR SL

DSP THR LFE

- LFE output.

1.DSP THR LFE

● ダイアグメニュー詳細

1. DSP THROUGH

ビーム化は行わず、サブメニューの指定CHから出力します。

2CH信号入力時はDSP#1にて以下のように信号を振り分けます。

L CH FRONT L, SURROUND L, CENTER, LFE
R CH FRONT R, SURROUND R

DSP#1にて処理される各CHのDelayは無効です。

DSP THR ALL

- すべて (FRONT L/R, CENTER, SURROUND L/R, LFE) が出力されます。

DSP THR FRONT L

- FRONT Lが出力されます。
- SWFRはFRONT Lのみ出力されますが、デジタルフルビットではありません。

DSP THR CENTER

- CENTERが出力されます。
- SWFRはCENTERのみ出力されますが、デジタルフルビットではありません。

DSP THR FRONT R

- FRONT Rが出力されます。
- SWFRはFRONT Rのみ出力されますが、デジタルフルビットではありません。

DSP THR SURROUND R

- SURROUND Rが出力されます。
- SWFRはSURROUND Rのみ出力されますが、デジタルフルビットではありません。

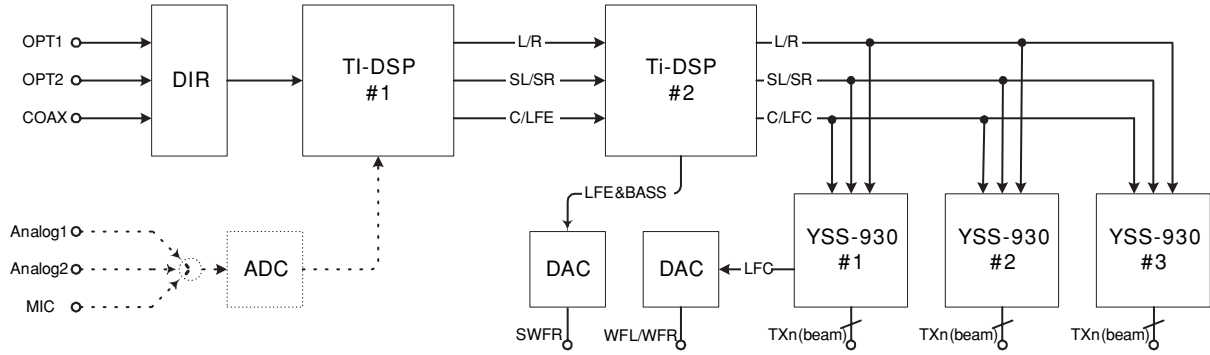
DSP THR SURROUND L

- SURROUND Lが出力されます。
- SWFRはSURROUND Lのみ出力されますが、デジタルフルビットではありません。

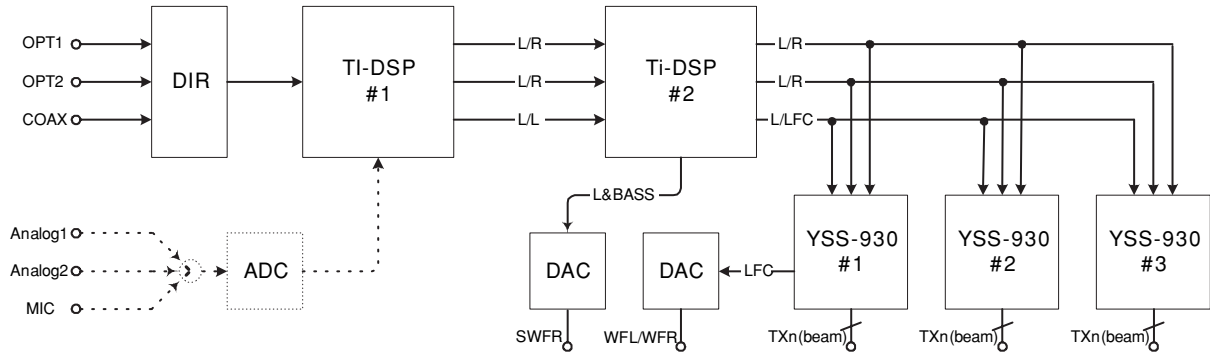
DSP THR LFE

- LFEが出力されます。

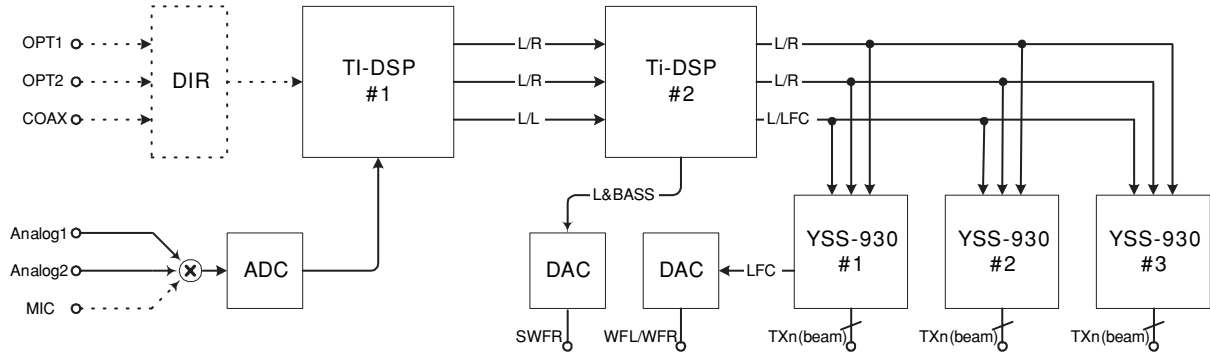
[DD/dts/AAC multi]



[PCM]



[Analog]



YSP-800

2. RAM THROUGH

The signal is not changed into beam and output from the channel specified by the sub-menu.

When 2CH signals are inputted, they are distributed as follows at DSP#1.

L CH FRONT L, SURROUND L, CENTER, LFE
R CH FRONT R, SURROUND R

Delay of each channel processed at DSP#1 is valid.

RAM THR ALL

- All outputs (FRONT L/R, CENTER, SURROUND L/R, LFE) are provided.

2.RAM THR ALL

RAM THR FRONT L

- FRONT L output.
- SWFR is output through FRONT L only but not in digital full bit.

2.RAM THR FL

RAM THR CENTER

- CENTER output.
- SWFR is output through CENTER only but not in digital full bit.

2.RAM THR C

RAM THR FRONT R

- FRONT R output.
- SWFR is output through FRONT R only but not in digital full bit.

2.RAM THR FR

RAM THR SURROUND R

- SURROUND R output.
- SWFR is output through SURROUND R only but not in digital full bit.

2.RAM THR SR

RAM THR SURROUND L

- SURROUND L output.
- SWFR is output through SURROUND L only but not in digital full bit.

2.RAM THR SL

RAM THR LFE

- LFE output.

2.RAM THR LEF

2. RAM THROUGH

ビーム化は行わず、サブメニューの指定CHから出力します。

2CH信号入力時はDSP#1にて以下のように信号を振り分けます。

L CH FRONT L, SURROUND L, CENTER, LFE
R CH FRONT R, SURROUND R

DSP#1にて処理される各CHのDelayは有効です。

RAM THR ALL

- すべて (FRONT L/R, CENTER, SURROUND L/R, LFE) が出力されます。

RAM THR FRONT L

- FRONT Lが出力されます。
- SWFRはFRONT Lのみ出力されますが、デジタルフルビットではありません。

RAM THR CENTER

- CENTERが出力されます。
- SWFRはCENTERのみ出力されますが、デジタルフルビットではありません。

RAM THR FRONT R

- FRONT Rが出力されます。
- SWFRはFRONT Rのみ出力されますが、デジタルフルビットではありません。

RAM THR SURROUND R

- SURROUND Rが出力されます。
- SWFRはSURROUND Rのみ出力されますが、デジタルフルビットではありません。

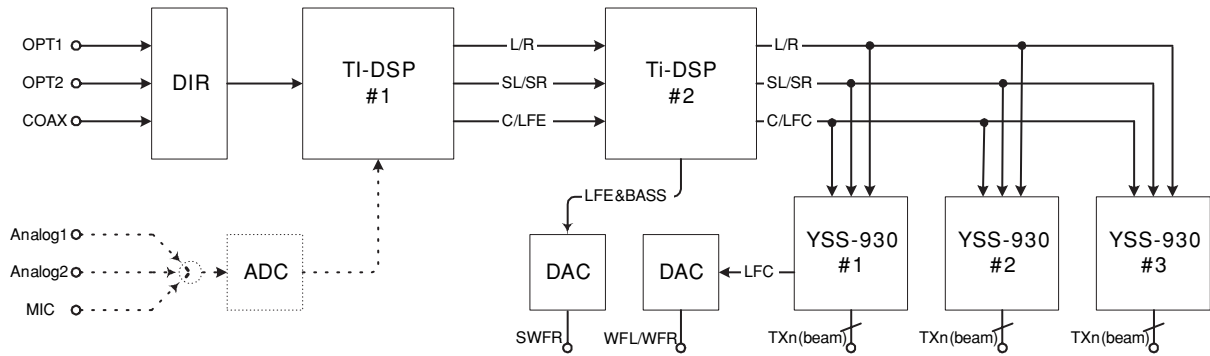
RAM THR SURROUND L

- SURROUND Lが出力されます。
- SWFRはSURROUND Lのみ出力されますが、デジタルフルビットではありません。

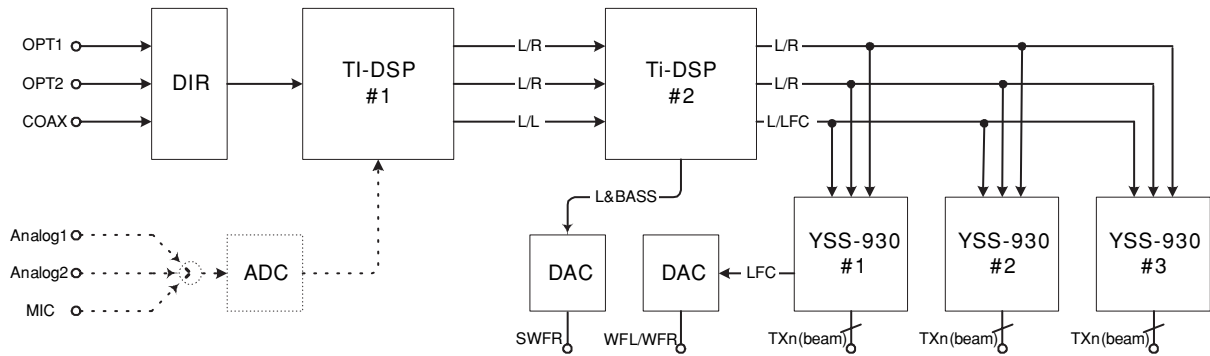
RAM THR LFE

- LFEが出力されます。

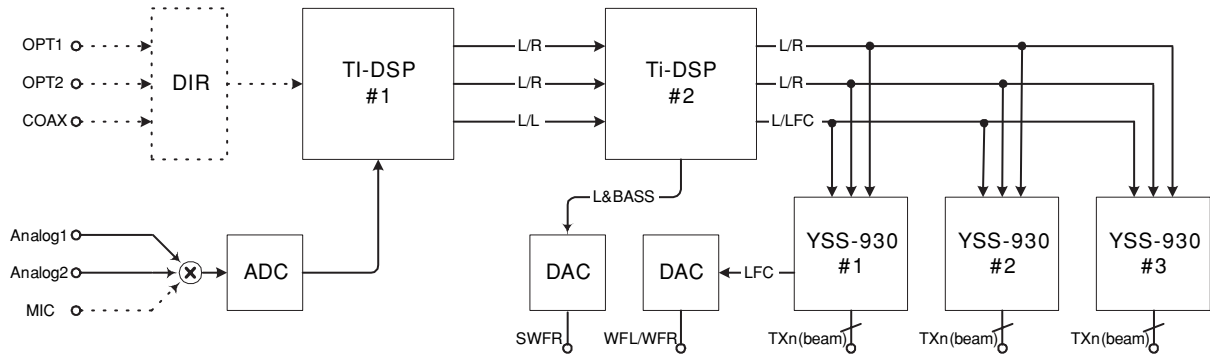
[DD/dts/AAC multi]



[PCM]



[Analog]



3. PRO LOGIC / NEO6

PRO LOGIC I, II, Neo:6 can be selected from the SUB menu items.

3. PRO LOGIC / NEO6

サブメニューでPRO LOGIC I、II、Neo:6を選択可能です。

PRO LOGIC I (PRO LOGIC EMULATION)

3. PRO LOGIC I

PRO LOGIC I (PRO LOGIC EMULATION)

PRO LOGIC II

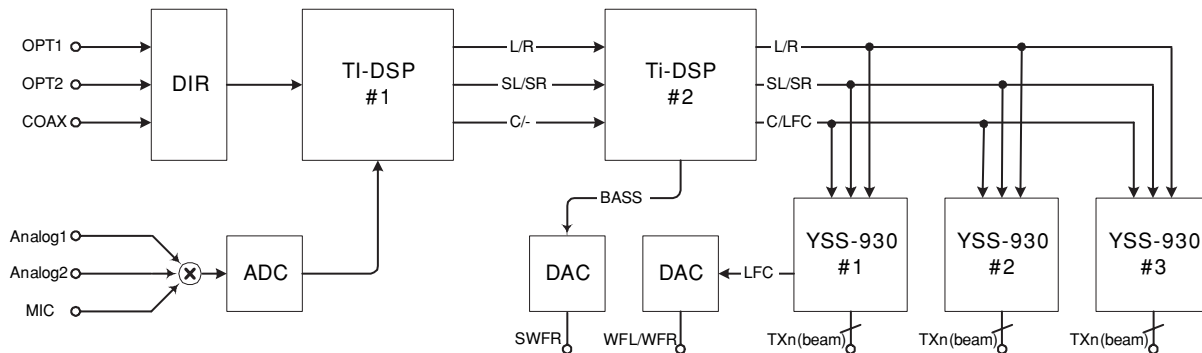
3. PRO LOGIC II

PRO LOGIC II

Neo:6

3. Neo:6

Neo:6



4. MIC CHECK

The Signals input through the microphone are output via A/D-D/A.

4. MIC CHECK

マイク入力された信号をAD-DA経由で出力します。

4. MIC CHK

5. EFFECT OFF / DISPLAY CHECK

This program is used to check the FL display section. The display condition varies as shown below according to the sub-menu operation. The signals are processed using EFFECT OFF (The L/R signal is output using ANALOG MAIN BYPASS.)

The video signal internal/external synchronization switching is controlled by the microprocessor. When the initial message is displayed and all the FL segments light up, it is switched to the internal synchronization but other than that it is forced to the external synchronization setting.

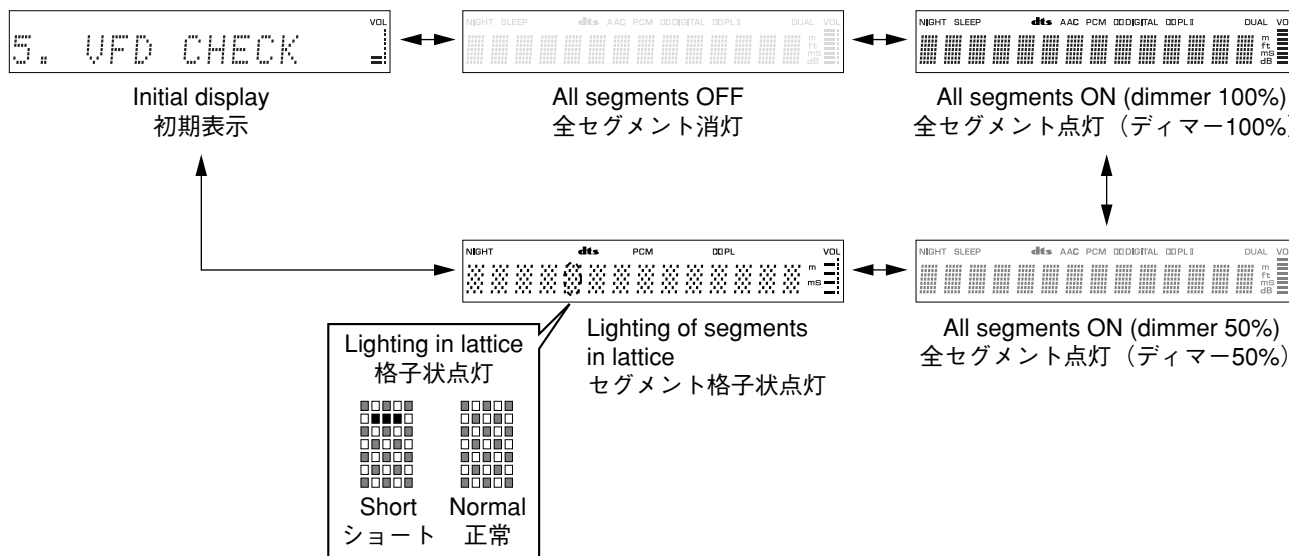
Also, when all segments and lighting in lattice are turned on, pictographs for checking the OSD driver are output on the monitor screen.

5. EFFECT OFF / DISPLAY CHECK

FL表示部のチェックプログラムです。サブメニュー操作により、表示状態が以下のように変わります。信号処理はEFFECT OFF (ANALOG MAIN BYPASSでL/Rを出力)です。マイコン制御による映像信号の内部/外部同期切替は、初期表示とFL全点灯時に内部同期となり、それ以外は強制外部同期となります。また全セグメント点灯時とセグメント格子状点灯時には、モニター画面にOSDドライバー確認用絵文字表示が出力されます。

Check of the Fluorescent indication

FL表示部のチェック



YSP-800

Segment conditions of the FL driver and the FL tube are checked by turning ON and OFF all segments. Next, the operation of the FL driver is checked by using the dimmer control. Then a short between segments next to each other is checked by turning ON and OFF all segments alternately (in lattice). (In the above example, the segments in the second row from the top are shorted.)

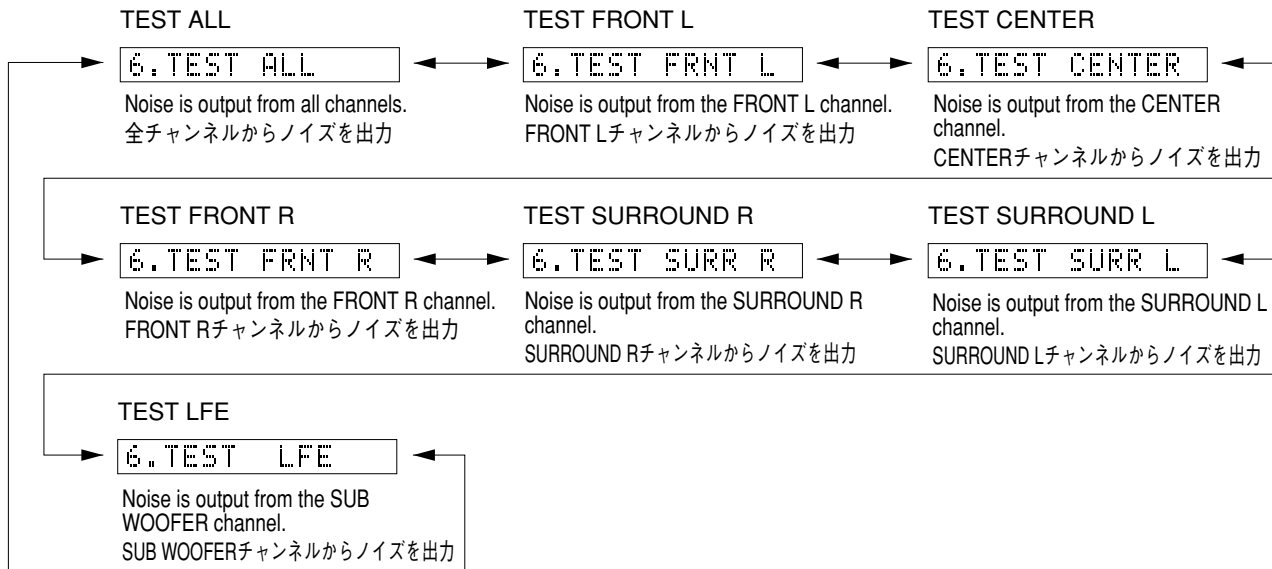
全セグメント消灯・全セグメント点灯によりFLドライバー、FL管のセグメントの不良を確認します。次に、ディマーコントロールによってFLドライバーの動作チェックを行います。さらに全セグメントを交互(格子状)に点灯/消灯することで、隣り合うセグメントのショートをチェックします。

6. MANUAL TEST

The noise generator with a built-in DSP outputs the test noise through the channels specified by the sub-menu. The noise frequency is 30 to 80Hz for LFE but 500 to 2kHz for others.

6. MANUAL TEST

DSP内蔵のノイズ発生回路によって、サブメニューで指定したチャンネルへテストノイズを出力します。LFE用のノイズ周波数は30~80Hz、それ以外は500~2kHzとなります。



7. RS-232C

Not applied to this model.

7. RS-232C

このモデルには適用されません。

TxD/RxD DATA

7. TxRxData:XX

TxD/RxD Data

HARD FLOW

7. HardFlow:XX

Hard Flow

8. FACTORY PRESET

This menu is used to reserve and inhibit initialization of the back-up RAM. The signals are processed using EFFECT OFF. (The L/R signal is output using ANALOG MAIN BYPASS.)

8. PRESET INHI



8. PRESET RSRV

PRESET INHIBIT (Initialization inhibited) / PRESET INHIBIT (初期化禁止)

RAM initialization is not executed. Select this sub-menu to protect the values set by the user.

RAMの初期化は行われません。ユーザーの設定値を保護するときは、こちらを選択してください。

PRESET RESERVED (Initialization reserved) / PRESET RESERVED (初期化予約)

Initialization of the back-up RAM is reserved. (Actually, initialization is executed the next time that the power is turned on.) Select this sub-menu to reset to the original factory settings or to reset the RAM. Any protection history will be cleared.

バックアップRAMの初期化が予約されます。(実際に初期化されるのは、次回の電源投入時です。)工場出荷時やRAMをリセットしたいときは、こちらを選択してください。

9. AD DATA CHECK

This menu is used to display the A/D conversion value of the main CPU which detects panel keys of the main unit and protection functions in % using the sub-menu. During signal processing, the condition before execution is maintained.

* The figures in the diagram are given as reference only.

PS (Power supply voltage protection detection)

PS: Power supply voltage protection value (Normal value: PS: 41 to 78)

* If PS is out of the normal value range, the protection function works to turn off the power. (Reference voltage: 3.3V=100%)

9. AD DATA CHECK

本体パネルキー、プロテクションなどを検出しているメインCPUのA/D変換の値を、サブメニューで%表示します。信号処理は実行前の状態を維持します。

※図中の数値は参考例です。

PS (電源電圧プロテクションの検出)

PS: 電源電圧プロテクションの値(正常値: 41~78)

※ PSは正常値を外れるとプロテクションが働き、電源オフされます。

(基準電圧: 3.3V=100%)

PS:051%[1.68V]

K0/K1 (Panel key of main unit) [Remote control code: -]
 A/D of the key fails to function properly when the standard value is deviated by ±4%. In this case, check the constant of partial pressure resistor, solder condition, etc. Refer to table 2.
 (Reference voltage: 3.3V=100%)

K0/K1 (本体パネルキー)
 キーのA/Dは基準値から±4%を外れると、正常な動きをしません。下表2をご覧になり、各キーの分圧抵抗の定数、ハンダ不良等の確認をしてください。
 (基準電圧：3.3V=100%)

```
K0:100 K1:100
```

[Table 2 / 表2]

Display	K0	K1
0+2	VOLUME +	VOLUME -
10±2	INPUT	-
100-2	NO KEY	NO KEY

10. IF STATUS (Input function status)

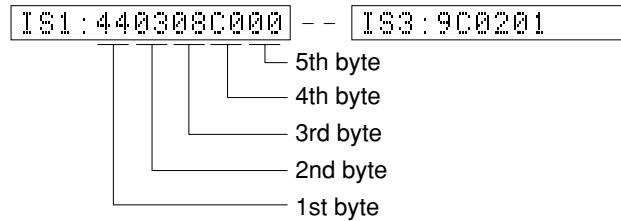
Using the sub-menu, the status data is displayed one after another in the hexadecimal notation.
 During signal processing, the status before execution of this menu is maintained.
 * Numeric values in the figure example are for reference.

10. IF STATUS

サブメニュー操作により、以下のステータス情報を順次16進数で表示します。信号処理は、本メニュー実行前の状態を維持します。
 ※ 図中の数値は参考例です。

IS1-3 (Internal status):
 Indicates the status information of the microprocessor.

IS1-3 (内部ステータス):
 マイコンのステータス情報を表示します。



CS1-6:
 Indicates channel status information of the input signal (IEC60958).

CS1-6:
 入力信号のIEC60958チャンネルステータス情報を表示します。

```
CS1:0299000200 ----- CS6:00000000
```

BS1-7:
 Indicates information of the bit stream included in the dts and AAC signal.

BS1-7:
 dts信号およびAAC信号に含まれるビットストリームインフォメーション情報を表示します。

```
BS1:000070FFFF ----- BS7:C400000000
```

DS1-2:
 Register information of the DIR.

DS1-2:
 DIRのレジスタ情報を表示します。

```
DS1:0001000000 ----- DS2:FF0000
```

T11-3:
 Operation information of the DSP IC (T1).

T11-3:
 DSP IC(T1)の動作情報を表示します。

```
T11:FFFFFFFFFFFF ----- T13:FF
```

T21-3:
Operation information of the DSP IC (T2).

T21-3:
DSP IC (T2)の動作情報を表示します。

```
T21:FFFFFFFF ----- T23:FFFFFFFF
```

Y11-2, 21-2, 31-2:
Not applied to this model.

Y11-2, 21-2, 31-2:
このモデルには適用されません。

```
Y11:FFFFFFFF ----- Y32:FF
```

MTT:
Mute Trigger

MTT:
Mute Trigger

```
MTT:0020000007
```

Byte No.	Function
1	Mute condition / ミュート状態
2	The last Mute Trigger / 最後のミュートトリガー
3	The previous state Mute Trigger of one / 1つ前のミュートトリガー
4	The previous state Mute Trigger of two / 2つ前のミュートトリガー
5	The previous state Mute Trigger of three / 3つ前のミュートトリガー

11. MODEL

The information on the model, destination and video format is displayed.

11. MODEL

モデル、仕向、ビデオフォーマットの情報を表示します。

MODEL SETTING

MODEL SETTING

```
MODEL:YSP-800
```

DESTINATION

J, UC, BGATL or KV is displayed.

DESTINATION

J、UC、BGATL、KVのいずれかを表示します。

```
DEST :J
```

VIDEO FORMAT

NTSC (U, C, K, V, J models)
PAL (T, A, B, G, L models)

VIDEO FORMAT

NTSC (U, C, K, V, J models)
PAL (T, A, B, G, L models)

```
VIDEO:NTSC
```

12. MICROPROCESSOR INFORMATION

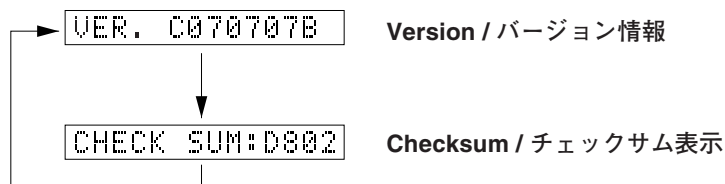
There are 2 SUB menu items.
The version and checksum are displayed. The signal is processed using EFFECT OFF. The checksum is obtained by adding the data at every 16 bits for each program area and expressing the result as a 4-figure hexadecimal data.

12. マイコン情報

サブメニューは2つあります。
プログラムのバージョン、チェックサムを表示します。信号はエフェクトOFFです。チェックサムは、プログラムエリア別にデータを16ビットごとに加算していき、4桁の16進データで現したものです。

※ 図中の数値は参考例です。

* Numeric values in the figure example are for reference.



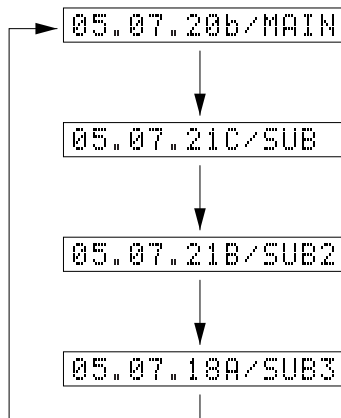
13. DATE

There are 6 SUB menu items.
 The updated date of the program, clearance of the protection history and the remote control reception code are displayed.
 When Remo Code menu is selected, keys become non-operable due to detection of the values of all keys. However, it is possible to advance to the next sub-menu by push the INPUT key of the main unit.

* Numeric values in the figure example are for reference.

MAIN / SUB, 2, 3

The updated date of the microprocessor firmware is displayed.



Displays the updated date of the operation section. / オペレーション部の更新日を表示します

Displays the updated date of the digital section. / デジタル部の更新日を表示します

Displays the updated date of the set menu and automatic adjustment section. / セットメニュー、自動調整部の更新日を表示します

Displays the updated date of the display section. / 表示部の更新日を表示します

PROTECT HISTORY DELETE

Reserve/Cancel can be selected by using the “ENTER” and “RETURN” keys of the remote control.

プロテクション履歴削除の予約/解除

リモコンの“ENTER”キー、“RETURN”キーにより予約/解除が選択できます。

Protect Hist

REMOTE CONTROL CODE DISPLAY

The reception code of the remote control can be checked.

リモコン受信コード表示

リモコン受信コードが確認できます。

RemoCode -

14. DSP CHECK

Tx Test Ch

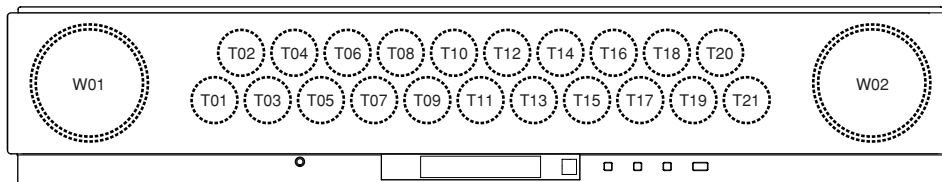
Have the sound produced from each driver to check its condition and installation position.
 Use the “ENTER” and “RETURN” keys of the remote control for selection.

14. DSP CHECK

Tx Test Ch

各スピーカーユニットを鳴らし、不良・取付位置の確認をします。
 リモコンの“ENTER”キー、“RETURN”キーを使って選択します。

TxTestCh [----]



- T01–T21 TWEETER
- W01–W02 WOOFER
- ALL Sound is output from all drivers
- --- OFF

- T01–T21 TWEETER
- W01–W02 WOOFER
- ALL すべてのスピーカーユニットから出力されます
- --- OFF

Tx Test

Select the sound to be produced in ONE SP TEST.
Use the “ENTER” and “RETURN” keys of the remote control for switching.

- NOISE The noise is output.
- SOURCE The external input is output.

Tx Test

ONE SP TESTで鳴らす音を選択します。
リモコンの“ENTER”キー、“RETURN”キーにて切り替えます。

- NOISE ノイズを出力します。
- SOURCE 外部入力を出力します。

TxTest: NOISE

T1 CHECK

Execute self-diagnosis of DSP IC (P.C.B. DSP IC5)
Use the “ENTER” key of the remote control for execution.

T1 CHECK

DSP IC (P.C.B. DSP IC5)を自己診断します。
リモコンの“ENTER”キーを使って実行します。

T1:Not Checked

Display / 表示	Description / 判断
Not Checked	Self-diagnosis not executed / 自己診断未実施
Wait	Self-diagnosis being executed / 自己診断実行中
No Error	No error detected / エラー検出なし
Err-DSP	Error of DSP operation detected / DSPの動作についてエラーを検出
Err-SRAM	Error of I/F with SRAM detected / SRAMとのI/Fについてエラーを検出
Err-FLASH	Error of IF with FLASH ROM detected / FLASH ROMとのI/Fについてエラーを検出
Err-Unknown	Error other than above detected / 上記以外のエラーを検出
reserved	Function not applicable / 機能は非対応

T2 CHECK

Execute self-diagnosis of DSP IC (P.C.B. DSP IC12)
Use the “ENTER” key of the remote control for execution.

T2 CHECK

DSP IC (P.C.B. DSP IC12)を自己診断します。
リモコンの“ENTER”キーを使って実行します。

T2:Not Checked

Display / 表示	Description / 判断
Not Checked	Self-diagnosis not executed / 自己診断未実施
Wait	Self-diagnosis being executed / 自己診断実行中
No Error	No error detected / エラー検出なし
Err-DSP	Error of DSP operation detected / DSPの動作についてエラーを検出
Err-SRAM	Error of I/F with SRAM detected / SRAMとのI/Fについてエラーを検出
Err-FLASH	Error of IF with FLASH ROM detected / FLASH ROMとのI/Fについてエラーを検出
Err-Unknown	Error other than above detected / 上記以外のエラーを検出
reserved	Function not applicable / 機能は非対応

RS232C

Select the protocol of RS-232C connection.

RS232C

RS-232C接続のプロトコルを選択します。

RS232C: YAMAHA

RS232C: iLtd.

It select it at the time of writing IC17. / (IC17)書き込み時選択します。

Cert Mode

Select the special mode for testing.

```
Cert.Mode[OFF]
```

Cert Mode

試験用の特殊モードを選択します。

* Be sure to set to "OFF"
※ 必ず"OFF"にしてください

T1V

The version of T1(DSP) is displayed.

```
T1V:0207r
```

T1V

T1 (DSP) のバージョンを表示します。

T1D

The updated date of the T1(DSP) Firmware is displayed.

```
T1D:0506241206
```

T1D

T1 (DSP) のファームウェアの更新日を表示します。

APP

The version of DSP Application Code is displayed.

```
APP:YSP2-0.33D
```

APP

DSP Application Code のバージョンを表示します。

CSC

The version of Core Start-Up Code is displayed.

```
CSC:CSC1.06Y R
```

CSC

Core Start-Up Codeのバージョンを表示します。

SPD

The version of SPD is displayed.

* SPD is the abbreviation for the Sound Projector
Module Initialization Data Format.

```
SPD:Y8MP0621A
```

SPD

SPDのバージョンを表示します。

※ SPDはSound Projector Module Initialization Data
Formatを略したものです。

VR1

Not applied to this model.

```
VR1:reserved
```

VR1

このモデルには適用されません。

T1 Write

Select OFF/ON of firmware writing.

* Keep OFF selected other than when writing the firmware.

```
T1 Write [OFF]
```

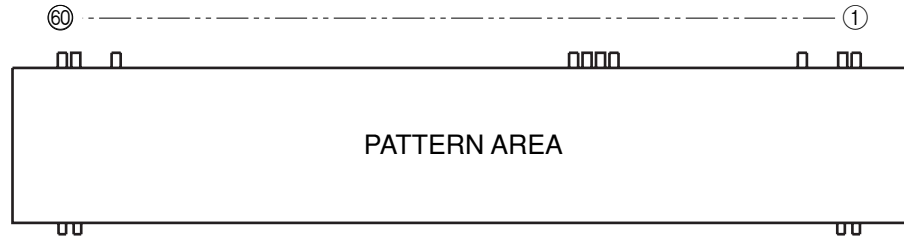
T1 Write

ファームウェアの書き込みのOFF/ONを選択します。

* ファームウェアの書き込み時以外はOFFにします。

■ DISPLAY DATA

● V901 : 15-BT-99GNKF (WE204600)

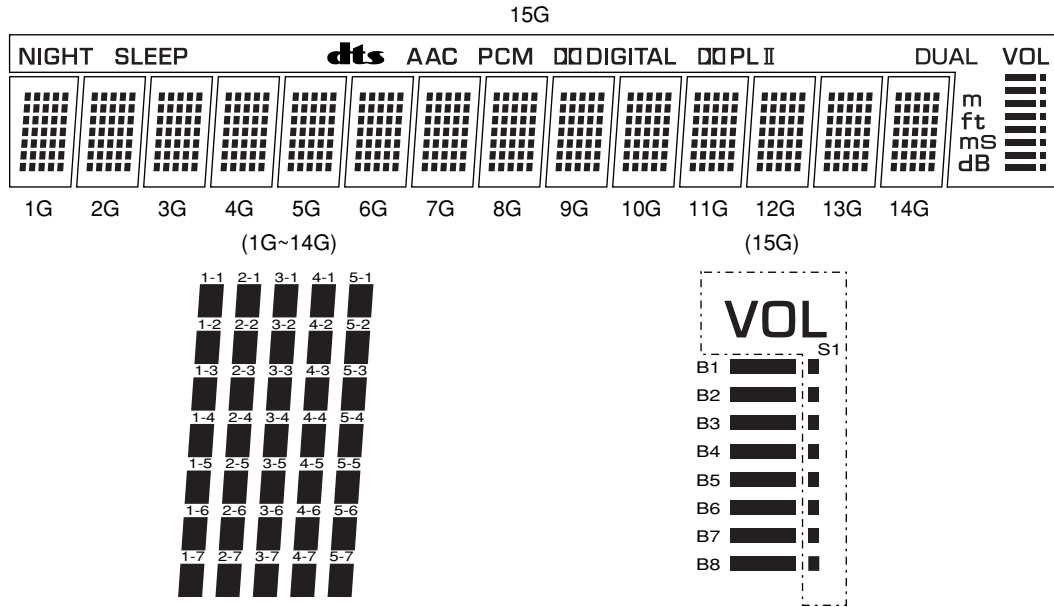


● PIN CONNECTION

Pin No.	60	59	58	57	56	55	54	53	52	51	50	49	48	47	46	45	44	43	42	41	40	39	38	37	36	35	34	33	32	31
Connection	F2	NX	NP	NP	P1	P2	P3	P4	P5	P6	P7	P8	P9	P10	P11	P12	P13	P14	P15	P16	P17	P18	P19	P20	P21	P22	P23	P24	P25	P26
Pin No.	30	29	28	27	26	25	24	23	22	21	20	19	18	17	16	15	14	13	12	11	10	9	8	7	6	5	4	3	2	1
Connection	P27	P28	P29	P30	P31	P32	P33	P34	P35	NX	NX	15G	14G	13G	12G	11G	10G	9G	8G	7G	6G	5G	4G	3G	2G	1G	NP	NP	NX	F1

Note : 1) F1, F2 Filament 2) NP No pin 3) NX No extended Pin 4) 1G ~ 15G Grid

● GRID ASSIGNMENT

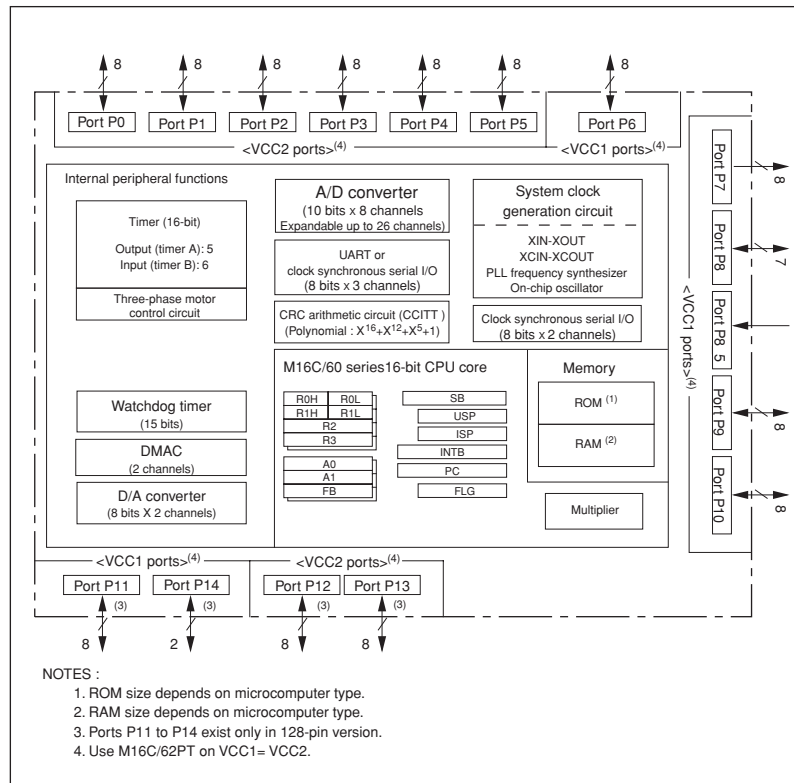


● ANODE CONNECTION

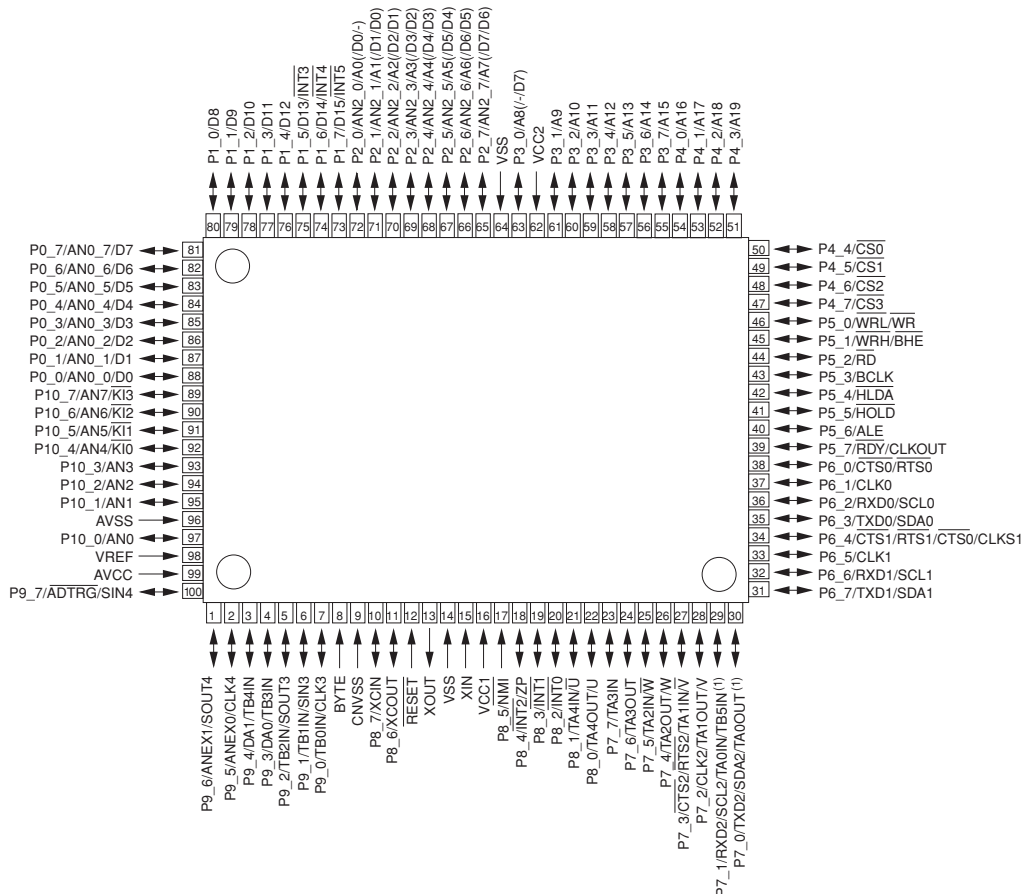
	1G~14G	15G		1G~14G	15G		1G~14G	15G
P1	1-1	—	P13	3-3	PL	P25	5-5	mS
P2	2-1	—	P14	4-3	II	P26	1-6	dB
P3	3-1	—	P15	5-3	—	P27	2-6	S1
P4	4-1	—	P16	1-4	—	P28	3-6	B1
P5	5-1	—	P17	2-4	—	P29	4-6	B2
P6	1-2	—	P18	3-4	—	P30	5-6	B3
P7	2-2	NIGHT	P19	4-4	—	P31	1-7	B4
P8	3-2	SLEEP	P20	5-4	—	P32	2-7	B5
P9	4-2	dts	P21	1-5	—	P33	3-7	B6
P10	5-2	AAC	P22	2-5	DUAL	P34	4-7	B7
P11	1-3	PCM	P23	3-5	m	P35	5-7	B8
P12	2-3	DIGITAL	P24	4-5	ft			

IC DATA

IC24 : M30626FJFPF (DSP P.C.B)
 Single-Chip 16bit CMOS MICROCOMPUTER (Main CPU)



- NOTES :
1. ROM size depends on microcomputer type.
 2. RAM size depends on microcomputer type.
 3. Ports P11 to P14 exist only in 128-pin version.
 4. Use M16C/62PT on VCC1= VCC2.



YSP-800

IC24 : M30626FJFPF (DSP P.C.B)
Single-Chip 16bit CMOS MICROCOMPUTER (Main CPU)

Pin No.	Port	Definition	I/O	Function
1	PO96	FL_TXD	O	Data output to FL driver
2	PO95	FL_CLK	O	Clock output to FL driver
3	PO94		I	Pull down
4	PO93		I	Pull down
5	PO92	SDM	O	Serial data output
6	PI91	SDD	I	Serial data input
7	PO90	SCK	O	Clock output of serial port
8	BYTE		I	GND
9	CNVSS	CNVSS	I	Pull down (Normal mode), Pull up (Internal flash Rom writing mode)
10	PO87	/CSY	O	Chip select signal to EVE
11	PO86	/ICY	O	Reset signal to EVE
12	/RESET	/RES	I	System reset input
13	XOUT	XO	O	16MHz frequency clock output
14	VSS	VSS		GND
15	XIN	XI	I	16MHz frequency clock input
16	VCC	VCC		+3.3V
17	PI85		I	Pull up
18	PI84	/INTTIA	I	Interrupt input from front-end DSP
19	PI83	/INTDIR	I	Interrupt input from DIR
20	PI82	M_RXDO	I	Interrupt input from RS-232C
21	PI81		I	Pull down
22	PO80		O	Terminated
23	PI77	TIA_MUTE	O	MUTE signal to front-end DSP
24	PO76	FL40KHz	O	105kHz signal for FL filament
25	PO75	/TIA_BUSY	I	BUSY signal from front-end DSP
26	PO74	/TIA_RDY	I	READY signal from front-end DSP
27	PO73	I2C_RDY	I	READY signal from back-end DSP
28	PO72	I2C_MUTE	O	MUTE signal to back-end DSP
29	PI71	I2C_SCL	O	I2C CLOCK signal to back-end DSP
30	PO70	I2C_SDA	O	I2C DATA signal to back-end DSP
31	PO67	M_TXDO	O	RS-232C data output for μ -com flash writing
32	PI66	M_RXDO	I	RS-232C data input for μ -com flash writing
33	PO65	M_CLKO	O	RS-232C clock output for μ -com flash writing
34	PO64	M_RTS	O	RS-232C BUSY output for μ -com flash writing
35	PO63	M_TXDO	O	Data output to RS-232C
36	PI62	M_RXDO	I	Data input from RS-232C
37	PO61		O	Terminated
38	PO60	M_CTS	O	CTS output to RS-232C
39	PO57		O	Terminated
40	PI56		O	Terminated
41	PI55		I	Pull down
42	PO54	/CSDIR	O	Chip select signal to DIR
43	PO53	/CSTIA	O	Chip select signal to front-end DSP
44	PO52	/ICDIR	O	RESET signal to DIR
45	PO51	/ICTIA	O	RESET signal to front-end DSP
46	PI50		I	Pull up
47	PO47		O	Terminated
48	PO46		O	Terminated
49	PO45	PW_RY	O	Power relay control signal
50	PO44	FL_ON	O	RESET signal to FL driver
51	PO43		O	Chip select signal to EEPROM
52	PI42		O	Data signal to EEPROM
53	PO41		I	Data signal from EEPROM

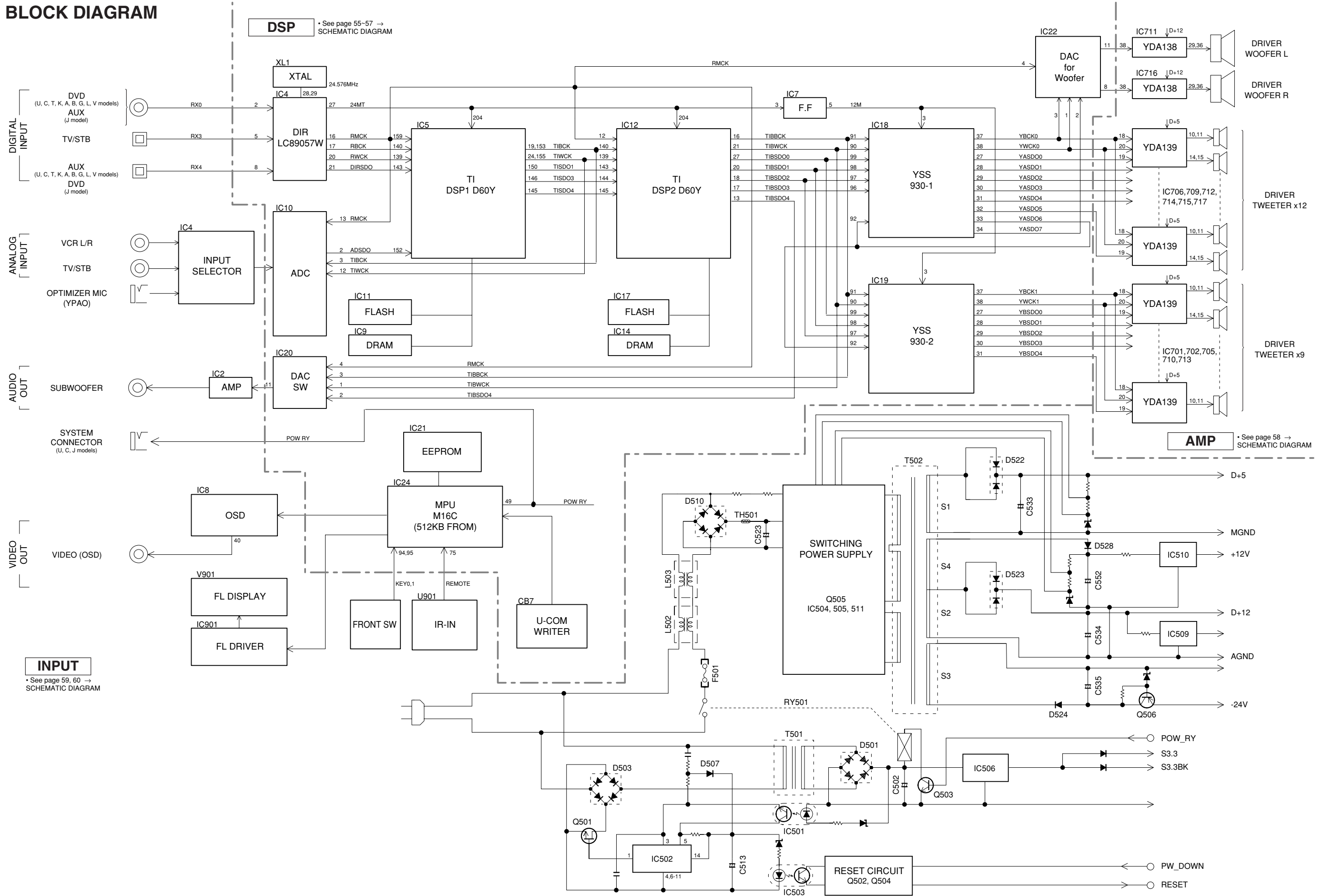
IC24 : M30626FJFPF (DSP P.C.B)
Single-Chip 16bit CMOS MICROCOMPUTER (Main CPU)

Pin No.	Name	Definition	I/O	Function
54	PO40		O	Clock signal to EEPROM
55	PO37		O	Terminated
56	PO36		O	Terminated
57	PI35	/DA1_MUTE	O	MUTE signal to DAC for Subwoofer
58	PO34	/DA2_MUTE	O	MUTE signal to DAC for Woofer
59	PO33		O	Terminated
60	PI32	D3_MUTEN	O	MUTE signal to D3 digital AMP
61	PO31	D3_PROTN	I	Protection detection signal from D3 digital AMP
62	VCC			+3.3V
63	PO30	/SW_MUTE	O	MUTE signal of Subwoofer
64	VSS			GND
65	PO27	OSD_TX	O	Data output to OSD driver
66	PO26	OSD_CE	O	Chip select output to OSD driver
67	PO25	OSD_CLK	O	Clock output to OSD driver
68	PO24	D4_MODE	O	Power down signal to D4 digital AMP
69	PO23	/MIC_DET3	I	MIC detection signal
70	PO22	IN_SEL1	O	Input select signal 1
71	PO21	SW_DET	I	No use
72	PO20		O	Terminated
73	-INT5	PW_DOEWN	I	Power down detection signal
74	-INT4	STBY_SW	I	Standby switch input
75	-INT3	REMOTE	I	Remote control signal input
76	PO14	/WF_MUTE	O	Woofer MUTE signal
77	PO13	EVE_MUTE	O	EVE MUTE signal
78	PO12	IN_SEL0	O	Input select signal 0
79	PO11	NRESET	O	RESET signal to back-end DSP
80	PO10		O	Terminated
81	PO07		O	Terminated
82	PO06		O	Terminated
83	PO05		O	Terminated
84	PI04		O	Terminated
85	PI03		O	Terminated
86	PO02		O	Terminated
87	PO01		O	Terminated
88	PO00		O	Terminated
89	A/D7	DEST	I	Selection of destination input
90	A/D6	VOL_DET	I	Voltage of power supply detection input
91	A/D5	+3.3_DET	I	+3.3V detection (Pull down)
92	A/D4		I	Pull down
93	A/D3	TEMP	I	Pull up
94	A/D2	KEY0	I	Key input 0
95	A/D1	KEY1	I	Key input 1
96	AVSS			GND
97	A/D0		I	Pull down
98	VREF		I	+3.3V
99	AVCC		I	+3.3V
100	PO97	FL_CE		Chip select signal to FL driver

Key Input (A-D) Pull-Up Resistance 10 k-ohms

Ohm	0 k	+ 1.2k
V	~ 0.30	~ 0.70
ADKEY 0 94pin A/D2	VOLUME +	INPUT
ADKEY 1 95pin A/D1	VOLUME -	-

BLOCK DIAGRAM



DSP • See page 55-57 → SCHEMATIC DIAGRAM

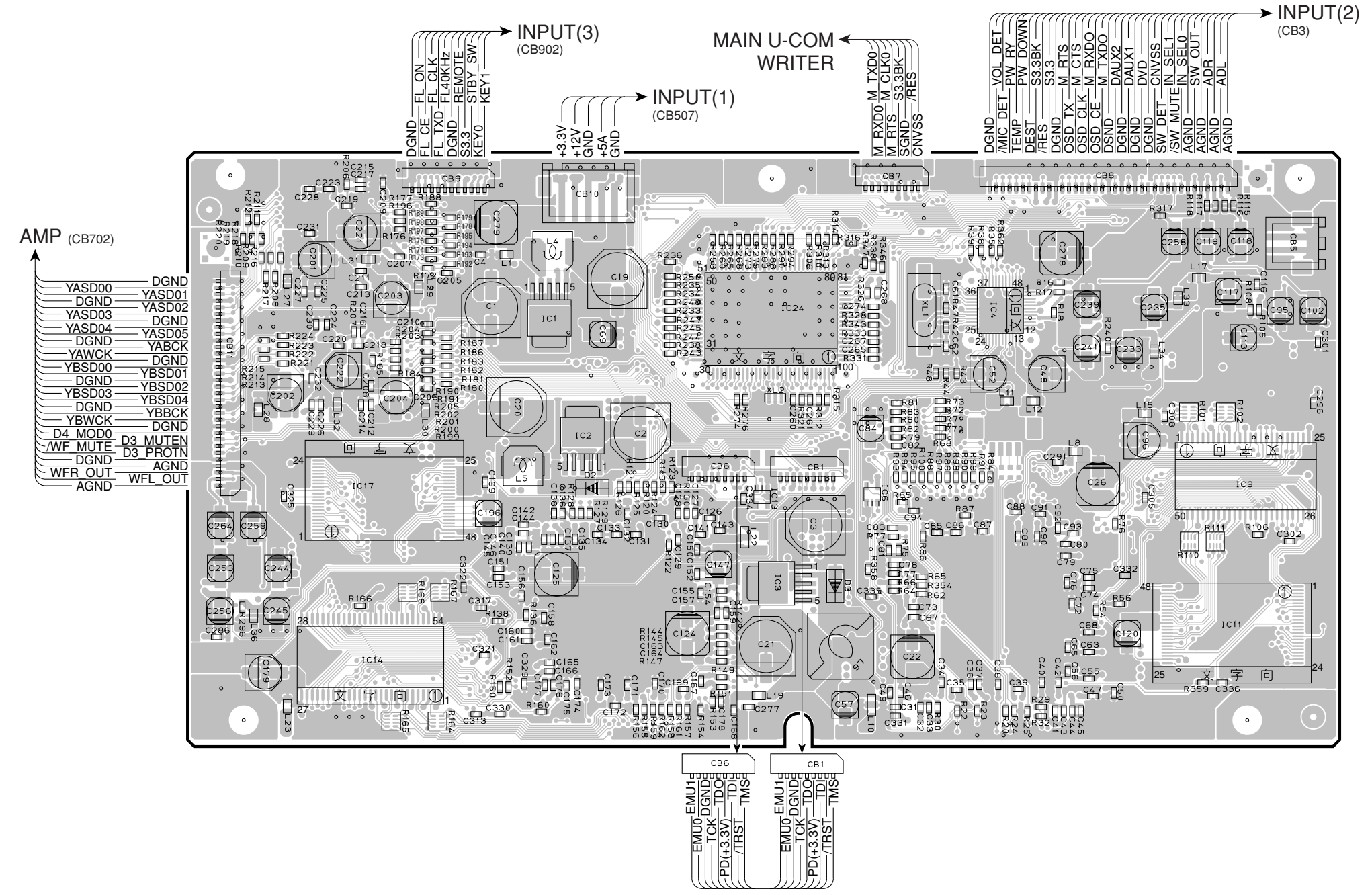
AMP • See page 58 → SCHEMATIC DIAGRAM

INPUT • See page 59, 60 → SCHEMATIC DIAGRAM

1
2
3
4
5
6
7

1 ■ PRINTED CIRCUIT BOARD (Foil side)

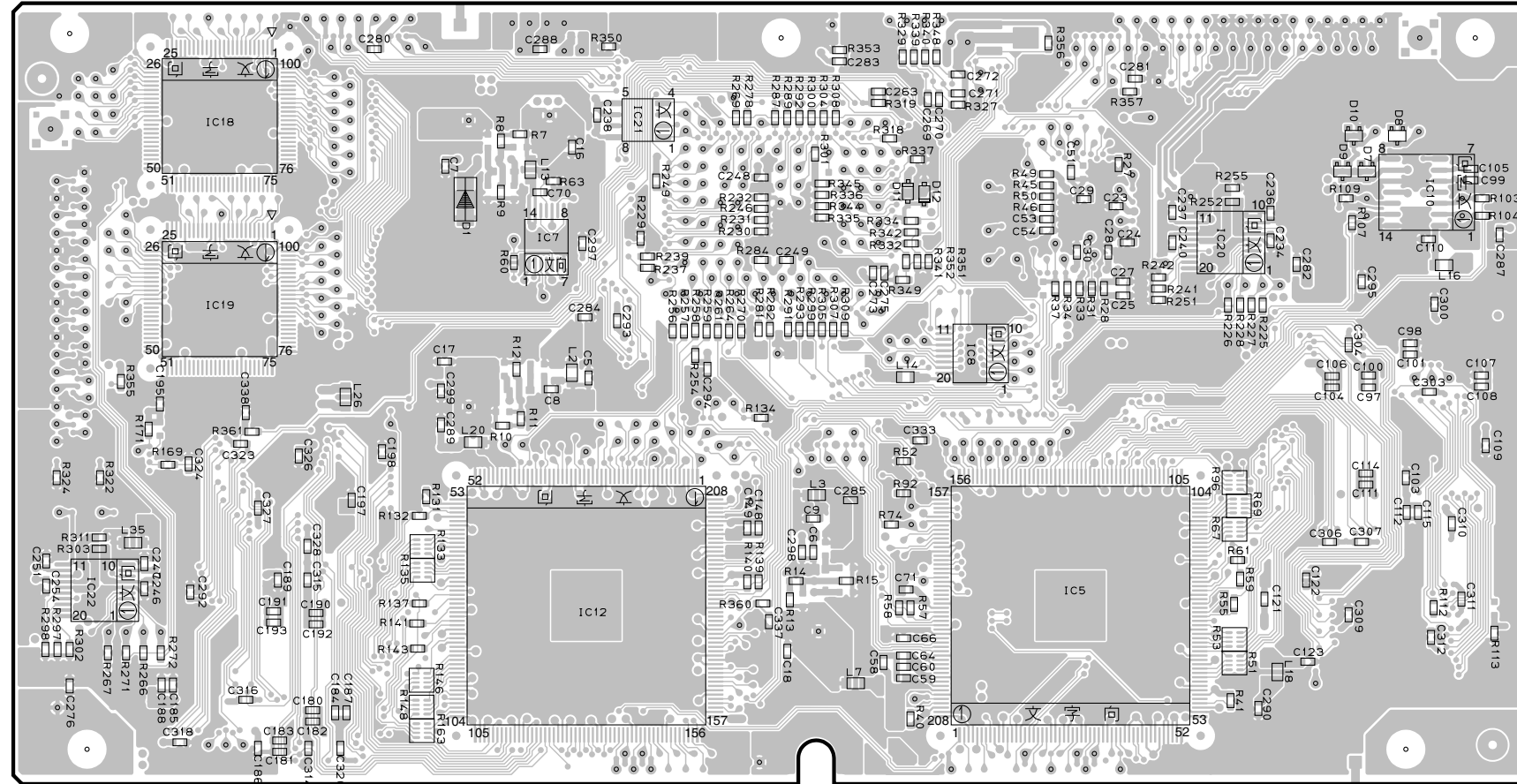
DSP P.C.B. (Side A) Lead Free Solder Used



Ref No.	Location
D2	D4
D3	F5
IC1	D3
IC2	D4
IC3	E5
IC4	F3
IC6	F4
IC9	G4
IC11	G5
IC13	E4
IC14	C5
IC17	C4
IC24	E3

■ PRINTED CIRCUIT BOARD (Foil side)

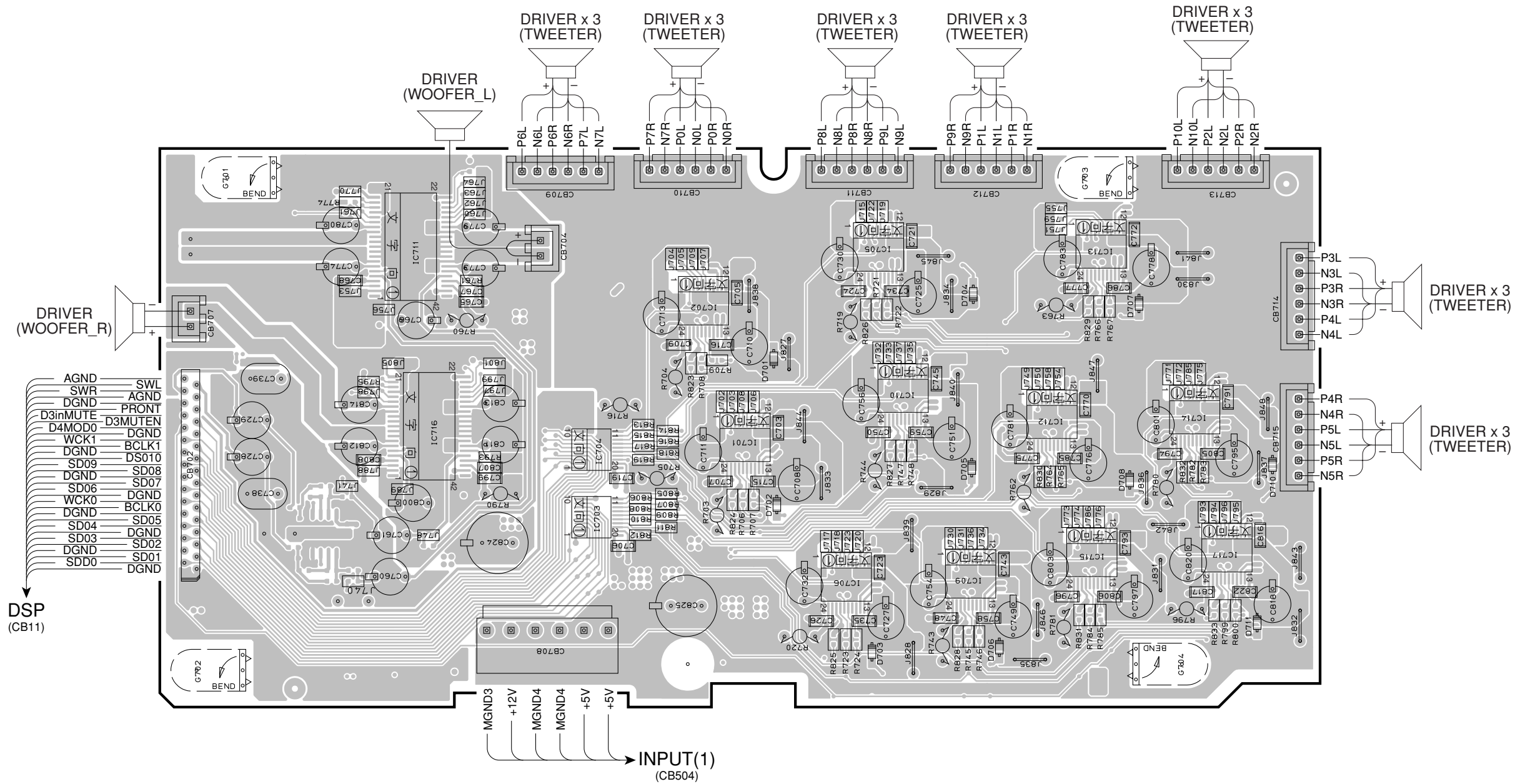
DSP P.C.B. (Side B) Lead Free Solder Used



Ref No.	Location
D1	C3
D7	G3
D8	G3
D9	F3
D10	G3
D11	E3
D12	E3
IC5	E4
IC7	C3
IC8	E4
IC10	G3
IC12	D5
IC18	B3
IC19	B3
IC20	F3
IC21	D3
IC22	B5

1 ■ PRINTED CIRCUIT BOARD (Foil side)

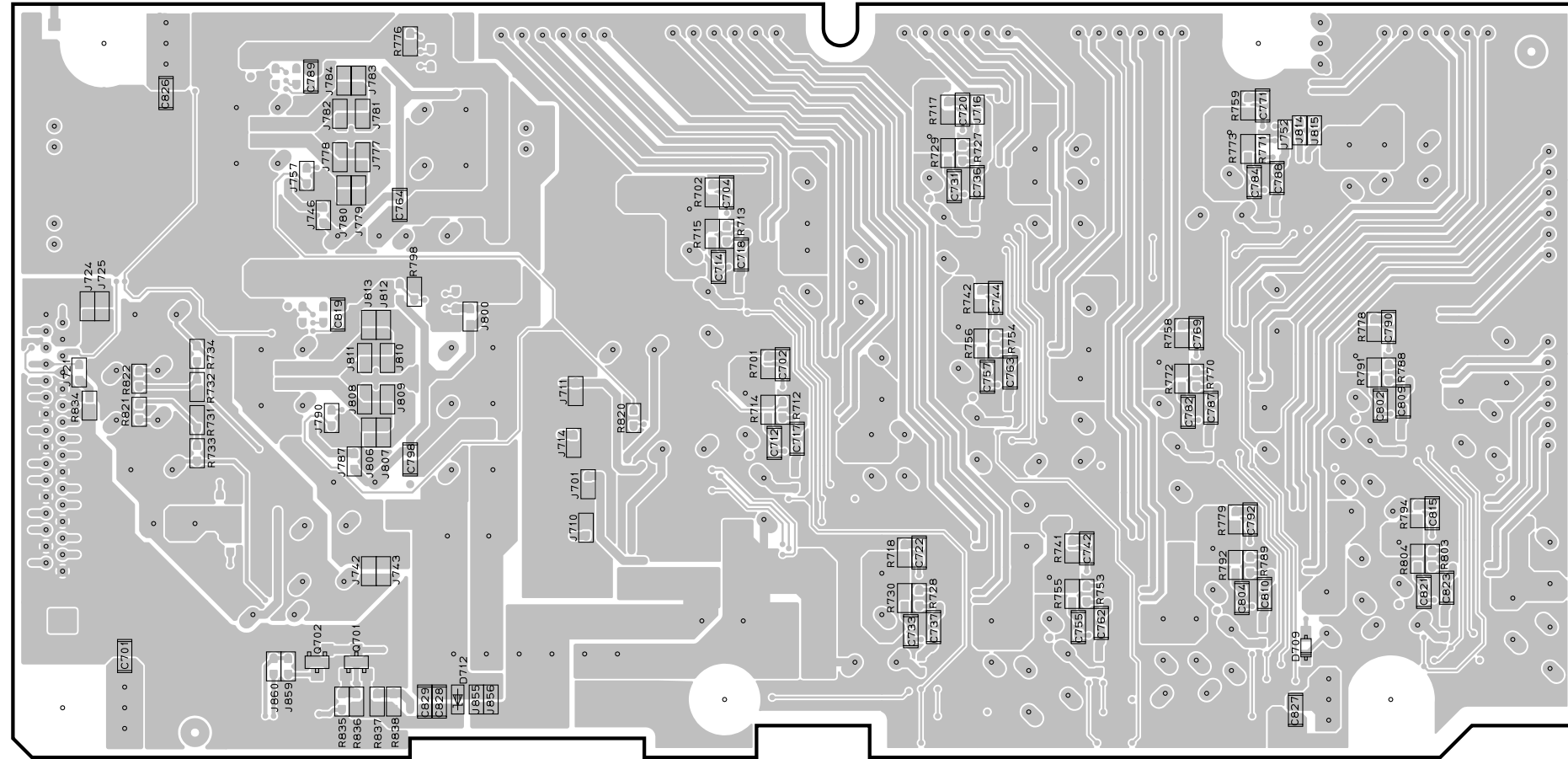
AMP P.C.B. (Side A) Lead Free Solder Used



Ref No.	Location
D701	E4
D702	E5
D703	F5
D704	G3
D705	G4
D706	G5
D707	G3
D708	G4
D710	H4
D711	H5
IC701	E4
IC702	E3
IC703	D5
IC704	D4
IC705	F3
IC706	F5
IC709	F5
IC710	F4
IC711	D3
IC712	G4
IC713	G3
IC714	H4
IC715	G5
IC716	D4
IC717	H5

■ PRINTED CIRCUIT BOARD (Foil side)

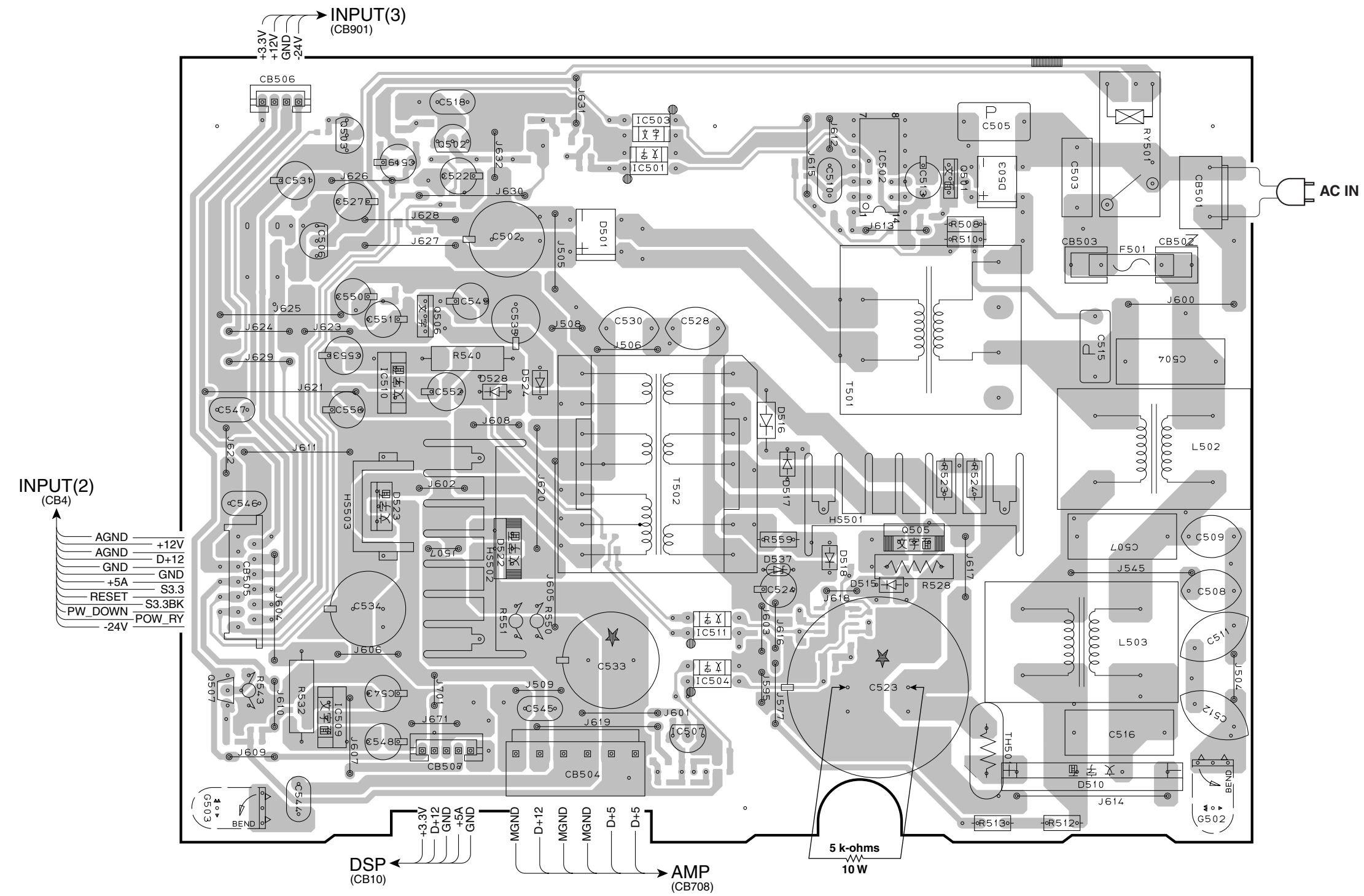
AMP P.C.B. (Side B) Lead Free Solder Used



Ref No.	Location
D709	G5
D712	C5
Q701	C5
Q702	C5

1 ■ PRINTED CIRCUIT BOARD (Foil side)

INPUT (1) P.C.B. (Side A)



Ref No.	Location
D501	D3
D503	F3
D510	G6
D515	F5
D516	E4
D517	E4
D518	E5
D522	D5
D523	C5
D524	D4
D528	D4
D537	E5
IC501	D3
IC502	F3
IC503	D3
IC504	E5
IC506	C3
IC507	E6
IC509	C6
IC510	C4
IC511	E5
Q501	F3
Q502	C3
Q503	C3
Q505	F5
Q506	C3
Q507	B6

7 Safety measures

- Some internal parts in this product contain high voltages and are dangerous. Be sure to take safety measures during servicing, such as wearing insulating gloves.
- Note that C523 is dangerous even after the power is turned off because an electric charge remains and a high voltage continues to exist there. Before starting any repair work, perform discharge by connecting a discharge resistor (5 k-ohms/10 W) between C523 terminals.

安全対策

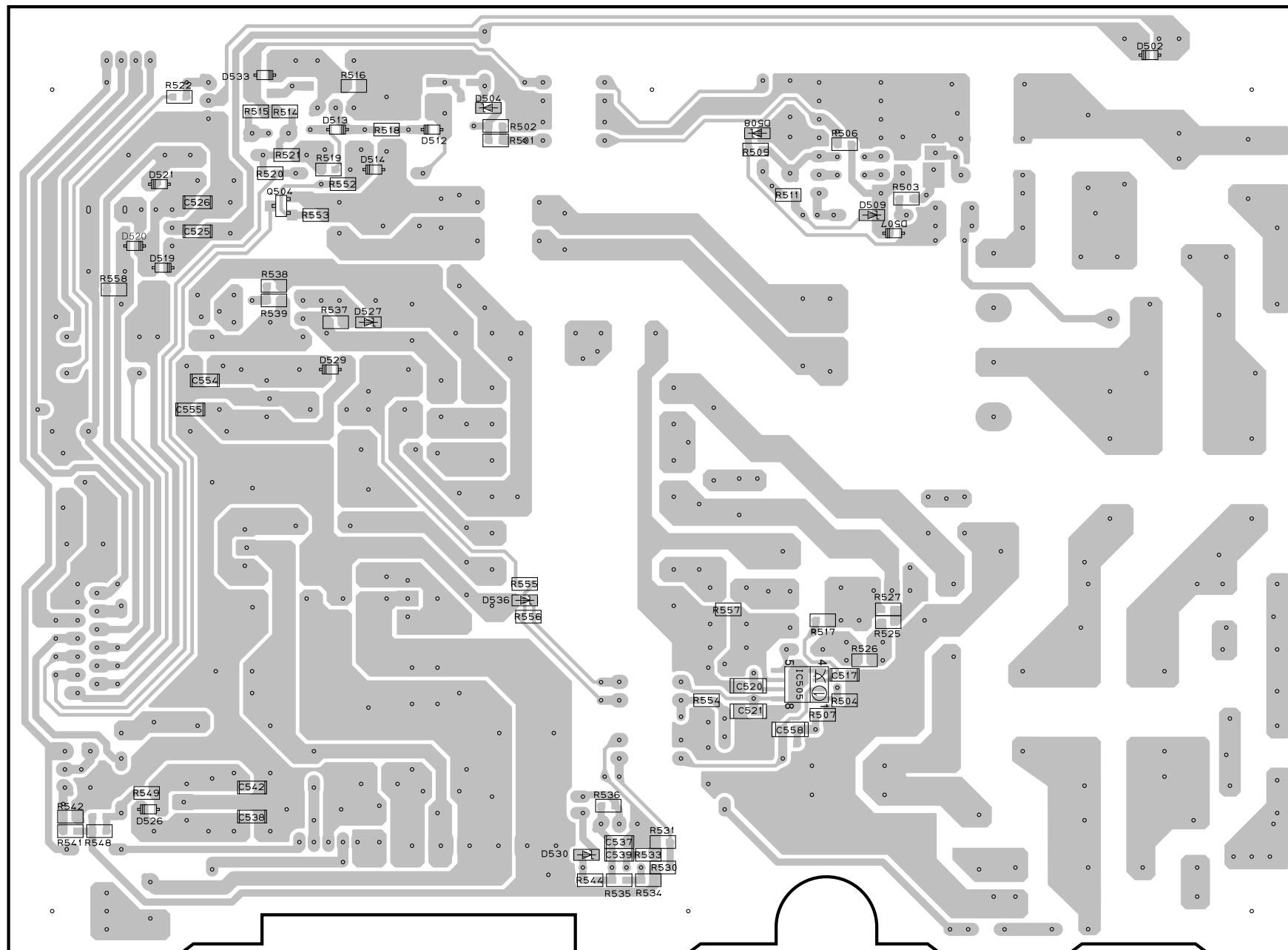
- この製品の内部には高電圧部分があり危険です。修理の際は、絶縁性の手袋を使用するなどの安全対策を行ってください。
- C523には電源をOFFにした後も電荷が残り、高電圧が維持されており危険です。修理作業前に放電用抵抗(5 kΩ/10 W)をC523の端子間に接続して放電してください。

Circuit No.	U, C, T, K, A, B, G, L, V	J
J504, 506	X	O
C511, 512	O	X
C530	O	X

X : NOT USED
O : USED / APPLICABLE

■ PRINTED CIRCUIT BOARD (Foil side)

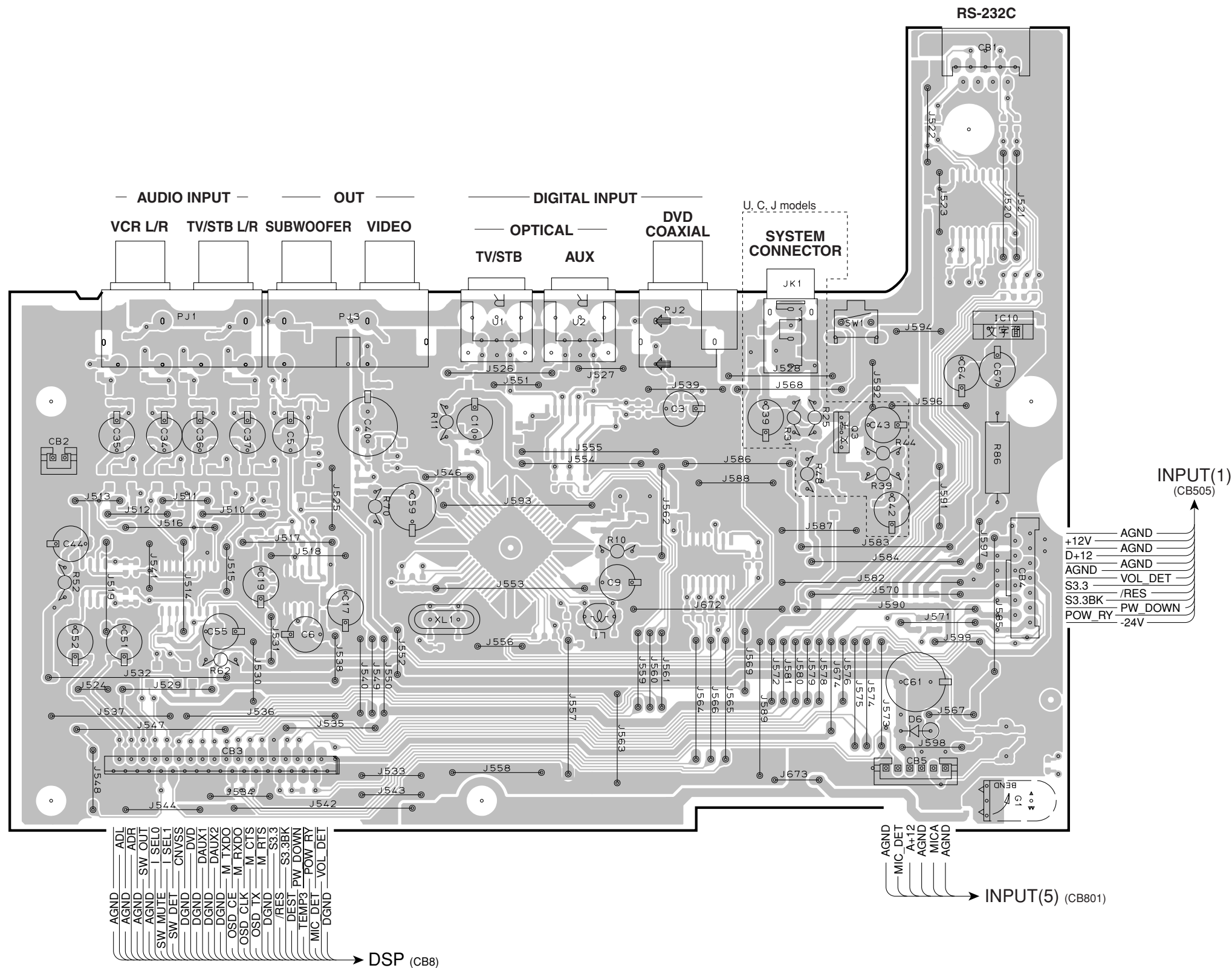
INPUT (1) P.C.B. (Side B) Lead Free Solder Used



Ref No.	Location
D502	G2
D504	D3
D507	E3
D508	E3
D509	E3
D512	C3
D513	C3
D514	C3
D519	B3
D520	B3
D521	B3
D526	B6
D527	C4
D529	C4
D530	D6
D533	C3
D536	D5
IC505	E5
Q504	C3

1 ■ PRINTED CIRCUIT BOARD (Foil side)

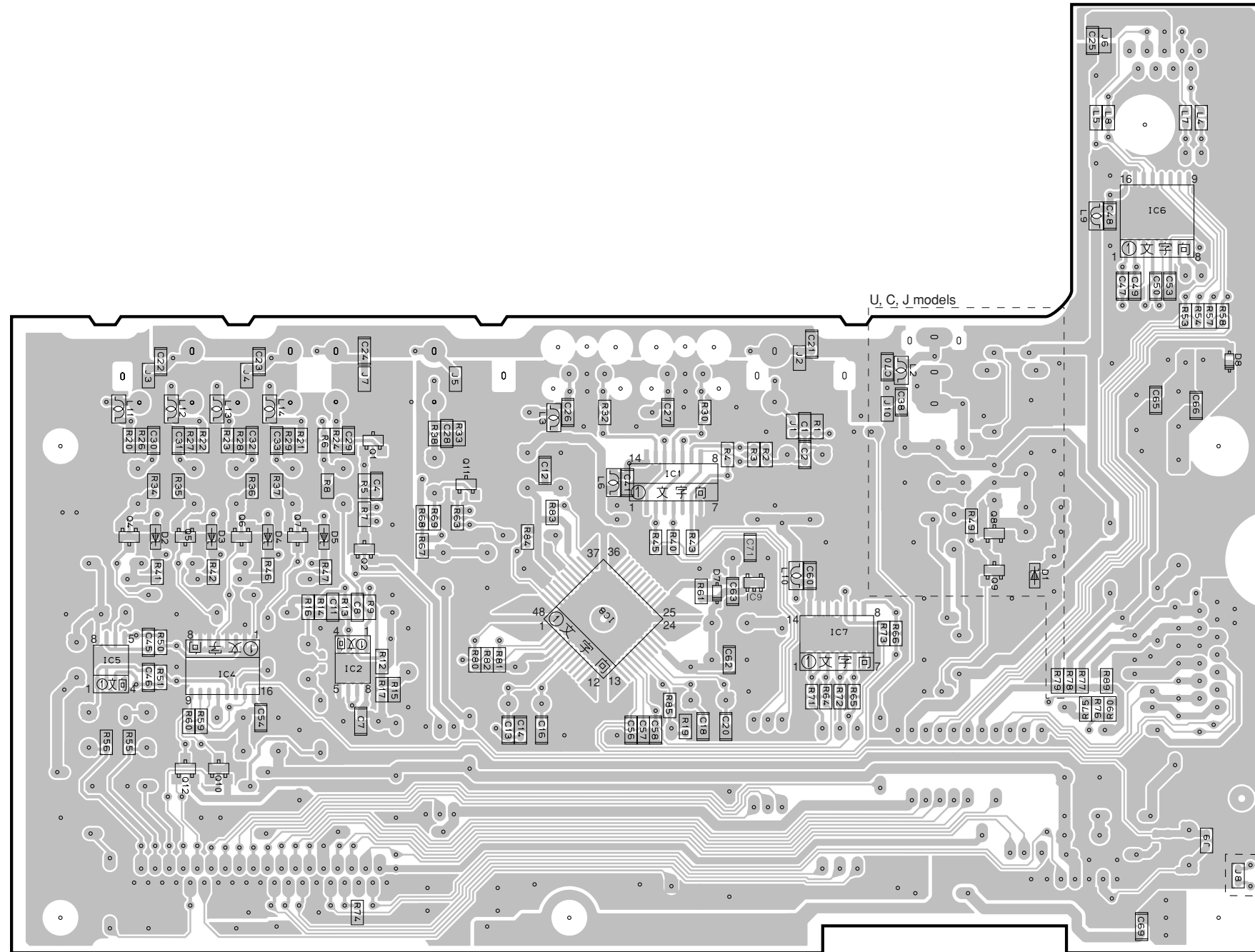
INPUT (2) P.C.B. (Side A)



Ref No.	Location
D6	F6
IC10	G3
Q3	F4

PRINTED CIRCUIT BOARD (Foil side)

INPUT (2) P.C.B. (Side B) Lead Free Solder Used

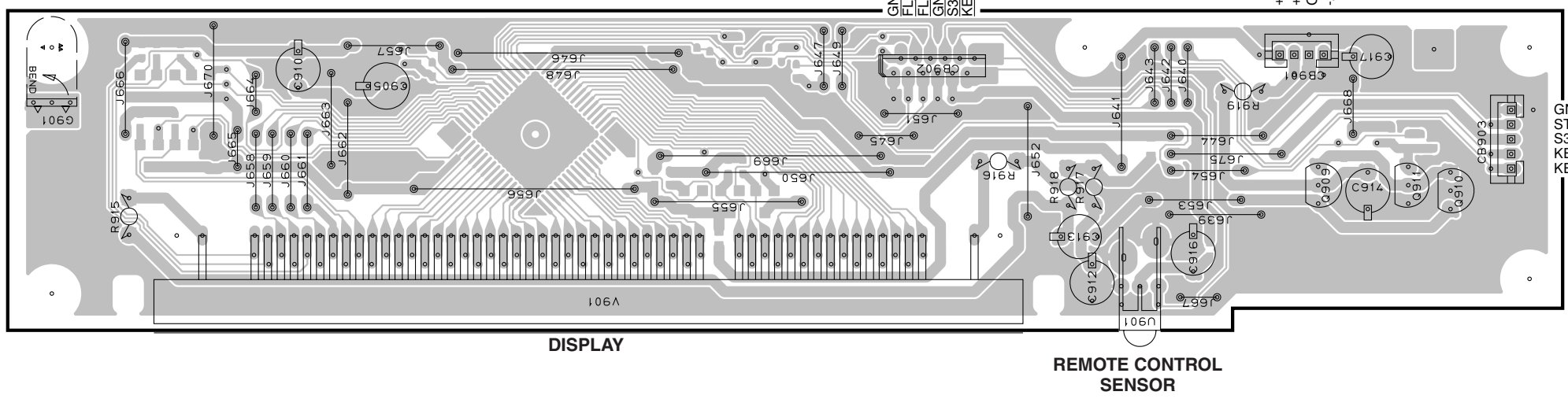


Ref No.	Location
D1	F4
D2	B4
D3	C4
D4	C4
D5	C4
D7	E4
D8	G3
IC1	E4
IC2	C5
IC4	C5
IC5	B5
IC6	G3
IC7	E5
IC8	D4
IC9	E4
Q1	C4
Q2	C4
Q4	B4
Q5	B4
Q6	C4
Q7	C4
Q8	F4
Q9	F4
Q10	C5
Q11	D4
Q12	B5

T, K, A, B, G, L models

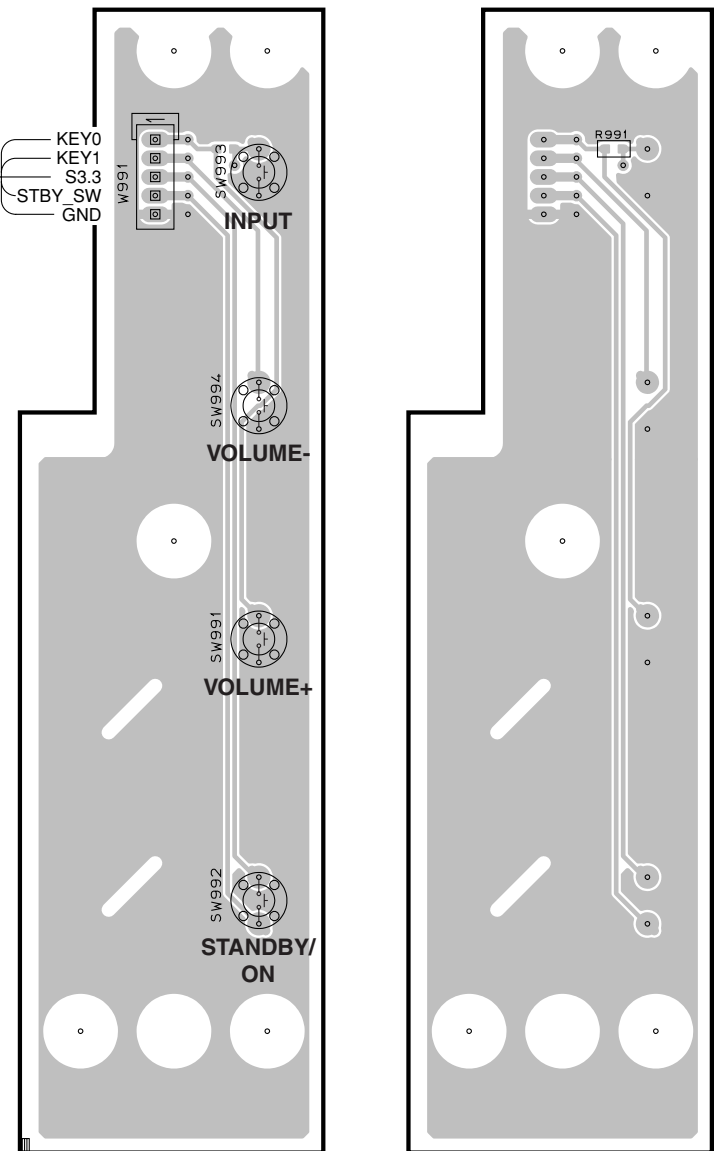
1 ■ PRINTED CIRCUIT BOARD (Foil side)

INPUT (3) P.C.B. (Side A)

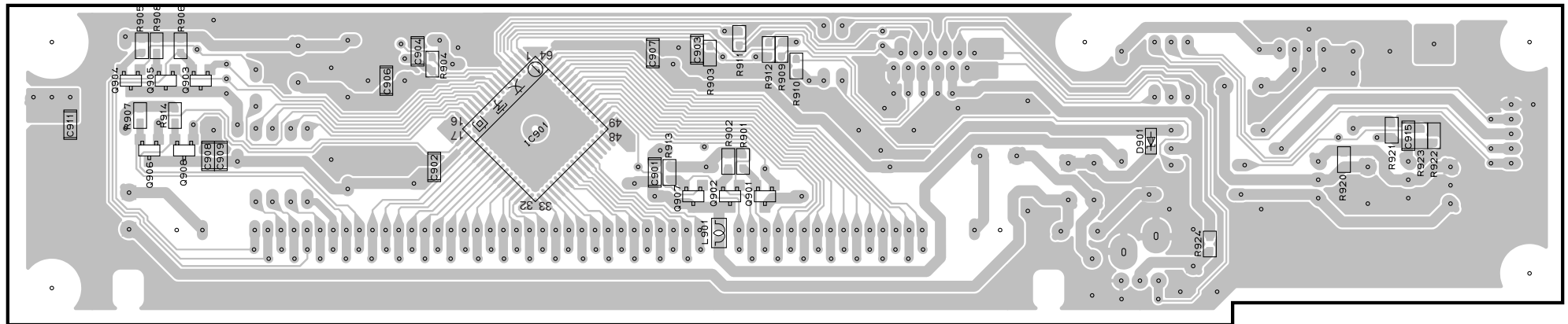


INPUT (4) P.C.B. (Side A)

INPUT (4) P.C.B. (Side B)
Lead Free Solder Used

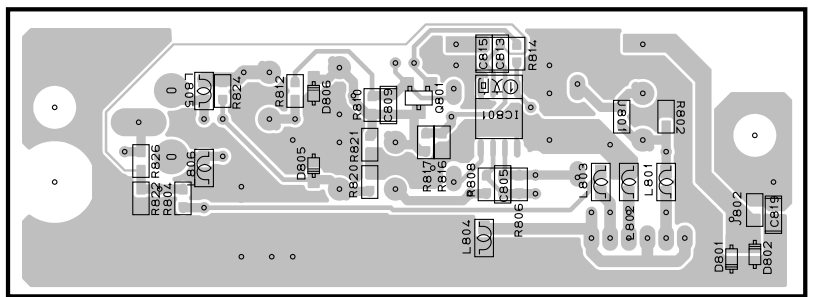
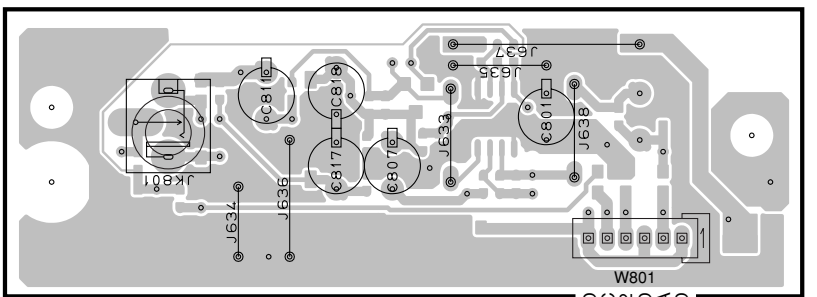


INPUT (3) P.C.B. (Side B) Lead Free Solder Used



INPUT (5) P.C.B. (Side A)

INPUT (5) P.C.B. (Side B) Lead Free Solder Used



Ref No.	Location	Ref No.	Location	Ref No.	Location
D801	F7	Q801	E6	Q907	D5
D802	G7	Q901	D5	Q908	A5
D805	E6	Q902	D5	Q909	F3
D806	E6	Q903	B4	Q910	G3
D901	F5	Q904	A4	Q911	G3
IC801	F6	Q905	A4		
IC901	C4	Q906	A5		

AGND, MIC, A+12, AGND, MICA, AGND → INPUT(2) (CB5)

■ PIN CONNECTION DIAGRAM

• ICs

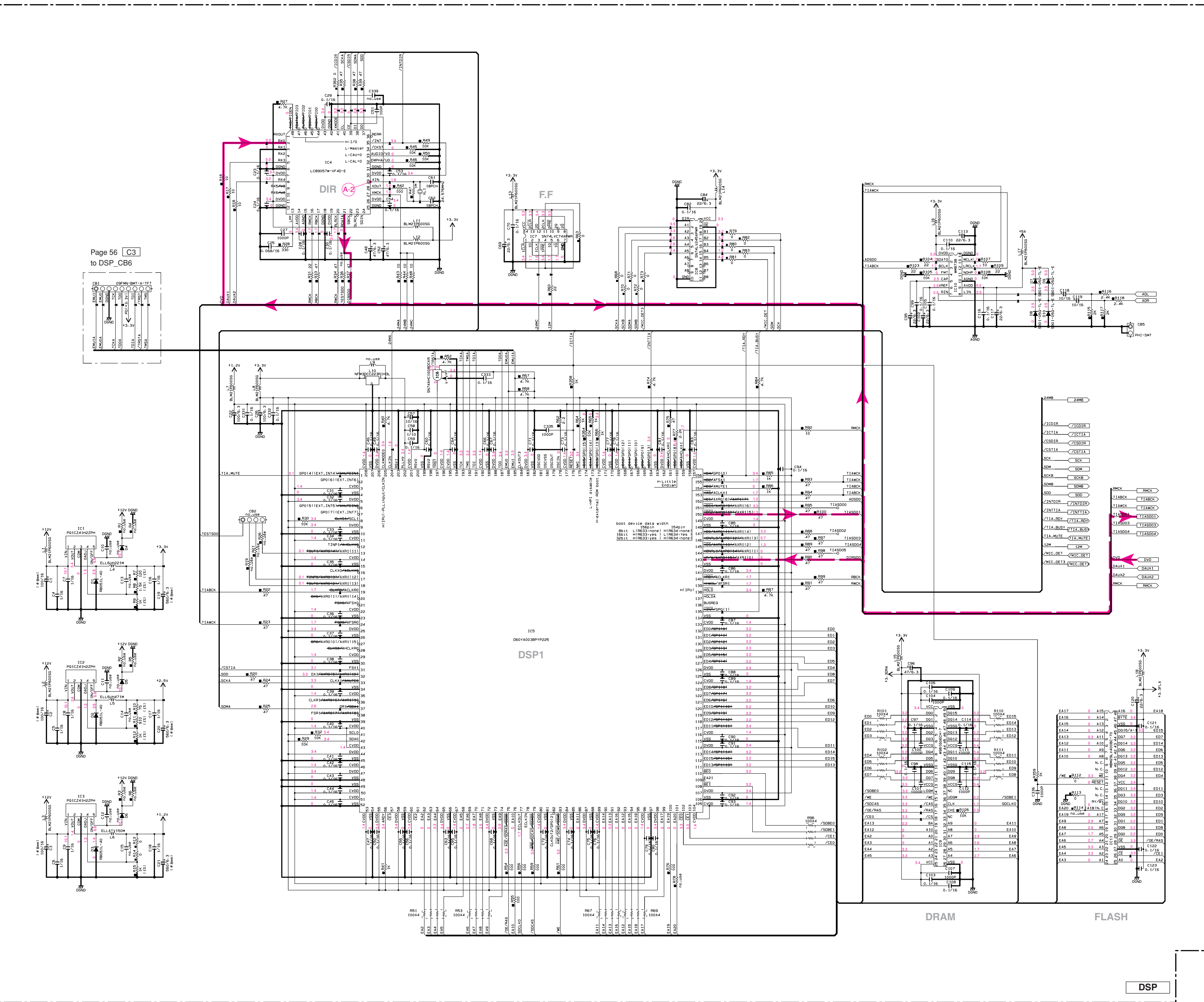
<p>AN77L04</p>	<p>NJM78M05FA NJM78M12FA</p>	<p>NJM2068MD</p>	<p>S-29630AFJA μPC4570G2</p>	<p>PQ1CZ41H2Z</p>	<p>M62782GP</p>
<p>NJM431(TO-92)</p>	<p>FA3641N</p>	<p>WM8738</p>	<p>TC74HCU04AFEL TC74HCT08AF</p>	<p>SN74LVC74APWR</p>	
<p>MAX3232CDWR</p>	<p>TC4013BP TC4052BF</p>	<p>SN74LV245APWR</p>	<p>SN74AHCT541PWR WM8728</p>		
<p>SN74AHC1G08DCKR</p>	<p>YDA139</p>	<p>LC89057W-VF4D-E MB90050PF</p>	<p>MBM29LV160BE MBM29LV400BC</p>		
<p>YDA138</p>	<p>W9816G6CH</p>	<p>W9864G6EH</p>	<p>M66003-0101FP</p>		
<p>M30626FJPPF</p>	<p>YSS930-SZ</p>	<p>D60YA003BPYP225</p>			

• Diodes

<p>1N4002S 1Z180 1Z330 AK09V0 D1NL20U ERA22 MTZJ27D</p>	<p>1SS355 1SS380 RB501V-40 UDZ5.1B</p> <p>MA8036 MA8051-M MA8062-M MA8068-M MA8091-M MA8100-H MA8100-M MA8110-M MA8200-H MA8240-H</p>	<p>SB01-05Q</p>	
<p>RB051L-40</p>	<p>S1NB20 S1NB60</p>	<p>D5SB20 D5SBA60</p>	<p>SF10SC6 SF30SC3L</p>

• Transistors

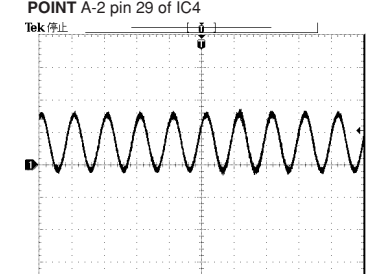
<p>2SB544 2SC1815 2SD400</p>	<p>2SA933S</p>	<p>2SA1037K 2SC2412K 2SD1938F DTA114EKA DTC114EKA DTC144EKA</p>	<p>2SA2093 2SC4488</p>	<p>2SK3679-01MR 2SK3683-01MR</p>	<p>2SK3850</p>
--------------------------------------	----------------	---	----------------------------	--------------------------------------	----------------



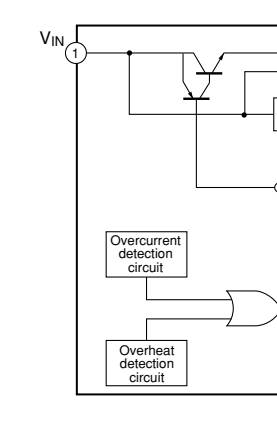
Page 56 [C3] to DSP_CB6

REMARKS	PARTS NAME	REMARKS	PARTS NAME
NO MARK	CARBON FILM RESISTOR (P=5)	NO MARK	ELECTROLYTIC CAPACITOR
△	METAL FILM RESISTOR (P=10)	◎	TANTALUM CAPACITOR
▲	METAL OXIDE FILM RESISTOR	□	CERAMIC CAPACITOR
■	METAL FILM RESISTOR	○	POLYESTER FILM CAPACITOR
◇	METAL PLATE RESISTOR	◎	CERAMIC TUBULAR CAPACITOR
▽	FIRE PROOF CARBON FILM RESISTOR	⊙	POLYPROPYLENE FILM CAPACITOR
□	CEMENT MOLDED RESISTOR	⊕	SEMICONDUCTIVE CERAMIC CAPACITOR
⊙	CHIP RESISTOR	⊖	POLYPHENYLENE SULFIDE FILM CAPACITOR

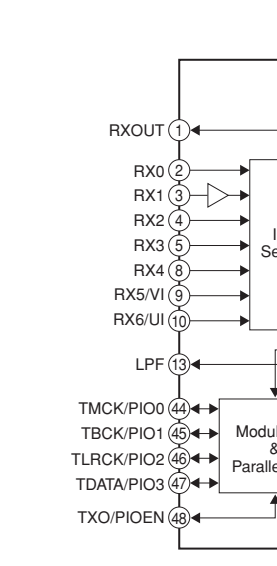
NOTICE (JAPAN)
 (J) JAPAN
 (U) U.S.A.
 (C) CANADA
 (R) GENERAL
 (T) CHINA
 (K) KOREA
 (A) AUSTRALIA
 (B) BRITISH
 (E) EUROPE
 (L) SINGAPORE
 (S) SOUTH EUROPE
 (V) TAIWAN



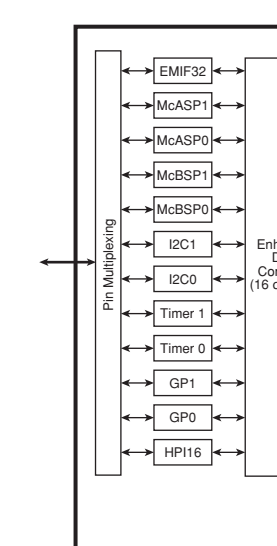
IC1-3: PQ1CZ41H2Z Chopper Regulators



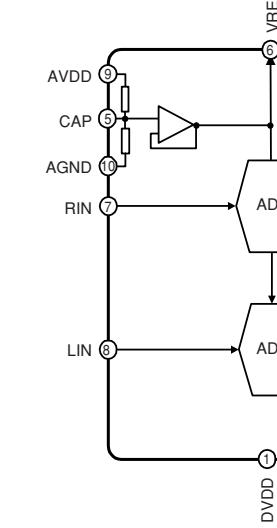
IC4: L089057W-VF4D-E Digital Audio Interface Transceiver



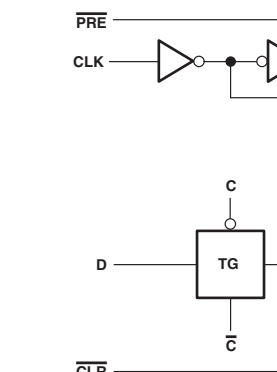
IC5: D60A003BPYP225 Decoder



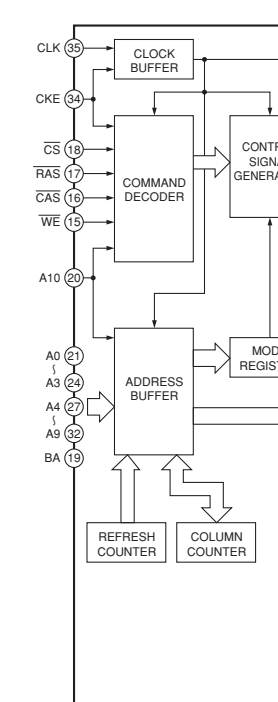
IC10: WM8738 24bit Stereo ADC



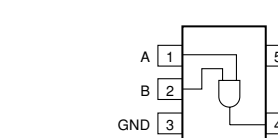
IC7: SN74LVC74PWR DUAL POSITIVE-EDGE-TRIGGERED D-TYPE FLIP-FLOPS



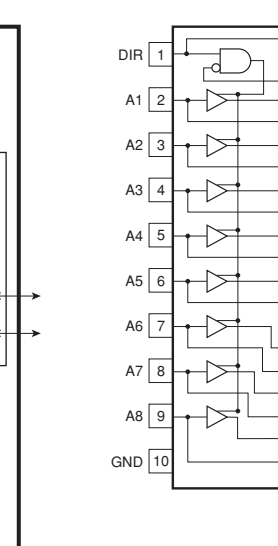
IC9: W9816G6CH 512K x 2 Banks x 16 Bits SDRAM



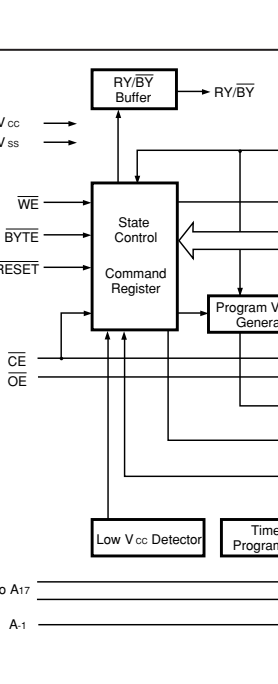
IC6: SN74AHC1G08DCKR 2-input positive-AND gate



IC8: SN74LV245APWR Octal Bus Transceivers with 3-state Outputs

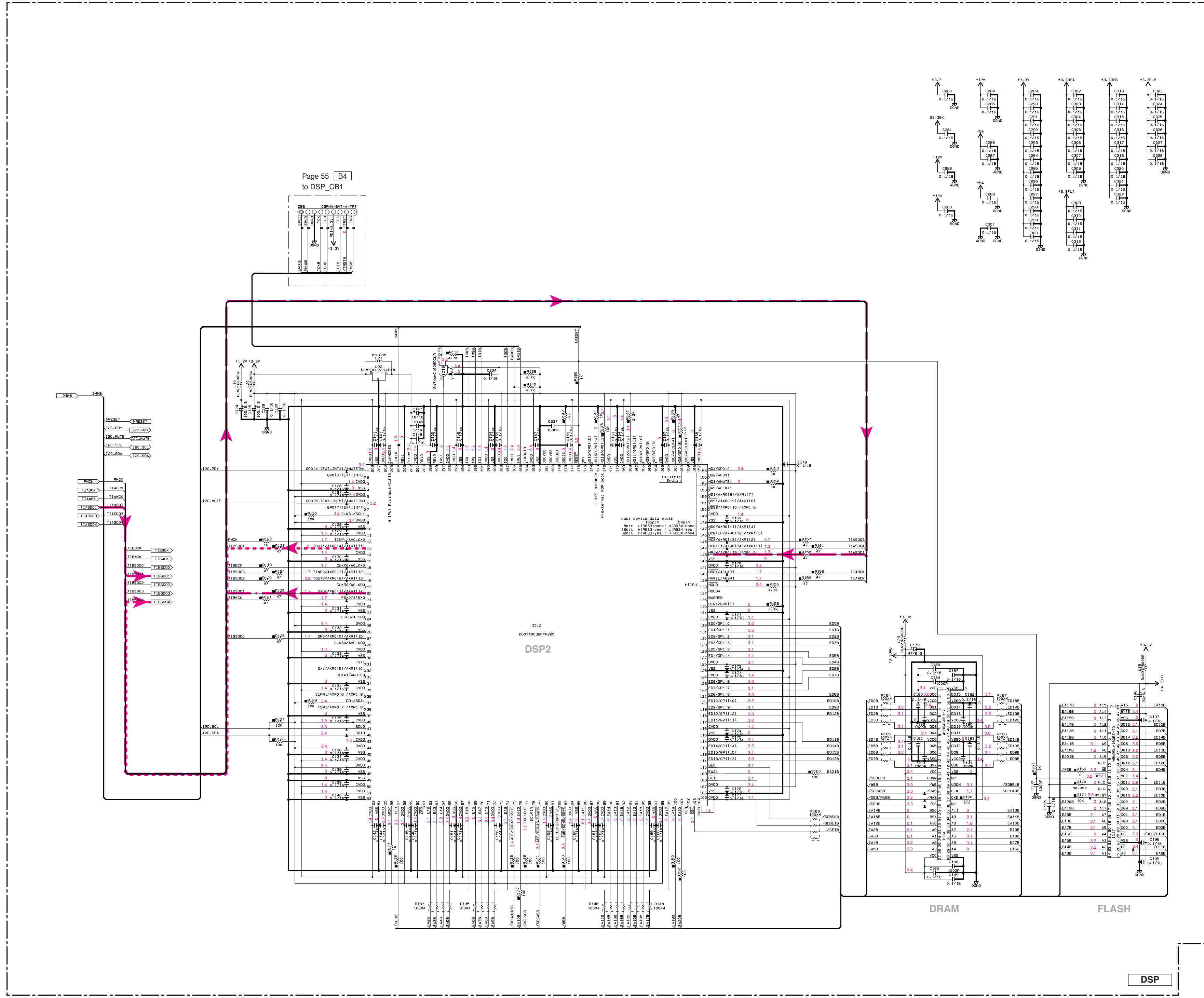


IC11: MBM29LV400BC FLASH MEMORY



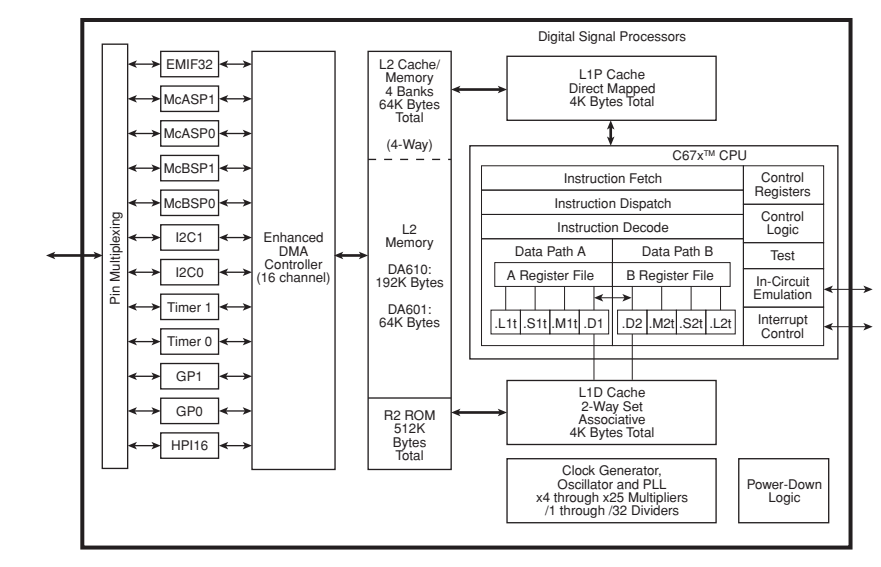
* All voltages are measured with a 10MΩ/V DC electronic volt meter.
 * Components having special characteristics are marked △ and must be replaced with parts having specifications equal to those originally installed.
 * Schematic diagram is subject to change without notice.

● 電圧は、内部抵抗10MΩの電圧計で測定したものです。
 ● △印のある部品は、安全性確保部品を示しています。部品の交換が必要な場合、パーツリストに記載されている部品を使用してください。
 ● 本回路図は標準回路図です。改良のための予告なく変更することがございます。

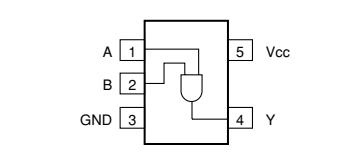


Page 55 [B4] to DSP_CB1

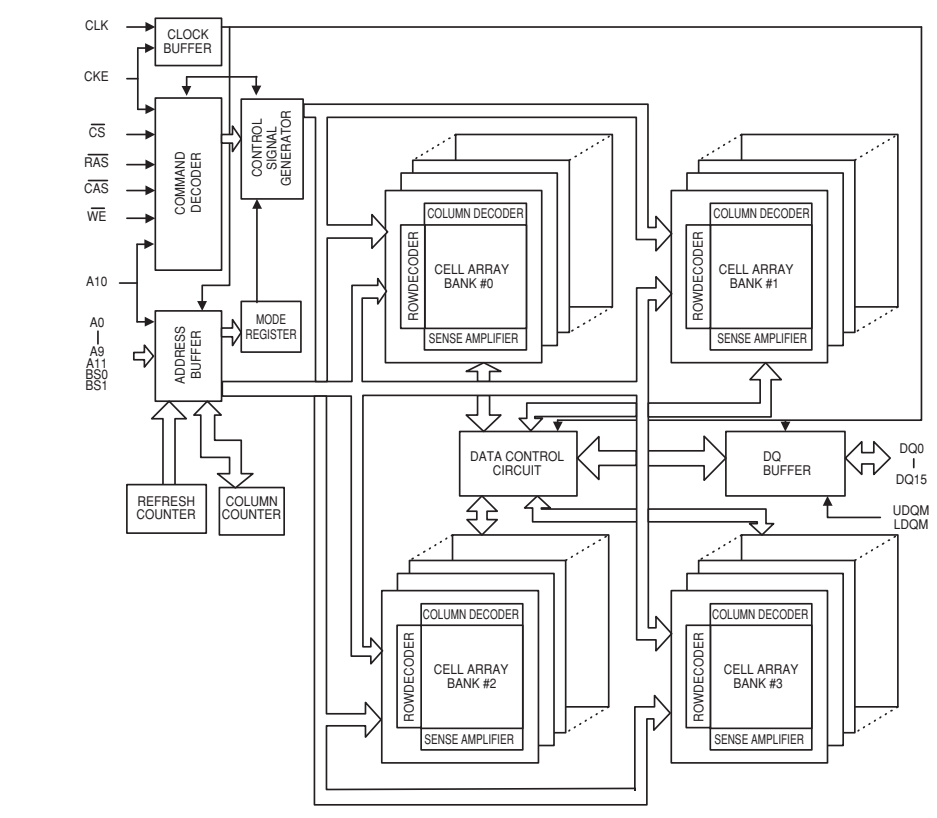
IC12: D60YA003BPYP225
 Decoder



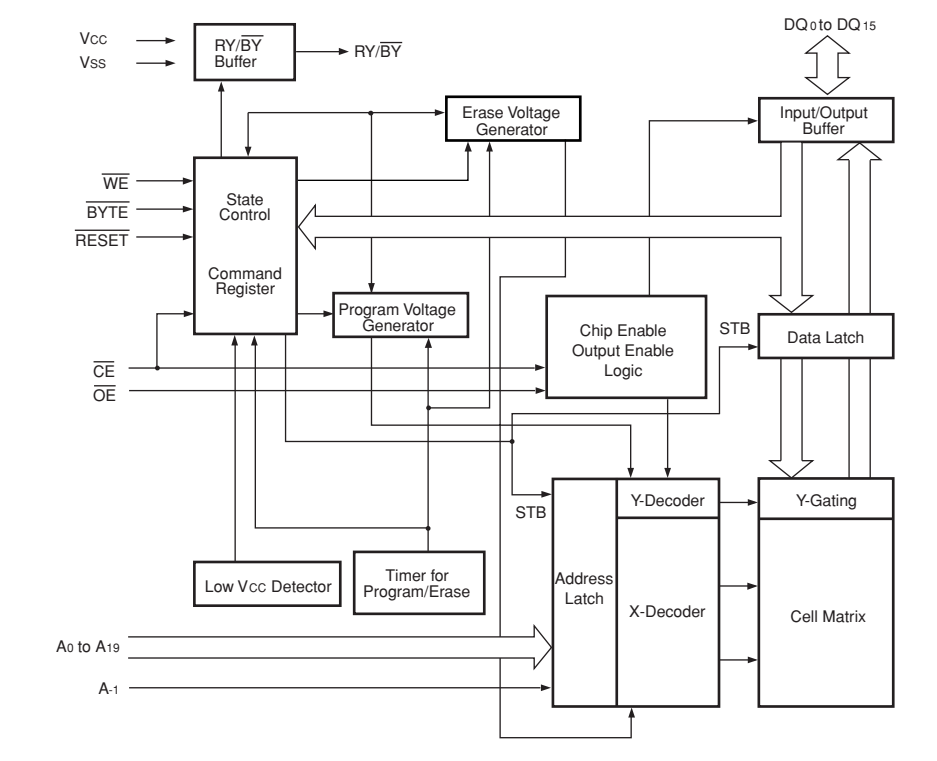
IC13: SN74AHC1G08DCKR
 2-input positive-AND gate



IC14: W9864G6EH
 1M x 4 Banks x 16 Bits SDRAM



IC17: MBM29LV160BE
 16M-bit, 3.0 V-only Flash memory

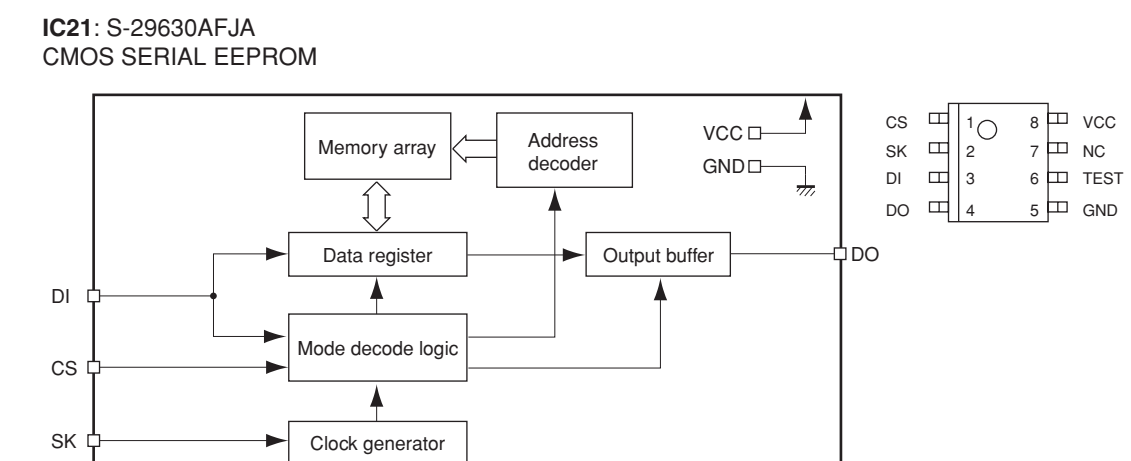
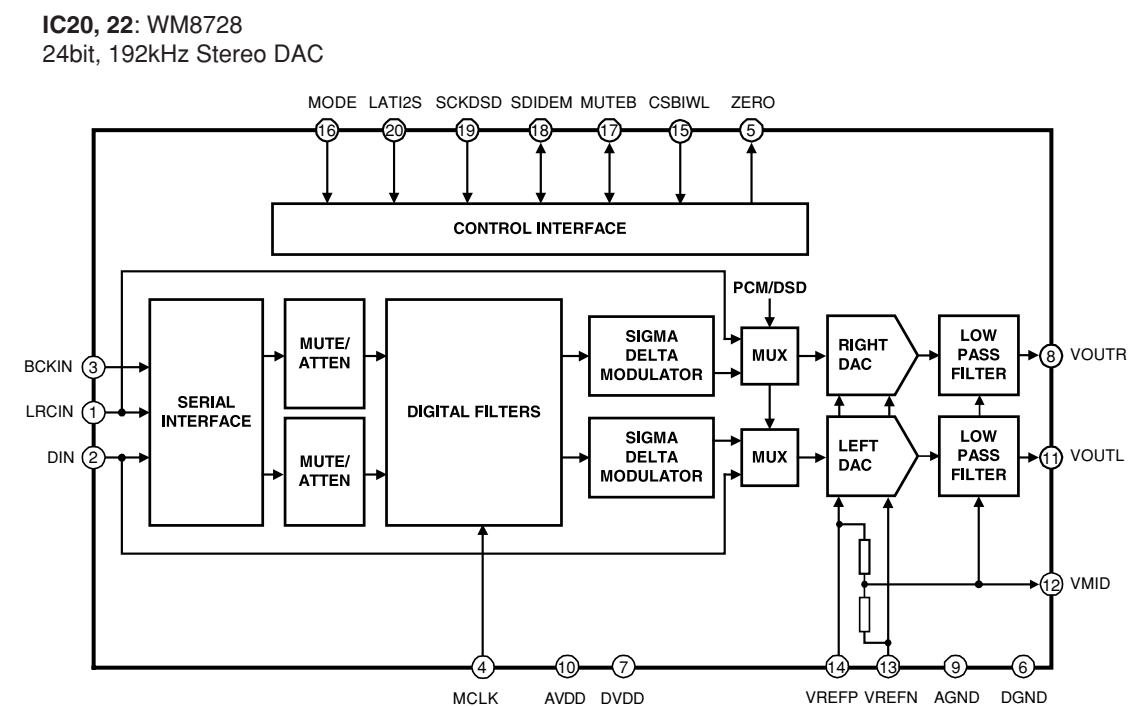
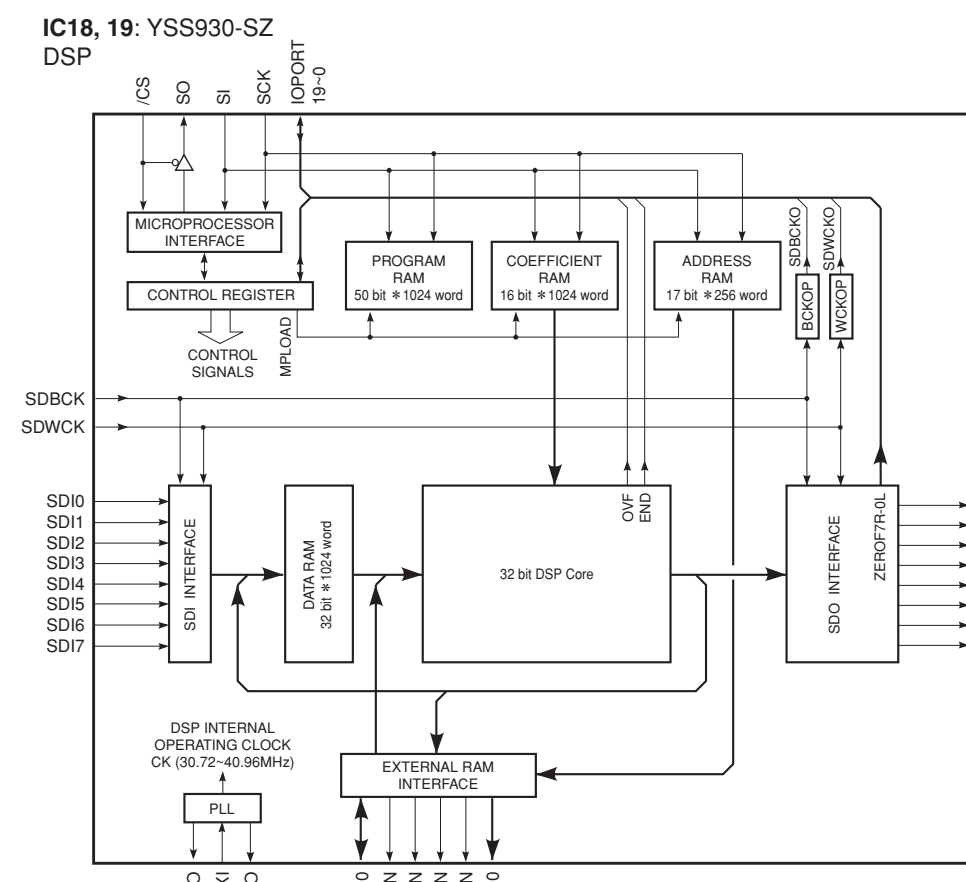
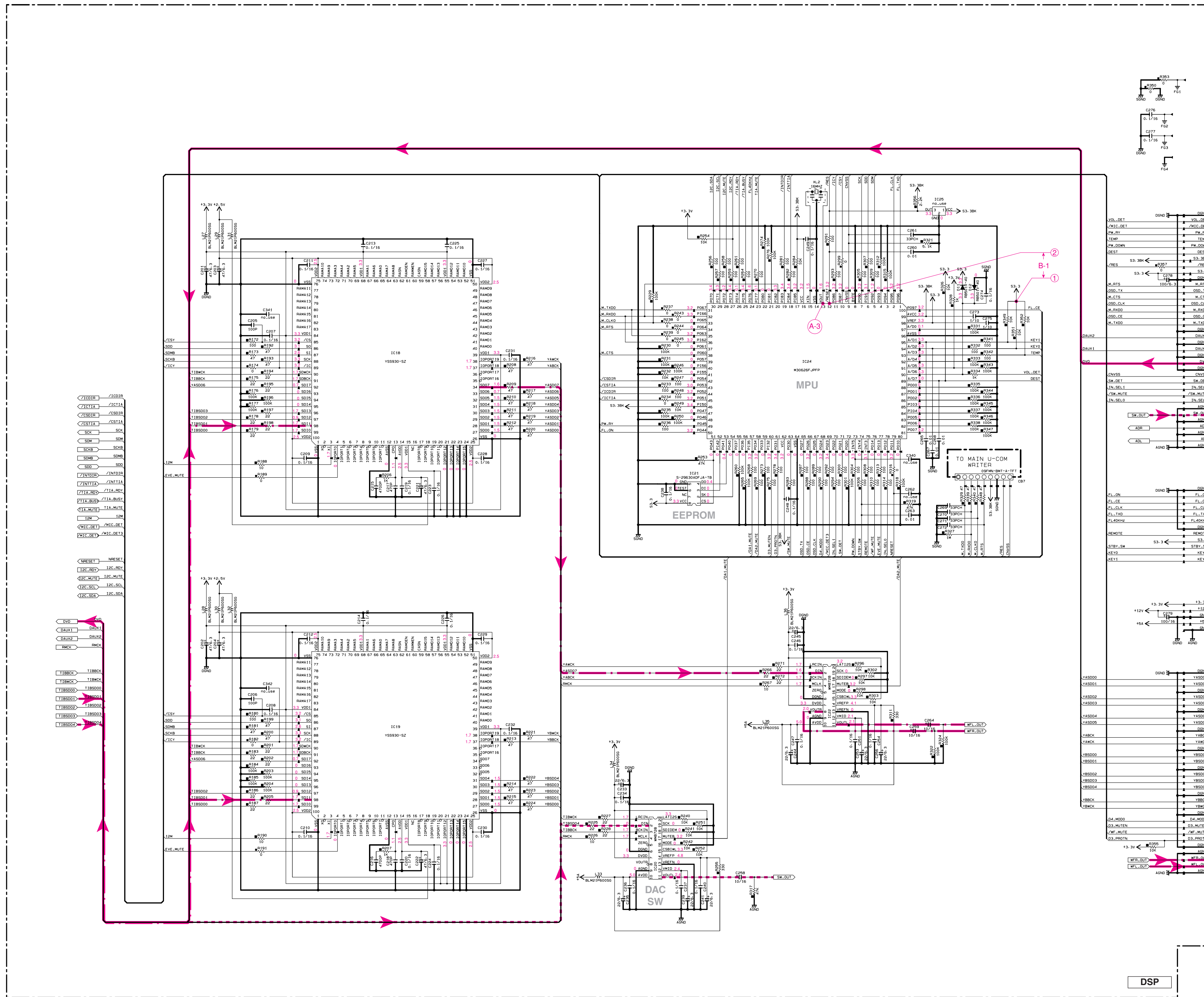


REMARKS	PARTS NAME	IP=1	REMARKS	PARTS NAME	IP=1
NO MARK	CARBON FILM RESISTOR		NO MARK	ELECTROLYTIC CAPACITOR	
	CARBON FILM RESISTOR (P=10)			TANTALUM CAPACITOR	
	METAL OXIDE FILM RESISTOR			NO MARK CERAMIC CAPACITOR	
	METAL FILM RESISTOR			CERAMIC TUBULAR CAPACITOR	
	METAL PLATE RESISTOR			POLYESTER FILM CAPACITOR	
	FINE WOUND CARBON FILM RESISTOR			POLYETHYLENE FILM CAPACITOR	
	CERAMT. MOLDED RESISTOR			MICA CAPACITOR	
	SEMI-VARIABLE RESISTOR			POLYPROPYLENE FILM CAPACITOR	
	CHIP RESISTOR			SEMICONDUCTIVE CERAMIC CAPACITOR	
				POLYPHENYLENE SULFIDE FILM CAPACITOR	

NOTICE (mode1)
 (J)..... JAPAN
 (U)..... U.S.A
 (C)..... CANADA
 (R)..... GENERAL
 (T)..... CHINA
 (K)..... KOREA
 (A)..... AUSTRALIA
 (B)..... BRITISH
 (G)..... EUROPE
 (L)..... SINGAPORE
 (E)..... SOUTH EUROPE
 (V)..... TAIWAN

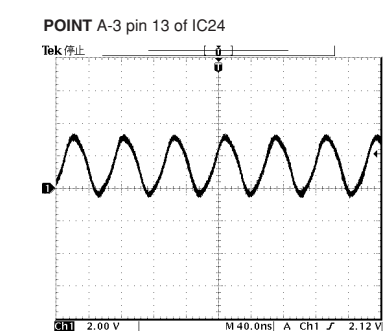
* All voltages are measured with a 10MΩ/V DC electronic volt meter.
 * Components having special characteristics are marked !, and must be replaced with parts having specifications equal to those originally installed.
 * Schematic diagram is subject to change without notice.

● 電圧は、内部抵抗10MΩの電圧計で測定したものです。
 ● !印のある部品は、安全性確保部品を示しています。部品の交換が必要な場合、パーツリストに記載されている部品を使用してください。
 ● 本回路図は標準回路図です。改良のため予告なく変更することがございます。



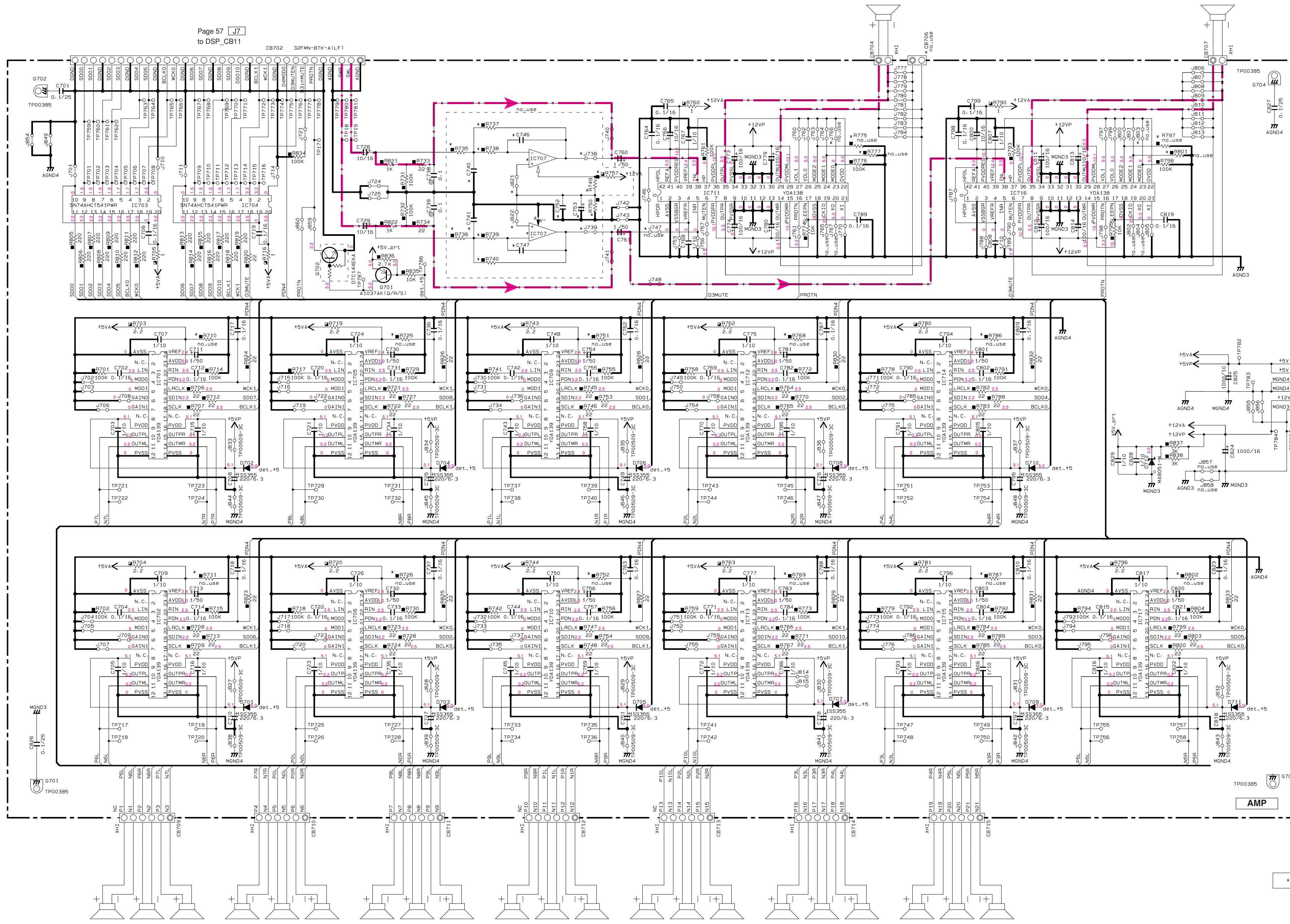
REMARKS	PARTS NAME	REMARKS	PARTS NAME
NO MARK	CARBON FILM RESISTOR (P-5)	NO MARK	ELECTROLYTIC CAPACITOR
□	CARBON FILM RESISTOR (P-10)	□	TANTALUM CAPACITOR
△	METAL OXIDE FILM RESISTOR	◎	CERAMIC TUBULAR CAPACITOR
◇	METAL PLATE RESISTOR	⊙	POLYESTER FILM CAPACITOR
⊞	FINE GRIDDED CARBON FILM RESISTOR	○	POLYSTYRENE FILM CAPACITOR
⊠	CEMENT WOUND RESISTOR	⊖	MICA CAPACITOR
⊡	SEMI VARIABLE RESISTOR	⊕	POLYPROPYLENE FILM CAPACITOR
⊞	CHIP RESISTOR	⊖	SEMICONDUCTIVE CERAMIC CAPACITOR
		⊕	POLYPHENYLENE SULFIDE FILM CAPACITOR

NOTICE (model)
 (J)..... JAPAN
 (U)..... U.S.A
 (C)..... CANADA
 (R)..... GENERAL
 (T)..... CHINA
 (K)..... KOREA
 (A)..... AUSTRALIA
 (B)..... BRITISH
 (E)..... EUROPE
 (L)..... SINGAPORE
 (S)..... SOUTH EUROPE
 (V)..... TAIWAN



* All voltages are measured with a 10M Ω /V DC electronic volt meter.
 * Components having special characteristics are marked ① and must be replaced with parts having specifications equal to those originally installed.
 * Schematic diagram is subject to change without notice.

● 電圧は、内部抵抗10M Ω の電圧計で測定したものです。
 ● ①印のある部品は、安全性確保部品を示しています。部品の交換が必要な場合、パーツリストに記載されている部品を使用してください。
 ● 本回路図は標準回路図です。改良のための予告なく変更することがございます。

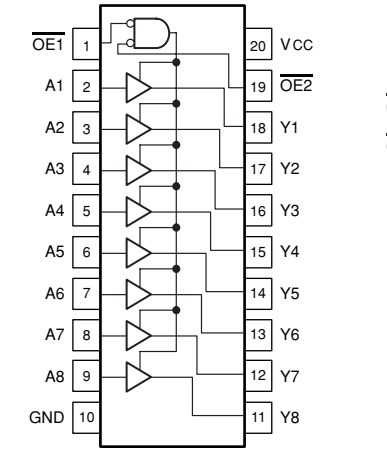


NOTICE (mode1)
 (J)..... JAPAN
 (U)..... U.S.A
 (C)..... CANADA
 (R)..... GENERAL
 (T)..... CHINA
 (K)..... KOREA
 (A)..... AUSTRALIA
 (B)..... BRITISH
 (G)..... EUROPE
 (I)..... SINGAPORE
 (E)..... SOUTH EUROPE
 (V)..... TAIWAN

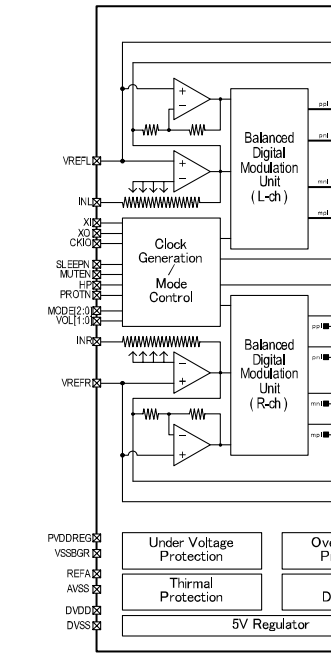
REMARKS	PARTS_NAME
NO MARK	CARBON FILM RESISTOR (PWS)
□	CARBON FILM RESISTOR (P-101)
△	METAL OXIDE FILM RESISTOR
○	METAL FILM RESISTOR
◇	METAL PLATE RESISTOR
◎	FILM PROOF CARBON FILM RESISTOR
⊙	CEMENT MOUNTED RESISTOR
⊚	SEM. VARIABLE RESISTOR
⊛	CHIP RESISTOR

REMARKS	PARTS_NAME
NO MARK	ELECTROLYTIC CAPACITOR
□	TANTALUM CAPACITOR
NO MARK	CERAMIC CAPACITOR
○	CERAMIC TUBULAR CAPACITOR
◎	POLYESTER FILM CAPACITOR
◇	POLYSTYRENE FILM CAPACITOR
△	MICA CAPACITOR
⊙	POLYPROPYLENE FILM CAPACITOR
⊚	SEMICONDUCTIVE CERAMIC CAPACITOR
⊛	POLYPROPYLENE SULFIDE FILM CAPACITOR

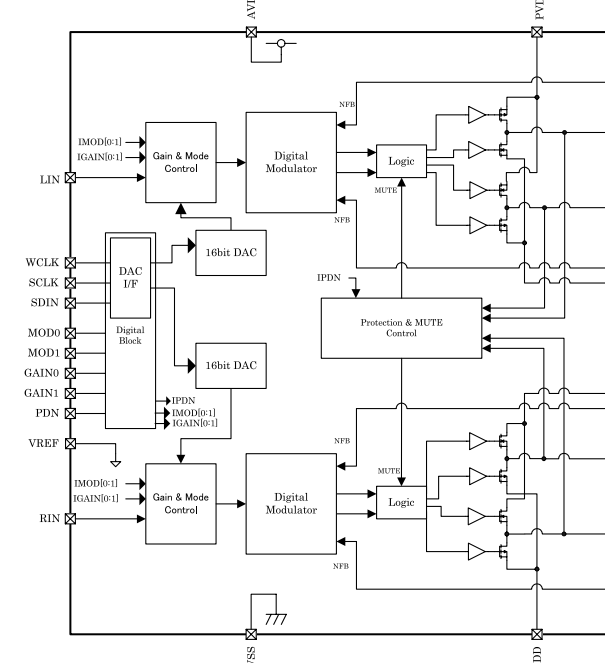
IC703, 704: SN74AHC741PWR
 OCTAL BUFFERS/DRIVERS



IC711, 716: YDA139
 Digital audio power amplifier



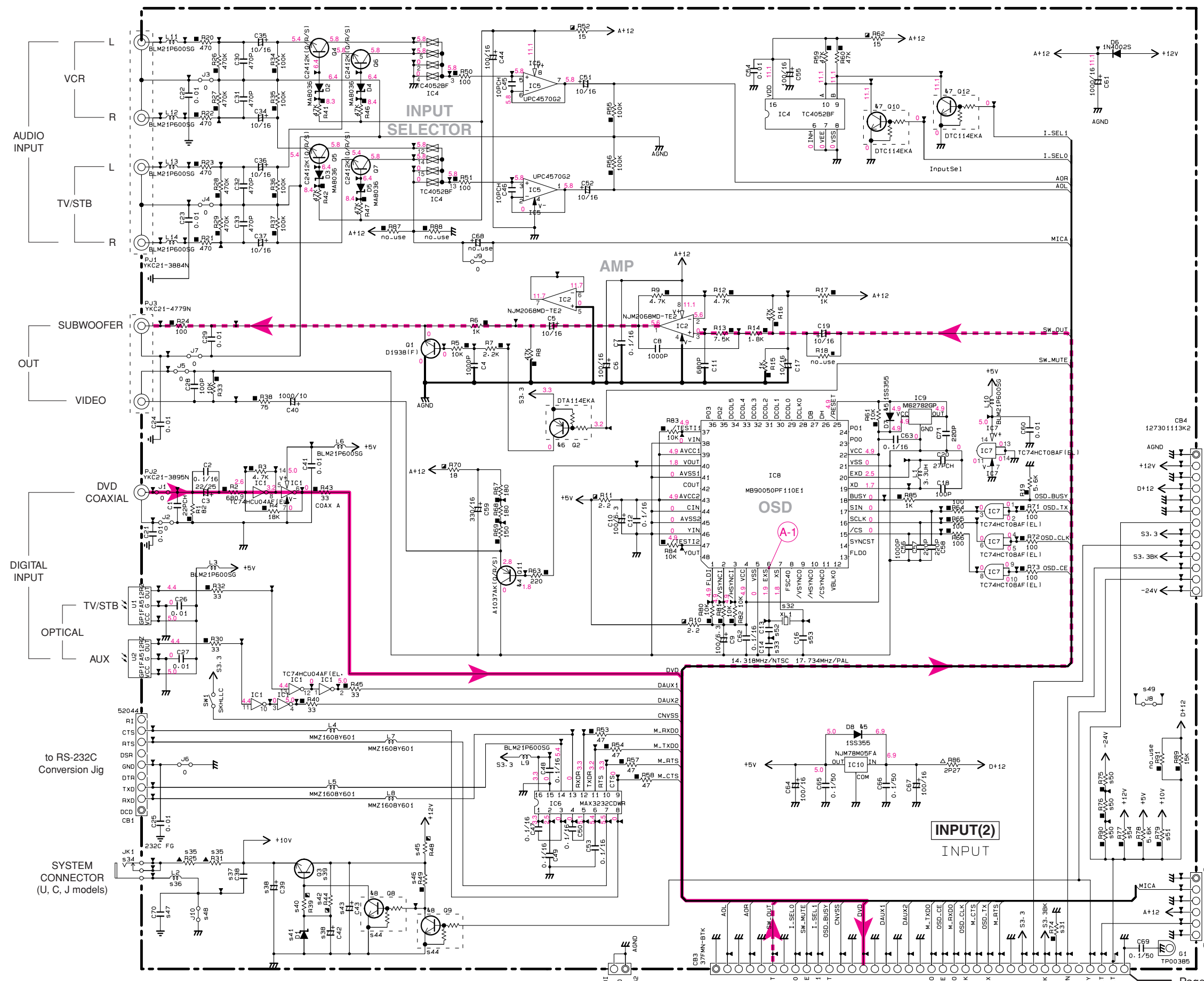
IC701, 702, 705, 706, 709, 710, 712-715, 717: YDA139
 Digital audio power amplifier



* All voltages are measured with a 10MΩ/V DC electronic volt meter.
 * Components having special characteristics are marked ! and must be replaced with parts having specifications equal to those originally installed.
 * Schematic diagram is subject to change without notice.

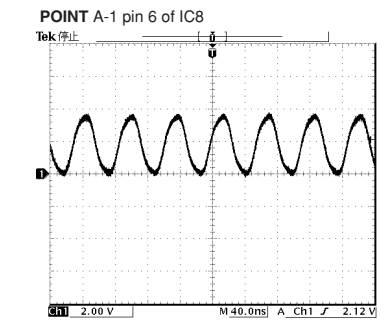
●電圧は、内部抵抗10MΩの電圧計で測定したものです。
 ●!印のある部品は、安全性確保部品を示しています。部品の交換が必要な場合、パーツリストに記載されている部品を使用してください。
 ●本回路図は標準回路図です。改良のため予告なく変更することがございます。

SCHEMATIC DIAGRAM (INPUT 1/2)



Mark	Reference Parts Number	Parts Name
41	05010	25X3491E
42		25X3491E
43	0501	25X3491E
44	011	2541037A10/P/S1
45	07-8-502-507-512-514	155355
46	519-526-029-533-001-002	MA111
47	010-12	DTC144EKA
48	08-9-504	KRC1045-RTK/P
49	0507	2543335T/P/S1
410	0502-503	25C1815(Y)

Mark	Reference Parts Number	Parts Name
531	R74	J
532	K14	X
533	C14	15PCH
534	JK1	LS19011
535	R25-31	SP1.0
537	C38	0-01
538	C39-42	47/16
539	Q3	C448815/1
540	R39	100
541	D1	MB110-W
542	R44	1.8K
543	C43	33/16
544	Q8-9	DTC144EKA
545	R48	4.7
546	R49	22K
547	C70	0-01
548	J10	0
549	J8	X
550	R76-78	2.2K
551	R79	10K
552	C13	15PCH
553	C16	12PCH
554	R77	12K

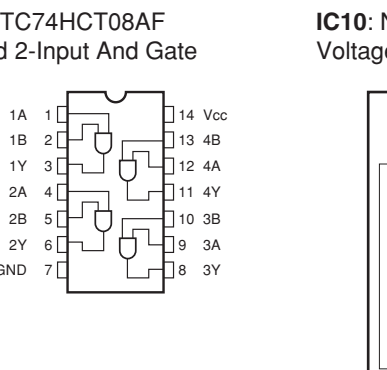
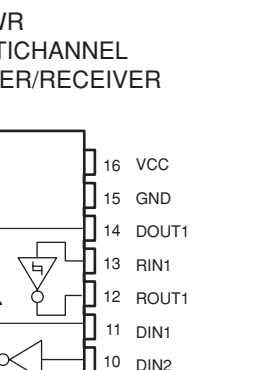
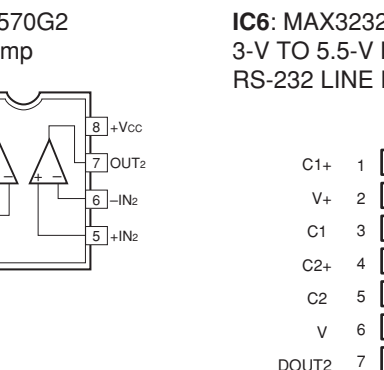
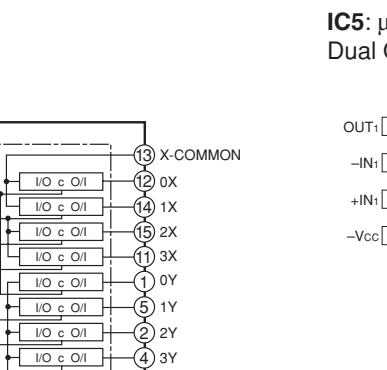
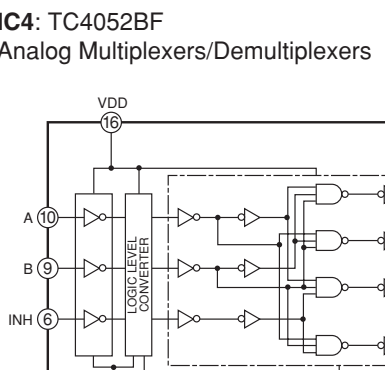
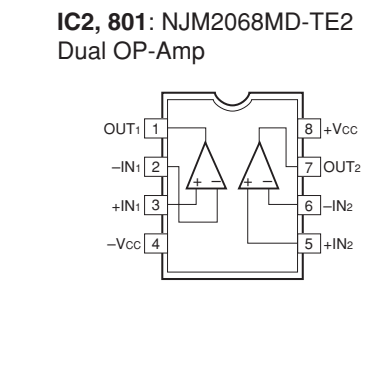
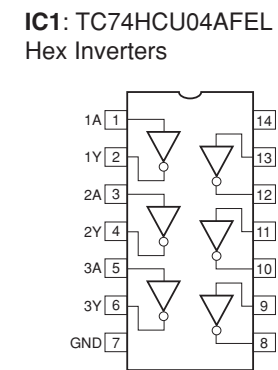
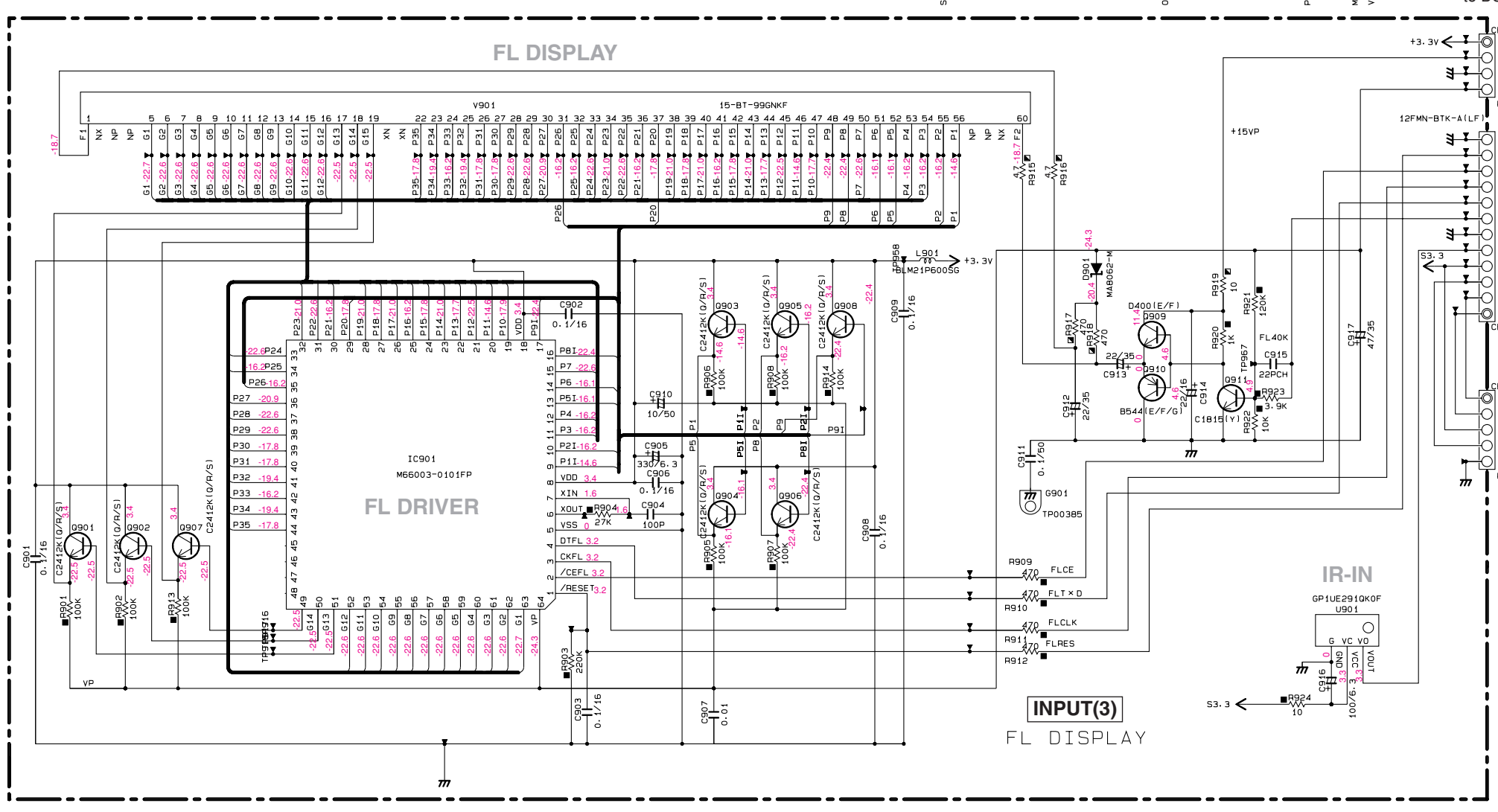
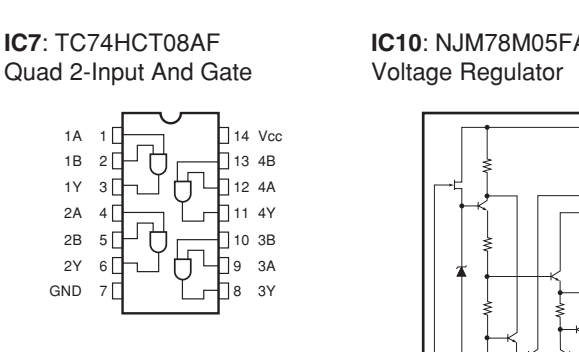
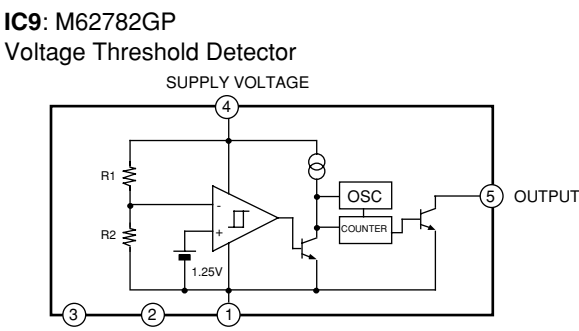
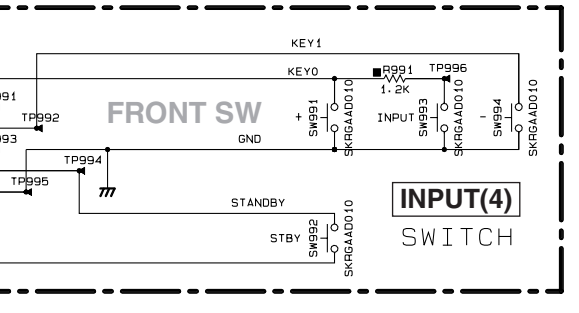
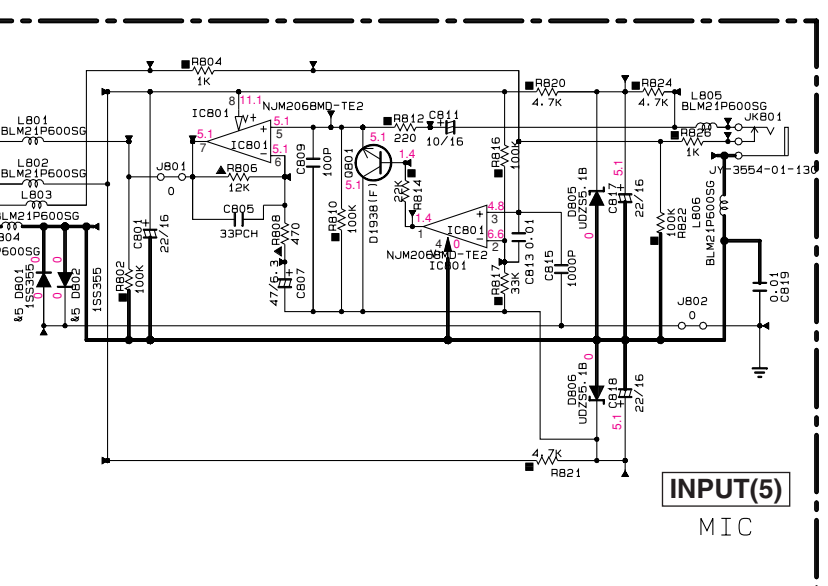
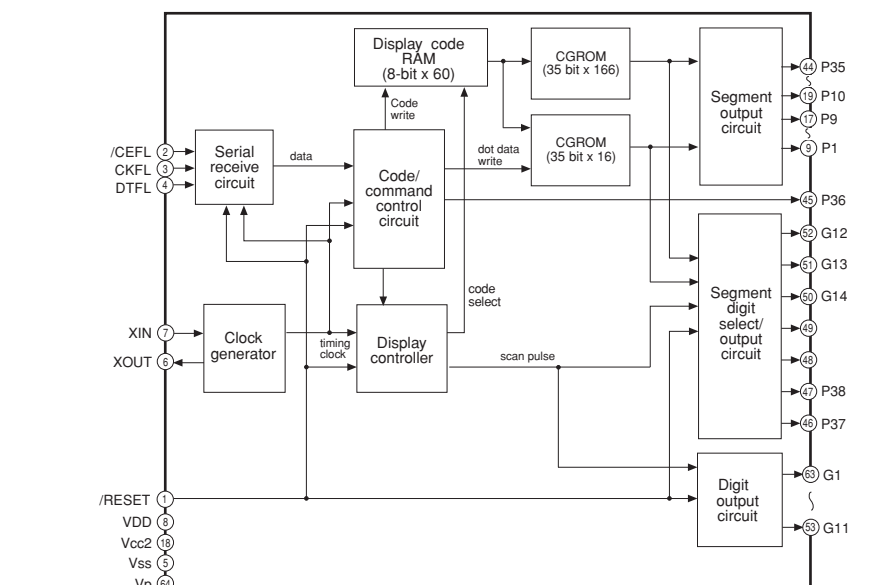


REMARKS	PARTS NAME
NO MARK	ELECTROLYTIC CAPACITOR
⊗	TANTALUM CAPACITOR
⊙	CERAMIC TUBULAR CAPACITOR
⊕	POLYESTER FILM CAPACITOR
⊖	POLYSTYRENE FILM CAPACITOR
⊙	MICA CAPACITOR
⊕	POLYSTYRENE FILM CAPACITOR
⊖	SEMICONDUCTIVE CERAMIC CAPACITOR

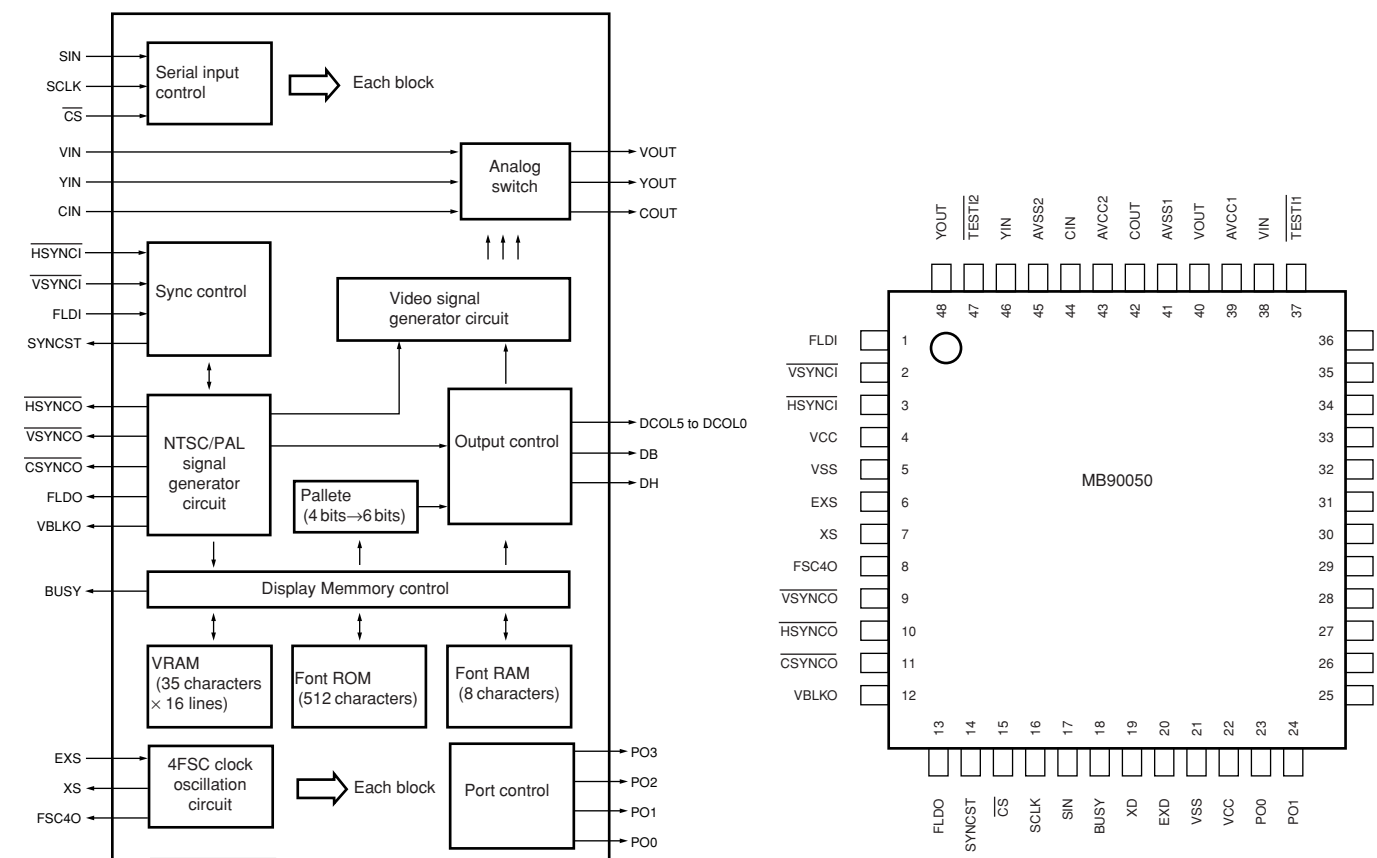
REMARKS	PARTS NAME
NO MARK	CARBON FILM RESISTOR (P=5)
⊕	CARBON FILM RESISTOR (P=10)
⊖	METAL OXIDE FILM RESISTOR
⊕	METAL FILM RESISTOR
⊖	METAL PLATE RESISTOR
⊕	FIRE PROOF CARBON FILM RESISTOR
⊖	CEMENT MOLDED RESISTOR
⊕	SEMI-VARIABLE RESISTOR
⊖	CHIP RESISTOR

NOTICE (model)
 (J)..... JAPAN
 (U)..... U.S.A.
 (C)..... CANADA
 (R)..... GENERAL
 (1)..... CHINA
 (K)..... KOREA
 (A)..... AUSTRALIA
 (B)..... BRITISH
 (G)..... EUROPE
 (L)..... SINGAPORE
 (E)..... SOUTH EUROPE
 (V)..... TAIWAN

IC801: M66003-0101FP FL Display Driver



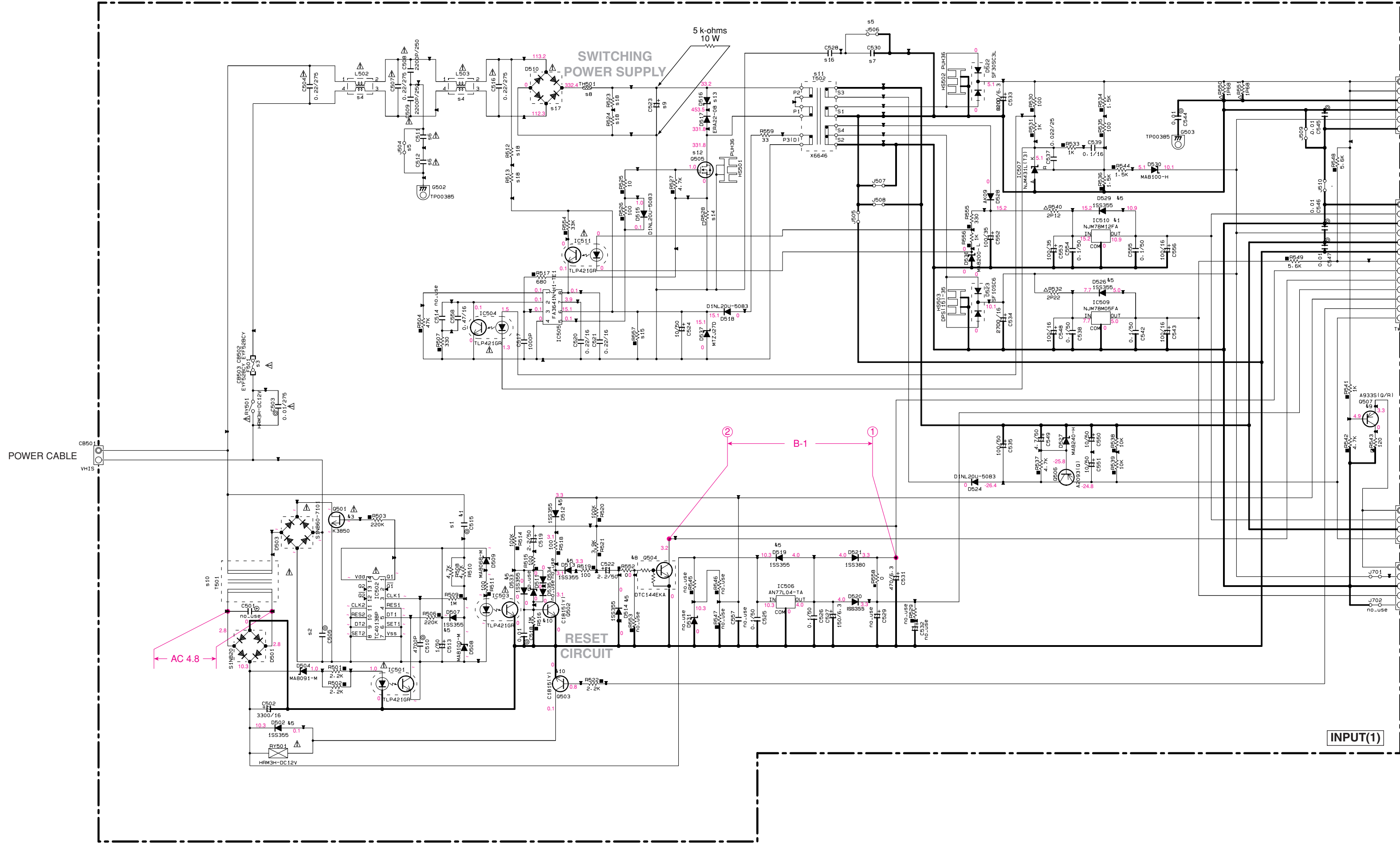
IC8: MB90050PF On-Screen Display Controller



* All voltages are measured with a 10MΩ/V DC electronic volt meter.
 * Components having special characteristics are marked !, and must be replaced with parts having specifications equal to those originally installed.
 * Schematic diagram is subject to change without notice.

● 電圧は、内部抵抗10MΩの電圧計で測定したものです。
 ● !印のある部品は、安全性確保部品を示しています。部品の交換が必要な場合、パーツリストに記載されている部品を使用してください。
 ● 本回路図は標準回路図です。改良のための予告なく変更することがございます。

Safety measures
 • Some internal parts in this product contain high voltages and are dangerous. Be sure to take safety measures during servicing, such as wearing insulating gloves.
 • Note that C523 is dangerous even after the power is turned off because an electric charge remains and a high voltage continues to exist there.
 Before starting any repair work, perform discharge by connecting a discharge resistor (5 k-ohms/10 W) between C523 terminals.
安全対策
 • この製品の内部には高電圧部分があり危険です。修理の際は、絶縁性の手袋を使用などの安全対策を行ってください。
 • C523には電源をOFFにした後も電荷が残り、高電圧が維持されており危険です。
 修理作業前に放電用抵抗 (5 kΩ/10 W) をC523の端子間に接続して放電してください。



Page 58 [L4] to AMP_CB708

Page 59 [G4] to INPUT(2)_CB4

Page 59 [G6] to INPUT(3)_CB901

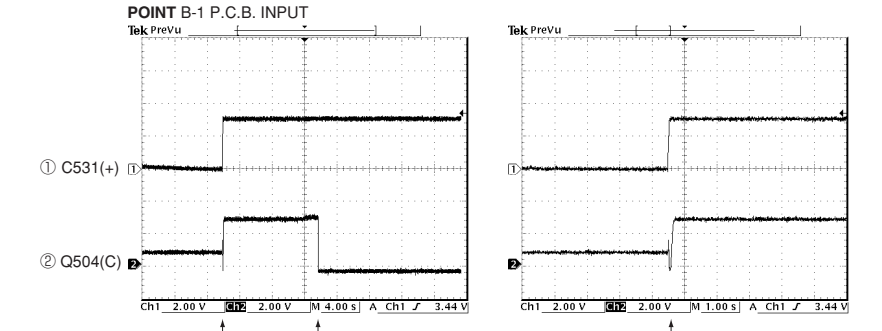
Page 57 [J6] to DSP_CB10

REMARKS	PARTS NAME
NO MARK	ELECTROLYTIC CAPACITOR
⊗	TANTALUM CAPACITOR
NO MARK	CERAMIC CAPACITOR
⊙	CERAMIC TUBULAR CAPACITOR
⊖	POLYESTER FILM CAPACITOR
○	POLYSTYRENE FILM CAPACITOR
⊕	MICA CAPACITOR
⊖	POLYPROPYLENE FILM CAPACITOR
⊙	SEMICONDUCTIVE CERAMIC CAPACITOR

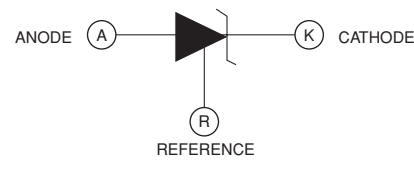
REMARKS	PARTS NAME
NO MARK	CARBON FILM RESISTOR (P=5)
□	CARBON FILM RESISTOR (P=10)
△	METAL OXIDE FILM RESISTOR
⊖	METAL FILM RESISTOR
⊖	METAL PLATE RESISTOR
⊖	FINE PROF. CARBON FILM RESISTOR
⊖	CEMENT MOLDDED RESISTOR
⊖	SEMI VARIABLE RESISTOR
■	CHIP RESISTOR

NOTICE (mode1)
 (J)..... JAPAN
 (U)..... U.S.A
 (C)..... CANADA
 (R)..... GENERAL
 (T)..... CHINA
 (K)..... KOREA
 (A)..... AUSTRALIA
 (G)..... EUROPE
 (E)..... STANDARD
 (L)..... SINGAPORE
 (S)..... SOUTH EUROPE
 (V)..... TAIWAN

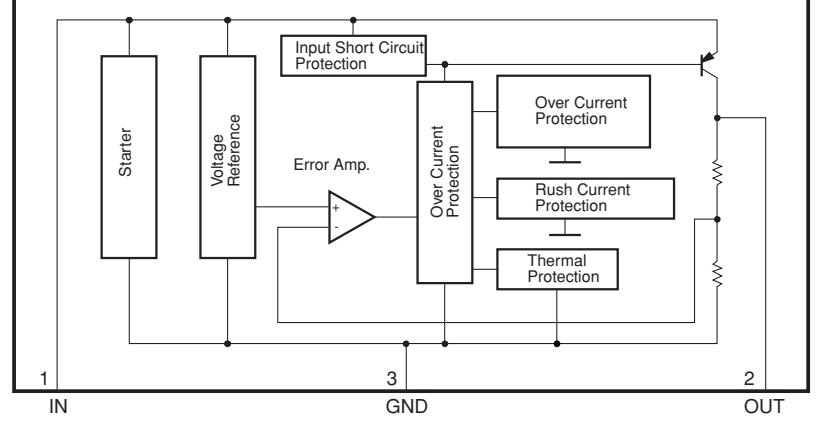
	J	UC	TABOL	K	V
91	C915	0.047/400 WB69710	0.047/400 MC24150	0.022/500 MC24150	0.027/500 MC24150
92	C909	0.1/400 WB69630	0.1/400 MC24150	0.047/500 MC24150	0.1/400 WB69630
93	F901	4A/125V WB61030	4A/125V WB61030	T2AL250V WB61030	4A/125V WB61030
94	L502-503	7M WF52830	7M WF52830	43m WF71070	7M WF52830
95	J504-506	UN50000	x	x	x
96	C511-512	x	4700P/250 VY67510	4700P/250 VY67510	4700P/250 VY67510
97	C530	x	4700P/250 VY67510	2000P/250 VY64650	2000P/250 VY64650
98	T4601	5.10m WF54460	5.10m WF54460	100m WF12900	5.10m WF54460
99	C523	80P/250 WF41150	80P/250 WF41150	20P/400 WF70710	80P/250 WF41150
100	T501	XW600 XW606	XW606	XW606	XW606
101	T502	X6640 X6646	X6661	X6661	X6646
102	R505	20K/300 WF41250	20K/300 WF41250	20K/300 WF41250	20K/300 WF41250
103	R515	12100 WE42710	12100 WE42710	12100 WE42710	12100 WE42710
104	R528	0.0220m WF42230	0.0220m WF42230	0.0470m WF70340	0.0220m WF42230
105	R567	470K RD35847	470K RD35847	1M RD35910	470K RD35847
106	C528	2000P/250 VY64650	4700P/250 VY67510	2000P/250 VY64650	2000P/250 VY64650
107	R510	0.0500m WF01140	0.0500m WF01140	0.0500m WF01140	0.0500m WF01140
108	R512-513 523-524	100K WF45812	100K WF45812	270K WF45827	100K WF45812



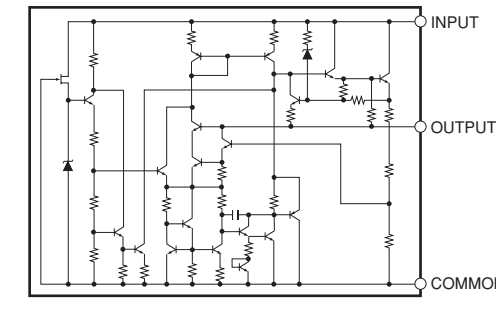
IC507: NJM431
Adjustable Precision Shunt Regulator



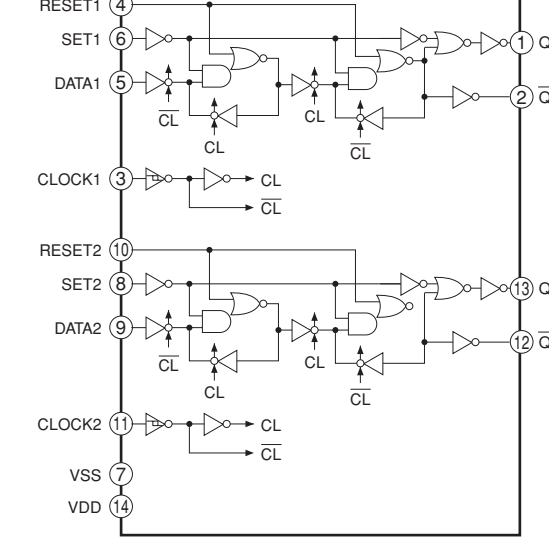
IC506: AN77L04
Low Dropout Voltage Regulator



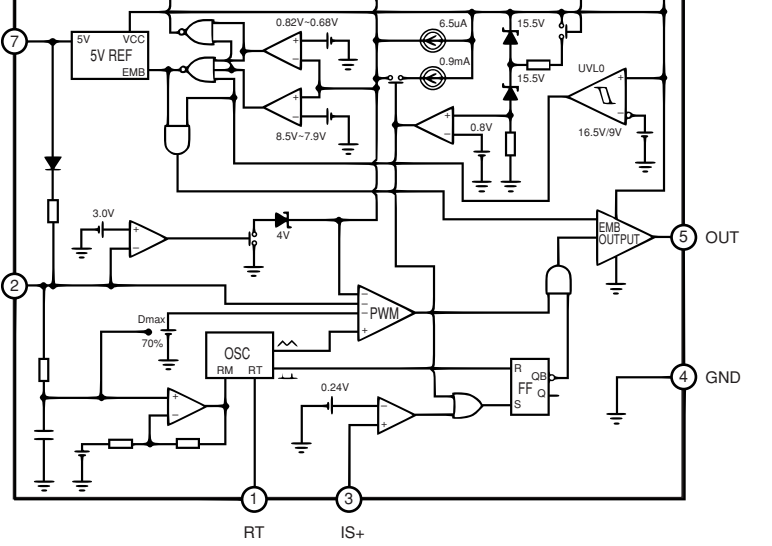
IC509: NJM78M05FA
IC510: NJM78M12FA
Voltage Regulator



IC502: TC4013BP
Dual D-type Flip Flop



IC505: FA3641N
PWM control IC



★ All voltages are measured with a 10MΩ/V DC electronic volt meter.
 ★ Components having special characteristics are marked with a triangle and must be replaced with parts having specifications equal to those originally installed.
 ★ Schematic diagram is subject to change without notice.

● 電圧は、内部抵抗10MΩの電圧計で測定したものです。
 ● 印のある部品は、安全性確保部品を示しています。部品の交換が必要な場合、パーツリストに記載されている部品を使用してください。
 ● 本回路図は標準回路図です。改良のため予告なく変更することがございます。

PARTS LIST

■ ELECTRICAL PARTS

■ WARNING

- Components having special characteristics are marked \triangle and must be replaced with parts having specifications equal to those originally installed.
- \triangle 印のある部分は、安全確保部品を示しています。部品の交換が必要な場合、パーツリストに記載されている部品を使用してください。
- 部品価格ランクは、予告なく変更することがあります。

ABBREVIATIONS IN THIS LIST ARE AS FOLLOWS:

C.A.EL.CHP	: CHIP ALUMI.ELECTROLYTIC CAP	L.EMIT	: LIGHT EMITTING MODULE
C.CE	: CERAMIC CAP	LED.DSPLY	: LED DISPLAY
C.CE.ARRAY	: CERAMIC CAP ARRAY	LED.INFRD	: LED,INFRARED
C.CE.CHP	: CHIP CERAMIC CAP	MODUL.RF	: MODULATOR,RF
C.CE.ML	: MULTILAYER CERAMIC CAP	PHOT.CPL	: PHOTO COUPLER
C.CE.M.CHP	: CHIP MULTILAYER CERAMIC CAP	PHOT.INTR	: PHOTO INTERRUPTER
C.CE.SAFTY	: RECOGNIZED CERAMIC CAP	PHOT.RFLCT	: PHOTO REFLECTOR
C.CE.TUBLR	: CERAMIC TUBULAR CAP	PIN.TEST	: PIN,TEST POINT
C.CE.SMI	: SEMI CONDUCTIVE CERAMIC CAP	PLST.RIVET	: PLASTIC RIVET
C.EL	: ELECTROLYTIC CAP	R.ARRAY	: RESISTOR ARRAY
C.MICA	: MICA CAP	R.CAR.	: CARBON RESISTOR
C.ML.FLM	: MULTILAYER FILM CAP	R.CAR.CHP	: CHIP RESISTOR
C.MP	: METALLIZED PAPER CAP	R.CAR.FP	: FLAME PROOF CARBON RESISTOR
C.MYLAR	: MYLAR FILM CAP	R.FUS	: FUSABLE RESISTOR
C.MYLAR.ML	: MULTILAYER MYLAR FILM CAP	R.MTL.CHP	: CHIP METAL FILM RESISTOR
C.PAPER	: PAPER CAPACITOR	R.MTL.FLM	: METAL FILM RESISTOR
C.PLS	: POLYSTYRENE FILM CAP	R.MTL.OXD	: METAL OXIDE FILM RESISTOR
C.POL	: POLYESTER FILM CAP	R.MTL.PLAT	: METAL PLATE RESISTOR
C.POLY	: POLYETHYLENE FILM CAP	RSNR.CE	: CERAMIC RESONATOR
C.PP	: POLYPROPYLENE FILM CAP	RSNR.CRYS	: CRYSTAL RESONATOR
C.TNTL	: TANTALUM CAP	R.TW.CEM	: TWIN CEMENT FIXED RESISTOR
C.TNTL.CHP	: CHIP TANTALUM CAP	R.CEMENT	: CEMENT RESISTOR
C.TRIM	: TRIMMER CAP	SCR.BND.HD	: BIND HEAD B-TITE SCREW
CN	: CONNECTOR	SCR.BW.HD	: BW HEAD TAPPING SCREW
CN.BS.PIN	: CONNECTOR,BASE PIN	SCR.CUP	: CUP TITE SCREW
CN.CANNON	: CONNECTOR,CANNON	SCR.TERM	: SCREW TERMINAL
CN.DIN	: CONNECTOR,DIN	SCR.TR	: SCREW,TRANSISTOR
CN.FLAT	: CONNECTOR,FLAT CABLE	SUPRT.PCB	: SUPPORT,P.C.B.
CN.POST	: CONNECTOR,BASE POST	SURG.PRTCT	: SURGE PROTECTOR
COIL.MX.AM	: COIL,AM MIX	SW.TACT	: TACT SWITCH
COIL.AT.FM	: COIL,FM ANTENNA	SW.LEAF	: LEAF SWITCH
COIL.DT.FM	: COIL,FM DETECT	SW.LEVER	: LEVER SWITCH
COIL.MX.FM	: COIL,FM MIX	SW.MICRO	: MICRO SWITCH
COIL.OUTPT	: OUTPUT COIL	SW.PUSH	: PUSH SWITCH
DIOD.ARRAY	: DIODE ARRAY	SW.RT.ENC	: ROTARY ENCODER
DIODE.BRG	: DIODE BRIDGE	SW.RT.MTR	: ROTARY SWITCH WITH MOTOR
DIODE.CHP	: CHIP DIODE	SW.RT	: ROTARY SWITCH
DIODE.VAR	: VARACTOR DIODE	SW.SLIDE	: SLIDE SWITCH
DIOD.Z.CHP	: CHIP ZENER DIODE	TERM.SP	: SPEAKER TERMINAL
DIODE.ZENR	: ZENER DIODE	TERM.WRAP	: WRAPPING TERMINAL
DSCR.CE	: CERAMIC DISCRIMINATOR	THRMST.CHP	: CHIP THERMISTOR
FER.BEAD	: FERRITE BEADS	TR.CHP	: CHIP TRANSISTOR
FER.CORE	: FERRITE CORE	TR.DGT	: DIGITAL TRANSISTOR
FET.CHP	: CHIP FET	TR.DGT.CHP	: CHIP DIGITAL TRANSISTOR
FL.DSPLY	: FLUORESCENT DISPLAY	TRANS	: TRANSFORMER
FLTR.CE	: CERAMIC FILTER	TRANS.PULS	: PULSE TRANSFORMER
FLTR.COMB	: COMB FILTER MODULE	TRANS.PWR	: POWER TRANSFORMER ASS'Y
FLTR.LC.RF	: LC FILTER,EMI	TUNER.AM	: TUNER PACK,AM
GND.MTL	: GROUND PLATE	TUNER.FM	: TUNER PACK,FM
GND.TERM	: GROUND TERMINAL	TUNER.PK	: FRONT-ENDTUNER PACK
HOLDER.FUS	: FUSE HOLDER	VR	: ROTARY POTENTIOMETER
IC.PRTCT	: IC PROTECTOR	VR.MTR	: POTENTIOMETER WITH MOTOR
JUMPER.CN	: JUMPER CONNECTOR	VR.SW	: POTENTIOMETER WITH ROTARY SW
JUMPER.TST	: JUMPER,TEST POINT	VR.SLIDE	: SLIDE POTENTIOMETER
L.DTCT	: LIGHT DETECTING MODULE	VR.TRIM	: TRIMMER POTENTIOMETER

P.C.B. DSP

Ref No.	Part No.	Description	Remarks	Markets	部 品 名	Rank
*	WF721600	P. C. B.	DSP		P C B D S P	
CB1	WC195900	CN. BS. PIN	9P TE FMN		FMNコネクタ	
CB5	VT388300	CN. BS. PIN	2P		ベース付ポスト	
CB6-7	WC195900	CN. BS. PIN	9P TE FMN		FMNコネクタ	
* CB8	WC198700	CN. BS. PIN	37P TE FMN		FMNコネクタ	
* CB9	WC196200	CN. BS. PIN	12P TE FMN		FMNコネクタ	
CB10	VT388600	CN. BS. PIN	5P		ベース付ポスト	01
* CB11	WC198200	CN. BS. PIN	32P TE FMN		FMNコネクタ	
* C1-3	WE477600	C. EL	100uF 16V		ケミコン	02
C4-9	WD176300	C. CE. CHIP	1uF 16V K		チップセラコン	01
C16-18	WD176300	C. CE. CHIP	1uF 16V K		チップセラコン	01
* C19-21	WE475900	C. EL	560uF 6.3V		ケミコン	02
C22	UF018100	C. EL. CHIP	100uF 6.3V		チップケミコン	01
C23-24	US135100	C. CE. CHIP	0.1uF 16V		チップセラコン	01
* C25	US034680	C. CE. CHIP	0.068uF 16V K		チップセラコン	01
C26	UF018100	C. EL. CHIP	100uF 6.3V		チップケミコン	01
C27	US063100	C. CE. CHIP	1000pF 50V B		チップセラコン	01
C28-47	US135100	C. CE. CHIP	0.1uF 16V		チップセラコン	01
C48	UF017470	C. EL. CHIP	47uF 6.3V		チップケミコン	01
C49-50	US135100	C. CE. CHIP	0.1uF 16V		チップセラコン	01
C51	US062100	C. CE. CHIP	100pF 50V B		チップセラコン	01
C52	UF017470	C. EL. CHIP	47uF 6.3V		チップケミコン	01
C53-56	US135100	C. CE. CHIP	0.1uF 16V		チップセラコン	01
C57	UF037100	C. EL. CHIP	10uF 16V		チップケミコン	01
C58	US126100	C. CE. CHIP	1uF 10V		チップセラコン	01
C59-60	US135100	C. CE. CHIP	0.1uF 16V		チップセラコン	01
C61-62	US061180	C. CE. CHIP	18pF 50V B		チップセラコン	01
C63-68	US135100	C. CE. CHIP	0.1uF 16V		チップセラコン	01
C69	UF017220	C. EL. CHIP	22uF 6.3V		チップケミコン	01
C70-83	US135100	C. CE. CHIP	0.1uF 16V		チップセラコン	01
C84	UF017220	C. EL. CHIP	22uF 6.3V		チップケミコン	01
C85-94	US135100	C. CE. CHIP	0.1uF 16V		チップセラコン	01
C95	UF017220	C. EL. CHIP	22uF 6.3V		チップケミコン	01
C96	UF017470	C. EL. CHIP	47uF 6.3V		チップケミコン	01
C97-98	US035100	C. CE. CHIP	0.1uF 16V B		チップセラコン	01
C99	US135100	C. CE. CHIP	0.1uF 16V		チップセラコン	01
C100-101	US063100	C. CE. CHIP	1000pF 50V B		チップセラコン	01
C102	UF017220	C. EL. CHIP	22uF 6.3V		チップケミコン	01
C103	US035100	C. CE. CHIP	0.1uF 16V B		チップセラコン	01
C104	US063100	C. CE. CHIP	1000pF 50V B		チップセラコン	01
C105	US135100	C. CE. CHIP	0.1uF 16V		チップセラコン	01
C106	US035100	C. CE. CHIP	0.1uF 16V B		チップセラコン	01
C107	US063100	C. CE. CHIP	1000pF 50V B		チップセラコン	01
C108-109	US035100	C. CE. CHIP	0.1uF 16V B		チップセラコン	01
C110	US135100	C. CE. CHIP	0.1uF 16V		チップセラコン	01
C111-112	US063100	C. CE. CHIP	1000pF 50V B		チップセラコン	01
C113	UF017220	C. EL. CHIP	22uF 6.3V		チップケミコン	01
C114-115	US035100	C. CE. CHIP	0.1uF 16V B		チップセラコン	01
C116	US135100	C. CE. CHIP	0.1uF 16V		チップセラコン	01
C117	UF017220	C. EL. CHIP	22uF 6.3V		チップケミコン	01
C118-119	UF037100	C. EL. CHIP	10uF 16V		チップケミコン	01
C120	UF017220	C. EL. CHIP	22uF 6.3V		チップケミコン	01
C121-123	US135100	C. CE. CHIP	0.1uF 16V		チップセラコン	01
C124-125	UF018100	C. EL. CHIP	100uF 6.3V		チップケミコン	01

* New Parts * 新規部品

P.C.B. DSP

Ref No.	Part No.	Description	Remarks	Markets	部 品 名	Rank	
C126-146	US135100	C. CE. CHP	0. 1uF	16V		チップセラコン	01
C147	UF037100	C. EL. CHP	10uF	16V		チップケミコン	01
C148	US126100	C. CE. CHP	1uF	10V		チップセラコン	01
C149-178	US135100	C. CE. CHP	0. 1uF	16V		チップセラコン	01
C179	UF017470	C. EL. CHP	47uF	6. 3V		チップケミコン	01
C180-181	US035100	C. CE. CHP	0. 1uF	16V B		チップセラコン	01
C182-184	US063100	C. CE. CHP	1000pF	50V B		チップセラコン	01
C185-187	US035100	C. CE. CHP	0. 1uF	16V B		チップセラコン	01
C188	US063100	C. CE. CHP	1000pF	50V B		チップセラコン	01
C189	US035100	C. CE. CHP	0. 1uF	16V B		チップセラコン	01
C190-191	US063100	C. CE. CHP	1000pF	50V B		チップセラコン	01
C192-193	US035100	C. CE. CHP	0. 1uF	16V B		チップセラコン	01
C195	US035100	C. CE. CHP	0. 1uF	16V B		チップセラコン	01
C196	UF017220	C. EL. CHP	22uF	6. 3V		チップケミコン	01
C197-199	US135100	C. CE. CHP	0. 1uF	16V		チップセラコン	01
C201-204	UF017470	C. EL. CHP	47uF	6. 3V		チップケミコン	01
C205-206	US062100	C. CE. CHP	100pF	50V B		チップセラコン	01
C207-214	US135100	C. CE. CHP	0. 1uF	16V		チップセラコン	01
C215-216	US063470	C. CE. CHP	4700pF	50V B		チップセラコン	01
C217-218	US062470	C. CE. CHP	470pF	50V B		チップセラコン	01
C219-220	US135100	C. CE. CHP	0. 1uF	16V		チップセラコン	01
C221-222	UF017470	C. EL. CHP	47uF	6. 3V		チップケミコン	01
C223-232	US135100	C. CE. CHP	0. 1uF	16V		チップセラコン	01
C233	UF017220	C. EL. CHP	22uF	6. 3V		チップケミコン	01
C234	US135100	C. CE. CHP	0. 1uF	16V		チップセラコン	01
C235	UF017220	C. EL. CHP	22uF	6. 3V		チップケミコン	01
C236-238	US135100	C. CE. CHP	0. 1uF	16V		チップセラコン	01
C239	UF017220	C. EL. CHP	22uF	6. 3V		チップケミコン	01
C240	US135100	C. CE. CHP	0. 1uF	16V		チップセラコン	01
C241	UF017220	C. EL. CHP	22uF	6. 3V		チップケミコン	01
C244-245	UF017220	C. EL. CHP	22uF	6. 3V		チップケミコン	01
C246-249	US135100	C. CE. CHP	0. 1uF	16V		チップセラコン	01
C251	US135100	C. CE. CHP	0. 1uF	16V		チップセラコン	01
C253	UF017220	C. EL. CHP	22uF	6. 3V		チップケミコン	01
C254	US135100	C. CE. CHP	0. 1uF	16V		チップセラコン	01
C256	UF017220	C. EL. CHP	22uF	6. 3V		チップケミコン	01
C258-259	UF037100	C. EL. CHP	10uF	16V		チップケミコン	01
C260	US064100	C. CE. CHP	0. 01uF	50V B		チップセラコン	01
C261	US061330	C. CE. CHP	33pF	50V B		チップセラコン	01
C263	US064100	C. CE. CHP	0. 01uF	50V B		チップセラコン	01
C264	UF037100	C. EL. CHP	10uF	16V		チップケミコン	01
C265	US064100	C. CE. CHP	0. 01uF	50V B		チップセラコン	01
C267-268	US064100	C. CE. CHP	0. 01uF	50V B		チップセラコン	01
C269-272	US061330	C. CE. CHP	33pF	50V B		チップセラコン	01
C273	US126100	C. CE. CHP	1uF	10V		チップセラコン	01
C274	US135100	C. CE. CHP	0. 1uF	16V		チップセラコン	01
C275	US126100	C. CE. CHP	1uF	10V		チップセラコン	01
C276-277	US135100	C. CE. CHP	0. 1uF	16V		チップセラコン	01
C278	UF018100	C. EL. CHP	100uF	6. 3V		チップケミコン	01
C279	UF038100	C. EL. CHP	100uF	16V		チップケミコン	01
C280-318	US135100	C. CE. CHP	0. 1uF	16V		チップセラコン	01
C320-334	US135100	C. CE. CHP	0. 1uF	16V		チップセラコン	01
C335-338	US063100	C. CE. CHP	1000pF	50V B		チップセラコン	01
* D1-3	WE351200	DIODE. SHOT	RB051L-40			ショットキーダイオード	

* New Parts * 新規部品

P.C.B. DSP & P.C.B. AMP

Ref No.	Part No.	Description	Remarks	Markets	部 品 名	Rank
D7-10	WB081800	DIODE	SB01-05Q		ショットキーダイオード	
D11-12	VV220700	DIODE. SHOT	RB501V-40		ショットキーダイオード	01
* IC1-3	X5172A00	IC	PQ1CZ41H2Z		電源IC	
IC4	X5444A00	IC	LC89057W-VF4D-E		IC	
IC5	X6137B00	IC	D60YA003BPYP225		IC	
IC6	X3833A00	IC	SN74AHC1G08DCKR		ロジックIC SOP	01
IC7	X5731A00	IC	SN74LVC74APWR		ロジックIC	02
IC8	X3693A00	IC	SN74LV245APWR TRAN		ロジックIC TSSOP	
IC9	X2590B00	IC	W9816G6CH-7 SDRAM		メモリIC 16M	06
* IC10	X6189A00	IC	WM8738		A/Dコンバーター	
* IC11	X6962B00	IC	MBM29LV400BC-70PFT		メモリIC	05
IC12	X6137B00	IC	D60YA003BPYP225		IC	
IC13	X3833A00	IC	SN74AHC1G08DCKR		ロジックIC SOP	01
IC14	XZ414C00	IC	W9864G6EH-7 SDRAM		メモリIC 64M	07
* IC17	X6963A00	IC	MBM29LV160BE-70TN		メモリIC	07
IC18-19	X3567A00	IC	YSS930-SZ		IC	08
* IC20	X6071A00	IC	WM8728		D/Aコンバーター	
IC21	X5798A00	IC	S-29630AFJA EEPROM		メモリIC	03
* IC22	X6071A00	IC	WM8728		D/Aコンバーター	
* IC24	X6894A00	IC	M30626FJFPF CPU	unwritten	IC CPU	10
L10	V6246100	C. CHP	NFM3DCC223R1H3L		エミフィル チップ	01
L22	V6246100	C. CHP	NFM3DCC223R1H3L		エミフィル チップ	01
XL1	V3625700	RSNR. CRYST	24.576MHz		水晶振動子	03
XL2	WB440500	RSNR. CE	CSTCE16MOV53-R0		セラミック発振子	01
* WF721700		P. C. B.	AMP		P C B AMP	
CB702	V2283600	CN. BS. PIN	32P TE FMN		FFCコネクタ	
CB704	LB918020	CN. BS. PIN	2P		ベース付ポスト	01
CB707	LB918020	CN. BS. PIN	2P		ベース付ポスト	01
CB708	LB932060	CN. BS. PIN	6P		ベースポスト	01
CB709-715	VL845000	CN. BS. PIN	6P		ベース付ポスト	01
C701	US145100	C. CE. CHIP	0.1uF 25V		チップセラコン	01
C702	US135100	C. CE. CHIP	0.1uF 16V		チップセラコン	01
C703	US126100	C. CE. CHIP	1uF 10V		チップセラコン	01
C704	US135100	C. CE. CHIP	0.1uF 16V		チップセラコン	01
C705	US126100	C. CE. CHIP	1uF 10V		チップセラコン	01
C706	US135100	C. CE. CHIP	0.1uF 16V		チップセラコン	01
C707	US126100	C. CE. CHIP	1uF 10V		チップセラコン	01
C708	UR818220	C. EL	220uF 6.3V		ケミコン	01
C709	US126100	C. CE. CHIP	1uF 10V		チップセラコン	01
C710	UR818220	C. EL	220uF 6.3V		ケミコン	01
C711	UR866100	C. EL	1uF 50V		ケミコン	01
C712	US135100	C. CE. CHIP	0.1uF 16V		チップセラコン	01
C713	UR866100	C. EL	1uF 50V		ケミコン	01
C714	US135100	C. CE. CHIP	0.1uF 16V		チップセラコン	01
C715-716	US126100	C. CE. CHIP	1uF 10V		チップセラコン	01
C717-720	US135100	C. CE. CHIP	0.1uF 16V		チップセラコン	01
C721	US126100	C. CE. CHIP	1uF 10V		チップセラコン	01
C722	US135100	C. CE. CHIP	0.1uF 16V		チップセラコン	01
C723-724	US126100	C. CE. CHIP	1uF 10V		チップセラコン	01
C725	UR818220	C. EL	220uF 6.3V		ケミコン	01
C726	US126100	C. CE. CHIP	1uF 10V		チップセラコン	01

* New Parts * 新規部品

P.C.B. AMP

Ref No.	Part No.	Description	Remarks	Markets	部 品 名	Rank	
C727	UR818220	C. EL	220uF	6.3V		ケミコン	01
C728-729	UR837100	C. EL	10uF	16V		ケミコン	01
C730	UR866100	C. EL	1uF	50V		ケミコン	01
C731	US135100	C. CE. CHP	0.1uF	16V		チップセラコン	01
C732	UR866100	C. EL	1uF	50V		ケミコン	01
C733	US135100	C. CE. CHP	0.1uF	16V		チップセラコン	01
C734-735	US126100	C. CE. CHP	1uF	10V		チップセラコン	01
C736-737	US135100	C. CE. CHP	0.1uF	16V		チップセラコン	01
C738-739	UA655100	C. MYLAR	0.1uF	50V J		マイラーコン	01
C742	US135100	C. CE. CHP	0.1uF	16V		チップセラコン	01
C743	US126100	C. CE. CHP	1uF	10V		チップセラコン	01
C744	US135100	C. CE. CHP	0.1uF	16V		チップセラコン	01
C745	US126100	C. CE. CHP	1uF	10V		チップセラコン	01
C748	US126100	C. CE. CHP	1uF	10V		チップセラコン	01
C749	UR818220	C. EL	220uF	6.3V		ケミコン	01
C750	US126100	C. CE. CHP	1uF	10V		チップセラコン	01
C751	UR818220	C. EL	220uF	6.3V		ケミコン	01
C754	UR866100	C. EL	1uF	50V		ケミコン	01
C755	US135100	C. CE. CHP	0.1uF	16V		チップセラコン	01
C756	UR866100	C. EL	1uF	50V		ケミコン	01
C757	US135100	C. CE. CHP	0.1uF	16V		チップセラコン	01
C758-759	US126100	C. CE. CHP	1uF	10V		チップセラコン	01
C760-761	UR866100	C. EL	1uF	50V		ケミコン	01
C762-765	US135100	C. CE. CHP	0.1uF	16V		チップセラコン	01
C766	UR837100	C. EL	10uF	16V		ケミコン	01
C767-768	US126100	C. CE. CHP	1uF	10V		チップセラコン	01
C769	US135100	C. CE. CHP	0.1uF	16V		チップセラコン	01
C770	US126100	C. CE. CHP	1uF	10V		チップセラコン	01
C771	US135100	C. CE. CHP	0.1uF	16V		チップセラコン	01
C772	US126100	C. CE. CHP	1uF	10V		チップセラコン	01
C773-774	UR838100	C. EL	100uF	16V		ケミコン	01
C775	US126100	C. CE. CHP	1uF	10V		チップセラコン	01
C776	UR818220	C. EL	220uF	6.3V		ケミコン	01
C777	US126100	C. CE. CHP	1uF	10V		チップセラコン	01
C778	UR818220	C. EL	220uF	6.3V		ケミコン	01
C779-780	UR838100	C. EL	100uF	16V		ケミコン	01
C781	UR866100	C. EL	1uF	50V		ケミコン	01
C782	US135100	C. CE. CHP	0.1uF	16V		チップセラコン	01
C783	UR866100	C. EL	1uF	50V		ケミコン	01
C784	US135100	C. CE. CHP	0.1uF	16V		チップセラコン	01
C785-786	US126100	C. CE. CHP	1uF	10V		チップセラコン	01
C787-790	US135100	C. CE. CHP	0.1uF	16V		チップセラコン	01
C791	US126100	C. CE. CHP	1uF	10V		チップセラコン	01
C792	US135100	C. CE. CHP	0.1uF	16V		チップセラコン	01
C793-794	US126100	C. CE. CHP	1uF	10V		チップセラコン	01
C795	UR818220	C. EL	220uF	6.3V		ケミコン	01
C796	US126100	C. CE. CHP	1uF	10V		チップセラコン	01
C797	UR818220	C. EL	220uF	6.3V		ケミコン	01
C798-799	US135100	C. CE. CHP	0.1uF	16V		チップセラコン	01
C800	UR837100	C. EL	10uF	16V		ケミコン	01
C801	UR866100	C. EL	1uF	50V		ケミコン	01
C802	US135100	C. CE. CHP	0.1uF	16V		チップセラコン	01
C803	UR866100	C. EL	1uF	50V		ケミコン	01
C804	US135100	C. CE. CHP	0.1uF	16V		チップセラコン	01

* New Parts * 新規部品

P.C.B. AMP & P.C.B. INPUT

Ref No.	Part No.	Description	Remarks	Markets	部 品 名	Rank
C805-808	US126100	C. CE. CHIP	1uF 10V		チップセラコン	01
C809-810	US135100	C. CE. CHIP	0.1uF 16V		チップセラコン	01
C811-814	UR838100	C. EL	100uF 16V		ケミコン	01
C815	US135100	C. CE. CHIP	0.1uF 16V		チップセラコン	01
C816-817	US126100	C. CE. CHIP	1uF 10V		チップセラコン	01
C818	UR818220	C. EL	220uF 6.3V		ケミコン	01
C819	US135100	C. CE. CHIP	0.1uF 16V		チップセラコン	01
C820	UR866100	C. EL	1uF 50V		ケミコン	01
C821	US135100	C. CE. CHIP	0.1uF 16V		チップセラコン	01
C822	US126100	C. CE. CHIP	1uF 10V		チップセラコン	01
C823	US135100	C. CE. CHIP	0.1uF 16V		チップセラコン	01
C824	UR839100	C. EL	1000uF 16V		ケミコン	01
C825	UR829100	C. EL	1000uF 10V		ケミコン	01
C826-827	US145100	C. CE. CHIP	0.1uF 25V		チップセラコン	01
C828-829	US126100	C. CE. CHIP	1uF 10V		チップセラコン	01
D701-711	VT332900	DIODE	1SS355		ダイオード	01
D712	VU992600	DIODE. ZENR	MA8051-M 5.1V		ツェナーダイオード	01
* IC701-702	X6666A00	IC	YDA139		IC	04
* IC703-704	X6805A00	IC	SN74AHCT541PWR		ロジックIC	
* IC705-706	X6666A00	IC	YDA139		IC	04
* IC709-710	X6666A00	IC	YDA139		IC	04
* IC711	X6665A00	IC	YDA138		IC	06
* IC712-715	X6666A00	IC	YDA139		IC	04
* IC716	X6665A00	IC	YDA138		IC	06
* IC717	X6666A00	IC	YDA139		IC	04
Q701	VV556500	TR	2SA1037K Q,R,S		トランジスタ	01
Q702	VV655700	TR. DGT	DTC144EKA		デジタルトランジスタ	01
R703-704	HV753220	R. CAR. FP	2.2Ω 1/4W		不燃化カーボン抵抗	01
R705	HV753100	R. CAR. FP	1Ω 1/4W		不燃化カーボン抵抗	01
R716	HV753100	R. CAR. FP	1Ω 1/4W		不燃化カーボン抵抗	01
R719-720	HV753220	R. CAR. FP	2.2Ω 1/4W		不燃化カーボン抵抗	01
R743-744	HV753220	R. CAR. FP	2.2Ω 1/4W		不燃化カーボン抵抗	01
R760	HV753100	R. CAR. FP	1Ω 1/4W		不燃化カーボン抵抗	01
R762-763	HV753220	R. CAR. FP	2.2Ω 1/4W		不燃化カーボン抵抗	01
R780-781	HV753220	R. CAR. FP	2.2Ω 1/4W		不燃化カーボン抵抗	01
R790	HV753100	R. CAR. FP	1Ω 1/4W		不燃化カーボン抵抗	01
R796	HV753220	R. CAR. FP	2.2Ω 1/4W		不燃化カーボン抵抗	01
* WF721100	WF721100	P. C. B.	INPUT	J	P C B インプット	
* WF721200	WF721200	P. C. B.	INPUT	UC	P C B インプット	
* WF721300	WF721300	P. C. B.	INPUT	TABGL	P C B インプット	
* WF721400	WF721400	P. C. B.	INPUT	K	P C B インプット	
* WF721500	WF721500	P. C. B.	INPUT	V	P C B インプット	
* CB1	V0044400	CN. BS. PIN	9P		F F Cコネクター	01
* CB2	VB389800	CN. BS. PIN	2P		ベースピン	01
* CB3	WE221200	CN. BS. PIN	FMN 37P TE		FMNコネクター	
* CB4	WF633400	CN. BS. PIN	TWG-P 13P		TWG-Pソケット	
CB5	VB390200	CN. BS. PIN	6P		コネクターベースポスト	01
CB501	VG879900	CN. BS. PIN	2P		ベースピン	01
CB502-503	WC050700	CL. IP. FUSE	EYF52BCY		ヒューズクリップ	01
CB504	LB932060	CN. BS. PIN	6P		ベースポスト	01
CB506	VB390000	CN. BS. PIN	4P		ベースピン	01

* New Parts * 新規部品

P.C.B. INPUT

Ref No.	Part No.	Description	Remarks	Markets	部 品 名	Rank	
	CB507	VB390100	CN. BS. PIN	5P		ベースピン	01
	CB801	VB390200	CN. BS. PIN	6P		コネクタベースポスト	01
	CB901	VB390000	CN. BS. PIN	4P		ベースピン	01
*	CB902	V6218000	CN. BS. PIN	FMN 12P TE		F F Cコネクター	
	CB903	VB390100	CN. BS. PIN	5P		ベースピン	01
	C1	US061220	C. CE. CHP	22pF 50V B		チップセラコン	01
	C2	US035100	C. CE. CHP	0. 1uF 16V B		チップセラコン	01
	C3	UR847220	C. EL	22uF 25V		ケミコン	01
	C4	US063100	C. CE. CHP	1000pF 50V B		チップセラコン	01
	C5	UR837100	C. EL	10uF 16V		ケミコン	01
	C6	UR838100	C. EL	100uF 16V		ケミコン	01
	C7	US135100	C. CE. CHP	0. 1uF 16V		チップセラコン	01
	C8	US063100	C. CE. CHP	1000pF 50V B		チップセラコン	01
	C9-10	UR818100	C. EL	100uF 6. 3V		ケミコン	01
	C11	US062680	C. CE. CHP	680pF 50V B		チップセラコン	01
	C12	US035100	C. CE. CHP	0. 1uF 16V B		チップセラコン	01
	C13	US061150	C. CE. CHP	15pF 50V B		チップセラコン	01
	C13	US060800	C. CE. CHP	8pF 50V B		チップセラコン	01
	C14	US061150	C. CE. CHP	15pF 50V B		チップセラコン	01
	C14		R. CHP	0Ω 1/16W J	0816	チップ抵抗	01
	C16	US061120	C. CE. CHP	12pF 50V B		チップセラコン	01
	C16	US061100	C. CE. CHP	10pF 50V B		チップセラコン	01
	C17	UR837100	C. EL	10uF 16V		ケミコン	01
	C18	US062100	C. CE. CHP	100pF 50V B		チップセラコン	01
	C19	UR837100	C. EL	10uF 16V		ケミコン	01
	C20	US061270	C. CE. CHP	27pF 50V B		チップセラコン	01
	C21-27	US064100	C. CE. CHP	0. 01uF 50V B		チップセラコン	01
	C28	US062100	C. CE. CHP	100pF 50V B		チップセラコン	01
	C29	US064100	C. CE. CHP	0. 01uF 50V B		チップセラコン	01
	C30-33	US062470	C. CE. CHP	470pF 50V B		チップセラコン	01
	C34-37	UR837100	C. EL	10uF 16V		ケミコン	01
	C38	US064100	C. CE. CHP	0. 01uF 50V B		チップセラコン	01
	C39	UR837470	C. EL	47uF 16V		ケミコン	01
	C40	UR829100	C. EL	1000uF 10V		ケミコン	01
	C41	US064100	C. CE. CHP	0. 01uF 50V B		チップセラコン	01
	C42	UR837470	C. EL	47uF 16V		ケミコン	01
	C43	UR837220	C. EL	22uF 16V		ケミコン	01
	C44	UR838100	C. EL	100uF 16V		ケミコン	01
	C45-46	US061100	C. CE. CHP	10pF 50V B		チップセラコン	01
	C47-50	US035100	C. CE. CHP	0. 1uF 16V B		チップセラコン	01
	C51-52	UR837100	C. EL	10uF 16V		ケミコン	01
	C53	US035100	C. CE. CHP	0. 1uF 16V B		チップセラコン	01
	C54	US064100	C. CE. CHP	0. 01uF 50V B		チップセラコン	01
	C55	UR838100	C. EL	100uF 16V		ケミコン	01
	C56	US063100	C. CE. CHP	1000pF 50V B		チップセラコン	01
	C57-58	US062220	C. CE. CHP	220pF 50V B		チップセラコン	01
	C59	UR838330	C. EL	330uF 16V		ケミコン	01
	C60	US064100	C. CE. CHP	0. 01uF 50V B		チップセラコン	01
	C61	UR839100	C. EL	1000uF 16V		ケミコン	01
	C62-63	US035100	C. CE. CHP	0. 1uF 16V B		チップセラコン	01
*	C64	WG218100	C. EL	100uF 16V		ケミコン	01
	C65-66	US065100	C. CE. CHP	0. 1uF 50V B		チップセラコン	
*	C67	WG218100	C. EL	100uF 16V		ケミコン	01
	C69	US065100	C. CE. CHP	0. 1uF 50V B		チップセラコン	

* New Parts * 新規部品

P.C.B. INPUT

Ref No.	Part No.	Description	Remarks	Markets	部 品 名	Rank	
C70	US064100	C. CE. CHP	0.01uF 50V B		JUC	チップセラコン	01
C501	WE102900	C. PP	0.01uF 100V			P Pコン	
C502	UR739330	C. EL	3300uF 16V			ケミコン	01
* ⚠ C503	V6185300	C. CE. SAFTY	0.01uF 275V			規格認定コン	
* ⚠ C504	WE468500	C. CE. SAFTY	0.22uF 275V			規格認定コン	
C505	WB696300	C. POL. MTL	0.1uF 400V	JUCV		メタライズドポリコン	
* C505	WD257600	C. PP	0.047uF 800V	TKABGL		P Pコン	
* ⚠ C507	WE468500	C. CE. SAFTY	0.22uF 275V			規格認定コン	
⚠ C508-509	V6146600	C. CE. SAFTY	2200pF 250V			規格認定コン	
C510	UA653470	C. MYLAR	4700pF 50V J			マイラーコン	01
⚠ C511-512	VY675100	C. CE. SAFTY	4700pF 250V	UCTKABGLV		規格認定コン K H	01
C513	UR866100	C. EL	1uF 50V			ケミコン	01
C515	WB687100	C. POL. MTL	0.047uF 400V	JUCV		メタライズドポリコン	01
C515	WC041600	C. PP	0.022uF 630V	TKABGL		P Pコン	01
* ⚠ C516	WE468500	C. CE. SAFTY	0.22uF 275V			規格認定コン	
C517	US063100	C. CE. CHP	1000pF 50V B			チップセラコン	01
C518	UA654100	C. MYLAR	0.01uF 50V J			マイラーコン	01
C519	UR866220	C. EL	2.2uF 50V			ケミコン	01
C520-521	VZ243300	C. CE. CHP	0.22uF 16V			チップセラコン	01
C522	UR866220	C. EL	2.2uF 50V			ケミコン	01
* C523	WF411500	C. EL	820uF 200V	JUCV		ケミコン	
* C523	WF709700	C. EL	220uF 400V	TKABGL		ケミコン	
C524	WG501000	C. EL	10uF 50V			ケミコン	01
C525-526	US065100	C. CE. CHP	0.1uF 50V B			チップセラコン	
C527	V4749000	C. EL	150uF 6.3V			ケミコン	
C528	V6146600	C. CE. SAFTY	2200pF 250V	JTKABGLV		規格認定コン	
C528	VY675100	C. CE. SAFTY	4700pF 250V	UC		規格認定コン K H	01
C529	UR818220	C. EL	220uF 6.3V			ケミコン	01
C530	VY675100	C. CE. SAFTY	4700pF 250V	UC		規格認定コン K H	01
C530	V6146600	C. CE. SAFTY	2200pF 250V	TKABGLV		規格認定コン	
C531	UR818470	C. EL	470uF 6.3V			ケミコン	01
* C533	WG282600	C. EL	8200uF 6.3V			ケミコン	
* C534	WG333900	C. EL	2700uF 16V			ケミコン	01
* C535	WG547600	C. EL	100uF 50V			ケミコン	01
C537	US044220	C. CE. CHP	0.022uF 25V B			チップセラコン	01
C538	US065100	C. CE. CHP	0.1uF 50V B			チップセラコン	
C539	US035100	C. CE. CHP	0.1uF 16V B			チップセラコン	01
C542	US065100	C. CE. CHP	0.1uF 50V B			チップセラコン	
* C543	WG226200	C. EL	100uF 16V			ケミコン	
C544-547	UA654100	C. MYLAR	0.01uF 50V J			マイラーコン	01
* C548	WG226200	C. EL	100uF 16V			ケミコン	
C549	UR866470	C. EL	4.7uF 50V			ケミコン	01
C550	UR867100	C. EL	10uF 50V			ケミコン	01
C551	WG501000	C. EL	10uF 50V			ケミコン	01
* C552	WG218000	C. EL	100uF 35V			ケミコン	01
* C553	WG226300	C. EL	100uF 35V			ケミコン	
C554-555	US065100	C. CE. CHP	0.1uF 50V B			チップセラコン	
* C556	WG226200	C. EL	100uF 16V			ケミコン	
C558	VZ281900	C. CE. CHP	0.47uF 16V K			チップセラ	01
C801	UM397220	C. EL	22uF 25V			ケミコン	01
C805	US061330	C. CE. CHP	33pF 50V B			チップセラコン	01
C807	UM387470	C. EL	47uF 6.3V			ケミコン	01
C809	US062100	C. CE. CHP	100pF 50V B			チップセラコン	01
C811	UM397100	C. EL	10uF 16V			ケミコン	01

* New Parts * 新規部品

P.C.B. INPUT

Ref No.	Part No.	Description	Remarks	Markets	部 品 名	Rank
C813	US064100	C. CE. CHP	0.01uF 50V B		チップセラコン	01
C815	US063100	C. CE. CHP	1000pF 50V B		チップセラコン	01
C817-818	UM397220	C. EL	22uF 25V		ケミコン	01
C819	US064100	C. CE. CHP	0.01uF 50V B		チップセラコン	01
C901-903	US035100	C. CE. CHP	0.1uF 16V B		チップセラコン	01
C904	US062100	C. CE. CHP	100pF 50V B		チップセラコン	01
C905	UR818330	C. EL	330uF 6.3V		ケミコン	01
C906	US035100	C. CE. CHP	0.1uF 16V B		チップセラコン	01
C907	US064100	C. CE. CHP	0.01uF 50V B		チップセラコン	01
C908-909	US035100	C. CE. CHP	0.1uF 16V B		チップセラコン	01
C910	UR867100	C. EL	10uF 50V		ケミコン	01
C911	US065100	C. CE. CHP	0.1uF 50V B		チップセラコン	01
C912-913	UR857220	C. EL	22uF 35V		ケミコン	01
C914	UR837220	C. EL	22uF 16V		ケミコン	01
C915	US061220	C. CE. CHP	22pF 50V B		チップセラコン	01
C916	UR818100	C. EL	100uF 6.3V		ケミコン	01
C917	UR857470	C. EL	47uF 35V		ケミコン	01
D1	VU995800	DIODE. ZENR	MA8110-M 11.0V	JUC	ツェナーダイオード	01
D2-5	VU991000	DIODE. ZENR	MA8036 3.6V		ツェナーダイオード	01
D6	VV307700	DIODE	1N4002S		ダイオード	01
D7-8	VT332900	DIODE	1SS355		ダイオード	01
D501	VR253700	DIODE. BRG	S1NB20 1A 200V		D I ブリッジ	02
D502	VT332900	DIODE	1SS355		ダイオード	01
△ D503	V4756800	DIODE	S1NB60 1.0A 600V		D i スタック	01
D504	VU995000	DIODE. ZENR	MA8091-M 9.1V		ツェナーダイオード	01
D507	VT332900	DIODE	1SS355		ダイオード	01
D508	VU995400	DIODE. ZENR	MA8100-M 10V		ツェナーダイオード	01
D509	VU993800	DIODE. ZENR	MA8068-M 6.8V		ツェナーダイオード	01
△ D510	VN011400	DIODE. BRG	D5SB20 5A 200V	JUCV	ダイオード	03
* △ D510	VN953300	DIODE	D5SBA60 5.0A 600V	TKABGL	D i スタック	04
D512-514	VT332900	DIODE	1SS355		ダイオード	01
D515	VN478200	DIODE	D1NL20U		ダイオード	01
* D516	WE427100	DIODE. ZENR	1Z180(TPA2) 180.0V	JUCV	ツェナーダイオード	01
* D516	WG012200	DIODE. ZENR	1Z330(TPA2) 330.0V	TKABGL	ツェナーダイオード	01
* D517	VU077600	DIODE	ERA22-08V3 TP		高速整流ダイオード	01
D518	VN478200	DIODE	D1NL20U		ダイオード	01
D519-520	VT332900	DIODE	1SS355		ダイオード	01
D521	VV833200	DIODE	1SS380		ダイオード	01
* D522	WF564600	DIODE	SF30SC3L 30.0A 30V		ショットキダイオード	01
* D523	WF417400	DIODE	SF10SC6 10.0A 60V		ショットキダイオード	01
D524	VN478200	DIODE	D1NL20U		ダイオード	01
D526	VT332900	DIODE	1SS355		ダイオード	01
* D527	VU999200	DIODE. ZENR	MA8240-H 25V		ツェナーダイオード	01
* D528	VQ052600	DIODE	AK09V0 90V0.7A TP2		ダイオード	01
D529	VT332900	DIODE	1SS355		ダイオード	01
D530	VU995500	DIODE. ZENR	MA8100-H 10.3V		ツェナーダイオード	02
D533	VT332900	DIODE	1SS355		ダイオード	01
* D536	VU998600	DIODE. ZENR	MA8200-L 21.3V		ツェナーダイオード	01
D537	VG443100	DIODE. ZENR	MTZJ27D 27V		ツェナーダイオード	01
D801-802	VT332900	DIODE	1SS355		ダイオード	01
D805-806	VU171900	DIODE. ZENR	UDZ5.1B 5.1V		ツェナーダイオード	01
D901	VU993400	DIODE. ZENR	MA8062-M 6.2V		ツェナーダイオード	01
△ F501	WG410300	FUSE	4A 125V	JUCV	ヒューズ	02
△ F501	KB000750	FUSE. MNI	T2A 250V	TKABGL	ヒューズ ミニ	01

* New Parts * 新規部品

P.C.B. INPUT

Ref No.	Part No.	Description	Remarks	Markets	部 品 名	Rank
IC1	XD598A00	IC	TC74HCU04AFEL INV		ロジックIC	01
IC2	X3505A00	IC	NJM2068MD-TE2		アンプIC	02
IC4	XG903A00	IC	TC4052BF MPX		IC	03
IC5	XF291A00	IC	uPC4570G2		IC	03
IC6	X5359A00	IC	MAX3232CDWR		ロジックIC	04
IC7	XZ012A00	IC	TC74HCT08AF (EL)		ロジックIC	01
* IC8	X6692A00	IC	MB90050PF-110E1		OSDコントローラ	07
* IC9	X7231A00	IC	M62782GP		リセットIC	
IC10	XF740A00	IC	NJM78M05FA		IC	02
△ IC501	V8100500	PHOT. CPL	TLP421 GR		フォトカプラ	01
△ IC502	iG001180	IC	TC4013BP FF		ロジックIC	05
△ IC503-504	V8100500	PHOT. CPL	TLP421 GR		フォトカプラ	01
* IC505	X6612A00	IC	FA3641N-H1-TE1		電源IC	04
IC506	X6124A00	IC	AN77L04		電源IC	04
* IC507	XM882A00	IC	NJM431		電源IC	02
IC509	XF740A00	IC	NJM78M05FA		IC	02
IC510	XJ602A00	IC	NJM78M12FA		IC	02
△ IC511	V8100500	PHOT. CPL	TLP421 GR		フォトカプラ	01
IC801	X3505A00	IC	NJM2068MD-TE2		アンプIC	02
IC901	X2874A00	IC	M66003-0101FP FLD		アンプIC	08
J8	RD350000	R. CHP	0Ω 1/16W J	0816	TKABGL	チップ抵抗
J10	RD350000	R. CHP	0Ω 1/16W J	0816	JUC	チップ抵抗
* JK1	WE260000	JACK. MNI	LGY6501-0900FC		JUC	モノラルミニジャック
JK801	WC814400	JACK. MNI	JY-3554-01-130			ミニジャック
PJ1	V3007700	JACK. PIN	4P			ピンジャック
PJ2	V4483900	JACK. PIN	1P YKC21-3895N			ピンジャック
* PJ3	WG350300	JACK. PIN	2P YKC21-4779N			ピンジャック
Q1	VZ725900	TR	2SD1938F S,T			トランジスタ
Q2	VV655000	TR. DGT	DTA114EKA			デジタルトランジスタ
Q3	VP872700	TR	2SC4488 S,T		JUC	トランジスタ
Q4-7	VV556400	TR	2SC2412K Q,R,S			トランジスタ
Q8-9	VV655700	TR. DGT	DTC144EKA		JUC	デジタルトランジスタ
Q10	VV655400	TR. DGT	DTC114EKA			デジタルトランジスタ
Q11	VV556500	TR	2SA1037K Q,R,S			トランジスタ
Q12	VV655400	TR. DGT	DTC114EKA			デジタルトランジスタ
△ Q501	WC741200	FET	2SK3850			F E T
* Q502-503	iC181510	TR	2SC1815 Y			トランジスタ
Q504	VV655700	TR. DGT	DTC144EKA			デジタルトランジスタ
* Q505	WF412500	FET			JUCV	F E T
* Q505	WF703300	FET	2SK3679-01MR : ST		TKABGL	F E T
* Q506	WF764000	TR	2093 Q TP			トランジスタ
Q507	iA093320	TR	2SA933S Q,R			トランジスタ
Q801	VZ725900	TR	2SD1938F S,T			トランジスタ
Q901-908	VV556400	TR	2SC2412K Q,R,S			トランジスタ
Q909	iD040040	TR	2SD400			トランジスタ
Q910	iB054430	TR	2SB544 D,E,F,G			トランジスタ
Q911	iC181510	TR	2SC1815 Y			トランジスタ
R10-11	HV753220	R. CAR. FP	2.2Ω 1/4W			不燃化カーボン抵抗
R25	WB784200	R. MTL. FLM	1.5Ω 1W		JUC	金属被膜抵抗
R31	WB784200	R. MTL. FLM	1.5Ω 1W		JUC	金属被膜抵抗
R39	HV755100	R. CAR. FP	100Ω 1/4W		JUC	不燃化カーボン抵抗
R44	HV756180	R. CAR. FP	1.8KΩ 1/4W		JUC	不燃化カーボン抵抗
R48	HV753470	R. CAR. FP	4.7Ω 1/4W		JUC	不燃化カーボン抵抗
R49		R. CHP	22KΩ 1/16W J	0816	JUC	チップ抵抗

* New Parts * 新規部品

P.C.B. INPUT

Ref No.	Part No.	Description	Remarks	Markets	部 品 名	Rank	
R52	HV754150	R. CAR. FP	15Ω 1/4W		不燃化カーボン抵抗	01	
R62	HV754150	R. CAR. FP	15Ω 1/4W		不燃化カーボン抵抗	01	
R70	HV754180	R. CAR. FP	18Ω 1/4W		不燃化カーボン抵抗	01	
R74		R. CHP	39KΩ 1/16W J	0816	UC	チップ抵抗	01
R74		R. CHP	91KΩ 1/16W J	0816	TABGL	チップ抵抗	01
R74		R. CHP	24KΩ 1/16W J	0816	KV	チップ抵抗	01
R75		R. CHP	2.2KΩ 1/16W F	0816 LEAD FREE	JUC	チップ抵抗	
R75		R. CHP	2.7KΩ 1/16W F	0816 LEAD FREE	TKABGLV	チップ抵抗	
R76		R. CHP	2.2KΩ 1/16W F	0816 LEAD FREE	JUC	チップ抵抗	
R76		R. CHP	2.7KΩ 1/16W F	0816 LEAD FREE	TKABGLV	チップ抵抗	
R79		R. CHP	12KΩ 1/16W F	0816 LEAD FREE	JUC	チップ抵抗	
* R86	VC757300	R. MTL. OXD	27Ω 2W			酸化金属被膜抵抗	01
R90		R. CHP	2.2KΩ 1/16W F	0816 LEAD FREE	JUC	チップ抵抗	
R90		R. CHP	2.7KΩ 1/16W F	0816 LEAD FREE	TKABGLV	チップ抵抗	
* R528	WF412300	R. MTL. PLAT	BPR26CF22LK		JUCV	金属板抵抗	
* R528	WF703400	R. MTL. PLAT	BPR26CF47LK		TKABGL	金属板抵抗	
* R532	VC757100	R. MTL. OXD	22Ω 2W			酸化金属被膜抵抗	01
R540	VC756500	R. MTL. OXD	12Ω 2W			酸化金属被膜抵抗	01
R543	HV755120	R. CAR. FP	120Ω 1/4W			不燃化カーボン抵抗	01
R550-551	VP940300	R. MTL. OXD	68Ω 1W			酸化金属被膜抵抗	01
R557		R. CHP	470KΩ 1/16W J	0816	JUCV	チップ抵抗	01
R557		R. CHP	1MΩ 1/16W J	0816	TKABGL	チップ抵抗	01
R915-916	HV753470	R. CAR. FP	4.7Ω 1/4W			不燃化カーボン抵抗	01
R917-918	HV755470	R. CAR. FP	470Ω 1/4W			不燃化カーボン抵抗	01
R919	HV754100	R. CAR. FP	10Ω 1/4W			不燃化カーボン抵抗	01
△ RY501	WE513800	RELAY	DC HRM3H-DC12V			リレー 1 2 V	03
SW1	VV011000	SW. TACT	SKHLLC			タクトSW	01
SW991-994	WD483100	SW. TACT	SKRGAAD010			タクトSW	01
△ T501	XW605A00	TRANS. PWR			J	電源トランス	04
* △ T501	XW606A00	TRANS. PWR			UCV	電源トランス	
* △ T501	XW608A00	TRANS. PWR			TKABGL	電源トランス	
* T502	X6646A00	TRANS. PWR	ST-2754		JUCV	電源トランス	
* T502	X6961A00	TRANS. PWR	ST-2799		TKABGL	電源トランス	
* TH501	WF544600	POSISTOR	NTPAD5R1LDNBO 5.1		JUCV	サーミスタ	
* TH501	WF129000	POSISTOR	NTPAA100LDNBO 10		TKABGL	サーミスタ	
* U1-2	WB547900	CN. PHOT. SN	1P GP1FA513RZ0F			光ファイバー受信器	03
* U901	WF703900	L. DTCT	GP1UE2910K0F			リモコン受光ユニット	
V901	WE204600	FL. DSPLY	15-BT-99GNKF			蛍光表示管	08
XL1	VV949800	RSNR. CRY	14.31818MHz		JUCKV	水晶振動子	03
* XL1	WC044100	RSNR. CRY	17.734475MHz		TABGL	水晶振動子	
	WE983600	SCR. BND. HD	3x8 MFZN2B3			バインド小ネジ	01
	WE774400	SCR. BND. HD	3x8 MFZN2B3			バインドBタイトネジ	01
	WC986900	SHEET		BL		シート/FL	01

* New Parts * 新規部品

Chip Resistors

- The chip resistor is not supplied as a replacement part.
 - * When a chip resistor is necessary, use the following part.
- AAx60720: CHIP RESISTOR SAMPLE BOOK

- チップ抵抗はサービス部品として供給しません。
 - ※ チップ抵抗が必要な場合は、下記の部品をご利用ください。
- AAx60720: CHIP RESISTOR SAMPLE BOOK

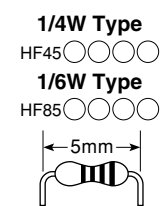
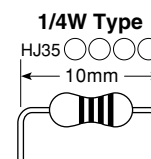
Ref No.	Part No.	Description	Remarks	Markets	部 品 名	Rank
	R. CHP	0Ω	1/16W J	0816	チップ抵抗	01
	R. CHP	2.2Ω	1/16W J	0816	チップ抵抗	01
	R. CHP	10Ω	1/16W J	0816	チップ抵抗	01
	R. CHP	22Ω	1/16W J	0816	チップ抵抗	01
	R. CHP	33Ω	1/16W J	0816	チップ抵抗	01
	R. CHP	47Ω	1/16W J	0816	チップ抵抗	01
	R. CHP	75Ω	1/16W J	0816	チップ抵抗	01
	R. CHP	82Ω	1/16W J	0816	チップ抵抗	01
	R. CHP	100Ω	1/16W J	0816	チップ抵抗	01
	R. CHP	150Ω	1/16W J	0816	チップ抵抗	01
	R. CHP	180Ω	1/16W J	0816	チップ抵抗	01
	R. CHP	220Ω	1/16W J	0816	チップ抵抗	01
	R. CHP	330Ω	1/16W J	0816	チップ抵抗	01
	R. CHP	470Ω	1/16W J	0816	チップ抵抗	01
	R. CHP	680Ω	1/16W J	0816	チップ抵抗	01
	R. CHP	1KΩ	1/16W J	0816	チップ抵抗	01
	R. CHP	1.2KΩ	1/16W J	0816	チップ抵抗	01
	R. CHP	1.5KΩ	1/16W J	0816	チップ抵抗	01
	R. CHP	1.8KΩ	1/16W J	0816	チップ抵抗	01
	R. CHP	2KΩ	1/16W J	0816	チップ抵抗	01
	R. CHP	2.2KΩ	1/16W J	0816	チップ抵抗	01
	R. CHP	2.4KΩ	1/16W J	0816	チップ抵抗	01
	R. CHP	3KΩ	1/16W J	0816	チップ抵抗	01
	R. CHP	3.9KΩ	1/16W J	0816	チップ抵抗	01
	R. CHP	4.7KΩ	1/16W J	0816	チップ抵抗	01
	R. CHP	5.1KΩ	1/16W J	0816	チップ抵抗	01
	R. CHP	5.6KΩ	1/16W J	0816	チップ抵抗	01
	R. CHP	7.5KΩ	1/16W J	0816	チップ抵抗	01
	R. CHP	10KΩ	1/16W J	0816	チップ抵抗	01
	R. CHP	18KΩ	1/16W J	0816	チップ抵抗	01
	R. CHP	22KΩ	1/16W J	0816	チップ抵抗	01
	R. CHP	24KΩ	1/16W J	0816	チップ抵抗	01
	R. CHP	27KΩ	1/16W J	0816	チップ抵抗	01
	R. CHP	33KΩ	1/16W J	0816	チップ抵抗	01
	R. CHP	39KΩ	1/16W J	0816	チップ抵抗	01
	R. CHP	47KΩ	1/16W J	0816	チップ抵抗	01
	R. CHP	91KΩ	1/16W J	0816	チップ抵抗	01
	R. CHP	100KΩ	1/16W J	0816	チップ抵抗	01
	R. CHP	120KΩ	1/16W J	0816	チップ抵抗	01
	R. CHP	220KΩ	1/16W J	0816	チップ抵抗	01
	R. CHP	470KΩ	1/16W J	0816	チップ抵抗	01
	R. CHP	1MΩ	1/16W J	0816	チップ抵抗	01
	R. MTL. CHP	470Ω	1/16W D	0816	チップ金属被膜抵抗	01
	R. MTL. CHP	12KΩ	1/16W D	0816	チップ金属被膜抵抗	01
	R. CHP	75Ω	1/16W F	0816 LEAD FREE	チップ抵抗	
	R. CHP	120Ω	1/16W F	0816 LEAD FREE	チップ抵抗	01
	R. CHP	910Ω	1/16W F	0816 LEAD FREE	チップ抵抗	01
	R. CHP	1.0KΩ	1/16W F	0816 LEAD FREE	チップ抵抗	
	R. CHP	1.5KΩ	1/16W F	0816 LEAD FREE	チップ抵抗	
	R. CHP	2.2KΩ	1/16W F	0816 LEAD FREE	チップ抵抗	
	R. CHP	2.7KΩ	1/16W F	0816 LEAD FREE	チップ抵抗	
	R. CHP	5.6kΩ	1/16W F	0816 LEAD FREE	チップ抵抗	
	R. CHP	12KΩ	1/16W F	0816 LEAD FREE	チップ抵抗	
	R. CHP	15KΩ	1/16W F	0816 LEAD FREE	チップ抵抗	01

* New Parts * 新規部品

YSP-800

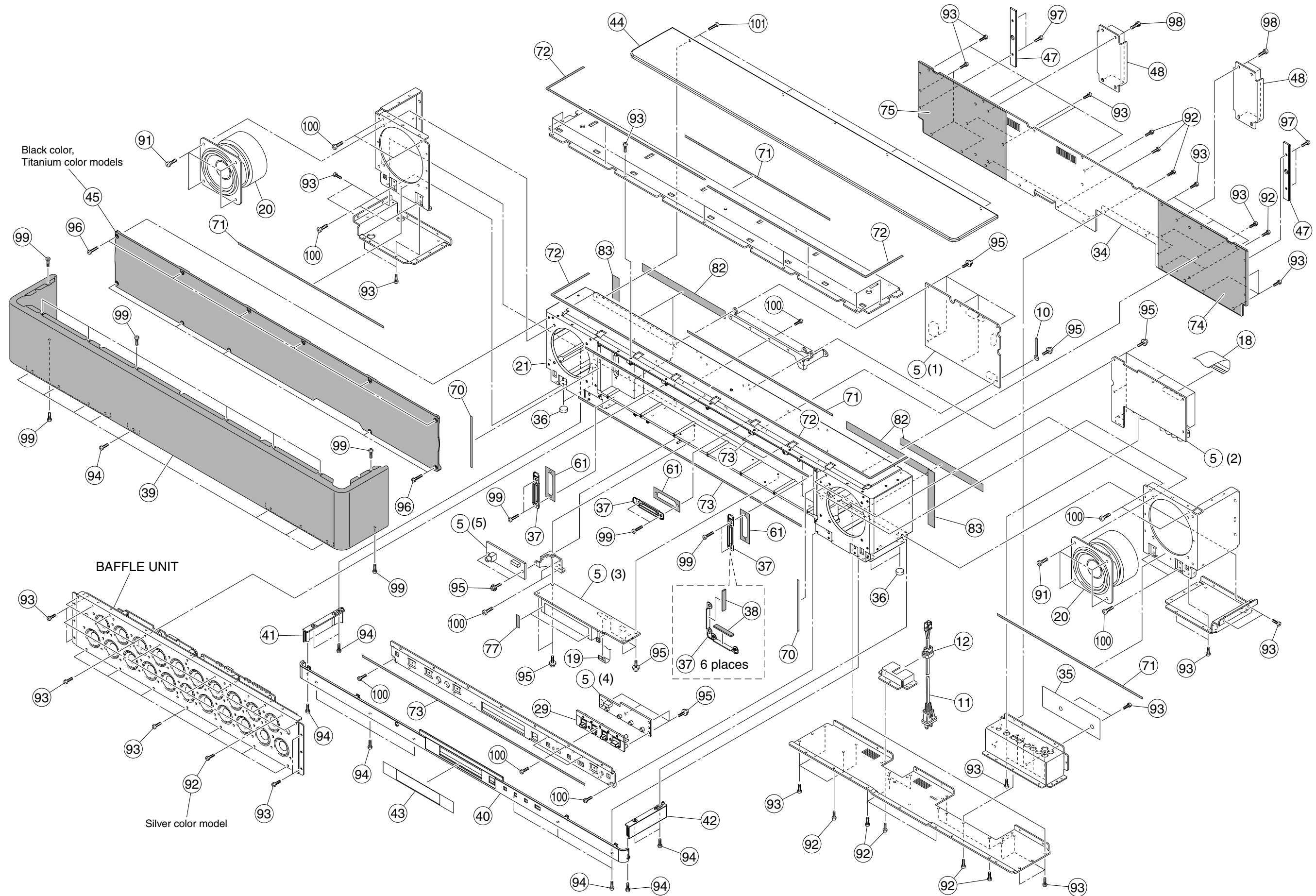
Parts List for Carbon Resistors

Value	1/4W Type Part No.	1/6W Type Part No.	Value	1/4W Type Part No.	1/6W Type Part No.
1.0 Ω	HJ35 3100	HF85 3100	10 kΩ	HF45 7100	HF45 7100
1.8 Ω	HJ35 3180	*	11 kΩ	HF45 7110	HF45 7110
2.2 Ω	HJ35 3220	HF85 3220	12 kΩ	HJ35 7120	HF85 7120
3.3 Ω	HJ35 3330	HF85 3330	13 kΩ	HF45 7130	HF45 7130
4.7 Ω	HJ35 3470	HF85 3470	15 kΩ	HF45 7150	HF45 7150
5.6 Ω	HJ35 3560	HF85 3560	18 kΩ	HF45 7180	HF45 7180
10 Ω	HF45 4100	HF45 4100	22 kΩ	HF45 7220	HF45 7220
15 Ω	HJ35 4150	HF85 4150	24 kΩ	HF45 7240	HF45 7240
22 Ω	HF45 4220	HF45 4220	27 kΩ	HJ35 7270	HF85 7270
27 Ω	HJ35 4270	HF85 4270	30 kΩ	HF45 7300	HF45 7300
33 Ω	HF45 4330	HF45 4330	33 kΩ	HF45 7330	HF45 7330
39 Ω	HJ35 4470	HF85 4390	36 kΩ	HF45 7360	HF45 7360
47 Ω	HF45 4470	HF45 4470	39 kΩ	HF45 7390	HF45 7390
56 Ω	HF45 4560	HF45 4560	47 kΩ	HF45 7470	HF45 7470
68 Ω	HF45 4680	HF45 4680	51 kΩ	HF45 7510	HF45 7510
75 Ω	HF45 4750	HF45 4750	56 kΩ	HF45 7560	HF45 7560
82 Ω	HF45 4820	HF45 4820	62 kΩ	HF45 7620	HF45 7620
91 Ω	HF45 4910	HF45 4910	68 kΩ	HF45 7680	HF45 7680
100 Ω	HF45 5100	HF45 5100	82 kΩ	HF45 7820	HF45 7820
110 Ω	HJ35 5110	HF85 5110	91 kΩ	HF45 7910	HF45 7910
120 Ω	HF45 5120	HF45 5120	100 kΩ	HF45 8100	HF45 8100
150 Ω	HF45 5150	HF45 5150	110 kΩ	HF45 8110	HF45 8110
160 Ω	HJ35 5160	*	120 kΩ	HF45 8120	HF45 8120
180 Ω	HF45 5180	HF45 5180	150 kΩ	HF45 8150	HF45 8150
200 Ω	HF45 5200	HF45 5200	180 kΩ	HF45 8180	HF45 8180
220 Ω	HF45 5220	HF45 5220	220 kΩ	HJ35 8220	HF85 8220
270 Ω	HF45 5270	HF45 5270	270 kΩ	HF45 8270	HF45 8270
330 Ω	HF45 5330	HF45 5330	300 kΩ	HF45 8300	HF45 8300
390 Ω	HF45 5390	HF45 5390	330 kΩ	HF45 8330	HF45 8330
430 Ω	HF45 5430	HF45 5430	390 kΩ	HJ35 8390	HF85 8390
470 Ω	HF45 5470	HF45 5470	470 kΩ	HF45 8470	HF45 8470
510 Ω	HF45 5510	HF45 5510	560 kΩ	HJ35 8560	HF85 8560
560 Ω	HF45 5560	HF45 5560	680 kΩ	HJ35 8680	HF85 8680
680 Ω	HF45 5680	HF45 5680	820 kΩ	HJ35 8820	HF85 8820
820 Ω	HF45 5820	HF45 5820	1.0 MΩ	HF45 9100	HF45 9100
910 Ω	HF45 5910	HF45 5910	1.2 MΩ	HJ35 9120	*
1.0 kΩ	HF45 6100	HF45 6100	1.5 MΩ	HJ35 9150	HF85 9150
1.2 kΩ	HF45 6120	HF45 6120	1.8 MΩ	HJ35 9180	HF85 9180
1.5 kΩ	HF45 6150	HF45 6150	2.2 MΩ	HJ35 9220	HF85 9220
1.8 kΩ	HF45 6180	HF45 6180	3.3 MΩ	HJ35 9330	HF85 9330
2.0 kΩ	HJ35 6200	HF85 6200	3.9 MΩ	HJ35 9390	*
2.2 kΩ	HF45 6220	HF45 6220	4.7 MΩ	HJ35 9470	HF85 9470
2.4 kΩ	HJ35 6240	HF85 6240			
2.7 kΩ	HF45 6270	HF45 6270			
3.0 kΩ	HF45 6300	HF45 6300			
3.3 kΩ	HF45 6330	HF45 6330			
3.6 kΩ	HJ35 6360	HF85 6360			
3.9 kΩ	HF45 6390	HF45 6390			
4.7 kΩ	HF45 6470	HF45 6470			
5.1 kΩ	HF45 6510	HF45 6510			
5.6 kΩ	HF45 6560	HF45 6560			
6.8 kΩ	HF45 6680	HF45 6680			
8.2 kΩ	HF45 6820	HF45 6820			
9.1 kΩ	HF45 6910	HF45 6910			



* : Not available

EXPLODED VIEW



MECHANICAL PARTS

Ref No.	Part No.	Description	Remarks	Markets	部品名	Rank	
*	5	WF721100	PCB ASS'Y	INPUT	J	PCB インプット	
*	5	WF721200	PCB ASS'Y	INPUT	UC	PCB インプット	
*	5	WF721300	PCB ASS'Y	INPUT	TABGL	PCB インプット	
*	5	WF721400	PCB ASS'Y	INPUT	K	PCB インプット	
*	5	WF721500	PCB ASS'Y	INPUT	V	PCB インプット	
	10	CB040540	BINDING TIE	S-72B		束線止め	
*	11	WF723000	POWER CABLE	2m	J	電源コード	
*	11	V2727500	POWER CABLE	2m	UC	電源コード	
*	11	VZ542500	POWER CABLE	2m	T	電源コード	
*	11	WC753000	POWER CABLE	2m	K	電源コード	
*	11	WC743700	POWER CABLE	2m	A	電源コード	
*	11	WF723100	POWER CABLE	2m	B	電源コード	
*	11	VN363600	POWER CABLE	2m	GL	電源コード	
*	11	WC992700	POWER CABLE	2m	V	電源コード	
	12	V2438700	CORD STOPPER	10P1		コードストッパー	
*	18	WF766300	FLEXIBLE FLAT CABLE	37P 200mm P=1.0		カード電線	
*	19	WF766400	FLEXIBLE FLAT CABLE	12P 300mm P=1.0		カード電線	
*	20	X6947A00	DRIVER WOOFER			スピーカーユニット	
*	21	WF453700	BASE MAIN			ベース/メイン	
*	29	WF453900	BUTTON			ボタン	
*	34	WF452500	REAR PANEL			リヤパネル	
*	35	WF616900	PLATE INPUT		J	プレート/インプット	
*	35	WF688900	PLATE INPUT		UC	プレート/インプット	
*	35	WG093100	PLATE INPUT		TKABGLV	プレート/インプット	
*	36	WG246400	LEG T5	M12 t=5		レッグ T5	
*	37	WF642300	STOPPER WIRE			ストッパ ワイヤ	
*	38	WF704400	DAMPER STOPPER			ダンパー ストッパ	
*	39	WF507800	FRONT GRILL		BL	フロントグリル	
*	39	WG261100	FRONT GRILL		TI	フロントグリル	
*	39	WF451400	FRONT GRILL		SI	フロントグリル	
*	40	WF454200	GRILL BOTTOM F		J	グリル/ボトムF	
*	40	WF515200	GRILL BOTTOM F		UCTKABGLV	グリル/ボトムF	
*	41	WF502200	GRILL BOTTOM L			グリル/ボトムL	
*	42	WF502500	GRILL BOTTOM R			グリル/ボトムR	
*	43	WF453000	WINDOW PANEL LID			ウインドウ	
*	44	WF453300	TOP COVER			トップカバー	
*	45	WG541300	GRILL NET ASS'Y		BL, TI	グリルネットASSY	
*	47	WF805100	STOPPER GRILL			ストッパグリル	
*	48	WG218300	FRAME TRANSFER			梱包用具	
*	61	WG128700	SEAL STOPPER			シール ストッパ	
*	70	WG125100	PACKING	4x105 t=1		パッキング	
*	71	WG125200	PACKING	4x345 t=1		パッキング	
*	72	WG125300	PACKING	4x465 t=1		パッキング	
*	73	WG125400	PACKING	4x530 t=1		パッキング	
*	74	WG471600	PACKING WR			パッキング WR	
*	75	WG471500	PACKING WL			パッキング WL	
*	77	WE980100	CUSHION	25x7		クッション 25 x 7	
*	82	WG436800	INSULATOR	16x200 t=1		インシュレータ	
*	83	WG436900	INSULATOR	16x115 t=1		インシュレータ	
*	91	WE998600	BIND HEAD B-TIGHT SCREW	4x12		バインドBタイトネジ	
*	92	WE774100	BIND HEAD BONDING B-T. SCREW	3x8		ボンディングBタイトネジ	
*	93	WG265500	BIND HEAD BONDING P-T. SCREW	3x10		ボンディングPタイトネジ	
*	94	WE774400	BIND HEAD B-TIGHT SCREW	3x8		バインドBタイトネジ	
*	95	WF267700	PW HEAD B-TIGHT SCREW	3x10		PWBタイトネジ	
*	96	WE998100	BIND HEAD B-TIGHT SCREW	3x12	BL, TI	バインドBタイトネジ	
*	97	WG156300	FLAT HEAD B-TIGHT SCREW	3x10		皿Bタイトネジ	
*	98	WF107400	BIND HEAD SCREW	4x10		バインド小ネジ	
*	99	WF268000	FLAT HEAD P-TIGHT SCREW	3x10		バインドPタイトネジ	
*	100	WF266600	FLAT HEAD P-TIGHT SCREW	3x8		バインドPタイトネジ	
*	101	WF507300	FLAT HEAD P-TIGHT SCREW	3x12		バインドPタイトネジ	

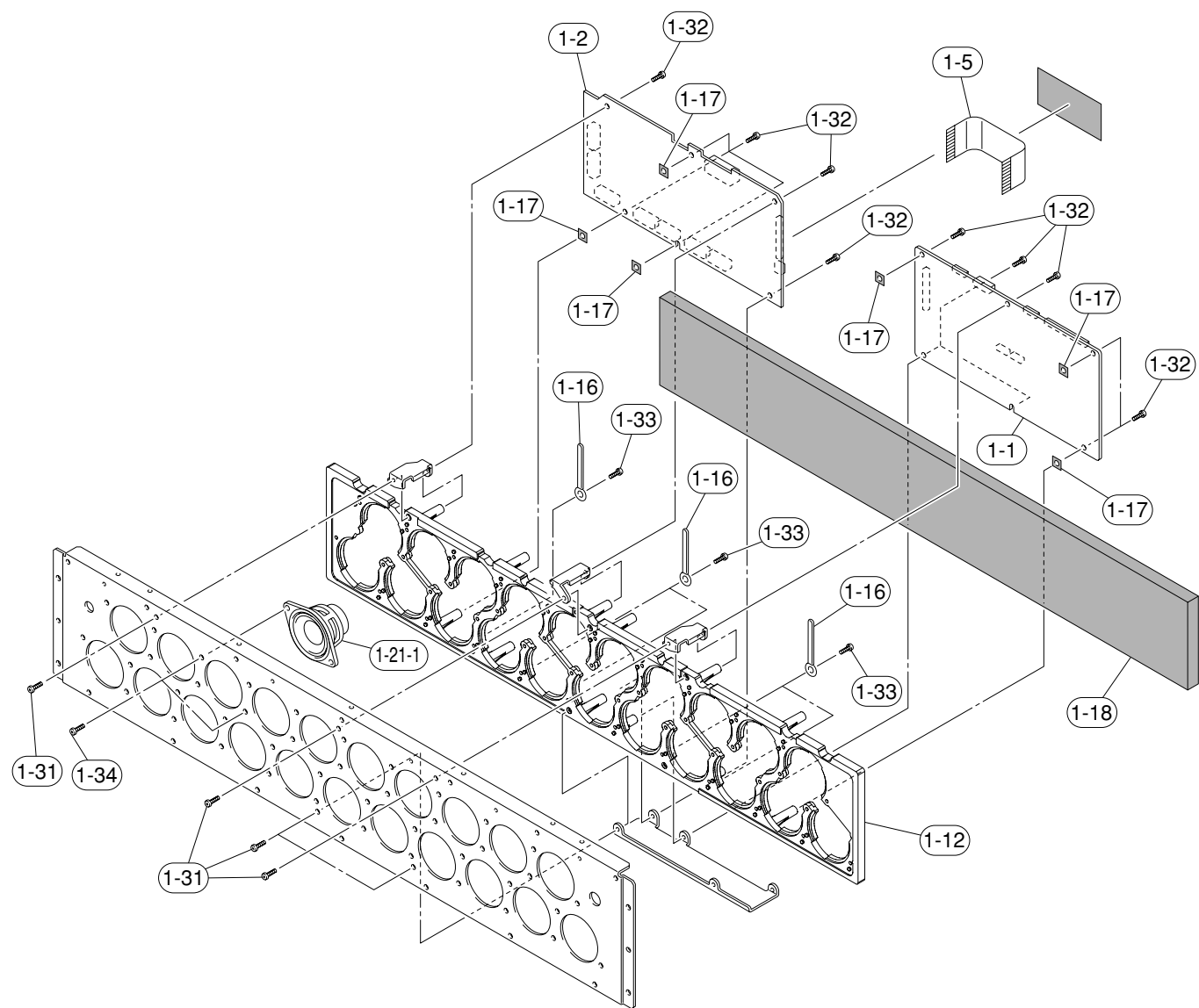
* New Parts * 新規部品

ACCESSORIES

Ref No.	Part No.	Description	Remarks	Markets	部品名	Rank	
*	200	WF729800	ACCESSORIES			付属品	
*	200	WF756400	REMOTE CONTROL	RRC4001-2602EM	J	リモコン	
*	200	WF756400	REMOTE CONTROL	RRC4001-2603EM	U	リモコン	
*	200	WF729900	REMOTE CONTROL	RRC4001-2601EM	CTKABGLV	リモコン	
*	200-1	AAX57560	BATTERY COVER	103RRS-141-07L		電池蓋	
*	203	WG299500	VIDEO PIN CABLE	1P 1.5m YE 1pc		ビデオ用ピンケーブル	
*	204	WG290200	AUDIO PIN CABLE	2P 1.5m RE-WH 1pc		ステレオピンケーブル	
*	205	WG299600	DIGITAL AUDIO PIN CABLE	1P 1.5m OR 1pc		デジタル音声ピンケーブル	
*	206	WE818100	OPTICAL CABLE	1.5m 1pc		光ファイバーケーブル	
*	207	AAX66960	FASTNER	1pair		ファスナー	
*	208	WE785900	CABLE CLIP	1pc		ケーブル押さえ	
*	209	WB699600	OPTIMIZER MICROPHONE	WM-64BKT 6m 1pc		マイクロホン	
*	210	WG225700	CARDBOARD MICROPHONE STAND	1pc		簡易マイクスタンド	
			BATTERY, MANGANESE DRY	SUM-3N(2pcs)		マンガン電池 2PCS	

* New Parts * 新規部品

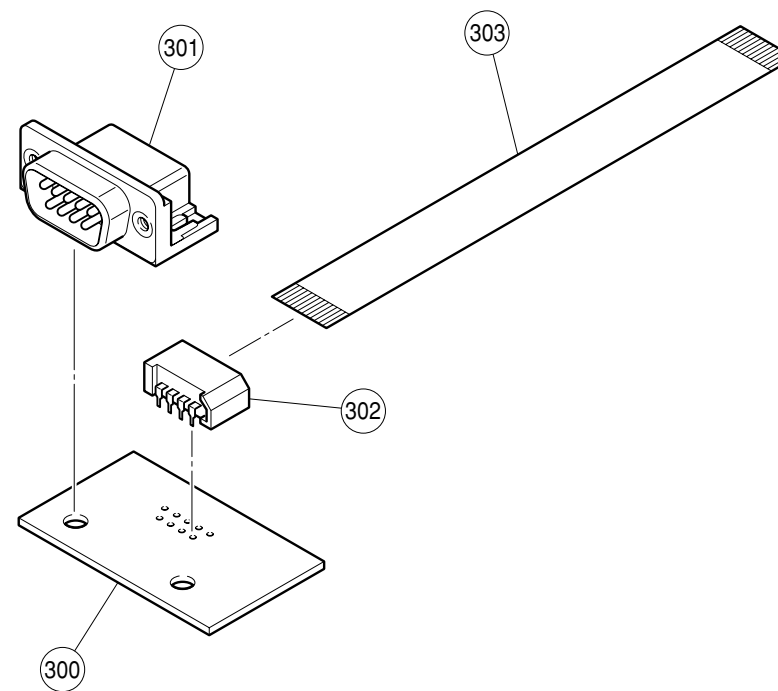
■ BAFFLE UNIT



Ref No.	Part No.	Description	Remarks	Markets	部品名	Rank
*	1-1	WF721600 P.C.B. ASS'Y	DSP		P C B D S P	
*	1-2	WF721700 P.C.B. ASS'Y	AMP		P C B A M P	
*	1-5	WF766200 FLEXIBLE FLAT CABLE	32P 80mm P=1.0		カード電線	
*	1-12	WF453800 BASE TWEETER			ベース ツイーター	
*	1-16	CB040540 BINDING TIE	S-72B		束線止め	
*	1-17	WG471400 SPACER	8x8x1		スペーサー	
*	1-18	WG141000 ABSORBER	72x500x10		アブソーバ	
*	1-21-1	AAX71590 DRIVER TWEETER	4cm 4Ω	CS040007-92	スピーカーユニット	
*	1-21-1	AAX71600 DRIVER TWEETER	4cm 4Ω	CS040007-93	スピーカーユニット	J UCTKABGLV
*	1-31	WE774100 BIND HEAD BONDING B-T. SCREW	3x8 MFZN2B3		ボンディングBタイトネジ	
*	1-32	WG151800 BIND HEAD TAPPING SCREW	3x10 MFC2		バインドタッピングネジ	
*	1-33	WF266600 BIND HEAD B-TIGHT SCREW	3x8 MFZN2B3		バインドBタイトネジ	
*	1-34	WG265500 BIND HEAD BONDING P-T. SCREW	3x10 MFZN2B3		ボンディングPタイトネジ	

* New Parts * 新規部品

■ SERVICE TOOLS

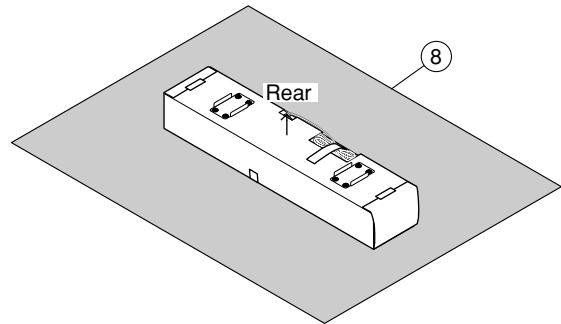
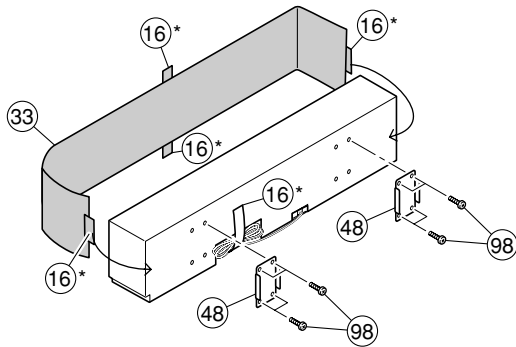


Ref No.	Part No.	Description	Remarks	Markets	部品名	Rank
*	300	AAX74420 SERVICE TOOL	RS-232C	YSP800-RS232C	サービス用部品	
	301	V6509500 SOCKET CONNECTOR	9P SE 3170		P C B R S 2 3 2 C コネクターソケット	
	302	V0044400 CONNECTOR BASE PIN	9P		F F Cコネクター	
	303	VR413300 FLEXIBLE FLAT CABLE	9P 150mm P=1.25		カード電線	

* New Parts * 新規部品

1

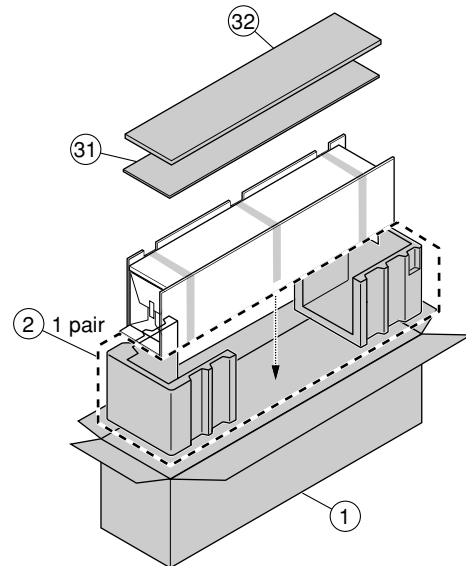
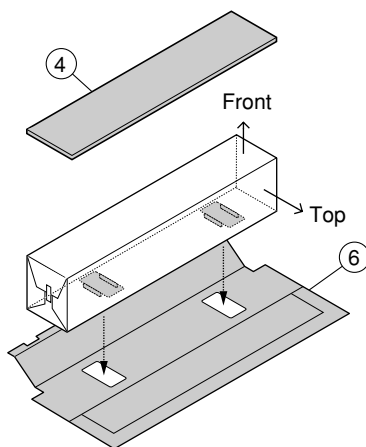
PACKING ASS'Y



2

- * When attaching a tape directly to this unit, be sure to use the special polyester tape (VC38060).
 ※ 本機にテープを直接貼る場合は、必ず専用のポリエステルテープ (VC380600) を使用してください。

3



4

5

6

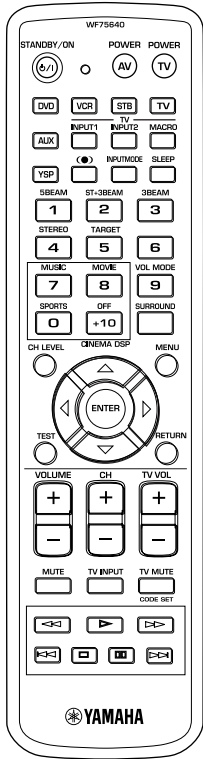
7

Ref No.	Part No.	Description	Remarks	Markets	部 品 名	Rank
*	1	PACKING ASS'Y		J	梱包用部品	
*	1	WF721800	CARTON BOX	UCTKABGLV	梱包箱	
*	1	WF721900	CARTON BOX		梱包箱	
*	2	WG228800	POLYSTYRENE FOAM PAD		スチロールパッド	
*	4	WF733200	POLYSTYRENE BLOCK		スチロールブロック	
*	6	WG228900	CARTON PAD A		ダンボールパッドA	
*	8	WF733400	PE EXPANDED SHEET	950x550 t=0.5	ライトロンラミシート	
*	16	VC380600	POLYESTER TAPE	#558A 20mmx50m	ポリエステルテープ	
*	31	WG229100	CARTON SHEET		ダンボールシート	
*	32	WG229200	POLYSTYRENE BLOCK B		スチロールブロックB	
*	33	WG239500	PALCLOTH	1050x135	パルクロス	
*	48	WG218300	FRAME TRANSFER		梱包用金具	
*	98	WF107400	BIND HEAD SCREW	4x10 MFZN2W3	バインド小ネジ	

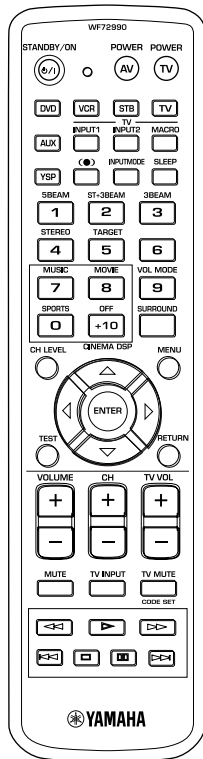
* New Parts * 新規部品

REMOTE CONTROL

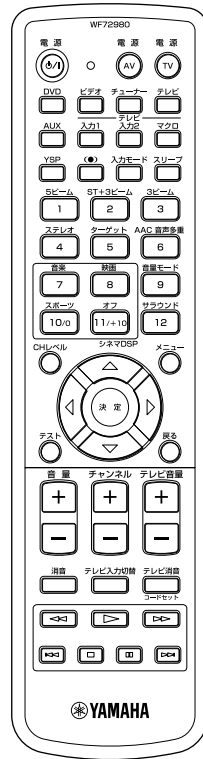
U model



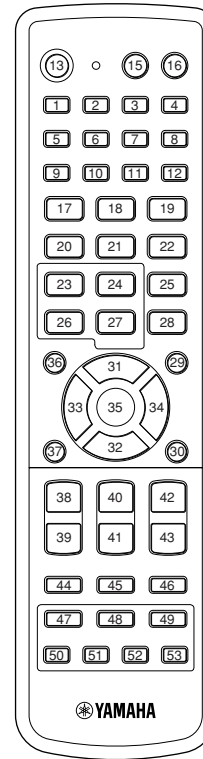
C, T, K, A, B, G, L, V models



J model

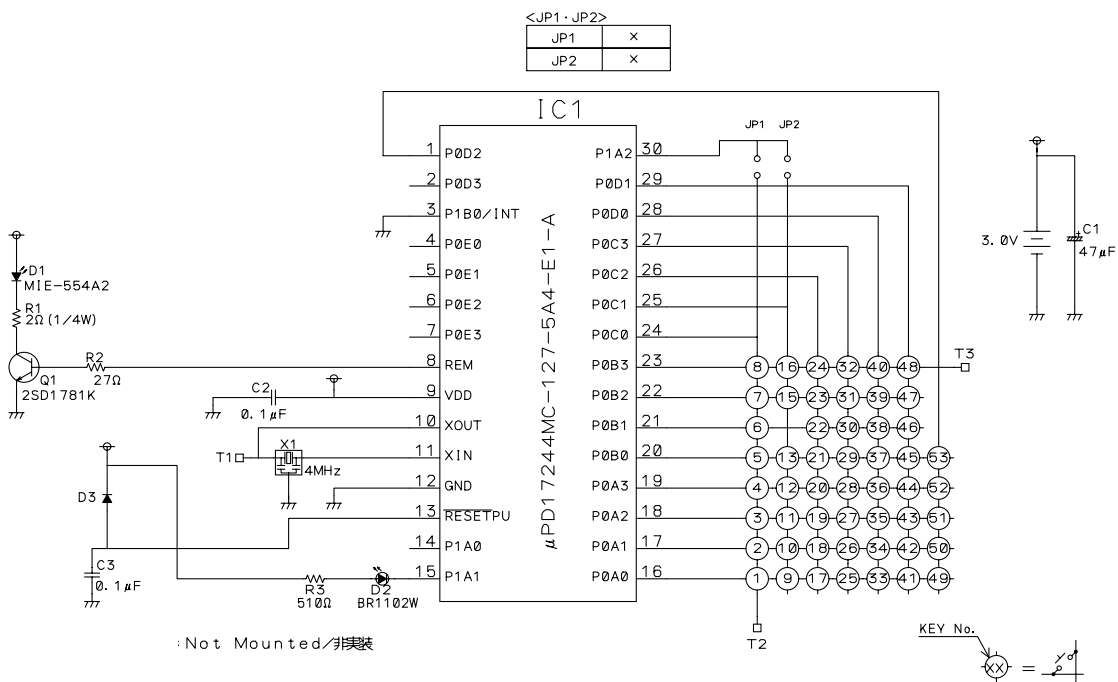


Key Layout



YSP-800

SCHEMATIC DIAGRAM



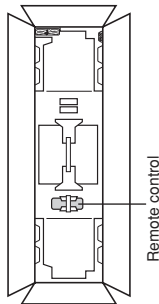
Key No.	Function	Code
1	DVD	78-4A
2	VCR / ビデオ	78-49
3	STB / チューナー	78-DF
4	TV / テレビ	78-DF
5	AUXv	78-DE
6	TV INPUT1 / 入力1 (TV / テレビ)	-
7	TV INPUT2 / 入力2 (TV / テレビ)	-
8	MACRO / マクロ (TV / テレビ)	(-)
9	YSP / ビデオ	(-)
10	●	78-8B
11	INPUT MODE / 入力モード	78-8D
12	SLEEP / スリープ	78-4F
13	STANDBY/ON / 電源	78-0F
-	-	-
15	AV POWER / AV電源	-
16	TV POWER / TV電源	-
17	1_5BEAM / 1_5ビーム	78-C2
18	2_ST+3BEAM / 2_ST+3ビーム	78-C3
19	3_3BEAM / 3_3ビーム	78-C4
20	4_STEREO / 4_ステレオ	78-50
21	5_TARGET / 5_ターゲット	78-C5
22	6_ / 6_AAC音声多重 (J model)	78-A5
23	7_MUSIC / 7_音楽	78-DA
24	8_MOVIE / 8_映画	78-D9
25	9_VOL MODE / 9_音量モード	78-8A
26	0_SPORTS / 10/0_スポーツ	78-DB
27	+10_OFF / 11/+10_オフ	78-9B
28	SURROUND / 12_サラウンド	78-99
29	MENU / メニュー	78-9D
30	RETURN / 戻る	78-C0
31	UP	78-8E
32	DOWN	78-8F
33	LEFT	78-9F
34	RIGHT	78-9E
35	ENTER / 決定	78-C1
36	CH LEVEL / CHレベル	78-48
37	TEST / テスト	78-5F
38	VOLUME+ / 音量+	78-1E
39	VOLUME- / 音量-	78-1F
40	CH+ / チャンネル+	-
41	CH- / チャンネル-	-
42	TV VOL+ / テレビ音量+	-
43	TV VOL- / テレビ音量-	-
44	MUTE / 消音	78-9C
45	TV INPUT / テレビ入力切替	-
46	TV MUTE (CODE SET) / テレビ消音 (コードセット)	-
47	◀◀ SEARCH- (REW)	-
48	▶▶ PLAY	-
49	▶▶ SERCH+ (FF)	-
50	◀◀ SKIP-	-
51	□ STOP	-
52	□□ PAUSE	-
53	▶▶ SKIP+	-

YSP-800 Packing Instruction

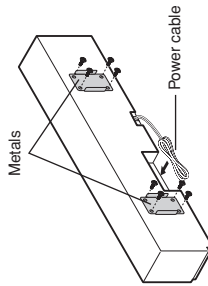
Please follow the steps below to pack the YSP-800 before you transport the unit.

! For future shipment or transportation, keep the packing box and materials for the unit.

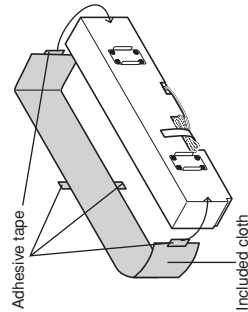
- 1 Place and secure the remote control on the bottom inside the shipping box.



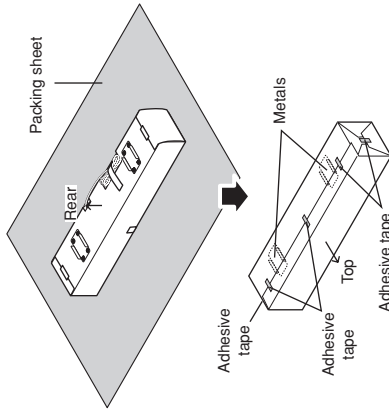
- 2 Fold the power cable into a bundle and tuck it away into the cavity on the rear of the unit.
- 3 Install the metals using the included screws.



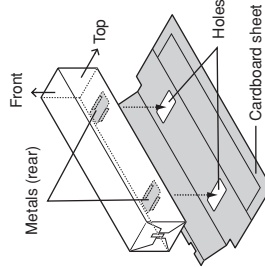
- 4 Cover the front grille using the included cloth, and affix the cloth to the unit at four locations using adhesive tape.



- 5 Wrap the unit with the packing sheet, then affix it at three locations on the rear and one location on each side using adhesive tape.

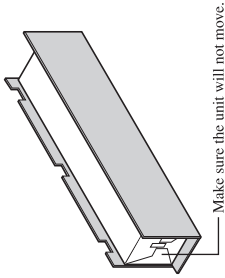


- 6 Place the unit on the protective cardboard sheet, with the unit's rear side facing down.

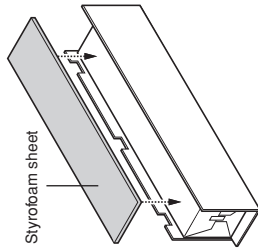


NOTE
Insert the metals into the holes in the cardboard sheet.

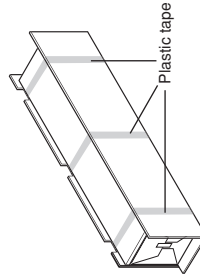
- 7 Fold the protective cardboard sheet to fold around the unit, then make sure that the unit will not move.



- 8 Place a styrofoam sheet on top of the unit.

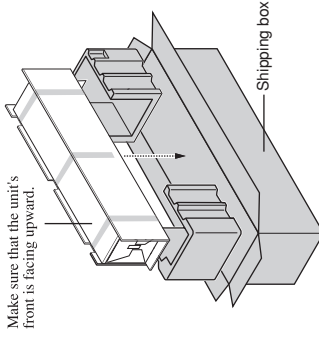


- 9 Secure the protective cardboard sheet using plastic tape.

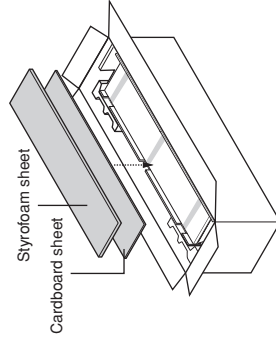


NOTE
Wind plastic tape securely two or more times around the unit. Make sure that the unit does not move.

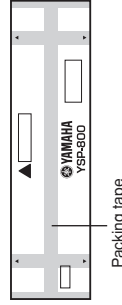
- 10 Place the unit in the shipping box.



- 11 Place a cardboard sheet and a styrofoam sheet on top of the unit.



- 12 Fold down the lid flaps of the shipping box, and seal the box with packing tape.



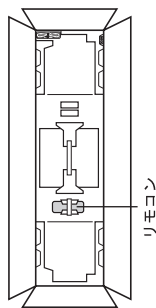
NOTE
Be sure to use the unit's packing materials and box. Otherwise, the unit, in particular, the front grille, may be damaged during transportation.

YSP-800 梱包手順説明書

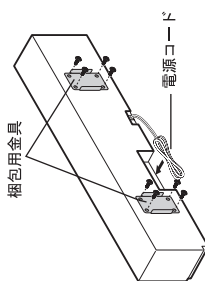
本機を輸送する際は必ず以下の手順に従って梱包してください。

● 本機の梱包箱や梱包材は輸送時に備えて保管してください。

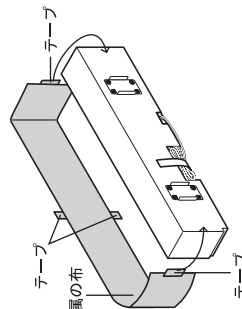
- 1 本機のリモコンを梱包箱の底部に固定します。



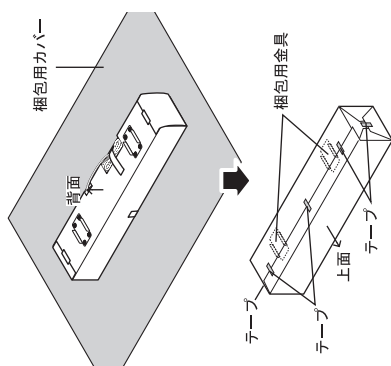
- 2 電源コードを束ねて本機背面のくぼみに収めます。
- 3 梱包用金具2個をネジで取り付けます。



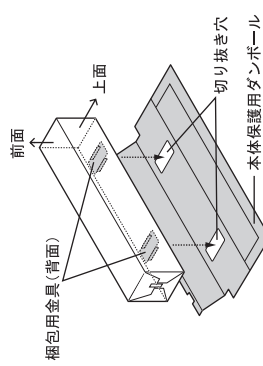
- 4 付属の布で前面(フロントグリル)を覆い、4箇所をテープで固定します。



- 5 本機を梱包用カバーで包み、背面の箇所、側面2箇所をテープで固定します。



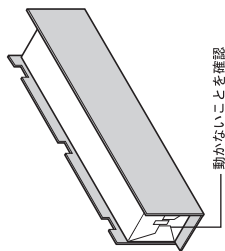
- 6 本機の背面を下にして本体保護用ダンボールの上に置きます。



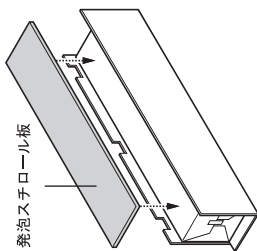
【注意】

本機の梱包用金具と保護用ダンボールの切り抜き穴を位置合わせしてはめ込んでください。

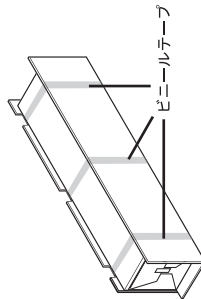
- 7 本体保護用ダンボールを折り曲げ、本機をはさみ込みます。本機が動かないことを確かめてください。



- 8 本機の上に発泡スチロール板をかぶせます。



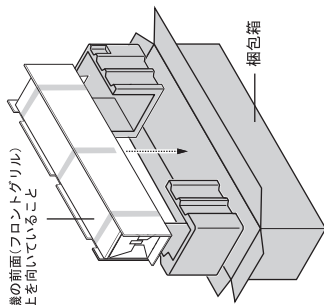
- 9 本体保護用ダンボールをビニールテープで固定します。



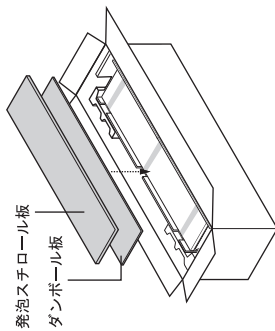
【注意】

ビニールテープを1周以上強く巻いてください。固定後、本機が動かないことを確認してください。

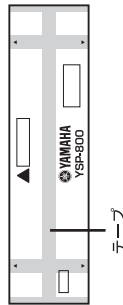
- 10 本機を梱包箱に収めます。



- 11 本機の上にダンボール板と発泡スチロール板をかぶせます。



- 12 梱包箱のふたを閉じ、テープで固定します。



【注意】

本機の梱包材および梱包箱を使用しないと輸送の際にフロントグリルなどが損傷するおそれがありますのでご注意ください。

YSP-800



YAMAHA
