

POWERED MULTIMEDIA SPEAKERS

YST-MS50/YST-MS55D

SERVICE MANUAL

IMPORTANT NOTICE

This manual has been provided for the use of authorized YAMAHA Retailers and their service personnel. It has been assumed that basic service procedures inherent to the industry, and more specifically YAMAHA Products, are already known and understood by the users, and have therefore not been restated.

WARNING: Failure to follow appropriate service and safety procedures when servicing this product may result in personal injury, destruction of expensive components, and failure of the product to perform as specified. For these reasons, we advise all YAMAHA product owners that any service required should be performed by an authorized YAMAHA Retailer or the appointed service representative.

IMPORTANT: The presentation or sale of this manual to any individual of firm does not constitute authorization, certification or recognition of any applicable technical capabilities, or establish a principle-agent relationship of any form.

The data provided is believed to be accurate and applicable to the unit(s) indicated on the cover. The research, engineering, and service departments of YAMAHA are continually striving to improve YAMAHA products. Modifications are, therefore, inevitable and specifications are subject to change without notice or obligation to retrofit. Should any discrepancy appear to exist, please contact the distributor's Service Division.

WARNING: Static discharges can destroy expensive components. Discharge any static electricity your body may have accumulated by grounding yourself to the ground buss in the unit (heavy gauge black wires connect to this buss).

IMPORTANT: Turn the unit OFF during disassembly and part replacement. Recheck all work before you apply power to the unit.

■ CONTENTS

TO SERVICE PERSONNEL	1	BLOCK DIAGRAM	18~19
FRONT AND REAR PANELS	1~2	PRINTED CIRCUIT BOARD	20~22
SPECIFICATIONS	3~4	IC DATA	23
INTERNAL VIEW	4	SCHEMATIC DIAGRAM	24~25
DISASSEMBLY PROCEDURES	5	PARTS LIST	26~37
USB PORT OPERATION CHECK	6~17		



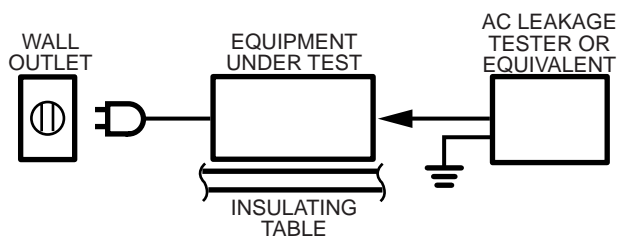
このサービスマニュアルは、エコマーク認定の再生紙を使用しています。
This Service Manual uses recycled paper.



■ TO SERVICE PERSONNEL

1. Critical Components information.
Components having special characteristics are marked and must be replaced with parts having specifications equal to those originally installed.
2. Leakage Current Measurement (For 120V Model only).
When service has been completed, it is imperative that you verify that all exposed conductive surfaces are properly insulated from supply circuits.

- Meter impedance should be equivalent to 1500 ohm shunted by 0.15 μ F.
- Leakage current must not exceed 0.5mA.
- Be sure to test for leakage with the AC plug in both polarities.



"CAUTION"

"F1: FOR CONTINUED PROTECTION AGAINST RISK OF FIRE, REPLACE ONLY WITH SAME TYPE 1.25A, 250V FUSE."



CAUTION

F1: REPLACE WITH SAME TYPE 1.25A, 250V FUSE.

ATTENTION

F1: UTILISER UN FUSIBLE DE RECHANGE DE MÊME TYPE DE 1.25A, 250V FUSE.

WARNING: CHEMICAL CONTENT NOTICE!

The solder used in the production of this product contains LEAD. In addition, other electrical/electronic and/or plastic (where applicable) components may also contain traces of chemicals found by the California Health and Welfare Agency (and possibly other entities) to cause cancer and/or birth defects or other reproductive harm.

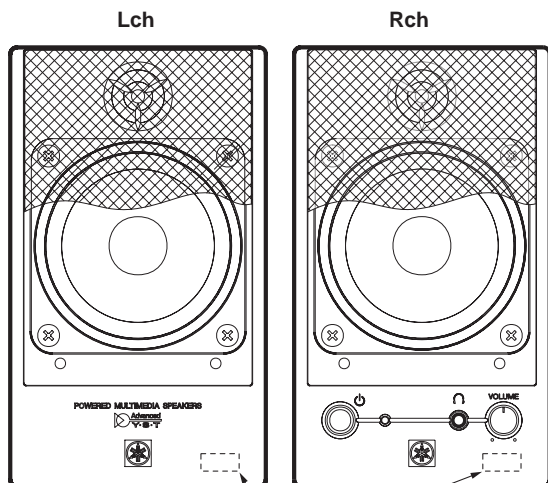
DO NOT PLACE SOLDER, ELECTRICAL/ELECTRONIC OR PLASTIC COMPONENTS IN YOUR MOUTH FOR ANY REASON WHATSOEVER!

Avoid prolonged, unprotected contact between solder and your skin! When soldering, do not inhale solder fumes or expose eyes to solder/flux vapor!

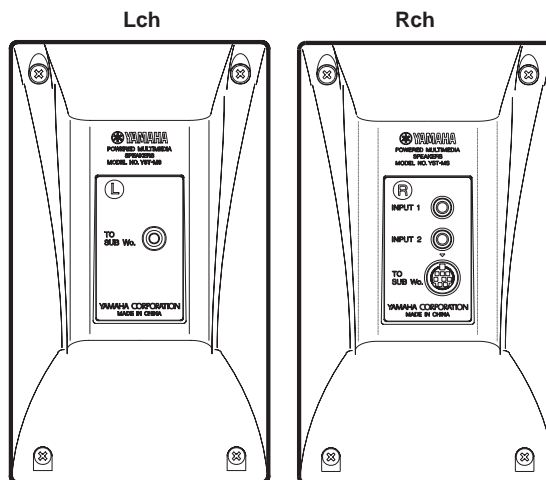
If you come in contact with solder or components located inside the enclosure of this product, wash your hands before handling food.

■ FRONT AND REAR PANELS

● Satellite Speakers Front Panel

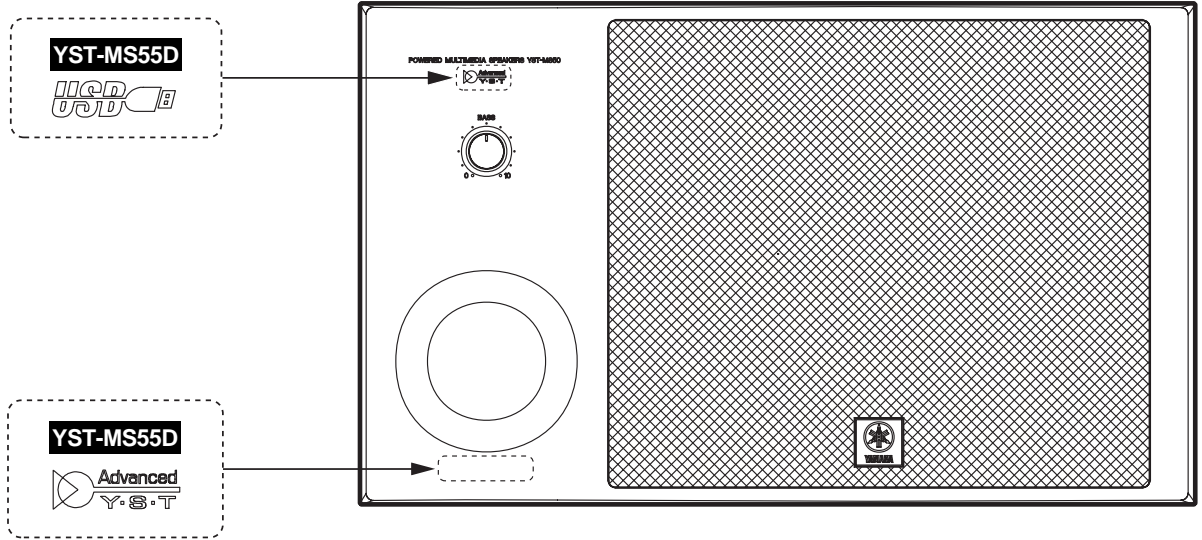


● Satellite Speakers Rear Panel

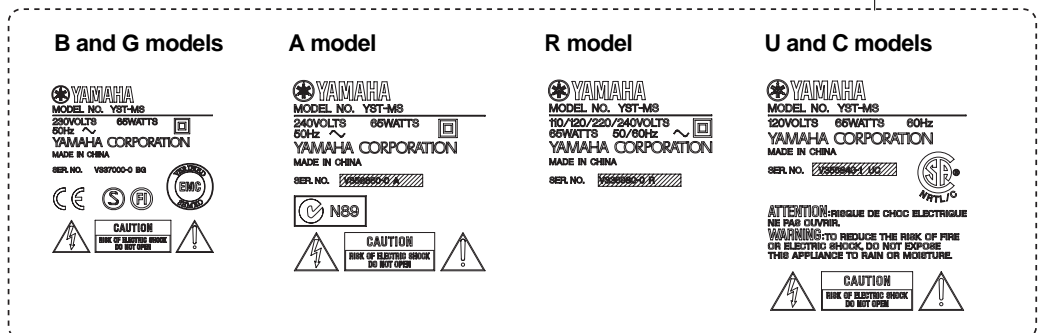
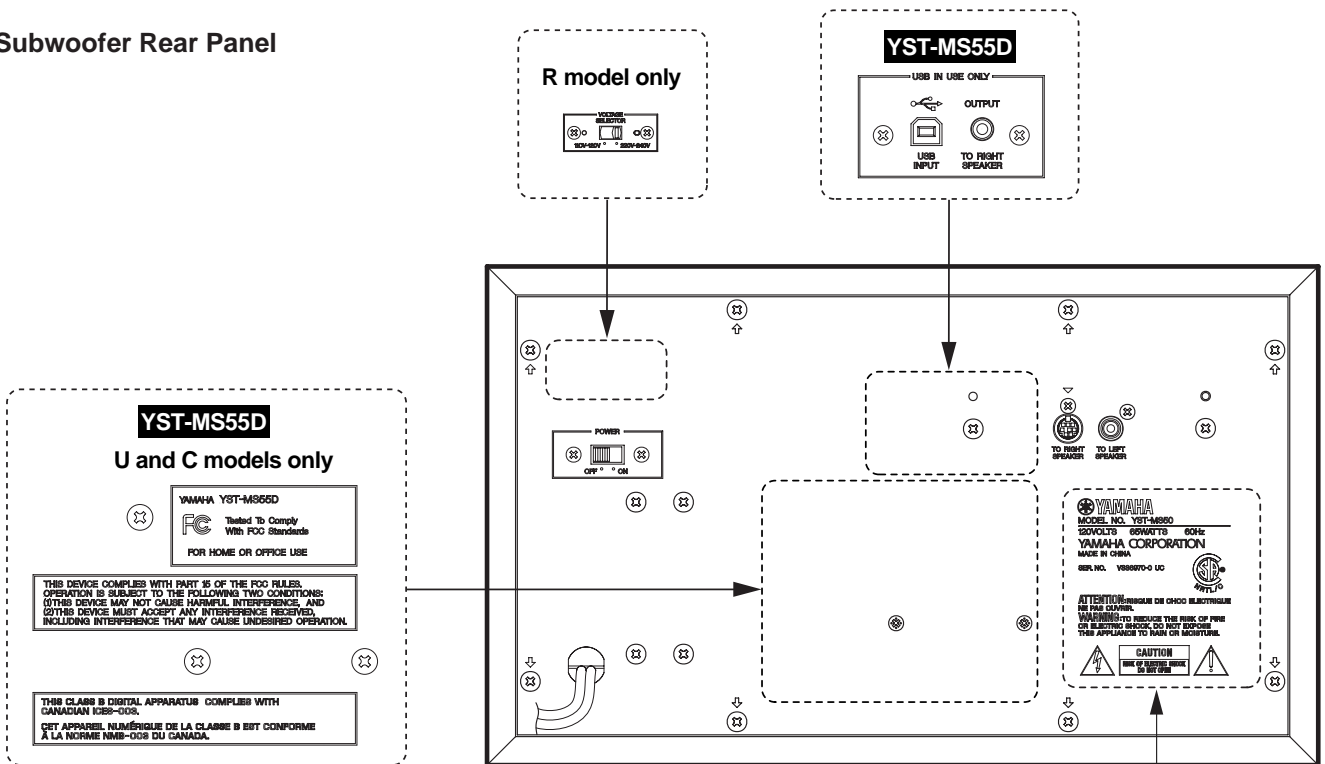


YST-MS50 YST-MS55D

• Subwoofer Front Panel



• Subwoofer Rear Panel



YST-MS50	YST-MS55D
-----------------	------------------

Type	Active Servo Technology (Advanced Y. S. T)
-------------	--

Output Power

Satellite	20W+20W (1kHz, 4 ohms at T.H.D.=10%)
Subwoofer	40W (100Hz, 5 ohms at T.H.D.=10%)

Input Sencitivity	200mV (1kHz, 4 ohms at 20W)
--------------------------	-----------------------------

Input Impedance	25 kohms
------------------------	----------

Frequency Responce	32 Hz to 20 kHz
---------------------------	-----------------

Crossover Frequency

Satellite Tweeter	12 kHz
Subwoofer	fc=200Hz

Headphone Output Level

0.38V/30 ohms (at 200 mV Rated Input)

Speaker Unit

Satellite	
Tweeter	: 19mm (3/4") balanced dome (JA0262), Magnetic shielding Type
Midrange	: 8cm(3") cone (JA0865), Magnetic Shielding Type
Subwoofer	: 16cm(6-1/2") cone (JA1673), Magnetic Shielding Type

Input Sction**YST-MS50**

Satellite	3.5mm stereo minijack for audio-signal x2
-----------	---

YST-MS55D

Satellite	3.5mm stereo mini jack for audio-signal x2 (USB in use x1)
Subwoofer	USB digital x1

Output Sction**YST-MS50**

Subwoofer	RCA pin jack connected to L ch speaker 8 pin jack connected to R ch speaker
-----------	--

YST-MS55D

Subwoofer	RCA pin jack connected to L ch speaker 8 pin jack connected to R ch speaker 3.5mm stereo mini jack for audio-signal x1 (USB in use)
-----------	--

Power Consumption	65W
--------------------------	-----

Power Supply

U, C models	AC120V/60Hz
R models	AC110/120/220/240V/50/60Hz
A models	AC240V/50Hz
B, G models	AC230V/50Hz

Operating Section

Satellite	⏻(Auto Power)Switch Master Volume control
Subwoofer	Volume control

Dimensions (W x H x D)

Satellite	97x159x178mm (3-13/16"x6-1/4"x7-9/16")
Subwoofer	350x210x321mm (13-25/32"x8-1/4"x12/5/8")

Weight

Satellite	0.7kg (1lbs. 9 oz.)x2
Subwoofer	8kg (17lbs. 10oz.)

Finish**YST-MS50**

YST-MS50W	Computer white color
YST-MS50B	Black color

YST-MS55D

YST-MS55DW	Computer white color
YST-MS55DB	Black color

Accessories**YST-MS50**

3.5mm stereo mini plug cable with black color(1.8m) x1
RCA pin plug cable (1.8m) x1
8 pin plug cable (1.8m) x1
8 pcs of nonskid pads x1set

YST-MS55D

3.5mm stereo mini plug cable with black color(1.8m) x1
RCA pin plug color (1.8m) x1
USB cable (2m) x1
8 pcs of nonskid pads x1set
CD-ROM x1

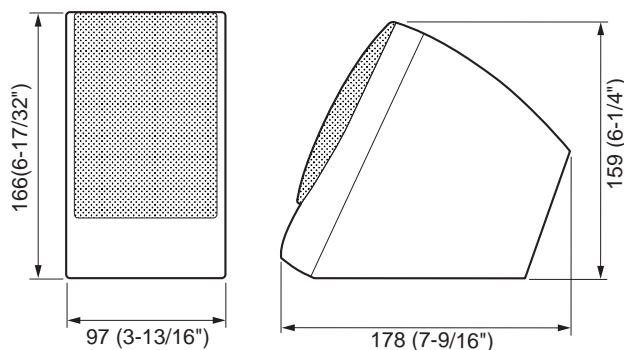
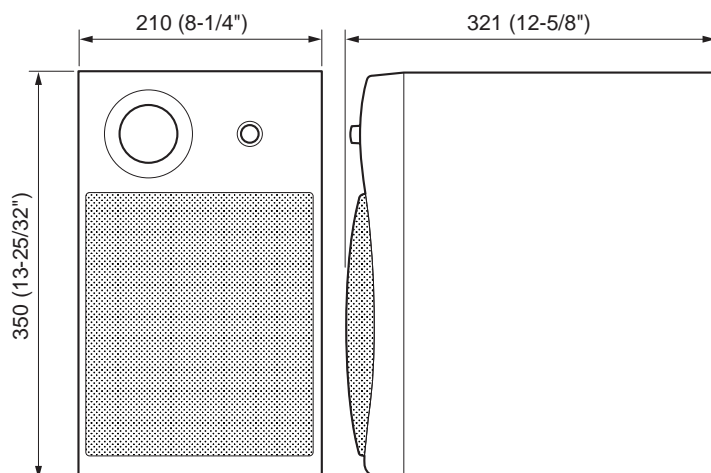
USB Operating Requirements YST-MS55D

:Windows 98-installed PC equipped with USB port.
:CD-ROM drive for device driver installation.
:Intel Pentium processor at least 200 MHz or equivalent.
:At least 10 MB of available hard disk capacity.

* Specifications subject to change without notice.

U	U. S. A. model	A	Australian model
C	Canadian model	B	British model
R	General model	G	European model

"Windows 98", are trademarks of Micro Soft Corporation.

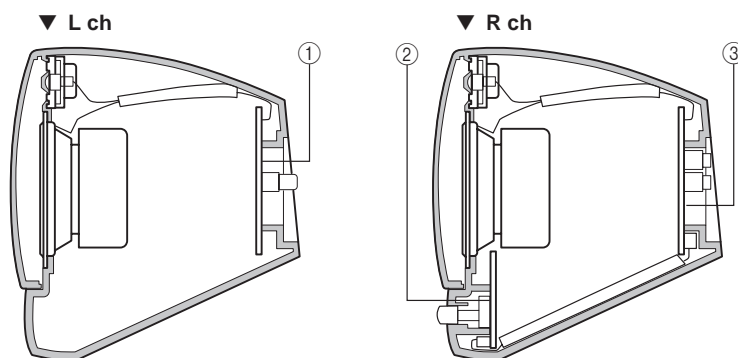
YST-MS50 YST-MS55D● **DIMENSIONS**▼ **Satellite Speaker**▼ **Subwoofer**

Units : mm (inch)

■ **INTERNAL VIEW**● **Satellite Speakers**

Notes: The Satellite Speakers are available by the speaker unit (Lch or Rch).

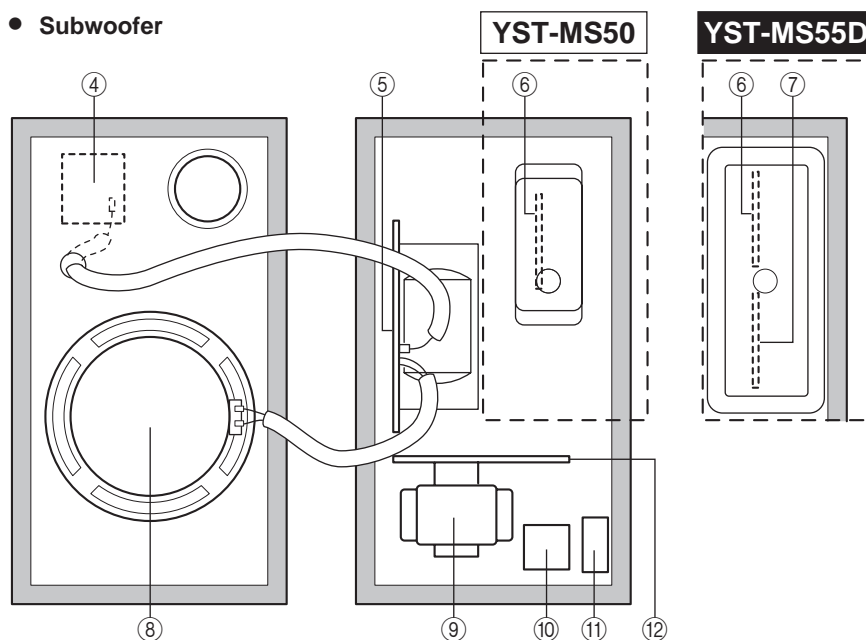
Individual parts of the Satellite Speakers are not available. (See page 31 and 33 of the PARTS LIST for YST-MS50, page 34 and 36 of the PARTS LIST for YST-MS55D.)

● **Satellite Speaker (L ch)**

- ① P. C. B. MAIN (8)

● **Satellite Speaker (R ch)**

- ② P. C. B. MAIN (4)
- ③ P. C. B. MAIN (5)

● **Subwoofer**● **Subwoofer**

- ④ P. C. B. MAIN (6)
- ⑤ P. C. B. MAIN (1)
- ⑥ P. C. B. MAIN (3)
- ⑦ P. C. B. MAIN (9)
(YST-MS55D only)
- ⑧ SPEAKER UNIT
(Subwoofer)
- ⑨ POWER TRANSFORMER
- ⑩ P. C. B. MAIN (7)
- ⑪ VOLTAGE SELECTOR (R only)
- ⑫ P. C. B. MAIN (2)

DISASSEMBLY PROCEDURES

(Remove parts in disassembly order as numbered.)

Disassemble of the Subwoofer

1. Removal of the Rear Panel Ass'y.

- Remove 8 screws (①) in Fig. 1, and remove the rear panel ass'y.
- Disconnect one connector in Fig. 1.
- Disconnect the Speaker cord in Fig. 1.

2. Removal of the Front Panel Ass'y

The front panel ass'y is fixed to the cabinet with dowels at 6 locations.

* As a screwdriver (for slotted head screw) is used for removal, use special care not to cause damage to the Cabinet.

- Using the screwdriver insert in the gaps between the front panel ass'y and cabinet, push up the front panel ass'y.
- Remove the front panel ass'y while taking it out.
(Front panel ass'y can not to remove completely.)

3. Removal of the Speaker

- Set up the front panel ass'y in the direction of the arrow, in Fig. 2.
- Remove 4 screws (②) in Fig. 2, and remove the speaker.

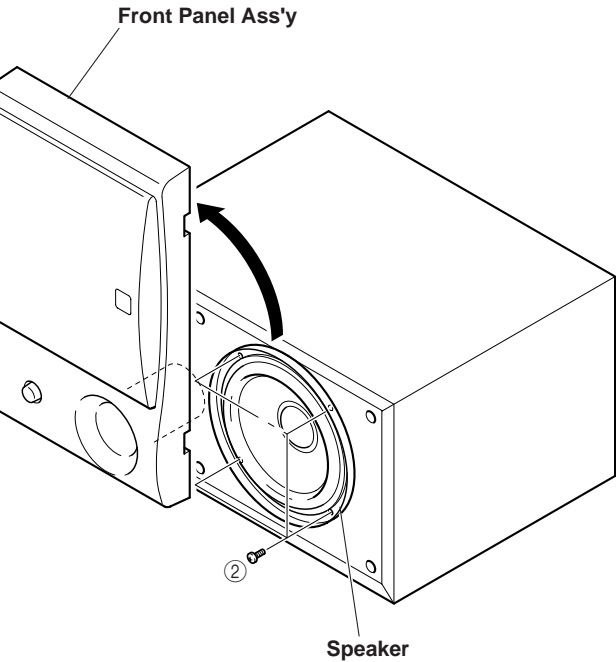
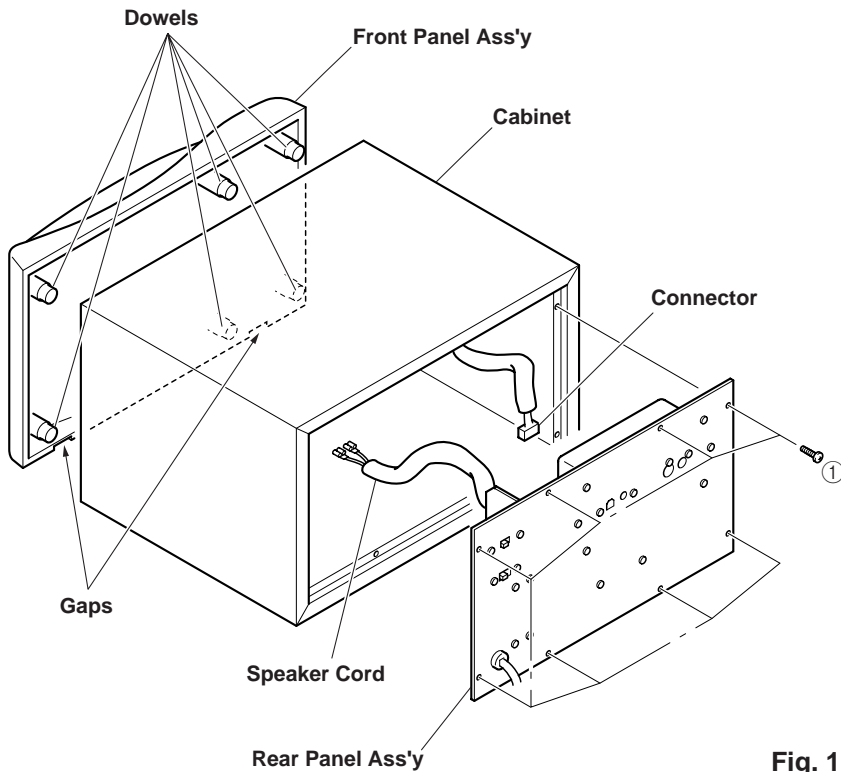


Fig. 2

Fig. 1

YST-MS55D**■ USB PORT OPERATION CHECK**

The YST-MS55D have a USB port. This USB port operation is checked be necessary whether or not normal state.

1. BEFORE CHECKING THE USB PORT OPERATION**(1) Measuring Instruments**

- Personal Computer (Windows 98)
- CD-ROM (Accessories)
- USB Cable (Accessories)

(2) USB Operating requirements

- Windows 98 installed Personal Computer equipped with USB port.
- CD-ROM drive for device driver installation.
- Intel Pentium processor at least 200MHz or equivqlent.
- At least 10MB of available hard disk capacity.

(3) Installing the YST-MS55D speaker device drivers

Please follow these steps to install the Yamaha YST-MS55D speaker device drivers in your Windows 98 system using the included CD-ROM, and verify that Windows 98 recognizes the installed device drivers and that CD audio, sound generated while using software, and system sounds from the personal computer will be output via the USB port.

Notes: Before starting, check the above-mentioned “(2) USB Operating requirements” section to see if your PC supports YST-MS55D. Also, make sure that no other CD-ROM is loaded in the CD-ROM drive and that you quit all application programs.

Have your Windows 98 CD-ROM ready when you install the Yamaha YST-MS55D speaker device drivers. You may need it in some cases.

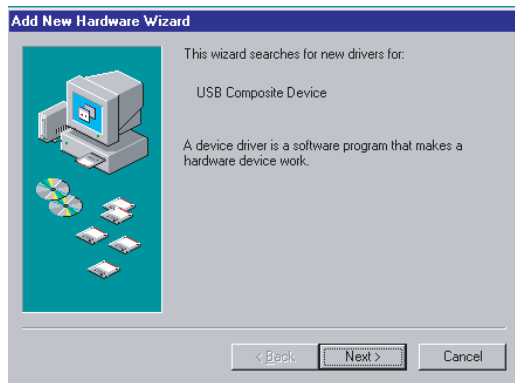
The installation procedure may differ from the following instructions depending on the system environment. Follow the instructions that appear in the dialog box.

- 1) Start up Windows 98 on your computer. Insert the included YST-MS55D device driver CD-ROM into the CD-ROM drive
- 2) Connect the YST-MS55D speakers using the specified cables and plug them in to the AC outlet. At this time, do not connect the subwoofer to the personal computer yet.
- 3) Make sure that the POWER switch on the rear panel of the subwoofer is turned on.
- 4) Connect the subwoofer to the USB port on the personal computer using the USB cable.

YST-MS55D

Message “Windows has found a new hardware and is locating the software for it.” appears, then:

The following “Add New Hardware Wizard” appears to install the USB Composite Device. (See Fig. 1)



1. Click [Next].

Fig. 1

The system displays the following panel: (See Fig. 2)



2. Click [Next] again to display the following panel.

Fig. 2

The system displays the following panel: (See Fig. 3)



3. Check “CD-ROM drive” and de-select other options, then click [Next] to proceed to the following panel:

Fig. 3

YST-MS55D

The system displays the following panel: (See Fig. 4)



Fig. 4

4. Make sure that “The updated driver (Recommended)” lists “YAMAHA YST-MS55D USB Composite Device,” then click [Next].

The system displays the following panel: (See Fig. 5)

Note: Depending on your system, a path other than “D:\USB.INF” may appear.



Fig. 5

5. Click [Next].

The system starts installing the YAMAHA YST-MS55D USB Composite Device. Please wait awhile.

The system displays the following panel: (See Fig. 6)

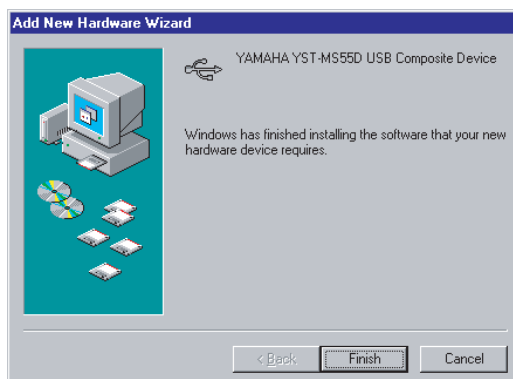


Fig. 6

6. Click “Finish” to complete the installation of the USB Composite Device.

YST-MS55D

The system displays a panel to begin installing a Human Interface Device. (See Fig. 7)



Fig. 7

7. Follow the screen instructions. Make sure that "The updated driver (Recommended)" panel lists "Human Interface Devices," and click the [Next] button repeatedly as in steps 2–5 until the following panel appears:

The system displays the following panel: (See Fig. 8)



Fig. 8

8. Click "Finish" to complete the installation of the Human Interface Device.

The system displays a panel to begin installing a USB Audio Device. (See Fig. 9)



Fig. 9

9. Follow the same screen instructions as steps 2–5. Make sure that "The updated driver (Recommended)" panel lists "YAMAHA YST-MS55D USB Audio" in step 4, and click the [Next] button repeatedly until the following panel appears:

YST-MS55D

The system displays the following panel: (See Fig. 10)

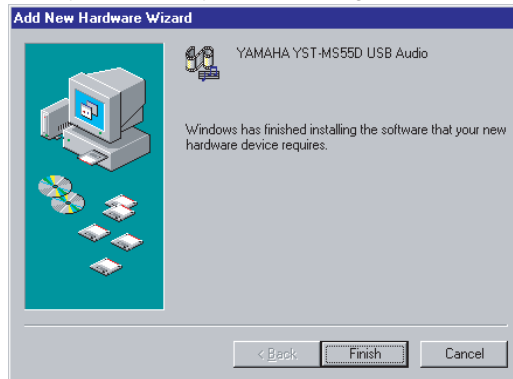


Fig. 10

10. Click "Finish" to complete the installation of the USB Audio Device.

(4) Confirming the OS (Operating System)

Confirm that the installed the YST-MS55D speaker device driver.

There are 3 items in the YST-MS55D speaker device drivers.

Before confirming,

- 1) Make sure that the POWER switch on the rear panel of the subwoofer is turned on.
- 2) Connect the subwoofer to the USB port on the personal computer using the USB cable.

There are 4 items in the confirmation as shown below.

CONFIRM 1

" YAMAHA YST-MS55D USB Audio "

Open the window by the order of [My Computer], [Control Panel], [System], and click the [Device Manager] or [System Properties].



Click the [View devices by type].



Confirm the "YAMAHA YST-MS55D USB Audio". (See Fig. 11)

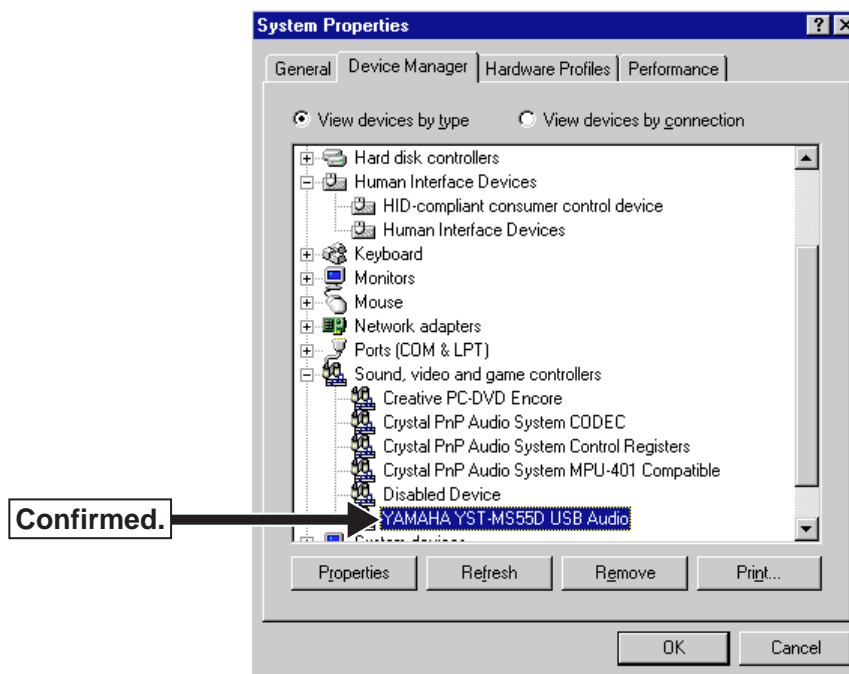


Fig. 11



To next confirmation.

YST-MS55D

CONFIRM 2 " Human Interface Devices "

Confirm the "Human Interface Devices". (See Fig. 12)

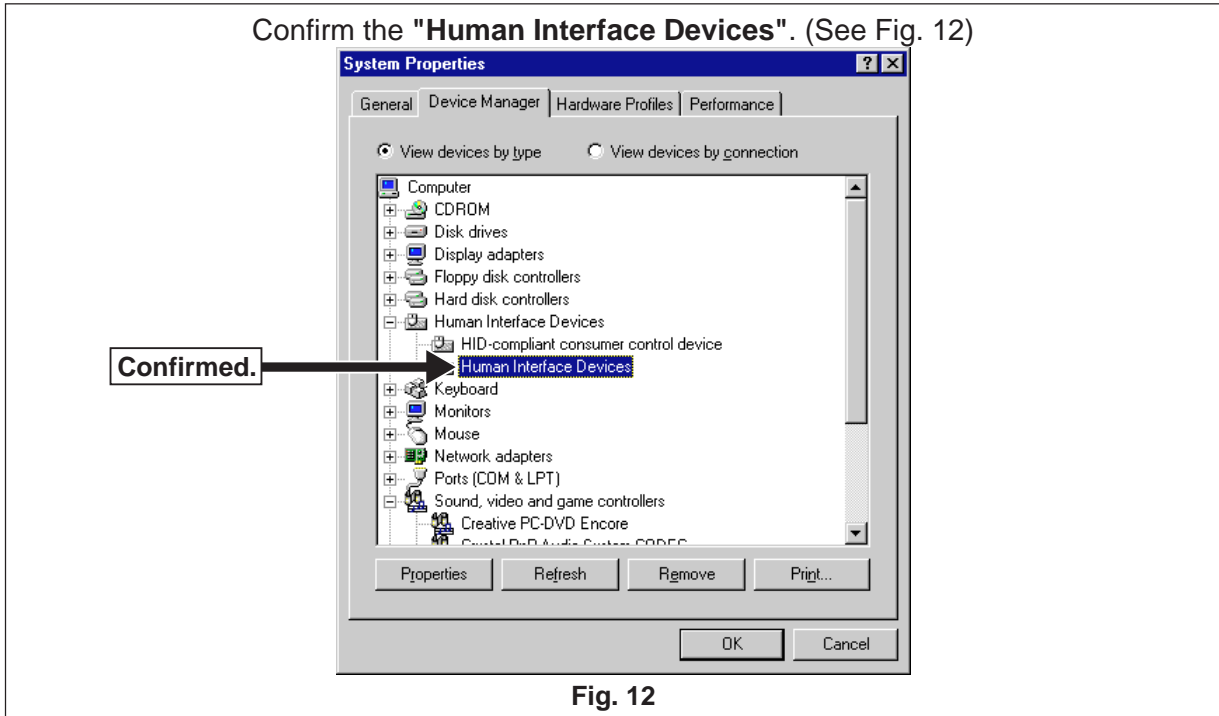


Fig. 12

To next confirmation.

CONFIRM 3 " YAMAHA YST-MS55D USB Composite Device "

Confirm the "YAMAHA YST-MS55D USB Composite Device". (See Fig. 13)

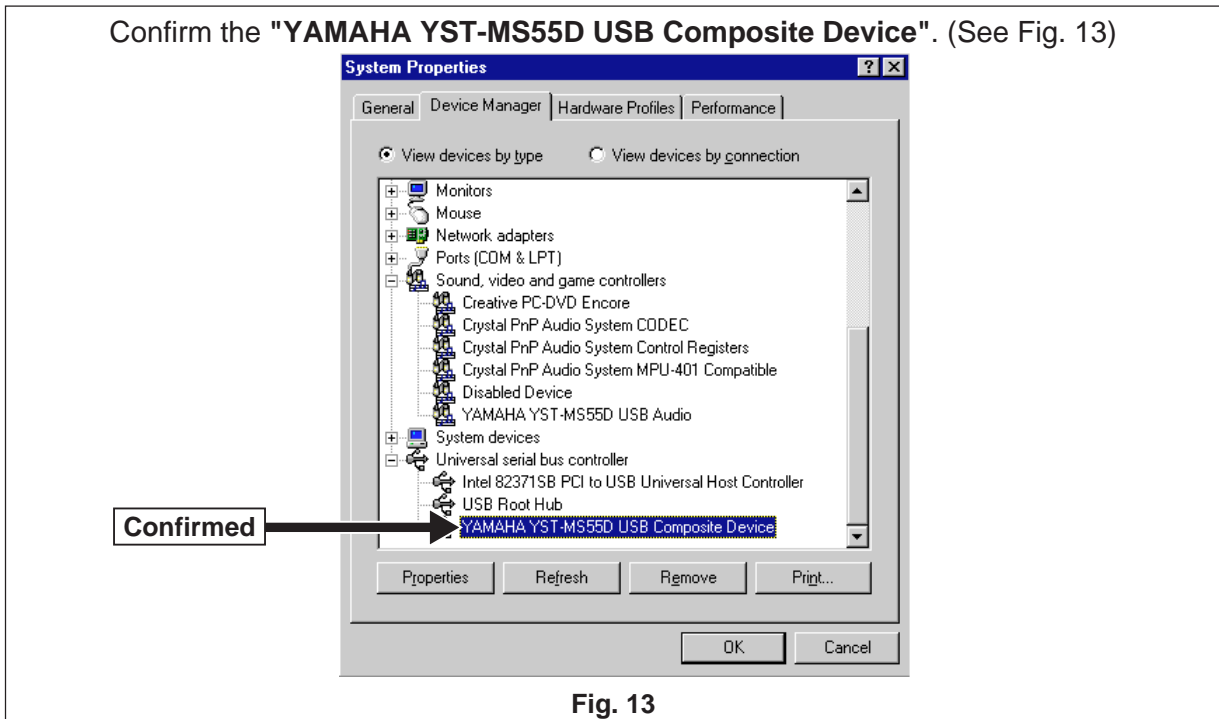


Fig. 13

To next confirmation.

YST-MS55D**CONFIRM 4** " YAMAHA YST-MS55D USB Audio (1) "

Click the [Audio] of [Multimedia Properties].



Confirm the [Playback].



Confirm the "YAMAHA YST-MS55D USB Audio (1) ". (See Fig. 14)

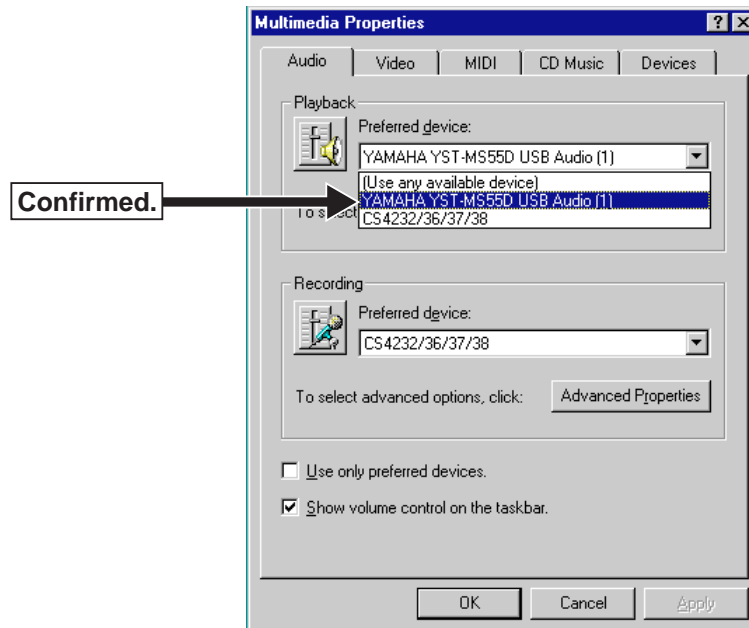


Fig. 14

**Completed the confirmation of OS.**

CAUTION: If not installed the YST-MS55D speaker device drivers, repeat install from the CD-ROM.
(See page 6~10)

YST-MS55D**2. STARTING THE USB PORT OPERATION CHECK**

The USB port operation check is using the USB Compliance check Test Tool Version 2.6. Install the this Test Tool.

Running the Test Tool.



[PLUG IN DEVICE (S) TO TEST!] display.

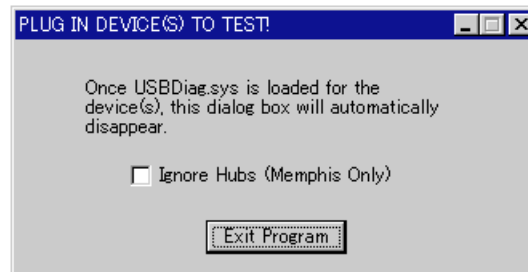


Fig. 15

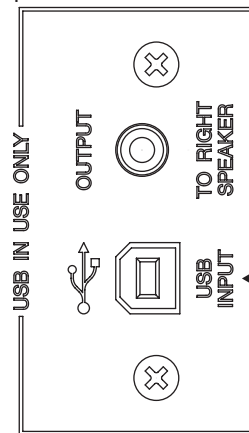


Connect the USB cable to the USB port of the personal computer.



Plug in the USB cable from Personal to [USB INPUT] on the rear panel of the Subwoofer. (See Fig. 16)

Rear panel of the Subwoofer



Plug in the
USB Cable from the
Personal Computer.

Fig. 16



Start the USB port operation check.

YST-MS55D**3. DETAIL OF USB PORT OPERATION CHECK**

There are 5 items in the USB port operation check as shown below.

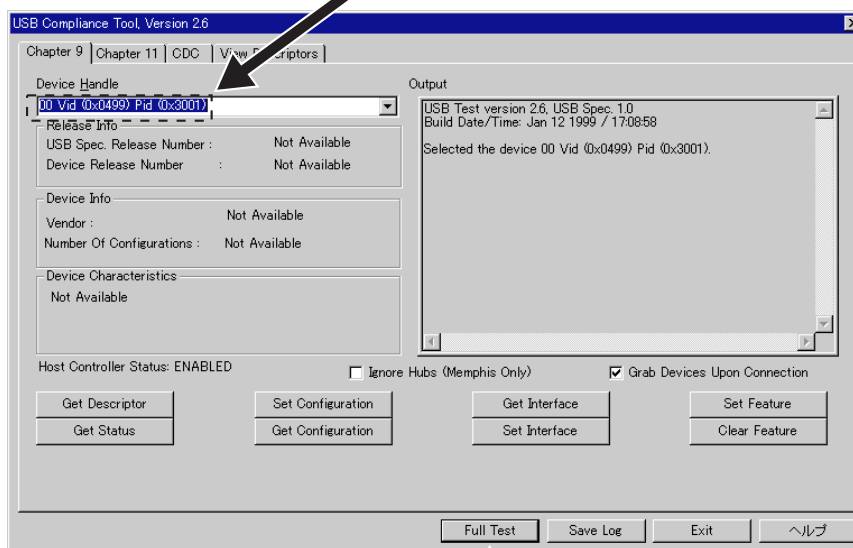
CHECK 1 " 00Vid (0X0499) Pid (0X3001) "

[USB Compliance Tool, Version 2.6] display.



Confirm the " 99 Vid (0X0499) Pid (0X3001)". (See Fig. 17)

Confirmed.



Click.

Fig. 17



Confirmation of USB EEPROM (IC201) operation is completed.



Click the [Full Test] (See Fig. 17) for next check.

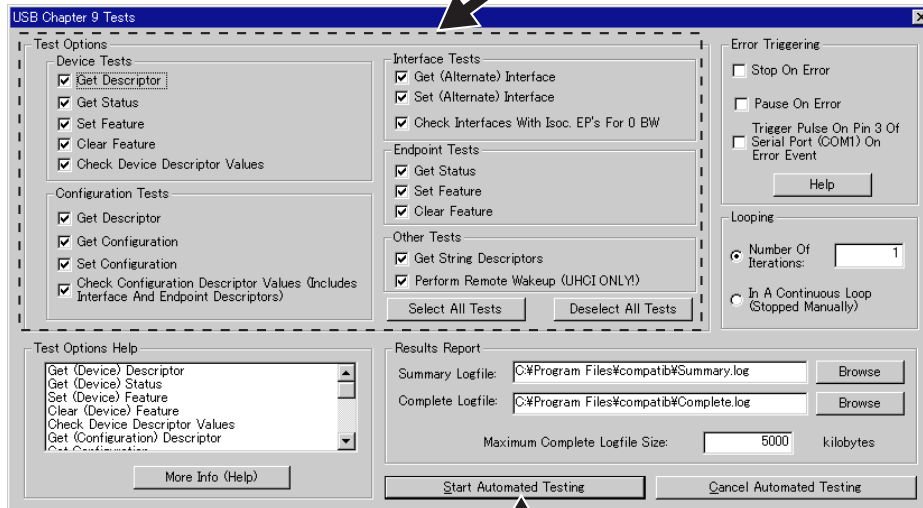
YST-MS55D**CHECK 2** All is checked ("✓").

[USB Chapter 9 Test] display.



Confirm that all is checked ("✓"). (See Fig. 18)

All is checked ("✓").



Click.

Fig. 18



Click the [Start Automated Testing] (See Fig. 18) for next check.

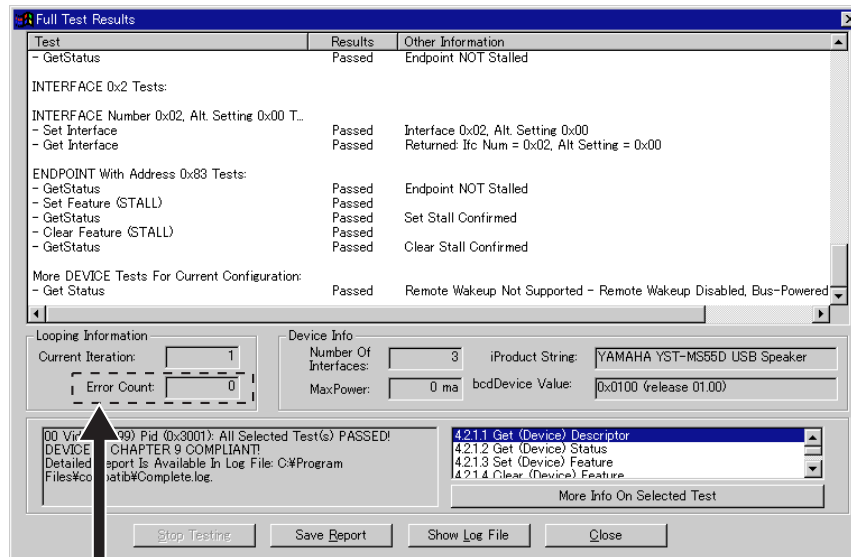
YST-MS55D

CHECK 3 " Error Count : 0 "

[Full Test Results] display.



Confirm the " Error Count : 0 ". (See Fig. 19)



Confirmed.

Fig. 19



Operation of between USB IC and USB port is normal state.



Enter automated to next check.

YST-MS55D

CHECK 4 " OK "

[USB Compliance Tool] display.



Confirm the " OK ". (See Fig. 20)

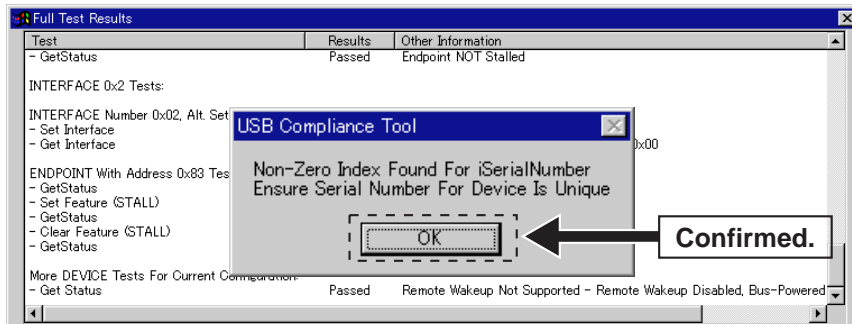


Fig. 20



Enter automated to next check.

CHECK 5 " OK "

[DEVICE IS HID] display.



Confirm the " OK ". (See Fig. 21)

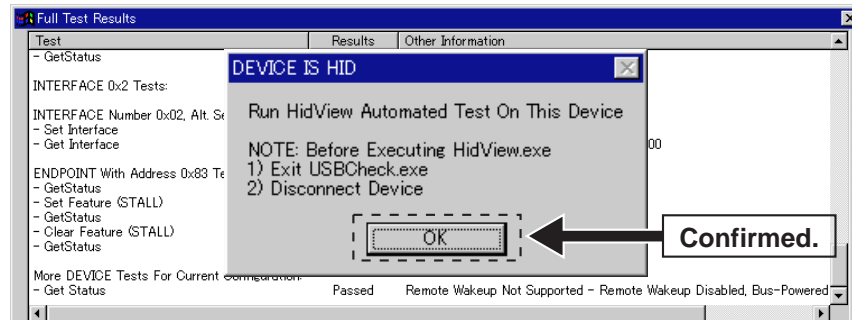


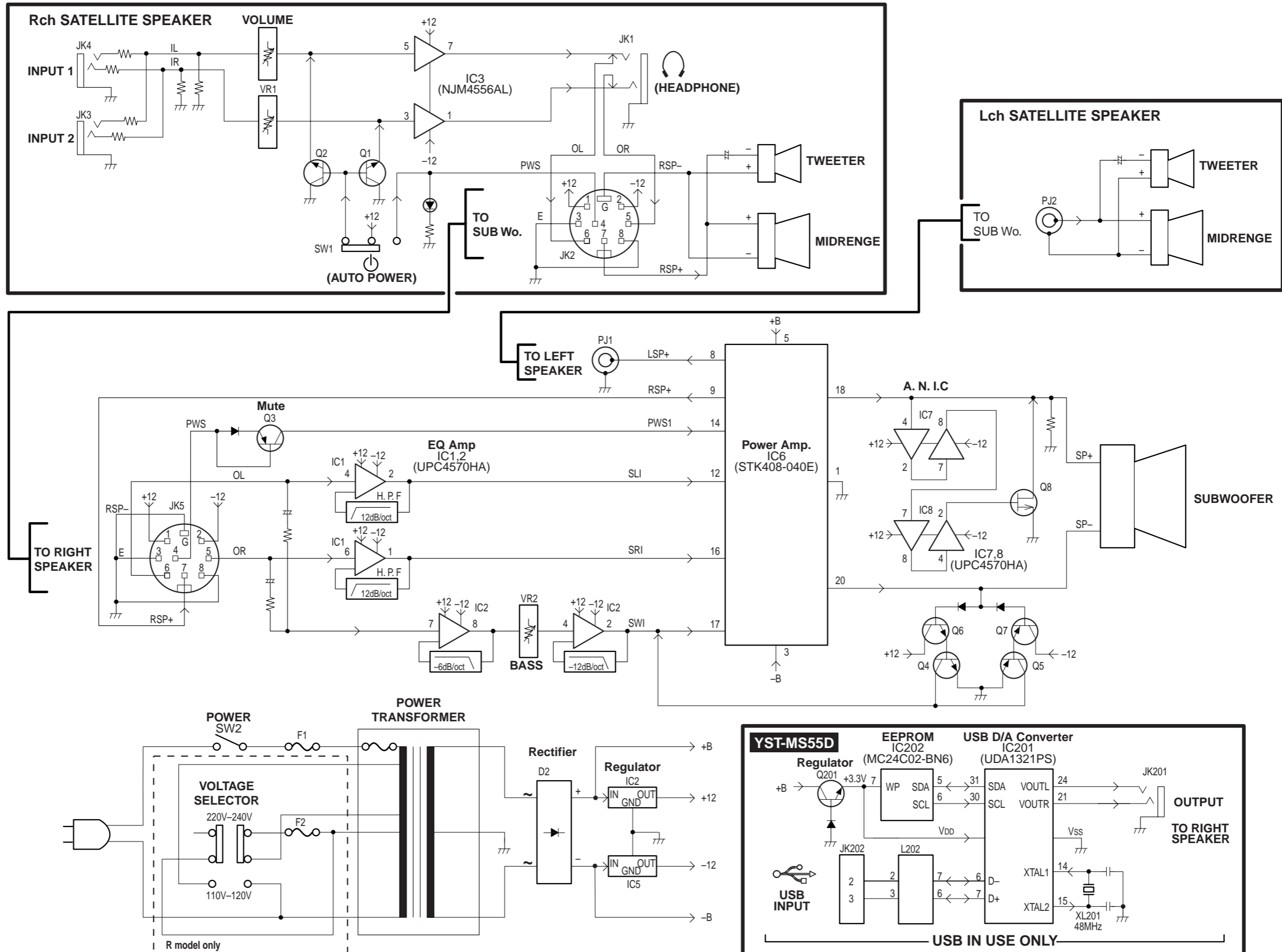
Fig. 21



Completed the USB port operation check.

YST-MS50 YST-MS55D

■ BLOCK DIAGRAM

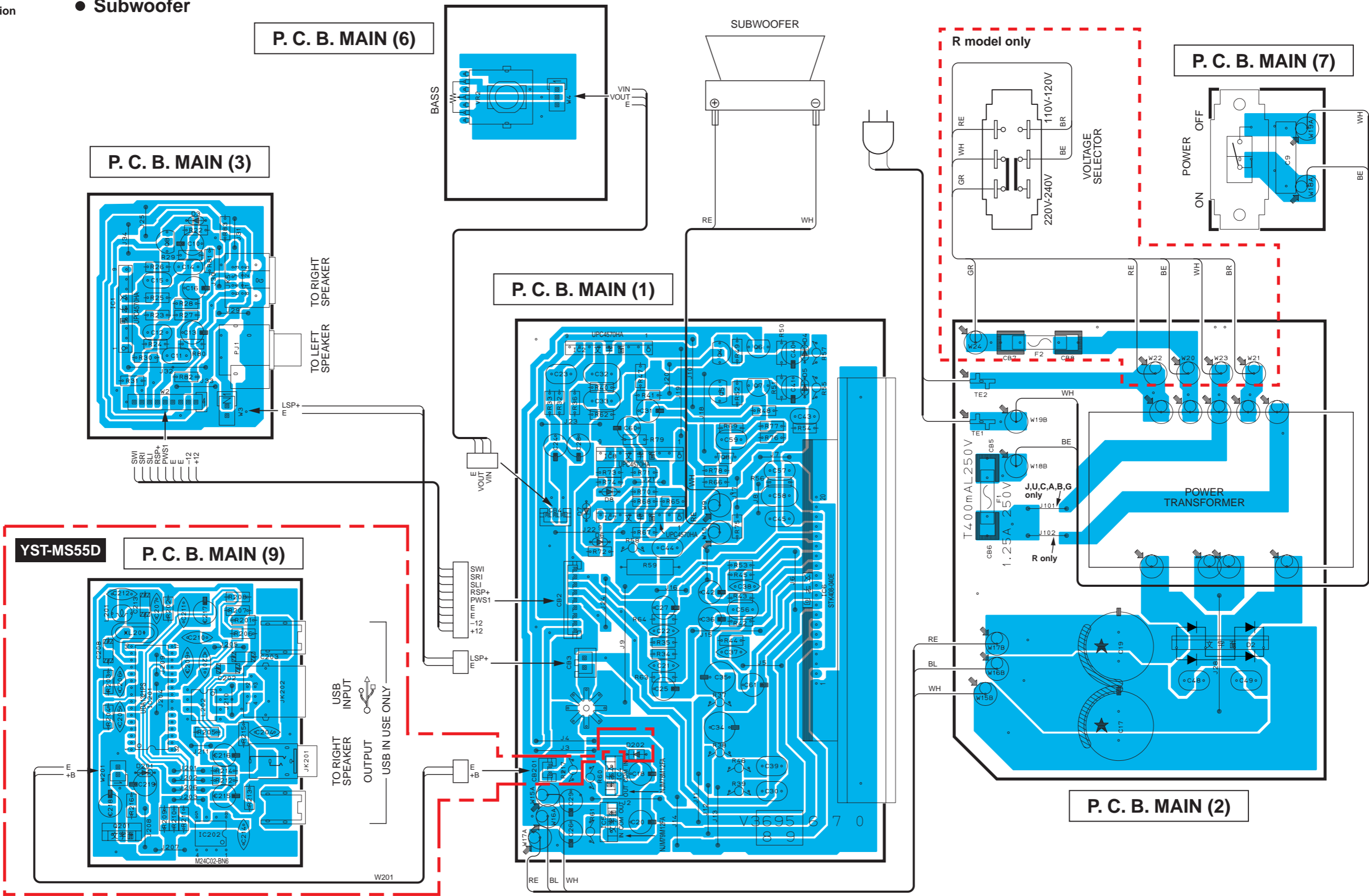


PRINTED CIRCUIT BOARD (Foil side)

● Semiconductor Location

Ref. No.	Location
D2	H4
D3	B2
D4	E3
D5	E3
D6	D4
D7	D4
D8	D4
D201	B5
D202	E5
IC1	B3
IC2	D3
IC4	D5
IC5	D5
IC6	E4
IC7	D4
IC8	D3
IC201	B5
IC202	B5
Q3	B2
Q4	E3
Q5	E3
Q6	E3
Q7	E3
Q8	E3
Q201	B5

● Subwoofer



YST-MS50 YST-MS55D

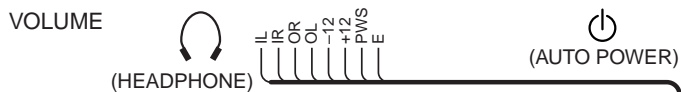
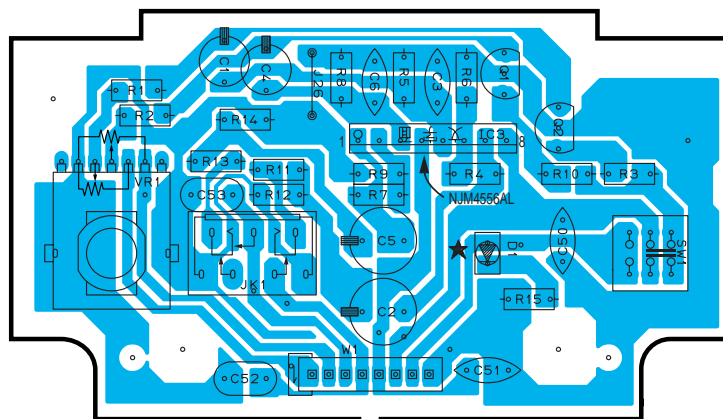
PRINTED CIRCUIT BOARD (Foil side)

● **Satellite Speakers**

P. C. B. MAIN (4)

● **Semiconductor Location**

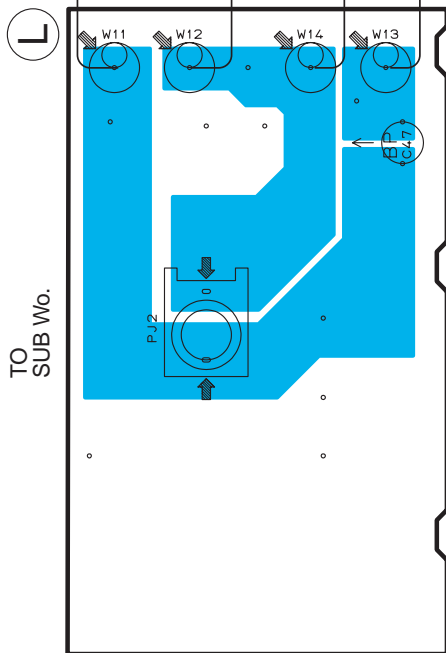
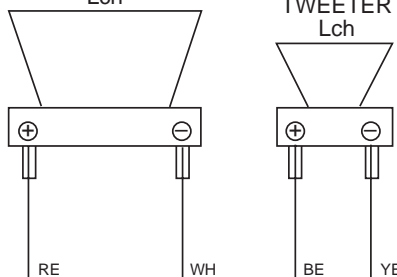
Ref. No.	Location
IC3	C1
Q1	C1
Q2	C1



P. C. B. MAIN (8)

SATELLITE
MIDRANGE
Lch

SATELLITE
TWEETER
Lch

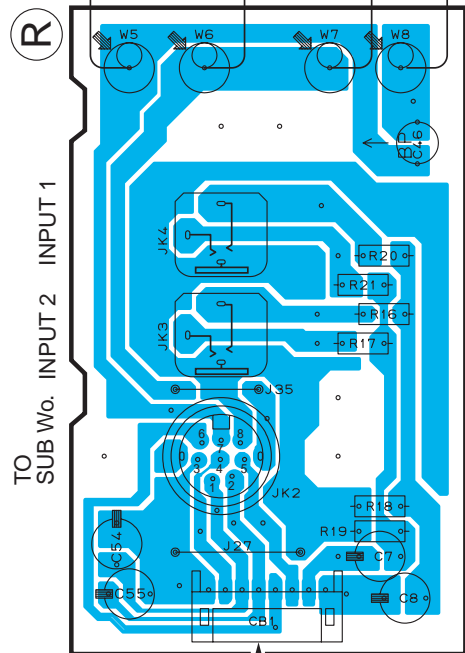
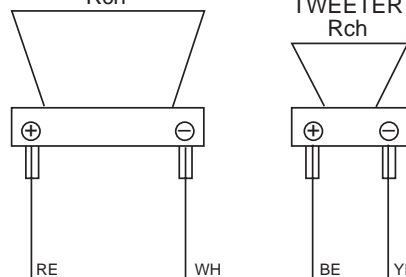


TO
SUB Wo.

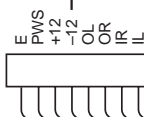
P. C. B. MAIN (5)

SATELLITE
MIDRANGE
Rch

SATELLITE
TWEETER
Rch



TO
SUB Wo. INPUT 2



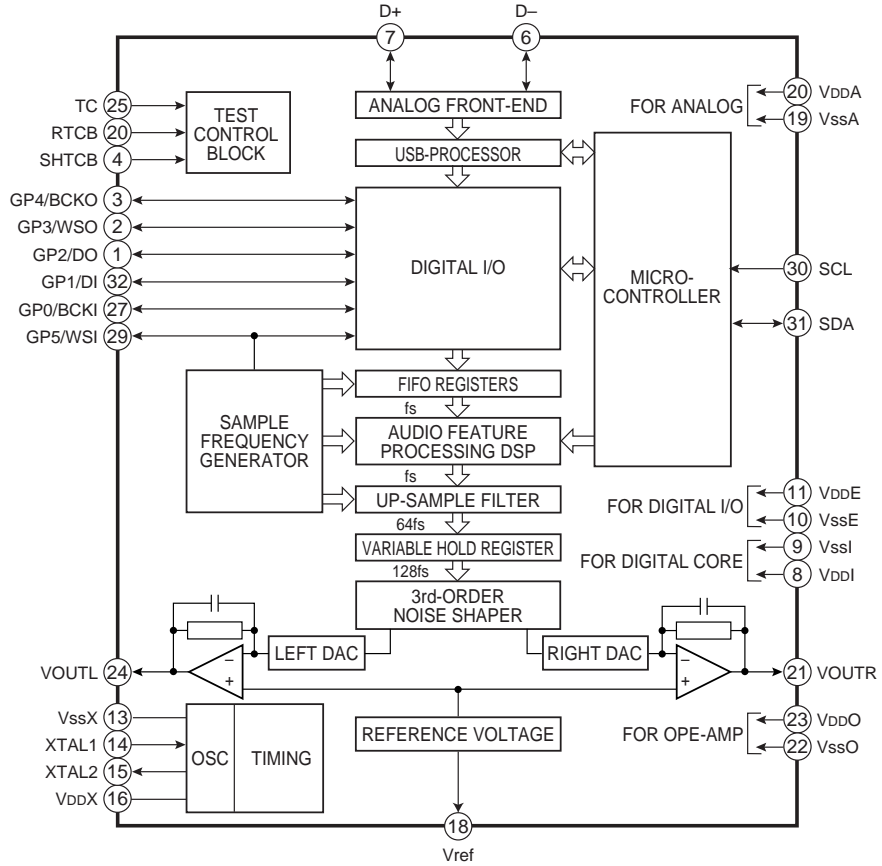
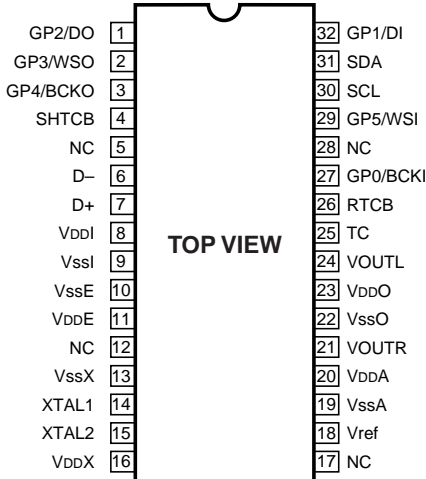
YST-MS55D

IC DATA

IC201: UDA1321PS

Universal Serial Bus (USB)

Digital-to-Analog Converter (DAC)



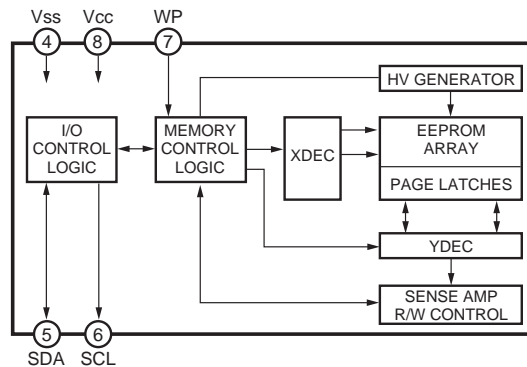
No.	Name	I/O	Function	No.	Name	I/O	Function
1	GP2/DO		*1	32	GP1/DI		*1
2	GP3/WSO		*1	31	SDA	I/O	Serial data (I ² C-Bus)
3	GP4/BCKO		*1	30	SCL	I	Serial clock (I ² C-Bus)
4	SHTCB		*2	29	GP5/WSI		*1
5	NC		Unconnected	28	NC		Unconnected
6	D-	I/O	Negative	27	GP0/BCKI		*1
7	D+	I/O	Positive				
8	VDDI		Power supply	26	RTCB		*2
9	VssI		Ground				
10	VssE		Ground	25	TC		*2
11	VDD E		Power supply				
12	NC		Unconnected	24	VOU TL	O	Lch Output voltage
13	VssX		Ground	23	VDDO		Power supply
14	XTAL1	Input	(for Crystal oscillator)	22	VssO		Ground
15	XTAL2	Output		21	VOU TR	O	Rch output voltage
16	VDDX	Power supply		20	VDDA		Power supply
				19	VssA		Ground
				18	Vref	O	Reference Voltage
				17	NC		Unconnected

NOTE) *1 : Normally unconnected. *2 : Normally connected to ground.

IC202: M24C02-BN6

2k 2.5V CMOS Serial

Electrically Erasable PROM (EEPROM)

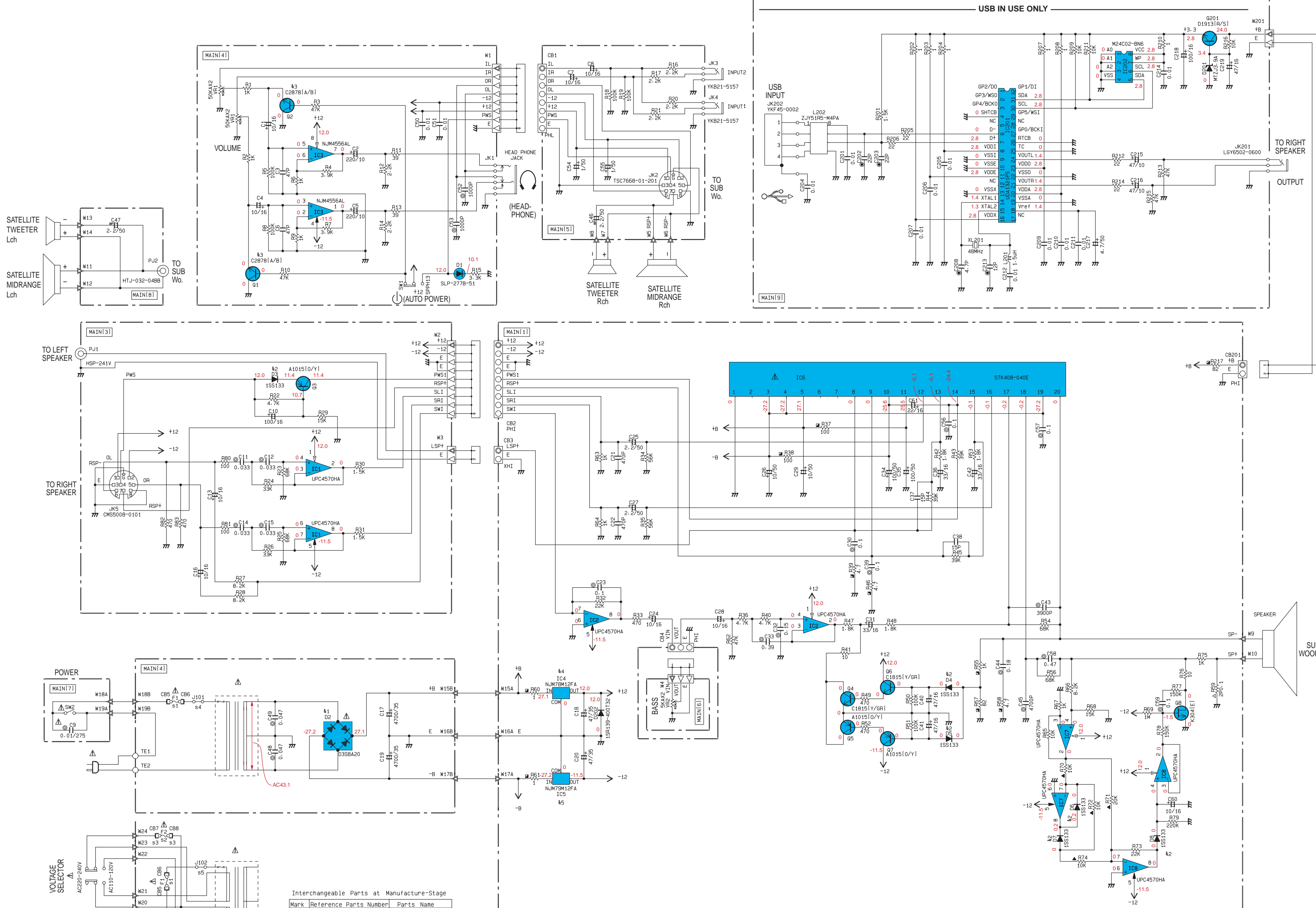


No.	Name	I/O	Function	No.	Name	I/O	Function
1	A0		*1	8	Vcc		Power supply
2	A1		*1	7	WP		*2
3	A2		*1	6	SCL	O	Serial clock (I ² C-Bus)
4	Vss		Ground	5	SDA	I/O	Serial data (I ² C-Bus)

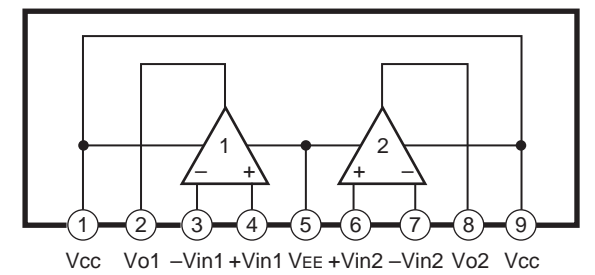
NOTE) *1 : Normally connected to ground. *2 : Normally connected to power supply.

SCHEMATIC DIAGRAM (YST-MS55D)

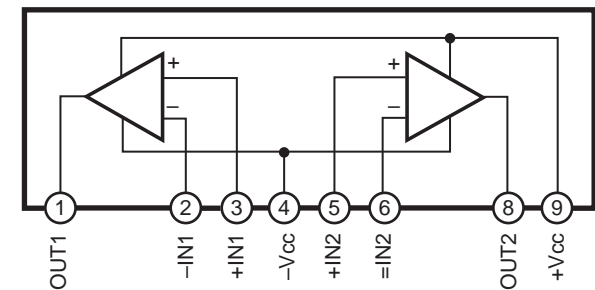
IC201, 202→See page 23, IC DATA



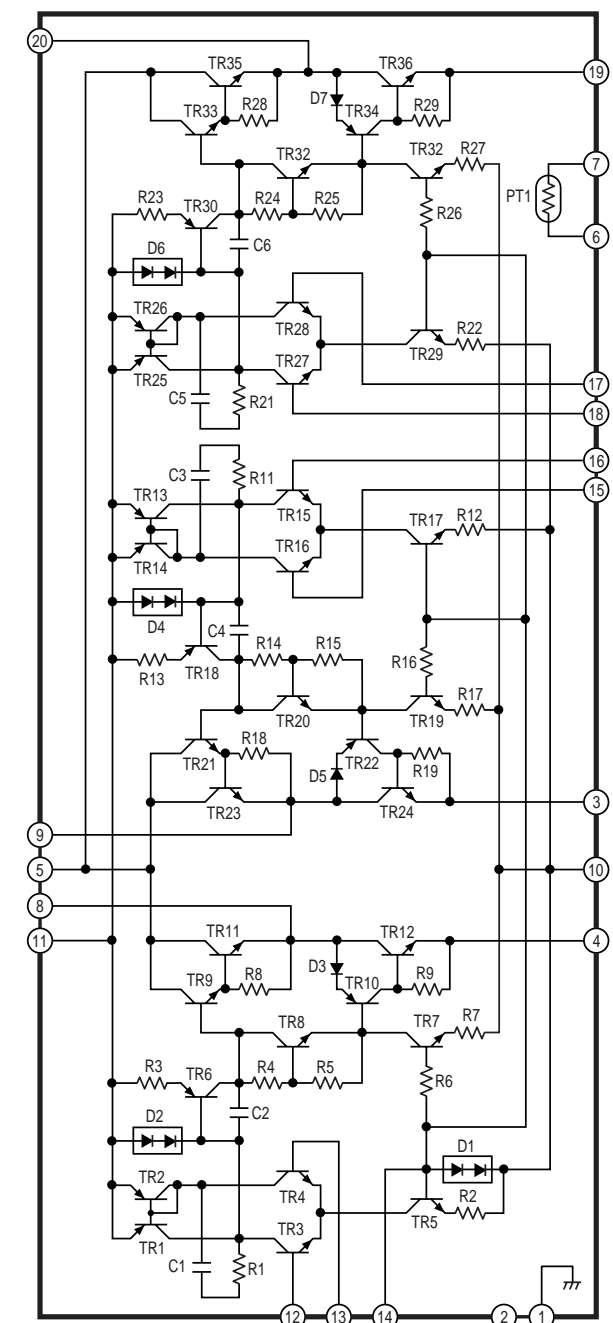
IC1,2,7,8 : UPC4570HA
Dual OP-Amp



IC3 : NJM4556AL
Dual Op-Amp



IC6 : STK408-040E
3-channel AF Power Amp



Interchangeable Parts at Manufacture-Stage

Mark	Reference	Parts Number	Parts Name
k1	D2	D3SB420	RBV-402
k2	D3-8	1SS133	HSS104TD
k3	G1-2	C2878(A/B)	C3792
k4	IC4	NJM79M12FA	AN79M12F
k5	IC5	NJM79M12FA	AN79M12F

	J-U-C	R	A	B-G
s1	F1	1.25A250V	1.25A250V	T400MAL250V
s2	F2	X	T400MAL250V	X
s3	CB7-8	X	VP20650	X
s4	J101	0	X	0
s5	J102	X	0	X
s6				

NOTICE (model1)
(J)..... JAPANESE
(U)..... U.S.A
(C)..... CANADIAN
(R)..... GENERAL
(A)..... AUSTRALIAN
(B)..... BRITISH
(G)..... EUROPEAN
(T)..... CHINA
(L)..... SINGAPORE

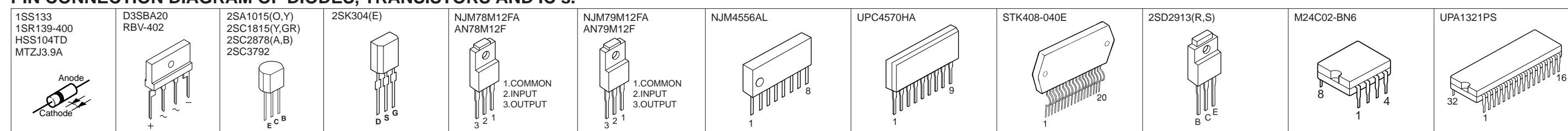
RESISTOR

REMARKS	PARTS NAME
NO MARK	CARBON FILM RESISTOR (P=5)
□	CARBON FILM RESISTOR (P=10)
△	METAL OXIDE FILM RESISTOR
▲	METAL FILM RESISTOR
△	METAL PLATE RESISTOR
□	FIRE PROOF CARBON FILM RESISTOR
□	CEMENT MOLDED RESISTOR
□	SEMI VARIABLE RESISTOR
■	CHIP RESISTOR

CAPACITOR

REMARKS	PARTS NAME
NO MARK	ELECTROLYTIC CAPACITOR
⊗	TANTALUM CAPACITOR
NO MARK	CERAMIC CAPACITOR
⊙	CERAMIC TUBULAR CAPACITOR
○	POLYESTER FILM CAPACITOR
○	POLYSTYRENE FILM CAPACITOR
⊖	MICA CAPACITOR
⊙	POLYPROPYLENE FILM CAPACITOR
⊙	SEMICONDUCTIVE CERAMIC CAPACITOR
⊙	POLYPHENYLENE SULFIDE FILM CAPACITOR

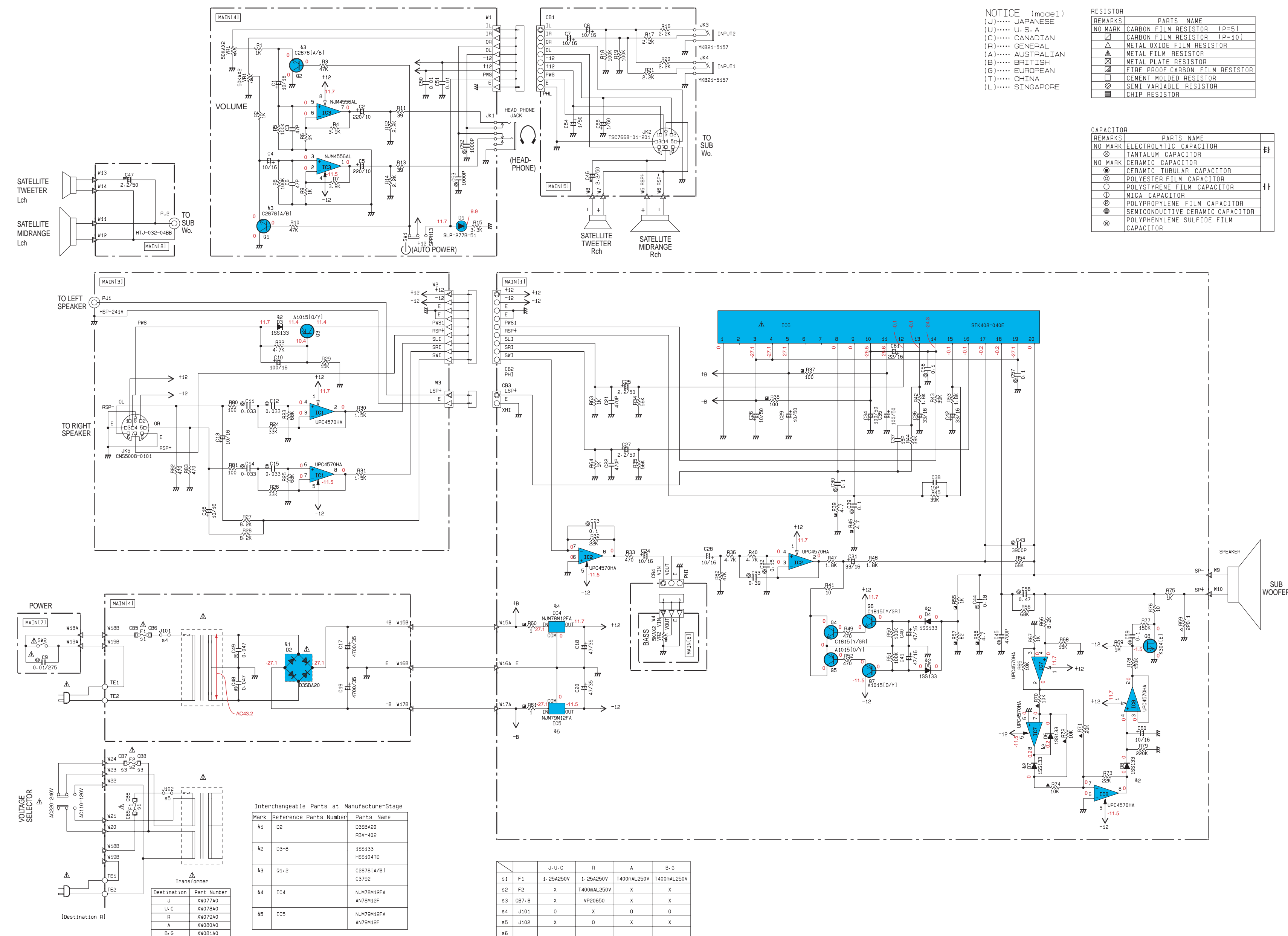
PIN CONNECTION DIAGRAM OF DIODES, TRANSISTORS AND IC's.



* All voltages are measured with a 10MΩ/V DC electric volt meter.
* Components having special characteristics are marked Δ and must be replaced with parts having specifications equal to those originally installed.
* Schematic diagram is subject to change without notice.

YST-MS50

SCHEMATIC DIAGRAM (YST-MS50)



NOTICE (mode1)
 (J)..... JAPANESE
 (U)..... U.S.A
 (C)..... CANADIAN
 (R)..... GENERAL
 (A)..... AUSTRALIAN
 (B)..... BRITISH
 (G)..... EUROPEAN
 (T)..... CHINA
 (L)..... SINGAPORE

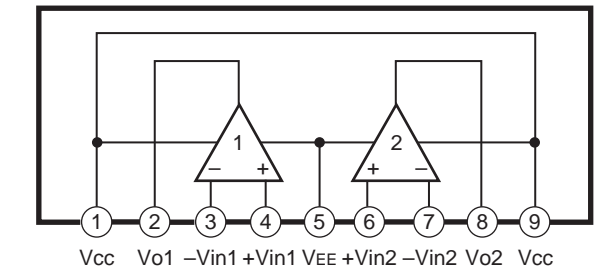
RESISTOR

REMARKS	PARTS NAME
NO MARK	CARBON FILM RESISTOR (P=5)
□	CARBON FILM RESISTOR (P=10)
△	METAL OXIDE FILM RESISTOR
▲	METAL FILM RESISTOR
■	METAL PLATE RESISTOR
⊠	FIRE PROOF CARBON FILM RESISTOR
□	CEMENT MOLDED RESISTOR
⊕	SEMI VARIABLE RESISTOR
■	CHIP RESISTOR

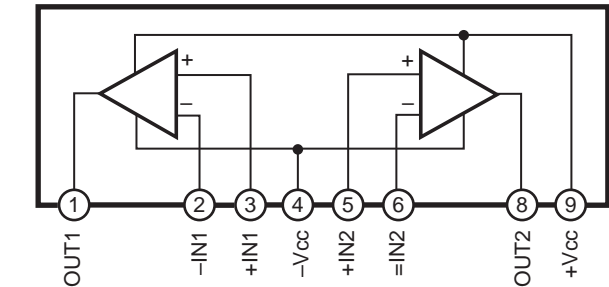
CAPACITOR

REMARKS	PARTS NAME
NO MARK	ELECTROLYTIC CAPACITOR
⊗	TANTALUM CAPACITOR
NO MARK	CERAMIC CAPACITOR
⊙	CERAMIC TUBULAR CAPACITOR
⊖	POLYESTER FILM CAPACITOR
○	POLYSTYRENE FILM CAPACITOR
⊕	MICA CAPACITOR
⊖	POLYPROPYLENE FILM CAPACITOR
⊖	SEMICONDUCTIVE CERAMIC CAPACITOR
⊖	POLYPHENYLENE SULFIDE FILM CAPACITOR

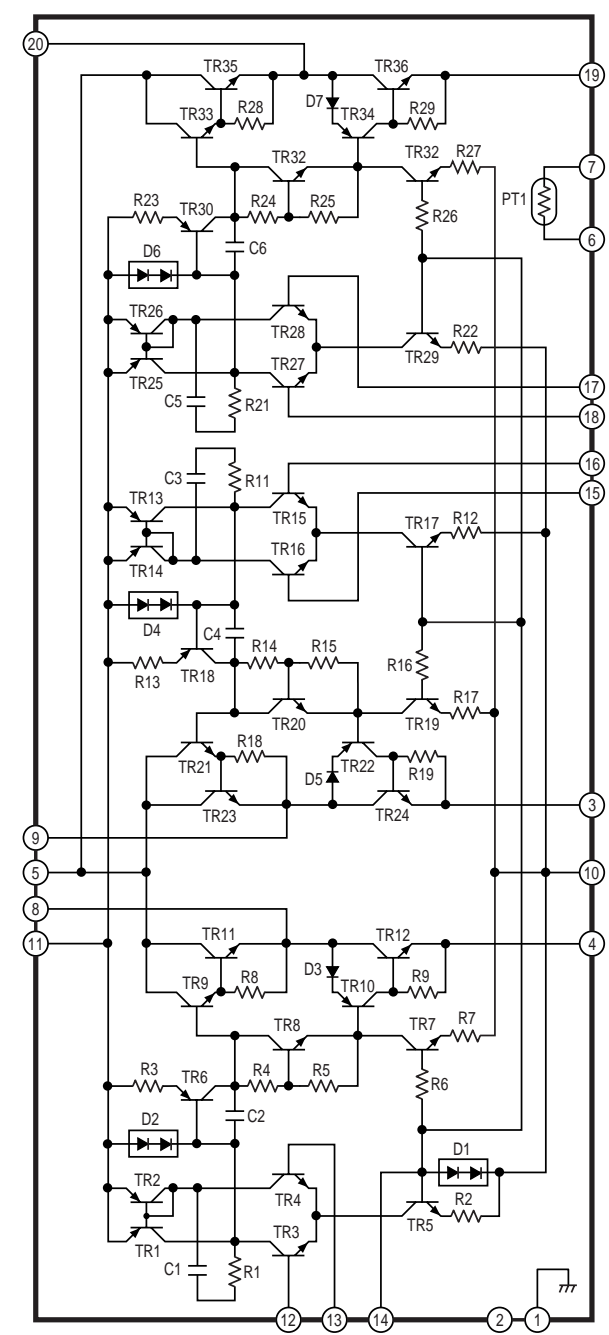
IC1,2,7,8 : UPC4570HA
Dual Op-Amp



IC3 : NJM4556AL
Dual Op-Amp



IC6 : STK408-040E
3-channel AF Power Amp

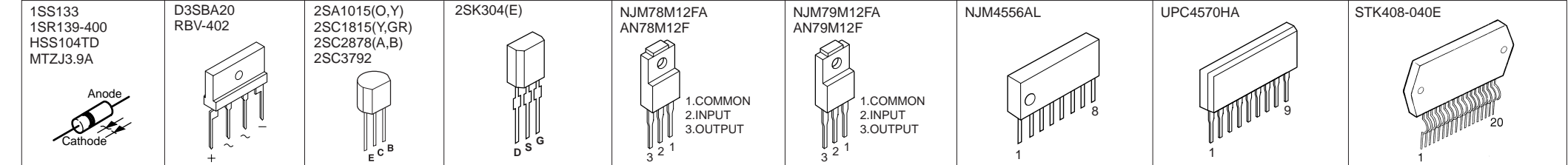


Interchangeable Parts at Manufacture-Stage

Mark	Reference Parts Number	Parts Name
k1	D2	D3SBA20 RBV-402
k2	D3-B	1SS133 HSS104TD
k3	D1-2	C2878(A/B) C3792
k4	IC4	NJM78M12FA AN78M12F
k5	IC5	NJM79M12FA AN79M12F

	J-U-C	R	A	B-G
s1	F1	1.25A250V	1.25A250V	T400MAL250V T400MAL250V
s2	F2	X	T400MAL250V	X X
s3	CB7-B	X	VP20650	X X
s4	J101	X	X	O O
s5	J102	X	O	X X
s6				

PIN CONNECTION DIAGRAM OF DIODES, TRANSISTORS AND IC'S.



* All voltages are measured with a 10MΩ/V DC electric volt meter.
 * Components having special characteristics are marked Δ and must be replaced with parts having specifications equal to those originally installed.
 * Schematic diagram is subject to change without notice.

PARTS LIST

■ ELECTRICAL PARTS

■ WARNING

Components having special characteristics are marked \triangle and must be replaced with parts having specifications equal to those originally installed.

- Carbon resistors (1/6W or 1/4W) are not included in the ELECTRICAL PARTS List. For the parts Nos. of the carbon resistores, refer to the last page.

ABBREVIATIONS IN THIS LIST ARE AS FOLLOWS:

C. A. EL. CHP	: CHIP ALUMI. ELECTROLYTIC CAP	L. EMIT	: LIGHT EMITTING MODULE
C. CE	: CERAMIC CAP	LED. DSPLY	: LED DISPLAY
C. CE. ARRAY	: CERAMIC CAP ARRAY	LED. INFRD	: LED, INFRARED
C. CE. CHP	: CHIP CERAMIC CAP	MODUL. RF	: MODULATOR, RF
C. CE. ML	: MULTILAYER CERAMIC CAP	PHOT. CPL	: PHOTO COUPLER
C. CE. M. CHP	: CHIP MULTILAYER CERAMIC CAP	PHOT. INTR	: PHOTO INTERRUPTER
C. CE. SAFTY	: RECOGNIZED CERAMIC CAP	PHOT. RFLCT	: PHOTO REFLECTOR
C. CE. TUBLR	: CERAMIC TUBULAR CAP	PIN. TEST	: PIN, TEST POINT
C. CE. SMI	: SEMI CONDUCTIVE CERAMIC CAP	PLST. RIVET	: PLASTIC RIVET
C. EL	: ELECTROLYTIC CAP	R. ARRAY	: RESISTOR ARRAY
C. MICA	: MICA CAP	R. CAR	: CARBON RESISTOR
C. ML. FLM	: MULTILAYER FILM CAP	R. CAR. CHP	: CHIP RESISTOR
C. MP	: METALLIZED PAPER CAP	R. CAR.FP	: FLAME PROOF CARBON RESISTOR
C. MYLAR	: MYLAR FILM CAP	R. FUS	: FUSABLE RESISTOR
C. MYLAR. ML	: MULTILAYER MYLAR FILM CAP	R. MTL. CHP	: CHIP METAL FILM RESISTOR
C. PAPER	: PAPER CAPACITOR	R. MTL. FILM	: METAL FILM RESISTOR
C. PLS	: POLYSTYRENE FILM CAP	R. MTL. OXD	: METAL OXIDE FILM RESISTOR
C. POL	: POLYESTER FILM CAP	R. MTL. PLAT	: METAL PLATE RESISTOR
C. POLY	: POLYETHYLENE FILM CAP	RSNR. CE	: CERAMIC RESONATOR
C. PP	: POLYPROPYLENE FILM CAP	RSNR. CRYST	: CRYSTAL RESONATOR
C. TANTL	: TANTALUM CAP	R. TW. CEM	: TWIN CEMENT FIXED RESISTOR
C. TNT. CHP	: CHIP TANTALUM CAP	R. WW	: WIRE WOUND RESISTOR
C. TRIM	: TRIMMER CAP	SCR. BND. HD	: BIND HEAD B-TITE SCREW
CN	: CONNECTOR	SCR. BW. HD	: BW HEAD TAPPING SCREW
CN. BS. PIN	: CONNECTOR, BASE PIN	SCR. CUP	: CUP TITE SCREW
CN. CANNON	: CONNECTOR, CANNON	SCR. TERM	: SCREW TERMINAL
CN. DIN	: CONNECTOR, DIN	SCR. TR	: SCREW, TRANSISTOR
CN. FLAT	: CONNECTOR, FLAT CABLE	SUPRT. PCB	: SUPPORT, P. C. B.
CN. POST	: CONNECTOR, BASE POST	SURG. PRTCT	: SURGE PROTECTOR
COIL. MX. AM	: COIL, AM MIX	SW. TACT	: TACT SWITCH
COIL. AT. FM	: COIL, FM ANTENNA	SW. LEAF	: LEAF SWITCH
COIL. DT. FM	: COIL, FM DETECT	SW. LEVER	: LEVER SWITCH
COIL. MX. FM	: COIL, FM MIX	SW. MICRO	: MICRO SWITCH
COIL. OUTPT	: OUTPUT COIL	SW. PUSH	: PUSH SWITCH
DIOD. ARRAY	: DIODE ARRAY	SW. RT. ENC	: ROTARY ENCODER
DIODE. BRG	: DIODE BRIDGE	SW. RT. MTR	: ROTARY SWITCH WITH MOTOR
DIODE. CHP	: CHIP DIODE	SW. RT	: ROTARY SWITCH
DIODE. VAR	: VARACTOR DIODE	SW. SLIDE	: SLIDE SWITCH
DIOD. Z. CHP	: CHIP ZENER DIODE	TERM. SP	: SPEAKER TERMINAL
DIODE. ZENR	: ZENER DIODE	TERM. WRAP	: WRAPPING TERMINAL
DSCR. CE	: CERAMIC DISCRIMINATOR	THRMST. CHP	: CHIP THERMISTOR
FER. BEAD	: FERRITE BEADS	TR. CHP	: CHIP TRANSISTOR
FER. CORE	: FERRITE CORE	TR. DGT	: DIGITAL TRANSISTOR
FET. CHP	: CHIP FET	TR. DGT. CHP	: CHIP DIGITAL TRANSISTOR
FL. DSPLY	: FLUORESCENT DISPLAY	TRANS	: TRANSFORMER
FLTR. CE	: CERAMIC FILTER	TRANS. PULS	: PULSE TRANSFRMER
FLTR. COMB	: COMB FILTER MODULE	TRANS. PWR	: POWER TRANSFORMER ASS'y
FLTR. LC. RF	: LC FILTER, EMI	TUNER. AM	: TUNER PACK, AM
GND. MTL	: GROUND PLATE	TUNER. FM	: TUNER PACK, FM
GND. TERM	: GROUND TERMINAL	TUNER. PK	: FRONT-END TUNER PACK
HOLDER. FUS	: FUSE HOLDER	VR	: ROTARY POTENTIOMETER
IC. PRTCT	: IC PROTECTOR	VR. MTR	: POTENTIOMETER WITH MOTOR
JUMPER. CN	: JUMPER CONNECTOR	VR. SW	: POTENTIOMETER WITH ROTARY SW
JUMPER. TST	: JUMPER, TEST POINT	VR. SLIDE	: SLIDE POTENTIOMETER
L. DTCT	: LIGHT DETECTING MODULE	VR. TRIM	: TRIMMER POTENTIOMETER

Note) Those parts marked with "#" are not included in the P. C. B. Ass'y.

YST-MS50

P. C. B. MAIN

Schm Ref	PART NO.	Description	
* * * *	V3406400	P.C.B.	MAIN(UC)
	V3406500	P.C.B.	MAIN(R)
	V3406600	P.C.B.	MAIN(A)
	V3406700	P.C.B.	MAIN(BG)
CB1	VB858700	CN.BS.PIN	8P
CB2	VD005200	CN.BS.PIN	9P
CB3	LB918020	CN.BS.PIN	2P
CB4	VD004600	CN.BS.PIN	3P
CB5	VP206500	HOLDER.FUS	EYF-52BC
CB6	VP206500	HOLDER.FUS	EYF-52BC
CB7	VP206500	HOLDER.FUS	EYF-52BC(R)
CB8	VP206500	HOLDER.FUS	EYF-52BC(R)
C1	VJ836900	C.EL	10uF 16V
C2	VV020100	C.EL	220uF 10V
C3	FG211470	C.CE	47pF 50V
C4	VJ836900	C.EL	10uF 16V
C5	VV020100	C.EL	220uF 10V
C6	FG211470	C.CE	47pF 50V
C7	VJ836900	C.EL	10uF 16V
C8	VJ836900	C.EL	10uF 16V
△ C9	VS741700	C.CE.SAFTY	0.01uF 275V
C10	VF964800	C.EL	100uF 16V
C11	UA654330	C.MYLAR	0.033uF 50V
C12	UA654330	C.MYLAR	0.033uF 50V
C13	VJ836900	C.EL	10uF 16V
C14	UA654330	C.MYLAR	0.033uF 50V
C15	UA654330	C.MYLAR	0.033uF 50V
C16	VJ836900	C.EL	10uF 16V
C17	UR759470	C.EL	4700uF 35V
C18	UR857470	C.EL	47uF 35V
C19	UR759470	C.EL	4700uF 35V
C20	UR857470	C.EL	47uF 35V
C21	FG212470	C.CE	470pF 50V
C22	FG212470	C.CE	470pF 50V
C23	UA655100	C.MYLAR	0.1uF 50V
C24	VJ836900	C.EL	10uF 16V
C25	UR866220	C.EL	2.2uF 50V
C26	UR867100	C.EL	10uF 50V
C27	UR866220	C.EL	2.2uF 50V
C28	VJ836900	C.EL	10uF 16V
C29	UR867100	C.EL	10uF 50V
C30	UA655100	C.MYLAR	0.1uF 50V
C31	UM397330	C.EL	33uF 16V
C32	UA655150	C.MYLAR	0.15uF 50V
C33	UA655390	C.MYLAR	0.39uF 50V
C34	UJ668100	C.EL	100uF 50V
C35	UJ668100	C.EL	100uF 50V
C36	UM397330	C.EL	33uF 16V
C37	FG211150	C.CE	15pF 50V
C38	FG211150	C.CE	15pF 50V
C39	UA655100	C.MYLAR	0.1uF 50V
C40	VJ837200	C.EL	47uF 16V
C41	VJ837200	C.EL	47uF 16V

* New Parts

Schm Ref	PART NO.	Description	
C42	UM397330	C.EL	33uF 16V
C43	UA653390	C.MYLAR	3900pF 50V
C44	UA655180	C.MYLAR	0.18uF 50V
C45	UA653470	C.MYLAR	4700pF 50V
C46	VD916400	C.EL	2.2uF 50V
C47	VD916400	C.EL	2.2uF 50V
C48	UA654470	C.MYLAR	0.047uF 50V
C49	UA654470	C.MYLAR	0.047uF 50V
C50	FG214100	C.CE	0.01uF 50V
C51	FG214100	C.CE	0.01uF 50V
C52	UA653100	C.MYLAR	1000pF 50V
C53	UA653100	C.MYLAR	1000pF 50V
C54	VJ839100	C.EL	1uF 50V
C55	VJ839100	C.EL	1uF 50V
C56	UA655100	C.MYLAR	0.1uF 50V
C57	UA655100	C.MYLAR	0.1uF 50V
C58	UA655470	C.MYLAR	0.47uF 50V
C59	UA655100	C.MYLAR	0.1uF 50V
C60	VJ836900	C.EL	10uF 16V
C61	UM407220	C.EL	22uF 25V
D1	VY660300	LED(gr)	SLP-277B-51
△ D2	VN011300	DIODE.BRG	D3SBA20 4A 200V
D3	iF004600	DIODE	1SS133
D4	iF004600	DIODE	1SS133
D5	iF004600	DIODE	1SS133
D6	iF004600	DIODE	1SS133
D7	iF004600	DIODE	1SS133
D8	iF004600	DIODE	1SS133
△ F1	KB000660	FUSE	400mA 250V(ABG)
△ F1	VT272700	FUSE	1.25A(UCR)
△ F2	KB000660	FUSE	400mA 250V(R)
IC1	XB247301	IC	uPC4570HA
IC2	XB247301	IC	uPC4570HA
IC3	XP844A00	IC	NJM4556AL
IC4	XJ602A00	IC	NJM78M12FA
IC5	XD343A00	IC	NJM79M12FA
IC6	XV809A00	IC	STK408-040E 25W
IC7	XB247301	IC	uPC4570HA
IC8	XB247301	IC	uPC4570HA
* JK1	V3666400	JACK.MNI	HTJ-035-27A
* JK2	V3317500	JACK.DIN	8P
* JK3	V3317400	JACK.MNI	1P
* JK4	V3317400	JACK.MNI	1P
JK5	VV881000	CN.DIN	8P CMS5008-0101
* PJ1	V3407500	JACK.PIN	1P
PJ2	VU581900	JACK.PIN	HTJ-032-04BB
Q1	iC287820	TR	2SC2878 A,B
Q2	iC287820	TR	2SC2878 A,B
Q3	iA101590	TR	2SA1015 O,Y
Q4	iC1815M0	TR	2SC1815 Y,GR
Q5	iA101590	TR	2SA1015 O,Y
Q6	iC1815M0	TR	2SC1815 Y,GR
Q7	iA101590	TR	2SA1015 O,Y

* New Parts

YST-MS50

Schm Ref	PART NO.	Description		
* Q8	V3028000	FET	2SK304 E	
R37	HV455100	R.CAR.FP	100Ω	1/4W
R38	HV455100	R.CAR.FP	100Ω	1/4W
R39	HV453470	R.CAR.FP	4.7Ω	1/4W
R46	HV453470	R.CAR.FP	4.7Ω	1/4W
R55	HV456100	R.CAR.FP	1KΩ	1/4W
R57	HV454820	R.CAR.FP	82Ω	1/4W
R58	HV453470	R.CAR.FP	4.7Ω	1/4W
R59	VE869300	R.MTL.OXD	0.1Ω	2W
R60	HV453100	R.CAR.FP	1Ω	1/4W
R61	HV453100	R.CAR.FP	1Ω	1/4W
R70	HU597100	R.MTL.FLM	10KΩ	1/4W
R71	VH007900	R.MTL.FLM	20KΩ	1/4W
R72	HU597100	R.MTL.FLM	10KΩ	1/4W
R74	HU597100	R.MTL.FLM	10KΩ	1/4W
SW1	VS066500	SW.PUSH	SPPH13-W	
TE1	VT658100	TERM.WRAP	352-TX119	
TE2	VT658100	TERM.WRAP	352-TX119	
VR1	V2261700	VR	A50KΩ	
VR2	VZ496100	VR	A5KΩ	
△	V2572700	VOLT.SELCT	(R)	
	BB070700	GND.MTL		
*	V3408500	RADIATOR		
*	V4097600	HOLDER.LED	LH-5-14	
	Ei030086	SCR.BND.HD	3x8	ZMC2-Y
	Ei330166	SCR.BND.HD	3x16	FCRM3-BL

* New Parts

P.C.B. MAIN

Schm Ref	PART NO.	Description	
*	V3695600	P.C.B.	MAIN(UC)
*	V3695700	P.C.B.	MAIN(R)
*	V3695800	P.C.B.	MAIN(A)
*	V3695900	P.C.B.	MAIN(BG)
CB1	VB858700	CN.BS.PIN	8P
CB2	VD005200	CN.BS.PIN	9P
CB3	LB918020	CN.BS.PIN	2P
CB4	VD004600	CN.BS.PIN	3P
CB5	VP206500	HOLDER.FUS	EYF-52BC
CB6	VP206500	HOLDER.FUS	EYF-52BC
CB7	VP206500	HOLDER.FUS	EYF-52BC(R)
CB8	VP206500	HOLDER.FUS	EYF-52BC(R)
CB201	VD004500	CN.BS.PIN	2P
C1	VJ836900	C.EL	10uF 16V
C2	VV020100	C.EL	220uF 10V
C3	FG211470	C.CE	47pF 50V
C4	VJ836900	C.EL	10uF 16V
C5	VV020100	C.EL	220uF 10V
C6	FG211470	C.CE	47pF 50V
C7	VJ836900	C.EL	10uF 16V
C8	VJ836900	C.EL	10uF 16V
△ C9	VS741700	C.CE.SAFTY	0.01uF 275V
C10	VF964800	C.EL	100uF 16V
C11	UA654330	C.MYLAR	0.033uF 50V
C12	UA654330	C.MYLAR	0.033uF 50V
C13	VJ836900	C.EL	10uF 16V
C14	UA654330	C.MYLAR	0.033uF 50V
C15	UA654330	C.MYLAR	0.033uF 50V
C16	VJ836900	C.EL	10uF 16V
* C17	UR759470	C.EL	4700uF 35V
C18	UR857470	C.EL	47uF 35V
* C19	UR759470	C.EL	4700uF 35V
C20	UR857470	C.EL	47uF 35V
C21	FG212470	C.CE	470pF 50V
C22	FG212470	C.CE	470pF 50V
C23	UA655100	C.MYLAR	0.1uF 50V
C24	VJ836900	C.EL	10uF 16V
C25	UR866220	C.EL	2.2uF 50V
C26	UR867100	C.EL	10uF 50V
C27	UR866220	C.EL	2.2uF 50V
C28	VJ836900	C.EL	10uF 16V
C29	UR867100	C.EL	10uF 50V
C30	UA655100	C.MYLAR	0.1uF 50V
C31	UM397330	C.EL	33uF 16V
C32	UA655150	C.MYLAR	0.15uF 50V
C33	UA655390	C.MYLAR	0.39uF 50V
C34	UJ668100	C.EL	100uF 50V
C35	UJ668100	C.EL	100uF 50V
C36	UM397330	C.EL	33uF 16V
C37	FG211150	C.CE	15pF 50V
C38	FG211150	C.CE	15pF 50V
C39	UA655100	C.MYLAR	0.1uF 50V
C40	VJ837200	C.EL	47uF 16V

* New Parts

Schm Ref	PART NO.	Description	
C41	VJ837200	C.EL	47uF 16V
C42	UM397330	C.EL	33uF 16V
C43	UA653390	C.MYLAR	3900pF 50V
C44	UA655180	C.MYLAR	0.18uF 50V
C45	UA653470	C.MYLAR	4700pF 50V
C46	VD916400	C.EL	2.2uF 50V
C47	VD916400	C.EL	2.2uF 50V
C48	UA654470	C.MYLAR	0.047uF 50V
C49	UA654470	C.MYLAR	0.047uF 50V
C50	FG214100	C.CE	0.01uF 50V
C51	FG214100	C.CE	0.01uF 50V
C52	UA653100	C.MYLAR	1000pF 50V
C53	UA653100	C.MYLAR	1000pF 50V
C54	VJ839100	C.EL	1uF 50V
C55	VJ839100	C.EL	1uF 50V
C56	UA655100	C.MYLAR	0.1uF 50V
C57	UA655100	C.MYLAR	0.1uF 50V
C58	UA655470	C.MYLAR	0.47uF 50V
C59	UA655100	C.MYLAR	0.1uF 50V
C60	VJ836900	C.EL	10uF 16V
C61	UM407220	C.EL	22uF 25V
C201	FG214100	C.CE	0.01uF 50V
C202	VG276600	C.CE.TUBLR	22pF 50V
C203	VG276600	C.CE.TUBLR	22pF 50V
C204	FG214100	C.CE	0.01uF 50V
C205	FG214100	C.CE	0.01uF 50V
C206	FG214100	C.CE	0.01uF 50V
C207	FG214100	C.CE	0.01uF 50V
C208	VG274700	C.CE.TUBLR	4.7pF 50V
C209	FG214100	C.CE	0.01uF 50V
C210	FG214100	C.CE	0.01uF 50V
C211	FG214100	C.CE	0.01uF 50V
C212	FG214100	C.CE	0.01uF 50V
C213	VG276000	C.CE.TUBLR	12pF 50V
C214	FG214100	C.CE	0.01uF 50V
C215	UR827470	C.EL	47uF 10V
C216	UR827470	C.EL	47uF 10V
C217	UM416470	C.EL	4.7uF 50V
C218	VF964800	C.EL	100uF 16V
C219	VJ837200	C.EL	47uF 16V
C220	FG214100	C.CE	0.01uF 50V
C221	FG214100	C.CE	0.01uF 50V
C222	FG214100	C.CE	0.01uF 50V
C223	FG214100	C.CE	0.01uF 50V
△ D1	VY660300	LED(gr)	SLP-277B-51
D2	VN011300	DIODE.BRG	D3SBA20 4A 200V
D3	iF004600	DIODE	1SS133
D4	iF004600	DIODE	1SS133
D5	iF004600	DIODE	1SS133
D6	iF004600	DIODE	1SS133
D7	iF004600	DIODE	1SS133
D8	iF004600	DIODE	1SS133
D201	VG436500	DIODE.ZENR	MTZJ3.9A 3.9V

* New Parts

YST-MS55D

Schm Ref	PART NO.	Description	
	D202 VU264100	DIODE	1SR139-400
△	F1 KB000660	FUSE	400mA 250V(ABG)
△	F1 VT272700	FUSE	1.25A(UCR)
△	F2 KB000660	FUSE	400mA 250V(R)
	IC1 XB247301	IC	uPC4570HA
	IC2 XB247301	IC	uPC4570HA
	IC3 XP844A00	IC	NJM4556AL
	IC4 XJ602A00	IC	NJM78M12FA
	IC5 XD343A00	IC	NJM79M12FA
*	IC6 XV809A00	IC	STK408-040E 25W
	IC7 XB247301	IC	uPC4570HA
	IC8 XB247301	IC	uPC4570HA
*	IC201 XW001A00	IC	UDA1321PS
	IC202 XW243A00	IC	M24C02BN6EEPROM
*	JK1 V3666400	JACK.MNI	HTJ-035-27A
*	JK2 V3317500	JACK.DIN	8P
*	JK3 V3317400	JACK.MNI	1P
*	JK4 V3317400	JACK.MNI	1P
	JK5 VV881000	CN.DIN	8P CMS5008-0101
	JK201 VT267500	JACK.MNI	LGY6502-0600
*	JK202 V3671200	JACK.USB	4P
	L201 V3233700	COIL	1.5uH
	L202 FLTR.EMC		ZJY51R5-M4PA
*	PJ1 V3407500	JACK.PIN	1P
*	PJ2 VU581900	JACK.PIN	HTJ-032-04BB
	Q1 iC287820	TR	2SC2878 A,B
	Q2 iC287820	TR	2SC2878 A,B
	Q3 iA101590	TR	2SA1015 O,Y
	Q4 iC1815M0	TR	2SC1815 Y,GR
	Q5 iA101590	TR	2SA1015 O,Y
	Q6 iC1815M0	TR	2SC1815 Y,GR
	Q7 iA101590	TR	2SA1015 O,Y
	Q8 V3028000	FET	2SK304 E
	Q201 VC407900	TR	2SD1913 R,S
	R37 HV455100	R.CAR.FP	100Ω 1/4W
	R38 HV455100	R.CAR.FP	100Ω 1/4W
	R39 HV453470	R.CAR.FP	4.7Ω 1/4W
	R46 HV453470	R.CAR.FP	4.7Ω 1/4W
	R55 HV456100	R.CAR.FP	1KΩ 1/4W
	R57 HV454820	R.CAR.FP	82Ω 1/4W
	R58 HV453470	R.CAR.FP	4.7Ω 1/4W
	R59 VE869300	R.MTL.OXD	0.1Ω 2W
	R60 HV453100	R.CAR.FP	1Ω 1/4W
	R61 HV453100	R.CAR.FP	1Ω 1/4W
	R70 HU597100	R.MTL.FLM	10KΩ 1/4W
	R71 VH007900	R.MTL.FLM	20KΩ 1/4W
	R72 HU597100	R.MTL.FLM	10KΩ 1/4W
	R74 HU597100	R.MTL.FLM	10KΩ 1/4W
	R217 HV454820	R.CAR.FP	82Ω 1/4W
	SW1 VS066500	SW.PUSH	SPPH13-W
	TE1 VT658100	TERM.WRAP	352-TX119
	TE2 VT658100	TERM.WRAP	352-TX119
*	VR1 V2261700	VR	A50KΩ

* New Parts

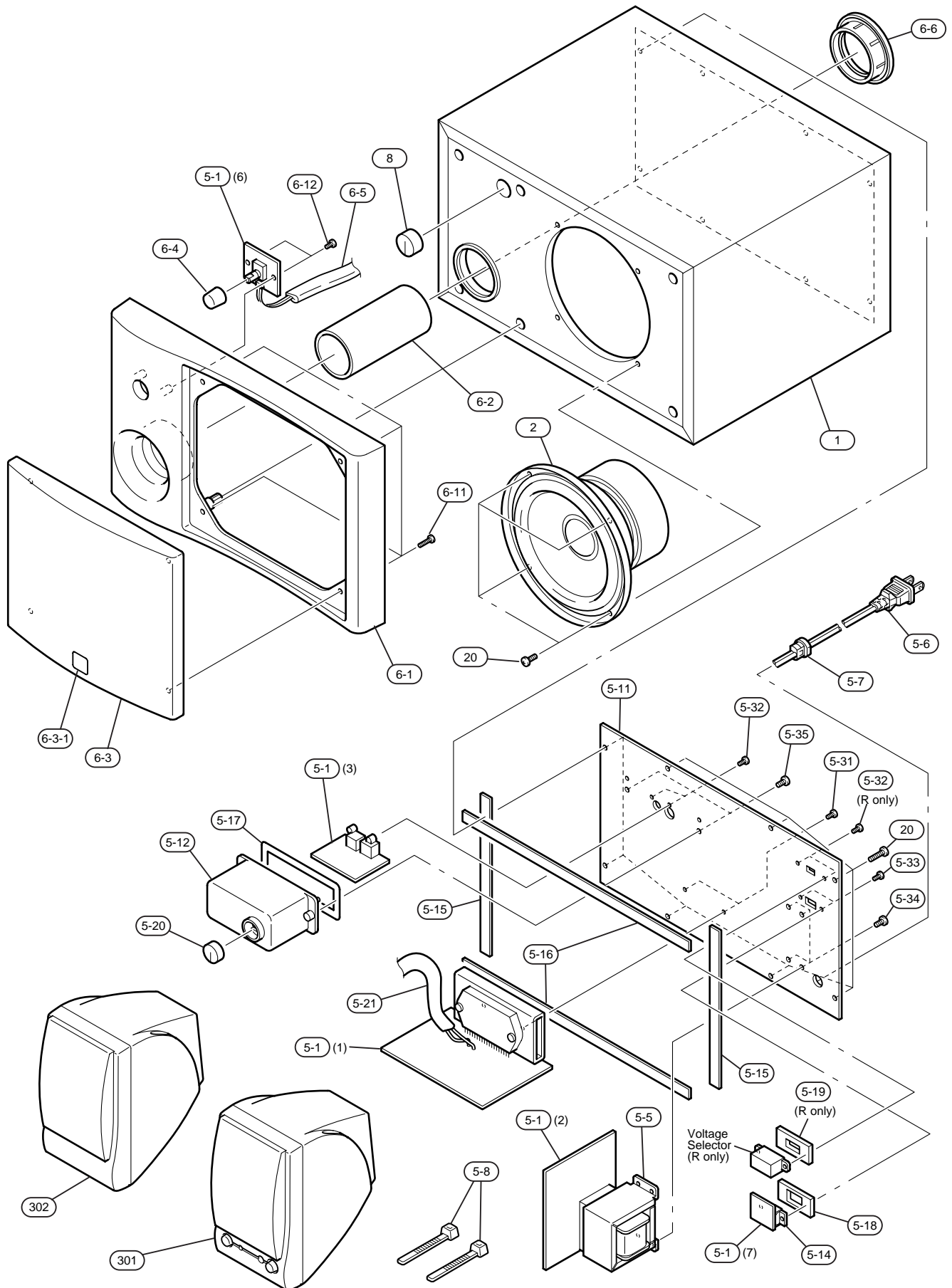
Schm Ref	PART NO.	Description	
	VR2 VZ496100	VR	A5KΩ
*	XL201 V3671300	RSNR.CRYS	48MHz
△	V2572700	VOLT.SELCT	(R)
	BB070700	GND.MTL	
	BB071360	SCR.TERM	8.3x13
*	V3408500	RADIATOR	
	V4097600	HOLDER.LED	LH-5-14
	Ei030086	SCR.BND.HD	3x8 ZMC2-Y
	Ei330166	SCR.BND.HD	3x16 FCRM3-BL

* New Parts

YST-MS50/YST-MS55D

YST-MS50

■ EXPLODED VIEW (YST-MS50)



YST-MS50

MECHANICAL PARTS (YST-MS50)

Ref. No.	PART NO.	Description	Remarks	Markets
* 1	V3368300	CABINET	WH	
* 1	V3368400	CABINET	BL	
* 2	XV968A00	SPEAKER	16cm JA1673	
* 5- 1	V3406400	P.C.B. ASS'Y	MAIN	(UC)
* 5- 1	V3406500	P.C.B. ASS'Y	MAIN	(R)
* 5- 1	V3406600	P.C.B. ASS'Y	MAIN	(A)
* 5- 1	V3406700	P.C.B. ASS'Y	MAIN	(BG)
△* 5- 5	XW078A00	POWER TRANSFORMER		(UC)
△* 5- 5	XW079A00	POWER TRANSFORMER		(R)
△* 5- 5	XW080A00	POWER TRANSFORMER		(A)
△* 5- 5	XW081A00	POWER TRANSFORMER		(BG)
△* 5- 6	MG002320	POWER CORD	2.5A 250V 2.0m	(G)
△ 5- 6	V2582500	POWER CORD	10A 2.0m	(UC)
△ 5- 6	VQ790000	POWER CORD	5A 2.0m	(B)
△ 5- 6	VT666200	POWER CORD ASS'Y		(A)
△ 5- 6	VZ555600	POWER CORD	10A 250V 2.0m	(R)
5- 7	CB072750	CORD STOPPER	SR-4N-4	
5- 8	CB069250	BINDING TIE	BK-1	
* 5-11	V3369700	REAR PANEL		(UC)
* 5-11	V3369800	REAR PANEL		(R)
* 5-11	V3369900	REAR PANEL		(A)
* 5-11	V3370000	REAR PANEL		(BG)
5-12	VZ654900	COVER		
△ 5-14	V2574000	SLIDE SWITCH	ESD39304T	(UC)
△ 5-14	V2574100	SLIDE SWITCH	ESD39318S	(RABG)
5-15	V2583100	PACKING	A	
5-16	V2583200	PACKING	B	
5-17	VZ653300	PACKING	E	
5-18	V2583400	PACKING D	D	
5-19	VZ653400	PACKING	F	(R)
5-20	VZ655300	BUSH		
5-21	V2586100	INSULATOR		
5-31	EN335030	BIND HEAD BONDING TAP. SCREW	3x10 FCRM3-BL	
5-32	EX601360	BIND HEAD P-TITE SCREW	3x10 FCRM3-BL	
5-33	ED330086	BIND HEAD SCREW	3x8 FCRM3-BL	
5-34	EK396010	BIND HEAD S-TITE SCREW	4x8 FCRM3-BL	
* 6- 1	V3370900	FRONT PANEL		WH
* 6- 1	V3371000	FRONT PANEL		BL
* 6- 2	V3374600	PORT		
* 6- 3	V3371100	FRONT GRILLE ASS'Y		WH
* 6- 3	V3371200	FRONT GRILLE ASS'Y		BL
* 6- 3- 1	V3371600	EMBLEM		
* 6- 4	V3374700	KNOB, VOLUME		WH
* 6- 4	V3374800	KNOB, VOLUME		BL
* 6- 5	V2586100	INSULATOR		
* 6- 6	V2490000	PORT RING		
6-11	EK093030	BIND HEAD P-TITE SCREW	3x10 ZMC2-Y	
6-12	EP600280	BIND HEAD P-TITE SCREW	3x8 ZMC2-Y	
8	VZ655300	BUSH		
20	Ei340206	BIND HEAD TAPPING SCREW	4x20 ZMC2-BL	

* New Parts

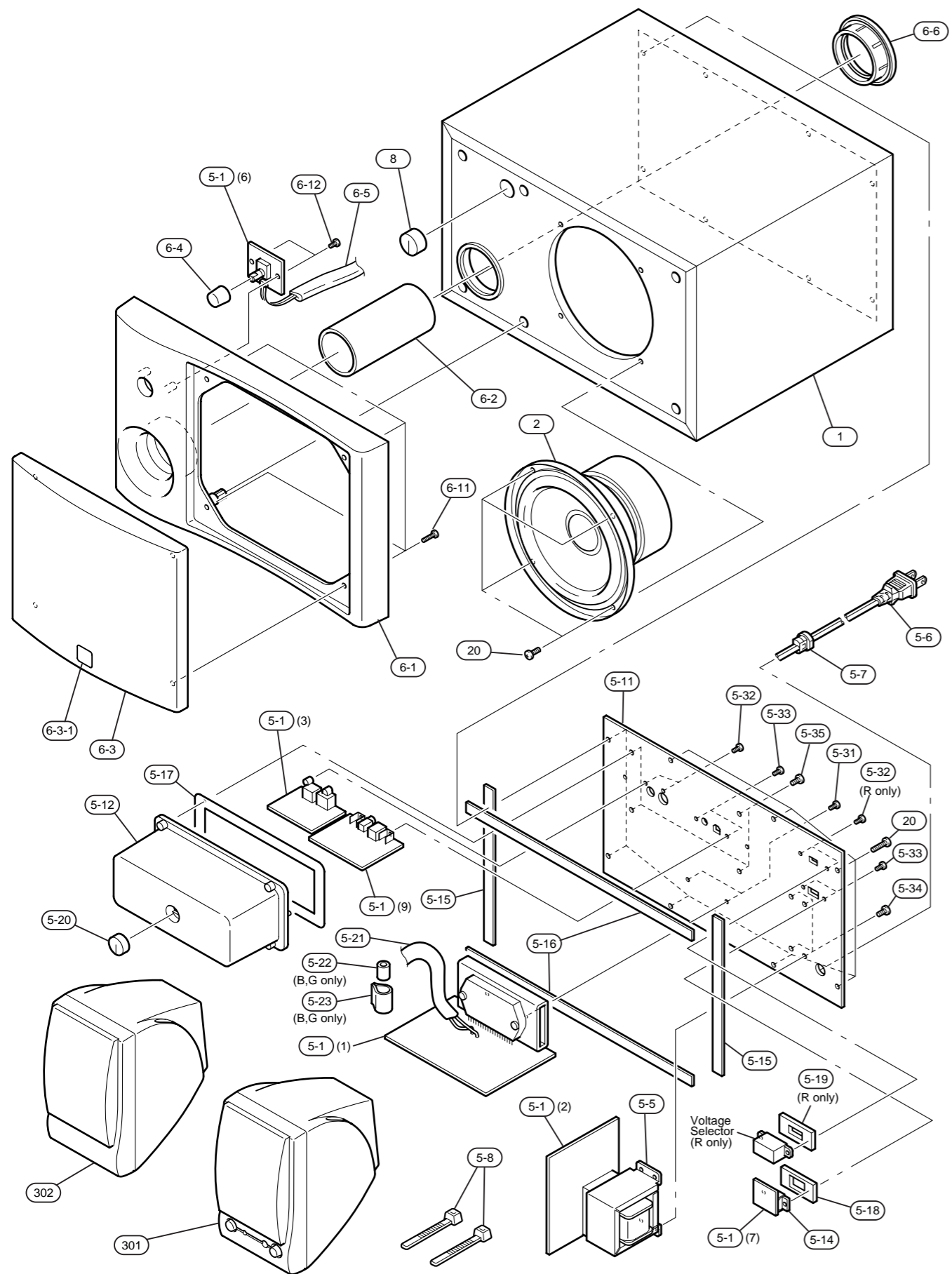
YST-MS50

Ref. No.	PART NO.	Description	Remarks	Markets
		ACCESSORIES		
	VS494400	CABLE, MINI PLUG		
	VT309500	RCA PIN CABLE	1.8m	
	VZ663800	DIN PLUG CABLE	8P 1.86m	
	VS104300	LEG		
* 301	V3371700	SATELLITE SPEAKER UNIT	R	WH
* 301	V3372100	SATELLITE SPEAKER UNIT	R	BL
* 302	V3372500	SATELLITE SPEAKER UNIT	L	WH
* 302	V3372900	SATELLITE SPEAKER UNIT	L	BL

* New Parts

YST-MS55D

EXPLODED VIEW (YST-MS55D)



YST-MS55D

MECHANICAL PARTS (YST-MS55D)

Ref. No.	PART NO.	Description	Remarks	Markets
* 1	V3368300	CABINET	WH	
* 1	V3368400	CABINET	BL	
* 2	XV968A00	SPEAKER JA1673	16cm	
* 5-1	V3695600	P.C.B. ASS'Y	MAIN	(UC)
* 5-1	V3695700	P.C.B. ASS'Y	MAIN	(R)
* 5-1	V3695800	P.C.B. ASS'Y	MAIN	(A)
* 5-1	V3695900	P.C.B. ASS'Y	MAIN	(BG)
△* 5-5	XW078A00	POWER TRANSFORMER		(UC)
△* 5-5	XW079A00	POWER TRANSFORMER		(R)
△* 5-5	XW080A00	POWER TRANSFORMER		(A)
△* 5-5	XW081A00	POWER TRANSFORMER		(BG)
△ 5-6	MG002320	POWER CORD	2.5A 250V 2.0m	(G)
△ 5-6	V2582500	POWER CORD	10A 2.0m	(UC)
△ 5-6	VQ790000	POWER CORD	5A 2.0m	(B)
△ 5-6	VT666200	POWER CORD ASS'Y		(A)
△ 5-6	VZ555600	POWER CORD	10A 250V 2.0m	(R)
5-7	CB072750	CORD STOPPER	SR-4N-4	
5-8	CB069250	BINDING TIE	BK-1	
* 5-11	V3568400	REAR PANEL		(UC)
* 5-11	V3568500	REAR PANEL		(R)
* 5-11	V3568600	REAR PANEL		(A)
* 5-11	V3568700	REAR PANEL		(BG)
5-12	V2489900	COVER		
△ 5-14	V2574000	SLIDE SWITCH	ESD39304T	(UC)
△ 5-14	V2574100	SLIDE SWITCH	ESD39318S	(RABG)
5-15	V2583100	PACKING	A	
5-16	V2583200	PACKING	B	
5-17	V2583300	PACKING	C	
5-18	V2583400	PACKING D	D	
5-19	VZ653400	PACKING	F	(R)
5-20	VZ655300	BUSH		
5-21	V2586100	INSULATOR		
* 5-22	V4510600	FERRITE CORE	HF70RH12X15X7.3	(BG)
5-23	VZ406100	INSULATOR	C	(BG)
5-31	EN335030	BIND HEAD BONDING TAP. SCREW	3x10 FCRM3-BL	
5-32	EX601360	BIND HEAD P-TITE SCREW	3x10 FCRM3-BL	
5-33	ED330086	BIND HEAD SCREW	3x8 FCRM3-BL	
5-34	EK396010	BIND HEAD S-TITE SCREW	4x8 FCRM3-BL	
5-35	VB744600	BIND HEAD P-TITE SCREW	4x12 FCRM3-BL	
* 6-1	V3538200	FRONT PANEL	WH	
* 6-1	V3538300	FRONT PANEL	BL	
* 6-2	V3374600	PORT		
* 6-3	V3371100	FRONT GRILLE ASS'Y	WH	
* 6-3	V3371200	FRONT GRILLE ASS'Y	BL	
6-3-1	V3371600	EMBLEM		
* 6-4	V3374700	KNOB, VOLUME	WH	
* 6-4	V3374800	KNOB, VOLUME	BL	
6-5	V2586100	INSULATOR		
* 6-6	V2490000	PORT RING		
6-11	EK093030	BIND HEAD P-TITE SCREW	3x10 ZMC2-Y	
6-12	EP600280	BIND HEAD P-TITE SCREW	3x8 ZMC2-Y	
8	VZ655300	BUSH		
20	Ei340206	BIND HEAD TAPPING SCREW	4x20 MC2-BL	

* New Parts

YST-MS55D

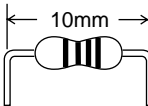
Ref. No.	PART NO.	Description	Remarks	Markets
*	V4368200	ACCESSORIES USB CABLE	1P 2.0m	
	VS494400	CABLE, MINI PLUG		
	VT309500	RCA PIN CABLE	1.8m	
	VZ663800	DIN PLUG CABLE	8P 1.86m	
	VS104300	LEG		
*	V4400400	CD-ROM		
* 301	V3565300	SATELLITE SPEAKER UNIT	R	WH
* 301	V3565700	SATELLITE SPEAKER UNIT	R	BL
* 302	V3566100	SATELLITE SPEAKER UNIT	L	WH
* 302	V3566500	SATELLITE SPEAKER UNIT	L	BL

* New Parts

Parts List for Carbon Resistors

Value	1/4W Type Part No.	1/6W Type Part No.	Value	1/4W Type Part No.	1/6W Type Part No.
1.0 Ω	HJ35 3100	HF85 3100	10 kΩ	HF45 7100	HF45 7100
1.8 Ω	HJ35 3180	*	11 kΩ	HF45 7110	HF45 7110
2.2 Ω	HJ35 3220	HF85 3220	12 kΩ	HJ35 7120	HF85 7120
3.3 Ω	HJ35 3330	HF85 3330	13 kΩ	HF45 7130	HF45 7130
4.7 Ω	HJ35 3470	HF85 3470	15 kΩ	HF45 7150	HF45 7150
5.6 Ω	HJ35 3560	HF85 3560	18 kΩ	HF45 7180	HF45 7180
10 Ω	HF45 4100	HF45 4100	22 kΩ	HF45 7220	HF45 7220
15 Ω	HJ35 4150	HF85 4150	24 kΩ	HF45 7240	HF45 7240
22 Ω	HF45 4220	HF45 4220	27 kΩ	HJ35 7270	HF85 7270
27 Ω	HJ35 4270	HF85 4270	30 kΩ	HF45 7300	HF45 7300
33 Ω	HF45 4330	HF45 4330	33 kΩ	HF45 7330	HF45 7330
39 Ω	HJ35 4390	HF85 4390	36 kΩ	HF45 7360	HF45 7360
47 Ω	HF45 4470	HF45 4470	39 kΩ	HF45 7390	HF45 7390
56 Ω	HF45 4560	HF45 4560	47 kΩ	HF45 7470	HF45 7470
68 Ω	HF45 4680	HF45 4680	51 kΩ	HF45 7510	HF45 7510
75 Ω	HF45 4750	HF45 4750	56 kΩ	HF45 7560	HF45 7560
82 Ω	HF45 4820	HF45 4820	62 kΩ	HF45 7620	HF45 7620
91 Ω	HF45 4910	HF45 4910	68 kΩ	HF45 7680	HF45 7680
100 Ω	HF45 5100	HF45 5100	82 kΩ	HF45 7820	HF45 7820
110 Ω	HJ35 5110	HF85 5110	91 kΩ	HF45 7910	HF45 7910
120 Ω	HF45 5120	HF45 5120	100 kΩ	HF45 8100	HF45 8100
150 Ω	HF45 5150	HF45 5150	110 kΩ	HF45 8110	HF45 8110
160 Ω	HJ35 5160	*	120 kΩ	HF45 8120	HF45 8120
180 Ω	HF45 5180	HF45 5180	150 kΩ	HF45 8150	HF45 8150
200 Ω	HF45 5200	HF45 5200	180 kΩ	HF45 8180	HF45 8180
220 Ω	HF45 5220	HF45 5220	220 kΩ	HJ35 8220	HF85 8220
270 Ω	HF45 5270	HF45 5270	270 kΩ	HF45 8270	HF45 8270
330 Ω	HF45 5330	HF45 5330	300 kΩ	HF45 8300	HF45 8300
390 Ω	HF45 5390	HF45 5390	330 kΩ	HF45 8330	HF45 8330
430 Ω	HF45 5430	HF45 5430	390 kΩ	HJ35 8390	HF85 8390
470 Ω	HF45 5470	HF45 5470	470 kΩ	HF45 8470	HF45 8470
510 Ω	HF45 5510	HF45 5510	560 kΩ	HJ35 8560	HF85 8560
560 Ω	HF45 5560	HF45 5560	680 kΩ	HJ35 8680	HF85 8680
680 Ω	HF45 5680	HF45 5680	820 kΩ	HJ35 8820	HF85 8820
820 Ω	HF45 5820	HF45 5820	1.0 MΩ	HF45 9100	HF45 9100
910 Ω	HF45 5910	HF45 5910	1.2 MΩ	HJ35 9120	*
1.0 kΩ	HF45 6100	HF45 6100	1.5 MΩ	HJ35 9150	HF85 9150
1.2 kΩ	HF45 6120	HF45 6120	1.8 MΩ	HJ35 9180	HF85 9180
1.5 kΩ	HF45 6150	HF45 6150	2.2 MΩ	HJ35 9220	HF85 9220
1.8 kΩ	HF45 6180	HF45 6180	3.3 MΩ	HJ35 9330	HF85 9330
2.0 kΩ	HJ35 6200	HF85 6200	3.9 MΩ	HJ35 9390	*
2.2 kΩ	HF45 6220	HF45 6220	4.7 MΩ	HJ35 9470	HF85 9470
2.4 kΩ	HJ35 6240	HF85 6240			
2.7 kΩ	HF45 6270	HF45 6270			
3.0 kΩ	HF45 6300	HF45 6300			
3.3 kΩ	HF45 6330	HF45 6330			
3.6 kΩ	HJ35 6360	HF85 6360			
3.9 kΩ	HF45 6390	HF45 6390			
4.7 kΩ	HF45 6470	HF45 6470			
5.1 kΩ	HF45 6510	HF45 6510			
5.6 kΩ	HF45 6560	HF45 6560			
6.8 kΩ	HF45 6680	HF45 6680			
8.2 kΩ	HF45 6820	HF45 6820			
9.1 kΩ	HF45 6910	HF45 6910			

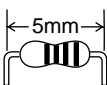
1/4W Type
HJ35 ○○○○



← 10mm →

1/4W Type
HF45 ○○○○

1/6W Type
HF85 ○○○○



← 5mm →

*: Not available

1992