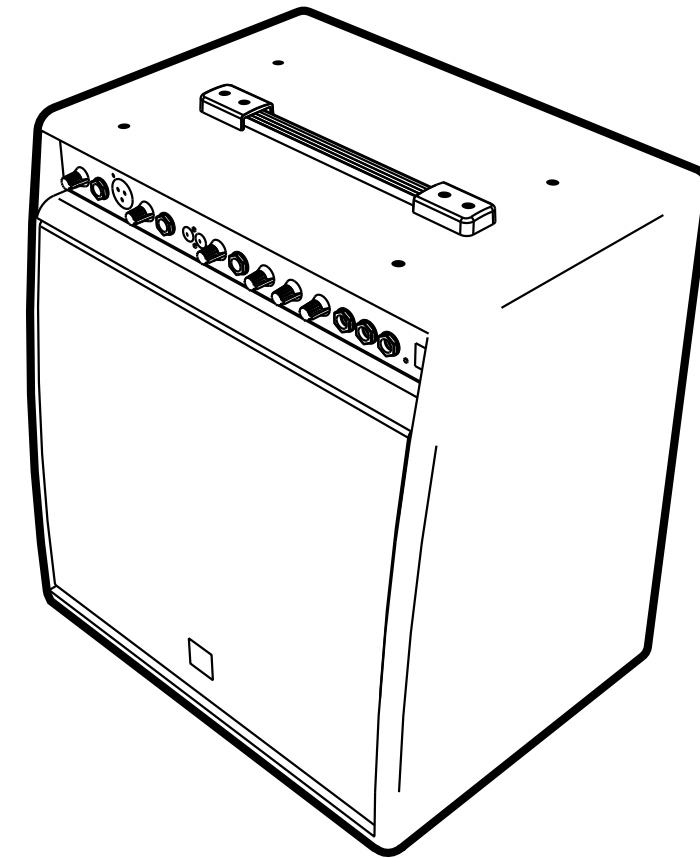


SERVICE MANUAL MANUEL DE SERVICE



100 KB

POWER COMBO

TYPE: 100K



WEB ACCESS: <http://www.yorkville.com>

WORLD HEADQUARTERS CANADA

Yorkville Sound
550 Granite Court
Pickering, Ontario
L1W-3Y8 CANADA

Voice: (905) 837-8481
Fax: (905) 837-8746

U.S.A.

Yorkville Sound Inc.
4625 Witmer Industrial Estate
Niagara Falls, New York
14305 USA

Voice: (716) 297-2920
Fax: (716) 297-3689



Quality and Innovation Since 1963

Printed in Canada



IMPORTANT SAFETY INSTRUCTIONS



INSTRUCTIONS PERTAINING TO A RISK OF FIRE, ELECTRIC SHOCK, OR INJURY TO PERSONS.

INSTRUCTIONS RELATIVES AU RISQUE DE FEU, CHOC ÉLECTRIQUE, OU BLESSURES AUX PERSONNES.

CAUTION:

TO REDUCE THE RISK OF ELECTRIC SHOCK, DO NOT REMOVE COVER (OR BACK). NO USER SERVICEABLE PARTS INSIDE.

REFER SERVICING TO QUALIFIED SERVICE PERSONNEL.

AVIS:

AFIN DE REDUIRE LES RISQUE DE CHOC ELECTRIQUE, N'ENLEVEZ PAS LE COUVERT (OU LE PANNEAU ARRIERE). NE CONTIENT AUCUNE PIECE REPARABLE PAR L'UTILISATEUR.

CONSULTEZ UN TECHNICIEN QUALIFIE POUR L'ENTRETIEN.

Read Instructions:

The *Owner's Manual* should be read and understood before operation of your unit. Please, save these instructions for future reference.

Packaging:

Keep the box and packaging materials, in case the unit needs to be returned for service.

Warning:

When using electric products, basic precautions should always be followed, including the following:

Power Sources:

Your unit should be connected to a power source only of the voltage specified in the owners manual or as marked on the unit. This unit has a polarized plug. Do not use with an extension cord or receptacle unless the plug can be fully inserted. Precautions should be taken so that the grounding scheme on the unit is not defeated.

Hazards:

Do not place this product on an unstable cart, stand, tripod, bracket or table. The product may fall, causing serious personal injury and serious damage to the product. Use only with cart, stand, tripod, bracket, or table recommended by the manufacturer or sold with the product. Follow the manufacturer's instructions when installing the product and use mounting accessories recommended by the manufacturer.

The apparatus should not be exposed to dripping or splashing water; no objects filled with liquids should be placed on the apparatus.

Terminals marked with the "lightning bolt" are hazardous live; the external wiring connected to these terminals require installation by an instructed person or the use of ready made leads or cords.

No naked flame sources, such as lighted candles, should be placed on the apparatus.

Power Cord:

The AC supply cord should be routed so that it is unlikely that it will be damaged. If the AC supply cord is damaged **DO NOT OPERATE THE UNIT.**

Service:

The unit should be serviced only by qualified service personnel.

Veillez lire le manuel:

Il contient des informations qui devraient étre comprises avant l'opération de votre appareil. Conservez S.V.P. ces instructions pour consultations ultérieures

Emballage:

Conservez la boîte au cas où l'appareil devait étre retourner pour réparation.

Attention:

Lors de l'utilisation de produits électrique, assurez-vous d'adhérer à des précautions de bases incluant celle qui suivent:

Alimentation:

L'appareil ne doit étre branché qu'à une source d'alimentation correspondant au voltage spécifié dans le manuel ou tel qu'indiqué sur l'appareil. Cet appareil est équipé d'une prise d'alimentation polarisée. Ne pas utiliser cet appareil avec un cordon de raccordement à moins qu'il soit possible d'insérer complètement les trois lames. Des précautions doivent étre prises afin d'éviter que le système de mise à la terre de l'appareil ne soit désengagé.

Risque:

Ne pas placer cet appareil sur un chariot, un support, un trépied ou une table instables. L'appareil pourrait tomber et blesser quelqu'un ou subir des dommages importants. Utiliser seulement un chariot, un support, un trépied ou une table recommandés par le fabricant ou vendus avec le produit. Suivre les instructions du fabricant pour installer l'appareil et utiliser les accessoires recommandés par le fabricant.

Il convient de ne pas placer sur l'appareil de sources de flammes nues, telles que des bougies allumées.

L'appareil ne doit pas étre exposé à des égouttements d'eau ou des éclaboussures et qu'aucun objet rempli de liquide tel que des vases ne doit étre placé sur l'appareil.

Les dispositifs marqués d'une symbole "d'éclair" sont des parties dangereuses au toucher et que les câblages extérieurs connectés à ces dispositifs de connection extérieure doivent étre effectués par un opérateur formé ou en utilisant des cordons déjà préparés.

Cordon d'alimentation:

Évitez d'endommager le cordon d'alimentation. **N'UTILISEZ PAS L'APPAREIL** si le cordon d'alimentation est endommagé.

Service:

Consultez un technicien qualifié pour l'entretien de votre appareil.

YS No.	Description	Qty.
6401	GRN 3MM LED 1V9 6MA HIGHEFF	1
6422	BAV21 200V 0A25 DIODE T&R	3
6823	1N4148 75V 0A45 DIODE T&R	3
6436	1N4004 400V 1A0 DIODE T&R	2
6827	1N5402 200V 3A0 DIODE	4
6461	1N5240BRL 10V0 0W5 ZENER 5% T&R	2
6822	1N4745A 16V0 1W0 ZENER 5% T&R	2
6824	1N5246B 16V0 0W5 ZENER 5% T&R	1
6463	1N5251BRL 22V0 0W5 ZENER 5% T&R	1
5101	BC550C TO92 NPN TRAN T&R TB	2
5102	BC560C TO92 PNP TRAN T&R TB	2
5104	MPSA56 TO92 PNP TRAN T&R TA	4
5105	MPSA43 TO92 NPN TRAN TA	1
5119	2N5638 TO92 NCH JFET T&R TC	1
6774	BD139 TO126 NPN TRAN TG	1
6779	MJH11018 TO218 NPN TRAN DARL TI	1
6802	MJH11017 TO218 PNP TRAN DARL TI	1
6794	MC4741CP IC QUAD OP AMP	1
6840	MC33078P IC DUAL OP AMP	1
6882	TL072CP IC FET DUAL OP AMP	7
6743	LMI13600N IC XCONDUCTANCE AMP	1
5402	.15P 100V 10%CAP T&R BEAD NPO	2
5406	.33P 50V 10%CAP BLK BEAD NPO	1
5408	.47P 100V 10%CAP T&R BEAD NPO	2
5410	100P 100V 10%CAP T&R BEAD NPO	9
5411	150P 100V 10%CAP T&R BEAD NPO	1
5416	470P 50V 10%CAP T&R BEAD NPO	1
5420	680P 50V 10%CAP T&R BEAD NPO	2
5422	.1N 50V 10%CAP T&R BEAD NPO	4
5424	.1N5 50V 10%CAP T&R BEAD Y5P	1
5428	.3N3 50V 10%CAP T&R BEAD Y5R	1
6451	.4N7 250V 20%CAP BLK 'Y' 10MM AC	1
5834	.10N 250V 20%CAP BLK RAD POLY FLM	1
5210	.22N 100V 10%CAP T&R RAD .2"FLM	2
6435	.22N 275V 20%CAP BLK 'X2' 15MM AC	1
5306	.33N 50V 10%CAP T&R BEAD X7R	1
5307	.39N 50V 10%CAP T&R BEAD X7R	2
5308	.47N 50V 10%CAP T&R BEAD X7R	1
5226	.68N 100V 5%CAP T&R RAD .2"FLM	1
5228	100N 100V 5%CAP T&R RAD .2"FLM	1
5314	100N 50V 10%CAP T&R BEAD X7R	21
5230	180N 63V 5%CAP T&R RAD .2"FLM	1
5318	220N 50V 10%CAP T&R BEAD X7R	1
5233	330N 63V 5%CAP T&R RAD .2"FLM	1
5320	330N 50V 10%CAP T&R BEAD X7R	1
5240	680N 63V 10%CAP T&R RAD .2"FLM	1
5253	.1U 63V 20%CAP T&R RAD .2"EL	2
5925	.1U5 100V 10%CAP BLK RAD POLY FLM	1
5257	.2U2 63V 20%CAP T&R RAD .2"EL	5
5259	.4U7 63V 20%CAP T&R RAD .2"EL	3
5260	.22U 50V 20%CAP T&R RAD .2"EL	2
5961	.33U 16V 20%CAP T&R RAD .2"NP	1
5627	.47U 10V 20%CAP BLK RAD NP	2
5265	.68U 25V 20%CAP T&R RAD .2"EL	1
5873	100U 16V 20%CAP T&R RAD 8X7MM .2"EL	1
5621	470U 63V 20%CAP BLK 12X25MM EL	2
5881	2200U 50V 20%CAP BLK 18X27MM EL	2
4417	.10K 5B LIN 9MM HORIZONTAL P28	3
4418	.10K 5C R/A 9MM HORIZONTAL P28	1
4420	.50K B LIN 9MM HORIZONTAL P28	2
3682	250 MALE PCB TAB BULK CARTRIGE	10
3498	1/4" JCK PCB MT HORZ	4
3523	1/4" JCK PCB MT HORZ GOLD T__	1
3527	1/4" JCK PCB MT HORZ GOLD __S	1
3460	RCA DUAL PCB MT VERT GOLD .475"	1
3886	36" RCA PREFAB CABLE RED	1
3890	36" PREFAB. CABLE	1
3914	RCA SNGL PCB MT HORZ	2
3660	XLR FEML PCB MT HORZ	1
3451	EYELET SMALL 0.089 OD PLATED	10
3414	INTERNATIONAL PC MOUNT FUSEHOLDER	6
2406	1.6 AMP SLO-BLO .25X1.25 FUSE	1
2418	5.0 AMP FAST-BLO .25X1.25 FUSE	2
3563	TRANSISTOR MOUNTING BRACKET	1
3800	BELLY BUTTON #BB1 CORDS CANADA	2
3804	SNAP ON 1.5" INSULATING BUSHING	1
3795	#8 GROUND LUG ZIERICK 505-169	2
3810	4" NYLON CABLE TIE	5
8638	BUTTON KNOB FLAT BLACK	4
8641	AQUA KNOB FOR "NEW" ACOUSTIC SERIE	6
3481	8' 3/18 SJT AC LINE CORD 250 CLIPS	1
3834	HEYCO #1214 STRAIN RELIEF	1
8800	6-32 KEPS NUT ZINC	8
8787	8-32 KEPS NUT ZINC	4
8898	1/4-20 CAGE NUT C7998142027	4
3830	TO218 PREGREASED MICA 56-78-2AP	2
4597	22AWG STRAN TC WIR JMP	9

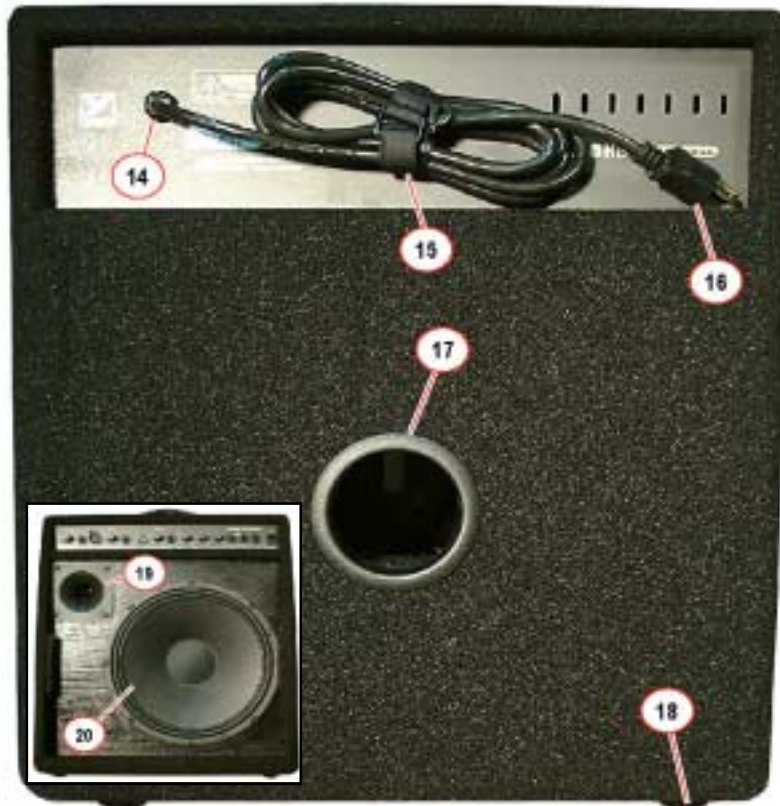
YS No.	Description	Qty.
4599	22AWG SOLID SC WIR T&R JMP	71
4729	5.0W 0R27 5% BLK RES	2
4734	5.0W 3R9 5% BLK RES	1
4815	1/4W 12R 5% T&R RES	2
4618	1/2W 22R 5% T&R RES	1
4817	1/4W 47R 5% T&R RES	1
4692	5.0W 100R 5% BLK RES	1
4987	1/4W 120R 5%MINI T&R RES	1
4977	1/4W 220R 5%MINI T&R RES	4
4606	1/8W 249R 2%FLAME PROOF T&R RES	2
4867	1/4W 270R 5% T&R RES	1
4654	1/2W 330R 5% T&R RES	6
4621	1/2W 470R 5% T&R RES	2
4799	1/4W 562R 1% T&R RES	2
4673	1/2W 680R 5% T&R RES	1
4873	1/4W 680R 5% T&R RES	1
4823	1/4W 1K 5% T&R RES	1
4981	1/4W 1K 5%MINI T&R RES	2
4824	1/4W 1K5 5% T&R RES	1
4988	1/4W 1K5 5%MINI T&R RES	2
4825	1/4W 1K8 5% T&R RES	2
6104	1/4W 2K2 5%MINI T&R RES	2
4826	1/4W 3K3 5% T&R RES	2
6136	1/4W 3K3 5%MINI T&R RES	3
4910	1/4W 4K3 5% T&R RES	2
4827	1/4W 4K7 5% T&R RES	3
4982	1/4W 4K7 5%MINI T&R RES	9
6128	1/4W 4K99 1%MINI MF T&R RES	2
4990	1/4W 8K2 5%MINI T&R RES	1
4829	1/4W 10K 5% T&R RES	10
4983	1/4W 10K 5%MINI T&R RES	5
6116	1/4W 10K0 1%MINI MF T&R RES	5
4856	1/4W 12K 5% T&R RES	1
4830	1/4W 15K 5% T&R RES	1
4885	1/4W 20K 5% T&R RES	1
6123	1/4W 20K0 1%MINI MF T&R RES	8
4832	1/4W 22K 5% T&R RES	8
4927	1/4W 47K 5% .2"U T&R RES	2
6119	1/4W 47K 5%MINI T&R RES	5
4803	1/4W 49K9 1% T&R RES	4
4836	1/4W 68K 5% T&R RES	1
6120	1/4W 100K 5%MINI T&R RES	2
4851	1/4W 120K 5% T&R RES	1
4796	1/4W 180K 5%MINI T&R RES	3
4844	1/4W 1M 5% T&R RES	5
4948	1/4W 1M 5% .2"U T&R RES	3
4751	1/4W 22M 5% T&R RES	2
9150	.081" 48X96 UTILITY ALUMINIUM	2.8
8842	#4 X 5/16 PAN QUAD TYPE A JS500 BLK	2
8801	6-32 X 3/8 PAN PH TAPTITE JS500	2
8806	6-32 X 1/2 PAN PH TAPTITE JS500	2
8828	6-32 X 3/4 PAN PH TAPTITE JS500	4
8763	8-32 X 1/2 PAN PH MS JS500 BLACK	4
3833	8 X 3/8 (250 OD,.171 ID)NY SPACER	5
3511	#6 FLAT WASHER NYLON	2
8852	#6 INTERNAL TOOTH LOCKWASHER	1
8473	#10 BLACK CUPWASHER SWF-10BK	1
3425	DPDT PUSH SW PCMT MAKE B4 BREAK	2
3698	SPST ROKR SW QUIK 180" AC PWR BL/BL	1
8468	VELCRO STRAP 3/4"X22CM (VELSTRAP)	1
1310	4200 BLOC-80B/100G S120B/100K XFMR	1



100KB

Acoustic Amplifier

applicable to serial numbers 001xxxx



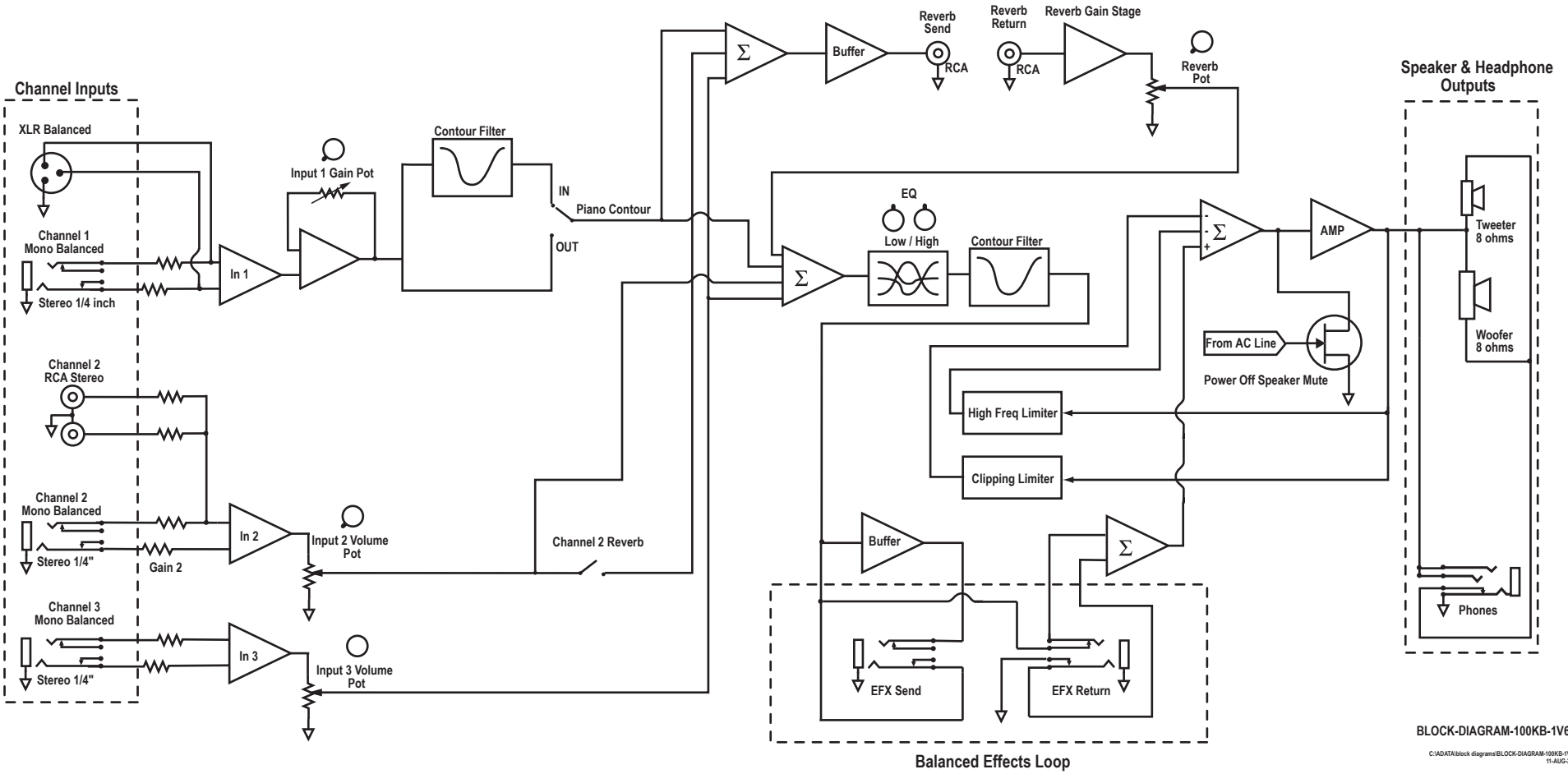
#	Part#	Description	Function
Labeled Components			
1	4418	_10K 5C R/A 9MM HORIZONTAL P28	Vol 1
2	3660	XLR FEML PCB MT HORZ	Jack
3	4417	_10K 5B LIN 9MM HORIZONTAL P28	Vol 2
4	8458	10.5" STRAP HANDLE, PLASTIC COVERS	Strap
5	4417	_10K 5B LIN 9MM HORIZONTAL P28	Vol 3
6	4420	_50K B LIN 9MM HORIZONTAL P28	Bass
7	4420	_50K B LIN 9MM HORIZONTAL P28	Treble
8	4417	_10K 5B LIN 9MM HORIZONTAL P28	Reverb
9	3698	SPST ROKR SW QUIK 180" AC PWR BL/BL	Power
10	3450	1/4" JCK PCB MT HORZ GOLD	Jack
knob	8641	<i>Note: All pots use 8641 Aqua Knob</i>	Knob
11	3460	RCA DUAL PCB MT VERT GOLD .475"	
12	3425	DPDT PUSH SW PCMT MAKE B4 BREAK	
13	Z344	100 KB Grille (special order while unit is in production only)	
14	3834	HEYCO #1214 STRAIN RELIEF	
15	8468	VELCRO STRAP 3/4"X22CM (VELSTRAP)	
16	3481	8' 3/18 SJT AC LINE CORD 250 CLIPS	
17	8574	3 X 1 ROLLED EDGE TR-PP3X1	
18	8547	PLASTIC FOOT BLACK	
19	N252XN	8R 30W 1" DRIVER	
20	7288	12" 4R 100WPGM SPEAKER	

Internal Electronic Components	
1310	4200 BLOC-80B/100G S120B/100K XFMR
2406	1.6 AMP SLO-BLO .25X1.25 FUSE
2415	5.0 AMP FAST-BLO .25X1.25 FUSE
3563	TRANSISTOR MOUNTING BRACKET
3586	ACC# 1BB1C1C SHORT REVERB
3800	BELLY BUTTON #BB1 CORDS CANADA
3804	SNAP ON 1.5" INSULATING BUSHING
3830	TO218 PREGREASED MICA 56-78-2AP
3914	RCA SNGL PCB MT HORZ
5119	2N5638 TO92 NCH JFET T&R TC
5887	2200U 50V 20%CAP BLK 18X27MM EL
6745	LM13600N IC XCONDUCTANCE AMP
6774	BD139 TO126 NPN TRAN TG
6779	MJH11018(22)TO218 NPN TRAN DARL TI
6798	MC4741CP IC QUAD OP AMP
6802	MJH11017(23)TO218 PNP TRAN DARL TI
6827	1N5402 200V 3A0 DIODE
6840	MC33078P IC DUAL OP AMP
6882	TL072CP IC FET DUAL OP AMP
8898	1/4-20 CAGE NUT C7998142027

Notes:

Block Diagram for 100KB

DESIGNED AND MANUFACTURED BY YORKVILLE SOUND



BLOCK-DIAGRAM-100KB-1V6.ai

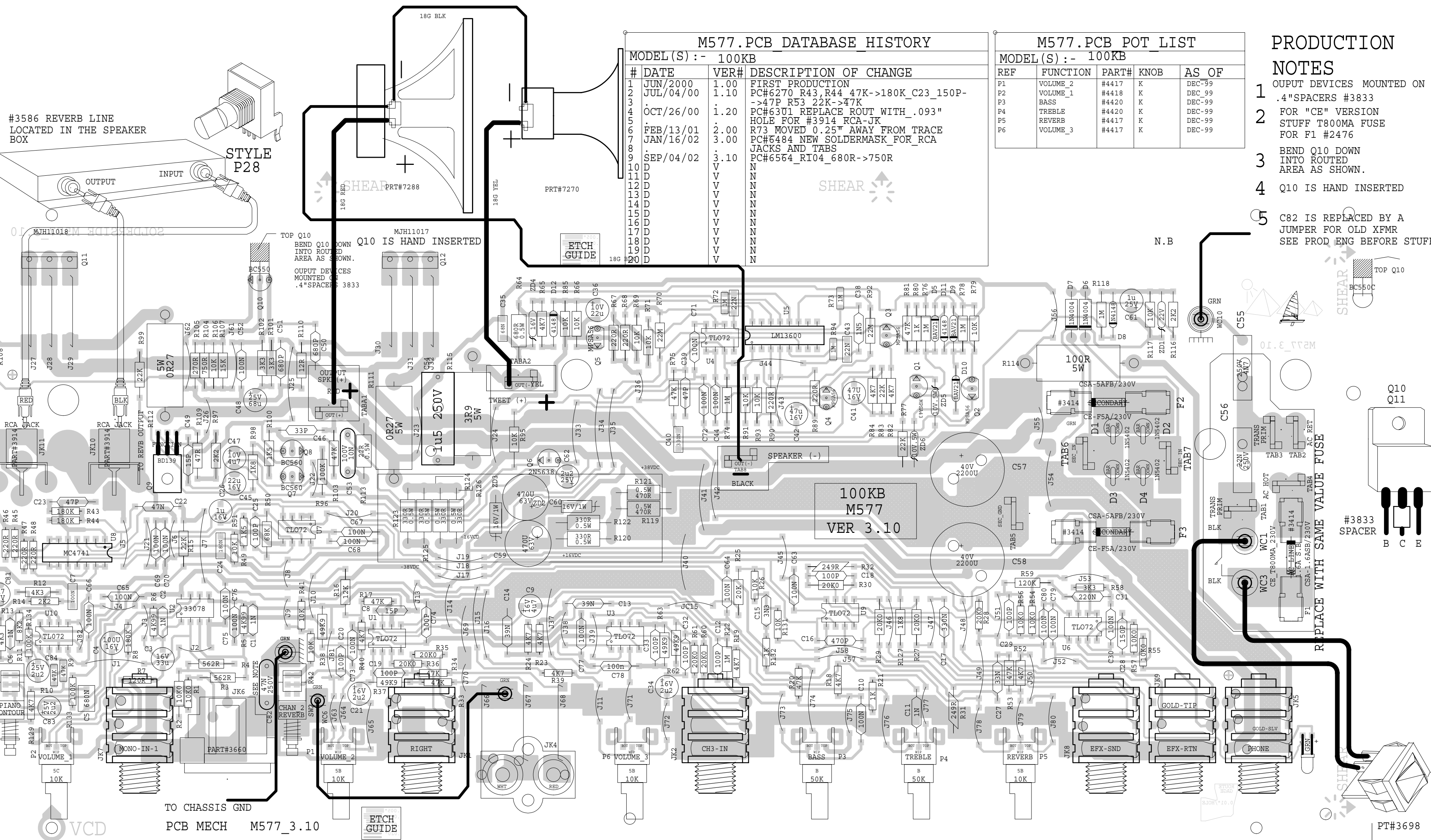
C:\ADATA\book diagrams\BLOCK-DIAGRAM-100KB-1V6.ai
11-AUG-2003
SE

P: 15/07/01, RBN



#3586 REVERB LINE
LOCATED IN THE SPEAKER
BOX

STYLE
P28



M577.PCB DATABASE HISTORY

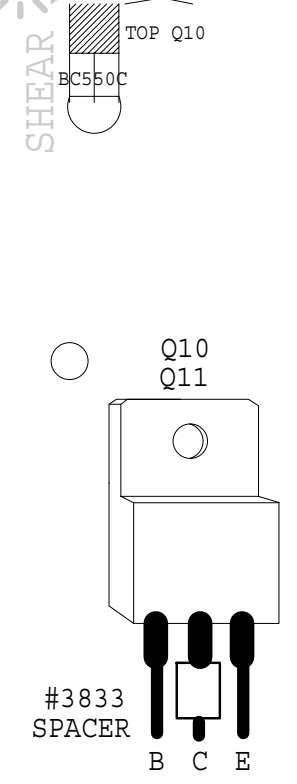
#	DATE	VER#	DESCRIPTION OF CHANGE
1	JUN/2000	1.00	FIRST PRODUCTION
2	JUL/04/00	1.10	PC#6270 R43,R44 47K->180K_C23_150P->47P R53 22K->47K
3	OCT/26/00	1.20	PC#6301 REPLACE ROUT WITH .093" HOLE FOR #3914 RCA-JK
4	FEB/13/01	2.00	R73 MOVED 0.25" AWAY FROM TRACE
5	JAN/16/02	3.00	PC#5484 NEW SOLDERMASK FOR RCA JACKS AND TABS
6	SEP/04/02	3.10	PC#6564 RI04_680R->750R

M577.PCB POT LIST

REF	FUNCTION	PART#	KNOB	AS OF
P1	VOLUME_2	#4417	K	DEC-99
P2	VOLUME_1	#4418	K	DEC-99
P3	BASS	#4420	K	DEC-99
P4	TREBLE	#4420	K	DEC-99
P5	REVERB	#4417	K	DEC-99
P6	VOLUME_3	#4417	K	DEC-99

PRODUCTION NOTES

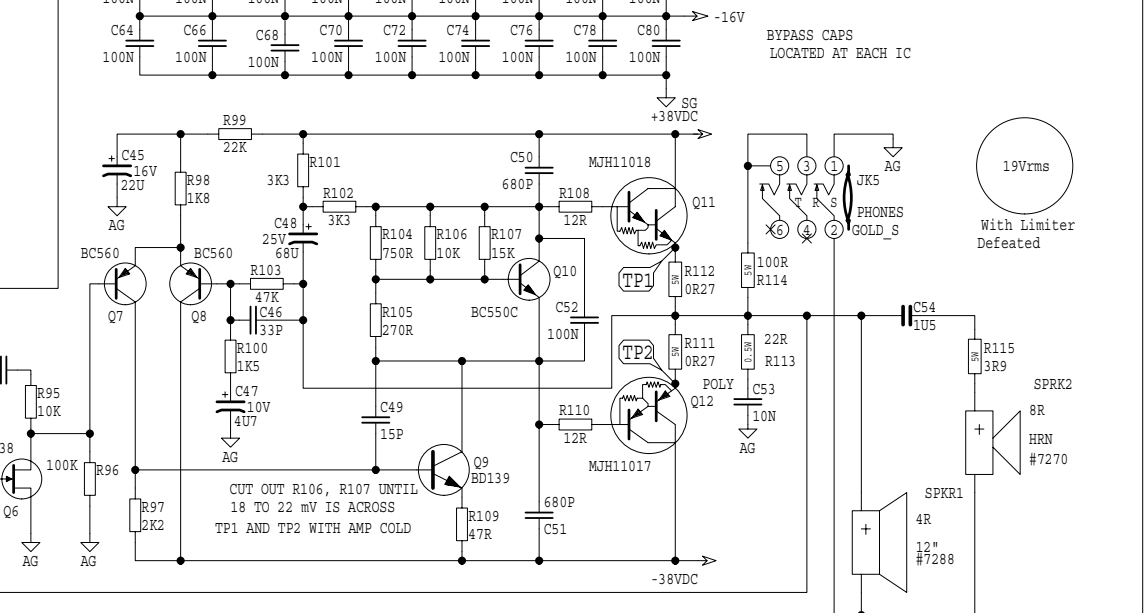
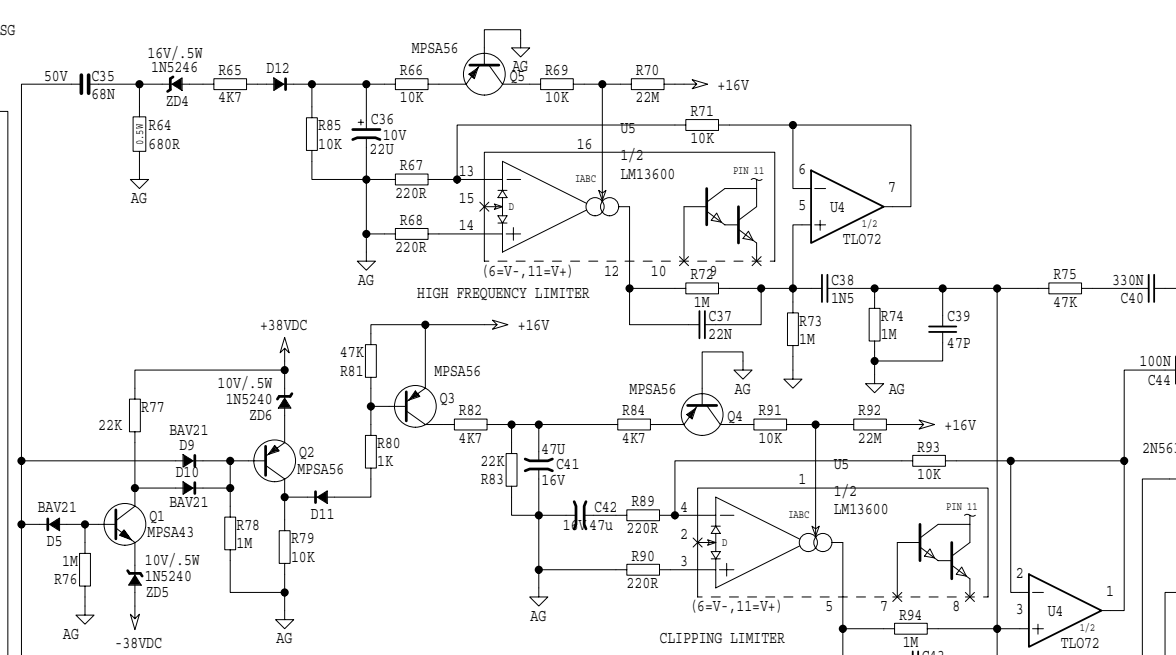
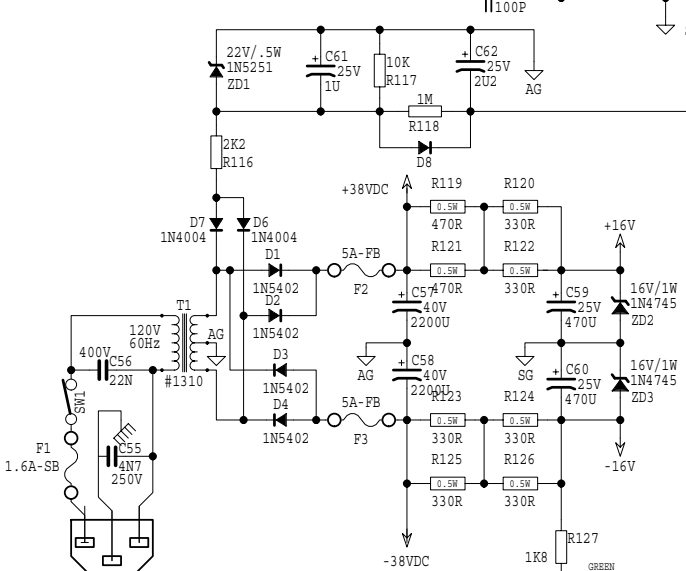
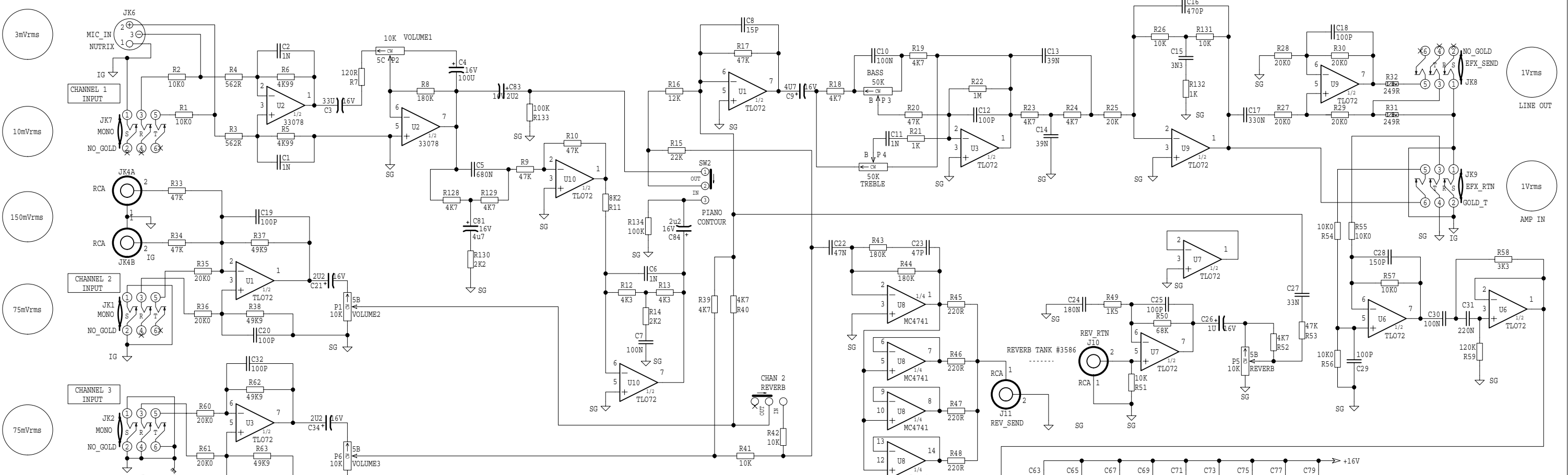
- 1 OUTPUT DEVICES MOUNTED ON .4" SPACERS #3833
- 2 FOR "CE" VERSION STUFF T800MA FUSE FOR F1 #2476
- 3 BEND Q10 DOWN INTO ROUTED AREA AS SHOWN.
- 4 Q10 IS HAND INSERTED
- 5 C82 IS REPLACED BY A JUMPER FOR OLD XFMR SEE PROD ENG BEFORE STUFFING



REPLACE WITH SAME VALUE FUSE

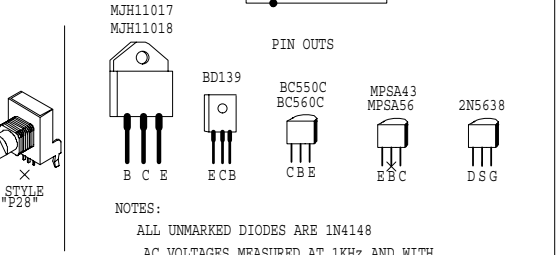
PT#3698

U: 100KBV16.PRN



PCB POT LIST

MODEL(S) :-	100KB	FUNCTION	PART#	KNOB	AS OF
1	P1	VOLUME 2	#4417	#8641	DEC/99
2	P2	VOLUME 1	#4418	#8641	DEC/99
3	P3	BASS	#4420	#8641	DEC/99
4	P4	TREBLE	#4420	#8641	DEC/99
5	P5	REVERB	#4417	#8641	DEC/99
6	P6	VOLUME 3	#4417	#8641	DEC/99



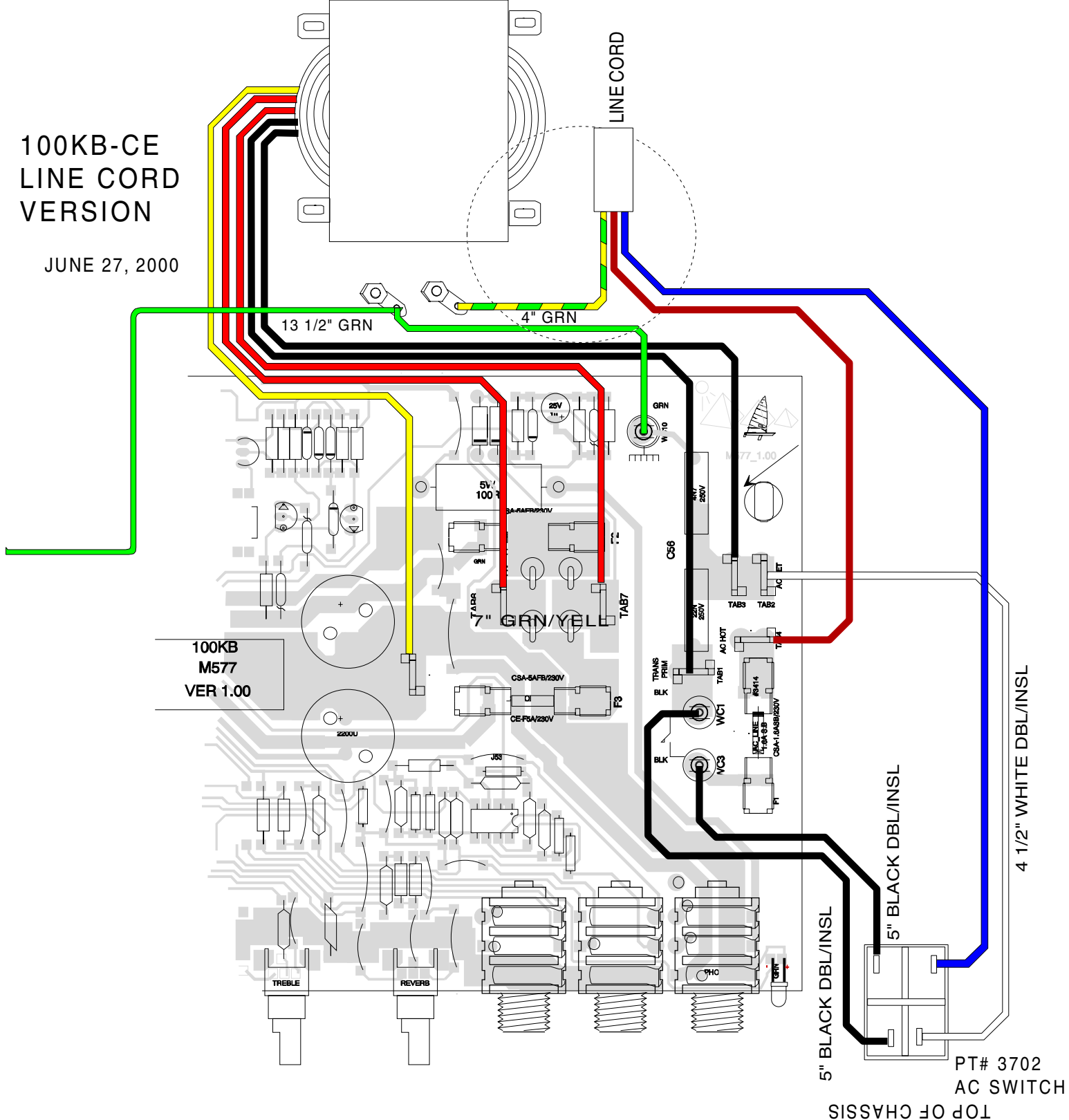
M577.SCH DATABASE HISTORY

MODEL(S) :-	100KB	DATE	DESCRIPTION OF CHANGE
1	DEC/99	1.00	DERIVED FROM 100K (M516)
2	APR/2000	1.10	REDESIGN
3	MAY/29.00	1.20	PARTS ADDED R133, R134, C83, C84
4			R9, R10 6K8->47K R43, R44 8K2->47K
5			C23 1N->150P C27 330N->56N R53 10K->22K C28 100P->150P C30 39N->100N
6			C31 68N->220N R59 330K->100K R58 10K->2K2
7			
8			
9	JUN/05/00	1.30	C26 2u2->1u C27 68N->1N R59 100K->120K
10			

MODEL(S) :-	DATE	DESCRIPTION OF CHANGE	
1	JUL/04/00	1.40	PC#6270 R43, R44 47K->180K C23-150P->47P R53 22K->47K
2	SEP/04/02	1.50	PC#6564 RI04 680R->750R
3	SEP/13/02	1.60	AC_SKT ADDED
4			N
5			N
6			N
7			N
8			N
9			N
10			N

100KB-CE LINE CORD VERSION

JUNE 27, 2000



100KB REVERB DELAY LINE MOUNTING

