



**WEB ACCESS:** <http://www.yorkville.com>

**WORLD HEADQUARTERS  
CANADA**

**Yorkville Sound**  
550 Granite Court  
Pickering, Ontario  
L1W-3Y8 CANADA

Voice: (905) 837-8481  
Fax: (905) 837-8746

**U.S.A.**

**Yorkville Sound Inc.**  
4625 Witmer Industrial Estate  
Niagara Falls, New York  
14305 USA

Voice: (716) 297-2920  
Fax: (716) 297-3689



**Quality and Innovation Since 1963**

Printed in Canada



**SERVICE MANUAL  
MANUEL DE SERVICE**

Before operating this unit, please read this manual thoroughly, and retain it for reference.  
Veuillez lire ce manuel attentivement avant d'utiliser l'appareil et le conserver pour consultations ultérieures

## IMPORTANT SAFETY INSTRUCTIONS



### INSTRUCTIONS PERTAINING TO A RISK OF FIRE, ELECTRIC SHOCK, OR INJURY TO PERSONS

### INSTRUCTIONS RELATIVES AU RISQUE DE FEU, CHOC ÉLECTRIQUE, OU BLESSURES AUX PERSONNES

#### **CAUTION:**

TO REDUCE THE RISK OF ELECTRIC SHOCK, DO NOT REMOVE COVER (OR BACK).

*NO USER SERVICEABLE PARTS INSIDE.*

**REFER SERVICING TO QUALIFIED SERVICE PERSONNEL.**

#### **AVIS:**

AFIN DE REDUIRE LES RISQUE DE CHOC ELECTRIQUE, N'ENLEVEZ PAS LE COUVERT (OU LE PANNEAU ARRIERE)

*NE CONTIENT AUCUNE PIECE REPARABLE PAR L'UTILISATEUR.*

**CONSULTEZ UN TECHNICIEN QUALIFIE POUR L'ENTRETIEN**

#### **Read Instructions**

The Owner's Manual should be read and understood before operation of your unit. Please, save these instructions for future reference.

#### **Packaging**

Keep the box and packaging materials, in case the unit needs to be returned for service.

#### **Warning**

When using electric products, basic precautions should always be followed, including the following:

##### **Power Sources**

Your unit should be connected to a power source only of the voltage specified in the owners manual or as marked on the unit. This unit has a polarized plug. Do not use with an extension cord or receptacle unless the plug can be fully inserted. Precautions should be taken so that the grounding scheme on the unit is not defeated.

##### **Hazards**

Do not place this product on an unstable cart, stand, tripod, bracket or table. The product may fall, causing serious personal injury and serious damage to the product. Use only with cart, stand, tripod, bracket, or table recommended by the manufacturer or sold with the product. Follow the manufacturer's instructions when installing the product and use mounting accessories recommended by the manufacturer.

The apparatus should not be exposed to dripping or splashing water; no objects filled with liquids should be placed on the apparatus.

Terminals marked with the "lightning bolt" are hazardous live; the external wiring connected to these terminals require installation by an instructed person or the use of ready made leads or cords.

Ensure that proper ventilation is provided around the appliance.

No naked flame sources, such as lighted candles, should be placed on the apparatus.

##### **Power Cord**

The AC supply cord should be routed so that it is unlikely that it will be damaged. If the AC supply cord is damaged DO NOT OPERATE THE UNIT.

##### **Service**

The unit should be serviced only by qualified service personnel.

#### **Veillez Lire le Manuel**

Il contient des informations qui devraient être comprises avant l'opération de votre appareil. Conservez S.V.P. ces instructions pour consultations ultérieures.

#### **Emballage**

Conservez la boîte au cas où l'appareil devrait être retourner pour réparation.

#### **Attention:**

Lors de l'utilisation de produits électrique, assurez-vous d'adhérer à des précautions de bases incluant celle qui suivent:

##### **Alimentation**

L'appareil ne doit être branché qu'à une source d'alimentation correspondant au voltage spécifié dans le manuel ou tel qu'indiqué sur l'appareil. Cet appareil est équipé d'une prise d'alimentation polarisée. Ne pas utiliser cet appareil avec un cordon de raccordement à moins qu'il soit possible d'insérer complètement les trois lames. Des précautions doivent être prises afin d'éviter que le système de mise à la terre de l'appareil ne soit désengagé.

##### **Risque**

Ne pas placer cet appareil sur un chariot, un support, un trépied ou une table instables. L'appareil pourrait tomber et blesser quelqu'un ou subir des dommages importants. Utiliser seulement un chariot, un support, un trépied ou une table recommandés par le fabricant ou vendus avec le produit. Suivre les instructions du fabricant pour installer l'appareil et utiliser les accessoires recommandés par le fabricant.

Il convient de ne pas placer sur l'appareil de sources de flammes nues, telles que des bougies allumées.

L'appareil ne doit pas être exposé à des égouttements d'eau ou des éclaboussures et qu'aucun objet rempli de liquide tel que des vases ne doit être placé sur l'appareil.

Assurez que l'appareil est fourni de la propre ventilation.

Les dispositifs marqués d'un symbole "d'éclair" sont des parties dangereuses au toucher et que les câblages extérieurs connectés à ces dispositifs de connection extérieure doivent être effectués par un opérateur formé ou en utilisant des cordons déjà préparés.

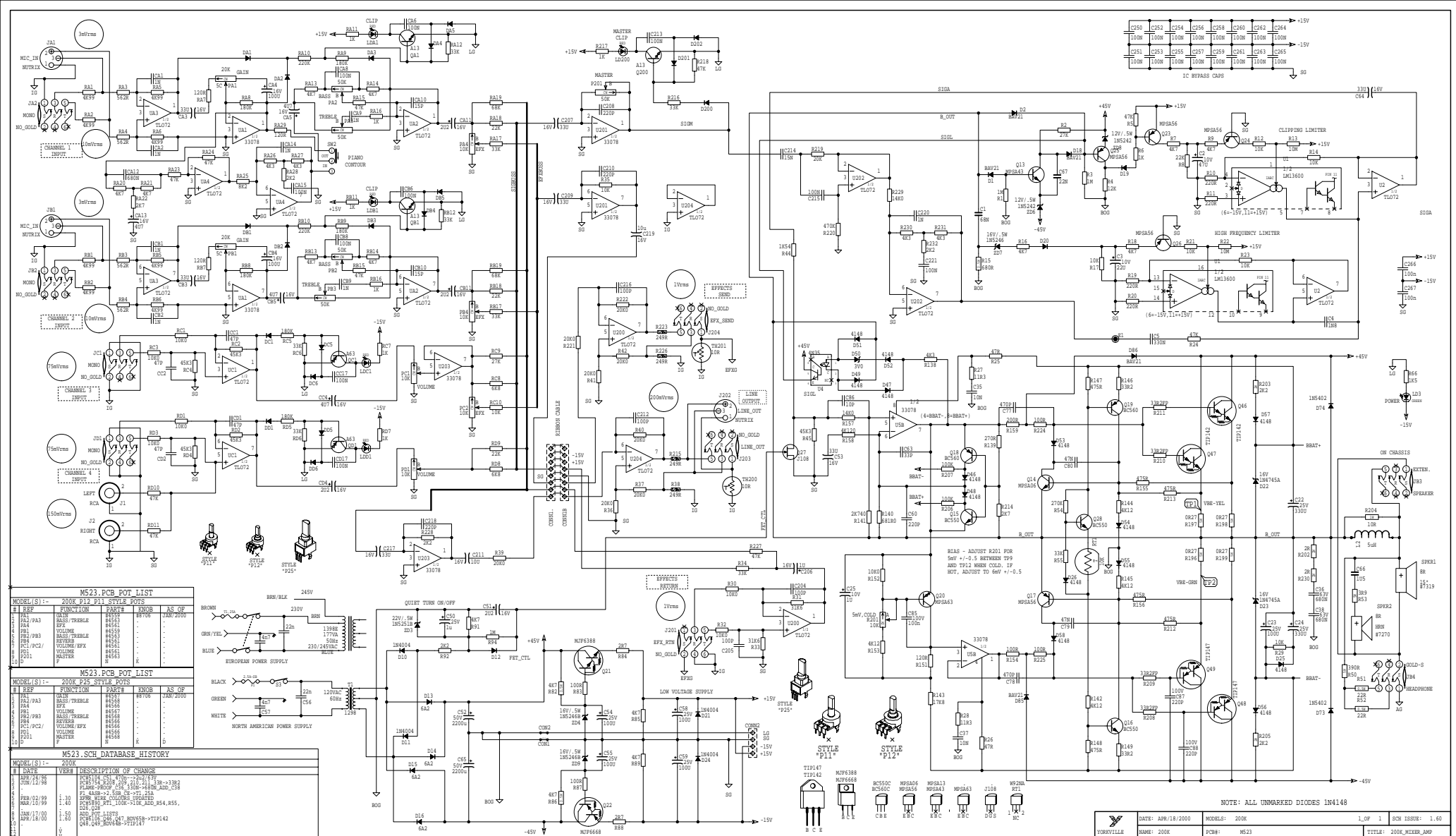
##### **Cordon d'Alimentation**

Évitez d'endommager le cordon d'alimentation. N'UTILISEZ PAS L'APPAREIL si le cordon d'alimentation est endommagé.

##### **Service**

Consultez un technicien qualifié pour l'entretien de votre appareil.

YS #	Description	Qty.	YS #	Description	Qty.	YS #	Description	Qty.
6405	RED 3MM LED 1V7 5MA BRT	5	3804	SNAP ON 1.5" INSULATING BUSHING	1	3594	9.5" 5C-24AWG RIB.5NTCH HITMP 0.1"	1
6408	GRN 3MM LED 1V9 5MA FROSTED	1	3806	RECTANGULAR WASHER FOR TRANS SUPPR	2	3595	17" 8C-24AWG RIB.5NTCH HITMP 0.1"	1
6425	BAV21 200V 0A25 DIODE T&R	5	3438	230 AC RECEPTACLE FUSE & 250 TABS	1	9150	.081" 48X96 UTILITY ALUMINUM	4
6825	1N4148 75V 0A45 DIODE T&R	36	3795	#8 GROUND LUG ZIERICK 505-169	3	8865	4-40 X 5/16 PAN PH MS JS500	4
6438	1N4004 400V 1A0 DIODE T&R	4	3810	4" NYLON CABLE TIE	11	8861	4-40 X 3/8 PAN PH MS JS500	6
6827	1N5402 200V 3A0 DIODE	2	8486	M3.5 EURO SPRING TOOTH LOCKWASHER	3	8741	4-40 X 1/2 PAN PH MS JS500	2
6434	6A2 200V 6A0 DIODE	4	8655	BUTTON KNOB BLACK REAN P120-OX	1	8842	#4 X 5/16 PAN QUAD TYPE A JS500 BLK	2
6439	1N5225B 3V0 0W5 ZENER 5% T&R	1	8706	ROTARY KNOB BLACK W/BUE POINTER	12	8801	6-32 X 3/8 PAN PH TAPTITE JS500	3
6450	1N5242B 12V0 0W5 ZENER 5% T&R	2	3474	6' 3X.075MM AC LINE CORD EURO-REMOV	1	8829	6-32 X 3/8 FLAT PH TAPTITE BO#4 HEA	6
6822	1N4745A 16V0 1W0 ZENER 5% T&R	2	3521	SIDE ENTRY PCB CONN .156 8POS	1	8828	6-32 X 3/4 PAN PH TAPTITE JS500	7
6824	1N5246B 16V0 0W5 ZENER 5% T&R	3	3543	20 PIN BRKAWAY 90 LOCK .156	0.2	8823	6-32 X 1 PAN PH TAPTITE JS500	2
6463	1N5251BRL 22V0 0W5 ZENER 5% T&R	1	3548	SIDE ENTRY PCB CONN .156 4POS	1	8749	10-32 X 1/2 QDX PH TAPTITE JS500	4
5101	BC550C TO92 NPN TRAN T&R TB	2	3676	8 CIR CABLE HOLDER .098	2	8607	3/16 NYLON SPACER OD 1/8 X ID .063	8
5102	BC560C TO92 PNP TRAN T&R TB	2	5989	4 CIR CABLE HOLDER .098	2	8866	#6 NYLON SPACER OD.250XID.140X.187	4
5103	MPSA06 TO92 NPN TRAN T&R TA	1	8793	4-40 HEX NUT ZINC	2	3744	SNAP IN .375 SPACER RICHCO	7
5104	MPSA56 TO92 PNP TRAN T&R TA	5	8800	6-32 KEPS NUT ZINC	7	3859	1/2 PLASTIC HEX SPACER #4	4
5109	MPSA43 TO92 NPN TRAN TA	1	8841	10-32 KEPS NUT ZINC	4	8580	CUSTOM .625 SPACER	6
5105	MPSA13 TO92 NPN DARL T&R TA	3	8898	1/4-20 CAGE NUT C7998142027	4	8657	6-32 X 3/8" HEX SPACER ALUMINUM	1
5106	MPSA63 TO92 PNP DARL T&R TA	3	3830	TO218 PREGREASED MICA 56-78-2AP	4	8820	#8 FLAT WASHER JS500	1
5122	J109 TO92 NCH JFET T&R TC	1	4597	22AWG STRAN TC WIR JMP	50	3421	DPDT PUSH SW PCMT MAKE B4 BREAK	1
6902	TIP142 TO218 NPN TRAN DARL TE	2	4599	22AWG SOLID SC WIR T&R JMP	75	3702	DPST ROKR SW 187" AC PWR SEMKO	1
6903	TIP147 TO218 PNP TRAN DARL TE	2	5299	24AWG SOLID SC WIR RAD JMP	2	1298	120VAC 60HZ TRD	1
6915	TIP102 TO220 NPN TRAN DARL TE	1	4729	5.0W 0R27 5% BLK RES	4	17.425X	M523/M576X1 PCB 200K/KB	1
6916	TIP107 TO220 PNP TRAN DARL TE	1	4703	2.0W 2R 5% T&R RES	2			
6754	NJM072BL IC DUAL OPAMP INLINE	1	4905	1/4W 2R7 5% T&R RES	2			
6840	MC33078P IC DUAL OP AMP	4	4734	5.0W 3R9 5% BLK RES	1			
6882	TL072CP IC FET DUAL OP AMP	7	4686	1.0W 10R 5%FLAME PROOF T&R RES	1			
6745	LM13600N IC XCONDUCTANCE AMP	1	4766	1/4W 11R3 1%FLAME PROOF T&R RES	2			
6880	4N35 OPTO-COUPLER	1	4618	1/2W 22R 5% T&R RES	2			
6474	10R 3% 0W0 PTC THERMISTOR	2	4995	1/4W 33R2 1%FLAME PROOF T&R RES	6			
6477	100K 5% 1/4W THERMISTOR T&R 0.2	2	4957	1/4W 47R 5% .2U T&R RES	2			
5400	10P 100V 10%CAP T&R BEAD NPO	1	4852	1/4W 100R 5% T&R RES	5			
5402	15P 100V 10%CAP T&R BEAD NPO	2	4987	1/4W 120R 5%MINI T&R RES	4			
5406	33P 50V 10%CAP BLK BEAD NPO	1	4909	1/4W 200R 5% T&R RES	1			
5408	47P 100V 10%CAP T&R BEAD NPO	4	4857	1/4W 220R 5% T&R RES	4			
5410	100P 100V 10%CAP T&R BEAD NPO	4	4606	1/8W 249R 2%FLAME PROOF T&R RES	4			
5197	220P 100V 2%CAP T&R RAD CER.2"NPO	2	4867	1/4W 270R 5% T&R RES	1			
5412	220P 100V 10%CAP T&R BEAD NPO	4	4736	5.0W 390R 5% BLK RES	1			
5416	470P 50V 10%CAP T&R BEAD NPO	2	4698	1/8W 475R 1%FLAME PROOF T&R RES	6			
5422	1N 50V 10%CAP T&R BEAD NPO	8	4799	1/4W 562R 1% T&R RES	4			
5425	1N8 50V 10%CAP T&R BEAD X7R	1	4673	1/2W 680R 5% T&R RES	1			
6451	4N7 250V 20%CAP BLK 'Y' 10MM AC	1	4743	1/4W 681R0 0.1% *** T&R RES	1			
5300	10N 50V 10%CAP T&R BEAD X7R	2	4981	1/4W 1K 5%MINI T&R RES	8			
5205	15N 100V 10%CAP T&R RAD .2"FLM	1	4824	1/4W 1K5 5% T&R RES	1			
5210	22N 100V 10%CAP T&R RAD .2"FLM	1	4791	1/4W 1K54 1% T&T RES	1			
6435	22N 275V 20%CAP BLK 'X2' 15MM AC	1	4705	2.0W 2K2 5% BLK RES	2			
5224	47N 100V 10%CAP T&R RAD .2"FLM	2	4847	1/4W 2K2 5% T&R RES	4			
5226	68N 100V 5%CAP T&R RAD .2"FLM	1	4864	1/4W 2K7 5% T&R RES	2			
5228	100N 100V 5%CAP T&R RAD .2"FLM	3	4764	1/4W 2K740 0.1% *** T&R RES	1			
5314	100N 50V 10%CAP T&R BEAD X7R	26	4756	1/4W 4K120 0.1% *** T&R RES	5			
5320	330N 50V 10%CAP T&R BEAD X7R	1	4910	1/4W 4K3 5% T&R RES	5			
5240	680N 63V 10%CAP T&R RAD .2"FLM	3	4627	1/2W 4K7 5% T&R RES	2			
5255	1U 63V 20%CAP T&R RAD .2"EL	3	4827	1/4W 4K7 5% T&R RES	11			
5925	1U5 100V 10%CAP BLK RAD POLY FLM	1	4982	1/4W 4K7 5%MINI T&R RES	2			
5257	2U2 63V 20%CAP T&R RAD .2"EL	4	4639	1/4W 4K99 1% T&R RES	8			
5259	4U7 63V 20%CAP T&R RAD .2"EL	4	4828	1/4W 6K8 5% T&R RES	2			
5282	10U 16V 20%CAP T&R 5X7MM .2"NP	2	4978	1/4W 6K8 5%MINI T&R RES	2			
5260	22U 50V 20%CAP T&R RAD .2"EL	1	4863	1/4W 8K2 5% T&R RES	1			
5961	33U 16V 20%CAP T&R RAD .2"NP	7	4800	1/4W 10K0 1% T&R RES	7			
5627	47U 10V 20%CAP BLK RAD NP	1	4829	1/4W 10K 5% T&R RES	8			
5267	100U 25V 20%CAP T&R RAD .2"EL	7	4856	1/4W 12K 5% T&R RES	1			
5630	330U 25V 20%CAP BLK 10X13MM EL	2	4775	1/4W 14K0 1% T&R RES	2			
5887	2200U 50V 20%CAP BLK 18X27MM EL	2	4771	1/4W 17K8 1% T&R RES	1			
4566	10K B LIN 9MM P25	5	4885	1/4W 20K 5% T&R RES	1			
4567	20K 5C R/A 9MM P25	2	6123	1/4W 20K0 1%MINI MF T&R RES	8			
4568	50K B LIN 9MM P25	5	6118	1/4W 22K 5%MINI T&R RES	4			
4520	10K TRIM POT	1	4833	1/4W 27K 5% T&R RES	1			
3819	5UH COIL 18AWG R000 AIR CORE	1	6129	1/4W 27K 5%MINI T&R RES	1			
3682	250 MALE PCB TAB BULK CARTRIGE	11	4917	1/4W 31K6 1% T&R RES	2			
3498	1/4" JCK PCB MT HORZ	7	6122	1/4W 33K 5%MINI T&R RES	9			
3527	1/4" JCK PCB MT HORZ GOLD S	1	4908	1/4W 45K3 1% T&R RES	5			
3528	1/4" JCK PCB MT HORZ GOLD TR	1	4834	1/4W 47K 5% T&R RES	9			
3460	RCA DUAL PCB MT VERT GOLD .475"	1	6119	1/4W 47K 5%MINI T&R RES	1			
3923	XLR MALE PCB MT HORZ MTHOLE-V SNAP	1	4836	1/4W 68K 5% T&R RES	2			
3657	XLR FEML PCB MT HORZ NO SHELL	2	4796	1/4W 180K 5%MINI T&R RES	6			
3451	EYELET SMALL 0.089 OD PLATED	21	4841	1/4W 220K 5% T&R RES	2			
3414	INTERNATIONAL PC MOUNT FUSEHOLDER	2	6135	1/4W 270K 5%MINI T&R RES	1			
2407	2.5 AMP SLO-BLO .25X1.25 FUSE	1	4843	1/4W 470K 5% T&R RES	1			
2402	T1.25A 5X20MM FUSE	1	4844	1/4W 1M 5% T&R RES	3			
3501	B52200F006 COMP WASH #4 SMALL	2	4809	1/4W 10M 5% T&R RES	2			
3719	DUAL XSISTOR TO218 SPRING YEL PLTD	2	3609	6" 5C-26AWG RIBBON CABLE 0.1"	1			



C250	C251	C252	C253	C254	C255	C256	C257	C258	C259	C260	C261	C262	C263	C264	C265
100n	100n	100n	100n	100n	100n	100n	100n	100n	100n	100n	100n	100n	100n	100n	100n
1C BYPASS CAPS															

**M523 PCB POT LIST**

#	REF	FUNCTION	PART#	KNOB	AS OF
1	DA1	BASS/TREBLE	8453	87/06	JAN/2000
2	DA2	BASS/TREBLE	8453	87/06	JAN/2000
3	DA3	BASS/TREBLE	8453	87/06	JAN/2000
4	DA4	BASS/TREBLE	8453	87/06	JAN/2000
5	DA5	BASS/TREBLE	8453	87/06	JAN/2000
6	DA6	BASS/TREBLE	8453	87/06	JAN/2000
7	DA7	BASS/TREBLE	8453	87/06	JAN/2000
8	DA8	BASS/TREBLE	8453	87/06	JAN/2000
9	DA9	BASS/TREBLE	8453	87/06	JAN/2000
10	DA10	BASS/TREBLE	8453	87/06	JAN/2000

**M523 PCB POT LIST**

#	REF	FUNCTION	PART#	KNOB	AS OF
1	DA1	BASS/TREBLE	8453	87/06	JAN/2000
2	DA2	BASS/TREBLE	8453	87/06	JAN/2000
3	DA3	BASS/TREBLE	8453	87/06	JAN/2000
4	DA4	BASS/TREBLE	8453	87/06	JAN/2000
5	DA5	BASS/TREBLE	8453	87/06	JAN/2000
6	DA6	BASS/TREBLE	8453	87/06	JAN/2000
7	DA7	BASS/TREBLE	8453	87/06	JAN/2000
8	DA8	BASS/TREBLE	8453	87/06	JAN/2000
9	DA9	BASS/TREBLE	8453	87/06	JAN/2000
10	DA10	BASS/TREBLE	8453	87/06	JAN/2000

**M523 SCH DATABASE HISTORY**

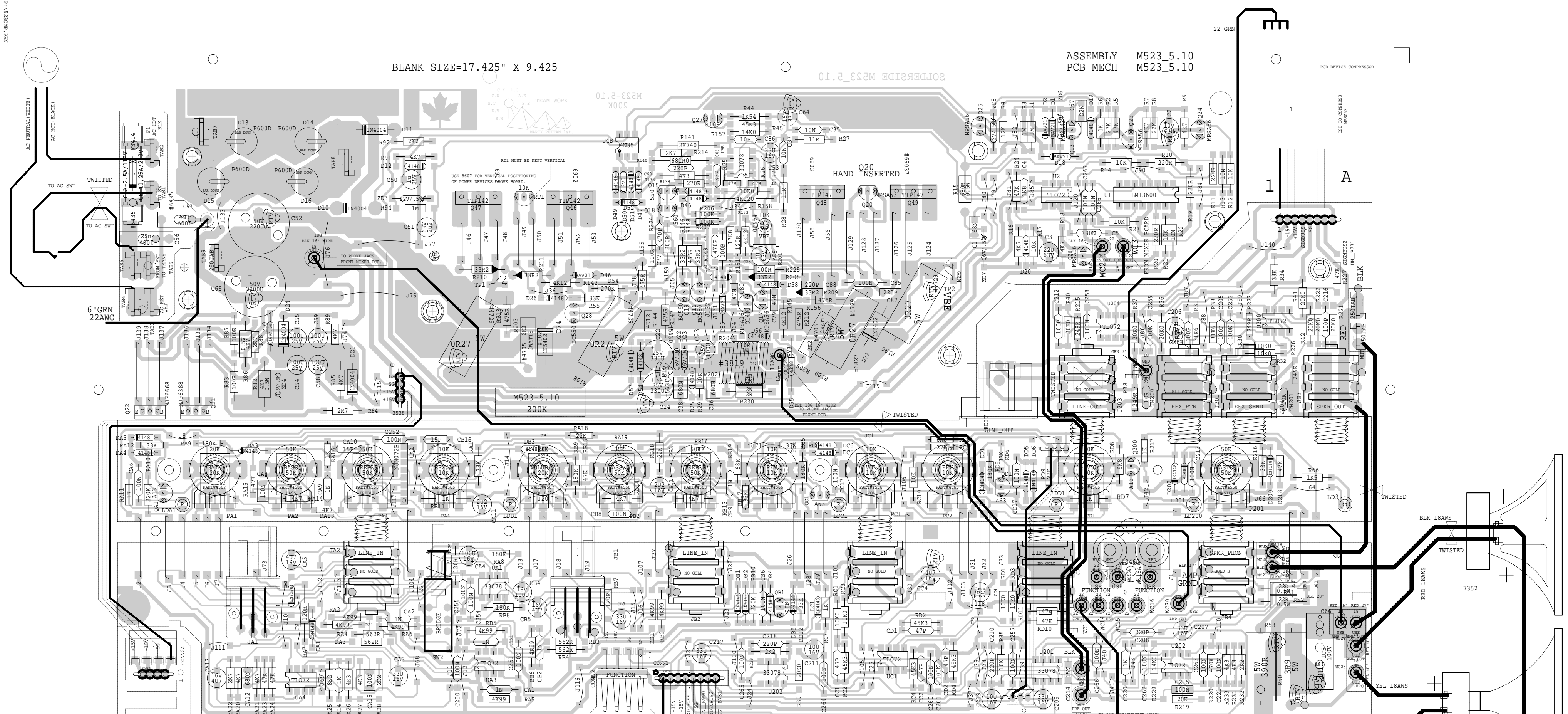
#	DATE	VER#	DESCRIPTION OF CHANGE
1	02/14/98	1.00	DESCRIPTION OF CHANGE
2	02/14/98	1.01	DESCRIPTION OF CHANGE
3	02/14/98	1.02	DESCRIPTION OF CHANGE
4	02/14/98	1.03	DESCRIPTION OF CHANGE
5	02/14/98	1.04	DESCRIPTION OF CHANGE
6	02/14/98	1.05	DESCRIPTION OF CHANGE
7	02/14/98	1.06	DESCRIPTION OF CHANGE
8	02/14/98	1.07	DESCRIPTION OF CHANGE
9	02/14/98	1.08	DESCRIPTION OF CHANGE
10	02/14/98	1.09	DESCRIPTION OF CHANGE
11	02/14/98	1.10	DESCRIPTION OF CHANGE
12	02/14/98	1.11	DESCRIPTION OF CHANGE
13	02/14/98	1.12	DESCRIPTION OF CHANGE
14	02/14/98	1.13	DESCRIPTION OF CHANGE
15	02/14/98	1.14	DESCRIPTION OF CHANGE
16	02/14/98	1.15	DESCRIPTION OF CHANGE
17	02/14/98	1.16	DESCRIPTION OF CHANGE
18	02/14/98	1.17	DESCRIPTION OF CHANGE
19	02/14/98	1.18	DESCRIPTION OF CHANGE
20	02/14/98	1.19	DESCRIPTION OF CHANGE
21	02/14/98	1.20	DESCRIPTION OF CHANGE
22	02/14/98	1.21	DESCRIPTION OF CHANGE
23	02/14/98	1.22	DESCRIPTION OF CHANGE
24	02/14/98	1.23	DESCRIPTION OF CHANGE
25	02/14/98	1.24	DESCRIPTION OF CHANGE
26	02/14/98	1.25	DESCRIPTION OF CHANGE
27	02/14/98	1.26	DESCRIPTION OF CHANGE
28	02/14/98	1.27	DESCRIPTION OF CHANGE
29	02/14/98	1.28	DESCRIPTION OF CHANGE
30	02/14/98	1.29	DESCRIPTION OF CHANGE
31	02/14/98	1.30	DESCRIPTION OF CHANGE
32	02/14/98	1.31	DESCRIPTION OF CHANGE
33	02/14/98	1.32	DESCRIPTION OF CHANGE
34	02/14/98	1.33	DESCRIPTION OF CHANGE
35	02/14/98	1.34	DESCRIPTION OF CHANGE
36	02/14/98	1.35	DESCRIPTION OF CHANGE
37	02/14/98	1.36	DESCRIPTION OF CHANGE
38	02/14/98	1.37	DESCRIPTION OF CHANGE
39	02/14/98	1.38	DESCRIPTION OF CHANGE
40	02/14/98	1.39	DESCRIPTION OF CHANGE
41	02/14/98	1.40	DESCRIPTION OF CHANGE
42	02/14/98	1.41	DESCRIPTION OF CHANGE
43	02/14/98	1.42	DESCRIPTION OF CHANGE
44	02/14/98	1.43	DESCRIPTION OF CHANGE
45	02/14/98	1.44	DESCRIPTION OF CHANGE
46	02/14/98	1.45	DESCRIPTION OF CHANGE
47	02/14/98	1.46	DESCRIPTION OF CHANGE
48	02/14/98	1.47	DESCRIPTION OF CHANGE
49	02/14/98	1.48	DESCRIPTION OF CHANGE
50	02/14/98	1.49	DESCRIPTION OF CHANGE
51	02/14/98	1.50	DESCRIPTION OF CHANGE
52	02/14/98	1.51	DESCRIPTION OF CHANGE
53	02/14/98	1.52	DESCRIPTION OF CHANGE
54	02/14/98	1.53	DESCRIPTION OF CHANGE
55	02/14/98	1.54	DESCRIPTION OF CHANGE
56	02/14/98	1.55	DESCRIPTION OF CHANGE
57	02/14/98	1.56	DESCRIPTION OF CHANGE
58	02/14/98	1.57	DESCRIPTION OF CHANGE
59	02/14/98	1.58	DESCRIPTION OF CHANGE
60	02/14/98	1.59	DESCRIPTION OF CHANGE
61	02/14/98	1.60	DESCRIPTION OF CHANGE
62	02/14/98	1.61	DESCRIPTION OF CHANGE
63	02/14/98	1.62	DESCRIPTION OF CHANGE
64	02/14/98	1.63	DESCRIPTION OF CHANGE
65	02/14/98	1.64	DESCRIPTION OF CHANGE
66	02/14/98	1.65	DESCRIPTION OF CHANGE
67	02/14/98	1.66	DESCRIPTION OF CHANGE
68	02/14/98	1.67	DESCRIPTION OF CHANGE
69	02/14/98	1.68	DESCRIPTION OF CHANGE
70	02/14/98	1.69	DESCRIPTION OF CHANGE
71	02/14/98	1.70	DESCRIPTION OF CHANGE
72	02/14/98	1.71	DESCRIPTION OF CHANGE
73	02/14/98	1.72	DESCRIPTION OF CHANGE
74	02/14/98	1.73	DESCRIPTION OF CHANGE
75	02/14/98	1.74	DESCRIPTION OF CHANGE
76	02/14/98	1.75	DESCRIPTION OF CHANGE
77	02/14/98	1.76	DESCRIPTION OF CHANGE
78	02/14/98	1.77	DESCRIPTION OF CHANGE
79	02/14/98	1.78	DESCRIPTION OF CHANGE
80	02/14/98	1.79	DESCRIPTION OF CHANGE
81	02/14/98	1.80	DESCRIPTION OF CHANGE
82	02/14/98	1.81	DESCRIPTION OF CHANGE
83	02/14/98	1.82	DESCRIPTION OF CHANGE
84	02/14/98	1.83	DESCRIPTION OF CHANGE
85	02/14/98	1.84	DESCRIPTION OF CHANGE
86	02/14/98	1.85	DESCRIPTION OF CHANGE
87	02/14/98	1.86	DESCRIPTION OF CHANGE
88	02/14/98	1.87	DESCRIPTION OF CHANGE
89	02/14/98	1.88	DESCRIPTION OF CHANGE
90	02/14/98	1.89	DESCRIPTION OF CHANGE
91	02/14/98	1.90	DESCRIPTION OF CHANGE
92	02/14/98	1.91	DESCRIPTION OF CHANGE
93	02/14/98	1.92	DESCRIPTION OF CHANGE
94	02/14/98	1.93	DESCRIPTION OF CHANGE
95	02/14/98	1.94	DESCRIPTION OF CHANGE
96	02/14/98	1.95	DESCRIPTION OF CHANGE
97	02/14/98	1.96	DESCRIPTION OF CHANGE
98	02/14/98	1.97	DESCRIPTION OF CHANGE
99	02/14/98	1.98	DESCRIPTION OF CHANGE
100	02/14/98	1.99	DESCRIPTION OF CHANGE
101	02/14/98	2.00	DESCRIPTION OF CHANGE

BLANK SIZE=17.425" X 9.425

ASSEMBLY M523\_5.10  
PCB MECH M523\_5.10

SOLDERSIDE M523\_5.10

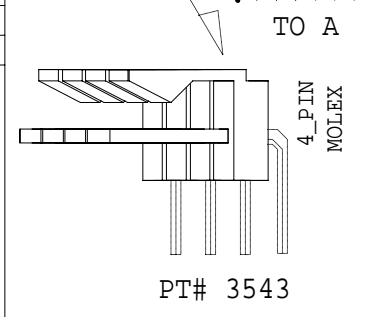
PCB DEVICE COMPRESSOR



M523.PCB\_DATABASE\_HISTORY

MODEL(S) :- 200K

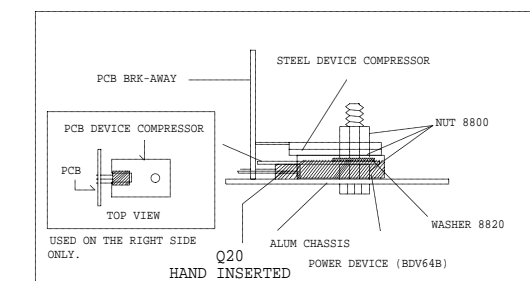
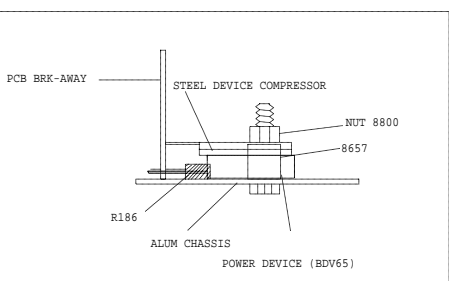
#	DATE	VER#	DESCRIPTION OF CHANGE
1	MAY/28/96	1.10	PC#5074,5104,5105,5110,5111,5113
2			CORRECT LAYOUT ERRORS C51 220N->2U2
3	JUN/03/96	1.10	R50 R53 C66 MOVED TO CLEAR E
4			VERSION AC SWITCH
5	JUN/10/96	2.00	PC#XXXX LINE-OUT XLR CHANGED MOLEX
6			PARTS ELIMINATED_PADS_FOR_PHONE
7			JACKS ENLARGED
8	DEC/19/96	2.10	PC#5282 HOLE SIZE RCA JACK CHANGES
9	DEC/08/97	2.20	PC#5541 CHANGE GROUND FOR C57
10	JUN/15/98	3.00	PC#5754 R208/209/210/211 33R->33R2
11			FLAME-PROOF C36 330N->680N ADD C38
12			FUSES F1 4.0ASB->2.5ASB CE->T1.25A
13	JAN/25/99	4.00	PC#5908 ADD TLP621 (U4A)
14	MAR/10/99		PC#5890 RT1 100K->10K ADD R54,R55,
15			D26, Q28
16	SEP/15/99	5.00	REDONE TO ALLOW P25_STYLE_POTS
17	APR/18/00	5.10	PC#6106_Q46,Q47_BDV65B->TIP142
18			Q48,Q49_BDV64B->TIP147
19			
20			



- 1 RTV REQUIRED AT R197,R189,R199,R196 C24,C22,C64,L2,CC4, C2,C206
- 2 RT1 MUST BE KEPT VERTICAL
- 3 WIRES FROM WC2 WC3 (BLK-WHT) MUST PASS UNDER RED AND BLACK WIRES (WC23,WC30)
- 4 DO NOT INSTALL FUSE HOLDER FOR CE /E UNITS
- 5 RT1 MUST BE KEPT VERTICAL
- 6 USE 8607 FOR VERTICAL POSITIONING OF POWER DEVICES ABOVE BOARD.
- 7 Q20, RT1 MUST BE HAND INSERTED
- 8 STUFF U4B (U4B) OR TLP621 U4A NOT BOTH

ETCH GUIDE

PRODUCTION NOTES



RCF 252

200KCE AC WIRING  
JAN 22, 99

SHOWN WIRED FOR 230VAC

