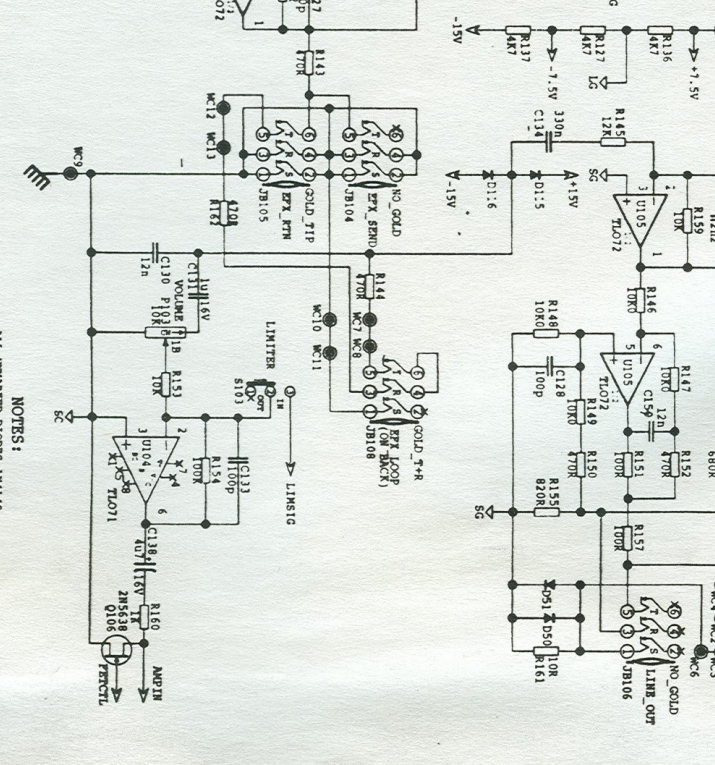
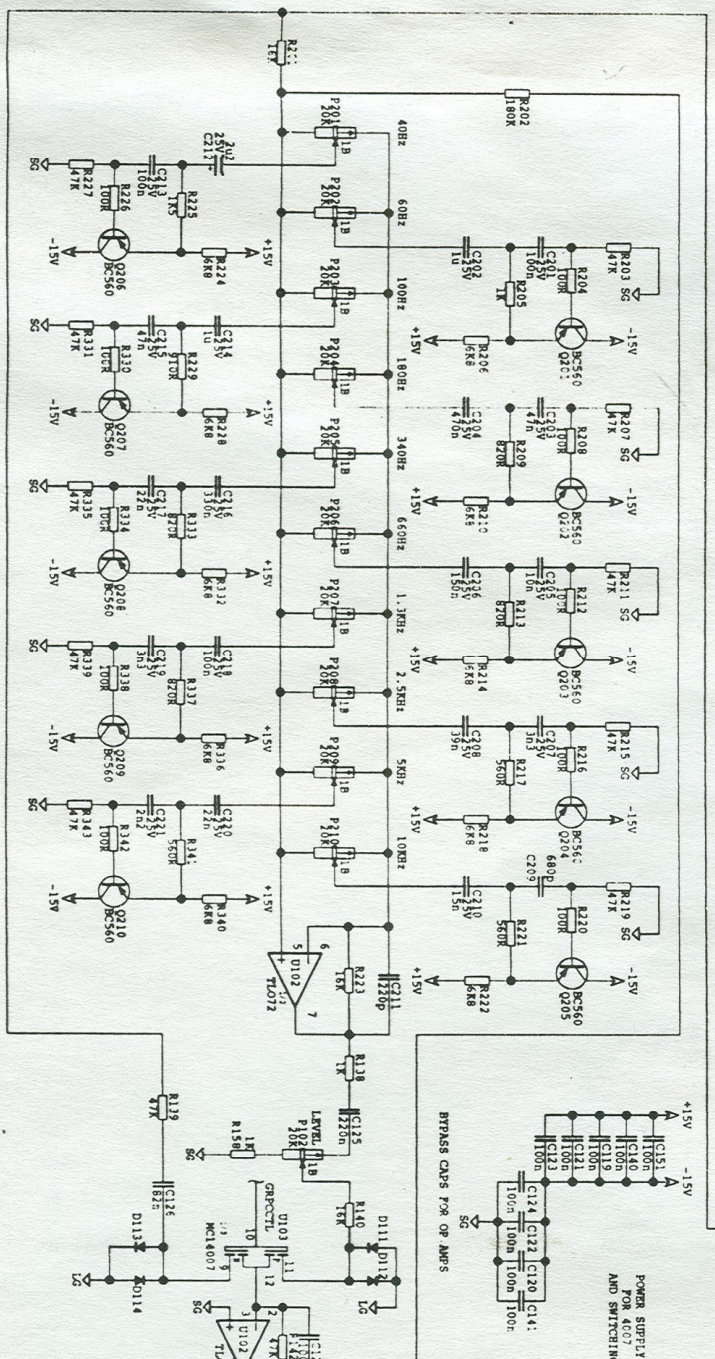
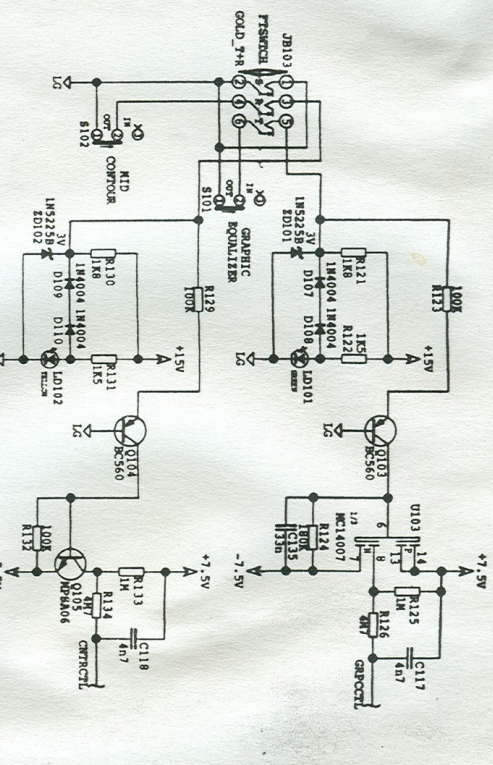
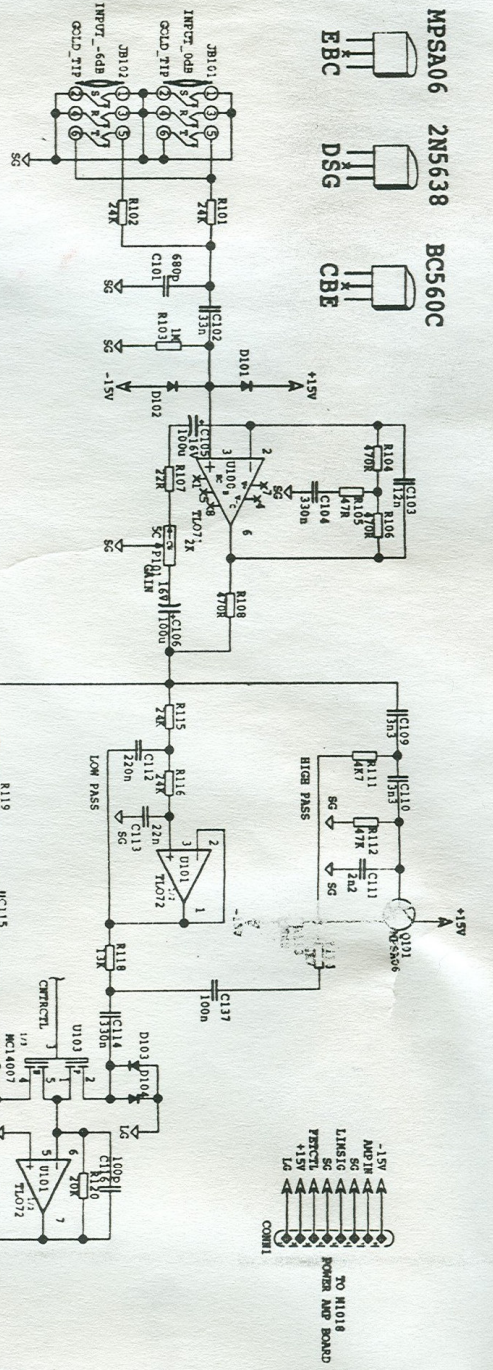


MPSA06 2N5638 BC560C
EBC DSG CBE



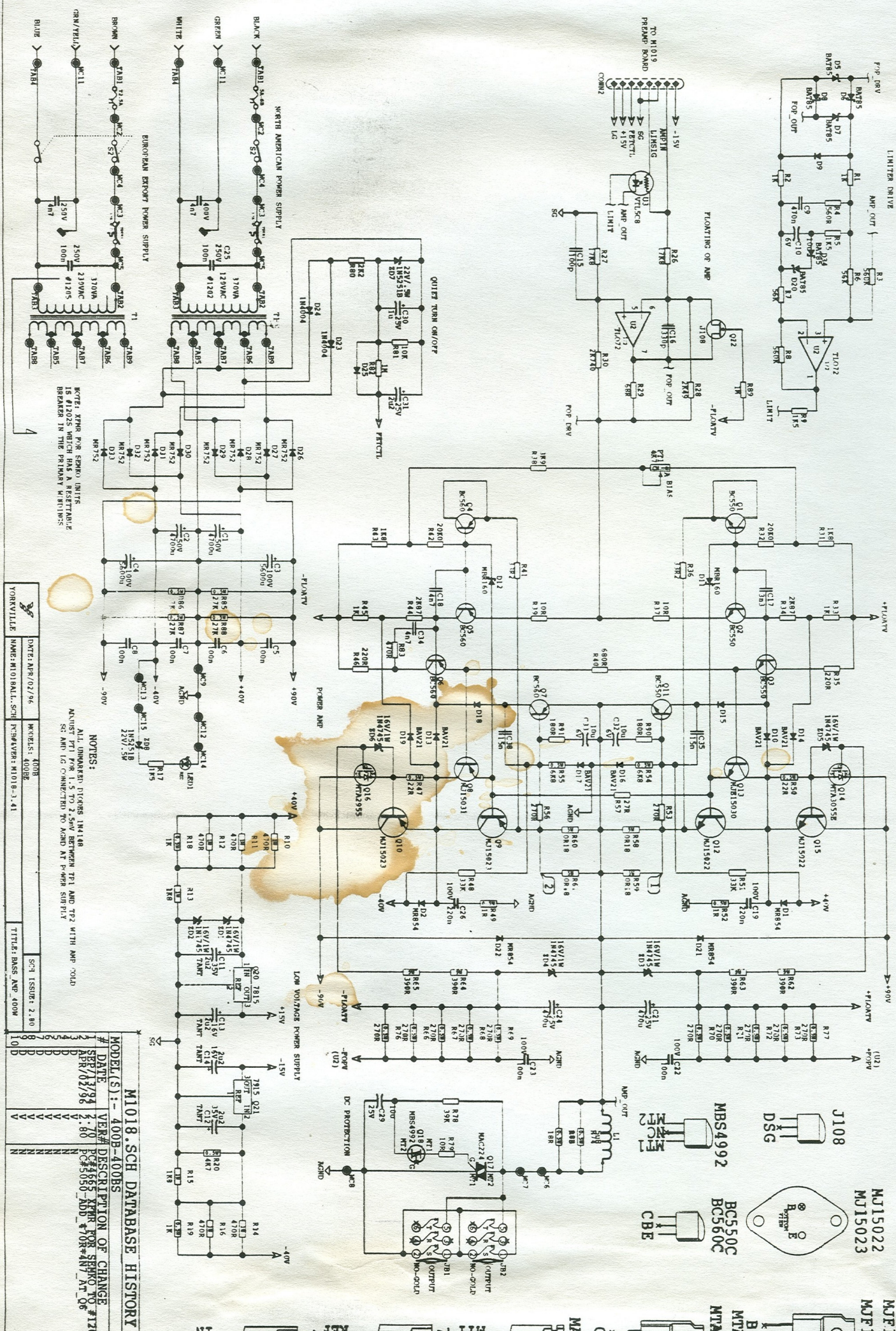
GRAPHIC EQUALIZER

THE 400B BY A. MILSON AND C. CHIU

FOR MODEL/ST/100B	DESIGN B.I.C.-C.H.I.U.	DATE: 10/10/79
FOR VARI./M1013-1.00	FOR VARI./M1013-1.00	DATE: 10/10/79
C:\PCAD\KKA\CALM1013.SCH	3.10	BASS AMP 400W

NOTES:
ALL UNMARKED DIODES 1N4148

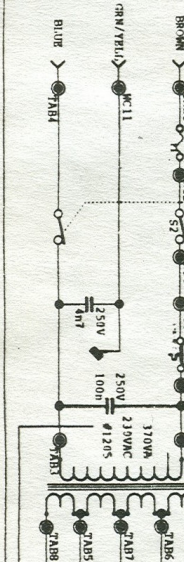
WARNING: 180VDC IS BETWEEN POWER SUPPLIES. THIS PRESENTS A SIGNIFICANT SHOCK HAZARD. PLEASE, USE EXTREME CAUTION WHEN SERVICING!



M1018.SCH DATABASE HISTORY

#	DATE	VER#	DESCRIPTION OF CHANGE
1	SEP/17/94	2.79	PC#4655 XTR FOR SERVO TO #17025
2	APR/02/96	2.80	PC#5050_ADD_#70R*IN*_AT_06
3			
4			
5			
6			
7			
8			
9			
10			

NOTES:
 ALL UNMARKED DIMS IN 1/16"
 UNLESS PTI FOR 1.5 TO 2.5MM BETWEEN TPI AND TPI WITH AMP COIL
 IS #1025 WHICH HAS A RESETTABLE
 BREAKER IN THE PRIMARY WIRINGS



DATE: APR/02/96
 NAME: M1018.BALL.SCH
 MODEL: 400B
 TITLE: BASS AMP 400W
 YORVILLE