



**WEB ACCESS:** <http://www.yorkville.com>

**WORLD HEADQUARTERS  
CANADA**

**Yorkville Sound**  
550 Granite Court  
Pickering, Ontario  
L1W-3Y8 CANADA

Voice: (905) 837-8481  
Fax: (905) 837-8746

**U.S.A.**

**Yorkville Sound Inc.**  
4625 Witmer Industrial Estate  
Niagara Falls, New York  
14305 USA

Voice: (716) 297-2920  
Fax: (716) 297-3689



**Quality and Innovation Since 1963**

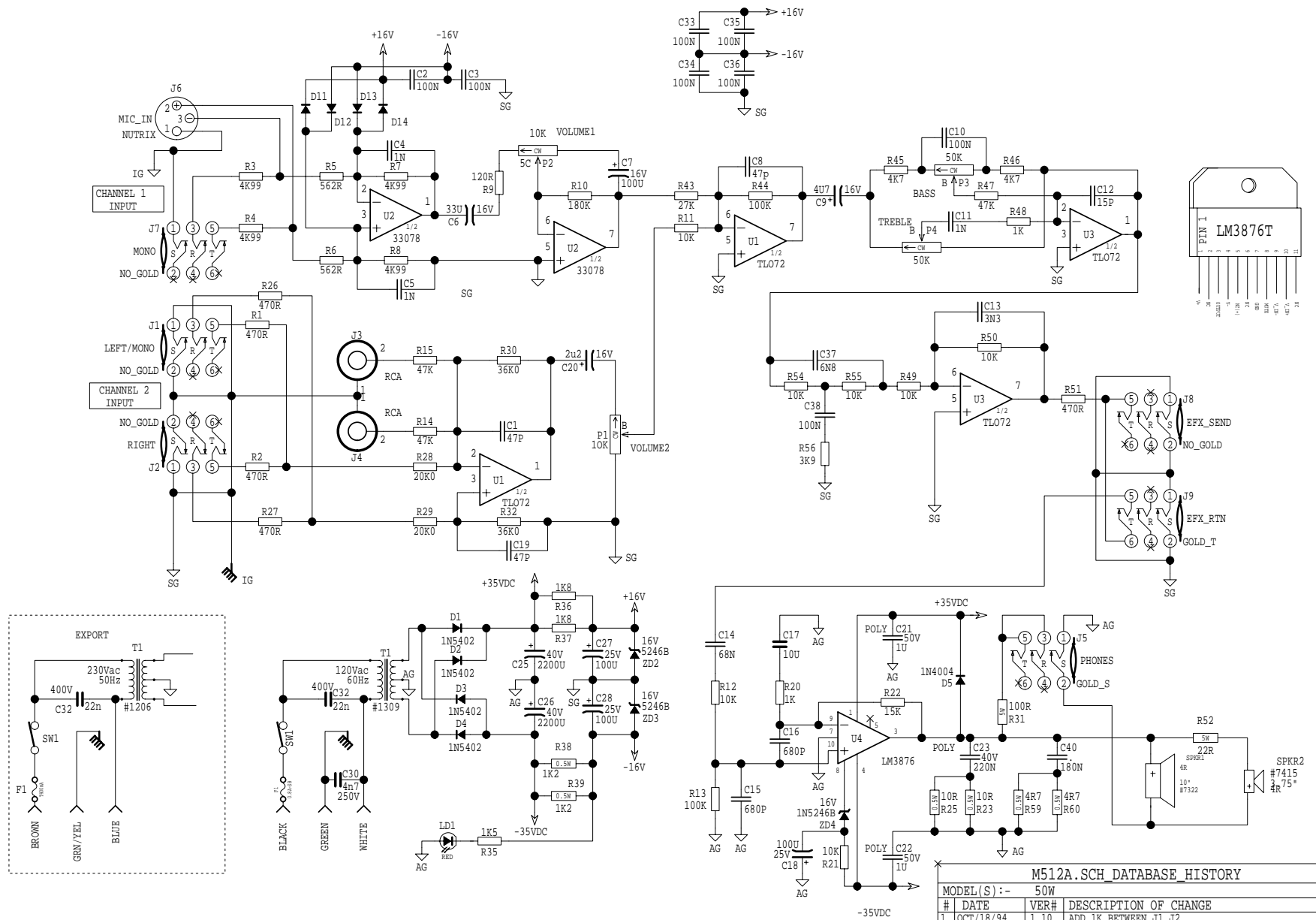
Printed in Canada



**SERVICE MANUAL  
MANUEL DE SERVICE**

Before operating this unit, please read this manual thoroughly, and retain it for reference.  
Veillez lire ce manuel attentivement avant d'utiliser l'appareil et le conserver pour consultations ultérieures

Printed in Canada  
Revised / Révisé 09/00  
s-50wk.pdf



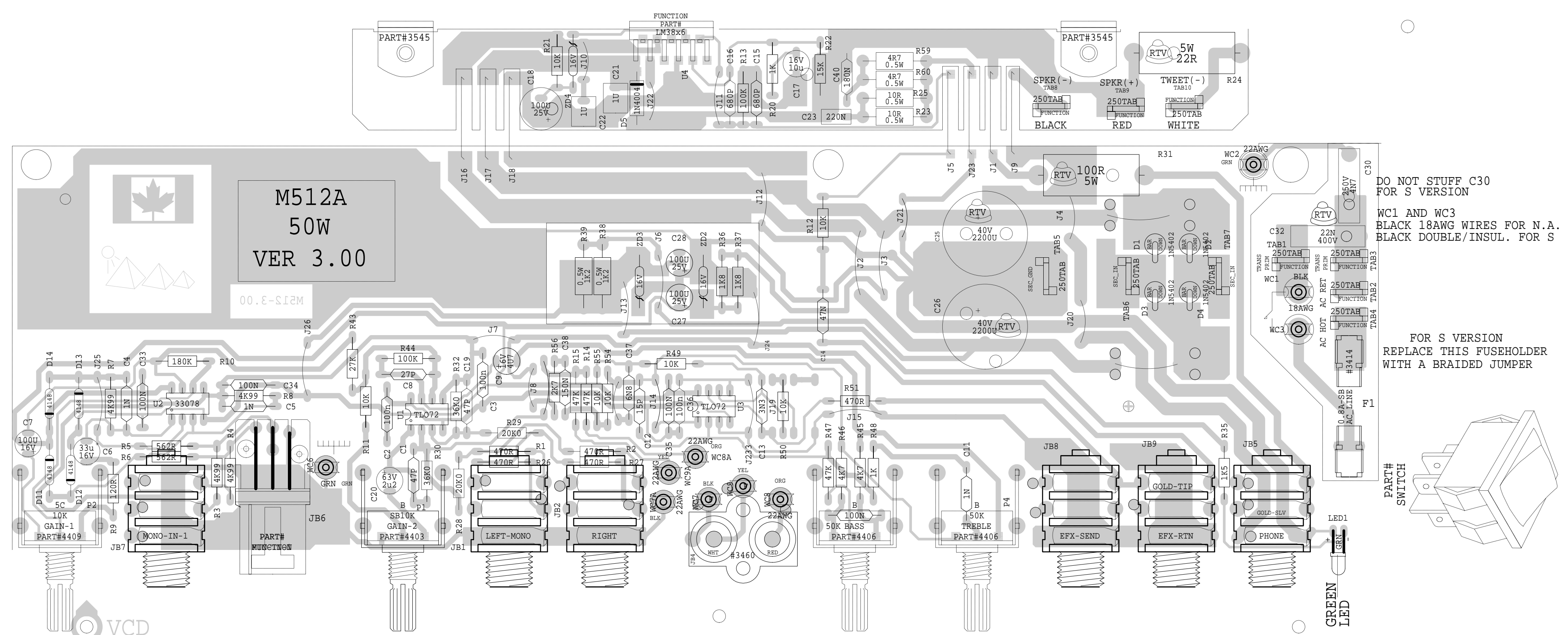
NOTE: ALL UNMARKED DIODES 1N4148

YORKVILLE	DATE: MAY/28/98	MODELS: 50W	SCH ISSUE: 1.40
	NAME: M512A.SCH	PCB#&VER: M512A	TITLE: 50W_MIXER_AMP

M512A.SCH_DATABASE_HISTORY			
#	DATE	VER#	DESCRIPTION OF CHANGE
1	OCT/18/94	i. 1.0	ADD 1K BETWEEN J1 J2
2	DEC/13/94	i. 1.20	PC#4716 R14,R15 10K->22K_P1_50K->
3			->10K_R11_3K3->680R
4	MAR/14/95	i. 1.30	PC#4691 DUAL LINE IP_BALANCED
5	MAR/22/95		PC#4748 FUSE 0.6ASB->0.8ASB
6	SEP/22/97	i. 1.40	PC#5333_ADD_C40,R59,R60
7		N	
8		V	
9		N	
10		V	

WC2 AND WC6  
 GREEN WIRES FOR N.A.  
 WC2 NO WIRE FOR S VERSION  
 WC6 GRN/YELL WIRE FOR S VERSION

N.B

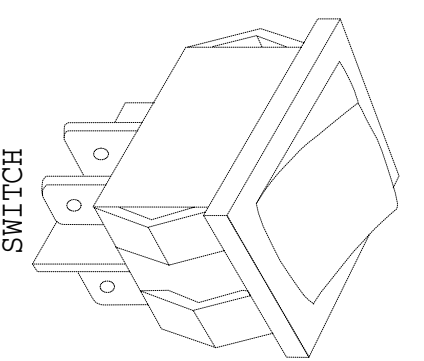


DO NOT STUFF C30  
 FOR S VERSION

WC1 AND WC3  
 BLACK 18AWG WIRES FOR N.A.  
 BLACK DOUBLE/INSUL. FOR S

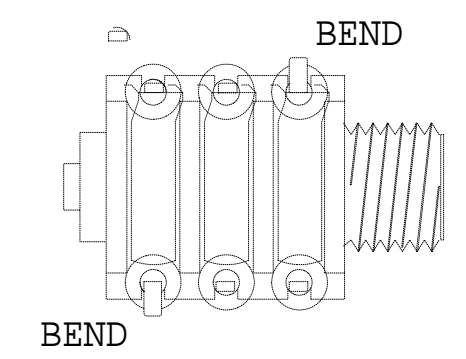
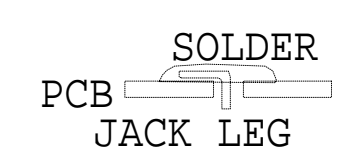
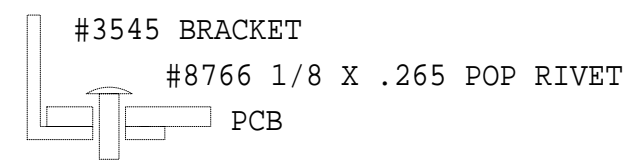
FOR S VERSION  
 REPLACE THIS FUSEHOLDER  
 WITH A BRAIDED JUMPER

PART#  
 SWITCH



### PRODUCTION NOTES

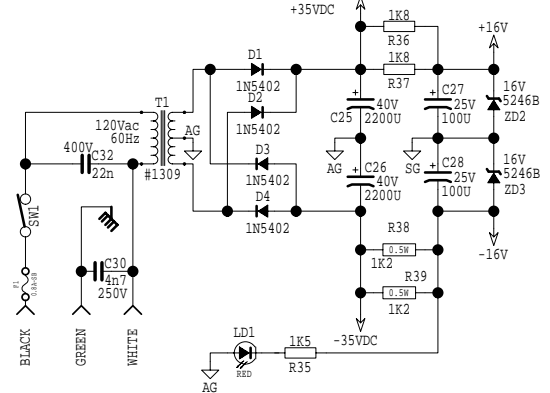
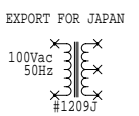
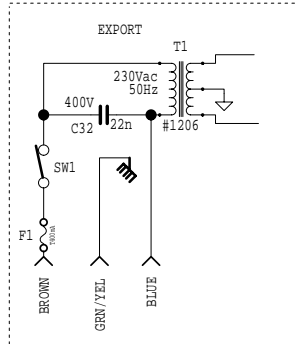
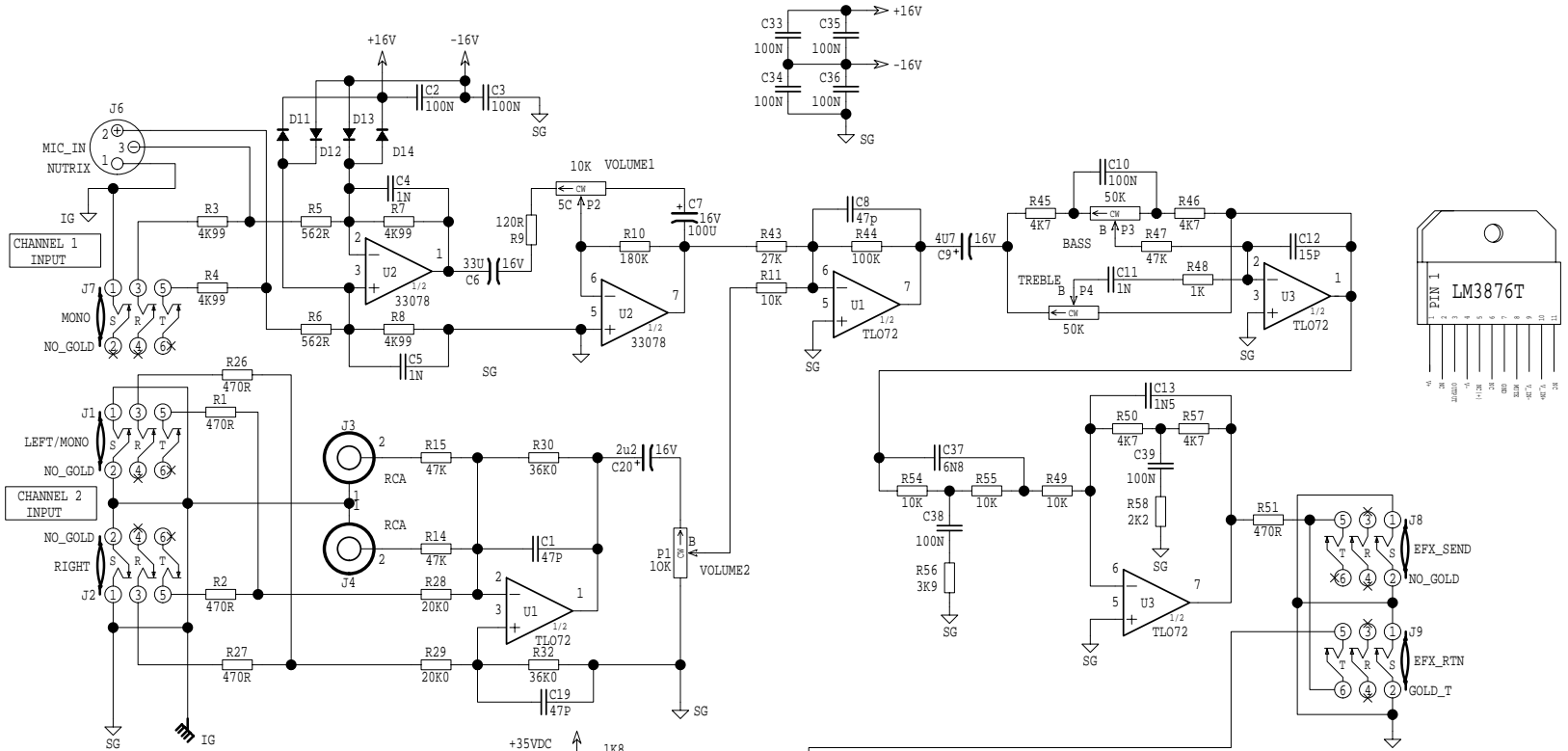
- 1 THIS SYMBOL INDICATES WHERE RTV IS TO BE USED BETWEEN THE COMPONENT AND THE PCB
- 2 XLR CONNECTOR IS ATTACHED TO PCB WITH 2 PT#8877 4-40 X1/4" SCREWS
- 3 TWO LEGS OF ALL PHONE JACKS MUST BE BENT FLAT TO THE PCB BEFORE SOLDERING
- 4 POP RIVET 2 #3545 BRACKETS TO PCB AS SHOWN  
 NOTE ORIENTATION OF POP RIVET



M512/M512A.PCB_DATABASE_HISTORY			
MODEL(S):- 50K-50W			
#	DATE	VER#	DESCRIPTION OF CHANGE
1	DEC/13/94	1.20	PC#4716 R14,R15 FROM 10K TO 22K
2	.	.	P1 FROM 50K TO SB10K R11
3	.	.	FROM 33K TO 680R
4	MAR/14/95	2.00	PC#4734 NEW SPACING FOR C27,C28
5	.	.	PC#4691 C6,C7 TO 0.2"SPACING
6	.	.	PC#4691B LINE IN JACKS TO
7	.	.	BALANCED INPUTS
8	OCT/02/95	2.00	PC#4906 SLDRMASK ALTERED BY R12
9	SEP/22/97	3.00	PC#5333_ADD_C40,R59,R60
10	D	V	N
11	D	V	N
12	D	V	N
13	D	V	N
14	D	V	N
15	D	V	N
16	D	V	N
17	D	V	N
18	D	V	N
19	D	V	N
20	D	V	N

## 50w parts.xls

YS No.	Description	Qty.	YS No.	Description	Qty.
6408	GRN 3MM LED 1V9 5MA FROSTED	1	4849	1/4W 180K 5% T&R RES	1
6825	1N4148 75V 0A45 DIODE T&R	4	9150	.081" 48X96 UTILITY ALUMINUM	2.2
6438	1N4004 400V 1A0 DIODE T&R	1	8877	4-40 X 1/4 FILLISTER PH MS ZN	2
6827	1N5402 200V 3A0 DIODE	4	8842	#4 X 5/16 PAN QUAD TYPE A JS500 BLK	2
6824	1N5246B 16V0 0W5 ZENER 5% T&R	3	8801	6-32 X 3/8 PAN PH TAPTITE JS500	2
6755	LM3876T IC 40 WATT POWER AMP	1	8829	6-32 X 3/8 FLAT PH TAPTITE BO#4 HEA	2
6840	MC33078P IC DUAL OP AMP	1	8806	6-32 X 1/2 PAN PH TAPTITE JS500	2
6882	TL072CP IC FET DUAL OP AMP	2	8823	6-32 X 1 PAN PH TAPTITE JS500	3
5402	.15P 100V 10%CAP T&R BEAD NPO	1	8763	8-32 X 1/2 PAN PH MS JS500 BLACK	2
5404	.27P 100V 10%CAP T&R BEAD NPO	1	3741	.5 SPACER ID-.171 OD-.25 #912-500	3
5408	.47P 100V 10%CAP T&R BEAD NPO	2	3511	#6 FLAT WASHER NYLON	1
5420	.680P 50V 10%CAP T&R BEAD NPO	2	8817	#10 FLAT WASHER FOR 3/16" BOLT	2
5422	.1N 50V 10%CAP T&R BEAD NPO	3	3702	DPST ROKR SW 187" AC PWR SEMKO	1
5428	.3N3 50V 10%CAP T&R BEAD Y5R	1	1309	BLOC-40B/40K/40W/50B XFMR	1
6451	.4N7 250V 20%CAP BLK 'Y' 10MM AC	1			
5376	.6N8 50V 5%CAP T&R BEAD X7R	1			
6435	.22N 275V 20%CAP BLK 'X2' 15MM AC	1			
5308	.47N 50V 10%CAP T&R BEAD X7R	1			
5314	100N 50V 10%CAP T&R BEAD X7R	7			
5316	150N 50V 10%CAP T&R BEAD X7R	1			
5317	180N 50V 10%CAP T&R BEAD X7R	1			
5231	220N 63V 10%CAP T&R RAD .2"FLM	1			
5256	.1U 63V 5%CAP T&R RAD .2"FLM	2			
5257	.2U2 63V 20%CAP T&R RAD .2"EL	1			
5259	.4U7 63V 20%CAP T&R RAD .2"EL	1			
5281	.10U 16V 20%CAP T&R RAD .2"NP	1			
5961	.33U 16V 20%CAP T&R RAD .2"NP	1			
5267	100U 25V 20%CAP T&R RAD .2"EL	4			
5887	2200U 50V 20%CAP BLK 18X27MM EL	2			
4403	.10K 5B LIN 16MM P14	1			
4409	.10K 5C R/A 16MM P14	1			
4406	.50K 5B LIN 16MM P14	2			
3682	250 MALE PCB TAB BULK CARTRIGE	10			
3498	1/4" JCK PCB MT HORZ	4			
3523	1/4" JCK PCB MT HORZ GOLD T	1			
3527	1/4" JCK PCB MT HORZ GOLD S	1			
3460	RCA DUAL PCB MT VERT GOLD .475"	1			
3657	XLR FEML PCB MT HORZ NO SHELL	1			
3451	EYELET SMALL 0.089 OD PLATED	10			
3414	INTERNATIONAL PC MOUNT FUSEHOLDER	2			
2468	0.800 AMP SLO-BLO .25X1.25 FUSE	1			
2462	T400MA 5X20MM FUSE	1			
3563	TRANSISTOR MOUNTING BRACKET	1			
3800	BELLY BUTTON #BB1 CORDS CANADA	1			
3804	SNAP ON 1.5" INSULATING BUSHING	1			
3545	ANGLE BRACKET .5" X .5" X .5"	2			
3438	230 AC RECEPTACLE FUSE & 250 TABS	1			
3795	#8 GROUND LUG ZIERICK 505-169	2			
3810	4" NYLON CABLE TIE	5			
8486	M3.5 EURO SPRING TOOTH LOCKWASHER	2			
8735	0.125 X 0.190 ALUMINUM RIVET	2			
8693	S ROTARY KNOB GREY	4			
3474	6 3X.075MM AC LINE CORD EURO-REMOV	1			
8800	6-32 KEPS NUT ZINC	9			
8787	8-32 KEPS NUT ZINC	2			
8898	1/4-20 CAGE NUT C7998142027	4			
3830	TO218 PREGREASED MICA 56-78-2AP	1			
4597	22AWG STRAN TC WIR JMP	7			
4599	22AWG SOLID SC WIR T&R JMP	24			
4666	1/2W 4R7 5% T&R RES	2			
4675	1/2W 10R 5% T&R RES	2			
4709	5.0W 22R 5% BLK RES	1			
4692	5.0W 100R 5% BLK RES	1			
4897	1/4W 120R 5% T&R RES	1			
4821	1/4W 470R 5% T&R RES	5			
4799	1/4W 562R 1% T&R RES	2			
4823	1/4W 1K 5% T&R RES	2			
4654	1/2W 1K2 5% T&R RES	2			
4824	1/4W 1K5 5% T&R RES	1			
4825	1/4W 1K8 5% T&R RES	2			
4864	1/4W 2K7 5% T&R RES	1			
4827	1/4W 4K7 5% T&R RES	2			
4639	1/4W 4K99 1% T&R RES	4			
4829	1/4W 10K 5% T&R RES	7			
4830	1/4W 15K 5% T&R RES	1			
6123	1/4W 20K0 1%MINI MF T&R RES	2			
4833	1/4W 27K 5% T&R RES	1			
4767	1/4W 36K0 1%FLAME PROOF T&R RES	2			
4834	1/4W 47K 5% T&R RES	3			
4838	1/4W 100K 5% T&R RES	x			

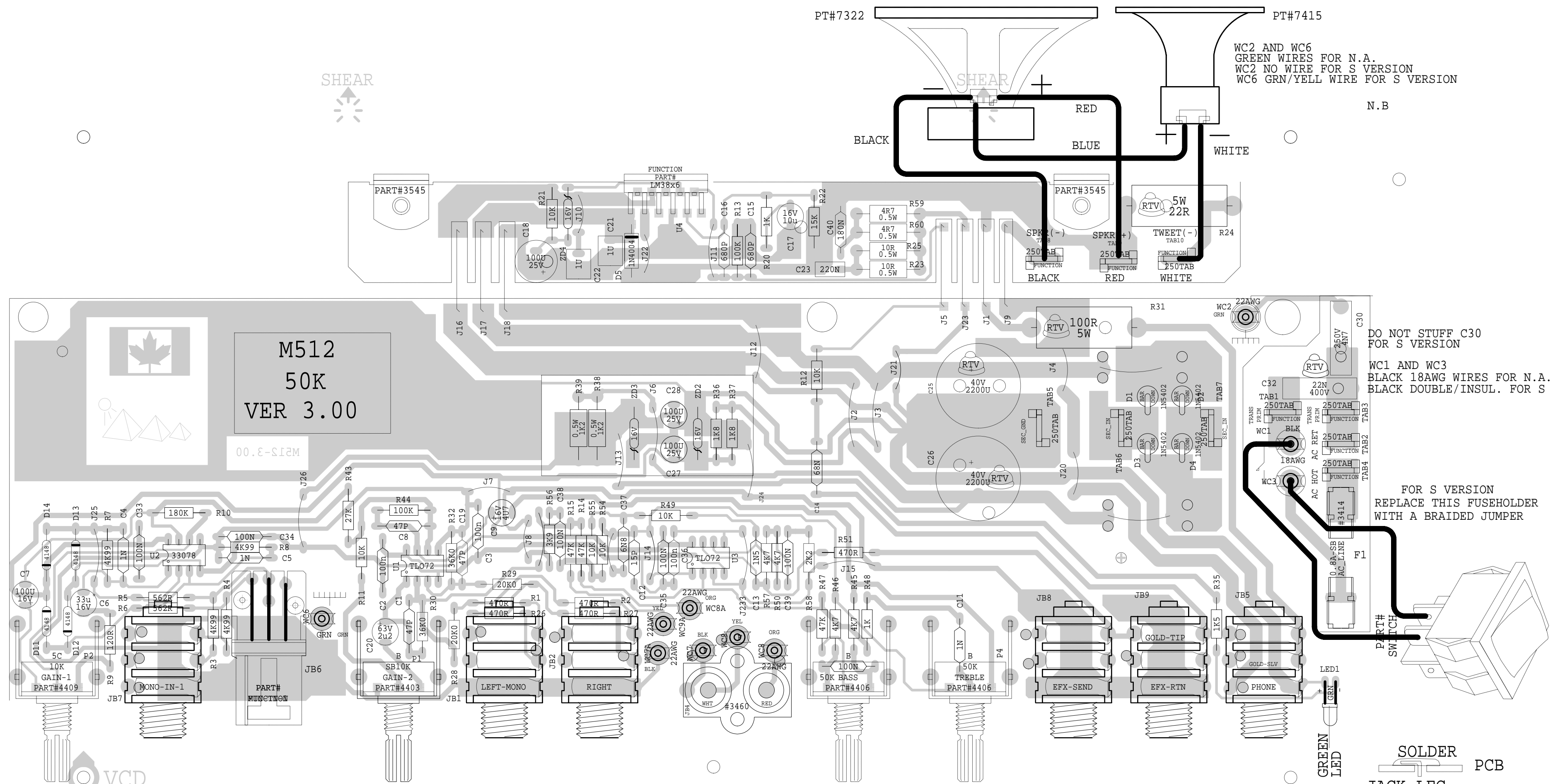


NOTE: ALL UNMARKED DIODES 1N4148

YORKVILLE	DATE: MAY/28/98	MODELS: 50K	SCH ISSUE: 1.40
	NAME: M512.SCH	PCB#&VER: M512	TITLE: 50K_MIXER_AMP

M512.SCH_DATABASE_HISTORY			
#	DATE	VER#	DESCRIPTION OF CHANGE
1	OCT/18/94	1.10	ADD 1K BETWEEN J1, J2
2	DEC/13/94	1.20	PC#4718_R14_R15_10K->22K_P1_50K->#7415
3			->10K_R11_3K3->680R
4	MAR/14/95	1.30	PC#4691_DUAL LINE_IP_BALANCED
5	MAR/22/95		PC#4748_FUSE_0.6ASB->0.8ASB
6	SEP/22/97	1.40	PC#5333_ADD_C40_R59,R60
7			N
8			V
9			V
10			V

P-1512030.PRN



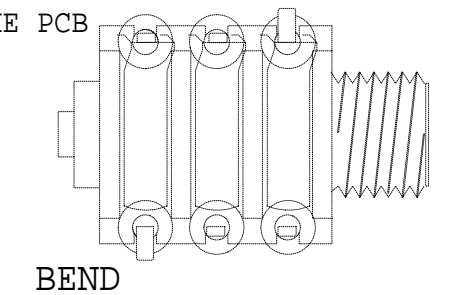
WC2 AND WC6  
GREEN WIRES FOR N.A.  
WC2 NO WIRE FOR S VERSION  
WC6 GRN/YELL WIRE FOR S VERSION

N.B

DO NOT STUFF C30  
FOR S VERSION  
WC1 AND WC3  
BLACK 18AWG WIRES FOR N.A.  
BLACK DOUBLE/INSUL. FOR S

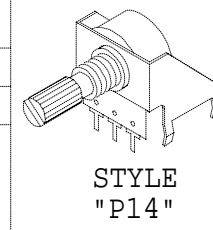
FOR S VERSION  
REPLACE THIS FUSEHOLDER  
WITH A BRAIDED JUMPER

SOLDER  
JACK LEG  
BEND



PRODUCTION NOTES

- THIS SYMBOL INDICATES WHERE RTV IS TO BE USED BETWEEN THE COMPONENT AND THE PCB
- XLR CONNECTOR IS ATTACHED TO PCB WITH 2 PT#8877 4-40 X1/4" SCREWS
- TWO LEGS OF ALL PHONE JACKS MUST BE BENT FLAT TO THE PCB BEFORE SOLDERING
- POP RIVET 2 #3545 BRACKETS TO PCB AS SHOWN



- #3545 BRACKET
- #8766 1/8 X .265 POP RIVET
- PCB NOTE ORIENTATION OF POP RIVET

M512/M512A.PCB_DATABASE_HISTORY			
#	DATE	VER#	DESCRIPTION OF CHANGE
1	DEC/13/94	1.20	PC#4716_R14,R15_10K->22K
2			P1_B50K->SB10K_R11_33K->680R
3	MAR/14/95	2.00	PC#4734_NEW_SPACING_C27,C28
4			PC#4691_C6,C7_TO_0.2" SPACING
5			PC#4691B_LINE_IN_TO_BALANCED_INPUTS
6	OCT/02/95		PC#4906_ALTER_SOLDERMASK_BY_R12
7	SEP/22/97	3.00	PC#5333_ADD_C40,R59,R60
8	D	V	N
9	D	V	N
10	D	V	N
11	D	V	N

M512/A.PCB_POT_LIST				
MODEL(S):-	FUNCTION	PART#	KNOB	AS_OF
P1	GAIN/2	#4403	#8693	JAN/2000
P2	GAIN/1	#4409	#8693	.
P3	BASS	#4406	#8693	.
P4	TREBLE	#4406	#8693	.
R	P	P	K	N
R	P	P	K	N

YS No.	Description	Qty.
6408	GRN 3MM LED 1V9 5MA FROSTED	1
6825	1N4148 75V 0A45 DIODE T&R	4
6438	1N4004 400V 1A0 DIODE T&R	1
6827	1N5402 200V 3A0 DIODE	4
6824	1N5246B 16V0 0W5 ZENER 5% T&R	3
6755	LM3876T IC 40 WATT POWER AMP	1
6840	MC33078P IC DUAL OP AMP	1
6882	TL072CP IC FET DUAL OP AMP	2
5402	.15P 100V 10%CAP T&R BEAD NPO	1
5408	.47P 100V 10%CAP T&R BEAD NPO	3
5420	.68P 50V 10%CAP T&R BEAD NPO	2
5422	.1N 50V 10%CAP T&R BEAD NPO	3
5424	.1N5 50V 10%CAP T&R BEAD Y5P	1
6451	.4N7 250V 20%CAP BLK 'Y' 10MM AC	1
5376	.6N8 50V 5%CAP T&R BEAD X7R	1
6435	.22N 275V 20%CAP BLK 'X2' 15MM AC	1
5310	.68N 50V 10%CAP T&R BEAD X7R	1
5314	100N 50V 10%CAP T&R BEAD X7R	9
5317	180N 50V 10%CAP T&R BEAD X7R	1
5231	220N 63V 10%CAP T&R RAD .2"FLM	1
5256	.1U 63V 5%CAP T&R RAD .2"FLM	2
5257	.2U2 63V 20%CAP T&R RAD .2"EL	1
5259	.4U7 63V 20%CAP T&R RAD .2"EL	1
5281	.10U 16V 20%CAP T&R RAD .2"NP	1
5961	.33U 16V 20%CAP T&R RAD .2"NP	1
5267	100U 25V 20%CAP T&R RAD .2"EL	4
5887	2200U 50V 20%CAP BLK 18X27MM EL	2
4403	.10K 5B LIN 16MM P14	1
4409	.10K 5C R/A 16MM P14	1
4406	.50K 5B LIN 16MM P14	2
3682	250 MALE PCB TAB BULK CARTRIGE	10
3498	1/4" JCK PCB MT HORZ	4
3523	1/4" JCK PCB MT HORZ GOLD T	1
3527	1/4" JCK PCB MT HORZ GOLD S	1
3460	RCA DUAL PCB MT VERT GOLD .475"	1
3657	XLR FEML PCB MT HORZ NO SHELL	1
3451	EYELET SMALL 0.089 OD PLATED	10
3414	INTERNATIONAL PC MOUNT FUSEHOLDER	2
2468	0.800 AMP SLO-BLO .25X1.25 FUSE	1
2462	T400MA 5X20MM FUSE	1
3563	TRANSISTOR MOUNTING BRACKET	1
3800	BELLY BUTTON #BB1 CORDS CANADA	1
3804	SNAP ON 1.5" INSULATING BUSHING	1
3545	ANGLE BRACKET .5" X .5" X .5"	2
3438	230 AC RECEPTACLE FUSE & 250 TABS	1
3795	#8 GROUND LUG ZIERICK 505-169	2
3810	4" NYLON CABLE TIE	5
8486	M3.5 EURO SPRING TOOTH LOCKWASHER	2
8735	0.125 X 0.190 ALUMINUM RIVET	2
8693	S ROTARY KNOB GREY	4
3474	6' 3X.075MM AC LINE CORD EURO-REMOV	1
8800	6-32 KEPS NUT ZINC	8
8787	8-32 KEPS NUT ZINC	2
8898	1/4-20 CAGE NUT C7998142027	4
3830	TO218 PREGREASED MICA 56-78-2AP	1
4597	22AWG STRAN TC WIR JMP	7
4599	22AWG SOLID SC WIR T&R JMP	23
4666	1/2W 4R7 5% T&R RES	2
4675	1/2W 10R 5% T&R RES	2
4709	5.0W 22R 5% BLK RES	1
4692	5.0W 100R 5% BLK RES	1
4897	1/4W 120R 5% T&R RES	1
4821	1/4W 470R 5% T&R RES	5
4799	1/4W 562R 1% T&R RES	2
4823	1/4W 1K 5% T&R RES	2
4654	1/2W 1K2 5% T&R RES	2
4824	1/4W 1K5 5% T&R RES	1
4825	1/4W 1K8 5% T&R RES	2
4847	1/4W 2K2 5% T&R RES	1
4850	1/4W 3K9 5% T&R RES	1
4827	1/4W 4K7 5% T&R RES	4
4639	1/4W 4K99 1% T&R RES	4
4829	1/4W 10K 5% T&R RES	6
4830	1/4W 15K 5% T&R RES	1
6123	1/4W 20K0 1%MINI MF T&R RES	2
4833	1/4W 27K 5% T&R RES	1
4767	1/4W 36K0 1%FLAME PROOF T&R RES	2
4834	1/4W 47K 5% T&R RES	3
4838	1/4W 100K 5% T&R RES	2
4849	1/4W 180K 5% T&R RES	1

YS No.	Description	Qty.
9150	.081" 48X96 UTILITY ALUMINUM	2.13
8842	#4 X 5/16 PAN QUAD TYPE A JS500 BLK	2
8801	6-32 X 3/8 PAN PH TAPTITE JS500	2
8829	6-32 X 3/8 FLAT PH TAPTITE BO#4 HEA	4
8806	6-32 X 1/2 PAN PH TAPTITE JS500	2
8823	6-32 X 1 PAN PH TAPTITE JS500	3
8763	8-32 X 1/2 PAN PH MS JS500 BLACK	2
3741	.5 SPACER ID-.171 OD-.25 #912-500	3
3511	#6 FLAT WASHER NYLON	1
8817	#10 FLAT WASHER FOR 3/16" BOLT	2
3702	DPST ROKR SW 187" AC PWR SEMKO	1
1309	BLOC-40B/40K/40W/50B XFMR	1