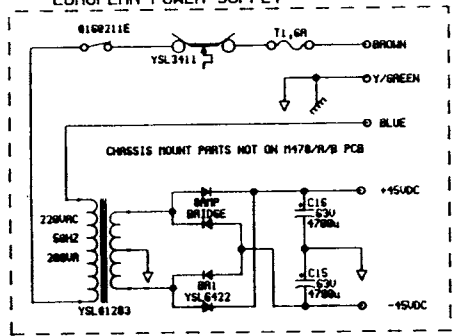


EUROPEAN POWER SUPPLY



CHASSIS MOUNT PARTS NOT ON M478/A/B PCB

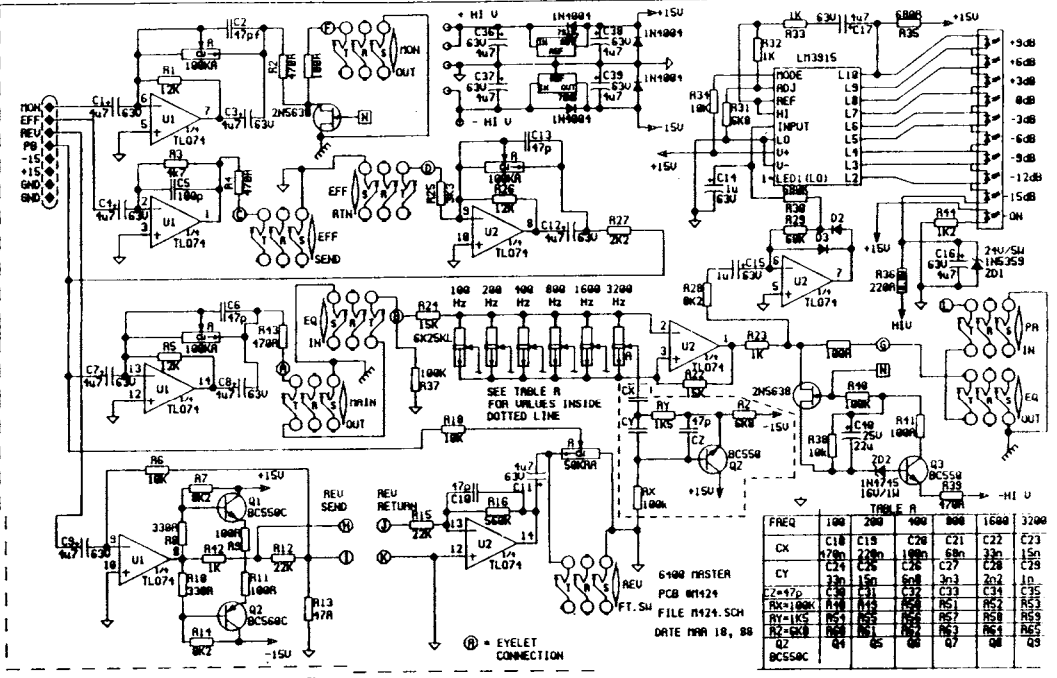
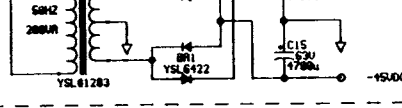
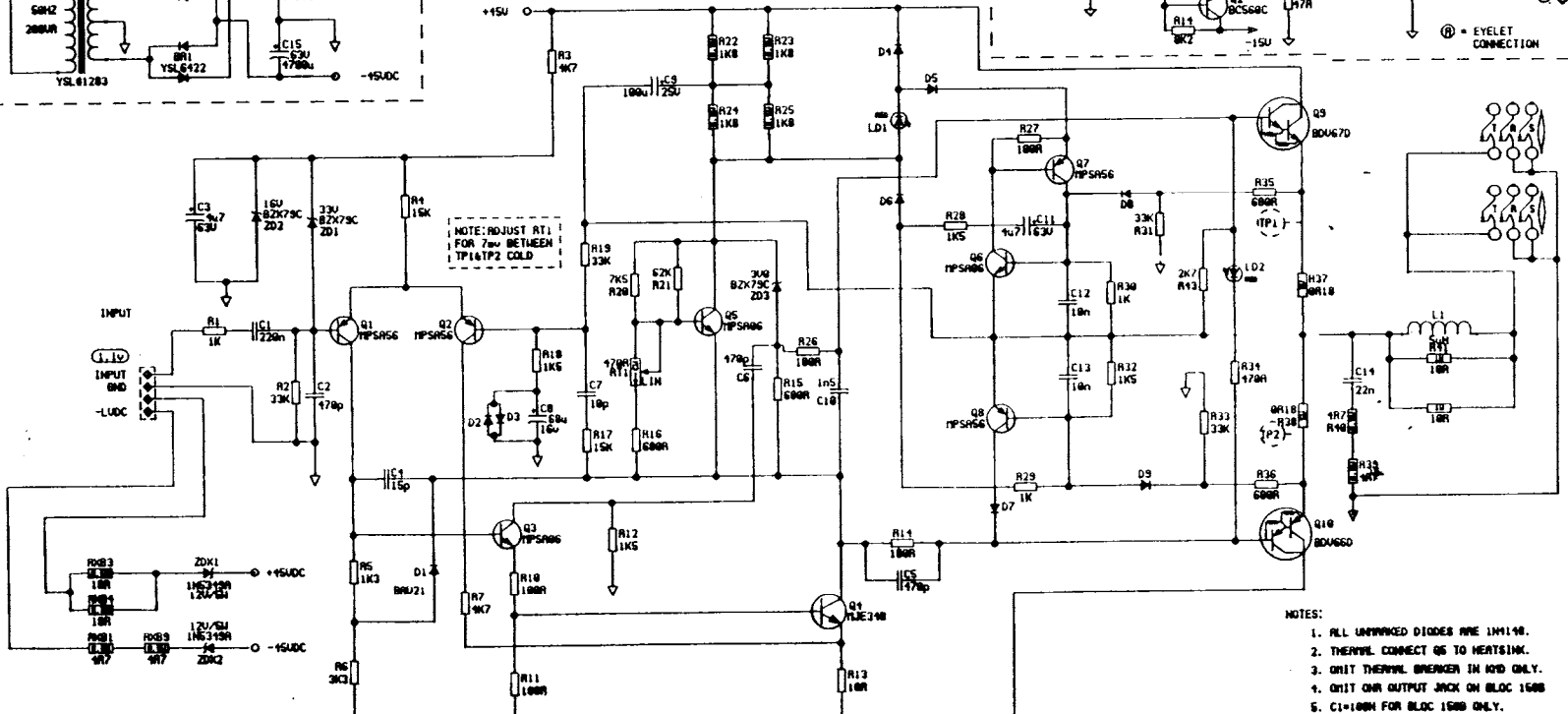


TABLE A

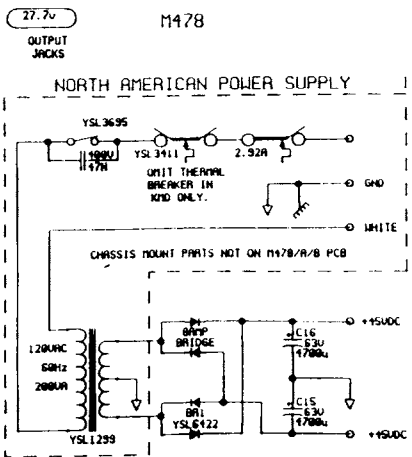
FREQ	100	200	400	800	1600	3200
CX	C18	C15	C28	C21	C22	C23
CY	C24	C26	C26	C26	C28	C28
CZ	27k	33k	15k	50k	30k	20k
RA=100k	RA=100k	RA=100k	RA=100k	RA=100k	RA=100k	RA=100k
RY=1K5	RY=1K5	RY=1K5	RY=1K5	RY=1K5	RY=1K5	RY=1K5
RZ=50k	RZ=50k	RZ=50k	RZ=50k	RZ=50k	RZ=50k	RZ=50k
Q1	Q1	Q1	Q1	Q1	Q1	Q1

M424



NOTE: ADJUST R11 FOR 7ms BETWEEN TP1&TP2 COLD

- NOTES:
1. ALL UNWRAPPED DIODES ARE 1N4148.
 2. THERMAL CONNECT QS TO HEATSINK.
 3. OMIT THERMAL BREAKER IN KFD ONLY.
 4. OMIT ORN OUTPUT JACK ON BLOC 1500
 5. C1=100n FOR BLOC 1500 ONLY.



CHASSIS MOUNT PARTS NOT ON M478/A/B PCB

YORKVILLE SOUND LTD

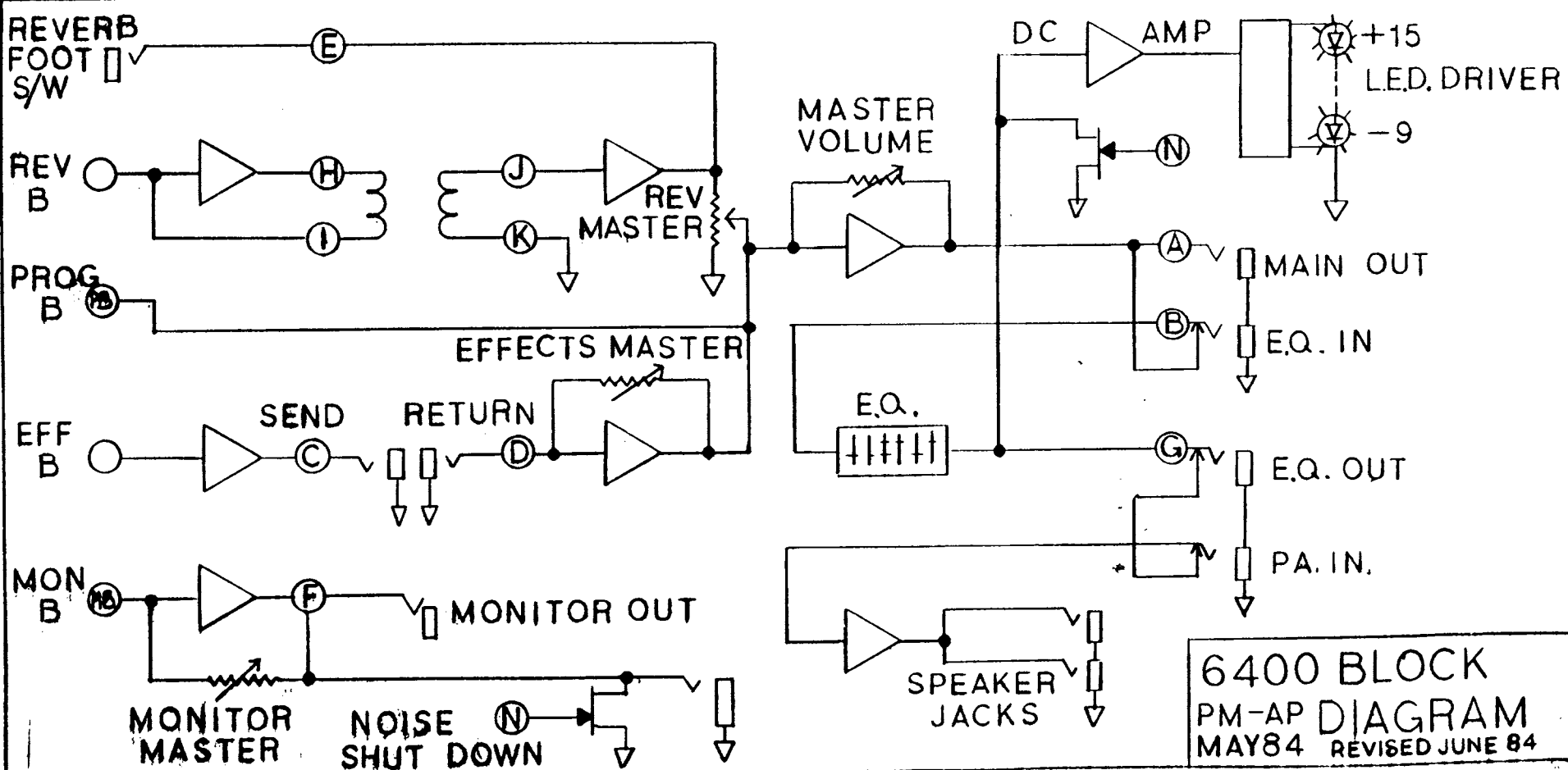
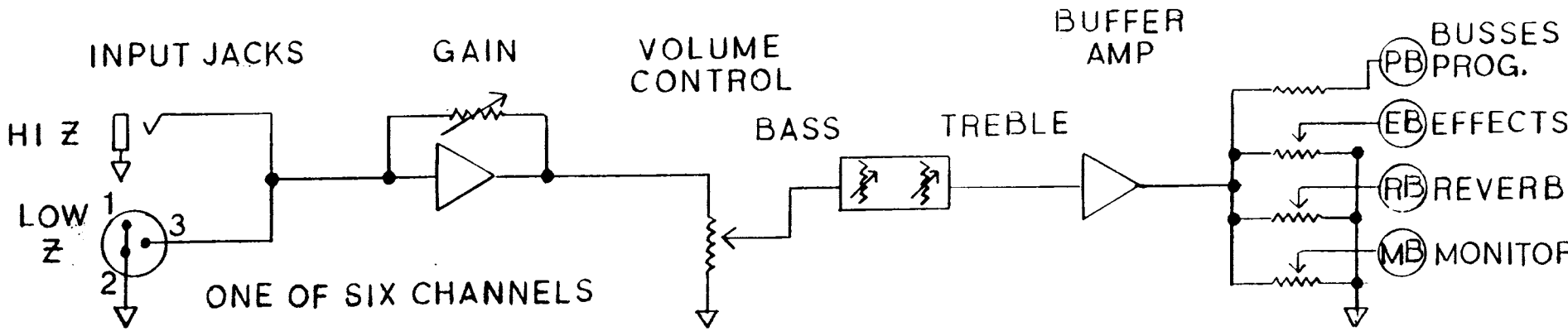
6400-6400 PCB

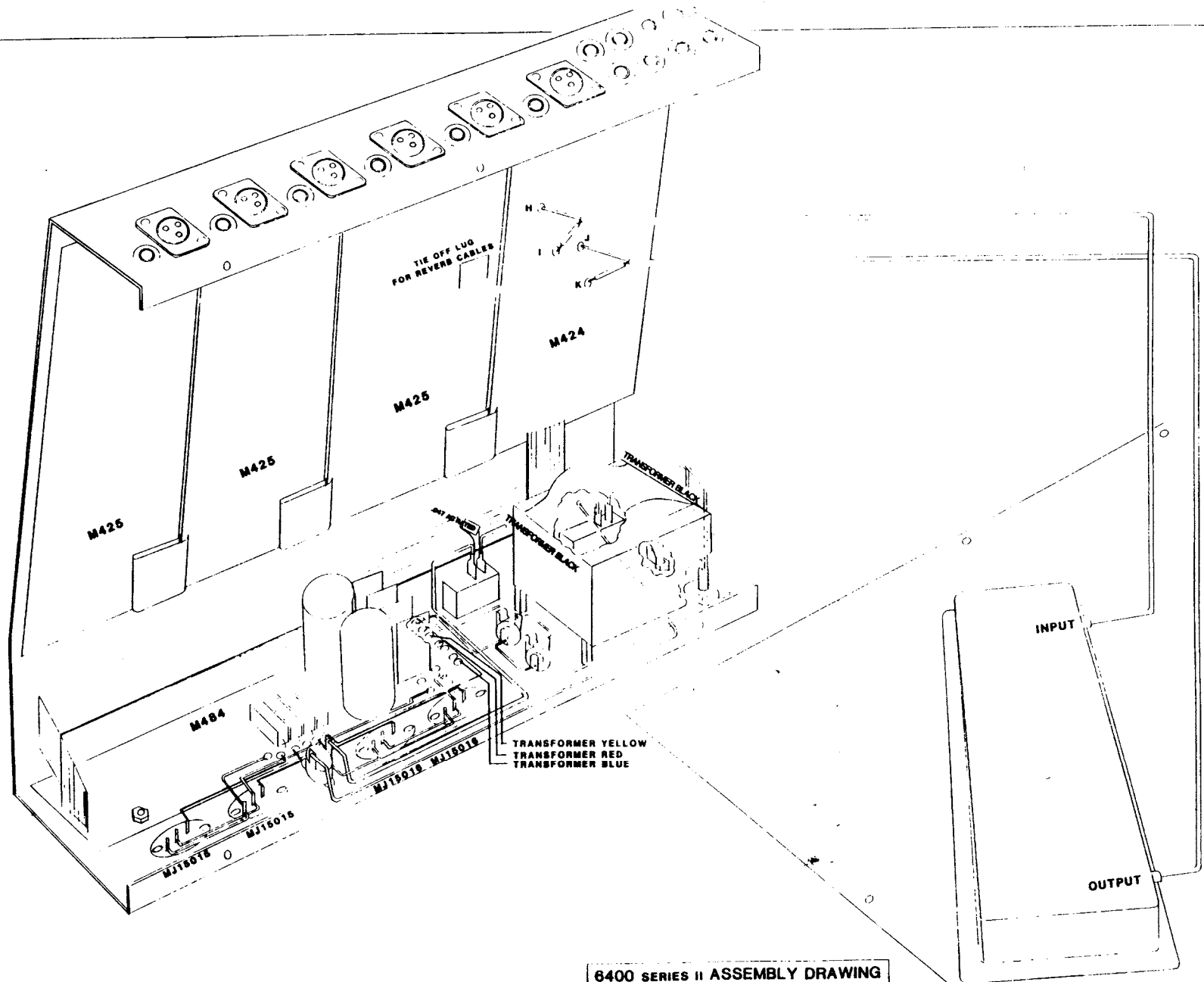
DATE: 04/12/00

DESIGNED BY: M. BLECH

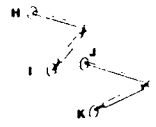
CAPTURED BY: M. BLECH

FOR MODEL(S): M424





TIE OFF LUG
FOR REVERSE CABLES



M425

M425

M425

M424

TRANSFORMER BLACK

TRANSFORMER BLACK

M484

TRANSFORMER YELLOW
TRANSFORMER RED
TRANSFORMER BLUE

MJ15016 MJ15018

MJ15016

MJ15016

INPUT

OUTPUT

6400 SERIES II ASSEMBLY DRAWING

RSRT-24

DRAWN A. POLLARD