



WEB ACCESS: <http://www.yorkville.com>

**WORLD HEADQUARTERS
CANADA**

Yorkville Sound
550 Granite Court
Pickering, Ontario
L1W-3Y8 CANADA

Voice: (905) 837-8481
Fax: (905) 837-8746

U.S.A.

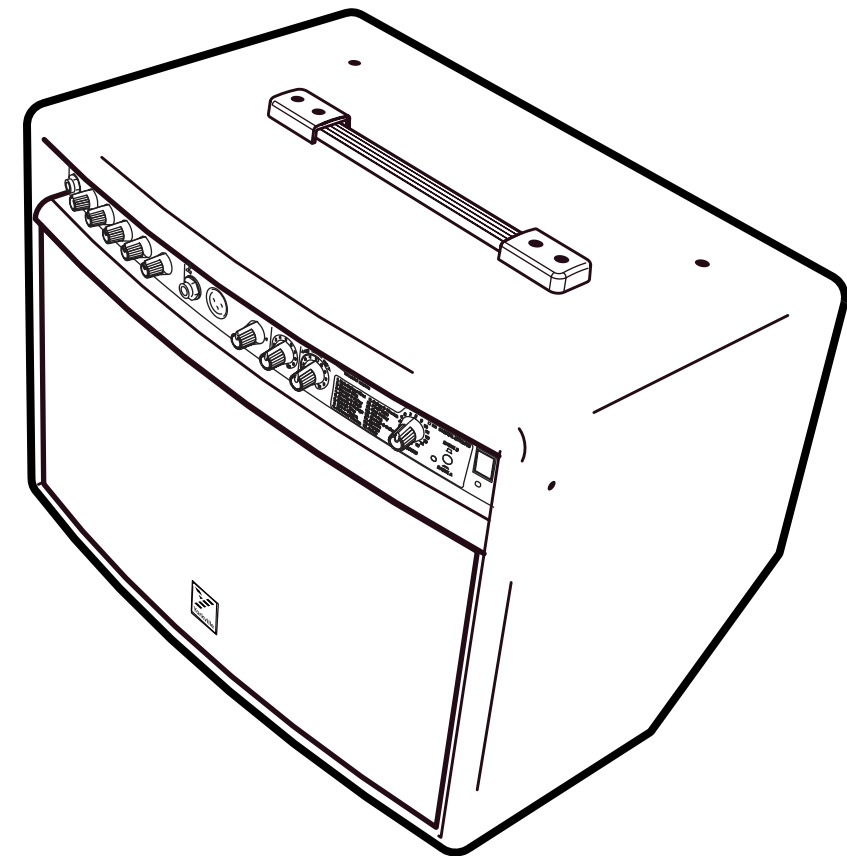
Yorkville Sound Inc.
4625 Witmer Industrial Estate
Niagara Falls, New York
14305 USA

Voice: (716) 297-2920
Fax: (716) 297-3689



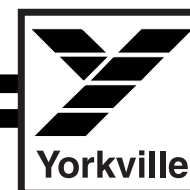
Quality & Innovation Since 1963

Printed in Canada



TYPE: YS1004

SERVICE MANUAL



IMPORTANT SAFETY INSTRUCTIONS



INSTRUCTIONS PERTAINING TO A RISK OF FIRE, ELECTRIC SHOCK, OR INJURY TO PERSONS

CAUTION:

TO REDUCE THE RISK OF ELECTRIC SHOCK, DO NOT REMOVE COVER (OR BACK).

NO USER SERVICEABLE PARTS INSIDE.

REFER SERVICING TO QUALIFIED SERVICE PERSONNEL.

INSTRUCTIONS RELATIVES AU RISQUE DE FEU, CHOC ÉLECTRIQUE, OU BLESSURES AUX PERSONNES

AVIS:

AFIN DE REDUIRE LES RISQUE DE CHOC ELECTRIQUE, N'ENLEVEZ PAS LE COUVERT (OU LE PANNEAU ARRIERE)

NE CONTIENT AUCUNE PIECE REPARABLE PAR L'UTILISATEUR.

CONSULTEZ UN TECHNICIEN QUALIFIE POUR L'ENTRETIEN

Read Instructions

The Owner's Manual should be read and understood before operation of your unit. Please, save these instructions for future reference.

Packaging

Keep the box and packaging materials, in case the unit needs to be returned for service.

Warning

When using electric products, basic precautions should always be followed, including the following:

Power Sources

Your unit should be connected to a power source only of the voltage specified in the owners manual or as marked on the unit. This unit has a polarized plug. Do not use with an extension cord or receptacle unless the plug can be fully inserted. Precautions should be taken so that the grounding scheme on the unit is not defeated.

Hazards

Do not place this product on an unstable cart, stand, tripod, bracket or table. The product may fall, causing serious personal injury and serious damage to the product. Use only with cart, stand, tripod, bracket, or table recommended by the manufacturer or sold with the product. Follow the manufacturer's instructions when installing the product and use mounting accessories recommended by the manufacturer.

The apparatus should not be exposed to dripping or splashing water; no objects filled with liquids should be placed on the apparatus.

Terminals marked with the "lightning bolt" are hazardous live; the external wiring connected to these terminals require installation by an instructed person or the use of ready made leads or cords.

Ensure that proper ventilation is provided around the appliance.

No naked flame sources, such as lighted candles, should be placed on the apparatus.

Power Cord

The AC supply cord should be routed so that it is unlikely that it will be damaged. If the AC supply cord is damaged DO NOT OPERATE THE UNIT.

Service

The unit should be serviced only by qualified service personnel.

Veillez Lire le Manuel

Il contient des informations qui devraient être comprises avant l'opération de votre appareil. Conservez S.V.P. ces instructions pour consultations ultérieures.

Emballage

Conservez la boîte au cas où l'appareil devait être retourner pour réparation.

Attention:

Lors de l'utilisation de produits électrique, assurez-vous d'adhérer à des précautions de bases incluant celle qui suivent:

Alimentation

L'appareil ne doit être branché qu'à une source d'alimentation correspondant au voltage spécifié dans le manuel ou tel qu'indiqué sur l'appareil. Cet appareil est équipé d'une prise d'alimentation polarisée. Ne pas utiliser cet appareil avec un cordon de raccordement à moins qu'il soit possible d'insérer complètement les trois lames. Des précautions doivent être prises afin d'éviter que le système de mise à la terre de l'appareil ne soit désengagé.

Risque

Ne pas placer cet appareil sur un chariot, un support, un trépied ou une table instables. L'appareil pourrait tomber et blesser quelqu'un ou subir des dommages importants. Utiliser seulement un chariot, un support, un trépied ou une table recommandés par le fabricant ou vendus avec le produit. Suivre les instructions du fabricant pour installer l'appareil et utiliser les accessoires recommandés par le fabricant.

Il convient de ne pas placer sur l'appareil de sources de flammes nues, telles que des bougies allumées.

L'appareil ne doit pas être exposé à des égouttements d'eau ou des éclaboussures et qu'aucun objet rempli de liquide tel que des vases ne doit être placé sur l'appareil.

Assurez que l'appareil est fourni de la propre ventilation.

Les dispositifs marqués d'un symbole "d'éclair" sont des parties dangereuses au toucher et que les câblages extérieurs connectés à ces dispositifs de connection extérieure doivent être effectués par un opérateur formé ou en utilisant des cordons déjà préparés.

Cordon d'Alimentation

Évitez d'endommager le cordon d'alimentation. N'UTILISEZ PAS L'APPAREIL si le cordon d'alimentation est endommagé.

Service

Consultez un technicien qualifié pour l'entretien de votre appareil.

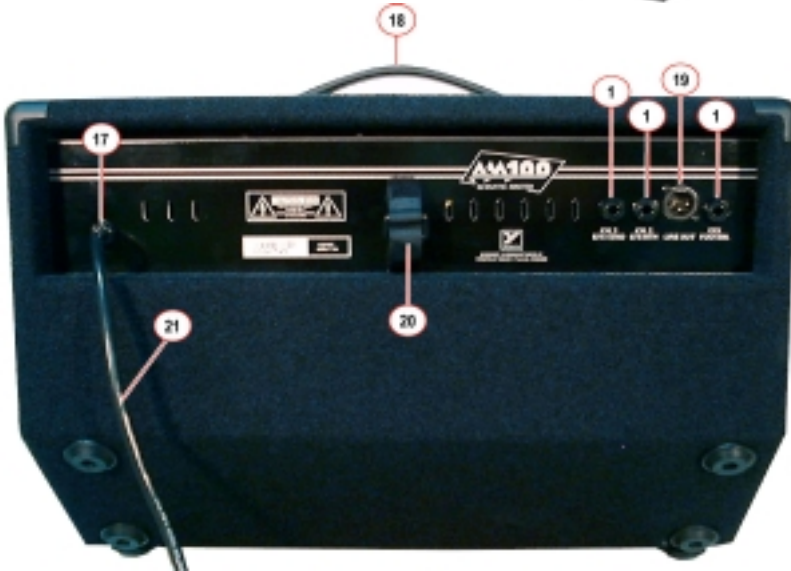
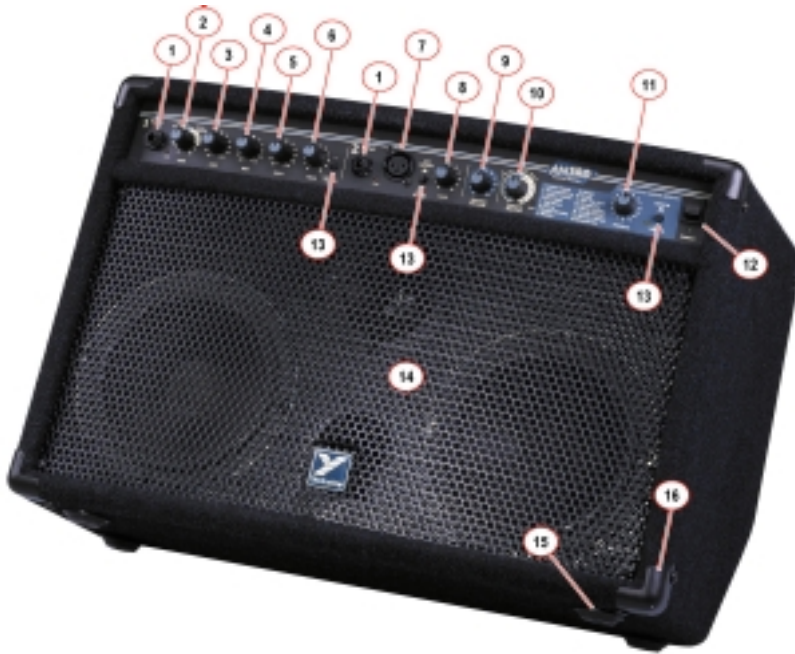
am100 Oct. 20, 2000

YS No.	Description	Qty.	YS No.	Description	Qty.
3507	28 PIN X .6" I.C DEEP SOCKET	1	3834	HEYCO #1214 STRAIN RELIEF	1
3550	44PIN PLCC SOCKET	1		"Y" LOGO ACOUSTIC SERIES SML. DOMED	1
3557	84PIN PLCC SOCKET	1	3674	9 CIR CABLE HOLDER .098	2
3571	28 PIN X .6" I.C. SOCKET	1	8800	6-32 KEPS NUT ZINC	8
6994	CRYSTAL CODEC 44PIN PLCC	1	8787	8-32 KEPS NUT ZINC	4
6940	16MHZ CRYSTAL VERT 2-PIN .25"CASE	1	8845	10-32 PEMNUT SS-032-2-Z1	2
6405	RED 3MM LED 1V7 5MA BRT	2	8898	1/4-20 CAGE NUT C7998142027	2
6407	YEL 3MM LED 1V8 5MA	1	3830	TO218 PREGREASED MICA 56-78-2AP	3
6408	GRN 3MM LED 1V9 5MA FROSTED	1	3850	TO-220 PLASTIC TRANSISTOR INSULATOR	1
6825	1N4148 75V 0A45 DIODE T&R	9	8581	CUSTOM PBL TRANSISTOR SPACER	3
6438	1N4004 400V 1A0 DIODE T&R	4	3818	EMI SUPPRESSION FERRITE BEAD T&R	2
6827	1N5402 200V 3A0 DIODE	4	4597	22AWG STRAN TC WIR JMP	18
6822	1N4745A 16V0 1W0 ZENER 5% T&R	2	4599	22AWG SOLID SC WIR T&R JMP	71
6463	1N5251BRL 22V0 0W5 ZENER 5% T&R	1	4594	1/8W 10R0 2%FLAME PROOF T&R RES	1
6738	MC7805CT TO220 P 5V0 REG V1	1	4675	1/2W 10R 5% T&R RES	4
5103	MPSA06 TO92 NPN TRAN T&R TA	1	4816	1/4W 33R 5% T&R RES	1
5105	MPSA13 TO92 NPN DARL T&R TA	3	4704	5.0W 33R 5% BLK RES	1
5122	J109 TO92 NCH JFET T&R TC	1	4735	1.0W 100R 5% T&R RES	6
6755	LM3876T IC 40 WATT POWER AMP	2	4897	1/4W 120R 5% T&R RES	1
6840	MC33078P IC DUAL OP AMP	1	4909	1/4W 200R 5% T&R RES	1
6882	TL072CP IC FET DUAL OP AMP	1	4977	1/4W 220R 5%MINI T&R RES	2
6889	TLO74CN IC QUAD O/A T.I ONLY	4	4770	1/4W 249R 1% T&R RES	3
6943	74HC374N IC OCTAL DTYPE LATCH	1	4655	1/2W 330R 5% T&R RES	8
6986	27C512 PROM IC YORKVILLE 16X2 PRG	1	4855	1/4W 330R 5% T&R RES	1
6992	1365-102 IC DIGITAL REVERB ASIC	1	5010	1/4W 330RX9 5% 10PIN SIP RES	1
6993	1250-101 IC SRAM 32KX8	1	4821	1/4W 470R 5% T&R RES	2
5402	.15P 100V 10%CAP T&R BEAD NPO	2	4799	1/4W 562R 1% T&R RES	2
5405	.27P 200V 5%CAP T&R RAD CER.2"NPO	3	4923	1/4W 680R 5% .2"U T&R RES	1
5199	100P 100V 2%CAP T&R RAD CER.2"NPO	1	4981	1/4W 1K 5%MINI T&R RES	13
5410	100P 100V 10%CAP T&R BEAD NPO	1	6110	1/4W 1K0 1%MINI MF T&R RES	2
5420	680P 50V 10%CAP T&R BEAD NPO	4	4585	1/4W 1K2 5%MINI T&R RES	1
5422	.1N 50V 10%CAP T&R BEAD NPO	3	4988	1/4W 1K5 5%MINI T&R RES	4
5208	.2N2 400V 5%CAP T&R RAD .2"FLM	2	4808	1/4W 2K 5% T&R RES	4
5274	.2N2 200V 5%CAP T&R RAD CER.2"NPO	6	4847	1/4W 2K2 5% T&R RES	1
5426	.2N2 50V 10%CAP T&R BEAD Y5R	2	6114	1/4W 2K49 1%MINI MF T&R RES	10
6451	.4N7 250V 20%CAP BLK "Y" 10MM AC	1	4826	1/4W 3K3 5% T&R RES	4
5204	.10N 100V 10%CAP T&R RAD .2"FLM	5	4827	1/4W 4K7 5% T&R RES	2
5300	.10N 50V 10%CAP T&R BEAD X7R	5	4639	1/4W 4K99 1% T&R RES	2
5207	.18N 100V 5%CAP T&R RAD .2"FLM	2	4893	1/4W 5K1 5% T&R RES	2
6435	.22N 275V 20%CAP BLK 'X2' 15MM AC	1	4978	1/4W 6K8 5%MINI T&R RES	1
5310	.68N 50V 10%CAP T&R BEAD X7R	2	5011	1/4W .10KX9 2% 10PIN SIP RES	1
5228	100N 100V 5%CAP T&R RAD .2"FLM	3	6116	1/4W 10K0 1%MINI MF T&R RES	37
5314	100N 50V 10%CAP T&R BEAD X7R	13	4830	1/4W 15K 5% T&R RES	3
5231	220N 63V 10%CAP T&R RAD .2"FLM	3	6123	1/4W 20K0 1%MINI MF T&R RES	4
5234	470N 63V 10%CAP T&R RAD .2"FLM	1	4777	1/4W 21K5 1% T&R RES	1
5255	.1U 63V 20%CAP T&R RAD .2"EL	2	4917	1/4W 31K6 1% T&R RES	1
5256	.1U 63V 5%CAP T&R RAD .2"FLM	6	4840	1/4W 33K 5% T&R RES	2
5259	.4U7 63V 20%CAP T&R RAD .2"EL	3	4834	1/4W 47K 5% T&R RES	1
5281	.10U 16V 20%CAP T&R RAD .2"NP	4	4942	1/4W 100K 5% .2"U T&R RES	1
5945	.10U 63V 20%CAP T&R RAD .2"EL	1	6120	1/4W 100K 5%MINI T&R RES	7
5260	.22U 50V 20%CAP T&R RAD .2"EL	3	4796	1/4W 180K 5%MINI T&R RES	2
5961	.33U 16V 20%CAP T&R RAD .2"NP	7	6127	1/4W 470K 5%MINI T&R RES	2
5267	100U 25V 20%CAP T&R RAD .2"EL	1	4844	1/4W 1M 5% T&R RES	1
5879	100U 16V 20%CAP T&R 8X7MM .2"EL	2	3608	10" 9C-24AWG RIBBON HITMP 0.1"	1
5630	330U 25V 20%CAP BLK 10X13MM EL	2	8842	#4 X 5/16 PAN QUAD TYPE A JS500 BLK	4
5887	2200U 50V 20%CAP BLK 18X27MM EL	2	8801	6-32 X 3/8 PAN PH TAPTITE JS500	5
4527	ROT GRY 20MM 4BIT ENCODER P31	1	8829	6-32 X 3/8 FLAT PH TAPTITE BO#4 HEA	5
4417	.10K 5B LIN 9MM HORIZONTAL P28	2	8806	6-32 X 1/2 PAN PH TAPTITE JS500	1
4418	.10K 5C R/A 9MM HORIZONTAL P28	1	8828	6-32 X 3/4 PAN PH TAPTITE JS500	5
4420	.50K B LIN 9MM HORIZONTAL P28	3	8878	#6 X 2" PAN PHIL TYPE A JS500 BLACK	4
4419	100K B LIN 12MM HORIZONTAL STP27	2	8803	8-32 X 3/8 PAN QUAD TAPTITE JS500	2
711	30 X 50 X 1.5MIL PLASTIC BAG	8	8763	8-32 X 1/2 PAN PH MS JS500 BLACK	4
8547	PLASTIC FOOT BLACK	8	8874	8-32 X 1" PAN PHIL TAPTITE JS500	2
8570	CORNER, 2 LEGS NOTCED LIP BLACK	6	8749	10-32 X 1/2 QDX PH TAPTITE JS500	1
3467	CLIP 205X032 14-16AWG DISC/INSUL	2	8753	#10 X 1/2 PAN PH TYPE A JS500 BLACK	12
3489	CLIP 250X032 18-22AWG DISCO/INSL	5	8756	#10 X 3/4 PAN PH TYPE A BLACK OXIDE	12
3491	CLIP 205/187X020 18-22AWG DISCO/INS	7	8781	#10 X 7/8 FLAT PHIL TYPE A JS500BLK	10
3682	250 MALE PCB TAB BULK CARTRIGE	13	8912	10-32 X 1 FLAT PHIL MS JS500 BLK	4
3498	1/4" JCK PCB MT HORZ	4	8770	1/4-20 X 1 5/16 TRUSS PH MS JS500	2
3528	1/4" JCK PCB MT HORZ GOLD TR	1	8905	YORKVILLE PRODUCT SCHEMATIC	1
3417	6-32 SCREW TERMINAL PC MOUNT	3	3833	8 X 3/8 (250 OD..171 ID)NY SPACER	5
3660	XLR FEML PCB MT HORZ	1		6.5 INCH WOOFER	2
3923	XLR MALE PCB MT HORZ MTHOLE-V SNAP	1	8820	#8 FLAT WASHER JS500	6
3451	EYELET SMALL 0.089 OD PLATED	7	8473	#10 BLACK CUPWASHER SWF-10BK	3
3414	INTERNATIONAL PC MOUNT FUSEHOLDER	2	3425	DPDT PUSH SW PCMT MAKE B4 BREAK	3
2439	1.25 AMP SLO-BLO .25X1.25 FUSE	1	3698	SPST ROKR SW QUIK 180" AC PWR BL/BL	1
8459	9.5" STRAP HANDLE, PLASTIC COVERS	1	8468	VELCRO STRAP 3/4"X22CM (VELSTRAP)	1
8604	10-32 T NUT	2	1310	4200 BLOC-80B/100G S120B/100K XFMR	1
7418	8R 30W TWEETER PIEZO KSN1056A	1			
3745	DUAL XSISTOR PBL SPRING PLATE ZN	2			
3804	SNAP ON 1.5" INSULATING BUSHING	1			
3795	#8 GROUND LUG ZIERICK 505-169	1			
3803	NYLON SECUR-A-TACH MINI PLASTIC TIE	1			
3810	4" NYLON CABLE TIE	4			
8636	BUTTON KNOB FLAT BLACK	3			
8641	AQUA KNOB FOR "NEW" ACOUSTIC SERIE	9			
3481	8' 3/18 SJT AC LINE CORD 250 CLIPS	1			



AM100

Acoustic Amplifier
applicable to serial numbers 001xxxx



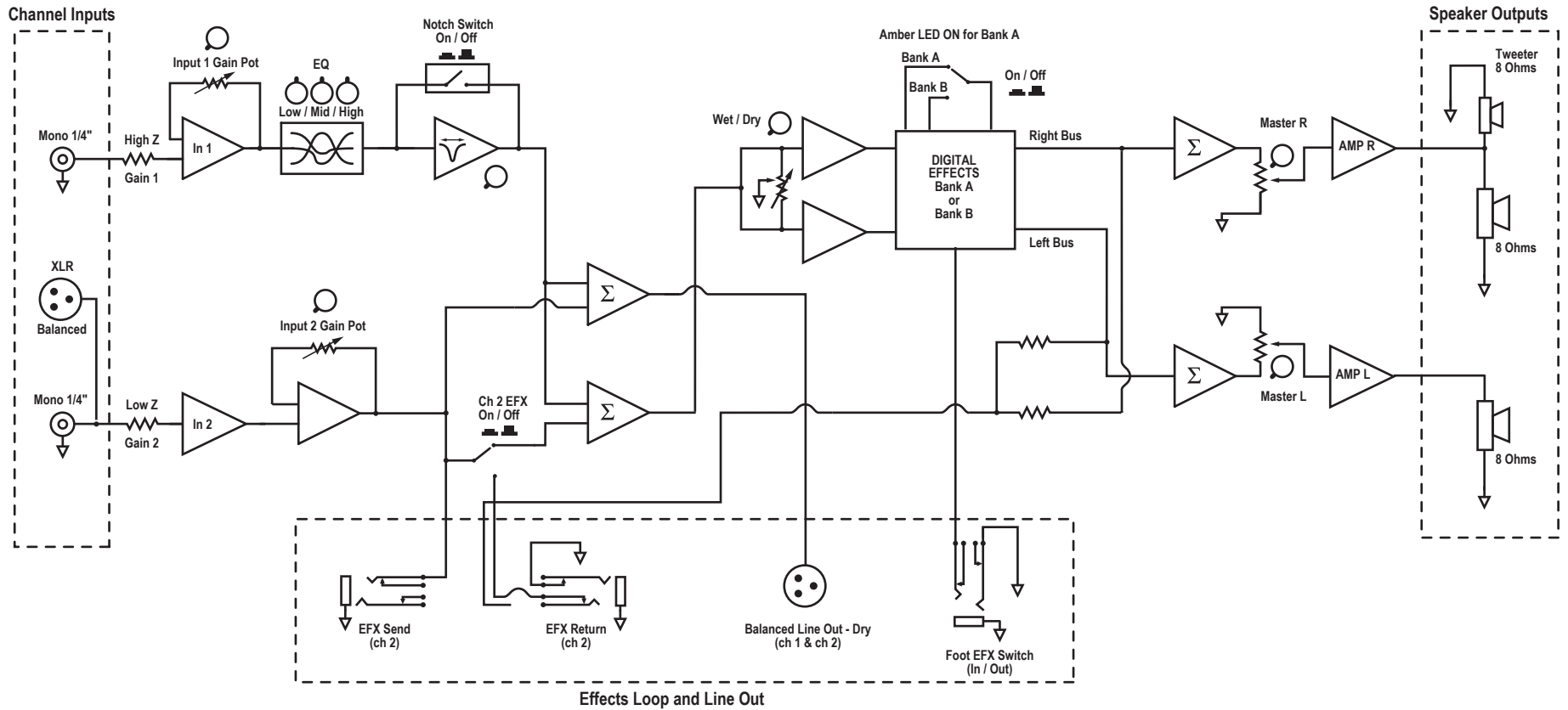
Notes:

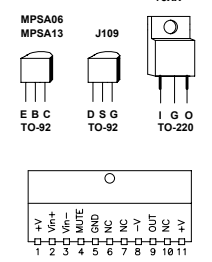
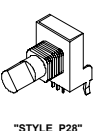
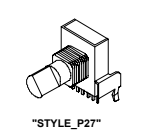
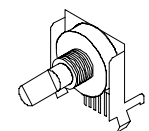
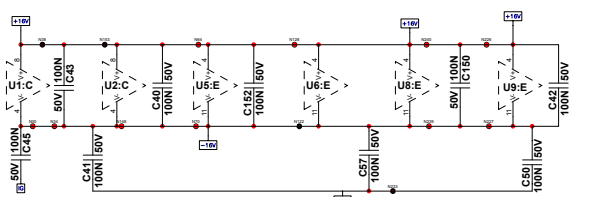
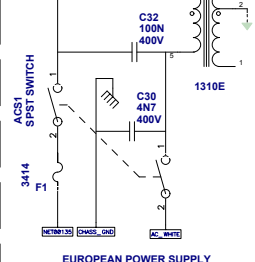
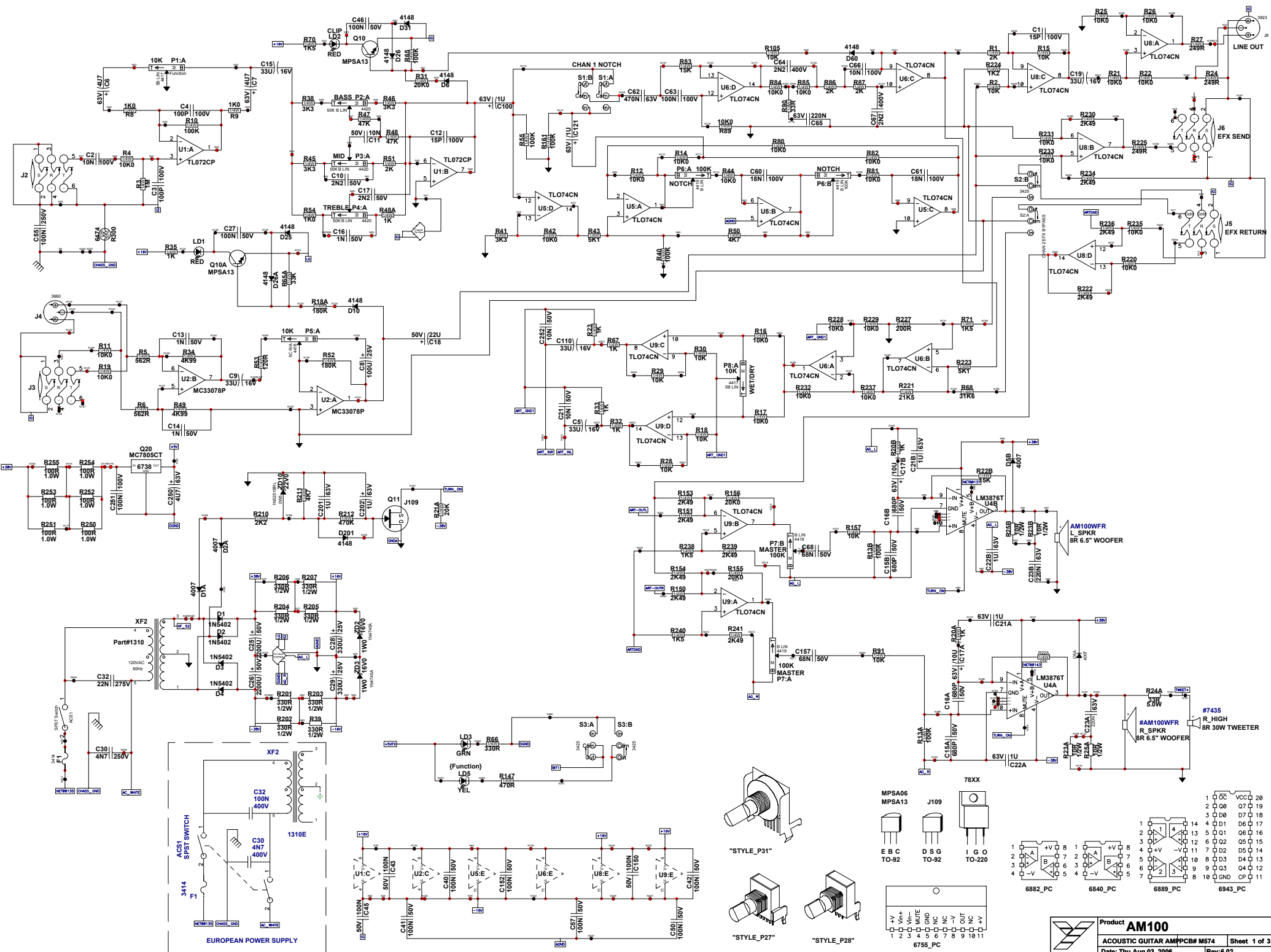
#	Part#	Description	Function
Labeled Components			
1	3450	1/4" JCK PCB MT HORZ GOLD TR_	Jack
2	4417	_10K 5B LIN 9MM HORIZONTAL P28	Gain 1
3	4420	_50K B LIN 9MM HORIZONTAL P28	Bass
4	4420	_50K B LIN 9MM HORIZONTAL P28	Mid
5	4420	_50K B LIN 9MM HORIZONTAL P28	Treble
6	4419	100K B LIN 12MM HORIZONTAL STP27	Notch
7	3660	XLR FEML PCB MT HORZ	Jack
8	4418	_10K 5C R/A 9MM HORIZONTAL P28	Gain 2
9	4419	100K B LIN 12MM HORIZONTAL STP27	Volume
10	4417	_10K 5B LIN 9MM HORIZONTAL P28	Effects
11	4527	ROT GRY 20MM 4BIT ENCODER P31	Presets
knob	8641	Note: All pots use 8641 Aqua Knob	Knob
12	3698	SPST ROKR SW QUIK 180° AC PWR BL/BL	
13	3425	DPDT PUSH SW PCMT MAKE B4 BREAK	
13	8636	BUTTON KNOB FLAT BLACK	
14	Z338	AM100 Grill (special order while unit is in production only)	
15	8547	PLASTIC FOOT BLACK	
16	8570	CORNER, 2 LEGS NOTCED LIP BLACK	
17	3834	HEYCO #1214 STRAIN RELIEF	
18	8459	9.5" STRAP HANDLE, PLASTIC COVERS	
19	3923	XLR MALE PCB MT HORZ MTHOLE-V SNAP	
20	8468	VELCRO STRAP 3/4"X22CM (VELSTRAP)	
21	3481	8' 3/18 SJT AC LINE CORD 250 CLIPS	
22	YSM-1WFR	6.5 INCH WOOFER	
23	7418	8R 30W TWEETER PIEZO KSN1056A	

Internal Electronic Components	
1310	4200 BLOC-80B/100G S120B/100K XFMR
2439	1.25 AMP SLO-BLO .25X1.25 FUSE
3608	10" 9C-24AWG RIBBON HITMP 0.1"
3745	DUAL XSISTOR PBL SPRING PLATE ZN
3830	TO218 PREGREASED MICA 56-78-2AP
3850	TO-220 PLASTIC TRANSISTOR INSULATOR
4594	1/8W 10R0 2%FLAME PROOF T&R RES
5010	1/4W 330RX9 5% 10PIN SIP RES
5011	1/4W _10KX9 2% 10PIN SIP RES
5103	MPSA06 TO92 NPN TRAN T&R TA
5105	MPSA13 TO92 NPN DARL T&R TA
5122	J109 TO92 NCH JFET T&R TC
5887	2200U 50V 20%CAP BLK 18X27MM EL
6463	1N5251BRL 22V0 0W5 ZENER 5% T&R
6738	MC7805CT TO220 P 5V0 REG V1
6755	LM3876T IC 40 WATT POWER AMP
6822	1N4745A 16V0 1W0 ZENER 5% T&R
6827	1N5402_200V 3A0 DIODE
6840	MC33078P IC DUAL OP AMP
6882	TL072CP IC FET DUAL OP AMP
6889	TLO74CN IC QUAD O/A T.I. ONLY
6986	27C512 PROM IC YORKVILLE 16X2 PRG
6992	1365-102 IC DIGITAL REVERB ASIC
6993	1250-101 IC SRAM 32KX8
8581	CUSTOM PBL TRANSISTOR SPACER

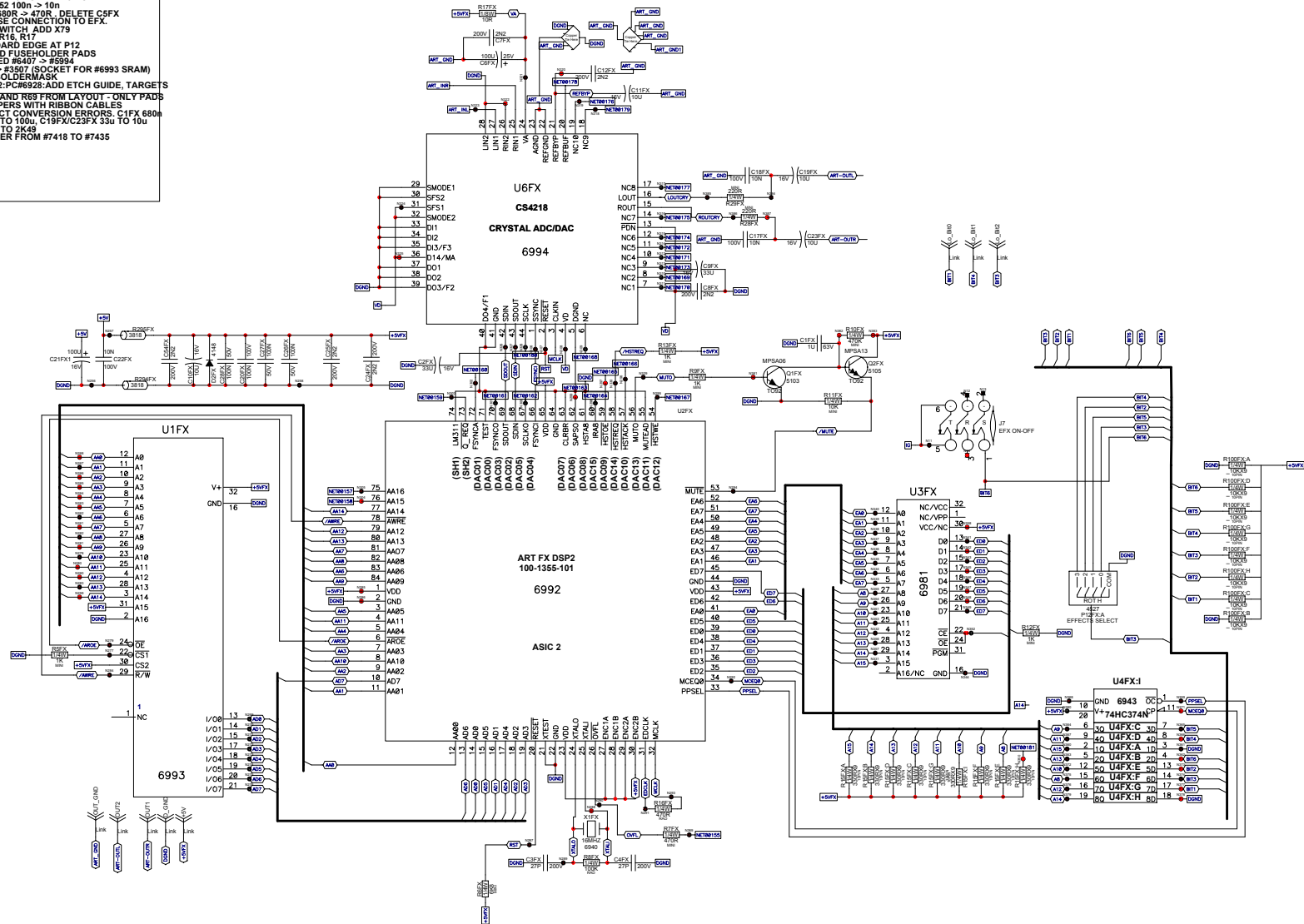
Block Diagram for AM100

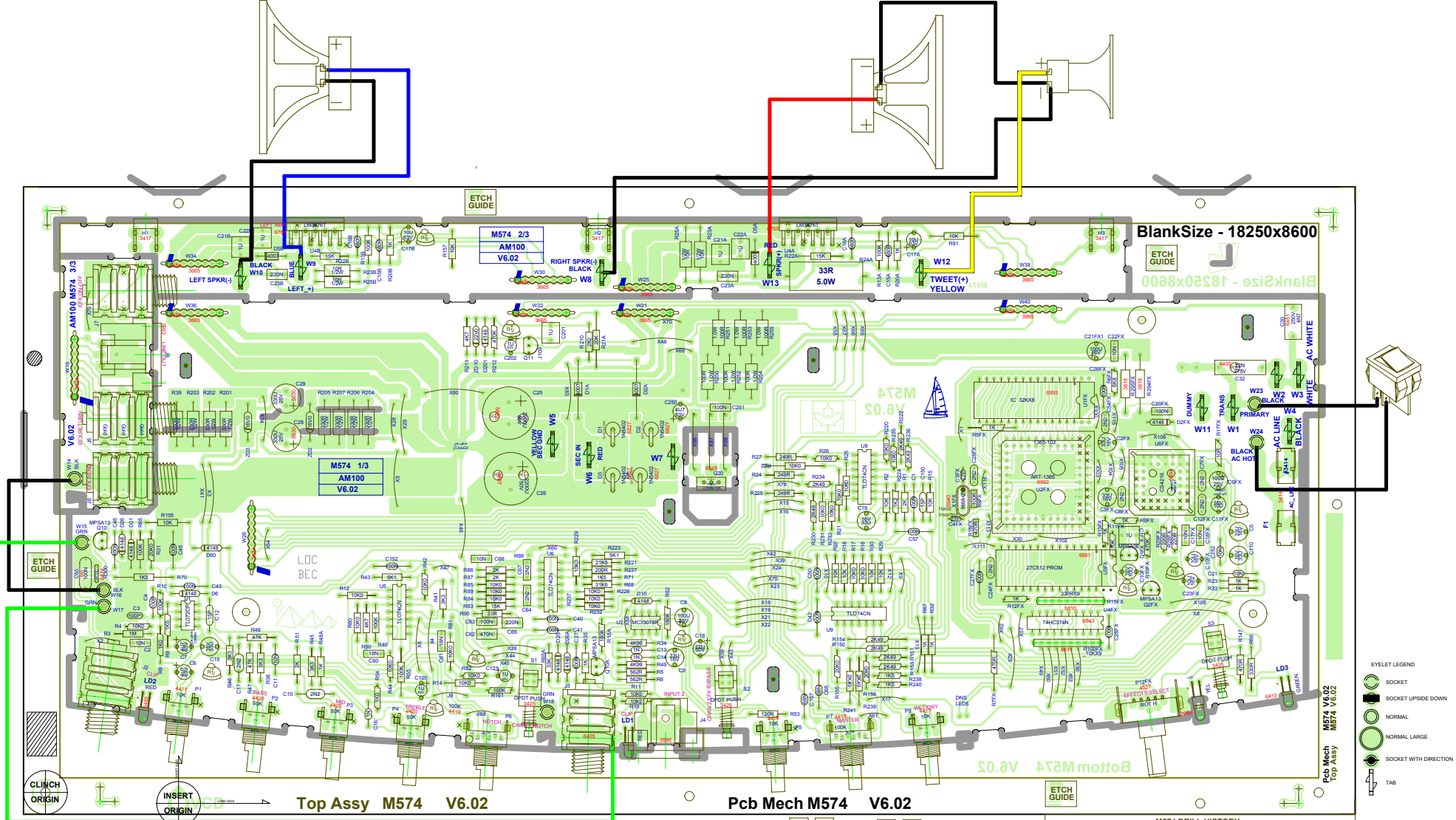
DESIGNED AND MANUFACTURED BY YORKVILLE SOUND





M574			
MODEL(S):-	AM100		
#	DATE	VER#	DESCRIPTION OF CHANGE
1	APR/17/00	1.00	FIRST PRODUCTION
2	MAY/11/00	1.10	PC#6252 NA FUSE 1.6A-SB -> 1.25A-SB
3	OCT/11/00	1.20	PC#6285 C21, C252 100u -> 10u
4			PC#6292 R16F X 680R -> 470R, DELETE C5FX
5	DEC/20/00	2.00	PC#6313 REVERSE CONNECTION TO EFX.
6			ENABLE FOOT SWITCH, ADD 47R
7	JUN/25/01	2.10	FIXED SPAN ON R16, R17
8	NOV/13/01	2.10	ADD 0.05" TO BOARD EDGE AT P12
9	APR/17/02	3.00	UPDATE TAB AND FUSEHOLDER PADS
10	JAN/15/03	4.00	PC#6584 YELL LED #6407 -> #8994
11	NOV/23/04	5.00	PC#6771 #8371 -> #8307 (SOCKET FOR #6993 SRAM)
12	MAY/04/05	5.00	PC#6846 REDO SOLDERMASK
13	AUG-19-2005	6.00	CONV. PCA2302:PC#6928:ADD ETCH GUIDE, TARGETS
1			REMOVED LEDs AND R88 FROM LAYOUT - ONLY PADS
2	MAR/08/06	6.01	REPLACED JUMPERS WITH RIBBON CABLES
3			PC#7085 CORRECT CONVERSION ERRORS, C1FX 680u
4			TO 1u, C6FX 22u TO 100u, C18FX/C2FX 33u TO 10u
5			R239, R241 20K TO 2K49
6	JUN/16/2006	6.02	PC#7144, TWEETER FROM #7418 TO #7435
7		N	N
8		N	N
9		N	N
10		N	N
11		N	N
12		N	N
13		N	N



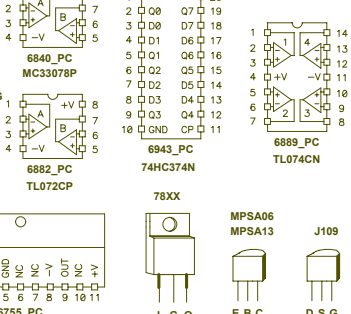


MODEL(S):- AM100		
# DATE	VER#	DESCRIPTION OF CHANGE
1	APR/17/00	1.00 FIRST PRODUCTION
2	MAY/11/00	1.10 PC#6252 NA FUSE 1.6A-SB -> 1.25A-SB
3	OCT/11/00	1.20 PC#6285 C24 C252 100n -> 10n
4	DEC/20/00	2.00 PC#6292 R16FX 680R -> 470R, DELETE C5FX
5		PC#6313 REVERSE CONNECTION TO EFX.
6	JUN/25/01	FIXED SPAN ON R16, R17
7	NOV/13/01	2.10 ADD 0.05" TO BOARD EDGE AT P12
8	APR/17/02	3.00 UPDATE TAB AND FUSEHOLDER PADS
9	JAN/15/03	4.00 PC#6884 YELL LED #6407 -> #6994
10	NOV/23/04	4.00 PC#6771 #3371 -> #307 (SOCKET FOR #6993 SRAM)
12	MAY/04/05	5.00 PC#6846 REDO SOLDERMASK
13	AUG-19-2005	6.00 CONV. PCAD2002;PC#6928;ADD ETCH GUIDE, TARGETS
14		REMOVED LEADS AND RIBS FROM LAYOUT - ONLY PADS
15		REPLACED JUMPERS WITH RIBBON CABLES
16	MAR/08/06	6.01 PC#7085 CORRECT CONVERSION ERRORS; C1FX 680R TO 1u, C6FX 22u TO 100u, C18FX/C23FX 33u TO 10u, R239, R241 20K TO 2K49
17	JUN/16/2006	6.02 PC#7144, TWEETER FROM #7418 TO #7435
18		
19		
20		
21		
22		
23		
24		

MODEL(S):- M574 POT LIST				
AM100				
REF	FUNCTION	PART#	KNOB	MAR/2000
P1	GAIN CH1	#4417	#9641	MAR/2000
P5	GAIN CH2	#4418	#9641	"
P2, P3, P4	BASS, MID, TREB	#4420	#9641	"
R6, P7	NOTCH MASTER	#4419	#9641	"
P8	DRYWEET	#4417	#9641	"
P12	EFFECTS	#4427	#9641	"
R1	F	X	N	N
R2	F	X	N	N
R3	F	X	N	N
R4	F	X	N	N
R5	F	X	N	N
R7	F	X	N	N
R8	F	X	N	N
R9	F	X	N	N
R10	F	X	N	N
R11	F	X	N	N
R12	F	X	N	N
R13	F	X	N	N
R14	F	X	N	N
R15	F	X	N	N
R16	F	X	N	N
R17	F	X	N	N
R18	F	X	N	N
R19	F	X	N	N
R20	F	X	N	N
R21	F	X	N	N
R22	F	X	N	N
R23	F	X	N	N
R24	F	X	N	N
R25	F	X	N	N
R26	F	X	N	N
R27	F	X	N	N
R28	F	X	N	N
R29	F	X	N	N
R30	F	X	N	N
R31	F	X	N	N
R32	F	X	N	N
R33	F	X	N	N
R34	F	X	N	N
R35	F	X	N	N
R36	F	X	N	N
R37	F	X	N	N
R38	F	X	N	N
R39	F	X	N	N
R40	F	X	N	N
R41	F	X	N	N
R42	F	X	N	N
R43	F	X	N	N
R44	F	X	N	N
R45	F	X	N	N
R46	F	X	N	N
R47	F	X	N	N
R48	F	X	N	N
R49	F	X	N	N
R50	F	X	N	N
R51	F	X	N	N
R52	F	X	N	N
R53	F	X	N	N
R54	F	X	N	N
R55	F	X	N	N
R56	F	X	N	N
R57	F	X	N	N
R58	F	X	N	N
R59	F	X	N	N
R60	F	X	N	N
R61	F	X	N	N
R62	F	X	N	N
R63	F	X	N	N
R64	F	X	N	N
R65	F	X	N	N
R66	F	X	N	N
R67	F	X	N	N
R68	F	X	N	N
R69	F	X	N	N
R70	F	X	N	N
R71	F	X	N	N
R72	F	X	N	N
R73	F	X	N	N
R74	F	X	N	N
R75	F	X	N	N
R76	F	X	N	N
R77	F	X	N	N
R78	F	X	N	N
R79	F	X	N	N
R80	F	X	N	N
R81	F	X	N	N
R82	F	X	N	N
R83	F	X	N	N
R84	F	X	N	N
R85	F	X	N	N
R86	F	X	N	N
R87	F	X	N	N
R88	F	X	N	N
R89	F	X	N	N
R90	F	X	N	N
R91	F	X	N	N
R92	F	X	N	N
R93	F	X	N	N
R94	F	X	N	N
R95	F	X	N	N
R96	F	X	N	N
R97	F	X	N	N
R98	F	X	N	N
R99	F	X	N	N
R100	F	X	N	N

PRODUCTION NOTES

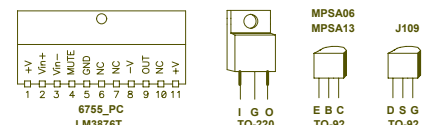
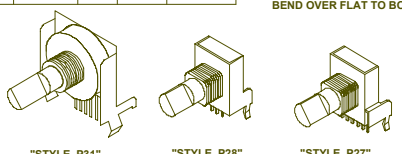
- RTV ALL 0.2" ELECTROLYTIC CAPS
RTV CAPS TO SOCKET IN DIGITAL EFFECTS AREA
- DO NOT STUFF LEADS, R69
- TRIM THE LEADS OF U4A AND U4B AFTER SOLDERING
- FOR CE USE 100N 250V PT#5242 FOR C32 AC CAP
FOR NA USE 22N 275V PT#6435 FOR C32 AC CAP
- DO NOT CUT THE LEADS OF D1, D2, D3, D4
BEND OVER FLAT TO BOARD



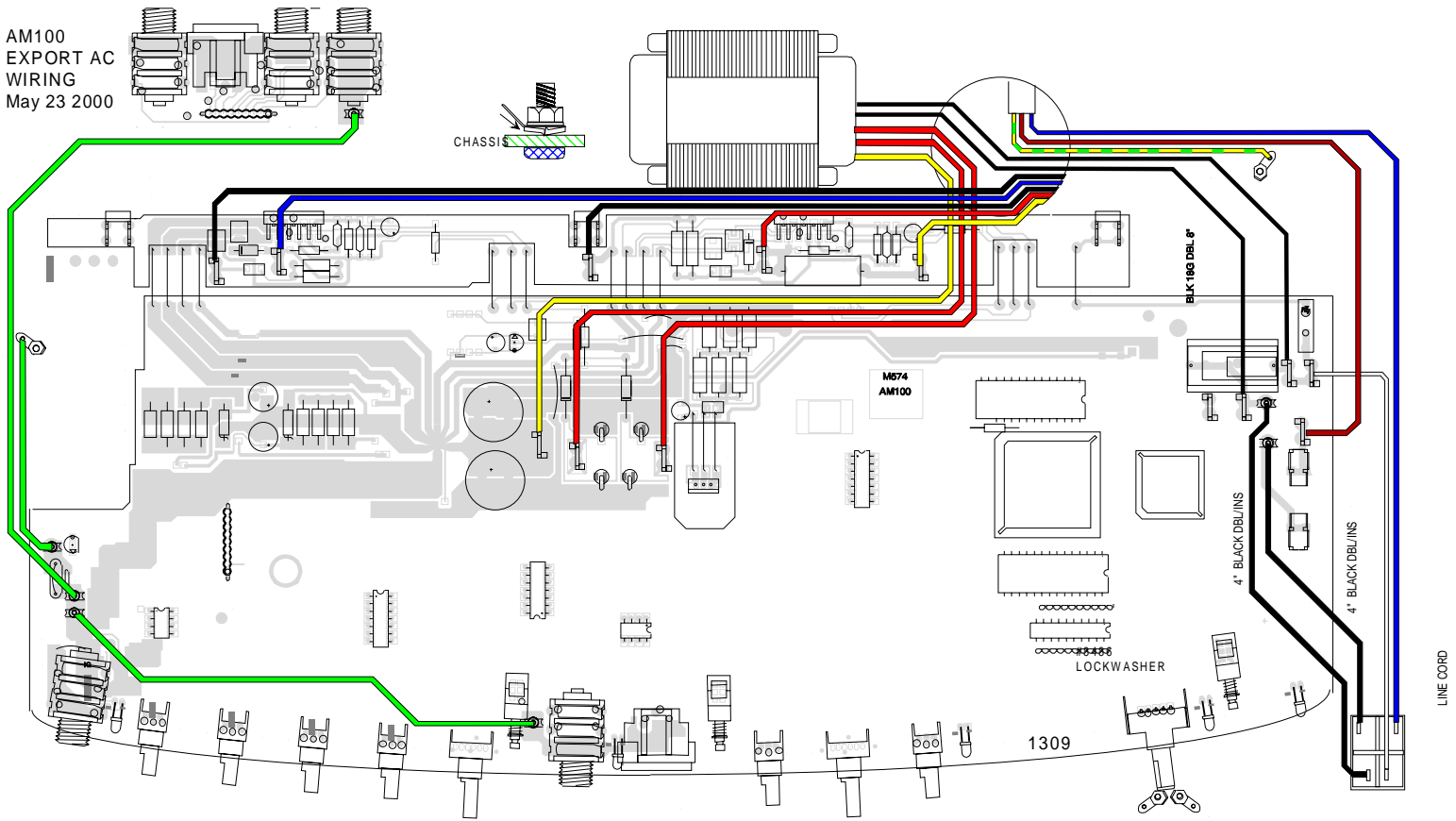
M574 DRILL HISTORY		
# DATE	VER#	DESCRIPTION OF CHANGE
1	DEC-09-2003	V15
2	AUG-23-2005	V14
3		V13
4		V12
5		V11
6		V10
7		V9
8		V8
9		V7
10		V6
11		V5
12		V4
13		V3
14		V2
15		V1

M574 PENDING CHANGES		
# PC#	VER#	PENDING CHANGE
1	PC	X
2	PC	X
3	PC	X
4	PC	X
5	PC	X
6	PC	X
7	PC	X
8	PC	X
9	PC	X
10	PC	X
11	PC	X
12	PC	X
13	PC	X
14	PC	X
15	PC	X

*PLACE IMPLEMENTED CHANGES INTO BOARD HISTORY



AM100
EXPORT AC
WIRING
May 23 2000



AM100
EXPORT AC
WIRING
JUN 25 2001

