



WEB ACCESS: <http://www.yorkville.com>

**WORLD HEADQUARTERS
CANADA**

Yorkville Sound
550 Granite Court
Pickering, Ontario
L1W-3Y8 CANADA

Voice: (905) 837-8481
Fax: (905) 837-8746

U.S.A.

Yorkville Sound Inc.
4625 Witmer Industrial Estate
Niagara Falls, New York
14305 USA

Voice: (716) 297-2920
Fax: (716) 297-3689

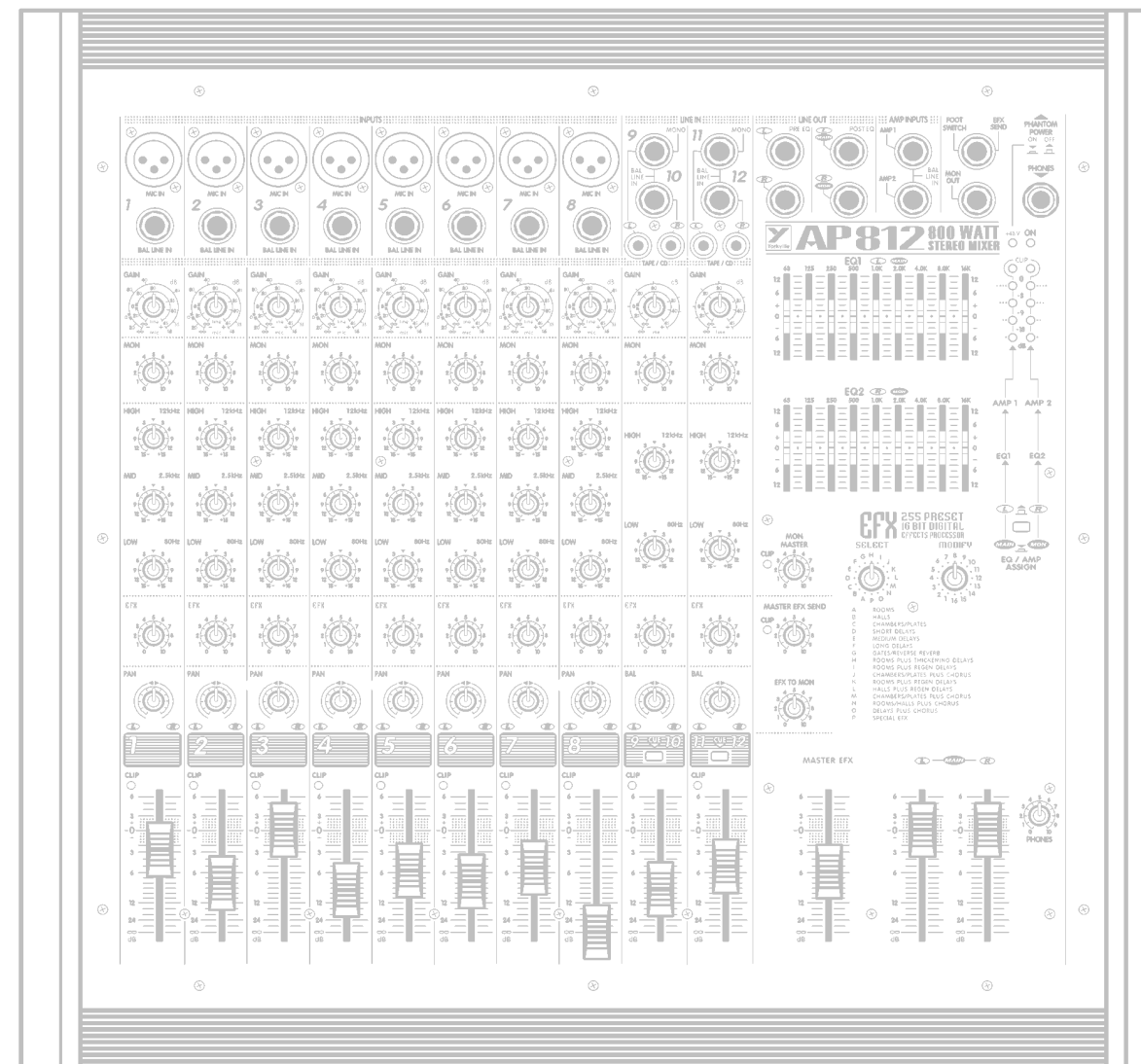


Quality and Innovation Since 1963
Printed in Canada

SERVICE MANUAL



AP812 800 WATT 818 STEREO MIXER



IMPORTANT SAFETY INSTRUCTIONS



INSTRUCTIONS PERTAINING TO A RISK OF FIRE, ELECTRIC SHOCK, OR INJURY TO PERSONS

INSTRUCTIONS RELATIVES AU RISQUE DE FEU, CHOC ÉLECTRIQUE, OU BLESSURES AUX PERSONNES

CAUTION:

TO REDUCE THE RISK OF ELECTRIC SHOCK, DO NOT REMOVE COVER (OR BACK).

NO USER SERVICEABLE PARTS INSIDE.

REFER SERVICING TO QUALIFIED SERVICE PERSONNEL.

AVIS:

AFIN DE REDUIRE LES RISQUE DE CHOC ELECTRIQUE, N'ENLEVEZ PAS LE COUVERT (OU LE PANNEAU ARRIERE)

NE CONTIENT AUCUNE PIECE REPARABLE PAR L'UTILISATEUR.

CONSULTEZ UN TECHNICIEN QUALIFIE POUR L'ENTRETIEN

Read Instructions

The Owner's Manual should be read and understood before operation of your unit. Please, save these instructions for future reference.

Packaging

Keep the box and packaging materials, in case the unit needs to be returned for service.

Warning

When using electric products, basic precautions should always be followed, including the following:

Power Sources

Your unit should be connected to a power source only of the voltage specified in the owners manual or as marked on the unit. This unit has a polarized plug. Do not use with an extension cord or receptacle unless the plug can be fully inserted. Precautions should be taken so that the grounding scheme on the unit is not defeated.

Hazards

Do not place this product on an unstable cart, stand, tripod, bracket or table. The product may fall, causing serious personal injury and serious damage to the product. Use only with cart, stand, tripod, bracket, or table recommended by the manufacturer or sold with the product. Follow the manufacturer's instructions when installing the product and use mounting accessories recommended by the manufacturer.

The apparatus should not be exposed to dripping or splashing water; no objects filled with liquids should be placed on the apparatus.

Terminals marked with the "lightning bolt" are hazardous live; the external wiring connected to these terminals require installation by an instructed person or the use of ready made leads or cords.

Ensure that proper ventilation is provided around the appliance.

No naked flame sources, such as lighted candles, should be placed on the apparatus.

Power Cord

The AC supply cord should be routed so that it is unlikely that it will be damaged. If the AC supply cord is damaged DO NOT OPERATE THE UNIT.

Service

The unit should be serviced only by qualified service personnel.

Veillez Lire le Manuel

Il contient des informations qui devraient être comprises avant l'opération de votre appareil. Conservez S.V.P. ces instructions pour consultations ultérieures.

Emballage

Conservez la boîte au cas où l'appareil devait être retourner pour réparation.

Attention:

Lors de l'utilisation de produits électrique, assurez-vous d'adhérer à des précautions de bases incluant celle qui suivent:

Alimentation

L'appareil ne doit être branché qu'à une source d'alimentation correspondant au voltage spécifié dans le manuel ou tel qu'indiqué sur l'appareil. Cet appareil est équipé d'une prise d'alimentation polarisée. Ne pas utiliser cet appareil avec un cordon de raccordement à moins qu'il soit possible d'insérer complètement les trois lames. Des précautions doivent être prises afin d'éviter que le système de mise à la terre de l'appareil ne soit désengagé.

Risque

Ne pas placer cet appareil sur un chariot, un support, un trépied ou une table instables. L'appareil pourrait tomber et blesser quelqu'un ou subir des dommages importants. Utiliser seulement un chariot, un support, un trépied ou une table recommandés par le fabricant ou vendus avec le produit. Suivre les instructions du fabricant pour installer l'appareil et utiliser les accessoires recommandés par le fabricant.

Il convient de ne pas placer sur l'appareil de sources de flammes nues, telles que des bougies allumées.

L'appareil ne doit pas être exposé à des égouttements d'eau ou des éclaboussures et qu'aucun objet rempli de liquide tel que des vases ne doit être placé sur l'appareil.

Assurez que l'appareil est fourni de la propre ventilation.

Les dispositifs marqués d'un symbole "d'éclair" sont des parties dangereuses au toucher et que les câblages extérieurs connectés à ces dispositifs de connection extérieure doivent être effectués par un opérateur formé ou en utilisant des cordons déjà préparés.

Cordon d'Alimentation

Évitez d'endommager le cordon d'alimentation. N'UTILISEZ PAS L'APPAREIL si le cordon d'alimentation est endommagé.

Service

Consultez un technicien qualifié pour l'entretien de votre appareil.

AP800 Parts List 10/25/99

YS #	Description	Qty.	YS #	Description	Qty.	YS #	Description	Qty.
3507	28 PIN X .6" I.C DEEP SOCKET	1	5228	100N 100V 5%CAP T&R RAD .2"FLM	58	4995	1/4W 33R2 1%FLAME PROOF T&R RES	6
3550	44PIN PLCC SOCKET	1	5314	100N 50V 10%CAP T&R BEAD X7R	12	4704	5.0W 33R 5% BLK RES	1
3557	84PIN PLCC SOCKET	1	5230	180N 63V 5%CAP T&R RAD .2"FLM	2	6134	1/4W 47R 5%MINI T&R RES	1
3571	28 PIN X .6" I.C. SOCKET	1	5317	180N 50V 10%CAP T&R BEAD X7R	2	6200	1/4W 47R5 1%FLAME PROOF T&R RES	6
6994	CRYSTAL CODEC 44PIN PLCC	1	5233	330N 63V 5%CAP T&R RAD .2"FLM	10	4912	1/4W 75R 5% T&R RES	1
6940	16MHZ CRYSTAL VERT 2-PIN .25"CASE	1	5240	680N 63V 10%CAP T&R RAD .2"FLM	2	4602	1/8W 100R 5% T&R RES	18
5907	YEL 3MM LED 1V9 20MA .4SPCER T&R	2	5256	1U 63V 5%CAP T&R RAD .2"FLM	3	4852	1/4W 100R 5% T&R RES	3
5908	GRN 3MM LED 1V9 20MA .4SPCER T&R	6	5257	2U2 63V 20%CAP T&R RAD .2"EL	2	4984	1/4W 150R 5%MINI T&R RES	4
6403	ORN 3MM LED 1V7 5MA	15	5259	4U7 63V 20%CAP T&R RAD .2"EL	4	4857	1/4W 220R 5% T&R RES	6
6408	GRN 3MM LED 1V9 5MA FROSTED	1	5281	10U 16V 20%CAP T&R RAD .2"NP	2	4944	1/4W 220R 5% .2"U T&R RES	1
6419	BRIDGE 35A 400V WIRE LEAD G13504	1	5282	10U 16V 20%CAP T&R 5X7MM .2"NP	13	4977	1/4W 220R 5%MINI T&R RES	9
6425	BAV21 200V 0A25 DIODE T&R	4	5260	22U 50V 20%CAP T&R RAD .2"EL	14	4606	1/8W 249R 2%FLAME PROOF T&R RES	24
6438	1N4004 400V 1A0 DIODE T&R	10	5631	22U 50V 20%CAP T&R 5X7MM .2"EL	13	4986	1/4W 270R 5%MINI T&R RES	4
6825	1N4148 75V 0A45 DIODE T&R	104	5961	33U 16V 20%CAP T&R RAD .2"NP	42	4789	1/4W 324R0 0.1% *** T&R RES	2
6934	MR854 400V 3A0 DIODE FASREC	4	5267	100U 25V 20%CAP T&R RAD .2"EL	6	5010	1/4W 330RX9 5% 10PIN SIP RES	1
6733	BAT85 30V 0A2 DIODE SCHKY T&R	2	5879	100U 16V 20%CAP T&R 8X7MM .2"EL	25	4872	1/4W 390R 5% T&R RES	2
6440	1N750ARL 4V7 0W5 ZENER 5% T&R	7	5618	470U 25V 20%CAP BLK 10X15MM EL	4	4950	1/4W 390R 5% .2"U T&R RES	2
6436	1N753ARL 6V2 0W5 ZENER 5% T&R	5	5887	2200U 50V 20%CAP BLK 18X27MM EL	1	4690	1/2W 442R 1% T&R RES	3
6822	1N4745A 16V0 1W0 ZENER 5% T&R	4	5894	3900U 80V 20%CAP BLK 30X40MM ELS	8	4933	1/4W 470R 5% .2"U T&R RES	8
6463	1N5251BRL 22V0 0W5 ZENER 5% T&R	1	4581	ROT GRY 18MM 4BIT ENCODER P23	2	4980	1/4W 470R 5%MINI T&R RES	5
6426	1N5254B 27V0 0W5 ZENER 5% T&R	1	4537	10K B LIN 9MM DETENT P25	34	4691	1/4W 510R 5% T&R RES	4
6485	1N5256C 30V0 0W5 ZENER 2% T&R	4	4562	10K LIN 12MM STEREO DETENTP21	4	4799	1/4W 562R 1% T&R RES	24
6738	MC7805CT TO220 P 5V0 REG V1	1	4566	10K B LIN 9MM P25	21	6203	1/4W 590R 1%FLAME PROOF T&R RES	12
6871	MC7915CT TO220 N 15V0 REG V2	1	4567	20K 5C R/A 9MM P25	8	4891	1/4W 620R 5% T&R RES	10
6872	MC7815CT TO220 P 15V0 REG V1	1	4570	20K 5C R/A 12MM STEREO P21	2	4922	1/4W 620R 5% .2"U T&R RES	10
5101	BC550C TO92 NPN TRAN T&R TB	16	4545	50K LIN 12MM STEREO DETENTP21	2	5019	1/4W 620R 5%MINI T&R RES	2
5102	BC560C TO92 PNP TRAN T&R TB	29	4568	50K B LIN 9MM P25	3	4673	1/2W 680R 5% T&R RES	4
5103	MPSA06 TO92 NPN TRAN T&R TA	1	4385	100K 5C R/A 12MM STEREO P21	8	4873	1/4W 680R 5% T&R RES	2
5104	MPSA56 TO92 PNP TRAN T&R TA	2	4487	10K 10A AUD 60MM STEREO S01	3	4923	1/4W 680R 5% .2"U T&R RES	5
5105	MPSA13 TO92 NPN DARL T&R TA	14	4489	10K B LIN 60MM S01	8	4924	1/4W 750R 5% .2"U T&R RES	4
5106	MPSA63 TO92 PNP DARL T&R TA	2	3996	20K LIN 30MM DETENT S12	18	4925	1/4W 820R 5% .2"U T&R RES	2
5119	2N5638 TO92 NCH JFET T&R TC	4	4488	50K B LIN 60MM S01	2	4913	1.0W 1K 5% T&R RES	2
5123	NJM431L TO92 S 2V0 REG T&	2	4541	100R TRIM POT	2	4934	1/4W 1K 5% .2"U T&R RES	2
6912	BDX53C TO220 NPN TRAN DARL TE	2	3606	12.0 AMP CIRCUIT BREAKER	1	4981	1/4W 1K 5%MINI T&R RES	15
6988	MJL21194 TO3P NPN TRAN TK	6	3820	4UH COIL 14AWG ZOBEL HORIZONTAL	2	6110	1/4W 1K0 1%MINI MF T&R RES	4
6989	MJL1302A TO3P PNP TRAN TK	2	3497	1/4" JCK PCB MT VERT ISO	1	4585	1/4W 1K2 5%MINI T&R RES	56
6990	MJL3281A TO3P NPN TRAN TK	2	3498	1/4" JCK PCB MT HORZ	4	4988	1/4W 1K5 5%MINI T&R RES	17
6991	MJL21193 TO3P PNP TRAN TK	6	3921	1/4" JCK PCB MT VERT STER RT SWT	20	4738	5.0W 1K8 5% BLK RES	8
6754	NJM072BL IC DUAL OPAMP INLINE	1	3466	RCA DUAL PCB MT VERT GOLD 24MM	2	4631	1/2W 2K 5% T&R RES	1
6798	MC4741CP IC QUAD OP AMP	1	6956	SPKON 4C PCB MT HORZ GRY #4	2	4946	1/4W 2K 5% .2"U T&R RES	4
6840	MC33078P IC DUAL OP AMP	21	3925	XLR FEML PCB MT VERT 24MM U-CONT	8	6113	1/4W 2K 5%MINI T&R RES	29
6867	LM339N IC QUAD COMPARATOR	2	3451	EYELET SMALL 0.089 OD PLATED	87	4847	1/4W 2K2 5% T&R RES	1
6882	TL072CP IC FET DUAL OP AMP	6	2486	1.5 AMP SLO-BLO T&R FUSE	2	6202	1/4W 2K21 1%FLAME PROOF T&R RES	4
6889	TL074CN IC QUAD O/A T.I ONLY	8	3863	FAN 80MM X 80MM 39CFM 12VDC 173MA	1	4587	1/4W 2K32 1% T&R RES	2
6745	LM13600N IC XCONDUCTANCE AMP	1	3692	HEATSINK THERMALLOY 6079-PB	1	4588	1/4W 2K43 1% T&R RES	2
6943	74HC374N IC OCTAL DTYPE LATCH	1	3501	B52200F006 COMP WASH #4 SMALL	1	4936	1/4W 2K7 5% .2"U T&R RES	1
6962	74HC30 IC 8-INPURT NAND GATE	1	3745	DUAL XRESISTOR PBL SPRING PLATE ZN	9	4635	1/2W 3K 5% T&R RES	2
6981	27C512 PROM IC YORKVILLE 16X16 PRG	1	8682	#4 TEFLON WASHER .125ID .281OD .031	1	4788	1/4W 3K160 0.1% *** T&R RES	2
6992	1365-102 IC DIGITAL REVERB ASIC	1	3552	NYLON SPRING CLAMP	1	6136	1/4W 3K3 5%MINI T&R RES	7
6993	1250-101 IC SRAM 32KX8	1	3788	QUICKON MALETAB	1	4793	1/4W 4K590 0.1% *** T&R RES	2
5190	MBS4992 TO92 8V5 DIAC	2	3810	4" NYLON CABLE TIE	12	4627	1/2W 4K7 5% T&R RES	2
6448	BT139 TO220 16A TRIAC 500V	2	3827	SQUARE BUMPER BUTTON BLACK	10	4943	1/4W 4K7 5% .2"U T&R RES	16
6880	4N35 OPTO-COUPLER	2	8392	RED STYLE 1 KNOB	21	4982	1/4W 4K7 5%MINI T&R RES	33
6478	AS35FN-TO92 TEMPERATURE SENSOR	2	8393	GREY STYLE 1 KNOB	12	6128	1/4W 4K99 1%MINI MF T&R RES	58
5405	27P 200V 5%CAP T&R RAD CER.2"NPO	3	8394	GREEN STYLE 1 KNOB	11	4828	1/4W 6K8 5% T&R RES	2
5203	47P 100V 2%CAP T&R RAD CER.2"NPO	5	8395	BLUE STYLE 1 KNOB	38	4978	1/4W 6K8 5%MINI T&R RES	4
5408	47P 100V 10%CAP T&R BEAD NPO	2	8397	GREY STYLE 2 KNOB	2	4801	1/4W 6K98 1% T&R RES	4
5199	100P 100V 2%CAP T&R RAD CER.2"NPO	1	8638	AP MIXER SERIES PUSH SW BUTTON GREY	3	4887	1/4W 7K5 5% T&R RES	20
5410	100P 100V 10%CAP T&R BEAD NPO	4	8661	BUTTON KNOB FLAT GREY	1	4990	1/4W 8K2 5%MINI T&R RES	8
5196	150P 100V 2%CAP T&R RAD CER.2"NPO	2	8680	GREY FADER KNOB - AP-812	13	4810	1/4W 9K1 5% T&R RES	6
5417	330P 50V 10%CAP T&R BEAD NPO	2	3468	8' 3/16 SJT AC LINE CORD STRIP 17"	1	4829	1/4W 10K 5% T&R RES	5
5206	1N 400V 5%CAP T&R RAD .2"FLM	7	3821	HEYCO #1200 STRAIN RELIEF	1	4940	1/4W 10K 5% .2"U T&R RES	11
5273	1N5 200V 5%CAP T&R RAD CER.2"NPO	31	3596	36PIN BREAKAWAY .15GOLD .100	0.333	4983	1/4W 10K 5%MINI T&R RES	54
5208	2N2 400V 5%CAP T&R RAD .2"FLM	8	3597	12 CIR HDR BOT ENTRY 0.1" GOLD	1	5011	1/4W 10KX9 2% 10PIN SIP RES	1
5274	2N2 200V 5%CAP T&R RAD CER.2"NPO	8	3638	12 CIR CABLE HOLDER .098	3	6116	1/4W 10K0 1%MINI MF T&R RES	14
5426	2N2 50V 10%CAP T&R BEAD Y5R	4	8800	6-32 KEPS NUT ZINC	3	4773	1/4W 12K1 1% T&R RES	1
5209	4N7 250V 5%CAP T&R RAD .2"FLM	12	8787	8-32 KEPS NUT ZINC	1	4775	1/4W 14K0 1% T&R RES	3
6451	4N7 250V 20%CAP BLK 'Y' 10MM AC	1	8845	10-32 PEMNUT SS-032-2-Z1	6	4979	1/4W 15K 5%MINI T&R RES	8
5433	5N6 50V 10%CAP T&R BEAD X7R	2	8797	5/16-18 KEPS NUT JS500	1	4771	1/4W 17K8 1% T&R RES	1
5272	6N8 100V 5%CAP T&R RAD .2"FLM	12	3866	ELASTOMER PAD TSIL 3 1.2X6.0	5	6125	1/4W 18K 5%MINI T&R RES	14
5204	10N 100V 10%CAP T&R RAD .2"FLM	11	3580	12 CIR WAFER W/LCK VT 0.1"	1	6123	1/4W 20K0 1%MINI MF T&R RES	4
5207	18N 100V 5%CAP T&R RAD .2"FLM	2	3818	EMI SUPPRESSION FERRITE BEAD T&R	2	4777	1/4W 21K5 1% T&R RES	5
5210	22N 100V 10%CAP T&R RAD .2"FLM	5	4597	22AWG STRAN TC WIR JMP	90	4956	1/4W 27K 5% .2"U T&R RES	3
5304	22N 50V 10%CAP T&R BEAD X7R	2	4599	22AWG SOLID SC WIR T&R JMP	309	6129	1/4W 27K 5%MINI T&R RES	7
6435	22N 275V 20%CAP BLK 'X2' 15MM AC	1	5299	22AWG SOLID SC WIR RAD JMP	34	4917	1/4W 31K6 1% T&R RES	1
5222	33N 100V 10%CAP T&R RAD .2"FLM	5	4745	5.0W 0R1 5% BLK RES	12	4840	1/4W 33K 5% T&R RES	2
5306	33N 50V 10%CAP T&R BEAD X7R	1	4694	5.0W 1R8 5% BLK RES	2	6122	1/4W 33K 5%MINI T&R RES	21
5224	47N 100V 10%CAP T&R RAD .2"FLM	10	4605	1/8W 10R 5% T&R RES	11	4868	1/4W 36K 5% T&R RES	2
5226	68N 100V 5%CAP T&R RAD .2"FLM	12	4686	1.0W 10R 5%FLAME PROOF T&R RES	2	4794	1/4W 37K90 0.1% *** T&R RES	2
5310	68N 50V 10%CAP T&R BEAD X7R	2	4709	5.0W 22R 5% BLK RES	1	4853	1/4W 39K 5% T&R RES	4

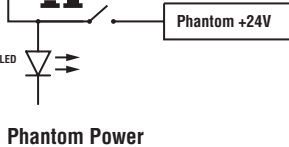
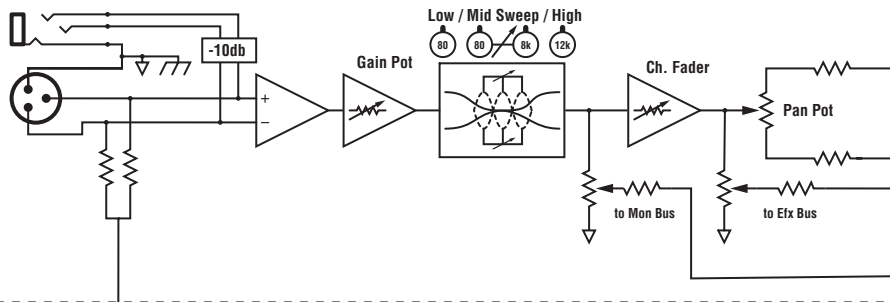
AP800 Parts List 10/25/99

YS #	Description	Qty.	YS #	Description	Qty.	YS #	Description	Qty.
4878	1/4W 43K 5% T&R RES	8						
4908	1/4W 45K3 1% T&R RES	2						
4834	1/4W 47K 5% T&R RES	1						
6119	1/4W 47K 5%MINI T&R RES	8						
4803	1/4W 49K9 1% T&R RES	2						
4835	1/4W 56K 5% T&R RES	8						
4761	1/4W 60K4 1% T&R RES	1						
4836	1/4W 68K 5% T&R RES	8						
4760	1/4W 75K 5% T&R RES	2						
4586	1/4W 82K 5%MINI T&R RES	16						
4942	1/4W 100K 5% .2"U T&R RES	3						
4851	1/4W 120K 5% T&R RES	4						
4886	1/4W 200K 5% T&R RES	3						
4843	1/4W 470K 5% T&R RES	1						
6127	1/4W 470K 5%MINI T&R RES	1						
4844	1/4W 1M 5% T&R RES	4						
4948	1/4W 1M 5% .2"U T&R RES	10						
4845	1/4W 2M2 5% T&R RES	1						
4888	1/4W 4M7 5% T&R RES	4						
4951	1/4W 4M7 5% .2"U T&R RES	8						
3666	.2" 4C-26AWG RIBBON CABLE 0.1"	3						
3665	.2" 8C-26AWG RIBBON CABLE 0.1"	1						
3639	1.7"12C-26AWG RIBBON 0.25"S&R 098	1						
3740	15" 12C-26AWG RIB 1 W/LCK HDR 098	1						
9006	20GA SATINCOAT STEEL 4 X 8 SHEET	4						
9020	18GA COLD ROLLED STEEL 4X8 SHEET	5.33						
9065	14GA SATINCOAT STEEL 4X8 SHEET	0.58						
9150	.081" 48X96 UTILITY ALUMINUM	1.06						
9251	.063" 48X96 5052H32 ALUM VINYL LAMI	3						
9564	HEATSINK (RIDGE) AP812/818/DJM806	0.94						
9583	BLACK 'U' EXTRUSION DIE #943	0.166						
8729	#4 X 3/8 FLAT QUAD TYPE A JS500 BLK	4						
8861	4-40 X 3/8 PAN PH MS JS500	1						
8842	#4 X 5/16 PAN QUAD TYPE A JS500 BLK	18						
8799	#6 X 1/4 PAN PH TYPE B JS500	1						
8832	6-32 X 1/4 PAN PH TAPTITE JS500	8						
8807	6-32 X 5/16 PAN PH MS JS500	21						
8801	6-32 X 3/8 PAN PH TAPTITE JS500	9						
8829	6-32 X 3/8 FLAT PH TAPTITE BO#4 HEA	24						
8828	6-32 X 3/4 PAN PH TAPTITE JS500							

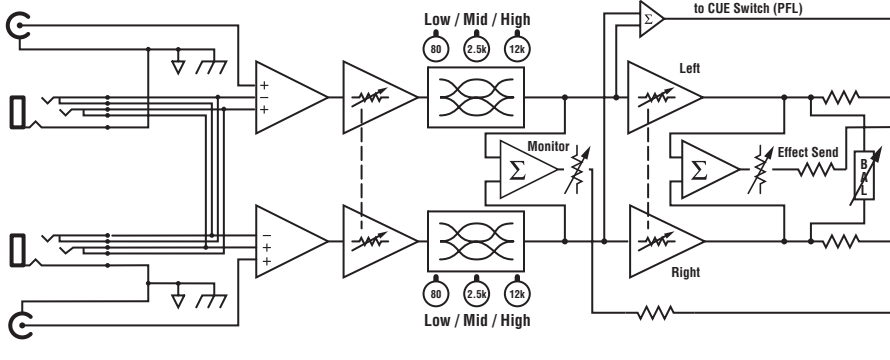
Block Diagram for AP812/818

DESIGNED & MANUFACTURED BY YORKVILLE SOUND

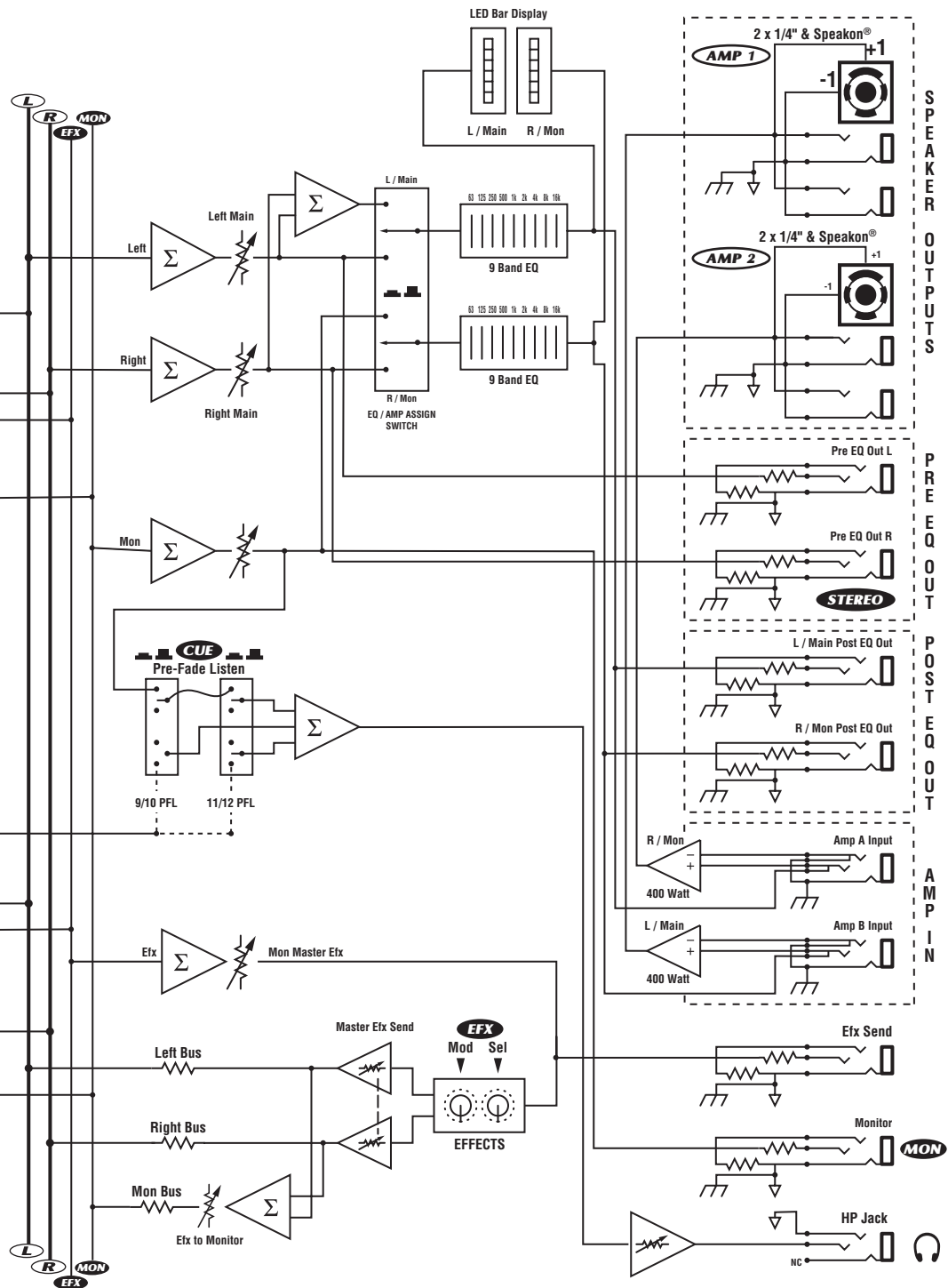
Mono Channel Input Details Channels 1-8(AP812), Channels 1-14(AP818),

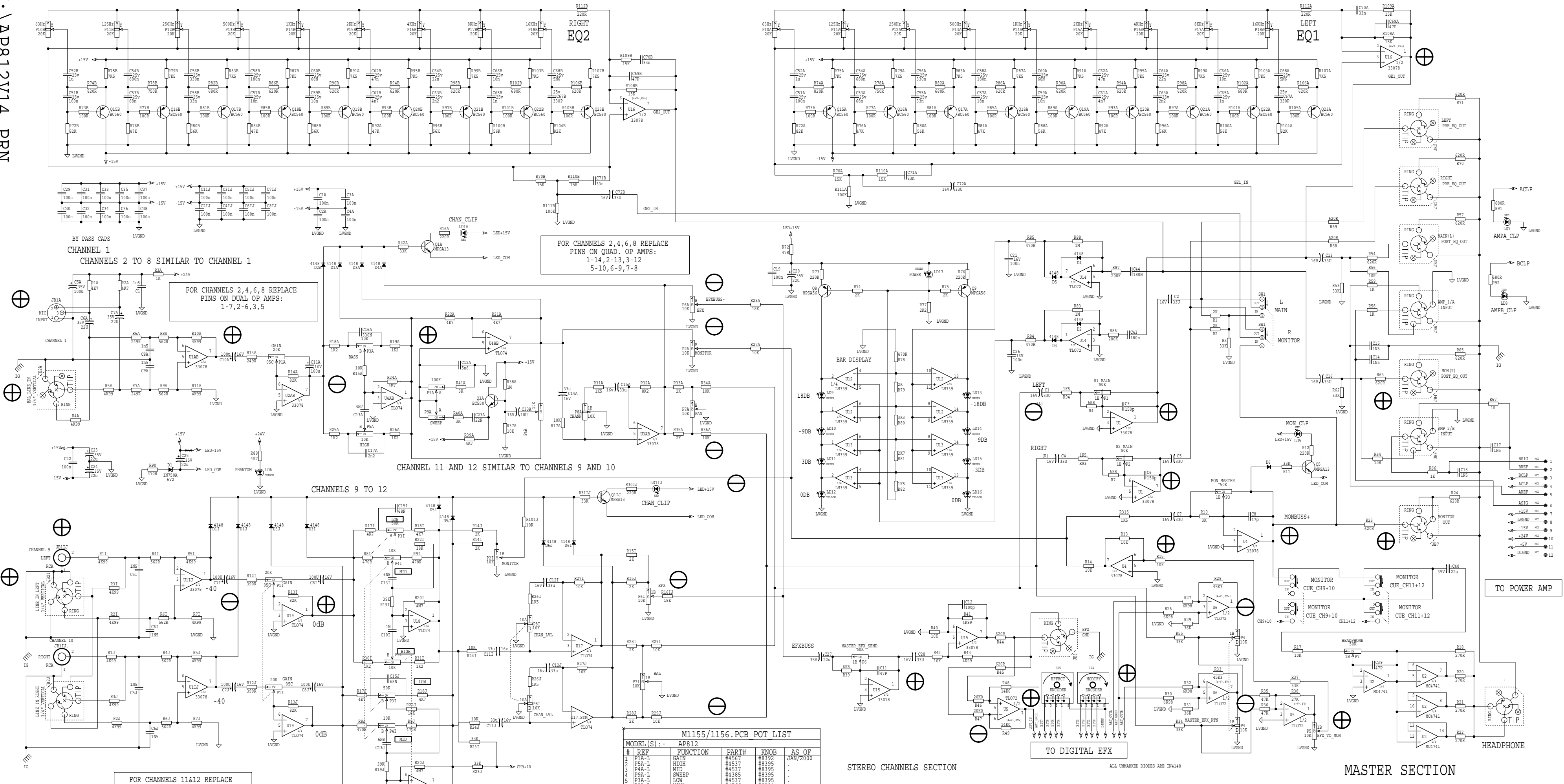


Stereo Channel Input Details Channels 9/10 & 11/12(AP812), 15/16 & 17/18(AP818)



ap812blk.pdf June/99 version 3.5





FOR CHANNELS 2,4,6,8 REPLACE PINS ON QUAD. OP AMPS:
1-14, 2-13, 3-12
5-10, 6-9, 7-8

FOR CHANNELS 2,4,6,8 REPLACE PINS ON DUAL OP AMPS:
1-7, 2-6, 3, 5

CHANNELS 9 TO 12

FOR CHANNELS 11&12 REPLACE PINS ON QUAD. OP AMPS:
1-14, 2-13, 3-12
5-10, 6-9, 7-8

M1155/1156.PCB POT LIST

MODEL(S) :-	AP812				
#	REF	FUNCTION	PART#	KNOB	AS OF
1	P1A-L	GAIN	#4507	#8392	JAN/2000
2	P5A-L	HIGH	#4537	#8395	
3	P4A-L	MID	#4537	#8395	
4	P9A-L	LOW	#4385	#8395	
5	P3A-L	SWEEP	#4537	#8395	
6	P2A-L	MON1	#4566	#8394	
7	P6A-L	PAN	#4537	#8392	
8	P8A-L	VOLUME	#4584	#8680	
9					
10					
11	P10-P18	EQ	#3996	NO KNOB	
12	P3	MON-MASTER	#4568	#8393	
13	P6	MAS-EFX-SND	#4566	#8393	
14	P5	EFX TO MON	#4566	#8393	
15	P4	EFX RETURN	#4579	#8680	
16	P1	MAIN L	#4581	#8680	
17	P2	MAIN R	#4581	#8680	
18	P7	HEADPHONE	#4568	#8392	
19	P11	SELECT	#4581	#8397	
20	P12	MODIFY	#4581	#8397	

STEREO CHANNELS SECTION

MASTER SECTION

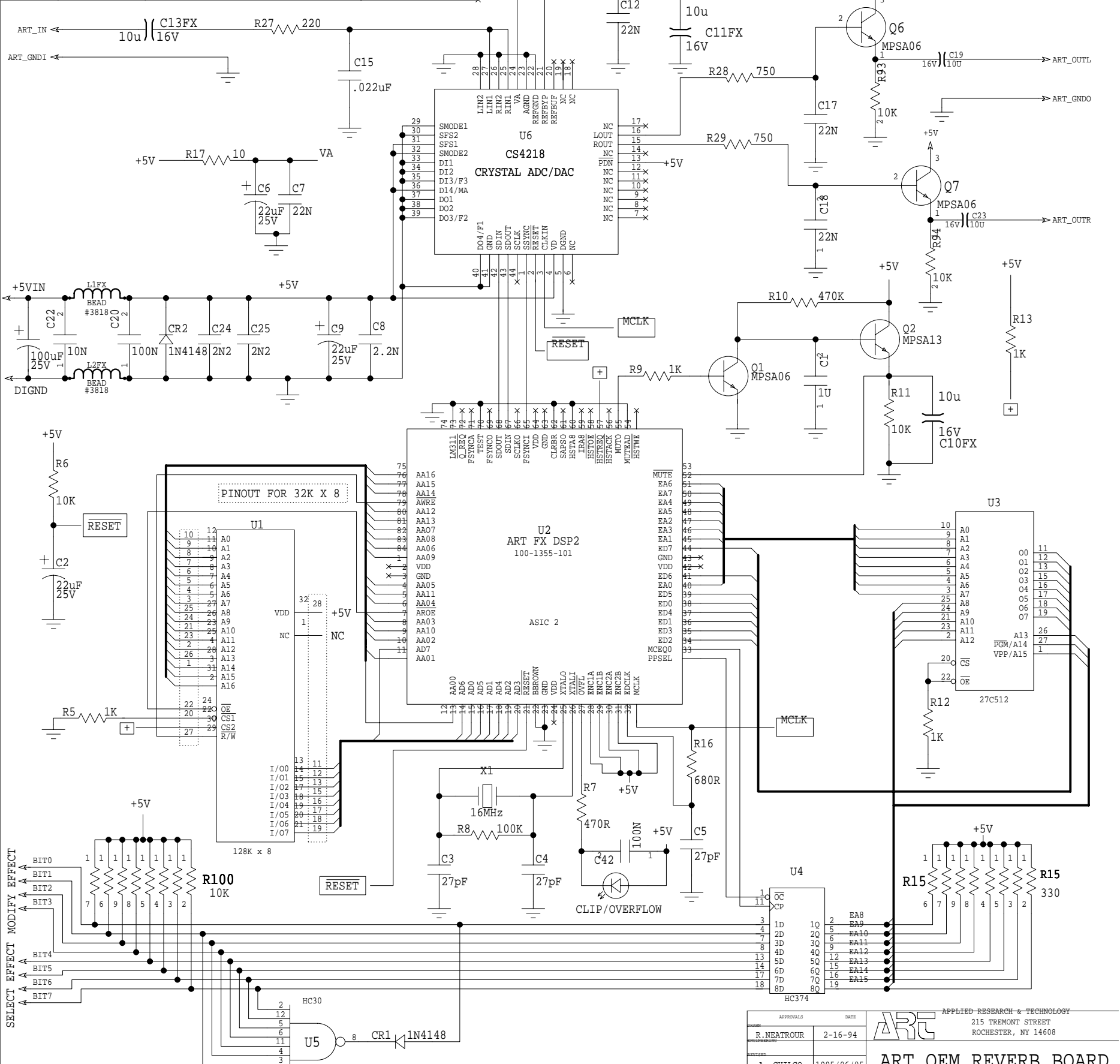
M1155IN.SCH DATABASE HISTORY

MODEL(S) :-	AP-812/818		
#	DATE	VER#	DESCRIPTION OF CHANGE
1	MAY/07/97	1.50	PC#5370 ADD C17A
2	OCT/13/98	1.0	MADE FROM M110
3	FEB/27/01	1.30	CORRECTION RENUMBER R42A-R17A
4	NOV/26/01	1.40	PC#6473 C12A GND->SWG_C23A_47N->22N R40, R41_LK2->3K
5	D	V	N
6	D	V	N
7	D	V	N
8	D	V	N
9	D	V	N
10	D	V	N


M1156.SCH DATABASE HISTORY

MODEL(S) :-	AP-812/818		
#	DATE	VER#	DESCRIPTION OF CHANGE
1	MAY/07/97	1.50	PC#5370 R211/R21J 18K->47K
2	OCT/13/98	1.0	ADD 150R(R112A,B)_TO EQ
3	FEB/27/01	1.30	MADE FROM M1101
4	NOV/26/01	1.40	SWAP CONNECTIONS AT C136C16
5	D	V	N
6	D	V	N
7	D	V	N
8	D	V	N
9	D	V	N
10	D	V	N

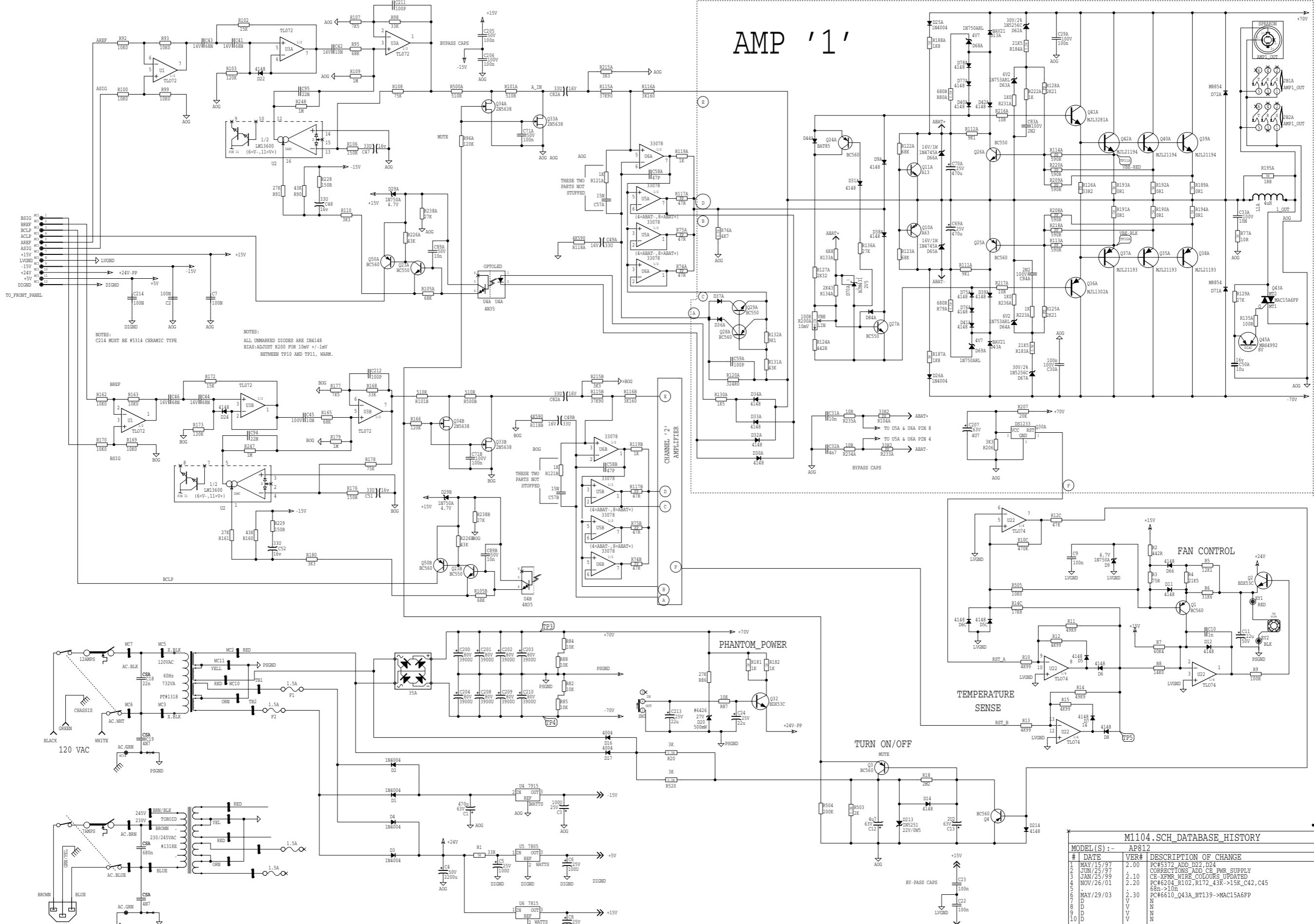
DATE: NOV/26/2001	MODELS: AP-812 AP-818	SCH ISSU: 1.40
NAME: AP812MIX.SCH	PCB#: M1155-M1156	TITLE: MIXER/RQ



DIGITAL EFFECTS SECTION

APPROVALS		DATE	 APPLIED RESEARCH & TECHNOLOGY 215 TREMONT STREET ROCHESTER, NY 14608		
DESIGNED BY	R. NEATROUR	2-16-94			
DESIGNED BY	A. CHILCO	1995/06/05			
REV	A	400-4001-100	REV		
DATE	12-1-94	PFCN#	M1101-FX	SHEET	4 OF 4

ART OEM REVERB BOARD



AMP '1'

CHANNEL '2' AMPLIFIER

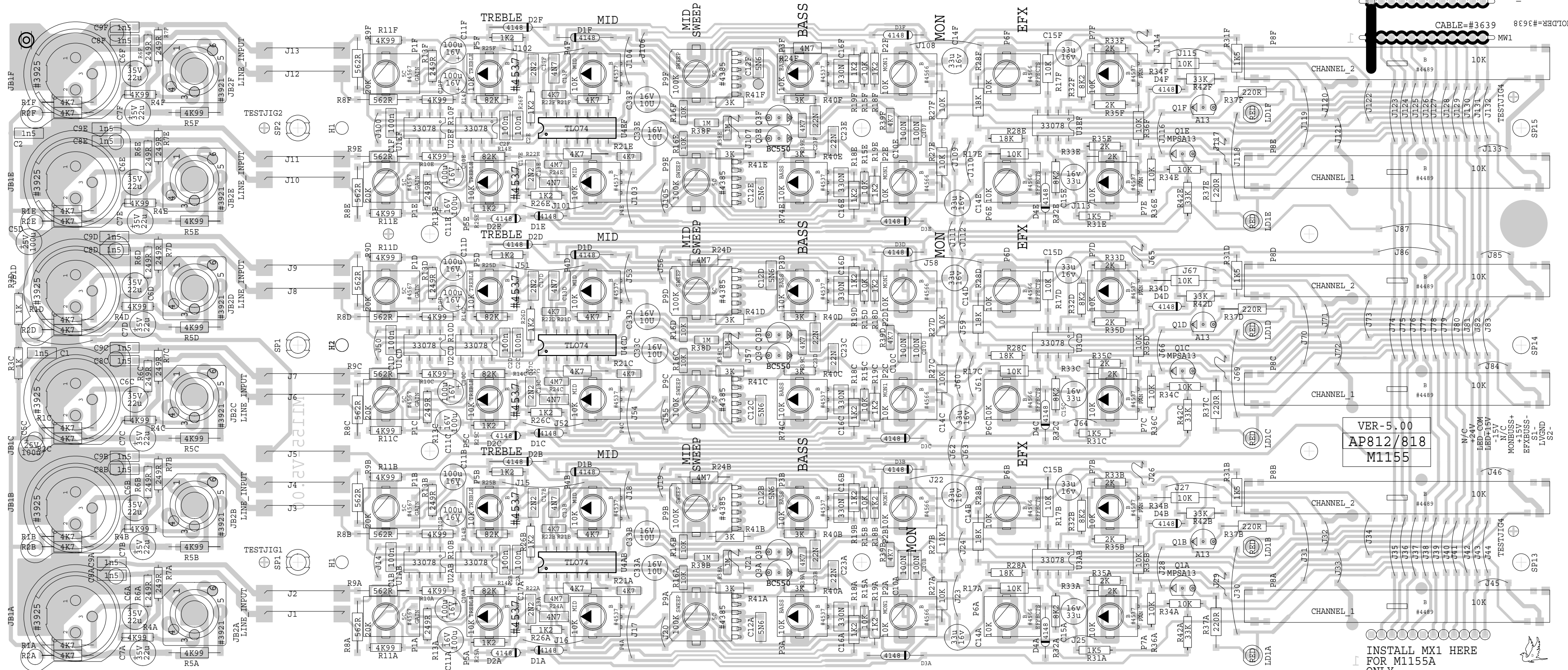
PHANTOM_POWER

FAN CONTROL

TEMPERATURE SENSE

TURN ON/OFF

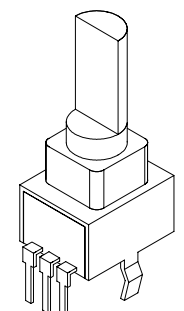
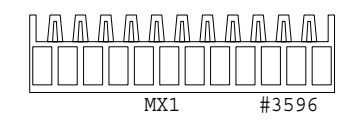
M1104.SCH_DATABASE_HISTORY			
MODEL(S) :- AP812			
#	DATE	VER#	DESCRIPTION OF CHANGE
1	MAY/15/97	2.00	PC#5372 ADD D22,D24
2	JUN/25/97	2.10	CORRECTIONS ADD CE_PWR_SUPPLY
3	JAN/25/99	2.10	CE_XFMR_WIRE_COLOURS_UPDATED
4	NOV/26/01	2.20	PC#6204_R102,R172_43K->15K_C42,C45
5			68n->10n
6	MAY/29/03	2.30	PC#6610_Q43A_BT139->MAC15A6FP
7			V N
8			V N
9			V N
10			V N



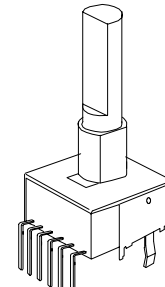
SOLDSIDE M1155-2.00

PRODUCTION NOTES

- 1 BEND XLR LEGS
- 2 INSTALL MX1 FOR M1155A ONLY



STYLE "P25"



STYLE "P21"

M1155.PCB DATABASE HISTORY			
MODEL(S) :- AP-812/818			
#	DATE	VER#	DESCRIPTION OF CHANGE
1	MAR/03/99	1.00	PC#5935/5937 PROTO PROBLEMS FIXED
2	NOV/25/99	2.00	MOVED TRACES TO ACCOMODATE SIDE
3	D	V	BREAKAWAYS IN FROM EDGE OF PCB
4	MAR/14/00	2.01	MAKE ALL SOLDERMASK BIGGER_THAN_PAD
5	APR/06/00	3.00	FIX MISSING TRACE AT PF2
6	NOV/26/01	3.10	PC#6473 C12A, F 6N8->5N6 C23A-F_47N->22N R40-R41 A-F 1K2->3K
7	.	.	.
8	JAN/28/02	3.20	PC#6500 NEW HOLE SIZE FOR_SLD_POTS
9	APR/18/02	4.00	#3921 JKS TO SLOT
10	MAR/31/05	5.00	PC#6864 REDO SOLDERMASK
11	D	V	N

M1155.PCB POT LIST				
MODEL(S) :- AP812/818				
REF	FUNCTION	PART#	KNOB	AS OF
P1A-P1F	GAIN CONTROL	#4567	#8392	25/11/99
P2A-P2F	MONITOR_1	#4566	#8394	25/11/99
P3A-P3F	BASS CONTROL	#4537	#8395	25/11/99
P4A-P4F	MID TONE	#4537	#8395	25/11/99
P5A-P5F	TREB CONTROL	#4537	#8395	25/11/99
P6A-P6F	EFFECTS	#4566	#8393	25/11/99

M1155.PCB POT LIST				
MODEL(S) :- AP812/818				
REF	FUNCTION	PART#	KNOB	AS OF
P7A-P7F	PAN CONTROL	#4537	#8392	25/11/99
P8A-P8F	GAIN_SLIDER	#4584	#8680	25/11/99
P9A-P9F	MID_SWEEP	#4385	#8395	25/11/99
R	F	P	K	N
R	F	P	K	N
R	F	P	K	N

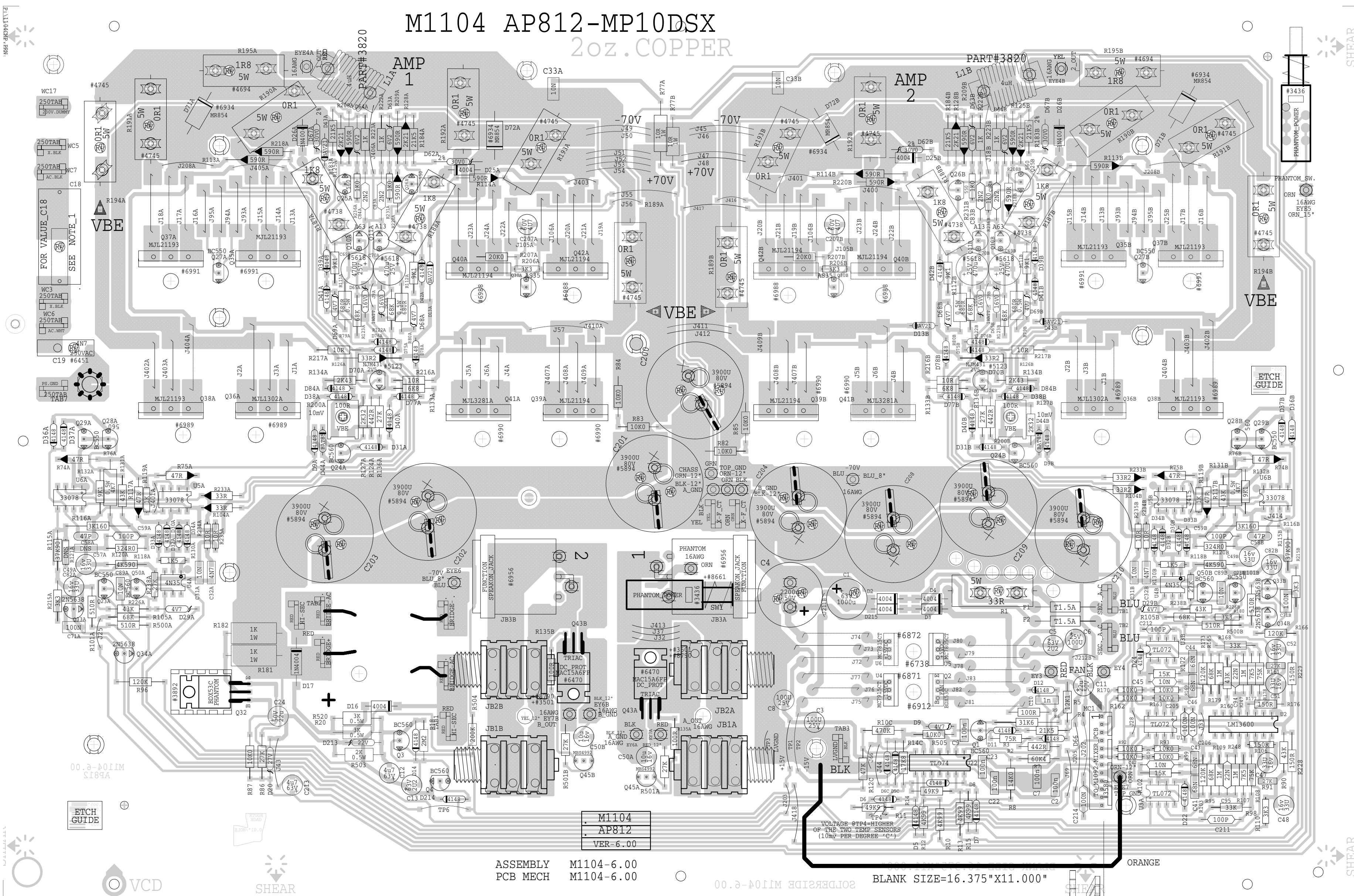
INSTALL MX1 HERE FOR M1155A ONLY

VER-5.00
AP812/818
M1155

N/C
LED-COM
LED-15V
LED-5V
MONTEUSS+
EFYBRUSS-
S1-
LVGND
S2-

M1104 AP812-MP10DSX

2oz.COPPER



M1104
AP812
VER-6.00

ASSEMBLY M1104-6.00
PCB MECH M1104-6.00

BLANK SIZE=16.375"X11.000"

PRODUCTION NOTES

- 1 C18 FOR NORTH AMERICAN IS 22N PT#6435
C18 FOR EXPORT (CE,S,E) IS 680N PT#5266
- 2 Q32 MOUNTING HARDWARE #8861 #3692
#3501 #392
#8701 Q32 HEATSINK
- 3

12_PIN
MOLEX

M1104.PCB_DATABASE_HISTORY			
MODEL(S) :- AP812-MP10DSX-DJM806			
#	DATE	VER#	DESCRIPTION OF CHANGE
1	MAR/25/97	1.00	FIRST PRODUCTION
2	MAY/15/97	2.00	PC#5372 ADD DIODES D22,D24 L1A/B 3759->3820
3	FEB/12/98	2.10	CHANGED ROUTING AT VBE TRANSISTORS
4	FEB/16/98	2.11	REVERSED ROUTING AT LAST VBE_TRANSISTOR
5	FEB/27/98	3.00	PC#5622 C214 RADIAL->AXIAL
6	JUN/08/98	3.10	PC#5713 TP4TO RADIAL JUMPER
7	MAR/25/99	3.20	PC#5951 C1 470u->1000u
8	MAR/30/00	3.30	PC#6212 GRND WIRE ADDED TAB3
9	JAN/07/02	4.00	PC#6204 R102/R172 43K->15K,C42/C45 68N->10N
10			PC#6282 NEW BRIDGE MOUNTING
11	JAN/22/02	5.00	NEW PADS FOR TABS
12	MAY/29/03	5.10	PC#6610 Q43A/B BT139->MAC15A6FP
13	MAR/31/05	6.00	PC#6864_REDO SOLDERMASK



Yorkville Sound
550 Granite Court
Pickering, Ontario
Canada L1W 3Y8

Phone: (905)837-8550 Ext.218

Fax: (905)839-5776

Email: pmourtos@yorkville.com

www.yorkville.com

SERVICE BULLETIN

Date : March 6, 2000

Re : AP812/AP818 GROUND HUM UPDATE

Dear Staff & Dealers,

Due to some feedback from our customers a service issue regarding hum problems have been discovered with the **AP812** and **AP818** mixer/s. Please be advised that units in production after March 2000 will **NOT** have this problem.

The **HUM** problem only occurs when the main in/out jacks are used (i.e. if a processor is used). There is considerable hum at the MONITOR OUT jack as well.

To solve these problems follow the directions listed below...

Required Modification:

1. Seperate Top & Bottom

2. Find where the **Orange & Green** Wires are soldered to eyelets, pretty well in the center of the board (marked with an **Orange & Green X** on the layout provided).

CUT the **Orange & Green** Wires as close to the **EYELETS** as possible (on the filter capacitor side). (as shown circled in **RED**)

3. Solder both wires (that you've just cut) to TAB 3 (as shown circled in **GREEN**)

4. Don't forget to re-connect the **Green** Wire (female spade) to the Top Mixer (male spade lug)

We are sorry for any inconvenience caused as a result of this problem. For further technical information or assistance please contact **Peter Mourtos** at **Yorkville Sound** via phone at (905) 837-8550 Ext. 218 or via email at **pmourtos@yorkville.com** .

Enclosed - the Layout for the **AP812/818** M1104 Power Amplifier board with instructions.

