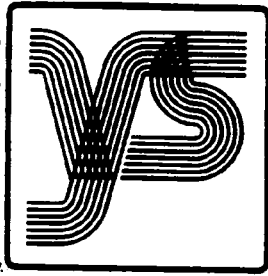


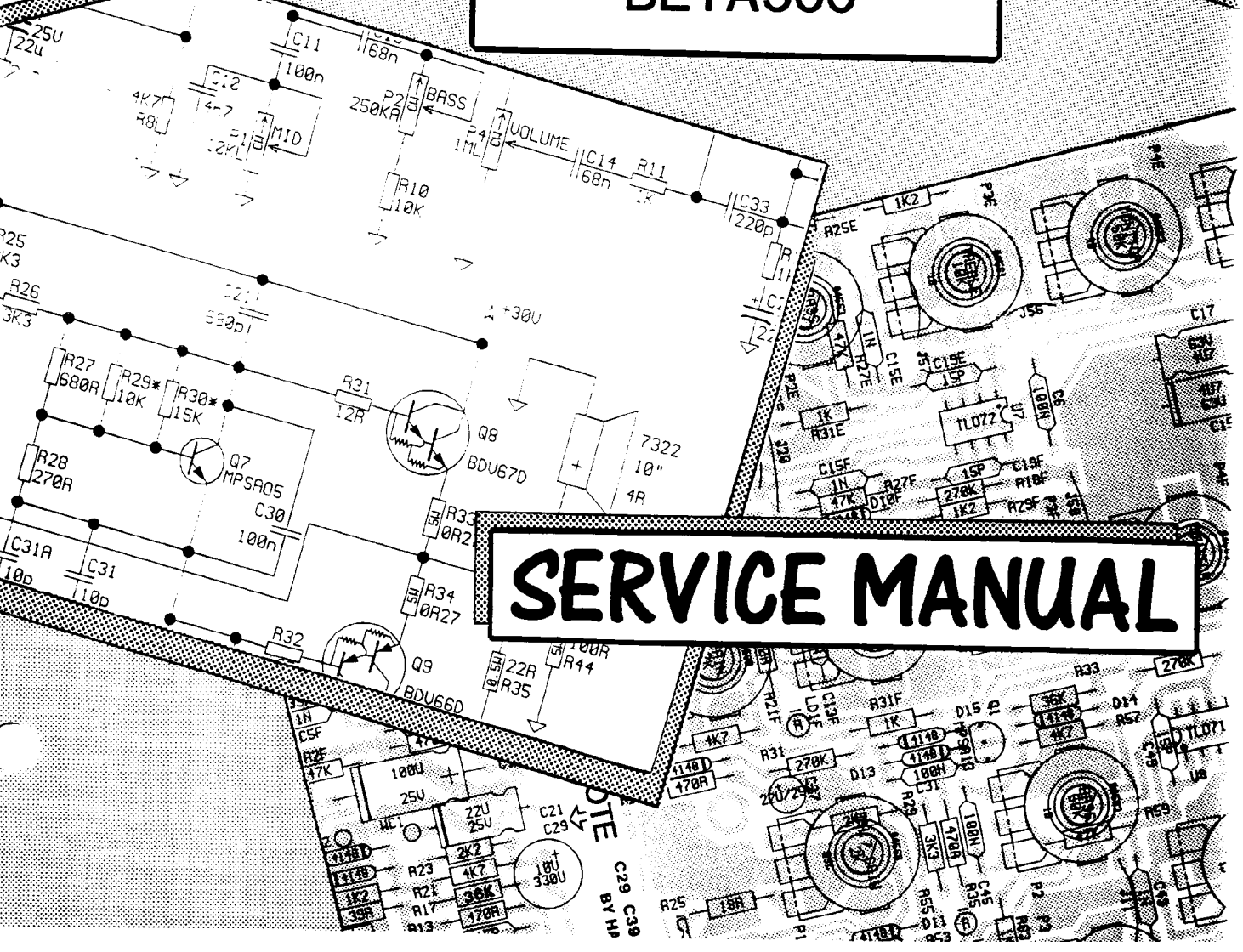
H MS ZN
 NC
 ZINC
 B.O.
 HEAD F
 BO I
 4"
 (DA
 6-WIRE
 RES T&F
 ES T&F
 RES T&F
 RES T&F
 W RES T&F
 4W RES T&F
 4W RES T&F
 1/4W RES T&F
 1/4W RES T&F
 1/4W RES T&F
 1/4W RES T&F
 100V TUB CAP UF125NP0270J
 100V TUB CAP UF125SL101J
 100V TUB CAP UF250SL151J YORK
 W TUB CAP 56150102 Y5P
 33V AXIAL CAP 0302B108
 1 200V 250MA DIODE



BETA500

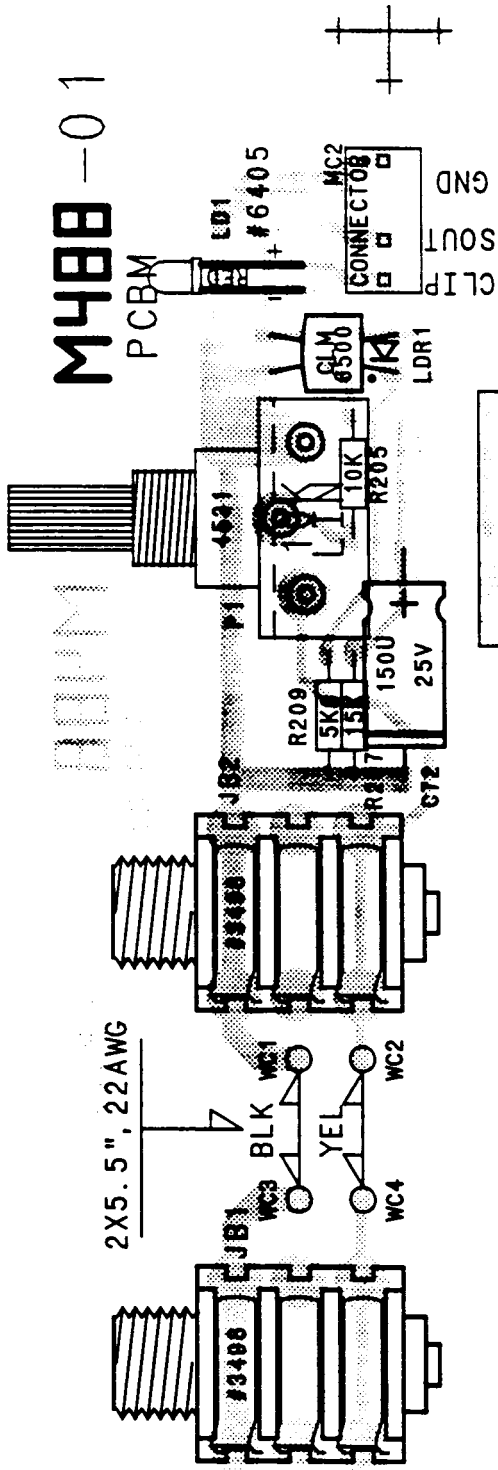
SERVICE MANUAL

gain.....
 impedance.....
 at 36 dB gain.....
 tion.....
 input to MAIN SEND.....
 vel at patch bay.....
 time.....
 nent range.....
 nent range.....
 channel.....
 max power into 4 Ohms.....
 4 Ohms, max power.....
 3 Ohms, max power.....
 put power, 1% THD (A+B).....
 145 Watt
 100 Watt

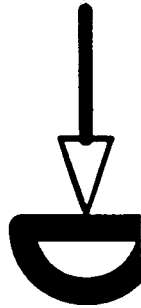
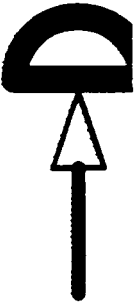


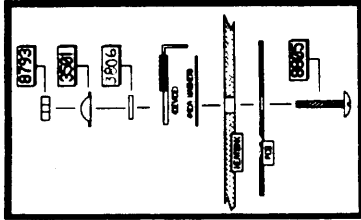
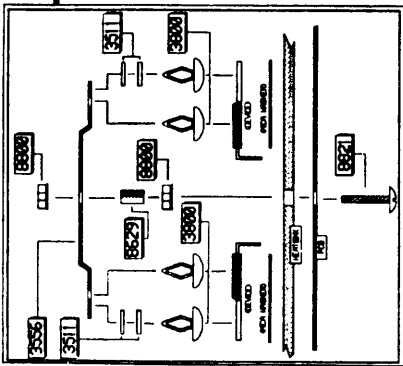
M488-01 ASSEMBLY

VOLUME CTRL



BLANK SIZE=12.600"X7.400" NEW WIDTH GAUGE



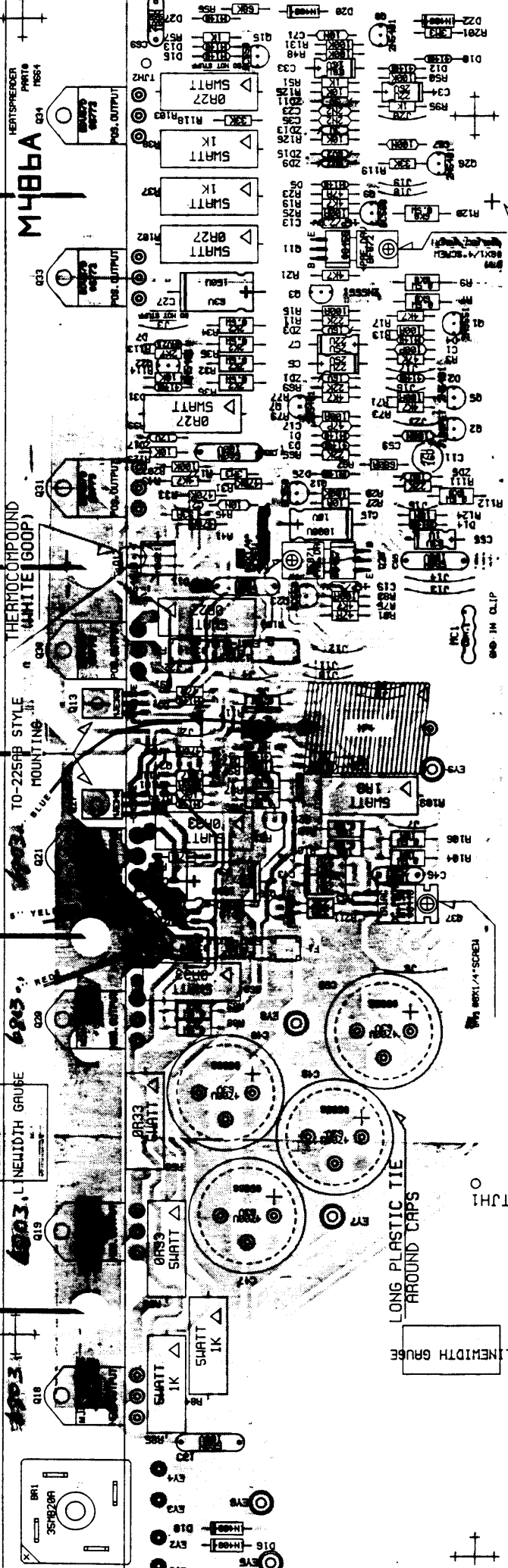


TOP OF THIS TRANSISTOR MUST BE THE SAME HEIGHT AS THE EDGE



MY86A ASSEMBLY

BLANK SIZE = 6.400" X 17.650"



HEATSPREADER PART# 1864
MY86A

THERMOCOUPOND (WHITE GOOP)

TO-225FB STYLE MOUNTING

LINEWIDTH GRADE

LINEWIDTH GRADE

TIE HERE
LINEWIDTH GRADE

LONG PLASTIC TIE AROUND CAPS

LINEWIDTH GRADE

WATCH FOR COMPONENTS UNDER THE COL

ETA500 POWER AMP
1486A PARTS LAYOUT
SEPTEMBER 1987

BILL OF MANUFACTURING - BETA500 FINISHING PARTS

YSL
 PART# ---- DESCRIPTION ----- QTY

QTY	PART#	DESCRIPTION	QTY
10 M	652	BETA-500 CARTON	
20 M	8457	R340 STRAP HANDLE W CLIPS	1.000 EA
30 M	8473	#10 BLACK CUPWASHER SWF-10BK	1.000 EA
35 M	8550	RECESSED TRUBBER BUMPER	4.000 EA
40 M	8674	R385 PLASTIC CORNER PIECE W TREAD	2.000 EA
61 M	8772	1/4-20 X 1 TH PD BO MS	8.000 EA
70 M	8785	8X3/4 OH PH TYPE A BO WOODSCREW	6.000 EA
75 M	8800	6-32 KEPS NUT ZINC	32.000 EA
80 M	8843	10-32 X 1&1/4 FL PH MS BO SCREW	1.000 EA
85 M	8857	6 X 1 PN PH TYPE A BO	6.000 EA
90 M	8900	YORKVILLE SOUND WARRANTY CARD	2.000 EA
100 M	8962	BETA-500 SCHEMATIC	1.000 EA
110 M	8963	BETA-500 MANUAL	1.000 EA
120 M	9898	BLACK LEVANT-8609 LEATHERETTE	1.000 EA
			3.5 SQFT

BILL OF MANUFACTURING BETA500 M486 POWER AMP PCB

YSL
 PART# -- DESCRIPTION ----- QTY

QTY	PART#	DESCRIPTION	QTY
590 M	3414	INTERNATIONAL PC MOUNT FUSEHOLDER	4.000 EA
625 M	3806	B09002A001 RECT WASHER	2.000 EA
633 M	3839	15" NYLON CABLE TIE	1.000 EA
640 M	3771	4 UH COIL 14 AWG AIR CORE	1.000 EA
550 M	4694	1R8 5% 5W RES	1.000 EA
655 M	4721	OR33 5W RES	1.000 EA
660 M	4726	1K 5W RES	4.000 EA
670 M	4729	OR27 5W RES	4.000 EA
680 M	5866	4700UF/63V FIL/CAP/5864RFE63V472M	4.000 EA
682 M	5938	.56UF/100V RAD CAP 36825564	4.000 EA
687 M	6430	MR821/MR822 DIODE 5A.100V/5A.200V	4.000 EA
690 M	6448	BT139G TRIAC T0220	1.000 EA
700 M	6456	BF872 PNP TRANS T0202	1.000 EA
710 M	6457	BF871 NPN TRANS T0202	1.000 EA
740 M	6873	MJE340 NPN TRANS T0126	1.000 EA
750 M	6874	MJE350 PNP TRANS T0126	1.000 EA
785 M	8789	6 X 1/4 PP TYPE A ZN	1.000 EA
820 M	2466	12A FB FUSE (1/4 X 1 1/4)	3.000 EA
830 M	8443	FUSE LABEL BLANK (DAT-26-607)	2.000 EA
37 M	4597	AUTOINSERTED S-WIRE JUMPER	1.000 EA
40 M	4599	V10-22/6040 UNINSUL.J/W T/R	21.000 EA
50 M	4628	6K8 5% 1/2W RES T&R	4.000 EA
60 M	4630	15K 5% 1/2W RES T&R	1.000 EA
70 M	4647	2K2 5% 1/2W RES T&R	8.000 EA
80 M	4675	10R 5% 1/2W RES T&R	4.000 EA
90 M	4809	10M 5% 1/4W RES T&R	1.000 EA
100 M	4816	33R 5% 1/4W RES T&R	2.000 EA
110 M	4817	47R 5% 1/4W RES T&R	4.000 EA
120 M	4821	470R 5% 1/4W RES T&R	3.000 EA
130 M	4823	1K 5% 1/4W RES T&R	4.000 EA
140 M	4827	4K7 5% 1/4W RES T&R	7.000 EA
150 M	4829	10K 5% 1/4W RES T&R	5.000 EA
160 M	4832	22K 5% 1/4W RES T&R	5.000 EA
170 M	4834	47K 5% 1/4W RES T&R	1.000 EA
175 M	4836	68K 5% 1/4W RES T&R	1.000 EA

180 M	4838	100K 5% 1/4W RES T&R	
190 M	4840	33K 5% 1/4W RES T&R	6.000 EA
200 M	4843	470K 5% 1/4W RES T&R	2.000 EA
210 M	4846	3M3 5% 1/4W RES T&R	2.000 EA
220 M	4852	100R 5% 1/4W RES T&R	2.000 EA
226 M	4864	2K7 5% 1/4W RES T&R	6.000 EA
228 M	4873	680R 5% 1/4W RES T&R	2.000 EA
230 M	4875	10R 5% 1/4W RES T&R	1.000 EA
240 M	5300	10N/50V BEAD C410C103K5R5CA	1.000 EA
250 M	5314	100N/50V BEAD C420C104K5R5CA	2.000 EA
260 M	5402	15PF/100V TUB CAP UP125NP0150J	2.000 EA
265 M	5410	100PF/100V TUB CAP UP125SL101J	2.000 EA
270 M	5412	220PF/100V BEAD C410C221K1G5CA	1.000 EA
283 M	5408	47PF/100V TUB CAP UP125SL470J	1.000 EA
310 M	5426	2N2/50V TUB CAP 56151222 Y5F	1.000 EA
320 M	5846	22UF/25V AX CAP 03026229	2.000 EA
330 M	5876	1UF/63V AXIAL CAP 03028108	5.000 EA
335 M	5943	68UF/16V AX CAP 03025689	1.000 EA
340 M	6425	BAV21 200V 250MA DIODE	1.000 EA
350 M	6436	IN753A/BZX79C6V2 6V2 500MW 5% DIODE	2.000 EA
370 M	6439	BZX79C3V0/IN4372A/1N5225B 5% ZENER	2.000 EA
390 M	6450	1N5242A 12V 500MW ZENER DIODE	2.000 EA
400 M	6824	1N5246B/BZX79C16 16V 500MW 5%	1.000 EA
410 M	6825	IN4148 75V 450MA DIODE(IN914)	3.000 EA
430 M	5626	1000U/10V ELEC AX 02134102	17.000 EA
440 M	5627	47UF/10V NP ELEC RAD #10NW47	1.000 EA
450 M	5813	150UF/63V 02138151	1.000 EA
470 M	5865	.1UF/250V CAP 36845104	2.000 EA
475 M	5938	.56UF/100V RAD CAP 36825564	2.000 EA
500 M	6458	2N5551 NPN SS TRANS T092	4.000 EA
510 M	6459	2N5401 PNP SS TRANS T092	3.000 EA
520 M	6462	MBS-4992 DIAC	6.000 EA
530 M	6734	J108 JFET MOTOROLA	1.000 EA
540 M	6771	BC560C PNP SS TRANS T092E	1.000 EA
550 M	6786	BC550C NPN SS TRANS T092E	2.000 EA
			3.000 EA

BILL OF MANUFACTURING - BETA800 M488 INPUT PCB

YSL

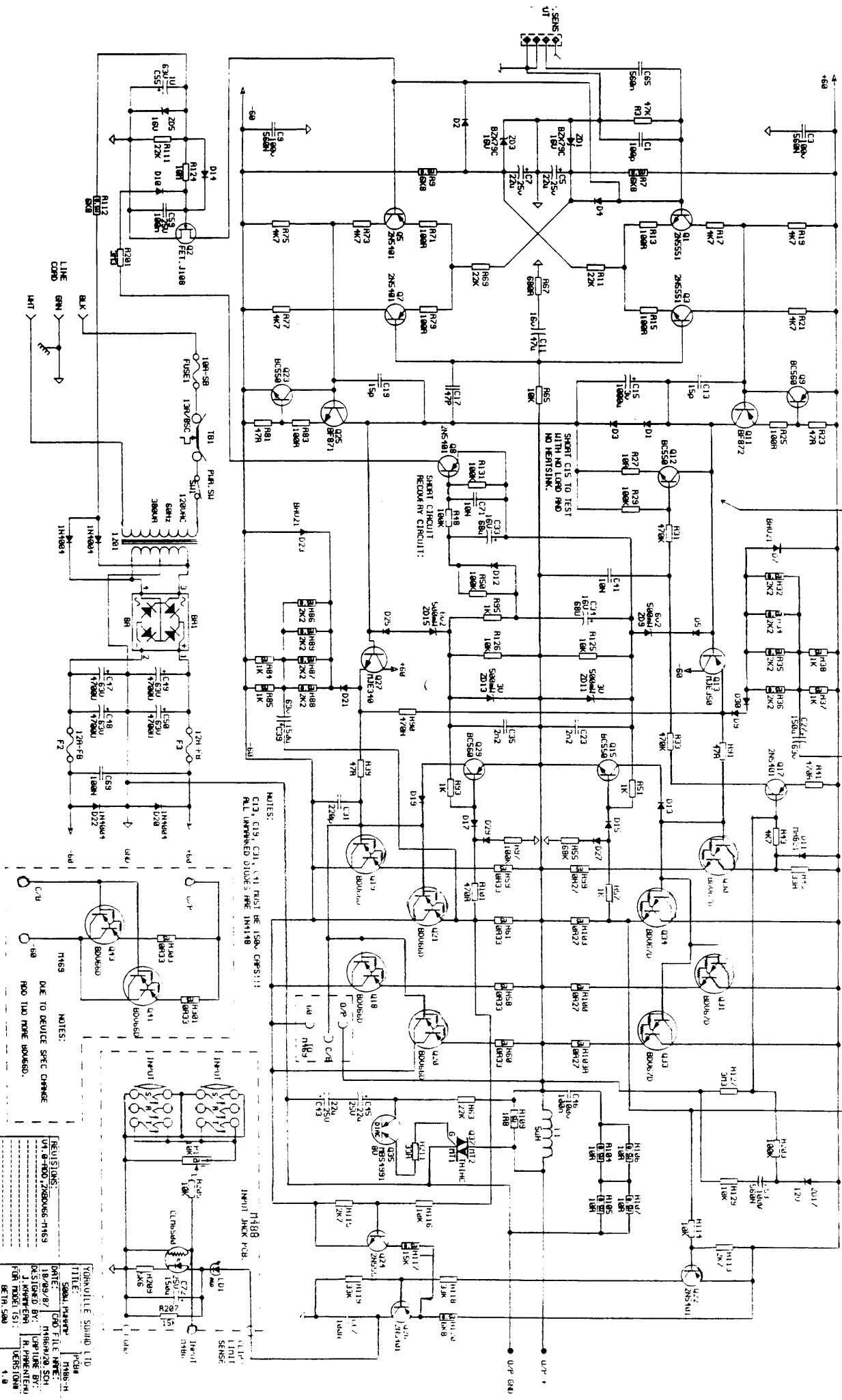
PART# --- DESCRIPTION ----- QTY

40 M	4531	10K LINEAR ROTARY POT BLUE	1.000 EA
60 M	4829	10K 5% 1/4W RES T&R	1.000 EA
61 M	4830	15K 5% 1/4W RES T&R	1.000 EA
65 M	4862	5K6 5% 1/4W RES T&R	1.000 EA
67 M	5850	150UF/25V CAP 03136151	1.000 EA
100 M	3498	M203-92 PLAIN PC MNT JK SKT	1.000 EA
110 M	4531	10K LINEAR ROTARY POT BLUE	2.000 EA
115 M	6405	RED LED CQW54-5 PHILIPS	1.000 EA
120 M	6876	CLM6500 OPTO COUPLER CLAIREX	1.000 EA

UNLARGES SHOW ARE FOR OPERATION UNDER NO LOAD.

Q12 IS PART OF A CIRCUIT WHICH AUTOMATICALLY ADJUSTS THE MULTIPLIER BIAS CURRENT.

NOTE: Q17, R40, D11 IN PARALLEL CARRIER.



NOTES:
C13, C19, C21, C41 MUST BE 150V CAPS!!!
ALL UNPHEPPED DIODES ARE 1N4148

NOTES:
DUE TO DEVICE SPEC CHANGE
R40 T10 POWER BOWASSO.

DESIGNER:	DATE:	TITLE:
18/09/87	18/09/87	5000 PAPER
DRS: GARD BY:	DESIGNED BY:	CAD FILE NAME:
J. KERR/ENR	J. KERR/ENR	18/09/87
FOR MODEL 151	DESIGNED BY:	18/09/87
1.9	DESIGNED BY:	18/09/87

FORNOLITE SOUND LTD
18/09/87

BILL OF MANUFACTURING - BETA500 MECHANICAL PARTS

YSL

PART# --- DESCRIPTION ----- QTY

PART#	DESCRIPTION	QTY	UNIT
310 M	2405 10A. S.B. 1/4 X 1 1/4" 125V. DR >	1.000	EA
315 M	3412 LO-PRO FUSEHOLDER 1/4" 345601/611	1.000	EA
320 M	3411 THERMAL BRKR OPEN@180F CLOSE@155	1.000	EA
330 M	3458 L11 JACK (LONG, NO CENTRE TAB)	2.000	EA
340 M	3472 RED PWR SW MARQUART 1605-0120	1.000	EA
350 M	3482 3/16 AWG SJT LINE CORD 3 PRONG	1.000	EA
352 M	3500 SHOULDER WASHER SWS605	2.000	EA
353 M	3501 B52200F006 COMP WASH #4 SMALL	2.000	EA
354 M	3511 #6 FLAT WASHER NYLON	20.000	EA
355 M	3516 CONNECTOR COVER B360 ZIERICK	1.000	EA
357 M	3544 SPEAKER CLIP HOLLINGSWORTH	1.000	EA
359 M	3535 TERM MALE 02092103/1190	4.000	EA
360 M	3536 TERM FEMALE 02091103/1189	1.000	EA
365 M	3556 XSISTOR HOLD SPRING-BAR (PLATED)	5.000	EA
370 M	3795 #8 GROUND LUG ZIERICK 505-169	4.000	EA
375 M	3800 BELLY BUTTON #BB1 CORDS CANADA	18.000	EA
380 M	3810 4" NYLON CABLE TIE	7.000	EA
381 M	3811 CUPWASHER ID-.143 #SFW-6	2.000	EA
383 M	3817 BUMPER BUTTON STYLE 5018	1.000	EA
385 M	3830 T0218 PREGREASED MICA 56-78-2AP	10.000	EA
387 M	3846 T0220 MICA THERMAL CONDUCTOR 56359B	2.000	EA
389 M	3833 6 X 3/8 NY STANDOFF	2.000	EA
390 M	3834 STRAIN RELIEF SR-6L-1	1.000	EA
391 M	6802 MJH11017 PNF XISTOR (UNSELECTED)	6.000	EA
392 M	6773 BDV67D NPN TRANSISTOR SOT93	4.000	EA
393 M	6423 MDA3502 BRIDGE 35AMP MOTOROLA ONLY	1.000	EA
395 M	7580 BLACK WINDOW SCREEN FOR BETA-500	1.0	SQFT
398 M	8448 SERIAL NUMBER DAT 19-607 IRWIN	1.0	SET2
400 M	8485 #6 SPLIT WASHER ZINC	2.000	EA
410 M	8625 CONTROL KNOB BLACK MPK-35-2	1.000	EA
415 M	8626 10-32 7/8 HEX SPACER ALUM	4.000	EA
418 M	8629 10 X 1/4 SPACER (STEEL)	4.000	EA
420 M	8745 6-32 X 3/4" HH MS UD ZINC	17.000	EA
430 M	8751 10-32 X 2 PN PH MS ZN	4.000	EA
432 M	8788 1/4-20 KEPS NUT ZINC	4.000	EA
436 M	8793 4-40 HEX NUT ZINC	2.000	EA
440 M	8800 6-32 KEPS NUT ZINC	29.000	EA
441 M	8805 4-40 X 7/8 PN PH MS ZN	2.000	EA
445 M	8821 6-32X1 1/4 PN PH MS ZINC	5.000	EA
450 M	8837 6-32 X 1/2 RH PH BO MS	1.000	EA
451 M	8838 6-32X1" HH MS UD ZINC	5.000	EA
460 M	8854 6-32 X 1/4 HEX NUT ZINC	4.000	EA
470 M	8856 6-32 X 1/2 1W SL MS ZN	1.000	EA

POWER AMPLIFIER SPECIFICATIONS

POWER OUTPUT.. (0.1% THD)..... 300Wrms @4ohms
170Wrms @8ohms

THD AT RATED OUTPUT POWER.....<0.05% (Measured at 1KHz)

INPUT SENSITIVITY..... 1.5Vrms

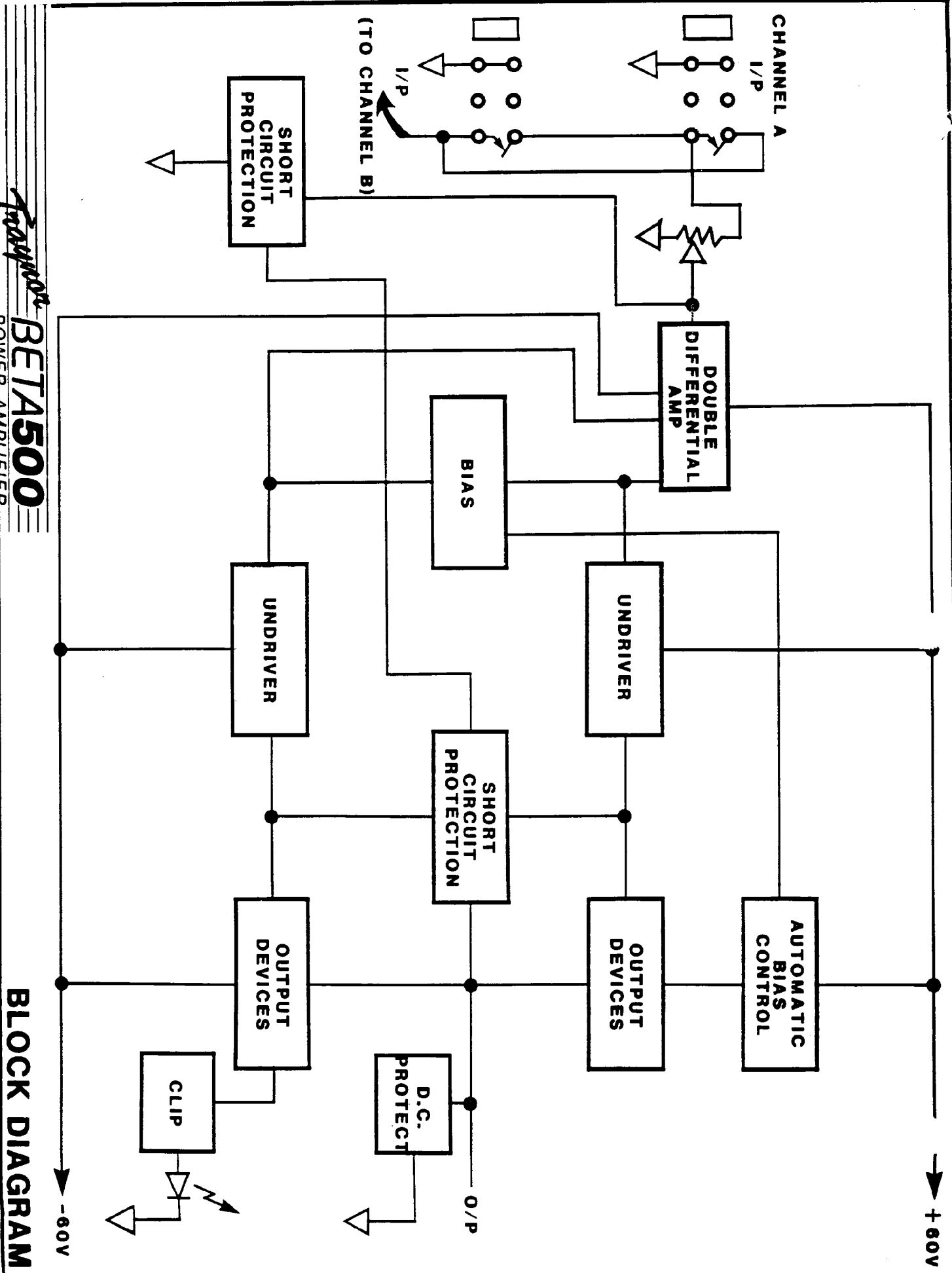
FREQUENCY RESPONSE..... 20Hz to 20KHz +/-0.5dB

SIGNAL TO NOISE RATIO..... 94dB

SLEW RATE..... 20V/uS

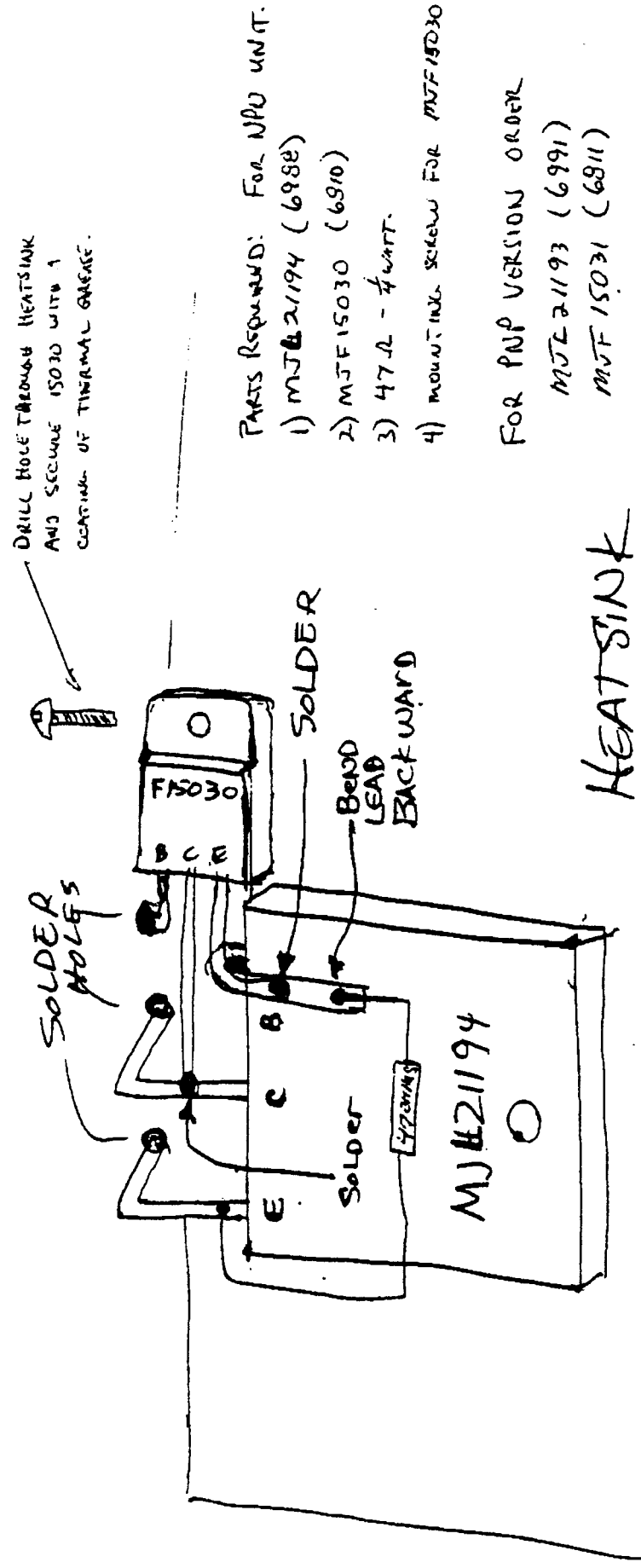
POWER REQUIREMENTS..... 120Vac 60Hz 900VA

DIMENSIONS..... 20.75" x 8.25" x 6.5"
52.7cm x 21cm x 16.5cm



BETA500
 POWER AMPLIFIER
BLOCK DIAGRAM

Output BVD67D Replacement for Beta 500 (ϕ " 6612)



- PARTS REQUIRED: FOR NPN UNIT.
- 1) MJL21194 (6988)
 - 2) MJF15030 (6910)
 - 3) 47A - 4WATT.
 - 4) MOUNTING SCREW FOR MJF15030
- FOR PNP VERSION ORDER
 MJL21193 (6991)
 MJF15031 (6811)

* YOU MAY HAVE TO RE-DRILL THE MOUNTING FOR MJL DEVICES (HEATSINK HOLE LOCATION THAT IS)