



SERVICE MANUAL

LS800P

TYPE: YS1023

WEB ACCESS: <http://www.yorkville.com>

WORLD HEADQUARTERS CANADA

Yorkville Sound
550 Granite Court
Pickering, Ontario
L1W-3Y8 CANADA

Voice: (905) 837-8481
Fax: (905) 837-8746

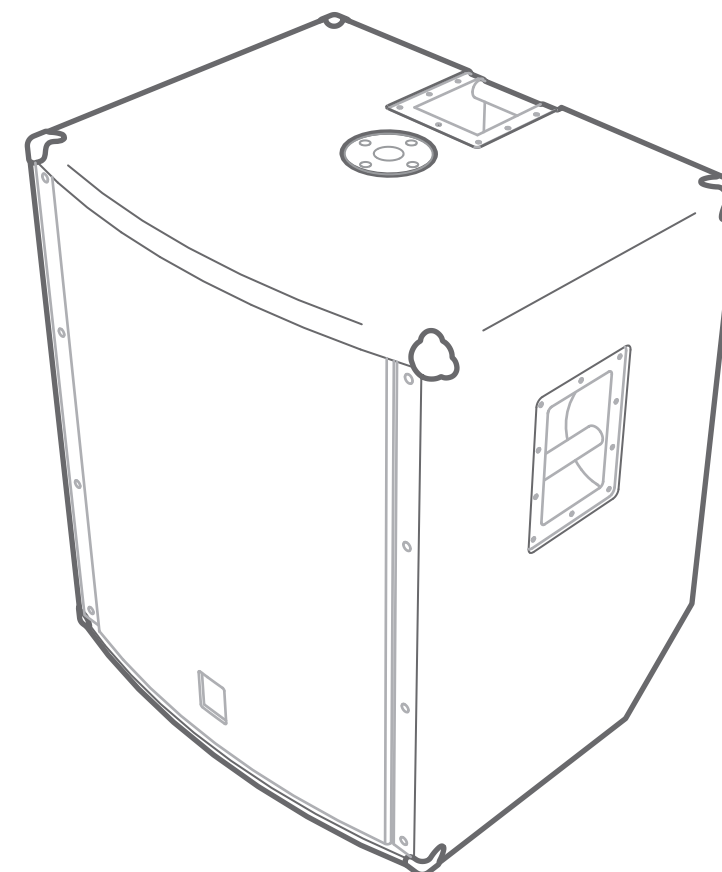
U.S.A.

Yorkville Sound Inc.
4625 Witmer Industrial Estate
Niagara Falls, New York
14305 USA

Voice: (716) 297-2920
Fax: (716) 297-3689



Quality and Innovation Since 1963
Printed in Canada



IMPORTANT SAFETY INSTRUCTIONS



INSTRUCTIONS PERTAINING TO A RISK OF FIRE, ELECTRIC SHOCK, OR INJURY TO PERSONS

CAUTION:

TO REDUCE THE RISK OF ELECTRIC SHOCK, DO NOT REMOVE COVER (OR BACK).

NO USER SERVICEABLE PARTS INSIDE.

REFER SERVICING TO QUALIFIED SERVICE PERSONNEL.

INSTRUCTIONS RELATIVES AU RISQUE DE FEU, CHOC ÉLECTRIQUE, OU BLESSURES AUX PERSONNES

AVIS:

AFIN DE REDUIRE LES RISQUE DE CHOC ELECTRIQUE, N'ENLEVEZ PAS LE COUVERT (OU LE PANNEAU ARRIERE)

NE CONTIENT AUCUNE PIECE REPARABLE PAR L'UTILISATEUR.

CONSULTEZ UN TECHNICIEN QUALIFIE POUR L'ENTRETIEN

Read Instructions

The Owner's Manual should be read and understood before operation of your unit. Please, save these instructions for future reference.

Packaging

Keep the box and packaging materials, in case the unit needs to be returned for service.

Warning

When using electric products, basic precautions should always be followed, including the following:

Power Sources

Your unit should be connected to a power source only of the voltage specified in the owners manual or as marked on the unit. This unit has a polarized plug. Do not use with an extension cord or receptacle unless the plug can be fully inserted. Precautions should be taken so that the grounding scheme on the unit is not defeated.

Hazards

Do not place this product on an unstable cart, stand, tripod, bracket or table. The product may fall, causing serious personal injury and serious damage to the product. Use only with cart, stand, tripod, bracket, or table recommended by the manufacturer or sold with the product. Follow the manufacturer's instructions when installing the product and use mounting accessories recommended by the manufacturer.

The apparatus should not be exposed to dripping or splashing water; no objects filled with liquids should be placed on the apparatus.

Terminals marked with the "lightning bolt" are hazardous live; the external wiring connected to these terminals require installation by an instructed person or the use of ready made leads or cords.

Ensure that proper ventilation is provided around the appliance.

No naked flame sources, such as lighted candles, should be placed on the apparatus.

Power Cord

The AC supply cord should be routed so that it is unlikely that it will be damaged. If the AC supply cord is damaged DO NOT OPERATE THE UNIT.

Service

The unit should be serviced only by qualified service personnel.

Veillez Lire le Manuel

Il contient des informations qui devraient être comprises avant l'opération de votre appareil. Conservez S.V.P. ces instructions pour consultations ultérieures.

Emballage

Conservez la boîte au cas où l'appareil devait être retourner pour réparation.

Attention:

Lors de l'utilisation de produits électrique, assurez-vous d'adhérer à des précautions de bases incluant celle qui suivent:

Alimentation

L'appareil ne doit être branché qu'à une source d'alimentation correspondant au voltage spécifié dans le manuel ou tel qu'indiqué sur l'appareil. Cet appareil est équipé d'une prise d'alimentation polarisée. Ne pas utiliser cet appareil avec un cordon de raccordement à moins qu'il soit possible d'insérer complètement les trois lames. Des précautions doivent être prises afin d'éviter que le système de mise à la terre de l'appareil ne soit désengagé.

Risque

Ne pas placer cet appareil sur un chariot, un support, un trépied ou une table instables. L'appareil pourrait tomber et blesser quelqu'un ou subir des dommages importants. Utiliser seulement un chariot, un support, un trépied ou une table recommandés par le fabricant ou vendus avec le produit. Suivre les instructions du fabricant pour installer l'appareil et utiliser les accessoires recommandés par le fabricant.

Il convient de ne pas placer sur l'appareil de sources de flammes nues, telles que des bougies allumées.

L'appareil ne doit pas être exposé à des égouttements d'eau ou des éclaboussures et qu'aucun objet rempli de liquide tel que des vases ne doit être placé sur l'appareil.

Assurez que l'appareil est fourni de la propre ventilation.

Les dispositifs marqués d'un symbole "d'éclair" sont des parties dangereuses au toucher et que les câblages extérieurs connectés à ces dispositifs de connection extérieure doivent être effectués par un opérateur formé ou en utilisant des cordons déjà préparés.

Cordon d'Alimentation

Évitez d'endommager le cordon d'alimentation. N'UTILISEZ PAS L'APPAREIL si le cordon d'alimentation est endommagé.

Service

Consultez un technicien qualifié pour l'entretien de votre appareil.

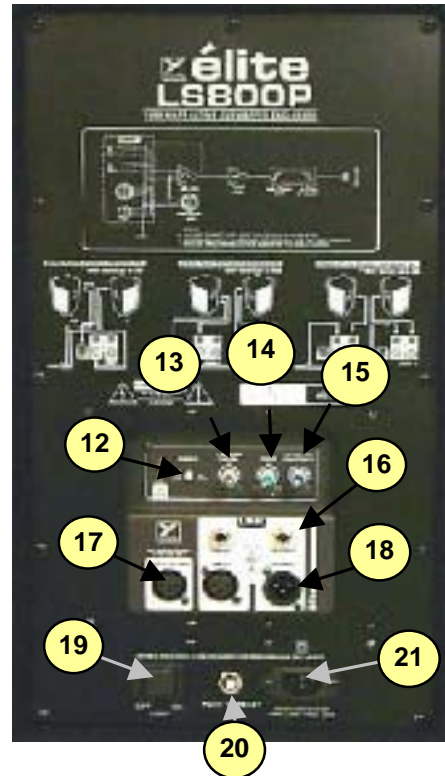
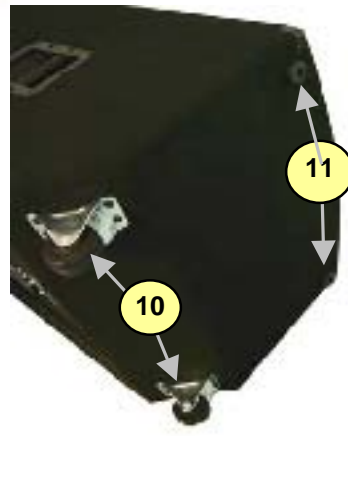
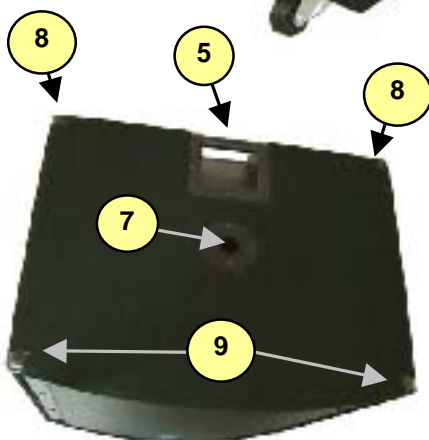
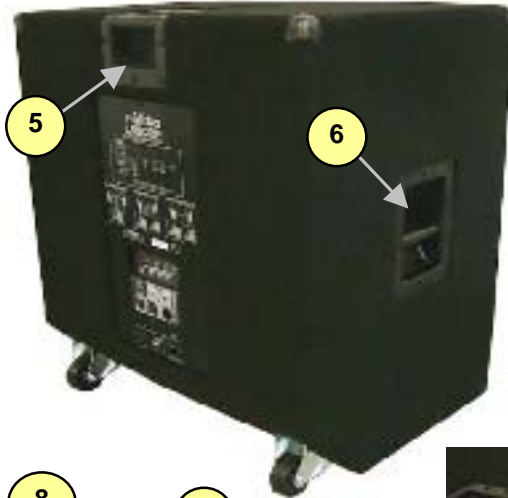
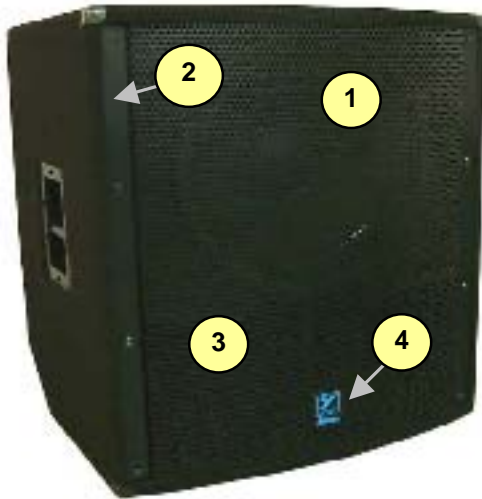
AP800 Parts List 3/16/2004

YS #	Description	Qty.	YS #	Description	Qty.	YS #	Description	Qty.
5906	RED 3MM LED 1V9 20MA .4SPCR T&R	1	8569	CORNER, 2 LEGS NO LIP BLACK OXIDE	4	4943	1/4W 4K7 5% .2"U T&R RES	1
5907	YEL 3MM LED 1V9 20MA .4SPCR T&R	1	8579	#3386 STATIONARY WHEEL	2	4982	1/4W 4K7 5%MINI T&R RES	2
5908	GRN 3MM LED 1V9 20MA .4SPCR T&R	1	3485	CLIP 250X032 18-22AWG RIGHT ANGL	2	4828	1/4W 6K8 5% T&R RES	1
6772	BRIDGE 25A 400V WIRE LEAD SIP	1	3489	CLIP 250X032 18-22AWG DISCO/INSL	7	4762	1/4W 9K760 0.1% *** T&R RES	4
6425	BAV21 200V 0A25 DIODE T&R	1	3490	CLIP 250X032 14-16AWG DISCO/INSL	10	5016	1.0W 9K760 0.5% *** T&R RES	4
6825	1N4148 75V 0A45 DIODE T&R	24	3682	250 MALE PCB TAB REEL	20	4768	5.0W 12K 5% BLK RES	2
6892	UF4004 200V 1A0 DIODE ULTRAFAS	2	3788	QUICKON MALETAB	2	4983	1/4W 10K 5%MINI T&R RES	6
6438	1N4007 400V 1A0 DIODE T&R	11	3921	1/4" JCK PCB MT VERT STER RT SWT	2	6116	1/4W 10K0 1%MINI MF T&R RES	6
6733	BAT85 30V 0A2 DIODE SCHTKYT&R	5	3453	XLR MALE PCB MT VERT	1	4856	1/4W 12K 5% T&R RES	2
6440	1N750ARL 4V7 0W5 ZENER 5% T&R	1	3925	XLR FEML PCB MT VERT 24MM U-CONT	2	4979	1/4W 15K 5%MINI T&R RES	3
6459	1N4732A 4V7 1W0 ZENER 5% T&R	1	3451	EYELET SMALL 0.089 OD PLATED	40	4784	1/4W 17K40 0.1% *** T&R RES	2
6432	1N5248B 18V0 0W5 ZENER 5% T&R	7	3414	INTERNATIONAL PC MOUNT FUSEHOLDER	4	4831	1/4W 18K 5% T&R RES	1
6728	MC78L05ACP TO92 P 5V0 REG T&R V4	1	2438	12.0 AMP SLO-BLO .25X1.25 FUSE	2	6123	1/4W 20K0 1%MINI MF T&R RES	2
6732	MC79L05ACP TO92 N 5V0 REG V4	1	8551	BAR HANDLE RIGHT ANGLE TOP LOAD	1	4832	1/4W 22K 5% T&R RES	5
6856	NJM7815FA TO220 P 15V0 REG IS V1	2	8565	BAR HANDLE ALL METAL	2	6129	1/4W 27K 5%MINI T&R RES	1
6857	NJM7915FA TO220 N 15V0 REG IS V2	1	8604	10-32 T NUT	8	6122	1/4W 33K 5%MINI T&R RES	2
5101	BC550C TO92 NPN TRAN T&R TB	2	3501	B52200F006 COMP WASH #4 SMALL	4	6119	1/4W 47K 5%MINI T&R RES	11
5102	BC560C TO92 PNP TRAN T&R TB	1	3745	DUAL XSISTOR PBL SPRING CLEAR ZINC	2	4836	1/4W 68K 5% T&R RES	2
5103	MPSA06 TO92 NPN TRAN T&R TA	1	3645	AC SOCKET RECEPTACLE WITH 0.250 TAB	1	4837	1/4W 82K 5% T&R RES	1
5107	2N5551 TO92 NPN TRAN T&R TA	4	3799	ROUND BUMPER BUTTON BLACK	5	4942	1/4W 100K 5% .2"U T&R RES	1
5108	2N5401 TO92 PNP TRAN T&R TA	4	3803	NYLON SECUR-A-TACH MINI PLASTIC TIE	1	6120	1/4W 100K 5%MINI T&R RES	6
5105	MPSA13 TO92 NPN DARL T&R TA	1	3810	4" NYLON CABLE TIE	8	4776	1/4W 113K 1% T&R RES	5
6782	IRFP31N50L TO247 NCH MFT	4	3841	5.5" NYLON CABLE TIE	12	4949	1/4W 180K 5% .2"U T&R RES	2
6840	MC33078P IC DUAL OP AMP	2	3852	STICK ON CABLE WRAP ANCHOR	1	4641	1/2W 220K 5% T&R RES	1
6882	TL072CP IC FET DUAL OP AMP	10	8393	GREY STYLE 1 KNOB	1	4841	1/4W 220K 5% T&R RES	2
6884	NE5532N IC DUAL OP AMP	1	8394	GREEN STYLE 1 KNOB	1	6135	1/4W 270K 5%MINI T&R RES	1
6640	LM311 IC VOLTAGE COMPARATOR	1	8395	BLUE STYLE 1 KNOB	1	4842	1/4W 330K 5% T&R RES	2
6745	LM13600N IC XCONDUCTANCE AMP	2	3426	8' 3/16 SUT AC LINE CORD REMOV-B-CSA	1	4844	1/4W 1M 5% T&R RES	6
6935	1455P1 IC SINGLE TIMER	1	8259D	"Y" LOGO ELITE SERIES LARGE DOMED	1	4948	1/4W 1M 5% .2"U T&R RES	5
6603	74HC14N IC HEX INV SCHMID	2	3817	1.5MH COIL INPUT COM MODE	1	4809	1/4W 10M 5% T&R RES	1
6605	74HC86N IC QUAD 2INP XOR	1	6497CO	77111-AT KOOL MU POWDER CORES	2	4751	1/4W 22M 5% T&R RES	1
6887	IR2110 IC HILO FET DRIVER	2	3549	TRIFURCON TERM .156	8	3664	13" 8C-26AWG RIB 1 W/LCK HDR 098	1
5817	.15P 100V 2%CAP T&R RAD CER.2"NPO	1	3559	TERM HOUSING 8 CIR .156/RAMP	1	3790	EMI FILTER FOR RIBBON CABLE	1
5199	100P 100V 2%CAP T&R RAD CER.2"NPO	1	3676	8 CIR CABLE HOLDER .098	1	8865	4-40 X 5/16 PAN PH MS JS500	2
5197	220P 100V 2%CAP T&R RAD CER.2"NPO	2	8701	4-40 KEPS NUT ZINC	4	8741	4-40 X 1/2 PAN PH MS JS500	4
5201	470P 100V 5%CAP T&R RAD CER.2"NPO	2	8800	6-32 KEPS NUT ZINC	1	8842	#4 X 5/16 PAN QUAD TYPE A JS500 BLK	6
5416	470P 50V 10%CAP T&R BEAD NPO	2	8854	6-32 X 1/4" O.D. HEX NUT ZINC CLEAR	1	8832	6-32 X 1/4 PAN PH TAPTITE JS500	17
5819	470P 160V 1%CAP T&R AXIAL FLM	2	8787	8-32 KEPS NUT ZINC	6	8801	6-32 X 3/8 PAN PH TAPTITE JS500	4
5206	.1N 400V 5%CAP T&R RAD .2"FLM	2	8841	10-32 KEPS NUT ZINC	2	8835	6-32 X 1/2 PAN QUAD MS TIN PLATED	1
5213	.1N 400V 5%CAP T&R RAD PRO.02"FM	4	8602	1/4-20 T NUT	10	8796	6-32 X 5/8 PAN PH TAPTITE ZINC	5
5422	.1N 50V 10%CAP T&R BEAD NPO	1	8797	5/16-18 KEPS NUT JS500	1	8828	6-32 X 3/4 PAN PH TAPTITE JS500	9
6451	.4N7 250V 20%CAP BLK Y 10MM AC	6	3895	ELASTOMER PAD 15GTR 1.5 X 4.6	1	8803	8-32 X 3/8 PAN QUAD TAPTITE JS500	6
5433	.5N6 50V 10%CAP BLK X2 15MM AC	1	8581	CUSTOM PBL TRANSISTOR SPACER	2	8999	8-32 X 5/8 PAN PH TAPTITE JS500	2
5272	.6N8 100V 5%CAP T&R RAD .2"FLM	1	3583	.8 CIR WAFER W/LCK 0.1"	1	8874	8-32 X 1" PAN PHIL TAPTITE JS500	2
5204	.10N 100V 10%CAP T&R RAD .2"FLM	1	3818	EMI SUPPRESSION FERRITE BEAD T&R	2	8804	8-32X1.25 PAN PH MS ZINC CLEAR	4
6435	.22N 275V 20%CAP BLK X2 15MM AC	1	4597	22AWG STRAN TC WIR JMP	3	8753	#10 X 1/2 PAN PH TYPE A JS500 BLACK	14
5223	.39N 100V 10%CAP T&R RAD .2"FLM	2	4660	5.0W 0R047 5% BLK RES	2	8756	#10 X 3/4 PAN PH TYPE A BLACK OXIDE	44
5308	.47N 50V 10%CAP T&R BEAD X7R	1	4682	1/2W 1R 5%PHILIPS SMAL T&R RES	2	8783	10-32 X 1 PAN QUAD TT JS500 BLACK	2
5310	.68N 50V 10%CAP T&R BEAD X7R	1	4703	2.0W 2R 5% T&R RES	8	8786	10-32 X 1 1/4 PAN QD MS JS500 BLACK	8
5212	100N 63V 5%CAP T&R RAD .2"FLM	27	4911	1/4W 2R2 5% T&R RES	4	8632	ROUND PUSH BUTTON 1/4" GREY	1
5242	100N 250V 20%CAP BLK X2 22MM AC	2	4748	2.0W 3R9 5% T&R	5	8777	#14 X 1FLAT PH TYPE A JS500 M6 HEAD	4
5314	100N 50V 10%CAP T&R BEAD X7R	3	2010	1/8W 10R0 2%FLAME PROOF T&R RES	2	8928	#14X11/4 ALLEN FLHD WOOD SCRW JS500	8
5865	100N 250V 10%CAP BLK RAD POLY FLM	3	2040	1/4W 33R FUSIBLE T&R RES	2	8770	1/4-20 X 1 5/16 TRUSS PH MS JS500	10
5231	220N 63V 10%CAP T&R RAD .2"FLM	2	2042	1/4W 47R0 FUSIBLE T&R RES	2	8926	5/16-18X3 CARRIAGE BOLT ZINC	1
5318	220N 50V 10%CAP T&R BEAD X7R	4	4817	1/4W 47R 5% T&R RES	3	3751	SNAP IN 5/16 SPACER RICHCO	6
5233	330N 63V 5%CAP T&R RAD .2"FLM	7	2019	1/8W 100R0 1%FLAME PROOF T&R RES	3	3744	SNAP IN .375 SPACER RICHCO	9
5322	470N 50V 10%CAP T&R BEAD Z5U	3	4652	1/2W 100R 5% T&R RES	2	3851	1/2 PCB PLASTIC SPACER	6
5266	680N 250V 20%CAP BLK X2 30MM AC	2	4819	1/4W 180R 5% T&R RES	2	3859	1/2 PLASTIC HEX SPACER #4	2
5255	.1U 63V 20%CAP T&R RAD .2"EL	3	4857	1/4W 220R 5% T&R RES	4	18/063Y	18" 8R1200WPGM SPEAKER DCR6.1R	1
5256	.1U 63V 5%CAP T&R RAD .2"FLM	1	4867	1/4W 270R 5% T&R RES	2	8482	3/8 1D FLAT WASHER	2
5949	.3U3 140V 20%CAP BLK RAD POLY FLM	4	4821	1/4W 470R 5% T&R RES	2	8818	3/4 OD X 3/8 ID X .080 THICK WASHER	1
5951	.3U3 340V 20%CAP BLK RAD POLY FLM	1	4933	1/4W 470R 5% .2"U T&R RES	1	3511	#6 FLAT WASHER NYLON	2
5259	.4U7 63V 20%CAP T&R RAD .2"EL	3	4743	1/4W 681R0 0.1% *** T&R RES	2	8485	#6 SPLIT WASHER ZINC	1
5945	.10U 63V 20%CAP T&R RAD .2"EL	2	2033	1/8W 1K 2%FLAME PROOF T&R RES	1	3522	DPDT MINI PC VERT SINC ALT	1
5631	.22U 50V 20%CAP T&R 6X7MM .2"EL	2	4981	1/4W 1K 5%MINI T&R RES	2	3585	DPDT ROKR SW QUIK 250' AC/PWR IEC65	1
5879	100U 16V 20%CAP T&R 8X7MM .2"EL	3	6110	1/4W 1K0 1%MINI MF T&R RES	3	3394	THERMO/BRKR:N/CLOSED OPEN@74C	1
5621	470U 63V 20%CAP BLK 12X25MM EL	2	4854	1/4W 1K2 5% T&R RES	1	3937	YEL 18AWG TR64 PREFUSED WIRE	2
5635	1000U 35V 20%CAP RADIAL ELECT BUL	1	4769	1/4W 1K4 1% T&R RES	3	3938	BRN 18AWG TR64 PREFUSED WIRE	2
5857	4700U 160V 20%CAP RAD 40X63MM ELS	4	2034	1/8W 1K5 5%FLAME PROOF T&R RES	1	3939	BLU 18AWG TR64 PREFUSED WIRE	2
4537	.10K B LIN 9MM DETENT P25	1	4935	1/4W 1K5 5% .2"U T&R RES	1	3940	RED 18AWG TR64 PREFUSED WIRE	7.333
4569	.10K LIN 12MM STEREO P21	1	4988	1/4W 1K5 5%MINI T&R RES	2	3941	BLK 18AWG TR64 PREFUSED WIRE	7.54
4567	.20K 5C R/A 9MM P25	1	4683	1.0W 1K8 5% T&R RES	1	3942	WHT 18AWG TR64 PREFUSED WIRE	2
2408	8.0 AMP CIRCUIT BREAKER	1	6105	1/4W 1K8 5%MINI T&R RES	1	3948	ORN 18AWG TR64 PREFUSED WIRE	2
712	32 X 30 X 72 2 MIL PLASTIC BAG	1	4647	1/2W 2K2 5% T&R RES	1	3949	G/Y 18AWG STRANDED GRN BASE YEL STR	1.416
3961	SNAP ON 1.16" INSULATING BUSHING	1	6104	1/4W 2K2 5%MINI T&R RES	1	3950	GRN 18AWG TR64 PREFUSED WIRE	2.29
6497	.304UH CHOKE 95T18AWG/77111MAGNTKS	2	4664	1/2W 2K7 5% T&R RES	1	3957	WHT 18AWG 36STND WIRE DOU/INS	1.958
6500	2700UH COIL COMMON MODE 7AMP	1	4864	1/4W 2K7 5% T&R RES	2	3958	BLK 18AWG 36STND WIRE DOU/INS	3.833
8483	ADAPTOR,SPEAKER STAND,METAL,BLACK	1	4774	1/4W 4K12 1% T&R RES	2	CH1256	LS800P 120VAC POWER TRANSFMR T'RD	1
8545	RECESSED RUBBER BUMPER WITH WASHER	2	4627	1/2W 4K7 5% T&R RES	1			
8562	CORNER, 3 LEGS, BLACK OXIDE	2	4827	1/4W 4K7 5% T&R RES	6			



LS800P

élite Series

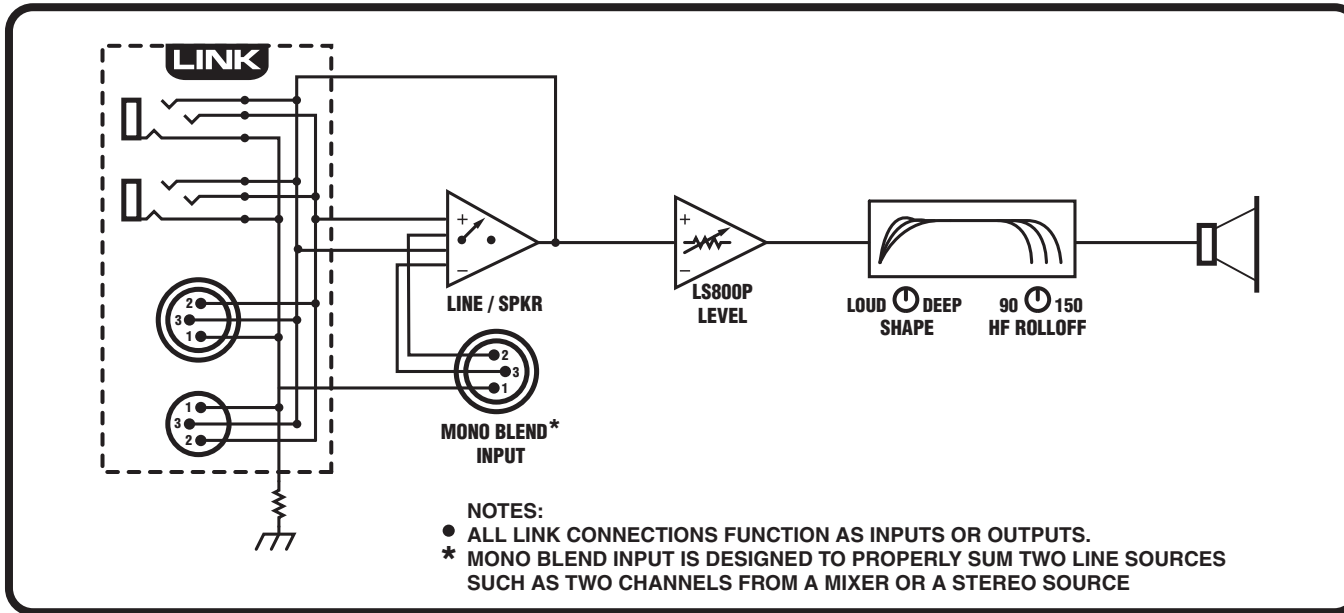


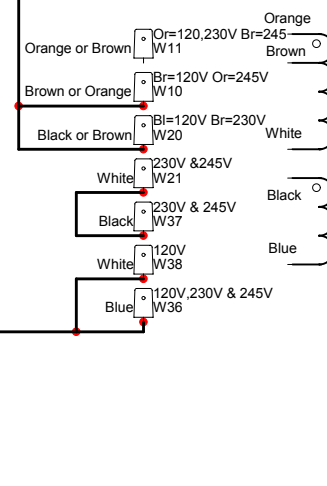
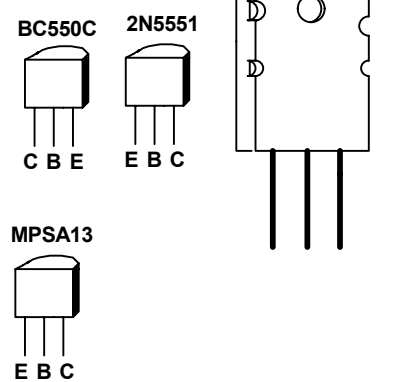
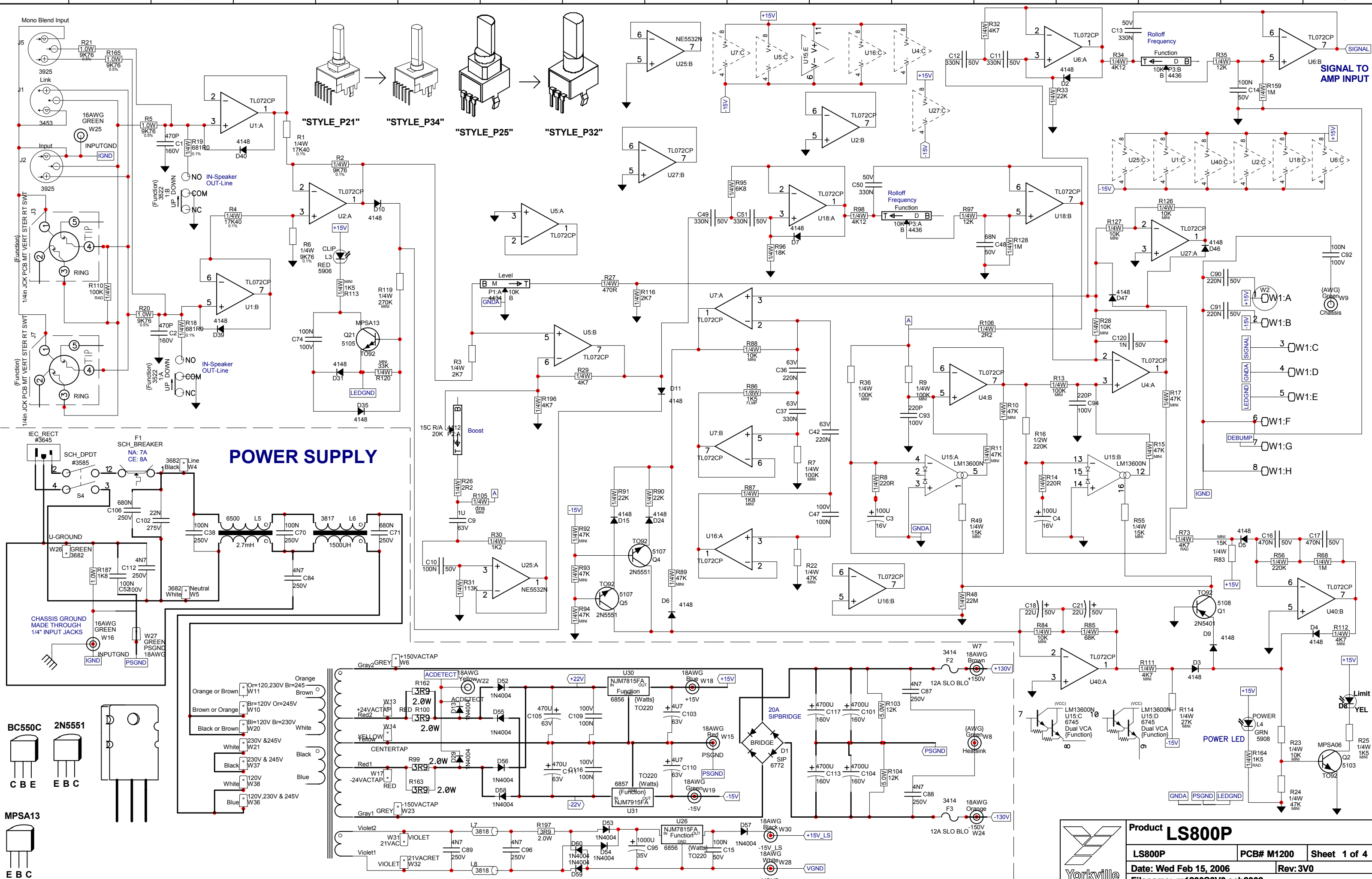
#	Part#	Description
Labeled Components		
1	18/063Y8M	18" 8R1200WPGM SPEAKER DCR6.1R
2	Z605	LS800P/LS808/LS808B GRILL ‡
3	Z606	LS800P/LS808/LS808B GRILL BAR ‡
4	8259D	"Y" LOGO ELITE SERIES LARFED DOMED
5	8551	BAR HANDLE RIGHT ANGLE TOP LOAD
6	8565	BAR HANDLE ALL METAL
7	8483	ADAPTER, SPEAKER STAND, METAL, BLACK
8	8569	CORNER, 2 LEGS NO LIP BLACK OXIDE
9	8562	CORNER, 3 LEGS, BLACK OXIDE
10	8579	4000 SERIES RIGID CASTER
11	8545	RECESSED RUBBER BUMPER WITH WASHER
12	3522/8632	DPDT PUSH SW/ROUND PUSH BUTTON GREY
13	4537/8393	10K LIN 9MM DETENT P25/GREY STYLE 1 KNOB
14	4567/8394	20K 5C R/A 9MM P25/GREEN STYLE 1 KNOB
15	4569/8395	10K LIN 12MM STEREO P21/BLUE STYLE 1 KNOB
16	3921	1/4" JCK PCB MT VERT STER RT SWT
17	3925	XLR FEML PCB MT VERT 24MM U-CONT
18	3453	XLR MALE PCB MT VERT
19	3585	DPDT ROKR SW QUIK 250" AC/PWR IEC
20	2408	8.0 AMP CIRCUIT BREAKER
21	3645	AC SOCKET RECEPTACLE WITH 0.250
22	3426 (120V)	8' 3/16 SJT AC LINE CORD REMOVABLE
22	3474 (230V)	6' 3X.075MM AC LINE CORD EURO-R

*NOTE: Replacement grills & HF Driver supports are 'Special-Order' and are only available while the model is in production.

‡ Grilles & Support replacements are for CURRENT models only.

**Real Gear.
Real People.**





	Product LS800P	
	LS800P	PCB# M1200
	Date: Wed Feb 15, 2006	
	Rev: 3V0	
Filename: m1200S3V0.sch2002		

SIGNAL TO AMP INPUT

POWER SUPPLY

POWER LED

Limit

POWER LED

PSGND

LEDGND

GND

PSGND

LEDGND

GND

PSGND

LEDGND

GND

PSGND

LEDGND

GND

PSGND

LEDGND

GND

PSGND

LEDGND

GND

PSGND

LEDGND

GND

PSGND

LEDGND

GND

PSGND

LEDGND

GND

PSGND

LEDGND

GND

PSGND

LEDGND

GND

PSGND

LEDGND

GND

PSGND

LEDGND

GND

PSGND

LEDGND

GND

PSGND

LEDGND

GND

PSGND

LEDGND

GND

PSGND

LEDGND

GND

PSGND

LEDGND

GND

PSGND

LEDGND

GND

PSGND

LEDGND

GND

PSGND

LEDGND

GND

PSGND

LEDGND

GND

PSGND

LEDGND

GND

PSGND

LEDGND

GND

PSGND

LEDGND

GND

PSGND

LEDGND

GND

PSGND

LEDGND

GND

PSGND

LEDGND

GND

PSGND

LEDGND

GND

PSGND

LEDGND

GND

PSGND

LEDGND

GND

PSGND

LEDGND

GND

PSGND

LEDGND

GND

PSGND

LEDGND

GND

PSGND

LEDGND

GND

PSGND

LEDGND

GND

PSGND

LEDGND

GND

PSGND

LEDGND

GND

PSGND

LEDGND

GND

PSGND

LEDGND

GND

PSGND

LEDGND

GND

PSGND

LEDGND

GND

PSGND

LEDGND

GND

PSGND

LEDGND

GND

PSGND

LEDGND

GND

PSGND

LEDGND

GND

PSGND

LEDGND

GND

PSGND

LEDGND

GND

PSGND

LEDGND

GND

PSGND

LEDGND

GND

PSGND

LEDGND

GND

PSGND

LEDGND

GND

PSGND

LEDGND

GND

PSGND

LEDGND

GND

PSGND

LEDGND

GND

PSGND

LEDGND

GND

PSGND

LEDGND

GND

PSGND

LEDGND

GND

PSGND

LEDGND

GND

PSGND

LEDGND

GND

PSGND

LEDGND

GND

PSGND

LEDGND

GND

PSGND

LEDGND

GND

PSGND

LEDGND

GND

PSGND

LEDGND

GND

PSGND

LEDGND

GND

PSGND

LEDGND

GND

PSGND

LEDGND

GND

PSGND

LEDGND

GND

PSGND

LEDGND

GND

PSGND

LEDGND

GND

PSGND

LEDGND

GND

PSGND

LEDGND

GND

PSGND

LEDGND

GND

PSGND

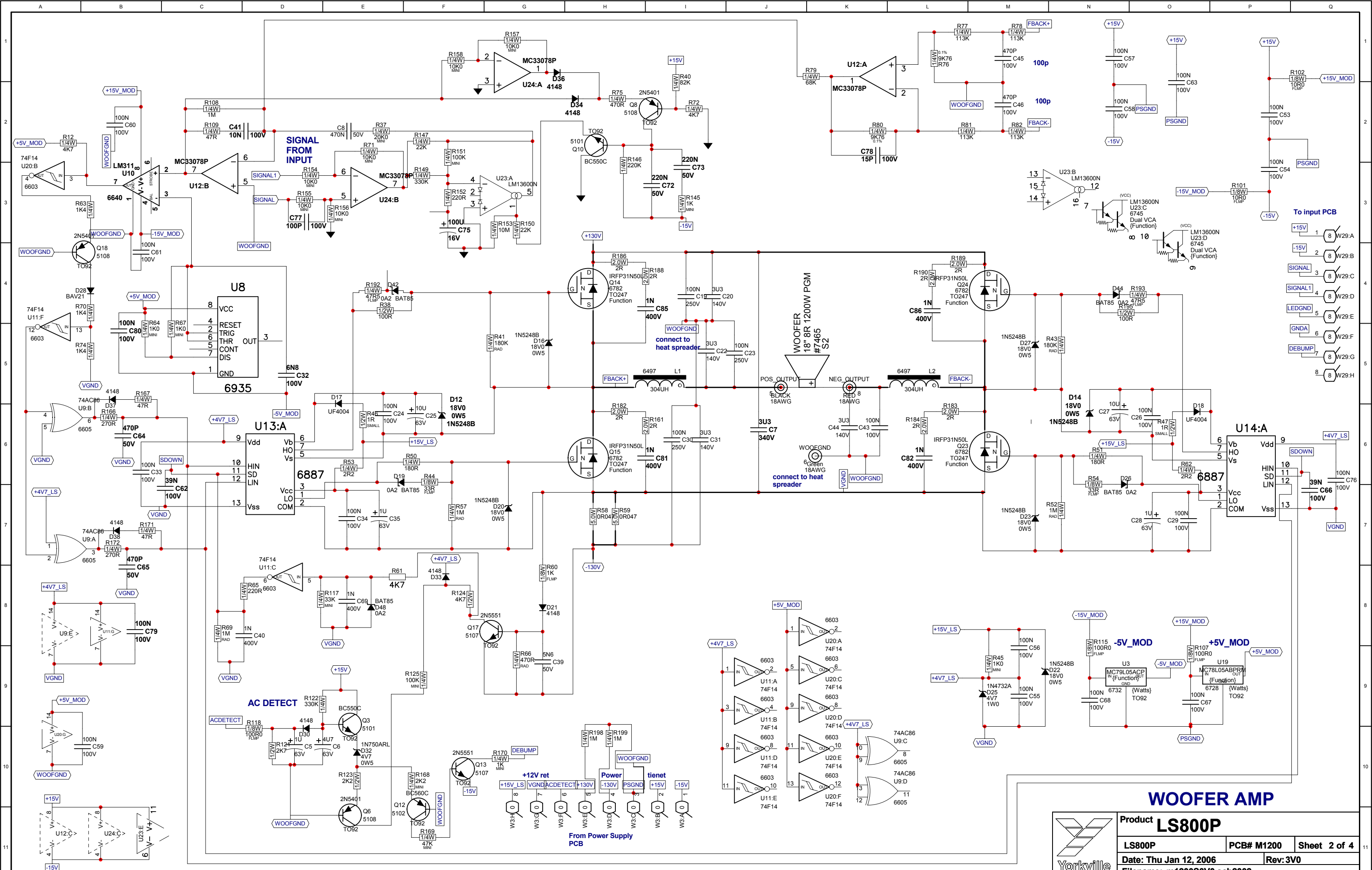
LEDGND

GND


PSGND

LEDGND

GND



WOOFER AMP

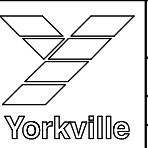
	Product LS800P		
	LS800P	PCB# M1200	Sheet 2 of 4
	Date: Thu Jan 12, 2006		Rev: 3V0
	Filename: m1200S3V0.sch2002		

M1200.PCB_DATABASE_HISTORY			
MODEL(S):- LS800P			
#	DATE	VER#	DESCRIPTION OF CHANGE
1	9-OCT-2003	2V1	PC#6344 - Added C120 to stop osc. at mom. turn-off C120 gets manually soldered across U4 for now.
2	23-OCT-2003	2V1	PC#6637 CHANGE C81,C82,C85,C86 FROM 5206 TO 5213
3	27-JAN-2004	2V2	PC#6669 Change C19,C23,C30 from 5212(100V) to 5865(250V)
4	16-MAR-2004	2V2	Removed W12, W33, W34 & W35
5	D	V	N
6	D	V	N
7	D	V	N
8	D	V	N
9	FEB-03-2005	.	GT:PC#6694:POTS CHANGED TO SAME VALUE, SHORTER SHAFT STYLE: 4567 -> 4412, 4537 -> 4434, 4569 -> 4436
10	D	V	N
11	D	V	N
12	D	V	N
13	D	V	N

M1200 PENDING CHANGES		
MODEL(S):- LS800P		
#	PC#	PENDING CHANGE
1	6634	Place C120 across pins 1 & 2 of U4
2	6631	Force update C1, C2 to get new pattern
3	6632	Force update R5, R20, R21, R165 to get new pattern
4	6639	Move RTV holes under C104,C113,C117,C101 to bad inserts
5	6639	Add extra vias on eyelet parts-solder conn. not 100% on eyelets
6	6639	Remove copper around heatspread holes(get covered @solder)
7	PC	X
8	6669	Change C19,C23,C30 from 5212(100V) to 5865(250V)
9	PC	move via from under R90, R97, R11, R49, R91, R9, D4
10	PC	X
11	PC	X
12	PC	X
13	PC	X

*PLACE IMPLEMENTED CHANGES INTO BOARD HISTORY

M1200 POT LIST					
MODEL(S):- LS800P					
REF	FUNCTION	OLD PART KNOB	NEW PART KNOB		
P1	LEVEL	4537 8393	4434 9916		
P2	SHAPE	4567 8394	4412 9917		
P3	HF ROLLOFF	4569 8395	4436 9918		
.	FREQUENCY	O K	N K		
R	F	O K	N K		
R	F	O K	N K		
R	F	O K	N K		
R	F	O K	N K		
R	F	O K	N K		
R	F	O K	N K		
R	F	O K	N K		
R	F	O K	N K		

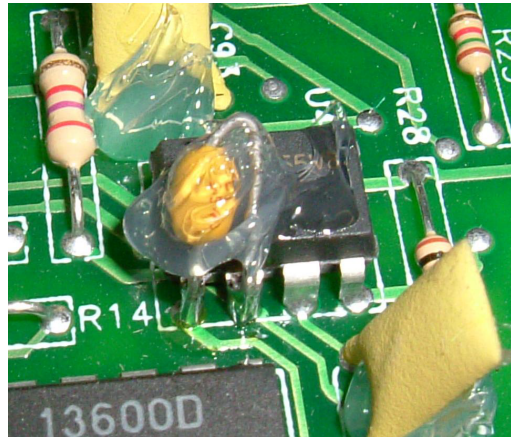


Product LS800P		
LS800P	PCB# M1200	Sheet 3 of 4
Date: Thu Jun 23, 2005		Rev: 3V0
Filename: m1200S3V0.sch2002		

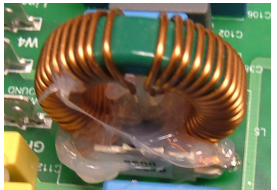
M1200_DATABASE_HISTORY			
MODEL(S):-	LS800P	VER#	DESCRIPTION OF CHANGE
1		2V1	PC#6344 - Added C120 to stop osc. at mom. turn-off
2		2V1	C120 gets manually soldered across U4 for now.
3		2V1	PC#6337 CHANGE C81,C82,C85,C86 FROM 5206 TO 5213
4		2V2	PC#6669 Change C19,C23,C30 from 5212(100V) to 5865(250V)
5		2V2	Changes to PCB traces pending
6		2V2	Removed W12, W33, W34 & W35
7		3V00	Update tabs for DS pcb. Add pads for subst 5242 cap.pc#6750
8		3V00	PC#6632 R5,R20,R21,R165 HOLES .042" TO .052"
9		3V00	GT:PC#6934:POTS CHANGED TO SAME VALUE, SHORTER
10	D	v	SHAFT STYLE: 4567 -> 4412, 4537 -> 4434, 4569 -> 4436
11	N	v	N
12	D	v	GT:PC#6931:SPKR 18/063Y8M -> #7459
13	N	v	N

PRODUCTION NOTES

- Manually solder C120 (5422 - 1N0 50V) across pin 1 and pin 2 of U4 and apply RTV



- Fill L5's coil tray fully with RTV.

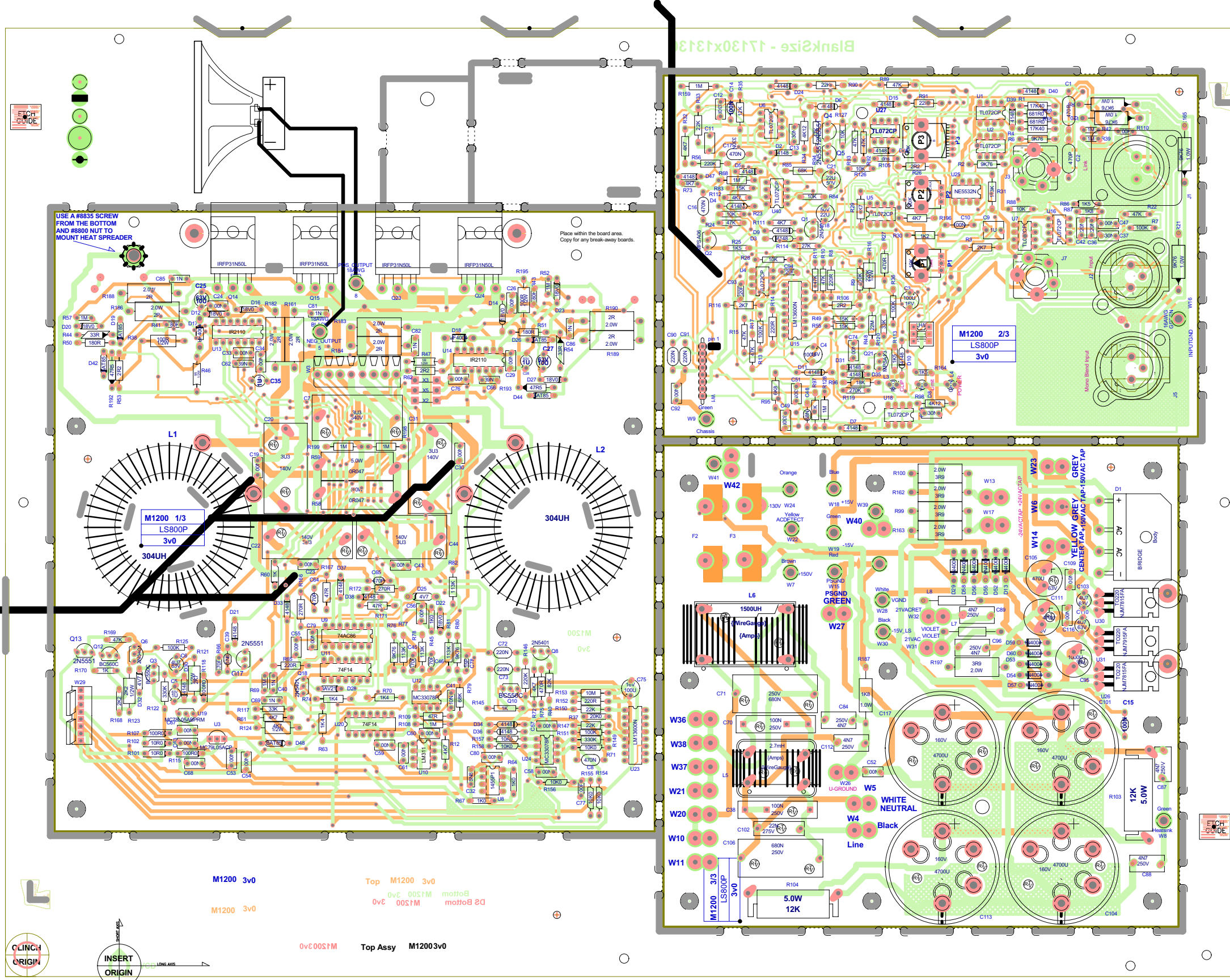
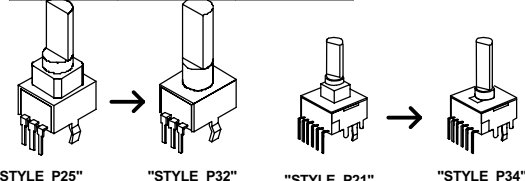


- Bend leads on C19,C23 and C30 (#5865) and manually insert.

M1200 PENDING CHANGES			
MODEL(S):-	LS800P	PC#	PENDING CHANGE
1		6634	Place C120 across pins 1 & 2 of U4
2		6634	Force update C1, C2 to get new pattern
3		6632	Force update R5, R20, R21, R165 to get new pattern
4		6639	Move RTV holes under C104,C113,C117,C101 to bad inserts
5		6639	Add extra vias on eyelet parts-solder conn. not 100% on eyelets
6		6639	Remove copper around heatspreader holes(get covered @solder)
7		X	
8		6669	X Change C19,C23,C30 from 5212(100V) to 5865(250V)
9		PC	move via from under R90, R97, R11, R49, R91, R9, D4
10		PC	X
11		PC	X
12		PC	X
13		PC	X

*PLACE IMPLEMENTED CHANGES INTO BOARD HISTORY

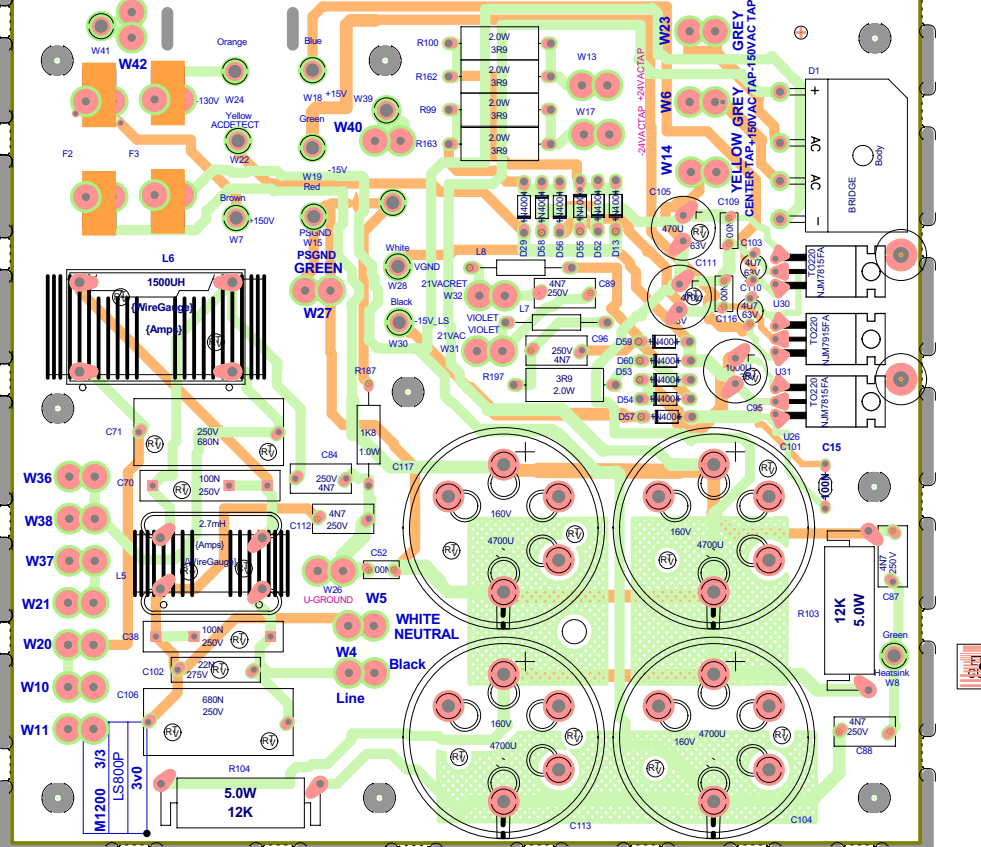
M1200					
MODEL(S):-	LS800P	OLD PART	NEW PART - KNOB	KNOB	
P1		4537	8393	4434	9916
P2		4567	8394	4412	9917
P3		4569	8395	4436	9918
K		O	N	K	
R		O	K	N	K
R		O	K	N	K



BlankSize - 17130x1311

M1200 2/3
LS800P
3v0

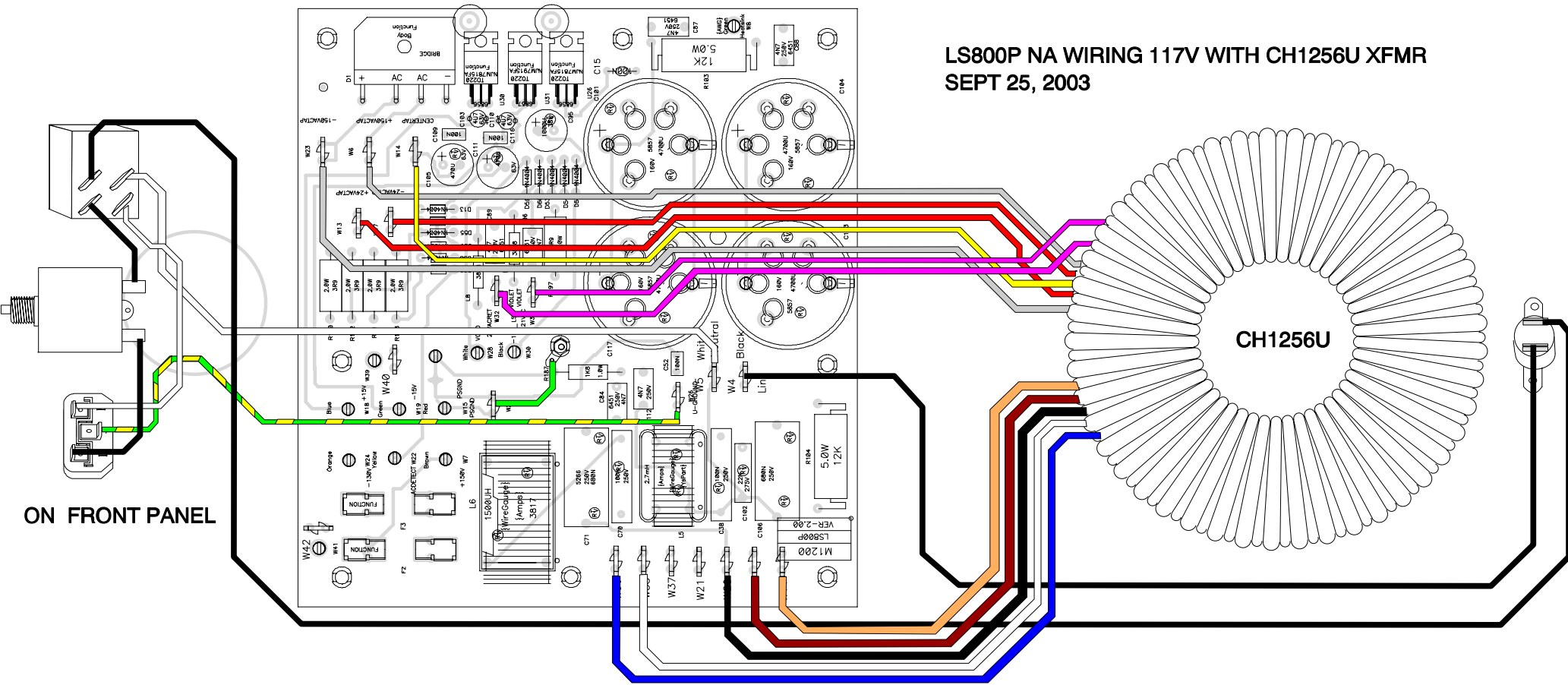
M1200 1/3
LS800P
3v0



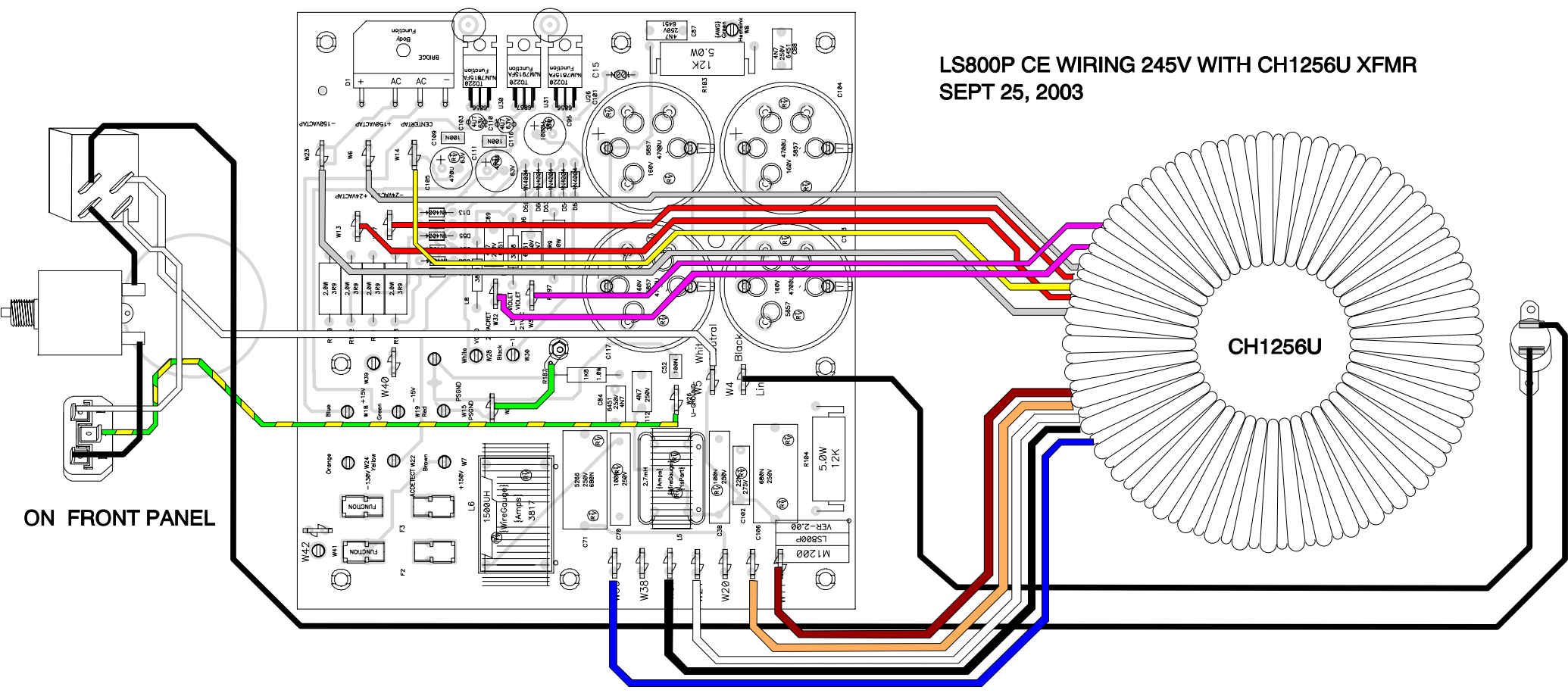
M1200 3v0
Top M1200 3v0
Bottom M1200 3v0
DS Bottom M1200 3v0
0v±0.05%M Top Assy M12003v0



LS800P NA WIRING 117V WITH CH1256U XFMR
SEPT 25, 2003



LS800P CE WIRING 245V WITH CH1256U XFMR
SEPT 25, 2003



ON FRONT PANEL

CH1256U