



# SERVICE MANUAL

TYPE: YS1014



WEB ACCESS: <http://www.yorkville.com>

## WORLD HEADQUARTERS CANADA

**Yorkville Sound**  
550 Granite Court  
Pickering, Ontario  
L1W-3Y8 CANADA

Voice: (905) 837-8481  
Fax: (905) 837-8746

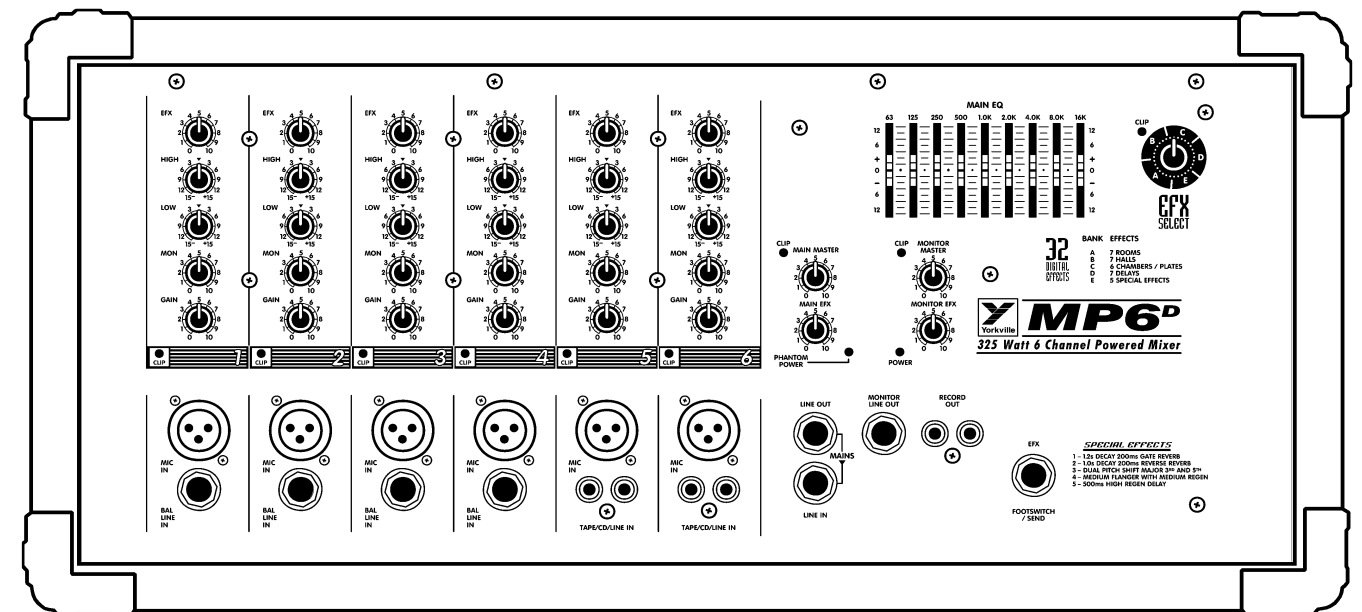
## U.S.A.

**Yorkville Sound Inc.**  
4625 Witmer Industrial Estate  
Niagara Falls, New York  
14305 USA

Voice: (716) 297-2920  
Fax: (716) 297-3689



**Quality and Innovation Since 1963**  
Printed in Canada



## IMPORTANT SAFETY INSTRUCTIONS



### INSTRUCTIONS PERTAINING TO A RISK OF FIRE, ELECTRIC SHOCK, OR INJURY TO PERSONS

### INSTRUCTIONS RELATIVES AU RISQUE DE FEU, CHOC ÉLECTRIQUE, OU BLESSURES AUX PERSONNES

#### **CAUTION:**

TO REDUCE THE RISK OF ELECTRIC SHOCK, DO NOT REMOVE COVER (OR BACK).

*NO USER SERVICEABLE PARTS INSIDE.*

**REFER SERVICING TO QUALIFIED SERVICE PERSONNEL.**

#### **AVIS:**

AFIN DE REDUIRE LES RISQUE DE CHOC ELECTRIQUE, N'ENLEVEZ PAS LE COUVERT (OU LE PANNEAU ARRIERE)

*NE CONTIENT AUCUNE PIECE REPARABLE PAR L'UTILISATEUR.*

**CONSULTEZ UN TECHNICIEN QUALIFIE POUR L'ENTRETIEN**

#### **Read Instructions**

The Owner's Manual should be read and understood before operation of your unit. Please, save these instructions for future reference.

#### **Packaging**

Keep the box and packaging materials, in case the unit needs to be returned for service.

#### **Warning**

When using electric products, basic precautions should always be followed, including the following:

##### **Power Sources**

Your unit should be connected to a power source only of the voltage specified in the owners manual or as marked on the unit. This unit has a polarized plug. Do not use with an extension cord or receptacle unless the plug can be fully inserted. Precautions should be taken so that the grounding scheme on the unit is not defeated.

##### **Hazards**

Do not place this product on an unstable cart, stand, tripod, bracket or table. The product may fall, causing serious personal injury and serious damage to the product. Use only with cart, stand, tripod, bracket, or table recommended by the manufacturer or sold with the product. Follow the manufacturer's instructions when installing the product and use mounting accessories recommended by the manufacturer.

The apparatus should not be exposed to dripping or splashing water; no objects filled with liquids should be placed on the apparatus.

Terminals marked with the "lightning bolt" are hazardous live; the external wiring connected to these terminals require installation by an instructed person or the use of ready made leads or cords.

Ensure that proper ventilation is provided around the appliance.

No naked flame sources, such as lighted candles, should be placed on the apparatus.

##### **Power Cord**

The AC supply cord should be routed so that it is unlikely that it will be damaged. If the AC supply cord is damaged DO NOT OPERATE THE UNIT.

##### **Service**

The unit should be serviced only by qualified service personnel.

#### **Veillez Lire le Manuel**

Il contient des informations qui devraient être comprises avant l'opération de votre appareil. Conservez S.V.P. ces instructions pour consultations ultérieures.

#### **Emballage**

Conservez la boîte au cas où l'appareil devait être retourner pour réparation.

#### **Attention:**

Lors de l'utilisation de produits électrique, assurez-vous d'adhérer à des précautions de bases incluant celle qui suivent:

##### **Alimentation**

L'appareil ne doit être branché qu'à une source d'alimentation correspondant au voltage spécifié dans le manuel ou tel qu'indiqué sur l'appareil. Cet appareil est équipé d'une prise d'alimentation polarisée. Ne pas utiliser cet appareil avec un cordon de raccordement à moins qu'il soit possible d'insérer complètement les trois lames. Des précautions doivent être prises afin d'éviter que le système de mise à la terre de l'appareil ne soit désengagé.

##### **Risque**

Ne pas placer cet appareil sur un chariot, un support, un trépied ou une table instables. L'appareil pourrait tomber et blesser quelqu'un ou subir des dommages importants. Utiliser seulement un chariot, un support, un trépied ou une table recommandés par le fabricant ou vendus avec le produit. Suivre les instructions du fabricant pour installer l'appareil et utiliser les accessoires recommandés par le fabricant.

Il convient de ne pas placer sur l'appareil de sources de flammes nues, telles que des bougies allumées.

L'appareil ne doit pas être exposé à des égouttements d'eau ou des éclaboussures et qu'aucun objet rempli de liquide tel que des vases ne doit être placé sur l'appareil.

Assurez que l'appareil est fourni de la propre ventilation.

Les dispositifs marqués d'un symbole "d'éclair" sont des parties dangereuses au toucher et que les câblages extérieurs connectés à ces dispositifs de connection extérieure doivent être effectués par un opérateur formé ou en utilisant des cordons déjà préparés.

##### **Cordon d'Alimentation**

Évitez d'endommager le cordon d'alimentation. N'UTILISEZ PAS L'APPAREIL si le cordon d'alimentation est endommagé.

##### **Service**

Consultez un technicien qualifié pour l'entretien de votre appareil.

Parts List 9/5/00

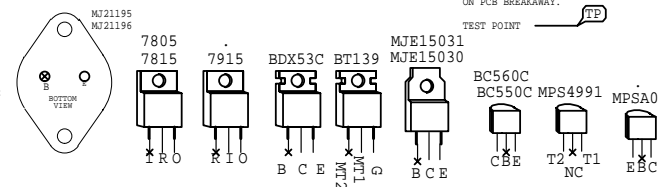
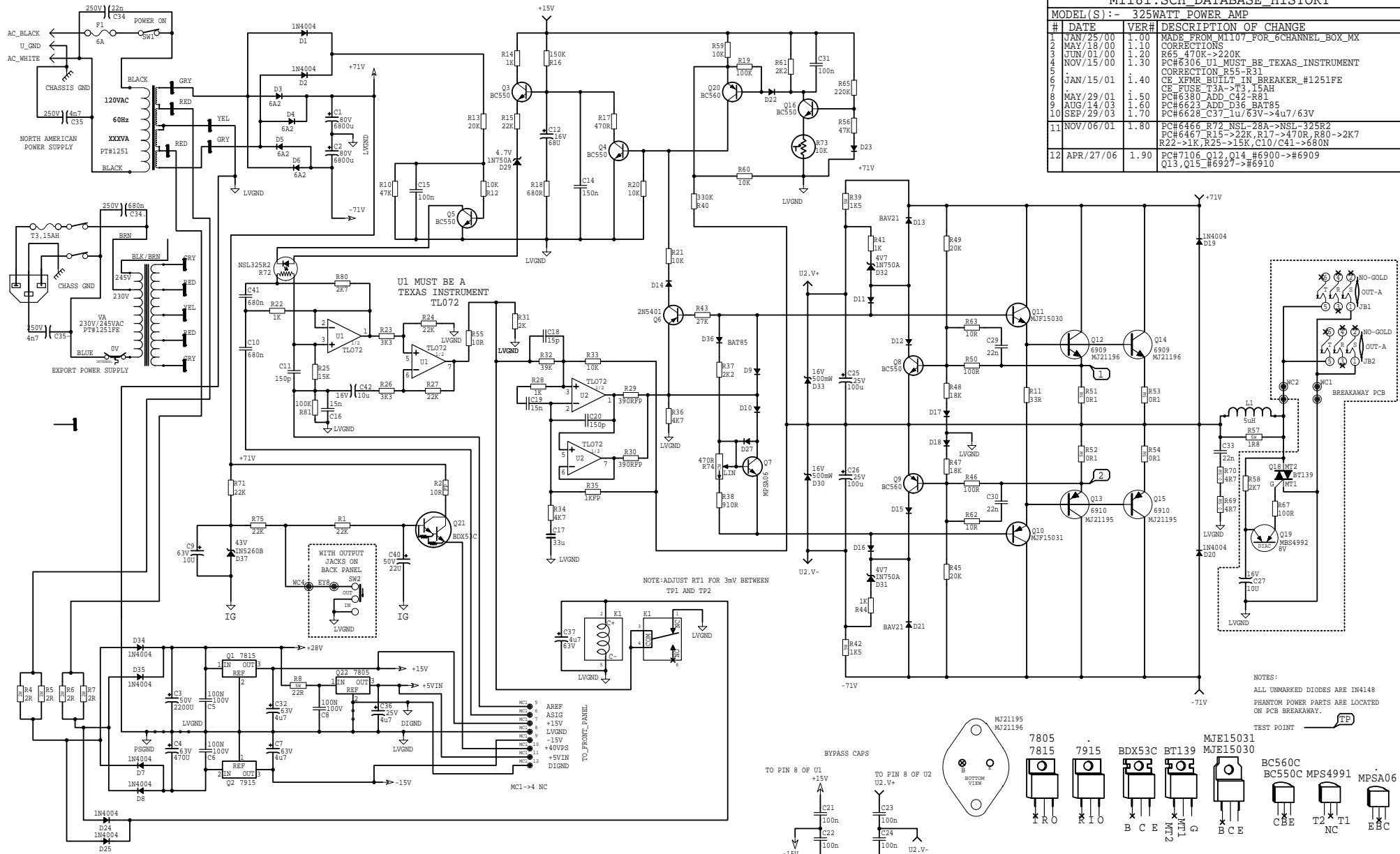
YS #	Description	Qty.	YS #	Description	Qty.	YS #	Description	Qty.
3507	28 PIN X 6" I.C DEEP SOCKET	1	5260	22U 50V 20%CAP T&R RAD .2"EL	1	4824	1/4W 1K5 5% T&R RES	1
3550	44PIN PLCC SOCKET	1	5631	22U 50V 20%CAP T&R 5X7MM .2"EL	22	4808	1/4W 2K 5% T&R RES	1
3557	84PIN PLCC SOCKET	1	5961	.33U 16V 20%CAP T&R RAD .2"NP	1	4847	1/4W 2K2 5% T&R RES	2
3571	28 PIN X 6" I.C. SOCKET	1	5265	.68U 25V 20%CAP T&R RAD .2"EL	1	4826	1/4W 3K3 5% T&R RES	2
6994	CRYSTAL CODEC 44PIN PLCC	1	5267	100U 25V 20%CAP T&R RAD .2"EL	2	4827	1/4W 4K7 5% T&R RES	1
6940	16MHZ CRYSTAL VERT 2-PIN .25"CASE	1	5879	100U 16V 20%CAP T&R 8X7MM .2"EL	13	4982	1/4W 4K7 5%MINI T&R RES	14
5906	RED 3MM LED 1V9 20MA .4SPCER T&R	11	5914	100U 63V 20%CAP BLK 10X13MM EL	2	4639	1/4W 4K99 1% T&R RES	15
5908	GRN 3MM LED 1V9 20MA .4SPCER T&R	1	5630	330U 25V 20%CAP BLK 10X13MM EL	6	6128	1/4W 4K99 1%MINI MF T&R RES	22
6425	BAV21 200V 0A25 DIODE T&R	2	5621	470U 63V 20%CAP BLK 12X25MM EL	1	4978	1/4W 6K8 5%MINI T&R RES	2
6825	1N4148 75V 0A45 DIODE T&R	29	5887	2200U 50V 20%CAP BLK 18X27MM EL	1	4801	1/4W 6K98 1% T&R RES	4
6438	1N4004 400V 1A0 DIODE T&R	10	5892	6800U 80V 10%CAP BLK 35X40MM ELS	2	4990	1/4W 8K2 5%MINI T&R RES	1
6434	6A2 200V 6A0 DIODE	4	4583	ROT GRY 18MM 5BIT ENCODER P33	1	4800	1/4W 10K0 1% T&R RES	3
6439	1N5225B 3V0 0W5 ZENER 5% T&R	1	4566	.10K B LIN 9MM P25	14	4829	1/4W 10K 5% T&R RES	9
6440	1N750ARL 4V7 0W5 ZENER 5% T&R	3	4567	.20K 5C R/A 9MM P25	12	4983	1/4W 10K 5%MINI T&R RES	8
6436	1N753ARL 6V2 0W5 ZENER 5% T&R	1	4568	.50K B LIN 9MM P25	8	6116	1/4W 10K0 1%MINI MF T&R RES	7
6824	1N5246B 16V0 0W5 ZENER 5% T&R	2	3999	.20K 1B LIN 30MM OPN S06	9	4901	1/4W 13K 5% T&R RES	7
6460	1N5260B 43V0 0W5 ZENER 5% T&R	1	4529	470R TRIM POT	1	4831	1/4W 18K 5% T&R RES	2
6855	NJM7805FA TO220 P 5V0 REG IS V1	1	3819	.5UH COIL 18AWG R000 AIR CORE	1	6125	1/4W 18K 5%MINI T&R RES	14
6856	NJM7815FA TO220 P 15V0 REG IS V1	1	8674	R385 PLASTIC CORNER W TREAD	8	4885	1/4W 20K 5% T&R RES	3
6857	NJM7915FA TO220 N 15V0 REG IS V2	1	3490	CLIP 250X032 14-16AWG DISCO/INSL	1	6123	1/4W 20K0 1%MINI MF T&R RES	2
5101	BC550C TO92 NPN TRAN T&R TB	5	3491	CLIP 205/187X020 18-22AWG DISCO/INS	1	4832	1/4W 22K 5% T&R RES	2
5102	BC560C TO92 PNP TRAN T&R TB	2	3682	250 MALE PCB TAB BULK CARTRIGE	11	6118	1/4W 22K 5%MINI T&R RES	3
5103	MPSA06 TO92 NPN TRAN T&R TA	1	3498	1/4" JCK PCB MT HORZ	2	4833	1/4W 27K 5% T&R RES	2
5108	2N5401 TO92 PNP TRAN T&R TA	1	3921	1/4" JCK PCB MT VERT STER RT SWT	8	4840	1/4W 33K 5% T&R RES	9
5105	MPSA13 TO92 NPN DARL T&R TA	10	3466	RCA DUAL PCB MT VERT GOLD 24MM	3	6122	1/4W 33K 5%MINI T&R RES	14
6810	MJF15030 T221D NPN TRAN TJ	1	3925	XLR FEML PCB MT VERT 24MM U-CONT	6	4853	1/4W 39K 5% T&R RES	1
6811	MJF15031 T221D PNP TRAN TJ	1	3451	EYELET SMALL 0.089 OD PLATED	14	4908	1/4W 45K3 1% T&R RES	2
6912	BDX53C TO220 NPN TRAN DARL TE	1	3412	LOWPROFILE FUSEHOLDER 1/4" H345601	1	4834	1/4W 47K 5% T&R RES	6
6900	YS6900 (22) TO3 NPN TRAN TH	2	2428	6.0 AMP SLO-BLO .25X1.25 FUSE	1	4927	1/4W 47K 5% .2"U T&R RES	1
6927	YS6927 (23) TO3 PNP TRAN TH	2	8458	10.5" STRAP HANDLE, PLASTIC COVERS	1	6119	1/4W 47K 5%MINI T&R RES	5
6798	MC4741CP IC QUAD OP AMP	1	8604	10-32 T NUT	2	4928	1/4W 56K 5% .2"U T&R RES	2
6804	MC33079P IC QUAD OP AMP	1	3563	TRANSISTOR MOUNTING BRACKET	1	4586	1/4W 82K 5%MINI T&R RES	2
6840	MC33078P IC DUAL OP AMP	3	3804	SNAP ON 1.5" INSULATING BUSHING	1	4929	1/4W 82K 5% .2"U T&R RES	12
6882	TL072CP IC FET DUAL OP AMP	6	3795	#8 GROUND LUG ZIERICK 505-169	1	4838	1/4W 100K 5% T&R RES	1
6889	TLO74CN IC QUAD O/A T.I. ONLY	5	3803	NYLON SECUR-A-TACH MINI PLASTIC TIE	1	4942	1/4W 100K 5% .2"U T&R RES	2
6943	74HC374N IC OCTAL DTYPE LATCH	1	3810	4" NYLON CABLE TIE	6	6120	1/4W 100K 5%MINI T&R RES	7
6982	27C512 PROM IC YORKVILLE 32 PROGRA	1	3827	SQUARE BUMPER BUTTON BLACK	5	4839	1/4W 150K 5% T&R RES	1
6992	1365-102 IC DIGITAL REVERB ASIC	1	3638	12 CIR CABLE HOLDER .098	1	4841	1/4W 220K 5% T&R RES	1
6993	1250-101 IC SRAM 32KX8	1	8800	6-32 KEPS NUT ZINC	33	4842	1/4W 330K 5% T&R RES	1
5190	MBS4992 TO92 8V5 DIAC	1	8854	6-32 X 1/4 HEX NUT ZINC	1	6127	1/4W 470K 5%MINI T&R RES	2
6448	BT139 TO220 16A TRIAC 500V	1	8788	1/4-20 KEPS NUT ZINC	1	4951	1/4W 4M7 5% .2"U T&R RES	6
6859	NSL-28AA OPTO-COUPLER	1	3815	TO3 PREGREASED MICA 56-03-2AP	4	3740	15" 12C-26AWG RIB 1 W/LCK HDR 098	1
6467	10K 10% THERMISTOR NTC TO-92	1	3580	12 CIR WAFER W/LCK VT 0.1"	1	3696	RELAY 1C 02AMP DC24 006MA PC-S	1
5402	.15P 100V 10%CAP T&R BEAD NPO	1	3818	EMI SUPPRESSION FERRITE BEAD T&R	3	8745	6-32 X 3/4 HEX ND MS ZINC	15
5405	.27P 200V 5%CAP T&R RAD CER.2"NPO	3	4597	22AWG STRAN TC WIR JMP	39	8838	6-32 X 1 HEX ND MS ZINC	2
5203	.47P 100V 2%CAP T&R RAD CER.2"NPO	5	4599	22AWG SOLID SC WIR T&R JMP	71	8785	#8 X 3/4 OVAL PH TYPE A BLACK OXIDE	32
5199	100P 100V 2%CAP T&R RAD CER.2"NPO	1	5299	24AWG SOLID SC WIR RAD JMP	1	8781	#10 X 7/8 FLAT PHIL TYPE A JS500BLK	2
5411	150P 100V 10%CAP T&R BEAD NPO	2	4745	5.0W 0R1 5% BLK RES	4	8783	10-32 X 1 PAN QUAD TT JS500 BLACK	9
5201	470P 100V 5%CAP T&R RAD CER.2"NPO	1	4694	5.0W 1R8 5% BLK RES	1	8843	10-32 X 1 1/8 FLAT PH MS JS500	2
5816	680P 100V 5%CAP T&R RAD CER.2"NPO	1	4703	2.0W 2R 5% T&R RES	4	8765	1/4-20 X 2 1/2 HEX HD MS JS500 BLK	1
5206	.1N 400V 5%CAP T&R RAD .2"FLM	1	4666	1/2W 4R7 5% T&R RES	2	8663	11/64 NYLON SPACER (MICRO PLASTIC)	8
5273	.1N5 200V 5%CAP T&R RAD CER.2"NPO	22	4605	1/8W 10R 5% T&R RES	3	8656	.171 X 1/4 NYLON SPACER #SP42	2
5274	.2N2 200V 5%CAP T&R RAD CER.2"NPO	6	4610	1/4W 10R 2%FLAME PROOF T&R RES	1	3739	CUSTOM 4 LED SPACER	1
5275	.3N3 100V 5%CAP T&R RAD .2"FLM	1	4875	1/4W 10R 5% T&R RES	2	3859	1/2 PLASTIC HEX SPACER #4	9
5209	.4N7 250V 5%CAP T&R RAD .2"FLM	2	4709	5.0W 22R 5% BLK RES	1	8482	3/8 1D FLAT WASHER	8
6451	.4N7 250V 20%CAP BLK 'Y' 10MM AC	1	4589	1/8W 33R 2%FLAME PROOF T&R RES	1	8818	3/4 OD X 5/16 ID X .08 THICK WASHER	2
5204	.10N 100V 10%CAP T&R RAD .2"FLM	8	4957	1/4W 47R 5% .2"U T&R RES	12	8820	#8 FLAT WASHER JS500	5
5300	.10N 50V 10%CAP T&R BEAD X7R	1	4590	1/8W 100R0 1%FLAME PROOF T&R RES	2	8817	#10 FLAT WASHER FOR 3/16" BOLT	9
5302	.15N 50V 10%CAP T&R BEAD X7R	2	4852	1/4W 100R 5% T&R RES	8	3436	DPDT PUSH SW PCMT H BREAK B4 MAKE	1
5207	.18N 100V 5%CAP T&R RAD .2"FLM	1	4857	1/4W 220R 5% T&R RES	9	3587	DPDT ROKR SW QUIK 250"AC/PWR ON-OFF	1
5210	.22N 100V 10%CAP T&R RAD .2"FLM	2	4770	1/4W 249R 1% T&R RES	12	1251	MP6D.MP-10DS POWER TRFMR T'RD	1
5304	.22N 50V 10%CAP T&R BEAD X7R	2	5010	1/4W 330RX9 5% 10PIN SIP RES	1			
5840	.22N 400V 10%CAP BLK RAD POLY FLM	1	4904	1/4W 390R 5%FLAME PROOF T&R RES	2			
6435	.22N 275V 20%CAP BLK 'X2' 15MM AC	1	4950	1/4W 390R 5% .2"U T&R RES	4			
5222	.33N 100V 10%CAP T&R RAD .2"FLM	2	4821	1/4W 470R 5% T&R RES	1			
5224	.47N 100V 10%CAP T&R RAD .2"FLM	2	4933	1/4W 470R 5% .2"U T&R RES	1			
5226	.68N 100V 5%CAP T&R RAD .2"FLM	1	4799	1/4W 562R 1% T&R RES	12			
5212	100N 63V 5%CAP T&R RAD .2"FLM	19	4891	1/4W 620R 5% T&R RES	2			
5228	100N 100V 5%CAP T&R RAD .2"FLM	4	4922	1/4W 620R 5% .2"U T&R RES	6			
5314	100N 50V 10%CAP T&R BEAD X7R	20	4781	1/8W 681R 1%FLAME PROOF T&R RES	1			
5229	150N 63V 10%CAP T&R RAD .2"FLM	3	4873	1/4W 680R 5% T&R RES	1			
5230	180N 63V 5%CAP T&R RAD .2"FLM	1	4923	1/4W 680R 5% .2"U T&R RES	1			
5233	330N 63V 5%CAP T&R RAD .2"FLM	1	4924	1/4W 750R 5% .2"U T&R RES	3			
5240	680N 63V 10%CAP T&R RAD .2"FLM	1	4925	1/4W 820R 5% .2"U T&R RES	1			
5255	.1U 63V 20%CAP T&R RAD .2"EL	1	4892	1/4W 910R 5% T&R RES	1			
5256	.1U 63V 5%CAP T&R RAD .2"FLM	2	4823	1/4W 1K 5% T&R RES	5			
5259	.4U7 63V 20%CAP T&R RAD .2"EL	3	4931	1/4W 1K 2%FLAME PROOF T&R RES	1			
5281	.10U 16V 20%CAP T&R RAD .2"NP	1	4981	1/4W 1K 5%MINI T&R RES	6			
5282	.10U 16V 20%CAP T&R 5X7MM .2"NP	10	4585	1/4W 1K2 5%MINI T&R RES	12			
5945	.10U 63V 20%CAP T&R RAD .2"EL	1	4718	5.0W 1K5 5% BLK RES	2			

Parts List 10/29/99

YS #	Description	Qty.	YS #	Description	Qty.	YS #	Description	Qty.
3507	28 PIN X 6" I.C DEEP SOCKET	1	5265	.68U 25V 20%CAP T&R RAD .2"EL	1	4931	1/4W 1K 2%FLAME PROOF T&R RES	1
3550	44PIN PLCC SOCKET	1	5267	100U 25V 20%CAP T&R RAD .2"EL	2	4981	1/4W 1K 5%MINI T&R RES	11
3557	84PIN PLCC SOCKET	1	5879	100U 16V 20%CAP T&R 8X7MM .2"EL	13	4585	1/4W 1K2 5%MINI T&R RES	12
3571	28 PIN X 6" I.C. SOCKET	1	5914	100U 63V 20%CAP BLK 10X13MM EL	3	4718	5.0W 1K5 5% BLK RES	2
6994	CRYSTAL CODEC 44PIN PLCC	1	5630	330U 25V 20%CAP BLK 10X13MM EL	6	4824	1/4W 1K5 5% T&R RES	1
6940	16MHZ CRYSTAL VERT 2-PIN .25"CASE	1	5887	2200U 50V 20%CAP BLK 18X27MM EL	1	4808	1/4W 2K 5% T&R RES	1
5906	RED 3MM LED 1V9 20MA .4SPCER T&R	9	5892	6800U 80V 10%CAP BLK 35X40MM ELS	2	4847	1/4W 2K2 5% T&R RES	2
6403	ORN 3MM LED 1V7 5MA	1	4583	ROT GRY 18MM 5BIT ENCODER P33	1	4826	1/4W 3K3 5% T&R RES	2
5907	YEL 3MM LED 1V9 20MA .4SPCER T&R	1	4566	.10K B LIN 9MM P25	14	4827	1/4W 4K7 5% T&R RES	14
5908	GRN 3MM LED 1V9 20MA .4SPCER T&R	1	4567	.20K 5C R/A 9MM P25	12	4982	1/4W 4K7 5%MINI T&R RES	15
6425	BAV21 200V 0A25 DIODE T&R	2	4568	.50K B LIN 9MM P25	8	6128	1/4W 4K99 1%MINI MF T&R RES	25
6825	1N4148 75V 0A45 DIODE T&R	29	3999	.20K 1B LIN 30MM OPN S06	9	4978	1/4W 6K8 5%MINI T&R RES	2
6438	1N4004 400V 1A0 DIODE T&R	10	4529	470R TRIM POT	1	4801	1/4W 6K98 1% T&R RES	4
6434	6A2 200V 6A0 DIODE	4	3819	.5UH COIL 18AWG R000 AIR CORE	1	4990	1/4W 8K2 5%MINI T&R RES	1
6440	1N750ARL 4V7 0W5 ZENER 5% T&R	3	8674	R385 PLASTIC CORNER W TREAD	8	4829	1/4W 10K 5% T&R RES	7
6436	1N753ARL 6V2 0W5 ZENER 5% T&R	1	3478	CLIP 205/187X032 18-22AWG DISCO/INS	2	4983	1/4W 10K 5%MINI T&R RES	8
6439	1N5225B 3V0 0W5 ZENER 5% T&R	1	3490	CLIP 250X032 14-16AWG DISCO/INSL	1	6116	1/4W 10K0 1%MINI MF T&R RES	10
6								

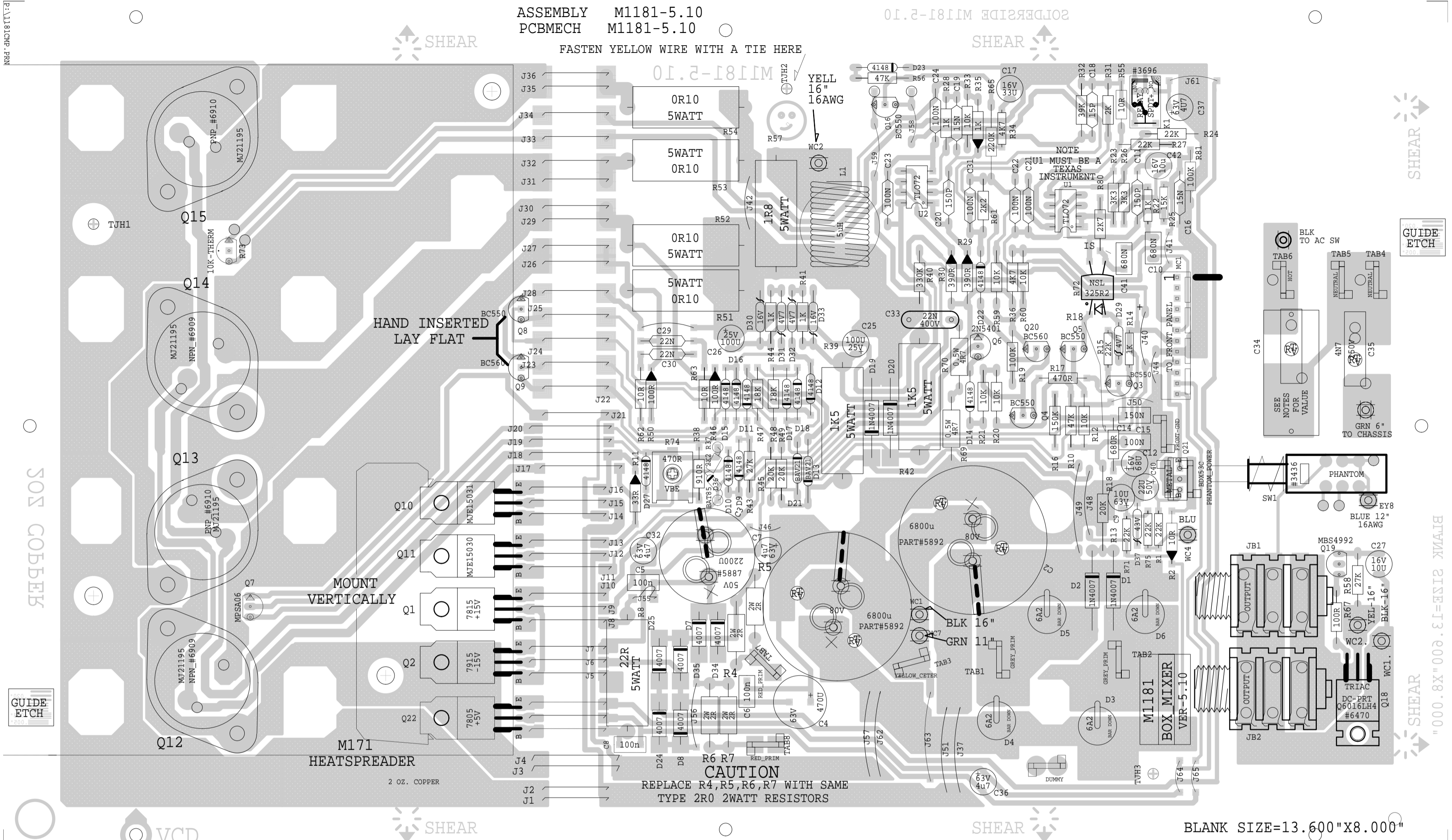
# M1181.SCH DATABASE HISTORY

MODEL(S) :- 325WATT POWER AMP			
#	DATE	VER#	DESCRIPTION OF CHANGE
1	JAN/25/00	1.00	MADE FROM M1107_FOR_6CHANNEL_BOX_MX
2	MAY/18/00	1.10	CORRECTIONS
3	JUN/08/00	1.20	R65 470K->220K
4	NOV/15/00	1.30	PC#6306 U1 MUST BE TEXAS INSTRUMENT
5			CORRECTION R55-R31
6			CE XFMR BUILT IN BREAKER_#1251FE
7			CE FUSE #2A->#3 15AH
8	MAY/29/01	1.50	PC#6380 ADD C42-R81
9	AUG/14/03	1.60	PC#6623 ADD D36 BAT85
10	SEP/29/03	1.70	PC#6628 C37-1u/63V->4u7/63V
11	NOV/06/01	1.80	PC#6466 R72 NSL-28A->NSL-325R2 PC#6467 R15->22K, R17->470R, R80->2K7 R22->1K, R25->15K, C10/C41->680N
12	APR/27/06	1.90	PC#7106 Q12, Q14 #6900->#6909 Q13, Q15 #6927->#6910





FASTEN YELLOW WIRE WITH A TIE HERE



GUIDE ETCH



BLANK SIZE=13.600"X8.000"

SOL COBBER

GUIDE ETCH

VCD

M1181.PCB\_DATABASE\_HISTORY

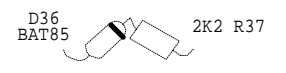
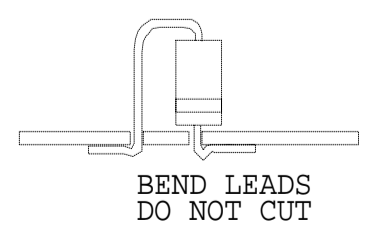
MODEL(S):- 325\_WATT\_MP6D\_MIXER

#	DATE	VER#	DESCRIPTION OF CHANGE
1	JAN/20/00	1.00	MADE FROM M1107.ADDED ANOTHER POLE TO U1 HIGHPASS,MOVED 5V REGULATOR,
2	D	V	
3	D	V	MADE PHANTOM_POWER_48V.MADE_FOR_FEN
4	JUN/12/00	.	R65_470K->220K
5	.	N	
6	JUL/17/00	1.10	PC# REMOVE J60
7	NOV/15/00	1.20	PC#6306 U1 #6882->6882TI
8	MAY/29/01	2.00	PC#6380_ADD C42-R81
9	NOV/06/01	2.10	PC#6466_R72_NSL-28A->NSL-325R2
10	.	.	PC#6467_R15_1K->22K R17_1K->470R
11	.	.	R80_10K->2K7 R22_10K->1K R25_47K->
12	.	.	15K C10,C41_150N->680N
13	JAN/29/03	3.00	PC#6585_ENLARGE TRACE 4 TABS @_Q21
14	APR/28/03	3.10	PC#6610_Q18_BT139_Q6016LH4
15	AUG/14/03	3.20	PC#6623_ADD R36 TACKED ON WITH R37
16	SEP/29/03	3.30	PC#6628_C37_1u/63V->4u7/63V
17	APR/20/05	4.00	REDO SOLDERMASK
18	DEC/02/05	5.00	PC#7049_TRIM TRACE AWAY FROM TEST POINT AT R73
19	.	.	
20	APR/27/06	5.10	PC#7106_Q12,Q14 TO #6909. Q13,Q15 TO #6910
21	D	V	
22	D	V	
23	D	V	

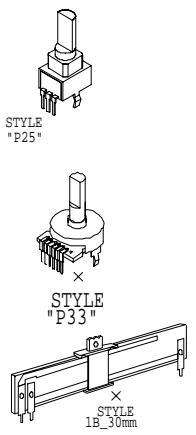
#	DATE	VER#	DESCRIPTION OF CHANGE
24	D	V	N
25	D	V	N
26	D	V	N
27	D	V	N
28	D	V	N
29	D	V	N
30	D	V	N
31	D	V	N
32	D	V	N
33	D	V	N
34	D	V	N
35	D	V	N
36	D	V	N
37	D	V	N
38	D	V	N
39	D	V	N
40	D	V	N
41	D	V	N
42	D	V	N
43	.	.	N
44	.	.	N
45	.	.	N
46	.	.	N
47	.	.	N
48	.	.	N
49	.	.	N
50	.	.	N

PRODUCTION NOTES

- 1 C34 680N PT#5266 CAP FOR EXPORT  
22N PT#6435 FOR NORTH AMERICA
- 2 FOR Q7 FILL HOLE IN THE HEAT SPREADER WITH THICK GOOP
- 3 DO NOT CUT THE WIRE LEADS FROM DIODES D3,D4,D5,D6 BEND OVER AND SOLDER
- 4 U1 MUST BE #6882TI TEXAS INSTRUMENT TLO72
- 5 R37 AND D36 ARE SOLDERED TOGETHER AND HAND INSERTED AS SHOWN

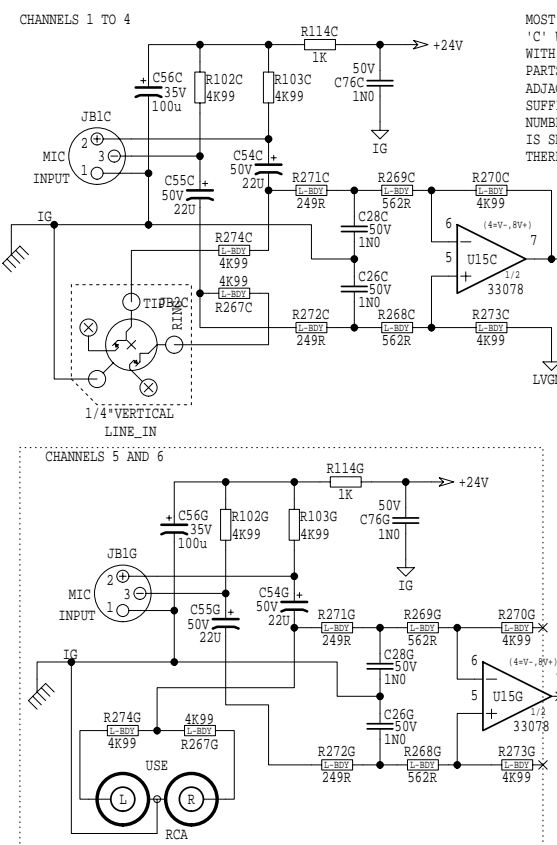


M1108.PCB_POT_LIST					
MODEL(S):- MP6D					
#	REF	FUNCTION	PART#	KNOB	AS OF
1	P13C-H	CHAN_GAIN	#4567	#8392	JAN/2000
2	P14C-H	CHAN_MONITOR	#4567	#8394	.
3	P12C-H	CHAN_BASS	#4568	#8393	.
4	P11C-H	CHAN_TREBLE	#4566	#8393	.
5	P15C-H	CHAN_EFX_SND	#4566	#8395	.
6	P9	EFX_MAIN	#4568	#8395	.
7	P10	EFX_MONITOR	#4568	#8395	.
8	P7	MAIN	#4566	#8392	.
9	P8	MONITOR	#4566	#8394	.
10	P13-P21	EQ_SLIDE	#3999	.	.
11	D	EFX_ENCODER	#4583	#8397	.
12	D		N	K	D
13	D		N	K	D
14	D		N	K	D
15	D		N	K	D
16	D		N	K	D
17	D		N	K	D
18	D		N	K	D
19	D		N	K	D
20	D		N	K	D



NOTE - REFERENCE DESIGNATORS

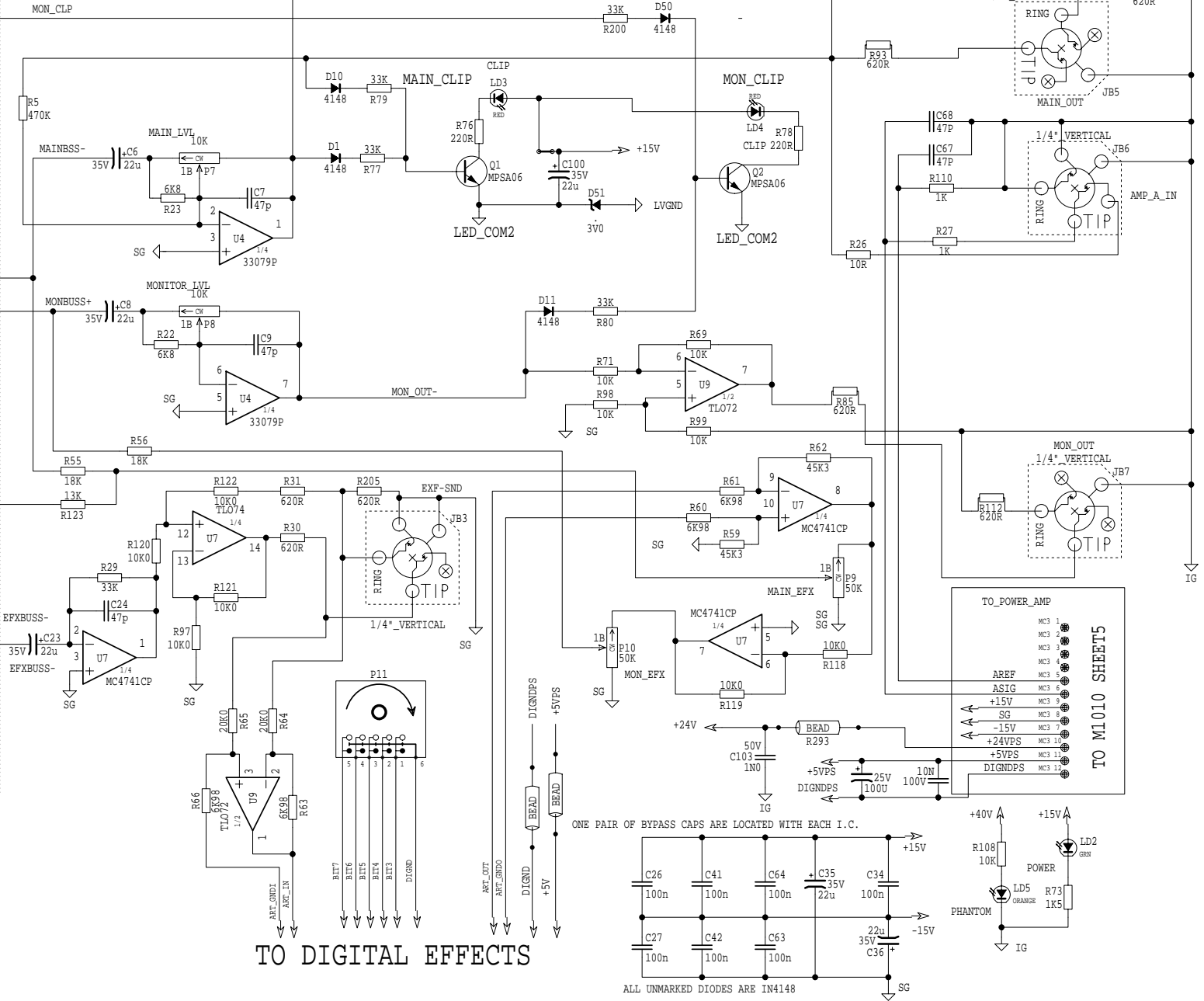
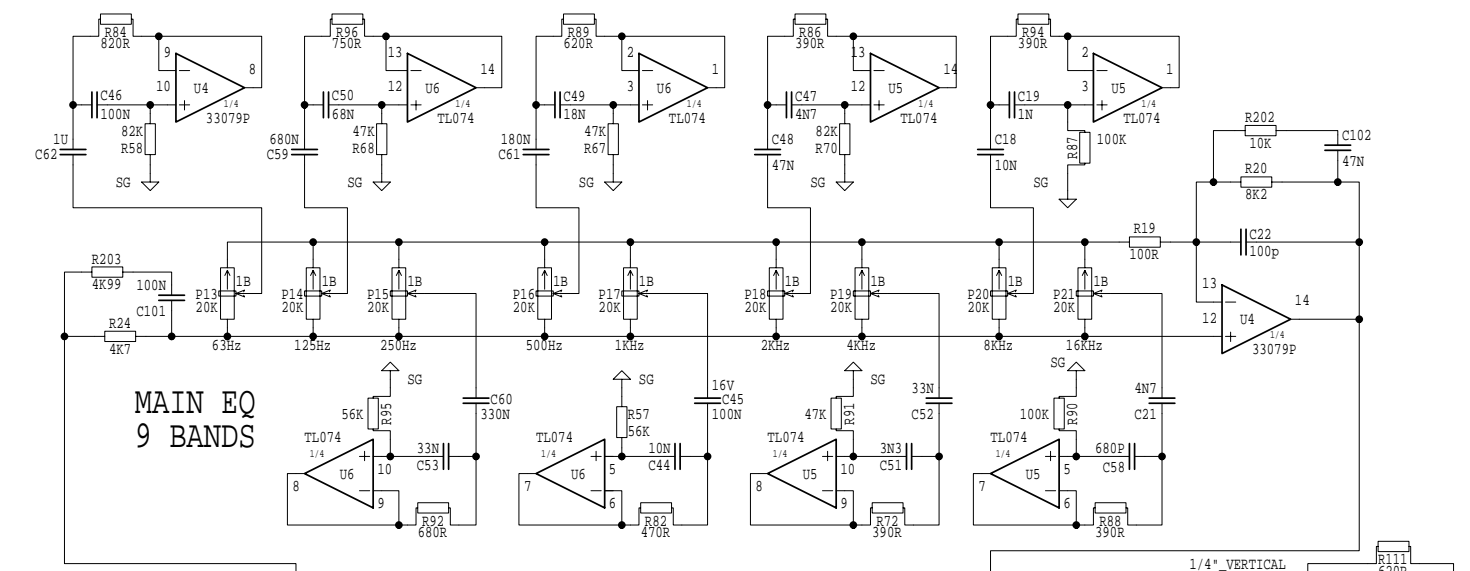
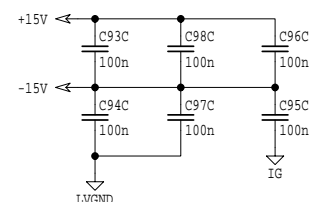
MOST PARTS IN CHANNEL 1 WITH SUFFIX 'C' WILL EXIST IN CHANNELS 2-6 WITH SUFFIXES 'D', 'H'. ANY PARTS WHICH ARE SHARED BY ADJACENT CHANNELS WILL HAVE THE SUFFIX BELONGING TO THE LOWER NUMBERED CHANNEL. I.E. IF U12C IS SHARED BY CHANNELS '1' AND '2', THERE WILL NOT BE A U12D.



# INPUTS

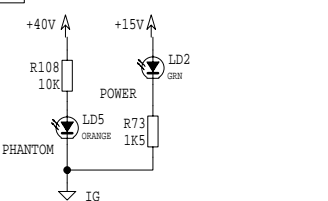
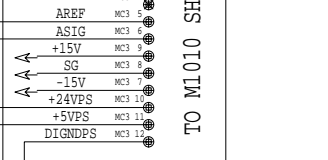
M1108.SCH_DATABASE_HISTORY			
MODEL(S):- MP6D			
#	DATE	VER#	DESCRIPTION OF CHANGE
1	96/09/04	1.00	NEW
2	96/09/17	1.10	CUT_GAIN_TO_LIMIT_FX_TO_6V
3	96/09/26	1.10	ADDED_R205-620K_TO_FXSEND_JACK
4	96/10/03	1.11	CHG_DS1_6V2->3V0-BEL_R13,R206
5	97/01/09	1.20	CHANGES_FOR_NOISE_REDUCTION_SEE_DX
6	MAR/04/97	1.30	PC#5318_ADD_1K_(R119A)
7	APR/09/98	1.40	PC#5683_U4_4741->33079P,U5,U6,U18A 4741->TL074
8	DEC/22/99	1.00	NEW_MP6D_WITH_DIGITAL_EFX
10	MAR/22/99	1.10	PC#5952_ADD_R123_C69_EFF->RRC_OUT

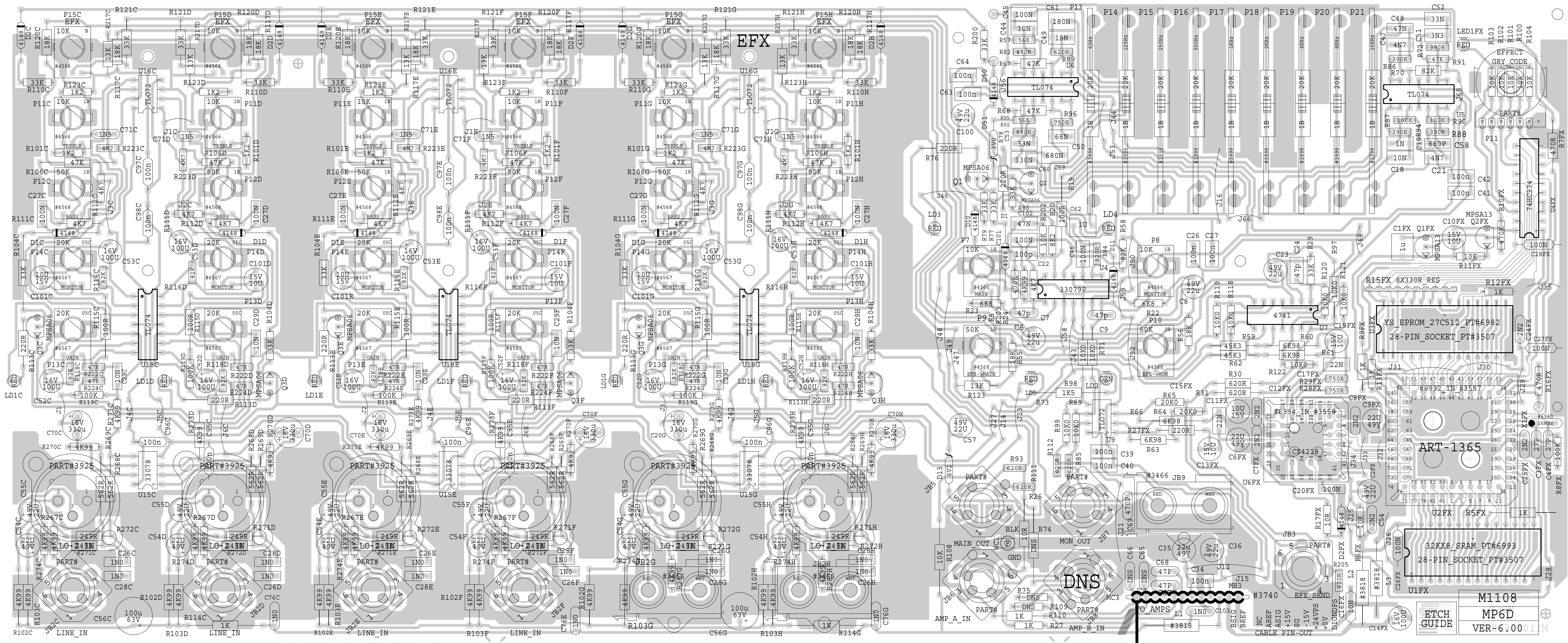
YORKVILLE	DATE: OCT/27/2003	MODELS: BOX-MIXER MP-6D	SCH ISSUE: 1.70
	NAME: M1108.SCH	PCB#: M1108	TITLE: MIXER/EQ/MASTER



# TO DIGITAL EFFECTS

ALL UNMARKED DIODES ARE IN4148



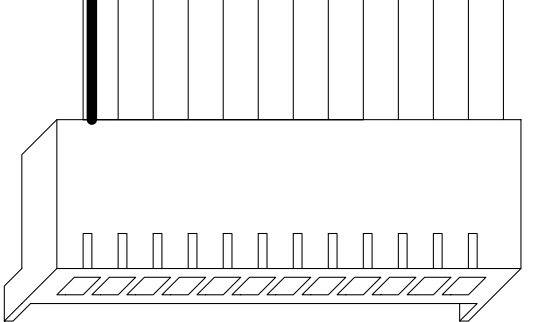


BLANK SIZE=17.875"X7.750"

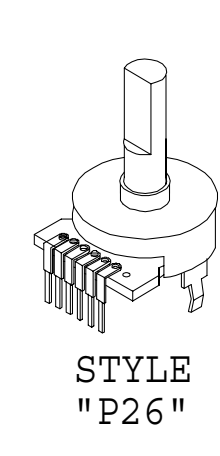
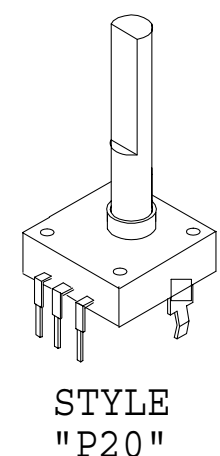
### PRODUCTION NOTES

BOARD-ASSEMBLY

1. INSTALL U1FX, U2FX, U4FX, U6FX IN SOCKETS AFTER WAVE SOLDERING. USE A GROUND STRAP!!!
2. IF THE 'X1FX' CRYSTAL IS THE TALL (1/2") PACKAGE LEAN IT OVER TOWARD THE ART CHIP.
3. BEND THE LEADS OF THE XLR JACKS (AND ONE 1/4"-SEE #6).
4. BEND THE LEADS OF 1/4" JACK JB2F ONLY.
5. INSTALL EQ POT JIG BEFORE WAVE SOLDERING AND LEAVE IN PLACE FOR WIRING.
6. THE HOLE BETWEEN 'P2F' AND 'P2G' MAY BE USED TO SUPPORT THE BOARD WHILE WAVE SOLDERING.
7. SOLDER WITH THE JIG FOR 9MM POTS AND THE JACKS.
8. PUT A NUT ON JB2F TO HOLD THE JIG DOWN FOR SOLDERING
9. SHEAR LEFT AND RIGHT SIDES BEFORE THE TOP AND BOTTOM SO THE BOARD WILL FIT INTO THE SHEAR.



M1108.PCB POT LIST				
MODEL(S) :- MP6D				
REF	FUNCTION	PART#	KNOB	AS OF
P13C-H	CHAN GAIN	#4567	#8392	JAN/2000
P14C-H	CHAN MONITOR	#4567	#8394	.
P12C-H	CHAN BASS	#4568	#8393	.
P11C-H	CHAN TREBLE	#4566	#8393	.
P15C-H	CHAN EFX_SND	#4566	#8395	.
P9	EFX MAIN	#4568	#8395	.
P10	EFX-MONITOR	#4568	#8395	.
P7	MAIN	#4566	#8392	.
P8	MONITOR	#4566	#8394	.
P13-P21	EQ SLIDE	#3999	.	.
P11	EFX_ENCODER	#4583	#8397	.
R	F	P	K	N



M1108.PCB DATABASE HISTORY		
MODEL(S) :-	MP-6D	
#	DATE	VER#
1	96/09/17	1.0P0
2	96/09/26	1.0P1
3	.	.
4	.	.
5	.	.
6	.	.
7	.	.
8	.	.
9	.	.
10	97/01/30	2.00
11	FEB/12/97	.
12	MAR/4/97	3.00
13	.	.
14	.	.
15	.	.
16	.	.
17	APR/22/97	4.00
18	.	.
19	APR/09/98	4.01
20	.	.
21	D	P1.00
22	DEC/8/98	P1.00
23	D	P1.00

#	DATE	VER#	DESCRIPTION OF CHANGE
24	MAR/09/99	2.00	PC#5952 ADD 13K (R123) MAIN EFF OUT
25	.	.	REC OUT-470P(C69) REC OUT BUSS->GND
26	APR/07/99	.	PC#5978 RING OF AMP/IN JK->GND
27	.	.	PC#5897 R119C-H 1K->100K
28	JUN/14/99	2.10	PC#5988 XLR #3454->#3925
29	NOV/01/99	3.00	PC#6136 MOVE R5FX
30	MAR/30/00	3.10	PC#6223 C70C->C70H 330u/25V->330u/16V R108 4K7->10K R102C->H, R103C->H 4K7->4K99
31	.	.	PC#6292 R16FX 680R->470R DEL C5FX
32	OCT/16/00	3.20	PC#6337 C70A-F 330u/25V->330u/16V
33	NOV/01/00	4.00	PC#6309 C26C-H, C28C-H, C76C-G, C103
34	FEB/14/01	4.10	1N5/200V->1N0/50V PT#5603
35	.	.	PC#6649 O3C-H, Q1, Q2 MPSA13->MPSA06
36	OCT/28/03	4.20	PC#6771 #3571->#3507 SKT FOR #6993 SRAM
37	NOV/23/04	.	PC#6867 REDO SOLDER MASK
38	APR/20/05	5.00	PC#6954 SHRINK MASK PADS
39	OCT/18/05	6.00	
40	D	V	N
41	D	V	N
42	D	V	N
43	D	V	N
44	D	V	N
45	D	V	N
46	D	V	N
47	D	V	N
48	D	V	N
49	D	V	N
50	D	V	N

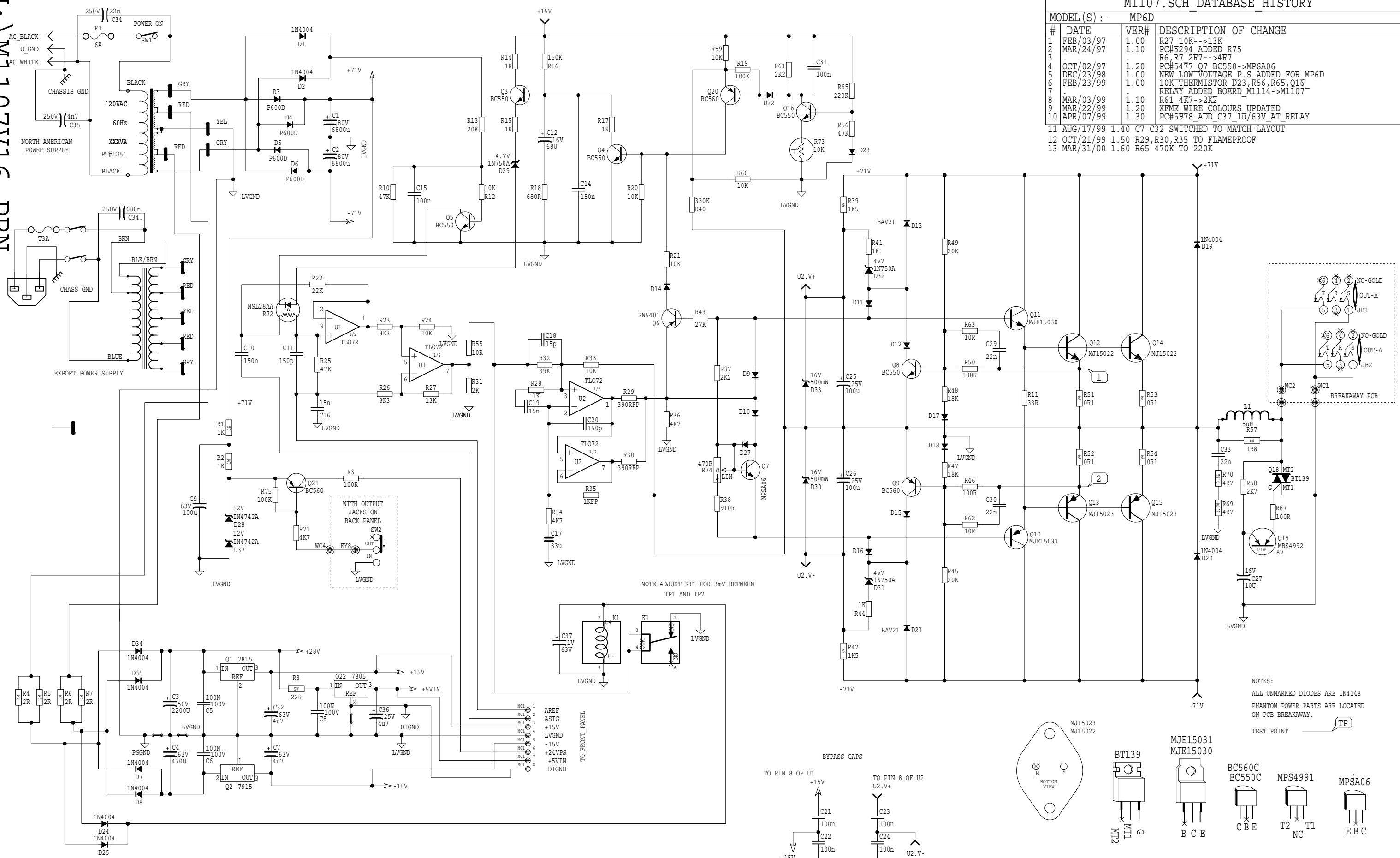
NOTE: R16FX USE 1/8W 681R NO 680R MINI

SHEAR

U:\M1107V16.PRN

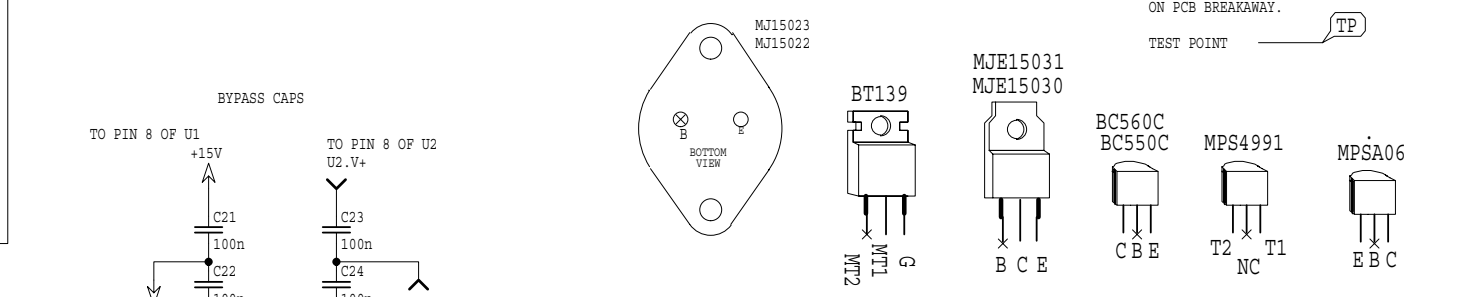
M1107.SCH DATABASE HISTORY

MODEL(S) :- MP6D			
#	DATE	VER#	DESCRIPTION OF CHANGE
1	FEB/03/97	1.00	R27 10K-->13K
2	MAR/24/97	1.10	PC#5294 ADDED R75 R6, R7 2R7-->4R7
3			
4	OCT/02/97	1.20	PC#5477 Q7 BC550->MPSA06
5	DEC/23/98	1.00	NEW LOW VOLTAGE P.S ADDED FOR MP6D
6	FEB/23/99	1.00	10K THERMISTOR D23,R56,R65,Q16 RELAY ADDED BOARD_M1114->M1107
7			
8	MAR/03/99	1.10	R61 4K7->2K2
9	MAR/22/99	1.20	XFMR WIRE COLOURS UPDATED
10	APR/07/99	1.30	PC#5978 ADD C37 1u/63V AT RELAY
11	AUG/17/99	1.40	C7 C32 SWITCHED TO MATCH LAYOUT
12	OCT/21/99	1.50	R29,R30,R35 TO FLAMEPROOF
13	MAR/31/00	1.60	R65 470K TO 220K



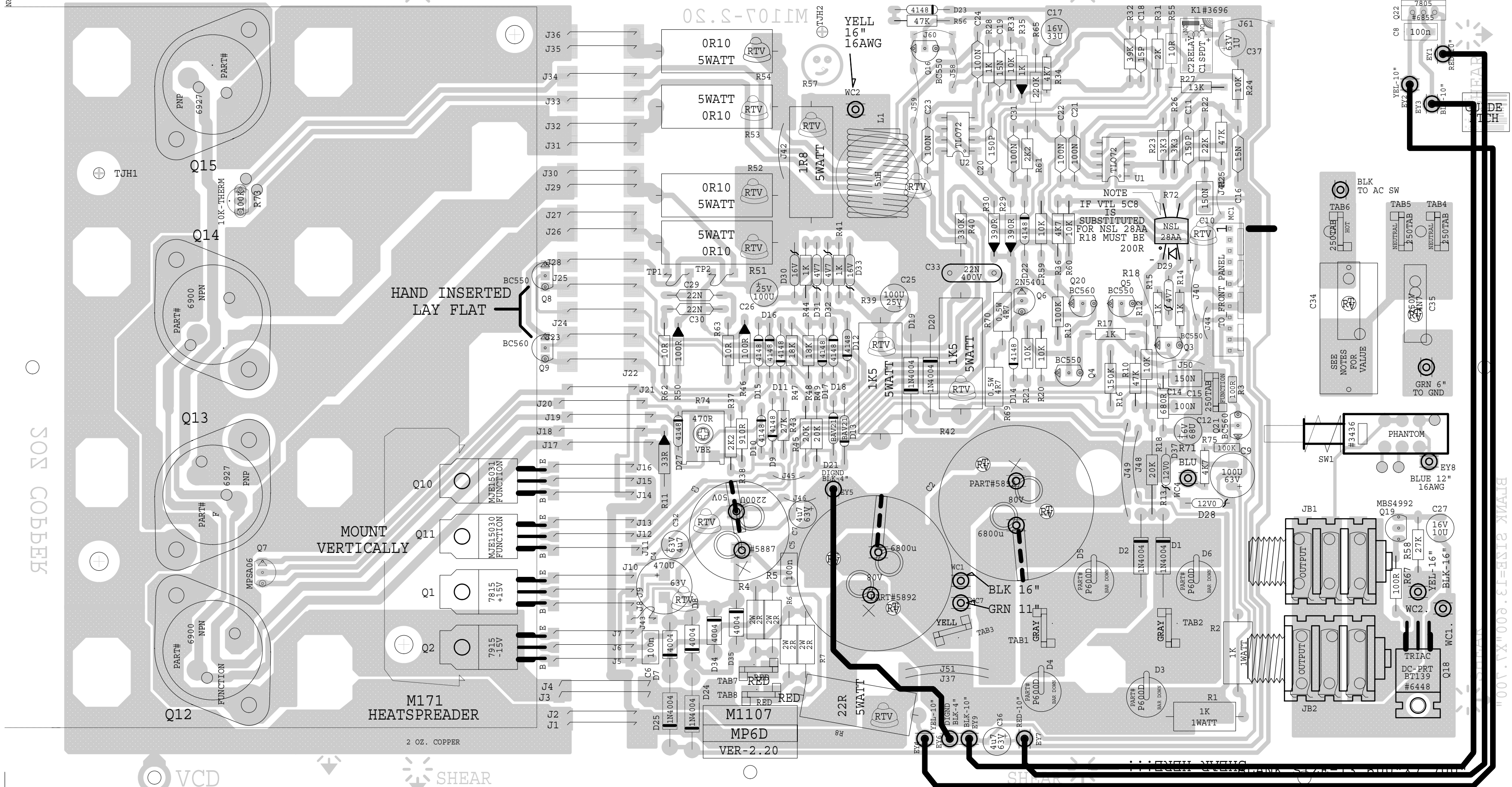
NOTE: ADJUST RT1 FOR 3mV BETWEEN TP1 AND TP2

NOTES:  
ALL UNMARKED DIODES ARE IN4148  
PHANTOM POWER PARTS ARE LOCATED ON PCB BREAKAWAY.  
TEST POINT TP



YORKVILLE	DATE: MAR/31/2000	MODELS: MP-6D POWER-AMP	SCH ISSUE: 1.60
	NAME: M1107.SCH	PCB#: M1107	TITLE: 325W_PWR-AMP





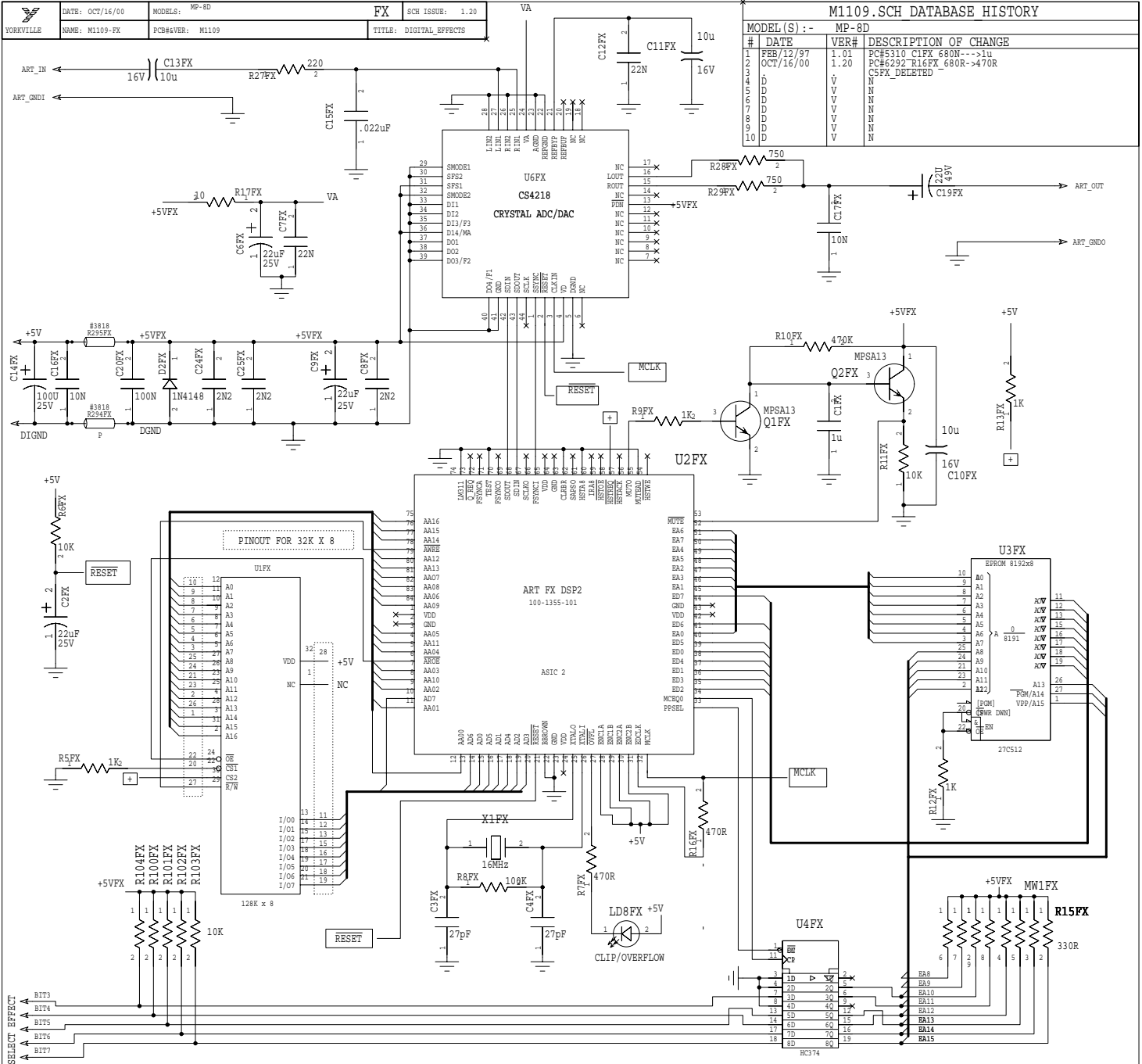
M1107.PCB_DATABASE_HISTORY		#	DATE	VER#	DESCRIPTION OF CHANGE
MODEL(S) :- MP6D		24	D	V	N
1	OCT/24/94	3.50	PC#4682 ENLARGE HIGH CURRENT TRACES	V	N
2	JAN/04/95	4.00	ENLARGED TRACES THAT FAILED DURING TEST OF VER#3.50	V	N
3				V	N
4	APR/07/95	4.10	PC#4745 MOVE PHANTOM LED AWAY FROM SWITCH, ADDED MORE COPPER FOR PWR SUPPLY DIODES	V	N
5				V	N
6				V	N
7	JAN/05/95	4.20	MODIFY PCB FOR 470N EXPORT AC CAP	V	N
8	96/10/10	1.0P0	NEW BOARD FOR NEW STYLE FRONT D28,24V0/5W-->2X12V0/1W,D28,D37	V	N
9				V	N
10	97/01/07	1.00	FIRST PRODUCTION PCB	V	N
11	97/01/15	1.01	FIXED THREE COPPER_SHORTS	V	N
12	FEB/03/97	1.02	R27 10K-->13K	V	N
13	MAR/24/97	1.03	R6, R7 2R7-->4R7	V	N
14	MAR/25/97	2.00	PC#5294 ADDED R75 100K	V	N
15	OCT/02/97	2.10	PC#5477 Q7 BC550->MPSA06	V	N
16	DEC/11/98	2.20	CHG PHNTM SWT HOLES TO .055&.047	V	N
17	FEB/23/99	1.00	M1107 PCB DERIVED FROM M1114	V	N
18	MAR/03/99		R61 4K7->2K2	V	N
19	APR/07/99	2.00	PC#5978 ADD C37 1u/63V AT RELAY	V	N
20	OCT/21/99	2.10	PC#6139 R29,R30,R35 TO FLAMEPROOF	V	N
21	MAR/31/00	2.20	PC#6224 R65 470K->220K	V	N
22	D	V	N	V	N
23	D	V	N	V	N
24	D	V	N	V	N
25	D	V	N	V	N
26	D	V	N	V	N
27	D	V	N	V	N
28	D	V	N	V	N
29	D	V	N	V	N
30	D	V	N	V	N
31	D	V	N	V	N
32	D	V	N	V	N
33	D	V	N	V	N
34	D	V	N	V	N
35	D	V	N	V	N
36	D	V	N	V	N
37	D	V	N	V	N
38	D	V	N	V	N
39	D	V	N	V	N
40	D	V	N	V	N
41	D	V	N	V	N
42	D	V	N	V	N
43	D	V	N	V	N
44	D	V	N	V	N
45	D	V	N	V	N
46	D	V	N	V	N
47	D	V	N	V	N
48	D	V	N	V	N
49	D	V	N	V	N
50	D	V	N	V	N

- PRODUCTION NOTES**
- C34 680N PT#5266 CAP FOR EXPORT  
22N PT#6435 FOR NORTH AMERICA
  - DO NOT STUFF C35 FOR EXPORT VERSIONS
  - FOR Q7 FILL HOLE IN THE HEAT SPREADER WITH THICK GOOP (TO BE DONE ON WIRING LINE)
  - IF 10K THERMISTOR IS STUFFED  
STUFF Q16, R56, D23, R65  
DO NOT STUFF J60  
  
IF 100K THERMISTOR IS STUFFED  
STUFF J60  
DO NOT STUFF Q16, R56, D23, R65


YORKEVILLE	DATE: OCT/16/00	MODELS: MP-8D	FX	SCH ISSUE: 1.20
	NAME: M1109-FX	PCB#/VER: M1109	TITLE: DIGITAL_EFFECTS	

M1109.SCH DATABASE HISTORY

MODEL(S) :- MP-8D			
#	DATE	VER#	DESCRIPTION OF CHANGE
1	FEB/12/97	1.01	PC#5310 C1FX 680N-->11u
2	OCT/16/00	1.20	PC#6292 R16FX 680R->470R
3			C5FX DELETED
4			
5			
6			
7			
8			
9			
10			

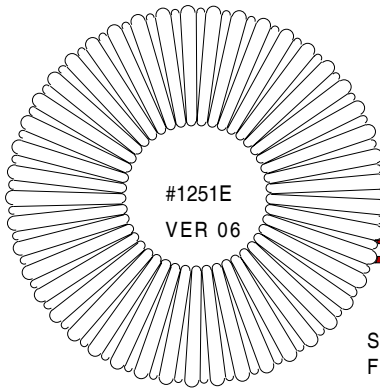


# DIGITAL EFFECTS

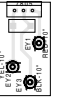
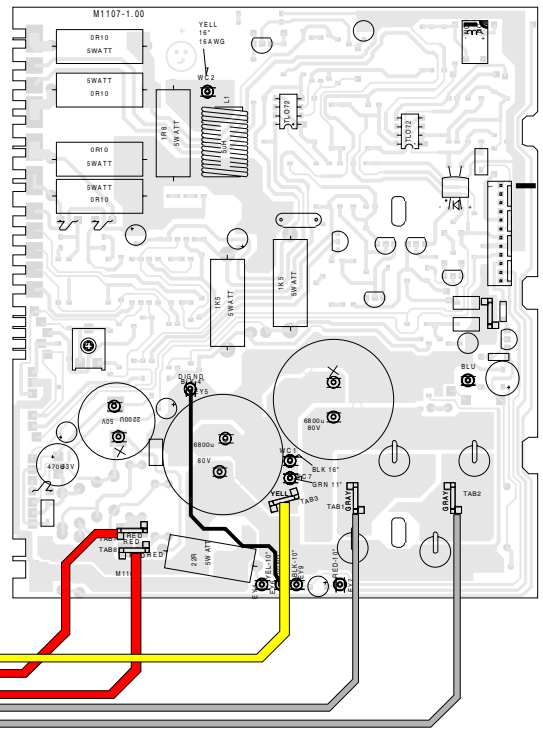
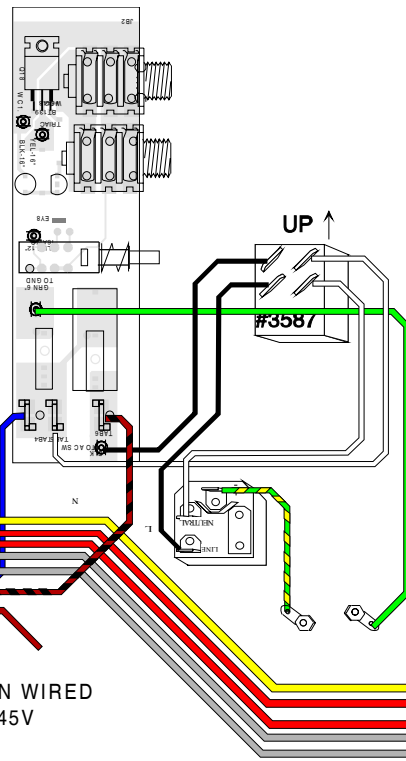
REVISED BY	DATE	DESCRIPTION
R. NEATROUR	2-16-94	
A. CHILCO	1996/10/17	
 APPLIED RESEARCH & TECHNOLOGY 215 TRIMONT STREET ROCHESTER, NY 14608		
ART OEM REVERB BOARD		
400-4001-100		
DATE	ISSUE	PAGE
12-1-94	M1092-FX	4 OF 4



MP6DCE  
AC WIRING  
JULY 2003



SHOWN WIRED  
FOR 245V



## SHUT DOWN PROBLEM

THE MP6D PWR. TRANSFORMER (Y.S CH1251) HAS 130 DEG. C AUTO -RESET THERMAL SWITCH .  
IT HAS BEEN ESTABLISHED THE TRANSFORMER SWITCH ACTIVATES ( OFF-CONDITION) AFTER ABOUT 1 HOUR  
OF CONTINUES OPERATION AT MAX. LEVEL.. AT THIS POINT OUTSIDE HEATSINK TEMPARATUE HAS REACHED  
APPROX. 86 DEG. C.